

REPORT OF WATERMASTER

Western Municipal Water District of Riverside County, et al
Plaintiffs

vs.

East San Bernardino County Water District, et al
Defendants

Superior Court of Riverside County

Case No. 78426

VOLUME 1-1974

VERIFIED EXTRACTIONS FROM

SAN BERNARDINO BASIN AREA

By Non-Plaintiffs For Use Within San Bernardino County

FOR

CALENDAR YEARS 1959-1963 AND 1970-1974

ANNUAL ACCOUNTING

FOR INDIVIDUAL WELLS

AUGUST 1, 1976

WATERMASTER

James C. Hanson
Donald L. Harriger

VOLUME 1-1974

TABLE OF CONTENTS

	<u>Page</u>
INTRODUCTION	1
SAN BERNARDINO BASIN AREA, CROSS INDEX BY OWNER	4
SAN BERNARDINO BASIN AREA, CROSS INDEX BY RECORDATION NUMBER	35
SAN BERNARDINO BASIN AREA, CROSS INDEX BY STATE WELL NUMBER	66
CHANGE IN OWNERSHIP FROM BASE PERIOD	97
<u>TABLE NO. 1</u>	
EXTRACTIONS BY OWNERS (NON-PLAINTIFFS) WHICH HAVE RECORDATION FILINGS WITH THE STATE WATER RESOURCES CONTROL BOARD	99
<u>TABLE NO. 2</u>	
EXTRACTIONS BY OWNERS (NON-PLAINTIFFS) WHICH HAVE NOT FILED WITH THE STATE WATER RESOURCES CONTROL BOARD	144
<u>TABLE NO. 3</u>	
SUMMARY OF EXTRACTIONS (FILED AND NON-FILED) FROM SAN BERNARDINO BASIN AREA BY NON-PLAINTIFFS FOR USE WITHIN SAN BERNARDINO COUNTY	162
<u>TABLE NO. 4</u>	
LYTLE CREEK VERIFICATION OF EXTRACTIONS FOR CALENDAR YEARS 1959-1963 & 1970-1974	191
<u>TABLE NO. 5</u>	
MILL CREEK VERIFICATION OF EXTRACTIONS FOR CALENDAR YEAR 1974	201
<u>TABLE NO. 6</u>	
SANTA ANA RIVER VERIFICATION OF EXTRACTIONS FOR CALENDAR YEAR 1974	202

	<u>Page</u>
<u>TABLE NO. 7</u>	
SUMMARY OF REPORTED EXTRACTIONS FROM LYTLE CREEK, MILL CREEK, AND SANTA ANA RIVER	203
<u>TABLE NO. 8</u>	
SUMMARY OF PRODUCTION FROM SAN BERNARDINO BASIN AREA AND CORRECTION FOR VERIFIED DIVERSIONS OF MAJOR STREAMFLOWS	204
<u>PLATE NO. 1</u>	
SCHEMATIC DIAGRAM OF LYTLE CREEK DIVERSION FACILITIES AND CONDUITS	205
<u>PLATE NO. 2</u>	
SCHEMATIC DIAGRAM OF MILL CREEK DIVERSION FACILITIES AND CONDUITS	206
<u>PLATE NO. 3</u>	
SCHEMATIC DIAGRAM OF SANTA ANA RIVER DIVERSION FACILITIES AND CONDUITS	207

VERIFIED EXTRACTIONS
FROM THE SAN BERNARDINO BASIN AREA
BY NON-PLAINTIFFS FOR USE WITHIN
SAN BERNARDINO COUNTY FOR CALENDAR YEARS
1959-1963 & 1970-1974

INTRODUCTION

The provisions of Paragraphs V(b) and VI(c) of the Judgment in Case No. 78426 entered April 17, 1969, entitled "San Bernardino Valley Replenishment", provide as follows:

- V(b) "The total actual average annual extractions from the San Bernardino Basin Area by entities other than Plaintiffs for use within San Bernardino County for the five-year period ending with 1963 are assumed to be 165,407 acre feet; the correct figure shall be determined by the Watermaster as herein provided."
- VI(c) "San Bernardino Valley shall provide imported water for replenishment of the San Bernardino Basin Area at least equal to the amount by which extractions therefrom for use within San Bernardino County exceed during any five-year period the sum of: (a) five times the total average annual extractions determined under Paragraph V(b) hereof, adjusted as may be required by the natural safe yield of the San Bernardino Basin Area; and (b) any new conservation to which users within San Bernardino Valley are entitled. Such replenishment shall be supplied in the year following any five-year period; provided that during the first five-year period, San Bernardino Valley shall supply annual amounts on account of its obligations hereunder, and such amounts shall be not less than fifty percent of the gross amount of excess extractions in the previous year."

Compliance with these provisions of the Judgment requires that an accounting of the total actual extractions of surface and ground water within the San Bernardino Basin Area be made annually. Included in this Volume 1-1974 is the verified accounting of such production by non-plaintiff owners for the calendar year 1974. The verified production for the five-year base period ending with 1963 and the verified production for 1970, 1971, 1972 and 1973 are also included for comparison.

Since the provisions of Paragraph VI are effective from and after January 1, 1971, the findings for the 1970 calendar year reported herein are for general information and planning purposes only. The accounting for administration of the Judgment provisions begins with the 1971 calendar year.

Table No. 1 of this report is the verified extractions of individual facilities by owners which have recordation filings with the State Water Resources Control Board.

Table No. 2 is the verified extractions by non-filers.

Table No. 3 is a summary of owner totals from both Tables 1 and 2.

Table No. 4 is the verification of the total Lytle Creek stream diversions by Fontana Union Water Company, West San Bernardino County Water District, City of Rialto, City of San Bernardino and Mount Vernon Water Company. The total verified Lytle Creek stream diversion takes into account the return flow to Lytle Creek from the Fontana Power House afterbay as measured by the U.S.G.S. During the verification of the 1973 extractions, the Watermaster became aware that operational procedures by West San Bernardino County Water District and the City of Rialto also resulted in substantial return flows to Lytle Creek which were not previously accounted for. Available data regarding such return flow was obtained and analyzed and the verified Lytle Creek stream diversions for the years 1970 through 1973 were revised accordingly. These revised data were initially reported in Volume 1-1973.

Table No. 5 and Table No. 6 constitute a departure from the format used in previous reports. Through the cooperation of Bear Valley Mutual Water Company, Crafton Water Company and the City of Redlands the Watermaster is now obtaining production records which allow a monthly accounting and verification of the surface diversions from Mill Creek and the Santa Ana River.

Table No. 5 of this report sets forth the monthly verification of the Mill Creek stream diversions and Table No. 6 sets forth the verification of the Santa Ana River stream diversions.

Table No. 7 shows the recorded diversions by entity from the major streams in San Bernardino Basin Area, Lytle Creek, Mill Creek and Santa Ana River. Schematic diagrams of the diversion works on each of these three major streams are shown on Plates 1, 2, and 3.

Table No. 8 is also a departure from the format of previous reports. In earlier reports, the Total Verified Production was determined at the end of Table No. 3. Commencing with this report, Volume 1-1974, the determination of the Total Verified Production will be shown on Table 8.

The total verified extraction of water from the San Bernardino Basin Area by non-plaintiff owners for the calendar year 1974 is 158,718 acre-feet.

SAN BERNARDINO BASIN AREA,

CROSS INDEX BY OWNER

SAN BERNARDINO BASIN AREA
CROSS INDEX BY OWNER

OWNER NAME	RECORDATION NUMBER	STATE WELL NUMBER	LOCAL DESIGNATION	BASIN NAME
AHMANSON RANCH	NON-FILER	1S4W27H		
ANDERSON, W.D.	NON-FILER	1N4W25R		
ARMSTRONG, DOUGLAS	3600076	1S3W17	2	BNK HILL
ARNOLD RANCH	NON-FILER	1N3W34H		
ARROWHEAD COUNTRY CLUB	3601925	1N4W23E	1	BNK HILL
ARROYO VERDE MUTUAL WATER CO.	3602068	1S4W01A02S	1	BNK HILL
ARROYO VERDE MUTUAL WATER CO.	3602069	1S4W01A	2	BNK HILL
ATCHISON, TOPEKA & SANTA FE RAILWAY CO.	3600178	1S4W08F02S	3	BNK HILL
ATCHISON, TOPEKA & SANTA FE RAILWAY CO.	3600179	1S4W08F	4	BNK HILL
B M I FUNDS	3600107	1S3W21P01	COLTON 1	BNK HILL
BALCOM	NON-FILER	1S4W11H		
BALDWIN	NON-FILER	1N3W34K		
BARRIER	NON-FILER	1S4W22B		
BASE LINE WELL COMPANY	3600456	1N3W33R02S	1	BNK HILL
BASELINE GARDENS MUTUAL WATER COMPANY	3600457	1N4W35J02S	PAC&BARL	BNK HILL
BASELINE GARDENS MUTUAL WATER COMPANY	3600458	1N4W36M01S	PS & B 2	BNK HILL
BASELINE GARDENS MUTUAL WATER COMPANY	3602528	1N4W35R01	3	
BASELINE LAUNDRY	NON-FILER	1N3W31Q		
BASELINE LAUNDRY	NON-FILER	1N3W31		
BATCHELOR	NON-FILER	1N4W14R		
BATCHELOR	NON-FILER	1N4W14R		
BEAR VALLEY MUTUAL WATER COMPANY	3600021	1N2W26H	SANTA ANA 1	

SAN BERNARDINO BASIN AREA
CROSS INDEX BY OWNER

OWNER NAME	RECORDATION NUMBER	STATE WELL NUMBER	LOCAL DESIGNATION	BASIN NAME
BEAR VALLEY MUTUAL WATER COMPANY	3600022	1N2W34	SANTA ANA 2	
BEAR VALLEY MUTUAL WATER COMPANY	3600023	1S3W24C	JUDSON 1	BNK HILL
BEAR VALLEY MUTUAL WATER COMPANY	3600024	1S2W19D	WABASH 2	BNK HILL
BEAR VALLEY MUTUAL WATER COMPANY	3600025	1N3W29R01S	PALM AV3	BNK HILL
BEAR VALLEY MUTUAL WATER COMPANY	3600027	1N2W10N	ALDER CR	
BEAR VALLEY MUTUAL WATER COMPANY	3600028	1S2W04N		BNK HILL
BEAR VALLEY MUTUAL WATER COMPANY	3601586	1S3W15F02S	ORANGE 5	BNK HILL
BEELER, RAYMOND A.	3600451	1S3W15		BNK HILL
BELL, H. EUGENE	3600449	1S3W20	BELL WELL	
BERMAN, JERRY	NON-FILER	1S4W02K	OLD WELL	
BERMAN, JERRY	NON-FILER	1S4W02J		
BERMAN, JERRY & SONS	3602007	1S4W02	2	BNK HILL
BEVERLY ASSOCIATES	3602065	1S3W32J02S	DOC. LEE	
BLISS	NON-FILER	1S2W22E		
BLUE GOOSE GROWERS INC	3602529	1S2W09P02	NO. 6	
BLUE GOOSE GROWERS INC	3602530	1S2W09L02S	NO. 11	
BLUE GOOSE GROWERS INC	3602531	1S2W09L03S	TUNNEL DIV.	
BOUCHER	NON-FILER	1N4W14J		
BREAK, ALLEN, ESTATE	NON-FILER	1S3W31A		
BRISTOL RANCH	3601631	1N3W34C02S	1	BNK HILL
BROOKSIDE DAIRY, INC	3600036	1S3W33D	1	BNK HILL
BRYN MAWR MUTUAL WATER COMPANY	3600053	1S3W31A	1	BNK HILL

SAN BERNARDINO BASIN AREA
CROSS INDEX BY OWNER

OWNER NAME	RECORDATION NUMRFR	STATE WELL NUMBER	LOCAL DESIGNATION	BASIN NAME
BRYN MAWR MUTUAL WATER COMPANY	360054	1S3W31A	2	BNK HILL
BRYN MAWR MUTUAL WATER COMPANY	360055	1S3W31A	3	BNK HILL
BRYN MAWR MUTUAL WATER COMPANY	3602109	1S3W31B00S	4	BNK HILL
RUOYE WELL	3602062	1S2W29N	1	BNK HILL
CALIFORNIA, STATE OF PATTON HOSPITAL	3600923	1N3W32C01S	PATTON 1	BNK HILL
CALIFORNIA, STATE OF PATTON HOSPITAL	3600924	1N3W29M01S	PATTON 2	BNK HILL
CALIFORNIA, STATE OF PATTON HOSPITAL	3600924-	1N3W29M	2A	BNK HILL
CALIFORNIA, STATE OF PATTON HOSPITAL	3600929	1N3W31K02S	PATTON 8	BNK HILL
CALIFORNIA, STATE OF PATTON HOSPITAL	3600931	1N3W29M01S	PATTON 10	BNK HILL
CALIFORNIA, STATE OF PATTON HOSPITAL	3601930	1N3W32C02S	PATTON 11	BNK HILL
CALIFORNIA, STATE OF PATTON HOSPITAL	3602381	1N3W29M	14	BNK HILL
CANYON KNOLLS RANCH	3601632	283W05A2	MARCUM WELL	
CANYON RANCH	3600523	1S3W32G03S	HNTSCHKE	BNK HILL
CARDIFF FARMS MUTUAL WATER COMPANY	3600973	1S4W12D	1	BNK HILL
CARDIFF FARMS MUTUAL WATER COMPANY	3601619	1S4W12D	2	BNK HILL
CARPENTER	NON-FILER	1S4W22B		
CHARLES, J. J.	3600815	1S3W06		BNK HILL
CHRISTINA WATER COMPANY	3601751	1S3W21E	ALABAMA	BNK HILL
CLIFFSIDE RANCH	NON-FILER	1S3W03F		
COLTON, CITY OF	3601250	1S4W08R	4	BNK HILL
COLTON, CITY OF	3601251	1S4W08R	5	BNK HILL
COLTON, CITY OF	3601252	1S4W05R	6	BNK HILL

SAN BERNARDINO BASIN AREA
CROSS INDEX BY OWNER

OWNER NAME	RECORDATION NUMBER	STATE WELL NUMBER	LOCAL DESIGNATION	BASIN NAME
COLTON, CITY OF	3601253	1S4W08R	7	BNK HILL
COLTON, CITY OF	3601254	1S4W08F	8	BNK HILL
COLTON, CITY OF	3601256	1S4W09N	PLUNGE 12	BNK HILL
COLTON, CITY OF	3601257	1S4W08F	13	BNK HILL
COLTON, CITY OF	3601258	1S4W08R	14	BNK HILL
COLTON, CITY OF	3601260	1S4W08F019	16	BNK HILL
COLTON, CITY OF	3601262	1S4W08C025	BARNHL 10	BNK HILL
COLTON, CITY OF	3602405	1S4W08C	19	BNK HILL
COLTON, CITY OF	3602498	1S4W08R07	6R	
CONEJO RANCHOS MUTUAL WATER COMPANY	3601186	1N4W36F03S	1	BNK HILL
COOK CANYON	NON-FILER	1N3W27R		
COOK ORCHARDS COMPANY	3600527	1S3W16	HOME	BNK HILL
CRAFTON WATER COMPANY	3600272	1S2W29N	5TH AVE 1	BNK HILL
CRAFTON WATER COMPANY	3602186	1S2W21L02	2	BNK HILL
CRAM PATTERSON WELL	3600188	1S2W16	CRAMPAT 2	BNK HILL
CRAM, FRANCES L.	3601628	1S2W09Q	2	BNK HILL
CRIM WELL	3601172	1S3W20C		BNK HILL
CRIM, W. POSCOE	3601171	1S3W20F	1	BNK HILL
CRYSTAL SPRINGS	NON-FILER	2S2W06D		
DANGLD DAIRY	NON-FILER	1S4W11F		
DANIELS AND BEST RANCH	3602549	1S3W19J	CALIF STREET	
DANIELS AND BEST RANCH	3602550	1S3W17R	ALABAMA ST	

SAN BERNARDINO BASIN AREA
CROSS INDEX BY OWNER

OWNER NAME	RECORDATION NUMBER	STATE WELL NUMBER	LOCAL DESIGNATION	BASIN NAME
DANIELS, DON	NON-FILER	193W19J		
DANIELS, HAROLD	NON-FILER	193W17R	RANCH	
DANIELS, HAROLD	NON-FILER	193W17C	DOMEST. WELL	
DEL ROSA MUTUAL WATER COMPANY	3601809	1N4W26	GOLDNAV 1	BNK HILL
DEL ROSA MUTUAL WATER COMPANY	3601810	1N4W23E	PKXSDE 2	BNK HILL
DEL ROSA MUTUAL WATER COMPANY	3601811	1N4W14	FAST TWIN	DEVIL CAN
DFL ROSA MUTUAL WATER COMPANY	3602370	1N4W25F	4A	BNK HILL
DEVORE WATER CO.	3602382	2N5W28D	1	L CAJON
DEVORE WATER CO.	3602383	2N5W28C	2	L CAJON
DEVORE WATER CO.	3602364	2N5W28C	3	L CAJON
DEVORE WATER CO.	3602385	2N5W20H	MEDLIN CR.	L CAJON
DEVORE WATER CO.	3602386	2N5W21E	LETHIN SP.	L CAJON
DEVORE WATER CO.	3602387	2N5W22E	E. KIMBARK	L CAJON
DEVORE WATER CO.	3602388	2N5W21G	KIMBARK	L CAJON
DEVORE WATER CO.	3602389	2N5W22N	HOPPER	L CAJON
DEVORE WATER CO.	3602390	2N5W28R	SANTA FE	L CAJON
DEVORE WATER CO.	3602391	2N5W28D	CASADY	L CAJON
DEVORE WATER CO.	3602428	2N5W33H	4	L CAJON
DILLSON MUT. WTR. CO.	NON-FILER	1N4W13P	DILLSON AVE	
DILLSON MUT. WTR. CO.	NON-FILER	1N4W13P	HARRISON CYN	
DILLSON MUT. WTR. CO.	NON-FILER	1N4W13P	CISCO WELL	
DUDA, WALTER AND BETTY	3601839	193W10D01S	1	BNK HILL

SAN BERNARDINO BASIN AREA
CROSS INDEX BY OWNER

OWNER NAME	RECORDATION NUMBER	STATE WELL NUMBER	LOCAL DESIGNATION	BASIN NAME
EAST BARTON WATER COMPANY	3600608	1S3W28B01S	BARTON	BNK HILL
EAST COLTON AVENUE WATER COMPANY	3600240	1S2W30	SOUTH WELL	BNK HILL
EAST COLTON AVENUE WATER COMPANY	3601645	1S2W30H	1	BNK HILL
EAST HIGHLANDS ORANGE COMPANY	NON-FILER	1S2W06	TUNNEL DIV.	
EAST HIGHLANDS ORANGE COMPANY	NON-FILER	1N3W35R	BOX SPRING	
EAST LUGONIA MUTUAL WATER CO.	3600005	1S3W35H08S	LUETCKE	BNK HILL
EAST LUGONIA MUTUAL WATER CO.	3600006	1S2W19G01S	BERYL ST	BNK HILL
EAST LUGONIA MUTUAL WATER CO.	3600038	1S2W17		BNK HILL
EAST PIONEER MUTUAL WELL COMPANY	3602224	1S3W13P		BNK HILL
EAST SAN RDNO. COUNTY WATER DIST.	NON-FILER	1N3W30C	NO. 36	
EAST SAN RDNO. COUNTY WATER DIST.	NON-FILER	1S3W04P	NO. 43	
EAST SAN RDNO. COUNTY WATER DIST.	NON-FILER	1N3W30C	NO. 44	
EAST SAN RDNO. COUNTY WATER DIST.	NON-FILER	1N3W31A	NO. 45	
EAST SAN RDNO. COUNTY WATER DIST.	NON-FILER	1S3W05G	NO. 46	
EAST SAN RDNO. COUNTY WATER DIST.	NON-FILER	1N4W36H	NO. 52	
EAST SAN RDNO. COUNTY WATER DIST.	NON-FILER	1S3W06	NO. 69	
EAST SAN RDNO. COUNTY WATER DIST.	NON-FILER	1N3W31D	NO. 70	
EAST SAN RDNO. COUNTY WATER DIST.	NON-FILER	1S3W06E	NO. 71	
EAST SAN RDNO. COUNTY WATER DIST.	NON-FILER	1S3W06B	NO. 72	
EAST SAN RDNO. COUNTY WATER DIST.	NON-FILER	1S3W06C	NO. 74	
EAST SAN RDNO. COUNTY WATER DIST.	NON-FILER	1S4W02L	NO. 75	
EAST SAN RDNO. COUNTY WATER DIST.	NON-FILER	1S3W06P	NO. 78	

SAN BERNARDINO BASIN AREA
CROSS INDEX BY OWNER

OWNER NAME	RECORDATION NUMBER	STATE WELL NUMBER	LOCAL DESIGNATION	BASIN NAME
EAST SAN RDNO. COUNTY WATER DIST.	NON-FILER	1S3W050	NO. 80	
EAST SAN RDNO. COUNTY WATER DIST.	NON-FILER	1S3W06M	NO. 81	
EAST SAN BDNO. COUNTY WATER DIST.	NON-FILER	1S3W060	NO. 83	
EAST SAN RDNO. COUNTY WATER DIST.	NON-FILFR	1S3W03N	NO. 84	
EAST SAN RDNO. COUNTY WATER DIST.	NON-FILER	1N4W250	NO. 85	
EAST SAN RDNO. COUNTY WATER DIST.	NON-FILER	1S3W03N	NO. 93	
EAST SAN RDNO. COUNTY WATER DIST.	NON-FILFR	1S3W05J	NO. 95	
EAST SAN BDNO. COUNTY WATER DIST.	NON-FILER	1S4W01D	NO. 96	
EAST SAN RDNO. COUNTY WATER DIST.	NON-FILER	1S3W06N	NO. 97	
EAST SAN RDNO. COUNTY WATER DIST.	NON-FILER	1S3W04Q	NO. 106	
EAST SAN RDNO. COUNTY WATER DIST.	3600026	1S3W04J	NO. 102	
EAST SAN RDNO. COUNTY WATER DIST.	3600058	1S3W03F	NO. 53	BNK HILL
EAST SAN RDNO. COUNTY WATER DIST.	3600183	1S4W02	NO. 60	BNK HILL
EAST SAN BDNO. COUNTY WATER DIST.	3600221	1N3W30	NO. 63	
EAST SAN RDNO. COUNTY WATER DIST.	3600269	1N3W31L	NO. 68	BNK HILL
EAST SAN RDNO. COUNTY WATER DIST.	3600275	1N3W32	NO. 64	
EAST SAN BDNO. COUNTY WATER DIST.	3600444	1N3W30H01S	NO. 98	BNK HILL
EAST SAN RDNO. COUNTY WATER DIST.	3600466	1S3W04	NO. 48	BNK HILL
EAST SAN RDNO. COUNTY WATER DIST.	3600545	1N3W30	NUTW-DS	
EAST SAN BDNO. COUNTY WATER DIST.	3600643	1N4W25K01	NO. 66	BNK HILL
EAST SAN RDNO. COUNTY WATER DIST.	3600855	1N3W28P01S	SEAVEY 1	BNK HILL
EAST SAN BDNO. COUNTY WATER DIST.	3600864	1N3W19	NO. 79	BNK HILL

SAN BERNARDINO BASIN AREA
CROSS INDEX BY OWNER

OWNER NAME	RECORDATION NUMBER	STATE WELL NUMBER	LOCAL DESIGNATION	BASIN NAME
EAST SAN RDNO. COUNTY WATER DIST.	3600925	1S4W01001	NO. 100	BNK HILL
EAST SAN RDNO. COUNTY WATER DIST.	3600926	1S4W01F02S	PATTON 4	BNK HILL
EAST SAN RDNO. COUNTY WATER DIST.	3600928	1N3W31L02S	PATTON 7	BNK HILL
EAST SAN RDNO. COUNTY WATER DIST.	3600930	1N3W31L03S	PATTON 9	BNK HILL
EAST SAN RDNO. COUNTY WATER DIST.	3600970	1N3W19	LSC 1	BNK HILL
EAST SAN RDNO. COUNTY WATER DIST.	3600971	1N3W19F	L. SAND CR.	BNK HILL
EAST SAN RDNO. COUNTY WATER DIST.	3601184	1N3W33F01S	NO. 94	BNK HILL
EAST SAN RDNO. COUNTY WATER DIST.	3601504	1N3W33H01S	NO. 47	BNK HILL
EAST SAN RDNO. COUNTY WATER DIST.	3601653	1N4W36K04S	NO. 1	BNK HILL
EAST SAN RDNO. COUNTY WATER DIST.	3601654	1N4W36	NO. 1A	BNK HILL
EAST SAN RDNO. COUNTY WATER DIST.	3601655	1N4W36K05S	NO. 2	BNK HILL
EAST SAN RDNO. COUNTY WATER DIST.	3601656	1N4W36001S	NO. 6	BNK HILL
EAST SAN RDNO. COUNTY WATER DIST.	3601657	1S4W01R04S	NO. 7	BNK HILL
EAST SAN RDNO. COUNTY WATER DIST.	3601658	1N4W36R01S		BNK HILL
EAST SAN RDNO. COUNTY WATER DIST.	3601659	1S3W06H01S	NO. 9	BNK HILL
EAST SAN RDNO. COUNTY WATER DIST.	3601660	1S3W06H04S	NO. 9A	BNK HILL
EAST SAN RDNO. COUNTY WATER DIST.	3601661	1S4W01J08S	NO. 10	BNK HILL
EAST SAN RDNO. COUNTY WATER DIST.	3601662	1S4W02005S	11	BNK HILL
EAST SAN RDNO. COUNTY WATER DIST.	3601663	1S4W02004S	12	BNK HILL
EAST SAN RDNO. COUNTY WATER DIST.	3601664	1S4W02N01S	13	BNK HILL
EAST SAN RDNO. COUNTY WATER DIST.	3601665	1S4W01K04S	14	BNK HILL
EAST SAN RDNO. COUNTY WATER DIST.	3601666	1N4W36F08S	16	BNK HILL

SAN BERNARDINO BASIN AREA
CROSS INDEX BY OWNER

OWNER NAME	RECORDATION NUMBER	STATE WELL NUMBER	LOCAL DESIGNATION	BASIN NAME
EAST SAN RDNO. COUNTY WATER DIST.	3601667	1S3W06A05S	21	BNK HILL
EAST SAN RDNO. COUNTY WATER DIST.	3601668	1S4W01E02S	22	BNK HILL
EAST SAN RDNO. COUNTY WATER DIST.	3601669	1N4W36H06S	23	BNK HILL
EAST SAN RDNO. COUNTY WATER DIST.	3601670	1N4W26A01S	24	BNK HILL
EAST SAN RDNO. COUNTY WATER DIST.	3601671	1N4W26A02S	24A	BNK HILL
EAST SAN RDNO. COUNTY WATER DIST.	3601672	1N4W25B	25	BNK HILL
EAST SAN RDNO. COUNTY WATER DIST.	3601673	1N4W25C02S	25A	BNK HILL
EAST SAN RDNO. COUNTY WATER DIST.	3601674	1N4W25G01S	26	BNK HILL
EAST SAN RDNO. COUNTY WATER DIST.	3601675	1N4W25A01S	27	BNK HILL
EAST SAN RDNO. COUNTY WATER DIST.	3601676	1S4W12B05S	28	BNK HILL
EAST SAN RDNO. COUNTY WATER DIST.	3601677	1S3W05A02S	31	BNK HILL
EAST SAN RDNO. COUNTY WATER DIST.	3601678	1S3W05B04S	32	BNK HILL
EAST SAN RDNO. COUNTY WATER DIST.	3601679	1S3W05N05S	3A	BNK HILL
EAST SAN RDNO. COUNTY WATER DIST.	3601781	1S3W06K01S	35	BNK HILL
EAST SAN RDNO. COUNTY WATER DIST.	3601884	1N3W31C02S	30	BNK HILL
EAST SAN RDNO. COUNTY WATER DIST.	3601978	1S3W04N	40	BNK HILL
EAST SAN RDNO. COUNTY WATER DIST.	3601979	1N4W14A	EAST TWIN	DEVIL CAN
EAST SAN RDNO. COUNTY WATER DIST.	3602034	1S4W01G	12A	BNK HILL
EAST SAN RDNO. COUNTY WATER DIST.	3602113	1N3W30N	41	BNK HILL
EAST SAN RDNO. COUNTY WATER DIST.	3602174	1S4W02		BNK HILL
EAST SAN RDNO. COUNTY WATER DIST.	3602274	1N3W30J	39	BNK HILL
EAST SAN RDNO. COUNTY WATER DIST.	3602337	1N4W26A	24 B	BNK HILL

SAN BERNARDINO BASIN AREA
CROSS INDEX BY OWNER

OWNER NAME	RECORDATION NUMBER	STATE WELL NUMBER	LOCAL DESIGNATION	BASIN NAME
EAST SAN RDNO. COUNTY WATER DIST.	3602338	1S3W04N	40A	BNK HILL
EAST SAN RDNO. COUNTY WATER DIST.	3602563	1S4W02Q	11A	BNK HILL
EAST SAN RDNO. COUNTY WATER DIST.	3602564	1S4W12R	28A	BNK HILL
EASTWOOD FARMS COMMUNITY WATER USERS	3602130	1S4W01P01S	1	BNK HILL
EASTWOOD FARMS COMMUNITY WATER USERS	3602131	1S4W01P02S	2	BNK HILL
ELLENA, JOHN B.	NON-FILER	1N4W08N		
ELLGOND	NON-FILER	1S2W24C		
ELTINGE & GRAZIADIO	3600766	1S3W29A01	COLTAMA	BNK HILL
F. A. R. WELL	3602020	1S2W20K		BNK HILL
FAIRVIEW WATER COMPANY	3600554	1S3W17	FAIRVM 1	BNK HILL
FARROW	NON-FILER	1S2W22E		
FINCH	NON-FILER	1S2W29		
FONTANA UNION WATER COMPANY	3600561	1N5W23K01S	FU 1	LYTLE
FONTANA UNION WATER COMPANY	3600562	1N5W22F02S	FU 3	LYTLE
FONTANA UNION WATER COMPANY	3600563	1N5W22C02S	FU 4	LYTLE
FONTANA UNION WATER COMPANY	3600566	1N5W15002S	FU 8	LYTLE
FONTANA UNION WATER COMPANY	3600569	1N5W22A01S	FU 13	LYTLE
FONTANA UNION WATER COMPANY	3600579	1N5W22F03S	FU 24	LYTLE
FONTANA UNION WATER COMPANY	3600580	1N5W22F01S	FU 25	LYTLE
FONTANA UNION WATER COMPANY	3600581	1N5W07H01S	FU 26	LYTLE
FONTANA UNION WATER COMPANY	3600582	1N5W06G01S	FU 27	LYTLE
FONTANA UNION WATER COMPANY	3600585	1N5W16K01S	FU 32	LYTLE

SAN BERNARDINO BASIN AREA
CROSS INDEX BY OWNER

OWNER NAME	RECORDATION NUMBER	STATE WELL NUMBER	LOCAL DESIGNATION	BASIN NAME
FONTANA UNION WATER COMPANY	3600586	1N5W06K02S	FU 33	LYTLE
FONTANA UNION WATER COMPANY	3600588	2N6W26L2	MN 1	
FONTANA UNION WATER COMPANY	3600590	2N6W26L1	MN 2	
FONTANA UNION WATER COMPANY	3600591	1N5W06E		LYTLE
FRIEDEMANN, ERNEST C.	3600747	1N3W31P02S	WELL 1	BNK HILL
FRINK RANCH	3601131	1S3W30		
GAY, PHILIP L.	3601126	1S2W30H	1	BNK HILL
GIFFORD PARK MUTUAL WATER CO.	3602120	1S4W14A	1	BNK HILL
GIFFORD PARK MUTUAL WATER CO.	3602252	1S4W14B	2	BNK HILL
GLADYSTA WELL & WATER COMPANY	3600182	1S3W20H01	1	BNK HILL
GLADYSTA WELL & WATER COMPANY	3600182-	1S3W20H02		BNK HILL
GOLCONDA WATER CO.	NON-FILER	1S4W13E		
GOLDEN STATE BLDG PRODUCTS	3602127	1S3W15A01		BNK HILL
GRANT WATER COMPANY	3600075	1S3W28C01	GRANT	BNK HILL
GREENSPOT MUTUAL WATER CO TUNNEL	NON-FILER	1S2W22		
GREENSPOT MUTUAL WELL CO.	3600266	1S2W16C01	GRNSPTMU	BNK HILL
GUERTH, WILLIAM H.	3600856	1N3W27M	CITY CREEK	BNK HILL
HAGAR	NON-FILER	1S2W16L		
HAPPE MUTUAL WELL COMPANY	3600238	1S2W29M01	1	BNK HILL
HARDISON	NON-FILER	1N4W13O		
HARRISON	NON-FILER	1S3W04J		
HARRISON CANYON	NON-FILER	1N4W13P		

SAN BERNARDINO BASIN AREA
CROSS INDEX BY OWNER

OWNER NAME	RECORDATION NUMBER	STATE WELL NUMBER	LOCAL DESIGNATION	BASIN NAME
HARRISON CANYON	NON-FILER	1N4W13P		
HAZAS	NON-FILER	1S4W11G		
HEAD, JOE T.	3600226	1S2W21L01	1	BANK HILL
HFLIPORT	NON-FILER	1S4W15G		
HICKS, JOHN/LOUISE	3600981	1S2W21H01		BANK HILL
HIGHLAND ACRES RANCH	3600323	1S2W06M	ELEC 1	BANK HILL
HIGHLAND WELL COMPANY	3600184	1N3W28N01	APLIN WELL	
HILL	NON-FILER	1S2W31B		
HOBBS WELL PARTNERSHIP	3600049	1S3W25M	MORRISON	
HOBBS WELL PARTNERSHIP	3600049-	1S3W25M	HOBBS WELL	
HOLDEN MUT. WTR. CO.	NON-FILER	1S4W14E		
HOLDEN MUT. WTR. CO.	NON-FILER	1S4W14F	HOLDEN AVE.	
HOOVER WELL	3601649	1S3W28M	HOOVER	BANK HILL
HOOVER WELL	3601649-	1S3W28M	HOOVER	BANK HILL
HORTON	NON-FILER	1S3W32J		
HUNTER	NON-FILER	1S3H03D		
ICE PRODUCTS INC.	3600644	1S4W09R03S	2	BANK HILL
ICE PRODUCTS INC.	3600645	1S4W09B01S		BANK HILL
INDUST. ACRES C/O CITRUS INVESTMENT	3600139	1S2W18R01S		BANK HILL
INDUST. ACRES C/O CITRUS INVESTMENT	3602280	1S2W18Q		BANK HILL
INTER CITY MUTUAL WATER CO	NON-FILER	1S4W23P		
INTER CITY MUTUAL WATER CO	3601316	1S4W23N	1	BANK HILL

SAN BERNARDINO BASIN AREA
CROSS INDEX BY OWNER

OWNER NAME	RECORDATION NUMBER	STATE WELL NUMBER	LOCAL DESIGNATION	BASIN NAME
INTER CITY MUTUAL WATER CO	3602521	1S4W23N04	2	
IOWA STREET WELL	3601932	1S3W29B01		BNK HILL
JEWEL WATER COMPANY, THE	3600091	1S3W20	1	BNK HILL
JOHANSSON, RUNE	3602060	1S4W24P	BENNETT WEL	
JUDSON MUTUAL WATER COMPANY	3601647	1S3W23A03	1	BNK HILL
KANSAS STREET MUTUAL WATER CO.	3601092	1S3W28D01		BNK HILL
KING	NON-FILER	1N4W14R		
KING STREET MUTUAL WELL COMPANY	3600530	1S2W30G01	1	BNK HILL
KING STREET MUTUAL WELL COMPANY	3600530-	1S2W30G02	2	BNK HILL
KOCH	NON-FILER	1S2W32B		
KOCH, GEORGE J.	3601451	1S2W32G01	1	BNK HILL
KRANTZ DAIRY	NON-FILER	1S4W11F		
L.P.R. ICE COMPANY	3602525	1S3W13C		
L.P.R. RANCH	NON-FILER	1S3W13C		
LA ROSSE, CHARLES H.	3600708	1S3W29	GOODWIN	BNK HILL
LA TOURETTE	NON-FILER	1S2W28H		
LAKE SIDE AVENUE MUTUAL WELL COMPANY	3602119	1S3W33C01S		BNK HILL
LAND CAPITOL CORP & DONALD SOJKA	3601173	1S3W32K		BNK HILL
LANGFORD RANCHES	3600524	1S3W17L01S	NEVADA ST	BNK HILL
LANGFORD RANCHES	3600525	1S3W17H01S	ALABAMA	BNK HILL
LANGFORD RANCHES	3600526	1S3W21G01S	LUGONIA	BNK HILL
LANKERSHIM MUT. WTR. CO.	NON-FILER	1S3W06L	LANKERSHIM A	

SAN BERNARDINO BASIN AREA
CROSS INDEX BY OWNER

OWNER NAME	RECORDATION NUMBER	STATE WELL NUMBER	LOCAL DESIGNATION	BASIN NAME
LANKERSHIM MUF. MTR. CO.	NON-FILER	1S3W06F	MCKINLEY ST.	
LARANNI GUNTER WELL	3600160	1S3W32G01	GUNTER WELL	
LEONARD, WILLIAM E.	3602499	1S4W22A01		
LOMA LINDA UNIVERSITY	3601910	1S3W30L	PUFFER	BNK HILL
LOMA LINDA UNIVERSITY	3602008	1S4W26A	1	BNK HILL
LOMA LINDA UNIVERSITY	3602009	1S4W25G01S	3	BNK HILL
LOMA LINDA UNIVERSITY	3602012	1S4W25C01S	6	BNK HILL
LOMA LINDA UNIVERSITY	3602013	1S4W24N	7	BNK HILL
LOMA LINDA UNIVERSITY	3602014	1S4W26J01S	8	BNK HILL
LOMA LINDA UNIVERSITY	3602017	1S4W25E01S	2	BNK HILL
LOMA LINDA UNIVERSITY	3602249	1S4W25D05	ANDERSON	BNK HILL
LOMA LINDA, CITY OF	3601130	1S3W32D	NICKS WELL	BNK HILL
LOMA LINDA, CITY OF	3601384	1S4W25	1	BNK HILL
LOMA LINDA, CITY OF	3601388	1S4W25	2	BNK HILL
LOMA LINDA, CITY OF	3601999	1S4W24R01S	1	BNK HILL
LOMA LINDA, CITY OF	3602010	1S4W25H02S	LLU 4	BNK HILL
LOMA LINDA, CITY OF	3602011	1S4W25H02S	LLU 5	BNK HILL
LOMA LINDA, CITY OF	3602015	1S4W25B	LLU 9	BNK HILL
LOMA LINDA, CITY OF	3602016	1S4W25G	ROBINSON	BNK HILL
LOMA LINDA, CITY OF	3602057	1S4W25C	MITTLEID	BNK HILL
LOMA LINDA, CITY OF	3602058	1S4W25F	CROOKS	BNK HILL
LOMA LINDA, CITY OF	3602596	1S4W24R	NEW GOLCONDA	BNK HILL

SAN BERNARDINO BASIN AREA
CROSS INDEX BY OWNER

OWNER NAME	RECORDATION NUMBER	STATE WELL NUMBER	LOCAL DESIGNATION	BASIN NAME
LORD	NON-FILER	1S2W28M	SPRING DIV.	
LUGO WATER COMPANY	3600510	1S3W21K01	1	BANK HILL
LUGONIA WATER COMPANY	3601585	1S3W23A038	SBDNO AV 1	BANK HILL
LULY, DR. LUCIAN L.	3601376	1N4W14	WATERMAN	DEVIL CAN
LULY, DR. LUCIAN L.	3601377	1N4W14	WATERMAN	DEVIL CAN
LULY, DR. LUCIAN L.	3601378	1N4W14	WATERMAN	DEVIL CAN
MARIGOLD FARMS COMPANY	3600418	1S3W19	BRAGA WELL	
MARIGOLD FARMS COMPANY	3601748	1S3W18H01	CALIF	BANK HILL
MARIGOLD FARMS COMPANY	3601748-	1S3W19A01	CALIF	BANK HILL
MARIGOLD FARMS COMPANY	3601749	1S3W19R01	JAP	BANK HILL
MARIGOLD FARMS COMPANY	3601750	1S3W18L	ACQUIL	BANK HILL
MARSHBURN	NON-FILER	1S3W17G		
MASCART WATER COMPANY	3601102	1S3W21E	2	BANK HILL
MAYRELL, N. O.	3600291	1S4W12		BANK HILL
MCCALLA BROS	NON-FILER	1S3W20		
MEADOWBROOK DAIRY	3600030	1S4W23D	IRRIG 2	BANK HILL
MEADOWBROOK DAIRY	3600037	1S4W23D	DOMESTIC 1	BANK HILL
MENTONE ACRES MUTUAL WELL CO.	3600748	1S3W24A01	OLD WELL 1	BANK HILL
MENTONE ACRES MUTUAL WELL CO.	3600749	1S3W13	NEW 2	BANK HILL
MENTONE DOMESTIC WATER COMPANY, INC.	3601308	1S2W19K01S	TENCH	BANK HILL
MENTONE DOMESTIC WTR. CO.	NON-FILER	1S2W19J		
MENTONE DOMESTIC WTR. CO.	NON-FILER	1S2W19J	3 1971	

SAN BERNARDINO BASIN AREA
CROSS INDEX BY OWNER

OWNER NAME	RECORDATION NUMBER	STATE WELL NUMBER	LOCAL DESIGNATION	BASIN NAME
MEYER, CHARLES R.	3600760	1N5W01R	1	DEVIL CAN
MILLER MUTUAL WELL CO.	3600630	1N3W32		BNK HILL
MILLER MUTUAL WELL CO.	3600630~	1N3W32D		BNK HILL
MISSION MUTUAL WATER COMPANY	3600756	1S3W19H	1	BNK HILL
MISSION MUTUAL WATER COMPANY	3600757	1S3W19L	2	BNK HILL
MONTECITO MUTUAL WATER COMPANY	3600119	1S4W26F01	1	BNK HILL
MODRE, R. H.	NON-FILER	1S4W24K		
MOUNT VERNON WATER COMPANY	3600319	1N4W31A01S	1	BNK HILL
MOUNT VERNON WATER COMPANY	3600320	1N5W22M		LYTLF
MT. HARRISON MUTUAL WATER CO.	3600220	1S3W01H	1	BNK HILL
MT. VIEW CEMETERY OF SAN BERNARDINO	3600742	1N4W26	1	BNK HILL
MT. VIEW CEMETERY OF SAN BERNARDINO	3600742~	1N4W26	3	BNK HILL
MT. VIEW CEMETERY OF SAN BERNARDINO	3600743	1N4W26	2	BNK HILL
MULLINS, JAMES C., JR., EXECUTOR	3602074	1N3W34R02	IRRIG. 1	BNK HILL
MULLINS, JAMES C., JR., EXECUTOR	3602075	1N3W34B01	DOM. 2	BNK HILL
MUSCOY MUTUAL WATER COMPANY, NO. 1	3601497	1N5W23H01S	MUSCOY 1	LYTLE
MUSCOY MUTUAL WATER COMPANY, NO. 1	3601498	1N5W24D01S	NO. 4	LYTLE
MUSCOY MUTUAL WATER COMPANY, NO. 1	3601499	1N5W23A01S	MUSCOY 2	LYTLE
MUSCOY MUTUAL WATER COMPANY, NO. 1	3601500	1N5W23A02S	MUSCOY 3	LYTLE
MUSCOY MUTUAL WATER COMPANY, NO. 1	3602345	1N5W24E	WELL NO 4	
MUTUAL WELL COMPANY(OF HIGHLAND)	3600765	1N3W33C01	RODDICK WELL	
NAMIHAS, M.D., IVAN/SHIRLEY	3601084	1S2W20K		BNK HILL

SAN BERNARDINO BASIN AREA
CROSS INDEX BY OWNER

OWNER NAME	RECORDATION NUMBER	STATE WELL NUMBER	LOCAL DESIGNATION	BASIN NAME
NATIONAL ORANGE SHOW	3601924	1S4W15D		BNK HILL
NEALEY MUTUAL WATER COMPANY	3601361	1N5W07C		LYTLE
NW ENGLAND WATER CO.	3602320	1S3W16		BNK HILL
NICKERSON WATER COMPANY	3600123	1S3W20R01	ALABAMA NO 1	
NICKERSON WATER COMPANY	3600124	1S3W21M01	LUGONIA NO 2	
NICKERSON, F. D.	3600270	1S3W20P	ORANGEDALE	
NO NAME WELL	NON-FILER	1N3W32M		
NORTH FORK WATER COMPANY	3600678	1S2W08C01S	NO. 1	BNK HILL
NORTH FORK WATER COMPANY	3600679	1S2W08C02S	NO. 2	
NORTH FORK WATER COMPANY	3600680	1S3W02	NF CRAW3	BNK HILL
NORTH FORK WATER COMPANY	3600681	1N3W27	CITY CREEK	BNK HILL
NORTH FORK WATER COMPANY	3601643	1S3W03Q	4	BNK HILL
NORTH FORK WATER COMPANY	3601644	1S3W01A	PLUNGE CR	BNK HILL
NORTHRAE WATER COMPANY	3600296	1S3W15R01	1	BNK HILL
NORTHSIDE WATER COMPANY	3600933	1S3W23F	1	BNK HILL
NORTON AIR FORCE BASE	NON-FILER	1S4W12R	LOCAL NO. 2	
NORTON AIR FORCE BASE	NON-FILER	1S4W12C	LOCAL NO. 3	
NORTON AIR FORCE BASE	NON-FILER	1S4W12D	LOCAL NO. 4	
NORTON AIR FORCE BASE	NON-FILER	1S4W12F	LOCAL NO. 5	
NORTON AIR FORCE BASE	NON-FILER	1S3W08A	LOCAL NO. 11	
NORTON AIR FORCE BASE	NON-FILER	1S4W12Q	NO NO. WELL	
NORTON AIR FORCE BASE	NON-FILER	1S4W12G	LOCAL NO. 44	

SAN BERNARDINO BASIN AREA
CROSS INDEX BY OWNER

OWNER NAME	RECORDATION NUMBER	STATE WELL NUMBER	LOCAL DESIGNATION	BASIN NAME
NORTON AIR FORCE BASE	NON-FILER	1S3W08E	LOCAL NO. 347	
NORTON AIR FORCE BASE	NON-FILER	1S3W08M	LOCAL NO. 865	
NORWOOD	NON-FILER	1N3W34F		
NYE, WILLIAM H.	3600313	1S2W29N01S	NYE	BNK HILL
OLD TOWN WELL CO.	3600493	1S3W29	1	BNK HILL
OLD TOWN WELL CO.	3600494	1S3W29	2	BNK HILL
ORANGE ST. RANCH	3600241	1S3W03O		BNK. HILL
PACIFIC HIGH SCHOOL	NON-FILER	1N4W35H		
PAINE, ROBERT T., TRUSTEE	3601641	1S2W30C01S	OPAL ST	BNK HILL
PAINE, ROBERT T., TRUSTEE	3601642	1S2W30R02S	KING ST	BNK HILL
PAXTON, R. H.	3600468	1S3W3O	BAHR 1	BNK HILL
PENN WELL COMPANY	3601099	1S3W22F	1	BNK HILL
PENN WELL COMPANY	3601405	1S3W22	2	BNK HILL
PEYTON, A. L. OP IRENE A.	3601093	1N4W24	SPRING	BNK HILL
PEYTON, MRS. A. L.	3600865	1N4W24	MULTOWN2	BNK HILL
PHAROAH POWELL WATER CO.	3600415	1S3W29J01		BNK HILL
PIERSON	NON-FILER	1N4W35N		
PIONEER MUTUAL WATER CO.	3600642	1S3W14P01	S8DND 1	BNK HILL
RAMIREZ BROTHERS	3601728	1S3W3O	1	BNK HILL
RAMSEY	NON-FILED	1S2W22F	SPRING DIV	
RANCHERIA WATER CO. TOBIN	3601929	1S4W06C04S	NEW RAYN 3	BNK HILL
RANCHO CITRUS AMIGOS	3601753	1S3W29	PARK AVE 1	BNK HILL

SAN BERNARDINO BASIN AREA
CROSS INDEX BY OWNER

OWNER NAME	RECORDATION NUMBER	STATE WELL NUMBER	LOCAL DESIGNATION	BASIN NAME
RANCHO LADEPA	3602188	1S2W29L	ROLADERA	BNK HILL
HAUGHT MUTUAL WELL COMPANY	3602193	1S3W14R01	HAUGHT	BNK HILL
REDLANDS ASSOCIATES	NON-FILER	1S2W17R	NO. 0	
REDLANDS ASSOCIATES	NON-FILER	1S2W09P	BLOCK NO. 6	
REDLANDS ASSOCIATES	NON-FILER	1S2W09L	BLOCK NO. 11	
REDLANDS ASSOCIATES	NON-FILER	1S2W09L	TUNNEL DIV.	
REDLANDS HEIGHTS WATER COMPANY	3600918	2S3W01E	1	BNK HILL
REDLANDS TRAP/SKEET	3600628	1S3W15G		BNK HILL
REDLANDS WTR. CO.	NON-FILER	1S2W08	TUNNEL DIV.	
REDLANDS, CITY OF	NON-FILER	1S2W13R	MILL CR. DIV	
REDLANDS, CITY OF	3600085	1S3W28J01	NY ST 1	BNK HILL
REDLANDS, CITY OF	3601281	1S2W21M01S	MAGUET 1	BNK HILL
REDLANDS, CITY OF	3601282	1S1W08G1	MC 1	
REDLANDS, CITY OF	3601283	1S2W22C02S	E LUG 2	BNK HILL
REDLANDS, CITY OF	3601284	1S2W21E01S	MAGUET 2	BNK HILL
REDLANDS, CITY OF	3601285	1S1W10L1	MC 2	
REDLANDS, CITY OF	3601286	1S2W21E02S	MAGUET 3	BNK HILL
REDLANDS, CITY OF	3601287	1S2W21C	ELUGNA3	BNK HILL
REDLANDS, CITY OF	3601288	1S1W11Q1	MC 4	
REDLANDS, CITY OF	3601289	1S3W35E	4R	BNK HILL
REDLANDS, CITY OF	3601290	1S2W21D01S	ELUGNA6	BNK HILL
REDLANDS, CITY OF	3601291	1S3W35G08S	10	BNK HILL

SAN BERNARDINO BASIN AREA
CROSS INDEX BY OWNER

OWNER NAME	RECORDATION NUMBER	STATE WELL NUMBER	LOCAL DESIGNATION	BASIN NAME
REES REES RANCHES, INC.	3600017	1S2W29	GR REES 3	BNK HILL
REES REES RANCHES, INC.	3600018	1S2W29	GR REES 2	BNK HILL
REES REES RANCHES, INC.	3600019	1S3W23	GR REES 1	BNK HILL
REGINA GRAPE PRODUCTS	NON-FILER	1N5W04M	WELL NO. 1	
REGINA GRAPE PRODUCTS	NON-FILER	1N5W04N	WELL NO. 2	
REGINA GRAPE PRODUCTS	NON-FILER	1N5W04N	WELL NO. 3	
REGINA GRAPE PRODUCTS	NON-FILER	1N5W05H	SPRING DIV.	
REGINA GRAPE PRODUCTS	NON-FILER	1N5W05R	WELL NO. 4	
REGINA GRAPE PRODUCTS	NON-FILER	1N5W04N	WELL NO. 5	
REGINA GRAPE PRODUCTS	NON-FILER	1N5W04N	WELL NO. 6	
REGINA GRAPE PRODUCTS	NON-FILER	1N5W04N	WELL NO. 7	
RIALTO, CITY OF	3601085	1N4W31N	RIALTO MUT	LYTLE
RIALTO, CITY OF	3601263	1N5W23001S	CITY WELL	LYTLE
RIALTO, CITY OF	3601718	1N5W22M		LYTLE
RIALTO, CITY OF	3602080	1N5W230	CITY 2	LYTLE
RIEDMAN, FRED M.	3601629	1S3W03P00S	1	BNK HILL
RIEDMAN, FRED M.	3602079	1S3W03F	1	BNK HILL
RIVAS	NON-FILER	1S4W24J		
RIVAS, RAMON	3600016	1S4W24J	REES 4	BNK HILL
ROBRINS, H. W.	3602170	1S2W31M		BNK HILL
ROBERTS, DR. G	NON-FILER	1N3W34		
ROZEMA CHICKEN RANCH	NON-FILER	1S3W04R	NO. 102	

SAN BERNARDINO BASIN AREA
CROSS INDEX BY OWNER

OWNER NAME	RECORDATION NUMBER	STATE WELL NUMBER	LOCAL DESIGNATION	BASIN NAME
SAN BERNARDINO AVENUE WATER COMPANY	NON-FILER	1N3W34K	SPRING	
	3600125	1S3W14	1	BNK HILL
SAN BERNARDINO WATER UTILITIES COR	3601843	1N5W03H01S	1	L CAJON
SAN BERNARDINO WATER UTILITIES COR	3601844	1N5W03	2	L CAJON
SAN BERNARDINO WATER UTILITIES COR	3601845	1N4W30L	3	LYTLE
SAN BERNARDINO, CITY OF	NON-FILER	1S4W21A	SEWER PLNT 1	
SAN BERNARDINO, CITY OF	NON-FILER	1S4W22C	SEWER PLNT 2	
SAN BERNARDINO, CITY OF	3600034	1S4W16H	SMITH 1	BNK HILL
SAN BERNARDINO, CITY OF	3600035	1S4W15M01		BNK HILL
SAN BERNARDINO, CITY OF	3600222	1S4W11001S		BNK HILL
SAN BERNARDINO, CITY OF	3600709	2N5W19001	VINCENT	L CAJON
SAN BERNARDINO, CITY OF	3600710	2N5W19	CAJON	L CAJON
SAN BERNARDINO, CITY OF	3600711	1N4W07F01S	DEVCON 2	DEVIL CAN
SAN BERNARDINO, CITY OF	3600712	1N4W08M01S	DEVCON 1	DEVIL CAN
SAN BERNARDINO, CITY OF	3600713	1N5W36R01S	LYTLE CR 3	LYTLE
SAN BERNARDINO, CITY OF	3600714	1N4W16E01S	NEWMRK 1	DEVIL CAN
SAN BERNARDINO, CITY OF	3600715	1N4W16E	NEWMRK 2	DEVIL CAN
SAN BERNARDINO, CITY OF	3600716	1N4W16E03S	NEWMRK 3	DEVIL CAN
SAN BERNARDINO, CITY OF	3600717	1N4W32D03S	19TH STL	BNK HILL
SAN BERNARDINO, CITY OF	3600718	1N4W32D04S	19ST. 2	BNK HILL
SAN BERNARDINO, CITY OF	3600719	1N4W27G01S	MARSHALL	BNK HILL
SAN BERNARDINO, CITY OF	3600720	1N4W27M02S	27TH ST	BNK HILL

SAN BERNARDINO BASIN AREA
CROSS INDEX BY OWNER

OWNER NAME	RECORDATION NUMBER	STAFF WELL NUMBER	LOCAL DESIGNATION	BASIN NAME
SAN BERNARDINO, CITY OF	3600721	1N4W27M01S	NO E ST	BANK HILL
SAN BERNARDINO, CITY OF	3600722	1S4W03D01S	ACACIA	BANK HILL
SAN BERNARDINO, CITY OF	3600723	1S4W10F01S	HANFORD 1	BANK HILL
SAN BERNARDINO, CITY OF	3600724	1S4W10F05S	HANFORD 2	BANK HILL
SAN BERNARDINO, CITY OF	3600725	1N4W34G01S	17 ST SW	BANK HILL
SAN BERNARDINO, CITY OF	3600726	1N4W34G03S	16TH ST	BANK HILL
SAN BERNARDINO, CITY OF	3600727	1N4W26G	LYNWOOD	BANK HILL
SAN BERNARDINO, CITY OF	3600728	1N4W27A01S	WTRMN AV	BANK HILL
SAN BERNARDINO, CITY OF	3600729	1N4W35M03S	GILBERT ST	BANK HILL
SAN BERNARDINO, CITY OF	3600730	1S4W02K01S	ANTIL 3	BANK HILL
SAN BERNARDINO, CITY OF	3600731	1S4W02K02S	ANTIL 5	BANK HILL
SAN BERNARDINO, CITY OF	3600732	1S4W02K05S	ANTIL 2	BANK HILL
SAN BERNARDINO, CITY OF	3600733	1S4W02K04S	ANTIL 1	BANK HILL
SAN BERNARDINO, CITY OF	3600734	1S4W02K03S	ANTIL 4	BANK HILL
SAN BERNARDINO, CITY OF	3600735	1S4W09P01S	BIRCH ST	BANK HILL
SAN BERNARDINO, CITY OF	3600736	1S4W09J01S	SO G ST	BANK HILL
SAN BERNARDINO, CITY OF	3600737	1S4W10N06S	MILL & D	BANK HILL
SAN BERNARDINO, CITY OF	3600738	1N4W06	D.C. DIV.	DEVIL CAN
SAN BERNARDINO, CITY OF	3600739	1N5W06	L.C. DIV.	LYTLE
SAN BERNARDINO, CITY OF	3600927	1N3W31801	PATTON 6	BANK HILL
SAN BERNARDINO, CITY OF	3601114	1N4W35C01S	PRRSHLL 2	BANK HILL
SAN BERNARDINO, CITY OF	3601115	1N4W26P03S	PERRISH 5	BANK HILL

SAN BERNARDINO BASIN AREA
CROSS INDEX BY OWNER

OWNER NAME	RECORDATION NUMBER	STAFF WELL NUMBER	LOCAL DESIGNATION	BASIN NAME
SAN BERNARDINO, CITY OF	3601116	1N4W35C02S	PRRSHLL 3	BNK HILL
SAN BERNARDINO, CITY OF	3601117	1N4W35C03S	PRRSHLL 4	BNK HILL
SAN BERNARDINO, CITY OF	3601626	1S4W10	CITYLOTS	BNK HILL
SAN BERNARDINO, CITY OF	3602081	1N4W27R	31 ST	BNK HILL
SAN BERNARDINO, CITY OF	3602205	1N4W06H01S	DEVIL 4	DEVIL CAN
SAN BERNARDINO, CITY OF	3602206	1N4W06H02S	DEVIL 3	DEVIL CAN
SAN BERNARDINO, CITY OF	3602264	1N4W27N01S	23RD ST.	BNK. HILL
SAN BERNARDINO, CITY OF	3602265	1S4W03J	7TH ST.	BNK HILL
SAN BERNARDINO, CITY OF	3602285	1S4W15D05	15DS	BNK HILL
SAN BERNARDINO, CITY OF	3602399	1N4W16E	NEWMARK 4	BNK HILL
SAN BERNARDINO, CITY OF	3602400	1N4W32N	RASE LINE	BNK HILL
SAN BERNARDINO, CITY OF	3602401	1N4W27A	LEROY	BNK HILL
SAN BERNARDINO, CITY OF	3602422	1S4W02K08S	ANTIL 6	BNK HILL
SAN BERNARDINO, CITY OF	3602426	2N5W19K	C.C. DIV.	L CAJON.
SAN BERNARDINO, COUNTY OF	NON-FILER	1S4W14A	AEROSPACE	
SAN BERNARDINO, COUNTY OF	NON-FILER	1N4W35F	COUNTY HOSP	
SAN BERNARDINO, COUNTY OF	NON-FILER	2N5W33F	GLEN HELEN 3	
SAN BERNARDINO, COUNTY OF	NON-FILER	2N5W33G	GLEN HELEN 4	
SAN BERNARDINO, COUNTY OF	NON-FILER	2N5W33002	GLEN HELEN 2	
SAN MANUAL INDIAN RESERV.	NON-FILER	1N3W20N		
SANDYS RESTAURANT	NON-FILER	1S3W21M2		
SANTINI	NON-FILER	1S4W14A		

SAN BERNARDINO BASIN AREA
CROSS INDEX BY OWNER

OWNER NAME	RECORDATION NUMBER	STATE WELL NUMBER	LOCAL DESIGNATION	BASIN NAME
SARATOGA DEVELOPMENT CO	3600598	1S3W02	LOCAL 1	BNK HILL
SARATOGA DEVELOPMENT CO	3600604	1S2W078	RANNEY	BNK HILL
SARATOGA DEVELOPMENT CO	3600605	1N3W36	PLUNGE CK 01	
SARATOGA DEVELOPMENT CO	3600606	1N3W35	ELDER GULCH	BNK HILL
SARATOGA DEVELOPMENT CO	3600607	1S3W02	SMALL	BNK HILL
SARATOGA DEVELOPMENT CO	3600607-	1S3W02	SMALL	BNK HILL
SARATOGA DEVELOPMENT CO	3601639	1S3W03P01	STORE WELL	BNK HILL
SARATOGA DEVELOPMENT CO	3602474	1N3W250		
SATOSKI, DOCTOR	NON-FILER	1N4W14J		
SECHREST, RALPH F.	3600483	1S2W31	GPHRRCH 1	BNK HILL
SECHREST, RALPH F.	3600484	1S3W16	BUCKEYE 2	BNK HILL
SELEY	NON-FILER	1N3W190	TUNNEL DIV.	
SIX HOUSES	NON-FILER	1S4W22A		
SMITH	NON-FILER	1N4W14J		
SMITH MEAT PACKING PLANT	NON-FILER	1S4W22M		
SMITH TRACT WELL COMPANY	3600001	1S3W21R	11	BNK HILL
SMITH TRACT WELL COMPANY	3600001-	1S3W21R		BNK HILL
SMITH,	NON-FILER	1S3W02J		
SO. SAN BERNARDINO COUNTY WATER DIST.	3602122	1S4W23R03S	ROSEWOOD	BNK HILL
SO. SAN BERNARDINO COUNTY WATER DIST.	3602123	1S4W14J	NORMAN	BNK HILL
SO. SAN BERNARDINO COUNTY WATER DIST.	3602124	1S4W14J	CENTRAL	BNK HILL
SO. SAN BERNARDINO COUNTY WATER DIST.	3602125	1S4W24F04S	OLDGOULD	BNK HILL

SAN BERNARDINO BASIN AREA
CROSS INDEX BY OWNER

OWNER NAME	RECORDATION NUMBER	STATE WELL NUMBER	LOCAL DESIGNATION	BASIN NAME
SO. SAN BERNARDINO COUNTY WATER DIST.	3602126	1S4W24F	NEWGOULD	BNK HILL
SOLANO WELL NO. 1	3600187	1S2W09	1	BNK HILL
SOLANO WELL NO. 3	3602003	1S2W16C	3	BNK HILL
SOUTHERN CALIFORNIA EDISON COMPANY	3600651	1S3W28		BNK HILL
SOUTHERN CALIFORNIA EDISON COMPANY	3601012	1S4W08R	STM PL 1	BNK HILL
SOUTHERN CALIFORNIA EDISON COMPANY	3601013	1S4W08R	STM PL 2	BNK HILL
SOUTHERN CALIFORNIA EDISON COMPANY	3601014	1S3W18	SB STMP 1	BNK HILL
SOUTHERN CALIFORNIA EDISON COMPANY	3601015	1S3W18	SB STMP 2	BNK HILL
SOUTHERN CALIFORNIA EDISON COMPANY	3601016	1S4W22G01S	THORN 1	BNK HILL
SOUTHERN CALIFORNIA EDISON COMPANY	3609723	1S4W10F01S	HANFORD 1	BNK HILL
SOUTHERN CALIFORNIA WATER COMPANY	3600374	1N3W33M01S	PALMHI 1	BNK HILL
SOUTHERN CALIFORNIA WATER COMPANY	3600375	1S3W05	CULHLND 1	BNK HILL
SOUTHERN CALIFORNIA WATER COMPANY	3600376	1S3W05	CULHLND 2	BNK HILL
SOUTHERN CALIFORNIA WATER COMPANY	3600377	1N3W27N08S	CCH 1	BNK HILL
SOUTHERN CALIFORNIA WATER COMPANY	3600378	1N3W27N02S	CCH 3	BNK HILL
SOUTHERN CALIFORNIA WATER COMPANY	3601069	1N3W33M02S	1	BNK HILL
SOUTHERN CALIFORNIA WATER COMPANY	3601588	1N4W31H	BERD00 1	BNK HILL
SOUTHERN CALIFORNIA WATER COMPANY	3601878	1N4W29F01S	DARBY	BNK HILL
SOUTHERN CALIFORNIA WATER COMPANY	3601879	1N4W29	GARDENA	BNK HILL
SOUTHERN CALIFORNIA WATER COMPANY	3601880	1N4W29F01S	COLIMA	BNK HILL
SOUTHERN CALIFORNIA WATER COMPANY	3601987	1S3W04G	HIGHLD 1	BNK HILL
SOUTHERN CALIFORNIA WATER COMPANY	3602260	1S3W05D06	CULL 3	BNK HILL

SAN BERNARDINO BASIN AREA
CROSS INDEX BY OWNER

OWNER NAME	RECORDATION NUMBER	STATE WELL NUMBER	LOCAL DESIGNATION	BASIN NAME
SOUTHERN CALIFORNIA WATER COMPANY	3602417	1S3W05D	4	BANK HILL
SOUTHERN CALIFORNIA WATER COMPANY	3602560	1S3W04G	DUNKIRK 2	BANK HILL
STANLEY BROWN CO.	3601352	1S3W19N		BANK HILL
STANLEY, SILAS	NON-FILER	1S2W24H		
STEWART, WILLARD	NON-FILER	1S3W31D		
STORKSON, WILLIAM F.	3600083	1N5W06	1	LYTLE
STOWE WATER COMPANY	3601046	1S3W21A	1	BANK HILL
STRAWBERRY PATCH	NON-FILER	1S3W03N		
STRAWBERRY PATCH	NON-FILER	1S3W03N		
SUNNYSIDE MUTUAL WATER COMPANY	3601582	1S4W02R		BANK HILL
SUNRISE RANCH PART C/O LIFE DEVELOPMENT	3600599	1S2W13		BANK HILL
SUNRISE RANCH PART C/O LIFE DEVELOPMENT	3600600	1S2W13	SUNRISE 2	BANK HILL
SUNRISE RANCH PART C/O LIFE DEVELOPMENT	3600601	1S2W14	SUNRISE 3A	BANK HILL
SUNRISE RANCH PART C/O LIFE DEVELOPMENT	3600602	1S2W15P	SUNRISE 4	BANK HILL
SUNRISE RANCH PART C/O LIFE DEVELOPMENT	3600603	1S2W15G	SUNRISE 5	BANK HILL
SUNRISE RANCH PART C/O LIFE DEVELOPMENT	3601640	1S2W14		BANK HILL
SUNRISE RANCH PART C/O LIFE DEVELOPMENT	3601969	1S2W14L	SUNRISE 7	BANK HILL
SUPERIOR ORCHARDS	NON-FILER	1N3W29B	TUNNEL DIV.	
SYCAMORE HEIGHTS WATER COMPANY, INC.	3601837	1N3W34B	HERCULES	BANK HILL
SYCAMORE HEIGHTS WATER COMPANY, INC.	3601838	1N3W34A	WALKISHA	BANK HILL
TEAGLE, M. ESTATES	3602571	1S3W03F		
TENNESSEE MUTUAL WELL COMPANY	3601161	1S3W16L	PIONEER 1	BANK HILL

SAN BERNARDINO BASIN AREA
CROSS INDEX BY OWNER

OWNER NAME	RECORDATION NUMBER	STATE WELL NUMBER	LOCAL DESIGNATION	BASIN NAME
TENNESSEE WATER CO.	3600474	1S3W16L	1	BNK HILL
TERRACE WATER COMPANY	3601684	1S4W08F06S	LARGE 1	BNK HILL
TERRACE WATER COMPANY	3601684-	1S4W08F	4	BNK HILL
TERRACE WATER COMPANY	3601685	1S4W08F	SMALL 2	BNK HILL
TERRACE WATER COMPANY	3601686	1S4W08F	3	BNK HILL
TEXACO GAS STATION	NON-FILER	1S4W24J		
THOMPSON RANDALL	NON-FILER	1N3W28A	SPRING DIV.	
TRI CITY CONCRETE	3600935	1N4W31N		LYTLE
TRI CITY CONCRETE	3601309	1S4W05M	PLANT	BNK HILL
TRI CITY CONCRETE	3601420	1S3W09E	ALABAMA 2	BNK HILL
TRI CITY MUTUAL WATER COMPANY	NON-FILER	1S4W23N		
TRI CITY MUTUAL WATER COMPANY	3601823	1S4W23K		BNK HILL
TRIPLE FALLS MUT. WTR. CO.	NON-FILER	1S1W19G		
TRIPLE FALLS MUT. WTR. CO.	NON-FILER	1S1W20D		
TRIPLE FALLS MUT. WTR. CO.	NON-FILER	1S1W20D		
U.S. FOREST SERVICE	NON-FILER	1N4W13Q	MAINT. YARD	
U.S. FOREST SERVICE	NON-FILER	1S2W13P	MILL CREEK	
UNGER, V.E.	3601168	1S4W26F		BNK HILL
UNIVERSITY OF REDLANDS	NON-FILER	1S2W17	PEPPER HOUSE	
VALDEPENA ACRES	3602241	1S3W20F03	ALMOND	BNK HILL
VALENCIA AVE. MUT. WTR. CO.	NON-FILER	1N4W23K	WATERMAN AVE	
VALLEY FARMS MUT. WTR. CO.	NON-FILER	1S4W15R	NO 1 WASHTN	

SAN BERNARDINO BASIN AREA
CROSS INDEX BY OWNER

OWNER NAME	RECORDATION NUMBER	STATE WELL NUMBER	LOCAL DESIGNATION	BASIN NAME
VALLEY FARMS MUT. WTR. CO.	NON-FILER	154W150	NO 2 WELL	
VAN CAMP, GILBERT C.	3600218	1N4W24	1	DEVIL CAN
VAN LOON MUTUAL WATER COMPANY	3602066	154W02B	1	BNK HILL
VAN LOON MUTUAL WATER COMPANY	3602067	1N4W35K	2	BNK HILL
VAN MEETER	NON-FILER	153W02P	OLD WELL	
VAN MEETER	NON-FILER	153W02P	NEW WELL	
VANLEUVEN NURSING HOME	NON-FILER	154W24J		
VANLEUVEN, CLARENCE	NON-FILER	154W24J		
VANLEUVEN, ED	NON-FILER	154W24J		
VICTORIA FARMS MUTUAL WATER CO.	3602112	154W13R01S		BNK HILL
VICTORIA FARMS MUTUAL WATER CO.	3602247	154W13R03	2	BNK HILL
VICTORIA FARMS MUTUAL WATER CO.	3602574	154W17R	#3 WELL	
VICTORIA GUERNSEY	3600399	154W02	1	BNK HILL
WALLACE	NON-FILER	1N4W14J		
WARD, FLOYD	NON-FILER	151W18N	WELL NO. 1	
WARD, FLOYD	NON-FILER	151W18P	WELL NO. 2	
WARD, FLOYD	NON-FILER	151W18P	WELL NO. 3	
WARD, FLOYD	NON-FILER	151W18N	WELL NO. 4	
WARD, FLOYD	NON-FILER	151W18M	WELL NO. 6	
WARD, FLOYD	NON-FILER	151W18P	LATERAL SPRG	
WEATHERWAX, W. G.	3600652	153W15N01S	REDLANDS	BNK HILL
WEST SAN BDN. COUNTY WATER DIST.	3600302	1N5W26A01S	LOWER 2	LYTLE

SAN BERNARDINO BASIN AREA
CROSS INDEX BY OWNER

OWNER NAME	RECORDATION NUMBER	STATE WELL NUMBER	LOCAL DESIGNATION	BASIN NAME
WEST SAN RDNO. COUNTY WATER DIST.	3600303	1N5W26B01S	LOWER 4	LYTLE
WEST SAN RDNO. COUNTY WATER DIST.	3600304	1N5W26A03S	LS	LYTLE
WEST SAN RDNO. COUNTY WATER DIST.	3600305	1N5W25E01S	LOWER 6	LYTLF
WEST SAN RDNO. COUNTY WATER DIST.	3600306	1N5W23P02S	UPPER 2	LYTLE
WEST SAN RDNO. COUNTY WATER DIST.	3600307	1N5W23P04S	UPPER 4	LYTLE
WEST SAN RDNO. COUNTY WATER DIST.	3600312	1N5W22M		LYTLE
WEST SAN RDNO. COUNTY WATER DIST.	3600996	1N5W36J03S	NO 8	LYTLE
WEST SAN RDNO. COUNTY WATER DIST.	3600997	1N5W36H04S	LORD 7	LYTLE
WEST SAN RDNO. COUNTY WATER DIST.	3600998	1N5W25E02S	FERG 1	LYTLE
WEST SAN RDNO. COUNTY WATER DIST.	3600999	1S4W06J01S	DIXON 1	BNK HILL
WEST SAN RDNO. COUNTY WATER DIST.	3601000	1S4W06J02S	DIXON 2	BNK HILL
WEST SAN RDNO. COUNTY WATER DIST.	3601002	1N4W31P03S	RAYNOR 1	LYTLE
WEST SAN RDNO. COUNTY WATER DIST.	3601003	1S4W06H01S	RAYNOR 4	BNK HILL
WEST SAN RDNO. COUNTY WATER DIST.	3601725	1N5W25E00S		LYTLE
WEST SAN RDNO. COUNTY WATER DIST.	3601848	1S4W05E05S	RAYNOR 5	BNK HILL
WEST SAN RDNO. COUNTY WATER DIST.	3601944	1N5W23Q00S	LOWER 7	LYTLE
WEST TWIN CREEK WTR. CO.	NON-FILER	1N4W14C	W TWIN CRK	
WESTERN FRUIT GROWERS	NON-FILER	1S3W24Q		
WIDEMEYER	NON-FILER	1N3W29H	SPRING DIV.	
WIDEMEYER	NON-FILER	1N3W29H		
WILEY, RUTH NORWOOD	3600052	1S4W36J	1	BNK HILL
WILLIAMS DAIRY	NON-FILER	1S4W11G		

SAN BERNARDINO BASIN AREA
CROSS INDEX BY OWNER

OWNER NAME	RECORDATION NUMBER	STATE WELL NUMBER	LOCAL DESIGNATION	BASIN NAME
WILLIAMS WELL CORPORATION, LTD.	3600828	1S3W16J		BNK HILL
WOEHR MUTUAL WATER COMPANY	3600R17	1S3W29H		BNK HILL
YAHIKU, PAUL	3601280	1S3W29D	SOUTH 1	BNK HILL
YORK	NON-FILER	1N3W19R	DOMESTIC	
YORK	NON-FILER	1N3W19R		
YORK	NON-FILER	1N3W19R	SAND CYN TUN	
7TH AVE. WELL	3601121	1S2W31	1	BNK HILL

SAN BERNARDINO BASIN AREA,

CROSS INDEX BY RECORDATION NUMBER

SAN BERNARDINO BASIN AREA
 CROSS INDEX BY RECORDATION NUMBER

RECORDATION NUMBER	OWNER NAME	STATE WELL NUMBER	LOCAL DESIGNATION	BASIN NAME
NON-FILER	AHMANNSON RANCH	1S4W27H		
NON-FILER	ANDERSON, W.D.	1N4W25R		
NON-FILER	ARNOLD RANCH	1N5W34H		
NON-FILER	BALCOM	1S4W11M		
NON-FILER	HALDWIN	1N3W34K		
NON-FILER	BARRIER	1S4W22B		
NON-FILER	RASELINE LAUNDRY	1N3W31Q		
NON-FILER	PASELINE LAUNDRY	1N3W31		
NON-FILER	BATCHELOR	1N4W14R		
NON-FILER	BATCHELOR	1N4W14R		
NON-FILER	BERMAN, JERRY	1S4W02K	OLD WELL	
NON-FILER	BERMAN, JERRY	1S4W02J		
NON-FILER	BLISS	1S2W22E		
NON-FILER	BOUCHER	1N4W14J		
NON-FILER	BREAK, ALLEN, ESTATE	1S3W31A		
NON-FILER	CARPENTER	1S4W22B		
NON-FILER	CLIFFSIDE RANCH	1S3W03F		
NON-FILER	COOK CANYON	1N3W27R		
NON-FILER	CRYSTAL SPRINGS	2S2W06D		
NON-FILER	DANGLO DAIRY	1S4W11F		
NON-FILER	DANIELS, DON	1S3W19J		
NON-FILER	DANIELS, HAROLD	1S3W17R	RANCH	

SAM BERNARDINO BASIN AREA
CROSS INDEX BY RECORDATION NUMBER

RECORDATION NUMBER	OWNER NAME	STATE WELL NUMBER	LOCAL DESIGNATION	BASIN NAME
NON-FILER	DAPIELS, HAROLD	1S3W17C	DOMEST. WELL	
NON-FILER	DILLSON MUT. WTR. CO.	1N4W13P	DILLSON AVE	
NON-FILER	DILLSON MUT. WTR. CO.	1N4W13P	HARRISON CYN	
NON-FILER	DILLSON MUT. WTR. CO.	1N4W13P	CISCO WELL	
NON-FILER	EAST HIGHLANDS ORANGE COMPANY	1S2W06	TUNNEL DIV.	
NON-FILER	EAST HIGHLANDS ORANGE COMPANY	1N3W35R	BOX SPRING	
NON-FILER	EAST SAN BDNO. COUNTY WATER DIST.	1N3W30C	NO. 36	
NON-FILER	EAST SAN BDNO. COUNTY WATER DIST.	1S3W04P	NO. 43	
NON-FILER	EAST SAN BDNO. COUNTY WATER DIST.	1N3W30C	NO. 44	
NON-FILER	EAST SAN BDNO. COUNTY WATER DIST.	1N3W31A	NO. 45	
NON-FILER	EAST SAN BDNO. COUNTY WATER DIST.	1S3W050	NO. 46	
NON-FILER	EAST SAN BDNO. COUNTY WATER DIST.	1N4W36H	NO. 52	
NON-FILER	EAST SAN BDNO. COUNTY WATER DIST.	1S3W06	NO. 69	
NON-FILER	EAST SAN BDNO. COUNTY WATER DIST.	1N3W31D	NO. 70	
NON-FILER	EAST SAN BDNO. COUNTY WATER DIST.	1S3W06E	NO. 71	
NON-FILER	EAST SAN BDNO. COUNTY WATER DIST.	1S3W06H	NO. 72	
NON-FILER	EAST SAN BDNO. COUNTY WATER DIST.	1S3W06C	NO. 74	
NON-FILER	EAST SAN BDNO. COUNTY WATER DIST.	1S4W02L	NO. 75	
NON-FILER	EAST SAN BDNO. COUNTY WATER DIST.	1S3W06P	NO. 7A	
NON-FILER	EAST SAN BDNO. COUNTY WATER DIST.	1S3W050	NO. 80	
NON-FILER	EAST SAN BDNO. COUNTY WATER DIST.	1S3W06M	NO. 81	
NON-FILER	EAST SAN BDNO. COUNTY WATER DIST.	1S3W060	NO. 83	

SAN BERNARDINO BASIN AREA
 CROSS INDEX BY RECORDATION NUMBER

RECORDATION NUMBER	OWNER NAME	STATF WELL NUMBER	LOCAL DESIGNATION	BASIN NAME
NON-FILER	EAST SAN BDN. COUNTY WATER DIST.	1S3W03N	NO. 84	
NON-FILER	EAST SAN BDN. COUNTY WATER DIST.	1N4W25D	NO. 85	
NON-FILER	EAST SAN BDN. COUNTY WATER DIST.	1S3W03N	NO. 93	
NON-FILER	EAST SAN BDN. COUNTY WATER DIST.	1S3W05J	NO. 95	
NON-FILER	EAST SAN BDN. COUNTY WATER DIST.	1S4W01D	NO. 96	
NON-FILER	EAST SAN BDN. COUNTY WATER DIST.	1S3W06N	NO. 97	
NON-FILER	EAST SAN BDN. COUNTY WATER DIST.	1S3W04Q	NO. 106	
NON-FILER	ELLENA, JOHN B.	1N4W08N		
NON-FILER	ELLG00D	1S2W24C		
NON-FILER	FARROW	1S2W22E		
NON-FILER	FINCH	1S2W29		
NON-FILER	GOLCONDA WATER CO.	1S4W13E		
NON-FILER	GRFENSPOT MUTUAL WATER CO TUNNEL	1S2W22		
NON-FILER	HAGAR	1S2W16L		
NON-FILER	HARDISON	1N4W13D		
NON-FILER	HAPRISON	1S3W04J		
NON-FILER	HARRISON CANYON	1N4W13P		
NON-FILER	HARRISON CANYON	1N4W13P		
NON-FILER	HAZAS	1S4W11G		
NON-FILER	HELIPORT	1S4W15G		
NON-FILER	HILL	1S2W31B		
NON-FILER	HOLDEN MUT. WTR. CO.	1S4W14E		

SAP. BERGARDINO BASIN AREA
 CROSS INDEX BY RECORDATION NUMBER

RECORDATION NUMBER	OWNER NAME	STATE WELL NUMBER	LOCAL DESTGRATION	BASIN NAME
NON-FILER	NORTON AIR FORCE BASE	1S3W08A	LOCAL NO. 11	
NON-FILER	NORTON AIR FORCE BASE	1S4W12Q	NO NO. WELL	
NON-FILER	NORTON AIR FORCE BASE	1S4W12G	LOCAL NO. 44	
NON-FILER	NORTON AIR FORCE BASE	1S3W08E	LOCAL NO. 347	
NON-FILER	NORTON AIR FORCE BASE	1S3W08M	LOCAL NO. 865	
NON-FILER	NORWOOD	1N3W34F		
NON-FILER	PACIFIC HIGH SCHOOL	1N4W35H		
NON-FILER	PIERSON	1N4W35N		
NON-FILER	RAMSEY	1S2W22F	SPRING DIV	
NON-FILER	REDLANDS ASSOCIATES	1S2W17B	NO. 0	
NON-FILER	REDLANDS ASSOCIATES	1S2W09P	BLOCK NO. 6	
NON-FILER	REDLANDS ASSOCIATES	1S2W09L	BLOCK NO. 11	
NON-FILER	REDLANDS ASSOCIATES	1S2W09L	TUNNEL DIV.	
NON-FILER	REDLANDS WTR. CO.	1S2W08	TUNNEL DIV.	
NON-FILER	REDLANDS, CITY OF	1S2W13B	MILL CR. DIV	
NON-FILER	REGINA GRAPE PRODUCTS	1N5W04M	WELL NO. 1	
NON-FILER	REGINA GRAPE PRODUCTS	1N5W04N	WELL NO. 2	
NON-FILER	REGINA GRAPE PRODUCTS	1N5W04N	WELL NO. 3	
NON-FILER	REGINA GRAPE PRODUCTS	1N5W05B	SPRING DIV.	
NON-FILER	REGINA GRAPE PRODUCTS	1N5W05R	WELL NO. 4	
NON-FILER	REGINA GRAPE PRODUCTS	1N5W04N	WELL NO. 5	
NON-FILER	REGINA GRAPE PRODUCTS	1N5W04N	WELL NO. 6	

SAN BERNARDINO HASIN AREA
CROSS INDEX BY RECORDATION NUMBER

RECORDATION NUMBER	OWNER NAME	STATE WELL NUMBER	LOCAL DESIGNATION	HASIN NAME
NON-FILER	PEGINA GRAPE PRODUCTS	1N5W04N	WELL NO. 7	
NON-FILER	RIVAS	1S4W24J		
NON-FILER	ROBERTS, DR. G	1N3W34		
NON-FILER	ROZEMA CHICKEN RANCH	1S3W04R	NO. 102	
NON-FILER	RULE	1N3W34K	SPRING	
NON-FILER	SAN BERNARDINO, CITY OF	1S4W21A	SEWER PLNT 1	
NON-FILER	SAN BERNARDINO, CITY OF	1S4W22C	SEWER PLNT 2	
NON-FILER	SAN BERNARDINO, COUNTY OF	1S4W14A	AEROSPACE	
NON-FILER	SAN BERNARDINO, COUNTY OF	1N4W35F	COUNTY HOSP	
NON-FILER	SAN BERNARDINO, COUNTY OF	2N5W33F	GLEN HELEN 3	
NON-FILER	SAN BERNARDINO, COUNTY OF	2N5W33G	GLEN HELEN 4	
NON-FILER	SAN BERNARDINO, COUNTY OF	2N5W33002	GLEN HELEN 2	
NON-FILER	SAN MANUAL INDIAN RESERV.	1N3W20N		
NON-FILER	SANDYS RESTAURANT	1S3K21M2		
NON-FILER	SANTINI	1S4W14A		
NON-FILER	SATUSKI, DOCTOR	1N4W14J		
NON-FILER	SELEY	1N3W19Q	TUNNEL DIV.	
NON-FILER	SIX HOUSES	1S4W22A		
NON-FILER	SMITH	1N4W14J		
NON-FILER	SMITH MEAT PACKING PLANT	1S4W22M		
NON-FILER	SMITH,	1S3W02J		
NON-FILER	STANLEY, SILAS	1S2W24H		

SAN BERNARDINO BASIN AREA
CROSS INDEX BY RECORDATION NUMBER

RECORDATION NUMBER	OWNER NAME	STATE WELL NUMBER	LOCAL DESIGNATION	BASIN NAME
NON-FILER	STEWART, WILLARD	1S3W31D		
NON-FILER	STRABERRY PATCH	1S3W03N		
NON-FILER	STRABERRY PATCH	1S3W03N		
NON-FILER	SUPERIOR ORCHARDS	1N3W29R	TUNNEL DIV.	
NON-FILER	TFXACO GAS STATION	1S4W24J		
NON-FILER	THOMPSON RANDALL	1N3W28A	SPRING DIV.	
NON-FILER	TRI CITY MUTUAL WATER COMPANY	1S4W23N		
NON-FILER	TRIPLE FALLS MUT. WTR. CO.	1S1W19G		
NON-FILER	TRIPLE FALLS MUT. WTR. CO.	1S1W20D		
NON-FILER	TRIPLE FALLS MUT. WTR. CO.	1S1W20D		
NON-FILER	U.S. FOREST SERVICE	1N4W13O	MAINT. YARD	
NON-FILER	U.S. FOREST SERVICE	1S2W13P	MILL CREEK	
NON-FILER	UNIVERSITY OF REDLANDS	1S2W17	PEPPER HOUSE	
NON-FILER	VALENCIA AVE. MUT. WTR. CO.	1N4W23K	WATERMAN AVE	
NON-FILER	VALLEY FARMS MUT. WTR. CO.	1S4W15R	NO 1 WASHTN	
NON-FILER	VALLEY FARMS MUT. WTR. CO.	1S4W15Q	NO 2 WELL	
NON-FILER	VAN MEETER	1S3W02P	OLD WELL	
NON-FILER	VAN MEETER	1S3W02P	NEW WELL	
NON-FILER	VANLEUVEN NURSING HOME	1S4W24J		
NON-FILER	VANLEUVEN, CLARENCE	1S4W24J		
NON-FILER	VANLEUVEN, ED	1S4W24J		
NON-FILER	WALLACE	1N4W14J		

SAN BERNARDINO BASIN AREA
CROSS INDEX BY RECORDATION NUMBER

RECORDATION NUMBER	OWNER NAME	STATE WELL NUMBER	LOCAL DESIGNATION	BASIN NAME
NON-FILER	WARD, FLOYD	1S1W18N	WELL NO. 1	
NON-FILER	WARD, FLOYD	1S1W18P	WELL NO. 2	
NON-FILER	WARD, FLOYD	1S1W18S	WELL NO. 3	
NON-FILER	WARD, FLOYD	1S1W18N	WELL NO. 4	
NON-FILER	WARD, FLOYD	1S1W18M	WELL NO. 6	
NON-FILER	WARD, FLOYD	1S1W18P	LATERAL SPRG	
NON-FILER	WEST TWIN CREEK WTR. CO.	1N4W14C	W TWIN CRK	
NON-FILER	WESTERN FRUIT GROWERS	1S3W24O		
NON-FILER	WIDEMEYER	1N3W29H	SPRING DIV.	
NON-FILER	WIDEMEYER	1N3W29H		
NON-FILER	WILLIAMS DAIRY	1S4W11G		
NON-FILER	YORK	1N3W19R	DOMESTIC	
NON-FILER	YORK	1N3W19R		
NON-FILER	YORK	1N3W19R	SAND CYN TUN	
3600001	SMITH TRACT WELL COMPANY	1S3W21R	11	BNK HILL
3600001-	SMITH TRACT WELL COMPANY	1S3W21R		BNK HILL
3600005	EAST LUGONIA MUTUAL WATER CO.	1S3W35H08S	LUETCKE	BNK HILL
3600006	EAST LUGONIA MUTUAL WATER CO.	1S2W19G01S	BERYL ST	BNK HILL
3600016	RIVAS, RAMON	1S4W24J	REES 4	BNK HILL
3600017	REES REES RANCHES, INC.	1S2W29	GRREES 3	BNK HILL
3600018	REES REES RANCHES, INC.	1S2W29	GRREES 2	BNK HILL
3600019	REES REES RANCHES, INC.	1S3W23	GR REES 1	BNK HILL

SAN BERNARDINO HASIN AREA
CROSS INDEX BY RECORDATION NUMBER

RECORDATION NUMBER	OWNER NAME	STATE WELL NUMBER	LOCAL DESIGNATION	HASIN NAME
3600021	HEAR VALLEY MUTUAL WATER COMPANY	1N2W26H	SANTA ANA 1	
3600022	HEAR VALLEY MUTUAL WATER COMPANY	1N2W34	SANTA ANA 2	
3600023	HEAR VALLEY MUTUAL WATER COMPANY	1S3W24C	JUDSON 1	BNK HILL
3600024	HEAR VALLEY MUTUAL WATER COMPANY	1S2W19D	WABASH 2	BNK HILL
3600025	HEAR VALLEY MUTUAL WATER COMPANY	1N3W29R01S	PALM AV3	BNK HILL
3600026	EAST SAN BONO. COUNTY WATER DIST.	1S3W04J	NO. 102	
3600027	HEAR VALLEY MUTUAL WATER COMPANY	1N2W10N	ALDER CR	
3600028	HEAR VALLEY MUTUAL WATER COMPANY	1S2W04N		BNK HILL
3600030	MEADOWBROOK DAIRY	1S4W23D	IRRIG 2	BNK HILL
3600034	SAN BERNARDINO, CITY OF	1S4W16H	SMITH 1	BNK HILL
3600035	SAN BERNARDINO, CITY OF	1S4W15M01		BNK HILL
3600036	BROOKSIDE DAIRY, INC	1S3W33D	1	BNK HILL
3600037	MEADOWBROOK DAIRY	1S4W23D	DOMESTIC 1	BNK HILL
3600038	EAST LUGONIA MUTUAL WATER CO.	1S2W17		BNK HILL
3600049	HORS WELL PARTNERSHIP	1S3W25M	MORRISON	
3600049-	HORS WELL PARTNERSHIP	1S3W25M	HORS WELL	
3600052	WILEY, RUTH NORWOOD	1S4W36J	1	BNK HILL
3600053	RYN MAMR MUTUAL WATER COMPANY	1S3W31A	1	BNK HILL
3600054	RYN MAMR MUTUAL WATER COMPANY	1S3W31A	2	BNK HILL
3600055	RYN MAMR MUTUAL WATER COMPANY	1S3W31A	3	BNK HILL
3600056	EAST SAN BONO. COUNTY WATER DIST.	1S3W03F	NO. 53	BNK HILL
3600075	GRANT WATER COMPANY	1S3W28C01	GRANT	BNK HILL

SAN BERNARDINO BASIN AREA
 CROSS INDEX BY RECORDATION NUMBER

RECORDATION NUMBER	OWNER NAME	STATE WELL NUMBER	LOCAL DESIGNATION	BASIN NAME
3600076	ARMSTRONG, DOUGLAS	1S3W17	2	BNK HILL
3600083	STORKSON, WILLIAM F.	1N5W06	1	LYTLE
3600085	REDLANDS, CITY OF	1S3W28J01	NY ST 1	BNK HILL
3600091	JEWEL WATER COMPANY, THE	1S3W20	1	BNK HILL
3600107	R M I FUNDS	1S3W21P01	CULTON 1	BNK HILL
3600119	MONTECITO MUTUAL WATER COMPANY	1S4W26F01	1	BNK HILL
3600123	HICKERSON WATER COMPANY	1S3W20R01	ALABAMA NO 1	
3600124	HICKERSON WATER COMPANY	1S3W21M01	LUGONIA NO 2	
3600125	SAN BERNARDINO AVENUE WATER COMPANY	1S3W14	1	BNK HILL
3600139	INDUST. ACRES C/O CITRUS INVESTMENT	1S2W18R01S		BNK HILL
3600160	LARANNI GUNTER WELL	1S3W32G01	GUNTER WELL	
3600178	AITCHISON, TOPEKA & SANTA FE RAILWAY CO.	1S4W08F02S	3	BNK HILL
3600179	AITCHISON, TOPEKA & SANTA FE RAILWAY CO.	1S4W08F	4	BNK HILL
3600182	GLADYSTA WELL & WATER COMPANY	1S3W20H01	1	BNK HILL
3600182-	GLADYSTA WELL & WATER COMPANY	1S3W20H02		BNK HILL
3600183	EAST SAN BONO. COUNTY WATER DIST.	1S4W02	NO. 60	BNK HILL
3600184	HIGHLAND WELL COMPANY	1N3W28N01	APLIN WELL	
3600187	SULANO WELL NO. 1	1S2W09	1	
3600188	CHAM PATTERSON WELL	1S2W16	CRAMPAT 2	BNK HILL
3600210	VAN CAMP, GILBERT C.	1N4W24	1	DEVIL CAN
3600220	MT. HARRISON MUTUAL WATER CO.	1S3W01H	1	BNK HILL
3600221	EAST SAN BONO. COUNTY WATER DIST.	1N3W30	NO. 63	

SAN BERNARDINO BASIN AREA
 CROSS INDEX BY RECORDATION NUMBER

RECORDATION NUMBER	OWNER NAME	STATF WELL NUMBER	LOCAL DESIGNATION	BASIN NAME
3600222	SAN BERNARDINO, CITY OF	1S4W11001S		BNK HILL
3600226	HEAD, JOF T.	1S2W21L01	1	BNK HILL
3600238	HAPPE MUTUAL WELL COMPANY	1S2W29M01	1	BNK HILL
3600240	EAST COLTON AVENUE WATER COMPANY	1S2W30	SOUTH WELL	BNK HILL
3600241	ORANGE ST. RANCH	1S3W030		BNK HILL
3600266	GREENSPOT MUTUAL WELL CO.	1S2W16C01	GRNSPTMU	BNK HILL
3600269	EAST SAN RDNO. COUNTY WATER DIST.	1N3W31L	NO. 68	BNK HILL
3600270	WICKERSON, E. D.	1S3W20P	ORANGEDALE	
3600272	CRAFTON WATER COMPANY	1S2W29N	5TH AVE 1	BNK HILL
3600275	EAST SAN RDNO. COUNTY WATER DIST.	1N3W32	NO. 64	
3600291	MAYHELL, N. O.	1S4W12		BNK HILL
3600296	NORTHRAE WATER COMPANY	1S3W15R01	1	BNK HILL
3600302	WEST SAN BDNO. COUNTY WATER DIST.	1N5W26A01S	LOWER 2	LYTLE
3600303	WEST SAN BDNO. COUNTY WATER DIST.	1N5W26R01S	LOWER 4	LYTLE
3600304	WEST SAN BDNO. COUNTY WATER DIST.	1N5W26A03S	L5	LYTLE
3600305	WEST SAN BDNO. COUNTY WATER DIST.	1N5W25F01S	LOWER 6	LYTLE
3600306	WEST SAN BDNO. COUNTY WATER DIST.	1N5W23P02S	UPPER 2	LYTLE
3600307	WEST SAN BDNO. COUNTY WATER DIST.	1N5W23P04S	UPPER 4	LYTLE
3600312	WEST SAN BDNO. COUNTY WATER DIST.	1N5W22M		LYTLE
3600313	NYE, WILLIAM H.	1S2W29N01S	NYE	BNK HILL
3600319	MOUNT VERNON WATER COMPANY	1N4W31A01S	1	BNK HILL
3600320	MOUNT VERNON WATER COMPANY	1N5W22M		LYTLE

SAN BERNARDINO BASIN AREA
CROSS INDEX BY RECORDATION NUMBER

RECORDATION NUMBER	OWNER NAME	STATE WELL NUMBER	LOCAL DESIGNATION	BASIC NAME
3600323	HIGHLAND ACRES RANCH	1S2W06M	ELEC 1	BNK HILL
3600374	SOUTHERN CALIFORNIA WATER COMPANY	1N3W33M01S	PALMHI 1	BNK HILL
3600375	SOUTHERN CALIFORNIA WATER COMPANY	1S3W05	CULHLND 1	BNK HILL
3600376	SOUTHERN CALIFORNIA WATER COMPANY	1S3W05	CULHLND 2	BNK HILL
3600377	SOUTHERN CALIFORNIA WATER COMPANY	1N3W27N08S	CCH 1	BNK HILL
3600378	SOUTHERN CALIFORNIA WATER COMPANY	1N3W27N02S	CCH 3	BNK HILL
3600399	VICTORIA GUERNSEY	1S4W02	1	BNK HILL
3600415	PHAROAH POWELL WATER CO.	1S3W29J01		BNK HILL
3600418	MARGOLD FARMS COMPANY	1S3W19	BRAGA WELL	
3600444	EAST SAN BDN. COUNTY WATER DIST.	1N3W30H01S	NO. 98	BNK HILL
3600449	HELL, H. EUGENE	1S3W20	BELL WELL	
3600451	REELER, RAYMOND A.	1S3W15		BNK HILL
3600456	HASE LINE WELL COMPANY	1N3W33R02S	1	BNK HILL
3600457	BASELINE GARDENS MUTUAL WATER COMPANY	1N4W35J02S	PAC&BARL	BNK HILL
3600458	BASELINE GARDENS MUTUAL WATER COMPANY	1N4W36M01S	PS & R 2	BNK HILL
3600466	EAST SAN HDNO. COUNTY WATER DIST.	1S3W04	NO. 48	BNK HILL
3600468	PAXTON, R. H.	1S3W30	BAHR 1	BNK HILL
3600474	TENNESSEE WATER CO.	1S3W16L	1	BNK HILL
3600483	SECHREST, RALPH F.	1S2W31	GPHRRCH 1	BNK HILL
3600484	SECHREST, RALPH F.	1S3W16	BUCKEYE 2	BNK HILL
3600493	OLD TOWN WELL CO.	1S3W29	1	BNK HILL
3600494	OLD TOWN WELL CO.	1S3W29	2	BNK HILL

SAN BERNARDINO BASIN AREA
 CROSS INDEX BY RECORDATION NUMBER

RECORDATION NUMBER	OWNER NAME	STATE WELL NUMBER	LOCAL DESIGNATION	HASIN NAME
3600510	LUGO WATER COMPANY	1S3W21K01	1	BNK HILL
3600525	CANYON RANCH	1S3W32G03S	HNTSCHKE	BNK HILL
3600524	LANGFORD RANCHES	1S3W17L01S	NEVADA ST	BNK HILL
3600525	LANGFORD RANCHES	1S3W17H01S	ALABAMA	BNK HILL
3600526	LANGFORD RANCHES	1S3W21G01S	LUGONIA	BNK HILL
3600527	COOK ORCHARDS COMPANY	1S3W16	HOME	BNK HILL
3600530	KING STREET MUTUAL WELL COMPANY	1S2W30G01	1	BNK HILL
3600530-	KING STREET MUTUAL WELL COMPANY	1S2W30G02	2	BNK HILL
3600545	FAST SAN BONO, COUNTY WATER DIST.	1N3W30	NUTW-DS	
3600554	FAIRVIEW WATER COMPANY	1S3W17	FAIRVW 1	BNK HILL
3600561	FONTANA UNION WATER COMPANY	1NSW23K01S	FU 1	LYTLE
3600562	FONTANA UNION WATER COMPANY	1NSW22F02S	FU 3	LYTLE
3600563	FONTANA UNION WATER COMPANY	1NSW22C02S	FU 4	LYTLE
3600566	FONTANA UNION WATER COMPANY	1NSW15002S	FU 8	LYTLE
3600569	FONTANA UNION WATER COMPANY	1NSW22A01S	FU 13	LYTLE
3600579	FONTANA UNION WATER COMPANY	1NSW22F03S	FU 24	LYTLE
3600580	FONTANA UNION WATER COMPANY	1NSW22F01S	FU 25	LYTLF
3600581	FONTANA UNION WATER COMPANY	1NSW07H01S	FU 26	LYTLE
3600582	FONTANA UNION WATER COMPANY	1NSW06G01S	FU 27	LYTLE
3600585	FONTANA UNION WATER COMPANY	1NSW16K01S	FU 32	LYTLE
3600586	FONTANA UNION WATER COMPANY	1NSW06K02S	FU 33	LYTLE
3600588	FONTANA UNION WATER COMPANY	2N6W26L2	MN 1	

SAN BERNARDINO BASIN AREA
 CROSS INDEX BY RECORDATION NUMBER

RECORDATION NUMBER	OWNER NAME	STATF WELL NUMBER	LOCAL DESIGNATION	BASIN NAME
3600590	FONTANA UNION WATER COMPANY	2N6W26L1	MN 2	LYTLF
3600591	FONTANA UNION WATER COMPANY	1N5W06E		
3600598	SARATOGA DEVELOPMENT CO	1S3W02	LOCAL 1	BNK HILL
3600599	SUNRISE RANCH PART C/O LIFE DEVELOPMENT	1S2W13		BNK HILL
3600600	SUNRISE RANCH PART C/O LIFE DEVELOPMENT	1S2W13	SUNRISE 2	BNK HILL
3600601	SUNRISE RANCH PART C/O LIFE DEVELOPMENT	1S2W14	SUNRISE 3A	BNK HILL
3600602	SUNRISE RANCH PART C/O LIFE DEVELOPMENT	1S2W15P	SUNRISE 4	BNK HILL
3600603	SUNRISE RANCH PART C/O LIFE DEVELOPMENT	1S2W15G	SUNRISE 5	BNK HILL
3600604	SARATOGA DEVELOPMENT CO	1S2W07B	RANNEY	BNK HILL
3600605	SARATOGA DEVELOPMENT CO	1N3W36	PLUNGE CK DI	
3600606	SARATOGA DEVELOPMENT CO	1N3W35	ELDER GULCH	BNK HILL
3600607	SARATOGA DEVELOPMENT CO	1S3W02	SMALL	BNK HILL
3600607-	SARATOGA DEVELOPMENT CO	1S3W02	SMALL	BNK HILL
3600608	EAST BARTON WATER COMPANY	1S3W26R01S	BARTON	BNK HILL
3600628	REDLANDS TRAP/SKEET	1S3W15G		BNK HILL
3600630	MILLER MUTUAL WELL CO.	1N3W32		BNK HILL
3600630-	MILLER MUTUAL WELL CO.	1N3W32D		BNK HILL
3600642	PIONEER MUTUAL WATER CO.	1S3W14P01	SBDNO 1	BNK HILL
3600643	EAST SAN BONO. COUNTY WATER DIST.	1N4W25K01	NO. 66	BNK HILL
3600644	ICE PRODUCTS INC.	1S4W09B03S	2	BNK HILL
3600645	ICE PRODUCTS INC.	1S4W09B01S		BNK HILL
3600651	SOUTHERN CALIFORNIA EDISON COMPANY	1S3W28		BNK HILL

SAN BERNARDINO BASIN AREA
CROSS INDEX BY RECORDATION NUMBER

RECORDATION NUMBER	OWNER NAME	STATE WELL NUMBER	LOCAL DESIGNATION	BASIN NAME
3600652	WEATHERAX, W. G.	1S3W15W01S	REDLANDS	BNK HILL
3600676	NORTH FORK WATER COMPANY	1S2W08C01S NO. 1		
3600679	NORTH FORK WATER COMPANY	1S2W08C02S NO. 2		
3600680	NORTH FORK WATER COMPANY	1S3W02	NF CRAW3	BNK HILL
3600681	NORTH FORK WATER COMPANY	1N3W27	CITY CREEK	BNK HILL
3600708	LA ROSSE, CHARLES H.	1S3W29	GOUDAIN	BNK HILL
3600709	SAN BERNARDINO, CITY OF	2NSW19R01	VINCENT	L CAJON
3600710	SAN BERNARDINO, CITY OF	2NSW19	CAJON	L CAJON
3600711	SAN BERNARDINO, CITY OF	1N4W07F01S	DEVCON 2	DEVIL CAN
3600712	SAN BERNARDINO, CITY OF	1N4W08M01S	DEVCON 1	DEVIL CAN
3600713	SAN BERNARDINO, CITY OF	1N5W36R01S	LYTLE CR 3	LYTLE
3600714	SAN BERNARDINO, CITY OF	1N4W16E01S	NEWMRK 1	DEVIL CAN
3600715	SAN BERNARDINO, CITY OF	1N4W16E	NEWMRK 2	DEVIL CAN
3600716	SAN BERNARDINO, CITY OF	1N4W16E03S	NEWMRK 3	DEVIL CAN
3600717	SAN BERNARDINO, CITY OF	1N4W32D03S	19TH STL	BNK HILL
3600718	SAN BERNARDINO, CITY OF	1N4W32D04S	19ST. 2	BNK HILL
3600719	SAN BERNARDINO, CITY OF	1N4W27G01S	MARSHALL	BNK HILL
3600720	SAN BERNARDINO, CITY OF	1N4W27M02S	27TH ST	BNK HILL
3600721	SAN BERNARDINO, CITY OF	1N4W27M01S	NO E ST	BNK HILL
3600722	SAN BERNARDINO, CITY OF	1S4W03D01S	ACACIA	BNK HILL
3600723	SAN BERNARDINO, CITY OF	1S4W10F01S	MANFORD 1	BNK HILL
3600724	SAN BERNARDINO, CITY OF	1S4W10F05S	MANFORD 2	BNK HILL

SAN BERNARDINO BASIN AREA
CROSS INDEX BY RECORDATION NUMBER

RECORDATION NUMBER	OWNER NAME	STATE WELL NUMBR	LOCAL DESIGNATION	BASIN NAME
3600725	SAN BERNARDINO, CITY OF	1N4W34G01S	17 ST SW	BNK HILL
3600726	SAN BERNARDINO, CITY OF	1N4W34G03S	16TH ST	BNK HILL
3600727	SAN BERNARDINO, CITY OF	1N4W26G	LYNWOOD	BNK HILL
3600728	SAN BERNARDINO, CITY OF	1N4W27A01S	WTRMN AV	BNK HILL
3600729	SAN BERNARDINO, CITY OF	1N4W35M03S	GILBRIST	BNK HILL
3600730	SAN BERNARDINO, CITY OF	1S4W02K01S	ANTIL 3	BNK HILL
3600731	SAN BERNARDINO, CITY OF	1S4W02K02S	ANTIL 5	BNK HILL
3600732	SAN BERNARDINO, CITY OF	1S4W02K05S	ANTIL 2	BNK HILL
3600733	SAN BERNARDINO, CITY OF	1S4W02K04S	ANTIL 1	BNK HILL
3600734	SAN BERNARDINO, CITY OF	1S4W02K03S	ANTIL 4	BNK HILL
3600735	SAN BERNARDINO, CITY OF	1S4W09P01S	BIRCH ST	BNK HILL
3600736	SAN BERNARDINO, CITY OF	1S4W09J01S	SO G ST	BNK HILL
3600737	SAN BERNARDINO, CITY OF	1S4W10N06S	MILL & D	BNK HILL
3600738	SAN BERNARDINO, CITY OF	1N4W06	D.C. DIV.	DEVIL CAN
3600739	SAN BERNARDINO, CITY OF	1N5W06	L.C. DIV.	LYTLE
3600742	MT. VIEW CEMETERY OF SAN BERNARDINO	1N4W26	1	BNK HILL
3600742-	MT. VIEW CEMETERY OF SAN BERNARDINO	1N4W26	3	BNK HILL
3600743	MT. VIEW CEMETERY OF SAN BERNARDINO	1N4W26	2	BNK HILL
3600747	FRIEDELMANN, ERNEST C.	1N3W31P02S	WELL 1	BNK HILL
3600748	MENTONE ACRES MUTUAL WELL CO.	1S3W24A01	OLD WELL 1	BNK HILL
3600749	MENTONE ACRES MUTUAL WELL CO.	1S3W13	NEW 2	BNK HILL
3600756	MISSION MUTUAL WATER COMPANY	1S3W19H	1	BNK HILL

SAN BERNARDINO BASIN AREA
CROSS INDEX BY RECORDATION NUMBER

RECORDATION NUMBER	OWNER NAME	STATE WELL NUMBER	LOCAL DESIGNATION	BASIN NAME
3600757	MISSION MUTUAL WATER COMPANY	1S3W19L	2	BNK HILL
3600760	MEYER, CHARLES R.	1N5W01K	1	DEVIL CAN
3600765	MUTUAL WELL COMPANY(OF HIGHLAND)	1N3W33C01	RODDICK WELL	
3600766	ELTINGE & GRAZIADIO	1S3W29A01	COLTAMA	BNK HILL
3600815	CHARLES, J. J.	1S3W06		BNK HILL
3600817	WOEHR MUTUAL WATER COMPANY	1S3W29H		BNK HILL
3600828	WILLIAMS WELL CORPORATION, LTD.	1S3W16J		BNK HILL
3600855	EAST SAN BDNO. COUNTY WATER DIST.	1N3W28P01S	SEAVEY 1	BNK HILL
3600856	GUERTH, WILLIAM H.	1N3W27M	CITY CREEK	BNK HILL
3600864	EAST SAN BDNO. COUNTY WATER DIST.	1N3W19	NO. 79	BNK HILL
3600865	PEYTON, MRS. A. L.	1N4W24	MULTOWN2	BNK HILL
3600918	REDLANDS HEIGHTS WATER COMPANY	2S3W01E	1	BNK HILL
3600923	CALIFORNIA, STATE OF PATTON HOSPITAL	1N3W32C01S	PATTON 1	BNK HILL
3600924	CALIFORNIA, STATE OF PATTON HOSPITAL	1N3W29M01S	PATTON 2	BNK HILL
3600924-	CALIFORNIA, STATE OF PATTON HOSPITAL	1N3W29M	2A	BNK HILL
3600925	EAST SAN BDNO. COUNTY WATER DIST.	1S4W01R01	NO. 100	BNK HILL
3600926	EAST SAN BDNO. COUNTY WATER DIST.	1S4W01F02S	PATTON 4	
3600927	SAN BERNARDINO, CITY OF	1N3W31R01	PATTON 6	BNK HILL
3600928	EAST SAN BDNO. COUNTY WATER DIST.	1N3W31L02S	PATTON 7	BNK HILL
3600929	CALIFORNIA, STATE OF PATTON HOSPITAL	1N3W31K02S	PATTON 8	BNK HILL
3600930	EAST SAN BDNO. COUNTY WATER DIST.	1N3W31L03S	PATTON 9	BNK HILL
3600931	CALIFORNIA, STATE OF PATTON HOSPITAL	1N3W29N01S	PATTON 10	BNK HILL

SAN BERNARDINO BASIN AREA
CROSS INDEX BY RECORDATION NUMBER

RECORDATION NUMBER	OWNER NAME	STATE WELL NUMBER	LOCAL DESIGNATION	BASIN NAME
3600933	NORTHSIDE WATER COMPANY	1S3W23F	1	BNK HILL
3600935	TRI CITY CONCRETE	1N4W31N		LYTLE
3600970	EAST SAN BDN. COUNTY WATER DIST.	1N3W19	LSC 1	BNK HILL
3600971	EAST SAN BDN. COUNTY WATER DIST.	1N3W19F	L. SAND CR.	BNK HILL
3600973	CARDIFF FARMS MUTUAL WATER COMPANY	1S4W120	1	BNK HILL
3600981	HICKS, JOHN/LOUISE	1S2W21H01		BNK HILL
3600996	WEST SAN BDN. COUNTY WATER DIST.	1N5W36J03S	NO 8	LYTLE
3600997	WEST SAN BDN. COUNTY WATER DIST.	1N5W36H04S	LORD 7	LYTLE
3600998	WEST SAN BDN. COUNTY WATER DIST.	1N5W25F02S	FERG 1	LYTLE
3600999	WEST SAN BDN. COUNTY WATER DIST.	1S4W06J01S	DIXON 1	BNK HILL
3601000	WEST SAN BDN. COUNTY WATER DIST.	1S4W06J02S	DIXON 2	BNK HILL
3601002	WEST SAN BDN. COUNTY WATER DIST.	1N4W31P03S	RAYNOR 1	LYTLE
3601003	WEST SAN BDN. COUNTY WATER DIST.	1S4W06H01S	RAYNOR 4	BNK HILL
3601012	SOUTHERN CALIFORNIA EDISON COMPANY	1S4W06R	STM PL 1	BNK HILL
3601013	SOUTHERN CALIFORNIA EDISON COMPANY	1S4W06R	STM PL 2	BNK HILL
3601014	SOUTHERN CALIFORNIA EDISON COMPANY	1S3W16	SB STMP 1	BNK HILL
3601015	SOUTHERN CALIFORNIA EDISON COMPANY	1S3W16	SB STMP 2	BNK HILL
3601016	SOUTHERN CALIFORNIA EDISON COMPANY	1S4W22G01S	THORN 1	BNK HILL
3601046	STONE WATER COMPANY	1S3W21A	1	BNK HILL
3601069	SOUTHERN CALIFORNIA WATER COMPANY	1N3W33M02S	1	BNK HILL
3601084	NAMIHAS, M.D., IVAN/SHIRLEY	1S2W20K		BNK HILL
3601085	RIALTO, CITY OF	1N4W31N	RIALTO MUT	LYTLE

SAN BERNARDINO BASIN AREA
CROSS INDEX BY RECORDATION NUMBER

RECORDATION NUMBER	OWNER NAME	STATE WELL NUMBER	LOCAL DESIGNATION	BASIN NAME
3601092	KANSAS STREET MUTUAL WATER CO.	1S3W28D01		BNK HILL
3601093	PEYTON, A. L. OR IHENE A.	1N4W24	SPRING	BNK HILL
3601099	PENN WELL COMPANY	1S3W22F	1	BNK HILL
3601102	MASCART WATER COMPANY	1S3W21E	2	BNK HILL
3601114	SAN BERNARDINO, CITY OF	1N4W35C01S	PRKSHLL 2	BNK HILL
3601115	SAN BERNARDINO, CITY OF	1N4W26P03S	PERRISM 5	BNK HILL
3601116	SAN BERNARDINO, CITY OF	1N4W35C02S	PRKSHLL 3	BNK HILL
3601117	SAN BERNARDINO, CITY OF	1N4W35C03S	PRRSHLL 4	BNK HILL
3601121	7TH AVE. WELL	1S2W31	1	BNK HILL
3601126	GAY, PHILIP L.	1S2W30H	1	BNK HILL
3601130	LOMA LINDA, CITY OF	1S3W32D	NICKS WELL	BNK HILL
3601131	FRANK RANCH	1S3W30		
3601161	TENNESSEE MUTUAL WELL COMPANY	1S3W16L	PIONEER 1	BNK HILL
3601168	UNGER, V.E.	1S4W26F		BNK HILL
3601171	CRIM, W. ROSCOE	1S3W20F	1	BNK HILL
3601172	CRIM WELL	1S3W20C		BNK HILL
3601173	LAND CAPITOL CORP & DONALD SOJKA	1S3W32K		BNK HILL
3601184	EAST SAN BONO. COUNTY WATER DIST.	1N3W33F01S	NO. 94	
3601186	COMEJO RANCHOS MUTUAL WATER COMPANY	1N4W36F03S	1	BNK HILL
3601250	COLTON, CITY OF	1S4W08R	4	BNK HILL
3601251	COLTON, CITY OF	1S4W08R	5	BNK HILL
3601252	COLTON, CITY OF	1S4W05R	6	BNK HILL

SAN BERNARDINO BASIN AREA
CROSS INDEX BY RECORDATION NUMBER

RECORDATION NUMBER	OWNER NAME	STATE WELL NUMBER	LOCAL DESIGNATION	BASIN NAME
3601253	COLTON, CITY OF	1S4W08H	7	BNK HILL
3601254	COLTON, CITY OF	1S4W08F	8	BNK HILL
3601256	CULTON, CITY OF	1S4W09N	PLUNGE 12	BNK HILL
3601257	COLTON, CITY OF	1S4W08F	13	BNK HILL
3601258	COLTON, CITY OF	1S4W08R	14	BNK HILL
3601260	CULTON, CITY OF	1S4W08F01S	16	BNK HILL
3601262	COLTON, CITY OF	1S4W08C02S	BARNHL 18	BNK HILL
3601263	RIALTO, CITY OF	1N5W23001S	CITY WELL	LYTLE
3601280	YAHIKU, PAUL	1S3W29D	SOUTH 1	BNK HILL
3601281	REDLANDS, CITY OF	1S2W21M01S	MAGUET 1	BNK HILL
3601282	REDLANDS, CITY OF	1S1W08G1	MC 1	
3601283	REDLANDS, CITY OF	1S2W22C02S	E LUG 2	BNK HILL
3601284	REDLANDS, CITY OF	1S2W21E01S	MAGUET 2	BNK HILL
3601285	REDLANDS, CITY OF	1S1W10L1	MC 2	
3601286	REDLANDS, CITY OF	1S2W21E02S	MAGUET 3	BNK HILL
3601287	REDLANDS, CITY OF	1S2W21C	ELUGNA3	BNK HILL
3601288	REDLANDS, CITY OF	1S1W1101	MC 4	
3601289	REDLANDS, CITY OF	1S3W35E	4R	BNK HILL
3601290	REDLANDS, CITY OF	1S2W21D01S	ELUGNA6	BNK HILL
3601291	REDLANDS, CITY OF	1S3W35G0MS	10	BNK HILL
3601292	REDLANDS, CITY OF	1S3W35G07S	11	BNK HILL
3601293	REDLANDS, CITY OF	1S3W35H02S	12	BNK HILL

SAN BERNARDINO BASIN AREA
CROSS INDEX BY RECORDATION NUMBER

RECORDATION NUMBER	OWNER NAME	STATE WELL NUMBER	LOCAL DESIGNATION	BASIN NAME
3601294	REDLANDS, CITY OF	1S3W35G09S	13	BNK HILL
3601295	REDLANDS, CITY OF	1S3W35H04S	14	BNK HILL
3601296	REDLANDS, CITY OF	1S3W35H03S	14	BNK HILL
3601297	REDLANDS, CITY OF	1S3W35G11S	17	BNK HILL
3601298	REDLANDS, CITY OF	1S3W21H01S	32	BNK HILL
3601299	REDLANDS, CITY OF	1S4W24K01S	34	BNK HILL
3601300	REDLANDS, CITY OF	1S3W27E02S	40	BNK HILL
3601301	REDLANDS, CITY OF	1S3W28H01S	41	BNK HILL
3601302	REDLANDS, CITY OF	1S2W14N	MILL CR.	BNK HILL
3601308	MONTONE DOMESTIC WATER COMPANY, INC.	1S2W19K01S	TENCH	BNK HILL
3601309	TRI CITY CONCRETE	1S4W05H	PLANT	BNK HILL
3601316	INTER CITY MUTUAL WATER CO	1S4W23N	1	BNK HILL
3601352	STANLEY BROWN CO.	1S3W19N		BNK HILL
3601376	LULY, DR. LUCIAN L.	1N4W14	WATERMAN	DEVIL CAN
3601377	LULY, DR. LUCIAN L.	1N4W14	WATERMAN	DEVIL CAN
3601378	LULY, DR. LUCIAN L.	1N4W14	WATERMAN	DEVIL CAN
3601381	NEALEY MUTUAL WATER COMPANY	1N5W07C		LYTLE
3601384	LOMA LINDA, CITY OF	1S4W25	1	BNK HILL
3601388	LOMA LINDA, CITY OF	1S4W25	2	BNK HILL
3601405	PENN WELL COMPANY	1S3W22	2	BNK HILL
3601420	TRI CITY CONCRETE	1S3W09E	ALABAMA 2	BNK HILL
3601451	KOCH, GEORGE J.	1S2W32G01	1	BNK HILL

SAN BERNARDINO BASIN AREA
CROSS INDEX BY RECOMBINATION NUMBER

RECOMBINATION NUMBER	OWNER NAME	STATE WELL NUMBER	LOCAL DESIGNATION	BASIN NAME
3601497	MUSCOY MUTUAL WATER COMPANY, NO. 1	1N5W23H01S	MUSCOY 1	LYTLF
3601498	MUSCOY MUTUAL WATER COMPANY, NO. 1	1N5W24D01S	NO. 4	LYTLE
3601499	MUSCOY MUTUAL WATER COMPANY, NO. 1	1N5W23A01S	MUSCOY 2	LYTLE
3601500	MUSCOY MUTUAL WATER COMPANY, NO. 1	1N5W23A02S	MUSCOY 3	LYTLE
3601582	SUNNYSIDE MUTUAL WATER COMPANY	1S4W02R		BNK HILL
3601584	EAST SAN BDN.O. COUNTY WATER DIST.	1N3W33H01S	NO. 47	BNK HILL
3601585	LUGONIA WATER COMPANY	1S3W23A03S	SBDNO AV 1	BNK HILL
3601586	DEAR VALLEY MUTUAL WATER COMPANY	1S3W15F02S	ORANGE 5	BNK HILL
3601588	SOUTHERN CALIFORNIA WATER COMPANY	1N4W31H	BERDNO 1	BNK HILL
3601619	CARDIFF FARMS MUTUAL WATER COMPANY	1S4W12D	2	BNK HILL
3601626	SAN BERNARDINO, CITY OF	1S4W10	CITYLOTS	BNK HILL
3601628	CRAM, FRANCES L.	1S2W09D	2	BNK HILL
3601629	RIEDMAN, FRED M.	1S3W03P00S	1	BNK HILL
3601631	BRISTOL RANCH	1N3W34C02S	1	BNK HILL
3601632	CANYON KNOLLS RANCH	2S3W05A2	MARCUM WELL	
3601636	REDLANDS, CITY OF	1S4W24	LANGFORD	BNK HILL
3601637	REDLANDS, CITY OF	1S3W30	PTRSON WELL	BNK HILL
3601639	SARATOGA DEVELOPMENT CO	1S3W03R01	STORE WELL	BNK HILL
3601640	SUNRISE RANCH PART C/O LIFE DEVELOPMENT	1S2W14		BNK HILL
3601641	PAINE, ROBERT T., TRUSTEE	1S2W30C01S	OPAL ST	BNK HILL
3601642	PAINE, ROBERT T., TRUSTEE	1S2W30R02S	KING ST	BNK HILL
3601643	NORTH FORK WATER COMPANY	1S3W03Q	4	BNK HILL

SAN BERNARDINO BASIN AREA
 CROSS INDEX BY RECORDATION NUMBER

RECORDATION NUMBER	OWNER NAME	STATE WELL NUMBER	LOCAL DESIGNATION	BASIN NAME
3601644	GURTH FORK WATER COMPANY	1S3W01A	PLUNGE CR	BNK HILL
3601645	EAST COLTON AVENUE WATER COMPANY	1S2W30B	1	BNK HILL
3601647	JUDSON MUTUAL WATER COMPANY	1S3W23A03	1	BNK HILL
3601649	HOOVER WELL	1S3W28M	HOOVER	BNK HILL
3601649-	HOOVER WELL	1S3W28M	HOOVER	BNK HILL
3601653	EAST SAN RDNO. COUNTY WATER DIST.	1N4W36K04S	NO. 1	BNK HILL
3601654	EAST SAN RDNO. COUNTY WATER DIST.	1N4W36	NO. 1A	BNK HILL
3601655	EAST SAN RDNO. COUNTY WATER DIST.	1N4W36K05S	NO. 2	BNK HILL
3601656	EAST SAN RDNO. COUNTY WATER DIST.	1N4W36001S	NO. 6	BNK HILL
3601657	EAST SAN RDNO. COUNTY WATER DIST.	1S4W01R04S	NO. 7	BNK HILL
3601658	EAST SAN RDNO. COUNTY WATER DIST.	1N4W36R01S		BNK HILL
3601659	EAST SAN RDNO. COUNTY WATER DIST.	1S3W06H01S	NO. 9	BNK HILL
3601660	EAST SAN RDNO. COUNTY WATER DIST.	1S3W06H04S	NO. 9A	BNK HILL
3601661	EAST SAN RDNO. COUNTY WATER DIST.	1S4W01J08S	NO. 10	BNK HILL
3601662	EAST SAN RDNO. COUNTY WATER DIST.	1S4W02005S	11	BNK HILL
3601663	EAST SAN RDNO. COUNTY WATER DIST.	1S4W02004S	12	BNK HILL
3601664	EAST SAN RDNO. COUNTY WATER DIST.	1S4W02N01S	13	BNK HILL
3601665	EAST SAN RDNO. COUNTY WATER DIST.	1S4W01K04S	14	BNK HILL
3601666	EAST SAN RDNO. COUNTY WATER DIST.	1N4W36F08S	16	BNK HILL
3601667	EAST SAN RDNO. COUNTY WATER DIST.	1S3W06A05S	21	BNK HILL
3601668	EAST SAN RDNO. COUNTY WATER DIST.	1S4W01E02S	22	BNK HILL
3601669	EAST SAN RDNO. COUNTY WATER DIST.	1N4W36H06S	23	BNK HILL

SAN BERNARDINO BASIN AREA
CROSS INDEX BY RECORDATION NUMBER

RECORDATION NUMBER	OWNER NAME	STATE WELL NUMBER	LOCAL DESIGNATION	BASIN NAME
3601670	EAST SAN BDNQ. COUNTY WATER DIST.	1N4W26A01S	24	BNK HILL
3601671	EAST SAN BDNQ. COUNTY WATER DIST.	1N4W26A02S	24A	BNK HILL
3601672	EAST SAN BDNQ. COUNTY WATER DIST.	1N4W25R	25	BNK HILL
3601673	EAST SAN BDNQ. COUNTY WATER DIST.	1N4W25C02S	25A	BNK HILL
3601674	EAST SAN BDNQ. COUNTY WATER DIST.	1N4W25C01S	26	BNK HILL
3601675	EAST SAN BDNQ. COUNTY WATER DIST.	1N4W25A01S	27	BNK HILL
3601676	EAST SAN BDNQ. COUNTY WATER DIST.	1S4W12R05S	28	BNK HILL
3601677	EAST SAN BDNQ. COUNTY WATER DIST.	1S3W05A02S	31	BNK HILL
3601678	EAST SAN BDNQ. COUNTY WATER DIST.	1S3W05B04S	32	BNK HILL
3601679	EAST SAN BDNQ. COUNTY WATER DIST.	1S3W05N05S	38	BNK HILL
3601684	TERRACE WATER COMPANY	1S4W08F06S	LARGE 1	BNK HILL
3601684-	TERRACE WATER COMPANY	1S4W08F	4	BNK HILL
3601685	TERRACE WATER COMPANY	1S4W08F	SMALL 2	BNK HILL
3601686	TERRACE WATER COMPANY	1S4W08F	3	BNK HILL
3601718	RIALTO, CITY OF	1N5W22M		LYTLE
3601725	WEST SAN BDNQ. COUNTY WATER DIST.	1N5W25E00S		LYTLE
3601728	RAMIREZ BROTHERS	1S3W30	1	BNK HILL
3601748	MARIGOLD FARMS COMPANY	1S3W18H01	CALIF	BNK HILL
3601748-	MARIGOLD FARMS COMPANY	1S3W19A01	CALIF	BNK HILL
3601749	MARIGOLD FARMS COMPANY	1S3W19R01	JAP	BNK HILL
3601750	MARIGOLD FARMS COMPANY	1S3W18L	ACQUIL	BNK HILL
3601751	CHRISTINA WATER COMPANY	1S3W21E	ALABAMA	BNK HILL

SAN BERNARDINO BASIN AREA
CROSS INDEX BY RECORDATION NUMBER

RECORDATION NUMBER	OWNER NAME	STATE WELL NUMBER	LOCAL DESIGNATION	BASIN NAME
3601753	RANCHO CITRUS AMIGOS	1S3W29	PARK AVE 1	BNK HILL
3601781	EAST SAN BDN. COUNTY WATER DIST.	1S3W06K01S	35	BNK HILL
3601809	DEL ROSA MUTUAL WATER COMPANY	1N4W26	GOLDNAV 1	BNK HILL
3601810	DEL ROSA MUTUAL WATER COMPANY	1N4W23E	PRKSD 2	BNK HILL
3601811	DEL ROSA MUTUAL WATER COMPANY	1N4W14	EAST TWIN	DEVIL CAN
3601823	TKI CITY MUTUAL WATER COMPANY	1S4W23K		BNK HILL
3601837	SYCAMORE HEIGHTS WATER COMPANY, INC.	1N3W34B	HERCULES	BNK HILL
3601838	SYCAMORE HEIGHTS WATER COMPANY, INC.	1N3W34A	WALKISHA	BNK HILL
3601839	DUDA, WALTER AND BETTY	1S3W10D01S	1	BNK HILL
3601843	SAN BERNARDINO WATER UTILITIES COR	1N5W03H01S	1	L CAJON
3601844	SAN BERNARDINO WATER UTILITIES COR	1N5W03	2	L CAJON
3601845	SAN BERNARDINO WATER UTILITIES COR	1N4W30L	3	LYTLE
3601848	WEST SAN BDN. COUNTY WATER DIST.	1S4W05E05S	RAYNOR 5	BNK HILL
3601878	SOUTHERN CALIFORNIA WATER COMPANY	1N4W29E01S	DARBY	BNK HILL
3601879	SOUTHERN CALIFORNIA WATER COMPANY	1N4W29	GARDENA	BNK HILL
3601880	SOUTHERN CALIFORNIA WATER COMPANY	1N4W29F01S	COLIMA	BNK HILL
3601884	EAST SAN BDN. COUNTY WATER DIST.	1N3W31C02S	30	BNK HILL
3601910	LOMA LINDA UNIVERSITY	1S3W30L	PUFFER	BNK HILL
3601924	NATIONAL ORANGE SHOW	1S4W15D		BNK HILL
3601925	ARROWHEAD COUNTRY CLUB	1N4W23E	1	BNK HILL
3601929	RANCHERIA WATER CO. TORIN	1S4W06C04S	NEW RAYN 3	BNK HILL
3601930	CALIFORNIA, STATE OF PATTON HOSPITAL	1N3W32C02S	PATTON 11	BNK HILL

SAN BERNARDINO BASIN AREA
CROSS INDEX BY RECORDATION NUMBER

RECORDATION NUMBER	OWNER NAME	STATE WELL NUMBER	LOCAL DESIGNATION	BASIN NAME
3601932	IOWA STREET WELL	1S3W29B01		BANK HILL
3601944	WEST SAN BONO. COUNTY WATER DIST.	1N5W23U00S	LOWER 7	LYTLE
3601969	SUNRISE RANCH PART C/O LIFF DEVELOPMENT	1S2W14L	SUNRISE 7	BANK HILL
3601978	EAST SAN BONO. COUNTY WATER DIST.	1S3W04N	40	BANK HILL
3601979	EAST SAN BONO. COUNTY WATER DIST.	1N4W14A	EAST TWIN	DEVIL CAN
3601987	SOUTHERN CALIFORNIA WATER COMPANY	1S3W04G	HIGHLD 1	BANK HILL
3601989	LOMA LINDA, CITY OF	1S4W24R01S	1	BANK HILL
3602003	SOLANO WELL NO. 3	1S2W16C	3	BANK HILL
3602007	BERMAN, JERRY & SONS	1S4W02	2	BANK HILL
3602008	LOMA LINDA UNIVERSITY	1S4W26A	1	BANK HILL
3602009	LOMA LINDA UNIVERSITY	1S4W25G01S	3	BANK HILL
3602010	LOMA LINDA, CITY OF	1S4W25H02S	LLU 4	BANK HILL
3602011	LOMA LINDA, CITY OF	1S4W25H02S	LLU 5	BANK HILL
3602012	LOMA LINDA UNIVERSITY	1S4W25C01S	6	BANK HILL
3602013	LOMA LINDA UNIVERSITY	1S4W24N	7	BANK HILL
3602014	LOMA LINDA UNIVERSITY	1S4W26J01S	8	BANK HILL
3602015	LOMA LINDA, CITY OF	1S4W25B	LLU 9	BANK HILL
3602016	LOMA LINDA, CITY OF	1S4W25G	ROBINSON	BANK HILL
3602017	LOMA LINDA UNIVERSITY	1S4W25E01S	2	BANK HILL
3602020	F. A. R. WELL	1S2W20K		BANK HILL
3602031	REDLANDS, CITY OF	1S3W21H	30A	BANK HILL
3602032	REDLANDS, CITY OF	1S3W22A	35	BANK HILL

SAN BERNARDINO BASIN AREA
CROSS INDEX BY RECORDATION NUMBER

RECORDATION NUMBER	OWNER NAME	STATE WELL NUMBER	LOCAL DESIGNATION	BASIN NAME
3602034	EAST SAN BDNO. COUNTY WATER DIST.	1S4W010	12A	BNK HILL
3602036	REDLANDS, CITY OF	1S3W21H	31A	BNK HILL
3602057	LOMA LINDA, CITY OF	1S4W25C	MITTLEID	BNK HILL
3602058	LOMA LINDA, CITY OF	1S4W25F	CROOKS	BNK HILL
3602060	JUHANSSON, RUHE	1S4W24P	BENNEFIT WEL	
3602062	RUOYE WELL	1S2W29N	1	BNK HILL
3602065	REVERLY ASSOCIATES	1S3W32J02S	DOC. LEE	
3602066	VAN LOON MUTUAL WATER COMPANY	1S4W02B	1	BNK HILL
3602067	VAN LOON MUTUAL WATER COMPANY	1N4W35K	2	BNK HILL
3602068	ARROYO VERDE MUTUAL WATER CO.	1S4W01A02S	1	BNK HILL
3602069	ARROYO VERDE MUTUAL WATER CO.	1S4W01A	2	BNK HILL
3602074	MULLINS, JAMES C., JR., EXECUTOR	1N3W34802	IRRIG. 1	BNK HILL
3602075	MULLINS, JAMES C., JR., EXECUTOR	1N3W34801	DOM. 2	BNK HILL
3602079	RIEDMAN, FRED M.	1S3W03F	1	BNK HILL
3602080	RIALTO, CITY OF	1N5W230	CITY 2	LYTLE
3602081	SAN BERNARDINO, CITY OF	1N4W27B	31 ST	BNK HILL
3602082	REDLANDS, CITY OF	2S3W03K		
3602106	REDLANDS, CITY OF	1S3W22A01S		BNK HILL
3602109	PRYN MAWR MUTUAL WATER COMPANY	1S3W31R00S	4	BNK HILL
3602112	VICTORIA FARMS MUTUAL WATER CO.	1S4W13R01S		BNK HILL
3602113	EAST SAN BDNO. COUNTY WATER DIST.	1N3W30N	41	BNK HILL
3602119	LAKESIDE AVENUE MUTUAL WELL COMPANY	1S3W33C01S		BNK HILL

SAN BERNARDINO BASIN AREA
 CROSS INDEX BY RECORDATION NUMBER

RECORDATION NUMBER	OWNER NAME	STATE WELL NUMBER	LOCAL DESIGNATION	BASIN NAME
3602122	SO. SAN BERNARDINO COUNTY WATER DIST.	1S4W23R03S	ROSEWOOD	BNK HILL
3602123	SO. SAN BERNARDINO COUNTY WATER DIST.	1S4W14J	NORMAN	BNK HILL
3602124	SO. SAN BERNARDINO COUNTY WATER DIST.	1S4W14J	CENTRAL	BNK HILL
3602125	SO. SAN BERNARDINO COUNTY WATER DIST.	1S4W24F04S	OLOGOULD	BNK HILL
3602126	SO. SAN BERNARDINO COUNTY WATER DIST.	1S4W24F	NEWGOULD	BNK HILL
3602127	GOLDEN STATE BLDG PRODUCTS	1S3W15A01		BNK HILL
3602128	GIFFORD PARK MUTUAL WATER CO.	1S4W14A	1	BNK HILL
3602130	EASTWOOD FARMS COMMUNITY WATER USERS	1S4W01P01S	1	BNK HILL
3602131	EASTWOOD FARMS COMMUNITY WATER USERS	1S4W01P02S	2	BNK HILL
3602170	ROBBINS, H. W.	1S2W31M		BNK HILL
3602171	REES & PERRICONE RANCH	1S2W18M	1	BNK HILL
3602174	EAST SAN BDN. COUNTY WATER DIST.	1S4W02		BNK HILL
3602186	CRAFTON WATER COMPANY	1S2W21L02	2	BNK HILL
3602188	KANCHO LADERA	1S2W29L	ROLADEKA	BNK HILL
3602193	RAUGHT MUTUAL WELL COMPANY	1S3W14R01	RAUGHT	BNK HILL
3602205	SAN BERNARDINO, CITY OF	1N4W06H01S	DEVIL 4	DEVIL CAN
3602206	SAN BERNARDINO, CITY OF	1N4W06H02S	DEVIL 3	DEVIL CAN
3602211	REDLANDS, CITY OF	1S3W26C	37SYLVN	BNK HILL
3602224	EAST PIONEER MUTUAL WELL COMPANY	1S3W13P		BNK HILL
3602241	VALDEPENA ACRES	1S3W20F03	ALMOND	BNK HILL
3602247	VICTORIA FARMS MUTUAL WATER CO.	1S4W13R03	2	BNK HILL
3602249	LOMA LINDA UNIVERSITY	1S4W25D05	ANDERSON	BNK HILL

SAN BERNARDINO BASIN AREA
 CROSS INDEX BY RECORDATION NUMBER

RECORDATION NUMBER	OWNER NAME	STATE WELL NUMBER	LOCAL DESIGNATION	RASIN NAME
3602252	GIFFORD PARK MUTUAL WATER CO.	1S4W14B	2	BNK HILL
3602260	SOUTHERN CALIFORNIA WATER COMPANY	1S3W05D06	CULL 3	BNK HILL
3602264	SAN BERNARDINO, CITY OF	1N4W27N01S	23RD ST.	BNK HILL
3602265	SAN BERNARDINO, CITY OF	1S4W03J	7TH ST.	BNK HILL
3602274	EAST SAN BDN. COUNTY WATER DIST.	1N3W30J	39	BNK HILL
3602280	INDUST. ACRES C/O CITRUS INVESTMENT	1S2W18G		BNK HILL
3602285	SAN BERNARDINO, CITY OF	1S4W15D05	15D5	BNK HILL
3602320	NEW ENGLAND WATER CO.	1S3W16		BNK HILL
3602337	EAST SAN BDN. COUNTY WATER DIST.	1N4W26A	24 B	BNK HILL
3602338	EAST SAN BDN. COUNTY WATER DIST.	1S3W04N	40A	BNK HILL
3602345	MUSCOY MUTUAL WATER COMPANY, NO. 1	1N5W24E	WELL NO 4	
3602346	REDLANDS, CITY OF	1S3W28J02	1	BNK HILL
3602351	REDLANDS, CITY OF	1S2W13A	MC 0-A	
3602370	DEL ROSA MUTUAL WATER COMPANY	1N4W25F	4A	BNK HILL
3602381	CALIFORNIA, STATE OF PATTON HOSPITAL	1N3W29M	14	BNK HILL
3602382	DEVORE WATER CO.	2N5W28D	1	L CAJON
3602383	DEVORE WATER CO.	2N5W28C	2	L CAJON
3602384	DEVORE WATER CO.	2N5W28C	3	L CAJON
3602385	DEVORE WATER CO.	2N5W20H	MEDLIN CR.	L CAJON
3602386	DEVORE WATER CO.	2N5W21E	LETHIN SP.	L CAJON
3602387	DEVORE WATER CO.	2N5W22E	E. KIMBARK	L CAJON
3602388	DEVORE WATER CO.	2N5W21G	KIMBARK	L CAJON

SAN BERNARDINO BASIN AREA
 CROSS INDEX BY RECORDATION NUMBER

RECORDATION NUMBER	OWNER NAME	STATE WELL NUMBER	LUCAL DESIGNATION	BASIN NAME
3602389	DEVOPE WATER CO.	2N5W22N	HOPPER	L CAJON
3602390	DEVOPE WATER CO.	2N5W28R	SANTA FE	L CAJON
3602391	DEVOPE WATER CO.	2N5W28D	CASADY	L CAJON
3602399	SAN BERNARDINO, CITY OF	1N4W16E	NEWMARK 4	BNK HILL
3602400	SAN BERNARDINO, CITY OF	1N4W32N	BASE LINE	BNK HILL
3602401	SAN BERNARDINO, CITY OF	1N4W27A	LEROY	BNK HILL
3602405	CULTON, CITY OF	1S4W08C	19	BNK HILL
3602417	SOUTHERN CALIFORNIA WATER COMPANY	1S3W05D	4	BNK HILL
3602422	SAN BERNARDINO, CITY OF	1S4W02K08S	ANTIL 6	BNK HILL
3602426	SAN BERNARDINO, CITY OF	2N5W19K	C.C. DIV.	L CAJON
3602428	DEVOPE WATER CO.	2N5W33H	4	L CAJON
3602474	SARATOGA DEVELOPMENT CO	1N3W25O		
3602498	COLTON, CITY OF	1S4W06R07	6R	
3602499	LEONARD, WILLIAM E.	1S4W22A01		
3602521	INTER CITY MUTUAL WATER CO	1S4W23N04	2	
3602525	L.P.R. ICE COMPANY	1S3W13C		
3602528	BASELINE GARDENS MUTUAL WATER COMPANY	1N4W35R01	3	
3602529	BLUE GOOSE GROWERS INC	1S2W09P02	NO. 6	
3602530	BLUE GOOSE GROWERS INC	1S2W09L02S	NO. 11	
3602531	BLUE GOOSE GROWERS INC	1S2W09L03S	TUNNEL DIV.	
3602549	DANIELS AND BEST RANCH	1S3W19J	CALIF STREET	
3602550	DANIELS AND BEST RANCH	1S3W17R	ALABAMA ST	

SAN REPARDINO BASIN AREA
 CROSS INDEX BY RECORDATION NUMBER

RECORDATION NUMBER	OWNER NAME	STATE WELL NUMBER	LOCAL DESIGNATION	BASIN NAME
3602560	SOUTHERN CALIFORNIA WATER COMPANY	1S3W04G	DUNKIRK 2	BNK HILL
3602563	EAST SAN BDN. COUNTY WATER DIST.	1S4W02Q	11A	BNK HILL
3602564	EAST SAN BDN. COUNTY WATER DIST.	1S4W12B	20A	BNK HILL
3602571	TEAGLE, M. ESTATES	1S3W03F		
3602574	VICTORIA FARMS MUTUAL WATER CO.	1S4W17R	#3 WELL	
3602596	LOMA LINDA, CITY OF	1S4W24R	NEW GOLCONDA	BNK HILL
3609723	SOUTHERN CALIFORNIA EDISON COMPANY	1S4W10F01S	HANFORD 1	BNK HILL

SAN BERNARDINO BASIN AREA,
CROSS INDEX BY STATE WELL NUMBER

SAN BERNARDINO BASIN AREA
 CROSS INDEX BY STATE WELL NUMBER

STATE WELL NUMBER	OWNER NAME	RECORDATION NUMBER	LOCAL DESIGNATION	BASIN NAME
1N2W10N	BEAR VALLEY MUTUAL WATER COMPANY	3600027	ALDER CR	
1N2W26H	BEAR VALLEY MUTUAL WATER COMPANY	3600021	SANTA ANA 1	
1N2W34	BEAR VALLEY MUTUAL WATER COMPANY	3600022	SANTA ANA 2	
1N3W19	EAST SAN BDNO. COUNTY WATER DIST.	3600864	NO. 79	BNK HILL
1N3W19	EAST SAN BDNO. COUNTY WATER DIST.	3600970	LSC 1	BNK HILL
1N3W19F	EAST SAN BDNO. COUNTY WATER DIST.	3600971	L. SAND CR.	BNK HILL
1N3W19Q	SELY	NON-FILER	TUNNEL DIV.	
1N3W19R	YORK	NON-FILER	DOMESTIC	
1N3W19R	YORK	NON-FILER		
1N3W19R	YORK	NON-FILER	SAND CYN TUN	
1N3W20N	SAN MANUAL INDIAN RESERV.	NON-FILER		
1N3W25Q	SARATOGA DEVELOPMENT CO	3602474		
1N3W27	NORTH FORK WATER COMPANY	3600681	CITY CREEK	BNK HILL
1N3W27H	GUERTH, WILLIAM H.	3600856	CITY CREEK	BNK HILL
1N3W27N02S	SOUTHERN CALIFORNIA WATER COMPANY	3600378	CCH 3	BNK HILL
1N3W27N08S	SOUTHERN CALIFORNIA WATER COMPANY	3600377	CCH 1	BNK HILL
1N3W27R	COOK CANYON	NON-FILER		
1N3W28A	THOMPSON RANDALL	NON-FILER	SPRING DIV.	
1N3W28N01	HIGHLAND WELL COMPANY	3600184	APLIN WELL	
1N3W28P01S	EAST SAN BDNO. COUNTY WATER DIST.	3600855	SEAVEY 1	BNK HILL
1N3W29B	SUPERIOR ORCHARDS	NON-FILER	TUNNEL DIV.	
1N3W29H	WIDEMEYER	NON-FILER	SPRING DIV.	

SAN BERNARDINO BASIN AREA
CROSS INDEX BY STATE WELL NUMBER

STATE WELL NUMBER	OWNER NAME	RECORDATION NUMBER	LOCAL DESIGNATION	BASIN NAME
1N3W29H	WIDEMEYER	NON-FILER		
1N3W29M	CALIFORNIA, STATE OF	3600924-	2A	BNK HILL
1N3W29M	CALIFORNIA, STATE OF	3602381	14	BNK HILL
1N3W29M01S	CALIFORNIA, STATE OF	3600924	PATTON 2	BNK HILL
1N3W29N01S	CALIFORNIA, STATE OF	3600931	PATTON 10	BNK HILL
1N3W29R01S	REAR VALLEY MUTUAL WATER COMPANY	3600025	PALM AV3	BNK HILL
1N3W30	EAST SAN BDNO. COUNTY WATER DIST.	3600221	NO. 63	
1N3W30	EAST SAN BDNO. COUNTY WATER DIST.	3600545	NUTW-DS	
1N3W30C	EAST SAN BDNO. COUNTY WATER DIST.	NON-FILER	NO. 36	
1N3W30C	EAST SAN BDNO. COUNTY WATER DIST.	NON-FILER	NO. 44	
1N3W30H01S	EAST SAN BDNO. COUNTY WATER DIST.	3600444	NO. 98	BNK HILL
1N3W30J	EAST SAN BDNO. COUNTY WATER DIST.	3602274	39	BNK HILL
1N3W30N	EAST SAN BDNO. COUNTY WATER DIST.	3602113	41	BNK HILL
1N3W31	BASELINE LAUNDRY	NON-FILER		
1N3W31A	EAST SAN BDNO. COUNTY WATER DIST.	NON-FILER	NO. 45	
1N3W31B01	SAN BERNARDINO, CITY OF	3600927	PATTON 6	BNK HILL
1N3W31C02S	EAST SAN BDNO. COUNTY WATER DIST.	3601884	30	BNK HILL
1N3W31D	EAST SAN BDNO. COUNTY WATER DIST.	NON-FILER	NO. 70	
1N3W31K02S	CALIFORNIA, STATE OF	3600929	PATTON 8	BNK HILL
1N3W31L	EAST SAN BDNO. COUNTY WATER DIST.	3600269	NO. 68	BNK HILL
1N3W31L02S	EAST SAN BDNO. COUNTY WATER DIST.	3600928	PATTON 7	BNK HILL
1N3W31L03S	EAST SAN BDNO. COUNTY WATER DIST.	3600930	PATTON 9	BNK HILL

SAN BERNARDINO BASIN AREA
CROSS INDEX BY STATE WELL NUMBR

STATE WELL NUMBER	OWNER NAME	RECORDATION NUMBER	LOCAL DESIGNATION	BASIN NAME
1N3W31P02S	FRIEDEMANN, ERNEST C.	3600747	WELL 1	BNK HILL
1N3W31U	RASELINE LAUNDRY	NON-FILER		
1N3W32	EAST SAN BONO. COUNTY WATER DIST.	3600275	NO. 64	
1N3W32	MILLER MUTUAL WELL CO.	3600630		BNK HILL
1N3W32C01S	CALIFORNIA, STATE OF PATTON HOSPITAL	3600923	PATTON 1	BNK HILL
1N3W32C02S	CALIFORNIA, STATE OF PATTON HOSPITAL	3601930	PATTON 11	BNK HILL
1N3W32U	MILLER MUTUAL WELL CO.	3600630-		BNK HILL
1N3W32M	NO NAME WELL	NON-FILER		
1N3W33C01	MUTUAL WELL COMPANY(OF HIGHLAND)	3600765	RODDICK WELL	
1N3W33F01S	EAST SAN BONO. COUNTY WATER DIST.	3601184	NO. 94	
1N3W33H01S	EAST SAN BONO. COUNTY WATER DIST.	3601584	NO. 47	BNK HILL
1N3W33M01S	SOUTHERN CALIFORNIA WATER COMPANY	3600374	PALMHI 1	BNK HILL
1N3W33W02S	SOUTHERN CALIFORNIA WATER COMPANY	3601069	1	BNK HILL
1N3W33R02S	BASE LINE WELL COMPANY	3600456	1	BNK HILL
1N3W34	ROBERTS, DR. G	NON-FILER		
1N3W34A	SYCAMORE HEIGHTS WATER COMPANY, INC.	3601838	WALKISHA	BNK HILL
1N3W34B	SYCAMORE HEIGHTS WATER COMPANY, INC.	3601837	HERCULES	BNK HILL
1N3W34B01	MULLINS, JAMES C., JR., EXECUTOR	3602075	DOM. 2	BNK HILL
1N3W34B02	MULLINS, JAMES C., JR., EXECUTOR	3602074	IRRIG. 1	BNK HILL
1N3W34C02S	WHISTOL RANCH	3601631	1	BNK HILL
1N3W34F	NORWOOD	NON-FILER		
1N3W34H	ARNOLD RANCH	NON-FILER		

SAN BERNARDINO BASIN AREA
 CROSS INDEX BY STATE WELL NUMBER

STATE WELL NUMBER	OWNER NAME	RECORDATION NUMBER	LOCAL DESIGNATION	BASIN NAME
1N3W34K	RALDWIN	NON-FILER		
1N3W34K	RULE	NON-FILER	SPRING	
1N3W35	SARATOGA DEVELOPMENT CO	3600606	ELDER GULCH	BNK HILL
1N3W35B	EAST HIGHLANDS ORANGE COMPANY	NON-FILER	BOX SPRING	
1N3W36	SARATOGA DEVELOPMENT CO	3600605	PLUNGE CK DI	
1N4W06	SAN BERNARDINO, CITY OF	3600738	D.C. DIV.	DEVIL CAN
1N4W06H01S	SAN BERNARDINO, CITY OF	3602205	DEVIL 4	DEVIL CAN
1N4W06H02S	SAN BERNARDINO, CITY OF	3602206	DEVIL 3	DEVIL CAN
1N4W07F01S	SAN BERNARDINO, CITY OF	3600711	DEVICYN 2	DEVIL CAN
1N4W08M01S	SAN BERNARDINO, CITY OF	3600712	DEVICYN 1	DEVIL CAN
1N4W08N	ELLENA, JOHN B.	NON-FILER		
1N4W13P	DILLSON MUT. WTR. CO.	NON-FILER	DILLSON AVE	
1N4W13P	DILLSON MUT. WTR. CO.	NON-FILER	HARRISON CYN	
1N4W13P	DILLSON MUT. WTR. CO.	NON-FILER	CISCO WELL	
1N4W13P	HARRISON CANYON	NON-FILER		
1N4W13P	HARRISON CANYON	NON-FILER		
1N4W130	HARDISON	NON-FILER		
1N4W130	U.S. FOREST SERVICE	NON-FILER	MAINT. YARD	
1N4W14	LULY, DR. LUCIAN L.	3601376	WATERMAN	DEVIL CAN
1N4W14	LULY, DR. LUCIAN L.	3601377	WATERMAN	DEVIL CAN
1N4W14	LULY, DR. LUCIAN L.	3601378	WATERMAN	DEVIL CAN
1N4W14	DEL ROSA MUTUAL WATER COMPANY	3601811	EAST TWIN	DEVIL CAN

SAN BERNARDINO BASIN AREA
 CROSS INDEX BY STATE WELL NUMBER

STATE WELL NUMBER	OWNER NAME	RECORDATION NUMBER	LOCAL DESIGNATION	HASIN NAME
1N4W14A	EAST SAN BONO. COUNTY WATER DIST.	3601979	EAST TWIN	DEVIL CAN
1N4W14C	WEST TWIN CREEK WTR. CO.	NON-FILER	W TWIN CRK	
1N4W14J	ROUCHER	NON-FILER		
1N4W14K	SATOSKI, DOCTOR	NON-FILER		
1N4W14L	SMITH	NON-FILER		
1N4W14M	WALLACE	NON-FILER		
1N4W14N	BATCHFLOR	NON-FILER		
1N4W14P	RATCHELOR	NON-FILER		
1N4W14R	KING	NON-FILER		
1N4W16E	SAN BERNARDINO, CITY OF	3600715	NEWMRK 2	DEVIL CAN
1N4W16F	SAN BERNARDINO, CITY OF	3602399	NEWMARK 4	BNK HILL
1N4W16G01S	SAN BERNARDINO, CITY OF	3600714	NEWMRK 1	DEVIL CAN
1N4W16E03S	SAN BERNARDINO, CITY OF	3600716	NEWMRK 3	DEVIL CAN
1N4W23E	DEL ROSA MUTUAL WATER COMPANY	3601810	PRKSDE 2	BNK HILL
1N4W23E	ARROWHEAD COUNTRY CLUB	3601925	1	BNK HILL
1N4W23K	VALENCIA AVE. MUT. WTR. CO.	NON-FILER	WATERMAN AVE	
1N4W24	VAN CAMP, GILBERT C.	3600210	1	DEVIL CAN
1N4W24	PEYTON, MRS. A. L.	3600865	MULTOWN2	BNK HILL
1N4W24	PEYTON, A. L. OR IRENE A.	3601093	SPRING	BNK HILL
1N4W25A01S	EAST SAN BONO. COUNTY WATER DIST.	3601675	27	BNK HILL
1N4W25B	EAST SAN BONO. COUNTY WATER DIST.	3601672	25	BNK HILL
1N4W25C02S	EAST SAN BONO. COUNTY WATER DIST.	3601673	25A	BNK HILL

SAN BERNARDINO BASIN AREA
CROSS INDEX BY STATE WELL NUMBER

STATE WELL NUMBER	OWNER NAME	RECORDATION NUMBER	LOCAL DESIGNATION	BASIN NAME
1N4W25D	EAST SAN HDNO. COUNTY WATER DIST.	NON-FILER	NO. 85	
1N4W25F	DEL ROSA MUTUAL WATER COMPANY	3602370	4A	BANK HILL
1N4W25G:1S	EAST SAN HDNO. COUNTY WATER DIST.	3601674	26	BANK HILL
1N4W25K01	EAST SAN HDNO. COUNTY WATER DIST.	3600643	NO. 66	BANK HILL
1N4W25K	ANDERSON, W.D.	NON-FILER		
1N4W26	MT. VIEW CEMETERY OF SAN BERNARDINO	3600742	1	BANK HILL
1N4W26	MT. VIEW CEMETERY OF SAN BERNARDINO	3600742-	3	BANK HILL
1N4W26	MT. VIEW CEMETERY OF SAN BERNARDINO	3600743	2	BANK HILL
1N4W26	DEL ROSA MUTUAL WATER COMPANY	3601809	GOLDNAV 1	BANK HILL
1N4W26A	EAST SAN HDNO. COUNTY WATER DIST.	3602337	24 B	BANK HILL
1N4W26A01S	EAST SAN HDNO. COUNTY WATER DIST.	3601670	24	BANK HILL
1N4W26A02S	EAST SAN HDNO. COUNTY WATER DIST.	3601671	24A	BANK HILL
1N4W26G	SAN BERNARDINO, CITY OF	3600727	LYNWOOD	BANK HILL
1N4W26P03S	SAN BERNARDINO, CITY OF	3601115	PERRISH 5	BANK HILL
1N4W27A	SAN BERNARDINO, CITY OF	3602401	LERDY	BANK HILL
1N4W27A01S	SAN BERNARDINO, CITY OF	3600728	WFRM AV	BANK HILL
1N4W27B	SAN BERNARDINO, CITY OF	3602061	31 ST	BANK HILL
1N4W27G01S	SAN BERNARDINO, CITY OF	3600719	MARSHALL	BANK HILL
1N4W27M01S	SAN BERNARDINO, CITY OF	3600721	NO E ST	BANK HILL
1N4W27M02S	SAN BERNARDINO, CITY OF	3600720	27TH ST	BANK HILL
1N4W27N01S	SAN BERNARDINO, CITY OF	3602264	23RD ST.	BANK HILL
1N4W29	SOUTHERN CALIFORNIA WATER COMPANY	3601879	GARDENA	BANK HILL

SAN BERNARDINO BASIN AREA
 CROSS INDEX BY STATE WELL NUMBER

STATE WELL NUMBER	OWNER NAME	RECORDATION NUMBER	LOCAL DESIGNATION	BASIN NAME
1N4W29E01S	SOUTHERN CALIFORNIA WATER COMPANY	3601878	DARBY	BNK HILL
1N4W29F01S	SOUTHERN CALIFORNIA WATER COMPANY	3601880	COLIMA	BNK HILL
1N4W30L	SAN BERNARDINO WATER UTILITIES COR	3601845	3	LYTLE
1N4W31A01S	MOUNT VERNON WATER COMPANY	3600319	1	BNK HILL
1N4W31H	SOUTHERN CALIFORNIA WATER COMPANY	3601588	BERDUO 1	BNK HILL
1N4W31N	TRI CITY CONCRETE	3600935		LYTLE
1N4W31N	RIALTO, CITY OF	3601085	RIALTO MUT	LYTLE
1N4W31P03S	WEST SAN BDN. COUNTY WATER DIST.	3601002	RAYNOR 1	LYTLE
1N4W32O03S	SAN BERNARDINO, CITY OF	3600717	19TH STL	BNK HILL
1N4W32O04S	SAN BERNARDINO, CITY OF	3600718	19ST. 2	BNK HILL
1N4W32N	SAN BERNARDINO, CITY OF	3602400	BASE LINE	BNK HILL
1N4W34G01S	SAN BERNARDINO, CITY OF	3600725	17 ST SW	BNK HILL
1N4W34G03S	SAN BERNARDINO, CITY OF	3600726	16TH ST	BNK HILL
1N4W35C01S	SAN BERNARDINO, CITY OF	3601114	PRRSHLL 2	BNK HILL
1N4W35C02S	SAN BERNARDINO, CITY OF	3601116	PRRSHLL 3	BNK HILL
1N4W35C03S	SAN BERNARDINO, CITY OF	3601117	PRRSHLL 4	BNK HILL
1N4W35F	SAN BERNARDINO, COUNTY OF	NON-FILER	COUNTY HOSP	
1N4W35H	PACIFIC HIGH SCHOOL	NON-FILER		
1N4W35J02S	BASELINE GARDENS MUTUAL WATER COMPANY	3600457	PAC&BARL	BNK HILL
1N4W35K	VAN LOON MUTUAL WATER COMPANY	3602067	2	BNK HILL
1N4W35M03S	SAN BERNARDINO, CITY OF	3600729	GILBERTST	BNK HILL
1N4W35N	PIERSON	NON-FILER		

SAN BERNARDINO BASIN AREA
CROSS INDEX BY STATE WELL NUMBER

STATE WELL NUMBER	OWNER NAME	RECORDATION NUMBER	LUCAL DESIGNATION	BASIN NAME
1N4W35R01	HASELINE GARDENS MUTUAL WATER COMPANY	3602528	3	
1N4W36	EAST SAN BDNQ. COUNTY WATER DIST.	3601654	NO. 1A	BNK HILL
1N4W36F03S	COMEJU RANCHOS MUTUAL WATER COMPANY	3601186	1	BNK HILL
1N4W36F06S	EAST SAN BDNQ. COUNTY WATER DIST.	3601666	16	BNK HILL
1N4W36H	EAST SAN BDNQ. COUNTY WATER DIST.	NON-FILER	NO. 52	
1N4W36H06S	EAST SAN BDNQ. COUNTY WATER DIST.	3601669	23	BNK HILL
1N4W36K04S	EAST SAN BDNQ. COUNTY WATER DIST.	3601653	NO. 1	BNK HILL
1N4W36K05S	EAST SAN BDNQ. COUNTY WATER DIST.	3601655	NO. 2	BNK HILL
1N4W36M01S	BASELINE GARDENS MUTUAL WATER COMPANY	3600450	PS & B 2	BNK HILL
1N4W36U01S	EAST SAN BDNQ. COUNTY WATER DIST.	3601656	NO. 6	BNK HILL
1N4W36R01S	EAST SAN BDNQ. COUNTY WATER DIST.	3601658		BNK HILL
1N5W01R	MEYER, CHARLES R.	3600760	1	DEVIL CAN
1N5W03	SAN BERNARDINO WATER UTILITIES COR	3601844	2	L CAJON
1N5W03H01S	SAN BERNARDINO WATER UTILITIES COR	3601843	1	L CAJON
1N5W04H	REGINA GRAPE PRODUCTS	NON-FILER	WELL NO. 1	
1N5W04N	REGINA GRAPE PRODUCTS	NON-FILER	WELL NO. 2	
1N5W04N	REGINA GRAPE PRODUCTS	NON-FILER	WELL NO. 3	
1N5W04N	REGINA GRAPE PRODUCTS	NON-FILER	WELL NO. 5	
1N5W04N	REGINA GRAPE PRODUCTS	NON-FILER	WELL NO. 6	
1N5W04N	REGINA GRAPE PRODUCTS	NON-FILER	WELL NO. 7	
1N5W05B	REGINA GRAPE PRODUCTS	NON-FILER	SPRING DIV.	
1N5W05R	REGINA GRAPE PRODUCTS	NON-FILER	WELL NO. 4	

SAN BERNARDINO BASIN AREA
CROSS INDEX BY STATE WELL NUMBER

STATE WELL NUMBER	OWNER NAME	RECORDATION NUMBER	LOCAL DESIGNATION	BASIN NAME
1N5W06	STORKSON, WILLIAM F.	3600083	1	LYTLE
1N5W06	SAN BERNARDINO, CITY OF	3600739	L.C. DIV.	LYTLE
1N5W06E	FONTANA UNION WATER COMPANY	3600591		LYTLE
1N5W06G01S	FONTANA UNION WATER COMPANY	3600582	FU 27	LYTLE
1N5W06K02S	FONTANA UNION WATER COMPANY	3600586	FU 33	LYTLE
1N5W07C	NEALEY MUTUAL WATER COMPANY	3601381		LYTLE
1N5W07H01S	FONTANA UNION WATER COMPANY	3600581	FU 26	LYTLE
1N5W15G02S	FONTANA UNION WATER COMPANY	3600566	FU 8	LYTLE
1N5W16K01S	FONTANA UNION WATER COMPANY	3600585	FU 32	LYTLE
1N5W22A01S	FONTANA UNION WATER COMPANY	3600569	FU 13	LYTLE
1N5W22C02S	FONTANA UNION WATER COMPANY	3600563	FU 4	LYTLE
1N5W22F01S	FONTANA UNION WATER COMPANY	3600580	FU 25	LYTLE
1N5W22F02S	FONTANA UNION WATER COMPANY	3600562	FU 3	LYTLE
1N5W22F03S	FONTANA UNION WATER COMPANY	3600579	FU 24	LYTLE
1N5W22M	WEST SAN BDN. COUNTY WATER DIST.	3600312		LYTLE
1N5W22P	MOUNT VERNON WATER COMPANY	3600320		LYTLE
1N5W22M	RIALTO, CITY OF	3601718		LYTLE
1N5W23A01S	MUSCOY MUTUAL WATER COMPANY, NO. 1	3601499	MUSCOY 2	LYTLE
1N5W23A02S	MUSCOY MUTUAL WATER COMPANY, NO. 1	3601500	MUSCOY 3	LYTLE
1N5W23H01S	MUSCOY MUTUAL WATER COMPANY, NO. 1	3601497	MUSCOY 1	LYTLE
1N5W23K01S	FONTANA UNION WATER COMPANY	3600561	FU 1	LYTLE
1N5W23P02S	WEST SAN BDN. COUNTY WATER DIST.	3600306	UPPER 2	LYTLE

SAN BERNARDINO BASIN AREA
CROSS INDEX BY STATE WELL NUMBER

STATE WELL NUMBER	OWNER NAME	RECORDATION NUMBER	LOCAL DESIGNATION	RASIN NAME
1NSW23P04S	WEST SAN BDN. COUNTY WATER DIST.	3600307	UPPER 4	LYTLE
1NSA230	RIALTO, CITY OF	3602080	CITY 2	LYTLE
1NSW23C00S	WEST SAN BDN. COUNTY WATER DIST.	3601944	LOWER 7	LYTLE
1NSW23001S	RIALTO, CITY OF	3601263	CITY WELL	LYTLE
1NSW24D01S	MUSCOY MUTUAL WATER COMPANY, NO. 1	3601498	NO. 4	LYTLE
1NSW24E	MUSCOY MUTUAL WATER COMPANY, NO. 1	3602345	WELL NO 4	
1NSW25E00S	WEST SAN BDN. COUNTY WATER DIST.	3601725		LYTLE
1NSW25E01S	WEST SAN BDN. COUNTY WATER DIST.	3600305	LOWER 6	LYTLE
1NSW25E02S	WEST SAN BDN. COUNTY WATER DIST.	3600998	FERG 1	LYTLE
1NSW26A01S	WEST SAN BDN. COUNTY WATER DIST.	3600302	LOWER 2	LYTLE
1NSW26A03S	WEST SAN BDN. COUNTY WATER DIST.	3600304	L5	LYTLE
1NSW26B01S	WEST SAN BDN. COUNTY WATER DIST.	3600303	LOWER 4	LYTLE
1NSW36H04S	WEST SAN BDN. COUNTY WATER DIST.	3600997	LORD 7	LYTLE
1NSW36J03S	WEST SAN BDN. COUNTY WATER DIST.	3600996	NO 8	LYTLE
1NSW36R01S	SAN BERNARDINO, CITY OF	3600713	LYTLE CR 3	LYTLE
1SIW08G1	REDLANDS, CITY OF	3601282	MC 1	
1SIW10L1	REDLANDS, CITY OF	3601285	MC 2	
1SIW11Q1	REDLANDS, CITY OF	3601288	MC 4	
1SIW18M	WARD, FLOYD	NON-FILER	WELL NO. 6	
1SIW18N	WARD, FLOYD	NON-FILER	WELL NO. 1	
1SIW18N	WARD, FLOYD	NON-FILER	WELL NO. 4	
1SIW18P	WARD, FLOYD	NON-FILER	WELL NO. 2	

SAN BERNARDINO BASIN AREA
CROSS INDEX BY STATE WELL NUMBER

STATE WELL NUMBER	OWNER NAME	RECORDATION NUMBER	LOCAL DESIGNATION	BASIN NAME
1S1W18Y	WARD, FLOYD	NON-FILER	WELL NO. 3	
1S1W18P	WARD, FLOYD	NON-FILER	LATERAL SPRG	
1S1W19G	TRIPLE FALLS MUT. WTR. CO.	NON-FILER		
1S1W20D	TRIPLE FALLS MUT. WTR. CO.	NON-FILER		
1S1W20D	TRIPLE FALLS MUT. WTR. CO.	NON-FILER		
1S2W04N	BEAR VALLEY MUTUAL WATER COMPANY	3600020		BNK HILL
1S2W06	EAST HIGHLANDS ORANGE COMPANY	NON-FILER	TUNNEL DIV.	
1S2W06M	HIGHLAND ACKES RANCH	3600323	ELEC 1	BNK HILL
1S2W07B	SARATOGA DEVELOPMENT CO	3600604	RANNEY	BNK HILL
1S2W08	REDLANDS WTR. CO.	NON-FILER	TUNNEL DIV.	
1S2W08C01S	NORTH FORK WATER COMPANY	3600678	NO. 1	
1S2W08C02S	NORTH FORK WATER COMPANY	3600679	NO. 2	
1S2W09	SOLAND WELL NO. 1	3600187	1	
1S2W09L	REDLANDS ASSOCIATES	NON-FILER	BLUCK NO. 11	
1S2W09L	REDLANDS ASSOCIATES	NON-FILER	TUNNEL DIV.	
1S2W09L02S	BLUE GOOSE GROWERS INC	3602530	NO. 11	
1S2W09L03S	BLUE GOOSE GROWERS INC	3602531	TUNNEL DIV.	
1S2W09P	REDLANDS ASSOCIATES	NON-FILER	BLOCK NO. 6	
1S2W09P02	BLUE GOOSE GROWERS INC	3602529	NO. 6	
1S2W090	CRAM, FRANCES L.	3601628	2	BNK HILL
1S2W13	SUNRISE RANCH PART C/O LIFE DEVELOPMENT	3600599		BNK HILL
1S2W13	SUNRISE RANCH PART C/O LIFE DEVELOPMENT	3600600	SUNRISE 2	BNK HILL

SAN BERNARDINO BASIN AREA
CROSS INDEX BY STATE WELL NUMBER

STATE WELL NUMBER	OWNER NAME	RECORDATION NUMBER	LOCAL DESIGNATION	Basin Name
1S2W13A	REDLANDS, CITY OF	3602351	MC 0-A	BK HILL
1S2W13H	REDLANDS, CITY OF	NON-FILER	MILL CR. DIV	BK HILL
1S2W13P	U.S. FOREST SERVICE	NON-FILER	MILL CREEK	BK HILL
1S2W14	SUNRISE RANCH PART C/O LIFE DEVELOPMENT	3600601	SUNRISE 3A	BK HILL
1S2W14	SUNRISE RANCH PART C/O LIFE DEVELOPMENT	3601640		BK HILL
1S2W14L	SUNRISE RANCH PART C/O LIFE DEVELOPMENT	3601969	SUNRISE 7	BK HILL
1S2W14N	REDLANDS, CITY OF	3601502	MILL CR.	BK HILL
1S2W15G	SUNRISE RANCH PART C/O LIFE DEVELOPMENT	3600603	SUNRISE 5	BK HILL
1S2W15P	SUNRISE RANCH PART C/O LIFE DEVELOPMENT	3600602	SUNRISE 4	BK HILL
1S2W16	CRAM PATTERSON WELL	3600188	CRAMPAT 2	BK HILL
1S2W16C	SOLANO WELL NO. 3	3602003	3	BK HILL
1S2W16C01	GREENSPOT MUTUAL WELL CO.	3600266	GRNSPTMU	BK HILL
1S2W16L	HAGAR	NON-FILER		BK HILL
1S2W17	UNIVERSITY OF REDLANDS	NON-FILER	PEPPER HOUSE	BK HILL
1S2W17	FAST LUGONIA MUTUAL WATER CO.	3600038		BK HILL
1S2W17B	REDLANDS ASSOCIATES	NON-FILER	NO. 0	BK HILL
1S2W18M	REES & PERRICONE RANCH	3602171	1	BK HILL
1S2W18Q	INDUST. ACRES C/O CITRUS INVESTMENT	3602280		BK HILL
1S2W18R01S	INDUST. ACRES C/O CITRUS INVESTMENT	3600139		BK HILL
1S2W19D	REAR VALLEY MUTUAL WATER COMPANY	3600024	WARASH 2	BK HILL
1S2W19G01S	FAST LUGONIA MUTUAL WATER CO.	3600006	BERYL ST	BK HILL
1S2W19J	MENTONE DOMESTIC WTR. CO.	NON-FILER		BK HILL

SAN BERNARDINO BASIN AREA
CROSS INDEX BY STATE WELL NUMBER

STATE WELL NUMBER	OWNER NAME	RECORDATION NUMBER	LOCAL DESIGNATION	BASIN NAME
1S2W19J	MERTONE DOMESTIC WTR. CO.	NON-FILER	3 1971	BNK HILL
1S2W19K01S	MERTONE DOMESTIC WATER COMPANY, INC.	3601308	TENCH	BNK HILL
1S2W20K	MAMIHAS, M.D., IVAN/SHIRLEY	3601084		BNK HILL
1S2W20K	F. A. R. WELL	3602020		BNK HILL
1S2W21C	REDLANDS, CITY OF	3601287	ELUGNA3	BNK HILL
1S2W21D01S	REDLANDS, CITY OF	3601290	ELUGNA6	BNK HILL
1S2W21E01S	REDLANDS, CITY OF	3601284	MAGUET 2	BNK HILL
1S2W21E02S	REDLANDS, CITY OF	3601286	MAGUET 3	BNK HILL
1S2W21H01	HICKS, JOHN/LOUISE	3600981		BNK HILL
1S2W21L01	HEAD, JOE T.	3600226	1	BNK HILL
1S2W21L02	CRAFTON WATER COMPANY	3602186	2	BNK HILL
1S2W21M01S	REDLANDS, CITY OF	3601281	MAGUET 1	BNK HILL
1S2W22	GREENSPOT MUTUAL WATER CO TUNNEL	NON-FILER		
1S2W22C02S	REDLANDS, CITY OF	3601283	E LUG 2	BNK HILL
1S2W22E	BLISS	NON-FILER		
1S2W22E	FARROW	NON-FILER		
1S2W22F	RAMSEY	NON-FILER	SPRING DIV	
1S2W24C	ELLGORD	NON-FILER		
1S2W24H	STANLEY, SILAS	NON-FILER		
1S2W28M	LA TOURETTE	NON-FILER		
1S2W28M	LORD	NON-FILER	SPRING DIV.	
1S2W29	FINCH	NON-FILER		

SAN BERNARDINO BASIN AREA
CROSS INDEX BY STATE WELL NUMBER

STATE WELL NUMBER	OWNER NAME	RECORDATION NUMBER	LOCAL DESIGNATION	BASIN NAME
1S2W29	REES REES RANCHES, INC.	3600017	GRREES 3	BNK HILL
1S2W29	REES REES RANCHES, INC.	3600018	GRREES 2	BNK HILL
1S2W29L	RANCHO LADERA	3602188	KOLADERA	BNK HILL
1S2W29M01	HAPPE MUTUAL WELL COMPANY	3600238	1	BNK HILL
1S2W29N	KRAFTON WATER COMPANY	3600272	5TH AVE 1	BNK HILL
1S2W29N	HUOYE WELL	3602062	1	BNK HILL
1S2W29N01S	NYE, WILLIAM H.	3600313	NYE	BNK HILL
1S2W30	EAST COLTON AVENUE WATER COMPANY	3600240	SOUTH WELL	BNK HILL
1S2W30B	EAST COLTON AVENUE WATER COMPANY	3601645	1	BNK HILL
1S2W30M02S	PAINÉ, ROBERT T., TRUSTEE	3601642	KING ST	BNK HILL
1S2W30C01S	PAINÉ, ROBERT T., TRUSTEE	3601641	OPAL ST	BNK HILL
1S2W30G01	KING STREET MUTUAL WELL COMPANY	3600530	1	BNK HILL
1S2W30G02	KING STREET MUTUAL WELL COMPANY	3600530-	2	BNK HILL
1S2W30H	GAY, PHILIP L.	3601126	1	BNK HILL
1S2W31	SECHREST, RALPH F.	3600483	GPHRRCH 1	BNK HILL
1S2W31	7TH AVE. WELL	3601121	1	BNK HILL
1S2W31B	HILL	NON-FILER		
1S2W31M	ROBBINS, H. W.	3602170		BNK HILL
1S2W32B	KOCH	NON-FILER		
1S2W32G01	KOCH, GEORGE J.	3601451	1	BNK HILL
1S3W01A	NORTH FORK WATER COMPANY	3601644	PLUNGE CR	BNK HILL
1S3W01H	WT. HARRISON MUTUAL WATER CO.	3600220	1	BNK HILL

SAN BERNARDINO BASIN AREA
CROSS INDEX BY STATE WELL NUMBER

STATE WELL NUMBER	OWNER NAME	RECORDATION NUMBER	LOCAL DESIGNATION	RASIN NAME
1S3W02	SARATOGA DEVELOPMENT CO	3600598	LOCAL 1	BNK HILL
1S3W02	SARATOGA DEVELOPMENT CO	3600607	SMALL	BNK HILL
1S3W02	SARATOGA DEVELOPMENT CO	3600607-	SMALL	BNK HILL
1S3W02	NORTH FORK WATER COMPANY	3600680	NF CRAW3	BNK HILL
1S3W02J	SMITH,	NON-FILER		
1S3W02P	VAN MEETER	NON-FILER	OLD WELL	
1S3W02P	VAN MEETER	NON-FILER	NEW WELL	
1S3W03D	HUNTER	NON-FILER		
1S3W03F	CLIFFSIDE RANCH	NON-FILER		
1S3W03F	EAST SAN BONO, COUNTY WATER DIST.	3600058	NO. 53	BNK HILL
1S3W03F	RIEDMAN, FRED M.	3602079	1	BNK HILL
1S3W03F	TEAGLE, M. ESTATES	3602571		
1S3W03N	EAST SAN BONO, COUNTY WATER DIST.	NON-FILER	NO. 84	
1S3W03N	EAST SAN BONO, COUNTY WATER DIST.	NON-FILER	NO. 93	
1S3W03N	STRAWBERRY PATCH	NON-FILER		
1S3W03N	STRAWBERRY PATCH	NON-FILER		
1S3W03P00S	RIEDMAN, FRED M.	3601629	1	BNK HILL
1S3W03O	ORANGE ST. RANCH	3600241		BNK HILL
1S3W03O	NORTH FORK WATER COMPANY	3601643	4	BNK HILL
1S3W03R01	SARATOGA DEVELOPMENT CO	3601639	STORE WELL	BNK HILL
1S3W04	EAST SAN BONO, COUNTY WATER DIST.	3600466	NO. 48	BNK HILL
1S3W04G	SOUTHERN CALIFORNIA WATER COMPANY	3601987	HIGHLD 1	BNK HILL

SAN BERNARDINO BASIN AREA
CROSS INDEX BY STATE WELL NUMBER

STATE WELL NUMBER	OWNER NAME	REGISTRATION NUMBER	LOCAL DESIGNATION	BASIN NAME
1S3W04G	SOUTHERN CALIFORNIA WATER COMPANY	3602560	DUNKIRK 2	BNK HILL
1S3W04J	HARRISON	NON-FILER		
1S3W04J	EAST SAN BDNO. COUNTY WATER DIST.	3600026	NO. 102	
1S3W04N	EAST SAN BDNO. COUNTY WATER DIST.	3601978	40	BNK HILL
1S3W04N	EAST SAN BDNO. COUNTY WATER DIST.	3602338	40A	BNK HILL
1S3W04P	EAST SAN BDNO. COUNTY WATER DIST.	NON-FILER	NO. 43	
1S3W04Q	EAST SAN BDNO. COUNTY WATER DIST.	NON-FILER	NO. 106	
1S3W04R	ROZEMA CHICKEN RANCH	NON-FILER	NO. 102	
1S3W05	SOUTHERN CALIFORNIA WATER COMPANY	3600375	CULHND 1	BNK HILL
1S3W05	SOUTHERN CALIFORNIA WATER COMPANY	3600376	CULHND 2	BNK HILL
1S3W05A02S	EAST SAN BDNO. COUNTY WATER DIST.	3601677	31	BNK HILL
1S3W05B04S	EAST SAN BDNO. COUNTY WATER DIST.	3601678	32	BNK HILL
1S3W05D	SOUTHERN CALIFORNIA WATER COMPANY	3602417	4	BNK HILL
1S3W05D06	SOUTHERN CALIFORNIA WATER COMPANY	3602260	CULL 3	BNK HILL
1S3W05J	EAST SAN BDNO. COUNTY WATER DIST.	NON-FILER	NO. 95	
1S3W05N05S	EAST SAN BDNO. COUNTY WATER DIST.	3601679	38	BNK HILL
1S3W05Q	EAST SAN BDNO. COUNTY WATER DIST.	NON-FILER	NO. 46	
1S3W05Q	EAST SAN BDNO. COUNTY WATER DIST.	NON-FILER	NO. 80	
1S3W06	EAST SAN BDNO. COUNTY WATER DIST.	NON-FILER	NO. 69	
1S3W06	CHARLES, J. J.	3600815		BNK HILL
1S3W06A05S	EAST SAN BDNO. COUNTY WATER DIST.	3601667	21	BNK HILL
1S3W06B	EAST SAN BDNO. COUNTY WATER DIST.	NON-FILER	NO. 72	

SAN BERNARDINO BASIN AREA
CROSS INDEX BY STATE WELL NUMBER

STATE WELL NUMBER	OWNER NAME	RECORDATION NUMBER	LOCAL DESIGNATION	BASIN NAME
1S3W06C	EAST SAN BDNO. COUNTY WATER DIST.	NON-FILER	NO. 74	
1S3W06E	EAST SAN BDNO. COUNTY WATER DIST.	NON-FILER	NO. 71	
1S3W06F	LANKERSHIM MUT. WTR. CO.	NON-FILER	MCKIRLEY ST.	
1S3W06H01S	EAST SAN BDNO. COUNTY WATER DIST.	3601659	NO. 9	BNK HILL
1S3W06H04S	EAST SAN BDNO. COUNTY WATER DIST.	3601660	NO. 9A	BNK HILL
1S3W06K01S	EAST SAN BDNO. COUNTY WATER DIST.	3601781	35	BNK HILL
1S3W06L	LANKERSHIM MUT. WTR. CO.	NON-FILER	LANKERSHIM A	
1S3W06M	EAST SAN BDNO. COUNTY WATER DIST.	NON-FILER	NO. 81	
1S3W06N	EAST SAN BDNO. COUNTY WATER DIST.	NON-FILER	NO. 97	
1S3W06P	EAST SAN BDNO. COUNTY WATER DIST.	NON-FILER	NO. 78	
1S3W06Q	EAST SAN BDNO. COUNTY WATER DIST.	NON-FILER	NO. 63	
1S3W08A	NORTON AIR FORCE BASE	NON-FILER	LOCAL NO. 11	
1S3W08E	NORTON AIR FORCE BASE	NON-FILER	LOCAL NO. 347	
1S3W08M	NORTON AIR FORCE BASE	NON-FILER	LOCAL NO. 865	
1S3W09E	TRI CITY CONCRETE	3601420	ALABAMA 2	BNK HILL
1S3W10D01S	DUDA, WALTER AND BETTY	3601839	1	BNK HILL
1S3W13	MENTONE ACRES MUTUAL WELL CO.	3600749	NEW 2	BNK HILL
1S3W13C	L.P.R. RANCH	NON-FILER		
1S3W13C	L.P.R. ICE COMPANY	3602525		
1S3W13P	EAST PIONEER MUTUAL WELL COMPANY	3602224		BNK HILL
1S3W14	SAN BERNARDINO AVENUE WATER COMPANY	3600125	1	BNK HILL
1S3W14P01	PIONEER MUTUAL WATER CO.	3600642	SHDNO 1	BNK HILL

SAN BERNARDINO BASIN AREA
CROSS INDEX BY STATE WELL NUMBER

STATE WELL NUMBER	OWNER NAME	RECORDATION NUMBER	LOCAL DESIGNATION	RASIN NAME
1S3W14R01	HAUGHTI MUTUAL WELL COMPANY	3602193	RAUGHT	BNK HILL
1S3W15	PEELER, RAYMOND A.	3600451		BNK HILL
1S3W17A01	GOLDEN STATE BLDG PRODUCTS	3602127		BNK HILL
1S3W15F02S	HEAR VALLEY MUTUAL WATER COMPANY	36-01586	ORANGE 5	BNK HILL
1S3W15G	PEDLANDS TRAP/SKEET	3600628		BNK HILL
1S3W15N01S	WEATHERMAX, W. G.	3600652	REDLANDS	BNK HILL
1S3W15R01	NORTHBRAE WATER COMPANY	3600296	1	BNK HILL
1S3W16	SECHREST, RALPH F.	3600484	BUCKEYE 2	BNK HILL
1S3W16	COOK ORCHARDS COMPANY	3600527	HOME	BNK HILL
1S3W16	NEW ENGLAND WATER CO.	3602320		BNK HILL
1S3W16J	WILLIAMS WELL CORPORATION, LTD.	3600828		BNK HILL
1S3W16L	TENNESSEE WATER CO.	3600474	1	BNK HILL
1S3W16L	TENNESSEE MUTUAL WELL COMPANY	3601161	PIONEER 1	BNK HILL
1S3W17	ARMSTRONG, DOUGLAS	3600076	2	BNK HILL
1S3W17	FAIRVIEW WATER COMPANY	3600554	FAIRVM 1	BNK HILL
1S3W17C	DANIELS, HAROLD	NON-FILER	DOMEST. WELL	
1S3W17G	MAPSHURN	NON-FILER		
1S3W17H01S	LANGFORD RANCHES	3600525	ALABAMA	BNK HILL
1S3W17L01S	LANGFORD RANCHES	3600524	NEVADA ST	BNK HILL
1S3W17K	DANIELS, HAROLD	NON-FILER	RANCH	
1S3W17R	DANIELS AND BEST RANCH	3602550	ALABAMA ST	
1S3W18	SOUTHERN CALIFORNIA EDISON COMPANY	3601014	SR STMP 1	BNK HILL

SAN BERNARDINO BASIN AREA
 CROSS INDEX BY STATE WELL NUMBER

STATE WELL NUMBER	OWNER NAME	RECORDATION NUMBER	LOCAL DESIGNATION	HASIN NAME
1S3W18	SOUTHERN CALIFORNIA EDISON COMPANY	3601015	SH STMP 2	BNK HILL
1S3W18H01	MARIGOLD FARMS COMPANY	3601748	CALIF	BNK HILL
1S3W18L	MARIGOLD FARMS COMPANY	3601750	ACQUIL	BNK HILL
1S3W19	MARIGOLD FARMS COMPANY	3600418	BRAGA WELL	
1S3W19A01	MARIGOLD FARMS COMPANY	3601748-	CALIF	BNK HILL
1S3W19B01	MARIGOLD FARMS COMPANY	3601749	JAP	BNK HILL
1S3W19H	MISSION MUTUAL WATER COMPANY	3600756	1	BNK HILL
1S3W19J	DANIELS, DON	NON-FILER		
1S3W19J	DANIELS AND BEST RANCH	3602549	CALIF STREET	
1S3W19L	MISSION MUTUAL WATER COMPANY	3600757	2	BNK HILL
1S3W19H	STANLEY BROWN CO.	3601352		BNK HILL
1S3W20	MCCALLA BROS	NON-FILER		
1S3W20	JEWEL WATER COMPANY, THE	3600091	1	BNK HILL
1S3W20	BELL, H. EUGENE	3600449	BELL WELL	
1S3W20C	CRIM WELL	3601172		BNK HILL
1S3W20F	CRIM, W. ROSCOE	3601171	1	BNK HILL
1S3W20F03	VALDEPENA ACRES	3602241	ALMOND	BNK HILL
1S3W20H01	GLADYSTA WELL & WATER COMPANY	3600182	1	BNK HILL
1S3W20H02	GLADYSTA WELL & WATER COMPANY	3600182-		BNK HILL
1S3W20P	NICKERSON, E. D.	3600270	ORANGEDALE	
1S3W20R01	NICKERSON WATER COMPANY	3600123	ALABAMA NO 1	
1S3W21A	STOWE WATER COMPANY	3601046	1	BNK HILL

SAN BERNARDINO BASIN AREA
CROSS INDEX BY STATE WELL NUMBER

STATE WELL NUMBER	OWNER NAME	RECORDATION NUMBER	LOCAL DESIGNATION	BASIN NAME
1S3W21E	MASCANT WATER COMPANY	3601102	2	BNK HILL
1S3W21E	CHRISTINA WATER COMPANY	3601751	ALABAMA	BNK HILL
1S3W21G01S	LANGFORD RANCHES	3600524	LUGOWIA	BNK HILL
1S3W21H	REDLANDS, CITY OF	3602031	30A	BNK HILL
1S3W21H	REDLANDS, CITY OF	3602036	31A	BNK HILL
1S3W21H01S	REDLANDS, CITY OF	3601298	32	BNK HILL
1S3W21K01	LUGO WATER COMPANY	3600510	1	BNK HILL
1S3W21M01	NICKERSON WATER COMPANY	3600124	LUGONIA NO 2	
1S3W21M2	SANDYS RESTAURANT	NON-FILER		
1S3W21P01	R M I FUNDS	3600107	COLTON 1	BNK HILL
1S3W21H	SMITH TRACT WELL COMPANY	3600001	11	BNK HILL
1S3W21R	SMITH TRACT WELL COMPANY	3600001-		BNK HILL
1S3W22	PENN WELL COMPANY	3601405	2	BNK HILL
1S3W22A	REDLANDS, CITY OF	3602032	35	BNK HILL
1S3W22A01S	REDLANDS, CITY OF	3602106		BNK HILL
1S3W22F	PENN WELL COMPANY	3601099	1	BNK HILL
1S3W23	REES REES RANCHES, INC.	3600019	GR REES 1	BNK HILL
1S3W23A03	JUDSON MUTUAL WATER COMPANY	3601647	1	BNK HILL
1S3W23A03S	LUGONIA WATER COMPANY	3601585	SBDND AV 1	BNK HILL
1S3W23F	NORTHSIDE WATER COMPANY	3600933	1	BNK HILL
1S3W24A01	MENTUNE ACRES MUTUAL WELL CO.	3600748	OLD WELL 1	BNK HILL
1S3W24C	BEAR VALLEY MUTUAL WATER COMPANY	3600023	JUDSON 1	BNK HILL

SAN BERNARDINO BASIN AREA
 CROSS INDEX BY STATE WELL NUMBER

STATE WELL NUMBER	OWNER NAME	RECORDATION NUMBER	LOCAL DESIGNATION	BASIN NAME
1S3W240	WESTERN FRUIT GROWERS	NON-FILER		
1S3W25M	HOBBS WELL PARTNERSHIP	3600049	MORRISON	
1S3W25M	HOBBS WELL PARTNERSHIP	3600049-	HOBBS WELL	
1S3W26C	REDLANDS, CITY OF	3602211	37SYLVN	BNK HILL
1S3W27E02S	REDLANDS, CITY OF	3601300	40	BNK HILL
1S3W28	SOUTHERN CALIFORNIA EDISON COMPANY	3600651		BNK HILL
1S3W28B01S	EAST BARTON WATER COMPANY	3600608	BARTON	BNK HILL
1S3W28C01	GRANT WATER COMPANY	3600075	GRANT	BNK HILL
1S3W28D01	KANSAS STREET MUTUAL WATER CO.	3601092		BNK HILL
1S3W28H01S	REDLANDS, CITY OF	3601301	41	BNK HILL
1S3W28J01	REDLANDS, CITY OF	3600085	NY ST 1	BNK HILL
1S3W28J02	REDLANDS, CITY OF	3602346	1	BNK HILL
1S3W28M	HOOVER WELL	3601649	HOOVER	BNK HILL
1S3W28M	HOOVER WELL	3601649-	HOOVER	BNK HILL
1S3W29	OLD JOHN WELL CO.	3600493	1	BNK HILL
1S3W29	OLD TOWN WELL CO.	3600494	2	BNK HILL
1S3W29	LA ROSSE, CHARLES M.	3600708	GOODWIN	BNK HILL
1S3W29	RANCHO CITRUS AMIGOS	3601753	PARK AVE 1	BNK HILL
1S3W29A01	ELTINGE & GRAZIADIO	3600766	COLTANA	BNK HILL
1S3W29R01	IOWA STREET WELL	3601932		BNK HILL
1S3W29D	YAHUKU, PAUL	3601280	SOUTH 1	BNK HILL
1S3W29H	WOFHR MUTUAL WATER COMPANY	3600817		BNK HILL

SAN BERNARDINO BASIN AREA
CROSS INDEX BY STATE WELL NUMBER

STATE WELL NUMBER	OWNER NAME	RECORDATION NUMBER	LOCAL DESIGNATION	BASIN NAME
1S3W29J01	PHAROAH POWELL WATER CO.	3600415		BNK HILL
1S3W30	PAXTON, R. H.	3600448	BAHR 1	BNK HILL
1S3W30	FRINK RANCH	3601131		
1S3W30	REDLANDS, CITY OF	3601437	PIKSON WELL	BNK HILL
1S3W30	HAMIREZ BROTHERS	3601728	1	BNK HILL
1S3W30L	LOMA LINDA UNIVERSITY	3601910	PUFFER	BNK HILL
1S3W31A	BREAK, ALLEN, ESTATE	NON-FILER		
1S3W31A	RYN, MANR MUTUAL WATER COMPANY	3600053	1	BNK HILL
1S3W31A	RYN MANR MUTUAL WATER COMPANY	3600054	2	BNK HILL
1S3W31A	RYN MANR MUTUAL WATER COMPANY	3600055	3	BNK HILL
1S3W31800S	RYN MANR MUTUAL WATER COMPANY	3602109	4	BNK HILL
1S3W31D	STEWART, WILLARD	NON-FILER		
1S3W32D	LOMA LINDA, CITY OF	3601130	NICKS WELL	BNK HILL
1S3W32G01	LAPANNI GUNTER WELL	3600160	GUNTER WELL	
1S3W32G03S	CANYON RANCH	3600523	MNTSCHKE	BNK HILL
1S3W32J	HURTON	NON-FILER		
1S3W32J02S	BEVERLY ASSOCIATES	3602065	DOC. LEE	
1S3W32K	LAND CAPITOL CORP & DONALD SOJKA	3601173		BNK HILL
1S3W33C01S	LAKESIDE AVENUE MUTUAL WELL COMPANY	3602119		BNK HILL
1S3W33D	BROOKSIDE DAIRY, INC	3600036	1	BNK HILL
1S3W35E	REDLANDS, CITY OF	3601289	4R	BNK HILL
1S3W35G07S	REDLANDS, CITY OF	3601292	11	BNK HILL

SAN BERNARDINO BASIN AREA
CROSS INDEX BY STATE WELL NUMBER

STATE WELL NUMBER	OWNER NAME	RECORDATION NUMBER	LOCAL DESIGNATION	BASIN NAME
1S3W35G08S	REDLANDS, CITY OF	3601291	10	BNK HILL
1S3W35G09S	REDLANDS, CITY OF	3601294	13	BNK HILL
1S3W35G11S	REDLANDS, CITY OF	3601297	17	BNK HILL
1S3W35H02S	REDLANDS, CITY OF	3601293	12	BNK HILL
1S3W35H03S	REDLANDS, CITY OF	3601296	16	BNK HILL
1S3W35H04S	REDLANDS, CITY OF	3601295	14	BNK HILL
1S3W35H08S	EAST LUGONIA MUTUAL WATER CO.	3600005	LUETCKE	BNK HILL
1S4W01A	ARROYO VERDE MUTUAL WATER CO.	3602069	2	BNK HILL
1S4W01A02S	ARROYO VERDE MUTUAL WATER CO.	3602068	1	BNK HILL
1S4W01B04S	EAST SAN BDNO. COUNTY WATER DIST.	3601457	NO. 7	BNK HILL
1S4W01D	EAST SAN BDNO. COUNTY WATER DIST.	NON-FILED	NO. 96	
1S4W01E02S	EAST SAN BDNO. COUNTY WATER DIST.	3601668	22	BNK HILL
1S4W01F02S	EAST SAN HDNO. COUNTY WATER DIST.	3600926	PATTUN 4	
1S4W01J08S	EAST SAN BDNO. COUNTY WATER DIST.	3601661	NO. 10	BNK HILL
1S4W01K04S	EAST SAN BDNO. COUNTY WATER DIST.	3601665	14	BNK HILL
1S4W01P01S	EASTWOOD FARMS COMMUNITY WATER USERS	3602130	1	BNK HILL
1S4W01P02S	EASTWOOD FARMS COMMUNITY WATER USERS	3602131	2	BNK HILL
1S4W01U	EAST SAN BDNO. COUNTY WATER DIST.	3602034	12A	BNK HILL
1S4W01Q01	EAST SAN BDNO. COUNTY WATER DIST.	3600925	NO. 100	BNK HILL
1S4W02	EAST SAN BDNO. COUNTY WATER DIST.	3600183	NO. 60	BNK HILL
1S4W02	VICTORIA GUERNSEY	3600399	1	BNK HILL
1S4W02	BERMAN, JERRY & SONS	3602007	2	BNK HILL

SAN BERNARDINO BASIN AREA
CROSS INDEX BY STATE WELL NUMBER

STATE WELL NUMBER	OWNER NAME	REGISTRATION NUMBER	LOCAL DESIGNATION	BASIN NAME
1S4W02	EAST SAN BDNQ. COUNTY WATER DIST.	3602174		BNK HILL
1S4W02B	VAN LOON MUTUAL WATER COMPANY	3602066	1	BNK HILL
1S4W02J	REHMAN, JERRY	NON-FILER		
1S4W02K	REHMAN, JERRY	NON-FILER	OLD WELL	
1S4W02K01S	SAN BERNARDINO, CITY OF	3600730	ANTIL 3	BNK HILL
1S4W02K02S	SAN BERNARDINO, CITY OF	3600731	ANTIL 5	BNK HILL
1S4W02K03S	SAN BERNARDINO, CITY OF	3600734	ANTIL 4	BNK HILL
1S4W02K04S	SAN BERNARDINO, CITY OF	3600733	ANTIL 1	BNK HILL
1S4W02K05S	SAN BERNARDINO, CITY OF	3600732	ANTIL 2	BNK HILL
1S4W02K08S	SAN BERNARDINO, CITY OF	3602422	ANTIL 6	BNK HILL
1S4W02L	EAST SAN BDNQ. COUNTY WATER DIST.	NON-FILER	NO. 75	
1S4W02N01S	EAST SAN BDNQ. COUNTY WATER DIST.	3601664	13	BNK HILL
1S4W02O	EAST SAN BDNQ. COUNTY WATER DIST.	3602563	11A	BNK HILL
1S4W02Q04S	EAST SAN BDNQ. COUNTY WATER DIST.	3601663	12	BNK HILL
1S4W02Q05S	EAST SAN BDNQ. COUNTY WATER DIST.	3601662	11	BNK HILL
1S4W02R	SUNNYSIDE MUTUAL WATER COMPANY	3601582		BNK HILL
1S4W03D01S	SAN BERNARDINO, CITY OF	3600722	ACACIA	BNK HILL
1S4W03J	SAN BERNARDINO, CITY OF	3602265	7TH ST.	BNK HILL
1S4W05F05S	WEST SAN BDNQ. COUNTY WATER DIST.	3601848	RAYNUR 5	BNK HILL
1S4W05M	THI CITY CONCRETE	3601309	PLANT	BNK HILL
1S4W05R	COLTON, CITY OF	3601252	6	BNK HILL
1S4W06C04S	RANCHERIA WATER CO. TORIN	3601929	NEW RAYN 3	BNK HILL

SAN BERNARDINO BASIN AREA
 CROSS INDEX BY STATE WELL NUMBER

STATE WELL NUMBER	OWNER NAME	RECORDATION NUMBER	LOCAL DESIGNATION	BASIN NAME
1S4W06H01S	WEST SAN RDNO. COUNTY WATER DIST.	3601003	RAYNR 4	BNK HILL
1S4W06J01S	WEST SAN RDNO. COUNTY WATER DIST.	3600999	DIXON 1	BNK HILL
1S4W06J02S	WEST SAN RDNO. COUNTY WATER DIST.	3601000	DIXON 2	BNK HILL
1S4W08C	COLTON, CITY OF	3602405	19	BNK HILL
1S4W08C02S	COLTON, CITY OF	3601262	BARNHL 18	BNK HILL
1S4W08F	ATCHISON, TOPEKA & SANTA FE RAILWAY CO.	3600179	4	BNK HILL
1S4W08F	COLTON, CITY OF	3601254	8	BNK HILL
1S4W08F	COLTON, CITY OF	3601257	13	BNK HILL
1S4W08F	TERRACE WATER COMPANY	3601684	4	BNK HILL
1S4W08F	TERRACE WATER COMPANY	3601685	SMALL 2	BNK HILL
1S4W08F	TERRACE WATER COMPANY	3601686	3	BNK HILL
1S4W08F01S	COLTON, CITY OF	3601260	16	BNK HILL
1S4W08F02S	ATCHISON, TOPEKA & SANTA FE RAILWAY CO.	3600178	3	BNK HILL
1S4W08F06S	TERRACE WATER COMPANY	3601684	LARGE 1	BNK HILL
1S4W08R	SOUTHERN CALIFORNIA EDISON COMPANY	3601012	STM PL 1	BNK HILL
1S4W08R	SOUTHERN CALIFORNIA EDISON COMPANY	3601013	STM PL 2	BNK HILL
1S4W08R	COLTON, CITY OF	3601250	4	BNK HILL
1S4W08R	COLTON, CITY OF	3601251	5	BNK HILL
1S4W08R	COLTON, CITY OF	3601253	7	BNK HILL
1S4W08R	COLTON, CITY OF	3601258	14	BNK HILL
1S4W08R07	COLTON, CITY OF	3602498	6R	
1S4W09B01S	ICF PRODUCTS INC.	3600645		BNK HILL

SAN BERNARDINO BASIN AREA
CROSS INDEX BY STATE WELL NUMBER

STATE WELL NUMBER	OWNER NAME	RECORDATION NUMBER	LOCAL DESIGNATION	Basin Name
1S4W09B03S	ICE PRODUCTS INC.	3600644	2	BNK HILL
1S4W09J01S	SAN BERNARDINO, CITY OF	3600736	SO G ST	BNK HILL
1S4W09N	CULTON, CITY OF	3601256	PLUNGE 12	BNK HILL
1S4W09P01S	SAN BERNARDINO, CITY OF	3600735	BIRCH ST	BNK HILL
1S4W10	SAN BERNARDINO, CITY OF	3601626	CITYLOTS	BNK HILL
1S4W10F01S	SAN BERNARDINO, CITY OF	3600723	HANFORD 1	BNK HILL
1S4W10F01S	SOUTHERN CALIFORNIA EDISON COMPANY	3609723	HANFORD 1	BNK HILL
1S4W10F05S	SAN BERNARDINO, CITY OF	3600724	HANFORD 2	BNK HILL
1S4W10N06S	SAN BERNARDINO, CITY OF	3600737	MILL & D	BNK HILL
1S4W11F	DANGLD DAIRY	NON-FILER		
1S4W11F	KRANTZ DAIRY	NON-FILER		
1S4W11G	HAZAS	NON-FILER		
1S4W11G	WILLIAMS DAIRY	NON-FILER		
1S4W11M	RALCOM	NON-FILER		
1S4W11Q01S	SAN BERNARDINO, CITY OF	3600222		BNK HILL
1S4W12	MAYBELL, N. O.	3600291		BNK HILL
1S4W12B	NORTON AIR FORCE BASE	NON-FILER	LOCAL NO. 2	
1S4W12B	EAST SAN RDNO. COUNTY WATER DIST.	3607564	28A	BNK HILL
1S4W12B05S	EAST SAN RDNO. COUNTY WATER DIST.	3601676	2B	BNK HILL
1S4W12C	NORTON AIR FORCE BASE	NON-FILER	LOCAL NO. 3	
1S4W12D	NORTON AIR FORCE BASE	NON-FILER	LOCAL NO. 4	
1S4W12D	CARDIFF FARMS MUTUAL WATER COMPANY	3600973	1	BNK HILL

SAN BERNARDINO BASIN AREA
 CROSS INDEX BY STATE WELL NUMBER

STATE WELL NUMBER	OWNER NAME	RECORDATION NUMBER	LOCAL DESIGNATION	BASIN NAME
1S4W12D	CARDIFF FARMS MUTUAL WATER COMPANY	3601619	2	BANK HILL
1S4W12F	MORTON AIR FORCE BASE	NON-FILER	LOCAL NO. 5	
1S4W12G	MORTON AIR FORCE BASE	NON-FILER	LOCAL NO. 4A	
1S4W12Q	MORTON AIR FORCE BASE	NON-FILER	NO NO. WELL	
1S4W13E	GOLCONDA WATER CO.	NON-FILER		
1S4W13R01S	VICTORIA FARMS MUTUAL WATER CO.	3602112		BANK HILL
1S4W13R03	VICTORIA FARMS MUTUAL WATER CO.	3602247	2	BANK HILL
1S4W14A	SAN BERNARDINO, COUNTY OF	NON-FILER	AEROSPACE	
1S4W14A	SANTINI	NON-FILER		
1S4W14A	GIFFORD PARK MUTUAL WATER CO.	3602128	1	BANK HILL
1S4W14B	GIFFORD PARK MUTUAL WATER CO.	3602252	2	BANK HILL
1S4W14E	HOLDEN MUT. WTR. CO.	NON-FILER		
1S4W14F	HOLDEN MUT. WTR. CO.	NON-FILER	HOLDEN AVE.	
1S4W14J	SO. SAN BERNARDINO COUNTY WATER DIST.	3602123	NONMAN	BANK HILL
1S4W14J	SO. SAN BERNARDINO COUNTY WATER DIST.	3602124	CENTRAL	BANK HILL
1S4W15D	NATIONAL ORANGE SHOW	3601924		BANK HILL
1S4W15D05	SAN BERNARDINO, CITY OF	3602285	15D5	BANK HILL
1S4W15G	HELIPORT	NON-FILER		
1S4W15M01	SAN BERNARDINO, CITY OF	3600035		BANK HILL
1S4W15Q	VALLEY FARMS MUT. WTR. CO.	NON-FILER	NO 2 WELL	
1S4W15R	VALLEY FARMS MUT. WTR. CO.	NON-FILER	NO 1 WASHIN	
1S4W16H	SAN BERNARDINO, CITY OF	3600034	SMITH 1	BANK HILL

SAN BERNARDINO BASIN AREA
 CROSS INDEX BY STATE WELL NUMBER

STATE WELL NUMBER	OWNER NAME	RECORDATION NUMBER	LOCAL DESIGNATION	BASIN NAME
1S4W17R	VICTORIA FARMS MUTUAL WATER CO.	3602574	#3 WELL	
1S4W21A	SAN BERNARDINO, CITY OF	NON-FILER	SEWER PLNT 1	
1S4W22A	SIX HOUSES	NON-FILER		
1S4W22A01	LEONARD, WILLIAM E.	3602499		
1S4W22B	BARRIER	NON-FILER		
1S4W22B	CARPENTER	NON-FILER		
1S4W22C	SAN BERNARDINO, CITY OF	NON-FILER	SEWER PLNT 2	
1S4W22G01S	SOUTHERN CALIFORNIA EDISON COMPANY	3601016	THORN 1	BNK HILL
1S4W22M	SMITH MEAT PACKING PLANT	NON-FILER		
1S4W23D	MEADOWBROOK DAIRY	3600030	IRRIG 2	BNK HILL
1S4W23D	MEADOWBROOK DAIRY	3600037	DOMESTIC 1	BNK HILL
1S4W23K	TRI CITY MUTUAL WATER COMPANY	3601823		BNK HILL
1S4W23N	TRI CITY MUTUAL WATER COMPANY	NON-FILER		
1S4W23N	INTER CITY MUTUAL WATER CO	3601316	1	BNK HILL
1S4W23N04	INTER CITY MUTUAL WATER CO	3602521	2	
1S4W23P	INTER CITY MUTUAL WATER CO	NON-FILER		
1S4W23R03S	SO. SAN BERNARDINO COUNTY WATER DIST.	3602122	ROSEWOOD	BNK HILL
1S4W24	REDLANDS, CITY OF	3601636	LANGFORD	BNK HILL
1S4W24F	SO. SAN BERNARDINO COUNTY WATER DIST.	3602126	NEWGOULD	BNK HILL
1S4W24F04S	SO. SAN BERNARDINO COUNTY WATER DIST.	3602125	OLDGOULD	BNK HILL
1S4W24J	RIVAS	NON-FILER		
1S4W24J	TEXACO GAS STATION	NON-FILER		

SAN BERNARDINO BASIN AREA
 CROSS INDEX BY STATE WELL NUMBER

STATE WELL NUMBER	OWNER NAME	RECORDATION NUMBER	LOCAL DESIGNATION	BASIN NAME
1S4W24J	VANLEUVEN NURSING HOME	NON-FILER		
1S4W24J	VANLEUVEN, CLARENCE	NON-FILER		
1S4W24J	VANLEUVEN, ED	NON-FILER		
1S4W24J	RIVAS, RAMON	3600016	HEES 4	BNK HILL
1S4W24K	MOORE, R. H.	NON-FILER		
1S4W24K01S	REDLANDS, CITY OF	3601299	34	BNK HILL
1S4W24N	LOMA LINDA UNIVERSITY	3602013	7	BNK HILL
1S4W24P	JOHANSSON, RONE	3602060	DEMNETT WEL	
1S4W24R	LOMA LINDA, CITY OF	3602596	NEW GOLCONDA	BNK HILL
1S4W24R01S	LOMA LINDA, CITY OF	3601989	1	BNK HILL
1S4W25	LOMA LINDA, CITY OF	3601384	1	BNK HILL
1S4W25	LOMA LINDA, CITY OF	3601388	2	BNK HILL
1S4W25B	LOMA LINDA, CITY OF	3602015	LLU 9	BNK HILL
1S4W25B02S	LOMA LINDA, CITY OF	3602011	LLU 5	BNK HILL
1S4W25C	LOMA LINDA, CITY OF	3602057	MITTLEID	BNK HILL
1S4W25C01S	LOMA LINDA UNIVERSITY	3602012	6	BNK HILL
1S4W25D05	LOMA LINDA UNIVERSITY	3602249	ANDERSON	BNK HILL
1S4W25E01S	LOMA LINDA UNIVERSITY	3602017	2	BNK HILL
1S4W25F	LOMA LINDA, CITY OF	3602058	CROOKS	BNK HILL
1S4W25G	LOMA LINDA, CITY OF	3602016	ROBINSON	BNK HILL
1S4W25G01S	LOMA LINDA UNIVERSITY	3602009	3	BNK HILL
1S4W25H02S	LOMA LINDA, CITY OF	3602010	LLU 4	BNK HILL

SAN BERNARDINO BASIN AREA
 CROSS INDEX BY STATE WELL NUMBER

STATE WELL NUMBER	OWNER NAME	REGISTRATION NUMBER	LOCAL DESIGNATION	BASIN NAME
1S4W26A	LOMA LINDA UNIVERSITY	3602008	1	BNK HILL
1S4W26F	UNGER, V.E.	3601168		BNK HILL
1S4W26F01	MUNTECITO MUTUAL WATER COMPANY	3600119	1	BNK HILL
1S4W26J01S	LOMA LINDA UNIVERSITY	3602014	0	BNK HILL
1S4W27H	ARMAJON PARISH	NON-FILER		
1S4W36J	WILEY, RUTH NORWOOD	3600052	1	BNK HILL
2N5W19	SAN BERNARDINO, CITY OF	3600710	CAJON	L CAJON
2N5W19K	SAN BERNARDINO, CITY OF	3602426	C.C. DIV.	L CAJON
2N5W19Q01	SAN BERNARDINO, CITY OF	3600709	VINCENT	L CAJON
2N5W20H	DEVORE WATER CO.	3602385	MEDLIN CR.	L CAJON
2N5W21E	DEVORE WATER CO.	3602386	LETHIN SP.	L CAJON
2N5W21G	DEVORE WATER CO.	3602388	KIMBARK	L CAJON
2N5W22E	DEVORE WATER CO.	3602387	E. KIMBARK	L CAJON
2N5W22N	DEVORE WATER CO.	3602389	HOPPER	L CAJON
2N5W28B	DEVORE WATER CO.	3602390	SANTA FE	L CAJON
2N5W28C	DEVORE WATER CO.	3602383	2	L CAJON
2N5W28C	DEVORE WATER CO.	3602384	3	L CAJON
2N5W28D	DEVORE WATER CO.	3602382	1	L CAJON
2N5W28D	DEVORE WATER CO.	3602391	CASADY	L CAJON
2N5W33F	SAN BERNARDINO, COUNTY OF	NON-FILER	GLEN HELEN 3	
2N5W33G	SAN BERNARDINO, COUNTY OF	NON-FILER	GLEN HELEN 4	
2N5W33H	DEVORE WATER CO.	3602428	4	L CAJON

SAN BERNARDINO HASJN AREA
 CROSS INDEX BY STATE WELL NUMBER

STATE WELL NUMBER	OWNER NAME	RECORDATION NUMBER	LOCAL DESIGNATION	HASJN NAME
2N5W33Q02	SAN BERNARDINO, COUNTY OF	NON-FILER	GLEN HELEN 2	
2N6W26L1	FOLTAVA UNION WATER COMPANY	3600590	MN 2	
2N6W26L2	FONTANA UNION WATER COMPANY	3600568	MN 1	
2S2W06D	CRYSTAL SPRINGS	NON-FILER		
2S3W01E	REPLANDS HEIGHTS WATER COMPANY	3600918	1	BNK HILL
2S3W03K	REDLANDS, CITY OF	3602082		
2S3W05A2	CANYON KNOLLS RAUCH	3601632	MARCUM WELL	

CHANGE IN OWNERSHIP FROM BASE PERIOD

CHANGE IN OWNERSHIP FROM BASE PERIOD
FORMER OWNER

AEROSPACE
 ANDERSON MUTUAL WELL COMPANY, INC
 BASFLINE & LAPRAIX WELL
 BEAR VALLEY MUTUAL WATER COMPANY
 BIG BEAR TIMBER COMPANY
 CALAGONIA GROVES
 CALIFORNIA, STATE OF PATTON HOSPITAL

CALIFORNIA, STATE OF PATTON HOSPITAL
 CAMERON RANCHO MUTUAL WATER COMPANY
 CARL'S RAUCH C/O REDLANDS FARMING CO.
 CHURCH STREET MUTUAL WELL CO
 CITRUS PROPERTY MANAGEMENT CO.
 CLIFFSIDE RANCH

COLTON AVENUE WATER COMPANY
 CORWIN WELL COMPANY
 COUNTY HOSPITAL

COURT STREET WATER COMPANY
 DANIELS, DON
 DANIELS, HAROLD
 DOUGLAS GAS STATION
 E K DUNLAP
 EAST HIGHLANDS DOMESTIC WATER CO
 EAST HIGHLANDS ORANGE COMPANY

EAST HIGHLANDS ORANGE COMPANY

FRANK RANCH RECORDATION NO 3601131
 HACIENDA TRAILER PARK
 HOLIDAY ROCK CO.
 HOMART DEVELOPMENT CO

INLAND FARMING CO.
 JACINTO, FRANK JR
 JACINTO FARMING, INC

LANGFORD RANCHES REC 3600523
 LARSEN, ERNEST R.
 LONG ACRES MUTUAL WATER CO

PRESENT OWNER

SAN BERNARDINO, COUNTY OF
 EAST SAN RDMO. COUNTY WATER DIST.
 EAST SAN FDMO. COUNTY WATER DIST.
 EAST SAN RDMO. COUNTY WATER DIST.
 GOLDEN STATE HLDG. PRODUCTS
 CHIM, W. PUSCOE
 EAST SAN RDMO. COUNTY WATER DIST.

SAN BERNARDINO, CITY OF
 EAST SAN RDMO. COUNTY WATER DIST.
 AIELLO RANCH C/O CRIM GROVE CARE 1970-71
 CRIM WELL C/O REDLANDS FARMING CO. 1972-
 REDLANDS, CITY OF
 BELL, H. EUGENE
 TFAGLF, M., ESTATE

REDLANDS, CITY OF
 EAST SAN RDMO. COUNTY WATER DIST.
 SAN BERNARDINO, COUNTY OF

LOMA LINDA, CITY OF
 DANIELS AND BEST RANCH
 DANIELS AND BEST RANCH
 TEXACO GAS STATION
 HOOVER WELL
 SARATOGA DEVELOPMENT CO.
 SARATOGA DEVELOPMENT CO.

SUNRISE RANCH PART, C/O LIFE DEVEL. CO.

RAMIREZ BROTHERS REC. NO. 3601728
 EAST SAN BERNARDINO CO. WATER DISTRICT
 REDLANDS TRAP/SKEET
 SAN BERNARDINO, CITY OF

RIEDMAN, FRED M.
 F. A. R. WELL
 MCCLINTOCK, W.L. 1970-1972
 YAHJKU, PAUL 1973-
 CANYON RANCH
 LARAWNI GUNTER WELL
 STORKSON, WILLIAM F.

RECORDATION
NUMBER

3600275
 NF
 3600466
 3600026
 3602127
 3601171
 3600926
 3600928
 3600430
 3600927
 3600643
 3601172
 3601172
 3602106
 3600449
 3602571
 3600085
 3602346
 3601184
 NF
 3601384
 3601388
 3602549
 3602550
 NF
 3601649
 3600607
 3600607
 3600598
 3600604
 3600605
 3600606
 3601639
 3602474
 3600599
 3600600
 3600601
 3600602
 3600603
 3601640
 3601669
 3601728
 NF
 3600628
 3600034
 3600035
 3602285
 3602079
 3602020
 3601260
 3601260
 3600523
 3600160
 3600083

STATE
WELL NUMBER

1S4W14A
 1N3W32
 1N3W04
 1S3W4J
 1S3W15A1
 1S3W20F
 1S4W01F2
 1N3W31L2
 1N3W31L3
 1N3W31H1
 1N4W25K1
 1S3W20C
 1S3W20C
 1S3W22A1
 1S3W20
 1S3W03F
 1S3W28J1
 1S3W28J2
 1N3W33F1
 1N4W35F
 1S4W25
 1S4W25
 1S3W19J
 1S3W17R
 1S4W24J
 1S3W28H
 1S3W02
 1S3W02
 1S3W02
 1S2W07H
 1N3W36
 1N3W35
 1S3W03R1
 1S3W25H
 1S2W13
 1S2W13
 1S2W14
 1S2W15P
 1S2W15G
 1S2W14
 1S2W14L
 1S3W3U
 1S3W040
 1S3W15G
 1S4W16H
 1S4W15M1
 1S4W15D5
 1S3W03F
 1S2W20K
 1S3W29D
 1S3W29D
 1S3W32G3
 1S3W32G1
 1N5W6

YEAR CHANGE SHOWN
IN VOLUME 1

1973
 1970
 1973
 1971
 1973
 1974
 1973
 1973
 1973
 1973
 1970
 1972
 1970
 1974
 1974
 1974
 1973
 1973
 1973
 1973
 1973
 1973
 1973
 1973
 1973
 1973
 1973
 1973
 1973
 1973
 1973
 1973
 1973
 1973
 1973
 1970
 1970
 1974
 1970
 1970
 1970
 1974
 1973
 1970
 1973
 1973
 1973
 1974
 1970

CHANGE IN OWNERSHIP FROM BASE PERIOD
FORMER OWNER

L.P.R. RANCH
WEEKS & DALEY (1N3W31)
WYER, ERNEST
NORTON VILLAGE, LTD.
REDLANDS ASSOCIATES

RIALTO MUTUAL LAND AND WATER COMPANY
SAN BERNARDINO COUNTY SERVICE AREA 2

SELEY WELL CO
SMITH, LEONA HERNICE
STUCKER RANCH
TRI CITY BASELINE
TRI CITY ROCK
VALLE VISTA RANCH CO.
WEST HIGHLAND WELL COMPANY

PRESENT OWNER

L.P.R. ICE COMPANY
BASELINE LAUNDRY
EAST SAN BDNO. COUNTY WATER DIST.
EAST SAN RDNO. COUNTY WATER DIST.
BLUE GOOSE GROWERS INC.

RIALTO, CITY OF
LOMA LINDA, CITY OF

EAST SAN BDNO. COUNTY WATER DIST.
PAXTON, R. H.
BEELER, RAYMOND A.
TRI CITY CONCRETE
TRI CITY CONCRETE
LOMA LINDA, CITY OF
EAST SAN BDNO. COUNTY WATER DIST.

RECORDATION
NUMBER

3602525
NF
3602174
3600925
3602529
3602530
3602531
3601085
3601989
3602010
3602011
3602015
3602016
3602057
3602058
3600545
3600468
3600451
3600935
3601420
3601130
3600221

STATE
WELL NUMBER

1S3W13C
1N3A31
1S4W02
1S4W0101
1S2W09P2
1S2W09L2
1S2W09L3
1N4W31N
1S4W24R1
1S4W25H2
1S4W25R2
1S4W25H
1S4W25G
1S4W25C
1S4W25F
1S3W30
1S3W30
1S3W15
1N4W31N
1S3W09E
1S3W32D
1N3W30

1971
1973
1974
1973
1971
1971
1971
1973
1973
1970
1973
1973
1973
1973
1973
1970
1971
1970
1973
1970
1973
1973

TABLE NO. 1

EXTRACTIONS BY OWNERS (NON-PLAINTIFFS) WHICH
HAVE RECORDATION FILINGS WITH THE STATE
WATER RESOURCES CONTROL BOARD

TABLE NO. 1

EXTRACTIONS BY OWNERS (NON-PLAINTIFFS) WHICH
HAVE RECORDED FILINGS WITH THE STATE WATER
RESOURCES CONTROL BOARD

OWNER	1959	1960	1961	1962	1963	AVERAGE	1970	1971	1972	1973	1974	1975
ARMSTRONG, DOUGLAS						126	FC	-	-	-	-	-
3600076 1S3W17 W	286	342	-	-	-							
ARROWHEAD COUNTRY CLUB												
3601925 1N4W23E W	600	607	650	650	650	631	564	497	546	497	510	
ARROYO VERDE MUTUAL WATER CO.												
360206H 1S4W01A02S W	166	186	162	166	141	165	110	130	129	130	140	
3602069 1S4W01A W	-	-	-	-	-	0	44	53	52	78	84	
OWNER TOTAL	166*	186*	162*	168*	141*	165*	154*	183*	181*	208*	224*	
ATCHISON, TOPEKA & SANTA FE RAILWAY CO.												
360017H 1S4W08F02S W	158	127	113	110	69	115	42	57	37	FC	-	
3600179 1S4W08F W	15H	127	113	110	69	115	42	19	13	FC	-	
OWNER TOTAL	316*	254*	226*	220*	138*	231*	84*	76*	50*	0*	0*	
B M I FUNDS												
3600107 1S3W21P01 W	343	323	165	165	-	199	FC	-	-	-	-	
BASE LINE WELL COMPANY												
3600456 1N3W33R02S W	0	0	0	0	0	0	FC	-	-	-	-	
BASELINE GARDENS MUTUAL WATER COMPANY												
3600457 1N4W35J02S W	28	26	28	28	28	28	1	0	0	0	2	

TABLE NO. 1

EXTRACTIONS BY OWNERS (NON-PLAINTIFFS) WHICH
HAVE RECORDATION FILINGS WITH THE STATE WATER
RESOURCES CONTROL BOARD

OWNER	5 YEAR											
	1959	1960	1961	1962	1963	AVERAGE	1970	1971	1972	1973	1974	1975
BASELINE GARDENS MUTUAL WATER COMPANY (CONTINUED)												
3600458 1N4W36M01S W	275	275	275	275	275	275	369	355	179	126	121	
3602528 1N4W35R01 W	-	-	-	-	-	0	-	-	275	275	275	
OWNER TOTAL	303*	303*	303*	303*	303*	303*	370*	355*	454*	401*	398*	
BEAR VALLEY MUTUAL WATER COMPANY												
3600021 1N2W26M W	687	556	465	555	532	559	515	781	900	495	926	
3600022 1N2W34 W	531	522	351	472	458	467	976	1100	1026	579	807	
3600023 1S3W24C W	1780	1845	2434	1726	1444	1846	1441	1933	986	0	0	
3600024 1S2W19D W	0	219	163	32	8	84	0	0	0	0	0	
3600025 1N3W29R01S W	0	0	170	0	0	34	0	0	0	0	0	
3600027 1N2W10N W	266	170	196	180	106	184	0	0	0	0	0	
3600028 1S2W04N D ¹	19622	15927	11418	13528	10836	14266	15354	13968	13438	16318	20684	
3601586 1S3W15F02S W	0	0	2177	1354	1488	1004	0	0	0	0	0	
OWNER TOTAL	22886*	19239*	17374*	17887*	14872*	18444*	18291*	17782*	16350*	17392*	22417*	
BEELEER, RAYMOND A.												
3600451 1S3W15 W ²	962	700	940	784	816	840	995	999	875	683	527	

1 COMMENCING 1974 INCLUDES GROSS SANTA ANA RIVER DIVERSIONS--SEE TABLE NO. 6 FOR VERIFIED DIVERSIONS

2 FORMERLY STUCKER RANCH

TABLE NO. 1

EXTRACTIONS BY OWNERS (NON-PLAINTIFFS) WHICH
HAVE RECORDATION FILINGS WITH THE STATE WATER
RESOURCES CONTROL BOARD

OWNER	1959	1960	1961	1962	1963	5 YEAR AVERAGE	1970	1971	1972	1973	1974	1975
BELL, H. EUGENE												
3600449 1S3W20 W ¹	115	88	30	85	167	97	115	115	115	135	83	
BERMAN, JERRY & SONS												
3602007 1S4W02 W	-	-	-	28	32	12	33	34	30	25	24	
BEVERLY ASSOCIATES												
3602065 1S3W32J02S W	114	97	114	88	80	99	42	47	51	52	42	
BLUE GOOSE GROWERS INC												
3602529 1S2W09P02 W ²	-	-	-	-	-	0	-	-	88	38	0	
3602530 1S2W09L02S W ²	-	-	-	-	-	0	-	-	43	31	15	
3602531 1S2W09L03S D ²	-	-	-	-	-	0	-	-	40	117	117	
OWNER TOTAL	0*	0*	0*	0*	0*	0*	0*	0*	171*	186*	132*	
BRISTOL RANCH												
3601631 1N3W34C02S W	90	100	160	108	108	113	122	122	47	55	59	
BROOKSIDE DAIRY, INC												
3600036 1S3W33D W	302	302	312	312	313	308	284	305	309	301	304	
BRYN MAWR MUTUAL WATER COMPANY												
3600053 1S3W31A W	585	470	583	296	249	437	233	199	255	203	203	

1 FORMERLY CITRUS PROPERTY MANAGEMENT CO.

2 FORMERLY REDLANDS ASSOCIATES--SEE NON-FILED EXTRACTIONS TABLE NO. 2

TABLE NO.

EXTRACTIONS BY OWNERS (NON-PLAINTIFFS) WHICH
HAVE RECORDATION FILINGS WITH THE STATE WATER
RESOURCES CONTROL BOARD

OWNER	1959	1960	1961	1962	1963	AVERAGE	1970	1971	1972	1973	1974	1975
	5 YEAR											
	AVERAGE											
(CONTINUED)												
BRYN MAWR MUTUAL WATER COMPANY												
3600054 1S3W31A W	306	330	375	295	0	261	FC	-	-	-	-	-
3600055 1S3W31A W	306	330	375	0	249	252	232	194	255	203	203	203
3602109 1S3W31B00S W	0	0	0	708	554	252	442	570	383	383	440	440
OWNER TOTAL	1197*	1130*	1333*	1299*	1052*	1202*	907*	968*	893*	789*	846*	846*
BUOYE WELL												
3602062 1S2W29N W	0	0	146	160	177	97	121	130	196	0	89	89
CALIFORNIA, STATE OF PATTON HOSPITAL												
3600923 1N3W32C01S W	211	286	257	218	212	237	0	0	FC	-	-	-
3600924 1N3W29M01S W	175	223	146	156	143	169	FC	-	-	-	-	-
3600924- 1N3W29M W	-	-	-	-	-	0	193	198	157	130	149	149
3600929 1N3W31K02S W	41	-	-	-	0	8	-	0	FC	-	-	-
3600931 1N3W29M01S W	520	227	282	303	307	328	159	124	131	115	112	112
3601930 1N3W32C02S W	-	340	400	326	295	272	116	121	140	66	27	27
3602381 1N3W29M W	-	-	-	-	-	0	189	131	116	120	121	121
OWNER TOTAL	947*	1076*	1085*	1003*	957*	1014*	657*	574*	544*	431*	409*	409*
CANYON KNOLLS RANCH												
3601632 2S3W05A2 W	104	85	105	88	87	94	261	112	140	125	124	124

TABLE NO. 1

EXTRactions BY OWNERS (NOW-PLAINTIFFS) WHICH
HAVE RECORDATION FILINGS WITH THE STATE WATER
RESOURCES CONTROL BOARD

OWNER	5 YEAR											
	1959	1960	1961	1962	1963	AVERAGE	1970	1971	1972	1973	1974	1975
CANYON RANCH												
3600523 1S3W32G03S W ¹	298	222	101	109	103	167	128	128	255	193	171	
CARDIFF FARMS MUTUAL WATER COMPANY												
3600973 1S4W12D W	405	391	432	339	384	398	278	237	257	234	286	
3601619 1S4W12D W	73	64	70	64	62	67	144	109	122	104	107	
OWNER TOTAL	518*	455*	502*	403*	446*	465*	422*	346*	379*	338*	393*	
CHARLES, J. J.												
3600815 1S3W06 W	-	-	-	-	-	0	-	-	FC	-	-	
CHRISTINA WATER COMPANY												
3601751 1S3W21E W	1302	1403	700	865	793	1013	32	137	43	47	113	
COLTON, CITY OF												
3601250 1S4W08R W	326	132	102	133	121	163	84	51	97	86	34	
3601251 1S4W08R W	0	101	233	578	227	228	236	389	183	195	197	
3601252 1S4W05R W	463	733	129	154	62	308	156	101	FC	-	-	
3601253 1S4W08R W	376	526	364	339	189	359	172	287	365	289	276	
3601254 1S4W08F W	111	172	257	378	651	314	613	452	573	605	727	
3601256 1S4W09N W	114	79	77	13	11	59	20	6	6	0	0	

1 FORMERLY LANGFORD RANCHES

TABLE NO. 1

EXTRACTIONS BY OWNERS (NON-PLAINTIFFS) WHICH
HAVE RECORDATION FILINGS WITH THE STATE WATER
RESOURCES CONTROL BOARD

OWNER	5 YEAR AVERAGE										
	1959	1960	1961	1962	1963	1970	1971	1972	1973	1974	1975
COLTON, CITY OF (CONTINUED)											
3601257 1S4W08F W	786	519	726	861	919	762	955	1071	1069	1066	
3601258 1S4W08R W	10	4	163	228	210	123	313	307	177	185	
3601260 1S4W08F01S W	628	1066	967	689	595	789	542	488	496	734	
3601262 1S4W08C02S W	0	274	287	370	282	243	0	0	0	0	
3602405 1S4W08C W	-	-	-	-	-	0	608	610	330	468	
3602498 1S4W08R07 W ¹	-	-	-	-	-	0	-	154	119	78	
OWNER TOTAL	2814*	3606*	3305*	3743*	3267*	3347*	3699*	3854*	3366*	3765*	
CONEJO RANCHOS MUTUAL WATER COMPANY											
3601186 1N4W36F03S W	-	-	-	-	-	0	-	-	-	-	
COOK ORCHARDS COMPANY											
3600527 1S3W16 W	133	133	133	133	133	133	81	84	106	86	
CRAFTON WATER COMPANY											
3600272 1S2W29N W	623	750	854	483	477	637	458	612	28	414	
3602186 1S2W21L02 W	-	-	57	262	181	100	202	263	13	236	
OWNER TOTAL	623*	750*	911*	745*	658*	737*	660*	875*	41*	650*	
CRAM PATTERSON WELL											
3600188 1S2W16 W	413	257	361	277	294	320	312	446	362	386	

1 WELL DRILLED 1972

TABLE NO. 1

EXTRACTIONS BY OWNERS (NON-PLAINTIFFS) WHICH
HAVE RECORDATION FILINGS WITH THE STATE WATER
RESOURCES CONTROL BOARD

OWNER	5 YEAR											
	1959	1960	1961	1962	1963	AVERAGE	1970	1971	1972	1973	1974	1975
CRAM, FRANCES L.												
3601628 1S2W090 W	312	296	325	181	91	241	0	0	0	0	0	0
CRIM WELL												
3601172 1S3W20C ¹ W	380	350	415	362	358	373	281	414	461	346	401	401
CRIM, W. ROSCOE												
3601171 1S3W20F ² W	389	343	435	413	396	395	390	293	340	273	280	280
DANIELS AND HEST RANCH												
3602549 1S3W19J ³ W	-	-	-	-	-	0	-	-	-	60	112	112
3602550 1S3W17R ⁴ W	-	-	-	-	-	0	-	-	-	200	214	214
OWNER TOTAL	0*	0*	0*	0*	0*	0*	0*	0*	0*	280*	326*	326*
DEL ROSA MUTUAL WATER COMPANY												
3601809 1N4W26 W	94	100	561	529	284	314	-	-	FC	-	-	-
3601810 1N4W25E W	231	200	9	0	0	88	0	0	0	0	0	0
3601811 1N4W14 D	400	300	302	272	211	297	0	0	0	0	0	0

1 FORMERLY CARL'S RANCH

2 FORMERLY CALAGONIA GROVES

3 PRIOR TO 1973 SEE NON-FILED EXTRACTIONS TABLE NO. 2 DANIELS, DON

4 PRIOR TO 1973 SEE NON-FILED EXTRACTIONS TABLE NO. 2 DANIELS, HAROLD

TABLE NO. 1

EXTRACTIONS BY OWNERS (NON-PLAINTIFFS) WHICH
HAVE RECORDATION FILINGS WITH THE STATE WATER
RESOURCES CONTROL BOARD

OWNER	5 YEAR AVERAGE										
	1959	1960	1961	1962	1963	1970	1971	1972	1973	1974	1975
DEL ROSA MUTUAL WATER COMPANY (CONTINUED)											
3602370 1N4W25F W	-	-	-	-	-	0	489	988	1177	237	17
OWNER TOTAL	725*	600*	872*	801*	495*	699*	489*	988*	1177*	237*	17*
DEVORE WATER CO.											
3602382 2N5W28D W	-	-	-	-	-	0	-	-	-	-	-
3602383 2N5W28C W	35	57	80	15	32	44	83	82	89	54	55
3602384 2N5W28C W	-	-	-	5	17	4	56	55	60	37	39
3602385 2N5W20H D	2	2	2	3	3	2	4	10	12	12	7
3602386 2N5W21F D	9	7	6	11	9	8	9	8	7	10	20
3602387 2N5W22E D	35	27	22	42	31	31	36	26	15	38	16
3602388 2N5W21G D	45	36	30	56	44	42	45	44	34	60	97
3602389 2N5W22N D	0	0	0	0	0	0	0	-	FC	-	-
3602390 2N5W28B D	0	0	0	0	0	0	0	0	FC	-	-
3602391 2N5W28D D	0	0	0	0	0	0	0	0	FC	-	-
3602428 2N5W33H W	-	-	-	-	-	0	9	0	13	0	0
OWNER TOTAL	126*	129*	140*	132*	136*	133*	242*	225*	230*	211*	234*
DUDA, WALTER AND HETTY											
3601839 1S3W10D01S W	5	13	37	21	22	20	29	31	33	36	29

TABLE NO. 1

EXTRACTIONS BY OWNERS (NON-PLAINTIFFS) WHICH
HAVE RECORDATION FILINGS WITH THE STATE WATER
RESOURCES CONTROL BOARD

OWNER	5 YEAR AVERAGE										
	1959	1960	1961	1962	1963	1970	1971	1972	1973	1974	1975
EAST BARTON WATER COMPANY											
3600608 1S3W28H01S W	168	127	135	274	145	170	96	41	0	0	0
EAST COLTON AVENUE WATER COMPANY											
3600240 1S2W30 W	401	325	337	230	176	294	194	232	141	23	23
3601645 1S2W30H W	417	310	275	232	215	290	253	349	240	40	40
OWNER TOTAL	818*	635*	612*	462*	391*	584*	447*	581*	381*	63*	63*
EAST LUGONIA MUTUAL WATER CO.											
3600005 1S3W15H08S W	741	493	543	448	391	523	589	678	632	0	0
3600006 1S2W19G01S W	261	131	94	12	0	100	253	104	113	0	0
3600038 1S2W17 D	-	-	-	-	-	0	0	0	0	0	0
OWNER TOTAL	1002*	624*	637*	460*	391*	623*	842*	782*	745*	0*	0*
EAST PIONEER MUTUAL WELL COMPANY											
3602224 1S3W13P W	776	692	876	403	431	636	448	448	438	391	367
EAST SAN HDNO. COUNTY WATER DIST.											
3600026 1S3W04J W ¹	1711	1467	2031	1017	760	1397	0	0	0	0	0
3600058 1S3W03F W	178	160	130	124	28	124	0	0	0	0	0
3600183 1S4W02 W	75	70	69	28	28	54	0	0	0	0	0

¹ FORMERLY BEAR VALLEY MUTUAL WATER COMPANY

TABLE NO. 1

EXTRACTIONS BY OWNERS (NON-PLAINTIFFS) WHICH
HAVE RECORDATION FILINGS WITH THE STATE WATER
RESOURCES CONTROL BOARD

OWNER	5 YEAR											
	1959	1960	1961	1962	1963	AVERAGE	1970	1971	1972	1973	1974	1975
EAST SAN BEND. COUNTY WATER DIST. (CONTINUED)												
3600221	1N3W30	W ¹	413	339	339	415	498	401	0	0	0	0
3600269	1N3W31L	W	40	33	62	53	4	38	0	0	0	0
3600275	1N3W32	W ²	126	126	159	170	0	116	0	0	0	0
3600444	1N3W30H01S	W	115	174	302	363	204	236	0	0	0	0
3600466	1S3W04	W ³	318	248	316	225	244	270	138	130	113	0
3600545	1N3W30	W ⁴	208	174	141	174	3	140	0	0	0	0
3600643	1N4W25K01	W ⁵	-	21	14	12	10	11	FC	-	0	-
3600855	1N3W28P01S	W	-	-	-	-	-	0	125	152	162	176
3600864	1N3W19	W	1	-	-	-	-	0	0	0	0	0
3600925	1S4W01001	W ⁶	384	258	244	292	151	266	-	0	0	0
3600926	1S1W01F02S	W ⁷	368	441	512	441	490	450	0	0	0	0

- 1 FORMERLY WEST HIGHLAND WELL COMPANY
- 2 FORMERLY ANDERSON MUTUAL WELL COMPANY INC.
- 3 FORMERLY HASELINE & LAPRAIX WELL
- 4 FORMERLY SELEY WELL COMPANY
- 5 FORMERLY CAMERON RANCHO MUTUAL WATER COMPANY WELL FILLED AND CAPPED 1969
- 6 FORMERLY NORTON VILLAGE, LTD.
- 7 FORMERLY CALIFORNIA, STATE OF PATTON HOSPITAL

TABLE NO. 1

EXTRACTIONS BY OWNERS (NON-PLAINTIFFS) WHICH
HAVE RECORDATION FILINGS WITH THE STATE WATER
RESOURCES CONTROL BOARD

OWNER	1959	1960	1961	1962	1963	AVERAGE	1970	1971	1972	1973	1974	1975
EAST SAN BONO, COUNTY WATER DIST. (CONTINUED)												
3600928 1N3W31L02S W ¹	0	114	229	200	152	139	-	0	0	0	0	0
3600930 1N3W31L03S W ¹	206	133	114	214	110	155	0	0	0	0	0	0
3600970 1N3W19 W	20	20	15	10	10	15	82	0	0	0	0	0
3600971 1N3W19F D	49	49	49	49	49	49	49	0	0	0	0	0
3601184 1N3W33F01S W ²	229	485	573	575	497	472	0	110	0	0	0	0
3601584 1N3W33H01S W	84	77	75	54	44	67	0	0	0	0	0	0
3601653 1N4W36K04S W	0	0	0	0	0	0	0	0	0	0	0	0
3601654 1N4W36 W	10	0	0	0	0	2	0	0	0	0	0	0
3601655 1N4W36K05S W	0	0	0	0	0	0	0	0	0	0	0	0
3601656 1N4W36Q01S W	0	0	2	28	0	6	0	0	0	0	0	0
3601657 1S4W01R04S W	0	60	21	17	67	33	0	0	0	0	0	0
3601658 1N4W36R01S W	0	0	0	0	0	0	0	0	0	0	0	0
3601659 1S3W06H01S W	0	0	0	0	0	0	0	0	0	0	0	0
3601660 1S3W06H04S W	260	572	803	543	771	590	1761	2059	1875	1398	1975	0
3601661 1S4W01J08S W	-	-	0	0	0	0	0	0	0	0	0	0

1 FORMERLY CALIFORNIA, STATE OF PATTON HOSPITAL

2 FORMERLY CORWIN WELL COMPANY

TABLE NO. 1

EXTRACTIONS BY OWNERS (NOW-PLAINTIFFS) WHICH
HAVE RECORDATION FILINGS WITH THE STATE WATER
RESOURCES CONTROL BOARD

OWNER	5 YEAR											
	1959	1960	1961	1962	1963	AVERAGE	1970	1971	1972	1973	1974	1975
EAST SAN BONO. COUNTY WATER DIST.	(CONTINUED)											
3601662 1S4W02005S W	739	556	541	407	487	546	0	0	0	0	0	0
3601663 1S4W02004S W	257	284	279	265	204	258	0	0	0	0	0	0
3601664 1S4W02001S W	0	0	0	0	0	0	0	0	0	0	0	0
3601665 1S4W01K04S W	254	423	382	153	33	249	0	0	0	0	0	0
3601666 1N4W36F08S W	0	0	0	0	0	0	0	0	0	0	0	0
3601667 1S3W06A05S W	0	0	0	0	0	0	0	0	0	0	0	0
3601668 1S4W01E02S W	68	92	82	104	217	113	312	342	330	0	0	0
3601669 1N4W36H06S W	-	-	-	-	-	0	0	0	0	0	0	0
3601670 1N4W26A01S W	252	261	264	332	168	255	0	0	0	0	0	0
3601671 1N4W26A02S W	671	830	833	1042	817	839	1314	1453	805	749	444	444
3601672 1N4W25B W	0	0	0	0	0	0	0	0	0	0	0	0
3601673 1N4W25C02S W	656	602	920	865	1059	820	839	581	962	1235	1481	1481
3601674 1N4W25G01S W	0	0	0	0	0	0	0	0	0	0	0	0
3601675 1N4W25A01S W	913	824	809	538	456	708	584	761	28	575	399	399
3601676 1S4W12R05S W	125	145	174	238	264	189	71	31	0	0	0	0
3601677 1S3W05A02S W	0	-	-	-	-	0	0	0	0	0	0	0
3601678 1S3W05B04S W ¹	-	-	-	-	-	0	0	0	0	0	0	0

¹ WELL DESTROYED PRIOR TO BASE PERIOD

EXTRACTIONS BY OWNERS (NON-PLAINTIFFS) WHICH
HAVE RECORDATION FILINGS WITH THE STATE WATER
RESOURCES CONTROL BOARD

OWNER	5 YEAR											
	1959	1960	1961	1962	1963	AVERAGE	1970	1971	1972	1973	1974	1975
EAST SAN BENO. COUNTY WATER DIST. (CONTINUED)												
3601679	1S3W05N05S W	0	0	0	0	0	0	0	0	0	0	0
3601781	1S3W06K01S W	0	0	0	0	0	0	0	0	0	0	0
3601884	1N3W31C02S W	116	116	116	116	111	90	111	0	0	0	0
3601976	1S3W04N W	1	3	6	6	5	4	4	0	0	0	0
3601979	1N4W14A D ¹	146	146	146	146	146	146	146	0	0	0	0
3602034	1S4W01O W	-	-	-	252	1021	255	970	646	647	1146	1316
3602113	1N3W30N W	273	216	254	159	241	229	978	923	276	162	662
3602174	1S4W02 W ²	172	172	172	172	172	172	0	0	0	0	0
3602274	1N3W30J W	-	-	-	-	-	0	834	682	525	791	165
3602337	1N4W26A W	-	-	-	-	-	0	652	598	1133	767	213
3602338	1S3W04N W	-	-	-	-	-	0	517	204	320	710	1499
3602563	1S4W02O W ³	-	-	-	-	-	0	-	-	-	124	1
3602564	1S4W12B W ³	-	-	-	-	-	0	-	-	-	4	1
OWNER TOTAL		9438*	9691*	11176*	9819*	9500*	9925*	9372*	8872*	7176*	7813*	8332*

1 1971 VERIFIED EXTRACTION CORRECTED DURING THE 1972 VERIFICATION
 2 FORMERLY MEYER, ERNEST 1971 VERIFIED EXTRACTION CORRECTED DURING THE 1972 VERIFICATION
 3 WELL DRILLED 1972 EXTRACTIONS VERIFIED DURING THE 1974 VERIFICATION

TABLE NO. 1

EXTRACTIONS BY OWNERS (NON-PLAINTIFFS) WHICH
HAVE RECORDATION FILINGS WITH THE STAFF WATER
RESOURCES CONTROL BOARD

OWNER	5 YEAR AVERAGE										
	1959	1960	1961	1962	1963	1970	1971	1972	1973	1974	1975
EASTWOOD FARMS COMMUNITY WATER USERS											
3602130 1S4W01P01S W ¹	99	115	165	105	125	122	90	55	35	38	37
3602131 1S4W01P02S W ²	101	115	165	105	125	122	124	125	195	184	176
OWNER TOTAL	200*	230*	330*	210*	250*	244*	214*	180*	230*	222*	213*
ELTINGE & GRAZIADIO											
3600766 1S3W29A01 W	122	81	64	49	32	70	0	0	0	0	0
F. A. R. WELL											
3602020 1S2W20K W ³	-	-	-	272	260	107	242	384	478	100	237
FAIRVIEW WATER COMPANY											
3600554 1S3W17 W	1395	875	825	780	575	890	520	513	486	342	356
FONTANA UNION WATER COMPANY											
3600561 1N5W23K01S W	1393	1396	1765	746	726	1205	942	0	1143	586	584
3600562 1N5W22F02S W	1095	880	994	588	714	854	1646	1294	1214	1064	589
3600563 1N5W22C02S W	938	625	371	231	195	472	855	1630	1673	1026	635
3600566 1N5W15Q02S W	-	-	-	FC	-	0	-	-	-	-	-

1 1971 VERIFIED EXTRACTION CORRECTED DURING THE 1972 VERIFICATION

2 1971, 1972 VERIFIED EXTRACTION CORRECTED DURING THE 1972, 1973 RESPECTIVE VERIFICATIONS

3 FORMERLY JACINTO, FRANK JR

TABLE NO. 1

EXTRACTIONS BY OWNERS (NON-PLAINTIFFS) WHICH
HAVE RECORDATION FILINGS WITH THE STATE WATER
RESOURCES CONTROL BOARD

OWNER	5 YEAR											
	1959	1960	1961	1962	1963	AVERAGE	1970	1971	1972	1973	1974	1975
FONTANA UNION WATER COMPANY (CONTINUED)												
3600569 1N5W22A01S W	1783	1876	1539	272	47	1103	2097	1360	1507	1865	1031	
3600579 1N5W22F03S W	0	0	0	0	0	0	2	0	10	606	290	
3600580 1N5W22F01S W	1631	1329	942	855	861	1128	1165	1509	1409	110	0	
3600581 1N5W07H01S W	319	0	0	105	0	85	0	478	228	682	303	
3600582 1N5W06G01S W	652	204	58	306	42	252	233	140	572	692	500	
3600585 1N5W16K01S W ¹	1051	6	0	0	0	211	1064	956	757	707	410	
3600586 1N5W06K02S W	307	355	299	418	174	311	1139	1143	599	438	514	
3600588 2N6W26L2 W	0	0	0	0	0	0	0	0	0	0	0	
3600590 2N6W26L1 W	2185	3145	3006	2421	3162	2784	1607	2676	3174	1209	2531	
3600591 1N5W06E D ²	8487	5833	4321	8732	6145	6704	3757	1831	966	8547	4490	
OWNER TOTAL	19841*	15649*	13295*	14674*	12086*	15109*	14507*	13017*	13252*	17532*	11877*	

FRIEDEMANN, ERNEST C.

3600747 1N3W31P02S W

FRINK RANCH

3601131 1S3W30 W³

1 1970 VERIFIED EXTRACTION CORRECTED DURING THE 1973 VERIFICATION

2 INCLUDES GROSS LYTLE CREEK DIVERSIONS--SEE TABLE NO. 4 FOR VERIFIED DIVERSIONS FROM LYTLE CREEK

3 NOW RAMIREZ BROTHERS RECORDATION NO. 3601728

TABLE NO. 1

EXTRACTIONS BY OWNERS (NON-PLAINTIFFS) WHICH
HAVE RECORDATION FILINGS WITH THE STATE WATER
RESOURCES CONTROL BOARD

OWNER	1959	1960	1961	1962	1963	5 YEAR AVERAGE	1970	1971	1972	1973	1974	1975
GAY, PHILIP L.												
3601126 1S2W30H W	200	200	260	250	200	222	24	60	291	50	52	
GIFFORD PARK MUTUAL WATER CO.												
3602126 1S4W14A W	50	50	50	50	51	50	65	30	FC	-	-	
3602252 1S4W14B W	-	-	-	-	-	0	51	60	45	FC	-	
OWNER TOTAL	50*	50*	50*	50*	51*	50*	116*	90*	45*	0*	0*	
GLADYSTA WELL & WATER COMPANY												
3600182 1S3W20H01 W	527	486	FC	-	-	203	-	-	-	-	-	
3600182- 1S3W20H02 W	-	-	609	517	507	327	399	391	421	296	329	
OWNER TOTAL	527*	486*	609*	517*	507*	529*	399*	391*	421*	296*	329*	
GOLDEN STATE BLDG PRODUCTS												
3602127 1S3W15A01 W ¹	30	30	33	33	33	32	33	34	34	34	34	
GRANT WATER COMPANY												
3600075 1S3W26C01 W	429	424	483	436	363	427	295	310	303	260	250	
GREENSPOT MUTUAL WELL CO.												
3600266 1S2W16C01 W	142	149	121	105	76	119	306	306	392	275	286	
GUERTH, WILLIAM H.												
3600856 1N3W27M ²	1585	695	922	1230	860	1058	381	400	409	565	421	

1 FORMERLY BIG BEAR TIMBER COMPANY
2 1971 VERIFIED EXTRACTION CORRECTED DURING THE 1972 VERIFICATION

TABLE NO. 1

EXTRACTIONS BY OWNERS (NON-PLAINTIFFS) WHICH
HAVE RECORDATION FILINGS WITH THE STATE WATER
RESOURCES CONTROL BOARD

OWNER	5 YEAR											
	1959	1960	1961	1962	1963	AVERAGE	1970	1971	1972	1973	1974	1975
HAPPE MUTUAL WELL COMPANY												
3600238 1S2W29N01 W	526	592	649	358	500	525	287	315	372	59	173	
HEAD, JOE T.												
3600226 1S2W21L01 W	FC	-	-	-	-	0	-	-	-	-	-	-
HICKS, JOHN/LOUISE												
3600981 1S2W21H01 W	3	3	3	3	3	3	3	3	3	3	3	3
HIGHLAND ACRES RANCH												
3600323 1S2W06M W	250	160	350	400	400	312	128	148	181	121	0	
HIGHLAND WELL COMPANY												
3600184 1N3W28N01 W	278	263	265	232	184	244	71	72	59	39	40	
HOBBS WELL PARTNERSHIP												
3600049 1S3W25M W	174	96	FC	-	-	54	-	-	-	-	-	-
3600049- 1S3W25M W	-	-	696	692	532	384	659	825	664	0	0	
OWNER TOTAL	174*	96*	696*	692*	532*	438*	659*	825*	664*	0*	0*	
HOOVER WELL												
3601649 1S3W28M W ¹	100	100	100	FC	-	60	-	-	-	-	-	-
3601649- 1S3W28M W ¹	-	-	-	25	85	22	75	133	135	108	132	

¹ FORMERLY E. R. DUNLOP

TABLE NO. 1

EXTRACTIONS BY OWNERS (NON-PLAINTIFFS) WHICH
HAVE RECONODATION FILINGS WITH THE STATE WATER
RESOURCES CONTROL BOARD

OWNER	1959	1960	1961	1962	1963	5 YEAR					
						AVERAGE	1970	1971	1972	1973	1974
OWNER TOTAL	100*	100*	100*	25*	85*	82*	75*	133*	135*	108*	132*
ICE PRODUCTS INC.											
3600644 1S4W04R03S W	591	405	410	345	344	419	298	4	3	7	3
3600645 1S4W09R01S W	-	-	-	-	-	0	0	-	-	-	-
OWNER TOTAL	591*	405*	410*	345*	344*	419*	298*	4*	3*	7*	3*
INDUST. ACRES C/O CITRUS INVESTMENT											
3600139 1S2W18R01S W	714	873	637	409	306	588	253	240	231	214	190
3602280 1S2W180 W	-	-	-	-	-	0	997	412	512	510	444
OWNER TOTAL	714*	873*	637*	409*	306*	588*	1250*	652*	743*	724*	634*
INTER CITY MUTUAL WATER CO											
3601316 1S4W23N W	238	238	238	238	238	238	122	116	14	15	0
3602521 1S4W23N04 W ¹	-	-	-	-	-	0	-	-	140	123	0
OWNER TOTAL	238*	238*	238*	238*	238*	238*	122*	116*	154*	138*	0*
IOWA STREET WELL											
3601932 1S3W29B01 W	62	62	21	10	7	32	5	1	0	3	8
JEWEL WATER COMPANY, THE											
3600091 1S3W20 W	504	408	356	293	258	364	195	189	195	115	111

¹ PRIOR TO 1972 SEE NON-FILED EXTRACTIONS TABLE NO. 2 SAME OWNER

TABLE NO. 1

EXTRACTIONS BY OWNERS (NON-PLAINTIFFS) WHICH
HAVE RECORDATION FILINGS WITH THE STATE WATER
RESOURCES CONTROL BOARD

OWNER	5 YEAR										
	1959	1960	1961	1962	1963	1970	1971	1972	1973	1974	1975
JOHANSSON, RUME											
3602060 1S4W24P W	111	71	125	60	74	89	104	100	45	87	
JUDSON MUTUAL WATER COMPANY											
3601647 1S3W23A03 W ¹	403	356	348	367	363	367	382	401	242	208	
KANSAS STREET MUTUAL WATER CO.											
3601092 1S3W28D01 W	376	327	378	328	353	352	382	299	255	294	
KING STREET MUTUAL WELL COMPANY											
3600530 1S2W30G01 W	408	371	358	281	FC	284	-	-	-	-	
3600530- 1S2W30G02 W	-	-	-	-	372	74	416	551	104	288	
OWNER TOTAL	408*	371*	358*	281*	372*	358*	416*	482*	104*	286*	
KOCH, GEORGE J.											
3601451 1S2W32G01 W	FC	-	-	-	-	0	-	-	-	-	
L.P.R. ICE COMPANY											
3602525 1S3W13C W ²	-	-	-	-	-	0	-	343	392	242	
LA ROSSE, CHARLES H.											
3600708 1S3W29 W	38	21	35	18	14	25	15	0	0	0	

1 1972 VERIFIED EXTRACTION CORRECTED DURING THE 1973 VERIFICATION
2 PRIOR TO 1972 SEE NON-FILED EXTRACTIONS TABLE NO. 2 L.P.R. RANCH

TABLE NO. 1

EXTRACTIONS BY OWNERS (NON-PLAINTIFFS) WHICH
HAVE RECORDATION FILINGS WITH THE STATE WATER
RESOURCES CONTROL BOARD

OWNER	5 YEAR											
	1959	1960	1961	1962	1963	AVERAGE	1970	1971	1972	1973	1974	1975
LAKESIDE AVENUE MUTUAL WELL COMPANY							FC					
3602119 1S3W33C01S W	79	48	58	51	20	51	FC	-	-	-	-	-
LAND CAPITOL CORP & DONALD SOJKA												
3601173 1S3W32K W	91	82	99	86	84	88	51	53	48	57	25	
LANGFORD RANCHES												
3600524 1S3W17L01S W	991	876	572	429	772	728	835	817	681	572	697	
3600525 1S3W17H01S W	214	263	231	369	336	283	297	465	307	237	242	
3600526 1S3W21G01S W	475	425	343	326	360	386	504	473	457	288	317	
OWNER TOTAL	1680*	1564*	1146*	1124*	1468*	1396*	1636*	1755*	1445*	1097*	1256*	
LARANNI GUNTER WELL												
3600160 1S3W32G01 W ¹	200	200	200	200	200	200	237	265	250	128	162	
LEONARD, WILLIAM E.												
3602499 1S4W22A01 W	-	-	-	-	-	0	-	-	319	371	234	
LOMA LINDA UNIVERSITY												
3601910 1S3W30L W	112	129	129	97	87	111	0	0	0	0	0	
3602008 1S4W26A W	146	98	177	203	209	167	11	53	81	162	140	
3602009 1S4W25G01S W	195	364	407	304	78	270	FC	-	-	-	-	

1 FORMERLY LARSEN, ERNEST R.

TABLE NO. 1

EXTRACTIONS BY OWNERS (NON-PLAINTIFFS) WHICH
HAVE RECORDATION FILINGS WITH THE STATE WATER
RESOURCES CONTROL BOARD

OWNER	5 YEAR AVERAGE										
	1959	1960	1961	1962	1963	1970	1971	1972	1973	1974	1975
(CONTINUED)											
LOMA LINDA UNIVERSITY											
3602012 1S4W25C01S W	323	369	376	463	347	376	54	197	182	184	87
3602013 1S4W24N W	149	70	27	13	69	66	FC	-	-	-	-
3602014 1S4W26J01S W	86	86	86	86	111	91	0	0	0	0	0
3602017 1S4W25E01S W	-	-	-	-	0	0	FC	-	-	-	-
3602249 1S4W25D05 W	-	-	-	-	-	0	589	502	532	510	491
OWNER TOTAL	1011*	1116*	1202*	1166*	901*	1079*	654*	752*	795*	856*	718*
LOMA LINDA, CITY OF											
3601130 1S3W32D W ¹	389	401	501	464	290	409	180	216	208	195	250
3601384 1S4W25 W ²	0	0	0	20	73	19	30	101	FC	-	-
3601388 1S4W25 W ²	111	114	107	140	98	122	135	29	263	371	334
3601989 1S4W24R01S W ³	44	40	37	32	42	39	116	118	118	1	10
3602010 1S4W25H02S W ³	123	160	100	105	131	124	80	152	180	103	76
3602011 1S4W25H02S W ³	61	150	166	232	219	166	157	199	204	161	190
3602015 1S4W25R W ³	1077	772	760	615	627	770	504	349	436	719	969

1 FORMERLY VALLE VISTA RANCH CO.

2 FORMERLY COURT STREET WATER COMPANY

3 FORMERLY SAN BERNARDINO COUNTY SERVICE AREA NO. 2

TABLE No. 1

EXTRactions BY OWNERS (NON-PLAINTIFFS) WHICH
HAVE RECORDATION FILINGS WITH THE STATE WATER
RESOURCES CONTROL BOARD

OWNER	5 YEAR AVERAGE											
	1959	1960	1961	1962	1963	1970	1971	1972	1973	1974	1975	
(CONTINUED)												
LOMA LINDA, CITY OF												
3602016 1S4W25G W ¹	57	161	228	157	59	132	0	FC	-	-	-	
3602057 1S4W25C W ¹	335	420	524	400	16	339	89	123	75	15	15	
3602058 1S4W25F W ¹	19	23	29	28	25	25	89	87	127	146	146	
3602596 1S4W24R W ²	-	-	-	-	-	0	-	-	-	33	33	
OWNER TOTAL	2216*	2241*	2892*	2193*	1580*	2184*	1380*	1374*	1752*	2023*	2023*	
LUGO WATER COMPANY												
3600510 1S3W21K01 W	414	346	324	300	239	325	192	197	153	190	190	
LUGONIA WATER COMPANY												
3601585 1S3W23A03S W	0	0	1012	974	882	574	507	676	0	0	0	
LULY, DR. LUCIAN L.												
3601376 1N4W14 D	-	-	-	-	-	0	0	-	-	-	-	
3601377 1N4W14 D	-	-	-	-	-	0	0	-	-	-	-	
3601378 1N4W14 D	-	-	-	-	-	0	0	-	-	-	-	
OWNER TOTAL	0*	0*	0*	0*	0*	0*	0*	0*	0*	0*	0*	
MARIGOLD FARMS COMPANY												
3600418 1S3W19 W	182	173	116	66	57	119	832	1048	710	1007	1007	

1 FORMERLY SAN BERNARDINO COUNTY SERVICE AREA NO. 2

2 WELL DRILLED 1974

TABLE NO. 1

EXTRACTIONS BY OWNERS (NON-PLAINTIFFS) WHICH
HAVE RECORDATION FILINGS WITH THE STATE WATER
RESOURCES CONTROL BOARD

OWNER	5 YEAR AVERAGE										
	1959	1960	1961	1962	1963	1970	1971	1972	1973	1974	1975
(CONTINUED)											
MARIGOLD FARMS COMPANY											
3601748 1S3W18H01 W	1133	1622	1145	300	475	935	FC	-	-	-	-
3601748- 1S3W19A01 W	-	-	-	-	-	0	1874	2040	2517	2015	2426
3601749 1S3W19H01 W	91	364	180	600	64	260	-	-	-	-	-
3601750 1S3W18L W	390	1072	610	930	1392	879	1023	1373	1017	1008	1258
OWNER TOTAL	1796*	3231*	2051*	1896*	1988*	2192*	3729*	4461*	4652*	3733*	4691*
MASCART WATER COMPANY											
3601102 1S3W21E W	395	302	468	381	367	383	250	231	263	178	212
MAYBELL, N. O.											
3600291 1S4W12 W	26	26	12	12	12	18	FC	-	-	-	-
MEADOWBROOK DAIRY											
3600030 1S4W23D W	443	343	295	288	421	358	409	392	407	451	496
3600037 1S4W23D W	49	45	45	43	41	45	80	72	56	59	61
OWNER TOTAL	492*	388*	340*	331*	462*	403*	489*	464*	463*	510*	557*
MENTONE ACRES MUTUAL WELL CO.											
3600748 1S3W24A01 W	455	495	505	475	121	410	0	0	0	0	0
3600749 1S3W13 W	885	960	975	940	917	935	958	1010	983	860	822
OWNER TOTAL	1340*	1455*	1480*	1415*	1038*	1346*	958*	1010*	983*	860*	822*

TABLE NO. 1

EXTRactions BY OWNERS (NON-PLAINTIFFS) WHICH
HAVE RECORDATION FILINGS WITH THE STATE WATER
RESOURCES CONTROL BOARD

OWNER	5 YEAR										
	1959	1960	1961	1962	1963	1970	1971	1972	1973	1974	1975
MENTONE DOMESTIC WATER COMPANY, INC.											
360130R 1S2W19K01S W	772	750	738	487	470	643	740	955	800	375	143
MEYER, CHARLES R.											
3600760 1N5W01R W	42	42	55	51	53	49	43	45	42	44	55
MILLER MUTUAL WELL CO.											
3600630 1N3W32 W	20	8	-	-	-	6	FC	-	-	-	-
3600630- 1N3W32D W	-	-	41	58	53	30	31	31	46	60	56
OWNER TOTAL	20*	8*	41*	58*	53*	36*	31*	31*	46*	60*	56*
MISSION MUTUAL WATER COMPANY											
3600756 1S3W19H W	715	510	675	660	560	624	1055	1263	882	425	554
3600757 1S3W19L W	374	272	367	433	322	354	255	239	520	508	567
OWNER TOTAL	1089*	782*	1042*	1093*	882*	978*	1310*	1502*	1402*	933*	1121*
MONTECITO MUTUAL WATER COMPANY											
3600119 1S4W26F01 W	104	109	110	77	71	94	110	114	116	118	119
MOUNT VERNON WATER COMPANY											
3600319 1N4W31A01S W	1020	748	1030	624	508	786	1470	1868	1342	1582	1649
3600320 1N5W22M D ¹	730	730	730	730	730	730	681	725	724	724	724

1 INCLUDES GROSS LYTLE CREEK DIVERSIONS--SEE TABLE NO. 4 FOR VERIFIED DIVERSIONS FROM LYTLE CREEK

TABLE NO. 1

EXTRACTIONS BY OWNERS (NON-PLAINTIFFS) WHICH
HAVE RECORDATION FILINGS WITH THE STATE WATER
RESOURCES CONTROL BOARD

OWNER	1959	1960	1961	1962	1963	5 YEAR AVERAGE	1970	1971	1972	1973	1974	1975
OWNER TOTAL	1750*	1478*	1760*	1354*	1238*	1516*	2151*	2593*	2066*	2306*	2373*	
MT. HARRISON MUTUAL WATER CO.												
3600220 1S3W01H W	753	874	303	371	310	522	382	366	392	400	395	
MT. VIEW CEMETERY OF SAN BERNARDINO												
3600742 1N4W26 W	17	15	12	13	4	12	FC	-	-	-	-	
3600742- 1N4W26 W	-	-	-	-	-	0	60	56	118	86	75	
3600743 1N4W26 W	211	170	133	237	137	178	160	155	207	163	165	
OWNER TOTAL	228*	185*	145*	250*	141*	190*	220*	211*	325*	249*	240*	
MULLINS, JAMES C., JR., EXECUTOR												
3602074 1N3W34R02 W	112	112	112	112	112	112	26	31	22	41	55	
3602075 1N3W34H01 W	36	36	36	36	36	36	31	7	4	5	5	
OWNER TOTAL	148*	148*	148*	148*	148*	148*	57*	38*	26*	46*	60*	
MUSCOY MUTUAL WATER COMPANY, NO. 1												
3601497 1N5W23H01S W	648	624	676	621	562	626	24	47	73	138	786	
3601498 1N5W24D01S W	0	FC	-	-	-	0	-	-	-	-	-	
3601499 1N5W23A01S W	648	623	676	621	561	626	1099	1223	140	461	421	
3601500 1N5W23A02S W	647	623	676	621	561	626	532	657	1297	962	927	
3602345 1N5W24E W	-	-	-	-	-	0	1202	439	502	425	391	

TABLE NO. 1

EXTRACTIONS BY OWNERS (NON-PLAINTIFFS) WHICH
HAVE RECORDATION FILINGS WITH THE STATE WATER
RESOURCES CONTROL BOARD

OWNER	5 YEAR											
	1959	1960	1961	1962	1963	AVERAGE	1970	1971	1972	1973	1974	1975
OWNER TOTAL	1943*	1870*	2028*	1863*	1684*	1878*	2857*	2366*	2012*	1986*	2525*	
MUTUAL WELL COMPANY (OF HIGHLAND)												
3600765 1N3W33C01 W	252	243	353	250	244	268	248	231	205	137	67	
NAMIHAS, M.D., IVAN/SHIRLEY												
3601084 1S2W20K W	7	7	9	10	9	8	15	70	46	1	0	
NATIONAL ORANGE SHOW												
3601924 1S4W15D W	135	135	135	135	135	135	82	58	58	58	58	
NEALEY MUTUAL WATER COMPANY												
3601381 1N5W07C 0	-	-	-	-	-	0	-	-	-	-	-	
NEW ENGLAND WATER CO.												
3602320 1S3W16 W	946	892	1023	836	880	915	473	706	851	478	383	
NICKERSON WATER COMPANY												
3600123 1S3W20R01 W	212	220	348	297	250	265	264	130	343	293	273	
3600124 1S3W21M01 W	466	331	490	424	290	400	139	40	158	167	131	
OWNER TOTAL	678*	551*	838*	721*	500*	666*	403*	170*	501*	460*	404*	
NICKERSON, E. D.												
3600270 1S3W20P W	300	248	288	153	139	226	169	235	252	196	274	
NORTH FORK WATER COMPANY												
3600678 1S2W08C01S W	310	291	285	266	277	286	227	206	209	0	0	

TABLE NO. 1

EXTRACTIONS BY OWNERS (NON-PLAINTIFFS) WHICH
HAVE RECORDATION FILINGS WITH THE STATE WATER
RESOURCES CONTROL BOARD

OWNER	1959	1960	1961	1962	1963	1970	1971	1972	1973	1974	1975
	5 YEAR AVERAGE										
(CONTINUED)											
NORTH FORK WATER COMPANY											
3600679 1S2W08C02S W	163	142	131	136	119	112	115	103	0	0	0
3600680 1S3W02 W	789	573	715	533	593	430	625	416	0	0	0
3600681 1N3W27 D	123	51	7	64	30	0	0	0	0	0	0
3601643 1S3W030 W	0	0	1411	1286	1064	752	0	0	0	0	0
3601644 1S3W01A D	3	10	0	62	0	15	0	0	0	0	0
OWNER TOTAL	1388*	1067*	2549*	2347*	2083*	1887*	946*	728*	0*	0*	0*
NORTHERRAE WATER COMPANY											
3600296 1S3W15R01 W	394	530	608	395	466	479	0	0	0	0	FC
NORTHSIDE WATER COMPANY											
3600933 1S3W23F W	398	402	491	385	333	402	369	336	387	285	
NYE, WILLIAM H.											
3600313 1S2W29N01S W	164	199	294	156	167	196	38	164	5	0	
OLD TOWN WELL CO.											
3600493 1S3W29 W	205	225	250	220	247	229	241	231	187	186	
3600494 1S3W29 W	283	309	322	305	268	297	206	197	173	174	
OWNER TOTAL	488*	534*	572*	525*	515*	527*	447*	428*	360*	360*	
ORANGE ST. RANCH											
3600241 1S3W030 W	220	194	179	190	224	248	248	223	60	58	

TABLE NO. 1

FATRACTIONS BY OWNERS (NON-PLAINTIFFS) WHICH
HAVE RECORDATION FILINGS WITH THE STATE WATER
RESOURCES CONTROL BOARD

OWNER	5 YEAR											
	1959	1960	1961	1962	1963	AVERAGE	1970	1971	1972	1973	1974	1975
PAINE, ROBERT T., TRUSTEE												
3601641 1S2M30C01S W	470	462	484	410	470	459	300	350	400	285	235	
3601642 1S2M30B02S W	133	147	180	120	116	139	154	183	131	90	103	
OWNER TOTAL	603*	609*	664*	530*	586*	598*	454*	533*	531*	375*	338*	
PAXTON, R. H.												
3600468 1S3M30 W ¹	511	245	243	378	179	311	217	0	FC	-	-	
PENN WELL COMPANY												
3601099 1S3M22F W	-	-	-	-	-	0	-	-	-	-	-	
3601405 1S3M22 W	539	447	504	550	440	496	652	547	489	456	422	
OWNER TOTAL	539*	447*	504*	550*	440*	496*	652*	547*	489*	456*	422*	
PEYTON, A. L. OR IRENE A.												
3601093 1N4M24 O	1	1	1	1	1	1	1	1	1	1	1	
PEYTON, MRS. A. L.												
3600865 1N4M24 W	5	5	5	5	5	5	5	5	5	5	5	
PHAROAH POWELL WATER CO.												
3600415 1S3M29J01 W	326	350	365	371	322	347	332	373	305	309	330	
PIONEER MUTUAL WATER CO.												
3600642 1S3M14P01 W	314	222	288	316	275	283	419	160	144	284	238	

1 FORMERLY SMITH, LEONA BERNICE

TABLE NO. 1

EXTRACTIONS BY OWNERS (NOT-PLAINTIFFS) WHICH
HAVE RECONDACTION FILINGS WITH THE STATE WATER
RESOURCES CONTROL BOARD

OWNER	1959	1960	1961	1962	1963	1970	1971	1972	1973	1974	1975
	5 YEAR AVERAGE										
RAMIREZ BROTHERS											
3601728 1S3W30 W ¹	61	61	65	62	64	68	91	89	73	85	
RANCHERIA WATER CO. TOBIN											
3601929 1S4W06C04S W	374	52	0	458	0	177	0	FC	-	-	
RANCHO CITRUS AMIGOS											
3601753 1S3W29 W	80	80	80	80	80	80	80	80	80	80	80
RANCHO LADERA											
3602188 1S2W29L W	162	148	331	206	313	282	291	299	153	110	
RAUGHT MUTUAL WELL COMPANY											
3602193 1S3W14R01 W	504	550	552	506	520	526	537	576	410	364	
REDLANDS HEIGHTS WATER COMPANY											
3600918 2S3W01E W	604	567	554	459	480	533	172	265	288	299	
REDLANDS TRAP/SKEET											
3600628 1S3W15G W ²	145	235	235	2	2	124	2	2	2	2	2
REDLANDS, CITY OF											
3600085 1S3W28J01 W ³	190	186	180	180	180	183	FC	-	-	-	

1 FORMERLY FRINK RANCH RECONDACTION NO. 3601131
 2 FORMERLY HOLIDAY ROCK CO.
 3 FORMERLY COLTON AVENUE WATER COMPANY

TABLE NO. 1

EXTRACTIONS BY OWNERS (NON-PLAINTIFFS) WHICH
HAVE RECORDATION FILINGS WITH THE STATE WATER
RESOURCES CONTROL BOARD

OWNER	REULANDS, CITY OF	5 YEAR											
		1959	1960	1961	1962	1963	AVERAGE	1970	1971	1972	1973	1974	1975
	(CONTINUED)												
3601281	1S2W21M01S W	133	123	195	75	61	117	0	0	0	0	0	0
3601282	1S1W08G1 W	1296	916	839	955	1132	1028	323	986	1497	69	524	
3601283	1S2W22C02S W	225	186	114	41	7	115	0	0	0	0	0	
3601284	1S2W21E01S W	162	83	157	67	77	109	7	150	148	94	57	
3601285	1S1W10L1 W	1548	939	814	1123	1076	1100	1102	1567	1441	76	1456	
3601286	1S2W21E02S W	0	3	0	0	0	1	0	0	0	0	0	
3601287	1S2W21C W	319	333	293	358	267	314	0	0	0	0	0	
3601288	1S1W1101 W	855	817	903	671	745	798	677	923	810	353	742	
3601289	1S3W35E W	0	0	0	0	0	0	0	0	0	0	0	
3601290	1S2W21D01S W	243	209	169	141	138	180	0	0	0	0	0	
3601291	1S3W35G08S W	196	487	664	131	101	316	326	135	344	40	0	
3601292	1S3W35G07S W	772	1077	737	117	103	561	25	0	0	0	0	
3601293	1S3W35H02S W	2	0	0	0	0	0	0	0	0	0	0	
3601294	1S3W35G09S W	189	646	682	362	453	466	296	726	756	492	738	
3601295	1S3W35H04S W	915	1128	871	184	83	636	50	12	21	5	0	
3601296	1S3W35H03S W	545	343	587	491	1686	730	685	873	739	902	994	
3601297	1S3W35G11S W	249	434	507	171	0	272	0	0	0	0	0	

TABLE NO. 1

EXTRACTIONS BY OWNERS (NON-PLAINTIFFS) WHICH
HAVE RECORDATION FILINGS WITH THE STATE WATER
RESOURCES CONTROL BOARD

OWNER	REDLANDS, CITY OF	5 YEAR										
		1959	1960	1961	1962	1963	1964	1965	1966	1967	1968	1969
3601298	1S3W21H01S W	322	557	1136	800	1095	782	1181	359	160	3	0
3601299	1S4W24K01S W	246	124	1607	853	133	593	870	1	444	1361	563
3601300	1S3W27E02S W	1278	902	1113	1446	1099	1168	1545	1622	1710	1311	1295
3601301	1S3W28H01S W	1443	1623	1808	1226	1063	1433	287	353	284	238	345
3601302	1S2W14N D ¹	7047	6913	3615	8973	4451	6200	11324	7652	6497	12902	12685
3601636	1S4W24 W ²	216	230	65	58	51	124	0	0	0	FC	-
3601637	1S3W30 W	0	0	0	0	0	0	0	0	0	FC	-
3602031	1S3W21H W	506	1181	1429	699	492	861	36	196	192	344	188
3602032	1S3W22A W	-	-	50	273	140	93	689	927	1225	970	693
3602036	1S3W21H W	-	-	-	676	1244	384	284	1482	954	1775	2034
3602082	2S3W03K W	-	-	-	-	215	43	50	15	37	349	267
3602106	1S3W22A01S W ³	323	292	-	-	-	123	FC	-	-	-	-
3602211	1S3W26C W	-	-	-	-	-	0	224	504	193	243	104
3602346	1S3W28J02 W ⁴	-	-	-	-	-	0	1106	755	1017	202	781

1 COMMENCING 1974 INCLUDES GROSS MILL CREEK DIVERSIONS--SEE TABLE NO. 5 FOR VERIFIED DIVERSIONS

2 PRODUCTION INCLUDED IN AMOUNT REPORTED BY STANLEY BROWN COMPANY RECORDATION NO. 3601352 SUBSEQUENT TO 1968

3 FORMERLY CHURCH STREET MUTUAL WELL COMPANY

4 FORMERLY COLTON AVENUE WATER COMPANY

TABLE NO. 1

EXTRACTIONS BY OWNERS (NON-PLAINIFFS) WHICH
HAVE RECORDATION FILINGS WITH THE STATE WATER
RESOURCES CONTROL BOARD

OWNER	1959	1960	1961	1962	1963	5 YEAR AVERAGE					
						1970	1971	1972	1973	1974	1975
REDLANDS, CITY OF											
3602351 1S2M13A W	-	-	-	-	-	380	395	367	166	459	
OWNER TOTAL	19220*	19732*	18535*	20071*	16092*	18730*	19433*	18836*	21895*	23925*	
REES & PERRICONE RANCH											
3602171 1S2M18M W	-	-	-	-	-	103	158	60	75	67	
REES REES RANCHES, INC.											
3600017 1S2M29 W	137	64	278	171	76	145	16	86	50	58	
3600018 1S2M29 W	10	163	452	88	330	209	0	0	0	FC	
3600019 1S3M23 W	531	288	342	320	461	388	529	343	300	268	
OWNER TOTAL	678*	515*	1072*	579*	867*	742*	545*	431*	350*	326*	
RIALTO, CITY OF											
3601085 1N4M31N W ¹	585	775	875	575	470	656	0	0	0	21	
3601263 1N5M23Q01S W	1035	169	334	481	0	1549	1261	750	1153	1199	
3601718 1N5M22M D ²	624	626	625	587	624	617	509	562	935	808	
3602080 1N5M230 W	-	-	-	-	773	155	0	1493	461	1514	
OWNER TOTAL	2244*	1570*	1834*	1643*	1867*	1832*	1770*	2805*	2549*	3542*	

1 FORMERLY RIALTO MUTUAL LAND AND WATER COMPANY 1972 VERIFIED EXTRACTION CORRECTED DURING THE 1973 VERIFICATION
2 INCLUDES GROSS LYTLE CREEK DIVERSIONS--SEE TABLE NO. 4 FOR VERIFIED DIVERSIONS FROM LYTLE CREEK

TABLE NO. 1

EXTRACTIONS BY OWNERS (NON-PLAINTIFFS) WHICH
HAVE RECORDATION FILINGS WITH THE STATE WATER
RESOURCES CONTROL BOARD

OWNER	5 YEAR AVERAGE										
	1959	1960	1961	1962	1963	1970	1971	1972	1973	1974	1975
RIEDMAN, FRED M.											
3601629 1S3W03P00S W	230	230	230	230	15	187	0	0	0	0	-
3602079 1S3W03F W ¹	-	-	-	-	34	7	45	45	45	45	45
OWNER TOTAL	230*	230*	230*	230*	49*	194*	45*	45*	45*	45*	45*
RIVAS, RAMON											
3600016 1S4W24J W	30	43	0	0	0	15	0	0	0	0	0
ROBBINS, H. W.											
3602170 1S2W31M W	-	-	-	-	18	4	3	4	7	6	FC
SAN BERNARDINO AVENUE WATER COMPANY											
3600125 1S3W14 W	371	303	394	352	298	344	410	433	484	406	377
SAN BERNARDINO WATER UTILITIES COR											
3601843 1NSW03H01S W	179	13	8	19	6	45	45	48	97	7	25
3601844 1NSW03 W	856	807	630	748	742	757	762	746	1012	1018	942
3601845 1N4W30L W	5	19	28	33	33	24	47	75	87	75	81
OWNER TOTAL	1040*	839*	666*	800*	781*	825*	854*	869*	1196*	1100*	1088*
SAN BERNARDINO, CITY OF											
3600034 1S4W16H W ²	90	85	76	79	-	66	0	0	0	0	0

1 FORMERLY INLAND FARMING CO.

2 FORMERLY HOMART DEVELOPMENT COMPANY

TABLE NO. 1

EXTRACTIONS BY OWNERS (NON-PLAINTIFFS) WHICH
HAVE RECORDATION FILINGS WITH THE STATE WATER
RESOURCES CONTROL BOARD

OWNER	5 YEAR											
	1959	1960	1961	1962	1963	AVERAGE	1970	1971	1972	1973	1974	1975
(CONTINUED)												
SAN BERNARDINO, CITY OF												
3600035 1S4W15M01 W ¹	85	80	82	12	-	52	0	0	0	0	0	0
3600222 1S4W11G01S W	195	210	-	-	-	81	0	0	0	0	0	0
3600709 2N5W19R01 W	0	0	0	0	0	0	FC	-	-	-	-	-
3600710 2N5W19 W	0	0	0	0	0	0	FC	-	-	-	-	-
3600711 1N4W07F01S W	867	726	705	617	295	642	924	688	818	745	462	462
3600712 1N4W08M01S W	141	1	0	0	0	28	0	0	0	0	0	0
3600713 1N5W36R01S W	378	85	314	199	360	267	1482	1592	1724	1199	1437	1437
3600714 1N4W16E01S W	163	643	624	531	571	506	61	698	721	1122	679	679
3600715 1N4W16E W	0	205	233	1188	623	450	1372	1565	2028	1967	2094	2094
3600716 1N4W16E03S W	964	919	1093	576	839	878	406	849	1089	1221	1008	1008
3600717 1N4W32U03S W	146	221	30	46	163	121	414	0	1022	654	850	850
3600718 1N4W32U04S W	365	40	96	0	0	100	486	679	209	271	0	0
3600719 1N4W27G01S W	1173	1086	922	998	1005	1037	1332	838	1176	1061	833	833
3600720 1N4W27M02S W	0	134	481	293	212	224	200	29	68	27	0	0
3600721 1N4W27M01S W	0	194	407	313	395	262	736	437	725	726	763	763
3600722 1S4W03D01S W	0	0	0	0	0	0	FC	-	-	-	-	-

1 FORMERLY HOMART DEVELOPMENT COMPANY

TABLE NO. 1

EXTRACTIONS BY OWNERS (NON-PLAINTIFFS) WHICH
HAVE RECORDATION FILINGS WITH THE STATE WATER
RESOURCES CONTROL BOARD

OWNER	5 YEAR AVERAGE											
	1959	1960	1961	1962	1963	1970	1971	1972	1973	1974	1975	
(CONTINUED)												
SAN BERNARDINO, CITY OF												
3600723 1S4W10F01S W	146	489	345	0	0	196	FC	-	-	-	-	
3600724 1S4W10F05S W	0	0	0	0	0	0	FC	-	-	-	-	
3600725 1N4W34G01S W	1102	1155	1245	405	538	889	229	345	586	335	117	
3600726 1N4W34G03S W	354	305	91	12	29	158	87	146	58	195	108	
3600727 1N4W26G W	1238	927	1475	1365	1180	1237	996	718	977	927	1124	
3600728 1N4W27A01S W	1265	1724	2214	1404	1122	1546	2131	2903	2805	3110	3180	
3600729 1N4W35M03S W	1348	940	1573	2522	2574	1791	201	250	355	66	20	
3600730 1S4W02K01S W	0	0	0	0	0	0	0	0	0	0	0	
3600731 1S4W02K02S W	750	684	1295	642	750	824	0	0	0	0	0	
3600732 1S4W02K05S W	0	0	0	0	0	0	0	0	0	0	0	
3600733 1S4W02K04S W	0	0	0	0	0	0	0	0	0	0	0	
3600734 1S4W02K03S W	1052	458	411	478	367	553	376	0	0	0	0	
3600735 1S4W09P01S W	0	0	0	0	0	0	0	0	0	0	0	
3600736 1S4W09J01S W	127	83	103	254	153	144	0	0	0	0	0	
3600737 1S4W10N06S W	66	143	271	32	158	134	492	341	410	295	305	
3600738 1N4W06 0	1117	768	549	836	592	772	869	537	515	560	925	
3600739 1N5W06 0 ¹	1069	994	1286	1403	1279	1206	1319	1492	1612	1448	1448	

1 INCLUDES GROSS LYTLE CREEK DIVERSIONS--SEE TABLE NO. 4 FOR VERIFIED DIVERSIONS FROM LYTLE CREEK

TABLE NO. 1

EXTRACTIONS BY OWNERS (NON-PLAINIFFS) WHICH
HAVE RECORDATION FILINGS WITH THE STATE WATER
RESOURCES CONTROL BOARD

OWNER	5 YEAR											
	1959	1960	1961	1962	1963	AVERAGE	1970	1971	1972	1973	1974	1975
SAN BERNARDINO, CITY OF (CONTINUED)												
3600927	1N3W31R01	W ¹	399	401	259	301	242	320	0	13	40	0
3601114	1N4W35C01S	W	12	358	353	0	0	145	0	0	0	0
3601115	1N4W26P03S	W	33	342	519	699	832	525	846	696	15	363
3601116	1N4W35C02S	W	0	0	0	0	0	0	0	0	0	0
3601117	1N4W35C03S	W	1559	1464	811	346	406	926	0	0	301	0
3601626	1S4W10	W	26	23	28	27	24	26	FC	-	-	-
3602081	1N4W27R	W	-	-	-	-	1019	204	1093	1101	675	1384
3602205	1N4W06H01S	W	-	-	-	-	-	0	48	24	31	32
3602206	1N4W06H02S	W	-	-	-	-	-	0	36	16	13	23
3602264	1N4W27N01S	W	-	-	-	-	-	0	885	576	410	673
3602265	1S4W03J	W	-	-	-	-	-	0	2455	1663	2566	1830
3602285	1S4W15D05	W ²	8	8	8	8	1	7	0	0	0	0
3602399	1N4W16E	W	-	-	-	-	-	0	3152	2924	3250	3091
3602400	1N4W32N	W	-	-	-	-	-	0	969	604	980	667
3602401	1N4W27A	W	-	-	-	-	-	0	693	1379	848	1178

1 FORMERLY CALIFORNIA, STATE OF PATTON HOSPITAL

2 FORMERLY HOWART DEVELOPMENT COMPANY

TABLE NO. 1

EXTRACTIONS BY OWNERS (NON-PLAINTIFFS) WHICH
HAVE RECORDATION FILINGS WITH THE STATE WATER
RESOURCES CONTROL BOARD

OWNER	5 YEAR										
	1959	1960	1961	1962	1963	1970	1971	1972	1973	1974	1975
SAN BERNARDINO, CITY OF (CONTINUED)											
3602422 1S4*02K08S W	-	-	-	-	-	0	1379	0	0	0	0
3602426 2NSW19K D ¹	1604	770	966	2141	960	1288	847	1571	2880	2620	3434
OWNER TOTAL	17842*	16665*	18865*	17967*	16691*	17606*	26516*	25101*	29329*	27983*	27445*
SARATOGA DEVELOPMENT CO											
3600598 1S3*02 W ²	1116	1071	1166	1111	1071	1107	17	1428	1050	1240	930
3600604 1S2*07B W ²	315	325	0	67	0	141	0	0	0	0	-
3600605 1N3*36 D ²	757	430	399	828	662	615	850	800	620	760	780
3600606 1N3*35 W ²	135	135	135	135	135	135	135	135	135	135	135
3600607 1S3*02 W ³	955	900	990	945	875	933	FC	-	-	-	-
3600607- 1S3*02 W ³	-	-	-	-	-	0	486	397	940	720	780
3601639 1S3W03R01 W ⁴	841	944	1116	1095	1111	1021	241	514	680	156	1050
3602074 1N3W250 W ⁵	-	-	-	-	-	0	-	-	45	45	45

1 1971 VERIFIED EXTRACTION CORRECTED DURING THE 1972 VERIFICATION

2 FORMERLY EAST HIGHLANDS ORANGE COMPANY

3 FORMERLY EAST HIGHLANDS DOMESTIC WATER COMPANY

4 FORMERLY EAST HIGHLANDS ORANGE COMPANY

5 FORMERLY EAST HIGHLANDS ORANGE COMPANY PRIOR TO 1972 SEE NON-FILED EXTRACTIONS TABLE NO. 2 EAST HIGHLANDS ORANGE COMPANY

TABLE NO. 1

EXTRACTIONS BY OWNERS (NON-PLAINTIFFS) WHICH
HAVE RECORDATION FILINGS WITH THE STATE WATER
RESOURCES CONTROL BOARD

OWNER	1959	1960	1961	1962	1963	AVERAGE	1970	1971	1972	1973	1974	1975
SECHREST, RALPH F.												
OWNER TOTAL	4119*	3805*	3806*	4181*	3854*	3953*	1729*	3274*	3470*	3056*	3720*	
3600483 1S2W31 W	87	71	192	906	141	279	0	0	0	0	0	
3600484 1S3W16 W	246	220	352	224	259	260	157	144	174	174	180	
OWNER TOTAL	333*	291*	544*	1130*	400*	540*	157*	144*	174*	174*	180*	
SMITH TRACT WELL COMPANY												
3600001 1S3W21R W	270	177	56	0	FC	101	-	-	-	-	-	
3600001- 1S3W21R W	-	-	-	-	127	25	38	4	0	0	-	
OWNER TOTAL	270*	177*	56*	0*	127*	126*	38*	4*	0*	0*	0*	
SO. SAN BERNARDINO COUNTY WATER DIST.												
3602122 1S4W23R03S W	111	154	114	2	0	76	0	-	FC	-	-	
3602123 1S4W14J W ¹	485	443	526	50	58	312	88	68	68	90	147	
3602124 1S4W14J W ¹	179	159	158	151	80	145	47	60	68	45	114	
3602125 1S4W24F04S W ¹	150	167	226	144	91	156	58	61	61	83	56	
3602126 1S4W24F W ¹	-	-	0	105	84	38	67	165	113	169	89	
OWNER TOTAL	925*	923*	1024*	452*	313*	727*	260*	354*	310*	387*	406*	
SOLANO WELL NO. 1												
3600167 1S2W09 W	212	143	147	88	43	127	92	56	50	58	72	

¹ 1971 VERIFIED EXTRACTION CORRECTED DURING THE 1972 VERIFICATION

TABLE NO. 1

EXTRACTIONS BY OWNERS (NON-PLAINTIFFS) WHICH
HAVE RECORDATION FILINGS WITH THE STATE WATER
RESOURCES CONTROL BOARD

OWNER	1959	1960	1961	1962	1963	AVERAGE	1970	1971	1972	1973	1974	1975
SOLANO WELL NO. 3												
3602003 1S2M16C W	-	-	-	202	179	76	112	133	115	121	122	
SOUTHERN CALIFORNIA EDISON COMPANY												
3600651 1S3W28 W	58	35	64	47	49	51	0	0	0	FC	0	
3601012 1S4W08R W	2	2	2	2	2	2	0	0	0	0	0	
3601013 1S4W08R W	0	0	0	0	0	0	0	0	0	0	0	
3601014 1S3W18 W	266	182	312	307	110	235	126	74	108	64	275	
3601015 1S3W18 W	266	239	362	368	583	364	599	622	656	1121	996	
3601016 1S4W22G01S W	818	761	685	2	0	453	0	0	0	0	0	
3609723 1S4W10F01S W	-	-	-	883	883	353	0	0	0	0	0	
OWNER TOTAL	1410*	1219*	1425*	1609*	1627*	1458*	725*	696*	764*	1185*	1271*	
SOUTHERN CALIFORNIA WATER COMPANY												
3600374 1N3W33M01S W	81	105	186	45	102	104	14	32	1	1	1	
3600375 1S3W05 W	170	198	234	155	195	190	74	13	9	8	12	
3600376 1S3W05 W	238	174	240	379	281	262	405	351	481	428	424	
3600377 1N3W27N08S W	103	11	0	1	0	23	53	28	42	16	24	
3600378 1N3W27N02S W	278	330	201	196	136	228	301	269	329	337	315	
3601069 1N3W33M02S W	86	28	61	148	144	93	192	516	227	234	278	

TARIF NO. 1

EXTRACTIONS BY OWNERS (NON-PLAINTIFFS) WHICH
HAVE RECORDATION FILINGS WITH THE STATE WATER
RESOURCES CONTROL BOARD

OWNER	5 YEAR AVERAGE										
	1959	1960	1961	1962	1963	1970	1971	1972	1973	1974	1975
SOUTHERN CALIFORNIA WATER COMPANY (CONTINUED)											
3601588 IN4W31H W	68	75	74	64	72	71	185	129	69	91	
3601878 IN4W29E01S W	181	123	86	17	146	111	210	216	162	6	
3601879 IN4W29 W	205	182	182	136	103	162	141	64	86	87	
3601880 IN4W29F01S W	227	141	193	221	118	180	31	58	43	157	
3601987 IS3W04G W	16	115	200	204	332	173	160	243	35	0	
3602260 IS3W05D06 W	-	-	-	-	-	0	496	575	561	569	
3602417 IS3W05D W	-	-	-	-	-	0	397	246	340	487	
3602560 IS3W04G W ¹	-	-	-	-	-	0	-	-	95	114	
OWNER TOTAL	1653*	1482*	1657*	1566*	1629*	1597*	2659*	2620*	2415*	2565*	
STANLEY BROWN CO.											
3601352 IS3W19N W ²	507	493	300	285	280	373	478	863	201	278	
STORKSON, WILLIAM F.											
3600083 IN5W06 W ³	35	30	20	40	35	32	106	0	0	50	
STOME WATER COMPANY											
3601046 IS3W21A W	630	598	622	560	667	615	567	486	371	432	

1 WELL DRILLED 1973 EXTRACTIONS VERIFIED DURING THE 1974 VERIFICATION
2 AFTER 1968 INCLUDES WATER PUMPED BY CITY OF MEDLANDS FROM THIS WELL
3 FORMERLY LONG ACRES MUTUAL WATER COMPANY

TABLE NO. 1

EXTRACTIONS BY OWNERS (NON-PLAINTIFFS) WHICH
HAVE RECORDATION FILINGS WITH THE STATE WATER
RESOURCES CONTROL BOARD

OWNER	1959	1960	1961	1962	1963	1970	1971	1972	1973	1974	1975
	5 YEAR AVERAGE										
SUNNYSIDE MUTUAL WATER COMPANY											
3601562 1S4W02R W	209	161	154	153	153	132	141	130	135	143	
SUNRISE RANCH PART C/O LIFE DEVELOPMENT											
3600599 1S2W13 W ¹	444	397	452	381	381	411	603	450	390	384	
3600600 1S2W13 W ¹	240	226	253	238	159	223	194	190	200	0	
3600601 1S2W14 W ¹	321	317	313	301	230	296	196	160	260	55	
3600602 1S2W15P W ¹	294	230	234	254	238	250	167	175	200	0	
3600603 1S2W15G W ¹	238	214	230	222	206	222	246	180	150	102	
3601640 1S2W14 W ¹	320	309	294	317	381	324	165	190	200	55	
3601969 1S2W14L W ¹	-	-	343	324	397	213	212	300	150	43	
OWNER TOTAL	1857*	1693*	2119*	2037*	1992*	1940*	1783*	1645*	1550*	639*	
SYCAMORE HEIGHTS WATER COMPANY, INC.											
3601837 1N3W34B W	210	-	-	FC	-	42	-	-	-	-	
3601838 1N3W34A W	210	52	52	52	52	60	60	60	60	40	
OWNER TOTAL	420*	52*	52*	52*	52*	126*	60*	60*	60*	40*	
TEAGLE, M. ESTATES											
3602571 1S3W03F W ²	-	-	-	-	-	0	-	-	-	311	

1 FORMERLY EAST HIGHLANDS ORANGE COMPANY

2 PRIOR TO 1974 SEE NON-FILED EXTRACTIONS TABLE NO. 2 CLIFFSIDE RANCH

TABLE NO. 1

EXTRACTIONS BY OWNERS (NON-PLAINTIFFS) WHICH
HAVE RECOGNITION FILINGS WITH THE STATE WATER
RESOURCES CONTROL BOARD

OWNER	1959	1960	1961	1962	1963	AVERAGE	1970	1971	1972	1973	1974	1975
TENNESSEE MUTUAL WELL COMPANY												
3601161 1S3W16L W	537	501	622	516	476	530	373	411	364	285	285	
TENNESSEE WATER CO.												
3600474 1S3W16L W	530	530	540	540	550	530	530	520	540	486	562	
TERRACE WATER COMPANY												
3601684 1S4W08F06S W	0	191	263	260	FC	147	-	-	-	-	-	
3601684- 1S4W08F W	-	-	-	-	455	91	213	201	593	418	460	
3601685 1S4W08F W	66	0	0	0	0	13	0	0	0	FC	-	
3601686 1S4W08F W	1252	730	814	732	444	794	792	757	593	418	459	
OWNER TOTAL	1318*	921*	1077*	1012*	899*	1045*	1005*	958*	1186*	836*	919*	
TRI CITY CONCRETE												
3600935 1N4W31N W ¹	10	10	10	10	10	10	0	0	0	0	0	
3601309 1S4W05M W	125	125	125	125	126	125	122	0	0	0	0	
3601420 1S3W09E W ²	221	225	220	293	295	251	340	359	370	333	320	
OWNER TOTAL	356*	360*	355*	428*	431*	386*	462*	359*	370*	333*	320*	
TRI CITY MUTUAL WATER COMPANY												
3601823 1S4W23K W	53	20	0	0	0	15	-	-	FC	-	-	
1 FORMERLY TRI CITY BASELINE												
2 FORMERLY TRI CITY ROCK												

TABLE NO. 1

EXTRACTIONS BY OWNERS (NON-PLAINTIFFS) WHICH
HAVE RECORDATION FILINGS WITH THE STATE WATER
RESOURCES CONTROL BOARD

OWNER	5 YEAR											
	1959	1960	1961	1962	1963	AVERAGE	1970	1971	1972	1973	1974	1975
UNGER, V.E.						0						
3601168 1S4W26F W	-	-	-	-	-	-	-	-	-	-	-	-
VALDEPENA ACRES												
3602241 1S3W20F03 W	25	25	25	27	8	22	56	60	14	44	35	
VAN CAMP, GILBERT C.												
3600218 1N4W24 W	50	50	50	50	50	50	50	50	50	50	50	50
VAN LOON MUTUAL WATER COMPANY												
3602066 1S4W02B W	33	49	25	26	25	32	55	17	61	51	131	
3602067 1N4W35K W	120	110	74	177	164	129	109	116	89	102	48	
OWNER TOTAL	153*	159*	99*	203*	189*	161*	164*	133*	150*	153*	179*	
VICTORIA FARMS MUTUAL WATER CO.												
3602112 1S4W13R01S W	335	288	320	275	266	297	FC	-	-	-	-	
3602247 1S4W13R03 W	-	-	-	-	-	0	252	264	208	235	258	
3602574 1S4W17R W ¹	-	-	-	-	-	0	-	-	-	-	-	
OWNER TOTAL	335*	288*	320*	275*	266*	297*	252*	264*	288*	235*	258*	
VICTORIA GUERNSEY												
3600399 1S4W02 W	163	248	200	160	223	194	FC	-	-	-	-	

1 WELL DRILLED 1972

TABLE NO. 1

EXTRACTIONS BY OWNERS (NON-PLAINTIFFS) WHICH
HAVE RECORDATION FILINGS WITH THE STATE WATER
RESOURCES CONTROL BOARD

OWNER	5 YEAR											
	1959	1960	1961	1962	1963	AVERAGE	1970	1971	1972	1973	1974	1975
WEATHERMAX, W. G.												
3600652 1S3W15N01S W	-	-	-	-	-	0	0	-	-	-	-	-
WEST SAN HDNO. COUNTY WATER DIST.												
3600302 1N5W26A01S W	158	259	160	0	0	115	FC	-	-	-	-	-
3600303 1N5W26H01S W	FC	-	-	-	-	0	-	-	0	-	-	-
3600304 1N5W26A03S W	816	671	611	540	804	688	59	604	681	504	683	
3600305 1N5W25E01S W	922	990	1124	471	573	816	161	709	656	544	461	
3600306 1N5W23P02S W	-	-	-	-	-	0	-	-	-	-	-	-
3600307 1N5W23P04S W	1057	1152	399	72	435	623	1056	1471	1477	1300	1424	
3600312 1N5W22M ¹ D	4258	2709	2424	4392	4097	3576	4798	3732	2602	3064	3123	
3600996 1N5W36J03S W	839	1355	1048	1552	1366	1232	460	894	654	1008	770	
3600997 1N5W36H04S W	230	85	0	0	-	63	761	121	535	589	409	
3600998 1N5W25E02S W	1228	639	356	8	-	446	0	0	0	FC	-	
3600999 1S4W06J01S W	531	70	435	70	9	223	0	0	0	FC	-	
3601000 1S4W06J02S W	312	0	0	0	0	62	FC	-	-	-	-	
3601002 1N4W31P03S W	338	540	554	221	148	360	0	0	0	FC	-	
3601003 1S4W06H01S W	1283	929	1264	794	1434	1141	0	0	0	0	0	

¹ INCLUDES GROSS LYTLE CREEK DIVERSIONS--SEE TABLE NO. 4 FOR VERIFIED DIVERSIONS FROM LYTLE CREEK

TABLE NO. 1

EXTRACTIONS BY OWNERS (NON-PLAINTIFFS) WHICH
HAVE RECORDATION FILINGS WITH THE STATE WATER
RESOURCES CONTROL BOARD

OWNER	5 YEAR											
	1959	1960	1961	1962	1963	AVERAGE	1970	1971	1972	1973	1974	1975
WEST SAN RDN. COUNTY WATER DIST. (CONTINUED)												
3601725 1N5W25E00S W	-	-	-	-	-	0	0	0	0	0	0	0
3601848 1S4W05E05S W	1612	2655	3145	1951	1965	2266	0	0	556	838	1159	
3601944 1N5W23E00S W	0	36	2067	1260	1006	874	165	0	256	286	30	
OWNER TOTAL	13584*	12090*	13587*	11331*	11837*	12486*	7460*	7531*	7419*	8133*	8059*	
WILEY, RUTH NORWOOD												
3600052 1S4W36J W	-	-	-	-	52	10	20	24	5	1	1	
WILLIAMS WELL CORPORATION, LTD.												
3600828 1S3W16J W	721	684	765	706	595	694	543	564	536	379	507	
WOEHR MUTUAL WATER COMPANY												
3600817 1S3W29H W	374	465	625	488	423	475	256	251	161	153	235	
YAHIKU, PAUL												
3601280 1S3W29D W ¹	50	95	51	51	51	60	64	64	64	36	60	
7TH AVE. WELL												
3601121 1S2W31 W	230	342	514	161	271	304	178	309	363	10	137	
TOTAL VERIFIED PRODUCTION ALL FACILITIES												
	177260*	162019*	167648*	161479*	144956*	162672*	158113*	156245*	159179*	153460*	158870*	

1 FORMERLY JACINTO FARMING INC.

TABLE NO. 2

EXTRACTIONS BY OWNERS (NON-PLAINTIFFS) WHICH
HAVE NOT FILED WITH THE STATE WATER
RESOURCES CONTROL BOARD

TABLE NO. 2

EXTRACTIONS BY OWNERS (NON-PLAINTIFFS) WHICH
HAVE NOT FILED WITH THE STATE WATER
RESOURCES CONTROL BOARD

OWNER	1959	1960	1961	1962	1963	1970	1971	1972	1973	1974	1975
	5 YEAR AVERAGE										
AHMANSON RANCH											
NON-FILER 1S4W27H W	200	200	200	200	200	200	2	2	2	2	0
ANDERSON, W.D.											
NON-FILER 1N4W25R W	0	0	0	0	0	0	0	0	0	0	0
ARNOLD RANCH											
NON-FILER 1N3W34H W	230	230	230	230	230	230	0	0	0	0	0
BALCOM											
NON-FILER 1S4W11M W	1	1	1	1	1	1	0	0	0	0	0
BALDWIN											
NON-FILER 1N3W34K W	1	1	1	1	1	1	0	0	0	0	0
BARRIER											
NON-FILER 1S4W22B W	3	3	3	3	3	3	0	0	0	0	0
BASELINE LAUNDRY											
NON-FILER 1N3W310 W	50	50	50	50	50	50	40	48	30	26	
NON-FILER 1N3W31 W ¹	-	-	-	-	-	0	0	0	0	0	0
OWNER TOTAL	50*	50*	50*	50*	50*	50*	40*	48*	30*	26*	
BATCHELOR											
NON-FILER 1N4W14R W	1	1	1	1	1	1	1	1	1	1	1

1 FORMERLY MEEKS & DALEY

TABLE NO. 2

EXTRACTIONS BY OWNERS (NON-PLAINTIFFS) WHICH
 HAVE NOT FILED WITH THE STATE WATER
 RESOURCES CONTROL BOARD

OWNER	5 YEAR											
	1959	1960	1961	1962	1963	AVERAGE	1970	1971	1972	1973	1974	1975
(CONTINUED)												
BATCHELOR												
NON-FILER 1N4W14R	D	1	1	1	1	1	1	1	1	1	1	1
OWNER TOTAL		2*	2*	2*	2*	2*	2*	2*	2*	2*	2*	2*
BERMAN, JERRY												
NON-FILER 1S4W02K	W	120	110	130	-	-	72	0	0	0	0	0
NON-FILER 1S4W02J	W	84	84	84	84	84	84	0	0	0	0	0
OWNER TOTAL		204*	194*	214*	84*	84*	156*	0*	0*	0*	0*	0*
BLISS												
NON-FILER 1S2W22E	W	2	2	2	2	2	2	0	0	5	3	0
BOUCHER												
NON-FILER 1N4W14J	W	1	1	1	1	1	1	1	1	1	1	1
BREAK, ALLEN, ESTATE												
NON-FILER 1S3W31A	W	760	608	760	608	608	669	10	33	93	15	16
CARPENTER												
NON-FILER 1S4W22B	W	4	4	4	4	4	4	4	2	0	0	0
CLIFFSIDE RANCH												
NON-FILER 1S3W03F	W ¹	171	174	181	150	186	172	454	425	322	301	-

¹ FILED BY TEAGLE, M. ESTATES RECORDATION NO. 3602571 COMMENCING 1974 SEE TABLE NO. 1

TABLE NO. 2

EXTRACTIONS BY OWNERS (NON-PLAINTIFFS) WHICH
HAVE NOT FILED WITH THE STATE WATER
RESOURCES CONTROL BOARD

OWNER	5 YEAR AVERAGE										
	1959	1960	1961	1962	1963	1970	1971	1972	1973	1974	1975
COOK CANYON											
NON-FILER 1N3W27R	0	35	35	35	35	35	43	38	42	40	
CRYSTAL SPRINGS											
NON-FILER 2S2W06D	W	1	1	1	1	1	1	1	1	1	1
DANGLO DAIRY											
NON-FILER 1S4W11F	W	35	35	35	35	6	0	10	10	10	
DANIELS, DON											
NON-FILER 1S3W19J	W ¹	-	-	-	-	0	-	61	-	-	
DANIELS, HAROLD											
NON-FILER 1S3W17R	W ²	-	-	-	500	100	230	198	-	-	
NON-FILER 1S3W17C	W	2	2	2	2	2	2	2	2	2	2
OWNER TOTAL		2*	2*	2*	502*	102*	232*	200*	2*	2*	
DILLSON MUT. WTR. CO.											
NON-FILER 1N4W13P	W	18	18	18	18	18	-	-	-	-	
NON-FILER 1N4W13P	W	18	18	18	18	18	18	10	10	14	
NON-FILER 1N4W13P	W	-	-	-	-	0	18	43	39	42	

1 FILED BY DANIELS AND BEST RANCH RECORDATION NUMBER 3602549 COMMENCING 1973 SEE TABLE NO. 1

2 FILED BY DANIELS AND BEST RANCH RECORDATION NUMBER 3602550 COMMENCING 1973 SEE TABLE NO. 1

TABLE NO. 2

EXTRACTIONS BY OWNERS (NON-PLAINTIFFS) WHICH
HAVE NOT FILED WITH THE STATE WATER
RESOURCES CONTROL BOARD

OWNER	5 YEAR AVERAGE										
	1959	1960	1961	1962	1963	1970	1971	1972	1973	1974	1975
OWNER TOTAL	36*	36*	36*	36*	36*	36*	36*	36*	49*	53*	56*
EAST HIGHLANDS ORANGE COMPANY											
NON-FILER 182W06	1	1	1	1	1	1	1	1	1	1	1
NON-FILER 1N3W358 ¹	53	28	40	47	46	43	60	50	-	-	-
OWNER TOTAL	54*	29*	41*	48*	47*	44*	61*	51*	1*	1*	1*
EAST SAN RDNO. COUNTY WATER DIST.											
NON-FILER 1N3W30C	-	-	-	-	-	0	0	0	0	0	0
NON-FILER 1S3W04P	24	24	29	30	20	25	0	0	0	0	0
NON-FILER 1N3W30C	50	51	56	38	34	46	0	0	0	0	0
NON-FILER 1N3W31A	216	110	75	0	0	80	0	0	0	0	0
NON-FILER 1S3W050	11	9	12	6	3	8	0	0	0	0	0
NON-FILER 1N4W36H	35	1	0	0	0	7	0	0	0	0	0
NON-FILER 1S3W06	0	0	0	0	0	0	0	0	0	0	0
NON-FILER 1N3W31D	39	55	2	2	0	20	0	0	0	0	0
NON-FILER 1S3W06E	35	35	35	0	0	21	0	0	0	0	0
NON-FILER 1S3W06R	10	10	10	10	10	10	0	0	0	0	0
NON-FILER 1S3W06C	-	-	-	-	-	0	0	0	0	0	0

1 FILED BY EAST HIGHLANDS ORANGE COMPANY RECORDATION NO. 3602474 COMMENCING 1972 SEE TABLE NO. 1

TABLE NO. 2

EXTRACTIONS BY OWNERS (NON-PLAINTIFFS) WHICH
HAVE NOT FILED WITH THE STATE WATER
RESOURCES CONTROL BOARD

OWNER	5 YEAR AVERAGE											
	1959	1960	1961	1962	1963	1970	1971	1972	1973	1974	1975	
EAST SAN BERNARDINO COUNTY WATER DIST. (CONTINUED)												
NON-FILER 1S4W02L	W	20	20	20	20	20	0	0	0	0	0	0
NON-FILER 1S3W06P	W	4	4	4	4	-	3	0	0	0	0	0
NON-FILER 1S3W05Q	W	1	1	1	1	1	0	0	0	0	0	0
NON-FILER 1S3W06M	W	572	690	848	560	668	668	0	0	0	0	0
NON-FILER 1S3W06Q	W	27	21	23	25	27	25	0	0	0	0	0
NON-FILER 1S3W03N	W	10	10	10	10	10	10	10	10	10	10	10
NON-FILER 1N4W25D	W	11	11	11	11	11	11	0	0	0	0	0
NON-FILER 1S3W03N	W	5	5	5	-	-	3	0	0	0	0	0
NON-FILER 1S3W05J	W	2	2	-	-	-	1	0	0	0	0	-
NON-FILER 1S4W01D	W	20	20	20	20	20	20	0	0	0	0	0
NON-FILER 1S3W06N	W ¹	150	99	137	373	190	190	0	0	0	0	0
NON-FILER 1S3W04Q	W ²	20	20	20	20	20	20	0	0	0	0	0
OWNER TOTAL		1262*	1198*	1318*	1130*	1034*	1188*	0*	10*	10*	10*	10*

ELLENA, JOHN B.

NON-FILER 1N4W08N W 585 585 585 585 585 585 0 0 0 0 0 0

1 STATE WELL NO. CORRECTED DURING THE 1974 VERIFICATION PREVIOUSLY 1S4W06N
2 FORMERLY HACIENDA TRAILER PARK

TABLE NO. 2

EXTRACTIONS BY OWNERS (NON-PLAINTIFFS) WHICH
HAVE NOT FILDED WITH THE STATE WATER
RESOURCES CONTROL BOARD

OWNER	5 YEAR											
	1959	1960	1961	1962	1963	AVERAGE	1970	1971	1972	1973	1974	1975
ELLGOOD												
NON-FILER 1S2W24C	W	5	5	5	5	5	5	5	5	5	5	50
FARROW												
NON-FILER 1S2W22E	W	6	5	28	5	5	10	5	5	5	5	5
FINCH												
NON-FILER 1S2W29	W	-	-	-	-	-	0	0	0	0	0	0
GOLCONDA WATER CO.												
NON-FILER 1S4W13E	W	96	96	96	96	96	96	0	0	0	0	0
GREENSPOT MUTUAL WATER CO TUNNEL												
NON-FILER 1S2W22	D	-	-	-	-	-	0	609	120	18	294	0
HAGAR												
NON-FILER 1S2W16L	W	1	1	1	1	1	1	0	0	0	0	0
HARDISON												
NON-FILER 1N4W130	W	1	1	1	1	1	1	1	1	1	1	1
HARRISON												
NON-FILER 1S3W04J	W	1	1	1	1	1	1	1	0	0	0	0
HARRISON CANYON												
NON-FILER 1N4W13P	W	1	1	1	1	1	1	1	0	0	0	0

TABLE NO. 2

EXTRACTIONS BY OWNERS (NON-PLAINTIFFS) WHICH
HAVE NOT FILED WITH THE STATE WATER
RESOURCES CONTROL BOARD

OWNER	5 YEAR AVERAGE										
	1959	1960	1961	1962	1963	1970	1971	1972	1973	1974	1975
(CONTINUED)											
HARRISON CANYON											
NON-FILER 1N4W13P W	1	1	1	1	1	1	1	1	1	1	1
OWNER TOTAL	2*	2*	2*	2*	2*	2*	2*	1*	1*	1*	1*
HAZAS											
NON-FILER 1S4W11G W	8	8	8	8	8	8	2	2	FC	-	-
HELIPORT											
NON-FILER 1S4W15G W	1	1	1	1	1	0	0	0	0	0	0
HILL											
NON-FILER 1S2W31H W	-	-	-	-	-	0	0	0	0	0	0
HOLDEN MUT. WTR. CO.											
NON-FILER 1S4W14E W	2	2	2	2	2	1	1	15	15	0	0
NON-FILER 1S4W14F W	12	12	12	12	12	15	30	15	15	0	0
OWNER TOTAL	14*	14*	14*	14*	14*	16*	31*	30*	30*	0*	0*
HORTON											
NON-FILER 1S3W32J W	385	300	420	364	357	365	340	400	296	320	320
HUNTER											
NON-FILER 1S3W03D W	3	3	3	3	3	3	2	0	0	0	0
INTER CITY MUTUAL WATER CO											
NON-FILER 1S4W23P W ¹	-	-	-	-	-	0	7	-	-	-	-

¹ FILED BY INTER CITY MUTUAL WATER COMPANY RECOMDATION NO. 3602521 COMMENCING 1972 SEE TABLE NO. 1

EXTRactions BY OWNERS (NON-PLAINTIFFS) WHICH
HAVE NOT FILED WITH THE STATE WATER
RESOURCES CONTROL BOARD

OWNER	5 YEAR											
	1959	1960	1961	1962	1963	AVERAGE	1970	1971	1972	1973	1974	1975
KING												
NON-FILER 1N4W14R	W	1	1	1	1	1	1	1	1	1	1	1
KOCH												
NON-FILER 1S2W32B	W	-	-	-	-	0	0	106	0	0	0	0
KRANTZ DAIRY												
NON-FILER 1S4W11F	W	100	100	100	100	100	1	1	0	0	0	0
L.P.R. RANCH												
NON-FILER 1S3W13C	W ¹	-	485	660	610	351	450	480	-	-	-	-
LA TOURETTE												
NON-FILER 1S2W28M	W	30	30	30	30	30	18	14	19	12	12	12
LANKERSHIM MUT. WTR. CO.												
NON-FILER 1S3W06L	W	100	100	100	100	100	62	81	87	37	28	28
NON-FILER 1S3W06F	W	50	50	50	50	50	68	37	48	28	20	20
OWNER TOTAL		150*	150*	150*	150*	150*	130*	118*	135*	65*	48*	48*
LORD												
NON-FILER 1S2W28M	D	1	1	1	1	1	1	1	1	1	1	1
MARSHURN												
NON-FILER 1S3W17G	W	-	380	300	290	194	210	210	210	210	210	210

¹ FILED BY L.P.K. ICE COMPANY RELOCATION NO. 3602525 COMMENCING 1972 SEE TABLE NO. 1

TABLE NO. 2

EXTRACTIONS BY OWNERS (NON-PLAINTIFFS) WHICH
HAVE NOT FILED WITH THE STATE WATER
RESOURCES CONTROL BOARD

OWNER	1959	1960	1961	1962	1963	AVERAGE	1970	1971	1972	1973	1974	1975
MCCALLA BRUS												
NON-FILER 1S3W20 W	-	-	1	1	1	1	1	1	1	1	1	1
MENTONE DOMESTIC WTR. CO.												
NON-FILER 1S2W19J W	-	-	25	-	-	5	50	40	50	21	93	
NON-FILER 1S2W19J W	-	-	-	-	-	0	-	20	30	0	186	
OWNER TOTAL	0*	0*	25*	0*	0*	5*	50*	60*	80*	21*	279*	
MOORE, R. H.												
NON-FILER 1S4W24K W	46	42	89	78	77	66	36	61	41	43	46	
NO NAME WELL												
NON-FILER 1N3W32M W	30	27	32	28	28	29	0	0	0	0	0	
NORTON AIR FORCE BASE												
NON-FILER 1S4W12R W ¹	688	619	640	699	623	654	528	411	510	615	394	
NON-FILER 1S4W12C W	473	425	440	480	429	449	363	62	54	49	136	
NON-FILER 1S4W12D W	860	773	800	874	780	817	660	0	0	0	0	
NON-FILER 1S4W12F W	1721	1546	1599	1747	1559	1634	1321	1575	1688	1540	1574	
NON-FILER 1S3W08A W	946	850	879	961	857	899	727	778	833	840	764	
NON-FILER 1S4W12O W	0	0	0	0	0	0	0	0	0	0	0	

¹ 1973 EXTRACTION CORRECTED DURING THE 1974 VERIFICATION

TABLE NO. 2

EXTRACTIONS BY OWNERS (NON-PLAINTIFFS) WHICH
 HAVE NOT FILED WITH THE STATE WATER
 RESOURCES CONTROL BOARD

OWNER	5 YEAR AVERAGE										
	1959	1960	1961	1962	1963	1970	1971	1972	1973	1974	1975
(CONTINUED)											
NORTON AIR FORCE BASE											
NON-FILER 1S4W12G W	860	773	800	874	780	817	660	0	0	0	0
NON-FILER 1S3W08E W	0	0	0	0	0	0	0	0	0	0	0
NON-FILER 1S3W08M W	344	309	320	350	312	327	0	0	0	0	0
OWNER TOTAL	5892*	5295*	5478*	5985*	5340*	5598*	4259*	2826*	3085*	3044*	2868*
NORWOOD											
NON-FILER 1N3W34F W	1	1	1	1	1	1	0	0	0	0	0
PACIFIC HIGH SCHOOL											
NON-FILER 1N4W35H W	75	75	75	75	75	75	0	0	0	0	0
PIERSON											
NON-FILER 1N4W35N W	80	80	80	80	-	64	0	0	0	0	0
RAMSEY											
NON-FILER 1S2W22F D	1	1	1	1	1	1	1	1	1	1	1
REOLANDS ASSOCIATES											
NON-FILER 1S2W17H W	-	-	-	-	13	3	0	0	0	0	0
NON-FILER 1S2W09P W ¹	200	162	200	169	166	179	151	154	-	-	-
NON-FILER 1S2W09L W ¹	145	119	146	123	122	131	111	113	-	-	-

¹ FILED BY NEW OWNER BLUE GOOSE GROWERS INC. COMMENCING 1972 SEE TABLE NO. 1

EXTRACTIONS BY OWNERS (NON-PLAINTIFFS) WHICH
HAVE NOT FILED WITH THE STATE WATER
RESOURCES CONTROL BOARD

OWNER	1959	1960	1961	1962	1963	AVERAGE	1970	1971	1972	1973	1974	1975
(CONTINUED)												
REDLANDS ASSOCIATES												
NON-FILER 1S2W09L D ¹	144	97	92	122	110	113	60	82	-	-	-	-
OWNER TOTAL	489*	378*	438*	414*	411*	426*	322*	349*	0*	0*	0*	0*
REDLANDS WTR. CO.												
NON-FILER 1S2W08 D ²	544	599	301	754	581	556	1280	937	983	1402	-	-
REDLANDS, CITY OF												
NON-FILER 1S2W13R D	10	10	10	10	10	10	9	9	10	10	10	10
REGINA GRAPE PRODUCTS												
NON-FILER 1N5W04M W	60	60	60	60	60	60	30	10	10	10	10	10
NON-FILER 1N5W04N W	24	24	24	24	24	24	10	0	0	0	0	0
NON-FILER 1N5W04W W	27	27	27	27	27	27	10	0	0	0	0	0
NON-FILER 1N5W05B D	29	29	29	29	29	29	30	30	30	30	30	30
NON-FILER 1N5W05R W	33	33	33	33	33	33	10	0	0	0	0	40
NON-FILER 1N5W04N W	24	24	24	24	24	24	10	10	10	10	10	10
NON-FILER 1N5W04N W	33	33	33	33	33	33	10	0	0	0	0	0
NON-FILER 1N5W04N W	20	20	20	20	20	20	0	0	0	0	0	0

1 FILED BY NEW OWNER BLUE GOOSE GROWERS INC. COMMENCING 1972 SEE TABLE NO. 1

2 COMMENCING 1974 SEE TABLE NO. 6 SANTA ANA RIVER VERIFICATION OF EXTRACTIONS

TABLE NO. 2

EXTRACTIONS BY OWNERS (NON-PLAINTIFFS) WHICH
HAVE NOT FILED WITH THE STATE WATER
RESOURCES CONTROL BOARD

OWNER	5 YEAR											
	1959	1960	1961	1962	1963	AVERAGE	1970	1971	1972	1973	1974	1975
OWNER TOTAL	250*	250*	250*	250*	250*	250*	110*	50*	50*	50*	90*	
RIVAS												
NON-FILER 1S4W24J W	1	1	1	1	1	1	1	1	1	1	1	
ROBERTS, DR. G												
NON-FILER 1N3W34 W	-	-	-	-	-	0	1	0	0	0	0	0
ROZEMA CHICKEN RANCH												
NON-FILER 1S3W04R W	123	123	123	123	123	123	125	125	125	125	125	
RULE												
NON-FILER 1N3W34K W	1	1	1	1	1	1	0	0	0	0	0	0
SAN BERNARDINO, CITY OF												
NON-FILER 1S4W21A W	3	3	3	3	3	3	0	0	0	0	0	0
NON-FILER 1S4W22C W	5	5	5	5	5	5	5	5	5	5	5	0
OWNER TOTAL	8*	8*	8*	8*	8*	8*	5*	5*	5*	5*	5*	0*
SAN BERNARDINO, COUNTY OF												
NON-FILER 1S4W14A W ¹	145	145	145	60	60	119	133	96	103	112	135	
NON-FILER 1N4W35F W ²	200	200	200	200	200	200	270	270	270	250	222	

1 FORMERLY AEROSPACE

2 FORMERLY COUNTY HOSPITAL

TABLE NO. 2

EXTRACTIONS BY OWNERS (NON-PLAINTIFFS) WHICH
HAVE NOT FILED WITH THE STATE WATER
RESOURCES CONTROL BOARD

OWNER	5 YEAR											
	1959	1960	1961	1962	1963	AVERAGE	1970	1971	1972	1973	1974	1975
SAN BERNARDINO, COUNTY OF (CONTINUED)												
NON-FILER 2N5W33F W	428	330	410	308	207	337	288	344	354	286	249	
NON-FILER 2N5W33G W	208	285	399	256	179	265	245	306	352	230	264	
NON-FILER 2N5W33G02 W ¹	-	-	-	-	-	0	70	75	70	65	127	
OWNER TOTAL	981*	960*	1154*	844*	666*	921*	1006*	1091*	1149*	943*	997*	
SAN MANUAL INDIAN RESERV.												
NON-FILER 1N3W20N W	6	6	6	6	6	6	6	6	0	0	0	
SANDYS RESTAURANT												
NON-FILER 1S3W21M2 W	-	-	-	-	-	0	2	2	2	2	2	
SANTINI												
NON-FILER 1S4W14A W	90	90	90	90	90	90	10	102	87	25	22	
SATOSKI, DOCTOR												
NON-FILER 1N4W14J W	1	1	1	1	1	1	1	1	1	1	1	
SELEY												
NON-FILER 1N3W190 D	1	1	1	1	1	1	1	1	1	1	0	
SIX HOUSES												
NON-FILER 1S4W22A W	6	6	6	6	6	6	0	0	0	0	0	

¹ ORIGINAL VERIFICATION DONE DURING THE 1973 VERIFICATION

TABLE No. 2

EXTRACTIONS BY OWNERS (NON-PLAINTIFFS) WHICH
 HAVE NOT FILED WITH THE STATE WATER
 RESOURCES CONTROL BOARD

OWNER	5 YEAR											
	1959	1960	1961	1962	1963	AVERAGE	1970	1971	1972	1973	1974	1975
SMITH												
NON-FILER 1N4W14J W	1	1	1	1	1	1	1	1	1	1	1	1
SMITH MEAT PACKING PLANT												
NON-FILER 1S4W22M W	3	3	3	3	3	3	0	0	FC	-	-	-
SMITH,												
NON-FILER 1S3W02J W	10	10	10	10	10	10	10	10	10	10	10	10
STANLEY, SILAS												
NON-FILER 1S2W24H W	2	2	2	2	2	2	2	2	3	3	3	3
STEWART, WILLARD												
NON-FILER 1S3W31D W	53	53	53	53	53	53	0	0	0	0	0	0
STRAWBERRY PATCH												
NON-FILER 1S3W03N W	-	-	-	-	-	0	28	28	28	16	9	9
NON-FILER 1S3W03N W	1	1	1	1	1	1	1	1	1	0	0	0
OWNER TOTAL	1*	1*	1*	1*	1*	1*	29*	29*	29*	16*	9*	9*
SUPERIOR ORCHARDS												
NON-FILER 1N3W29B D	1	1	1	1	1	1	1	1	1	1	1	1
TEXACO GAS STATION												
NON-FILER 1S4W24J W ¹	-	-	-	-	-	0	1	0	0	0	0	0

1 FORMERLY DOUGLAS GAS STATION

TABLE NO. 2

EXTRACTIONS BY OWNERS (NON-PLAINTIFFS) WHICH
HAVE NOT FILED WITH THE STATE WATER
RESOURCE'S CONTROL BOARD

OWNER	1959	1960	1961	1962	1963	AVERAGE	1970	1971	1972	1973	1974	1975
THOMPSON RANDALL												
NON-FILER 1N3W28A D	3	3	3	3	3	3	0	0	0	0	0	0
TRI CITY MUTUAL WATER COMPANY												
NON-FILER 1S4W23N W	0	0	0	0	0	0	0	0	0	0	0	0
TRIPLE FALLS MUT. WTR. CO.												
NON-FILER 1S1W19G W	-	-	-	-	-	0	0	0	7	7	7	56
NON-FILER 1S1W20D W	5	5	4	5	5	5	12	12	17	16	16	0
NON-FILER 1S1W20D W	10	7	6	10	13	9	20	20	21	20	20	0
OWNER TOTAL	15*	12*	10*	15*	18*	14*	32*	32*	45*	43*	56*	
U.S. FOREST SERVICE												
NON-FILER 1N4W13G W	9	9	9	9	9	9	5	5	0	0	0	0
NON-FILER 1S2W13P W	-	-	-	-	-	0	0	0	0	0	0	0
OWNER TOTAL	9*	9*	9*	9*	9*	9*	5*	5*	0*	0*	0*	
UNIVERSITY OF REDLANDS												
NON-FILER 1S2W17 W	-	-	-	-	-	0	1	1	1	1	1	1
VALENCIA AVE. MUT. WTR. CO.												
NON-FILER 1N4W23K W	30	30	30	30	30	30	10	6	3	4	3	3
VALLEY FARMS MUT. WTR. CO.												
NON-FILER 1S4W15R W	90	90	90	90	90	90	203	231	272	176	213	213

EXTRACTIONS BY OWNERS (NON-PLAINTIFFS) WHICH
HAVE NOT FILED WITH THE STATE WATER
RESOURCES CONTROL BOARD

OWNER	1959	1960	1961	1962	1963	5 YEAR AVERAGE					
						1970	1971	1972	1973	1974	1975
VALLEY FARMS MUT. WTR. CO.											
(CONTINUED)											
NON-FILER 1S4W150 W	29	29	29	29	29	14	15	2	32	45	
OWNER TOTAL	119*	119*	119*	119*	119*	217*	246*	274*	208*	258*	
VAN MEETER											
NON-FILER 1S3W02P W	3	3	0	0	0	1	0	0	0	0	
NON-FILER 1S3W02P W	-	-	-	-	-	2	2	3	3	3	
OWNER TOTAL	3*	3*	0*	0*	0*	2*	2*	3*	3*	3*	
VANLEUVEN NURSING HOME											
NON-FILER 1S4W24J W	2	2	2	2	2	2	2	1	1	1	
VANLEUVEN, CLARENCE											
NON-FILER 1S4W24J W	26	26	26	26	26	24	25	22	20	19	
VANLEUVEN, ED											
NON-FILER 1S4W24J W	15	15	15	15	15	15	18	17	13	13	
WALLACE											
NON-FILER 1N4W14J W	1	1	1	1	1	1	1	1	1	1	
WARD, FLOYD											
NON-FILER 1S1W18N W	-	-	-	16	16	6	15	15	15	0	
NON-FILER 1S1W18P W	-	-	-	17	17	7	15	15	15	0	

TABLE No. 2

EXTRACTIONS BY OWNERS (NON-PLAINTIFFS) WHICH
HAVE NOT FILED WITH THE STATE WATER
RESOURCES CONTROL BOARD

OWNER	5 YEAR											
	1959	1960	1961	1962	1963	AVERAGE	1970	1971	1972	1973	1974	1975
(CONTINUED)												
WARD, FLOYD												
NON-FILER 1S1W18P W	1	1	1	1	1	1	1	1	1	1	1	1
NON-FILER 1S1W18H W	-	-	-	16	16	6	0	15	15	15	0	0
NON-FILER 1S1W18M W	-	-	-	52	52	21	30	45	45	45	0	0
NON-FILER 1S1W18P W	-	-	-	1	1	0	1	1	1	1	1	1
OWNER TOTAL	1*	1*	1*	103*	103*	42*	32*	92*	92*	92*	2*	2*
WEST TWIN CREEK WTR. CO.												
NON-FILER 1N4W14C D	200	200	150	150	50	150	220	200	76	35	49	49
WESTERN FRUIT GROWERS												
NON-FILER 1S3W24D W	147	220	177	0	0	109	0	0	0	0	0	0
WIDEMEYER												
NON-FILER 1N3W29H D	1	1	1	1	1	1	1	1	0	0	0	0
NON-FILER 1N3W29H W	5	5	5	5	5	5	0	0	0	0	0	0
OWNER TOTAL	6*	6*	6*	6*	6*	6*	1*	1*	0*	0*	0*	0*
WILLIAMS DAIRY												
NON-FILER 1S0W11G W	142	142	142	142	142	142	0	0	0	0	0	0
YORK												
NON-FILER 1N3W19R W	1	1	1	1	1	1	1	1	1	1	1	1

TABLE NO. 2

EXTRACTIONS BY OWNERS (NON-PLAINTIFFS) WHICH
 HAVE NOT FILED WITH THE STATE WATER
 RESOURCES CONTROL BOARD

OWNER	5 YEAR											
	1959	1960	1961	1962	1963	AVERAGE	1970	1971	1972	1973	1974	1975
YORK												
NON-FILER IN 3/19R	28	28	28	28	28	28	24	20	20	20	20	20
NON-FILER IN 3/19R	30	26	20	30	28	27	30	30	30	5	5	5
OWNER TOTAL	59*	55*	49*	59*	57*	56*	55*	51*	51*	26*	26*	26*
TOTAL VERIFIED PRODUCTION ALL FACILITIES	13929*	12980*	14412*	14860*	13653*	13887*	10842*	8672*	7947*	7543*	5713*	

TABLE NO. 3

SUMMARY OF EXTRACTIONS (FILED AND NON-FILED)
FROM SAN BERNARDINO BASIN AREA BY NON-PLAINTIFFS
FOR USE WITHIN SAN BERNARDINO COUNTY

TABLE NO. 3

SUMMARY OF EXTRACTIUNS(FILED & NON-FILED) FROM
 SAN BERNARDINO BASIN AREA BY NON-PLAINTIFFS FOR
 USE WITHIN SAN BERNARDINO COUNTY

OWNER	5 YEAR											
	1959	1960	1961	1962	1963	AVERAGE	1970	1971	1972	1973	1974	1975
AMMANSON RANCH												
OWNER TOTAL	200*	200*	200*	200*	200*	200*	2*	2*	2*	2*	0*	0*
ANDERSON, W.D.												
OWNER TOTAL	0*	0*	0*	0*	0*	0*	0*	0*	0*	0*	0*	0*
ARMSTRONG, DOUGLAS												
OWNER TOTAL	266*	342*	0*	0*	0*	126*	0*	0*	0*	0*	0*	0*
ARNOLD RANCH												
OWNER TOTAL	230*	230*	230*	230*	230*	230*	0*	0*	0*	0*	0*	0*
ARROWHEAD COUNTRY CLUB												
OWNER TOTAL	600*	607*	650*	650*	650*	631*	564*	497*	546*	497*	510*	510*
ARROYO VERDE MUTUAL WATER CO.												
OWNER TOTAL	166*	186*	162*	168*	141*	165*	154*	183*	181*	208*	224*	224*
ATCHISON, TOPEKA & SANTA FE RAILWAY CO.												
OWNER TOTAL	316*	254*	226*	220*	138*	231*	84*	76*	50*	0*	0*	0*
B M I FUNDS												
OWNER TOTAL	343*	323*	165*	165*	0*	199*	0*	0*	0*	0*	0*	0*
BALCOM												
OWNER TOTAL	1*	1*	1*	1*	1*	1*	0*	0*	0*	0*	0*	0*

TABLE NO. 3

SUMMARY OF EXTRACTATIONS (FILED & NON-FILED) FROM
 SAN HERNARDINO BASIN AREA BY NON-PLAINTIFFS FOR
 USE WITHIN SAN BERNARDINO COUNTY

OWNER	5 YEAR											
	1959	1960	1961	1962	1963	AVERAGE	1970	1971	1972	1973	1974	1975
BALDWIN												
OWNER TOTAL	1*	1*	1*	1*	1*	1*	0*	0*	0*	0*	0*	0*
BARRIER												
OWNER TOTAL	3*	3*	3*	3*	3*	3*	0*	0*	0*	0*	0*	0*
BASE LINE WELL COMPANY												
OWNER TOTAL	0*	0*	0*	0*	0*	0*	0*	0*	0*	0*	0*	0*
BASELINE GARDENS MUTUAL WATER COMPANY												
OWNER TOTAL	303*	303*	303*	303*	303*	303*	370*	355*	454*	401*	398*	398*
BASELINE LAUNDRY												
OWNER TOTAL	50*	50*	50*	50*	50*	50*	40*	40*	48*	30*	26*	26*
BATCHELOR												
OWNER TOTAL	2*	2*	2*	2*	2*	2*	2*	2*	2*	2*	2*	2*
BEAR VALLEY MUTUAL WATER COMPANY												
OWNER TOTAL	22886*	19239*	17374*	17847*	14872*	18444*	18291*	17782*	16350*	17392*	22417*	22417*
BEELER, RAYMOND A.												
OWNER TOTAL	962*	700*	940*	784*	816*	840*	995*	999*	875*	683*	527*	527*
BELL, H. EUGENE												
OWNER TOTAL	115*	86*	30*	85*	167*	97*	115*	115*	115*	135*	83*	83*

TABLE NO. 3

SUMMARY OF EXTRACTIIONS(FILED & NON-FILED) FROM
 SAN BERNARDINO BASIN AREA BY NON-PLAINTIFFS FOR
 USE WITHIN SAN BERNARDINO COUNTY

OWNER	5 YEAR											
	1959	1960	1961	1962	1963	AVERAGE	1970	1971	1972	1973	1974	1975
BERMAN, JERRY	204*	194*	214*	84*	84*	156*	0*	0*	0*	0*	0*	0*
OWNER TOTAL	204*	194*	214*	84*	84*	156*	0*	0*	0*	0*	0*	0*
BERMAN, JERRY & SONS	0*	0*	0*	28*	32*	12*	33*	34*	30*	25*	24*	24*
OWNER TOTAL	0*	0*	0*	28*	32*	12*	33*	34*	30*	25*	24*	24*
BEVERLY ASSOCIATES	114*	97*	114*	88*	80*	99*	42*	47*	51*	52*	42*	42*
OWNER TOTAL	114*	97*	114*	88*	80*	99*	42*	47*	51*	52*	42*	42*
BLISS	2*	2*	2*	2*	2*	2*	0*	0*	5*	3*	0*	0*
OWNER TOTAL	2*	2*	2*	2*	2*	2*	0*	0*	5*	3*	0*	0*
BLUE GOOSE GROWERS INC	0*	0*	0*	0*	0*	0*	0*	0*	171*	186*	132*	132*
OWNER TOTAL	0*	0*	0*	0*	0*	0*	0*	0*	171*	186*	132*	132*
BOUCHER	1*	1*	1*	1*	1*	1*	1*	1*	1*	1*	1*	1*
OWNER TOTAL	1*	1*	1*	1*	1*	1*	1*	1*	1*	1*	1*	1*
BREAK, ALLEN, ESTATE	760*	608*	760*	608*	608*	669*	10*	33*	93*	15*	16*	16*
OWNER TOTAL	760*	608*	760*	608*	608*	669*	10*	33*	93*	15*	16*	16*
BRISTOL RANCH	90*	100*	160*	108*	108*	113*	122*	122*	47*	55*	59*	59*
OWNER TOTAL	90*	100*	160*	108*	108*	113*	122*	122*	47*	55*	59*	59*
BROOKSIDE DAIRY, INC	302*	302*	312*	312*	313*	308*	284*	305*	309*	301*	304*	304*
OWNER TOTAL	302*	302*	312*	312*	313*	308*	284*	305*	309*	301*	304*	304*

TARLF NO. 3

SUMMARY OF EXTRACTIONS(FILED & NON-FILED) FROM
 SAN BERNARDINO BASIN AREA BY NON-PLAINTIFFS FOR
 USE WITHIN SAN BERNARDINO COUNTY

OWNER	1959	1960	1961	1962	1963	AVERAGE	1970	1971	1972	1973	1974	1975																																																																																																																																																																																																																													
	5 YEAR																																																																																																																																																																																																																																								
BRYN MAWR MUTUAL WATER COMPANY													OWNER TOTAL	1197*	1130*	1333*	1299*	1052*	1202*	907*	968*	893*	789*	846*		BUOYE WELL													OWNER TOTAL	0*	0*	146*	160*	177*	97*	121*	130*	196*	0*	89*		CALIFORNIA, STATE OF PATTON HOSPITAL													OWNER TOTAL	947*	1076*	1065*	1003*	957*	1014*	657*	574*	544*	431*	409*		CANYON KNOLLS RANCH													OWNER TOTAL	104*	65*	105*	88*	87*	94*	261*	112*	140*	125*	124*		CANYON RANCH													OWNER TOTAL	298*	222*	101*	109*	103*	167*	128*	128*	255*	193*	171*		CARDIFF FARMS MUTUAL WATER COMPANY													OWNER TOTAL	518*	455*	502*	403*	446*	465*	422*	346*	379*	338*	393*		CARPENTER													OWNER TOTAL	4*	4*	4*	4*	4*	4*	4*	2*	0*	0*	0*		CHARLES, J. J.													OWNER TOTAL	0*	0*	0*	0*	0*	0*	0*	0*	0*	0*	0*		CHRISTINA WATER COMPANY													OWNER TOTAL	1302*	1403*	700*	665*	793*	1013*	32*	137*	43*	47*	113*	
OWNER TOTAL	1197*	1130*	1333*	1299*	1052*	1202*	907*	968*	893*	789*	846*																																																																																																																																																																																																																														
BUOYE WELL													OWNER TOTAL	0*	0*	146*	160*	177*	97*	121*	130*	196*	0*	89*		CALIFORNIA, STATE OF PATTON HOSPITAL													OWNER TOTAL	947*	1076*	1065*	1003*	957*	1014*	657*	574*	544*	431*	409*		CANYON KNOLLS RANCH													OWNER TOTAL	104*	65*	105*	88*	87*	94*	261*	112*	140*	125*	124*		CANYON RANCH													OWNER TOTAL	298*	222*	101*	109*	103*	167*	128*	128*	255*	193*	171*		CARDIFF FARMS MUTUAL WATER COMPANY													OWNER TOTAL	518*	455*	502*	403*	446*	465*	422*	346*	379*	338*	393*		CARPENTER													OWNER TOTAL	4*	4*	4*	4*	4*	4*	4*	2*	0*	0*	0*		CHARLES, J. J.													OWNER TOTAL	0*	0*	0*	0*	0*	0*	0*	0*	0*	0*	0*		CHRISTINA WATER COMPANY													OWNER TOTAL	1302*	1403*	700*	665*	793*	1013*	32*	137*	43*	47*	113*																											
OWNER TOTAL	0*	0*	146*	160*	177*	97*	121*	130*	196*	0*	89*																																																																																																																																																																																																																														
CALIFORNIA, STATE OF PATTON HOSPITAL													OWNER TOTAL	947*	1076*	1065*	1003*	957*	1014*	657*	574*	544*	431*	409*		CANYON KNOLLS RANCH													OWNER TOTAL	104*	65*	105*	88*	87*	94*	261*	112*	140*	125*	124*		CANYON RANCH													OWNER TOTAL	298*	222*	101*	109*	103*	167*	128*	128*	255*	193*	171*		CARDIFF FARMS MUTUAL WATER COMPANY													OWNER TOTAL	518*	455*	502*	403*	446*	465*	422*	346*	379*	338*	393*		CARPENTER													OWNER TOTAL	4*	4*	4*	4*	4*	4*	4*	2*	0*	0*	0*		CHARLES, J. J.													OWNER TOTAL	0*	0*	0*	0*	0*	0*	0*	0*	0*	0*	0*		CHRISTINA WATER COMPANY													OWNER TOTAL	1302*	1403*	700*	665*	793*	1013*	32*	137*	43*	47*	113*																																																					
OWNER TOTAL	947*	1076*	1065*	1003*	957*	1014*	657*	574*	544*	431*	409*																																																																																																																																																																																																																														
CANYON KNOLLS RANCH													OWNER TOTAL	104*	65*	105*	88*	87*	94*	261*	112*	140*	125*	124*		CANYON RANCH													OWNER TOTAL	298*	222*	101*	109*	103*	167*	128*	128*	255*	193*	171*		CARDIFF FARMS MUTUAL WATER COMPANY													OWNER TOTAL	518*	455*	502*	403*	446*	465*	422*	346*	379*	338*	393*		CARPENTER													OWNER TOTAL	4*	4*	4*	4*	4*	4*	4*	2*	0*	0*	0*		CHARLES, J. J.													OWNER TOTAL	0*	0*	0*	0*	0*	0*	0*	0*	0*	0*	0*		CHRISTINA WATER COMPANY													OWNER TOTAL	1302*	1403*	700*	665*	793*	1013*	32*	137*	43*	47*	113*																																																																															
OWNER TOTAL	104*	65*	105*	88*	87*	94*	261*	112*	140*	125*	124*																																																																																																																																																																																																																														
CANYON RANCH													OWNER TOTAL	298*	222*	101*	109*	103*	167*	128*	128*	255*	193*	171*		CARDIFF FARMS MUTUAL WATER COMPANY													OWNER TOTAL	518*	455*	502*	403*	446*	465*	422*	346*	379*	338*	393*		CARPENTER													OWNER TOTAL	4*	4*	4*	4*	4*	4*	4*	2*	0*	0*	0*		CHARLES, J. J.													OWNER TOTAL	0*	0*	0*	0*	0*	0*	0*	0*	0*	0*	0*		CHRISTINA WATER COMPANY													OWNER TOTAL	1302*	1403*	700*	665*	793*	1013*	32*	137*	43*	47*	113*																																																																																																									
OWNER TOTAL	298*	222*	101*	109*	103*	167*	128*	128*	255*	193*	171*																																																																																																																																																																																																																														
CARDIFF FARMS MUTUAL WATER COMPANY													OWNER TOTAL	518*	455*	502*	403*	446*	465*	422*	346*	379*	338*	393*		CARPENTER													OWNER TOTAL	4*	4*	4*	4*	4*	4*	4*	2*	0*	0*	0*		CHARLES, J. J.													OWNER TOTAL	0*	0*	0*	0*	0*	0*	0*	0*	0*	0*	0*		CHRISTINA WATER COMPANY													OWNER TOTAL	1302*	1403*	700*	665*	793*	1013*	32*	137*	43*	47*	113*																																																																																																																																			
OWNER TOTAL	518*	455*	502*	403*	446*	465*	422*	346*	379*	338*	393*																																																																																																																																																																																																																														
CARPENTER													OWNER TOTAL	4*	4*	4*	4*	4*	4*	4*	2*	0*	0*	0*		CHARLES, J. J.													OWNER TOTAL	0*	0*	0*	0*	0*	0*	0*	0*	0*	0*	0*		CHRISTINA WATER COMPANY													OWNER TOTAL	1302*	1403*	700*	665*	793*	1013*	32*	137*	43*	47*	113*																																																																																																																																																													
OWNER TOTAL	4*	4*	4*	4*	4*	4*	4*	2*	0*	0*	0*																																																																																																																																																																																																																														
CHARLES, J. J.													OWNER TOTAL	0*	0*	0*	0*	0*	0*	0*	0*	0*	0*	0*		CHRISTINA WATER COMPANY													OWNER TOTAL	1302*	1403*	700*	665*	793*	1013*	32*	137*	43*	47*	113*																																																																																																																																																																																							
OWNER TOTAL	0*	0*	0*	0*	0*	0*	0*	0*	0*	0*	0*																																																																																																																																																																																																																														
CHRISTINA WATER COMPANY													OWNER TOTAL	1302*	1403*	700*	665*	793*	1013*	32*	137*	43*	47*	113*																																																																																																																																																																																																																	
OWNER TOTAL	1302*	1403*	700*	665*	793*	1013*	32*	137*	43*	47*	113*																																																																																																																																																																																																																														

TABLE NO. 3

SUMMARY OF EXTRACTIIONS(FILED & NON-FILED) FROM
 SAN BERNARDINO HASIN AREA BY NON-PLAINTIFFS FOR
 USE WITHIN SAN BERNARDINO COUNTY

OWNER	5 YEAR					1975				
	1959	1960	1961	1962	1963		AVERAGE			
CLIFFSIDE RANCH										
OWNER TOTAL	171*	174*	181*	150*	186*	172*	454*	322*	301*	0*
COLTON, CITY OF										
OWNER TOTAL	2814*	3606*	3305*	3743*	3267*	3347*	3699*	3654*	3366*	3765*
CONEJO RANCHOS MUTUAL WATER COMPANY										
OWNER TOTAL	0*	0*	0*	0*	0*	0*	0*	0*	0*	0*
COOK CANYON										
OWNER TOTAL	35*	35*	35*	35*	35*	35*	35*	38*	42*	40*
COOK ORCHARDS COMPANY										
OWNER TOTAL	133*	133*	133*	133*	133*	133*	81*	84*	106*	86*
CRAFTON WATER COMPANY										
OWNER TOTAL	623*	750*	911*	745*	656*	737*	660*	875*	41*	650*
CRAM PATTERSON WELL										
OWNER TOTAL	413*	257*	361*	277*	294*	320*	312*	446*	362*	386*
CRAM, FRANCES L.										
OWNER TOTAL	312*	296*	325*	181*	91*	241*	0*	0*	0*	0*
CRIM WELL										
OWNER TOTAL	380*	350*	415*	362*	358*	373*	281*	461*	346*	401*

TABLE NO. 3

SUMMARY OF EXTRACTIONS (FILED & NON-FILED) FROM
 SAN BERNARDINO BASIN AREA BY NON-PLAINTIFFS FOR
 USE WITHIN SAN BERNARDINO COUNTY

OWNER	5 YEAR					1975			
	1959	1960	1961	1962	1963		AVERAGE		
CRIM, W. ROSCOE									
OWNER TOTAL	369*	343*	435*	413*	396*	395*	340*	273*	280*
CRYSTAL SPRINGS									
OWNER TOTAL	1*	1*	1*	1*	1*	1*	1*	1*	1*
DANGLO DAIRY									
OWNER TOTAL	35*	35*	35*	35*	35*	35*	10*	10*	10*
DANIELS AND BEST RANCH									
OWNER TOTAL	0*	0*	0*	0*	0*	0*	0*	280*	326*
DANIELS, DON									
OWNER TOTAL	0*	0*	0*	0*	0*	0*	81*	0*	0*
DANIELS, HAROLD									
OWNER TOTAL	2*	2*	2*	2*	502*	102*	200*	2*	2*
DEL ROSA MUTUAL WATER COMPANY									
OWNER TOTAL	725*	600*	872*	801*	495*	699*	1177*	237*	17*
DEVORE WATER CO.									
OWNER TOTAL	126*	129*	140*	132*	136*	133*	230*	211*	234*
DILLSON MUT. WTR. CO.									
OWNER TOTAL	36*	36*	36*	36*	36*	36*	53*	49*	56*

TABLE NO. 3

SUMMARY OF EXTRACTIONS (FILED & NON-FILED) FROM
 SAN BERNARDINO BASIN AREA BY NON-PLAINTIFFS FOR
 USE WITHIN SAN BERNARDINO COUNTY

OWNER	5 YEAR					1975						
	1959	1960	1961	1962	1963		AVERAGE	1970	1971	1972	1973	1974
DUDA, WALTER AND BETTY												
OWNER TOTAL	5*	13*	37*	21*	22*	20*	29*	31*	33*	36*	29*	
EAST BARTON WATER COMPANY												
OWNER TOTAL	168*	127*	135*	274*	145*	170*	96*	41*	0*	0*	0*	
EAST COLTON AVENUE WATER COMPANY												
OWNER TOTAL	818*	635*	612*	462*	391*	584*	447*	581*	381*	63*	63*	
EAST HIGHLANDS ORANGE COMPANY												
OWNER TOTAL	54*	29*	41*	48*	47*	44*	61*	51*	1*	1*	1*	
EAST LUGONIA MUTUAL WATER CO.												
OWNER TOTAL	1002*	624*	637*	460*	391*	623*	842*	782*	745*	0*	0*	
EAST PIONEER MUTUAL WELL COMPANY												
OWNER TOTAL	776*	692*	876*	403*	431*	636*	448*	448*	438*	391*	367*	
EAST SAN BDN. COUNTY WATER DIST.												
OWNER TOTAL	10700*	10889*	12496*	10949*	10534*	11114*	9372*	8872*	7186*	7823*	8342*	
EASTWOOD FARMS COMMUNITY WATER USERS												
OWNER TOTAL	200*	230*	330*	210*	250*	244*	214*	180*	230*	222*	213*	
ELLENA, JOHN B.												
OWNER TOTAL	585*	585*	585*	585*	585*	585*	0*	0*	0*	0*	0*	

TABLE NO. 3

SUMMARY OF EXTRACTIIONS(FILED & NON-FILED) FROM
 SAN BERNARDINO BASIN AREA BY NON-PLAINTIFFS FOR
 USE WITHIN SAN BERNARDINO COUNTY

OWNER	5 YEAR										
	1959	1960	1961	1962	1963	1970	1971	1972	1973	1974	1975
ELLGOOD											
OWNER TOTAL	5*	5*	5*	5*	5*	5*	5*	5*	5*	5*	50*
ELTINGE & GRAZIADIO											
OWNER TOTAL	122*	81*	64*	49*	32*	70*	0*	0*	0*	0*	0*
F. A. R. WELL											
OWNER TOTAL	0*	0*	0*	272*	264*	107*	242*	384*	478*	100*	237*
FAIRVIEW WATER COMPANY											
OWNER TOTAL	1395*	875*	825*	780*	575*	890*	520*	513*	486*	342*	356*
FARROW											
OWNER TOTAL	6*	5*	28*	5*	5*	10*	5*	5*	5*	5*	5*
FINCH											
OWNER TOTAL	0*	0*	0*	0*	0*	0*	0*	0*	0*	0*	0*
FONTANA UNION WATER COMPANY											
OWNER TOTAL	19841*	15649*	13295*	14674*	12086*	15109*	14507*	13017*	13252*	17532*	11877*
FRIEDEMANN, ERNEST C.											
OWNER TOTAL	90*	85*	75*	50*	50*	70*	0*	0*	0*	0*	0*
FRINK RANCH											
OWNER TOTAL	0*	0*	0*	0*	0*	0*	0*	0*	0*	0*	0*

TABLE NO. 3

SUMMARY OF EXTRAKCTIONS(FILED & NON-FILED) FROM
 SAN BERNARDINO BASIN AREA BY NON-PLAINTIFFS FOR
 USE WITHIN SAN BERNARDINO COUNTY

OWNER	5 YEAR					1974	1975				
	1959	1960	1961	1962	1963			AVERAGE			
GAY, PHILIP L.	200*	200*	260*	250*	200*	222*	24*	60*	291*	50*	52*
GIFFORD PARK MUTUAL WATER CO.	50*	50*	50*	50*	51*	50*	116*	90*	45*	0*	0*
GLADYSTA WELL & WATER COMPANY	527*	486*	609*	517*	507*	529*	399*	391*	421*	296*	329*
GOLCONDA WATER CO.	96*	96*	96*	96*	96*	96*	0*	0*	0*	0*	0*
GOLDEN STATE BLDG PRODUCTS	30*	30*	33*	33*	33*	32*	33*	34*	34*	34*	34*
GRANT WATER COMPANY	429*	424*	483*	436*	363*	427*	295*	310*	303*	260*	250*
GREENSPOT MUTUAL WATER CO TUNNEL	0*	0*	0*	0*	0*	0*	609*	120*	18*	294*	0*
GREENSPOT MUTUAL WELL CO.	142*	149*	121*	105*	76*	119*	306*	306*	392*	275*	286*
GUERTH, WILLIAM H.	1585*	695*	922*	1230*	860*	1058*	381*	400*	409*	565*	421*

TABLE NO. 3

SUMMARY OF EXTRACTIONS(FILED & NON-FILED) FROM
 SAN BERNARDINO BASIN AREA BY NON-PLAINTIFFS FOR
 USE WITHIN SAN BERNARDINO COUNTY

OWNER	5 YEAR											
	1959	1960	1961	1962	1963	AVERAGE	1970	1971	1972	1973	1974	1975
HAGAR												
OWNER TOTAL	1*	1*	1*	1*	1*	1*	0*	0*	0*	0*	0*	0*
HAPPE MUTUAL WELL COMPANY												
OWNER TOTAL	526*	592*	649*	358*	500*	525*	287*	315*	372*	59*	173*	
HARDISON												
OWNER TOTAL	1*	1*	1*	1*	1*	1*	1*	1*	1*	1*	1*	
HARRISON												
OWNER TOTAL	1*	1*	1*	1*	1*	1*	1*	1*	0*	0*	0*	
HARRISON CANYON												
OWNER TOTAL	2*	2*	2*	2*	2*	2*	2*	2*	1*	1*	1*	
HAZAS												
OWNER TOTAL	8*	8*	8*	8*	8*	8*	2*	2*	2*	0*	0*	
HEAD, JOE T.												
OWNER TOTAL	0*	0*	0*	0*	0*	0*	0*	0*	0*	0*	0*	
HELIPORT												
OWNER TOTAL	1*	1*	1*	1*	1*	1*	0*	0*	0*	0*	0*	
HICKS, JOHN/LOUISE												
OWNER TOTAL	3*	3*	3*	3*	3*	3*	3*	3*	3*	3*	3*	

TABLE NO. 3

SUMMARY OF EXTRACCTIONS(FILED & NON-FILED) FROM
 SAN BERNARDINO BASIN AREA BY NON-PLAINTIFFS FOR
 USE WITHIN SAN BERNARDINO COUNTY

OWNER	5 YEAR											
	1959	1960	1961	1962	1963	AVERAGE	1970	1971	1972	1973	1974	1975
HIGHLAND ACRES RANCH												
OWNER TOTAL	250*	160*	350*	400*	400*	312*	128*	148*	181*	121*	0*	0*
HIGHLAND WELL COMPANY												
OWNER TOTAL	278*	263*	265*	232*	184*	244*	71*	72*	59*	39*	40*	
HILL												
OWNER TOTAL	0*	0*	0*	0*	0*	0*	0*	0*	0*	0*	0*	0*
HOBBS WELL PARTNERSHIP												
OWNER TOTAL	174*	96*	696*	692*	532*	438*	659*	825*	664*	0*	0*	0*
HOLDEN MUT. WTR. CO.												
OWNER TOTAL	14*	14*	14*	14*	14*	14*	16*	31*	30*	30*	0*	0*
HOOVER WELL												
OWNER TOTAL	100*	100*	100*	25*	85*	82*	75*	133*	135*	108*	132*	
HORTON												
OWNER TOTAL	385*	300*	420*	364*	357*	365*	340*	345*	400*	296*	320*	
HUNTER												
OWNER TOTAL	3*	3*	3*	3*	3*	3*	2*	2*	0*	0*	0*	0*
ICE PRODUCTS INC.												
OWNER TOTAL	591*	405*	410*	345*	344*	419*	298*	4*	3*	7*	3*	

TARLF NO. 3

SUMMARY OF EXTRACTIONS(FILED & NON-FILED) FROM
 SAN BERNARDINO BASIN AREA BY NON-PLAINTIFFS FOR
 USE WITHIN SAN BERNARDINO COUNTY

OWNER	5 YEAR											
	1959	1960	1961	1962	1963	AVERAGE	1970	1971	1972	1973	1974	1975
INDUST. ACRES C/O CITRUS INVESTMENT												
OWNER TOTAL	714*	873*	637*	409*	306*	568*	1250*	652*	743*	724*	634*	
INTER CITY MUTUAL WATER CO												
OWNER TOTAL	238*	238*	238*	238*	238*	238*	129*	122*	154*	138*	0*	
IOWA STREET WELL												
OWNER TOTAL	62*	62*	21*	10*	7*	32*	5*	1*	0*	3*	8*	
JEWEL WATER COMPANY, THE												
OWNER TOTAL	504*	408*	356*	293*	258*	364*	195*	189*	195*	115*	111*	
JOHANSSON, RUNE												
OWNER TOTAL	111*	71*	125*	60*	79*	89*	104*	122*	100*	45*	87*	
JUDSON MUTUAL WATER COMPANY												
OWNER TOTAL	403*	356*	348*	367*	363*	367*	382*	401*	337*	242*	208*	
KANSAS STREET MUTUAL WATER CO.												
OWNER TOTAL	376*	327*	378*	328*	353*	352*	382*	364*	299*	255*	294*	
KING												
OWNER TOTAL	1*	1*	1*	1*	1*	1*	1*	1*	1*	1*	1*	
KING STREET MUTUAL WELL COMPANY												
OWNER TOTAL	408*	371*	358*	281*	372*	358*	416*	482*	551*	104*	286*	

TABLE NO. 3

SUMMARY OF EXTRACTIIONS(FILED & NON-FILED) FROM
 SAN BERNARDINO BASIN AREA BY NON-PLAINTIFFS FOR
 USE WITHIN SAN BERNARDINO COUNTY

OWNER	5 YEAR					1975					
	1959	1960	1961	1962	1963		AVERAGE	1971	1972	1973	1974
KOCH											
OWNER TOTAL	0*	0*	0*	0*	0*	0*	106*	0*	0*	0*	0*
KOCH, GEORGE J.											
OWNER TOTAL	0*	0*	0*	0*	0*	0*	0*	0*	0*	0*	0*
KRANTZ DAIRY											
OWNER TOTAL	100*	100*	100*	100*	100*	100*	1*	0*	0*	0*	0*
L.P.R. ICE COMPANY											
OWNER TOTAL	0*	0*	0*	0*	0*	0*	0*	343*	392*	242*	0*
L.P.R. RANCH											
OWNER TOTAL	0*	0*	485*	660*	610*	351*	480*	0*	0*	0*	0*
LA ROSSF, CHARLES H.											
OWNER TOTAL	38*	21*	35*	18*	14*	25*	15*	0*	0*	0*	0*
LA TOURETTE											
OWNER TOTAL	30*	30*	30*	30*	30*	30*	18*	19*	12*	12*	12*
LAKESIDE AVENUE MUTUAL WELL COMPANY											
OWNER TOTAL	79*	48*	58*	51*	20*	51*	0*	0*	0*	0*	0*
LAND CAPITOL CORP & DONALD SOJKA											
OWNER TOTAL	91*	82*	99*	86*	84*	88*	51*	48*	57*	25*	25*

TABLE NO. 3

SUMMARY OF EXTRactions (FILED & NON-FILED) FROM
 SAN BERNARDINO BASIN AREA BY NON-PLAINTIFFS FOR
 USE WITHIN SAN BERNARDINO COUNTY

OWNER	5 YEAR										
	1959	1960	1961	1962	1963	1970	1971	1972	1973	1974	1975
LANGFORD RANCHES											
OWNER TOTAL	1680*	1564*	1146*	1124*	1468*	1636*	1755*	1445*	1097*	1256*	
LANKERSHIM MUT. WTR. CO.											
OWNER TOTAL	150*	150*	150*	150*	150*	130*	118*	135*	65*	48*	
LARANNI GUNTER WELL											
OWNER TOTAL	200*	200*	200*	200*	200*	237*	265*	250*	128*	162*	
LEONARD, WILLIAM E.											
OWNER TOTAL	0*	0*	0*	0*	0*	0*	0*	319*	371*	234*	
LOMA LINDA UNIVERSITY											
OWNER TOTAL	1011*	1116*	1202*	1166*	901*	654*	752*	795*	656*	718*	
LOMA LINDA, CITY OF											
OWNER TOTAL	2216*	2241*	2492*	2193*	1580*	1380*	1574*	1530*	1752*	2023*	
LORD											
OWNER TOTAL	1*	1*	1*	1*	1*	1*	1*	1*	1*	1*	
LUGO WATER COMPANY											
OWNER TOTAL	414*	346*	324*	300*	239*	325*	197*	223*	153*	190*	
LUGONIA WATER COMPANY											
OWNER TOTAL	0*	0*	1012*	974*	882*	574*	676*	662*	0*	0*	

TABLE NO. 3

SUMMARY OF EXIRACTIIONS(FILED & NON-FILED) FROM
 SAN BERNARDINO BASIN AREA BY NON-PLAINTIFFS FOR
 USE WITHIN SAN BERNARDINO COUNTY

OWNER	5 YEAR											
	1959	1960	1961	1962	1963	AVERAGE	1970	1971	1972	1973	1974	1975
LULY, DR. LUCIAN L.												
OWNER TOTAL	0*	0*	0*	0*	0*	0*	0*	0*	0*	0*	0*	0*
MARIGOLD FARMS COMPANY												
OWNER TOTAL	1796*	3231*	2051*	1896*	1988*	2192*	3729*	4461*	4652*	3733*	4691*	
MARSHBURN												
OWNER TOTAL	0*	0*	380*	300*	290*	194*	210*	210*	210*	210*	210*	210*
MASCART WATER COMPANY												
OWNER TOTAL	395*	302*	468*	381*	367*	383*	250*	231*	263*	178*	212*	
MAYBELL, N. O.												
OWNER TOTAL	26*	26*	12*	12*	12*	18*	0*	0*	0*	0*	0*	
MCCALLA BRGS												
OWNER TOTAL	0*	0*	1*	1*	1*	1*	1*	1*	1*	1*	1*	
MEADOWBROOK DAIRY												
OWNER TOTAL	492*	388*	340*	331*	462*	403*	489*	464*	463*	510*	557*	
MENTONE ACRES MUTUAL WELL CO.												
OWNER TOTAL	1340*	1455*	1480*	1415*	1038*	1346*	958*	1010*	983*	860*	822*	
MENTONE DOMESTIC WATER COMPANY, INC.												
OWNER TOTAL	772*	750*	738*	487*	470*	643*	740*	955*	800*	375*	143*	

TABLE NO. 3

SUMMARY OF EXTRACTATIONS (FILED & NON-FILED) FROM
 SAN BERNARDINO BASIN AREA BY NON-PLAINTIFFS FOR
 USE WITHIN SAN BERNARDINO COUNTY

OWNER	5 YEAR					1975					
	1959	1960	1961	1962	1963		AVERAGE	1971	1972	1973	1974
MENIONE DOMESTIC WTR. CO.											
OWNER TOTAL	0*	0*	25*	0*	0*	5*	50*	60*	80*	21*	279*
MEYER, CHARLES R.											
OWNER TOTAL	42*	42*	55*	51*	53*	49*	43*	45*	42*	44*	55*
MILLER MUTUAL WELL CO.											
OWNER TOTAL	20*	8*	41*	58*	53*	36*	31*	31*	46*	60*	56*
MISSION MUTUAL WATER COMPANY											
OWNER TOTAL	1089*	782*	1042*	1093*	882*	978*	1310*	1502*	1402*	933*	1121*
MONTECITO MUTUAL WATER COMPANY											
OWNER TOTAL	104*	109*	110*	77*	71*	94*	110*	114*	116*	118*	119*
MOORE, R. H.											
OWNER TOTAL	46*	42*	89*	78*	77*	66*	36*	61*	41*	43*	46*
MOUNT VERNON WATER COMPANY											
OWNER TOTAL	1750*	1478*	1760*	1354*	1238*	1516*	2151*	2593*	2066*	2306*	2373*
MT. HARRISON MUTUAL WATER CO.											
OWNER TOTAL	753*	874*	303*	371*	310*	522*	382*	366*	392*	400*	395*
MT. VIEW CEMETERY OF SAN BERNARDINO											
OWNER TOTAL	228*	185*	145*	250*	141*	190*	220*	211*	325*	249*	240*

TABLE NO. 3

SUMMARY OF EXTRACTIIONS(FILED & NON-FILED) FROM
 SAN BERNARDINO BASIN AREA BY NON-PLAINTIFFS FOR
 USE WITHIN SAN BERNARDINO COUNTY

OWNER	5 YEAR											
	1959	1960	1961	1962	1963	AVERAGE	1970	1971	1972	1973	1974	1975
MULLINS, JAMES C., JR., EXECUTOR												
OWNER TOTAL	148*	148*	148*	148*	148*	148*	57*	38*	26*	46*	60*	
MUSCOY MUTUAL WATER COMPANY, NO. 1												
OWNER TOTAL	1943*	1870*	2028*	1863*	1684*	1876*	2857*	2366*	2012*	1986*	2525*	
MUTUAL WELL COMPANY(OF HIGHLAND)												
OWNER TOTAL	252*	243*	353*	250*	244*	268*	248*	231*	205*	137*	67*	
NAMIHAS, M.D., IVAN/SHIRLEY												
OWNER TOTAL	7*	7*	9*	10*	9*	8*	15*	70*	46*	1*	0*	
NATIONAL ORANGE SHOW												
OWNER TOTAL	135*	135*	135*	135*	135*	135*	82*	58*	58*	58*	58*	
NEALEY MUTUAL WATER COMPANY												
OWNER TOTAL	0*	0*	0*	0*	0*	0*	0*	0*	0*	0*	0*	
NEW ENGLAND WATER CO.												
OWNER TOTAL	946*	892*	1023*	836*	880*	915*	473*	706*	851*	478*	383*	
NICKERSON WATER COMPANY												
OWNER TOTAL	678*	551*	838*	721*	540*	666*	403*	170*	501*	460*	404*	
NICKERSON, E. D.												
OWNER TOTAL	300*	248*	288*	153*	139*	226*	169*	235*	252*	196*	274*	

TABLE NO. 3

SUMMARY OF EXTRACTATIONS (FILED & NON-FILED) FROM
 SAN BERNARDINO HASIN AREA BY NON-PLAINTIFFS FOR
 USE WITHIN SAN BERNARDINO COUNTY

OWNER	5 YEAR AVERAGE										
	1959	1960	1961	1962	1963	1970	1971	1972	1973	1974	1975
NO NAME WELL											
OWNER TOTAL	30*	27*	32*	28*	28*	29*	0*	0*	0*	0*	0*
NORTH FORK WATER COMPANY											
OWNER TOTAL	1388*	1067*	2549*	2347*	2083*	1687*	769*	728*	0*	0*	0*
NORTHBRAE WATER COMPANY											
OWNER TOTAL	394*	530*	608*	395*	466*	479*	0*	0*	0*	0*	0*
NORTHSIDE WATER COMPANY											
OWNER TOTAL	398*	402*	491*	385*	333*	402*	225*	336*	387*	285*	285*
NORTON AIR FORCE BASE											
OWNER TOTAL	5892*	5295*	5478*	5985*	5340*	5598*	2826*	3085*	3044*	2868*	2868*
NORWOOD											
OWNER TOTAL	1*	1*	1*	1*	1*	1*	0*	0*	0*	0*	0*
NYE, WILLIAM H.											
OWNER TOTAL	164*	199*	294*	156*	167*	196*	0*	164*	5*	0*	0*
OLD TOWN WELL CO.											
OWNER TOTAL	488*	534*	572*	525*	515*	527*	437*	428*	360*	360*	360*
ORANGE ST. RANCH											
OWNER TOTAL	220*	194*	179*	190*	224*	201*	248*	223*	60*	58*	58*

TABLE NO. 3

SUMMARY OF EXTRACTIIONS(FILED & NON-FILED) FROM
 SAN BERNARDINO BASIN AREA BY NON-PLAINTIFFS FOR
 USE WITHIN SAN BERNARDINO COUNTY

OWNER	1959	1960	1961	1962	1963	AVERAGE	1970	1971	1972	1973	1974	1975
PACIFIC HIGH SCHOOL						5 YEAR						
OWNER TOTAL	75*	75*	75*	75*	75*	75*	0*	0*	0*	0*	0*	0*
PATNE, ROBERT T., TRUSTEE												
OWNER TOTAL	603*	609*	664*	530*	586*	598*	454*	533*	531*	375*	338*	
PAXTON, R. H.												
OWNER TOTAL	511*	245*	243*	378*	179*	311*	217*	0*	0*	0*	0*	
PENN WELL COMPANY												
OWNER TOTAL	539*	447*	504*	550*	440*	496*	652*	547*	489*	456*	422*	
PEYTON, A. L. OR IRENE A.												
OWNER TOTAL	1*	1*	1*	1*	1*	1*	1*	1*	1*	1*	1*	
PEYTON, MRS. A. L.												
OWNER TOTAL	5*	5*	5*	5*	5*	5*	5*	5*	5*	5*	5*	
PHAROAH POWELL WATER CO.												
OWNER TOTAL	326*	350*	365*	371*	322*	347*	332*	373*	305*	309*	330*	
PIERSON												
OWNER TOTAL	80*	80*	80*	80*	0*	64*	0*	0*	0*	0*	0*	
PIONEER MUTUAL WATER CO.												
OWNER TOTAL	314*	222*	288*	316*	275*	283*	419*	160*	144*	284*	238*	

TABLE NO. 3

SUMMARY OF EXTRACTIIONS(FILED & NON-FILED) FROM
 SAN BERNARDINO BASIN AREA BY NON-PLAINTIFFS FOR
 USE WITHIN SAN BERNARDINO COUNTY

OWNER	5 YEAR											
	1959	1960	1961	1962	1963	AVERAGE	1970	1971	1972	1973	1974	1975
RAMIREZ BROTHERS												
OWNER TOTAL	61*	61*	65*	62*	64*	63*	68*	91*	89*	73*	85*	
RAMSEY												
OWNER TOTAL	1*	1*	1*	1*	1*	1*	1*	1*	1*	1*	1*	
RANCHERIA WATER CO. TOBIN												
OWNER TOTAL	374*	52*	0*	458*	0*	177*	0*	0*	0*	0*	0*	
RANCHO CITRUS AMIGOS												
OWNER TOTAL	80*	80*	80*	80*	80*	80*	80*	80*	80*	80*	80*	
RANCHO LADERA												
OWNER TOTAL	162*	148*	331*	206*	313*	232*	282*	291*	299*	153*	110*	
RAUGHT MUTUAL WELL COMPANY												
OWNER TOTAL	504*	550*	552*	506*	520*	526*	526*	537*	576*	410*	364*	
REDLANDS ASSOCIATES												
OWNER TOTAL	489*	378*	438*	414*	411*	426*	322*	349*	0*	0*	0*	
REDLANDS HEIGHTS WATER COMPANY												
OWNER TOTAL	604*	567*	554*	459*	480*	533*	196*	172*	265*	288*	299*	
REDLANDS TRAP/SKEET												
OWNER TOTAL	145*	235*	235*	2*	2*	124*	2*	2*	2*	2*	2*	

TABLE NO. 3

SUMMARY OF EXTRACTIIONS(FILED & NON-FILED) FROM
 SAN BERNARDINO BASIN AREA BY NON-PLAINTIFFS FOR
 USE WITHIN SAN BERNARDINO COUNTY

OWNER	5 YEAR					1975						
	1959	1960	1961	1962	1963		AVERAGE	1970	1971	1972	1973	1974
HEDLANDS WTR. CO.												
OWNER TOTAL	544*	599*	301*	754*	581*	556*	1280*	937*	983*	1402*	0*	
REDLANDS, CITY OF												
OWNER TOTAL	19230*	19742*	18545*	20061*	16102*	18740*	21476*	19442*	18846*	21905*	23935*	
REES & PERRICONE RANCH												
OWNER TOTAL	0*	0*	0*	0*	0*	0*	103*	158*	60*	75*	67*	
REES REES RANCHES, INC.												
OWNER TOTAL	676*	515*	1072*	579*	867*	742*	227*	545*	431*	350*	326*	
REGINA GRAPE PRODUCTS												
OWNER TOTAL	250*	250*	250*	250*	250*	250*	110*	50*	50*	50*	90*	
RIALTO, CITY OF												
OWNER TOTAL	2244*	1570*	1834*	1643*	1867*	1832*	2115*	1770*	2805*	2549*	3542*	
RIEDMAN, FRED M.												
OWNER TOTAL	230*	230*	230*	230*	49*	194*	45*	45*	45*	45*	45*	
RIVAS												
OWNER TOTAL	1*	1*	1*	1*	1*	1*	1*	1*	1*	1*	1*	
RIVAS, RAMON												
OWNER TOTAL	30*	43*	0*	0*	0*	15*	0*	0*	0*	0*	0*	

TABLE NO. 3

SUMMARY OF EXTRACTATIONS (FILED & NON-FILED) FROM
 SAN BERNARDINO BASIN AREA BY NON-PLAINTIFFS FOR
 USE WITHIN SAN BERNARDINO COUNTY

OWNER	5 YEAR											
	1959	1960	1961	1962	1963	AVERAGE	1970	1971	1972	1973	1974	1975
ROBBINS, H. W.												
OWNER TOTAL	0*	0*	0*	0*	18*	4*	3*	4*	7*	6*	0*	0*
ROBERTS, DR. G												
OWNER TOTAL	0*	0*	0*	0*	0*	0*	1*	0*	0*	0*	0*	0*
ROZEMA CHICKEN RANCH												
OWNER TOTAL	123*	123*	123*	123*	123*	123*	125*	125*	125*	125*	125*	125*
RULE												
OWNER TOTAL	1*	1*	1*	1*	1*	1*	0*	0*	0*	0*	0*	0*
SAN BERNARDINO AVENUE WATER COMPANY												
OWNER TOTAL	371*	303*	394*	352*	298*	344*	410*	433*	484*	406*	377*	
SAN BERNARDINO WATER UTILITIES COR												
OWNER TOTAL	1040*	839*	666*	800*	781*	825*	854*	869*	1196*	1100*	1088*	
SAN BERNARDINO, CITY OF												
OWNER TOTAL	17850*	16673*	16873*	17975*	16699*	17614*	26521*	25106*	29334*	27988*	27445*	
SAN BERNARDINO, COUNTY OF												
OWNER TOTAL	981*	960*	1154*	844*	666*	921*	1006*	1091*	1149*	943*	997*	
SAN MANUAL INDIAN RESERV.												
OWNER TOTAL	6*	6*	6*	6*	6*	6*	6*	6*	0*	0*	0*	

TABLE NO. 3

SUMMARY OF EXTRACTATIONS (FILED & NON-FILED) FROM
 SAN BERNARDINO BASIN AREA BY NON-PLAINTIFFS FOR
 USE WITHIN SAN BERNARDINO COUNTY

OWNER	5 YEAR					1975						
	1959	1960	1961	1962	1963		AVERAGE	1970	1971	1972	1973	1974
SANDYS RESTAURANT												
OWNER TOTAL	0*	0*	0*	0*	0*	0*	2*	2*	2*	2*	2*	2*
SANTINI												
OWNER TOTAL	90*	90*	90*	90*	90*	90*	10*	102*	67*	25*	22*	
SARATOGA DEVELOPMENT CO												
OWNER TOTAL	4119*	3805*	3806*	4181*	3854*	3953*	1729*	3274*	3470*	3056*	3720*	
SATOSKI, DOCTOR												
OWNER TOTAL	1*	1*	1*	1*	1*	1*	1*	1*	1*	1*	1*	
SECREST, RALPH F.												
OWNER TOTAL	333*	291*	544*	1130*	400*	540*	157*	144*	174*	174*	180*	
SELEY												
OWNER TOTAL	1*	1*	1*	1*	1*	1*	1*	1*	1*	1*	0*	
SIX HOUSES												
OWNER TOTAL	6*	6*	6*	6*	6*	6*	0*	0*	0*	0*	0*	
SMITH												
OWNER TOTAL	1*	1*	1*	1*	1*	1*	1*	1*	1*	1*	1*	
SMITH MEAT PACKING PLANT												
OWNER TOTAL	3*	3*	3*	3*	3*	3*	0*	0*	0*	0*	0*	

TABLE NO. 3

SUMMARY OF EXTRactions (FILED & NON-FILED) FROM
 SAN BERNARDINO BASIN AREA BY NON-PLAINTIFFS FOR
 USE WITHIN SAN BERNARDINO COUNTY

OWNER	5 YEAR											
	1959	1960	1961	1962	1963	AVERAGE	1970	1971	1972	1973	1974	1975
SMITH TRACT WELL COMPANY												
OWNER TOTAL	270*	177*	56*	0*	127*	126*	38*	4*	0*	0*	0*	0*
SMITH,												
OWNER TOTAL	10*	10*	10*	10*	10*	10*	10*	10*	10*	10*	10*	10*
SO. SAN BERNARDINO COUNTY WATER DIST.												
OWNER TOTAL	925*	923*	1024*	452*	313*	727*	260*	354*	310*	387*	406*	406*
SOLANO WELL NO. 1												
OWNER TOTAL	212*	143*	147*	88*	43*	127*	92*	56*	50*	58*	72*	72*
SOLANO WELL NO. 3												
OWNER TOTAL	0*	0*	0*	202*	179*	76*	112*	133*	115*	121*	122*	122*
SOUTHERN CALIFORNIA EDISON COMPANY												
OWNER TOTAL	1410*	1219*	1425*	1609*	1627*	1458*	725*	696*	764*	1185*	1271*	1271*
SOUTHERN CALIFORNIA WATER COMPANY												
OWNER TOTAL	1653*	1482*	1657*	1566*	1629*	1597*	2659*	2667*	2620*	2415*	2565*	2565*
STANLEY BROWN CO.												
OWNER TOTAL	507*	493*	300*	285*	280*	373*	478*	735*	863*	201*	278*	278*
STANLEY, SILAS												
OWNER TOTAL	2*	2*	2*	2*	2*	2*	2*	2*	3*	3*	3*	3*

TABLE NO. 3

SUMMARY OF EXTRACTIIONS(FILED & NON-FILED) FROM
 SAN BERNARDINO HASIN AREA BY NON-PLAINTIFFS FOR
 USE WITHIN SAN BERNARDINO COUNTY

OWNER	5 YEAR					1975						
	1959	1960	1961	1962	1963		AVERAGE	1970	1971	1972	1973	1974
STEWART, WILLARD												
OWNER TOTAL	53*	53*	53*	53*	53*	53*	0*	0*	0*	0*	0*	0*
STORKSON, WILLIAM F.												
OWNER TOTAL	35*	30*	20*	40*	35*	32*	106*	106*	0*	0*	50*	50*
STOWE WATER COMPANY												
OWNER TOTAL	630*	598*	622*	560*	667*	615*	567*	531*	486*	371*	432*	432*
STRAWBERRY PATCH												
OWNER TOTAL	1*	1*	1*	1*	1*	1*	29*	29*	29*	16*	9*	9*
SUNNYSIDE MUTUAL WATER COMPANY												
OWNER TOTAL	209*	161*	154*	153*	153*	166*	132*	141*	130*	135*	143*	143*
SUNRISE RANCH PART C/O LIFE DEVELOPMENT												
OWNER TOTAL	1857*	1693*	2119*	2037*	1992*	1940*	1159*	1783*	1645*	1550*	639*	639*
SUPERIOR ORCHARDS												
OWNER TOTAL	1*	1*	1*	1*	1*	1*	1*	1*	1*	1*	1*	1*
SYCAMORE HEIGHTS WATER COMPANY, INC.												
OWNER TOTAL	420*	52*	52*	52*	52*	126*	60*	60*	60*	60*	40*	40*
TEAGLE, M. ESTATES												
OWNER TOTAL	0*	0*	0*	0*	0*	0*	0*	0*	0*	0*	311*	311*

TABLE NO. 3

SUMMARY OF EXTRACTIIONS (FILED & NON-FILED) FROM
 SAN BERNARDINO BASIN AREA BY NON-PLAINTIFFS FOR
 USE WITHIN SAN BERNARDINO COUNTY

OWNER	5 YEAR AVERAGE										
	1959	1960	1961	1962	1963	1970	1971	1972	1973	1974	1975
TENNESSEE MUTUAL WELL COMPANY											
OWNER TOTAL	537*	501*	622*	516*	476*	530*	411*	364*	285*	285*	285*
TENNESSEE WATER CO.											
OWNER TOTAL	530*	530*	540*	540*	550*	538*	520*	540*	486*	562*	562*
TERRACE WATER COMPANY											
OWNER TOTAL	1318*	921*	1077*	1012*	899*	1045*	958*	1186*	836*	919*	919*
TEXACO GAS STATION											
OWNER TOTAL	0*	0*	0*	0*	0*	1*	0*	0*	0*	0*	0*
THOMPSON RANDALL											
OWNER TOTAL	3*	3*	3*	3*	3*	3*	0*	0*	0*	0*	0*
TRI CITY CONCRETE											
OWNER TOTAL	356*	360*	355*	428*	431*	386*	359*	370*	333*	320*	320*
TRI CITY MUTUAL WATER COMPANY											
OWNER TOTAL	53*	20*	0*	0*	0*	15*	0*	0*	0*	0*	0*
TRIPLE FALLS MUT. WTR. CO.											
OWNER TOTAL	15*	12*	10*	15*	18*	14*	32*	45*	43*	56*	56*
U.S. FOREST SERVICE											
OWNER TOTAL	9*	9*	9*	9*	9*	9*	5*	0*	0*	0*	0*

TABLE NO. 3

SUMMARY OF EXTRAKCTIONS(FILED & NON-FILED) FROM
 SAN BERNARDINO BASIN AREA BY NON-PLAINTIFFS FOR
 USE WITHIN SAN BERNARDINO COUNTY

OWNER	5 YEAR											
	1959	1960	1961	1962	1963	AVERAGE	1970	1971	1972	1973	1974	1975
UNGER, V.F.	0*	0*	0*	0*	0*	0*	0*	0*	0*	0*	0*	0*
OWNER TOTAL	0*	0*	0*	0*	0*	0*	0*	0*	0*	0*	0*	0*
UNIVERSITY OF REDLANDS												
OWNER TOTAL	0*	0*	0*	0*	0*	0*	1*	1*	1*	1*	1*	1*
VALDEPENNA ACRES												
OWNER TOTAL	25*	25*	25*	27*	8*	22*	56*	60*	14*	44*	35*	35*
VALENCIA AVE. MUT. WTR. CO.												
OWNER TOTAL	30*	30*	30*	30*	30*	30*	10*	6*	3*	4*	3*	3*
VALLEY FARMS MUT. WTR. CO.												
OWNER TOTAL	119*	119*	119*	119*	119*	119*	217*	246*	274*	208*	258*	258*
VAN CAMP, GILBERT C.												
OWNER TOTAL	50*	50*	50*	50*	50*	50*	50*	50*	50*	50*	50*	50*
VAN LOON MUTUAL WATER COMPANY												
OWNER TOTAL	153*	159*	99*	203*	189*	161*	164*	133*	150*	153*	179*	179*
VAN MEETER												
OWNER TOTAL	3*	3*	0*	0*	0*	1*	2*	2*	3*	3*	3*	3*
VANLEUVEN NURSING HOME												
OWNER TOTAL	2*	2*	2*	2*	2*	2*	2*	2*	1*	1*	1*	1*

TABLE NO. 3

SUMMARY OF EXTRACTIIONS(FILED & NON-FILED) FROM
 SAN BERNARDINO BASIN AREA BY NON-PLAINTIFFS FOR
 USE WITHIN SAN BERNARDINO COUNTY

OWNER	5 YEAR AVERAGE										
	1959	1960	1961	1962	1963	1970	1971	1972	1973	1974	1975
VANLEUVEN, CLARENCE											
OWNER TOTAL	26*	26*	26*	26*	26*	24*	25*	22*	20*	19*	
VANLEUVEN, ED											
OWNER TOTAL	15*	15*	15*	15*	15*	15*	18*	17*	13*	13*	
VICTORIA FARMS MUTUAL WATER CO.											
OWNER TOTAL	335*	288*	320*	275*	266*	297*	264*	288*	235*	258*	
VICTORIA GUERNSEY											
OWNER TOTAL	163*	248*	200*	160*	223*	199*	0*	0*	0*	0*	
WALLACE											
OWNER TOTAL	1*	1*	1*	1*	1*	1*	1*	1*	1*	1*	
WARD, FLOYD											
OWNER TOTAL	1*	1*	1*	103*	103*	42*	92*	92*	92*	2*	
WEATHERMAX, W. G.											
OWNER TOTAL	0*	0*	0*	0*	0*	0*	0*	0*	0*	0*	
WEST SAN BDNM. COUNTY WATER DIST.											
OWNER TOTAL	13584*	12090*	13587*	11331*	11837*	12486*	7531*	7419*	8133*	8059*	
WEST TWIN CREEK WTH. CO.											
OWNER TOTAL	200*	200*	150*	150*	50*	150*	200*	76*	35*	49*	

TABLE NO. 3

SUMMARY OF EXTRACTIONS (FILED & NON-FILED) FROM
 SAN BERNARDINO BASIN AREA BY NON-PLAINTIFFS FOR
 USE WITHIN SAN BERNARDINO COUNTY

OWNER	5 YEAR AVERAGE										
	1959	1960	1961	1962	1963	1970	1971	1972	1973	1974	1975
WESTERN FRUIT GROWERS											
OWNER TOTAL	147*	220*	177*	0*	0*	109*	0*	0*	0*	0*	0*
WIDEMEYER											
OWNER TOTAL	6*	6*	6*	6*	6*	6*	1*	0*	0*	0*	0*
WILEY, RUTH NORWOOD											
OWNER TOTAL	0*	0*	0*	0*	52*	10*	20*	24*	1*	1*	1*
WILLIAMS DAIRY											
OWNER TOTAL	142*	142*	142*	142*	142*	142*	0*	0*	0*	0*	0*
WILLIAMS WELL CORPORATION, LTD.											
OWNER TOTAL	721*	684*	765*	706*	595*	694*	543*	538*	379*	507*	507*
WOEHR MUTUAL WATER COMPANY											
OWNER TOTAL	374*	465*	625*	488*	423*	475*	256*	161*	153*	235*	235*
YAHIKU, PAUL											
OWNER TOTAL	50*	95*	51*	51*	51*	60*	64*	64*	36*	60*	60*
YORK											
OWNER TOTAL	59*	55*	49*	59*	57*	56*	55*	51*	26*	26*	26*
7TH AVE. WELL											
OWNER TOTAL	230*	342*	514*	161*	271*	304*	178*	363*	10*	137*	137*
TOTAL VERIFIED PRODUCTION ALL FACILITIES	191189*	174999*	182060*	175939*	158609*	176559*	168955*	164917*	167126*	161003*	164583*

TABLE NO. 4

LYTLE CREEK VERIFICATION OF EXTRACTIONS FOR
CALENDAR YEARS 1959-1963 & 1970-1974

TABLE NO. 4

LYTLE CREEK
VERIFICATIONS OF
EXTRACTIONS
FOR
CALENDAR YEAR 1959

LINE NO.	LOCATION OF MEASUREMENT	JAN.	FEB.	MARCH	APRIL	MAY	JUNE	JULY	AUG.	SEPT.	OCT.	NOV.	DEC.	TOTAL	REMARKS
1	Weir No. 1	1,337	1,043	1,406	1,085	1,026	948	797	732	875	910	847	873	11,879	See Note 1
2	Weir No. 2	0	0	0	0	0	0	0	0	0	0	0	0	0	See Note 2
3	Weir No. 3	292	235	575	323	307	241	200	188	150	182	137	123	2,953	See Note 3
4	Total of Weirs No. 1, 2, & 3	1,629	1,278	1,981	1,408	1,333	1,189	997	920	1,025	1,092	984	996	14,832	Lines 1 + 2 + 3
5	Deduct Stream Return Over 20' Weir	8	3	0	0	0	0	0	0	0	0	0	0	11	See Note 4
6	Total Calculated Flow to Lower Power House	1,621	1,275	1,981	1,408	1,333	1,189	997	920	1,025	1,092	984	996	14,821	Line 4 - 5
7	Annual % Difference $\frac{\text{Line 8} - \text{Line 6}}{\text{Line 6}} \times 100$													- 1.2%	See Note 5
8	Measured Flow to Lower Power House	1,623	1,253	1,955	1,374	1,342	1,174	991	906	1,028	1,069	954	978	14,647	See Note 6
	Deduct Miller Narrows Wells														See Note 7
9	Well No. 1 SDWR Recordation No. 3600588	0	0	0	0	0	0	0	0	0	0	0	0	0	See Note 7
10	Well No. 2 SDWR Recordation No. 3600590	0	0	0	0	141	333	341	340	268	266	259	237	2,185	See Note 7
11	Total Pumped Water	0	0	0	0	141	333	341	340	268	266	259	237	2,185	Line 9 + 10
12	Stream Flow Diverted From Lytle Creek	1,623	1,253	1,955	1,374	1,201	841	650	566	760	803	695	741	12,462	Line 8 - 11
13	Deduct Flow Returned to Stream Below Lower Power House	400	411	326	19	0	0	0	0	172	35	6	95	1,464	See Note 8
14	Total Stream Diversion at Lower Power House	1,223	842	1,629	1,355	1,201	841	650	566	588	768	689	646	10,998	Line 12 - 13
	Breed Line Calculation														
15	Weir No. 4	80	141	91	112	112	101	102	95	79	83	84	73	1,153	See Note 9
16	Less Water Pumped Fontana Union Well No. 27 SDWR Recordation No. 3600582	39	19	65	81	84	75	69	62	46	46	41	25	652	See Note 10
17	Total Stream Diversion at Fontana Union Intake to Breed Line	41	122	26	31	28	26	33	33	33	37	43	48	501	Line 15 - 16
18	Total Lytle Creek Stream Diversion as Verified	1,264	964	1,655	1,386	1,229	867	683	599	621	805	732	694	11,499	Line 14 + 17

NOTES

- Weir No. 1 measures Southern California Edison Conduit near Fontana (USGS).
- Weir No. 2 measures Infiltration Line Water to Fontana Union Intake (USGS).
- Weir No. 3 measures either stream diversion or infiltration water (USGS).
- 20 foot weir measures flow returned to stream at intake (Fontana Union).
- Annual Percentage of difference between Measured & Calculated Flow at Lower Power House.
- Measured Flow at Lower Power House (USGS) assumed to be correct.
- Water extracted by Fontana Union Water Company Miller Narrows wells and discharged to Edison Conduit. (Fontana Union).
- Water returned to stream from afterbay at Lower Power House (Fontana Union).
- Weir No. 4 measures flow to Breed Line at Intake (USGS).
- Fontana Union Water Company Well #27 pumps intermittently to Breed Line (Fontana Union).

TABLE NO. 4

LYTLE CREEK
VERIFICATIONS OF
EXTRACTIONS
FOR
CALENDAR YEAR 1960

LINE NO.	LOCATION OF MEASUREMENT	JAN.	FEB.	MARCH	APRIL	MAY	JUNE	JULY	AUG.	SEPT.	OCT.	NOV.	DEC.	TOTAL	REMARKS
1	Weir No. 1	989	1,007	956	772	855	591	497	456	432	520	666	704	8,445	See Note 1
2	Weir No. 2	0	0	0	0	0	0	0	0	0	0	0	0	0	See Note 2
3	Weir No. 3	118	125	141	113	136	146	152	135	125	112	78	145	1,526	See Note 3
4	Total of Weirs No. 1, 2, & 3	1,107	1,132	1,097	885	991	737	649	591	557	632	744	849	9,971	Lines 1 + 2 + 3
5	Deduct Stream Return Over 20' Weir	0	0	1	0	0	0	0	0	0	0	1	0	2	See Note 4
6	Total Calculated Flow to Lower Power House	1,107	1,137	1,096	885	991	737	649	591	557	632	743	849	9,969	Line 4 - 5
7	Annual % Difference $\frac{\text{Line 8} - \text{Line 6}}{\text{Line 6}} \times 100$													+ 1.2%	See Note 5
8	Measured Flow to Lower Power House	1,106	1,127	1,119	910	1,000	738	649	602	566	647	760	869	10,093	See Note 6
Deduct Miller Narrow Wells															
9	Well No. 1 SDMR Recordation No. 3600588	0	0	0	0	0	0	0	0	0	0	0	0	0	See Note 7
10	Well No. 2 SDMR Recordation No. 3600590	186	213	280	244	302	293	302	299	291	302	159	274	3,165	See Note 7
11	Total Pumped Water	186	213	280	244	302	293	302	299	291	302	159	274	3,165	Line 9 + 10
12	Stream Flow Diverted From Lytle Creek	920	914	839	666	698	445	347	303	275	345	601	595	6,948	Line 8 - 11
13	Deduct Flow Returned to Stream Below Lower Power House	144	160	45	63	0	0	0	0	0	36	304	9	761	See Note 8
14	Total Stream Diversion at Lower Power House	776	754	794	603	698	445	347	303	275	309	297	586	6,187	Line 12 - 13
Breed Line Calculation															
15	Weir No. 4	82	76	37	61	36	62	75	52	47	54	101	42	725	See Note 9
16	Less Water Pumped Fontana Union Well No. 27 SDMR Recordation No. 3600582	33	19	0	0	0	30	41	22	16	16	13	14	204	See Note 10
17	Total Stream Diversion at Fontana Union Intake to Breed Line	49	57	37	61	36	32	34	30	31	38	88	28	521	Line 15 - 16
18	Total Lytle Creek Stream Diversion as Verified	825	811	831	664	734	477	381	333	306	347	385	614	6,708	Line 14 + 17

NOTES

- Weir No. 1 measures Southern California Edison Conduit near Fontana (USGS).
- Weir No. 2 measures Infiltration Line Water to Fontana Union Intake (USGS).
- Weir No. 3 measures either stream diversion or infiltration water (USGS).
- 20 foot weir measures flow returned to stream at intake (Fontana Union).
- Annual Percentage of difference between Measured & Calculated Flow at Lower Power House.

NOTES

- Measured Flow at Lower Power House (USGS) assumed to be correct.
- Water extracted by Fontana Union Water Company Miller Narrows Wells and discharged to Edison Conduit. (Fontana Union).
- Water returned to stream from afterbay at Lower Power House (Fontana Union).
- Weir No. 4 measures flow to Breed Line at Intake (USGS).
- Fontana Union Water Company Well #27 pumps intermittently to Breed Line (Fontana Union).

TABLE NO. 4
LYTLE CREEK
VERIFICATIONS OF
EXTRACTIONS
FOR
CALENDAR YEAR 1961

LINE NO.	LOCATION OF MEASUREMENT	JAN.	FEB.	MARCH	APRIL	MAY	JUNE	JULY	AUG.	SEPT.	OCT.	NOV.	DEC.	TOTAL	REMARKS
1	Weir No. 1	634	624	658	531	505	442	378	372	366	362	418	626	5,936	See Note 1
2	Weir No. 2	0	0	0	0	0	0	0	0	0	0	0	0	0	See Note 2
3	Weir No. 3	117	115	130	114	117	108	109	93	86	70	48	110	1,217	See Note 3
4	Total of Weirs No. 1, 2, & 3	751	739	788	665	622	550	487	465	452	432	466	736	7,153	Lines 1 + 2 + 3
5	Deduct Stream Return Over 20' Weir	2	0	0	0	0	0	0	0	0	0	0	3	5	See Note 4
6	Total Calculated Flow to Lower Power House	749	739	788	665	622	550	487	465	452	432	466	733	7,148	Line 4 - 5
7	Annual % Difference $\frac{\text{Line 8} - \text{Line 6}}{\text{Line 6}} \times 100$													+ 2.5%	See Note 5
8	Measured Flow to Lower Power House	752	762	813	700	637	544	488	480	472	431	469	785	7,333	See Note 6
	Deduct Miller Narrows Wells														See Note 7
9	Well No. 1 SDRR Recordation No. 3600588	0	0	0	0	0	0	0	0	0	0	0	0	0	See Note 7
10	Well No. 2 SDRR Recordation No. 3600590	220	231	265	253	262	253	262	259	250	261	233	257	3,006	See Note 7
11	Total Pumped Water	220	231	265	253	262	253	262	259	250	261	233	257	3,006	Line 9 + 10
12	Stream Flow Diverted From Lytle Creek	532	531	548	447	375	291	226	221	222	170	236	528	4,327	Line 8 - 11
13	Deduct Flow Returned to Stream Below Lower Power House	89	32	22	6	3	0	0	0	0	0	78	82	312	See Note 8
14	Total Stream Diversion at Lower Power House	443	499	526	441	372	291	226	221	221	170	158	446	4,015	Line 12 - 13
	Breed Line Calculation														
15	Weir No. 4	65	35	31	32	35	32	32	33	31	32	45	68	471	See Note 9
16	Less Water Pumped Fontana Union Well No. 27 SDRR Recordation No. 3600582	13	1	1	3	4	6	8	6	3	4	3	6	58	See Note 10
17	Total Stream Diversion at Fontana Union Intake to Breed Line	52	34	30	29	31	26	24	27	28	28	42	62	413	Line 15 - 16
18	Total Lytle Creek Stream Diversion as Verified	495	533	556	470	403	317	250	248	250	198	200	508	4,428	Line 14 + 17

NOTES

- Weir No. 1 measures Southern California Edison Conduit near Fontana (USGS).
- Weir No. 2 measures infiltration Line Water to Fontana Union Intake (USGS).
- Weir No. 3 measures either stream diversion or infiltration water (USGS).
- 20 foot weir measures flow returned to stream at intake (Fontana Union).
- Annual Percentage of difference between Measured & Calculated Flow at Lower Power House.
- Measured Flow at Lower Power House (USGS) assumed to be correct.
- Water extracted by Fontana Union Water Company Miller Narrows Wells and discharged to Edison Conduit. (Fontana Union).
- Water returned to stream from afterbay at Lower Power House (Fontana Union).
- Weir No. 4 measures flow to Breed Line at Intake (USGS).
- Fontana Union Water Company Well #27 pumps intermittently to Breed Line (Fontana Union).

TABLE NO. 4

LYTLE CREEK
VERIFICATIONS OF
EXTRactions
FOR
CALENDAR YEAR 1962

LINE NO.	LOCATION OF MEASUREMENT	JAN.	FEB.	MARCH	APRIL	MAY	JUNE	JULY	AUG.	SEPT.	OCT.	NOV.	DEC.	TOTAL	REMARKS
1	Weir No. 1	698	721	1,448	1,359	966	847	738	636	738	1,289	1,327	1,254	12,021	See Note 1
2	Weir No. 2	0	196	403	0	0	0	0	0	0	0	0	0	599	See Note 2
3	Weir No. 3	177	335	526	477	327	290	238	230	208	196	183	174	3,411	See Note 3
4	Total of Weirs No. 1, 2, & 3	875	1,252	2,427	1,836	1,293	1,137	976	866	946	1,485	1,510	1,428	16,031	Lines 1 + 2 + 3
5	Deduct Stream Return Over 20' Weir	0	69	72	0	0	0	0	0	0	0	0	0	141	See Note 4
6	Total Calculated Flow to Lower Power House	875	1,183	2,355	1,836	1,293	1,137	976	866	946	1,485	1,510	1,428	15,890	Line 4 - 5
7	Annual % Difference $\frac{\text{Line 8} - \text{Line 6}}{\text{Line 6}} \times 100$													- 1.3%	See Note 5
8	Measured Flow to Lower Power House	894	1,187	2,386	1,827	1,291	1,113	978	845	904	1,450	1,454	1,361	15,690	See Note 6
<u>Deduct Miller Narrow Wells</u>															
9	Well No. 1 SD&R Recordation No. 3600588	0	0	0	0	0	0	0	0	0	0	0	0	0	See Note 7
10	Well No. 2 SD&R Recordation No. 3600590	293	81	0	0	0	232	308	310	299	303	294	301	2,421	See Note 7
11	Total Pumped Water	293	81	0	0	0	232	308	310	299	303	294	301	2,421	Line 9 + 10
12	Stream Flow Diverted From Lytle Creek	601	1,106	2,386	1,827	1,291	981	670	535	605	1,147	1,160	1,060	13,269	Line 8 - 11
13	Deduct Flow Returned to Stream Below Lower Power House	49	515	809	616	20	0	0	0	0	31	0	0	2,040	See Note 8
14	Total Stream Diversion at Lower Power House	552	591	1,577	1,211	1,271	881	670	535	605	1,116	1,160	1,060	11,229	Line 12 - 13
<u>Breed Line Calculation</u>															
15	Weir No. 4	41	143	40	101	81	77	77	73	65	59	43	32	832	See Note 9
16	Less Water Pumped Fontana Union Well No. 27 SD&R Recordation No. 3600582	2	8	3	59	42	40	38	34	28	33	18	1	306	See Note 10
17	Total Stream Diversion at Fontana Union Intake to Breed Line	39	135	37	42	39	37	39	39	37	26	25	31	526	Line 15 - 16
18	Total Lytle Creek Stream Diversion as Verified	591	726	1,614	1,253	1,310	918	709	574	642	1,142	1,185	1,091	11,755	Line 14 + 17

NOTES

1. Weir No. 1 measures Southern California Edison Conduit near Fontana (USGS).
2. Weir No. 2 measures Infiltration Line Water to Fontana Union Intake (USGS).
3. Weir No. 3 measures either stream diversion or infiltration water (USGS).
4. 20 foot weir measures flow returned to stream at intake (Fontana Union).
5. Annual Percentage of difference between Measured & Calculated Flow at Lower Power House.
6. Measured Flow at Lower Power House (USGS) assumed to be correct.
7. Water extracted by Fontana Union Water Company Miller Narrow Wells and discharged to Edison Conduit (Fontana Union).
8. Water returned to stream from afterbay at Lower Power House (Fontana Union).
9. Weir No. 4 measures flow to Breed Line at Intake (USGS).
10. Fontana Union Water Company Well #27 pumps intermittently to Breed Line (Fontana Union)

TABLE NO. 4

LYTLE CREEK
VERIFICATIONS OF
EXTRACTIONS

FOR
CALENDAR YEAR 1963

LINE NO.	LOCATION OF MEASUREMENT	JAN.	FEB.	MARCH	APRIL	MAY	JUNE	JULY	AUG.	SEPT.	OCT.	NOV.	DEC.	TOTAL	REMARKS
1	Weir No. 1	1,174	947	1,095	944	918	718	574	528	521	660	616	726	9,421	See Note 1
2	Weir No. 2	0	0	0	0	0	0	0	0	0	0	0	0	0	See Note 2
3	Weir No. 3	155	145	223	194	196	154	154	139	75	73	68	74	1,650	See Note 3
4	Total of Weirs No. 1, 2, & 3	1,329	1,092	1,318	1,138	1,114	872	728	667	596	733	684	800	11,071	Lines 1 + 2 + 3
5	Deduct Stream Return Over 20" Weir	0	0	0	0	0	0	0	0	0	0	4	0	4	See Note 4
6	Total Calculated Flow to Lower Power House	1,329	1,092	1,318	1,138	1,114	872	728	667	596	733	680	800	11,067	Line 4 - 5
7	Annual % Difference Line 8 - Line 6 x 100														
8	Measured Flow to Lower Power House	1,246	1,038	1,273	1,121	1,109	881	742	688	615	803	725	881	11,122	+ 0.5% See Note 5 See Note 6
Deduct Miller Narrow Wells															
9	Well No. 1 SDRR Recordation No. 3600588	0	0	0	0	0	0	0	0	0	0	0	0	0	See Note 7
10	Well No. 2 SDRR Recordation No. 3600590	296	172	253	283	299	289	294	303	201	277	183	312	3,162	See Note 7
11	Total Pumped Water	296	172	253	283	299	289	294	303	201	277	183	312	3,162	Line 9 + 10
12	Stream Flow Diverted From Lytle Creek	950	866	1,020	838	810	592	448	385	414	526	542	569	7,960	Line 8 - 11
13	Deduct Flow Returned to Stream Below Lower Power House	11	100	51	64	10	0	16	0	219	36	112	2	621	See Note 8
14	Total Stream Diversion at Lower Power House	939	766	969	774	800	592	432	385	195	490	430	567	7,339	Line 12 - 13
Breed Line Calculation															
15	Weir No. 4	32	64	42	41	31	29	37	42	85	51	68	42	564	See Note 9
16	Less Water Pumped Fontana Union Well No. 27 SDRR Recordation No. 3600582	0	0	0	2	0	0	10	17	7	0	0	6	42	See Note 10
17	Total Stream Diversion at Fontana Union Intake to Breed Line	32	64	42	39	31	29	27	25	78	51	68	36	522	Line 15 - 16
18	Total Lytle Creek Stream Diversion as Verified	971	830	1,011	813	831	621	459	410	273	541	498	603	7,861	Line 14 + 17

NOTES

- Weir No. 1 measures Southern California Edison Conduit near Fontana (USGS).
- Weir No. 2 measures Infiltration Line Water to Fontana Union Intake (USGS).
- Weir No. 3 measures either stream diversion or infiltration water (USGS).
- 20 foot weir measure flow returned to stream at intake (Fontana Union).
- Annual Percentage of difference between Measured & Calculated Flow at Lower Power House.
- Measured Flow at Lower Power House (USGS) assumed to be correct.
- Water extracted by Fontana Union Water Company Miller Narrow Wells and discharged to Edison Conduit (Fontana Union).
- Water returned to stream from afterbay at Lower Power House (Fontana Union).
- Weir No. 4 measures flow to Breed Line at Intake (USGS).
- Fontana Union Water Company Well #27 pumps intermittently to Breed Line (Fontana Union)

TABLE NO. 4
LYTLE CREEK
VERIFICATIONS OF
EXTRACTIONS
FOR
CALENDAR YEAR 1970

LINE NO.	LOCATION OF MEASUREMENT	JAN.	FEB.	MARCH	APRIL	MAY	JUNE	JULY	AUG.	SEPT.	OCT.	NOV.	DEC.	TOTAL	REMARKS
1	Weir No. 1	1,440	1,260	1,380	1,410	1,240	1,200	1,030	958	988	809	1,046	980	13,741	See Note 1
2	Weir No. 2	221	165	459	313	284	170	159	26	0	0	0	0	1,797	See Note 2
3	Weir No. 3	220	168	483	55	0	0	0	122	143	242	149	116	1,693	See Note 3
3a	Well No. 27 SDMR Recordation No. 3600582	0	0	0	0	40	6	69	66	51	0	0	0	232	See Note 3a
4	Total of Weirs No. 1, 2 & 3 & Well No. 27	1,881	1,593	2,322	1,778	1,564	1,376	1,258	1,172	1,182	1,051	1,195	1,096	17,468	Lines 1+2+3+3a
5	Deduct Stream Return Over 20' Weir	0	0	83	0	0	0	0	0	0	0	10	80	173	See Note 4
6	Total Calculated Flow to Lower Power House	1,881	1,593	2,239	1,778	1,564	1,376	1,258	1,172	1,182	1,051	1,185	1,016	17,295	Line 4 - 5
7	Annual % Difference $\frac{\text{Line 8} - \text{Line 6}}{\text{Line 6}} \times 100$													- 2.4%	See Note 5
8	Measured Flow to Lower Power House	1,930	1,560	2,190	1,330	1,510	1,370	1,280	1,200	1,190	1,150	1,170	1,010	16,890	See Note 6
	Deduct Miller Narrows Wells & Well No. 27														
9	Well No. 1 SDMR Recordation No. 3600588	0	0	0	0	0	0	0	0	0	0	0	0	0	See Note 7
10	Well No. 2 SDMR Recordation No. 3600590	0	0	0	0	0	290	299	299	286	181	252	0	1,607	See Note 7
10a	Well No. 27 SDMR Recordation No. 3600582	0	0	0	0	40	6	69	66	51	0	0	0	232	See Note 3a
11	Total Pumped Water	0	0	0	0	40	296	368	365	337	181	252	0	1,339	Line 9+10+10a
12	Stream Flow Diverted From Lytle Creek	1,930	1,560	2,190	1,330	1,470	1,074	912	835	853	969	918	1,010	15,051	Line 8 - 11
	Deduct Flow Returned to Stream Below Lower Power House														
13	Return Flow From Afterbay	441	310	685	13	0	3	0	0	0	9	18	108	1,587	See Note 8
14	Return Flow From NSECWD Division Box	240	272	280	367	295	274	110	113	14	89	126	205	2,385	See Note 11
15	Total Return Flow Below Lower Power House	681	582	965	380	295	277	110	113	14	98	144	313	3,972	Line 13+14
16	Net Stream Diversion at Lower Power House	1,249	978	1,225	950	1,175	797	802	722	839	871	774	697	11,079	Line 12 - 15
	Breed Line Calculation														
17	Weir No. 4	33	48	59	35	33	39	36	33	32	29	33	75	485	See Note 9
18	Less Water Pumped Fontana Union Well No. 27 SDMR Recordation No. 3600582 to Breed Line	0	0	0	0	0	0	0	0	0	0	0	0	0	See Note 10
19	Net Stream Diversion at Fontana Union Intake to Breed Line	33	48	59	35	33	39	36	33	32	29	33	75	485	Line 17 - 18
20	Total Lytle Creek Stream Diversion as Verified	1,282	1,026	1,284	985	1,208	836	838	755	871	900	807	772	11,564	Line 16 + 19

NOTES

- Weir No. 1 measures Southern California Edison Conduit near Fontana (USGS).
- Weir No. 2 measures Infiltration Line Water to Fontana Union Intake (USGS).
- Weir No. 3 measures either stream diversion or infiltration water (USGS).
- Fontana Union Water Co. Well No. 27 Pumps Intermittently to Fontana Power House Intake.
- 20 foot weir measures flow returned to intake (Fontana Union).
- Annual Percentage of difference between Measured & Calculated Flow at Lower Power House.
- Measured Flow at Lower Power House (USGS) assumed to be correct.
- Water extracted by Fontana Union Water Company Miller Narrows wells and discharged to Edison Conduit (Fontana Union).
- Water returned to stream from afterbay at Lower Power House (Fontana Union).
- Weir No. 4 measures flow to Breed Line at Intake (USGS).
- Fontana Union Water Company Well #27 pumps intermittently to Breed Line (Fontana Union).
- Water returned to stream from West San Bernardino County Water District Division Box (company records).

Note: Verified extractions corrected during the 1973 verification.

TABLE NO. 4

LYTLE CREEK
VERIFICATIONS OF
EXTRACTIONS
FOR

CALENDAR YEAR 1971

LINE NO.	LOCATION OF MEASUREMENT	JAN.	FEB.	MARCH	APRIL	MAY	JUNE	JULY	AUG.	SEPT.	OCT.	NOV.	DEC.	TOTAL	REMARKS
1	Weir No. 1	1,240	1,210	1,120	1,230	1,170	940	801	746	688	746	837	653	11,381	See Note 1
2	Weir No. 2	0	0	0	0	0	0	41	148	143	148	152	112	744	See Note 2
3	Weir No. 3	157	216	238	182	152	138	66	0	0	0	0	8	1,157	See Note 3
3(a)	Weir No. 27 SDWR Recordation No. 3600582	-	-	-	-	-	-	-	-	-	-	-	-	-	See Note 3(a)
4	Total of Weirs No. 1, 2, 3 & Well No. 27	1,397	1,426	1,358	1,412	1,322	1,078	908	894	831	894	989	773	13,282	Lines 1 + 2 + 3 + 3(a)
5	Deduct Stream Return Over 20' Weir	0	0	0	0	0	0	39	6	0	0	0	93	138	See Note 4
6	Total Calculated Flow to Lower Power House	1,397	1,426	1,358	1,412	1,322	1,078	869	888	831	894	989	680	13,144	Line 4 - 5
7	Annual % Difference $\frac{\text{Line 6} - \text{Line 5}}{\text{Line 6}} \times 100$													-1.2%	See Note 5
8	Measured Flow to Lower Power House	1,350	1,370	1,320	1,360	1,250	1,050	926	865	863	920	948	772	12,994	See Note 6
9	Edurdt Miller Narrows Wells & Well No. 27														
9	Well No. 1 SDWR Recordation No. 3600588	0	0	0	0	0	0	0	0	0	0	0	0	0	See Note 7
10	Well No. 2 SDWR Recordation No. 3600590	0	0	33	321	304	306	307	284	300	290	310	221	2,676	See Note 7
10(a)	Well No. 27 SDWR Recordation No. 3600582	-	-	-	-	-	-	-	-	-	-	-	-	-	See Note 3(a)
11	Total Pumped Water	0	0	33	321	304	306	307	284	300	290	310	221	2,676	Line 9 + 10 + 10(a)
12	Stream Flow Diverted From Lytle Creek	1,350	1,370	1,287	1,039	946	744	619	581	563	630	638	551	10,318	Line 8 - 11
13	Deduct Flow Returned to Stream Below Lower Power House														
13	Return Flow From Afterbay	126	49	60	20	15	0	0	0	0	0	0	21	291	See Note 8
14	Return Flow From USBCHD Division Box	327	382	335	357	294	506	297	155	8	157	337	264	3,439	See Note 11
15	Total Return Flow Below Lower Power House	453	431	395	377	309	506	297	155	8	157	337	285	3,730	Line 13 + 14
16	Net Stream Diversion at Lower Power House	897	939	892	662	637	238	322	426	555	473	281	266	6,588	Line 12 - 15
17	Breed Line Calculation														
17	Weir No. 4	46	33	34	30	39	52	51	41	43	83	74	133	659	See Note 9
18	Less Water Pumped Fontana Union Well No. 27 SDWR Recordation No. 3600582	0	0	0	0	0	18	2	0	0	38	43	39	140	See Note 10
19	Net Stream Diversion at Fontana Union Intake to Breed Line	46	33	34	30	39	34	49	41	43	45	31	94	519	Line 17 - 18
20	Total Lytle Creek Stream Diversion as verified	943	972	926	692	676	272	371	467	598	518	312	360	7,107	Line 16 + 19

NOTES

- Weir No. 1 measures Southern California Edison Conduit near Fontana (USGS).
 - Weir No. 2 measures Infiltration Line Water to Fontana Union Intake (USGS).
 - Weir No. 3 measures either stream diversion or infiltration water (USGS).
 - Fontana Union Water Co. Well No. 27 pumps intermittently to Fontana Power House Intake.
 - 20 foot weir measures flow returned to stream at intake (Fontana Union).
 - Annual Percentage of difference between Measured & Calculated Flow at Lower Power House.
- Notes:
- Measured Flow at Lower Power House (USGS) assumed to be correct.
 - Water extracted by Fontana Union Water Company Miller Narrows wells and discharged to Edison Conduit (Fontana Union).
 - Water returned to stream from afterbay at Lower Power House Fontana Union (USGS).
 - Weir No. 4 measures flow to Breed Line at Intake (USGS).
 - Fontana Union Water Company Well #27 pumps intermittently to Breed Line (Fontana Union).
 - Water returned to stream from West San Bernardino County Water District Division Box (company records)

Note: Verified extractions corrected during the 1973 verification.

TABLE NO. 4
LYTLE CREEK
VERIFICATIONS OF
EXTRACTIONS
FOR
CALENDAR YEAR 1972

LINE NO.	LOCATION OF MEASUREMENT	JAN.	FEB.	MARCH	APRIL	MAY	JUNE	JULY	AUG.	SEPT.	OCT.	NOV.	DEC.	TOTAL	REMARKS
1	Weir No. 1	1,149	1,079	1,042	938	859	732	655	624	632	698	816	928	10,152	See Note 1
2	Weir No. 2	226	209	181	146	141	129	159	164	159	158	143	159	1,974	See Note 2
3	Weir No. 3	558	70	0	0	0	0	0	0	0	0	0	0	628	See Note 3
3(a)	Well No. 27 SDRR Recordation No. 3600582	0	0	0	0	0	0	0	0	0	0	0	0	0	See Note 3(a)
4	Total of Weirs No. 1, 2, 3 & Well No. 27	1,933	1,358	1,223	1,084	1,000	861	814	788	791	856	959	1,087	12,754	Lines 1 + 2 + 3 + 3(a)
5	Deduct Stream Return Over 20' Weir	0	0	0	0	0	0	4	0	0	0	2	0	6	See Note 4
6	Total Calculated Flow to Lower Power House	1,933	1,358	1,223	1,084	1,000	861	810	788	791	856	957	1,087	12,748	Line 4 - 5
7	Annual % Difference $\frac{\text{Line 8} - \text{Line 6}}{\text{Line 6}} \times 100$													+0.68	See Note 5
8	Measured Flow to Lower Power House	1,898	1,390	1,289	1,039	996	841	829	770	782	881	995	1,125	12,835	See Note 6
	Deduct Miller Narrows Wells & Well No. 27														
9	Well No. 1 SDRR Recordation No. 3600588	0	0	0	0	0	0	0	0	0	0	0	0	0	See Note 7
10	Well No. 2 SDRR Recordation No. 3600590	0	120	312	301	324	313	319	306	300	310	271	299	3,175	See Note 7
10(a)	Well No. 27 SDRR Recordation No. 3600582	0	0	0	0	0	0	0	0	0	0	0	0	0	See Note 3(a)
11	Total Pumped Water	0	120	312	301	324	313	319	306	300	310	271	299	3,175	Line 9 + 10 + 10(a)
12	Stream Flow Diverted From Lytle Creek	1,898	1,270	977	738	672	528	510	464	482	571	724	826	9,660	Line 8 - 11
	Deduct Flow Returned to Stream Below Lower Power House														
13	Return Flow From Afterbay	439	91	6	0	0	0	1	1	0	0	21	4	563	See Note 8
14	Return Flow From WSPCW Division Box	380	413	340	503	122	19	0	0	0	55	142	454	2,428	See Note 11
15	Total Return Flow Below Lower Power House	819	504	346	503	122	19	1	1	0	55	163	458	2,991	Line 13 + 14
16	Net Stream Diversion at Lower Power House	1,079	766	631	235	550	509	509	463	482	516	561	368	6,669	Line 12 - 15
	Breed Line Calculation														
17	Weir No. 4	42	47	119	113	107	74	81	85	81	86	91	105	1,031	See Note 9
18	Less Water Pumped Fontana Union Well No. 27 SDRR Recordation No. 3600582	3	10	74	74	68	39	38	44	53	56	54	59	572	See Note 10
19	Net Stream Diversion at Fontana Union Intake to Breed Line	39	37	45	39	39	35	43	41	28	30	37	46	459	Line 17 - 18
20	Total Lytle Creek Stream Diversion as verified	1,118	803	676	274	589	544	552	504	510	546	598	414	7,128	Line 16 + 19

NOTES

- Weir No. 1 measures Southern California Edison Conduit near Fontana (USGS).
- Weir No. 2 measures Infiltration Line Water to Fontana Union Intake (USGS).
- Weir No. 3 measures either stream diversion or infiltration water (USGS).
- Fontana Union Water Co. Well No. 27 pumps intermittently to Fontana Power House Intake.
- 20 foot weir measures flow returned to stream at intake (Fontana Union).
- Annual Percentage of difference between Measured & Calculated Flow at Lower Power House.
- Verified extractions corrected during the 1973 verification.
- Measured Flow at Lower Power House (USGS) assumed to be correct.
- Water extracted by Fontana Union Water Company Miller Narrows wells and discharged to Edison Conduit (Fontana Union).
- Water returned to stream from afterbay at Lower Power House Fontana Union (USGS).
- Weir No. 4 measures flow to Breed Line at Intake (USGS).
- Fontana Union Water Company Well #27 pumps intermittently to Breed Line (Fontana Union).
- Water returned to stream from West San Bernardino County Water District Division Box (company records)

TABLE NO. 4
LYTLE CREEK
VERIFICATIONS OF
EXTRACTIONS
FOR
CALENDAR YEAR 1973

LINE NO.	LOCATION OF MEASUREMENT	JAN.	FEB.	MARCH	APRIL	MAY	JUNE	JULY	AUG.	SEPT.	OCT.	NOV.	DEC.	TOTAL	REMARKS
1	Weir No. 1	936	841	1,191	1,359	1,353	1,345	1,335	1,208	1,369	1,143	1,323	1,299	14,702	See Note 1
2	Weir No. 2	171	238	550	383	318	304	302	229	211	295	266	290	3,557	See Note 2
3	Weir No. 3	0	385	997	1,069	639	90	8	1	4	171	62	0	3,427	See Note 3
3(a)	Well No. 27 SDWR Recordation No. 3600582	0	0	0	0	0	0	0	0	0	0	0	0	0	See Note 3(a)
4	Total of Weirs No. 1, 2, 3 & Well No. 27	1,108	1,464	2,738	2,811	2,310	1,739	1,645	1,438	1,584	1,609	1,651	1,589	21,686	Lines 1 + 2 + 3 + 3(a)
5	Deduct Stream Return Over 20' Weir	5	43	480	365	0	1	0	0	0	3	28	0	925	See Note 4
6	Total Calculated Flow to Lower Power House	1,103	1,421	2,258	2,446	2,310	1,738	1,645	1,438	1,584	1,606	1,623	1,589	20,761	Line 4 - 5
7	Annual % Difference $\frac{\text{Line 8} - \text{Line 6}}{\text{Line 6}} \times 100$														
8	Measured Flow to Lower Power House	1,156	1,436	2,196	2,479	2,170	1,654	1,613	1,422	1,551	1,543	1,617	1,535	20,372	See Note 5
9	Deduct Miller Narrows Wells & Well No. 27														
10	Well No. 1 SDWR Recordation No. 3600588	0	0	0	0	0	0	0	0	0	0	0	0	0	See Note 7
10(a)	Well No. 2 SDWR Recordation No. 3600590	257	53	0	0	0	106	338	332	123	0	0	0	1,209	See Note 7
	Well No. 27 SDWR Recordation No. 3600582	0	0	0	0	0	0	0	0	0	0	0	0	0	See Note 3(a)
11	Total Pumped Water	257	53	0	0	0	106	338	332	123	0	0	0	1,209	Line 9 + 10 + 10(a)
12	Stream Flow Diverted From Lytle Creek	899	1,383	2,196	2,479	2,170	1,548	1,275	1,090	1,428	1,543	1,617	1,535	19,163	Line 8 - 11
	Deduct Flow Returned to Stream Below Lower Power House														
13	Return Flow From Afterbay	29	378	1,071	749	156	1	2	1	0	6	42	63	2,498	See Note 8
14	Return Flow From WSBCHD Division Box	493	333	376	493	437	377	151	60	20	304	242	300	3,586	See Note 11
15	Total Return Flow Below Lower Power House	522	711	1,447	1,242	593	378	153	61	20	310	284	363	6,084	Line 13 + 14
16	Net Stream Diversion at Lower Power House	377	672	749	1,237	1,577	1,170	1,122	1,029	1,408	1,233	1,333	1,172	13,079	Line 12 - 15
	Breed Line Calculation														
17	Weir No. 4	123	117	299	218	101	129	125	121	119	123	112	93	1,680	See Note 9
18	Less Water Pumped Fontana Union Well No. 27 SDWR Recordation No. 3600582	77	22	0	10	67	91	87	81	77	76	55	49	692	See Note 10
19	Net Stream Diversion at Fontana Union Intake to Breed Line	46	95	299	208	34	38	38	40	42	47	57	44	988	Line 17 - 18
20	Total Lytle Creek Stream Diversion as verified	423	767	1,048	1,445	1,611	1,208	1,160	1,069	1,450	1,280	1,390	1,216	14,067	Line 16 + 19

NOTES

1. Weir No. 1 measures Southern California Edison Conduit near Fontana (USGS).
2. Weir No. 2 measures Infiltration Line Water to Fontana Union Intake (USGS).
3. Weir No. 3 measures either stream diversion or infiltration water (USGS).
- 3a. Fontana Union Water Co. Well No. 27 pumps intermittently to Fontana Power House Intake.
4. 20 foot weir measures flow returned to stream at intake (Fontana Union).
5. Annual Percentage of difference between Measured & Calculated Flow at Lower Power House.
6. Measured Flow at Lower Power House (USGS) assumed to be correct.
7. Water extracted by Fontana Union Water Company Miller Narrows wells and discharged to Edison Conduit (Fontana Union).
8. Water returned to stream from afterbay at Lower Power House Fontana Union (USGS).
9. Weir No. 4 measures flow to Breed Line at Intake (USGS).
10. Fontana Union Water Company Well #27 pumps intermittently to Breed Line (Fontana Union).
11. Water returned to stream from West San Bernardino County Water District Division Box (company records).

Note: Verified extractions corrected during the 1973 verification.

TABLE NO. 4

LYTLE CREEK
VERIFICATIONS OF EXTRACTIONS
FOR CALENDAR YEAR 1974

LINE NO.	LOCATION OF MEASUREMENT	JAN.	FEB.	MARCH	APRIL	MAY	JUNE	JULY	AUG.	SEPT.	OCT.	NOV.	DEC.	TOTAL	REMARKS
1	Weir No. 1	1,294	1,267	1,295	1,380	1,367	1,148	1,045	1,039	986	1,107	1,222	1,190	14,340	See Note 1
2	Weir No. 2	136	283	256	301	290	261	206	191	188	181	165	186	2,644	See Note 2
3	Weir No. 3	579	288	780	300	32	24	23	13	12	8	2	0	2,061	See Note 3
3(a)	Weir No. 27 SDWR Recordation No. 3600582	7	19	0	3	20	87	83	74	73	42	32	60	500	See Note 3(a)
4	Total of Weirs No. 1, 2, 3 & Well No. 27	2,016	1,857	2,331	1,984	1,709	1,520	1,357	1,317	1,259	1,338	1,421	1,436	19,565	Lines 1 + 2 + 3 + 3(a)
5	Deduct Stream Return Over 20' Weir	57	0	76	0	0	0	0	0	0	0	0	1	134	See Note 4
6	Total Calculated Flow to Lower Power House	1,959	1,857	2,255	1,984	1,709	1,520	1,357	1,317	1,259	1,338	1,421	1,435	19,411	Line 4 - 5
7	Annual % Difference $\frac{\text{Line 8} - \text{Line 6}}{\text{Line 6}} \times 100$													- 4.46%	See Note 5
8	Measured Flow to Lower Power House	1,913	1,892	2,173	1,940	1,672	1,410	1,254	1,164	1,147	1,295	1,357	1,365	18,582	See Note 6
9	Deduct Miller Narrows Wells & Well No. 27	0	0	0	0	0	0	0	0	0	0	0	0	0	See Note 7
10	Well No. 1 SDWR Recordation No. 3600388	0	107	1	0	327	329	337	331	318	306	321	154	2,531	See Note 7
10(a)	Well No. 2 SDWR Recordation No. 3600590	7	19	0	3	20	87	83	74	73	42	32	60	500	See Note 3(a)
11	Total Pumped Water	7	126	1	3	347	416	420	405	391	348	353	214	3,031	Line 9 + 10 + 10(a)
12	Stream Flow Diverted From Lytle Creek	1,906	1,766	2,172	1,937	1,325	994	834	759	756	947	1,004	1,151	15,551	Line 8 - 11
13	Deduct Flow Returned to Stream Below Lower Power House	667	263	1,263	629	102	0	0	0	2	66	37	14	3,043	See Note 8
14	Return Flow From Afterbay	343	403	451	398	418	496	0	198	42	296	421	539	4,005	See Note 11
15	Total Return Flow Below Lower Power House	1,010	666	1,714	1,027	520	496	0	198	44	362	458	553	7,048	Line 13 + 14
16	Net Stream Diversion at Lower Power House	896	1,100	458	910	805	498	834	561	712	585	546	598	8,503	Line 12 - 15
17	Breed Line Calculation														
17	Weir No. 4	244	63	114	47	59	126	129	117	113	83	83	113	1,291	See Note 9
18	Less Water Pumped Fontana Union Well No. 27 SDWR Recordation No. 3600582	7	19	0	3	20	87	83	74	73	42	32	60	500	See Note 10
19	Net Stream Diversion at Fontana Union Intake to Breed Line	237	44	114	44	39	39	46	43	40	41	51	53	791	Line 17 - 18
20	Total Lytle Creek Stream Diversion as verified	1,133	1,144	572	954	844	537	880	604	752	626	597	651	9,294	Line 16 + 19

NOTES

- Weir No. 1 measures Southern California Edison Conduit near Fontana (USGS).
- Weir No. 2 measures Infiltration Line Water to Fontana Union Intake (USGS).
- Weir No. 3 measures either stream diversion or infiltration water (USGS).
- Fontana Union Water Co. Well No. 27 pumps intermittently to Fontana Power House Intake.
- 20 foot weir measures flow returned to stream at intake (Fontana Union).
- Annual Percentage of difference between Measured & Calculated Flow at Lower Power House.
- Measured Flow at Lower Power House (USGS) assumed to be correct.
- Water extracted by Fontana Union Water Company Miller Narrows wells and discharged to Edison Conduit (Fontana Union).
- Water returned to stream from afterbay at Lower Power House Fontana Union (USGS).
- Weir No. 4 measures flow to Breed Line at Intake (USGS).
- Fontana Union Water Company Well #27 pumps intermittently to Breed Line (Fontana Union).
- Water returned to stream from West San Bernardino County Water District Division Box (company records).

TABLE NO. 5

MILL CREEK VERIFICATION OF EXTRACTIONS FOR
CALENDAR YEAR 1974

TABLE NO. 5

MILL CREEK
VERIFICATIONS OF EXTRACTIONS
FOR CALENDAR YEAR 1974

Line No.	LOCATION OF MEASUREMENT	JAN.	FEB.	MARCH	APRIL	MAY	JUNE	JULY	AUG.	SEPT.	OCT.	NOV.	DEC.	TOTAL	REMARKS
1	Mill Creek Ranger Sta. diversion PH No. 283.	0	0	0	1	1	1	1	1	2	1	1	1	10	See Note 1
2	Mill Creek near Yucaipa Streamflow	272	35	240	181	22	26	311	162	20	59	18	93	1,439	See Note 2
3	Mill Creek near Yucaipa Power Canals	1,414	1,153	1,668	1,783	1,710	1,448	1,091	1,153	1,134	1,107	1,109	1,089	15,859	See Note 2
4	Mill Creek near Yucaipa combined flow	1,686	1,188	1,908	1,964	1,732	1,474	1,402	1,315	1,154	1,166	1,127	1,182	17,298	See Note 2
5	Total Flow Available for Diversion	1,686	1,188	1,908	1,965	1,733	1,475	1,403	1,316	1,156	1,167	1,128	1,183	17,308	Line 1 + 4
<u>Diversions</u>															
<u>Mill Creek No. 2 & 3 Powerhouse Afterbay</u>															
6	Diversion to Mill Creek Ranger Sta. from Afterbay	0	0	0	1	1	1	1	1	2	1	1	1	10	See Note 1
<u>City of Redlands Tate Filter Plant</u>															
7	Inflow to Tate Filter Plant	833	895	622	847	970	934	794	904	869	812	850	750	10,030	See Note 3
8	Less Filter Backwash Water Returned to Zanja	9	11	11	15	15	11	8	10	10	10	11	10	131	See Note 3
9	Less Ground Water Recharge in City Wells No's. 10, 11 & 12	110	22	38	19	18	0	22	16	5	11	20	29	310	See Note 4
10	Net Diversion from Available Flow	714	862	573	813	887	923	764	878	854	791	819	711	9,585	Line 7 - 8 - 9
<u>Bullion Box</u>															
11	Transfer of Mill Creek Water to Bear Valley Highline	0	0	0	0	0	0	0	0	0	0	0	0	0	See Note 5
12	Transfer of Santa Ana River Water to Zanja	0	0	0	0	0	0	0	0	0	0	0	0	0	See Note 5
<u>Crafton Water Company Canal</u>															
13	Inflow to Crafton Canal from Zanja	30	104	51	578	704	527	492	403	372	326	235	31	3,853	See Note 6
14	Less Ground Water Recharge - Hill Well & King St. Shaft	74	66	74	10	0	0	0	0	0	0	0	0	64	See Note 7
15	Net Diversion from Available Flow	(44)	38	(23)	568	704	527	492	403	372	326	235	(33)	3,565	Line 13 - 14
16	Total Flow Diverted Including Upper Mill Creek Wells	670	900	550	1,382	1,592	1,451	1,257	1,282	1,228	1,118	1,055	679	13,164	Line 10 + 11 - 12 + 15
<u>Deduct Upper Mill Creek Wells</u>															
17	City of Redlands Mill Creek No. 1 Rec. No. 3601282	0	0	0	0	0	0	75	81	0	83	141	137	524	See Note 8
18	City of Redlands Mill Creek No. 2 Rec. No. 3601285	0	0	0	0	0	179	269	243	221	205	175	164	1,456	See Note 8
19	City of Redlands Mill Creek No. 4 Rec. No. 3601288	0	0	0	0	0	99	86	123	118	116	102	98	742	See Note 8
20	City of Redlands Mill Creek No. 0-A Rec. No. 3602351	0	0	0	21	93	85	66	57	48	43	36	10	459	See Note 8
21	Total Upper Mill Creek Well Production	0	0	0	21	93	438	428	504	387	447	454	409	3,181	Line 17 + 18 + 19 + 20
22	Total Mill Creek Stream Diversion as Verified	670	900	550	1,361	1,499	1,013	829	778	841	671	601	270	9,983	Line 16 - 21

NOTES

- Metered Diversion from Powerhouse No. 2 & 3 Afterbay (City of Redlands).
- U.S.G.S. Records of Mill Creek flows.
- Tate Filter Plant operations records (City of Redlands).
- Metered recharge in Wells Numbers 10, 11 and 12 (Recordation Numbers 3601291, 3601292, and 3601293 respectively) (City of Redlands).
- Bullion Box connects Bear Valley Highline and the Zanja (Bear Valley Mutual Water Co.).
- Crafton Canal Diverts from the Zanja.
- Ground Water Recharge in Hill Well Street Shaft (Crafton Water Co.).
- Metered production of wells in Upper Mill Creek. Wells pump directly into power canals, diversions of stream flow and well extractions are commingled (City of Redlands).

TABLE NO. 6

SANTA ANA RIVER VERIFICATION OF EXTRACTIONS FOR
CALENDAR YEAR 1974

TABLE NO. 6

SANTA ANA RIVER
VERIFICATIONS OF EXTRACTIONS
FOR CALENDAR YEAR 1974

Line No.	LOCATION OF MEASUREMENT	JAN.	FEB.	MARCH	APRIL	MAY	JUNE	JULY	AUG.	SEPT.	OCT.	NOV.	DEC.	TOTAL	REMARKS
1	Santa Ana River near Mentone streamflow	2,052	242	1,662	735	127	42	34	168	4	144	243	765	6,218	See Note 1
2	Santa Ana River near Mentone power canals	2,794	2,477	3,511	3,109	2,803	2,580	2,763	2,623	2,664	2,428	1,847	1,617	31,216	See Note 1
3	Santa Ana River near Mentone combined flow	4,846	2,719	5,173	3,844	2,930	2,622	2,797	2,791	2,668	2,572	2,090	2,382	37,434	See Note 1
4	Bear Valley Santa Ana No. 2 Well Rec. No. 3600022	0	0	0	0	134	104	130	103	71	79	86	100	807	See Note 2
5	Redlands Water Co. Redlands Tunnel Outflow	98	115	127	107	102	91	81	78	69	72	73	86	1,099	See Note 3
6	Total Flow Available for Diversion	4,944	2,834	5,300	3,931	3,166	2,817	3,008	2,972	2,808	2,723	2,249	2,368	39,340	Line 3 + 4 + 5
<u>Divisions</u>															
<u>East Highland Canal</u>															
7	East Highland Weir	19	91	20	139	140	154	166	166	161	166	161	11	1,394	See Note 4
8	Less Spreading	0	0	0	0	0	0	0	0	0	0	0	0	0	See Note 4
9	Net East Highland Canal Diversion	19	91	20	139	140	154	166	166	161	166	161	11	1,394	Line 7 - 8
<u>North Fork Canal</u>															
10	North Fork Weir	75	184	108	516	693	686	696	696	680	675	506	139	5,654	See Note 4
11	Less Spreading from Canal at City Cr. and Sand Cyn.	15	66	68	46	63	43	31	40	21	48	24	84	549	See Note 4
12	Net North Fork Diversion	60	118	40	470	630	643	665	656	659	627	482	55	5,105	Line 10 - 11
<u>Redlands Canal</u>															
13	Morton Cyn. Booster to Upper Morton Cyn. Groves	0	0	0	0	0	0	0	0	0	0	0	0	0	See Note 5
14	Plus Bracero Camp, Zanjero & So. Cal. Ed. Uses	4	4	4	4	4	4	4	4	4	4	4	4	48	See Note 6
15	Plus Redlands Canal Weir at Sandbox	165	424	320	917	1,243	1,334	1,456	1,438	1,340	1,160	772	293	10,862	See Note 7
16	Less Spreading Mentone Res. Judson St. Mound City	127	113	167	163	0	0	0	0	0	0	0	0	681	See Note 7
17	Net Redlands Canal Diversion	42	315	157	778	1,247	1,338	1,460	1,442	1,344	1,164	776	166	10,229	Line 13 + 14 + 15 - 16
<u>Bear Valley Highline</u>															
18	Greenspot Weir on Highline	206	147	206	347	494	468	457	457	467	468	335	472	4,524	See Note 8
19	Less Spreading at Mill Creek and Rees Ponds	101	8	172	0	0	0	0	0	0	0	0	205	486	See Note 8
20	Net Bear Valley Highline Diversion	105	139	34	347	494	468	457	457	467	468	335	267	4,038	Line 18 - 19
21	Total Net Divisions from Available Flow	226	663	251	1,734	2,511	2,603	2,748	2,721	2,631	2,425	1,754	499	20,766	Line 9 + 12 + 17 + 20
<u>Deduct Santa Ana Wells</u>															
22	Santa Ana Well No. 1 Recordation No. 3600021	0	0	17	0	111	90	130	146	139	109	90	94	926	See Note 9
23	Santa Ana Well No. 2 Recordation No. 3600022	0	0	0	0	134	104	130	103	71	79	86	100	807	See Note 9
24	Total Pumped Water	0	0	17	0	245	194	260	249	210	188	176	194	1,733	Line 22 + 23
25	Total Santa Ana River Stream Diversion as Verified	226	663	234	1,734	2,266	2,409	2,488	2,472	2,421	2,237	1,578	305	19,033	Line 21 - 24

NOTES

- U.S.C.S. Records of Santa Ana River flows.
- Santa Ana No. 2 well pumps into power canals below U.S.G.S. Gage until April 26, 1976. Data from Bear Valley Mutual Water Company Records.
- Redlands Water Company Redlands Tunnel is an infiltration gallery which intercepts Santa Ana River underflow. Data from Bear Valley Mutual Water Company Records.
- East Highlands Canal and North Fork Canal divert water to agricultural use and limited spreading. Data from Bear Valley Mutual Water Company Records.
- Morton Canyon Booster diverts water to agricultural use in Upper Morton Canyon from the Redlands Canal Upstream of the Redlands Canal Weir. Data from Bear Valley Mutual Water Company.
- Bracero Camp, Bear Valley Mutual Water Company's Zanjero and Southern California Edison Company divert water from Redlands Tunnel Upstream of the Tunnels confluence with Redlands Canal which is upstream of the Redlands Canal Weir. Data from Bear Valley Mutual Water Co.
- Data from Bear Valley Mutual Water Company Records of Operations of Redlands Canal Weir and Redlands Canal.
- Data from Bear Valley Mutual Water Company Records of Operations of Bear Valley Highline.
- Santa Ana No. 1 and No. 2 Wells are located in Upper Santa Ana Canyon and pump directly to power canals, diversion of streamflow and well extractions are commingled. Data from Bear Valley Mutual Water Company.

TABLE NO. 7

SUMMARY OF REPORTED EXTRACTIONS FROM LYTLE CREEK
MILL CREEK, AND SANTA ANA RIVER

TABLE NO. 7
 SUMMARY OF REPORTED EXTRACTIIONS FROM
 LYTLE CREEK, MILL CREEK AND SANTA ANA RIVER

OWNER	5 YEAR AVERAGE					1971	1972	1973	1974	1975
	1959	1960	1961	1962	1963					
RECORDED LYTLE CREEK DIVERSIONS										
FONTANA UNION WATER CO REC. NO. 3600591	8487	5833	4321	8732	6145	3757	1831	966	8547	4490
MT. VERNON WATER CO REC. NO. 3600320	730	730	730	730	730	681	725	724	724	724
RIALTO, CITY OF REC. NO. 3601718	624	626	625	587	624	566	509	562	935	808
SAN BERNARDINO, CITY OF REC. NO. 3600739	1069	994	1286	1403	1279	1319	1492	1612	1448	1448
WEST SAN BERNARDINO CWD REC. NO. 3600312	4258	2709	2424	4392	4097	4798	3732	2602	3064	3123
TOTAL RECORDED	15166	10892	9386	15844	12875	11121	8289	6466	14718	10593

RECORDED MILL CREEK DIVERSIONS

REDLANDS, CITY OF REC. NO. 3601302	-	-	-	-	-	-	-	-	-	12865
---------------------------------------	---	---	---	---	---	---	---	---	---	-------

RECORDED AND NON-RECORDED SANTA ANA RIVER DIVERSIONS

BEAR VALLEY MUT WTR CO REC. NO. 3600028	-	-	-	-	-	-	-	-	-	20684
REDLANDS WATER CO NON-FILER 1522A	-	-	-	-	-	-	-	-	-	-
TOTAL RECORDED	-	-	-	-	-	-	-	-	-	20684

1 PRIOR TO 1974 VERIFICATION, THE VERIFIED NET DIVERSION OF MILL CREEK WAS PUBLISHED
 2 PRIOR TO 1974 VERIFICATION, THE VERIFIED NET DIVERSION OF SANTA ANA RIVER WAS PUBLISHED
 3 PRIOR TO 1974 VERIFICATION, THE ESTIMATED PRODUCTION OF REDLANDS TUNNEL WAS PUBLISHED SEE TABLE NO. 6

TABLE NO. 8

SUMMARY OF PRODUCTION FROM SAN BERNARDINO
BASIN AREA AND CORRECTION FOR VERIFIED DIVERSIONS
OF MAJOR STREAMFLOWS

TABLE NO. 8

SUMMARY OF PRODUCTION FROM
SAN BERNARDINO BASIN AREA AND
CORRECTION FOR VERIFIED DIVERSIONS
OF MAJOR STREAMFLOWS

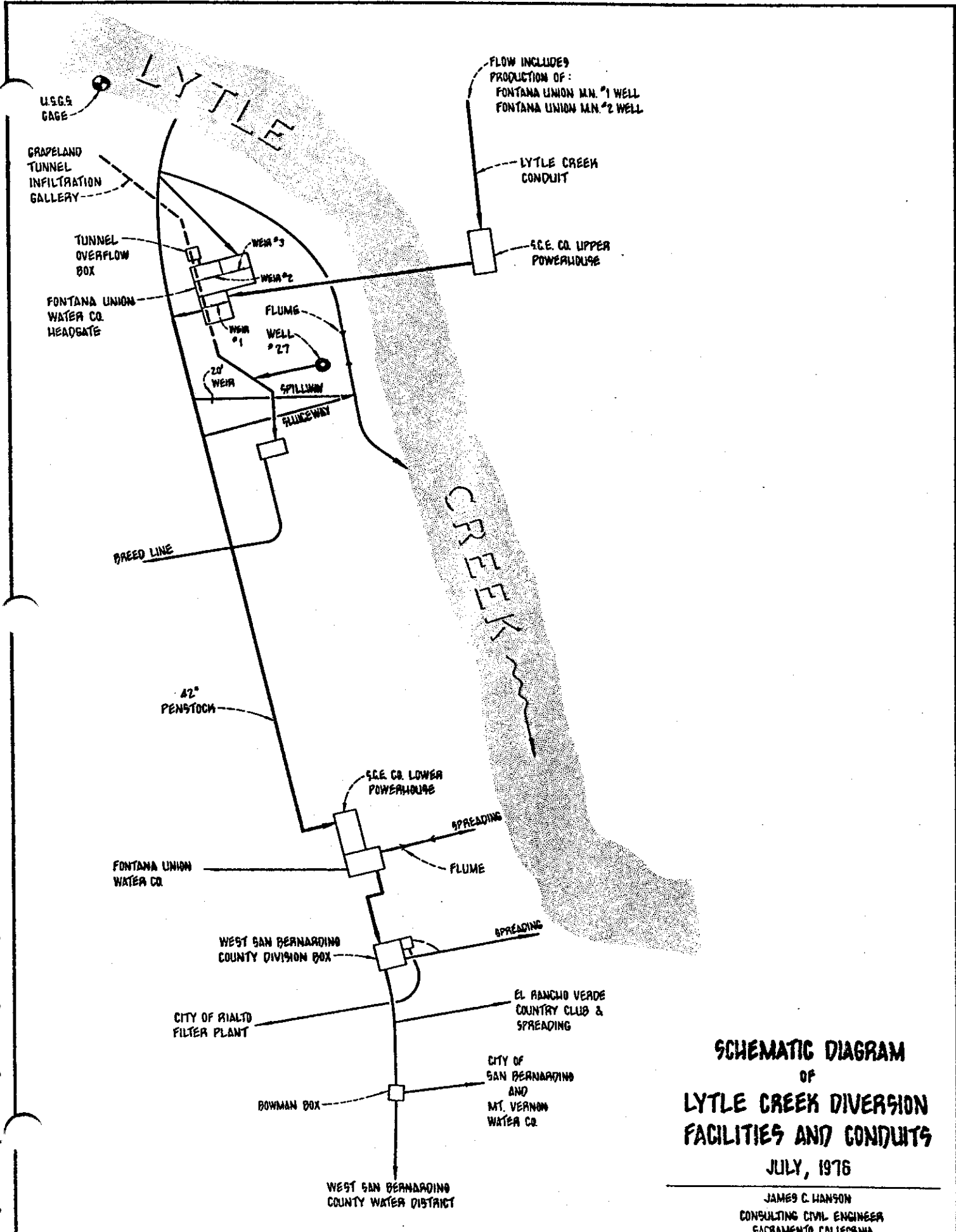
	1959	1960	1961	1962	1963	5 YEAR AVERAGE	1970	1971	1972	1973	1974
Basin Total Production Filled and Non-Filled ¹	191,189	174,999	182,060	175,939	158,609	176,559	168,955	164,917	167,126	161,003	164,583
Total Recorded Streamflow Diversions											
Lytle Creek ²	15,168	10,892	9,386	15,844	12,875	12,833	11,121	8,289	6,466	14,718	10,593
Mill Creek ²	-	-	-	-	-	-	-	-	-	-	12,685
Santa Ana River ²	-	-	-	-	-	-	-	-	-	-	20,684
Basin Total Production Less Major Stream Diversions	176,021	164,107	172,674	160,095	145,734	163,726	157,834	156,628	160,660	146,285	120,621
Verified Streamflow Diversions											
Lytle Creek ³	11,499	6,708	4,428	11,755	7,861	8,450	11,564	7,107	7,128	14,067	9,294
Mill Creek ⁴	-	-	-	-	-	-	-	-	-	-	9,983
Santa Ana River ⁵	-	-	-	-	-	-	-	-	-	-	19,033
Basin Total Verified Production From San Bernardino Basin	187,520	170,815	177,102	171,850	153,595	172,176	169,398	163,735	167,788	160,352	158,931
Total Verified Production From San Bernardino Excluding Minor Production	186,546 ⁶	170,058 ⁶	176,439 ⁶	171,015 ⁶	152,651 ⁶	171,342	168,816 ⁷	163,186 ⁷	167,227 ⁷	159,781 ⁷	158,718 ⁸

Notes

- Total Filled and Non-Filled production by non-plaintiffs from San Bernardino Basin Area.
- From Table No. 7 Summary of Reported Extractions from Lytle Creek, Mill Creek and Santa Ana River.
- From Table No. 4 Lytle Creek Verification of Extractions.
- From Table No. 5 Mill Creek Verification of Extractions.
- From Table No. 6 Santa Ana River Verification of Extractions (includes Redlands Water Company, Redlands Tunnel).
- Excludes those extractions for which the 5-year average was less than 25 acre feet.
- Excludes those extractions for which the annual production was less than 25 acre feet.
- Excludes those extractions for which the annual owner total production was less than 25 acre feet.

PLATE NO. 1

SCHEMATIC DIAGRAM OF LYTLE CREEK
DIVERSION FACILITIES AND CONDUITS



FLOW INCLUDES
PRODUCTION OF:
FONTANA UNION M.N. #1 WELL
FONTANA UNION M.N. #2 WELL

LYTLE CREEK
CONDUIT

S.C.E. CO. UPPER
POWERHOUSE

LYTLE
CREEK

S.C.E. CO. LOWER
POWERHOUSE

SPREADING

FLUME

SPREADING

EL RANCHO VERDE
COUNTRY CLUB &
SPREADING

CITY OF
SAN BERNARDINO
AND
MT. VERNON
WATER CO.

BOWMAN BOX

WEST SAN BERNARDINO
COUNTY WATER DISTRICT

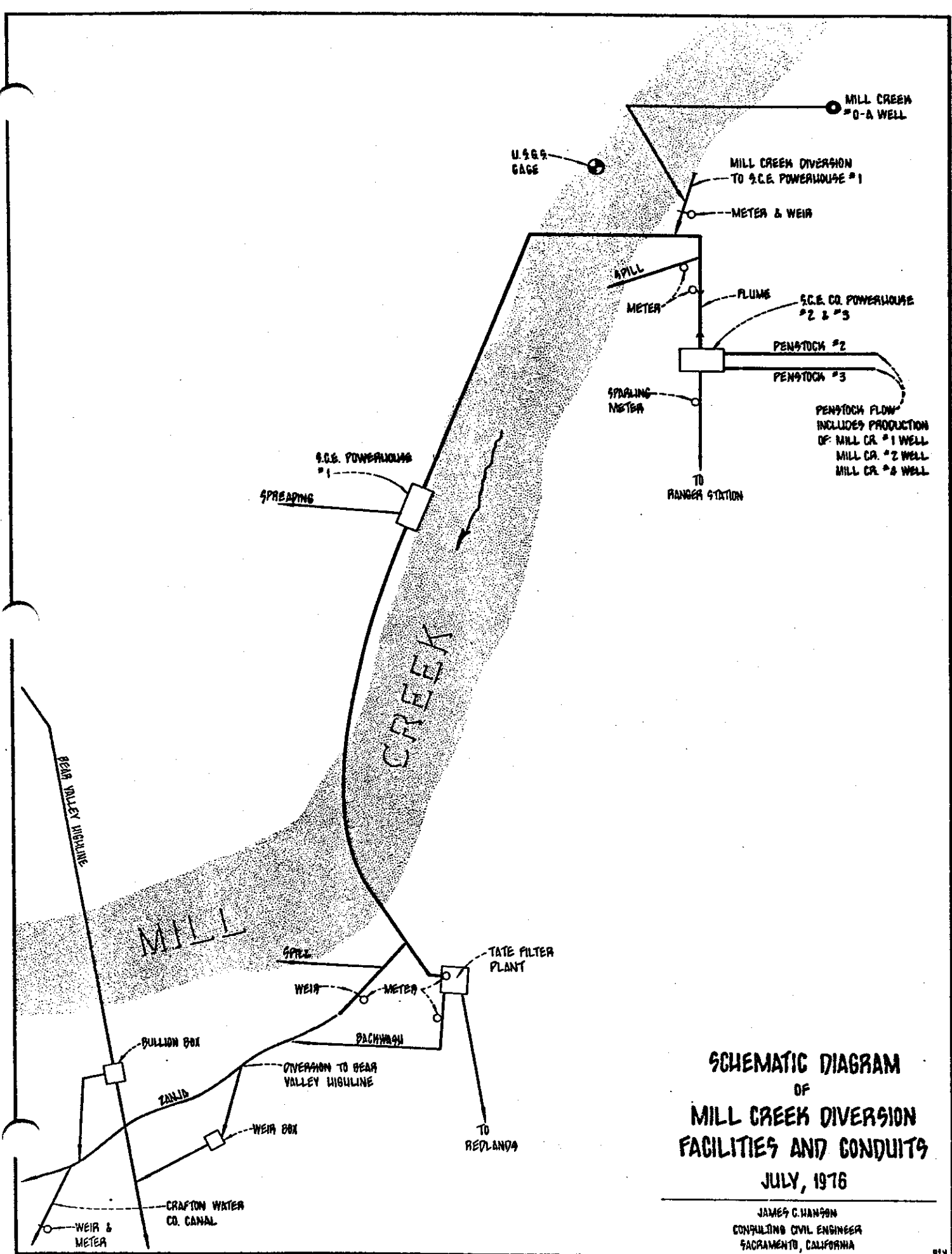
**SCHEMATIC DIAGRAM
OF
LYTLE CREEK DIVERSION
FACILITIES AND CONDUITS**

JULY, 1976

JAMES C. HANSON
CONSULTING CIVIL ENGINEER
SACRAMENTO, CALIFORNIA

PLATE NO. 2

SCHEMATIC DIAGRAM OF MILL CREEK
DIVERSION FACILITIES AND CONDUITS

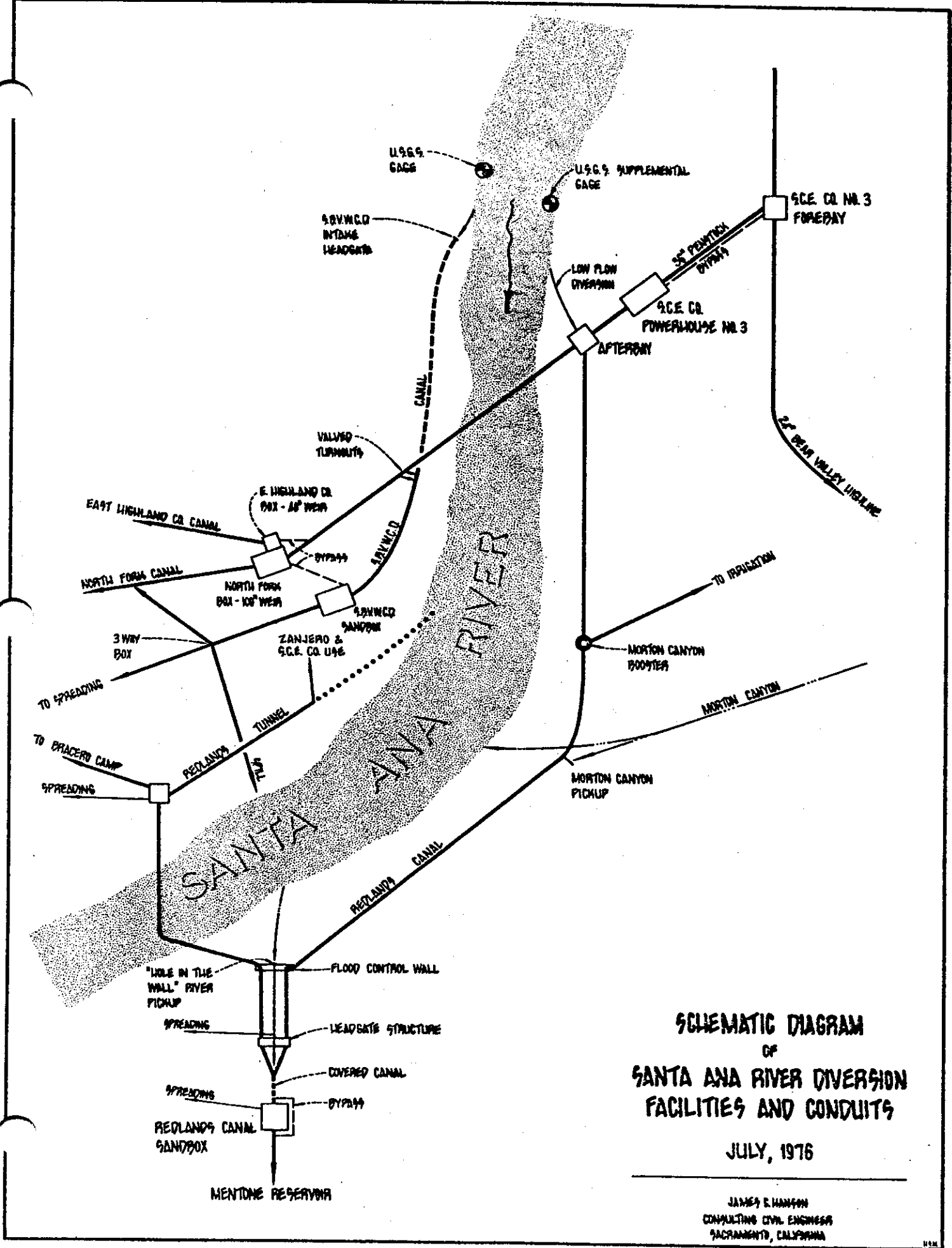


**SCHEMATIC DIAGRAM
OF
MILL CREEK DIVERSION
FACILITIES AND CONDUITS
JULY, 1976**

JAMES C. HANSON
CONSULTING CIVIL ENGINEER
SACRAMENTO, CALIFORNIA

PLATE NO. 3

SCHEMATIC DIAGRAM OF SANTA ANA RIVER
DIVERSION FACILITIES AND CONDUITS



**SCHEMATIC DIAGRAM
OF
SANTA ANA RIVER DIVERSION
FACILITIES AND CONDUITS**
JULY, 1976

JAMES E. HANFON
CONSULTING CIVIL ENGINEER
SACRAMENTO, CALIFORNIA

Volume 1A - 1974

REPORT OF WATERMASTER

Western Municipal Water District of Riverside County, et al.
Plaintiffs

vs.

East San Bernardino County Water District, et al.
Defendants

Superior Court of Riverside County

Case No. 78426

VOLUME 1A-1974

VERIFIED EXTRACTIONS FROM

SAN BERNARDINO BASIN AREA

FOR

CALENDAR YEARS 1959-1963 AND 1970-1974

By Plaintiffs - City of Riverside, The Gage Canal Co.,
Meeks & Daley Water Co., Agua Mansa Water Co.,
Riverside Highland Water Co.,
and Regents of University of California

ANNUAL ACCOUNTING
FOR INDIVIDUAL WELLS

August 1, 1976

WATERMASTER
James C. Hanson
Donald L. Harriger

VOLUME 1A-1974

TABLE OF CONTENTS

	<u>Page</u>
<u>CHAPTER I</u>	
Plaintiff Extractions from the San Bernardino Basin Area for Calendar Years 1959-1963 and 1970-1974	i
<u>CHAPTER II</u>	
Plaintiff Extractions from the San Bernardino Basin Area for Calendar Years 1959 through 1974 and Distribution by Service Area	ii
San Bernardino Basin Area, Cross Index by Owner - Plaintiffs	1
San Bernardino Basin Area, Cross Index by Recordation Number - Plaintiffs	6
San Bernardino Basin Area, Cross Index by State Well Number - Plaintiffs	11
<u>TABLE NO 1</u>	
Extractions by Owners (Plaintiffs) from the San Bernardino Basin Area	16
<u>TABLE NO. 2</u>	
Summary of Extractions by All Plaintiffs from the San Bernardino Basin Area	21
<u>TABLE NO. 3</u>	
Extractions by Plaintiffs from the San Bernardino Basin Area for Average of Five-Year Period Ending with 1963 and Calendar Years 1964 through 1974 Classified According to Service Area	22
<u>TABLE NO. 4</u>	
Total Extractions by Plaintiffs from San Bernardino Basin Area	26
<u>TABLE NO. 5</u>	
Extractions by Plaintiffs from the San Bernardino Basin Area for Deliveries in San Bernardino Basin Area	27
<u>TABLE NO. 6</u>	
Extractions by Plaintiffs from the San Bernardino Basin Area for Deliveries in Colton and Riverside Basins in San Bernardino County	28
<u>TABLE NO. 7</u>	
Extractions by Plaintiffs from the San Bernardino Basin Area for Deliveries Outside San Bernardino Valley	29

Similar listings were made for the same periods which show the deliveries within the San Bernardino Basin Area, the deliveries to Colton and Riverside Basins within San Bernardino County, and the deliveries to areas outside San Bernardino Valley. These listings are shown on Tables No. 5, 6 and 7 respectively.

SAN BERNARDINO BASIN AREA

CROSS INDEX BY OWNER

PLAINTIFFS

SAN BERNARDINO BASIN AREA
CROSS INDEX BY OWNER

OWNER NAME	RECORDATION NUMBER	STATE WELL NUMBER	LOCAL DESIGNATION	BASIN NAME
MEEKS & DALEY WATER CO.	3600000	154W16R04S	69	BNK HILL
MEEKS & DALEY WATER CO.	3601511	154W15M02S	E STREET	BNK HILL
MEEKS & DALEY WATER CO.	3601512	154W15N05S	51	BNK HILL
MEEKS & DALEY WATER CO.	3601513	154W16R03S	54	BNK HILL
MEEKS & DALEY WATER CO.	3601514	154W16Q000	WARM CRK	BNK HILL
MEEKS & DALEY WATER CO.	3601515	154W16Q000	WORKMAN	BNK HILL
MEEKS & DALEY WATER CO.	3601737	154W16J09S	COBURN	BNK HILL
MEEKS & DALEY WATER CO.	3601887	154W15L03S	59	BNK HILL
MEEKS & DALEY WATER CO.	3602169	154W15M10S	NEW E ST	BNK HILL
MEEKS & DALEY WATER CO.	3602329	154W15E000	STA 66	BNK HILL
RIVERSIDE HIGHLAND WATER COMPANY	3601522	154W22M07S	1	BNK HILL
RIVERSIDE HIGHLAND WATER COMPANY	3601523	154W22L000	2	BNK HILL
RIVERSIDE HIGHLAND WATER COMPANY	3601527	154W22P000	6	BNK HILL
RIVERSIDE HIGHLAND WATER COMPANY	3601528	154W22N000	10	BNK HILL
RIVERSIDE HIGHLAND WATER COMPANY	3601529	154W22P000	11	BNK HILL
RIVERSIDE HIGHLAND WATER COMPANY	3601530	154W22L08S	12	BNK HILL
RIVERSIDE HIGHLAND WATER COMPANY	3601533	154W22L05S	18	BNK HILL
RIVERSIDE HIGHLAND WATER COMPANY	3601537	154W22N000	FLOWING	BNK HILL
RIVERSIDE HIGHLAND WATER COMPANY	3602254	154W22P05S	24	BNK HILL
RIVERSIDE HIGHLAND WATER COMPANY	3601535	1A4W31E01S	L.C. 1	LYTLE
RIVERSIDE HIGHLAND WATER COMPANY	3601536	1A4W31E02S	LC 2	LYTLE
RIVERSIDE, CITY OF	3601218	154W14P02S	RAUB 1	BNK HILL

SAN BERNARDINO BASIN AREA
 CROSS INDEX BY OWNER

OWNER NAME	RECORDATION NUMBER	STATE WELL NUMBER	LOCAL DESIGNATION	BASIN NAME
RIVERSIDE, CITY OF	3601219	1S4W23C02S	RAUB 2	BNK HILL
RIVERSIDE, CITY OF	3601220	1S4W02P04S	COOLEY E	BNK HILL
RIVERSIDE, CITY OF	3601222	1S4W27A11S	HUNT 6	BNK HILL
RIVERSIDE, CITY OF	3601224	1S4W02P03S	COOLEY C	BNK HILL
RIVERSIDE, CITY OF	3601225	1S4W02P02S	COOLEY D	BNK HILL
RIVERSIDE, CITY OF	3601226	1S4W02L02S	COOLEY F	BNK HILL
RIVERSIDE, CITY OF	3601227	1S4W02N02S	COOLEY G	BNK HILL
RIVERSIDE, CITY OF	3601228	1S4W11D02S	COOLEY H	BNK HILL
RIVERSIDE, CITY OF	3601229	1S4W11D03S	COOLEY I	BNK HILL
RIVERSIDE, CITY OF	3601230	1S4W22H03S	WARREN 3	BNK HILL
RIVERSIDE, CITY OF	3601231	1S4W22H01S	WARREN 2	BNK HILL
RIVERSIDE, CITY OF	3601232	1S4W11D04S	COOLEY A	BNK HILL
RIVERSIDE, CITY OF	3601233	1S4W27A13S	STEWRT 21	BNK HILL
RIVERSIDE, CITY OF	3601234	1S4W27A19S	STEWRT 19	BNK HILL
RIVERSIDE, CITY OF	3601237	1S4W22B02S	BYRNE 1	BNK HILL
RIVERSIDE, CITY OF	3601238	1S4W23C03S	RAUB 4	BNK HILL
RIVERSIDE, CITY OF	3601239	1S4W14P06S	RAUB 3	BNK HILL
RIVERSIDE, CITY OF	3601240	1S4W22H04S	WARREN 1	BNK HILL
RIVERSIDE, CITY OF	3601241	1S4W27A07S	HUNT 8	BNK HILL
RIVERSIDE, CITY OF	3601242	1S4W27A08S	HUNT 9	BNK HILL
RIVERSIDE, CITY OF	3601243	1S4W22H02S	WARREN 4	BNK HILL
RIVERSIDE, CITY OF	3601244	1S4W27A09S	HUNT 10	BNK HILL

SAN BERNARDINO BASIN AREA
CROSS INDEX BY OWNER

OWNER NAME	RECORDATION NUMBER	STATE WELL NUMBER	LOCAL DESIGNATION	BASIN NAME
RIVERSIDE, CITY OF	3601445	154W27A10S	HUNT 11	BNK HILL
RIVERSIDE, CITY OF	3601431	154W27H01S	STEWRT 20	BNK HILL
RIVERSIDE, CITY OF	3601432	154W11D01S	COOLEY B	BNK HILL
RIVERSIDE, CITY OF	3601457	154W01B03S	MCCRARY 1	BNK HILL
RIVERSIDE, CITY OF	3601458	154W01B02S	MCCRARY 2	BNK HILL
RIVERSIDE, CITY OF	3601459	154W01B000	MCCRARY 3	BNK HILL
RIVERSIDE, CITY OF	3601460	154W01B000	MCCRARY 4	BNK HILL
RIVERSIDE, CITY OF	3601461	154W01B000	MCCRARY 5	BNK HILL
RIVERSIDE, CITY OF	3601462	154W01E01S	POOLE	BNK HILL
RIVERSIDE, CITY OF	3601463	154W02A03S	STILES	BNK HILL
RIVERSIDE, CITY OF	3601464	154W02P06S	GARNER 1	BNK HILL
RIVERSIDE, CITY OF	3601465	154W02Q03S	GARNER 2	BNK HILL
RIVERSIDE, CITY OF	3601466	154W02Q07S	GARNER 3	BNK HILL
RIVERSIDE, CITY OF	3601467	154W02Q06S	GARNER 4	BNK HILL
RIVERSIDE, CITY OF	3601468	154W02P01S	GARNER 5	BNK HILL
RIVERSIDE, CITY OF	3601469	154W22A01S	PAINEHOT	BNK HILL
RIVERSIDE, CITY OF	3601470	154W22G15S	THORN 2	BNK HILL
RIVERSIDE, CITY OF	3601470-	154W22B07S	THORN 12	BNK HILL
RIVERSIDE, CITY OF	3601471	154W22G14S	THORN 3	BNK HILL
RIVERSIDE, CITY OF	3601472	154W22G11S	THORN 4	BNK HILL
RIVERSIDE, CITY OF	3601473	154W22G16S	THORN 5	BNK HILL
RIVERSIDE, CITY OF	3601474	154W22G18S	THORN 6	BNK HILL

SAN BERNARDINO BASIN AREA
CROSS INDEX BY OWNER

OWNER NAME	RECORDATION NUMBER	STATE WELL NUMBER	LOCAL DESIGNATION	BASIN NAME
RIVERSIDE, CITY OF	3601475	1S4W22G17S	THORN 7	BNK HILL
RIVERSIDE, CITY OF	3601476	1S4W22G19S	THORN 8	BNK HILL
RIVERSIDE, CITY OF	3601477	1S4W22B01S	THORN 9	BNK HILL
RIVERSIDE, CITY OF	3601478	1S4W22B03S	THORN 10	BNK HILL
RIVERSIDE, CITY OF	3601479	1S4W22B05S	THORN 11	BNK HILL
RIVERSIDE, CITY OF	3601489	1S4W02L01S	SCHUEER	BNK HILL
RIVERSIDE, CITY OF	3602484	1S4W14N09S	RAUB NO 5	BNK HILL
RIVERSIDE, CITY OF GAGE CANAL	3600784	1S4W13L01S	6	BNK HILL
RIVERSIDE, CITY OF GAGE CANAL	3600785	1S4W14R00	17	BNK HILL
RIVERSIDE, CITY OF GAGE CANAL	3600786	1S4W13L02S	GAGE 21	BNK HILL
RIVERSIDE, CITY OF GAGE CANAL	3600787	1S4W23A02S	26 1	BNK HILL
RIVERSIDE, CITY OF GAGE CANAL	3600788	1S4W23H01S	27 1	BNK HILL
RIVERSIDE, CITY OF GAGE CANAL	3600789	1S4W23K01S	27 2	BNK HILL
RIVERSIDE, CITY OF GAGE CANAL	3600790	1S4W23K02S	29 1	BNK HILL
RIVERSIDE, CITY OF GAGE CANAL	3600791	1S4W13N01S	29 2	BNK HILL
RIVERSIDE, CITY OF GAGE CANAL	3600792	1S4W13N02S	29 3	BNK HILL
RIVERSIDE, CITY OF GAGE CANAL	3600793	1S4W13M02S	30 1	BNK HILL
RIVERSIDE, CITY OF GAGE CANAL	3600794	1S4W13F02S	31 1	BNK HILL
RIVERSIDE, CITY OF GAGE CANAL	3600795	1S4W13G02S	46 1	BNK HILL
RIVERSIDE, CITY OF GAGE CANAL	3600796	1S4W23A05S	51 1	BNK HILL
RIVERSIDE, CITY OF GAGE CANAL	3600797	1S4W13G03S	56 1	BNK HILL
RIVERSIDE, CITY OF GAGE CANAL	3600798	1S4W23G01S	COWLANE	BNK HILL

SAN BERNARDINO BASIN AREA
 CROSS INDEX BY OWNER

OWNER NAME	RECORDATION NUMBER	STATE WELL NUMBER	LOCAL DESIGNATION	BASIN NAME
RIVERSIDE, CITY OF GAGE CANAL	3602331	1S4W23G000	66 1	BNK HILL
RIVERSIDE, CITY OF GAGE CANAL	3602423	1S4W13P000	6	BNK HILL
UNIVERSITY OF CALIFORNIA, REGENTS OF	3691222	1S4W27A11S	HUNT 6	BNK HILL
UNIVERSITY OF CALIFORNIA, REGENTS OF	3691241	1S4W27A07S	HUNT 8	BNK HILL
UNIVERSITY OF CALIFORNIA, REGENTS OF	3691242	1S4W27A08S	HUNT 9	BNK HILL
UNIVERSITY OF CALIFORNIA, REGENTS OF	3691244	1S4W27A09S	HUNT 10	BNK HILL
UNIVERSITY OF CALIFORNIA, REGENTS OF	3691245	1S4W27A10S	HUNT 11	BNK HILL

SAN BERNARDINO BASIN AREA
CROSS INDEX BY RECORDATION NUMBER
PLAINTIFFS

SAN BERNARDINO BASIN AREA
 CROSS INDEX BY RECORDATION NUMBER

RECORDATION NUMBER	OWNER NAME	STATE WELL NUMBER	LOCAL DESIGNATION	BASIN NAME
3600000	MEEKS & DALEY WATER CO.	154W16R04S	69	BNK HILL
3600784	RIVERSIDE, CITY OF GAGE CANAL	154W13L01S	6	BNK HILL
3600785	RIVERSIDE, CITY OF GAGE CANAL	154W14R000	17	BNK HILL
3600786	RIVERSIDE, CITY OF GAGE CANAL	154W13L02S	GAGE 21	BNK HILL
3600787	RIVERSIDE, CITY OF GAGE CANAL	154W23A02S	26 1	BNK HILL
3600788	RIVERSIDE, CITY OF GAGE CANAL	154W23H01S	27 1	BNK HILL
3600789	RIVERSIDE, CITY OF GAGE CANAL	154W23K01S	27 2	BNK HILL
3600790	RIVERSIDE, CITY OF GAGE CANAL	154W23K02S	29 1	BNK HILL
3600791	RIVERSIDE, CITY OF GAGE CANAL	154W13N01S	29 2	BNK HILL
3600792	RIVERSIDE, CITY OF GAGE CANAL	154W13N02S	29 3	BNK HILL
3600793	RIVERSIDE, CITY OF GAGE CANAL	154W13M02S	30 1	BNK HILL
3600794	RIVERSIDE, CITY OF GAGE CANAL	154W13F02S	31 1	BNK HILL
3600795	RIVERSIDE, CITY OF GAGE CANAL	154W13G02S	46 1	BNK HILL
3600796	RIVERSIDE, CITY OF GAGE CANAL	154W23A05S	51 1	BNK HILL
3600797	RIVERSIDE, CITY OF GAGE CANAL	154W13G03S	56 1	BNK HILL
3600798	RIVERSIDE, CITY OF GAGE CANAL	154W23G01S	COWLANE	BNK HILL
3601218	RIVERSIDE, CITY OF	154W14P02S	RAUB 1	BNK HILL
3601219	RIVERSIDE, CITY OF	154W23C02S	RAUB 2	BNK HILL
3601220	RIVERSIDE, CITY OF	154W02P04S	COOLEY E	BNK HILL
3601222	RIVERSIDE, CITY OF	154W27A11S	HUNT 6	BNK HILL
3601224	RIVERSIDE, CITY OF	154W02P03S	COOLEY C	BNK HILL
3601225	RIVERSIDE, CITY OF	154W02P02S	COOLEY D	BNK HILL

SAN BERNARDINO BASIN AREA
CROSS INDEX BY RECORDATION NUMBER

RECORDATION NUMBER	OWNER NAME	STATE WELL NUMBER	LOCAL DESIGNATION	BASIN NAME
3601226	RIVERSIDE, CITY OF	154W02L02S	COOLEY F	BNK HILL
3601227	RIVERSIDE, CITY OF	154W02N02S	COOLEY G	BNK HILL
3601228	RIVERSIDE, CITY OF	154W11D02S	COOLEY H	BNK HILL
3601229	RIVERSIDE, CITY OF	154W11D03S	COOLEY I	BNK HILL
3601230	RIVERSIDE, CITY OF	154W22H03S	WARREN 3	BNK HILL
3601231	RIVERSIDE, CITY OF	154W22H01S	WARREN 2	BNK HILL
3601232	RIVERSIDE, CITY OF	154W11D04S	COOLEY A	BNK HILL
3601233	RIVERSIDE, CITY OF	154W27A19S	STEWRT 21	BNK HILL
3601234	RIVERSIDE, CITY OF	154W27A19S	STEWRT 19	BNK HILL
3601237	RIVERSIDE, CITY OF	154W22B02S	BYRNE 1	BNK HILL
3601238	RIVERSIDE, CITY OF	154W23C03S	RAUB 4	BNK HILL
3601239	RIVERSIDE, CITY OF	154W14P06S	RAUB 3	BNK HILL
3601240	RIVERSIDE, CITY OF	154W22H04S	WARREN 1	BNK HILL
3601241	RIVERSIDE, CITY OF	154W27A07S	HUNT 8	BNK HILL
3601242	RIVERSIDE, CITY OF	154W27A08S	HUNT 9	BNK HILL
3601243	RIVERSIDE, CITY OF	154W22H02S	WARREN 4	BNK HILL
3601244	RIVERSIDE, CITY OF	154W27A09S	HUNT 10	BNK HILL
3601245	RIVERSIDE, CITY OF	154W27A10S	HUNT 11	BNK HILL
3601431	RIVERSIDE, CITY OF	154W27H01S	STEWRT 20	BNK HILL
3601432	RIVERSIDE, CITY OF	154W11D01S	COOLEY B	BNK HILL
3601457	RIVERSIDE, CITY OF	154W01B03S	MCCRARY 1	BNK HILL
3601458	RIVERSIDE, CITY OF	154W01B02S	MCCRARY 2	BNK HILL

SAN BERNARDINO BASIN AREA
CROSS INDEX BY RECORDATION NUMBER

RECORDATION NUMBER	OWNER NAME	STATE WELL NUMBER	LOCAL DESIGNATION	BASIN NAME
3601459	RIVERSIDE, CITY OF	154W018000	MCCRARY 3	BNK HILL
3601460	RIVERSIDE, CITY OF	154W018000	MCCRARY 4	BNK HILL
3601461	RIVERSIDE, CITY OF	154W018000	MCCRARY 5	BNK HILL
3601462	RIVERSIDE, CITY OF	154W01E01S	POOLE	BNK HILL
3601463	RIVERSIDE, CITY OF	154W02A03S	STILES	BNK HILL
3601464	RIVERSIDE, CITY OF	154W02P06S	GARNER 1	BNK HILL
3601465	RIVERSIDE, CITY OF	154W02Q03S	GARNER 2	BNK HILL
3601466	RIVERSIDE, CITY OF	154W02Q07S	GARNER 3	BNK HILL
3601467	RIVERSIDE, CITY OF	154W02Q06S	GARNER 4	BNK HILL
3601468	RIVERSIDE, CITY OF	154W02P01S	GARNER 5	BNK HILL
3601469	RIVERSIDE, CITY OF	154W22A01S	PAINEHOT	BNK HILL
3601470	RIVERSIDE, CITY OF	154W22G15S	THORN 2	BNK HILL
3601470--	RIVERSIDE, CITY OF	154W22B07S	THORN 12	BNK HILL
3601471	RIVERSIDE, CITY OF	154W22G14S	THORN 3	BNK HILL
3601472	RIVERSIDE, CITY OF	154W22G11S	THORN 4	BNK HILL
3601473	RIVERSIDE, CITY OF	154W22G16S	THORN 5	BNK HILL
3601474	RIVERSIDE, CITY OF	154W22G18S	THORN 6	BNK HILL
3601475	RIVERSIDE, CITY OF	154W22G17S	THORN 7	BNK HILL
3601476	RIVERSIDE, CITY OF	154W22G19S	THORN 8	BNK HILL
3601477	RIVERSIDE, CITY OF	154W22B01S	THORN 9	BNK HILL
3601478	RIVERSIDE, CITY OF	154W22B03S	THORN 10	BNK HILL
3601479	RIVERSIDE, CITY OF	154W22B05S	THORN 11	BNK HILL

SAN BERNARDINO BASIN AREA
CROSS INDEX BY RECORDATION NUMBER

RECORDATION NUMBER	OWNER NAME	STATE WELL NUMBER	LOCAL DESIGNATION	BASIN NAME
3601489	RIVERSIDE, CITY OF	1S4W02L01S	SCHEUER	BNK HILL
3601511	MEEKS & DALEY WATER CO.	1S4W15M02S	E STREET	BNK HILL
3601512	MEEKS & DALEY WATER CO.	1S4W15N05S	51	BNK HILL
3601513	MEEKS & DALEY WATER CO.	1S4W16R03S	54	BNK HILL
3601514	MEEKS & DALEY WATER CO.	1S4W16Q000	WARM CRK	BNK HILL
3601515	MEEKS & DALEY WATER CO.	1S4W16Q000	WORKMAN	BNK HILL
3601522	RIVERSIDE HIGHLAND WATER COMPANY	1S4W22M07S	1	BNK HILL
3601523	RIVERSIDE HIGHLAND WATER COMPANY	1S4W22L000	2	BNK HILL
3601527	RIVERSIDE HIGHLAND WATER COMPANY	1S4W22P000	8	BNK HILL
3601528	RIVERSIDE HIGHLAND WATER COMPANY	1S4W22N000	10	BNK HILL
3601529	RIVERSIDE HIGHLAND WATER COMPANY	1S4W22P000	11	BNK HILL
3601530	RIVERSIDE HIGHLAND WATER COMPANY	1S4W22L08S	12	BNK HILL
3601533	RIVERSIDE HIGHLAND WATER COMPANY	1S4W22L05S	18	BNK HILL
3601535	RIVERSIDE HIGHLAND WATER COMPANY	1N4W31E01S	L.C. 1	LYTLE
3601536	RIVERSIDE HIGHLAND WATER COMPANY	1N4W31E02S	LC 2	LYTLE
3601537	RIVERSIDE HIGHLAND WATER COMPANY	1S4W22N000	FLOWING	BNK HILL
3601737	MEEKS & DALEY WATER CO.	1S4W16J09S	COBURN	BNK HILL
3601887	MEEKS & DALEY WATER CO.	1S4W15L03S	59	BNK HILL
3602169	MEEKS & DALEY WATER CO.	1S4W15M10S	NEW E ST	BNK HILL
3602254	RIVERSIDE HIGHLAND WATER COMPANY	1S4W22P05S	24	BNK HILL
3602329	MEEKS & DALEY WATER CO.	1S4W15E000	STA 66	BNK HILL
3602331	RIVERSIDE, CITY OF GAGE CANAL	1S4W23G000	66 1	BNK HILL

SAN BERNARDINO BASIN AREA
CROSS INDEX BY RECORDATION NUMBER

RECORDATION NUMBER	OWNER NAME	STATE WELL NUMBER	LOCAL DESIGNATION	BASIN NAME
3602423	RIVERSIDE, CITY OF GAGE CANAL	1S4W13P000	6	BNK HILL
3602484	RIVERSIDE, CITY OF	1S4W14N09S	RAUB NO 5	BNK HILL
3691222	UNIVERSITY OF CALIFORNIA, REGENTS OF	1S4W27A11S	HUNT 6	BNK HILL
3691241	UNIVERSITY OF CALIFORNIA, REGENTS OF	1S4W27A07S	HUNT 8	BNK HILL
3691242	UNIVERSITY OF CALIFORNIA, REGENTS OF	1S4W27A08S	HUNT 9	BNK HILL
3691244	UNIVERSITY OF CALIFORNIA, REGENTS OF	1S4W27A09S	HUNT 10	BNK HILL
3691245	UNIVERSITY OF CALIFORNIA, REGENTS OF	1S4W27A10S	HUNT 11	BNK HILL

SAN BERNARDINO BASIN AREA

CROSS INDEX BY STATE WELL NUMBER

PLAINTIFFS

SAN BERNARDINO BASIN AREA
CROSS INDEX BY STATE WELL NUMBER

STATE WELL NUMBER	OWNER NAME	RECORDATION NUMBER	LOCAL DESIGNATION	BASIN NAME
1N4W31E01S	RIVERSIDE HIGHLAND WATER COMPANY	3501535	L.C. 1	LYTLE
1N4W31E02S	RIVERSIDE HIGHLAND WATER COMPANY	3501536	LC 2	LYTLE
1SAW018000	RIVERSIDE, CITY OF	3501459	MCCRARY 3	BNK HILL
1SAW018000	RIVERSIDE, CITY OF	3501460	MCCRARY 4	BNK HILL
1SAW018000	RIVERSIDE, CITY OF	3501461	MCCRARY 5	BNK HILL
1SAW01802S	RIVERSIDE, CITY OF	3501458	MCCRARY 2	BNK HILL
1SAW01803S	RIVERSIDE, CITY OF	3501457	MCCRARY 1	BNK HILL
1SAW01E01S	RIVERSIDE, CITY OF	3501462	POOLE	BNK HILL
1SAW02A03S	RIVERSIDE, CITY OF	3501463	STILES	BNK HILL
1SAW02L01S	RIVERSIDE, CITY OF	3501489	SCHUEER	BNK HILL
1SAW02L02S	RIVERSIDE, CITY OF	3501226	COOLEY F	BNK HILL
1SAW02N02S	RIVERSIDE, CITY OF	3501227	COOLEY G	BNK HILL
1SAW02P01S	RIVERSIDE, CITY OF	3501468	GARNER 5	BNK HILL
1SAW02P02S	RIVERSIDE, CITY OF	3501225	COOLEY D	BNK HILL
1SAW02P03S	RIVERSIDE, CITY OF	3501224	COOLEY C	BNK HILL
1SAW02P04S	RIVERSIDE, CITY OF	3501220	COOLEY E	BNK HILL
1SAW02P06S	RIVERSIDE, CITY OF	3501464	GARNER 1	BNK HILL
1SAW02Q03S	RIVERSIDE, CITY OF	3501465	GARNER 2	BNK HILL
1SAW02Q06S	RIVERSIDE, CITY OF	3501467	GARNER 4	BNK HILL
1SAW02Q07S	RIVERSIDE, CITY OF	3501466	GARNER 3	BNK HILL
1SAW11D01S	RIVERSIDE, CITY OF	3501432	COOLEY B	BNK HILL
1SAW11D02S	RIVERSIDE, CITY OF	3501228	COOLEY H	BNK HILL

SAN BERNARDINO BASIN AREA
CROSS INDEX BY STATE WELL NUMBER

STATE WELL NUMBER	OWNER NAME	RECORDATION NUMBER	LOCAL DESIGNATION	BASIN NAME
154W11D03S	RIVERSIDE, CITY OF	3601229	COOLEY 1	BNK HILL
154W11D04S	RIVERSIDE, CITY OF	3601232	COOLEY A	BNK HILL
154W13F02S	RIVERSIDE, CITY OF GAGE CANAL	3600794	31 1	BNK HILL
154W13G02S	RIVERSIDE, CITY OF GAGE CANAL	3600795	46 1	BNK HILL
154W13G03S	RIVERSIDE, CITY OF GAGE CANAL	3600797	56 1	BNK HILL
154W13L01S	RIVERSIDE, CITY OF GAGE CANAL	3600784	6	BNK HILL
154W13L02S	RIVERSIDE, CITY OF GAGE CANAL	3600786	GAGE 21	BNK HILL
154W13M02S	RIVERSIDE, CITY OF GAGE CANAL	3600793	30 1	BNK HILL
154W13M01S	RIVERSIDE, CITY OF GAGE CANAL	3600791	29 2	BNK HILL
154W13M02S	RIVERSIDE, CITY OF GAGE CANAL	3600792	29 3	BNK HILL
154W13P000	RIVERSIDE, CITY OF GAGE CANAL	3602423	6	BNK HILL
154W14M09S	RIVERSIDE, CITY OF	3602484	RAUB NO 5	BNK HILL
154W14P02S	RIVERSIDE, CITY OF	3601218	RAUB 1	BNK HILL
154W14P06S	RIVERSIDE, CITY OF	3601239	RAUB 3	BNK HILL
154W14R000	RIVERSIDE, CITY OF GAGE CANAL	3600785	17	BNK HILL
154W15E000	MEEKS & DALEY WATER CO.	3602329	STA 66	BNK HILL
154W15L03S	MEEKS & DALEY WATER CO.	3601887	59	BNK HILL
154W15M02S	MEEKS & DALEY WATER CO.	3601511	E STREET	BNK HILL
154W15M10S	MEEKS & DALEY WATER CO.	3602169	NEW E ST	BNK HILL
154W15N05S	MEEKS & DALEY WATER CO.	3601512	51	BNK HILL
154W16J09S	MEEKS & DALEY WATER CO.	3601737	COBURN	BNK HILL
154W16Q000	MEEKS & DALEY WATER CO.	3601514	WARM CRK	BNK HILL

SAN BERNARDINO BASIN AREA
CROSS INDEX BY STATE WELL NUMBER

STATE WELL NUMBER	OWNER NAME	RECORDATION NUMBER	LOCAL DESIGNATION	BASIN NAME
154W16Q000	MEEKS & DALEY WATER CO.	3601515	WORKMAN	BNK HILL
154W16R03S	MEEKS & DALEY WATER CO.	3601513	54	BNK HILL
154W16R04S	MEEKS & DALEY WATER CO.	3600000	69	BNK HILL
154W22A01S	RIVERSIDE, CITY OF	3601469	PAINEHOT	BNK HILL
154W22B01S	RIVERSIDE, CITY OF	3601477	THORN 9	BNK HILL
154W22B02S	RIVERSIDE, CITY OF	3601237	BYRNE 1	BNK HILL
154W22B03S	RIVERSIDE, CITY OF	3601478	THORN 10	BNK HILL
154W22B05S	RIVERSIDE, CITY OF	3601479	THORN 11	BNK HILL
154W22B07S	RIVERSIDE, CITY OF	3601470-	THORN 12	BNK HILL
154W22G11S	RIVERSIDE, CITY OF	3601472	THORN 4	BNK HILL
154W22G14S	RIVERSIDE, CITY OF	3601471	THORN 3	BNK HILL
154W22G15S	RIVERSIDE, CITY OF	3601470	THORN 2	BNK HILL
154W22G16S	RIVERSIDE, CITY OF	3601473	THORN 5	BNK HILL
154W22G17S	RIVERSIDE, CITY OF	3601475	THORN 7	BNK HILL
154W22G18S	RIVERSIDE, CITY OF	3601474	THORN 6	BNK HILL
154W22G19S	RIVERSIDE, CITY OF	3601476	THORN 8	BNK HILL
154W22H01S	RIVERSIDE, CITY OF	3601231	WARREN 2	BNK HILL
154W22H02S	RIVERSIDE, CITY OF	3601243	WARREN 4	BNK HILL
154W22H03S	RIVERSIDE, CITY OF	3601230	WARREN 3	BNK HILL
154W22H04S	RIVERSIDE, CITY OF	3601240	WARREN 1	BNK HILL
154W22L000	RIVERSIDE HIGHLAND WATER COMPANY	3601523	2	BNK HILL
154W22L05S	RIVERSIDE HIGHLAND WATER COMPANY	3601533	18	BNK HILL

SAN BERNARDINO BASIN AREA
CROSS INDEX BY STATE WELL NUMBER

STATE WELL NUMBER	OWNER NAME	RECORDATION NUMBER	LOCAL DESIGNATION	BASIN NAME
1SAW22L08S	RIVERSIDE HIGHLAND WATER COMPANY	3601530	12	BNK HILL
1SAW22M07S	RIVERSIDE HIGHLAND WATER COMPANY	3601522	1	BNK HILL
1SAW22N000	RIVERSIDE HIGHLAND WATER COMPANY	3601528	10	BNK HILL
1SAW22N000	RIVERSIDE HIGHLAND WATER COMPANY	3601537	FLOWING	BNK HILL
1SAW22P000	RIVERSIDE HIGHLAND WATER COMPANY	3601527	8	BNK HILL
1SAW22P000	RIVERSIDE HIGHLAND WATER COMPANY	3601529	11	BNK HILL
1SAW22P05S	RIVERSIDE HIGHLAND WATER COMPANY	3602254	24	BNK HILL
1SAW23A02S	RIVERSIDE, CITY OF GAGE CANAL	3600787	26 1	BNK HILL
1SAW23A05S	RIVERSIDE, CITY OF GAGE CANAL	3600796	51 1	BNK HILL
1SAW23C02S	RIVERSIDE, CITY OF	3601219	RAUB 2	BNK HILL
1SAW23C03S	RIVERSIDE, CITY OF	3601238	RAUB 4	BNK HILL
1SAW23G000	RIVERSIDE, CITY OF GAGE CANAL	3602331	66 1	BNK HILL
1SAW23G01S	RIVERSIDE, CITY OF GAGE CANAL	3600798	COWLANE	BNK HILL
1SAW23H01S	RIVERSIDE, CITY OF GAGE CANAL	3600788	27 1	BNK HILL
1SAW23K01S	RIVERSIDE, CITY OF GAGE CANAL	3600789	27 2	BNK HILL
1SAW23K02S	RIVERSIDE, CITY OF GAGE CANAL	3600790	29 1	BNK HILL
1SAW27A07S	RIVERSIDE, CITY OF	3601241	HUNT 8	BNK HILL
1SAW27A07S	UNIVERSITY OF CALIFORNIA, REGENTS OF	3691241	HUNT 8	BNK HILL
1SAW27A08S	RIVERSIDE, CITY OF	3601242	HUNT 9	BNK HILL
1SAW27A08S	UNIVERSITY OF CALIFORNIA, REGENTS OF	3691242	HUNT 9	BNK HILL
1SAW27A09S	RIVERSIDE, CITY OF	3601244	HUNT 10	BNK HILL
1SAW27A09S	UNIVERSITY OF CALIFORNIA, REGENTS OF	3691244	HUNT 10	BNK HILL

SAN BERNARDINO BASIN AREA
 CROSS INDEX BY STATE WELL NUMBER

STATE WELL NUMBER	OWNER NAME	RECORDATION NUMBER	LOCAL DESIGNATION	BASIN NAME
154W27A10S	RIVERSIDE, CITY OF	3601245	HUNT 11	BNK HILL
154W27A10S	UNIVERSITY OF CALIFORNIA, REGENTS OF	3691245	HUNT 11	BNK HILL
154W27A11S	RIVERSIDE, CITY OF	3601222	HUNT 6	BNK HILL
154W27A11S	UNIVERSITY OF CALIFORNIA, REGENTS OF	3691222	HUNT 6	BNK HILL
154W27A13S	RIVERSIDE, CITY OF	3601233	STEWRT 21	BNK HILL
154W27A19S	RIVERSIDE, CITY OF	3601234	STEWRT 19	BNK HILL
154W27H01S	RIVERSIDE, CITY OF	3601431	STEWRT 20	BNK HILL

TABLE NO. 1

EXTRACTIONS BY OWNERS (PLAINTIFFS) FROM
THE SAN BERNARDINO BASIN AREA

TABLE NO. 1
EXTRACTIONS BY OWNERS (PLAINTIFFS)
FROM THE SAN BERNARDINO BASIN AREA

OWNER	1959	1960	1961	1962	1963	AVERAGE	1970	1971	1972	1973	1974	1975
MEEKS & DALEY WATER CO.												
3600000 1S4W16R04S W	0	0	0	0	0	0	143	222	81	204	165	
3601511 1S4W15M02S W	1711	488	672	1213	1126	1042	0	0	0	0	0	
3601512 1S4W15N05S W	2157	2230	2201	1788	2256	2126	0	0	0	0	0	
3601513 1S4W16R03S W	1518	1190	1519	910	1119	1251	0	0	0	0	0	
3601514 1S4W16Q000 D	18	2	0	0	0	4	0	0	0	0	0	
3601515 1S4W16Q000 D	2	0	0	0	0	0	0	0	0	0	0	
3601737 1S4W16J09S W	600	314	447	299	280	388	207	178	265	117	354	
3601887 1S4W15L03S W	1276	3813	4560	3350	3073	3214	2351	0	1503	1246	2606	
3602169 1S4W15M10S W	0	0	0	0	0	0	2348	2502	1678	1412	1379	
3602329 1S4W15E000 W	0	0	0	0	0	0	0	0	0	0	0	
OWNER TOTAL	7282*	8037*	9399*	7560*	7854*	8026*	5049*	2902*	3527*	2979*	4504*	
RIVERSIDE HIGHLAND WATER COMPANY												
3601522 1S4W22M07S W	740	757	887	739	399	704	56	177	0	259	68	
3601523 1S4W22L000 W	802	576	995	796	634	761	103	313	113	155	146	
3601527 1S4W22P000 W	0	0	0	0	0	0	0	0	0	0	0	
3601528 1S4W22N000 W	0	0	0	0	0	0	0	0	0	0	0	
3601529 1S4W22P000 W	0	0	0	0	0	0	0	0	0	0	0	
3601530 1S4W22L08S W	255	200	546	346	379	345	620	761	804	772	656	
3601533 1S4W22L05S W	1551	1482	1749	1125	1062	1394	961	1092	1178	1044	830	
3601537 1S4W22N000 W	0	0	0	0	0	0	0	0	0	0	0	
3602254 1S4W22P05S W	0	0	0	0	0	0	1071	0	969	0	1014	

TABLE NO. 1
EXTRACTIONS BY OWNERS (PLAINTIFFS)
FROM THE SAN BERNARDINO BASIN AREA

OWNER	1959	1960	1961	1962	1963	5 YEAR AVERAGE					1974	1975
						1970	1971	1972	1973	1974	1975	
RIVERSIDE HIGHLAND WATER COMPANY (CONTINUED)												
3601535 IN4W31E01S W	1397	1226	1358	1141	852	1386	1669	1468	1282	1374		
3601536 IN4W31E02S W	0	0	0	0	0	0	0	0	0	0		
OWNER TOTAL	4745*	4241*	5535*	4147*	3326*	4399*	4012*	4532*	3512*	4088*		
RIVERSIDE, CITY OF												
3601218 1S4W14P02S W	0	0	0	0	0	0	0	0	0	0		
3601219 1S4W23C02S W	537	484	637	712	682	959	904	724	772	939		
3601220 1S4W02P04S W	0	0	0	0	0	0	0	0	0	0		
3601222 1S4W27A11S W	70	234	105	212	136	154	225	209	249	547		
3601224 1S4W02P03S W	0	0	0	0	0	0	0	0	0	0		
3601225 1S4W02P02S W	0	0	0	0	0	0	0	0	0	0		
3601226 1S4W02L02S W	0	0	0	0	0	0	0	0	0	0		
3601227 1S4W02N02S W	0	0	0	0	0	0	0	0	0	0		
3601228 1S4W11D02S W	957	572	224	793	1110	1345	1420	1053	494	725		
3601229 1S4W11D03S W	3062	1465	1770	2307	2669	3166	3580	2606	4089	3743		
3601230 1S4W22H03S W	346	408	368	343	177	192	484	180	222	408		
3601231 1S4W22H01S W	709	869	844	568	550	708	784	357	603	1124		
3601232 1S4W11D04S W	0	0	0	0	0	0	0	0	0	0		
3601233 1S4W27A13S W	0	0	0	0	0	0	0	0	0	0		
3601234 1S4W27A19S W	0	0	0	0	0	0	0	0	0	0		
3601237 1S4W22802S W	440	551	330	371	309	400	0	0	0	0		
3601238 1S4W23C03S W	826	557	815	857	591	729	1267	1074	2001	2024		

TABLE NO. 1
EXTRACTIONS BY OWNERS (PLAINTIFFS)
FROM THE SAN BERNARDINO BASIN AREA

OWNER	RIVERSIDE, CITY OF	5 YEAR AVERAGE									
		1959	1960	1961	1962	1963	1970	1971	1972	1973	1974
3601239	1S4W14P06S W	390	444	356	524	318	476	342	216	294	605
3601240	1S4W22H04S W	2445	2170	1894	1440	1651	1619	1921	1614	1809	1700
3601241	1S4W27A07S W	0	0	0	0	0	0	0	0	0	0
3601242	1S4W27A08S W	0	0	0	0	0	0	0	0	0	0
3601243	1S4W22H02S W	3222	2840	2834	2839	2444	2836	2737	2012	1822	2875
3601244	1S4W27A09S W	1202	1086	961	1294	891	1087	446	600	933	1577
3601245	1S4W27A10S W	472	217	54	354	200	259	0	0	0	0
3601431	1S4W27H01S W	6	5	5	4	5	5	12	5	32	11
3601432	1S4W11D01S W	0	0	0	0	0	0	0	0	0	0
3601457	1S4W01B03S W	0	0	0	0	0	0	0	0	0	0
3601458	1S4W01B02S W	0	0	0	0	0	0	0	0	0	0
3601459	1S4W01B000 W	0	0	0	0	0	0	0	0	0	0
3601460	1S4W01B000 W	0	0	0	0	0	0	0	0	0	0
3601461	1S4W01B000 W	0	0	0	0	0	0	0	0	0	0
3601462	1S4W01E01S W	887	1045	1428	1088	1004	1050	1927	1498	0	0
3601463	1S4W02A03S W	1808	1070	1686	1354	1220	1428	1870	1401	1349	1665
3601464	1S4W02P06S W	613	1379	1190	988	989	1032	755	566	392	958
3601465	1S4W02Q03S W	512	527	884	811	546	656	669	506	419	359
3601466	1S4W02Q07S W	0	0	0	0	0	0	0	0	0	0
3601467	1S4W02Q06S W	373	595	967	957	906	776	771	460	525	749
3601468	1S4W02P01S W	1822	1853	1523	978	912	1418	2100	2206	2411	1438

(CONTINUED)

TABLE NO. 1
EXTRACTIONS BY OWNERS (PLAINTIFFS)
FROM THE SAN BERNARDINO BASIN AREA

OWNER	1959	1960	1961	1962	1963	5 YEAR AVERAGE	1970	1971	1972	1973	1974	1975
(CONTINUED)												
RIVERSIDE, CITY OF												
3601469 1S4W22A01S W	0	0	0	0	0	0	0	0	0	0	0	0
3601470 1S4W22G15S W	0	0	0	0	0	0	0	0	0	0	0	0
3601470-- 1S4W22B07S W	0	476	1345	1244	1471	907	895	1162	1054	502	1345	
3601471 1S4W22G14S W	1264	980	1225	820	545	967	294	502	94	0	0	0
3601472 1S4W22G11S W	198	98	48	60	0	81	0	0	0	0	0	0
3601473 1S4W22G16S W	691	584	343	443	364	485	0	359	0	0	0	0
3601474 1S4W22G18S W	552	392	326	289	348	381	0	0	0	0	0	0
3601475 1S4W22G17S W	509	422	316	377	323	389	0	0	0	0	0	0
3601476 1S4W22G19S W	443	277	236	481	270	341	137	134	121	0	323	
3601477 1S4W22B01S W	543	332	392	398	298	393	0	0	0	0	0	0
3601478 1S4W22B03S W	597	367	412	392	322	418	81	0	40	27	47	
3601479 1S4W22B05S W	487	317	334	355	259	350	0	0	0	0	0	0
3601489 1S4W02L01S W	0	410	830	758	789	557	205	568	525	83	527	
3602484 1S4W14N09S W	0	0	0	0	0	0	0	0	1353	2465	3731	
OWNER TOTAL	25983*	23024*	24682*	24391*	22179*	24092*	20815*	24939*	20474*	21493*	27420*	
RIVERSIDE, CITY OF GAGE CANAL												
3600784 1S4W13L01S W	10	44	68	36	12	34	0	0	0	0	0	0
3600785 1S4W14R000 W	0	0	0	0	0	0	0	0	0	0	0	0
3600786 1S4W13L02S W	0	0	0	0	0	0	588	612	662	710	983	
3600787 1S4W23A02S W	2950	2805	2762	2535	2773	2765	1396	1597	1241	1703	1165	
3600788 1S4W23H01S W	2840	1566	2163	2207	2465	2248	2077	2010	1921	1844	1152	

TABLE NO. 1
EXTRACTIONS BY OWNERS (PLAINTIFFS)
FROM THE SAN BERNARDINO BASIN AREA

OWNER	5 YEAR AVERAGE									
	1959	1960	1961	1962	1963	1964	1965	1966	1967	1968
(CONTINUED)										
RIVERSIDE, CITY OF GAGE CANAL										
3600789 1S4W23K015 W	3466	2409	2076	2928	2239	2624	1089	1201	1224	967
3600790 1S4W23K025 W	2235	2725	2904	2155	2394	2483	2290	2052	1742	1567
3600791 1S4W13N015 W	3633	3693	4680	3387	3475	3774	3269	4365	3645	3604
3600792 1S4W13N025 W	3537	4709	5071	4094	3750	4232	3122	3864	3220	378
3600793 1S4W13M025 W	1582	1768	1495	2145	1719	1742	1500	1778	1323	1499
3600794 1S4W13F025 W	3219	2141	2353	2057	1372	2228	631	1266	721	787
3600795 1S4W13G025 W	3640	2828	2909	2820	2765	2992	3295	3906	3431	2915
3600796 1S4W23A055 W	1314	1183	946	642	736	964	531	673	616	624
3600797 1S4W13G035 W	3379	3148	3243	3434	3299	3301	2883	2513	2973	2436
3600798 1S4W23G015 W	0	0	0	0	0	0	0	0	0	0
3602331 1S4W23G000 W	0	0	0	0	0	0	2765	2980	2394	2415
3602423 1S4W13P000 W	0	0	0	0	0	0	135	126	107	80
OWNER TOTAL	31805*	29019*	30670*	28440*	26999*	29387*	25571*	28943*	25220*	21529*
UNIVERSITY OF CALIFORNIA, REGENTS OF										
3691222 1S4W27A115 W	22	83	62	65	47	56	93	73	62	50
3691241 1S4W27A075 W	0	0	0	0	0	0	0	0	0	0
3691242 1S4W27A085 W	0	0	0	0	0	0	0	0	0	0
3691244 1S4W27A095 W	385	386	564	392	309	407	175	146	177	189
3691245 1S4W27A105 W	151	77	32	107	69	87	0	0	0	0
OWNER TOTAL	558*	546*	658*	564*	425*	550*	268*	219*	239*	239*
TOTAL VERIFIED PRODUCTION ALL FACILITIES	70373*	64867*	70944*	65102*	60983*	66454*	55900*	61015*	53992*	49752*

TABLE NO. 2

SUMMARY OF EXTRACTIONS BY ALL PLAINTIFFS
FROM THE SAN BERNARDINO BASIN AREA

TABLE NO. 2
SUMMARY OF EXTRACTIONS BY ALL PLAINTIFFS
FROM THE SAN BERNARDINO BASIN AREA

OWNER	1959	1960	1961	1962	1963	5 YEAR AVERAGE	1970	1971	1972	1973	1974	1975
MEEKS & DALEY WATER CO.												
OWNER TOTAL	7282*	8037*	9399*	7560*	7854*	8026*	5049*	2902*	3527*	2979*	4504*	
RIVERSIDE HIGHLAND WATER COMPANY												
OWNER TOTAL	4745*	4241*	5535*	4147*	3326*	4399*	4197*	4012*	4532*	3512*	4088*	
RIVERSIDE, CITY OF												
OWNER TOTAL	25983*	23024*	24682*	24391*	22379*	24092*	20815*	24939*	20474*	21493*	27420*	
RIVERSIDE, CITY OF GAGE CANAL												
OWNER TOTAL	31805*	29019*	30670*	28440*	26999*	29387*	25571*	28943*	25220*	21529*	15947*	
UNIVERSITY OF CALIFORNIA, REGENTS OF												
OWNER TOTAL	558*	546*	658*	564*	425*	550*	268*	219*	239*	239*	267*	
TOTAL VERIFIED PRODUCTION ALL FACILITIES	70373*	64867*	70944*	65102*	60983*	66454*	55900*	61015*	53992*	49752*	52226*	

TABLE NO. 3

EXTRACTIONS BY PLAINTIFFS FROM THE
SAN BERNARDINO BASIN AREA FOR AVERAGE OF
FIVE-YEAR PERIOD ENDING WITH 1963
AND CALENDAR YEARS 1964 THROUGH 1973
CLASSIFIED ACCORDING TO SERVICE AREA

TABLE NO. 3

EXTRACTIONS BY PLAINTIFFS
FROM THE SAN BERNARDINO BASIN AREA
FOR AVERAGE OF FIVE-YEAR PERIOD ENDING WITH 1961
AND CALENDAR YEARS 1962 THROUGH 1974
CLASSIFIED ACCORDING TO SERVICE AREA

(ALL VALUES IN ACRE FEET)

PLAINTIFFS	EXTRACTIONS FROM SAN BERNARDINO BASIN AREA FOR USE WITHIN & EXPORTS THEREFROM																							
	1959				1960				1961				1962				1963				Five-Year Average			
	Total Extractions	Deliveries San Bernardino Basin	Deliveries Colton & Riverside Basins in San Bernardino County	Deliveries Outside San Bernardino Valley	Total Extractions	Deliveries San Bernardino Basin	Deliveries Colton & Riverside Basins in San Bernardino County	Deliveries Outside San Bernardino Valley	Total Extractions	Deliveries San Bernardino Basin	Deliveries Colton & Riverside Basins in San Bernardino County	Deliveries Outside San Bernardino Valley	Total Extractions	Deliveries San Bernardino Basin	Deliveries Colton & Riverside Basins in San Bernardino County	Deliveries Outside San Bernardino Valley	Total Extractions	Deliveries San Bernardino Basin	Deliveries Colton & Riverside Basins in San Bernardino County	Deliveries Outside San Bernardino Valley				
CITY OF RIVERSIDE City & Riverside Water Co. Wells	25,983	2,369	382	23,232	23,024	2,006	356	20,662	24,682	0	338	24,344	24,391	0	345	24,046	22,379	0	435	21,944	24,092	875	371	22,846
CITY OF RIVERSIDE Gage Canal Co. Wells	31,805	501	1,001	30,303	29,019	539	892	27,588	30,670	461	1,010	29,199	28,440	751	783	26,906	26,999	683	758	25,558	29,387	587	889	27,911
CITY OF RIVERSIDE SUBTOTAL	57,788	2,870	1,383	53,535	52,043	2,545	1,248	48,250	55,352	461	1,348	53,543	52,831	751	1,128	50,952	49,378	683	1,193	47,502	53,479	1,462	1,260	50,757
RIVERSIDE HIGHLAND WATER COMPANY	4,745	0	2,561	2,184	4,241	0	2,352	1,889	5,535	0	3,026	2,509	4,147	0	2,569	1,578	3,326	0	2,037	1,289	4,399	0	2,509	1,890
WEEKS & DALEY WATER COMPANY & AGUA MANSA WATER COMPANY	7,282	0	295	6,987	8,037	0	312	7,725	9,399	0	363	9,036	7,560	0	363	7,197	7,854	0	297	7,557	8,026	0	326	7,700
UNIVERSITY OF CALIFORNIA	558	0	0	558	546	0	0	546	658	0	0	658	564	0	0	564	425	0	0	425	550	0	0	550
TOTAL	70,373	2,870	4,231	63,264	64,867	2,545	3,912	58,410	70,944	461	4,737	65,746	65,102	751	4,060	60,291	60,983	683	3,527	56,773	66,454	1,462	4,095	60,897

TABLE NO. 3

EXTRACTIONS BY PLAINTIFFS
FROM THE SAN BERNARDINO BASIN AREA
FOR AVERAGE OF FIVE-YEAR PERIOD ENDING WITH 1963
AND CALENDAR YEARS 1964 THROUGH 1974
CLASSIFIED ACCORDING TO SERVICE AREA

(ALL VALUES IN ACRES FEET)

PLAINTIFFS	EXTRACTIONS FROM SAN BERNARDINO BASIN AREA FOR USE WITHIN & EXPORTS THEREFROM																												
	1964				1965				1966				1967				1968				Five-Year Average								
	Total Extractions	Deliveries San Bernardino Basin	Deliveries Colton & Riverside Basins in San Bernardino County	Deliveries Outside San Bernardino Valley	Total Extractions	Deliveries San Bernardino Basin	Deliveries Colton & Riverside Basins in San Bernardino County	Deliveries Outside San Bernardino Valley	Total Extractions	Deliveries San Bernardino Basin	Deliveries Colton & Riverside Basins in San Bernardino County	Deliveries Outside San Bernardino Valley	Total Extractions	Deliveries San Bernardino Basin	Deliveries Colton & Riverside Basins in San Bernardino County	Deliveries Outside San Bernardino Valley	Total Extractions	Deliveries San Bernardino Basin	Deliveries Colton & Riverside Basins in San Bernardino County	Deliveries Outside San Bernardino Valley									
CITY OF RIVERSIDE City & Riverside Water Co. Wells	23,860	0	245	23,615	20,973	0	166	20,807	20,900	0	173	20,727	19,185	21,230	0	0	21,230	21,230	0	0	21,230	21,230	0	0	21,230	0	0	0	21,113
CITY OF RIVERSIDE Cage Canal Co. Wells	28,790	515	766	27,509	22,238	379	586	21,273	24,910	503	636	23,771	22,903	22,464	528	22,151*	28,581	311*	669	27,601*	25,484	386*	637	24,461*	756	794	1,971	7,556	
CITY OF RIVERSIDE SUBTOTAL	52,650	515	1,011	51,124	43,211	379	752	42,080	45,810	503	809	44,498	42,088	22,464	528	41,336*	49,811	311*	669	48,831*	46,714	386*	756	45,574*	794	1,971	7,556		
RIVERSIDE HIGHLAND WATER COMPANY	4,303	0	2,190	2,113	3,932	0	2,076	1,856	4,000	0	2,029	1,971	4,076	0	2,074	2,002	4,354	0	2,443	1,911	4,133	0	2,162	1,971	0	0	0	0	
NEEKS & DALEY WATER COMPANY & AGUA MANSA WATER COMPANY	8,496	0	449	8,047	7,388	0	303	7,085	7,205	0	238	6,967	7,383	0	354	7,029	8,972	0	318	8,654	7,889	0	333	7,556	0	0	0	0	
UNIVERSITY OF CALIFORNIA	443	0	0	443	410	0	0	410	323	0	0	323	104	0	0	104	73	0	0	73	270	0	0	0	0	0	0	0	
TOTAL	65,892	515	3,650	61,727	56,941	379	3,131	51,431	57,338	503	3,076	53,759	53,651	22,464	2,956	50,471*	63,210	311*	3,430	59,469*	59,006	386*	3,249	55,371*	386*	3,249	55,371*		

See Report of Watermaster, Volume 5, Distribution of Extractions, Chapter I, Table No. 36-A.

*Deliveries corrected during 1972 verification.

TABLE NO. 3

EXTRACTIONS BY PLAINTIFFS
FROM THE SAN BERNARDINO EAST AREA
FOR AVERAGE OF FIVE-YEAR PERIOD ENDING WITH 1963
AND CALENDAR YEARS 1964 THROUGH 1974
CLASSIFIED ACCORDING TO SERVICE AREA
(ALL VALUES IN ACRE FEET)

PLAINTIFFS	EXTRACTIONS FROM SAN BERNARDINO BASIN AREA FOR USE WITHIN & EXPORTS THEREFROM							
	1969				1970			
	Total Extractions	Deliveries San Bernardino Basin	Deliveries Colton & Riverside Basins in San Bernardino County	Deliveries Outside San Bernardino Valley	Total Extractions	Deliveries San Bernardino Basin	Deliveries Colton & Riverside Basins in San Bernardino County	Deliveries Outside San Bernardino Valley
CITY OF RIVERSIDE City & Riverside Water Co. Wells	19,088	0	19,088	20,815	0	0	20,815	
CITY OF RIVERSIDE Gage Canal Co. Wells	21,737	74*	21,109*	25,571	285*	589	24,697*	
CITY OF RIVERSIDE SUBTOTAL	40,825	74*	40,197*	46,386	285*	589	45,512*	
RIVERSIDE HIGHLAND WATER COMPANY	2,699	0	1,591	4,197	0	2,200	1,997	
NEEKS & DALEY WATER COMPANY & AGUA MANSA WATER COMPANY	5,348	0	299	5,049	0	561	4,488	
UNIVERSITY OF CALIFORNIA	148	0	148	268	0	0	268	
TOTAL	49,020	74*	46,502*	55,900	285*	3,350	52,265*	

See Report of Watermaster, Volume 5, Distribution of Extractions, Chapter I, Table No. 36-A.

*Deliveries corrected during 1972 verification.

TABLE NO. 3

EXTRACTIONS BY PLAINTIFFS
FROM THE SAN BERNARDINO BASIN AREA
FOR AVERAGE OF FIVE-YEAR PERIOD ENDING WITH 1963
AND CALENDAR YEARS 1964 THROUGH 1974

CLASSIFIED ACCORDING TO SERVICE AREA
(ALL VALUES IN ACRE FEET)

PLAINTIFFS	EXTRACTIONS FROM SAN BERNARDINO BASIN AREA FOR USE WITHIN & EXPORTS THEREFROM																			
	1971				1972				1973				1974				Five-Year Average			
	Total Extractions	Deliveries San Bernardino Basin	Deliveries Colton & Riverside Basins in San Bernardino County	Deliveries Outside San Bernardino Valley	Total Extractions	Deliveries San Bernardino Basin	Deliveries Colton & Riverside Basins in San Bernardino County	Deliveries Outside San Bernardino Valley	Total Extractions	Deliveries San Bernardino Basin	Deliveries Colton & Riverside Basins in San Bernardino County	Deliveries Outside San Bernardino Valley	Total Extractions	Deliveries San Bernardino Basin	Deliveries Colton & Riverside Basins in San Bernardino County	Deliveries Outside San Bernardino Valley				
CITY OF RIVERSIDE City & Riverside Water Co. Wells	24,939	0	0	24,939	20,474	0	0	20,474	21,493	0	0	21,493	27,620	0	65	27,355				
CITY OF RIVERSIDE Gage Canal Co. Wells	28,943	98*	669	28,176*	25,220	85	547	24,588	21,529	156	512	20,861	15,947	0	485	15,462				
CITY OF RIVERSIDE SUBTOTAL	53,882	98*	669	53,115*	45,694	85	547	45,062	43,022	156	512	42,354	43,667	0	550	42,817				
RIVERSIDE HIGHLAND WATER COMPANY	4,012	0	2,388	1,624	4,532	0	2,239	2,293	3,512	0	1,751	1,761	4,088	0	1,985	2,103				
MEERKS & DALEY WATER COMPANY & AGUA MANSA WATER COMPANY	2,902	0	383	2,519	3,527	0	377	3,150	2,979	0	250	2,729	4,504	0	246	4,258				
UNIVERSITY OF CALIFORNIA	219	0	0	219	239	0	0	239	239	0	0	239	267	0	0	267				
TOTAL	61,015	98*	3,446	57,477*	53,992	85	3,163	50,744	49,752	156	2,513	47,083	52,226	0	2,781	49,445				

See Report of Watermaster, Volume 5, Distribution of Extractions, Chapter I, Table No. 36-A.

*1971 deliveries corrected during 1972 verification.

TABLE NO. 4

TOTAL EXTRACTIONS BY
PLAINTIFFS FROM SAN BERNARDINO BASIN AREA

TABLE NO. 4

TOTAL EXTRACTIONS BY PLAINTIFFS FROM
SAN BERNARDINO BASIN AREA
 (Quantities in Acre Feet)

EXTRACTING PLAINTIFF						
Year	City of Riverside	Gage Canal	Riverside Highland	Meeks & Daley	Univ. of Calif.	Total
1959	25,983	31,805	4,745	7,282	558	70,373
1960	23,024	29,019	4,241	8,037	546	64,867
1961	24,682	30,670	5,535	9,399	658	70,944
1962	24,391	28,440	4,147	7,560	564	65,102
1963	22,379	26,999	3,326	7,854	425	60,983
Total	120,459	146,933	21,994	40,132	2,751	332,269
5-Yr. Avg.	24,092	29,387	4,399	8,026	550	66,454
1964	23,860	28,790	4,303	8,496	443	65,892
1965	20,973	22,238	3,932	7,388	410	54,941
1966	20,900	24,910	4,000	7,205	323	57,338
1967	19,185	22,903	4,076	7,383	104	53,651
1968	21,230	28,581	4,354	8,972	73	63,210
Total	106,148	127,422	20,665	39,444	1,353	295,032
5-Yr. Avg.	21,230	25,484	4,133	7,889	270	59,006
1969	19,088	21,737	2,699	5,348	148	49,020
1970	20,815	25,571	4,197	5,049	268	55,900
1971	24,939	28,943	4,012	2,902	219	61,015
1972	20,474	25,220	4,532	3,527	239	53,992
1973	21,493	21,529	3,512	2,979	239	49,752
1974	27,420	15,947	4,088	4,504	267	52,226
1975						
Total						
5-Yr. Avg.						

From Table No. 3

TABLE NO. 5
EXTRACTIONS BY PLAINTIFFS FROM
THE SAN BERNARDINO BASIN AREA
FOR DELIVERIES IN SAN BERNARDINO BASIN AREA

TABLE NO. 5

EXTRACTIONS BY PLAINTIFFS FROM
THE SAN BERNARDINO BASIN AREA FOR DELIVERIES IN
SAN BERNARDINO BASIN AREA
 (Quantities in Acre Feet)

EXTRACTING PLAINTIFF						
Year	City of Riverside	Gage Canal	Riverside Highland	Meeks & Daley	Univ. of Calif.	Total
1959	2,369	501	0	0	0	2,870
1960	2,006	539	0	0	0	2,545
1961	0	461	0	0	0	461
1962	0	751	0	0	0	751
1963	0	683	0	0	0	683
Total	4,375	2,935	0	0	0	7,310
5-Yr. Avg.	875	587	0	0	0	1,462
1964	0	515	0	0	0	515
1965	0	379	0	0	0	379
1966	0	503	0	0	0	503
1967	0	224	0	0	0	224
1968	0	311	0	0	0	311
Total	0	1,932	0	0	0	1,932
5-Yr. Avg.	0	386	0	0	0	386
1969	0	74	0	0	0	74
1970	0	285	0	0	0	285
1971	0	98	0	0	0	98
1972	0	85	0	0	0	85
1973	0	156	0	0	0	156
1974	0	0	0	0	0	0
1975						
Total						
5-Yr. Avg.						

From Table No. 3

TABLE NO. 6
EXTRACTIONS BY PLAINTIFFS FROM
THE SAN BERNARDINO BASIN AREA
FOR DELIVERIES IN COLTON AND
RIVERSIDE BASINS IN SAN BERNARDINO COUNTY

TABLE NO. 6

EXTRACTIONS BY PLAINTIFFS FROM
THE SAN BERNARDINO BASIN AREA FOR DELIVERIES IN
COLTON & RIVERSIDE BASINS IN SAN BERNARDINO COUNTY
(Quantities in Acre Feet)

EXTRACTING PLAINTIFF						
Year	City of Riverside	Gage Canal	Riverside Highland	Meeks & Daley	Univ. of Calif.	Total
1959	382	1,001	2,561	295	0	4,239
1960	356	892	2,352	312	0	3,912
1961	338	1,010	3,026	363	0	4,737
1962	345	783	2,569	363	0	4,060
1963	435	758	2,037	297	0	3,527
Total	1,856	4,444	12,545	1,630	0	20,475
5-Yr. Avg.	371	889	2,509	326	0	4,095
1964	245	766	2,190	449	0	3,650
1965	166	586	2,076	303	0	3,131
1966	173	636	2,029	238	0	3,076
1967	0	528	2,074	354	0	2,956
1968	0	669	2,443	318	0	3,430
Total	584	3,185	10,812	1,662	0	16,243
5-Yr. Avg.	117	637	2,162	333	0	3,249
1969	0	554	1,591	299	0	2,444
1970	0	589	2,200	561	0	3,350
1971	0	669	2,388	383	0	3,440
1972	0	547	2,239	377	0	3,163
1973	0	512	1,751	250	0	2,513
1974	65	485	1,985	246	0	2,781
1975						
Total						
5-Yr. Avg.						

From Table No. 3

TABLE NO. 7
EXTRACTIONS BY PLAINTIFFS FROM
THE SAN BERNARDINO BASIN AREA FOR
DELIVERIES OUTSIDE SAN BERNARDINO VALLEY

TABLE NO. 7

EXTRACTIONS BY PLAINTIFFS FROM
THE SAN BERNARDINO BASIN AREA FOR DELIVERIES
OUTSIDE SAN BERNARDINO VALLEY
(Quantities in Acre Feet)

EXTRACTING PLAINTIFF						
Year	City of Riverside	Gage Canal	Riverside Highland	Meeks & Daley	Univ. of Calif.	Total
1959	23,232	30,303	2,184	6,987	558	63,264
1960	20,662	27,588	1,889	7,725	546	58,410
1961	24,344	29,199	2,509	9,036	658	65,746
1962	24,046	26,906	1,578	7,197	564	60,291
1963	21,944	25,558	1,289	7,557	425	56,773
Total	114,228	139,554	9,449	38,502	2,751	304,484
5-Yr. Avg.	22,846	27,911	1,890	7,700	550	60,897
1964	23,615	27,509	2,113	8,047	443	61,727
1965	20,807	21,273	1,856	7,085	410	51,431
1966	20,727	23,771	1,971	6,967	323	53,759
1967	19,185	22,151	2,002	7,029	104	50,471
1968	21,230	27,601	1,911	8,654	73	59,469
Total	105,564	122,305	9,853	37,782	1,353	276,857
5-Yr. Avg.	21,113	24,461	1,971	7,556	270	55,371
1969	19,088	21,109	1,108	5,049	148	46,502
1970	20,815	24,697	1,997	4,488	268	52,265
1971	24,939	28,176	1,624	2,519	219	57,477
1972	20,474	24,588	2,293	3,150	239	50,744
1973	21,493	20,861	1,761	2,729	239	47,683
1974	27,355	15,462	2,103	4,258	267	49,445
1975						
Total						
5-Yr. Avg.						

From Table No. 3

Volume 2 - 1974

REPORT OF WATERMASTER

Western Municipal Water District of Riverside County, et al.
Plaintiffs

vs.

East San Bernardino County Water District, et al.
Defendants

Superior Court of Riverside County

Case No. 78426

VOLUME 2-1974

VERIFIED EXTRACTIONS FROM
COLTON BASIN AREA
FOR
CALENDAR YEARS 1959-1963 & 1970-1974

ANNUAL ACCOUNTING
FOR INDIVIDUAL WELLS

August 1, 1976

WATERMASTER
James C. Hanson
Donald L. Harriger

VOLUME 2-1974

TABLE OF CONTENTS

	<u>Page</u>
INTRODUCTION	i
COLTON BASIN AREA, CROSS INDEX BY OWNER	1
COLTON BASIN AREA, CROSS INDEX BY RECORDATION NUMBER	4
COLTON BASIN AREA, CROSS INDEX BY STATE WELL NUMBER	7
 <u>TABLE NO. 1</u>	
VERIFIED EXTRACTIONS BY OWNERS WHICH HAVE RECORDATION FILINGS WITH THE STATE WATER RESOURCES CONTROL BOARD	10
 <u>TABLE NO. 2</u>	
VERIFIED EXTRACTIONS BY OWNERS WHICH HAVE NOT FILED WITH THE STATE WATER RESOURCES CONTROL BOARD	14
 <u>TABLE NO. 3</u>	
SUMMARY OF VERIFIED EXTRACTIONS (FILED AND NON-FILED) FROM COLTON BASIN AREA	15
 <u>TABLE NO. 4</u>	
GROUND WATER EXTRACTIONS BY RIVERSIDE COUNTY ENTITIES FROM COLTON BASIN AREA FOR USE IN RIVERSIDE & SAN BERNARDINO COUNTIES DURING THE 5-YEAR BASE PERIOD 1959 THROUGH 1963 AND CALENDAR YEARS 1964 THROUGH 1974	17
 <u>TABLE NO. 5</u>	
GROUND WATER EXTRACTIONS FROM COLTON BASIN AREA BY SAN BERNARDINO COUNTY ENTITIES FOR USE IN SAN BERNARDINO COUNTY DURING THE 5-YEAR BASE PERIOD 1959 THROUGH 1963 AND CALENDAR YEARS 1964 THROUGH 1974	21

VOLUME 2-1974

VERIFIED EXTRACTIONS FROM
THE COLTON BASIN AREA FOR
CALENDAR YEARS 1959-1963 & 1970-1974

INTRODUCTION

The provisions of Paragraph VIII (a) and VIII (b) of the Judgment in Case No. 78426 entered April 17, 1969 entitled "Extractions from Colton Basin Area and Riverside Basin Area in San Bernardino County" provide as follows:

"(a) The average annual extractions from the Colton Basin Area and that portion of the Riverside Basin Area within San Bernardino County for use outside San Bernardino Valley for the five-year period ending with 1963 are assumed to be 3,349 acre feet and 20,191 acre feet, respectively' the correct figures shall be determined by the Watermaster as herein provided.

"(b) Over any five-year period, there may be extracted from each such Basin Area for use outside San Bernardino Valley, without replenishment obligation, an amount equal to five times such annual average for the Basin Area; provided, however, that if extractions in any year exceed such average by more than 20 percent, Western shall provide replenishment in the following year equal to the excess extractions over such 20 percent peaking allowance."

Compliance with these provisions of the Judgment requires that an accounting of the total actual extractions of surface and ground water within the Colton Basin Area and the Riverside Basin Area within San Bernardino County be made annually. Included in this Volume 2-1974 is the verified accounting of the production from the Colton Basin Area by owners for the calendar years 1971 through 1974. The verified production for the five-year period ending with 1963 and the calendar year 1970 is also included for comparison. The five-year average production from the Colton Basin Area ending in 1963 was verified to be 11,731* acre feet.

Three indexes are included which provide a cross index by owner's name, State Water Resources Control Board Well Recordation Number, and State Well Number. Each index shows, in addition, the local designation of each well and groundwater basin in which the well is located.

*Verified extractions corrected during the 1972 & 1973 verification.

Tables No. 1 and No. 2 in this report list the individual wells by the owner for each year in the five-year base period ending in 1963, the five-year base period average, and the extractions for the years 1970 through 1974, together with the owner's total annual verified extractions. Table No. 1 lists the wells upon which filings have been made with the State Water Resources Control Board, and Table No. 2 lists the wells upon which no filings have been made. Table No. 3 is a summary of the verified extractions, by owner, as presented in Tables No. 1 and No. 2.

Paragraph VIII (a) of the Judgment requires that only those extractions from the Colton Basin Area which are used outside San Bernardino Valley be verified for the five calendar years ending with 1963 and accounted for annually from and after January 1, 1971. Accordingly, those extractions from the Colton Basin Area by Riverside County entities for the five calendar years ending with 1963 have been determined and are set forth in Table No. 4. Such extractions averaged 3,496 acre feet for said five-year period, of which 3,381 acre feet were delivered outside San Bernardino Valley.

Table No. 4 also shows the extractions from the Colton Basin Area for the years 1964 through 1974. Since the provisions of Paragraph VIII are effective from and after January 1, 1971, the findings for the years 1964 through 1970 are for illustrative and planning purposes only.

The verified extractions from the Colton Basin Area for calendar years 1971, 1972, 1973 and 1974 have been determined to be 11,388, 10,414, 7,844, 8,906 acre feet respectively, as shown on Table No. 3, page 16. The verified extractions by Riverside entities for 1974 have been determined to be 1,737 acre feet of which 1,464 acre feet were delivered outside San Bernardino Valley as shown on Table No. 4, page 20.

Table No. 5 shows the verified extractions from the Colton Basin Area by San Bernardino County entities during the 5-year Base Period 1959 through 1963 and the calendar years 1970 through 1974. The extractions for the years from 1964 through 1969 have also been tabulated in Table No. 5, but since the extractions were not verified for these years, the filed extractions for the Colton Basin Area were used and extractions by the San Bernardino County entities were calculated for 1964 through 1969 by subtracting the verified extractions by Riverside County entities from the total filed extractions from the Colton Basin Area.

COLTON BASIN AREA

CROSS INDEX BY OWNER

COLTON BASIN AREA
CROSS INDEX BY OWNER

OWNER NAME	RECORDATION NUMBER	STATE WELL NUMBER	LOCAL DESIGNATION	BASIN NAME
RIALTO, CITY OF	3601993	1N3W34B000	HIGHLAND	RIAL-COLT
RIALTO, CITY OF	3602253	1N3W27D01S	CEDAR	RIAL-COLT
RIALTO, CITY OF	3602269	1S5W03N02S	TUDOR 1	RIAL-COLT
RIALTO, CITY OF	3602271	1S5W03J01S	TUDOR	RIAL-COLT
RIALTO, CITY OF	3602558	1N5W34M01S	AIRPORT	RIAL-COLT
RIVERSIDE HIGHLAND WATER COMPANY	3601525	1S4W28K01S	4	RIAL-COLT
RIVERSIDE HIGHLAND WATER COMPANY	3602182	1S4W28K02S	4 A	RIAL-COLT
RIVERSIDE, CITY OF	3601480	1S4W21Q03S	JOHNSON 1	RIAL-COLT
RIVERSIDE, CITY OF	3601481	1S4W21L01S	VAUGHN 1	RIAL-COLT
RIVERSIDE, CITY OF	3601482	1S4W28C01S	MEEKS 1	RIAL-COLT
RIVERSIDE, CITY OF	3601494	1S4W21P01S	JOHNSON 2	RIAL-COLT
RIVERSIDE, CITY OF	3601495	1S4W21Q01S	JOHNSON 3	RIAL-COLT
RIVERSIDE, CITY OF	3601496	1S4W21P000	WARM CR.	RIAL-COLT
RIVERSIDE, CITY OF	3602208	1S4W28D01S	MILL	RIAL-COLT
SOUTHERN CALIFORNIA EDISON COMPANY	3601008	1S5W12A000	1	RIAL-COLT
SOUTHERN CALIFORNIA EDISON COMPANY	3601010	1S5W12A000	2	RIAL-COLT
SOUTHERN CALIFORNIA EDISON COMPANY	3602218	1S4W29H03S	COLTON	RIAL-COLT
SOUTHERN PACIFIC TRANSPORTATION CO.	NON-FILER	1S4W07C01S	EDMUNDS	RIAL-COLT
TAYLOR, JOHN S.	3600867	1N5W07P000	TAYLOR 1	RIAL-COLT
TAYLOR, JOHN S.	3600868	1N5W07P000		RIAL-COLT
WEATHERWELL TILE CO.	NON-FILER	1N5W29P000	PERRY WELL	RIAL-COLT
WEST SAN BDNO. COUNTY WATER DIST.	3600309	1S5W02C01S	PLANT NO 10	RIAL-COLT

COLTON BASIN AREA
 CROSS INDEX BY OWNER

OWNER NAME	RECORDATION NUMBER	STATE WELL NUMBER	LOCAL DESIGNATION	BASIN NAME
WEST SAN BDNO. COUNTY WATER DIST.	3600311	155W02K01S	PLANT NO 11	RIAL-COLT
WEST SAN BDNO. COUNTY WATER DIST.	3600995	155W12N01S	PLANT NO 17	RIAL-COLT
WEST SAN BDNO. COUNTY WATER DIST.	3601001	155W12L01S	PLANT NO 16	RIAL-COLT
WEST SAN BDNO. COUNTY WATER DIST.	3601689	1N5W17K01S	PLANT NO 21	RIAL-COLT
WEST SAN BDNO. COUNTY WATER DIST.	3601690	1N5W28J01S	PLANT NO 22	RIAL-COLT
WEST SAN BDNO. COUNTY WATER DIST.	3601691	1N5W17G01S	PLANT NO 23	RIAL-COLT
WEST SAN BDNO. COUNTY WATER DIST.	3601931	1N5W17K02S	PLANT NO 24	RIAL-COLT

COLTON BASIN AREA

CROSS INDEX BY RECORDATION NUMBER

COMTON BASIN AREA
CROSS INDEX BY RECORDATION NUMBER

RECORDATION NUMBER	OWNER NAME	STATE WELL NUMBER	LOCAL DESIGNATION	BASIN NAME
NON-FILER	INDIAN KNOLL FARM & DAIRY	154W286000	4	RIAL-COLT
NON-FILER	INDIAN KNOLL FARM & DAIRY	154W286000	5 DOMESTIC	RIAL-COLT
NON-FILER	SOUTHERN PACIFIC TRANSPORTATION CO.	154W07C01S	EDMUNDS	RIAL-COLT
NON-FILER	WEATHERWELL TILE CO.	1N5W29P000	PERRY WELL	RIAL-COLT
3302054	RECHE CANYON MUTUAL WATER CO	254W11A02S	BIG WELL	RIAL-COLT
3302055	RECHE CANYON MUTUAL WATER CO	254W11A01S	SMALL WELL	RIAL-COLT
3600309	WEST SAN BDNO. COUNTY WATER DIST.	155W02C01S	PLANT NO 10	RIAL-COLT
3600311	WEST SAN BDNO. COUNTY WATER DIST.	155W02K01S	PLANT NO 11	RIAL-COLT
3600577	FONTANA UNION WATER COMPANY	155W05A03S	22	RIAL-COLT
3600578	FONTANA UNION WATER COMPANY	155W05A02S	23	RIAL-COLT
3600589	FONTANA UNION WATER COMPANY	155W04D01S	35	RIAL-COLT
3600634	PATTERSON, JOHN A., M.D.	154W17M01S	PATTERSN	RIAL-COLT
3600867	TAYLOR, JOHN S.	1N5W07P000	TAYLOR 1	RIAL-COLT
3600868	TAYLOR, JOHN S.	1N5W07P000		RIAL-COLT
3600995	WEST SAN BDNO. COUNTY WATER DIST.	155W12A01S	PLANT NO 17	RIAL-COLT
3601001	WEST SAN BDNO. COUNTY WATER DIST.	155W12L01S	PLANT NO 16	RIAL-COLT
3601008	SOUTHERN CALIFORNIA EDISON COMPANY	155W12A000	1	RIAL-COLT
3601010	SOUTHERN CALIFORNIA EDISON COMPANY	155W12A000	2	RIAL-COLT
3601141	HAYES, GEO. G.	154W18K01S	1	RIAL-COLT
3601255	COLTON, CITY OF	154W18B000	9	RIAL-COLT
3601259	COLTON, CITY OF	154W18G000	15	RIAL-COLT
3601261	COLTON, CITY OF	154W18F000	17	RIAL-COLT

COLTON BASIN AREA
CROSS INDEX BY RECORDATION NUMBER

RECORDATION NUMBER	OWNER NAME	STATE WELL NUMBER	LOCAL DESIGNATION	BASIN NAME
3601264	RIALTO, CITY OF	155W03A000	DUNCAN	RIAL-COLT
3601383	LEDIG, ALFRED H	1N5W18D000		RIAL-COLT
3601480	RIVERSIDE, CITY OF	154W21Q03S	JOHNSON 1	RIAL-COLT
3601481	RIVERSIDE, CITY OF	154W21L01S	VAUGHN 1	RIAL-COLT
3601482	RIVERSIDE, CITY OF	154W28C01S	MEEKS 1	RIAL-COLT
3601494	RIVERSIDE, CITY OF	154W21P01S	JOHNSON 2	RIAL-COLT
3601495	RIVERSIDE, CITY OF	154W21Q01S	JOHNSON 3	RIAL-COLT
3601496	RIVERSIDE, CITY OF	154W21P000	WARM CR.	RIAL-COLT
3601510	MEEKS & DALEY WATER CO.	154W21N01S	36	RIAL-COLT
3601525	RIVERSIDE HIGHLAND WATER COMPANY	154W28K01S	4	RIAL-COLT
3601548	INDIAN KNOLL FARM & DAIRY	154W28G01S	1	RIAL-COLT
3601550	INDIAN KNOLL FARM & DAIRY	154W28A05S	3	RIAL-COLT
3601689	WEST SAN BDNO. COUNTY WATER DIST.	1N5W17K01S	PLANT NO 21	RIAL-COLT
3601690	WEST SAN BDNO. COUNTY WATER DIST.	1N5W28J01S	PLANT NO 22	RIAL-COLT
3601691	WEST SAN BDNO. COUNTY WATER DIST.	1N5W17G01S	PLANT NO 23	RIAL-COLT
3601931	WEST SAN BDNO. COUNTY WATER DIST.	1N5W17K02S	PLANT NO 24	RIAL-COLT
3601993	RIALTO, CITY OF	1N5W34B000	HIGHLAND	RIAL-COLT
3602129	FONTANA UNION WATER COMPANY	1N5W30A000	36	RIAL-COLT
3602182	RIVERSIDE HIGHLAND WATER COMPANY	154W28K02S	4 A	RIAL-COLT
3602208	RIVERSIDE, CITY OF	154W28D01S	MILL	RIAL-COLT
3602218	SOUTHERN CALIFORNIA EDISON COMPANY	154W29M03S	COLTON	RIAL-COLT
3602227	LA SIERRA WATER CO.	154W18G000	15	RIAL-COLT

COLTON BASIN AREA
 CROSS INDEX BY RECORDATION NUMBER

RECORDATION NUMBER	OWNER NAME	STATE WELL NUMBER	LOCAL DESIGNATION	BASIN NAME
3602228	LA SIERRA WATER CO.	1S4W18F000	17	RIAL-COLT
3602253	RIALTO, CITY OF	1N5W27D01S	CEDAR	RIAL-COLT
3602255	KATZ HOFFMAN POLVERINI	1S4W27L01S		RIAL-COLT
3602269	RIALTO, CITY OF	1S5W03N02S	TUDOR 1	RIAL-COLT
3602271	RIALTO, CITY OF	1S5W03J01S	TUDOR	RIAL-COLT
3602356	JAMES SULLIVAN MUTUAL WATER COMPANY	1S4W34H000	5731	RIAL-COLT
3602358	RIALTO, CITY OF	1N5W34M01S	AIRPORT	RIAL-COLT

COLTON BASIN AREA

CROSS INDEX BY STATE WELL NUMBER

COLTON BASIN AREA
 CROSS INDEX BY STATE WELL NUMBER

STATE WELL NUMBER	OWNER NAME	RECORDATION NUMBER	LOCAL DESIGNATION	BASIN NAME
1N5W07P000	TAYLOR, JOHN S.	3600867	TAYLOR 1	RIAL-COLT
1N5W07P000	TAYLOR, JOHN S.	3600868		RIAL-COLT
1N5W17G01S	WEST SAN BDNO. COUNTY WATER DIST.	3601691	PLANT NO 23	RIAL-COLT
1N5W17K01S	WEST SAN BDNO. COUNTY WATER DIST.	3601689	PLANT NO 21	RIAL-COLT
1N5W17K02S	WEST SAN BDNO. COUNTY WATER DIST.	3601931	PLANT NO 24	RIAL-COLT
1N5W18D000	LEDIG, ALFRED H	3601983		RIAL-COLT
1N5W27D01S	RIALTO, CITY OF	3602253	CEDAR	RIAL-COLT
1N5W28J01S	WEST SAN BDNO. COUNTY WATER DIST.	3601690	PLANT NO 22	RIAL-COLT
1N5W29P000	WEATHERWELL TILE CO.	NON-FILER	PERRY WELL	RIAL-COLT
1N5W30A000	FONTANA UNION WATER COMPANY	3602129	36	RIAL-COLT
1N5W34B000	RIALTO, CITY OF	3601993	HIGHLAND	RIAL-COLT
1N5W34M01S	RIALTO, CITY OF	3602558	AIRPORT	RIAL-COLT
1SAW07C01S	SOUTHERN PACIFIC TRANSPORTATION CO.	NON-FILER	EDMUNDS	RIAL-COLT
1SAW17M01S	PATTERSON, JOHN A., M.D.	3600634	PATTERSN	RIAL-COLT
1SAW18B000	COLTON, CITY OF	3601255	9	RIAL-COLT
1SAW18F000	COLTON, CITY OF	3601261	17	RIAL-COLT
1SAW18F000	LA SIERRA WATER CO.	3602228	17	RIAL-COLT
1SAW18G000	COLTON, CITY OF	3601259	15	RIAL-COLT
1SAW18G000	LA SIERRA WATER CO.	3602227	15	RIAL-COLT
1SAW18K01S	HAYES, GEO. G.	3601141	1	RIAL-COLT
1SAW21L01S	RIVERSIDE, CITY OF	3601481	VAUGHN 1	RIAL-COLT
1SAW21N01S	MEEKS & DALEY WATER CO.	3601510	36	RIAL-COLT

COLTON BASIN AREA
 CROSS INDEX BY STATE WELL NUMBER

STATE WELL NUMBER	OWNER NAME	RECORDATION NUMBER	LOCAL DESIGNATION	BASIN NAME
154W21P000	RIVERSIDE, CITY OF	3601496	WARM CR.	RIAL-COLT
154W21P015	RIVERSIDE, CITY OF	3601494	JOHNSON 2	RIAL-COLT
154W21Q015	RIVERSIDE, CITY OF	3601495	JOHNSON 3	RIAL-COLT
154W21Q035	RIVERSIDE, CITY OF	3601480	JOHNSON 1	RIAL-COLT
154W27L015	KATZ HOFFMAN POLVERINI	3602255		RIAL-COLT
154W28A055	INDIAN KNOLL FARM & DAIRY	3601550	3	RIAL-COLT
154W28C015	RIVERSIDE, CITY OF	3601482	MEEKS 1	RIAL-COLT
154W28D015	RIVERSIDE, CITY OF	3602208	MILL	RIAL-COLT
154W28G000	INDIAN KNOLL FARM & DAIRY	NON-FILER	4	RIAL-COLT
154W28G000	INDIAN KNOLL FARM & DAIRY	NON-FILER	5 DOMESTIC	RIAL-COLT
154W28G015	INDIAN KNOLL FARM & DAIRY	3601548	1	RIAL-COLT
154W28K015	RIVERSIDE HIGHLAND WATER COMPANY	3601525	4	RIAL-COLT
154W28K025	RIVERSIDE HIGHLAND WATER COMPANY	3602182	4 A	RIAL-COLT
154W29H035	SOUTHERN CALIFORNIA EDISON COMPANY	3602218	COLTON	RIAL-COLT
154W34H000	JAMES SULLIVAN MUTUAL WATER COMPANY	3602356	5731	RIAL-COLT
155W02C015	WEST SAN BDNO. COUNTY WATER DIST.	3600309	PLANT NO 10	RIAL-COLT
155W02K015	WEST SAN BDNO. COUNTY WATER DIST.	3600311	PLANT NO 11	RIAL-COLT
155W03A000	RIALTO, CITY OF	3601264	DUNCAN	RIAL-COLT
155W03J015	RIALTO, CITY OF	3602271	TUDOR	RIAL-COLT
155W03N025	RIALTO, CITY OF	3602269	TUDOR 1	RIAL-COLT
155W04D015	FONTANA UNION WATER COMPANY	3600589	35	RIAL-COLT
155W05A025	FONTANA UNION WATER COMPANY	3600578	23	RIAL-COLT

COLTON BASIN AREA
 CROSS INDEX BY STATE WELL NUMBER

STATE WELL NUMBER	OWNER NAME	RECORDATION NUMBER	LOCAL DESIGNATION	BASIN NAME
155W05A03S	FONTANA UNION WATER COMPANY	3600577	22	RIAL-COLT
155W12A000	SOUTHERN CALIFORNIA EDISON COMPANY	3601008	1	RIAL-COLT
155W12A000	SOUTHERN CALIFORNIA EDISON COMPANY	3601010	2	RIAL-COLT
155W12L01S	WEST SAN BDNO. COUNTY WATER DIST.	3601001	PLANT NO 16	RIAL-COLT
155W12N01S	WEST SAN BDNO. COUNTY WATER DIST.	3600995	PLANT NO 17	RIAL-COLT
254W11A01S	RECHE CANYON MUTUAL WATER CO	3302055	SMALL WELL	RIAL-COLT
254W11A02S	RECHE CANYON MUTUAL WATER CO	3302054	BIG WELL	RIAL-COLT

TABLE NO. 1

VERIFIED EXTRACTIONS BY OWNERS WHICH HAVE
RECORDATION FILINGS WITH THE STATE WATER
RESOURCES CONTROL BOARD

TABLE NO. 1
 VERIFIED EXTRACTIONS BY OWNERS WHICH HAVE RECORDATION FILINGS
 WITH THE STATE WATER RESOURCES CONTROL BOARD

OWNER	1959	1960	1961	1962	1963	5 YEAR AVERAGE	1970	1971	1972	1973	1974	1975
COLTON, CITY OF												
3601255 1S4W18B000 W	101	101	106	135	103	109	91	135	144	153	98	
3601259 1S4W18G000 W	1064	781	787	377	455	693	98	137	106	158	329	
3601261 1S4W18F000 W	761	880	752	394	474	652	170	116	245	369	545	
OWNER TOTAL	1926*	1762*	1645*	906*	1032*	1454*	359*	388*	495*	680*	972*	
FONTANA UNION WATER COMPANY												
3600577 1S5W05A03S W	0	132	546	0	400	216	674	871	868	292	88	550
3600578 1S5W05A02S W	0	0	429	0	0	86	0	0	0	0	0	0
3600589 1S5W04D01S W	437	621	227	407	449	428	0	0	0	4	304	351
3602129 1N5W30A000 W	31	31	31	31	31	31	0	0	0	0	0	0
OWNER TOTAL	468*	784*	1233*	438*	880*	761*	674*	871*	868*	296*	392*	
HAYES, GEO. G.												
3601141 1S4W18K01S W	0	0	0	0	0	0	0	0	0	0	0	0
INDIAN KNOLL FARM & DAIRY												
3601548 1S4W28G01S W	246	171	209	105	41	154	331	372	232	309	327	
3601550 1S4W28A05S W	193	147	172	75	2	118	0	0	0	0	0	
OWNER TOTAL	439*	318*	381*	180*	43*	272*	331*	372*	232*	309*	327*	
JAMES SULLIVAN MUTUAL WATER COMPANY												
3602356 1S4W34H000 W	22	24	12	13	14	17	28	22	19	16	20	
KATZ HOFFMAN POLVERINI												
3602255 1S4W27L01S W	283	283	283	283	0	226	0	0	0	0	0	
LA SIERRA WATER CO.												
3602227 1S4W18G000 W	0	0	0	0	0	0	432	267	364	466	348	

TABLE NO. 1
 VERIFIED EXTRACTATIONS BY OWNERS WHICH HAVE RECORDATION FILINGS
 WITH THE STATE WATER RESOURCES CONTROL BOARD

OWNER	5 YEAR AVERAGE										
	1959	1960	1961	1962	1963	1970	1971	1972	1973	1974	1975
(CONTINUED)											
LA SIERRA WATER CO.											
3602228 1S4W18F000 W	0	0	0	0	0	640	860	693	440	312	
OWNER TOTAL	0*	0*	0*	0*	0*	1072*	1127*	1057*	906*	660*	
LEDIG, ALFRED H											
3601383 1N5W18D000 W	0	0	0	0	0	0	0	0	0	0	
MEEKS & DALEY WATER CO.											
3601910 1S4W21N01S W	2168	23	465	1185	339	836	0	0	484	0	
PATTERSON, JOHN A., M.D.											
3600634 1S4W17N01S W	137	0	0	0	0	27	0	0	0	0	
RECHE CANYON MUTUAL WATER CO											
(1) 3302054 2S4W11A02S W						0	63	64	61	55	
(1) 3302055 2S4W11A01S W						0	7	12	4	14	
OWNER TOTAL	0*	0*	0*	0*	0*	70*	73*	76*	65*	69*	
RIALTO, CITY OF											
3601264 1S5W03A000 W	987	808	1372	754	994(2)	1046	1092	966	694	736	775
3601993 1N5W34B000 W	0	0	0	723	600(2)	84	167	332	805	378	326
3602253 1N5W27D01S W	0	0	0	0	0	993	1105	1508	878	1223	1279
3602269 1S5W03N02S W	0	275	342	236	383	0	0	182	182	12	0
3602271 1S5W03J01S W	160	160	160	160	160	0	0	0	0	0	0
3602558 1N5W34M01S W						0			440	494	364
OWNER TOTAL	1147*	1243*	1874*	1873*	2139*(2)	2123*	2364*	2988*	2999*	2843*	
RIVERSIDE HIGHLAND WATER COMPANY											
3601525 1S4W28K01S W	211	126	357	280	163	227	219	240	212	220	

(1) WELL EXTRACTATIONS NOT VERIFIED FOR 1959 TO 1963 (OWNER FILED FIRST NOTICE WITH THE STATE WATER RESOURCES CONTROL BOARD IN 1971).
 (2) 1963 VERIFIED EXTRACTATIONS CORRECTED DURING THE 1973 VERIFICATION.

TABLE NO. 1
 VERIFIED EXTRACTIONS BY OWNERS WHICH HAVE RECORDATION FILINGS
 WITH THE STATE WATER RESOURCES CONTROL BOARD

OWNER	1959	1960	1961	1962	1963	5 YEAR AVERAGE					
	1970	1971	1972	1973	1974	1975					
RIVERSIDE HIGHLAND WATER COMPANY (CONTINUED)											
3602182 1S4W28K02S W	0	0	0	0	0	0	2	16	24	0	62
OWNER TOTAL	211*	126*	357*	280*	163*	227*	221*	256*	285*	212*	282*
RIVERSIDE, CITY OF											
3601480 1S4W21003S W	2183	1569	1569	963	789	1415	751	851	954	1	526
3601481 1S4W21L01S W	39	135	1378	498	593	529	830	1193	956	0	378
3601482 1S4W28C01S W	649	461	539	374	425	490	339	443	383	31	315
3601494 1S4W21P01S W	0	0	0	0	0	0	0	0	0	0	0
3601495 1S4W21001S W	0	0	0	0	0	0	0	0	0	0	0
3601496 1S4W21P000 D	0	0	0	0	0	0	0	0	0	0	0
3602208 1S4W28D01S W	0	0	0	0	0	0	340	209	228	69	167
OWNER TOTAL	2871*	2165*	3486*	1835*	1807*	2433*	2260*	2696*	2521*	101*	1386*
SOUTHERN CALIFORNIA EDISON COMPANY											
3601008 1S5W12A000 W	199	200	215	200	200	203	200	200	200	200	200
3601010 1S5W12A000 W	0	0	0	0	0	0	0	0	0	0	0
3602218 1S4W29H03S W	8	8	7	8	8	8	8	8	6	6	6
OWNER TOTAL	207*	208*	222*	208*	208*	211*	208*	208*	206*	206*	206*
TAYLOR, JOHN S.											
3600867 1N5W07P000 W	0	0	0	0	0	0	0	0	0	0	0
3600868 1N5W07P000 D	0	0	0	0	0	0	0	0	0	0	0
OWNER TOTAL	0*	0*	0*	0*	0*	0*	0*	0*	0*	0*	0*
WEST SAN BDNO. COUNTY WATER DIST.											
3600309 1S5W02C01S W	1222	1032	837	763	825	936	784	4	0	0	0

TABLE NO. 1
 VERIFIED EXTRACTATIONS BY OWNERS WHICH HAVE RECORDATION FILINGS
 WITH THE STATE WATER RESOURCES CONTROL BOARD

OWNER	1959	1960	1961	1962	1963	5 YEAR					1974	1975
						AVERAGE	1970	1971	1972	1973		
WEST SAN BDNO. COUNTY WATER DIST. (CONTINUED)												
3600311 1S5W02K01S W	0	1096	1123	563	1042	765	1526	1358	0	0	0	0
3600995 1S5W12N01S W	476	795	630	475	128	501	0	0	15	22	213	
3601001 1S5W12L01S W	1418	1145	1453	1089	627	1146	1165	1056	1289	1204	1077	
3601689 1N5W17K01S W	3	0	0	1	0	1	0	0	0	0	0	
3601690 1N5W28J01S W	0	0	0	0	0	0	0	0	0	0	0	
3601691 1N5W17G01S W	116	43	15	54	15	49	223	25	3	0	0	
3601931 1N5W17K02S W	0	84	115	95	132	85	330	397	268	239	300	
OWNER TOTAL	3235*	4195*	4173*	3040*	2769*	3482*	4028*	2840*	1575*	1465*	1590*	
TOTAL VERIFIED PRODUCTION ALL FACILITIES	13114*	11131*	14131*	10241*	9394*(2)	11602*(2)	11374*	11217*	10322*	7739*	8747*	

(2) 1963 VERIFIED EXTRACTATIONS CORRECTED DURING THE 1973 VERIFICATIONS

TABLE NO. 2

VERIFIED EXTRACTIONS BY OWNERS WHICH HAVE
NOT FILED WITH THE STATE WATER RESOURCES
CONTROL BOARD

TABLE NO. 2
 VERIFIED EXTRACTIONS BY OWNERS WHICH HAVE NOT FILED
 WITH THE STATE WATER RESOURCES CONTROL BOARD

OWNER	1959	1960	1961	1962	1963	5 YEAR AVERAGE					1974	1975	
INDIAN KNOLL FARM & DAIRY													
NON-FILER 1S4W28G000 W	0	0	0	0	0	0	0	0	0	0	0	0	0
NON-FILER 1S4W28G000 W	0	0	0	0	0	0	0	0	0	0	0	0	0
OWNER TOTAL	0*	0*	0*	0*	0*	0*	0*	0*	0*	0*	0*	0*	0*
SOUTHERN PACIFIC TRANSPORTATION CO.													
(1) NON-FILER 1S4W07C01S W	0	0	215	215	215	215	129	193	171	92	105	159	159
WEATHERWELL TILE CO.													
NON-FILER 1N5W29P000 W						0							0
TOTAL VERIFIED PRODUCTION ALL FACILITIES	0*	0*	215*	215*	215*	129*	193*	171*	92*	105*	159*	159*	159*

TABLE NO. 3

SUMMARY OF VERIFIED EXTRACTIONS
(FILED AND NON-FILED)
FROM COLTON BASIN AREA

TABLE NO. 3
 SUMMARY OF VERIFIED EXTRACTIIONS (FILED AND NON-FILED)
 FROM COLTON BASIN AREA

OWNER	5 YEAR AVERAGE					1971	1972	1973	1974	1975
	1959	1960	1961	1962	1963					
COLTON, CITY OF										
OWNER TOTAL	1926*	1762*	1645*	906*	1032*	1454*	495*	680*	972*	
FONTANA UNION WATER COMPANY										
OWNER TOTAL	468*	784*	1233*	438*	880*	761*	868*	296*	392*	
HAYES, GEO. G.										
OWNER TOTAL	0*	0*	0*	0*	0*	0*	0*	0*	0*	
INDIAN KNOLL FARM & DAIRY										
OWNER TOTAL	439*	318*	381*	180*	43*	272*	232*	309*	327*	
JAMES SULLIVAN MUTUAL WATER COMPANY										
OWNER TOTAL	22*	24*	12*	13*	14*	17*	19*	16*	20*	
KATZ HOFFMAN POLVERINI										
OWNER TOTAL	283*	283*	283*	283*	0*	226*	0*	0*	0*	
LA SIERRA WATER CO.										
OWNER TOTAL	0*	0*	0*	0*	0*	0*	1072*	906*	660*	
LEDIG, ALFRED H										
OWNER TOTAL	0*	0*	0*	0*	0*	0*	0*	0*	0*	
MEEKS & DALEY WATER CO.										
OWNER TOTAL	2168*	23*	465*	1185*	339*	836*	0*	484*	0*	
PATTERSON, JOHN A., M.D.										
OWNER TOTAL	137*	0*	0*	0*	0*	27*	0*	0*	0*	
RECHE CANYON MUTUAL WATER CO										
OWNER TOTAL	0*	0*	0*	0*	0*	0*	70*	65*	69*	

TABLE NO. 3
 SUMMARY OF VERIFIED EXTRACTIIONS (FILED AND NON-FILED)
 FROM COLTON BASIN AREA

OWNER	5 YEAR AVERAGE					1974	1975						
	1959	1960	1961	1962	1963			1970	1971	1972	1973		
RIALTO, CITY OF													
OWNER TOTAL	1147*	1243*	1874*	1873*	2139*	1655*	2123*	2364*	2988*	2999*	2843*		
RIVERSIDE HIGHLAND WATER COMPANY													
OWNER TOTAL	211*	126*	357*	280*	163*	227*	221*	256*	285*	212*	282*		
RIVERSIDE, CITY OF													
OWNER TOTAL	2871*	2163*	3486*	1835*	1807*	2433*	2260*	2696*	2521*	101*	1386*		
SOUTHERN CALIFORNIA EDISON COMPANY													
OWNER TOTAL	207*	208*	222*	208*	208*	211*	208*	208*	206*	206*	206*		
SOUTHERN PACIFIC TRANSPORTATION CO.													
OWNER TOTAL	0*	0*	215*	215*	215*	129*	193*	171*	92*	105*	159*		
TAYLOR, JOHN S.													
OWNER TOTAL	0*	0*	0*	0*	0*	0*	0*	0*	0*	0*	0*		
WEATHERWELL TILE CO.													
OWNER TOTAL	0*	0*	0*	0*	0*	0*	0*	0*	0*	0*	0*		
WEST SAN BDNO. COUNTY WATER DIST.													
OWNER TOTAL	3235*	4195*	4173*	3040*	2769*	3482*	4028*	2840*	1575*	1465*	1590*		
TOTAL VERIFIED PRODUCTION ALL FACILITIES	13114*	11131*	14346* ⁽¹⁾	10456* ⁽¹⁾	9609* ⁽²⁾	11731* ⁽²⁾	11567* ⁽¹⁾	11388* ⁽¹⁾	10414*	7844*	8906*		

(1) VERIFIED EXTRACTIIONS CORRECTED DURING THE 1972 VERIFICATION.
 (2) VERIFIED EXTRACTIIONS CORRECTED DURING THE 1973 VERIFICATION.

TABLE NO. 4

GROUND WATER EXTRACTIONS BY RIVERSIDE COUNTY
ENTITIES FROM COLTON BASIN AREA FOR USE IN
RIVERSIDE & SAN BERNARDINO COUNTIES DURING
THE 5-YEAR BASE PERIOD 1959 THROUGH 1963
AND CALENDAR YEARS 1964 THROUGH 1974

TABLE NO. 4

GROUND WATER EXTRactions BY RIVERSIDE COUNTY ENTITIES FROM COLTON BASIN AREA FOR USE IN RIVERSIDE & SAN BERNARDINO COUNTIES DURING THE 5-YEAR BASE PERIOD 1959 THROUGH 1963 AND CALENDAR YEARS 1964 THROUGH 1974

(All Quantities in Acre Feet)

Riverside County Entities	EXTRactions FROM COLTON BASIN AREA FOR USE WITHIN & EXPORT THEREFROM																	
	1959			1960			1961			1962			1963			5-Year Avg.		
	Extractions	Delivery Within San Bernardino Co.	Delivery Within Riverside Co.	Total Extractions	Delivery Within San Bernardino Co.	Delivery Within Riverside Co.	Total Extractions	Delivery Within San Bernardino Co.	Delivery Within Riverside Co.	Total Extractions	Delivery Within San Bernardino Co.	Delivery Within Riverside Co.	Total Extractions	Delivery Within San Bernardino Co.	Delivery Within Riverside Co.	Total Extractions		
City of Riverside Dom. & Irrig.	2,871	41	2,830	2,165	28	2,137	3,486	0	3,486	1,835	0	1,835	1,807	7	1,800	2,433		
Meeks & Daley Water Company	2,168	88	2,080	23	1	22	465	18	447	1,128	57	1,185	339	13	326	836		
Riverside Highland Water Company	211	50	161	126	27	99	357	107	250	184	96	280	163	47	116	227		
TOTAL	5,250	179	5,071	2,314	56	2,258	4,308	125	4,183	3,147	153	3,300	2,309	67	2,262	3,496		
																	3,381	

See Report of Watermaster, Volume 5, Distribution of Extractions, Chapter II, Table No. 37.

TABLE NC 4
GROUND WATER EXTRactions BY RIVERSIDE COUNTY ENTITIES FROM COLTON BASIN AREA FOR USE IN RIVERSIDE & SAN BERNARDINO COUNTIES DURING THE 5-YEAR BASE PERIOD 1959 THROUGH 1963 AND CALENDAR YEARS 1964 THROUGH 1974
 (All Quantities in Acre Feet)

Riverside County Entities	EXTRactions FROM COLTON BASIN AREA FOR USE WITHIN & EXPORT THEREFROM																	
	1966			1965			1966			1967			1968			5-Year Avg.		
	Total Extractions	Delivery Within San Bernardino Co.	Delivery Within Riverside Co.	Total Extractions	Delivery Within San Bernardino Co.	Delivery Within Riverside Co.	Total Extractions	Delivery Within San Bernardino Co.	Delivery Within Riverside Co.	Total Extractions	Delivery Within San Bernardino Co.	Delivery Within Riverside Co.	Total Extractions	Delivery Within San Bernardino Co.	Delivery Within Riverside Co.	Total Extractions	Delivery Within San Bernardino Co.	Delivery Within Riverside Co.
City of Riverside Dom. & Irrig.	2,179	0	2,179	2,185	0	2,185	1,824	0	1,824	2,295	0	2,295	3,289	0	3,289	2,355	0	2,355
Weeks & Daley Water Company	310	16	294	1,547	86	1,461	1,731	106	1,625	271	23	248	596	37	559	891	54	837
Riverside Highland Water Company	188	69	119	254	95	159	337	326	11	127	123	4	525	509	16	286	224	62
TOTAL	2,677	85	2,592	3,986	181	3,805	5,892	432	3,460	2,893	146	2,547	4,410	546	3,864	3,532	278	3,254

See Report of Watermaster, Volume 5, Distribution of Extractions, Chapter II, Table No. 37.

TABLE NO. 4

GROUND WATER EXTRactions BY RIVERSIDE COUNTY ENTITIES FROM COLTON BASIN AREA FOR USE IN RIVERSIDE & SAN BERNARDINO COUNTIES DURING THE 5-YEAR BASE PERIOD 1959 THROUGH 1963 AND CALENDAR YEARS 1964 THROUGH 1974

(All Quantities in Acre Ft.)

Riverside County Entities	EXTRactions FROM COLTON BASIN AREA FOR USE WITHIN & EXPORT THEREFROM							
	1969				1970			
	Total Extractions	Delivery Within San Bernardino Co.	Delivery Within Riverside Co.	Total Extractions	Delivery Within San Bernardino Co.	Delivery Within Riverside Co.	Total Extractions	Delivery Within San Bernardino Co.
City of Riverside Dom. & Irrig.	1,130	0	1,130	2,260	0	2,260	2,260	0
Weeks & Daley Water Company	753	66	687	0	0	0	0	0
Riverside Highland Water Company	263	254	9	221	214	7	70	70
Bache Canyon Mutual Water Company				70	0			
TOTAL	2,146	320	1,826	2,551	214	2,337		

TABLE NO. 4

GROUND WATER EXTRACTIIONS BY RIVERSIDE COUNTY ENTITIES FROM COLTON BASIN AREA FOR USE IN RIVERSIDE & SAN BERNARDINO COUNTIES DURING THE 5-YEAR BASE PERIOD 1959 THROUGH 1963 AND CALENDAR YEARS 1964 THROUGH 1974

(All Quantities in Acro Ft.)

Riverside County Entities	EXTRACTIIONS FROM COLTON BASIN AREA FOR USE WITHIN & EXFROM THEREFROM																	
	1971			1972			1973			1974			1975			5-Year Avg.		
	Total Extractions	Delivery Within San Bernardino Co.	Delivery Within Riverside Co.	Total Extractions	Delivery Within San Bernardino Co.	Delivery Within Riverside Co.	Total Extractions	Delivery Within San Bernardino Co.	Delivery Within Riverside Co.	Total Extractions	Delivery Within San Bernardino Co.	Delivery Within Riverside Co.	Total Extractions	Delivery Within San Bernardino Co.	Delivery Within Riverside Co.	Total Extractions	Delivery Within San Bernardino Co.	Delivery Within Riverside Co.
City of Riverside Dom. & Irrig.	2,696	0	2,696	2,521	0	2,521	101	0	101	1,386	0	1,386						
Neeks & Daley Water Company	0	0	0	0	0	0	443	41	0	0	0	0						
Riverside Highland Water Company	256	248	8	285	271	14	212	206	273	6	282	9						
Reche Canyon Mutual Water Company	73	0	73	76	0	76	65	0	69	65	69	69						
TOTAL	3,025	248	2,777	2,882	271	2,611	862	247	1,737	615	1,737	1,464						

See Report of Watermaster, Volume 5, Distribution of Extractions, Chapter II, Table No. 37.

TABLE NO. 5

GROUND WATER EXTRACTIONS FROM COLTON BASIN AREA
BY SAN BERNARDINO COUNTY ENTITIES FOR USE IN
SAN BERNARDINO COUNTY DURING THE 5-YEAR BASE PERIOD
1959 THROUGH 1963 AND CALENDAR YEARS 1964 THROUGH 1974

TABLE NO. 5

GROUND WATER EXTRACTIONS FROM COLTON BASIN AREA
BY SAN BERNARDINO COUNTY ENTITIES FOR USE IN
SAN BERNARDINO COUNTY DURING THE 5-YEAR BASE PERIOD
1959 THROUGH 1963 AND CALENDAR YEARS 1964 THROUGH 1974
 (All Quantities in Acre Feet)

Verified Extractions from Colton Basin Area

Calendar Year	Total from Basin	by Riverside County Entities	by San Bernardino County Entities
	(1)	(2)	(3) = (1) - (2)
1959	13,114	5,250	7,864
1960	11,131	2,314	8,817
1961	14,346	4,308	10,038
1962	10,456	3,300	7,156
1963	9,609	2,309	7,300
5-Year Avg. 1959-63	11,731	3,496	8,235
1964	12,824*	2,677	10,147
1965	12,981*	3,986	8,995
1966	13,479*	3,892	9,587
1967	11,385*	2,693	8,692
1968	13,993*	4,410	9,583
5-Year Avg. 1964-68	12,932	3,532	9,400
1969	11,646*	2,146	9,500
1970	11,567	2,551	9,016
1971	11,388	3,025	8,363
1972	10,414	2,882	7,532
1973	7,844	862	6,982
1974	8,906	1,737	7,169
1975			
5-Year Avg. 1971-75			

*Total filed Extractions from Colton Basin Area

Volume 3 - 1974

REPORT OF WATERMASTER

Western Municipal Water District of Riverside County, et al.
Plaintiffs

vs.

East San Bernardino County Water District , et al.
Defendants

Superior Court of Riverside County

Case No. 78426

VOLUME 3-1974

VERIFIED EXTRACTIONS FROM THE
RIVERSIDE BASIN AREA WITHIN
SAN BERNARDINO COUNTY
FOR
CALENDAR YEARS 1959-1963 & 1970-1974

ANNUAL ACCOUNTING
FOR INDIVIDUAL WELLS

August 1, 1976

WATERMASTER
James C. Hanson
Donald L. Harriger

VOLUME 3-1974

TABLE OF CONTENTS

	<u>Page</u>
INTRODUCTION	i
RIVERSIDE BASIN AREA IN SAN BERNARDINO COUNTY CROSS INDEX BY OWNER	1
RIVERSIDE BASIN AREA IN SAN BERNARDINO COUNTY CROSS INDEX BY RECORDATION NUMBER	7
RIVERSIDE BASIN AREA IN SAN BERNARDINO COUNTY CROSS INDEX BY STATE WELL NUMBER	13
<u>TABLE NO. 1</u>	
VERIFIED EXTRACTIONS BY OWNERS WHICH HAVE RECORDATION FILINGS WITH THE STATE WATER RESOURCES CONTROL BOARD	19
<u>TABLE NO. 2</u>	
VERIFIED EXTRACTIONS BY OWNERS WHICH HAVE NOT FILED WITH THE STATE WATER RESOURCES CONTROL BOARD	27
<u>TABLE NO. 3</u>	
SUMMARY OF VERIFIED EXTRACTIONS (FILED AND NON-FILED) FROM RIVERSIDE BASIN AREA WITHIN SAN BERNARDINO COUNTY	28
<u>TABLE NO. 4</u>	
GROUND WATER PRODUCTION FROM THAT PART OF THE RIVERSIDE GROUND WATER BASIN SITUATED WITHIN SAN BERNARDINO COUNTY BY RIVERSIDE COUNTY ENTITIES, A PART OF WHICH IS USED IN SAN BERNARDINO COUNTY AND THE REMAINDER EXPORTED TO RIVERSIDE COUNTY DURING THE 5-YEAR BASE PERIOD ENDING IN 1963 AND FOR FOLLOWING CALENDAR YEARS 1964 THROUGH 1974	33
<u>TABLE NO. 5</u>	
GROUND WATER PRODUCTION FROM THAT PART OF THE RIVERSIDE GROUND WATER BASIN SITUATED WITHIN SAN BERNARDINO COUNTY BY SAN BERNARDINO COUNTY ENTITIES FOR USE IN SAN BERNARDINO COUNTY DURING THE 5-YEAR BASE PERIOD ENDING IN 1963 AND FOR FOLLOWING CALENDAR YEARS 1964 THROUGH 1974	37

VOLUME 3-1974

VERIFIED EXTRACTIONS FROM
THE RIVERSIDE BASIN AREA
WITHIN SAN BERNARDINO COUNTY FOR
CALENDAR YEARS 1959-1963 AND 1970-1974

INTRODUCTION

The provisions of Paragraphs VIII(a) and VIII(b) of the Judgment in Case No. 78426 entered April 17, 1969, entitled "Extractions from Colton Basin Area and Riverside Basin Area in San Bernardino County" provide as follows:

"(a) The average annual extractions from the Colton Basin Area and that portion of the Riverside Basin Area within San Bernardino County, for use outside San Bernardino Valley, for the five-year period ending with 1963 are assumed to be 3,349 acre feet and 20,191 acre feet, respectively; the correct figures shall be determined by the Watermaster as herein provided.

"(b) Over any five-year period, there may be extracted from each such Basin Area and for use outside San Bernardino Valley, without replenishment obligation, an amount equal to five times such annual average for the Basin Area; provided, however, that if extractions in any year exceed such average by more than 20 percent, Western shall provide replenishment in the following year equal to the excess extractions over such 20 percent peaking allowance."

Compliance with these provisions of the Judgment requires that an accounting of the total actual extractions of surface and ground water from the Colton Basin Area and the Riverside Basin Area within San Bernardino County be made annually. Included in this Volume 3-1974 is the verified accounting of the production from the Riverside Basin Area in San Bernardino County by owners for the calendar years 1971 through 1974. The verified production for the five-year period ending with 1963 and the calendar year 1970 is also included for comparison. The five-year average production from the Riverside Basin Area within San Bernardino County ending in 1963 was verified to be 33,729 acre feet.

Three indexes are included which provide a cross index by owner's name, State Water Resources Control Board Well Recordation Number, and State Well Number. Each index shows, in addition, the local designation of each well and ground water basin in which the well is located.

Tables No. 1 and No. 2 in this report list the individual wells by the owner for each year in the five-year base period ending in 1963, the five-year base period average, and the extractions for the years 1970 through 1974, together with the owner's total annual verified extractions. Table No. 1 lists the wells upon which filings have been made with the State Water Resources Control Board, and Table No. 2 lists the wells upon which no filings have been made. Table No. 3 is a summary of the verified extractions, by owner, as presented in Tables No. 1 and No. 2.

Paragraph VIII(a) of the Judgment requires that only those extractions from the Riverside Basin Area in San Bernardino County, which are used outside San Bernardino Valley, be verified for the five calendar years ending with 1963 and accounted for annually from and after January 1, 1971. Accordingly, those extractions from the Riverside Basin Area in San Bernardino County by Riverside County entities for the five calendar years ending with 1963 have been determined and are set forth in Table No. 4. Such extractions averaged 24,120 acre feet for said five-year period, of which 21,085 acre feet were delivered outside San Bernardino Valley.

Table No. 4 also shows the extractions from the Riverside Basin Area in San Bernardino County by the Riverside County entities for the years 1964 through 1974. Since the provisions of Paragraph VIII are effective from and after January 1, 1971, the findings for the years 1964 through 1970 are for illustrative and planning purposes only.

The verified extractions from the Riverside Basin Area in San Bernardino County for calendar years 1971 through 1974 have been determined to be 29,070, 28,148, 21,809 and 21,881 acre feet respectively, as shown on Table No. 3, page 32. The verified extractions by Riverside entities for 1974 have been determined to be 14,982 acre feet, of which 13,583 acre feet were delivered outside San Bernardino Valley as shown in Table No. 4, page 36.

Table No. 5 shows the verified extractions from the Riverside Basin Area in San Bernardino County by the San Bernardino County entities during the five-year base period 1959 through 1963 and the calendar years 1970 through 1974. The extractions for the years from 1964 through 1969 have also been tabulated in Table No. 5, but since the extractions were not verified for these years, the filed extractions for the Riverside Basin Area in San Bernardino County were used, and extractions by the San Bernardino County entities were calculated for 1964 through 1969 by subtracting the verified extractions by Riverside County entities from the total filed extractions from the Riverside Basin Area in San Bernardino County.

RIVERSIDE BASIN AREA
IN SAN BERNARDINO COUNTY
CROSS INDEX BY OWNER

RIVERSIDE BASIN AREA IN SAN BERN. CO.
 CROSS INDEX BY OWNER

OWNER NAME	RECORDATION NUMBER	STATE WELL NUMBER	LOCAL DESIGNATION	BASIN NAME
ABBOTT, HARRY & GREEN, LUMAN	3600097	2S5W01Q000		RIV-NORTH
ALPERSON RANCH	3601891	1S5W36F000		RIV-NORTH
ALPERSON RANCH	3601892	1S5W36F000		RIV-NORTH
AMCORD, INC.	3600874	2S5W02A000	58 1	RIV-NORTH
AMCORD, INC.	3600883	2S5W02G025	WRIGHT	RIV-NORTH
AMCORD, INC.	3601721	1S5W34K000	56	RIV-NORTH
AMCORD, INC.	3601722	2S5W02A000	58 1	RIV-NORTH
AMCORD, INC.	3601782	2S5W02L025		RIV-NORTH
AMCORD, INC.	3602114	2S5W02G000	63 1	RIV-NORTH
ANDERSON & YEAGER	3601996	2S5W02J000	SND RIV 1	RIV-NORTH
ATLAS MATERIALS COMPANY	3600627	1S5W25M000	1	RIV-NORTH
BRADVICA, LOUIS A.	3600972	2S5W02Q000	RNCH 1	RIV-NORTH
CALIFORNIA PORTLAND CEMENT COMPANY	NON-FILER	1S5W25P000		RIV-NORTH
CALIFORNIA PORTLAND CEMENT COMPANY	3601425	1S4W30D000	NO 6	RIV-NORTH
CALIFORNIA PORTLAND CEMENT COMPANY	3601426	1S4W30D065	5	RIV-NORTH
CALIFORNIA PORTLAND CEMENT COMPANY	3601427	1S5W25A025	7	RIV-NORTH
CALIFORNIA PORTLAND CEMENT COMPANY	3602026	1S5W25B025	SEINTUR	RIV-NORTH
CARSON, K. R.	NON-FILER	1S5W35B000		RIV-NORTH
CRAM & WRIGHT, ESTATE OF HENRY CRAM	3600074	1S5W23Q015	1	RIV-NORTH
DAGGETT, FOREST N.	3601100	1S4W31C000	BARN 1	RIV-NORTH
DAGGETT, FOREST N.	3601101	1S4W31C000	RIVER 2	RIV-NORTH
DOURLE H RANCH	3601717	1S5W35R000		RIV-NORTH

RIVERSIDE BASIN AREA IN SAN BERN. CO.
 CROSS INDEX BY OWNER

OWNER NAME	RECORDATION NUMBER	STATE WELL NUMBER	LOCAL DESIGNATION	BASIN NAME
DUNN, ELMER	NON-FILER	1S5W36B000		RIV-NORTH
FIRESTONE GROUP LTD	3600413	1S5W34B01S		RIV-NORTH
GENERAL AMERICAN TRANSPORTATION CORP.	3601124	1S5W24R01S	1 SOUTH	RIV-NORTH
GREEN ACRES MEMORIAL PARK ASS N.	3600873	1S5W34K02S	NO 57	RIV-NORTH
GREEN ACRES MEMORIAL PARK ASS N.	3601706	1S5W34L02S	8TH ST.	RIV-NORTH
GREEN ACRES MEMORIAL PARK ASS N.	3601707	1S5W34J01S	CACTUS	RIV-NORTH
HAMADA BROS.	3600507	1S5W35D01S	1	RIV-NORTH
HENDRIX, ALBERT	3602233	1S5W35J000		RIV-NORTH
HOLTER RANCH	NON-FILER	1S5W36N000		RIV-NORTH
HOPKINS, ARVA F.	NON-FILER	1S5W36F000		RIV-NORTH
HUNGERFORD, FRANK B	3601345	2S4W05E000	JOHNSON	RIV-NORTH
HYDRO CONDUIT CORPORATION	3602326	1S4W30R000		RIV-NORTH
INDIAN KNOLL FARM & DAIRY	3601549	1S4W28M01S	2	RIV-NORTH
INTER COUNTY WATER COMPANY	3301347	2S5W02C000	1	RIV-NORTH
JAMES SULLIVAN MUTUAL WATER COMPANY	3602357	1S4W34L000	6610	RIV-NORTH
JAMES SULLIVAN MUTUAL WATER COMPANY	3602358	1S4W34L000	7418	RIV-NORTH
JOHNSON, DOROTHY	3600820	2S4W05P000	1	RIV-NORTH
JUMAL WATER COMPANY	3600537	2S4W05F02S		RIV-NORTH
JURUPA WATER COMPANY	3600535	1S5W36C09S	1	RIV-NORTH
JURUPA WATER COMPANY	3600535-	1S5W36C11S	3	RIV-NORTH
JURUPA WATER COMPANY	3600536	1S5W36C10S	1 AND HALF	RIV-NORTH
LA SIERRA WATER CO.	3601539	1S4W32E01S	1	RIV-NORTH

RIVERSIDE BASIN AREA IN SAN BERN. CO.
CROSS INDEX BY OWNER

OWNER NAME	RECORDATION NUMBER	STATE WELL NUMBER	LOCAL DESIGNATION	BASIN NAME
LA SIERRA WATER CO.	3601540	1S4W32E03S	2	RIV-NORTH
LA SIERRA WATER CO.	3601541	1S4W32E06S	4	RIV-NORTH
LA SIERRA WATER CO.	3601542	1S4W32E05S	5	RIV-NORTH
LA SIERRA WATER CO.	3601543	1S4W32E02S	6	RIV-NORTH
LA SIERRA WATER CO.	3601544	1S4W32E07S	7	RIV-NORTH
LA SIERRA WATER CO.	3601545	1S4W32E11S	8	RIV-NORTH
LA SIERRA WATER CO.	3601546	1S4W32E09S	10	RIV-NORTH
LA SIERRA WATER CO.	3601547	1S4W32E10S	9	RIV-NORTH
MAAS, HARRY, ET AL	3601110	1S5W34A000	1	RIV-NORTH
MCDANIEL & SON DAIRY	NON-FILER	1S4W30P000		RIV-NORTH
MERRYFIELD WATER COMPANY	3600962	2S4W06A01S	1	RIV-NORTH
RANCHO DE SANTA FE	3601088	1S5W33A01S	1	RIV-NORTH
RANCHO DE SANTA FE	3602222	1S5W33A02S	2	RIV-NORTH
RIALTO, CITY OF	3601680	1S5W25L02S	DISPOSAL	RIV-NORTH
RIVERSIDE HIGHLAND WATER COMPANY	3601524	1S4W28L01S	3	RIV-NORTH
RIVERSIDE HIGHLAND WATER COMPANY	3601526	2S4W06R01S	7	RIV-NORTH
RIVERSIDE HIGHLAND WATER COMPANY	3601531	1S4W33B05S	16	RIV-NORTH
RIVERSIDE HIGHLAND WATER COMPANY	3601532	1S4W28N05S	17	RIV-NORTH
RIVERSIDE HIGHLAND WATER COMPANY	3601534	1S4W28L02S	20	RIV-NORTH
RIVERSIDE HIGHLAND WATER COMPANY	3601789	1S4W32M01S	LV 1	RIV-NORTH
RIVERSIDE HIGHLAND WATER COMPANY	3601790	1S4W32M000	LV 2	RIV-NORTH
RIVERSIDE, CITY OF	3301088	1S5W36Q000	PELISIER	RIV-NORTH

RIVERSIDE BASIN AREA IN SAN BERN. CO.
 CROSS INDEX BY OWNER

OWNER NAME	RECORDATION NUMBER	STATE WELL NUMBER	LOCAL DESIGNATION	BASIN NAME
RIVERSIDE, CITY OF	3600898	1S5W25R02S	NO 6	RIV-NORTH
RIVERSIDE, CITY OF	3600898-	1S5W25R04S	TW. BT. 6	RIV-NORTH
RIVERSIDE, CITY OF	3601221	2S5W01J03S	DOMESTIC	RIV-NORTH
RIVERSIDE, CITY OF	3601223	2S5W01G02S	MAIN	RIV-NORTH
RIVERSIDE, CITY OF	3601235	2S5W01G01S	LA LOMA	RIV-NORTH
RIVERSIDE, CITY OF	3601236	1S5W36L01S	AQUA MNSA	RIV-NORTH
RIVERSIDE, CITY OF	3601271	2S4W06Q03S	MARCY	RIV-NORTH
RIVERSIDE, CITY OF	3601483	1S4W29H02S	FLUME 1	RIV-NORTH
RIVERSIDE, CITY OF	3601484	1S4W29H01S	FLUME 2	RIV-NORTH
RIVERSIDE, CITY OF	3601485	1S4W29R01S	FLUME 3	RIV-NORTH
RIVERSIDE, CITY OF	3601486	1S4W29Q03S	FLUME 4	RIV-NORTH
RIVERSIDE, CITY OF	3601487	1S4W29Q01S	FLUME 5	RIV-NORTH
RIVERSIDE, CITY OF	3601488	2S5W01Q01S	WILLIAMS	RIV-NORTH
RIVERSIDE, CITY OF	3601490	2S5W02R000	JURUPA 1	RIV-NORTH
RIVERSIDE, CITY OF	3601491	2S5W02R03S	JURUPA 3	RIV-NORTH
RIVERSIDE, CITY OF	3601492	2S5W02R02S	JURUPA 4	RIV-NORTH
RIVERSIDE, CITY OF	3601493	2S5W02R01S	JURUPA 5	RIV-NORTH
RIVERSIDE, CITY OF	3602234	2S5W02Q07S	JURUPA 6	RIV-NORTH
RIVERSIDE, CITY OF	3602486	1S4W29Q04S	FLUME 6	RIV-NORTH
RIVERSIDE, CITY OF GAGE CANAL	3600783	2S4W05C01S	DEBERRY	RIV-NORTH
ROQUET, HARRY V.	3601423	2S4W06N000	2 WEST	RIV-NORTH
ROQUET, HARRY V.	3601424	2S4W06P000		RIV-NORTH

RIVERSIDE BASIN AREA IN SAN BERN. CO.
CROSS INDEX BY OWNER

OWNER NAME	RECORDATION NUMBER	STATE WELL NUMBER	LOCAL DESIGNATION	BASIN NAME
ROSDALE WATER COMPANY	3600915	1S4W31J01S	NEW WELL	RIV-NORTH
SERVICE ROCK CO.	3600910	1S5W35G02S	1	RIV-NORTH
SERVICE ROCK CO.	3600911	1S5W35J000	2	RIV-NORTH
SOUTHERN CALIFORNIA EDISON COMPANY	3601009	2S4W06J01S	KELLY 1	RIV-NORTH
SOUTHERN CALIFORNIA EDISON COMPANY	3601011	2S4W06R04S	DAHL 2	RIV-NORTH
SOUTHERN CALIFORNIA EDISON COMPANY	3601020	2S4W06R05S	3	RIV-NORTH
SOUTHERN CALIFORNIA EDISON COMPANY	3601023	2S4W06R06S	4	RIV-NORTH
SOUTHERN CALIFORNIA EDISON COMPANY	3601970	2S4W05M000	PICO	RIV-NORTH
STAPAKIS, WILLIAM S	3601488-	2S5W01Q01S	WILLIAMS	RIV-NORTH
TEMESCAL WATER COMPANY	3601509	2S4W06A03S	PALM AVE.	RIV-NORTH
TRINITY WATER CO.	3601422	2S4W06Q000	1 HOUSE	RIV-NORTH
WAGONER, JOHN J., JR.	3600899	2S4W05F000	DOM. 1	RIV-NORTH
WARD DUCK COMPANY	NON-FILER	1S5W25R000		RIV-NORTH
WEST RIVERSIDE 350 WATER CO.	3600829	1S4W32G02S	1	RIV-NORTH
WEST RIVERSIDE 350 WATER CO.	3600830	1S4W32G04S	2	RIV-NORTH
WEST RIVERSIDE 350 WATER CO.	3600831	1S4W32H01S	4	RIV-NORTH
WEST RIVERSIDE 350 WATER CO.	3600832	1S4W32B01S	5	RIV-NORTH
WEST RIVERSIDE 350 WATER CO.	3600833	1S4W32G01S	6	RIV-NORTH
WEST RIVERSIDE 350 WATER CO.	3601953	1S4W32B02S	7	RIV-NORTH
WEST SAN BDNO. COUNTY WATER DIST.	3601004	1S5W23N01S	PLANT NO 19	RIV-NORTH
WEST SAN BDNO. COUNTY WATER DIST.	3601434	1S5W34D01S	PLANT NO 25	RIV-NORTH
WEST SAN BDNO. COUNTY WATER DIST.	3601683	1S5W34B02S	PLANT NO 26	RIV-NORTH

RIVERSIDE BASIN AREA IN SAN BERN. CO.
CROSS INDEX BY OWNER

OWNER NAME	RECORDATION NUMBER	STATE WELL NUMBER	LOCAL DESIGNATION	BASIN NAME
WEST SAN BDNO. COUNTY WATER DIST.	3601763	153W24M01S	PLANT NO 18	RIV-NORTH
YEAGER CONSTRUCTION CO., INC., E. L.	3601961	155W25P000	AMRCH 1	RIV-NORTH

RIVERSIDE BASIN AREA
IN SAN BERNARDINO COUNTY
CROSS INDEX BY RECORDATION NUMBER

RIVERSIDE BASIN AREA IN SAN BERN. CO.
 CROSS INDEX BY RECORDATION NUMBER

RECORDATION NUMBER	OWNER NAME	STATE WELL NUMBER	LOCAL DESIGNATION	BASIN NAME
NON-FILER	CALIFORNIA PORTLAND CEMENT COMPANY	155W25P000		RIV-NORTH
NON-FILER	CARSON, K. R.	155W35B000		RIV-NORTH
NON-FILER	DUNN, ELMER	155W36B000		RIV-NORTH
NON-FILER	HOLTER RANCH	155W36N000		RIV-NORTH
NON-FILER	HOPKINS, ARVA F.	155W36F000		RIV-NORTH
NON-FILER	MCDANIEL & SON DAIRY	154W30P000		RIV-NORTH
NON-FILER	WARD DUCK COMPANY	155W25R000		RIV-NORTH
3301088	RIVERSIDE, CITY OF	155W36Q000	PELISIER	RIV-NORTH
3301347	INTER COUNTY WATER COMPANY	255W02C000	1	RIV-NORTH
3600074	CRAM & WRIGHT, ESTATE OF HENRY CRAM	155W23Q01S	1	RIV-NORTH
3600097	ABBOTT, HARRY & GREEN, LUMAN	255W01Q000		RIV-NORTH
3600413	FIRESTONE GROUP LTD	155W34B01S		RIV-NORTH
3600507	HAMADA BROS.	155W35D01S	1	RIV-NORTH
3600535	JURUPA WATER COMPANY	155W36C09S	1	RIV-NORTH
3600535-	JURUPA WATER COMPANY	155W36C11S	3	RIV-NORTH
3600536	JURUPA WATER COMPANY	155W36C10S	1 AND HALF	RIV-NORTH
3600537	JUMAL WATER COMPANY	254W05F02S		RIV-NORTH
3600627	ATLAS MATERIALS COMPANY	155W25M000	1	RIV-NORTH
3600783	RIVERSIDE, CITY OF GAGE CANAL	254W05C01S	DEBERRY	RIV-NORTH
3600820	JOHNSON, DOROTHY	254W05P000	1	RIV-NORTH
3600829	WEST RIVERSIDE 350 WATER CO.	154W32G02S	1	RIV-NORTH
3600830	WEST RIVERSIDE 350 WATER CO.	154W32G04S	2	RIV-NORTH

RIVERSIDE BASIN AREA IN SAN BERN. CO.
CROSS INDEX BY RECORDATION NUMBER

RECORDATION NUMBER	OWNER NAME	STATE WELL NUMBER	LOCAL DESIGNATION	BASIN NAME
3600831	WEST RIVERSIDE 350 WATER CO.	1S4W32H01S	4	RIV-NORTH
3600832	WEST RIVERSIDE 350 WATER CO.	1S4W32B01S	5	RIV-NORTH
3600833	WEST RIVERSIDE 350 WATER CO.	1S4W32G01S	6	RIV-NORTH
3600873	GREEN ACRES MEMORIAL PARK ASS N.	1S5W34K02S	NO 57	RIV-NORTH
3600874	AMCORD, INC.	2S5W02A000	58 1	RIV-NORTH
3600883	AMCORD, INC.	2S5W02G02S	WRIGHT	RIV-NORTH
3600898	RIVERSIDE, CITY OF	1S5W25R02S	NO 6	RIV-NORTH
3600898-	RIVERSIDE, CITY OF	1S5W25R04S	TW. BT. 6	RIV-NORTH
3600899	WAGONER, JOHN J., JR.	2S4W05F000	DOM. 1	RIV-NORTH
3600910	SERVICE ROCK CO.	1S5W35G02S	1	RIV-NORTH
3600911	SERVICE ROCK CO.	1S5W35J000	2	RIV-NORTH
3600915	ROSEDALE WATER COMPANY	1S4W31J01S	NEW WELL	RIV-NORTH
3600962	MERRYFIELD WATER COMPANY	2S4W06A01S	1	RIV-NORTH
3600972	BRADVICA, LOUIS A.	2S5W02Q000	RNCH 1	RIV-NORTH
3601004	WEST SAN BDNO. COUNTY WATER DIST.	1S5W23N01S	PLANT NO 19	RIV-NORTH
3601009	SOUTHERN CALIFORNIA EDISON COMPANY	2S4W06J01S	KELLY 1	RIV-NORTH
3601011	SOUTHERN CALIFORNIA EDISON COMPANY	2S4W06R04S	DAHL 2	RIV-NORTH
3601020	SOUTHERN CALIFORNIA EDISON COMPANY	2S4W06R05S	3	RIV-NORTH
3601023	SOUTHERN CALIFORNIA EDISON COMPANY	2S4W06R06S	4	RIV-NORTH
3601088	RANCHO DE SANTA FE	1S5W33A01S	1	RIV-NORTH
3601100	DAGGETT, FOREST N.	1S4W31C000	BARN 1	RIV-NORTH
3601101	DAGGETT, FOREST N.	1S4W31C000	RIVER 2	RIV-NORTH

RIVERSIDE BASIN AREA IN SAN BERN. CO.
 CROSS INDEX BY RECORDATION NUMBER

RECORDATION NUMBER	OWNER NAME	STATE WELL NUMBER	LOCAL DESIGNATION	BASIN NAME
3601110	MAAS, HARRY, ET AL	1S5W34A000	1	RIV--NORTH
3601124	GENERAL AMERICAN TRANSPORTATION CORP.	1S5W24R01S	1 SOUTH	RIV--NORTH
3601221	RIVERSIDE, CITY OF	2S5W01J03S	DOMESTIC	RIV--NORTH
3601223	RIVERSIDE, CITY OF	2S5W01G02S	MAIN	RIV--NORTH
3601235	RIVERSIDE, CITY OF	2S5W01G01S	LA LOMA	RIV--NORTH
3601236	RIVERSIDE, CITY OF	1S5W36L01S	AQUA MNSA	RIV--NORTH
3601271	RIVERSIDE, CITY OF	2S5W06Q03S	MARCY	RIV--NORTH
3601345	HUNGERFORD, FRANK B	2S5W05E000	JOHNSON	RIV--NORTH
3601422	TRINITY WATER CO.	2S5W06Q000	1 HOUSE	RIV--NORTH
3601423	ROQUET, HARRY V.	2S5W06N000	2 WEST	RIV--NORTH
3601424	ROQUET, HARRY V.	2S5W06P000		RIV--NORTH
3601425	CALIFORNIA PORTLAND CEMENT COMPANY	1S5W30D000	NO 6	RIV--NORTH
3601426	CALIFORNIA PORTLAND CEMENT COMPANY	1S5W30D06S	5	RIV--NORTH
3601427	CALIFORNIA PORTLAND CEMENT COMPANY	1S5W25A02S	7	RIV--NORTH
3601434	WEST SAN BDNO, COUNTY WATER DIST.	1S5W34D01S	PLANT NO 25	RIV--NORTH
3601483	RIVERSIDE, CITY OF	1S5W29H02S	FLUME 1	RIV--NORTH
3601484	RIVERSIDE, CITY OF	1S5W29H01S	FLUME 2	RIV--NORTH
3601485	RIVERSIDE, CITY OF	1S5W29R01S	FLUME 3	RIV--NORTH
3601486	RIVERSIDE, CITY OF	1S5W29Q03S	FLUME 4	RIV--NORTH
3601487	RIVERSIDE, CITY OF	1S5W29Q01S	FLUME 5	RIV--NORTH
3601488	RIVERSIDE, CITY OF	2S5W01Q01S	WILLIAMS	RIV--NORTH
3601488-	STAPAKIS, WILLIAM S	2S5W01Q01S	WILLIAMS	RIV--NORTH

RIVERSIDE BASIN AREA IN SAN BERN. CO.
 CROSS INDEX BY RECORDATION NUMBER

RECORDATION NUMBER	OWNER NAME	STATE WELL NUMBER	LOCAL DESIGNATION	BASIN NAME
3601490	RIVERSIDE, CITY OF	255W02R000	JURUPA 1	RIV-NORTH
3601491	RIVERSIDE, CITY OF	255W02R03S	JURUPA 3	RIV-NORTH
3601492	RIVERSIDE, CITY OF	255W02R02S	JURUPA 4	RIV-NORTH
3601493	RIVERSIDE, CITY OF	255W02R01S	JURUPA 5	RIV-NORTH
3601509	TEMESCAL WATER COMPANY	254W06A03S	PALM AVE.	RIV-NORTH
3601524	RIVERSIDE HIGHLAND WATER COMPANY	154W28L01S	3	RIV-NORTH
3601526	RIVERSIDE HIGHLAND WATER COMPANY	254W06R01S	7	RIV-NORTH
3601531	RIVERSIDE HIGHLAND WATER COMPANY	154W33B05S	16	RIV-NORTH
3601532	RIVERSIDE HIGHLAND WATER COMPANY	154W28N05S	17	RIV-NORTH
3601534	RIVERSIDE HIGHLAND WATER COMPANY	154W28L02S	20	RIV-NORTH
3601539	LA SIERRA WATER CO.	154W32E01S	1	RIV-NORTH
3601540	LA SIERRA WATER CO.	154W32E03S	2	RIV-NORTH
3601541	LA SIERRA WATER CO.	154W32E06S	4	RIV-NORTH
3601542	LA SIERRA WATER CO.	154W32E05S	5	RIV-NORTH
3601543	LA SIERRA WATER CO.	154W32E02S	6	RIV-NORTH
3601544	LA SIERRA WATER CO.	154W32E07S	7	RIV-NORTH
3601545	LA SIERRA WATER CO.	154W32E11S	8	RIV-NORTH
3601546	LA SIERRA WATER CO.	154W32E09S	10	RIV-NORTH
3601547	LA SIERRA WATER CO.	154W32E10S	9	RIV-NORTH
3601549	INDIAN KNOLL FARM & DAIRY	154W28M01S	2	RIV-NORTH
3601680	RIALTO, CITY OF	155W25L02S	DISPOSAL	RIV-NORTH
3601683	WEST SAN BONO, COUNTY WATER DIST.	155W34B02S	PLANT NO 26	RIV-NORTH

RIVERSIDE BASIN AREA IN SAN BERN. CO.
 CROSS INDEX BY RECORDATION NUMBER

RECORDATION NUMBER	OWNER NAME	STATE WELL NUMBER	LOCAL DESIGNATION	BASIN NAME
3601706	GREEN ACRES MEMORIAL PARK ASS N.	155W34L02S	8TH ST.	RIV-NORTH
3601707	GREEN ACRES MEMORIAL PARK ASS N.	155W34J01S	CACTUS	RIV-NORTH
3601717	DOUBLE H RANCH	155W35R000		RIV-NORTH
3601721	AMCORD, INC.	155W34K000	56	RIV-NORTH
3601722	AMCORD, INC.	255W02A000	58 1	RIV-NORTH
3601763	WEST SAN BDN. COUNTY WATER DIST.	155W24M01S	PLANT NO 18	RIV-NORTH
3601782	AMCORD, INC.	255W02L02S		RIV-NORTH
3601789	RIVERSIDE HIGHLAND WATER COMPANY	154W32M01S	LV 1	RIV-NORTH
3601790	RIVERSIDE HIGHLAND WATER COMPANY	154W32M000	LV 2	RIV-NORTH
3601891	ALPERSON RANCH	155W36F000		RIV-NORTH
3601892	ALPERSON RANCH	155W36F000		RIV-NORTH
3601953	WEST RIVERSIDE 350 WATER CO.	154W32B02S	7	RIV-NORTH
3601961	YEAGER CONSTRUCTION CO., INC., E. L.	155W25P000	AMRCH 1	RIV-NORTH
3601970	SOUTHERN CALIFORNIA EDISON COMPANY	254W05M000	PICO	RIV-NORTH
3601996	ANDERSON & YEAGER	255W02J000	SND RIV 1	RIV-NORTH
3602028	CALIFORNIA PORTLAND CEMENT COMPANY	155W25B02S	SEINTUR	RIV-NORTH
3602114	AMCOKU, INC.	255W02G000	63 1	RIV-NORTH
3602222	RANCHO DE SANTA FE	155W33A02S	2	RIV-NORTH
3602233	HENDRIX, ALBERT	155W35J000		RIV-NORTH
3602234	RIVERSIDE, CITY OF	255W02Q07S	JURUPA 6	RIV-NORTH
3602326	HYDRO CONDUIT CORPORATION	154W30R000		RIV-NORTH
3602357	JAMES SULLIVAN MUTUAL WATER COMPANY	154W34L000	6610	RIV-NORTH

RIVERSIDE BASIN AREA IN SAN BERN. CO.
CROSS INDEX BY RECORDATION NUMBER

RECORDATION NUMBER	OWNER NAME	STATE WELL NUMBER	LOCAL DESIGNATION	BASIN NAME
3602358	JAMES SULLIVAN MUTUAL WATER COMPANY	1S4W34L000	7418	RIV-NORTH
3602486	RIVERSIDE, CITY OF	1S4W29Q04S	FLUME 6	RIV-NORTH

RIVERSIDE BASIN AREA

IN SAN BERNARDINO COUNTY

CROSS INDEX BY STATE WELL NUMBER

RIVERSIDE BASIN AREA IN SAN BERN. CO.
 CROSS INDEX BY STATE WELL NUMBER

STATE WELL NUMBER	OWNER NAME	RECORDATION NUMBER	LOCAL DESIGNATION	BASIN NAME
1S4W28L01S	RIVERSIDE HIGHLAND WATER COMPANY	3601524	3	RIV-NORTH
1S4W28L02S	RIVERSIDE HIGHLAND WATER COMPANY	3601534	20	RIV-NORTH
1S4W28M01S	INDIAN KNOLL FARM & DAIRY	3601549	2	RIV-NORTH
1S4W28N05S	RIVERSIDE HIGHLAND WATER COMPANY	3601532	17	RIV-NORTH
1S4W29H01S	RIVERSIDE, CITY OF	3601484	FLUME 2	RIV-NORTH
1S4W29H02S	RIVERSIDE, CITY OF	3601483	FLUME 1	RIV-NORTH
1S4W29Q01S	RIVERSIDE, CITY OF	3601487	FLUME 5	RIV-NORTH
1S4W29Q03S	RIVERSIDE, CITY OF	3601486	FLUME 4	RIV-NORTH
1S4W29Q04S	RIVERSIDE, CITY OF	3602486	FLUME 6	RIV-NORTH
1S4W29R01S	RIVERSIDE, CITY OF	3601485	FLUME 3	RIV-NORTH
1S4W30D000	CALIFORNIA PORTLAND CEMENT COMPANY	3601425	NO 6	RIV-NORTH
1S4W30D06S	CALIFORNIA PORTLAND CEMENT COMPANY	3601426	5	RIV-NORTH
1S4W30P000	MCDANIEL & SON DAIRY	NON-FILER		RIV-NORTH
1S4W30R000	HYDRO CONDUIT CORPORATION	3602326		RIV-NORTH
1S4W31C000	DAGGETT, FOREST N.	3601100	BARN 1	RIV-NORTH
1S4W31C000	DAGGETT, FOREST N.	3601101	RIVER 2	RIV-NORTH
1S4W31J01S	ROSEDALE WATER COMPANY	3600915	NEW WELL	RIV-NORTH
1S4W32B01S	WEST RIVERSIDE 350 WATER CO.	3600832	5	RIV-NORTH
1S4W32B02S	WEST RIVERSIDE 350 WATER CO.	3601953	7	RIV-NORTH
1S4W32E01S	LA SIERRA WATER CO.	3601539	1	RIV-NORTH
1S4W32E02S	LA SIERRA WATER CO.	3601543	6	RIV-NORTH
1S4W32E03S	LA SIERRA WATER CO.	3601540	2	RIV-NORTH

RIVERSIDE BASIN AREA IN SAN BERN. CO.
CROSS INDEX BY STATE WELL NUMBER

STATE WELL NUMBER	OWNER NAME	RECORDATION NUMBER	LOCAL DESIGNATION	BASIN NAME
1S4W32E05S	LA SIERRA WATER CO.	3601542	5	RIV-NORTH
1S4W32E06S	LA SIERRA WATER CO.	3601541	4	RIV-NORTH
1S4W32E07S	LA SIERRA WATER CO.	3601544	7	RIV-NORTH
1S4W32E09S	LA SIERRA WATER CO.	3601546	10	RIV-NORTH
1S4W32E10S	LA SIERRA WATER CO.	3601547	9	RIV-NORTH
1S4W32E11S	LA SIERRA WATER CO.	3601545	8	RIV-NORTH
1S4W32G01S	WEST RIVERSIDE 350 WATER CO.	3600833	6	RIV-NORTH
1S4W32G02S	WEST RIVERSIDE 350 WATER CO.	3600829	1	RIV-NORTH
1S4W32G04S	WEST RIVERSIDE 350 WATER CO.	3600830	2	RIV-NORTH
1S4W32H01S	WEST RIVERSIDE 350 WATER CO.	3600831	4	RIV-NORTH
1S4W32M000	RIVERSIDE HIGHLAND WATER COMPANY	3601790	LV 2	RIV-NORTH
1S4W32M01S	RIVERSIDE HIGHLAND WATER COMPANY	3601789	LV 1	RIV-NORTH
1S4W32B05S	RIVERSIDE HIGHLAND WATER COMPANY	3601531	16	RIV-NORTH
1S4W34L000	JAMES SULLIVAN MUTUAL WATER COMPANY	3602357	6610	RIV-NORTH
1S4W34L000	JAMES SULLIVAN MUTUAL WATER COMPANY	3602358	7418	RIV-NORTH
1S5W23N01S	WEST SAN BDNO. COUNTY WATER DIST.	3601004	PLANT NO 19	RIV-NORTH
1S5W23Q01S	CRAM & WRIGHT, ESTATE OF HENRY CRAM	36000/4	1	RIV-NORTH
1S5W24M01S	WEST SAN BDNO. COUNTY WATER DIST.	3601763	PLANT NO 18	RIV-NORTH
1S5W24R01S	GENERAL AMERICAN TRANSPORTATION CORP.	3601124	1 SOUTH	RIV-NORTH
1S5W25A02S	CALIFORNIA PORTLAND CEMENT COMPANY	3601427	7	RIV-NORTH
1S5W25B02S	CALIFORNIA PORTLAND CEMENT COMPANY	3602028	SEINTUR	RIV-NORTH
1S5W25L02S	RIALTO, CITY OF	3601680	DISPOSAL	RIV-NORTH

RIVERSIDE BASIN AREA IN SAN BERN. CO.
 CROSS INDEX BY STATE WELL NUMBER

STATE WELL NUMBER	OWNER NAME	RECORDATION NUMBER	LOCAL DESIGNATION	BASIN NAME
1S5W25M000	ATLAS MATERIALS COMPANY	3500627	1	RIV-NORTH
1S5W25P000	CALIFORNIA PORTLAND CEMENT COMPANY	NON-FILER		RIV-NORTH
1S5W25P000	YEAGER CONSTRUCTION CO., INC., E. L.	3601961	AMRCH 1	RIV-NORTH
1S5W25R000	WARD DUCK COMPANY	NON-FILER		RIV-NORTH
1S5W25R025	RIVERSIDE, CITY OF	3600898	NO 6	RIV-NORTH
1S5W25R045	RIVERSIDE, CITY OF	3600898-	TW. BT. 6	RIV-NORTH
1S5W33A015	RANCHO DE SANTA FE	3601088	1	RIV-NORTH
1S5W33A025	RANCHO DE SANTA FE	3602222	2	RIV-NORTH
1S5W34A000	MAAS, HARRY, ET AL	3601110	1	RIV-NORTH
1S5W34B015	FIRESTONE GROUP LTD	3600413		RIV-NORTH
1S5W34B025	WEST SAN BDNO. COUNTY WATER DIST.	3601683	PLANT NO 26	RIV-NORTH
1S5W34D015	WEST SAN BDNO. COUNTY WATER DIST.	3601434	PLANT NO 25	RIV-NORTH
1S5W34J015	GREEN ACRES MEMORIAL PARK ASS N.	3601707	CACTUS	RIV-NORTH
1S5W34K000	AMCORD, INC.	3601721	56	RIV-NORTH
1S5W34K025	GREEN ACRES MEMORIAL PARK ASS N.	3600873	NO 57	RIV-NORTH
1S5W34L025	GREEN ACRES MEMORIAL PARK ASS N.	3601706	8TH ST.	RIV-NORTH
1S5W35B000	CARSON, K. R.	NON-FILER		RIV-NORTH
1S5W35D015	HAMADA BROS.	3600507	1	RIV-NORTH
1S5W35G025	SERVICE ROCK CO.	3600910	1	RIV-NORTH
1S5W35J000	HENDRIX, ALBERT	3602233		RIV-NORTH
1S5W35J000	SERVICE ROCK CO.	3600911	2	RIV-NORTH
1S5W35R000	DOUBLE H RANCH	3601717		RIV-NORTH

RIVERSIDE BASIN AREA IN SAN BERN. CO.
 CROSS INDEX BY STATE WELL NUMBER

STATE WELL NUMBER	OWNER NAME	RECORDATION NUMBER	LOCAL DESIGNATION	BASIN NAME
155W368000	DUNN, ELMER	NON-FILER		RIV-NORTH
155W36C09S	JURUPA WATER COMPANY	3600535	1	RIV-NORTH
155W36C10S	JURUPA WATER COMPANY	3600536	1 AND HALF	RIV-NORTH
155W36C11S	JURUPA WATER COMPANY	3600535-	3	RIV-NORTH
155W36F000	ALPERSON RANCH	3601891		RIV-NORTH
155W36F000	ALPERSON RANCH	3601892		RIV-NORTH
155W36F000	HOPKINS, ARVA F.	NON-FILER		RIV-NORTH
155W36L01S	RIVERSIDE, CITY OF	3601236	AQUA MNSA	RIV-NORTH
155W36N000	HOLTER RANCH	NON-FILER		RIV-NORTH
155W36Q000	RIVERSIDE, CITY OF	3301088	PELISIER	RIV-NORTH
254W05C01S	RIVERSIDE, CITY OF GAGE CANAL	3600783	DEBERRY	RIV-NORTH
254W05E000	HUNGERFORD, FRANK B	3601345	JOHNSON	RIV-NORTH
254W05F000	WAGONER, JOHN J., JR.	3600899	DOM. 1	RIV-NORTH
254W05F02S	JUMAL WATER COMPANY	3600537		RIV-NORTH
254W05M000	SOUTHERN CALIFORNIA EDISON COMPANY	3601970	PICO	RIV-NORTH
254W05P000	JOHNSON, DOROTHY	3600820	1	RIV-NORTH
254W06A01S	MERRYFIELD WATER COMPANY	3600962	1	RIV-NORTH
254W06A03S	TEMESCAL WATER COMPANY	3601509	PALM AVE.	RIV-NORTH
254W06J01S	SOUTHERN CALIFORNIA EDISON COMPANY	3601009	KELLY 1	RIV-NORTH
254W06N000	ROQUET, HARRY V.	3601423	2 WEST	RIV-NORTH
254W06P000	ROQUET, HARRY V.	3601424		RIV-NORTH
254W06Q000	TRINITY WATER CO.	3601422	1 HOUSE	RIV-NORTH

RIVERSIDE BASIN AREA IN SAN BERN. CO.
 CROSS INDEX BY STATE WELL NUMBER

STATE WELL NUMBER	OWNER NAME	RECORDATION NUMBER	LOCAL DESIGNATION	BASIN NAME
254W06Q03S	RIVERSIDE, CITY OF	3601271	MARCY	RIV-NORTH
254W06R01S	RIVERSIDE HIGHLAND WATER COMPANY	3601526	7	RIV-NORTH
254W06R04S	SOUTHERN CALIFORNIA EDISON COMPANY	3601011	DAHL 2	RIV-NORTH
254W06R05S	SOUTHERN CALIFORNIA EDISON COMPANY	3601020	3	RIV-NORTH
254W06R06S	SOUTHERN CALIFORNIA EDISON COMPANY	3601023	4	RIV-NORTH
255W01G01S	RIVERSIDE, CITY OF	3601235	LA LOMA	RIV-NORTH
255W01G02S	RIVERSIDE, CITY OF	3601223	MAIN	RIV-NORTH
255W01J03S	RIVERSIDE, CITY OF	3601221	DOMESTIC	RIV-NORTH
255W01Q000	ABBOTT, HARRY & GREEN, LUMAN	3600097		RIV-NORTH
255W01Q01S	RIVERSIDE, CITY OF	3601488	WILLIAMS	RIV-NORTH
255W01Q01S	STAPAKIS, WILLIAM S	3601488-	WILLIAMS	RIV-NORTH
255W02A000	AMCORD, INC.	3600874	58 1	RIV-NORTH
255W02A000	AMCORD, INC.	3601722	58 1	RIV-NORTH
255W02C000	INTER COUNTY WATER COMPANY	3301347	1	RIV-NORTH
255W02G000	AMCORD, INC.	3602114	63 1	RIV-NORTH
255W02G02S	AMCORD, INC.	3600883	WRIGHT	RIV-NORTH
255W02J000	ANDERSON & YEAGER	3601996	SND RIV 1	RIV-NORTH
255W02L02S	AMCORD, INC.	3601782		RIV-NORTH
255W02Q000	BRADVICA, LOUIS A.	3600972	RNCH 1	RIV-NORTH
255W02Q07S	RIVERSIDE, CITY OF	3602234	JURUPA 6	RIV-NORTH
255W02R000	RIVERSIDE, CITY OF	3601490	JURUPA 1	RIV-NORTH
255W02R01S	RIVERSIDE, CITY OF	3601493	JURUPA 5	RIV-NORTH

RIVERSIDE BASIN AREA IN SAN BERN. CO.
CROSS INDEX BY STATE WELL NUMBER

STATE WELL NUMBER	OWNER NAME	RECORDATION NUMBER	LOCAL DESIGNATION	BASIN NAME
2S5W02R02S	RIVERSIDE, CITY OF	3601492	JURUPA 4	RIV-NORTH
2S5W02R03S	RIVERSIDE, CITY OF	3601491	JURUPA 3	RIV-NORTH

TABLE NO. 1

VERIFIED EXTRACTIONS BY OWNERS WHICH HAVE
RECORDATION FILINGS WITH THE STATE WATER
RESOURCES CONTROL BOARD

TABLE NO. 1
 VERIFIED EXTRACTATIONS BY OWNERS WHICH HAVE RECORDATION FILINGS
 WITH THE STATE WATER RESOURCES CONTROL BOARD

OWNER	5 YEAR											
	1959	1960	1961	1962	1963	AVERAGE	1970	1971	1972	1973	1974	1975
ABBOTT, HARRY & GREEN, LUMAN	50	50	50	50	50	50	71	83	75	26		
ALPERSON RANCH												
3601891 1S5W36F000 W	0	1	1	0	0	0	120	120	120	120	0	0
3601892 1S5W36F000 W	150	150	165	200	200	173	120	120	120	120	240	240
OWNER TOTAL	150*	151*	166*	200*	200*	173*	240*	240*	240*	240*	240*	240*
AMCORD, INC. (1)												
3600874 2S5W02A000 W	2	2	1	1	0	1	0	0	0	0	0	0
3600883 2S5W02G02S W	0	0	0	0	0	0	0	0	0	0	0	0
3601721 1S5W34K000 W	1087	915	314	543	520	676	494	130	353	531	133	133
3601722 2S5W02A000 W	606	612	726	404	271	524	0	0	0	0	0	0
3601782 2S5W02L02S W	105	105	105	105	0	84	0	0	0	0	0	0
3602114 2S5W02G000 W	0	0	0	0	27	5	154	482	204	0	0	0
OWNER TOTAL	1800*	1634*	1146*	1053*	818*	1290*	648*	612*	557*	531*	133*	133*
ANDERSON & YEAGER												
3601996 2S5W02J000 W	0	0	18	67	161	49	0	0	0	0	0	0
ATLAS MATERIALS COMPANY												
3600627 1S5W25M000 W	158	155	151	148	149	152	96	89	111	136	85	85
BRADVICA, LOUIS A.												
3600972 2S5W02Q000 W	105	123	83	78	61	90	71	68	54	54	4	4
CALIFORNIA PORTLAND CEMENT COMPANY												
3601425 1S4W30D000 W	749	7	45	86	84	194	353	553	297	508	671	671

(1) WELL 3600873 SOLD TO GREEN ACRES IN 1974

TABLE NO. 1
 VERIFIED EXTRACTATIONS BY OWNERS WHICH HAVE RECORDATION FILINGS
 WITH THE STATE WATER RESOURCES CONTROL BOARD

OWNER	5 YEAR AVERAGE					1975					
	1959	1960	1961	1962	1963						
CALIFORNIA PORTLAND CEMENT COMPANY (CONTINUED)											
3601426 1S4W30D06S W	1363	515	347	545	698	694	921	640	879	769	376
3601427 1S5W25A02S W	4	1328	1090	178	322	584	535	685	752	482	609
3602028 1S5W25B02S W	61	140	238	68	135	128	304	294	281	218	175
OWNER TOTAL	2177*	1990*	1720*	877*	1239*	1601*	2113*	2172*	2209*	1977*	1831*
CRAM & WRIGHT, ESTATE OF HENRY CRAM											
3600074 1S5W23Q01S W	150	150	150	150	150	150	150	150	150	0	0
DAGGETT, FOREST N.											
3601100 1S4W31C000 W	227	169	174	181	0	150	0	0	0	0	0
3601101 1S4W31C000 W	198	178	159	167	0	140	0	0	0	0	0
OWNER TOTAL	425*	347*	333*	348*	0*	291*	0*	0*	0*	0*	0*
DOUBLE H RANCH											
3601717 1S5W35R000 W	112	118	123	123	125	120	90	103	113	88	82
FIRESTONE GROUP LTD											
3600413 1S5W34B01S W	285	240	379	338	205	289	117	128	152	124	99
GENERAL AMERICAN TRANSPORTATION CORP.											
3601124 1S5W24R01S W	30	30	28	31	34	31	24	29	20	22	17
GREEN ACRES MEMORIAL PARK ASS N.											
3600873 1S5W34K02S W	726	544	0	0	130	280	91	219	20	6	0 ⁽¹⁾
3601706 1S5W34L02S W	105	110	112	115	124	113	174	180	184	185	213
3601707 1S5W34J01S W	733	733	733	733	733	733	889	790	454	894	553
OWNER TOTAL	1564*	1387*	845*	848*	987*	1126*	1154*	1189*	658*	1085*	766*

(1) WELL PURCHASED FROM AMCORD IN 1974

TABLE NO. 1
 VERIFIED EXTRACTATIONS BY OWNERS WHICH HAVE RECORDATION FILINGS
 WITH THE STATE WATER RESOURCES CONTROL BOARD

OWNER	5 YEAR					1975						
	1959	1960	1961	1962	1963		AVERAGE	1970	1971	1972	1973	1974
HAMADA BROS.												
3600507 1S5W35D01S W	323	325	348	390	346	346	487	437	463	451	493	
HENDRIX, ALBERT												
3602233 1S5W35J000 W	9	9	9	9	9	9	0	0	0	0	0	
HUNGERFORD, FRANK B												
3601345 2S4W05E000 W	0	0	0	0	0	0	0	0	0	0	0	
HYDRO CONDUIT CORPORATION												
3602326 1S4W30R000 W	55	58	61	68	71	63	157	118	0	0	0	
INDIAN KNOLL FARM & DAIRY												
3601549 1S4W28M01S W	600	680	820	680	580	672	549	281	568	57	466	
INTER COUNTY WATER COMPANY												
3301347 2S5W02C000 W	145	141	133	117	131	133	116	83	95	157	206	
JAMES SULLIVAN MUTUAL WATER COMPANY												
3602357 1S4W34L000 W	0	0	11	11	11	7	26	30	30	34	43	
3602358 1S4W34L000 W	0	0	0	0	0	0	25	29	30	34	43	
OWNER TOTAL	0*	0*	11*	11*	11*	7*	51*	59*	60*	68*	86*	
JOHNSON, DOROTHY												
3600820 2S4W05P000 W	0	0	0	0	0	0	0	0	0	0	0	
JUMAL WATER COMPANY												
3600537 2S4W05F02S W	322	272	257	210	141	240	101	96	90	105	96	
JURUPA WATER COMPANY												
3600535 1S5W36C09S W	58	67	73	73	29	60	0	0	0	0	0	

TABLE NO. 1
 VERIFIED EXTRACTATIONS BY OWNERS WHICH HAVE RECORDATION FILINGS
 WITH THE STATE WATER RESOURCES CONTROL BOARD

OWNER	1959	1960	1961	1962	1963	5 YEAR					
						AVERAGE	1970	1971	1972	1973	1974
JURUPA WATER COMPANY											
3600535- 155W36C11S W	0	0	0	0	0	0	121	94	376	200	402
3600536 155W36C10S W	753	695	1041	672	304	693	0	0	0	0	0
OWNER TOTAL	811*	762*	1114*	745*	333*	753*	121*	94*	376*	200*	402*
LA SIERRA WATER CO.											
3601539 154W32E01S W	0	0	0	0	0	0	0	0	0	0	0
3601540 154W32E03S W	0	0	0	0	0	0	0	0	0	0	0
3601541 154W32E06S W	0	0	0	0	0	0	0	0	0	0	0
3601542 154W32E05S W	0	0	0	0	0	0	0	0	0	0	0
3601543 154W32E02S W	188	191	132	59	5	115	0	0	0	0	0
3601544 154W32E07S W	1083	981	1254	646	108	814	1550	1218	1330	664	0
3601545 154W32E11S W	1104	1005	1005	847	577	908	1963	2106	2178	1980	1932
3601546 154W32E09S W	614	610	428	278	274	441	1154	1415	1201	0	1
3601547 154W32E10S W	474	403	568	31	0	295	0	0	0	0	0
OWNER TOTAL	3463*	3190*	3387*	1861*	964*	2573*	4667*	4739*	4709*	2644*	1933*
MAAS, HARRY, ET AL											
3601110 155W34A000 W	161	156	182	115	97	142	161	163	160	151	166
MERRYFIELD WATER COMPANY											
3600962 254W06A01S W	490	310	444	252	242	348	181	243	171	210	220
RANCHO DE SANTA FE											
3601088 155W33A01S W	378	335	518	448	377	411	0	0	0	0	0
3602222 155W33A02S W	0	0	0	0	0	0	121	209	281	122	180

TABLE NO. 1
 VERIFIED EXTRACTATIONS BY OWNERS WHICH HAVE RECORDATION FILINGS
 WITH THE STATE WATER RESOURCES CONTROL BOARD

OWNER	5 YEAR AVERAGE										
	1959	1960	1961	1962	1963	1963	1963	1963	1963	1963	1963
OWNER TOTAL	378*	335*	518*	448*	377*	411*	121*	209*	281*	122*	180*
RIALTO, CITY OF											
3601580 1S5W25L02S W	130	130	130	130	180	140	104	11	19	24	19
RIVERSIDE HIGHLAND WATER COMPANY											
3601524 1S4W28L01S W	43	150	13	0	0	41	0	0	0	0	0
3601526 2S4W06R01S W	1338	1226	1834	1549	1429	1475	1410	1901	1572	1339	1255
3601531 1S4W33B05S W	42	2	4	30	4	16	0	0	0	0	0
3601532 1S4W28N05S W	944	1164	1129	820	1029	1017	2193	2734	1868	1903	1283
3601534 1S4W28L02S W	973	428	460	560	795	643	757	669	789	832	833
3601789 1S4W32M01S W	461	409	664	621	572	545	0	0	0	0	0
3601790 1S4W32M000 W	0	0	0	0	69	14	0	0	0	0	0
OWNER TOTAL	3801*	3379*	4104*	3580*	3898*	3752*	4360*	5304*	4229*	4074*	3371*
RIVERSIDE, CITY OF											
3301088 1S5W36Q000 D	67	0	0	0	0	13	0	0	0	0	0
3600898 1S5W25R02S W	1196	1042	869	0	0	621	0	0	0	0	0
3600898- 1S5W25R04S W	0	0	0	1062	1127	442	24	406	173	0	1539
3601221 2S5W01J03S W	38	13	20	26	5	20	6	4	5	5	5
3601223 2S5W01G02S W	1070	518	392	0	0	396	0	13	47	40	103
3601235 2S5W01G01S W	0	0	0	0	0	0	0	0	0	0	0
3601236 1S5W36L01S W	0	0	402	0	0	80	88	157	55	0	3
3601271 2S4W06Q03S W	61	20	25	47	42	39	0	0	0	0	0
3601483 1S4W29H02S W	576	481	140	0	0	239	0	0	0	0	0

TABLE NO. 1
 VERIFIED EXTRACTATIONS BY OWNERS WHICH HAVE RECORDATION FILINGS
 WITH THE STATE WATER RESOURCES CONTROL BOARD

OWNER	5 YEAR AVERAGE										
	1959	1960	1961	1962	1963	1970	1971	1972	1973	1974	1975
(CONTINUED)											
RIVERSIDE, CITY OF											
3601484 1S4W29H01S W	1257	968	1237	854	642	1147	855	1856	1778	547	
3601485 1S4W39R01S W	1497	979	1862	1458	1165	1392	161	496	486	364	
3601486 1S4W29Q03S W	2218	1501	1663	1316	1503	1640	8	404	144	533	
3601487 1S4W29Q01S W	1665	1198	981	657	636	1027	0	0	0	0	
3601488 2S5W01Q01S W	562	493	634	251	265	441	(1)	(1)	(1)	(1)	
3601490 2S5W02R000 W	310	65	582	694	582	447	8	381	277	3	
3601491 2S5W02R03S W	720	1060	1141	862	796	916	902	942	563	910	
3601492 2S5W02R02S W	237	0	141	123	296	159	136	138	307	466	
3601493 2S5W02R01S W	1500	1301	1590	1345	1200	1387	1452	1453	1273	1504	
3602234 2S5W02Q07S W	0	0	0	0	0	67	62	30	113	2	
3602486 1S4W29Q04S W	0	0	0	0	0	0	0	0	0	144	
OWNER TOTAL	12974*	9639*	11679*	8715*	8259*	10253*	4537*	5920*	4986*	6123*	
RIVERSIDE, CITY OF GAGE CANAL											
3600783 2S4W05C01S W	1504	1474	1639	1231	1169	1403	567	778	222	472	
ROQUET, HARRY V.											
3601423 2S4W06N00C W	0	0	0	0	0	0	0	0	0	0	
3601424 2S4W06P000 D	67	67	67	67	67	67	45	9	0	40	
OWNER TOTAL	67*	67*	67*	67*	67*	67*	45*	9*	0*	40*	
ROSEDALE WATER COMPANY											
3600915 1S4W31J01S W	45	45	25	25	25	33	0	0	0	0	
SERVICE ROCK CO.											
3600910 1S5W35G02S W	133	124	125	115	118	123	0	0	0	0	

(1) SEE STAPAKIS, WILLIAM S.

TABLE NO. 1
 VERIFIED EXTRACTATIONS BY OWNERS WHICH HAVE RECORDATION FILINGS
 WITH THE STATE WATER RESOURCES CONTROL BOARD

OWNER	1959	1960	1961	1962	1963	5 YEAR AVERAGE					1972	1973	1974	1975
(CONTINUED)														
SERVICE ROCK CO.														
3600911 1S5W35J000 W	123	104	46	7	8	58	0	0	0	0	0	0	0	0
OWNER TOTAL	256*	228*	171*	122*	126*	181*	0*	0*	0*	0*	0*	0*	0*	0*
SOUTHERN CALIFORNIA EDISON COMPANY														
3601009 2S4W06J01S W	25	35	38	51	53	40	43	54	19	25	19	18	18	18
3601011 2S4W06R04S W	26	25	52	52	59	43	430	428	172	401	172	339	339	339
3601020 2S4W06R05S W	292	482	526	494	701	499	66	128	31	23	31	101	101	101
3601023 2S4W06R06S W	282	406	508	507	540	449	66	128	31	23	31	101	101	101
3601970 2S4W05M000 W	0	0	139	211	244	119	359	402	258	128	258	229	229	229
OWNER TOTAL	625*	948*	1263*	1315*	1597*	1150*	964*	1140*	511*	600*	511*	788*	788*	788*
STAPAKIS, WILLIAM S														
(1) 3601488- 2S5W01Q01S W							0	0	0	0	0	0	0	0
TEMESCAL WATER COMPANY														
3601509 2S4W06A03S W	1203	1319	1363	1163	1265	1263	970	1948	1614	1368	1614	821	821	821
TRINITY WATER CO.														
3601422 2S4W06Q000 W	23	23	23	23	23	23	104	101	54	84	54	54	54	54
WAGONER, JOHN LEO JR.														
3600899 2S4W05F000 W	0	0	0	0	0	0	0	0	0	0	0	0	0	0
WEST RIVERSIDE 350 WATER CO.														
3600829 1S4W32G02S W	26	10	0	0	0	7	0	0	0	0	0	0	0	0
3600830 1S4W32G04S W	310	252	245	0	0	161	0	0	0	0	0	0	0	0
3600831 1S4W32H01S W	58	30	150	0	0	48	0	0	0	0	0	0	0	0

(1) WELL PURCHASED IN 1966 FROM CITY OF RIVERSIDE WITHOUT THE PRESCRIPTIVE WATER RIGHTS.

TABLE NO. 1
 VERIFIED EXTRACTATIONS BY OWNERS WHICH HAVE RECORDATION FILINGS
 WITH THE STATE WATER RESOURCES CONTROL BOARD

OWNER	1959	1960	1961	1962	1963	5 YEAR					
						AVERAGE	1970	1971	1972	1973	1974
WEST RIVERSIDE 350 WATER CO. (CONTINUED)											
3600832 1S4W32B01S W	723	784	571	0	180	452	627	470	225	197	281
3600833 1S4W32GC1S W	1178	896	542	0	0	523	0	0	0	0	0
3601953 1S4W32B02S W	0	0	640	2980	2512	1228	2203	1749	1908	688	1240
OWNER TOTAL	2295*	1972*	2148*	2989*	2692*	2419*	2830*	2219*	2133*	885*	1521*
WEST SAN BDNO. COUNTY WATER DIST.											
3601004 1S5W23N01S W	824	904	831	808	622	798	790	797	547	0	0
3601434 1S5W34D01S W	204	211	212	203	201	206	115	314	452	244	330
3601683 1S5W34B02S W	146	170	193	118	117	149	64	0	0	0	0
3601763 1S5W24M01S W	35	40	46	35	35	38	5	3	3	0	0
OWNER TOTAL	1209*	1325*	1282*	1164*	975*	1191*	974*	1114*	1002*	244*	330*
YEAGER CONSTRUCTION CO., INC., E. L.											
3601961 1S5W25P000 W	20	18	149	141	107	87	0	0	0	0	0
TOTAL VERIFIED PRODUCTION ALL FACILITIES	37915*	33180*	36519*	29882*	27864*	33072*	26050*	28371*	27454*	21062*	21135*

TABLE NO. 2

VERIFIED EXTRACTIONS BY OWNERS WHICH
HAVE NOT FILED WITH THE STATE WATER
RESOURCES CONTROL BOARD

TABLE NO. 2
 VERIFIED EXTRACTATIONS BY OWNERS WHICH HAVE NOT FILED
 WITH THE STATE WATER RESOURCES CONTROL BOARD

OWNER	5 YEAR AVERAGE										
	1959	1960	1961	1962	1963	1970	1971	1972	1973	1974	1975
CALIFORNIA PORTLAND CEMENT COMPANY											
NON-FILER 155W25P000 W	0	0	0	0	0	0	0	0	0	0	0
CARSON, K. R.											
NON-FILER 155W35B000 W	50	50	50	50	50	0	0	0	0	0	0
DUNN, ELMER											
NON-FILER 155W36B000 W	0	0	0	0	0	17	15	21	19	27	27
HOLTER RANCH											
NON-FILER 155W36N000 W	38	38	38	38	38	142	52	96	61	21	21
HOPKINS, ARVA F.											
(1) NON-FILER 155W36F000 W	0	0	0	0	0	98	114	128	121	127	127
MCDANIEL & SON DAIRY											
NON-FILER 154W30P000 W	13	13	13	13	13	0	0	0	0	0	0
WARD DUCK COMPANY											
NON-FILER 155W25R000 W	556	556	556	556	556	568	518	449	546	571	571
TOTAL VERIFIED PRODUCTION ALL FACILITIES	657*	657*	657*	657*	657*	325*	699*	694*	747*	746*	746*

(1) WELL EXTRACTATIONS NOT VERIFIED FOR 1959 TO 1963 (WELL LOCATED BY WATERMASTER DURING 1970 VERIFICATION)

TABLE NO. 3

SUMMARY OF VERIFIED EXTRACTIONS (FILED AND
NON-FILED) FROM RIVERSIDE BASIN AREA WITHIN
SAN BERNARDINO COUNTY

TABLE NO. 3
 SUMMARY OF VERIFIED EXTRACTIIONS (FILED AND NON-FILED)
 FROM RIVERSIDE BASIN AREA WITHIN SAN BERNARDINO COUNTY

OWNER	5 YEAR AVERAGE					1975
	1959	1960	1961	1962	1963	
ABBOTT, HARRY & GREEN, LUMAN						
OWNER TOTAL	50*	50*	50*	50*	50*	99*
ALPERSON RANCH						
OWNER TOTAL	150*	151*	166*	200*	200*	240*
AMCORD, INC.						
OWNER TOTAL	1800*	1634*	1146*	1053*	818*	133*
ANDERSON & YEAGER						
OWNER TOTAL	0*	0*	18*	67*	161*	0*
ATLAS MATERIALS COMPANY						
OWNER TOTAL	158*	155*	151*	148*	149*	85*
BRADVICA, LOUIS A.						
OWNER TOTAL	105*	123*	83*	78*	61*	4*
CALIFORNIA PORTLAND CEMENT COMPANY						
OWNER TOTAL	2177*	1990*	1720*	877*	1239*	1831*
CARSON, K. R.						
OWNER TOTAL	50*	50*	50*	50*	50*	0*
CRAM & WRIGHT, ESTATE OF HENRY CRAM						
OWNER TOTAL	150*	150*	150*	150*	150*	0*
DAGGETT, FOREST N.						
OWNER TOTAL	425*	347*	333*	348*	0*	0*
DOUBLE H RANCH						
OWNER TOTAL	112*	118*	123*	123*	125*	82*

TABLE NO. 3
 SUMMARY OF VERIFIED EXTRACTIIONS (FILED AND NON-FILED)
 FROM RIVERSIDE BASIN AREA WITHIN SAN BERNARDINO COUNTY

OWNER	5 YEAR AVERAGE					1974	1975
	1959	1960	1961	1962	1963		
DUNN, ELMER							
OWNER TOTAL	0*	0*	0*	0*	0*	17*	15*
FIRESTONE GROUP LTD							
OWNER TOTAL	285*	240*	379*	328*	205*	117*	128*
GENERAL AMERICAN TRANSPORTATION CORP.							
OWNER TOTAL	30*	30*	28*	31*	34*	31*	29*
GREEN ACRES MEMORIAL PARK ASS N.							
OWNER TOTAL	1564*	1387*	845*	848*	987*	1126*	1189*
HAMADA BROS.							
OWNER TOTAL	323*	325*	348*	390*	346*	487*	437*
HENDRIX, ALBERT							
OWNER TOTAL	9*	9*	9*	9*	9*	0*	0*
HOLTER RANCH							
OWNER TOTAL	38*	38*	38*	38*	38*	142*	52*
HOPKINS, ARVA F.							
OWNER TOTAL	0*	0*	0*	0*	0*	98*	114*
HUNGERFORD, FRANK B							
OWNER TOTAL	0*	0*	0*	0*	0*	0*	0*
HYDRO CONDUIT CORPORATION							
OWNER TOTAL	55*	58*	61*	68*	71*	63*	118*
INDIAN KNOLL FARM & DAIRY							
OWNER TOTAL	600*	680*	820*	680*	580*	672*	281*

TABLE NO. 3
SUMMARY OF VERIFIED EXTRACTONS (FILED AND NON-FILED)
FROM RIVERSIDE BASIN AREA WITHIN SAN BERNARDINO COUNTY

OWNER	5 YEAR AVERAGE					1974	1975				
	1959	1960	1961	1962	1963			1970	1971	1972	1973
INTER COUNTY WATER COMPANY											
OWNER TOTAL	145*	141*	133*	117*	131*	133*	116*	83*	95*	157*	206*
JAMES SULLIVAN MUTUAL WATER COMPANY											
OWNER TOTAL	0*	0*	11*	11*	11*	7*	51*	59*	60*	68*	86*
JOHNSON, DOROTHY											
OWNER TOTAL	0*	0*	0*	0*	0*	0*	0*	0*	0*	0*	0*
JUMAL WATER COMPANY											
OWNER TOTAL	322*	272*	257*	210*	141*	240*	101*	96*	90*	105*	96*
JURUPA WATER COMPANY											
OWNER TOTAL	811*	762*	1114*	745*	333*	753*	121*	94*	376*	200*	402*
LA SIERRA WATER CO.											
OWNER TOTAL	3463*	3190*	3387*	1861*	964*	2573*	4667*	4739*	4709*	2644*	1933*
MAAS, HARRY, ET AL											
OWNER TOTAL	161*	156*	182*	115*	97*	142*	161*	163*	160*	151*	166*
MCDANIEL & SON DAIRY											
OWNER TOTAL	13*	13*	13*	13*	13*	13*	0*	0*	0*	0*	0*
MERRYFIELD WATER COMPANY											
OWNER TOTAL	490*	310*	444*	252*	242*	348*	181*	243*	171*	210*	220*
RANCHO DE SANTA FE											
OWNER TOTAL	378*	335*	518*	448*	377*	411*	121*	209*	281*	122*	180*
RIALTO, CITY OF											
OWNER TOTAL	130*	130*	130*	130*	180*	140*	104*	11*	19*	24*	19*

TABLE NO. 3
 SUMMARY OF VERIFIED EXTRACTIIONS (FILED AND NON-FILED)
 FROM RIVERSIDE BASIN AREA WITHIN SAN BERNARDINO COUNTY

OWNER	1959	1960	1961	1962	1963	1970	1971	1972	1973	1974	1975
	5 YEAR AVERAGE										
RIVERSIDE HIGHLAND WATER COMPANY											
OWNER TOTAL	3801*	3379*	4104*	3580*	3898*	4360*	5304*	4229*	4074*	3371*	
RIVERSIDE, CITY OF											
OWNER TOTAL	12974*	9639*	11679*	8715*	8259*	3772*	4537*	5920*	4986*	6123*	
RIVERSIDE, CITY OF GAGE CANAL											
OWNER TOTAL	1504*	1474*	1639*	1231*	1169*	419*	567*	778*	222*	472*	
ROQUET, HARRY V.											
OWNER TOTAL	67*	67*	67*	67*	67*	67*	45*	9*	0*	40*	
ROSDALE WATER COMPANY											
OWNER TOTAL	45*	45*	25*	25*	25*	0*	0*	0*	0*	0*	
SERVICE ROCK CO.											
OWNER TOTAL	256*	228*	171*	122*	126*	181*	0*	0*	0*	0*	
SOUTHERN CALIFORNIA EDISON COMPANY											
OWNER TOTAL	625*	948*	1263*	1315*	1597*	964*	1140*	600*	511*	788*	
STAPAKIS, WILLIAM S											
OWNER TOTAL	0*	0*	0*	0*	0*	0*	0*	0*	0*	0*	
TEMESCAL WATER COMPANY											
OWNER TOTAL	1203*	1319*	1363*	1163*	1265*	970*	1948*	1368*	1614*	821*	
TRINITY WATER CO.											
OWNER TOTAL	23*	23*	23*	23*	23*	104*	101*	84*	54*	46*	
WAGONER, JOHN J., JR.											
OWNER TOTAL	0*	0*	0*	0*	0*	0*	0*	0*	0*	0*	

TABLE NO. 3
 SUMMARY OF VERIFIED EXTRACTIIONS (FILED AND NON-FILED)
 FROM RIVERSIDE BASIN AREA WITHIN SAN BERNARDINO COUNTY

OWNER	1959	1960	1961	1962	1963	5 YEAR AVERAGE	1970	1971	1972	1973	1974	1975
WARD DUCK COMPANY												
OWNER TOTAL	556*	556*	556*	556*	556*	556*	568*	518*	449*	546*	571*	
WEST RIVERSIDE 350 WATER CO.												
OWNER TOTAL	2295*	1972*	2148*	2989*	2692*	2419*	2830*	2219*	2133*	885*	1521*	
WEST SAN BDNO. COUNTY WATER DIST.												
OWNER TOTAL	1209*	1325*	1282*	1164*	975*	1191*	974*	1114*	1002*	244*	330*	
YEAGER CONSTRUCTION CO., INC., E. L.												
OWNER TOTAL	20*	18*	149*	141*	107*	87*	0*	0*	0*	0*	0*	
TOTAL VERIFIED PRODUCTION ALL FACILITIES	38572*	33837*	37176*	30539*	28521*	33729*	26875*	29070*	28148*	21809*	21891*	

TABLE NO. 4

GROUND WATER PRODUCTION FROM THAT PART OF THE RIVERSIDE
GROUND WATER BASIN SITUATED WITHIN SAN BERNARDINO COUNTY
BY RIVERSIDE COUNTY ENTITIES, A PART OF WHICH IS USED IN
SAN BERNARDINO COUNTY AND THE REMAINDER EXPORTED TO
RIVERSIDE COUNTY DURING THE 5-YEAR BASE PERIOD
ENDING IN 1963 AND FOR FOLLOWING CALENDAR
YEARS 1964 THROUGH 1974

TABLE NO. 4

GROUND WATER PRODUCTION FROM THAT PART OF THE RIVERSIDE GROUND WATER BASIN SITUATED WITHIN SAN BERNARDINO COUNTY BY RIVERSIDE COUNTY ENTITIES, A PART OF WHICH IS USED IN SAN BERNARDINO COUNTY AND THE REMAINDER EXPORTED TO RIVERSIDE COUNTY DURING THE 5-YEAR BASE PERIOD ENDING IN 1963 AND FOR FOLLOWING CALENDAR YEARS 1964 THROUGH 1974

(All Quantities in Acre Feet)

Riverside County Entities	EXTRACTIONS FROM RIVERSIDE BASIN AREA WITHIN SAN BERNARDINO COUNTY FOR USE WITHIN & EXPORT THEREFROM																
	1959			1960			1961			1962			1963			5-Year Avg.	
	Total Extraction	San Bernardino County	Riverside County	Total Extraction	San Bernardino County	Riverside County	Total Extraction	San Bernardino County	Riverside County	Total Extraction	San Bernardino County	Riverside County	Total Extraction	San Bernardino County	Riverside County	Total Extraction	San Bernardino County
American Cement Co.	2,526	713	1,813	2,178	719	1,459	1,146	832	314	510	1,053	948	298	650	1,570	614	956
City of Riverside Dom. & Irrig.	12,974	1,581	11,393	9,639	852	8,787	11,679	1,171	10,508	81	8,634	8,259	84	8,175	10,254	754	9,500
City of Riverside Gage Canal	1,504	0	1,504	1,474	0	1,474	1,639	0	1,639	0	1,231	1,169	0	1,169	1,403	0	1,403
Inter County Wtr. Co.	145	57	88	141	55	86	133	52	81	46	117	131	51	80	133	52	81
Jurupa Water Co.	811	0	811	762	0	762	1,114	0	1,114	0	745	333	0	333	753	0	753
La Sierra Water Co.	3,463	725	2,738	3,190	698	2,492	3,387	598	2,789	289	1,861	964	274	690	2,573	517	2,056
Riverside Highland Water Co.	3,801	1,317	2,484	3,379	890	2,489	4,104	994	3,110	1,043	3,580	3,898	1,246	2,622	3,752	1,098	2,654
Temescal Water Co.	1,203	0	1,203	1,319	0	1,319	1,363	0	1,363	0	1,163	1,265	0	1,265	1,263	0	1,263
West Riverside Water Co.	2,295	0	2,295	1,972	0	1,972	2,148	0	2,148	0	2,989	2,692	0	2,692	2,419	0	2,419
TOTAL	28,722	4,393	24,329	24,054	3,214	20,840	26,713	3,647	23,066	1,969	19,485	19,659	1,953	17,706	24,130	3,035	21,085

See Report of Watermaster, Volume 5, Distribution of Extractions, Chapter III, Table No. 52-A.

TABLE NO. 4

GROUND WATER PRODUCTION FROM THAT PART OF THE RIVERSIDE GROUND WATER BASIN SITUATED WITHIN SAN BERNARDINO COUNTY BY RIVERSIDE COUNTY ENTITIES. A PART OF WHICH IS USED IN SAN BERNARDINO COUNTY AND THE REMAINDER EXPORTED TO RIVERSIDE COUNTY DURING THE 5-YEAR BASE PERIOD ENDING IN 1963 AND FOR FOLLOWING CALENDAR YEARS 1964 THROUGH 1974 (All Quantities in Acre Feet)

Riverside County Entities	EXTRACTIONS FROM RIVERSIDE BASIN AREA WITHIN SAN BERNARDINO COUNTY FOR USE WITHIN & EXPORT THEREFROM																	
	1964			1965			1966			1967			1968			5-Year Avg.		
	Total Extraction	San Bernardino County	Riverside County	Total Extraction	San Bernardino County	Riverside County	Total Extraction	San Bernardino County	Riverside County	Total Extraction	San Bernardino County	Riverside County	Total Extraction	San Bernardino County	Riverside County	Total Extraction	San Bernardino County	
American Cement Co.	1,951	1,090	861	851	509	342	741	462	279	993	604	389	912	566	346	1,090	646	444
City of Riverside Dom. & Irrig.	9,423	251	9,172	7,752	335	7,417	4,594	254	4,340	5,750	201	5,549	9,042	1,315	7,727	7,312	471	6,841
City of Riverside Gage Canal	1,247	0	1,247	867	0	867	570	0	570	692	0	692	538	0	538	783	0	783
Inter County Mtr. Co.	116	45	71	108	42	66	113	44	69	115	45	70	114	45	69	113	44	69
Jurupa Water Co.	728	0	728	927	0	927	954	0	954	421	0	421	679	0	679	742	0	742
La Sierra Water Co.	1,739	0	1,739	2,159	0	2,159	2,051	0	2,051	2,722	0	2,722	3,692	0	3,692	2,472	0	2,472
Riverside Highland Water Co.	4,243	1,287	2,956	3,234	1,012	2,222	3,546	994	2,552	3,434	1,144	2,290	4,664	1,469	3,195	3,825	1,182	2,643
Temescal Water Co.	1,383	0	1,383	1,223	0	1,223	1,485	0	1,485	1,308	0	1,308	744	0	744	1,228	0	1,228
West Riverside 350" Water Co.	3,728	0	3,728	3,148	0	3,148	3,154	0	3,154	2,396	0	2,396	3,293	0	3,293	3,144	0	3,144
TOTAL	24,558	2,673	21,885	20,269	1,898	18,371	17,208	1,754	15,454	17,831	1,994	15,837	23,678	3,395	20,283	20,709	2,343	18,366

See Report of Watermaster, Volume 5, Distribution of Extractions, Chapter III, Table No. 52-A.

TABLE NO. 4

GROUND WATER PRODUCTION FROM THAT PART OF THE RIVERSIDE GROUND WATER BASIN SITUATED WITHIN SAN BERNARDINO COUNTY BY RIVERSIDE COUNTY ENTITIES. A PART OF WHICH IS USED IN SAN BERNARDINO COUNTY AND THE REMAINDER EXPORTED TO RIVERSIDE COUNTY DURING THE 5-YEAR BASE PERIOD ENDING IN 1963 AND FOR FOLLOWING CALENDAR YEARS 1964 THROUGH 1974

(All Quantities in Acre Feet)

Riverside County Entities	EXTRACTIONS FROM RIVERSIDE BASIN AREA WITHIN SAN BERNARDINO COUNTY FOR USE WITHIN & EXPORT THEREFROM					
	1969			1970		
	Total Extraction	San Bernardino County	Riverside County	Total Extraction	San Bernardino County	Riverside County
American Cement Co.	387	128	259	739	154	585
City of Riverside Dom. & Irrig.	6,969	147	6,822	3,772	94	3,678
City of Riverside Gage Canal	194	0	194	419	0	419
Inter County Wtr. Co.	115	45	70	116	45	71
Jurupa Water Co.	826	0	826	121	0	121
La Sierra Wtr. Co.	1,282	0	1,282	4,667	0	4,667
Riverside Highland Wtr. Co.	4,755	1,416	3,339	4,360	1,395	2,965
Temescal Wtr. Co.	706	0	706	970	0	970
West Riverside 350" Wtr. Co.	309	0	309	2,830	0	2,830
TOTAL	15,543	1,736	13,807	17,994	1,688	16,306

TABLE NO. 4

GROUND WATER PRODUCTION FROM THAT PART OF THE RIVERSIDE GROUND WATER BASIN SITUATED WITHIN SAN BERNARDINO COUNTY BY RIVERSIDE COUNTY ENTITIES. A PART OF WHICH IS USED IN SAN BERNARDINO COUNTY AND THE REMAINDER EXPORTED TO RIVERSIDE COUNTY DURING THE 5-YEAR BASE PERIOD ENDING IN 1963 AND FOR FOLLOWING CALENDAR YEARS 1964 THROUGH 1974

(All Quantities in Acre Feet)

Riverside County Entities	EXTRACTIONS FROM RIVERSIDE BASIN AREA WITHIN SAN BERNARDINO COUNTY FOR USE WITHIN & EXPORT THEREFROM																	
	1971			1972			1973			1974			1975			5-Year Avg.		
	Total Extraction	San Bernardino County	Riverside County	Total Extraction	San Bernardino County	Riverside County	Total Extraction	San Bernardino County	Riverside County	Total Extraction	San Bernardino County	Riverside County	Total Extraction	San Bernardino County	Riverside County	Total Extraction	San Bernardino County	Riverside County
American Cement Co.	831	482	349	577	204	373	537	0	537	133	0	133	133	0	133			
City of Riverside Dom. & Irrig.	4,537	174	4,363	5,920	107	5,813	4,986	45	4,941	6,123	111	6,012	6,123	111	6,012			
City of Riverside Gage Canal	567	0	567	778	0	778	222	0	222	472	98	374	472	98	374			
Inter County Wtr. Co.	83	32	51	95	37	58	157 ⁽¹⁾	61 ⁽¹⁾	96 ⁽¹⁾	206	81	125	206	81	125			
Jurupa Wtr. Co.	94	0	94	376	0	376	200	0	200	402	0	402	402	0	402			
La Sierra Wtr. Co.	4,739	0	4,739	4,709	0	4,709	2,644	0	2,644	1,933	0	1,933	1,933	0	1,933			
Riverside Highland Wtr. Co.	5,304	1,526	3,778	4,229	1,249	2,980	4,074	1,227	2,847	3,371	1,109	2,262	3,371	1,109	2,262			
Temescal Wtr. Co.	1,948	0	1,948	1,368	0	1,368	1,614	0	1,614	821	0	821	821	0	821			
West Riverside 350" Wtr. Co.	2,219	0	2,219	2,133	0	2,133	885	0	885	1,521	0	1,521	1,521	0	1,521			
TOTAL	20,322	2,214	18,108	20,185	1,597	18,588	15,319 ⁽¹⁾	1,333 ⁽¹⁾	13,986 ⁽¹⁾	14,982	1,399	13,583	14,982	1,399	13,583			

TABLE NO. 5

GROUND WATER PRODUCTION FROM THAT PART OF THE
RIVERSIDE GROUND WATER BASIN SITUATED WITHIN
SAN BERNARDINO COUNTY BY SAN BERNARDINO COUNTY
ENTITIES FOR USE IN SAN BERNARDINO COUNTY
DURING THE 5-YEAR BASE PERIOD ENDING IN 1963
AND FOR FOLLOWING CALENDAR YEARS 1964 THROUGH 1974

TABLE NO. 5

GROUND WATER PRODUCTION FROM THAT PART OF THE
RIVERSIDE GROUND WATER BASIN SITUATED WITHIN
SAN BERNARDINO COUNTY BY SAN BERNARDINO COUNTY
ENTITIES FOR USE IN SAN BERNARDINO COUNTY
DURING THE 5-YEAR BASE PERIOD ENDING IN 1963
AND FOR FOLLOWING CALENDAR YEARS 1964 THROUGH 1974
(All Quantities in Acre Feet)

Verified Extractions from Riverside Basin
Area Within San Bernardino County

Calendar Year	Total Basin (1)	by Riverside County Entities (2)	by San Bernardino County Entities (3) = (1) - (2)
1959	38,572	28,722	9,850
1960	33,837	24,054	9,783
1961	37,176	26,713	10,463
1962	30,539	21,454	9,085
1963	28,521	19,659	8,862
5-Year Average 1959-63	33,729	24,120	9,609
1964	34,991*	24,558	10,433
1965	30,176*	20,269	9,907
1966	27,035*	17,208	9,827
1967	26,769*	17,831	8,938
1968	35,093*	23,678	11,415
5-Year Average 1964-68	30,813	20,709	10,104
1969	26,107*	15,543	10,564
1970	26,875	17,994	8,881
1971	29,070	20,322	8,748
1972	28,148	20,185	7,963
1973	21,809	15,319(1)	6,490(1)
1974	21,881	14,982	6,899
1975			
5-Year Average 1971-75			

(1) Amount corrected during verification of 1974 Extractions

* Total filed Extractions from Riverside Basin Area in San Bernardino County.

Volume 4 - 1974

REPORT OF WATERMASTER

Western Municipal Water District of Riverside County, et al.
Plaintiffs

vs.

East San Bernardino County, Water District, et al.
Defendants

Superior Court of Riverside County

Case No. 78426

VOLUME 4-1974

VERIFIED EXTRACTIONS FROM THE
RIVERSIDE BASIN AREA WITHIN
RIVERSIDE COUNTY
FOR
CALENDAR YEARS 1959-1963 & 1970-1974

ANNUAL ACCOUNTING
FOR INDIVIDUAL WELLS

August 1, 1976

WATERMASTER
James C. Hanson
Donald L. Harriger

VOLUME 4-1974

TABLE OF CONTENTS

	<u>Page</u>
INTRODUCTION	i
RIVERSIDE BASIN AREA IN RIVERSIDE COUNTY CROSS INDEX BY OWNER	1
RIVERSIDE BASIN AREA IN RIVERSIDE COUNTY CROSS INDEX BY RECORDATION NUMBER	7
RIVERSIDE BASIN AREA IN RIVERSIDE COUNTY CROSS INDEX BY STATE WELL NUMBER	13
 <u>TABLE NO. 1</u>	
VERIFIED EXTRACTIONS BY OWNERS WHICH HAVE RECORDATION FILINGS WITH THE STATE WATER RESOURCES CONTROL BOARD	19
 <u>TABLE NO. 2</u>	
VERIFIED EXTRACTIONS BY OWNERS WHICH HAVE NOT FILED WITH THE STATE WATER RESOURCES CONTROL BOARD	28
 <u>TABLE NO. 3</u>	
SUMMARY OF VERIFIED EXTRACTIONS (FILED AND NON-FILED) FROM RIVERSIDE BASIN AREA WITHIN RIVERSIDE COUNTY	29
 <u>TABLE NO. 4</u>	
TOTAL VERIFIED EXTRACTIONS FROM THE RIVERSIDE BASIN AREA WITHIN RIVERSIDE COUNTY FOR USE WITHIN RIVERSIDE COUNTY DURING THE 5-YEAR PERIOD ENDING IN 1963 AND FOR CALENDAR YEARS 1964 THROUGH 1974	34

VOLUME 4-1974

VERIFIED EXTRACTIONS FROM
THE RIVERSIDE BASIN AREA
WITHIN RIVERSIDE COUNTY FOR
CALENDAR YEARS 1959-1963 & 1970-1974

INTRODUCTION

The provisions of Paragraph IX(a) and IX(b) of the Judgment in Case No. 78426 entered April 17, 1969, entitled "Extractions from the Portion of Riverside Basin Area in Riverside County which is Tributary to Riverside Narrows" provide as follows:

"(a) The average annual extractions from the portion of the Riverside Basin Area in Riverside County which is tributary to Riverside Narrows, for use in Riverside County, for the five-year period ending with 1963 are assumed to be 30,044 acre feet; the correct figures shall be determined by the Watermaster as herein provided.

"(b) Over any five-year period, there may be extracted from such Basin Area, without replenishment obligation, an amount equal to five times such annual average for the Basin Area; provided, however, that if extractions in any year exceed such average by more than 20 percent, Western shall provide replenishment in the following year equal to the excess extractions over such 20 percent peaking allowance."

Paragraph IX(a) of the Judgment requires only that extractions from that part of the Riverside Basin in Riverside County which is tributary to the Riverside Narrows and used in Riverside County, be verified for the five calendar year base period ending in 1963. Accordingly, a verification of these extractions has been made, the results of which are shown in Table No. 3 on page 33 as 29,634 acre feet annually for each year during the base period.

Three indexes are included which provide a cross index by owner's name, State Water Resources Control Board Well Recordation Number, and State Well Number. Each index shows, in addition, the local designation of each well and groundwater basin in which the well is located.

Tables No. 1 and No. 2 in this report list the individual wells by the owner, and owner totals for each year in the five-year base period ending in 1963, the five year base period average, and the extractions for the years of 1970 through 1974. Table No. 1 lists the wells upon which filings have been made with the State Water Resources Control Board, and Table No. 2 lists the wells upon which no filings have been made. Table No. 3 is a summary of the verified extractions, by owner, as presented in Tables No. 1 and No. 2.

The Judgment further provides in Paragraph XVI that the accounting is effective from and after January 1, 1971. Thus the verified extractions from the Riverside Basin Area in Riverside County for calendar years 1971 through 1974 have been determined to be 30,942, 37,804 33,094 and 38,304 acre feet respectively, as shown on Table No. 3, page 33.

Table No. 4 shows the total verified extractions from the Riverside Basin Area in Riverside County for use in Riverside County during the 5-year period ending in 1963 and for calendar years 1964 through 1974. Since the accounting was not effective until January 1, 1971, the extractions from 1964 to 1970 are for illustrative and planning purposes only.

RIVERSIDE BASIN AREA

IN RIVERSIDE COUNTY

CROSS INDEX BY OWNER

RIVERSIDE BASIN AREA IN RIVERSIDE CO.
 CROSS INDEX BY OWNER

OWNER NAME	RECORDATION NUMBER	STATE WELL NUMBER	LOCAL DESIGNATION	BASIN NAME
ALAMO WATER COMPANY	3301768	255W11J000		RIV-SOUTH
AMCORD, INC.	3300369	255W02E000	CHINO NO 2	RIV-SOUTH
AMCORD, INC.	3300370	255W03J000	CRESTMOR	RIV-SOUTH
AMCORD, INC.	3300371	255W05K000	FALCO	RIV-SOUTH
AMCORD, INC.	3300372	255W03G025	49	RIV-SOUTH
AMCORD, INC.	3301473	255W02F000	CHINO NO 3	RIV-SOUTH
AMCORD, INC.	3301610	255W03A000	60 1	RIV-SOUTH
AMCORD, INC.	3301626	255W02L000	53 2	RIV-SOUTH
AMCORD, INC.	3301626-	255W02L000	64 1	RIV-SOUTH
BANK OF AMERICA NATL. TRUST & SAVINGS	3301605	254W19P015	WOODILL	RIV-SOUTH
BOX SPRINGS MUTUAL WATER COMPANY	3300272	354W100000		RIV-SOUTH
BOX SPRINGS MUTUAL WATER COMPANY	3300272-	354W10A000	14	RIV-SOUTH
BOX SPRINGS MUTUAL WATER COMPANY	3300273	354W10G000		RIV-SOUTH
BOX SPRINGS MUTUAL WATER COMPANY	3300273-	354W10G000	15	RIV-SOUTH
BOX SPRINGS MUTUAL WATER COMPANY	3300274	354W10B000		RIV-SOUTH
BOX SPRINGS MUTUAL WATER COMPANY	3300274-	354W10B000	16	RIV-SOUTH
BOX SPRINGS MUTUAL WATER COMPANY	3300275	354W10A000	17	RIV-SOUTH
BURNS, F. L. AND LAURA	3300439	254W07N000	CIT. ST. 2	RIV-SOUTH
CALIF. DEPT. OF TRANSPORTATION DIST. 8R	3301915	255W23Q035	FREEMWAY	RIV-SOUTH
CANYON CREST COUNTRY CLUB	3302052	254W31R015	NO 1	RIV-SOUTH
CITIZENS NATIONAL COMPANY	3300375	255W23L015	AIR COND	RIV-SOUTH
CRESTMORE HEIGHTS MUTUAL WATER CO.	3301372	255W03B025	2	RIV-SOUTH

RIVERSIDE BASIN AREA IN RIVERSIDE CO.
 CROSS INDEX BY OWNER

OWNER NAME	RECORDATION NUMBER	STATE WELL NUMBER	LOCAL DESIGNATION	BASIN NAME
CRESTMORE HEIGHTS MUTUAL WATER CO.	3301659	255W03B000	3	RIV-SOUTH
EASTERN MUNICIPAL WATER DISTRICT	3300981	354W03Q000	RECHE CN.	RIV-SOUTH
EASTERN MUNICIPAL WATER DISTRICT	3300982	354W03R000	DICKNSON	RIV-SOUTH
FORT FREMONT MUTUAL WATER CO.	3301296	255W16J000	1	RIV-SOUTH
FORT FREMONT MUTUAL WATER CO.	3301297	255W16J000	2	RIV-SOUTH
GROSS, DALE P.	3300748	255W12E000	1	RIV-SOUTH
GRUBBS, V. W.	3300076	254W07P000		RIV-SOUTH
HUNTER ENGINEERING COMPANY	3300607	254W18E015	SMITH 1	RIV-SOUTH
HUNTER ENGINEERING COMPANY	3300608	254W18F000	2	RIV-SOUTH
HUNTER ENGINEERING COMPANY	3300609	254W18C000	3	RIV-SOUTH
INGOLSBY ENTERPRISES	3300230	254W08N025	PLMYRTA	RIV-SOUTH
JOHNSON, TRUMAN	NON-FILER	255W14E000		RIV-SOUTH
JOHNSON, TRUMAN	3300160	255W14E000	1	RIV-SOUTH
JONES, FARREL & WALL, PETER	3301834	255W15B105	1	RIV-SOUTH
JONES, FARREL & WALL, PETER	3301835	255W15B115	2	RIV-SOUTH
JURUPA COMM. SERVICES DIST.	3301362	255W08G045	3	RIV-SOUTH
JURUPA COMM. SERVICES DIST.	3301501	255W08G015	5	RIV-SOUTH
JURUPA COMM. SERVICES DIST.	3301502	255W08K025	6	RIV-SOUTH
JURUPA COMM. SERVICES DIST.	3301578	255W05R000	W 1	RIV-SOUTH
JURUPA COMM. SERVICES DIST.	3301625	255W08K035	7	RIV-SOUTH
LA CASA CONTENTA MOTEL	3300573	254W19P000	ADLINE	RIV-SOUTH
MARTIN, KENNETH ALLAN	3300554	255W32B015	RR 1	RIV-SOUTH

RIVERSIDE BASIN AREA IN RIVERSIDE CO.
CROSS INDEX BY OWNER

OWNER NAME	RECORDATION NUMBER	STATE WELL NUMBER	LOCAL DESIGNATION	BASIN NAME
MIPO CORP. DBA MISSION	3300000	255W23G02S	6TH ST	RIV-SOUTH
MICHAEL, C., INC.	3300595	255W22C01S	OLD A	RIV-SOUTH
MICHAEL, C., INC.	3300595-	255W22D000	A	RIV-SOUTH
MICHAEL, C., INC.	3300596	255W21K01S	B	RIV-SOUTH
MICHAEL, C., INC.	3300597	255W22C02S	C	RIV-SOUTH
MICHAEL, C., INC.	3300598	255W21K000	D	RIV-SOUTH
MICHAEL, C., INC.	3300599	255W21B01S	E	RIV-SOUTH
MICHAEL, C., INC.	3300600	255W21A01S	F	RIV-SOUTH
MICHAEL, C., INC.	3300601	255W22D01S	G	RIV-SOUTH
MISSION INN COMPANY	3301081	255W14B000	ANZA	RIV-SOUTH
MUTUAL WATER CO OF W RIVERSIDE	3302008	255W10K06S	NO 1	RIV-SOUTH
PAGLIUSO	3301036	355W09A01S	CBLNCA 1	RIV-SOUTH
PLEASANT ACRES RANCH SWARTZ	NON-FILER	255W21M000	NO. 1 WELL	RIV-SOUTH
PLEASANT ACRES RANCH SWARTZ	NON-FILER	255W21M000	NO. 2 WELL	RIV-SOUTH
PROPERTY ACQUISITION CO.	3301422	255W05R02S	PATA 66	RIV-SOUTH
RIO RANCHO MUTUAL WATER COMPANY	3300022	255W16R000	1	RIV-SOUTH
RIO RANCHO MUTUAL WATER COMPANY	3300022-	255W16R01S		RIV-SOUTH
RIVERSIDE COUNTY PARKS DEPARTMENT	3301087	255W29G000	JENSEN	RIV-SOUTH
RIVERSIDE HIGHLAND WATER COMPANY	3301655	254W08M01S	21	RIV-SOUTH
RIVERSIDE HIGHLAND WATER COMPANY	3301656	254W08M02S	22	RIV-SOUTH
RIVERSIDE INDUSTRIAL PARK	3300330	255W11C01S	8	RIV-SOUTH
RIVERSIDE, CITY OF	3300686	254W19J01S	LEMONA 1	RIV-SOUTH

RIVERSIDE BASIN AREA IN RIVERSIDE CO.
 CROSS INDEX BY OWNER

OWNER NAME	RECORDATION NUMBER	STATE WELL NUMBER	LOCAL DESIGNATION	BASIN NAME
RIVERSIDE, CITY OF	3301073	255W12K02S	TWIN 1&2	RIV-SOUTH
RIVERSIDE, CITY OF	3301074	255W23J01S	MULBERRY	RIV-SOUTH
RIVERSIDE, CITY OF	3301075	255W12B01S	GARNER	RIV-SOUTH
RIVERSIDE, CITY OF	3301076	255W12P01S	MREGRIF 1	RIV-SOUTH
RIVERSIDE, CITY OF	3301077	255W12P02S	BRUNTON	RIV-SOUTH
RIVERSIDE, CITY OF	3301078	255W28A01S	SANITARY	RIV-SOUTH
RIVERSIDE, CITY OF	3301079	255W28C01S	DAVIS	RIV-SOUTH
RIVERSIDE, CITY OF	3301082	255W14G02S	FAIRMT 1	RIV-SOUTH
RIVERSIDE, CITY OF	3301084	255W12A01S	RUSSELL 1	RIV-SOUTH
RIVERSIDE, CITY OF	3301086	255W14K000	SPBROOK	RIV-SOUTH
RIVERSIDE, CITY OF	3301284	255W24D01S	1ST. ST.	RIV-SOUTH
RIVERSIDE, CITY OF	3301285	255W13Q01S	CUNHAM 1	RIV-SOUTH
RIVERSIDE, CITY OF	3301285-	255W13Q02S	CUNHAM 2	RIV-SOUTH
RIVERSIDE, CITY OF	3301286	254W07N01S	PALMYR 1	RIV-SOUTH
RIVERSIDE, CITY OF	3301286-	254W07N03S	PALMYR 2	RIV-SOUTH
RIVERSIDE, CITY OF	3301287	254W07L01S	ELECTRIC ST	RIV-SOUTH
RIVERSIDE, CITY OF	3301288	255W23R01S	FILL	RIV-SOUTH
RIVERSIDE, CITY OF	3301289	255W23Q01S	11TH ST	RIV-SOUTH
RIVERSIDE, CITY OF	3301358	254W08E01S	HIGHGRV 1	RIV-SOUTH
RIVERSIDE, CITY OF	3301359	254W08D03S	HIGHGRV 2	RIV-SOUTH
RIVERSIDE, CITY OF	3301359-	254W08D04S	HIGHGRV 3	RIV-SOUTH
RIVERSIDE, CITY OF	3301635	255W14G03S	MORI 2	RIV-SOUTH

RIVERSIDE BASIN AREA IN RIVERSIDE CO.
 CROSS INDEX BY OWNER

OWNER NAME	RECORDATION NUMBER	STATE WELL NUMBER	LOCAL DESIGNATION	BASIN NAME
RIVERSIDE, CITY OF	3301814	355W03F01S	ORNG ACRE	RIV-SOUTH
RIVERSIDE, CITY OF	3301851	255W14E01S	FAIRMT 2	RIV-SOUTH
RIVERSIDE, CITY OF	3301940	355W09E000	LINC. HTS	RIV-SOUTH
RIVERSIDE, CITY OF	3301959	255W12B04S	GARNER B	RIV-SOUTH
RIVERSIDE, CITY OF	3302485	255W12A03S	RUSSELL B	RIV-SOUTH
RIVERSIDE, CITY OF GAGE CANAL	3300366	255W26F01S	OLVEMOD 1	RIV-SOUTH
RIVERSIDE, CITY OF GAGE CANAL	3300367	255W26E02S	OLVEMOD 2	RIV-SOUTH
RIVERSIDE, CITY OF GAGE CANAL	3300368	255W26M01S	OLVEMOD 3	RIV-SOUTH
RIVINO WATER COMPANY	3301346	255W02L01S	1	RIV-SOUTH
ROCKY R RANCH	3300768	355W14E000	GURNEY 1	RIV-SOUTH
ROOS, CHARLES E.	3301257	254W31E000	1	RIV-SOUTH
ROSS, SAM	3301194	255W12R01S	1 WEST	RIV-SOUTH
RUBIDOUX COMMUNITY SERVICES DISTRICT	NON-FILER	255W11C02S	SKOTTY NO 4	RIV-SOUTH
RUBIDOUX COMMUNITY SERVICES DISTRICT	NON-FILER	255W20R01S	SEWER PLANT	RIV-SOUTH
RUBIDOUX COMMUNITY SERVICES DISTRICT	3301153	255W15M02S	NO 7	RIV-SOUTH
RUBIDOUX COMMUNITY SERVICES DISTRICT	3301154	255W15L09S	NO 8	RIV-SOUTH
RUBIDOUX COMMUNITY SERVICES DISTRICT	3301363	255W16E06S	NO 4	RIV-SOUTH
RUBIDOUX COMMUNITY SERVICES DISTRICT	3301423	255W15M01S	NO 1	RIV-SOUTH
RUBIDOUX COMMUNITY SERVICES DISTRICT	3301424	255W16G04S	NO 9	RIV-SOUTH
RUBIDOUX COMMUNITY SERVICES DISTRICT	3301524	255W19J000	J. H. NO 9	RIV-SOUTH
RUBIDOUX COMMUNITY SERVICES DISTRICT	3301524**	255W20J02S	NO 5	RIV-SOUTH
RUBIDOUX COMMUNITY SERVICES DISTRICT	3301694	255W20H04S	NO 6	RIV-SOUTH

RIVERSIDE BASIN AREA IN RIVERSIDE CO.
 CROSS INDEX BY OWNER

OWNER NAME	RECORDATION NUMBER	STATE WELL NUMBER	LOCAL DESIGNATION	BASIN NAME
RUBIDOUX COMMUNITY SERVICES DISTRICT	3301887	255W10P01S	NO 3	RIV-SOUTH
RUBIDOUX COMMUNITY SERVICES DISTRICT	3302007	255W16H06S	NO 2	RIV-SOUTH
SCOPE CORPORATION	3300003	254W19J02S	COOK 2	RIV-SOUTH
SCOPE CORPORATION	3300004	254W19R01S	HALL 1	RIV-SOUTH
SOUTHERN SERVICE COMPANY, LTD.	3301384	255W22R01S	RIV LDY	RIV-SOUTH
STOKER, GEORGE	3300798	255W12A000		RIV-SOUTH
UNIVERSITY OF CALIFORNIA, REGENTS OF	3300040	254W08D02S	HIGHGROV	RIV-SOUTH
VALENCIA MUTUAL WATER CO.	3301203	255W02F000	1	RIV-SOUTH
VICTORIA CLUB	3300417	255W25F01S	CLEARWTR	RIV-SOUTH
VON KANEL, ALFRED	3300068	255W32A01S		RIV-SOUTH
WATERMAN, ALLEN H.	3300812	255W11P000	WTRMN 1	RIV-SOUTH
WEST RIVERSIDE 350 WATER CO.	3301892	255W17R03S	8	RIV-SOUTH
WHITE SULPHUR SPRINGS POOL	3300754	255W13E000	WHSPLPHR 1	RIV-SOUTH
WIGHT, MRS. CHARLES H.	3300277	255W11K000		RIV-SOUTH
YEAGER CONSTRUCTION CO., INC., E. L.	3301927	255W03R000	2	RIV-SOUTH
ZINKE, VERA	3300811	255W32K01S	WAYMAN	RIV-SOUTH

RIVERSIDE BASIN AREA

IN RIVERSIDE COUNTY

CROSS INDEX BY RECORDATION NUMBER

RIVERSIDE BASIN AREA IN RIVERSIDE CO.
CROSS INDEX BY RECORDATION NUMBER

RECORDATION NUMBER	OWNER NAME	STATE WELL NUMBER	LOCAL DESIGNATION	BASIN NAME
NON-FILER	RUBIDOUX COMMUNITY SERVICES DISTRICT	2S5W20R01S	SEWER PLANT	RIV-SOUTH
NON-FILER	JOHNSON, TRUMAN	2S5W14E000		RIV-SOUTH
NON-FILER	PLEASANT ACRES RANCH SWARTZ	2S5W21M000	NO. 1 WELL	RIV-SOUTH
NON-FILER	PLEASANT ACRES RANCH SWARTZ	2S5W21M000	NO. 2 WELL	RIV-SOUTH
NON-FILER	RUBIDOUX COMMUNITY SERVICES DISTRICT	2S5W11C02S	SKOTTY NO 4	RIV-SOUTH
3300000	MIPO CORP. DBA MISSION	2S5W23G02S	6TH ST	RIV-SOUTH
3300003	SCOPE CORPORATION	2S4W19J02S	COOK 2	RIV-SOUTH
3300004	SCOPE CORPORATION	2S4W19R01S	HALL 1	RIV-SOUTH
3300022	RIO RANCHO MUTUAL WATER COMPANY	2S5W16R000	1	RIV-SOUTH
3300022-	RIO RANCHO MUTUAL WATER COMPANY	2S5W16R01S		RIV-SOUTH
3300040	UNIVERSITY OF CALIFORNIA, REGENTS OF	2S4W08D02S	HIGHGROV	RIV-SOUTH
3300068	VON KANEL, ALFRED	2S5W32A01S		RIV-SOUTH
3300076	GRUBBS, V. W.	2S4W07P000		RIV-SOUTH
3300160	JOHNSON, TRUMAN	2S5W14E000	1	RIV-SOUTH
3300230	INGOLSBY ENTERPRISES	2S4W08N02S	PLMYRTA	RIV-SOUTH
3300272	BOX SPRINGS MUTUAL WATER COMPANY	3S4W10O000		RIV-SOUTH
3300272-	BOX SPRINGS MUTUAL WATER COMPANY	3S4W10A000	14	RIV-SOUTH
3300273	BOX SPRINGS MUTUAL WATER COMPANY	3S4W10G000		RIV-SOUTH
3300273-	BOX SPRINGS MUTUAL WATER COMPANY	3S4W10G000	15	RIV-SOUTH
3300274	BOX SPRINGS MUTUAL WATER COMPANY	3S4W10B000		RIV-SOUTH
3300274-	BOX SPRINGS MUTUAL WATER COMPANY	3S4W10B000	16	RIV-SOUTH
3300275	BOX SPRINGS MUTUAL WATER COMPANY	3S4W10A000	17	RIV-SOUTH

RIVERSIDE BASIN AREA IN RIVERSIDE CO.
CROSS INDEX BY RECORDATION NUMBER

RECORDATION NUMBER	OWNER NAME	STATE WELL NUMBER	LOCAL DESIGNATION	BASIN NAME
3300277	WIGHT, MRS. CHARLES H.	2S5W11K000		RIV-SOUTH
3300330	RIVERSIDE INDUSTRIAL PARK	2S5W11C01S	8	RIV-SOUTH
3300366	RIVERSIDE, CITY OF GAGE CANAL	2S5W26F01S	OLVEWOD 1	RIV-SOUTH
3300367	RIVERSIDE, CITY OF GAGE CANAL	2S5W26E02S	OLVEWOD 2	RIV-SOUTH
3300368	RIVERSIDE, CITY OF GAGE CANAL	2S5W26M01S	OLVEWOD 3	RIV-SOUTH
3300369	AMCORD, INC.	2S5W02E000	CHINO NO 2	RIV-SOUTH
3300370	AMCORD, INC.	2S5W03J000	CRESTMOR	RIV-SOUTH
3300371	AMCORD, INC.	2S5W05K000	FALCO	RIV-SOUTH
3300372	AMCORD, INC.	2S5W03G02S	49	RIV-SOUTH
3300375	CITIZENS NATIONAL COMPANY	2S5W23L01S	AIR COND	RIV-SOUTH
3300417	VICTORIA CLUB	2S5W25F01S	CLEARWTR	RIV-SOUTH
3300439	BURNS, F. L. AND LAURA	2S4W07N000	CIT. ST. 2	RIV-SOUTH
3300554	MARTIN, KENNETH ALLAN	2S5W32B01S	RR 1	RIV-SOUTH
3300573	LA CASA CONTENTA MOTEL	2S4W19P000	ADLINE	RIV-SOUTH
3300595	MICHAEL, C., INC.	2S5W22C01S	OLD A	RIV-SOUTH
3300595-	MICHAEL, C., INC.	2S5W22D000	A	RIV-SOUTH
3300596	MICHAEL, C., INC.	2S5W21K01S	B	RIV-SOUTH
3300597	MICHAEL, C., INC.	2S5W22C02S	C	RIV-SOUTH
3300598	MICHAEL, C., INC.	2S5W21K000	D	RIV-SOUTH
3300599	MICHAEL, C., INC.	2S5W21B01S	E	RIV-SOUTH
3300600	MICHAEL, C., INC.	2S5W21A01S	F	RIV-SOUTH
3300601	MICHAEL, C., INC.	2S5W22D01S	G	RIV-SOUTH

RIVERSIDE BASIN AREA IN RIVERSIDE CO.
CROSS INDEX BY RECORDATION NUMBER

RECORDATION NUMBER	OWNER NAME	STATE WELL NUMBER	LOCAL DESIGNATION	BASIN NAME
3300607	HUNTER ENGINEERING COMPANY	254W18E01S	SMITH 1	RIV-SOUTH
3300608	HUNTER ENGINEERING COMPANY	254W18F000	2	RIV-SOUTH
3300609	HUNTER ENGINEERING COMPANY	254W18C000	3	RIV-SOUTH
3300686	RIVERSIDE, CITY OF	254W19J01S	LEMONA 1	RIV-SOUTH
3300748	GROSS, DALE P.	255W12E000	1	RIV-SOUTH
3300754	WHITE SULPHUR SPRINGS POOL	255W13E000	WHSLPHR 1	RIV-SOUTH
3300768	ROCKY R RANCH	355W14E000	GURNEY 1	RIV-SOUTH
3300798	STOKER, GEORGE	255W12A000		RIV-SOUTH
3300811	ZINKE, VERA	255W32K01S	WAYMAN	RIV-SOUTH
3300812	WATERMAN, ALLEN H.	255W11P000	WTRMN 1	RIV-SOUTH
3300981	EASTERN MUNICIPAL WATER DISTRICT	354W03Q000	RECHE CN.	RIV-SOUTH
3300982	EASTERN MUNICIPAL WATER DISTRICT	354W03R000	DICKNSON	RIV-SOUTH
3301036	PAGLIUSO	355W09A01S	CBLNCA 1	RIV-SOUTH
3301073	RIVERSIDE, CITY OF	255W12K02S	TWIN 162	RIV-SOUTH
3301074	RIVERSIDE, CITY OF	255W23J01S	MULBERRY	RIV-SOUTH
3301075	RIVERSIDE, CITY OF	255W12801S	GARNER	RIV-SOUTH
3301076	RIVERSIDE, CITY OF	255W12P01S	MREGRIFF 1	RIV-SOUTH
3301077	RIVERSIDE, CITY OF	255W12P02S	BRUNTON	RIV-SOUTH
3301078	RIVERSIDE, CITY OF	255W28A01S	SANITARY	RIV-SOUTH
3301079	RIVERSIDE, CITY OF	255W28C01S	DAVIS	RIV-SOUTH
3301081	MISSION INN COMPANY	255W148000	ANZA	RIV-SOUTH
3301082	RIVERSIDE, CITY OF	255W14G02S	FAIRMT 1	RIV-SOUTH

RIVERSIDE BASIN AREA IN RIVERSIDE CO.
CROSS INDEX BY RECORDATION NUMBER

RECORDATION NUMBER	OWNER NAME	STATE WELL NUMBER	LOCAL DESIGNATION	BASIN NAME
3301084	RIVERSIDE, CITY OF	255W12A01S	RUSSELL 1	RIV--SOUTH
3301086	RIVERSIDE, CITY OF	255W14K000	SPBROOK	RIV--SOUTH
3301087	RIVERSIDE COUNTY PARKS DEPARTMENT	255W29G000	JENSEN	RIV--SOUTH
3301153	RUBIDOUX COMMUNITY SERVICES DISTRICT	255W15M02S	NO 7	RIV--SOUTH
3301154	RUBIDOUX COMMUNITY SERVICES DISTRICT	255W15L05S	NO 8	RIV--SOUTH
3301194	ROSS, SAM	255W12R01S	1 WEST	RIV--SOUTH
3301203	VALENCIA MUTUAL WATER CO.	255W02F000	1	RIV--SOUTH
3301257	ROOS, CHARLES E.	254W31E000	1	RIV--SOUTH
3301284	RIVERSIDE, CITY OF	255W24D01S	1ST. ST.	RIV--SOUTH
3301285	RIVERSIDE, CITY OF	255W13Q01S	CUNHAM 1	RIV--SOUTH
3301285-	RIVERSIDE, CITY OF	255W13Q02S	CUNHAM 2	RIV--SOUTH
3301286	RIVERSIDE, CITY OF	254W07N01S	PALMYR 1	RIV--SOUTH
3301286--	RIVERSIDE, CITY OF	254W07N03S	PALMYR 2	RIV--SOUTH
3301287	RIVERSIDE, CITY OF	254W07L01S	ELECTRIC ST	RIV--SOUTH
3301288	RIVERSIDE, CITY OF	255W23R01S	FILL	RIV--SOUTH
3301289	RIVERSIDE, CITY OF	255W23Q01S	11TH ST	RIV--SOUTH
3301296	FORT FREMONT MUTUAL WATER CO.	255W16J000	1	RIV--SOUTH
3301297	FORT FREMONT MUTUAL WATER CO.	255W16J000	2	RIV--SOUTH
3301346	RIVINO WATER COMPANY	255W02L01S	1	RIV--SOUTH
3301358	RIVERSIDE, CITY OF	254W08E01S	HIGHGRV 1	RIV--SOUTH
3301359	RIVERSIDE, CITY OF	254W08D03S	HIGHGRV 2	RIV--SOUTH
3301359-	RIVERSIDE, CITY OF	254W08D04S	HIGHGRV 3	RIV--SOUTH

RIVERSIDE BASIN AREA IN RIVERSIDE CO.
CROSS INDEX BY RECORDATION NUMBER

RECORDATION NUMBER	OWNER NAME	STATE WELL NUMBER	LOCAL DESIGNATION	BASIN NAME
3301362	JURUPA COMM. SERVICES DIST.	255W08G04S	3	RIV-SOUTH
3301363	RUBIDOUX COMMUNITY SERVICES DISTRICT	255W16E06S	NO 4	RIV-SOUTH
3301372	CRESTMORE HEIGHTS MUTUAL WATER CO.	255W03B02S	2	RIV-SOUTH
3301384	SOUTHERN SERVICE COMPANY, LTD.	255W22R01S	RIV LDY	RIV-SOUTH
3301422	PROPERTY ACQUISITION CO.	255W05R02S	PATA 66	RIV-SOUTH
3301423	RUBIDOUX COMMUNITY SERVICES DISTRICT	255W15M01S	NO 1	RIV-SOUTH
3301424	RUBIDOUX COMMUNITY SERVICES DISTRICT	255W16G04S	NO 9	RIV-SOUTH
3301473	AMCORD, INC.	255W02F000	CHINO NO 3	RIV-SOUTH
3301501	JURUPA COMM. SERVICES DIST.	255W08G01S	5	RIV-SOUTH
3301502	JURUPA COMM. SERVICES DIST.	255W08K02S	6	RIV-SOUTH
3301524	RUBIDOUX COMMUNITY SERVICES DISTRICT	255W19J000	J. H. NO 9	RIV-SOUTH
3301524-	RUBIDOUX COMMUNITY SERVICES DISTRICT	255W20J02S	NO 5	RIV-SOUTH
3301578	JURUPA COMM. SERVICES DIST.	255W05R000	W 1	RIV-SOUTH
3301605	BANK OF AMERICA NATL. TRUST & SAVINGS	254W19P01S	WOODILL	RIV-SOUTH
3301610	AMCORD, INC.	255W03A000	60 1	RIV-SOUTH
3301625	JURUPA COMM. SERVICES DIST.	255W08K03S	7	RIV-SOUTH
3301626	AMCORD, INC.	255W02L000	53 2	RIV-SOUTH
3301626-	AMCORD, INC.	255W02L000	64 1	RIV-SOUTH
3301635	RIVERSIDE, CITY OF	255W14G03S	MORI 2	RIV-SOUTH
3301655	RIVERSIDE HIGHLAND WATER COMPANY	254W08M01S	21	RIV-SOUTH
3301656	RIVERSIDE HIGHLAND WATER COMPANY	254W08M02S	22	RIV-SOUTH
3301659	CRESTMORE HEIGHTS MUTUAL WATER CO.	255W03B000	3	RIV-SOUTH

RIVERSIDE BASIN AREA IN RIVERSIDE CO.
 CROSS INDEX BY RECORDATION NUMBER

RECORDATION NUMBER	OWNER NAME	STATE WELL NUMBER	LOCAL DESIGNATION	BASIN NAME
3301694	RUBIDOUX COMMUNITY SERVICES DISTRICT	255W20H04S	NO 6	RIV-SOUTH
3301768	ALAMO WATER COMPANY	255W11J000		RIV-SOUTH
3301814	RIVERSIDE, CITY OF	355W03F01S	ORNG ACRE	RIV-SOUTH
3301834	JONES, FARREL & WALL, PETER	255W15B10S	1	RIV-SOUTH
3301835	JONES, FARREL & WALL, PETER	255W15B11S	2	RIV-SOUTH
3301851	RIVERSIDE, CITY OF	255W14E01S	FAIRMT 2	RIV-SOUTH
3301887	RUBIDOUX COMMUNITY SERVICES DISTRICT	255W10P01S	NO 3	RIV-SOUTH
3301892	WEST RIVERSIDE 350 WATER CO.	255W17R03S	8	RIV-SOUTH
3301915	CALIF. DEPT. OF TRANSPORTATION DIST. 8R	255W23Q03S	FREEWAY	RIV-SOUTH
3301927	YEAGER CONSTRUCTION CO., INC., E. L.	255W03R000	2	RIV-SOUTH
3301940	RIVERSIDE, CITY OF	355W09E000	LINC. HTS	RIV-SOUTH
3301959	RIVERSIDE, CITY OF	255W12B04S	GARNER B	RIV-SOUTH
3302007	RUBIDOUX COMMUNITY SERVICES DISTRICT	255W16H06S	NO 2	RIV-SOUTH
3302008	MUTUAL WATER CO OF W RIVERSIDE	255W10K06S	NO 1	RIV-SOUTH
3302052	CANYON CREST COUNTRY CLUB	255W31R01S	NO 1	RIV-SOUTH
3302485	RIVERSIDE, CITY OF	255W12A03S	RUSSELL B	RIV-SOUTH

RIVERSIDE BASIN AREA IN RIVERSIDE CO.
 CROSS INDEX BY STATE WELL NUMBER

STATE WELL NUMBER	OWNER NAME	RECORDATION NUMBER	LOCAL DESIGNATION	BASIN NAME
254W07L01S	RIVERSIDE, CITY OF	3301287	ELECTRIC ST	RIV-SOUTH
254W07N000	BURNS, F. L. AND LAURA	3300439	CIT. ST. 2	RIV-SOUTH
254W07N01S	RIVERSIDE, CITY OF	3301286	PALMYR 1	RIV-SOUTH
254W07N03S	RIVERSIDE, CITY OF	3301286-	PALMYR 2	RIV-SOUTH
254W07P000	GRUBBS, V. W.	3300076		RIV-SOUTH
254W08D02S	UNIVERSITY OF CALIFORNIA, REGENTS OF	3300040	HIGHGROV	RIV-SOUTH
254W08D03S	RIVERSIDE, CITY OF	3301359	HIGHGRV 2	RIV-SOUTH
254W08D04S	RIVERSIDE, CITY OF	3301359-	HIGHGRV 3	RIV-SOUTH
254W08E01S	RIVERSIDE, CITY OF	3301358	HIGHGRV 1	RIV-SOUTH
254W08M01S	RIVERSIDE HIGHLAND WATER COMPANY	3301655	21	RIV-SOUTH
254W08M02S	RIVERSIDE HIGHLAND WATER COMPANY	3301656	22	RIV-SOUTH
254W08N02S	INGOLSBY ENTERPRISES	3300230	PLMYRTA	RIV-SOUTH
254W18C000	HUNTER ENGINEERING COMPANY	3300609	3	RIV-SOUTH
254W18E01S	HUNTER ENGINEERING COMPANY	3300607	SMITH 1	RIV-SOUTH
254W18F000	HUNTER ENGINEERING COMPANY	3300608	2	RIV-SOUTH
254W19J01S	RIVERSIDE, CITY OF	3300686	LEMONA 1	RIV-SOUTH
254W19J02S	SCOPE CORPORATION	3300003	COOK 2	RIV-SOUTH
254W19P000	LA CASA CONTENTA MOTEL	3300573	ADLINE	RIV-SOUTH
254W19P01S	BANK OF AMERICA NATL. TRUST & SAVINGS	3301605	WOODILL	RIV-SOUTH
254W19R01S	SCOPE CORPORATION	3300004	HALL 1	RIV-SOUTH
254W31E000	ROOS, CHARLES E.	3301257	1	RIV-SOUTH
254W31R01S	CANYON CREST COUNTRY CLUB	3302052	NO 1	RIV-SOUTH

RIVERSIDE BASIN AREA IN RIVERSIDE CO.
 CROSS INDEX BY STATE WELL NUMBER

STATE WELL NUMBER	OWNER NAME	RECORDATION NUMBER	LOCAL DESIGNATION	BASIN NAME
255W02E000	AMCORD, INC.	3300369	CHINO NO 2	RIV-SOUTH
255W02F000	AMCORD, INC.	3301473	CHINO NO 3	RIV-SOUTH
255W02F000	VALENCIA MUTUAL WATER CO.	3301203	1	RIV-SOUTH
255W02L000	AMCORD, INC.	3301626	53 2	RIV-SOUTH
255W02L000	AMCORD, INC.	3301626--	64 1	RIV-SOUTH
255W02L015	RIVINO WATER COMPANY	3301346	1	RIV-SOUTH
255W03A000	AMCORD, INC.	3301610	60 1	RIV-SOUTH
255W03B000	CRESTMORE HEIGHTS MUTUAL WATER CO.	3301659	3	RIV-SOUTH
255W03B025	CRESTMORE HEIGHTS MUTUAL WATER CO.	3301372	2	RIV-SOUTH
255W03G025	AMCORD, INC.	3300372	49	RIV-SOUTH
255W03J000	AMCORD, INC.	3300370	CRESTMOR	RIV-SOUTH
255W03R000	YEAGER CONSTRUCTION CO., INC., E. L.	3301927	2	RIV-SOUTH
255W05K000	AMCORD, INC.	3300371	FALCO	RIV-SOUTH
255W05R000	JURUPA COMM. SERVICES DIST.	3301578	W 1	RIV-SOUTH
255W05R025	PROPERTY ACQUISITION CO.	3301422	PATA 66	RIV-SOUTH
255W08G015	JURUPA COMM. SERVICES DIST.	3301501	5	RIV-SOUTH
255W08G045	JURUPA COMM. SERVICES DIST.	3301362	3	RIV-SOUTH
255W08K025	JURUPA COMM. SERVICES DIST.	3301502	6	RIV-SOUTH
255W08K035	JURUPA COMM. SERVICES DIST.	3301625	7	RIV-SOUTH
255W10K065	MUTUAL WATER CO OF W RIVERSIDE	3302008	NO 1	RIV-SOUTH
255W10P015	RUBIDOUX COMMUNITY SERVICES DISTRICT	3301887	NO 3	RIV-SOUTH
255W11C015	RIVERSIDE INDUSTRIAL PARK	3300330	8	RIV-SOUTH

RIVERSIDE BASIN AREA IN RIVERSIDE CO.
 CROSS INDEX BY STATE WELL NUMBER

STATE WELL NUMBER	OWNER NAME	RECORDATION NUMBER	LOCAL DESIGNATION	BASIN NAME
2S5W11C025	RUBIDOUX COMMUNITY SERVICES DISTRICT	NON-FILER	SKOTTY NO 4	RIV-SOUTH
2S5W11J000	ALAMO WATER COMPANY	3301768		RIV-SOUTH
2S5W11K000	WIGHT, MRS. CHARLES H.	3300277		RIV-SOUTH
2S5W11P000	WATERMAN, ALLEN H.	3300812	WTRMN 1	RIV-SOUTH
2S5W12A000	STOKER, GEORGE	3300798		RIV-SOUTH
2S5W12A015	RIVERSIDE, CITY OF	3301084	RUSSELL 1	RIV-SOUTH
2S5W12A035	RIVERSIDE, CITY OF	3302485	RUSSELL B	RIV-SOUTH
2S5W12B015	RIVERSIDE, CITY OF	3301075	GARNER	RIV-SOUTH
2S5W12B045	RIVERSIDE, CITY OF	3301959	GARNER B	RIV-SOUTH
2S5W12E000	GROSS, DALE P.	3300748	1	RIV-SOUTH
2S5W12K025	RIVERSIDE, CITY OF	3301073	TWIN 1&2	RIV-SOUTH
2S5W12P015	RIVERSIDE, CITY OF	3301076	MREGRIFF 1	RIV-SOUTH
2S5W12P025	RIVERSIDE, CITY OF	3301077	BRUNTON	RIV-SOUTH
2S5W12R015	ROSS, SAM	3301194	1 WEST	RIV-SOUTH
2S5W13E000	WHITE SULPHUR SPRINGS POOL	3300754	WHSPLHR 1	RIV-SOUTH
2S5W13Q015	RIVERSIDE, CITY OF	3301285	CUNHAM 1	RIV-SOUTH
2S5W13Q025	RIVERSIDE, CITY OF	3301285-	CUNHAM 2	RIV-SOUTH
2S5W14B000	MISSION INN COMPANY	3301081	ANZA	RIV-SOUTH
2S5W14E000	JOHNSON, TRUMAN	NON-FILER		RIV-SOUTH
2S5W14E000	JOHNSON, TRUMAN	3300160	1	RIV-SOUTH
2S5W14E015	RIVERSIDE, CITY OF	3301851	FAIRMT 2	RIV-SOUTH
2S5W14G025	RIVERSIDE, CITY OF	3301082	FAIRMT 1	RIV-SOUTH

RIVERSIDE BASIN AREA IN RIVERSIDE CO.
 CROSS INDEX BY STATE WELL NUMBER

STATE WELL NUMBER	OWNER NAME	RECRDATION NUMBER	LOCAL DESIGNATION	BASIN NAME
255W14G03S	RIVERSIDE, CITY OF	3301635	MORI 2	RIV-SOUTH
255W14K000	RIVERSIDE, CITY OF	3301086	SPBROOK	RIV-SOUTH
255W15B10S	JONES, FARREL & WALL, PETER	3301834	1	RIV-SOUTH
255W15B11S	JONES, FARREL & WALL, PETER	3301835	2	RIV-SOUTH
255W15L09S	RUBIDOUX COMMUNITY SERVICES DISTRICT	3301154	NO 8	RIV-SOUTH
255W15M01S	RUBIDOUX COMMUNITY SERVICES DISTRICT	3301423	NO 1	RIV-SOUTH
255W15M02S	RUBIDOUX COMMUNITY SERVICES DISTRICT	3301153	NO 7	RIV-SOUTH
255W16E06S	RUBIDOUX COMMUNITY SERVICES DISTRICT	3301363	NO 4	RIV-SOUTH
255W16G04S	RUBIDOUX COMMUNITY SERVICES DISTRICT	3301424	NO 9	RIV-SOUTH
255W16H06S	RUBIDOUX COMMUNITY SERVICES DISTRICT	3302007	NO 2	RIV-SOUTH
255W16J000	FORT FREMONT MUTUAL WATER CO.	3301296	1	RIV-SOUTH
255W16J000	FORT FREMONT MUTUAL WATER CO.	3301297	2	RIV-SOUTH
255W16R000	RIO RANCHO MUTUAL WATER COMPANY	3300022	1	RIV-SOUTH
255W16R01S	RIO RANCHO MUTUAL WATER COMPANY	3300022-		RIV-SOUTH
255W17R03S	WEST RIVERSIDE 350 WATER CO.	3301892	8	RIV-SOUTH
255W19J000	RUBIDOUX COMMUNITY SERVICES DISTRICT	3301524	J. H. NO 9	RIV-SOUTH
255W20H04S	RUBIDOUX COMMUNITY SERVICES DISTRICT	3301694	NO 6	RIV-SOUTH
255W20J02S	RUBIDOUX COMMUNITY SERVICES DISTRICT	3301524-	NO 5	RIV-SOUTH
255W20R01S	RUBIDOUX COMMUNITY SERVICES DISTRICT	NON-FILER	SEWER PLANT	RIV-SOUTH
255W21A01S	MICHAEL, C., INC.	3300600	F	RIV-SOUTH
255W21B01S	MICHAEL, C., INC.	3300599	E	RIV-SOUTH
255W21K000	MICHAEL, C., INC.	3300598	D	RIV-SOUTH

RIVERSIDE BASIN AREA IN RIVERSIDE CO.
 CROSS INDEX BY STATE WELL NUMBER

STATE WELL NUMBER	OWNER NAME	RECORDATION NUMBER	LOCAL DESIGNATION	BASIN NAME
2S5W21K01S	MICHAEL, C., INC.	3300596	B	RIV-SOUTH
2S5W21M000	PLEASANT ACRES RANCH SWARTZ	NON-FILER	NO. 1 WELL	RIV-SOUTH
2S5W21M000	PLEASANT ACRES RANCH SWARTZ	NON-FILER	NO. 2 WELL	RIV-SOUTH
2S5W22C01S	MICHAEL, C., INC.	3300595	OLD A	RIV-SOUTH
2S5W22C02S	MICHAEL, C., INC.	3300597	C	RIV-SOUTH
2S5W22D000	MICHAEL, C., INC.	3300595	A	RIV-SOUTH
2S5W22D01S	MICHAEL, C., INC.	3300601	G	RIV-SOUTH
2S5W22R01S	SOUTHERN SERVICE COMPANY, LTD.	3301384	RIV LDY	RIV-SOUTH
2S5W23G02S	MIPO CORP. DBA MISSION	3300000	6TH ST	RIV-SOUTH
2S5W23J01S	RIVERSIDE, CITY OF	3301074	MULBERRY	RIV-SOUTH
2S5W23L01S	CITIZENS NATIONAL COMPANY	3300375	AIR COND	RIV-SOUTH
2S5W23Q01S	RIVERSIDE, CITY OF	3301289	11TH ST	RIV-SOUTH
2S5W23Q03S	CALIF. DEPT. OF TRANSPORTATION DIST. 8R	3301915	FREEWAY	RIV-SOUTH
2S5W23R01S	RIVERSIDE, CITY OF	3301288	FILL	RIV-SOUTH
2S5W24D01S	RIVERSIDE, CITY OF	3301284	1ST. ST.	RIV-SOUTH
2S5W25F01S	VICTORIA CLUB	3300417	CLEARWTR	RIV-SOUTH
2S5W26E02S	RIVERSIDE, CITY OF GAGE CANAL	3300367	OLVEMOD 2	RIV-SOUTH
2S5W26F01S	RIVERSIDE, CITY OF GAGE CANAL	3300366	OLVEMOD 1	RIV-SOUTH
2S5W26M01S	RIVERSIDE, CITY OF GAGE CANAL	3300368	OLVEMOD 3	RIV-SOUTH
2S5W28A01S	RIVERSIDE, CITY OF	3301078	SANITARY	RIV-SOUTH
2S5W28C01S	RIVERSIDE, CITY OF	3301079	DAVIS	RIV-SOUTH
2S5W29G000	RIVERSIDE COUNTY PARKS DEPARTMENT	3301087	JENSEN	RIV-SOUTH

RIVERSIDE BASIN AREA IN RIVERSIDE CO.
 CROSS INDEX BY STATE WELL NUMBER

STATE WELL NUMBER	OWNER NAME	RECORDATION NUMBER	LOCAL DESIGNATION	BASIN NAME
255W32A01S	VON KANEL, ALFRED	3300068		RIV-SOUTH
255W32B01S	MARTIN, KENNETH ALLAN	3300554	RR 1	RIV-SOUTH
255W32K01S	ZINKE, VERA	3300811	WAYMAN	RIV-SOUTH
354W03Q000	EASTERN MUNICIPAL WATER DISTRICT	3300981	RECHE CN.	RIV-SOUTH
354W03R000	EASTERN MUNICIPAL WATER DISTRICT	3300982	DICKNSON	RIV-SOUTH
354W10A000	BOX SPRINGS MUTUAL WATER COMPANY	3300272-	14	RIV-SOUTH
354W10A000	BOX SPRINGS MUTUAL WATER COMPANY	3300275	17	RIV-SOUTH
354W10B000	BOX SPRINGS MUTUAL WATER COMPANY	3300274		RIV-SOUTH
354W10B000	BOX SPRINGS MUTUAL WATER COMPANY	3300274-	16	RIV-SOUTH
354W10G000	BOX SPRINGS MUTUAL WATER COMPANY	3300273		RIV-SOUTH
354W10G000	BOX SPRINGS MUTUAL WATER COMPANY	3300273-	15	RIV-SOUTH
354W100000	BOX SPRINGS MUTUAL WATER COMPANY	3300272		RIV-SOUTH
355W03F01S	RIVERSIDE, CITY OF	3301814	ORNG ACRE	RIV-SOUTH
355W09A01S	PAGLIUSO	3301036	CBLNCA 1	RIV-SOUTH
355W09E000	RIVERSIDE, CITY OF	3301940	LINC. HTS	RIV-SOUTH
355W14E000	ROCKY R RANCH	3300768	GURNEY 1	RIV-SOUTH

TABLE NO. 1

VERIFIED EXTRACTIONS BY OWNERS WHICH
HAVE RECORDATION FILINGS WITH THE STATE
WATER RESOURCES CONTROL BOARD

TABLE NO. 1
 VERIFIED EXTRACTATIONS BY OWNERS WHICH HAVE RECORDATION FILINGS
 WITH THE STATE WATER RESOURCES CONTROL BOARD

OWNER	1959	1960	1961	1962	1963	5 YEAR AVERAGE	1970	1971	1972	1973	1974	1975
ALAMO WATER COMPANY												
3301768 2S5W11J000 W	79	100	132	163	149	125	368	437	412	431	535	
AMCORD, INC.												
3300369 2S5W02E000 W	398	0	0	0	0	80	0	0	0	0	0	0
3300370 2S5W03J000 W	282	242	282	282	532	324	807	831	850	644	511	
3300371 2S5W05K000 W	0	0	0	30	15	9	0	0	0	0	0	0
3300372 2S5W03G02S W	37	0	0	0	0	7	0	0	0	0	0	0
3301473 2S5W02F000 W	603	781	465	515	531	579	449	423	432	505	545	
3301610 2S5W03A000 W	0	488	2420	2020	1563	1298	1213	1148	1208	1018	921	
3301626 2S5W02L000 W	350	350	0	132	110	188	0	0	0	0	0	0
3301626- 2S5W02L000 W	0	0	0	0	0	0	219	109	176	58	0	0
OWNER TOTAL	1670*	1861*	3167*	2979*	2751*	2486*	2688*	2511*	2666*	2225*	1977*	
BANK OF AMERICA NATL. TRUST & SAVINGS												
3301605 2S4W19P01S W	90	90	90	90	94	91	0	0	0	0	0	0
BOX SPRINGS MUTUAL WATER COMPANY												
3300272 3S4W100000 W	0	0	0	0	0	0	0	0	0	0	0	0
3300272- 3S4W10A000 W	0	0	0	0	0	0	0	0	0	0	0	0
3300273 3S4W10G000 W	0	0	0	0	0	0	0	0	0	0	0	0
3300273- 3S4W10G000 W	0	0	0	0	0	0	0	0	0	0	0	0
3300274 3S4W10B000 W	0	0	0	0	0	0	0	0	0	0	0	0
3300274- 3S4W10B000 W	53	50	55	55	42	51	17	17	16	35	32	
3300275 3S4W10A000 W	473	453	492	442	428	458	316	317(1)	298	269	248	

(1) VERIFIED EXTRACTION CORRECTED DURING THE 1972 VERIFICATION.

TABLE NO. 1
 VERIFIED EXTRACTATIONS BY OWNERS WHICH HAVE RECORDATION FILINGS
 WITH THE STATE WATER RESOURCES CONTROL BOARD

OWNER	5 YEAR AVERAGE					1971	1972	1973	1974	1975
	1959	1960	1961	1962	1963					
OWNER TOTAL	526*	503*	547*	497*	470*	333*	314*	304*	280*	
BURNS, F. L. AND LAURA										
3300439 254W07N000 W	0	0	0	0	0	20	20	20	20	
CALIF. DEPT. OF TRANSPORTATION DIST. 8R										
3301915 255W23Q03S W	0	0	0	0	0	292	455	362	549	
CANYON CREST COUNTRY CLUB										
3302052 254W31R01S W	0	0	0	0	0	300	64	18	12	
CITIZENS NATIONAL COMPANY										
3300375 255W23L01S W	0	33	33	33	33	0	0	0	0	
CRESTMORE HEIGHTS MUTUAL WATER CO.										
3301372 255W03B02S W	67	63	52	17	16	25	22	20	26	
3301659 255W03B000 W	0	0	13	44	42	65	56	51	39	
OWNER TOTAL	67*	63*	65*	61*	58*	90*	78*	71*	65*	
EASTERN MUNICIPAL WATER DISTRICT										
3300981 354W03Q000 W	0	0	0	0	0	0	0	0	0	
3300982 354W03R000 W	3	1	0	0	0	0	0	0	0	
OWNER TOTAL	3*	1*	0*	0*	0*	0*	0*	0*	0*	
FORT FREMONT MUTUAL WATER CO.										
3301296 255W16J000 W	70	27	27	18	45	19	81	127	26	
3301297 255W16J000 W	136	182	188	184	144	169	91	38	150	
OWNER TOTAL	206*	209*	215*	202*	189*	188*	172*	165*	176*	
GROSS, DALE P.										
3300748 255W12E000 W	0	0	0	0	0	0	0	0	0	

TABLE NO. 1
 VERIFIED EXTRACTATIONS BY OWNERS WHICH HAVE RECORDATION FILINGS
 WITH THE STATE WATER RESOURCES CONTROL BOARD

OWNER	1959	1960	1961	1962	1963	5 YEAR					1974	1975	
						AVERAGE	1970	1971	1972	1973			
GRUBBS, V. W.													
3300076 2S4W07P000 W	45	40	51	38	39	43	0	0	0	0	0	0	0
HUNTER ENGINEERING COMPANY													
3300607 2S4W18E01S W	0	0	0	0	0	0	0	0	0	0	0	0	0
3300608 2S4W18F000 W	0	0	0	0	0	0	0	0	0	0	0	0	0
3300609 2S4W18C000 W	0	0	0	31	188	44	141	90	61	36	49	49	49
OWNER TOTAL	0*	0*	0*	31*	188*	44*	141*	90*	61*	36*	49*	49*	49*
INGOLSBY ENTERPRISES													
3300230 2S4W08N02S W	110	88	42	11	12	53	3	0	0	0	0	0	0
JOHNSON, TRUMAN													
3300160 2S5W14E000 W	270	214	248	187	250	234	0	0	0	0	0	0	0
JONES, FARREL & WALL, PETER													
3301834 2S5W15B10S W	0	0	0	0	30	6	972	797(1)	563	658	976	976	976
3301835 2S5W15B11S W	0	0	0	0	60	12	0	148(1)	100	83	96	96	96
OWNER TOTAL	0*	0*	0*	0*	90*	18*	972*	945*	663*	741*	1072*	1072*	1072*
JURUPA COMM. SERVICES DIST.													
3301362 2S5W08G04S W	12	180	422	275	552	288	404	223	288	201	223	223	223
3301501 2S5W08G01S W	624	180	422	275	552	411	174	517	516	339	322	322	322
3301502 2S5W08K02S W	308	351	103	295	116	235	5	54	3	5	21	21	21
3301578 2S5W05R000 W	9	6	6	6	78	21	20	20	23	17	255	255	255
3301625 2S5W08K03S W	50	351	103	295	116	183	0	0	0	0	0	0	0
OWNER TOTAL	1003*	1068*	1056*	1146*	1414*	1137*	603*	814*	830*	562*	821*	821*	821*

(1) VERIFIED EXTRACTATIONS CORRECTED DURING THE 1972 VERIFICATION.

TABLE NO. 1
 VERIFIED EXTRACTATIONS BY OWNERS WHICH HAVE RECORDATION FILINGS
 WITH THE STATE WATER RESOURCES CONTROL BOARD

OWNER	1959	1960	1961	1962	1963	5 YEAR AVERAGE					1974	1975
						1970	1971	1972	1973	1974	1975	
LA CASA CONTENTA MOTEL												
3300573 2S4W19P000 W	0	0	0	0	0	0	0	0	0	0	0	0
MARTIN, KENNETH ALLAN												
3300554 2S5W32B01S W	0	0	0	0	0	0	0	0	0	0	0	0
MIPO CORP. DBA MISSION												
3300000 2S5W23G02S W	73	73	73	73	73	67	17	17	17	17	4	4
MICHAEL, C., INC.												
3300595 2S5W22C01S W	0	0	0	0	0	0	0	0	0	0	0	0
3300595- 2S5W22D000 W	354	354	354	354	354	132	85	350	431	311	311	311
3300596 2S5W21K01S W	1	1	1	1	1	1	0	0	0	0	0	0
3300597 2S5W22C02S W	1	1	1	1	1	0	0	0	0	0	0	0
3300598 2S5W21K000 W	1220	1220	1220	1220	1220	1165	809	745	867	688	688	688
3300599 2S5W21B01S W	422	422	422	422	422	275	187	321	201	345	345	345
3300600 2S5W21A01S W	564	564	564	564	564	34	300	588	418	498	498	498
3300601 2S5W22D01S W	5	5	5	5	5	7	4	5	6	11	11	11
OWNER TOTAL	2567*	2567*	2567*	2567*	2567*	1614*	1385*	2009*	1923*	1853*	1853*	1853*
MISSION INN COMPANY												
3301081 2S5W14B000 W	121	151	134	0	0	81	0	0	0	0	0	0
MUTUAL WATER CO OF W RIVERSIDE												
3302008 2S5W10K06S W	178	178	178	178	178	255	221	226	164	181	181	181
PAGLIUSO												
3301036 3S5W09A01S W	118	247	420	300	300	400	400	144	116	91	91	91

TABLE NO. 1
 VERIFIED EXTRACTATIONS BY OWNERS WHICH HAVE RECORDATION FILINGS
 WITH THE STATE WATER RESOURCES CONTROL BOARD

OWNER	1959	1960	1961	1962	1963	5 YEAR AVERAGE	1970	1971	1972	1973	1974	1975
PROPERTY ACQUISITION CO.												
3301422 255W05R02S W	140	136	143	139	141	140	0	0	0	0	0	0
RIO RANCHO MUTUAL WATER COMPANY												
3300022 255W16R000 W	0	0	0	0	0	0	0	0	0	0	0	0
3300022- 255W16R01S W	84	86	98	76	103	89	97	82	73	91	118	
OWNER TOTAL	84*	86*	98*	76*	103*	89*	97*	82*	73*	91*	118*	
RIVERSIDE COUNTY PARKS DEPARTMENT												
3301087 255W29G000 D	2613	2475	1628	1467	1467	1930	1161	1089	871	421	0	
RIVERSIDE HIGHLAND WATER COMPANY												
3301655 254W08M01S W	0	0	0	1393	1381	555	459	642	272	236	480	
3301656 254W08M02S W	0	0	0	0	0	0	990	1456	1096	1034	1053	
OWNER TOTAL	0*	0*	0*	1393*	1381*	555*	1449*	2098*	1368*	1270*	1533*	
RIVERSIDE INDUSTRIAL PARK												
3300330 255W11C01S W	315	315	224	209	174	247	0	0	0	0	0	
RIVERSIDE, CITY OF												
3300686 254W19J01S W	384	319	378	203	274	312	0	0	0	0	0	
3301073 255W12K02S W	672	1034	2232	1593	1026	1311	2654	3119	3736	2841	3111	
3301074 255W23J01S W	12	46	24	108	40	46	62	363	406	125	773	
3301075 255W12B01S W	264	383	250	534	285	343	265	300	275	253	251	
3301076 255W12P01S W	458	589	685	690	771	639	1243	642	891	801	1476	
3301077 255W12P02S W	259	299	152	482	409	320	361	357	361	281	244	
3301078 255W28A01S W	4	3	3	3	3	3	0	0	0	0	0	

TABLE NO. 1
 VERIFIED EXTRACTATIONS BY OWNERS WHICH HAVE RECORDATION FILINGS
 WITH THE STATE WATER RESOURCES CONTROL BOARD

OWNER	1959	1960	1961	1962	1963	5 YEAR					1974	1975	
						AVERAGE	1970	1971	1972	1973			
RIVERSIDE, CITY OF													
3301079 255W28C01S W	0	0	0	0	0	0	0	0	0	0	0	0	0
3301082 255W14G02S W	1166	1187	1096	1045	675	1034	825	691	471	868	864	864	864
3301084 255W12A01S W	483	740	445	778	510	591	153	0	0	0	0	0	0
3301086 255W14K000 D	0	0	0	0	0	0	0	0	0	0	0	0	0
3301284 255W24D01S W	766	2360	1246	1012	581	1193	509	480	673	406	692	692	692
3301285 255W13Q01S W	0	0	0	0	0	0	0	0	0	0	0	0	0
3301285- 255W13Q02S W	0	0	2075	1325	1547	989	51	163	129	28	542	542	542
3301286 254W07N01S W	553	0	0	0	0	111	0	0	0	0	0	0	0
3301286- 254W07N03S W	0	1069	811	620	599	620	925	415	783	562	1829	1829	1829
3301287 254W07L01S W	2731	1776	507	167	258	1088	1029	329	898	1313	1612	1612	1612
3301288 255W23R01S W	651	1103	629	369	374	625	1242	625	1262	1039	1105	1105	1105
3301289 255W23Q01S W	543	760	895	573	311	616	1004	1393	1589	1228	1679	1679	1679
3301358 254W08E01S W	220	198	210	250	439	263	0	0	0	0	0	0	0
3301359 254W08D03S W	147	357	375	254	0	227	0	0	0	0	0	0	0
3301359- 254W08D04S W	0	0	0	0	0	0	1	0	0	0	0	0	0
3301635 255W14G03S W	0	365	1829	1684	1536	1083	1050	1442	1537	1161	1517	1517	1517
3301814 355W03F01S W	24	19	18	14	12	17	87	57	90	63	67	67	67
3301851 255W14E01S W	0	0	0	0	0	0	1522	687	2381	2441	2065	2065	2065
3301940 355W09E000 W	438	464	448	358	300	402	169	170	208	274	201	201	201
3301959 255W12B04S W	0	0	0	0	0	0	967	1049	1548	1350	992	992	992
3302485 255W12A03S W	0	0	0	0	0	0	0	727	2010	1694	1972	1972	1972

TABLE NO. 1
 VERIFIED EXTRACTIIONS BY OWNERS WHICH HAVE RECORDATION FILINGS
 WITH THE STATE WATER RESOURCES CONTROL BOARD

OWNER	1959	1960	1961	1962	1963	5 YEAR AVERAGE	1970	1971	1972	1973	1974	1975
OWNER TOTAL	9775*	13071*	14308*	12062*	9950*	11833*	14119*	13009*	19248*	16728*	20992*	
RIVERSIDE, CITY OF GAGE CANAL												
3300366 255W26F01S W	856	931	1044	727	688	849	199	392	674	550	539	
3300367 255W26E02S W	1752	1595	1633	985	1165	1426	1230	1026	1140	908	1182	
3300368 255W26M01S W	449	461	559	305	318	418	156	127	396	404	715	
OWNER TOTAL	3057*	2987*	3236*	2017*	2171*	2694*	1585*	1545*	2210*	1862*	2436*	
RIVINO WATER COMPANY												
3301346 255W02L01S W	297	211	187	477	372	309	212	166	121	249	10	
ROCKY R RANCH												
3300768 355W14E000 W	45	24	6	6	5	17	0	0	0	0	0	
ROOS, CHARLES E.												
3301257 254W31E000 W	0	200	0	0	0	40	0	0	0	0	0	
ROSS, SAM												
3301194 255W12R01S W	0	0	0	0	0	0	0	0	0	0	0	
RUBIDOUX COMMUNITY SERVICES DISTRICT												
3301153 255W15M02S W	101	126	123	75	117	108	89 ⁽¹⁾	195	187	13	123	
3301154 255W15L09S W	50	51	62	32	28	45	37 ⁽¹⁾	40	104	180	111	
3301363 255W16E06S W	59	90	190	130	108	115	457 ⁽¹⁾	120	10	0	0	
3301423 255W15M01S W	167	136	129	126	141	140	92 ⁽¹⁾	75	90	85	44	
3301424 255W16G04S W	136	195	190	140	117	156	186	177	172	147	172	
3301524 255W19J000 W	22	3	0	0	0	5	0	0	0	0	0	
3301524- 255W20J02S W	0	35	125	117	141	84	65	79	87	45	57	

(1) VERIFIED EXTRACTIIONS CORRECTED DURING THE 1972 VERIFICATION.

TABLE NO. 1
 VERIFIED EXTRACTATIONS BY OWNERS WHICH HAVE RECORDATION FILINGS
 WITH THE STATE WATER RESOURCES CONTROL BOARD

OWNER	5 YEAR AVERAGE											
	1959	1960	1961	1962	1963	1970	1971	1972	1973	1974	1975	
RUBIDOUX COMMUNITY SERVICES DISTRICT (CONTINUED)												
3301694	255W20H04S W	0	0	76	100	94	54	428	349	256	260	314
3301887	255W10P01S W	0	0	0	0	0	0	321	341	354	309	191
3302007	255W16H06S W	0	0	0	0	0	0	534(1)	1077	1471	1618	1565
	OWNER TOTAL	535*	636*	895*	720*	746*	706*	2209*	2453*	2731*	2657*	2577*
SCOPE CORPORATION												
3300003	254W19J02S W	99	67	85	101	5	71	0	0	0	0	0
3300004	254W19R01S W	17	23	50	98	95	57	0	0	0	0	0
	OWNER TOTAL	116*	90*	135*	199*	100*	128*	0*	0*	0*	0*	0*
SOUTHERN SERVICE COMPANY, LTD.												
3301384	255W22R01S W	30	34	38	35	31	34	62	63	71	59	41
STOKER, GEORGE												
3300798	255W12A000 W	158	165	159	165	134	156	0	0	0	0	0
UNIVERSITY OF CALIFORNIA, REGENTS OF												
3300040	254W08D02S W	131	283	370	94	227	221	293	97	279	211	242
VALENCIA MUTUAL WATER CO.												
3301203	255W02F000 W	564	704	731	476	912	677	533	207	419	478	1079
VICTORIA CLUB												
3300417	255W25F01S W	528	631	805	23	126	423	405(1)	338(1)	325	246	249
VON KANEL, ALFRED												
3300068	255W32A01S W	83	87	94	94	78	87	72	57	57	38	41
WATERMAN, ALLEN H.												
3300812	255W11P000 W	25	33	16	0	0	15	0	0	0	0	0

(1) VERIFIED EXTRACTATIONS CORRECTED DURING THE 1972 VERIFICATION.

TABLE NO. 1
 VERIFIED EXTRACTIIONS BY OWNERS WHICH HAVE RECORDATION FILINGS
 WITH THE STATE WATER RESOURCES CONTROL BOARD

OWNER	1959	1960	1961	1962	1963	5 YEAR AVERAGE	1970	1971	1972	1973	1974	1975
WEST RIVERSIDE 350 WATER CO.												
3301892 255W17R03S W	0	0	0	0	0	0	874	698(1)	731	581	613	
WHITE SULPHUR SPRINGS POOL												
3300754 255W13E000 W	49	53	54	44	40	48	0	0	0	0	0	0
WIGHT, MRS. CHARLES H.												
3300277 255W11K000 W	76	0	0	0	0	15	0	0	0	0	0	0
YEAGER CONSTRUCTION CO., INC., E. L.												
3301927 255W03R000 W	0	0	0	0	0	0	0	0	0	0	0	0
ZINKE, VERA												
3300811 255W32K01S W	53	37	47	20	18	35	0	0	0	0	0	0
TOTAL VERIFIED PRODUCTION ALL FACILITIES	25800*	29744*	32192*	28272*	27031*	28608*	31105*(1)	30021*(1)	36635*	32046*	37616*	

(1) VERIFIED EXTRACTIIONS CORRECTED DURING THE 1972 VERIFICATION

TABLE NO. 2

VERIFIED EXTRACTIONS BY OWNERS WHICH HAVE
NOT FILED WITH THE STATE WATER RESOURCES
CONTROL BOARD

TABLE NO. 2
 VERIFIED EXTRACTATIONS BY OWNERS WHICH HAVE NOT FILED
 WITH THE STATE WATER RESOURCES CONTROL BOARD

OWNER	1959	1960	1961	1962	1963	5 YEAR AVERAGE					
						1970	1971	1972	1973	1974	1975
JOHNSON, TRUMAN											
NON-FILER 2S5W14E000 W	4	4	4	4	4	0	0	0	0	0	0
PLEASANT ACRES RANCH SWARTZ											
NON-FILER 2S5W21M000 W	515	515	515	515	515	650	483	608	545	115	115
NON-FILER 2S5W21M000 W	504	504	504	504	504	590	438	561	503	108	108
OWNER TOTAL	1019*	1019*	1019*	1019*	1019*	1240*	921*	1169*	1048*	223*	223*
RUBIDOUX COMMUNITY SERVICES DISTRICT											
NON-FILER 2S5W11C02S W						0			0	465	465
NON-FILER 2S5W20R01S W	3	3	3	3	3	0	0	0	0	0	0
OWNER TOTAL	3*	3*	3*	3*	3*	0*	0*	0*	0*	465*	465*
TOTAL VERIFIED PRODUCTION ALL FACILITIES	1026*	1026*	1026*	1026*	1026*	1240*	921*	1169*	1048*	688*	688*

TABLE NO. 3

SUMMARY OF VERIFIED EXTRACTIONS (FILED AND
NON-FILED) FROM RIVERSIDE BASIN AREA WITHIN
RIVERSIDE COUNTY

TABLE NO. 3
SUMMARY OF VERIFIED EXTRACTIIONS (FILED AND NON-FILED)
FROM RIVERSIDE BASIN AREA WITHIN RIVERSIDE COUNTY

OWNER	1959	1960	1961	1962	1963	5 YEAR AVERAGE	1970	1971	1972	1973	1974	1975
ALAMO WATER COMPANY												
OWNER TOTAL	79*	100*	132*	163*	149*	125*	368*	437*	412*	431*	535*	
AMCORD, INC.												
OWNER TOTAL	1670*	1861*	3167*	2979*	2751*	2486*	2688*	2511*	2666*	2225*	1977*	
BANK OF AMERICA NATL. TRUST & SAVINGS												
OWNER TOTAL	90*	90*	90*	90*	94*	91*	0*	0*	0*	0*	0*	
BOX SPRINGS MUTUAL WATER COMPANY												
OWNER TOTAL	526*	503*	547*	497*	470*	509*	333*	334*	314*	304*	280*	
BURNS, F. L. AND LAURA												
OWNER TOTAL	0*	0*	0*	0*	0*	0*	20*	20*	20*	20*	20*	
CALIF. DEPT. OF TRANSPORTATION DIST. 8R												
OWNER TOTAL	0*	0*	0*	0*	0*	0*	292*	378*	455*	362*	549*	
CANYON CREST COUNTRY CLUB												
OWNER TOTAL	0*	0*	0*	0*	0*	0*	0*	300*	64*	18*	12*	
CITIZENS NATIONAL COMPANY												
OWNER TOTAL	0*	33*	33*	33*	33*	26*	0*	0*	0*	0*	0*	
CRESTMORE HEIGHTS MUTUAL WATER CO.												
OWNER TOTAL	67*	63*	65*	61*	58*	63*	90*	82*	78*	71*	65*	
EASTERN MUNICIPAL WATER DISTRICT												
OWNER TOTAL	3*	1*	0*	0*	0*	1*	0*	0*	0*	0*	0*	
FORT FREMONT MUTUAL WATER CO.												
OWNER TOTAL	206*	209*	215*	202*	189*	204*	188*	185*	172*	165*	176*	

TABLE NO. 3
SUMMARY OF VERIFIED EXTRACTIIONS (FILED AND NON-FILED)
FROM RIVERSIDE BASIN AREA WITHIN RIVERSIDE COUNTY

OWNER	5 YEAR AVERAGE					1975
	1959	1960	1961	1962	1963	
GROSS, DALE P. OWNER TOTAL	0*	0*	0*	0*	0*	0*
GRUBBS, V. W. OWNER TOTAL	45*	40*	51*	38*	39*	0*
HUNTER ENGINEERING COMPANY OWNER TOTAL	0*	0*	0*	31*	188*	49*
INGOLDSBY ENTERPRISES OWNER TOTAL	110*	88*	42*	11*	12*	0*
JOHNSON, TRUMAN OWNER TOTAL	274*	218*	252*	191*	254*	0*
JONES, FARREL & WALL, PETER OWNER TOTAL	0*	0*	0*	0*	90*	1072*
JURUPA COMM. SERVICES DIST. OWNER TOTAL	1003*	1068*	1056*	1146*	1414*	821*
LA CASA CONTENTA MOTEL OWNER TOTAL	0*	0*	0*	0*	0*	0*
MARTIN, KENNETH ALLAN OWNER TOTAL	0*	0*	0*	0*	0*	0*
MIPO CORP. DBA MISSION OWNER TOTAL	73*	73*	73*	73*	73*	4*
MICHAEL, C., INC. OWNER TOTAL	2567*	2567*	2567*	2567*	2567*	1853*

TABLE NO. 3
SUMMARY OF VERIFIED EXTRACTIIONS (FILED AND NON-FILED)
FROM RIVERSIDE BASIN AREA WITHIN RIVERSIDE COUNTY

OWNER	5 YEAR AVERAGE					1974	1975
	1959	1960	1961	1962	1963		
MISSION INN COMPANY							
OWNER TOTAL	121*	151*	134*	0*	0*	0*	0*
MUTUAL WATER CO OF W RIVERSIDE							
OWNER TOTAL	178*	178*	178*	178*	255*	221*	226*
PAGLIUSO							
OWNER TOTAL	118*	247*	420*	300*	400*	400*	144*
PLEASANT ACRES RANCH SWARTZ							
OWNER TOTAL	1019*	1019*	1019*	1019*	1240*	921*	1169*
PROPERTY ACQUISITION CO.							
OWNER TOTAL	140*	136*	143*	139*	141*	0*	0*
RIO RANCHO MUTUAL WATER COMPANY							
OWNER TOTAL	84*	86*	98*	76*	103*	82*	73*
RIVERSIDE COUNTY PARKS DEPARTMENT							
OWNER TOTAL	2613*	2475*	1628*	1467*	1467*	1161*	1089*
RIVERSIDE HIGHLAND WATER COMPANY							
OWNER TOTAL	0*	0*	0*	1393*	1381*	1449*	2098*
RIVERSIDE INDUSTRIAL PARK							
OWNER TOTAL	315*	315*	224*	209*	174*	0*	0*
RIVERSIDE, CITY OF							
OWNER TOTAL	9775*	13071*	14308*	12062*	9950*	11833*	19248*
RIVERSIDE, CITY OF GAGE CANAL							
OWNER TOTAL	3057*	2987*	3236*	2017*	2171*	2694*	2210*

TABLE NO. 3
 SUMMARY OF VERIFIED EXTRACTIIONS (FILED AND NON-FILED)
 FROM RIVERSIDE BASIN AREA WITHIN RIVERSIDE COUNTY

OWNER	5 YEAR AVERAGE					1971	1972	1973	1974	1975
	1959	1960	1961	1962	1963					
RIVINO WATER COMPANY										
OWNER TOTAL	297*	211*	187*	477*	372*	212*	166*	249*	10*	
ROCKY R RANCH										
OWNER TOTAL	45*	24*	6*	6*	5*	0*	0*	0*	0*	0*
ROOS, CHARLES E.										
OWNER TOTAL	0*	200*	0*	0*	0*	0*	0*	0*	0*	0*
ROSS, SAM										
OWNER TOTAL	0*	0*	0*	0*	0*	0*	0*	0*	0*	0*
RUBIDOUX COMMUNITY SERVICES DISTRICT										
OWNER TOTAL	538*	639*	898*	723*	749*	2209*	2453*	2731*	2657*	3042*
SCOPE CORPORATION										
OWNER TOTAL	116*	90*	135*	199*	100*	0*	0*	0*	0*	0*
SOUTHERN SERVICE COMPANY, LTD.										
OWNER TOTAL	30*	34*	38*	35*	31*	62*	63*	71*	59*	41*
STOKER, GEORGE										
OWNER TOTAL	158*	165*	159*	165*	134*	0*	0*	0*	0*	0*
UNIVERSITY OF CALIFORNIA, REGENTS OF										
OWNER TOTAL	131*	283*	370*	94*	227*	293*	97*	279*	211*	242*
VALENCIA MUTUAL WATER CO.										
OWNER TOTAL	564*	704*	731*	476*	912*	533*	207*	419*	478*	1079*
VICTORIA CLUB										
OWNER TOTAL	528*	631*	805*	23*	126*	405*	338*	325*	246*	249*

TABLE NO. 3
 SUMMARY OF VERIFIED EXTRACTONS (FILED AND NON-FILED)
 FROM RIVERSIDE BASIN AREA WITHIN RIVERSIDE COUNTY

OWNER	5 YEAR AVERAGE					1973	1974	1975		
	1959	1960	1961	1962	1963				1970	1971
VON KANEL, ALFRED	83*	87*	94*	94*	78*	87*	72*	57*	38*	41*
OWNER TOTAL	25*	33*	16*	0*	0*	15*	0*	0*	0*	0*
WATERMAN, ALLEN H.	0*	0*	0*	0*	0*	0*	874*	698*	731*	581*
OWNER TOTAL	49*	53*	54*	44*	40*	48*	0*	0*	0*	0*
WEST RIVERSIDE 350 WATER CO.	0*	0*	0*	0*	0*	0*	0*	0*	0*	0*
OWNER TOTAL	0*	0*	0*	0*	0*	0*	0*	0*	0*	0*
WHITE SULPHUR SPRINGS POOL	0*	0*	0*	0*	0*	0*	0*	0*	0*	0*
OWNER TOTAL	76*	0*	0*	0*	0*	15*	0*	0*	0*	0*
WIGHT, MRS. CHARLES H.	0*	0*	0*	0*	0*	0*	0*	0*	0*	0*
OWNER TOTAL	0*	0*	0*	0*	0*	0*	0*	0*	0*	0*
YEAGER CONSTRUCTION CO., INC., E. L.	53*	37*	47*	20*	18*	35*	0*	0*	0*	0*
OWNER TOTAL	26826*	30770*	33218*	29298*	28057*	29634*	32345*(1)30942*(1)37804*	33094*	33094*	38304*
TOTAL VERIFIED PRODUCTION ALL FACILITIES										

TABLE NO. 4

TOTAL VERIFIED EXTRACTIONS
FROM THE RIVERSIDE BASIN AREA
WITHIN RIVERSIDE COUNTY
FOR USE WITHIN RIVERSIDE COUNTY
DURING THE 5-YEAR PERIOD ENDING IN
1963 AND FOR CALENDAR YEARS 1964 THROUGH 1974

TABLE NO 4

TOTAL VERIFIED EXTRACTIONS
FROM THE RIVERSIDE BASIN AREA
WITHIN RIVERSIDE COUNTY
FOR USE WITHIN RIVERSIDE COUNTY
DURING THE 5-YEAR PERIOD ENDING IN
1963 AND FOR CALENDAR YEARS 1964 THROUGH 1974

<u>Year</u>	<u>Extractions</u> <u>Acre Feet</u>
1959	26,826
1960	30,770
1961	33,218
1962	29,298
1963	28,057
<hr/>	
5-Year Total	148,169
5-Year Average 1959-63	29,634
<hr/>	
1964	30,872
1965	29,652
1966	29,409
1967	29,351
1968	28,684
<hr/>	
5-Year Total	147,968
5-Year Average 1964-68	29,594
<hr/>	
1969	26,750
1970	32,345
<hr/>	
1971	30,942
1972	37,804
1973	33,094
1974	38,304
1975	
<hr/>	
5-Year Average 1971-75	

Volume 5 - 1974

REPORT OF WATERMASTER

WESTERN MUNICIPAL WATER DISTRICT OF RIVERSIDE COUNTY, et al
PLAINTIFFS

vs.

EAST SAN BERNARDINO COUNTY WATER DISTRICT, et al
DEFENDANTS

SUPERIOR COURT OF RIVERSIDE COUNTY

Case No. 78426

VOLUME 5-1974

DISTRIBUTION OF EXTRACTIONS

1. EXTRACTIONS BY PLAINTIFFS FROM SAN BERNARDINO BASIN AREA.
2. EXTRACTIONS BY SAN BERNARDINO AND RIVERSIDE COUNTY ENTITIES FROM COLTON BASIN AREA FOR USE WITHIN EACH COUNTY.
3. EXTRACTIONS BY SAN BERNARDINO AND RIVERSIDE COUNTY ENTITIES FROM RIVERSIDE BASIN AREA IN SAN BERNARDINO COUNTY FOR USE WITHIN EACH COUNTY.
4. EXTRACTIONS BY RIVERSIDE COUNTY ENTITIES FROM RIVERSIDE BASIN IN RIVERSIDE COUNTY.
5. SUMMARY OF EXTRACTIONS FROM SAN BERNARDINO BASIN AREA, COLTON BASIN AREA, RIVERSIDE BASIN IN SAN BERNARDINO COUNTY, AND RIVERSIDE BASIN IN RIVERSIDE COUNTY FOR USE IN RIVERSIDE COUNTY.

ANNUAL ACCOUNTING

1974

August 1, 1976

WATERMASTER
James C. Hanson
Donald L. Harriger

	<u>Page</u>
Jurupa Water Company	III-2
La Sierra Water Company	III-3
Riverside Highland Water Company	III-4
Temescal Water Company	III-4
West Riverside 350 Inch Water Company	III-5
Summary of Water Extractions from Wells Delivered in both Counties	III-5

CHAPTER IV

Extractions by Riverside County Entities from Riverside
Basin in Riverside County

General Statement	IV-1
Summary of Verified Extractions for use within Riverside County	IV-1

CHAPTER V

Summary of Extractions from San Bernardino Basin Area,
Colton Basin Area, Riverside Basin in San Bernardino County,
and Riverside Basin in Riverside County for use in
Riverside County

General Statement	V-1
Summary of Extractions used in Riverside County	V-1

APPENDIX "A"

Diagram A - Flow Diagram Used for Checking Tables No. 25 and No. 26 of Riverside Highland Water Company and a Step Procedure of Distributing Water Production and Delivery for Years 1959 to 1963	A-1
Diagram B - Flow Diagram Used for Checking Tables No. 30 and No. 31 of Riverside Highland Water Company and a Step Procedure of Distributing Water Production and Delivery 1959 to the Present	A-9

TABLE NO. 10

City of Riverside Irrigation Division, Production Delivered to Former Riverside Water Company Canal and Distribution of Production Delivered to So. Calif. Edison Co. Highgrove Power Plant I-32

TABLE NO. 11

City of Riverside Domestic & Irrigation Divisions, Water Production & Deliveries from Colton Basin - Water Production from Colton Ground Water Basin in San Bernardino County and Deliveries of Production made North of the County Line in San Bernardino County and South of the County Line in Riverside County I-34

TABLE NO. 12

City of Riverside Domestic & Irrigation Divisions, Water Production & Deliveries from Portion Riverside Basin - Water Production from that Portion of the Riverside Ground Water Basin Situated North of the County Line in San Bernardino County and Deliveries of Production made North of the County Line in San Bernardino County and South of the County Line in Riverside County I-36

TABLE NO. 13

City of Riverside Water Production from San Bernardino Basin Area and Deliveries within San Bernardino County and Export to Riverside County for Base Period 1959-1963 and Subsequent Years I-38

TABLE NO. 14

City of Riverside and University of California Extractions from Bunker Hill Basin in San Bernardino Basin Area . . . I-40

TABLE NO. 15

The Gage Canal Company Water Production from Bunker Hill Basin, Riverside Basin in San Bernardino County and Riverside Basin in Riverside County I-44

TABLE NO. 16

The Gage Canal Company Water Production from Bunker Hill Basin Delivered in San Bernardino County & in Riverside County to East Riverside Water Company I-47

TABLE NO. 17

The Gage Canal Company Water Production from Bunker Hill and Riverside Basins Situated in San Bernardino County with Deliveries made in San Bernardino County & Exports to Riverside County I-49

TABLE NO. 18

Gage Canal Water Production from San Bernardino Basin Area and Deliveries within San Bernardino County and Exports to Riverside County for Base Period 1959-1963 and Subsequent Years I-51

TABLE NO. 19

Riverside Highland Water Company Water Production from Lytle and Bunker Hill Basins in San Bernardino Basin Area I-58

TABLE NO. 20

Riverside Highland Water Co. Water Production from Colton Basin . . . I-60

TABLE NO. 21

Riverside Highland Water Co. Water Production from
Riverside Basin in San Bernardino and Riverside Counties I-62

TABLE NO. 22

Riverside Highland Water Company Water Supply from other Companies
and Riverside Highland Co. Production I-64

TABLE NO. 23

Riverside Highland Water Company Percentages
Domestic and Irrigation Use I-66

TABLE NO. 24

Riverside Highland Water Company Water Production from
Bunker Hill, Colton, and Riverside Basins in San Bernardino
and Riverside Counties and the Delivery of the Production
in San Bernardino and Riverside Counties I-67

TABLE NO. 25

Riverside Highland Water Company Water Production from
Lytle, Bunker Hill, Colton & Riverside Basins in San Bernardino
and Riverside Counties and the Delivery of the Production in
San Bernardino and Riverside Counties I-68

TABLE NO. 26

Riverside Highland Water Company Water Production from Lytle,
Bunker Hill, Colton & Riverside Basins in San Bernardino and
Riverside Counties and the Delivery of the Production in
San Bernardino and Riverside Counties I-71

TABLE NO. 27

Total Production by Riverside Highland Water Company
from the San Bernardino Basin Area (Includes Lytle and
Bunker Hill Basins) as Delivered in San Bernardino and
Riverside Counties I-72

TABLE NO. 28

Riverside Highland Water Company Irrigation and Domestic
Deliveries and Production Required in Riverside &
San Bernardino Counties I-73

TABLE NO. 29

Riverside Highland Water Company Water Production Shown on
Recordation Filing Delivered for Irrigation and Domestic Uses
within Both Riverside and San Bernardino Counties I-75

TABLE NO. 30

Riverside Highland Water Company Water Production from Lytle,
Bunker Hill, Colton & Riverside Basins in San Bernardino and
Riverside Counties and the Delivery of the Production in
San Bernardino and Riverside Counties I-77

TABLE NO. 31

Riverside Highland Water Company Water Production from Lytle,
Bunker Hill, Colton & Riverside Basins in San Bernardino and
Riverside Counties and the Delivery of the Production in
San Bernardino and Riverside Counties I-83

TABLE NO. 31-A

Total Production by Riverside Highland Water Company from the San Bernardino Basin Area (Includes Lytle and Bunker Hill Basins) as Delivered in San Bernardino and Riverside Counties I-85

TABLE NO. 31-B

Total Production by Riverside Highland Water Company from the San Bernardino Basin Area (Includes Lytle and Bunker Hill Basins) as Delivered in San Bernardino and Riverside Counties I-87

TABLE NO. 32

Meeks & Daley Water Company and Agua Mansa Water Company Water Production from the San Bernardino Basin Area and the Colton Basin Area I-91

TABLE NO. 33

Meeks & Daley Water Company and Agua Mansa Water Company Water Production from the San Bernardino Basin Area and the Colton Basin Area Delivered in San Bernardino County and Exported to Riverside County I-94

TABLE NO. 34

Meeks & Daley Water Company Water Production from San Bernardino Basin Area and Deliveries within San Bernardino County and Export to Riverside County I-96

TABLE NO. 35

University of California Water Production from Bunker Hill Basin in the San Bernardino Basin Area and Export to Riverside County . . . I-100

TABLE NO. 36

University of California Water Production from San Bernardino Basin Area and Export to Riverside County I-102

TABLE NO. 36-A

Extractions by Plaintiffs from the San Bernardino Basin Area for Average of Five-Year Period Ending with 1963, 1968, 1975, and Calendar Years 1969 and 1970. I-105

TABLE NO. 36-B

Total Plaintiff Extractions from San Bernardino Basin Area I-109

TABLE NO. 36-C

Plaintiff Extractions from San Bernardino Basin Area Deliveries in San Bernardino Basin Area I-111

TABLE NO. 36-D

Plaintiff Extractions from San Bernardino Basin Area Deliveries in Colton & Riverside Basins in San Bernardino County. . . I-113

TABLE NO. 36-E

Plaintiff Extractions from San Bernardino Basin Area Deliveries Outside San Bernardino Valley I-115

TABLE NO. 37

Riverside Entities Production and Delivery from Colton Basin
Area for Use within San Bernardino County and Riverside County . . . II-4

TABLE NO. 38

San Bernardino Entities Production from Colton Basin
Area for Use within San Bernardino County II-7

TABLE NO. 38-A

Colton Basin Extractions by Riverside Entities and Place of Use . . II-9

TABLE NO. 39

Verified Extractions from Colton Basin Area by San Bernardino
and Riverside County Entities for Use within Each County II-11

TABLE NO. 39-A

Ground Water Extractions by Riverside Entities from Colton
Basin Area for Use in Riverside & San Bernardino Counties
During the 5-Year Base Period 1959 through 1963 and
Calendar Years 1964 through 1970, Sheets 1, 2 and 3,
and Calendar Years 1971-75, Sheet 4 II-13

TABLE NO. 40

Riverside Cement Company, Division American Cement Corp.
Water Production from Riverside Ground Water Basin
Situated within San Bernardino County. III-7

TABLE NO. 41

Riverside Cement Company, Division of American Cement Corp.
Water Production from Riverside Ground Water Basin within
San Bernardino County for Period 1959-70 and Production
Delivered in Riverside and San Bernardino Counties. Also
shown is the Average Annual Production and Deliveries made
within Each County for the Five-Year Base Period Ending in
1963, Sheet 1, and Calendar Years 1971-1980, Sheet 2 III-9

TABLE NO. 42

City of Riverside Irrigation and Domestic Divisions
Water Production from Riverside Ground Water Basin within
San Bernardino County for Period 1959-70 and Production
Delivered in Riverside and San Bernardino Counties. Also
shown is the Average Annual Production and Deliveries made
within Each County for the Five-Year Base Period Ending in
1963 (Excluding Gage Canal), Sheet 1, and
Calendar Years 1971-1980, Sheet 2 III-11

TABLE NO. 43

City of Riverside Irrigation & Domestic Divisions, Gage Canal
Company, Water Production from Riverside Ground Water Basin
within San Bernardino County for Period 1959-70 and Production
Delivered in Riverside and San Bernardino Counties. Also shown
is the Average Annual Production and Deliveries made within Each
County for the Five-Year Base Period Ending in 1963, Sheet 1,
and Calendar Years 1971-80, Sheet 2 III-13

TABLE NO. 44

Inter County Water Company Water Production from Riverside Ground Water Basin within San Bernardino County for Period 1947-1970 and Production Delivered in Riverside and San Bernardino Counties. Also shown is the Average Annual Production and Deliveries made within Each County for the Five-Year Base Period Ending in 1963, Sheet 1, and Calendar Years 1971-80, Sheet 2 III-15

TABLE NO. 45

Jurupa Water Company Water Production from Riverside Ground Water Basin within San Bernardino County for Period 1947-70 and Production Delivered in Riverside and San Bernardino Counties. Also shown is the Average Annual Production and Deliveries made within Each County for the Five-Year Base Period Ending in 1963, Sheet 1, and Calendar Years 1971-80, Sheet 2 III-17

TABLE NO. 46

La Sierra Water Company Water Production from Colton Basin and that Part of Riverside Basin Located within San Bernardino County . . III-19

TABLE NO. 47

La Sierra Water Company Water Production from Colton and Riverside Basin Situated within San Bernardino County with Deliveries in San Bernardino County and Exports to Riverside County III-21

TABLE NO. 48

La Sierra Water Co. Water Production from Riverside Ground Water Basin within San Bernardino County for Period 1959-70 and Production Delivered in Riverside and San Bernardino Counties. Also shown is the Average Annual Production and Deliveries made within Each County for the Five-Year Base Period Ending in 1963, Sheet 1, and Calendar Years 1971-80, Sheet 2 III-23

TABLE NO. 49

Riverside Highland Water Company Water Production from Riverside Ground Water Basin within San Bernardino County for Period 1959-70 and Production Delivered in Riverside and San Bernardino Counties. Also shown is the Average Annual Production and Deliveries made within Each County for the Five-Year Base Period Ending in 1963, Sheet 1, and Calendar Years 1971-80, Sheet 2 III-25

TABLE NO. 50

Temescal Water Co. Water Production from Riverside Ground Water Basin within San Bernardino County for Period 1947-70 and Production Delivered in Riverside and San Bernardino Counties. Also shown is the Average Annual Production and Deliveries made within Each County for the Five-Year Base Period Ending in 1963, Sheet 1, and Calendar Years 1971-80, Sheet 2 III-27

TABLE NO. 51

West Riverside 350 Inch Water Company Water Production from Riverside Ground Water Basin within San Bernardino County for Period 1959-70 and Production Delivered in Riverside and San Bernardino Counties. Also shown is the Average Annual Production and Deliveries made within Each County for the Five-Year Base Period Ending in 1963, Sheets 1 and 2, and Calendar Years 1971-80, Sheet 3 III-29

TABLE NO. 52

Ground Water Production from that Part of the Riverside Ground Water Basin Situated within San Bernardino County, a Part of which is Used in San Bernardino County and the Remainder Exported to Riverside County during the Five-Year Base Period Ending in 1963, Sheet 1, and Calendar Years 1964-1970, Sheet 2, and Calendar Years 1971-1975, Sheet 3 III-32

TABLE NO. 52-A

Ground Water Production from that Part of the Riverside Ground Water Basin Situated within San Bernardino County, a Part of which is Used in San Bernardino County and the Remainder Exported to Riverside County during the 5-Year Base Period Ending in 1963 and for Following Calendar Years 1964 through 1970, Sheets 1, 2 and 3, and Calendar Years 1971 through 1975, Sheet 4 III-35

TABLE NO. 53

San Bernardino Entities Production from Riverside Basin Area within San Bernardino County for Calendar Years 1959 through 1963 & 1970 for Use within San Bernardino County, Sheet 1, and Calendar Years 1971-1980, Sheet 2 III-39

TABLE NO. 54

Total Verified Extractions from that Portion of the Riverside Basin Situated in San Bernardino County for the Average Five-Year Period Ending in 1963 and Calendar Year 1970 by San Bernardino and Riverside County Entities for Use within Each County, Sheet 1, and Calendar Years 1971-1975, Sheet 2 III-41

TABLE NO. 55

Total Verified Extractions by Riverside Entities from Riverside Basin Area within Riverside County for Use within Riverside County IV-2

TABLE NO. 56

Total Verified Extractions by Riverside Entities from the Riverside Basin Area within Riverside County for Use within Riverside County . IV-11

TABLE NO. 57

Summary of Extractions from San Bernardino Basin Area, Colton Basin Area, Riverside Basin Area in San Bernardino County, and Riverside Basin Area in Riverside County for Use in Riverside County V-2

VOLUME 5

INTRODUCTION

DISTRIBUTION OF EXTRACTIONSINTRODUCTION

The settlement of the case of Orange County Water District, Plaintiff, vs. City of Chino, et al, Defendants, being Case No. 117628 in the Superior Court of the State of California in and for the County of Orange necessitated a settlement of the case of Western Municipal Water District of Riverside County, et al, vs. East San Bernardino County Water District, et al, which was settled by Stipulated Judgment in Case No. 78426, entered in the Superior Court of the State of California in and for the County of Riverside on April 17, 1969.

The Judgment in this latter case provided for the appointment of a Watermaster consisting of a committee of two persons, one nominated by the San Bernardino Valley Municipal Water District (SBVMWD) and the other by Western Municipal Water District of Riverside County (WMWD). The Judgment requires the Watermaster to verify the extractions from the Colton Basin Area and the Riverside Basin Area in San Bernardino County for the five calendar year period ending with 1963, and to determine the portion thereof used outside San Bernardino Valley Municipal Water District.

The extractions by Plaintiffs from the San Bernardino Basin Area and the distribution of same to the respective service areas for the five calendar years ending with 1963 are set forth in Table B-1 of Appendix "B" of the Judgment. These amounts are fixed by the Judgment and do not require verification. Administration of the Judgment provisions from and after January 1, 1971 will require an annual accounting of the extractions from each Basin Area and a determination as to the portions thereof delivered to each service area.

This volume sets forth the distribution of the verified extractions from the Colton and Riverside Basin Areas for the five calendar years ending with 1963 and the determination and distribution of the Plaintiff's extractions from the San Bernardino Basin Area set forth in Table B-1 of the Judgment. Comparable determinations have been made for the years subsequent to 1963 and are included in this volume for the information of the Parties and the Court. These determinations are set forth in Chapters I through V of this Volume, which are briefly described as follows:

CHAPTER I

The Tabulation of Extractions by Plaintiffs from the San Bernardino Basin Area for the average of the five calendar year period ending with 1963, as said Extractions are outlined in Paragraph V(a) of the Judgment and as set forth in Table B-1 of Appendix "B". (Verification not required.)

CHAPTER II

The Verification of the Average Annual Extractions from Colton Basin Area for the five calendar year period ending with 1963 by San Bernardino and Riverside County Entities for use within each County, as set forth in Paragraph VII(a) of the Judgment and assumed to be as shown in Table D-2 of Appendix "D".

CHAPTER III

The Verification of the Average Annual Extractions from Riverside Basin Area in San Bernardino County for the five calendar year period ending with 1963 by San Bernardino and Riverside County Entities for use within each County, as set forth in Paragraph VIII(a) of the Judgment assumed to be as shown in Table D-3 of Appendix "D".

CHAPTER IV

The Verification of the Average Annual Extractions from that portion of the Riverside Basin Area in Riverside County which is tributary to the Riverside Narrows for use in Riverside County for the five calendar year period ending with 1963 as set forth in Paragraph IX(a) of the Judgment.

CHAPTER V

Summary of Extractions from San Bernardino Basin Area, Colton Basin Area, Riverside Basin Area in San Bernardino County, and Riverside Basin Area in Riverside County for use in Riverside County.

Complications resulting in part from commingled water supplies have required the compilation of many tables. Descriptions of these tables, together with the water service organizations involved, are set forth in each chapter. Summary tables at the end of each chapter show the verified extractions for each year of the five calendar year period ending with 1963, together with the five year annual average. The annual extractions for the years 1964 through 1970 have been included for illustrative and planning purposes only. The Judgment requires an annual accounting which becomes effective on and after 1971, and therefore the verified extractions from 1971 to the present have also been included in this volume.

C H A P T E R I

E X T R A C T I O N S B Y P L A I N T I F F S

F R O M

S A N B E R N A R D I N O B A S I N A R E A

CHAPTER I
EXTRACTIONS BY PLAINTIFFS
FROM SAN BERNARDINO BASIN AREA

GENERAL STATEMENT

The judgment in Paragraph V(a), Page 10, states:

"The average annual extractions from the San Bernardino Basin Area delivered for use in each service area by each Plaintiff for the five-year period ending with 1963 are hereby determined to be as set forth in Table B-1 of Appendix "B". The amount for each such Plaintiff delivered for use in each service area as set forth in Table B-1 shall be designated for purposes of this Judgment, as its 'base right' for such service area."

Thus the Judgment clearly indicates that the extractions as set forth in Table B-1 are determined to be the average extractions made by the Plaintiffs for the five-year period ending with 1963 and, therefore, do not require verification.

Extractions as compiled and shown in Table B-1 have been used in part in the compilations required in the verifications presented in Chapters II, III, and IV.

The Plaintiffs named in Table B-1 are separated as follows for reasons of compilation of extractions.

1. City of Riverside
Irrigation and Domestic Divisions
2. The Gage Canal Company
3. Riverside Highland Water Company
4. Meeks & Daley Water Company
5. The Regents of the University of California

The five Plaintiffs are the owners of extensive production and distribution facilities sometimes subject to joint use. A description of the facilities is included in this chapter, with tabulations of their extractions and their places of use.

For reference purposes, Table B-1 of Appendix "B" follows.

APPENDIX B

TABLE B-1

EXTRACTIONS BY PLAINTIFFS FROM THE SAN
BERNARDINO BASIN AREA FOR AVERAGE OF 5-YEAR
PERIOD ENDING WITH 1963
(All Values in Acre Feet)

Classified According to Service Area

<u>Plaintiff</u>	<u>Total Extractions in San Bernardino Basin Area</u>	<u>Delivery to San Bernardino Basin Area</u>	<u>Delivery to Colton Basin Area & Riverside Basin Area in San Bernardino County</u>	<u>Delivery to Areas Outside San Bernardino Valley</u>
City of Riverside (including those rights acquired as successor to the Riverside Water Co., and The Gage Canal Company)	53,448	1,462	1,260	50,726
Riverside Highland Water Company	4,399	0	2,509	1,890
Agua Mansa Water Co., and Meeks & Daley Water Company	8,026	0	326	7,700
The Regents of the University of California	<u>581</u>	<u>0</u>	<u>0</u>	<u>581</u>
TOTAL	66,454	1,462	4,095	60,897

CITY OF RIVERSIDE

IRRIGATION AND DOMESTIC

DIVISIONS

CITY OF RIVERSIDE

In November of 1869, colonization began in the area now known as Riverside. Efforts of several organizations met with failure until the formation of the Riverside Land and Irrigating Company in the year of 1875. This company merged interests of several former organizations to form the Riverside Canal Company, which delivered irrigation water to those lands whose owners acquired stock in the Canal Company. All irrigable lands were not eligible to receive water, which resulted in further disagreements which were settled by the formation of the Riverside Water Company in the year 1885. This company acquired the canals, pipelines, water rights and other physical properties and assets of its predecessors, issued stock to irrigable lands and began the delivery of water for irrigation.

During the period from the beginning of colonization in 1869, until the final formation of the Riverside Water Company in 1885, an area of some size was colonized. This area was in need of water for domestic purposes and city services for waste disposal, and road maintenance.

This led to the formation of the City of Riverside, the boundary of which encompassed a small section of the Riverside Water Company service area.

The Riverside Water Company organized a domestic water division and began the delivery of water for household use to inhabitants of the City of Riverside. In about the year 1914, the City of Riverside acquired the domestic water system, together with certain water rights which were owned by the Riverside Water Company. The Riverside Water Company continued the delivery of irrigation water to lands both within and without the City of Riverside. The growth of the City of Riverside continued until, in about the year 1961, the City of Riverside acquired the remaining holdings of the Riverside Water Company.

The City of Riverside extracts water from the Bunker Hill Basin, the Colton Basin, the Riverside Basin in San Bernardino County, and the Riverside Basin in Riverside County. The extractions from the Bunker Hill Basin made by the Domestic and Irrigation Divisions (including former Riverside Water Company) for the period 1947 to the present are shown on Table no. 1, consisting of six sheets.

This table shows the local designation of each well from which water is extracted, the state well number, and the recordation number of the well assigned by the State Water Rights Board. Sheets 1, 2 and 3 cover the extractions from wells formerly owned by the Riverside Water Company, while Sheets 4, 5 and 6 cover the extractions from wells owned by the City of Riverside Domestic

Division.

Also shown are deliveries which have been made to the City by other companies extracting water from the Bunker Hill Basin. The total annual production from the Bunker Hill Basin from City-owned wells is shown on Sheets 4, 5 and 6 of Table No. 1, together with the total water available for distribution, which includes water delivered by other companies.

The extractions from the Colton Basin, the Riverside Basin in San Bernardino County, and the Riverside Basin in Riverside County by the City of Riverside for the period 1947 to the present are shown on Table No. 2, consisting of six sheets.

The City of Riverside, after the acquisition of the remaining rights of the Riverside Water Company, has continued the policy of acquisition of mutual water companies and in 1965 acquired the rights of the Gage Canal Company and its entire system, which is now operated by the Gage Canal Company under contract with the City of Riverside. The City has continued the policy of acquisition of mutual water companies which have been made unnecessary by continued urbanization. The Twin Buttes Water Company, a mutual, has been recently acquired by the City of Riverside and the groundwater extractions of this company have been credited to the City of Riverside on Table No. 2. Additionally, the City of Riverside has acquired ranch land, notably the Pellissier and Williams Ranches, upon which are located individual wells. Water extractions from the wells on Pellissier Ranch represent an overlying extraction for use on City-owned lands. The extraction from the well located on the Williams Ranch has been used in part for delivery to the Trujillo Water Company. Its production is shown on Table No. 2. The production from the Williams well is also shown upon Table No. 6, which shows the total production from the well situated in San Bernardino County and that portion of the production used for delivery to the Trujillo Water Company, part of which was delivered in San Bernardino County and part in Riverside County, together with total delivery. The portion of the production delivered for overlying use on the Williams Ranch in San Bernardino County is also shown. As a result of the acquisition of the entire Riverside Water Company, the City became responsible for all liabilities of the original Riverside Water Company.

The City of Riverside Domestic and Irrigation Division delivered water produced in the Bunker Hill, Colton and Riverside Basins in San Bernardino County through the period 1947 to the present, in the location and amounts shown on Table No. 3. Of the deliveries shown on Table No. 3, the deliveries to the Riverside Highland Water Company, Salazar Water Company, Trujillo Water Company and Jurupa ditch are being made in satisfaction of prior rights awarded in prior litigation, which will

be later described. The delivery to Southern California Edison Company Highgrove Power Plant is made as a result of earlier contracts made between the power company and the Riverside Water Company. The production shown from the Pellissier Ranch is a result of pumping for an overlying right by a ranch purchased and owned by the City of Riverside while the production from Williams Ranch, which had been previously described, has been used in part for overlying use upon the ranch and in part for the satisfaction of the Trujillo Water Company. The delivery to the City of San Bernardino was made as an aid to the City for a two year period during which said City was short of water. A more detailed description of the deliveries and production shown on Table No. 3 appears in the following paragraphs with additional supporting tables and explanations.

About the turn of the century, when the original Riverside Water Company was in the early formative stages and was acquiring water rights, the Company became involved in litigation concerning the acquisition of these water rights. At this time, the water rights were largely confined to surface water diversion. The Riverside Water Company diverted the entire flow of Warm Creek, one of the major tributaries of the Santa Ana River. This diminished the supply of water available to the Salazar ditch, the Trujillo ditch, and the Jurupa ditch, all of which relied upon the River for the supply. The results of the litigation resulted in prior rights being awarded to these three ditches in the amount of a continuous flow of 75 miners inches, Salazar ditch, a continuous flow of 100 miners inches, Trujillo ditch, and a continuous flow of 300 miners inches, Jurupa ditch. The deliveries to these ditches, required by court decree, and place of use are described as follows:

TRUJILLO DITCH

The service area of the Trujillo Water Company is bisected by the boundary line between Riverside and San Bernardino Counties, with the result that water from the Trujillo Water Company system is delivered in both counties. The Trujillo Water Company allocates the full flow of 100 miners inches to each stockholder in turn for the number of hours to which each individual stockholder is entitled. Deliveries are made on the basis of an 11-day cycle, which is equal to 264 hours, with each stockholder receiving the full flow of the ditch for his number of hours entitlement once each 11 days.

During the period of interest, which is from 1947 to the present, the water delivered to the Trujillo Water Company has been produced from several sources and delivered in several different ways, which are described as follows:

During the period 1947 through a portion of the year of 1952, the delivery was effected through a pipeline from the Riverside Water Company Canal to the Trujillo

service area. The water from the canal was a commingled supply from production in the Bunker Hill, Colton, and Riverside Groundwater Basins. The required flow of 100 miners inches was delivered from the canal throughout the irrigation season, and the amount delivered was computed by the rate of flow delivered for the length of the irrigating season.

During the year of 1952, the Riverside Water Company acquired property known as the Williams Ranch, which was supplied with water from a well located upon the ranch (Recordation Filing 3601488, State Well No. 2S/5W-1Q1). The well is located in San Bernardino County. After the acquisition of the well and ranch, water was secured from the Williams well in sufficient quantities to provide water for ordinary farming purposes on the Williams Ranch and to supply such water as was required by Trujillo Water Company Shareholders to service the Trujillo Water Company Right, which was diminished periodically. After March of 1965, no Trujillo water was delivered in San Bernardino County, and in 1966 production from the Williams well for service of the Trujillo Right ceased, and the Trujillo Right was serviced from the Garner well owned by the City of Riverside (Recordation Filing 3301075, State Well No. 2S/5W-12B1), which also produces from the Riverside Groundwater Basin, but from a location south of the Riverside-San Bernardino County line in Riverside County.

The total delivery made to the Trujillo Water Company and the portion thereof delivered in Riverside and San Bernardino Counties has been computed and is shown on Table No. 4 entitled "City of Riverside Water Deliveries to Trujillo Water Company in San Bernardino and Riverside Counties."

Table No. 5 has been prepared, covering the period 1947 through 1952, showing the total amount of the commingled supply in the canal from the Bunker Hill, Colton, and Riverside Groundwater Basins, the percentage received from each basin, and the allocation of the Bunker Hill Basin, Colton Basin, and Riverside Basin waters delivered in San Bernardino County and in Riverside County. For the period 1952 through 1965, deliveries were made from the Williams well, as shown on Table No. 6. For the years 1966 to the present, deliveries were made from the Garner well in Riverside County, as shown on Table No. 4. Therefore, Tables No. 5, No. 6 and No. 7 no longer require updating after the year 1965. In 1968, the Williams well and Ranch was sold to others. The City of Riverside retained the water rights.

A summary of the allocation of deliveries made to Trujillo Water Company from the commingled supply from Bunker Hill Basin, Colton Basin, and Riverside Basin in San Bernardino County, and the deliveries in each county, which is a summary of Tables No. 5 and No. 6, appears on Table No. 7.

JURUPA DITCH COMPANY

As the result of early-day operations of the Riverside Water Company, this company incurred the responsibility of furnishing the Jurupa Ditch Company with a continuous flow of 300 miners inches of water delivered at the head of the ditch during such times as this quantity of water was not available for diversion by the Jurupa Ditch Company from the Santa Ana River.

As the successor in interest to the Riverside Water Company, it is now the obligation of the City of Riverside to furnish the water required by the Jurupa Ditch Company. This water is furnished from a group of wells situated on property located in San Bernardino County, now owned by the City. The total extractions from the Jurupa Wells, and the amount delivered for overlying use in San Bernardino County, and that exported to Riverside County, are shown on Table No. 8.

SALAZAR WATER COMPANY

As the result of early-day operations of the Riverside Water Company, the City of Riverside has incurred the responsibility of furnishing water to the Salazar Water Company through the West Riverside Canal. The analysis of the deliveries to the Salazar Water Company is shown on Table No. 9. The City of Riverside recently (March 1976) acquired ownership of Salazar Water Company.

SOUTHERN CALIFORNIA EDISON COMPANY HIGHGROVE POWER PLANT

The City of Riverside has delivered water to the Southern California Edison Company Highgrove Power Plant from the Riverside Canal. The analysis of the makeup of the water in the Riverside Canal from the various sources of supply at this point of delivery is shown on Table No. 10, which also shows the sources and amounts delivered to the Power Plant.

The extractions by the City of Riverside from the Colton Basin are summarized on Table No. 11. This table shows the deliveries in San Bernardino County and exports to Riverside County.

The extractions by the City of Riverside from the Riverside Basin in San Bernardino County are summarized on Table No. 12. This table shows the deliveries in San Bernardino County and the exports to Riverside County.

Table No. 13 shows the production of the City of Riverside from the San Bernardino Basin Area, the deliveries within the area, the production available for export, deliveries in the Colton Basin and that part of the Riverside Basin in San Bernardino County, and the total production from San Bernardino Basin Area exported to Riverside County.

The City of Riverside is the owner and operator of six wells, known as the Hunt Wells, and the University of California is entitled to a portion of the

water extracted from these wells.

The original recordation filings were filed by the City of Riverside for the period 1947 through 1964. These original filings showed the total production from each well and the amounts received by the City and the University.

Predicated upon these original recordation filings, Table B-1 of Appendix "B", attached to the WMWD vs. ESBCWD, et al, Judgment No. 78426, was compiled. Subsequent to the preparation of Table B-1, amended filings were made by the City of Riverside showing the amounts of water extracted from each well and the part thereof delivered to the City and the University for the period 1947 through 1964. In several of these years, the amended filings differed from the original filings, and Table No. 14 has been prepared to show the differences between the amended and the original filings.

Reference to this table will show that for the base period 1959 through 1963, the total extractions from the Hunt Wells for delivery to both the City and the University is the same under the amended and original filings. There is, however, a difference of 31 acre feet annually during the five-year period which has been added to the City extractions and deducted from the University extractions. Since the total base period annual amount remains the same, this should cause no concern in the correctness of Table B-1, since it represents merely a shift in the water extractions between the City and the University, with no increase or decrease in the total.

As a matter of information, the filings made by the City of Riverside since the year of 1964 show only the quantities extracted from the Hunt Wells by the City, and the City, as the owner and operator of the wells, advised the University monthly of the total quantities of water taken from the Hunt Wells and the amounts credited to the City and to the University. Copies of these letters for the years 1965 to the present are filed with the recordation filings made by the City.

TABLE NO. 1
CITY OF RIVERSIDE WATER PRODUCTION
BEECHER HILL BASIN
DOMESTIC & IRRIGATION DIVISIONS INCLUDING FORMER RIVERSIDE WATER CO.
IN SAN BERNARDINO BASIN AREA

Line No.	Local Designation	State Well Number	Recordation Number	Acres Feet													
				1947	1948	1949	1950	1951	1952	1953	1954	1955	1956	1957			
1	Rec. filling	1S-4W-1B3	3601457	259	235	61	28	-	-	-	-	-	-	-	-	-	0
2		1S-4W-1B2	3601458	212	252	-	-	-	-	-	-	-	-	-	-	-	0
3		1S-4W-1B	3601459	213	201	61	20	-	-	-	-	-	-	-	-	-	0
4		1S-4W-1B	3601460	213	201	61	20	-	-	-	-	-	-	-	-	-	0
5		1S-4W-1B	3601461	213	201	61	20	-	-	-	-	-	-	-	-	-	0
6		1S-4W-1B1	3601462	815	813	415	230	88	4	14	-	-	-	-	-	16	
7		1S-4W-2A3	3601463	-	-	-	836	2,050	890	1,709	57	700	864	809	-	0	
8		1S-4W-2L7	3601469	540	576	370	288	73	15	31	-	-	-	-	-	0	
9		1S-4W-2P	3601464	777	692	350	314	135	28	71	-	-	-	-	-	0	
10		1S-4W-2Q3	3601465	777	692	350	314	135	28	71	-	-	-	-	-	0	
11		1S-4W-2Q7	3601466	777	692	350	314	135	28	71	-	-	-	-	-	0	
12		1S-4W-2Q6	3601467	777	692	350	314	135	28	71	-	-	-	-	-	0	
13		1S-4W-2P1	3601468	-	-	-	-	-	-	-	1,613	1,233	1,333	2,005	1,445	0	
14		1S-4W-2ZA1	3601469	-	-	-	-	-	-	-	31	-	-	-	-	0	
15		1S-4W-2ZC1	3601016	571	729	985	993	1,128	815	1,141	945	1,074	1,001	883	100	0	
16		1S-4W-2ZG15	3601470	-	-	-	-	-	-	-	815	945	1,074	1,001	883	100	
17		1S-4W-2ZG14	3601471	558	0	405	2,168	2,181	1,264	1,769	1,381	1,543	1,373	956	-	0	
18		1S-4W-2ZG11	3601472	-	-	-	121	412	229	309	250	211	195	102	-	0	
19		1S-4W-2ZG16	3601473	-	-	-	-	330	601	779	456	518	551	484	-	0	
20		1S-4W-2ZG18	3601474	-	-	-	-	284	490	684	493	516	570	496	-	0	
21		1S-4W-2ZG17	3601475	-	-	-	-	290	525	701	528	490	505	378	-	0	
22		1S-4W-2ZG19	3601476	-	-	-	-	322	556	775	582	423	660	461	-	0	
23		1S-4W-2Z8	3601477	-	-	-	-	404	404	763	611	635	605	453	-	0	
24		1S-4W-2Z83	3601478	-	-	-	-	-	-	328	455	511	574	365	-	0	
25		1S-4W-2Z85	3601479	-	-	-	-	-	-	328	455	511	574	365	-	0	
26		1S-4W-2Z87	3601470	-	-	-	-	-	-	328	455	511	574	365	-	0	
27		Warm Creek Rising Water	3601496	14,038	12,374	7,368	5,071	2,476	1,774	1,180	1,353	15	0	0	-	0	
28																	
29																	
30	Sub Total			20,740	18,350	11,187	11,206	10,314	7,710	12,408	8,799	8,500	9,624	7,363			

TABLE NO. 1

CITY OF RIVERSIDE WATER PRODUCTION
 BUNKER HILL BASIN
 DOMESTIC & IRRIGATION DIVISIONS INCLUDING FORMER RIVERSIDE WATER CO.
 IN SAN BERNARDINO BASIN AREA

Line No.	Local Designation	State Well Number	Recordation Number	Acre Feet														
				1958	1959	1960	1961	1962	1963	1964	1965	1966	1967	1968	1969	1970		
1	Rec. filling	IS-4W-1B3	3601457	0	0	0	0	0	0	0	0	0	0	0	0	0	0	0
2		IS-4W-1B2	3601458	0	0	0	0	0	0	0	0	0	0	0	0	0	0	0
3		IS-4W-1B	3601459	0	0	0	0	0	0	0	0	0	0	0	0	0	0	0
4		IS-4W-1B	3601460	0	0	0	0	0	0	0	0	0	0	0	0	0	0	0
5		IS-4W-1B	3601461	0	0	0	0	0	0	0	0	0	0	0	0	0	0	0
6		IS-4W-1E1	3601462	3	887	1,043	1,428	1,088	1,004	1,317	1,532	1,780	1,679	1,634	1,666	1,788		
7		IS-4W-2A3	3601463	1,812	1,808	1,070	1,486	1,354	1,220	1,000	864	1,069	996	964	1,321	1,638		
8		IS-4W-2L7	3601489	0	0	410	830	758	789	759	778	792	720	607	406	205		
9		IS-4W-2F6	3601464	0	613	1,379	1,390	988	989	862	778	761	714	737	610	566		
10		IS-4W-2Q3	3601465	0	312	527	884	811	546	563	457	579	563	526	420	518		
11		IS-4W-2O7	3601466	0	0	0	0	0	0	0	0	0	0	0	0	0	0	0
12		IS-4W-2Q6	3601467	0	373	595	967	957	986	1,012	771	722	675	687	574	652		
13		IS-4W-2P1	3601468	1,951	1,822	1,853	1,323	978	912	1,737	2,252	2,124	1,828	2,050	1,802	1,760		
14		IS-4W-2Z1	3601469	0	0	0	0	0	0	0	0	0	0	0	0	0	0	0
15		IS-4W-2Z1	3601016	700	-	-	-	-	-	-	-	-	-	-	-	-	-	-
16		IS-4W-2ZG15	3601470	198	0	0	0	0	0	0	0	0	0	0	0	0	0	0
17		IS-4W-2ZG14	3601471	1,286	1,264	980	1,225	820	545	376	276	176	505	518	400	294		
18		IS-4W-2ZG11	3601472	119	198	98	48	60	0	0	0	0	0	0	0	0	0	0
19		IS-4W-2ZG16	3601473	386	691	584	343	443	364	277	191	130	93	66	71	-		
20		IS-4W-2ZG18	3601474	460	552	392	326	289	348	237	226	121	89	24	71	-		
21		IS-4W-2ZG17	3601475	474	509	422	316	377	323	207	190	172	88	30	70	-		
22		IS-4W-2ZG19	3601476	577	443	277	236	481	270	213	187	146	343	526	325	137		
23		IS-4W-2ZB	3601477	555	543	332	392	398	298	262	248	124	0	0	0	0	0	0
24		IS-4W-2ZB3	3601478	456	597	367	412	392	322	247	168	145	83	28	0	81		
25		IS-4W-2ZB5	3601479	402	487	317	334	355	259	206	148	130	76	32	0	0	0	0
26		IS-4W-2ZB7	3601470	0	0	476	1,345	1,244	1,471	1,532	1,461	1,251	876	916	728	895		
27		Warm Creek Rising Water	3601496	0	0	0	0	0	0	0	0	0	0	0	0	0	0	0
28																		
29																		
30	Sub Total			9,379	11,299	11,122	13,485	11,793	10,646	10,807	10,527	10,222	9,328	9,372	8,413	8,604		

*Thorn No. 1 well sold to C.E.P. Co., no production by C. of R. Irrig. Division after 1958
 **Thorn #12 replacement well for Thorn #2

TABLE NO. 1
 CITY OF RIVERSIDE WATER PRODUCTION
 BUNKER HILL BASIN
 DOMESTIC & IRRIGATION DIVISIONS INCLUDING FORMER RIVERSIDE WATER CO.
 IN SAN BERNARDINO BASIN AREA
 (Quantities in Acre Feet by Calendar Year)

Line No.	From	Local Designation	State Well Number	Recordation Number	1971	1972	1973	1974	1975	1976	1977	1978	1979	1980	1981	1982
1	Rec. filling	McCrary #1	1S-4W-1B3	3601457	0	0	0	0	0	0	0	0	0	0	0	0
2		McCrary #2	1S-4W-1B2	3601458	0	0	0	0	0	0	0	0	0	0	0	0
3		McCrary #3	1S-4W-1B	3601459	0	0	0	0	0	0	0	0	0	0	0	0
4		McCrary #4	1S-4W-1B	3601460	0	0	0	0	0	0	0	0	0	0	0	0
5		McCrary #5	1S-4W-1B	3601461	0	0	0	0	0	0	0	0	0	0	0	0
6		Poole	1S-4W-1E1	3601462	1,927	1,498	0	0	0	0	0	0	0	0	0	0
7		Stiles	1S-4W-2A3	3601463	1,870	1,401	1,349	1,665	0	0	0	0	0	0	0	0
8		Scheuer	1S-4W-2L7	3601489	568	525	83	527	0	0	0	0	0	0	0	0
9		Garner #1	1S-4W-2P6	3601464	755	566	392	958	0	0	0	0	0	0	0	0
10		Garner #2	1S-4W-2Q3	3601465	669	506	419	359	0	0	0	0	0	0	0	0
11		Garner #3	1S-4W-2Q7	3601466	0	0	0	0	0	0	0	0	0	0	0	0
12		Garner #4	1S-4W-2Q6	3601467	771	460	525	749	0	0	0	0	0	0	0	0
13		Garner #5	1S-4W-2P1	3601468	2,100	2,206	2,411	1,438	0	0	0	0	0	0	0	0
14		Paine Hot	1S-4W-2ZA1	3601469	0	0	0	0	0	0	0	0	0	0	0	0
15		Thorn #1 *	1S-4W-2ZG1	3601016	-	-	-	-	-	-	-	-	-	-	-	-
16		Thorn #2 **	1S-4W-2ZG15	3601470	-	-	-	-	-	-	-	-	-	-	-	-
17		Thorn #3	1S-4W-2ZG14	3601471	502	94	0	0	0	0	0	0	0	0	0	0
18		Thorn #4	1S-4W-2ZG11	3601472	0	0	0	0	0	0	0	0	0	0	0	0
19		Thorn #5	1S-4W-2ZG16	3601473	359	0	0	0	0	0	0	0	0	0	0	0
20		Thorn #6	1S-4W-2ZG18	3601474	0	0	0	0	0	0	0	0	0	0	0	0
21		Thorn #7	1S-4W-2ZG17	3601475	0	0	0	0	0	0	0	0	0	0	0	0
22		Thorn #8	1S-4W-2ZG19	3601476	134	121	0	323	0	0	0	0	0	0	0	0
23		Thorn #9	1S-4W-2ZB	3601477	0	0	0	0	0	0	0	0	0	0	0	0
24		Thorn #10	1S-4W-2ZB3	3601478	0	40	27	47	0	0	0	0	0	0	0	0
25		Thorn #11	1S-4W-2ZB5	3601479	0	0	0	0	0	0	0	0	0	0	0	0
26		Thorn #12 **	1S-4W-2ZB7	3601470	1,162	1,054	502	1,345	0	0	0	0	0	0	0	0
27		Warm Creek Rising Water	1S-4W-21P	3601496	0	0	0	0	0	0	0	0	0	0	0	0
28																
29																
29a																
29b																
29c																
30	Sub Total				10,817	8,471	5,708	7,411								

*Thorn No. 1 well sold to C.E.P. Co., no production by C. of R. Irrig. Division after 1958.
 **Thorn #12 replacement well for Thorn #2.

TABLE NO. 1
CITY OF RIVERSIDE WATER PRODUCTION
BUNKER HILL BASIN
DOMESTIC & IRRIGATION DIVISIONS INCLUDING FORMER RIVERSIDE WATER CO.
IN SAN BERNARDINO BASIN AREA

Line No.	From	Local Designation	State Well Number	Recordation Number	Acres Feet											
					1947	1948	1949	1950	1951	1952	1953	1954	1955	1956	1957	
31	Rec. filling	Cooley #E	IS-4W-2P4	3601220	252	180	108	36	0	0	0	0	0	0	0	0
32		Cooley #C	IS-4W-2P3	3601224	270	278	265	273	202	221	237	266	51	0	0	0
33		Cooley #D	IS-4W-2P2	3601225	270	278	265	273	202	221	237	266	51	0	0	0
34		Cooley #F	IS-4W-2L2	3601226	0	0	0	0	0	0	0	0	0	0	0	0
35		Cooley #G	IS-4W-2N2	3601227	0	0	0	0	0	0	0	0	0	0	0	0
36		Cooley #H	IS-4W-11D2	3601228	1,677	1,725	1,648	1,697	1,261	1,370	1,472	1,654	719	722	958	
37		Cooley #I	IS-4W-11D3	3601229	1,973	2,029	1,939	1,996	1,483	1,613	1,731	1,945	4,019	4,412	3,819	
38		Cooley #A	IS-4W-11D4	3601232	384	396	379	390	290	315	337	379	73	0	0	0
39		Cooley #B	IS-4W-11D1	3601432	311	320	305	314	234	251	273	307	51	0	0	0
40		Raub #1	IS-4W-14P2	3601218	0	0	0	0	0	0	0	0	0	0	0	0
41		Raub #2	IS-4W-23C2	3601219	1,011	942	864	544	184	718	1,272	456	827	1,003	687	
42		Raub #4	IS-4W-23C3	3601238						666	666	1,428	1,294	1,290	941	
43		Raub #3	IS-4W-14F6	3601239						809	809	977	1,067	975	589	
44		Byrne	IS-4W-22R2	3601237	468	516	487	42	550	463	528	99	252	106	421	
45		Warren #3	IS-4W-22H3	3601230	0	0	149	467	657	614	682	203	482	487	466	
46		Warren #2	IS-4W-22H1	3601231	481	639	611	757	754	614	678	646	766	815	718	
47		Warren #1	IS-4W-22H4	3601240	1	0	0	0	18	0	0	32	2,232	2,463	1,132	
48		Warren #4	IS-4W-22H2	3601243	0	0	1,056	1,535	1,338	1,143	1,060	1,004	1,513	2,769	2,516	
49		Hunt #6 *	IS-4W-27A11	3601222	1,009	1,210	1,031	749	1,023	828	734	705	646	415	433	
50		Hunt #8 *	IS-4W-27A7	3601241	0	0	0	0	0	0	0	0	59	0	0	
51		Hunt #9 *	IS-4W-27A8	3601242	1,021	1,211	1,004	816	933	917	379	0	131	265	0	
52		Hunt #10 *	IS-4W-27A9	3601244	0	0	0	0	0	0	0	491	78	1,013	1,350	
53		Hunt #11 *	IS-4W-27A10	3601245	0	0	0	675	917	946	920	537	732	679	413	
54		Stewart #21	IS-4W-27A13	3601233	95	10	3	0	0	0	0	0	0	0	0	
55		Stewart #19	IS-4W-27A19	3601234	41	5	2	0	0	0	0	0	0	0	0	
56		Stewart #20	IS-4W-27H1	3601431	4	4	4	4	4	4	4	4	4	4	4	
57		Sub Total	Lines 31 thru 56		9,268	9,743	10,120	10,568	10,050	10,238	12,019	11,399	15,055	17,418	14,467	
58		SUMMARY BUNKER HILL PRODUCTION														
59		Sub Total	Sheet No. 1	Line 30	20,740	18,350	11,187	11,206	10,314	7,710	12,408	8,799	8,500	9,624	7,363	
60		Sub Total	Sheet No. 4	Line 57	9,268	9,743	10,120	10,568	10,050	10,238	12,019	11,399	15,055	17,418	14,467	
61		Total Production Bunker Hill		30,008	28,093	21,307	21,774	20,364	20,364	17,949	24,427	20,198	23,555	27,042	21,830	
62		ADDITIONAL DELIVERIES FROM OTHER COMPANIES														
63		Meeks & Daley	Sta. 59		0	0	0	0	0	0	0	0	0	0	0	
64		Gas Canal Co.	30-1		0	0	0	0	0	0	0	0	0	688	765	
65		Total Lines 61-63 & 64		30,008	28,093	21,307	21,774	20,364	20,364	17,949	24,427	20,198	23,555	27,730	21,595	

*Extractions from Hunt #6, 8, 9, 10, & 11 by City of Riverside only - Univ. California production from these wells reported under the Regents of the University of California section of this report.

TABLE NO. 1

CITY OF RIVERSIDE WATER PRODUCTION
BUNKER HILL BASIN
DOMESTIC & IRRIGATION DIVISIONS INCLUDING FORMER RIVERSIDE WATER CO.
IN SAN BEBARDIERO BASIN AREA

Line No.	From	Local Designation	State Well Number	Recordation Number	1958	1959	1960	1961	1962	1963	1964	1965	1966	1967	1968	1969	1970
31	Rec. filling	Cooley #B	IS-48-2P4	3601220	0	0	0	0	0	0	0	0	0	0	0	0	0
32		Cooley #C	IS-48-2P3	3601224	0	0	0	0	0	0	0	0	0	0	0	0	0
33		Cooley #D	IS-48-2P2	3601225	0	0	0	0	0	0	0	0	0	0	0	0	0
34		Cooley #E	IS-48-2L2	3601226	0	0	0	0	0	0	0	0	0	0	0	0	0
35		Cooley #C	IS-48-2N2	3601227	0	0	0	0	0	0	0	0	0	0	0	0	0
36		Cooley #H	IS-48-11U2	3601228	995	957	572	224	793	1,110	1,110	1,496	1,268	1,404	1,452	1,217	1,325
37		Cooley #I	IS-48-11D3	3601229	3,444	3,062	1,465	1,770	2,307	2,669	3,460	3,715	3,488	3,452	3,681	3,106	3,166
38		Cooley #A	IS-48-11D4	3601232	0	0	0	0	0	0	0	0	0	0	0	0	0
39		Cooley #B	IS-48-11D1	3601432	0	0	0	0	0	0	0	0	0	0	0	0	0
40		Cooley #B	IS-48-14P2	3601218	0	0	0	0	0	0	0	0	0	0	0	0	0
41		Raub #1	IS-48-23C2	3601219	636	537	484	637	712	682	477	444	858	739	1,131	586	959
42		Raub #2	IS-48-23C3	3601238	974	826	557	815	857	591	977	428	866	1,027	1,030	1,457	1,703
43		Raub #3	IS-48-14P6	3601239	560	390	444	356	524	318	450	178	153	125	104	223	476
44		Byrne	IS-48-22B2	3601237	566	440	551	330	340	309	207	16	36	0	0	0	0
45		Warren #3	IS-48-22H3	3601230	363	346	408	368	323	177	262	120	191	67	142	66	192
46		Warren #2	IS-48-22H1	3601231	678	709	869	844	568	550	668	347	662	493	703	512	651
47		Warren #1	IS-48-22H4	3601240	2,092	2,445	2,170	1,894	1,440	1,651	1,496	862	756	506	599	577	1,619
48		Warren #4	IS-48-22H2	3601243	2,924	3,222	2,840	2,834	2,839	2,444	2,353	1,646	1,453	1,272	1,686	1,362	1,408
49		Hunt #6 *	IS-48-27A11	3601222	303	70	234	105	212	136	149	135	84	98	148	425	154
50		Hunt #8 *	IS-48-27A7	3601241	0	0	0	0	0	0	0	0	0	0	0	0	0
51		Hunt #9 *	IS-48-27A8	3601242	0	0	0	0	0	0	0	0	0	0	0	0	0
52		Hunt #10 *	IS-48-27A9	3601244	1,364	1,202	1,086	961	1,294	891	1,053	788	591	355	855	614	257
53		Hunt #11 *	IS-48-27A10	3601245	352	472	217	54	354	200	387	267	249	314	318	523	0
54		Stewart #21	IS-48-27A13	3601233	0	0	0	0	0	0	0	0	0	0	0	0	0
55		Stewart #19	IS-48-27A19	3601234	0	0	0	0	0	0	0	0	0	0	0	0	0
56		Stewart #20	IS-48-27H1	3601431	8	6	5	5	4	5	4	4	3	5	9	7	9
57		Sub Total	Lines 31 thru 56		15,259	14,684	11,902	11,197	12,598	11,733	13,053	10,446	10,478	9,857	11,858	10,675	12,411

SUMMARY BUNKER HILL PRODUCTION

58																	
59	Sub Total	Sheet No. 2	Line 30		9,379	11,299	11,122	13,485	11,793	10,646	10,807	10,527	10,222	9,328	9,372	8,413	8,604
60	Sub Total	Sheet No. 5	Line 57		15,259	14,684	11,902	11,197	12,598	11,733	13,053	10,446	10,478	9,857	11,858	10,675	12,211
61	Total Lines	Production Bunker Hill			24,638	25,983	23,024	24,682	24,391	22,379	23,860	20,973	20,900	19,185	21,230	19,068	20,815

ADDITIONAL DELIVERIES FROM OTHER COMPANIES

62																	
63	Necks & Daley	Sta. 59			0	0	0	0	0	0	0	0	0	0	0	0	0
64	Case Canal Co.	30-1			1,190	1,268	1,643	1,574	1,859	1,740	2,128	1,507	1,436	1,491	3,326	1,365	2,727
65	Total Lines	Total Water for Distribution			25,828	27,251	24,667	26,256	26,250	24,119	25,988	24,388	25,648	23,934	28,383	22,376	25,693

*Extractions from Hunt #6, 8, 9, 10 & 11 by City of Riverside only - University California Production from these wells reported under the Regents of the University of California section of this report.

TABLE NO. 1

CITY OF RIVERSIDE WATER PRODUCTION
BUNKER HILL BASIN
DOMESTIC & IRRIGATION DIVISIONS INCLUDING FORMER RIVERSIDE WATER CO.
IN SAN BERNARDINO BASIN AREA
(Quantities in Acre Feet by Calendar Year)

Line No.	From	Local Designation	State Well Number	Recordation Number	1971	1972	1973	1974	1975	1976	1977	1978	1979	1980	1981	1982
31	Rec. filling	Cooley #E	1S-4W-2P4	3601220	0	0	0	0	0	0	0	0	0	0	0	0
32		Cooley #C	1S-4W-2P3	3601224	0	0	0	0	0	0	0	0	0	0	0	0
33		Cooley #D	1S-4W-2P2	3601225	0	0	0	0	0	0	0	0	0	0	0	0
34		Cooley #F	1S-4W-2L2	3601226	0	0	0	0	0	0	0	0	0	0	0	0
35		Cooley #G	1S-4W-2N2	3601227	0	0	0	0	0	0	0	0	0	0	0	0
36		Cooley #H	1S-4W-11D2	3601228	1,420	1,053	494	725								
37		Cooley #I	1S-4W-11D3	3601229	3,580	2,606	4,089	3,743								
38		Cooley #A	1S-4W-11D4	3601232	0	0	0	0	0	0	0	0	0	0	0	0
39		Cooley #B	1S-4W-11D1	3601432	0	0	0	0	0	0	0	0	0	0	0	0
40		Raub #1	1S-4W-14P2	3601218	0	0	0	0	0	0	0	0	0	0	0	0
41		Raub #2	1S-4W-23C2	3601219	904	724	772	939								
42		Raub #4	1S-4W-23C3	3601238	1,267	1,074	2,001	2,024								
43		Raub #3	1S-4W-14P6	3601239	342	216	294	605								
43a		Raub #5	1S-4W-14N9	3602484	0	1,353	2,465	3,731								
44		Byrne	1S-4W-22B2	3601237	0	0	0	0	0	0	0	0	0	0	0	0
45		Warren #3	1S-4W-22H3	3601230	484	180	222	408								
46		Warren #2	1S-4W-22H1	3601231	784	357	603	1,124								
47		Warren #1	1S-4W-22H4	3601240	1,921	1,614	1,809	1,700								
48		Warren #4	1S-4W-22H2	3601243	2,737	2,012	1,822	2,875								
49		Hunt #6 *	1S-4W-27A11	3601222	225	209	249	547								
50		Hunt #8 *	1S-4W-27A7	3601241	0	0	0	0	0	0	0	0	0	0	0	0
51		Hunt #9 *	1S-4W-27A8	3601242	0	0	0	0	0	0	0	0	0	0	0	0
52		Hunt #10 *	1S-4W-27A9	3601244	446	600	933	1,577								
53		Hunt #11 *	1S-4W-27A10	3601245	0	0	0	0	0	0	0	0	0	0	0	0
54		Stewart #21	1S-4W-27A13	3601233	0	0	0	0	0	0	0	0	0	0	0	0
55		Stewart #19	1S-4W-27A19	3601234	0	0	0	0	0	0	0	0	0	0	0	0
56		Stewart #20	1S-4W-27H1	3601431	12	5	32	11								
56a																
56b																
56c																
57	Lines 31 thru 56	Sub Total			14,122	12,003	15,785	20,009								
58					SUMMARY BUNKER HILL PRODUCTION											
59		Sub Total	Sheet No. 3	Line 30	10,817	8,471	5,708	7,411								
60		Sub Total	Sheet No. 6	Line 57	14,122	12,003	15,785	20,009								
61		Total Production Bunker Hill			24,939	20,474	21,493	27,420								
62					ADDITIONAL DELIVERIES FROM OTHER COMPANIES											
63	Meeks & Daley	Sta. 59			0	0	0	275								
64	Gage Canal Co.	30-1 & Gage Stewart			2,854	1,900	2,446	2,095								
65	Total Lines 61 - 63 & 64	Total Water for Distribution			27,793	22,374	23,939	29,790								

*Extractions from Hunt #6, 8, 9, 10 & 11 by City of Riverside only - University of California production from these wells reported under the Regents of the University

TABLE NO. 2
CITY OF RIVERSIDE WATER PRODUCTION
COLTON BASIN & RIVERSIDE BASIN IN SAN BERNARDINO CO.
DOMESTIC & IRRIGATION DIVISIONS INCLUDING FORMER RIVERSIDE WATER CO.

Line No.	Local Designation	State Well No.	Recordation No.	Acre Feet										
				1947	1948	1949	1950	1951	1952	1953	1954	1955	1956	1957
				COLTON BASIN										
1	Rec. filling	IS-4W-21Q3	3601480	1262	728	1729	1999	1465	225	1509	971	500	1178	1397
2		IS-4W-21P1	3601494	-	-	-	-	-	-	-	-	-	-	-
3		IS-4W-21Q1	3601495	-	-	-	-	-	-	-	-	-	-	-
4		IS-4W-21L1	3601481	-	-	-	805	2219	732	1413	1104	1038	1144	698
5		IS-4W-28C1	3601482	-	331	998	974	1001	522	952	828	782	783	670
6		IS-4W-28D1	3602208	-	-	-	-	-	-	-	-	-	-	-
7	Lines 1 thru 6	Colton Basin		1262	1059	2727	3778	4685	1479	3874	2903	2320	3105	2765
				RIVERSIDE BASIN IN SAN BERNARDINO CO.										
8	Rec. filling	IS-4W-29H2	3601483	339	683	575	739	528	385	556	522	422	517	716
9		IS-4W-29H1	3601484	748	1074	1378	1203	1070	755	1119	977	1166	709	791
10		IS-4W-29R1	3601485	896	1618	1562	1545	1519	1399	1117	608	1190	1099	1454
11		IS-4W-29Q3	3601486	1105	1530	1906	1622	2142	1845	2142	1845	1631	1716	1920
12		IS-4W-29Q1	3601487	512	822	1265	1465	1463	1073	636	532	796	930	1317
13	Lines 8 thru 12	Sub Total		3600	5727	6686	6893	6516	5234	5570	4484	5205	4971	6198
14		IS-5W-25R2	3600898	-	-	-	-	-	-	1673	1253	1438	1144	1006
15	Rec. filling	IS-5W-25R4	3601088	140	102	163	48	0	458	0	71	107	0	0
16		IS-5W-36Q	3601089	-	-	-	-	-	-	-	-	-	-	-
17		IS-5W-36L1	3601236	255	255	143	251	141	196	409	392	327	214	0
18		IS-5W-1G1	3601235	148	148	148	148	150	158	158	130	110	0	0
19		IS-5W-1G2	3601221	744	697	720	635	591	479	775	498	726	939	701
20	Lines 15 thru 19	Sub Total		1317	1214	1187	1142	938	1345	1374	1126	1300	1168	713
21		IS-5W-1J3	3601221	30	11	13	40	56	54	32	35	30	15	12
				Pellissier Filings are in Acre										
22	Rec. filling	IS-5W-1Q1	3601271	-	-	-	-	-	-	-	-	-	74	61
23		IS-5W-2R	3601488	-	-	-	-	-	270	569	397	388	362	414
24		IS-5W-2R3	3601490	494	491	464	447	546	359	558	452	418	448	352
25		IS-5W-2R2	3601491	939	909	712	973	1140	769	949	836	732	846	683
26		IS-5W-2R1	3601492	-	-	-	-	-	-	-	-	-	3	56
27		IS-5W-2R2	3601493	1395	1675	1557	1628	1650	1428	1770	1500	1569	1576	1260
28		IS-5W-2Q7	3602234	-	-	-	-	-	-	-	-	-	-	-
29	Lines 23 thru 27	Sub Total		2828	3075	2733	3048	3336	2556	3277	2788	2739	2873	2351
30	Total Lines 13-20-22-28	Total Production		7745	10,016	10,606	11,083	10,790	9405	10,790	8795	9632	9374	9676
30	Total Lines 29-14-21	Total Production		7745	10,016	10,606	11,083	10,790	9405	10,790	8795	9632	9374	9676

TABLE NO. 2
CITY OF RIVERSIDE WATER PRODUCTION
COLTON BASIN & RIVERSIDE BASIN IN SAN BERNARDINO CO.
DOMESTIC & IRRIGATION DIVISIONS INCLUDING FORMER RIVERSIDE WATER CO.

Line No.	From	Local Designation	State Well No.	Recordation No.	1958	1959	1960	1961	1962	1963	1964	1965	1966	1967	1968	1969	1970
COLTON BASIN																	
1	Rec. filling	Johnson #1	1S-4W-21Q3	3601480	954	2183	1569	1569	963	789	472	390	440	861	968	506	751
2		Johnson #2	1S-4W-21P1	3601494	0	0	0	0	0	0	0	0	0	0	0	0	0
3		Johnson #3	1S-4W-21Q1	3601495	0	0	0	0	0	0	0	0	0	0	0	0	0
4		Vaughn #1	1S-4W-21L1	3601481	958	39	135	1378	498	593	1226	1108	816	911	1348	830	830
5		Heeks #1	1S-4W-28C1	3601482	635	649	461	539	374	425	457	341	331	278	681	336	339
6		Mill	1S-4W-28D1	3602208	-	-	-	-	-	-	24	346	237	245	292	288	340
7	Lines 1 thru 6	Total Production			2547	2871	2165	3486	1835	1807	2179	2185	1624	2295	3229	1130	2260
RIVERSIDE BASIN - IN SAN BERNARDINO COUNTY																	
8	Rec. filling	Flume #1	1S-4W-29H2	3601483	492	576	481	140	0	0	0	0	0	0	0	0	0
9		Flume #2	1S-4W-29H1	3601484	630	1257	968	1237	834	642	833	657	45	391	1265	1187	1147
10		Flume #3	1S-4W-29R1	3601485	948	1497	979	1862	1458	1165	1294	1319	2	606	1092	764	131
11		Flume #4	1S-4W-29Q3	3601486	1525	2218	1501	1663	1316	1503	1434	1133	2	596	1003	350	40
12		Flume #5	1S-4W-29Q1	3601487	1026	1665	1198	981	657	636	519	412	1	217	39	0	0
13	Lines 8 thru 12	Sub Total			4621	7213	5127	5683	4285	3946	4080	3521	50	1810	3399	2301	1318
14		Twin Butte	1S-5W-25R2	3600898	1105	1196	1042	869	1082	1127	1563	1523	1302	1194	1201	1929	24
15	Rec. filling	Pellissier River	1S-5W-36Q	3601988	72	67	0	0	0	0	0	0	0	0	0	0	0
16		Pellissier	1S-5W-36L1	3601236	194	0	0	402	0	0	181	284	187	116	115	151	88
17		Agua Mansa	2S-5W-1G1	3601235	0	0	0	0	0	0	0	0	0	0	0	0	0
18		Pellissier Main	2S-5W-1G2	3601223	946	1070	318	392	0	0	0	0	43	57	1154	0	0
19		Domestic	2S-5W-1J3	3601221	29	38	13	20	26	5	7	6	13	8	10	6	6
20	Lines 15 thru 19	Sub Total			1241	1175	531	814	26	5	188	290	233	181	1279	147	94
21		Narcy C.E. or Putnam L.L.	2S-4W-603	3601271	61	61	20	25	47	42	27	0	0	0	0	0	0
22	Rec. filling	Millians	2S-5W-1Q1	3601488	467	562	493	634	231	265	279	129	0	0	0	0	0
23	Rec. filling	Jurupa #1	2S-5W-2R	3601490	222	310	65	582	694	582	677	465	579	17	174	8	8
24	Rec. filling	Jurupa #3	2S-5W-2R3	3601491	825	720	1060	1141	862	796	914	567	769	747	892	919	760
25	Rec. filling	Jurupa #4	2S-5W-2R2	3601492	17	237	0	141	123	296	223	77	68	267	292	3	331
26	Rec. filling	Jurupa #5	2S-5W-2R1	3601493	1460	1500	1301	1590	1345	1200	1411	900	1339	1259	1486	1371	1170
27	Rec. filling	Jurupa #6	2S-5W-2Q7	3602234	-	-	-	-	-	-	61	280	254	275	319	291	67
28	Lines 23 thru 27	Sub Total			2524	2167	2426	3434	3074	2874	3286	2289	3009	2565	3163	2592	2336
29	Total Lines 13-20-22-28	Total Production			8953	11,717	8577	10,785	7,586	7090	7833	6229	3292	4556	7841	5040	3748
30	29-14-21	Total Lines			10,019	12,974	9639	11,679	8715	8259	9423	7752	4594	5750	9042	6969	3772

* "Change of Owner", to Bohr-Mumper-Davidson & Yeager City retained Water Right

TABLE NO. 2

CITY OF RIVERSIDE WATER PRODUCTION
 COLTON BASIN & RIVERSIDE BASIN IN SAN BERNARDINO CO.
 DOMESTIC & IRRIGATION DIVISIONS INCLUDING FORMER RIVERSIDE WATER CO.
 (Quantities in Acre Feet by Calendar Year)

Line No.	From	Local Designation	State Well Number	Recordation Number	1971	1972	1973	1974	1975	1976	1977	1978	1979	1980	1981	1982
1	Rec. filling	Johnson #1	1S-4W-21Q3	3601480	851	954	1	526								
2		Johnson #2	1S-4W-21P1	3601494	0	0	0	0								
3		Johnson #3	1S-4W-21Q1	3601495	0	0	0	0								
4		Vaughn #1	1S-4W-211.1	3601481	1,193	956	0	378								
5		Meeks #1	1S-4W-28C1	3601482	443	383	31	315								
6		Mill	1S-4W-28D1	3602208	209	228	69	167								
6a																
6b																
7	Lines 1 thru 6b	Total Production			2,596	2,521	101	1,386								
RIVERSIDE BASIN - IN SAN BERNARDINO COUNTY																
8	Rec. filling	Flume #1	1S-4W-29H2	3601483	0	0	0	0								
9		Flume #2	1S-4W-29H1	3601484	855	1,836	1,778	547								
10		Flume #3	1S-4W-29R1	3601485	161	496	486	364								
11		Flume #4	1S-4W-29Q3	3601486	8	404	144	533								
12		Flume #5	1S-4W-29Q1	3601487	0	0	0	0								
12a		Flume #6	1S-4W-29Q4	3602486	0	0	0	144								
12b																
13	Lines 8 thru 12b	Sub Total			1,024	2,736	2,408	1,588								
14			1S-5W-25R2													
15	Rec. filling	Twin Buttes	1S-5W-25R4	3600898	406	173	0	1,539								
16		Pellissier River	1S-5W-36Q	3601088	0	0	0	0								
17		Pellissier	1S-5W-36L1	3601236	157	55	0	3								
18		La-Loma	2S-5W-10L	3601235	0	0	0	0								
19		Pellissier Main	2S-5W-10Z	3601223	13	47	40	103								
20	Lines 15 thru 19	Sub Total			174	107	45	5								
21		Domestic	2S-5W-11J3	3601221	4	5	5	5								
22	Rec. filling	Marcy C.E. or Putnam L.L.	2S-4W-603	3601271	0	0	0	0								
23	Rec. filling	Williams	2S-5W-10L	3601488	381	321	277	3								
24	Rec. filling	Jurupa #1	2S-5W-2R3	3601491	902	942	563	910								
25	Rec. filling	Jurupa #3	2S-5W-2R2	3601492	136	138	307	466								
26	Rec. filling	Jurupa #4	2S-5W-2R1	3601493	1,452	1,433	1,273	1,304								
27	Rec. filling	Jurupa #5	2S-5W-2Q7	3602234	62	30	113	2								
27a																
27b																
28	Lines 23 thru 27b	Sub Total			2,933	2,894	2,533	2,895								
29	Total Lines 13-20-22-28	Total Production			4,131	5,747	4,986	4,584								
30	Total Lines 29-14-21	Total Production			4,537	5,920	4,986	6,123								

*Change of Owner, to Bohr-Numpet-Davidson & Yeager

TABLE NO. 2

CITY OF RIVERSIDE WATER PRODUCTION
 FROM RIVERSIDE BASIN IN RIVERSIDE COUNTY
 DOMESTIC & IRRIGATION DIVISIONS INCLUDING FORMER RIVERSIDE WATER CO.

Line No.	From	Local Designation	State Well No.	Recordation No.	Acre Feet										
					1947	1948	1949	1950	1951	1952	1953	1954	1955	1956	1957
RIVERSIDE BASIN - IN RIVERSIDE COUNTY															
31	Rec. Fillings	Highgrove Electric	2S-4W-711	3301287	484	0	495	1,446	1,356	392	8	0	0	377	1,465
32	Rec. Fillings	Palmyrita #1	2S-4W-781	3301286	419	151	495	1,446	1,356	763	195	682	748	1,626	
33	Rec. Fillings	Palmyrita #2	2S-4W-783	3301286	18	1,207	862	1,097	1,540	1,290	1,083	1,218	1,333	111	
34	Rec. Fillings	Cunningham #1	2S-5W-1301	3301285											
35	Rec. Fillings	Cunningham #2	2S-5W-1302	3301285											
36	Rec. Fillings	First St.	2S-5W-2401	3301284											
37	Rec. Fillings	Eleventh	2S-5W-2381	3301288	146	984	811	292	947	973	743	1,271	1,163	773	
38	Rec. Fillings	Highgrove No. 1	2S-4W-8E1	3301289											
39	Rec. Fillings	Highgrove No. 2	2S-4W-8E1	3301358											
40	Rec. Fillings	Highgrove No. 3	2S-4W-8D3	3301359											
41	Rec. Fillings	Lemona	2S-4W-8D4	3301339											
42	Rec. Fillings	Garner	2S-4W-19J1	3300686	73	70	61	60	62	44	61	43	20	31	
43	Rec. Fillings	Russell	2S-5W-12A1	3301075	41	27	34	13	101	3	213	119	346	210	
44	Rec. Fillings	Twia Springs	2S-5W-12A1	3301084	228	39	40	94	203	368	663	450	886	549	
45	Rec. Fillings	Moore Griffith	2S-5W-12K2	3301073	457	645	457	558	1,219	970	824	873	1,517	981	
46	Rec. Fillings	Garner B	2S-5W-12F1	3301076											
47	Rec. Fillings	Garner B	2S-5W-23J1	3301074	0	0	0	0	0	0	0	16	39	86	
48	Rec. Fillings	Garner B	2S-5W-12B	3301959											
49	Sub Total				1,866	3,704	4,863	4,381	6,606	6,572	6,224	8,261	7,465	8,257	
50	Clearwater				838	879	735	762	812	608	797	556	782	523	
51	Rec. Fillings	Brunton	2S-5W-12P2	3301077	0	0	0	0	0	0	0	184	197	148	
52	Rec. Fillings	Fairmount Park #1	2S-5W-14G2	3301082	244	163	182	561	950	1,280	1,694	1,470	1,786	1,111	
53	Rec. Fillings	Fairmount Park #2	2S-5W-14E1	3301851											
54	Rec. Fillings	Mori No. 2	2S-5W-14G3	3301635											
55	Rec. Fillings	Springbrook Diversion	2S-5W-14K	3301086											
56	Rec. Fillings	Sanitary Fill	2S-5W-28A1	3301078	7	4	3	5	5	4	4	5	5	6	
57	Rec. Fillings	Sanitary Fill	2S-5W-28C1	3301079											
58	Rec. Fillings	Jensen Slough	2S-5W-29C	3301087	630	735	854	959	1,066	1,120	3,234	2,192	2,029	1,325	
59	Rec. Fillings	Mutual Water Co.	3S-5W-371	3301814							75	91	66	50	
60	Rec. Fillings	Lincoln Heights													
61	Sub Total				881	902	1,039	1,525	2,019	2,404	5,007	4,056	4,197	3,344	
62	Total Production				3,585	5,485	6,637	6,670	9,437	9,584	12,028	11,180	13,014	11,591	
63	Total Production														

TABLE NO. 2
CITY OF RIVERSIDE WATER PRODUCTION
FROM RIVERSIDE BASIN IN RIVERSIDE COUNTY
DOMESTIC & IRRIGATION DIVISIONS INCLUDING FORMER RIVERSIDE WATER CO.

Line No.	From	Local Designation	State Well Number	Recordation Number	Acres Feet												
					1958	1959	1960	1961	1962	1963	1964	1965	1966	1967	1968	1969	1970
RIVERSIDE BASIN - IN RIVERSIDE COUNTY																	
31	Rec. Fillings	Highgrove Electric	2S-4W-7L1	3301287	1,023	2,731	1,776	507	167	238	707	495	689	642	240	760	1,079
32	Rec. Fillings	Palmyra	2S-4W-7N1	3301286	252	553		811	620	599	1,043	908	731	1,434	463	1,417	925
33	Rec. Fillings	Palmyra #2	2S-4W-7N3	3301285													
34	Rec. Fillings	Couningsham	2S-5W-13Q1	3301285				2,075	1,325	1,547	1,668	1,181	964	1,105	1,661	9	51
35	Rec. Fillings	Couningsham #2	2S-5W-13Q2	3301286	86	766	2,360	1,726	1,012	581	317	457	0				579
36	Rec. Fillings	First St.	2S-5W-24D1	3301288		651	1,103	629	369	374	653	631	385	626	549		1,282
37	Rec. Fillings	Eleventh	2S-5W-23Q1	3301289		543	760	895	573	311	237	439	280	558	708	1,004	
38	Rec. Fillings	Highgrove No. 1	2S-4W-8E1	3301358	302	220	198	210	250	439	391	318	245		87	3	
39	Rec. Filling	Highgrove No. 2	2S-4W-8E3	3301359	66	147	357	375	254	0	1	1	0				1
40		Highgrove No. 3	2S-4W-8D4	3301359													
41		Lemona	2S-4W-19J1	3300686	228	384	319	378	203	274	106	12	0				
42		Garner	2S-5W-12B1	3301075	204	264	383	250	534	285	617	786	250	182	366	212	265
43		Russell	2S-5W-12A1	3301084	504	483	740	445	778	510	1,135	1,389	1,884	1,587	1,087	1,394	1,153
44		Twin Springs	2S-5W-12K2	3301073	650	672	1,034	2,232	1,593	1,026	1,221	1,091	1,178	1,303	1,487	1,790	2,654
45		Moore Griffith	2S-5W-12P1	3301076	405	458	589	685	590	771	678	728	997	782	517	665	1,243
46		Mulberry	2S-5W-12P1	3301074	26	12	46	24	108	40	127	44	124	66	42	92	62
47		Garner #	2S-5W-12B	3301959													
48		Sub Total			3,746	7,884	10,734	10,762	8,476	7,015	8,881	8,481	7,727	8,283	7,137	7,535	10,155
49	Lanes 31 thru 48	Clearwater		3300917	540	528	631	805	23	126	124	(1), 61	(1), 25	20			
50		Clearwater	2S-5W-23F1	3301077													
51	Rec. Fillings	Braunton	2S-5W-12P2	3301077	135	259	299	152	482	469	351	359	300	316	417	218	361
52		Fairmount Park #1	2S-5W-14G2	3301082	1,318	1,166	1,187	1,096	1,045	675	790	576	353	295	574	477	825
53		Fairmount Park #2	2S-5W-14E1	3301851													
54		Mori No. 2	2S-5W-14G3	3301635													
55		Springbrook Division	2S-5W-14K	3301086													
56		Sanitary Fill	2S-5W-28A1	3301078	5	4	3	3	3	3	3	2	0				
57		Sanitary Fill Davis	2S-5W-28C1	3301079	4	0	0	0	0	0	0	0	0				
58		Jensen Slough	2S-5W-28G	3301087	2,002	2,613	2,475	1,628	1,467	1,467	1,452	1,209	1,208	1,328	1,151	974	1,151
59		Orange Acres	2S-5W-29G	3301814													
60		Orange Acres	2S-5W-3F1	3301814	29	24	19	18	14	12	11	20	12	116	36	43	87
61		Lincoln Heights	3S-5W-9E1	3301940													
62	Lines 52 thru 61	Water Co.			3,403	4,514	4,812	5,174	5,053	4,402	4,450	4,643	5,945	4,259	4,128	2,446	5,173
63	Total Lines 49-50-61	Sub Total			7,779	12,910	16,177	16,741	13,532	11,543	13,455	13,185	13,697	12,562	11,345	10,383	15,289

*"Change of Owner" to Victoria Club
 Year 1965 city used 25 Ac. Ft. and Victoria Club used 97 Ac. Ft. Tot. = 122 Ac. Ft.
 (1) Clearwater well #3300917, Quantities shown for year 1965-61 and year 1966-75 were taken from Verification of Extractions Volume 4, Riverside South Basin.
 All quantities in above table were obtained from Verification of Extractions, Volume 4, for the appropriate year.

TABLE NO. 2

CITY OF RIVERSIDE WATER PRODUCTION
 FROM RIVERSIDE BASIN IN RIVERSIDE COUNTY
 DOMESTIC & IRRIGATION DIVISIONS INCLUDING FORMER RIVERSIDE WATER CO.
 (Quantities in Acre Feet by Calendar Year)

Line No.	From	Local Designation	State Well Number	Recordation Number	1971	1972	1973	1974	1975	1976	1977	1978	1979	1980	1981	1982
<u>RIVERSIDE BASIN - IN RIVERSIDE COUNTY</u>																
31	Rec. Filings	Highgrove Electric	2S-4W-7L1	3301287	329	898	1,313	1,612								
32	Rec. Filings	Paleyrita	2S-4W-7N1	3301286	-	-	-	-								
33	Rec. Filings	Paleyrita #2	2S-4W-7N3	3301286	415	783	562	1,829								
34	Rec. Filings	Cunningham	2S-5W-13Q1	3301285	-	-	-	-								
35	Rec. Filings	Cunningham #2	2S-5W-13Q2	3301285	163	129	28	542								
36	Rec. Filings	First St.	2S-5W-24D1	3301284	480	673	406	692								
37	Rec. Filings	Fill	2S-5W-23R1	3301288	625	1,262	1,039	1,105								
38	Rec. Filings	Eleventh	2S-5W-23Q1	3301289	1,393	1,589	1,228	1,679								
39	Rec. Filings	Highgrove No. 1	2S-4W-8E1	3301358	0	0	0	0								
40	Rec. Filings	Highgrove No. 2	2S-4W-8D3	3301359	0	0	0	0								
40a																
41		Highgrove No. 3	2S-4W-8D4	3301359	0	0	0	0								
42		Lemona	2S-4W-19J1	3300686	0	0	0	0								
43		Garner	2S-5W-12B1	3301075	300	275	253	251								
44		Russell	2S-5W-12A1	3301084	0	0	0	0								
45		Twin Springs	2S-5W-12K2	3301073	3,119	3,736	2,841	3,111								
45a		Russell B	2S-5W-12A	3302482	727	2,010	1,684	1,972								
46		Moore Griffith	2S-5W-12F1	3301076	642	891	801	1,476								
47		Hulberry	2S-5W-23J1	3301074	363	406	125	773								
48		Garner B	2S-5W-12B	3301959	1,049	1,548	1,350	992								
48a																
Lines 31 thru 48 Sub Total					9,605	14,200	11,640	16,034								
49		Clearwater	2S-5W-25N1	3300417	*	*	*	*								
50		Brunton	2S-5W-12P2	3301077	357	361	281	244								
51	Rec. Filings	Fairmount Park #1	2S-5W-14G2	3301082	691	471	868	864								
52		Fairmount Park #2	2S-5W-14E1	3301851	667	2,381	2,441	2,065								
53		Mori No. 2	2S-5W-14G3	3301635	1,442	1,537	1,161	1,517								
54		Springbrook Diver.	2S-5W-14K	3301086	-	-	0	0								
55		Sanitary Fill	2S-5W-28A1	3301078	0	0	0	0								
56		Sanitary Fill Davis	2S-5W-28C1	3301079	0	0	0	0								
57		Jensen Slough	2S-5W-29C	3301087	1,089	**	**	**								
58		Orange Acres														
59		Mutugi Water Co.	3S-5W-3E1	3301814	57	90	63	67								
60		Lincoln Heights Water Co.														
Lines 52 thru 61 Sub Total					170	208	274	201								
Total Lines 49-50-62					14,098	19,248	16,728	20,992								

All quantities in above table were obtained from Verification of Extractions, Volume 4, for the appropriate year.

**Jensen Slough sold to Riverside County Parks Department in 1972

*"Change of Owner" to Victoria Club Year 1968 City used 25 Ac. Ft. and Victoria Club used 97 Ac. Ft.; Total = 122 Ac. Ft.

TABLE NO. 2

**CITY OF RIVERSIDE
DOMESTIC AND IRRIGATION DIVISIONS
DELIVERIES MADE FROM WATER PRODUCED FROM THE
BUNKER HILL, COLTON, AND RIVERSIDE GROUND WATER BASINS SITUATED IN SAN BERNARDINO CO.**

Year	Riverside				S.C.E. Co.				Total of all Deliveries
	Highland Water Co.	Salazar Water Co.	Trujillo Water Co.	Jurupa Ditch Co.	Jurupa Ditch Plant	S.C.E. Co. Plant	Pellissier Ranch	Williams** Ranch	
(1)	(2)	(3)	(4)	(5)	(6)	(7)	(8)	(9)	
1947	754	900	1293	2828	0	1317	0	0	7092
8	746	907	1309	3075	0	1214	0	0	7251
9	748	805	1063	2733	0	1187	0	0	6536
1950	605	910	1231	3048	0	1142	0	0	7136
1	869	903	608	3336	0	938	0	0	6654
2	503	621	270	2556	420	1345	0	0	5769
3	949	853	460	3277	850	1374	109	0	7872
4	661	603	348	2788	674	1126	49	0	6249
5	731	429	326	2739	772	1300	62	0	6359
6	814	350	344	2873	760	1168	18	0	6327
7	554	228	279	2524	626	713	135	0	4886
8	551	210	295	2324	373	1241	172	0	5366
9	862	713	319	2767	721	1175	243	2369	8169
1960	790	136	273	2426	148	531	220	2006	6550
1	819	139	344	3454	0	814	290	0	5860
2	706	172	247	3024	0	26	4	0	4179
3	539	140	262	2874	39	5	3	0	3882
4	669	140	279	3286	0	188	0	0	4562
5	442	0	128	2289	0	290	0	0	3149
1966	511	112	55	3009	0	233	0	0	3920
67	0	93	93	2565	0	181	0	0	2932
68	0	108	142	3163	0	1279	*	0	4692
69	0	0	212	2592	0	147	0	0	2739
70	0	0	242	2336	0	94	0	0	2430

COL.

- (1) Riverside Highlands delivery made from water produced in Bunker Hill Basin. Water is commingled with production from other basins by Riverside Highland Water Company and delivered by this company. See Riverside Highland tabulation for basin allocation of water production.
- (2) Salazar Water Company delivery made in San Bernardino County from the canal of the Riverside Water Company, which contains commingled water produced from Bunker Hill, Colton, and Riverside Basins, all within San Bernardino County. Delivery is made directly to the West Riverside Canal and transported by this canal directly to Riverside County southerly of the County Line.
- (3) Trujillo Water Company. For the period 1947 through a portion of 1952, deliveries were made to the Trujillo Water Company at a point in San Bernardino County from the canal of the Riverside Water Company, which contained a commingled water supply produced from the Bunker Hill, Colton, and Riverside Ground Water Basins, all within San Bernardino County. For the period of 1952 through 1965, deliveries to the Trujillo Water Company were made from the Williams Well, producing water from that portion of the Riverside Ground Water Basin lying within San Bernardino County. The service area of the Trujillo Water Company lies astride the Riverside-San Bernardino County line, and during both of the periods described above, water was delivered both in San Bernardino County and in Riverside County to shareholders entitled to receive this water by ownership of Trujillo Water Company stock. In addition, deliveries were also made from the Williams Well for overlying use on the Williams Ranch, situated within San Bernardino County. Tabulations of this production and the inter-county deliveries are shown in detail on Tables No. 4, 5, 6, and 7.
- (4) Deliveries to the Jurupa Ditch Company are made directly from the production from the Jurupa Wells, situated within San Bernardino County in the Riverside Ground Water Basin and exported across the County Line to Riverside County. Deliveries for overlying use in San Bernardino County are also made from these wells for use on the Jurupa Ranch in San Bernardino County. A tabulation of overlying use from the Jurupa Wells within San Bernardino County and exported to Riverside County is shown in Table No. 8. No other breakdown is required.
- (5) Water delivered to the Southern California Edison Company Highgrove Power Plant was delivered from 1952 through 1963 from a commingled water supply in the Riverside Water Company Canal, which was produced entirely within San Bernardino County from the Bunker Hill, Colton, and Riverside Ground Water Basins. An allocation of this production, by basins, is shown in Table No. 10.
- (6) The Pellissier Ranch, which is owned by the City of Riverside, overlies that portion of the Riverside Ground Water Basin situated within San Bernardino County, and water is produced from wells located thereon for overlying use within San Bernardino County. The production from these wells is shown in Table No. 2, Line 20.
- (7) Williams Ranch. For an explanation of overlying deliveries of Williams Ranch, see previous explanation under Column (3).
- (8) The delivery to the City of San Bernardino was made during the years of 1959 and 1960 from water produced in the Bunker Hill Basin from the Garner Wells.

- (1) From City Records
 - (2) From City Records
 - (3) From City Records
 - (4) From Table No. 2, Line 28, Shts. 1 & 2(a)
 - (5) From City Records
 - (6) From Table No. 2, Line 20, Shts. 1 & 2(c)
 - (7) From City Records
 - (8) From City Records
 - (9) Total Col. (1) through Col. (8)
 - (a) Delivery made from Canal
 - (b) Delivery made from Williams Well
 - (c) Delivery made from Garner Well in Riverside County.
- * "Change of Owner" to Bohr-Mumper Davidson & Yeager
- ** Overlying land use only

TABLE NO. 3

**CITY OF RIVERSIDE
DOMESTIC AND IRRIGATION DIVISIONS
DELIVERIES MADE FROM WATER PRODUCED FROM THE
BUNKER HILL, COLTON, AND RIVERSIDE GROUND WATER BASINS SITUATED IN SAN BERNARDINO CO.**

Year	Identification of Deliveries and Amounts Delivered in Ac. Ft.								
	Riverside Highland Water Co.	Salazar Water Co.	Trujillo Water Co.	Jurupa Ditch Co.	S.C.E. Co. Highgrove Power Plant	Pellissier Ranch	Williams Ranch	City of San Bernardino	Total of all Deliveries
(1)	(2)	(3)	(4)	(5)	(6)	(7)	(8)	(9)	
1971	0	0	300(c)	2,933	0	174	0	3,407	
1972	0	0	175(c)	2,884	0	107	0	3,166	
1973	0	0	77(c)	2,533	0	45	0	2,655	
1974	279	0	73(c)	2,885	0	111	0	3,368	
1975									
1976									
1977									
1978									
1979									
1980									
1981									
1982									

- (1) From City Records
(2) From City Records
(3) From City Records
(4) From Table No. 2, Line 28, Sht. 3
(5) From City Records
(6) From Table No. 2, Line 20, Sht. 3
(7) From City Records
(8) From City Records
(9) Total Col. (1) through Col. (8)
- (a) Delivery made from Canal
(b) Delivery made from Williams Well
(c) Delivery made from Garner Well in Riverside County.
- (1) Riverside Highlands delivery made from water produced in Bunker Hill Basin. Water is commingled with production from other basins by Riverside Highland Water Company and delivered by this company. See Riverside Highland tabulation for basin allocation of water production.
(2) Salazar Water Company delivery made in San Bernardino County from the canal of the Riverside Water Company, which contains commingled water produced from Bunker Hill, Colton, and Riverside Basins, all within San Bernardino County. Delivery is made directly to the West Riverside Canal and transported by this canal directly to Riverside County southerly of the County Line.
(3) Trujillo Water Company. For the period 1947 through a portion of 1952, deliveries were made to the Trujillo Water Company at a point in San Bernardino County from the canal of the Riverside Water Company, which contained a commingled water supply produced from the Bunker Hill, Colton, and Riverside Ground Water Basins, all within San Bernardino County. For the period of 1952 through 1965, deliveries to the Trujillo Water Company were made from the Williams Well, producing water from that portion of the Riverside Ground Water Basin lying within San Bernardino County. The service area of the Trujillo Water Company lies astride the Riverside-San Bernardino County line, and during both of the periods described above, water was delivered both in San Bernardino County and in Riverside County to shareholders entitled to receive this water by ownership of Trujillo Water Company stock. In addition, deliveries were also made from the Williams Well for overlying use on the Williams Ranch, situated within San Bernardino County. Tabulations of this production and the inter-county deliveries are shown in detail on Tables No. 4, 5, 6, and 7.
(4) Deliveries to the Jurupa Ditch Company are made directly from the production from the Jurupa Wells, situated within San Bernardino County in the Riverside Ground Water Basin and exported across the County Line to Riverside County. Deliveries for overlying use in San Bernardino County are also made from these wells for use on the Jurupa Ranch in San Bernardino County. A tabulation of overlying use from the Jurupa Wells within San Bernardino County and exported to Riverside County is shown in Table No. 8. No other breakdown is required.
(5) Water delivered to the Southern California Edison Company Highgrove Power Plant was delivered from 1952 through 1963 from a commingled water supply in the Riverside Water Company Canal, which was produced entirely within San Bernardino County from the Bunker Hill, Colton, and Riverside Ground Water Basins. An allocation of this production, by basins, is shown in Table No. 10.
(6) The Pellissier Ranch, which is owned by the City of Riverside, overlies that portion of the Riverside Ground Water Basin situated within San Bernardino County, and water is produced from wells located thereon for overlying use within San Bernardino County. The production from these wells is shown in Table No. 2, Line 20.
(7) Change of owner to Bohr-Mumper-Davidson & Yeager in calendar year 1968.
(8) The delivery to the City of San Bernardino was made during the years of 1959 and 1960 from water produced in the Bunker Hill Basin from the Garner Wells.

CITY OF RIVERSIDE
WATER DELIVERIES TO TRUJILLO WATER CO.
IN SAN BERNARDINO AND RIVERSIDE COUNTIES

Year	Trujillo Water Co. Delivery Ac. Ft. (1)	Delivered in San Bernardino County				Delivered in Riverside County Ac. Ft. (7)	
		Individual		Total			
		Russell (2)	Pellissier (3)	Proportion (4)	Percent (5)		Ac. Ft. (6)
1947	1293 (a)	35/264	14/264	49/264	18.56	240	1053
8	1309 (a)	35/264	14/264	49/264	18.56	243	1066
9	1063 (a)	35/264	14/264	49/264	18.56	197	866
1950	1231 (a)	7/12 x 35/264	14/264	34.42/264	13.04	161	1070
1	608 (a)	0	14/264	14/264	5.30	32	576
2	54 (a)					3	51
	270 (b)	0	14/264	14/264	5.30	14	256
3	460 (b)	0	14/264	14/264	5.30	24	436
4	348 (b)	0	14/264	14/264	5.30	19	329
1955	326 (b)	0	14/264	14/264	5.30	17	309
6	344 (b)	0	14/264	14/264	5.30	18	326
7	279 (b)	0	14/264	14/264	5.30	15	264
8	295 (b)	0	14/264	14/264	5.30	16	279
9	319 (b)	0	14/264	14/264	5.30	17	302
1960	273 (b)	0	14/264	14/264	5.30	15	258
1	344 (b)	0	14/264	14/264	5.30	18	326
2	247 (b)	0	14/264	14/264	5.30	13	234
3	262 (b)	0	14/264	14/264	5.30	14	248
4	279 (b)	0	14/264	14/264	5.30	15	264
1965	128 (b)	0	-	-	-	2	126
66	55 (c)	0	0	0	0	0	55
67	93 (c)	0	0	0	0	0	93
68	142 (c)	0	0	0	0	0	142
69	212 (c)	0	0	0	0	0	212
70	242 (c)	0	0	0	0	0	242

Explanation

- | | |
|------------------------------|--|
| (1) = From Table No. 3 | (a) = Delivered from Canal |
| (2) = Historical Entitlement | (b) = Delivered from William Well |
| (3) = Historical Entitlement | (c) = Delivered from Garner Well in Riv. Co. |
| (4) = (2) + (3) | |
| (5) = Computed | |
| (6) = (1) x (5) | |
| (7) = (1) - (6) | |

CITY OF RIVERSIDE
WATER DELIVERIES TO TRUJILLO WATER CO.
IN SAN BERNARDINO AND RIVERSIDE COUNTIES

Year	Trujillo Water Co. Delivery Ac. Ft. (1)	<u>Delivered in San Bernardino County</u>				Delivered in Riverside County Ac. Ft. (7)	
		<u>Individual</u>		<u>Total</u>			
		<u>Russell</u> (2)	<u>Pellissier</u> (3)	<u>Proportion</u> (4)	<u>Percent</u> (5)		<u>Ac. Ft.</u> (6)
1971	300(c)	0	0	0	0	0	300
1972	175(c)	0	0	0	0	0	175
1973	77(c)	0	0	0	0	0	77
1974	73(c)	0	0	0	0	0	73
1975							
1976							
1977							
1978							
1979							
1980							
1981							
1982							

Explanation

- (1) = From Table No. 3
- (2) = Historical Entitlement
- (3) = Historical Entitlement
- (4) = (2) + (3)
- (5) = Computed
- (6) = (1) x (5)
- (7) = (1) - (6)

- (a) = Delivered from Canal
- (b) = Delivered from Williams Well
- (c) = Delivered from Garner Well in Riverside Co.

TABLE NO. 5
CITY OF RIVERSIDE
SERVICE TO TRUJILLO WATER CO.
WATER PRODUCED FROM GROUND WATER BASINS IN SAN BERNARDINO COUNTY DELIVERED TO TRUJILLO WTR. CO.
FROM THE FORMER RIVERSIDE WATER CO., CANAL TO TRUJILLO WTR. CO., SERVICE AREA IN RIVERSIDE CO., & SAN BERNARDINO CO.

Year (1)	Water in Riverside Water Co. Canal Produced from Ground Water Basins in San Bernardino Co.				Percentage of Production from Ground Water Basins			Total Production Delivered to Trujillo Water Co.			Production Delivered Trujillo Water Co. in Riverside County							
	Production from Ground Water Basins		Colton Riverside Production		Bunker Hill Colton Riverside		Bunker Hill Colton Riverside		Production in San Bernardino County		Production in San Bernardino County		Bunker Hill Colton Riverside		Bunker Hill Colton Riverside			
	(2)	(3)	(4)	(5)	(6)	(7)	(8)	(9)	(10)	(11)	(12)	(13)	(14)	(15)	(16)	(17)	(18)	(19)
1947	20,740	754	19,986	1262	3600	24,848	80.43	5.08	14.49	1293	240	1053	193	12	35	847	53	153
8	18,350	746	17,604	1059	5727	24,390	72.18	4.34	23.48	1309	243	1066	175	11	57	770	46	250
9	11,187	748	10,439	2727	6686	19,852	52.58	13.74	33.68	1063	197	866	104	27	66	456	119	291
1950	11,206	805	10,401	3778	6893	21,072	49.36	17.93	32.71	1231	161	1070	79	29	53	529	192	349
1	10,314	869	9,445	4685	6516	20,646	45.75	22.69	31.56	608	32	576	15	7	10	263	131	182
1952	7,710	503	7,207	1479	5234	13,970	51.77	10.63	37.60	54(*)	3	51	2	0	1	26	5	20

Explanation

- (2) From Sub Totals, Table No. 1 Sheet 1, Line 30
- (3) From Table No. 3, Col. No. 1
- (4) Col. 2-Col. 3
- (5) From Table No. 2, Sheet 1, Line 7
- (6) From Table No. 2, Sheet 1, Line 13
- (7) Col. 4 + Col. 5 + Col. 6
- (8) Col. 4 + Col. 7
- (9) Col. 5 + Col. 7
- (10) Col. 6 + Col. 7

- (11) From Table No. 3, Col. 3
- (12) From Table No. 4, Col. 6
- (13) From Table No. 4, Col. 7
- (14) Col. 12 x Col. 8
- (15) Col. 12 x Col. 9
- (16) Col. 12 x Col. 10
- (17) Col. 13 x Col. 8
- (18) Col. 13 x Col. 9
- (19) Col. 13 x Col. 10
- (*) Total Production for Year 324 Ac. Ft. of which 54 Ac. Ft. delivered from Canal and remaining 270 Ac. Ft. delivered from Williams Well in San Bernardino County portion of Riverside Basin.

TABLE NO. 6

CITY OF RIVERSIDE
SERVICE TO TRUJILLO WTR. CO.
PERIOD PORTION OF 1952 THROUGH 1965
DURING WHICH DELIVERIES WERE MADE
FROM WILLIAMS WELL (2S-5W 1Q1) LOCATED
IN SAN BERNARDINO CO. EXCEPT AS NOTED

Year	Total Production Williams Well in San Bernardino County	Total Ac. Ft. Produced For Delivery to Trujillo Wtr. Co. and Delivery Distribution by County			Production Delivered So. of County Line In Riverside County	Production Delivered for Overlying Use on Williams Rh. in S.B. Co.
	(1)	(2)	San Bernardino County (3)	Riverside County (4)	Total Production (5)	(6)
1952(a)	270	14	256	270	256	0
3	569	24	436	460	436	109
4	397	19	329	348	329	49
5	388	17	309	326	309	62
6	362	18	326	344	326	18
7	414	15	264	279	264	135
8	467	16	279	295	279	172
9	562	17	302	319	302	243
1960	493	15	258	273	258	220
1	634	18	326	344	326	290
2	251	13	234	247	234	4
3	265	14	248	262	248	3
4	279	15	264	279	264	0
5	129	2	126	128	126	0
1966 *						

Explanation

- (2) From Table No. 2, Line 22, Shts.1 & 2 (a) Part of Year only
- (3) From Table No. 4, Col. 6 (*) Production for Riverside Basin
- (4) From Table No. 4, Col. 7 taken from Well in Riverside
- (5) From Table No. 3, Col. 3 County, Garner after 1965.
- (6) From Col. 4 this Table
- (7) Col. 2 - Col. 5

TABLE NO. 7

CITY OF RIVERSIDE
 DELIVERIES TO TRUJILLO WATER COMPANY
 SUMMARY OF TABLES NO. 5 & NO. 6
 WATER PRODUCTION FROM THE BUNKER HILL, COLTON & TIAI PORTION OF RIVERSIDE BASIN SITUATED
 IN SAN BERNARDINO COUNTY AND DELIVERED WITHIN SAN BERNARDINO COUNTY & RIVERSIDE COUNTY

Year	Deliveries made to that portion of the Riverside Basin situated in San Bernardino County				Deliveries made to that portion of the Riverside Basin situated in Riverside County				Total Deliveries made in both Counties (10)
	From Bunker Hill Basin (1)	From Colton Basin (2)	From Riverside Basin (3)	From Overlying Land Use (4)	From Bunker Hill Basin (6)	From Colton Basin (7)	From Riverside Basin (8)	Total Delivery in Riverside County (9)	
1947	193	12	35	0	847	53	153	1,053	1,293
8	175	11	57	0	770	46	250	1,066	1,309
9	104	27	66	0	456	119	291	866	1,063
1950	79	29	53	0	529	192	349	1,070	1,231
1	15	7	10	0	263	131	182	576	608
1952	2	0	1	0	76	5	20	51	54
1952	0	0	14	0	0	0	256	256	270
3	0	0	24	109	0	0	436	436	569
4	0	0	19	49	0	0	329	329	397
5	0	0	17	62	0	0	309	309	388
6	0	0	18	18	0	0	326	326	362
7	0	0	15	135	0	0	264	264	414
8	0	0	16	172	0	0	279	279	467
9	0	0	17	243	0	0	302	302	562
1960	0	0	15	220	0	0	258	258	493
1	0	0	18	290	0	0	326	326	634
2	0	0	17	4	0	0	234	234	251
3	0	0	14	3	0	0	248	248	265
4	0	0	15	0	0	0	264	264	279
5	0	0	2	0	0	0	126	126	129
6	-	-	-	-	-	-	-	-	-
7	-	-	-	-	-	-	-	-	-
8	-	-	-	-	-	-	-	-	-
9	-	-	-	-	-	-	-	-	-
1970	-	-	-	-	-	-	-	-	-

Column Explanation
 1947 - Portion 1952

- (1) From Table No. 5 Col. 14
- (2) From Table No. 5 Col. 15
- (3) From Table No. 5 Col. 16
- (4) From Table No. 6 Col. 7
- (5) From Table No. 5 Col. 12
- (6) From Table No. 5 Col. 17
- (7) From Table No. 5 Col. 18
- (8) From Table No. 5 Col. 19
- (9) From Table No. 5 Col. 13
- (10) From Table No. 5 Col. 11

Portion 1952 - 1966

- (1) After Canal deliveries discontinued no deliveries from Bunker Hill
- (2) After Canal deliveries discontinued no deliveries from Colton Basin
- (3) From Table No. 6 Col. 3
- (4) From Table No. 6 Col. 7
- (5) Col. 3 + Col. 4 this Table
- (6) After Canal deliveries discontinued no deliveries from Bunker Hill
- (7) After Canal deliveries discontinued no deliveries from Colton Basin
- (8) From Table No. 6 Col. 4
- (9) From Table No. 6 Col. 4
- (10) From Table No. 6 Col. 2

CITY OF RIVERSIDE
JURUPA DITCH CO.
WATER PRODUCTION FROM RIVERSIDE
BASIN IN SAN BERNARDINO COUNTY
FOR USE IN SAN BERNARDINO CO.
AND EXPORT TO RIVERSIDE CO.

<u>Jurupa Ditch Co.</u>				
<u>Water Production & Distribution</u>				
<u>Year</u>	<u>Total Production Jurupa Wells</u>	<u>Distribution</u>		
		<u>Overlying Use in S.B. Co.</u>	<u>Export to Riverside County</u>	
<u>(1)</u>	<u>(2)</u>	<u>(3)</u>	<u>(4)</u>	
1947	2828	0	2828	
8	3075	0	3075	
9	2733	0	2733	
1950	3048	0	3048	
1	3336	0	3336	
2	2556	0	2556	
3	3277	50	3227	
4	2788	31	2757	
5	2739	48	2691	
6	2873	50	2823	
7	2351	34	2317	
8	2524	22	2502	
9	2767	43	2724	
1960	2426	20	2406	
1	3454	49	3405	
2	3024	38	2986	
3	2874	46	2828	
4	3286	48	3238	
5	2289	43	2246	
1966	3009	21	2988	
67	2565	20	2545	
68	3163	36	3127	
69	2592	0	2592	
70	2336	0	2336	

Explanation

- (2) From Table No. 3, Col. 4
(3) From City Riverside Records
(4) Col. 2 - Col. 3

CITY OF RIVERSIDE
JURUPA DITCH CO.
WATER PRODUCTION FROM RIVERSIDE
BASIN IN SAN BERNARDINO COUNTY
FOR USE IN SAN BERNARDINO CO.
AND EXPORT TO RIVERSIDE CO.

<u>Jurupa Ditch Co.</u>			
<u>Water Production & Distribution</u>			
<u>Year</u>	<u>Total Production Jurupa Wells</u>	<u>Distribution</u>	
		<u>Overlying Use in S. B. Co.</u>	<u>Export to Riverside County</u>
(1)	(2)	(3)	(4)
1971	2,933	0	2,933
1972	2,884	0	2,884
1973	2,533	0	2,533
1974	2,885	0	2,885
1975			
1976			
1977			
1978			
1979			
1980			
1981			
1982			

Explanation

- (2) From Table No. 3, Col. 4
- (3) From City of Riverside Records
- (4) Col. 2 - Col. 3

TABLE NO. 9
CITY OF RIVERSIDE
IRRIGATION DIVISION
PRODUCTION DELIVERED TO FORMER RIVERSIDE WATER COMPANY CANAL
AND DISTRIBUTION OF PRODUCTION DELIVERED TO SALAZAR WATER CO.
 (Quantities in Acre Feet)

SUB-ROUTINE TO ASCERTAIN COMPONENTS OF COMINGLED WATER APPURTENANT TO SALAZAR DELIVERY AND EXPORTED TO RIVERSIDE COUNTY

Calendar Year	BUNKER HILL BASIN										Total Prod. to Canal Bunker Hill Colton and Riverside (11)	Percent of Water Prod. in Canal, from Ground Water Basins		Total Production Delivered to Salazar Water Co. exported to Riverside County				
	Less Deliveries in Basin					Water to Domestic						Colton Basin Johnson Vaughn Meeks Hill 1-2-3-4-5 (9)	Kiverside Basin Flume Wells 1-2-3-4-5 (10)	from Bunker Hill Colton Basin (12)	from Colton Riverside Basin (13)	Total Delivery Basin (14)	from Bunker Hill Colton Basin (15)	from Colton Riverside Basin (16)
	Riverside Highland Water Co. (2)	City of Domestic (3)	City of San Bernadino (4)	Sub Total Deliveries Above Bunker Hill Hill Dike (5)	Canal Bunker Hill Basin (6)	Warren Well to Canal (7)	Total Hill Basin to Canal (8)	Colton Basin Johnson Vaughn Meeks Hill 1-2-3-4-5 (9)	Kiverside Basin Flume Wells 1-2-3-4-5 (10)	Total Prod. to Canal Bunker Hill Colton and Riverside (11)								
1947	20,740	754	0	0	19,986	0	19,986	1,262	3,600	24,848	80.43	5.08	900	724	46	130		
48	18,350	746	0	0	17,604	0	17,604	1,059	5,727	24,390	72.18	4.34	907	655	39	213		
49	11,187	748	0	0	10,439	0	10,439	2,727	6,686	19,852	52.58	13.74	805	423	111	271		
50	11,206	805	0	0	10,401	0	10,401	3,778	6,893	21,072	49.36	17.93	910	449	163	298		
51	10,314	869	0	0	9,445	0	9,445	4,685	6,516	20,646	45.75	22.69	903	413	205	255		
1952	7,710	503	0	0	7,207	0	7,207	1,479	5,234	13,920	51.77	10.63	621	322	66	233		
53	12,408	949	0	0	11,459	0	11,459	3,874	5,570	20,903	54.82	18.53	853	468	158	227		
54	8,799	661	1,074	0	7,064	32	7,096	2,903	4,484	14,483	49.00	20.04	603	295	121	187		
55	8,500	731	499	0	7,270	0	7,270	2,320	5,205	14,795	49.34	15.68	429	211	67	151		
56	9,624	814	1,140	0	7,670	0	7,670	3,105	4,971	15,746	48.71	19.72	350	171	69	110		
1957	7,363	554	0	0	5,839	133	5,972	2,765	6,198	14,935	39.99	18.51	228	91	42	95		
58	9,379	551	1,303	0	7,525	0	7,525	2,547	4,621	14,693	51.21	17.34	210	108	36	66		
59	11,299	862	2,724	2,369	5,344	0	5,344	2,871	7,213	15,428	34.64	18.61	213	74	39	100		
60	11,122	790	4,076	2,006	4,250	0	4,250	2,165	5,127	11,542	36.82	18.76	156	58	29	69		
61	13,485	819	7,573	0	5,093	0	5,093	3,486	5,883	14,462	35.32	24.10	139	49	33	57		
1962	11,793	706	5,980	0	5,107	0	5,107	1,835	4,285	11,227	45.49	16.34	172	78	28	66		
63	10,646	559	6,021	0	4,066	0	4,066	1,807	3,946	9,819	41.41	18.40	140	58	26	56		
64	10,807	669	7,314	0	2,824	0	2,824	2,179	4,080	9,083	31.09	23.99	140	43	34	63		
65	10,527	442	8,868	0	1,217	0	1,217	2,185	3,521	6,923	17.38	31.56	0	0	0	0		
1966	10,222	511	9,078	0	633	0	633	1,824	*Domestic 4 Canal 46	2,503	25.29	72.87	112	28	82	2		
67	9,328	0	8,049	0	1,279	0	1,279	2,295	*Domestic 1775 Canal 35	3,609	35.44	63.59	93	0	0	93		
68	9,372	0	8,141	0	1,231	0	1,231	3,289	*Domestic 2739 Canal 660	5,180	23.77	63.49	108	0	0	108		
69	8,413	0	7,547	0	866	0	866	1,130	*Domestic 1305 Canal 996	2,992	28.94	37.77	0	0	0	0		
1970	8,604	0	8,092	0	512	0	512	2,260	*Domestic 566 Canal 752	3,524	14.53	64.13	0	0	0	0		

*Grand Avenue Booster Start Operating October 1966

Prod. - Production

- (1) From Table No. 1, Sub Total Sheets 1 & 2
- (2) From Table No. 3, Column (1)
- (3) From City of Riverside records
- (4) From Table No. 3, Column (8)
- (5) Columns (2) + (3) + (4)
- (6) Column (1) - Column (5)
- (7) From City of Riverside records
- (8) Column (6) + Column (7)
- (9) From Table No. 2, Sheets 1 & 2, Line 7
- (10) From Table No. 2, Sheets 1 & 2, Line 13 less Grand Ave. Booster to Domestic
- (11) Col's (8) + (9) + (10)
- (12) Column (8) + Column (11)
- (13) Column (9) + Column (11)
- (14) Column (10) + Column (11)
- (15) From Table No. 3, Column (2)

- (16) Column (15) X Column (12)
- (17) Column (15) X Column (13)
- (18) Column (15) X Column (14)

**CITY OF RIVERSIDE
IRRIGATION DIVISION
PRODUCTION DELIVERED TO FORMER RIVERSIDE WATER COMPANY CANAL
AND DISTRIBUTION OF PRODUCTION DELIVERED TO SALAZAR WATER CO.**
(Quantities in Acre Feet)

**SUB-ROUTINE TO ASCERTAIN COMPONENTS OF COMINGLED WATER APPURTENANT TO SALAZAR DELIVERY AND EXPORTED TO RIVERSIDE COUNTY
BUNKER HILL BASIN**

Calendar Year	Less Deliveries in Basin				Water to Domestic			Riverside Basin			Percent of Water Prod. in Canal, from Ground Water Basins			Total Production Delivered to Salazar Water Co. exported to Riverside County				
	Total Prod. Irrig. Division (1)	Highland Water Co. (2)	City of Domestic System (3)	City of San Bernardino (4)	Canal Bunker Hill Basin (6)	Warren No. 1 Well to Canal (7)	Total Domestic (8)	Colton Basin Johnson 1-2-3-4-5 (9)	Flume Wells 1-2-3-4-5 (10a)	Total Prod. to Canal Bunker Hill Colton and (11)	from Bunker Hill Basin (12)	from Colton Basin (13)	from Riverside Basin (14)	Total Delivery (15)	from Bunker Hill Basin (16)	from Colton Basin (17)	from Riverside Basin (18)	
																		Sub Total Deliveries Above Bunker Hill Dike (5)
1971	10,817	0	9,822	0	995	0	995	2,696	276	748	4,439	22.42	60.73	16.85	0	0	0	0
1972	8,471	0	8,216	0	255	0	255	2,521	1,576	1,180	3,956	6.45	63.73	29.82	0	0	0	0
1973	5,708	0	5,681	0	27	0	27	101	1,864	544	672	4.02	15.03	80.95	0	0	0	0
1974	7,411	279	7,041	0	91	0	91	1,386	0	1,588	3,065	2.97	45.22	51.81	0	0	0	0
1975																		
1976																		
1977																		
1978																		
1979																		
1980																		
1981																		
1982																		
1983																		
1984																		
1985																		

*Grand Avenue Booster Start Operating October 1966
Prod. - Production
(1) From Table No. 1, Sub Total Sheet 3
(2) From Table No. 3, Column (1)
(3) From City of Riverside records.
(4) From Table No. 3, Column (8)
(5) Columns (2) + (3) + (4)
(6) Column (1) - Column (5)
(7) From City of Riverside records
(8) Column (6) + Column (7)
(9) From Table No. 2, Sheet 3, Line 7
(10) From Table No. 2, Sheet 3, Line 13 less Grand Ave. Booster to Domestic

(11) Columns (8) + (9) + (10)
(12) Column (8) + Column (11)
(13) Column (9) + Column (11)
(14) Column (10) + Column (11)
(15) From Table No. 3, Column (2)

(16) Column (15) x Column (12)
(17) Column (15) x Column (13)
(18) Column (15) x Column (14)

TABLE NO. 10
CITY OF RIVERSIDE
IRRIGATION DIVISION
PRODUCTION DELIVERED TO FOKER RIVERSIDE WATER COMPANY CANAL
AND DISTRIBUTION OF PRODUCTION DELIVERED TO SOUTHERN CALIFORNIA EDISON CO.
HIGHGROVE POWER PLANT

SUB-ROUTINE TO ASCERTAIN COMPONENTS OF COMINGLED WATER APPURTENANT TO S.C.E. CO. HIGHGROVE POWER PLANT DELIVERY
(Quantities in Acre Feet)

Calendar Year	BUNKER HILL BASIN										Percent of Water Prod. in Canal, from Ground Water Basins				Southern California Edison Co. Highgrove Power Plant Deliveries			
	Less Deliveries in Basin		Water to Domestic		Total Bunker Hill Basin to Canal		Colton Basin		Total Prod. to Canal		from Bunker Hill Basin		from Colton Riverside Basin		Total Delivery Basin		from Colton Riverside Basin	
	Riverside Water Co. System	City of Domestic	Canal	Well	Warren No. 1	Hill Basin	Bunker Hill Basin	Johnson Vaughn Meeks Mill	Riverside Basin	Flume Wells 1-2-3-4-5	Bunker Hill Basin	Colton Riverside Basin	Bunker Hill Basin	Colton Riverside Basin	Total Delivery Basin	Bunker Hill Basin	Colton Riverside Basin	
(1)	(2)	(3)	(4)	(5)	(6)	(7)	(8)	(9)	(10)	(11)	(12)	(13)	(14)	(15)	(16)	(17)	(18)	
1947	20,740	0	0	0	19,986	0	19,986	1,262	3,600	24,848	80.43	5.08	14.49	0	0	0	0	
48	18,350	0	0	0	17,604	0	17,604	1,059	5,727	24,390	72.18	4.34	23.48	0	0	0	0	
49	11,187	0	0	0	10,439	0	10,439	2,727	6,686	19,852	52.58	13.74	33.68	0	0	0	0	
50	11,206	0	0	0	10,401	0	10,401	3,778	6,893	21,072	49.36	17.93	32.71	0	0	0	0	
51	10,314	0	0	0	9,445	0	9,445	4,685	6,516	20,646	45.75	22.69	31.56	0	0	0	0	
1952	7,710	0	0	0	7,207	0	7,207	1,479	5,234	13,920	51.77	10.63	37.60	420	217	45	158	
53	12,406	0	0	0	11,459	0	11,459	3,874	5,570	20,903	54.82	18.33	26.65	850	466	158	226	
54	8,799	0	0	0	7,096	32	7,096	2,903	4,484	14,483	49.00	20.04	30.96	674	330	135	209	
55	8,500	0	0	0	7,270	0	7,270	2,370	5,205	14,795	49.14	15.68	35.18	772	379	121	272	
56	9,624	0	0	0	7,670	0	7,670	3,105	4,971	15,746	48.71	19.72	31.57	760	370	150	240	
1957	7,363	0	0	0	5,839	133	5,972	2,765	6,198	14,935	39.99	18.51	41.50	626	250	116	260	
58	9,379	0	0	0	7,525	0	7,525	2,567	4,621	14,693	51.21	17.34	31.45	373	191	65	117	
59	11,299	0	0	0	5,344	0	5,344	2,871	7,213	15,428	34.64	18.61	46.75	221	77	41	103	
60	11,122	0	0	0	4,250	0	4,250	2,165	5,127	11,542	36.82	18.76	44.42	148	54	28	66	
61	13,485	0	0	0	5,093	0	5,093	3,486	5,883	14,462	35.22	24.10	40.68	0	0	0	0	
1962	11,793	0	0	0	5,107	0	5,107	1,835	4,285	11,227	45.49	16.34	38.17	0	0	0	0	
63	10,646	0	0	0	4,066	0	4,066	1,807	3,946	9,819	41.41	18.40	40.19	39	** 16	7	16	
64	10,807	0	0	0	2,824	0	2,824	2,179	4,080	31,092	31.09	23.99	44.92	0	0	0	0	
65	10,527	0	0	0	1,217	0	1,217	2,185	3,521	6,923	17.58	31.56	50.86	0	0	0	0	
66	10,222	0	0	0	633	0	633	1,824	*Domestic 4 Canal 46	2,503	25.29	72.87	1.84	0	0	0	0	
67	9,328	0	0	0	1,279	0	1,279	2,295	*Domestic 1775 Canal 35	3,609	35.44	63.59	0.97	0	0	0	0	
68	9,372	0	0	0	1,231	0	1,231	3,289	*Domestic 660 Canal 996	5,180	23.77	63.49	12.74	0	0	0	0	
69	8,413	0	0	0	866	0	866	1,130	*Domestic 1305 Canal 996	2,992	28.94	37.77	33.29	0	0	0	0	
1970	8,604	0	0	0	512	0	512	2,260	*Domestic 566 Canal 752	3,524	14.53	64.13	21.34	0	0	0	0	

*Grand Avenue Booster Start Operating October 1966
Prod. = Production

(1) From Table No. 1, Sub. Total Sheets 1 & 2
(2) From Table No. 3, Column (1)
(3) From City of Riverside records
(4) From Table No. 3, Column (8)
(5) Columns (2) + (3) + (4)
(6) Column (1) - Column (5)

(7) From City of Riverside records
(8) Column (6) + Column (7)
(9) From Table No. 2, Sheets 1 & 2
(10) From Table No. 2, Sheets 1 & 2
Less Grand Ave. Booster to Domestic
(11) Columns (8) + (9) + (10)
(12) Column (8) + Column (11)

(13) Column (9) + (11)
(14) Column (10) + Column (11)
(15) From Table No. 3, Column (5)
(16) Column (15) X Column (12)
(17) Column (15) X Column (13)
(18) Column (15) X Column (14)

**Year 1963, Col. (16) quantity shown as 16 Acre Feet is correct; however, when preparing Table B-1 of Judgment, 160 Acre Feet erroneously was used and happened to be one of the figures in Judgment that cannot be changed.

TABLE NO. 10

**CITY OF RIVERSIDE
IRRIGATION DIVISION
PRODUCTION DELIVERED TO FORMER RIVERSIDE WATER COMPANY CANAL
AND DISTRIBUTION OF PRODUCTION DELIVERED TO SOUTHERN CALIFORNIA EDISON CO.
HIGHGROVE POWER PLANT
(Quantities in Acre Feet)**

SUB-ROUTINE TO ASCERTAIN COMPONENTS OF COMINGLED WATER APPURTENANT TO S.C.E. CO. HIGHGROVE POWER PLANT DELIVERY

Calendar Year	BUNKER HILL BASIN										Riverside Total			Percent of Water Prod. in Canal, from Ground Water Basins			Southern California Edison Co. Highgrove Power Plant Deliveries		
	Less Deliveries in Basin					Water to Domestic					Colton Basin Johnson 1-2-3-4-5	Bunker Hill To and From. Canal (10a)	Bunker Hill Colton Riverside (11)	Bunker Hill Colton Riverside Basin (12)	Bunker Hill Colton Riverside Basin (13)	Total Delivery (15)	Bunker Hill Colton Basin (16)	from Riverside Basin (17)	from Riverside Basin (18)
	Riverside Highland Water Co. (2)	City of Domestic System (3)	City of Riverside (3)	City of San Bernardino (4)	Sub Total Deliveries Above Bunker Hill Dike (5)	Canal from Bunker Hill Basin (6)	Warren No. 1 Well to Canal (7)	Total Bunker Hill to Canal (8)	Colton Basin Johnson 1-2-3-4-5 (9)	To and From. Canal (10a)									
	(1)	(2)	(3)	(4)	(5)	(6)	(7)	(8)	(9)	(10a)	(11)	(12)	(13)	(14)	(15)	(16)	(17)	(18)	
1971	10,817	0	9,822	0	9,822	995	0	995	2,696	276	748	4,439	22.42	60.73	16.85	0	0	0	
1972	8,471	0	8,216	0	8,216	255	0	255	2,521	1,576	1,180	3,956	6.45	63.73	29.82	0	0	0	
1973	5,708	0	5,681	0	5,681	27	0	27	101	1,864	544	672	4.02	15.03	80.95	0	0	0	
1974	7,411	279	7,041	0	7,320	91	0	91	1,386	0	1,588	3,065	2.97	45.22	51.81	0	0	0	
1975																			
1976																			
1977																			
1978																			
1979																			
1980																			
1981																			
1982																			
1983																			
1984																			
1985																			

*Grand Avenue Booster Start Operating October 1966
Prod. = Production
(1) From Table No. 1, Sub Total Sheet 3
(2) From Table No. 3, Column (1)
(3) From City of Riverside records
(4) From Table No. 3, Column (8)
(5) Columns (2) + (3) + (4)
(6) Column (1) - Column (5)
(7) From City of Riverside records
(8) Column (6) + Column (7)
(9) From Table No. 2, Sheet 3, Line 7
(10) From Table No. 2, Sheet 3, Line 13
(11) Less Grand Ave. Booster to Domestic
(12) Columns (8) + (9) + (10)
(13) Column (8) + Column (11)
(14) Column (9) + (11)
(15) Column (10) + Column (11)
(16) From Table No. 3, Column (5)
(17) Column (15) x Column (12)
(18) Column (15) x Column (13)
(19) Column (15) x Column (14)

CITY OF RIVERSIDE
DOMESTIC & IRRIGATION DIVISIONS
WATER PRODUCTION & DELIVERIES
FROM
COLTON BASIN

WATER PRODUCTION FROM COLTON GROUND WATER BASIN IN
SAN BERNARDINO COUNTY AND DELIVERIES OF PRODUCTION
MADE NORTH OF THE COUNTY LINE IN SAN BERNARDINO COUNTY
AND SOUTH OF THE COUNTY LINE IN RIVERSIDE COUNTY

Calendar Year	Total Prod. From Colton Basin	COLTON BASIN PRODUCTION Delivered in San Bernardino County			Total Deliveries	Total Deliveries Exported to Riverside County
		Trujillo Water Co.	S.C.E. Co.			
			Power Plant Highgrove	Total Deliveries		
(1)	(2)	(3)	(4)	(5)	(6)	
1947	1262	12	0	12	1250	
48	1059	11	0	11	1048	
49	2727	27	0	27	2700	
50	3778	29	0	29	3749	
51	4665	7	0	7	4678	
1952	1479	0	45	45	1434	
53	3874	0	158	158	3716	
54	2903	0	135	135	2768	
55	2320	0	121	121	2199	
56	3105	0	150	150	2955	
1957	2765	0	116	116	2649	
58	2547	0	65	65	2482	
59	2871	0	41	41	2830	
60	2165	0	28	28	2137	
61	3486	0	0	0	3486	
1962	1835	0	0	0	1835	
63	1807	0	7	7	1800	
64	2179	0	0	0	2179	
65	2185	0	0	0	2185	
66	1324	0	0	0	1824	
67	2295	0	0	0	2295	
68	3289	0	0	0	3289	
69	1130	0	0	0	1130	
1970	2260	0	0	0	2260	

- (2) From Table No. 2, Shts. 1 & 2, Line 7
(3) From Table No. 7, Column (2)
(4) From Table No. 10, Column (17)
(5) Column (3) + Column (4)
(6) Column (2) - Column (5)

CITY OF RIVERSIDE
DOMESTIC & IRRIGATION DIVISIONS
WATER PRODUCTION & DELIVERIES
FROM
COLTON BASIN

WATER PRODUCTION FROM COLTON GROUND WATER BASIN IN
 SAN BERNARDINO COUNTY AND DELIVERIES OF PRODUCTION
 MADE NORTH OF THE COUNTY LINE IN SAN BERNARDINO COUNTY
 AND SOUTH OF THE COUNTY LINE IN RIVERSIDE COUNTY

Acre Feet

Calendar Year	Total Prod. From Colton Basin	COLTON BASIN PRODUCTION Delivered in San Bernardino County			Total Deliveries	Total Deliveries Exported to Riverside County
		Trujillo Water Co.	S.C.E. Co. Power Plant Highgrove			
(1)	(2)	(3)	(4)	(5)	(6)	
1971	2,696	0	0	0	2,696	
1972	2,521	0	0	0	2,521	
1973	101	0	0	0	101	
1974	1,386	0	0	0	1,386	
1975						
1976						
1977						
1978						
1979						
1980						
1981						
1982						

(2) From Table No. 2, Sheet 3, Line 7
 (3) From Table No. 4, See Note (C) thereon
 (4) From Table No. 10, Column (17)
 (5) Column (3) + Column (4)
 (6) Column (2) - Column (5)

CITY OF RIVERSIDE
DOMESTIC & IRRIGATION DIVISIONS
WATER PRODUCTION & DELIVERIES
FROM
PORTION RIVERSIDE BASIN

WATER PRODUCTION FROM THAT PORTION OF THE RIVERSIDE GROUND WATER
BASIN SITUATED NORTH OF THE COUNTY LINE IN SAN BERNARDINO COUNTY
AND DELIVERIES OF PRODUCTION MADE NORTH OF THE COUNTY LINE IN
SAN BERNARDINO COUNTY AND SOUTH OF THE COUNTY LINE IN RIVERSIDE CO.

Acre Feet

Calendar Year	Total Prod. from Portion Riverside Basin	Riverside Basin Production in San Bernardino County; Delivered in San Bernardino County					Total Deliveries	Total Deliveries Exported to Riverside County
		Trujillo Water Co.	S.C.E. Co. Power Plant Highgrove	Overlying Land Use				
(1)	(2)	(3)	(4)	Pellissier Ranch	Williams Ranch	Jurupa Ranch	(9)	(10)
1947	7,745	35	0	1,317	0	0	1,352	6,393
48	10,016	57	0	1,214	0	0	1,271	8,745
49	10,606	66	0	1,187	0	0	1,253	9,353
50	11,003	53	0	1,142	0	0	1,195	9,888
51	10,790	10	0	938	0	0	948	9,842
1952	9,405	15	157	1,345	0	0	1,517	7,880
53	12,463	24	226	1,374	109	50	1,783	10,680
54	10,048	19	209	1,126	49	31	1,434	8,614
55	11,070	17	272	1,300	62	48	1,699	9,371
56	10,592	18	240	1,168	13	50	1,494	9,098
1957	10,743	15	260	713	135	34	1,157	9,586
58	10,019	16	117	1,241	172	22	1,568	8,451
59	12,974	17	103	1,175	243	43	1,581	11,393
60	9,639	15	66	531	220	20	852	8,787
61	11,679	18	0	814	290	49	1,171	10,508
1962	8,715	13	0	26	4	38	81	8,634
63	8,259	14	16	5	3	46	34	8,175
64	9,423	15	0	188	0	48	251	9,172
65	7,752	2	0	290	0	43	335	7,417
66	4,594	0	0	233	0	21	254	4,340
67	5,750	0	0	181	0	20	201	5,549
68	9,042	0	0	1,279	0	36	1,315	7,727
69	6,969	0	0	147	0	0	147	6,822
1970	3,772	0	0	94	0	0	94	3,678

(2) From Table No. 2, Shts. 1&2 Line 30

(3) From Table No. 7, Column (3)

(4) From Table No. 10, Column (18)

(5) From Table No. 2, Sheets 1&2, Line 20

(6) From Table No. 6, Column (7)

(7) From Table No. 8, Column (3)

(9) (3)+(4)+(5)+(6)+(7)

(10) (2) - (9)

CITY OF RIVERSIDE
DOMESTIC & IRRIGATION DIVISIONS
WATER PRODUCTION & DELIVERIES

FROM
PORTION RIVERSIDE BASIN

WATER PRODUCTION FROM THAT PORTION OF THE RIVERSIDE GROUND WATER BASIN SITUATED NORTH OF THE COUNTY LINE IN SAN BERNARDINO COUNTY AND DELIVERIES OF PRODUCTION MADE NORTH OF THE COUNTY LINE IN SAN BERNARDINO COUNTY AND SOUTH OF THE COUNTY LINE IN RIVERSIDE CO.

Acres Feet

Calendar Year (1)	Total Prod. from Riverside Basin (2)	Riverside Basin Production in San Bernardino County; Delivered in San Bernardino County					Total Deliveries Exported to Riverside County (10)	
		S.C.E. Co.		Overlying Land Use				
		Trujillo Water Co. (3)	Power Plant Highgrove (4)	Pellissier Ranch (5)	Williams Ranch (6)	Jurupa Ranch (7)		Total Deliveries (9)
1971	4,537	0	0	174	0	0	174	4,363
1972	5,920	0	0	107	0	0	107	5,813
1973	4,986	0	0	45	0	0	45	4,941
1974	6,123	0	0	111	0	0	111	6,012
1975								
1976								
1977								
1978								
1979								
1980								
1981								

(2) From Table No. 2, Sheet 3, Line 30
 (3) From Table No. 4, See Note (C)
 (4) From Table No. 10, Column (18)
 (4a) Space reserved for future
 (5) From Table No. 2, Sheet 3, Line 20
 (6) From Table No. 6, Column (7) Ranch and well sold to others
 (7) From Table No. 8, Column (3)
 (8) Space reserved for future
 (9) (3)+(4)+(5)+(6)+(7)
 (10) (2) - (9)

TABLE NO. 13
CITY OF RIVERSIDE
WATER PRODUCTION FROM SAN BERNARDINO BASIN AREA
AND DELIVERIES WITHIN SAN BERNARDINO COUNTY
AND EXPORT TO RIVERSIDE COUNTY
FOR BASE PERIOD 1959-1963
AND SUBSEQUENT YEARS
(All Quantities in Acre Feet)

YEAR	CITY PRODUCTION & DELIVERY IN SAN BERNARDINO BASIN AREA			CITY DELIVERIES IN COLTON & RIVERSIDE BASINS IN SAN BERNARDINO COUNTY				TOTAL WATER FROM SAN BERNARDINO BASIN AREA EXPORT TO RIVERSIDE COUNTY (8)
	CITY WELLS (1)	DELIVERIES IN SAN BERNARDINO BASIN AREA (2)	TOTAL CITY PRODUCTION AVAILABLE FOR EXPORT (3)	PRIOR RIGHT DELIVERED TO RIVERSIDE HIGHLAND WATER COMPANY (4)	TRUJILLO WATER COMPANY (5)	EDISON POWER PLANT (6)	TOTAL (7)	
1959	25,983	2,369	23,614	305	0	77	382	23,232
1960	23,024	2,006	21,018	302	0	54	356	20,662
1961	24,682	0	24,682	338	0	0	338	24,344
1962	24,391	0	24,391	345	0	0	345	24,046
1963	22,379	0	22,379	275	0	160	435	21,944
TOTAL	120,459	4,375	116,084	1,565	0	291	1,856	114,228
AVER.	24,092	875	23,217	313	0	58	371	22,846
1964	23,860	0	23,860	245	0	0	245	23,615
1965	20,973	0	20,973	166	0	0	166	20,807
1966	20,900	0	20,900	173	0	0	173	20,727
1967	19,185	0	19,185	0	0	0	0	19,185
1968	21,230	0	21,230	0	0	0	0	21,230
1969	19,088	0	19,088	0	0	0	0	19,088
1970	20,815	0	20,815	0	0	0	0	20,815

(1) From Table No. 1, Line 61, Sht. 5, City of Riverside
 (2) From Table No. 3, Column 8, City of Riverside
 (3) Column (1) - Column (2)
 (4) For years 1959 thru 1963, Table No. 26, Col. (4), R.H.W. Co. (8) Col. (3) - Col. (7)
 For years 1964 thru 1970, Table No. 31, Col. (4), R.H.W. Co.
 (5) From Table No. 7, Col. (1)
 (6) From Table No. 10, Col. (16)
 (7) Col. (4) + Col. (5) + Col. (6)
 (8) Col. (3) - Col. (7)
 Column (8) includes R.H.W. Co. Prior Right export to Riverside County as follows.
 For years 1959 thru 1963, Table No. 26, Col. (13)
 For years 1964 thru 1970, Table No. 31, Col. (13)

TABLE NO. 13

**CITY OF RIVERSIDE
WATER PRODUCTION FROM SAN BERNARDINO BASIN AREA
AND DELIVERIES WITHIN SAN BERNARDINO COUNTY
AND EXPORT TO RIVERSIDE COUNTY**

FOR BASE PERIOD 1959-1963
AND SUBSEQUENT YEARS

(All Quantities in Acre Feet)

Year	CITY PRODUCTION & DELIVERY IN SAN BERNARDINO BASIN AREA			CITY DELIVERIES IN COLTON & RIVERSIDE BASINS IN SAN BERNARDINO COUNTY				Total Water from San Bernardino Basin Area Export to Riverside County (8)
	City Wells (1)	Deliveries in San Bernardino Basin Area (2)	Total City Production Available For Export (3)	Prior Right Delivered To Riverside Highland Water Company (4)	Trujillo Water Company (5)	Edison Power Plant (6)	Total (7)	
1971	24,939	0	24,939	0	0	0	0	24,939
1972	20,474	0	20,474	0	0	0	0	20,474
1973	21,493	0	21,493	0	0	0	0	21,493
1974	27,420	0	27,420	65	0	0	65	27,355
1975								
Total Aver.								
1976								
1977								
1978								
1979								
1980								
Total Aver.								

(1) From Table No. 1, Line 61, Sheet 6, City of Riverside

(2) From Table No. 3, Column (8), City of Riverside

(3) Column (1) - Column (2)

(4) For years 1959 thru 1963, Table No. 26, Col. (4), R.H.W. Co.

For years 1964 and after, Table No. 31, Col. (4), R.H.W. Co.

(5) From Table No. 4, Col. (1), Note "(C)"

(6) From Table No. 10, Col. (16)

(7) Col. (4) + Col. (5) + Col. (6)

(8) Col. (3) - Col. (7)

Column (8) includes R.H.W. Co. Prior Right

export to Riverside County as follows:

For years 1959 thru 1963, Table No. 26, Col. (13)

For years 1964 and after, Table No. 31, Col. (13)

CITY OF RIVERSIDE AND
UNIVERSITY OF CALIFORNIA
EXTRACTIONS FROM BUNKER HILL BASIN
IN SAN BERNARDINO BASIN AREA

Year	City of Riverside Extractions From Bunker Hill Basin		University of California Extractions From Bunker Hill Basin		Total City and University Extractions From Bunker Hill Basin	
	Amended Filings	Original Filings	Amended Filings	Original Filings	Amended Filings	Original Filings
	Ac. Ft.	Ac. Ft.	Ac. Ft.	Ac. Ft.	Ac. Ft.	Ac. Ft.
(1)	(2)	(3)	(4)	(5)	(6)	(7)
1947	30,008	30,008	127	127	30,135	30,135
1948	28,093	28,093	190 *	251	28,283	28,344
1949	21,307	21,307	235	235	21,542	21,542
1950	21,774 *	21,773	264	264	22,038	22,037
1951	20,364 *	20,361	341 *	344	20,705	20,705
1952	17,949	17,949	183	183	18,132	18,132
1953	24,427	24,427	460	460	24,887	24,887
1954	20,198	20,198	162	162	20,360	20,360
1955	23,555	23,555	719	719	24,274	24,274
1956	27,042 *	27,037	125 *	127	27,167	27,164
1957	21,830 *	21,519	424 *	735	22,254	22,254
1958	24,638	24,638	306	306	24,944	24,944
1959	25,983	25,983	558	558	26,541	26,541
1960	23,024 *	22,964	546 *	606	23,570	23,570
1961	24,682 *	24,690	658 *	650	25,340	25,340
1962	24,391 *	24,275	564 *	680	24,955	24,955
1963	22,379 *	22,395	425 *	409	22,804	22,804
1964	23,860	23,860	443	443	24,303	24,303
1965	20,973	20,973	410 *	1,526	21,383	22,499
1966	20,900	20,900	323 *	930	21,223	21,830
1967	19,185	19,185	104 *	109	19,289	19,294
1968	21,230	21,230	73 *	89	21,303	21,319
1969	19,088	19,088	148	148	19,236	19,236
1970	20,815	20,815	268 *	269	21,083	21,084

(1959-63)

(Average) 24,092 * 24,061 550 * 581 24,642 * 24,642

- * = Amended Recordation Filings
- (2) = City of Riverside Table No. 1, Line 61, Shts. 4 & 5 (Hunt Wells Extractions Amended)
- (3) = City of Riverside Original Recordation Filings
- (4) = University of California Table No. 35, Col. 6 (Hunt Wells Extractions Amended)
- (5) = 1947 through 1964 - City of Riverside Filings Showing UCR Extractions
- (6) = Col. 2 + Col. 4 (Amended Recordation Filings)
- (7) = Col. 3 + Col. 5 (Original Recordation Filings)

1970 -- See letter dated 4/16/71 attached to Recordation No. 3691244.

CITY OF RIVERSIDE AND
UNIVERSITY OF CALIFORNIA
EXTRACTIONS FROM BUNKER HILL BASIN
IN SAN BERNARDINO BASIN AREA

Year (1)	City of Riverside Extractions From Bunker Hill Basin		University of California Extractions From Bunker Hill Basin		Total City and University Extractions From Bunker Hill Basin	
	Amended Filings Ac. Ft. (2)	Original Filings Ac. Ft. (3)	Amended Filings Ac. Ft. (4)	Original Filings Ac. Ft. (5)	Amended Filings Ac. Ft. (6)	Original Filings Ac. Ft. (7)
1971	24,939	24,939	219	219	25,158	25,158
1972	20,474	20,474	239	239	20,713	20,713
1973	21,493	21,493	239	239	21,732	21,732
1974	27,420	27,420	267	267	27,687	27,687
1975						
1976						
1977						
1978						
1979						
1980						

- (2) = City of Riverside Table No. 1, Line 61, Sheet 6
- (3) = City of Riverside Original Recordation Filings
- (4) = University of California Table No. 35, Col. 6
- (5) = 1947 through 1964 - City of Riverside Filings Showing UCR Extractions
- (6) = Col. 2 + Col. 4 (Amended Recordation Filings)
- (7) = Col. 3 + Col. 5 (Original Recordation Filings)

CITY OF RIVERSIDE

THE GAGE CANAL COMPANY

CITY OF RIVERSIDE
THE GAGE CANAL COMPANY

The Gage Canal Company extracts water from the Bunker Hill Basin, the Riverside Basin in San Bernardino County, and the Riverside Basin in Riverside County. The extractions from these basins for the period 1947 to the present are shown on Table No. 15, consisting of three sheets.

Table No. 15 shows the local designation of each well from which water is extracted, the state well number, and the recordation number of the well assigned by the State Water Rights Board. This table also shows, in addition to the extractions by The Gage Canal Company from their own wells, deliveries which have been made by other companies.

Table No. 16 shows the total deliveries of irrigation water to the East Riverside Water Company by The Gage Canal Company from their canal. These quantities are from The Gage Canal Company records. Since the service area of the East Riverside Water Company is located in both San Bernardino County and Riverside County, it is necessary to determine the amount of water delivered in each county. For the years 1955 to the present, the amount of the deliveries in San Bernardino County was determined from The Gage Canal Company records. The amount of water delivered to the East Riverside Water Company in Riverside County is the total delivery less the amount delivered in San Bernardino County.

It is assumed that all the production from the DeBerry well located in the Riverside Basin in San Bernardino County is exported to The Gage Canal Company service area in Riverside County. Since the Gage Canal Company has no source of water supply in the Colton Basin, all of the water deliveries in San Bernardino County come from the Bunker Hill Basin.

In the year of 1974, the City of Riverside converted the Gage Canal from an open channel to an enclosed pipeline between Linden Street and the canal head-gates, in order to better accommodate use for the transportation of domestic water. As a result of this conversion, the deliveries to the East Riverside Water Company, made in outlets to this company north of the County Line, are supplied by an auxiliary pipeline connected to the DeBerry well, with a provision for emergency deliveries from the Gage pipeline. Thus, in 1974 the deliveries to the East Riverside Water Company north of the County Line are shown on Table No. 17 as production from Riverside Basin in San Bernardino County (DeBerry well).

Table No. 17 shows the deliveries in San Bernardino County to the following agencies:

City of Riverside
Southern California Edison Power Plant
Cooley Ranch
East Riverside Water Company

The Gage Canal Company delivers water to Southern California Edison Company Steamplant for cooling purposes (Table No. 17, Col. 3), and for the period from 1957 to 1967 a portion of the supply was returned to Gage Canal (Col. 3a). The difference between supply and return water is assumed to be Gage water left in San Bernardino County (Col. 4). For the period 1967 to the present, the return water is to the former Riverside Water Company canal and none to the Gage Canal.

This table also shows the export to Riverside County from the Bunker Hill Basin and the Riverside Basin in San Bernardino County.

Table No. 18 is a summary of the extractions by The Gage Canal Company from the Bunker Hill Basin and the delivery of this water in San Bernardino County and in Riverside County.

TABLE NO. 15
THE GAGE CANAL COMPANY WATER PRODUCTION
FROM BUNKER HILL BASIN
RIVERSIDE BASIN IN SAN BERNARDINO COUNTY
AND RIVERSIDE BASIN IN RIVERSIDE COUNTY

Line No.	Reference	Local Designation	State Well Number	Recordation Number	Quantities in Acre Feet by Calendar Year										
					1947	1948	1949	1950	1951	1952	1953	1954	1955	1956	1957
BUNKER HILL BASIN IN SAN BERNARDINO BASIN AREA															
1	Rec. Filling	No. 6	1S-4W-13L1	3600784	1,043	1,205	902	740	747	506	286	84	0	0	2
2		No. 17	1S-4W-14R	3600785	180	254	141	310	346	187	258	232	25	0	0
3		No. 21	1S-4W-13L2	3600786	1,425	1,282	1,051	1,250	1,392	729	856	658	415	0	0
4		No. 26-1	1S-4W-23A2	3600787	3,457	3,415	2,800	3,655	3,585	1,935	3,361	2,535	4,306	3,498	2,480
5		No. 27-1	1S-4W-23H1	3600788	3,558	3,146	2,668	1,373	3,563	2,233	3,431	2,462	3,687	3,508	2,469
6		No. 27-2	1S-4W-23K1	3600789	3,427	3,397	2,811	3,773	3,875	2,664	2,765	1,200	4,250	4,301	3,301
7		No. 29-1	1S-4W-23K2	3600790	2,748	3,362	786	1,555	1,994	1,248	1,245	788	3,977	3,935	2,559
8		No. 29-2	1S-4W-13N1	3600791	4,409	5,645	3,963	4,675	4,251	3,862	6,306	4,181	5,984	5,492	3,151
9		No. 29-3	1S-4W-13N2	3600792	4,917	5,424	4,939	5,196	4,962(1)	3,162	6,394	4,481	5,732	5,319	3,726
10		No. 30-1	1S-4W-13M2	3600793	0	41	0	0	1,954	1,759	1,552	1,602	59	1,490	1,702
11		No. 31-1	1S-4W-13F2	3600794	1,546	2,323	2,816	3,359	1,133	835	2,201	2,504	112	2,416	2,818
12		No. 46-1	1S-4W-13G2	3600795	0	0	3,020	2,873	2,417	3,484	3,039	908	488	2,407	
13		No. 51-1	1S-4W-23A5	3600796	0	0	0	0	0	398	983	1,028	2,398	2,126	
14		No. 56-1	1S-4W-13G3	3600797	0	0	578	701	747	0	156	465	36	0	
15		Cowlane	1S-4W-23G1	3600798	0	0	0	0	0	0	0	0	0	0	
16		No. 66-1	1S-4W-23G	3602331	0	0	0	0	0	0	0	0	0	0	
17		No. 6-Dom.	1S-4W-13P	3602423	0	0	0	0	0	0	0	0	0	0	
20	Lines 1 through 17	Total Production Bunker Hill Basin			26,710	29,494	26,475	29,460	30,966	21,989	33,278	25,279	31,889	32,773	27,063
24	Rec. Filling	DeBetty	2S-4W-05C1	3600783	1,142	1,503	1,565	1,520	1,512	1,236	1,434	1,435	1,642	1,622	1,379
28	Rec. Filling	Olivewood 1	2S-5W-26F1	3300366	695	621	679	583	713	595	577	569	764	674	633
29		Olivewood 2	2S-5W-26E2	3300367	1,467	1,385	1,084	844	1,169	1,009	1,081	1,042	1,435	1,276	1,198
30		Olivewood 3	2S-5W-26M1	3300368	0	322	335	247	374	314	349	301	380	292	341
31		Total Production Riverside Basin in Riverside Co.			2,162	2,328	2,098	1,674	2,256	1,918	2,007	1,912	2,579	2,242	2,172
32															
33															
34															
35															
36	Gage Records	R.W. Co. Booster for Gage R.W. Co. Stock			660	599	595	595	595	595	595	597	600	619	539
37	Gage Records	City of Riverside - Clearwater Well													

RIVERSIDE BASIN IN SAN BERNARDINO COUNTY

RIVERSIDE BASIN IN RIVERSIDE COUNTY

ADDITIONAL DELIVERIES FROM OTHER COMPANIES

(1) Rec. Filling shows 4,692 and Gage Canal Records show 4,962.

TABLE NO. 15
 THE GAGE CANAL COMPANY WATER PRODUCTION
 FROM BUNKER HILL BASIN
 RIVERSIDE BASIN IN SAN BERNARDINO COUNTY
 AND RIVERSIDE BASIN IN RIVERSIDE COUNTY

Line No.	Reference	Local Designation	State Well Number	Recordation Number	Quantities in Acre Feet by Calendar Year												
					1958	1959	1960	1961	1962	1963	1964	1965	1966	1967	1968	1969	1970
BUNKER HILL BASIN IN SAN BERNARDINO BASIN AREA																	
1	Rec. Filling	No. 6	1S-4W-13L1	3600784	4	10	44	68	36	12	8	16	31	34	58	-	
2		No. 17	1S-4W-14R	3600785	0	0	0	0	0	0	0	0	0	0	0	-	
3		No. 21	1S-4W-13L2	3600786	0	0	0	0	0	0	142	1,267	1,002	656	808	588	
4		No. 26-1	1S-4W-23A2	3600787	3,250	2,930	2,805	2,762	2,535	2,773	2,552	1,487	2,669	1,203	1,776	1,043	
5		No. 27-1	1S-4W-23H1	3600788	3,130	2,840	1,566	2,163	2,207	2,465	1,991	1,287	1,778	1,392	1,392	1,396	
6		No. 27-2	1S-4W-23K1	3600789	2,947	3,466	2,409	2,076	2,928	2,235	2,867	1,725	2,148	1,756	1,860	1,786	
7		No. 29-1	1S-4W-23K2	3600790	2,601	2,235	2,725	2,904	2,155	2,394	2,168	1,992	2,150	1,416	1,660	1,174	
8		No. 29-2	1S-4W-13H1	3600791	2,116	3,633	3,693	4,680	3,367	3,475	4,270	3,023	2,399	3,201	1,932	1,629	
9		No. 29-3	1S-4W-13W2	3600792	2,836	3,537	4,709	5,071	4,094	3,750	4,242	3,389	3,038	3,000	3,685	3,742	
10		No. 30-1	1S-4W-13W2	3600793	1,394	1,582	1,768	1,495	2,145	1,719	2,375	1,606	1,752	1,551	2,174	654	
11		No. 31-1	1S-4W-13F2	3600794	2,371	3,219	2,141	2,353	2,057	1,372	1,515	1,108	807	890	890	631	
12		No. 46-1	1S-4W-13G2	3600795	2,895	3,640	2,828	2,909	2,820	2,765	2,958	2,122	2,730	2,678	3,295	3,295	
13		No. 51-1	1S-4W-23A5	3600796	808	1,314	1,183	946	642	736	1,254	1,276	1,165	311	745	634	
14		No. 56-1	1S-4W-13G3	3600797	2,620	3,379	3,148	3,243	3,434	3,299	2,498	2,265	2,419	2,172	2,505	1,611	
15		Cowlane	1S-4W-23G1	3600798	0	0	0	0	0	0	0	0	0	0	0	0	
16		No. 66-1	1S-4W-23G	3602331	0	0	0	0	0	0	0	0	0	0	0	0	
17		No. 6-Don.	1S-4W-13P	3602423	0	0	0	0	0	0	0	521	2,326	2,326	2,785	2,729	
18															32	96	
19																	
20																	
21	Lines 1 thru 17	Total Production Bunker Hill Basin			26,972	31,805	29,019	30,670	28,440	26,999	28,790	22,236	24,910	22,903	28,581	21,737	25,571
22																	
23																	
24	Rec. Filling	DeBerry	2S-4W-05C1	3600783	1,453	1,504	1,474	1,639	1,231	1,169	1,247	867	570	692	538	194	419
25																	
26																	
27																	
28																	
29	Rec. Filling	Olivewood 1	2S-5W-26F1	3300366	795	856	931	1,044	727	688	728	592	328	288	301	236	199
30		Olivewood 2	2S-5W-26S2	3300367	1,824	1,752	1,595	1,633	985	1,165	1,691	957	957	978	926	1,829	1,230
31		Olivewood 3	2S-5W-26M1	3300368	397	449	461	559	305	318	383	265	81	99	105	542	156
32		Total Production Riverside Basin in Riverside Co.			3,016	3,057	2,987	3,236	2,017	2,171	2,802	1,814	1,366	1,365	1,332	2,607	1,585
33																	
34																	
35	Gage Records	Riverside Water Co. Booster for Gage R.W.Co. Stock			630	626	652	786	690	720							
36	Gage Records	City of Riverside - Clearwater Well			192	192	611	611	23	65							
37																	

ADDITIONAL DELIVERIES FROM OTHER COMPANIES

Revised Recordation Filing 3602423 for 1970 during 1972 verification

TABLE NO. 15

THE GAGE CANAL COMPANY WATER PRODUCTION
FROM BUNKER HILL BASIN
RIVERSIDE BASIN IN SAN BERNARDINO COUNTY
AND RIVERSIDE BASIN IN RIVERSIDE COUNTY

Line No.	Reference	Local Designation	State Well Number	Recordation Number	Quantities in Acre Feet by Calendar Year													
					1971	1972	1973	1974	1975	1976	1977	1978	1979	1980	1981	1982		
BUNKER HILL BASIN IN SAN BERNARDINO BASIN AREA																		
1	Rec. Filling	No. 6	1S-4W-13L1	3600784	-	-	-	-	-	-	-	-	-	-	-	-	-	-
2		No. 17	1S-4W-14R	3600785	-	-	-	-	-	-	-	-	-	-	-	-	-	-
3		No. 21	1S-4W-13L2	3600786	612	662	710	983										
4		No. 26-1	1S-4W-23A2	3600787	1,597	1,241	1,703	1,165										
5		No. 27-1	1S-4W-23H1	3600788	2,010	1,921	1,844	1,152										
6		No. 27-2	1S-4W-23K1	3600789	1,201	1,224	967	1,325										
7		No. 29-1	1S-4W-23K2	3600790	2,052	1,742	1,567	1,296										
8		No. 29-2	1S-4W-13N1	3600791	4,365	3,645	3,604	64										
9		No. 29-3	1S-4W-13N2	3600792	3,864	3,220	3,78	1,241										
10		No. 30-1	1S-4W-13N2	3600793	1,778	1,323	1,499	1,352										
11		No. 31-1	1S-4W-13F2	3600794	1,266	721	787	1,266										
12		No. 46-1	1S-4W-13G2	3600795	3,906	3,431	2,915	2,232										
13		No. 51-1	1S-4W-23A5	3600796	673	616	624	121										
14		No. 56-1	1S-4W-13G3	3600797	2,513	2,973	2,436	1,870										
15		Cowlane	1S-4W-23G1	3600798	-	-	-	-										
16		No. 66-1	1S-4W-23C	3602331	2,980	2,394	2,415	1,748										
17		No. 6-Down	1S-4W-13P	3602423	126	107	80	132										
18																		
19																		
20																		
21	Lines 1 thru 17	Total Production	Bunker Hill Basin		28,943	25,220	21,529	15,947										
22																		
23																		
24																		
25	Rec. Filling	DeBerry	2S-4W-05C1	3600783	567	778	222	472										
26																		
27																		
28	Rec. Filling	Olliveood 1	2S-5W-26F1	3300366	392	674	550	539										
29		Olliveood 2	2S-5W-26E2	3300367	1,026	1,140	908	1,182										
30		Olliveood 3	2S-5W-26H1	3300368	127	396	404	715										
31																		
32		Total Production	Riverside Basin in Riverside Co.		1,545	2,210	1,862	2,436										
33																		
34																		
35																		
36	Gage Records	Riverside Water Co. Booster for Gage R.W. Co. Stock			-	-	-	-										
37	Gage Records	City of Riverside - Clearwater Well (Sold to Victoria Club)			-	-	-	-										

RIVERSIDE BASIN IN SAN BERNARDINO COUNTY

RIVERSIDE BASIN IN RIVERSIDE COUNTY

ADDITIONAL DELIVERIES FROM OTHER COMPANIES

Line (36) not required because of revision of method for determining quantity of water "hot tributary" to Riverside Narrows (see Vol. 6).

TABLE NO. 16
THE GAGE CANAL COMPANY
WATER PRODUCTION FROM BUNKER HILL BASIN
DELIVERED IN SAN BERNARDINO COUNTY
& IN RIVERSIDE COUNTY
TO EAST RIVERSIDE WATER COMPANY

Sheet 1 of 2

EAST RIVERSIDE WATER COMPANY

Calendar Year	Irrigation Season In Days	Total Delivered To East Riverside Water Company Ac. Ft.	Delivered		Riverside County Ac. Ft.	
			Average Ac. Ft. Per Day Of Irrig. Season Ac. Ft.	San Bernardino County Deliveries Estimated Measured Ac. Ft. Ac. Ft.		
(1)	(2)	(3)	(4)	(5)	(6)	(7)
1947	358	7,829	1.94	695	-	7,134
48	342	8,424	1.94	664	-	7,760
49	332	7,135	1.94	644	-	6,491
1950	335	7,438	1.94	650	-	6,788
51	325	7,721	1.94	631	-	7,090
52	225	5,605	1.94	437	-	5,168
53	326	7,717	1.94	-	632	7,085
54	247	5,755	1.90 (a)	469	-	5,286
1955	329	7,045	1.86	-	611	6,434
56	319	7,356	1.87	-	596	6,760
57	277	5,674	1.62	-	449	5,225
58	280	5,666	1.53	-	427	5,239
59	322	6,629	1.37	-	439	6,190
1960	293	5,964	1.37	-	401	5,563
61	322	6,242	1.33	-	428	5,814
62	294	5,599	0.93	-	272	5,327
63	304	5,177	0.83	-	259	4,918
64	315	5,545	0.65	-	206	5,339
1965	242	4,284	0.76	-	183	4,101
66		5,225		-	160	5,065
67		4,802		-	94	4,708
68 *				-	101	
69 *				-	89	
1970 *				-	94	

(2) (3) Gage Records

(a) Average of 1953 & 1955 $(1.94 + 1.86) \frac{1}{2} = 1.90$

(4) $632 \text{ Ac. Ft.} \div 326 \text{ Days} = 1.94$ for Years 1947 thru 1952 = Col. (6) \div Col. (2)

(5) (4) \times (2)

(6) City of Riverside (Custodian) of East Riverside Water Company Records

(7) Col. (3) Minus Col. (5) or Col. (3) Minus Col. (6)

*From 1968 to the present, the Gage Canal has provided the Watermaster with just that portion of water delivered to East Riverside Water Company that was used within San Bernardino County.

THE GAGE CANAL COMPANY
WATER PRODUCTION FROM BUNKER HILL BASIN
DELIVERED IN SAN BERNARDINO COUNTY
& RIVERSIDE COUNTY
TO EAST RIVERSIDE WATER COMPANY

Calendar Year	Irrigation Season In Days	Total Delivered To East Riverside Water Company Ac. Ft.	Delivered		Riverside County	
			San Bernardino County			
			Average Ac. Ft. Per Day Of Irrig. Season	Estimated	Measured	
<u>(1)</u>	<u>(2)</u>	<u>(3)</u>	<u>Ac. Ft.</u>	<u>Ac. Ft.</u>	<u>Ac. Ft.</u>	<u>Ac. Ft.</u>
			<u>(4)</u>	<u>(5)</u>	<u>(6)*</u>	<u>(7)</u>
1971					108	
1972					90	
1973					82	
1974					98**	
1975						
1976						
1977						
1978						
1979						
1980						
1981						
1982						

(2) (3) Gage Records

(a) Average of 1953 & 1955 $(1.94 + 1.86) \frac{1}{2} = 1.90$

(4) $632 \text{ Ac. Ft.} \div 326 \text{ Days} = 1.94$ for Years 1947 thru 1952 = Col. (6) \div Col. (2)

(5) (4) x (2)

(6) City of Riverside (Custodian) of East Riverside Water Company Records

(7) Col. (3) Minus Col. (5) or Col. (3) Minus Col. (6)

* From 1968 to the present, the Gage Canal has provided the Watermaster with just that portion of water delivered to East Riverside Water Co. that was used within San Bernardino County.

** Beginning in 1974 all water delivered to East Riverside Water Co. within San Bernardino Co. was produced by the DeBerry Well which is located in the Riverside Basin within San Bernardino County.

TABLE NO. 17
THE GAGE CANAL COMPANY
WATER PRODUCTION FROM BUNKER HILL AND RIVERSIDE BASINS SITUATED
IN SAN BERNARDINO COUNTY WITH DELIVERIES MADE IN SAN BERNARDINO
COUNTY & EXPORTS TO RIVERSIDE COUNTY
 (Quantities in Acre Feet by Calendar Year)

Year	PRODUCTION IN BUNKER HILL BASIN		DELIVERY IN BUNKER HILL BASIN TO SOUTHERN CALIFORNIA EDISON CO. POWER PLANT RETURN TO CANALS		NET DELIVERY (4)	BUNKER HILL EXPORT FROM BASIN (5)	DELIVERY IN COLTON BASIN		BUNKER HILL EXPORT TO RIVERSIDE BASIN IN SAN BERNARDINO COUNTY (9)		BUNKER HILL WATER DELIVERED TO RIVERSIDE BASIN NORTH OF COUNTY LINE EAST RIVERSIDE WATER COMPANY (10)		PRODUCTION IN RIVERSIDE BASIN IN SAN BERNARDINO COUNTY		RIVERSIDE BASIN WATER EXPORT TO RIVERSIDE COUNTY (15)
	(2)	(3)	(3a)	(3b)			(6)	(7)	(8)	(9)	(10)	(11)	(12)	(13)	
1947	26,710	0	0	0	0	26,710	454	30	484	26,226	695	695	1,142	1,142	1,142
48	29,494	0	0	0	0	29,494	562	39	601	28,893	664	664	1,503	1,503	1,503
49	26,475	0	0	0	0	26,475	414	32	446	26,029	644	644	1,565	1,565	1,565
1950	29,460	0	0	0	0	29,460	490	30	520	28,940	650	650	1,520	1,520	1,520
51	30,966	0	0	0	0	30,966	516	25	541	30,425	631	631	1,512	1,512	1,512
52	33,278	0	0	0	0	33,278	555	28	583	32,695	632	632	1,434	1,434	1,434
53	33,278	0	0	0	0	33,278	364	26	390	31,599	437	437	1,236	1,236	1,236
54	25,279	0	0	0	0	25,279	377	25	402	24,877	469	469	1,435	1,435	1,435
1955	31,889	0	0	0	0	31,889	506	27	533	31,356	611	611	1,642	1,642	1,642
55	32,773	0	0	0	0	32,773	552	27	579	32,194	596	596	1,622	1,622	1,622
57	27,063	N.R.*	323	323	323	26,740	439	34	473	26,267	449	449	1,379	1,379	1,379
58	26,972	798	107*	691	691	26,281	408	39	447	25,834	427	427	1,453	1,453	1,453
59	31,805	772	271*	501	501	31,304	521	41	562	30,742	439	439	1,504	1,504	1,504
1960	29,019	767	228*	539	539	28,480	475	16	491	27,989	401	401	1,474	1,474	1,474
61	30,670	776	315*	461	461	30,209	552	30	582	29,627	428	428	1,639	1,639	1,639
62	28,440	993	242*	751	751	27,689	489	22	511	27,178	272	272	1,231	1,231	1,231
63	26,999	936	253*	683	683	26,316	472	27	499	25,817	259	259	1,169	1,169	1,169
64	28,790	742	227*	515	515	28,275	536	24	560	27,715	206	206	1,247	1,247	1,247
1965	22,238	582	203*	379	379	21,859	382	21	403	21,456	183	183	867	867	867
66	24,910	666	163*	503	503	24,407	454***	22	476	23,931	160	160	570	570	570
67	22,903	456	232**	224(a)	224(a)	22,679	412***	22	434	22,245	94	94	692	692	692
68	28,581	653	342**	311(a)	311(a)	28,270	539***	29	568	27,601	101	101	538	538	538
69	21,737	398	324**	74(a)	74(a)	21,663	441***	24	465	21,198	89	89	194	194	194
1970	25,571	758	473**	285(a)	285(a)	25,286	459***	36	495	24,791	94	94	419	419	419

***includes deliveries to City of Colton as follows:
 1966 = 8 Acre Feet
 1967 = 15 Acre Feet
 1968 = 24 Acre Feet
 1969 = 23 Acre Feet
 1970 = 29 Acre Feet

(13) From Table 15, Line 24
 (14) Same as Column (13)
 (15) Same as Column (14)
 * Return to The Gage Canal Co.
 ** Return to former Riverside Water Co. canal

(7) From Gage Canal Records
 (8) Column (6) + Column (7)
 (9) Column (5) - Column (8)
 (10) From Table 16, Columns (5) & (6)
 (11) Same as Column (10)
 (12) Column (9) - Column (11)

(2) From Recordation filings, Table 15, Line 20
 (3) From Gage Canal Records
 (3a) From Gage Canal Records
 (4) Column (3) - Column (3a)
 (5) Column (2) - Column (4)
 (6) From Gage Canal Records

NOTE : DE BERRY WELL WAS FINANCED AND CONSTRUCTED BY THE GAGE CANAL COMPANY STOCKHOLDERS, FOR THE SOLE USE OF GAGE STOCKHOLDERS AND DOES NOT SERVE EAST RIVERSIDE WATER COMPANY.
 (a) Revised delivery to S.C.E. Power Plant beginning in 1967 during 1972 verification.

TABLE NO. 17

THE GAGE CANAL COMPANY
WATER PRODUCTION FROM BUNKER HILL AND RIVERSIDE BASINS SITUATED
IN SAN BERNARDINO COUNTY WITH DELIVERIES MADE IN SAN BERNARDINO
COUNTY & EXPORTS TO RIVERSIDE COUNTY
 (Quantities in Acre Feet by Calendar Year)

Year (1)	Delivery in Bunker Hill Basin			Delivery in Colton Basin			Bunker Hill Export To Riverside Basin In San Bernardino County			Bunker Hill Water Delivered To Riverside Basin North of County Line			Production In Riverside Basin Within San Bernardino County		
	Production In Bunker Hill Basin (2)	Total Delivery (3)	Return To Canals (3a)	Cooley Ranch Water Right (6)	Water Gage Stock (7)	Total Delivery (8)	Export To Riverside Basin In San Bernardino County (9)	Riverside Water Company (10)	East Water Company (10)	Export To Riverside County (11)	Water Export To Riverside County (12)	DeBerry Well (13)	Basin Total (14a)	Export To Riverside County (15)	
1971	28,943	698	600**	526***	35	561	28,284	108	108	28,176	567	567	0	567	
1972	25,220	708	623**	422	35	457	24,678	90	90	24,588	778	778	0	778	
1973	21,529	671	515**	331	99	430	20,943	82	82	20,861	222	222	0	222	
1974	15,947	761	1,004**	381	104	485	15,462	0****	0	15,462	472	472	98****	374	
1975															
1976															
1977															
1978															
1979															
1980															
1981															
1982															

(2) From Recordation filings, Table 15, Line 20
 (3) From Gage Canal Records
 (3a) From S.C.E. Co. Reports to CRWQCB
 (4) Column (3) - Column (3a)
 (5) Column (2) - Column (4)
 (6) From Gage Canal Records
 (7) From Gage Canal Records
 (8) Column (6) + Column (7)
 (9) Column (5) - Column (8)
 (10) From Table 16, Column (6)
 (11) Same as Column (10)
 (12) Column (9) - Column (11)
 (13) From Table 15, Line 24
 (14) Same as Column (13)
 (14a) Commencing in the Year 1974, water supplied by DeBerry Well (from Table 16, Column (6))
 (15) Column (14) - Column (14a)
 ** Returned to former Riverside Water Co. Canal
 ***Includes deliveries to City of Colton as follows:
 1966 - 8 Acre Feet
 1967 - 15 Acre Feet
 1968 - 24 Acre Feet
 1969 - 23 Acre Feet
 1970 - 29 Acre Feet
 1971 - 2 Acre Feet
 ****Beginning in 1974 all deliveries in San Bernardino Co. to East Riverside Water Co. supplied by the DeBerry Well

(e) Revised delivery to S.C.E. Power Plant beginning in 1967 during 1972 verification.

NOTE: DE BERRY WELL WAS FINANCED AND CONSTRUCTED BY THE GAGE CANAL COMPANY STOCKHOLDERS, FOR THE SOLE USE OF GAGE STOCKHOLDERS, AND DOES NOT SERVE EAST RIVERSIDE WATER CO. PRIOR TO 1974.
 CRWQCB = California Regional Water Quality Control Board

TABLE NO. 18

GAGE CANAL
 WATER PRODUCTION FROM SAN BERNARDINO BASIN AREA
 AND DELIVERIES WITHIN SAN BERNARDINO COUNTY
 AND EXPORTS TO RIVERSIDE COUNTY
 FOR BASE PERIOD 1959-1963
 AND SUBSEQUENT YEARS
 (Quantities in Acre Feet)

YEAR	GAGE CANAL WATER COMPANY PRODUCTION AND DELIVERY IN SAN BERNARDINO BASIN AREA			GAGE DELIVERIES IN COLTON AND RIVERSIDE BASINS IN SAN BERNARDINO COUNTY			TOTAL WATER FROM SAN BERNARDINO BASIN AREA EXPORTED TO RIVERSIDE COUNTY
	(1)	(2)	(3)	(4)	(5)	(6)	
1959	31,805	501	31,304	562	439	1,001	30,303
1960	29,019	539	28,480	491	401	892	27,588
1961	30,670	461	30,209	582	428	1,010	29,199
1962	28,440	751	27,689	511	272	783	26,906
1963	26,999	683	26,316	499	259	758	25,558
TOTAL	146,933	2,935	143,998	2,645	1,799	4,444	139,554
AVER.	29,387	587	28,800	529	360	889	27,911
1964	28,790	515	28,275	560	206	766	27,509
1965	22,238	379	21,859	403	183	586	21,273
1966	24,910	503	24,407	476	160	636	23,771
1967	22,903	224(a)	22,679	434	94	528	22,151
1968	28,581	311(a)	28,270	568	101	669	27,601
1969	21,737	74(a)	21,663	465	89	554	21,109
1970	25,571	285(a)	25,286	495	94	589	24,697

(1) From Table No. 15, Line 20, Gage Canal
 (2) From Table No. 17, Col. (4), Gage Canal
 (3) Col. (1) - Col. (2)
 (4) Table No. 17, Col. (8), Gage Canal
 (5) Table No. 17, Col. (11), Gage Canal
 (6) Col. (4) + Col. (5)
 (7) Col. (3) - Col. (6)

(a) Revised delivery to S.C.E. Power Plant beginning 1967 during 1972 verification.

TABLE NO. 18

GAGE CANAL
WATER PRODUCTION FROM SAN BERNARDINO BASIN AREA
AND DELIVERIES WITHIN SAN BERNARDINO COUNTY
AND EXPORTS TO RIVERSIDE COUNTY
FOR BASE PERIOD 1959-1963
AND SUBSEQUENT YEARS
 (Quantities in Acre Feet)

Year	GAGE CANAL WATER COMPANY PRODUCTION AND DELIVERY IN SAN BERNARDINO BASIN AREA			GAGE DELIVERIES IN COLTON AND RIVERSIDE BASINS IN SAN BERNARDINO COUNTY			Total Water from San Bernardino Basin Area Exported To Riverside County (7)
	Production Gage Wells (1)	Delivery To Power Plant (2)	Total Available For Export (3)	Coolley Stock and Prior Right (4)	East Riverside Water Company (5)	Total Delivery (6)	
1971	28,943	98(a)	28,845	561	108	669	28,176
1972	25,220	85	25,135	457	90	547	24,588
1973	21,529	156	21,373	430	82	512	20,861
1974	15,947	0	15,947	485	0	485	15,462
1975							
Total							
Aver.							
1976							
1977							
1978							
1979							
1980							
Total							
Aver.							

(1) From Table No. 15, Line 20, Gage Canal
 (2) From Table No. 17, Col. (4), Gage Canal
 (3) Col. (1) - Col. (2)
 (4) Table No. 17, Col. (8), Gage Canal
 (5) Table No. 17, Col. (11), Gage Canal
 (6) Col. (4) + Col. (5)
 (7) Col. (3) - Col. (6)

(a) Revised delivery to S.C.E. Power Plant beginning 1967 during 1972 verification.

RIVERSIDE HIGHLAND

WATER COMPANY

RIVERSIDE HIGHLAND WATER COMPANY

The Riverside Highland Water Company serves both domestic and irrigation water in San Bernardino and Riverside Counties.

The Company produces water from company-owned wells in the Lytle Creek and Bunker Hill Groundwater Basins lying within the San Bernardino Basin Area, the Rialto-Colton Basin, the Riverside Basin within San Bernardino County, and the Riverside Basin within Riverside County. The production from the company-owned wells is shown in detail on Table No. 19, which shows the production from 1947 to the present from Lytle Creek and Bunker Hill Basins and the total production from these two basins, which is equal to the total water production from the San Bernardino Basin Area.

Table No. 20 shows the water production from the Colton Basin, and Table No. 21 shows the water production from the Riverside Basin within San Bernardino County and from the Riverside Basin within Riverside County.

The Company also receives water delivered from other water organizations, notably the deliveries from the City of Riverside under a prior right and the La Sierra Water Company. These deliveries are shown on Table No. 22, together with the summary of the Company production from the San Bernardino Basin Area, the Colton Basin, and the Riverside Basin within the two counties and the grand total water supply.

The numerous basins from which the Company is supplied with water, plus the additional supply delivered from other companies, results in a total supply which is delivered in both San Bernardino and Riverside Counties for both domestic and irrigation use, made in part from commingled supplies from the many sources.

The determination of the quantity of water used from the various sources, and the Basin and County in which the water is used, has required several assumptions based upon a knowledge of the water system, locations of water demand, and geographic locations of the physical features of the system. The assumptions made with brief explanations are as follows:

- (1) The assumption was made that 50% of the total supply is used in each of the two counties to satisfy the water demand for domestic and irrigation uses. This assumption was based upon conferences with Mr. Marx, Manager of the Riverside Highland Water Company, and as the result the determination of the areas served in each County.

- (2) Riverside Highland Water Company Well No. 7, which is located in San Bernardino adjacent to and north of the Riverside-San Bernardino County line, is equipped with a booster that can serve agriculture areas in San Bernardino County and Riverside County, and therefore is listed with commingled sources.
- (3) Water from Lytle Creek Basin in San Bernardino Basin Area is used in the Domestic Water System for domestic deliveries in San Bernardino and Riverside Counties, with any residual used for agriculture in San Bernardino County.
- (4) Riverside Highland Water Company Well No. 3 and Well No. 20, located in the Riverside Basin, are connected to the Domestic System and furnish the base supply for the Domestic System.
- (5) City of Riverside (successor to Riverside Water Co.) delivers water (Ward & Warren) to Riverside Highland Water Company for delivery.
- (6) Riverside Highland Water Company received water from the La Sierra Water Company prior to 1963, and none thereafter.
- (7) Riverside Highland Water Company acquired the Linda Vista Mutual Water Company in July of 1958. The Linda Vista Company was the owner of two wells (Recordation Filings #3601789 & 3601790) upon which recordation filings had been filed for the years of 1948, 1949, 1950, 1951 & 1954. During the years prior to purchase, the Linda Vista Company production was excluded from the distribution of Riverside Highland deliveries.

The total annual water supply, including extractions from Company wells in all basins, and water received from the City of Riverside and the La Sierra Water Co., is shown on Table No. 23. Also shown are the annual domestic and irrigation deliveries, water unaccounted for, and percentages of irrigation and domestic deliveries. This table was compiled for the determination percentages of types of use.

Based on the assumption of 50% of the total supply delivered to each of the two counties, Table No. 24 has been prepared showing the total annual supply, 50% of which is assigned to each county, the computation of the domestic and agricultural requirements to each county, and the export to Riverside County.

Table No. 25 consists of three pages, the first of which shows Riverside Highland Water production and their deliveries from other companies in the Lytle, Bunker Hill, Colton, and Riverside Basins in San Bernardino and Riverside

Counties, which is the total available supply for Company deliveries for the five-year period ending in 1963.

A tabulation of the Company deliveries of domestic and irrigation water in San Bernardino and Riverside Counties is shown on Sheets 2 and 3.

Table No. 26 summarizes Riverside Highland Water Company extraction from Lytle, Bunker Hill, Colton and Riverside Basins in San Bernardino and Riverside Counties, and the delivery of the production within each county during the five-year period ending in 1963.

The total production by the Riverside Highland Water Company in the San Bernardino Basin Area (Lytle Creek & Bunker Hill Ground Water Basins) which was exported and delivered in San Bernardino and Riverside Counties in the five-year period ending in 1963 is summarized on Table No. 27.

The total production and the deliveries in San Bernardino and Riverside Counties, shown on Table No. 27, are those used for the Riverside Highland Water Company on Table B-1 of Appendix "B" of the Judgment.

The computations shown in the tables preceding Table No. 27 were made prior to the filing of the Judgment.

Following the filing of the Judgment, the Watermaster began the work of the Verification of Extractions in the Colton and Riverside Basins in both counties, which lead to further conferences with the officials of the Riverside Highland Water Company. The Company officials, after further deliberation, had come to the conclusion that probably more water was delivered in Riverside County than in San Bernardino County. The Company believed that the total deliveries in Riverside County for both irrigation and domestic uses could be determined from Company records. This work was done by Mr. Marx, General Manager of the Company, and made available to the Watermaster.

Using the data furnished by the Company on the irrigation and domestic deliveries in Riverside County, Table No. 28 was prepared showing the total water production and total water deliveries from which the percentage of water unaccounted for was determined. The application of this percentage to the total domestic and irrigation deliveries and the deliveries reported in Riverside County, make possible the computation of the production required to meet the domestic and irrigation deliveries in San Bernardino County.

The procedure used on Table No. 28 in calculating the total required production did not produce results in exact agreement with production shown by summarizing the production shown in the recordation filing made by the Company.

The differences are almost negligible; however, it was thought best to apply an adjustment to the computations shown on Table No. 28. Therefore, Table No. 29 shows the necessary adjustments to the irrigation and domestic deliveries made in San Bernardino and Riverside Counties.

The data prepared by Mr. Marx, listing the irrigation and domestic use in Riverside County for each customer for each month with the yearly total, has been used on Table No. 30 to calculate the production and deliveries of the Company in each of the two counties. This table consists of six sheets, the first two of which show the Riverside Highland Water Company annual water supply, consisting of ground water production from the Lytle Creek & Bunker Hill Ground Water Basins in the San Bernardino Basin Area, ground water production from the Colton and Riverside Basins in San Bernardino and Riverside Counties, and water deliveries from other water companies.

Sheets 3 thru 6 show the deliveries of domestic and irrigation water made by the Company in San Bernardino and Riverside Counties.

The data shown on Table No. 30 is based upon certain assumptions concerning the Company operation listed as follows:

- (1) Riverside Highland Water Company Well No. 7, which is located in San Bernardino adjacent to and north of the Riverside-San Bernardino County line, is used to serve only agriculture in Riverside County.
- (2) Water from Lytle Creek Basin in San Bernardino Basin Area is used in the Domestic Water System for domestic deliveries in San Bernardino and Riverside Counties, with any residual used for agriculture in San Bernardino County.
- (3) Riverside Highland Water Company Well No. 3 and Well No. 20, located in the Riverside Basin, are connected to the Domestic System, and Colton Basin Wells (RH4 & RH4A) were connected to the Domestic System in the year of 1966.
- (4) City of Riverside (successor to Riverside Water Co.) delivers water (Ward & Warren) to Riverside Highland Water Company for delivery.
- (5) Riverside Highland Water Company receives water from the La Sierra Water Company prior to 1963, and none thereafter.
- (6) Riverside Highland Water Company acquired the Linda Vista Mutual Water Company in July of 1958. The Linda Vista Company was the owner of two wells (Recordation Filings #3601789 & #3601790) upon which recordation filings had been filed for the years of 1948, 1949, 1950, 1951 & 1954. During the years prior to purchase, the Linda Vista Company production

was excluded from the distribution of Riverside Highland deliveries.

The total annual ground water production by the Riverside Highland Water Company, and the deliveries made in San Bernardino and Riverside Counties, are shown on Table No. 31.

The distribution of the water production from the San Bernardino Basin Area, as shown on Table No. 31, is summarized on Table No. 31-A for the period 1964 to the present.

For the five-year base period ending in 1963, the distribution of the Company production from the San Bernardino Area was based on the assumption that the delivery of the Company was made 50% to San Bernardino County and 50% to Riverside County. This assumption resulted in the distribution shown on Table No. 27. This table was prepared prior to the settlement of the suit and the filing of the Judgment, and is identical with Table B-1, Appendix "B" of the Judgment. Therefore, Tables No. 23, No. 24, No. 25, No. 26 and No. 27 no longer require updating after the year 1963.

Following the settlement of the suit and the filing of the Judgment, the actual water deliveries in Riverside County were provided by the Riverside Highland Water Company. This information has been used by the Watermaster for the period 1964 to the present, and results in the data shown on Table No. 31-A.

For ease of reference, Tables No. 27 and No. 31-A have been combined and shown as Table No. 31-B for the period 1959 to the present.

Because of the complexity of the calculations for the distribution of Riverside Highland Water Company water production, schematic diagrams showing the relationships of production and demand requirements for the various basins have been included in Appendix A. A step by step procedure for calculating the deliveries and distribution for completing the diagrams has also been included in Appendix A. The schematic diagrams have been provided for each year beginning with 1959 to the present. Since two different methods have been used for calculating Riverside Highland Water Company water deliveries for the five-year period ending in 1963, two different diagrams have been included. Diagram A for the period 1959 to 1963 shows the water deliveries based on water distribution of 50% in San Bernardino County and 50% in Riverside County, as shown on Table No. 26. Diagram B for the period 1959 to the present shows the water deliveries based on the recorded agricultural and domestic deliveries in Riverside County, as shown on Table No. 31.

TABLE NO. 19
 RIVERSIDE HIGHLAND WATER COMPANY WATER PRODUCTION
 FROM LYTLE AND BUNKER HILL BASINS
 IN SAN BERNARDINO BASIN AREA

LINE NO.	FROM	LOCAL DESIGNATION	STATE WELL NO.	RECORDATION NO.	A C R E F E E T											
					1947	1948	1949	1950	1951	1952	1953	1954	1955	1956	1957	1958
1	Recordation Filing	L.C. # 1	1N-4W-31E1	3601535	1985	1840	1531	1667	1245	1085	932	902	1125	1274	1048	997
2	Recordation Filing	L.C. # 2	1N-4W-31E2	3601536	496	1265	229	-	-	-	-	-	-	-	0	0
3	Lines 1+2	SUB TOTAL	LYTLE CREEK BASIN	2481	3105	1760	1687	1687	1245	1085	932	902	1125	1274	1048	997
4	Recordation Filing	R.H. # 1	1S-4W-22N7	3601522	-	1030	696	846	976	674	937	418	874	804	778	738
5	Recordation Filing	R.H. # 2	1S-4W-22L	3601523	-	919	636	921	892	705	891	767	995	1067	896	431
6	Recordation Filing	R.H. # 8	1S-4W-22P	3601527	1719	530	517	599	403	463	185	343	107	44	112	0
7	Recordation Filing	Flowing	1S-4W-22N	3601537	-	884	688	425	311	144	103	31	111	0	2	0
8	Recordation Filing	R.H. #10	1S-4W-22N	3601528	-	195	287	354	311	58	0	0	0	0	0	0
9	Recordation Filing	R.H. #11	1S-4W-22P	3601529	-	203	291	261	254	44	102	96	15	0	0	0
10	Recordation Filing	R.H. #12	1S-4W-22L8	3601530	-	-	-	-	98	293	395	342	316	321	224	208
11	Recordation Filing	R.H. #18	1S-4W-22L5	3601533	-	-	-	-	-	127	1454	488	871	996	663	959
12	Recordation Filing	R.H. #24	1S-4W-22P5	3602254	-	-	-	-	-	-	-	-	-	-	-	-
13	Lines 4 thru 12	SUB TOTAL	BUNKER HILL BASIN	1719	3761	3115	3406	3245	3245	2508	4067	2505	3289	3232	2675	2336
14	TOTAL WATER PRODUCTION	SAN BERNARDINO BASIN AREA		4200	6866	4875	5093	4490	4490	3593	5019	3407	4414	4506	3723	3333

LINE NO.	FROM	LOCAL DESIGNATION	STATE WELL NO.	RECORDATION NO.	A C R E F E E T											
					1959	1960	1961	1962	1963	1964	1965	1966	1967	1968	1969	1970
1	Recordation Filing	L.C. # 1	1N-4W-31E1	3601535	1397	1226	1358	1141	852	1002	1015	1049	1171	1229	1224	1386
2	Recordation Filing	L.C. # 2	1N-4W-31E2	3601536	0	0	0	FC	-	-	-	-	-	-	-	-
3	Lines 1+2	SUB TOTAL	LYTLE CREEK BASIN	1397	1226	1358	1141	852	852	1002	1015	1049	1171	1229	1224	1386
4	Recordation Filing	R.H. # 1	1S-4W-22N7	3601522	740	757	887	739	399	329	21	44	1	68	319	56
5	Recordation Filing	R.H. # 2	1S-4W-22L	3601523	802	576	995	796	634	293	365	190	345	614	61	103
6	Recordation Filing	R.H. # 8	1S-4W-22P	3601527	0	0	0	FC	0	-	-	-	-	-	-	-
7	Recordation Filing	Flowing	1S-4W-22N	3601537	0	0	0	0	0	-	-	-	-	-	-	-
8	Recordation Filing	R.H. #10	1S-4W-22N	3601528	0	0	0	FC	0	-	-	-	-	-	-	-
9	Recordation Filing	R.H. #11	1S-4W-22P	3601529	0	0	0	FC	0	-	-	-	-	-	-	-
10	Recordation Filing	R.H. #12	1S-4W-22L8	3601530	255	200	546	346	379	1507	1340	934	640	391	64	620
11	Recordation Filing	R.H. #18	1S-4W-22L5	3601533	1551	1482	1749	1125	1062	1172	555	644	848	942	1026	961
12	Recordation Filing	R.H. #24	1S-4W-22P5	3602254	-	-	-	-	-	-	636	1139	1071	1110	5	1071
13	Lines 4 thru 12	SUB TOTAL	BUNKER HILL BASIN	3348	3015	4177	3006	2474	3301	2917	2917	2951	2905	3125	1475	2811
14	TOTAL WATER PRODUCTION	SAN BERNARDINO BASIN AREA		4745	4241	5535	4167	3326	4303	3932	4000	4000	4076	4354	2699	4197

TABLE NO. 19

RIVERSIDE HIGHLAND WATER COMPANY WATER PRODUCTION
FROM LYTLE AND BUNKER HILL BASINS
IN SAN BERNARDINO BASIN AREA

Line No.	From	Local Designation	State Well No.	Recordation No.	A C R E F E E T												
					1971	1972	1973	1974	1975	1976	1977	1978	1979	1980	1981	1982	
1	Recordation Filling	L.C. #1	1N-4W-31E1	3601535	1,669	1,468	1,282	1,374									
2	Recordation Filling	L.C. #2	1N-4W-31E2	3601536	-	-	-	-									
3	Lines 1+2	S U B T O T A L L Y T L E C R E E K - B A S I N			1,669	1,468	1,282	1,374									
4	Recordation Filling	R.H. #1	1S-4W-22M7	3601522	177	0	259	68									
5	Recordation Filling	R.H. #2	1S-4W-22L	3601523	313	113	155	146									
6	Recordation Filling	R.H. #8	1S-4W-22P	3601527	-	-	-	-									
7	Recordation Filling	Flowing	1S-4W-22N	3601537	-	-	-	-									
8	Recordation Filling	R.H. #10	1S-4W-22N	3601528	-	-	-	-									
9	Recordation Filling	R.H. #11	1S-4W-22P	3601529	-	-	-	-									
10	Recordation Filling	R.H. #12	1S-4W-22L8	3601530	761	804	772	656									
11	Recordation Filling	R.H. #18	1S-4W-22L5	3601533	1,092	1,178	1,044	830									
12	Recordation Filling	R.H. #24	1S-4W-22P5	3602254	0	969	0	1,014									
13	Lines 4 thru 12	S U B T O T A L B U N K E R H I L L - B A S I N			2,343	3,064	2,230	2,714									
14	TOTAL WATER PRODUCTION	SAN BERNARDINO BASIN AREA			4,012	4,532	3,512	4,088									

TABLE NO. 20

Sheet 1 of 2

RIVERSIDE HIGHLAND WATER CO. WATER PRODUCTION
FROM COLTON BASIN

DESCRIPTION		ACRE FEET FROM RECORD, FILINGS		TOTAL PRODUCTION IN ACRE FEET
STATE WELL NUMBER		1S/4W-28K1	1S/4W-28K2	
RECORDATION NUMBER		3601525	3602182	
LOCAL DESIGNATION		R.H. No. 4	R.H. No. 4A	
LINE NO.	YEAR			
1	1947	680	-	680
2	1948	100	-	100
3	1949	385	-	385
4	1950	496	-	496
5	1951	280	-	280
6	1952	693	-	693
7	1953	482	-	482
8	1954	248	-	248
9	1955	21	-	21
10	1956	315	-	315
11	1957	153	-	153
12	1958	76	-	76
13	1959	211	-	211
14	1960	126	-	126
15	1961	357	-	357
16	1962	280	-	280
17	1963	163	-	163
18	1964	156	32	188
19	1965	254	0	254
20	1966	103	234	337
21	1967	38	89	127
22	1968	319	206	525
23	1969	161	102	263
24	1970	219	2	221

TABLE NO. 20

RIVERSIDE HIGHLAND WATER CO. WATER PRODUCTION
FROM COLTON BASIN

Description		Acre Feet From Recordation Filings				Total Production
State Well Number	IS/4W-28K1	IS/4W-28K2			In	
Recordation Number	3601525	3602182			Acre Feet	
Local Designation	R.H. No. 4	R.H. No. 4A				
Line No.	Year					
1	1971	240	16	-	256	
2	1972	261	24	-	285	
3	1973	212	0	-	212	
4	1974	220	62	-	282	
5	1975					
6	1976					
7	1977					
8	1978					
9	1979					
10	1980					
11	1981					
12	1982					

TABLE NO. 21
 RIVERSIDE HIGHLAND WATER CO. WATER PRODUCTION
 FROM RIVERSIDE BASIN IN SAN BERNARDINO AND RIVERSIDE COUNTIES
 RIVERSIDE BASIN PRODUCTION - SAN BERNARDINO COUNTY

Note: Linda Vista Water Co. production is shown on Line 7. During 1948-1954, this company was not the property of the Riverside Highlands Water Co. In 1958, the Linda Vista Water Co. was acquired and the water pumped from the Linda Vista wells was used within the distribution system of the Riverside Highlands Water Co.

LINE NO.	FROM	LOCAL DESIGNATION	STATE WELL NO.	RECORDATION NO.	A C R E F E E T												
					1947	1948	1949	1950	1951	1952	1953	1954	1955	1956	1957	1958	
1	Recordation Filing	R.H. # 3	1S-4W-28L1	3601524	1591	364	819	685	815	481	690	386	623	646	307	300	
2	Recordation Filing	R.H. # 7	2S-4W-6R1	3601526	1502	1281	1134	1268	1483	1016	1637	1172	1146	1305	895	1194	
3	Recordation Filing	R.H. #16	1S-4W-33B5	3601531	-	72	32	205	303	120	104	24	34	113	7	55	
4	Recordation Filing	R.H. #17	1S-4W-28N5	3601532	-	-	-	-	-	100	1013	925	1368	1160	874	968	
5	Recordation Filing	R.H. #20	1S-4W-28L2	3601534	-	-	-	-	-	-	-	-	-	163	476	597	
6	Recordation Filing	L.V. # 1	1S-4W-32H1	3601789	-	-	-	-	-	-	-	-	-	-	-	-	
7	Recordation Filing	L.V. # 2	1S-4W-32H	3601790	-	446	440	504	507	-	-	289	-	-	-	-	
8	TOTAL WATER PRODUCTION RIVERSIDE BASIN - SAN BERNARDINO COUNTY				3093	2163	2425	2662	3108	1717	3444	2796	3171	3387	2559	3114	

LINE NO.	FROM	LOCAL DESIGNATION	STATE WELL NO.	RECORDATION NO.	A C R E F E E T												
					1959	1960	1961	1962	1963	1964	1965	1966	1967	1968	1969	1970	
1	Recordation Filing	R.H. # 3	1S-4W-28L1	3601524	43	150	13	0	0	0	1399	1620	1211	1875	-	-	
2	Recordation Filing	R.H. # 7	2S-4W-6R1	3601526	1338	1226	1834	1549	1429	1817	1399	1620	1211	1875	1313	1610	
3	Recordation Filing	R.H. #16	1S-4W-33B5	3601531	42	2	4	30	4	FC	FC	FC	FC	-	-		
4	Recordation Filing	R.H. #17	1S-4W-28N5	3601532	944	1164	1129	820	1029	1547	1277	1380	1550	2147	2715	2193	
5	Recordation Filing	R.H. #20	1S-4W-28L2	3601534	973	428	460	560	795	670	558	546	673	642	727	757	
6	Recordation Filing	L.V. # 1	1S-4W-32M1	3601789	461	409	664	621	572	52	-	-	-	-	-	-	
7	Recordation Filing	L.V. # 2	1S-4W-32M	3601790	0	0	0	0	69	157	-	-	-	-	-	-	
8	TOTAL WATER PRODUCTION RIVERSIDE BASIN - SAN BERNARDINO COUNTY				3801	3379	4104	3580	3898	4243	3234	3546	3434	4664	4755	4360	

RIVERSIDE BASIN PRODUCTION - RIVERSIDE COUNTY

LINE NO.	FROM	LOCAL DESIGNATION	STATE WELL NO.	RECORDATION NO.	A C R E F E E T												
					1947	1948	1949	1950	1951	1952	1953	1954	1955	1956	1957	1958	
1	Recordation Filing	R.H. #21	2S-4W-08M1	3301655	-	-	-	-	-	-	-	-	-	-	-	-	
2	Recordation Filing	R.H. #22	2S-4W-08M2	3301656	-	-	-	-	-	-	-	-	-	-	-	-	
3	TOTAL WATER PRODUCTION RIVERSIDE BASIN - RIVERSIDE COUNTY				-	-	-	-	-	-	-	-	-	-	-	-	

LINE NO.	FROM	LOCAL DESIGNATION	STATE WELL NO.	RECORDATION NO.	A C R E F E E T												
					1959	1960	1961	1962	1963	1964	1965	1966	1967	1968	1969	1970	
1	Recordation Filing	R.H. #21	2S-4W-08M1	3301655	-	-	0	1393	1381	1249	1157	1132	358	396	365	459	
2	Recordation Filing	R.H. #22	2S-4W-08M2	3301656	-	-	0	0	0	452	461	324	996	1472	888	990	
3	TOTAL WATER PRODUCTION RIVERSIDE BASIN - RIVERSIDE COUNTY				-	-	-	1393	1381	1701	1618	1456	1354	1868	1253	1449	

TABLE NO. 21

RIVERSIDE HIGHLAND WATER CO. WATER PRODUCTION
FROM RIVERSIDE BASIN IN SAN BERNARDINO AND RIVERSIDE COUNTIES

RIVERSIDE BASIN PRODUCTION - SAN BERNARDINO COUNTY

Line No.	From	Local Designation	State Well No.	Recordation No.	A C R E F E E T													
					1971	1972	1973	1974	1975	1976	1977	1978	1979	1980	1981	1982		
1	Recordation Filing	R.H. #3	1S-4W-28L1	3601524	0	0	0	0	0									
2	Recordation Filing	R.H. #7	2S-4W-68R1	3601526	1,901	1,572	1,339	1,255										
3	Recordation Filing	R.H. #16	1S-4W-33B5	3601531	0	0	0	0										
4	Recordation Filing	R.H. #17	1S-4W-28N5	3601532	2,734	1,868	1,903	1,283										
5	Recordation Filing	R.H. #20	1S-4W-28L2	3601534	669	789	832	833										
6	Recordation Filing	L.V. #1	1S-4W-32N1	3601789	0	0	0	0										
7	Recordation Filing	L.V. #2	1S-4W-32M	3601790	0	0	0	0										
8	TOTAL WATER PRODUCTION RIVERSIDE BASIN - SAN BERNARDINO COUNTY				5,304	4,229	4,074	3,371										

RIVERSIDE BASIN PRODUCTION - RIVERSIDE COUNTY

Line No.	From	Local Designation	State Well No.	Recordation No.	A C R E F E E T													
					1971	1972	1973	1974	1975	1976	1977	1978	1979	1980	1981	1982		
1	Recordation Filing	R.H. #21	2S-4W-08M1	3301655	642	272	236	480										
2	Recordation Filing	R.H. #22	2S-4W-08M2	3301656	1,456	1,096	1,034	1,053										
3	TOTAL WATER PRODUCTION RIVERSIDE BASIN - RIVERSIDE COUNTY				2,098	1,368	1,270	1,533										

TABLE NO. 22
 RIVERSIDE HIGHLAND WATER COMPANY
 WATER SUPPLY FROM OTHER COMPANIES
 AND RIVERSIDE HIGHLAND CO. PRODUCTION

LINE NO.	YEAR	COMPANY SUPPLYING ADDITIONAL WATER				RIVERSIDE - HIGHLAND COMPANY WATER PRODUCTION						GRAND TOTAL WATER SUPPLY ACRE FEET
		CITY OF RIVERSIDE ACRE FEET	LA SIERRA WATER COMPANY ACRE FEET	TOTAL SUPPLY ACRE FEET	SAN BERNARDINO BASIN ACRE FEET	COLTON BASIN ACRE FEET	RIVERSIDE BASIN RIVERSIDE COUNTY ACRE FEET		TOTAL PROD. ACRE FEET	(9)	(10)	
							SAN BERNARDINO COUNTY ACRE FEET	RIVERSIDE COUNTY ACRE FEET				
1	1947	754	455	1209	4200	680	3093	0	7973	9182		
2	1948	746	360	1106	6866	100	2163	0	9129	10235		
3	1949	748	364	1112	4875	385	2425	0	7685	8797		
4	1950	805	403	1208	5093	496	2662	0	8251	9459		
5	1951	869	1196	2065	4490	280	3108	0	7878	9943		
6	1952	503	427	930	3593	693	1717	0	6003	6933		
7	1953	949	481	1430	5019	482	3444	0	8945	10375		
8	1954	661	161	822	3407	248	2796	0	6451	7273		
9	1955	731	142	873	4414	21	3171	0	7606	8479		
10	1956	814	247	1061	4506	315	3387	0	8208	9269		
11	1957	554	356	910	3723	153	2559	0	6435	7345		
12	1958	551	486	1037	3333	76	3114	0	6523	7560		
13	1959	862	474	1336	4745	211	3801	0	8757	10093		
14	1960	790	403	1193	4241	126	3379	0	7746	8939		
15	1961	819	568	1387	5535	357	4104	0	9996	11383		
16	1962	706	31	737	4147	280	3580	1393	9400	10137		
17	1963	559	0	559	3326	163	3698	1381	8768	9327		
18	1964	669	0	669	4303	188	4243	1701	10435	11104		
19	1965	442	0	442	3932	254	3234	1618	9038	9480		
20	1966	511	0	511	4000	337	3546	1456	9339	9850		
21	1967	0	0	0	4076	127	3434	1354	8991	8991		
22	1968	0	0	0	4354	525	4664	1868	11411	11411		
23	1969	0	0	0	2699	263	4755	1253	8970	8970		
24	1970	0	0	0	4197	221	4360	1449	10227	10227		

(2) From City of Riverside Table No. 3, Col. (1)
 (3) From Records of Company
 (4) = (2) + (3)
 (5) From R.H. Water Co. Table No. 19, Line 14

(6) From R.H. Water Co. Table No. 20
 (7) From R.H. Water Co. Table No. 21, Line 8
 (8) From R.H. Water Co. Table No. 21, Line 3
 (9) = (5) + (6) + (7) + (8)

(10) = (4) + (9)

Note: Includes Linda Vista Water in years in which Recordation Filings were made.

TABLE NO. 22

RIVERSIDE HIGHLAND WATER COMPANY
WATER SUPPLY FROM OTHER COMPANIES
AND RIVERSIDE HIGHLAND CO. PRODUCTION
 (Quantities in Acre Feet)

Line No.	Year (1)	COMPANY SUPPLYING ADDITIONAL WATER			RIVERSIDE - HIGHLAND COMPANY WATER PRODUCTION					Grand Total Water Supply (10)
		City Of Riverside (2)	La Sierra Water Company (3)	Total Supply (4)	San Bernardino Basin (5)	Colton Basin (6)	San Bernardino County (7)	Riverside Basin Riverside County (8)	Total Prod. (9)	
1	1971	0	0	0	4,012	256	5,304	2,098	11,670	11,670
2	1972	0	0	0	4,532	285	4,229	1,368	10,414	10,414
3	1973	0	0	0	3,512	212	4,074	1,270	9,068	9,068
4	1974	279	0	279	4,088	282	3,371	1,533	9,274	9,553
5	1975									
6	1976									
7	1977									
8	1978									
9	1979									
10	1980									
11	1981									
12	1982									
13										
14										
15										
16										
17										
18										
19										
20										
21										
22										
23										
24										

(2) From City of Riverside Table No. 3, Col. (1)
 (3) From Records of Company
 (4) = (2) + (3)
 (5) From R.H. Water Co. Table No. 19, Line 14
 (6) From R.H. Water Co. Table No. 20
 (7) From R.H. Water Co. Table No. 21, Line 8
 (8) From R.H. Water Co. Table No. 21, Line 3
 (9) = (5) + (6) + (7) + (8)
 (10) = (4) + (9)
 Note: Includes Linda Vista Water in years in which
 Recordation Filings were made.

TABLE NO. 23
RIVERSIDE HIGHLAND WATER COMPANY
PERCENTAGES
DOMESTIC AND IRRIGATION USE

YEAR	TOTAL PROD. M.I. DAYS	WATER DELIVERIES M.I. DAYS				PERCENT IRRIGATION & DOMESTIC		
		DOMESTIC	IRRIG.	UNACCOUNTED FOR		TOTAL IRRIGATION & DOMESTIC	PERCENT	
				Total	%		Domestic	Irrigation
(1)	(2)	(3)	(4)	(5)	(6)	(7)	(8)	(9)
1947	231639	9429	192722	29488	12.7	202151	4.7	95.3
1948	247267	8907	212401	25959	10.5	221308	4.0	96.0
1949	210923	9755	174703	26465	12.5	184458	5.3	94.7
1950	226014	10117	195043	20854	9.2	205160	4.9	95.1
1951	238113	10459	196794	30860	12.9	207253	5.0	95.0
1952	175009	8966	140516	25527	14.6	149482	6.0	94.0
1953	261292	13424	203892	43976	16.8	217316	6.2	93.8
1954	176316	12956	148639	14721	8.3	161595	8.0	92.0
1955	214015	12508	184018	17489	8.2	196526	6.4	93.6
1956	233936	10148	199941	23847	10.2	210089	4.8	95.2
1957	185427	10127	150871	24429	13.2	160998	6.3	93.7
1958	190911	15539	160767	14605	7.6	176306	8.8	91.2
1959	254742	29557	193457	31728	12.4	223014	13.3	86.7
1960	225379	21557	171733	32089	14.2	193290	11.2	88.8
1961	287002	32123	226272	28607	9.9	258395	12.4	87.6
1962	255538	26960	196661	31917	12.5	223621	12.1	87.9
1963	235160	27874	171295	35991	15.3	199169	14.0	86.0

Cols. (2), (3), (4), (5), and (6) from Records of Water Company

Col. (7) = (3) + (4)

Col. (8) = (3) ÷ (7)

Col. (9) = (4) ÷ (7)

TABLE NO. 24
RIVERSIDE HIGHLAND WATER COMPANY
WATER PRODUCTION FROM BUNKER HILL, COLTON, AND RIVERSIDE BASINS
IN SAN BERNARDINO AND RIVERSIDE COUNTIES AND THE DELIVERY OF THE PRODUCTION IN
SAN BERNARDINO AND RIVERSIDE COUNTIES

YEAR (1)	DEMAND		DOMESTIC DEMAND				AGRICULTURE DEMAND		RIVERSIDE COUNTY		
	TOTAL SUPPLY (2) Acre Feet	SAN BERNARDINO COUNTY, 50% OF TOTAL PRODUCTION (3) Acre Feet	RIVERSIDE COUNTY, 50% OF TOTAL PRODUCTION (4) Acre Feet	PERCENT OF TOTAL PRODUCTION (5) %	TOTAL DEMAND IN ACRE FEET (6) Acre Feet	SAN BERNARDINO COUNTY DEMAND (7) Acre Feet	RIVERSIDE COUNTY DEMAND (8) Acre Feet	SAN BERNARDINO COUNTY (9) Acre Feet	RIVERSIDE COUNTY (10) Acre Feet	PRODUCTION IN RIVERSIDE COUNTY R#21, R#22 (11) Acre Feet	EXPORT FROM SAN BERNARDINO COUNTY (12) Acre Feet
1947	9182	4591	4591	4.7	432	405	27	4186	4564	0	4591
1948	9789 *	4894	4895	4.0	392	368	24	4526	4871	0	4895
1949	8357 *	4178	4179	5.3	443	416	27	3762	4152	0	4179
1950	8955 *	4477	4478	4.9	439	412	27	4065	4451	0	4478
1951	9436 *	4718	4718	5.0	472	443	29	4275	4689	0	4718
1952	6933	3466	3467	6.0	416	390	26	3076	3441	0	3467
1953	10375	5187	5188	6.2	643	604	39	4583	5149	0	5188
1954	6984 *	3492	3492	8.0	559	525	34	2967	3458	0	3492
1955	8479	4239	4240	6.4	543	510	33	3729	4207	0	4240
1956	9259	4634	4635	4.8	445	418	27	4216	4608	0	4635
1957	7345	3672	3673	6.3	463	435	28	3237	3645	0	3673
1958	7560	3780	3780	8.8	665	624	41	3156	3739	0	3780
1959	10093	5047	5046	13.3	1342	1260	82	3787	4964	0	5046
1960	8939	4470	4469	11.2	1001	940	61	3530	4408	0	4469
1961	11383	5691	5692	12.4	1412	1325	87	4366	5605	0	5692
1962	10137	5068	5069	12.1	1227	1152	75	3916	4994	1393	3676
1963	9327	4663	4664	14.0	1306	1226	80	3437	4584	1381	3283

* Excludes Linda Vista before Riverside Highland Water Company ownership.

(2) From Table No. 22, Col. (10)

(3) Column (2) x 50%

(4) Column (2) x 50%

(5) From Table No.(23), Column (8)

(6) Column(2) x Column(5)

(7) Column (6) - Column (8)

(8) Company records and estimates

where records are not complete

(9) Column (3) - Column (7)

(10) Column (4) - Column (8)

(11) From Table No.21, Line 3

(12) Column (4) - Column (11)

Based on Water Distribution of 50% in San Bernardino County and 50% Riverside County.

TABLE NO. 25
 RIVERSIDE HIGHLAND WATER COMPANY
 WATER PRODUCTION FROM LYTLE, BUNKER HILL, COLTON & RIVERSIDE BASINS
 IN SAN BERNARDINO AND RIVERSIDE COUNTIES AND THE DELIVERY OF THE PRODUCTION IN
 SAN BERNARDINO AND RIVERSIDE COUNTIES
 (Quantities in Acre Feet)

YEAR	PRODUCTION IN SAN BERNARDINO COUNTY											AGRI. SUPPLY FOR PORTION OF RIVERSIDE COUNTY DEMAND (12)	TOTAL SUPPLY (13)		
	DOMESTIC SUPPLY					COMMINGLED SOURCES									
	LYTLE CREEK AREA WELLS		COLTON BASIN AREA WELLS		RIVERSIDE BASIN AREA WELLS	BUNKER HILL BASIN		COLTON BASIN WELLS		RIVERSIDE BASIN				RIVERSIDE BASIN WELL R7 INCLUDED IN	
	LC 1, LC 2	AFTER 1965	RH4, RH4A	RH3, RH20	RH CO. WELLS	THORN	WARD	WARREN	RH4, RH4A UNTIL 1966	RH CO. WELLS	RH16, RH17, LV1, LV2, RH7 COMPANY			LA SIERRA	TOTAL COMMINGLED SOURCE
(1)	(2)	(3)	(3)	(4)	(5)	(5)	(5)	(6)	(7)	(8)	(9)	(10)	(11)		
1959	1397	(b)	1016	(b)	3348	862	211	2785	474	7680			-0-	10093	
1960	1226	-0-	578		3015	790	126	2801	403	7135			-0-	8939	
1961	1338	-0-	473		4177	819	357	3631	568	9552			-0-	11383	
1962	1141	-0-	360		3006	706	280	3020	31	7043			1393	10137	
1963	852	-0-	795		2474	559	163	3103	-0-	6299			1381	9327	
TOTAL	5974	-0-	3422		16020	3736	1137	15340	1476	37709			2774	49879	
AVERAGE	1195	-0-	684		3204	747	227	3068	295	7541			555	9976	

Commingle water sources comprise a group of wells situated in San Bernardino County that provide water for irrigation in both Counties and are so designated to distinguish them from wells that serve a single purpose or area.

(a) Lytle Creek Area wells (LC #1 & LC #2) are used to serve domestic demands North and South of County Line with residual in excess of domestic requirements being used for irrigation in San Bernardino County.

(b) Riverside Basin Area wells (RH 3 & RH20) are used solely to serve domestic requirements North and South of County Line.

- 1) Table No. 19, Line 3
- 2) Table No. 20, Col. Total Production
- 3) Table No. 21, Line (1) + Line (5)
- 4) Table No. 19, Line (13)
- 5) Table No. 22, Col. (2)
- 6) Table No. 20, Col. Total Production
- 7) Table No. 21, Lines (3) + (4) + (6) + (7) + (2)
- 8) Table No. 22, Col. (3)
- 9) Cols. (4) + (5) + (6) + (7) + (8)
- 10) Table No. 21, Line (2)
- 11) Table No. 21, Line (3)
- 12) Col. (10) + Col. (11)
- 13) Cols. (1) + (2) + (3) + (4) + (5) + (6) + (7) + (8) + (9) + (10) + (11) + (12)

TABLE NO. 25
RIVERSIDE HIGHLAND WATER COMPANY
WATER PRODUCTION FROM LYTLE, BUNKER HILL, COLTON & RIVERSIDE BASINS
IN SAN BERNARDINO AND RIVERSIDE COUNTIES AND THE DELIVERY OF THE PRODUCTION IN
SAN BERNARDINO AND RIVERSIDE COUNTIES
(Quantities in Acre Feet)

YEAR	DOMESTIC SYSTEM														LYTLE CREEK AREA					
	DOMESTIC DEMAND				PRODUCTION FOR DOMESTIC DEMAND				DOMESTIC EXPORT TO RIVERSIDE COUNTY				DOMESTIC DELIVERIES IN SAN BERNARDINO COUNTY				RESIDUAL PROD. AVAILABLE FOR IRRIGATION		TOTAL PROD. COUNTY (16)	PROG. USE IN SAN BERNARDINO COUNTY FOR IRRIGATION AND DOMESTIC (19)
	SAN BERNARDINO COUNTY		RIVERSIDE COUNTY		LYTLE CREEK AREA		COLTON BASIN		RIVERSIDE BASIN IN SAN BERNARDINO COUNTY		FROM RIVERSIDE BASIN IN SAN BERNARDINO COUNTY		FROM COLTON BASIN		FROM RIVERSIDE BASIN IN SAN BERNARDINO COUNTY		SAN BERNARDINO COUNTY			
	(1)	(2)	(3)	(4)	(5)	(6)	(7)	(8)	(9)	(10)	(11)	(12)	(13)	(14)	(15)	(16)	(17)	(18)		
1959	1260	82	1342	326	-0-	1016	24.29	-0-	75.71	20	-0-	62	306	-0-	954	1397	1071	-0-	1377	
1960	940	61	1001	423	-0-	578	42.26	-0-	57.74	26	-0-	35	397	-0-	543	1226	803	-0-	1200	
1961	1325	87	1412	939	-0-	473	66.50	-0-	33.50	58	-0-	29	881	-0-	444	1358	419	-0-	1300	
1962	1152	75	1227	667	-0-	560	54.36	-0-	45.64	41	-0-	34	626	-0-	526	1141	474	-0-	1100	
1963	1226	80	1306	511	-0-	795	39.13	-0-	60.87	31	-0-	49	480	-0-	746	852	341	-0-	821	
TOTAL	5903	385	6288	2866	-0-	3422		-0-		176	-0-	209	2690	-0-	3213	5974	3108	-0-	5798	
AVERAGE	1181	77	1258	573	-0-	684	45.55	-0-	54.37	35	-0-	42	538	-0-	642	1195	622	-0-	1150	

(1) Table No. 24, Col. (7)
 (2) Table No. 24, Col. (8)
 (3) Col. (1) + Col. (2)
 (4) Col. (3) - (Col. (6) + Col. (5))
 (5) Table No. 20, Col. (Total Production) after year 1965
 (6) Table No. 21, Line (1) + Line (5), Table 25, Sheet #1, Column (3)
 (7) Col. (4) + (Col. (3) X 100)
 (8) Col. (5) + (Col. (3) X 100)
 (9) Col. (6) + (Col. (3) X 100)
 (10) Col. (2) X Col. (7)
 (11) Col. (2) X Col. (8)
 (12) Col. (2) X Col. (9)
 (13) Col. (4) - Col. (10)
 (14) Col. (5) - Col. (11)
 (15) Col. (6) - Col. (12)
 (16) Table No. 19, Line (3)
 (17) Col. (16) - Col. (4)
 (18) Company method of operation
 (19) Col. (16) - Col. (10)

TABLE NO. 25

**RIVERSIDE HIGHLAND WATER COMPANY
WATER PRODUCTION FROM LYLE, BUNKER HILL, COLTON & RIVERSIDE BASINS
IN SAN BERNARDINO AND RIVERSIDE COUNTIES AND THE DELIVERY OF THE PRODUCTION IN
SAN BERNARDINO AND RIVERSIDE COUNTIES
(Quantities in Acre Feet)**

SHEET 3 OF 3

Based on Water Distribution of 50% in San Bernardino County and 50% in Riverside County.

IRRIGATION DEMAND		IRRIGATION SYSTEM																				
		SAN BERNARDINO COUNTY		RIVERSIDE COUNTY		TOTAL COMINGLED SOURCE WATER FOR IRRIGATION		% OF COMINGLED WATER USED IN SAN BERNARDINO COUNTY		% OF COMINGLED WATER USED IN RIVERSIDE COUNTY												
YEAR	TOTAL	SAN BERNARDINO COUNTY	RIVERSIDE COUNTY	LYLE CREEK AREA	IRRIGATION SUPPLIED FROM COMINGLED SOURCES	IRRIGATION SUPPLIED FROM RH21, RH22 WELLS	IRRIGATION SUPPLIED FROM COMINGLED SOURCES	TOTAL COMINGLED SOURCE WATER FOR IRRIGATION	% OF COMINGLED WATER USED IN SAN BERNARDINO COUNTY	% OF COMINGLED WATER USED IN RIVERSIDE COUNTY	BUNKER HILL BASIN		RIVERSIDE BASIN		COLTON BASIN		RIVERSIDE BASIN					
											R.H.W. WELLS	RICE THORN	R.H.W. WELLS	RICE THORN	R.H.W. WELLS	RICE THORN	R.H.W. WELLS	RICE THORN	R.H.W. WELLS	RICE THORN	R.H.W. WELLS	RICE THORN
1959	8751	3787	4964	1071	2716	-0-	4964	7680	35.36	64.64	1184	305	1184	305	75	985	167	2164	557	136	1800	307
1960	7938	3530	4408	803	2727	-0-	4408	7135	38.22	61.78	1152	302	1152	302	48	1071	154	1863	488	78	1730	249
1961	9971	4366	5605	419	3947	-0-	5605	9552	41.32	58.68	1726	338	1726	338	148	1500	235	2451	481	209	2131	333
1962	8910	3916	4994	474	3442	1393	3601	7043	48.87	51.13	1469	345	1469	345	137	1476	15	1537	361	143	1544	16
1963	8021	3437	4584	341	3096	1381	3203	6299	49.15	50.85	1216	275	1216	275	80	1525	-0-	1258	284	83	1578	-0-
TOTAL	43591	19036	24555	3108	15928	2774	21781	37709	42.24	57.76	6747	1505	6747	1505	488	6557	571	9273	2171	649	8783	905
AVER.	8718	3807	4911	622	3185	555	4356	7541			1349	313	1349	313	97	1311	114	1855	434	130	1757	181

(1) Cols. (2) + (3)
 (2) Table No. 24, Col. (9)
 (3) Table No. 24, Col. (10)
 (4) Table No. 25, Sheet 2, Column (17)
 (5) Column (2) - Column (4)
 (6) Table No. 25, Sheet 1, Col. (12)
 (7) Col. (3) - Col. (6)
 (8) Col. (5) + Col. (7)
 (9) Col. (5) + (Col. (8) X 100)
 (10) Col. (7) + (Col. (8) X 100)
 (11) Table No. 25, Sheet 1, Col. (4) X Col. (9) this sheet
 (12) Table No. 25, Sheet 1, Col. (5) X Col. (9) this sheet
 (13) Table No. 25, Sheet 1, Col. (6) X Col. (9) this sheet
 (14) Table No. 25, Sheet 1, Col. (7) X Col. (9) this sheet
 (15) Table No. 25, Sheet 1, Col. (8) X Col. (9) this sheet
 (16) Table No. 25, Sheet 1, Col. (4) X Col. (10) this sheet
 (17) Table No. 25, Sheet 1, Col. (5) X Col. (10) this sheet
 (18) Table No. 25, Sheet 1, Col. (6) X Col. (10) this sheet
 (19) Table No. 25, Sheet 1, Col. (7) X Col. (10) this sheet
 (20) Table No. 25, Sheet 1, Col. (8) X Col. (10) this sheet

Comingled water sources comprise a group of wells situated in San Bernardino County that provide water for irrigation in both counties and are so designated to distinguish them from wells that serve a single purpose or area.

TABLE NO. 26

**RIVERSIDE HIGHLAND WATER COMPANY
WATER PRODUCTION FROM LYTLE, BUNKER HILL, COLTON & RIVERSIDE BASINS
IN SAN BERNARDINO AND RIVERSIDE COUNTIES AND THE DELIVERY OF THE PRODUCTION IN
SAN BERNARDINO AND RIVERSIDE COUNTIES**
(Quantities in Acre Feet)

Based on Water Distribution of 50%
in San Bernardino County and 50% in
Riverside County.

YEAR (1)	PRODUCTION DELIVERED NORTH OF COUNTY LINE IN SAN BERNARDINO COUNTY										PRODUCTION DELIVERED SOUTH OF COUNTY LINE IN RIVERSIDE COUNTY										TOTAL PROD. OF NORTH COUNTY LINE (20)	TOTAL PROD. OF SOUTH COUNTY LINE RH21-22 (21)		
	FROM GROUNDWATER BASIN					RIVERSIDE					TOTAL PRODUCTION DELIVERED (10)	FROM GROUNDWATER BASIN					RIVERSIDE						TOTAL PRODUCTION DELIVERED (19)	
	BUNKER HILL		COLTON		TOTAL	BUNKER HILL		RIVERSIDE		TOTAL		BUNKER HILL		COLTON		TOTAL	BUNKER HILL		RIVERSIDE					TOTAL
	R. H. WELLS	WARD WARREN	R. H. WELLS	R. H. WELLS		R. H. WELLS	WARD WARREN	R. H. WELLS	R. H. WELLS			R. H. WELLS	WARD WARREN	R. H. WELLS	R. H. WELLS		R. H. WELLS	WARD WARREN	R. H. WELLS	R. H. WELLS				
1959	1377	1184	305	1489	75	1939	167	2106	5047	20	2164	557	2721	136	1862	307	2169	5046	10093	-0-				
1960	1200	1152	302	1454	48	1614	154	1768	4470	26	1863	488	2351	78	1765	249	2014	4469	8939	-0-				
1961	1300	1726	338	2064	148	1944	235	2179	5691	58	2451	481	2932	209	2160	333	2493	5692	11383	-0-				
1962	1100	1469	345	1814	137	2002	15	2017	5068	41	1537	361	1898	143	1578	16	1594	3676	8744	1393				
1963	821	1216	275	1491	80	2271	-0-	2271	4663	31	1258	284	1542	83	1627	-0-	1627	3283	7946	1381				
TOTAL	5798	6747	1565	8312	488	9770	571	10341	24939	176	9273	2171	11444	649	8992	905	9897	22166	47105	2774				
AVER.	1160	1349	313	1662	97	1954	114	2068	4987	35	1855	434	2289	130	1798	181	1979	4433	9420	555				

- (2) Table No. 25, Sheet No. 2, Col. (19)
- (3) Table No. 25, Sheet No. 3, Col. (11)
- (4) Table No. 25, Sheet No. 3, Col. (12)
- (5) Col. (3) + Col. (4), this Table
- (6) Table No. 25, Sheet No. 3, Col. (13) thru year 1965 and Sheet No. 2, Col. (14) after 1965.
- (7) Table No. 25, Sheet No. 2, Col. (15) + Sheet No. 3, Col. (14).
- (8) Table No. 25, Sheet No. 3, Col. (15)
- (9) Col. (7) + Col. (8)
- (10) Cols. (2) + (5) + (6) + (9)
- (11) Table No. 25, Sheet No. 2, Col. (10)
- (12) Table No. 25, Sheet No. 3, Col. (16)
- (13) Table No. 25, Sheet No. 3, Col. (17)
- (14) Col. (12) + Col. (13), this Table
- (15) Table No. 25, Sheet No. 3, Col. (18) thru year 1965 and Sheet No. 2, Col. (11) after 1965.
- (16) Table No. 25, Sheet No. 1, Col. (10) + Sheet No. 2, Col. (12) + Sheet No. 3, Col. (19).
- (17) Table No. 25, Sheet No. 3, Col. (20)
- (18) Col. (16) + Col. (17)
- (19) Cols. (11) + (14) + (15) + (18)
- (20) Col. (10) + Col. (19)
- (21) Table No. 25, Sheet No. 1, Col. (11)

TABLE NO. 27

TOTAL PRODUCTION BY RIVERSIDE HIGHLAND WATER COMPANY
FROM THE SAN BERNARDINO BASIN AREA
(INCLUDES LYTLE AND BUNKER HILL BASINS)
AS DELIVERED IN
SAN BERNARDINO AND RIVERSIDE COUNTIES
 (All Quantities in Acre Feet)

CALENDAR YEAR	TOTAL DELIVERIES IN SAN BERNARDINO COUNTY (From Table No. 26, Column 2 + Column 3)	TOTAL DELIVERIES IN RIVERSIDE COUNTY (From Table No. 26, Column 11 + Column 12)	TOTAL PRODUCTION FROM SAN BERNARDINO BASIN AREA (Total Deliveries From Both Counties)
1959	2561	2184	4745
1960	2352	1889	4241
1961	3026	2509	5535
1962	2569	1578	4147
1963	2037	1289	3326
5-YEAR TOTAL 1959-1963	12545	9449	21994
5-YEAR AVER. 1959-1963	2509	1890	4399

Note: Excludes City of Riverside production (Ward & Warren) in Bunker Hill Basin which is delivered to Riverside Highland Water Company.

Note: As verified by inventory of agriculture and domestic deliveries in Riverside County.

TABLE NO. 28
RIVERSIDE HIGHLAND WATER COMPANY
IRRIGATION AND DOMESTIC DELIVERIES AND PRODUCTION
REQUIRED IN RIVERSIDE & SAN BERNARDINO COUNTIES
(All Quantities in M. I. D.)

YEAR	DELIVERIES M. I. D.										RIVERSIDE COUNTY HISTORIC DELIVERY & REQUIRED PRODUCTION						SAN BERNARDINO REQUIRED PRODUCTION		
	TOTAL WATER PROD. M. I. D. *		DOMESTIC IRRIGATION		TOTAL DOMESTIC IRRIGATION AND IRRIGATION		UNACCOUNTED FOR		M. I. D. REQUIRED FOR IRRIGATION & DOMESTIC		IRRIGATION		DOMESTIC		TOTAL PROD.		IRRIGATION	DOMESTIC	TOTAL
	(1)	(2)	(3)	(4)	(5)	(6)	(7)	(8)	(9)	(10)	(11)	(12)	(13)	(14)	(15)	(16)			
1959	254,742	29,557	193,457	223,014	31,728	12.46	220,993	33,764	136,815	156,289	1,134	1,295	157,584	64,704	32,559	97,173			
1960	225,379	21,557	171,733	193,290	32,089	14.24	200,248	25,136	126,513	147,520	1,134	1,322	148,842	52,728	23,814	76,542			
1961	287,002	32,123	226,272	258,395	28,607	9.97	251,330	35,680	164,326	182,524	1,134	1,260	183,784	68,806	34,420	103,226			
1962	255,538	26,960	196,661	223,621	31,917	12.49	224,730	30,808	144,390	164,998	1,134	1,296	166,294	59,732	29,512	89,244			
1963	235,160	27,874	171,295	199,169	35,991	15.31	202,261	32,913	134,039	158,270	1,134	1,339	159,609	43,991	31,574	75,565			
TOTAL	1,257,821	138,071	959,418	1,097,489	160,332	12.75	1,099,562	158,301	706,083	809,601	5,670	6,512	816,113	289,961	151,789	441,750			
AVERAGE	251,564	27,614	191,884	219,498	32,066	12.75	219,912	31,660	141,217	161,920	1,134	1,302	163,223	57,992	30,358	88,350			
1964	279,859	28,017	231,134	259,151	20,708	7.40	249,605	30,256	169,541	183,090	1,134	1,225	184,315	66,515	29,031	95,546			
1965	238,904	29,453	183,880	213,333	25,571	10.70	205,913	32,982	136,662	153,037	1,311	1,468	154,501	52,876	31,514	86,390			
1966	248,123	33,096	188,054	221,150	26,973	10.87	210,988	37,132	140,957	158,148	1,109	1,244	159,392	52,840	35,868	88,728			
1967	226,644	31,509	166,182	197,691	28,953	12.78	190,532	36,126	123,183	141,233	1,059	1,214	142,447	49,299	34,912	84,211			
1968	287,574	38,594	221,517	260,111	27,463	9.55	244,906	42,669	158,191	174,893	1,109	1,226	176,119	70,013	41,443	111,456			
1969	226,017	35,696	159,425	195,121	30,905	13.67	184,669	41,348	123,063	142,550	1,140	1,321	143,871	62,119	40,027	82,146			
1970	257,738	46,238	177,434	223,672	34,066	13.22	204,458	53,280	136,954	160,117	1,398	1,611	161,728	44,341	51,669	96,010			

*Includes deliveries from other companies.

Col. (2), (3), (4), (5), (6) From Company Records
 Col. (7) Col. (6) + Col. (2)
 Col. (8) Col. (4) + 100%-Col. (7)
 Col. (9) Col. (3) + 100%-Col. (7)
 Col. (10) From Company Records
 Col. (11) Col. (10) + 100%-Col. (7)
 Col. (12) Estimated from Company records 1959-1963
 Based on Company records thereafter.
 Col. (13) Col. (12) + 100%-Col. (7)
 Col. (14) Col. (11) + Col. (13)
 Col. (15) Col. (8) - Col. (11)
 Col. (16) Col. (9) - Col. (13)
 Col. (17) Col. (15) + Col. (16)

TABLE NO. 28

RIVERSIDE HIGHLAND WATER COMPANY
 IRRIGATION AND DOMESTIC DELIVERIES AND PRODUCTION
 REQUIRED IN RIVERSIDE & SAN BERNARDINO COUNTIES
 (All Quantities in M.I.D.)

Note: As verified by inventory of
 agriculture and domestic
 deliveries in Riverside County.

Year	DELIVERIES M.I.D.										RIVERSIDE COUNTY HISTORIC DELIVERY & REQUIRED PROD.						San Bernardino Required Production				
	Total Water Prod. M.I.D.*		Domestic		Irrigation		Total Domestic And Irrigation		Unaccounted For		Production In M.I.D. Required For Irrigation & Domestic		Irrigation		Domestic		Total		Irrigation	Domestic	Total
	(2)	(3)	(4)	(5)	(6)	(7)	(8)	(9)	(10)	(11)	(12)	(13)	(14)	(15)	(16)	(17)					
1971	296,107	44,029	208,260	252,289	41,818	14.22	242,780	51,327	160,989	187,674	1,317	1,535	189,209	55,106	49,792	104,898					
1972	262,453	43,737	183,269	227,006	35,447	13.51	211,886	50,567	142,980	165,306	2,074	2,398	167,704	46,580	48,169	94,749					
1973	228,494	39,865	157,982	197,847	30,647	13.41	182,454	46,040	127,170	146,869	1,211	1,399	148,268	35,585	44,641	80,228					
1974	240,733	43,375	168,048	211,423	29,310	12.18	191,345	49,388	134,160	152,759	1,295	1,474	154,233	38,586	47,914	86,500					
1975																					
TOTAL AVERAGE																					
1976																					
1977																					
1978																					
1979																					
1980																					
TOTAL AVERAGE																					

*Includes deliveries from other companies.

Col. (2), (3), (4), (5), (6) From Company Records
 Col. (7) Col. (6) + Col. (2)
 Col. (8) Col. (4) + (100%-Col. (7))
 Col. (9) Col. (3) + (100%-Col. (7))

Col. (10) From Company Records
 Col. (11) Col. (10) + (100%-Col. (7))
 Col. (12) Estimated from Company Records 1959-1963
 Based on Company Records thereafter.

Col. (13) Col. (12) + (100%-Col. (7))
 Col. (14) Col. (11) + Col. (13)
 Col. (15) Col. (8) - Col. (11)
 Col. (16) Col. (9) - Col. (13)
 Col. (17) Col. (15) + Col. (16)

Note: As verified by inventory of agriculture and domestic deliveries in Riverside County.

TABLE NO. 29

RIVERSIDE HIGHLAND WATER COMPANY
 WATER PRODUCTION SHOWN ON RECORDATION FILING
 DELIVERED FOR IRRIGATION AND DOMESTIC USES WITHIN
 BOTH RIVERSIDE AND SAN BERNARDINO COUNTIES

YEAR	PRODUCTION REQUIRED FOR DELIVERIES			RATIO OF REC. FILING TO PROD. REQ. FOR DEL. (6)	REQUIRED PRODUCTION FOR DELIVERIES MADE IN SAN BERNARDINO AND RIVERSIDE						WATER PRODUCTION FOR RIVERSIDE AND SAN BERNARDINO COUNTIES						TOTAL PROD. CO. REC. FILING A.F. (5)	TOTAL SAN BONO. COUNTIES A.F. (23)				
	IRRIG. M.I.D. (1)	DOM. M.I.D. (2)	TOTAL M.I.D. (3)		RIVERSIDE COUNTY			SAN BERNARDINO COUNTY			RIVERSIDE COUNTY		SAN BERNARDINO COUNTY		IRRIG. A.F. (19)	DOM. A.F. (20)			TOTAL RIVERSIDE COUNTY (21)	DOM. A.F. (22)		
					IRRIGATION		DOMESTIC		IRRIGATION		DOMESTIC		% TOTAL PROD. (15)	% TOTAL PROD. (17)							% TOTAL PROD. (18)	
					M.I.D. (7)	A.F. (8)	% TOTAL PROD. (9)	M.I.D. (10)	A.F. (11)	% TOTAL PROD. (12)	M.I.D. (13)	A.F. (14)										% TOTAL PROD. (15)
1959	220,993	33,764	254,742	10,106	0.9978	156,289	6,200	61.35	1,295	51	.005	64,704	2,567	25.40	32,469	1,288	12.74	6,192	51	2,564	1,286	10,093
1960	200,248	25,136	225,379	8,941	0.9998	147,520	5,852	65.45	1,322	52	.006	52,728	2,092	23.40	23,814	945	10.57	5,851	51	2,092	945	8,939
1961	251,330	35,680	287,002	11,385	0.9998	182,524	7,241	63.60	1,260	50	.004	68,806	2,730	23.98	34,420	1,365	11.99	7,240	48	2,730	1,365	11,383
1962	224,730	30,808	255,538	10,137	100.00	164,998	6,546	64.58	1,296	51	.005	59,732	2,370	23.38	29,512	1,171	11.55	6,546	50	2,370	1,171	10,137
1963	202,261	32,913	235,106	9,329	0.9998	158,270	6,279	67.31	1,339	53	.006	43,991	1,745	18.71	31,574	1,253	13.43	6,278	51	1,745	1,253	9,327
TOTAL	1,099,562	158,301	1,257,821	49,898	0.9996	809,601	32,117	64.37	6,512	238	.005	289,961	11,503	23.05	151,789	6,022	12.07	32,107	255	11,501	6,020	49,879
AVER.	219,912	31,660	251,564	9,980	0.9996	161,920	6,423	64.37	1,302	52	.005	57,992	2,306	23.11	30,358	1,204	12.06	6,421	51	2,300	1,204	9,976
1964	249,605	30,256	279,859	11,102	100.02	183,090	7,263	65.42	1,225	49	.004	66,515	2,639	23.77	29,031	1,152	10.38	7,264	49	2,639	1,152	11,104
1965	205,913	32,982	238,904	9,477	100.03	153,037	6,071	64.06	1,468	58	.006	52,876	2,098	22.14	31,514	1,250	13.19	6,073	58	2,099	1,250	9,480
1966	210,988	37,132	248,123	9,843	100.07	158,148	6,274	63.74	1,244	49	.005	52,840	2,096	21.29	35,888	1,424	14.47	6,278	50	2,097	1,425	9,850
1967	190,532	36,126	226,644	8,991	100.00	141,233	5,603	62.32	1,214	48	.005	49,299	1,956	21.76	34,912	1,385	15.40	5,603	47	1,956	1,385	8,991
1968	244,906	42,669	287,574	11,408	100.03	174,893	6,938	60.82	1,226	49	.004	70,013	2,777	24.34	41,443	1,644	14.41	6,940	50	2,777	1,644	11,411
1969	184,669	41,348	226,017	8,966	100.05	142,550	5,655	63.07	1,321	52	1005	42,119	1,671	18.64	40,027	1,588	17.71	5,657	52	1,672	1,589	8,970
1970	204,458	53,280	257,738	10,224	100.03	160,117	6,352	62.12	1,611	64	.006	44,341	1,759	17.20	51,669	2,049	20.05	6,354	64	1,759	2,050	10,227

(1) From Col. (8), Table No. 28
 (2) From Col. (9), Table No. 28
 (3) From Col. (2), Table No. 28
 (4) Col. (3) X .039667
 (5) From Col. (10), Table No. 22
 (6) Col. (5) + Col. (4)
 (7) From Col. (11), Table No. 28
 (8) Col. (7) X .039667
 (9) Col. (8) + Col. (4)
 (10) From Col. (13), Table No. 28
 (11) Col. (13) X .039667
 (12) Col. (11) + Col. (4)
 (13) From Col. (15), Table No. 28
 (14) Col. (13) X .039667
 (15) Col. (14) + Col. (4)
 (16) From Col. (16), Table No. 28
 (17) Col. (16) X .039667
 (18) Col. (17) + Col. (4)
 (19) From Col. (19), Table No. 28
 (20) Col. (5) X Col. (9)
 (21) Col. (5) X Col. (12)
 (22) Col. (5) X Col. (15)
 (23) Col. (19) + (20) + (21) + (22)

TABLE NO. 29

RIVERSIDE HIGHLAND WATER COMPANY
 WATER PRODUCTION SHOWN ON RECORDATION FILING
 DELIVERED FOR IRRIGATION AND DOMESTIC USES WITHIN
 BOTH RIVERSIDE AND SAN BERNARDINO COUNTIES

Note: As verified by inventory of
 agriculture and domestic
 deliveries in Riverside County.

Year	PRODUCTION REQUIRED FOR DELIVERIES				Ratio Of Rec. Fillings To Prod. Req. Del. (6)	REQUIRED PRODUCTION FOR DELIVERIES MADE IN SAN BERNARDINO AND RIVERSIDE										Total Prod. Riverside & San Bdn. Counties A.F. (23)						
	Irrig.		Dom.			Riverside County					San Bernardino County											
	M.I.D.		M.I.D.			Irrigation		Domestic			Irrigation		Domestic									
	(1)	(2)	(3)	(4)		(5)	(7)	(8)	(9)	(10)	(11)	(12)	(13)	(14)	(15)		(16)	(17)	(18)	(19)	(20)	(21)
1971	242,780	51,327	294,107	11,667	100.03	187,674	7,445	63.81	1,535	61	55,106	2,186	18.74	49,792	1,975	16.93	7,447	61	2,186	1,976	11,670	
1972	211,886	50,567	262,453	10,411	100.03	165,306	6,557	62.99	2,398	95	46,580	1,848	17.75	48,169	1,911	18.35	6,560	95	1,848	1,911	10,414	
1973	182,454	46,040	228,494	9,064	100.04	146,869	5,826	64.28	1,399	55	35,585	1,412	15.57	44,641	1,771	19.54	5,829	55	1,412	1,772	9,068	
1974	191,345	49,388	240,733	9,550	100.03	152,759	6,060	63.46	1,474	58	38,586	1,531	16.03	47,914	1,901	19.90	6,062	59	1,531	1,901	9,553	
1975																						
TOTAL																						
AVER.																						
1976																						
1977																						
1978																						
1979																						
1980																						
TOTAL																						
AVER.																						

(1) From Col. (8), Table No. 28
 (2) From Col. (9), Table No. 28
 (3) From Col. (2), Table No. 28
 (4) Col. (3) x .0396694
 (5) From Col. (10), Table No. 22
 (6) Col. (5) + Col. (4)
 (7) From Col. (11), Table No. 28
 (8) Col. (7) x .0396694
 (9) Col. (8) + Col. (4)
 (10) From Col. (13), Table No. 28
 (11) Col. (10) x .0396694
 (12) Col. (11) + Col. (4)
 (13) From Col. (15), Table No. 28
 (14) Col. (13) x .0396694
 (15) Col. (14) + Col. (4)
 (16) From Col. (16), Table No. 28
 (17) Col. (16) x .0396694
 (18) Col. (17) + Col. (4)
 (19) Col. (5) x Col. (9)
 (20) Col. (5) x Col. (12)
 (21) Col. (5) x Col. (15)
 (22) Col. (5) x Col. (18)
 (23) Col. (19)+(20)+(21)+(22)

As verified by inventory of agriculture and domestic deliveries in Riverside County.

TABLE NO. 30
 RIVERSIDE HIGHLAND WATER COMPANY
 WATER PRODUCTION FROM LYTLE, BUNKER HILL, COLTON & RIVERSIDE BASINS
 IN SAN BERNARDINO AND RIVERSIDE COUNTIES AND THE DELIVERY OF THE PRODUCTION IN
 SAN BERNARDINO AND RIVERSIDE COUNTIES
 (Quantities in Acre Feet)

YEAR	P R O D U C T I O N I N S A N B E R N A R D I N O C O U N T Y													AGRI. SUPPLY FOR PORTION RIVERSIDE COUNTY DEMAND RH7, RH21, RH22	PRODUCTION IN RIVERSIDE COUNTY USED THEREIN WELLS RH 21 RH 22	TOTAL PRODUCTION	
	DOMESTIC SUPPLY			COMMINGLED SOURCES													
	RIVERSIDE BASIN AREA WELLS RH3, RH20			BUNKER HILL BASIN		COLTON BASIN WELLS RH4, RH4A UNTIL 1966		RIVERSIDE BASIN			RIVERSIDE BASIN WELL RH 7						
	LYTLE CREEK AREA WELLS L.C.1, RH4, RH4A AFTER 1965	COLTON BASIN AREA WELLS RH3, RH20	(3)	RICE THORN aka. WARREN	R.H.W. CO. WELLS	(4)	(5)	(6)	RHW CO. WELLS RH16, RH17 LV.1, LV.2	(7)	LA SIERRA WATER COMPANY	(8)	TOTAL COMMINGLED SOURCE				(9)
1959	1397	(a)	1016	862	3348	862	211	1447	7964	1476	474	6342	1338	-0-	1338	1338	10093
1960	1226	(b)	578	790	3015	790	126	1575	1593	295	403	5909	1226	-0-	1226	1226	8939
1961	1358		473	819	4177	819	357	1797	1471	31	568	7718	1834	-0-	1834	1834	11383
1962	1141		560	706	3006	706	280	1471	1674	-0-	31	5494	1549	1393	2942	2942	10137
1963	852		795	559	2474	559	163	1674	2193	-0-	-0-	4870	1429	1381	2810	2810	9327
TOTAL	5974		3422	3736	16020	3736	1137	7964	1593	295	474	30333	7376	2774	10150	10150	49879
AVER.	1195		684	747	3204	747	227	1593	1475	1475	1475	6066	1475	555	2030	2030	9976
1964	1002	(see col. 6)	670	669	3301	669	188	1756	1756	-0-	-0-	5914	1817	1701	3518	3518	11104
1965	1015	(see col. 6)	558	442	2917	442	254	1277	1277	-0-	-0-	4890	1399	1618	3017	3017	9480
1966	1049		546	511	2951	511	see col. (2)	1380	1380	-0-	-0-	4842	1620	1456	3076	3076	9850
1967	1171		673	-0-	2905	-0-	see col. (2)	1550	1550	-0-	-0-	4455	1211	1354	2565	2565	8991
1968	1229		642	-0-	3125	-0-	see col. (2)	2147	2147	-0-	-0-	5272	1875	1868	3743	3743	11411
1969	1224		727	-0-	1475	-0-	see col. (2)	2715	2715	-0-	-0-	4190	1313	1253	2566	2566	8970
1970	1386		757	-0-	2811	-0-	see col. (2)	2193	2193	-0-	-0-	5004	1410	1449	2859	2859	10227

Commingled water sources comprise a group of wells situated in San Bernardino County that provide water for irrigation in both Counties and are so designated to distinguish them from wells that serve a single purpose or area.

1) Table No. 19, Line 3
 2) Table No. 20, Col. Total Prod. (after 1965)
 3) Table No. 21, Line (1) + Line (5)
 4) Table No. 19, Line (13)
 5) Table No. 22, Col. (2)
 6) Table No. 20, Col. Total Prod. (until 1966)
 7) Table No. 21, Lines (3) + (4) + (6) + (7)
 (8) Table No. 22, Col. (3)
 (9) Cols. (4) + (5) + (6) + (7) + (8)
 (10) Table No. 21, Line (2)
 (11) Table No. 21, Line (3)
 (12) Col. (10) + Col. (11)
 (13) Cols. (1) + (2) + (3) + (4) + (5) + (6) + (7) + (8) + (10) + (11)

(a) Lytle Creek Area wells (L.C. #1 & L.C. #2) are used to serve domestic demands North and South of County Line with residual in excess of domestic requirements being used for irrigation in San Bernardino County.
 (b) Riverside Basin Area wells (RH3 & RH20) and Colton Basin Area wells (4H4 & RH4A starting in year 1966) are used solely to serve domestic requirements North and South of County Line.

TABLE NO. 30
RIVERSIDE HIGHLAND WATER COMPANY
WATER PRODUCTION FROM LYTLE, BUNKER HILL, COLTON & RIVERSIDE BASINS
IN SAN BERNARDINO AND RIVERSIDE COUNTIES AND THE DELIVERY OF THE PRODUCTION IN
SAN BERNARDINO AND RIVERSIDE COUNTIES
 (Quantities in Acre Feet)

Note: As verified by inventory of agriculture and domestic deliveries in Riverside County.

Commingled water sources comprise a group of wells situated in San Bernardino County that provide water for irrigation in both Counties and are so designated to distinguish them from wells that serve a single purpose or area.

Year	P R O D U C T I O N I N S A N B E R N A R D I N O C O U N T Y													Total Production
	Domestic Supply				Commingled Sources					Riverside		Production In Riverside County Used Therein Wells RH21 RH22	Agri. Supply For Riverside County Demand RH7, RH21, RH22	
	Lytle Creek Area Wells L.C.1, L.C.2	Colton Basin Wells RH4, RH4A After 1965	Riverside Basin Area Wells RH3, RH20	Bunker Hill Basin Rice Thorn aka. Warren	Colton Basin Wells RH4, RH4A Until 1966	Riverside Basin			Total Commingled Source	Basin Well RH 7				
						RHW Co. Wells RH16, RH17 LV.1, LV.2	La Sierra Water Company							
(1)	(2)	(3)	(4)	(5)	(6)	(7)	(8)	(9)	(10)	(11)	(12)	(13)		
1971	1,669	256	669	2,343	0	2,734	0	5,077	1,901	2,098	3,999	11,670		
1972	1,468	285	789	3,064	0	1,868	0	4,932	1,572	1,368	2,940	10,414		
1973	1,282	212	832	2,230	0	1,903	0	4,133	1,339	1,270	2,609	9,068		
1974	1,374	282	833	2,714	279	1,283	0	4,276	1,255	1,533	2,788	9,553		
1975														
TOTAL AVER.														
1976														
1977														
1978														
1979														
1980														
TOTAL AVER.														

(1) Table No. 19, Line 3
 (2) Table No. 20, Col. Total Prod. (after 1965)
 (3) Table No. 21, Line (1) + Line (5)
 (4) Table No. 19, Line (13)
 (5) Table No. 22, Col. (2)
 (6) Table No. 20, Col. Total Prod. (Until 1966)
 (7) Table No. 21, Lines (3) + (4) + (6) + (7)
 (8) Table No. 22, Col. (3)
 (9) Cols. (4) + (5) + (6) + (7) + (8)
 (10) Table No. 21, Line (2)
 (11) Table No. 21, Line (3)
 (12) Col. (10) + Col. (11)
 (13) Cols. (1) + (2) + (3) + (4) + (5) + (6) + (7) + (8) + (10) + (11)
 (a) Lytle Creek Area wells (L.C. #1 & L.C. #2) are used to serve domestic demands North and South of County Line with residual in excess of domestic requirements being used for irrigation in San Bernardino County.
 (b) Riverside Basin Area wells (RH3 & RH20) and Colton Basin Area wells (RH4 & RH4A starting in year 1966) are used solely to serve domestic requirements North and South of County Line.

TABLE NO. 30

RIVERSIDE HIGHLAND WATER COMPANY
 WATER PRODUCTION FROM LYTLE, BUNKER HILL, COLTON & RIVERSIDE BASINS
 IN SAN BERNARDINO AND RIVERSIDE COUNTIES AND THE DELIVERY OF THE PRODUCTION IN
 SAN BERNARDINO AND RIVERSIDE COUNTIES
 (Quantities in Acre Feet)

SHEET 3 OF 6
 As verified by inventory of agriculture and
 domestic deliveries in Riverside County.

DOMESTIC SYSTEM															
DOMESTIC DEMAND				PRODUCTION FOR DOMESTIC DEMAND					DOMESTIC EXPORT TO RIVERSIDE COUNTY				DOMESTIC DELIVERIES IN SAN BERNARDINO COUNTY		
YEAR	SAN BERNARDINO COUNTY	RIVERSIDE COUNTY	TOTAL	LYTLE CREEK AREA	COLTON BASIN RH4 & RH4A AFTER 1965	RIVERSIDE BASIN IN SAN BERNARDINO COUNTY, RH3 & RH20	PERCENT OF PRODUCTION FROM GROUNDWATER BASINS			FROM LYTLE CREEK AREA	FROM COLTON BASIN	FROM RIVERSIDE BASIN IN SAN BERNARDINO COUNTY	FROM LYTLE CREEK AREA	FROM COLTON BASIN	FROM RIVERSIDE BASIN IN SAN BERNARDINO COUNTY
							LYTLE CREEK AREA	COLTON BASIN	RIVERSIDE BASIN IN SAN BERNARDINO COUNTY						
(1)	(2)	(3)	(4)	(5)	(6)	(7)	(8)	(9)	(10)	(11)	(12)	(13)	(14)	(15)	
1959	1286	51	1337	321	-0-	1016	24.01	-0-	12	-0-	39	309	-0-	977	
1960	945	51	996	418	-0-	578	41.97	-0-	21	-0-	30	397	-0-	548	
1961	1365	48	1413	940	-0-	473	66.53	-0-	31	-0-	17	909	-0-	456	
1962	1171	50	1221	661	-0-	560	54.14	-0-	27	-0-	23	634	-0-	537	
1963	1253	51	1304	509	-0-	795	39.03	-0-	20	-0-	31	489	-0-	764	
TOTAL	6020	255	6271	2849	-0-	3422	225.68	-0-	111	-0-	140	2738	-0-	3282	
AVER.	1204	51	1254	570	-0-	684	45.14	-0-	22	-0-	28	548	-0-	656	
1964	1152	49	1201	531	-0-	670	44.21	-0-	22	-0-	27	509	-0-	643	
1965	1250	58	1308	750	-0-	558	57.34	-0-	33	-0-	25	717	-0-	533	
1966	1425	50	1475	592	337	546	40.13	22.85	20	11	19	572	326	527	
1967	1385	47	1432	632	127	673	44.13	8.87	21	4	22	611	123	651	
1968	1644	50	1694	527	525	642	31.11	30.99	16	16	18	511	509	624	
1969	1589	52	1641	651	263	727	39.67	16.03	20	9	23	631	254	704	
1970	2050	64	2114	1136	221	757	53.74	10.45	34	7	23	1102	214	734	

TOTAL PROD.	RESIDUAL PROD. AVAILABLE FOR IRRIGATION		PROD. USED IN SAN BERNARDINO COUNTY FOR IRRIGATION & DOMESTIC
	SAN BERNARDINO COUNTY	RIVERSIDE COUNTY	
(16)	(17)	(18)	(19)
1397	1076	-0-	1385
1226	808	-0-	1205
1358	418	-0-	1327
1141	480	-0-	1114
852	343	-0-	832
5974	3125	-0-	5863
1195	625	-0-	1173
1002	471	-0-	980
1015	265	-0-	982
1049	457	-0-	1029
1171	539	-0-	1150
1229	702	-0-	1213
1224	573	-0-	1204
1386	250	-0-	1352

(1) Table No. 29, Col. (22)
 (2) Table No. 29, Col. (20)
 (3) Col. (1) + Col. (2)
 (4) Col. (3) - (Col. (6) + Col. (5))
 (5) Table No. 20, Col. (Total Prod. after year 1965)
 (6) Table No. 21, Line (1) + Line (5)
 (7) Col. (4) + (Col. (3) X 100)
 (8) Col. (5) + (Col. (3) X 100)
 (9) Col. (6) + (Col. (3) X 100)
 (10) Col. (2) X Col. (7)
 (11) Col. (2) X Col. (8)
 (12) Col. (2) X Col. (9)
 (13) Col. (4) - Col. (10)
 (14) Col. (5) - Col. (11)
 (15) Col. (6) - Col. (12)
 (16) Table No. 19, line (3)
 (17) Col. (16) - Col. (4)
 (18) Company method of operation
 (19) Col. (16) - Col. (10)

TABLE NO. 30

Note: As verified by inventory of agriculture and domestic deliveries in Riverside County.

RIVERSIDE HIGHLAND WATER COMPANY
 WATER PRODUCTION FROM LYTLE, BUNKER HILL, COLTON & RIVERSIDE BASINS
 IN SAN BERNARDINO AND RIVERSIDE COUNTIES AND THE DELIVERY OF THE PRODUCTION IN
 SAN BERNARDINO AND RIVERSIDE COUNTIES
 (Quantities in Acre Feet)

Year	DOMESTIC SYSTEM												LYTLE CREEK AREA						
	Domestic Demand			Production For Domestic Demand				Domestic Export to Riverside County			Domestic Deliveries in San Bernardino County			Residual Prod. Available For Irrigation		Prod. Used In San Bernardino County For Irrigation & Domestic (19)			
	San Bernardino County (1)	Riverside County (2)	Total (3)	Colton Basin RH4 & RH4A After 1965 (5)	Riverside Basin in San Bernardino County, RH3 & RH20 (6)	Percent of Production From Groundwater Basins		From Riverside Basin in San Bernardino County (9)	From Colton Basin (11)	From Riverside Basin in San Bernardino County (12)	From Lytle Creek Area (10)	From Lytle Creek Area (13)	From Colton Basin (14)	From Riverside Basin in San Bernardino County (15)	Total Prod. (16)		San Bernardino County (17)	Riverside County (18)	
1971	1,976	61	2,037	256	669	54.59	12.57	32.84	8	20	33	1,079	248	649	1,669	557	0	1,636	
1972	1,911	95	2,006	285	789	46.46	14.21	39.33	14	37	44	888	271	752	1,468	536	0	1,424	
1973	1,772	55	1,827	212	832	42.86	11.60	45.54	6	25	24	759	206	807	1,282	499	0	1,258	
1974	1,901	59	1,960	282	833	43.11	14.39	42.50	9	25	25	820	273	808	1,374	529	0	1,349	
1975																			
TOTAL																			
AVER.																			
1976																			
1977																			
1978																			
1979																			
1980																			
TOTAL																			
AVER.																			

(1) Table No. 29, Col. (22)
 (2) Table No. 29, Col. (20)
 (3) Col. (1) + Col. (2)
 (4) Col. (3) - ((Col. (6) + Col. (5))
 (5) Table No. 20, Col. (Total Prod. after year 1965)
 (6) Table No. 21, Line (1) + Line (5)
 (7) Col. (4) + (Col. (3) x 100)
 (8) Col. (5) + (Col. (3) x 100)
 (9) Col. (6) + (Col. (3) x 100)
 (10) Col. (2) x Col. (7)
 (11) Col. (2) x Col. (8)
 (12) Col. (2) x Col. (9)
 (13) Col. (4) - Col. (10)
 (14) Col. (5) - Col. (11)
 (15) Col. (6) - Col. (12)
 (16) Table No. 19, Line (3)
 (17) Col. (16) - Col. (4)
 (18) Company method of operation
 (19) Col. (16) - Col. (10)

As verified by inventory of agriculture and domestic deliveries in Riverside County.

RIVERSIDE HIGHLAND WATER COMPANY
WATER PRODUCTION FROM LYTLE, BUNKER HILL, COLTON & RIVERSIDE BASINS
IN SAN BERNARDINO AND RIVERSIDE COUNTIES AND THE DELIVERY OF THE PRODUCTION IN
SAN BERNARDINO AND RIVERSIDE COUNTIES
 (Quantities in Acre Feet)

YEAR	IRRIGATION DEMAND		SAN BERNARDINO COUNTY		RIVERSIDE COUNTY		PERCENT OF COMINGLED WATER		IRRIGATION DELIVERIES IN SAN BERNARDINO COUNTY FROM COMINGLED WATER SOURCES				IRRIGATION DELIVERIES IN RIVERSIDE COUNTY FROM COMINGLED WATER SOURCES								
	TOTAL	SAN BERNARDINO COUNTY	RIVERSIDE COUNTY	LYTLE CREEK AREA WATER FOR IRRIGATION	IRRIGATION SUPPLIED FROM COMINGLED SOURCES	IRRIG. SUPPLIED FROM RH 7 RH 21 RH 22 COMINGLED WELLS	IRRIGATION SUPPLIED FROM COMINGLED SOURCES	TOTAL COMINGLED WATER FOR IRRIGATION	USED IN SAN BERNARDINO COUNTY	BUNKER HILL BASIN		RIVERSIDE BASIN		BUNKER HILL BASIN		RIVERSIDE BASIN					
										RICE THORN	R.H.W. CO. WELLS	R.H.W. CO. WELLS	LA SIERRA WATER COMPANY	RICE THORN	R.H.W. CO. WELLS	LA SIERRA WATER COMPANY	COLTON BASIN UNTIL YEAR 1966	RICE THORN	R.H.W. CO. WELLS	LA SIERRA WATER COMPANY	COLTON BASIN UNTIL YEAR 1966
(1)	(2)	(3)	(4)	(5)	(6)	(7)	(8)	(9)	(10)	(11)	(12)	(13)	(14)	(15)	(16)	(17)	(18)	(19)	(20)		
1959	8756	2564	6192	1076	1488	1338	4854	23.46	76.54	785	202	50	340	111	2563	660	161	1107	363		
1960	7943	2092	5851	808	1284	1226	4625	21.73	78.27	655	172	27	342	88	2360	618	99	1233	315		
1961	9970	2730	7240	418	2312	1834	5406	29.96	70.04	1252	245	107	538	170	2925	574	250	1259	398		
1962	8916	2370	6546	480	1890	2942	3604	34.40	65.60	1034	243	96	506	11	1972	463	184	965	20		
1963	8023	1745	6278	343	1402	2810	3468	28.79	71.21	712	161	47	482	-0-	1762	398	116	1192	-0-		
TOTAL	43608	11501	32107	3125	8376	10150	21957	138.34	361.66	4438	1023	327	2208	380	11582	2713	810	5756	1096		
AVER.	8721	2300	6421	625	1675	2030	4391	27.67	72.33	888	205	65	442	76	2316	543	162	1151	219		
1964	9903	2639	7264	471	2168	3518	3746	36.66	63.34	1210	245	69	644	-0-	2091	424	119	1112	-0-		
1965	8172	2099	6073	265	1834	3017	3056	37.51	62.49	1094	166	95	479	-0-	1823	276	159	798	-0-		
1966	8375	2097	6278	457	1640	3076	3202	33.87	66.13	1000	173	-0-	467	-0-	1951	338	-0-	913	-0-		
1967	7559	1956	5603	539	1617	2565	3038	31.81	68.19	924	-0-	-0-	493	-0-	1981	-0-	-0-	1057	-0-		
1968	9717	2777	6940	702	2075	3743	3197	39.36	60.64	1230	-0-	-0-	845	-0-	1895	-0-	-0-	1302	-0-		
1969	7329	1672	5657	573	1099	2566	3091	26.23	73.77	387	-0-	-0-	712	-0-	1088	-0-	-0-	2003	-0-		
1970	8113	1759	6354	250	1509	2859	3495	30.16	69.84	848	-0-	-0-	661	-0-	1963	-0-	-0-	1532	-0-		

Comingled water sources comprise a group of wells situated in San Bernardino County that provide water for irrigation in both Counties and are so designated to distinguish them from wells that serve a single purpose of area.

- (1) Cols. (2) + (3)
- (2) Table No. 29, Col. (21)
- (3) Table No. 29, Col. (19)
- (4) Table No. 30, Sheet 3, Col. (17)
- (5) Col. (2) - Col. (4)
- (6) Table No. 30, Sheet 1, Col. (12)
- (7) Col. (3) - Col. (6)
- (8) Col. (5) + Col. (7)
- (9) Col. (5) + Col. (8) X 100
- (10) Col. (7) + Col. (8) X 100
- (11) Table No. 30, Sheet 1, Col. (4) X Col. (9) this sheet
- (12) Table No. 30, Sheet 1, Col. (5) X Col. (9) this sheet
- (13) Table No. 30, Sheet 1, Col. (6) X Col. (9) this sheet
- (14) Table No. 30, Sheet 1, Col. (7) X Col. (9) this sheet
- (15) Table No. 30, Sheet 1, Col. (8) X Col. (9) this sheet
- (16) Table No. 30, Sheet 1, Col. (4) X Col. (10) this sheet
- (17) Table No. 30, Sheet 1, Col. (5) X Col. (10) this sheet
- (18) Table No. 30, Sheet 1, Col. (6) X Col. (10) this sheet
- (19) Table No. 30, Sheet 1, Col. (7) X Col. (10) this sheet
- (20) Table No. 30, Sheet 1, Col. (8) X Col. (10) this sheet

TABLE NO. 30

RIVERSIDE HIGHLAND WATER COMPANY
WATER PRODUCTION FROM LYLE, BUNKER HILL, COLTON & RIVERSIDE BASINS
IN SAN BERNARDINO AND RIVERSIDE COUNTIES AND THE DELIVERY OF THE PRODUCTION IN
SAN BERNARDINO AND RIVERSIDE COUNTIES
 (Quantities in Acre Feet)

Note: As verified by inventory of agriculture and domestic deliveries in Riverside County.

Year	Irrigation Demand		San Bernardino County		Riverside County		Percent Of Commingled Water		Irrigation Deliveries in San Bernardino County From Commingled Water Sources				Irrigation Deliveries in Riverside County From Commingled Water Sources		Riverside Basin				
	San Bernardino County	Riverside County	Lytle Creek Area Water For. Irrig.	Irrigation Supplied From Commingled Sources	Irrig. Supplied From RH 7 RH 21 RH 22 Wells	Irrigation Supplied From Commingled Sources	Total Commingled Water For Irrigation	Used In San Bernardino County	Used In Riverside County	Bunker Hill Basin		Riverside Basin		Bunker Hill Basin		Riverside Basin			
										R.H.W. Co. Wells	Rice Thorn	R.H.W. Co. Wells	La Sierra Water Company	R.H.W. Co. Wells	Rice Thorn	R.H.W. Co. Wells	La Sierra Water Company		
(1)	(2)	(3)	(4)	(5)	(6)	(7)	(8)	(9)	(10)	(11)	(12)	(13)	(14)	(15)	(16)	(17)	(18)	(19)	(20)
1971	9,633	2,186	7,447	557	1,629	3,999	5,077	32.09	67.91	752	0	0	877	0	1,591	0	0	1,857	0
1972	8,408	1,848	6,560	536	1,312	2,940	4,932	26.60	73.40	815	0	0	497	0	2,249	0	0	1,371	0
1973	7,241	1,412	5,829	499	913	2,609	4,133	22.09	77.91	493	0	0	420	0	1,737	0	0	1,483	0
1974	7,593	1,531	6,062	521	1,002	2,788	4,276	23.43	76.57	636	65	0	301	0	2,078	214	0	982	0
1975																			
TOTAL																			
AVER.																			
1976																			
1977																			
1978																			
1979																			
1980																			
TOTAL																			
AVER.																			

(1) Col. (2) + (3)
 (2) Table No. 29, Col. (21)
 (3) Table No. 29, Col. (19)
 (4) Table No. 30, Sheet 4, Col. (17)
 (5) Col. (2) - Col. (4)
 (6) Table No. 30, Sheet 2, Col. (12)
 (7) Col. (3) - Col. (6)
 (8) Col. (5) + Col. (7)
 (9) Col. (5) + (Col. (8) x 100)
 (10) Col. (7) + (Col. (8) x 100)
 (11) Table No. 30, Sheet 2, Col. (4) x Col. (9) this sheet
 (12) Table No. 30, Sheet 2, Col. (5) x Col. (9) this sheet
 (13) Table No. 30, Sheet 2, Col. (6) x Col. (9) this sheet
 (14) Table No. 30, Sheet 2, Col. (7) x Col. (9) this sheet
 (15) Table No. 30, Sheet 2, Col. (8) x Col. (9) this sheet
 (16) Table No. 30, Sheet 2, Col. (4) x Col. (10) this sheet
 (17) Table No. 30, Sheet 2, Col. (5) x Col. (10) this sheet
 (18) Table No. 30, Sheet 2, Col. (6) x Col. (10) this sheet
 (19) Table No. 30, Sheet 2, Col. (7) x Col. (10) this sheet
 (20) Table No. 30, Sheet 2, Col. (8) x Col. (10) this sheet

Commingled water sources comprise a group of wells situated in San Bernardino County that provide water for irrigation in both Counties and are so designated to distinguish them from wells that serve a single purpose or area.

As verified by inventory of agriculture and domestic deliveries in Riverside County.

TABLE NO. 31
RIVERSIDE HIGHLAND WATER COMPANY
WATER PRODUCTION FROM LYLE, BUNKER HILL, COLTON & RIVERSIDE BASINS
IN SAN BERNARDINO AND RIVERSIDE COUNTIES AND THE DELIVERY OF THE PRODUCTION IN
SAN BERNARDINO AND RIVERSIDE COUNTIES
 (Quantities in Acre Feet)

YEAR (1)	PRODUCTION DELIVERED NORTH OF COUNTY LINE IN SAN BERNARDINO COUNTY										PRODUCTION DELIVERED SOUTH OF COUNTY LINE IN RIVERSIDE COUNTY							TOTAL PROD. NORTH OF COUNTY LINE RE21-22 (20)	PROD. SOUTH OF COUNTY LINE RE21-22 (21)					
	FROM GROUNDWATER BASIN					FROM GROUNDWATER BASIN					FROM GROUNDWATER BASIN			RIVERSIDE										
	LYLE		BUNKER HILL			COLTON		RIVERSIDE			LYLE		BUNKER HILL		COLTON		RIVERSIDE			TOTAL				
	R. H. WELLS (2)	(3)	(4)	(5)	(6)	(7)	(8)	(9)	(10)	R. H. WELLS (11)	(12)	(13)	(14)	(15)	(16)	(17)	(18)			(19)	(20)	(21)		
1959	1385	785	202	987	50	1317	111	1428	3850	12	2563	660	3223	161	2484	363	2847	6243	10093	-				
1960	1205	655	172	827	27	890	88	978	3037	21	2360	618	2978	99	2489	315	2804	5902	8939	-				
1961	1327	1252	245	1497	107	994	170	1164	4095	31	2925	574	3499	250	3110	398	3508	7288	11383	-				
1962	1114	1034	243	1277	96	1043	11	1054	3541	27	1972	463	2435	184	2537	20	2557	5203	8744	1393				
1963	832	712	161	873	47	1246	0	1246	2998	20	1762	398	2160	116	2652	0	2652	4948	7946	1381				
TOTAL	5863	4438	1023	5461	327	5490	380	5870	17521	111	11582	2713	14295	810	13272	1096	14368	29584	47105	2774				
AVER.	1173	888	204	1092	65	1098	76	1174	3504	22	2316	543	2859	162	2654	219	2873	5917	9421	555				
1964	980	1210	245	1455	69	1287	0	1287	3791	22	2091	424	2515	119	2956	0	2956	5612	9403	1701				
1965	982	1094	166	1260	95	1012	0	1012	3349	33	1823	276	2099	159	2222	0	2222	4513	7862	1618				
1966	1029	1000	173	1173	326	994	0	994	3522	20	1951	338	2289	11	2552	0	2552	4872	8394	1456				
1967	1150	924	0	924	123	1144	0	1144	3341	21	1981	0	1981	4	2290	0	2290	4296	7637	1354				
1968	1213	1230	0	1230	509	1469	0	1469	4421	16	1895	0	1895	16	3195	0	3195	5122	9543	1868				
1969	1204	387	0	387	254	1416	0	1416	3261	20	1088	0	1088	9	3339	0	3339	4456	7717	1253				
1970	1352	848	0	848	214	1395	0	1395	3809	34	1963	0	1963	7	2965	0	2965	4969	8778	1449				

(2) Table No. 30, Sheet No. 3, Col. (19)
 (3) Table No. 30, Sheet No. 5, Col. (11)
 (4) Table No. 30, Sheet No. 5, Col. (12)
 (5) Col. (3) + Col. (4)
 (6) Table No. 30, Sheet No. 5, Col. (13) until year 1965, and Sheet No. 3, Col. (14) after 1965
 (7) Table No. 30, Sheet No. 3, Col. (15) and Sheet No. 5, Col. (14)
 (8) Table No. 30, Sheet No. 5, Col. (15)
 (9) Col. (7) + Col. (8)
 (10) Col. (2) + (5) + (6) + (9)
 (11) Table No. 30, Sheet No. 3, Col. (10)
 (12) Table No. 30, Sheet 5, Col. (16)
 (13) Table No. 30, Sheet 5, Col. (17)
 (14) Col. (12) + Col. (13)
 (15) Table No. 30, Sheet 5, Col. (18) thru 1965, and Sheet 3, Col. (11) after 1965
 (16) Table No. 30, Sheet 1, Col. (10) and Sheet 3, Col. (12) and Sheet 5, Col. (19)
 (17) Table No. 30, Sheet 5, Col. (20)
 (18) Col. (16) + Col. (17)
 (19) Col. (11) + (14) + (15) + (18)
 (20) Col. (10) + Col. (19)
 (21) Table No. 30, Sheet No. 1, Col. (11)

TABLE NO. 31

RIVERSIDE HIGHLAND WATER COMPANY
 WATER PRODUCTION FROM LYLE, BUNKER HILL, COLTON & RIVERSIDE BASINS
 IN SAN BERNARDINO AND RIVERSIDE COUNTIES AND THE DELIVERY OF THE PRODUCTION IN
 SAN BERNARDINO AND RIVERSIDE COUNTIES
 (Quantities in Acre Feet)

Note: As verified by inventory of agriculture and domestic deliveries in Riverside County.

Year	PRODUCTION DELIVERED NORTH OF COUNTY LINE IN SAN BERNARDINO COUNTY										PRODUCTION DELIVERED SOUTH OF COUNTY LINE IN RIVERSIDE COUNTY							Prod. South Of County Line RH21-22 (21)				
	From Groundwater Basin										From Groundwater Basin											
	Lyle		Bunker Hill			Colton		Riverside			Total Production Delivered		Bunker Hill		Colton		Riverside			Total Production Delivered		
	R. H. Wells (2)	(3)	(4)	(5)	(6)	(7)	(8)	(9)	(10)	R. H. Wells (11)	(12)	(13)	(14)	(15)	(16)	(17)	(18)		(19)	Total Prod. North Of County Line (20)		
1971	1,636	752	0	752	248	1,526	0	1,526	4,162	33	1,591	0	1,591	8	3,778	0	3,778	5,410	9,572	2,098		
1972	1,424	815	0	815	271	1,249	0	1,249	3,759	44	2,249	0	2,249	14	2,980	0	2,980	5,287	9,046	1,368		
1973	1,258	493	0	493	206	1,227	0	1,227	3,184	24	1,737	0	1,737	6	2,847	0	2,847	4,614	7,798	1,270		
1974	1,349	636	65	701	273	1,109	0	1,109	3,432	25	2,078	214	2,292	9	2,262	0	2,262	4,588	8,070	1,533		
1975																						
TOTAL																						
AVER.																						
1976																						
1977																						
1978																						
1979																						
1980																						
TOTAL																						
AVER.																						

(2) Table No. 30, Sheet No. 4, Col. (19)
 (3) Table No. 30, Sheet No. 6, Col. (11)
 (4) Table No. 30, Sheet No. 6, Col. (12)
 (5) Col. (3) + Col. (4)
 (6) Table No. 30, Sheet No. 5, Col. (13) thru year 1965; and Sheet No. 3, Col. (14) for yrs. 1966-70 inc.; then Sht. No. 4, Col. (15) plus Sheet No. 6, Col. (16)
 (7) Table No. 30, Sheet No. 4, Col. (14) for 1971 & beyond.
 (8) Table No. 30, Sheet No. 4, Col. (15) plus Sheet No. 6, Col. (16)
 (9) Col. (7) + Col. (8)
 (10) Cols. (2) + (5) + (6) + (9)
 (11) Table No. 30, Sheet No. 4, Col. (10)
 (12) Table No. 30, Sheet No. 6, Col. (16)
 (13) Table No. 30, Sheet No. 6, Col. (17)
 (14) Col. (12) + Col. (13)
 (15) Table No. 30, Sheet 5, Col. (18) thru year 1965; and Sheet No. 3, Col. (11) for 1971 and beyond.
 (16) Table No. 30, Sheet 2, Col. (10) plus Sheet 4, Col. (12) plus Sheet 6, Col. (19)
 (17) Table No. 30, Sheet 6, Col. (20)
 (18) Col. (16) + Col. (17)
 (19) Cols. (11) + (14) + (15) + (18)
 (20) Col. (10) + Col. (19)
 (21) Table No. 30, Sheet No. 2, Col. (11)

TABLE NO. 31-A

TOTAL PRODUCTION BY RIVERSIDE HIGHLAND WATER COMPANY
FROM THE SAN BERNARDINO BASIN AREA
(INCLUDES LYTLE AND BUNKER HILL BASINS)
AS DELIVERED IN
SAN BERNARDINO AND RIVERSIDE COUNTIES
 (All Quantities in Acre Feet)

CALENDAR YEAR	TOTAL DELIVERIES IN SAN BERNARDINO COUNTY (From Table No. 31, Column 2 + Column 3)	TOTAL DELIVERIES IN RIVERSIDE COUNTY (From Table No. 31, Column 11 + Column 12)	TOTAL PRODUCTION FROM SAN BERNARDINO BASIN AREA (Total Deliveries From Both Counties)
1964	2190	2113	4303
1965	2076	1856	3932
1966	2029	1971	4000
1967	2074	2002	4076
1968	2443	1911	4354
1969	1591	1108	2699
1970	2200	1997	4197

Note: Excluded City of Riverside production (Ward & Warren) in Bunker Hill Basin which is delivered to Riverside Highland Water Company.

TOTAL PRODUCTION BY RIVERSIDE HIGHLAND WATER COMPANY
FROM THE SAN BERNARDINO BASIN AREA
(INCLUDES LYTLE AND BUNKER HILL BASINS)
AS DELIVERED IN
SAN BERNARDINO AND RIVERSIDE COUNTIES
(All Quantities in Acre Feet)

CALENDAR YEAR	TOTAL DELIVERIES IN SAN BERNARDINO COUNTY (From Table No. 31, Column 2 + Column 3)	TOTAL DELIVERIES IN RIVERSIDE COUNTY (From Table No. 31, Column 11 + Column 12)	TOTAL PRODUCTION FROM SAN BERNARDINO BASIN AREA (Total Deliveries in Both Counties)
(1)	(2)	(3)	(4)
1971	2,388	1,624	4,012
1972	2,239	2,293	4,532
1973	1,751	1,761	3,512
1974	1,985	2,103	4,088
1975			
5-YEAR TOTAL 1971-1975			
5-YEAR AVER. 1971-1975			
1976			
1977			
1978			
1979			
1980			
5-YEAR TOTAL 1976-1980			
5-YEAR AVER. 1976-1980			

Note: Excludes City of Riverside production (Ward & Warren) in Bunker Hill Basin which is delivered to Riverside Highland Water Company.

TABLE NO. 31-B

Sheet 1 of 2

TOTAL PRODUCTION BY RIVERSIDE HIGHLAND WATER COMPANY
FROM THE SAN BERNARDINO BASIN AREA
(INCLUDES LYTLE AND BUNKER HILL BASINS)
AS DELIVERED IN
SAN BERNARDINO AND RIVERSIDE COUNTIES
 (All Quantities in Acre Feet)

CALENDAR YEAR	TOTAL DELIVERIES IN SAN BERNARDINO COUNTY (From Table No. 26, Column 2 + Column 3)	TOTAL DELIVERIES IN RIVERSIDE COUNTY (From Table No. 26, Column 11 + Column 12)	TOTAL PRODUCTION FROM SAN BERNARDINO BASIN AREA (Total Deliveries From Both Counties)
1959	2561	2184	4745
1960	2352	1889	4241
1961	3026	2509	5535
1962	2569	1578	4147
1963	2037	1289	3326
5-YEAR TOTAL 1959-1963	12545	9449	21994
5-YEAR AVER. 1959-1963	2509	1890	4399
CALENDAR YEAR	TOTAL DELIVERIES IN SAN BERNARDINO COUNTY (From Table No. 31, Column 2 + Column 3)	TOTAL DELIVERIES IN RIVERSIDE COUNTY (From Table No. 31, Column 11 + Column 12)	TOTAL PRODUCTION FROM SAN BERNARDINO BASIN AREA (Total Deliveries From Both Counties)
1964	2190	2113	4303
1965	2076	1856	3932
1966	2029	1971	4000
1967	2074	2002	4076
1968	2443	1911	4354
1969	1591	1108	2699
1970	2200	1997	4197

- Note: (1) Excludes City of Riverside production (Ward & Warren) in Bunker Hill Basin which is delivered to Riverside Highland Water Company.
- (2) Period 1959-1963 (5-year base period) calculations shown based on assumption of 50% use in each County.
- (3) Period (1964-1970) calculations based upon measured deliveries in Riverside County.

TOTAL PRODUCTION BY RIVERSIDE HIGHLAND WATER COMPANY
FROM THE SAN BERNARDINO BASIN AREA
(INCLUDES LYTLE AND BUNKER HILL BASINS)
AS DELIVERED IN
SAN BERNARDINO AND RIVERSIDE COUNTIES
(All Quantities in Acre Feet)

CALENDAR YEAR	TOTAL DELIVERIES IN SAN BERNARDINO COUNTY (From Table No. 31, Column 2 + Column 3)	TOTAL DELIVERIES IN RIVERSIDE COUNTY (From Table No. 31, Column 11 + Column 12)	TOTAL PRODUCTION FROM SAN BERNARDINO BASIN AREA (Total Deliveries in Both Counties)
(1)	(2)	(3)	(4)
1971	2,388	1,624	4,012
1972	2,239	2,293	4,532
1973	1,751	1,761	3,512
1974	1,985	2,103	4,088
1975			
5-YEAR TOTAL 1971-1975			
5-YEAR AVER. 1971-1975			
1976			
1977			
1978			
1979			
1980			
5-YEAR TOTAL 1976-1980			
5-YEAR AVER. 1976-1980			

Note: Excludes City of Riverside production (Ward & Warren) in Bunker Hill Basin which is delivered to Riverside Highland Water Company.

MEEKS & DALEY

WATER COMPANY

MEEKS & DALEY WATER COMPANY

The Meeks & Daley Water Company in the days preceding the turn of the century diverted water from Warm Creek. There were several other small ditches also diverting water from Warm Creek above its mouth at the river.

In about 1887, an agreement was entered into with the Riverside Water Company by the Meeks & Daley Water Company, San Salvador Water Ditch, Agua Mansa Water Company, and the Jaramillo Ditch. The right of each of these water organizations was set forth in the agreement. Surface diversions were made by the Meeks & Daley Water Company for many years, the water being used in the vicinity of Colton.

Beginning in approximately 1920 and for the next few years, the Temescal Water Company began the acquisition of the Meeks & Daley Water Company and is now the owner and operator of the company. The company secured rights in both the Riverside Canal and in the Gage Canal for the transportation of Meeks & Daley water to the Corona area for irrigation uses.

The flow of Warm Creek gradually diminished from about 1947 to 1960, and coincident with the diminishment of the flow of the creek Meeks & Daley Water Company drilled wells in the San Bernardino Basin Area, and a single well in the Colton Basin Area, which were discharged into the creek for transportation to various points of delivery, the larger portion being pumped into the Gage Canal for delivery to the Corona area and small portions being delivered in the Colton area, with some delivery into the West Riverside Canal for export to Riverside Areas.

With the conversion of the Gage Canal from an open channel to an enclosed pipeline between Linden Street and the canal headgates, it was impossible to convey nonpotable water through the pipeline. An agreement was made between the City of Riverside and the Temescal Water Company for Temescal's conveyance of nonpotable irrigation water only through the former Riverside Water Company Canal to a point in Riverside below Linden Street. The City of Riverside proposes to construct such boosters as are necessary to convey nonpotable water in the Riverside Water Company Canal to the Gage Canal for conveyance to the Corona area. Water pumped from the Temescal Palm Avenue Well in the Riverside Basin in San Bernardino County was delivered to the former Riverside canal only beginning in the year 1974. Prior to 1974 the Palm Avenue Well could deliver water to either the Gage Canal or the Riverside Water Company Canal.

Table No. 32 shows the water production of the Meeks & Daley Water Company and Agua Mansa Water Company from the San Bernardino Basin Area and the Colton Basin Area, extracted from individual wells and diversions, for the period 1947 to the present.

Table No. 33 shows the total production by the Meeks & Daley and Agua Mansa Water Companies produced from the San Bernardino Basin Area and the Colton Basin Area, together with the percentage produced from each basin. It also shows the total delivery within San Bernardino County and the production exported to Riverside County from the San Bernardino Basin Area and from the Colton Basin Area. There is no export from the Riverside Basin Area within San Bernardino County to Riverside County.

Table No. 34 shows the water production from the San Bernardino Basin Area and the deliveries of this production within San Bernardino County and that portion exported to Riverside County for the base period 1959 through 1963 and updated to the present.

TABLE NO. 32

MEERKS & DALEY WATER COMPANY

AND

AGUA MANSA WATER COMPANY

WATER PRODUCTION FROM

THE SAN BERNARDINO BASIN AREA

AND THE COLTON BASIN AREA

Line No.	Reference	Local Designation	State Well Number	Recordation Number	1947	1948	1949	Quantities in Acre Feet by Calendar Year							
								1950	1951	1952	1953	1954	1955	1956	1957
SAN BERNARDINO BASIN AREA															
1	Rec. Filling	E St.	1S-4W-15M2	3601511	284	0	0	1,996	2,236	792	1,579	1,833	2,039	2,446	1,571
2		51	1S-4W-15M5	3601512						1,528	2,226	2,917	2,006	2,658	2,528
3		54	1S-4W-16R3	3601513								329	1,862	2,222	1,372
4		Coburn	1S-4W-16J9	3601737											
5		59	1S-4W-15L3	3601887											
6		New E St.	1S-4W-15M10	3602169											
7		66	1S-4W-15E	3602329											
8	(Diversion)	Warm Cr.	1S-4W-16Q	3601514	9,945	10,835	9,296	7,690	8,010	6,040	7,481	2,941	1,956	790	455
9	(Diversion)	Worman Ditch	1S-4W-16Q	3601515	771	715	424	414	274	200	224	100	97	54	54
10															
11	Lines 1 through 10	Total Production San Bernardino Basin Area			11,000	11,550	9,720	10,100	10,520	8,560	11,510	8,120	7,960	8,170	5,980
12															
INTERAGENCY TRANSFER OF SAN BERNARDINO BASIN AREA PRODUCTION															
13					0	0	0	0	0	0	0	0	0	0	0
14	Delivery to City of Riverside from 59														
15	(Net San Bernardino Basin Area Production for delivery by Meeks & Daley Line 11-Line 14)				11,000	11,550	9,720	10,100	10,520	8,560	11,510	8,120	7,960	8,170	5,980
16															
COLTON BASIN AREA															
17															
18															
19	Rec. Filling	36	1S-4W-21M1	3601510	2	0	0	0	485	169	104	1,117	1,078	1,842	1,117
20															
21	Lines 19 through 20	Total Production Colton Basin Area			2	0	0	0	485	169	104	1,117	1,078	1,842	1,117

Note: No Production from the Riverside Basin Area

TABLE NO. 32
 MEERS & DALEY WATER COMPANY
 AND
 AGUA MANCA WATER COMPANY
 WATER PRODUCTION FROM
 THE SAN BERNARDINO BASIN AREA
 AND THE COLTON BASIN AREA

Line No.	Reference	Local Designation	State Well Number	Recordation Number	1958		1959		1960		Quantities in Acres Feet by Calendar Year				1969	1970	
					1958	1959	1960	1961	1962	1963	1964	1965	1966	1967			1968
SAN BERNARDINO BASIN AREA																	
1	Rec. Filling	E St.	18-4W-15K2	3601511	1,530	1,711	488	672	1,213	1,126	934	571	427	363	426	137	0
2		51	18-4W-15N5	3601512	2,266	2,157	2,230	2,201	1,788	2,256	2,494	1,199	149	0	0	-	0
3		54	18-4W-16R3	3601513	1,683	1,518	1,190	1,519	910	1,119	975	761	562	392	665	186	0
4		Coburn	18-4W-16J9	3601737	543	600	314	447	299	280	344	282	238	232	301	234	207
5		59	18-4W-15L3	3601887	1,276	3,813	4,560	4,560	3,350	3,073	3,253	3,231	3,672	3,264	3,836	1,923	2,351
6		New K Ft.	18-4W-15M10	3602169	-	-	-	-	-	-	496	1,344	1,889	1,802	2,151	1,743	2,348
7		66	18-4W-15E	3602329	-	-	-	-	-	-	-	-	268	1,330	1,593	1,048	0
8		Warm Cr.	18-4W-16Q	3601514	699	18	2	0	0	0	0	0	0	0	0	77	0
9		Workman Ditch	18-4W-16Q	3601515	34	2	0	0	0	0	0	0	0	0	0	-	0
10		69	18-4W-16R	3600000	-	-	-	-	-	-	-	-	-	-	-	-	143
11	Lines 1 through 10	Total Production San Bernardino Basin Area			6,755	7,282	8,037	9,399	7,560	7,854	8,486	7,388	7,205	7,383	8,972	5,348	5,649
INTERAGENCY TRANSFER OF SAN BERNARDINO BASIN AREA PRODUCTION																	
14	Delivery to City of Riverside from 59											1,908	3,312	3,258	3,827	1,923	2,351
15	(Net San Bernardino Basin Area Production for delivery by Meeks & Daley Line 11-Line 14)				6,755	7,282	8,037	9,399	7,560	7,854	8,496	5,480	3,893	4,125	5,145	3,425	2,656
COLTON BASIN AREA																	
18	Rec. Filling	36	18-6W-21M1	3601510	1,572	2,168	23	465	1,185	339	310	1,547	1,731	271	596	753	0
20	Lines 19 through 20	Total Production Colton Basin Area			1,572	2,168	23	465	1,185	339	310	1,547	1,731	271	596	753	0

Note: No Production from the Riverside Basin Area

TABLE NO. 32

MECKS & DALEY WATER COMPANY
AND
AGUA MANSA WATER COMPANY
WATER PRODUCTION FROM
THE SAN BERNARDINO BASIN AREA
AND THE COLTON BASIN AREA

Line No.	Reference	Local Designation	State Well Number	Recordation Number	Quantities in Acre Feet by Calendar Year												
					1971	1972	1973	1974	1975	1976	1977	1978	1979	1980	1981	1982	
					<u>SAN BERNARDINO BASIN AREA</u>												
1	Rec. Filling	E St.	1S-4N-15W2	3601511	0	0	0	0	0	0	0	0	0	0	0	0	0
2		51	1S-4N-15N5	3601512	0	0	0	0	0	0	0	0	0	0	0	0	0
3		54 Sold to State	1S-4N-16R3	3601513	0	0	0	0	0	0	0	0	0	0	0	0	0
4		Coburn	1S-4N-16J9	3601737	178	265	117	354									
5		59	1S-4N-15L3	3601887	0	1,503	1,246	2,606									
6		New E St.	1S-4N-15M10	3602169	2,502	1,678	1,412	1,379									
7		66	1S-4N-15E	3602329	0	0	0	0	0	0	0	0	0	0	0	0	0
8		Warm Creek	1S-4N-16Q	3601514	0	0	0	0	0	0	0	0	0	0	0	0	0
9		Workman Ditch	1S-4N-16Q	3601515	0	0	0	0	0	0	0	0	0	0	0	0	0
10		69	1S-4N-16R	3600000	222	81	204	165									
10a																	
10b																	
10c																	
11	Lines 1 thru 10	Total Production San Bernardino Basin Area			2,902	3,527	2,979	4,504									
12																	
13																	
					<u>INTERAGENCY TRANSFER OF SAN BERNARDINO BASIN AREA PRODUCTION</u>												
14	Delivery to City of Riverside from 59				0	0	0	275									
15	(Net San Bernardino Basin Area Production for delivery by Meeks & Daley Line 11-Line 14)				2,902	3,527	2,979	4,229									
16																	
					<u>COLTON BASIN AREA</u>												
17																	
18																	
19	Rec. Filling	36	1S-4N-21N1	3601510	0	0	484	0									
20																	
21	Lines 19 thru 20	Total Production Colton Basin Area			0	0	484	0									

Note: No Production from the Riverside Basin Area

TABLE NO. 33

**MEEKES & DALEY WATER COMPANY AND AGUA MANSA WATER COMPANY
WATER PRODUCTION FROM THE SAN BERNARDINO BASIN AREA
AND THE COLTON BASIN AREA DELIVERED IN
SAN BERNARDINO COUNTY AND EXPORTED TO RIVERSIDE COUNTY**
(Quantities in Acre Feet)

Calendar Year	San Bernardino Basin Area Net Production (1)		Colton Basin Area Production (2)		Composition Of Production (3)		Delivery In San Bernardino County (4)		Delivery In Colton County (5)		Production Exported To Riverside County (6)		Production Exported From Riverside Basin Area (7)		Total (12)	
	Ac. Ft.	%	Ac. Ft.	%	San Bdn Basin Area (8)	Colton Basin Area (9)	San Bdn Production (10)	Colton Production (11)	San Bdn Production (12)	Colton Production (13)	San Bdn Basin Area (14)	Colton Basin Area (15)	San Bdn Basin Area (16)	Colton Basin Area (17)	Ac. Ft.	Ac. Ft.
1947	11,000	99.98	2	0.02	11,002	99.98	575	0	575	0	10,425	2	0	10,427	0	
48	11,550	100.00	0	0.00	11,550	100.00	567	0	567	0	10,983	0	0	10,983	0	
49	9,720	100.00	0	0.00	9,720	100.00	347	0	347	0	9,373	0	0	9,373	0	
1950	10,100	100.00	0	0.00	10,100	100.00	368	0	368	0	9,732	0	0	9,732	0	
51	10,520	95.59	485	4.41	11,005	95.59	350	16	350	16	10,170	469	0	10,639	0	
52	8,560	169	8,729	1.94	98.06	276	271	5	271	5	8,289	164	0	8,453	0	
53	11,510	99.11	104	0.89	11,614	99.11	383	3	383	3	11,127	101	0	11,228	0	
54	8,120	87.91	1,117	12.09	9,237	87.91	266	37	266	37	7,854	1,080	0	8,934	0	
55	7,960	88.07	1,078	11.93	9,038	88.07	284	39	284	39	7,676	1,039	0	8,715	0	
56	8,170	81.60	1,842	18.40	10,012	81.60	323	299	323	299	7,871	1,774	0	9,645	0	
57	5,980	84.26	1,117	15.74	7,097	84.26	236	44	236	44	5,744	1,073	0	6,817	0	
58	6,755	77.06	1,572	18.88	8,327	77.06	303	71	303	71	6,452	1,501	0	7,953	0	
59	7,282	98.72	2,168	22.94	9,450	98.72	295	88	295	88	6,987	2,080	0	9,067	0	
1960	8,037	98.72	23	0.28	8,060	98.72	313	1	313	1	7,725	22	0	7,747	0	
61	9,399	86.45	465	4.71	9,864	86.45	363	18	363	18	9,036	447	0	9,483	0	
62	7,560	86.45	1,185	13.55	8,745	86.45	420	57	363	57	7,197	1,128	0	8,325	0	
63	7,854	95.86	339	4.14	8,193	95.86	310	13	297	13	7,557	326	0	7,883	0	
64	8,496	96.48	310	3.52	8,806	96.48	465	16	449	16	8,047	294	0	8,341	0	
65	5,480	77.99	1,547	22.01	7,027	77.99	389	86	303	86	5,177	1,461	0	6,638	0	
66	3,893	69.22	1,731	30.78	5,624	69.22	344	106	238	106	3,655	1,625	0	5,280	0	
67	4,125	93.84	271	6.16	4,396	93.84	377	23	354	23	3,771	248	0	4,019	0	
68	5,145	89.62	596	10.38	5,741	89.62	318	37	318	37	4,827	559	0	5,386	0	
69	3,425	81.98	753	18.02	4,178	81.98	299	66	299	66	3,126	687	0	3,813	0	
1970	2,698	100.00	0	0.00	2,698	100.00	561	0	561	0	2,137	0	0	2,137	0	

REFERENCE

- Col. (1) Meekes & Daley Table No. 32, Line 16
- Col. (2) Meekes & Daley Table No. 32, Line 21
- Col. (3) Col. (1) + Col. (2)
- Col. (4) Col. (1) + Col. (3)
- Col. (5) Col. (2) + Col. (3)
- Col. (6) From Meekes & Daley Records
- Col. (7) Col. (6) X Col. (4)
- Col. (8) Col. (6) X Col. (5)
- Col. (9) Col. (1) - Col. (7)
- Col. (10) Col. (2) - Col. (8)
- Col. (11) No Production Riverside Basin Area
- Col. (12) Col. (9) + Col. (10) + Col. (11)

* Quantity shown is portion exported via canals and excludes well No. 59. See Table No. 34 for total export from San Bernardino Basin Area which includes Well No. 59.

TABLE NO. 33

MEEKS & DALEY WATER COMPANY AND AGUA MANSÁ WATER COMPANY
WATER PRODUCTION FROM THE SAN BERNARDINO BASIN AREA
AND THE COLTON BASIN AREA DELIVERED IN
SAN BERNARDINO COUNTY AND EXPORTED TO RIVERSIDE COUNTY
 (Quantities in Acre Feet)

Calendar Year	San Bernardino Basin Area Net Production	Colton Basin Area Production	Total	Composition Of Production %		Delivery In San Bernardino County	Delivery In San Bernardino Basin Area Production	San Bernardino Basin Area Production	Colton Basin Area Production	Production Exported To Riverside County		Total
	(1)	(2)	(3)	(4)	(5)	(6)	(7)	(8)	(9)	(10)	(11)	(12)
1971	2,902	0	2,902	100.00	0.00	383	383	0	2,519	0	0	2,519
1972	3,527	0	3,527	100.00	0.00	377	377	0	3,150	0	0	3,150
1973	2,979	484	3,463	86.02	13.98	291	250	41	2,729	443	0	3,172
1974	4,229	0	4,229	100.00	0.00	246	246	0	3,983	0	0	3,983*
1975												
1976												
1977												
1978												
1979												
1980												
1981												
1982												

REFERENCE

Col. (1) Meeks & Daley Table No. 32, Line 16
 Col. (2) Meeks & Daley Table No. 32, Line 21
 Col. (3) Col. (1) + Col. (2)
 Col. (4) Col. (1) + Col. (3)
 Col. (5) Col. (2) + Col. (3)
 Col. (6) From Meeks & Daley Records

Col. (7) Col. (6) x Col. (4)
 Col. (8) Col. (6) x Col. (5)
 Col. (9) Col. (1) - Col. (7)
 Col. (10) Col. (2) - Col. (8)
 Col. (11) No Production Riverside Basin Area
 Col. (12) Col. (9) + Col. (10) + Col. (11)

* Quantity shown is portion exported via canals and excludes Well No. 59. See Table No. 34 for total export from San Bernardino Basin Area which includes Well No. 59.

MEEKS & DALEY WATER COMPANY
WATER PRODUCTION FROM SAN BERNARDINO BASIN AREA
AND DELIVERIES WITHIN SAN BERNARDINO COUNTY
AND EXPORT TO RIVERSIDE COUNTY

<u>Year</u>	<u>Production in San Bernardino Basin Area</u> (1)	<u>Deliveries within Colton & Riverside Basin in San Bernardino County</u> (2)	<u>San Bernardino Basin Production Exported to Riverside County</u> (3)
1959	7,282	295	6,987
1960	8,037	312	7,725
1961	9,399	363	9,036
1962	7,560	363	7,197
1963	7,854	297	7,557
Total	40,132	1,630	38,502
Average	8,026	326	7,700
1964	8,496	449	8,047
1965	7,388	303	7,085
1966	7,205	238	6,967
1967	7,383	354	7,029
1968	8,972	318	8,654
1969	5,348	299	5,049
1970	5,049	561	4,488

(1) From Table No. 32, Line 11

(2) From Table No. 33, Col. 7

(3) Col. (1) - Col. (2)

Export of water from well No. 59 by City of Riverside's (Table No. 32, Line (14)) Domestic system is credited to Meeks & Daley Water Co. who produced said water and is excluded from City of Riverside's production.

MEEKS & DALEY WATER COMPANY
WATER PRODUCTION FROM SAN BERNARDINO BASIN AREA
AND DELIVERIES WITHIN SAN BERNARDINO COUNTY
AND EXPORT TO RIVERSIDE COUNTY

<u>Year</u>	<u>Production in San Bernardino Basin Area</u> (1)	<u>Deliveries within Colton & Riverside Basin in San Bernardino County</u> (2)	<u>San Bernardino Basin Production Exported to Riverside County</u> (3)
1971	2,902	383	2,519
1972	3,527	377	3,150
1973	2,979	250	2,729
1974	4,504	246	4,258
1975			
<hr/>			
Total			
Average			
<hr/>			
1976			
1977			
1978			
1979			
1980			
<hr/>			
Total			
Average			
<hr/>			

- (1) From Table No. 32, Line 11
- (2) From Table No. 33, Col. 7
- (3) Col. (1) - Col. (2)

Export of water from well No. 59 by City of Riverside's (Table No. 32, Line (14)) Domestic system is credited to Meeks & Daley Water Co. who produced said water and is excluded from City of Riverside's production.

THE REGENTS OF THE
UNIVERSITY OF CALIFORNIA

THE REGENTS OF THE UNIVERSITY OF CALIFORNIA

The University of California extracts water from the Hunt Tract Wells in the Bunker Hill Basin in San Bernardino County. Originally the City of Riverside owned a two-thirds water right in the Hunt Tract with the land owner, Mable Hunt, retaining a one-third right. The Citrus Experiment Station, now known as the University of California Riverside, purchased Mable Hunt's one-third water right in the Hunt Tract, resulting in joint ownership of the water rights in the Hunt Tract with the City of Riverside.

The City of Riverside operates the wells in the Hunt Tract with the University sharing the cost of pumping the water from the Hunt Wells. The University maintains a booster pump station on the Stewart Tract at the south property line of the Hunt Tract for the purpose of boosting their Hunt Tract water along Waterman Avenue to the Gage Canal for conveyance to their property in Riverside County.

Commencing in 1968 the City of Riverside takes all the production from the Hunt Tract Wells and exchanges The Gage Canal Company water to the University for their portion of the Hunt Tract production.

From 1947 through 1964, the City of Riverside filed the annual notices of extraction from the Hunt Tract Wells with the State W.R.C.B. showing the total extractions from each well and the amounts received by the City and the University.

The filings by the City of Riverside since 1964 show only the quantities extracted from the Hunt Tract Wells by the City, and the City, as operator of the wells, submits a report to the University each month showing the total quantity of water extracted and the amounts credited to the City and to the University. The annual notices filed by the University vary considerably from the City of Riverside records.

Table No. 35 shows the extractions by the University of California from the Hunt Tract Wells located in the Bunker Hill Basin in San Bernardino County. The quantities for the years 1947 through 1964 are from the annual notices of extraction filed by the City of Riverside. The quantities for 1965 until the present are from the monthly reports submitted to the University by the City of Riverside showing the amounts extracted from each of the Hunt Wells and the amounts received by the City and the University. This table also shows the total extractions from the Bunker Hill Basin and the amounts exported to Riverside County.

Predicated upon the original recordation filings by the City of Riverside, Table B-1 of Appendix B, W.M.W.D. vs. ESBCWD et al, Judgment No. 78426 was compiled. Subsequent to the preparation of Table B-1 of the Judgment, the City of Riverside amended their filings on the Hunt Wells. These amended filings decreased the extraction from Hunt Wells in the Bunker Hill Basin by the University by 31 acre feet and also decreased their five-year average annual export ending with 1963 to Riverside County from 580.6 acre feet to 550.2 acre feet. The original value of 581 acre feet was used in Table B-1 of the Judgment and the amended values are used for preparing the University of California Table No. 35.

The decrease in the extractions of the Regents of University of California from the Hunt Wells, just described, resulted in a corresponding increase in the production from these wells by the City of Riverside which is shown on Table No. 14, entitled "City of Riverside and University of California Extractions from Bunker Hill Basin in San Bernardino Basin Area." A copy of this table is shown in computations of the extractions of the City of Riverside in the San Bernardino Basin Area.

Table No. 36 shows the University of California water production from San Bernardino Basin Area and export to Riverside County.

TABLE NO. 35
UNIVERSITY OF CALIFORNIA
WATER PRODUCTION FROM BUNKER HILL BASIN
IN THE SAN BERNARDINO BASIN AREA
AND EXPORT TO RIVERSIDE COUNTY

Description	BUNKER HILL PRODUCTION (From City of Riverside Records)						Export to Riverside County
	(1)	(2)	(3)	(4)	(5)	(6)	
State Well No. Recordation No. Local Designation Calendar Year	1S/4W-27A11 3691222 Hunt 6	1S/4W-27A7 3691241 Hunt 8	1S/4W-27A8 3691242 Hunt 9	1S/4W-27A9 3691244 Hunt 10	1S/4W-27A10 3691245 Hunt 11	Total Prod. Bunker Hill	
	(Quantities in Acre Feet)						
1947	63	0	64	0	0	127	127
48	95	0	95	0	0	190	190
49	119	0	116	0	0	235	235
1950	88	0	96	0	80	264	264
51	122	0	110	0	109	341	341
52	56	0	62	0	65	183	183
53	166	0	86	0	208	460	460
54	66	0	0	46	50	162	162
55	282	26	57	34	320	719	719
56	22	0	14	53	36	125	125
57	122	0	0	179	123	424	424
58	102	0	0	102	102	306	306
59	22	0	0	385	151	558	558
1960	83	0	0	386	77	546	546
61	62	0	0	564	32	658	658
62	65	0	0	392	107	564	564
63	47	0	0	309	69	425	425
64	42	0	0	293	108	443	443
65	46	0	0	272	92	410	410
66	29	0	0	207	87	323	323
67	13	0	0	48	43	104	104
68	8	0	0	47	18	73	73
69	0	0	0	148	0	148	148
1970	93	0	0	175	0	268	268

NOTE: No deliveries in Bunker Hill Basin.
No production or deliveries in Colton Basin.
No production or deliveries in Riverside Basin within San Bernardino County.

TABLE NO. 35

UNIVERSITY OF CALIFORNIA
WATER PRODUCTION FROM BUNKER HILL BASIN
IN THE SAN BERNARDINO BASIN AREA
AND EXPORT TO RIVERSIDE COUNTY
 (Quantities in Acre Feet)

BUNKER HILL PRODUCTION
 (From City of Riverside Records)

Description	BUNKER HILL PRODUCTION						
	(1)	(2)	(3)	(4)	(5)	(6)	(7)
State Well No.	1S/4W-27A11	1S/4W-27A7	1S/4W-27A8	1S/4W-27A9	1S/4W-27A10	Total	Export
Recordation No.	3691222	3691241	3691242	3691244	3691245	Prod.	to
Local Designation	Hunt 6	Hunt 8	Hunt 9	Hunt 10	Hunt 11	Bunker Hill	Riverside County
Calendar Year							
1971	73	0	0	146	0	219	219
1972	62	0	0	177	0	239	239
1973	50	0	0	189	0	239	239
1974	69	0	0	198	0	267	267
1975							
1976							
1977							
1978							
1979							
1980							

101

Note: No deliveries in Bunker Hill Basin.
 No production or deliveries in Colton Basin.
 No production or deliveries in Riverside Basin within San Bernardino County.

UNIVERSITY OF CALIFORNIA
WATER PRODUCTION FROM
SAN BERNARDINO BASIN AREA
AND EXPORT TO RIVERSIDE COUNTY

<u>Year</u>	<u>Production In San Bernardino Basin Area</u>	<u>Delivery Within San Bernardino County</u>	<u>San Bernardino Basin Production Exported To Riverside County</u>
	(1)	(2)	(3)
1959	558	0	558
1960	546	0	546
1961	658	0	658
1962	564	0	564
1963	425	0	425
TOTAL	2,751	0	2,751
AVERAGE	550	0	550
1964	443	0	443
1965	410	0	410
1966	323	0	323
1967	104	0	104
1968	73	0	73
1969	148	0	148
1970	268	0	268

- (1) Table No. 35, Col. (6)
(2) None
(3) Col. (1) - Col. (2)

TABLE NO. 36

UNIVERSITY OF CALIFORNIA
WATER PRODUCTION FROM
SAN BERNARDINO BASIN AREA
AND EXPORT TO RIVERSIDE COUNTY

<u>Year</u>	<u>Production In San Bernardino Basin Area</u>	<u>Delivery Within San Bernardino County</u>	<u>San Bernardino Basin Production Exported To Riverside County</u>
	(1)	(2)	(3)
1971	219	0	219
1972	239	0	239
1973	239	0	239
1974	267	0	267
1975			
<hr/>			
TOTAL			
AVERAGE			
<hr/>			
1976			
1977			
1978			
1979			
1980			
<hr/>			
TOTAL			
AVERAGE			
<hr/>			

- (1) Table No. 35, Col. (6)
- (2) None
- (3) Col. (1) - Col. (2)

SUMMARIES OF THE PLAINTIFF EXTRACTIONS
FROM THE SAN BERNARDINO BASIN AREA
AND DELIVERIES WITHIN SAN BERNARDINO
AND RIVERSIDE COUNTIES

Table No. 36-A summarizes the total annual extractions from the San Bernardino Basin Area (classified according to service area) for each plaintiff for the period 1959 to the present, with five-year averages for the periods 1959 through 1963 and 1964 through 1968. Although the extractions by the plaintiffs were not required by the Judgment for the years 1964 through 1970, these are presented on Table 36-A for the use of the Watermaster and interested parties, as an indication of the trend in plaintiff extractions from the San Bernardino Basin Area.

To facilitate the comparison of the total annual extractions, as well as the portions thereof delivered within the San Bernardino Basin Area, the Colton Basin and Riverside Basin within San Bernardino County, and to areas outside San Bernardino Valley, four additional tables have been prepared which summarize the total annual extraction from the San Bernardino Basin Area for the period 1959 to the present for each plaintiff, as well as the portions thereof delivered to various service areas described above.

Table No. 36-B lists the Total Extractions from the San Bernardino Basin Area for each plaintiff annually for the period 1959 to the present, with five-year averages for the periods 1959 through 1963 and 1964 through 1968.

Similar listings were made for the same periods which show the deliveries within the San Bernardino Basin Area, deliveries to Colton Basin and Riverside Basin within San Bernardino County, and the deliveries to areas outside San Bernardino Valley. These listings are shown on Tables No. 36-C, 36-D, and 36-E respectively.

TABLE NO. 36-A
EXTRACTIONS BY PLAINTIFFS
FROM THE SAN BERNARDINO BASIN AREA
FOR AVERAGE OF FIVE-YEAR PERIOD ENDING WITH 1961
(ALL VALUES IN ACRES FEET)
CLASSIFIED ACCORDING TO SERVICE AREA

PLAINTIFFS	EXTRACTIONS FROM SAN BERNARDINO BASIN AREA FOR USE WITHIN & EXPORTS THEREFROM																							
	1959				1960				1961				1962				1963			Five-Year Average				
	Total Extractions	Deliveries San Bernardino Basin	Deliveries Colton & Riverside Basins in San Bernardino County	Deliveries Outside San Bernardino Valley	Total Extractions	Deliveries San Bernardino Basin	Deliveries Colton & Riverside Basins in San Bernardino County	Deliveries Outside San Bernardino Valley	Total Extractions	Deliveries San Bernardino Basin	Deliveries Colton & Riverside Basins in San Bernardino County	Deliveries Outside San Bernardino Valley	Total Extractions	Deliveries San Bernardino Basin	Deliveries Colton & Riverside Basins in San Bernardino County	Deliveries Outside San Bernardino Valley								
CITY OF RIVERSIDE City & Riverside Water Co. Wells	25983	2369	382	23232	23024	2006	356	20662	24682	0	338	24344	24391	0	345	24046	22379	0	435	21944	24092	875	371	22645
CITY OF RIVERSIDE Cane Canal Co. Wells	31803	501	1001	30303	29019	539	892	27588	30670	461	1010	29199	28440	751	783	26906	26999	683	758	25358	29387	567	689	27511
RIVERSIDE HIGHLAND WATER COMPANY	4745	0	2561	2184	4241	0	2352	1889	5535	0	3026	2509	4147	0	2569	1578	3326	0	2037	1289	4399	0	2309	1890
MEERS & DALEY WATER COMPANY & AQUA MANSA WATER COMPANY	7282	0	295	6987	8037	0	312	7725	9399	0	363	9036	7560	0	363	7197	7854	0	297	7557	8026	0	326	7700
UNIVERSITY OF CALIFORNIA	558	0	0	558	546	0	0	546	658	0	0	658	564	0	0	564	425	0	0	425	550	0	0	550
TOTAL	70373	2870	4239	63264	64867	2545	3912	58410	70944	461	4737	65746	65102	751	4080	60291	60983	683	3527	56773	66454	1462	4095	60897

(d) Table No. 34 - Columns 1,2,3 Chapter I, Volume 5

(e) Table No. 36 - Columns 1,2,3 Chapter I, Volume 5

(a) Table No. 13 - Columns 1,2,7,8 Chapter I, Volume 5

(b) Table No. 18 - Columns 1,2,6,7 Chapter I, Volume 5

(c) Table No. 31-B - Chapter I, Volume 5

TABLE NO. 34-A
EXTRACTIONS BY PLAINTIFFS
FROM THE SAN BERNARDINO BASIN AREA
FOR AVERAGE OF FIVE-YEAR PERIOD ENDING WITH 1968
(ALL VALUES IN ACRES FEET)
CLASSIFIED ACCORDING TO SERVICE AREA

EXTRACTIONS FROM SAN BERNARDINO BASIN AREA FOR USE WITHIN & EXPORTS THEREFROM

PLAINTIFFS	1964				1965				1966				1967				1968				Five-Year Average			
	Total Extractions	Deliveries San Bernardino Basin	Deliveries Colton & Riverside Basins in San Bernardino County	Deliveries Outside San Bernardino Valley	Total Extractions	Deliveries San Bernardino Basin	Deliveries Colton & Riverside Basins in San Bernardino County	Deliveries Outside San Bernardino Valley	Total Extractions	Deliveries San Bernardino Basin	Deliveries Colton & Riverside Basins in San Bernardino County	Deliveries Outside San Bernardino Valley	Total Extractions	Deliveries San Bernardino Basin	Deliveries Colton & Riverside Basins in San Bernardino County	Deliveries Outside San Bernardino Valley	Total Extractions	Deliveries San Bernardino Basin	Deliveries Colton & Riverside Basins in San Bernardino County	Deliveries Outside San Bernardino Valley	Total Extractions	Deliveries San Bernardino Basin	Deliveries Colton & Riverside Basins in San Bernardino County	Deliveries Outside San Bernardino Valley
CITY OF RIVERSIDE City & Riverside Water Co. Wells	23860	0	245	23615	20973	0	166	20807	20900	0	173	20727	19185	0	0	19185	21230	0	0	21230	21830	0	117	21113
CITY OF RIVERSIDE Gas Canal Co. Wells	28790	315	766	27509	22238	379	586	21273	24910	503	636	23771	22903	224*	528	22151*	28581	311*	669	27601*	25484	366*	637	24461*
RIVERSIDE HIGHLAND WATER COMPANY	4303	0	2190	2113	3932	0	2076	1856	4000	0	2029	1971	4076	0	2074	2002	4354	0	2443	1911	4133	0	2152	1971
SEELY & DALEY WATER COMPANY & AGUA CALIENTE WATER COMPANY	8496	0	449	8047	7388	0	303	7085	7205	0	238	6967	7383	0	354	7029	8972	0	318	8654	7889	0	333	7556
UNIVERSITY OF CALIFORNIA	443	0	0	443	410	0	0	410	323	0	0	323	104	0	0	104	73	0	0	73	270	0	0	270
TOTAL	65892	515	3650	61727	56981	379	3131	51631	57338	503	3076	53759	53651	224	2956	50474	63210	311	3430	59469	59006	386	3249	55371

(a) Table No. 13 - Columns 1,2,7,8 Chapter I, Volume 5
 (b) Table No. 18 - Columns 1,2,6,7 Chapter I, Volume 5
 (c) Table No. 31-B - Chapter I, Volume 5
 (d) Table No. 34 - Columns 1,2,3 Chapter I, Volume 5
 (e) Table No. 36 - Columns 1,2,3 Chapter I, Volume 5
 *Deliveries extracted during 1972 verification.

TABLE NO. 36-A

EXTRACTIONS BY PLAINTIFFS
FROM THE SAN BERNARDINO BASIN AREA
DURING CALENDAR YEARS 1969 AND 1970
(All Values in Acre Feet)

Sheet 3 of 4

CLASSIFIED ACCORDING TO SERVICE AREA

PLAINTIFFS	EXTRACTIONS FROM SAN BERNARDINO BASIN AREA FOR USE WITHIN & EXPORTS THEREFROM																				
	1969			1970			1971			1972			1973			Five-Year Average					
	Total Extractions	Deliveries San Bernardino Basin	Deliveries Colton & Riverside Basins in San Bernardino County	Deliveries Outside San Bernardino Valley	Total Extractions	Deliveries San Bernardino Basin	Deliveries Colton & Riverside Basins in San Bernardino County	Deliveries Outside San Bernardino Valley	Total Extractions	Deliveries San Bernardino Basin	Deliveries Colton & Riverside Basins in San Bernardino County	Deliveries Outside San Bernardino Valley	Total Extractions	Deliveries San Bernardino Basin	Deliveries Colton & Riverside Basins in San Bernardino County	Deliveries Outside San Bernardino Valley	Total Extractions	Deliveries San Bernardino Basin	Deliveries Colton & Riverside Basins in San Bernardino County	Deliveries Outside San Bernardino Valley	
CITY OF RIVERSIDE City & Riverside Water Co. Wells	19088	0	0	19088	20815	0	0	20815	20815	0	0	20815	20815	0	0	0	20815	20815	0	0	0
CITY OF RIVERSIDE Cage Canal Co. Wells	21737	74*	554	21109*	25371	283*	589	24697*	25371	283*	589	24697*	25371	283*	589	24697*	25371	283*	589	24697*	25371
RIVERSIDE HIGHLAND WATER COMPANY	2699	0	1591	1108	4197	0	2200	1997	4197	0	2200	1997	4197	0	2200	1997	4197	0	2200	1997	4197
KEENS & DALEY WATER COMPANY & AGUA MANSA WATER COMPANY	5348	0	299	5049	5049	0	561	4488	5049	0	561	4488	5049	0	561	4488	5049	0	561	4488	5049
UNIVERSITY OF CALIFORNIA	148	0	0	148	268	0	0	268	268	0	0	268	268	0	0	268	268	0	0	268	268
TOTAL	49020	74	2444	46502	55900	285	3350	52265	55900	285	3350	52265	55900	285	3350	52265	55900	285	3350	52265	55900

(a) Table No. 13 - Columns 1,2,7,8 Chapter I, Volume 5
 (b) Table No. 18 - Columns 1,2,6,7 Chapter I, Volume 5
 (c) Table No. 31-B - Chapter I, Volume 5
 *Deliveries corrected during 1972 verification.

TABLE NO. 36-A
EXTRACTIONS BY PLAINTIFFS
FROM THE SAN BERNARDINO BASIN AREA
FOR AVERAGE OF FIVE-YEAR PERIOD ENDING WITH 1975
(All values in acre feet)

CLASSIFIED ACCORDING TO SERVICE AREA

PLAINTIFFS	EXTRACTIONS FROM SAN BERNARDINO BASIN AREA FOR USE WITHIN & EXPORTS THEREFROM																															
	1971						1972						1973						1974						1975						Five-Year Average	
	Total Extractions	Deliveries San Bernardino Basin	Deliveries Colton & Riverside Basins in San Bernardino County	Deliveries Outside San Bernardino Valley	Total Extractions	Deliveries San Bernardino Basin	Deliveries Colton & Riverside Basins in San Bernardino County	Deliveries Outside San Bernardino Valley	Total Extractions	Deliveries San Bernardino Basin	Deliveries Colton & Riverside Basins in San Bernardino County	Deliveries Outside San Bernardino Valley	Total Extractions	Deliveries San Bernardino Basin	Deliveries Colton & Riverside Basins in San Bernardino County	Deliveries Outside San Bernardino Valley	Total Extractions	Deliveries San Bernardino Basin	Deliveries Colton & Riverside Basins in San Bernardino County	Deliveries Outside San Bernardino Valley	Total Extractions	Deliveries San Bernardino Basin	Deliveries Colton & Riverside Basins in San Bernardino County	Deliveries Outside San Bernardino Valley	Total Extractions	Deliveries San Bernardino Basin	Deliveries Colton & Riverside Basins in San Bernardino County	Deliveries Outside San Bernardino Valley				
CITY OF RIVERSIDE City & Riverside (a) Water Co. Wells	0	0	24,939	20,474	0	0	20,474	21,493	0	0	21,493	27,420	0	0	27,355	27,355	0	0	27,355	27,355	0	0	27,355	27,355	0	0	27,355	27,355				
CITY OF RIVERSIDE Cage Canal Co. (b) Wells	28,943	98*	669	23,220	85	547	24,388	21,329	156	512	20,861	15,947	0	0	485	15,462	0	0	485	15,462	0	0	485	15,462	0	0	485	15,462				
RIVERSIDE NIGHLAND WATER COMPANY (c)	4,012	0	2,388	4,332	0	2,239	2,293	3,512	0	1,751	1,761	4,088	0	0	1,985	2,103	0	0	1,985	2,103	0	0	1,985	2,103	0	0	1,985	2,103				
MEENS & DALEY WATER COMPANY & AGUA (d) MASSA WATER COMPANY	2,902	0	303	3,527	0	377	3,150	2,979	0	250	2,729	4,504	0	0	246	4,258	0	0	246	4,258	0	0	246	4,258	0	0	246	4,258				
UNIVERSITY OF CALIFORNIA (e)	219	0	0	239	0	0	239	239	0	0	239	267	0	0	0	267	0	0	0	267	0	0	0	267	0	0	0	267				
TOTAL	61,015	98*	3,440	53,992	85	3,163	50,744	49,752	156	2,513	47,083	52,226	0	0	2,781	49,445	0	0	2,781	49,445	0	0	2,781	49,445	0	0	2,781	49,445				

(a) Table No. 13 - Columns 1, 2, 7, 8, Chapter I, Volume 5
 (b) Table No. 18 - Columns 1, 2, 6, 7, Chapter I, Volume 5
 (c) Table No. 31-A Chapter I, Volume 5
 *1971 deliveries corrected during 1972 verification.
 (d) Table No. 34 - Columns 1, 2, 3, Chapter I, Volume 5
 (e) Table No. 36 - Columns 1, 2, 3, Chapter I, Volume 5

TOTAL PLAINTIFF EXTRACTIONS FROM
SAN BERNARDINO BASIN AREA
 (Quantities in Acre Feet)

EXTRACTING PLAINTIFF						
Year	City of Riverside	Gage Canal	Riverside Highland	Meeks & Daley	Univ. of Calif.	Total
1959	25,983	31,805	4,745	7,282	558	70,373
1960	23,024	29,019	4,241	8,037	546	64,867
1961	24,682	30,670	5,535	9,399	658	70,944
1962	24,391	28,440	4,147	7,560	564	65,102
1963	22,379	26,999	3,326	7,854	425	60,983
Total	120,459	146,933	21,994	40,132	2,751	332,269
5-Yr. Avg	24,092	29,387	4,399	8,026	550	66,454
1964	23,860	28,790	4,303	8,496	443	65,892
1965	20,973	22,238	3,932	7,388	410	54,941
1966	20,900	24,910	4,000	7,205	323	57,338
1967	19,185	22,903	4,076	7,383	104	53,651
1968	21,230	28,581	4,354	8,972	73	63,210
Total	106,148	127,422	20,665	39,444	1,353	295,032
5-Yr. Avg	21,230	25,484	4,133	7,889	270	59,006
1969	19,088	21,737	2,699	5,348	148	49,020
1970	20,815	25,571	4,197	5,049	268	55,900

From Table No. 36-A.

TOTAL PLAINTIFF EXTRACTIONS FROM
SAN BERNARDINO BASIN AREA
 (Quantities in Acre Feet)

EXTRACTING PLAINTIFF						
Year	City of Riverside	Gage Canal	Riverside Highland	Meeks & Daley	Univ. of Calif.	Total
1971	24,939	28,943	4,012	2,902	219	61,015
1972	20,474	25,220	4,532	3,527	239	53,992
1973	21,493	21,529	3,512	2,979	239	49,752
1974	27,420	15,947	4,088	4,504	267	52,226
1975						
Total						
5-Yr.Avg.						
1976						
1977						
1978						
1979						
1980						
Total						
5-Yr.Avg.						

From Table No. 36-A.

TABLE NO. 36-C

PLAINTIFF EXTRACTIONS
FROM
SAN BERNARDINO BASIN AREA
DELIVERIES IN
SAN BERNARDINO BASIN AREA
(Quantities in Acre Feet)

EXTRACTING PLAINTIFF						
Year	City of Riverside	Gage Canal	Riverside Highland	Meeks & Daley	Univ. of Calif.	Total
1959	2,369	501	0	0	0	2,870
1960	2,006	539	0	0	0	2,545
1961	0	461	0	0	0	461
1962	0	751	0	0	0	751
1963	0	683	0	0	0	683
Total	4,375	2,935	0	0	0	7,310
5-Yr. Avg	875	587	0	0	0	1,462
1964	0	515	0	0	0	515
1965	0	379	0	0	0	379
1966	0	503	0	0	0	503
1967	0	224	0	0	0	224
1968	0	311	0	0	0	311
Total	0	1,932	0	0	0	1,932
5-Yr. Avg	0	386	0	0	0	386
1969	0	74	0	0	0	74
1970	0	285	0	0	0	285

From Table No. 36-A.

PLAINTIFF EXTRACTIONS
FROM
SAN BERNARDINO BASIN AREA
DELIVERIES IN
SAN BERNARDINO BASIN AREA
 (Quantities in Acre Feet)

EXTRACTING PLAINTIFF						
Year	City of Riverside	Gage Canal	Riverside Highland	Meeks & Daley	Univ. of Calif.	Total
1971	0	98	0	0	0	98
1972	0	85	0	0	0	85
1973	0	156	0	0	0	156
1974	0	0	0	0	0	0
1975						
Total						
5-Yr.Avg.						
1976						
1977						
1978						
1979						
1980						
Total						
5-Yr.Avg.						

From Table No. 36-A.

PLAINTIFF EXTRACTIONS
FROM
SAN BERNARDINO BASIN AREA
DELIVERIES IN COLTON &
RIVERSIDE BASINS IN
SAN BERNARDINO COUNTY
(Quantities in Acre Feet)

EXTRACTING PLAINTIFF						
Year	City of Riverside	Gage Canal	Riverside Highland	Meeks & Daley	Univ. of Calif.	Total
1959	382	1,001	2,561	295	0	4,239
1960	356	892	2,352	312	0	3,912
1961	338	1,010	3,026	363	0	4,737
1962	345	783	2,569	363	0	4,060
1963	435	758	2,037	297	0	3,527
Total	1,856	4,444	12,545	1,630	0	20,475
5-Yr.Avg	371	889	2,509	326	0	4,095
1964	245	766	2,190	449	0	3,650
1965	166	586	2,076	303	0	3,131
1966	173	636	2,029	238	0	3,076
1967	0	528	2,074	354	0	2,956
1968	0	669	2,443	318	0	3,430
Total	584	3,185	10,812	1,662	0	16,243
5-Yr.Avg	117	637	2,162	333	0	3,249
1969	0	554	1,591	299	0	2,444
1970	0	589	2,200	561	0	3,350

From Table No. 36-A.

PLAINTIFF EXTRACTIONS
FROM
SAN BERNARDINO BASIN AREA
DELIVERIES IN COLTON &
RIVERSIDE BASINS IN
SAN BERNARDINO COUNTY
 (Quantities in Acre Feet)

EXTRACTING PLAINTIFF						
Year	City of Riverside	Gage Canal	Riverside Highland	Meeks & Daley	Univ. of Calif.	Total
1971	0	669	2,388	383	0	3,440
1972	0	547	2,239	377	0	3,163
1973	0	512	1,751	250	0	2,513
1974	65	485	1,985	246	0	2,781
1975						
Total						
5-Yr.Avg.						
1976						
1977						
1978						
1979						
1980						
Total						
5-Yr.Avg.						

From Table No. 36-A.

TABLE NO. 36-E

Sheet 1 of 2

PLAINTIFF EXTRACTIONS
FROM
SAN BERNARDINO BASIN AREA
DELIVERIES OUTSIDE
SAN BERNARDINO VALLEY
(Quantities in Acre Feet)

EXTRACTING PLAINTIFF						
Year	City of Riverside	Gage Canal	Riverside Highland	Meeks & Daley	Univ. of Calif.	Total
1959	23,232	30,303	2,184	6,987	558	63,264
1960	20,662	27,588	1,889	7,725	546	58,410
1961	24,344	29,199	2,509	9,036	658	65,746
1962	24,046	26,906	1,578	7,197	564	60,291
1963	21,944	25,558	1,289	7,557	425	56,773
Total	114,228	139,554	9,449	38,502	2,751	304,484
5-Yr. Avg	22,846	27,911	1,890	7,700	550	60,897
1964	23,615	27,509	2,113	8,047	443	61,727
1965	20,807	21,273	1,856	7,085	410	51,431
1966	20,727	23,771	1,971	6,967	323	53,759
1967	19,185	22,151	2,002	7,029	104	50,471
1968	21,230	27,601	1,911	8,654	73	59,469
Total	105,564	122,305	9,853	37,782	1,353	276,857
5-Yr. Avg	21,113	24,461	1,971	7,556	270	55,371
1969	19,088	21,109	1,108	5,049	148	46,502
1970	20,815	24,697	1,997	4,488	268	52,265

From Table No. 36-A.

PLAINTIFF EXTRACTIONS
FROM
SAN BERNARDINO BASIN AREA
DELIVERIES OUTSIDE
SAN BERNARDINO VALLEY
 (Quantities in Acre Feet)

EXTRACTING PLAINTIFF						
Year	City of Riverside	Gage Canal	Riverside Highland	Meeks & Daley	Univ. of Calif.	Total
1971	24,939	28,176	1,624	2,519	219	57,477
1972	20,474	24,588	2,293	3,150	239	50,744
1973	21,493	20,861	1,761	2,729	239	47,083
1974	27,355	15,462	2,103	4,258	267	49,445
1975						
Total						
5-Yr.Avg.						
1976						
1977						
1978						
1979						
1980						
Total						
5-Yr.Avg.						

From Table No. 36-A.

C H A P T E R I I

EXTRACTIONS BY SAN BERNARDINO
AND RIVERSIDE COUNTY ENTITIES
FROM THE COLTON BASIN AREA
FOR USE WITHIN EACH COUNTY

CHAPTER II

EXTRACTIONS BY SAN BERNARDINO
AND RIVERSIDE COUNTY ENTITIES
FROM THE COLTON BASIN AREA
FOR USE WITHIN EACH COUNTY

GENERAL STATEMENT

The Judgment in Paragraph VIII, Subparagraph (a), makes the assumption that the average annual extractions from the Colton Basin Area for use outside San Bernardino Valley for the five-year period ending with 1963 are 3,349 acre feet, and directs that the correct figures shall be determined by the Watermaster as provided in the Judgment.

In addition to the statement, a table of production also appears in the Judgment as Appendix "D", Table D-2, a copy of which appears below.

APPENDIX "D"

TABLE D-2

EXTRACTIONS FROM
COLTON BASIN AREA FOR AVERAGE OF
FIVE-YEAR PERIOD ENDING WITH 1963
BY SAN BERNARDINO AND RIVERSIDE COUNTY ENTITIES
FOR USE WITHIN EACH COUNTY
(VALUES IN ACRE FEET)

<u>Extractor</u>	<u>Place of Use</u>		<u>Total</u>
	<u>San Bernardino Co.</u>	<u>Riverside Co.</u>	
San Bernardino County Entities	8,480	0	8,480
Riverside County Entities	<u>147</u>	<u>3,349</u>	<u>3,496</u>
TOTAL EXTRACTIONS	8,627	3,349	11,976

VERIFICATION PROGRAM

In compliance with the directions of the Court, the extractions from the Colton Basin Area for use outside San Bernardino Valley were verified and reported to the Court in the Annual Report of the Western-San Bernardino Watermaster for the calendar year 1970, which was filed September 1, 1971.

The details of the verification of the extractions from the Colton Basin for the five-year period ending in 1963 are contained in Volume 2 of the Report of the Watermaster for appropriate year.

Volume 2 shows the detailed verification of extractions from individual wells for the five-year period ending in 1963, with the five-year annual average totaled to show the total extractions from the Colton Basin Area without separation as to

places of use. The total verified extractions from the Colton Basin Area, as taken from Volume 2, are shown in the following tabulation:

TOTAL VERIFIED EXTRACTIONS
FROM THE COLTON BASIN
AREA FOR THE FIVE-YEAR PERIOD
ENDING IN 1963

<u>YEAR</u>	<u>ACRE FEET</u>
1959	13,114
1960	11,131
1961	(A) 14,346
1962	(A) 10,456
<u>1963</u>	(A) (B) <u>9,609</u>
<u>Total</u>	<u>58,656</u>
<u>Five-Year Avg.</u>	<u>11,731</u>

(A) Verified extractions corrected during 1972 verification.

(B) Verified extractions corrected during 1973 verification.

All extractions from the Colton Basin are used within San Bernardino County with the exception of those extractions by the City of Riverside, Meeks and Daley Water Company and the Riverside Highland Water Company.

Commencing with the year 1970, Reche Canyon Mutual Water Company began to file their ground water extractions with the State Division of Water Rights for Wells #2S/4W-11A02 and #2S/4W-11A01, both of which are within the boundaries designated as Colton Basin, thereby joining the three aforementioned Riverside companies for the period 1970 to the present. See Table No. 37, Sheet 3. The production and use lies within Riverside County only.

The extractions by San Bernardino entities for use in San Bernardino County are determined by deducting the sum of the extractions made by City of Riverside, Meeks and Daley Water Company, Riverside Highland Water Company, and Reche Canyon Mutual Water Company from the total extractions made within San Bernardino County.

Each of the four Riverside companies delivers small amounts within San Bernardino County, with remainders delivered outside San Bernardino Valley.

A summary of the ground water extractions from the Colton Basin Area for the five-year period ending in 1963 for the three aforementioned Riverside companies is shown on Sheet 1 of Table No. 37.

Using the total verified extractions from the Colton Basin Area from Volume 2 and the summary shown on Sheet 1 of Table No. 37, Table D-2 of Appendix "D" is verified as follows:

VERIFICATION OF
TABLE D-2

EXTRACTIONS FROM
COLTON-BASIN AREA FOR AVERAGE OF
FIVE-YEAR PERIOD ENDING WITH 1963
BY SAN BERNARDINO AND RIVERSIDE COUNTY ENTITIES
FOR USE WITHIN EACH COUNTY
(VALUES IN ACRE FEET)

<u>Extractor</u>	<u>Place of Use</u>		<u>Total</u>
	<u>San Bernardino Co.</u>	<u>Riverside Co.</u>	
San Bernardino County Entities	8,235	0	8,235
Riverside County Entities	<u>115</u>	<u>3,381</u>	<u>3,496</u>
TOTAL EXTRACTIONS	8,350	3,381	11,731

The data shown on Table D-2 is shown in greater detail for the five-year period 1959 through 1963, and 1970 to the present, on Table No. 38.

The Judgment requires that only those extractions from the Colton Basin Area used outside San Bernardino Valley be verified for the five years ending in 1963, and annually from and after January 1, 1971. The interval between 1963 and the effective date of the beginning of the annual accounting on January 1, 1971 is six years.

Although not required by the Judgment, the Colton Basin extractions by the Riverside entities have been verified for the years 1964 to 1970, and are shown on Table No. 37 for the purpose of furnishing information to the Watermaster and other interested parties concerning extraction trends during the six year period. Table No. 37 also shows the extractions from 1971 to the present. The total annual extractions from the Colton Basin Area made by Riverside entities, their annual deliveries made in San Bernardino County, and deliveries made outside San Bernardino Valley for the period 1959 to the present, are shown on Table No. 38-A.

A comparison of the Colton Basin extractions and deliveries to different places of use, as verified for the five-year base period with the extractions and deliveries to places of use for the calendar year 1970 to the present, are shown on Table No. 39.

The annual Colton Basin extractions by the City of Riverside, Meeks and Daley Water Company, Riverside Highland Water Company, and Reche Canyon Mutual Water Company for the period 1959 to the present, with the amounts annually delivered in both San Bernardino and Riverside Counties, are shown on Table No. 39-A. This table is similar to Table No. 38-A, the difference being that Table No. 38-A shows summaries only while Table No. 39-A shows the data by extracting entities in addition to summarizing.

TABLE NO. 37

**RIVERSIDE ENTITIES
PRODUCTION AND DELIVERY FROM COLTON BASIN AREA
FOR USE WITHIN SAN BERNARDINO COUNTY
AND RIVERSIDE COUNTY
(Quantities in Acre feet)**

LINE NO.	1959	1960	1961	1962	1963	TOTAL	JUDGMENT QUANTITIES AS VERIFIED APPENDIX D TABLE D-2 5-YEAR AVERAGE
----------	------	------	------	------	------	-------	---

1 City of Riverside Irrigation & Domestic
 2 Colton Basin Area Production 2871 2165 3486 1835 1807 12164 2433 See Chapter I, City of Riverside, Table No. 2, Sheet 2, Lin. 7.
 3 Delivery to S.C. Edison Steam Plant Highgrove 41 28 0 0 7 76 15 See Chapter I, City of Riverside, Table No. 10, Col. (17)
 4 Colton Production exported to Riverside County 2830 2137 3486 1835 1800 12088 2418 See Chapter I, City of Riverside, Table No. 11, Col. (6)

5
 6 Meeks & Daley Water Company
 7 Colton Basin Area Production 2168 23 465 1185 339 4180 836 See Chapter I, Meeks & Daley, Table No. 32, Sheet 2, Line 21
 8 Delivery (Vicinity of Colton) 88 1 18 57 13 177 35 See Chapter I, Meeks & Daley, Table No. 33, Col. (8)
 9 Colton Prod. exported to Riverside County 2080 22 447 1128 326 4003 801 See Chapter I, Meeks & Daley, Table No. 33, Col. (10)

10
 11 Riverside Highland Water Company
 12 Colton Basin Production 211 126 357 280 163 1137 227 See Chapter I R.H.W. Co. Table No. 20, Total Prod.
 13 Delivery North of County Line 50 27 107 96 47 327 65 See Chapter I R.H.W. Co. Table No. 31, Col. (6)
 14 Colton Prod. exported to Riverside County 161 99 250 184 116 810 162 See Chapter I R.H.W. Co. Table No. 31, Col. (15)

15
 16
 17 Summary of Colton Basin Water Used in San Bernardino County
 18 City of Riverside Line 3 41 28 0 0 7 76 15 Judgment Quantities Appendix D Table D2 15
 19 Meeks & Daley Line 8 88 1 18 57 13 177 35 35
 20 Riverside Highland Water Company Line 13 50 27 107 96 47 327 65 97
 21 Total Lines 3 + 8 + 13 179 56 125 133 67 580 115 147

22
 23 Summary of Colton Basin Water Exported to Riverside County
 24 City of Riverside Line 4 2830 2137 3486 1835 1800 12088 2418 2418
 25 Meeks & Daley Line 9 2080 22 447 1128 326 4003 801 801
 26 Riverside Highland Water Company Line 14 161 99 250 184 116 810 162 130
 27 Total Lines 4 + 9 + 14 5071 2258 4183 3147 2242 16901 3381 3349

TABLE NO. 37

RIVERSIDE ENTITIES
 PRODUCTION AND DELIVERY FROM COLTON BASIN AREA
 FOR USE WITHIN SAN BERNARDINO COUNTY
 AND RIVERSIDE COUNTY
 (Quantities in Acre Feet)

LINE NO.	1964	1965	1966	1967	1968	1969	1970	
1								
2	2179	2185	1824	2295	3289	1130	2260	See Chapter I, City of Riverside, Table No. 2, Sheet 2, Line 7
3	0	0	0	0	0	0	0	See Chapter I, City of Riverside, Table No. 10, Col. (17)
4	2179	2185	1824	2295	3289	1130	2260	See Chapter I, City of Riverside, Table No. 11, Col. (6)
5								
6								
7	310	1547	1731	271	596	753	0	See Chapter I, Meeks & Daley, Table No.32, Sheet 2, Line 21
8	16	86	106	23	37	66	0	See Chapter I, Meeks & Daley, Table No.33, Col. (8)
9	294	1461	1625	248	559	687	0	See Chapter I, Meeks & Daley, Table No. 33, Col. (10)
10								
11								
12	188	254	337	127	525	263	221	See Chapter I, R.H.W. Co., Table No.20, Total Prod.
13	69	95	326	123	509	254	214	See Chapter I, R.H.W. Co., Table No.31, Col. (6)
14	119	159	11	4	16	9	7	See Chapter I, R.H.W. Co., Table No.31, Col. (15)
15								
16								
17								

Summary of Colton Basin Water Used in San Bernardino County

LINE NO.	1964	1965	1966	1967	1968	1969	1970
18	0	0	0	0	0	0	0
19	16	86	106	23	37	66	0
20	69	95	326	123	509	254	214
21	85	181	432	146	546	320	214
22							
23							
24	2179	2185	1824	2295	3289	1130	2260
25	294	1461	1625	248	559	687	0
26	119	159	11	4	16	9	7
27	2592	3805	3460	2547	3864	1826	2267

Summary of Colton Basin Water Exported to Riverside County

TABLE NO. 37

RIVERSIDE ENTITIES
PRODUCTION AND DELIVERY FROM COLTON BASIN AREA
FOR USE WITHIN SAN BERNARDINO COUNTY
AND RIVERSIDE COUNTY
(Quantities in Acre Feet)

LINE NO.	RIVERSIDE ENTITIES	1971	1972	1973	1974	1975	TOTAL	5-YEAR AVERAGE
1	<u>City of Riverside Irrigation & Domestic</u>							
2	Colton Basin Area Production	2,696	2,521	101	1,386			See Chapter I, City of Riverside, Table No. 2, Line 7
3	Delivery to S. C. Edison Steam Plant Highgrove	0	0	0	0			See Chapter I, City of Riverside, Table No. 10, Col. (17)
4	Colton Production exported to Riverside County	2,696	2,521	101	1,386			See Chapter I, City of Riverside, Table No. 11, Col. (6)
5								
6	<u>Meeks & Daley Water Company</u>							
7	Colton Basin Area Production	0	0	484	0			See Chapter I, Meeks & Daley, Table No. 32, Line 21
8	Delivery (Vicinity of Colton)	0	0	41	0			See Chapter I, Meeks & Daley, Table No. 33, Col. (8)
9	Colton Production exported to Riverside County	0	0	443	0			See Chapter I, Meeks & Daley, Table No. 33, Col. (10)
10								
11	<u>Riverside Highland Water Company</u>							
12	Colton Basin Production	256	285	212	282			See Chapter I, R.H.W. Co., Table No. 20, Total Prod.
13	Delivery North of County Line	248	271	206	273			See Chapter I, R.H.W. Co., Table No. 31, Col. (6)
14	Colton Production exported to Riverside County	8	14	6	9			See Chapter I, R.H.W. Co., Table No. 31, Col. (15)
15	<u>Reche Canyon Mutual Water Company</u>							
16	Colton Basin Production	73	76	65	69			See Volume 2-1973, Reche Canyon Mutual Wtr. Co., Table No. 3
17	Delivery North of County Line	0	0	0	0			Production and use in Riverside County only.
18	Colton Production exported to Riverside County	73	76	65	69			Production and use in Riverside County only.
19	City of Riverside	0	0	0	0			
20	Meeks & Daley	0	0	41	0			
21	Riverside Highland Water Company	248	271	206	273			
22	Reche Canyon Mutual Water Co.	0	0	0	0			
23	Total Lines 3 + 8 + 13 + 17	248	271	247	273			
<u>Summary of Colton Basin Water Used in San Bernardino Co.</u>								
24	City of Riverside	2,696	2,521	101	1,386			
25	Meeks & Daley	0	0	443	0			
26	Riverside Highland Water Company	8	14	6	9			
27	Reche Canyon Mutual Water Company	73	76	65	69			
28	Total Lines 4 + 9 + 14 + 18	2,777	2,611	615	1,464			

SAN BERNARDINO ENTITIES
PRODUCTION FROM COLTON BASIN AREA
FOR USE WITHIN SAN BERNARDINO COUNTY
(Quantities in Acre Feet)

CALENDAR YEAR	TOTAL VERIFIED EXTRACTIONS FROM COLTON BASIN AREA	RIVERSIDE ENTITIES			TOTAL PRODUCTION BY SAN BERNARDINO ENTITIES USED IN SAN BERNARDINO COUNTY
		PRODUCTION USED IN SAN BERNARDINO COUNTY	PRODUCTION USED IN RIVERSIDE COUNTY	TOTAL PRODUCTION	
	(1)	(2)	(3)	(4)	(5)
1959	13,114	179	5,071	5,250	7,864
1960	11,131	56	2,258	2,314	8,817
1961	14,346(A)	125	4,183	4,308	10,038(A)
1962	10,456(A)	153	3,147	3,300	7,156(A)
1963	9,609(A) (B)	67	2,242	2,309	7,300(A)(B)
TOTAL	58,656	580	16,901	17,481	41,175
5-YEAR AVER.	11,731	115	3,381	3,496	8,235
1970	11,567(A)	214	2,337	2,551	9,016(A)

(1) Total Extractions as verified in Volume 2 for the appropriate year entitled Verified Extractions from Colton Basin Area

(2) From Table No. 37, Line 21

(3) From Table No. 37, Line 27

(4) Col. (2) + Col. (3)

(5) Col. (1) - Col. (4)

(A) Verified Extractions corrected during 1972 verification

(B) Verified Extractions corrected during 1973 verification

SAN BERNARDINO ENTITIES
PRODUCTION FROM COLTON BASIN AREA
FOR USE WITHIN SAN BERNARDINO COUNTY
(Quantities in Acre Feet)

Calendar Year	Total Verified Extractions From Colton Basin Area	RIVERSIDE ENTITIES			Total Production By San Bernardino Entities Used In San Bernardino County
		Production Used In San Bernardino County	Production Used In Riverside County	Total Production	
	(1)	(2)	(3)	(4)	(5)
1971	11,388 (A)	248	2,777	3,025	8,363
1972	10,414	271	2,611	2,882	7,532
1973	7,844	247	615	862	6,982
1974	8,906	273	1,464	1,737	7,169
1975					
TOTAL AVERAGE					
1976					
1977					
1978					
1979					
1980					
TOTAL AVERAGE					

(1) Total Extractions as verified in Volume 2 for the appropriate year entitled Verified Extractions From Colton Basin Area

(2) From Table No. 37, Line 23

(3) From Table No. 37, Line 28

(4) Col. (2) + Col. (3)

(5) Col. (1) - Col. (4)

(A) Verified Extractions corrected during 1972 verification

TABLE NO. 38-A

Sheet 1 of 2

COLTON BASIN EXTRACTIONS
BY RIVERSIDE ENTITIES
AND PLACE OF USE
 (Quantities in Acre Feet)

Year	Total Extractions (1)	Place of Use	
		San Bernardino County (2)	Riverside County (3)
1959	5,250	179	5,071
1960	2,314	56	2,258
1961	4,308	125	4,183
1962	3,300	153	3,147
1963	2,309	67	2,242
5-Year Total			
5-Year Average	3,496	115	3,381
1964	2,677	85	2,592
1965	3,986	181	3,805
1966	3,892	432	3,460
1967	2,693	146	2,547
1968	4,410	546	3,864
5-Year Total			
5-Year Average	3,532	278	3,254
1969	2,146	320	1,826
1970	2,481	214	2,267

(1) From Table No. 38, Col. (4)

(2) From Table No. 38, Col. (2)

(3) From Table No. 38, Col. (3)

TABLE NO. 38-A

COLTON BASIN EXTRACTIONS
BY RIVERSIDE ENTITIES
AND PLACE OF USE
 (Quantities in Acre Feet)

Year	Total Extractions (1)	Place of Use	
		San Bernardino County (2)	Riverside County (3)
1971	3,025	248	2,777
1972	2,882	271	2,611
1973	862	247	615
1974	1,737	273	1,464
1975			
5-Year Total			
5-Year Average			
1976			
1977			
1978			
1979			
1980			
5-Year Total			
5-Year Average			

(1) From Table No. 38, Col. (4)

(2) From Table No. 38, Col. (2)

(3) From Table No. 38, Col. (3)

TABLE NO. 39

VERIFIED EXTRACTIONS FROM COLTON BASIN AREA
BY SAN BERNARDINO AND RIVERSIDE COUNTY ENTITIES
FOR USE WITHIN EACH COUNTY
 (Quantities in Acre Feet)

<u>Producer</u>	<u>FIVE - YEAR BASE PERIOD ENDING WITH 1963</u>			
	<u>Place of Use</u>		<u>Total</u>	
	<u>San Bernardino County</u>	<u>Riverside County</u>	<u>Prod. In Acre Feet</u>	
San Bernardino Co. Water Interests	8,235	0	8,235	Table No. 38, Col. (5)
Riverside County Water Interests	<u>115</u>	<u>3,381</u>	<u>3,496</u>	From Table No. 38, Cols. (2), (3), & (4)
TOTAL 5-YEAR AVER.	8,350	3,381	11,731	

<u>Producer</u>	<u>CALENDAR YEAR 1970</u>			
	<u>Place of Use</u>		<u>Total</u>	
	<u>San Bernardino County</u>	<u>Riverside County</u>	<u>Prod. In Acre Feet</u>	
San Bernardino County Water Interests	9,016	0	9,016	Table No. 38, Col. (5)
Riverside County Water Interests	<u>214</u>	<u>2,337</u>	<u>2,551</u>	Table No. 38, Cols. (2), (3), & (4)
TOTAL FOR 1970	9,230	2,337	11,567	

TABLE NO. 39

Sheet 2 of 2

VERIFIED EXTRACTATIONS FROM COLTON BASIN AREA
BY SAN BERNARDINO AND RIVERSIDE COUNTY ENTITIES
FOR USE WITHIN EACH COUNTY
(Quantities in Acre Feet)

Line No.	Calendar Year	Producer	Place of Use		Total Production in Ac. Ft.
			San Bernardino County	Riverside County	
1	1971	San Bernardino Co. Wtr. Interests	8,363	0	8,363
2		Riverside Co. Wtr. Interests	<u>248</u>	<u>2,777</u>	<u>3,025</u>
		TOTAL	8,611	2,777	11,388
1	1972	San Bernardino Co. Wtr. Interests	7,532	0	7,532
2		Riverside Co. Wtr. Interests	<u>271</u>	<u>2,611</u>	<u>2,882</u>
		TOTAL	7,803	2,611	10,414
1	1973	San Bernardino Co. Wtr. Interests	6,982	0	6,982
2		Riverside Co. Wtr. Interests	<u>247</u>	<u>615</u>	<u>862</u>
		TOTAL	7,229	615	7,844
1	1974	San Bernardino Co. Wtr. Interests	7,169	0	7,169
2		Riverside Co. Wtr. Interests	<u>273</u>	<u>1,464</u>	<u>1,737</u>
		TOTAL	7,442	1,464	8,906
1	1975	San Bernardino Co. Wtr. Interests		0	
2		Riverside Co. Wtr. Interests	—	—	—
		TOTAL			
1	1971-75 5-Yr.Avg.	San Bernardino Co. Wtr. Interests		0	
2		Riverside Co. Wtr. Interests	—	—	—
		TOTAL			

Note: Line 1 from Table No. 38, Col. (5)
Line 2 from Table No. 38, Cols. (2), (3) & (4)

TABLE NO. 39-A

GROUND WATER EXTRACTIONS BY RIVERSIDE ENTITIES FROM COLTON BASIN AREA FOR USE IN RIVERSIDE & SAN BERNARDINO COUNTIES DURING THE 5-YEAR BASE PERIOD 1959 THROUGH 1963 AND CALENDAR YEARS 1964 THROUGH 1970

(All Quantities in Acre Feet)

Riverside Entities	EXTRACTIONS FROM COLTON BASIN AREA FOR USE WITHIN & EXPORT THEREFROM																	
	1959			1960			1961			1962			1963			5-Year Avg.		
	Total Extractions	Delivery within Colton Basin	Delivery within Riverside Co.	Total Extractions	Delivery within Colton Basin	Delivery within Riverside Co.	Total Extractions	Delivery within Colton Basin	Delivery within Riverside Co.	Total Extractions	Delivery within Colton Basin	Delivery within Riverside Co.	Total Extractions	Delivery within Colton Basin	Delivery within Riverside Co.	Total Extractions	Delivery within Colton Basin	Delivery within Riverside Co.
City of Riverside Dom. & Irrig.	2,871	41	2,830	2,165	28	2,137	3,486	0	3,486	1,835	0	1,835	1,807	7	1,800	2,433	15	2,418
Meeks & Daley Water Company	2,168	88	2,080	23	1	22	465	18	447	1,185	57	1,128	339	13	326	836	35	801
Riverside Highland Water Company	211	50	161	126	27	99	357	107	250	280	96	184	163	47	116	227	65	162
TOTAL	5,250	179	5,071	2,314	56	2,258	4,308	125	4,183	3,300	153	3,147	2,309	67	2,242	3,496	115	3,381

See Table No. 37.

TABLE NO. 39--A

GROUND WATER EXTRACTIONS BY RIVERSIDE ENTITIES FROM COLTON BASIN AREA FOR USE IN RIVERSIDE & SAN BERNARDINO COUNTIES DURING THE 5-YEAR BASE PERIOD 1959 THROUGH 1963 AND CALENDAR YEARS 1964 THROUGH 1970

(All Quantities in Acre Feet)

Riverside Entities	EXTRACTIONS FROM COLTON BASIN AREA FOR USE WITHIN & EXPORT THEREFROM																	
	1964			1965			1966			1967			1968			5-Year Avg.		
	Total Extractions	Delivery within Colton Basin	Delivery within Riverside Co.	Total Extractions	Delivery within Colton Basin	Delivery within Riverside Co.	Total Extractions	Delivery within Colton Basin	Delivery within Riverside Co.	Total Extractions	Delivery within Colton Basin	Delivery within Riverside Co.	Total Extractions	Delivery within Colton Basin	Delivery within Riverside Co.	Total Extractions	Delivery within Colton Basin	Delivery within Riverside Co.
City of Riverside Dom. & Irrig.	2,179	0	2,179	2,185	0	2,185	1,824	0	1,824	2,295	0	2,295	3,289	0	3,289	2,355	0	2,355
Weeks & Daley Water Company	310	16	294	1,547	86	1,461	1,731	106	1,625	271	23	248	596	37	559	891	54	837
Riverside Highland Water Company	188	69	119	254	95	159	337	326	11	127	4	525	509	16	286	286	224	62
TOTAL	2,677	85	2,592	3,986	181	3,805	3,892	432	3,460	2,693	146	2,547	4,410	546	3,864	3,532	278	3,254

See Table No. 37.

TABLE NO. 39-A

GROUND WATER EXTRACTIONS BY RIVERSIDE ENTITIES FROM COLTON BASIN AREA FOR USE WITHIN & EXPORT THEREFROM
 USE IN RIVERSIDE & SAN BERNARDINO COUNTIES DURING THE
 CALENDAR YEARS 1969 AND 1970
 (All Quantities in Acre Feet)

Riverside Entities	EXTRACTIONS FROM COLTON BASIN AREA FOR USE WITHIN & EXPORT THEREFROM																	
	1969			1970			1971			1972			1973			5-Year Avg.		
	Total Extractions	Delivery within Colton Basin	Delivery within Riverside County	Total Extractions	Delivery within Colton Basin	Delivery within Riverside County	Total Extractions	Delivery within Colton Basin	Delivery within Riverside County	Total Extractions	Delivery within Colton Basin	Delivery within Riverside County	Total Extractions	Delivery within Colton Basin	Delivery within Riverside County			
City of Riverside Dom. & Irrig.	1,130	0	1,130	2,260	0	2,260												
Meeks & Daley Water Company	753	66	687	0	0	0												
Riverside Highland Water Company	263	254	9	221	214	7												
Reche Canyon Mutual Water Company				70	0	70												
TOTAL	2,146	320	1,826	2,551	214	2,337												

TABLE NO. 39-A

GROUND WATER EXTRACTIONS BY RIVERSIDE ENTITIES FROM COLTON BASIN AREA FOR USE IN RIVERSIDE & SAN BERNARDINO COUNTIES DURING THE CALENDAR YEARS 1971-75
(All Quantities in Acre Feet)

Riverside Entities	EXTRACTIONS FROM COLTON BASIN AREA FOR USE WITHIN & EXPORT THEREFROM																	
	1971			1972			1973			1974			1975			5-Year Avg.		
	Total Extractions	Delivery within Colton Basin	Delivery within Riverside County	Total Extractions	Delivery within Colton Basin	Delivery within Riverside County	Total Extractions	Delivery within Colton Basin	Delivery within Riverside County	Total Extractions	Delivery within Colton Basin	Delivery within Riverside County	Total Extractions	Delivery within Colton Basin	Delivery within Riverside County	Total Extractions	Delivery within Colton Basin	Delivery within Riverside County
City of Riverside Dom. & Irrig.	2,696	0	2,696	2,521	0	2,521	101	0	101	1,386	0	1,386	1,386	0	1,386			
Meeks & Daley Water Company	0	0	0	0	0	0	484	41	443	0	0	0	0	0	0			
Riverside Highland Water Company	256	248	8	285	271	14	212	206	6	282	273	9	273	0	69			
Reche Canyon Mutual Water Company	73	0	73	76	0	76	65	0	65	69	0	69	69	0	69			
TOTAL	3,025	248	2,777	2,882	271	2,611	862	247	615	1,737	273	1,464						

See Table No. 37.

C H A P T E R I I I

EXTRACTIONS BY SAN BERNARDINO
AND RIVERSIDE COUNTY ENTITIES
FROM THE RIVERSIDE BASIN AREA
IN SAN BERNARDINO COUNTY
FOR USE WITHIN EACH COUNTY

CHAPTER III

EXTRACTIONS BY SAN BERNARDINO
AND RIVERSIDE COUNTY ENTITIES
FROM THE RIVERSIDE BASIN AREA
IN SAN BERNARDINO COUNTY
FOR USE WITHIN EACH COUNTY

GENERAL STATEMENT

In Paragraph VIII(a) of the Judgment, the average annual extractions from that portion of the Riverside Basin Area within San Bernardino County for use outside San Bernardino Valley for the five-year period ending with 1963 are assumed to be 20,191 acre feet, and the Court directed the Watermaster to determine the correct figures. The assumed figures for purposes of the Judgment are shown in Appendix "D", Table D-3, and the description of methods used, with the resulting computations, in verifying the correctness of the figures shown on said Appendix "D", Table D-3, are presented in this chapter. A copy of Table D-3 is included for ease of reference.

APPENDIX "D"
TABLE D-3

EXTRACTIONS FROM
RIVERSIDE BASIN AREA IN SAN BERNARDINO COUNTY
FOR AVERAGE FIVE-YEAR PERIOD ENDING WITH 1963
BY SAN BERNARDINO AND RIVERSIDE COUNTY ENTITIES
FOR USE WITHIN EACH COUNTY
(VALUES IN ACRE FEET)

<u>Extractor</u>	<u>Place of Use</u>		<u>Total</u>
	<u>San Bernardino Co.</u>	<u>Riverside Co.</u>	
San Bernardino County Entities	9,582	0	9,582
Riverside County Entities	<u>3,929</u>	<u>20,191</u>	<u>24,120</u>
TOTAL EXTRACTIONS	13,511	20,191	33,702

WATER EXTRACTIONS FROM WELLS WHICH ARE DELIVERED IN BOTH COUNTIES

In the Riverside Basin within San Bernardino County, certain water organizations produce water from wells owned by them, a part of which is delivered in San Bernardino County, with the remainder being exported to Riverside County. A list of these companies, together with appropriate tables and notes, follows:

Riverside Cement Company Division of American Cement Corporation

Extractions from the wells of this company for the period 1947 to the

present are shown on Table No. 40.

The total water extractions from the Riverside Basin in San Bernardino County made by the Company during the five-year base period 1959 through 1963, with the five-year annual average, and Company deliveries made in San Bernardino and Riverside Counties, are shown on Table No. 41. This table has been extended to show the same information for the period 1964 to the present for information and study purposes.

City of Riverside Irrigation and Domestic Division (excluding Gage Canal)

Table No. 42 shows the total production of the City of Riverside Irrigation and Domestic Division (excluding Gage Canal) for the five-year base period ending in 1963, the five-year average, the production exported to Riverside County, and the deliveries in San Bernardino County. The table has been updated to the present.

City of Riverside Irrigation and Domestic Division - Gage Canal

Table No. 43 shows the water production of the Gage Canal Company from the Riverside Basin Area in San Bernardino County for the five-year base period ending in 1963, together with the five-year average, which is exported and used entirely in Riverside County prior to 1974. Under City of Riverside method of operation, East Riverside Water Company outlets north of the County line are supplied by an auxiliary pipeline connected to the DeBerry well, commencing with the year 1974. The table has been updated to the present.

Inter County Water Company

Table No. 44 shows the water production of the Inter County Water Company from the Riverside Basin Area in San Bernardino County, with appropriate notes as to the method of allocating the water exported to Riverside and delivered within San Bernardino County. This table shows the yearly production from 1947 to the present, with the quantities exported to Riverside County and used in San Bernardino County, with the five-year average for the base period 1959 through 1963.

Jurupa Water Company

Table No. 45 shows the water production from the Riverside Basin Area in San Bernardino County from the wells of the Jurupa Water Company for the period 1947 to the present and, in addition, the production during the five-year base period ending in 1963, together with the five-year average. This table has appropriate notes on the production by the Company which is all exported to Riverside County via the West Riverside Canal, with no delivery being made in San Bernardino County.

La Sierra Water Company

The production of the La Sierra Water Company from that part of the Riverside Basin located within San Bernardino County has in recent years become somewhat complicated. Originally, all of the water of the La Sierra Water Company was produced from that part of the Riverside Basin located within San Bernardino County, the major part of the water being delivered to the West Riverside Canal for export to Riverside County.

Some years ago, stock in this Company was sold to the Riverside Highland Water Company, which used the water for irrigation purposes.

The California Electric Power Company, now owned by the Southern California Edison Company, also acquired stock in this company to obtain cooling water and constructed a pipeline from the well field to the Highgrove steam plant adjacent to the Riverside-San Bernardino County line. The well assigned to the power company was known as La Sierra No. 10, State Well No. 1S/4W-32E9, Recordation Filing #3601546. In more recent years, upon certain occasions, water from the La Sierra Water Company was exported through the Southern California Edison pipeline to a junction with the Riverside Water Company Canal for delivery to the Temescal Water Company via this canal. The actual use of water from this well by the Edison Company ceased in 1963, and thereafter water produced from the well was delivered to Temescal Water Company via the Riverside Water Canal in 1964 to the present. The Riverside Highland Water Company ceased using water from the La Sierra Water Company in 1963.

The City of Colton also secured shares of stock entitling them to the delivery of water from this company. In order to avoid costly pipeline construction, wells owned by the City of Colton in the Colton Basin were used jointly by both Colton and La Sierra Water Company beginning in the year of 1964. In this case, two recordation filings were filed by two different companies upon the same well. Table No. 46 shows the water production from that part of the Riverside Basin located within Riverside County and also the production from the Colton Basin from wells owned by the City of Colton, which occurred after the base period.

Table No. 47 shows the water production from Colton and Riverside Basins situated within San Bernardino County, with deliveries of the water so produced in both San Bernardino County and exports to Riverside County.

Table No. 48 shows the production in Riverside Basin in San Bernardino County used in both counties.

Riverside Highland Water Company

The Riverside Highland Water Company produces water from the Lytle Creek and Bunker Hill Basins lying within the San Bernardino Basin Area, the Rialto-Colton Basin, the Riverside Basin within San Bernardino County, and the Riverside Basin within Riverside County. This production is shown in detail on Tables No. 19, 20 and 21 of Chapter I. The water produced from the sources mentioned is used in part for irrigation purposes and in part for the delivery of domestic water within their rapidly subdividing service area.

A part of this service area lies within San Bernardino County and a part within Riverside County. In this chapter we are concerned only with the ground water production from that part of the Riverside Basin lying within San Bernardino County during the five-year base period ending in 1963 and the portions of these extractions which were delivered in Riverside and San Bernardino Counties.

It is readily apparent that the determination of the places of use of the commingled water supply which has been described is based largely upon Judgment. A study of the water system of the Riverside Highland Water Company as to geographic locations of wells and service area, both urban and irrigation, located in each of the two counties has been made in order to assist in Judgment determination which has been required in fulfilling the orders of the Judgment. The procedure used has been described and shown graphically, with the description of the steps taken in arriving at the most probable places of delivery of the production from the various sources of supply, in Chapter I under the description of the Riverside Highland Water Company of the amounts produced from various sources on Tables No. 19, 20, 21, 28 and 29. The description of the distribution of the water produced by the Company, by Counties, is included on Table No. 30 of Chapter I. The Riverside Highland Water Company production from the Riverside Ground Water Basin during the five-year period to the present, and its deliveries by Counties, is shown on Table No. 49.

Temescal Water Company

The Temescal Water Company is the owner of a well situated in Riverside

Basin Area in San Bernardino County and is also the owner of the right to transport nonpotable water in the Riverside Canal and the lower portion of the Gage Canal from the well to their service area in the vicinity of Corona, where the water is used for the irrigation of citrus. The well owned by Temescal bears State Well No. 2S/4W-6A3, and the production for the years 1947 to the present has been made under Recordation Filing #3601509. Water from this well is all exported to Riverside County.

Table No. 50, Sheet 1, shows the extraction from 1947 through 1970 and the annual extraction for the base period 1959 through 1963, together with the average annual extraction during the five-year base period. Table No. 50, Sheet 2, shows the extraction from 1971 to the present.

West Riverside 350 Inch Water Company

For many years, the West Riverside 350 Inch Water Company has been the owner and operator of a well field located in the upper portion of that part of the Riverside Basin Area situated in San Bernardino County.

The production of the West Riverside 350 Inch Water Company from the Riverside Ground Water Basin within San Bernardino County from 1959 to the present, together with the average annual production during the five-year base period ending in 1963 and the delivery of this production within Riverside and San Bernardino Counties, is shown on Table No. 51 of this chapter.

SUMMARY OF WATER EXTRACTIONS FROM WELLS DELIVERED IN BOTH COUNTIES

A summary of the ground water production from that part of the Riverside Ground Water Basin situated within San Bernardino County by Riverside County entities, a part of which is used in San Bernardino County with the remainder exported to Riverside County, during the five-year base period ending in 1963 and for subsequent years is shown on Table No. 52. Reference to Table No. 52 shows that of the water produced, 3035 acre feet is used annually in San Bernardino County during the five-year base period, while the water exported to Riverside during the same five-year period is 21,085 acre feet.

The Judgment requires that only those extractions from the Riverside Basin Area in San Bernardino County used outside San Bernardino Valley be verified for the five years ending in 1963, and annually from and after January 1, 1971. Although not required by the Judgment, the extractions by the Riverside entities have been verified for the years 1964 to the present, and are shown on Sheets 2

and 3 of Table No. 52, for the purpose of furnishing information to the Water-master and other interested parties concerning extraction trends during this six-year period. The total annual extractions from the Riverside Basin Area in San Bernardino County by Riverside entities, their annual deliveries made in San Bernardino County, and deliveries made outside San Bernardino Valley for the period 1959 to the present, are shown on Table No. 52-A.

The production by the San Bernardino County water interests, which is all used in San Bernardino County, is the difference between the total verified extractions from the Riverside Basin Area within San Bernardino County, as determined in Volume 3 for the appropriate year, and the extractions by Riverside County entities as shown on Table No. 52, Line 25. The average annual production for the five-year base period ending in 1963 and Calendar Year 1970 to the present from Riverside Basin Area in San Bernardino County, for use by the San Bernardino County water interests, is shown on Table No. 53.

The total verified extractions from that portion of the Riverside Basin situated in San Bernardino County, for the average of the five-year period ending in 1963 and Calendar Year 1970 to the present, by San Bernardino and Riverside County entities for use within each County, are shown on Table No. 54. Using the data shown on Table No. 54, the verification of Appendix "D", Table D-3 of the Judgment, is shown as follows:

TABLE D-3
EXTRACTIONS FROM
RIVERSIDE BASIN AREA IN SAN BERNARDINO COUNTY
FOR AVERAGE FIVE-YEAR PERIOD ENDING WITH 1963
BY SAN BERNARDINO AND RIVERSIDE COUNTY ENTITIES
FOR USE WITHIN EACH COUNTY
 (VALUES IN ACRE FEET)

<u>Extractor</u>	<u>Place of Use</u>		<u>Total</u>
	<u>San Bernardino Co.</u>	<u>Riverside Co.</u>	
San Bernardino County Entities	9,609	0	9,609
Riverside Co. Entities	<u>3,035</u>	<u>21,085</u>	<u>24,120</u>
TOTAL EXTRACTIONS	12,644	21,085	33,729

TABLE NO. 40
 RIVERSIDE CEMENT COMPANY
 DIVISION, AMERICAN CEMENT CORP.
 WATER PRODUCTION
 FROM RIVERSIDE GROUND WATER BASIN
 SITUATED WITHIN SAN BERNARDINO COUNTY
 (All Quantities in Acre Feet)

State Well No. Rec. No. Local Desig. Basin Year	1SSW34K 3601721 E. Crestmore #56 Riverside (1)		1SSW34K2 3600873 W. Crestmore #57 Riverside (2)		2SSW02A 3600874 White Well Riverside (4)		2SSW02G2 3600883 Wright Riverside (5)		2SSW02R 3601722 New White 58-1 Riverside (6)		2SSW2L2 3601782 None Riverside (7)		2SSW02G 3602114 63-1 Riverside (8)		Production Used in San Bernardino County (9)	Total Production In San Bernardino County (10)
	(1)	(2)	(3)	(4)	(5)	(6)	(7)	(8)	(9)	(10)	(11)	(12)	(13)	(14)	(15)	(16)
1947		564	564	322	-	-	-	-	-	-	-	-	-	322	886	
1948		564	564	322	-	-	-	-	-	-	-	-	-	322	886	
1949		564	564	322	-	-	-	105	-	-	-	-	-	427	991	
1950		564	564	322	-	-	-	105	-	-	-	-	-	427	991	
1951		564	564	322	-	-	13	105	-	-	-	-	-	440	1084	
1952		564	564	371	-	-	13	160	-	-	-	-	-	544	1108	
1953		564	564	371	-	-	13	160	-	-	-	-	-	544	1108	
1954		564	564	371	-	-	13	105	-	-	-	-	-	489	1053	
1955		564	564	371	-	-	13	105	-	-	-	-	-	489	1053	
1956		725	725	371	-	-	13	105	-	-	-	-	-	489	1214	
1957		726	726	5	-	-	9	105	-	-	-	-	-	119	845	
1958	45	726	771	0	-	-	1	102	102	-	-	-	-	208	979	
1959	1087	726	1813	2	-	-	0	606	606	-	-	-	-	713	2526	
1960	915	544	1459	2	-	-	0	612	612	-	-	-	-	719	2178	
1961	314	F.C.	314	1	-	-	0	726	726	-	-	-	-	832	1146	
1962	543	-	543	1	-	-	F.C.	404	404	-	-	-	-	510	1053	
1963	520	130(a)	650	0	-	-	-	271	271	-	-	27	-	298	948	
1964	447	414	861	0	-	-	-	500	500	-	-	590	-	1090	1951	
1965	189	153	342	0	-	-	-	244	244	-	-	265	-	509	851	
1966	120	159	279	0	-	-	-	244	244	-	-	218	-	462	741	
1967	317	72	389	0	-	-	-	244	244	-	-	360	-	604	993	
1968	335	11	346	0	-	-	-	0	0	-	-	566	-	566	912	
1969	239	20	259	0	-	-	-	0	0	-	-	128	-	128	387	
1970	494	91	585	0	-	-	-	0	0	-	-	154	-	154	739	

(3) Col. (2) + Col. (1) (10) Col. (3) + Col. (9) (8) File Reopened
 (9) Col.'s. (4) + (5) + (6) + (7) + (8) F.C. File Closed

Production from Recordation Filing at the State Division of Water Right for years 1947 through 1958, with 1959 to the present production verified in Watermaster Report Volume 2, Table 1.

TABLE NO. 40

RIVERSIDE CEMENT COMPANY*
DIVISION, AMERICAN CEMENT CORP.
WATER PRODUCTION
FROM RIVERSIDE GROUND WATER BASIN
SITUATED WITHIN SAN BERNARDINO COUNTY
(All Quantities in Acre Feet)

Production from Recordation Filings (Volume 3, Table No. 1)

State Well No. Rec. No. Local Desig. Basin	1S/5W-34K 3601721 E. Crestmore #56 (1)	1S/5W-34K2 3600873 W. Crestmore #57 (2)	(2a)	Production Exported To Riverside County (3)	2S/5W-02A 3600874 White Well Riverside (4)	2S/5W-02G2 3600883 Wright Riverside (5)	2S/5W-02R 3601722 New White 58-1 Riverside (6)	2S/5W-2L2 3601782 None Riverside (7)	2S/5W-02G 3602114 63-1 Riverside (8)	(8a)	Production		Total Production In San Bernardino County (10)
											Used In San Bernardino County (9)		
1971	130	219	-	349	0	0	0	-	482	-	482	831	
1972	353	20	-	373	0	0	0	-	204	-	204	577	
1973	531	6	-	537	0	0	0	-	0	-	0	537	
1974	133	0(a)	-	133	0	0	0	-	0	-	0	133	
1975													
1976													
1977													
1978													
1979													
1980													
1981													
1982													
1983													
1984													
1985													
1986													
1987													
1988													
1989													
1990													

(a) 3600873 sold to Green Acres Mem. Park Ass'n. 1974
(3) Col. (2) + Col. (1)
(9) Cols. (4) + (5) + (6) + (7) + (8)
(10) Col. (3) + Col. (9)
F.C. File Closed

RIVERSIDE CEMENT COMPANY
DIVISION OF AMERICAN
CEMENT CORP.

WATER PRODUCTION FROM RIVERSIDE GROUND WATER BASIN
WITHIN SAN BERNARDINO COUNTY FOR PERIOD 1959-70
AND PRODUCTION DELIVERED IN RIVERSIDE AND SAN BERNARDINO COUNTIES.
ALSO SHOWN IS THE AVERAGE ANNUAL PRODUCTION AND DELIVERIES
MADE WITHIN EACH COUNTY FOR THE
FIVE-YEAR BASE PERIOD ENDING IN 1963
(ALL QUANTITIES IN ACRE FEET)

<u>Year</u>	<u>Production</u> <u>Exported To</u> <u>Riverside</u> <u>County</u> <u>(1)</u>	<u>Production</u> <u>Used In</u> <u>San Bernardino</u> <u>County</u> <u>(2)</u>	<u>Total</u> <u>Production</u> <u>(3)</u>
1959	1813	713	2526
1960	1459	719	2178
1961	314	832	1146
1962	543	510	1053
<u>1963</u>	<u>650</u>	<u>298</u>	<u>948</u>
TOTAL	4779	3072	7851
AVERAGE	956	614	1570
1964	861	1090	1951
1965	342	509	851
1966	279	462	741
1967	389	604	993
1968	346	566	912
1969	259	128	387
1970	585	154	739

Col. (1) from Table No. 40, Col. (3)

Col. (2) from Table No. 40, Col. (9)

Col. (3) from Table No. 40, Col. (10)

RIVERSIDE CEMENT COMPANY*
DIVISION OF AMERICAN
CEMENT CORP.

WATER PRODUCTION FROM RIVERSIDE GROUND WATER BASIN
WITHIN SAN BERNARDINO COUNTY FOR PERIOD 1971-80
AND PRODUCTION DELIVERED IN RIVERSIDE AND SAN BERNARDINO COUNTIES

(All Quantities in Acre Feet)

<u>Year</u>	<u>Production Exported To Riverside County</u> (1)	<u>Production Used In San Bernardino County</u> (2)	<u>Total Production</u> (3)
1971	349	482	831
1972	373	204	577
1973	537	0	537
1974	133	0	133
1975			
<hr/>			
TOTAL			
AVERAGE			
<hr/>			
1976			
1977			
1978			
1979			
1980			
<hr/>			
TOTAL			
AVERAGE			
<hr/>			

Col. (1) from Table No. 40, Col. (3)
Col. (2) from Table No. 40, Col. (9)
Col. (3) from Table No. 40, Col. (10)

*Name changed to Amcord, Inc. 1973

CITY OF RIVERSIDE
IRRIGATION AND DOMESTIC DIVISIONS
WATER PRODUCTION FROM RIVERSIDE GROUND WATER BASIN
WITHIN SAN BERNARDINO COUNTY FOR PERIOD 1959-70
AND PRODUCTION DELIVERED IN RIVERSIDE AND SAN BERNARDINO COUNTIES.
ALSO SHOWN IS THE AVERAGE ANNUAL PRODUCTION AND DELIVERIES
MADE WITHIN EACH COUNTY FOR THE
FIVE-YEAR BASE PERIOD ENDING IN 1963
(EXCLUDING GAGE CANAL)
 (ALL QUANTITIES IN ACRE FEET)

<u>Year</u>	<u>Production Exported To Riverside County</u> (1)	<u>Production Used in San Bernardino County</u> (2)	<u>Total Production</u> (3)
1959	11393	1581	12974
1960	8787	852	9639
1961	10508	1171	11679
1962	8634	81	8715
1963	8175	84	8259
TOTAL	47497	3769	51266
AVERAGE	9500	754	10254
1964	9172	251	9423
1965	7417	335	7752
1966	4340	254	4594
1967	5549	201	5750
1968	7727	1315	9042
1969	6822	147	6969
1970	3678	94	3772

Col. (1) From Chapter No. I, City of Riverside, Table No. 12, Col. (10)
 Col. (2) From Chapter No. I, City of Riverside, Table No. 12, Col. (9)
 Col. (3) From Chapter No. I, City of Riverside, Table No. 2, Sheet 2,
 Line No. 30.

CITY OF RIVERSIDE
IRRIGATION AND DOMESTIC DIVISIONS
WATER PRODUCTION FROM RIVERSIDE GROUND WATER BASIN
WITHIN SAN BERNARDINO COUNTY FOR PERIOD 1971-80
AND PRODUCTION DELIVERED IN RIVERSIDE AND SAN BERNARDINO COUNTIES
 (All Quantities in Acre Feet)

<u>Year</u>	<u>Production Exported To Riverside County</u> (1)	<u>Production Used In San Bernardino County</u> (2)	<u>Total Production</u> (3)
1971	4,363	174	4,537
1972	5,813	107	5,920
1973	4,941	45	4,986
1974	6,012	111	6,123
1975			
<hr/>			
TOTAL			
AVERAGE			
<hr/>			
1976			
1977			
1978			
1979			
1980			
<hr/>			
TOTAL			
AVERAGE			
<hr/>			

Col. (1) From Chapter No. I, City of Riverside, Table No. 12, Col. (10)
 Col. (2) From Chapter No. I, City of Riverside, Table No. 12, Col. (9)
 Col. (3) From Chapter No. I, City of Riverside, Table No. 2, Sht. 3,
 Line No. 30.

CITY OF RIVERSIDE
IRRIGATION & DOMESTIC DIVISIONS
GAGE CANAL COMPANY
WATER PRODUCTION FROM RIVERSIDE GROUND WATER BASIN
WITHIN SAN BERNARDINO COUNTY FOR PERIOD 1959-70
AND PRODUCTION DELIVERED IN RIVERSIDE AND SAN BERNARDINO COUNTIES.
ALSO SHOWN IS THE AVERAGE ANNUAL PRODUCTION AND DELIVERIES
MADE WITHIN EACH COUNTY FOR THE
FIVE-YEAR BASE PERIOD ENDING IN 1963
(ALL QUANTITIES IN ACRE FEET)

<u>Year</u>	<u>Production Exported To Riverside County</u> (1)	<u>Production Used In San Bernardino County</u> (2)	<u>Total Production</u> (3)
1959	1504	0	1504
1960	1474	0	1474
1961	1639	0	1639
1962	1231	0	1231
1963	1169	0	1169
TOTAL	7017	0	7017
AVERAGE	1403	0	1403
1964	1247	0	1247
1965	867	0	867
1966	570	0	570
1967	692	0	692
1968	538	0	538
1969	194	0	194
1970	419	0	419

- (1) From Chapter I, Gage Canal, Table No. 15, Sheet 2, Line 24
(3) From Chapter I, Gage Canal, Table No. 17, Col. (15)

CITY OF RIVERSIDE
IRRIGATION & DOMESTIC DIVISIONS
GAGE CANAL COMPANY
WATER PRODUCTION FROM RIVERSIDE GROUND WATER BASIN
WITHIN SAN BERNARDINO COUNTY FOR PERIOD 1971-80
AND PRODUCTION DELIVERED IN RIVERSIDE AND SAN BERNARDINO COUNTIES.
 (All Quantities in Acre Feet)

<u>Year</u>	<u>Production Exported To Riverside County</u> (1)	<u>Production Used In San Bernardino County</u> (2)	<u>Total Production</u> (3)
1971	567	0	567
1972	778	0	778
1973	222	0	222
1974	374	98	472
1975			
<hr/>			
TOTAL			
AVERAGE			
<hr/>			
1976			
1977			
1978			
1979			
1980			
<hr/>			
TOTAL			
AVERAGE			
<hr/>			

- (1) From Chapter I, Gage Canal, Table No. 17, Col. (15)
- (2) From Chapter I, Gage Canal, Table No. 17, Col. (14a)
- (3) From Chapter I, Gage Canal, Table No. 15, Sheet 3, Line 24

INTER COUNTY WATER COMPANY

WATER PRODUCTION FROM RIVERSIDE GROUND WATER BASIN
WITHIN SAN BERNARDINO COUNTY FOR PERIOD 1947-1970
AND PRODUCTION DELIVERED IN RIVERSIDE AND SAN BERNARDINO COUNTIES.
ALSO SHOWN IS THE AVERAGE ANNUAL PRODUCTION AND DELIVERIES
MADE WITHIN EACH COUNTY FOR THE
FIVE-YEAR BASE PERIOD ENDING IN 1963
(ALL QUANTITIES IN ACRE FEET)

<u>Year</u>	Total Production 2S5W2C Recordation <u>3301347</u> (1)	<u>Production</u>	
		<u>Exported</u> To <u>Riverside</u> <u>County</u> (2)	<u>Used In</u> San <u>Bernardino</u> <u>County</u> (3)
1947	60	37	23
1948	83	51	32
1949	71	43	28
1950	62	38	24
1951	73	44	29
1952	64	39	25
1953	73	44	29
1954	73	44	29
1955	101	61	40
1956	97	59	38
1957	101	61	40
1958	112	68	44
1959	145	88	57
1960	141	86	55
1961	133	81	52
1962	117	71	46
1963	131	80	51
TOTAL 1959-1963	667	406	261
AVERAGE	133	81	52
1964	116	71	45
1965	108	66	42
1966	113	69	44
1967	115*	70	45
1968	114	69	45
1969	115*	70	45
1970	116	71	45

This well is shown by the State Water Rights Board as being located in Riverside County as evidenced by 33 for the first two numbers on the recordation number. The well is actually located in San Bernardino County and the first two numbers should be 36. The State Board has been notified but has taken no action.

Note: Information on 9/8/66 from Company officials shows that the Company has 87 customers of which 34 are in San Bernardino County and 53 in Riverside County and the number of meters has not changed since 1960. Therefore, the delivery split between the two counties is based on meter ratio.

* Corrected by Watermasters verification study (Vol. 3, Table No. 1)

INTER COUNTY WATER COMPANY
WATER PRODUCTION FROM RIVERSIDE GROUND WATER BASIN
WITHIN SAN BERNARDINO COUNTY FOR PERIOD 1971-80
AND PRODUCTION DELIVERED IN RIVERSIDE AND SAN BERNARDINO COUNTIES

(All Quantities in Acre Feet)

<u>Year</u>	<u>Total Production 2S5W2C Recordation 3301347 (1)</u>	<u>Production</u>	
		<u>Exported To Riverside County (2)</u>	<u>Used In San Bernardino County (3)</u>
1971	83	51	32
1972	95	58	37
1973	157	96	61
1974	206	125	81
1975			
<hr/>			
TOTAL			
AVERAGE			
<hr/>			
1976			
1977			
1978			
1979			
1980			
<hr/>			
TOTAL			
AVERAGE			

This well is shown by the State Water Rights Board as being located in Riverside County as evidenced by 33 for the first two numbers on the recordation number. The well is actually located in San Bernardino County and the first two numbers should be 36. The State Board has been notified but has taken no action.

Note: Information on 9/8/66 from Company officials shows that the Company has 87 customers of which 34 are in San Bernardino County and 53 in Riverside County and the number of meters has not changed since 1960. Therefore, the delivery split between the two counties is based on meter ratio.

Note: Col. (1) from Volume 3, Table No. 1.

JURUPA WATER COMPANY

WATER PRODUCTION FROM RIVERSIDE GROUND WATER BASIN
WITHIN SAN BERNARDINO COUNTY FOR PERIOD 1947-70
AND PRODUCTION DELIVERED IN RIVERSIDE
AND SAN BERNARDINO COUNTIES.
ALSO SHOWN IS THE AVERAGE ANNUAL PRODUCTION
AND DELIVERIES MADE WITHIN EACH COUNTY FOR THE
FIVE-YEAR BASE PERIOD ENDING IN 1963
 (ALL QUANTITIES IN ACRE FEET)

Description	Production		Total Production See Note
	1S5W36C9 Rec. No. Local Desig. Year	1S5W36C10 3600536 No. 1½	
	(1)	(2)	(3)
1947	55	377	432
1948	25	511	536
1949	7	740	747
1950	56	581	637
1951	122	753	875
1952	140	675	815
1953	70	838	908
1954	236	656	892
1955	179	742	921
1956	67	550	617
1957	71	520	591
1958	64	476	540
1959	58	753	811
1960	67	695	762
1961	73	1041	1114
1962	73	672	745
1963	29	304	333
TOTAL 1959-1963	300	3465	3765
AVERAGE	60	693	753
1964	0	728	728
1965	11	916	927
1966	853*	101	954
1967	421	-	421
1968	679	-	679
1969	826	-	826
1970	121	-	121

Note: Total Production shown in Col. (3) is all exported to Riverside County via West Riverside Canal. Deliveries to San Bernardino County are zero.

* Well No. 1 was replaced in 1966 with Well No. 3 using same recordation number but a revised State Well Number, 1S5W36C11.

JURUPA WATER COMPANY
WATER PRODUCTION FROM RIVERSIDE GROUND WATER BASIN
WITHIN SAN BERNARDINO COUNTY FOR PERIOD 1971-80
AND PRODUCTION DELIVERED IN RIVERSIDE
AND SAN BERNARDINO COUNTIES
 (All Quantities in Acre Feet)

Description	Production		Total Production See Note (3)
	1S5W36C11 3600535 No. 3 (1)	1S5W36C10 3600536 No. 1-1/2 (2)	
State Well No.			
Rec. No.			
Local Desig.			
Year			
1971	94	0	94
1972	376	0	376
1973	200	0	200
1974	402	0	402
1975			
<hr/>			
TOTAL			
AVERAGE			
<hr/>			
1976			
1977			
1978			
1979			
1980			
<hr/>			
TOTAL			
AVERAGE			

Note: Total Production shown in Col. (3) is all exported to Riverside County via West Riverside Canal. Deliveries to San Bernardino County are zero.

TABLE NO. 46

LA SIERRA WATER COMPANY
 WATER PRODUCTION FROM COLTON BASIN AND
 THAT PART OF RIVERSIDE BASIN LOCATED WITHIN SAN BERNARDINO COUNTY
 (Quantities in Acre Feet by Calendar Year)

Description State Well No. Rec. No. Local Desig. Year	Colton Basin Production				Riverside Basin Production				La Sierra Production				Production From	
	1SAW18C 3601259 Col. #15 (1)	1SAW18F 3601261 Col. #17 (3)	3602226 LS #17 (4)	Total Colton La Sierra (1)+(3) (5)	1SAW32E1 3601539 LS #1 (8)	1SAW32E3 3601540 LS #2 (9)	1SAW32E6 3601541 LS #4 (10)	1SAW32E5 3601542 LS #5 (11)	1SAW32E2 3601543 LS #6 (12)	1SAW32E7 3601544 LS #7 (13)	1SAW32E1 3601545 LS #8 (14)	1SAW32E2 3601546 LS #10 (15)	1SAW32E10 3601547 LS #9 (16)	La Sierra Basin (8)-(16) (17)
1 1947	311	-	-	-	0	84	282	869	390	2078	0	0	3703	3703
2 1948	260	-	-	-	0	27	249	698	453	696	1478	0	3601	3601
3 1949	178	-	-	-	0	4	312	579	44	932	1378	0	3249	3249
4 1950	184	-	-	-	0	49	295	668	345	1209	445	0	3011	3011
5 1951	331	-	-	-	0	19	516	536	312	936	1789	0	4108	4108
6 1952	518	-	-	-	0	0	379	182	465	508	1438	0	2972	2972
7 1953	1396	-	-	-	0	0	369	215	406	699	1769	0	3458	3458
8 1954	1362	-	-	-	0	2	102	155	255	251	1461	686	2912	2912
9 1955	1189	-	-	-	0	9	16	6	294	1061	1263	519	3168	3168
10 1956	820	-	-	-	354	-	33	0	218	720	1492	809	3351	3351
11 1957	548	-	-	-	872	-	0	192	224	211	1221	636	2840	2840
12 1958	1041	-	-	-	1080	-	0	175	211	801	634	344	2562	2562
13 1959	1064	0	761	0	761	0	0	188	1083	1104	614	474	3463	3463
14 1960	781	0	880	0	880	0	0	191	981	1005	610	403	3190	3190
15 1961	787	0	752	0	752	0	0	132	1254	1005	428	568	3387	3387
16 1962	377	0	394	0	394	0	0	59	646	847	278	31	1861	1861
17 1963	455	0	474	0	474	0	0	5	108	577	274	0	964	964
18 1964	219	277	262	546	481	823	1304	-	1	127	737	854	1739	2562
19 1965	63	460	50	654	113	1114	1227	-	-	378	1005	776	2159	3273
20 1966	459	190	526	173	985	363	1348	-	-	52	758	1241	2051	2414
21 1967	199	289	346	452	545	741	1286	-	6	342	1201	1173	2722	3463
22 1968	97	460	160	606	257	1066	1323	-	-	572	1890	1230	3692	4758
23 1969	53	348	78	645	131	993	1124	-	-	29	203	1050	1282	2275
24 1970	98	432	170	640	268	1072	1340	-	-	1550	1963	1154	4667	5739

Note: Well 1S/4W-18C and 1S/4W-18F beginning in 1964 was used by both La Sierra Water Company and City of Colton under the different Recordation Numbers shown for the same wells.
 LS#10 Well assigned to Southern California Edison Co. Highgrove Steam Plant.
 LS #10 well production in 1964 delivered by S.C.E. Co. to Temescal Water Co.
 See La Sierra Water Co. presentation.

(1) Table No. 1, Volume 2, and Recordation filing prior to 1959
 (2) Table No. 1, Volume 2, and Recordation filing prior to 1959
 (3) Table No. 1, Volume 2, and Recordation filing prior to 1959
 (4) Table No. 1, Volume 2, and Recordation filing prior to 1959
 (8)-(16) Table No. 1, Volume 3, and Recordation filing prior to 1959

TABLE NO. 46

LA SIERRA WATER COMPANY
 WATER PRODUCTION FROM COLTON BASIN AND
 THAT PART OF RIVERSIDE BASIN LOCATED WITHIN SAN BERNARDINO COUNTY
 (Quantities in Acre Feet by Calendar Year)

Description State Well No. Rec. No. Local Desig. Line Year	Colton Basin Production			Riverside Basin Production							La Sierra Production			Production From Riverside & Colton Basins (6)+(17) (18)	
	ISAW18C 3601259 Col. 15 (1)	ISAW18F 3602227 LS #15 (2)	ISAW18F 3602228 Col. 17 (3)	ISAW32E1 3601539 LS #1 (8)	ISAW32E3 3601540 LS #2 (9)	ISAW32E6 3601541 LS #4 (10)	ISAW32E5 3601542 LS #5 (11)	ISAW32E2 3601543 LS #6 (12)	ISAW32E7 3601544 LS #7 (13)	ISAW32E11 3601545 LS #8 (14)	ISAW32E9 3601546 LS #10 (15)	ISAW32E10 3601547 LS #9 (16)	Production Basin (8)-(16) (17)		
	(1)	(2)	(3)	(8)	(9)	(10)	(11)	(12)	(13)	(14)	(15)	(16)	(17)	(18)	
1 1971	137	267	116	860	253	1,127	1,380	-	-	1,218	2,106	1,415	-	4,739	5,866
2 1972	106	364	245	693	351	1,057	1,408	-	-	1,330	2,178	1,201	-	4,709	5,766
3 1973	158	466	369	440	527	906	1,433	-	-	664	1,980	0	-	2,644	3,550
4 1974	329	348	545	312	874	660	1,534	-	0	0	1,932	1	0	1,933	2,593
5 1975															
6 TOTAL															
7 AVG.															
8 1976															
9 1977															
10 1978															
11 1979															
12 1980															
13 TOTAL															
14 AVG.															

Note: Well IS/4W-18C and IS/4W-18F beginning in 1964 were used by both La Sierra Water Company and City of Colton under the different Recordation Numbers shown for the same wells.
 LS #10 Well assigned to Southern California Edison Co. Highgrove Steam Plant.

LS #10 well production in 1964 delivered by S.C.E. Co. to Temescal Water Co.
 See La Sierra Water Co. presentation.

(1) Table No. 1, Volume 2
 (2) Table No. 1, Volume 2
 (3) Table No. 1, Volume 2
 (4) Table No. 1, Volume 2
 (8)-(16) Table No. 1, Volume 3

TABLE NO. 47
LA SIERRA WATER COMPANY
WATER PRODUCTION FROM COLTON AND RIVERSIDE BASIN
SITUATED WITHIN SAN BERNARDINO COUNTY WITH DELIVERIES
IN SAN BERNARDINO COUNTY AND EXPORTS TO RIVERSIDE COUNTY

LINE	YEAR	LA SIERRA PRODUCTION IN COLTON BASIN AND RIVERSIDE BASIN IN SAN BERNARDINO COUNTY				DELIVERIES OF LA SIERRA WATER COMPANY WATER PRODUCTION						TOTAL DELIVERIES IN RIVERSIDE COUNTY
		COLTON BASIN		RIVERSIDE BASIN	TOTAL PRODUCTION	DELIVERIES MADE IN SAN BERNARDINO COUNTY			DELIVERIES MADE IN RIVERSIDE COUNTY			
		(3) A.F. (a) & (b)	(4) A.F.			(5) A.F.	(6) A.F. (c)	(7) A.F.	(8) A.F. (a) & (b)	(9) A.F.	(10) A.F.	
1	1959	-	3463	3463	614	111	-	725	2375	363	-	2738
2	1960	-	3190	3190	610	88	-	698	2177	315	-	2492
3	1961	-	3387	3387	428	170	-	598	2391	398	-	2789
4	1962	-	1861	1861	278	11	-	289	1552	20	-	1572
5	1963	-	964	964	274	0	-	274	690	0	-	690
6	TOTAL	-	12865	12865	2204	380	-	2583	9185	1096	-	16281
7	AVERAGE	-	2573	2573	441	76	-	517	1837	219	-	2056
8	1964	823	1739	2562	-	0	823	823	885	0	854	1739
9	1965	1114	2159	3273	-	0	1114	1114	1383	0	776	2159
10	1966	363	2051	2414	-	0	363	363	810	0	1241	2051
11	1967	741	2722	3463	-	0	741	741	1549	0	1173	2722
12	1968	1066	3692	4758	-	0	1066	1066	2462	0	1230	3692
13	1969	993	1282	2275	-	0	993	993	232	0	1050	1282
14	1970	1072	4667	5739	-	0	1072	1072	3513	0	1154	4667

General Notes:

- (3) From Table No. 46, Col. (6)
 - (4) From Table No. 46, Col. (17)
 - (5) From Table No. 46, Col. (18)
 - (6) From Table No. 46, Col. (15) 1959-63
 - (7) From Chapter I, Table No. 31, Col. (8), Riverside Highland Water Company
 - (8) Identical with this Table No. 47, Col. (3)
 - (9) Total of Cols. (6), (7), and (8)
 - (10) 1959-63 : Col. (5) - [Cols. (6) + (7) + (8)]
 - 1964 and after: Col. (5) - [Cols. (6) + (7) + (8) + (12)]
 - (12) From Table No. 46, Col. (15) 1964 and after
 - (13) Cols. (10) + (11) + (12)
- (a) Production shown is from Well 1S/4W-18G. This well is owned by City of Colton and no production from this well was made by La Sierra Water Co. prior to 1964. Beginning in 1964 production by Colton recorded under 3601259 and by La Sierra under 3602227.
- (b) Production shown includes water from 1S/4W-18F. This well is owned by City of Colton and no production from this well was made by La Sierra prior to 1964. Beginning in 1964 production by Colton recorded under 3601261 and by La Sierra under 3602228.
- (c) La Sierra Well No. 10 delivered directly to Edison Steam Plant in Highgrove 1959-63. Beginning in 1964 Temescal Water Co. in Riverside County purchased the flow of La Sierra No. 10 Well from Southern California Edison Company.

TABLE NO. 47

LA SIERRA WATER COMPANY
 WATER PRODUCTION FROM COLTON AND RIVERSIDE BASIN
 SITUATED WITHIN SAN BERNARDINO COUNTY WITH DELIVERIES
 IN SAN BERNARDINO COUNTY AND EXPORTS TO RIVERSIDE COUNTY
 (Quantities in Acre Feet by Calendar Year)

Line	Year	La Sierra Production in Colton Basin and Riverside Basin in San Bernardino County			DELIVERIES OF LA SIERRA WATER COMPANY WATER PRODUCTION					Total Deliveries in Riverside County (13)			
		Colton Basin (3)	Riverside Basin (4)	Total Production (5)	Deliveries Made in San Bernardino County						Deliveries Made in Riverside County		
					Southern California Edison Steam Plant (6)	Riverside Highland Water Co. (7)	City of Colton (8) & (b)	Total in San Bernardino County (9)	West Riverside Canal (10)		Riverside Highland Water Co. (11)	Temescal Water Company (12)	
1	1971	1,127	4,739	5,866	-	0	1,127	1,127	3,324	0	1,415	4,739	
2	1972	1,057	4,709	5,766	-	0	1,057	1,057	3,508	0	1,201	4,709	
3	1973	906	2,644	3,550	-	0	906	906	2,644	0	0	2,644	
4	1974	660	1,933	2,593	-	0	660	660	1,932	0	1	1,933	
5	1975												
6	TOTAL												
7	AVG.												
8	1976												
9	1977												
10	1978												
11	1979												
12	1980												
13	TOTAL												
14	AVG.												

General Notes:

- (3) From Table No. 46, Col. (6)
 - (4) From Table No. 46, Col. (17)
 - (5) From Table No. 46, Col. (18)
 - (6) From Table No. 46, Col. (15)
 - (7) From Chapter I, Table No. 31, Col. (8), Riverside Highland Wtr. Co.
 - (8) Identical with this Table No. 47, Col. (3)
 - (9) Total of Cols. (6), (7) & (8)
 - (10) 1959-63; Col. (5) - [Cols. (6)+(7)+(8)+(11)]
 - (11) 1964 and after; Col. 5 - [Cols. (6) + (7) + (8) + (12)]
 - (12) From Chapter I, Table No. 31, Col. (17), Riverside Highland Wtr. Co.
 - (13) Cols. (10)+(11)+(12)
- (a) Production shown is from Well IS/4W-186. This well is owned by City of Colton and no production from this well was made by La Sierra Water Co. prior to 1964. Beginning in 1964 production by Colton recorded under 3601259 and by La Sierra under 3602227.
- (b) Production shown includes water from IS/4W-18F. This well is owned by City of Colton and no production from this well was made by La Sierra prior to 1964. Beginning in 1964 production by Colton recorded under 3601261 and by La Sierra under 3602228.
- (c) La Sierra Well No. 10 delivered directly to Edison Steam Plant in Highgrove 1959-63. Beginning in 1964 Temescal Water Co. in Riverside County purchased the flow of Sierra No. 10 well from Southern California Edison Company.

LA SIERRA WATER COMPANY

WATER PRODUCTION FROM RIVERSIDE GROUND WATER BASIN
WITHIN SAN BERNARDINO COUNTY FOR PERIOD 1959-70
AND PRODUCTION DELIVERED IN RIVERSIDE AND SAN BERNARDINO COUNTIES.
ALSO SHOWN IS THE AVERAGE ANNUAL PRODUCTION AND DELIVERIES
MADE WITHIN EACH COUNTY FOR THE
FIVE-YEAR BASE PERIOD ENDING IN 1963
 (ALL QUANTITIES IN ACRE FEET)

<u>Year</u>	<u>Total Production</u>	<u>Used in San Bernardino County</u>	<u>Exported To Riverside County</u>
	(1)	(2)	(3)
1959	3,463	725	2,738
1960	3,190	698	2,492
1961	3,387	598	2,789
1962	1,861	289	1,572
1963	964	274	690
TOTAL	12,865	2,585	10,281
AVERAGE	2,573	517	2,056
1964	1,739	0	1,739
1965	2,159	0	2,159
1966	2,051	0	2,051
1967	2,722	0	2,722
1968	3,692	0	3,692
1969	1,282	0	1,282
1970	4,667	0	4,667

(1) From Col. (4) - Table No. 47

(2) Col. (4) - [Cols. (10) + (11) + (12)] , Table No. 47

(3) From Col. (13) - Table No. 47

LA SIERRA WATER COMPANYWATER PRODUCTION FROM RIVERSIDE GROUND WATER BASIN
WITHIN SAN BERNARDING COUNTY FOR PERIOD 1971-80
AND PRODUCTION DELIVERED IN RIVERSIDE AND SAN BERNARDINO COUNTIES

(All Quantities in Acre Feet)

<u>Year</u>	<u>Total Production</u>	<u>Used in San Bernardino County</u>	<u>Exported To Riverside County</u>
	(1)	(2)	(3)
1971	4739	0	4739
1972	4709	0	4709
1973	2644	0	2644
1974	1933	0	1933
1975			
<hr/>			
TOTAL			
AVERAGE			
<hr/>			
1976			
1977			
1978			
1979			
1980			
<hr/>			
TOTAL			
AVERAGE			
<hr/>			

(1) From Col. (4) - Table No. 47

(2) Col. (4) - [Cols. (10) + (11) + (12)], Table No. 47

(3) From Col. (13) - Table No. 47

RIVERSIDE HIGHLAND WATER COMPANY
WATER PRODUCTION FROM RIVERSIDE GROUND WATER BASIN
WITHIN SAN BERNARDINO COUNTY FOR PERIOD 1959-70
AND PRODUCTION DELIVERED IN RIVERSIDE AND SAN BERNARDINO COUNTIES.
ALSO SHOWN IS THE AVERAGE ANNUAL PRODUCTION AND DELIVERIES
MADE WITHIN EACH COUNTY FOR THE
FIVE-YEAR BASE PERIOD ENDING IN 1963
 (ALL QUANTITIES IN ACRE FEET)

<u>Year</u>	<u>Total Production</u> (1)	<u>Export To Riverside County</u> (2)	<u>Used In San Bernardino County</u> (3)
1959	3801	2484	1317
1960	3379	2489	890
1961	4104	3110	994
1962	3580	2537	1043
1963	3898	2652	1246
TOTAL	18762	13272	5490
AVERAGE	3752	2654	1098
1964	4243	2956	1287
1965	3234	2222	1012
1966	3546	2552	994
1967	3434	2290	1144
1968	4664	3195	1469
1969	4755	3339	1416
1970	4360	2965	1395

- (1) From Riverside Highland Water Company Table No. 21, Line 8
 (2) From Riverside Highland Water Company Table No. 31, Col. (16)
 (3) From Riverside Highland Water Company Table No. 31, Col. (7)

RIVERSIDE HIGHLAND WATER COMPANY
WATER PRODUCTION FROM RIVERSIDE GROUND WATER BASIN
WITHIN SAN BERNARDINO COUNTY FOR PERIOD 1971-80
AND PRODUCTION DELIVERED IN RIVERSIDE AND SAN BERNARDINO COUNTIES
ALSO SHOWN IS THE AVERAGE ANNUAL PRODUCTION AND DELIVERIES
 (All Quantities in Acre Feet)

<u>Year</u>	<u>Total Production (1)</u>	<u>Export To Riverside County (2)</u>	<u>Used In San Bernardino County (3)</u>
1971	5304	3778	1526
1972	4229	2980	1249
1973	4074	2847	1227
1974	3371	2262	1109
1975			
<hr/>			
TOTAL			
AVERAGE			
<hr/>			
1976			
1977			
1978			
1979			
1980			
<hr/>			
TOTAL			
AVERAGE			
<hr/>			

- (1) From Riverside Highland Water Company Table No. 21, Line 8
 (2) From Riverside Highland Water Company Table No. 31, Col. (16)
 (3) From Riverside Highland Water Company Table No. 31, Col. (7)

TEMESCAL WATER CO.

WATER PRODUCTION FROM RIVERSIDE GROUND WATER BASIN
WITHIN SAN BERNARDINO COUNTY FOR PERIOD 1947-70
AND PRODUCTION DELIVERED IN RIVERSIDE AND SAN BERNARDINO COUNTIES.
ALSO SHOWN IS THE AVERAGE ANNUAL PRODUCTION AND DELIVERIES
MADE WITHIN EACH COUNTY FOR THE
FIVE-YEAR BASE PERIOD ENDING IN 1963
 (ALL QUANTITIES IN ACRE FEET)

Description	Production
State Well No.	2S4W6A3
Rec. No.	3601509
<u>Local Desig.</u>	<u>Palm Ave. Well</u>
<u>Year</u>	(1)
1947	557
1948	617
1949	0
1950	236
1951	1166
1952	415
1953	1299
1954	1233
1955	1822
1956	1792
1957	1447
1958	<u>1071</u>
1959	1203
1960	1319
1961	1363
1962	1163
1963	<u>1265</u>
TOTAL 1959-1963	6313
AVERAGE	<u>1263</u>
1964	1383
1965	1223
1966	1485
1967	1308
1968	744
1969	706
1970	970

Note: Total production shown in column (1) is all exported to Riverside County via Gage or Riverside Canals. Deliveries in San Bernardino County are zero.

TEMESCAL WATER COMPANY

WATER PRODUCTION FROM RIVERSIDE GROUND WATER BASIN
WITHIN SAN BERNARDINO COUNTY FOR PERIOD 1971-80
AND PRODUCTION DELIVERED IN RIVERSIDE AND SAN BERNARDINO COUNTIES
 (ALL QUANTITIES IN ACRE FEET)

<u>Description</u>	<u>Production</u>
State Well No.	2S4W6A3
Rec. No.	3601509
<u>Local Desig.</u>	<u>Palm Ave. Well</u>
<u>Year</u>	(1)
1971	1948
1972	1368
1973	1614
1974	821
1975	

TOTAL

AVERAGE

1976

1977

1978

1979

1980

TOTAL

AVERAGE

Note: Total production shown in column (1) is all exported to Riverside County via Gage or Riverside Canals. Deliveries in San Bernardino County are zero.

TABLE NO. 51

WEST RIVERSIDE 350 INCH WATER COMPANY

WATER PRODUCTION FROM RIVERSIDE GROUND WATER BASIN
WITHIN SAN BERNARDINO COUNTY FOR PERIOD 1959-70
AND PRODUCTION DELIVERED IN RIVERSIDE AND SAN BERNARDINO COUNTIES.
ALSO SHOWN IS THE AVERAGE ANNUAL PRODUCTION AND DELIVERIES MADE
WITHIN EACH COUNTY FOR THE FIVE-YEAR BASE PERIOD ENDING IN 1963

State Well # Rec. No. Local Desig. Year	<u>(ALL QUANTITIES IN ACRE FEET)</u>							Total Production (7)
	<u>No. 1 (1)</u>	<u>No. 2 (2)</u>	<u>No. 3 (3)</u>	<u>No. 4 (4)</u>	<u>No. 5 (5)</u>	<u>No. 6 (6)</u>	<u>No. 7 (6)</u>	
1959	1S4W32G2 3600829	1S4W32G4 3600830	1S4W32H1 3600831	1S4W32B1 3600832	1S4W32G1 3600833	1S4W32B2 3601953		2295
1960	10	252	30	784	896	-		1972
1961	0	245	150	571	542	640		2148
1962	-	-	-	-	-	2989		2989
1963	-	-	-	180	-	2512		2692
TOTAL	36	807	238	2258	2616	6141		12096
AVERAGE	7	161	48	452	523	1228		2419

Cols. (1), (2), (3), (4), (5), & (6) From Table No. 1, Volume 3
Col. (7) Sum of Cols. (1), (2), (3), (4), (5) & (6)

Note: Total production shown in Col. (7) is all exported to Riverside County via West Riverside Canal. Deliveries in San Bernardino County are zero.

TABLE NO. 51

WEST RIVERSIDE 350 INCH WATER COMPANY

WATER PRODUCTION FROM RIVERSIDE GROUND WATER BASIN

WITHIN SAN BERNARDINO COUNTY FOR PERIOD 1959-70

AND PRODUCTION DELIVERED IN RIVERSIDE AND SAN BERNARDINO COUNTIES.

ALSO SHOWN IS THE AVERAGE ANNUAL PRODUCTION AND DELIVERIES MADE

WITHIN EACH COUNTY FOR THE FIVE-YEAR BASE PERIOD ENDING IN 1963

(ALL QUANTITIES IN ACRE FEET)

State Well #	1S4W32G2	1S4W32G4	1S4W32H1	1S4W32B1	1S4W32G1	1S4W32B2	Total
Rec. No.	3600829	3600830	3600831	3600832	3600833	3601953	Production
Local Desig.	No. 1	No. 2	No. 4	No. 5	No. 6	No. 7	
Year	(1)	(2)	(3)	(4)	(5)	(6)	(7)
1964	-	-	-	302	-	3426	3728
1965	-	-	-	397	-	2751	3148
1966	-	-	-	517	-	2637	3154
1967	-	-	-	525	-	1871	2396
1968	-	-	-	773	-	2520	3293
1969	-	-	-	73	-	236	309
1970	-	-	-	627	-	2203	2830

Cols. (1), (2), (3), (4), (5), & (6) From Table No. 1, Volume 3
 Col. (7) Sum of Cols. (1), (2), (3), (4), (5), & (6)

Note: Total production shown in Col. (7) is all exported to Riverside County via West Riverside Canal.
 Deliveries in San Bernardino County are zero.

TABLE NO. 51

WEST RIVERSIDE 350 INCH WATER COMPANY
WATER PRODUCTION FROM RIVERSIDE GROUND WATER BASIN
WITHIN SAN BERNARDINO COUNTY FOR PERIOD 1971-80
 (All Quantities in Acre Feet)

State Well #	1S4W32G2	1S4W32G4	1S4W32H1	1S4W32B1	1S4W32G1	1S4W32B2	Total
Rec. No.	3600829	3600830	3600831	3600832	3600833	3601953	Production
Local Desig.	No. 1	No. 2	No. 4	No. 5	No. 6	No. 7	(7)
Year	(1)	(2)	(3)	(4)	(5)	(6)	(6a)
1971	0	0	0	470	0	1749	0
1972	0	0	0	225	0	1908	0
1973	0	0	0	197	0	688	0
1974	0	0	0	281	0	1240	0
1975							
TOTAL							2219
AVERAGE							2133
1976							885
1977							1521
1978							
1979							
1980							
TOTAL							
AVERAGE							

Cols. (1), (2), (3), (4), (5), & (6) From Table No. 1, Volume 3
 Col. (7) Sum of Cols. (1), (2), (3), (4), (5), & (6)
 Note: Total production shown in Col. (7) is all exported to Riverside County via West Riverside Canal.
 Deliveries in San Bernardino County are zero.

TABLE NO. 52

GROUND WATER PRODUCTION FROM THAT PART OF THE RIVERSIDE GROUND WATER BASIN SITUATED WITHIN SAN BERNARDINO COUNTY A PART OF WHICH IS USED IN SAN BERNARDINO COUNTY AND THE REMAINDER EXPORTED TO RIVERSIDE COUNTY DURING THE FIVE-YEAR BASE PERIOD ENDING IN 1963

(All Quantities in Acre Feet)

WATER PRODUCTION USED IN SAN BERNARDINO COUNTY

Line No.	Producing Agency	1959	1960	1961	1962	1963	Total	Five Year Average	Reference
1	American Cement Company (Crestmore)	713	719	832	510	298	3072	614	From Table No. 41, Col. (2)
2	City of Riverside Irrigation and Domestic	1581	852	1171	81	84	3769	754	From Table No. 42, Col. (2)
3	City of Riverside "The Gage Canal"	0	0	0	0	0	0	0	From Table No. 43, Col. (2)
4	Inter County Water Company	57	55	52	46	51	261	52	From Table No. 44, Col. (3)
5	Jurupa Water Company	0	0	0	0	0	0	0	From Table No. 45, See Footnote
6	La Sierra Water Company	725	698	598	289	274	2584	517	From Table No. 48, Col. (2)
7	Riverside Highland Water Company	1317	890	994	1043	1246	5490	1098	From Table No. 49, Col. (3)
8	Temescal Water Company	0	0	0	0	0	0	0	From Table No. 50, See Footnote
9	West Riverside 350 Inch Water Company	0	0	0	0	0	0	0	From Table No. 51, See Footnote
10	TOTAL LINES 1 through 9	4393	3214	3647	1969	1953	15176	3035	

WATER PRODUCTION EXPORTED TO RIVERSIDE COUNTY

15	American Cement Company (Crestmore)	1813	1459	314	543	650	4779	956	From Table No. 41, Col. (1)
16	City of Riverside Irrigation and Domestic	11393	8787	10508	8634	8175	47497	9500	From Table No. 42, Col. (1)
17	City of Riverside "The Gage Canal"	1504	1474	1639	1231	1169	7017	1403	From Table No. 43, Col. (1)
18	Inter County Water Company	88	86	81	71	80	406	81	From Table No. 44, Col. (2)
19	Jurupa Water Company	811	762	1114	745	333	3765	753	From Table No. 45, Col. (3)
20	La Sierra Water Company	2738	2492	2789	1572	690	10281	2056	From Table No. 48, Col. (3)
21	Riverside Highland Water Company	2484	2489	3110	2537	2652	13272	2654	From Table No. 49, Col. (2)
22	Temescal Water Company	1203	1319	1363	1163	1265	6313	1263	From Table No. 50, Col. (1)
23	West Riverside 350 Inch Water Company	2295	1972	2148	2989	2692	12096	2419	From Table No. 51 Col. (7)
24	TOTAL LINES 15 through 23	24329	20840	23066	19485	17706	105426	21085	
25	TOTAL LINES 10 plus 24	28722	24054	26713	21454	19659	120602	24120	

TABLE NO. 52

GROUND WATER PRODUCTION FROM THAT PART OF THE RIVERSIDE GROUND WATER BASIN SITUATED WITHIN SAN BERNARDINO COUNTY A PART OF WHICH IS USED IN SAN BERNARDINO COUNTY AND THE REMAINDER EXPORTED TO RIVERSIDE COUNTY DURING CALENDAR YEARS 1964-1970
(All Quantities in Acre Feet)

WATER PRODUCTION USED IN SAN BERNARDINO COUNTY

LINE NO.	PRODUCING AGENCY	1964	1965	1966	1967	1968	1969	1970	REFERENCES
1	American Cement Company (Crestmore)	1090	509	462	604	566	128	154	From Table No. 41, Col. (2)
2	City of Riverside Irrigation and Domestic	251	335	254	201	1315	147	94	From Table No. 42, Col. (2)
3	City of Riverside "The Gage Canal"	0	0	0	0	0	0	0	From Table No. 43, Col. (2)
4	Inter County Water Company	45	42	44	45	45	45	45	From Table No. 44, Col. (3)
5	Jurupa Water Company	0	0	0	0	0	0	0	From Table No. 45, See Footnote
6	La Sierra Water Company	0	0	0	0	0	0	0	From Table No. 48, Col. (2)
7	Riverside Highland Water Company	1287	1012	994	1144	1469	1416	1395	From Table No. 49, Col. (3)
8	Temescal Water Company	0	0	0	0	0	0	0	From Table No. 50, See Footnote
9	West Riverside 350 Inch Water Company	0	0	0	0	0	0	0	From Table No. 51, See Footnote
10	TOTAL LINES 1 THROUGH 9	2673	1898	1754	1994	3395	1736	1688	

WATER PRODUCTION EXPORTED TO RIVERSIDE COUNTY

15	American Cement Company (Crestmore)	861	342	279	389	346	259	585	From Table No. 41, Col. (1)
16	City of Riverside Irrigation and Domestic	9172	7417	4340	5549	7727	6822	3678	From Table No. 42, Col. (1)
17	City of Riverside "The Gage Canal"	1247	867	570	692	538	194	419	From Table No. 43, Col. (1)
18	Inter County Water Company	71	66	69	70	69	70	71	From Table No. 44, Col. (2)
19	Jurupa Water Company	728	927	954	421	679	826	121	From Table No. 45, Col. (3)
20	La Sierra Water Company	1739	2159	2051	2722	3692	1282	4667	From Table No. 48, Col. (3)
21	Riverside Highland Water Company	2956	2222	2552	2290	3195	3339	2965	From Table No. 49, Col. (2)
22	Temescal Water Company	1383	1223	1485	1308	744	706	970	From Table No. 50, Col. (1)
23	West Riverside 350 Inch Water Company	3728	3148	3154	2396	3293	309	2830	From Table No. 51, Col. (7)
24	TOTAL LINES 15 THROUGH 23	21,885	18,371	15,454	15,837	20,283	13,807	16,306	
25	TOTAL LINES 10 PLUS 24	24,558	20,269	17,208	17,831	23,678	15,543	17,994	

TABLE NO. 52
GROUND WATER PRODUCTION FROM THAT PART OF THE RIVERSIDE GROUND WATER BASIN
SITUATED WITHIN SAN BERNARDINO COUNTY A PART OF WHICH IS USED IN
SAN BERNARDINO COUNTY AND THE REMAINDER EXPORTED TO
RIVERSIDE COUNTY DURING CALENDAR YEARS 1971-1975
 (All Quantities in Acre Feet)

Line No.	PRODUCING AGENCY	WATER PRODUCTION USED IN SAN BERNARDINO COUNTY					Five Year Average	References
		1971	1972	1973	1974	1975		
1	American Cement Company (Crestmore)	482	204	0	0	0	686	From Table No. 41, Col. (2)
2	City of Riverside Irrigation and Domestic	174	107	45	111		437	From Table No. 42, Col. (2)
3	City of Riverside "The Gage Canal"	0	0	0	98		98	From Table No. 43, Col. (2)
4	Inter County Water Company	32	37	61	81		211	From Table No. 44, Col. (3)
5	Jurupa Water Company	0	0	0	0		0	From Table No. 45, See Footnote
6	La Sierra Water Company	0	0	0	0		0	From Table No. 48, Col. (2)
7	Riverside Highland Water Company	1,526	1,249	1,227	1,109		5,111	From Table No. 49, Col. (3)
8	Temescal Water Company	0	0	0	0		0	From Table No. 50, See Footnote
9	West Riverside 350 Inch Water Company	0	0	0	0		0	From Table No. 51, See Footnote
10	TOTAL LINES 1 THROUGH 9	2,214	1,597	1,333	1,399		6,543	

WATER PRODUCTION EXPORTED TO RIVERSIDE COUNTY

15	American Cement Company (Crestmore)	349	373	537	133		1,392	From Table No. 41, Col. (1)
16	City of Riverside Irrigation and Domestic	4,363	5,813	4,941	6,012		21,139	From Table No. 42, Col. (1)
17	City of Riverside "The Gage Canal"	567	778	222	374		1,941	From Table No. 43, Col. (1)
18	Inter County Water Company	51	58	96	125		330	From Table No. 44, Col. (2)
19	Jurupa Water Company	94	376	200	402		1,072	From Table No. 45, Col. (3)
20	La Sierra Water Company	4,739	4,709	2,644	1,933		14,025	From Table No. 48, Col. (3)
21	Riverside Highland Water Company	3,778	2,980	2,847	2,262		12,867	From Table No. 49, Col. (2)
22	Temescal Water Company	1,948	1,368	1,614	821		5,751	From Table No. 50, Col. (1)
23	West Riverside 350 Inch Water Company	2,219	2,133	885	1,521		6,768	From Table No. 51, Col. (7)
24	TOTAL LINES 15 THROUGH 23	18,108	18,588	13,986	13,583		64,265	
25	TOTAL LINES 10 PLUS 24	20,322	20,185	15,319	14,982		70,818	

TABLE NO. 52-A

GROUND WATER PRODUCTION FROM THAT PART OF THE RIVERSIDE GROUND WATER BASIN SITUATED WITHIN SAN BERNARDINO COUNTY, A PART OF WHICH IS USED IN SAN BERNARDINO COUNTY AND THE REMAINDER EXPORTED TO RIVERSIDE COUNTY DURING THE 5-YEAR BASE PERIOD ENDING IN 1963 AND FOR FOLLOWING CALENDAR YEARS 1964 THROUGH 1970

(All Quantities in Acre Feet)

Riverside Entities	EXTRACTIONS FROM RIVERSIDE BASIN AREA WITHIN SAN BERNARDINO COUNTY FOR USE WITHIN & EXPORT THEREFROM																	
	1959			1960			1961			1962			1963			5-Year Avg.		
	Total Extraction	San Bernardino County	Riverside County	Total Extraction	San Bernardino County	Riverside County	Total Extraction	San Bernardino County	Riverside County	Total Extraction	San Bernardino County	Riverside County	Total Extraction	San Bernardino County	Riverside County	Total Extraction	San Bernardino County	Riverside County
American Cement Co.	2,526	713	1,813	2,178	719	1,459	1,146	832	314	1,053	510	543	948	298	650	1,570	614	956
City of Riverside Dom. & Irrig.	12,974	1,581	11,393	9,639	852	8,787	11,679	1,171	10,508	8,715	81	8,634	8,259	84	8,175	10,234	754	9,500
City of Riverside Gage Canal	1,504	0	1,504	1,474	0	1,474	1,639	0	1,639	1,231	0	1,231	1,169	0	1,169	1,403	0	1,403
Inter County Wtr. Co.	165	57	88	141	55	86	133	52	81	117	46	71	131	51	80	133	52	81
Jurupa Water Co.	811	0	811	762	0	762	1,114	0	1,114	745	0	745	333	0	333	753	0	753
La Sierra Water Co.	3,463	725	2,738	3,190	698	2,492	3,387	598	2,789	1,861	289	1,572	964	274	690	2,573	517	2,056
Riverside Highland Water Co.	3,801	1,317	2,484	3,379	890	2,489	4,104	994	3,110	3,580	1,043	2,537	3,898	1,246	2,652	3,752	1,098	2,654
Temescal Water Co.	1,203	0	1,203	1,319	0	1,319	1,363	0	1,363	1,163	0	1,163	1,265	0	1,265	1,263	0	1,263
West Riverside 350" Water Co.	2,295	0	2,295	1,972	0	1,972	2,148	0	2,148	2,989	0	2,989	2,692	0	2,692	2,419	0	2,419
TOTAL	28,722	4,393	24,329	24,054	3,214	20,840	26,713	3,647	23,066	21,454	1,969	19,485	19,659	1,953	17,706	24,120	3,035	21,085

From Table No. 52.

TABLE NO. 52-A

GROUND WATER PRODUCTION FROM THAT PART OF THE RIVERSIDE GROUND WATER BASIN SITUATED WITHIN SAN BERNARDINO COUNTY, A PART OF WHICH IS USED IN SAN BERNARDINO COUNTY AND THE REMAINDER EXPORTED TO RIVERSIDE COUNTY DURING THE 5-YEAR BASE PERIOD ENDING IN 1963 AND FOR FOLLOWING CALENDAR YEARS 1964 THROUGH 1970

(All Quantities in Acre Feet)

Riverside Entities	EXTRACTIONS FROM RIVERSIDE BASIN AREA WITHIN SAN BERNARDINO COUNTY FOR USE WITHIN & EXPORT THEREFROM																
	1964			1965			1966			1967			1968			5-Year Avg.	
	Total Extraction	San Bernardino County	Riverside County	Total Extraction	San Bernardino County	Riverside County	Total Extraction	San Bernardino County	Riverside County	Total Extraction	San Bernardino County	Riverside County	Total Extraction	San Bernardino County	Riverside County	Total Extraction	Riverside County
American Cement Co.	1,951	1,090	861	851	509	342	741	462	279	389	912	566	346	1,090	646	444	
City of Riverside Dom. & Irrig.	9,423	251	9,172	7,752	335	7,417	4,594	254	4,340	5,549	201	5,348	1,315	7,727	471	6,841	
City of Riverside Gage Canal	1,247	0	1,247	867	0	867	570	0	570	692	0	692	0	538	0	783	
Inter County Wtr. Co.	116	45	71	108	42	66	113	44	69	70	45	69	69	113	44	69	
Jurupa Water Co.	728	0	728	927	0	927	954	0	954	421	0	421	0	679	0	742	
La Sierra Water Co.	1,739	0	1,739	2,159	0	2,159	2,051	0	2,051	2,722	0	2,722	0	3,692	0	2,472	
Riverside Highland Water Co.	4,243	1,287	2,956	3,234	1,012	2,222	3,546	994	2,552	3,434	1,144	2,290	1,469	3,195	1,182	2,643	
Temescal Water Co.	1,383	0	1,383	1,223	0	1,223	1,485	0	1,485	1,308	0	1,308	0	744	0	1,228	
West Riverside 350" Water Co.	3,728	0	3,728	3,148	0	3,148	3,154	0	3,154	2,396	0	2,396	0	3,293	0	3,144	
TOTAL	24,558	2,673	21,885	20,269	1,898	18,371	17,208	1,754	15,454	17,831	1,994	15,837	3,395	20,283	2,343	18,366	

From Table No. 52.

TABLE NO. 52-A

GROUND WATER PRODUCTION FROM THAT PART OF THE RIVERSIDE GROUND WATER BASIN SITUATED WITHIN SAN BERNARDINO COUNTY, A PART OF WHICH IS USED IN SAN BERNARDINO COUNTY AND THE REMAINDER EXPORTED TO RIVERSIDE COUNTY DURING THE 5-YEAR BASE PERIOD ENDING IN 1963 AND FOR FOLLOWING CALENDAR YEARS 1964 THROUGH 1970

Riverside Entities	EXTRACTIONS FROM RIVERSIDE BASIN AREA WITHIN SAN BERNARDINO COUNTY FOR USE WITHIN & EXPORT THEREFROM																
	1969			1970			1971			1972			1973			5-Year Avg.	
	Extraction	San Bernardino County	Riverside County	Total	San Bernardino County	Riverside County	Total	San Bernardino County	Riverside County	Total	San Bernardino County	Riverside County	Total	San Bernardino County	Riverside County	Total	
American Cement Co.	387	128	259	739	154	585											
City of Riverside Dom. & Irrig.	6,969	147	6,822	3,772	94	3,678											
City of Riverside Cage Canal	194	0	194	419	0	419											
Inter County Wtr. Co.	115	45	70	116	45	71											
Jurupa Water Co.	826	0	826	121	0	121											
La Sierra Wtr. Co.	1,282	0	1,282	4,667	0	4,667											
Riverside Highland Wtr. Co.	4,755	1,416	3,339	4,360	1,395	2,965											
Teneecal Wtr. Co.	706	0	706	970	0	970											
West Riverside 350" Wtr. Co.	309	0	309	2,830	0	2,830											
TOTAL	15,543	1,736	13,807	17,994	1,688	16,306											

(All Quantities in Acre Feet)

TABLE NO. 52-A

GROUND WATER PRODUCTION FROM THAT PART OF THE RIVERSIDE GROUND WATER BASIN SITUATED WITHIN SAN BERNARDINO COUNTY, A PART OF WHICH IS USED IN SAN BERNARDINO COUNTY AND THE REMAINDER EXPORTED TO RIVERSIDE COUNTY DURING CALENDAR YEARS 1971 THROUGH 1975
(All Quantities in Acre Feet)

Riverside Entities	EXTRACTIONS FROM RIVERSIDE BASIN AREA WITHIN SAN BERNARDINO COUNTY FOR USE WITHIN & EXPORT THEREFROM															
	1971			1972			1973			1974			1975		5-Year Avg.	
	Total Extraction	Deliveries		Total Extraction	Deliveries		Total Extraction	Deliveries		Total Extraction	Deliveries		Total Extraction	Deliveries		
		San Bernardino County	Riverside County		San Bernardino County	Riverside County		San Bernardino County	Riverside County		San Bernardino County	Riverside County		San Bernardino County	Riverside County	
American Cement Co.	831	482	349	577	204	373	537	0	537	133	0	133				
City of Riverside Dom. & Irrig.	4,537	174	4,363	5,920	107	5,813	4,986	45	4,941	6,123	111	6,012				
City of Riverside Gage Canal	567	0	567	778	0	778	222	0	222	472	98	374				
Inter County Wtr. Co.	83	32	51	95	37	58	157	61	96	206	81	125				
Jurupa Water Co.	94	0	94	376	0	376	200	0	200	402	0	402				
La Sierra Wtr. Co.	4,739	0	4,739	4,709	0	4,709	2,644	0	2,644	1,933	0	1,933				
Riverside Highland Water Co.	5,304	1,526	3,778	4,229	1,249	2,980	4,074	1,227	2,847	3,371	1,109	2,262				
Temescal Water Co.	1,948	0	1,948	1,368	0	1,368	1,614	0	1,614	821	0	821				
West Riverside 350" Water Co.	2,219	0	2,219	2,133	0	2,133	885	0	885	1,521	0	1,521				
TOTAL	20,322	2,214	18,108	20,185	1,597	18,588	15,319	1,333	13,986	14,982	1,399	13,583				

SAN BERNARDINO ENTITIES PRODUCTION
FROM RIVERSIDE BASIN AREA
WITHIN SAN BERNARDINO COUNTY
FOR CALENDAR YEARS 1959 THROUGH 1963 & 1970
FOR USE WITHIN SAN BERNARDINO COUNTY
 (All Quantities in Acre Feet)

CALENDAR YEAR	TOTAL VERIFIED EXTRACTIONS FROM RIVERSIDE BASIN AREA WITHIN SAN BERNARDINO COUNTY	TOTAL PRODUCTION BY RIVERSIDE ENTITIES	TOTAL PRODUCTION BY SAN BERNARDINO ENTITIES
	(1)	(2)	(3)
1959	38,572	28,722	9,850
1960	33,837	24,054	9,783
1961	37,176	26,713	10,463
1962	30,539	21,454	9,085
1963	28,521	19,659	8,862
TOTAL	168,645	120,602	48,043
5-YEAR AVERAGE	33,729	24,120	9,609
1970	26,875*	17,994	8,881*

(1) Total Extractions as verified in Volume 3 for the appropriate year, entitled Verified Extractions From the Riverside Basin Area Within San Bernardino County

(2) From Table No. 52, Line 25

(3) Col. (1) - Col. (2)

*Corrected during 1971 verification.

TABLE NO. 53

SAN BERNARDINO ENTITIES PRODUCTION
FROM RIVERSIDE BASIN AREA
WITHIN SAN BERNARDINO COUNTY
FOR CALENDAR YEARS 1971-80
FOR USE WITHIN SAN BERNARDINO COUNTY
 (All Quantities in Acre Feet)

CALENDAR YEAR	TOTAL VERIFIED EXTRACTIONS FROM RIVERSIDE BASIN AREA WITHIN SAN BERNARDINO COUNTY	TOTAL PRODUCTION BY RIVERSIDE ENTITIES	TOTAL PRODUCTION BY SAN BERNARDINO ENTITIES
	(1)	(2)	(3)
1971	29,070	20,322	8,748
1972	28,148	20,185	7,963
1973	21,809	15,319	6,490
1974	21,881	14,982	6,899
1975			
TOTAL 5-YEAR AVERAGE			
1976			
1977			
1978			
1979			
1980			
TOTAL 5-YEAR AVERAGE			

- (1) Total Extractions as verified in Volume 3 for appropriate year, entitled Verified Extractions From the Riverside Basin Area Within San Bernardino County
- (2) From Table No. 52, Line 25
- (3) Col. (1) - Col. (2)

TOTAL VERIFIED EXTRACTATIONS FROM THAT PORTION
OF THE RIVERSIDE BASIN SITUATED
IN SAN BERNARDINO COUNTY FOR THE
AVERAGE FIVE-YEAR PERIOD ENDING IN 1963
AND CALENDAR YEAR 1970
BY SAN BERNARDINO AND RIVERSIDE COUNTY ENTITIES
FOR USE WITHIN EACH COUNTY
 (Quantities in Acre Feet)

F I V E - Y E A R B A S E P E R I O D			
PRODUCER	PLACE OF USE		TOTAL PRODUCTION
	SAN BERNARDINO COUNTY	RIVERSIDE COUNTY	
San Bernardino County Water Interests (Note 1)	9,609	0	9,609
Riverside County Water Interests (Note 2)	3,035	21,085	24,120
TOTAL FIVE-YEAR AVERAGE	12,644	21,085	33,729

C A L E N D A R Y E A R 1 9 7 0			
PRODUCER	PLACE OF USE		TOTAL PRODUCTION
	SAN BERNARDINO COUNTY	RIVERSIDE COUNTY	
San Bernardino County Water Interests (Note 1)	8,881	0	8,881
Riverside County Water Interests (Note 2)	1,688	16,306	17,994
TOTAL FOR 1970	10,569	16,306	26,875

Note 1 : From Table No. 53, Column (3)

Note 2 : From Table No. 52, Lines 10, 24 and 25

TABLE NO. 54

TOTAL VERIFIED EXTRACTATIONS FROM THAT PORTION
OF THE RIVERSIDE BASIN SITUATED
IN SAN BERNARDINO COUNTY FOR THE
CALENDAR YEARS 1971-1975
BY SAN BERNARDINO AND RIVERSIDE COUNTY ENTITIES
FOR USE WITHIN EACH COUNTY
 (Quantities in Acre Feet by Calendar Year)

Line No.	Calendar Year	Producer	Place of Use		Total Production
			San Bernardino County	Riverside County	
1	1971	San Bernardino Co. Wtr. Interests	8,748	0	8,748
2		Riverside Co. Wtr. Interests	<u>2,214</u>	<u>18,108</u>	<u>20,322</u>
		TOTAL	10,962	18,108	29,070
1	1972	San Bernardino Co. Wtr. Interests	7,963	0	7,963
2		Riverside Co. Wtr. Interests	<u>1,597</u>	<u>18,588</u>	<u>20,185</u>
		TOTAL	9,560	18,588	28,148
1	1973	San Bernardino Co. Wtr. Interests	6,490	0	6,490
2		Riverside Co. Wtr. Interests	<u>1,333</u>	<u>13,986</u>	<u>15,319</u>
		TOTAL	7,823	13,986	21,809
1	1974	San Bernardino Co. Wtr. Interests	6,899	0	6,899
2		Riverside Co. Wtr. Interests	<u>1,399</u>	<u>13,583</u>	<u>14,982</u>
		TOTAL	8,298	13,583	21,881
1	1975	San Bernardino Co. Wtr. Interests			
2		Riverside Co. Wtr. Interests			
		TOTAL			
1	1971-75 5-Yr.Avg.	San Bernardino Co. Wtr. Interests			
2		Riverside Co. Wtr. Interests			
		TOTAL			

Note: Line 1 from Table No. 53, Column (3)
 Line 2 from Table No. 52, Lines 10, 24 and 25

C H A P T E R I V

EXTRACTIONS BY RIVERSIDE COUNTY
ENTITIES FROM RIVERSIDE
BASIN IN RIVERSIDE COUNTY

CHAPTER IV

EXTRACTIONS BY RIVERSIDE COUNTY
ENTITIES FROM RIVERSIDE
BASIN IN RIVERSIDE COUNTY

GENERAL STATEMENT

The provisions of Paragraphs IX(a) and IX(b) of the Judgment in Case No. 78426 entered April 17, 1969, entitled "Extractions from the Portion of Riverside Basin Area in Riverside County which is Tributary to Riverside Narrows", provide as follows:

"(a) The average annual extractions from the portion of the Riverside Basin Area in Riverside County which is tributary to Riverside Narrows, for use in Riverside County, for the five-year period ending with 1963 are assumed to be 30,044 acre feet; the correct figures shall be determined by the Watermaster as herein provided.

"(b) Over any five-year period, there may be extracted from such Basin Area, without replenishment obligation, an amount equal to five times such annual average for the Basin Area; provided, however, that if extractions in any year exceed such average by more than 20 percent, Western shall provide replenishment in the following year equal to the excess extractions over such 20 percent peaking allowance."

Paragraph IX(a) of the Judgment requires only that extractions from that part of the Riverside Basin in Riverside County which is tributary to the Riverside Narrows and used in Riverside County, be verified for the five calendar year base period ending in 1963. Accordingly, a verification of these extractions has been made, the results of which are shown on Table No. 55 as 29,634 acre feet annually for each year during the base period. The Judgment further provides in Paragraph XVI that the accounting is effective on and after January 1, 1971. Although not required, the verification on Table No. 55 for the five-year base period has been continued for the period 1964 to the present, for the purpose of furnishing information to the Watermaster and other interested parties concerning extraction trends during the six-year period between 1963 and 1970 and thereafter.

SUMMARY OF VERIFIED EXTRACTIONS FOR USE WITHIN RIVERSIDE COUNTY

The annual extractions for the period 1959 through 1970, as shown on Table No. 55, is summarized on Table No. 56 which also includes a summarization for the years from 1971 to the present.

TABLE NO. 55
 TOTAL VERIFIED EXTRACTONS BY RIVERSIDE ENTITIES
 FROM RIVERSIDE BASIN AREA WITHIN RIVERSIDE COUNTY
 FOR USE WITHIN RIVERSIDE COUNTY

OWNER	1959	1960	1961	1962	1963	5 YEAR AVERAGE	1964	1965	1966	1967	1968	5 YEAR AVERAGE	1969	1970
ALAMO WATER COMPANY														
3301768 255*110000 W	79	100	132	163	149	125	275	221	222	185	275	236	233	368
AMERICAN CEMENT CORPORATION (AMCORD, Inc. new owner)														
3300369 255*02E000 W	398	0	0	0	0	80	0	0	0	0	0	0	0	0
3300370 255*030000 W	282	242	282	282	532	324	575	323	474	490	484	469	807	807
3300371 255*05K000 W	0	0	0	30	15	9	0	0	0	0	0	0	0	0
3300372 255*03G025 W	37	0	0	0	0	7	0	0	0	0	0	0	0	0
3301473 255*02F000 W	603	781	465	515	531	579	555	545	540	518	416	515	359	449
3301610 255*03A000 W	0	488	2420	2020	1563	1298	849	1166	763	932	1287	999	1017	1213
3301626 255*02L000 W	350	350	0	132	110	188	0	0	0	0	0	0	0	0
3301626- 255*02L000 W	0	0	0	0	0	0	218	323	126	0	297	193	437	219
OWNER TOTAL	1670*	1861*	3167*	2979*	2751*	2486*	2197*	2357*	1903*	1940*	2484*	2176*	2620*	2688*
BANK OF AMERICA NATL. TRUST & SAVINGS														
3301505 254*19P015 W	90	90	90	90	94	91	94	0	0	0	0	19	0	0
BOX SPRINGS MUTUAL WATER COMPANY														
3300272 354*100000 W	0	0	0	0	0	0	0	0	0	0	0	0	0	0
3300272- 354*10A000 W	0	0	0	0	0	0	0	0	0	0	0	0	0	0
3300273 354*10G000 W	0	0	0	0	0	0	0	0	0	0	0	0	0	0
3300273- 354*10G000 W	0	0	0	0	0	0	0	0	0	0	0	0	0	0
3300274 354*10R000 W	0	0	0	0	0	0	0	0	0	0	0	0	0	0
3300274- 354*10R000 W	53	50	55	55	42	51	44	23	24	18	19	26	18	17
3300275 354*10A000 W	473	453	492	442	428	458	431	352	465	364	374	393	354	316

For continuation of this table refer to Volume 4 for appropriate year.

TABLE NO. 55

TOTAL VERIFIED EXTRACTONS BY RIVERSIDE ENTITIES
FROM RIVERSIDE BASIN AREA WITHIN RIVERSIDE COUNTY
FOR USE WITHIN RIVERSIDE COUNTY

OWNER	1959	1960	1961	1962	1963	5 YEAR AVERAGE	1964	1965	1966	1967	1968	5 YEAR AVERAGE	1969	1970
OWNER TOTAL	526*	503*	547*	497*	470*	509*	475*	375*	489*	362*	393*	419*	372*	333*
BURNS, F. L. AND LAURA														
3300439 254W07N000 W	0	0	0	0	0	0	0	0	0	20	20	8	20	20
CITIZENS NATIONAL COMPANY														
3300375 255W23L015 W	0	33	33	33	33	26	33	33	33	33	.33	33	0	0
CRESTMORE HEIGHTS MUTUAL WATER CO.														
3301372 255W03B025 W	67	63	52	17	16	43	18	17	19	18	21	19	19	25
3301659 255W03C000 W	0	0	13	44	42	20	49	46	55	47	54	50	50	65
OWNER TOTAL	67*	63*	65*	61*	58*	63*	67*	63*	74*	65*	75*	69*	69*	90*
EASTERN MUNICIPAL WATER DISTRICT														
3300981 354W03O000 W	0	0	0	0	0	0	0	0	0	0	0	0	0	0
3300982 354W03R000 W	3	1	0	0	0	1	0	0	0	0	0	0	0	0
OWNER TOTAL	3*	1*	0*	0*	0*	1*	0*	0*	0*	0*	0*	0*	0*	0*
FORT FREMONT MUTUAL WATER CO.														
3301296 255W16J000 W	70	27	27	18	45	37	41	66	77	111	11	61	17	19
3301297 255W16J000 W	136	182	188	184	144	167	158	100	87	46	156	110	141	169
OWNER TOTAL	206*	209*	215*	202*	189*	204*	199*	166*	164*	157*	167*	171*	158*	188*
GROSS, DALE P.														
3300748 255W12E000 W	0	0	0	0	0	0	0	0	0	0	0	0	0	0
GSURBS, V. M.														
3300076 254W07P000 W	45	40	51	38	39	43	41	32	35	0	0	21	0	0
HUNTER ENGINEERING COMPANY														
3300607 254W18E015 W	0	0	0	0	0	0	0	0	0	0	0	0	0	0

TABLE NO. 55

TOTAL VERIFIED EXTRACTONS BY RIVERSIDE ENTITIES
FROM RIVERSIDE BASIN AREA WITHIN RIVERSIDE COUNTY
FOR USE WITHIN RIVERSIDE COUNTY

OWNER	1959	1960	1961	1962	1963	5 YEAR AVERAGE	1964	1965	1966	1967	1968	5 YEAR AVERAGE	1969	1970
(CONTINUED)														
HUNTER ENGINEERING COMPANY														
3300508 254W18F000 W	0	0	0	0	0	0	0	0	0	0	0	0	0	0
3300609 254W18C000 W	0	0	0	31	188	44	195	132	94	103	91	123	108	141
OWNER TOTAL	0*	0*	0*	31*	188*	44*	195*	132*	94*	103*	91*	123*	108*	141*
INGOLSSY ENTERPRISES														
3300230 254W08N02 W	110	88	42	11	12	53	45	29	29	31	0	27	3	3
JOHNSON, TRUMAN														
3300160 255W14E000 W	270	214	248	187	250	234	360	305	267	356	161	290	0	0
JONES, C.H. & SONS, INC. (Michael, C., Inc. new owner)														
3300595 255W22C015 W	0	0	0	0	0	0	0	0	0	0	0	0	0	0
3300595- 255W22D000 W	354	354	354	354	354	354	354	354	467	328	323	365	169	132
3300596 255W21K015 W	1	1	1	1	1	1	1	1	1	1	1	1	1	1
3300597 255W22C025 W	1	1	1	1	1	1	1	1	0	0	0	0	0	0
3300598 255W21K000 W	1220	1220	1220	1220	1220	1220	1220	1220	1136	1380	1328	1257	750	1165
3300599 255W21B015 W	422	422	422	422	422	422	422	422	409	438	485	435	256	275
3300600 255W21A015 W	564	564	564	564	564	564	564	564	446	565	760	580	324	34
3300601 255W22D015 W	5	5	5	5	5	5	5	5	7	4	3	5	3	7
OWNER TOTAL	2567*	2567*	2567*	2567*	2567*	2567*	2567*	2567*	2466*	2716*	2900*	2643*	1503*	1614*
JONES, FARREL & GOULD, EDWARD														
3301834 255W15B105 W	0	0	0	0	30	6	330	510	1009	899	701	690	164	972
3301835 255W15B115 W	0	0	0	0	60	12	60	60	141	226	253	148	201	0
OWNER TOTAL	0*	0*	0*	0*	90*	18*	390*	570*	1150*	1125*	954*	838*	365*	972*

TABLE NO. 55
 TOTAL VERIFIED EXTRACTONS BY RIVERSIDE ENTITIES
 FROM RIVERSIDE BASIN AREA WITHIN RIVERSIDE COUNTY
 FOR USE WITHIN RIVERSIDE COUNTY

OWNER	1959	1960	1961	1962	1963	5 YEAR AVERAGE	1964	1965	1966	1967	1968	5 YEAR AVERAGE	1969	1970
JURUPA CONW. SERVICES DIST.														
3301575 255W058000 W	9	6	6	6	78	21	138	164	31	168	105	121	25	20
3301362 255W086045 W	12	180	422	275	552	288	442	576	613	549	543	545	478	404
3301501 255W086015 W	624	180	422	275	552	411	442	577	612	549	544	545	479	174
3301502 255W086025 W	308	351	103	295	116	235	265	209	182	197	165	204	143	5
3301625 255W086035 W	50	351	103	295	116	183	265	209	182	196	165	203	142	0
OWNER TOTAL	1003*	1068*	1056*	1146*	1414*	1137*	1552*	1735*	1620*	1659*	1522*	1618*	1267*	603*
LA CASA CONTENTA MOTEL														
3300573 254W19P000 W	0	0	0	0	0	0	0	0	0	0	0	0	0	0
MARTIN, KENNETH ALLAN														
3300554 255W32B015 W	0	0	0	0	0	0	0	0	0	0	0	0	0	0
MISSION INN COMPANY														
3301081 255W14B000 W	121	151	134	0	0	81	0	0	0	0	0	0	0	0
MUTUAL WATER COMPANY OF WEST RIVERSIDE														
3302008 255W10K000 W	178	178	178	178	178	178	178	178	164	172	193	177	186	255
PAGLIUSO, INC. JOSEPH														
3301036 355W09A015 W	118	247	420	300	300	277	400	300	350	354	400	361	400	400
PROPERTY ACQUISITION CO.														
3301422 255W05R025 W	140	136	143	139	141	140	143	140	136	35	0	91	0	0
RIO RANCHO MUTUAL WATER COMPANY														
3300022 255W16R000 W	0	0	0	0	0	0	0	0	0	0	0	0	0	0
3300022- 255W16R015 W	84	86	98	76	103	89	81	73	78	74	87	78	70	97

TABLE NO. 55

TOTAL VERIFIED EXTRACTONS BY RIVERSIDE ENTITIES
FROM RIVERSIDE BASIN AREA WITHIN RIVERSIDE COUNTY
FOR USE WITHIN RIVERSIDE COUNTY

OWNER	1959	1960	1961	1962	1963	5 YEAR AVERAGE	1964	1965	1966	1967	1968	5 YEAR AVERAGE	1969	1970
RIVERSIDE HIGHLAND WATER COMPANY														
OWNER TOTAL	84*	86*	98*	76*	103*	89*	81*	73*	78*	74*	87*	78*	70*	97*
3301655 254X08W01S W	0	0	0	1393	1381	555	1249	1157	1132	358	396	858	365	459
3301656 254X08W02S W	0	0	0	0	0	0	452	461	324	996	1472	741	888	990
OWNER TOTAL	0*	0*	0*	1393*	1381*	555*	1701*	1618*	1456*	1354*	1868*	1599*	1253*	1449*
RIVERSIDE INDUSTRIAL PARK														
3300330 255W11C01S W	315	315	224	209	174	247	121	0	0	0	0	24	0	0
RIVERSIDE, CITY OF														
3300686 254W19J01S W	384	319	378	203	274	312	106	12	0	0	0	24	0	0
3301073 255W12K02S W	672	1034	2232	1593	1026	1311	1221	1091	1178	1301	1497	1257	1790	2654
3301074 255W23J01S W	12	46	24	108	40	46	127	44	124	66	42	81	92	62
3301075 255W12H01S W	264	383	250	534	285	343	617	786	250	182	366	440	212	265
3301076 255W12P01S W	458	589	685	690	771	639	678	729	997	782	517	741	665	1243
3301077 255W12P02S W	259	299	152	482	409	320	351	359	300	316	417	368	218	361
3301078 255W28A01S W	4	3	3	3	3	3	3	2	0	0	0	1	0	0
3301079 255W28C01S W	0	0	0	0	0	0	0	0	0	0	0	0	0	0
3301082 255W14G02S W	1166	1187	1096	1045	675	1034	790	576	353	295	574	518	477	825
3301084 255W12A01S W	483	740	445	778	510	591	1135	1389	1884	1587	1087	1416	1394	153
3301086 255W14K000 D	0	0	0	0	0	0	0	0	0	0	0	0	0	0
*3301087 255W29G000 D	2613	2475	1628	1467	1467	1930	1452	1209	1209	1328	1151	1270	974	1161
3301284 255W24D01S W	766	2360	1246	1012	581	1193	317	457	0	0	0	155	0	509
3301245 255W13C01S W	0	0	0	0	0	0	0	0	0	0	0	0	0	0

*(Riverside County Parks Dept., new owner)

TABLE NO. 55

TOTAL VERIFIED EXTRACTIONS BY RIVERSIDE ENTITIES
FROM RIVERSIDE BASIN AREA WITHIN RIVERSIDE COUNTY
FOR USE WITHIN RIVERSIDE COUNTY

OWNER	1959	1960	1961	1962	1963	5 YEAR AVERAGE	1964	1965	1966	1967	1968	5 YEAR AVERAGE	1969	1970
(CONTINUED)														
RIVERSIDE, CITY OF														
3301285- 255W130025 W	0	0	2075	1325	1547	989	1648	1181	964	1105	1661	1312	9	51
3301286 254W07N015 W	553	0	0	0	0	111	0	0	0	0	0	0	0	0
3301286- 254W07N035 W	0	1069	811	620	599	620	1043	908	731	1434	463	916	1417	925
3301287 254W07L015 W	2731	1776	507	167	258	1088	707	495	689	642	240	555	760	1029
3301288 255W23R015 W	651	1103	629	369	374	625	653	631	385	626	549	569	0	1242
3301289 255W23O015 W	543	760	895	573	311	616	237	439	280	558	638	430	708	1004
3301358 254W08E015 W	220	198	210	250	439	263	391	318	245	0	87	208	3	0
3301359 254W08D035 W	147	357	375	254	0	227	0	0	0	0	0	0	0	0
3301359- 254W08D045 W	0	0	0	0	0	0	1	1	0	0	0	0	0	1
3301635 255W14G035 W	0	365	1829	1684	1536	1083	1574	1545	2449	1341	1177	1617	92	1050
3301814 355W03F015 W	24	19	18	14	12	17	11	20	12	116	36	39	43	87
3301851 255W14E010 W	0	0	0	0	0	0	0	679	1461	793	833	753	427	1522
3301940 355W09E000 W	438	464	448	358	300	402	269	253	161	70	0	151	217	169
3301959 255W12B000 W	0	0	0	0	0	0	0	0	0	0	10	2	885	967
OWNER TOTAL	12388*	15546*	15936*	13529*	11417*	13763*	13331*	13124*	13672*	12542*	11345*	12803*	10383*	15180*
RIVERSIDE, CITY OF GAGE CANAL														
3300366 255W26F015 W	856	931	1044	727	688	849	728	592	328	288	301	447	236	199
3300367 255W26E025 W	1752	1595	1633	985	1165	1426	1691	957	957	978	926	1102	1829	1230
3300368 255W26W015 W	449	461	559	305	318	418	383	265	81	99	105	187	542	156
OWNER TOTAL	3057*	2987*	3236*	2017*	2171*	2694*	2802*	1814*	1366*	1365*	1332*	1736*	2607*	1515*
RIVINO WATER COMPANY														
3301346 255W02L015 W	297	211	187	477	372	309	286	266	165	167	202	217	113	212

TABLE NO. 55
TOTAL VERIFIED EXTRACTIONS BY RIVERSIDE ENTITIES
FROM RIVERSIDE BASIN AREA WITHIN RIVERSIDE COUNTY
FOR USE WITHIN RIVERSIDE COUNTY

OWNER	1959	1960	1961	1962	1963	5 YEAR AVERAGE	1964	1965	1966	1967	1968	5 YEAR AVERAGE	1969	1970
ROCKY R RANCH														
3300768 355W14E000 W	45	24	6	6	5	17	5	5	5	5	5	5	5	0
ROOS, CHARLES E.														
3301257 254W31E000 W	0	200	0	0	0	40	0	0	0	0	0	0	0	0
ROSS, SAM														
3301194 255W12R01S W	0	0	0	0	0	0	0	0	0	0	0	0	0	0
RUNIDOUX COMMUNITY SERVICES DISTRICT														
3301153 255W15W020 W	101	126	123	75	117	108	114	118	97	97	43	94	3	89 ⁽¹⁾
3301154 255W15L09S W	50	51	62	32	28	45	28	30	61	84	193	79	169	37 ⁽¹⁾
3301363 255W16E06S W	59	90	190	130	108	115	205	322	287	265	339	284	376	457 ⁽¹⁾
3301473 255W15M01S W	167	136	129	126	141	140	159	89	85	71	70	95	24	92 ⁽¹⁾
3301474 255W16G04S W	136	195	190	140	117	156	42	106	61	67	142	84	159	186
3301524 255W19J000 W	22	3	0	0	0	5	0	0	0	0	0	0	0	0
3301574- 255W20J02S W	0	35	125	117	141	84	146	200	173	177	154	170	148	65
3301694 255W20H04S W	0	0	76	100	94	54	168	192	296	204	310	234	326	428
3301887 255W10P000 W	0	0	0	0	0	0	0	29	222	234	434	184	262	321
3302007 255W16H000 W	0	0	0	0	0	0	0	0	0	0	0	0	0	534 ⁽¹⁾
OWNER TOTAL	535*	636*	895*	720*	746*	706*	862*	1086*	1282*	1199*	1685*	1223*	1467*	2209* ⁽¹⁾
SCOPE CORPORATION														
3300003 254W19J02S W	99	67	85	101	5	71	97	71	0	0	0	33	0	0
3300004 254W19R01S W	17	23	50	98	95	57	108	40	0	0	0	30	0	0
OWNER TOTAL	116*	90*	135*	199*	100*	128*	205*	111*	0*	0*	0*	63*	0*	0*

(1) Verified extractions corrected during the 1972 verification.

TABLE NO. 55

TOTAL VERIFIED EXTRACTONS BY RIVERSIDE ENTITIES
FROM RIVERSIDE BASIN AREA WITHIN RIVERSIDE COUNTY
FOR USE WITHIN RIVERSIDE COUNTY

OWNER	1959	1960	1961	1962	1963	5 YEAR AVERAGE	1964	1965	1966	1967	1968	5 YEAR AVERAGE	1969	1970
SOUTHERN SERVICE COMPANY, LTD.														
3301384 255W22R01S W	30	34	38	35	31	34	33	36	54	71	75	54	73	62
STATE DIVISION OF HIGHWAYS DISTRICT 8 (California Dept. of Transportation District 8R new owner)														
3301915 255W23O000 W	0	0	0	0	0	0	0	0	0	63	177	48	171	292
STCKER, GEORGE														
3300798 255W12A000 W	158	165	159	165	134	156	107	107	67	0	0	56	0	0
UNIVERSITY OF CALIFORNIA, REGENTS OF														
3300040 254W08D02S W	131	283	370	94	227	221	337	645	422	222	213	368	106	293
VALENCIA MUTUAL WATER CO.														
3301703 255W02F000 W	564	704	731	476	912	677	450	275	223	290	577	363	574	533
VICTORIA CLUB														
3300417 255W25F01S W	528	631	805	23	126	423	124	61	25	20	122	70	390	405(1)
VON KANEL, ALFRED														
3300068 255W32A01S W	83	87	94	94	78	87	75	77	36	51	55	59	60	72
WATERMAN, ALLEN H.														
3300812 255W13P000 W	25	33	16	0	0	15	0	0	0	0	0	0	0	0
WEST RIVERSIDE 350 WATER CO.														
3301892 255W17R000 W	0	0	0	0	0	0	0	0	455	1358	484	459	662	874
WHITE SULPHUR SPRINGS POOL														
3300754 255W13E000 W	49	53	54	44	40	48	37	41	22	3	0	20	0	0
WIGHT, DR. C. M. (Wight, Mrs. Charles H., new owner)														
3300277 255W11K000 W	76	0	0	0	0	15	0	0	0	0	0	0	0	0

(1) Verified extractions corrected during the 1972 verification.

TABLE NO. 55

TOTAL VERIFIED EXTRACTIONS BY RIVERSIDE ENTITIES
FROM RIVERSIDE BASIN AREA WITHIN RIVERSIDE COUNTY
FOR USE WITHIN RIVERSIDE COUNTY

OWNER	1959	1960	1961	1962	1963	5 YEAR AVERAGE	1964	1965	1966	1967	1968	5 YEAR AVERAGE	1969	1970
YEAGER CONSTRUCTION CO., INC., E. L.														
3301927 255W03R000 W	0	0	0	0	0	0	0	0	0	5	10	3	12	0
ZINKE, VERA														
3300811 255W22K015 W	53	37	47	20	18	35	5	11	11	6	5	8	0	0
TOTAL VERIFIED EXTRACTIONS BY FILERS (SUBTOTAL)	25727*	29671*	32119*	28199*	26958*	28535*	29773*	28553*	28535*	28108*	27910*	28576*	25250*	31038*

OWNERS WHO HAVE NOT FILED WITH THE STATE WATER RESOURCES CONTROL BOARD

JOHNSON, TRUMAN														
NON-FILER 255W14E000 W	4	4	4	4	4	4	4	4	4	4	4	4	4	4
MISSION INN COMPANY (Mipo Corp., DBA Mission Inn Company)														
NON-FILER 255W23G000 W	73	73	73	73	73	73	73	73	73	73	73	73	67	67
PLEASANT ACRES RANCH SWARTZ														
NON-FILER 255W21M000 W	515	515	515	515	515	515	515	515	400	586	352	474	722	650
NON-FILER 255W21M000 W	504	504	504	504	504	504	504	504	394	577	342	464	704	590
OWNER TOTAL	1019*	1019*	1019*	1019*	1019*	1019*	1019*	1019*	794*	1163*	694*	938*	1426*	1240*
RUBIDOUX COMMUNITY SERVICES DISTRICT														
NON-FILER 255W20R010 W	3	3	3	3	3	3	3	3	3	3	3	3	3	0
TOTAL VERIFIED EXTRACTIONS BY NON-FILER (SUBTOTAL)	1099*	1099*	1099*	1099*	1099*	1099*	1099*	1099*	874*	1243*	774*	1018*	1500*	1307*

TOTAL VERIFIED EXTRACTIONS (FILED AND NON-FILED) FROM RIVERSIDE BASIN AREA IN RIVERSIDE COUNTY	30770*	33218*	29298*	28057*	29634*	30,872*	29652*	29409*	28684*	29351*	26750*	29594*	26750*	32345*
---	--------	--------	--------	--------	--------	---------	--------	--------	--------	--------	--------	--------	--------	--------

TOTAL VERIFIED EXTRACTIIONS
BY RIVERSIDE ENTITIES
FROM THE RIVERSIDE BASIN AREA
WITHIN RIVERSIDE COUNTY
FOR USE WITHIN RIVERSIDE COUNTY

<u>Year</u>	<u>Extractions Acre Feet</u>
1959	26,826
1960	30,770
1961	33,218
1962	29,298
1963	28,057
<hr/>	
5-Year Total	148,169
<hr/>	
5-Year Average	29,634
<hr/>	
1964	30,872
1965	29,652
1966	29,409
1967	29,351
1968	28,684
<hr/>	
5-Year Total	147,968
<hr/>	
5-Year Average	29,594
<hr/>	
1969	26,750
1970	32,345
<hr/>	

The verified extractions for the five-year base period ending in 1963 are 29,634 acre feet annually, as compared with 30,044 acre feet annually assumed in the Judgment.

TOTAL VERIFIED EXTRACTIONS
BY RIVERSIDE ENTITIES
FROM THE RIVERSIDE BASIN AREA
WITHIN RIVERSIDE COUNTY
FOR USE WITHIN RIVERSIDE COUNTY

Year	Extractions Acre Feet*
1971	30,942
1972	37,804
1973	33,094
1974	38,304
1975	
<hr/>	
5-Year Total	
5-Year Average	
<hr/>	
1976	
1977	
1978	
1979	
1980	
<hr/>	
5-Year Total	
5-Year Average	
<hr/>	

*See Table No. 4, Report of Watermaster, Volume 4, for appropriate year.

The verified extractions for the five-year base period ending in 1963 are 29,634 acre feet annually, as compared with 30,044 acre feet annually assumed in the Judgment.

C H A P T E R V

SUMMARY OF EXTRACTIONS
FROM SAN BERNARDINO BASIN AREA, COLTON BASIN AREA,
RIVERSIDE BASIN IN SAN BERNARDINO COUNTY,
AND RIVERSIDE BASIN IN RIVERSIDE COUNTY FOR
USE IN RIVERSIDE COUNTY

CHAPTER V

SUMMARY OF EXTRACTIONS
FROM SAN BERNARDINO BASIN AREA, COLTON BASIN AREA,
RIVERSIDE BASIN IN SAN BERNARDINO COUNTY,
AND RIVERSIDE BASIN IN RIVERSIDE COUNTY FOR
USE IN RIVERSIDE COUNTY

GENERAL STATEMENT

The Judgment includes a map and tables presented in Appendices "A" through "D". Appendix "D" is noted as Miscellaneous Data. A part of the miscellaneous data is specifically mentioned within the Judgment as requiring verification of the figures assumed in the Judgment. Table D-4, Appendix "D", summarizes the assumed water extractions for which verification is ordered by the Judgment. A copy of Table D-4 of Appendix "D" is shown for ease of reference.

APPENDIX "D"
TABLE D-4

EXTRACTIONS FROM
SAN BERNARDINO BASIN AREA, COLTON BASIN AREA
AND RIVERSIDE BASIN AREA USED WITHIN
RIVERSIDE COUNTY FOR THE AVERAGE
FIVE-YEAR PERIOD ENDING WITH 1963
(All Values in Acre Feet)

<u>Basin</u>	<u>Five-Year</u> <u>Average</u>
San Bernardino Basin Area	60,897
Colton Basin Area	3,349
Riverside Basin Area in San Bernardino County	20,191
Riverside Basin Area in Riverside County	<u>30,044</u>
TOTAL	114,481

SUMMARY OF EXTRACTIONS USED IN RIVERSIDE COUNTY

The required verifications of the extractions from the several areas shown in Table D-4 for the five-year base period ending in 1963 and the annual five-year average have been completed. The Judgment requires an annual accounting which becomes effective on and after January 1, 1971. Although not required by the Judgment, the verifications of the extractions from the several areas have been continued from 1964 through 1970 for the use of the Watermaster and other interested parties in observing and projecting trends in extractions from the various areas.

A summary of the extractions is shown on Table No. 57.

SUMMARY OF EXTRACTIIONS FROM SAN BERNARDINO
BASIN AREA, COLTON BASIN AREA, RIVERSIDE BASIN AREA
IN SAN BERNARDINO COUNTY, AND RIVERSIDE BASIN AREA
IN RIVERSIDE COUNTY FOR USE IN RIVERSIDE COUNTY
(All Quantities in Acre Feet)

Basin Extractions for Use in Riverside County					
Calendar Year	San Bernardino Basin Area from Table No. 36-A	Colton Basin Area from Table No. 39-A	Riverside Basin Area in San Bernardino Co. from Table No. 52-A	Riverside Basin Area in Riverside Co. from Table No. 56	Total
1959	63,264	5,071	24,329	26,826	119,490
1960	58,410	2,258	20,840	30,770	112,278
1961	65,746	4,183	23,066	33,218	126,213
1962	60,291	3,147	19,485	29,298	112,221
1963	56,773	2,242	17,706	28,057	104,778
Total 1959-1963	304,484	16,901	105,426	148,169	574,980
5-Year Avg. 1959-1963	60,897	3,381	21,085	29,634	114,997
1964	61,727	2,592	21,885	30,872	117,076
1965	51,431	3,805	18,371	29,652	103,259
1966	53,759	3,460	15,454	29,409	102,082
1967	50,471	2,547	15,837	29,351	98,206
1968	59,469	3,864	20,283	28,684	112,300
Total 1964-1968	276,857	16,268	91,830	147,968	532,923
5-Year Avg. 1964-68	55,371	3,254	18,366	29,594	106,585
1969	46,502	1,826	13,807	26,750	88,885
1970	52,265	2,337	16,306	32,345	103,253

TABLE NO. 57

**SUMMARY OF EXTRACTIONS FROM SAN BERNARDINO
BASIN AREA, COLTON BASIN AREA, RIVERSIDE BASIN AREA
IN SAN BERNARDINO COUNTY, AND RIVERSIDE BASIN AREA
IN RIVERSIDE COUNTY FOR USE IN RIVERSIDE COUNTY
(All Quantities in Acre Feet)**

Basin Extractions for Use in Riverside County					
Calendar Year	San Bernardino Basin Area from Table No. 36-A	Colton Basin Area from Table No. 39-A	Riverside Basin Area in San Bernardino Co. from Table No. 52-A	Riverside Basin Area in Riverside Co. from Table No. 56	Total
1971	57,477	2,777	18,108	30,942	109,304
1972	50,744	2,611	18,588	37,804	109,747
1973	47,083	615	13,986	33,094	94,778
1974	49,445	1,464	13,583	38,304	102,796
1975					
Total 1971-1975					
5-Year Avg 1971-1975					
1976					
1977					
1978					
1979					
1980					
Total 1976-1980					
5-Year Avg 1976-1980					

APPENDIX "A"

DIAGRAM A - FLOW DIAGRAM USED FOR CHECKING TABLES
NO. 25 AND NO. 26 OF RIVERSIDE HIGHLAND
WATER COMPANY AND A STEP PROCEDURE OF
DISTRIBUTING WATER PRODUCTION AND
DELIVERY FOR YEARS 1959 TO 1963

DIAGRAM B - FLOW DIAGRAM USED FOR CHECKING TABLES
NO. 30 AND NO. 31 OF RIVERSIDE HIGHLAND
WATER COMPANY AND A STEP PROCEDURE OF
DISTRIBUTING WATER PRODUCTION AND
DELIVERY 1959 TO THE PRESENT

DIAGRAM A

FLOW DIAGRAM USED FOR CHECKING TABLES NO. 25 AND NO. 26
OF RIVERSIDE HIGHLAND WATER COMPANY
AND A STEP PROCEDURE OF DISTRIBUTING
WATER PRODUCTION AND DELIVERY
FOR YEARS 1959 TO 1963

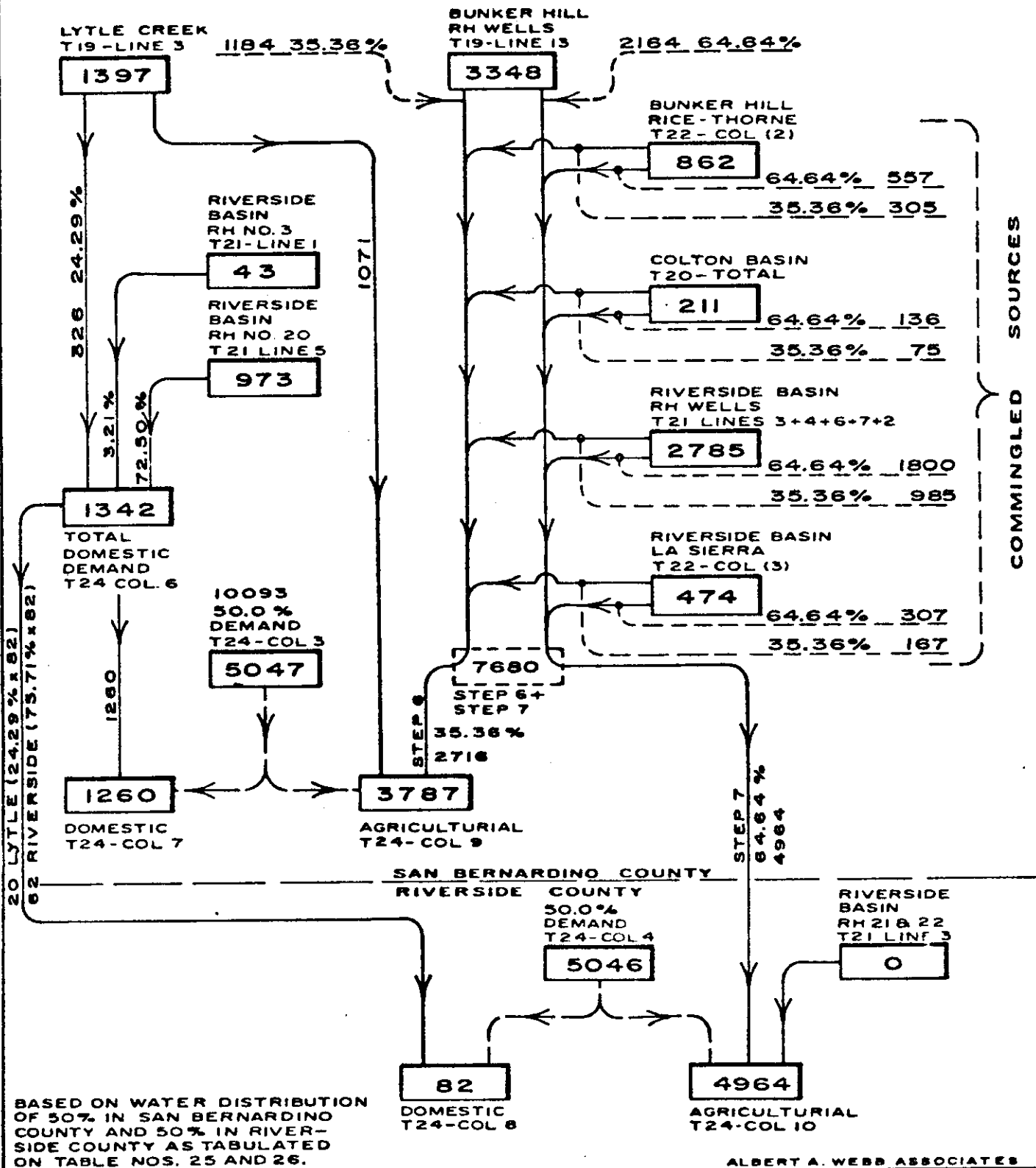
- Step 1 Insert quantities obtained from Tables No. 19, 20, 21, 22 and 24 in rectangular spaces shown on attached Flow Diagram. Abbreviations T19, T20, etc. pertain to Table No. 19 and Table No. 20, etc.
- Step 2 Domestic water supplied by Lytle Creek = total domestic demand less RH3 and less RH20 Well. Beginning in the year 1959, the RH20 Well production was used to assist Lytle Creek and RH3 Wells in meeting the growing domestic requirements. Then in the year 1966, Wells No. RH4 and RH4A were connected to the domestic system to aid RH20 and Lytle Creek Wells.
- Step 3 Determine percentages of total domestic demand supplied by each source, i.e., Lytle, RH3 and RH20.
- Step 4 Using percentages obtained in Step 3, determine make-up of domestic water used in Riverside County from Lytle and Riverside Basin Wells.
- Step 5 Agricultural water supplied by Lytle Creek Wells - total Lytle Creek minus quantity obtained in Step 2 for domestic use.
- Step 6 Water supplied from commingled sources North of County Line for agricultural use = total agricultural demand in San Bernardino County less quantity obtained in Step 5.

- Step 7 Water supplied from commingled sources, South of County Line for agricultural use = total agricultural demand in Riverside County less (RH21 + RH22) Wells.
- Step 8 Total water supplied from commingled sources for agricultural use = Step 6 + Step 7.
- Step 9 Determine percentage of Step 6 to Step 8 (S%) and Step 7 to Step 8 (R%) and use said percentages to determine quantity of water required from each of the commingled sources to meet their proportionate share of the agricultural demand in San Bernardino County and in Riverside County.
- Note: Based on water distribution of 50% in San Bernardino County and 50% in Riverside County.

DIAGRAM A

RIVERSIDE HIGHLAND WATER COMPANY
 DIAGRAM ILLUSTRATING THE PRODUCTION AND DISTRIBUTION
 NORTH AND SOUTH OF RIVERSIDE-SAN BERNARDINO CO. LINE

YEAR 1959



BASED ON WATER DISTRIBUTION OF 50% IN SAN BERNARDINO COUNTY AND 50% IN RIVERSIDE COUNTY AS TABULATED ON TABLE NOS. 25 AND 26.

ALBERT A. WEBB ASSOCIATES

DIAGRAM A

RIVERSIDE HIGHLAND WATER COMPANY
 DIAGRAM ILLUSTRATING THE PRODUCTION AND DISTRIBUTION
 NORTH AND SOUTH OF RIVERSIDE-SAN BERNARDINO CO. LINE

YEAR 1960

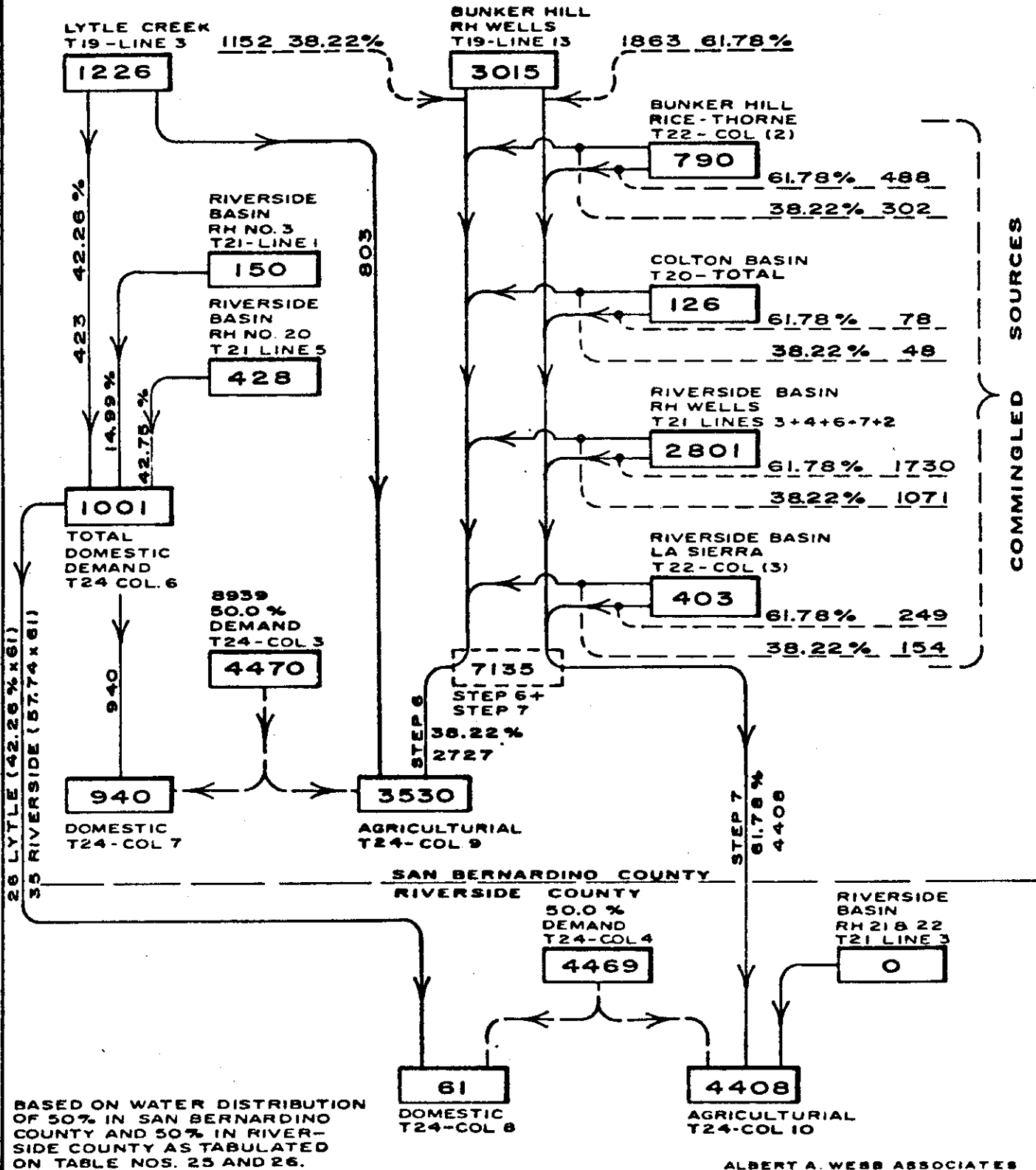


DIAGRAM A

RIVERSIDE HIGHLAND WATER COMPANY
 DIAGRAM ILLUSTRATING THE PRODUCTION AND DISTRIBUTION
 NORTH AND SOUTH OF RIVERSIDE-SAN BERNARDINO CO. LINE

YEAR 1961

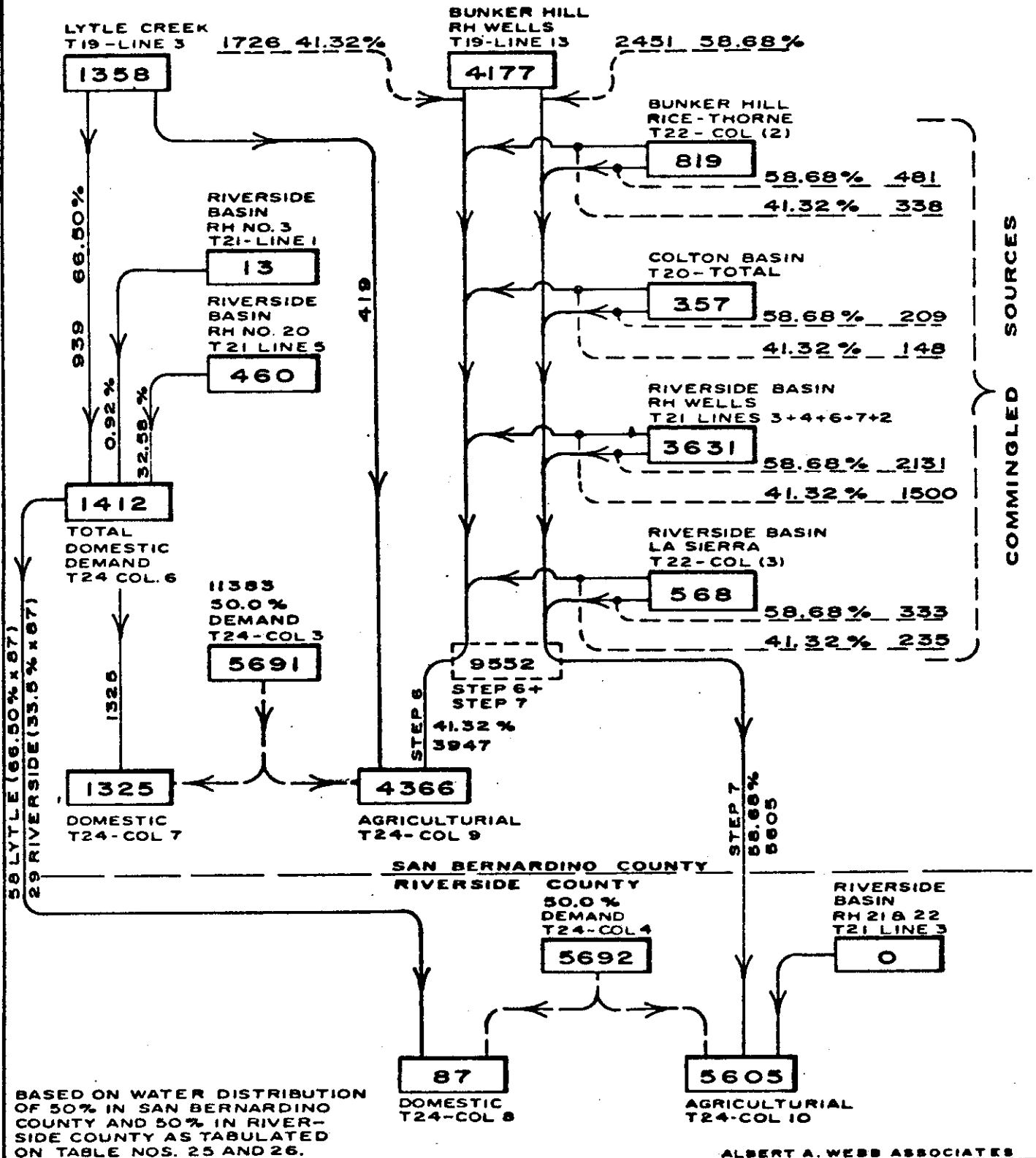


DIAGRAM A

RIVERSIDE HIGHLAND WATER COMPANY
 DIAGRAM ILLUSTRATING THE PRODUCTION AND DISTRIBUTION
 NORTH AND SOUTH OF RIVERSIDE-SAN BERNARDINO CO. LINE

YEAR 1962

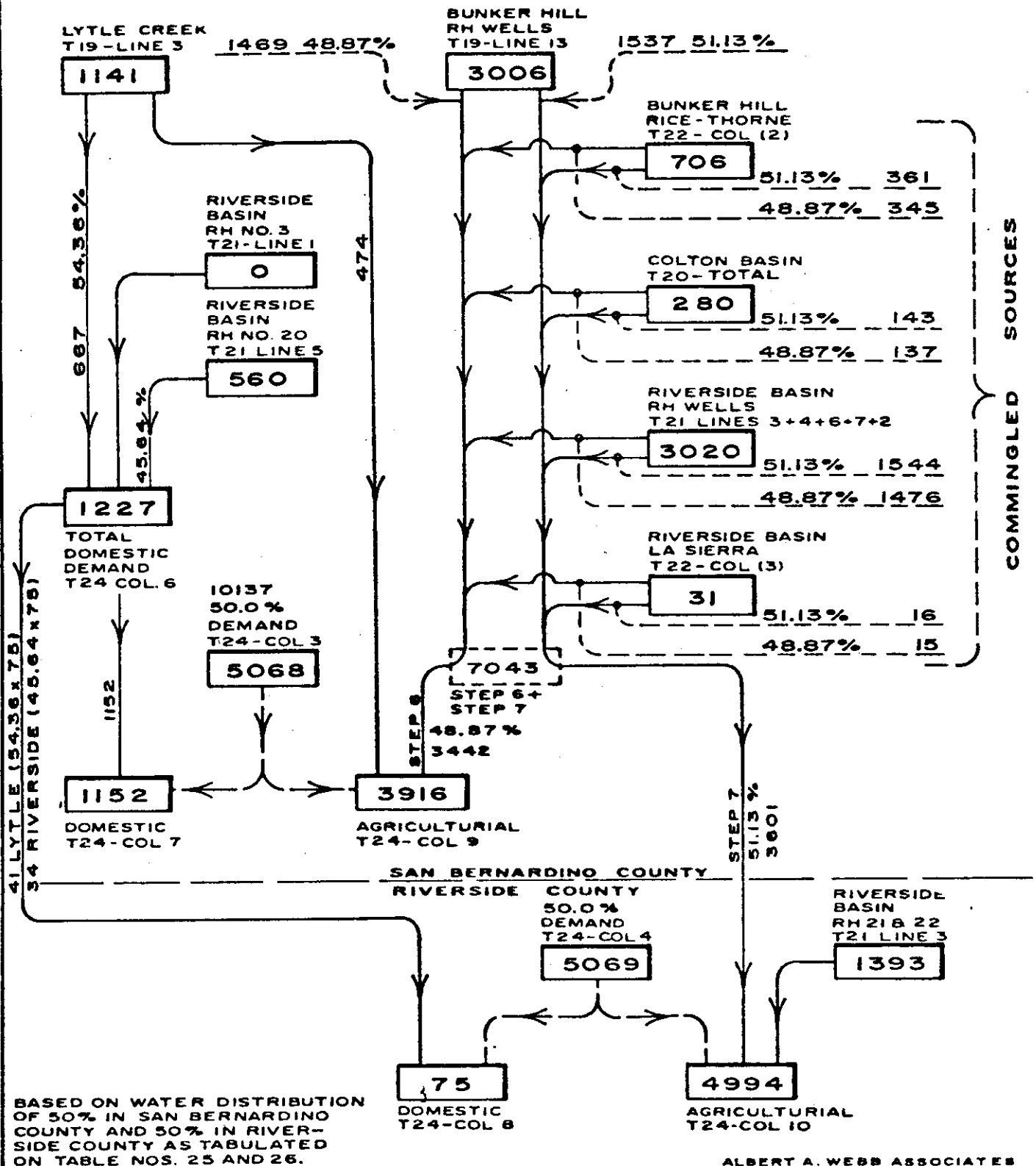


DIAGRAM A

RIVERSIDE HIGHLAND WATER COMPANY
 DIAGRAM ILLUSTRATING THE PRODUCTION AND DISTRIBUTION
 NORTH AND SOUTH OF RIVERSIDE-SAN BERNARDINO CO. LINE

YEAR 1963

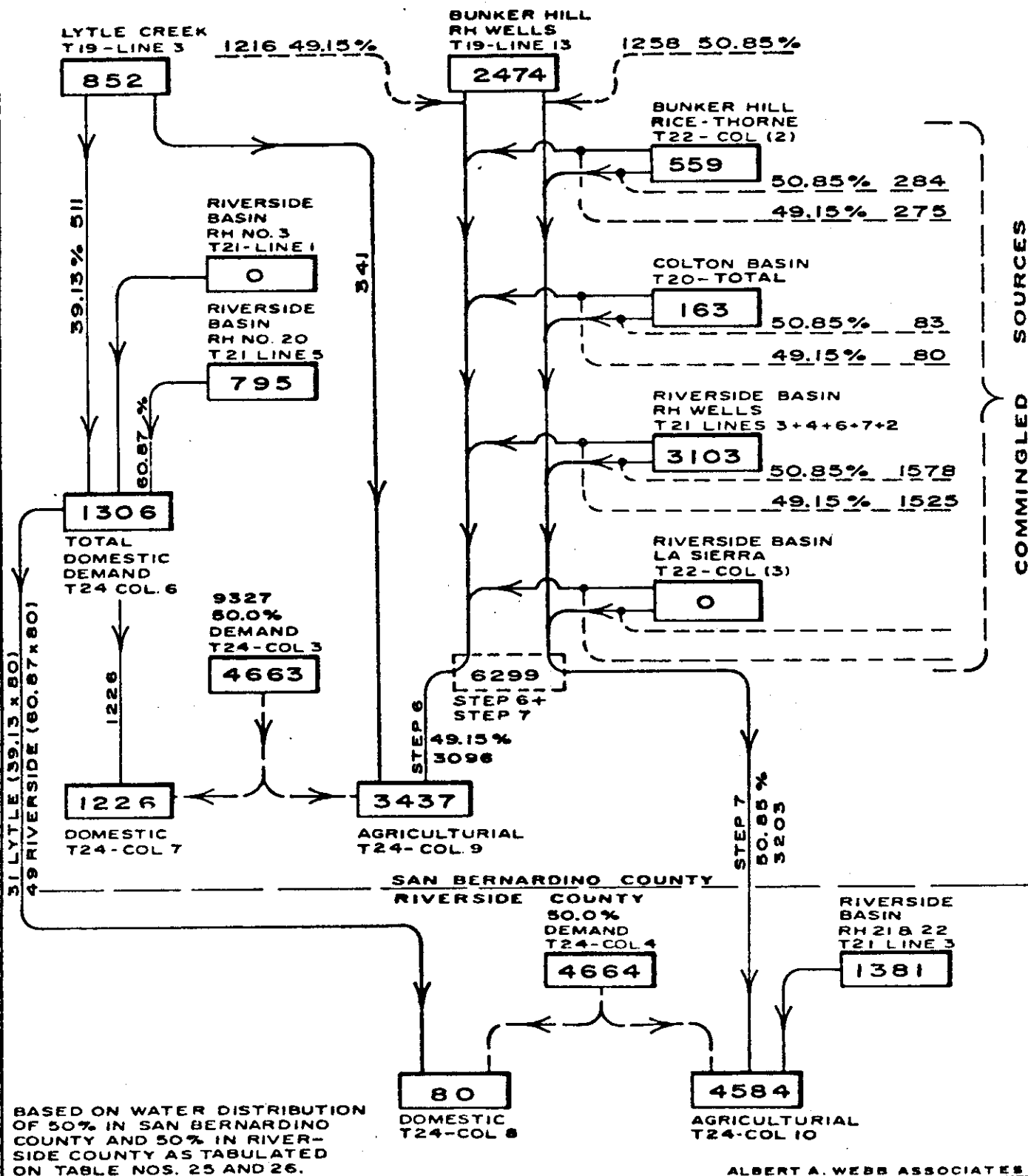


DIAGRAM A

RIVERSIDE HIGHLAND WATER COMPANY
 DIAGRAM ILLUSTRATING THE PRODUCTION AND DISTRIBUTION
 NORTH AND SOUTH OF RIVERSIDE-SAN BERNARDINO CO. LINE

YEAR 1959 THRU 1963

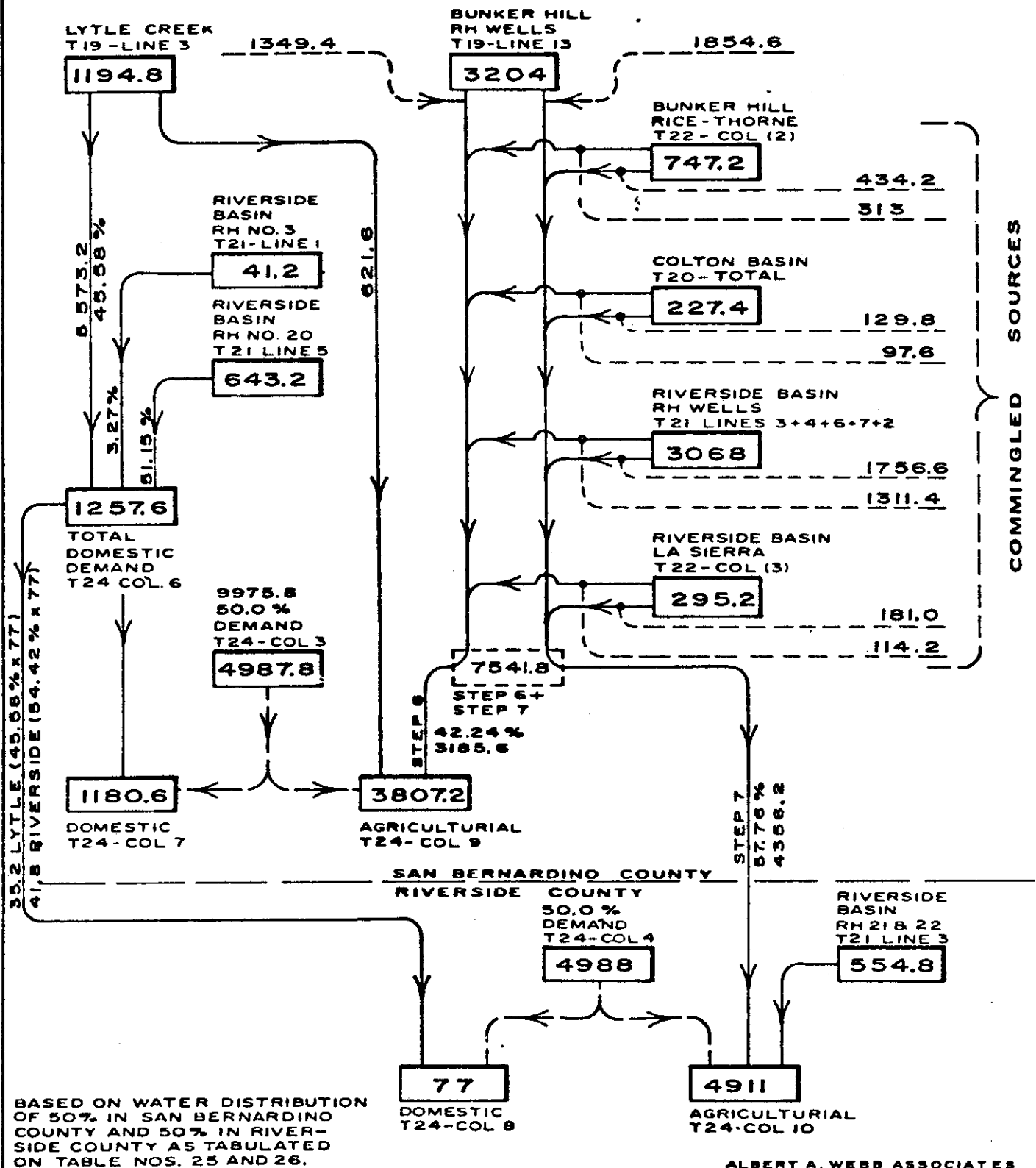


DIAGRAM B

FLOW DIAGRAM USED FOR CHECKING TABLES NO. 30 AND NO. 31
OF RIVERSIDE HIGHLAND WATER COMPANY
AND A STEP PROCEDURE OF DISTRIBUTING
WATER PRODUCTION AND DELIVERY
1959 TO THE PRESENT

- Step 1 Insert quantities obtained from Tables 19, 20, 21, 22, and 29 in rectangular spaces shown on attached Flow Diagram. Abbreviations T19, T20 etc. pertain to Table No. 19, Table No. 20, etc.
- Step 2 Domestic water supplied by Lytle Creek = Total domestic demand less RH3, RH20, RH4, and RH4A Wells. Beginning in the year 1959, the RH20 Well production was used to assist Lytle Creek and RH3 Wells, in meeting the growing domestic requirements. Then in the year 1966, Wells No. RH4 and RH4A were connected to the domestic system to aid RH20 and Lytle Creek Wells.
- Step 3 Determine percentages of total domestic demand supplied by each source, i.e., Lytle, RH3, RH20, RH4 and RH4A, with due regard to date of transfer of RH4 and RH4A to domestic system, year 1966.
- Step 4 Using percentages obtained in Step 3, determine make-up of domestic water used in Riverside County from Lytle, Colton and Riverside Basin Wells.
- Step 5 Agricultural water supplied by Lytle Creek Wells = total Lytle Creek minus quantity obtained in Step 2 for domestic use.
- Step 6 Water supplied from commingled sources North of County Line for agricultural use equals total agricultural demand in San Bernardino County less quantity obtained in Step 5.
- Step 7 Water supplied from commingled sources, South of County Line for Agricultural use, equals total agricultural demand in Riverside County less (RH7 + RH21 + RH22) Wells.

Step 8 Total water supplied from commingled sources for agricultural use equals Step 6 + Step 7.

Step 9 Determine percentage of Step 6 to Step 8 (S%) and Step 7 to Step 8 (R%) and use said percentages to determine quantity of water required from each of the commingled sources to meet their proportionate share of the agricultural demand in San Bernardino County and in Riverside County.

Note: Based on inventory of agricultural and domestic deliveries in Riverside County as provided by Riverside Highland Water Company.

DIAGRAM B

RIVERSIDE HIGHLAND WATER COMPANY
 DIAGRAM ILLUSTRATING THE PRODUCTION AND DISTRIBUTION
 NORTH AND SOUTH OF RIVERSIDE-SAN BERNARDINO CO. LINE

YEAR 1959

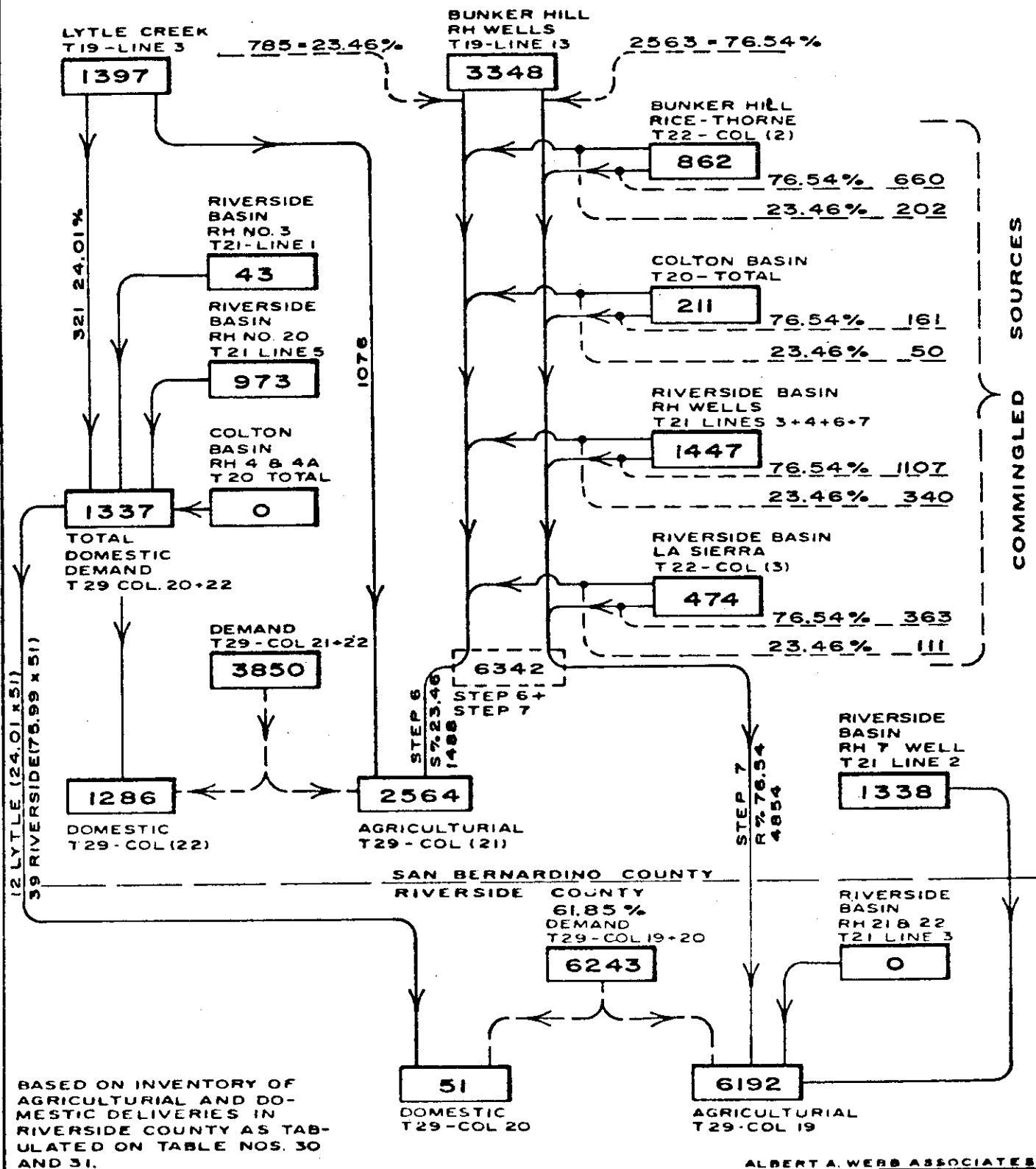


DIAGRAM B

RIVERSIDE HIGHLAND WATER COMPANY
 DIAGRAM ILLUSTRATING THE PRODUCTION AND DISTRIBUTION
 NORTH AND SOUTH OF RIVERSIDE-SAN BERNARDINO CO. LINE

YEAR 1960

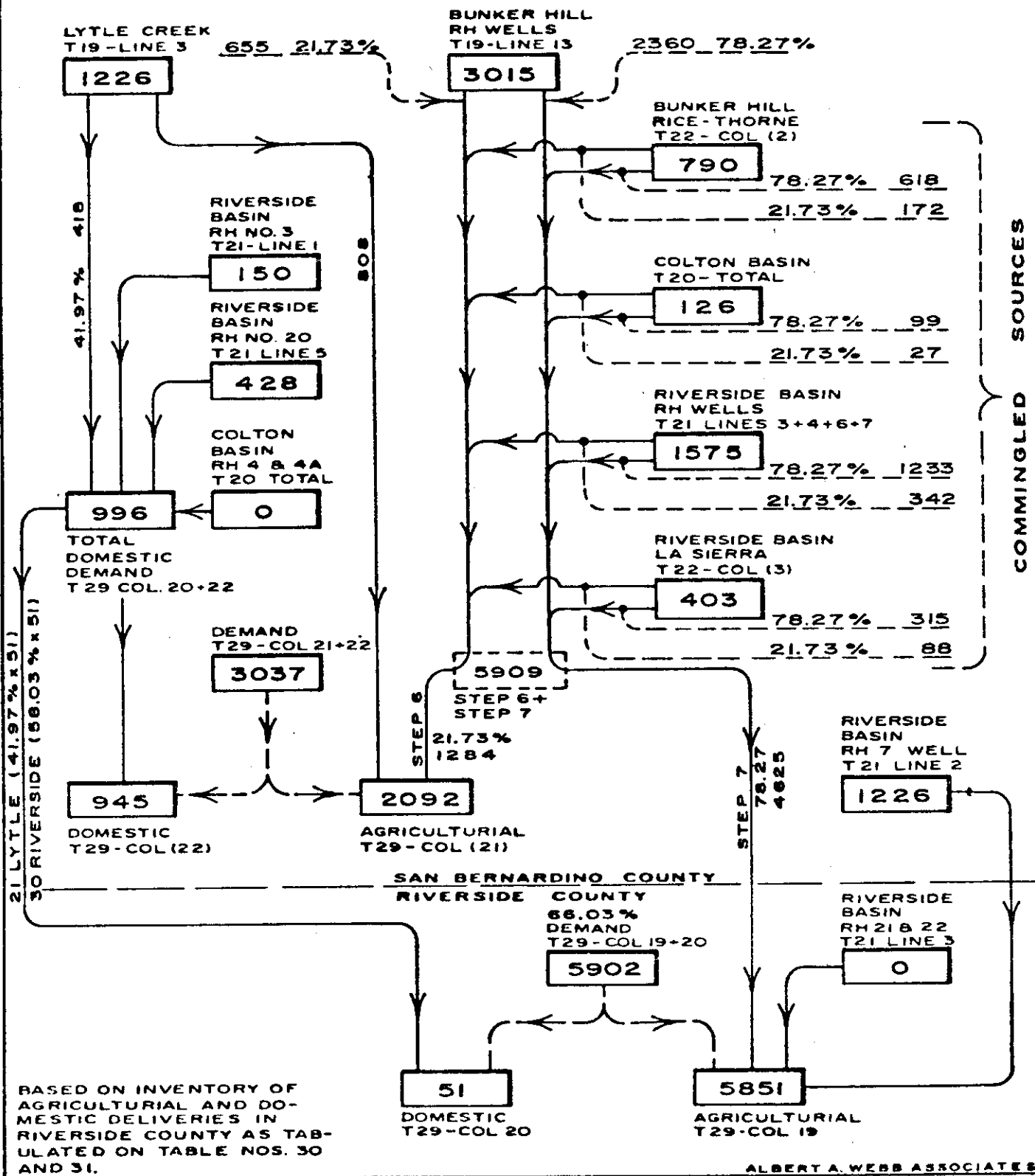
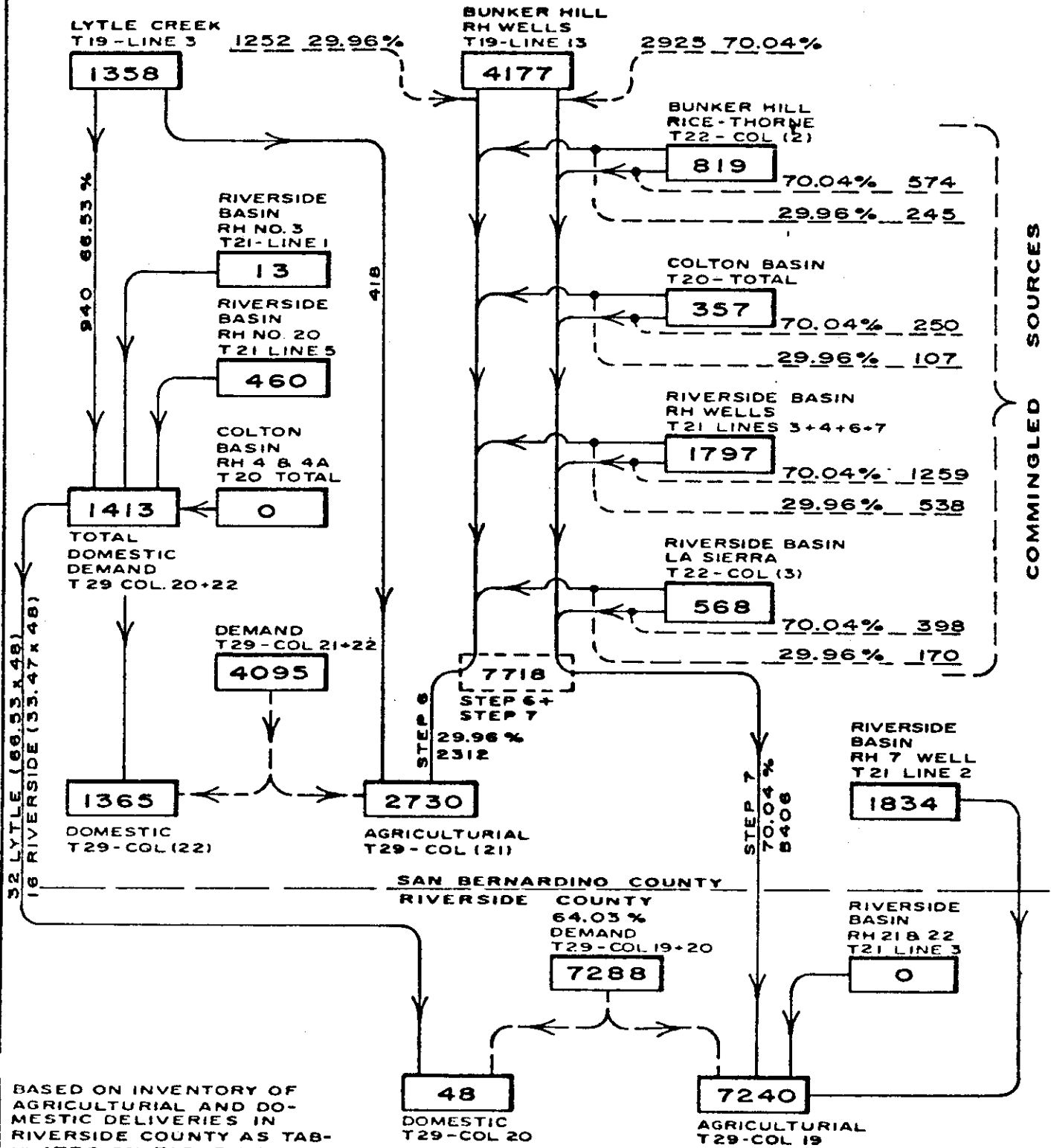


DIAGRAM B

RIVERSIDE HIGHLAND WATER COMPANY
 DIAGRAM ILLUSTRATING THE PRODUCTION AND DISTRIBUTION
 NORTH AND SOUTH OF RIVERSIDE-SAN BERNARDINO CO. LINE

YEAR 1961



BASED ON INVENTORY OF AGRICULTURAL AND DOMESTIC DELIVERIES IN RIVERSIDE COUNTY AS TABULATED ON TABLE NOS. 30 AND 31.

ALBERT A. WEBB ASSOCIATES

DIAGRAM B

RIVERSIDE HIGHLAND WATER COMPANY
 DIAGRAM ILLUSTRATING THE PRODUCTION AND DISTRIBUTION
 NORTH AND SOUTH OF RIVERSIDE-SAN BERNARDINO CO. LINE

YEAR 1962

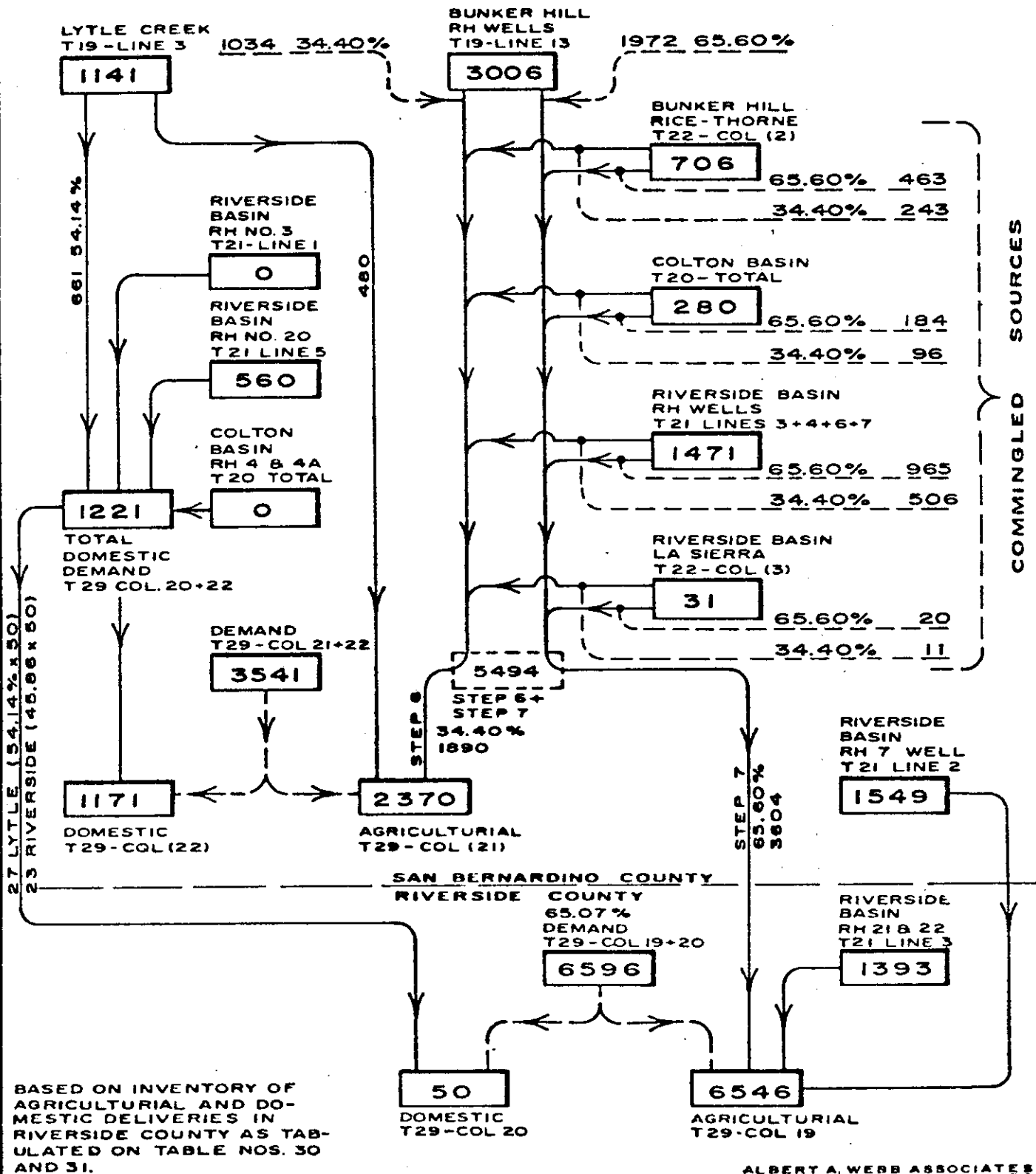
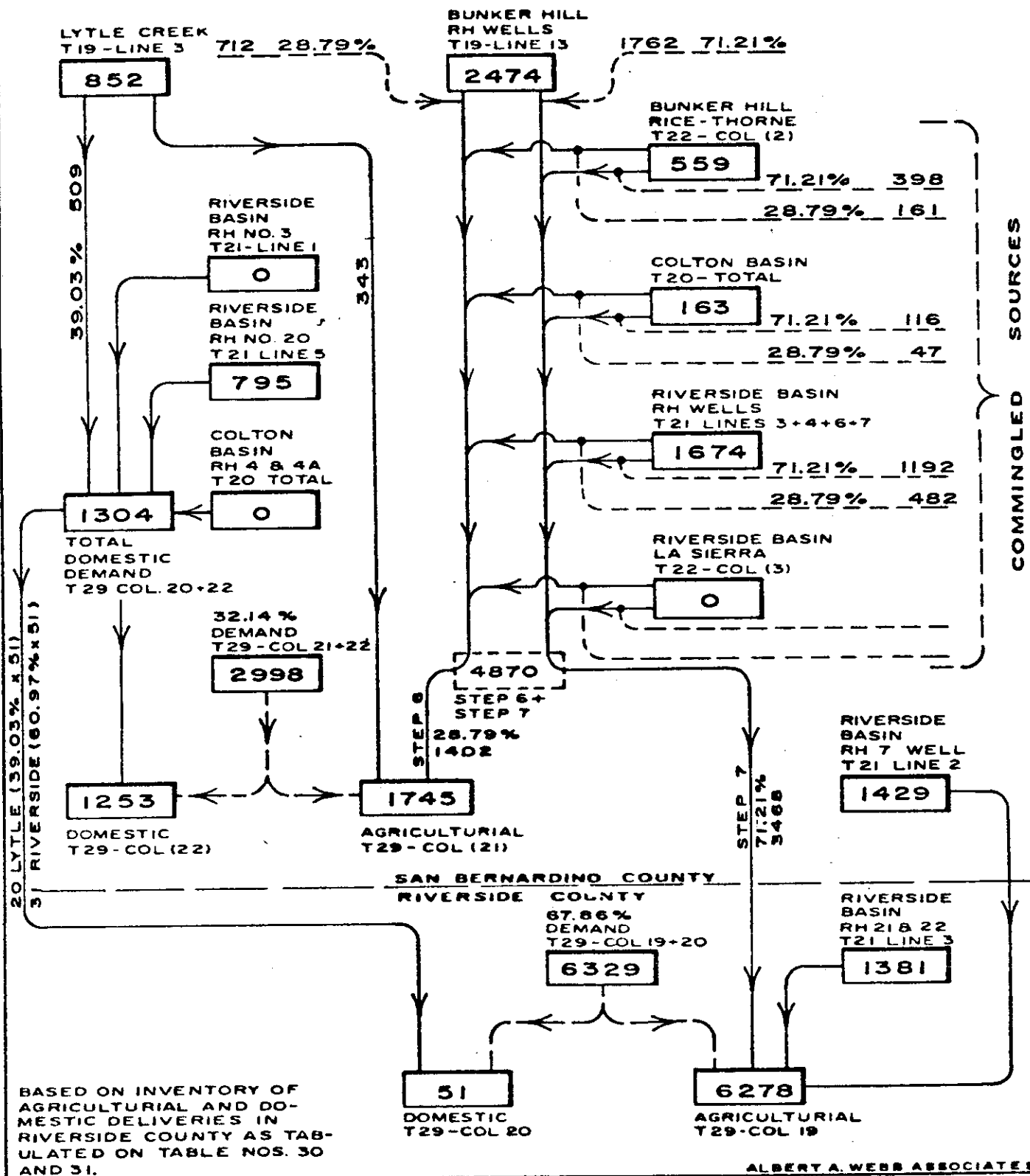


DIAGRAM B

RIVERSIDE HIGHLAND WATER COMPANY
 DIAGRAM ILLUSTRATING THE PRODUCTION AND DISTRIBUTION
 NORTH AND SOUTH OF RIVERSIDE-SAN BERNARDINO CO. LINE

YEAR 1963



COMINGLED SOURCES

BASED ON INVENTORY OF AGRICULTURAL AND DOMESTIC DELIVERIES IN RIVERSIDE COUNTY AS TABULATED ON TABLE NOS. 30 AND 31.

ALBERT A. WEBB ASSOCIATES

DIAGRAM B

RIVERSIDE HIGHLAND WATER COMPANY
 DIAGRAM ILLUSTRATING THE PRODUCTION AND DISTRIBUTION
 NORTH AND SOUTH OF RIVERSIDE-SAN BERNARDINO CO. LINE

YEAR 1959 THRU 1963

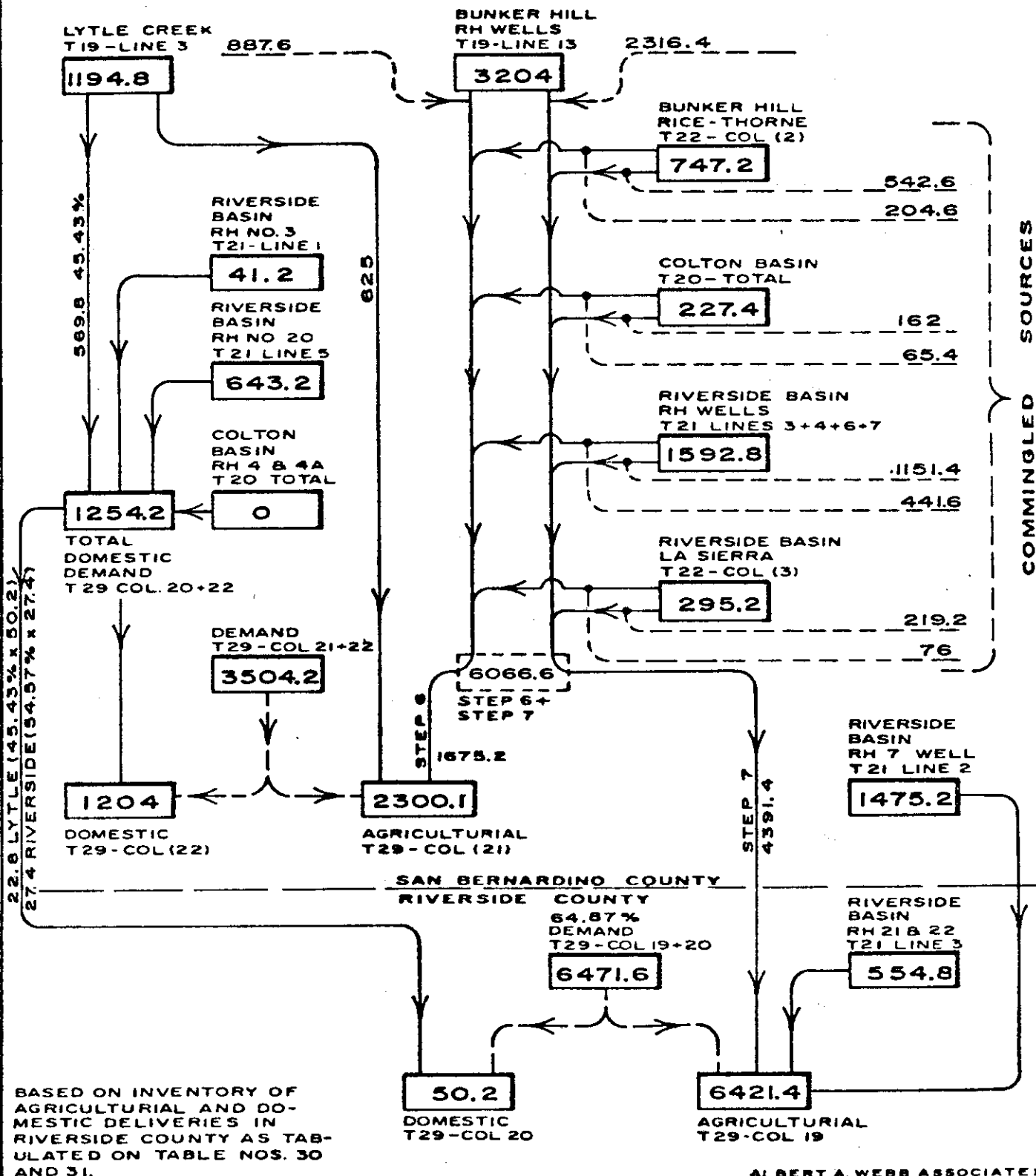
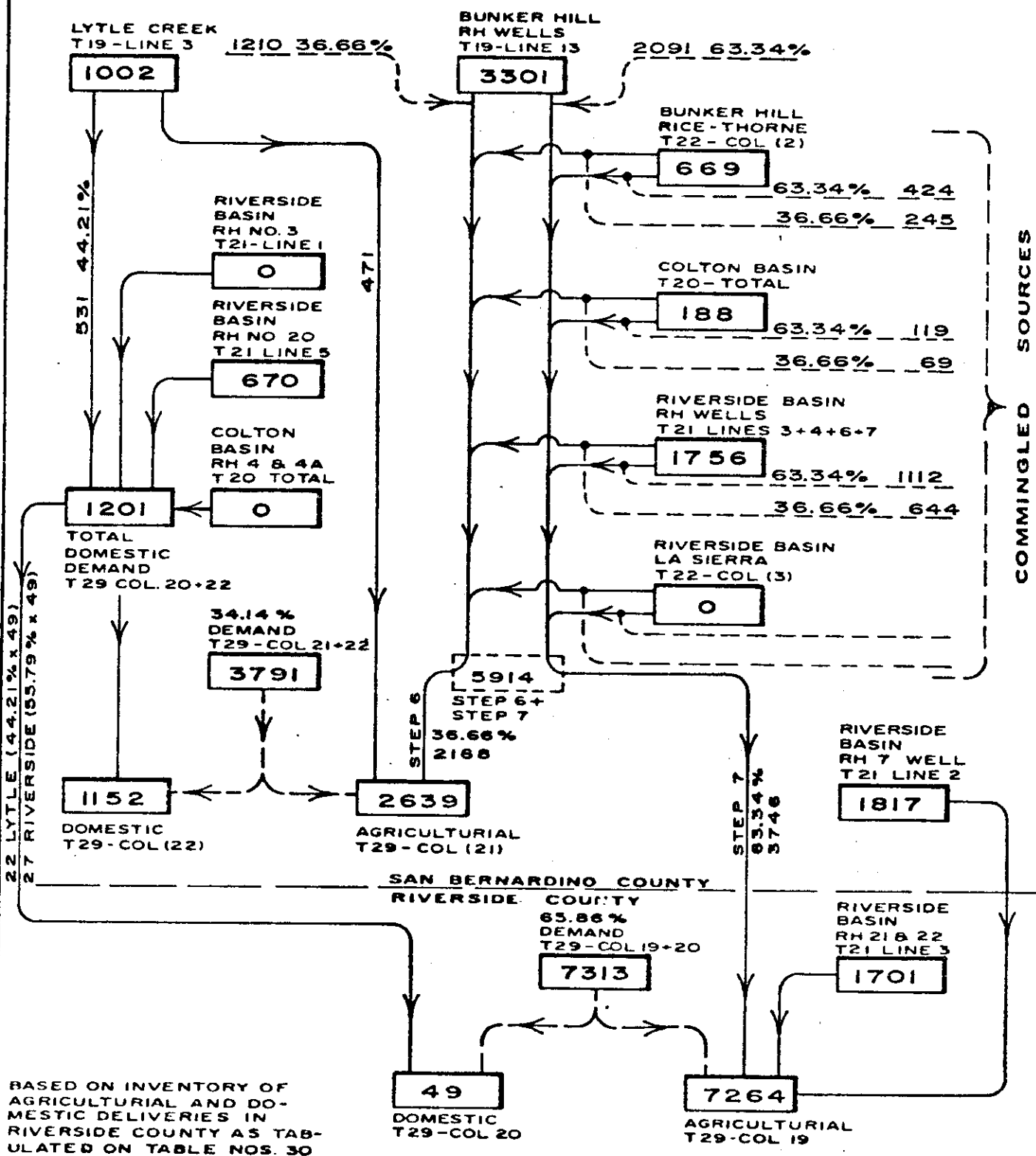


DIAGRAM B

RIVERSIDE HIGHLAND WATER COMPANY
 DIAGRAM ILLUSTRATING THE PRODUCTION AND DISTRIBUTION
 NORTH AND SOUTH OF RIVERSIDE-SAN BERNARDINO CO. LINE

YEAR 1964



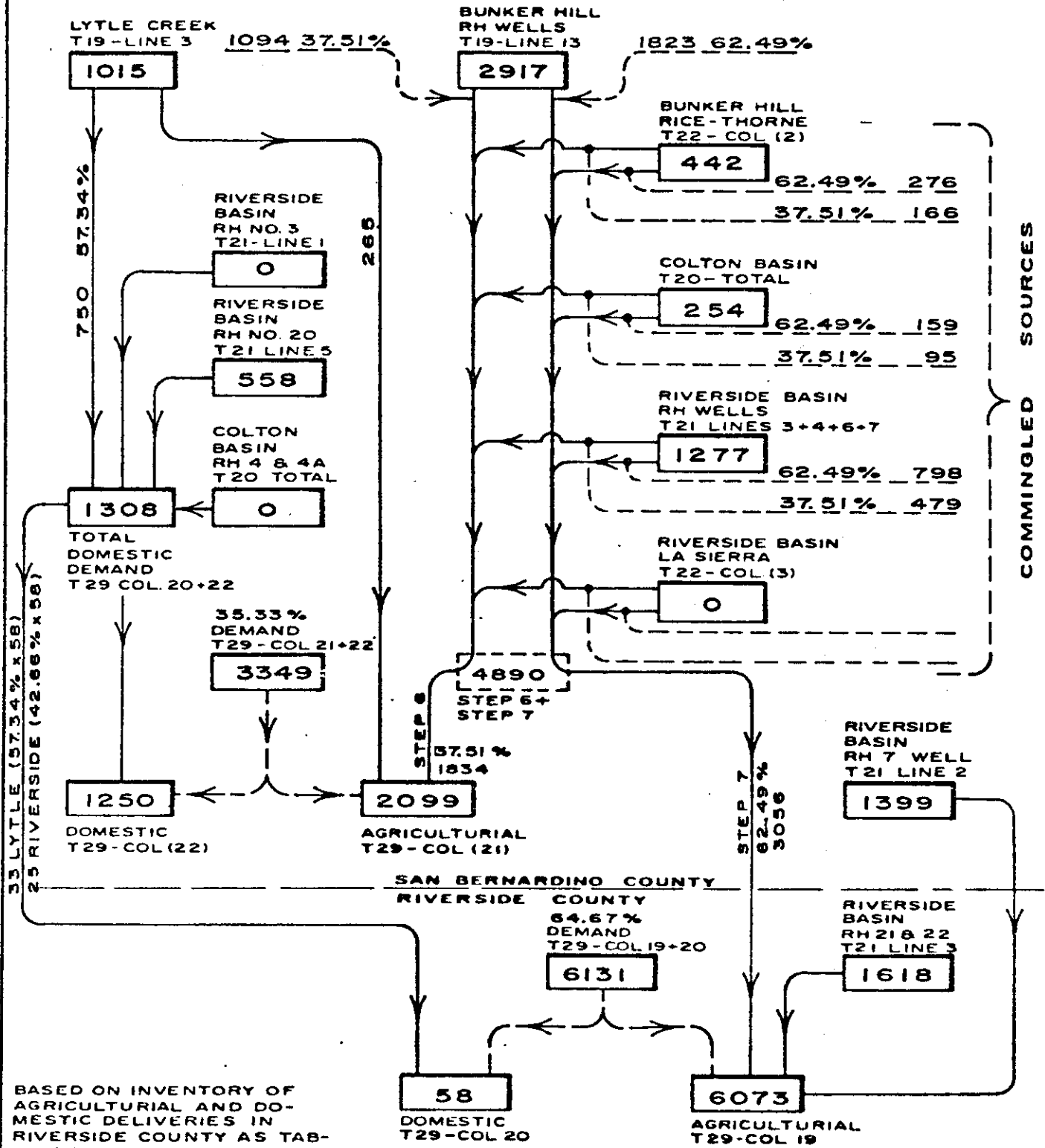
BASED ON INVENTORY OF AGRICULTURAL AND DOMESTIC DELIVERIES IN RIVERSIDE COUNTY AS TABULATED ON TABLE NOS. 30 AND 31.

ALBERT A. WEBB ASSOCIATES

DIAGRAM B

RIVERSIDE HIGHLAND WATER COMPANY
 DIAGRAM ILLUSTRATING THE PRODUCTION AND DISTRIBUTION
 NORTH AND SOUTH OF RIVERSIDE-SAN BERNARDINO CO. LINE

YEAR 1965



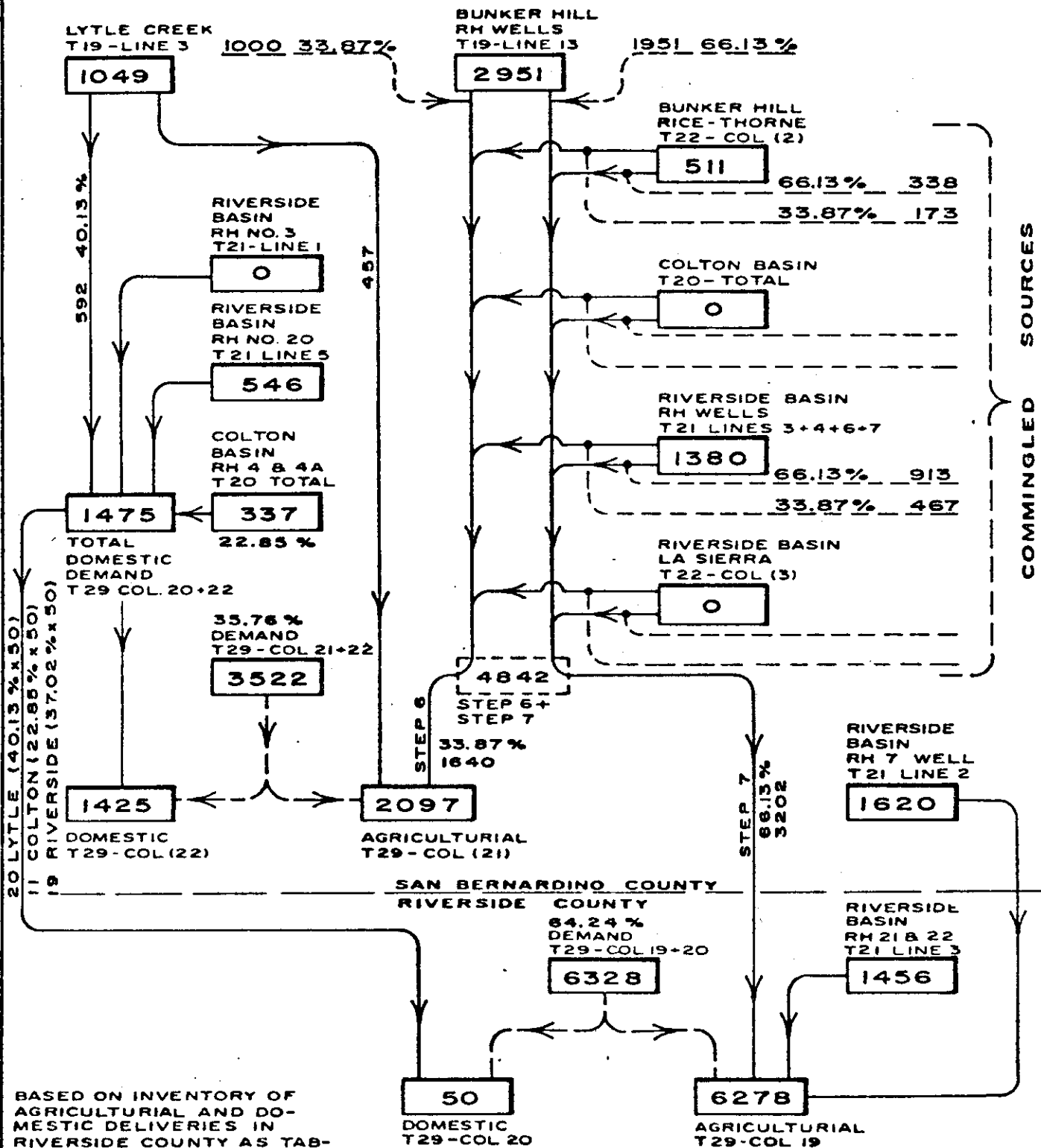
BASED ON INVENTORY OF AGRICULTURAL AND DOMESTIC DELIVERIES IN RIVERSIDE COUNTY AS TABULATED ON TABLE NOS. 30 AND 31.

ALBERT A. WEBB ASSOCIATES

DIAGRAM B

RIVERSIDE HIGHLAND WATER COMPANY
 DIAGRAM ILLUSTRATING THE PRODUCTION AND DISTRIBUTION
 NORTH AND SOUTH OF RIVERSIDE-SAN BERNARDINO CO. LINE

YEAR 1966



BASED ON INVENTORY OF AGRICULTURAL AND DOMESTIC DELIVERIES IN RIVERSIDE COUNTY AS TABULATED ON TABLE NOS. 30 AND 31.

ALBERT A. WEBB ASSOCIATES

DIAGRAM B

RIVERSIDE HIGHLAND WATER COMPANY
 DIAGRAM ILLUSTRATING THE PRODUCTION AND DISTRIBUTION
 NORTH AND SOUTH OF RIVERSIDE-SAN BERNARDINO CO. LINE

YEAR 1967

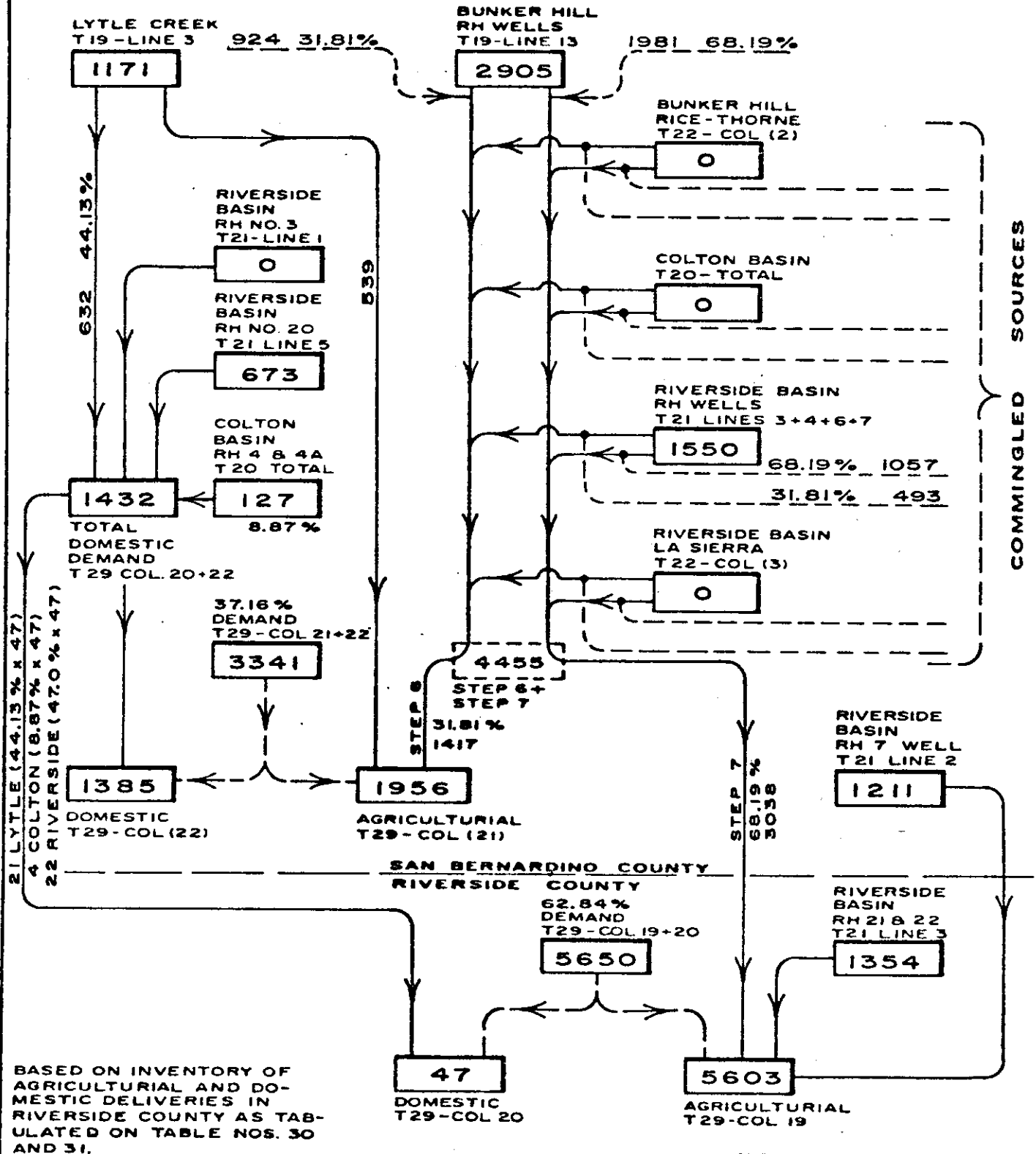


DIAGRAM B

RIVERSIDE HIGHLAND WATER COMPANY
 DIAGRAM ILLUSTRATING THE PRODUCTION AND DISTRIBUTION
 NORTH AND SOUTH OF RIVERSIDE-SAN BERNARDINO CO. LINE

YEAR 1968

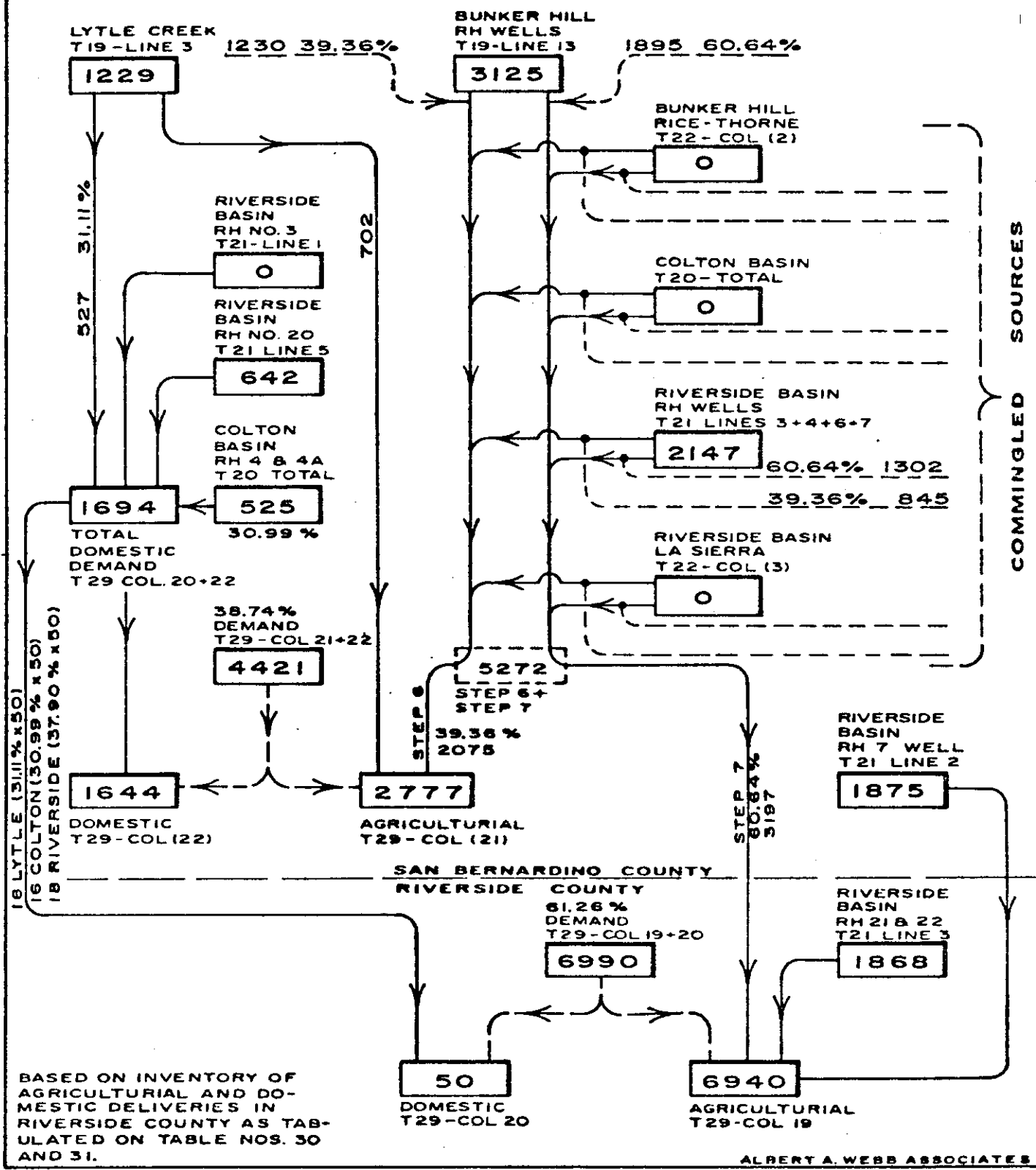
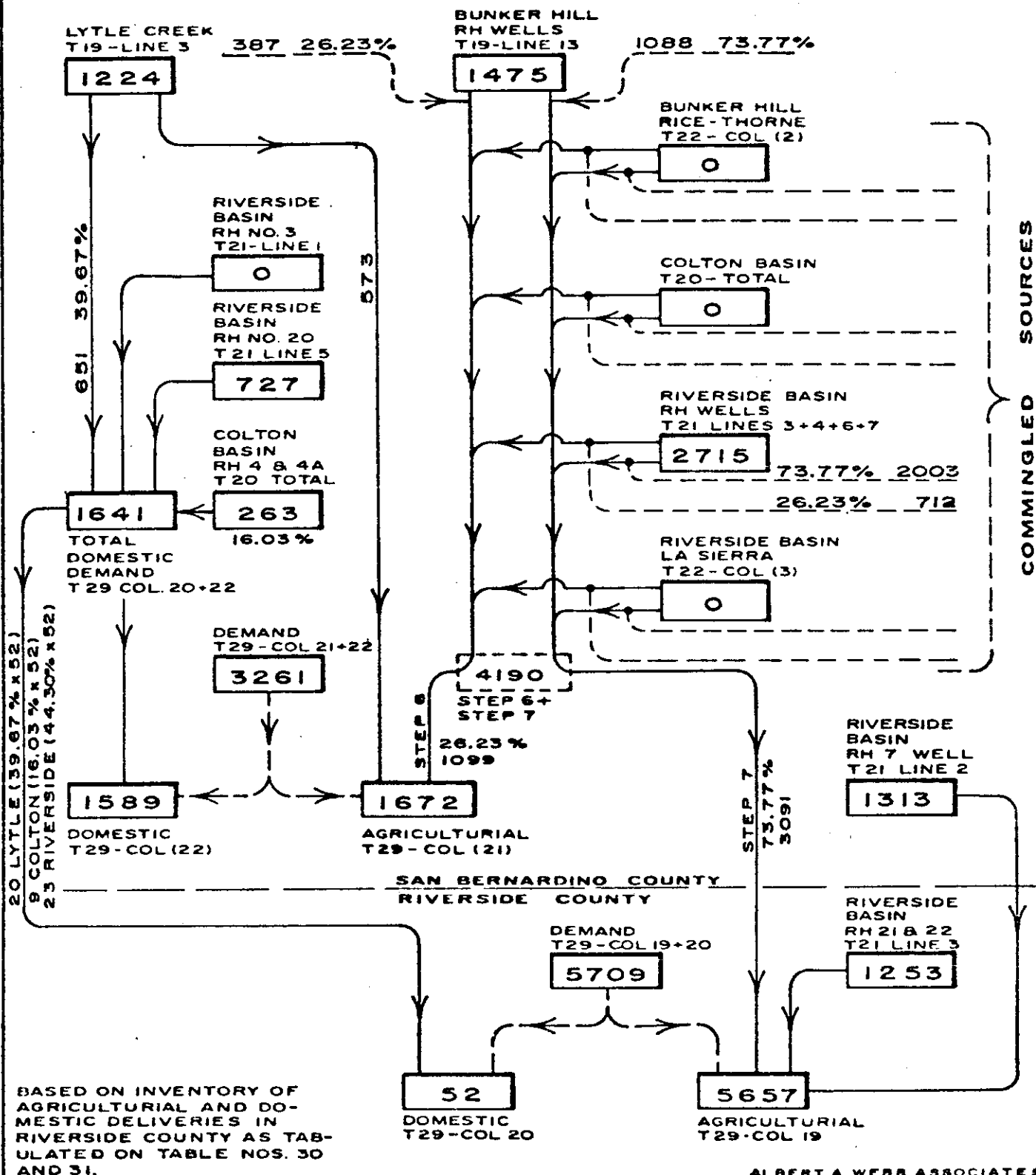


DIAGRAM B

RIVERSIDE HIGHLAND WATER COMPANY
 DIAGRAM ILLUSTRATING THE PRODUCTION AND DISTRIBUTION
 NORTH AND SOUTH OF RIVERSIDE-SAN BERNARDINO CO. LINE.

YEAR 1969



COMINGLED SOURCES

BASED ON INVENTORY OF AGRICULTURAL AND DOMESTIC DELIVERIES IN RIVERSIDE COUNTY AS TABULATED ON TABLE NOS. 30 AND 31.

DIAGRAM B

RIVERSIDE HIGHLAND WATER COMPANY
 DIAGRAM ILLUSTRATING THE PRODUCTION AND DISTRIBUTION
 NORTH AND SOUTH OF RIVERSIDE-SAN BERNARDINO CO. LINE

YEAR 1970

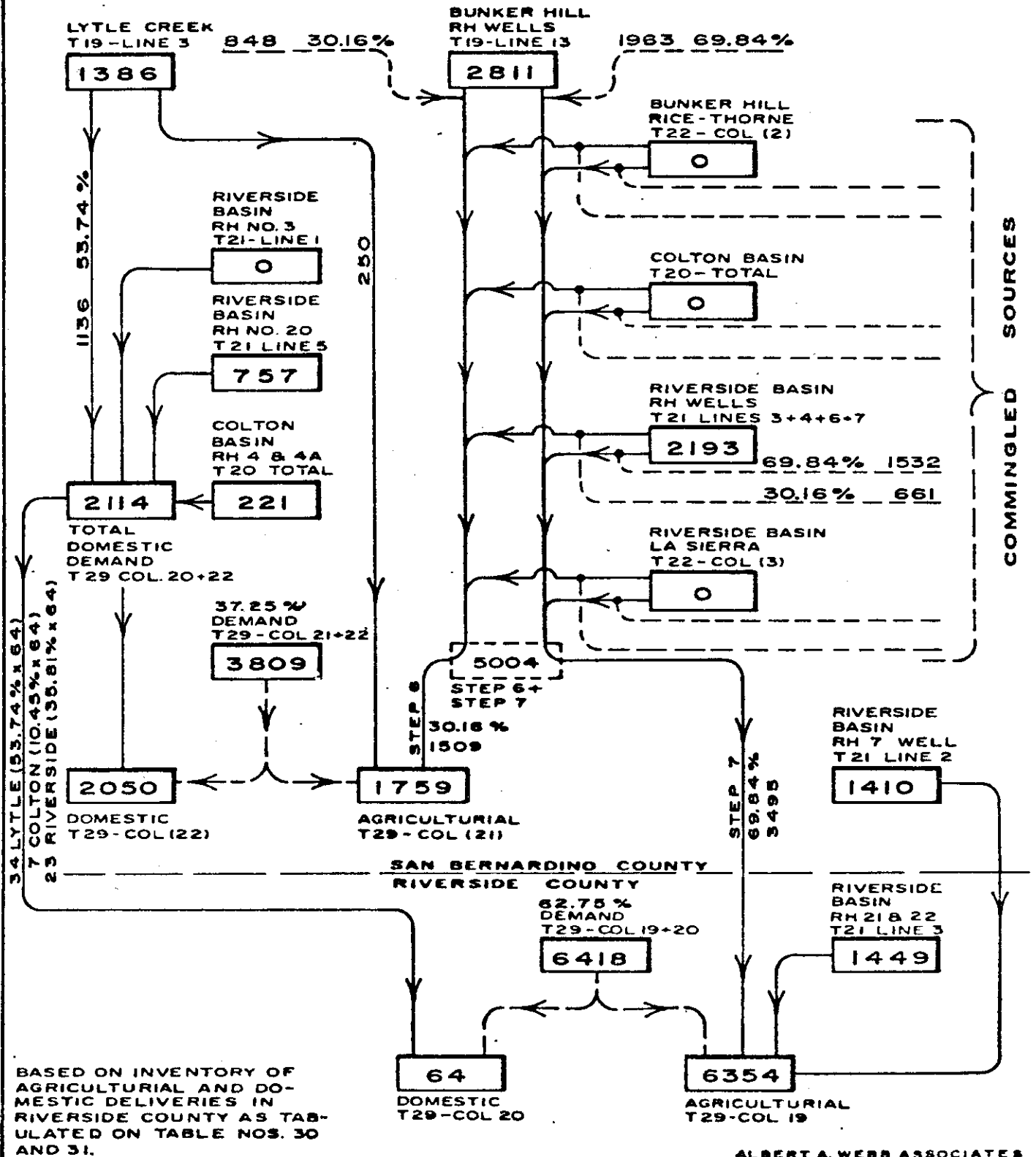


DIAGRAM B

RIVERSIDE HIGHLAND WATER COMPANY
 DIAGRAM ILLUSTRATING THE PRODUCTION AND DISTRIBUTION
 NORTH AND SOUTH OF RIVERSIDE-SAN BERNARDINO CO. LINE

YEAR 1971

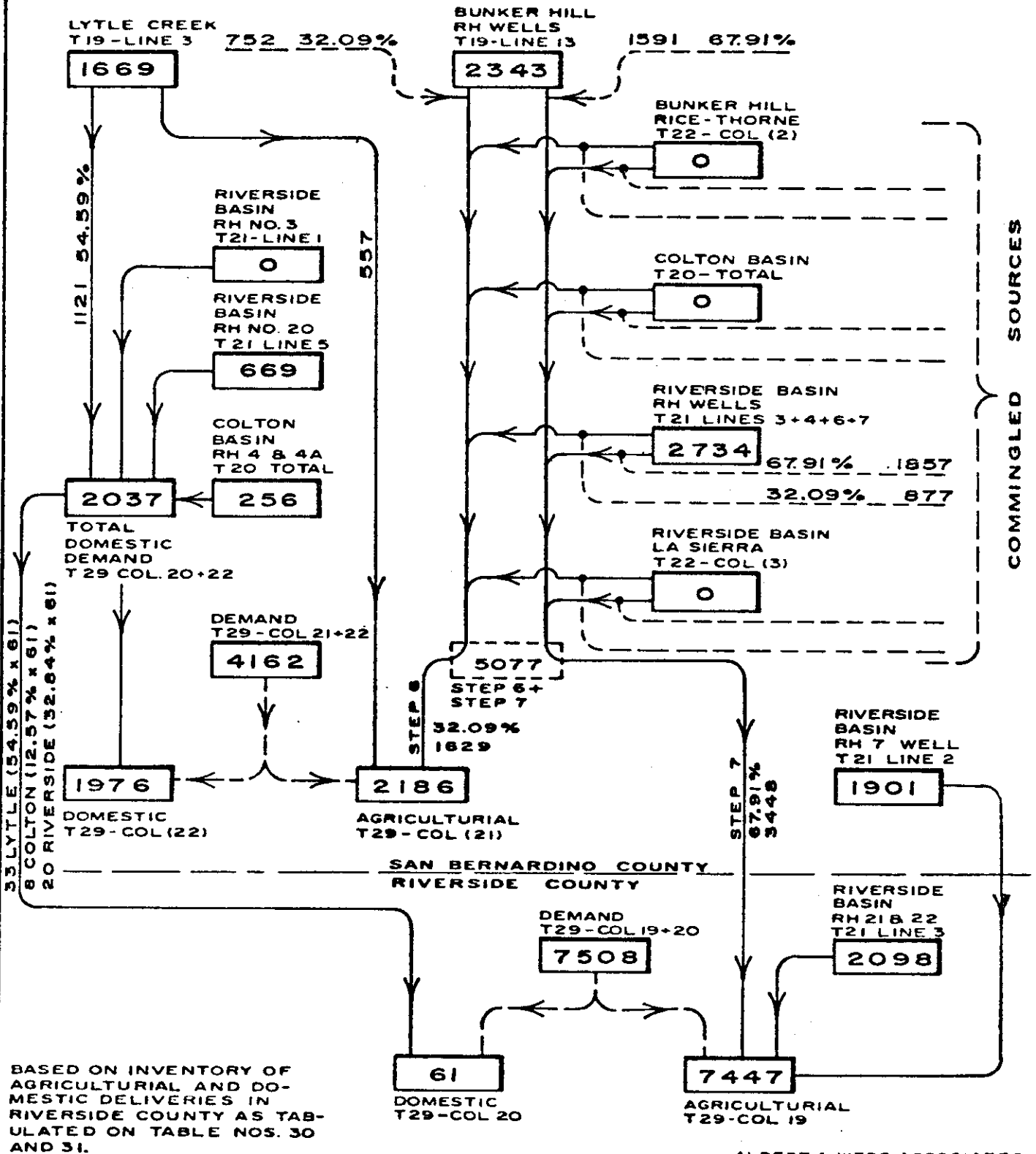


DIAGRAM B

RIVERSIDE HIGHLAND WATER COMPANY
 DIAGRAM ILLUSTRATING THE PRODUCTION AND DISTRIBUTION
 NORTH AND SOUTH OF RIVERSIDE-SAN BERNARDINO CO. LINE

YEAR 1972

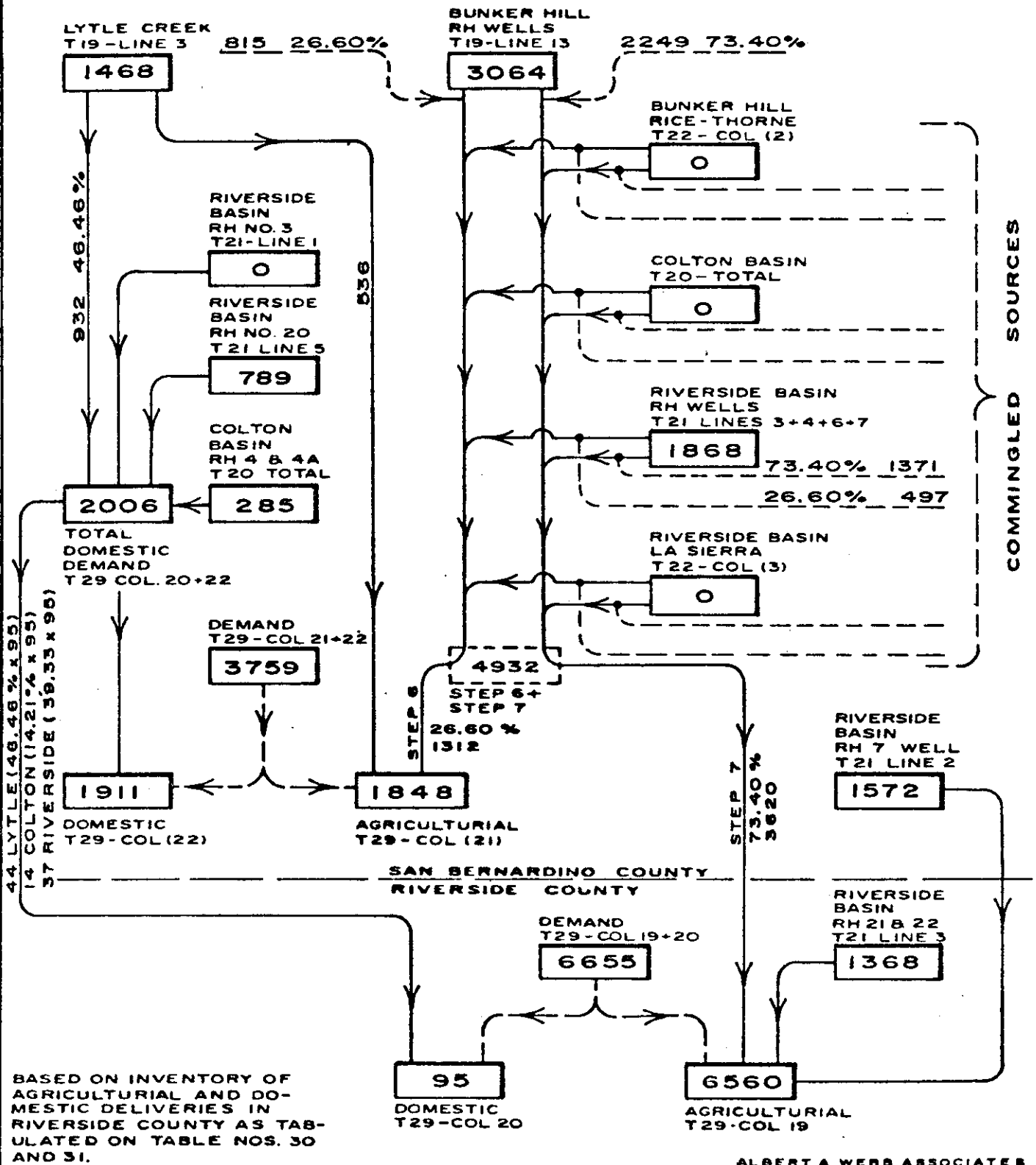


DIAGRAM B

RIVERSIDE HIGHLAND WATER COMPANY
 DIAGRAM ILLUSTRATING THE PRODUCTION AND DISTRIBUTION
 NORTH AND SOUTH OF RIVERSIDE-SAN BERNARDINO CO. LINE

YEAR 1973

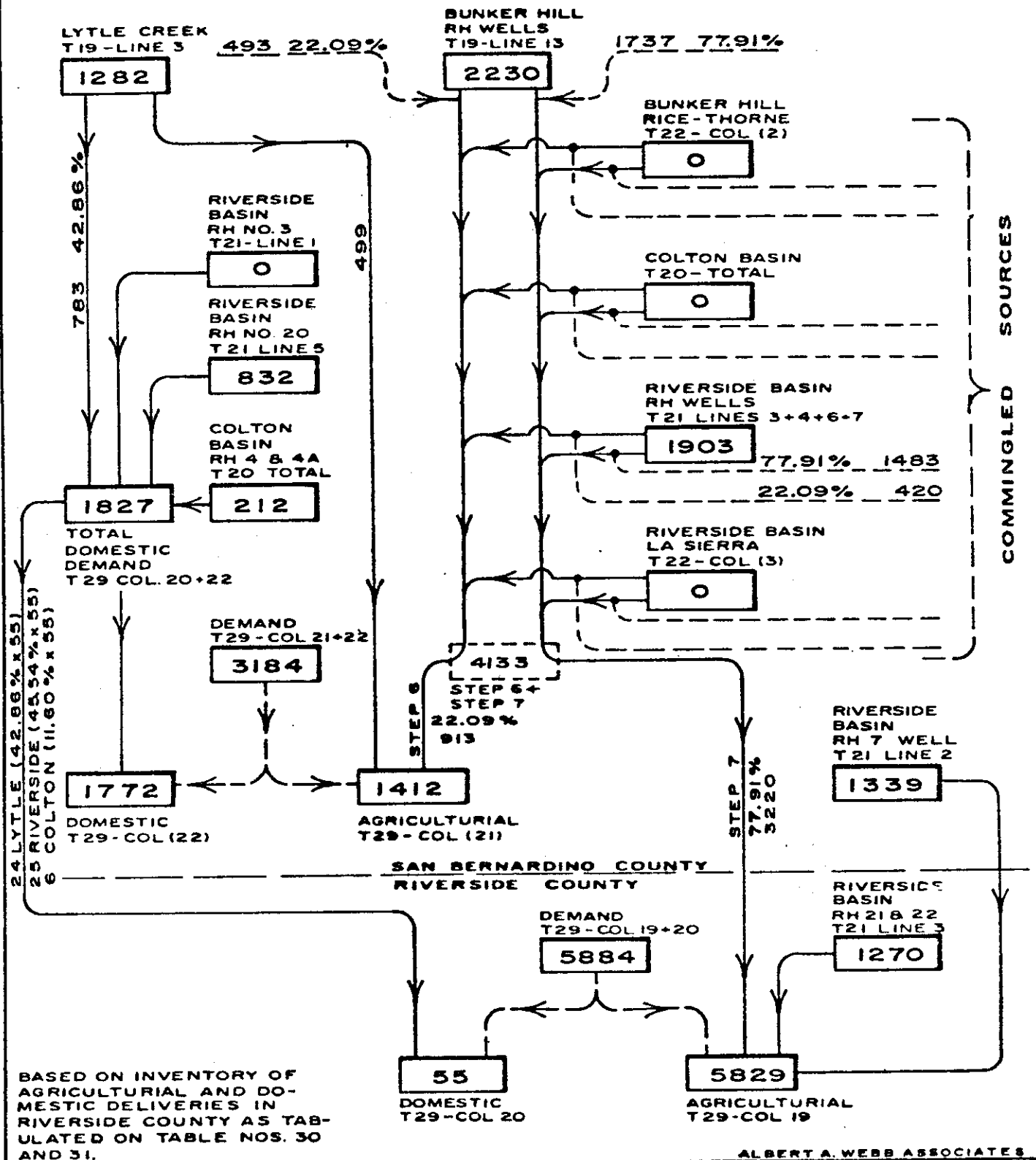
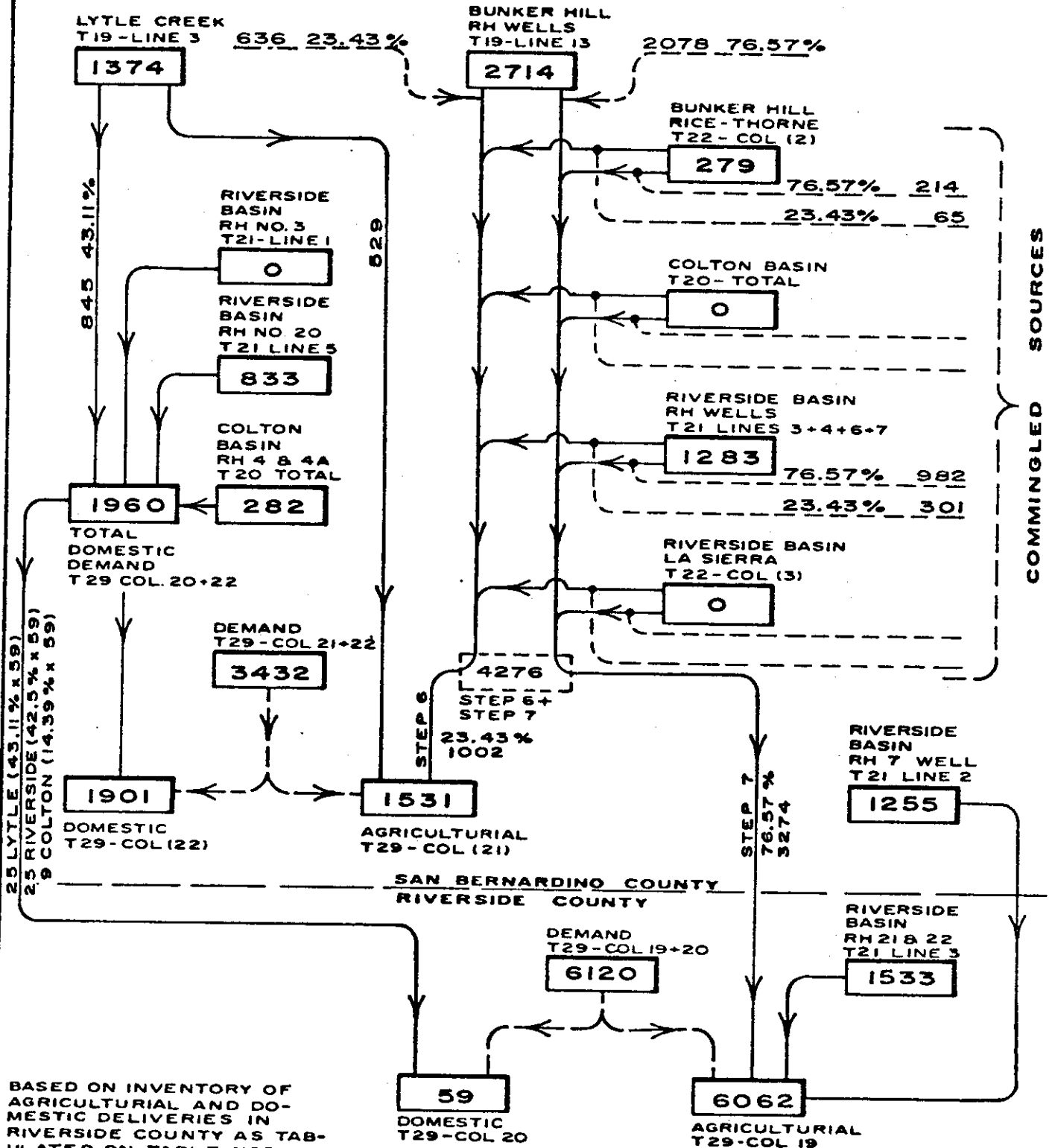


DIAGRAM B

RIVERSIDE HIGHLAND WATER COMPANY
 DIAGRAM ILLUSTRATING THE PRODUCTION AND DISTRIBUTION
 NORTH AND SOUTH OF RIVERSIDE-SAN BERNARDINO CO. LINE

YEAR 1974



BASED ON INVENTORY OF AGRICULTURAL AND DOMESTIC DELIVERIES IN RIVERSIDE COUNTY AS TABULATED ON TABLE NOS. 30 AND 31.

ALBERT A. WEBB ASSOCIATES

Volume 6 - 1974

REPORT OF WATERMASTER

WESTERN MUNICIPAL WATER DISTRICT OF RIVERSIDE COUNTY, et al
PLAINTIFFS

vs.

EAST SAN BERNARDINO COUNTY WATER DISTRICT, et al
DEFENDANTS

SUPERIOR COURT OF RIVERSIDE COUNTY

Case No. 78426

VOLUME 6 - 1974

VERIFIED EXTRACTIONS FROM
THE SAN BERNARDINO BASIN AREA, COLTON BASIN AREA,
AND RIVERSIDE BASIN AREA FOR USE WITHIN WESTERN
ON LANDS NOT TRIBUTARY
TO THE RIVERSIDE NARROWS

ANNUAL ACCOUNTING

1974

August 1, 1976

WATERMASTER
James C. Hanson
Donald L. Harriger

VERIFIED EXTRACTIONS FROM THE
SAN BERNARDINO BASIN AREA, COLTON BASIN AREA,
AND RIVERSIDE BASIN AREA FOR USE WITHIN
WESTERN ON LANDS NOT TRIBUTARY
TO THE RIVERSIDE NARROWS

The extractions from the San Bernardino, Colton and Riverside Basin Areas for use within Western Municipal Water District on lands not tributary to the Riverside Narrows have been verified for the five-year base period ending in 1963. The resulting five-year annual average was determined to be 42,535 acre feet, as shown in Table No. 12 at page 37 of Chapter VII of the Annual Report of the Western-San Bernardino Watermaster for Calendar Year 1971. A detailed report on the verification for the five-year base period 1959-1963, and for the ensuing years 1964-1970, is contained in Report of Watermaster, Volume 6, dated June 1972.

The extractions from the above mentioned basin areas for the Calendar Years 1971 through 1974, which were delivered within the Western District for use on lands not tributary to the Riverside Narrows, have been verified by the Watermaster as 41,612, 40,314, 31,128 and 35,020 acre feet, respectively.

The details of the verification for the year of 1974, are shown in Volume 6-1974 of the Annual Accounting for the Calendar Year 1974, which is supplementary to the Report of Watermaster, Volume 6, dated June 1972.

Volume 6-1974 summarizes the total extractions and includes tables showing the detailed computations of the extractions by each entity. The tables included in this volume, with their number and title, are listed as follows:

<u>TABLE NO.</u>	<u>TITLE</u>	<u>PAGE NO.</u>
A	Verified Extractions for Use on Lands Not Tributary to Riverside Narrows for Calendar Years 1971-1975	3
1	Deliveries Made by City of Riverside Domestic Division to Areas Which are Not Tributary to the Riverside Narrows	4
2	Deliveries Made by City of Riverside Irrigation Division from Riverside Canal to Areas Which are Not Tributary to the Riverside Narrows	5
3	Deliveries Made by the Gage Canal Company to Areas Which are Not Tributary to the Riverside Narrows	6
4	Deliveries by City of Riverside Irrigation Division from Riverside Canal for Use on Lands Not Tributary to the Riverside Narrows	7
5	Deliveries by Gage Canal Company for Use on Lands Not Tributary to the Riverside Narrows	8
6	Summary of Deliveries Made by Meeks & Daley Water Company, Agua Mansa Water Company and Temescal Water Company, Including Water Received from City of Riverside from the Riverside and Gage Canals to Areas Which are Not Tributary to the Riverside Narrows	9
7	West Riverside Canal Company Deliveries Made to Laterals #3 and #2 for Use in Glen Avon & Pedley Areas (from Records of West Riverside Canal Co.)	10
8	This table, which is a comparison of the water delivered to the West Riverside Canal by water companies with the Canal Company records of water received and the calculated canal losses, was included in the original Volume 6 for the period 1959-1968, but has been omitted in this volume and will not be included in future volumes.	
9	Deliveries Made by Rubidoux Community Services District to Areas Which are Not Tributary to the Riverside Narrows	11
10	Deliveries Made by Jurupa Hills Water Company to Areas Which are Not Tributary to the Riverside Narrows	12

The format used in this Accounting Volume 6-1974 will be used annually for ten year periods, and then combined with the earlier Volume 6 for a complete Summary Volume for the period 1959-1980, with a continuation of this procedure annually unless changes are required with the passage of time.

TABLE A
VERIFIED EXTRACTIONS FOR USE ON
LANDS NOT TRIBUTARY TO RIVERSIDE NARROWS
FOR CALENDAR YEARS 1971-1975
(All Quantities in Acre Feet)

Water Extracted and Delivered by	Refer to Table No.	Column or Line No.	DELIVERIES BY CALENDAR YEARS					5-Year Total 1971-75	5-Year Avg. 1971-75
			1971	1972	1973	1974	1975		
City of Riverside Domestic Division Irrigation Division (1) Gage Canal (2)	1	18	7,736	7,284	8,294	9,308			
	2	7	1,866	1,503	1,370	1,367			
	3	5	<u>17,014</u>	<u>16,622</u>	<u>12,835</u>	<u>14,137</u>			
			26,616	25,416	22,499	24,832			
Meeks & Daley Water Co. Agua Mansa Water Co. and Temescal Water Co. Including water received from City of Riverside	6	3	8,195	8,570	4,291	4,667			
Extractions delivered by (3) West Riverside Canal received from Twin Buttes Water Co., La Sierra Water Co., Agua Mansa Water Co., Salazar Water Co., West Riverside 350" Water Co. and Jurupa Water Co.	7	13	5,952	5,456	3,710	4,869			
Rubidoux Community (4) Services District	9	7	794	807	545	566			
Jurupa Hills Water Co. (5)	10	7	55*	65	83	86			
Totals			41,612*	40,314	31,128	35,020			

Notes: (1) City Irrigation Division includes former Riverside Water Co.
(2) Deliveries to Gage Canal Shareholders.
(3) Deliveries made from Laterals 2 & 3 of West Riverside Canal.
(4) Deliveries made by Jurupa Community Services District beginning in 1968.
(5) Jurupa Hills Water Company purchased by Rubidoux Community Services District in 1968.
*Verified extractions corrected during 1972 verification.

TABLE NO. 1

DELIVERIES MADE BY CITY OF RIVERSIDE
DOMESTIC DIVISION TO AREAS WHICH ARE
NOT TRIBUTARY TO THE RIVERSIDE NARROWS

Mtr. Bk. Areas	Number of Active Meters					Deliveries in Acre Feet					Sub- Total	Arlington Basin Production			Southwest Water Co. Wells	Total From Upper Basins Not Tributary				
	(1)	(2)	(3)	(4)	(5)	(6)	(7)	(8)	(9)	(10)		(11)	(12)	(13)			(14)	La Granada	Total Treated	V.M.W.D. Used in Arlington
1971	203	1,677	2,151	2,389	871	84	7,375	168	1,389	2,968	2,308	841	139	-	7,813	68	13	9	-	7,736
1972	239	1,776	2,243	2,407	913	89	7,667	178	1,321	2,781	2,089	793	132	-	7,294	1	13	9	-	7,284
1973	229	1,765	2,760	2,330	966	88	-	147	1,130	2,926	1,729	714	112	2,941	9,698	29	18	12	1,359	8,293
1974	197	1,795	2,804	2,325	971	88	-	131	1,195	3,112	1,807	754	117	3,945	11,061	69	49	33	1,651	9,308
1975																				

5-Yr. Total
1971-1975
5-Yr. Avg.
1971-1975

1976
1977
1978
1979
1980

5-Yr. Total
1976-1980
5-Yr. Avg.
1976-1980

Col. (1) through Col. (6) from City Records. Only the number of meters in each Meter Book area that lie within the area not tributary to the Riverside Narrows were counted. Col. (8) through Col. (13) were estimated as follows. Using the factor Acre Feet per connection, obtained for the year 1965 for each Meter Book area, said duty factors were adjusted for subsequent and preceding years to compensate for consumptive variances, due to temperature and rainfall, by a ratio based on the ratio of Total Annual System production to Annual System Population for each year as compared to the same ratio for the year 1965.

Col. (7) = Columns (1) + (2) + (3) + (4) + (5) + (6).
Col. (13a) = Starting July 1, 1973 City of Riverside took over operation of Southwest Water Company, necessitating addition of Meter Book Area No. 15, with the total metered deliveries reported by the City of Riverside in Acre Feet.
Col. (14) = Columns (8) + (9) + (10) + (11) + (12) + (13) + (13a).
Col. (15) = Total production from La Granada wells.
Col. (16) = Total treated W.M.W.D. water to City of Riverside.
Col. (17) for Years 1959-60-61 = Col. (16) x 1/3 and Col. (16) x 2/3 for subsequent years.
Col. (17a) = Total production from former Southwest Water Co. wells.
Col. (18) = Col. (14) minus [Col. (15) + (17) + (17a)].

TABLE NO. 2

DELIVERIES MADE BY CITY OF RIVERSIDE IRRIGATION
 DIVISION FROM RIVERSIDE CANAL TO AREAS
 WHICH ARE NOT TRIBUTARY TO THE RIVERSIDE NARROWS
 (All Quantities in Acre Feet)

Line No.	Delivery Location	CALENDAR YEARS													
		1971	1972	1973	1974	1975	5-Year Total 1971-75	5-Year Avg. 1971-75	1976	1977	1978	1979	1980	5-Year Total 1976-80	5-Year Avg. 1976-80
1	Delivery to Lower Canal Section	8,471	7,538	1,357	1,371										
2	Less Adj. for Temescal Delivery	162	(-226)	0	0										
3	Total Delivery from Lower Canal Section	8,309	7,312	1,357	1,371										
4	Less Deliveries to Temescal Water Co. from Lower Canal Section	6,484	5,846	0	0										
5	Deliveries to Riverside Water Co. Stock & Contract Water from Lower Canal Section	1,825	1,466	1,357	1,371										
6	Plus Deliveries from Upper Canal Section below Riverside Narrows	41	37	13	16										
7	Total Deliveries by City of Riverside Irrigation Division not Tributary to Riverside Narrows	1,866	1,503	1,370	1,387										

Note: Lines #1 & #2 from City Records
 Line #4 from Table No. 4, Col. (4)
 Line #6 from City Records
 Quantities in parenthesis (-) are negative values

TABLE NO. 3

DELIVERIES MADE BY THE GAGE CANAL COMPANY
TO AREAS WHICH ARE NOT TRIBUTARY
TO THE RIVERSIDE NARROWS
 (All Quantities in Acre Feet)

<u>Calendar Year</u>	<u>Deliveries to Gage Stockholders</u> (1)	<u>2/3 Losses Below Weir No. 2</u> (2)	<u>Net into Mockingbird Lake</u> (3)	<u>2/3 Difference of Weir No. 2 Chart & Calculated Flow</u> (4)	<u>Total Gage Delivery</u> (5)
1971	17,113	(42)	(57)	-	17,014
1972	15,328	(-16)	1,317	-	16,629
1973	13,144	(298)	(11)	-	12,835
1974	14,233	(330)	234	-	14,137
1975					
<hr/>					
Five-Year Total 1971-1975					
Five-Year Average 1971-1975					
<hr/>					
1976					
1977					
1978					
1979					
1980					
<hr/>					
Five-Year Total 1976-1980					
Five-Year Average 1976-1980					
<hr/>					

Notes: Col. (5) = Cols. (1) + (2) + (3) + (4)

Quantities in parenthesis (-) are negative values

Deliveries shown hereon above are those made to the lands of shareholders in areas which are not tributary to Riverside Narrows

Data from Gage Canal Company Records.

TABLE NO. 4

DELIVERIES BY CITY OF RIVERSIDE IRRIGATION
DIVISION FROM RIVERSIDE CANAL FOR USE ON LANDS
NOT TRIBUTARY TO THE RIVERSIDE NARROWS
 (All Quantities in Acre Feet)

<u>Calendar Year</u>	<u>Inch Rate Contract Water Delivery to Temescal</u> (1)	<u>Carrying Right (Mt. Vernon) Meter Delivered to Temescal</u> (2)	<u>Carrying Right S.C.E. Co. for Delivery to Temescal</u> (3)	<u>Total Delivery to Temescal by C.R.I.D.</u> (4)
1971	3,566	1,652	1,266	6,484
1972	3,183	1,459	1,204	5,846
1973	0	0	0	0
1974	0	0	0	0
1975				
<hr/>				
5-Yr.Total 1971-1975				
5-Yr.Avg. 1971-1975				
<hr/>				
1976				
1977				
1978				
1979				
1980				
<hr/>				
5-Yr.Total 1976-1980				
5-Yr.Total 1976-1980				

Note: Cols. (1), (2) & (3) from City Records.

Note: Temescal Water Company discontinued receiving their irrigation water delivery from the Riverside Canal in calendar year 1973, and began taking all of their water delivery from the Gage Canal.

TABLE NO. 5

DELIVERIES BY GAGE CANAL COMPANY
FOR
USE ON LANDS NOT TRIBUTARY TO THE
RIVERSIDE NARROWS
(All Quantities in Acre Feet)

<u>Calendar Year</u>	<u>Gage Canal Delivery to Alta Mesa</u>	<u>Gage Canal Delivery to Temescal</u>	<u>Total Delivery to Alta Mesa and Temescal by Gage Canal Company</u>
1971	278	1,433	1,711
1972	143	2,581	2,724
1973	65	4,226	4,291
1974	38	4,629	4,667
1975			
<hr/>			
5-Yr. Total 1971-1975			
5-Yr. Average 1971-1975			
<hr/>			
1976			
1977			
1978			
1979			
1980			
<hr/>			
5-Yr. Total 1976-1980			
5-Yr. Average 1976-1980			
<hr/>			

Note: Data from Gage Canal Company Records.

TABLE NO. 6

SUMMARY OF DELIVERIES
MADE BY MEEKS & DALEY WATER COMPANY,
AGUA MANSA WATER COMPANY AND TEMESCAL WATER COMPANY
INCLUDING WATER RECEIVED FROM CITY OF RIVERSIDE
FROM THE RIVERSIDE AND GAGE CANALS
TO AREAS WHICH ARE NOT TRIBUTARY
TO THE RIVERSIDE NARROWS
 (All Quantities in Acre Feet)

<u>Calendar Year</u>	<u>Total Delivery to Temescal by City of Riverside Irrigation Division</u> (1)	<u>Total Delivery to Alta Mesa and Temescal by Gage Canal Company (from Table No. 5)</u> (2)	<u>Total Delivery by City of Riverside Irrigation Division and Gage Canal not Tributary to Riverside Narrows</u> (3)
1971	6,484	1,711	8,195
1972	5,846	2,724	8,570
1973	0 1)	4,291	4,291
1974	0	4,667	4,667
1975			
<hr/>			
5-Yr. Total 1971-1975			
5-Yr. Avg. 1971-1975			
<hr/>			
1976			
1977			
1978			
1979			
1980			
<hr/>			
5-Yr. Total 1976-1980			
5-Yr. Avg. 1976-1980			
<hr/>			

1) Temescal Water Company discontinued receiving their irrigation water delivery from the Riverside Canal in calendar year 1973, and began taking all of the water delivery from the Gage Canal.

Notes: Col. (1) from city of Riverside
 Col. (2) from Table No. 5

TABLE NO. 7

WEST RIVERSIDE CANAL COMPANY
 DELIVERIES MADE TO LATERALS #3 & #2
 FOR USE IN GLEN AVON & PEDLEY AREAS
 (FROM RECORDS OF WEST RIVERSIDE CANAL CO.)
 (All Quantities in Acre Feet)

Calendar Year	Water Delivered to Lateral #3 (Glen Avon Area)		Water Delivered to Lateral #2 (Pedley Area)		Twin Buttes* Water Co.	Total Lateral #2 (12)	Total Deliveries to Laterals #2 & #3 (13)
	La Sierra Water Co. (1)	Agua Mansa Salazar Water Co. (2)	La Sierra Water Co. (7)	Agua Mansa Salazar Water Co. (9)			
1971	218	278	2,401	0	834	3,758	5,952
1972	213	176	3,133	0	72	3,597	5,456
1973	195	135	1,957	0	-	2,219	3,710
1974	170	103	2,503	0	-	3,077	4,869
1975							

5-Yr. Total
1971-75

5-Yr. Avg.
1971-75

1976

1977

1978

1979

1980

5-Yr. Total
1976-1980

5-Yr. Avg.
1976-1980

*Twin Buttes Water Company now owned by City of Riverside.
 Note: Data from West Riverside Canal Company Records.

TABLE NO. 9

DELIVERIES MADE BY RUBIDOUX
 COMMUNITY SERVICES DISTRICT*TO AREAS
 WHICH ARE NOT TRIBUTARY TO THE
 RIVERSIDE NARROWS
 (All Quantities in Acre Feet)

State Well No. Rec. No. Local Desig.	2S5W08G4 3301362 S.S.#3	2S5W08G1 3301501 S.S.#5	2S5W08K2 3301502 S.S.#6	2S5W08K3 3301625 S.S.#7	(5)	(6)	Total Export from Riverside Basin Area
	(1)	(2)	(3)	(4)	(5)	(6)	(7)
1971	223	517	54	-0-	-	-	794
1972	288	516	3	-0-	-	-	807
1973	201	339	5	-0-	-	-	545
1974	223	322	21	-0-	-	-	566
1975							
5 Yr. Total 1971-1975							
5 Yr. Average 1971-1975							
1976							
1977							
1978							
1979							
1980							
5 Yr. Total 1976-1980							
5 Yr. Average 1976-1980							

*Jurupa Community Services District purchased the above listed wells from Rubidoux Community Services District and began delivering water in 1968.

TABLE NO. 10

DELIVERIES MADE BY JURUPA HILLS WATER COMPANY* TO AREAS WHICH ARE NOT TRIBUTARY TO THE RIVERSIDE NARROWS
(All Quantities in Acre Feet)

Calendar Year	Total Number of Meter Connections (1)	Annual Water Production per Meter (A.F./Meter) (2)	Total Water Production Delivered (Total Meters Times (A.F./Meter)) (3)		Delivery to Boise Cascade Mobile Park (4)	Total Water Delivery to Chino Basin (5)	Flow Returned to Sewer (40% of Total Delivered) (6)	Total Export From Riverside Basin Area (7)
			(Total Meters Times (A.F./Meter))	(Total Meters Times (A.F./Meter))				
1971	89	0.85	76	16 (1)	92 (1)	37 (1)	55 (1)	
1972	89	0.85	76	32	108	43	65	
1973	111	0.85	94	44	138	55	83	
1974	127	0.85	108	35	143	57	86	
1975								
5-Yr. Total 1971-1975								
5-Yr. Avg. 1971-1975								
1976								
1977								
1978								
1979								
1980								
5-Yr. Total 1976-1980								
5-Yr. Avg. 1976-1980								

Notes: Col. (3) = Col. (1) x Col. (2)
Col. (5) = Col. (3) + Col. (4)
Col. (6) = Col. (5) x 40%
Col. (7) = Col. (5) - Col. (6)

*Jurupa Hills Water Co. purchased by Rubidoux Community Services District in 1968.
(1) 1971 values revised during 1972 verification (delivery to Boise Cascade Mobile Park was 16 acre feet).

Volume 7 - 1974

REPORT OF WATERMASTER

Western Municipal Water District of Riverside County, et al
Plaintiffs

vs

East San Bernardino County Water District, et al
Defendants

Superior Court of Riverside County

Case No. 78426

VOLUME 7-1974

VERIFICATION OF EXTRACTIONS FROM THE
SAN BERNARDINO BASIN AREA
AND COLTON BASIN AREA WITHIN
THE SAN BERNARDINO VALLEY
MUNICIPAL WATER DISTRICT
FOR USE ON LANDS NOT WITHIN WESTERN
NOR TRIBUTARY TO THE RIVERSIDE NARROWS

ANNUAL ACCOUNTING

1974

August 1, 1976

WATERMASTER
James C. Hanson
Donald L. Harriger

TABLE OF CONTENTS

VOLUME 7-1974

	<u>Page</u>
INTRODUCTION	
Verification of extractions from the San Bernardino Basin Area and Colton Basin Area within the San Bernardino Valley Municipal Water District for use on lands not within Western nor tributary to the Riverside Narrows	1
CHAPTER I	
Deliveries to Chino Basin	5
Fontana Union Water Company	6
West San Bernardino County Water District	9
City of Rialto	12
CHAPTER II	
Deliveries to areas other than Chino Basin	17

LIST OF TABLES

<u>TABLE NO.</u>		<u>Page</u>
A	Verified extractions from the San Bernardino Basin Area and Colton Basin Area within the San Bernardino Valley Municipal Water District for use on lands not within Western nor tributary to the Riverside Narrows (1959-1963)	3
B	Verified extractions from the San Bernardino Basin Area and Colton Basin Area within the San Bernardino Valley Municipal Water District for use on lands not within Western nor tributary to the Riverside Narrows (1971-1974)	4
1	Verification of extractions from the San Bernardino Basin Area and Colton Basin Area within the San Bernardino Valley Municipal Water District for use on lands not within Western nor tributary to the Riverside Narrows - Fontana Union Water Company	8
2	Verification of extractions from the San Bernardino Basin Area and Colton Basin Area within the San Bernardino Valley Municipal Water District for use on lands not within Western nor tributary to the Riverside Narrows - West San Bernardino County Water District (2 sheets)	10
3	Verification of extractions from the San Bernardino Basin Area and Colton Basin Area within the San Bernardino Valley Municipal Water District for use on lands not within Western nor tributary to the Riverside Narrows - City of Rialto (2 sheets)	15

LIST OF MAPS

<u>MAP NO.</u>		<u>Page</u>
1	Showing Fontana Union Water Company lands receiving water extracted from the San Bernardino Basin Area and Colton Basin Area within the San Bernardino Valley Municipal Water District for use on lands not within Western nor tributary to the Riverside Narrows	18
2	Showing West San Bernardino County Water District lands receiving water extracted from the San Bernardino Basin Area and Colton Basin Area within the San Bernardino Valley Municipal Water District for use on lands not within Western nor tributary to the Riverside Narrows	19
3	Showing City of Rialto and lands therein receiving water extracted from the San Bernardino Basin Area and Colton Basin Area within the San Bernardino Valley Municipal Water District for use on lands not within Western nor tributary to the Riverside Narrows	20

VERIFICATION OF EXTRACTIONS FROM THE
SAN BERNARDINO BASIN AREA AND COLTON BASIN AREA
WITHIN THE SAN BERNARDINO VALLEY MUNICIPAL WATER
DISTRICT FOR USE ON LANDS NOT WITHIN
WESTERN NOR TRIBUTARY TO THE RIVERSIDE NARROWS

INTRODUCTION

The settlement of the case of the Orange County Water District, Plaintiff, vs. City of Chino, et al, Defendants, being Case No. 117628 in the Superior Court of the State of California in and for the County of Orange, necessitated a settlement of the case of Western Municipal Water District, which was settled by Stipulated Judgment in Case No. 78426, entered in the Superior Court of the State of California in and for the County of Riverside, on April 17, 1969.

Paragraph X of the Judgment, entitled, "Replenishment to Offset New Exports of Water Not Tributary to the Riverside Narrows" recites as follows:

"Certain average annual amounts of water extracted from the San Bernardino Basin Area and the area downstream therefrom to Riverside Narrows during the five year period ending in 1963 have been exported for use outside the area tributary to Riverside Narrows-----"

San Bernardino Valley shall be obligated to provide replenishment for any increase over the exports from San Bernardino Valley for use in any area not within Western nor tributary to Riverside Narrows as set forth in Table C-2 of Appendix "C", such amounts being subject to correction by the Watermaster-----"

Pursuant to the foregoing instructions, the Watermaster conducted an investigation of water produced within the Colton and San Bernardino Basin Areas and delivered to lands not within Western nor tributary to the Riverside Narrows. The results of this investigation which included

the five-year base period 1959-1963 as well as the verified production for the Calendar Years 1970 and 1971 were embodied in Report of Watermaster, Volume 7, dated February, 1973. The verifications for subsequent Calendar Years are reported in Report of Watermaster, Volume 7-1972, Volume 7-1973 and this Report, Volume 7-1974, dated August 1, 1976.

During the verification of the extractions from the San Bernardino and Colton Basin Area for the Calendar Year 1973, the amounts previously verified for the base period 1959-63, as well as the verified amounts for 1970-72 were revised. The revised verified amounts for the Base Period 1959-63 are shown on Table A of this report. The revised amounts for 1971 and 1972 as well as the verified amounts for 1973 and 1974 are shown on Table B.

Procedures and basic data used in preparation of Tables A and B are contained in the succeeding chapters of this report.

TABLE A

VERIFIED EXTRACTIONS FROM THE
SAN BERNARDINO BASIN AREA AND COLTON BASIN AREA
WITHIN THE SAN BERNARDINO VALLEY MUNICIPAL WATER
DISTRICT FOR USE ON LANDS NOT WITHIN WESTERN
NOR TRIBUTARY TO THE RIVERSIDE NARROWS

<u>Deliveries To Areas Within Chino Basin</u>	<u>Source In This Volume Chapter I</u>	<u>1959-63 Average Annual Amount</u>
Fontana Union Water Company	Table No. 1, Column No. 12	10,170*
West San Bernardino County Water District	Table No. 2, Line No. 6	1,806
City of Rialto	Table No. 3, Line No. 13	551**
<u>Areas Other Than Chino Basin</u>	<u>Chapter II</u>	
Yucaipa		0
San Timoteo		0
Oak Glen		0
Beaumont		<u>0</u>
Total		12,527

* Original Verification of 10,903 acre feet revised to 10,170 acre feet during 1973 verification.

** Original Verification of 781 acre feet revised to 551 acre feet during 1973 verification.

TABLE B

VERIFIED EXTRACTIONS FROM THE
SAN BERNARDINO BASIN AREA AND COLTON BASIN AREA
WITHIN THE SAN BERNARDINO VALLEY MUNICIPAL WATER
DISTRICT FOR USE ON LANDS NOT WITHIN WESTERN
NOR TRIBUTARY TO THE RIVERSIDE NARROWS

<u>Deliveries to</u>	<u>Refer to</u>	<u>Deliveries by Calendar Years</u>				<u>5-Yr.</u>	<u>1971-75</u>			
		<u>Table</u>	<u>Line or</u>	<u>1971</u>	<u>1972</u>			<u>1973</u>	<u>1974</u>	<u>Total</u>
	<u>No.</u>	<u>Col. No.</u>								
<u>Areas Within Chino Basin</u>										
Fontana Union Water Company	1	12	14,596*	14,803*	19,333	13,586				
West San Bernardino County Water District	2	6	1,260	2,223	2,220	2,102				
City of Rialto	3	13	694*	405*	276	563				
<u>Areas Other Than Chino Basin</u>										
Yucaipa	-	-	0	0	0	0				
San Timoteo	-	-	0	0	0	0				
Oak Glen	-	-	0	0	0	0				
Beaumont	-	-	0	0	0	0				
Total			16,550*	17,431*	21,829	16,251				

* Verified Extractions corrected during 1973 verification.

CHAPTER I

DELIVERIES TO CHINO BASIN

The verified amounts set forth in this Chapter pertain solely to those extractions from the San Bernardino and Colton Basin Areas within the San Bernardino Valley Municipal Water District for use on lands situated within the Chino Basin.

The entities delivering water to this area include Fontana Union Water Company, West San Bernardino County Water District and the City of Rialto. Maps 1, 2 and 3 appended hereto delineate the boundaries of the three agencies respectively, and also show the lands within each agency which are not within Western nor tributary to the Riverside Narrows. For purposes of this determination such lands are considered as lying northerly of the groundwater divide separating the Riverside and Chino Basins and westerly of the Rialto-Colton Fault.

Deliveries to these areas within each agency have been determined as follows:

FONTANA UNION WATER COMPANY

The lands served by the Fontana Union Water Company which include the San Gabriel Valley Water Company and which are not within Western nor tributary to the Riverside Narrows are shown on Map No. 1. The location of wells and surface diversion facilities which produce water delivered to said lands are also shown.

The total production from the Colton and San Bernardino Basin Area available for use on the nontributary lands have been determined by the sum of the following.

1. Production from Fontana Union Water Company wells situated within the Colton and San Bernardino Basin Areas and being within the San Bernardino Valley Municipal Water District as reported in Recordation Filings to the State Water Resources Control Board and verified by Watermaster with the exception that two wells situated on the Lytle Creek stream channel at Miller Narrows deliver water into the Lytle Powerhouse penstock. This water has been commingled with surface diversions and was excluded from the total well production.
2. Deliveries to Fontana Union Water Company's "Breedline" measured at the Fontana Powerhouse forebay Weir No. 4 and adjusted for deliveries to Breedline from Fontana Union Well No. 27.
3. Deliveries to the Fontana Union Water Company measured at their 20 foot weir diverting from the Fontana Powerhouse afterbay plus diversions from the afterbay for delivery to City of Rialto and Owl Service Rock Co.

The amounts for Item 3 were determined by Fontana Union Water Company and were made available to the Watermaster for purposes of this report. Such data were considered sufficiently accurate for this purpose and verification by the Watermaster was not attempted. In addition to surface diversions from Lytle Creek, such amounts also include an undetermined amount of water produced by the Miller Narrows

Wells and may from time to time also include water obtained by temporary arrangements with other agencies diverting from the Fontana afterbay. For these reasons the amounts used by the Watermaster are for purposes of this report only and are not to be construed as a Watermaster verification of the Base Period diversions from Lytle Creek by Fontana Union Water Company.

In order to determine the net deliveries to the nontributary area (Chino Basin) the total was adjusted for deliveries to tributary areas as follows.

1. Deliveries to the City of San Bernardino from Fontana Union Well No. 1, reported by Fontana Union Water Company as total production of this well.
2. Water delivered to the Owl Service Rock Company located within the San Bernardino Basin Area.
3. Water delivered for use on citrus groves situated within the Colton Basin Area as reported by Fontana Union Water Company.
4. Water delivered to City of Rialto through West San Bernardino County Water District diversion facilities at Fontana Powerhouse afterbay.

The components of production and delivery by the Fontana Union Water Company for the five calendar years ending with 1963 and the years 1971 through 1974, together with the indicated deliveries to Chino Basin, are summarized in Table No. 1.

TABLE NO. 1

VERIFICATION OF EXTRACTIONS FROM THE
SAN BERNARDINO BASIN AREA AND COLTON BASIN AREA
WITHIN THE SAN BERNARDINO VALLEY MUNICIPAL WATER
DISTRICT FOR USE ON LANDS NOT WITHIN
WESTERN NOR TRIBUTARY TO THE RIVERSIDE NARROWS

FONTANA UNION WATER COMPANY
(Quantities in Acre Feet)

Year	PRODUCTION				DELIVERIES WITHIN SAN BERNARDINO VALLEY M.W.D.						Export to Chino Basin in San Bernardino Co. Non Tributary						
	San B'dno. Basin Area		Colton Basin Area Wells		Total Prod.	Owl Service Rock Co.	City of San B'dno.	Citrus	City of Rialto	Total							
	Wells	Surface Water	Breed Line	Area Wells								(1)	(2)	(3)	(4)	(5)	(6)
1959	9,169	7,964	501	31	17,665	323	1,393	700	0	2,416	15,249						
1960	6,671	5,344	521	31	12,567	491	1,396	600	0	2,487	10,080						
1961	5,968	3,864	413	31	10,276	417	1,765	600	0	2,782	7,494						
1962	3,521	8,225	526	31	12,303	481	746	500	0	1,727	10,576						
1963	2,779	5,692	522	31	9,024	446	726	400	0	1,572	7,452						
5-Yr. Avg.					12,367					2,197							
1971	8,510	6,927	519	0	15,956	588	0	300	472	1,360	14,596						
1972	9,112	7,345	459	0	16,916	845	1,143	87	38	2,113	14,803						
1973	7,776	11,883	988	0	20,647	608	586	120	0	1,314	19,333						
1974	4,856	9,849	791	0	15,496	1,273	584	53	0	1,910	13,586						
1975																	
5-Yr. Avg.																	

Notes:

- (2) Table No. 1 of Volume No. 1 of the Watermaster Report (excluding Miller Narrows Wells Recordation No.'s 3600588 and 3600590 and Lytle Creek Diversion Recordation No. 3600591).
- (3) Fontana Union Water Company records of diversions from Fontana Powerhouse Afterbay including deliveries to Owl Service Rock Co. and City of Rialto.
- (4) Line No. 17, for 1959-63 and Line No. 19 for 1970 to date on Table No. 4 of Volume No. 1 of the Watermaster Report (excludes production of Fontana Union Well No. 27, Recordation No. 3600582).
- (5) Table No. 1 of Volume No. 2 of the Watermaster Report (excluding Wells Rec. No.'s 3600577, 3600578 and 3600589 which are not within S.B.V.M.W.D.).
- (6) Sum of Columns (2) + (3) + (4) + (5).
- (7) Fontana Union Water Company Records.
- (8) Fontana Union Water Company Records Total Production of Fontana Union Well No. 1, Recordation No. 3600561.
- (9) Fontana Union Water Company Records.
- (10) Fontana Union Water Company Records.
- (11) Sum of Columns (7) + (8) + (9) + (10).
- (12) Difference of Column (6) minus Column (11).

Note: Table No. 1 revised during the 1973 verification.

WEST SAN BERNARDINO COUNTY WATER DISTRICT

The lands served by the West San Bernardino County Water District which are not within Western nor tributary to the Riverside Narrows are delineated on Map No. 2. Water delivered to said area was obtained from wells located within the Colton Basin and San Bernardino Basin Areas and surface diversions from Lytle Creek. In addition these lands also received water extracted from three wells within the Chino Basin.

The total deliveries to the nontributary area (Chino Basin) were based on the actual metered deliveries obtained from the records of the West San Bernardino County Water District and its predecessor agencies. Since a portion of this water was supplied by wells located within the nontributary area the total deliveries were reduced by the amount supplied by said wells. West San Bernardino County Water District reports that the production from these wells is used wholly within the Chino Basin. Subsequent to the 1959-63 base period the District records also include the Domestic and Commercial deliveries as determined from the meter books covering the nontributary area. These metered areas are also shown on Map No. 2.

The annual deliveries by the West San Bernardino County Water District and its predecessor agencies to nontributary areas are summarized in Table No. 2.

TABLE NO. 2

VERIFICATION OF EXTRACTIONS FROM THE
 SAN BERNARDINO BASIN AREA AND COLTON BASIN AREA
 WITHIN THE SAN BERNARDINO VALLEY MUNICIPAL WATER
 DISTRICT FOR USE ON LANDS NOT WITHIN
 WESTERN NOR TRIBUTARY TO THE RIVERSIDE NARROWS

WEST SAN BERNARDINO COUNTY WATER DISTRICT
 (Quantities in Acre Feet)

LINE NO.	WATER SOURCE	YEARS					1959-1963 Total Average	
		1959	1960	1961	1962	1963		
1)	Prod. in Chino Basin by C.L. & W. Co., Well #3601005	233	38	297	262	227	1,057	211
2)	Prod. in Chino Basin by So. Calif. W. Co., Well #3600379	133	140	158	137	100	668	134
3)	Prod. in Chino Basin by So. Calif. W. Co., Well #3600380	498	520	559	536	509	2,622	524
4)	Prod. in Chino Basin Lines (1)+(2)+(3)	864	698	1,014	935	836	4,347	869
5)	Deliveries by C.L. & W. Co. Includes Above Wells	3,103	2,424	3,046	2,576	2,225	13,374	2,675
6)	Export from San Bernardino & Colton Basins Not Tributary to Riverside Narrows, Line (5) - (4)	2,239	1,726	2,032	1,641	1,389	9,027	1,806

Notes:

Line No.

- 1) C.L. & W. Co. = Former Citizens Land & Water Co. until 1962, merged to form W.S.B.C.W.D.
- 2) So. Calif. W. Co. = Existing Southern California Water Co.
- 3) So. Calif. W. Co. = Existing Southern California Water Co.
- 4) Lines (1)+(2)+(3).
- 5) Company Records, Quantity Includes Production of Wells #3601005, 3600379 & 3600380.
- 6) Line (5) minus (4).

TABLE NO. 2

VERIFICATION OF EXTRACTIONS FROM THE
 SAN BERNARDINO BASIN AREA AND COLTON BASIN AREA
 WITHIN THE SAN BERNARDINO VALLEY MUNICIPAL WATER
 DISTRICT FOR USE ON LANDS NOT WITHIN
 WESTERN NOR TRIBUTARY TO THE RIVERSIDE NARROWS

WEST SAN BERNARDINO COUNTY WATER DISTRICT
 (Quantities in Acre Feet)

LINE NO.	WATER SOURCE	YEARS					1971-1975 Total Average
		1971	1972	1973	1974	1975	
1)	Prod. in Chino Basin by W.S.B.C.W.D., Well #3601005	477	356	174	154		
2)	Prod. in Chino Basin by W.S.B.C.W.D., Well #3600379	206	129	2	164		
3)	Prod. in Chino Basin by W.S.B.C.W.D., Well #3600380	551	301	31	308		
4)	Prod. in Chino Basin Lines (1)+(2)+(3)	1,234	786	207	626		
5)	Deliveries by C.L. & W.Co. Includes Above Wells	2,494	3,009	2,427	2,728		
6)	Export from San Bernardino & Colton Basins Not Tributary to Riverside Narrows, Line (5) - (4)	1,260	2,223	2,220	2,102		

Notes:

Line No.

- 1) Former Citizens Land & Water Co. merged in 1962 to form W.S.B.C.W.D.
- 2) So. Calif. Water Co. Well #3600379 purchased by W.S.B.C.W.D. in 1970.
- 3) So. Calif. Water Co. Well #3600380 purchased by W.S.B.C.W.D. in 1970.
- 4) Lines (1)+(2)+(3).
- 5) Company Records, Quantity Includes Production of Wells #3601005, 3600379 & 3600380.
- 6) Line (5) minus (4).

CITY OF RIALTO

The lands served by the City of Rialto which are not within Western nor tributary to the Riverside Narrows are delineated on Map No. 3. Water delivered to the City was produced from wells within the Colton and San Bernardino Basin Areas and surface diversions from Lytle Creek. In addition the City also receives water extracted from a well within the Chino Basin.

The records and information necessary for proper determination of the City's exports to Chino Basin during the years prior to 1973 were not made available to the Watermaster. It was therefore necessary to determine the exports to Chino Basin by estimating the deliveries into the City's system and prorating such deliveries to the area within Chino Basin on an area basis adjusted for return flow through the City's sewage treatment plant. The City's production records and records of water purchased for the year 1959 to date have now been made available to the Watermaster. Records of metered customer deliveries are available for the years 1971 to date. Inspection of these data indicates that revision to the export amounts previously reported are necessary.

The total water production delivered into the City's system has been determined as follows.

1. Production from City of Rialto wells situated within the Colton and San Bernardino Basin Areas as reported in Recordation Filings to the State Water Resources Control Board and verified from records furnished by the City.
2. Surface water diverted at Fontana Powerhouse afterbay and delivered to City of Rialto determined from City Records.
3. Water purchased by City of Rialto as determined from City Records.

4. Water produced in Chino Basin and delivered into City's system from Recordation Filing to the State Water Resources Control Board and City of Rialto records. Such water is produced from Well No. 3602270 and during the 1959-63 base period was used solely for agricultural purposes in the Chino Basin. From 1966 to date this well delivered water into the City's domestic system and is considered to be used wholly within the Chino Basin.

Based on metered deliveries it was determined that the percentage of total production delivered to Chino Basin was about 18 percent as compared to the 28 percent used during the initial verification. The total production delivered to Chino Basin during the 1959-63 base period was revised accordingly, and beginning in 1971 the actual metered deliveries were used. The amount delivered to the Chino Basin was reduced by the total verified production within Chino Basin as set forth in Item (4) above, assuming that such production was used entirely within the Chino Basin as reported by the City. The remaining amount was considered representative of the total production from the Colton and San Bernardino Basin Areas exported to the Chino Basin by the City of Rialto.

Since the sewage effluent from the City Sewage Treatment Plant accrues to the Santa Ana River above the Riverside Narrows, the total exports were adjusted to reflect this return flow. Such adjustment was based on a percentage estimated at 32 percent for the year 1959 and increasing on a straight line basis to 40 percent in 1963. This assumption was predicated on the date of construction of the treatment plant and the gradual conversion of individual septic tanks and cess-pools to the sewage system. Analysis of the production and sewage

plant effluent discharge data indicates an average effluent discharge of about 44 percent for the period 1971 through 1974. This amount is weighted to account for the domestic, agricultural and industrial deliveries through the City's domestic system and the difference in sewage return flow accruing from such uses.

The 1959-63 base period exports have been revised and are summarized on Table No. 3, Sheet 1 of 2 of this report. The revised amounts for the calendar years 1971 and 1972, as well as the verified exports for 1973 and 1974, are shown on Table No. 3, Sheet 2 of 2.

TABLE NO. 3

VERIFICATION OF EXTRACTIONS FROM THE
SAN BERNARDINO BASIN AREA AND COLTON BASIN AREA
WITHIN THE SAN BERNARDINO VALLEY MUNICIPAL WATER
DISTRICT FOR USE ON LANDS NOT WITHIN
WESTERN NOR TRIBUTARY TO THE RIVERSIDE NARROWS

CITY OF RIALTO
(Quantities in Acre Feet)

LINE NO.	WATER SOURCE	YEARS					1959-1963	
		1959	1960	1961	1962	1963	Total	Average
1)	Rialto, City of, Wells, Lytle Basin	1,035	169	334	481	773	2,792	558
2)	Rialto, City of, Wells, Colton Basin	987	808	1,372	1,477	1,594	6,238	1,248
3)	Surface water from W.S.B.C.W.D., Lytle Creek	415	625	572	587	384	2,583	517
4)	Purchased water	<u>2,258</u>	<u>3,052</u>	<u>2,538</u>	<u>2,398</u>	<u>2,051</u>	<u>12,297</u>	<u>2,459</u>
5)	Total prod. subject to export, Lines (1)+(2)+(3)+(4)	4,695	4,654	4,816	4,943	4,802	23,910	4,782
6)	Well production within Chino Basin (Rec.No. 3602270)	0	0	0	0	0	0	0
7)	Total water into system, Lines (5) + (6)	4,695	4,654	4,816	4,943	4,802	23,910	4,782
8)	Water required in Chino Basin, Line (7) x 18%	845	838	867	890	864	4,304	861
9)	Less Chino Basin production, Line (6)	0	0	0	0	0	0	0
10)	San B'dno. & Colton Basins export to Chino Basin (8) - (9)	845	838	867	890	864	4,304	861
11)	Percent return flow to sewer plant	32%	34%	36%	38%	40%	-	-
12)	Return flow to sewer plant, Lines (10) x (11)	<u>270</u>	<u>285</u>	<u>312</u>	<u>338</u>	<u>346</u>	<u>1,551</u>	<u>310</u>
13)	Total export from San Bernardino & Colton Basins not tributary to Riverside Narrows, Lines (10)-(12)	575	553	555	552	518	2,753	551

Notes:

Line No.

- 1) Verified extractions, Volume 1, Report of Watermaster.
- 2) Verified extractions, Volume 2, Report of Watermaster (excluding private irrigation wells #3602269 & #3602271 which were not acquired until 1966).
- 3) City of Rialto, Water Department Records.
- 4) City of Rialto, Water Department Records.
- 5) Sum lines (1) + (2) + (3) + (4).
- 6) City of Rialto Water Dept. Records indicate well was not acquired or used by City of Rialto until 1966.
- 7) Sum lines (5) + (6).
- 8) Eighteen percent determined from average distribution of metered deliveries by City of Rialto for years 1971 through 1974.
- 9) Same as Line (6).
- 10) Difference Line (8) minus Line (9).
- 11) Assumed.
- 12) Product Line (10) multiplied by Line (11).
- 13) Difference Line (10) minus Line (12).

Note: Table No. 3 revised during the 1973 verification.

TABLE NO. 3

VERIFICATION OF EXTRACTIONS FROM THE
 SAN BERNARDINO BASIN AREA AND COLTON BASIN AREA
 WITHIN THE SAN BERNARDINO VALLEY MUNICIPAL WATER
 DISTRICT FOR USE ON LANDS NOT WITHIN
 WESTERN NOR TRIBUTARY TO THE RIVERSIDE NARROWS

CITY OF RIALTO
 (Quantities in Acre Feet)

LINE NO.	WATER SOURCE	YEARS				1971-1975 Total Average
		1971	1972	1973	1974	
1)	Rialto, City of, Wells, Lytle Basin	1,261	2,243	1,614	2,713	
2)	Rialto, City of, Wells, Colton Basin	2,364	2,988	2,999	2,843	
3)	Surface water from W.S.B.C.W.D., Lytle Creek	963	936	935	808	
4)	Purchased water	1,698	0	0	0	
5)	Total prod. subject to export, Lines (1)+(2)+(3)+(4)	6,286	6,167	5,548	6,364	
6)	Well production within Chino Basin (Rec. No. 3602270)	0	570	472	81	
7)	Total water into system, Lines (5)+(6)	6,286	6,737	6,020	6,445	
8)	Water required in Chino Basin	1,239	1,293	964	1,086	
9)	Less Chino Basin production, Line (6)	0	570	472	81	
10)	San B'dno. & Colton Basins export to Chino Basin (8)-(9)	1,239	723	492	1,005	
11)	Percent return flow to sewer plant	44%	44%	44%	44%	
12)	Return flow to sewer plant, Lines (10)x(11)	545	318	216	442	
13)	Total export from San Bernardino & Colton Basins not tributary to Riverside Narrows, Lines (10) - (12)	694	405	276	563	

Notes:

- 1) Verified extractions, Volume 1, Report of Watermaster.
- 2) Verified extractions, Volume 2, Report of Watermaster. Includes production of Wells #3602269 & #3602271 acquired by City of Rialto in 1966.
- 3) Metered inflow to City of Rialto Filter Plant City of Rialto Records. Includes water delivered under stock entitlement City of Rialto owns in West San Bernardino County Water District and purchases from Fontana Union Water Co.
- 4) City of Rialto Records of Purchases.
- 5) Sum Lines (1) + (2) + (3) + (4).
- 6) Well Recordation files, Department of Water Resources and City of Rialto Production Records. Well # 3602270 acquired by City of Rialto in 1966.
- 7) Sum Lines (5) + (6).
- 8) Metered deliveries in Chino Basin from City of Rialto Billing Records beginning 1971.
- 9) Same as Line (6).
- 10) Difference Line (8) minus Line (9).
- 11) Estimated weighted average return flow percentage based on: 1) metered agricultural and park deliveries with no return flow, 2) metered residential deliveries at 40 percent return flow, and 3) metered industrial deliveries (Phototron Company) at 90 percent return flow.
- 12) Product line (10) times line (11).
- 13) Difference line (10) minus line (12) net export of water produced in San Bernardino & Colton Basin Areas to Chino Basin.

Note: Table No. 3 revised during the 1973 verification.

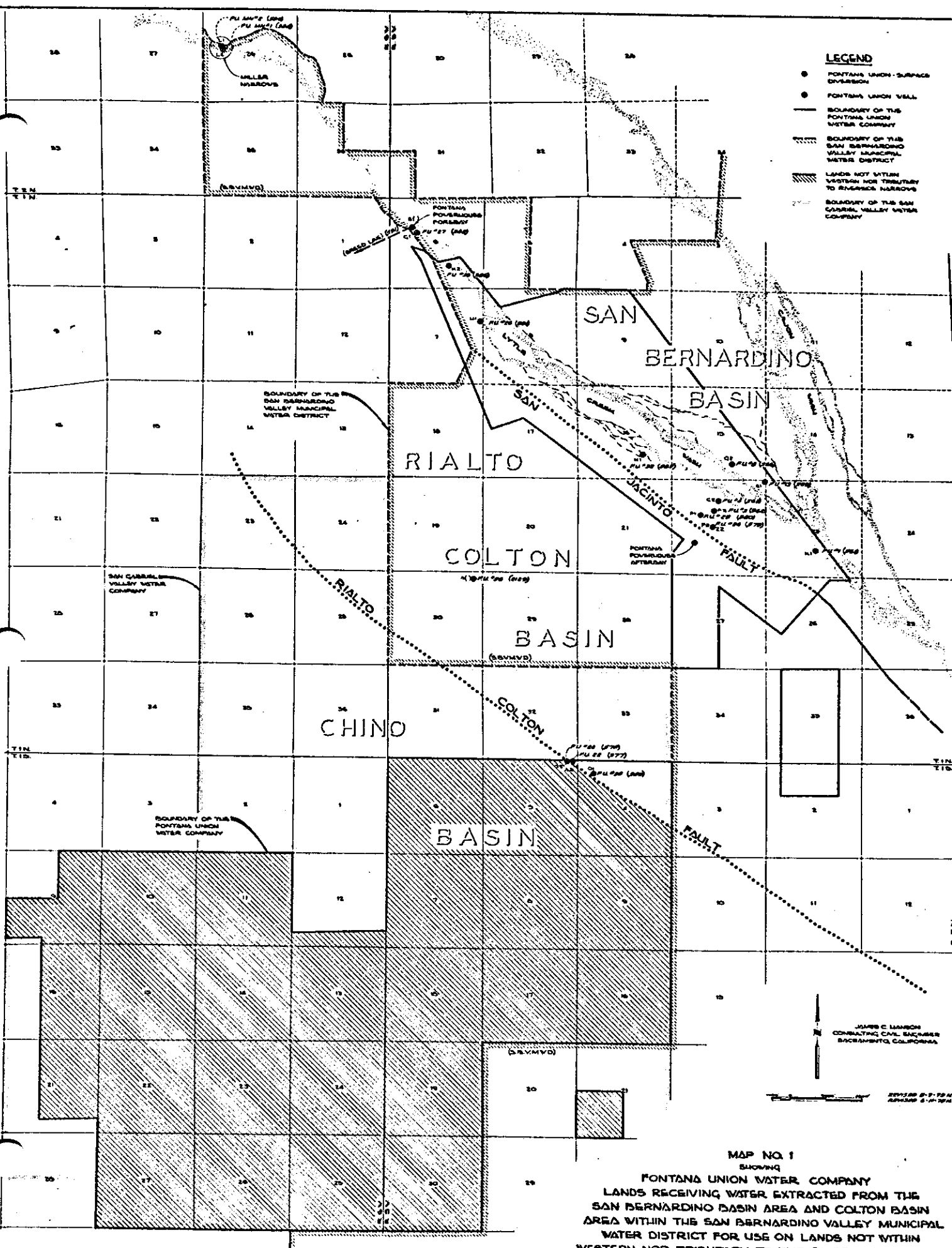
CHAPTER II

DELIVERIES TO AREAS OTHER THAN CHINO BASIN

Paragraph X of the Judgment also provides for replenishment by San Bernardino Valley to the extent exports are made from the San Bernardino Basin Area for use in the Yucaipa, San Timoteo, Oak Glen and Beaumont Basins.

The results of the initial verification of production from the San Bernardino Basin Area indicates that such exports were not made during the five year base period 1959 through 1963 nor during the calendar years 1971 through 1974.

To the extent that such exports are made subsequent to January 1, 1975, an accounting will be made by the Watermaster in accordance with the provisions of Paragraph X.



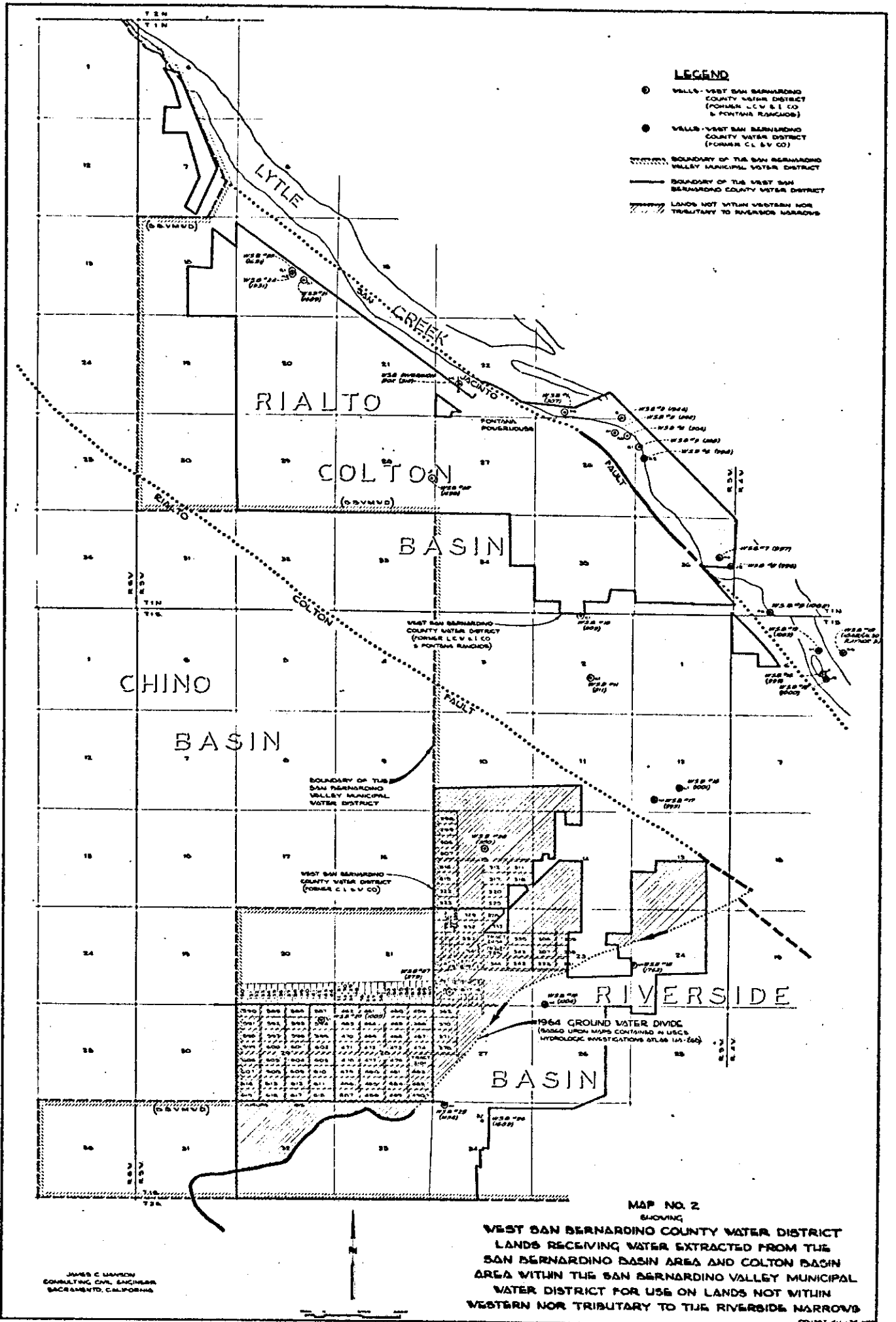
LEGEND

- PONTANA UNION SURFACE DIVERSION
- PONTANA UNION WELL
- BOUNDARY OF THE PONTANA UNION WATER COMPANY
- BOUNDARY OF THE SAN BERNARDINO VALLEY MUNICIPAL WATER DISTRICT
- ▨ LANDS NOT WITHIN WESTERN NOR TRIBUTARY TO RIVERSIDE NARROWS
- BOUNDARY OF THE SAN CABAUL VALLEY WATER COMPANY

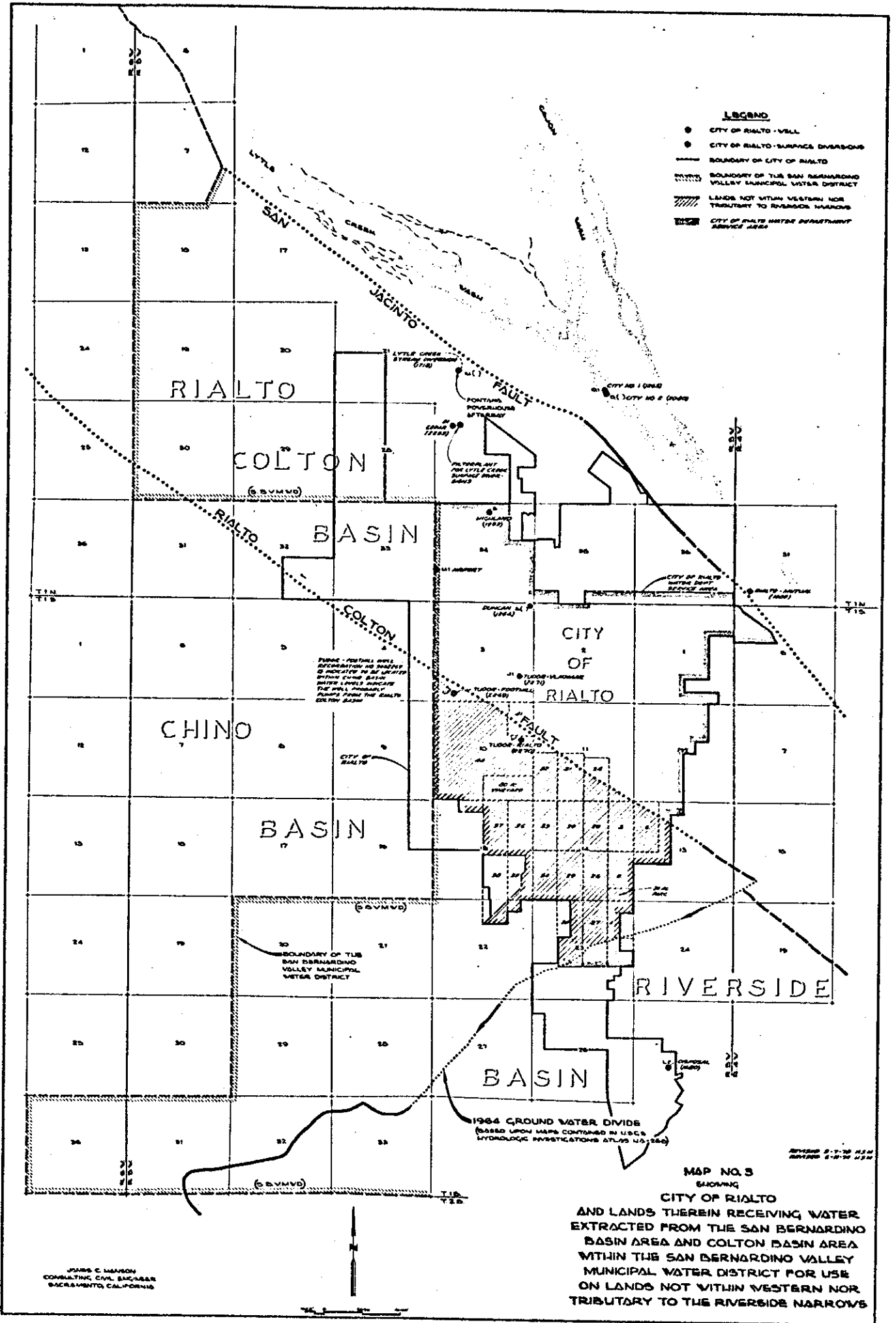
JAMES C. LAMBSON
CONSULTING CIVIL ENGINEER
SACRAMENTO, CALIFORNIA

REVISED 8-9-78 FROM REVISED 5-11-76

MAP NO. 1
SHOWING
PONTANA UNION WATER COMPANY
LANDS RECEIVING WATER EXTRACTED FROM THE
SAN BERNARDINO BASIN AREA AND COLTON BASIN
AREA WITHIN THE SAN BERNARDINO VALLEY MUNICIPAL
WATER DISTRICT FOR USE ON LANDS NOT WITHIN
WESTERN NOR TRIBUTARY TO THE RIVERSIDE NARROWS



JAMES C. MANSON
CONSULTING CIVIL ENGINEER
SACRAMENTO, CALIFORNIA



- LEGEND**
- CITY OF RIALTO - WELL
 - CITY OF RIALTO - SURFACE DIVERSION
 - BOUNDARY OF CITY OF RIALTO
 - BOUNDARY OF THE SAN BERNARDINO VALLEY MUNICIPAL WATER DISTRICT
 - ▨ LANDS NOT WITHIN WESTERN NOR TRIBUTARY TO RIVERSIDE NARROWS
 - CITY OF RIALTO WATER DEPARTMENT SERVICE AREA

THOSE FOOTINGS WILL BE RECONSTRUCTED AS SHOWN & INDICATED TO BE LOCATED WITHIN COLTON BASIN WITHIN LOTS 30 & 31. THESE LOTS WERE PLACED IN THE CITY OF RIALTO PLANS FOR THE COLTON BASIN.

MAP NO. 3
 SHOWING
CITY OF RIALTO
 AND LANDS THEREIN RECEIVING WATER
 EXTRACTED FROM THE SAN BERNARDINO
 BASIN AREA AND COLTON BASIN AREA
 WITHIN THE SAN BERNARDINO VALLEY
 MUNICIPAL WATER DISTRICT FOR USE
 ON LANDS NOT WITHIN WESTERN NOR
 TRIBUTARY TO THE RIVERSIDE NARROWS

JAMES C. MARSON
 CONSULTING CIVIL ENGINEER
 SACRAMENTO, CALIFORNIA

Volume 8 - 1974

REPORT OF WATERMASTER

Western Municipal Water District of Riverside County, et al
Plaintiffs

vs.

East San Bernardino County Water District, et al
Defendants

Superior Court of Riverside County

Case No. 78426

VOLUME 8 - 1974

GROUND WATER SURFACE ELEVATIONS
OF WELLS NUMBERED 1S/4W-21Q3
1S/4W-29H1 AND 1S/4W-29Q1 LOCATED WITHIN
THE COLTON BASIN AREA AND
RIVERSIDE BASIN AREA IN SAN BERNARDINO COUNTY
THROUGH DECEMBER 1975

ANNUAL ACCOUNTING

AUGUST 1, 1976

WATERMASTER
James C. Hanson
Donald L. Harriger

VOLUME 8 - 1974

TABLE OF CONTENTS

	<u>Page</u>
<u>INTRODUCTION</u>	i
MAP NO. 1 - Showing Locations of Wells.....	1
FIGURE 1 - 1975 Ground Water Surface Elevations (Johnson No. 1).	2
FIGURE 1A - Annual Ground Water Surface Elevations, 1936-1975 1S/4W-21Q3 (Johnson No. 1).....	3
FIGURE 2 - 1975 Ground Water Surface Elevations, (Flume No. 2)..	4
FIGURE 2A - Annual Ground Water Surface Elevations, 1936-1975 1S/4W-29H1 (Flume No. 2).....	5
FIGURE 3 - 1975 Ground Water Surface Elevations (Flume No. 5)...	6
FIGURE 3A - Annual Ground Water Surface Elevations, 1931-1975 1S/4W-29Q1 (Flume No. 5).....	7
TABLE NO. 1- Lowest Static Water Elevation.....	8
Well Measurement Record, Johnson No. 1, State Well No. 1S/4W-21Q3.....	9
Well Measurement Record, Flume No. 2, State Well No. 1S4S-29H1.....	15
Well Measurement Record, Flume No. 5, State Well No. 1S/4W-29Q1.....	21

VOLUME 8

GROUND WATER SURFACE ELEVATIONS
OF WELLS NUMBERED 1S/4W-21Q3
1S/4W-29H1 and 1S/4W-29Q1 LOCATED WITHIN
THE COLTON BASIN AREA AND
RIVERSIDE BASIN AREA IN SAN BERNARDINO COUNTY

INTRODUCTION

The settlement of the case of the Orange County Water District, Plaintiff, vs. City of Chino, et al, Defendants, being Case No. 117628 in the Superior Court of the State of California in and for the County of Orange, made necessary a settlement of the case of Western Municipal Water District of Riverside County, et al, vs. East San Bernardino County Water District, which was settled by Stipulated Judgment in Case No. 78426, entered in the Superior Court of the State of California in and for the County of Riverside, on April 17, 1969.

Paragraph VIII of the judgment entitled "Extractions from Colton Basin Area and Riverside Basin Area in San Bernardino County" in subparagraph (d) recites as follows:

"Extractions from the Colton Basin Area and that portion of the Riverside Basin Area within San Bernardino County, for use within San Bernardino Valley, shall not be limited. However, except for any required replenishment by Western, San Bernardino Valley shall provide the water to maintain the static water levels in the area, as determined by wells numbered 1S/4W-21Q3, 1S/4W-29H1, and 1S/4W-29Q1 at an average level no lower than that which existed in the Fall season of 1963. Such 1963 average water level is hereby determined to be 822.04 feet above sea level. In future years, the level shall be computed by averaging the lowest static water levels in each of the three wells occurring at or about the same time of the year, provided that no measurements will be used which reflect the undue influence of pumping in nearby wells, or in the three wells, or pumping from the Riverside Basin in Riverside County in excess of that determined pursuant to Paragraph IX(a) hereof."

Pursuant to the foregoing the Watermaster has compiled all available records and data pertinent to the water surface elevation in the three key wells named in the Judgment and shown on Map No. 1. These data, including elevations through December 1971, are presented in "Report of Watermaster, Volume 8" dated June 1972.

Ground water elevations of the key wells for calendar years 1972, 1973 and 1974 are presented in "Report of Watermaster", Volumes 8-1971, 8-1972, and 8-1973 respectively. This report includes the detail data for calendar year 1975 along with graphical summaries of historic water level elevations.

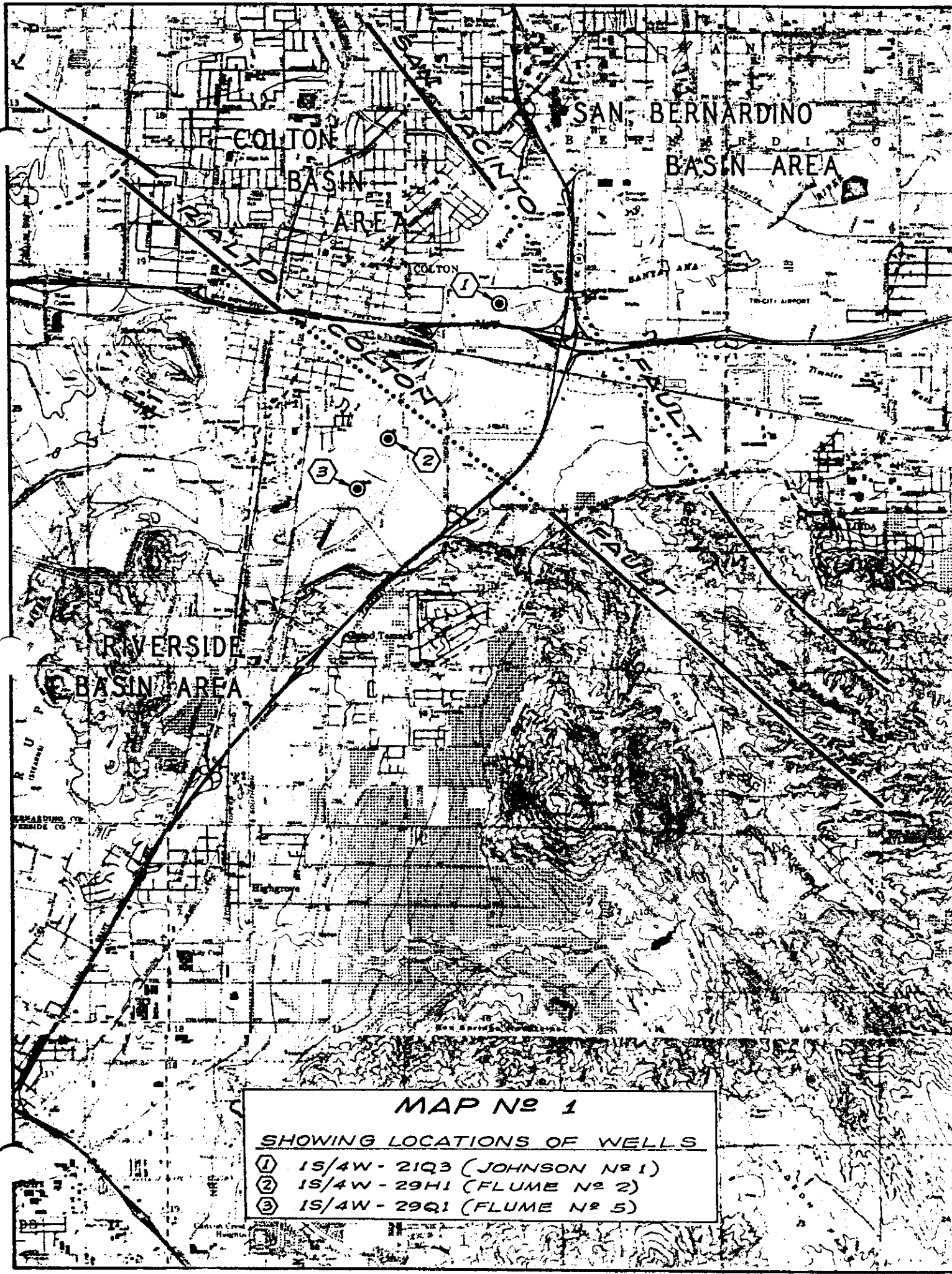
Figures 1, 2, and 3 graphically display the specific static water elevations for each key well that were used to select the lowest elevation for calendar year 1975. Figures 1A, 2A and 3A show the lowest fall static water elevation recorded each year for each of the three wells since about 1935.

Table 1 presents the lowest static water surface elevation for each well and the average low elevation for the three wells for each calendar year 1963 through 1975.

The basic data compiled in tabular form at the end of this report is based on measurements of depth to water by the City of Riverside (C of R), the United States Geological Survey (USGS), and San Bernardino Valley Municipal Water District (SBVMWD). City of Riverside generally measures the key wells once each week. However, the City did not measure the Flume No. 5 well during the last half of calendar year 1975 and early part of 1976. The problem has been corrected and weekly measurement of Flume No. 5 is now occurring.

Monthly measurements of the key wells by the USGS began in October of 1972 under a cooperative agreement with SBVMWD. In July 1974, the USGS agreement was terminated and the SBVMWD staff has continued the monthly measurements.

Using the City of Riverside and SBVMWD data, the average of the lowest static level in each well has been determined to be at elevation 865.11 feet for 1975. This elevation is 43.07 feet higher than that required by the Judgment.



MAP No 1
SHOWING LOCATIONS OF WELLS

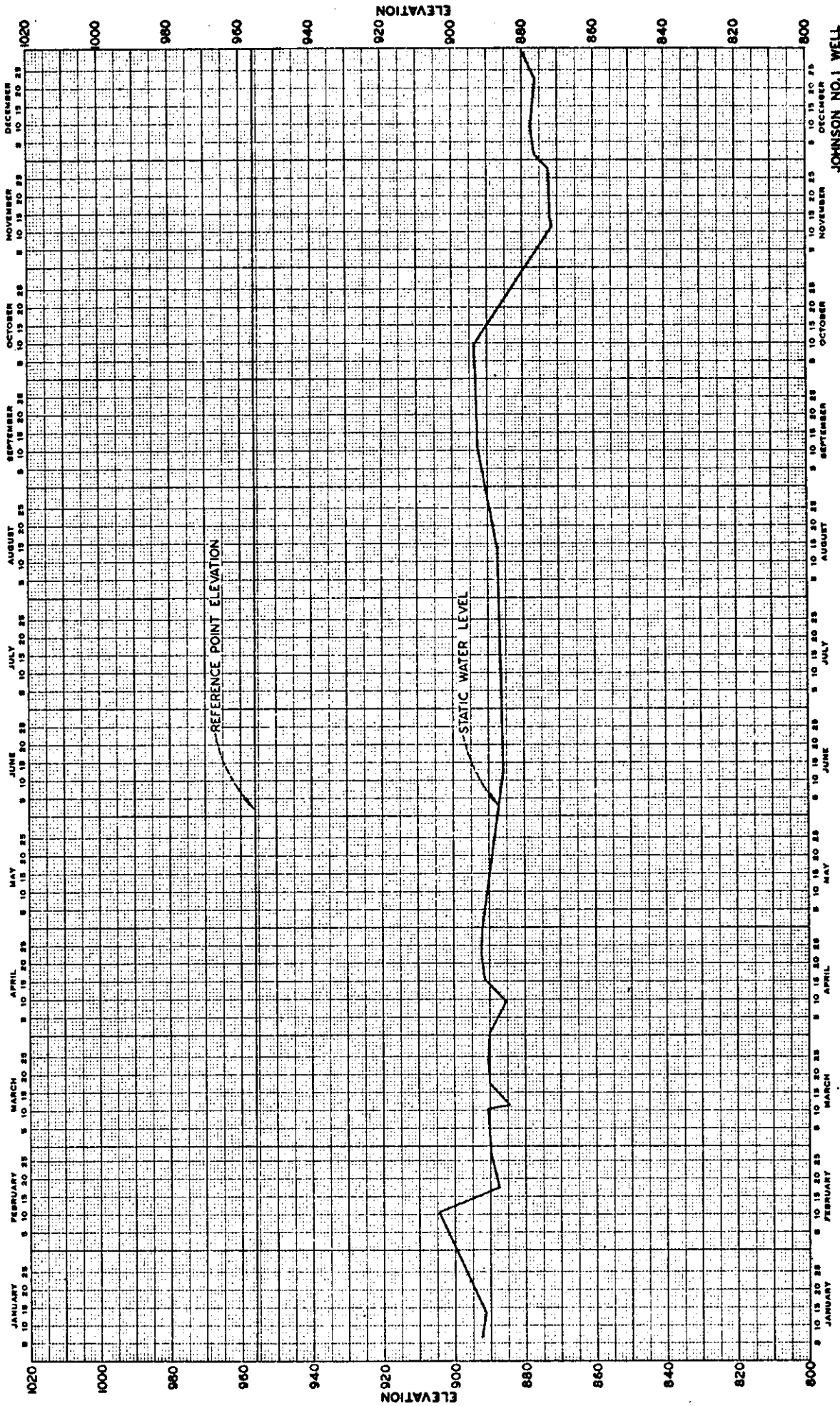
①	IS/4W - 21Q3 (JOHNSON No 1)
②	IS/4W - 29H1 (FLUME No 2)
③	IS/4W - 29Q1 (FLUME No 5)

GROUND WATER SURFACE ELEVATION

JOHNSON NO. 1 WELL

1975

STATE WELL NUMBER 15/4W-2103
RECORDATION NUMBER 36-01480
BASIN COLTON
OWNER CITY OF RIVERSIDE

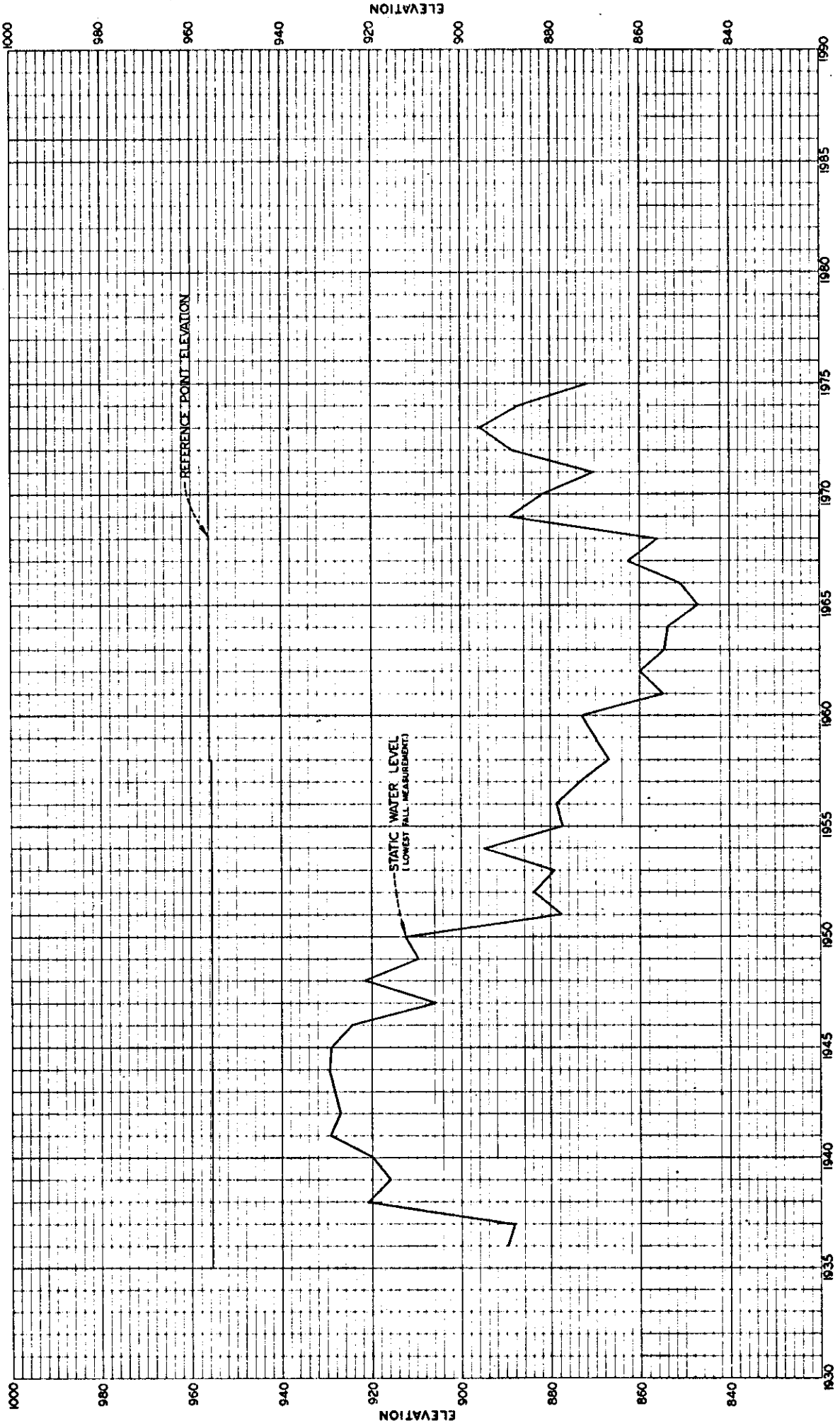


JOHNSON NO. 1 WELL
FIGURE NO. 1

GROUND WATER SURFACE ELEVATION

JOHNSON NO. 1 WELL

STATE WELL NUMBER 1574W-2103
 RECORDATION NUMBER 36-01480
 BASIN COLTON
 OWNER CITY OF RIVERSIDE



JOHNSON NO. 1 WELL
 FIGURE NO. 1A

GROUND WATER SURFACE ELEVATION FLUME NO. 2 WELL 1975

STATE WELL NUMBER 15/4W - 29 HI
 RECORDATION NUMBER 36-04484
 BASIN RIVERSIDE
 OWNER CITY OF RIVERSIDE

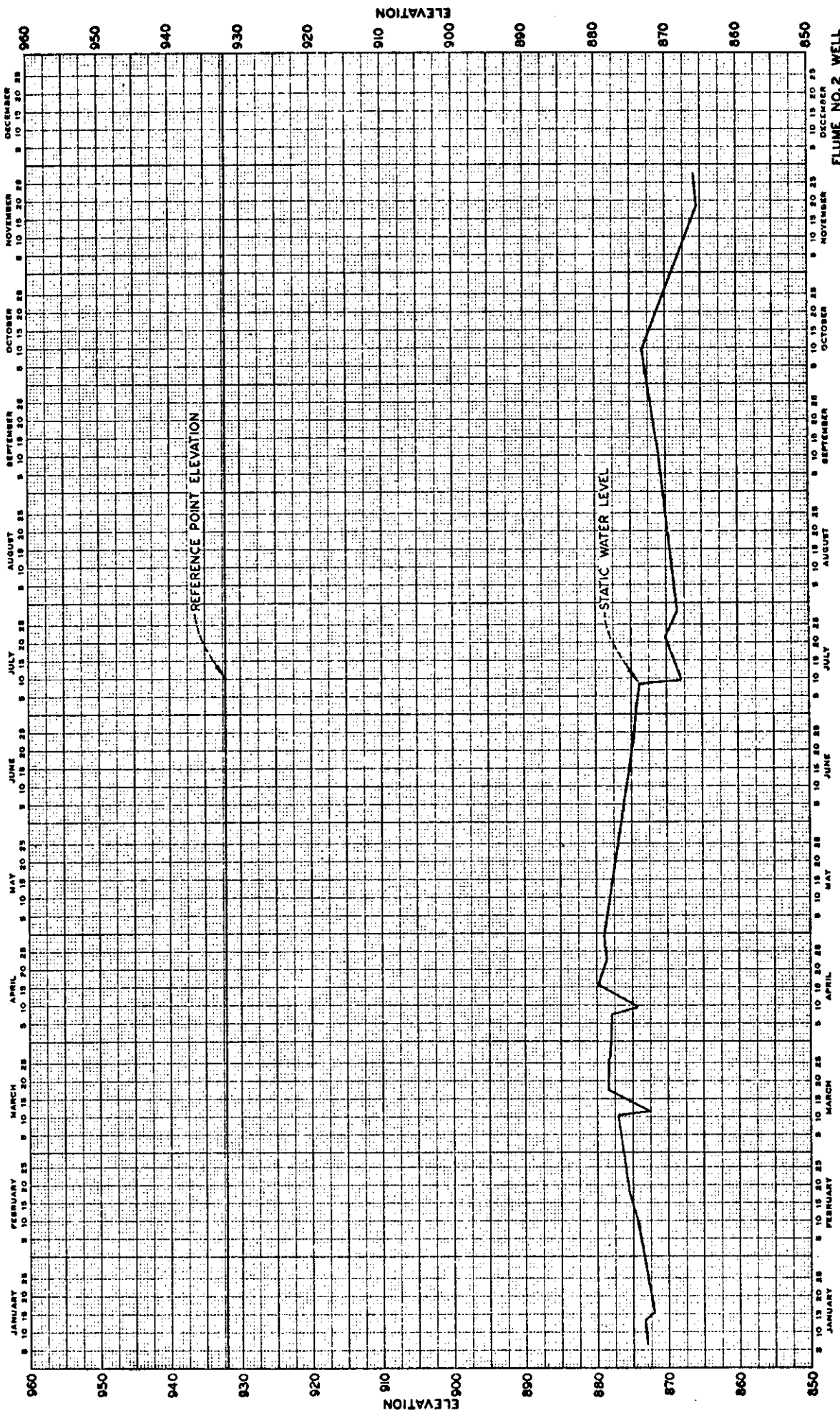
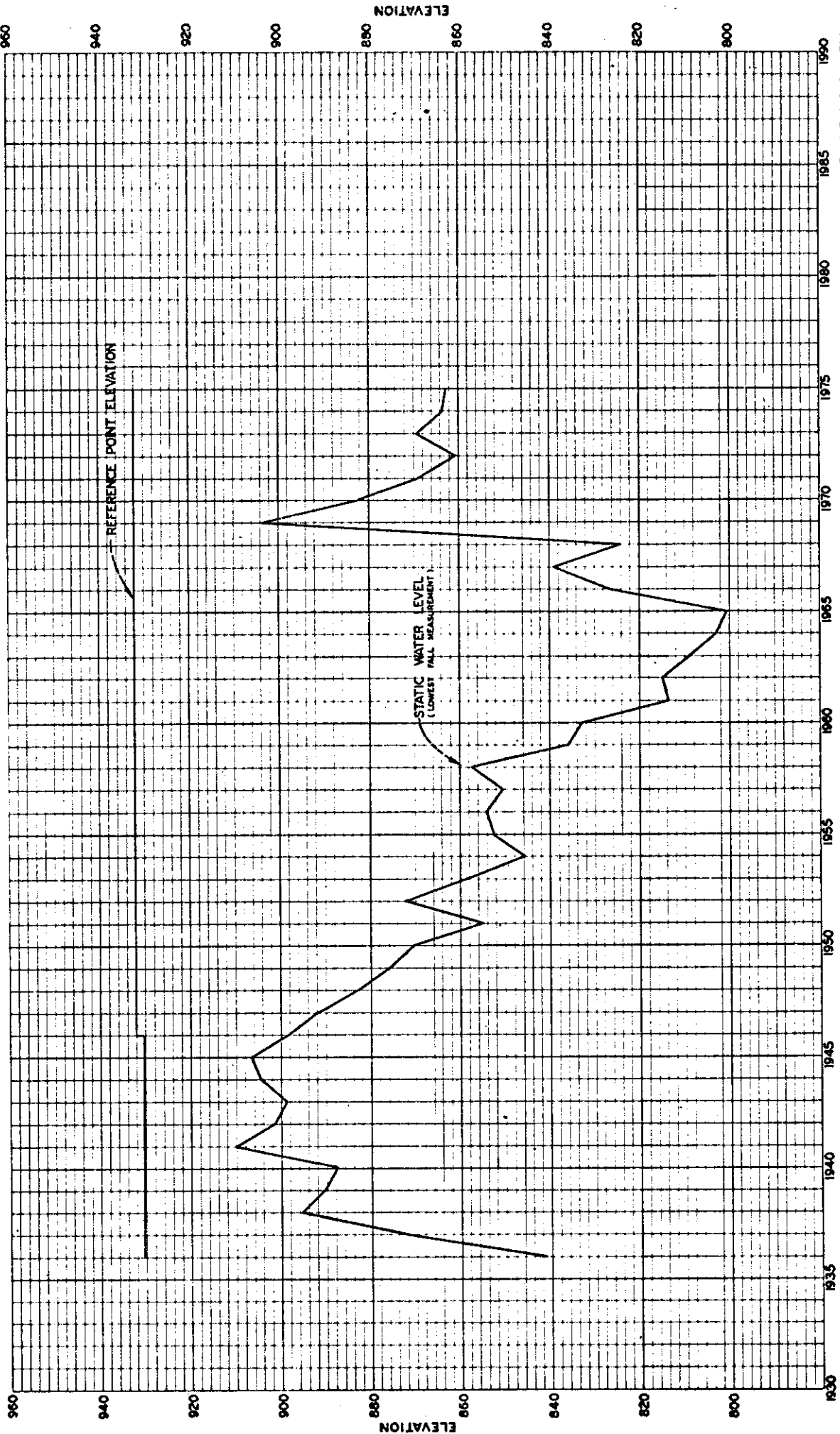


FIGURE NO. 2

GROUND WATER SURFACE ELEVATION FLUME NO. 2 WELL

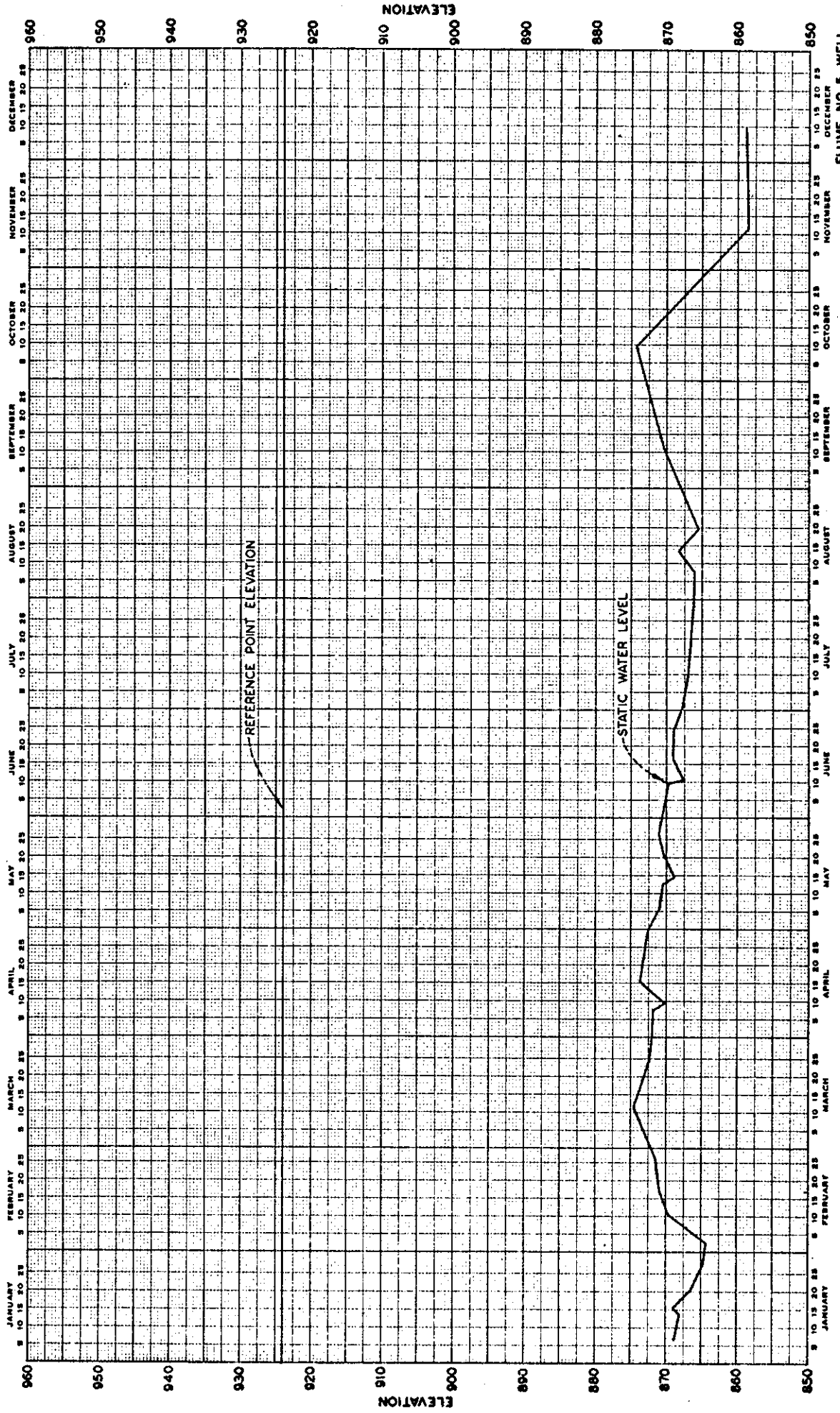
STATE WELL NUMBER IS/4W - 29HI
 RECORDATION NUMBER 36 - 01A 84
 BASIN RIVERSIDE
 OWNER CITY OF RIVERSIDE



FLUME NO. 2 WELL
 FIGURE NO. 2A

GROUND WATER SURFACE ELEVATION FLUME NO. 5 WELL 1975

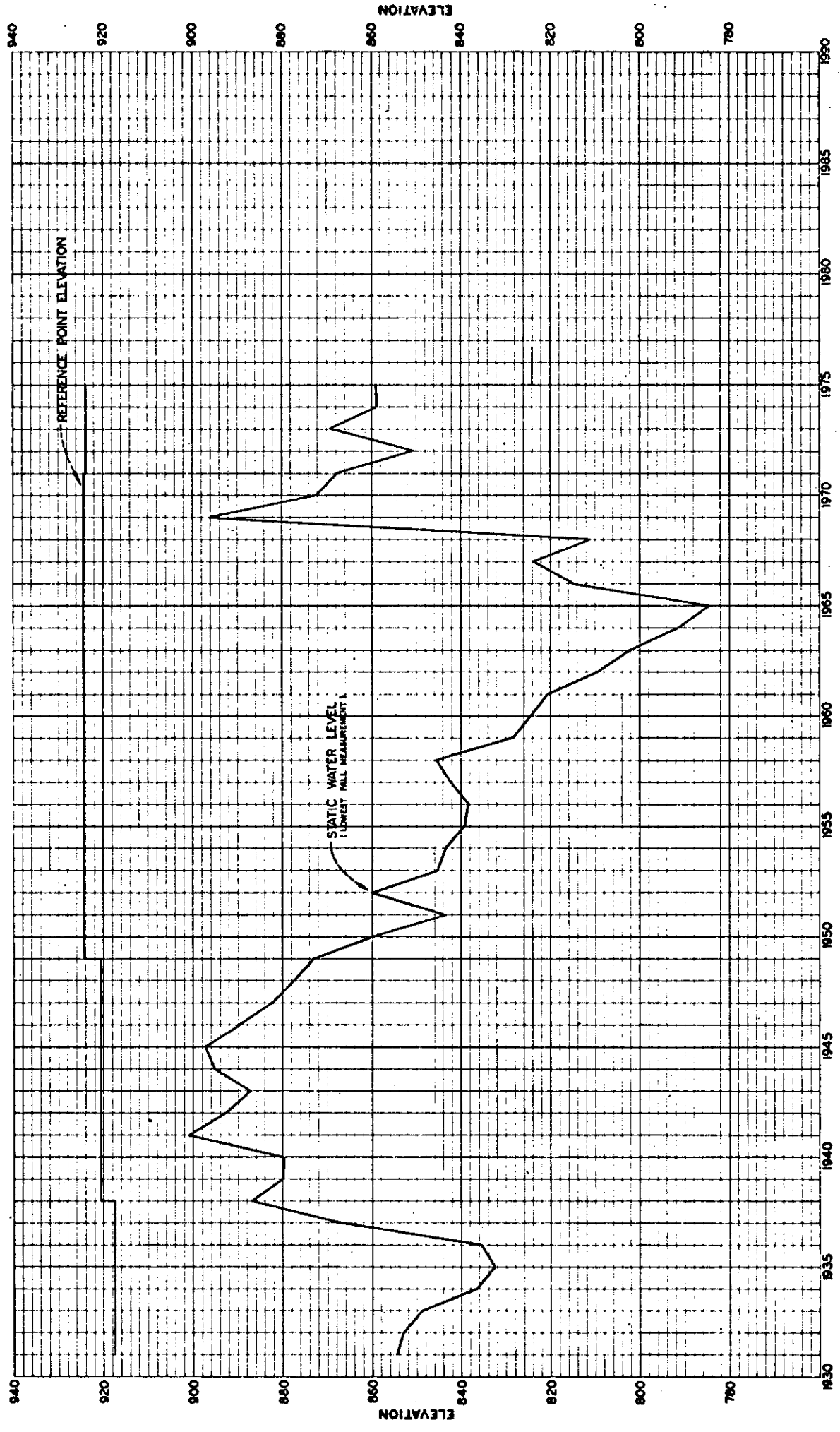
STATE WELL NUMBER IS/4W-29Q1
 RECORDATION NUMBER 36-01487
 BASIN RIVERSIDE
 OWNER CITY OF RIVERSIDE



FLUME NO. 5 WELL
 FIGURE NO. 3

STATE WELL NUMBER 1S/4W-29Q1
 RECORDATION NUMBER 36-01487
 BASIN RIVERSIDE
 OWNER CITY OF RIVERSIDE

**GROUND WATER SURFACE ELEVATION
 FLUME NO. 5 WELL**



FLUME NO. 5 WELL
 FIGURE NO. 3A

TABLE NO. 1

LOWEST STATIC WATER LEVEL
ELEVATION IN WELLS NUMBERED
1S/4W-21Q3, 1S/4W-29HI & 1S/4W-29Q1
FOR YEARS 1963 THROUGH 1975

STATIC WATER LEVEL ELEVATION

Calendar Year	Well #1S/4W-21Q3 Johnson No. 1		Well #1S/4W-29HI Flume No. 2		Well #1S/4W-29Q1 Flume No. 5		Total of Three Wells	Average of Three Wells
	Lowest Static W.S. Elev.	Date Recorded	Lowest Static W.S. Elev.	Date Recorded	Lowest Static W.S. Elev.	Date Recorded		
1963	854.56	Aug. 1	809.28	Sept. 20	802.27	Sept. 19	2466.11	822.04
1964	853.96	Nov. 6	803.08	Oct. 23	790.97	Sept. 18	2448.01	816.00
1965	846.96	Nov. 12	800.78	Nov. 12	784.37	Nov. 5	2432.11	810.70
1966	850.96	July 29	826.28	Nov. 4	815.07	July 2	2492.31	830.77
1967	862.56	Sept. 15	838.88	Nov. 10	823.87	Nov. 10	2525.31	841.77
1968	856.06	Nov. 1	824.08	Dec. 13	811.17	Sept. 13	2491.31	830.44
1969	888.86	Aug. 25	903.68	Nov. 24	896.27	Dec. 8	2688.81	896.27
1970	881.66	Aug. 17	882.38	Nov. 2	872.47	Oct. 12	2636.51	878.84
1971	870.26	Oct. 4	869.08	Oct. 4	867.92	Sept. 27	2607.26	869.09
1972	888.46	Nov. 20	860.58	Nov. 27	850.52	Nov. 20	2599.56	866.52
1973	895.26	Nov. 16	869.48	Nov. 20	869.42	Oct. 30	2634.16	878.05
1974	887.05	Oct. 24	863.78	Oct. 31	858.82	Oct. 22	2609.65	869.88
1975	871.36	Nov. 12	865.48	Nov. 19	858.48	Nov. 12	2595.32	865.11

Colton Basin

LOCAL DESIGNATION _____

RP = 956.06**WELL RECORD**Johnson #1

DATE	OBTAINED FROM	DIST. R. P. TO WATER	ELEVATION OF WATER	REMARKS
<u>1971</u>				
11- 9	C o F R	79.9	876.16	Static
11-15	"	78.5	877.56	"
11-22	"	78.1	877.96	"
12- 1	"	119.6	836.46	"
12- 6	"	77.8	878.26	"
12-13	"	77.5	878.56	"
12-20	"	77.3	878.76	"
12-27	"	65.1	890.96	"
<u>1972</u>				
1- 3	C o F R	63.4	892.66	Static
1-10	"	60.4	895.66	"
1-17	"	58.9	897.16	"
1-19	"	113.7	842.36	Pumping
1-24	"	61.4	894.66	Static
2- 1	"	58.5	897.56	"
2- 7	"	59.2	896.86	"
2-14	"	124.0	832.06	Pumping
2-21	"	128.5	827.56	"
2-28	"	127.5	828.56	"
3- 6	"	62.0	894.06	Static
3-13	"	60.1	895.96	"
3-20	"	133.5	822.56	Pumping
3-27	"	61.7	894.36	Static
4- 1	"	59.8	896.26	"
4-10	"	59.7	896.36	"
4-17	"	132.4	823.66	Pumping
4-24	"	132.9	823.16	"
5- 1	"	27.8	?	Static (Looks like Johnson #3)
5- 8	"	66.5	889.56	"
5-15	"	135.0	821.06	Pumping
5-22	"	80.0	876.06	Static
5-29	"	81.2	874.86	"
6- 1	"	131.9	824.16	Pumping
6- 5	"	132.1	823.96	"
6-12	"	68.2	887.86	Static
6-19	"	79.8	876.26	"
6-26	"	132.6	823.46	Pumping
7- 1	"	135.1	820.96	"
7-10	"	131.4	824.66	"
7-17	"	140.8	815.26	"
7-24	"	139.9	816.16	"
7-31	"	140.2	815.86	"
8-26	"	140.8	815.26	"
9- 1	"	139.2	816.86	"
9-11	"	86.0	870.06	Static
9-18	"	70.0	886.06	"
9-25	"	68.8	887.26	"
10-16	"	68.1	887.96	"
10-24	"	67.8	888.26	"
10-30	"	67.6	888.46	"
11- 6	"	67.5	888.56	"

ENGINEERING OFFICE
 ALBERT A. WEBB ASSOCIATES
 RIVERSIDE, CALIFORNIA

Colton Basin

LOCAL DESIGNATION _____

RP = 956.06

WELL RECORD

Johnson #1

DATE	OBTAINED FROM	DIST. R. P. TO WATER	ELEVATION OF WATER	REMARKS
1972				
11-9	USGS	64.69		
11-14	C of R	67.2	888.86	Static
11-20	"	67.6	888.46	" (Low)
11-27	"	67.2	888.86	"
11-28	USGS	63.75	892.31	
12-4	C of R	67.4	888.66	"
12-18	"	61.6	894.46	"
12-26	"	61.9	894.16	"
12-27	USGS	62.30	893.76	"
1973				
1-2	C of R	63.3	892.76	Static
1-8	"	63.1	892.96	"
1-22	"	63.5	892.56	"
1-29	"	62.5	893.56	"
2-5	"	63.7	892.36	" Feb.5 USGS 61.78 = 894.28
2-20	"	63.5	892.56	" Feb.22 USGS 59.20 = 896.86
2-26	"	63.0	893.06	"
3-5	"	63.4	892.66	"
3-12	"	63.6	892.46	"
3-21	"	59.2	896.86	"
4-1	"	58.2	897.86	" Apr.2 USGS 57.30 = 898.76
4-16	"	57.6	898.46	"
4-23	"	57.9	898.16	" Apr.26 USGS 59.04 = 897.02
5-8	"	58.2	897.86	"
5-27	"	61.0	895.06	"
5-30	USGS	59.99	896.07	"
6-11	C of R	61.1	894.96	"
6-18	"	62.0	894.06	"
6-26	"	61.3	894.76	"
7-1	"	61.5	894.56	"
7-3	USGS	58.08	897.98	"
7-9	C of R	58.8	897.26	"
7-16	"	58.6	897.46	"
7-23	"	58.7	897.36	"
7-25	USGS	57.41	898.65	"
8-6	C of R	57.7	898.36	"
8-13	"	57.6	898.46	"
8-20	"	57.5	898.56	"
8-28	USGS	57.84	898.22	"
9-1	C of R	58.7	897.36	"
9-10	"	58.4	897.66	"
9-16	"	58.3	897.76	"
10-1	"	57.9	898.16	"
10-1	USGS	58.64	897.42	"
10-8	C of R	58.2	897.86	"
10-16	"	59.4	896.66	"
10-23	"	59.6	896.46	"
10-30	"	59.5	896.56	"
10-30	USGS	59.67	896.39	"
11-6	C of R	60.5	895.56	"
11-13	"	59.8	896.26	"

Colton Basin

LOCAL DESIGNATION _____

RP = 956.06

WELL RECORD

Johnson #1

DATE	OBTAINED FROM	DIST. R. P. TO WATER	ELEVATION OF WATER	REMARKS
1973				
11-16	USGS	60.80	895.26	Static (Low)
11-20	C of R	60.2	895.86	"
11-27	"	60.5	895.56	"
12-1	"	60.1	895.96	"
12-4	"	60.1	895.96	"
12-5	USGS	60.01	896.05	"
12-11	C of R	60.1	895.96	"
12-18	"	60.0	896.06	"
12-26	C of R	59.8	896.26	"
1974				
1-1	C of R	59.2	896.86	"
	USGS	59.37	896.69	"
1-8	C of R	59.4	896.66	"
1-8	USGS	58.98	897.08	"
1-15	C of R	59.6	896.46	"
1-16	USGS	59.20	896.86	"
1-22	C of R	58.6	897.46	"
1-29	"	58.8	897.26	"
2-1	"	58.3	897.76	"
2-5	"	58.4	897.66	"
2-6	USGS	57.91	898.15	"
2-12	C of R	57.4	898.66	"
2-26	"	72.0	884.06	" Vaughn Well Pumping
3-5	"	60.5	895.56	"
3-12	"	60.4	895.66	"
3-12	USGS	60.50	895.56	"
3-19	C of R	58.2	897.86	"
3-26	"	58.2	897.86	"
4-2	"	125.3	830.76	Pumping
4-4	USGS	-	-	Pumping
4-9	C of R	124.4	831.66	"
4-17	"	62.4	893.66	Static
4-23	"	60.3	895.76	"
4-30	"	60.9	895.16	"
5-7	"	76.3	879.76	" Vaughn Well Pumping
5-14	"	61.3	894.76	"
5-21	"	71.6	884.46	" Vaughn Well Pumping
5-28	"	61.5	894.56	"
5-31	USGS	60.50	895.56	"
6-5	C of R	67.5	888.56	" Vaughn Well Pumping
6-11	"	65.6	890.46	"
6-19	"	66.4	889.66	"
6-25	"	65.4	890.66	"
6-27	USGS	61.20	894.86	"
7-9	C of R	125.1	830.96	Pumping
7-16	SBVMWD	66.40	889.66	Static
7-17	C of R	66.4	889.66	"
7-24	"	120.3	835.76	Pumping
7-25	SBVMWD	126.90	829.16	"
7-29	"	125.10	830.96	"
7-30	C of R	125.4	830.66	"

WELL MEASUREMENT RECORD

NUMBER 1S/4W-2103

Colton Basin

LOCAL DESIGNATION _____

RP = 956.06

Johnson #1

DATE	OBTAINED FROM	DIST. R.P. TO WATER	ELEVATION OF WATER	REMARKS
<u>1974</u>				
8-9	C of R	127.4	828.66	Pumping
8-13	"	69.2	886.86	Static
8-20	"	68.4	887.66	"
8-22	SBVMWD	68.14	887.92	"
8-27	C of R	126.7	829.36	Pumping
9-1	"	126.5	829.56	"
9-3	"	127.6	828.46	"
9-10	"	69.7	886.36	Static
9-12	SBVMWD	69.80	886.26	"
9-24	C of R	67.6	888.46	"
9-26	SBVMWD	66.84	889.22	"
10-1	C of R	68.8	887.26	"
10-8	"	66.6	889.46	"
10-16	"	67.4	888.66	"
10-22	"	68.0	888.06	"
10-24	SBVMWD	69.01	887.05	" (Low)
10-31	C of R	65.8	890.26	"
11-5	"	65.7	890.36	"
11-12	"	69.3	886.76	"
11-15	SBVMWD	62.60	893.46	"
11-20	C of R	78.5	877.56	" Pumping Nearby
11-22	SBVMWD	78.59	877.47	" "
11-26	C of R	79.3	876.76	" "
12-1	"	79.6	876.46	" "
12-3	"	79.5	876.56	" "
12-10	"	67.7	888.36	"
12-17	"	66.1	889.96	"
12-24	"	65.7	890.36	"
12-30	"	64.0	892.06	"
<u>1975</u>				
1-7	C of R	63.4	892.66	Static
1-14	"	64.5	891.56	"
1-21	"	138.0	818.06	Pumping
1-28	"	138.4	817.66	"
2-3	"	138.7	817.36	"
2-11	"	51.5	904.56	Static
2-18	"	68.8	887.26	"
2-27	"	66.2	889.86	"
2-27	SBVMWD	66.2	889.86	"
3-11	C of R	65.6	890.46	"
3-12	SBVMWD	71.2 ⁹	884.77	"
3-18	C of R	66.0	890.06	"
3-24	SBVMWD	65.2	890.86	"
3-25	C of R	65.8	890.26	"

WELL MEASUREMENT RECORD

NUMBER 1S/4W-21Q3

Colton Basin

LOCAL DESIGNATION

RP = 956.06

Johnson #1

DATE	OBTAINED FROM	DIST. R.P. TO WATER	ELEVATION OF WATER	REMARKS
1975				
4-1	SBVMWD	66.0	890.06	Static
4-1	C of R	66.0	890.06	"
4-8	"	117.1	838.96	Pumping
4-9	SBVMWD	70.54	885.52	Static
4-16	C of R	64.6	891.46	"
4-23	"	63.7	892.36	"
4-30	"	64.1	891.96	"
4-30	SBVMWD	64.1	891.96	"
5-6	C of R	80.4	875.66	Pumping Nearby
5-13	"	147.8	808.26	Pumping
5-15	SBVMWD	68.23	887.83	"
5-22	C of R	81.4	874.66	Pumping Nearby
5-27	"	82.0	874.06	"
5-27	"	82.0	874.06	"
6-3	"	83.2	872.86	Pumping Nearby
6-10	"	83.0	873.06	"
6-13	SBVMWD	70.03	886.03	Static
6-17	C of R	84.2	871.86	Pumping Nearby
6-24	"	84.7	871.36	"
6-25	"	84.7	871.36	"
7-1	SBVMWD	84.8	871.26	"
7-1	C of R	84.8	871.26	Pumping Nearby
7-9	"	86.1	869.96	"
7-10	SBVMWD	69.41	886.65	Static
7-15	C of R	78.5	877.56	Pumping Nearby
7-22	"	145.6	810.46	Pumping
7-29	"	146.8	809.26	"
7-29	SBVMWD	146.8	809.26	Pumping
8-3	"	147.6	808.46	"
8-4	C of R	147.6	808.46	"
8-10	"	147.9	808.16	"
8-14	SBVMWD	68.71	887.35	Static
8-17	C of R	148.1	807.96	Pumping
8-27	SBVMWD	149.10	806.96	"
9-1	C of R	149.1	806.96	"
9-10	"	152.1	803.96	"
9-12	SBVMWD	63.22	892.84	Static
9-16	C of R	153.5	802.56	Pumping
9-23	"	157.6	798.46	"
9-30	"	157.8	798.26	"
10-1	SBVMWD	157.6	798.46	Pumping
10-1	C of R	157.6	798.46	"
10-7	"	158.0	798.06	"
10-10	SBVMWD	62.27	893.79	Static
10-15	C of R	154.4	801.66	Pumping
10-21	"	152.8	803.26	"
10-28	"	153.0	803.06	"

WELL MEASUREMENT RECORD

NUMBER 1S/4W-21Q3

Colton Basin

LOCAL DESIGNATION

RP = 956.06

Johnson # 1

DATE	OBTAINED FROM	DIST. R.P. TO WATER	ELEVATION OF WATER	REMARKS
1975				
11-4	SBVMWD	153.2	802.86	Pumping
11-4	C of R	153.2	802.86	"
11-12	"	84.6	871.46	Static
11-12	SBVMWD	84.7	871.36	(Low) Static
11-15	C of R	84.0	872.06	Static
11-28	"	83.4	872.66	"
12-2	SBVMWD	79.33	876.73	"
12-2	C of R	79.4	876.66	"
12-9	"	78.4	877.66	"
12-10	SBVMWD	78.44	877.62	"
12-23	C of R	79.8	876.26	"
12-30	"	76.3	879.76	"
1976				
1-1	SBVMWD	76.3	879.76	Static
1-7	C of R	76.1	879.96	"
1-13	"	77.6	878.46	"
1-20	"	78.1	877.96	"
1-27	"	78.1	877.96	"
2-4	"	76.6	879.46	"
2-11	"	75.6	880.46	"
2-17	"	74.6	881.46	"

Riverside Basin

LOCAL DESIGNATION _____

RP = 932.18

WELL RECORD

Flume #2

DATE	OBTAINED FROM	DIST. R. P. TO WATER	ELEVATION OF WATER	REMARKS
1970				
11-23	C of R	78.9	853.28	Pumping
12-28	"	42.8	889.38	Static
1971				
1-4	C of R	42.5	889.68	"
1-11	"	42.3	889.88	"
1-18	"	43.9	888.28	"
1-25	"	44.0	888.18	"
2-1	"	43.5	888.68	"
4-12	"	46.1	886.08	"
4-19	"	45.9	886.28	"
5-10	"	47.9	884.28	"
5-17	"	48.3	883.88	"
5-24	"	46.9	885.28	"
6-21	"	80.5	851.68	Pumping
6-28	"	81.2	850.98	"
7-6	"	81.0	851.18	"
7-12	"	80.9	851.28	"
7-20	"	50.1	882.08	Static
7-26	"	49.3	882.88	"
8-9	"	75.8	856.38	Pumping
8-16	"	76.3	855.88	"
8-23	"	74.3	857.88	"
9-6	"	104.0	828.18	"
9-14	"	90.5	841.68	"
9-20	"	92.5	839.68	"
9-27	"	94.0	838.18	"
9-30	"	62.5	869.68	Static
10-4	"	63.1	869.08	" Low
10-11	"	62.1	870.08	"
10-18	"	62.1	870.08	"
11-1	"	61.7	870.48	"
11-9	"	59.3	872.88	"
11-15	"	59.5	872.68	"
11-22	"	57.6	874.58	"
12-2	"	47.3	884.88	"
12-6	"	57.3	874.88	"
12-13	"	57.6	874.58	"
12-20	"	56.8	875.38	"
12-27	"	58.0	874.18	"
1972				
1-3	C of R	54.4	877.78	Static
1-10	"	55.2	876.98	"
1-17	"	54.1	878.08	"
1-20	"	53.9	878.28	Idle 53.9 Pump 83.5 Edison Test
1-24	"	54.0	878.18	Static
2-1	"	53.5	878.68	"
2-7	"	53.9	878.28	"
2-14	"	54.2	877.98	"
2-21	"	87.4	844.78	Pumping
2-28	"	88.0	844.18	"
3-6	"	58.4	873.78	Static

ENGINEERING OFFICE
ALBERT A. WEBB ASSOCIATES

SHEET NO. _____

NUMBER 1S/4W-29H1Riverside Basin

RIVERSIDE, CALIFORNIA

LOCAL DESIGNATION _____

RP = 932.18

WELL RECORDFlume #2

DATE	OBTAINED FROM	DIST. R. P. TO WATER	ELEVATION OF WATER	REMARKS
<u>1972</u>				
3-13	C of R	58.0	874.18	Static
3-20	"	59.4	872.78	"
3-27	"	90.6	841.58	Pumping
4-1	"	60.4	871.78	Static
4-10	"	89.6	842.58	Pumping
4-17	"	93.2	838.98	"
4-24	"	94.5	837.68	"
5-1	"	94.4	837.78	"
5-8	"	63.2	868.98	Static
5-15	"	64.9	867.28	"
5-22	"	94.3	837.88	Pumping
5-29	"	95.1	837.08	"
6-1	"	94.6	837.58	"
6-5	"	93.4	838.78	"
6-12	"	93.4	838.78	"
6-19	"	110.4	821.78	"
6-26	"	108.6	823.58	"
7-1	"	104.8	827.38	"
7-10	"	105.6	826.58	"
7-17	"	106.2	825.98	"
7-24	"	106.4	825.78	"
7-31	"	105.6	826.58	"
8-26	"	106.1	826.08	"
9-1	"	104.7	827.48	"
9-11	"	105.9	826.28	"
9-18	"	105.2	826.98	"
9-25	"	104.0	828.18	"
10-16	"	109.6	822.58	"
10-24	"	107.8	824.38	"
10-30	"	107.3	824.88	"
11-6	"	107.1	825.08	"
11-9	USGS	111.59	820.59	
11-14	C of R	107.6	824.58	Pumping
11-20	"	107.2	824.98	"
11-27	"	71.6	860.58	Static (Low)
11-28	USGS	103.38	828.80	
12-4	C of R	105.8	826.38	Pumping
12-18	"	66.0	866.18	Static
12-26	"	103.6	828.58	Pumping
12-27	USGS	97.60	834.58	
<u>1973</u>				
1-2	C of R	107.9	824.28	Pumping
1-8	"	98.0	834.18	"
1-22	"	98.7	833.48	"
1-29	"	62.7	869.48	Static
2-5	"	98.9	833.28	Pumping 2-5 USGS 92.73 = 839.45
2-20	"	96.8	835.38	"
2-26	"	88.7	843.48	" 2-28 USGS 88.17 = 844.01
3-5	"	88.5	843.68	"
3-12	"	88.9	843.28	"
3-21	"	81.3	850.88	" TDS 440

Riverside Basin

LOCAL DESIGNATION _____

RP = 932.18**WELL RECORD**Flume #2

DATE	OBTAINED FROM	DIST. R. P. TO WATER	ELEVATION OF WATER	REMARKS
<u>1973</u>				
4-1	C of R	83.4	848.78	Pumping Apr.2 USGS 83.84 = 848.34
4-16	"	50.5	881.68	Static
4-23	"	50.8	881.38	" Apr.26 USGS 81.18 = 851.00
5-8	C of R	85.3	846.88	Pumping
5-27	"	85.5	846.68	"
5-30	USGS	83.86	848.32	"
6-11	C of R	84.6	847.58	"
6-18	"	85.1	847.08	"
6-26	"	87.6	844.58	"
7-1	"	55.3	876.88	Static
7-3	USGS	54.99	877.19	"
7-9	C of R	87.2	844.98	Pumping
7-16	"	57.8	874.38	Static
7-23	"	86.4	845.78	Pumping
8-6	"	85.5	846.68	"
8-13	"	84.1	848.08	"
8-20	"	84.5	847.68	"
8-28	USGS	54.74	877.44	Static
9-1	C of R	81.2	850.98	"
9-10	"	89.3	842.88	"
9-16	"	89.0	843.18	"
10-1	"	90.1	842.08	"
10-1	USGS	60.54	871.64	Static
10-8	C of R	91.1	841.08	"
10-16	"	94.6	837.58	"
10-23	"	95.3	836.88	"
10-30	"	94.5	837.68	"
11-3	"	94.6	837.58	"
11-6	"	94.1	838.08	"
11-13	"	94.3	837.88	"
11-20	"	62.7	869.48	Static (Low)
11-27	"	61.5	870.68	"
12-1	"	61.2	870.98	"
12-4	"	60.9	871.28	"
12-5	USGS	60.65	871.53	"
12-11	C of R	60.5	871.68	"
12-18	"	60.5	871.68	"
12-26	"	59.1	873.08	"
<u>1974</u>				
1-1	C of R	58.3	873.88	"
	USGS	54.29	877.89	"
1-8	C of R	55.4	876.78	"
1-8	USGS	55.01	877.17	"
1-15	C of R	53.1	879.08	"
1-22	"	52.7	879.48	"
1-29	"	52.4	879.78	"
2-1	"	52.1	880.08	"
2-5	"	53.0	879.18	"
2-6	USGS	52.65	879.53	"
2-12	C of R	53.1	879.08	"
2-26	"	87.4	844.78	Pumping

ENGINEERING OFFICE
ALBERT A. WEBB ASSOCIATES
RIVERSIDE, CALIFORNIA

Riverside Basin

LOCAL DESIGNATION _____

RP = 932.18

WELL RECORD

Flume #2

DATE	OBTAINED FROM	DIST. R. P. TO WATER	ELEVATION OF WATER	REMARKS
1974				
3-5	C of R	55.1	877.08	Idle
3-12	"	56.2	875.98	"
3-19	"	54.6	877.58	"
3-26	"	51.3	880.88	"
4-2	"	86.0	846.18	Pumping
4-4	USGS	-	-	"
4-6	C of R	85.5	846.68	"
4-9	"	85.5	846.68	"
4-17	"	84.8	847.38	"
4-23	"	90.2	841.98	"
4-30	"	90.8	841.38	"
5-2	USGS	57.87	874.31	Static
5-7	C of R	57.6	874.58	"
5-14	"	56.3	875.88	"
5-21	"	56.4	875.78	"
5-28	"	90.8	841.38	Pumping
6-5	"	91.6	840.58	"
6-11	"	92.4	839.78	"
6-19	"	59.1	873.08	Static
6-25	"	60.4	871.78	"
6-27	USGS	59.60	872.58	"
7-9	C of R	60.9	871.28	"
7-17	"	62.1	870.08	"
7-24	"	62.2	869.98	"
7-25	SBVMWD	63.10	869.08	"
7-30	C of R	62.4	869.78	"
8-9	"	63.5	868.68	"
8-13	"	63.4	868.78	"
8-20	"	63.4	868.78	"
8-22	SBVMWD	63.96	868.22	"
8-27	C of R	64.5	867.68	"
9-1	"	64.5	867.68	"
9-3	"	65.1	867.08	"
9-10	"	65.4	866.78	"
9-24	"	98.8	833.38	Pumping
10-1	"	99.8	832.38	"
10-8	"	101.4	832.38	"
10-16	"	102.1	830.08	"
10-22	"	101.9	830.28	"
10-24	SBVMWD	64.27	867.91	Static
10-31	C of R	68.4	863.78	Static (Low)
11-5	"	67.4	864.78	"
11-12	"	66.6	865.58	"
11-20	"	65.8	866.38	"
11-22	SBVMWD	65.40	866.78	"
11-26	C of R	66.1	866.08	"
12-1	"	65.3	866.88	"
12-3	"	65.1	867.08	"
12-10	"	64.2	867.98	"
12-17	"	60.9	871.28	"
12-24	"	61.1	871.08	"

WELL MEASUREMENT RECORD

NUMBER 1S/4W-29H1

Riverside Basin

LOCAL DESIGNATION _____

RP = 932.18

Flume #2

DATE	OBTAINED FROM	DIST. R.P. TO WATER	ELEVATION OF WATER	REMARKS
1974				
12-30	C of R	60.8	871.38	Static
1975				
1-7	C of R	59.1	873.08	"
1-14	"	58.9	873.28	"
1-16	SBVMWD	60.17	872.01	"
1-21	C of R	91.4	840.78	Pumping
1-28	"	92.9	839.28	"
2-3	"	93.9	838.28	"
2-11	"	57.8	874.38	Static
2-18	"	56.5	875.68	"
2-27	"	80.2	851.98	(Pumping ?)
3-11	"	55.2	876.98	Static
3-12	SBVMWD	59.63	872.55	"
3-18	C of R	53.8	878.38	"
3-25	"	53.9	878.28	"
4-1	"	54.1	878.08	"
4-8	"	54.3	877.88	"
4-10	SBVMWD	57.86	874.32	"
4-16	C of R	52.4	879.78	"
4-23	"	53.6	878.58	"
4-30	"	53.3	878.88	"
5-6	"	86.1	846.08	Pumping
5-13	"	87.1	845.08	"
5-22	"	88.0	844.18	"
5-27	"	55.8	876.38	Pumping Nearby
6-3	"	88.4	843.78	Pumping
6-10	"	88.1	844.08	"
6-17	"	89.5	842.68	"
6-24	"	57.5	874.68	Static
6-25	"	57.5	874.68	"
7-1	"	57.8	874.38	"
7-9	"	58.3	873.88	"
7-10	SBVMWD	64.28	867.90	"
7-15	C of R	91.8	840.38	Pumping
7-22	"	61.9	870.28	Static
7-29	"	63.7	868.48	"
8-4	"	94.6	837.58	Pumping
8-10	"	64.5	867.68	Pumping Nearby
8-14	SBVMWD	64.6	867.58	"
8-17	C of R	64.6	867.58	Pumping Nearby
9-1	"	95.6	836.58	Pumping
9-10	"	65.8	866.38	Pumping Nearby
9-12	SBVMWD	61.05	871.13	Static
9-16	C of R	65.5	866.68	Pumping Nearby
9-23	"	65.2	866.98	Pumping Nearby
9-30	"	65.3	866.88	"

Riverside Basin

LOCAL DESIGNATION _____

R.P. Elev. 923.92

WELL RECORD

Flume #5

DATE	OBTAINED FROM	DIST. R. P. TO WATER	ELEVATION OF WATER	REMARKS
<u>1972</u>				
1-3	C of R	49.10	874.82	Static
1-10	"	48.80	875.12	"
1-17	"	49.00	874.92	"
1-24	"	50.10	873.82	"
2-1	"	51.4	872.52	"
2-7	"	52.3	871.62	"
2-14	"	53.7	870.22	"
2-21	"	59.6	864.32	"
2-28	"	60.4	863.52	"
3-6	"	57.2	866.72	"
3-13	"	56.9	867.02	"
3-20	"	58.8	865.12	"
3-27	"	58.9	865.02	"
4-1	"	58.2	865.72	"
4-10	"	60.3	863.62	"
5-1	"	65.6	858.32	Static
5-8	"	61.8	862.12	"
5-15	"	62.5	861.42	"
5-22	"	62.4	861.52	"
6-1	"	62.3	861.62	"
6-5	"	63.0	860.92	"
6-12	"	63.6	860.32	"
6-19	"	66.2	857.72	"
6-26	"	65.0	858.92	"
7-1	"	65.3	858.62	"
7-10	"	64.5	859.42	"
7-17	"	65.2	858.72	"
7-24	"	65.4	858.52	"
7-31	"	65.8	858.12	"
8-26	"	66.3	857.62	"
9-1	"	67.5	856.42	"
9-11	"	67.0	856.92	"
9-18	"	68.2	855.72	"
9-25	"	68.5	855.42	"
10-16	"	73.6	850.32	"
10-24	"	70.9	853.02	"
10-30	"	70.6	853.32	"
11-6	"	70.8	853.12	"
11-9	USGS	71.70	852.22	"
11-14	C of R	73.4	850.52	"
11-20	"	73.4	850.52	"
11-27	"	73.0	850.92	" (LOW)
11-28	USGS	63.97	859.95	"
12-4	C of R	72.5	851.42	"
12-18	"	62.8	861.12	"
12-26	C of R	65.1	858.82	"
12-27	USGS	59.30	864.62	"

Riverside Basin

LOCAL DESIGNATION _____

R.P. = 923.92

WELL RECORD

Flume #5

DATE	OBTAINED FROM	DIST. R. P. TO WATER	ELEVATION OF WATER	REMARKS
1973				
1-2	C of R	-	-	Water in river. No measurement.
1-8	"	-	-	No measurement.
1-22	"	63.7	860.22	Static
1-29	"	43.3	880.62	"
2-5	"	63.4	860.52	"
2-5	USGS	55.18	868.74	"
2-20	C of R	63.1	860.82	"
2-26	"	44.6	879.32	"
2-28	USGS	51.71	872.21	"
3-5	C of R	45.1	878.82	"
3-12	"	-	-	River too high. No measurement.
4-2	USGS	50.78	873.14	Idle
4-16	C of R	47.9	876.02	Idle
4-23	"	47.7	876.22	"
5-8	"	-	-	Unable to measure.
5-27	"	46.2	877.72	Idle
5-30	USGS	44.65	879.27	"
6-11	C of R	46.1	877.82	Idle
6-18	"	46.9	877.02	"
6-26	"	48.5	875.42	"
7-1	"	48.8	875.12	"
7-3	USGS	50.99	872.93	"
7-9	C of R	48.5	875.42	"
7-16	"	48.2	875.72	"
7-23	"	48.1	875.82	"
7-25	USGS	47.99	875.93	"
8-6	C of R	48.7	875.22	"
8-13	"	48.7	875.22	"
8-20	"	49.1	874.82	"
8-28	USGS	52.34	871.58	"
9-1	C of R	49.4	874.52	"
9-10	"	51.4	872.52	"
9-16	"	58.7	865.22	"
10-1	"	52.7	871.22	"
10-1	USGS	52.31	871.61	"
10-8	C of R	52.4	871.52	"
10-16	"	53.6	870.32	"
10-23	"	54.2	869.72	"
10-30	"	54.5	869.42	" (Low)
10-30	USGS	54.32	869.60	"
11-6	C of R	53.9	870.02	"
11-13	"	53.7	870.22	"
11-20	"	52.6	871.32	"
11-27	"	52.1	871.82	"
12-1	"	52.4	871.52	"
12-4	"	53.1	870.82	"
12-5	USGS	54.77	869.15	"
12-11	C of R	52.9	871.02	"
12-18	"	52.7	871.22	"
12-26	"	52.6	871.32	"

ENGINEERING OFFICE
 ALBERT A. WEBB ASSOCIATES
 RIVERSIDE, CALIFORNIA

Riverside Basin

LOCAL DESIGNATION _____

R.P. = 923.92

WELL RECORD

Flume #5

DATE	OBTAINED FROM	DIST. R. P. TO WATER	ELEVATION OF WATER	REMARKS
1974				
1-1	C of R	52.2	871.72	Idle
	USGS	49.69	874.23	"
1-8	C of R	-	-	Unable to measure. Can't ford river.
1-8	USGS	47.08	876.84	"
2-6	USGS	47.27	876.65	"
2-26	C of R	56.2	867.72	"
4-2	"	54.6	869.32	"
4-4	USGS	50.14	873.78	"
4-9	C of R	54.2	869.72	"
4-17	"	54.7	869.22	"
4-23	"	56.2	867.72	"
4-30	"	55.8	868.12	"
5-2	USGS	56.0	867.92	"
5-7	C of R	54.1	869.82	"
5-14	"	55.3	868.62	"
5-21	"	54.6	869.32	"
5-28	"	55.5	868.42	"
5-31	USGS	54.40	869.52	"
6-5	C of R	56.2	867.72	"
6-25	"	56.8	867.12	"
6-27	USGS	59.57	864.35	"
7-9	C of R	55.7	868.22	"
7-17	"	55.8	868.12	"
7-24	"	56.3	867.62	"
7-25	SBVMWD	58.47	865.45	"
7-30	C of R	56.9	867.02	"
8-9	"	57.4	866.52	"
8-13	"	56.9	867.02	"
8-20	"	56.7	867.22	"
8-22	SBVMWD	59.78	864.14	"
8-27	C of R	60.6	863.32	"
8-31	"	60.6	863.32	"
9-3	"	60.8	863.12	"
9-10	"	61.7	862.22	"
9-24	"	62.9	861.02	"
9-26	SBVMWD	60.72	863.20	"
10-1	C of R	63.6	860.32	"
10-8	"	64.4	859.52	"
10-16	"	64.9	859.02	"
10-22	"	65.1	858.82	" (Low)
10-24	SBVMWD	61.12	862.80	"
10-31	C of R	64.0	859.92	"
11-5	"	61.2	862.72	"
11-12	"	61.0	862.92	"
11-20	"	61.8	862.12	"
11-22	SBVMWD	59.51	864.41	"
11-26	C of R	62.0	861.92	"
12-1	"	62.9	861.02	"
12-10	"	62.7	861.22	"
12-24	"	56.2	867.72	"
12-30	"	56.6	867.32	"

WELL MEASUREMENT RECORD

NUMBER 1S/4W-29Q1

Riverside Basin

LOCAL DESIGNATION _____

R.P. = 923.92

Flume #5

DATE	OBTAINED FROM	DIST. R.P. TO WATER	ELEVATION OF WATER	REMARKS
<u>1975</u>				
1-7	C of R	55.1	868.82	Static
1-14	"	55.8	868.12	"
1-16	SBVMWD	54.82	869.10	"
1-21	C of R	57.4	866.52	"
1-28	"	59.2	864.72	"
2-3	"	59.6	864.32	"
2-11	"	54.2	869.72	"
2-18	"	53.0	870.92	"
2-27	"	52.4	871.52	"
3-12	SBVMWD	49.29	874.63	"
3-25	C of R	51.6	872.32	"
4-1	"	51.9	872.02	"
4-8	"	52.0	871.92	"
4-10	SBVMWD	53.72	870.20	"
4-16	C of R	50.2	873.72	"
4-30	"	51.3	872.62	"
5-6	"	52.9	871.02	"
5-13	"	53.3	870.62	"
5-15	SBVMWD	55.02	868.90	"
5-22	C of R	53.5	870.42	"
5-27	"	52.9	871.02	"
6-10	"	54.1	869.82	"
6-11	SBVMWD	56.27	867.65	"
6-17	C of R	54.8	869.12	"
6-24	"	55.0	868.92	"
6-25	"	55.0	868.92	"
7-1	"	56.1	867.82	"
7-9	"	56.8	867.12	"
7-10	SBVMWD	56.84	867.08	"
7-29	C of R	57.6	866.32	"
8-8	"	57.8	866.12	"
8-14	SBVMWD	55.47	868.45	"
8-20	C of R	58.3	865.62	"
9-12	SBVMWD	53.39	870.53	"
10-10	"	49.72	874.20	"
11-12	"	65.44	858.48	" <u>LOW</u>
12-10	"	65.07	858.85	" <u>LOW</u>