

**REPORT OF WATERMASTER**

**Western Municipal Water District of Riverside County, et al**  
**Plaintiffs**

**vs.**

**East San Bernardino County Water District, et al**  
**Defendants**

**Superior Court of Riverside County**  
**Case No. 78426**

**VOLUME 1 – 1986**

**VERIFIED EXTRACTIONS FROM THE**  
**SAN BERNARDINO BASIN AREA**  
**FOR**  
**CALENDAR YEARS 1959–1963 & 1982–1986**

**By Non-Plaintiffs For Use Within San Bernardino County**

**ANNUAL ACCOUNTING**  
**FOR INDIVIDUAL WELLS**

**AUGUST 1, 1988**

**WATERMASTER**  
*Donald L. Harriger*  
*Robert L. Relter*

**REPORT OF WATERMASTER**

**Western Municipal Water District of Riverside County, et al**

**Plaintiffs**

**vs.**

**East San Bernardino County Water District, et al**

**Defendants**

**Superior Court of Riverside County**

**Case No. 78426**

**VOLUME 1 – 1986**

**VERIFIED EXTRACTIONS FROM THE**

**SAN BERNARDINO BASIN AREA**

**FOR**

**CALENDAR YEARS 1959–1963 & 1982–1986**

**By Non-Plaintiffs For Use Within San Bernardino County**

**ANNUAL ACCOUNTING**  
**FOR INDIVIDUAL WELLS**

**AUGUST 1, 1988**

**WATERMASTER**

*Donald L. Harriger*  
*Robert L. Reiter*

REPORT OF WATERMASTER

Western Municipal Water District of Riverside County, et al  
Plaintiffs

vs.

East San Bernardino County Water District, et al  
Defendants

Superior Court of Riverside County

Case No. 78426

Volume 1-1986

VERIFIED EXTRACTIONS FROM

SAN BERNARDINO BASIN AREA

By Non-Plaintiffs For Use Within San Bernardino County

FOR

CALENDAR YEARS 1959-1963 & 1982-1986

ANNUAL ACCOUNTING

FOR INDIVIDUAL WELLS

August 1, 1988

WATERMASTER

Donald L. Harriger  
Robert L. Reiter

VOLUME 1 - 1986

TABLE OF CONTENTS

	Page
INTRODUCTION . . . . .	i
SAN BERNARDINO BASIN AREA, CROSS INDEX BY OWNER . . . . .	1
SAN BERNARDINO BASIN AREA, CROSS INDEX BY RECORDATION NUMBER. . . . .	33
SAN BERNARDINO BASIN AREA, CROSS INDEX BY STATE WELL NUMBER . . . . .	65
CHANGE IN OWNERSHIP FROM BASE PERIOD . . . . .	97
<u>TABLE NO. 1</u>	
EXTRACTIONS BY OWNERS (NON-PLAINTIFFS) WHICH HAVE RECORDATION FILINGS WITH THE STATE WATER RESOURCES CONTROL BOARD . . . . .	102
<u>TABLE NO. 2</u>	
EXTRACTIONS BY OWNERS (NON-PLAINTIFFS) WHICH HAVE NOT FILED WITH THE STATE WATER RESOURCES CONTROL BOARD . . . . .	146
<u>TABLE NO. 3</u>	
SUMMARY OF EXTRACTIONS (FILED AND NON-FILED) FROM SAN BERNARDINO BASIN AREA BY NON-PLAINTIFFS FOR USE WITHIN SAN BERNARDINO COUNTY. . . . .	163
<u>TABLE NO. 4</u>	
LYTLE CREEK VERIFICATION OF EXTRACTIONS FOR CALENDAR YEARS 1959-1963 & 1982-1986. . . . .	190
<u>TABLE NO. 5</u>	
MILL CREEK VERIFICATION OF EXTRACTIONS FOR CALENDAR YEARS 1982-1986. . . . .	200

TABLE NO. 6

SANTA ANA RIVER VERIFICATION OF EXTRACTIONS FOR CALENDAR YEARS 1982-1986. . . . .	205
--------------------------------------------------------------------------------------	-----

TABLE NO. 7

SUMMARY OF REPORTED EXTRACTIONS FROM LYTLE CREEK, MILL CREEK, AND SANTA ANA RIVER. . . . .	210
-----------------------------------------------------------------------------------------------	-----

TABLE NO. 8

SUMMARY OF PRODUCTION FROM SAN BERNARDINO BASIN AREA AND CORRECTION FOR VERIFIED DIVERSIONS OF MAJOR STREAMFLOWS . . . . .	211
----------------------------------------------------------------------------------------------------------------------------------	-----

PLATE NO. 1

SCHEMATIC DIAGRAM OF LYTLE CREEK DIVERSION FACILITIES AND CONDUITS . . . . .	212
---------------------------------------------------------------------------------	-----

PLATE NO. 1A

LOCATION MAP, LYTLE CREEK DIVERSIONS. . . . .	213
-----------------------------------------------	-----

PLATE NO. 2

SCHEMATIC DIAGRAM OF MILL CREEK DIVERSION FACILITIES AND CONDUITS . . . . .	214
--------------------------------------------------------------------------------	-----

PLATE NO. 3

SCHEMATIC DIAGRAM OF SANTA ANA RIVER DIVERSION FACILITIES AND CONDUITS . . . . .	215
-------------------------------------------------------------------------------------	-----

PLATE NO. 3A

LOCATION MAP, SANTA ANA RIVER AND MILL CREEK DIVERSIONS . . . . .	216
----------------------------------------------------------------------	-----

VOLUME 1-1986

VERIFIED EXTRACTIONS  
FROM THE SAN BERNARDINO BASIN AREA  
BY NON-PLAINTIFFS FOR USE WITHIN  
SAN BERNARDINO COUNTY FOR CALENDAR YEARS  
1959-1963 & 1982-1986

INTRODUCTION

The provisions of Paragraphs V(b) and VI(c) of the Judgment in Case No. 78426 entered April 17, 1969, entitled "San Bernardino Valley Replenishment," provide as follows:

- V(b) "The total actual average annual extractions from the San Bernardino Basin Area by entities other than Plaintiffs for use within San Bernardino County for the five-year period ending with 1963 are assumed to be 165,407 acre-feet; the correct figure shall be determined by the Watermaster as herein provided."
- VI(c) "San Bernardino Valley shall provide imported water for replenishment of the San Bernardino Basin Area at least equal to the amount by which extractions therefrom for use within San Bernardino County exceed during any five-year period the sum of: (a) five times the total average annual extractions determined under Paragraph V(b) hereof, adjusted as may be required by the natural safe yield of the San Bernardino Basin Area; and (b) any new conservation to which users within San Bernardino Valley are entitled. Such replenishment shall be supplied in the year following any five-year period; provided that during the first five-year period, San Bernardino Valley shall supply annual amounts on account of its obligations hereunder, and such amounts shall be not less than fifty percent of the gross amount of excess extractions in the previous year."

Compliance with these provisions of the Judgment requires an annual accounting of the total actual extractions of surface and

groundwater within the San Bernardino Basin Area. Included in this Volume 1-1986 is the verified accounting of such production by non-plaintiff owners for the calendar year 1986. The verified production for the five-year base period ending with 1963 and the verified production for calendar years 1982, 1983, 1984 and 1985 are also included.

Three indexes are included which provide a cross index by owner's name, State Water Resources Control Board Well Recordation Number, and State Well Number. In addition and where known, each index shows the local designation of each well and the groundwater basin in which the well is located.

Tables No. 1 and No. 2 in this report list the individual wells by the owner for each year in the five-year base period ending in 1963, the five-year base period average, the extractions for the years 1982 through 1986, the five-year average for that period and the owner's total annual verified extractions. Table No. 1 lists the wells upon which filings have been made with the State Water Resources Control Board, and Table No. 2 lists the wells upon which no filings have been made. Table No. 3 is a summary of the verified extractions, by owner, as presented in Tables No. 1 and No. 2.

Table No. 4 contains the total verified Lytle Creek stream diversions by Fontana Union Water Company, West San Bernardino County Water District, City of Rialto, City of San Bernardino and Mount Vernon Water Company. The total verified Lytle Creek stream diversion takes into account, and excludes, the return flow to Lytle Creek from the Fontana Power House afterbay.

Table No. 5 of this report contains the verification of the Mill Creek stream diversions by month and Table No. 6 contains the verification of the Santa Ana River stream diversions by month.

Table No. 7 shows the reported diversions by entity from the major streams in San Bernardino Basin Area, namely, Lytle Creek, Mill Creek and Santa Ana River. Schematic diagrams of the diversion works on each of these three major streams are shown on Plates 1, 2, and 3.

The total Verified Production of ground and surface water within the San Bernardino Basin Area is shown on Table 8.

The total of the verified extractions of water from the San Bernardino Basin Area by non-plaintiff owners for the calendar year 1986 is 184,894 acre-feet.



SAN BERNARDINO BASIN AREA,

CROSS INDEX BY OWNER

SAN BERNARDINO BASIN AREA  
CROSS INDEX BY OWNER

OWNER NAME	RECORDATION NUMBER	STATE WELL NUMBER	LOCAL DESIGNATION	BASIN NAME
AHMANSON RANCH	NON-FILER	1S4W27H		BNK HILL
ANDERSON, W.D.	NON-FILER	1N4W25R		BNK HILL
ARMSTRONG, DOUGLAS	3600076	1S3W17	2	BNK HILL
ARNOLD RANCH	NON-FILER	1N3W34H		BNK HILL
ARROWHEAD COUNTRY CLUB	3601925	1N4W23E	1	BNK HILL
ARROYO VERDE MUTUAL WATER CO.	3602068	1S4W01A02S	1	BNK HILL
ARROYO VERDE MUTUAL WATER CO.	3602069	1S4W01A	2	BNK HILL
ATCHISON, TOPEKA & SANTA FE RAILWAY CO.	3600178	1S4W08F02S	3	BNK HILL
ATCHISON, TOPEKA & SANTA FE RAILWAY CO.	3600179	1S4W08F	4	BNK HILL
B M I FUNDS	3600107	1S3W21P01	COLTON 1	BNK HILL
BALCOM	NON-FILER	1S4W11M		BNK HILL
BALDWIN	NON-FILER	1N3W34K		BNK HILL
BARNO, JOHN	3602079	1S3W03F	1	BNK HILL
BARRIER	NON-FILER	1S4W22B		BNK HILL
BASE LINE WELL COMPANY	3600456	1N3W33R02S	1	BNK HILL
BASELINE GARDENS MUTUAL WATER COMPANY	3600457	1N4W35J02S	PAC&BARL	BNK HILL
BASELINE GARDENS MUTUAL WATER COMPANY	3600458	1N4W36M01S	PS & B 2	BNK HILL
BASELINE GARDENS MUTUAL WATER COMPANY	3602528	1N4W35R01	3	BNK HILL
BASELINE LAUNDRY	NON-FILER	1N3W31Q		BNK HILL
BASELINE LAUNDRY	NON-FILER	1N3W31		BNK HILL
BATCHELOR	NON-FILER	1N4W14R		DEVIL CAN
BATCHELOR	NON-FILER	1N4W14R		DEVIL CAN

SAN BERNARDINO BASIN AREA  
CROSS INDEX BY OWNER

OWNER NAME	RECORDATION NUMBER	STATE WELL NUMBER	LOCAL DESIGNATION	BASIN NAME
BEAR VALLEY MUTUAL WATER COMPANY	3600021	1N2W26H	SANTA ANA 1	SANTA ANA
BEAR VALLEY MUTUAL WATER COMPANY	3600022	1N2W34	SANTA ANA 2	SANTA ANA
BEAR VALLEY MUTUAL WATER COMPANY	3600023	1S3W24C	JUDSON 1	BNK HILL
BEAR VALLEY MUTUAL WATER COMPANY	3600024	1S2W19D	WABASH 2	BNK HILL
BEAR VALLEY MUTUAL WATER COMPANY	3600025	1N3W29R01S	PALM AV3	BNK HILL
BEAR VALLEY MUTUAL WATER COMPANY	3600027	1N2W10N	ALDER CR	SANTA ANA
BEAR VALLEY MUTUAL WATER COMPANY	3600028	1S2W04N		BNK HILL
BEAR VALLEY MUTUAL WATER COMPANY	3601586	1S3W15F02S	ORANGE 5	BNK HILL
BEELER, RAYMOND A.	3600451	1S3W15		BNK HILL
BELL, H. EUGENE	3600449	1S3W20	BELL WELL	BNK HILL
BERMAN, JERRY	NON-FILER	1S4W02K	OLD WELL	BNK HILL
BERMAN, JERRY	NON-FILER	1S4W02J		BNK HILL
BERMAN, JERRY & SONS	3602007	1S4W02	2	BNK HILL
BLISS	NON-FILER	1S2W22E		BNK HILL
BLUE BANNER CO.	3602531	1S2W09L03S	TUNNEL DIV.	BNK HILL
BLUE GOOSE GROWERS INC	3602529	1S2W09P02	NO. 6	BNK HILL
BLUE GOOSE GROWERS INC	3602530	1S2W09L02S	NO. 11	BNK HILL
BOUCHER	NON-FILER	1N4W14J		DEVIL CAN
BREAK, ALLEN, ESTATE	NON-FILER	1S3W31A		BNK HILL
BRISTOL RANCH	3601631	1N3W34C02S	1	BNK HILL
BROOKSIDE DAIRY, INC	3600036	1S3W33D	1	BNK HILL
BRYN MAWR MUTUAL WATER COMPANY	3600053	1S3W31A	1	BNK HILL

SAN BERNARDINO BASIN AREA  
CROSS INDEX BY OWNER

OWNER NAME	RECORDATION NUMBER	STATE WELL NUMBER	LOCAL DESIGNATION	BASIN NAME
BRYN MAWR MUTUAL WATER COMPANY	3600054	1S3W31A	2	BNK HILL
BRYN MAWR MUTUAL WATER COMPANY	3600055	1S3W31A	3	BNK HILL
BRYN MAWR MUTUAL WATER COMPANY	3602109	1S3W31B00S	4	BNK HILL
BUOYE WELL	3602062	1S2W29N	1	BNK HILL
CALIFORNIA, STATE OF PATON HOSPITAL	3600923	1N3W32C01S	PATTON 1	BNK HILL
CALIFORNIA, STATE OF PATON HOSPITAL	3600924	1N3W29M01S	PATTON 2	BNK HILL
CALIFORNIA, STATE OF PATON HOSPITAL	3600924-	1N3W29M	2A	BNK HILL
CALIFORNIA, STATE OF PATON HOSPITAL	3600929	1N3W31K02S	PATTON 8	BNK HILL
CALIFORNIA, STATE OF PATON HOSPITAL	3600931	1N3W29N01S	PATTON 10	BNK HILL
CALIFORNIA, STATE OF PATON HOSPITAL	3601930	1N3W32C02S	PATTON 11	BNK HILL
CALIFORNIA, STATE OF PATON HOSPITAL	3602381	1N3W29M	14	BNK HILL
CANYON KNOLLS RANCH	3601632	2S3W05A2	MARCUM WELL	BNK HILL
CANYON RANCH	3600523	1S3W32G03S	HNTSCHKE	BNK HILL
CARDIFF FARMS MUTUAL WATER COMPANY	3600973	1S4W12D	1	BNK HILL
CARDIFF FARMS MUTUAL WATER COMPANY	3601619	1S4W12D	2	BNK HILL
CARPENTER	NON-FILER	1S4W22B		BNK HILL
CHARLES, J. J.	3600815	1S3W06		BNK HILL
CHRISTENSEN, JACK O.	3601352	1S3W19N		BNK HILL
CHRISTINA WATER COMPANY	3601751	1S3W21E	ALABAMA	BNK HILL
CLIFFSIDE RANCH	NON-FILER	1S3W03F		BNK HILL
COGBILL, CLINTON L.	3601628	1S2W09Q	2	BNK HILL
COLTON, CITY OF	3601250	1S4W08R	4	BNK HILL

SAN BERNARDINO BASIN AREA  
CROSS INDEX BY OWNER

OWNER NAME	RECORDATION NUMBER	STATE WELL NUMBER	LOCAL DESIGNATION	BASIN NAME
COLTON, CITY OF	3601251	1S4W08R	5	BNK HILL
COLTON, CITY OF	3601252	1S4W05R	6	BNK HILL
COLTON, CITY OF	3601253	1S4W08R	7	BNK HILL
COLTON, CITY OF	3601254	1S4W08F	8	BNK HILL
COLTON, CITY OF	3601256	1S4W09N	PLUNGE 12	BNK HILL
COLTON, CITY OF	3601257	1S4W08F	13	BNK HILL
COLTON, CITY OF	3601258	1S4W08R	14	BNK HILL
COLTON, CITY OF	3601260	1S4W08F01S	16	BNK HILL
COLTON, CITY OF	3601262	1S4W08C02S	BARNHL 18	BNK HILL
COLTON, CITY OF	3602405	1S4W08C	19	BNK HILL
COLTON, CITY OF	3602498	1S4W08R07	6B	BNK HILL
COLTON, CITY OF	3602793	1S4W08F01		
COLTON, CITY OF	3601186	1N4W36F03S	1	BNK HILL
CONEJO RANCHOS MUTUAL WATER COMPANY	NON-FILER	1N3W27R		BNK HILL
COOK CANYON	3600272	1S2W29N	5TH AVE 1	BNK HILL
CRAFTON WATER COMPANY	3602186	1S2W21L02	2	BNK HILL
CRAFTON WATER COMPANY	3600188	1S2W16	CRAMPAT 2	BNK HILL
CRAM PATTERSON WELL	3600241	1S3W03Q		BNK HILL
CRAM RANCH ASSOCIATES	3601171	1S3W20F	1	BNK HILL
CRIM, W. ROSCOE	NON-FILER	2S2W06D		BNK HILL
CRYSTAL SPRINGS	NON-FILER	1S4W11F		BNK HILL
DANGLIO DAIRY	3602549	1S3W19J	CALIF STREET	BNK HILL
DANIELS AND BEST RANCH				

SAN BERNARDINO BASIN AREA  
CROSS INDEX BY OWNER

OWNER NAME	RECORDATION NUMBER	STATE WELL NUMBER	LOCAL DESIGNATION	BASIN NAME
DANIELS AND BEST RANCH	3602550	1S3W17R	ALABAMA ST	BNK HILL
DANIELS, DON	NON-FILER	1S3W19J		BNK HILL
DANIELS, HAROLD	NON-FILER	1S3W17R	RANCH	BNK HILL
DANIELS, HAROLD	NON-FILER	1S3W17C	DOMEST. WELL	BNK HILL
DEL ROSA MUTUAL WATER COMPANY	3601809	1N4W26	GOLDNAV 1	BNK HILL
DEVORE WATER CO.	3602382	2N5W28D	1	L CAJON
DEVORE WATER CO.	3602383	2N5W28C	2	L CAJON
DEVORE WATER CO.	3602384	2N5W28C	3	L CAJON
DEVORE WATER CO.	3602385	2N5W20H	MEDLIN CR.	L CAJON
DEVORE WATER CO.	3602386	2N5W21E	LETHIN SP.	L CAJON
DEVORE WATER CO.	3602387	2N5W22E	E. KIMBARK	L CAJON
DEVORE WATER CO.	3602388	2N5W21G	KIMBARK	L CAJON
DEVORE WATER CO.	3602389	2N5W22N	HOPPER	L CAJON
DEVORE WATER CO.	3602390	2N5W28B	SANTA FE	L CAJON
DEVORE WATER CO.	3602391	2N5W28D	CASADY	L CAJON
DEVORE WATER CO.	3602428	2N5W33H	4	L CAJON
DILLSON MUT. WTR. CO.	NON-FILER	1N4W13P	DILLSON AVE	DEVIL CAN
DILLSON MUT. WTR. CO.	NON-FILER	1N4W13P	HARRISON CYN	DEVIL CAN
DILLSON MUT. WTR. CO.	NON-FILER	1N4W13P	CISCO WELL	DEVIL CAN
DUDA, WALTER AND BETTY	3601839	1S3W10D01S	1	BNK HILL
EADINGTON FRUIT CO. COOK RANCH	3600527	1S3W16	HOME	BNK HILL
EAST BARTON WATER COMPANY	3600608	1S3W28B01S	BARTON	BNK HILL

SAN BERNARDINO BASIN AREA  
CROSS INDEX BY OWNER

OWNER NAME	RECORDATION NUMBER	STATE WELL NUMBER	LOCAL DESIGNATION	BASIN NAME
EAST HIGHLANDS ORANGE COMPANY	NON-FILER	1N3W35B	BOX SPRING	BNK HILL
EAST HIGHLANDS RANCH, INC.	3600598	1S3W02	LOCAL 1	BNK HILL
EAST HIGHLANDS RANCH, INC.	3600604	1S2W07B	RANNEY	BNK HILL
EAST HIGHLANDS RANCH, INC.	3600605	1N3W36	PLUNGE CK DI	PLUNGE
EAST HIGHLANDS RANCH, INC.	3600606	1N3W35	ELDER GULCH	BNK HILL
EAST HIGHLANDS RANCH, INC.	3600607	1S3W02	SMALL	BNK HILL
EAST HIGHLANDS RANCH, INC.	3600607-	1S3W02	SMALL	BNK HILL
EAST HIGHLANDS RANCH, INC.	3601639	1S3W03R01	STORE WELL	BNK HILL
EAST HIGHLANDS RANCH, INC.	3602474	1N3W25Q		PLUNGE
EAST LUGONIA MUTUAL WATER CO.	3600005	1S3W35H08S	LUETCKE	BNK HILL
EAST LUGONIA MUTUAL WATER CO.	3600006	1S2W19G01S	BERYL ST	BNK HILL
EAST LUGONIA MUTUAL WATER CO.	3600038	1S2W17		BNK HILL
EAST PIONEER MUTUAL WELL COMPANY	3602224	1S3W13P		BNK HILL
EAST VALLEY WATER DISTRICT	NON-FILER	1N3W30C	NO. 36	BNK HILL
EAST VALLEY WATER DISTRICT	NON-FILER	1S3W04P	NO. 43	BNK HILL
EAST VALLEY WATER DISTRICT	NON-FILER	1N3W30C	NO. 44	BNK HILL
EAST VALLEY WATER DISTRICT	NON-FILER	1N3W31A	NO. 45	BNK HILL
EAST VALLEY WATER DISTRICT	NON-FILER	1S3W05Q	NO. 46	BNK HILL
EAST VALLEY WATER DISTRICT	NON-FILER	1N4W36H	NO. 52	BNK HILL
EAST VALLEY WATER DISTRICT	NON-FILER	1S3W06	NO. 69	BNK HILL
EAST VALLEY WATER DISTRICT	NON-FILER	1N3W31D	NO. 70	BNK HILL
EAST VALLEY WATER DISTRICT	NON-FILER	1S3W06E	NO. 71	BNK HILL

SAN BERNARDINO BASIN AREA  
CROSS INDEX BY OWNER

OWNER NAME	RECORDATION NUMBER	STATE WELL NUMBER	LOCAL DESIGNATION	BASIN NAME
EAST VALLEY WATER DISTRICT	NON-FILER	1S3W06B	NO. 72	BNK HILL
EAST VALLEY WATER DISTRICT	NON-FILER	1S3W06C	NO. 74	BNK HILL
EAST VALLEY WATER DISTRICT	NON-FILER	1S4W02L	NO. 75	BNK HILL
EAST VALLEY WATER DISTRICT	NON-FILER	1S3W06P	NO. 78	BNK HILL
EAST VALLEY WATER DISTRICT	NON-FILER	1S3W05Q	NO. 80	BNK HILL
EAST VALLEY WATER DISTRICT	NON-FILER	1S3W06M	NO. 81	BNK HILL
EAST VALLEY WATER DISTRICT	NON-FILER	1S3W06Q	NO. 83	BNK HILL
EAST VALLEY WATER DISTRICT	NON-FILER	1S3W03N	NO. 84	BNK HILL
EAST VALLEY WATER DISTRICT	NON-FILER	1N4W25D	NO. 85	BNK HILL
EAST VALLEY WATER DISTRICT	NON-FILER	1S3W03N	NO. 93	BNK HILL
EAST VALLEY WATER DISTRICT	NON-FILER	1S3W05J	NO. 95	BNK HILL
EAST VALLEY WATER DISTRICT	NON-FILER	1S4W01D	NO. 96	BNK HILL
EAST VALLEY WATER DISTRICT	NON-FILER	1S3W06N	NO. 97	BNK HILL
EAST VALLEY WATER DISTRICT	NON-FILER	1S3W04Q	NO. 106	BNK HILL
EAST VALLEY WATER DISTRICT	3600026	1S3W04J	NO. 102	BNK HILL
EAST VALLEY WATER DISTRICT	3600058	1S3W03F	NO. 53	BNK HILL
EAST VALLEY WATER DISTRICT	3600183	1S4W02	NO. 60	BNK HILL
EAST VALLEY WATER DISTRICT	3600221	1N3W30	NO. 63	BNK HILL
EAST VALLEY WATER DISTRICT	3600269	1N3W31L	NO. 68	BNK HILL
EAST VALLEY WATER DISTRICT	3600275	1N3W32	NO. 64	BNK HILL
EAST VALLEY WATER DISTRICT	3600444	1N3W30H01S	NO. 98	BNK HILL
EAST VALLEY WATER DISTRICT	3600466	1S3W04	NO. 48	BNK HILL



SAN BERNARDINO BASIN AREA  
CROSS INDEX BY OWNER

OWNER NAME	RECORDATION NUMBER	STATE WELL NUMBER	LOCAL DESIGNATION	BASIN NAME
EAST VALLEY WATER DISTRICT	3600545	1N3W30	NUTW-DS	BNK HILL
EAST VALLEY WATER DISTRICT	3600643	1N4W25K01	NO. 66	BNK HILL
EAST VALLEY WATER DISTRICT	3600680	1S3W02	NF CRAM3	BNK HILL
EAST VALLEY WATER DISTRICT	3600855	1N3W28P01S	SEAVEY 1	BNK HILL
EAST VALLEY WATER DISTRICT	3600864	1N3W19	NO. 79	BNK HILL
EAST VALLEY WATER DISTRICT	3600925	1S4W01Q01	NO. 100	BNK HILL
EAST VALLEY WATER DISTRICT	3600926	1S4W01F02S	PATTON 4	BNK HILL
EAST VALLEY WATER DISTRICT	3600927	1N3W31B01	PATTON 6	BNK HILL
EAST VALLEY WATER DISTRICT	3600928	1N3W31L02S	PATTON 7	BNK HILL
EAST VALLEY WATER DISTRICT	3600930	1N3W31L03S	PATTON 9	BNK HILL
EAST VALLEY WATER DISTRICT	3600970	1N3W19	LSC 1	BNK HILL
EAST VALLEY WATER DISTRICT	3600971	1N3W19F	L. SAND CR.	BNK HILL
EAST VALLEY WATER DISTRICT	3601184	1N3W33F01S	NO. 94	BNK HILL
EAST VALLEY WATER DISTRICT	3601582	1S4W02R		BNK HILL
EAST VALLEY WATER DISTRICT	3601584	1N3W33H01S	NO. 47	BNK HILL
EAST VALLEY WATER DISTRICT	3601643	1S3W03Q	4	BNK HILL
EAST VALLEY WATER DISTRICT	3601653	1N4W36K04S	NO. 1	BNK HILL
EAST VALLEY WATER DISTRICT	3601654	1N4W36	NO. 1A	BNK HILL
EAST VALLEY WATER DISTRICT	3601655	1N4W36K05S	NO. 2	BNK HILL
EAST VALLEY WATER DISTRICT	3601656	1N4W36Q01S	NO. 6	BNK HILL
EAST VALLEY WATER DISTRICT	3601657	1S4W01B04S	NO. 7	BNK HILL
EAST VALLEY WATER DISTRICT	3601658	1N4W36R01S		BNK HILL

SAN BERNARDINO BASIN AREA  
CROSS INDEX BY OWNER

OWNER NAME	RECORDATION NUMBER	STATE WELL NUMBER	LOCAL DESIGNATION	BASIN NAME
EAST VALLEY WATER DISTRICT	3601659	1S3W06H01S	NO. 9	BNK HILL
EAST VALLEY WATER DISTRICT	3601660	1S3W06H04S	NO. 9A	BNK HILL
EAST VALLEY WATER DISTRICT	3601661	1S4W01J08S	NO. 10	BNK HILL
EAST VALLEY WATER DISTRICT	3601662	1S4W02Q05S	11	BNK HILL
EAST VALLEY WATER DISTRICT	3601663	1S4W02Q04S	12	BNK HILL
EAST VALLEY WATER DISTRICT	3601664	1S4W02N01S	13	BNK HILL
EAST VALLEY WATER DISTRICT	3601665	1S4W01K04S	14	BNK HILL
EAST VALLEY WATER DISTRICT	3601666	1N4W36F08S	16	BNK HILL
EAST VALLEY WATER DISTRICT	3601667	1S3W06A05S	21	BNK HILL
EAST VALLEY WATER DISTRICT	3601668	1S4W01E02S	22	BNK HILL
EAST VALLEY WATER DISTRICT	3601669	1N4W36H06S	23	BNK HILL
EAST VALLEY WATER DISTRICT	3601670	1N4W26A01S	24	BNK HILL
EAST VALLEY WATER DISTRICT	3601671	1N4W26A02S	24A	BNK HILL
EAST VALLEY WATER DISTRICT	3601672	1N4W25B	25	BNK HILL
EAST VALLEY WATER DISTRICT	3601673	1N4W25C02S	25A	BNK HILL
EAST VALLEY WATER DISTRICT	3601674	1N4W25G01S	26	BNK HILL
EAST VALLEY WATER DISTRICT	3601675	1N4W25A01S	27	BNK HILL
EAST VALLEY WATER DISTRICT	3601676	1S4W12B05S	28	BNK HILL
EAST VALLEY WATER DISTRICT	3601677	1S3W05A02S	31	BNK HILL
EAST VALLEY WATER DISTRICT	3601678	1S3W05B04S	32	BNK HILL
EAST VALLEY WATER DISTRICT	3601679	1S3W05N05S	38	BNK HILL
EAST VALLEY WATER DISTRICT	3601781	1S3W06K01S	35	BNK HILL

SAN BERNARDINO BASIN AREA  
CROSS INDEX BY OWNER

OWNER NAME	RECORDATION NUMBER	STATE WELL NUMBER	LOCAL DESIGNATION	BASIN NAME
EAST VALLEY WATER DISTRICT	3601884	1N3W31C02S	30	BNK HILL
EAST VALLEY WATER DISTRICT	3601978	1S3W04N	40	BNK HILL
EAST VALLEY WATER DISTRICT	3602034	1S4W01Q	12A	BNK HILL
EAST VALLEY WATER DISTRICT	3602113	1N3W30N	41	BNK HILL
EAST VALLEY WATER DISTRICT	3602174	1S4W02		BNK HILL
EAST VALLEY WATER DISTRICT	3602274	1N3W30J	39	BNK HILL
EAST VALLEY WATER DISTRICT	3602337	1N4W26A	24 B	BNK HILL
EAST VALLEY WATER DISTRICT	3602338	1S3W04N	40A	BNK HILL
EAST VALLEY WATER DISTRICT	3602370	1N4W25F	4A	BNK HILL
EAST VALLEY WATER DISTRICT	3602563	1S4W02Q	11A	BNK HILL
EAST VALLEY WATER DISTRICT	3602564	1S4W12B	28A	BNK HILL
EAST VALLEY WATER DISTRICT	3602571	1S3W03F		BNK HILL
EAST VALLEY WATER DISTRICT	3602799	1S2W07H01		BNK HILL
EASTWOOD FARMS COMMUNITY WATER USERS	3602130	1S4W01P01S	1	BNK HILL
EASTWOOD FARMS COMMUNITY WATER USERS	3602131	1S4W01P02S	2	BNK HILL
ELLENA, JOHN B.	NON-FILER	1N4W08N		DEVIL CAN
ELLGOOD	NON-FILER	1S2W24C		BNK HILL
ELTINGE & GRAZIADIO	3600766	1S3W29A01	COLTAMA	BNK HILL
F. A. R. WELL	3602020	1S2W20K		BNK HILL
FAIRVIEW WATER COMPANY	3600554	1S3W17	FAIRVW 1	BNK HILL
FARROW	NON-FILER	1S2W22E		BNK HILL
FINCH	NON-FILER	1S2W29		BNK HILL

SAN BERNARDINO BASIN AREA  
CROSS INDEX BY OWNER

OWNER NAME	RECORDATION NUMBER	STATE WELL NUMBER	LOCAL DESIGNATION	BASIN NAME
FONTANA UNION WATER COMPANY	3600561	1N5W23K01S	FU 1	LYTLE
FONTANA UNION WATER COMPANY	3600562	1N5W22F02S	FU 3	LYTLE
FONTANA UNION WATER COMPANY	3600563	1N5W22C02S	FU 4	LYTLE
FONTANA UNION WATER COMPANY	3600569	1N5W22A01S	FU 13	LYTLE
FONTANA UNION WATER COMPANY	3600579	1N5W22F03S	FU 24	LYTLE
FONTANA UNION WATER COMPANY	3600580	1N5W22F01S	FU 25	LYTLE
FONTANA UNION WATER COMPANY	3600581	1N5W07H01S	FU 26	LYTLE
FONTANA UNION WATER COMPANY	3600582	1N5W06G01S	FU 27	LYTLE
FONTANA UNION WATER COMPANY	3600585	1N5W16K01S	FU 32	LYTLE
FONTANA UNION WATER COMPANY	3600586	1N5W06K02S	FU 33	LYTLE
FONTANA UNION WATER COMPANY	3600588	2N6W26L2	MN 1	LYTLE
FONTANA UNION WATER COMPANY	3600590	2N6W26L1	MN 2	LYTLE
FONTANA UNION WATER COMPANY	3600591	1N5W06E		LYTLE
FONTANA UNION WATER COMPANY	3602727	1N5W15Q02S	FU 8	LYTLE
FONTANA UNION WATER COMPANY	3600747	1N3W31P02S	WELL 1	BNK HILL
FRIEDEMANN, ERNEST C.	3601131	1S3W30		BNK HILL
FRINK RANCH	3601126	1S2W30H	1	BNK HILL
GAY, PHILIP L.	3602128	1S4W14A	1	BNK HILL
GIFFORD PARK MUTUAL WATER CO.	3602252	1S4W14B	2	BNK HILL
GIFFORD PARK MUTUAL WATER CO.	3600182	1S3W20H01	1	BNK HILL
GLADYSTA WELL & WATER COMPANY	3600182-	1S3W20H02		BNK HILL
GLADYSTA WELL & WATER COMPANY	NON-FILER	1S4W13E		BNK HILL
GOLCONDA WATER CO.				

SAN BERNARDINO BASIN AREA  
CROSS INDEX BY OWNER

OWNER NAME	RECORDATION NUMBER	STATE WELL NUMBER	LOCAL DESIGNATION	BASIN NAME
GOLDEN BEAR FOREST PRODUCTS	3602127	1S3W15A01		BNK HILL
GRANT WATER COMPANY	3600075	1S3W28C01	GRANT	BNK HILL
GREENSPOT MUTUAL WATER CO TUNNEL	NON-FILER	1S2W22		BNK HILL
GREENSPOT MUTUAL WELL CO.	3600266	1S2W16C01	GRNSPTMU	BNK HILL
GUERTH, WILLIAM H.	3600856	1N3W27M	CITY CREEK	BNK HILL
HAGAR	NON-FILER	1S2W16L		BNK HILL
HAPPE MUTUAL WELL COMPANY	3600238	1S2W29M01	1	BNK HILL
HARDISON	NON-FILER	1N4W13Q		DEVIL CAN
HARRISON	NON-FILER	1S3W04J		BNK HILL
HARRISON CANYON	NON-FILER	1N4W13P		DEVIL CAN
HARRISON CANYON	NON-FILER	1N4W13P		DEVIL CAN
HAZAS	NON-FILER	1S4W11G		BNK HILL
HEAD, JOE T.	3600226	1S2W21L01	1	BNK HILL
HELIPORT	NON-FILER	1S4W15G		BNK HILL
HIGHLAND ACRES RANCH	3600323	1S2W06M	ELEC 1	BNK HILL
HIGHLAND WELL COMPANY	3600184	1N3W28N01	APLIN WELL	BNK HILL
HILL	NON-FILER	1S2W31B		BNK HILL
HINCKLEY, HORACE P.	3600240	1S2W30	SOUTH WELL	BNK HILL
HINCKLEY, HORACE P.	3601645	1S2W30B	1	BNK HILL
HOBS WELL PARTNERSHIP	3600049	1S3W25M	MORRISON	BNK HILL
HOBS WELL PARTNERSHIP	3600049-	1S3W25M	HOBS WELL	BNK HILL
HODGDON, WARNER	NON-FILER	1N4W14C	W TWIN CRK	DEVIL CAN

SAN BERNARDINO BASIN AREA  
CROSS INDEX BY OWNER

OWNER NAME	RECORDATION NUMBER	STATE WELL NUMBER	LOCAL DESIGNATION	BASIN NAME
HODGDON, WARNER	3601810	1N4W23E	PRKSDE 2	BNK HILL
HODGDON, WARNER	3601811	1N4W14	EAST TWIN	DEVIL CAN
HODGDON, WARNER	3601979	1N4W14A	EAST TWIN	DEVIL CAN
HOLDEN MUT. WTR. CO.	NON-FILER	1S4W14E		BNK HILL
HOLDEN MUT. WTR. CO.	NON-FILER	1S4W14F	HOLDEN AVE.	BNK HILL
HOLMES ICE & COLD STORAGE CO. INC.	3600644	1S4W09B03S	2	BNK HILL
HOLMES ICE & COLD STORAGE CO. INC.	3600645	1S4W09B01S		BNK HILL
HOOVER WELL	3601649	1S3W28M	HOOVER	BNK HILL
HORTON	NON-FILER	1S3W32J		BNK HILL
HUNTER	NON-FILER	1S3W03D		BNK HILL
INTER CITY MUTUAL WATER CO	NON-FILER	1S4W23P		BNK HILL
IOWA STREET WELL	3601932	1S3W29B01		BNK HILL
J. G. GOLFING ENTERPRISES, INC.	3602499	1S4W22A01		BNK HILL
J. G. GOLFING ENTERPRISES, INC.	3602846	1S4W22A		BNK HILL
JEWEL WATER COMPANY, THE	3600091	1S3W20	1	BNK HILL
JUDSON MUTUAL WATER COMPANY	3601647	1S3W23A03	1	BNK HILL
K INV./TRUTANIC/Y UN WELL	3601172	1S3W20C		BNK HILL
KANSAS STREET MUTUAL WATER CO.	3601092	1S3W28D01		BNK HILL
KARAHALOIS	NON-FILER	1S2W17	PEPPER HOUSE	BNK HILL
KING	NON-FILER	1N4W14R		DEVIL CAN
KING STREET MUTUAL WELL COMPANY	3600530	1S2W30G01	1	BNK HILL
KING STREET MUTUAL WELL COMPANY	3600530-	1S2W30G02	2	BNK HILL

SAN BERNARDINO BASIN AREA  
CROSS INDEX BY OWNER

OWNER NAME	RECORDATION NUMBER	STATE WELL NUMBER	LOCAL DESIGNATION	BASIN NAME
KOCH	NON-FILER	1S2W32B		BNK HILL
KOCH, GEORGE J.	3601451	1S2W32G01	1	BNK HILL
KRANTZ DAIRY	NON-FILER	1S4W11F		BNK HILL
KUHN, RICHARD J	NON-FILER	1S3W32G		BNK HILL
L.P.R. ICE COMPANY	3602525	1S3W13C		BNK HILL
L.P.R. RANCH	NON-FILER	1S3W13C		BNK HILL
LA BONTE, JIM	3600865	1N4W24	MULTOWN2	BNK HILL
LA ROSSE, CHARLES H.	3600708	1S3W29	GOODWIN	BNK HILL
LA TOURETTE	NON-FILER	1S2W28M		BNK HILL
LAKESIDE AVENUE MUTUAL WELL COMPANY	3602119	1S3W33C01S		BNK HILL
LANGFORD RANCHES	3600524	1S3W17L01S	NEVADA ST	BNK HILL
LANGFORD RANCHES	3600525	1S3W17H01S	ALABAMA	BNK HILL
LANGFORD RANCHES	3600526	1S3W21G01S	LUGONIA	BNK HILL
LANGSTON-NEWBY DEVELOPMENT CO.	3600218	1N4W24	1	DEVIL CAN
LANKERSHIM MUT. WTR. CO.	NON-FILER	1S3W06L	LANKERSHIM A	BNK HILL
LANKERSHIM MUT. WTR. CO.	NON-FILER	1S3W06F	MCKINLEY ST.	BNK HILL
LARANNI GUNTER WELL	3600160	1S3W32G01	GUNTER WELL	BNK HILL
LIVINGSTON-GRAHAM	3601420	1S3W09E	ALABAMA 2	BNK HILL
LOMA LINDA UNIVERSITY	3601910	1S3W30L	PUFFER	BNK HILL
LOMA LINDA UNIVERSITY	3602008	1S4W26A	1	BNK HILL
LOMA LINDA UNIVERSITY	3602009	1S4W25G01S	3	BNK HILL
LOMA LINDA UNIVERSITY	3602012	1S4W25C01S	6	BNK HILL

SAN BERNARDINO BASIN AREA  
CROSS INDEX BY OWNER

OWNER NAME	RECORDATION NUMBER	STATE WELL NUMBER	LOCAL DESIGNATION	BASIN NAME
LOMA LINDA UNIVERSITY	3602013	1S4W24N	7	BNK HILL
LOMA LINDA UNIVERSITY	3602014	1S4W26J01S	8	BNK HILL
LOMA LINDA UNIVERSITY	3602017	1S4W25E01S	2	BNK HILL
LOMA LINDA UNIVERSITY	3602249	1S4W25D05	ANDERSON	BNK HILL
LOMA LINDA UNIVERSITY	3602781	1S4W25D		
LOMA LINDA UNIVERSITY	3602855	1S4W25D07		
LOMA LINDA, CITY OF	3601130	1S3W32D	NICKS WELL	BNK HILL
LOMA LINDA, CITY OF	3601384	1S4W25	1	BNK HILL
LOMA LINDA, CITY OF	3601388	1S4W25	2	BNK HILL
LOMA LINDA, CITY OF	3601989	1S4W24R01S	1	BNK HILL
LOMA LINDA, CITY OF	3602010	1S4W25H02S	LLU 4	BNK HILL
LOMA LINDA, CITY OF	3602011	1S4W25B02S	LLU 5	BNK HILL
LOMA LINDA, CITY OF	3602015	1S4W25B	LLU 9	BNK HILL
LOMA LINDA, CITY OF	3602016	1S4W25G	ROBINSON	BNK HILL
LOMA LINDA, CITY OF	3602057	1S4W25C	MITTLEID	BNK HILL
LOMA LINDA, CITY OF	3602058	1S4W25F	CROOKS	BNK HILL
LOMA LINDA, CITY OF	3602596	1S4W24R	NEW GOLCONDA	BNK HILL
LOMA LINDA, CITY OF	3602759	1S4W24A		BNK HILL
LOMA LINDA, CITY OF	3602760	1S4W24C		
LORD	NON-FILER	1S2W28M	SPRING DIV.	BNK HILL
LUGO WATER COMPANY	3600510	1S3W21K01	1	BNK HILL
LUGONIA WATER COMPANY	3601585	1S3W23A03S	SDNO AV 1	BNK HILL



SAN BERNARDINO BASIN AREA  
CROSS INDEX BY OWNER

OWNER NAME	RECORDATION NUMBER	STATE WELL NUMBER	LOCAL DESIGNATION	BASIN NAME
LULY, DR. LUCIAN L.	3601376	1N4W14	WATERMAN	DEVIL CAN
LULY, DR. LUCIAN L.	3601377	1N4W14	WATERMAN	DEVIL CAN
LULY, DR. LUCIAN L.	3601378	1N4W14	WATERMAN	DEVIL CAN
MARIGOLD FARMS COMPANY	3600418	1S3W19	BRAGA WELL	BNK HILL
MARIGOLD FARMS COMPANY	3601748	1S3W18H01	CALIF	BNK HILL
MARIGOLD FARMS COMPANY	3601748-	1S3W19A01	CALIF	BNK HILL
MARIGOLD FARMS COMPANY	3601749	1S3W19B01	JAP	BNK HILL
MARIGOLD FARMS COMPANY	3601750	1S3W18L	ACQUIL	BNK HILL
MARSHBURN	NON-FILER	1S3W17G		BNK HILL
MASCART WATER COMPANY	3601102	1S3W21E	2	BNK HILL
MAYBELL, N. O.	3600291	1S4W12		BNK HILL
MCCALLA BROS	NON-FILER	1S3W20		BNK HILL
MEADOWBROOK DAIRY	3600030	1S4W23D	IRRIG 2	BNK HILL
MEADOWBROOK DAIRY	3600037	1S4W23D	DOMESTIC 1	BNK HILL
MENTONE ACRES MUTUAL WELL CO.	3600748	1S3W24A01	OLD WELL 1	BNK HILL
MENTONE CITRUS GROVES	3600139	1S2W18R01S		BNK HILL
MENTONE CITRUS GROVES	3602280	1S2W18Q		BNK HILL
MENTONE DOMESTIC WTR. CO.	NON-FILER	1S2W19J		BNK HILL
MENTONE DOMESTIC WTR. CO.	NON-FILER	1S2W19J	3 1971	BNK HILL
MEYER, CHARLES R.	3600760	1N5W01R	1	DEVIL CAN
MILLER MUTUAL WELL CO.	3600630	1N3W32		BNK HILL
MILLER MUTUAL WELL CO.	3600630-	1N3W32D		BNK HILL

SAN BERNARDINO BASIN AREA  
CROSS INDEX BY OWNER

OWNER NAME	RECORDATION NUMBER	STATE WELL NUMBER	LOCAL DESIGNATION	BASIN NAME
MISSION MUTUAL WATER COMPANY	3600756	1S3W19H	1	BNK HILL
MISSION MUTUAL WATER COMPANY	3600757	1S3W19L	2	BNK HILL
MONTECITO MUTUAL WATER COMPANY	3600119	1S4W26F01	1	BNK HILL
MOORE, R. H.	NON-FILER	1S4W24K		BNK HILL
MOUNT VERNON WATER COMPANY	3600319	1N4W31A01S	1	BNK HILL
MOUNT VERNON WATER COMPANY	3600320	1N5W22M		LYTLE
MT. HARRISON MUTUAL WATER CO.	3600220	1S3W01H	1	BNK HILL
MT. VIEW CEMETERY OF SAN BERNARDINO	3600742	1N4W26	1	BNK HILL
MT. VIEW CEMETERY OF SAN BERNARDINO	3600742-	1N4W26	3	BNK HILL
MT. VIEW CEMETERY OF SAN BERNARDINO	3600743	1N4W26	2	BNK HILL
MT. VIEW CHILD CARE CENTER	NON-FILER	1S4W24J		BNK HILL
MULLINS, JAMES C., JR., EXECUTOR	3602074	1N3W34B02	IRRIG. 1	BNK HILL
MULLINS, JAMES C., JR., EXECUTOR	3602075	1N3W34B01	DOM. 2	BNK HILL
MUSCOY MUTUAL WATER COMPANY, NO. 1	3601497	1N5W23H01S	MUSCOY 1	LYTLE
MUSCOY MUTUAL WATER COMPANY, NO. 1	3601498	1N5W24D01S	NO. 4	LYTLE
MUSCOY MUTUAL WATER COMPANY, NO. 1	3601499	1N5W23A01S	MUSCOY 2	LYTLE
MUSCOY MUTUAL WATER COMPANY, NO. 1	3601500	1N5W23A02S	MUSCOY 3	LYTLE
MUSCOY MUTUAL WATER COMPANY, NO. 1	3602345	1N5W24E	WELL NO 4	LYTLE
NATIONAL ORANGE SHOW	3601924	1S4W15D		BNK HILL
NEALEY MUTUAL WATER COMPANY	3601381	1N5W07C		LYTLE
NEW ENGLAND WATER CO.	3602320	1S3W16		BNK HILL
NICKERSON WATER COMPANY	3600123	1S3W20R01	ALABAMA NO 1	BNK HILL

SAN BERNARDINO BASIN AREA  
CROSS INDEX BY OWNER

OWNER NAME	RECORDATION NUMBER	STATE WELL NUMBER	LOCAL DESIGNATION	BASIN NAME
NICKERSON WATER COMPANY	3600124	1S3W21M01	LUGONIA NO 2	BNK HILL
NO NAME WELL	NON-FILER	1N3W32M		BNK HILL
NORTH FORK WATER COMPANY	3600678	1S2W08C01S	NO. 1	BNK HILL
NORTH FORK WATER COMPANY	3600679	1S2W08C02S	NO. 2	BNK HILL
NORTH FORK WATER COMPANY	3600681	1N3W27	CITY CREEK	BNK HILL
NORTH FORK WATER COMPANY	3600765	1N3W33C01	RODDICK WELL	BNK HILL
NORTH FORK WATER COMPANY	3601644	1S3W01A	PLUNGE CR	BNK HILL
NORTHBRAE WATER COMPANY	3600296	1S3W15R01	1	BNK HILL
NORTHSIDE WATER COMPANY	3600933	1S3W23F	1	BNK HILL
NORTON AIR FORCE BASE	NON-FILER	1S4W12B	LOCAL NO. 2	BNK HILL
NORTON AIR FORCE BASE	NON-FILER	1S4W12C	LOCAL NO. 3	BNK HILL
NORTON AIR FORCE BASE	NON-FILER	1S4W12D	LOCAL NO. 4	BNK HILL
NORTON AIR FORCE BASE	NON-FILER	1S4W12F	LOCAL NO. 5	BNK HILL
NORTON AIR FORCE BASE	NON-FILER	1S3W08A	LOCAL NO. 11	BNK HILL
NORTON AIR FORCE BASE	NON-FILER	1S4W12Q	NO NO. WELL	BNK HILL
NORTON AIR FORCE BASE	NON-FILER	1S4W12G	LOCAL NO. 44	BNK HILL
NORTON AIR FORCE BASE	NON-FILER	1S3W08E	LOCAL NO. 347	BNK HILL
NORTON AIR FORCE BASE	NON-FILER	1S3W08M	LOCAL NO. 865	BNK HILL
NORWOOD	NON-FILER	1N3W34F		BNK HILL
NYE, WILLIAM H.	3600313	1S2W29N01S	NYE	BNK HILL
OLD TOWN WELL CO.	3600493	1S3W29	1	BNK HILL
OLD TOWN WELL CO.	3600494	1S3W29	2	BNK HILL

SAN BERNARDINO BASIN AREA  
CROSS INDEX BY OWNER

OWNER NAME	RECORDATION NUMBER	STATE WELL NUMBER	LOCAL DESIGNATION	BASIN NAME
PACIFIC HIGH SCHOOL	NON-FILER	1N4W35H		BNK HILL
PAINÉ, ROBERT T., TRUSTEE	3601641	1S2W30C01S	OPAL ST	BNK HILL
PAINÉ, ROBERT T., TRUSTEE	3601642	1S2W30B02S	KING ST	BNK HILL
PATTERSON, ROY H.	NON-FILER	1N3W34		BNK HILL
PAXTON, R. H.	3600468	1S3W30	BAHR 1	BNK HILL
PENN WELL COMPANY	3601099	1S3W22F	1	BNK HILL
PENN WELL COMPANY	3601405	1S3W22	2	BNK HILL
PHAROAH POWELL WATER CO.	3600415	1S3W29J01		BNK HILL
PIERSON	NON-FILER	1N4W35N		BNK HILL
PIONEER MUTUAL WATER CO.	3600642	1S3W14P01	SBDNO 1	BNK HILL
QUALITY FARMS	NON-FILER	1S3W04R	NO. 102	BNK HILL
RAMIREZ BROTHERS	3601728	1S3W30	1	BNK HILL
RAMIREZ, CARLOS	3601649-	1S3W28M	HOOVER	BNK HILL
RAMIREZ, J. J.	3600484	1S3W16	BUCKEYE 2	BNK HILL
RAMSEY	NON-FILER	1S2W22F	SPRING DIV	BNK HILL
RANCHERIA WATER CO. TOBIN	3601929	1S4W06C04S	NEW RAYN 3	BNK HILL
RANCHO CITRUS AMIGOS	3601753	1S3W29	PARK AVE 1	BNK HILL
RANCHO LADERA	3602188	1S2W29L	ROLADERA	BNK HILL
RAUGHT MUTUAL WELL COMPANY	3602193	1S3W14R01	RAUGHT	BNK HILL
REDLANDS ASSOCIATES	NON-FILER	1S2W17B	NO. 0	BNK HILL
REDLANDS ASSOCIATES	NON-FILER	1S2W09P	BLOCK NO. 6	BNK HILL
REDLANDS ASSOCIATES	NON-FILER	1S2W09L	BLOCK NO. 11	BNK HILL

SAN BERNARDINO BASIN AREA  
CROSS INDEX BY OWNER

OWNER NAME	RECORDATION NUMBER	STATE WELL NUMBER	LOCAL DESIGNATION	BASIN NAME
REDLANDS ASSOCIATES	NON-FILER	1S2W09L	TUNNEL DIV.	BNK HILL
REDLANDS TRAP/SKEET	3600628	1S3W15G		BNK HILL
REDLANDS WTR. CO.	NON-FILER	1S2W08	TUNNEL DIV.	BNK HILL
REDLANDS, CITY OF	NON-FILER	1S2W13B	MILL CR. DIV	BNK HILL
REDLANDS, CITY OF	3600019	1S3W23	GR REES 1	BNK HILL
REDLANDS, CITY OF	3600085	1S3W28J01	NY ST 1	BNK HILL
REDLANDS, CITY OF	3600749	1S3W13	NEW 2	BNK HILL
REDLANDS, CITY OF	3600918	2S3W01E	1	BNK HILL
REDLANDS, CITY OF	3601281	1S2W21M01S	MAGUET 1	BNK HILL
REDLANDS, CITY OF	3601282	1S1W08G1	MC 1	MILL CRK
REDLANDS, CITY OF	3601283	1S2W22C02S	E LUG 2	BNK HILL
REDLANDS, CITY OF	3601284	1S2W21E01S	MAGUET 2	BNK HILL
REDLANDS, CITY OF	3601285	1S1W10L1	MC 2	MILL CRK
REDLANDS, CITY OF	3601286	1S2W21E02S	MAGUET 3	BNK HILL
REDLANDS, CITY OF	3601287	1S2W21C	ELUGNA3	BNK HILL
REDLANDS, CITY OF	3601288	1S1W11Q1	MC 4	MILL CRK
REDLANDS, CITY OF	3601289	1S3W35E	4R	BNK HILL
REDLANDS, CITY OF	3601290	1S2W21D01S	ELUGNA6	BNK HILL
REDLANDS, CITY OF	3601291	1S3W35G08S	10	BNK HILL
REDLANDS, CITY OF	3601292	1S3W35G07S	11	BNK HILL
REDLANDS, CITY OF	3601293	1S3W35H02S	12	BNK HILL
REDLANDS, CITY OF	3601294	1S3W35G09S	13	BNK HILL

SAN BERNARDINO BASIN AREA  
CROSS INDEX BY OWNER

OWNER NAME	RECORDATION NUMBER	STATE WELL NUMBER	LOCAL DESIGNATION	BASIN NAME
REDLANDS, CITY OF	3601295	1S3W35H04S	14	BNK HILL
REDLANDS, CITY OF	3601296	1S3W35H03S	16	BNK HILL
REDLANDS, CITY OF	3601297	1S3W35G11S	17	BNK HILL
REDLANDS, CITY OF	3601298	1S3W21H01S	32	BNK HILL
REDLANDS, CITY OF	3601299	1S4W24K01S	34	BNK HILL
REDLANDS, CITY OF	3601300	1S3W27E02S	40	BNK HILL
REDLANDS, CITY OF	3601301	1S3W28H01S	41	BNK HILL
REDLANDS, CITY OF	3601302	1S2W14N	MILL CR.	BNK HILL
REDLANDS, CITY OF	3601308	1S2W19K01S	TENCH	BNK HILL
REDLANDS, CITY OF	3601636	1S4W24	LANGFORD	BNK HILL
REDLANDS, CITY OF	3601637	1S3W30	PTERSON WELL	BNK HILL
REDLANDS, CITY OF	3602031	1S3W21H	30A	BNK HILL
REDLANDS, CITY OF	3602032	1S3W22A	35	BNK HILL
REDLANDS, CITY OF	3602036	1S3W21H	31A	BNK HILL
REDLANDS, CITY OF	3602082	2S3W03K		BNK HILL
REDLANDS, CITY OF	3602106	1S3W22A01S		BNK HILL
REDLANDS, CITY OF	3602211	1S3W26C	37SYLVN	BNK HILL
REDLANDS, CITY OF	3602346	1S3W28J02	1	BNK HILL
REDLANDS, CITY OF	3602351	1S2W13A	MC 0-A	BNK HILL
REDLANDS, CITY OF	3602653	1S2W19J		BNK HILL
REDLANDS, CITY OF	3602654	1S2W19J		BNK HILL
REDLANDS, CITY OF	3602732	1S3W32J02S	DOC. LEE	BNK HILL

SAN BERNARDINO BASIN AREA  
CROSS INDEX BY OWNER

OWNER NAME	RECORDATION NUMBER	STATE WELL NUMBER	LOCAL DESIGNATION	BASIN NAME
REDLANDS, CITY OF	3602791	1S2W20B01		
REDLANDS, CITY OF	3602792	1S2W19A01		
REES & FERRICONE RANCH	3602171	1S2W18M	1	BNK HILL
REGINA GRAPE PRODUCTS	NON-FILER	1N5W04M	WELL NO. 1	LYTLE
REGINA GRAPE PRODUCTS	NON-FILER	1N5W04N	WELL NO. 2	LYTLE
REGINA GRAPE PRODUCTS	NON-FILER	1N5W04N	WELL NO. 3	LYTLE
REGINA GRAPE PRODUCTS	NON-FILER	1N5W05B	SPRING DIV.	LYTLE
REGINA GRAPE PRODUCTS	NON-FILER	1N5W05R	WELL NO. 4	LYTLE
REGINA GRAPE PRODUCTS	NON-FILER	1N5W04N	WELL NO. 5	LYTLE
REGINA GRAPE PRODUCTS	NON-FILER	1N5W04N	WELL NO. 6	LYTLE
REGINA GRAPE PRODUCTS	NON-FILER	1N5W04N	WELL NO. 7	LYTLE
REYNOLDS, BILL	3600981	1S2W21H01		BNK HILL
RIALTO, CITY OF	3601085	1N4W31N	RIALTO MUT	LYTLE
RIALTO, CITY OF	3601263	1N5W23Q01S	CITY WELL	LYTLE
RIALTO, CITY OF	3601718	1N5W22M		LYTLE
RIALTO, CITY OF	3602080	1N5W23Q	CITY 2	LYTLE
RIALTO, CITY OF	3602848	1N5W36N01		LYTLE
RIEDMAN, FRED M.	3601629	1S3W03P00S	1	BNK HILL
RIVAS	NON-FILER	1S4W24J		BNK HILL
RIVAS, RAMON	3600016	1S4W24J	REES 4	BNK HILL
ROBBINS, H. W.	3602170	1S2W31M		BNK HILL
RULE	NON-FILER	1N3W34K	SPRING	BNK HILL

SAN BERNARDINO BASIN AREA  
CROSS INDEX BY OWNER

OWNER NAME	RECORDATION NUMBER	STATE WELL NUMBER	LOCAL DESIGNATION	BASIN NAME
SAN BERNARDINO AVENUE WATER COMPANY	3600125	1S3W14	1	BNK HILL
SAN BERNARDINO WATER UTILITIES COR	3601843	1N5W03H01S	1	L CAJON
SAN BERNARDINO WATER UTILITIES COR	3601844	1N5W03	2	L CAJON
SAN BERNARDINO WATER UTILITIES COR	3601845	1N4W30L	3	LYTLE
SAN BERNARDINO, CITY OF	NON-FILER	1S4W21A	SEWER PLNT 1	BNK HILL
SAN BERNARDINO, CITY OF	NON-FILER	1S4W22C	SEWER PLNT 2	BNK HILL
SAN BERNARDINO, CITY OF	3600034	1S4W16H	SMITH 1	BNK HILL
SAN BERNARDINO, CITY OF	3600035	1S4W15M01		BNK HILL
SAN BERNARDINO, CITY OF	3600222	1S4W11Q01S		BNK HILL
SAN BERNARDINO, CITY OF	3600709	2N5W19Q01	VINCENT	L CAJON
SAN BERNARDINO, CITY OF	3600710	2N5W19	CAJON	L CAJON
SAN BERNARDINO, CITY OF	3600711	1N4W07F01S	DEVCCYN 2	DEVIL CAN
SAN BERNARDINO, CITY OF	3600712	1N4W08M01S	DEVCCYN 1	DEVIL CAN
SAN BERNARDINO, CITY OF	3600713	1N5W36R01S	LYTLE CR 3	LYTLE
SAN BERNARDINO, CITY OF	3600714	1N4W16E01S	NEWMRK 1	DEVIL CAN
SAN BERNARDINO, CITY OF	3600715	1N4W16E	NEWMRK 2	DEVIL CAN
SAN BERNARDINO, CITY OF	3600716	1N4W16E03S	NEWMRK 3	DEVIL CAN
SAN BERNARDINO, CITY OF	3600717	1N4W32D03S	19TH STL	BNK HILL
SAN BERNARDINO, CITY OF	3600718	1N4W32D04S	19ST. 2	BNK HILL
SAN BERNARDINO, CITY OF	3600719	1N4W27G01S	MARSHALL	BNK HILL
SAN BERNARDINO, CITY OF	3600720	1N4W27M02S	27TH ST	BNK HILL
SAN BERNARDINO, CITY OF	3600721	1N4W27M01S	NO E ST	BNK HILL



SAN BERNARDINO BASIN AREA  
CROSS INDEX BY OWNER

OWNER NAME	RECORDATION NUMBER	STATE WELL NUMBER	LOCAL DESIGNATION	BASIN NAME
SAN BERNARDINO, CITY OF	3600722	1S4W03D01S	ACACIA	BNK HILL
SAN BERNARDINO, CITY OF	3600723	1S4W10F01S	HANFORD 1	BNK HILL
SAN BERNARDINO, CITY OF	3600724	1S4W10F05S	HANFORD 2	BNK HILL
SAN BERNARDINO, CITY OF	3600725	1N4W34G01S	17 ST SW	BNK HILL
SAN BERNARDINO, CITY OF	3600726	1N4W34G03S	16TH ST	BNK HILL
SAN BERNARDINO, CITY OF	3600727	1N4W26G	LYNWOOD	BNK HILL
SAN BERNARDINO, CITY OF	3600728	1N4W27A01S	WTRMN AV	BNK HILL
SAN BERNARDINO, CITY OF	3600729	1N4W35M03S	GILBRTST	BNK HILL
SAN BERNARDINO, CITY OF	3600730	1S4W02K01S	ANTIL 3	BNK HILL
SAN BERNARDINO, CITY OF	3600731	1S4W02K02S	ANTIL 5	BNK HILL
SAN BERNARDINO, CITY OF	3600732	1S4W02K05S	ANTIL 2	BNK HILL
SAN BERNARDINO, CITY OF	3600733	1S4W02K04S	ANTIL 1	BNK HILL
SAN BERNARDINO, CITY OF	3600734	1S4W02K03S	ANTIL 4	BNK HILL
SAN BERNARDINO, CITY OF	3600735	1S4W09P01S	BIRCH ST	BNK HILL
SAN BERNARDINO, CITY OF	3600736	1S4W09J01S	SO G ST	BNK HILL
SAN BERNARDINO, CITY OF	3600737	1S4W10N06S	MILL & D	BNK HILL
SAN BERNARDINO, CITY OF	3600738	1N4W06	D.C. DIV.	DEVIL CAN
SAN BERNARDINO, CITY OF	3600739	1N5W06	L.C. DIV.	LYTLE
SAN BERNARDINO, CITY OF	3601114	1N4W35C01S	PRRSHLL 2	BNK HILL
SAN BERNARDINO, CITY OF	3601115	1N4W26P03S	PERRISH 5	BNK HILL
SAN BERNARDINO, CITY OF	3601116	1N4W35C02S	PRRSHLL 3	BNK HILL
SAN BERNARDINO, CITY OF	3601117	1N4W35C03S	PRRSHLL 4	BNK HILL

SAN BERNARDINO BASIN AREA  
CROSS INDEX BY OWNER

OWNER NAME	RECORDATION NUMBER	STATE WELL NUMBER	LOCAL DESIGNATION	BASIN NAME
SAN BERNARDINO, CITY OF	3601316	1S4W23N	1	BNK HILL
SAN BERNARDINO, CITY OF	3601626	1S4W10	CITYLOTS	BNK HILL
SAN BERNARDINO, CITY OF	3602081	1N4W27B	31 ST	BNK HILL
SAN BERNARDINO, CITY OF	3602205	1N4W06H01S	DEVIL 4	DEVIL CAN
SAN BERNARDINO, CITY OF	3602206	1N4W06H02S	DEVIL 3	DEVIL CAN
SAN BERNARDINO, CITY OF	3602264	1N4W27N01S	23RD ST.	BNK HILL
SAN BERNARDINO, CITY OF	3602265	1S4W03J	7TH ST.	BNK HILL
SAN BERNARDINO, CITY OF	3602285	1S4W15D05	15D5	BNK HILL
SAN BERNARDINO, CITY OF	3602399	1N4W16E	NEWMARK 4	BNK HILL
SAN BERNARDINO, CITY OF	3602400	1N4W32N	BASE LINE	BNK HILL
SAN BERNARDINO, CITY OF	3602401	1N4W27A	LEROY	BNK HILL
SAN BERNARDINO, CITY OF	3602422	1S4W02K08S	ANTIL 6	BNK HILL
SAN BERNARDINO, CITY OF	3602426	2N5W19K	C.C. DIV.	L CAJON
SAN BERNARDINO, CITY OF	3602521	1S4W23N04	2	BNK HILL
SAN BERNARDINO, CITY OF	3602712	1N4W08N		DEVIL CAN
SAN BERNARDINO, CITY OF	3602821	1N5W03A02		DEVIL CAN
SAN BERNARDINO, CITY OF	3602844	2N4W08M02		DEVIL CAN
SAN BERNARDINO, COUNTY OF	NON-FILER	1S4W14A	AEROSPACE	BNK HILL
SAN BERNARDINO, COUNTY OF	NON-FILER	1N4W35F	COUNTY HOSP	BNK HILL
SAN BERNARDINO, COUNTY OF	NON-FILER	2N5W33F	GLEN HELEN 3	L CAJON
SAN BERNARDINO, COUNTY OF	NON-FILER	2N5W33G	GLEN HELEN 4	L CAJON
SAN BERNARDINO, COUNTY OF	NON-FILER	2N5W33Q02	GLEN HELEN 2	L CAJON

SAN BERNARDINO BASIN AREA  
CROSS INDEX BY OWNER

OWNER NAME	RECORDATION NUMBER	STATE WELL NUMBER	LOCAL DESIGNATION	BASIN NAME
SAN MANUAL INDIAN RESERV.	NON-FILER	1N3W20N		BNK HILL
SANDYS RESTAURANT	NON-FILER	1S3W21M2		BNK HILL
SANTINI	NON-FILER	1S4W14A		BNK HILL
SARATOGA DEVELOPMENT CO	NON-FILER	1S2W06	TUNNEL DIV.	DEVIL CAN
SATOSKI, DOCTOR	NON-FILER	1N4W14J		BNK HILL
SECREST, RALPH F.	3600483	1S2W31	GPHRRCH 1	BNK HILL
SELBY, DR. & MRS. ARTHUR	3600017	1S2W29	GRREES 3	BNK HILL
SELBY, DR. & MRS. ARTHUR	3600018	1S2W29	GRREES 2	BNK HILL
SELEY	NON-FILER	1N3W19Q	TUNNEL DIV.	BNK HILL
SIX HOUSES	NON-FILER	1S4W22A		BNK HILL
SMITH	NON-FILER	1N4W14J		DEVIL CAN
SMITH MEAT PACKING PLANT	NON-FILER	1S4W22M		BNK HILL
SMITH TRACT WELL COMPANY	3600001	1S3W21R	11	BNK HILL
SMITH TRACT WELL COMPANY	3600001-	1S3W21R		BNK HILL
SMITH,	NON-FILER	1S3W02J		BNK HILL
SO. SAN BERNARDINO COUNTY WATER DIST.	3602060	1S4W24P	BENNETT WELL	BNK HILL
SO. SAN BERNARDINO COUNTY WATER DIST.	3602122	1S4W23R03S	ROSEWOOD	BNK HILL
SO. SAN BERNARDINO COUNTY WATER DIST.	3602123	1S4W14J	NORMAN	BNK HILL
SO. SAN BERNARDINO COUNTY WATER DIST.	3602124	1S4W14J	CENTRAL	BNK HILL
SO. SAN BERNARDINO COUNTY WATER DIST.	3602125	1S4W24F04S	OLDGOULD	BNK HILL
SO. SAN BERNARDINO COUNTY WATER DIST.	3602126	1S4W24F	NEWGOULD	BNK HILL
SOJKA, DONALD R	3601173	1S3W32K		BNK HILL

SAN BERNARDINO BASIN AREA  
CROSS INDEX BY OWNER

OWNER NAME	RECORDATION NUMBER	STATE WELL NUMBER	LOCAL DESIGNATION	BASIN NAME
SOLANO WELL NO. 1	3600187	1S2W09	1	BNK HILL
SOLANO WELL NO. 3	3602003	1S2W16C	3	BNK HILL
SOMERS, R.	3601093	1N4W24	SPRING	BNK HILL
SOUTHERN CALIFORNIA EDISON COMPANY	3600651	1S3W28		BNK HILL
SOUTHERN CALIFORNIA EDISON COMPANY	3601012	1S4W08R	STM PL 1	BNK HILL
SOUTHERN CALIFORNIA EDISON COMPANY	3601013	1S4W08R	STM PL 2	BNK HILL
SOUTHERN CALIFORNIA EDISON COMPANY	3601014	1S3W18	SB STMP 1	BNK HILL
SOUTHERN CALIFORNIA EDISON COMPANY	3601015	1S3W18	SB STMP 2	BNK HILL
SOUTHERN CALIFORNIA EDISON COMPANY	3601016	1S4W22G01S	THORN 1	BNK HILL
SOUTHERN CALIFORNIA EDISON COMPANY	3609723	1S4W10F01S	HANFORD 1	BNK HILL
SOUTHERN CALIFORNIA EDISON COMPANY	3600374	1N3W33M01S	PALMHI 1	BNK HILL
SOUTHERN CALIFORNIA WATER COMPANY	3600375	1S3W05	CULHLND 1	BNK HILL
SOUTHERN CALIFORNIA WATER COMPANY	3600376	1S3W05	CULHLND 2	BNK HILL
SOUTHERN CALIFORNIA WATER COMPANY	3600377	1N3W27N08S	CCH 1	BNK HILL
SOUTHERN CALIFORNIA WATER COMPANY	3600378	1N3W27N02S	CCH 3	BNK HILL
SOUTHERN CALIFORNIA WATER COMPANY	3601069	1N3W33M02S	1	BNK HILL
SOUTHERN CALIFORNIA WATER COMPANY	3601588	1N4W31H	BERDOO 1	BNK HILL
SOUTHERN CALIFORNIA WATER COMPANY	3601878	1N4W29E01S	DARBY	BNK HILL
SOUTHERN CALIFORNIA WATER COMPANY	3601879	1N4W29	GARDENA	BNK HILL
SOUTHERN CALIFORNIA WATER COMPANY	3601880	1N4W29F01S	COLIMA	BNK HILL
SOUTHERN CALIFORNIA WATER COMPANY	3601987	1S3W04G	HIGHLD 1	BNK HILL
SOUTHERN CALIFORNIA WATER COMPANY	3602260	1S3W05D06	CULL 3	BNK HILL

SAN BERNARDINO BASIN AREA  
CROSS INDEX BY OWNER

OWNER NAME	RECORDATION NUMBER	STATE WELL NUMBER	LOCAL DESIGNATION	BASIN NAME
SOUTHERN CALIFORNIA WATER COMPANY	3602417	1S3W05D	4	BNK HILL
SOUTHERN CALIFORNIA WATER COMPANY	3602560	1S3W04G	DUNKIRK 2	BNK HILL
SOUZA, JOHN	3601084	1S2W20K		BNK HILL
STANLEY, SILAS	NON-FILER	1S2W24H		BNK HILL
STEWART, WILLARD	NON-FILER	1S3W31D		BNK HILL
STORKSON, WILLIAM F.	3600083	1N5W06	1	LYTLE
STORKSON, WILLIAM F.	3602664	1N5W06		LYTLE
STOWE WATER COMPANY	3601046	1S3W21A	1	BNK HILL
STRAWBERRY PATCH	NON-FILER	1S3W03N		BNK HILL
STRAWBERRY PATCH	NON-FILER	1S3W03N		BNK HILL
SUNRISE RANCH PART C/O LIFE DEVELOPMENT	3600599	1S2W13		BNK HILL
SUNRISE RANCH PART C/O LIFE DEVELOPMENT	3600600	1S2W13	SUNRISE 2	BNK HILL
SUNRISE RANCH PART C/O LIFE DEVELOPMENT	3600601	1S2W14	SUNRISE 3A	BNK HILL
SUNRISE RANCH PART C/O LIFE DEVELOPMENT	3600602	1S2W15P	SUNRISE 4	BNK HILL
SUNRISE RANCH PART C/O LIFE DEVELOPMENT	3600603	1S2W15G	SUNRISE 5	BNK HILL
SUNRISE RANCH PART C/O LIFE DEVELOPMENT	3601640	1S2W14		BNK HILL
SUNRISE RANCH PART C/O LIFE DEVELOPMENT	3601969	1S2W14L	SUNRISE 7	BNK HILL
SUNRISE RANCH PART C/O LIFE DEVELOPMENT	NON-FILER	1N3W29B	TUNNEL DIV.	BNK HILL
SUPERIOR ORCHARDS				
SYCAMORE HEIGHTS WATER COMPANY, INC.	3601837	1N3W34B	HERCULES	BNK HILL
SYCAMORE HEIGHTS WATER COMPANY, INC.	3601838	1N3W34A	WALKISHA	BNK HILL
TENNESSEE MUTUAL WELL COMPANY	3601161	1S3W16L	PIONEER 1	BNK HILL
TENNESSEE WATER CO.	3600474	1S3W16L	1	BNK HILL

SAN BERNARDINO BASIN AREA  
CROSS INDEX BY OWNER

OWNER NAME	RECORDATION NUMBER	STATE WELL NUMBER	LOCAL DESIGNATION	BASIN NAME
TERRACE WATER COMPANY	3601684	1S4W08F06S	LARGE 1	BNK HILL
TERRACE WATER COMPANY	3601684-	1S4W08F	4	BNK HILL
TERRACE WATER COMPANY	3601685	1S4W08F	SMALL 2	BNK HILL
TERRACE WATER COMPANY	3601686	1S4W08F	3	BNK HILL
TEXACO GAS STATION	NON-FILER	1S4W24J		BNK HILL
THOMPSON RANDALL	NON-FILER	1N3W28A	SPRING DIV.	
TRI CITY CONCRETE	3600935	1N4W31N		LYTLE
TRI CITY CONCRETE	3601309	1S4W05M	PLANT	BNK HILL
TRI CITY MUTUAL WATER COMPANY	NON-FILER	1S4W23N		BNK HILL
TRI CITY MUTUAL WATER COMPANY	3601823	1S4W23K		BNK HILL
TRIPLE FALLS MUT. WTR. CO.	NON-FILER	1S1W19G		BNK HILL
TRIPLE FALLS MUT. WTR. CO.	NON-FILER	1S1W20D		MILL CRK
TRIPLE FALLS MUT. WTR. CO.	NON-FILER	1S1W20D		MILL CRK
U.S. FOREST SERVICE	NON-FILER	1N4W13Q	MAINT. YARD	DEVIL CAN
U.S. FOREST SERVICE	NON-FILER	1S2W13P	MILL CREEK	MILL CRK
UNGER, V.E.	3601168	1S4W26F		BNK HILL
VALDEPENA ACRES	3602241	1S3W20F03	ALMOND	BNK HILL
VALENCIA AVE. MUT. WTR. CO.	NON-FILER	1N4W23K	WATERMAN AVE	BNK HILL
VALLEY FARMS MUT. WTR. CO.	NON-FILER	1S4W15R	NO 1 WASHTN	BNK HILL
VALLEY FARMS MUT. WTR. CO.	NON-FILER	1S4W15Q	NO 2 WELL	BNK HILL
VAN LOON MUTUAL WATER COMPANY	3602066	1S4W02B	1	BNK HILL
VAN LOON MUTUAL WATER COMPANY	3602067	1N4W35K	2	BNK HILL

SAN BERNARDINO BASIN AREA  
CROSS INDEX BY OWNER

OWNER NAME	RECORDATION NUMBER	STATE WELL NUMBER	LOCAL DESIGNATION	BASIN NAME
VAN MEETER	NON-FILER	1S3W02P	OLD WELL	BNK HILL
VAN MEETER	NON-FILER	1S3W02P	NEW WELL	BNK HILL
VANLEUVEN, CLARENCE	NON-FILER	1S4W24J		BNK HILL
VICTORIA FARMS MUTUAL WATER CO.	3602112	1S4W13R01S		BNK HILL
VICTORIA FARMS MUTUAL WATER CO.	3602247	1S4W13R03	2	BNK HILL
VICTORIA FARMS MUTUAL WATER CO.	3602574	1S4W13R	#3 WELL	BNK HILL
VICTORIA FARMS MUTUAL WATER CO.	3602714	1S4W13R	1	BNK HILL
VICTORIA GUERNSEY	3600399	1S4W02	1	BNK HILL
VICTORIA SEVENTH DAY ADVENTIST	NON-FILER	1S4W24J		BNK HILL
WALLACE	NON-FILER	1N4W14J		DEVIL CAN
WARD, FLOYD	NON-FILER	1S1W18N	WELL NO. 1	BNK HILL
WARD, FLOYD	NON-FILER	1S1W18P	WELL NO. 2	BNK HILL
WARD, FLOYD	NON-FILER	1S1W18P	WELL NO. 3	BNK HILL
WARD, FLOYD	NON-FILER	1S1W18N	WELL NO. 4	BNK HILL
WARD, FLOYD	NON-FILER	1S1W18M	WELL NO. 6	MILL CRK
WARD, FLOYD	NON-FILER	1S1W18P	LATERAL SPRG	BNK HILL
WARMINGTON, ROBERT P.	3600270	1S3W20P	ORANGEDALE	BNK HILL
WEATHERWAX, W. G.	3600652	1S3W15N01S	REDLANDS	BNK HILL
WEST SAN BDNO. COUNTY WATER DIST.	3600302	1N5W26A01S	LOWER 2	LYTLE
WEST SAN BDNO. COUNTY WATER DIST.	3600303	1N5W26B01S	LOWER 4	LYTLE
WEST SAN BDNO. COUNTY WATER DIST.	3600304	1N5W26A03S	L5	LYTLE
WEST SAN BDNO. COUNTY WATER DIST.	3600305	1N5W25E01S	LOWER 6	LYTLE

SAN BERNARDINO BASIN AREA  
CROSS INDEX BY OWNER

OWNER NAME	RECORDATION NUMBER	STATE WELL NUMBER	LOCAL DESIGNATION	BASIN NAME
WEST SAN BDNO. COUNTY WATER DIST.	3600306	1N5W23P02S	UPPER 2	LYTLE
WEST SAN BDNO. COUNTY WATER DIST.	3600307	1N5W23P04S	UPPER 4	LYTLE
WEST SAN BDNO. COUNTY WATER DIST.	3600312	1N5W22M		LYTLE
WEST SAN BDNO. COUNTY WATER DIST.	3600996	1N5W36J03S	NO 8	LYTLE
WEST SAN BDNO. COUNTY WATER DIST.	3600997	1N5W36H04S	LORD 7	LYTLE
WEST SAN BDNO. COUNTY WATER DIST.	3600998	1N5W25E02S	FERG 1	LYTLE
WEST SAN BDNO. COUNTY WATER DIST.	3600999	1S4W06J01S	DIXON 1	BNK HILL
WEST SAN BDNO. COUNTY WATER DIST.	3601000	1S4W06J02S	DIXON 2	BNK HILL
WEST SAN BDNO. COUNTY WATER DIST.	3601002	1N4W31P03S	RAYNOR 1	LYTLE
WEST SAN BDNO. COUNTY WATER DIST.	3601003	1S4W06H01S	RAYNOR 4	BNK HILL
WEST SAN BDNO. COUNTY WATER DIST.	3601725	1N5W25E00S		LYTLE
WEST SAN BDNO. COUNTY WATER DIST.	3601848	1S4W05E05S	RAYNOR 5	BNK HILL
WEST SAN BDNO. COUNTY WATER DIST.	3601944	1N5W23Q00S	LOWER 7	LYTLE
WEST SAN BDNO. COUNTY WATER DIST.	3602766	1S4W06H02		BNK HILL
WESTERN FRUIT GROWERS	NON-FILER	1S3W24Q		BNK HILL
WIDEMEYER	NON-FILER	1N3W29H	SPRING DIV.	BNK HILL
WIDEMEYER	NON-FILER	1N3W29H		BNK HILL
WILEY, RUTH NORWOOD	3600052	1S4W36J	1	BNK HILL
WILLIAMS DAIRY	NON-FILER	1S4W11G		BNK HILL
WILLIAMS WELL CORPORATION, LTD.	3600828	1S3W16J		BNK HILL
WOEHR MUTUAL WATER COMPANY	3600817	1S3W29H		BNK HILL
YAHIKU, PAUL	3601280	1S3W29D	SOUTH 1	BNK HILL



SAN BERNARDINO BASIN AREA  
CROSS INDEX BY OWNER

OWNER NAME	RECORDATION NUMBER	STATE WELL NUMBER	LOCAL DESIGNATION	BASIN NAME
YORK	NON-FILER	1N3W19R	DOMESTIC	BNK HILL
YORK	NON-FILER	1N3W19R		BNK HILL
YORK	NON-FILER	1N3W19R	SAND CYN TUN	BNK HILL
YUCAIPA VALLEY COUNTY WATER DISTRICT	3602657	1S1W20D		MILL CRK
YUCAIPA VALLEY COUNTY WATER DISTRICT	3602658	1S1W20D		MILL CRK
YUCAIPA VALLEY COUNTY WATER DISTRICT	3602659	1S1W19G		BNK HILL
'7TH AVE. WELL	3601121	1S2W31	1	BNK HILL

SAN BERNARDINO BASIN AREA,

CROSS INDEX BY RECORDATION NUMBER

SAN BERNARDINO BASIN AREA  
CROSS INDEX BY RECORDATION NUMBER

RECORDATION NUMBER	OWNER NAME	STATE WELL NUMBER	LOCAL DESIGNATION	BASIN NAME
NON-FILER	AHMANSON RANCH	1S4W27H		BNK HILL
NON-FILER	ANDERSON, W.D.	1N4W25R		BNK HILL
NON-FILER	ARNOLD RANCH	1N3W34H		BNK HILL
NON-FILER	BALCOM	1S4W11M		BNK HILL
NON-FILER	BALDWIN	1N3W34K		BNK HILL
NON-FILER	BARRIER	1S4W22B		BNK HILL
NON-FILER	BASELINE LAUNDRY	1N3W31Q		BNK HILL
NON-FILER	BASELINE LAUNDRY	1N3W31		BNK HILL
NON-FILER	BATCHELOR	1N4W14R		DEVIL CAN
NON-FILER	BATCHELOR	1N4W14R		DEVIL CAN
NON-FILER	BERMAN, JERRY	1S4W02K	OLD WELL	BNK HILL
NON-FILER	BERMAN, JERRY	1S4W02J		BNK HILL
NON-FILER	BLISS	1S2W22E		BNK HILL
NON-FILER	BOUCHER	1N4W14J		DEVIL CAN
NON-FILER	BREAK, ALLEN, ESTATE	1S3W31A		BNK HILL
NON-FILER	CARPENTER	1S4W22B		BNK HILL
NON-FILER	CLIFFSIDE RANCH	1S3W03F		BNK HILL
NON-FILER	COOK CANYON	1N3W27R		BNK HILL
NON-FILER	CRYSTAL SPRINGS	2S2W06D		BNK HILL
NON-FILER	DANGLO DAIRY	1S4W11F		BNK HILL
NON-FILER	DANIELS, DON	1S3W19J		BNK HILL
NON-FILER	DANIELS, HAROLD	1S3W17R	RANCH	BNK HILL

SAN BERNARDINO BASIN AREA  
CROSS INDEX BY RECORDATION NUMBER

RECORDATION NUMBER	OWNER NAME	STATE WELL NUMBER	LOCAL DESIGNATION	BASIN NAME
NON-FILER	DANIELS, HAROLD	1S3W17C	DOMEST. WELL	BNK HILL
NON-FILER	DILLSON MUT. WTR. CO.	1N4W13P	DILLSON AVE	DEVIL CAN
NON-FILER	DILLSON MUT. WTR. CO.	1N4W13P	HARRISON CYN	DEVIL CAN
NON-FILER	DILLSON MUT. WTR. CO.	1N4W13P	CISCO WELL	DEVIL CAN
NON-FILER	EAST HIGHLANDS ORANGE COMPANY	1N3W35B	BOX SPRING	BNK HILL
NON-FILER	EAST VALLEY WATER DISTRICT	1N3W30C	NO. 36	BNK HILL
NON-FILER	EAST VALLEY WATER DISTRICT	1S3W04P	NO. 43	BNK HILL
NON-FILER	EAST VALLEY WATER DISTRICT	1N3W30C	NO. 44	BNK HILL
NON-FILER	EAST VALLEY WATER DISTRICT	1N3W31A	NO. 45	BNK HILL
NON-FILER	EAST VALLEY WATER DISTRICT	1S3W05Q	NO. 46	BNK HILL
NON-FILER	EAST VALLEY WATER DISTRICT	1N4W36H	NO. 52	BNK HILL
NON-FILER	EAST VALLEY WATER DISTRICT	1S3W06	NO. 69	BNK HILL
NON-FILER	EAST VALLEY WATER DISTRICT	1N3W31D	NO. 70	BNK HILL
NON-FILER	EAST VALLEY WATER DISTRICT	1S3W06E	NO. 71	BNK HILL
NON-FILER	EAST VALLEY WATER DISTRICT	1S3W06B	NO. 72	BNK HILL
NON-FILER	EAST VALLEY WATER DISTRICT	1S3W06C	NO. 74	BNK HILL
NON-FILER	EAST VALLEY WATER DISTRICT	1S4W02L	NO. 75	BNK HILL
NON-FILER	EAST VALLEY WATER DISTRICT	1S3W06P	NO. 78	BNK HILL
NON-FILER	EAST VALLEY WATER DISTRICT	1S3W05Q	NO. 80	BNK HILL
NON-FILER	EAST VALLEY WATER DISTRICT	1S3W06M	NO. 81	BNK HILL
NON-FILER	EAST VALLEY WATER DISTRICT	1S3W06Q	NO. 83	BNK HILL
NON-FILER	EAST VALLEY WATER DISTRICT	1S3W03N	NO. 84	BNK HILL

SAN BERNARDINO BASIN AREA  
CROSS INDEX BY RECORDATION NUMBER

RECORDATION NUMBER	OWNER NAME	STATE WELL NUMBER	LOCAL DESIGNATION	BASIN NAME
NON-FILER	EAST VALLEY WATER DISTRICT	1N4W25D	NO. 85	BNK HILL
NON-FILER	EAST VALLEY WATER DISTRICT	1S3W03N	NO. 93	BNK HILL
NON-FILER	EAST VALLEY WATER DISTRICT	1S3W05J	NO. 95	BNK HILL
NON-FILER	EAST VALLEY WATER DISTRICT	1S4W01D	NO. 96	BNK HILL
NON-FILER	EAST VALLEY WATER DISTRICT	1S3W06N	NO. 97	BNK HILL
NON-FILER	EAST VALLEY WATER DISTRICT	1S3W04Q	NO. 106	BNK HILL
NON-FILER	ELLENA, JOHN B.	1N4W08N		DEVIL CAN
NON-FILER	ELLGODD	1S2W24C		BNK HILL
NON-FILER	FARROW	1S2W22E		BNK HILL
NON-FILER	FINCH	1S2W29		BNK HILL
NON-FILER	GOLCONDA WATER CO.	1S4W13E		BNK HILL
NON-FILER	GREENSPOT MUTUAL WATER CO TUNNEL	1S2W22		BNK HILL
NON-FILER	HAGAR	1S2W16L		BNK HILL
NON-FILER	HARDISON	1N4W13Q		DEVIL CAN
NON-FILER	HARRISON	1S3W04J		BNK HILL
NON-FILER	HARRISON CANYON	1N4W13P		DEVIL CAN
NON-FILER	HARRISON CANYON	1N4W13P		DEVIL CAN
NON-FILER	HAZAS	1S4W11G		BNK HILL
NON-FILER	HELIPORT	1S4W15G		BNK HILL
NON-FILER	HILL	1S2W31B		BNK HILL
NON-FILER	HODGDON, WARNER	1N4W14C	W TWIN CRK	DEVIL CAN
NON-FILER	HOLDEN MUT. WTR. CO.	1S4W14E		BNK HILL

SAN BERNARDINO BASIN AREA  
CROSS INDEX BY RECORDATION NUMBER

RECORDATION NUMBER	OWNER NAME	STATE WELL NUMBER	LOCAL DESIGNATION	BASIN NAME
NON-FILER	HOLDEN MUT. WTR. CO.	1S4W14F	HOLDEN AVE.	BNK HILL
NON-FILER	HORTON	1S3W32J		BNK HILL
NON-FILER	HUNTER	1S3W03D		BNK HILL
NON-FILER	INTER CITY MUTUAL WATER CO	1S4W23P		BNK HILL
NON-FILER	KARAHALOIS	1S2W17	PEPPER HOUSE	BNK HILL
NON-FILER	KING	1N4W14R		DEVIL CAN
NON-FILER	KOCH	1S2W32B		BNK HILL
NON-FILER	KRANTZ DAIRY	1S4W11F		BNK HILL
NON-FILER	KUHN, RICHARD J	1S3W32G		BNK HILL
NON-FILER	L.P.R. RANCH	1S3W13C		BNK HILL
NON-FILER	LA TOURETTE	1S2W28M		BNK HILL
NON-FILER	LANKERSHIM MUT. WTR. CO.	1S3W06L	LANKERSHIM A	BNK HILL
NON-FILER	LANKERSHIM MUT. WTR. CO.	1S3W06F	MCKINLEY ST.	BNK HILL
NON-FILER	LORD	1S2W28M	SPRING DIV.	BNK HILL
NON-FILER	MARSHBURN	1S3W17G		BNK HILL
NON-FILER	MCCALLA BROS	1S3W20		BNK HILL
NON-FILER	MENTONE DOMESTIC WTR. CO.	1S2W19J		BNK HILL
NON-FILER	MENTONE DOMESTIC WTR. CO.	1S2W19J	3 1971	BNK HILL
NON-FILER	MOORE, R. H.	1S4W24K		BNK HILL
NON-FILER	MT. VIEW CHILD CARE CENTER	1S4W24J		BNK HILL
NON-FILER	NO NAME WELL	1N3W32M		BNK HILL
NON-FILER	NORTON AIR FORCE BASE	1S4W12B	LOCAL NO. 2	BNK HILL

SAN BERNARDINO BASIN AREA  
CROSS INDEX BY RECORDATION NUMBER

RECORDATION NUMBER	OWNER NAME	STATE WELL NUMBER	LOCAL DESIGNATION	BASIN NAME
NON-FILER	NORTON AIR FORCE BASE	1S4W12C	LOCAL NO. 3	BNK HILL
NON-FILER	NORTON AIR FORCE BASE	1S4W12D	LOCAL NO. 4	BNK HILL
NON-FILER	NORTON AIR FORCE BASE	1S4W12F	LOCAL NO. 5	BNK HILL
NON-FILER	NORTON AIR FORCE BASE	1S3W08A	LOCAL NO. 11	BNK HILL
NON-FILER	NORTON AIR FORCE BASE	1S4W12Q	NO NO. WELL	BNK HILL
NON-FILER	NORTON AIR FORCE BASE	1S4W12G	LOCAL NO. 44	BNK HILL
NON-FILER	NORTON AIR FORCE BASE	1S3W08E	LOCAL NO. 347	BNK HILL
NON-FILER	NORTON AIR FORCE BASE	1S3W08M	LOCAL NO. 865	BNK HILL
NON-FILER	NORWOOD	1N3W34F		BNK HILL
NON-FILER	PACIFIC HIGH SCHOOL	1N4W35H		BNK HILL
NON-FILER	PATTERSON, ROY H.	1N3W34		BNK HILL
NON-FILER	PIERSON	1N4W35N		BNK HILL
NON-FILER	QUALITY FARMS	1S3W04R	NO. 102	BNK HILL
NON-FILER	RAMSEY	1S2W22F	SPRING DIV	BNK HILL
NON-FILER	REDLANDS ASSOCIATES	1S2W17B	NO. 0	BNK HILL
NON-FILER	REDLANDS ASSOCIATES	1S2W09P	BLOCK NO. 6	BNK HILL
NON-FILER	REDLANDS ASSOCIATES	1S2W09L	BLOCK NO. 11	BNK HILL
NON-FILER	REDLANDS ASSOCIATES	1S2W09L	TUNNEL DIV.	BNK HILL
NON-FILER	REDLANDS WTR. CO.	1S2W08	TUNNEL DIV.	BNK HILL
NON-FILER	REDLANDS, CITY OF	1S2W13B	MILL CR. DIV	BNK HILL
NON-FILER	REGINA GRAPE PRODUCTS	1N5W04M	WELL NO. 1	LYTLE
NON-FILER	REGINA GRAPE PRODUCTS	1N5W04N	WELL NO. 2	LYTLE

SAN BERNARDINO BASIN AREA  
CROSS INDEX BY RECORDATION NUMBER

RECORDATION NUMBER	OWNER NAME	STATE WELL NUMBER	LOCAL DESIGNATION	BASIN NAME
NON-FILER	REGINA GRAPE PRODUCTS	1N5W04N	WELL NO. 3	LYTLE
NON-FILER	REGINA GRAPE PRODUCTS	1N5W05B	SPRING DIV.	LYTLE
NON-FILER	REGINA GRAPE PRODUCTS	1N5W05R	WELL NO. 4	LYTLE
NON-FILER	REGINA GRAPE PRODUCTS	1N5W04N	WELL NO. 5	LYTLE
NON-FILER	REGINA GRAPE PRODUCTS	1N5W04N	WELL NO. 6	LYTLE
NON-FILER	REGINA GRAPE PRODUCTS	1N5W04N	WELL NO. 7	LYTLE
NON-FILER	RIVAS	1S4W24J		BNK HILL
NON-FILER	RULE	1N3W34K	SPRING	BNK HILL
NON-FILER	SAN BERNARDINO, CITY OF	1S4W21A	SEWER PLNT 1	BNK HILL
NON-FILER	SAN BERNARDINO, CITY OF	1S4W22C	SEWER PLNT 2	BNK HILL
NON-FILER	SAN BERNARDINO, COUNTY OF	1S4W14A	AEROSPACE	BNK HILL
NON-FILER	SAN BERNARDINO, COUNTY OF	1N4W35F	COUNTY HOSP	BNK HILL
NON-FILER	SAN BERNARDINO, COUNTY OF	2N5W33F	GLEN HELEN 3	L CAJON
NON-FILER	SAN BERNARDINO, COUNTY OF	2N5W33G	GLEN HELEN 4	L CAJON
NON-FILER	SAN BERNARDINO, COUNTY OF	2N5W33Q02	GLEN HELEN 2	L CAJON
NON-FILER	SAN MANUAL INDIAN RESERV.	1N3W20N		BNK HILL
NON-FILER	SANDYS RESTAURANT	1S3W21M2		BNK HILL
NON-FILER	SANTINI	1S4W14A		BNK HILL
NON-FILER	SARATOGA DEVELOPMENT CO	1S2W06	TUNNEL DIV.	BNK HILL
NON-FILER	SATOSKI, DOCTOR	1N4W14J		DEVIL CAN
NON-FILER	SELEY	1N3W19Q	TUNNEL DIV.	BNK HILL
NON-FILER	SIX HOUSES	1S4W22A		BNK HILL



SAN BERNARDINO BASIN AREA  
CROSS INDEX BY RECORDATION NUMBER

RECORDATION NUMBER	OWNER NAME	STATE WELL NUMBER	LOCAL DESIGNATION	BASIN NAME
NON-FILER	SMITH	1N4W14J		DEVIL CAN
NON-FILER	SMITH MEAT PACKING PLANT	1S4W22M		BNK HILL
NON-FILER	SMITH,	1S3W02J		BNK HILL
NON-FILER	STANLEY, SILAS	1S2W24H		BNK HILL
NON-FILER	STEWART, WILLARD	1S3W31D		BNK HILL
NON-FILER	STRAWBERRY PATCH	1S3W03N		BNK HILL
NON-FILER	STRAWBERRY PATCH	1S3W03N		BNK HILL
NON-FILER	SUPERIOR ORCHARDS	1N3W29B	TUNNEL DIV.	BNK HILL
NON-FILER	TEXACO GAS STATION	1S4W24J		BNK HILL
NON-FILER	THOMPSON RANDALL	1N3W28A	SPRING DIV.	
NON-FILER	TRI CITY MUTUAL WATER COMPANY	1S4W23N		BNK HILL
NON-FILER	TRIPLE FALLS MUT. WTR. CO.	1S1W19G		BNK HILL
NON-FILER	TRIPLE FALLS MUT. WTR. CO.	1S1W20D		MILL CRK
NON-FILER	TRIPLE FALLS MUT. WTR. CO.	1S1W20D		MILL CRK
NON-FILER	U.S. FOREST SERVICE	1N4W13Q	MAINT. YARD	DEVIL CAN
NON-FILER	U.S. FOREST SERVICE	1S2W13P	MILL CREEK	MILL CRK
NON-FILER	VALENCIA AVE. MUT. WTR. CO.	1N4W23K	WATERMAN AVE	BNK HILL
NON-FILER	VALLEY FARMS MUT. WTR. CO.	1S4W15R	NO 1 WASHTN	BNK HILL
NON-FILER	VALLEY FARMS MUT. WTR. CO.	1S4W15Q	NO 2 WELL	BNK HILL
NON-FILER	VAN MEETER	1S3W02P	OLD WELL	BNK HILL
NON-FILER	VAN MEETER	1S3W02P	NEW WELL	BNK HILL
NON-FILER	VANLEUVEN, CLARENCE	1S4W24J		BNK HILL

SAN BERNARDINO BASIN AREA  
CROSS INDEX BY RECORDATION NUMBER

RECORDATION NUMBER	OWNER NAME	STATE WELL NUMBER	LOCAL DESIGNATION	BASIN NAME
NON-FILER	VICTORIA SEVENTH DAY ADVENTIST	1S4W24J		BNK HILL
NON-FILER	WALLACE	1N4W14J		DEVIL CAN
NON-FILER	WARD, FLOYD	1S1W18N	WELL NO. 1	BNK HILL
NON-FILER	WARD, FLOYD	1S1W18P	WELL NO. 2	BNK HILL
NON-FILER	WARD, FLOYD	1S1W18P	WELL NO. 3	BNK HILL
NON-FILER	WARD, FLOYD	1S1W18N	WELL NO. 4	BNK HILL
NON-FILER	WARD, FLOYD	1S1W18M	WELL NO. 6	MILL CRK
NON-FILER	WARD, FLOYD	1S1W18P	LATERAL SPRG	BNK HILL
NON-FILER	WESTERN FRUIT GROWERS	1S3W24Q		BNK HILL
NON-FILER	WIDEMEYER	1N3W29H	SPRING DIV.	BNK HILL
NON-FILER	WIDEMEYER	1N3W29H		BNK HILL
NON-FILER	WILLIAMS DAIRY	1S4W11G		BNK HILL
NON-FILER	YORK	1N3W19R	DOMESTIC	BNK HILL
NON-FILER	YORK	1N3W19R		BNK HILL
NON-FILER	YORK	1N3W19R	SAND CYN TUN	BNK HILL
3600001	SMITH TRACT WELL COMPANY	1S3W21R	11	BNK HILL
3600001-	SMITH TRACT WELL COMPANY	1S3W21R		BNK HILL
3600005	EAST LUGONIA MUTUAL WATER CO.	1S3W35H08S	LUETCKE	BNK HILL
3600006	EAST LUGONIA MUTUAL WATER CO.	1S2W19G01S	BERYL ST	BNK HILL
3600016	RIVAS, RAMON	1S4W24J	REES 4	BNK HILL
3600017	SELBY, DR. & MRS. ARTHUR	1S2W29	GRREES 3	BNK HILL
3600018	SELBY, DR. & MRS. ARTHUR	1S2W29	GRREES 2	BNK HILL

SAN BERNARDINO BASIN AREA  
CROSS INDEX BY RECORDATION NUMBER

RECORDATION NUMBER	OWNER NAME	STATE WELL NUMBER	LOCAL DESIGNATION	BASIN NAME
3600019	REDLANDS, CITY OF	1S3W23	GR REES 1	BNK HILL
3600021	BEAR VALLEY MUTUAL WATER COMPANY	1N2W26H	SANTA ANA 1	SANTA ANA
3600022	BEAR VALLEY MUTUAL WATER COMPANY	1N2W34	SANTA ANA 2	SANTA ANA
3600023	BEAR VALLEY MUTUAL WATER COMPANY	1S3W24C	JUDSON 1	BNK HILL
3600024	BEAR VALLEY MUTUAL WATER COMPANY	1S2W19D	WABASH 2	BNK HILL
3600025	BEAR VALLEY MUTUAL WATER COMPANY	1N3W29R01S	PALM AV3	BNK HILL
3600026	EAST VALLEY WATER DISTRICT	1S3W04J	NO. 102	BNK HILL
3600027	BEAR VALLEY MUTUAL WATER COMPANY	1N2W10N	ALDER CR	SANTA ANA
3600028	BEAR VALLEY MUTUAL WATER COMPANY	1S2W04N		BNK HILL
3600030	MEADOWBROOK DAIRY	1S4W23D	IRRIG 2	BNK HILL
3600034	SAN BERNARDINO, CITY OF	1S4W16H	SMITH 1	BNK HILL
3600035	SAN BERNARDINO, CITY OF	1S4W15M01		BNK HILL
3600036	BROOKSIDE DAIRY, INC	1S3W33D	1	BNK HILL
3600037	MEADOWBROOK DAIRY	1S4W23D	DOMESTIC 1	BNK HILL
3600038	EAST LUGONIA MUTUAL WATER CO.	1S2W17		BNK HILL
3600049	HOBBS WELL PARTNERSHIP	1S3W25M	MORRISON	BNK HILL
3600049-	HOBBS WELL PARTNERSHIP	1S3W25M	HOBBS WELL	BNK HILL
3600052	WILEY, RUTH NORWOOD	1S4W36J	1	BNK HILL
3600053	BRYN MAWR MUTUAL WATER COMPANY	1S3W31A	1	BNK HILL
3600054	BRYN MAWR MUTUAL WATER COMPANY	1S3W31A	2	BNK HILL
3600055	BRYN MAWR MUTUAL WATER COMPANY	1S3W31A	3	BNK HILL
3600058	EAST VALLEY WATER DISTRICT	1S3W03F	NO. 53	BNK HILL

SAN BERNARDINO BASIN AREA  
CROSS INDEX BY RECORDATION NUMBER

RECORDATION NUMBER	OWNER NAME	STATE WELL NUMBER	LOCAL DESIGNATION	BASIN NAME
3600075	GRANT WATER COMPANY	1S3W28C01	GRANT	BNK HILL
3600076	ARMSTRONG, DOUGLAS	1S3W17	2	BNK HILL
3600083	STORKSON, WILLIAM F.	1N5W06	1	LYTLE
3600085	REDLANDS, CITY OF	1S3W28J01	NY ST 1	BNK HILL
3600091	JEWEL WATER COMPANY, THE	1S3W20	1	BNK HILL
3600107	B M I FUNDS	1S3W21P01	COLTON 1	BNK HILL
3600119	MONTECITO MUTUAL WATER COMPANY	1S4W26F01	1	BNK HILL
3600123	NICKERSON WATER COMPANY	1S3W20R01	ALABAMA NO 1	BNK HILL
3600124	NICKERSON WATER COMPANY	1S3W21M01	LUGONIA NO 2	BNK HILL
3600125	SAN BERNARDINO AVENUE WATER COMPANY	1S3W14	1	BNK HILL
3600139	MENTONE CITRUS GROVES	1S2W18R01S		BNK HILL
3600160	LARANNI GUNTER WELL	1S3W32G01	GUNTER WELL	BNK HILL
3600178	ATCHISON, TOPEKA & SANTA FE RAILWAY CO.	1S4W08F02S	3	BNK HILL
3600179	ATCHISON, TOPEKA & SANTA FE RAILWAY CO.	1S4W08F	4	BNK HILL
3600182	GLADYSTA WELL & WATER COMPANY	1S3W20H01	1	BNK HILL
3600182-	GLADYSTA WELL & WATER COMPANY	1S3W20H02		BNK HILL
3600183	EAST VALLEY WATER DISTRICT	1S4W02	NO. 60	BNK HILL
3600184	HIGHLAND WELL COMPANY	1N3W28N01	APLIN WELL	BNK HILL
3600187	SOLANO WELL NO. 1	1S2W09	1	BNK HILL
3600188	CRAM PATTERSON WELL	1S2W16	CRAMPAT 2	BNK HILL
3600218	LANGSTON-NEWBY DEVELOPMENT CO.	1N4W24	1	DEVIL CAN
3600220	MT. HARRISON MUTUAL WATER CO.	1S3W01H	1	BNK HILL

SAN BERNARDINO BASIN AREA  
CROSS INDEX BY RECORDATION NUMBER

RECORDATION NUMBER	OWNER NAME	STATE WELL NUMBER	LOCAL DESIGNATION	BASIN NAME
3600221	EAST VALLEY WATER DISTRICT	1N3W30	NO. 63	BNK HILL
3600222	SAN BERNARDINO, CITY OF	1S4W11Q01S		BNK HILL
3600226	HEAD, JOE T.	1S2W21L01	1	BNK HILL
3600238	HAPPE MUTUAL WELL COMPANY	1S2W29M01	1	BNK HILL
3600240	HINCKLEY, HORACE P.	1S2W30	SOUTH WELL	BNK HILL
3600241	CRAM RANCH ASSOCIATES	1S3W03Q		BNK HILL
3600266	GREENSPOT MUTUAL WELL CO.	1S2W16C01	GRNSPTMU	BNK HILL
3600269	EAST VALLEY WATER DISTRICT	1N3W31L	NO. 68	BNK HILL
3600270	WARMINGTON, ROBERT P.	1S3W20P	ORANGEDALE	BNK HILL
3600272	CRAFTON WATER COMPANY	1S2W29N	5TH AVE 1	BNK HILL
3600275	EAST VALLEY WATER DISTRICT	1N3W32	NO. 64	BNK HILL
3600291	MAYBELL, N. O.	1S4W12		BNK HILL
3600296	NORTHBRAE WATER COMPANY	1S3W15R01	1	BNK HILL
3600302	WEST SAN BDNO. COUNTY WATER DIST.	1N5W26A01S	LOWER 2	LYTLE
3600303	WEST SAN BDNO. COUNTY WATER DIST.	1N5W26B01S	LOWER 4	LYTLE
3600304	WEST SAN BDNO. COUNTY WATER DIST.	1N5W26A03S	L5	LYTLE
3600305	WEST SAN BDNO. COUNTY WATER DIST.	1N5W25E01S	LOWER 6	LYTLE
3600306	WEST SAN BDNO. COUNTY WATER DIST.	1N5W23P02S	UPPER 2	LYTLE
3600307	WEST SAN BDNO. COUNTY WATER DIST.	1N5W23P04S	UPPER 4	LYTLE
3600312	WEST SAN BDNO. COUNTY WATER DIST.	1N5W22M		LYTLE
3600313	NYE, WILLIAM H.	1S2W29N01S	NYE	BNK HILL
3600319	MOUNT VERNON WATER COMPANY	1N4W31A01S	1	BNK HILL

SAN BERNARDINO BASIN AREA  
CROSS INDEX BY RECORDATION NUMBER

RECORDATION NUMBER	OWNER NAME	STATE WELL NUMBER	LOCAL DESIGNATION	BASIN NAME
3600320	MOUNT VERNON WATER COMPANY	1N5W22M		LYTLE
3600323	HIGHLAND ACRES RANCH	1S2W06M	ELEC 1	BNK HILL
3600374	SOUTHERN CALIFORNIA WATER COMPANY	1N3W33M01S	PALMHI 1	BNK HILL
3600375	SOUTHERN CALIFORNIA WATER COMPANY	1S3W05	CULHLND 1	BNK HILL
3600376	SOUTHERN CALIFORNIA WATER COMPANY	1S3W05	CULHLND 2	BNK HILL
3600377	SOUTHERN CALIFORNIA WATER COMPANY	1N3W27N08S	CCH 1	BNK HILL
3600378	SOUTHERN CALIFORNIA WATER COMPANY	1N3W27N02S	CCH 3	BNK HILL
3600399	VICTORIA GUERNSEY	1S4W02	1	BNK HILL
3600415	PHAROAH POWELL WATER CO.	1S3W29J01		BNK HILL
3600418	MARIGOLD FARMS COMPANY	1S3W19	BRAGA WELL	BNK HILL
3600444	EAST VALLEY WATER DISTRICT	1N3W30H01S	NO. 98	BNK HILL
3600449	BELL, H. EUGENE	1S3W20	BELL WELL	BNK HILL
3600451	BEELER, RAYMOND A.	1S3W15		BNK HILL
3600456	BASE LINE WELL COMPANY	1N3W33R02S	1	BNK HILL
3600457	BASELINE GARDENS MUTUAL WATER COMPANY	1N4W35J02S	PAC&BARL	BNK HILL
3600458	BASELINE GARDENS MUTUAL WATER COMPANY	1N4W36M01S	PS & B 2	BNK HILL
3600466	EAST VALLEY WATER DISTRICT	1S3W04	NO. 48	BNK HILL
3600468	PAXTON, R. H.	1S3W30	BAHR 1	BNK HILL
3600474	TENNESSEE WATER CO.	1S3W16L	1	BNK HILL
3600483	SECHREST, RALPH F.	1S2W31	GPHRRCH 1	BNK HILL
3600484	RAMIREZ, J.J.	1S3W16	BUCKEYE 2	BNK HILL
3600493	OLD TOWN WELL CO.	1S3W29	1	BNK HILL

SAN BERNARDINO BASIN AREA  
CROSS INDEX BY RECORDATION NUMBER

RECORDATION NUMBER	OWNER NAME	STATE WELL NUMBER	LOCAL DESIGNATION	BASIN NAME
3600494	OLD TOWN WELL CO.	1S3W29	2	BNK HILL
3600510	LUGO WATER COMPANY	1S3W21K01	1	BNK HILL
3600523	CANYON RANCH	1S3W32G03S	HNTSCHKE	BNK HILL
3600524	LANGFORD RANCHES	1S3W17L01S	NEVADA ST	BNK HILL
3600525	LANGFORD RANCHES	1S3W17H01S	ALABAMA	BNK HILL
3600526	LANGFORD RANCHES	1S3W21G01S	LUGONIA	BNK HILL
3600527	EADINGTON FRUIT CO. COOK RANCH	1S3W16	HOME	BNK HILL
3600530	KING STREET MUTUAL WELL COMPANY	1S2W30G01	1	BNK HILL
3600530--	KING STREET MUTUAL WELL COMPANY	1S2W30G02	2	BNK HILL
3600545	EAST VALLEY WATER DISTRICT	1N3W30	NUTW-DS	BNK HILL
3600554	FAIRVIEW WATER COMPANY	1S3W17	FAIRVW 1	BNK HILL
3600561	FONTANA UNION WATER COMPANY	1N5W23K01S	FU 1	LYTLE
3600562	FONTANA UNION WATER COMPANY	1N5W22F02S	FU 3	LYTLE
3600563	FONTANA UNION WATER COMPANY	1N5W22C02S	FU 4	LYTLE
3600569	FONTANA UNION WATER COMPANY	1N5W22A01S	FU 13	LYTLE
3600579	FONTANA UNION WATER COMPANY	1N5W22F03S	FU 24	LYTLE
3600580	FONTANA UNION WATER COMPANY	1N5W22F01S	FU 25	LYTLE
3600581	FONTANA UNION WATER COMPANY	1N5W07H01S	FU 26	LYTLE
3600582	FONTANA UNION WATER COMPANY	1N5W06G01S	FU 27	LYTLE
3600585	FONTANA UNION WATER COMPANY	1N5W16K01S	FU 32	LYTLE
3600586	FONTANA UNION WATER COMPANY	1N5W06K02S	FU 33	LYTLE
3600588	FONTANA UNION WATER COMPANY	2N6W26L2	MN 1	LYTLE

SAN BERNARDINO BASIN AREA  
CROSS INDEX BY RECORDATION NUMBER

RECORDATION NUMBER	OWNER NAME	STATE WELL NUMBER	LOCAL DESIGNATION	BASIN NAME
3600590	FONTANA UNION WATER COMPANY	2N6W26L1	MN 2	LYTLE
3600591	FONTANA UNION WATER COMPANY	1N5W06E		LYTLE
3600598	EAST HIGHLANDS RANCH, INC.	1S3W02	LOCAL 1	BNK HILL
3600599	SUNRISE RANCH PART C/O LIFE DEVELOPMENT	1S2W13		BNK HILL
3600600	SUNRISE RANCH PART C/O LIFE DEVELOPMENT	1S2W13	SUNRISE 2	BNK HILL
3600601	SUNRISE RANCH PART C/O LIFE DEVELOPMENT	1S2W14	SUNRISE 3A	BNK HILL
3600602	SUNRISE RANCH PART C/O LIFE DEVELOPMENT	1S2W15P	SUNRISE 4	BNK HILL
3600603	SUNRISE RANCH PART C/O LIFE DEVELOPMENT	1S2W15G	SUNRISE 5	BNK HILL
3600604	EAST HIGHLANDS RANCH, INC.	1S2W07B	RANNEY	BNK HILL
3600605	EAST HIGHLANDS RANCH, INC.	1N3W36	PLUNGE CK DI	PLUNGE
3600606	EAST HIGHLANDS RANCH, INC.	1N3W35	ELDER GULCH	BNK HILL
3600607	EAST HIGHLANDS RANCH, INC.	1S3W02	SMALL	BNK HILL
3600607-	EAST HIGHLANDS RANCH, INC.	1S3W02	SMALL	BNK HILL
3600608	EAST BARTON WATER COMPANY	1S3W28B01S	BARTON	BNK HILL
3600628	REDLANDS TRAP/SKEET	1S3W15G		BNK HILL
3600630	MILLER MUTUAL WELL CO.	1N3W32		BNK HILL
3600630-	MILLER MUTUAL WELL CO.	1N3W32D		BNK HILL
3600642	PIONEER MUTUAL WATER CO.	1S3W14P01	SBDNO 1	BNK HILL
3600643	EAST VALLEY WATER DISTRICT	1N4W25K01	NO. 66	BNK HILL
3600644	HOLMES ICE & COLD STORAGE CO. INC.	1S4W09B03S	2	BNK HILL
3600645	HOLMES ICE & COLD STORAGE CO. INC.	1S4W09B01S		BNK HILL
3600651	SOUTHERN CALIFORNIA EDISON COMPANY	1S3W28		BNK HILL



SAN BERNARDINO BASIN AREA  
CROSS INDEX BY RECORDATION NUMBER

RECORDATION NUMBER	OWNER NAME	STATE WELL NUMBER	LOCAL DESIGNATION	BASIN NAME
3600652	WEATHERWAX, W. G.	1S3W15N01S	REDLANDS	BNK HILL
3600678	NORTH FORK WATER COMPANY	1S2W08C01S	NO. 1	BNK HILL
3600679	NORTH FORK WATER COMPANY	1S2W08C02S	NO. 2	BNK HILL
3600680	EAST VALLEY WATER DISTRICT	1S3W02	NF CRAM3	BNK HILL
3600681	NORTH FORK WATER COMPANY	1N3W27	CITY CREEK	BNK HILL
3600708	LA ROSSE, CHARLES H.	1S3W29	GOODWIN	BNK HILL
3600709	SAN BERNARDINO, CITY OF	2N5W19Q01	VINCENT	L CAJON
3600710	SAN BERNARDINO, CITY OF	2N5W19	CAJON	L CAJON
3600711	SAN BERNARDINO, CITY OF	1N4W07F01S	DEVCYN 2	DEVIL CAN
3600712	SAN BERNARDINO, CITY OF	1N4W08M01S	DEVCYN 1	DEVIL CAN
3600713	SAN BERNARDINO, CITY OF	1N5W36R01S	LYTLE CR 3	LYTLE
3600714	SAN BERNARDINO, CITY OF	1N4W16E01S	NEWMRK 1	DEVIL CAN
3600715	SAN BERNARDINO, CITY OF	1N4W16E	NEWMRK 2	DEVIL CAN
3600716	SAN BERNARDINO, CITY OF	1N4W16E03S	NEWMRK 3	DEVIL CAN
3600717	SAN BERNARDINO, CITY OF	1N4W32D03S	19TH STL	BNK HILL
3600718	SAN BERNARDINO, CITY OF	1N4W32D04S	19ST. 2	BNK HILL
3600719	SAN BERNARDINO, CITY OF	1N4W27G01S	MARSHALL	BNK HILL
3600720	SAN BERNARDINO, CITY OF	1N4W27M02S	27TH ST	BNK HILL
3600721	SAN BERNARDINO, CITY OF	1N4W27M01S	NO E ST	BNK HILL
3600722	SAN BERNARDINO, CITY OF	1S4W03D01S	ACACIA	BNK HILL
3600723	SAN BERNARDINO, CITY OF	1S4W10F01S	HANFORD 1	BNK HILL
3600724	SAN BERNARDINO, CITY OF	1S4W10F05S	HANFORD 2	BNK HILL

SAN BERNARDINO BASIN AREA  
CROSS INDEX BY RECORDATION NUMBER

RECORDATION NUMBER	OWNER NAME	STATE WELL NUMBER	LOCAL DESIGNATION	BASIN NAME
3600725	SAN BERNARDINO, CITY OF	1N4W34G01S	17 ST SW	BNK HILL
3600726	SAN BERNARDINO, CITY OF	1N4W34G03S	16TH ST	BNK HILL
3600727	SAN BERNARDINO, CITY OF	1N4W26G	LYNWOOD	BNK HILL
3600728	SAN BERNARDINO, CITY OF	1N4W27A01S	WTRMN AV	BNK HILL
3600729	SAN BERNARDINO, CITY OF	1N4W35M03S	GILBERTST	BNK HILL
3600730	SAN BERNARDINO, CITY OF	1S4W02K01S	ANTIL 3	BNK HILL
3600731	SAN BERNARDINO, CITY OF	1S4W02K02S	ANTIL 5	BNK HILL
3600732	SAN BERNARDINO, CITY OF	1S4W02K05S	ANTIL 2	BNK HILL
3600733	SAN BERNARDINO, CITY OF	1S4W02K04S	ANTIL 1	BNK HILL
3600734	SAN BERNARDINO, CITY OF	1S4W02K03S	ANTIL 4	BNK HILL
3600735	SAN BERNARDINO, CITY OF	1S4W09P01S	BIRCH ST	BNK HILL
3600736	SAN BERNARDINO, CITY OF	1S4W09J01S	SO G ST	BNK HILL
3600737	SAN BERNARDINO, CITY OF	1S4W10N06S	MILL & D	BNK HILL
3600738	SAN BERNARDINO, CITY OF	1N4W06	D.C. DIV.	DEVIL CAN
3600739	SAN BERNARDINO, CITY OF	1N5W06	L.C. DIV.	LYTLE
3600742	MT. VIEW CEMETERY OF SAN BERNARDINO	1N4W26	1	BNK HILL
3600742-	MT. VIEW CEMETERY OF SAN BERNARDINO	1N4W26	3	BNK HILL
3600743	MT. VIEW CEMETERY OF SAN BERNARDINO	1N4W26	2	BNK HILL
3600747	FRIEDEMANN, ERNEST C.	1N3W31P02S	WELL 1	BNK HILL
3600748	MENTONE ACRES MUTUAL WELL CO.	1S3W24A01	OLD WELL 1	BNK HILL
3600749	REDLANDS, CITY OF	1S3W13	NEW 2	BNK HILL
3600756	MISSION MUTUAL WATER COMPANY	1S3W19H	1	BNK HILL

SAN BERNARDINO BASIN AREA  
CROSS INDEX BY RECORDATION NUMBER

RECORDATION NUMBER	OWNER NAME	STATE WELL NUMBER	LOCAL DESIGNATION	BASIN NAME
3600757	MISSION MUTUAL WATER COMPANY	1S3W19L	2	BNK HILL
3600760	MEYER, CHARLES R.	1N5W01R	1	DEVIL CAN
3600765	NORTH FORK WATER COMPANY	1N3W33C01	RODDICK WELL	BNK HILL
3600766	ELTINGE & GRAZIADIO	1S3W29A01	COLTAMA	BNK HILL
3600815	CHARLES, J. J.	1S3W06		BNK HILL
3600817	WOEHR MUTUAL WATER COMPANY	1S3W29H		BNK HILL
3600828	WILLIAMS WELL CORPORATION, LTD.	1S3W16J		BNK HILL
3600855	EAST VALLEY WATER DISTRICT	1N3W28P01S	SEAVEY 1	BNK HILL
3600856	GUERTH, WILLIAM H.	1N3W27M	CITY CREEK	BNK HILL
3600864	EAST VALLEY WATER DISTRICT	1N3W19	NO. 79	BNK HILL
3600865	LA BONTE, JIM	1N4W24	MULTOWN2	BNK HILL
3600918	REDLANDS, CITY OF	2S3W01E	1	BNK HILL
3600923	CALIFORNIA, STATE OF PATTON HOSPITAL	1N3W32C01S	PATTON 1	BNK HILL
3600924	CALIFORNIA, STATE OF PATTON HOSPITAL	1N3W29M01S	PATTON 2	BNK HILL
3600924-	CALIFORNIA, STATE OF PATTON HOSPITAL	1N3W29M	2A	BNK HILL
3600925	EAST VALLEY WATER DISTRICT	1S4W01Q01	NO. 100	BNK HILL
3600926	EAST VALLEY WATER DISTRICT	1S4W01F02S	PATTON 4	BNK HILL
3600927	EAST VALLEY WATER DISTRICT	1N3W31B01	PATTON 6	BNK HILL
3600928	EAST VALLEY WATER DISTRICT	1N3W31L02S	PATTON 7	BNK HILL
3600929	CALIFORNIA, STATE OF PATTON HOSPITAL	1N3W31K02S	PATTON 8	BNK HILL
3600930	EAST VALLEY WATER DISTRICT	1N3W31L03S	PATTON 9	BNK HILL
3600931	CALIFORNIA, STATE OF PATTON HOSPITAL	1N3W29N01S	PATTON 10	BNK HILL

SAN BERNARDINO BASIN AREA  
CROSS INDEX BY RECORDATION NUMBER

RECORDATION NUMBER	OWNER NAME	STATE WELL NUMBER	LOCAL DESIGNATION	BASIN NAME
3600933	NORTHSIDE WATER COMPANY	1S3W23F	1	BNK HILL
3600935	TRI CITY CONCRETE	1N4W31N		LYTLE
3600970	EAST VALLEY WATER DISTRICT	1N3W19	LSC 1	BNK HILL
3600971	EAST VALLEY WATER DISTRICT	1N3W19F	L. SAND CR.	BNK HILL
3600973	CARDIFF FARMS MUTUAL WATER COMPANY	1S4W12D	1	BNK HILL
3600981	REYNOLDS, BILL	1S2W21H01		BNK HILL
3600996	WEST SAN BDNO. COUNTY WATER DIST.	1N5W36J03S	NO 8	LYTLE
3600997	WEST SAN BDNO. COUNTY WATER DIST.	1N5W36H04S	LORD 7	LYTLE
3600998	WEST SAN BDNO. COUNTY WATER DIST.	1N5W25E02S	FERG 1	LYTLE
3600999	WEST SAN BDNO. COUNTY WATER DIST.	1S4W06J01S	DIXON 1	BNK HILL
3601000	WEST SAN BDNO. COUNTY WATER DIST.	1S4W06J02S	DIXON 2	BNK HILL
3601002	WEST SAN BDNO. COUNTY WATER DIST.	1N4W31P03S	RAYNOR 1	LYTLE
3601003	WEST SAN BDNO. COUNTY WATER DIST.	1S4W06H01S	RAYNOR 4	BNK HILL
3601012	SOUTHERN CALIFORNIA EDISON COMPANY	1S4W08R	STM PL 1	BNK HILL
3601013	SOUTHERN CALIFORNIA EDISON COMPANY	1S4W08R	STM PL 2	BNK HILL
3601014	SOUTHERN CALIFORNIA EDISON COMPANY	1S3W18	SB STMP 1	BNK HILL
3601015	SOUTHERN CALIFORNIA EDISON COMPANY	1S3W18	SB STMP 2	BNK HILL
3601016	SOUTHERN CALIFORNIA EDISON COMPANY	1S4W22G01S	THORN 1	BNK HILL
3601046	STOWE WATER COMPANY	1S3W21A	1	BNK HILL
3601069	SOUTHERN CALIFORNIA WATER COMPANY	1N3W33M02S	1	BNK HILL
3601084	SOUZA, JOHN	1S2W20K		BNK HILL
3601085	RIALTO, CITY OF	1N4W31N	RIALTO MUT	LYTLE

SAN BERNARDINO BASIN AREA  
CROSS INDEX BY RECORDATION NUMBER

RECORDATION NUMBER	OWNER NAME	STATE WELL NUMBER	LOCAL DESIGNATION	BASIN NAME
3601092	KANSAS STREET MUTUAL WATER CO.	1S3W28D01		BNK HILL
3601093	SOMERS, R.	1N4W24	SPRING	BNK HILL
3601099	PENN WELL COMPANY	1S3W22F	1	BNK HILL
3601102	MASCART WATER COMPANY	1S3W21E	2	BNK HILL
3601114	SAN BERNARDINO, CITY OF	1N4W35C01S	PRSHLL 2	BNK HILL
3601115	SAN BERNARDINO, CITY OF	1N4W26P03S	PERRISH 5	BNK HILL
3601116	SAN BERNARDINO, CITY OF	1N4W35C02S	PRSHLL 3	BNK HILL
3601117	SAN BERNARDINO, CITY OF	1N4W35C03S	PRSHLL 4	BNK HILL
3601121	'7TH AVE. WELL	1S2W31	1	BNK HILL
3601126	GAY, PHILIP L.	1S2W30H	1	BNK HILL
3601130	LOMA LINDA, CITY OF	1S3W32D	NICKS WELL	BNK HILL
3601131	FRINK RANCH	1S3W30		BNK HILL
3601161	TENNESSEE MUTUAL WELL COMPANY	1S3W16L	PIONEER 1	BNK HILL
3601168	UNGER, V.E.	1S4W26F		BNK HILL
3601171	CRIM, W. ROSCOE	1S3W20F	1	BNK HILL
3601172	K INV./TRUTANIC/Y UN WELL	1S3W20C		BNK HILL
3601173	SOJKA, DONALD R	1S3W32K		BNK HILL
3601184	EAST VALLEY WATER DISTRICT	1N3W33F01S	NO. 94	BNK HILL
3601186	CONEJO RANCHOS MUTUAL WATER COMPANY	1N4W36F03S	1	BNK HILL
3601250	COLTON, CITY OF	1S4W08R	4	BNK HILL
3601251	COLTON, CITY OF	1S4W08R	5	BNK HILL
3601252	COLTON, CITY OF	1S4W05R	6	BNK HILL

SAN BERNARDINO BASIN AREA  
CROSS INDEX BY RECORDATION NUMBER

RECORDATION NUMBER	OWNER NAME	STATE WELL NUMBER	LOCAL DESIGNATION	BASIN NAME
3601253	COLTON, CITY OF	1S4W08R	7	BNK HILL
3601254	COLTON, CITY OF	1S4W08F	8	BNK HILL
3601256	COLTON, CITY OF	1S4W09N	PLUNGE 12	BNK HILL
3601257	COLTON, CITY OF	1S4W08F	13	BNK HILL
3601258	COLTON, CITY OF	1S4W08R	14	BNK HILL
3601260	COLTON, CITY OF	1S4W08F01S	16	BNK HILL
3601262	COLTON, CITY OF	1S4W08C02S	BARNHL 18	BNK HILL
3601263	RIALTO, CITY OF	1N5W23Q01S	CITY WELL	LYTLE
3601280	YAHIKU, PAUL	1S3W29D	SOUTH 1	BNK HILL
3601281	REDLANDS, CITY OF	1S2W21M01S	MAGUET 1	BNK HILL
3601282	REDLANDS, CITY OF	1S1W08G1	MC 1	MILL CRK
3601283	REDLANDS, CITY OF	1S2W22C02S	E LUG 2	BNK HILL
3601284	REDLANDS, CITY OF	1S2W21E01S	MAGUET 2	BNK HILL
3601285	REDLANDS, CITY OF	1S1W10L1	MC 2	MILL CRK
3601286	REDLANDS, CITY OF	1S2W21E02S	MAGUET 3	BNK HILL
3601287	REDLANDS, CITY OF	1S2W21C	ELUGNA3	BNK HILL
3601288	REDLANDS, CITY OF	1S1W11Q1	MC 4	MILL CRK
3601289	REDLANDS, CITY OF	1S3W35E	4R	BNK HILL
3601290	REDLANDS, CITY OF	1S2W21D01S	ELUGNA6	BNK HILL
3601291	REDLANDS, CITY OF	1S3W35G08S	10	BNK HILL
3601292	REDLANDS, CITY OF	1S3W35G07S	11	BNK HILL
3601293	REDLANDS, CITY OF	1S3W35H02S	12	BNK HILL

SAN BERNARDINO BASIN AREA  
CROSS INDEX BY RECORDATION NUMBER

RECORDATION NUMBER	OWNER NAME	STATE WELL NUMBER	LOCAL DESIGNATION	BASIN NAME
3601294	REDLANDS, CITY OF	1S3W35G09S	13	BNK HILL
3601295	REDLANDS, CITY OF	1S3W35H04S	14	BNK HILL
3601296	REDLANDS, CITY OF	1S3W35H03S	16	BNK HILL
3601297	REDLANDS, CITY OF	1S3W35G11S	17	BNK HILL
3601298	REDLANDS, CITY OF	1S3W21H01S	32	BNK HILL
3601299	REDLANDS, CITY OF	1S4W24K01S	34	BNK HILL
3601300	REDLANDS, CITY OF	1S3W27E02S	40	BNK HILL
3601301	REDLANDS, CITY OF	1S3W28H01S	41	BNK HILL
3601302	REDLANDS, CITY OF	1S2W14N	MILL CR.	BNK HILL
3601308	REDLANDS, CITY OF	1S2W19K01S	TENCH	BNK HILL
3601309	TRI CITY CONCRETE	1S4W05M	PLANT	BNK HILL
3601316	SAN BERNARDINO, CITY OF	1S4W23N	1	BNK HILL
3601352	CHRISTENSEN, JACK O.	1S3W19N		BNK HILL
3601376	LULY, DR. LUCIAN L.	1N4W14	WATERMAN	DEVIL CAN
3601377	LULY, DR. LUCIAN L.	1N4W14	WATERMAN	DEVIL CAN
3601378	LULY, DR. LUCIAN L.	1N4W14	WATERMAN	DEVIL CAN
3601381	NEALEY MUTUAL WATER COMPANY	1N5W07C		LYTLE
3601384	LOMA LINDA, CITY OF	1S4W25	1	BNK HILL
3601388	LOMA LINDA, CITY OF	1S4W25	2	BNK HILL
3601405	PENN WELL COMPANY	1S3W22	2	BNK HILL
3601420	LIVINGSTON-GRAHAM	1S3W09E	ALABAMA 2	BNK HILL
3601451	KOCH, GEORGE J.	1S2W32G01	1	BNK HILL

SAN BERNARDINO BASIN AREA  
CROSS INDEX BY RECORDATION NUMBER

RECORDATION NUMBER	OWNER NAME	STATE WELL NUMBER	LOCAL DESIGNATION	BASIN NAME
3601497	MUSCOY MUTUAL WATER COMPANY, NO. 1	1N5W23H01S	MUSCOY 1	LYTLE
3601498	MUSCOY MUTUAL WATER COMPANY, NO. 1	1N5W24D01S	NO. 4	LYTLE
3601499	MUSCOY MUTUAL WATER COMPANY, NO. 1	1N5W23A01S	MUSCOY 2	LYTLE
3601500	MUSCOY MUTUAL WATER COMPANY, NO. 1	1N5W23A02S	MUSCOY 3	LYTLE
3601582	EAST VALLEY WATER DISTRICT	1S4W02R		BNK HILL
3601584	EAST VALLEY WATER DISTRICT	1N3W33H01S	NO. 47	BNK HILL
3601585	LUGONIA WATER COMPANY	1S3W23A03S	SBDNO AV 1	BNK HILL
3601586	BEAR VALLEY MUTUAL WATER COMPANY	1S3W15F02S	ORANGE 5	BNK HILL
3601588	SOUTHERN CALIFORNIA WATER COMPANY	1N4W31H	BERDOO 1	BNK HILL
3601619	CARDIFF FARMS MUTUAL WATER COMPANY	1S4W12D	2	BNK HILL
3601626	SAN BERNARDINO, CITY OF	1S4W10	CITYLOTS	BNK HILL
3601628	COGBILL, CLINTON L.	1S2W09Q	2	BNK HILL
3601629	RIEDMAN, FRED M.	1S3W03P00S	1	BNK HILL
3601631	BRISTOL RANCH	1N3W34C02S	1	BNK HILL
3601632	CANYON KNOLLS RANCH	2S3W05A2	MARCUM WELL	BNK HILL
3601636	REDLANDS, CITY OF	1S4W24	LANGFORD	BNK HILL
3601637	REDLANDS, CITY OF	1S3W30	PIRSON WELL	BNK HILL
3601639	EAST HIGHLANDS RANCH, INC.	1S3W03R01	STORE WELL	BNK HILL
3601640	SUNRISE RANCH PART C/O LIFE DEVELOPMENT	1S2W14		BNK HILL
3601641	PAINÉ, ROBERT T., TRUSTEE	1S2W30C01S	OPAL ST	BNK HILL
3601642	PAINÉ, ROBERT T., TRUSTEE	1S2W30B02S	KING ST	BNK HILL
3601643	EAST VALLEY WATER DISTRICT	1S3W03Q	4	BNK HILL



SAN BERNARDINO BASIN AREA  
CROSS INDEX BY RECORDATION NUMBER

RECORDATION NUMBER	OWNER NAME	STATE WELL NUMBER	LOCAL DESIGNATION	BASIN NAME
3601644	NORTH FORK WATER COMPANY	1S3W01A	PLUNGE CR	BNK HILL
3601645	HINCKLEY, HORACE P.	1S2W30B	1	BNK HILL
3601647	JUDSON MUTUAL WATER COMPANY	1S3W23A03	1	BNK HILL
3601649	HOOVER WELL	1S3W28M	HOOVER	BNK HILL
3601649--	RAMIREZ, CARLOS	1S3W28M	HOOVER	BNK HILL
3601653	EAST VALLEY WATER DISTRICT	1N4W36K04S	NO. 1	BNK HILL
3601654	EAST VALLEY WATER DISTRICT	1N4W36	NO. 1A	BNK HILL
3601655	EAST VALLEY WATER DISTRICT	1N4W36K05S	NO. 2	BNK HILL
3601656	EAST VALLEY WATER DISTRICT	1N4W36Q01S	NO. 6	BNK HILL
3601657	EAST VALLEY WATER DISTRICT	1S4W01B04S	NO. 7	BNK HILL
3601658	EAST VALLEY WATER DISTRICT	1N4W36R01S		BNK HILL
3601659	EAST VALLEY WATER DISTRICT	1S3W06H01S	NO. 9	BNK HILL
3601660	EAST VALLEY WATER DISTRICT	1S3W06H04S	NO. 9A	BNK HILL
3601661	EAST VALLEY WATER DISTRICT	1S4W01J08S	NO. 10	BNK HILL
3601662	EAST VALLEY WATER DISTRICT	1S4W02Q05S	11	BNK HILL
3601663	EAST VALLEY WATER DISTRICT	1S4W02Q04S	12	BNK HILL
3601664	EAST VALLEY WATER DISTRICT	1S4W02N01S	13	BNK HILL
3601665	EAST VALLEY WATER DISTRICT	1S4W01K04S	14	BNK HILL
3601666	EAST VALLEY WATER DISTRICT	1N4W36F08S	16	BNK HILL
3601667	EAST VALLEY WATER DISTRICT	1S3W06A05S	21	BNK HILL
3601668	EAST VALLEY WATER DISTRICT	1S4W01E02S	22	BNK HILL
3601669	EAST VALLEY WATER DISTRICT	1N4W36H06S	23	BNK HILL

SAN BERNARDINO BASIN AREA  
CROSS INDEX BY RECORDATION NUMBER

RECORDATION NUMBER	OWNER NAME	STATE WELL NUMBER	LOCAL DESIGNATION	BASIN NAME
3601670	EAST VALLEY WATER DISTRICT	1N4W26A01S	24	BNK HILL
3601671	EAST VALLEY WATER DISTRICT	1N4W26A02S	24A	BNK HILL
3601672	EAST VALLEY WATER DISTRICT	1N4W25B	25	BNK HILL
3601673	EAST VALLEY WATER DISTRICT	1N4W25C02S	25A	BNK HILL
3601674	EAST VALLEY WATER DISTRICT	1N4W25G01S	26	BNK HILL
3601675	EAST VALLEY WATER DISTRICT	1N4W25A01S	27	BNK HILL
3601676	EAST VALLEY WATER DISTRICT	1S4W12B05S	28	BNK HILL
3601677	EAST VALLEY WATER DISTRICT	1S3W05A02S	31	BNK HILL
3601678	EAST VALLEY WATER DISTRICT	1S3W05B04S	32	BNK HILL
3601679	EAST VALLEY WATER DISTRICT	1S3W05N05S	38	BNK HILL
3601684	TERRACE WATER COMPANY	1S4W08F06S	LARGE 1	BNK HILL
3601684--	TERRACE WATER COMPANY	1S4W08F	4	BNK HILL
3601685	TERRACE WATER COMPANY	1S4W08F	SMALL 2	BNK HILL
3601686	TERRACE WATER COMPANY	1S4W08F	3	BNK HILL
3601718	RIALTO, CITY OF	1N5W22M		LYTLE
3601725	WEST SAN BDNO. COUNTY WATER DIST.	1N5W25E00S		LYTLE
3601728	RAMIREZ BROTHERS	1S3W30	1	BNK HILL
3601748	MARIGOLD FARMS COMPANY	1S3W18H01	CALIF	BNK HILL
3601748--	MARIGOLD FARMS COMPANY	1S3W19A01	CALIF	BNK HILL
3601749	MARIGOLD FARMS COMPANY	1S3W19B01	JAP	BNK HILL
3601750	MARIGOLD FARMS COMPANY	1S3W18L	ACQUIL	BNK HILL
3601751	CHRISTINA WATER COMPANY	1S3W21E	ALABAMA	BNK HILL

SAN BERNARDINO BASIN AREA  
CROSS INDEX BY RECORDATION NUMBER

RECORDATION NUMBER	OWNER NAME	STATE WELL NUMBER	LOCAL DESIGNATION	BASIN NAME
3601753	RANCHO CITRUS AMIGOS	1S3W29	PARK AVE 1	BNK HILL
3601781	EAST VALLEY WATER DISTRICT	1S3W06K01S	35	BNK HILL
3601809	DEL ROSA MUTUAL WATER COMPANY	1N4W26	GOLDNAV 1	BNK HILL
3601810	HODGDON, WARNER	1N4W23E	PRKSDE 2	BNK HILL
3601811	HODGDON, WARNER	1N4W14	EAST TWIN	DEVIL CAN
3601823	TRI CITY MUTUAL WATER COMPANY	1S4W23K		BNK HILL
3601837	SYCAMORE HEIGHTS WATER COMPANY, INC.	1N3W34B	HERCULES	BNK HILL
3601838	SYCAMORE HEIGHTS WATER COMPANY, INC.	1N3W34A	WALKISHA	BNK HILL
3601839	DUDA, WALTER AND BETTY	1S3W10D01S	1	BNK HILL
3601843	SAN BERNARDINO WATER UTILITIES COR	1N5W03H01S	1	L CAJON
3601844	SAN BERNARDINO WATER UTILITIES COR	1N5W03	2	L CAJON
3601845	SAN BERNARDINO WATER UTILITIES COR	1N4W30L	3	LYTLE
3601848	WEST SAN BDNO. COUNTY WATER DIST.	1S4W05E05S	RAYNOR 5	BNK HILL
3601878	SOUTHERN CALIFORNIA WATER COMPANY	1N4W29E01S	DARBY	BNK HILL
3601879	SOUTHERN CALIFORNIA WATER COMPANY	1N4W29	GARDENA	BNK HILL
3601880	SOUTHERN CALIFORNIA WATER COMPANY	1N4W29F01S	COLIMA	BNK HILL
3601884	EAST VALLEY WATER DISTRICT	1N3W31C02S	30	BNK HILL
3601910	LOMA LINDA UNIVERSITY	1S3W30L	PUFFER	BNK HILL
3601924	NATIONAL ORANGE SHOW	1S4W15D		BNK HILL
3601925	ARROWHEAD COUNTRY CLUB	1N4W23E	1	BNK HILL
3601929	RANCHERIA WATER CO. TOBIN	1S4W06C04S	NEW RAYN 3	BNK HILL
3601930	CALIFORNIA, STATE OF PATTON HOSPITAL	1N3W32C02S	PATTON 11	BNK HILL

SAN BERNARDINO BASIN AREA  
CROSS INDEX BY RECORDATION NUMBER

RECORDATION NUMBER	OWNER NAME	STATE WELL NUMBER	LOCAL DESIGNATION	BASIN NAME
3601932	IOWA STREET WELL	1S3W29B01	LOWER 7	BNK HILL
3601944	WEST SAN BDNO. COUNTY WATER DIST.	1N5W23Q00S	SUNRISE 7	LYTLE
3601969	SUNRISE RANCH PART C/O LIFE DEVELOPMENT	1S2W14L	40	BNK HILL
3601978	EAST VALLEY WATER DISTRICT	1S3W04N	EAST TWIN	DEVIL CAN
3601979	HODGDON, WARNER	1N4W14A	HIGHLD 1	BNK HILL
3601987	SOUTHERN CALIFORNIA WATER COMPANY	1S3W04G	1	BNK HILL
3601989	LOMA LINDA, CITY OF	1S4W24R01S	3	BNK HILL
3602003	SOLANO WELL NO. 3	1S2W16C	2	BNK HILL
3602007	BERMAN, JERRY & SONS	1S4W02	1	BNK HILL
3602008	LOMA LINDA UNIVERSITY	1S4W26A	3	BNK HILL
3602009	LOMA LINDA UNIVERSITY	1S4W25G01S	LLU 4	BNK HILL
3602010	LOMA LINDA, CITY OF	1S4W25H02S	LLU 5	BNK HILL
3602011	LOMA LINDA, CITY OF	1S4W25B02S	6	BNK HILL
3602012	LOMA LINDA UNIVERSITY	1S4W25C01S	7	BNK HILL
3602013	LOMA LINDA UNIVERSITY	1S4W24N	8	BNK HILL
3602014	LOMA LINDA UNIVERSITY	1S4W26J01S	LLU 9	BNK HILL
3602015	LOMA LINDA, CITY OF	1S4W25B	ROBINSON	BNK HILL
3602016	LOMA LINDA, CITY OF	1S4W25G	2	BNK HILL
3602017	LOMA LINDA UNIVERSITY	1S4W25E01S		BNK HILL
3602020	F. A. R. WELL	1S2W20K		BNK HILL
3602031	REDLANDS, CITY OF	1S3W21H	30A	BNK HILL
3602032	REDLANDS, CITY OF	1S3W22A	35	BNK HILL

SAN BERNARDINO BASIN AREA  
CROSS INDEX BY RECORDATION NUMBER

RECORDATION NUMBER	OWNER NAME	STATE WELL NUMBER	LOCAL DESIGNATION	BASIN NAME
3602034	EAST VALLEY WATER DISTRICT	1S4W01Q	12A	BNK HILL
3602036	REDLANDS, CITY OF	1S3W21H	31A	BNK HILL
3602057	LOMA LINDA, CITY OF	1S4W25C	MITTLEID	BNK HILL
3602058	LOMA LINDA, CITY OF	1S4W25F	CROOKS	BNK HILL
3602060	SO. SAN BERNARDINO COUNTY WATER DIST.	1S4W24P	BENNETT WELL	BNK HILL
3602062	BUOYE WELL	1S2W29N	1	BNK HILL
3602066	VAN LOON MUTUAL WATER COMPANY	1S4W02B	1	BNK HILL
3602067	VAN LOON MUTUAL WATER COMPANY	1N4W35K	2	BNK HILL
3602068	ARROYO VERDE MUTUAL WATER CO.	1S4W01A02S	1	BNK HILL
3602069	ARROYO VERDE MUTUAL WATER CO.	1S4W01A	2	BNK HILL
3602074	MULLINS, JAMES C., JR., EXECUTOR	1N3W34B02	IRRIG. 1	BNK HILL
3602075	MULLINS, JAMES C., JR., EXECUTOR	1N3W34B01	DOM. 2	BNK HILL
3602079	BARNO, JOHN	1S3W03F	1	BNK HILL
3602080	RIALTO, CITY OF	1N5W23Q	CITY 2	LYTLE
3602081	SAN BERNARDINO, CITY OF	1N4W27B	31 ST	BNK HILL
3602082	REDLANDS, CITY OF	2S3W03K		BNK HILL
3602106	REDLANDS, CITY OF	1S3W22A01S		BNK HILL
3602109	BRYN MAWR MUTUAL WATER COMPANY	1S3W31B00S	4	BNK HILL
3602112	VICTORIA FARMS MUTUAL WATER CO.	1S4W13R01S		BNK HILL
3602113	EAST VALLEY WATER DISTRICT	1N3W30N	41	BNK HILL
3602119	LAKESIDE AVENUE MUTUAL WELL COMPANY	1S3W33C01S		BNK HILL
3602122	SO. SAN BERNARDINO COUNTY WATER DIST.	1S4W23R03S	ROSEWOOD	BNK HILL

SAN BERNARDINO BASIN AREA  
CROSS INDEX BY RECORDATION NUMBER

RECORDATION NUMBER	OWNER NAME	STATE WELL NUMBER	LOCAL DESIGNATION	BASIN NAME
3602123	SO. SAN BERNARDINO COUNTY WATER DIST.	1S4W14J	NORMAN	BNK HILL
3602124	SO. SAN BERNARDINO COUNTY WATER DIST.	1S4W14J	CENTRAL	BNK HILL
3602125	SO. SAN BERNARDINO COUNTY WATER DIST.	1S4W24F04S	OLDGOULD	BNK HILL
3602126	SO. SAN BERNARDINO COUNTY WATER DIST.	1S4W24F	NEWGOULD	BNK HILL
3602127	GOLDEN BEAR FOREST PRODUCTS	1S3W15A01		BNK HILL
3602128	GIFFORD PARK MUTUAL WATER CO.	1S4W14A	1	BNK HILL
3602130	EASTWOOD FARMS COMMUNITY WATER USERS	1S4W01P01S	1	BNK HILL
3602131	EASTWOOD FARMS COMMUNITY WATER USERS	1S4W01P02S	2	BNK HILL
3602170	ROBBINS, H. W.	1S2W31M		BNK HILL
3602171	REES & PERRICONE RANCH	1S2W18M	1	BNK HILL
3602174	EAST VALLEY WATER DISTRICT	1S4W02		BNK HILL
3602186	CRAFTON WATER COMPANY	1S2W21L02	2	BNK HILL
3602188	RANCHO LADERA	1S2W29L	ROLADERA	BNK HILL
3602193	RAUGHT MUTUAL WELL COMPANY	1S3W14R01	RAUGHT	BNK HILL
3602205	SAN BERNARDINO, CITY OF	1N4W06H01S	DEVIL 4	DEVIL CAN
3602206	SAN BERNARDINO, CITY OF	1N4W06H02S	DEVIL 3	DEVIL CAN
3602211	REDLANDS, CITY OF	1S3W26C	37SYLVN	BNK HILL
3602224	EAST PIONEER MUTUAL WELL COMPANY	1S3W13P		BNK HILL
3602241	VALDEPENAS ACRES	1S3W20F03	ALMOND	BNK HILL
3602247	VICTORIA FARMS MUTUAL WATER CO.	1S4W13R03	2	BNK HILL
3602249	LOMA LINDA UNIVERSITY	1S4W25D05	ANDERSON	BNK HILL
3602252	GIFFORD PARK MUTUAL WATER CO.	1S4W14B	2	BNK HILL

SAN BERNARDINO BASIN AREA  
CROSS INDEX BY RECORDATION NUMBER

RECORDATION NUMBER	OWNER NAME	STATE WELL NUMBER	LOCAL DESIGNATION	BASIN NAME
3602260	SOUTHERN CALIFORNIA WATER COMPANY	1S3W05D06	CULL 3	BNK HILL
3602264	SAN BERNARDINO, CITY OF	1N4W27N01S	23RD ST.	BNK HILL
3602265	SAN BERNARDINO, CITY OF	1S4W03J	7TH ST.	BNK HILL
3602274	EAST VALLEY WATER DISTRICT	1N3W30J	39	BNK HILL
3602280	MENTONE CITRUS GROVES	1S2W18Q		BNK HILL
3602285	SAN BERNARDINO, CITY OF	1S4W15D05	15D5	BNK HILL
3602320	NEW ENGLAND WATER CO.	1S3W16		BNK HILL
3602337	EAST VALLEY WATER DISTRICT	1N4W26A	24 B	BNK HILL
3602338	EAST VALLEY WATER DISTRICT	1S3W04N	40A	BNK HILL
3602345	MUSCOY MUTUAL WATER COMPANY, NO. 1	1N5W24E	WELL NO 4	LYTLE
3602346	REDLANDS, CITY OF	1S3W28J02	1	BNK HILL
3602351	REDLANDS, CITY OF	1S2W13A	MC 0-A	BNK HILL
3602370	EAST VALLEY WATER DISTRICT	1N4W25F	4A	BNK HILL
3602381	CALIFORNIA, STATE OF PATTON HOSPITAL	1N3W29M	14	BNK HILL
3602382	DEVORE WATER CO.	2N5W28D	1	L CAJON
3602383	DEVORE WATER CO.	2N5W28C	2	L CAJON
3602384	DEVORE WATER CO.	2N5W28C	3	L CAJON
3602385	DEVORE WATER CO.	2N5W20H	MEDLIN CR.	L CAJON
3602386	DEVORE WATER CO.	2N5W21E	LETHIN SP.	L CAJON
3602387	DEVORE WATER CO.	2N5W22E	E. KIMBARK	L CAJON
3602388	DEVORE WATER CO.	2N5W21G	KIMBARK	L CAJON
3602389	DEVORE WATER CO.	2N5W22N	HOPPER	L CAJON

SAN BERNARDINO BASIN AREA  
CROSS INDEX BY RECORDATION NUMBER

RECORDATION NUMBER	OWNER NAME	STATE WELL NUMBER	LOCAL DESIGNATION	BASIN NAME
3602390	DEVORE WATER CO.	2N5W28B	SANTA FE	L CAJON
3602391	DEVORE WATER CO.	2N5W28D	CASADY	L CAJON
3602399	SAN BERNARDINO, CITY OF	1N4W16E	NEWMARK 4	BNK HILL
3602400	SAN BERNARDINO, CITY OF	1N4W32N	BASE LINE	BNK HILL
3602401	SAN BERNARDINO, CITY OF	1N4W27A	LEROY	BNK HILL
3602405	COLTON, CITY OF	1S4W08C	19	BNK HILL
3602417	SOUTHERN CALIFORNIA WATER COMPANY	1S3W05D	4	BNK HILL
3602422	SAN BERNARDINO, CITY OF	1S4W02K08S	ANTIL 6	BNK HILL
3602426	SAN BERNARDINO, CITY OF	2N5W19K	C.C. DIV.	L CAJON
3602428	DEVORE WATER CO.	2N5W33H	4	L CAJON
3602474	EAST HIGHLANDS RANCH, INC.	1N3W25Q		PLUNGE
3602498	COLTON, CITY OF	1S4W08R07	6B	BNK HILL
3602499	J. G. GOLFING ENTERPRISES, INC.	1S4W22A01		BNK HILL
3602521	SAN BERNARDINO, CITY OF	1S4W23N04	2	BNK HILL
3602525	L.P.R. ICE COMPANY	1S3W13C		BNK HILL
3602528	BASELINE GARDENS MUTUAL WATER COMPANY	1N4W35R01	3	BNK HILL
3602529	BLUE GOOSE GROWERS INC	1S2W09P02	NO. 6	BNK HILL
3602530	BLUE GOOSE GROWERS INC	1S2W09L02S	NO. 11	BNK HILL
3602531	BLUE BANNER CO.	1S2W09L03S	TUNNEL DIV.	BNK HILL
3602549	DANIELS AND BEST RANCH	1S3W19J	CALIF STREET	BNK HILL
3602550	DANIELS AND BEST RANCH	1S3W17R	ALABAMA ST	BNK HILL
3602560	SOUTHERN CALIFORNIA WATER COMPANY	1S3W04G	DUNKIRK 2	BNK HILL



SAN BERNARDINO BASIN AREA  
CROSS INDEX BY RECORDATION NUMBER

RECORDATION NUMBER	OWNER NAME	STATE WELL NUMBER	LOCAL DESIGNATION	BASIN NAME
3602563	EAST VALLEY WATER DISTRICT	1S4W02Q	11A	BNK HILL
3602564	EAST VALLEY WATER DISTRICT	1S4W12B	28A	BNK HILL
3602571	EAST VALLEY WATER DISTRICT	1S3W03F		BNK HILL
3602574	VICTORIA FARMS MUTUAL WATER CO.	1S4W13R	#3 WELL	BNK HILL
3602596	LOMA LINDA, CITY OF	1S4W24R	NEW GOLCONDA	BNK HILL
3602653	REDLANDS, CITY OF	1S2W19J		BNK HILL
3602654	REDLANDS, CITY OF	1S2W19J		BNK HILL
3602657	YUCAIPA VALLEY COUNTY WATER DISTRICT	1S1W20D		MILL CRK
3602658	YUCAIPA VALLEY COUNTY WATER DISTRICT	1S1W20D		MILL CRK
3602659	YUCAIPA VALLEY COUNTY WATER DISTRICT	1S1W19G		BNK HILL
3602664	STORKSON, WILLIAM F.	1N5W06		LYTLE
3602712	SAN BERNARDINO, CITY OF	1N4W08N		DEVIL CAN
3602714	VICTORIA FARMS MUTUAL WATER CO.	1S4W13R	1	BNK HILL
3602727	FONTANA UNION WATER COMPANY	1N5W15Q02S	FU 8	LYTLE
3602732	REDLANDS, CITY OF	1S3W32J02S	DOC. LEE	BNK HILL
3602759	LOMA LINDA, CITY OF	1S4W24A		BNK HILL
3602760	LOMA LINDA, CITY OF	1S4W24C		BNK HILL
3602766	WEST SAN BDNO. COUNTY WATER DIST.	1S4W06H02		BNK HILL
3602781	LOMA LINDA UNIVERSITY	1S4W25D		BNK HILL
3602791	REDLANDS, CITY OF	1S2W20B01		BNK HILL
3602792	REDLANDS, CITY OF	1S2W19A01		BNK HILL
3602793	COLTON, CITY OF	1S4W08F01		BNK HILL

SAN BERNARDINO BASIN AREA  
CROSS INDEX BY RECORDATION NUMBER

RECORDATION NUMBER	OWNER NAME	STATE WELL NUMBER	LOCAL DESIGNATION	BASIN NAME
3602799	EAST VALLEY WATER DISTRICT	1S2W07H01		
3602821	SAN BERNARDINO, CITY OF	1N5W03A02		DEVIL CAN
3602844	SAN BERNARDINO, CITY OF	2N4W08M02		DEVIL CAN
3602846	J. G. GOLFING ENTERPRISES, INC.	1S4W22A		BNK HILL
3602848	RIALTO, CITY OF	1N5W36N01		LYTLE
3602855	LOMA LINDA UNIVERSITY	1S4W25D07		
3609723	SOUTHERN CALIFORNIA EDISON COMPANY	1S4W10F01S	HANFORD 1	BNK HILL

SAN BERNARDINO BASIN AREA,  
CROSS INDEX BY STATE WELL NUMBER

SAN BERNARDINO BASIN AREA  
CROSS INDEX BY STATE WELL NUMBER

STATE WELL NUMBER	OWNER NAME	RECORDATION NUMBER	LOCAL DESIGNATION	BASIN NAME
1N2W10N	BEAR VALLEY MUTUAL WATER COMPANY	3600027	ALDER CR	SANTA ANA
1N2W26H	BEAR VALLEY MUTUAL WATER COMPANY	3600021	SANTA ANA 1	SANTA ANA
1N2W34	BEAR VALLEY MUTUAL WATER COMPANY	3600022	SANTA ANA 2	SANTA ANA
1N3W19	EAST VALLEY WATER DISTRICT	3600864	NO. 79	BNK HILL
1N3W19	EAST VALLEY WATER DISTRICT	3600970	LSC 1	BNK HILL
1N3W19F	EAST VALLEY WATER DISTRICT	3600971	L. SAND CR.	BNK HILL
1N3W19Q	SELEY	NON-FILER	TUNNEL DIV.	BNK HILL
1N3W19R	YORK	NON-FILER	DOMESTIC	BNK HILL
1N3W19R	YORK	NON-FILER		BNK HILL
1N3W19R	YORK	NON-FILER		BNK HILL
1N3W20N	SAN MANUAL INDIAN RESERV.	NON-FILER	SAND CYN TUN	BNK HILL
1N3W25Q	EAST HIGHLANDS RANCH, INC.	3602474		PLUNGE
1N3W27	NORTH FORK WATER COMPANY	3600681	CITY CREEK	BNK HILL
1N3W27M	GUERTH, WILLIAM H.	3600856	CITY CREEK	BNK HILL
1N3W27N02S	SOUTHERN CALIFORNIA WATER COMPANY	3600378	CCH 3	BNK HILL
1N3W27N08S	SOUTHERN CALIFORNIA WATER COMPANY	3600377	CCH 1	BNK HILL
1N3W27R	COOK CANYON	NON-FILER		BNK HILL
1N3W28A	THOMPSON RANDALL	NON-FILER	SPRING DIV.	
1N3W28N01	HIGHLAND WELL COMPANY	3600184	APLIN WELL	BNK HILL
1N3W28P01S	EAST VALLEY WATER DISTRICT	3600855	SEAVEY 1	BNK HILL
1N3W29B	SUPERIOR ORCHARDS	NON-FILER	TUNNEL DIV.	BNK HILL
1N3W29H	WIDEMEYER	NON-FILER	SPRING DIV.	BNK HILL

SAN BERNARDINO BASIN AREA  
CROSS INDEX BY STATE WELL NUMBER

STATE WELL NUMBER	OWNER NAME	RECORDATION NUMBER	LOCAL DESIGNATION	BASIN NAME
1N3W29H	WIDEMEYER	NON-FILER		BNK HILL
1N3W29M	CALIFORNIA, STATE OF	3600924-	2A	BNK HILL
1N3W29M	CALIFORNIA, STATE OF	3602381	14	BNK HILL
1N3W29M01S	CALIFORNIA, STATE OF	3600924	PATTON 2	BNK HILL
1N3W29N01S	CALIFORNIA, STATE OF	3600931	PATTON 10	BNK HILL
1N3W29R01S	BEAR VALLEY MUTUAL WATER COMPANY	3600025	PALM AV3	BNK HILL
1N3W30	EAST VALLEY WATER DISTRICT	3600221	NO. 63	BNK HILL
1N3W30	EAST VALLEY WATER DISTRICT	3600545	NUTW-DS	BNK HILL
1N3W30C	EAST VALLEY WATER DISTRICT	NON-FILER	NO. 36	BNK HILL
1N3W30C	EAST VALLEY WATER DISTRICT	NON-FILER	NO. 44	BNK HILL
1N3W30H01S	EAST VALLEY WATER DISTRICT	3600444	NO. 98	BNK HILL
1N3W30J	EAST VALLEY WATER DISTRICT	3602274	39	BNK HILL
1N3W30N	EAST VALLEY WATER DISTRICT	3602113	41	BNK HILL
1N3W31	BASELINE LAUNDRY	NON-FILER		BNK HILL
1N3W31A	EAST VALLEY WATER DISTRICT	NON-FILER	NO. 45	BNK HILL
1N3W31B01	EAST VALLEY WATER DISTRICT	3600927	PATTON 6	BNK HILL
1N3W31C02S	EAST VALLEY WATER DISTRICT	3601884	30	BNK HILL
1N3W31D	EAST VALLEY WATER DISTRICT	NON-FILER	NO. 70	BNK HILL
1N3W31K02S	CALIFORNIA, STATE OF	3600929	PATTON 8	BNK HILL
1N3W31L	EAST VALLEY WATER DISTRICT	3600269	NO. 68	BNK HILL
1N3W31L02S	EAST VALLEY WATER DISTRICT	3600928	PATTON 7	BNK HILL
1N3W31L03S	EAST VALLEY WATER DISTRICT	3600930	PATTON 9	BNK HILL

SAN BERNARDINO BASIN AREA  
CROSS INDEX BY STATE WELL NUMBER

STATE WELL NUMBER	OWNER NAME	RECORDATION NUMBER	LOCAL DESIGNATION	BASIN NAME
1N3W31P02S	FRIEDEMANN, ERNEST C.	3600747	WELL 1	BNK HILL
1N3W31Q	BASELINE LAUNDRY	NON-FILER		BNK HILL
1N3W32	EAST VALLEY WATER DISTRICT	3600275	NO. 64	BNK HILL
1N3W32	MILLER MUTUAL WELL CO.	3600630		BNK HILL
1N3W32C01S	CALIFORNIA, STATE OF PATTON HOSPITAL	3600923	PATTON 1	BNK HILL
1N3W32C02S	CALIFORNIA, STATE OF PATTON HOSPITAL	3601930	PATTON 11	BNK HILL
1N3W32D	MILLER MUTUAL WELL CO.	3600630-		BNK HILL
1N3W32M	NO NAME WELL	NON-FILER		BNK HILL
1N3W33C01	NORTH FORK WATER COMPANY	3600765	RODDICK WELL	BNK HILL
1N3W33F01S	EAST VALLEY WATER DISTRICT	3601184	NO. 94	BNK HILL
1N3W33H01S	EAST VALLEY WATER DISTRICT	3601584	NO. 47	BNK HILL
1N3W33M01S	SOUTHERN CALIFORNIA WATER COMPANY	3600374	PALMHI 1	BNK HILL
1N3W33M02S	SOUTHERN CALIFORNIA WATER COMPANY	3601069	1	BNK HILL
1N3W33R02S	BASE LINE WELL COMPANY	3600456	1	BNK HILL
1N3W34	PATTERSON, ROY H.	NON-FILER		BNK HILL
1N3W34A	SYCAMORE HEIGHTS WATER COMPANY, INC.	3601838	WALKISHA	BNK HILL
1N3W34B	SYCAMORE HEIGHTS WATER COMPANY, INC.	3601837	HERCULES	BNK HILL
1N3W34B01	MULLINS, JAMES C., JR., EXECUTOR	3602075	DOM. 2	BNK HILL
1N3W34B02	MULLINS, JAMES C., JR., EXECUTOR	3602074	IRRIG. 1	BNK HILL
1N3W34C02S	BRISTOL RANCH	3601631	1	BNK HILL
1N3W34F	NORWOOD	NON-FILER		BNK HILL
1N3W34H	ARNOLD RANCH	NON-FILER		BNK HILL

SAN BERNARDINO BASIN AREA  
CROSS INDEX BY STATE WELL NUMBER

STATE WELL NUMBER	OWNER NAME	RECORDATION NUMBER	LOCAL DESIGNATION	BASIN NAME
1N3W34K	BALDWIN	NON-FILER		BNK HILL
1N3W34K	RULE	NON-FILER	SPRING	BNK HILL
1N3W35	EAST HIGHLANDS RANCH, INC.	3600606	ELDER GULCH	BNK HILL
1N3W35B	EAST HIGHLANDS ORANGE COMPANY	NON-FILER	BOX SPRING	BNK HILL
1N3W36	EAST HIGHLANDS RANCH, INC.	3600605	PLUNGE CK DI	PLUNGE
1N4W06	SAN BERNARDINO, CITY OF	3600738	D.C. DIV.	DEVIL CAN
1N4W06H01S	SAN BERNARDINO, CITY OF	3602205	DEVIL 4	DEVIL CAN
1N4W06H02S	SAN BERNARDINO, CITY OF	3602206	DEVIL 3	DEVIL CAN
1N4W07F01S	SAN BERNARDINO, CITY OF	3600711	DEVICYN 2	DEVIL CAN
1N4W08M01S	SAN BERNARDINO, CITY OF	3600712	DEVICYN 1	DEVIL CAN
1N4W08N	ELLENA, JOHN B.	NON-FILER		DEVIL CAN
1N4W08N	SAN BERNARDINO, CITY OF	3602712		DEVIL CAN
1N4W13P	DILLSON MUT. WTR. CO.	NON-FILER	DILLSON AVE	DEVIL CAN
1N4W13P	DILLSON MUT. WTR. CO.	NON-FILER	HARRISON CYN	DEVIL CAN
1N4W13P	DILLSON MUT. WTR. CO.	NON-FILER	CISCO WELL	DEVIL CAN
1N4W13P	HARRISON CANYON	NON-FILER		DEVIL CAN
1N4W13P	HARRISON CANYON	NON-FILER		DEVIL CAN
1N4W13Q	HARDISON	NON-FILER		DEVIL CAN
1N4W13Q	U.S. FOREST SERVICE	NON-FILER	MAINT. YARD	DEVIL CAN
1N4W14	HODGDON, WARNER	3601811	EAST TWIN	DEVIL CAN
1N4W14	LJULY, DR. LUCIAN L.	3601376	WATERMAN	DEVIL CAN
1N4W14	LJULY, DR. LUCIAN L.	3601377	WATERMAN	DEVIL CAN

SAN BERNARDINO BASIN AREA  
CROSS INDEX BY STATE WELL NUMBER

STATE WELL NUMBER	OWNER NAME	RECORDATION NUMBER	LOCAL DESIGNATION	BASIN NAME
1N4W14	LULY, DR. LUCIAN L.	3601378	WATERMAN	DEVIL CAN
1N4W14A	HODGDON, WARNER	3601979	EAST TWIN	DEVIL CAN
1N4W14C	HODGDON, WARNER	NON-FILER	W TWIN CRK	DEVIL CAN
1N4W14J	BOUCHER	NON-FILER		DEVIL CAN
1N4W14J	SATOSKI, DOCTOR	NON-FILER		DEVIL CAN
1N4W14J	SMITH	NON-FILER		DEVIL CAN
1N4W14J	WALLACE	NON-FILER		DEVIL CAN
1N4W14R	BATCHELOR	NON-FILER		DEVIL CAN
1N4W14R	BATCHELOR	NON-FILER		DEVIL CAN
1N4W14R	KING	NON-FILER		DEVIL CAN
1N4W16E	SAN BERNARDINO, CITY OF	3600715	NEWMRK 2	DEVIL CAN
1N4W16E	SAN BERNARDINO, CITY OF	3602399	NEWMARK 4	BNK HILL
1N4W16E01S	SAN BERNARDINO, CITY OF	3600714	NEWMRK 1	DEVIL CAN
1N4W16E03S	SAN BERNARDINO, CITY OF	3600716	NEWMRK 3	DEVIL CAN
1N4W23E	ARROWHEAD COUNTRY CLUB	3601925	1	BNK HILL
1N4W23E	HODGDON, WARNER	3601810	PKSDE 2	BNK HILL
1N4W23K	VALENCIA AVE. MUT. WTR. CO.	NON-FILER	WATERMAN AVE	BNK HILL
1N4W24	LA BONTE, JIM	3600865	MULTOWN2	BNK HILL
1N4W24	LANGSTON-NEWBY DEVELOPMENT CO.	3600218	1	DEVIL CAN
1N4W24	SOMERS, R.	3601093	SPRING	BNK HILL
1N4W25A01S	EAST VALLEY WATER DISTRICT	3601675	27	BNK HILL
1N4W25B	EAST VALLEY WATER DISTRICT	3601672	25	BNK HILL



SAN BERNARDINO BASIN AREA  
CROSS INDEX BY STATE WELL NUMBER

STATE WELL NUMBER	OWNER NAME	RECORDATION NUMBER	LOCAL DESIGNATION	BASIN NAME
1N4W25C02S	EAST VALLEY WATER DISTRICT	3601673	25A	BNK HILL
1N4W25D	EAST VALLEY WATER DISTRICT	NON-FILER	NO. 85	BNK HILL
1N4W25F	EAST VALLEY WATER DISTRICT	3602370	4A	BNK HILL
1N4W25G01S	EAST VALLEY WATER DISTRICT	3601674	26	BNK HILL
1N4W25K01	EAST VALLEY WATER DISTRICT	3600643	NO. 66	BNK HILL
1N4W25R	ANDERSON, W.D.	NON-FILER		BNK HILL
1N4W26	DEL ROSA MUTUAL WATER COMPANY	3601809	GOLDNAV 1	BNK HILL
1N4W26	MT. VIEW CEMETERY OF SAN BERNARDINO	3600742	1	BNK HILL
1N4W26	MT. VIEW CEMETERY OF SAN BERNARDINO	3600742-	3	BNK HILL
1N4W26	MT. VIEW CEMETERY OF SAN BERNARDINO	3600743	2	BNK HILL
1N4W26A	EAST VALLEY WATER DISTRICT	3602337	24 B	BNK HILL
1N4W26A01S	EAST VALLEY WATER DISTRICT	3601670	24	BNK HILL
1N4W26A02S	EAST VALLEY WATER DISTRICT	3601671	24A	BNK HILL
1N4W26G	SAN BERNARDINO, CITY OF	3600727	LYNWOOD	BNK HILL
1N4W26P03S	SAN BERNARDINO, CITY OF	3601115	PERRISH 5	BNK HILL
1N4W27A	SAN BERNARDINO, CITY OF	3602401	LEROY	BNK HILL
1N4W27A01S	SAN BERNARDINO, CITY OF	3600728	WTRMN AV	BNK HILL
1N4W27B	SAN BERNARDINO, CITY OF	3602081	31 ST	BNK HILL
1N4W27G01S	SAN BERNARDINO, CITY OF	3600719	MARSHALL	BNK HILL
1N4W27M01S	SAN BERNARDINO, CITY OF	3600721	NO E ST	BNK HILL
1N4W27M02S	SAN BERNARDINO, CITY OF	3600720	27TH ST	BNK HILL
1N4W27N01S	SAN BERNARDINO, CITY OF	3602264	23RD ST.	BNK HILL

SAN BERNARDINO BASIN AREA  
CROSS INDEX BY STATE WELL NUMBER

STATE WELL NUMBER	OWNER NAME	RECORDATION NUMBER	LOCAL DESIGNATION	BASIN NAME
1N4W29	SOUTHERN CALIFORNIA WATER COMPANY	3601879	GARDENA	BNK HILL
1N4W29E01S	SOUTHERN CALIFORNIA WATER COMPANY	3601878	DARBY	BNK HILL
1N4W29F01S	SOUTHERN CALIFORNIA WATER COMPANY	3601880	COLIMA	BNK HILL
1N4W30L	SAN BERNARDINO WATER UTILITIES COR	3601845	3	LYTLE
1N4W31A01S	MOUNT VERNON WATER COMPANY	3600319	1	BNK HILL
1N4W31H	SOUTHERN CALIFORNIA WATER COMPANY	3601588	BERDOO 1	BNK HILL
1N4W31N	RIALTO, CITY OF	3601085	RIALTO MUT	LYTLE
1N4W31N	TRI CITY CONCRETE	3600935		LYTLE
1N4W31P03S	WEST SAN BDNO. COUNTY WATER DIST.	3601002	RAYNOR 1	LYTLE
1N4W32D03S	SAN BERNARDINO, CITY OF	3600717	19TH STL	BNK HILL
1N4W32D04S	SAN BERNARDINO, CITY OF	3600718	19ST. 2	BNK HILL
1N4W32N	SAN BERNARDINO, CITY OF	3602400	BASE LINE	BNK HILL
1N4W34G01S	SAN BERNARDINO, CITY OF	3600725	17 ST SW	BNK HILL
1N4W34G03S	SAN BERNARDINO, CITY OF	3600726	16TH ST	BNK HILL
1N4W35C01S	SAN BERNARDINO, CITY OF	3601114	PRRSHLL 2	BNK HILL
1N4W35C02S	SAN BERNARDINO, CITY OF	3601116	PRRSHLL 3	BNK HILL
1N4W35C03S	SAN BERNARDINO, CITY OF	3601117	PRRSHLL 4	BNK HILL
1N4W35F	SAN BERNARDINO, COUNTY OF	NON-FILER	COUNTY HOSP	BNK HILL
1N4W35H	PACIFIC HIGH SCHOOL	NON-FILER		BNK HILL
1N4W35J02S	BASELINE GARDENS MUTUAL WATER COMPANY	3600457	PAC&BARL	BNK HILL
1N4W35K	VAN LOON MUTUAL WATER COMPANY	3602067	2	BNK HILL
1N4W35M03S	SAN BERNARDINO, CITY OF	3600729	GILBRTST	BNK HILL

SAN BERNARDINO BASIN AREA  
CROSS INDEX BY STATE WELL NUMBER

STATE WELL NUMBER	OWNER NAME	RECORDATION NUMBER	LOCAL DESIGNATION	BASIN NAME
1N4W35N	PIERSON	NON-FILER		BNK HILL
1N4W35R01	BASELINE GARDENS MUTUAL WATER COMPANY	3602528	3	BNK HILL
1N4W36	EAST VALLEY WATER DISTRICT	3601654	NO. 1A	BNK HILL
1N4W36F03S	CONEJO RANCHOS MUTUAL WATER COMPANY	3601186	1	BNK HILL
1N4W36F08S	EAST VALLEY WATER DISTRICT	3601666	16	BNK HILL
1N4W36H	EAST VALLEY WATER DISTRICT	NON-FILER	NO. 52	BNK HILL
1N4W36H06S	EAST VALLEY WATER DISTRICT	3601669	23	BNK HILL
1N4W36K04S	EAST VALLEY WATER DISTRICT	3601653	NO. 1	BNK HILL
1N4W36K05S	EAST VALLEY WATER DISTRICT	3601655	NO. 2	BNK HILL
1N4W36M01S	BASELINE GARDENS MUTUAL WATER COMPANY	3600458	PS & B 2	BNK HILL
1N4W36Q01S	EAST VALLEY WATER DISTRICT	3601656	NO. 6	BNK HILL
1N4W36R01S	EAST VALLEY WATER DISTRICT	3601658		BNK HILL
1N5W01R	MEYER, CHARLES R.	3600760	1	DEVIL CAN
1N5W03	SAN BERNARDINO WATER UTILITIES COR	3601844	2	L CAJON
1N5W03A02	SAN BERNARDINO, CITY OF	3602821		DEVIL CAN
1N5W03H01S	SAN BERNARDINO WATER UTILITIES COR	3601843	1	L CAJON
1N5W04M	REGINA GRAPE PRODUCTS	NON-FILER	WELL NO. 1	LYTLE
1N5W04N	REGINA GRAPE PRODUCTS	NON-FILER	WELL NO. 2	LYTLE
1N5W04N	REGINA GRAPE PRODUCTS	NON-FILER	WELL NO. 3	LYTLE
1N5W04N	REGINA GRAPE PRODUCTS	NON-FILER	WELL NO. 5	LYTLE
1N5W04N	REGINA GRAPE PRODUCTS	NON-FILER	WELL NO. 6	LYTLE
1N5W04N	REGINA GRAPE PRODUCTS	NON-FILER	WELL NO. 7	LYTLE

SAN BERNARDINO BASIN AREA  
CROSS INDEX BY STATE WELL NUMBER

STATE WELL NUMBER	OWNER NAME	RECORDATION NUMBER	LOCAL DESIGNATION	BASIN NAME
1N5W05B	REGINA GRAPE PRODUCTS	NON-FILER	SPRING DIV.	LYTLE
1N5W05R	REGINA GRAPE PRODUCTS	NON-FILER	WELL NO. 4	LYTLE
1N5W06	SAN BERNARDINO, CITY OF	3600739	L.C. DIV.	LYTLE
1N5W06	STORKSON, WILLIAM F.	3600083	1	LYTLE
1N5W06	STORKSON, WILLIAM F.	3602664		LYTLE
1N5W06E	FONTANA UNION WATER COMPANY	3600591		LYTLE
1N5W06G01S	FONTANA UNION WATER COMPANY	3600582	FU 27	LYTLE
1N5W06K02S	FONTANA UNION WATER COMPANY	3600586	FU 33	LYTLE
1N5W07C	NEALEY MUTUAL WATER COMPANY	3601381		LYTLE
1N5W07H01S	FONTANA UNION WATER COMPANY	3600581	FU 26	LYTLE
1N5W15Q02S	FONTANA UNION WATER COMPANY	3602727	FU 8	LYTLE
1N5W16K01S	FONTANA UNION WATER COMPANY	3600585	FU 32	LYTLE
1N5W22A01S	FONTANA UNION WATER COMPANY	3600569	FU 13	LYTLE
1N5W22C02S	FONTANA UNION WATER COMPANY	3600563	FU 4	LYTLE
1N5W22F01S	FONTANA UNION WATER COMPANY	3600580	FU 25	LYTLE
1N5W22F02S	FONTANA UNION WATER COMPANY	3600562	FU 3	LYTLE
1N5W22F03S	FONTANA UNION WATER COMPANY	3600579	FU 24	LYTLE
1N5W22M	MOUNT VERNON WATER COMPANY	3600320		LYTLE
1N5W22M	RIALTO, CITY OF	3601718		LYTLE
1N5W22M	WEST SAN BDMO. COUNTY WATER DIST.	3600312		LYTLE
1N5W23A01S	MUSCOY MUTUAL WATER COMPANY, NO. 1	3601499	MUSCOY 2	LYTLE
1N5W23A02S	MUSCOY MUTUAL WATER COMPANY, NO. 1	3601500	MUSCOY 3	LYTLE

SAN BERNARDINO BASIN AREA  
CROSS INDEX BY STATE WELL NUMBER

STATE WELL NUMBER	OWNER NAME	RECORDATION NUMBER	LOCAL DESIGNATION	BASIN NAME
1N5W23H01S	MUSCOY MUTUAL WATER COMPANY, NO. 1	3601497	MUSCOY 1	LYTLE
1N5W23K01S	FONTANA UNION WATER COMPANY	3600561	FU 1	LYTLE
1N5W23P02S	WEST SAN BDNO. COUNTY WATER DIST.	3600306	UPPER 2	LYTLE
1N5W23P04S	WEST SAN BDNO. COUNTY WATER DIST.	3600307	UPPER 4	LYTLE
1N5W23Q	RIALTO, CITY OF	3602080	CITY 2	LYTLE
1N5W23Q00S	WEST SAN BDNO. COUNTY WATER DIST.	3601944	LOWER 7	LYTLE
1N5W23Q01S	RIALTO, CITY OF	3601263	CITY WELL	LYTLE
1N5W24D01S	MUSCOY MUTUAL WATER COMPANY, NO. 1	3601498	NO. 4	LYTLE
1N5W24E	MUSCOY MUTUAL WATER COMPANY, NO. 1	3602345	WELL NO 4	LYTLE
1N5W25E00S	WEST SAN BDNO. COUNTY WATER DIST.	3601725		LYTLE
1N5W25E01S	WEST SAN BDNO. COUNTY WATER DIST.	3600305	LOWER 6	LYTLE
1N5W25E02S	WEST SAN BDNO. COUNTY WATER DIST.	3600998	FERG 1	LYTLE
1N5W26A01S	WEST SAN BDNO. COUNTY WATER DIST.	3600302	LOWER 2	LYTLE
1N5W26A03S	WEST SAN BDNO. COUNTY WATER DIST.	3600304	L5	LYTLE
1N5W26B01S	WEST SAN BDNO. COUNTY WATER DIST.	3600303	LOWER 4	LYTLE
1N5W36H04S	WEST SAN BDNO. COUNTY WATER DIST.	3600997	LORD 7	LYTLE
1N5W36J03S	WEST SAN BDNO. COUNTY WATER DIST.	3600996	NO 8	LYTLE
1N5W36N01	RIALTO, CITY OF	3602848		LYTLE
1N5W36R01S	SAN BERNARDINO, CITY OF	3600713	LYTLE CR 3	LYTLE
1S1W08G1	REDLANDS, CITY OF	3601282	MC 1	MILL CRK
1S1W10L1	REDLANDS, CITY OF	3601285	MC 2	MILL CRK
1S1W11Q1	REDLANDS, CITY OF	3601288	MC 4	MILL CRK

SAN BERNARDINO BASIN AREA  
CROSS INDEX BY STATE WELL NUMBER

STATE WELL NUMBER	OWNER NAME	RECORDATION NUMBER	LOCAL DESIGNATION	BASIN NAME
1S1W18M	WARD, FLOYD	NON-FILER	WELL NO. 6	MILL CRK
1S1W18N	WARD, FLOYD	NON-FILER	WELL NO. 1	BNK HILL
1S1W18P	WARD, FLOYD	NON-FILER	WELL NO. 4	BNK HILL
1S1W18Q	WARD, FLOYD	NON-FILER	WELL NO. 2	BNK HILL
1S1W18R	WARD, FLOYD	NON-FILER	WELL NO. 3	BNK HILL
1S1W18S	WARD, FLOYD	NON-FILER	LATERAL SPRG	BNK HILL
1S1W19G	TRIPLE FALLS MUT. WTR. CO.	NON-FILER		BNK HILL
1S1W19H	YUCAIPA VALLEY COUNTY WATER DISTRICT	3602659		BNK HILL
1S1W20D	TRIPLE FALLS MUT. WTR. CO.	NON-FILER		MILL CRK
1S1W20E	TRIPLE FALLS MUT. WTR. CO.	NON-FILER		MILL CRK
1S1W20F	YUCAIPA VALLEY COUNTY WATER DISTRICT	3602657		MILL CRK
1S1W20G	YUCAIPA VALLEY COUNTY WATER DISTRICT	3602658		MILL CRK
1S2W04N	BEAR VALLEY MUTUAL WATER COMPANY	3600028		BNK HILL
1S2W06	SARATOGA DEVELOPMENT CO	NON-FILER	TUNNEL DIV.	BNK HILL
1S2W06M	HIGHLAND ACRES RANCH	3600323	ELEC 1	BNK HILL
1S2W07B	EAST HIGHLANDS RANCH, INC.	3600604	RANNEY	BNK HILL
1S2W07H01	EAST VALLEY WATER DISTRICT	3602799		
1S2W08	REDLANDS WTR. CO.	NON-FILER	TUNNEL DIV.	BNK HILL
1S2W08C01S	NORTH FORK WATER COMPANY	3600678	NO. 1	BNK HILL
1S2W08C02S	NORTH FORK WATER COMPANY	3600679	NO. 2	BNK HILL
1S2W09	SOLANO WELL NO. 1	3600187	1	BNK HILL
1S2W09L	REDLANDS ASSOCIATES	NON-FILER	BLOCK NO. 11	BNK HILL

SAN BERNARDINO BASIN AREA  
CROSS INDEX BY STATE WELL NUMBER

STATE WELL NUMBER	OWNER NAME	RECORDATION NUMBER	LOCAL DESIGNATION	BASIN NAME
1S2W09L	REDLANDS ASSOCIATES	NON-FILER	TUNNEL DIV.	BNK HILL
1S2W09L02S	BLUE GOOSE GROWERS INC	3602530	NO. 11	BNK HILL
1S2W09L03S	BLUE BANNER CO.	3602531	TUNNEL DIV.	BNK HILL
1S2W09P	REDLANDS ASSOCIATES	NON-FILER	BLOCK NO. 6	BNK HILL
1S2W09P02	BLUE GOOSE GROWERS INC	3602529	NO. 6	BNK HILL
1S2W09Q	COGBILL, CLINTON L.	3601628	2	BNK HILL
1S2W13	SUNRISE RANCH PART C/O LIFE DEVELOPMENT	3600599		BNK HILL
1S2W13	SUNRISE RANCH PART C/O LIFE DEVELOPMENT	3600600	SUNRISE 2	BNK HILL
1S2W13A	REDLANDS, CITY OF	3602351	MC 0-A	BNK HILL
1S2W13B	REDLANDS, CITY OF	NON-FILER	MILL CR. DIV	BNK HILL
1S2W13P	U.S. FOREST SERVICE	NON-FILER	MILL CREEK	MILL CRK
1S2W14	SUNRISE RANCH PART C/O LIFE DEVELOPMENT	3600601	SUNRISE 3A	BNK HILL
1S2W14	SUNRISE RANCH PART C/O LIFE DEVELOPMENT	3601640		BNK HILL
1S2W14L	SUNRISE RANCH PART C/O LIFE DEVELOPMENT	3601969	SUNRISE 7	BNK HILL
1S2W14N	REDLANDS, CITY OF	3601302	MILL CR.	BNK HILL
1S2W15G	SUNRISE RANCH PART C/O LIFE DEVELOPMENT	3600603	SUNRISE 5	BNK HILL
1S2W15P	SUNRISE RANCH PART C/O LIFE DEVELOPMENT	3600602	SUNRISE 4	BNK HILL
1S2W16	CRAM PATTERSON WELL	3600188	CRAMPAT 2	BNK HILL
1S2W16C	SOLANO WELL NO. 3	3602003	3	BNK HILL
1S2W16C01	GREENSPOT MUTUAL WELL CO.	3600266	GRNSPTMU	BNK HILL
1S2W16L	HAGAR	NON-FILER		BNK HILL
1S2W17	EAST LUGONIA MUTUAL WATER CO.	3600038		BNK HILL

SAN BERNARDINO BASIN AREA  
CROSS INDEX BY STATE WELL NUMBER

STATE WELL NUMBER	OWNER NAME	RECORDATION NUMBER	LOCAL DESIGNATION	BASIN NAME
1S2W17	KARAHALOIS	NON-FILER	PEPPER HOUSE	BNK HILL
1S2W17B	REDLANDS ASSOCIATES	NON-FILER	NO. 0	BNK HILL
1S2W18M	REES & FERRICONE RANCH	3602171	1	BNK HILL
1S2W18Q	MENTONE CITRUS GROVES	3602280		BNK HILL
1S2W18R01S	MENTONE CITRUS GROVES	3600139		BNK HILL
1S2W19A01	REDLANDS, CITY OF	3602792		
1S2W19D	BEAR VALLEY MUTUAL WATER COMPANY	3600024	WABASH 2	BNK HILL
1S2W19G01S	EAST LUGONIA MUTUAL WATER CO.	3600006	BERYL ST	BNK HILL
1S2W19J	MENTONE DOMESTIC WTR. CO.	NON-FILER		BNK HILL
1S2W19J	MENTONE DOMESTIC WTR. CO.	NON-FILER	3 1971	BNK HILL
1S2W19J	REDLANDS, CITY OF	3602653		BNK HILL
1S2W19J	REDLANDS, CITY OF	3602654		BNK HILL
1S2W19K01S	REDLANDS, CITY OF	3601308	TENCH	BNK HILL
1S2W20B01	REDLANDS, CITY OF	3602791		
1S2W20K	F. A. R. WELL	3602020		BNK HILL
1S2W20K	SOUZA, JOHN	3601084		BNK HILL
1S2W21C	REDLANDS, CITY OF	3601287	ELJGNA3	BNK HILL
1S2W21D01S	REDLANDS, CITY OF	3601290	ELJGNA6	BNK HILL
1S2W21E01S	REDLANDS, CITY OF	3601284	MAGUET 2	BNK HILL
1S2W21E02S	REDLANDS, CITY OF	3601286	MAGUET 3	BNK HILL
1S2W21H01	REYNOLDS, BILL	3600981		BNK HILL
1S2W21L01	HEAD, JOE T.	3600226	1	BNK HILL



SAN BERNARDINO BASIN AREA  
CROSS INDEX BY STATE WELL NUMBER

STATE WELL NUMBER	OWNER NAME	RECORDATION NUMBER	LOCAL DESIGNATION	BASIN NAME
1S2W21L02	CRAFTON WATER COMPANY	3602186	2	BNK HILL
1S2W21M01S	REDLANDS, CITY OF	3601281	MAGUET 1	BNK HILL
1S2W22	GREENSPOT MUTUAL WATER CO TUNNEL	NON-FILER		BNK HILL
1S2W22C02S	REDLANDS, CITY OF	3601283	E LUG 2	BNK HILL
1S2W22E	BLISS	NON-FILER		BNK HILL
1S2W22E	FARROW	NON-FILER		BNK HILL
1S2W22F	RAMSEY	NON-FILER	SPRING DIV	BNK HILL
1S2W24C	ELLGOOD	NON-FILER		BNK HILL
1S2W24H	STANLEY, SILAS	NON-FILER		BNK HILL
1S2W28M	LA TOURETTE	NON-FILER		BNK HILL
1S2W28M	LORD	NON-FILER	SPRING DIV.	BNK HILL
1S2W29	FINCH	NON-FILER		BNK HILL
1S2W29	SELBY, DR. & MRS. ARTHUR	3600017	GRREES 3	BNK HILL
1S2W29	SELBY, DR. & MRS. ARTHUR	3600018	GRREES 2	BNK HILL
1S2W29L	RANCHO LADERA	3602188	ROLADERA	BNK HILL
1S2W29M01	HAPPE MUTUAL WELL COMPANY	3600238	1	BNK HILL
1S2W29N	BUOYE WELL	3602062	1	BNK HILL
1S2W29N	CRAFTON WATER COMPANY	3600272	5TH AVE 1	BNK HILL
1S2W29N01S	NYE, WILLIAM H.	3600313	NYE	BNK HILL
1S2W30	HINCKLEY, HORACE P.	3600240	SOUTH WELL	BNK HILL
1S2W30B	HINCKLEY, HORACE P.	3601645	1	BNK HILL
1S2W30B02S	PAINE, ROBERT T., TRUSTEE	3601642	KING ST	BNK HILL

SAN BERNARDINO BASIN AREA  
CROSS INDEX BY STATE WELL NUMBER

STATE WELL NUMBER	OWNER NAME	RECORDATION NUMBER	LOCAL DESIGNATION	BASIN NAME
1S2W30C01S	PAINÉ, ROBERT T., TRUSTEE	3601641	OPAL ST	BNK HILL
1S2W30G01	KING STREET MUTUAL WELL COMPANY	3600530	1	BNK HILL
1S2W30G02	KING STREET MUTUAL WELL COMPANY	3600530-	2	BNK HILL
1S2W30H	GAY, PHILIP L.	3601126	1	BNK HILL
1S2W31	SECHREST, RALPH F.	3600483	GPHRRCH 1	BNK HILL
1S2W31	'7TH AVE. WELL	3601121	1	BNK HILL
1S2W31B	HILL	NON-FILER		BNK HILL
1S2W31M	ROBBINS, H. W.	3602170		BNK HILL
1S2W32B	KOCH	NON-FILER		BNK HILL
1S2W32G01	KOCH, GEORGE J.	3601451	1	BNK HILL
1S3W01A	NORTH FORK WATER COMPANY	3601644	PLUNGE CR	BNK HILL
1S3W01H	MT. HARRISON MUTUAL WATER CO.	3600220	1	BNK HILL
1S3W02	EAST HIGHLANDS RANCH, INC.	3600598	LOCAL 1	BNK HILL
1S3W02	EAST HIGHLANDS RANCH, INC.	3600607	SMALL	BNK HILL
1S3W02	EAST HIGHLANDS RANCH, INC.	3600607-	SMALL	BNK HILL
1S3W02	EAST VALLEY WATER DISTRICT	3600680	NF CRAM3	BNK HILL
1S3W02J	SMITH,	NON-FILER		BNK HILL
1S3W02P	VAN MEETER	NON-FILER	OLD WELL	BNK HILL
1S3W02P	VAN MEETER	NON-FILER	NEW WELL	BNK HILL
1S3W03D	HUNTER	NON-FILER		BNK HILL
1S3W03F	BARNO, JOHN	3602079	1	BNK HILL
1S3W03F	CLIFFSIDE RANCH	NON-FILER		BNK HILL

SAN BERNARDINO BASIN AREA  
CROSS INDEX BY STATE WELL NUMBER

STATE WELL NUMBER	OWNER NAME	RECORDATION NUMBER	LOCAL DESIGNATION	BASIN NAME
1S3W03F	EAST VALLEY WATER DISTRICT	3600058	NO. 53	BNK HILL
1S3W03F	EAST VALLEY WATER DISTRICT	3602571		BNK HILL
1S3W03N	EAST VALLEY WATER DISTRICT	NON-FILER	NO. 84	BNK HILL
1S3W03N	EAST VALLEY WATER DISTRICT	NON-FILER	NO. 93	BNK HILL
1S3W03N	STRAWBERRY PATCH	NON-FILER		BNK HILL
1S3W03N	STRAWBERRY PATCH	NON-FILER		BNK HILL
1S3W03P005	RIEDMAN, FRED M.	3601629	1	BNK HILL
1S3W03Q	CRAM RANCH ASSOCIATES	3600241		BNK HILL
1S3W03Q	EAST VALLEY WATER DISTRICT	3601643	4	BNK HILL
1S3W03R01	EAST HIGHLANDS RANCH, INC.	3601639	STORE WELL	BNK HILL
1S3W04	EAST VALLEY WATER DISTRICT	3600466	NO. 48	BNK HILL
1S3W04G	SOUTHERN CALIFORNIA WATER COMPANY	3601987	HIGHLD 1	BNK HILL
1S3W04G	SOUTHERN CALIFORNIA WATER COMPANY	3602560	DUNKIRK 2	BNK HILL
1S3W04J	EAST VALLEY WATER DISTRICT	3600026	NO. 102	BNK HILL
1S3W04J	HARRISON	NON-FILER		BNK HILL
1S3W04N	EAST VALLEY WATER DISTRICT	3601978	40	BNK HILL
1S3W04N	EAST VALLEY WATER DISTRICT	3602338	40A	BNK HILL
1S3W04P	EAST VALLEY WATER DISTRICT	NON-FILER	NO. 43	BNK HILL
1S3W04Q	EAST VALLEY WATER DISTRICT	NON-FILER	NO. 106	BNK HILL
1S3W04R	QUALITY FARMS	NON-FILER	NO. 102	BNK HILL
1S3W05	SOUTHERN CALIFORNIA WATER COMPANY	3600375	CULHLND 1	BNK HILL
1S3W05	SOUTHERN CALIFORNIA WATER COMPANY	3600376	CULHLND 2	BNK HILL

SAN BERNARDINO BASIN AREA  
CROSS INDEX BY STATE WELL NUMBER

STATE WELL NUMBER	OWNER NAME	RECORDATION NUMBER	LOCAL DESIGNATION	BASIN NAME
1S3W05A02S	EAST VALLEY WATER DISTRICT	3601677	31	BNK HILL
1S3W05B04S	EAST VALLEY WATER DISTRICT	3601678	32	BNK HILL
1S3W05D	SOUTHERN CALIFORNIA WATER COMPANY	3602417	4	BNK HILL
1S3W05D06	SOUTHERN CALIFORNIA WATER COMPANY	3602260	CULL 3	BNK HILL
1S3W05J	EAST VALLEY WATER DISTRICT	NON-FILER	NO. 95	BNK HILL
1S3W05N05S	EAST VALLEY WATER DISTRICT	3601679	38	BNK HILL
1S3W05Q	EAST VALLEY WATER DISTRICT	NON-FILER	NO. 46	BNK HILL
1S3W05Q	EAST VALLEY WATER DISTRICT	NON-FILER	NO. 80	BNK HILL
1S3W06	CHARLES, J. J.	3600815		BNK HILL
1S3W06	EAST VALLEY WATER DISTRICT	NON-FILER	NO. 69	BNK HILL
1S3W06A05S	EAST VALLEY WATER DISTRICT	3601667	21	BNK HILL
1S3W06B	EAST VALLEY WATER DISTRICT	NON-FILER	NO. 72	BNK HILL
1S3W06C	EAST VALLEY WATER DISTRICT	NON-FILER	NO. 74	BNK HILL
1S3W06E	EAST VALLEY WATER DISTRICT	NON-FILER	NO. 71	BNK HILL
1S3W06F	LANKERSHIM MUT. WTR. CO.	NON-FILER	MCKINLEY ST.	BNK HILL
1S3W06H01S	EAST VALLEY WATER DISTRICT	3601659	NO. 9	BNK HILL
1S3W06H04S	EAST VALLEY WATER DISTRICT	3601660	NO. 9A	BNK HILL
1S3W06K01S	EAST VALLEY WATER DISTRICT	3601781	35	BNK HILL
1S3W06L	LANKERSHIM MUT. WTR. CO.	NON-FILER	LANKERSHIM A	BNK HILL
1S3W06M	EAST VALLEY WATER DISTRICT	NON-FILER	NO. 81	BNK HILL
1S3W06N	EAST VALLEY WATER DISTRICT	NON-FILER	NO. 97	BNK HILL
1S3W06P	EAST VALLEY WATER DISTRICT	NON-FILER	NO. 78	BNK HILL

SAN BERNARDINO BASIN AREA  
CROSS INDEX BY STATE WELL NUMBER

STATE WELL NUMBER	OWNER NAME	RECORDATION NUMBER	LOCAL DESIGNATION	BASIN NAME
1S3W06Q	EAST VALLEY WATER DISTRICT	NON-FILER	NO. 83	BNK HILL
1S3W08A	NORTON AIR FORCE BASE	NON-FILER	LOCAL NO. 11	BNK HILL
1S3W08E	NORTON AIR FORCE BASE	NON-FILER	LOCAL NO.347	BNK HILL
1S3W08M	NORTON AIR FORCE BASE	NON-FILER	LOCAL NO.865	BNK HILL
1S3W09E	LIVINGSTON-GRAHAM	3601420	ALABAMA 2	BNK HILL
1S3W10D01S	DUDA, WALTER AND BETTY	3601839	1	BNK HILL
1S3W13	REDLANDS, CITY OF	3600749	NEW 2	BNK HILL
1S3W13C	L.P.R. ICE COMPANY	3602525		BNK HILL
1S3W13C	L.P.R. RANCH	NON-FILER		BNK HILL
1S3W13P	EAST PIONEER MUTUAL WELL COMPANY	3602224		BNK HILL
1S3W14	SAN BERNARDINO AVENUE WATER COMPANY	3600125	1	BNK HILL
1S3W14P01	PIONEER MUTUAL WATER CO.	3600642	SBDNO 1	BNK HILL
1S3W14R01	RAUGHT MUTUAL WELL COMPANY	3602193	RAUGHT	BNK HILL
1S3W15	BEELER, RAYMOND A.	3600451		BNK HILL
1S3W15A01	GOLDEN BEAR FOREST PRODUCTS	3602127		BNK HILL
1S3W15F02S	BEAR VALLEY MUTUAL WATER COMPANY	3601586	ORANGE 5	BNK HILL
1S3W15G	REDLANDS TRAP/SKEET	3600628		BNK HILL
1S3W15N01S	WEATHERWAX, W. G.	3600652	REDLANDS	BNK HILL
1S3W15R01	NORTHBRAE WATER COMPANY	3600296	1	BNK HILL
1S3W16	EADINGTON FRUIT CO. COOK RANCH	3600527	HOME	BNK HILL
1S3W16	NEW ENGLAND WATER CO.	3602320		BNK HILL
1S3W16	RAMIREZ, J.J.	3600484	BUCKEYE 2	BNK HILL

SAN BERNARDINO BASIN AREA  
CROSS INDEX BY STATE WELL NUMBER

STATE WELL NUMBER	OWNER NAME	RECORDATION NUMBER	LOCAL DESIGNATION	BASIN NAME
1S3W16J	WILLIAMS WELL CORPORATION, LTD.	3600828		BNK HILL
1S3W16L	TENNESSEE MUTUAL WELL COMPANY	3601161	PIONEER 1	BNK HILL
1S3W16L	TENNESSEE WATER CO.	3600474	1	BNK HILL
1S3W17	ARMSTRONG, DOUGLAS	3600076	2	BNK HILL
1S3W17	FAIRVIEW WATER COMPANY	3600554	FAIRVW 1	BNK HILL
1S3W17C	DANIELS, HAROLD	NON-FILER	DOMEST. WELL	BNK HILL
1S3W17G	MARSHBURN	NON-FILER		BNK HILL
1S3W17H01S	LANGFORD RANCHES	3600525	ALABAMA	BNK HILL
1S3W17L01S	LANGFORD RANCHES	3600524	NEVADA ST	BNK HILL
1S3W17R	DANIELS AND BEST RANCH	3602550	ALABAMA ST	BNK HILL
1S3W17R	DANIELS, HAROLD	NON-FILER	RANCH	BNK HILL
1S3W18	SOUTHERN CALIFORNIA EDISON COMPANY	3601014	SB STMP 1	BNK HILL
1S3W18	SOUTHERN CALIFORNIA EDISON COMPANY	3601015	SB STMP 2	BNK HILL
1S3W18H01	MARIGOLD FARMS COMPANY	3601748	CALIF	BNK HILL
1S3W18L	MARIGOLD FARMS COMPANY	3601750	ACQUIL	BNK HILL
1S3W19	MARIGOLD FARMS COMPANY	3600418	BRAGA WELL	BNK HILL
1S3W19A01	MARIGOLD FARMS COMPANY	3601748-	CALIF	BNK HILL
1S3W19B01	MARIGOLD FARMS COMPANY	3601749	JAP	BNK HILL
1S3W19H	MISSION MUTUAL WATER COMPANY	3600756	1	BNK HILL
1S3W19J	DANIELS AND BEST RANCH	3602549	CALIF STREET	BNK HILL
1S3W19J	DANIELS, DON	NON-FILER		BNK HILL
1S3W19L	MISSION MUTUAL WATER COMPANY	3600757	2	BNK HILL

SAN BERNARDINO BASIN AREA  
CROSS INDEX BY STATE WELL NUMBER

STATE WELL NUMBER	OWNER NAME	RECORDATION NUMBER	LOCAL DESIGNATION	BASIN NAME
1S3W19N	CHRISTENSEN, JACK O.	3601352		BNK HILL
1S3W20	BELL, H. EUGENE	3600449	BELL WELL	BNK HILL
1S3W20	JEWEL WATER COMPANY, THE	3600091	1	BNK HILL
1S3W20	MCCALLA BROS	NON-FILER		BNK HILL
1S3W20C	K INV./TRUTANIC/Y UN WELL	3601172		BNK HILL
1S3W20F	CRIM, W. ROSCOE	3601171	1	BNK HILL
1S3W20F03	VALDEPENA ACRES	3602241	ALMOND	BNK HILL
1S3W20H01	GLADYSTA WELL & WATER COMPANY	3600182	1	BNK HILL
1S3W20H02	GLADYSTA WELL & WATER COMPANY	3600182-		BNK HILL
1S3W20P	WARMINGTON, ROBERT P.	3600270	ORANGEDALE	BNK HILL
1S3W20R01	NICKERSON WATER COMPANY	3600123	ALABAMA NO 1	BNK HILL
1S3W21A	STOWE WATER COMPANY	3601046	1	BNK HILL
1S3W21E	CHRISTINA WATER COMPANY	3601751	ALABAMA	BNK HILL
1S3W21E	MASCART WATER COMPANY	3601102	2	BNK HILL
1S3W21G01S	LANGFORD RANCHES	3600526	LUGONIA	BNK HILL
1S3W21H	REDLANDS, CITY OF	3602031	30A	BNK HILL
1S3W21H	REDLANDS, CITY OF	3602036	31A	BNK HILL
1S3W21H01S	REDLANDS, CITY OF	3601298	32	BNK HILL
1S3W21K01	LUGO WATER COMPANY	3600510	1	BNK HILL
1S3W21M01	NICKERSON WATER COMPANY	3600124	LUGONIA NO 2	BNK HILL
1S3W21M2	SANDYS RESTAURANT	NON-FILER		
1S3W21P01	B M I FUNDS	3600107	COLTON 1	BNK HILL

SAN BERNARDINO BASIN AREA  
CROSS INDEX BY STATE WELL NUMBER

STATE WELL NUMBER	OWNER NAME	RECORDATION NUMBER	LOCAL DESIGNATION	BASIN NAME
1S3W21R	SMITH TRACT WELL COMPANY	3600001	11	BNK HILL
1S3W21R	SMITH TRACT WELL COMPANY	3600001-		BNK HILL
1S3W22	PENN WELL COMPANY	3601405	2	BNK HILL
1S3W22A	REDLANDS, CITY OF	3602032	35	BNK HILL
1S3W22A01S	REDLANDS, CITY OF	3602106		BNK HILL
1S3W22F	PENN WELL COMPANY	3601099	1	BNK HILL
1S3W23	REDLANDS, CITY OF	3600019	GR REES 1	BNK HILL
1S3W23A03	JUDSON MUTUAL WATER COMPANY	3601647	1	BNK HILL
1S3W23A03S	LUGONIA WATER COMPANY	3601585	SBDNO AV 1	BNK HILL
1S3W23F	NORTHSIDE WATER COMPANY	3600933	1	BNK HILL
1S3W24A01	MENTONE ACRES MUTUAL WELL CO.	3600748	OLD WELL 1	BNK HILL
1S3W24C	BEAR VALLEY MUTUAL WATER COMPANY	3600023	JUDSON 1	BNK HILL
1S3W24Q	WESTERN FRUIT GROWERS	NON-FILER		BNK HILL
1S3W25M	HOBBS WELL PARTNERSHIP	3600049	MORRISON	BNK HILL
1S3W25M	HOBBS WELL PARTNERSHIP	3600049-	HOBBS WELL	BNK HILL
1S3W26C	REDLANDS, CITY OF	3602211	37SYLVN	BNK HILL
1S3W27E02S	REDLANDS, CITY OF	3601300	40	BNK HILL
1S3W28	SOUTHERN CALIFORNIA EDISON COMPANY	3600651		BNK HILL
1S3W28B01S	EAST BARTON WATER COMPANY	3600608	BARTON	BNK HILL
1S3W28C01	GRANT WATER COMPANY	3600075	GRANT	BNK HILL
1S3W28D01	KANSAS STREET MUTUAL WATER CO.	3601092		BNK HILL
1S3W28H01S	REDLANDS, CITY OF	3601301	41	BNK HILL



SAN BERNARDINO BASIN AREA  
CROSS INDEX BY STATE WELL NUMBER

STATE WELL NUMBER	OWNER NAME	RECORDATION NUMBER	LOCAL DESIGNATION	BASIN NAME
1S3W28J01	REDLANDS, CITY OF	3600085	NY ST 1	BNK HILL
1S3W28J02	REDLANDS, CITY OF	3602346	1	BNK HILL
1S3W28M	HOOVER WELL	3601649	HOOVER	BNK HILL
1S3W28M	RAMIREZ, CARLOS	3601649-	HOOVER	BNK HILL
1S3W29	LA ROSSE, CHARLES H.	3600708	GOODWIN	BNK HILL
1S3W29	OLD TOWN WELL CO.	3600493	1	BNK HILL
1S3W29	OLD TOWN WELL CO.	3600494	2	BNK HILL
1S3W29	RANCHO CITRUS AMIGOS	3601753	PARK AVE 1	BNK HILL
1S3W29A01	ELTINGE & GRAZIADIO	3600766	COLTAMA	BNK HILL
1S3W29B01	IOWA STREET WELL	3601932		BNK HILL
1S3W29D	YAHIKU, PAUL	3601280	SOUTH 1	BNK HILL
1S3W29H	WOEHR MUTUAL WATER COMPANY	3600817		BNK HILL
1S3W29J01	PHAROAH POWELL WATER CO.	3600415		BNK HILL
1S3W30	FRINK RANCH	3601131		BNK HILL
1S3W30	PAXTON, R. H.	3600468	BAHR 1	BNK HILL
1S3W30	RAMIREZ BROTHERS	3601728	1	BNK HILL
1S3W30	REDLANDS, CITY OF	3601637	PTERSON WELL	BNK HILL
1S3W30L	LOMA LINDA UNIVERSITY	3601910	PUFFER	BNK HILL
1S3W31A	BREAK, ALLEN, ESTATE	NON-FILER		BNK HILL
1S3W31A	BRYN MAWR MUTUAL WATER COMPANY	3600053	1	BNK HILL
1S3W31A	BRYN MAWR MUTUAL WATER COMPANY	3600054	2	BNK HILL
1S3W31A	BRYN MAWR MUTUAL WATER COMPANY	3600055	3	BNK HILL

SAN BERNARDINO BASIN AREA  
CROSS INDEX BY STATE WELL NUMBER

STATE WELL NUMBER	OWNER NAME	RECORDATION NUMBER	LOCAL DESIGNATION	BASIN NAME
1S3W31B00S	BRYN MAWR MUTUAL WATER COMPANY	3602109	4	BNK HILL
1S3W31D	STEWART, WILLARD	NON-FILER		BNK HILL
1S3W32D	LOMA LINDA, CITY OF	3601130	NICKS WELL	BNK HILL
1S3W32G	KUHN, RICHARD J	NON-FILER		BNK HILL
1S3W32G01	LARANNI GUNTER WELL	3600160	GUNTER WELL	BNK HILL
1S3W32G03S	CANYON RANCH	3600523	HNTSCHKE	BNK HILL
1S3W32J	HORTON	NON-FILER		BNK HILL
1S3W32J02S	REDLANDS, CITY OF	3602732	DOC. LEE	BNK HILL
1S3W32K	SOJKA, DONALD R	3601173		BNK HILL
1S3W33C01S	LAKESIDE AVENUE MUTUAL WELL COMPANY	3602119		BNK HILL
1S3W33D	BROOKSIDE DAIRY, INC	3600036	1	BNK HILL
1S3W35E	REDLANDS, CITY OF	3601289	4R	BNK HILL
1S3W35G07S	REDLANDS, CITY OF	3601292	11	BNK HILL
1S3W35G08S	REDLANDS, CITY OF	3601291	10	BNK HILL
1S3W35G09S	REDLANDS, CITY OF	3601294	13	BNK HILL
1S3W35G11S	REDLANDS, CITY OF	3601297	17	BNK HILL
1S3W35H02S	REDLANDS, CITY OF	3601293	12	BNK HILL
1S3W35H03S	REDLANDS, CITY OF	3601296	16	BNK HILL
1S3W35H04S	REDLANDS, CITY OF	3601295	14	BNK HILL
1S3W35H08S	EAST IUGONIA MUTUAL WATER CO.	3600005	LUETCKE	BNK HILL
1S4W01A	ARROYO VERDE MUTUAL WATER CO.	3602069	2	BNK HILL
1S4W01A02S	ARROYO VERDE MUTUAL WATER CO.	3602068	1	BNK HILL

SAN BERNARDINO BASIN AREA  
CROSS INDEX BY STATE WELL NUMBER

STATE WELL NUMBER	OWNER NAME	RECORDATION NUMBER	LOCAL DESIGNATION	BASIN NAME
1S4W01B04S	EAST VALLEY WATER DISTRICT	3601657	NO. 7	BNK HILL
1S4W01D	EAST VALLEY WATER DISTRICT	NON-FILER	NO. 96	BNK HILL
1S4W01E02S	EAST VALLEY WATER DISTRICT	3601668	22	BNK HILL
1S4W01F02S	EAST VALLEY WATER DISTRICT	3600926	PATTON 4	BNK HILL
1S4W01J08S	EAST VALLEY WATER DISTRICT	3601661	NO. 10	BNK HILL
1S4W01K04S	EAST VALLEY WATER DISTRICT	3601665	14	BNK HILL
1S4W01P01S	EASTWOOD FARMS COMMUNITY WATER USERS	3602130	1	BNK HILL
1S4W01P02S	EASTWOOD FARMS COMMUNITY WATER USERS	3602131	2	BNK HILL
1S4W01Q	EAST VALLEY WATER DISTRICT	3602034	12A	BNK HILL
1S4W01Q01	EAST VALLEY WATER DISTRICT	3600925	NO. 100	BNK HILL
1S4W02	BERMAN, JERRY & SONS	3602007	2	BNK HILL
1S4W02	EAST VALLEY WATER DISTRICT	3600183	NO. 60	BNK HILL
1S4W02	EAST VALLEY WATER DISTRICT	3602174		BNK HILL
1S4W02	VICTORIA GUERNSEY	3600399	1	BNK HILL
1S4W02B	VAN LOON MUTUAL WATER COMPANY	3602066	1	BNK HILL
1S4W02J	BERMAN, JERRY	NON-FILER		BNK HILL
1S4W02K	BERMAN, JERRY	NON-FILER	OLD WELL	BNK HILL
1S4W02K01S	SAN BERNARDINO, CITY OF	3600730	ANTIL 3	BNK HILL
1S4W02K02S	SAN BERNARDINO, CITY OF	3600731	ANTIL 5	BNK HILL
1S4W02K03S	SAN BERNARDINO, CITY OF	3600734	ANTIL 4	BNK HILL
1S4W02K04S	SAN BERNARDINO, CITY OF	3600733	ANTIL 1	BNK HILL
1S4W02K05S	SAN BERNARDINO, CITY OF	3600732	ANTIL 2	BNK HILL

SAN BERNARDINO BASIN AREA  
CROSS INDEX BY STATE WELL NUMBER

STATE WELL NUMBER	OWNER NAME	RECORDATION NUMBER	LOCAL DESIGNATION	BASIN NAME
1S4W02K08S	SAN BERNARDINO, CITY OF	3602422	ANTIL 6	BNK HILL
1S4W02L	EAST VALLEY WATER DISTRICT	NON-FILER	NO. 75	BNK HILL
1S4W02N01S	EAST VALLEY WATER DISTRICT	3601664	13	BNK HILL
1S4W02Q	EAST VALLEY WATER DISTRICT	3602563	11A	BNK HILL
1S4W02Q04S	EAST VALLEY WATER DISTRICT	3601663	12	BNK HILL
1S4W02Q05S	EAST VALLEY WATER DISTRICT	3601662	11	BNK HILL
1S4W02R	EAST VALLEY WATER DISTRICT	3601582		BNK HILL
1S4W03D01S	SAN BERNARDINO, CITY OF	3600722	ACACIA	BNK HILL
1S4W03J	SAN BERNARDINO, CITY OF	3602265	7TH ST.	BNK HILL
1S4W05E05S	WEST SAN BDNO. COUNTY WATER DIST.	3601848	RAYNOR 5	BNK HILL
1S4W05M	TRI CITY CONCRETE	3601309	PLANT	BNK HILL
1S4W05R	COLTON, CITY OF	3601252	6	BNK HILL
1S4W06C04S	RANCHERIA WATER CO. TOBIN	3601929	NEW RAYN 3	BNK HILL
1S4W06H01S	WEST SAN BDNO. COUNTY WATER DIST.	3601003	RAYNOR 4	BNK HILL
1S4W06H02	WEST SAN BDNO. COUNTY WATER DIST.	3602766		BNK HILL
1S4W06J01S	WEST SAN BDNO. COUNTY WATER DIST.	3600999	DIXON 1	BNK HILL
1S4W06J02S	WEST SAN BDNO. COUNTY WATER DIST.	3601000	DIXON 2	BNK HILL
1S4W08C	COLTON, CITY OF	3602405	19	BNK HILL
1S4W08C02S	COLTON, CITY OF	3601262	BARNHL 18	BNK HILL
1S4W08F	ATCHISON, TOPEKA & SANTA FE RAILWAY CO.	3600179	4	BNK HILL
1S4W08F	COLTON, CITY OF	3601254	8	BNK HILL
1S4W08F	COLTON, CITY OF	3601257	13	BNK HILL

SAN BERNARDINO BASIN AREA  
CROSS INDEX BY STATE WELL NUMBER

STATE WELL NUMBER	OWNER NAME	RECORDATION NUMBER	LOCAL DESIGNATION	BASIN NAME
1S4W08F	TERRACE WATER COMPANY	3601684-	4	BNK HILL
1S4W08F	TERRACE WATER COMPANY	3601685	SMALL 2	BNK HILL
1S4W08F	TERRACE WATER COMPANY	3601686	3	BNK HILL
1S4W08F01	COLTON, CITY OF	3602793		
1S4W08F01S	COLTON, CITY OF	3601260	16	BNK HILL
1S4W08F02S	ATCHISON, TOPEKA & SANTA FE RAILWAY CO.	3600178	3	BNK HILL
1S4W08F06S	TERRACE WATER COMPANY	3601684	LARGE 1	BNK HILL
1S4W08R	COLTON, CITY OF	3601250	4	BNK HILL
1S4W08R	COLTON, CITY OF	3601251	5	BNK HILL
1S4W08R	COLTON, CITY OF	3601253	7	BNK HILL
1S4W08R	COLTON, CITY OF	3601258	14	BNK HILL
1S4W08R	SOUTHERN CALIFORNIA EDISON COMPANY	3601012	STM PL 1	BNK HILL
1S4W08R	SOUTHERN CALIFORNIA EDISON COMPANY	3601013	STM PL 2	BNK HILL
1S4W08R07	COLTON, CITY OF	3602498	6B	BNK HILL
1S4W09B01S	HOLMES ICE & COLD STORAGE CO. INC.	3600645		BNK HILL
1S4W09B03S	HOLMES ICE & COLD STORAGE CO. INC.	3600644	2	BNK HILL
1S4W09J01S	SAN BERNARDINO, CITY OF	3600736	SO G ST	BNK HILL
1S4W09N	COLTON, CITY OF	3601256	PLUNGE 12	BNK HILL
1S4W09P01S	SAN BERNARDINO, CITY OF	3600735	BIRCH ST	BNK HILL
1S4W10	SAN BERNARDINO, CITY OF	3601626	CITYLOTS	BNK HILL
1S4W10F01S	SAN BERNARDINO, CITY OF	3600723	HANFORD 1	BNK HILL
1S4W10F01S	SOUTHERN CALIFORNIA EDISON COMPANY	3609723	HANFORD 1	BNK HILL

SAN BERNARDINO BASIN AREA  
CROSS INDEX BY STATE WELL NUMBER

STATE WELL NUMBER	OWNER NAME	RECORDATION NUMBER	LOCAL DESIGNATION	BASIN NAME
1S4W10F05S	SAN BERNARDINO, CITY OF	3600724	HANFORD 2	BNK HILL
1S4W10N06S	SAN BERNARDINO, CITY OF	3600737	MILL & D	BNK HILL
1S4W11F	DANGLO DAIRY	NON-FILER		BNK HILL
1S4W11F	KRANTZ DAIRY	NON-FILER		BNK HILL
1S4W11G	HAZAS	NON-FILER		BNK HILL
1S4W11G	WILLIAMS DAIRY	NON-FILER		BNK HILL
1S4W11M	BALCOM	NON-FILER		BNK HILL
1S4W11Q01S	SAN BERNARDINO, CITY OF	3600222		BNK HILL
1S4W12	MAYBELL, N. O.	3600291		BNK HILL
1S4W12B	EAST VALLEY WATER DISTRICT	3602564	28A	BNK HILL
1S4W12B	NORTON AIR FORCE BASE	NON-FILER	LOCAL NO. 2	BNK HILL
1S4W12B05S	EAST VALLEY WATER DISTRICT	3601676	28	BNK HILL
1S4W12C	NORTON AIR FORCE BASE	NON-FILER	LOCAL NO. 3	BNK HILL
1S4W12D	CARDIFF FARMS MUTUAL WATER COMPANY	3600973	1	BNK HILL
1S4W12D	CARDIFF FARMS MUTUAL WATER COMPANY	3601619	2	BNK HILL
1S4W12D	NORTON AIR FORCE BASE	NON-FILER	LOCAL NO. 4	BNK HILL
1S4W12F	NORTON AIR FORCE BASE	NON-FILER	LOCAL NO. 5	BNK HILL
1S4W12G	NORTON AIR FORCE BASE	NON-FILER	LOCAL NO. 44	BNK HILL
1S4W12Q	NORTON AIR FORCE BASE	NON-FILER	NO NO. WELL	BNK HILL
1S4W13E	GOLCONDA WATER CO.	NON-FILER		BNK HILL
1S4W13R	VICTORIA FARMS MUTUAL WATER CO.	3602574	#3 WELL	BNK HILL
1S4W13R	VICTORIA FARMS MUTUAL WATER CO.	3602714	1	BNK HILL

SAN BERNARDINO BASIN AREA  
CROSS INDEX BY STATE WELL NUMBER

STATE WELL NUMBER	OWNER NAME	RECORDATION NUMBER	LOCAL DESIGNATION	BASIN NAME
1S4W13R01S	VICTORIA FARMS MUTUAL WATER CO.	3602112		BNK HILL
1S4W13R03	VICTORIA FARMS MUTUAL WATER CO.	3602247	2	BNK HILL
1S4W14A	GIFFORD PARK MUTUAL WATER CO.	3602128	1	BNK HILL
1S4W14A	SAN BERNARDINO, COUNTY OF	NON-FILER	AEROSPACE	BNK HILL
1S4W14A	SANTINI	NON-FILER		BNK HILL
1S4W14B	GIFFORD PARK MUTUAL WATER CO.	3602252	2	BNK HILL
1S4W14E	HOLDEN MUT. WTR. CO.	NON-FILER		BNK HILL
1S4W14F	HOLDEN MUT. WTR. CO.	NON-FILER	HOLDEN AVE.	BNK HILL
1S4W14J	SO. SAN BERNARDINO COUNTY WATER DIST.	3602123	NORMAN	BNK HILL
1S4W14J	SO. SAN BERNARDINO COUNTY WATER DIST.	3602124	CENTRAL	BNK HILL
1S4W15D	NATIONAL ORANGE SHOW	3601924		BNK HILL
1S4W15D05	SAN BERNARDINO, CITY OF	3602285	15D5	BNK HILL
1S4W15G	HELIPORT	NON-FILER		BNK HILL
1S4W15M01	SAN BERNARDINO, CITY OF	3600035		BNK HILL
1S4W15Q	VALLEY FARMS MUT. WTR. CO.	NON-FILER	NO 2 WELL	BNK HILL
1S4W15R	VALLEY FARMS MUT. WTR. CO.	NON-FILER	NO 1 WASHTN	BNK HILL
1S4W16H	SAN BERNARDINO, CITY OF	3600034	SMITH 1	BNK HILL
1S4W21A	SAN BERNARDINO, CITY OF	NON-FILER	SEWER PLINT 1	BNK HILL
1S4W22A	J. G. GOLFING ENTERPRISES, INC.	3602846		BNK HILL
1S4W22A	SIX HOUSES	NON-FILER		BNK HILL
1S4W22A01	J. G. GOLFING ENTERPRISES, INC.	3602499		BNK HILL
1S4W22B	BARRIER	NON-FILER		BNK HILL

SAN BERNARDINO BASIN AREA  
CROSS INDEX BY STATE WELL NUMBER

STATE WELL NUMBER	OWNER NAME	RECORDATION NUMBER	LOCAL DESIGNATION	BASIN NAME
1S4W22B	CARPENTER	NON-FILER		BNK HILL
1S4W22C	SAN BERNARDINO, CITY OF	NON-FILER	SEWER PLANT 2	BNK HILL
1S4W22G01S	SOUTHERN CALIFORNIA EDISON COMPANY	3601016	THORN 1	BNK HILL
1S4W22M	SMITH MEAT PACKING PLANT	NON-FILER		BNK HILL
1S4W23D	MEADOWBROOK DAIRY	3600030	IRRIG 2	BNK HILL
1S4W23D	MEADOWBROOK DAIRY	3600037	DOMESTC 1	BNK HILL
1S4W23K	TRI CITY MUTUAL WATER COMPANY	3601823		BNK HILL
1S4W23N	SAN BERNARDINO, CITY OF	3601316	1	BNK HILL
1S4W23N	TRI CITY MUTUAL WATER COMPANY	NON-FILER		BNK HILL
1S4W23N04	SAN BERNARDINO, CITY OF	3602521	2	BNK HILL
1S4W23P	INTER CITY MUTUAL WATER CO	NON-FILER		BNK HILL
1S4W23R03S	SO. SAN BERNARDINO COUNTY WATER DIST.	3602122	ROSEWOOD	BNK HILL
1S4W24	REDLANDS, CITY OF	3601636	LANGFORD	BNK HILL
1S4W24A	LOMA LINDA, CITY OF	3602759		BNK HILL
1S4W24C	LOMA LINDA, CITY OF	3602760		BNK HILL
1S4W24F	SO. SAN BERNARDINO COUNTY WATER DIST.	3602126	NEWGOULD	BNK HILL
1S4W24F04S	SO. SAN BERNARDINO COUNTY WATER DIST.	3602125	OLDGOULD	BNK HILL
1S4W24J	MT. VIEW CHILD CARE CENTER	NON-FILER		BNK HILL
1S4W24J	RIVAS	NON-FILER		BNK HILL
1S4W24J	RIVAS, RAMON	3600016	REES 4	BNK HILL
1S4W24J	TEXACO GAS STATION	NON-FILER		BNK HILL
1S4W24J	VANLEUVEN, CLARENCE	NON-FILER		BNK HILL



SAN BERNARDINO BASIN AREA  
CROSS INDEX BY STATE WELL NUMBER

STATE WELL NUMBER	OWNER NAME	RECORDATION NUMBER	LOCAL DESIGNATION	BASIN NAME
1S4W24J	VICTORIA SEVENTH DAY ADVENTIST	NON-FILER		BNK HILL
1S4W24K	MOORE, R. H.	NON-FILER		BNK HILL
1S4W24K01S	REDLANDS, CITY OF	3601299	34	BNK HILL
1S4W24N	LOMA LINDA UNIVERSITY	3602013	7	BNK HILL
1S4W24P	SO. SAN BERNARDINO COUNTY WATER DIST.	3602060	BENNETT WELL	BNK HILL
1S4W24R	LOMA LINDA, CITY OF	3602596	NEW GOLCONDA	BNK HILL
1S4W24R01S	LOMA LINDA, CITY OF	3601989	1	BNK HILL
1S4W25	LOMA LINDA, CITY OF	3601384	1	BNK HILL
1S4W25	LOMA LINDA, CITY OF	3601388	2	BNK HILL
1S4W25B	LOMA LINDA, CITY OF	3602015	LLU 9	BNK HILL
1S4W25B02S	LOMA LINDA, CITY OF	3602011	LLU 5	BNK HILL
1S4W25C	LOMA LINDA, CITY OF	3602057	MITTLEID	BNK HILL
1S4W25C01S	LOMA LINDA UNIVERSITY	3602012	6	BNK HILL
1S4W25D	LOMA LINDA UNIVERSITY	3602781		BNK HILL
1S4W25D05	LOMA LINDA UNIVERSITY	3602249	ANDERSON	BNK HILL
1S4W25D07	LOMA LINDA UNIVERSITY	3602855		BNK HILL
1S4W25E01S	LOMA LINDA UNIVERSITY	3602017	2	BNK HILL
1S4W25F	LOMA LINDA, CITY OF	3602058	CROOKS	BNK HILL
1S4W25G	LOMA LINDA, CITY OF	3602016	ROBINSON	BNK HILL
1S4W25G01S	LOMA LINDA UNIVERSITY	3602009	3	BNK HILL
1S4W25H02S	LOMA LINDA, CITY OF	3602010	LLU 4	BNK HILL
1S4W26A	LOMA LINDA UNIVERSITY	3602008	1	BNK HILL

SAN BERNARDINO BASIN AREA  
CROSS INDEX BY STATE WELL NUMBER

STATE WELL NUMBER	OWNER NAME	RECORDATION NUMBER	LOCAL DESIGNATION	BASIN NAME
1S4W26F	UNGER, V.E.	3601168		BNK HILL
1S4W26F01	MONTECITO MUTUAL WATER COMPANY	3600119	1	BNK HILL
1S4W26J01S	LOMA LINDA UNIVERSITY	3602014	8	BNK HILL
1S4W27H	AHMANSON RANCH	NON-FILER		BNK HILL
1S4W36J	WILEY, RUTH NORWOOD	3600052	1	BNK HILL
2N4W08M02	SAN BERNARDINO, CITY OF	3602844		DEVIL CAN
2N5W19	SAN BERNARDINO, CITY OF	3600710	CAJON	L CAJON
2N5W19K	SAN BERNARDINO, CITY OF	3602426	C.C. DIV.	L CAJON
2N5W19Q01	SAN BERNARDINO, CITY OF	3600709	VINCENT	L CAJON
2N5W20H	DEVORE WATER CO.	3602385	MEDLIN CR.	L CAJON
2N5W21E	DEVORE WATER CO.	3602386	LETHIN SP.	L CAJON
2N5W21G	DEVORE WATER CO.	3602388	KIMBARK	L CAJON
2N5W22E	DEVORE WATER CO.	3602387	E. KIMBARK	L CAJON
2N5W22N	DEVORE WATER CO.	3602389	HOPPER	L CAJON
2N5W28B	DEVORE WATER CO.	3602390	SANTA FE	L CAJON
2N5W28C	DEVORE WATER CO.	3602383	2	L CAJON
2N5W28C	DEVORE WATER CO.	3602384	3	L CAJON
2N5W28D	DEVORE WATER CO.	3602382	1	L CAJON
2N5W28D	DEVORE WATER CO.	3602391	CASADY	L CAJON
2N5W33F	SAN BERNARDINO, COUNTY OF	NON-FILER	GLEN HELEN 3	L CAJON
2N5W33G	SAN BERNARDINO, COUNTY OF	NON-FILER	GLEN HELEN 4	L CAJON
2N5W33H	DEVORE WATER CO.	3602428	4	L CAJON

SAN BERNARDINO BASIN AREA  
CROSS INDEX BY STATE WELL NUMBER

STATE WELL NUMBER	OWNER NAME	RECORDATION NUMBER	LOCAL DESIGNATION	BASIN NAME
2N5W33Q02	SAN BERNARDINO, COUNTY OF	NON-FILER	GLEN HELEN 2	L CAJON
2N6W26L1	FONTANA UNION WATER COMPANY	3600590	MN 2	LYTLE
2N6W26L2	FONTANA UNION WATER COMPANY	3600588	MN 1	LYTLE
2S2W06D	CRYSTAL SPRINGS	NON-FILER		BNK HILL
2S3W01E	REDLANDS, CITY OF	3600918	1	BNK HILL
2S3W03K	REDLANDS, CITY OF	3602082		BNK HILL
2S3W05A2	CANYON KNOLLS RANCH	3601632	MARCUM WELL	BNK HILL

CHANGE IN OWNERSHIP FROM BASE PERIOD

CHANGE IN OWNERSHIP FROM BASE PERIOD

FORMER OWNER	PRESENT OWNER	RECORDATION NUMBER	STATE WELL NUMBER	YEAR CHANGE IN VOLUME	SHOWN
AEROSPACE	SAN BERNARDINO, COUNTY OF	3600275	1S4W14A	1973	
ANDERSON MUTUAL WELL COMPANY, INC	EAST SAN BDNO. COUNTY WATER DIST.	NF	1N3W32	1970	
	EAST VALLEY WATER DISTRICT	3600275	1N3W32	1982	
BASELINE & LAPRAIX WELL	EAST SAN BDNO. COUNTY WATER DIST.	3600466	1N3W04	1973	
	EAST VALLEY WATER DISTRICT	3600466	1N3W04	1982	
BEAR VALLEY MUTUAL WATER COMPANY	EAST SAN BDNO. COUNTY WATER DIST.	3600026	1S3W4J	1971	
	EAST VALLEY WATER DISTRICT	3600026	1S3W4J	1982	
BEVERLY ASSOCIATES REC 3602065	REDLANDS, CITY OF REC 3602732	3602732	1S3W32J2	1978	
BIG BEAR TIMBER COMPANY	GOLDEN STATE BLDG. PRODUCTS	3602127	1S3W15A1	1973	
	GOLDEN BEAR FOREST PROD.	3602127	1S3W15A1	1980	
CALAGONIA GROVES	CRIM, W. ROSCOE	3601171	1S3W20F	1974	
CALIFORNIA, STATE OF	EAST, SAN BDNO. COUNTY WATER DIST.	3600926	1S4W01F2	1973	
		3600928	1N3W31L2	1973	
		3600930	1N3W31L3	1973	
	EAST VALLEY WATER DISTRICT	3600926	1N4W01F2	1982	
		3600928	1N3W31L2	1982	
		3600930	1N3W31L3	1982	
CALIFORNIA, STATE OF	SAN BERNARDINO, CITY OF	3600927	1N3W31B1	1973	
	EAST SAN BDNO. COUNTY WATER DIST.	3600927	1N3W31B1	1980	
	EAST VALLEY WATER DISTRICT	3600927	1N3W31B1	1982	
CAMERON RANCHO MUTUAL WATER COMPANY	EAST SAN BDNO. COUNTY WATER DIST.	3600643	1N4W25K1	1973	
	EAST VALLEY WATER DISTRICT	3600643	1N4W25K1	1982	
CANYON KNOLLS RANCH	LOMA LINDA HEIGHTS RANCHO	3601632	2S3W05A2	1979	
	CANYON KNOLLS RANCH	3601632	2S3W05A2	1982	
CARL'S RANCH C/O REDLANDS FARMING CO.	AIELLO RANCH C/O CRIM GROVE CARE 1970-71	3601172	1S3W20C	1970	
	CRIM WELL C/O REDLANDS FARMING CO. 1972-75	3601172	1S3W20C	1972	
	HUNTER/CRIM/ZARUBICA WELL 1975-	3601172	1S3W20C	1975	
CHURCH STREET MUTUAL WELL CO	REDLANDS, CITY OF	3602106	1S3W22A1	1970	
CITRUS PROPERTY MANAGEMENT CO.	BELL, H. EUGENE	3600449	1S3W20	1974	
CLIFFSIDE RANCH	TEAGLE, M., ESTATE	3602571	1S3W03F	1974	
	EAST SAN BER. CO. WATER DIST.	3602571	1S3W3F	1978	
	EAST VALLEY WATER DISTRICT	3602571	1S3W3F	1982	
COLTON AVENUE WATER COMPANY	REDLANDS, CITY OF	3600085	1S3W28J1	1973	
		3602346	1S3W28J2	1973	
COOK ORCHARDS CO.	EADINGTON FRUIT CO. COOK RANCH	3600527	1S3W16	1975	
CORWIN WELL COMPANY	EAST SAN BDNO. COUNTY WATER DIST.	3601184	1N3W33F1	1973	
	EAST VALLEY WATER DISTRICT	3601184	1N3W33F1	1982	
COUNTY HOSPITAL	SAN BERNARDINO, COUNTY OF	NF	1N4W35F	1971	
COURT STREET WATER COMPANY	LOMA LINDA, CITY OF	3601384	1S4W25	1971	
		3601388	1S4W25	1971	
CRAM, FRANCES L.	COGBILL, CLINTON L.	3601628	1S2W09Q	1979	
DANIELS, DON	DANIELS AND BEST RANCH	3602549	1S3W19J	1973	
DANIELS, HAROLD	DANIELS AND BEST RANCH	3602550	1S3W17R	1973	
DEL ROSA MUTUAL WATER CO.	EAST SAN BDNO. COUNTY WATER DIST.	3602370	1N4W25F	1976	
	EAST VALLEY WATER DISTRICT	3602370	1N4W25F	1982	
DEL ROSA MUTUAL WATER CO.	HODGDON, WARNER	3601810	1N4W23E	1976	
		3601811	1N4W14	1976	
DOUGLAS GAS STATION	TEXACO GAS STATION	NF	1S4W24J	1973	

CHANGE IN OWNERSHIP . . . . . JM BASE PERIOD

FORMER OWNER	PRESENT OWNER	RECORDATION NUMBER	STATE WELL NUMBER	YEAR CHANGE SHOWN IN VOLUME 1
E R DUNLOP	HOOVER WELL	3601649	1S3W28M	1973
EAST COLTON AVENUE WATER COMPANY	RAMIREZ, CARLOS	3601649	1S3W28M	1980
EAST HIGHLANDS DOMESTIC WATER CO	HINCKLEY, HORACE P.	3600240	1S2W30D	1982
		3601645	1S2W30B	1982
	SARATOGA DEVELOPMENT CO.	3600607	1S3W02	1973
		3600607-	1S3W02	1973
	EAST HIGHLANDS RANCH INC.	3600607-	1S3W02	1980

EAST HIGHLANDS ORANGE COMPANY	SARATOGA DEVELOPMENT CO.	3600598	1S3W02	1973
	EAST HIGHLANDS RANCH INC.	3600598	1S3W02	1980
	SARATOGA DEVELOPMENT CO.	3600604	1S2W07B	1973
	EAST HIGHLANDS RANCH INC.	3600604	1S2W07B	1980
	SARATOGA DEVELOPMENT CO.	3600605	1N3W36	1973
	EAST HIGHLANDS RANCH INC.	3600605	1N3W36	1980
	SARATOGA DEVELOPMENT CO.	3600606	1N3W35	1973
	EAST HIGHLANDS RANCH INC.	3600606	1N3W35	1980
	SARATOGA DEVELOPMENT CO.	3601639	1S3W03R1	1973
	EAST HIGHLANDS RANCH INC.	3601639	1S3W03R1	1980
	SARATOGA DEVELOPMENT CO.	3602474	1N3W25Q	1973
	EAST HIGHLANDS RANCH INC.	3602474	1N3W25Q	1980
	SARATOGA DEVELOPMENT CO.	NF	1S2W06	1977
	SUNRISE RANCH PART. C/O LIFE DEVEL. CO.	3600599	1S2W13	1973
		3600600	1S2W13	1973
		3600601	1S2W14	1973
		3600602	1S2W15P	1973
		3600603	1S2W15G	1973
		3601640	1S2W14	1973
		3601969	1S2W14L	1973
		3601979	1N4W14A	1976
EAST SAN BDNO. COUNTY WATER DISTRICT	HOOGDON, WARNER	NF	1N3W30C	1982
EAST SAN BDNO. COUNTY WATER DISTRICT	EAST VALLEY WATER DISTRICT	NF	1S3W04P	1982
		NF	1N3W30C	1982
		NF	1N3W31A	1982
		NF	1S3W05Q	1982
		NF	1N4W36H	1982
		NF	1S3W06	1982
		NF	1N3W31D	1982
		NF	1S3W06E	1982
		NF	1S3W06B	1982
		NF	1S3W06C	1982
		NF	1S4W02L	1982
		NF	1S3W06P	1982
		NF	1S3W05Q	1982
		NF	1S3W06M	1982

CHANGE IN OWNERSHIP FROM BASE PERIOD

FORMER OWNER	PRESENT OWNER	RECORDATION NUMBER	STATE WELL NUMBER	YEAR CHANGE SHOWN IN VOLUME 1
EAST SAN BDNO. COUNTY WATER DISTRICT	EAST VALLEY WATER DISTRICT	3600058	1S3W06Q	1982
		3600183	1S3W03N	1982
		3600269	1N4W25D	1982
		3600444	1S3W03N	1982
		3600855	1S3W05J	1982
		3600864	1S4W01D	1982
		3600970	1S3W06N	1982
		3600971	1S3W03F	1982
		3601584	1S4W02	1982
		3601653	1N3W31L	1982
		3601654	1N3W30H01S	1982
		3601655	1N3W28P01S	1982
		3601656	1N3W19	1982
		3601657	1N3W19F	1982
		3601658	1N3W33H01S	1982
		3601660	1N4W36K04S	1982
		3601661	1N4W36	1982
		3601662	1N4W36K05S	1982
		3601663	1N4W36Q01S	1982
		3601664	1S4W01B04S	1982
		3601665	1N4W36R01S	1982
		3601666	1S3W06H01S	1982
		3601667	1D3W06H04S	1982
		3601668	1S4W01J08S	1982
		3601669	1S4W02Q05S	1982
		3601670	1S4W02Q04S	1982
		3601671	1S4W02N01S	1982
		3601672	1S4W01K04S	1982
		3601673	1N4W36F08S	1982
		3601674	1S3W06A05S	1982
		3601675	1S4W01E02S	1982
		3601676	1N4W36H06S	1982
		3601677	1N4W26A01S	1982
		3601678	1N4W26A02S	1982
		3601679	1N4W25B	1982
		3601781	1N4W25C02S	1982
		3601884	1N4W25G01S	1982
		3601978	1N4W25A01S	1982
		3602034	1S4W12B05S	1982
		3602113	1S3W05A02S	1982
		3602274	1S3W05B04S	1982
			1S3W05N05S	1982
			1S3W06K01S	1982
			1N3W31C02S	1982
			1S3W04N	1982
			1S4W01Q	1982
			1N3W30N	1982
			1N3W30J	1982

CHANGE IN OWNERSHIP BASE PERIOD

FORMER OWNER	PRESENT OWNER	RECORDATION NUMBER	STATE WELL NUMBER	YEAR CHANGE SHOWN IN VOLUME 1
EAST SAN BDNO. COUNTY WATER DISTRICT	EAST VALLEY WATER DISTRICT	3602337	1N4W26A	1982
		3602338	1S3W04N	1982
		3602563	1S4W02Q	1982
		3602564	1S4W12B	1982
		3602712	1N4W08N	1977
		3601728	1S3W30	1970
		NF	1S3W04Q	1970
		NF	1S3W04Q	1982
		3600981	1S2W21H01	1978
		3600628	1S3W15G	1974
		3600034	1S4W16H	1970
		3600035	1S4W15M1	1970
		3602285	1S4W15D5	1970
		3600644	1S4W09B03S	1983
		3600645	1S4W09B01S	1983
		3600139	1S2W18R01S	1975
		3602280	1S2W18Q	1975
		3602079	1S3W03F	1974
		3602079	1S3W03F	1977
		3601316	1S4W23N	1977
		3602521	1S4W23N4	1977
		3602020	1S2W20K	1973
		3601280	1S3W29D	1970
		3601280	1S3W29D	1973
		3602060	1S4W24P	1976
		3602060	1S4W24P	1979
		3601173	1S3W32K	1975
		3600523	1S3W32G3	1973
		3600160	1S3W32G1	1974
		3602499	1S4W22A01	1979
		3600083	1N5W6	1970
		3602525	1S3W13C	1971
		3600018	1S2W29	1976
		NF	1N3W31	1973
		3600749	1S3W13	1983
		3601308	1S2W19K1	1978
		3602653	1S2W19J	1978
		3602654	1S2W19J	1978
		3602174	1S4W02	1974
		3602174	1S4W02	1975
		3602174	1S4W02	1980
		3602174	1S4W02	1982
		3601084	1S2W20K	1980
		3600270	1S3W20P	1982
		3600680	1S3W02	1982
		3601643	1S3W03Q	1982
		3600680	1S3W02	1982
		3601643	1S3W03Q	1982
		3601643	1S3W03Q	1982



CHANGE IN OWNERSHIP FROM BASE PERIOD

FORMER OWNER	PRESENT OWNER	RECORDATION NUMBER	STATE WELL NUMBER	YEAR CHANGE SHOWN IN VOLUME 1
NORTON VILLAGE, LTD.	EAST SAN BONO. COUNTY WATER DIST.	3600925	1S4W01Q1	1973
ORANGE ST. RANCH	EAST VALLEY WATER DISTRICT	3600925	1S4W01Q1	1982
PEYTON, A.L. OR IRENE A.	GRAM RANCH ASSOCIATES	3600241	1S3W03Q	1980
PEYTON, MRS. A.L.	SOMERS, R.	3601093	1N4W24	1977
REDLANDS ASSOCIATES	LA BONTE, JIM	3600865	1N4W24	1978
	BLUE GOOSE GROWERS INC.	3602529	1S2W09P2	1971
		3602530	1S2W09L2	1971
		3602531	1S2W09L3	1971
		3602531	1S2W09L3	1980
REDLANDS HEIGHTS WATER COMPANY	BLUE BANNER CO.	3600918	2S3W01E	1983
REES-REES RANCHES, INC.	REDLANDS, CITY OF	3600017	1S2W29	1976
	SELBY, DR. & MRS. ARTHUR	3600019	1S3W23	1978
	REDLANDS, CITY OF	3601085	1N4W31N	1973
	RIALTO, CITY OF	NF	1N3W34Q	1977
	PATTERSON, ROY H.	NF	1S3W04R	1975
	QUALITY FARMS	3601989	1S4W24R1	1970
	LOMA LINDA, CITY OF	3602010	1S4W25H2	1970
		3602011	1S4W25B2	1970
		3602015	1S4W25B	1970
		3602016	1S4W25G	1970
		3602057	1S4W25C	1970
		3602058	1S4W25F	1970
		3600484	1S3W16	1978
SECHREST, RALPH F.	RAMIREZ, J.-J.	3600545	1N3W30	1970
SELEY WELL CO	EAST SAN BONO. COUNTY WATER DIST.	3600545	1N3W30	1982
	EAST VALLEY WATER DISTRICT	3600468	1S3W30	1971
		3601352	1S3W19N	1980
SMITH, LEONA BERNICE	PAXTON, R. H.	3600451	1S3W15	1970
STANLEY BROWN CO.	LEWIS DEVELOPMENT CO.	3601582	1S4W02R	1975
STUCKER RANCH	BEELER, RAYMOND A.	3601582	1S4W02R	1982
SUNNYSIDE MUTUAL WATER COMPANY	EAST SAN BONO. COUNTY WATER DIST.	3600935	1N4W31N	1973
	EAST VALLEY WATER DISTRICT	3601420	1S3W09E	1970
	TRI CITY CONCRETE	3601420	1S3W09E	1980
	TRI CITY CONCRETE	3601420	1S1W20D	1975
	LIVINGSTON-GRAHAM	3602657	1S1W20D	1975
	YUCAIPA VALLEY COUNTY WATER DISTRICT	3602659	1S1W19G	1975
		NF	1S2W17	1975
		3601130	1S3W32D	1973
UNIVERSITY OF REDLANDS	KARAHALOIS	3600218	1N4W24	1977
VALLE VISTA RANCH CO.	LOMA LINDA, CITY OF	3600218	1N4W24	1979
VAN CAMP, GILBERT C.	CALLISON, ROY A. 1977-1978	3600218	1N4W24	1978
	LANGSTON-NEWBY DEVELOPMENT CO. 1979-	NF	1S4W24J	1978
	MT. VIEW CHILD CARE CENTER	NF	1S4W24J	1978
	VICTORIA SEVENTH DAY ADVENTIST	3600221	1N3W30	1970
	EAST SAN BONO. COUNTY WATER DIST.	3600221	1N3W30	1982
	EAST VALLEY WATER DISTRICT	NF	1N4W14C	1976
	HOOGDON, WARNER			
WEST TWIN CREEK WATER COMPANY				

TABLE NO. 1

EXTRACTIONS BY OWNERS (NON-PLAINTIFFS) WHICH  
HAVE RECORDATION FILINGS WITH THE STATE  
WATER RESOURCES CONTROL BOARD

TABLE NO. 1  
 VERIFIED EXTRACTATIONS BY OWNERS (NON-PLAINTIFFS) WHICH HAVE RECORDATION FILINGS  
 WITH THE STATE WATER RESOURCES CONTROL BOARD

OWNER	1959	1960	1961	1962	1963	1959-63 AVERAGE	1982	1983	1984	1985	1986	1982-86 AVERAGE
ARMSTRONG, DOUGLAS												
3600076 1S3W17 W	286	342	-	-	-	126	-	-	-	-	-	0
ARROWHEAD COUNTRY CLUB												
3601925 1N4W23E W	600	607	650	650	650	631	353	310	410	398	450	384
ARROYO VERDE MUTUAL WATER CO.												
3602068 1S4W01A02S W	166	186	162	168	141	165	75	61	73	79	100	78
3602069 1S4W01A W	-	-	-	-	-	0	45	36	42	46	1	34
OWNER TOTAL	166*	186*	162*	168*	141*	165*	120*	97*	115*	125*	101*	112*
ATCHISON, TOPEKA & SANTA FE RAILWAY CO.												
3600178 1S4W08F02S W	158	127	113	110	69	115	-	-	-	-	-	0
3600179 1S4W08F W	158	127	113	110	69	115	-	-	-	-	-	0
OWNER TOTAL	316*	254*	226*	220*	138*	231*	0*	0*	0*	0*	0*	0*
B M I FUNDS												
3600107 1S3W21P01 W	343	323	165	165	-	199	-	-	-	-	-	0
BARNO, JOHN												
3602079 1S3W03F W <sup>1</sup>	-	-	-	-	34	7	0	0	0	0	0	0
BASE LINE WELL COMPANY												
3600456 1N3W33R02S W	0	0	0	0	0	0	-	-	-	-	-	0
BASELINE GARDENS MUTUAL WATER COMPANY												
3600457 1N4W35J02S W	28	28	28	28	28	28	0	0	0	0	0	0

1 FORMERLY INLAND FARMING CO.

TABLE NO. 1  
 VERIFIED EXTRACTIONS BY OWNERS (NON-PLAINTIFFS) WHICH HAVE RECORDATION FILINGS  
 WITH THE STATE WATER RESOURCES CONTROL BOARD

OWNER	1959	1960	1961	1962	1963	1959-63 AVERAGE	1982	1983	1984	1985	1986	1982-86 AVERAGE
BASELINE GARDENS MUTUAL WATER COMPANY (CONTINUED)												
3600458 1N4W36M01S W	275	275	275	275	275	275	121	203	0	85	100	102
3602528 1N4W35R01 W	-	-	-	-	-	0	225	305	496	413	400	368
OWNER TOTAL	303*	303*	303*	303*	303*	303*	346*	508*	496*	498*	500*	470*
BEAR VALLEY MUTUAL WATER COMPANY												
3600021 1N2W26H W	687	556	465	555	532	559	121	24	388	433	370	267
3600022 1N2W34 W	531	522	351	472	458	467	126	28	351	439	524	294
3600023 1S3W24C W	1780	1845	2434	1726	1444	1846	0	0	0	0	0	0
3600024 1S2W19D W	0	219	163	32	8	84	0	0	0	0	0	0
3600025 1N3W29R01S W	0	0	170	0	0	34	-	-	-	-	-	0
3600027 1N2W10N W	266	170	196	180	106	184	-	-	-	-	-	0
3600028 1S2W04N D <sup>1</sup>	19622	15927	11418	13528	10836	14266	18600	19209	23392	19837	23160	20840
3601586 1S3W15F02S W	0	0	2177	1354	1488	1004	0	0	0	0	932	186
OWNER TOTAL	22886*	19239*	17374*	17847*	14872*	18444*	18847*	19261*	24131*	20709*	24986*	21587*
BEELER, RAYMOND A. <sup>2</sup>												
3600451 1S3W15 W	962	700	940	784	816	840	664	497	1016	768	840	757
BELL, H. EUGENE <sup>3</sup>												
3600449 1S3W20 W	115	88	30	85	167	97	0	0	0	0	0	0

1 COMMENCING 1974 INCLUDES GROSS SANTA ANA RIVER DIVERSIONS--SEE TABLE NO. 6 FOR VERIFIED DIVERSIONS

2 FORMERLY STUCKER RANCH

3 FORMERLY CITRUS PROPERTY MANAGEMENT CO.

TABLE NO. 1  
 VERIFIED EXTRACTATIONS BY OWNERS (NON-PLAINTIFFS) WHICH HAVE RECORDATION FILINGS  
 WITH THE STATE WATER RESOURCES CONTROL BOARD

OWNER	1959	1960	1961	1962	1963	1959-63 AVERAGE	1982	1983	1984	1985	1986	1982-86 AVERAGE
BERMAN, JERRY & SONS												
3602007 1S4W02 W	-	-	-	28	32	12	15	14	23	26	16	19
BLUE BANNER CO.												
3602531 1S2W09L03S D <sup>1</sup>	-	-	-	-	-	0	80	117	117	100	100	103
BLUE GOOSE GROWERS INC												
3602529 1S2W09P02 W <sup>1</sup>	-	-	-	-	-	0	0	0	0	0	0	0
3602530 1S2W09L02S W <sup>1</sup>	-	-	-	-	-	0	0	0	-	0	0	0
OWNER TOTAL	0*	0*	0*	0*	0*	0*	0*	0*	0*	0*	0*	0*
BRISTOL RANCH												
3601631 1N3W34C02S W	90	100	160	108	108	113	0	0	0	0	0	0
BROOKSIDE DAIRY, INC												
3600036 1S3W33D W	302	302	312	312	313	308	0	0	0	0	0	0
BRYN MAWR MUTUAL WATER COMPANY												
3600053 1S3W31A W	585	470	583	296	249	437	308	287	478	357	386	363
3600054 1S3W31A W	306	330	375	295	0	261	-	-	-	-	-	0
3600055 1S3W31A W	306	330	375	0	249	252	0	0	0	0	0	0
3602109 1S3W31B00S W	0	0	0	708	554	252	172	138	169	147	40	133
OWNER TOTAL	1197*	1130*	1333*	1299*	1052*	1202*	480*	425*	647*	504*	426*	496*
BUOYE WELL												
3602062 1S2W29N W	0	0	146	160	177	97	0	0	0	0	0	0

<sup>1</sup> PRIOR TO 1972 SEE NON-FILED EXTRACTATIONS TABLE NO. 2 REDLANDS ASSOCIATES

TABLE NO. 1  
 VERIFIED EXTRACTATIONS BY OWNERS (NON-PLAINTIFFS) WHICH HAVE RECORDATION FILINGS  
 WITH THE STATE WATER RESOURCES CONTROL BOARD

OWNER	1959	1960	1961	1962	1963	1959-63 AVERAGE	1982	1983	1984	1985	1986	1982-86 AVERAGE
CALIFORNIA, STATE OF PATTON HOSPITAL												
3600923 1N3W32C01S W	211	286	257	218	212	237	-	-	-	-	-	0
3600924 1N3W29M01S W	175	223	146	156	143	169	-	-	-	-	-	0
3600924- 1N3W29M W	-	-	-	-	-	0	232	167	160	150	92	160
3600929 1N3W31K02S W	41	-	-	-	0	8	-	-	-	-	-	0
3600931 1N3W29N01S W	520	227	282	303	307	328	13	98	116	130	203	112
3601930 1N3W32C02S W	-	340	400	326	295	272	1	0	0	0	17	4
3602381 1N3W29M W	-	-	-	-	-	0	156	217	284	338	248	249
OWNER TOTAL	947*	1076*	1085*	1003*	957*	1014*	402*	482*	560*	618*	560*	524*
CANYON KNOLLS RANCH												
3601632 2S3W05A2 W	104	85	105	88	87	94	165	148	159	74	77	125
CANYON RANCH												
3600523 1S3W32G03S W <sup>1</sup>	298	222	101	109	103	167	0	0	0	0	0	0
CARDIFF FARMS MUTUAL WATER COMPANY												
3600973 1S4W12D W	445	391	432	339	384	398	421	340	240	200	200	280
3601619 1S4W12D W	73	64	70	64	62	67	57	116	270	240	250	187
OWNER TOTAL	518*	455*	502*	403*	446*	465*	478*	456*	510*	440*	450*	467*
CHARLES, J. J.												
3600815 1S3W06 W	-	-	-	-	-	0	-	-	-	-	-	0

<sup>1</sup> FORMERLY LANGFORD RANCHES

TABLE NO. 1  
 VERIFIED EXTRACTIONS BY OWNERS (NON-PLAINTIFFS) WHICH HAVE RECORDATION FILINGS  
 WITH THE STATE WATER RESOURCES CONTROL BOARD

OWNER	1959	1960	1961	1962	1963	1959-63 AVERAGE	1982	1983	1984	1985	1986	1982-86 AVERAGE
CHRISTENSEN, JACK O.												
3601352 1S3W19N W <sup>1</sup>	507	493	300	285	280	373	80	66	158	121	105	106
CHRISTINA WATER COMPANY												
3601751 1S3W21E W	1302	1403	700	865	793	1013	89	0	150	236	135	122
COGBILL, CLINTON L.												
3601628 1S2W09Q W <sup>2</sup>	312	296	325	181	91	241	1	1	1	1	30	7
COLTON, CITY OF												
3601250 1S4W08R W	326	132	102	133	121	163	0	-	0	FC	-	0
3601251 1S4W08R W	0	101	233	578	227	228	0	36	207	52	11	61
3601252 1S4W05R W	463	733	129	154	62	308	-	-	-	-	-	0
3601253 1S4W08R W	376	526	364	339	189	359	42	369	879	746	892	586
3601254 1S4W08F W	111	172	257	378	651	314	885	721	1111	841	496	811
3601256 1S4W09N W	114	79	77	13	11	59	0	-	0	FC	-	0
3601257 1S4W08F W	786	519	726	861	919	762	1124	954	724	1360	767	986
3601258 1S4W08R W	10	4	163	228	210	123	454	16	414	463	352	340
3601260 1S4W08F01S W	628	1066	967	689	595	789	656	592	796	1022	813	776
3601262 1S4W08C02S W	0	274	287	370	282	243	0	-	-	FC	-	0
3602405 1S4W08C W	-	-	-	-	-	0	458	70	250	202	561	308

1 AFTER 1968 INCLUDES WATER PUMPED BY CITY OF REDLANDS FROM THIS WELL, FORMERLY STANLEY BROWN CO.

2 FORMERLY CRAM, FRANCES L.

TABLE NO. 1  
 VERIFIED EXTRACTIONS BY OWNERS (NON-PLAINTIFFS) WHICH HAVE RECORDATION FILINGS  
 WITH THE STATE WATER RESOURCES CONTROL BOARD

OWNER	1959	1960	1961	1962	1963	1959-63 AVERAGE	1982	1983	1984	1985	1986	1982-86 AVERAGE
(CONTINUED)												
COLTON, CITY OF												
3602498 1S4W08R07 W <sup>1</sup>	-	-	-	-	-	0	110	167	6	0	0	57
3602793 1S4W08F01 W <sup>2</sup>	-	-	-	-	-	0	1286	1993	1962	2516	3011	2154
OWNER TOTAL	2814*	3606*	3305*	3743*	3267*	3347*	5015*	4918*	6349*	7202*	6903*	6077*
CONEJO RANCHOS MUTUAL WATER COMPANY												
3601186 1N4W36F03S W	-	-	-	-	-	0	-	-	-	-	-	0
CRAFTON WATER COMPANY												
3600272 1S2W29N W	623	750	854	483	477	637	20	5	354	1	1	76
3602186 1S2W21L02 W	-	-	57	262	181	100	6	0	51	9	0	13
OWNER TOTAL	623*	750*	911*	745*	658*	737*	26*	5*	405*	10*	1*	89*
CRAM PATTERSON WELL												
3600188 1S2W16 W	413	257	361	277	294	320	284	248	414	334	423	341
CRAM RANCH ASSOCIATES												
3600241 1S3W03Q W <sup>3</sup>	220	194	179	190	224	201	0	0	0	0	2	0
CRIM, W. ROSCOE												
3601171 1S3W20F W <sup>4</sup>	389	343	435	413	396	395	263	322	494	441	542	412
1 WELL DRILLED 1972												
2 WELL DRILLED 1981												
3 FORMERLY ORANGE ST. RANCH												
4 FORMERLY CALAGONIA GROVES												



TABLE NO. 1  
 VERIFIED EXTRACTATIONS BY OWNERS (NON-PLAINTIFFS) WHICH HAVE RECORDATION FILINGS  
 WITH THE STATE WATER RESOURCES CONTROL BOARD

OWNER	1959	1960	1961	1962	1963	1959-63 AVERAGE	1982	1983	1984	1985	1986	1982-86 AVERAGE
DANIELS AND BEST RANCH												
3602549 1S3W19J W <sup>1</sup>	-	-	-	-	-	0	72	114	114	72	108	96
3602550 1S3W17R W <sup>2</sup>	-	-	-	-	-	0	285	285	285	125	100	216
OWNER TOTAL	0*	0*	0*	0*	0*	0*	357*	399*	399*	197*	208*	312*
DEL ROSA MUTUAL WATER COMPANY												
3601809 1N4W26 W	94	100	561	529	284	314	-	-	-	-	-	0
DEVORE WATER CO.												
3602382 2N5W28D W	-	-	-	-	-	0	-	-	-	-	-	0
3602383 2N5W28C W	35	57	80	15	32	44	57	11	74	90	65	59
3602384 2N5W28C W	-	-	-	5	17	4	46	9	63	76	56	50
3602385 2N5W20H D	2	2	2	3	3	2	5	8	8	7	8	7
3602386 2N5W21E D	9	7	6	11	9	8	19	27	26	23	27	24
3602387 2N5W22E D	35	27	22	42	31	31	69	99	95	86	99	90
3602388 2N5W21G D	45	36	30	56	44	42	93	134	129	117	133	121
3602389 2N5W22N D	0	0	0	0	0	0	-	-	-	-	-	0
3602390 2N5W28B D	0	0	0	0	0	0	-	-	-	-	-	0
3602391 2N5W28D D	0	0	0	0	0	0	-	-	-	-	-	0
3602428 2N5W33H W	-	-	-	-	-	0	0	0	0	24	0	5

1 PRIOR TO 1973 SEE NON-FILED EXTRACTATIONS TABLE NO. 2 DANIELS, DON

2 PRIOR TO 1973 SEE NON-FILED EXTRACTATIONS TABLE NO. 2 DANIELS, HAROLD

TABLE NO. 1  
 VERIFIED EXTRACTIONS BY OWNERS (NON-PLAINTIFFS) WHICH HAVE RECORDATION FILINGS  
 WITH THE STATE WATER RESOURCES CONTROL BOARD

OWNER	1959	1960	1961	1962	1963	1959-63 AVERAGE	1982	1983	1984	1985	1986	1982-86 AVERAGE
OWNER TOTAL	126*	129*	140*	132*	136*	133*	289*	288*	395*	423*	388*	357*
DUDA, WALTER AND BETTY												
3601839 1S3W10D01S W 5	13	37	21	22	20	29	39	51	52	63	47	
EADINGTON FRUIT CO. COOK RANCH												
3600527 1S3W16 W <sup>1</sup>	133	133	133	133	133	107	69	137	139	150	120	
EAST BARTON WATER COMPANY												
3600608 1S3W28B01S W 168	127	135	274	145	170	-	-	-	-	-	-	0
EAST HIGHLANDS RANCH, INC.												
3600598 1S3W02 W <sup>2</sup>	1116	1071	1166	1111	1071	1107	226	0	0	0	0	45
3600604 1S2W07B W <sup>2</sup>	315	325	0	67	0	141	0	0	0	0	0	0
3600605 1N3W36 D <sup>2</sup>	757	430	399	828	662	615	1172	1320	1276	981	864	1123
3600606 1N3W35 W <sup>2</sup>	135	135	135	135	135	135	112	109	109	10	10	70
3600607 1S3W02 W <sup>3</sup>	955	900	990	945	875	933	-	-	-	-	-	0
3600607- 1S3W02 W <sup>3</sup>	-	-	-	-	-	0	0	0	0	0	0	0
3601639 1S3W03R01 W <sup>4</sup>	841	944	1116	1095	1111	1021	0	0	0	404	404	162
3602474 1N3W25Q D <sup>5</sup>	-	-	-	-	-	0	70	70	70	100	100	82

1 FORMERLY COOK ORCHARDS COMPANY  
 2 FORMERLY EAST HIGHLANDS ORANGE COMPANY  
 3 FORMERLY EAST HIGHLANDS DOMESTIC WATER COMPANY  
 4 FORMERLY EAST HIGHLANDS ORANGE COMPANY  
 5 FORMERLY EAST HIGHLANDS ORANGE COMPANY PRIOR TO 1972 SEE NON-FILED EXTRACTIONS TABLE NO. 2 EAST HIGHLANDS ORANGE COMPANY

TABLE NO. 1  
 VERIFIED EXTRACTATIONS BY OWNERS (NON-PLAINTIFFS) WHICH HAVE RECORDATION FILINGS  
 WITH THE STATE WATER RESOURCES CONTROL BOARD

OWNER	1959	1960	1961	1962	1963	1959-63 AVERAGE	1982	1983	1984	1985	1986	1982-86 AVERAGE
OWNER TOTAL	4119*	3805*	3806*	4181*	3854*	3953*	1580*	1499*	1455*	1495*	1378*	1481*
EAST LUGONIA MUTUAL WATER CO.												
3600005 1S3W35H08S W	741	493	543	448	391	523	0	0	0	0	0	0
3600006 1S2W19G01S W	261	131	94	12	0	100	0	0	0	0	0	0
3600038 1S2W17 D	-	-	-	-	-	0	0	0	0	0	0	0
OWNER TOTAL	1002*	624*	637*	460*	391*	623*	0*	0*	0*	0*	0*	0*
EAST PIONEER MUTUAL WELL COMPANY												
3602224 1S3W13P W	776	692	876	403	431	636	132	77	103	141	158	122
EAST VALLEY WATER DISTRICT												
3600026 1S3W04J W <sup>1</sup>	1711	1467	2031	1017	760	1397	0	0	0	0	0	0
3600058 1S3W03F W <sup>2</sup>	178	160	130	124	28	124	0	0	0	0	0	0
3600183 1S4W02 W <sup>2</sup>	75	70	69	28	28	54	0	0	0	0	0	0
3600221 1N3W30 W <sup>3</sup>	413	339	339	415	498	401	0	0	0	0	0	0
3600269 1N3W31L W <sup>4</sup>	40	33	62	53	4	38	0	0	0	0	0	0
3600275 1N3W32 W <sup>5</sup>	126	126	159	170	0	116	0	0	0	0	0	0

1 FORMERLY BEAR VALLEY MUTUAL WATER COMPANY, FORMERLY EAST SAN BDNO. COUNTY WATER DIST.  
 2 FORMERLY EAST SAN BDNO. COUNTY WATER DIST.  
 3 FORMERLY WEST HIGHLAND WELL COMPANY, FORMERLY EAST SAN BDNO. COUNTY WATER DIST.  
 4 FORMERLY EAST SAN BDNO. COUNTY WATER DIST.  
 5 FORMERLY ANDERSON MUTUAL WELL COMPANY INC., FORMERLY EAST SAN BDNO. COUNTY WATER DIST.

TABLE NO. 1  
 VERIFIED EXTRACTIONS BY OWNERS (NON-PLAINTIFFS) WHICH HAVE RECORDATION FILINGS  
 WITH THE STATE WATER RESOURCES CONTROL BOARD

OWNER	1959	1960	1961	1962	1963	1959-63 AVERAGE	1982	1983	1984	1985	1986	1982-86 AVERAGE
EAST VALLEY WATER DISTRICT												
3600444 1N3W30H01S W <sup>1</sup>	115	174	302	383	204	236	0	0	0	0	0	0
3600466 1S3W04 W <sup>2</sup>	318	248	316	225	244	270	0	0	0	0	0	0
3600545 1N3W30 W <sup>3</sup>	208	174	141	174	3	140	0	0	0	0	0	0
3600643 1N4W25K01 W <sup>4</sup>	-	21	14	12	10	11	0	0	0	0	0	0
3600680 1S3W02 W <sup>5</sup>	789	573	715	533	593	641	0	0	0	0	0	0
3600855 1N3W28P01S W <sup>6</sup>	-	-	-	-	-	0	0	0	0	0	0	0
3600864 1N3W19 W <sup>7</sup>	1	-	-	-	-	0	0	0	0	0	0	0
3600925 1S4W01Q01 W <sup>8</sup>	384	258	244	292	151	266	0	0	0	0	0	0
3600926 1S4W01F02S W <sup>8</sup>	368	441	512	441	490	450	0	0	0	0	0	0
3600927 1N3W31B01 W <sup>8</sup>	399	401	259	301	242	320	0	0	0	0	0	0
3600928 1N3W31L02S W <sup>8</sup>	0	114	229	200	152	139	0	0	0	0	0	0

- 1 FORMERLY EAST SAN BDNO. COUNTY WATER DIST.
- 2 FORMERLY BASELINE & LAPRAIX WELL, FORMERLY EAST SAN BDNO. COUNTY WATER DIST.
- 3 FORMERLY SELEY WELL COMPANY, FORMERLY EAST SAN BDNO. COUNTY WATER DIST.
- 4 FORMERLY CAMERON RANCHO MUTUAL WATER COMPANY WELL FILLED AND CAPPED 1969, FORMERLY EAST SAN BDNO. COUNTY WATER DIST.
- 5 FORMERLY NORTH FORK WATER COMPANY, FORMERLY EAST SAN BDNO. COUNTY WATERDIST.
- 6 FORMERLY EAST SAN BDNO. COUNTY WATER DIST.
- 7 FORMERLY NORTON VILLAGE, LTD., FORMERLY EAST SAN BDNO. COUNTY WATER DIST.
- 8 FORMERLY CALIFORNIA, STATE OF PATTON HOSPITAL, FORMERLY EAST SAN BDNO. COUNTY WATER DIST.

TABLE NO. 1  
 VERIFIED EXTRACTATIONS BY OWNERS (NON-PLAINTIFFS) WHICH HAVE RECORDATION FILINGS  
 WITH THE STATE WATER RESOURCES CONTROL BOARD

OWNER	1959	1960	1961	1962	1963	1959-63 AVERAGE	1982	1983	1984	1985	1986	1982-86 AVERAGE
(CONTINUED)												
EAST VALLEY WATER DISTRICT												
3600930	206	133	114	214	110	155	0	0	0	0	0	0
1N3W31L03S W <sup>1</sup>												
3600970	20	20	15	10	10	15	0	0	0	0	0	0
1N3W19 W <sup>2</sup>												
3600971	49	49	49	49	49	49	0	0	0	0	0	0
1N3W19F D <sup>2</sup>												
3601184	229	485	573	575	497	472	0	0	0	0	0	0
1N3W33F01S W <sup>3</sup>												
3601582	209	161	154	153	153	166	0	0	0	0	0	0
1S4W02R W <sup>4</sup>												
3601584	84	77	75	54	44	67	0	0	0	0	0	0
1N3W33H01S W <sup>5</sup>												
3601643	0	0	1411	1286	1064	752	0	0	0	0	0	0
1S3W03Q W <sup>6</sup>												
3601653	0	0	0	0	0	0	0	0	0	0	0	0
1N4W36K04S W <sup>7</sup>												
3601654	10	0	0	0	0	2	0	0	0	0	0	0
1N4W36 W <sup>7</sup>												
3601655	0	0	0	0	0	0	0	0	0	0	0	0
1N4W36K05S W <sup>7</sup>												
3601656	0	0	2	28	0	6	0	0	0	0	0	0
1N4W36Q01S W <sup>7</sup>												
3601657	0	60	21	17	67	33	0	0	0	0	0	0
1S4W01B04S W <sup>7</sup>												

- 1 FORMERLY CALIFORNIA, STATE OF PATTON HOSPITAL, FORMERLY EAST SAN BDNO. COUNTY WATER DIST.
- 2 FORMERLY EAST SAN BDNO. COUNTY WATER DIST.
- 3 FORMERLY CORWIN WELL COMPANY, FORMERLY EAST SAN BDNO. COUNTY WATER DIST.
- 4 FORMERLY SUNNYSIDE MUTUAL WATER COMPANY, FORMERLY EAST SAN BDNO. COUNTY WATER DIST.
- 5 FORMERLY EAST SAN BDNO. COUNTY WATER DIST.
- 6 FORMERLY NORTH FORK WATER COMPANY, FORMERLY EAST SAN BDNO. COUNTY WATER DIST.
- 7 FORMERLY EAST SAN BDNO. COUNTY WATER DIST.

TABLE NO. 1  
 VERIFIED EXTRACTIONS BY OWNERS (NON-PLAINTIFFS) WHICH HAVE RECORDATION FILINGS  
 WITH THE STATE WATER RESOURCES CONTROL BOARD

OWNER	1959	1960	1961	1962	1963	1959-63 AVERAGE	1982	1983	1984	1985	1986	1982-86 AVERAGE
(CONTINUED)												
EAST VALLEY WATER DISTRICT												
3601658	0	0	0	0	0	0	0	0	0	0	0	0
3601659	0	0	0	0	0	0	0	0	0	0	0	0
3601660	260	572	803	543	771	590	2987	2661	2688	1207	1624	2233
3601661	-	-	0	0	0	0	0	0	0	0	0	0
3601662	739	556	541	407	487	546	0	0	0	0	0	0
3601663	257	284	279	265	204	258	0	0	0	0	0	0
3601664	0	0	0	0	0	0	0	0	0	0	0	0
3601665	254	423	382	153	33	249	0	0	0	0	0	0
3601666	0	0	0	0	0	0	0	0	0	0	0	0
3601667	0	0	0	0	0	0	0	0	0	0	0	0
3601668	68	92	82	104	217	113	0	0	0	0	0	0
3601669	-	-	-	-	-	0	0	0	0	0	0	0
3601670	252	261	264	332	168	255	0	0	0	0	0	0
3601671	671	830	833	1042	817	839	10	213	587	1115	627	510
3601672	0	0	0	0	0	0	0	0	0	0	0	0
3601673	656	602	920	865	1059	820	748	830	876	1521	99	815
3601674	0	0	0	0	0	0	0	0	0	0	0	0
3601675	913	824	809	538	456	708	2	6	2	581	453	209

1 FORMERLY EAST SAN BDNO. COUNTY WATER DIST.

TABLE NO. 1  
 VERIFIED EXTRACTIONS BY OWNERS (NON-PLAINTIFFS) WHICH HAVE RECORDATION FILINGS  
 WITH THE STATE WATER RESOURCES CONTROL BOARD

OWNER	1959	1960	1961	1962	1963	1959-63 AVERAGE	1982	1983	1984	1985	1986	1982-86 AVERAGE
EAST VALLEY WATER DISTRICT												
3601676 1S4W12B05S W <sup>1</sup>	125	145	174	238	264	189	0	0	0	0	0	0
3601677 1S3W05A02S W <sup>1</sup>	0	-	-	-	-	0	0	0	0	0	0	0
3601678 1S3W05B04S W <sup>2</sup>	-	-	-	-	-	0	0	0	0	0	0	0
3601679 1S3W05N05S W <sup>3</sup>	0	0	0	0	0	0	0	0	0	0	0	0
3601781 1S3W06K01S W <sup>3</sup>	0	0	0	0	0	0	0	0	0	0	0	0
3601884 1N3W31C02S W <sup>3</sup>	116	116	116	116	90	111	0	0	0	0	0	0
3601978 1S3W04N W <sup>3</sup>	1	3	6	6	5	4	0	0	0	0	0	0
3602034 1S4W01Q W <sup>3</sup>	-	-	-	252	1021	255	637	679	2260	2434	2662	1734
3602113 1N3W30N W <sup>4</sup>	273	216	254	159	241	229	443	235	146	612	117	311
3602174 1S4W02 W <sup>5</sup>	172	172	172	172	172	172	0	0	0	0	0	0
3602274 1N3W30J W <sup>5</sup>	-	-	-	-	-	0	174	42	71	496	281	213
3602337 1N4W26A W <sup>5</sup>	-	-	-	-	-	0	1167	1563	2294	16	2347	1477
3602338 1S3W04N W <sup>6</sup>	-	-	-	-	-	0	9	0	0	0	0	2
3602370 1N4W25F W <sup>6</sup>	-	-	-	-	-	0	2187	1230	1675	2523	2503	2024

1 FORMERLY EAST SAN BDNO. COUNTY WATER DIST.  
 2 WELL DESTROYED PRIOR TO BASE PERIOD, FORMERLY EAST SAN BDNO. COUNTY WATER DIST.  
 3 FORMERLY EAST SAN BDNO. COUNTY WATER DIST.  
 4 FORMERLY MEYER, ERNEST, FORMERLY EAST SAN BDNO. COUNTY WATER DIST.  
 5 FORMERLY EAST SAN BDNO. COUNTY WATER DIST.  
 6 FORMERLY DEL ROSA MUTUAL WATER COMPANY, FORMERLY EAST SAN BDNO. COUNTY WATER DIST.

TABLE NO. 1  
 VERIFIED EXTRACTIONS BY OWNERS (NON-PLAINTIFFS) WHICH HAVE RECORDATION FILINGS  
 WITH THE STATE WATER RESOURCES CONTROL BOARD

OWNER	1959	1960	1961	1962	1963	1959-63 AVERAGE	1982	1983	1984	1985	1986	1982-86 AVERAGE
EAST VALLEY WATER DISTRICT												
3602563 1S4W02Q W <sup>1</sup>	-	-	-	-	-	0	0	0	0	2540	0	508
3602564 1S4W12B W <sup>2</sup>	-	-	-	-	-	0	891	793	770	38	165	531
3602571 1S3W03F W <sup>3</sup>	-	-	-	-	-	0	160	126	148	72	1	101
3602799 1S2W07H01 W <sup>4</sup>	-	-	-	-	-	0	1399	2196	1937	715	1297	1509
OWNER TOTAL	10689*	10680*	13571*	11946*	11406*	11658*	10814*	10574*	13454*	13870*	12176*	12178*
EASTWOOD FARMS COMMUNITY WATER USERS												
3602130 1S4W01P01S W <sup>99</sup>	115	115	165	105	125	122	20	17	17	17	20	18
3602131 1S4W01P02S W <sup>101</sup>	115	115	165	105	125	122	80	70	70	70	80	74
OWNER TOTAL	200*	230*	330*	210*	250*	244*	100*	87*	87*	87*	100*	92*
ELTINGE & GRAZIADIO												
3600766 1S3W29A01 W	122	81	64	49	32	70	0	0	0	0	0	0
F. A. R. WELL												
3602020 1S2W20K W <sup>5</sup>	-	-	-	272	264	107	87	89	189	132	129	125
FAIRVIEW WATER COMPANY												
3600554 1S3W17 W	1395	875	825	780	575	890	188	166	306	548	529	347
1 WELL DRILLED 1972 EXTRACTIONS VERIFIED DURING THE 1974 VERIFICATION, FORMERLY E.S.B.C.W.D.												
2 FORMERLY EAST SAN BDNO. COUNTY WATER DIST.												
3 FORMERLY CLIFFSIDE RANCH PRIOR TO 1974 SEE NON-FILED EXTRACTIONS TABLE NO. 2 CLIFFSIDE RANCH, FORMERLY E.S.B.C.W.D.												
4 WELL DRILLED 1981, FORMERLY EAST SAN BDNO. COUNTY WATER DIST.												
5 FORMERLY JACINTO, FRANK JR												



TABLE NO. 1  
 VERIFIED EXTRACTATIONS BY OWNERS (NON-PLAINTIFFS) WHICH HAVE RECORDATION FILINGS  
 WITH THE STATE WATER RESOURCES CONTROL BOARD

OWNER	1959	1960	1961	1962	1963	1959-63 AVERAGE	1982	1983	1984	1985	1986	1982-86 AVERAGE
FONTANA UNION WATER COMPANY												
3600561 1N5W23K01S W	1393	1396	1765	746	726	1205	0	0	0	0	0	0
3600562 1N5W22F02S W	1095	880	994	588	714	854	922	338	434	1083	995	754
3600563 1N5W22C02S W	938	625	371	231	195	472	947	543	890	1185	800	873
3600569 1N5W22A01S W	1783	1876	1539	272	47	1103	883	81	1002	1045	1696	941
3600579 1N5W22F03S W	0	0	0	0	0	0	742	877	1067	497	168	670
3600580 1N5W22F01S W	1631	1329	942	855	881	1128	968	326	522	1649	1095	912
3600581 1N5W07H01S W	319	0	0	105	0	85	0	11	182	92	0	57
3600582 1N5W06G01S W	652	204	58	306	42	252	0	0	190	269	5	93
3600585 1N5W16K01S W	1051	6	0	0	0	211	676	233	1056	1143	288	679
3600586 1N5W06K02S W	307	355	299	418	174	311	0	0	441	8	1	90
3600588 2N6W26L2 W	0	0	0	0	0	0	0	0	0	0	0	0
3600590 2N6W26L1 W	2185	3145	3006	2421	3162	2784	0	0	0	0	0	0
3600591 1N5W06E D <sup>1</sup>	8487	5833	4321	8732	6145	6704	3402	3753	2446	2743	1798	2828
3602727 1N5W15Q02S W <sup>2</sup>	-	-	-	FC	-	0	590	614	1367	1396	383	870
OWNER TOTAL	19841*	15649*	13295*	14674*	12086*	15109*	9130*	6776*	9597*	11110*	7229*	8768*
FRIEDEMANN, ERNEST C.												
3600747 1N3W31P02S W	90	85	75	50	50	70	-	-	-	-	-	0

<sup>1</sup> INCLUDES GROSS LYTLE CREEK DIVERSIONS--SEE TABLE NO. 4 FOR VERIFIED DIVERSIONS FROM LYTLE CREEK

<sup>2</sup> FORMERLY FONTANA UNION WATER COMPANY RECORDATION NO. 3600566. WELL RENOVATED 1977.

TABLE NO. 1  
 VERIFIED EXTRACTATIONS BY OWNERS (NON-PLAINTIFFS) WHICH HAVE RECORDATION FILINGS  
 WITH THE STATE WATER RESOURCES CONTROL BOARD

OWNER	1959	1960	1961	1962	1963	1959-63 AVERAGE	1982	1983	1984	1985	1986	1982-86 AVERAGE
FRINK RANCH												
3601131 1S3W30 W <sup>1</sup>	-	-	-	-	-	0	-	-	-	-	-	0
GAY, PHILIP L.												
3601126 1S2W30H W	200	200	260	250	200	222	6	4	79	79	72	48
GIFFORD PARK MUTUAL WATER CO.												
3602128 1S4W14A W	50	50	50	50	51	50	-	-	-	-	-	0
3602252 1S4W14B W	-	-	-	-	-	0	-	-	-	-	-	0
OWNER TOTAL	50*	50*	50*	50*	51*	50*	0*	0*	0*	0*	0*	0*
GLADYSTA WELL & WATER COMPANY												
3600182 1S3W20H01 W	527	486	FC	-	-	203	-	-	-	-	-	0
3600182- 1S3W20H02 W	-	-	609	517	507	327	305	280	489	416	439	386
OWNER TOTAL	527*	486*	609*	517*	507*	529*	305*	280*	489*	416*	439*	386*
GOLDEN BEAR FOREST PRODUCTS												
3602127 1S3W15A01 W <sup>2</sup>	30	30	33	33	33	32	0	0	0	0	0	0
GRANT WATER COMPANY												
3600075 1S3W28C01 W	429	424	483	436	363	427	0	0	0	0	0	0
GREENSPOT MUTUAL WELL CO.												
3600266 1S2W16C01 W	142	149	121	105	76	119	147	38	64	269	258	155

1 NOW RAMIREZ BROTHERS RECORDATION NO. 3601728

2 FORMERLY BIG BEAR TIMBER COMPANY

TABLE NO. 1  
 VERIFIED EXTRACTIONS BY OWNERS (NON-PLAINTIFFS) WHICH HAVE RECORDATION FILINGS  
 WITH THE STATE WATER RESOURCES CONTROL BOARD

OWNER	1959	1960	1961	1962	1963	1959-63 AVERAGE	1982	1983	1984	1985	1986	1982-86 AVERAGE
GUERTH, WILLIAM H.												
3600856 1N3W27M D	1585	695	922	1230	860	1058	170	170	170	170	170	170
HAPPE MUTUAL WELL COMPANY												
3600238 1S2W29M01 W	526	592	649	358	500	525	0	0	128	8	0	27
HEAD, JOE T.												
3600226 1S2W21L01 W	FC	-	-	-	-	0	-	-	-	-	-	0
HIGHLAND ACRES RANCH												
3600323 1S2W06M W	250	160	350	400	400	312	0	0	0	0	0	0
HIGHLAND WELL COMPANY												
3600184 1N3W28N01 W	278	263	265	232	184	244	26	0	0	0	0	5
HINCKLEY, HORACE P.												
3600240 1S2W30 W <sup>1</sup>	401	325	337	230	176	294	FC	-	-	-	-	0
3601645 1S2W30B W <sup>1</sup>	417	310	275	232	215	290	FC	-	-	-	-	0
OWNER TOTAL	818*	635*	612*	462*	391*	584*	0*	0*	0*	0*	0*	0*
HOBBS WELL PARTNERSHIP												
3600049 1S3W25M W	174	96	FC	-	-	54	-	-	-	-	-	0
3600049- 1S3W25M W	-	-	696	692	532	384	35	38	42	106	29	50
OWNER TOTAL	174*	96*	696*	692*	532*	438*	35*	38*	42*	106*	29*	50*
HODGDON, WARNER												
3601810 1N4W23E W <sup>2</sup>	231	200	9	0	0	88	0	0	0	0	0	0

1 FORMERLY EAST COLTON AVENUE WATER COMPANY 1982 VERIFIED AMOUNT CORRECTED DURING 1983 VERIFICATION

2 FORMERLY DEL ROSA MUTUAL WATER COMPANY

TABLE NO. 1  
 VERIFIED EXTRACTIIONS BY OWNERS (NON-PLAINTIFFS) WHICH HAVE RECORDATION FILINGS  
 WITH THE STATE WATER RESOURCES CONTROL BOARD

OWNER	1959	1960	1961	1962	1963	1959-63 AVERAGE	1982	1983	1984	1985	1986	1982-86 AVERAGE
(CONTINUED)												
HODGDON, WARNER												
3601811 1N4W14 D <sup>1</sup>	400	300	302	272	211	297	150	150	150	150	150	150
3601979 1N4W14A D <sup>2</sup>	146	146	146	146	146	146	0	0	0	0	0	0
OWNER TOTAL	777*	646*	457*	418*	357*	531*	150*	150*	150*	150*	150*	150*
HOLMES ICE & COLD STORAGE CO. INC.												
3600644 1S4W09B03S W <sup>3</sup>	591	405	410	345	344	419	5	4	6	6	6	5
3600645 1S4W09B01S W <sup>3</sup>	-	-	-	-	-	0	-	-	-	-	-	0
OWNER TOTAL	591*	405*	410*	345*	344*	419*	5*	4*	6*	6*	6*	5*
HOOVER WELL												
3601649 1S3W28M W <sup>4</sup>	100	100	100	FC	-	60	-	-	-	-	-	0
IOWA STREET WELL												
3601932 1S3W29B01 W	62	62	21	10	7	32	0	0	0	0	0	0
J. G. GOLFING ENTERPRISES, INC.												
3602499 1S4W22A01 W <sup>5</sup>	-	-	-	-	-	0	194	240	128	128	136	165
3602846 1S4W22A W <sup>6</sup>	-	-	-	-	-	0	-	-	-	148	74	44

1 FORMERLY DEL ROSA MUTUAL WATER COMPANY  
 2 FORMERLY EAST SAN BDNO. COUNTY WATER DIST.  
 3 FORMERLY ICE PRODUCTS INC.  
 4 FORMERLY E. R. DUNLOP  
 5 FORMERLY LEONARD, WILLIAM E.  
 6 FORMERLY CITY OF RIVERSIDE RECORDATION NO. 3601478, 1985 EXTRACTIIONS VERIFIED DURING THE 1986 VERIFICATION

TABLE NO. 1  
 VERIFIED EXTRACTATIONS BY OWNERS (NON-PLAINTIFFS) WHICH HAVE RECORDATION FILINGS  
 WITH THE STATE WATER RESOURCES CONTROL BOARD

OWNER	1959	1960	1961	1962	1963	1959-63 AVERAGE	1982	1983	1984	1985	1986	1982-86 AVERAGE
OWNER TOTAL	0*	0*	0*	0*	0*	0*	194*	240*	128*	276*	210*	210*
JEWEL WATER COMPANY, THE												
3600091 1S3W20 W	504	408	356	293	258	364	-	-	-	-	-	0
JUDSON MUTUAL WATER COMPANY												
3601647 1S3W23A03 W	403	356	348	367	363	367	0	0	0	0	0	0
K INV./TRUTANIC/Y UN WELL												
3601172 1S3W20C W <sup>1</sup>	380	350	415	362	358	373	182	264	276	218	217	231
KANSAS STREET MUTUAL WATER CO.												
3601092 1S3W28D01 W	376	327	378	328	353	352	199	172	316	301	296	257
KING STREET MUTUAL WELL COMPANY												
3600530 1S2W30G01 W	408	371	358	281	FC	284	-	-	-	-	-	0
3600530- 1S2W30G02 W	-	-	-	-	372	74	0	5	95	25	0	25
OWNER TOTAL	408*	371*	358*	281*	372*	358*	0*	5*	95*	25*	0*	25*
KOCH, GEORGE J.												
3601451 1S2W32G01 W	FC	-	-	-	-	0	-	-	-	-	-	0
L.P.R. ICE COMPANY												
3602525 1S3W13C W <sup>2</sup>	-	-	-	-	-	0	488	405	785	776	636	618
LA BONTE, JIM												
3600865 1N4W24 W <sup>3</sup>	5	5	5	5	5	5	5	5	5	5	4	5

1 FORMERLY CARL'S RANCH  
 2 PRIOR TO 1972 SEE NON-FILED EXTRACTATIONS TABLE NO. 2 L.P.R. RANCH  
 3 FORMERLY PEYTON, MRS. A.L.

TABLE NO. 1  
 VERIFIED EXTRACTATIONS BY OWNERS (NON-PLAINTIFFS) WHICH HAVE RECORDATION FILINGS  
 WITH THE STATE WATER RESOURCES CONTROL BOARD

OWNER	1959	1960	1961	1962	1963	1959-63 AVERAGE	1982	1983	1984	1985	1986	1982-86 AVERAGE
LA ROSSE, CHARLES H.												
3600708 1S3W29 W	38	21	35	18	14	25	0	0	0	0	0	0
LAKESIDE AVENUE MUTUAL WELL COMPANY												
3602119 1S3W33C01S W	79	48	58	51	20	51	-	-	-	-	-	0
LANGFORD RANCHES												
3600524 1S3W17L01S W	991	876	572	429	772	728	582	387	619	816	693	619
3600525 1S3W17H01S W	214	263	231	369	336	283	297	192	503	495	514	400
3600526 1S3W21G01S W <sup>1</sup>	475	425	343	326	360	386	FC	-	-	-	-	0
OWNER TOTAL	1680*	1564*	1146*	1124*	1468*	1396*	879*	579*	1122*	1311*	1207*	1020*
LANGSTON-NEWBY DEVELOPMENT CO.												
3600218 1N4W24 W <sup>2</sup>	50	50	50	50	50	50	0	0	0	0	0	0
LARANNI GUNTER WELL												
3600160 1S3W32G01 W <sup>3</sup>	200	200	200	200	200	200	181	157	292	245	246	224
LIVINGSTON-GRAHAM												
3601420 1S3W09E W <sup>4</sup>	221	225	220	293	295	251	168	234	300	271	100	215
LOMA LINDA UNIVERSITY												
3601910 1S3W30L W	112	129	129	97	87	111	0	0	0	0	0	0

1 1982 VERIFIED AMOUNT CORRECTED DURING 1983 VERIFICATION

2 FORMERLY VAN CAMP, GILBERT C.

3 FORMERLY LARSEN, ERNEST R.

4 FORMERLY TRI CITY ROCK

TABLE NO. 1  
 VERIFIED EXTRACTATIONS BY OWNERS (NON-PLAINTIFFS) WHICH HAVE RECORDATION FILINGS  
 WITH THE STATE WATER RESOURCES CONTROL BOARD

OWNER	1959	1960	1961	1962	1963	1959-63 AVERAGE	1982	1983	1984	1985	1986	1982-86 AVERAGE
(CONTINUED)												
LOMA LINDA UNIVERSITY												
3602008 1S4W26A W	146	98	177	203	209	167	0	0	0	0	0	0
3602009 1S4W25G01S W	195	364	407	304	78	270	-	-	-	-	-	0
3602012 1S4W25C01S W	323	369	376	463	347	376	0	0	0	0	FC	0
3602013 1S4W24N W	149	70	27	13	69	66	-	-	-	-	-	0
3602014 1S4W26J01S W	86	86	86	86	111	91	0	0	0	0	0	0
3602017 1S4W25E01S W	-	-	-	-	0	0	-	-	-	-	-	0
3602249 1S4W25D05 W <sup>1</sup>	-	-	-	-	-	0	0	0	0	FC	-	0
3602781 1S4W25D W <sup>2</sup>	-	-	-	-	-	0	587	584	675	668	490	601
3602855 1S4W25D07 W	-	-	-	-	-	0	-	-	-	-	222	44
OWNER TOTAL	1011*	1116*	1202*	1166*	901*	1079*	587*	584*	675*	668*	712*	645*
LOMA LINDA, CITY OF												
3601130 1S3W32D W <sup>3</sup>	389	401	501	464	290	409	0	0	1	288	277	113
3601384 1S4W25 W <sup>4</sup>	0	0	0	20	73	19	-	-	-	-	-	0
3601388 1S4W25 W <sup>4</sup>	111	114	147	140	98	122	73	3	4	1	1	16
3601989 1S4W24R01S W <sup>5</sup>	44	40	37	32	42	39	-	-	-	-	-	0

1 WELL DRILLED 1980

2 WELL DRILLED 1986

3 FORMERLY VALLE VISTA RANCH CO.

4 FORMERLY COURT STREET WATER COMPANY

5 FORMERLY SAN BERNARDINO COUNTY SERVICE AREA NO. 2

TABLE NO. 1  
 VERIFIED EXTRACTATIONS BY OWNERS (NON-PLAINTIFFS) WHICH HAVE RECORDATION FILINGS  
 WITH THE STATE WATER RESOURCES CONTROL BOARD

OWNER	1959	1960	1961	1962	1963	1959-63 AVERAGE	1982	1983	1984	1985	1986	1982-86 AVERAGE
(CONTINUED)												
LOMA LINDA, CITY OF												
3602010 1S4W25H02S W <sup>1</sup>	123	160	100	105	131	124	0	0	0	0	0	0
3602011 1S4W25B02S W <sup>1</sup>	61	150	166	232	219	166	61	21	8	6	13	22
3602015 1S4W25B W <sup>1</sup>	1077	772	760	615	627	770	112	29	28	25	5	40
3602016 1S4W25G W <sup>1</sup>	57	161	228	157	59	132	-	-	-	-	-	0
3602057 1S4W25C W <sup>1</sup>	335	420	524	400	16	339	0	0	0	0	-	0
3602058 1S4W25F W <sup>1</sup>	19	23	29	28	25	25	0	0	0	0	0	0
3602596 1S4W24R W <sup>2</sup>	-	-	-	-	-	0	-	-	-	-	-	0
3602759 1S4W24A W <sup>3</sup>	-	-	-	-	-	0	1122	989	1046	966	305	886
3602760 1S4W24C W <sup>4</sup>	-	-	-	-	-	0	1254	1317	1733	1673	2092	1614
OWNER TOTAL	2216*	2241*	2492*	2193*	1580*	2144*	2622*	2359*	2820*	2959*	2693*	2691*
LUGO WATER COMPANY												
3600510 1S3W21K01 W	414	346	324	300	239	325	0	0	0	0	0	0
LUGONIA WATER COMPANY												
3601585 1S3W23A03S W	0	0	1012	974	882	574	0	0	0	0	0	0
LJULY, DR. LUCIAN L.												
3601376 1N4W14 D	-	-	-	-	-	0	-	-	-	-	-	0

1 FORMERLY SAN BERNARDINO COUNTY SERVICE AREA NO. 2

2 WELL DRILLED 1974

3 WELL DRILLED 1979

4 WELL DRILLED 1980



TABLE NO. 1  
 VERIFIED EXTRACTIONS BY OWNERS (NON-PLAINTIFFS) WHICH HAVE RECORDATION FILINGS  
 WITH THE STATE WATER RESOURCES CONTROL BOARD

OWNER	1959	1960	1961	1962	1963	1959-63 AVERAGE	1982	1983	1984	1985	1986	1982-86 AVERAGE
(CONTINUED)												
LJULY, DR. LUCIAN L.												
3601377 1N4W14 D	-	-	-	-	-	0	-	-	-	-	-	0
3601378 1N4W14 D	-	-	-	-	-	0	-	-	-	-	-	0
OWNER TOTAL	0*	0*	0*	0*	0*	0*	0*	0*	0*	0*	0*	0*
MARIGOLD FARMS COMPANY												
3600418 1S3W19 W	182	173	116	66	57	119	795	650	861	753	858	783
3601748 1S3W18H01 W	1133	1622	1145	300	475	935	-	-	-	-	-	0
3601748- 1S3W19A01 W	-	-	-	-	-	0	644	450	879	793	781	709
3601749 1S3W19B01 W	91	364	180	600	64	260	-	-	-	-	-	0
3601750 1S3W18L W	390	1072	610	930	1392	879	1452	1013	2136	1632	1860	1619
OWNER TOTAL	1796*	3231*	2051*	1896*	1988*	2192*	2891*	2113*	3876*	3178*	3499*	3111*
MASCART WATER COMPANY												
3601102 1S3W21E W	395	302	468	381	367	383	215	59	0	0	249	105
MAYBELL, N. O.												
3600291 1S4W12 W	26	26	12	12	12	18	-	-	-	-	-	0
MEADOWBROOK DAIRY												
3600030 1S4W23D W	443	343	295	288	421	358	409	422	358	376	384	390
3600037 1S4W23D W	49	45	45	43	41	45	96	107	108	125	118	111
OWNER TOTAL	492*	388*	340*	331*	462*	403*	505*	529*	466*	501*	502*	501*
MENTONE ACRES MUTUAL WELL CO.												
3600748 1S3W24A01 W	455	495	505	475	121	410	0	0	0	0	0	0

TABLE NO. 1  
 VERIFIED EXTRACTATIONS BY OWNERS (NON-PLAINTIFFS) WHICH HAVE RECORDATION FILINGS  
 WITH THE STATE WATER RESOURCES CONTROL BOARD

OWNER	1959	1960	1961	1962	1963	1959-63 AVERAGE	1982	1983	1984	1985	1986	1982-86 AVERAGE
MENTONE CITRUS GROVES												
3600139 1S2W18R01S W <sup>1</sup>	714	873	637	409	306	588	0	0	0	0	0	0
3602280 1S2W18Q W <sup>1</sup>	-	-	-	-	-	0	562	586	878	475	145	529
OWNER TOTAL	714*	873*	637*	409*	306*	588*	562*	586*	878*	475*	145*	529*
MEYER, CHARLES R.												
3600760 1N5W01R W	42	42	55	51	53	49	0	0	0	0	0	0
MILLER MUTUAL WELL CO.												
3600630 1N3W32 W	20	8	-	-	-	6	-	-	-	-	0	0
3600630- 1N3W32D W	-	-	41	58	53	30	34	34	34	34	30	33
OWNER TOTAL	20*	8*	41*	58*	53*	36*	34*	34*	34*	34*	30*	33*
MISSION MUTUAL WATER COMPANY												
3600756 1S3W19H W	715	510	675	660	560	624	273	202	608	489	1644	643
3600757 1S3W19L W	374	272	367	433	322	354	458	235	250	200	325	294
OWNER TOTAL	1089*	782*	1042*	1093*	882*	978*	731*	437*	858*	689*	1969*	937*
MONTECITO MUTUAL WATER COMPANY												
3600119 1S4W26F01 W	104	109	110	77	71	94	133	156	165	170	170	159
MOUNT VERNON WATER COMPANY												
3600319 1N4W31A01S W <sup>2</sup>	1020	748	1030	624	508	786	335	201	628	84	0	250
3600320 1N5W22M D <sup>2</sup>	730	730	730	730	730	730	724	724	724	724	724	724

<sup>1</sup> FORMERLY INDUST. ACRES C/O CITRUS INVESTMENT

<sup>2</sup> INCLUDES GROSS LYTLE CREEK DIVERSIONS--SEE TABLE NO. 4 FOR VERIFIED DIVERSIONS FROM LYTLE CREEK

TABLE NO. 1  
 VERIFIED EXTRACTIONS BY OWNERS (NON-PLAINTIFFS) WHICH HAVE RECORDATION FILINGS  
 WITH THE STATE WATER RESOURCES CONTROL BOARD

OWNER	1959	1960	1961	1962	1963	1959-63 AVERAGE	1982	1983	1984	1985	1986	1982-86 AVERAGE
OWNER TOTAL	1750*	1478*	1760*	1354*	1238*	1516*	1059*	925*	1352*	808*	724*	974*
MT. HARRISON MUTUAL WATER CO.	753	874	303	371	310	522	199	135	266	187	14	160
MT. VIEW CEMETERY OF SAN BERNARDINO												
3600742 1N4W26 W	17	15	12	13	4	12	-	-	-	-	-	0
3600742- 1N4W26 W	-	-	-	-	-	0	129	106	146	140	142	133
3600743 1N4W26 W	211	170	133	237	137	178	106	94	80	80	101	92
OWNER TOTAL	228*	185*	145*	250*	141*	190*	235*	200*	226*	220*	243*	225*
MULLINS, JAMES C., JR., EXECUTOR												
3602074 1N3W34B02 W	112	112	112	112	112	112	16	21	22	21	25	21
3602075 1N3W34B01 W	36	36	36	36	36	36	0	0	0	0	0	0
OWNER TOTAL	148*	148*	148*	148*	148*	148*	16*	21*	22*	21*	25*	21*
MUSCOY MUTUAL WATER COMPANY, NO. 1												
3601497 1N5W23H01S W	648	624	676	621	562	626	123	44	191	189	220	153
3601498 1N5W24D01S W <sup>1</sup>	0	FC	-	-	-	0	26	25	32	7	10	20
3601499 1N5W23A01S W	648	623	676	621	561	626	305	368	1137	781	660	650
3601500 1N5W23A02S W	647	623	676	621	561	626	924	992	555	1051	999	904
3602345 1N5W24E W	-	-	-	-	-	0	28	1	93	52	149	65
OWNER TOTAL	1943*	1870*	2028*	1863*	1684*	1878*	1406*	1430*	2008*	2080*	2038*	1792*

<sup>1</sup> WELL RENOVATED 1979

TABLE NO. 1  
 VERIFIED EXTRACTIONS BY OWNERS (NON-PLAINTIFFS) WHICH HAVE RECORDATION FILINGS  
 WITH THE STATE WATER RESOURCES CONTROL BOARD

OWNER	1959	1960	1961	1962	1963	1959-63 AVERAGE	1982	1983	1984	1985	1986	1982-86 AVERAGE
NATIONAL ORANGE SHOW												
3601924 1S4W15D W	135	135	135	135	135	135	58	58	58	58	58	58
NEALEY MUTUAL WATER COMPANY												
3601381 1N5W07C D	-	-	-	-	-	0	-	-	-	-	-	0
NEW ENGLAND WATER CO.												
3602320 1S3W16 W	946	892	1023	836	880	915	384	292	444	408	418	389
NICKERSON WATER COMPANY												
3600123 1S3W20R01 W	212	220	348	297	250	265	23	25	37	25	0	22
3600124 1S3W21M01 W	466	331	490	424	290	400	0	0	0	0	0	0
OWNER TOTAL	678*	551*	838*	721*	540*	666*	23*	25*	37*	25*	0*	22*
NORTH FORK WATER COMPANY												
3600678 1S2W08C01S W	310	291	285	266	277	286	0	0	0	0	0	0
3600679 1S2W08C02S W	163	142	131	136	119	138	0	0	0	0	0	0
3600681 1N3W27 D <sup>1</sup>	123	51	7	64	30	55	0	0	0	0	0	0
3600765 1N3W33C01 W <sup>1</sup>	252	243	353	250	244	268	0	0	0	0	0	0
3601644 1S3W01A D	3	10	0	62	0	15	0	0	0	0	0	0
OWNER TOTAL	851*	737*	776*	778*	670*	762*	0*	0*	0*	0*	0*	0*
NORTHBRAE WATER COMPANY												
3600296 1S3W15R01 W	394	530	608	395	466	479	-	-	-	-	-	0

1 FORMERLY MUTUAL WELL COMPANY (OF HIGHLAND)

TABLE NO. 1  
 VERIFIED EXTRACTIONS BY OWNERS (NON-PLAINTIFFS) WHICH HAVE RECORDATION FILINGS  
 WITH THE STATE WATER RESOURCES CONTROL BOARD

OWNER	1959	1960	1961	1962	1963	1959-63 AVERAGE	1982	1983	1984	1985	1986	1982-86 AVERAGE
NORTHSIDE WATER COMPANY												
3600933 1S3W23F W	398	402	491	385	333	402	0	0	0	0	0	0
NYE, WILLIAM H.												
3600313 1S2W29N01S W	164	199	294	156	167	196	0	0	0	0	0	0
OLD TOWN WELL CO.												
3600493 1S3W29 W	205	225	250	220	247	229	191	159	299	246	298	239
3600494 1S3W29 W	283	309	322	305	268	297	0	0	0	0	0	0
OWNER TOTAL	488*	534*	572*	525*	515*	527*	191*	159*	299*	246*	298*	239*
PAINÉ, ROBERT T., TRUSTEE												
3601641 1S2W30C01S W	470	462	484	410	470	459	60	65	98	85	71	76
3601642 1S2W30B02S W	133	147	180	120	116	139	0	0	0	10	0	2
OWNER TOTAL	603*	609*	664*	530*	586*	598*	60*	65*	98*	95*	71*	78*
PAXTON, R. H.												
3600468 1S3W30 W <sup>1</sup>	511	245	243	378	179	311	-	-	-	-	-	0
PENN WELL COMPANY												
3601099 1S3W22F W	-	-	-	-	-	0	-	-	-	-	-	0
3601405 1S3W22 W	539	447	504	550	440	496	0	0	0	0	0	0
OWNER TOTAL	539*	447*	504*	550*	440*	496*	0*	0*	0*	0*	0*	0*
PHAROAH POWELL WATER CO.												
3600415 1S3W29J01 W	326	350	365	371	322	347	230	163	347	292	319	270

<sup>1</sup> FORMERLY SMITH, LEONA BERNICE

TABLE NO. 1  
 VERIFIED EXTRACTATIONS BY OWNERS (NON-PLAINTIFFS) WHICH HAVE RECORDATION FILINGS  
 WITH THE STATE WATER RESOURCES CONTROL BOARD

OWNER	1959	1960	1961	1962	1963	1959-63 AVERAGE	1982	1983	1984	1985	1986	1982-86 AVERAGE
PIONEER MUTUAL WATER CO.												
3600642 1S3W14P01 W	314	222	288	316	275	283	151	100	82	65	62	92
RAMIREZ BROTHERS												
3601728 1S3W30 W <sup>1</sup>	61	61	65	62	64	63	211	151	56	20	24	92
RAMIREZ, CARLOS												
3601649- 1S3W28M W <sup>2</sup>	-	-	-	25	85	22	86	84	126	64	86	89
RAMIREZ, J.J.												
3600484 1S3W16 W <sup>3</sup>	246	220	352	224	259	260	88	78	127	114	125	106
RANCHERIA WATER CO. TOBIN												
3601929 1S4W06C04S W	374	52	0	458	0	177	-	-	-	-	-	0
RANCHO CITRUS AMIGOS												
3601753 1S3W29 W	80	80	80	80	80	80	0	-	0	0	0	0
RANCHO LADERA												
3602188 1S2W29L W	162	148	331	206	313	232	472	434	526	484	460	475
RAUGHT MUTUAL WELL COMPANY												
3602193 1S3W14R01 W	504	550	552	506	520	526	365	328	493	454	439	416
REDLANDS TRAP/SKEET												
3600628 1S3W15G W <sup>4</sup>	145	235	235	2	2	124	5	9	19	15	15	13

1 FORMERLY FRINK RANCH RECORDATION NO. 3601131

2 FORMERLY E. R. DUNLOP

3 FORMERLY SECHREST, RALPH F.

4 FORMERLY HOLIDAY ROCK CO.

TABLE NO. 1  
 VERIFIED EXTRACTATIONS BY OWNERS (NON-PLAINTIFFS) WHICH HAVE RECORDATION FILINGS  
 WITH THE STATE WATER RESOURCES CONTROL BOARD

OWNER	1959	1960	1961	1962	1963	1959-63 AVERAGE	1982	1983	1984	1985	1986	1982-86 AVERAGE
REDLANDS, CITY OF												
3600019 1S3W23 W <sup>1</sup>	531	288	342	320	461	388	0	0	0	211	406	123
3600085 1S3W28J01 W <sup>2</sup>	190	186	180	180	180	183	-	-	-	-	-	0
3600749 1S3W13 W <sup>3</sup>	885	960	975	940	917	935	88	0	169	920	1136	463
3600918 2S3W01E W <sup>4</sup>	604	567	554	459	480	533	187	320	380	422	421	346
3601281 1S2W21M01S W	133	123	195	75	61	117	0	0	0	0	0	0
3601282 1S1W08G1 W	1296	916	839	955	1132	1028	257	7	804	678	382	426
3601283 1S2W22C02S W	225	186	114	41	7	115	0	0	0	0	0	0
3601284 1S2W21E01S W	162	83	157	67	77	109	54	73	44	67	48	57
3601285 1S1W10L1 W	1548	939	814	1123	1076	1100	360	0	1546	2137	1890	1187
3601286 1S2W21E02S W	0	3	0	0	0	1	0	0	0	0	0	0
3601287 1S2W21C W	319	333	293	358	267	314	0	0	0	0	0	0
3601288 1S1W11Q1 W	855	817	903	671	745	798	204	0	756	666	651	455
3601289 1S3W35E W	0	0	0	0	0	0	0	0	0	0	0	0
3601290 1S2W21D01S W	243	209	169	141	138	180	0	18	1	0	0	4
3601291 1S3W35G08S W	196	487	664	131	101	316	6	0	195	1079	786	413

1 FORMERLY REES REES RANCHES, INC.  
 2 FORMERLY COLTON AVENUE WATER COMPANY  
 3 FORMERLY MENTONE ACRES MUTUAL WELL CO.  
 4 FORMERLY REDLANDS HEIGHTS WATER COMPANY

TABLE NO. 1  
 VERIFIED EXTRACTATIONS BY OWNERS (NON-PLAINTIFFS) WHICH HAVE RECORDATION FILINGS  
 WITH THE STATE WATER RESOURCES CONTROL BOARD

OWNER	1959	1960	1961	1962	1963	1959-63 AVERAGE	1982	1983	1984	1985	1986	1982-86 AVERAGE
REDLANDS, CITY OF												
3601292 1S3W35G07S W	772	1077	737	117	103	561	5	16	52	384	258	143
3601293 1S3W35H02S W	2	0	0	0	0	0	0	0	0	0	0	0
3601294 1S3W35G09S W	189	646	682	362	453	466	4	0	27	0	267	60
3601295 1S3W35H04S W	915	1128	871	184	83	636	0	0	0	0	0	0
3601296 1S3W35H03S W	545	343	587	491	1686	730	1	0	0	388	540	186
3601297 1S3W35G11S W	249	434	507	171	0	272	0	0	0	0	0	0
3601298 1S3W21H01S W	322	557	1136	800	1095	782	0	0	0	0	0	0
3601299 1S4W24K01S W	246	124	1607	853	133	593	178	24	1048	1178	1210	728
3601300 1S3W27E02S W	1278	902	1113	1446	1099	1168	998	933	1639	1386	1266	1244
3601301 1S3W28H01S W <sup>1</sup>	1443	1623	1808	1226	1063	1433	710	571	1214	867	841	841
3601302 1S2W14N D <sup>1</sup>	7047	6913	3615	8973	4451	6200	14326	19363	4617	12932	11636	12575
3601308 1S2W19K01S W <sup>2</sup>	772	750	738	487	470	643	234	115	276	277	251	231
3601636 1S4W24 W <sup>3</sup>	216	230	65	58	51	124	-	-	-	-	-	0
3601637 1S3W30 W	0	0	0	0	0	0	-	-	-	-	-	0
3602031 1S3W21H W	506	1181	1429	699	492	861	456	471	0	0	0	185
3602032 1S3W22A W	-	-	50	273	140	93	1306	887	842	0	0	607

1 COMMENCING 1974 INCLUDES GROSS MILL CREEK DIVERSIONS--SEE TABLE NO. 5 FOR VERIFIED DIVERSIONS

2 FORMERLY MENTONE DOMESTIC WATER COMPANY, INC.

3 PRODUCTION INCLUDED IN AMOUNT REPORTED BY STANLEY BROWN COMPANY RECORDATION NO. 3601352 SUBSEQUENT TO 1968



TABLE NO. 1  
 VERIFIED EXTRACTIIONS BY OWNERS (NON-PLAINTIFFS) WHICH HAVE RECORDATION FILINGS  
 WITH THE STATE WATER RESOURCES CONTROL BOARD

OWNER	1959	1960	1961	1962	1963	1959-63 AVERAGE	1982	1983	1984	1985	1986	1982-86 AVERAGE
REDLANDS, CITY OF (CONTINUED)												
3602036 1S3W21H W	-	-	-	676	1244	384	2622	2808	3841	1785	0	2211
3602082 2S3W03K W	-	-	-	-	215	43	0	0	0	0	0	0
3602106 1S3W22A01S W <sup>1</sup>	323	292	-	-	-	123	-	-	-	-	-	0
3602211 1S3W26C W <sup>2</sup>	-	-	-	-	-	0	459	8	0	54	0	104
3602346 1S3W28J02 W	-	-	-	-	-	0	235	66	165	8	7	96
3602351 1S2W13A W <sup>3</sup>	-	-	-	-	-	0	0	0	0	0	0	0
3602653 1S2W19J W <sup>3</sup>	-	-	-	-	-	0	-	-	-	-	-	0
3602654 1S2W19J W <sup>4</sup>	-	-	-	-	-	0	400	464	730	936	570	620
3602732 1S3W32J02S W <sup>5</sup>	114	97	114	88	80	99	521	368	428	552	550	484
3602791 1S2W20B01 W <sup>6</sup>	-	-	-	-	-	0	0	88	31	15	31	33
3602792 1S2W19A01 W	-	-	-	-	-	0	695	1020	1334	1625	1058	1146
OWNER TOTAL	22126*	22394*	21258*	22365*	18500*	21329*	24306*	27620*	20139*	28567*	24205*	24967*

REES & PERRICONE RANCH

3602171 1S2W18M W

1 FORMERLY CHURCH STREET MUTUAL WELL COMPANY

2 FORMERLY COLTON AVENUE WATER COMPANY

3 FORMERLY MENTONE DOMESTIC WATER COMPANY, INC. PRIOR TO 1975 SEE NON-FILED EXTRACTIIONS TABLE NO. 2

4 FORMERLY BEVERLY ASSOCIATES RECORDATION NO. 3602065

5 WELL DRILLED 1980

6 WELL DRILLED 1981

TABLE NO. 1  
 VERIFIED EXTRACTIONS BY OWNERS (NON-PLAINTIFFS) WHICH HAVE RECORDATION FILINGS  
 WITH THE STATE WATER RESOURCES CONTROL BOARD

OWNER	1959	1960	1961	1962	1963	1959-63 AVERAGE	1982	1983	1984	1985	1986	1982-86 AVERAGE
REYNOLDS, BILL												
3600981 1S2W21H01 W <sup>1</sup>	3	3	3	3	3	3	3	3	3	3	3	3
RIALTO, CITY OF												
3601085 1N4W31N W <sup>2</sup>	585	775	875	575	470	656	895	544	623	47	0	422
3601263 1N5W23Q01S W <sup>3</sup>	1035	169	334	481	0	404	1280	1276	1412	1714	1455	1427
3601718 1N5W22M D <sup>3</sup>	624	626	625	587	624	617	1207	1006	1219	1075	1325	1166
3602080 1N5W23Q W <sup>4</sup>	-	-	-	-	773	155	1543	1978	1823	1832	1414	1718
3602848 1N5W36N01 W <sup>4</sup>	-	-	-	-	-	0	-	-	-	1386	1894	656
OWNER TOTAL	2244*	1570*	1834*	1643*	1867*	1832*	4925*	4804*	5077*	6054*	6088*	5390*
RIEDMAN, FRED M.												
3601629 1S3W03P00S W	230	230	230	230	15	187	-	-	-	-	-	0
RIVAS, RAMON												
3600016 1S4W24J W	30	43	0	0	0	15	0	0	0	0	0	0
ROBBINS, H. W.												
3602170 1S2W31M W	-	-	-	-	18	4	0	0	0	0	0	0
SAN BERNARDINO AVENUE WATER COMPANY												
3600125 1S3W14 W	371	303	394	352	298	344	96	94	122	81	105	100

1 FORMERLY HICKS, JOHN/LOUISE  
 2 FORMERLY RIALTO MUTUAL LAND AND WATER COMPANY  
 3 INCLUDES GROSS LYTLE CREEK DIVERSIONS--SEE TABLE NO. 4 FOR VERIFIED DIVERSIONS FROM LYTLE CREEK  
 4 WELL DRILLED 1985, EXTRACTIONS VERIFIED DURING THE 1986 VERIFICATION

TABLE NO. 1  
 VERIFIED EXTRACTATIONS BY OWNERS (NON-PLAINTIFFS) WHICH HAVE RECORDATION FILINGS  
 WITH THE STATE WATER RESOURCES CONTROL BOARD

OWNER	1959	1960	1961	1962	1963	1959-63 AVERAGE	1982	1983	1984	1985	1986	1982-86 AVERAGE
SAN BERNARDINO WATER UTILITIES COR												
3601843	179	13	8	19	6	45	935	1955	2491	598	0	1196
3601844	856	807	630	748	742	757	1223	1989	457	1472	2033	1435
3601845	5	19	28	33	33	24	82	95	125	53	118	95
OWNER TOTAL	1040*	839*	666*	800*	781*	825*	2240*	4039*	3073*	2123*	2151*	2725*
SAN BERNARDINO, CITY OF <sup>1</sup>												
3600034	90	85	76	79	-	66	0	0	0	0	0	0
3600035	85	80	82	12	-	52	0	0	0	0	0	0
3600222	195	210	-	-	-	81	0	0	0	0	0	0
3600709	0	0	0	0	0	0	-	-	-	-	-	0
3600710	0	0	0	0	0	0	-	-	-	-	1987	397
3600711	867	726	705	617	295	642	143	0	526	623	511	361
3600712	141	1	0	0	0	28	929	637	1212	1049	702	906
3600713	378	85	314	199	360	267	1797	1287	2328	2367	2144	1985
3600714	163	643	624	531	571	506	1220	775	945	0	0	588
3600715	0	205	233	1188	623	450	2230	1831	944	0	0	1001
3600716	964	919	1093	576	839	878	1176	619	0	0	0	359
3600717	146	221	30	46	163	121	239	227	1460	1285	1109	864
3600718	365	40	96	0	0	100	459	42	284	1394	1202	676

<sup>1</sup> FORMERLY HOMART DEVELOPMENT COMPANY

TABLE NO. 1  
 VERIFIED EXTRACTIONS BY OWNERS (NON-PLAINTIFFS) WHICH HAVE RECORDATION FILINGS  
 WITH THE STATE WATER RESOURCES CONTROL BOARD

OWNER	1959	1960	1961	1962	1963	1959-63 AVERAGE	1982	1983	1984	1985	1986	1982-86 AVERAGE
(CONTINUED)												
SAN BERNARDINO, CITY OF												
3600719 1N4W27G01S W	1173	1086	922	998	1005	1037	925	714	877	293	0	562
3600720 1N4W27M02S W	0	134	481	293	212	224	0	0	458	718	319	299
3600721 1N4W27M01S W	0	194	407	313	395	262	0	0	372	289	78	148
3600722 1S4W03D01S W	0	0	0	0	0	0	-	-	-	-	-	0
3600723 1S4W10F01S W	146	489	345	0	0	196	-	-	-	-	-	0
3600724 1S4W10F05S W	0	0	0	0	0	0	-	-	-	-	-	0
3600725 1N4W34G01S W	1102	1155	1245	405	538	889	0	0	0	473	716	238
3600726 1N4W34G03S W	354	305	91	12	29	158	0	0	0	1926	1926	770
3600727 1N4W26G W	1238	927	1475	1365	1180	1237	280	818	1741	679	1246	953
3600728 1N4W27A01S W	1265	1724	2214	1404	1122	1546	1565	617	2338	680	0	1040
3600729 1N4W35M03S W	1348	940	1573	2522	2574	1791	0	0	0	3320	2878	1240
3600730 1S4W02K01S W	0	0	0	0	0	0	0	0	0	0	0	0
3600731 1S4W02K02S W	750	684	1295	642	750	824	0	0	0	3676	2950	1325
3600732 1S4W02K05S W	0	0	0	0	0	0	-	-	-	-	-	0
3600733 1S4W02K04S W	0	0	0	0	0	0	0	0	0	0	0	0
3600734 1S4W02K03S W	1052	458	411	478	367	553	0	0	38	1571	1821	686
3600735 1S4W09P01S W	0	0	0	0	0	0	0	0	0	0	0	0
3600736 1S4W09J01S W	127	83	103	254	153	144	0	0	0	0	0	0
3600737 1S4W10N06S W	66	143	271	32	158	134	0	0	0	0	228	46

TABLE NO. 1  
 VERIFIED EXTRACTATIONS BY OWNERS (NON-PLAINTIFFS) WHICH HAVE RECORDATION FILINGS  
 WITH THE STATE WATER RESOURCES CONTROL BOARD

OWNER	1959	1960	1961	1962	1963	1959-63 AVERAGE	1982	1983	1984	1985	1986	1982-86 AVERAGE
(CONTINUED)												
SAN BERNARDINO, CITY OF												
3600738	1117	768	549	836	592	772	2112	2776	2493	1604	1475	2092
3600739	1069	994	1286	1403	1279	1206	1448	1448	1448	1448	1448	1448
3601114	12	358	353	0	0	145	0	0	0	0	0	0
3601115	33	342	519	899	832	525	490	0	0	831	919	448
3601116	0	0	0	0	0	0	0	0	0	0	373	75
3601117	1559	1464	811	386	408	926	0	0	0	204	1034	248
3601316	238	238	238	238	238	238	0	0	0	0	0	0
3601626	26	23	28	27	24	26	-	-	-	-	-	0
3602081	-	-	-	-	1019	204	1388	1165	804	239	0	719
3602205	-	-	-	-	-	0	39	31	20	28	26	29
3602206	-	-	-	-	-	0	31	57	10	17	29	29
3602264	-	-	-	-	-	0	0	0	0	245	8	51
3602265	-	-	-	-	-	0	2594	3005	2356	3255	3839	3010
3602285	8	8	8	8	1	7	0	0	0	0	0	0
3602399	-	-	-	-	-	0	1928	1222	1489	0	0	928
3602400	-	-	-	-	-	0	293	59	141	404	616	303

1 INCLUDES GROSS LYTLE CREEK DIVERSIONS--SEE TABLE NO. 4 FOR VERIFIED DIVERSIONS FROM LYTLE CREEK

2 FORMERLY INTER CITY MUTUAL WATER CO.

3 FORMERLY HOMART DEVELOPMENT COMPANY

TABLE NO. 1  
 VERIFIED EXTRACTIONS BY OWNERS (NON-PLAINTIFFS) WHICH HAVE RECORDATION FILINGS  
 WITH THE STATE WATER RESOURCES CONTROL BOARD

OWNER	1959	1960	1961	1962	1963	1959-63 AVERAGE	1982	1983	1984	1985	1986	1982-86 AVERAGE
(CONTINUED)												
SAN BERNARDINO, CITY OF												
3602401 1N4W27A W	-	-	-	-	-	0	805	525	796	0	0	425
3602422 1S4W02K08S W	-	-	-	-	-	0	4707	4668	2507	2972	4236	3818
3602426 2N5W19K D <sup>1</sup>	1604	770	966	2141	960	1288	3797	4219	4998	4822	2771	4121
3602521 1S4W23N04 W <sup>1</sup>	-	-	-	-	-	0	0	0	0	0	0	0
3602712 1N4W08N W <sup>2</sup>	-	-	-	-	-	0	6	17	334	1254	1070	536
3602821 1N5W03A02 W <sup>3</sup>	-	-	-	-	-	0	-	1061	2780	1650	1193	1337
3602844 2N4W08M02 W <sup>4</sup>	-	-	-	-	-	0	-	-	-	66	196	52
OWNER TOTAL	17681*	16502*	18844*	17904*	16687*	17524*	30601*	27820*	33699*	39382*	39050*	34110*
SECHREST, RALPH F.												
3600483 1S2W31 W	87	71	192	906	141	279	0	0	0	0	0	0
SELBY, DR. & MRS. ARTHUR <sup>5</sup>												
3600017 1S2W29 W <sup>5</sup>	137	64	278	171	76	145	0	0	0	0	0	0
3600018 1S2W29 W <sup>5</sup>	10	163	452	88	330	209	0	0	0	0	0	0
OWNER TOTAL	147*	227*	730*	259*	406*	354*	0*	0*	0*	0*	0*	0*

1 FORMERLY INTER CITY MUTUAL WATER CO. PRIOR TO 1972 SEE NON-FILED EXTRACTIONS TABLE NO. 2 INTER CITY MUTUAL WATER CO.  
 2 FORMERLY ELLENA, JOHN B. PRIOR TO 1977 SEE NON-FILED EXTRACTIONS TABLE NO. 2 ELLENA, JOHN B. 1982 AMOUNT CORRECTED IN 1983  
 3 WELL DRILLED 1983, EXTRACTIONS VERIFIED DURING THE 1986 VERIFICATION  
 4 WELL DRILLED 1985, EXTRACTIONS VERIFIED DURING THE 1986 VERIFICATION  
 5 FORMERLY REES REES RANCHES, INC.

TABLE NO. 1  
 VERIFIED EXTRACTIONS BY OWNERS (NON-PLAINTIFFS) WHICH HAVE RECORDATION FILINGS  
 WITH THE STATE WATER RESOURCES CONTROL BOARD

OWNER	1959	1960	1961	1962	1963	1959-63 AVERAGE	1982	1983	1984	1985	1986	1982-86 AVERAGE
SMITH TRACT WELL COMPANY												
3600001 1S3W21R W	270	177	56	0	FC	101	-	-	-	-	-	0
3600001~ 1S3W21R W	-	-	-	-	127	25	0	0	0	0	0	0
OWNER TOTAL	270*	177*	56*	0*	127*	126*	0*	0*	0*	0*	0*	0*
SO. SAN BERNARDINO COUNTY WATER DIST.												
3602060 1S4W24P W <sup>1</sup>	111	71	125	60	79	89	0	0	0	0	0	0
3602122 1S4W23R03S W	111	154	114	2	0	76	-	-	-	-	-	0
3602123 1S4W14J W	485	443	526	50	58	312	2	248	125	3	6	77
3602124 1S4W14J W	179	159	158	151	80	145	0	0	0	0	0	0
3602125 1S4W24F04S W	150	167	226	144	91	156	141	138	141	143	106	134
3602126 1S4W24F W	-	-	0	105	84	38	99	30	16	2	55	40
OWNER TOTAL	1036*	994*	1149*	512*	392*	817*	242*	416*	282*	148*	167*	251*
SOJKA, DONALD R												
3601173 1S3W32K W <sup>2</sup>	91	82	99	86	84	88	0	0	0	0	0	0
SOLANO WELL NO. 1												
3600187 1S2W09 W	212	143	147	88	43	127	55	0	0	0	0	11
SOLANO WELL NO. 3												
3602003 1S2W16C W	-	-	-	202	179	76	158	15	0	0	20	39

1 FORMERLY JOHANSSON, RUNE

2 FORMERLY LAND CAPITOL CORP & DONALD SOJKA

TABLE NO. 1  
 VERIFIED EXTRACTATIONS BY OWNERS (NON-PLAINTIFFS) WHICH HAVE RECORDATION FILINGS  
 WITH THE STATE WATER RESOURCES CONTROL BOARD

OWNER	1959	1960	1961	1962	1963	1959-63 AVERAGE	1982	1983	1984	1985	1986	1982-86 AVERAGE
SOMERS, R.												
3601093 1N4W24 D <sup>1</sup>	1	1	1	1	1	1	1	1	1	1	0	1
SOUTHERN CALIFORNIA EDISON COMPANY												
3600651 1S3W28 W	58	35	64	47	49	51	-	-	-	-	-	0
3601012 1S4W08R W	2	2	2	2	2	2	0	0	0	0	0	0
3601013 1S4W08R W	0	0	0	0	0	0	0	0	0	0	0	0
3601014 1S3W18 W	266	182	312	307	110	235	22	25	115	32	57	50
3601015 1S3W18 W	266	239	362	368	583	364	960	808	230	240	440	536
3601016 1S4W22G01S W	818	761	685	2	0	453	0	0	0	0	0	0
3609723 1S4W10F01S W	-	-	-	883	883	353	0	0	0	0	0	0
OWNER TOTAL	1410*	1219*	1425*	1609*	1627*	1458*	982*	833*	345*	272*	497*	586*
SOUTHERN CALIFORNIA WATER COMPANY												
3600374 1N3W33M01S W	81	105	186	45	102	104	0	0	0	0	0	0
3600375 1S3W05 W	170	198	234	155	195	190	0	1	1	0	0	0
3600376 1S3W05 W	238	174	240	379	281	262	1	5	4	123	410	109
3600377 1N3W27N08S W	103	11	0	1	0	23	0	0	0	1	0	0
3600378 1N3W27N02S W	278	330	201	196	136	228	262	452	516	377	80	337
3601069 1N3W33M02S W	86	28	61	148	144	93	865	271	87	95	0	264
3601588 1N4W31H W	68	75	74	64	72	71	92	10	1	156	201	92

1 FORMERLY PEYTON, A.L. OR IRENE A.



TABLE NO. 1  
 VERIFIED EXTRACTIIONS BY OWNERS (NON-PLAINTIFFS) WHICH HAVE RECORDATION FILINGS  
 WITH THE STATE WATER RESOURCES CONTROL BOARD

OWNER	1959	1960	1961	1962	1963	1959-63 AVERAGE	1982	1983	1984	1985	1986	1982-86 AVERAGE
SOUTHERN CALIFORNIA WATER COMPANY (CONTINUED)												
3601878 1N4W29E01S W	181	123	86	17	146	111	0	14	21	132	2	34
3601879 1N4W29 W	205	182	182	136	103	162	6	242	25	5	12	58
3601880 1N4W29F01S W	227	141	193	221	118	180	260	107	29	3	2	80
3601987 1S3W04G W	16	115	200	204	332	173	0	0	0	0	0	0
3602260 1S3W05D06 W	-	-	-	-	-	0	465	723	868	711	790	711
3602417 1S3W05D W <sup>1</sup>	-	-	-	-	-	0	153	139	206	213	230	188
3602560 1S3W04G W	-	-	-	-	-	0	0	0	0	0	0	0
OWNER TOTAL	1653*	1482*	1657*	1566*	1629*	1597*	2104*	1964*	1758*	1816*	1727*	1874*
SOUZA, JOHN												
3601084 1S2W20K W <sup>2</sup>	7	7	9	10	9	8	0	-	0	0	0	0
STORKSON, WILLIAM F.												
3600083 1N5W06 W <sup>3</sup>	35	30	20	40	35	32	0	0	0	15	20	7
3602664 1N5W06 W <sup>4</sup>	-	-	-	-	-	0	41	41	41	41	30	39
OWNER TOTAL	35*	30*	20*	40*	35*	32*	41*	41*	41*	56*	50*	46*
STOWE WATER COMPANY												
3601046 1S3W21A W	630	598	622	560	667	615	337	228	520	369	386	368

1 WELL DRILLED 1973 EXTRACTIIONS VERIFIED DURING THE 1974 VERIFICATION  
 2 FORMERLY NAMIHAS, M.D., IVAN/SHIRLEY  
 3 FORMERLY LONG ACRES MUTUAL WATER COMPANY  
 4 ORIGINAL VERIFICATION DONE DURING THE 1975 VERIFICATION

TABLE NO. 1  
 VERIFIED EXTRACTIONS BY OWNERS (NON-PLAINTIFFS) WHICH HAVE RECORDATION FILINGS  
 WITH THE STATE WATER RESOURCES CONTROL BOARD

OWNER	1959	1960	1961	1962	1963	1959-63 AVERAGE	1982	1983	1984	1985	1986	1982-86 AVERAGE
SUNRISE RANCH PART C/O LIFE DEVELOPMENT												
3600599 1S2W13	444	397	452	381	381	411	386	361	392	389	402	386
3600600 1S2W13	240	226	253	238	159	223	0	0	0	0	0	0
3600601 1S2W14	321	317	313	301	230	296	0	0	0	0	0	0
3600602 1S2W15P	294	230	234	254	238	250	0	0	0	0	0	0
3600603 1S2W15G	238	214	230	222	206	222	97	94	98	98	102	98
3601640 1S2W14	320	309	294	317	381	324	57	56	64	67	71	63
3601969 1S2W14L	-	-	343	324	397	213	49	46	57	54	56	52
OWNER TOTAL	1857*	1693*	2119*	2037*	1992*	1940*	589*	557*	611*	608*	631*	599*
SYCAMORE HEIGHTS WATER COMPANY, INC.												
3601837 1N3W34B	210	-	-	FC	-	42	-	-	-	-	-	0
3601838 1N3W34A	210	52	52	52	52	84	0	0	0	0	0	0
OWNER TOTAL	420*	52*	52*	52*	52*	126*	0*	0*	0*	0*	0*	0*
TENNESSEE MUTUAL WELL COMPANY												
3601161 1S3W16L	537	501	622	516	476	530	349	336	602	404	639	466
TENNESSEE WATER CO.												
3600474 1S3W16L	530	530	540	540	550	538	230	387	629	562	423	446
TERRACE WATER COMPANY												
3601684 1S4W08F06S W	0	191	263	280	FC	147	-	-	-	-	860	172

1 FORMERLY EAST HIGHLANDS ORANGE COMPANY

TABLE NO. 1  
 VERIFIED EXTRACTATIONS BY OWNERS (NON-PLAINTIFFS) WHICH HAVE RECORDATION FILINGS  
 WITH THE STATE WATER RESOURCES CONTROL BOARD

OWNER	1959	1960	1961	1962	1963	1959-63 AVERAGE	1982	1983	1984	1985	1986	1982-86 AVERAGE
(CONTINUED)												
TERRACE WATER COMPANY												
3601684- 1S4W08F	W	-	-	-	455	91	606	345	870	865	860	709
3601685 1S4W08F	W	66	0	0	0	13	-	-	-	-	-	0
3601686 1S4W08F	W	1252	730	814	732	794	202	514	580	245	240	356
OWNER TOTAL		1318*	921*	1077*	1012*	1045*	808*	859*	1450*	1110*	1960*	1237*
TRI CITY CONCRETE												
3600935 1N4W31N	W <sup>1</sup>	10	10	10	10	10	-	-	-	-	-	0
3601309 1S4W05M	W	125	125	125	125	125	0	0	0	0	-	0
OWNER TOTAL		135*	135*	135*	135*	135*	0*	0*	0*	0*	0*	0*
TRI CITY MUTUAL WATER COMPANY												
3601823 1S4W23K	W	53	20	0	0	0	15	-	-	-	-	0
UNGER, V.E.												
3601168 1S4W26F	W	-	-	-	-	0	-	-	-	-	-	0
VALDEPENNA ACRES												
3602241 1S3W20F03	W	25	25	25	27	8	36	17	31	30	32	29
VAN LOON MUTUAL WATER COMPANY												
3602066 1S4W02B	W	33	49	25	26	25	0	0	0	0	0	0
3602067 1N4W35K	W	120	110	74	177	164	121	98	135	141	140	127
OWNER TOTAL		153*	159*	99*	203*	189*	121*	98*	135*	141*	140*	127*

1 FORMERLY TRI CITY BASELINE

TABLE NO. 1  
 VERIFIED EXTRACTIONS BY OWNERS (NON-PLAINTIFFS) WHICH HAVE RECORDATION FILINGS  
 WITH THE STATE WATER RESOURCES CONTROL BOARD

OWNER	1959	1960	1961	1962	1963	1959-63 AVERAGE	1982	1983	1984	1985	1986	1982-86 AVERAGE
VICTORIA FARMS MUTUAL WATER CO.												
3602112 1S4W13R01S W	335	288	320	275	266	297	-	-	-	-	-	0
3602247 1S4W13R03 W <sup>1</sup>	-	-	-	-	-	0	0	0	0	0	0	0
3602574 1S4W13R W <sup>1</sup>	-	-	-	-	-	0	1	1	10	10	10	6
3602714 1S4W13R W	-	-	-	-	-	0	30	1	38	21	28	24
OWNER TOTAL	335*	288*	320*	275*	266*	297*	31*	2*	48*	31*	38*	30*
VICTORIA GUERNSEY												
3600399 1S4W02 W	163	248	200	160	223	199	-	-	-	-	-	0
WARMINGTON, ROBERT P.												
3600270 1S3W20P W <sup>2</sup>	300	248	288	153	139	226	137	93	29	0	43	60
WEATHERWAX, W. G.												
3600652 1S3W15N01S W	-	-	-	-	-	0	-	-	-	-	-	0
WEST SAN BDNO. COUNTY WATER DIST.												
3600302 1N5W26A01S W	158	259	160	0	0	115	-	-	-	-	-	0
3600303 1N5W26B01S W	FC	-	-	-	-	0	-	-	-	-	-	0
3600304 1N5W26A03S W	816	671	611	540	804	688	912	584	894	1187	724	860
3600305 1N5W25E01S W	922	990	1124	471	573	816	831	458	1139	1332	706	893
3600306 1N5W23P02S W	-	-	-	-	-	0	-	-	-	-	-	0

1 WELL DRILLED 1972 STATE WELL NUMBER CORRECTED DURING 1983 VERIFICATION

2 FORMERLY NICKERSON, E.D.

TABLE NO. 1  
 VERIFIED EXTRACTIONS BY OWNERS (NON-PLAINTIFFS) WHICH HAVE RECORDATION FILINGS  
 WITH THE STATE WATER RESOURCES CONTROL BOARD

OWNER	1959	1960	1961	1962	1963	1959-63 AVERAGE	1982	1983	1984	1985	1986	1982-86 AVERAGE
(CONTINUED)												
WEST SAN BDNO. COUNTY WATER DIST.												
3600307 1N5W23P04S W	1057	1152	399	72	435	623	664	1724	1537	1067	1773	1353
3600312 1N5W22M D <sup>1</sup>	4258	2709	2424	4392	4097	3576	3648	3602	3696	3340	3686	3594
3600996 1N5W36J03S W	839	1355	1048	1552	1366	1232	664	1418	1582	1054	1047	1153
3600997 1N5W36H04S W	230	85	0	0	-	63	1262	1131	1538	1816	536	1257
3600998 1N5W25E02S W	1228	639	356	8	-	446	-	-	-	-	-	0
3600999 1S4W06J01S W	531	70	435	70	9	223	-	-	-	-	-	0
3601000 1S4W06J02S W	312	0	0	0	0	62	-	-	-	-	-	0
3601002 1N4W31P03S W	338	540	554	221	148	360	-	-	-	-	-	0
3601003 1S4W06H01S W	1283	929	1264	794	1434	1141	0	0	0	0	-	0
3601725 1N5W25E00S W	-	-	-	-	-	0	0	0	0	0	-	0
3601848 1S4W05E05S W	1612	2655	3145	1951	1965	2266	833	956	1688	1486	2067	1406
3601944 1N5W23Q00S W <sup>2</sup>	0	36	2067	1260	1006	874	366	267	232	431	1031	465
3602766 1S4W06H02 W	-	-	-	-	-	0	1403	435	646	942	1244	934
OWNER TOTAL	13584*	12090*	13587*	11331*	11837*	12486*	10583*	10575*	12952*	12655*	12814*	11916*

WILEY, RUTH NORWOOD

3600052 1S4W36J W

WILLIAMS WELL CORPORATION, LTD.

3600828 1S3W16J W

1 INCLUDES GROSS LYTLE CREEK DIVERSIONS--SEE TABLE NO. 4 FOR VERIFIED DIVERSIONS FROM LYTLE CREEK

2 WELL DRILLED 1979

TABLE NO. 1  
 VERIFIED EXTRACTIONS BY OWNERS (NON-PLAINTIFFS) WHICH HAVE RECORDATION FILINGS  
 WITH THE STATE WATER RESOURCES CONTROL BOARD

OWNER	1959	1960	1961	1962	1963	1959-63 AVERAGE	1982	1983	1984	1985	1986	1982-86 AVERAGE
WOEHR MUTUAL WATER COMPANY												
3600817 1S3W29H W	374	465	625	488	423	475	157	0	0	0	0	31
YAHIKU, PAUL												
3601280 1S3W29D W <sup>1</sup>	50	95	51	51	51	60	-	-	-	-	-	0
YUCAIPA VALLEY COUNTY WATER DISTRICT												
3602657 1S1W20D W <sup>2</sup>	-	-	-	-	-	0	0	0	0	0	0	0
3602658 1S1W20D W <sup>2</sup>	-	-	-	-	-	0	0	0	0	0	0	0
3602659 1S1W19G W <sup>2</sup>	-	-	-	-	-	0	34	12	92	72	71	56
OWNER TOTAL	0*	0*	0*	0*	0*	0*	34*	12*	92*	72*	71*	56*
7TH AVE. WELL												
3601121 1S2W31 W	230	342	514	161	271	304	0	0	0	0	0	0

TOTAL VERIFIED

PRODUCTION ALL

FACILITIES

177260\* 162019\* 167648\* 161479\* 144956\* 162672\* 146580\* 143189\* 165394\* 174759\* 170352\* 160055\*

TOTAL VERIFIED

PRODUCTION ALL

FACILITIES 25

ACRE-FEET PER

YEAR OR LARGER

176785\* 161737\* 167451\* 161123\* 144498\* 162319\* 146499\* 143070\* 165313\* 174668\* 170247\* 159959\*

1 FORMERLY JACINTO FARMING INC.

2 FORMERLY TRIPLE FALLS MUT. WTR. CO. PRIOR TO 1975 SEE NON-FILED EXTRACTIONS TABLE NO. 2 TRIPLE FALLS MUT. WTR. CO.

TABLE NO. 2

EXTRACTIONS BY OWNERS (NON-PLAINTIFFS) WHICH  
HAVE NOT FILED WITH THE STATE WATER RESOURCES  
CONTROL BOARD

TABLE NO. 2  
 VERIFIED EXTRACTIONS BY OWNERS (NON-PLAINTIFFS) WHICH HAVE NOT FILED  
 WITH THE STATE WATER RESOURCES CONTROL BOARD

OWNER	1959	1960	1961	1962	1963	1959-63 AVERAGE	1982	1983	1984	1985	1986	1982-86 AVERAGE
AHMANSON RANCH												
NON-FILER 1S4W27H	200	200	200	200	200	200	0	0	0	0	0	0
ANDERSON, W.D.												
NON-FILER 1N4W25R	0	0	0	0	0	0	-	-	-	-	-	0
ARNOLD RANCH												
NON-FILER 1N3W34H	230	230	230	230	230	230	0	0	0	0	0	0
BALCOM												
NON-FILER 1S4W11M	1	1	1	1	1	1	-	-	-	-	-	0
BALDWIN												
NON-FILER 1N3W34K	1	1	1	1	1	1	0	0	0	0	0	0
BARRIER												
NON-FILER 1S4W22B	3	3	3	3	3	3	0	0	0	0	0	0
BASELINE LAUNDRY												
NON-FILER 1N3W31Q	50	50	50	50	50	50	21	20	23	30	19	23
NON-FILER 1N3W31	-	-	-	-	-	0	0	0	0	0	0	0
OWNER TOTAL	50*	50*	50*	50*	50*	50*	21*	20*	23*	30*	19*	23*
BATCHELOR												
NON-FILER 1N4W14R	1	1	1	1	1	1	1	1	1	1	1	1
NON-FILER 1N4W14R	1	1	1	1	1	1	1	1	1	1	1	1

1 FORMERLY MEEKS & DALEY



TABLE NO. 2  
 VERIFIED EXTRACTATIONS BY OWNERS (NON-PLAINTIFFS) WHICH HAVE NOT FILED  
 WITH THE STATE WATER RESOURCES CONTROL BOARD

OWNER	1959	1960	1961	1962	1963	1959-63 AVERAGE	1982	1983	1984	1985	1986	1982-86 AVERAGE
OWNER TOTAL	2*	2*	2*	2*	2*	2*	2*	2*	2*	2*	2*	2*
BERMAN, JERRY												
NON-FILER 1S4W02K	120	110	130	-	-	72	0	0	0	0	0	0
NON-FILER 1S4W02J	84	84	84	84	84	84	0	0	0	0	0	0
OWNER TOTAL	204*	194*	214*	84*	84*	156*	0*	0*	0*	0*	0*	0*
BLISS												
NON-FILER 1S2W22E	2	2	2	2	2	2	0	0	0	0	0	0
BOUCHER												
NON-FILER 1N4W14J	1	1	1	1	1	1	1	1	1	1	1	1
BREAK, ALLEN, ESTATE												
NON-FILER 1S3W31A	760	608	760	608	608	669	33	14	3	0	0	10
CARPENTER												
NON-FILER 1S4W22B	4	4	4	4	4	4	0	0	0	0	0	0
CLIFFSIDE RANCH												
NON-FILER 1S3W03F <sup>1</sup>	171	174	181	150	186	172	-	-	-	-	-	0
COOK CANYON												
NON-FILER 1N3W27R	35	35	35	35	35	35	1	1	1	1	0	1
CRYSTAL SPRINGS												
NON-FILER 2S2W06D	1	1	1	1	1	1	1	1	1	1	1	1

<sup>1</sup> FILED BY E.V.W.D. RECORDATION NO. 3602571 COMMENCING 1978 SEE TABLE NO.1

TABLE NO. 2  
 VERIFIED EXTRACTATIONS BY OWNERS (NON-PLAINTIFFS) WHICH HAVE NOT FILED  
 WITH THE STATE WATER RESOURCES CONTROL BOARD

OWNER	1959	1960	1961	1962	1963	1959-63 AVERAGE	1982	1983	1984	1985	1986	1982-86 AVERAGE
DANGLO DAIRY												
NON-FILER 1S4W11F	W	35	35	35	35	35	-	-	-	-	-	0
DANIELS, DON												
NON-FILER 1S3W19J	W <sup>1</sup>	-	-	-	-	0	-	-	-	-	-	0
DANIELS, HAROLD												
NON-FILER 1S3W17R	W <sup>2</sup>	-	-	-	500	100	-	-	-	-	-	0
NON-FILER 1S3W17C	W	2	2	2	2	2	1	1	1	1	1	1
OWNER TOTAL		2*	2*	2*	502*	102*	1*	1*	1*	1*	1*	1*
DILLSON MUT. WTR. CO.												
NON-FILER 1N4W13P	W	18	18	18	18	18	-	-	-	-	-	0
NON-FILER 1N4W13P	W	18	18	18	18	18	0	0	0	0	0	0
NON-FILER 1N4W13P	W	-	-	-	-	0	0	0	0	0	0	0
OWNER TOTAL		36*	36*	36*	36*	36*	0*	0*	0*	0*	0*	0*
EAST HIGHLANDS ORANGE COMPANY												
NON-FILER 1N3W35B	D <sup>3</sup>	53	28	40	47	46	43	-	-	-	-	0
EAST VALLEY WATER DISTRICT												
NON-FILER 1N3W30C	W <sup>4</sup>	-	-	-	-	0	0	0	-	0	0	0

1 FILED BY DANIELS AND BEST RANCH RECORDATION NUMBER 3602549 COMMENCING 1973 SEE TABLE NO. 1

2 FILED BY DANIELS AND BEST RANCH RECORDATION NUMBER 3602550 COMMENCING 1973 SEE TABLE NO. 1

3 FILED BY EAST HIGHLANDS RANCH INC. RECORDATION NO. 3602474 COMMENCING 1980 SEE TABLE NO. 1

4 FORMERLY EAST SAN BDNO. COUNTY WATER DIST.

TABLE NO. 2  
 VERIFIED EXTRACTATIONS BY OWNERS (NON-PLAINTIFFS) WHICH HAVE NOT FILED  
 WITH THE STATE WATER RESOURCES CONTROL BOARD

OWNER	1959	1960	1961	1962	1963	1959-63 AVERAGE	1982	1983	1984	1985	1986	1982-86 AVERAGE
(CONTINUED)												
EAST VALLEY WATER DISTRICT												
NON-FILER 1S3W04P <sup>1</sup>	24	24	29	30	20	25	0	0	0	0	0	0
NON-FILER 1N3W30C <sup>1</sup>	50	51	56	38	34	46	0	0	0	0	0	0
NON-FILER 1N3W31A <sup>1</sup>	216	110	75	0	0	80	0	0	0	0	0	0
NON-FILER 1S3W05Q <sup>1</sup>	11	9	12	6	3	8	0	0	0	0	0	0
NON-FILER 1N4W36H <sup>1</sup>	35	1	0	0	0	7	0	0	0	0	0	0
NON-FILER 1S3W06 <sup>1</sup>	0	0	0	0	0	0	0	0	0	0	0	0
NON-FILER 1N3W31D <sup>1</sup>	39	55	2	2	0	20	0	0	0	0	0	0
NON-FILER 1S3W06E <sup>1</sup>	35	35	35	0	0	21	0	0	0	0	0	0
NON-FILER 1S3W06B <sup>1</sup>	10	10	10	10	10	10	0	0	0	0	0	0
NON-FILER 1S3W06C <sup>1</sup>	-	-	-	-	-	0	0	0	0	0	0	0
NON-FILER 1S4W02L <sup>1</sup>	20	20	20	20	20	20	0	0	0	0	0	0
NON-FILER 1S3W06P <sup>1</sup>	4	4	4	4	-	3	0	0	0	0	0	0
NON-FILER 1S3W05Q <sup>1</sup>	1	1	1	1	1	1	0	0	0	0	0	0
NON-FILER 1S3W06M <sup>1</sup>	572	690	848	560	668	668	0	0	0	0	0	0
NON-FILER 1S3W06Q <sup>1</sup>	27	21	23	25	27	25	0	0	0	0	0	0
NON-FILER 1S3W03N <sup>1</sup>	10	10	10	10	10	10	10	10	10	10	10	8
NON-FILER 1N4W25D <sup>1</sup>	11	11	11	11	11	11	0	0	0	0	0	0
NON-FILER 1S3W03N <sup>1</sup>	5	5	5	-	-	3	0	0	0	0	0	0

<sup>1</sup> FORMERLY EAST SAN BDNO. COUNTY WATER DIST.

TABLE NO. 2  
 VERIFIED EXTRACTATIONS BY OWNERS (NON-PLAINTIFFS) WHICH HAVE NOT FILED  
 WITH THE STATE WATER RESOURCES CONTROL BOARD

OWNER	1959	1960	1961	1962	1963	1959-63 AVERAGE	1982	1983	1984	1985	1986	1982-86 AVERAGE
(CONTINUED)												
EAST VALLEY WATER DISTRICT												
NON-FILER 1S3W05J	2	2	-	-	-	1	0	0	0	0	0	0
NON-FILER 1S4W01D	20	20	20	20	20	20	0	0	0	0	0	0
NON-FILER 1S3W06N	150	99	137	373	190	190	0	0	0	0	0	0
NON-FILER 1S3W04Q	20	20	20	20	20	20	0	0	0	0	0	0
OWNER TOTAL	1262*	1198*	1318*	1130*	1034*	1188*	10*	10*	10*	10*	0*	8*
ELENA, JOHN B.												
NON-FILER 1N4W08N	585	585	585	585	585	585	-	-	-	-	-	0
ELLGOOD												
NON-FILER 1S2W24C	5	5	5	5	5	5	40	40	40	40	40	40
FARROW												
NON-FILER 1S2W22E	6	5	28	5	5	10	5	5	5	5	5	5
FINCH												
NON-FILER 1S2W29	-	-	-	-	-	0	0	0	0	0	0	0
GOLCONDA WATER CO.												
NON-FILER 1S4W13E	96	96	96	96	96	96	-	-	-	-	-	0
GREENSPOT MUTUAL WATER CO TUNNEL												
NON-FILER 1S2W22	-	-	-	-	-	0	580	510	550	520	320	496

1 FORMERLY EAST SAN BDNO. COUNTY WATER DIST.

2 FORMERLY HACIENDA TRAILER PARK, FORMERLY EAST SAN BDNO. COUNTY WATER DIST.

3 FILED BY NEW OWNER SAN BERNARDINO, CITY OF RECORDATION NO. 3602712 COMMENCING 1977 SEE TABLE NO. 1

TABLE NO. 2  
 VERIFIED EXTRACTATIONS BY OWNERS (NON-PLAINTIFFS) WHICH HAVE NOT FILED  
 WITH THE STATE WATER RESOURCES CONTROL BOARD

OWNER	1959	1960	1961	1962	1963	1959-63 AVERAGE	1982	1983	1984	1985	1986	1982-86 AVERAGE
HAGAR												
NON-FILER 1S2W16L	1	1	1	1	1	1	0	0	0	0	0	0
HARDISON												
NON-FILER 1N4W13Q	1	1	1	1	1	1	1	1	1	1	1	1
HARRISON												
NON-FILER 1S3W04J	1	1	1	1	1	1	0	0	0	0	0	0
HARRISON CANYON												
NON-FILER 1N4W13P	1	1	1	1	1	1	0	0	0	0	0	0
NON-FILER 1N4W13P	1	1	1	1	1	1	0	0	0	0	0	0
OWNER TOTAL	2*	2*	2*	2*	2*	2*	0*	0*	0*	0*	0*	0*
HAZAS												
NON-FILER 1S4W11G	8	8	8	8	8	8	-	-	-	-	-	0
HELIPORT												
NON-FILER 1S4W15G	1	1	1	1	1	1	0	0	0	0	0	0
HILL												
NON-FILER 1S2W31B	-	-	-	-	-	0	0	0	0	0	0	0
HODGDON, WARNER												
NON-FILER 1N4W14C	1	200	150	150	50	150	150	150	150	150	150	150
HOLDEN MUT. WTR. CO.												
NON-FILER 1S4W14E	2	2	2	2	2	2	-	-	-	-	-	0
1 FORMERLY WEST TWIN CREEK WATER COMPANY												

TABLE NO. 2  
 VERIFIED EXTRACTIIONS BY OWNERS (NON-PLAINTIFFS) WHICH HAVE NOT FILED  
 WITH THE STATE WATER RESOURCES CONTROL BOARD

OWNER	1959	1960	1961	1962	1963	1959-63 AVERAGE	1982	1983	1984	1985	1986	1982-86 AVERAGE
(CONTINUED)												
HOLDEN MUT. WTR. CO.												
NON-FILER 1S4W14F	12	12	12	12	12	12	-	-	-	-	-	0
OWNER TOTAL	14*	14*	14*	14*	14*	14*	0*	0*	0*	0*	0*	0*
HORTON												
NON-FILER 1S3W32J	385	300	420	364	357	365	206	176	358	320	264	265
HUNTER												
NON-FILER 1S3W03D	3	3	3	3	3	3	0	0	0	0	0	0
INTER CITY MUTUAL WATER CO												
NON-FILER 1S4W23P	-	-	-	-	-	0	-	-	-	-	-	0
KARAHALOIS												
NON-FILER 1S2W17	-	-	-	-	-	0	1	1	1	1	1	1
KING												
NON-FILER 1N4W14R	1	1	1	1	1	1	1	1	1	1	1	1
KOCH												
NON-FILER 1S2W32B	-	-	-	-	-	0	0	0	0	0	0	0
KRANTZ DAIRY												
NON-FILER 1S4W11F	100	100	100	100	100	100	0	0	0	0	0	0
KUHN, RICHARD J												
NON-FILER 1S3W32G	-	-	-	-	-	0	60	60	60	60	60	60

1 FILED BY SAN BERNARDINO, CITY OF RECORDATION NO. 3602521 COMMENCING 1977 SEE TABLE NO. 1  
 2 FORMERLY UNIVERSITY OF REDLANDS  
 3 WELL DRILLED 1976

TABLE NO. 2  
 VERIFIED EXTRACTIONS BY OWNERS (NON-PLAINTIFFS) WHICH HAVE NOT FILED  
 WITH THE STATE WATER RESOURCES CONTROL BOARD

OWNER	1959	1960	1961	1962	1963	1959-63 AVERAGE	1982	1983	1984	1985	1986	1982-86 AVERAGE
L.P.R. RANCH												
NON-FILER 1S3W13C	-	-	485	660	610	351	-	-	-	-	-	0
LA TOURETTE												
NON-FILER 1S2W28M	30	30	30	30	30	30	6	2	2	3	3	3
LANKERSHIM MUT. WTR. CO.												
NON-FILER 1S3W06L	100	100	100	100	100	100	95	77	50	60	70	70
NON-FILER 1S3W06F	50	50	50	50	50	50	5	23	50	60	50	38
OWNER TOTAL	150*	150*	150*	150*	150*	150*	100*	100*	100*	120*	120*	108*
LORD												
NON-FILER 1S2W28M	1	1	1	1	1	1	1	1	1	1	1	1
MARSHBURN												
NON-FILER 1S3W17G	-	-	380	300	290	194	200	170	100	100	100	134
MCCALLA BROS												
NON-FILER 1S3W20	-	-	1	1	1	1	0	0	0	0	0	0
MENTONE DOMESTIC WTR. CO.												
NON-FILER 1S2W19J	-	-	25	-	-	5	-	-	-	-	-	0
NON-FILER 1S2W19J	-	-	-	-	-	0	-	-	-	-	-	0

1 FILED BY L.P.R. ICE COMPANY RECORDATION NO. 3602525 COMMENCING 1972 SEE TABLE NO. 1

2 FILED BY REDLANDS, CITY OF COMMENCING 1978 SEE TABLE NO. 1

3 FILED BY REDLANDS, CITY OF COMMENCING 1975 SEE TABLE NO. 1

TABLE NO. 2  
 VERIFIED EXTRACTIONS BY OWNERS (NON-PLAINTIFFS) WHICH HAVE NOT FILED  
 WITH THE STATE WATER RESOURCES CONTROL BOARD

OWNER	1959	1960	1961	1962	1963	1959-63 AVERAGE	1982	1983	1984	1985	1986	1982-86 AVERAGE
OWNER TOTAL	0*	0*	25*	0*	0*	5*	0*	0*	0*	0*	0*	0*
MOORE, R. H.												
NON-FILER 1S4W24K W	46	42	89	78	77	66	38	19	48	6	40	30
MT. VIEW CHILD CARE CENTER												
NON-FILER 1S4W24J W <sup>1</sup>	2	2	2	2	2	2	1	1	1	1	1	1
NO NAME WELL												
NON-FILER 1N3W32M W	30	27	32	28	28	29	0	0	0	0	0	0
NORTON AIR FORCE BASE												
NON-FILER 1S4W12B W	688	619	640	699	623	654	502	519	639	568	311	508
NON-FILER 1S4W12C W	473	425	440	480	429	449	0	0	0	0	5	1
NON-FILER 1S4W12D W	860	773	800	874	780	817	0	0	0	0	0	0
NON-FILER 1S4W12F W	1721	1546	1599	1747	1559	1634	1000	900	1118	839	1086	989
NON-FILER 1S3W08A W	946	850	879	961	857	899	596	610	610	753	843	682
NON-FILER 1S4W12Q W	0	0	0	0	0	0	0	0	0	0	0	0
NON-FILER 1S4W12G W	860	773	800	874	780	817	0	0	0	0	0	0
NON-FILER 1S3W08E W	0	0	0	0	0	0	0	0	0	0	0	0
NON-FILER 1S3W08M W	344	309	320	350	312	327	0	0	0	0	0	0
OWNER TOTAL	5892*	5295*	5478*	5985*	5340*	5598*	2098*	2029*	2367*	2160*	2245*	2180*
NORWOOD												
NON-FILER 1N3W34F W	1	1	1	1	1	1	0	0	0	0	0	0

1 FORMERLY VANLEUVEN NURSING HOME



TABLE NO. 2  
 VERIFIED EXTRACTIONS BY OWNERS (NON-PLAINTIFFS) WHICH HAVE NOT FILED  
 WITH THE STATE WATER RESOURCES CONTROL BOARD

OWNER	1959	1960	1961	1962	1963	1959-63 AVERAGE	1982	1983	1984	1985	1986	1982-86 AVERAGE
PACIFIC HIGH SCHOOL												
NON-FILER 1N4W35H	W	75	75	75	75	75	0	0	0	0	0	0
PATTERSON, ROY H.												
NON-FILER 1N3W34	W <sup>1</sup>	-	-	-	-	0	1	1	1	1	1	1
PIERSON												
NON-FILER 1N4W35N	W	80	80	80	-	64	-	-	-	-	-	0
QUALITY FARMS												
NON-FILER 1S3W04R	W <sup>2</sup>	123	123	123	123	123	125	125	125	125	125	125
RAMSEY												
NON-FILER 1S2W22F	D	1	1	1	1	1	1	1	1	1	1	1
REDLANDS ASSOCIATES												
NON-FILER 1S2W17B	W <sup>3</sup>	-	-	-	13	3	0	0	0	0	0	0
NON-FILER 1S2W09P	W <sup>3</sup>	200	162	200	166	179	-	-	-	-	-	0
NON-FILER 1S2W09L	W <sup>4</sup>	145	119	146	123	131	-	-	-	-	-	0
NON-FILER 1S2W09L	D	144	97	92	122	113	-	-	-	-	-	0
OWNER TOTAL		489*	378*	438*	414*	426*	0*	0*	0*	0*	0*	0*

1 FORMERLY ROBERTS, DR. G.

2 FORMERLY ROZEMA CHICKEN RANCH

3 FILED BY NEW OWNER BLUE GOOSE GROWERS INC. COMMENCING 1972 SEE TABLE NO. 1

4 FILED BY NEW OWNER BLUE BANNER CO. COMMENCING 1980 SEE TABLE NO. 1

TABLE NO. 2  
 VERIFIED EXTRACTATIONS BY OWNERS (NON-PLAINTIFFS) WHICH HAVE NOT FILED  
 WITH THE STATE WATER RESOURCES CONTROL BOARD

OWNER	1959	1960	1961	1962	1963	1959-63 AVERAGE	1982	1983	1984	1985	1986	1982-86 AVERAGE
REDLANDS WTR. CO.												
NON-FILER 1S2W08	544	599	301	754	581	556	1220	1020	1394	1118	1122	1175
REDLANDS, CITY OF												
NON-FILER 1S2W13B	10	10	10	10	10	10	0	0	0	0	0	0
REGINA GRAPE PRODUCTS												
NON-FILER 1N5W04M	60	60	60	60	60	60	0	0	0	0	0	0
NON-FILER 1N5W04N	24	24	24	24	24	24	0	0	0	0	0	0
NON-FILER 1N5W04N	27	27	27	27	27	27	0	0	0	0	0	0
NON-FILER 1N5W05B	29	29	29	29	29	29	0	0	0	0	0	0
NON-FILER 1N5W05R	33	33	33	33	33	33	0	0	0	0	0	0
NON-FILER 1N5W04N	24	24	24	24	24	24	0	0	0	0	0	0
NON-FILER 1N5W04N	33	33	33	33	33	33	0	0	0	0	0	0
NON-FILER 1N5W04N	20	20	20	20	20	20	0	0	0	0	0	0
OWNER TOTAL	250*	250*	250*	250*	250*	250*	0*	0*	0*	0*	0*	0*
RIVAS												
NON-FILER 1S4W24J	1	1	1	1	1	1	1	1	1	1	1	1
RULE												
NON-FILER 1N3W34K	1	1	1	1	1	1	0	0	0	0	0	0

1 COMMENCING 1974 SEE TABLE NO. 6 SANTA ANA RIVER VERIFICATION OF EXTRACTATIONS  
 2 COMMENCING 1974 SEE TABLE NO. 5 MILL CREEK VERIFICATION OF EXTRACTATIONS MILL CREEK RANGER STATION TERMINATED MAY 1979

TABLE NO. 2  
 VERIFIED EXTRACTATIONS BY OWNERS (NON-PLAINTIFFS) WHICH HAVE NOT FILED  
 WITH THE STATE WATER RESOURCES CONTROL BOARD

OWNER	1959	1960	1961	1962	1963	1959-63 AVERAGE	1982	1983	1984	1985	1986	1982-86 AVERAGE
SAN BERNARDINO, CITY OF												
NON-FILER 1S4W21A W	3	3	3	3	3	3	0	0	0	0	0	0
NON-FILER 1S4W22C W	5	5	5	5	5	5	0	0	0	0	0	0
OWNER TOTAL	8*	8*	8*	8*	8*	8*	0*	0*	0*	0*	0*	0*
SAN BERNARDINO, COUNTY OF												
NON-FILER 1S4W14A W <sup>1</sup>	145	145	145	80	80	119	8	0	0	0	0	2
NON-FILER 1N4W35F W <sup>2</sup>	200	200	200	200	200	200	285	319	339	338	340	324
NON-FILER 2N5W33F W	428	330	410	308	207	337	248	145	219	243	278	227
NON-FILER 2N5W33G W	208	285	399	256	179	265	297	160	340	348	476	324
NON-FILER 2N5W33Q02 W <sup>3</sup>	-	-	-	-	-	0	70	110	140	133	112	113
OWNER TOTAL	981*	960*	1154*	844*	666*	921*	908*	734*	1038*	1062*	1206*	990*
SAN MANUAL INDIAN RESERV.												
NON-FILER 1N3W20N W	6	6	6	6	6	6	0	0	0	0	0	0
SANDYS RESTAURANT												
NON-FILER 1S3W21M2 W	-	-	-	-	-	0	0	0	0	0	0	0
SANTINI												
NON-FILER 1S4W14A W	90	90	90	90	90	90	0	0	0	0	0	0

1 FORMERLY AEROSPACE

2 FORMERLY COUNTY HOSPITAL

3 ORIGINAL VERIFICATION DONE DURING THE 1973 VERIFICATION

TABLE NO. 2  
 VERIFIED EXTRACTIONS BY OWNERS (NON-PLAINTIFFS) WHICH HAVE NOT FILED  
 WITH THE STATE WATER RESOURCES CONTROL BOARD

OWNER	1959	1960	1961	1962	1963	1959-63 AVERAGE	1982	1983	1984	1985	1986	1982-86 AVERAGE
SARATOGA DEVELOPMENT CO												
NON-FILER 1S2W06 D <sup>1</sup>	1	1	1	1	1	1	1	1	1	1	1	1
SATOSKI, DOCTOR												
NON-FILER 1N4W14J W	1	1	1	1	1	1	1	1	1	1	1	1
SELEY												
NON-FILER 1N3W19Q D	1	1	1	1	1	1	1	1	1	1	1	1
SIX HOUSES												
NON-FILER 1S4W22A W	6	6	6	6	6	6	0	0	0	0	0	0
SMITH												
NON-FILER 1N4W14J W	1	1	1	1	1	1	1	1	1	1	1	1
SMITH MEAT PACKING PLANT												
NON-FILER 1S4W22M W	3	3	3	3	3	3	-	-	-	-	-	0
SMITH,												
NON-FILER 1S3W02J W	10	10	10	10	10	10	10	10	10	10	10	10
STANLEY, SILAS												
NON-FILER 1S2W24H W <sup>2</sup>	2	2	2	2	2	2	3	3	3	3	3	3
STEWART, WILLARD												
NON-FILER 1S3W31D W	53	53	53	53	53	53	0	0	0	0	0	0

1 FORMERLY EAST HIGHLANDS ORANGE COMPANY

2 1982 VERIFIED AMOUNT CORRECTED DURING 1983 VERIFICATION

TABLE NO. 2  
 VERIFIED EXTRACTIONS BY OWNERS (NON-PLAINTIFFS) WHICH HAVE NOT FILED  
 WITH THE STATE WATER RESOURCES CONTROL BOARD

OWNER	1959	1960	1961	1962	1963	1959-63 AVERAGE	1982	1983	1984	1985	1986	1982-86 AVERAGE
STRAWBERRY PATCH												
NON-FILER 1S3W03N	-	-	-	-	-	0	30	30	30	30	30	30
NON-FILER 1S3W03N	1	1	1	1	1	1	0	0	0	0	0	0
OWNER TOTAL	1*	1*	1*	1*	1*	1*	30*	30*	30*	30*	30*	30*
SUPERIOR ORCHARDS												
NON-FILER 1N3W29B	1	1	1	1	1	1	0	0	0	0	0	0
TEXACO GAS STATION												
NON-FILER 1S4W24J	-	-	-	-	-	0	1	1	0	1	1	1
THOMPSON RANDALL												
NON-FILER 1N3W28A	3	3	3	3	3	3	0	0	0	0	0	0
TRI CITY MUTUAL WATER COMPANY												
NON-FILER 1S4W23N	0	0	0	0	0	0	0	0	0	0	0	0
TRIPLE FALLS MUT. WTR. CO.												
NON-FILER 1S1W19G	-	-	-	-	-	0	-	-	-	-	-	0
NON-FILER 1S1W20D	5	5	4	5	5	5	-	-	-	-	-	0
NON-FILER 1S1W20D	10	7	6	10	13	9	-	-	-	-	-	0
OWNER TOTAL	15*	12*	10*	15*	18*	14*	0*	0*	0*	0*	0*	0*
U.S. FOREST SERVICE												
NON-FILER 1N4W13Q	9	9	9	9	9	9	0	0	0	0	0	0

1 FORMERLY DOUGLAS GAS STATION  
 2 FILED BY NEW OWNER YUCAIPA VALLEY COUNTY WATER DISTRICT COMMENCING 1975SEE TABLE NO. 1

TABLE NO. 2  
 VERIFIED EXTRACTIONS BY OWNERS (NON-PLAINTIFFS) WHICH HAVE NOT FILED  
 WITH THE STATE WATER RESOURCES CONTROL BOARD

OWNER	1959	1960	1961	1962	1963	1959-63 AVERAGE	1982	1983	1984	1985	1986	1982-86 AVERAGE
(CONTINUED)												
U.S. FOREST SERVICE												
NON-FILER 1S2W13P	-	-	-	-	-	0	0	0	0	0	0	0
OWNER TOTAL	9*	9*	9*	9*	9*	9*	0*	0*	0*	0*	0*	0*
VALENCIA AVE. MUT. WTR. CO.												
NON-FILER 1N4W23K	30	30	30	30	30	30	1	0	0	0	0	0
VALLEY FARMS MUT. WTR. CO.												
NON-FILER 1S4W15R	90	90	90	90	90	90	197	177	199	206	192	194
NON-FILER 1S4W15Q	29	29	29	29	29	29	15	35	28	10	0	18
OWNER TOTAL	119*	119*	119*	119*	119*	119*	212*	212*	227*	216*	192*	212*
VAN MEETER												
NON-FILER 1S3W02P	3	3	0	0	0	1	0	0	0	0	0	0
NON-FILER 1S3W02P	-	-	-	-	-	0	3	3	3	3	3	3
OWNER TOTAL	3*	3*	0*	0*	0*	1*	3*	3*	3*	3*	3*	3*
VANLEUVEN, CLARENCE												
NON-FILER 1S4W24J	26	26	26	26	26	26	0	0	0	0	0	0
VICTORIA SEVENTH DAY ADVENTIST												
NON-FILER 1S4W24J	15	15	15	15	15	15	0	0	0	0	0	0
WALLACE												
NON-FILER 1N4W14J	1	1	1	1	1	1	1	1	1	1	1	1

1 FORMERLY VANLEUVEN, ED

TABLE NO. 2  
 VERIFIED EXTRACTIIONS BY OWNERS (NON-PLAINTIFFS) WHICH HAVE NOT FILED  
 WITH THE STATE WATER RESOURCES CONTROL BOARD

OWNER	1959	1960	1961	1962	1963	1959-63 AVERAGE	1982	1983	1984	1985	1986	1982-86 AVERAGE
WARD, FLOYD												
NON-FILER 1S1W18N	-	-	-	16	16	6	0	0	0	0	0	0
NON-FILER 1S1W18P	-	-	-	17	17	7	0	0	0	0	0	0
NON-FILER 1S1W18P	1	1	1	1	1	1	1	1	1	1	1	1
NON-FILER 1S1W18N	-	-	-	16	16	6	0	0	0	0	0	0
NON-FILER 1S1W18M	-	-	-	52	52	21	0	0	0	0	0	0
NON-FILER 1S1W18P	-	-	-	1	1	0	2	2	2	2	2	2
OWNER TOTAL	1*	1*	1*	103*	103*	42*	3*	3*	3*	3*	3*	3*
WESTERN FRUIT GROWERS												
NON-FILER 1S3W24Q	147	220	177	0	0	109	0	0	0	0	0	0
WIDEMEYER												
NON-FILER 1N3W29H	1	1	1	1	1	1	0	0	0	0	0	0
NON-FILER 1N3W29H	5	5	5	5	5	5	0	0	0	0	0	0
OWNER TOTAL	6*	6*	6*	6*	6*	6*	0*	0*	0*	0*	0*	0*
WILLIAMS DAIRY												
NON-FILER 1S4W11G	142	142	142	142	142	142	0	0	0	0	0	0
YORK												
NON-FILER 1N3W19R	1	1	1	1	1	1	1	1	1	1	1	1
NON-FILER 1N3W19R	28	28	28	28	28	28	15	15	15	15	15	15
NON-FILER 1N3W19R	30	26	20	30	28	27	0	0	0	0	0	0

TABLE NO. 2  
 VERIFIED EXTRACTIONS BY OWNERS (NON-PLAINTIFFS) WHICH HAVE NOT FILED  
 WITH THE STATE WATER RESOURCES CONTROL BOARD

OWNER	1959	1960	1961	1962	1963	1959-63 AVERAGE	1982	1983	1984	1985	1986	1982-86 AVERAGE
OWNER TOTAL	59*	55*	49*	59*	57*	56*	16*	16*	16*	16*	16*	16*
TOTAL VERIFIED PRODUCTION ALL FACILITIES	13929*	12980*	14412*	14460*	13653*	13887*	6098*	5481*	6684*	6130*	6095*	6098*
TOTAL VERIFIED PRODUCTION ALL FACILITIES 25 ACRE-FEET PER YEAR OR LARGER	13430*	12505*	13946*	13981*	13167*	13406*	6010*	5366*	6597*	6061*	6014*	6010*



TABLE NO. 3

SUMMARY OF EXTRACTIONS (FILED AND NON-FILED)  
FROM SAN BERNARDINO BASIN AREA BY NON-PLAINTIFFS  
FOR USE WITHIN SAN BERNARDINO COUNTY

TABLE NO. 3  
SUMMARY OF VERIFIED EXTRACTIONS (FILED & NON-FILED) FROM SAN BERNARDINO BASIN AREA  
BY NON-PLAINTIFFS FOR USE WITHIN SAN BERNARDINO COUNTY

OWNER	1959	1960	1961	1962	1963	1959-63 AVERAGE	1982	1983	1984	1985	1986	1982-86 AVERAGE
AHMANSON RANCH												
OWNER TOTAL	200*	200*	200*	200*	200*	200*	0*	0*	0*	0*	0*	0*
ANDERSON, W.D.												
OWNER TOTAL	0*	0*	0*	0*	0*	0*	0*	0*	0*	0*	0*	0*
ARMSTRONG, DOUGLAS												
OWNER TOTAL	286*	342*	0*	0*	0*	126*	0*	0*	0*	0*	0*	0*
ARNOLD RANCH												
OWNER TOTAL	230*	230*	230*	230*	230*	230*	0*	0*	0*	0*	0*	0*
ARROWHEAD COUNTRY CLUB												
OWNER TOTAL	600*	607*	650*	650*	650*	631*	353*	310*	410*	398*	450*	384*
ARROYO VERDE MUTUAL WATER CO.												
OWNER TOTAL	166*	186*	162*	168*	141*	165*	120*	97*	115*	125*	101*	112*
ATCHISON, TOPEKA & SANTA FE RAILWAY CO.												
OWNER TOTAL	316*	254*	226*	220*	138*	231*	0*	0*	0*	0*	0*	0*
B M I FUNDS												
OWNER TOTAL	343*	323*	165*	165*	0*	199*	0*	0*	0*	0*	0*	0*
BALCOM												
OWNER TOTAL	1*	1*	1*	1*	1*	1*	0*	0*	0*	0*	0*	0*
BALDWIN												
OWNER TOTAL	1*	1*	1*	1*	1*	1*	0*	0*	0*	0*	0*	0*

TABLE NO. 3  
SUMMARY OF VERIFIED EXTRACTIONS (FILED & NON-FILED) FROM SAN BERNARDINO BASIN AREA  
BY NON-PLAINTIFFS FOR USE WITHIN SAN BERNARDINO COUNTY

OWNER	1959	1960	1961	1962	1963	1959-63 AVERAGE	1982	1983	1984	1985	1986	1982-86 AVERAGE
BARNO, JOHN	0*	0*	0*	0*	34*	7*	0*	0*	0*	0*	0*	0*
OWNER TOTAL	0*	0*	0*	0*	34*	7*	0*	0*	0*	0*	0*	0*
BARRIER	3*	3*	3*	3*	3*	3*	0*	0*	0*	0*	0*	0*
OWNER TOTAL	3*	3*	3*	3*	3*	3*	0*	0*	0*	0*	0*	0*
BASE LINE WELL COMPANY	0*	0*	0*	0*	0*	0*	0*	0*	0*	0*	0*	0*
OWNER TOTAL	0*	0*	0*	0*	0*	0*	0*	0*	0*	0*	0*	0*
BASELINE GARDENS MUTUAL WATER COMPANY	303*	303*	303*	303*	303*	303*	346*	508*	496*	498*	500*	470*
OWNER TOTAL	303*	303*	303*	303*	303*	303*	346*	508*	496*	498*	500*	470*
BASELINE LAUNDRY	50*	50*	50*	50*	50*	50*	21*	20*	23*	30*	19*	23*
OWNER TOTAL	50*	50*	50*	50*	50*	50*	21*	20*	23*	30*	19*	23*
BATCHELOR	2*	2*	2*	2*	2*	2*	2*	2*	2*	2*	2*	2*
OWNER TOTAL	2*	2*	2*	2*	2*	2*	2*	2*	2*	2*	2*	2*
BEAR VALLEY MUTUAL WATER COMPANY	22886*	19239*	17374*	17847*	14872*	18444*	18847*	19261*	24131*	20709*	24986*	21587*
OWNER TOTAL	22886*	19239*	17374*	17847*	14872*	18444*	18847*	19261*	24131*	20709*	24986*	21587*
BEELER, RAYMOND A.	962*	700*	940*	784*	816*	840*	664*	497*	1016*	768*	840*	757*
OWNER TOTAL	962*	700*	940*	784*	816*	840*	664*	497*	1016*	768*	840*	757*
BELL, H. EUGENE	115*	88*	30*	85*	167*	97*	0*	0*	0*	0*	0*	0*
OWNER TOTAL	115*	88*	30*	85*	167*	97*	0*	0*	0*	0*	0*	0*
BERMAN, JERRY	204*	194*	214*	84*	84*	156*	0*	0*	0*	0*	0*	0*
OWNER TOTAL	204*	194*	214*	84*	84*	156*	0*	0*	0*	0*	0*	0*

TABLE NO. 3  
SUMMARY OF VERIFIED EXTRACTIONS (FILED & NON-FILED) FROM SAN BERNARDINO BASIN AREA  
BY NON-PLAINTIFFS FOR USE WITHIN SAN BERNARDINO COUNTY

OWNER	1959	1960	1961	1962	1963	1959-63 AVERAGE	1982	1983	1984	1985	1986	1982-86 AVERAGE
BERMAN, JERRY & SONS OWNER TOTAL	0*	0*	0*	28*	32*	12*	15*	14*	23*	26*	16*	19*
BLISS OWNER TOTAL	2*	2*	2*	2*	2*	2*	0*	0*	0*	0*	0*	0*
BLUE BANNER CO. OWNER TOTAL	0*	0*	0*	0*	0*	0*	80*	117*	117*	100*	100*	103*
BLUE GOOSE GROWERS INC OWNER TOTAL	0*	0*	0*	0*	0*	0*	0*	0*	0*	0*	0*	0*
BOUCHER OWNER TOTAL	1*	1*	1*	1*	1*	1*	1*	1*	1*	1*	1*	1*
BREAK, ALLEN, ESTATE OWNER TOTAL	760*	608*	760*	608*	608*	669*	33*	14*	3*	0*	0*	10*
BRISTOL RANCH OWNER TOTAL	90*	100*	160*	108*	108*	113*	0*	0*	0*	0*	0*	0*
BROOKSIDE DAIRY, INC OWNER TOTAL	302*	302*	312*	312*	313*	308*	0*	0*	0*	0*	0*	0*
BRYN MAWR MUTUAL WATER COMPANY OWNER TOTAL	1197*	1130*	1333*	1299*	1052*	1202*	480*	425*	647*	504*	426*	496*
BUOYE WELL OWNER TOTAL	0*	0*	146*	160*	177*	97*	0*	0*	0*	0*	0*	0*

TABLE NO. 3  
SUMMARY OF VERIFIED EXTRACTIIONS (FILED & NON-FILED) FROM SAN BERNARDINO BASIN AREA  
BY NON-PLAINTIFFS FOR USE WITHIN SAN BERNARDINO COUNTY

OWNER	1959	1960	1961	1962	1963	1959-63 AVERAGE	1982	1983	1984	1985	1986	1982-86 AVERAGE
CALIFORNIA, STATE OF PATTON HOSPITAL OWNER TOTAL	947*	1076*	1085*	1003*	957*	1014*	402*	482*	560*	618*	560*	524*
CANYON KNOLLS RANCH OWNER TOTAL	104*	85*	105*	88*	87*	94*	165*	148*	159*	74*	77*	125*
CANYON RANCH OWNER TOTAL	298*	222*	101*	109*	103*	167*	0*	0*	0*	0*	0*	0*
CARDIFF FARMS MUTUAL WATER COMPANY OWNER TOTAL	518*	455*	502*	403*	446*	465*	478*	456*	510*	440*	450*	467*
CARPENTER OWNER TOTAL	4*	4*	4*	4*	4*	4*	0*	0*	0*	0*	0*	0*
CHARLES, J. J. OWNER TOTAL	0*	0*	0*	0*	0*	0*	0*	0*	0*	0*	0*	0*
CHRISTENSEN, JACK O. OWNER TOTAL	507*	493*	300*	285*	280*	373*	80*	66*	158*	121*	105*	106*
CHRISTINA WATER COMPANY OWNER TOTAL	1302*	1403*	700*	865*	793*	1013*	89*	0*	150*	236*	135*	122*
CLIFFSIDE RANCH OWNER TOTAL	171*	174*	181*	150*	186*	172*	0*	0*	0*	0*	0*	0*
COGBILL, CLINTON L. OWNER TOTAL	312*	296*	325*	181*	91*	241*	1*	1*	1*	1*	30*	7*

TABLE NO. 3  
SUMMARY OF VERIFIED EXTRACTIONS (FILED & NON-FILED) FROM SAN BERNARDINO BASIN AREA  
BY NON-PLAINTIFFS FOR USE WITHIN SAN BERNARDINO COUNTY

OWNER	1959	1960	1961	1962	1963	1959-63 AVERAGE	1982	1983	1984	1985	1986	1982-86 AVERAGE
COLTON, CITY OF												
OWNER TOTAL	2814*	3606*	3305*	3743*	3267*	3347*	5015*	4918*	6349*	7202*	6903*	6077*
CONEJO RANCHOS MUTUAL WATER COMPANY												
OWNER TOTAL	0*	0*	0*	0*	0*	0*	0*	0*	0*	0*	0*	0*
COOK CANYON												
OWNER TOTAL	35*	35*	35*	35*	35*	35*	1*	1*	1*	1*	0*	1*
CRAFTON WATER COMPANY												
OWNER TOTAL	623*	750*	911*	745*	658*	737*	26*	5*	405*	10*	1*	89*
CRAM PATTERSON WELL												
OWNER TOTAL	413*	257*	361*	277*	294*	320*	284*	248*	414*	334*	423*	341*
CRAM RANCH ASSOCIATES												
OWNER TOTAL	220*	194*	179*	190*	224*	201*	0*	0*	0*	0*	2*	0*
CRIM, W. ROSCOE												
OWNER TOTAL	389*	343*	435*	413*	396*	395*	263*	322*	494*	441*	542*	412*
CRYSTAL SPRINGS												
OWNER TOTAL	1*	1*	1*	1*	1*	1*	1*	1*	1*	1*	1*	1*
DANGLO DAIRY												
OWNER TOTAL	35*	35*	35*	35*	35*	35*	0*	0*	0*	0*	0*	0*
DANIELS AND BEST RANCH												
OWNER TOTAL	0*	0*	0*	0*	0*	0*	357*	399*	399*	197*	208*	312*

TABLE NO. 3  
SUMMARY OF VERIFIED EXTRACTIONS (FILED & NON-FILED) FROM SAN BERNARDINO BASIN AREA  
BY NON-PLAINTIFFS FOR USE WITHIN SAN BERNARDINO COUNTY

OWNER	1959	1960	1961	1962	1963	1959-63 AVERAGE	1982	1983	1984	1985	1986	1982-86 AVERAGE
DANIELS, DON OWNER TOTAL	0*	0*	0*	0*	0*	0*	0*	0*	0*	0*	0*	0*
DANIELS, HAROLD OWNER TOTAL	2*	2*	2*	2*	502*	102*	1*	1*	1*	1*	1*	1*
DEL ROSA MUTUAL WATER COMPANY OWNER TOTAL	94*	100*	561*	529*	284*	314*	0*	0*	0*	0*	0*	0*
DEVORE WATER CO. OWNER TOTAL	126*	129*	140*	132*	136*	133*	289*	288*	395*	423*	388*	357*
DILLSON MUT. WTR. CO. OWNER TOTAL	36*	36*	36*	36*	36*	36*	0*	0*	0*	0*	0*	0*
DUDA, WALTER AND BETTY OWNER TOTAL	5*	13*	37*	21*	22*	20*	29*	39*	51*	52*	63*	47*
EADINGTON FRUIT CO. COOK RANCH OWNER TOTAL	133*	133*	133*	133*	133*	133*	107*	69*	137*	139*	150*	120*
EAST BARTON WATER COMPANY OWNER TOTAL	168*	127*	135*	274*	145*	170*	0*	0*	0*	0*	0*	0*
EAST HIGHLANDS ORANGE COMPANY OWNER TOTAL	53*	28*	40*	47*	46*	43*	0*	0*	0*	0*	0*	0*
EAST HIGHLANDS RANCH, INC. OWNER TOTAL	4119*	3805*	3806*	4181*	3854*	3953*	1580*	1499*	1455*	1495*	1378*	1481*

TABLE NO. 3  
SUMMARY OF VERIFIED EXTRACTIIONS (FILED & NON-FILED) FROM SAN BERNARDINO BASIN AREA  
BY NON-PLAINTIFFS FOR USE WITHIN SAN BERNARDINO COUNTY

OWNER	1959	1960	1961	1962	1963	1959-63 AVERAGE	1982	1983	1984	1985	1986	1982-86 AVERAGE
EAST LUGONIA MUTUAL WATER CO.												
OWNER TOTAL	1002*	624*	637*	460*	391*	623*	0*	0*	0*	0*	0*	0*
EAST PIONEER MUTUAL WELL COMPANY												
OWNER TOTAL	776*	692*	876*	403*	431*	636*	132*	77*	103*	141*	158*	122*
EAST VALLEY WATER DISTRICT												
OWNER TOTAL	11951*	11878*	14889*	13076*	12440*	12847*	10824*	10584*	13464*	13880*	12176*	12186*
EASTWOOD FARMS COMMUNITY WATER USERS												
OWNER TOTAL	200*	230*	330*	210*	250*	244*	100*	87*	87*	87*	100*	92*
ELLENA, JOHN B.												
OWNER TOTAL	585*	585*	585*	585*	585*	585*	0*	0*	0*	0*	0*	0*
ELLGOOD												
OWNER TOTAL	5*	5*	5*	5*	5*	5*	40*	40*	40*	40*	40*	40*
ELTINGE & GRAZIADIO												
OWNER TOTAL	122*	81*	64*	49*	32*	70*	0*	0*	0*	0*	0*	0*
F. A. R. WELL												
OWNER TOTAL	0*	0*	0*	272*	264*	107*	87*	89*	189*	132*	129*	125*
FAIRVIEW WATER COMPANY												
OWNER TOTAL	1395*	875*	825*	780*	575*	890*	188*	166*	306*	548*	529*	347*
FARROW												
OWNER TOTAL	6*	5*	28*	5*	5*	10*	5*	5*	5*	5*	5*	5*



TABLE NO. 3  
SUMMARY OF VERIFIED EXTRACTIIONS (FILED & NON-FILED) FROM SAN BERNARDINO BASIN AREA  
BY NON-PLAINTIFFS FOR USE WITHIN SAN BERNARDINO COUNTY

OWNER	1959	1960	1961	1962	1963	1959-63 AVERAGE	1982	1983	1984	1985	1986	1982-86 AVERAGE
FINCH												
OWNER TOTAL	0*	0*	0*	0*	0*	0*	0*	0*	0*	0*	0*	0*
FONTANA UNION WATER COMPANY												
OWNER TOTAL	19841*	15649*	13295*	14674*	12086*	15109*	9130*	6776*	9597*	11110*	7229*	8768*
FRIEDEMANN, ERNEST C.												
OWNER TOTAL	90*	85*	75*	50*	50*	70*	0*	0*	0*	0*	0*	0*
FRINK RANCH												
OWNER TOTAL	0*	0*	0*	0*	0*	0*	0*	0*	0*	0*	0*	0*
GAY, PHILIP L.												
OWNER TOTAL	200*	200*	260*	250*	200*	222*	6*	4*	79*	79*	72*	48*
GIFFORD PARK MUTUAL WATER CO.												
OWNER TOTAL	50*	50*	50*	50*	51*	50*	0*	0*	0*	0*	0*	0*
GLADYSTA WELL & WATER COMPANY												
OWNER TOTAL	527*	486*	609*	517*	507*	529*	305*	280*	489*	416*	439*	386*
GOLCONDA WATER CO.												
OWNER TOTAL	96*	96*	96*	96*	96*	96*	0*	0*	0*	0*	0*	0*
GOLDEN BEAR FOREST PRODUCTS												
OWNER TOTAL	30*	30*	33*	33*	33*	32*	0*	0*	0*	0*	0*	0*
GRANT WATER COMPANY												
OWNER TOTAL	429*	424*	483*	436*	363*	427*	0*	0*	0*	0*	0*	0*

TABLE NO. 3  
SUMMARY OF VERIFIED EXTRACTIONS (FILED & NON-FILED) FROM SAN BERNARDINO BASIN AREA  
BY NON-PLAINTIFFS FOR USE WITHIN SAN BERNARDINO COUNTY

OWNER	1959	1960	1961	1962	1963	1959-63 AVERAGE	1982	1983	1984	1985	1986	1982-86 AVERAGE
GREENSPOT MUTUAL WATER CO TUNNEL												
OWNER TOTAL	0*	0*	0*	0*	0*	0*	580*	510*	550*	520*	320*	496*
GREENSPOT MUTUAL WELL CO.												
OWNER TOTAL	142*	149*	121*	105*	76*	119*	147*	38*	64*	269*	258*	155*
GUERTH, WILLIAM H.												
OWNER TOTAL	1585*	695*	922*	1230*	860*	1058*	170*	170*	170*	170*	170*	170*
HAGAR												
OWNER TOTAL	1*	1*	1*	1*	1*	1*	0*	0*	0*	0*	0*	0*
HAPPE MUTUAL WELL COMPANY												
OWNER TOTAL	526*	592*	649*	358*	500*	525*	0*	0*	128*	8*	0*	27*
HARDISON												
OWNER TOTAL	1*	1*	1*	1*	1*	1*	1*	1*	1*	1*	1*	1*
HARRISON												
OWNER TOTAL	1*	1*	1*	1*	1*	1*	0*	0*	0*	0*	0*	0*
HARRISON CANYON												
OWNER TOTAL	2*	2*	2*	2*	2*	2*	0*	0*	0*	0*	0*	0*
HAZAS												
OWNER TOTAL	8*	8*	8*	8*	8*	8*	0*	0*	0*	0*	0*	0*
HEAD, JOE T.												
OWNER TOTAL	0*	0*	0*	0*	0*	0*	0*	0*	0*	0*	0*	0*

TABLE NO. 3  
SUMMARY OF VERIFIED EXTRACTIIONS (FILED & NON-FILED) FROM SAN BERNARDINO BASIN AREA  
BY NON-PLAINTIFFS FOR USE WITHIN SAN BERNARDINO COUNTY

OWNER	1959	1960	1961	1962	1963	1959-63 AVERAGE	1982	1983	1984	1985	1986	1982-86 AVERAGE
HELIPORT												
OWNER TOTAL	1*	1*	1*	1*	1*	1*	0*	0*	0*	0*	0*	0*
HIGHLAND ACRES RANCH												
OWNER TOTAL	250*	160*	350*	400*	400*	312*	0*	0*	0*	0*	0*	0*
HIGHLAND WELL COMPANY												
OWNER TOTAL	278*	263*	265*	232*	184*	244*	26*	0*	0*	0*	0*	5*
HILL												
OWNER TOTAL	0*	0*	0*	0*	0*	0*	0*	0*	0*	0*	0*	0*
HINCKLEY, HORACE P.												
OWNER TOTAL	818*	635*	612*	462*	391*	584*	0*	0*	0*	0*	0*	0*
HOBBS WELL PARTNERSHIP												
OWNER TOTAL	174*	96*	696*	692*	532*	438*	35*	38*	42*	106*	29*	50*
HODGDON, WARNER												
OWNER TOTAL	977*	846*	607*	568*	407*	681*	300*	300*	300*	300*	300*	300*
HOLDEN MUT. WTR. CO.												
OWNER TOTAL	14*	14*	14*	14*	14*	14*	0*	0*	0*	0*	0*	0*
HOLMES ICE & COLD STORAGE CO. INC.												
OWNER TOTAL	591*	405*	410*	345*	344*	419*	5*	4*	6*	6*	6*	5*
HOOVER WELL												
OWNER TOTAL	100*	100*	100*	0*	0*	60*	0*	0*	0*	0*	0*	0*

TABLE NO. 3  
SUMMARY OF VERIFIED EXTRACTIONS (FILED & NON-FILED) FROM SAN BERNARDINO BASIN AREA  
BY NON-PLAINTIFFS FOR USE WITHIN SAN BERNARDINO COUNTY

OWNER	1959	1960	1961	1962	1963	1959-63 AVERAGE	1982	1983	1984	1985	1986	1982-86 AVERAGE
HORTON	385*	300*	420*	364*	357*	365*	206*	176*	358*	320*	264*	265*
OWNER TOTAL												
HUNTER	3*	3*	3*	3*	3*	3*	0*	0*	0*	0*	0*	0*
OWNER TOTAL												
INTER CITY MUTUAL WATER CO	0*	0*	0*	0*	0*	0*	0*	0*	0*	0*	0*	0*
OWNER TOTAL												
IOWA STREET WELL	62*	62*	21*	10*	7*	32*	0*	0*	0*	0*	0*	0*
OWNER TOTAL												
J. G. GOLFING ENTERPRISES, INC.	0*	0*	0*	0*	0*	0*	194*	240*	128*	276*	210*	210*
OWNER TOTAL												
JEWEL WATER COMPANY, THE	504*	408*	356*	293*	258*	364*	0*	0*	0*	0*	0*	0*
OWNER TOTAL												
JUDSON MUTUAL WATER COMPANY	403*	356*	348*	367*	363*	367*	0*	0*	0*	0*	0*	0*
OWNER TOTAL												
K INV./TRUTANIC/Y UN WELL	380*	350*	415*	362*	358*	373*	182*	264*	276*	218*	217*	231*
OWNER TOTAL												
KANSAS STREET MUTUAL WATER CO.	376*	327*	378*	328*	353*	352*	199*	172*	316*	301*	296*	257*
OWNER TOTAL												
KARAHALOIS	0*	0*	0*	0*	0*	0*	1*	1*	1*	1*	1*	1*
OWNER TOTAL												

TABLE NO. 3  
SUMMARY OF VERIFIED EXTRACTIIONS (FILED & NON-FILED) FROM SAN BERNARDINO BASIN AREA  
BY NON-PLAINTIFFS FOR USE WITHIN SAN BERNARDINO COUNTY

OWNER	1959	1960	1961	1962	1963	1959-63 AVERAGE	1982	1983	1984	1985	1986	1982-86 AVERAGE
KING												
OWNER TOTAL	1*	1*	1*	1*	1*	1*	1*	1*	1*	1*	1*	1*
KING STREET MUTUAL WELL COMPANY												
OWNER TOTAL	408*	371*	358*	281*	372*	358*	0*	5*	95*	25*	0*	25*
KOCH												
OWNER TOTAL	0*	0*	0*	0*	0*	0*	0*	0*	0*	0*	0*	0*
KOCH, GEORGE J.												
OWNER TOTAL	0*	0*	0*	0*	0*	0*	0*	0*	0*	0*	0*	0*
KRANTZ DAIRY												
OWNER TOTAL	100*	100*	100*	100*	100*	100*	0*	0*	0*	0*	0*	0*
KUHN, RICHARD J												
OWNER TOTAL	0*	0*	0*	0*	0*	0*	60*	60*	60*	60*	60*	60*
L.P.R. ICE COMPANY												
OWNER TOTAL	0*	0*	0*	0*	0*	0*	488*	405*	785*	776*	636*	618*
L.P.R. RANCH												
OWNER TOTAL	0*	0*	485*	660*	610*	351*	0*	0*	0*	0*	0*	0*
LA BONTE, JIM												
OWNER TOTAL	5*	5*	5*	5*	5*	5*	5*	5*	5*	5*	4*	5*
LA ROSSE, CHARLES H.												
OWNER TOTAL	38*	21*	35*	18*	14*	25*	0*	0*	0*	0*	0*	0*

TABLE NO. 3  
SUMMARY OF VERIFIED EXTRACTIIONS (FILED & NON-FILED) FROM SAN BERNARDINO BASIN AREA  
BY NON-PLAINTIFFS FOR USE WITHIN SAN BERNARDINO COUNTY

OWNER	1959	1960	1961	1962	1963	1959-63 AVERAGE	1982	1983	1984	1985	1986	1982-86 AVERAGE
LA TOURETTE												
OWNER TOTAL	30*	30*	30*	30*	30*	30*	6*	2*	2*	3*	3*	3*
LAKESIDE AVENUE MUTUAL WELL COMPANY												
OWNER TOTAL	79*	48*	58*	51*	20*	51*	0*	0*	0*	0*	0*	0*
LANGFORD RANCHES												
OWNER TOTAL	1680*	1564*	1146*	1124*	1468*	1396*	879*	579*	1122*	1311*	1207*	1020*
LANGSTON-NEWBY DEVELOPMENT CO.												
OWNER TOTAL	50*	50*	50*	50*	50*	50*	0*	0*	0*	0*	0*	0*
LANKERSHIM MUT. WTR. CO.												
OWNER TOTAL	150*	150*	150*	150*	150*	150*	100*	100*	100*	120*	120*	108*
LARANNI GUNTER WELL												
OWNER TOTAL	200*	200*	200*	200*	200*	200*	181*	157*	292*	245*	246*	224*
LIVINGSTON-GRAHAM												
OWNER TOTAL	221*	225*	220*	293*	295*	251*	168*	234*	300*	271*	100*	215*
LOMA LINDA UNIVERSITY												
OWNER TOTAL	1011*	1116*	1202*	1166*	901*	1079*	587*	584*	675*	668*	712*	645*
LOMA LINDA, CITY OF												
OWNER TOTAL	2216*	2241*	2492*	2193*	1580*	2144*	2622*	2359*	2820*	2959*	2693*	2691*
LORD												
OWNER TOTAL	1*	1*	1*	1*	1*	1*	1*	1*	1*	1*	1*	1*

TABLE NO. 3  
SUMMARY OF VERIFIED EXTRACTIIONS (FILED & NON-FILED) FROM SAN BERNARDINO BASIN AREA  
BY NON-PLAINTIFFS FOR USE WITHIN SAN BERNARDINO COUNTY

OWNER	1959	1960	1961	1962	1963	1959-63 AVERAGE	1982	1983	1984	1985	1986	1982-86 AVERAGE
LUGO WATER COMPANY	414*	346*	324*	300*	239*	325*	0*	0*	0*	0*	0*	0*
OWNER TOTAL	414*	346*	324*	300*	239*	325*	0*	0*	0*	0*	0*	0*
LUGONIA WATER COMPANY	0*	0*	1012*	974*	882*	574*	0*	0*	0*	0*	0*	0*
OWNER TOTAL	0*	0*	1012*	974*	882*	574*	0*	0*	0*	0*	0*	0*
LULY, DR. LUCIAN L.	0*	0*	0*	0*	0*	0*	0*	0*	0*	0*	0*	0*
OWNER TOTAL	0*	0*	0*	0*	0*	0*	0*	0*	0*	0*	0*	0*
MARIGOLD FARMS COMPANY	1796*	3231*	2051*	1896*	1988*	2192*	2891*	2113*	3876*	3178*	3499*	3111*
OWNER TOTAL	1796*	3231*	2051*	1896*	1988*	2192*	2891*	2113*	3876*	3178*	3499*	3111*
MARSHBURN	0*	0*	380*	300*	290*	194*	200*	170*	100*	100*	100*	134*
OWNER TOTAL	0*	0*	380*	300*	290*	194*	200*	170*	100*	100*	100*	134*
MASCART WATER COMPANY	395*	302*	468*	381*	367*	383*	215*	59*	0*	0*	249*	105*
OWNER TOTAL	395*	302*	468*	381*	367*	383*	215*	59*	0*	0*	249*	105*
MAYBELL, N. O.	26*	26*	12*	12*	12*	18*	0*	0*	0*	0*	0*	0*
OWNER TOTAL	26*	26*	12*	12*	12*	18*	0*	0*	0*	0*	0*	0*
MCCALLA BROS	0*	0*	1*	1*	1*	1*	0*	0*	0*	0*	0*	0*
OWNER TOTAL	0*	0*	1*	1*	1*	1*	0*	0*	0*	0*	0*	0*
MEADOWBROOK DAIRY	492*	388*	340*	331*	462*	403*	505*	529*	466*	501*	502*	501*
OWNER TOTAL	492*	388*	340*	331*	462*	403*	505*	529*	466*	501*	502*	501*
MENTONE ACRES MUTUAL WELL CO.	455*	495*	505*	475*	121*	410*	0*	0*	0*	0*	0*	0*
OWNER TOTAL	455*	495*	505*	475*	121*	410*	0*	0*	0*	0*	0*	0*

TABLE NO. 3  
SUMMARY OF VERIFIED EXTRACTIIONS (FILED & NON-FILED) FROM SAN BERNARDINO BASIN AREA  
BY NON-PLAINTIFFS FOR USE WITHIN SAN BERNARDINO COUNTY

OWNER	1959	1960	1961	1962	1963	1959-63 AVERAGE	1982	1983	1984	1985	1986	1982-86 AVERAGE
MENTONE CITRUS GROVES OWNER TOTAL	714*	873*	637*	409*	306*	588*	562*	586*	878*	475*	145*	529*
MENTONE DOMESTIC WTR. CO. OWNER TOTAL	0*	0*	25*	0*	0*	5*	0*	0*	0*	0*	0*	0*
MEYER, CHARLES R. OWNER TOTAL	42*	42*	55*	51*	53*	49*	0*	0*	0*	0*	0*	0*
MILLER MUTUAL WELL CO. OWNER TOTAL	20*	8*	41*	58*	53*	36*	34*	34*	34*	34*	30*	33*
MISSION MUTUAL WATER COMPANY OWNER TOTAL	1089*	782*	1042*	1093*	882*	978*	731*	437*	858*	689*	1969*	937*
MONTECITO MUTUAL WATER COMPANY OWNER TOTAL	104*	109*	110*	77*	71*	94*	133*	156*	165*	170*	170*	159*
MOORE, R. H. OWNER TOTAL	46*	42*	89*	78*	77*	66*	38*	19*	48*	6*	40*	30*
MOUNT VERNON WATER COMPANY OWNER TOTAL	1750*	1478*	1760*	1354*	1238*	1516*	1059*	925*	1352*	808*	724*	974*
MT. HARRISON MUTUAL WATER CO. OWNER TOTAL	753*	874*	303*	371*	310*	522*	199*	135*	266*	187*	14*	160*
MT. VIEW CEMETERY OF SAN BERNARDINO OWNER TOTAL	228*	185*	145*	250*	141*	190*	235*	200*	226*	220*	243*	225*



TABLE NO. 3  
SUMMARY OF VERIFIED EXTRACTIIONS (FILED & NON-FILED) FROM SAN BERNARDINO BASIN AREA  
BY NON-PLAINTIFFS FOR USE WITHIN SAN BERNARDINO COUNTY

OWNER	1959	1960	1961	1962	1963	1959-63 AVERAGE	1982	1983	1984	1985	1986	1982-86 AVERAGE
MT. VIEW CHILD CARE CENTER												
OWNER TOTAL	2*	2*	2*	2*	2*	2*	1*	1*	1*	1*	1*	1*
MULLINS, JAMES C., JR., EXECUTOR												
OWNER TOTAL	148*	148*	148*	148*	148*	148*	16*	21*	22*	21*	25*	21*
MUSCOY MUTUAL WATER COMPANY, NO. 1												
OWNER TOTAL	1943*	1870*	2028*	1863*	1684*	1878*	1406*	1430*	2008*	2080*	2038*	1792*
NATIONAL ORANGE SHOW												
OWNER TOTAL	135*	135*	135*	135*	135*	135*	58*	58*	58*	58*	58*	58*
NEALEY MUTUAL WATER COMPANY												
OWNER TOTAL	0*	0*	0*	0*	0*	0*	0*	0*	0*	0*	0*	0*
NEW ENGLAND WATER CO.												
OWNER TOTAL	946*	892*	1023*	836*	880*	915*	384*	292*	444*	408*	418*	389*
NICKERSON WATER COMPANY												
OWNER TOTAL	678*	551*	838*	721*	540*	666*	23*	25*	37*	25*	0*	22*
NO NAME WELL												
OWNER TOTAL	30*	27*	32*	28*	28*	29*	0*	0*	0*	0*	0*	0*
NORTH FORK WATER COMPANY												
OWNER TOTAL	851*	737*	776*	778*	670*	762*	0*	0*	0*	0*	0*	0*
NORTHBRAE WATER COMPANY												
OWNER TOTAL	394*	530*	608*	395*	466*	479*	0*	0*	0*	0*	0*	0*

TABLE NO. 3  
SUMMARY OF VERIFIED EXTRACTIIONS (FILED & NON-FILED) FROM SAN BERNARDINO BASIN AREA  
BY NON-PLAINTIFFS FOR USE WITHIN SAN BERNARDINO COUNTY

OWNER	1959	1960	1961	1962	1963	1959-63 AVERAGE	1982	1983	1984	1985	1986	1982-86 AVERAGE
NORTHSIDE WATER COMPANY												
OWNER TOTAL	398*	402*	491*	385*	333*	402*	0*	0*	0*	0*	0*	0*
NORTON AIR FORCE BASE												
OWNER TOTAL	5892*	5295*	5478*	5985*	5340*	5598*	2098*	2029*	2367*	2160*	2245*	2180*
NORWOOD												
OWNER TOTAL	1*	1*	1*	1*	1*	1*	0*	0*	0*	0*	0*	0*
NYE, WILLIAM H.												
OWNER TOTAL	164*	199*	294*	156*	167*	196*	0*	0*	0*	0*	0*	0*
OLD TOWN WELL CO.												
OWNER TOTAL	488*	534*	572*	525*	515*	527*	191*	159*	299*	246*	298*	239*
PACIFIC HIGH SCHOOL												
OWNER TOTAL	75*	75*	75*	75*	75*	75*	0*	0*	0*	0*	0*	0*
PAINE, ROBERT T., TRUSTEE												
OWNER TOTAL	603*	609*	664*	530*	586*	598*	60*	65*	98*	95*	71*	78*
PATTERSON, ROY H.												
OWNER TOTAL	0*	0*	0*	0*	0*	0*	1*	1*	1*	1*	1*	1*
PAXTON, R. H.												
OWNER TOTAL	511*	245*	243*	378*	179*	311*	0*	0*	0*	0*	0*	0*
PENN WELL COMPANY												
OWNER TOTAL	539*	447*	504*	550*	440*	496*	0*	0*	0*	0*	0*	0*

TABLE NO. 3  
SUMMARY OF VERIFIED EXTRACTIONS (FILED & NON-FILED) FROM SAN BERNARDINO BASIN AREA  
BY NON-PLAINTIFFS FOR USE WITHIN SAN BERNARDINO COUNTY

OWNER	1959	1960	1961	1962	1963	1959-63 AVERAGE	1982	1983	1984	1985	1986	1982-86 AVERAGE
PHAROAH POWELL WATER CO. OWNER TOTAL	326*	350*	365*	371*	322*	347*	230*	163*	347*	292*	319*	270*
PIERSON OWNER TOTAL	80*	80*	80*	80*	0*	64*	0*	0*	0*	0*	0*	0*
PIONEER MUTUAL WATER CO. OWNER TOTAL	314*	222*	288*	316*	275*	283*	151*	100*	82*	65*	62*	92*
QUALITY FARMS OWNER TOTAL	123*	123*	123*	123*	123*	123*	125*	125*	125*	125*	125*	125*
RAMIREZ BROTHERS OWNER TOTAL	61*	61*	65*	62*	64*	63*	211*	151*	56*	20*	24*	92*
RAMIREZ, CARLOS OWNER TOTAL	0*	0*	0*	25*	85*	22*	86*	84*	126*	64*	86*	89*
RAMIREZ, J.J. OWNER TOTAL	246*	220*	352*	224*	259*	260*	88*	78*	127*	114*	125*	106*
RAMSEY OWNER TOTAL	1*	1*	1*	1*	1*	1*	1*	1*	1*	1*	1*	1*
RANCHERIA WATER CO. TOBIN OWNER TOTAL	374*	52*	0*	458*	0*	177*	0*	0*	0*	0*	0*	0*
RANCHO CITRUS AMIGOS OWNER TOTAL	80*	80*	80*	80*	80*	80*	0*	0*	0*	0*	0*	0*

TABLE NO. 3  
SUMMARY OF VERIFIED EXTRactions (FILED & NON-FILED) FROM SAN BERNARDINO BASIN AREA  
BY NON-PLAINTIFFS FOR USE WITHIN SAN BERNARDINO COUNTY

OWNER	1959	1960	1961	1962	1963	1959-63 AVERAGE	1982	1983	1984	1985	1986	1982-86 AVERAGE
RANCHO LADERA												
OWNER TOTAL	162*	148*	331*	206*	313*	232*	472*	434*	526*	484*	460*	475*
RAUGHT MUTUAL WELL COMPANY												
OWNER TOTAL	504*	550*	552*	506*	520*	526*	365*	328*	493*	454*	439*	416*
REDLANDS ASSOCIATES												
OWNER TOTAL	489*	378*	438*	414*	411*	426*	0*	0*	0*	0*	0*	0*
REDLANDS TRAP/SKEET												
OWNER TOTAL	145*	235*	235*	2*	2*	124*	5*	9*	19*	15*	15*	13*
REDLANDS WTR. CO.												
OWNER TOTAL	544*	599*	301*	754*	581*	556*	1220*	1020*	1394*	1118*	1122*	1175*
REDLANDS, CITY OF												
OWNER TOTAL	22136*	22404*	21268*	22375*	18510*	21339*	24306*	27620*	20139*	28567*	24205*	24967*
REES & PERRICONE RANCH												
OWNER TOTAL	0*	0*	0*	0*	0*	0*	0*	0*	0*	0*	0*	0*
REGINA GRAPE PRODUCTS												
OWNER TOTAL	250*	250*	250*	250*	250*	250*	0*	0*	0*	0*	0*	0*
REYNOLDS, BILL												
OWNER TOTAL	3*	3*	3*	3*	3*	3*	3*	3*	3*	3*	3*	3*
RIALTO, CITY OF												
OWNER TOTAL	2244*	1570*	1834*	1643*	1867*	1832*	4925*	4804*	5077*	6054*	6088*	5390*

TABLE NO. 3  
SUMMARY OF VERIFIED EXTRACTIONS (FILED & NON-FILED) FROM SAN BERNARDINO BASIN AREA  
BY NON-PLAINTIFFS FOR USE WITHIN SAN BERNARDINO COUNTY

OWNER	1959	1960	1961	1962	1963	1959-63 AVERAGE	1982	1983	1984	1985	1986	1982-86 AVERAGE
RIEDMAN, FRED M. OWNER TOTAL	230*	230*	230*	230*	15*	187*	0*	0*	0*	0*	0*	0*
RIVAS OWNER TOTAL	1*	1*	1*	1*	1*	1*	1*	1*	1*	1*	1*	1*
RIVAS, RAMON OWNER TOTAL	30*	43*	0*	0*	0*	15*	0*	0*	0*	0*	0*	0*
ROBBINS, H. W. OWNER TOTAL	0*	0*	0*	0*	18*	4*	0*	0*	0*	0*	0*	0*
RULE OWNER TOTAL	1*	1*	1*	1*	1*	1*	0*	0*	0*	0*	0*	0*
SAN BERNARDINO AVENUE WATER COMPANY OWNER TOTAL	371*	303*	394*	352*	298*	344*	96*	94*	122*	81*	105*	100*
SAN BERNARDINO WATER UTILITIES COR OWNER TOTAL	1040*	839*	666*	800*	781*	825*	2240*	4039*	3073*	2123*	2151*	2725*
SAN BERNARDINO, CITY OF OWNER TOTAL	17689*	16510*	18852*	17912*	16695*	17532*	30601*	27820*	33699*	39382*	39050*	34110*
SAN BERNARDINO, COUNTY OF OWNER TOTAL	981*	960*	1154*	844*	666*	921*	908*	734*	1038*	1062*	1206*	990*
SAN MANUAL INDIAN RESERV. OWNER TOTAL	6*	6*	6*	6*	6*	6*	0*	0*	0*	0*	0*	0*

TABLE NO. 3  
SUMMARY OF VERIFIED EXTRACTATIONS (FILED & NON-FILED) FROM SAN BERNARDINO BASIN AREA  
BY NON-PLAINTIFFS FOR USE WITHIN SAN BERNARDINO COUNTY

OWNER	1959	1960	1961	1962	1963	1959-63 AVERAGE	1982	1983	1984	1985	1986	1982-86 AVERAGE
SANDYS RESTAURANT	0*	0*	0*	0*	0*	0*	0*	0*	0*	0*	0*	0*
OWNER TOTAL	0*	0*	0*	0*	0*	0*	0*	0*	0*	0*	0*	0*
SANTINI	90*	90*	90*	90*	90*	90*	0*	0*	0*	0*	0*	0*
OWNER TOTAL	90*	90*	90*	90*	90*	90*	0*	0*	0*	0*	0*	0*
SARATOGA DEVELOPMENT CO	1*	1*	1*	1*	1*	1*	1*	1*	1*	1*	1*	1*
OWNER TOTAL	1*	1*	1*	1*	1*	1*	1*	1*	1*	1*	1*	1*
SATOSKI, DOCTOR	1*	1*	1*	1*	1*	1*	1*	1*	1*	1*	1*	1*
OWNER TOTAL	1*	1*	1*	1*	1*	1*	1*	1*	1*	1*	1*	1*
SECHREST, RALPH F.	87*	71*	192*	906*	141*	279*	0*	0*	0*	0*	0*	0*
OWNER TOTAL	87*	71*	192*	906*	141*	279*	0*	0*	0*	0*	0*	0*
SELBY, DR. & MRS. ARTHUR	147*	227*	730*	259*	406*	354*	0*	0*	0*	0*	0*	0*
OWNER TOTAL	147*	227*	730*	259*	406*	354*	0*	0*	0*	0*	0*	0*
SELEY	1*	1*	1*	1*	1*	1*	1*	1*	1*	1*	1*	1*
OWNER TOTAL	1*	1*	1*	1*	1*	1*	1*	1*	1*	1*	1*	1*
SIX HOUSES	6*	6*	6*	6*	6*	6*	0*	0*	0*	0*	0*	0*
OWNER TOTAL	6*	6*	6*	6*	6*	6*	0*	0*	0*	0*	0*	0*
SMITH	1*	1*	1*	1*	1*	1*	1*	1*	1*	1*	1*	1*
OWNER TOTAL	1*	1*	1*	1*	1*	1*	1*	1*	1*	1*	1*	1*
SMITH MEAT PACKING PLANT	3*	3*	3*	3*	3*	3*	0*	0*	0*	0*	0*	0*
OWNER TOTAL	3*	3*	3*	3*	3*	3*	0*	0*	0*	0*	0*	0*

TABLE NO. 3  
SUMMARY OF VERIFIED EXTRACTIIONS (FILED & NON-FILED) FROM SAN BERNARDINO BASIN AREA  
BY NON-PLAINTIFFS FOR USE WITHIN SAN BERNARDINO COUNTY

OWNER	1959	1960	1961	1962	1963	1959-63 AVERAGE	1982	1983	1984	1985	1986	1982-86 AVERAGE
SMITH TRACT WELL COMPANY	270*	177*	56*	0*	127*	126*	0*	0*	0*	0*	0*	0*
OWNER TOTAL	10*	10*	10*	10*	10*	10*	10*	10*	10*	10*	10*	10*
SMITH,	1036*	994*	1149*	512*	392*	817*	242*	416*	282*	148*	167*	251*
SO. SAN BERNARDINO COUNTY WATER DIST.	91*	82*	99*	86*	84*	88*	0*	0*	0*	0*	0*	0*
OWNER TOTAL	212*	143*	147*	88*	43*	127*	55*	0*	0*	0*	0*	11*
SOLANO WELL NO. 1	0*	0*	0*	202*	179*	76*	158*	15*	0*	0*	20*	39*
OWNER TOTAL	1*	1*	1*	1*	1*	1*	1*	1*	1*	1*	0*	1*
SOLANO WELL NO. 3	1410*	1219*	1425*	1609*	1627*	1458*	982*	833*	345*	272*	497*	586*
OWNER TOTAL	1653*	1482*	1657*	1566*	1629*	1597*	2104*	1964*	1758*	1816*	1727*	1874*
SOUTHERN CALIFORNIA EDISON COMPANY	7*	7*	9*	10*	9*	8*	0*	0*	0*	0*	0*	0*
OWNER TOTAL	7*	7*	9*	10*	9*	8*	0*	0*	0*	0*	0*	0*
SOUTHERN CALIFORNIA WATER COMPANY												
OWNER TOTAL												
SOUZA, JOHN												
OWNER TOTAL												

TABLE NO. 3  
SUMMARY OF VERIFIED EXTRACTIIONS (FILED & NON-FILED) FROM SAN BERNARDINO BASIN AREA  
BY NON-PLAINTIFFS FOR USE WITHIN SAN BERNARDINO COUNTY

OWNER	1959	1960	1961	1962	1963	1959-63 AVERAGE	1982	1983	1984	1985	1986	1982-86 AVERAGE
STANLEY, SILAS												
OWNER TOTAL	2*	2*	2*	2*	2*	2*	3*	3*	3*	3*	3*	3*
STEWART, WILLARD												
OWNER TOTAL	53*	53*	53*	53*	53*	53*	0*	0*	0*	0*	0*	0*
STORKSON, WILLIAM F.												
OWNER TOTAL	35*	30*	20*	40*	35*	32*	41*	41*	41*	56*	50*	46*
STOWE WATER COMPANY												
OWNER TOTAL	630*	598*	622*	560*	667*	615*	337*	228*	520*	369*	386*	368*
STRAWBERRY PATCH												
OWNER TOTAL	1*	1*	1*	1*	1*	1*	30*	30*	30*	30*	30*	30*
SUNRISE RANCH PART C/O LIFE DEVELOPMENT												
OWNER TOTAL	1857*	1693*	2119*	2037*	1992*	1940*	589*	557*	611*	608*	631*	599*
SUPERIOR ORCHARDS												
OWNER TOTAL	1*	1*	1*	1*	1*	1*	0*	0*	0*	0*	0*	0*
SYCAMORE HEIGHTS WATER COMPANY, INC.												
OWNER TOTAL	420*	52*	52*	52*	52*	126*	0*	0*	0*	0*	0*	0*
TENNESSEE MUTUAL WELL COMPANY												
OWNER TOTAL	537*	501*	622*	516*	476*	530*	349*	336*	602*	404*	639*	466*
TENNESSEE WATER CO.												
OWNER TOTAL	530*	530*	540*	540*	550*	538*	230*	387*	629*	562*	423*	446*



TABLE NO. 3  
SUMMARY OF VERIFIED EXTRACTIONS (FILED & NON-FILED) FROM SAN BERNARDINO BASIN AREA  
BY NON-PLAINTIFFS FOR USE WITHIN SAN BERNARDINO COUNTY

OWNER	1959	1960	1961	1962	1963	1959-63 AVERAGE	1982	1983	1984	1985	1986	1982-86 AVERAGE
TERRACE WATER COMPANY												
OWNER TOTAL	1318*	921*	1077*	1012*	899*	1045*	808*	859*	1450*	1110*	1960*	1237*
TEXACO GAS STATION												
OWNER TOTAL	0*	0*	0*	0*	0*	0*	1*	1*	0*	1*	1*	1*
THOMPSON RANDALL												
OWNER TOTAL	3*	3*	3*	3*	3*	3*	0*	0*	0*	0*	0*	0*
TRI CITY CONCRETE												
OWNER TOTAL	135*	135*	135*	135*	136*	135*	0*	0*	0*	0*	0*	0*
TRI CITY MUTUAL WATER COMPANY												
OWNER TOTAL	53*	20*	0*	0*	0*	15*	0*	0*	0*	0*	0*	0*
TRIPLE FALLS MUT. WTR. CO.												
OWNER TOTAL	15*	12*	10*	15*	18*	14*	0*	0*	0*	0*	0*	0*
U.S. FOREST SERVICE												
OWNER TOTAL	9*	9*	9*	9*	9*	9*	0*	0*	0*	0*	0*	0*
UNGER, V.E.												
OWNER TOTAL	0*	0*	0*	0*	0*	0*	0*	0*	0*	0*	0*	0*
VALDEPENNA ACRES												
OWNER TOTAL	25*	25*	25*	27*	8*	22*	36*	17*	31*	30*	32*	29*
VALENCIA AVE. MUT. WTR. CO.												
OWNER TOTAL	30*	30*	30*	30*	30*	30*	1*	0*	0*	0*	0*	0*

TABLE NO. 3  
SUMMARY OF VERIFIED EXTRACTIONS (FILED & NON-FILED) FROM SAN BERNARDINO BASIN AREA  
BY NON-PLAINTIFFS FOR USE WITHIN SAN BERNARDINO COUNTY

OWNER	1959	1960	1961	1962	1963	1959-63 AVERAGE	1982	1983	1984	1985	1986	1982-86 AVERAGE
VALLEY FARMS MUT. WTR. CO.												
OWNER TOTAL	119*	119*	119*	119*	119*	119*	212*	212*	227*	216*	192*	212*
VAN LOON MUTUAL WATER COMPANY												
OWNER TOTAL	153*	159*	99*	203*	189*	161*	121*	98*	135*	141*	140*	127*
VAN MEETER												
OWNER TOTAL	3*	3*	0*	0*	0*	1*	3*	3*	3*	3*	3*	3*
VANLEUVEN, CLARENCE												
OWNER TOTAL	26*	26*	26*	26*	26*	26*	0*	0*	0*	0*	0*	0*
VICTORIA FARMS MUTUAL WATER CO.												
OWNER TOTAL	335*	288*	320*	275*	266*	297*	31*	2*	48*	31*	38*	30*
VICTORIA GUERNSEY												
OWNER TOTAL	163*	248*	200*	160*	223*	199*	0*	0*	0*	0*	0*	0*
VICTORIA SEVENTH DAY ADVENTIST												
OWNER TOTAL	15*	15*	15*	15*	15*	15*	0*	0*	0*	0*	0*	0*
WALLACE												
OWNER TOTAL	1*	1*	1*	1*	1*	1*	1*	1*	1*	1*	1*	1*
WARD, FLOYD												
OWNER TOTAL	1*	1*	1*	103*	103*	42*	3*	3*	3*	3*	3*	3*
WARMINGTON, ROBERT P.												
OWNER TOTAL	300*	248*	288*	153*	139*	226*	137*	93*	29*	0*	43*	60*

TABLE NO. 3  
SUMMARY OF VERIFIED EXTRACTIONS (FILED & NON-FILED) FROM SAN BERNARDINO BASIN AREA  
BY NON-PLAINTIFFS FOR USE WITHIN SAN BERNARDINO COUNTY

OWNER	1959	1960	1961	1962	1963	1959-63 AVERAGE	1982	1983	1984	1985	1986	1982-86 AVERAGE
WEATHERWAX, W. G.												
OWNER TOTAL	0*	0*	0*	0*	0*	0*	0*	0*	0*	0*	0*	0*
WEST SAN BDNO. COUNTY WATER DIST.												
OWNER TOTAL	13584*	12090*	13587*	11331*	11837*	12486*	10583*	10575*	12952*	12655*	12814*	11916*
WESTERN FRUIT GROWERS												
OWNER TOTAL	147*	220*	177*	0*	0*	109*	0*	0*	0*	0*	0*	0*
WIDEMEYER												
OWNER TOTAL	6*	6*	6*	6*	6*	6*	0*	0*	0*	0*	0*	0*
WILEY, RUTH NORWOOD												
OWNER TOTAL	0*	0*	0*	0*	52*	10*	1*	1*	1*	1*	0*	1*
WILLIAMS DAIRY												
OWNER TOTAL	142*	142*	142*	142*	142*	142*	0*	0*	0*	0*	0*	0*
WILLIAMS WELL CORPORATION, LTD.												
OWNER TOTAL	721*	684*	765*	706*	595*	694*	233*	177*	621*	512*	529*	414*
WOEHR MUTUAL WATER COMPANY												
OWNER TOTAL	374*	465*	625*	488*	423*	475*	157*	0*	0*	0*	0*	31*
YAHIKU, PAUL												
OWNER TOTAL	50*	95*	51*	51*	51*	60*	0*	0*	0*	0*	0*	0*
YORK												
OWNER TOTAL	59*	55*	49*	59*	57*	56*	16*	16*	16*	16*	16*	16*

TABLE NO. 3  
SUMMARY OF VERIFIED EXTRACTATIONS (FILED & NON-FILED) FROM SAN BERNARDINO BASIN AREA  
BY NON-PLAINTIFFS FOR USE WITHIN SAN BERNARDINO COUNTY

OWNER	1959	1960	1961	1962	1963	1959-63 AVERAGE	1982	1983	1984	1985	1986	1982-86 AVERAGE
YUCAIPA VALLEY COUNTY WATER DISTRICT	0*	0*	0*	0*	0*	0*	34*	12*	92*	72*	71*	56*
OWNER TOTAL	230*	342*	514*	161*	271*	304*	0*	0*	0*	0*	0*	0*
17TH AVE. WELL												
OWNER TOTAL	191189*	174999*	182060*	175939*	158609*	176559*	152678*	148670*	172078*	180889*	176447*	166152*
TOTAL VERIFIED												
PRODUCTION ALL												
FACILITIES												
TOTAL VERIFIED												
PRODUCTION ALL												
FACILITIES 25												
ACRE-FEET PER												
YEAR OR LARGER	190215*	174242*	181397*	175104*	157665*	175725*	152509*	148436*	171910*	180729*	176261*	165969*

TABLE NO. 4

LYTLE CREEK VERIFICATION OF EXTRACTIONS FOR  
CALENDAR YEARS 1959-1963 & 1982-1986

TABLE NO. 4

LYTLE CREEK  
VERIFICATIONS OF EXTRACTIONS  
FOR CALENDAR YEAR 1959

LINE NO	LOCATION OF MEASUREMENT	JAN	FEB	MAR	APR	MAY	JUN	JUL	AUG	SEP	OCT	NOV	DEC	TOTAL	REMARKS
1	WEIR NO. 1	1,337	1,043	1,406	1,085	1,026	948	797	732	875	910	847	873	11,879	SEE NOTE 1
2	WEIR NO. 2	0	0	0	0	0	0	0	0	0	0	0	0	0	SEE NOTE 2
3	WEIR NO. 3	292	235	575	323	307	241	200	188	150	182	137	123	2,953	SEE NOTE 3
4	TOTAL OF WEIRS NO. 1, 2, & 3	1,629	1,278	1,981	1,408	1,333	1,189	997	920	1,025	1,092	984	996	14,832	LINES 1 + 2 + 3
5	DEDUCT STREAM RETURN OVER 20' WEIR	8	3	0	0	0	0	0	0	0	0	0	0	11	SEE NOTE 4
6	TOTAL CALCULATED FLOW TO LOWER POWERHOUSE	1,621	1,275	1,981	1,408	1,333	1,189	997	920	1,025	1,092	984	996	14,821	LINES 4 - 5
7	ANNUAL % DIFFERENCE													-1.2%	SEE NOTE 5
8	MEASURED FLOW TO LOWER POWERHOUSE	1,623	1,253	1,955	1,374	1,342	1,174	991	906	1,028	1,069	954	978	14,647	SEE NOTE 6
DEDUCT MILLER NARROWS WELLS															
9	WELL NO. 1 SDWR RECORDATION NO. 3600588	0	0	0	0	0	0	0	0	0	0	0	0	0	SEE NOTE 7
10	WELL NO. 2 SDWR RECORDATION NO. 3600590	0	0	0	0	141	333	341	340	268	266	259	237	2,185	SEE NOTE 7
11	TOTAL PUMPED WATER	0	0	0	0	141	333	341	340	268	266	259	237	2,185	LINES 9 + 10
12	STREAM FLOW DIVERTED FROM LYTLE CREEK	1,623	1,253	1,955	1,374	1,201	841	650	566	760	803	695	741	12,462	LINES 8 - 11
13	DEDUCT FLOW RETURNED TO STREAM BELOW LOWER POWERHOUSE	400	411	326	19	0	0	0	0	172	35	6	95	1,464	SEE NOTE 8
14	TOTAL STREAM DIVERSION AT LOWER POWERHOUSE	1,223	842	1,629	1,355	1,201	841	650	566	588	768	689	646	10,998	LINES 12 - 13
BREED LINE CALCULATION															
15	WEIR NO. 4	80	141	91	112	112	101	102	95	79	83	84	73	1,153	SEE NOTE 9
16	LESS WATER PUMPED FONTANA UNION WELL NO. 27 SDWR RECORDATION NO. 3600582	39	19	65	81	84	75	69	62	46	46	41	25	652	SEE NOTE 10
17	TOTAL STREAM DIVERSION AT FONTANA UNION INTAKE TO BREED LINE	41	122	26	31	28	26	33	33	33	37	43	48	501	LINES 15 - 16
18	TOTAL LYTLE CREEK STREAM DIVERSION AS VERIFIED	1,264	964	1,655	1,386	1,229	867	683	599	621	805	732	694	11,499	LINES 14 + 17

NOTES

- WEIR NO. 1 MEASURES SOUTHERN CALIFORNIA EDISON CONDUIT NEAR FONTANA (USGS).
- WEIR NO. 2 MEASURES INFILTRATION LINE WATER TO FONTANA UNION INTAKE (USGS).
- WEIR NO. 3 MEASURES EITHER STREAM DIVERSION OR INFILTRATION WATER (USGS).
- 20 FOOT WEIR MEASURES FLOW RETURNED TO STREAM AT INTAKE (FONTANA UNION).
- ANNUAL PERCENTAGE OF DIFFERENCE BETWEEN MEASURED & CALCULATED FLOW AT LOWER POWERHOUSE.
- MEASURED FLOW AT LOWER POWERHOUSE (USGS) ASSUMED TO BE CORRECT.
- WATER EXTRACTED BY FONTANA UNION WATER COMPANY MILLER NARROWS WELLS AND DISCHARGED TO EDISON CONDUIT. (FONTANA UNION).
- WATER RETURNED TO STREAM FROM AFTERBAY AT LOWER POWERHOUSE (FONTANA UNION).
- WEIR NO. 4 MEASURES FLOW TO BREED LINE AT INTAKE (USGS).
- FONTANA UNION WATER COMPANY WELL #27 PUMPS INTERMITTENTLY TO BREED LINE (FONTANA UNION).

TABLE NO. 4

LYTLE CREEK  
VERIFICATIONS OF EXTRACTIONS  
FOR CALENDAR YEAR 1960

LINE NO	LOCATION OF MEASUREMENT	JAN	FEB	MAR	APR	MAY	JUN	JUL	AUG	SEP	OCT	NOV	DEC	TOTAL	REMARKS
1	WEIR NO. 1	989	1,007	956	772	855	591	497	456	432	520	666	704	8,445	SEE NOTE 1
2	WEIR NO. 2	0	0	0	0	0	0	0	0	0	0	0	0	0	SEE NOTE 2
3	WEIR NO. 3	118	125	141	113	136	146	152	135	125	112	78	145	1,526	SEE NOTE 3
4	TOTAL OF WEIRS NO. 1, 2, & 3	1,107	1,132	1,097	885	991	737	649	591	557	632	744	849	9,971	LINES 1 + 2 + 3
5	DEDUCT STREAM RETURN OVER 20' WEIR	0	0	1	0	0	0	0	0	0	0	1	0	2	SEE NOTE 4
6	TOTAL CALCULATED FLOW TO LOWER POWERHOUSE LINE 8 - LINE 6	1,107	1,137	1,096	885	991	737	649	591	557	632	743	849	9,969	LINE 4 - 5
7	ANNUAL % DIFFERENCE													+1.2%	SEE NOTE 5
8	MEASURED FLOW TO LOWER POWERHOUSE LINE 8	1,106	1,127	1,119	910	1,000	738	649	602	566	647	760	869	10,093	SEE NOTE 6
	DEDUCT MILLER NARROWS WELLS														
9	WELL NO. 1 SDWR RECORDATION NO. 3600588	0	0	0	0	0	0	0	0	0	0	0	0	0	SEE NOTE 7
10	WELL NO. 2 SDWR RECORDATION NO. 3600590	186	213	280	244	302	293	302	299	291	302	159	274	3,145	SEE NOTE 7
11	TOTAL PUMPED WATER	186	213	280	244	302	293	302	299	291	302	159	274	3,145	LINE 9 + 10
12	STREAM FLOW DIVERTED FROM LYTLE CREEK	920	914	839	666	698	445	347	303	275	345	601	595	6,948	LINE 8 - 11
13	DEDUCT FLOW RETURNED TO STREAM BELOW LOWER POWERHOUSE	144	160	45	63	0	0	0	0	0	36	304	9	761	SEE NOTE 8
14	TOTAL STREAM DIVERSION AT LOWER POWERHOUSE	776	754	794	603	698	445	347	303	275	309	297	586	6,187	LINE 12 - 13
	BREED LINE CALCULATION														
15	WEIR NO. 4	82	76	37	61	36	62	75	52	47	54	101	42	725	SEE NOTE 9
16	LESS WATER PUMPED FONTANA UNION WELL NO. 27 SDWR RECORDATION NO. 3600582	33	19	0	0	0	30	41	22	16	16	13	14	204	SEE NOTE 10
17	TOTAL STREAM DIVERSION AT FONTANA UNION INTAKE TO BREED LINE	49	57	37	61	36	32	34	30	31	38	88	28	521	LINE 15 - 16
18	TOTAL LYTLE CREEK STREAM DIVERSION AS VERIFIED	825	811	831	664	734	477	381	333	306	347	385	614	6,708	LINE 14 + 17

NOTES

1. WEIR NO. 1 MEASURES SOUTHERN CALIFORNIA EDISON CONDUIT NEAR FONTANA (USGS).
2. WEIR NO. 2 MEASURES INFILTRATION LINE WATER TO FONTANA UNION INTAKE (USGS).
3. WEIR NO. 3 MEASURES EITHER STREAM DIVERSION OR INFILTRATION WATER (USGS).
4. 20 FOOT WEIR MEASURES FLOW RETURNED TO STREAM AT INTAKE (FONTANA UNION).
5. ANNUAL PERCENTAGE OF DIFFERENCE BETWEEN MEASURED & CALCULATED FLOW AT LOWER POWERHOUSE.
6. MEASURED FLOW AT LOWER POWERHOUSE (USGS) ASSUMED TO BE CORRECT.
7. WATER EXTRACTED BY FONTANA UNION WATER COMPANY MILLER NARROWS WELLS AND DISCHARGED TO EDISON CONDUIT. (FONTANA UNION).
8. WATER RETURNED TO STREAM FROM AFTERBAY AT LOWER POWERHOUSE (FONTANA UNION).
9. WEIR NO. 4 MEASURES FLOW TO BREED LINE AT INTAKE (USGS).
10. FONTANA UNION WATER COMPANY WELL #27 PUMPS INTERMITTENTLY TO BREED LINE (FONTANA UNION)

TABLE NO. 4

LYTLE CREEK  
VERIFICATIONS OF EXTRACTIONS  
FOR CALENDAR YEAR 1961

LINE NO	LOCATION OF MEASUREMENT	JAN	FEB	MAR	APR	MAY	JUN	JUL	AUG	SEP	OCT	NOV	DEC	TOTAL	REMARKS	
1	WEIR NO. 1	634	624	658	551	505	442	378	372	366	362	418	626	5,936	SEE NOTE 1	
2	WEIR NO. 2	0	0	0	0	0	0	0	0	0	0	0	0	0	SEE NOTE 2	
3	WEIR NO. 3	117	115	130	114	117	108	109	93	86	70	48	110	1,217	SEE NOTE 3	
4	TOTAL OF WEIRS NO. 1, 2, & 3	751	739	788	665	622	550	487	465	452	432	466	736	7,153	LINES 1 + 2 + 3	
5	DEDUCT STREAM RETURN OVER 20' WEIR	2	0	0	0	0	0	0	0	0	0	0	3	5	SEE NOTE 4	
6	TOTAL CALCULATED FLOW TO LOWER POWERHOUSE	749	739	788	665	622	550	487	465	452	432	466	733	7,148	LINE 4 - 5	
7	ANNUAL % DIFFERENCE	X100													+2.5%	SEE NOTE 5
8	MEASURED FLOW TO LOWER POWERHOUSE	752	762	813	700	637	544	488	480	472	431	469	785	7,333	SEE NOTE 6	
DEDUCT MILLER NARROWS WELLS																
9	WELL NO. 1 SDWR RECORDATION NO. 3600588	0	0	0	0	0	0	0	0	0	0	0	0	0	SEE NOTE 7	
10	WELL NO. 2 SDWR RECORDATION NO. 3600590	220	231	265	253	262	253	262	259	250	261	233	257	3,006	SEE NOTE 7	
11	TOTAL PUMPED WATER	220	231	265	253	262	253	262	259	250	261	233	257	3,006	LINE 9 + 10	
12	STREAM FLOW DIVERTED FROM LYTLE CREEK	532	531	548	447	375	291	226	221	222	170	236	528	4,327	LINE 8 - 11	
13	DEDUCT FLOW RETURNED TO STREAM BELOW LOWER POWERHOUSE	89	32	22	6	3	0	0	0	0	0	78	82	312	SEE NOTE 8	
14	TOTAL STREAM DIVERSION AT LOWER POWERHOUSE	443	499	526	441	372	291	226	221	221	170	158	446	4,015	LINE 12 - 13	
BREED LINE CALCULATION																
15	WEIR NO. 4	65	35	31	32	35	32	32	33	31	32	45	68	471	SEE NOTE 9	
16	LESS WATER PUMPED FONTANA UNION WELL NO. 27 SDWR RECORDATION NO. 3600582	13	1	1	3	4	6	8	6	3	4	3	6	58	SEE NOTE 10	
17	TOTAL STREAM DIVERSION AT FONTANA UNION INTAKE TO BREED LINE	52	34	30	29	31	26	24	27	28	28	42	62	413	LINE 15 - 16	
18	TOTAL LYTLE CREEK STREAM DIVERSION AS VERIFIED	495	533	556	470	403	317	250	248	250	198	200	508	4,428	LINE 14 + 17	

NOTES

1. WEIR NO. 1 MEASURES SOUTHERN CALIFORNIA EDISON CONDUIT NEAR FONTANA (USGS).
2. WEIR NO. 2 MEASURES INFILTRATION LINE WATER TO FONTANA UNION INTAKE (USGS).
3. WEIR NO. 3 MEASURES EITHER STREAM DIVERSION OR INFILTRATION WATER (USGS).
4. 20 FOOT WEIR MEASURES FLOW RETURNED TO STREAM AT INTAKE (FONTANA UNION).
5. ANNUAL PERCENTAGE OF DIFFERENCE BETWEEN MEASURED & CALCULATED FLOW AT LOWER POWERHOUSE.
6. MEASURED FLOW AT LOWER POWERHOUSE (USGS) ASSUMED TO BE CORRECT.
7. WATER EXTRACTED BY FONTANA UNION WATER COMPANY MILLER NARROWS WELLS AND DISCHARGED TO EDISON CONDUIT. (FONTANA UNION).
8. WATER RETURNED TO STREAM FROM AFTERBAY AT LOWER POWERHOUSE (FONTANA UNION).
9. WEIR NO. 4 MEASURES FLOW TO BREED LINE AT INTAKE (USGS).
10. FONTANA UNION WATER COMPANY WELL #27 PUMPS INTERMITTENTLY TO BREED LINE (FONTANA UNION)



TABLE NO. 4

LYTLE CREEK  
VERIFICATIONS OF EXTRACTIONS  
FOR CALENDAR YEAR 1962

LINE NO	LOCATION OF MEASUREMENT	JAN	FEB	MAR	APR	MAY	JUN	JUL	AUG	SEP	OCT	NOV	DEC	TOTAL	REMARKS
1	WEIR NO. 1	698	721	1,448	1,359	966	847	738	636	738	1,289	1,327	1,254	12,021	SEE NOTE 1
2	WEIR NO. 2	0	196	403	0	0	0	0	0	0	0	0	0	599	SEE NOTE 2
3	WEIR NO. 3	177	335	526	477	327	290	238	230	208	196	183	174	3,411	SEE NOTE 3
4	TOTAL OF WEIRS NO. 1, 2, & 3	875	1,252	2,427	1,836	1,293	1,137	976	866	946	1,485	1,510	1,428	16,031	LINE 1 + 2 + 3
5	DEDUCT STREAM RETURN OVER 20' WEIR	0	69	72	0	0	0	0	0	0	0	0	0	141	SEE NOTE 4
6	TOTAL CALCULATED FLOW TO LOWER POWERHOUSE LINE 8 - LINE 6	875	1,183	2,355	1,836	1,293	1,137	976	866	946	1,485	1,510	1,428	15,890	LINE 4 - 5
7	ANNUAL % DIFFERENCE													-1.3%	SEE NOTE 5
8	MEASURED FLOW TO LOWER POWERHOUSE LINE 8	894	1,187	2,386	1,827	1,291,113	978	845	845	904	1,450	1,454	1,361	15,690	SEE NOTE 6
DEDUCT MILLER NARROWS WELLS															
9	WELL NO. 1 SDWR RECORDATION NO. 3600588	0	0	0	0	0	0	0	0	0	0	0	0	0	SEE NOTE 7
10	WELL NO. 2 SDWR RECORDATION NO. 3600590	293	81	0	0	0	232	308	310	299	303	294	301	2,421	SEE NOTE 7
11	TOTAL PUMPED WATER	293	81	0	0	0	232	308	310	299	303	294	301	2,421	LINE 9 + 10
12	STREAM FLOW DIVERTED FROM LYTLE CREEK	601	1,106	2,386	1,827	1,291	881	670	535	605	1,147	1,160	1,060	13,269	LINE 8 - 11
13	DEDUCT FLOW RETURNED TO STREAM BELOW LOWER POWERHOUSE	49	515	809	616	20	0	0	0	0	31	0	0	2,040	SEE NOTE 8
14	TOTAL STREAM DIVERSION AT LOWER POWERHOUSE	552	591	1,577	1,211	1,271	881	670	535	605	1,116	1,160	1,060	11,229	LINE 12 - 13
BREED LINE CALCULATION															
15	WEIR NO. 4	41	143	40	101	81	77	77	73	65	59	43	32	832	SEE NOTE 9
16	LESS WATER PUMPED FONTANA UNION WELL NO. 27 SDWR RECORDATION NO. 3600582	2	8	3	59	42	40	38	34	28	33	18	1	306	SEE NOTE 10
17	TOTAL STREAM DIVERSION AT FONTANA UNION INTAKE TO BREED LINE	39	135	37	42	39	37	39	39	37	26	25	31	526	LINE 15 - 16
18	TOTAL LYTLE CREEK STREAM DIVERSION AS VERIFIED	591	726	1,614	1,253	1,310	918	709	574	642	1,142	1,185	1,091	11,755	LINE 14 + 17

NOTES

1. WEIR NO. 1 MEASURES SOUTHERN CALIFORNIA EDISON CONDUIT NEAR FONTANA (USGS).
2. WEIR NO. 2 MEASURES INFILTRATION LINE WATER TO FONTANA UNION INTAKE (USGS).
3. WEIR NO. 3 MEASURES EITHER STREAM DIVERSION OR INFILTRATION WATER (USGS).
4. 20 FOOT WEIR MEASURES FLOW RETURNED TO STREAM AT INTAKE (FONTANA UNION).
5. ANNUAL PERCENTAGE OF DIFFERENCE BETWEEN MEASURED & CALCULATED FLOW AT LOWER POWERHOUSE.
6. MEASURED FLOW AT LOWER POWERHOUSE (USGS) ASSUMED TO BE CORRECT.
7. WATER EXTRACTED BY FONTANA UNION WATER COMPANY MILLER NARROWS WELLS AND DISCHARGED TO EDISON CONDUIT. (FONTANA UNION).
8. WATER RETURNED TO STREAM FROM AFTERBAY AT LOWER POWERHOUSE (FONTANA UNION).
9. WEIR NO. 4 MEASURES FLOW TO BREED LINE AT INTAKE (USGS).
10. FONTANA UNION WATER COMPANY WELL #27 PUMPS INTERMITTENTLY TO BREED LINE (FONTANA UNION)

TABLE NO. 4

LYTLE CREEK  
VERIFICATIONS OF EXTRACTIONS  
FOR CALENDAR YEAR 1963

LINE NO.	LOCATION OF MEASUREMENT	JAN	FEB	MAR	APR	MAY	JUN	JUL	AUG	SEP	OCT	NOV	DEC	TOTAL	REMARKS
1	WEIR NO. 1	1,174	947	1,095	944	918	718	574	528	521	660	616	726	9,421	SEE NOTE 1
2	WEIR NO. 2	0	0	0	0	0	0	0	0	0	0	0	0	0	SEE NOTE 2
3	WEIR NO. 3	155	145	223	194	196	154	154	139	75	73	68	74	1,650	SEE NOTE 3
4	TOTAL OF WEIRS NO. 1, 2, & 3	1,329	1,092	1,318	1,138	1,114	872	728	667	596	733	684	800	11,071	LINES 1 + 2 + 3
5	DEDUCT STREAM RETURN OVER 20' WEIR	0	0	0	0	0	0	0	0	0	0	0	4	0	SEE NOTE 4
6	TOTAL CALCULATED FLOW TO LOWER POWERHOUSE LINE 8 - LINE 6	1,329	1,092	1,318	1,138	1,114	872	728	667	596	733	680	800	11,067	LINE 4 - 5
7	ANNUAL % DIFFERENCE													+0.5%	SEE NOTE 5
8	MEASURED FLOW TO LOWER POWERHOUSE LINE 8	1,246	1,038	1,273	1,121	1,109	881	742	688	615	803	725	881	11,122	SEE NOTE 6
	DEDUCT MILLER NARROWS WELLS														
9	WELL NO. 1 SDWR RECORDATION NO. 3600588	0	0	0	0	0	0	0	0	0	0	0	0	0	SEE NOTE 7
10	WELL NO. 2 SDWR RECORDATION NO. 3600590	296	172	253	283	299	289	294	303	201	277	183	312	3,162	SEE NOTE 7
11	TOTAL PUMPED WATER	296	172	253	283	299	289	294	303	201	277	183	312	3,162	LINE 9 + 10
12	STREAM FLOW DIVERTED FROM LYTLE CREEK	950	866	1,020	838	810	592	448	385	414	526	542	569	7,960	LINE 8 - 11
13	DEDUCT FLOW RETURNED TO STREAM BELOW LOWER POWERHOUSE	11	100	51	64	10	0	16	0	219	36	112	2	621	SEE NOTE 8
14	TOTAL STREAM DIVERSION AT LOWER POWERHOUSE	939	766	969	774	800	592	432	385	195	490	430	567	7,339	LINE 12 - 13
	BREED LINE CALCULATION														
15	WEIR NO. 4	32	64	42	41	31	29	37	42	85	51	68	42	564	SEE NOTE 9
16	LESS WATER PUMPED FONTANA UNION WELL NO. 27 SDWR RECORDATION NO. 3600582	0	0	0	2	0	0	10	17	7	0	0	0	42	SEE NOTE 10
17	TOTAL STREAM DIVERSION AT FONTANA UNION INTAKE TO BREED LINE	32	64	42	39	31	29	27	25	78	51	68	36	522	LINE 15 - 16
18	TOTAL LYTLE CREEK STREAM DIVERSION AS VERIFIED	971	830	1,011	813	831	621	459	410	273	541	498	603	7,861	LINE 14 + 17

NOTES

1. WEIR NO. 1 MEASURES SOUTHERN CALIFORNIA EDISON CONDUIT NEAR FONTANA (USGS).
2. WEIR NO. 2 MEASURES INFILTRATION LINE WATER TO FONTANA UNION INTAKE (USGS).
3. WEIR NO. 3 MEASURES EITHER STREAM DIVERSION OR INFILTRATION WATER (USGS).
4. 20 FOOT WEIR MEASURES FLOW RETURNED TO STREAM AT INTAKE (FONTANA UNION).
5. ANNUAL PERCENTAGE OF DIFFERENCE BETWEEN MEASURED & CALCULATED FLOW AT LOWER POWERHOUSE.
6. MEASURED FLOW AT LOWER POWERHOUSE (USGS) ASSUMED TO BE CORRECT.
7. WATER EXTRACTED BY FONTANA UNION WATER COMPANY MILLER NARROWS WELLS AND DISCHARGED TO EDISON CONDUIT. (FONTANA UNION).
8. WATER RETURNED TO STREAM FROM AFTERBAY AT LOWER POWERHOUSE (FONTANA UNION).
9. WEIR NO. 4 MEASURES FLOW TO BREED LINE AT INTAKE (USGS).
10. FONTANA UNION WATER COMPANY WELL #27 PUMPS INTERMITTENTLY TO BREED LINE (FONTANA UNION)

TABLE NO. 4

LYTLE CREEK  
VERIFICATIONS OF EXTRACTIONS  
FOR CALENDAR YEAR 1982

LINE NO	LOCATION OF MEASUREMENT	JAN	FEB	MAR	APR	MAY	JUN	JUL	AUG	SEP	OCT	NOV	DEC	TOTAL	REMARKS
1	WEIR NO. 1	1,133	1,115	1,177	1,177	1,248	1,190	1,216	1,152	1,131	1,263	1,180	1,110	14,092	SEE NOTE 1
2	WEIR NO. 2	16	2	202	852	569	95	1	0	18	26	52	109	1,942	SEE NOTE 2
3	WEIR NO. 3	269	122	207	682	534	150	4	0	23	53	91	88	2,223	SEE NOTE 3
4	TOTAL OF WEIRS NO. 1, 2, & 3	1,418	1,239	1,586	2,711	2,351	1,435	1,221	1,152	1,172	1,342	1,323	1,307	18,257	LINES 1+2+3
5	DEDUCT STREAM RETURN OVER 20' WEIR	8	0	38	265	0	1	0	3	0	0	10	36	361	SEE NOTE 4
6	TOTAL CALCULATED FLOW TO LOWER POWERHOUSE LINE 8 - LINE 6	1,410	1,239	1,548	2,446	2,351	1,434	1,221	1,149	1,172	1,342	1,313	1,271	17,896	LINE 4 - 5
7	ANNUAL % DIFFERENCE													-9.64	SEE NOTE 5
8	MEASURED FLOW TO LOWER POWERHOUSE	1,117	960	1,386	2,342	2,172	1,355	1,135	1,115	1,123	1,236	1,179	1,202	16,322	SEE NOTE 6
	DEDUCT MILLER NARROWS WELLS	0	0	0	0	0	0	0	0	0	0	0	0	0	SEE NOTE 7
9	WELL NO. 1 SDWR RECORDATION NO. 3600588	0	0	0	0	0	0	0	0	0	0	0	0	0	SEE NOTE 7
10	WELL NO. 2 SDWR RECORDATION NO. 3600590	0	0	0	0	0	0	0	0	0	0	0	0	0	SEE NOTE 7
11	TOTAL PUMPED WATER	0	0	0	0	0	0	0	0	0	0	0	0	0	LINE 9 + 10
12	STREAM FLOW DIVERTED FROM LYTLE CREEK	1,117	960	1,386	2,342	2,172	1,355	1,135	1,115	1,123	1,236	1,179	1,202	16,322	LINE 8 - 11
	DEDUCT FLOW RETURNED TO STREAM BELOW LOWER POWERHOUSE	133	144	610	1,567	549	5	0	0	2	0	49	166	3,225	SEE NOTE 8
13	RETURN FLOW FROM AFTERBAY	0	0	0	0	0	0	0	0	0	0	0	0	0	SEE NOTE 11
14	RETURN FLOW FROM WSBOW DIVISION BOX	133	144	610	1,567	549	5	0	0	2	0	49	166	3,225	LINE 13+14
15	TOTAL RETURN FLOW BELOW AT LOWER POWERHOUSE	984	816	776	775	1,623	1,350	1,135	1,115	1,121	1,236	1,130	1,036	13,097	LINE 12 - 15
16	NET STREAM DIVERSION AT LOWER POWERHOUSE	278	255	302	296	307	299	307	307	263	274	293	290	3,471	SEE NOTE 9
	BREED LINE CALCULATION	0	0	0	0	0	0	0	0	0	0	0	0	0	SEE NOTE 10
17	WEIR NO. 4	278	255	302	296	307	299	307	307	263	274	293	290	3,471	SEE NOTE 9
18	LESS WATER PUMPED FONTANA UNION WELL NO. 27 SDWR RECORDATION NO. 3600582	0	0	0	0	0	0	0	0	0	0	0	0	0	SEE NOTE 10
19	TOTAL STREAM DIVERSION AT FONTANA UNION INTAKE TO BREED LINE	278	255	302	296	307	299	307	307	263	274	293	290	3,471	LINE 17 - 18
20	TOTAL LYTLE CREEK STREAM DIVERSION AS VERIFIED	1,262	1,071	1,078	1,071	1,930	1,649	1,442	1,422	1,384	1,510	1,423	1,326	16,568	LINE 16 + 19

NOTES

1. WEIR NO. 1 MEASURES SOUTHERN CALIFORNIA EDISON CONDUIT NEAR FONTANA (USGS).
2. WEIR NO. 2 MEASURES INFILTRATION LINE WATER TO FONTANA UNION INTAKE (USGS).
3. WEIR NO. 3 MEASURES EITHER STREAM DIVERSION OR INFILTRATION WATER (USGS).
4. 20 FOOT WEIR MEASURES FLOW RETURNED TO STREAM AT INTAKE (FONTANA UNION).
5. ANNUAL PERCENTAGE OF DIFFERENCE BETWEEN MEASURED & CALCULATED FLOW AT LOWER POWERHOUSE.
6. MEASURED FLOW AT LOWER POWERHOUSE (USGS) ASSUMED TO BE CORRECT.
7. WATER EXTRACTED BY FONTANA UNION WATER COMPANY MILLER NARROWS WELLS AND DISCHARGED TO EDISON CONDUIT. (FONTANA UNION).
8. WATER RETURNED TO STREAM FROM AFTERBAY AT LOWER POWERHOUSE FONTANA UNION (USGS).
9. WEIR NO. 4 MEASURES FLOW TO BREED LINE AT INTAKE (USGS).
10. FONTANA UNION WATER COMPANY WELL TO BREED LINE (FONTANA UNION).
11. WATER RETURNED TO STREAM FROM WEST SAN BERNARDINO COUNTY WATER DISTRICT DIVISION BOX (COMPANY RECORDS).

TABLE NO. 4

LYTLE CREEK  
VERIFICATIONS OF EXTRactions  
FOR CALENDAR YEAR 1983

LINE NO	LOCATION OF MEASUREMENT	JAN	FEB	MAR	APR	MAY	JUN	JUL	AUG	SEP	OCT	NOV	DEC	TOTAL	REMARKS
1	WEIR NO. 1	1,038	995	914	1,050	1,186	1,047	1,216	1,224	1,160	1,152	1,155	1,063	13,200	SEE NOTE 1
2	WEIR NO. 2	336	596	915	1,101	1,490	1,402	1,539	1,371	1,226	1,407	838	659	11,880	SEE NOTE 2
3	WEIR NO. 3	368	512	670	797	974	942	958	934	851	817	624	527	8,974	SEE NOTE 3
4	TOTAL OF WEIRS NO. 1, 2, & 3	1,742	2,103	2,499	2,948	3,650	3,391	3,713	3,529	3,237	2,376	2,617	2,249	34,054	LINES 1+2+3
5	DEDUCT STREAM RETURN OVER 20' WEIR	47	171	57	69	243	324	440	239	109	81	27	36	1,843	SEE NOTE 4
6	TOTAL CALCULATED FLOW TO LOWER POWERHOUSE	1,695	1,932	2,442	2,879	3,407	3,067	3,273	3,290	3,128	2,295	2,590	2,213	32,211	LINE 4 - 5
7	ANNUAL % DIFFERENCE													+3.16%	SEE NOTE 5
8	MEASURED FLOW TO LOWER POWERHOUSE	1,544	1,834	2,533	3,068	3,561	3,656	3,423	3,097	2,843	2,854	2,585	2,264	33,262	SEE NOTE 6
	DEDUCT MILLER NARROWS WELLS														
9	WELL NO. 1 SDR RECORDATION NO. 3600588	0	0	0	0	0	0	0	0	0	0	0	0	0	SEE NOTE 7
10	WELL NO. 2 SDR RECORDATION NO. 3600590	0	0	0	0	0	0	0	0	0	0	0	0	0	SEE NOTE 7
11	TOTAL PUMPED WATER	0	0	0	0	0	0	0	0	0	0	0	0	0	LINE 9 + 10
12	STREAM FLOW DIVERTED FROM LYTLE CREEK	1,544	1,834	2,533	3,068	3,561	3,656	3,423	3,097	2,843	2,854	2,585	2,264	33,262	LINE 8 - 11
	DEDUCT FLOW RETURNED TO STREAM BELOW LOWER POWERHOUSE														
13	RETURN FLOW FROM AFTERBAY	475	904	1,722	1,787	1,714	2,396	1,605	747	502	1,185	1,310	1,332	15,679	SEE NOTE 8
14	RETURN FLOW FROM WSBOW DIVISION BOX	36	72	55	26	48	121	67	153	94	103	88	61	924	SEE NOTE 11
15	TOTAL RETURN FLOW BELOW AT LOWER POWERHOUSE	511	976	1,777	1,813	1,762	2,517	1,672	900	596	1,288	1,398	1,393	16,603	LINE 13+14
16	NET STREAM DIVERSION AT LOWER POWERHOUSE	1,033	858	756	1,255	1,799	1,139	1,751	2,197	2,247	1,566	1,187	871	16,659	LINE 12 - 15
	BREED LINE CALCULATION														
17	WEIR NO. 4	299	284	272	284	295	285	299	288	283	284	271	277	3,421	SEE NOTE 9
18	LESS WATER PUMPED FONTANA UNION WELL NO. 27 SDR RECORDATION NO. 3600582	0	0	0	0	0	0	0	0	0	0	0	0	0	SEE NOTE 10
19	TOTAL STREAM DIVERSION AT FONTANA UNION INTAKE TO BREED LINE	299	284	272	284	295	285	299	288	283	284	271	277	3,421	LINE 17 - 18
20	TOTAL LYTLE CREEK STREAM DIVERSION AS VERIFIED	1,332	1,142	1,028	1,539	2,094	1,424	2,050	2,485	2,530	1,850	1,458	1,148	20,080	LINE 16 + 19

- NOTES
1. WEIR NO. 1 MEASURES SOUTHERN CALIFORNIA EDISON CONDUIT NEAR FONTANA (USGS).
  2. WEIR NO. 2 MEASURES INFILTRATION LINE WATER TO FONTANA UNION INTAKE (USGS).
  3. WEIR NO. 3 MEASURES EITHER STREAM DIVERSION OR INFILTRATION WATER (USGS).
  4. 20 FOOT WEIR MEASURES FLOW RETURNED TO STREAM AT INTAKE (FONTANA UNION).
  5. ANNUAL PERCENTAGE OF DIFFERENCE BETWEEN MEASURED & CALCULATED FLOW AT LOWER POWERHOUSE.
  6. MEASURED FLOW AT LOWER POWERHOUSE (USGS) ASSUMED TO BE CORRECT.
  7. WATER EXTRACTED BY FONTANA UNION WATER COMPANY MILLER NARROWS WELLS AND DISCHARGED TO EDISON CONDUIT. (FONTANA UNION).
  8. WATER RETURNED TO STREAM FROM AFTERBAY AT LOWER POWERHOUSE FONTANA UNION (USGS).
  9. WEIR NO. 4 MEASURES FLOW TO BREED LINE AT INTAKE (USGS).
  10. FONTANA UNION WATER COMPANY WELL TO BREED LINE (FONTANA UNION).
  11. WATER RETURNED TO STREAM FROM WEST SAN BERNARDINO COUNTY WATER DISTRICT DIVISION BOX (COMPANY RECORDS).

TABLE NO. 4

LYTLE CREEK  
VERIFICATIONS OF EXTRACTIONS  
FOR CALENDAR YEAR 1984

LINE NO.	LOCATION OF MEASUREMENT	JAN	FEB	MAR	APR	MAY	JUN	JUL	AUG	SEP	OCT	NOV	DEC	TOTAL	REMARKS
1	WEIR NO. 1	1,238	1,120	1,234	1,200	1,273	1,186	1,094	1,183	1,119	1,111	1,097	932	13,787	SEE NOTE 1
2	WEIR NO. 2	704	420	287	178	70	16	4	110	54	15	3	185	2,046	SEE NOTE 2
3	WEIR NO. 3	518	394	286	172	79	25	47	35	0	0	0	180	1,736	SEE NOTE 3
4	TOTAL OF WEIRS NOS. 1, 2 & 3	2,460	1,934	1,807	1,550	1,422	1,227	1,145	1,328	1,173	1,126	1,100	1,297	17,569	LINE 1+2+3
5	DEDUCT STREAM RETURN OVER 20' WEIR	0	3	0	0	0	1	0	0	0	81	27	36	148	SEE NOTE 4
6	TOTAL CALCULATED FLOW TO LOWER POWERHOUSE	2,460	1,931	1,807	1,550	1,422	1,226	1,145	1,328	1,173	1,045	1,073	1,261	17,421	LINE 4 - 5
7	ANNUAL PERCENT DIFFERENCE													-9.81%	SEE NOTE 5
8	MEASURED FLOW TO LOWER POWERHOUSE	2,098	1,829	1,676	1,430	1,234	1,077	1,086	1,199	1,103	1,033	1,016	1,083	15,864	SEE NOTE 6
9	DEDUCT MILLER NARROWS WELLS	0	0	0	0	0	0	0	0	0	0	0	0	0	SEE NOTE 7
10	WELL NO. 1 RECORDATION NO. 3600588	0	0	0	0	0	0	0	0	0	0	0	0	0	SEE NOTE 7
11	WELL NO. 2 RECORDATION NO. 3600590	0	0	0	0	0	0	0	0	0	0	0	0	0	SEE NOTE 7
12	TOTAL PUMPED WATER	2,098	1,829	1,676	1,430	1,234	1,077	1,086	1,199	1,103	1,033	1,016	1,083	15,864	LINE 8 - 11
13	STREAM FLOW DIVERTED FROM LYTLE CREEK TO LWR PWRHSE	1,076	575	185	62	16	7	73	357	37	2	102	213	2,705	SEE NOTE 8
14	DEDUCT FLOW RETURNED TO STREAM BELOW LOWER POWERHOUSE	0	41	46	95	66	118	92	208	149	100	88	60	1,063	SEE NOTE 11
15	RETURN FLOW FROM AFTERBAY	1,076	616	231	157	82	125	165	565	186	102	190	273	3,768	LINE 13 + 14
16	RETURN FLOW FROM WSBICMD DIVISION BOX	1,022	1,213	1,445	1,273	1,152	952	921	634	917	931	826	810	12,096	LINE 12 - 15
17	TOTAL RETURN FLOW BELOW LOWER POWERHOUSE	278	264	279	269	335	321	245	40	0	194	201	201	2,627	SEE NOTE 9
18	NET STREAM FLOW DIVERSION AT LOWER POWERHOUSE	0	0	0	0	50	44	64	32	0	0	0	0	190	SEE NOTE 10
19	BREED LINE CALCULATION	278	264	279	269	285	277	181	8	0	194	201	201	2,437	SEE NOTE 9
20	WEIR NO. 4	1,300	1,477	1,724	1,542	1,437	1,229	1,102	642	917	1,125	1,027	1,011	14,533	LINE 17 - 18
21	LESS WATER PUMPED BY FONTANA UNION WELL NO. 27														
22	RECORDATION NO. 3600582														
23	NET LYTLE CREEK STREAM FLOW AT FONTANA UNION INTAKE TO BREED LINE	1,300	1,477	1,724	1,542	1,437	1,229	1,102	642	917	1,125	1,027	1,011	14,533	LINE 16 + 19
24	TOTAL LYTLE CREEK STREAM FLOW DIVERSION AS VERIFIED														

NOTES

1. WEIR NO. 1 MEASURES SOUTHERN CALIFORNIA EDISON CONDUIT NEAR FONTANA (USGS)
2. WEIR NO. 2 MEASURES INFILTRATION LINE WATER TO FONTANA UNION INTAKE (USGS)
3. WEIR NO. 3 MEASURES EITHER STREAM DIVERSION OR INFILTRATION WATER (USGS)
4. 20 FOOT WEIR MEASURES FLOW RETURNED TO STREAM AT INTAKE (USGS)
5. ANNUAL PERCENTAGE OF DIFFERENCE BETWEEN MEASURED & CALCULATED FLOW AT LOWER POWERHOUSE
6. MEASURED FLOW AT LOWER POWERHOUSE (USGS) ASSUMED TO BE CORRECT
7. WATER EXTRACTED BY FONTANA UNION WATER COMPANY MILLER NARROWS WELLS AND DISCHARGED TO EDISON CONDUIT (FONTANA UNION).
8. WATER RETURNED TO STREAM FROM AFTERBAY AT LOWER POWERHOUSE FONTANA UNION (USGS)
9. WEIR NO. 4 MEASURES FLOW TO BREED LINE AT INTAKE (USGS).
10. FONTANA UNION WATER COMPANY WELL TO BREED LINE (FONTANA UNION)
11. WATER RETURNED TO STREAM FROM WEST SAN BERNARDINO COUNTY WATER DISTRICT DIVISION BOX (WEST SAN BERNARDINO COUNTY WD)

TABLE NO. 4

LYTLE CREEK  
VERIFICATIONS OF EXTRACTIONS  
FOR CALENDAR YEAR 1985

LINE NO.	LOCATION OF MEASUREMENT	JAN	FEB	MAR	APR	MAY	JUN	JUL	AUG	SEP	OCT	NOV	DEC	TOTAL	REMARKS
1	WEIR NO. 1	1,196	1,093	1,170	970	916	795	692	780	752	788	914	1,162	11,228	SEE NOTE 1
2	WEIR NO. 2	207	79	56	64	8	0	0	1	0	0	13	58	486	SEE NOTE 2
3	WEIR NO. 3	203	90	70	73	12	0	0	2	0	0	15	60	525	SEE NOTE 3
4	TOTAL OF WEIRS NOS. 1, 2 & 3	1,606	1,262	1,296	1,107	936	795	692	783	752	788	942	1,280	12,239	LINE 1+2+3
5	DEDUCT STREAM RETURN OVER 20' WEIR	0	3	0	0	0	1	0	0	0	0	8	0	12	SEE NOTE 4
6	TOTAL CALCULATED FLOW TO LOWER POWERHOUSE	1,606	1,259	1,296	1,107	936	794	692	783	752	788	934	1,280	12,227	LINE 4 - 5
7	ANNUAL PERCENT DIFFERENCE													-9.64%	SEE NOTE 5
8	MEASURED FLOW TO LOWER POWERHOUSE	1,426	1,061	1,099	1,002	870	734	628	720	692	780	898	1,242	11,152	SEE NOTE 6
DEDUCT MILLER NARROWS WELLS															
9	WELL NO. 1 RECORDATION NO. 3600588	0	0	0	0	0	0	0	0	0	0	0	0	0	SEE NOTE 7
10	WELL NO. 2 RECORDATION NO. 3600590	0	0	0	0	0	0	0	0	0	0	0	0	0	SEE NOTE 7
11	TOTAL PUMPED WATER	0	0	0	0	0	0	0	0	0	0	0	0	0	LINE 9 + 10
12	STREAM FLOW DIVERTED FROM LYTLE CREEK TO LWR POWERHOUSE	1,426	1,061	1,099	1,002	870	734	628	720	692	780	898	1,242	11,152	LINE 8 - 11
DEDUCT FLOW RETURNED TO STREAM BELOW LOWER POWERHOUSE															
13	RETURN FLOW FROM AFTERBAY	382	96	9	10	2	7	0	0	0	0	106	194	806	SEE NOTE 8
14	RETURN FLOW FROM USBCHD DIVISION BOX	46	16	53	73	103	72	67	70	72	74	62	66	774	SEE NOTE 11
15	TOTAL RETURN FLOW BELOW LOWER POWERHOUSE	428	112	62	83	105	79	67	70	72	74	168	260	1,580	LINE 13 + 14
16	NET STREAM FLOW DIVERSION AT LOWER POWERHOUSE	998	949	1,037	919	765	655	561	650	620	706	730	982	9,572	LINE 12 - 15
BREED LINE CALCULATION															
17	WEIR NO. 4	268	282	297	287	295	284	324	264	232	265	247	330	3,375	SEE NOTE 9
18	LESS WATER PUMPED BY FONTANA UNION WELL NO. 27	0	0	0	0	0	11	79	49	41	79	10	0	269	SEE NOTE 10
19	NET LYTLE CREEK STREAM FLOW AT FONTANA UNION INTAKE TO BREED LINE	268	282	297	287	295	273	245	215	191	186	237	330	3,106	LINE 17 - 18
20	TOTAL LYTLE CREEK STREAM FLOW DIVERSION AS VERIFIED	1,266	1,231	1,334	1,206	1,060	928	806	865	811	892	967	1,312	12,678	LINE 16 + 19

NOTES

1. WEIR NO. 1 MEASURES SOUTHERN CALIFORNIA EDISON CONDUIT NEAR FONTANA (USGS)
2. WEIR NO. 2 MEASURES INFILTRATION LINE WATER TO FONTANA UNION INTAKE (USGS)
3. WEIR NO. 3 MEASURES EITHER STREAM DIVERSION OR INFILTRATION WATER (USGS)
4. 20 FOOT WEIR MEASURES FLOW RETURNED TO STREAM AT INTAKE (USGS)
5. ANNUAL PERCENTAGE OF DIFFERENCE BETWEEN MEASURED & CALCULATED FLOW AT LOWER POWERHOUSE
6. MEASURED FLOW AT LOWER POWERHOUSE (USGS) ASSUMED TO BE CORRECT
7. WATER EXTRACTED BY FONTANA UNION WATER COMPANY MILLER NARROWS WELLS AND DISCHARGED TO EDISON CONDUIT (FONTANA UNION).
8. WATER RETURNED TO STREAM FROM AFTERBAY AT LOWER POWERHOUSE FONTANA UNION (USGS)
9. WEIR NO. 4 MEASURES FLOW TO BREED LINE AT INTAKE (USGS).
10. FONTANA UNION WATER COMPANY WELL TO BREED LINE (FONTANA UNION)
11. WATER RETURNED TO STREAM FROM WEST SAN BERNARDINO COUNTY WATER DISTRICT DIVISION BOX (WEST SAN BERNARDINO COUNTY WD)

TABLE NO. 4

LYTLE CREEK  
VERIFICATIONS OF EXTRactions  
FOR CALENDAR YEAR 1986

LINE NO.	LOCATION OF MEASUREMENT	JAN	FEB	MAR	APR	MAY	JUN	JUL	AUG	SEP	OCT	NOV	DEC	TOTAL	REMARKS
1	WEIR NO. 1	1,019	470	973	1,077	1,117	1,031	1,093	1,101	1,015	1,107	1,025	1,107	12,135	SEE NOTE 1
2	WEIR NO. 2	9	214	668	752	423	238	370	1,004	1,341	1,256	211	153	4,039	SEE NOTE 2
3	WEIR NO. 3	8	291	702	681	364	203	319	352	284	214	168	117	3,703	SEE NOTE 3
4	TOTAL OF WEIRS NOS. 1, 2 & 3	1,036	975	2,343	2,510	1,904	1,472	1,782	1,857	1,640	1,577	1,404	1,377	19,877	LINE 1+2+3
5	DEDUCT STREAM RETURN OVER 20' WEIR	8	154	345	226	0	0	0	0	7	0	13	0	753	SEE NOTE 4
6	TOTAL CALCULATED FLOW TO LOWER POWERHOUSE	1,028	821	1,998	2,284	1,904	1,472	1,782	1,857	1,633	1,577	1,391	1,377	19,124	LINE 4 - 5
7	ANNUAL PERCENT DIFFERENCE													-5.85%	SEE NOTE 5
8	MEASURED FLOW TO LOWER POWERHOUSE	962	778	1,870	2,192	1,805	1,434	1,668	1,734	1,559	1,499	1,293	1,273	18,067	SEE NOTE 6
9	WELL NO. 1 RECORDATION NO. 3600588	0	0	0	0	0	0	0	0	0	0	0	0	0	SEE NOTE 7
10	WELL NO. 2 RECORDATION NO. 3600590	0	0	0	0	0	0	0	0	0	0	0	0	0	SEE NOTE 7
11	TOTAL PUMPED WATER	0	0	0	0	0	0	0	0	0	0	0	0	0	LINE 9 + 10
12	STREAM FLOW DIVERTED FROM LYTLE CREEK TO LWR PWRHSE	962	778	1,870	2,192	1,805	1,434	1,668	1,734	1,559	1,499	1,293	1,273	18,067	LINE 8 - 11
13	RETURN FLOW RETURNED TO STREAM BELOW LOWER POWERHOUSE	4	269	605	576	29	58	12	8	54	0	118	38	1,771	SEE NOTE 8
14	RETURN FLOW FROM AFTERBAY	0	0	0	0	0	0	0	0	0	0	0	0	0	SEE NOTE 11
15	TOTAL RETURN FLOW BELOW LOWER POWERHOUSE	4	269	605	576	29	58	12	8	54	0	118	38	1,771	LINE 13 + 14
16	NET STREAM FLOW DIVERSION AT LOWER POWERHOUSE	958	509	1,265	1,616	1,776	1,376	1,656	1,726	1,505	1,499	1,175	1,235	16,296	LINE 12 - 15
17	BREED LINE CALCULATION														
18	LESS WATER PUMPED BY FONTANA UNION WELL NO. 27	253	179	278	271	307	293	295	192	277	289	271	264	3,169	SEE NOTE 9
19	NET LYTLE CREEK STREAM FLOW AT FONTANA UNION INTAKE TO BREED LINE	5	0	0	0	0	0	0	0	0	0	0	0	5	SEE NOTE 10
20	TOTAL LYTLE CREEK STREAM FLOW DIVERSION AS VERIFIED	248	179	278	271	307	293	295	192	277	289	271	264	3,164	LINE 17 - 18
		1,206	688	1,543	1,887	2,083	1,669	1,951	1,918	1,782	1,788	1,446	1,499	19,460	LINE 16 + 19

NOTES

1. WEIR NO. 1 MEASURES SOUTHERN CALIFORNIA EDISON CONDUIT NEAR FONTANA (USGS)
2. WEIR NO. 2 MEASURES INFILTRATION LINE WATER TO FONTANA UNION INTAKE (USGS)
3. WEIR NO. 3 MEASURES EITHER STREAM DIVERSION OR INFILTRATION WATER (USGS)
4. 20 FOOT WEIR MEASURES FLOW RETURNED TO STREAM AT INTAKE (USGS)
5. ANNUAL PERCENTAGE OF DIFFERENCE BETWEEN MEASURED & CALCULATED FLOW AT LOWER POWERHOUSE
6. MEASURED FLOW AT LOWER POWERHOUSE (USGS) ASSUMED TO BE CORRECT
7. WATER EXTRACTED BY FONTANA UNION WATER COMPANY MILLER NARROWS WELLS AND DISCHARGED TO EDISON CONDUIT (FONTANA UNION).
8. WATER RETURNED TO STREAM FROM AFTERBAY AT LOWER POWERHOUSE FONTANA UNION (USGS)
9. WEIR NO. 4 MEASURES FLOW TO BREED LINE AT INTAKE (USGS).
10. FONTANA UNION WATER COMPANY WELL TO BREED LINE (FONTANA UNION)
11. WATER RETURNED TO STREAM FROM WEST SAN BERNARDINO COUNTY WATER DISTRICT DIVISION BOX (WEST SAN BERNARDINO COUNTY MD)

TABLE NO. 5

MILL CREEK VERIFICATION OF EXTRACTIONS FOR  
CALENDAR YEARS 1982-1986



TABLE NO. 5

MILL CREEK  
VERIFICATIONS OF EXTRACTIIONS  
FOR CALENDAR YEAR 1982

LINE NO	LOCATION OF MEASUREMENT	JAN	FEB	MAR	APR	MAY	JUN	JUL	AUG	SEP	OCT	NOV	DEC	TOTAL	REMARKS
1	MILL CREEK NEAR YUCAIPA STREAMFLOW	35	453	369	2,303	2,694	911	45	40	13	6	224	430	7,523	SEE NOTE 1
2	MILL CREEK NEAR YUCAIPA POWER CANALS	1,397	1,140	1,831	1,892	2,372	5,932	4,140	1,694	1,596	1,509	1,492	1,371	26,366	SEE NOTE 1
3	MILL CREEK NEAR YUCAIPA COMBINED FLOW	1,432	1,593	2,200	4,195	5,066	6,843	4,185	1,734	1,609	1,515	1,716	1,801	33,889	SEE NOTE 1
4	TOTAL FLOW AVAILABLE FOR DIVERSION	1,432	1,593	2,200	4,195	5,066	6,843	4,185	1,734	1,609	1,515	1,716	1,801	33,889	LINE 3
DIVERSIONS															
5	MILL CREEK NO. 2 & 3 POWERHOUSE AFTERBAY	12	0	56	125	160	222	23	2	0	0	0	25	625	SEE NOTE 2
6	CITY OF REDLANDS TATE FILTER PLANT	556	363	729	584	885	957	976	991	986	878	783	675	9,363	SEE NOTE 3
7	INFLOW TO TATE FILTER PLANT	6	4	8	10	19	26	24	13	13	11	11	7	152	SEE NOTE 3
8	LESS FILTER BACKWASH WATER RETURNED TO ZANJA	0	0	0	0	0	0	0	0	0	0	0	0	0	SEE NOTE 4
9	LESS GROUND WATER RECHARGE IN CITY WELLS 10,11&12	550	359	721	574	866	931	952	978	973	867	772	668	9,211	LINE 6-7-8
9	NET DIVERSION FROM AVAILABLE FLOW	0	0	0	0	0	0	0	0	0	0	0	0	0	
BOULLIQUIN BOX															
10	TRANSFER OF MILL CREEK WATER TO BEAR VALLEY HIGHLINE	0	0	0	0	0	0	0	0	0	0	0	0	0	SEE NOTE 5
11	TRANSFER OF SANTA ANA RIVER WATER TO ZANJA	8	16	12	15	15	60	56	47	37	57	149	3	475	SEE NOTE 5
CRAFTON WATER COMPANY CANAL															
12	INFLOW TO CRAFTON CANAL FROM ZANJA	78	120	8	61	511	496	566	532	494	452	145	0	3,463	SEE NOTE 6
13	LESS GROUND WATER RECHARGE-HILL WELL & KING ST. SHAFT	0	0	0	0	0	0	0	0	0	0	0	0	0	SEE NOTE 7
14	NET DIVERSION FROM AVAILABLE FLOW	78	120	8	61	511	496	566	532	494	452	145	0	3,463	LINE 12-13
15	TOTAL FLOW DIVERTED INCLUDING UPPER MILL CREEK WELLS	632	463	773	745	1,522	1,589	1,485	1,465	1,430	1,262	768	690	12,824	LINE 5+9+10-11+14
DEDUCT UPPER MILL CREEK WELLS															
16	CITY OF REDLANDS MILL CREEK NO. 1 REC. NO. 3601282	79	0	0	0	0	0	0	0	95	24	0	59	257	SEE NOTE 8
17	CITY OF REDLANDS MILL CREEK NO. 2 REC. NO. 3601285	129	0	7	24	0	0	0	0	200	0	0	0	360	SEE NOTE 8
18	CITY OF REDLANDS MILL CREEK NO. 4 REC. NO. 3601288	66	0	0	5	0	0	0	0	0	80	53	0	204	SEE NOTE 8
19	CITY OF REDLANDS MILL CREEK NO. 0-A REC. NO. 3602351	0	0	0	0	0	0	0	0	0	0	0	0	0	SEE NOTE 8
20	TOTAL UPPER MILL CREEK WELL PRODUCTION	274	0	7	29	0	0	0	0	295	104	53	59	821	LINE 16+17+18+19
21	TOTAL MILL CREEK STREAM DIVERSION AS VERIFIED	358	463	766	716	1,522	1,589	1,485	1,465	1,135	1,158	715	631	12,003	LINE 15-20

NOTES

- U.S.G.S. RECORDS OF MILL CREEK FLOWS.
- MILL CREEK PIPELINE TO YUCAIPA OPERATIONS RECORDS (SAN BERNARDINO VALLEY MUNICIPAL WATER DISTRICT).
- TATE FILTER PLANT OPERATIONS RECORDS (CITY OF REDLANDS).
- METERED RECHARGE IN WELLS NUMBER 10, 11 AND 12 (RECORDATION NUMBERS 3601291, 3601292, AND 3601293 RESPECTIVELY), (CITY OF REDLANDS).
- BOULLIQUIN BOX CONNECTS BEAR VALLEY HIGHLINE AND THE ZANJA (BEAR VALLEY MUTUAL WATER CO.).
- CRAFTON CANAL DIVERTS FROM THE ZANJA (USGS AND SAN BERNARDINO COUNTY WATER CONSERVATION DISTRICT).
- GROUND WATER RECHARGE IN HILL WELL AND KING STREET SHAFT (CRAFTON WATER CO.).
- METERED PRODUCTION FROM WELLS IN UPPER MILL CREEK, WELLS PUMP DIRECTLY INTO POWER CANALS, DIVERSIONS OF STREAM FLOW AND WELL EXTRACTIIONS ARE COMMINGLED (CITY OF REDLANDS).

TABLE NO. 5

MILL CREEK  
VERIFICATIONS OF EXTRACTIONS  
FOR CALENDAR YEAR 1983

LINE NO	LOCATION OF MEASUREMENT	JAN	FEB	MAR	APR	MAY	JUN	JUL	AUG	SEP	OCT	NOV	DEC	TOTAL	REMARKS
1	MILL CREEK NEAR YUCAIPA STREAMFLOW	415	864	7,111	6,337	12,087	8,826	2,487	1,713	496	686	730	1,443	43,193	SEE NOTE 1
2	MILL CREEK NEAR YUCAIPA POWER CANALS	1,565	2,072	1,859	2,708	2,394	2,664	3,297	2,401	2,527	1,684	1,700	1,758	26,299	SEE NOTE 1
3	MILL CREEK NEAR YUCAIPA COMBINED FLOW	1,980	2,936	8,940	9,045	14,481	11,490	5,784	4,114	2,723	2,370	2,430	3,199	69,492	SEE NOTE 1
4	TOTAL FLOW AVAILABLE FOR DIVERSION	1,980	2,936	8,940	9,045	14,481	11,490	5,784	4,114	2,723	2,370	2,430	3,199	69,492	LINE 3
DIVERSIONS															
5	MILL CREEK NO. 2 & 3 POWERHOUSE AFTERBAY	2	127	38	242	178	262	304	193	198	0	5	4	1,553	SEE NOTE 2
6	CITY OF REDLANDS TATE FILTER PLANT	628	541	515	831	788	984	1,148	811	824	657	659	659	9,045	SEE NOTE 3
7	INFLOW TO TATE FILTER PLANT	7	6	8	13	21	21	19	12	12	11	11	10	151	SEE NOTE 3
8	LESS FILTER BACKWASH WATER RETURNED TO ZANJA	0	0	0	0	0	0	0	0	0	0	0	0	0	SEE NOTE 4
9	LESS GROUND WATER RECHARGE IN CITY WELLS 10, 11 & 12	621	535	507	818	767	963	1,129	799	812	646	648	649	8,894	LINE 6-7-8
10	NET DIVERSION FROM AVAILABLE FLOW	0	0	0	0	0	0	0	0	0	0	0	0	0	SEE NOTE 5
BOULLIQUON BOX															
10	TRANSFER OF MILL CREEK WATER TO BEAR VALLEY HIGHLINE	0	0	0	0	0	0	0	0	0	0	0	0	0	SEE NOTE 5
11	TRANSFER OF SANTA ANA RIVER WATER TO ZANJA	0	0	0	0	40	59	57	85	82	116	43	0	482	SEE NOTE 5
CRAFTON WATER COMPANY CANAL															
12	INFLOW TO CRAFTON CANAL FROM ZANJA	56	0	0	0	147	629	622	510	648	529	330	136	3,607	SEE NOTE 6
13	LESS GROUND WATER RECHARGE-HILL WELL & KING ST. SHAFT	0	0	0	0	0	0	0	0	0	0	0	0	0	SEE NOTE 7
14	NET DIVERSION FROM AVAILABLE FLOW	56	0	0	0	147	629	622	510	648	529	330	136	3,607	LINE 12-13
15	TOTAL FLOW DIVERTED INCLUDING UPPER MILL CREEK WELLS	679	662	545	1,060	1,052	1,795	1,998	1,417	1,576	1,059	940	789	13,572	LINE 5+9+10-11+14
DEDUCT UPPER MILL CREEK WELLS															
16	CITY OF REDLANDS MILL CREEK NO. 1 REC. NO. 3601282	0	7	0	0	0	0	0	0	0	0	0	0	7	SEE NOTE 8
17	CITY OF REDLANDS MILL CREEK NO. 2 REC. NO. 3601285	0	0	0	0	0	0	0	0	0	0	0	0	0	SEE NOTE 8
18	CITY OF REDLANDS MILL CREEK NO. 4 REC. NO. 3601288	0	0	0	0	0	0	0	0	0	0	0	0	0	SEE NOTE 8
19	CITY OF REDLANDS MILL CREEK NO. 0-A REC. NO. 3602351	0	0	0	0	0	0	0	0	0	0	0	0	0	SEE NOTE 8
20	TOTAL UPPER MILL CREEK WELL PRODUCTION	0	7	0	0	0	0	0	0	0	0	0	0	7	LINE 16+17+18+19
21	TOTAL MILL CREEK STREAM DIVERSION AS VERIFIED	679	655	545	1,060	1,052	1,795	1,998	1,417	1,576	1,059	940	789	13,565	LINE 15-20

NOTES

- U.S.G.S. RECORDS OF MILL CREEK FLOWS.
- MILL CREEK PIPELINE TO YUCAIPA OPERATIONS RECORDS (SAN BERNARDINO VALLEY MUNICIPAL WATER DISTRICT).
- TATE FILTER PLANT OPERATIONS RECORDS (CITY OF REDLANDS).
- METERED RECHARGE IN WELLS NUMBER 10, 11 AND 12 (RECORDATION NUMBERS 3601291, 3601292, AND 3601293 RESPECTIVELY), (CITY OF REDLANDS).
- BOULLIQUON BOX CONNECTS BEAR VALLEY HIGHLINE AND THE ZANJA (BEAR VALLEY MUTUAL WATER CO.).
- CRAFTON CANAL DIVERTS FROM THE ZANJA (USGS AND SAN BERNARDINO COUNTY WATER CONSERVATION DISTRICT).
- GROUND WATER RECHARGE IN HILL WELL AND KING STREET SHAFT (CRAFTON WATER CO.).
- METERED PRODUCTION FROM WELLS IN UPPER MILL CREEK, WELLS PUMP DIRECTLY INTO POWER CANALS, DIVERSIONS OF STREAM FLOW AND WELL EXTRACTIONS ARE COMMINGLED (CITY OF REDLANDS).

TABLE NO. 5

MILL CREEK  
VERIFICATIONS OF EXTRACTIONS  
FOR CALENDAR YEAR 1954

LINE NO.	LOCATION OF MEASUREMENT	JAN	FEB	MAR	APR	MAY	JUN	JUL	AUG	SEP	OCT	NOV	DEC	TOTAL	REMARKS
1	MILL CREEK NEAR YUCAIPA STREAMFLOW	218	65	12	20	32	0	504	184	139	9	250	314	1,747	SEE NOTE 1
2	MILL CREEK NEAR YUCAIPA POWER CANALS	2,277	2,051	1,938	1,650	1,555	1,422	622	1,270	1,070	1,274	1,216	1,303	17,648	SEE NOTE 1
3	MILL CREEK NEAR YUCAIPA COMBINED FLOW	2,495	2,116	1,950	1,670	1,587	1,422	1,126	1,454	1,209	1,283	1,466	1,617	19,595	SEE NOTE 1
4	TOTAL FLOW AVAILABLE FOR DIVERSION	2,495	2,116	1,950	1,670	1,587	1,422	1,126	1,454	1,209	1,283	1,466	1,617	19,395	LINE 3
DIVERSIONS															
5	MILL CREEK NO. 2 & 3 POWERHOUSE AFTERBAY	199	30	0	0	21	0	0	0	0	0	0	71	321	SEE NOTE 2
CITY OF REDLANDS TATE FILTER PLANT															
6	INFLOW TO TATE FILTER PLANT	922	1,100	1,185	1,041	1,033	918	624	776	754	865	744	732	10,694	SEE NOTE 3
7	LESS FILTER BACK & SURF WASH WATER RETURNED TO ZANJA	15	25	31	27	22	13	8	90	12	9	10	9	271	SEE NOTE 3
8	LESS GROUNDWATER RECHARGE IN CITY WELLS 10, 11 & 12	0	0	0	0	0	0	0	0	0	0	0	0	0	SEE NOTE 4
9	NET DIVERSION FROM AVAILABLE FLOW TO TATE	907	1,075	1,154	1,014	1,011	905	616	686	742	856	734	723	10,423	LINE 6-7-8
BOULLIQUON BOX															
10	TRANSFER OF MILL CREEK WATER TO BEAR VALLEY HIGHLINE	0	0	0	0	0	0	0	0	0	0	0	0	0	SEE NOTE 5
11	TRANSFER OF SANTA ANA RIVER WATER TO ZANJA	0	87	64	31	16	26	18	25	9	187	68	22	553	SEE NOTE 5
CRAFTON WATER COMPANY CANAL															
12	INFLOW TO CRAFTON CANAL FROM ZANJA	212	361	466	425	466	482	403	483	386	481	338	177	4,680	SEE NOTE 6
13	LESS GROUNDWATER RECHARGE HILL WELL & KING ST. SHAFT	0	0	0	0	0	0	0	0	0	0	0	0	0	SEE NOTE 7
14	NET DIVERSION FROM AVAILABLE FLOW TO CRAFTON	212	361	466	425	466	482	403	483	386	481	338	177	4,680	LINE 12-13
15	TOTAL FLOW DIVERTED INCLUDING UPPER MILL CREEK WELLS	1,318	1,379	1,556	1,408	1,482	1,361	1,001	1,144	1,119	1,150	1,004	949	14,871	LINE 5+9+10 -11+14
DEDUCT UPPER MILL CREEK WELLS															
16	CITY OF REDLANDS MILL CREEK NO. 1 REC. NO. 3601282	0	0	0	0	104	65	147	128	120	112	113	15	804	SEE NOTE 8
17	CITY OF REDLANDS MILL CREEK NO. 2 REC. NO. 3601285	0	0	0	0	116	192	220	227	221	177	210	183	1,546	SEE NOTE 8
18	CITY OF REDLANDS MILL CREEK NO. 4 REC. NO. 3601288	0	0	0	0	82	106	97	103	85	100	91	92	756	SEE NOTE 8
19	CITY OF REDLANDS MILL CREEK NO. 0-A REC. NO. 3602351	0	0	0	0	0	0	0	0	0	0	0	0	0	SEE NOTE 8
20	TOTAL UPPER MILL CREEK WELL PRODUCTION	0	0	0	0	302	363	464	458	426	389	414	290	3,106	LINE 16+17 +18+19
21	TOTAL MILL CREEK STREAM DIVERSION AS VERIFIED	1,318	1,379	1,556	1,408	1,180	998	537	686	693	761	590	659	11,765	LINE 15-20

NOTES

- U.S.G.S. RECORDS OF MILL CREEK FLOWS
- MILL CREEK PIPELINE TO YUCAIPA OPERATIONS RECORDS (SAN BERNARDINO VALLEY MUNICIPAL WATER DISTRICT)
- TATE FILTER PLANT OPERATIONS RECORDS (CITY OF REDLANDS)
- METERED RECHARGE IN WELLS NUMBER 10, 11 AND 12 (RECORDATION NUMBERS 3601291, 3601292 & 3601293 RESPECTIVELY, CITY OF REDLANDS)
- BOULLIQUON BOX CONNECTS BEAR VALLEY HIGHLINE AND THE ZANJA (BEAR VALLEY MUTUAL WATER COMPANY)
- CRAFTON CANAL DIVERTS FROM THE ZANJA (SAN BERNARDINO VALLEY WATER CONSERVATION DISTRICT)
- GROUNDWATER RECHARGE IN HILL WELL AND KING STREET SHAFT (CRAFTON WATER COMPANY)
- METERED PRODUCTION FROM WELLS IN UPPER MILL CREEK. WELLS PUMP DIRECTLY INTO POWER CANALS. DIVERSIONS OF STREAM FLOW AND WELL EXTRACTIONS ARE COMMINGLED (CITY OF REDLANDS)

TABLE NO. 5

MILL CREEK  
VERIFICATIONS OF EXTRACTIONS  
FOR CALENDAR YEAR 1985

LINE NO.	LOCATION OF MEASUREMENT	JAN	FEB	MAR	APR	MAY	JUN	JUL	AUG	SEP	OCT	NOV	DEC	TOTAL	REMARKS
1	MILL CREEK NEAR YUCAIPA STREAMFLOW	106	64	277	43	210	7	475	119	4	3	321	436	2,065	SEE NOTE 1
2	MILL CREEK NEAR YUCAIPA POWER CANALS	1,365	1,313	1,367	1,692	1,674	1,444	1,107	1,081	988	1,066	964	917	14,978	SEE NOTE 1
3	MILL CREEK NEAR YUCAIPA COMBINED FLOW	1,462	1,370	1,640	1,732	1,876	1,444	1,577	1,196	990	1,069	1,285	1,353	16,994	SEE NOTE 1
4	TOTAL FLOW AVAILABLE FOR DIVERSION	1,462	1,370	1,640	1,732	1,876	1,444	1,577	1,196	990	1,069	1,285	1,353	16,994	LINE 3
DIVERSIONS															
5	MILL CREEK NO. 2 & 3 POWERHOUSE AFTERBAY	200	115	207	235	124	97	0	0	0	0	1	84	1,063	SEE NOTE 2
6	DIVERSION TO YUCAIPA REGIONAL PARK	792	667	780	964	996	1,013	1,017	1,050	950	927	718	564	10,438	SEE NOTE 3
7	CITY OF REDLANDS TATE FILTER PLANT	9	12	20	23	23	30	17	13	17	11	8	5	188	SEE NOTE 3
8	INFLOW TO TATE FILTER PLANT	0	0	0	0	0	0	0	0	0	0	0	0	0	SEE NOTE 4
9	LESS FILTER BACK & SURF WASH WATER RETURNED TO ZANJA	783	655	760	941	973	983	1,000	1,037	933	916	710	559	10,250	LINE 6-7-8
10	LESS GROUNDWATER RECHARGE IN CITY WELLS 10, 11 & 12	0	0	0	0	0	0	0	0	0	0	0	0	0	
9	NET DIVERSION FROM AVAILABLE FLOW TO TATE	0	0	0	0	0	0	0	0	0	0	0	0	0	SEE NOTE 5
BOULLIQUIN BOX															
10	TRANSFER OF MILL CREEK WATER TO BEAR VALLEY HIGHLINE	12	30	27	2	115	287	512	556	521	524	143	0	2,729	SEE NOTE 5
11	TRANSFER OF SANTA ANA RIVER WATER TO ZANJA	71	60	180	381	568	559	596	496	509	499	143	103	4,165	SEE NOTE 6
12	CRAFTON WATER COMPANY CANAL	0	0	0	0	0	0	0	0	0	0	0	0	0	SEE NOTE 7
13	INFLOW TO CRAFTON CANAL FROM ZANJA	71	60	180	381	568	559	596	496	509	499	143	103	4,165	SEE NOTE 6
14	LESS GROUNDWATER RECHARGE HILL WELL & KING ST. SHAFT	0	0	0	0	0	0	0	0	0	0	0	0	0	
14	NET DIVERSION FROM AVAILABLE FLOW TO CRAFTON	71	60	180	381	568	559	596	496	509	499	143	103	4,165	LINE 12-13
15	TOTAL FLOW DIVERTED INCLUDING UPPER MILL CREEK WELLS	1,042	800	1,120	1,555	1,550	1,352	1,084	977	921	891	711	746	12,749	LINE 5+9+10 -11+14
DEDUCT UPPER MILL CREEK WELLS															
16	CITY OF REDLANDS MILL CREEK NO. 1 REC. NO. 3601282	0	0	0	0	0	21	109	117	123	92	117	99	678	SEE NOTE 8
17	CITY OF REDLANDS MILL CREEK NO. 2 REC. NO. 3601285	190	180	157	41	218	232	216	220	228	206	178	71	2,137	SEE NOTE 8
18	CITY OF REDLANDS MILL CREEK NO. 4 REC. NO. 3601288	17	0	0	0	8	113	111	101	92	92	70	62	666	SEE NOTE 8
19	CITY OF REDLANDS MILL CREEK NO. 0-A REC. NO. 3602351	0	0	0	0	0	0	0	0	0	0	0	0	0	SEE NOTE 8
20	TOTAL UPPER MILL CREEK WELL PRODUCTION	207	180	157	41	226	366	436	438	443	390	365	232	3,481	LINE 16+17 +18+19
21	TOTAL MILL CREEK STREAM DIVERSION AS VERIFIED	835	620	963	1,514	1,324	986	648	539	478	501	346	514	9,268	LINE 15-20

NOTES

1. U.S.G.S. RECORDS OF MILL CREEK FLOWS
2. MILL CREEK PIPELINE TO YUCAIPA OPERATIONS RECORDS (SAN BERNARDINO VALLEY MUNICIPAL WATER DISTRICT)
3. TATE FILTER PLANT OPERATIONS RECORDS (CITY OF REDLANDS)
4. METERED RECHARGE IN WELLS NUMBER 10, 11 AND 12 (RECORDATION NUMBERS 3601291, 3601292 & 3601293 RESPECTIVELY, CITY OF REDLANDS)
5. BOULLIQUIN BOX CONNECTS BEAR VALLEY HIGHLINE AND THE ZANJA (SAN BERNARDINO VALLEY MWD & BEAR VALLEY MUTUAL WATER COMPANY)
6. CRAFTON CANAL DIVERTS FROM THE ZANJA (SAN BERNARDINO VALLEY WATER CONSERVATION DISTRICT)
7. GROUNDWATER RECHARGE IN HILL WELL AND KING STREET SHAFT (CRAFTON WATER COMPANY)
8. METERED PRODUCTION FROM WELLS IN UPPER MILL CREEK. WELLS PUMP DIRECTLY INTO POWER CANALS. DIVERSIONS OF STREAM FLOW AND WELL EXTRACTIONS ARE COMMINGLED (CITY OF REDLANDS)

TABLE NO. 1  
MILL CREEK  
VERIFICATIONS OF EXTRACTIONS  
FOR CALENDAR YEAR 1986

LINE NO.	LOCATION OF MEASUREMENT	JAN	FEB	MAR	APR	MAY	JUN	JUL	AUG	SEP	OCT	NOV	DEC	TOTAL	REMARKS	
1	MILL CREEK NEAR YUCAIPA STREAMFLOW	402	1,353	1,150	669	92	11	48	190	116	Station Discontinued	1,307	1,307	4,031	SEE NOTE 1	
2	MILL CREEK NEAR YUCAIPA POWER CANALS	921	846	1,412	2,176	2,350	1,678	1,620	1,684	1,591	1,492	1,167	1,307	18,244	SEE NOTE 1	
3	MILL CREEK NEAR YUCAIPA COMBINED FLOW	1,323	2,202	2,561	2,846	2,434	1,680	1,664	1,864	1,706	1,492	1,167	1,307	18,280	SEE NOTE 1	
4	TOTAL FLOW AVAILABLE FOR DIVERSION	1,323	2,202	2,561	2,846	2,434	1,680	1,664	1,706	1,706	1,492	1,167	1,307	22,088	LINE 3	
DIVERSIONS																
5	MILL CREEK NO. 2 & 3 POWERHOUSE AFTERBAY	12	0	187	132	98	32	20	5	0	0	0	0	486	SEE NOTE 2	
DIVERSION TO YUCAIPA REGIONAL PARK																
6	CITY OF REDLANDS TATE FILTER PLANT	748	377	884	1,107	1,157	1,181	1,185	1,118	1,001	1,138	900	1,002	11,798	SEE NOTE 3	
7	INFLOW TO TATE FILTER PLANT	8	5	11	16	24	23	13	12	13	14	10	13	162	SEE NOTE 3	
8	LESS FILTER BACK & SURF WASH WATER RETURNED TO ZANJA	0	0	0	0	0	0	0	0	0	0	0	0	0	SEE NOTE 4	
9	LESS GROUNDWATER RECHARGE IN CITY WELLS 10, 11 & 12	740	372	873	1,091	1,133	1,158	1,172	1,106	988	1,124	890	989	11,636	LINE 6-7-8	
9	NET DIVERSION FROM AVAILABLE FLOW TO TATE															
BOULLIQUIN BOX																
10	TRANSFER OF MILL CREEK WATER TO BEAR VALLEY HIGHLINE	0	0	0	0	0	0	0	0	0	0	0	0	0	SEE NOTE 5	
11	TRANSFER OF SANTA ANA RIVER WATER TO ZANJA	81	0	0	0	0	255	209	232	112	163	267	41	1,360	SEE NOTE 5	
CRAFTON WATER COMPANY CANAL																
12	INFLOW TO CRAFTON CANAL FROM ZANJA	276	107	145	437	732	631	581	657	577	435	501	242	5,321	SEE NOTE 6	
13	LESS GROUNDWATER RECHARGE HILL WELL & KING ST. SHAFT	0	0	0	0	0	0	0	0	0	0	0	0	0	SEE NOTE 7	
14	NET DIVERSION FROM AVAILABLE FLOW TO CRAFTON	276	107	145	437	732	631	581	657	577	435	501	242	5,321	LINE 12-13	
15	TOTAL FLOW DIVERTED INCLUDING UPPER MILL CREEK WELLS	947	479	1,205	1,660	1,963	1,566	1,564	1,536	1,453	1,396	1,124	1,190	16,083	LINE 5+9+10-11+14	
DEDUCT UPPER MILL CREEK WELLS																
16	CITY OF REDLANDS MILL CREEK NO. 1 REC. NO. 3601282	132	122	109	0	19	0	0	0	0	0	0	0	0	382	SEE NOTE 8
17	CITY OF REDLANDS MILL CREEK NO. 2 REC. NO. 3601285	84	77	93	65	0	75	261	273	254	257	234	216	1,889	SEE NOTE 8	
18	CITY OF REDLANDS MILL CREEK NO. 4 REC. NO. 3601288	93	12	0	0	0	0	0	120	107	114	98	106	650	SEE NOTE 8	
19	CITY OF REDLANDS MILL CREEK NO. 0-A REC. NO. 3602351	0	0	0	0	0	0	0	0	0	0	0	0	0	SEE NOTE 8	
20	TOTAL UPPER MILL CREEK WELL PRODUCTION	309	211	202	65	19	75	261	393	361	371	332	322	2,921	LINE 16+17+18+19	
21	TOTAL MILL CREEK STREAM DIVERSION AS VERIFIED	638	268	1,003	1,595	1,944	1,491	1,303	1,143	1,092	1,025	792	868	13,162	LINE 15-20	

NOTES

- U.S.G.S. RECORDS OF MILL CREEK FLOWS
- MILL CREEK PIPELINE TO YUCAIPA OPERATIONS RECORDS (SAN BERNARDINO VALLEY MUNICIPAL WATER DISTRICT)
- TATE FILTER PLANT OPERATIONS RECORDS (CITY OF REDLANDS)
- METERED RECHARGE IN WELLS NUMBER 10, 11 AND 12 (RECORDATION NUMBERS 3601291, 3601292 & 3601293 RESPECTIVELY, CITY OF REDLANDS)
- BOULLIQUIN BOX CONNECTS BEAR VALLEY HIGHLINE AND THE ZANJA (SAN BERNARDINO VALLEY WATER COMPANY)
- CRAFTON CANAL DIVERTS FROM THE ZANJA (SAN BERNARDINO VALLEY WATER COMPANY)
- METERED PRODUCTION FROM WELLS IN UPPER MILL CREEK. WELLS PUMP DIRECTLY INTO POWER CANALS. DIVERSIONS OF STREAM FLOW AND WELL EXTRACTIONS ARE COMMINGLED (CITY OF REDLANDS)

TABLE NO. 6

SANTA ANA RIVER VERIFICATION OF EXTRACTIONS  
FOR CALENDAR YEARS 1982-1986

TABLE NO. 6

SANTA ANA RIVER  
VERIFICATIONS OF EXTRACTIONS  
FOR CALENDAR YEAR 1982

LINE NO	LOCATION OF MEASUREMENT	JAN	FEB	MAR	APR	MAY	JUN	JUL	AUG	SEP	OCT	NOV	DEC	TOTAL	REMARKS
1	SANTA ANA RIVER NEAR MENTONE STREAMFLOW	597	1,951	4,860	6,115	1,845	419	347	93	128	288	1,361	5,168	23,172	SEE NOTE 1
2	SANTA ANA RIVER NEAR MENTONE POWER CANALS	2,834	3,014	3,239	4,235	4,675	3,828	2,856	2,688	2,641	3,213	2,671	2,526	38,420	SEE NOTE 1
3	SANTA ANA RIVER NEAR MENTONE COMBINED FLOW	3,431	4,965	8,099	10,350	6,520	4,247	3,203	2,781	2,769	3,501	4,032	7,694	61,592	SEE NOTE 1
4	REDLANDS WATER CO. REDLANDS TUNNEL OUTFLOW	112	104	106	119	121	128	113	89	83	119	114	120	1,328	SEE NOTE 2
5	TOTAL FLOW AVAILABLE FOR DIVERSION	3,543	5,069	8,205	10,469	6,641	4,375	3,316	2,870	2,852	3,620	4,146	7,814	62,920	LINE 3 + 4
DIVERSIONS															
EAST HIGHLAND CANAL															
6	EAST HIGHLAND WEIR	5	2	21	16	94	126	110	153	136	103	44	0	810	SEE NOTE 3
7	LESS SPREADING	0	0	0	0	0	0	0	0	0	0	0	0	0	SEE NOTE 3
8	NET EAST HIGHLAND CANAL DIVERSIONS	5	2	21	16	94	126	110	153	136	103	44	0	810	LINE 6 - 7
NORTH FORK CANAL															
9	NORTH FORK WEIR	59	56	75	212	534	572	607	604	579	576	335	43	4,252	SEE NOTE 3
10	LESS SPREADING FROM CANAL AT CITY CR. & SAND CYN.	0	0	0	112	38	46	52	44	45	44	60	6	447	SEE NOTE 3
11	NET NORTH FORK DIVERSION	59	56	75	100	496	526	555	560	534	532	275	37	3,805	LINE 9 - 10
REDLANDS CANAL															
12	PLUS BRACERO CAMP, ZANJERO & SO. CAL. ED. USES	0	0	1	0	0	1	0	0	1	0	0	1	4	SEE NOTE 4
13	PLUS REDLANDS CANAL WEIR AT SANDBOX	285	381	224	335	1,022	1,203	1,330	1,277	1,181	1,209	667	299	9,413	SEE NOTE 5
14	LESS SPREADING MENTONE RES. JUDSON ST. MOUND CITY	189	274	192	216	0	2	28	0	16	24	117	173	1,231	SEE NOTE 5
15	NET REDLANDS CANAL DIVERSION	96	107	33	119	1,022	1,202	1,302	1,277	1,166	1,185	550	127	8,186	LINE 12+13-14
BEAR VALLEY HIGHLINE															
16	GREENSPOT WEIR ON HIGHLINE	546	471	451	459	243	546	560	564	530	540	519	383	5,812	SEE NOTE 6
17	LESS SPREADING AT HILL CREEK AND REES PONDS	425	374	312	316	0	0	0	0	0	0	122	283	1,832	SEE NOTE 6
18	NET BEAR VALLEY HIGHLINE DIVERSION	121	97	139	143	243	546	560	564	530	540	397	100	3,980	LINE 16 - 17
19	TOTAL NET DIVERSION FROM AVAILABLE FLOW	281	262	268	378	1,855	2,400	2,527	2,554	2,366	2,360	1,266	264	16,781	LINE 8+11+15 +18
DEDUCT SANTA ANA WELLS															
20	SANTA ANA WELL NO. 1 RECORDATION NO. 3600021	0	0	0	0	0	0	0	87	33	0	0	0	120	SEE NOTE 7
21	SANTA ANA WELL NO. 2 RECORDATION NO. 3600022	0	0	0	0	0	0	0	92	34	0	0	0	126	SEE NOTE 7
22	TOTAL PUMPED WATER	0	0	0	0	0	0	0	179	67	0	0	0	246	LINE 20 + 21
23	TOTAL SANTA ANA RIVER STREAM DIVERSION AS VERIFIED	281	262	268	378	1,855	2,400	2,527	2,375	2,299	2,360	1,266	264	16,535	LINE 19 - 22

NOTES

- U.S.G.S. RECORDS OF SANTA ANA RIVER FLOWS.
- REDLANDS WATER COMPANY REDLANDS TUNNEL IS AN INFILTRATION GALLERY WHICH INTERCEPTS SANTA ANA RIVER UNDERFLOW. DATA FROM BEAR VALLEY MUTUAL WATER COMPANY RECORDS. OUTFLOW SHOWN INCLUDES LINE NO. 14 OF THIS TABLE.
- EAST HIGHLANDS CANAL AND NORTH FORK CANAL DIVERT WATER TO AGRICULTURAL USE AND LIMITED SPREADING. DATA FROM BEAR VALLEY MUTUAL WATER COMPANY RECORDS.
- BRACERO CAMP, BEAR VALLEY MUTUAL WATER COMPANY'S ZANJERO AND SOUTHERN CALIFORNIA EDISON COMPANY DIVERT WATER FROM REDLANDS TUNNEL UPSTREAM OF THE TUNNELS CONFLUENCE WITH REDLANDS CANAL WHICH IS UPSTREAM OF THE REDLANDS CANAL WEIR. DATA FROM BEAR VALLEY MUTUAL WATER COMPANY RECORDS.
- DATA FROM BEAR VALLEY MUTUAL WATER COMPANY RECORDS OF OPERATIONS OF REDLANDS CANAL WEIR AND REDLANDS CANAL.
- DATA FROM BEAR VALLEY MUTUAL WATER COMPANY RECORDS OF OPERATIONS OF BEAR VALLEY HIGHLINE.
- SANTA ANA NO. 1 AND NO. 2 WELLS ARE LOCATED IN UPPER SANTA ANA CANYON AND PUMPED DIRECTLY TO POWER CANALS, DIVERSION OF STREAMFLOW AND WELL EXTRACTIONS ARE COMMINGLED. DATA FROM BEAR VALLEY MUTUAL WATER COMPANY RECORDS.

TABLE NO. 6

SANTA ANA RIVER  
VERIFICATIONS OF EXTRACTIONS  
FOR CALENDAR YEAR 1983

LINE NO.	LOCATION OF MEASUREMENT	JAN	FEB	MAR	APR	MAY	JUN	JUL	AUG	SEP	OCT	NOV	DEC	TOTAL	REMARKS
1	SANTA ANA RIVER NEAR MENTONE STREAMFLOW	9,001	9,051	27,049	16,770	23,092	10,592	4,556	2,715	4,383	3,130	1,961	5,295	117,595	SEE NOTE 1
2	SANTA ANA RIVER NEAR MENTONE POWER CANALS	2,785	3,455	2,312	4,469	4,595	4,476	4,758	4,566	2,633	4,352	3,628	3,484	45,513	SEE NOTE 1
3	SANTA ANA RIVER NEAR MENTONE COMBINED FLOW	11,786	12,506	29,361	21,239	27,687	15,068	9,314	7,281	7,016	7,482	5,589	8,779	163,108	SEE NOTE 1
4	REDLANDS WATER CO. REDLANDS TUNNEL OUTFLOW	125	114	129	107	97	119	130	127	72	0	0	0	1,020	SEE NOTE 2
5	TOTAL FLOW AVAILABLE FOR DIVERSION	11,911	12,620	29,490	21,346	27,784	15,187	9,444	7,408	7,088	7,482	5,589	8,779	164,128	LINE 3 + 4
DIVERSIONS															
EAST HIGHLAND CANAL															
6	EAST HIGHLAND WEIR	0	0	0	0	2	0	52	92	107	36	8	0	442	SEE NOTE 3
7	LESS SPREADING	0	0	0	0	0	0	0	0	0	0	0	0	0	SEE NOTE 3
8	NET EAST HIGHLAND CANAL DIVERSIONS	0	0	0	0	2	0	52	92	107	36	8	0	442	LINE 6 - 7
NORTH FORK CANAL															
9	NORTH FORK WEIR	112	22	0	132	289	607	612	544	618	558	365	162	4,021	SEE NOTE 3
10	LESS SPREADING FROM CANAL AT CITY CR. & SAND CYN.	18	8	0	16	57	67	51	89	66	86	98	4	560	SEE NOTE 3
11	NET NORTH FORK DIVERSION	94	14	0	116	232	540	561	455	552	472	267	158	3,461	LINE 9 - 10
REDLANDS CANAL															
12	BRACERO CAMP, ZANJERO & SO. CAL. ED. USES	0	0	1	0	0	1	0	0	1	0	0	1	4	SEE NOTE 4
13	REDLANDS CANAL WEIR AT SANDBOX	383	148	244	286	739	1,316	1,298	1,267	1,100	1,185	818	384	9,168	SEE NOTE 5
14	LESS SPREADING MENTONE RES. JUDSON ST. MOUND CITY	148	118	108	286	503	290	149	173	170	269	207	213	2,634	SEE NOTE 5
15	NET REDLANDS CANAL DIVERSION	235	30	137	0	236	1,027	1,149	1,094	931	916	611	172	6,538	LINE 12+13-14
BEAR VALLEY HIGHLINE															
16	GREENSPOT WEIR ON HIGHLINE	412	348	137	535	535	545	567	538	543	547	485	439	5,631	SEE NOTE 6
17	LESS SPREADING AT MILL CREEK AND REES PONDS	184	304	89	315	204	0	0	0	0	0	77	369	1,542	SEE NOTE 6
18	NET BEAR VALLEY HIGHLINE DIVERSION	228	44	48	220	331	545	567	538	543	547	408	70	4,089	LINE 16 - 17
19	TOTAL NET DIVERSION FROM AVAILABLE FLOW	557	88	185	338	799	2,164	2,422	2,179	2,133	1,971	1,294	400	14,530	LINE 8+11+15+18
DEDUCT SANTA ANA WELLS															
20	SANTA ANA WELL NO. 1 RECORDATION NO. 3600021	0	0	24	0	0	0	0	0	0	0	0	0	24	SEE NOTE 7
21	SANTA ANA WELL NO. 2 RECORDATION NO. 3600022	0	0	28	0	0	0	0	0	0	0	0	0	28	SEE NOTE 7
22	TOTAL PUMPED WATER	0	0	52	0	0	0	0	0	0	0	0	0	52	LINE 20 + 21
23	TOTAL SANTA ANA RIVER STREAM DIVERSION AS VERIFIED	557	88	133	338	799	2,164	2,422	2,179	2,133	1,971	1,294	400	14,478	LINE 19 - 22

NOTES

- U.S.G.S. RECORDS OF SANTA ANA RIVER FLOWS.
- REDLANDS WATER COMPANY REDLANDS TUNNEL IS AN INFILTRATION GALLERY WHICH INTERCEPTS SANTA ANA RIVER UNDERFLOW. DATA FROM BEAR VALLEY MUTUAL WATER COMPANY RECORDS OF OPERATIONS OF COMPANY RECORDS. OUTFLOW SHOWN INCLUDES LINE NO. 14 OF THIS TABLE.
- EAST HIGHLANDS CANAL AND NORTH FORK CANAL DIVERT WATER TO AGRICULTURAL USE AND LIMITED SPREADING. DATA FROM BEAR VALLEY MUTUAL WATER COMPANY RECORDS. BRACERO CAMP, BEAR VALLEY MUTUAL WATER COMPANY'S ZANJERO AND SOUTHERN CALIFORNIA EDISON COMPANY DIVERT WATER FROM REDLANDS TUNNEL UPSTREAM OF THE TUNNEL'S CONFLUENCE WITH REDLANDS CANAL WHICH IS UPSTREAM OF THE REDLANDS CANAL WEIR. DATA FROM BEAR VALLEY MUTUAL WATER COMPANY RECORDS.
- DATA FROM BEAR VALLEY MUTUAL WATER COMPANY RECORDS OF OPERATIONS OF REDLANDS CANAL WEIR AND REDLANDS CANAL.
- DATA FROM BEAR VALLEY MUTUAL WATER COMPANY RECORDS OF OPERATIONS OF BEAR VALLEY HIGHLINE.
- SANTA ANA NO. 1 AND NO. 2 WELLS ARE LOCATED IN UPPER SANTA ANA CANYON AND PUMPED DIRECTLY TO POWER CANALS, DIVERSION OF STREAMFLOW AND WELL EXTRACTIONS ARE COMMINGLED. DATA FROM BEAR VALLEY MUTUAL WATER COMPANY RECORDS.



TABLE NO. 6

SANTA ANA RIVER  
VERIFICATIONS OF EXTRACTIONS  
FOR CALENDAR YEAR 1984

LINE NO.	LOCATION OF MEASUREMENT	JAN	FEB	MAR	APR	MAY	JUN	JUL	AUG	SEP	OCT	NOV	DEC	TOTAL	REMARKS
1	SANTA ANA RIVER NEAR MENTONE STREAMFLOW	2,125	353	287	253	160	72	479	133	909	83	366	1,908	7,128	SEE NOTE 1
2	SANTA ANA RIVER NEAR MENTONE POWER CANALS	4,772	3,949	3,382	2,964	2,547	2,332	2,191	2,148	1,112	2,559	1,780	1,847	31,583	SEE NOTE 1
3	SANTA ANA RIVER NEAR MENTONE COMBINED FLOW	6,897	4,302	3,669	3,217	2,707	2,404	2,670	2,281	2,021	2,642	2,146	3,755	38,711	SEE NOTE 1
4	REDLANDS WATER COMPANY REDLANDS TUNNEL OUTFLOW	131	122	135	133	130	119	125	120	110	98	120	131	1,474	SEE NOTE 2
5	TOTAL FLOW AVAILABLE FOR DIVERSION	7,028	4,424	3,804	3,350	2,837	2,523	2,795	2,401	2,131	2,740	2,266	3,886	40,185	LINE 3 + 4
DIVERSIONS															
EAST HIGHLAND CANAL															
6	EAST HIGHLAND WEIR	4	36	48	128	146	122	121	134	123	145	82	6	1,095	SEE NOTE 3
7	LESS SPREADING	0	0	0	0	0	0	0	0	0	0	0	0	0	SEE NOTE 3
8	NET EAST HIGHLAND CANAL DIVERSIONS	4	36	48	128	146	122	121	134	123	145	82	6	1,095	LINE 6 - 7
NORTH FORK DIVERSION															
9	NORTH FORK WEIR	202	488	548	424	491	497	462	280	444	617	394	233	5,080	SEE NOTE 3
10	LESS SPREADING FROM CANAL AT CITY CR. & SAND CYN.	155	82	61	1	17	12	16	22	21	26	40	28	481	SEE NOTE 3
11	NET NORTH FORK DIVERSION	47	406	487	423	474	485	446	258	423	591	354	205	4,599	LINE 9 - 10
REDLANDS CANAL															
12	BRACERO CAMP, ZANJERO RESIDENCE, & SO. CAL. ED. USES	0	1	0	0	1	0	0	1	0	0	1	0	4	SEE NOTE 4
13	REDLANDS CANAL WEIR AT SANDBOX	400	591	1,063	1,293	1,303	1,281	1,229	1,284	951	1,216	757	560	11,928	SEE NOTE 5
14	LESS SPREADING MENTONE RES. JUDSON ST. & MOUND CITY	184	5	142	133	0	0	0	0	0	0	0	145	609	SEE NOTE 5
15	NET REDLANDS CANAL DIVERSION	216	587	921	1,160	1,304	1,281	1,229	1,285	951	1,216	758	415	11,323	LINE 12 + 13 + 14
BEAR VALLEY HIGHLINE															
16	GREENSPOT WEIR ON HIGHLINE	551	522	537	532	550	473	497	507	324	573	448	514	6,028	SEE NOTE 6
17	LESS SPREADING AT MILL CREEK AND REES PONDS	434	0	39	0	0	0	0	0	0	0	14	283	770	SEE NOTE 6
18	NET BEAR VALLEY HIGHLINE DIVERSION	117	522	498	532	550	473	497	507	324	573	434	231	5,258	LINE 16 - 17
19	TOTAL NET DIVERSION FROM AVAILABLE FLOW	384	1,551	1,954	2,243	2,474	2,361	2,293	2,184	1,821	2,525	1,628	857	22,275	LINE 8 + 11 + 15 + 18
DEDUCT SANTA ANA WELLS															
20	SANTA ANA WELL NO. 1 RECORDATION NO. 3600021	0	0	0	0	46	46	18	84	75	86	33	0	388	SEE NOTE 7
21	SANTA ANA WELL NO. 2 RECORDATION NO. 3600022	0	0	0	0	9	48	19	84	75	85	31	0	351	SEE NOTE 7
22	TOTAL PUMPED WATER	0	0	0	0	55	94	37	168	150	171	64	0	739	LINE 20 + 21
23	TOTAL SANTA ANA RIVER STREAM DIVERSION AS VERIFIED	384	1,551	1,954	2,243	2,419	2,267	2,256	2,016	1,671	2,354	1,564	857	21,536	LINE 19 - 22

NOTES

- U.S.G.S. RECORDS OF SANTA ANA RIVER FLOWS
- REDLANDS WATER COMPANY TUNNEL IS AN INFILTRATION GALLERY WHICH INTERCEPTS SANTA ANA RIVER UNDERFLOW. DATA FROM BEAR VALLEY MUTUAL WATER COMPANY RECORDS. OUR FLOW SHOWN INCLUDES LINE NO. 14. OF THIS TABLE
- EAST HIGHLAND CANAL AND NORTH FORK CANAL DIVERT WATER TO AGRICULTURAL USE AND LIMITED SPREADING. DATA FROM BEAR VALLEY MUTUAL WATER COMPANY RECORDS
- BRACERO CAMP, BEAR VALLEY MUTUAL WATER COMPANY'S ZANJERO AND SOUTHERN CALIFORNIA EDISON COMPANY DIVERT WATER FROM REDLANDS TUNNEL UPSTREAM OF THE TUNNELS CONFLUENCE WITH REDLANDS CANAL WHICH IS UPSTREAM OF THE REDLANDS CANAL WEIR. DATA FROM BEAR VALLEY MUTUAL WATER COMPANY RECORDS.
- DATA FROM BEAR VALLEY MUTUAL WATER COMPANY RECORDS OF OPERATIONS OF REDLANDS CANAL WEIR AND REDLANDS CANAL
- DATA FROM BEAR VALLEY MUTUAL WATER COMPANY RECORDS OF OPERATIONS OF BEAR VALLEY HIGHLINE.
- SANTA ANA NO. 1 AND NO. 2 WELLS ARE LOCATED IN UPPER SANTA ANA CANYON AND PUMPED DIRECTLY TO POWER CANALS, DIVISION OF STREETFLOW AND WELL EXTRACTIONS ARE COMMINGLED. DATA FROM BEAR VALLEY MUTUAL WATER COMPANY RECORDS.

TABLE 6

SANTA ANA RIVER  
VERIFICATIONS OF EXTRACTIONS  
FOR CALENDAR YEAR 1985

LINE NO.	LOCATION OF MEASUREMENT	JAN	FEB	MAR	APR	MAY	JUN	JUL	AUG	SEP	OCT	NOV	DEC	TOTAL	REMARKS
1	SANTA ANA RIVER NEAR MENTONE STREAMFLOW	1,797	331	413	265	68	14	11	6	0	0	544	531	3,960	SEE NOTE 1
2	SANTA ANA RIVER NEAR MENTONE POWER CANALS	1,458	2,497	2,882	3,050	2,294	2,241	1,465	1,430	1,749	3,001	2,342	2,202	26,611	SEE NOTE 1
3	SANTA ANA RIVER NEAR MENTONE COMBINED FLOW	3,255	2,828	3,295	3,295	2,362	2,255	1,476	1,436	1,749	3,001	2,886	2,733	30,571	SEE NOTE 1
4	REDLANDS WATER COMPANY REDLANDS TUNNEL OUTFLOW	127	111	118	109	98	85	86	83	72	65	69	95	1,118	SEE NOTE 2
5	TOTAL FLOW AVAILABLE FOR DIVERSION	3,382	2,939	3,473	3,404	2,460	2,340	1,562	1,519	1,821	3,066	2,955	2,828	31,689	LINE 3 + 4
DIVERSTIONS															
EAST HIGHLAND CANAL															
6	EAST HIGHLAND WEIR	0	15	9	34	107	117	122	142	131	159	94	10	940	SEE NOTE 3
7	LESS SPREADING	0	0	0	0	0	0	0	0	0	0	0	0	0	SEE NOTE 3
8	NET EAST HIGHLAND CANAL DIVERSIONS	0	15	9	34	107	117	122	142	131	159	94	10	940	LINE 6 - 7
NORTH FORK DIVERSION															
9	NORTH FORK WEIR	59	144	303	419	461	420	9	12	151	549	369	54	2,950	SEE NOTE 3
10	LESS SPREADING FROM CANAL AT CITY CR. & SAND CYN.	0	65	67	13	5	0	0	0	0	0	0	0	150	SEE NOTE 3
11	NET NORTH FORK DIVERSION	59	79	236	406	456	420	9	12	151	549	369	54	2,800	LINE 9 - 10
REDLANDS CANAL															
12	ZANJERO RESIDENCE & SO. CAL. EDISON CO. USE	0	0	1	0	0	1	0	0	1	0	0	1	4	SEE NOTE 4
12A	SBVMWD DIVERSIONS AT MORTON CANYON CONNECTION	0	0	737	420	0	0	0	0	0	0	0	0	1,157	SEE NOTE 4
13	REDLANDS CANAL WEIR AT SANDBOX	289	374	824	986	1,127	906	267	206	521	1,134	842	528	8,004	SEE NOTE 5
14	LESS SPREADING MENTONE RES. JUDSON ST. & MOUND CITY	58	154	136	50	0	0	0	0	0	0	0	166	564	SEE NOTE 5
15	NET REDLANDS CANAL DIVERSION	231	220	1,426	1,356	1,127	907	267	206	522	1,134	842	363	8,601	LINE 12 + 12A + 13 + 14
BEAR VALLEY HIGHLIGHT --- SBVMWD GREENSPOT HIGHLIGHT															
16	GREENSPOT WEIR ON HIGHLIGHT	294	445	534	500	603	775	1,014	1,045	970	1,011	459	123	7,773	SEE NOTE 6
17	LESS SPREADING AT MILL CREEK AND REES PONDS	237	267	199	18	0	0	0	0	0	0	60	0	781	SEE NOTE 6
18	NET BEAR VALLEY HIGHLIGHT DIVERSION	57	178	335	482	603	775	1,014	1,045	970	1,011	399	123	6,992	LINE 16 - 17
19	TOTAL NET DIVERSION FROM AVAILABLE FLOW	347	492	2,006	2,278	2,293	2,219	1,412	1,405	1,774	2,853	1,704	550	19,333	LINE 8 + 11 + 15 + 18
DEDUCT SANTA ANA WELLS															
20	SANTA ANA WELL NO. 1 RECORDATION NO. 3600021	0	1	0	0	50	66	12	120	119	57	8	0	433	SEE NOTE 7
21	SANTA ANA WELL NO. 2 RECORDATION NO. 3600022	0	1	0	0	82	63	1	99	78	54	26	35	439	SEE NOTE 7
22	TOTAL PUMPED WATER	0	2	0	0	132	129	13	219	197	111	34	35	872	LINE 20 + 21
23	TOTAL SANTA ANA RIVER STREAM DIVERSION AS VERIFIED	347	490	2,006	2,278	2,161	2,090	1,399	1,186	1,577	2,742	1,670	515	18,461	LINE 19 - 22

NOTES

1. U.S.G.S. RECORDS OF SANTA ANA RIVER FLOWS
2. REDLANDS WATER COMPANY TUNNEL IS AN INFILTRATION GALLERY WHICH INTERCEPTS SANTA ANA RIVER UNDERFLOW. DATA FROM BEAR VALLEY MUTUAL WATER COMPANY RECORDS. FLOW SHOWN INCLUDES LINE NO. 14. OF THIS TABLE.
3. EAST HIGHLAND CANAL AND NORTH FORK CANAL DIVERT WATER TO AGRICULTURAL USE AND LIMITED SPREADING. DATA FROM BEAR VALLEY MUTUAL WATER COMPANY RECORDS
4. BEAR VALLEY MUTUAL WATER COMPANY'S ZANJERO AND SOUTHERN CALIFORNIA EDISON COMPANY DIVERT WATER FROM REDLANDS TUNNEL UPSTREAM OF THE TUNNELS CONFLUENCE WITH REDLANDS CANAL WHICH IS UPSTREAM OF THE REDLANDS CANAL WEIR. DATA FROM BEAR VALLEY MUTUAL WATER COMPANY RECORDS.
5. DATA FROM BEAR VALLEY MUTUAL WATER COMPANY RECORDS OF OPERATIONS OF REDLANDS CANAL WEIR AND REDLANDS CANAL.
6. DATA FROM BEAR VALLEY MUTUAL WATER COMPANY RECORDS OF OPERATIONS OF BEAR VALLEY HIGHLIGHT. SAN BERNARDINO VALLEY MUNICIPAL WATER DISTRICT COMPLETED ITS GREENSPOT HIGHLIGHT PIPELINE IN 1985. DATA FROM SBVMWD AND BVMWC.
7. SANTA ANA NO. 1 AND NO. 2 WELLS ARE LOCATED IN UPPER SANTA ANA CANYON AND PUMPED DIRECTLY TO POWER CANALS. DIVERSION OF STREAFLOW AND WELL EXTRACTIONS ARE COMINGLED. DATA FROM BEAR VALLEY MUTUAL WATER COMPANY RECORDS.

TABLE NO. 6

SANTA ANA RIVER  
VERIFICATIONS OF EXTRACTIONS  
FOR CALENDAR YEAR 1986

LINE NO.	LOCATION OF MEASUREMENT	JAN	FEB	MAR	APR	MAY	JUN	JUL	AUG	SEP	OCT	NOV	DEC	TOTAL	REMARKS
1	SANTA ANA RIVER NEAR MENTONE STREAMFLOW	292	4,855	5,241	479	129	67	9	17	222	3	196	86	11,596	SEE NOTE 1
2	SANTA ANA RIVER NEAR MENTONE POWER CANALS	2,156	2,287	2,929	4,069	3,279	2,793	2,770	2,111	1,930	2,552	2,367	2,254	31,497	SEE NOTE 1
3	SANTA ANA RIVER NEAR MENTONE COMBINED FLOW	2,448	7,142	8,170	4,548	3,408	2,860	2,779	2,128	2,152	2,555	2,563	2,340	43,093	SEE NOTE 1
4	REDLANDS WATER COMPANY REDLANDS TUNNEL OUTFLOW	81	96	121	115	114	117	92	78	76	79	68	85	1,122	SEE NOTE 2
5	TOTAL FLOW AVAILABLE FOR DIVERSION	2,529	7,238	8,291	4,663	3,522	2,977	2,871	2,206	2,228	2,634	2,631	2,425	44,215	LINE 3 + 4
DIVERSIONS															
EAST HIGHLAND CANAL															
6	EAST HIGHLAND WEIR	62	0	0	31	81	145	148	148	122	137	112	91	1,077	SEE NOTE 3
7	LESS SPREADING	0	0	0	0	0	0	0	0	0	0	0	0	0	SEE NOTE 3
8	NET EAST HIGHLAND CANAL DIVERSIONS	62	0	0	31	81	145	148	148	122	137	112	91	1,077	LINE 6 - 7
NORTH FORK DIVERSION															
9	NORTH FORK WEIR	338	24	12	279	496	477	560	396	421	503	420	253	4,179	SEE NOTE 3
10	LESS SPREADING FROM CANAL AT CITY CR. & SAND CYN.	17	0	0	3	0	0	0	0	0	0	1	22	43	SEE NOTE 3
11	NET NORTH FORK DIVERSION	321	24	12	276	496	477	560	396	421	503	419	231	4,136	LINE 9 - 10
REDLANDS CANAL															
12	ZANJERO RESIDENCE & SO. CAL. EDISON CO. USE	0	0	1	0	0	1	0	0	1	0	0	1	4	SEE NOTE 4
12A	SBVMVD DIVERSIONS AT MORTON CANYON CONNECTION	0	0	0	0	0	0	0	0	0	0	0	0	0	SEE NOTE 5
13	REDLANDS CANAL WEIR AT SANDBOX	782	474	371	984	1,447	1,240	1,165	728	744	1,162	1,027	817	10,941	SEE NOTE 5
14	LESS SPREADING MENTONE RES. JUDSON ST. & MOUND CITY	0	0	0	0	0	0	0	0	0	0	0	0	0	SEE NOTE 5
15	NET REDLANDS CANAL DIVERSION	782	474	372	984	1,447	1,241	1,165	728	745	1,162	1,027	818	10,945	LINE 12 + 12A + 13 + 14
BEAR VALLEY HIGHLINE --- SBVMVD GREENSPOT HIGHLINE															
16	GREENSPOT WEIR ON HIGHLINE	672	337	307	1,316	703	705	708	736	594	659	698	569	8,004	SEE NOTE 6
17	LESS SPREADING AT HILL CREEK AND REES PONDS	242	298	285	987	247	0	0	1	0	0	0	298	2,358	SEE NOTE 6
18	NET BEAR VALLEY HIGHLINE DIVERSION	430	39	22	329	456	705	708	735	594	659	698	271	5,646	LINE 16 - 17
19	TOTAL NET DIVERSION FROM AVAILABLE FLOW	1,595	537	406	1,620	2,480	2,568	2,581	2,007	1,882	2,461	2,256	1,411	21,804	LINE 8 + 11 + 15 + 18
DEDUCT SANTA ANA WELLS															
20	SANTA ANA WELL NO. 1 RECORDATION NO. 3600021	3	0	0	0	0	46	85	80	73	65	0	18	370	SEE NOTE 7
21	SANTA ANA WELL NO. 2 RECORDATION NO. 3600022	28	0	0	0	0	47	84	117	89	78	50	31	524	SEE NOTE 7
22	TOTAL PUMPED WATER	31	0	0	0	0	93	169	197	162	143	50	49	894	LINE 20 + 21
23	TOTAL SANTA ANA RIVER STREAM DIVERSION AS VERIFIED	1,564	537	406	1,620	2,480	2,475	2,412	1,810	1,720	2,318	2,206	1,362	20,910	LINE 19 - 22

NOTES

- U.S.G.S. RECORDS OF SANTA ANA RIVER FLOWS
- REDLANDS WATER COMPANY TUNNEL IS AN INFILTRATION GALLERY WHICH INTERCEPTS SANTA ANA RIVER UNDERFLOW. DATA FROM BEAR VALLEY MUTUAL WATER COMPANY RECORDS. FLOW SHOWN INCLUDES LINE NO. 14, OF THIS TABLE.
- EAST HIGHLAND CANAL AND NORTH FORK CANAL DIVERT WATER TO AGRICULTURAL USE AND LIMITED SPREADING. DATA FROM BEAR VALLEY MUTUAL WATER COMPANY RECORDS
- BEAR VALLEY MUTUAL WATER COMPANY'S ZANJERO AND SOUTHERN CALIFORNIA EDISON COMPANY DIVERT WATER FROM REDLANDS TUNNEL UPSTREAM OF THE TUNNEL'S CONFLUENCE WITH REDLANDS CANAL WHICH IS UPSTREAM OF THE REDLANDS CANAL WEIR. DATA FROM BEAR VALLEY MUTUAL WATER COMPANY RECORDS.
- DATA FROM BEAR VALLEY MUTUAL WATER COMPANY RECORDS OF OPERATIONS OF REDLANDS CANAL WEIR AND REDLANDS CANAL
- DATA FROM BEAR VALLEY MUTUAL WATER COMPANY RECORDS OF OPERATIONS OF BEAR VALLEY HIGHLINE. SAN BERNARDINO VALLEY MUNICIPAL WATER DISTRICT COMPLETED ITS GREENSPOT HIGHLINE PIPELINE IN 1985. DATA FROM SBVMVD AND BVMVC.
- SANTA ANA NO. 1 AND NO. 2 WELLS ARE LOCATED IN UPPER SANTA ANA CANYON AND PUMPED DIRECTLY TO POWER CANALS. DIVERSION OF STREAMFLOW AND WELL EXTRACTIONS ARE COMINGLED. DATA FROM BEAR VALLEY MUTUAL WATER COMPANY RECORDS.

TABLE NO. 7

SUMMARY OF REPORTED EXTRACTIONS FROM LYTLE  
CREEK, MILL CREEK, AND SANTA ANA RIVER

TABLE NO. 7

SUMMARY OF REPORTED EXTRACTIIONS FROM  
LYTLE CREEK, MILL CREEK AND  
SANTA ANA RIVER

	1959	1960	1961	1962	1963 AVERAGE	1959-63 AVERAGE	1982	1983	1984	1985	1986 AVERAGE	1982-86 AVERAGE
FILED LYTLE CREEK DIVERSIONS												
FONTANA UNION WATER COMPANY RECORDATION NO. 3600591	8,487	5,833	4,321	8,732	6,145	6,704	3,402	3,753	2,446	2,743	1,798	2,828
MOUNT VERNON WATER COMPANY RECORDATION NO. 3600320	730	730	730	730	730	730	724	724	724	724	724	724
RIALTO, CITY OF RECORDATION NO. 3601718	624	626	625	587	624	617	1,207	1,006	1,219	1,075	1,325	1,166
SAN BERNARDINO, CITY OF RECORDATION NO. 3600739	1,069	994	1,286	1,403	1,279	1,206	1,448	1,448	1,448	1,448	1,448	1,448
WEST SAN BERNARDINO COUNTY WATER DIST RECORDATION NO. 3600312	4,258	2,709	2,424	4,392	4,097	3,576	3,648	3,602	3,696	3,340	3,686	3,594
TOTAL REPORTED DIVERSIONS	15,168	10,892	9,386	15,844	12,875	12,833	10,429	10,533	9,533	9,330	8,981	9,760
FILED AND NON-FILED MILL CREEK DIVERSIONS												
REDLANDS, CITY OF RECORDATION NO. 3601302							14,326	19,363	4,617	12,932	11,636	12,575
NON-FILED 152W13B							0	0	0	0	0	0
TOTAL REPORTED DIVERSIONS							14,326	19,363	4,617	12,932	11,636	12,575
FILED AND NON-FILED SANTA ANA RIVER DIVERSIONS												
BEAR VALLEY MUTUAL WATER COMPANY RECORDATION NO. 3600028							18,600	19,209	23,392	19,837	23,160	20,840
REDLANDS WATER COMPANY NON-FILED 152W8							1,220	1,020	1,394	1,118	1,122	1,175
TOTAL REPORTED DIVERSIONS							19,820	20,229	24,786	20,955	24,282	22,015

NOTES

1. PRIOR TO 1974 VERIFICATION, THE VERIFIED NET DIVERSIONS FROM MILL CREEK WERE SHOWN ON TABLES 1 AND 2 FOR FILERS AND NON-FILERS RESPECTIVELY. SEE TABLE 5 1974 TO DATE.
2. PRIOR TO 1974 VERIFICATION, THE VERIFIED NET DIVERSIONS FROM SANTA ANA RIVER WERE SHOWN ON TABLES 1 AND 2 FOR FILERS AND NON-FILERS RESPECTIVELY. SEE TABLE 6 1974 TO DATE.
3. PRIOR TO 1974 VERIFICATION, THE VERIFIED PRODUCTION OF REDLANDS WATER COMPANY'S REDLANDS TUNNEL WAS SHOWN IN TABLE 2. SEE TABLE 6 1974 TO DATE.

TABLE NO. 8

SUMMARY OF PRODUCTION FROM SAN BERNARDINO  
BASIN AREA AND CORRECTION FOR VERIFIED  
DIVERSIONS OF MAJOR STREAMFLOWS

TABLE NO. 8

SUMMARY OF PRODUCTION FROM  
SAN BERNARDINO BASIN AREA AND  
CORRECTION FOR VERIFIED DIVERSIONS  
OF MAJOR STREAMFLOWS

	1959	1960	1961	1962	1963	1959-63 AVERAGE	1982	1983	1984	1985	1986	1982-86 AVERAGE
BASIN TOTAL PRODUCTION <sup>1</sup> FILED AND NON-FILED	191,189	174,999	182,060	175,939	158,609	176,559	152,678	148,670	172,078	180,889	176,447	166,152
TOTAL RECORDED STREAMFLOW DIVERSIONS												
LYTLE CREEK <sup>2</sup>	15,168	10,892	9,386	15,844	12,875	12,833	10,429	10,533	9,533	9,330	8,981	9,761
MILL CREEK <sup>2</sup>	--	--	--	--	--	--	14,326	19,363	4,617	12,932	11,636	12,575
SANTA ANA RIVER <sup>2</sup>	--	--	--	--	--	--	19,820	20,229	24,786	20,955	24,282	22,014
BASIN TOTAL PRODUCTION LESS MAJOR STREAM DIVERSIONS	176,021	164,107	172,674	160,095	145,734	163,726	108,103	98,545	133,142	137,672	131,548	121,802
VERIFIED STREAMFLOW DIVERSIONS												
LYTLE CREEK <sup>3</sup>	11,499	6,708	4,428	11,755	7,861	8,450	16,568	20,080	14,533	12,678	19,460	16,664
MILL CREEK <sup>4</sup>	--	--	--	--	--	--	12,003	13,565	11,765	9,268	13,162	11,953
SANTA ANA RIVER <sup>5</sup>	--	--	--	--	--	--	16,535	14,478	21,536	18,461	20,910	18,384
BASIN TOTAL VERIFIED PRODUCTION FROM SAN BERNARDINO BASIN AREA	187,520	170,815	177,102	171,850	153,595	172,176	153,209	146,668	180,976	178,079	185,080	168,802
TOTAL VERIFIED PRODUCTION FROM SAN BERNARDINO BASIN AREA EXCLUDING MINOR PRODUCTION	186,546	170,058	176,439	171,015	152,651	171,342	153,040	146,434	180,808	177,919	184,894	168,619

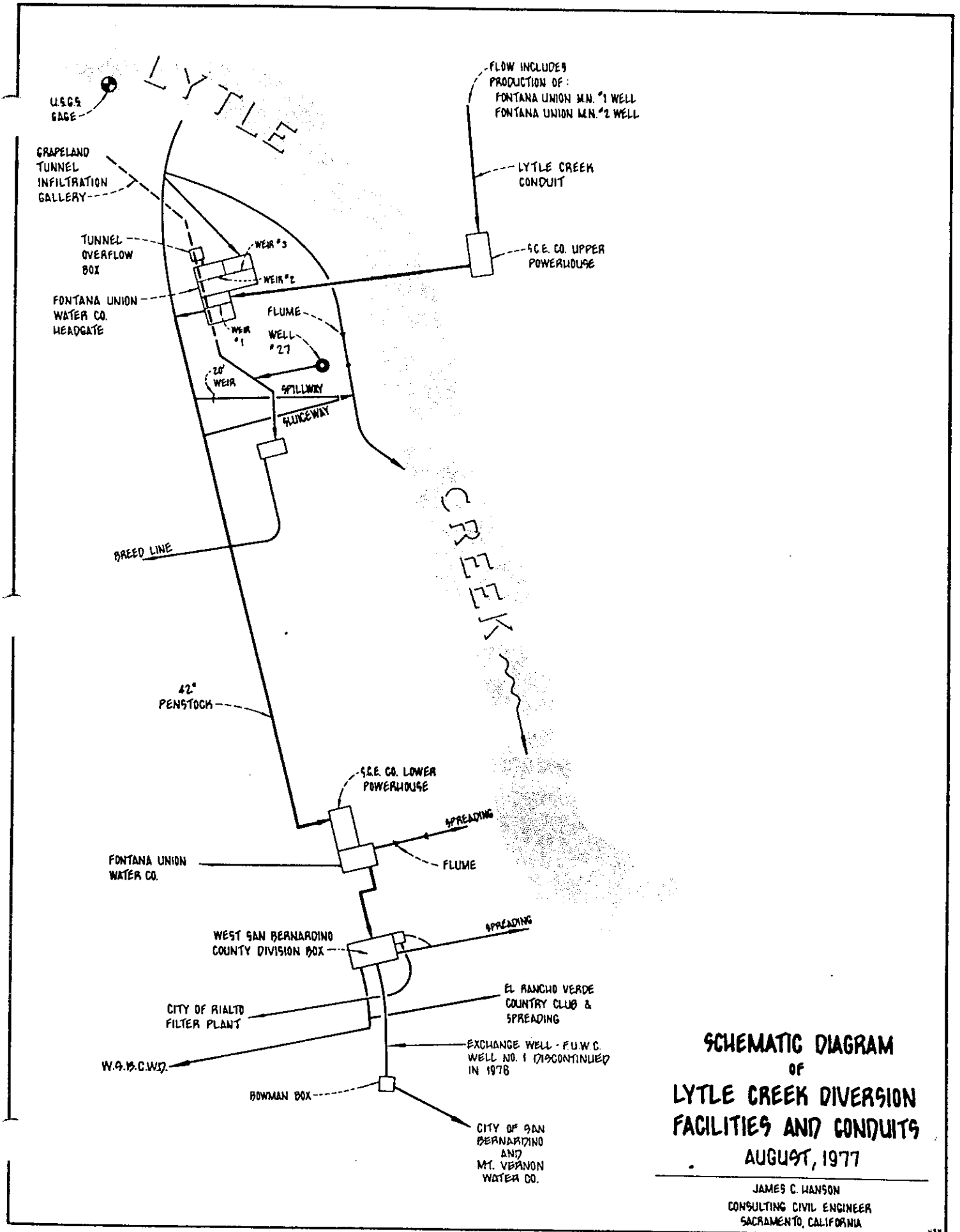
NOTES

1. TOTAL FILED AND NON-FILED PRODUCTION BY NON-PLAINTIFFS FROM SAN BERNARDINO BASIN AREA FROM TABLE NO. 3.
  2. FROM TABLE NO. 7 SUMMARY OF REPORTED EXTRACTIONS FROM LYTLE CREEK, MILL CREEK AND SANTA ANA RIVER.
  3. FROM TABLE NO. 4 LYTLE CREEK VERIFICATIONS OF EXTRACTIONS.
  4. FROM TABLE NO. 5 MILL CREEK VERIFICATIONS OF EXTRACTIONS.
  5. FROM TABLE NO. 6 SANTA ANA RIVER VERIFICATIONS OF EXTRACTIONS (INCLUDES REDLANDS WATER COMPANY'S, REDLANDS TUNNEL)
- NOTES
6. EXCLUDES THOSE EXTRACTIONS FOR WHICH THE 1959-63 AVERAGE WAS LESS THAN 25 ACRE-FEET.
  7. TOTAL BASIN PRODUCTION FROM SAN BERNARDINO BASIN AREA. SEE TABLE NO. 3 "TOTAL PRODUCTION FROM SAN BERNARDINO BASIN AREA"
  8. EXCLUDES THOSE EXTRACTIONS FOR WHICH THE ANNUAL OWNER TOTAL PRODUCTION WAS LESS THAN 25 ACRE-FEET. SEE TABLE NO. 3 "TOTAL PRODUCTION FROM SAN BERNARDINO BASIN EXCLUDING THOSE AMOUNTS FOR WHICH THE OWNER TOTAL PRODUCTION WAS LESS THAN 25 ACRE-FEET" THE AMOUNT IS ADJUSTED AS SHOWN ABOVE FOR VERIFIED STREAM DIVERSIONS.

PLATE NO. 1

SCHEMATIC DIAGRAM OF LYTLE CREEK DIVERSION  
FACILITIES AND CONDUITS



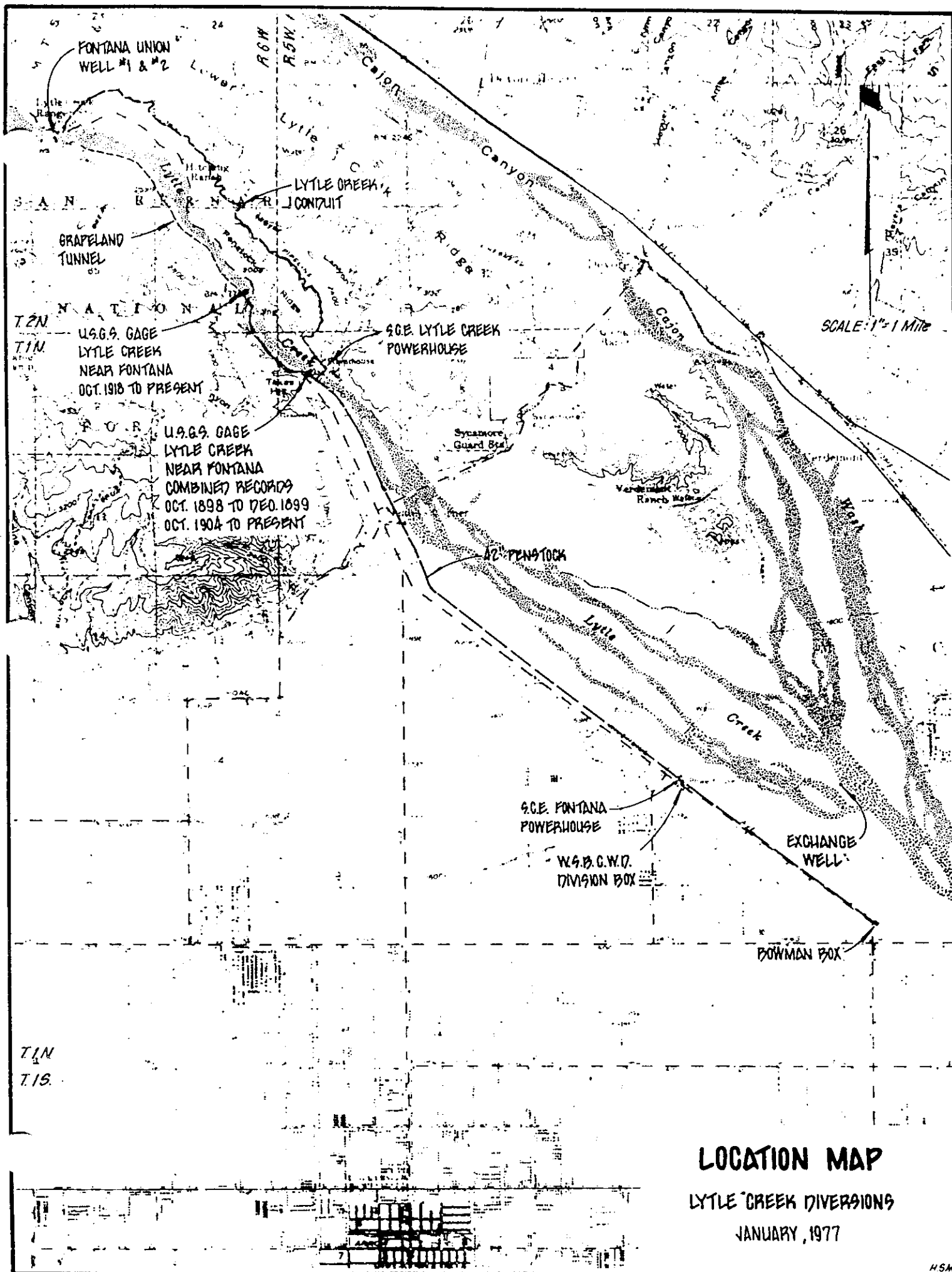


**SCHEMATIC DIAGRAM  
OF  
LYTLE CREEK DIVERSION  
FACILITIES AND CONDUITS  
AUGUST, 1977**

JAMES C. HANSON  
CONSULTING CIVIL ENGINEER  
SACRAMENTO, CALIFORNIA

PLATE NO. 1A

LOCATION MAP, LYTLE CREEK DIVERSIONS



**LOCATION MAP**

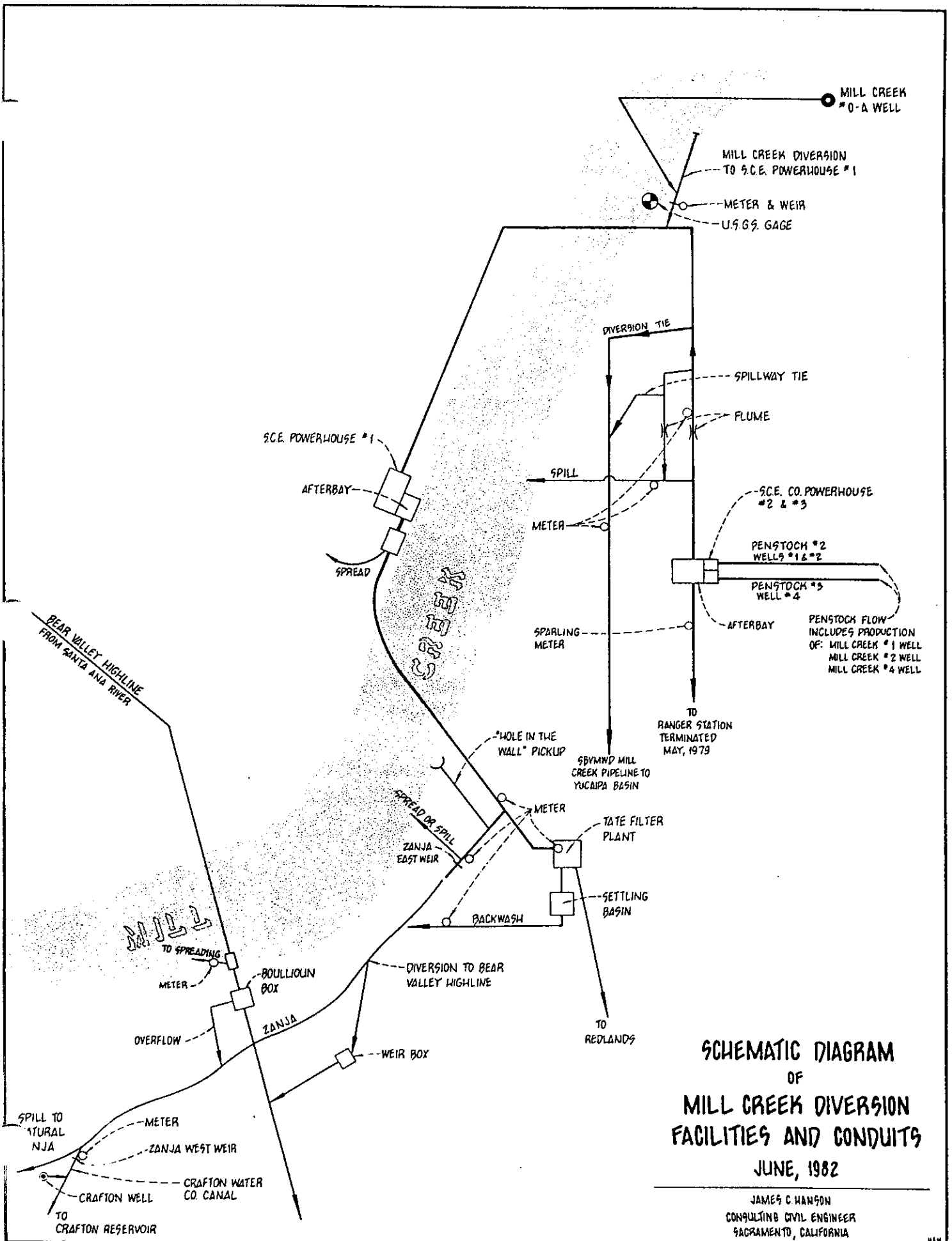
LYTLE CREEK DIVERSIONS

JANUARY, 1977

HSM

PLATE NO. 2

SCHEMATIC DIAGRAM OF MILL CREEK DIVERSION  
FACILITIES AND CONDUITS

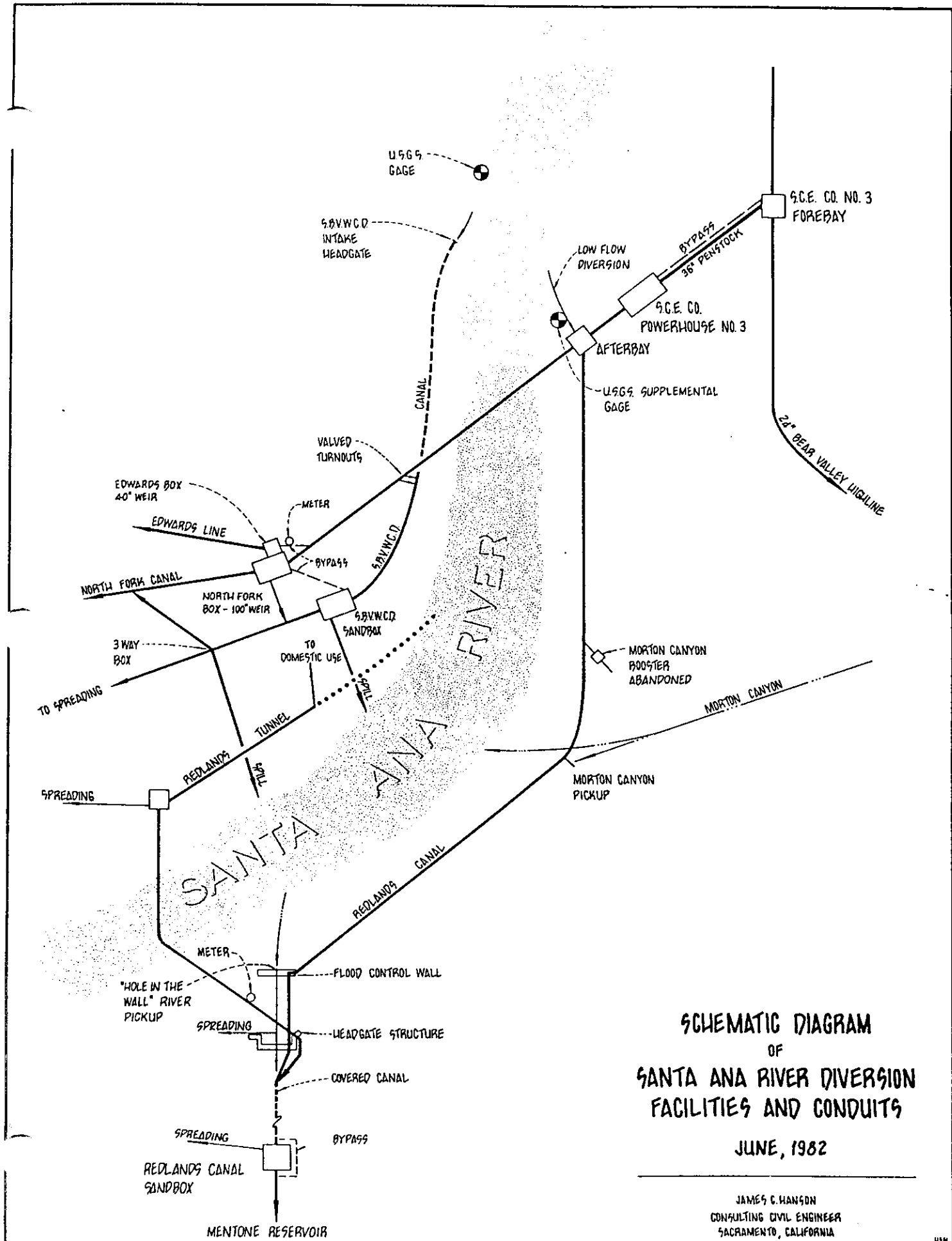


**SCHEMATIC DIAGRAM  
OF  
MILL CREEK DIVERSION  
FACILITIES AND CONDUITS  
JUNE, 1982**

JAMES C HANSON  
CONSULTING CIVIL ENGINEER  
SACRAMENTO, CALIFORNIA

PLATE NO. 3

SCHEMATIC DIAGRAM OF SANTA ANA RIVER  
DIVERSION FACILITIES AND CONDUITS



**SCHEMATIC DIAGRAM  
OF  
SANTA ANA RIVER DIVERSION  
FACILITIES AND CONDUITS**

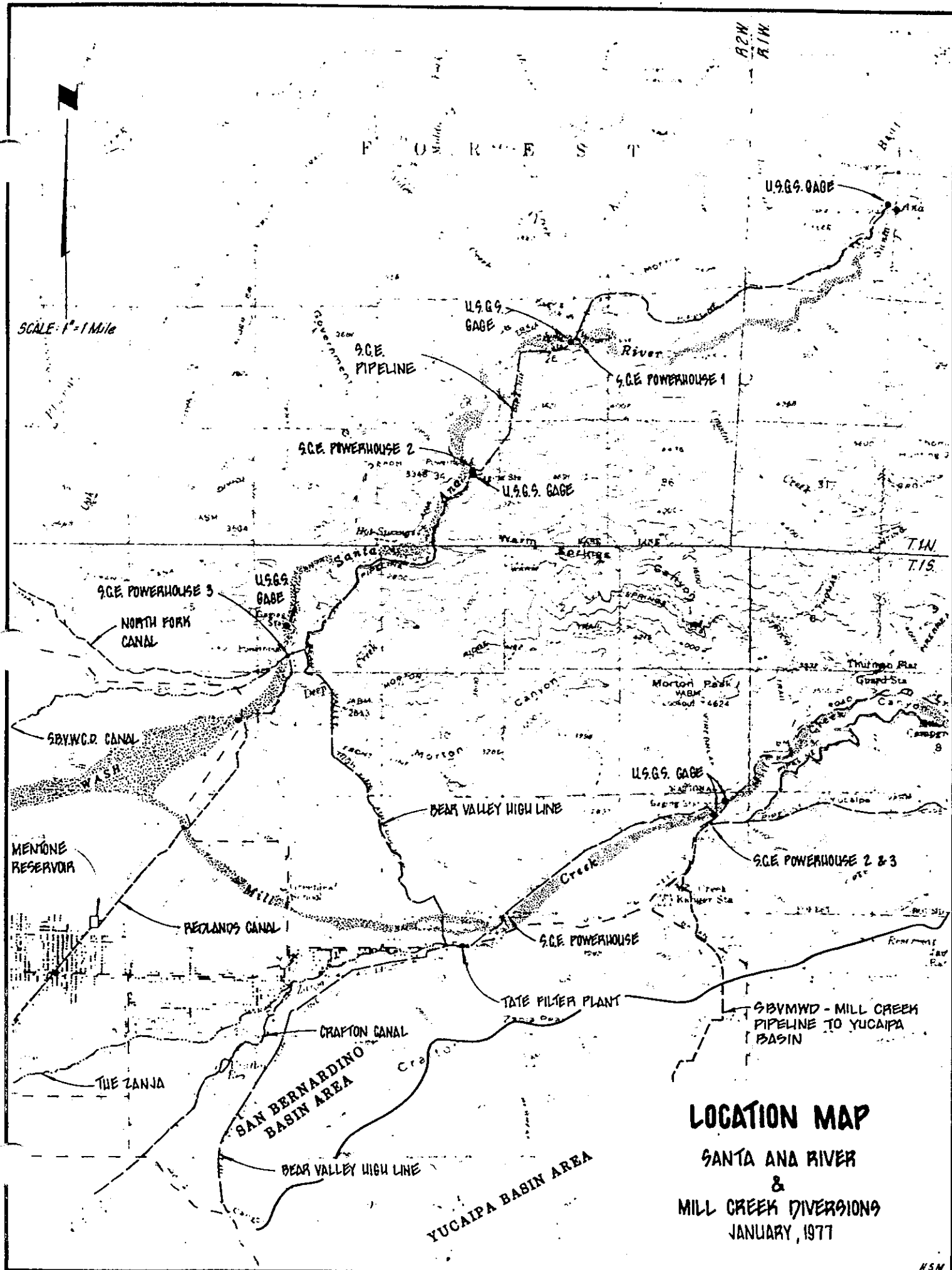
**JUNE, 1982**

JAMES C. HANSON  
CONSULTING CIVIL ENGINEER  
SACRAMENTO, CALIFORNIA

PLATE NO. 3A

LOCATION MAP, SANTA ANA RIVER AND MILL CREEK DIVERSIONS





**LOCATION MAP**  
 SANTA ANA RIVER  
 &  
 MILL CREEK DIVERSIONS  
 JANUARY, 1977

# VOLUME 1A - 1986

**REPORT OF WATERMASTER**

**Western Municipal Water District of Riverside County, et al**  
**Plaintiffs**

**vs.**

**East San Bernardino County Water District, et al**  
**Defendants**

**Superior Court of Riverside County**  
**Case No. 78426**

**VOLUME 1A – 1986**

**VERIFIED EXTRACTIONS FROM THE**  
**SAN BERNARDINO BASIN AREA**  
**FOR**  
**CALENDAR YEARS 1959–1963 & 1982–1986**

**By Plaintiffs – City of Riverside, The Gage Canal Co.,**  
**Meeks & Daley Water Co., Agua Mansa Water Co.,**  
**Riverside Highland Water Co.,**  
**and Regents of University of California**

**ANNUAL ACCOUNTING**  
**FOR INDIVIDUAL WELLS**

**AUGUST 1, 1988**

**WATERMASTER**  
*Donald L. Harriger*  
*Robert L. Reiter*

REPORT OF WATERMASTER

Western Municipal Water District of Riverside County, et al  
Plaintiffs

vs.

East San Bernardino County Water District, et al  
Defendants

Superior Court of Riverside County

Case No. 78426

VOLUME 1A-1988

VERIFIED EXTRACTIONS FROM

SAN BERNARDINO BASIN AREA

FOR

CALENDAR YEARS 1959-1963 and 1982-1986

By Plaintiffs - City of Riverside, The Gage Canal Co.,  
Meeks & Daley Water Co., Agua Mansa Water Company,  
Riverside Highland Water Co.,  
and Regents of University of California

ANNUAL ACCOUNTING  
FOR INDIVIDUAL WELLS

AUGUST 1, 1988

WATERMASTER

Donald L. Harriger  
Robert L. Reiter

VOLUME 1A-1986

TABLE OF CONTENTS

	<u>Page</u>
<u>CHAPTER I</u>	
PLAINTIFFS EXTRACTIONS FROM THE SAN BERNARDINO BASIN AREA FOR CALENDAR YEARS 1959-1963 AND 1982-1986 . . . . .	i
<u>CHAPTER II</u>	
PLAINTIFFS EXTRACTIONS FROM THE SAN BERNARDINO BASIN AREA FOR CALENDAR YEARS 1959 THROUGH 1963 AND 1982 THROUGH 1986 AND DISTRIBUTION BY SERVICE AREA . . . . .	iii
SAN BERNARDINO BASIN AREA, CROSS INDEX BY OWNER-PLAINTIFFS . . . . .	1
SAN BERNARDINO BASIN AREA, CROSS INDEX BY RECORDATION NUMBER-PLAINTIFFS . . . . .	3
SAN BERNARDINO BASIN AREA, CROSS INDEX BY STATE WELL NUMBER-PLAINTIFFS . . . . .	5
<u>TABLE NO. 1</u>	
EXTRACTIONS BY OWNERS (PLAINTIFFS) FROM THE SAN BERNARDINO BASIN AREA . . . . .	7
<u>TABLE NO. 2</u>	
SUMMARY OF EXTRACTIONS BY ALL PLAINTIFFS FROM THE SAN BERNARDINO BASIN AREA . . . . .	10
<u>TABLE NO. 3</u>	
EXTRACTIONS BY PLAINTIFFS FROM THE SAN BERNARDINO BASIN AREA FOR AVERAGE OF FIVE-YEAR PERIOD ENDING WITH 1963 AND CALENDAR YEARS 1976 THROUGH CURRENT YEAR CLASSIFIED ACCORDING TO SERVICE AREA . . . . .	11
<u>TABLE NO. 4</u>	
TOTAL EXTRACTIONS BY PLAINTIFFS FROM SAN BERNARDINO BASIN AREA . . . . .	14
<u>TABLE NO. 5</u>	
EXTRACTIONS BY PLAINTIFFS FROM THE SAN BERNARDINO BASIN AREA FOR DELIVERIES IN SAN BERNARDINO BASIN AREA . . . . .	15

TABLE NO. 6

EXTRACTIONS BY PLAINTIFFS FROM THE SAN BERNARDINO  
BASIN AREA FOR DELIVERIES IN COLTON AND RIVERSIDE  
BASINS IN SAN BERNARDINO COUNTY . . . . . 16

TABLE NO. 7

EXTRACTIONS BY PLAINTIFFS FROM THE SAN BERNARDINO  
BASIN AREA FOR DELIVERIES OUTSIDE SAN BERNARDINO VALLEY . . . . . 17

VOLUME 1A-1986

CHAPTER I

PLAINTIFFS EXTRACTIONS FROM THE  
SAN BERNARDINO BASIN AREA FOR  
CALENDAR YEARS 1959-1963 AND 1982-1986

The provisions of Paragraph IV (B,3) of the Judgment in Case No. 78426 entered April 17, 1969, entitled "San Bernardino Basin Area Rights and Replenishment (Annual Adjusted Rights of Plaintiffs)" provides as follows:

VI(b,3) "In any five-year period, each Plaintiff shall have the right to extract from the San Bernardino Basin Area for use in each service area designated in Table B-1 an amount of water equal to five times its adjusted right for such service area; provided, however, that extractions by each Plaintiff in any year in any service area shall not exceed such Plaintiff's adjusted right for that service area by more than 30 percent."

Compliance with this provision of the Judgment requires that an accounting of the total actual extractions of surface and groundwater by the Plaintiffs-City of Riverside, The Gage Canal Co., Meeks & Daley Water Co., Agua Mansa Water Co., Riverside Highland Water Co., and the Regents of the University of California-from the San Bernardino Basin Area be made annually. Included in this Volume 1A-1986 is the verified accounting of such extractions by the Plaintiffs for the calendar years 1982 through 1986. The extractions for the five-year base period ending with 1963 are also included for comparison.

Three indexes are included which provide a cross index by owner's name, State Water Resources Control Board Well Recordation Number, and State Well Number. Each index shows, in addition, the local designation of each well, if the State has closed the file, which year that occurred and the last 5 years verified extraction.

The individual wells of each owner are listed in Table No. 1, showing the extractions from each well for each year in the five-year base period ending in

1963, the base period average, and the extractions for the years 1982 through 1986 and the 1982-86 annual average.

Table No. 2 on page 21 summarizes, by owner, the total annual extractions for the base period and base period average, together with the annual extractions for the years 1982 through 1986. The total annual extractions for 1986 are 70,341 acre feet.



CHAPTER II

PLAINTIFFS EXTRACTIONS FROM THE SAN BERNARDINO  
BASIN AREA FOR CALENDAR YEARS 1959 THROUGH  
1963 AND 1982 THROUGH 1986 AND DISTRIBUTION  
BY SERVICE AREA

Paragraph XVI of the Judgment states:

"The provisions of Paragraph 3 and 5 through 12 of this Judgment shall be in effect from and after January 1, 1971; and remaining provisions are in effect immediately."

Thus the annual accounting provisions which relate to extractions from the San Bernardino Basin Area by Plaintiffs were not effective until January 1, 1971.

Table No. 1 of Chapter I shows the extractions from individual wells owned by each Plaintiff for the five calendar year period ending with 1963, the annual average for said five-year period, and the extractions for the calendar years 1982 through 1986 and the annual average for that period. Table No. 2 described in Chapter I summarizes the total annual extractions for each Plaintiff during the five-year period 1959 through 1963, the annual average for the five-year period, and the 1982 through 1986 extractions and the annual average.

Table No. 3 shows total annual extractions and its distribution.

To facilitate the comparison of the total annual extractions as well as the portions thereof delivered within the San Bernardino Basin Area, the Colton Basin and Riverside Basin within San Bernardino County, and to areas outside San Bernardino Valley, four additional tables have been prepared which summarize the total annual extractions from the San Bernardino Basin Area for the period 1959 through 1963 and 1971 through the current year for each Plaintiff, as well as the portions thereof delivered to various service areas described above.

Table No. 4 lists the Total Extractions from the San Bernardino Basin Area for each Plaintiff annually for the period 1959 through 1963 and the five-year average and calendar years 1971 through the current year.

Similar listings were made for the same period which show the deliveries within the San Bernardino Basin Area, the deliveries to Colton and Riverside Basins within San Bernardino County, and the deliveries to areas outside San Bernardino Valley. These listings are shown on Tables No. 5, 6 and 7 respectively.

SAN BERNARDINO BASIN AREA

CROSS INDEX BY OWNER

PLAINTIFFS

VERIFIED WELL MASTER FILE LISTING FOR BASIN SAN BERNARDINO BY OWNER NAME

WM:VXR

RUN DATE: 18 JUL 1988

OWNER.....	T P	RECORDTN NUMBER	STATE NUMBER	WELL DESIGNATION	LOCAL	YEAR CLSD	---CALENDAR YEAR EXTRACTIIONS---				
							1982	1983	1984	1985	1986
MEEKS & DALEY WATER CO	W	3600000	1S4W16R04S	STATION 69		1981	0	0	0	0	0
MEEKS & DALEY WATER CO	W	3601511	1S4W15M02S	E STREET		1974	0	0	0	0	0
MEEKS & DALEY WATER CO	W	3601512	1S4W15N05S	51		1967	0	0	0	0	0
MEEKS & DALEY WATER CO	W	3601513	1S4W16R03S	54		1974	0	0	0	0	0
MEEKS & DALEY WATER CO	D	3601514	1S4W16Q	WARM CRK		1974	0	0	0	0	0
MEEKS & DALEY WATER CO	D	3601515	1S4W16Q	WORKMAN		1974	0	0	0	0	0
MEEKS & DALEY WATER CO	W	3601737	1S4W16J09S	COBURN			127	0	249	165	274
MEEKS & DALEY WATER CO	W	3601887	1S4W15L03S	59			1845	2583	2947	2815	1990
MEEKS & DALEY WATER CO	W	3602169	1S4W15M10S	NEW E ST			1744	68	1969	2405	2600
MEEKS & DALEY WATER CO	W	3602329	1S4W15E	STA 66		1974	0	0	0	0	0
MEEKS & DALEY WATER CO	W	3602863	1S4W22H01S	WARREN #4						0	38
MEEKS & DALEY WATER CO	W	3602864	1S4W14N10S	RAUB 6						0	668
RIVERSIDE CITY OF	W	3601218	1S4W14P02S	RAUB 1		1977	0	0	0	0	0
RIVERSIDE CITY OF	W	3601219	1S4W23C02S	RAUB 2			495	222	3	96	0
RIVERSIDE CITY OF	W	3601220	1S4W02P04S	COOLEY E		1977	0	0	0	0	0
RIVERSIDE CITY OF	W	3601224	1S4W02P03S	COOLEY C		1977	0	0	0	0	0
RIVERSIDE CITY OF	W	3601225	1S4W02P02S	COOLEY D		1977	0	0	0	0	0
RIVERSIDE CITY OF	W	3601226	1S4W02L02S	COOLEY F		1977	0	0	0	0	0
RIVERSIDE CITY OF	W	3601227	1S4W02N02S	COOLEY G		1977	0	0	0	0	0
RIVERSIDE CITY OF	W	3601228	1S4W11D02S	COOLEY H			643	1138	907	1489	1160
RIVERSIDE CITY OF	W	3601229	1S4W11D03S	COOLEY I			2017	3242	3221	3680	2264
RIVERSIDE CITY OF	W	3601230	1S4W22H03S	WARREN 3			137	2	0	276	72
RIVERSIDE CITY OF	W	3601231	1S4W22H01S	WARREN 2			299	517	1111	1185	725
RIVERSIDE CITY OF	W	3601232	1S4W11D04S	COOLEY A		1977	0	0	0	0	0
RIVERSIDE CITY OF	W	3601233	1S4W27A13S	STEWRT 21		1977	0	0	0	0	0
RIVERSIDE CITY OF	W	3601234	1S4W27A19S	STEWRT 19		1977	0	0	0	0	0
RIVERSIDE CITY OF	W	3601237	1S4W22B02S	BYRNE 1		1977	0	0	0	0	0
RIVERSIDE CITY OF	W	3601238	1S4W23C03S	RAUB 4			1306	1649	1775	2201	1425
RIVERSIDE CITY OF	W	3601239	1S4W14P06S	RAUB 3			562	221	43	236	460
RIVERSIDE CITY OF	W	3601240	1S4W22H04S	WARREN 1			485	1014	490	467	749
RIVERSIDE CITY OF	W	3601241	1S4W27A07S	HUNT 8		1977	0	0	0	0	0
RIVERSIDE CITY OF	W	3601242	1S4W27A08S	HUNT 9		1977	0	0	0	0	0
RIVERSIDE CITY OF	W	3601243	1S4W22H02S	WARREN 4			1772	1559	2592	2844	2526
RIVERSIDE CITY OF	W	3601431	1S4W27H01S	STEWRT 20			1	1	1	1	3
RIVERSIDE CITY OF	W	3601432	1S4W11D01S	COOLEY B		1977	0	0	0	0	0
RIVERSIDE CITY OF	W	3601457	1S4W01B03S	MCCRARY 1		1977	0	0	0	0	0
RIVERSIDE CITY OF	W	3601458	1S4W01B02S	MCCRARY 2		1977	0	0	0	0	0
RIVERSIDE CITY OF	W	3601459	1S4W01B	MCCRARY 3		1977	0	0	0	0	0
RIVERSIDE CITY OF	W	3601460	1S4W01B	MCCRARY 4		1977	0	0	0	0	0
RIVERSIDE CITY OF	W	3601461	1S4W01B	MCCRARY 5		1977	0	0	0	0	0
RIVERSIDE CITY OF	W	3601462	1S4W01E01S	POOLE			0	0	0	0	0
RIVERSIDE CITY OF	W	3601463	1S4W02A03S	STILES			1517	1779	1848	2105	1899
RIVERSIDE CITY OF	W	3601464	1S4W02P06S	GARNER 1			742	376	1026	595	808
RIVERSIDE CITY OF	W	3601465	1S4W02Q03S	GARNER 2			507	196	54	419	341
RIVERSIDE CITY OF	W	3601466	1S4W02Q07S	GARNER 3		1977	0	0	0	0	0
RIVERSIDE CITY OF	W	3601467	1S4W02Q06S	GARNER 4			894	74	185	895	668
RIVERSIDE CITY OF	W	3601468	1S4W02P01S	GARNER 5			1565	1602	1639	1292	1942
RIVERSIDE CITY OF	W	3601469	1S4W22A01S	PAINEHOT		1977	0	0	0	0	0
RIVERSIDE CITY OF	W	3601470	1S4W22G15S	THORN 2		1974	0	0	0	0	0
RIVERSIDE CITY OF	W	3601470-	1S4W22B07S	THORN 12			708	1345	0	515	1552

VERIFIED WELL MASTER FILE LISTING FOR BASIN SAN BERNARDINO BY OWNER NAME

WM:VXR

RUN DATE: 21 MAR 1988

OWNER.....	T P	RECORDTN NUMBER	STATE NUMBER	WELL DESIGNATION	LOCAL DESIGNATION	YEAR CLSD	---CALENDAR YEAR EXTRACTIIONS---				
							1982	1983	1984	1985	1986
RIVERSIDE CITY OF	W	3601471	1S4W22G14S	THORN 3			266	0	0	1103	12
RIVERSIDE CITY OF	W	3601472	1S4W22G11S	THORN 4		1977	0	0	0	0	0
RIVERSIDE CITY OF	W	3601473	1S4W22G16S	THORN 5			16	0	0	525	6
RIVERSIDE CITY OF	W	3601474	1S4W22G18S	THORN 6			2	0	0	311	2
RIVERSIDE CITY OF	W	3601475	1S4W22G17S	THORN 7			7	0	0	322	2
RIVERSIDE CITY OF	W	3601476	1S4W22G19S	THORN 8			0	0	0	0	0
RIVERSIDE CITY OF	W	3601477	1S4W22B01S	THORN 9		1977	0	0	0	0	0
RIVERSIDE CITY OF	W	3601478	1S4W22B03S	THORN 10			146	144	0	0	0
RIVERSIDE CITY OF	W	3601479	1S4W22B05S	THORN 11			0	0	0	0	0
RIVERSIDE CITY OF	W	3601489	1S4W02L01S	SCHEUER			183	37	159	436	655
RIVERSIDE CITY OF	W	3602484	1S4W14N09S	RAUB NO 5			2249	3359	3747	3351	4223
RIVERSIDE CITY OF	W	3602771	1S4W27A11S	HUNT 6			77	568	224	866	661
RIVERSIDE CITY OF	W	3602772	1S4W27A09S	HUNT 10			25	1547	1307	1170	726
RIVERSIDE CITY OF	W	3602773	1S4W27A10S	HUNT 11			86	850	537	782	477
RIVERSIDE CITY OF	W	3602778	1S4W14N10S	RAUB 6			2815	4239	4162	4655	2638
RIVERSIDE CITY OF-GAGE CANAL	W	3600784	1S4W13L01S	6		1969	0	0	0	0	0
RIVERSIDE CITY OF-GAGE CANAL	W	3600785	1S4W14R	17		1966	0	0	0	0	0
RIVERSIDE CITY OF-GAGE CANAL	W	3600786	1S4W13L02S	GAGE 21			1341	621	742	985	1213
RIVERSIDE CITY OF-GAGE CANAL	W	3600787	1S4W23A02S	26-1			1576	1147	2208	2021	1645
RIVERSIDE CITY OF-GAGE CANAL	W	3600788	1S4W23H01S	27-1			1606	1417	2544	2013	1940
RIVERSIDE CITY OF-GAGE CANAL	W	3600789	1S4W23K01S	27-2			1347	872	2127	2332	1866
RIVERSIDE CITY OF-GAGE CANAL	W	3600790	1S4W23K02S	29-1			1356	1017	2265	2003	1962
RIVERSIDE CITY OF-GAGE CANAL	W	3600791	1S4W13N01S	29-2			3517	2621	3630	3498	4582
RIVERSIDE CITY OF-GAGE CANAL	W	3600792	1S4W13N02S	29-3			3263	2384	4044	3152	3396
RIVERSIDE CITY OF-GAGE CANAL	W	3600793	1S4W13M02S	30-1			1430	588	970	1118	1233
RIVERSIDE CITY OF-GAGE CANAL	W	3600794	1S4W13F02S	31-1			1244	1035	1444	2192	2119
RIVERSIDE CITY OF-GAGE CANAL	W	3600795	1S4W13G02S	46-1			4782	3250	5407	5050	5071
RIVERSIDE CITY OF-GAGE CANAL	W	3600796	1S4W23A05S	51-1			1245	372	1138	969	1434
RIVERSIDE CITY OF-GAGE CANAL	W	3600797	1S4W13G03S	56-1			3896	2385	3525	2251	3751
RIVERSIDE CITY OF-GAGE CANAL	W	3600798	1S4W23G01S	COWLANE		1966	0	0	0	0	0
RIVERSIDE CITY OF-GAGE CANAL	W	3602331	1S4W23G	66-1			3425	2630	3759	3607	3714
RIVERSIDE CITY OF-GAGE CANAL	W	3602423	1S4W13P	6			49	44	72	65	57
RIVERSIDE HIGHLAND WATER COMPANY	W	3601522	1S4W22M07S	1		1985	0	0	0	0	0
RIVERSIDE HIGHLAND WATER COMPANY	W	3601523	1S4W22L	2			392	578	1293	809	1058
RIVERSIDE HIGHLAND WATER COMPANY	W	3601527	1S4W22P	8		1962	0	0	0	0	0
RIVERSIDE HIGHLAND WATER COMPANY	W	3601528	1S4W22N	10		1962	0	0	0	0	0
RIVERSIDE HIGHLAND WATER COMPANY	W	3601529	1S4W22P	11		1962	0	0	0	0	0
RIVERSIDE HIGHLAND WATER COMPANY	W	3601530	1S4W22L08S	12			439	255	85	122	1
RIVERSIDE HIGHLAND WATER COMPANY	W	3601533	1S4W22L05S	18			227	81	1081	501	1547
RIVERSIDE HIGHLAND WATER COMPANY	W	3601535	1N4W31E01S	L C 1			1538	2248	0	0	199
RIVERSIDE HIGHLAND WATER COMPANY	W	3601536	1N4W31E02S	LC 2		1962	0	0	0	0	0
RIVERSIDE HIGHLAND WATER COMPANY	W	3601537	1S4W22N	FLOWING		1963	0	0	0	0	0
RIVERSIDE HIGHLAND WATER COMPANY	W	3602254	1S4W22P05S	24		1985	199	0	0	0	0
RIVERSIDE HIGHLAND WATER COMPANY	W	3602840	1N4W31F01S	LC #8					2300	1880	1939
UNIVERSITY OF CALIFORNIA REGENTS OF	W	3601222	1S4W27A11S	HUNT 6			20	0	0	0	13
UNIVERSITY OF CALIFORNIA REGENTS OF	W	3601244	1S4W27A09S	HUNT 10			6	0	0	0	25
UNIVERSITY OF CALIFORNIA REGENTS OF	W	3601245	1S4W27A10S	HUNT 11			22	0	0	0	10
UNIVERSITY OF CALIFORNIA REGENTS OF	W	3691241	1S4W27A07S	HUNT 8		1976	0	0	0	0	0
UNIVERSITY OF CALIFORNIA REGENTS OF	W	3691242	1S4W27A08S	HUNT 9		1976	0	0	0	0	0
END OF SAN BERNARDINO BASIN							56158	51877	68830	71770	70341

SAN BERNARDINO BASIN AREA

CROSS INDEX BY RECORDATION NUMBER

PLAINTIFFS

VERIFIED WELL MASTER FILE LISTING FOR BASIN SAN BERNARDINO BY RECORDATION NUMBER

wm:vxr

RUN DATE: 18 JUL 1988

RECORDTN NUMBER	STATE NUMBER	WELL OWNER.....	T LOCAL P DESIGNATION	YEAR CLSD	---CALENDAR YEAR EXTRACTIONS---				
					1982	1983	1984	1985	1986
3600000	1S4W16R04S	MEEKS & DALEY WATER CO	W STATION 69	1981	0	0	0	0	0
3600784	1S4W13L01S	RIVERSIDE CITY OF-GAGE CANAL	W 6	1969	0	0	0	0	0
3600785	1S4W14R	RIVERSIDE CITY OF-GAGE CANAL	W 17	1966	0	0	0	0	0
3600786	1S4W13L02S	RIVERSIDE CITY OF-GAGE CANAL	W GAGE 21		1341	621	742	985	1213
3600787	1S4W23A02S	RIVERSIDE CITY OF-GAGE CANAL	W 26-1		1576	1147	2208	2021	1645
3600788	1S4W23H01S	RIVERSIDE CITY OF-GAGE CANAL	W 27-1		1606	1417	2544	2013	1940
3600789	1S4W23K01S	RIVERSIDE CITY OF-GAGE CANAL	W 27-2		1347	872	2127	2332	1866
3600790	1S4W23K02S	RIVERSIDE CITY OF-GAGE CANAL	W 29-1		1356	1017	2265	2003	1962
3600791	1S4W13N01S	RIVERSIDE CITY OF-GAGE CANAL	W 29-2		3517	2621	3630	3498	4582
3600792	1S4W13N02S	RIVERSIDE CITY OF-GAGE CANAL	W 29-3		3263	2384	4044	3152	3396
3600793	1S4W13M02S	RIVERSIDE CITY OF-GAGE CANAL	W 30-1		1430	588	970	1118	1233
3600794	1S4W13F02S	RIVERSIDE CITY OF-GAGE CANAL	W 31-1		1244	1035	1444	2192	2119
3600795	1S4W13G02S	RIVERSIDE CITY OF-GAGE CANAL	W 46-1		4782	3250	5407	5050	5071
3600796	1S4W23A05S	RIVERSIDE CITY OF-GAGE CANAL	W 51-1		1245	372	1138	969	1434
3600797	1S4W13G03S	RIVERSIDE CITY OF-GAGE CANAL	W 56-1		3896	2385	3525	2251	3751
3600798	1S4W23G01S	RIVERSIDE CITY OF-GAGE CANAL	W COWLANE	1966	0	0	0	0	0
3601218	1S4W14P02S	RIVERSIDE CITY OF	W RAUB 1	1977	0	0	0	0	0
3601219	1S4W23C02S	RIVERSIDE CITY OF	W RAUB 2		495	222	3	96	0
3601220	1S4W02P04S	RIVERSIDE CITY OF	W COOLEY E	1977	0	0	0	0	0
3601222	1S4W27A11S	UNIVERSITY OF CALIFORNIA REGENTS OF	W HUNT 6		20	0	0	0	13
3601224	1S4W02P03S	RIVERSIDE CITY OF	W COOLEY C	1977	0	0	0	0	0
3601225	1S4W02P02S	RIVERSIDE CITY OF	W COOLEY D	1977	0	0	0	0	0
3601226	1S4W02L02S	RIVERSIDE CITY OF	W COOLEY F	1977	0	0	0	0	0
3601227	1S4W02N02S	RIVERSIDE CITY OF	W COOLEY G	1977	0	0	0	0	0
3601228	1S4W11D02S	RIVERSIDE CITY OF	W COOLEY H		643	1138	907	1489	1160
3601229	1S4W11D03S	RIVERSIDE CITY OF	W COOLEY I		2017	3242	3221	3680	2264
3601230	1S4W22H03S	RIVERSIDE CITY OF	W WARREN 3		137	2	0	276	72
3601231	1S4W22H01S	RIVERSIDE CITY OF	W WARREN 2		299	517	1111	1185	725
3601232	1S4W11D04S	RIVERSIDE CITY OF	W COOLEY A	1977	0	0	0	0	0
3601233	1S4W27A13S	RIVERSIDE CITY OF	W STEWRT 21	1977	0	0	0	0	0
3601234	1S4W27A19S	RIVERSIDE CITY OF	W STEWRT 19	1977	0	0	0	0	0
3601237	1S4W22B02S	RIVERSIDE CITY OF	W BYRNE 1	1977	0	0	0	0	0
3601238	1S4W23C03S	RIVERSIDE CITY OF	W RAUB 4		1306	1649	1775	2201	1425
3601239	1S4W14P06S	RIVERSIDE CITY OF	W RAUB 3		562	221	43	236	460
3601240	1S4W22H04S	RIVERSIDE CITY OF	W WARREN 1		485	1014	490	467	749
3601241	1S4W27A07S	RIVERSIDE CITY OF	W HUNT 8	1977	0	0	0	0	0
3601242	1S4W27A08S	RIVERSIDE CITY OF	W HUNT 9	1977	0	0	0	0	0
3601243	1S4W22H02S	RIVERSIDE CITY OF	W WARREN 4		1772	1559	2592	2844	2526
3601244	1S4W27A09S	UNIVERSITY OF CALIFORNIA REGENTS OF	W HUNT 10		6	0	0	0	25
3601245	1S4W27A10S	UNIVERSITY OF CALIFORNIA REGENTS OF	W HUNT 11		22	0	0	0	10
3601431	1S4W27H01S	RIVERSIDE CITY OF	W STEWRT 20		1	1	1	1	3
3601432	1S4W11D01S	RIVERSIDE CITY OF	W COOLEY B	1977	0	0	0	0	0
3601457	1S4W01B03S	RIVERSIDE CITY OF	W MCCRARY 1	1977	0	0	0	0	0
3601458	1S4W01B02S	RIVERSIDE CITY OF	W MCCRARY 2	1977	0	0	0	0	0
3601459	1S4W01B	RIVERSIDE CITY OF	W MCCRARY 3	1977	0	0	0	0	0
3601460	1S4W01B	RIVERSIDE CITY OF	W MCCRARY 4	1977	0	0	0	0	0
3601461	1S4W01B	RIVERSIDE CITY OF	W MCCRARY 5	1977	0	0	0	0	0
3601462	1S4W01E01S	RIVERSIDE CITY OF	W POOLE		0	0	0	0	0
3601463	1S4W02A03S	RIVERSIDE CITY OF	W STILES		1517	1779	1848	2105	1899
3601464	1S4W02P06S	RIVERSIDE CITY OF	W GARNER 1		742	376	1026	595	808

VERIFIED WELL MASTER FILE LISTING FOR BASIN SAN BERNARDINO BY RECORDATION NUMBER

wm:vxr

RUN DATE: 18 JUL 1988

RECORDTN NUMBER	STATE NUMBER	WELL OWNER.....	T LOCAL P DESIGNATION	YEAR CLSD	---CALENDAR YEAR EXTRACTIONS---				
					1982	1983	1984	1985	1986
3601465	1S4W02Q03S	RIVERSIDE CITY OF	W GARNER 2		507	196	54	419	341
3601466	1S4W02Q07S	RIVERSIDE CITY OF	W GARNER 3	1977	0	0	0	0	0
3601467	1S4W02Q06S	RIVERSIDE CITY OF	W GARNER 4		894	74	185	895	668
3601468	1S4W02P01S	RIVERSIDE CITY OF	W GARNER 5		1565	1602	1639	1292	1942
3601469	1S4W22A01S	RIVERSIDE CITY OF	W PAINEHOT	1977	0	0	0	0	0
3601470	1S4W22G15S	RIVERSIDE CITY OF	W THORN 2	1974	0	0	0	0	0
3601470-	1S4W22B07S	RIVERSIDE CITY OF	W THORN 12		708	1345	0	515	1552
3601471	1S4W22G14S	RIVERSIDE CITY OF	W THORN 3		266	0	0	1103	12
3601472	1S4W22G11S	RIVERSIDE CITY OF	W THORN 4	1977	0	0	0	0	0
3601473	1S4W22G16S	RIVERSIDE CITY OF	W THORN 5		16	0	0	525	6
3601474	1S4W22G18S	RIVERSIDE CITY OF	W THORN 6		2	0	0	311	2
3601475	1S4W22G17S	RIVERSIDE CITY OF	W THORN 7		7	0	0	322	2
3601476	1S4W22G19S	RIVERSIDE CITY OF	W THORN 8		0	0	0	0	0
3601477	1S4W22B01S	RIVERSIDE CITY OF	W THORN 9	1977	0	0	0	0	0
3601478	1S4W22B03S	RIVERSIDE CITY OF	W THORN 10		146	144	0	0	0
3601479	1S4W22B05S	RIVERSIDE CITY OF	W THORN 11		0	0	0	0	0
3601489	1S4W02L01S	RIVERSIDE CITY OF	W SCHEUER		183	37	159	436	655
3601511	1S4W15M02S	MEEKS & DALEY WATER CO.	W E STREET	1974	0	0	0	0	0
3601512	1S4W15N05S	MEEKS & DALEY WATER CO	W 51	1967	0	0	0	0	0
3601513	1S4W16R03S	MEEKS & DALEY WATER CO	W 54	1974	0	0	0	0	0
3601514	1S4W16Q	MEEKS & DALEY WATER CO	D WARM CRK	1974	0	0	0	0	0
3601515	1S4W16Q	MEEKS & DALEY WATER CO	D WORKMAN	1974	0	0	0	0	0
3601522	1S4W22M07S	RIVERSIDE HIGHLAND WATER COMPANY	W 1	1985	0	0	0	0	0
3601523	1S4W22L	RIVERSIDE HIGHLAND WATER COMPANY	W 2		392	578	1293	809	1058
3601527	1S4W22P	RIVERSIDE HIGHLAND WATER COMPANY	W 8	1962	0	0	0	0	0
3601528	1S4W22N	RIVERSIDE HIGHLAND WATER COMPANY	W 10	1962	0	0	0	0	0
3601529	1S4W22P	RIVERSIDE HIGHLAND WATER COMPANY	W 11	1962	0	0	0	0	0
3601530	1S4W22L08S	RIVERSIDE HIGHLAND WATER COMPANY	W 12		439	255	85	122	1
3601533	1S4W22L05S	RIVERSIDE HIGHLAND WATER COMPANY	W 18		227	81	1081	501	1547
3601535	1N4W31E01S	RIVERSIDE HIGHLAND WATER COMPANY	W L C 1		1538	2248	0	0	199
3601536	1N4W31E02S	RIVERSIDE HIGHLAND WATER COMPANY	W LC 2	1962	0	0	0	0	0
3601537	1S4W22N	RIVERSIDE HIGHLAND WATER COMPANY	W FLOWING	1963	0	0	0	0	0
3601737	1S4W16J09S	MEEKS & DALEY WATER CO	W COBURN		127	0	249	165	274
3601887	1S4W15L03S	MEEKS & DALEY WATER CO	W 59		1845	2583	2947	2815	1990
3602169	1S4W15M10S	MEEKS & DALEY WATER CO	W NEW E ST		1744	68	1969	2405	2600
3602254	1S4W22P05S	RIVERSIDE HIGHLAND WATER COMPANY	W 24	1985	199	0	0	0	0
3602329	1S4W15E	MEEKS & DALEY WATER CO	W STA 66	1974	0	0	0	0	0
3602331	1S4W23G	RIVERSIDE CITY OF-GAGE CANAL	W 66-1		3425	2630	3759	3607	3714
3602423	1S4W13P	RIVERSIDE CITY OF-GAGE CANAL	W 6		49	44	72	65	57
3602484	1S4W14N09S	RIVERSIDE CITY OF	W RAUB NO 5		2249	3359	3747	3351	4223
3602771	1S4W27A11S	RIVERSIDE CITY OF	W HUNT 6		77	568	224	866	661
3602772	1S4W27A09S	RIVERSIDE CITY OF	W HUNT 10		25	1547	1307	1170	726
3602773	1S4W27A10S	RIVERSIDE CITY OF	W HUNT 11		86	850	537	782	477
3602778	1S4W14N10S	RIVERSIDE CITY OF	W RAUB 6		2815	4239	4162	4655	2638
3602840	1N4W31F01S	RIVERSIDE HIGHLAND WATER COMPANY	W LC #8				2300	1880	1939
3602863	1S4W22H01S	MEEKS & DALEY WATER CO	W WARREN #4					0	38
3602864	1S4W14N10S	MEEKS & DALEY WATER CO	W RAUB 6					0	668
3691241	1S4W27A07S	UNIVERSITY OF CALIFORNIA REGENTS OF	W HUNT 8	1976	0	0	0	0	0
3691242	1S4W27A08S	UNIVERSITY OF CALIFORNIA REGENTS OF	W HUNT 9	1976	0	0	0	0	0

END OF SAN BERNARDINO BASIN

56158 51877 68830 71770 70341



SAN BERNARDINO BASIN AREA

CROSS INDEX BY STATE WELL NUMBER

PLAINTIFFS

VERIFIED WELL MASTER FILE LISTING FOR BASIN SAN BERNARDINO BY STATE WELL #

WM:VXF

RUN DATE: 21 MAR 1988

STATE WELL NUMBER	RECORDTN NUMBER	OWNER.....	T LOCAL P DESIGNATION	YEAR CLSD	---CALENDAR YEAR EXTRACTIIONS---				
					1982	1983	1984	1985	1986
1N4W31E01S	3601535	RIVERSIDE HIGHLAND WATER COMPANY	W L C 1		1538	2248	0	0	199
1N4W31E02S	3601536	RIVERSIDE HIGHLAND WATER COMPANY	W LC 2	1962	0	0	0	0	0
1N4W31F01S	3602840	RIVERSIDE HIGHLAND WATER COMPANY	W LC #8				2300	1880	1939
1S4W01B	3601459	RIVERSIDE CITY OF	W MCCRARY 3	1977	0	0	0	0	0
1S4W01B	3601460	RIVERSIDE CITY OF	W MCCRARY 4	1977	0	0	0	0	0
1S4W01B	3601461	RIVERSIDE CITY OF	W MCCRARY 5	1977	0	0	0	0	0
1S4W01B02S	3601458	RIVERSIDE CITY OF	W MCCRARY 2	1977	0	0	0	0	0
1S4W01B03S	3601457	RIVERSIDE CITY OF	W MCCRARY 1	1977	0	0	0	0	0
1S4W01E01S	3601462	RIVERSIDE CITY OF	W POOLE		0	0	0	0	0
1S4W02A03S	3601463	RIVERSIDE CITY OF	W STILES		1517	1779	1848	2105	1899
1S4W02L01S	3601489	RIVERSIDE CITY OF	W SCHEUER		183	37	159	436	655
1S4W02L02S	3601226	RIVERSIDE CITY OF	W COOLEY F	1977	0	0	0	0	0
1S4W02N02S	3601227	RIVERSIDE CITY OF	W COOLEY G	1977	0	0	0	0	0
1S4W02P01S	3601468	RIVERSIDE CITY OF	W GARNER 5		1565	1602	1639	1292	1942
1S4W02P02S	3601225	RIVERSIDE CITY OF	W COOLEY D	1977	0	0	0	0	0
1S4W02P03S	3601224	RIVERSIDE CITY OF	W COOLEY C	1977	0	0	0	0	0
1S4W02P04S	3601220	RIVERSIDE CITY OF	W COOLEY E	1977	0	0	0	0	0
1S4W02P06S	3601464	RIVERSIDE CITY OF	W GARNER 1		742	376	1026	595	808
1S4W02Q03S	3601465	RIVERSIDE CITY OF	W GARNER 2		507	196	54	419	341
1S4W02Q06S	3601467	RIVERSIDE CITY OF	W GARNER 4		894	74	185	895	668
1S4W02Q07S	3601466	RIVERSIDE CITY OF	W GARNER 3	1977	0	0	0	0	0
1S4W11D01S	3601432	RIVERSIDE CITY OF	W COOLEY B	1977	0	0	0	0	0
1S4W11D02S	3601228	RIVERSIDE CITY OF	W COOLEY H		643	1138	907	1489	1160
1S4W11D03S	3601229	RIVERSIDE CITY OF	W COOLEY I		2017	3242	3221	3680	2264
1S4W11D04S	3601232	RIVERSIDE CITY OF	W COOLEY A	1977	0	0	0	0	0
1S4W13F02S	3600794	RIVERSIDE CITY OF-GAGE CANAL	W 31-1		1244	1035	1444	2192	2119
1S4W13G02S	3600795	RIVERSIDE CITY OF-GAGE CANAL	W 46-1		4782	3250	5407	5050	5071
1S4W13G03S	3600797	RIVERSIDE CITY OF-GAGE CANAL	W 56-1		3896	2385	3525	2251	3751
1S4W13L01S	3600784	RIVERSIDE CITY OF-GAGE CANAL	W 6	1969	0	0	0	0	0
1S4W13L02S	3600786	RIVERSIDE CITY OF-GAGE CANAL	W GAGE 21		1341	621	742	985	1213
1S4W13M02S	3600793	RIVERSIDE CITY OF-GAGE CANAL	W 30-1		1430	588	970	1118	1233
1S4W13N01S	3600791	RIVERSIDE CITY OF-GAGE CANAL	W 29-2		3517	2621	3630	3498	4582
1S4W13N02S	3600792	RIVERSIDE CITY OF-GAGE CANAL	W 29-3		3263	2384	4044	3152	3396
1S4W13P	3602423	RIVERSIDE CITY OF-GAGE CANAL	W 6		49	44	72	65	57
1S4W14N09S	3602484	RIVERSIDE CITY OF	W RAUB NO 5		2249	3359	3747	3351	4223
1S4W14N10S	3602778	RIVERSIDE CITY OF	W RAUB 6		2815	4239	4162	4655	2638
1S4W14N10S	3602864	MEEKS & DALEY WATER CO	W RAUB 6					0	668
1S4W14P02S	3601218	RIVERSIDE CITY OF	W RAUB 1	1977	0	0	0	0	0
1S4W14P06S	3601239	RIVERSIDE CITY OF	W RAUB 3		562	221	43	236	460
1S4W14R	3600785	RIVERSIDE CITY OF-GAGE CANAL	W 17	1966	0	0	0	0	0
1S4W15E	3602329	MEEKS & DALEY WATER CO	W STA 66	1974	0	0	0	0	0
1S4W15L03S	3601887	MEEKS & DALEY WATER CO	W 59		1845	2583	2947	2815	1990
1S4W15M02S	3601511	MEEKS & DALEY WATER CO	W E STREET	1974	0	0	0	0	0
1S4W15M10S	3602169	MEEKS & DALEY WATER CO	W NEW E ST		1744	68	1969	2405	2600
1S4W15N05S	3601512	MEEKS & DALEY WATER CO	W 51	1967	0	0	0	0	0
1S4W16J09S	3601737	MEEKS & DALEY WATER CO	W COBURN		127	0	249	165	274
1S4W16Q	3601514	MEEKS & DALEY WATER CO	D WARM CRK	1974	0	0	0	0	0
1S4W16Q	3601515	MEEKS & DALEY WATER CO	D WORKMAN	1974	0	0	0	0	0
1S4W16R03S	3601513	MEEKS & DALEY WATER CO	W 54	1974	0	0	0	0	0
1S4W16R04S	3600000	MEEKS & DALEY WATER CO	W STATION 69	1981	0	0	0	0	0

VERIFIED WELL MASTER FILE LISTING FOR BASIN SAN BERNARDINO BY STATE WELL #

wm:vxr

RUN DATE: 18 JUL 1988

STATE WELL NUMBER	RECORDTN NUMBER	OWNER.....	T LOCAL P DESIGNATION	YEAR CLSD	---CALENDAR YEAR EXTRACTIONS---				
					1982	1983	1984	1985	1986
1S4W22A01S	3601469	RIVERSIDE CITY OF	W PAINEHOT	1977	0	0	0	0	0
1S4W22B01S	3601477	RIVERSIDE CITY OF	W THORN 9	1977	0	0	0	0	0
1S4W22B02S	3601237	RIVERSIDE CITY OF	W BYRNE 1	1977	0	0	0	0	0
1S4W22B03S	3601478	RIVERSIDE CITY OF	W THORN 10		146	144	0	0	0
1S4W22B05S	3601479	RIVERSIDE CITY OF	W THORN 11		0	0	0	0	0
1S4W22B07S	3601470	RIVERSIDE CITY OF	W THORN 12		708	1345	0	515	1552
1S4W22G11S	3601472	RIVERSIDE CITY OF	W THORN 4	1977	0	0	0	0	0
1S4W22G14S	3601471	RIVERSIDE CITY OF	W THORN 3		266	0	0	1103	12
1S4W22G15S	3601470	RIVERSIDE CITY OF	W THORN 2	1974	0	0	0	0	0
1S4W22G16S	3601473	RIVERSIDE CITY OF	W THORN 5		16	0	0	525	6
1S4W22G17S	3601475	RIVERSIDE CITY OF	W THORN 7		7	0	0	322	2
1S4W22G18S	3601474	RIVERSIDE CITY OF	W THORN 6		2	0	0	311	2
1S4W22G19S	3601476	RIVERSIDE CITY OF	W THORN 8		0	0	0	0	0
1S4W22H01S	3601231	RIVERSIDE CITY OF	W WARREN 2		299	517	1111	1185	725
1S4W22H01S	3602863	MEEKS & DALEY WATER CO	W WARREN #4					0	38
1S4W22H02S	3601243	RIVERSIDE CITY OF	W WARREN 4		1772	1559	2592	2844	2526
1S4W22H03S	3601230	RIVERSIDE CITY OF	W WARREN 3		137	2	0	276	72
1S4W22H04S	3601240	RIVERSIDE CITY OF	W WARREN 1		485	1014	490	467	749
1S4W22L	3601523	RIVERSIDE HIGHLAND WATER COMPANY	W 2		392	578	1293	809	1058
1S4W22L05S	3601533	RIVERSIDE HIGHLAND WATER COMPANY	W 18		227	81	1081	501	1547
1S4W22L08S	3601530	RIVERSIDE HIGHLAND WATER COMPANY	W 12		439	255	85	122	1
1S4W22M07S	3601522	RIVERSIDE HIGHLAND WATER COMPANY	W 1	1985	0	0	0	0	0
1S4W22N	3601528	RIVERSIDE HIGHLAND WATER COMPANY	W 10	1962	0	0	0	0	0
1S4W22N	3601537	RIVERSIDE HIGHLAND WATER COMPANY	W FLOWING	1963	0	0	0	0	0
1S4W22P	3601527	RIVERSIDE HIGHLAND WATER COMPANY	W 8	1962	0	0	0	0	0
1S4W22P	3601529	RIVERSIDE HIGHLAND WATER COMPANY	W 11	1962	0	0	0	0	0
1S4W22P05S	3602254	RIVERSIDE HIGHLAND WATER COMPANY	W 24	1985	199	0	0	0	0
1S4W23A02S	3600787	RIVERSIDE CITY OF-GAGE CANAL	W 26-1		1576	1147	2208	2021	1645
1S4W23A05S	3600796	RIVERSIDE CITY OF-GAGE CANAL	W 51-1		1245	372	1138	969	1434
1S4W23C02S	3601219	RIVERSIDE CITY OF	W RAUB 2		495	222	3	96	0
1S4W23C03S	3601238	RIVERSIDE CITY OF	W RAUB 4		1306	1649	1775	2201	1425
1S4W23G	3602331	RIVERSIDE CITY OF-GAGE CANAL	W 66-1		3425	2630	3759	3607	3714
1S4W23G01S	3600798	RIVERSIDE CITY OF-GAGE CANAL	W COWLANE	1966	0	0	0	0	0
1S4W23H01S	3600788	RIVERSIDE CITY OF-GAGE CANAL	W 27-1		1606	1417	2544	2013	1940
1S4W23K01S	3600789	RIVERSIDE CITY OF-GAGE CANAL	W 27-2		1347	872	2127	2332	1866
1S4W23K02S	3600790	RIVERSIDE CITY OF-GAGE CANAL	W 29-1		1356	1017	2265	2003	1962
1S4W27A07S	3601241	RIVERSIDE CITY OF	W HUNT 8	1977	0	0	0	0	0
1S4W27A07S	3691241	UNIVERSITY OF CALIFORNIA REGENTS OF	W HUNT 8	1976	0	0	0	0	0
1S4W27A08S	3601242	RIVERSIDE CITY OF	W HUNT 9	1977	0	0	0	0	0
1S4W27A08S	3691242	UNIVERSITY OF CALIFORNIA REGENTS OF	W HUNT 9	1976	0	0	0	0	0
1S4W27A09S	3601244	UNIVERSITY OF CALIFORNIA REGENTS OF	W HUNT 10		6	0	0	0	25
1S4W27A09S	3602772	RIVERSIDE CITY OF	W HUNT 10		25	1547	1307	1170	726
1S4W27A10S	3601245	UNIVERSITY OF CALIFORNIA REGENTS OF	W HUNT 11		22	0	0	0	10
1S4W27A10S	3602773	RIVERSIDE CITY OF	W HUNT 11		86	850	537	782	477
1S4W27A11S	3601222	UNIVERSITY OF CALIFORNIA REGENTS OF	W HUNT 6		20	0	0	0	13
1S4W27A11S	3602771	RIVERSIDE CITY OF	W HUNT 6		77	568	224	866	661
1S4W27A13S	3601233	RIVERSIDE CITY OF	W STEWRT 21	1977	0	0	0	0	0
1S4W27A19S	3601234	RIVERSIDE CITY OF	W STEWRT 19	1977	0	0	0	0	0
1S4W27H01S	3601431	RIVERSIDE CITY OF	W STEWRT 20		1	1	1	1	3
END OF SAN BERNARDINO BASIN					56158	51877	68830	71770	70341

TABLE NO. 1

EXTRACTIONS BY OWNERS (PLAINTIFFS) FROM  
THE SAN BERNARDINO BASIN AREA

TABLE NO. 1  
 VERIFIED EXTRACTATIONS BY OWNERS WHICH HAVE FILINGS WITH THE STATE WATER RESOURCES CONTROL BOARD  
 FOR SAN BERNARDINO BASIN

WM:vc

08:03:15 20 JUL 1988

RECORD NUMBER	DTN NUMBER	STATE WELL TYPE	-----BASE YEARS-----					-----CURRENT YEARS-----					1982-86 AVERAGE	
			1959	1960	1961	1962	1963	1959-63 AVERAGE	1982	1983	1984	1985		1986
3602864	1S4W14N10S	W						0				0	668	134
3602329	1S4W15E	W	0	0	0	0	0	0	0	0	0	0	0	0
3601887	1S4W15L03S	W	1276	3813	4560	3350	3073	3214	1845	2583	2947	2815	1990	2436
3601511	1S4W15M02S	W	1711	488	672	1213	1126	1042	0	0	0	0	0	0
3602169	1S4W15M10S	W	0	0	0	0	0	0	1744	68	1969	2405	2600	1757
3601512	1S4W15N05S	W	2157	2230	2201	1788	2256	2126	0	0	0	0	0	0
3601737	1S4W16J09S	W	600	314	447	299	280	388	127	0	249	165	274	163
3601514	1S4W16Q	D	18	2	0	0	0	4	0	0	0	0	0	0
3601515	1S4W16Q	D	2	0	0	0	0	0	0	0	0	0	0	0
3601513	1S4W16R03S	W	1518	1190	1519	910	1119	1251	0	0	0	0	0	0
3600000	1S4W16R04S	W	0	0	0	0	0	0	0	0	0	0	0	0
3602863	1S4W22H01S	W						0				0	38	74
MEEKS & DALEY WATER CO			7282	8037	9399	7560	7854	8025	3716	2651	5165	5385	5570	4564
3601459	1S4W01B	W	0	0	0	0	0	0	0	0	0	0	0	0
3601460	1S4W01B	W	0	0	0	0	0	0	0	0	0	0	0	0
3601461	1S4W01B	W	0	0	0	0	0	0	0	0	0	0	0	0
3601458	1S4W01B02S	W	0	0	0	0	0	0	0	0	0	0	0	0
3601457	1S4W01B03S	W	0	0	0	0	0	0	0	0	0	0	0	0
3601462	1S4W01E01S	W	887	1043	1428	1088	1004	1090	0	0	0	0	0	0
3601463	1S4W02A03S	W	1808	1070	1686	1354	1220	1428	1517	1779	1848	2105	1899	1830
3601489	1S4W02L01S	W	0	410	830	758	789	557	183	37	159	436	655	294
3601226	1S4W02L02S	W	0	0	0	0	0	0	0	0	0	0	0	0
3601227	1S4W02N02S	W	0	0	0	0	0	0	0	0	0	0	0	0
3601468	1S4W02P01S	W	1822	1853	1523	978	912	1418	1565	1602	1639	1292	1942	1608
3601225	1S4W02P02S	W	0	0	0	0	0	0	0	0	0	0	0	0
3601224	1S4W02P03S	W	0	0	0	0	0	0	0	0	0	0	0	0
3601220	1S4W02P04S	W	0	0	0	0	0	0	0	0	0	0	0	0
3601464	1S4W02P06S	W	613	1379	1190	988	989	1032	742	376	1026	595	808	709
3601465	1S4W02Q03S	W	512	527	884	811	546	656	507	196	54	419	341	303
3601467	1S4W02Q06S	W	373	595	967	957	986	776	894	74	185	895	668	543
3601466	1S4W02Q07S	W	0	0	0	0	0	0	0	0	0	0	0	0
3601432	1S4W11D01S	W	0	0	0	0	0	0	0	0	0	0	0	0
3601228	1S4W11D02S	W	957	572	224	793	1110	731	643	1138	907	1489	1160	1067
3601229	1S4W11D03S	W	3062	1465	1770	2307	2669	2255	2017	3242	3221	3680	2264	2885
3601232	1S4W11D04S	W	0	0	0	0	0	0	0	0	0	0	0	0
3602484	1S4W14N09S	W	0	0	0	0	0	0	2249	3359	3747	3351	4223	3386
3602778	1S4W14N10S	W						0	2815	4239	4162	4655	2638	3702
3601218	1S4W14P02S	W	0	0	0	0	0	0	0	0	0	0	0	0
3601239	1S4W14P06S	W	390	444	356	524	318	406	562	221	43	236	460	304
3601469	1S4W22A01S	W	0	0	0	0	0	0	0	0	0	0	0	0
3601477	1S4W22B01S	W	543	332	392	398	298	393	0	0	0	0	0	0
3601237	1S4W22B02S	W	440	551	330	371	309	400	0	0	0	0	0	0
3601478	1S4W22B03S	W	597	367	412	392	322	418	146	144	0	0	0	58
3601479	1S4W22B05S	W	487	317	334	355	259	350	0	0	0	0	0	0
3601470-	1S4W22B07S	W	0	476	1345	1244	1471	907	708	1345	0	515	1552	824
3601472	1S4W22G11S	W	198	98	48	60	0	81	0	0	0	0	0	0
3601471	1S4W22G14S	W	1264	980	1225	820	545	967	266	0	0	1103	12	276
3601470	1S4W22G15S	W	0	0	0	0	0	0	0	0	0	0	0	0

TABLE NO. 1  
 VERIFIED EXTRACTIONS BY OWNERS WHICH HAVE FILINGS WITH THE STATE WATER RESOURCES CONTROL BOARD  
 FOR SAN BERNARDINO BASIN

08:03:26 20 JUL 1988

RECORD NUMBER	DTN STATE WELL NUMBER	WELL TYPE	-----BASE YEARS-----					-----CURRENT YEARS-----					1982	1983	1984	1985	1986	1982-86 AVERAGE
			1959	1960	1961	1962	1963	1959-63 AVERAGE	1982	1983	1984	1985						
3601473	1S4W22G16S	W	691	584	343	443	364	485	16	0	0	525	6	109				
3601475	1S4W22G17S	W	509	422	316	377	323	389	7	0	0	322	2	66				
3601474	1S4W22G18S	W	552	392	326	289	348	381	2	0	0	311	2	63				
3601476	1S4W22G19S	W	443	277	236	481	270	341	0	0	0	0	0	0				
3601231	1S4W22H01S	W	709	869	844	568	550	708	299	517	1111	1185	725	767				
3601243	1S4W22H02S	W	3222	2840	2834	2839	2444	2836	1772	1559	2592	2844	2526	2192				
3601230	1S4W22H03S	W	346	408	368	323	177	324	137	2	0	276	72	97				
3601240	1S4W22H04S	W	2445	2170	1894	1440	1651	1920	485	1014	490	467	749	641				
3601219	1S4W23C02S	W	537	484	637	712	682	610	495	222	3	96	0	163				
3601238	1S4W23C03S	W	826	557	815	857	591	729	1306	1649	1775	2201	1425	1671				
3601241	1S4W27A07S	W	0	0	0	0	0	0	0	0	0	0	0	0				
3601242	1S4W27A08S	W	0	0	0	0	0	0	0	0	0	0	0	0				
3602772	1S4W27A09S	W	1202	1086	961	1294	891	1087	25	1547	1307	1170	726	955				
3602773	1S4W27A10S	W	472	217	54	354	200	259	86	850	537	782	477	546				
3602771	1S4W27A11S	W	70	234	105	212	136	151	77	568	224	866	661	479				
3601233	1S4W27A13S	W	0	0	0	0	0	0	0	0	0	0	0	0				
3601234	1S4W27A19S	W	0	0	0	0	0	0	0	0	0	0	0	0				
3601431	1S4W27H01S	W	6	5	5	4	5	5	1	1	1	1	3	1				
RIVERSIDE	CITY OF		25983	23024	24682	24391	22379	24090	19522	25681	25031	31817	25996	25539				
3600794	1S4W13F02S	W	3219	2141	2353	2057	1372	2228	1244	1035	1444	2192	2119	1607				
3600795	1S4W13G02S	W	3640	2828	2909	2820	2765	2992	4782	3250	5407	5050	5071	4712				
3600797	1S4W13G03S	W	3379	3148	3243	3434	3299	3301	3896	2385	3525	2251	3751	3162				
3600784	1S4W13L01S	W	10	44	68	36	12	34	0	0	0	0	0	0				
3600786	1S4W13L02S	W	0	0	0	0	0	0	1341	621	742	985	1213	980				
3600793	1S4W13M02S	W	1582	1768	1495	2145	1719	1742	1430	588	970	1118	1233	1068				
3600791	1S4W13N01S	W	3633	3693	4680	3387	3475	3774	3517	2621	3630	3498	4582	3570				
3600792	1S4W13N02S	W	3537	4709	5071	4094	3750	4232	3263	2384	4044	3152	3396	3248				
3602423	1S4W13P	W	0	0	0	0	0	0	49	44	72	65	57	57				
3600785	1S4W14R	W	0	0	0	0	0	0	0	0	0	0	0	0				
3600787	1S4W23A02S	W	2950	2805	2762	2535	2773	2765	1576	1147	2208	2021	1645	1719				
3600796	1S4W23A05S	W	1314	1183	946	642	736	964	1245	372	1138	969	1434	1032				
3602331	1S4W23G	W	0	0	0	0	0	0	3425	2630	3759	3607	3714	3427				
3600798	1S4W23G01S	W	0	0	0	0	0	0	0	0	0	0	0	0				
3600788	1S4W23H01S	W	2840	1566	2163	2207	2465	2248	1606	1417	2544	2013	1940	1904				
3600789	1S4W23K01S	W	3466	2409	2076	2928	2239	2624	1347	872	2127	2332	1866	1709				
3600790	1S4W23K02S	W	2235	2725	2904	2155	2394	2483	1356	1017	2265	2003	1962	1721				
RIVERSIDE	CITY OF-GAGE	CAN31805	29019	30670	28440	26999	29387	30077	20383	33875	31256	33983	29916					
3601535	1N4W31E01S	W	1397	1226	1358	1141	852	1195	1538	2248	0	0	199	797				
3601536	1N4W31E02S	W	0	0	0	0	0	0	0	0	0	0	0	0				
3602840	1N4W31F01S	W						0			2300	1880	1939	1224				
3601523	1S4W22L	W	802	576	995	796	634	761	392	578	1293	809	1058	826				
3601533	1S4W22L05S	W	1551	1482	1749	1125	1062	1394	227	81	1081	501	1547	687				
3601530	1S4W22L08S	W	255	200	546	346	379	345	439	255	85	122	1	180				
3601522	1S4W22M07S	W	740	757	887	739	399	704	0	0	0	0	0	0				
3601528	1S4W22N	W	0	0	0	0	0	0	0	0	0	0	0	0				
3601537	1S4W22N	W	0	0	0	0	0	0	0	0	0	0	0	0				
3601527	1S4W22P	W	0	0	0	0	0	0	0	0	0	0	0	0				

TABLE NO. 1  
 VERIFIED EXTRACTIONS BY OWNERS WHICH HAVE FILINGS WITH THE STATE WATER RESOURCES CONTROL BOARD  
 FOR SAN BERNARDINO BASIN

13:04:34 21 MAR 1988

RECORD NUMBER	DTM STATE NUMBER	WELL WELL TYPE	-----BASE YEARS-----					-----CURRENT YEARS-----						
			1959	1960	1961	1962	1963	1959-63 AVERAGE	1982	1983	1984	1985	1986	1982-86 AVERAGE
3601529	1S4W22P	W	0	0	0	0	0	0	0	0	0	0	0	0
3602254	1S4W22P05S	W	0	0	0	0	0	0	199	0	0	0	0	40
RIVERSIDE HIGHLAND WATER COM4745			4241	5535	4147	3326	4399	2795	3162	4759	3312	4744	3754	
3691241	1S4W27A07S	W	0	0	0	0	0	0	0	0	0	0	0	
3691242	1S4W27A08S	W	0	0	0	0	0	0	0	0	0	0	0	
3601244	1S4W27A09S	W	385	386	564	392	309	407	6	0	0	0	25	
3601245	1S4W27A10S	W	151	77	32	107	69	87	22	0	0	0	10	
3601222	1S4W27A11S	W	22	83	62	65	47	56	20	0	0	0	13	
UNIVERSITY OF CALIFORNIA REG558			546	658	564	425	550	48	0	0	0	48	19	
TTL SAN BERNARDINO BASIN 70373			64867	70944	65102	60983	66451	56158	51877	68830	71770	70341	63792	

TABLE NO. 2

SUMMARY OF EXTRACTIONS BY ALL PLAINTIFFS

FROM THE SAN BERNARDINO BASIN AREA



TABLE NO. 2  
SUMMARY OF VERIFIED EXTRACTIIONS (FILED AND NON-FILED) FOR SAN BERNARDINO

(wm:vc)

15:12:52 18 JUL 1988

	-----BASE YEARS-----					-----CURRENT YEARS-----						
	1959	1960	1961	1962	1963	1959-63 AVERAGE	1982	1983	1984	1985	1986	1982-86 AVERAGE
MEEKS & DALEY WATER CO	7282	8037	9399	7560	7854	8025	3716	2651	5165	5385	5570	4564
RIVERSIDE CITY OF	25983	23024	24682	24391	22379	24090	19522	25681	25031	31817	25996	25539
RIVERSIDE CITY OF-GAGE CANAL	31805	29019	30670	28440	26999	29387	30077	20383	33875	31256	33983	29916
RIVERSIDE HIGHLAND WATER COMPA	4745	4241	5535	4147	3326	4399	2795	3162	4759	3312	4744	3754
UNIVERSITY OF CALIFORNIA REGE	558	546	658	564	425	550	48	0	0	0	48	19
TTL SAN BERNARDINO BASIN	70373	64867	70944	65102	60983	66451	56158	51877	68830	71770	70341	63792

TABLE NO. 3

EXTRACTIONS BY PLAINTIFFS FROM THE  
SAN BERNARDINO BASIN AREA FOR AVERAGE OF  
FIVE-YEAR PERIOD ENDING WITH 1963  
AND CALENDAR YEARS 1975 THROUGH CURRENT YEAR  
CLASSIFIED ACCORDING TO SERVICE AREA

TABLE NO. 3

EXTRACTIONS BY PLAINTIFFS  
FROM THE SAN BERNARDINO BASIN AREA  
FOR AVERAGE OF FIVE-YEAR PERIOD ENDING WITH 1963  
AND CALENDAR YEARS 1976 THROUGH CURRENT YEAR  
CLASSIFIED ACCORDING TO SERVICE AREA

(ALL VALUES IN ACRE FEET)

PLAINTIFFS	EXTRACTIONS FROM SAN BERNARDINO BASIN AREA FOR USE WITHIN & EXPORTS THEREFROM																							
	1959				1960				1961				1962				1963				Five-Year Average			
	Total Extractions	Deliveries San Bernardino Basin	Deliveries Colton & Riverside Basins in San Bernardino County	Deliveries Outside San Bernardino Valley	Total Extractions	Deliveries San Bernardino Basin	Deliveries Colton & Riverside Basins in San Bernardino County	Deliveries Outside San Bernardino Valley	Total Extractions	Deliveries San Bernardino Basin	Deliveries Colton & Riverside Basins in San Bernardino County	Deliveries Outside San Bernardino Valley	Total Extractions	Deliveries San Bernardino Basin	Deliveries Colton & Riverside Basins in San Bernardino County	Deliveries Outside San Bernardino Valley	Total Extractions	Deliveries San Bernardino Basin	Deliveries Colton & Riverside Basins in San Bernardino County	Deliveries Outside San Bernardino Valley				
CITY OF RIVERSIDE City & Riverside Water Co. Wells	25,983	2,369	382	23,232	23,024	2,006	356	20,662	24,682	0	338	24,344	24,391	0	345	24,046	22,379	0	435	21,944	24,092	875	371	22,846
CITY OF RIVERSIDE Gage Canal Co. Wells	31,805	501	1,001	30,303	29,019	539	892	27,588	30,670	461	1,010	29,199	28,440	751	783	26,906	26,999	683	758	25,558	29,387	587	889	27,911
CITY OF RIVERSIDE SUBTOTAL	57,788	2,870	1,383	53,535	52,043	2,545	1,248	48,250	55,352	461	1,348	53,543	52,831	751	1,128	50,952	49,378	683	1,193	47,502	53,479	1,462	1,260	50,757
RIVERSIDE HIGHLAND WATER COMPANY	4,745	0	2,561	2,184	4,241	0	2,352	1,889	5,535	0	3,026	2,509	4,147	0	2,569	1,578	3,326	0	2,037	1,289	4,399	0	2,509	1,890
MEEKES & DALEY WATER COMPANY & AGUA MANSA WATER COMPANY	7,282	0	295	6,987	8,037	0	312	7,725	9,399	0	363	9,036	7,560	0	363	7,197	7,854	0	297	7,557	8,026	0	326	7,700
UNIVERSITY OF CALIFORNIA	558	0	0	558	546	0	0	546	658	0	0	658	564	0	0	564	425	0	0	425	550	0	0	550
TOTAL	70,373	2,870	4,239	63,264	64,867	2,545	3,912	58,410	70,944	461	4,737	65,746	65,102	751	4,060	60,291	60,983	683	3,527	56,773	66,454	1,462	4,095	60,897

TABLE NO. 3

EXTRACTIONS BY PLAINTIFFS  
FROM THE SAN BERNARDINO BASIN AREA  
FOR AVERAGE OF FIVE-YEAR PERIOD ENDING WITH 1963  
AND CALENDAR YEARS 1976 THROUGH CURRENT YEAR  
CLASSIFIED ACCORDING TO SERVICE AREA  
(all values in acre-feet)

PLAINTIFFS	EXTRACTIONS FROM SAN BERNARDINO BASIN AREA FOR USE WITHIN & EXPORTS THEREFROM																																
	1976				1977				1978				1979				1980				1981												
	Total Extractions	Deliveries, San Bernardino Basin	Deliveries Colton & Riverside Basins in San Bernardino County	Deliveries Outside San Bernardino Valley	Total Extractions	Deliveries, San Bernardino Basin	Deliveries Colton & Riverside Basins in San Bernardino County	Deliveries Outside San Bernardino Valley	Total Extractions	Deliveries, San Bernardino Basin	Deliveries Colton & Riverside Basins in San Bernardino County	Deliveries Outside San Bernardino Valley	Total Extractions	Deliveries, San Bernardino Basin	Deliveries Colton & Riverside Basins in San Bernardino County	Deliveries Outside San Bernardino Valley	Total Extractions	Deliveries, San Bernardino Basin	Deliveries Colton & Riverside Basins in San Bernardino County	Deliveries Outside San Bernardino Valley	Total Extractions	Deliveries, San Bernardino Basin	Deliveries Colton & Riverside Basins in San Bernardino County	Deliveries Outside San Bernardino Valley									
CITY OF RIVERSIDE City & Riverside Water Co. Wells	22,085	0	0	22,085	18,900	0	18,900	19,055	0	0	19,055	21,561	0	0	21,561	18,875	0	0	18,875	0	0	18,875	0	0	18,875	0	0	18,875	0	0	18,875		
CITY OF RIVERSIDE Gage Canal Co. Wells	29,289	0	523	28,766	32,099	0	346	31,753	26,329	646*	301	25,382	30,816	0	415	30,401	31,881	383	0	0	31,498	31,794	724	0	0	31,070	0	0	31,070	0	0	31,070	
CITY OF RIVERSIDE SUBTOTAL	51,374	0	523	50,851	50,999	0	346	50,653	45,384	646	301	44,437	52,377	0	415	51,962	50,756	383	0	0	50,373	52,157	724	0	0	51,433	0	0	51,433	0	0	51,433	
RIVERSIDE HIGHLAND WATER COMPANY	4,519	0	2,050	2,469	3,583	0	1,820	1,763	1,350	0	1,051	299	3,369	0	1,781	1,588	3,677	0	2,060	0	2,060	1,617	3,604	0	2,151	0	2,151	0	0	2,151	0	0	2,151
NEEKS & DALEY WATER COMPANY & A JUA MANSA WATER COMPANY	5,393	0	182	5,211	4,220	0	146	4,074	2,254	0	161	2,093	3,930	0	270	3,660	2,333	0	323	0	2,010	3,092	0	358	0	358	0	0	358	0	0	358	
UNIVERSITY OF CALIFORNIA	245	0	0	245	87	0	87	183	183	0	0	183	83	0	0	83	7	143	0	0	0	7	143	0	0	143	0	0	143	0	0	143	
TOTAL	61,531	0	2,755	58,776	58,889	0	2,312	56,577	49,171	646	1,513	47,012	59,759	0	2,466	57,294	56,773	383	2,383	0	54,007	58,996	724	2,509	0	2,509	0	0	2,509	0	0	2,509	

See Report of Watermaster, Volume 5, Distribution of Extractions, Chapter I, Table No. 36-A.

\* Corrected during 1980 verification.

TABLE NO. 3

EXTRACTIONS BY PLAINTIFFS  
FROM THE SAN BERNARDINO BASIN AREA  
FOR AVERAGE OF FIVE-YEAR PERIOD ENDING WITH 1963  
AND CALENDAR YEARS 1976 THROUGH CURRENT YEAR  
CLASSIFIED ACCORDING TO SERVICE AREA  
(all values in acre feet)

PLAINTIFFS	EXTRACTIONS FROM SAN BERNARDINO BASIN AREA FOR USE WITHIN & EXPORTS THEREFROM																											
	1982				1983				1984				1985				1986											
	Total Extractions	Deliveries, San Bernardino Basin	Deliveries Colton & Riverside Basins in San Bernardino County	Deliveries Outside San Bernardino Valley	Total Extractions	Deliveries, San Bernardino Basin	Deliveries Colton & Riverside Basins in San Bernardino County	Deliveries Outside San Bernardino Valley	Total Extractions	Deliveries, San Bernardino Basin	Deliveries Colton & Riverside Basins in San Bernardino County	Deliveries Outside San Bernardino Valley	Total Extractions	Deliveries San Bernardino Basin	Deliveries Colton & Riverside Basins in San Bernardino County	Deliveries Outside San Bernardino Valley	Total Extractions	Deliveries San Bernardino Basin	Deliveries Colton & Riverside Basins in San Bernardino County	Deliveries Outside San Bernardino Valley								
CITY OF RIVERSIDE City & Riverside Water Co. Wells	19,522	146	0	19,376	25,681	144	0	25,537	25,031	0	0	25,031	31,817	292	0	0	31,817	25,996	292	0	0	25,704	70,341	437	0	0	437	67,540
CITY OF RIVERSIDE Cage Canal Co. Wells	30,077	16	0	30,061	20,383	191	0	20,192	33,875	32	0	33,843	31,256	59	0	0	31,197	33,983	145	0	0	33,838	71,770	59	0	0	59	2,188
CITY OF RIVERSIDE SUBTOTAL	49,599	162	0	49,437	46,064	335	0	45,729	58,906	32	0	58,874	63,073	59	0	0	63,014	59,979	437	0	0	59,542	71,770	59	0	0	59	2,188
RIVERSIDE HIGHLAND WATER COMPANY	2,795	0	1,775	1,020	3,161	0	2,318	843	4,759	0	2,671	2,088	3,312	0	1,978	1,334	4,744	5,570	0	234	2,130	2,614	70,341	0	0	0	0	0
MEEKS & DALEY WATER COMPANY & AGUA MANA WATER COMPANY	3,716	0	169	3,547	2,651	0	245	2,406	5,165	0	233	4,932	5,385	0	210	5,175	5,570	5,570	0	0	0	5,336	70,341	0	0	0	0	0
UNIVERSITY OF CALIFORNIA	48	0	0	48	0	0	0	0	0	0	0	0	0	0	0	0	48	48	0	0	0	48	70,341	0	0	0	0	0
TOTAL	56,158	162	1,944	54,052	51,876	335	2,563	48,978	68,830	32	2,904	65,894	71,770	59	2,188	69,523	70,341	70,341	437	2,364	2,364	67,540	70,341	437	0	0	437	67,540

TABLE NO. 4

TOTAL EXTRACTIONS BY  
PLAINTIFFS FROM SAN BERNARDINO BASIN AREA

TABLE NO. 4

TOTAL EXTRACTIIONS BY PLAINTIFFS FROM  
SAN BERNARDINO BASIN AREA  
 (Quantities in Acre Feet)

Year	EXTRACTING PLAINTIFF					Total
	City of Riverside	Gage Canal	Riverside Highland	Meeks & Daley	Univ. of Calif.	
1959	25,983	31,805	4,745	7,282	558	70,373
1960	23,024	29,019	4,241	8,037	546	64,867
1961	24,682	30,670	5,535	9,399	658	70,944
1962	24,391	28,440	4,147	7,560	564	65,102
1963	22,379	26,999	3,326	7,854	425	60,983
Total	120,459	146,933	21,994	40,132	2,751	332,269
5-Yr. Avg.	24,092	29,387	4,399	8,026	550	66,454
1971	24,939	28,943	4,012	2,902	219	61,015
1972	20,474	25,220	4,532	3,527	239	53,992
1973	21,493	21,529	3,512	2,979	239	49,752
1974	27,420	15,947	4,088	4,504	267	52,226
1975	25,248	22,714	4,709	3,950	179	56,800
1976	22,085	29,289	4,519	5,393	245	61,531
1977	18,900	32,099	3,583	4,220	87	58,889
1978	19,055	26,329	1,350	2,254	183	49,171
1979	21,561	30,816	3,369	3,930	83	59,759
1980	18,875	31,881	3,677	2,333	7	56,773
1981	20,363	31,794	3,604	3,092	143	58,996
1982	19,522	30,077	2,795	3,716	48	56,158
1983	25,681	20,383	3,161	2,651	0	51,876
1984	25,031	33,875	4,759	5,165	0	68,830
1985	31,817	31,256	3,312	5,385	0	71,770
1986	25,996	33,983	4,744	5,570	48	70,341
1987						
1988						
1989						
1990						
1991						
1992						
1993						
1994						
1995						

TABLE NO. 5

EXTRACTIONS BY PLAINTIFFS FROM  
THE SAN BERNARDINO BASIN AREA  
FOR DELIVERIES IN SAN BERNARDINO BASIN AREA



TABLE NO. 5

EXTRACTIONS BY PLAINTIFFS FROM  
THE SAN BERNARDINO BASIN AREA FOR DELIVERIES IN  
SAN BERNARDINO BASIN AREA  
(Quantities in Acre Feet)

EXTRACTING PLAINTIFF						
Year	City of Riverside	Gage Canal	Riverside Highland	Meeks & Daley	Univ. of Calif.	Total
1959	2,369	501	0	0	0	2,870
1960	2,006	539	0	0	0	2,545
1961	0	461	0	0	0	461
1962	0	751	0	0	0	751
1963	0	683	0	0	0	683
Total	4,375	2,935	0	0	0	7,310
5-Yr. Ave.	875	587	0	0	0	1,462
1971	0	98	0	0	0	98
1972	0	85	0	0	0	85
1973	0	156	0	0	0	156
1974	0	0	0	0	0	0
1975	0	0	0	0	0	0
1976	0	0	0	0	0	0
1977	0	0	0	0	0	0
1978	0	646*	0	0	0	646
1979	0	0	0	0	0	0
1980	0	383	0	0	0	383
1981	0	724	0	0	0	724
1982	146	16	0	0	0	162**
1983	144	191	0	0	0	335
1984	0	32	0	0	0	32
1985	0	59	0	0	0	59
1986	292	145	0	0	0	437
1987						
1988						
1989						
1990						
1991						
1992						
1993						
1994						
1995						

\*Corrected during 1980 verification  
From Table No. 3  
(Same as Table 36-C, Vol. 5)

\*\*Corrected during 1983 verification

TABLE NO. 6  
EXTRACTIONS BY PLAINTIFFS FROM  
THE SAN BERNARDINO BASIN AREA  
FOR DELIVERIES IN COLTON AND  
RIVERSIDE BASINS IN SAN BERNARDINO COUNTY

TABLE NO. 6

EXTRACTIONS BY PLAINTIFFS FROM  
THE SAN BERNARDINO BASIN AREA FOR DELIVERIES IN  
COLTON & RIVERSIDE BASINS IN SAN BERNARDINO COUNTY  
 (Quantities in Acre Feet)

EXTRACTING PLAINTIFF						
Year	City of Riverside	Gage Canal	Riverside Highland	Meeks & Daley	Univ. of Calif.	Total
1959	382	1,001	2,561	295	0	4,239
1960	356	892	2,352	312	0	3,912
1961	338	1,010	3,026	363	0	4,737
1962	345	783	2,569	363	0	4,060
1963	435	758	2,037	297	0	3,527
Total	1,856	4,444	12,545	1,630	0	20,475
5-Yr. Avg.	371	889	2,509	326	0	4,095
1971	0	669	2,388	383	0	3,440
1972	0	547	2,239	377	0	3,163
1973	0	512	1,751	250	0	2,513
1974	65	485	1,985	246	0	2,781
1975	0	498	2,002	168	0	2,668
1976	0	523	2,050	182	0	2,755
1977	0	346	1,820	146	0	2,312
1978	0	301	1,051	161	0	1,513
1979	0	415	1,781	166*	0	2,362
1980	0	0	2,060	323	0	2,383
1981	0	0	2,151	358	0	2,509
1982	0	0	1,775	169	0	1,944
1983	0	0	2,318	245	0	2,563
1984	0	0	2,671	233	0	2,904
1985	0	0	1,978	210	0	2,188
1986	0	0	2,130	234	0	2,364
1987						
1988						
1989						
1990						
1991						
1992						
1993						
1994						
1995						

\*Corrected in 1981

Page 16

From Table No. 3

(Same as Table 36-D, Vol. 5)

TABLE NO. 7

EXTRACTIONS BY PLAINTIFFS FROM  
THE SAN BERNARDINO BASIN AREA FOR  
DELIVERIES OUTSIDE SAN BERNARDINO VALLEY

TABLE NO. 7

EXTRACTIONS BY PLAINTIFFS FROM  
THE SAN BERNARDINO BASIN AREA FOR DELIVERIES  
OUTSIDE SAN BERNARDINO VALLEY  
(Quantities in Acre Feet)

EXTRACTING PLAINTIFF						
Year	City of Riverside	Gage Canal	Riverside Highland	Meeks & Daley	Univ. of Calif.	Total
1959	23,232	30,303	2,184	6,987	558	63,264
1960	20,662	27,588	1,889	7,725	546	58,410
1961	24,344	29,199	2,509	9,036	658	65,746
1962	24,046	26,906	1,578	7,197	564	60,291
1963	21,944	25,558	1,289	7,557	425	56,773
Total	114,228	139,554	9,449	38,502	2,751	304,484
5-Yr. Avg.	22,846	27,911	1,890	7,700	550	60,897
1971	24,939	28,176	1,624	2,519	219	57,477
1972	20,474	24,588	2,293	3,150	239	50,744
1973	21,493	20,861	1,761	2,729	239	47,083
1974	27,355	14,462	2,103	4,258	267	49,445
1975	25,248	22,216	2,707	3,782	179	54,132
1976	22,085	28,766	2,469	5,211	245	58,776
1977	18,900	31,753	1,763	4,074	87	56,577
1978	19,055	25,382*	299	2,093	183	47,012
1979	21,561	30,401	1,588	3,764**	83	57,397
1980	18,875	31,498	1,617	2,010	7	54,007
1981	20,363	31,070	1,453	2,734	143	55,763
1982	19,376	30,061	1,020	3,547	48	54,052***
1983	25,537	20,192	843	2,406	0	48,978
1984	25,031	33,843	2,088	4,932	0	65,894
1985	31,817	31,197	1,334	5,175	0	69,523
1986	25,704	33,838	2,614	5,336	48	67,540
1987						
1988						
1989						
1990						
1991						
1992						
1993						
1994						
1995						

\* Corrected during 1980 verification

Page 17

\*\*\*Corrected during 1983 verification

\*\* Corrected during 1981 verification

From Table No. 3 (Same as Table 36-E, Vol. 5)

# VOLUME 2 - 1986

**REPORT OF WATERMASTER**

**Western Municipal Water District of Riverside County, et al**  
**Plaintiffs**

**vs.**

**East San Bernardino County Water District, et al**  
**Defendants**

**Superior Court of Riverside County**  
**Case No. 78426**

**VOLUME 2 – 1986**

**VERIFIED EXTRACTIONS FROM THE**  
**COLTON BASIN AREA**  
**FOR**  
**CALENDAR YEARS 1959–1963 & 1982–1986**

**ANNUAL ACCOUNTING**  
**FOR INDIVIDUAL WELLS**

**AUGUST 1, 1988**

**WATERMASTER**  
*Donald L. Harriger*  
*Robert L. Reiter*

REPORT OF WATERMASTER

Western Municipal Water District of Riverside County, et al  
Plaintiffs

vs.

East San Bernardino County Water District, et al  
Defendants

Superior Court of Riverside County

Case No. 78426

VOLUME 2 - 1986

VERIFIED EXTRACTIONS FROM

COLTON BASIN AREA

for

CALENDAR YEARS 1959-1963 & 1982-1986

ANNUAL ACCOUNTING

FOR INDIVIDUAL WELLS

AUGUST 1, 1988

WATERMASTER

Donald L. Harriger  
Robert L. Reiter



VOLUME 2-1986

TABLE OF CONTENTS

	<u>Page</u>
INTRODUCTION . . . . .	i
COLTON BASIN AREA, CROSS INDEX BY OWNER . . . . .	1
COLTON BASIN AREA, CROSS INDEX BY RECORDATION NUMBER . . . . .	3
COLTON BASIN AREA, CROSS INDEX BY STATE WELL NUMBER . . . . .	5
 <u>TABLE NO. 1</u>	
VERIFIED EXTRACTIONS BY OWNERS WHICH HAVE RECORDATION FILINGS WITH THE STATE WATER RESOURCES CONTROL BOARD . . . . .	7
 <u>TABLE NO. 2</u>	
VERIFIED EXTRACTIONS BY OWNERS WHICH HAVE NOT FILED WITH THE STATE WATER RESOURCES CONTROL BOARD . . . . .	9
 <u>TABLE NO. 3</u>	
SUMMARY OF VERIFIED EXTRACTIONS (FILED AND NON-FILED) FROM COLTON BASIN AREA . . . . .	10
 <u>TABLE NO. 4</u>	
GROUNDWATER EXTRACTIONS BY RIVERSIDE COUNTY ENTITIES FROM COLTON BASIN AREA FOR USE IN RIVERSIDE & SAN BERNARDINO COUNTIES DURING THE 5-YEAR BASE PERIOD 1959 THROUGH 1963 AND CALENDAR YEARS 1975 THROUGH THE CURRENT YEAR. . .	11
 <u>TABLE NO. 5</u>	
GROUNDWATER EXTRACTIONS FROM COLTON BASIN AREA BY SAN BERNARDINO COUNTY ENTITIES FOR USE IN SAN BERNARDINO COUNTY DURING THE 5-YEAR BASE PERIOD 1959 THROUGH 1963 AND CALENDAR YEARS 1971 THROUGH THE CURRENT YEAR. . .	14

VERIFIED EXTRACTIONS FROM  
THE COLTON BASIN AREA FOR  
CALENDAR YEARS 1959-1963 & 1982-1986

INTRODUCTION

The provisions of Paragraph VIII(a) and VIII(b) of the Judgment in Case No. 78426 entered April 17, 1969, entitled "Extractions from Colton Basin Area and Riverside Basin Area in San Bernardino County" provide as follows:

- VIII(a) "The average annual extractions from the Colton Basin Area and that portion of the Riverside Basin Area within San Bernardino County for use outside San Bernardino Valley for the five-year period ending with 1963 are assumed to be 3,349 acre-feet and 20,191 acre-feet, respectively, the correct figures shall be determined by the Watermaster as therein provided."
- VIII(b) "Over any five-year period, there may be extracted from each such Basin Area for use outside San Bernardino Valley, without replenishment obligation, an amount equal to five times such annual average for the Basin Area; provided, however, that if extractions in any year exceed such average by more than 20 percent, Western shall provide replenishment in the following year equal to the excess extractions over such 20 percent peaking allowance."

Compliance with these provisions of the Judgment requires that an accounting of the total actual extractions of surface and groundwater within the Colton Basin Area and the Riverside Basin Area within San Bernardino County be made annually. Included in this Volume 2-1986 is the verified account of the production from the Colton Basin Area by owners for the calendar years 1982 through 1986. The verified production for the five-year period ending with 1963 and the five-year average is also included for comparison. The five-year average production from the Colton Basin Area ending in 1963 was verified to be 11,731\* acre-feet.

\*Verified extractions corrected during the 1972 & 1973 verification.

Three indexes are included which provide a cross index by owner's name, State Water Resources Control Board Well Recordation Number, and State Well Number. Each index shows, in addition, the local designation of each well, if the State has closed the file, which year that occurred and the last 5 years of verified extractions.

Tables No. 1 and No. 2 in this report list the individual wells by the owner for each year in the five-year base period ending in 1963, the five-year base period average, the extractions for the years 1982 through 1986, the five-year average for that period and the owner's total annual verified extractions. Table No. 1 lists the wells upon which filings have been made with the State Water Resources Control Board, and Table No. 2 lists the wells upon which no filings have been made. Table No. 3 is a summary of the verified extractions, by owner, as presented in Tables No. 1 and No. 2.

Paragraph VIII(a) of the Judgment requires that only those extractions from the Colton Basin Area which are used outside San Bernardino Valley be verified for the five calendar years ending with 1963 and accounted for annually from and after January 1, 1971. Accordingly, those extractions from the Colton Basin Area by Riverside County entities for the five calendar years ending with 1963 have been determined and are set forth in Table No. 4. Such extractions averaged 3,496 acre-feet for said five-year period, of which 3,381 acre-feet were delivered outside San Bernardino Valley.

Table No. 4 also shows the extractions from the Colton Basin Area for the 1959-63 base period and 1975 through the current year.

The verified extractions from the Colton Basin Area are as follows:

<u>Year</u>	<u>Verified Extractions</u>
1975	11,083 A.F.
1976	11,558 A.F. *
1977	8,777 A.F.
1978	7,663 A.F.
1979	7,194 A.F.
1980	5,681 A.F. **
1981	6,348 A.F.
1982	6,499 A.F.
1983	4,735 A.F. ***
1984	8,987 A.F.
1985	10,149 A.F.
1986	10,035 A.F.

the verified extractions by Riverside entities for 1986 have been determined to be 2,384 acre-feet of which 1,600 acre-feet were delivered outside San Bernardino Valley as shown on Table No. 4, page 13.

Table No. 5 shows the verified extractions from the Colton Basin Area by San Bernardino County entities during the five-year base period 1959 through 1963 and the calendar years 1971 through the current year.

- \* Corrected during 1977 verification
- \*\* Corrected during 1981 verification
- \*\*\* Corrected during 1984 verification (Fontana Union)

COLTON BASIN AREA

CROSS INDEX BY OWNER

VERIFIED WELL MASTER FILE LISTING FOR BASIN RIALTO-COLTON BY OWNER NAME

WM:VXF

RUN DATE: 21 MAR 1988

OWNER.....	T P	RECORDTN NUMBER	STATE NUMBER	WELL DESIGNATION	LOCAL CLSD	YEAR	---CALENDAR YEAR EXTRACTATIONS---				
							1982	1983	1984	1985	1986
COLTON CITY OF	W	3601255	1S4W18B	9		1982	0	0	0	0	0
COLTON CITY OF	W	3601259	1S4W18G	15			586	537	667	306	668
COLTON CITY OF	W	3601261	1S4W18F	17			1030	909	811	725	507
COLTON CITY OF	W	3602849	1S4W27M01S	22						467	661
FONTANA UNION WATER COMPANY	W	3600577	1S5W05A03S	22			549	85	1216	1219	460
FONTANA UNION WATER COMPANY	W	3600578	1S5W05A02S	23		1980	0	0	0	0	0
FONTANA UNION WATER COMPANY	W	3600589	1S5W04D01S	35			243	1	26	85	29
FONTANA UNION WATER COMPANY	W	3602129	1N5W30A	36		1980	0	0	0	0	0
HAYES GEO G	W	3601141	1S4W18K01S	1		1970	0	0	0	0	0
JAMES SULLIVAN MUTUAL WATER COMPANY	W	3602356	1S4W34H	5731			15	15	15	15	15
KATZ-HOFFMAN-POLVERINI	W	3602255	1S4W27L01S			1975	0	0	0	0	0
LA SIERRA WATER CO	W	3602227	1S4W18G	15			0	236	216	150	347
LA SIERRA WATER CO	W	3602228	1S4W18F	17			582	316	287	340	103
LEDIG ALFRED H	D	3601383	1N5W18D			1959	0	0	0	0	0
MEEKS & DALEY WATER CO	W	3601510	1S4W21N01S	36			910	50	1383	1554	1575
PATTERSON JOHN A	W	3600634	1S4W17M01S	PATTERSN		1980	0	0	0	0	0
PERRY AND SONS	W	0000004	1N5W29P				0	0	0	0	0
RECHE CANYON MUTUAL WATER CO	W	3302054	2S4W11A02S	BIG WELL			62	74	70	75	78
RECHE CANYON MUTUAL WATER CO	W	3302055	2S4W11A01S	SMALL WELL			20	7	7	3	5
RECHE CANYON MUTUAL WATER CO	W	3302326	2S4W11A03S	7200			0	1	3	5	5
RIALTO CITY OF	W	3601264	1S5W03A	DUNCAN			571	535	319	226	659
RIALTO CITY OF	W	3601993	1N5W34B	HIGHLAND			348	380	1253	1130	713
RIALTO CITY OF	W	3602253	1N5W27D01S	CEDAR			74	338	494	489	800
RIALTO CITY OF	W	3602269	1S5W03N02S	FTHILL TUDOR			147	2	1	11	762
RIALTO CITY OF	W	3602271	1S5W03J01S	TUDOR		1966	0	0	0	0	0
RIALTO CITY OF	W	3602558	1N5W34M01S	AIRPORT WELL			2	24	104	13	97
RIVERSIDE CITY OF	W	3601480	1S4W21Q03S	JOHNSON 1			15	0	0	0	0
RIVERSIDE CITY OF	W	3601481	1S4W21L01S	VAUGHN 1			22	0	0	695	0
RIVERSIDE CITY OF	W	3601482	1S4W28C01S	MEEKS 1			11	0	0	0	0
RIVERSIDE CITY OF	W	3601494	1S4W21P01S	JOHNSON 2		1977	0	0	0	0	0
RIVERSIDE CITY OF	W	3601495	1S4W21Q01S	JOHNSON 3		1977	0	0	0	0	0
RIVERSIDE CITY OF	D	3601496	1S4W21P	WARM CR		1974	0	0	0	0	0
RIVERSIDE CITY OF	W	3602208	1S4W28D01S	MILL			9	0	0	0	0
RIVERSIDE HIGHLAND WATER COMPANY	W	3601525	1S4W28K01S	4		1980	0	0	0	0	0
RIVERSIDE HIGHLAND WATER COMPANY	W	3602182	1S4W28K02S	4-A			0	0	83	675	721
SEQUOIA COUNTRY CLUB	W	0000003	1S4W07C01S	EDMUNDS			0	0	0	0	0
SOUTHERN CALIFORNIA EDISON COMPANY	W	3601008	1S5W12A	1			200	200	200	200	200
SOUTHERN CALIFORNIA EDISON COMPANY	W	3601010	1S5W12A	2		1977	0	0	0	0	0
SOUTHERN CALIFORNIA EDISON COMPANY	W	3602218	1S4W29H03S	COLTON		1981	0	0	0	0	0
TAYLOR JOHN S	W	3600867	1N5W07P	TAYLOR 1		1974	0	0	0	0	0
TAYLOR JOHN S	D	3600868	1N5W07P			1974	0	0	0	0	0
VILLELLI ENTERPRISES	W	0000001	1S4W28G	4			0	0	0	0	0
VILLELLI ENTERPRISES	W	0000002	1S4W28G	#5 DOMESTIC			0	0	0	0	0
VILLELLI ENTERPRISES	W	3601548	1S4W28G01S	1		1981	0	0	0	0	0
VILLELLI ENTERPRISES	W	3601550	1S4W28A05S	3		1981	0	0	0	0	0
WEST SAN BDNO COUNTY WATER DIST	W	3600309	1S5W02C01S	PLANT NO 10		1982	0	0	0	0	0
WEST SAN BDNO COUNTY WATER DIST	W	3600311	1S5W02K01S	PLANT NO 11		1982	0	0	0	0	0
WEST SAN BDNO COUNTY WATER DIST	W	3600995	1S5W12N01S	PLANT NO 17			283	729	825	1015	339
WEST SAN BDNO COUNTY WATER DIST	W	3601001	1S5W12L01S	PLANT NO 16			505	42	492	374	941
WEST SAN BDNO COUNTY WATER DIST	W	3601689	1N5W17K01S	PLANT 21		1976	0	0	0	0	0

VERIFIED WELL MASTER FILE LISTING FOR BASIN RIALTO-COLTON BY OWNER NAME

WM:VXF

RUN DATE: 21 MAR 1988

OWNER.....	T RECORDTN P	STATE NUMBER	WELL NUMBER	LOCAL DESIGNATION	YEAR CLSD	---CALENDAR YEAR EXTRACTIONS---				
						1982	1983	1984	1985	1986
WEST SAN BDNO COUNTY WATER DIST	W	3601690	1N5W28J01S	PLANT 22		69	1	1	3	0
WEST SAN BDNO COUNTY WATER DIST	W	3601691	1N5W17G01S	PLANT NO 23	1982	0	0	0	0	0
WEST SAN BDNO COUNTY WATER DIST	W	3601931	1N5W17K02S	PLANT NO 24		246	253	514	374	350
END OF RIALTO-COLTON BASIN						6499	4735	8987	10149	10035

COLTON BASIN AREA

CROSS INDEX BY RECORDATION NUMBER



VERIFIED WELL MASTER FILE LISTING FOR BASIN RIALTO-COLTON BY RECORDATION NUMBER

WM:VXR

RUN DATE: 21 MAR 1988

RECORDTN NUMBER	STATE NUMBER	WELL OWNER.....	T LOCAL P DESIGNATION	YEAR CLSD	---CALENDAR YEAR EXTRACTIONS---				
					1982	1983	1984	1985	1986
0000001	1S4W28G	VILLELLI ENTERPRISES	W 4		0	0	0	0	0
0000002	1S4W28G	VILLELLI ENTERPRISES	W #5 DOMESTIC		0	0	0	0	0
0000003	1S4W07C01S	SEQUOIA COUNTRY CLUB	W EDMUNDS		0	0	0	0	0
0000004	1N5W29P	PERRY AND SONS	W		0	0	0	0	0
3302054	2S4W11A02S	RECHE CANYON MUTUAL WATER CO	W BIG WELL		62	74	70	75	78
3302055	2S4W11A01S	RECHE CANYON MUTUAL WATER CO	W SMALL WELL		20	7	7	3	5
3302326	2S4W11A03S	RECHE CANYON MUTUAL WATER CO	W 7200		0	1	3	5	5
3600309	1S5W02C01S	WEST SAN BDNO COUNTY WATER DIST	W PLANT NO 10	1982	0	0	0	0	0
3600311	1S5W02K01S	WEST SAN BDNO COUNTY WATER DIST	W PLANT NO 11	1982	0	0	0	0	0
3600577	1S5W05A03S	FONTANA UNION WATER COMPANY	W 22		549	85	1216	1219	460
3600578	1S5W05A02S	FONTANA UNION WATER COMPANY	W 23	1980	0	0	0	0	0
3600589	1S5W04D01S	FONTANA UNION WATER COMPANY	W 35		243	1	26	85	29
3600634	1S4W17M01S	PATTERSON JOHN A	W PATTERSN	1980	0	0	0	0	0
3600867	1N5W07P	TAYLOR JOHN S	W TAYLOR 1	1974	0	0	0	0	0
3600868	1N5W07P	TAYLOR JOHN S	D	1974	0	0	0	0	0
3600995	1S5W12N01S	WEST SAN BDNO COUNTY WATER DIST	W PLANT NO 17		283	729	825	1015	339
3601001	1S5W12L01S	WEST SAN BDNO COUNTY WATER DIST	W PLANT NO 16		505	42	492	374	941
3601008	1S5W12A	SOUTHERN CALIFORNIA EDISON COMPANY	W 1		200	200	200	200	200
3601010	1S5W12A	SOUTHERN CALIFORNIA EDISON COMPANY	W 2	1977	0	0	0	0	0
3601141	1S4W18K01S	HAYES GEO G	W 1	1970	0	0	0	0	0
3601255	1S4W18B	COLTON CITY OF	W 9	1982	0	0	0	0	0
3601259	1S4W18G	COLTON CITY OF	W 15		586	537	667	306	668
3601261	1S4W18F	COLTON CITY OF	W 17		1030	909	811	725	507
3601264	1S5W03A	RIALTO CITY OF	W DUNCAN		571	535	319	226	659
3601383	1N5W18D	LEDIG ALFRED H	D	1959	0	0	0	0	0
3601480	1S4W21Q03S	RIVERSIDE CITY OF	W JOHNSON 1		15	0	0	0	0
3601481	1S4W21L01S	RIVERSIDE CITY OF	W VAUGHN 1		22	0	0	695	0
3601482	1S4W28C01S	RIVERSIDE CITY OF	W MEEKS 1		11	0	0	0	0
3601494	1S4W21P01S	RIVERSIDE CITY OF	W JOHNSON 2	1977	0	0	0	0	0
3601495	1S4W21Q01S	RIVERSIDE CITY OF	W JOHNSON 3	1977	0	0	0	0	0
3601496	1S4W21P	RIVERSIDE CITY OF	D WARM CR	1974	0	0	0	0	0
3601510	1S4W21N01S	MEEKS & DALEY WATER CO	W 36		910	50	1383	1554	1575
3601525	1S4W28K01S	RIVERSIDE HIGHLAND WATER COMPANY	W 4	1980	0	0	0	0	0
3601548	1S4W28G01S	VILLELLI ENTERPRISES	W 1	1981	0	0	0	0	0
3601550	1S4W28A05S	VILLELLI ENTERPRISES	W 3	1981	0	0	0	0	0
3601689	1N5W17K01S	WEST SAN BDNO COUNTY WATER DIST	W PLANT 21	1976	0	0	0	0	0
3601690	1N5W28J01S	WEST SAN BDNO COUNTY WATER DIST	W PLANT 22		69	1	1	3	0
3601691	1N5W17G01S	WEST SAN BDNO COUNTY WATER DIST	W PLANT NO 23	1982	0	0	0	0	0
3601931	1N5W17K02S	WEST SAN BDNO COUNTY WATER DIST	W PLANT NO 24		246	253	514	374	350
3601993	1N5W34B	RIALTO CITY OF	W HIGHLAND		348	380	1253	1130	713
3602129	1N5W30A	FONTANA UNION WATER COMPANY	W 36	1980	0	0	0	0	0
3602182	1S4W28K02S	RIVERSIDE HIGHLAND WATER COMPANY	W 4-A		0	0	83	675	721
3602208	1S4W28D01S	RIVERSIDE CITY OF	W MILL		9	0	0	0	0
3602218	1S4W29H03S	SOUTHERN CALIFORNIA EDISON COMPANY	W COLTON	1981	0	0	0	0	0
3602227	1S4W18G	LA SIERRA WATER CO	W 15		0	236	216	150	347
3602228	1S4W18F	LA SIERRA WATER CO	W 17		582	316	287	340	103
3602253	1N5W27D01S	RIALTO CITY OF	W CEDAR		74	338	494	489	800
3602255	1S4W27L01S	KATZ-HOFFMAN-POLVERINI	W	1975	0	0	0	0	0
3602269	1S5W03N02S	RIALTO CITY OF	W FTHILL TUDOR		147	2	1	11	762
3602271	1S5W03J01S	RIALTO CITY OF	W TUDOR	1966	0	0	0	0	0

VERIFIED WELL MASTER FILE LISTING FOR BASIN RIALTO-COLTON BY RECORDATION NUMBER

WM:VXR

RUN DATE: 21 MAR 1988

RECORDTN NUMBER	STATE NUMBER	WELL OWNER.....	T LOCAL P DESIGNATION	YEAR CLSD	---CALENDAR YEAR EXTRACTIONS---				
					1982	1983	1984	1985	1986
3602356	1S4W34H	JAMES SULLIVAN MUTUAL WATER COMPANY	W 5731		15	15	15	15	15
3602558	1N5W34M01S	RIALTO CITY OF	W AIRPORT WELL		2	24	104	13	97
3602849	1S4W27M01S	COLTON CITY OF	W 22					467	661
END OF RIALTO-COLTON BASIN					6499	4735	8987	10149	10035

COLTON BASIN AREA

CROSS INDEX BY STATE WELL NUMBER

VERIFIED WELL MASTER FILE LISTING FOR BASIN RIALTO-COLTON BY STATE WELL #

WM:VXF

RUN DATE: 21 MAR 1988

STATE WELL NUMBER	RECORDTN NUMBER	OWNER.....	T LOCAL P DESIGNATION	YEAR CLSD	---CALENDAR YEAR EXTRACTIONS---				
					1982	1983	1984	1985	1986
1N5W07P	3600867	TAYLOR JOHN S	W TAYLOR 1	1974	0	0	0	0	0
1N5W07P	3600868	TAYLOR JOHN S	D	1974	0	0	0	0	0
1N5W17G01S	3601691	WEST SAN BDNO COUNTY WATER DIST	W PLANT NO 23	1982	0	0	0	0	0
1N5W17K01S	3601689	WEST SAN BDNO COUNTY WATER DIST	W PLANT 21	1976	0	0	0	0	0
1N5W17K02S	3601931	WEST SAN BDNO COUNTY WATER DIST	W PLANT NO 24		246	253	514	374	350
1N5W18D	3601383	LEDIG ALFRED H	D	1959	0	0	0	0	0
1N5W27D01S	3602253	RIALTO CITY OF	W CEDAR		74	338	494	489	800
1N5W28J01S	3601690	WEST SAN BDNO COUNTY WATER DIST	W PLANT 22		69	1	1	3	0
1N5W29P	0000004	PERRY AND SONS	W		0	0	0	0	0
1N5W30A	3602129	FONTANA UNION WATER COMPANY	W 36	1980	0	0	0	0	0
1N5W34B	3601993	RIALTO CITY OF	W HIGHLAND		348	380	1253	1130	713
1N5W34M01S	3602558	RIALTO CITY OF	W AIRPORT WELL		2	24	104	13	97
1S4W07C01S	0000003	SEQUOIA COUNTRY CLUB	W EDMUNDS		0	0	0	0	0
1S4W17M01S	3600634	PATTERSON JOHN A	W PATTERSN	1980	0	0	0	0	0
1S4W18B	3601255	COLTON CITY OF	W 9	1982	0	0	0	0	0
1S4W18F	3601261	COLTON CITY OF	W 17		1030	909	811	725	507
1S4W18F	3602228	LA SIERRA WATER CO	W 17		582	316	287	340	103
1S4W18G	3601259	COLTON CITY OF	W 15		586	537	667	306	668
1S4W18G	3602227	LA SIERRA WATER CO	W 15		0	236	216	150	347
1S4W18K01S	3601141	HAYES GEO G	W 1	1970	0	0	0	0	0
1S4W21L01S	3601481	RIVERSIDE CITY OF	W VAUGHN 1		22	0	0	695	0
1S4W21N01S	3601510	MEEKS & DALEY WATER CO	W 36		910	50	1383	1554	1575
1S4W21P	3601496	RIVERSIDE CITY OF	D WARM CR	1974	0	0	0	0	0
1S4W21P01S	3601494	RIVERSIDE CITY OF	W JOHNSON 2	1977	0	0	0	0	0
1S4W21Q01S	3601495	RIVERSIDE CITY OF	W JOHNSON 3	1977	0	0	0	0	0
1S4W21Q03S	3601480	RIVERSIDE CITY OF	W JOHNSON 1		15	0	0	0	0
1S4W27L01S	3602255	KATZ-HOFFMAN-POLVERINI	W	1975	0	0	0	0	0
1S4W27M01S	3602849	COLTON CITY OF	W 22					467	661
1S4W28A05S	3601550	VILLELLI ENTERPRISES	W 3	1981	0	0	0	0	0
1S4W28C01S	3601482	RIVERSIDE CITY OF	W MEEKS 1		11	0	0	0	0
1S4W28D01S	3602208	RIVERSIDE CITY OF	W MILL		9	0	0	0	0
1S4W28G	0000001	VILLELLI ENTERPRISES	W 4		0	0	0	0	0
1S4W28G	0000002	VILLELLI ENTERPRISES	W #5 DOMESTIC		0	0	0	0	0
1S4W28G01S	3601548	VILLELLI ENTERPRISES	W 1	1981	0	0	0	0	0
1S4W28K01S	3601525	RIVERSIDE HIGHLAND WATER COMPANY	W 4	1980	0	0	0	0	0
1S4W28K02S	3602182	RIVERSIDE HIGHLAND WATER COMPANY	W 4-A		0	0	83	675	721
1S4W29H03S	3602218	SOUTHERN CALIFORNIA EDISON COMPANY	W COLTON	1981	0	0	0	0	0
1S4W34H	3602356	JAMES SULLIVAN MUTUAL WATER COMPANY	W 5731		15	15	15	15	15
1S5W02C01S	3600309	WEST SAN BDNO COUNTY WATER DIST	W PLANT NO 10	1982	0	0	0	0	0
1S5W02K01S	3600311	WEST SAN BDNO COUNTY WATER DIST	W PLANT NO 11	1982	0	0	0	0	0
1S5W03A	3601264	RIALTO CITY OF	W DUNCAN		571	535	319	226	659
1S5W03J01S	3602271	RIALTO CITY OF	W TUDOR	1966	0	0	0	0	0
1S5W03N02S	3602269	RIALTO CITY OF	W FTHILL TUDOR		147	2	1	11	762
1S5W04D01S	3600589	FONTANA UNION WATER COMPANY	W 35		243	1	26	85	29
1S5W05A02S	3600578	FONTANA UNION WATER COMPANY	W 23	1980	0	0	0	0	0
1S5W05A03S	3600577	FONTANA UNION WATER COMPANY	W 22		549	85	1216	1219	460
1S5W12A	3601008	SOUTHERN CALIFORNIA EDISON COMPANY	W 1		200	200	200	200	200
1S5W12A	3601010	SOUTHERN CALIFORNIA EDISON COMPANY	W 2	1977	0	0	0	0	0
1S5W12L01S	3601001	WEST SAN BDNO COUNTY WATER DIST	W PLANT NO 16		505	42	492	374	941
1S5W12N01S	3600995	WEST SAN BDNO COUNTY WATER DIST	W PLANT NO 17		283	729	825	1015	339

VERIFIED WELL MASTER FILE LISTING FOR BASIN RIALTO-COLTON BY STATE WELL #

WM:VXF

RUN DATE: 21 MAR 1988

STATE WELL NUMBER	RECORDTN NUMBER	OWNER.....	T LOCAL P DESIGNATION	YEAR CLSD	---CALENDAR YEAR EXTRACTIONS----				
					1982	1983	1984	1985	1986
2S4W11A01S	3302055	RECHE CANYON MUTUAL WATER CO	W SMALL WELL		20	7	7	3	5
2S4W11A02S	3302054	RECHE CANYON MUTUAL WATER CO	W BIG WELL		62	74	70	75	78
2S4W11A03S	3302326	RECHE CANYON MUTUAL WATER CO	W 7200		0	1	3	5	5
END OF RIALTO-COLTON BASIN					6499	4735	8987	10149	10035

TABLE NO. 1

VERIFIED EXTRACTIONS BY OWNERS WHICH HAVE  
RECORDATION FILINGS WITH THE STATE WATER  
RESOURCES CONTROL BOARD

TABLE NO. 1  
 VERIFIED EXTRACTIONS BY OWNERS WHICH HAVE FILINGS WITH THE STATE WATER RESOURCES CONTROL BOARD  
 FOR RIALTO-COLTON BASIN

13:03:22 21 MAR 1988

RECORD NUMBER	DTN STATE NUMBER	WELL WELL TYPE	-----BASE YEARS-----					-----CURRENT YEARS-----						
			1959	1960	1961	1962	1963	1959-63 AVERAGE	1982	1983	1984	1985	1986	1982-86 AVERAGE
3601255	1S4W18B	W	101	101	106	135	103	109	0	0	0	0	0	0
3601261	1S4W18F	W	761	880	752	394	474	652	1030	909	811	725	507	796
3601259	1S4W18G	W	1064	781	787	377	455	693	586	537	667	306	668	553
3602849	1S4W27M01S	W						0				467	661	226
COLTON	CITY OF		1926	1762	1645	906	1032	1454	1616	1446	1478	1498	1836	1575
3602129	1N5W30A	W	31	31	31	31	31	31	0	0	0	0	0	0
3600589	1S5W04D01S	W	437	621	227	407	449	428	243	1	26	85	29	77
3600578	1S5W05A02S	W	0	0	429	0	0	86	0	0	0	0	0	0
3600577	1S5W05A03S	W	0	132	546	0	400	216	549	85	1216	1219	460	706
FONTANA	UNION WATER COMPANY		468	784	1233	438	880	761	792	86	1242	1304	489	783
3601141	1S4W18K01S	W	0	0	0	0	0	0	0	0	0	0	0	0
HAYES	GEO G		0	0	0	0	0	0	0	0	0	0	0	0
3602356	1S4W34H	W	22	24	12	13	14	17	15	15	15	15	15	15
JAMES	SULLIVAN MUTUAL WATER CO22			24	12	13	14	17	15	15	15	15	15	15
3602255	1S4W27L01S	W	283	283	283	283	0	226	0	0	0	0	0	0
KATZ-HOFFMAN-POLVERINI			283	283	283	283	0	226	0	0	0	0	0	0
3602228	1S4W18F	W	0	0	0	0	0	0	582	316	287	340	103	326
3602227	1S4W18G	W	0	0	0	0	0	0	0	236	216	150	347	190
LA SIERRA	WATER CO		0	0	0	0	0	0	582	552	503	490	450	516
3601383	1N5W18D	D	0	0	0	0	0	0	0	0	0	0	0	0
LEDIG	ALFRED H		0	0	0	0	0	0	0	0	0	0	0	0
3601510	1S4W21N01S	W	2168	23	465	1185	339	836	910	50	1383	1554	1575	1094
MEEKS & DALEY	WATER CO		2168	23	465	1185	339	836	910	50	1383	1554	1575	1094
3600634	1S4W17M01S	W	137	0	0	0	0	27	0	0	0	0	0	0
PATTERSON	JOHN A		137	0	0	0	0	27	0	0	0	0	0	0
3302055	2S4W11A01S	W						0	20	7	7	3	5	8
3302054	2S4W11A02S	W						0	62	74	70	75	78	72
3302326	2S4W11A03S	W						0	0	1	3	5	5	3
RECHE	CANYON MUTUAL WATER CO		0	0	0	0	0	0	82	82	80	83	88	83
3602253	1N5W27D01S	W	0	0	0	0	0	0	74	338	494	489	800	439
3601993	1N5W34B	W	0	0	0	723	600	265	348	380	1253	1130	713	765
3602558	1N5W34M01S	W						0	2	24	104	13	97	48
3601264	1S5W03A	W	987	808	1372	754	994	983	571	535	319	226	659	462
3602271	1S5W03J01S	W	160	160	160	160	160	160	0	0	0	0	0	0
3602269	1S5W03N02S	W	0	275	342	236	385	248	147	2	1	11	762	185
RIALTO	CITY OF		1147	1243	1874	1873	2139	1656	1142	1279	2171	1869	3031	1899
3601481	1S4W21L01S	W	39	135	1378	498	593	529	22	0	0	695	0	143
3601496	1S4W21P	D	0	0	0	0	0	0	0	0	0	0	0	0

TABLE NO. 1  
 VERIFIED EXTRACTATIONS BY OWNERS WHICH HAVE FILINGS WITH THE STATE WATER RESOURCES CONTROL BOARD  
 FOR RIALTO-COLTON BASIN

13:03:27 21 MAR 1988

RECORD#	STATE WELL NUMBER	WELL TYPE	-----BASE YEARS-----					-----CURRENT YEARS-----						
			1959	1960	1961	1962	1963	1959-63 AVERAGE	1982	1983	1984	1985	1986	1982-86 AVERAGE
3601494	1S4W21P01S	W	0	0	0	0	0	0	0	0	0	0	0	0
3601495	1S4W21Q01S	W	0	0	0	0	0	0	0	0	0	0	0	0
3601480	1S4W21Q03S	W	2183	1569	1569	963	789	1415	15	0	0	0	0	3
3601482	1S4W28C01S	W	649	461	539	374	425	490	11	0	0	0	0	2
3602208	1S4W28D01S	W	0	0	0	0	0	0	9	0	0	0	0	2
RIVERSIDE CITY OF			2871	2165	3486	1835	1807	2434	57	0	0	695	0	150
3601525	1S4W28K01S	W	211	126	357	280	163	227	0	0	0	0	0	0
3602182	1S4W28K02S	W	0	0	0	0	0	0	0	83	675	721	296	
RIVERSIDE HIGHLAND WATER COMP	211		126	357	280	163	227	0	0	83	675	721	296	
3602218	1S4W29H03S	W	8	8	7	8	8	8	0	0	0	0	0	0
3601008	1S5W12A	W	199	200	215	200	200	203	200	200	200	200	200	200
3601010	1S5W12A	W	0	0	0	0	0	0	0	0	0	0	0	0
SOUTHERN CALIFORNIA EDISON	CO207		208	222	208	208	211	200	200	200	200	200	200	200
3600867	1N5W07P	W	0	0	0	0	0	0	0	0	0	0	0	0
3600868	1N5W07P	D	0	0	0	0	0	0	0	0	0	0	0	0
TAYLOR JOHN S			0	0	0	0	0	0	0	0	0	0	0	0
3601550	1S4W28A05S	W	193	147	172	75	2	118	0	0	0	0	0	0
3601548	1S4W28G01S	W	246	171	209	105	41	154	0	0	0	0	0	0
VILLELLI ENTERPRISES			439	318	381	180	43	272	0	0	0	0	0	0
3601691	1N5W17G01S	W	116	43	15	54	15	49	0	0	0	0	0	0
3601689	1N5W17K01S	W	3	0	0	1	0	1	0	0	0	0	0	0
3601931	1N5W17K02S	W	0	84	115	95	132	85	246	253	514	374	350	347
3601690	1N5W28J01S	W	0	0	0	0	0	0	69	1	1	3	0	15
3600309	1S5W02C01S	W	1222	1032	837	763	825	936	0	0	0	0	0	0
3600311	1S5W02K01S	W	0	1096	1123	563	1042	765	0	0	0	0	0	0
3601001	1S5W12L01S	W	1418	1145	1453	1089	627	1146	505	42	492	374	941	471
3600995	1S5W12N01S	W	476	795	630	475	128	501	283	729	825	1015	339	638
WEST SAN BDNO COUNTY WATER	3235		4195	4173	3040	2769	3483	1103	1025	1832	1766	1630	1471	
TTL RIALTO-COLTON BASIN			13114	11131	14131	10241	9394	11604	6499	4735	8987	10149	10035	8082



TABLE NO. 2

VERIFIED EXTRACTIONS BY OWNERS WHICH HAVE  
NOT FILED WITH THE STATE WATER RESOURCES  
CONTROL BOARD

TABLE NO. 2  
 VERIFIED EXTRACTIONS BY OWNERS WHICH HAVE NOT FILED WITH THE STATE WATER RESOURCES CONTROL BOARD  
 FOR RIALTO-COLTON BASIN

(wm:vc)

13:04:40 21 MAR 1988

RECORD NUMBER	STATE NUMBER	WELL TYPE	-----BASE YEARS-----					-----CURRENT YEARS-----						
			1959	1960	1961	1962	1963	1959-63 AVERAGE	1982	1983	1984	1985	1986	1982-86 AVERAGE
0000004	1N5W29P	W	0	0	0	0	0	0	0	0	0	0	0	0
PERRY AND SONS			0	0	0	0	0	0	0	0	0	0	0	0
0000003	1S4W07C01S	W	0	0	215	215	215	129	0	0	0	0	0	0
SEQUOIA COUNTRY CLUB			0	0	215	215	215	129	0	0	0	0	0	0
0000001	1S4W28G	W	0	0	0	0	0	0	0	0	0	0	0	0
0000002	1S4W28G	W	0	0	0	0	0	0	0	0	0	0	0	0
VILLELLI ENTERPRISES			0	0	0	0	0	0	0	0	0	0	0	0
TTL RIALTO-COLTON BASIN			0	0	215	215	215	129	0	0	0	0	0	0

TABLE NO. 3

SUMMARY OF VERIFIED EXTRACTIONS  
(FILED AND NON-FILED)  
FROM COLTON BASIN AREA

TABLE NO. 3  
SUMMARY OF VERIFIED EXTRACTIONS (FILED AND NON-FILED) FOR RIALTO-COLTON

13:04:53 21 MAR 1988

	-----BASE YEARS-----						-----CURRENT YEARS-----					
	1959	1960	1961	1962	1963	1959-63 AVERAGE	1982	1983	1984	1985	1986	1982-86 AVERAGE
COLTON CITY OF	1926	1762	1645	906	1032	1454	1616	1446	1478	1498	1836	1575
FONTANA UNION WATER COMPANY	468	784	1233	438	880	761	792	86	1242	1304	489	783
HAYES GEO G	0	0	0	0	0	0	0	0	0	0	0	0
JAMES SULLIVAN MUTUAL WATER CO	22	24	12	13	14	17	15	15	15	15	15	15
KATZ-HOFFMAN-POLVERINI	283	283	283	283	0	226	0	0	0	0	0	0
LA SIERRA WATER CO	0	0	0	0	0	0	582	552	503	490	450	516
LEDIG ALFRED H	0	0	0	0	0	0	0	0	0	0	0	0
MEEKS & DALEY WATER CO	2168	23	465	1185	339	836	910	50	1383	1554	1575	1094
PATTERSON JOHN A	137	0	0	0	0	27	0	0	0	0	0	0
PERRY AND SONS	0	0	0	0	0	0	0	0	0	0	0	0
RECHE CANYON MUTUAL WATER CO	0	0	0	0	0	0	82	82	80	83	88	83
RIALTO CITY OF	1147	1243	1874	1873	2139	1656	1142	1279	2171	1869	3031	1899
RIVERSIDE CITY OF	2871	2165	3486	1835	1807	2434	57	0	0	695	0	150
RIVERSIDE HIGHLAND WATER COMPA	211	126	357	280	163	227	0	0	83	675	721	296
SEQUOIA COUNTRY CLUB	0	0	215	215	215	129	0	0	0	0	0	0
SOUTHERN CALIFORNIA EDISON COM	207	208	222	208	208	211	200	200	200	200	200	200
TAYLOR JOHN S	0	0	0	0	0	0	0	0	0	0	0	0
VILLELLI ENTERPRISES	439	318	381	180	43	272	0	0	0	0	0	0
WEST SAN BDNO COUNTY WATER DI	3235	4195	4173	3040	2769	3483	1103	1025	1832	1766	1630	1471
TTL RIALTO-COLTON BASIN	13114	11131	14346	10456	9609	11733	6499	4735	8987	10149	10035	8082

TABLE NO. 4

GROUNDWATER EXTRACTIONS BY RIVERSIDE COUNTY  
ENTITIES FROM COLTON BASIN AREA FOR USE IN  
RIVERSIDE & SAN BERNARDINO COUNTIES DURING  
THE 5-YEAR BASE PERIOD 1959 THROUGH 1963  
AND CALENDAR YEARS 1975 THROUGH THE  
CURRENT YEAR

TABLE NO. 4

GROUNDWATER EXTRactions BY RIVERSIDE COUNTY ENTITIES FROM COLTON BASIN AREA  
 FOR USE IN RIVERSIDE AND SAN BERNARDINO COUNTIES DURING THE  
 5-YEAR BASE PERIOD 1959 THROUGH 1963 AND CALENDAR YEARS 1975 THROUGH THE CURRENT YEAR  
 (ALL VALUES IN ACRE FEET)

Riverside Entities	EXTRactions FROM COLTON BASIN AREA FOR USE WITHIN & EXPORT THEREFROM																	
	1959			1960			1961			1962			1963			5-Year Avg.		
	Total Extractions	Delivery Within San Bernardino Co.	Delivery Within Riverside Co.	Total Extractions	Delivery Within San Bernardino Co.	Delivery Within Riverside Co.	Total Extractions	Delivery Within San Bernardino Co.	Delivery Within Riverside Co.	Total Extractions	Delivery Within San Bernardino Co.	Delivery Within Riverside Co.	Total Extractions	Delivery Within San Bernardino Co.	Delivery Within Riverside Co.	Total Extractions	Delivery Within San Bernardino Co.	Delivery Within Riverside Co.
City of Riverside Dom. & Irrig.	2,871	41	2,830	2,165	28	2,137	3,486	0	3,486	1,835	0	1,835	1,807	7	1,800	2,433	15	2,418
Weeks & Daley Water Company	2,168	88	2,080	465	18	447	465	18	447	1,185	57	1,128	339	13	326	836	35	801
Riverside Highland Water Company	711	50	161	357	107	250	357	107	250	280	96	184	163	47	116	227	65	162
TOTAL	5,750	179	5,071	4,308	125	4,183	4,308	125	4,183	3,300	153	3,147	2,309	67	2,242	3,496	115	3,381

See Volume 5, Distribution of Extractions, Chapter II, Table No. 37.

TABLE NO. 4

GROUNDWATER EXTRactions BY RIVERSIDE COUNTY ENTITIES FROM COLTON BASIN AREA FOR USE IN RIVERSIDE & SAN BERNARDINO COUNTIES DURING THE 5-YEAR BASE PERIOD 1959 THROUGH 1963 AND CALENDAR YEARS 1975 THROUGH THE CURRENT YEAR

(All Quantities in Acre Feet)

Riverside County Entities	EXTRactions FROM COLTON BASIN AREA FOR USE WITHIN & EXPORT THEREFROM																	
	1975			1976			1977			1978			1979			1980		
	Total Extractions	Delivery Within San Bernardino Co	Delivery Within Riverside Co	Total Extractions	Delivery Within San Bernardino Co	Delivery Within Riverside Co	Total Extractions	Delivery Within San Bernardino Co	Delivery Within Riverside Co	Total Extractions	Delivery Within San Bernardino Co	Delivery Within Riverside Co	Total Extractions	Delivery Within San Bernardino Co	Delivery Within Riverside Co	Total Extractions	Delivery Within San Bernardino Co	Delivery Within Riverside Co
City of Riverside Dom. & Irrig.	2,545	0	2,545	853	0	853	295	0	295	464	0	464	5	0	5	0	0	0
Neeks & Daley Water Company	1,350	98	1,252	1,860	105	1,755	2,018	125	1,893	422	78	344	1,698	104	1,594	0	0	0
Riverside Highland Water Company	300	291	9	170	165	5	332	322	10	270	260	10	191	184	7	0	0	0
Feeche Canyon Mutual Water Company	67	0	67	70	0	70	71	0	71	77	0	77	76	0	76	71	0	71
<b>TOTAL</b>	<b>4,262</b>	<b>389</b>	<b>3,873</b>	<b>2,953</b>	<b>270</b>	<b>2,683</b>	<b>2,716</b>	<b>447</b>	<b>2,269</b>	<b>1,233</b>	<b>338</b>	<b>895</b>	<b>1,970</b>	<b>288</b>	<b>1,682</b>	<b>71</b>	<b>0</b>	<b>71</b>

See Report of Watermaster, Volume 5, Distribution of Extractions, Chapter II, Table No. 37.

TABLE NO. 4

GROUNDWATER EXTRactions BY RIVERSIDE COUNTY ENTITIES FROM COLTON BASIN AREA FOR USE IN RIVERSIDE & SAN BERNARDINO COUNTIES DURING THE 5-YEAR BASE PERIOD 1959 THROUGH 1963 AND CALENDAR YEARS 1975 THROUGH THE CURRENT YEAR

(All Quantities In Acre Feet)

Riverside County Entities	EXTRactions FROM COLTON BASIN AREA FOR USE WITHIN & EXPORT THEREFROM																	
	1981			1982			1983			1984			1985			1986		
	Total Extractions	Delivery Within San Bernardino Co.	Delivery Within Riverside Co.	Total Extractions	Delivery Within San Bernardino Co.	Delivery Within Riverside Co.	Total Extractions	Delivery Within San Bernardino Co.	Delivery Within Riverside Co.	Total Extractions	Delivery Within San Bernardino Co.	Delivery Within Riverside Co.	Total Extractions	Delivery Within San Bernardino Co.	Delivery Within Riverside Co.	Total Extractions	Delivery Within San Bernardino Co.	Delivery Within Riverside Co.
City of Riverside Dom. & Irrig.	77	0	77	57	0	57	0	0	0	0	0	0	0	0	0	0	0	0
Meeks & Daley Water Company	0	0	0	910	68	842	50	37	13	1,383	126	1,257	1,554	112	1,442	1,575	93	1,482
Riverside Highland Water Company	0	0	0	0	0	0	0	0	0	83	80	3	675	651	24	721	691	30
Reche Canyon Mutual Water Company	96	0	96	82	0	82	82	0	82	80	0	80	83	0	83	88	0	88
<b>TOTAL</b>	<b>173</b>	<b>0</b>	<b>173</b>	<b>1049</b>	<b>68</b>	<b>981</b>	<b>132</b>	<b>37</b>	<b>95</b>	<b>1,546</b>	<b>206</b>	<b>1,340</b>	<b>3,007</b>	<b>763</b>	<b>2,244</b>	<b>2,384</b>	<b>784</b>	<b>1,600</b>

See Report of Watermaster, Volume 5, Distribution of Extractions, Chapter II, Table No. 37. (Same as Vol. 5, Table No. 39A)



TABLE NO. 5

GROUNDWATER EXTRACTIONS FROM COLTON BASIN AREA  
BY SAN BERNARDINO COUNTY ENTITIES FOR USE IN  
SAN BERNARDINO COUNTY DURING THE 5-YEAR BASE PERIOD  
1959 THROUGH 1963 AND CALENDAR YEARS 1971 THROUGH THE  
CURRENT YEAR

TABLE NO. 5

GROUNDWATER EXTRACTIONS FROM COLTON BASIN AREA BY SAN BERNARDINO COUNTY ENTITIES  
FOR USE IN SAN BERNARDINO COUNTY DURING THE 5-YEAR BASE PERIOD 1959 THROUGH 1963 AND  
CALENDAR YEARS 1971 THROUGH THE CURRENT YEAR

(All Quantities in Acre Feet)

Calendar Year	Verified Extractions from Colton Basin Area <sup>o</sup>		
	Total from Basin (1)	by Riverside County Entities (2)	by San Bernardino County Entities (3) = (1) - (2)
1959	13,114	5,250	7,864
1960	11,131	2,314	8,817
1961	14,346	4,308	10,038
1962	10,456	3,300	7,156
1963	9,609	2,309	7,300
TOTAL 5-Year Avg.	11,731	3,496	8,235
1971	11,388	3,025	8,363
1972	10,414	2,882	7,532
1973	7,844	862	6,982
1974	8,906	1,737	7,169
1975	11,083	4,262	6,821
1976	11,558*	2,953	8,605
1977	8,777	2,716	6,061
1978	7,663	1,233	6,430
1979	7,194	1,970	5,224
1980	5,681**	71	5,610
1981	6,348	173	6,175
1982	6,499	1,049	5,450
1983	4,735***	132	4,603***
1984	8,987	1,546	7,441
1985	10,149	3,007	7,142
1986	10,035	2,384	7,651
1987			
1988			
1989			
1990			

\* Corrected during 1977 Verification  
 \*\* Corrected during 1981 Verification  
 \*\*\* Corrected during 1984 Verification

<sup>o</sup>From Table 39, Vol. 5  
 From: (1) Table 3  
 (2) Total Extractions, Table 4

# VOLUME 3 - 1986

**REPORT OF WATERMASTER**

**Western Municipal Water District of Riverside County, et al**

**Plaintiffs**

**vs.**

**East San Bernardino County Water District, et al**

**Defendants**

**Superior Court of Riverside County**

**Case No. 78426**

**VOLUME 3 - 1986**

**VERIFIED EXTRACTIONS FROM THE  
RIVERSIDE BASIN AREA WITHIN  
SAN BERNARDINO COUNTY  
FOR  
CALENDAR YEARS 1959-1963 & 1982-1986**

**ANNUAL ACCOUNTING  
FOR INDIVIDUAL WELLS**

**AUGUST 1, 1988**

**WATERMASTER**

*Donald L. Harriger  
Robert L. Reiter*

REPORT OF WATERMASTER

Western Municipal Water District of Riverside County, et al  
Plaintiffs

vs.

East San Bernardino County Water District, et al  
Defendants

Superior Court of Riverside County

Case No. 78426

VOLUME 3-1986

VERIFIED EXTRACTIONS FROM THE  
RIVERSIDE BASIN AREA WITHIN  
SAN BERNARDINO COUNTY  
FOR  
CALENDAR YEARS 1959-1963 & 1982-1986

ANNUAL ACCOUNTING  
FOR INDIVIDUAL WELLS

AUGUST 1, 1988

WATERMASTER

Donald L. Harriger  
Robert L. Reiter

VOLUME 3-1986

TABLE OF CONTENTS

	<u>Page</u>
INTRODUCTION . . . . .	i
RIVERSIDE BASIN AREA IN SAN BERNARDINO COUNTY CROSS INDEX BY OWNER . . . . .	1
RIVERSIDE BASIN AREA IN SAN BERNARDINO COUNTY CROSS INDEX BY RECORDATION NUMBER . . . . .	4
RIVERSIDE BASIN AREA IN SAN BERNARDINO COUNTY CROSS INDEX BY STATE WELL NUMBER . . . . .	7
<u>TABLE NO. 1</u>	
VERIFIED EXTRACTIONS BY OWNERS WHICH HAVE RECORDATION FILINGS WITH THE STATE WATER RESOURCES CONTROL BOARD . . . . .	10
<u>TABLE NO. 2</u>	
VERIFIED EXTRACTIONS BY OWNERS WHICH HAVE NOT FILED WITH THE STATE WATER RESOURCES CONTROL BOARD . . . . .	14
<u>TABLE NO. 3</u>	
SUMMARY OF VERIFIED EXTRACTIONS (FILED AND NON-FILED) FROM RIVERSIDE BASIN AREA WITHIN SAN BERNARDINO COUNTY . . . . .	15
<u>TABLE NO. 4</u>	
GROUNDWATER PRODUCTION FROM THAT PART OF THE RIVERSIDE GROUNDWATER BASIN SITUATED WITHIN SAN BERNARDINO COUNTY BY RIVERSIDE COUNTY ENTITIES, A PART OF WHICH IS USED IN SAN BERNARDINO COUNTY AND THE REMAINDER EXPORTED TO RIVERSIDE COUNTY DURING THE 5-YEAR BASE PERIOD ENDING IN 1963 AND FOR FOLLOWING CALENDAR YEARS 1975 THROUGH THE CURRENT YEAR . . . . .	16
<u>TABLE NO. 5</u>	
GROUNDWATER PRODUCTION FROM THAT PART OF THE RIVERSIDE GROUNDWATER BASIN SITUATED WITHIN SAN BERNARDINO COUNTY BY SAN BERNARDINO COUNTY ENTITIES FOR USE IN SAN BERNARDINO COUNTY DURING THE 5-YEAR BASE PERIOD ENDING IN 1963 AND FOR FOLLOWING CALENDAR YEARS 1971 THROUGH THE CURRENT YEAR . . . . .	19

VOLUME 3-1986

VERIFIED EXTRACTIONS FROM  
THE RIVERSIDE BASIN AREA  
WITHIN SAN BERNARDINO COUNTY FOR  
CALENDAR YEAR 1959-1963 & 1982-1986

INTRODUCTION

The provisions of Paragraphs VIII(a) and VIII(b) of the Judgment in Case No. 78426 entered April 17, 1969, entitled "Extractions from Colton Basin Area and Riverside Basin Area in San Bernardino County" provide as follows:

VIII(a) "The average annual extractions from the Colton Basin Area and that portion of the Riverside Basin Area within San Bernardino County, for use outside San Bernardino Valley, for the five-year period ending with 1963 are assumed to be 3,349 acre-feet and 20,191 acre-feet, respectively; the correct figures shall be determined by the Watermaster as herein provided.

VIII(b) "Over any five-year period, there may be extracted from over such Basin Area and for use outside San Bernardino Valley, without replenishment obligation, an amount equal to five times such annual average for the Basin Area; provided, however, that if extractions in any year exceed such average by more than 20 percent, Western shall provide replenishment in the following year equal to the excess extractions over such 20 percent peaking allowance."

Compliance with these provisions of the Judgment requires that an accounting of the total actual extractions of surface and groundwater from the Colton Basin Area and the Riverside Basin Area within San Bernardino County be made annually. Included in this Volume 3-1986 is the verified accounting of the production from the Riverside Basin Area in San Bernardino County by owners for the calendar years 1982 through 1986 and the five-year average for that period. The verified production for the five-year period ending with 1963 and the five-year average is also included for comparison.

The five-year average production from the Riverside Basin Area within San Bernardino County ending in 1963 was verified to be 33,729 acre-feet.

Three indexes are included which provide a cross index by owner's name, State Water Resources Control Board Well Recordation number, and State Well Number. Each index shows, in addition, the local designation of each well, if the State has closed the file, which year that occurred and the last 5 years verified extractions.

Tables No. 1 and No. 2 in this report list the individual wells by the owner for each year in the five year base period ending in 1963, the five year base period average, the extractions for the years 1982 through 1986, the five year average for that period and the owner's total annual verified extractions. Table No. 1 lists the wells upon which filings have been made with the State Water Resources Control Board, and Table No. 2 lists the wells upon which no filings have been made. Table No. 3 is a summary of the verified extractions, by owner, as presented in Tables No. 1 and No. 2.

Paragraph VIII(a) of the Judgment requires that only those extractions from the Riverside Basin Area in San Bernardino County, which are used outside San Bernardino Valley, be verified for the five calendar years ending with 1963 and accounted for annually from and after January 1, 1971. Accordingly, those extractions from the Riverside Basin Area in San Bernardino County by Riverside County entities for the five calendar years ending with 1963 have been determined and are set forth in Table No. 4. Such extractions averaged 24,120 acre-feet for said five year period, of which 21,085 acre-feet were delivered outside San Bernardino Valley.

Table No. 4 also shows the extractions from the Riverside Basin Area in San Bernardino County by the Riverside County entities for the years 1975 through the current year.



The verified extractions from the Riverside Basin Area in San Bernardino County for calendar years 1975 through the present year have been determined to be as follows:

<u>Year</u>	<u>Verified Extractions</u>
1975	22,701 A.F.
1976	24,705 A.F.
1977	23,506 A.F.
1978	17,216 A.F.
1979	20,024 A.F.
1980	18,533 A.F.
1981	23,611 A.F.
1982	17,349 A.F. (1)
1983	11,904 A.F. (1)
1984	17,161 A.F.
1985	19,392 A.F. (2)
1986	17,337 A.F.

The verified extractions by Riverside entities for 1986 have been determined to be 9,900 acre-feet, of which 7,437 acre-feet were delivered outside San Bernardino County as shown in Table No. 4, Page 18.

Table No. 5 shows the verified extractions from the Riverside Basin Area in San Bernardino County by the San Bernardino County entities during the five year period 1959 through 1963 and the calendar years 1971 through the current year.

- (1) Corrected during 1984 verification (Pelliser)
- (2) " " 1986 " (Green Acres, Pelliser)

RIVERSIDE BASIN AREA  
IN SAN BERNARDINO COUNTY  
CROSS INDEX BY OWNER

VERIFIED WELL MASTER FILE LISTING FOR BASIN RIVERSIDE NORTH BY OWNER NAME

WM:VXF

RUN DATE: 21 MAR 1988

OWNER.....	T P	RECORD NUMBER	DTN NUMBER	STATE NUMBER	WELL DESIGNATION	LOCAL CLSD	YEAR	---CALENDAR YEAR EXTRACTIONS---				
								1982	1983	1984	1985	1986
ALLEE RANCH	W	3601891	1S5W36F				1977	0	0	0	0	0
ALLEE RANCH	W	3601892	1S5W36F				1980	260	260	260	260	260
BRADFORD IVAN	W	3602697	2S5W01P03S				1978	5	5	0	0	0
BRADVICA LOUIS A	W	3600972	2S5W02Q	RNCH 1			1974	0	0	0	0	0
CALIFORNIA PORTLAND CEMENT COMPANY	W	0000006	1S5W25P	MILLER HONEY				0	0	0	0	0
CALIFORNIA PORTLAND CEMENT COMPANY	W	3601425	1S4W30D	NO 6				501	773	542	627	963
CALIFORNIA PORTLAND CEMENT COMPANY	W	3601426	1S4W30D06S	5				1048	511	672	1256	1338
CALIFORNIA PORTLAND CEMENT COMPANY	W	3601427	1S5W25A02S	7				402	860	1036	887	1351
CALIFORNIA PORTLAND CEMENT COMPANY	W	3602028	1S5W25B02S	SEINTURIER				103	82	136	212	188
CANALE CATERING	W	3602233	1S5W35J				1964	0	0	0	0	0
CARSON, K	W	0000007	1S5W35B	-				0	0	0	0	0
COUNTRY CLUB STORAGE	W	3602326	1S4W30R				1981	0	0	0	0	0
DAGGETT FOREST N	W	3601100	1S4W31C	BARN 1			1972	0	0	0	0	0
DAGGETT FOREST N	W	3601101	1S4W31C	RIVER 2			1972	0	0	0	0	0
DR. MASON	W	0000005	2S5W02R	MASON				0	0	0	0	0
DUNN, ELMER	W	0000008	1S5W36B	-				15	8	9	13	0
EL RIVINO COUNTRY CLUB	W	3601707	1S5W34J01S	CACTUS				486	524	603	393	503
FIRESTONE GROUP LTD	W	3600413	1S5W34B01S				1981	0	0	0	0	0
FRANZMAN	W	3601717	1S5W35R	DOUBLE H				70	76	81	74	92
GENERAL AMERICAN TRANSPORTATION CORP	W	3601124	1S5W24R01S	1 SOUTH				17	15	15	34	35
GREEN ACRES MEMORIAL PARK ASS'N	W	3600873	1S5W34K02S	NO 57				98	103	103	103	103
GREEN ACRES MEMORIAL PARK ASS'N	W	3601706	1S5W34L02S	8TH ST				89	83	83	83	149
GREEN ACRES MEMORIAL PARK ASS'N	W	3601721	1S5W34K	56				81	76	76	168	153
HAMADA BROS	W	3600507	1S5W35D01S	1				162	124	211	127	279
HOLIDAY SAND AND GRAVEL	W	3600627	1S5W25M	1				104	59	60	60	60
HOLTER RANCH	W	0000009	1S5W36N	HENDRICKS				15	15	0	0	0
HOPKINS ARUA	W	0000010	1S5W36F	RANCH				97	94	135	60	62
HOWELL, ORUS	W	3600097	2S5W01Q				1983	74	71	143	43	26
HUNGERFORD FRANK B	W	3601345	2S4W05E	JOHNSON			1960	0	0	0	0	0
INTER COUNTY WATER COMPANY	W	3301347	2S5W02C	1			1981	200	154	207	196	189
JAMES SULLIVAN MUTUAL WATER COMPANY	W	3602357	1S4W34L	6610				1	1	1	1	1
JAMES SULLIVAN MUTUAL WATER COMPANY	W	3602358	1S4W34L	7418				75	75	75	75	75
JOHNSON DOROTHY	W	3600820	2S4W05P	1			1965	0	0	0	0	0
JUMAL WATER COMPANY	W	3600537	2S4W05F02S				1985	0	0	0	0	0
JURUPA WATER COMPANY	W	3600535	1S5W36C09S	NO 1			1978	0	0	0	0	0
JURUPA WATER COMPANY	W	3600535-	1S5W36C11S	3				793	351	634	1217	1372
JURUPA WATER COMPANY	W	3600536	1S5W36C10S	1 AND HALF			1974	0	0	0	0	0
KLECKLER, DON	W	0000019	1S4W36N	15 HP								45
LA SIERRA WATER CO	W	3601539	1S4W32E01S	1			1962	0	0	0	0	0
LA SIERRA WATER CO	W	3601540	1S4W32E03S	2			1974	0	0	0	0	0
LA SIERRA WATER CO	W	3601541	1S4W32E06S	4			1974	0	0	0	0	0
LA SIERRA WATER CO	W	3601542	1S4W32E05S	5			1974	0	0	0	0	0
LA SIERRA WATER CO	W	3601543	1S4W32E02S	6			1974	0	0	0	0	0
LA SIERRA WATER CO	W	3601544	1S4W32E07S	7				0	0	0	0	0
LA SIERRA WATER CO	W	3601545	1S4W32E11S	8				0	0	0	0	0
LA SIERRA WATER CO	W	3601546	1S4W32E09S	10				29	14	0	0	0
LA SIERRA WATER CO	W	3601547	1S4W32E10S	9			1974	0	0	0	0	0
LA SIERRA WATER CO	W	3691486	1S4W29Q03S	FLUME 4			1984	0	0	0	0	0
LA SIERRA WATER CO	W	3692486	1S4W29Q04S	FLUME 6			1982	0	0	0	0	0
MAAS HARRY ET AL	W	3601110	1S5W34A	1				67	40	61	60	92

VERIFIED WELL MASTER FILE LISTING FOR BASIN RIVERSIDE NORTH BY OWNER NAME

WM:VXR

RUN DATE: 21 MAR 1988

OWNER.....	T P	RECORD NUMBER	DTN NUMBER	STATE NUMBER	WELL DESIGNATION	LOCAL CLSD	---CALENDAR YEAR EXTRACTIONS---				
							1982	1983	1984	1985	1986
MERRYFIELD WATER COMPANY	W	3600962	2S4W06A01S	1			92	80	136	126	130
MCDANIEL & SON DAIRY	W	0000011	1S4W30P01S	DAIRY			13	13	13	13	0
RANCHO DE SANTA FE	W	3601088	1S5W33A01S	1	1974		0	0	0	0	0
RANCHO DE SANTA FE	W	3602222	1S5W33A02S	2			185	1	0	0	-
RIALTO CITY OF	W	3601680	1S5W25L02S	DISPOSAL			9	14	9	24	14
RIVERSIDE CITY OF	D	3301088	1S5W36Q	PELISIER			0	0	0	0	0
RIVERSIDE CITY OF	W	3600898	1S5W25R02S	NO 6	1978		0	0	0	0	0
RIVERSIDE CITY OF	W	3600898-	1S5W25R04S	TW BT 6			0	0	0	0	0
RIVERSIDE CITY OF	W	3601221	2S5W01J03S	DOMESTIC			14	41	3	33	24
RIVERSIDE CITY OF	W	3601223	2S5W01G02S	MAIN			2063	1866	387	652	0
RIVERSIDE CITY OF	W	3601235	2S5W01G01S	LA LOMA	1974		0	0	0	0	0
RIVERSIDE CITY OF	W	3601236	1S5W36L01S	AGUA MNSA			25	26	58	29	93
RIVERSIDE CITY OF	W	3601271	2S4W06Q03S	MARCY	1973		0	0	0	0	0
RIVERSIDE CITY OF	W	3601483	1S4W29H02S	FLUME 1	1977		0	0	0	0	0
RIVERSIDE CITY OF	W	3601484	1S4W29H01S	FLUME 2			2	18	6	4	6
RIVERSIDE CITY OF	W	3601485	1S4W29R01S	FLUME 3			8	2	0	29	50
RIVERSIDE CITY OF	W	3601486	1S4W29Q03S	FLUME 4			12	25	0	28	127
RIVERSIDE CITY OF	W	3601487	1S4W29Q01S	FLUME 5	1977		0	0	0	0	0
RIVERSIDE CITY OF	W	3601488	2S5W01Q01S	WILLIAMS	1974		0	0	0	0	0
RIVERSIDE CITY OF	W	3601490	2S5W02R	JURUPA 1	1980		0	0	0	0	0
RIVERSIDE CITY OF	W	3601491	2S5W02R03S	JURUPA 3	1980		0	0	0	0	0
RIVERSIDE CITY OF	W	3601492	2S5W02R02S	JURUPA 4	1980		0	0	0	0	0
RIVERSIDE CITY OF	W	3601493	2S5W02R01S	JURUPA 5	1980		0	0	0	0	0
RIVERSIDE CITY OF	W	3602234	2S5W02Q07S	JURUPA 6			0	0	0	0	0
RIVERSIDE CITY OF	W	3602486	1S4W29Q04S	FLUME 6			2	12	3	18	10
RIVERSIDE CITY OF	W	3602748	2S5W02Q08S	JURUPA 7			1489	591	2434	2400	2032
RIVERSIDE CITY OF-GAGE CANAL	W	3600783	2S4W05C01S	DEBERRY			1645	1019	2046	1861	1893
RIVERSIDE CEMENT CO	W	3600874	2S5W02A	58-1	1974		0	0	0	0	0
RIVERSIDE CEMENT CO	W	3600883	2S5W02G02S	WRIGHT	1962		0	0	0	0	0
RIVERSIDE CEMENT CO	W	3601722	2S5W02A	58-1			0	0	0	0	0
RIVERSIDE CEMENT CO	W	3601782	2S5W02L02S		1964		0	0	0	0	0
RIVERSIDE CEMENT CO	W	3602114	2S5W02G	63-1			0	0	0	0	0
RIVERSIDE HIGHLAND WATER COMPANY	W	3601524	1S4W28L01S	3	1964		0	0	0	0	0
RIVERSIDE HIGHLAND WATER COMPANY	W	3601526	2S4W06R01S	7			760	539	1101	1174	875
RIVERSIDE HIGHLAND WATER COMPANY	W	3601531	1S4W33B05S	16	1964		0	0	0	0	0
RIVERSIDE HIGHLAND WATER COMPANY	W	3601532	1S4W28N05S	17			1679	1299	2498	2198	175
RIVERSIDE HIGHLAND WATER COMPANY	W	3601534	1S4W28L02S	20			485	604	897	816	890
RIVERSIDE HIGHLAND WATER COMPANY	W	3601789	1S4W32M01S	LV 1			364	94	49	287	149
RIVERSIDE HIGHLAND WATER COMPANY	W	3601790	1S4W32M	LV 2	1986		42	0	0	0	0
ROQUET HARRY V	W	3601422	2S4W06Q	1 HOUSE			0	0	0	0	-
ROQUET HARRY V	W	3601423	2S4W06N	2 WEST			0	0	0	0	-
ROQUET HARRY V	D	3601424	2S4W06P				0	0	0	0	-
ROSDALE WATER COMPANY	W	3600915	1S4W31J01S	NEW WELL	1968		0	0	0	0	0
SERVICE ROCK CO	W	3600910	1S5W35G02S	1	1974		0	0	0	0	0
SERVICE ROCK CO	W	3600911	1S5W35J	2	1974		0	0	0	0	0
SOUTHERN CALIFORNIA EDISON COMPANY	W	3601009	2S4W06J01S	KELLY 1			1	2	8	2	9
SOUTHERN CALIFORNIA EDISON COMPANY	W	3601011	2S4W06R04S	DAHL 2			62	57	60	75	68
SOUTHERN CALIFORNIA EDISON COMPANY	W	3601020	2S4W06R05S	3			102	34	31	35	27
SOUTHERN CALIFORNIA EDISON COMPANY	W	3601023	2S4W06R06S	4			102	34	31	35	27
SOUTHERN CALIFORNIA EDISON COMPANY	W	3601970	2S4W05M	PICO			40	40	60	66	66

VERIFIED WELL MASTER FILE LISTING FOR BASIN RIVERSIDE NORTH BY OWNER NAME

WM:VXF

RUN DATE: 21 MAR 1988

OWNER.....	T P	RECORDTN NUMBER	STATE NUMBER	WELL DESIGNATION	LOCAL CLSD	YEAR	---CALENDAR YEAR EXTRACTIONS---				
							1982	1983	1984	1985	1986
STAPAKIS WILLIAM	W	3601488-	2S5W01Q01S	WILLIAMS		1974	0	0	0	0	0
TEMESCAL WATER COMPANY	W	3601509	2S4W06A03S	PALM AVE			1423	0	1190	1817	2051
VILLELLI ENTERPRISES	W	3601549	1S4W28M01S	2		1981	0	0	0	0	0
WAGONER JOHN J	W	3600899	2S4W05F	DOM 1		1972	0	0	0	0	0
WARD DUCK COMPANY	W	0000012	1S5W25R				495	537	554	530	437
WEST COAST FARMS	W	3601996	2S5W02J	SND RIV 1			49	27	320	360	360
WEST RIVERSIDE 350 WATER CO	W	3600829	1S4W32G02S	1		1974	0	0	0	0	0
WEST RIVERSIDE 350 WATER CO	W	3600830	1S4W32G04S	2		1974	0	0	0	0	0
WEST RIVERSIDE 350 WATER CO	W	3600831	1S4W32H01S	4		1974	0	0	0	0	0
WEST RIVERSIDE 350 WATER CO	W	3600832	1S4W32B01S	5			641	6	0	155	0
WEST RIVERSIDE 350 WATER CO	W	3600833	1S4W32G01S	6		1974	0	0	0	0	0
WEST RIVERSIDE 350 WATER CO	W	3601953	1S4W32B02S	7			264	40	0	430	0
WEST SAN BDNO COUNTY WATER DIST	W	3600074	1S5W23Q01S	PLANT NO 29			489	509	124	246	488
WEST SAN BDNO COUNTY WATER DIST	W	3601004	1S5W23N01S	PLANT NO 19		1973	0	0	0	0	0
WEST SAN BDNO COUNTY WATER DIST	W	3601434	1S5W34D01S	PLANT NO 25		1981	0	0	0	0	0
WEST SAN BDNO COUNTY WATER DIST	W	3601683	1S5W34B02S	PLANT NO 26		1981	0	0	0	0	0
WEST SAN BDNO COUNTY WATER DIST	W	3601763	1S5W24M01S	PLANT NO 18		1981	0	0	0	0	0
YEAGER CONSTRUCTION CO	W	3601961	1S5W25P	AMRCH 1		1974	0	0	0	0	0
END OF RIVERSIDE NORTH BASIN							17349	11904	17161	19392	17337

RIVERSIDE BASIN AREA  
IN SAN BERNARDINO COUNTY  
CROSS INDEX BY RECORDATION NUMBER

VERIFIED WELL MASTER FILE LISTING FOR BASIN RIVERSIDE NORTH BY RECORDATION NUMBER

WM:VXF

RUN DATE: 21 MAR 1988

RECORDTH NUMBER	STATE NUMBER	WELL OWNER.....	T LOCAL P DESIGNATION	YEAR CLSD	---CALENDAR YEAR EXTRACTIONS---				
					1982	1983	1984	1985	1986
0000005	2S5W02R	DR. MASON	W MASON		0	0	0	0	0
0000006	1S5W25P	CALIFORNIA PORTLAND CEMENT COMPANY	W MILLER HONEY		0	0	0	0	0
0000007	1S5W35B	CARSON, K	W -		0	0	0	0	0
0000008	1S5W36B	DUNN, ELMER	W -		15	8	9	13	0
0000009	1S5W36N	HOLTER RANCH	W HENDRICKS		15	15	0	0	0
0000010	1S5W36F	HOPKINS ARUA	W RANCH		97	94	135	60	62
0000011	1S4W30P01S	McDANIEL & SON DAIRY	W DAIRY		13	13	13	13	0
0000012	1S5W25R	WARD DUCK COMPANY	W		495	537	554	530	437
0000019	1S4W36N	KLECKLER, DON	W 15 HP						45
3301088	1S5W36Q	RIVERSIDE CITY OF	D PELISIER		0	0	0	0	0
3301347	2S5W02C	INTER COUNTY WATER COMPANY	W 1	1981	200	154	207	196	189
3600074	1S5W23Q01S	WEST SAN BDNO COUNTY WATER DIST	W PLANT NO 29		489	509	124	246	488
3600097	2S5W01Q	HOWELL, ORUS	W	1983	74	71	143	43	26
3600413	1S5W34B01S	FIRESTONE GROUP LTD	W	1981	0	0	0	0	0
3600507	1S5W35D01S	HAMADA BROS	W 1		162	124	211	127	279
3600535	1S5W36C09S	JURUPA WATER COMPANY	W NO 1	1978	0	0	0	0	0
3600535-	1S5W36C11S	JURUPA WATER COMPANY	W 3		793	351	634	1217	1372
3600536	1S5W36C10S	JURUPA WATER COMPANY	W 1 AND HALF	1974	0	0	0	0	0
3600537	2S4W05F02S	JUMAL WATER COMPANY	W	1985	0	0	0	0	0
3600627	1S5W25M	HOLIDAY SAND AND GRAVEL	W 1		104	59	60	60	60
3600783	2S4W05C01S	RIVERSIDE CITY OF-GAGE CANAL	W DEBERRY		1645	1019	2046	1861	1893
3600820	2S4W05P	JOHNSON DOROTHY	W 1	1965	0	0	0	0	0
3600829	1S4W32G02S	WEST RIVERSIDE 350 WATER CO	W 1	1974	0	0	0	0	0
3600830	1S4W32G04S	WEST RIVERSIDE 350 WATER CO	W 2	1974	0	0	0	0	0
3600831	1S4W32H01S	WEST RIVERSIDE 350 WATER CO	W 4	1974	0	0	0	0	0
3600832	1S4W32B01S	WEST RIVERSIDE 350 WATER CO	W 5		641	6	0	155	0
3600833	1S4W32G01S	WEST RIVERSIDE 350 WATER CO	W 6	1974	0	0	0	0	0
3600873	1S5W34K02S	GREEN ACRES MEMORIAL PARK ASS'N	W NO 57		98	103	103	103	103
3600874	2S5W02A	RIVERSIDE CEMENT CO	W 58-1	1974	0	0	0	0	0
3600883	2S5W02G02S	RIVERSIDE CEMENT CO	W WRIGHT	1962	0	0	0	0	0
3600898	1S5W25R02S	RIVERSIDE CITY OF	W NO 6	1978	0	0	0	0	0
3600898-	1S5W25R04S	RIVERSIDE CITY OF	W TW BT 6		0	0	0	0	0
3600899	2S4W05F	WAGONER JOHN J	W DOM 1	1972	0	0	0	0	0
3600910	1S5W35G02S	SERVICE ROCK CO	W 1	1974	0	0	0	0	0
3600911	1S5W35J	SERVICE ROCK CO	W 2	1974	0	0	0	0	0
3600915	1S4W31J01S	ROSEDALE WATER COMPANY	W NEW WELL	1968	0	0	0	0	0
3600962	2S4W06A01S	MERRYFIELD WATER COMPANY	W 1		92	80	136	126	130
3600972	2S5W02Q	BRADVICA LOUIS A	W RNCH 1	1974	0	0	0	0	0
3601004	1S5W23N01S	WEST SAN BDNO COUNTY WATER DIST	W PLANT NO 19	1973	0	0	0	0	0
3601009	2S4W06J01S	SOUTHERN CALIFORNIA EDISON COMPANY	W KELLY 1		1	2	8	2	9
3601011	2S4W06R04S	SOUTHERN CALIFORNIA EDISON COMPANY	W DAHL 2		62	57	60	75	68
3601020	2S4W06R05S	SOUTHERN CALIFORNIA EDISON COMPANY	W 3		102	34	31	35	27
3601023	2S4W06R06S	SOUTHERN CALIFORNIA EDISON COMPANY	W 4		102	34	31	35	27
3601088	1S5W33A01S	RANCHO DE SANTA FE	W 1	1974	0	0	0	0	0
3601100	1S4W31C	DAGGETT FOREST N	W BARN 1	1972	0	0	0	0	0
3601101	1S4W31C	DAGGETT FOREST N	W RIVER 2	1972	0	0	0	0	0
3601110	1S5W34A	MAAS HARRY ET AL	W 1		67	40	61	60	92
3601124	1S5W24R01S	GENERAL AMERICAN TRANSPORTATION CORP	W 1 SOUTH		17	15	15	34	35
3601221	2S5W01J03S	RIVERSIDE CITY OF	W DOMESTIC		14	41	3	33	24
3601223	2S5W01G02S	RIVERSIDE CITY OF	W MAIN		2063	1866	387	652	0

VERIFIED WELL MASTER FILE LISTING FOR BASIN RIVERSIDE NORTH BY RECORDATION NUMBER

WM:VXF

RUN DATE: 21 MAR 1988

RECORDTN NUMBER	STATE NUMBER	WELL OWNER.....	T LOCAL P DESIGNATION	YEAR CLSD	---CALENDAR YEAR EXTRACTIONS---				
					1982	1983	1984	1985	1986
3601235	2S5W01G01S	RIVERSIDE CITY OF	W LA LOMA	1974	0	0	0	0	0
3601236	1S5W36L01S	RIVERSIDE CITY OF	W AGUA MNSA		25	26	58	29	93
3601271	2S4W06Q03S	RIVERSIDE CITY OF	W MARCY	1973	0	0	0	0	0
3601345	2S4W05E	HUNGERFORD FRANK B	W JOHNSON	1960	0	0	0	0	0
3601422	2S4W06Q	ROQUET HARRY V	W 1 HOUSE		0	0	0	0	-
3601423	2S4W06N	ROQUET HARRY V	W 2 WEST		0	0	0	0	-
3601424	2S4W06P	ROQUET HARRY V	D		0	0	0	0	-
3601425	1S4W30D	CALIFORNIA PORTLAND CEMENT COMPANY	W NO 6		501	773	542	627	963
3601426	1S4W30D06S	CALIFORNIA PORTLAND CEMENT COMPANY	W 5		1048	511	672	1256	1338
3601427	1S5W25A02S	CALIFORNIA PORTLAND CEMENT COMPANY	W 7		402	860	1036	887	1351
3601434	1S5W34D01S	WEST SAN BDNO COUNTY WATER DIST	W PLANT NO 25	1981	0	0	0	0	0
3601483	1S4W29H02S	RIVERSIDE CITY OF	W FLUME 1	1977	0	0	0	0	0
3601484	1S4W29H01S	RIVERSIDE CITY OF	W FLUME 2		2	18	6	4	6
3601485	1S4W29R01S	RIVERSIDE CITY OF	W FLUME 3		8	2	0	29	50
3601486	1S4W29Q03S	RIVERSIDE CITY OF	W FLUME 4		12	25	0	28	127
3601487	1S4W29Q01S	RIVERSIDE CITY OF	W FLUME 5	1977	0	0	0	0	0
3601488	2S5W01Q01S	RIVERSIDE CITY OF	W WILLIAMS	1974	0	0	0	0	0
3601488-	2S5W01Q01S	STAPAKIS WILLIAM	W WILLIAMS	1974	0	0	0	0	0
3601490	2S5W02R	RIVERSIDE CITY OF	W JURUPA 1	1980	0	0	0	0	0
3601491	2S5W02R03S	RIVERSIDE CITY OF	W JURUPA 3	1980	0	0	0	0	0
3601492	2S5W02R02S	RIVERSIDE CITY OF	W JURUPA 4	1980	0	0	0	0	0
3601493	2S5W02R01S	RIVERSIDE CITY OF	W JURUPA 5	1980	0	0	0	0	0
3601509	2S4W06A03S	TEMESCAL WATER COMPANY	W PALM AVE		1423	0	1190	1817	2051
3601524	1S4W28L01S	RIVERSIDE HIGHLAND WATER COMPANY	W 3	1964	0	0	0	0	0
3601526	2S4W06R01S	RIVERSIDE HIGHLAND WATER COMPANY	W 7		760	539	1101	1174	875
3601531	1S4W33B05S	RIVERSIDE HIGHLAND WATER COMPANY	W 16	1964	0	0	0	0	0
3601532	1S4W28N05S	RIVERSIDE HIGHLAND WATER COMPANY	W 17		1679	1299	2498	2198	175
3601534	1S4W28L02S	RIVERSIDE HIGHLAND WATER COMPANY	W 20		485	604	897	816	890
3601539	1S4W32E01S	LA SIERRA WATER CO	W 1	1962	0	0	0	0	0
3601540	1S4W32E03S	LA SIERRA WATER CO	W 2	1974	0	0	0	0	0
3601541	1S4W32E06S	LA SIERRA WATER CO	W 4	1974	0	0	0	0	0
3601542	1S4W32E05S	LA SIERRA WATER CO	W 5	1974	0	0	0	0	0
3601543	1S4W32E02S	LA SIERRA WATER CO	W 6	1974	0	0	0	0	0
3601544	1S4W32E07S	LA SIERRA WATER CO	W 7		0	0	0	0	0
3601545	1S4W32E11S	LA SIERRA WATER CO	W 8		0	0	0	0	0
3601546	1S4W32E09S	LA SIERRA WATER CO	W 10		29	14	0	0	0
3601547	1S4W32E10S	LA SIERRA WATER CO	W 9	1974	0	0	0	0	0
3601549	1S4W28M01S	VILLELLI ENTERPRISES	W 2	1981	0	0	0	0	0
3601680	1S5W25L02S	RIALTO CITY OF	W DISPOSAL		9	14	9	24	14
3601683	1S5W34B02S	WEST SAN BDNO COUNTY WATER DIST	W PLANT NO 26	1981	0	0	0	0	0
3601706	1S5W34L02S	GREEN ACRES MEMORIAL PARK ASS'N	W 8TH ST		89	83	83	83	149
3601707	1S5W34J01S	EL RIVINO COUNTRY CLUB	W CACTUS		486	524	603	393	503
3601717	1S5W35R	FRANZMAN	W DOUBLE H		70	76	81	74	92
3601721	1S5W34K	GREEN ACRES MEMORIAL PARK ASS'N	W 56		81	76	76	168	153
3601722	2S5W02A	RIVERSIDE CEMENT CO	W 58-1		0	0	0	0	0
3601763	1S5W24M01S	WEST SAN BDNO COUNTY WATER DIST	W PLANT NO 18	1981	0	0	0	0	0
3601782	2S5W02L02S	RIVERSIDE CEMENT CO	W	1964	0	0	0	0	0
3601789	1S4W32M01S	RIVERSIDE HIGHLAND WATER COMPANY	W LV 1		364	94	49	287	149
3601790	1S4W32M	RIVERSIDE HIGHLAND WATER COMPANY	W LV 2	1986	42	0	0	0	0
3601891	1S5W36F	ALLEE RANCH	W	1977	0	0	0	0	0



VERIFIED WELL MASTER FILE LISTING FOR BASIN RIVERSIDE NORTH BY RECORDATION NUMBER

WM:VXR

RUN DATE: 21 MAR 1988

RECORDTN NUMBER	STATE NUMBER	WELL OWNER.....	T LOCAL P DESIGNATION	YEAR CLSD	---CALENDAR YEAR EXTRACTIONS---				
					1982	1983	1984	1985	1986
3601892	1S5W36F	ALLEE RANCH	W	1980	260	260	260	260	260
3601953	1S4W32B02S	WEST RIVERSIDE 350 WATER CO	W 7		264	40	0	430	0
3601961	1S5W25P	YEAGER CONSTRUCTION CO	W AMRCH 1	1974	0	0	0	0	0
3601970	2S4W05M	SOUTHERN CALIFORNIA EDISON COMPANY	W PICO		40	40	60	66	66
3601996	2S5W02J	WEST COAST FARMS	W SND RIV 1		49	27	320	360	360
3602028	1S5W25B02S	CALIFORNIA PORTLAND CEMENT COMPANY	W SEINTURIER		103	82	136	212	188
3602114	2S5W02G	RIVERSIDE CEMENT CO	W 63-1		0	0	0	0	0
3602222	1S5W33A02S	RANCHO DE SANTA FE	W 2		185	1	0	0	0
3602233	1S5W35J	CANALE CATERING	W	1964	0	0	0	0	0
3602234	2S5W02Q07S	RIVERSIDE CITY OF	W JURUPA 6		0	0	0	0	0
3602326	1S4W30R	COUNTRY CLUB STORAGE	W	1981	0	0	0	0	0
3602357	1S4W34L	JAMES SULLIVAN MUTUAL WATER COMPANY	W 6610		1	1	1	1	1
3602358	1S4W34L	JAMES SULLIVAN MUTUAL WATER COMPANY	W 7418		75	75	75	75	75
3602486	1S4W29Q04S	RIVERSIDE CITY OF	W FLUME 6		2	12	3	18	10
3602697	2S5W01P03S	BRADFORD IVAN	W	1978	5	5	0	0	0
3602748	2S5W02Q08S	RIVERSIDE CITY OF	W JURUPA 7		1489	591	2434	2400	2032
3691486	1S4W29Q03S	LA SIERRA WATER CO	W FLUME 4	1984	0	0	0	0	0
3692486	1S4W29Q04S	LA SIERRA WATER CO	W FLUME 6	1982	0	0	0	0	0
END OF RIVERSIDE NORTH BASIN					17349	11904	17161	19392	17337

RIVERSIDE BASIN AREA  
IN SAN BERNARDINO COUNTY  
CROSS INDEX BY STATE WELL NUMBER

VERIFIED WELL MASTER FILE LISTING FOR BASIN RIVERSIDE NORTH BY STATE WELL #

WM:VXF

RUN DATE: 21 MAR 1988

STATE WELL NUMBER	RECORDTH NUMBER	OWNER.....	T LOCAL P DESIGNATION	YEAR CLSD	---CALENDAR YEAR EXTRACTIIONS---				
					1982	1983	1984	1985	1986
1S4W28L01S	3601524	RIVERSIDE HIGHLAND WATER COMPANY	W 3	1964	0	0	0	0	0
1S4W28L02S	3601534	RIVERSIDE HIGHLAND WATER COMPANY	W 20		485	604	897	816	890
1S4W28M01S	3601549	VILLELLI ENTERPRISES	W 2	1981	0	0	0	0	0
1S4W28N05S	3601532	RIVERSIDE HIGHLAND WATER COMPANY	W 17		1679	1299	2498	2198	175
1S4W29H01S	3601484	RIVERSIDE CITY OF	W FLUME 2		2	18	6	4	6
1S4W29H02S	3601483	RIVERSIDE CITY OF	W FLUME 1	1977	0	0	0	0	0
1S4W29Q01S	3601487	RIVERSIDE CITY OF	W FLUME 5	1977	0	0	0	0	0
1S4W29Q03S	3601486	RIVERSIDE CITY OF	W FLUME 4		12	25	0	28	127
1S4W29Q03S	3691486	LA SIERRA WATER CO	W FLUME 4	1984	0	0	0	0	0
1S4W29Q04S	3602486	RIVERSIDE CITY OF	W FLUME 6		2	12	3	18	10
1S4W29Q04S	3692486	LA SIERRA WATER CO	W FLUME 6	1982	0	0	0	0	0
1S4W29R01S	3601485	RIVERSIDE CITY OF	W FLUME 3		8	2	0	29	50
1S4W30D	3601425	CALIFORNIA PORTLAND CEMENT COMPANY	W NO 6		501	773	542	627	963
1S4W30D06S	3601426	CALIFORNIA PORTLAND CEMENT COMPANY	W 5		1048	511	672	1256	1338
1S4W30P01S	0000011	McDANIEL & SON DAIRY	W DAIRY		13	13	13	13	0
1S4W30R	3602326	COUNTRY CLUB STORAGE	W	1981	0	0	0	0	0
1S4W31C	3601100	DAGGETT FOREST N	W BARN 1	1972	0	0	0	0	0
1S4W31C	3601101	DAGGETT FOREST N	W RIVER 2	1972	0	0	0	0	0
1S4W31J01S	3600915	ROSEDALE WATER COMPANY	W NEW WELL	1968	0	0	0	0	0
1S4W32B01S	3600832	WEST RIVERSIDE 350 WATER CO	W 5		641	6	0	155	0
1S4W32B02S	3601953	WEST RIVERSIDE 350 WATER CO	W 7		264	40	0	430	0
1S4W32E01S	3601539	LA SIERRA WATER CO	W 1	1962	0	0	0	0	0
1S4W32E02S	3601543	LA SIERRA WATER CO	W 6	1974	0	0	0	0	0
1S4W32E03S	3601540	LA SIERRA WATER CO	W 2	1974	0	0	0	0	0
1S4W32E05S	3601542	LA SIERRA WATER CO	W 5	1974	0	0	0	0	0
1S4W32E06S	3601541	LA SIERRA WATER CO	W 4	1974	0	0	0	0	0
1S4W32E07S	3601544	LA SIERRA WATER CO	W 7		0	0	0	0	0
1S4W32E09S	3601546	LA SIERRA WATER CO	W 10		29	14	0	0	0
1S4W32E10S	3601547	LA SIERRA WATER CO	W 9	1974	0	0	0	0	0
1S4W32E11S	3601545	LA SIERRA WATER CO	W 8		0	0	0	0	0
1S4W32G01S	3600833	WEST RIVERSIDE 350 WATER CO	W 6	1974	0	0	0	0	0
1S4W32G02S	3600829	WEST RIVERSIDE 350 WATER CO	W 1	1974	0	0	0	0	0
1S4W32G04S	3600830	WEST RIVERSIDE 350 WATER CO	W 2	1974	0	0	0	0	0
1S4W32H01S	3600831	WEST RIVERSIDE 350 WATER CO	W 4	1974	0	0	0	0	0
1S4W32M	3601790	RIVERSIDE HIGHLAND WATER COMPANY	W LV 2	1986	42	0	0	0	0
1S4W32M01S	3601789	RIVERSIDE HIGHLAND WATER COMPANY	W LV 1		364	94	49	287	149
1S4W33B05S	3601531	RIVERSIDE HIGHLAND WATER COMPANY	W 16	1964	0	0	0	0	0
1S4W34L	3602357	JAMES SULLIVAN MUTUAL WATER COMPANY	W 6610		1	1	1	1	1
1S4W34L	3602358	JAMES SULLIVAN MUTUAL WATER COMPANY	W 7418		75	75	75	75	75
1S4W36N	0000019	KLECKLER, DON	W 15 HP						45
1S5W23N01S	3601004	WEST SAN BDNO COUNTY WATER DIST	W PLANT NO 19	1973	0	0	0	0	0
1S5W23Q01S	3600074	WEST SAN BDNO COUNTY WATER DIST	W PLANT NO 29		489	509	124	246	488
1S5W24M01S	3601763	WEST SAN BDNO COUNTY WATER DIST	W PLANT NO 18	1981	0	0	0	0	0
1S5W24R01S	3601124	GENERAL AMERICAN TRANSPORTATION CORP	W 1 SOUTH		17	15	15	34	35
1S5W25A02S	3601427	CALIFORNIA PORTLAND CEMENT COMPANY	W 7		402	860	1036	887	1351
1S5W25B02S	3602028	CALIFORNIA PORTLAND CEMENT COMPANY	W SEINTURIER		103	82	136	212	188
1S5W25L02S	3601680	RIALTO CITY OF	W DISPOSAL		9	14	9	24	14
1S5W25M	3600627	HOLIDAY SAND AND GRAVEL	W 1		104	59	60	60	60
1S5W25P	0000006	CALIFORNIA PORTLAND CEMENT COMPANY	W MILLER HONEY		0	0	0	0	0
1S5W25P	3601961	YEAGER CONSTRUCTION CO	W AMRCH 1	1974	0	0	0	0	0

VERIFIED WELL MASTER FILE LISTING FOR BASIN RIVERSIDE NORTH BY STATE WELL #

WM:VXR

RUN DATE: 21 MAR 1988

STATE WELL NUMBER	RECORDTN NUMBER	OWNER.....	T LOCAL P DESIGNATION	YEAR CLSD	---CALENDAR YEAR EXTRACTIIONS---				
					1982	1983	1984	1985	1986
1S5W25R	000012	WARD DUCK COMPANY	W		495	537	554	530	437
1S5W25R02S	3600898	RIVERSIDE CITY OF	W NO 6	1978	0	0	0	0	0
1S5W25R04S	3600898-	RIVERSIDE CITY OF	W TW BT 6		0	0	0	0	0
1S5W33A01S	3601088	RANCHO DE SANTA FE	W 1	1974	0	0	0	0	0
1S5W33A02S	3602222	RANCHO DE SANTA FE	W 2		185	1	0	0	-
1S5W34A	3601110	MAAS HARRY ET AL	W 1		67	40	61	60	92
1S5W34B01S	3600413	FIRESTONE GROUP LTD	W	1981	0	0	0	0	0
1S5W34B02S	3601683	WEST SAN BDNO COUNTY WATER DIST	W PLANT NO 26	1981	0	0	0	0	0
1S5W34D01S	3601434	WEST SAN BDNO COUNTY WATER DIST	W PLANT NO 25	1981	0	0	0	0	0
1S5W34J01S	3601707	EL RIVINO COUNTRY CLUB	W CACTUS		486	524	603	393	503
1S5W34K	3601721	GREEN ACRES MEMORIAL PARK ASS'N	W 56		81	76	76	168	153
1S5W34K02S	3600873	GREEN ACRES MEMORIAL PARK ASS'N	W NO 57		98	103	103	103	103
1S5W34L02S	3601706	GREEN ACRES MEMORIAL PARK ASS'N	W 8TH ST		89	83	83	83	149
1S5W35B	0000007	CARSON, K	W -		0	0	0	0	0
1S5W35D01S	3600507	HAMADA BROS	W 1		162	124	211	127	279
1S5W35G02S	3600910	SERVICE ROCK CO	W 1	1974	0	0	0	0	0
1S5W35J	3600911	SERVICE ROCK CO	W 2	1974	0	0	0	0	0
1S5W35J	3602233	CANALE CATERING	W	1964	0	0	0	0	0
1S5W35R	3601717	FRANZMAN	W DOUBLE H		70	76	81	74	92
1S5W36B	0000008	DUNN, ELMER	W -		15	8	9	13	0
1S5W36C09S	3600535	JURUPA WATER COMPANY	W NO 1	1978	0	0	0	0	0
1S5W36C10S	3600536	JURUPA WATER COMPANY	W 1 AND HALF	1974	0	0	0	0	0
1S5W36C11S	3600535-	JURUPA WATER COMPANY	W 3		793	351	634	1217	1372
1S5W36F	0000010	HOPKINS ARUA	W RANCH		97	94	135	60	62
1S5W36F	3601891	ALLEE RANCH	W	1977	0	0	0	0	0
1S5W36F	3601892	ALLEE RANCH	W	1980	260	260	260	260	260
1S5W36L01S	3601236	RIVERSIDE CITY OF	W AGUA MNSA		25	26	58	29	93
1S5W36N	0000009	HOLTER RANCH	W HENDRICKS		15	15	0	0	0
1S5W36Q	3301088	RIVERSIDE CITY OF	D PELISIER		0	0	0	0	0
2S4W05C01S	3600783	RIVERSIDE CITY OF-GAGE CANAL	W DEBERRY		1645	1019	2046	1861	1893
2S4W05E	3601345	HUNGERFORD FRANK B	W JOHNSON	1960	0	0	0	0	0
2S4W05F	3600899	WAGONER JOHN J	W DOM 1	1972	0	0	0	0	0
2S4W05F02S	3600537	JUMAL WATER COMPANY	W	1985	0	0	0	0	0
2S4W05M	3601970	SOUTHERN CALIFORNIA EDISON COMPANY	W PICO		40	40	60	66	66
2S4W05P	3600820	JOHNSON DOROTHY	W 1	1965	0	0	0	0	0
2S4W06A01S	3600962	MERRYFIELD WATER COMPANY	W 1		92	80	136	126	130
2S4W06A03S	3601509	TEMESCAL WATER COMPANY	W PALM AVE		1423	0	1190	1817	2051
2S4W06J01S	3601009	SOUTHERN CALIFORNIA EDISON COMPANY	W KELLY 1		1	2	8	2	9
2S4W06N	3601423	ROQUET HARRY V	W 2 WEST		0	0	0	0	-
2S4W06P	3601424	ROQUET HARRY V	D		0	0	0	0	-
2S4W06Q	3601422	ROQUET HARRY V	W 1 HOUSE		0	0	0	0	-
2S4W06Q03S	3601271	RIVERSIDE CITY OF	W MARCY	1973	0	0	0	0	0
2S4W06R01S	3601526	RIVERSIDE HIGHLAND WATER COMPANY	W 7		760	539	1101	1174	875
2S4W06R04S	3601011	SOUTHERN CALIFORNIA EDISON COMPANY	W DAHL 2		62	57	60	75	68
2S4W06R05S	3601020	SOUTHERN CALIFORNIA EDISON COMPANY	W 3		102	34	31	35	27
2S4W06R06S	3601023	SOUTHERN CALIFORNIA EDISON COMPANY	W 4		102	34	31	35	27
2S5W01G01S	3601235	RIVERSIDE CITY OF	W LA LOMA	1974	0	0	0	0	0
2S5W01G02S	3601223	RIVERSIDE CITY OF	W MAIN		2063	1866	387	652	0
2S5W01J03S	3601221	RIVERSIDE CITY OF	W DOMESTIC		14	41	3	33	24
2S5W01P03S	3602697	BRADFORD IVAN	W	1978	5	5	0	0	0

VERIFIED WELL MASTER FILE LISTING FOR BASIN RIVERSIDE NORTH BY STATE WELL #

WM:VXR

RUN DATE: 21 MAR 1988

STATE WELL NUMBER	RECORDTN NUMBER	OWNER.....	T LOCAL P DESIGNATION	YEAR CLSD	---CALENDAR YEAR EXTRACTIONS---				
					1982	1983	1984	1985	1986
2S5W01Q	3600097	HOWELL, ORUS	W	1983	74	71	143	43	26
2S5W01Q01S	3601488	RIVERSIDE CITY OF	W WILLIAMS	1974	0	0	0	0	0
2S5W01Q01S	3601488-	STAPAKIS WILLIAM	W WILLIAMS	1974	0	0	0	0	0
2S5W02A	3600874	RIVERSIDE CEMENT CO	W 58-1	1974	0	0	0	0	0
2S5W02A	3601722	RIVERSIDE CEMENT CO	W 58-1		0	0	0	0	0
2S5W02C	3301347	INTER COUNTY WATER COMPANY	W 1	1981	200	154	207	196	189
2S5W02G	3602114	RIVERSIDE CEMENT CO	W 63-1		0	0	0	0	0
2S5W02G02S	3600883	RIVERSIDE CEMENT CO	W WRIGHT	1962	0	0	0	0	0
2S5W02J	3601996	WEST COAST FARMS	W SND RIV 1		49	27	320	360	360
2S5W02L02S	3601782	RIVERSIDE CEMENT CO	W	1964	0	0	0	0	0
2S5W02Q	3600972	BRADVICA LOUIS A	W RNCH 1	1974	0	0	0	0	0
2S5W02Q07S	3602234	RIVERSIDE CITY OF	W JURUPA 6		0	0	0	0	0
2S5W02Q08S	3602748	RIVERSIDE CITY OF	W JURUPA 7		1489	591	2434	2400	2032
2S5W02R	0000005	DR. MASON	W MASON		0	0	0	0	0
2S5W02R	3601490	RIVERSIDE CITY OF	W JURUPA 1	1980	0	0	0	0	0
2S5W02R01S	3601493	RIVERSIDE CITY OF	W JURUPA 5	1980	0	0	0	0	0
2S5W02R02S	3601492	RIVERSIDE CITY OF	W JURUPA 4	1980	0	0	0	0	0
2S5W02R03S	3601491	RIVERSIDE CITY OF	W JURUPA 3	1980	0	0	0	0	0
END OF RIVERSIDE NORTH BASIN					17349	11904	17161	19392	17337

TABLE NO. 1

VERIFIED EXTRACTIONS BY OWNERS WHICH HAVE  
RECORDATION FILINGS WITH THE STATE WATER  
RESOURCES CONTROL BOARD

TABLE NO. 1  
 VERIFIED EXTRACTIONS BY OWNERS WHICH HAVE FILINGS WITH THE STATE WATER RESOURCES CONTROL BOARD  
 FOR RIVERSIDE NORTH BASIN

wm:vc

13:03:31 21 MAR 1988

RECORD NUMBER	STATE WELL NUMBER	WELL TYPE	-----BASE YEARS-----					-----CURRENT YEARS-----						
			1959	1960	1961	1962	1963	1959-63 AVERAGE	1982	1983	1984	1985	1986	1982-86 AVERAGE
3601891	1S5W36F	W	0	1	1	0	0	0	0	0	0	0	0	0
3601892	1S5W36F	W	150	150	165	200	200	173	260	260	260	260	260	260
ALLEE RANCH			150	151	166	200	200	173	260	260	260	260	260	260
3602697	2S5W01P03S	W						0	5	5	0	0	0	2
BRADFORD	IVAN		0	0	0	0	0	0	5	5	0	0	0	2
3600972	2S5W02Q	W	105	123	83	78	61	90	0	0	0	0	0	0
BRADVICA	LOUIS A		105	123	83	78	61	90	0	0	0	0	0	0
3601425	1S4W30D	W	749	7	45	86	84	194	501	773	542	627	963	681
3601426	1S4W30D06S	W	1363	515	347	545	698	694	1048	511	672	1256	1338	965
3601427	1S5W25A02S	W	4	1328	1090	178	322	584	402	860	1036	887	1351	907
3602028	1S5W25B02S	W	61	140	238	68	135	128	103	82	136	212	188	144
CALIFORNIA PORTLAND CEMENT			C2177	1990	1720	877	1239	1600	2054	2226	2386	2982	3840	2697
3602233	1S5W35J	W	9	9	9	9	9	9	0	0	0	0	0	0
CANALE CATERING			9	9	9	9	9	9	0	0	0	0	0	0
3602326	1S4W30R	W	55	58	61	68	71	63	0	0	0	0	0	0
COUNTRY CLUB STORAGE			55	58	61	68	71	63	0	0	0	0	0	0
3601100	1S4W31C	W	227	169	174	181	0	150	0	0	0	0	0	0
3601101	1S4W31C	W	198	178	159	167	0	140	0	0	0	0	0	0
DAGGETT FOREST N			425	347	333	348	0	290	0	0	0	0	0	0
3601707	1S5W34J01S	W	733	733	733	733	733	733	486	524	603	393	503	502
EL RIVINO COUNTRY CLUB			733	733	733	733	733	733	486	524	603	393	503	502
3600413	1S5W34B01S	W	285	240	379	338	205	289	0	0	0	0	0	0
FIRESTONE GROUP LTD			285	240	379	338	205	289	0	0	0	0	0	0
3601717	1S5W35R	W	112	118	123	123	125	120	70	76	81	74	92	79
FRANZMAN			112	118	123	123	125	120	70	76	81	74	92	79
3601124	1S5W24R01S	W	30	30	28	31	34	31	17	15	15	34	35	23
GENERAL AMERICAN TRANSPORTATIO			30	30	28	31	34	31	17	15	15	34	35	23
3601721	1S5W34K	W	1087	915	314	543	520	676	81	76	76	168	153	111
3600873	1S5W34K02S	W	726	544	0	0	130	280	98	103	103	103	103	102
3601706	1S5W34L02S	W	105	110	112	115	124	113	89	83	83	83	149	97
GREEN ACRES MEMORIAL PARK AS1918			1569	426	658	774	1069	268	262	262	354	405	310	
3600507	1S5W35D01S	W	323	325	348	390	346	346	162	124	211	127	279	181
HAMADA BROS			323	325	348	390	346	346	162	124	211	127	279	181
3600627	1S5W25M	W	158	155	151	148	149	152	104	59	60	60	60	69
HOLIDAY SAND AND GRAVEL			158	155	151	148	149	152	104	59	60	60	60	69

TABLE NO. 1  
 VERIFIED EXTRACTIONS BY OWNERS WHICH HAVE FILINGS WITH THE STATE WATER RESOURCES CONTROL BOARD  
 FOR RIVERSIDE NORTH BASIN

WR:VC

13:03:36 21 MAR 1988

RECORDTN NUMBER	STATE WELL NUMBER	WELL TYPE	-----BASE YEARS-----					-----CURRENT YEARS-----						
			1959	1960	1961	1962	1963	1959-63 AVERAGE	1982	1983	1984	1985	1986	1982-86 AVERAGE
3600097	2S5W01Q	W	50	50	50	50	50	50	74	71	143	43	26	71
HOWELL,	ORUS		50	50	50	50	50	50	74	71	143	43	26	71
3601345	2S4W05E	W	0	0	0	0	0	0	0	0	0	0	0	0
HUNGERFORD	FRANK B		0	0	0	0	0	0	0	0	0	0	0	0
3301347	2S5W02C	W	145	141	133	117	131	133	200	154	207	196	189	189
INTER COUNTY WATER COMPANY			145	141	133	117	131	133	200	154	207	196	189	189
3602357	1S4W34L	W	0	0	11	11	11	7	1	1	1	1	1	1
3602358	1S4W34L	W	0	0	0	0	0	0	75	75	75	75	75	75
JAMES SULLIVAN MUTUAL WATER CO			0	0	11	11	11	7	76	76	76	76	76	76
3600820	2S4W05P	W	0	0	0	0	0	0	0	0	0	0	0	0
JOHNSON	DOROTHY		0	0	0	0	0	0	0	0	0	0	0	0
3600537	2S4W05F02S	W	322	272	257	210	141	240	0	0	0	0	0	0
JUMAL WATER COMPANY			322	272	257	210	141	240	0	0	0	0	0	0
3600535	1S5W36C09S	W	58	67	73	73	29	60	0	0	0	0	0	0
3600536	1S5W36C10S	W	753	695	1041	672	304	693	0	0	0	0	0	0
3600535-	1S5W36C11S	W	0	0	0	0	0	0	793	351	634	1217	1372	873
JURUPA WATER COMPANY			811	762	1114	745	333	753	793	351	634	1217	1372	873
3691486	1S4W29Q03S	W						0	0	0	0	0	0	0
3692486	1S4W29Q04S	W						0	0	0	0	0	0	0
3601539	1S4W32E01S	W	0	0	0	0	0	0	0	0	0	0	0	0
3601543	1S4W32E02S	W	188	191	132	59	5	115	0	0	0	0	0	0
3601540	1S4W32E03S	W	0	0	0	0	0	0	0	0	0	0	0	0
3601542	1S4W32E05S	W	0	0	0	0	0	0	0	0	0	0	0	0
3601541	1S4W32E06S	W	0	0	0	0	0	0	0	0	0	0	0	0
3601544	1S4W32E07S	W	1083	981	1254	646	108	814	0	0	0	0	0	0
3601546	1S4W32E09S	W	614	610	428	278	274	441	29	14	0	0	0	9
3601547	1S4W32E10S	W	474	403	568	31	0	295	0	0	0	0	0	0
3601545	1S4W32E11S	W	1104	1005	1005	847	577	908	0	0	0	0	0	0
LA SIERRA WATER CO			3463	3190	3387	1861	964	2573	29	14	0	0	0	9
3601110	1S5W34A	W	161	156	182	115	97	142	67	40	61	60	92	64
MAAS	HARRY ET AL		161	156	182	115	97	142	67	40	61	60	92	64
3600962	2S4W06A01S	W	490	310	444	252	242	348	92	80	136	126	130	113
MERRYFIELD WATER COMPANY			490	310	444	252	242	348	92	80	136	126	130	113
3601088	1S5W33A01S	W	378	335	518	448	377	411	0	0	0	0	0	0
3602222	1S5W33A02S	W	0	0	0	0	0	0	185	1	0	0	-	37
RANCHO DE SANTA FE			378	335	518	448	377	411	185	1	0	0	0	37
3601680	1S5W25L02S	W	130	130	130	130	180	140	9	14	9	24	14	14
RIALTO CITY OF			130	130	130	130	180	140	9	14	9	24	14	14



TABLE NO. 1  
 VERIFIED EXTRACTATIONS BY OWNERS WHICH HAVE FILINGS WITH THE STATE WATER RESOURCES CONTROL BOARD  
 FOR RIVERSIDE NORTH BASIN

WM:VC

13:03:41 21 MAR 1988

RECORD NUMBER	STATE WELL NUMBER	WELL TYPE	-----BASE YEARS-----					-----CURRENT YEARS-----						
			1959	1960	1961	1962	1963	1959-63 AVERAGE	1982	1983	1984	1985	1986	1982-86 AVERAGE
3601484	1S4W29H01S	W	1257	968	1237	854	642	992	2	18	6	4	6	7
3601483	1S4W29H02S	W	576	481	140	0	0	239	0	0	0	0	0	0
3601487	1S4W29Q01S	W	1665	1198	981	657	636	1027	0	0	0	0	0	0
3601486	1S4W29Q03S	W	2218	1501	1663	1316	1503	1640	12	25	0	28	127	38
3602486	1S4W29Q04S	W	0	0	0	0	0	0	2	12	3	18	10	9
3601485	1S4W29R01S	W	1497	979	1862	1458	1165	1392	8	2	0	29	50	18
3600898	1S5W25R02S	W	1196	1042	869	0	0	621	0	0	0	0	0	0
3600898-	1S5W25R04S	W	0	0	0	1082	1127	442	0	0	0	0	0	0
3601236	1S5W36L01S	W	0	0	402	0	0	80	25	26	58	29	93	46
3301088	1S5W36Q	D	67	0	0	0	0	13	0	0	0	0	0	0
3601271	2S4W06Q03S	W	61	20	25	47	42	39	0	0	0	0	0	0
3601235	2S5W01G01S	W	0	0	0	0	0	0	0	0	0	0	0	0
3601223	2S5W01G02S	W	1070	518	392	0	0	396	2063	1866	387	652	0	994
3601221	2S5W01J03S	W	38	13	20	26	5	20	14	41	3	33	24	23
3601488	2S5W01Q01S	W	562	493	634	251	265	441	0	0	0	0	0	0
3602234	2S5W02Q07S	W	0	0	0	0	0	0	0	0	0	0	0	0
3602748	2S5W02Q08S	W						0	1489	591	2434	2400	2032	1789
3601490	2S5W02R	W	310	65	582	694	582	447	0	0	0	0	0	0
3601493	2S5W02R01S	W	1500	1301	1590	1345	1200	1387	0	0	0	0	0	0
3601492	2S5W02R02S	W	237	0	141	123	296	159	0	0	0	0	0	0
3601491	2S5W02R03S	W	720	1060	1141	862	796	916	0	0	0	0	0	0
RIVERSIDE	CITY OF		12974	9639	11679	8715	8259	10251	3615	2581	2891	3193	2342	2924
3600783	2S4W05C01S	W	1504	1474	1639	1231	1169	1403	1645	1019	2046	1861	1893	1693
RIVERSIDE	CITY OF-GAGE	CANA1504	1474	1639	1231	1169	1403	1645	1019	2046	1861	1893	1693	1693
3600874	2S5W02A	W	2	2	1	1	0	1	0	0	0	0	0	0
3601722	2S5W02A	W	606	612	726	404	271	524	0	0	0	0	0	0
3602114	2S5W02G	W	0	0	0	0	27	5	0	0	0	0	0	0
3600883	2S5W02G02S	W	0	0	0	0	0	0	0	0	0	0	0	0
3601782	2S5W02L02S	W	105	105	105	105	0	84	0	0	0	0	0	0
RIVERSIDE	CEMENT CO		713	719	832	510	298	614	0	0	0	0	0	0
3601524	1S4W28L01S	W	43	150	13	0	0	41	0	0	0	0	0	0
3601534	1S4W28L02S	W	973	428	460	560	795	643	485	604	897	816	890	738
3601532	1S4W28N05S	W	944	1164	1129	820	1029	1017	1679	1299	2498	2198	175	1570
3601790	1S4W32M	W	0	0	0	0	69	14	42	0	0	0	0	8
3601789	1S4W32M01S	W	461	409	664	621	572	545	364	94	49	287	149	189
3601531	1S4W33B05S	W	42	2	4	30	4	16	0	0	0	0	0	0
3601526	2S4W06R01S	W	1338	1226	1834	1549	1429	1475	760	539	1101	1174	875	890
RIVERSIDE	HIGHLAND WATER	COM3801	3379	4104	3580	3898	3751	3330	2536	4545	4475	2089	3395	3395
3601423	2S4W06N	W	0	0	0	0	0	0	0	0	0	0	-	0
3601424	2S4W06P	D	67	67	67	67	67	67	0	0	0	0	-	0
3601422	2S4W06Q	W	23	23	23	23	23	23	0	0	0	0	-	0
ROQUET	HARRY V		90	90	90	90	90	90	0	0	0	0	0	0
3600915	1S4W31J01S	W	45	45	25	25	25	33	0	0	0	0	0	0
ROSEDALE	WATER COMPANY		45	45	25	25	25	33	0	0	0	0	0	0

TABLE NO. 1  
 VERIFIED EXTRACTATIONS BY OWNERS WHICH HAVE FILINGS WITH THE STATE WATER RESOURCES CONTROL BOARD  
 FOR RIVERSIDE NORTH BASIN

WM:VC

13:03:48 21 MAR 1988

RECORDTN NUMBER	STATE NUMBER	WELL TYPE	-----BASE YEARS-----					-----CURRENT YEARS-----						
			1959	1960	1961	1962	1963	1959-63 AVERAGE	1982	1983	1984	1985	1986	1982-86 AVERAGE
3600910	1S5W35G02S	W	133	124	125	115	118	123	0	0	0	0	0	0
3600911	1S5W35J	W	123	104	46	7	8	58	0	0	0	0	0	0
SERVICE ROCK CO			256	228	171	122	126	181	0	0	0	0	0	0
3601970	2S4W05M	W	0	0	139	211	244	119	40	40	60	66	66	54
3601009	2S4W06J01S	W	25	35	38	51	53	40	1	2	8	2	9	4
3601011	2S4W06R04S	W	26	25	52	52	59	43	62	57	60	75	68	64
3601020	2S4W06R05S	W	292	482	526	494	701	499	102	34	31	35	27	46
3601023	2S4W06R06S	W	282	406	508	507	540	449	102	34	31	35	27	46
SOUTHERN CALIFORNIA EDISON CO			625	948	1263	1315	1597	1150	307	167	190	213	197	214
3601488	2S5W01Q01S	W	0	0	0	0	0	0	0	0	0	0	0	0
STAPAKIS WILLIAM			0	0	0	0	0	0	0	0	0	0	0	0
3601509	2S4W06A03S	W	1203	1319	1363	1163	1265	1263	1423	0	1190	1817	2051	1296
TEMESCAL WATER COMPANY			1203	1319	1363	1163	1265	1263	1423	0	1190	1817	2051	1296
3601549	1S4W28M01S	W	600	680	820	680	580	672	0	0	0	0	0	0
VILLELLI ENTERPRISES			600	680	820	680	580	672	0	0	0	0	0	0
3600899	2S4W05F	W	0	0	0	0	0	0	0	0	0	0	0	0
WAGONER JOHN J			0	0	0	0	0	0	0	0	0	0	0	0
3601996	2S5W02J	W	0	0	18	67	161	49	49	27	320	360	360	223
WEST COAST FARMS			0	0	18	67	161	49	49	27	320	360	360	223
3600832	1S4W32B01S	W	723	784	571	0	180	452	641	6	0	155	0	160
3601953	1S4W32B02S	W	0	0	640	2989	2512	1228	264	40	0	430	0	147
3600833	1S4W32G01S	W	1178	896	542	0	0	523	0	0	0	0	0	0
3600829	1S4W32G02S	W	26	10	0	0	0	7	0	0	0	0	0	0
3600830	1S4W32G04S	W	310	252	245	0	0	161	0	0	0	0	0	0
3600831	1S4W32H01S	W	58	30	150	0	0	48	0	0	0	0	0	0
WEST RIVERSIDE 350 WATER CO			2295	1972	2148	2989	2692	2419	905	46	0	585	0	307
3601004	1S5W23N01S	W	824	904	831	808	622	798	0	0	0	0	0	0
3600074	1S5W23Q01S	W	150	150	150	150	150	150	489	509	124	246	488	371
3601763	1S5W24M01S	W	35	40	46	35	35	38	0	0	0	0	0	0
3601683	1S5W34B02S	W	146	170	193	118	117	149	0	0	0	0	0	0
3601434	1S5W34D01S	W	204	211	212	203	201	206	0	0	0	0	0	0
WEST SAN BDNO COUNTY WATER			1359	1475	1432	1314	1125	1341	489	509	124	246	488	371
3601961	1S5W25P	W	20	18	149	141	107	87	0	0	0	0	0	0
YEAGER CONSTRUCTION CO			20	18	149	141	107	87	0	0	0	0	0	0
TTL RIVERSIDE NORTH BASIN			37915	33180	36519	29882	27864	33066	16714	11237	16450	18776	16793	15992

TABLE NO. 2

VERIFIED EXTRACTIONS BY OWNERS WHICH  
HAVE NOT FILED WITH THE STATE WATER  
RESOURCES CONTROL BOARD

TABLE NO. 2  
 VERIFIED EXTRACTIONS BY OWNERS WHICH HAVE NOT FILED WITH THE STATE WATER RESOURCES CONTROL BOARD  
 FOR RIVERSIDE NORTH BASIN

(wm:vc)

13:04:41 21 MAR 1988

RECORDTN NUMBER	STATE WELL NUMBER	WELL TYPE	-----BASE YEARS-----					-----CURRENT YEARS-----						
			1959	1960	1961	1962	1963	1959-63 AVERAGE	1982	1983	1984	1985	1986	1982-86 AVERAGE
0000006	1S5W25P	W	0	0	0	0	0	0	0	0	0	0	0	0
CALIFORNIA PORTLAND CEMENT COM			0	0	0	0	0	0	0	0	0	0	0	0
0000007	1S5W35B	W	50	50	50	50	50	50	0	0	0	0	0	0
CARSON, K			50	50	50	50	50	50	0	0	0	0	0	0
0000005	2S5W02R	W	0	0	0	0	0	0	0	0	0	0	0	0
DR. MASON			0	0	0	0	0	0	0	0	0	0	0	0
0000008	1S5W36B	W						0	15	8	9	13	0	9
DUNN, ELMER			0	0	0	0	0	0	15	8	9	13	0	9
0000009	1S5W36N	W	38	38	38	38	38	38	15	15	0	0	0	6
HOLTER RANCH			38	38	38	38	38	38	15	15	0	0	0	6
0000010	1S5W36F	W						0	97	94	135	60	62	90
HOPKINS ARUA			0	0	0	0	0	0	97	94	135	60	62	90
0000019	1S4W36N	W						0					45	9
KLECKLER, DON			0	0	0	0	0	0	0	0	0	0	45	9
0000011	1S4W30P01S	W	13	13	13	13	13	13	13	13	13	13	0	10
McDANIEL & SON DAIRY			13	13	13	13	13	13	13	13	13	13	0	10
0000012	1S5W25R	W	556	556	556	556	556	556	495	537	554	530	437	511
WARD DUCK COMPANY			556	556	556	556	556	556	495	537	554	530	437	511
TTL RIVERSIDE NORTH BASIN			657	657	657	657	657	657	635	667	711	616	544	635

TABLE NO. 3

SUMMARY OF VERIFIED EXTRACTIONS (FILED AND  
NON-FILED) FROM RIVERSIDE BASIN AREA WITHIN  
SAN BERNARDINO COUNTY

TABLE NO. 3  
SUMMARY OF VERIFIED EXTRACTIIONS (FILED AND NON-FILED) FOR RIVERSIDE NORTH

13:05:02 21 MAR 1988

	-----BASE YEARS-----						-----CURRENT YEARS-----					
	1959	1960	1961	1962	1963	1959-63	1982	1983	1984	1985	1986	1982-86
	AVERAGE						AVERAGE					
ALLEE RANCH	150	151	166	200	200	173	260	260	260	260	260	260
BRADFORD IVAN	0	0	0	0	0	0	5	5	0	0	0	2
BRADVICA LOUIS A	105	123	83	78	61	90	0	0	0	0	0	0
CALIFORNIA PORTLAND CEMENT COM	2177	1990	1720	877	1239	1600	2054	2226	2386	2982	3840	2697
CANALE CATERING	9	9	9	9	9	9	0	0	0	0	0	0
CARSON, K	50	50	50	50	50	50	0	0	0	0	0	0
COUNTRY CLUB STORAGE	55	58	61	68	71	63	0	0	0	0	0	0
DAGGETT FOREST N	425	347	333	348	0	290	0	0	0	0	0	0
DR. MASON	0	0	0	0	0	0	0	0	0	0	0	0
DUNN, ELMER	0	0	0	0	0	0	15	8	9	13	0	9
EL RIVINO COUNTRY CLUB	733	733	733	733	733	733	486	524	603	393	503	502
FIRESTONE GROUP LTD	285	240	379	338	205	289	0	0	0	0	0	0
FRANZMAN	112	118	123	123	125	120	70	76	81	74	92	79
GENERAL AMERICAN TRANSPORTATIO	30	30	28	31	34	31	17	15	15	34	35	23
GREEN ACRES MEMORIAL PARK ASS'	1918	1569	426	658	774	1069	268	262	262	354	405	310
HAMADA BROS	323	325	348	390	346	346	162	124	211	127	279	181
HOLIDAY SAND AND GRAVEL	158	155	151	148	149	152	104	59	60	60	60	69
HOLTER RANCH	38	38	38	38	38	38	15	15	0	0	0	6
HOPKINS ARUA	0	0	0	0	0	0	97	94	135	60	62	90
HOWELL, ORUS	50	50	50	50	50	50	74	71	143	43	26	71
HUNGERFORD FRANK B	0	0	0	0	0	0	0	0	0	0	0	0
INTER COUNTY WATER COMPANY	145	141	133	117	131	133	200	154	207	196	189	189
JAMES SULLIVAN MUTUAL WATER CO	0	0	11	11	11	7	76	76	76	76	76	76
JOHNSON DOROTHY	0	0	0	0	0	0	0	0	0	0	0	0
JUMAL WATER COMPANY	322	272	257	210	141	240	0	0	0	0	0	0
JURUPA WATER COMPANY	811	762	1114	745	333	753	793	351	634	1217	1372	873
KLECKLER, DON	0	0	0	0	0	0	0	0	0	0	45	9
LA SIERRA WATER CO	3463	3190	3387	1861	964	2573	29	14	0	0	0	9
MAAS HARRY ET AL	161	156	182	115	97	142	67	40	61	60	92	64
MERRYFIELD WATER COMPANY	490	310	444	252	242	348	92	80	136	126	130	113
McDANIEL & SON DAIRY	13	13	13	13	13	13	13	13	13	13	0	10
RANCHO DE SANTA FE	378	335	518	448	377	411	185	1	0	0	0	37
RIALTO CITY OF	130	130	130	130	180	140	9	14	9	24	14	14
RIVERSIDE CITY OF	12974	9639	11679	8715	8259	10251	3615	2581	2891	3193	2342	2924
RIVERSIDE CITY OF-GAGE CANAL	1504	1474	1639	1231	1169	1403	1645	1019	2046	1861	1893	1693
RIVERSIDE CEMENT CO	713	719	832	510	298	614	0	0	0	0	0	0
RIVERSIDE HIGHLAND WATER COMPA	3801	3379	4104	3580	3898	3751	3330	2536	4545	4475	2089	3395
ROQUET HARRY V	90	90	90	90	90	90	0	0	0	0	0	0
ROSEDALE WATER COMPANY	45	45	25	25	25	33	0	0	0	0	0	0
SERVICE ROCK CO	256	228	171	122	126	181	0	0	0	0	0	0
SOUTHERN CALIFORNIA EDISON COM	625	948	1263	1315	1597	1150	307	167	190	213	197	214
STAPAKIS WILLIAM	0	0	0	0	0	0	0	0	0	0	0	0
TEMESCAL WATER COMPANY	1203	1319	1363	1163	1265	1263	1423	0	1190	1817	2051	1296
VILLELLI ENTERPRISES	600	680	820	680	580	672	0	0	0	0	0	0
WAGONER JOHN J	0	0	0	0	0	0	0	0	0	0	0	0
WARD DUCK COMPANY	556	556	556	556	556	556	495	537	554	530	437	511
WEST COAST FARMS	0	0	18	67	161	49	49	27	320	360	360	223
WEST RIVERSIDE 350 WATER CO	2295	1972	2148	2989	2692	2419	905	46	0	585	0	307
WEST SAN BDNO COUNTY WATER DI	1359	1475	1432	1314	1125	1341	489	509	124	246	488	371
YEAGER CONSTRUCTION CO	20	18	149	141	107	87	0	0	0	0	0	0
TTL RIVERSIDE NORTH BASIN	38572	33837	37176	30539	28521	33723	17349	11904	17161	19392	17337	16627

TABLE NO. 4

GROUNDWATER PRODUCTION FROM THAT PART OF THE RIVERSIDE  
GROUNDWATER BASIN SITUATED WITHIN SAN BERNARDINO COUNTY  
BY RIVERSIDE COUNTY ENTITIES, A PART OF WHICH IS USED IN  
SAN BERNARDINO COUNTY AND THE REMAINDER EXPORTED TO  
RIVERSIDE COUNTY DURING THE 5-YEAR BASE PERIOD  
ENDING IN 1963 AND FOR FOLLOWING CALENDAR  
YEARS 1975 THROUGH THE  
CURRENT YEAR

TABLE NO. 4

GROUNDWATER PRODUCTION FROM THAT PART OF THE RIVERSIDE GROUNDWATER BASIN SITUATED WITHIN SAN BERNARDINO COUNTY BY RIVERSIDE COUNTY ENTITIES, A PART OF WHICH IS USED IN SAN BERNARDINO COUNTY AND THE REMAINDER EXPORTED TO RIVERSIDE COUNTY DURING THE 5-YEAR BASE PERIOD ENDING IN 1963 AND FOR FOLLOWING CALENDAR YEARS 1975 THROUGH THE CURRENT YEAR

Riverside Entities	EXTRACTIONS FROM RIVERSIDE BASIN AREA WITHIN SAN BERNARDINO COUNTY FOR USE WITHIN & EXPORT THEREFROM												(All Quantities in Acre Feet)					
	1959			1960			1961			1962			1963		5-Year Avg.			
	Total Extraction	San Bernardino County	Riverside County	Total Extraction	San Bernardino County	Riverside County	Total Extraction	San Bernardino County	Riverside County	Total Extraction	San Bernardino County	Riverside County	Total Extraction	San Bernardino County	Riverside County	Total Extraction	San Bernardino County	Riverside County
American Cement Co.	2,526	713	1,813	2,178	719	1,459	1,146	832	314	1,053	510	543	948	298	650	1,570	614	956
City of Riverside Dom. & Irrig.	12,974	1,581	11,393	9,639	852	8,787	11,679	1,171	10,508	8,715	81	8,634	8,259	84	8,175	10,254	754	9,500
City of Riverside Gate Canal	1,504	0	1,504	1,474	0	1,474	1,639	0	1,639	1,231	0	1,231	1,169	0	1,169	1,403	0	1,403
Inter County Wtr. Co.	145	57	88	141	55	86	133	52	81	117	46	71	131	51	80	133	52	81
Jurupa Water Co.	811	0	811	762	0	762	1,114	0	1,114	745	0	745	333	0	333	753	0	753
La Sierra Water Co.	3,463	725	2,738	3,190	698	2,492	3,387	598	2,789	1,861	289	1,572	964	274	690	2,573	517	2,056
Riverside Highland Water Co.	3,801	1,317	2,484	3,379	890	2,489	4,104	994	3,110	3,580	1,043	2,537	3,898	1,246	2,652	3,752	1,098	2,654
Temescal Water Co.	1,203	0	1,203	1,319	0	1,319	1,363	0	1,363	1,163	0	1,163	1,265	0	1,265	1,263	0	1,263
West Riverside 350" Water Co.	2,295	0	2,295	1,972	0	1,972	2,148	0	2,148	2,989	0	2,989	2,692	0	2,692	2,419	0	2,419
TOTAL	28,722	4,393	24,329	24,054	3,214	20,840	26,713	3,647	23,066	21,454	1,969	19,485	19,659	1,953	17,706	24,120	3,035	21,085

See Report of Watermaster, Volume 5, Distribution of Extractions, Chapter III, Table No. 52-A.



TABLE NO. 4

GROUNDWATER PRODUCTION FROM THAT PART OF THE RIVERSIDE GROUNDWATER BASIN SITUATED WITHIN SAN BERNARDINO COUNTY BY RIVERSIDE COUNTY ENTITIES, A PART OF WHICH IS USED IN SAN BERNARDINO COUNTY AND THE REMAINDER EXPORTED TO RIVERSIDE COUNTY DURING THE 5-YEAR BASE PERIOD ENDING IN 1963 AND FOR FOLLOWING CALENDAR YEARS 1975 THROUGH THE CURRENT YEAR

(All quantities in Acre Feet)

RIVERSIDE COUNTY ENTITIES	EXTRACTIONS FROM RIVERSIDE BASIN AREA WITHIN SAN BERNARDINO COUNTY FOR USE WITHIN & EXPORT THEREFROM																	
	1975			1976			1977			1978			1979			1980		
	Total Extractions	San Bernardino County	Riverside County	Total Extractions	San Bernardino County	Riverside County	Total Extractions	San Bernardino County	Riverside County	Total Extractions	San Bernardino County	Riverside County	Total Extractions	San Bernardino County	Riverside County	Total Extractions	San Bernardino County	Riverside County
Riverside Cement Co.	0	0	0	218	218	0	446	446	0	227	227	0	436	436	0	218	218	0
City of Riverside Dom. & Irrig.	5,838	94	5,744	6,345	126	6,219	4,112	279	3,833	1,364	271	1,093	2,836	587	2,249	1,706	1,591	115
City of Riverside Gage Canal	645	77	568	440	62	378	389	6	383	734	4	730	413	4	409	2,032	4	2,028
Inter County Wtr. Co.	225	88	137	230	152	78	207	137	70	145	96	49	225	149	76	228	150	78
Jurupa Water Co.	592	0	592	637	0	637	756	0	756	1,118	0	1,118	421	0	421	478	0	478*
La Sierra Wtr. Co.	2,311	0	2,311	2,682	0	2,682	2,862	0	2,862	1,500	0	1,500	1,736	0	1,736	1,102	0	1,102
Riverside Highland Wtr. Co.	3,016	966	2,050	3,592	1,108	2,484	4,699	1,117	3,582	3,923	1,302	2,621	3,876	1,194	2,682	4,284	1,447	2,837
Temescal Wtr. Co.	2,035	0	2,035	2,682	0	2,682	2,363	0	2,363	1,528	0	1,528	2,130	0	2,130	1,968	0	1,968
West Riverside 350" Wtr. Co.	1,526	0	1,526	981	0	981	583	0	583	416	0	416	889	0	889	585	0	585
TOTAL	16,188	1,225	14,963	17,807	1,666	16,141	16,417	1,985	14,432	10,955	1,900	9,055	12,962	2,370	10,592	12,601	3,410	9,191

See Report of Watermaster, Volume 5, Distribution of Extractions, Chapter III, Table No. 52-A.

\* Corrected in 1981

TABLE NO. 4

GROUNDWATER PRODUCTION FROM THAT PART OF THE RIVERSIDE GROUNDWATER BASIN SITUATED WITHIN SAN BERNARDINO COUNTY BY RIVERSIDE COUNTY ENTITIES, A PART OF WHICH IS USED IN SAN BERNARDINO COUNTY AND THE REMAINDER EXPORTED TO RIVERSIDE COUNTY DURING THE 5-YEAR BASE PERIOD ENDING IN 1963 AND FOR FOLLOWING CALENDAR YEARS 1975 THROUGH THE CURRENT YEAR

(All quantities in Acre Feet)

RIVERSIDE COUNTY ENTITIES	EXTRACTIONS FROM RIVERSIDE BASIN AREA WITHIN SAN BERNARDINO COUNTY FOR USE WITHIN & EXPORT THEREFROM																	
	1981			1982			1983			1984			1985			1986		
	Total Extractions	San Bernardino County	Riverside County	Total Extractions	San Bernardino County	Riverside County	Total Extractions	San Bernardino County	Riverside County	Total Extractions	San Bernardino County	Riverside County	Total Extractions	San Bernardino County	Riverside County	Total Extractions	San Bernardino County	Riverside County
Riverside Cement Co.	413	413	0	0	0	0	0	0	0	0	0	0	0	0	0	0	0	0
City of Riverside Dom. & Irrig.	2,894	1,526	1,368	3,615*	2,102*	1,513	2,581*	1,933*	648	2,891	2,443	3,193	714	2,479	2,342	117	2,225	
City of Riverside Gage Canal	2,467	3	2,464	1,645	1	1,644	1,019	1	1,018	2,046	2,044	1,861	1	1,860	1,893	2	1,891	
Inter County Wtr. Co.	175	115	60	200	132	68	154	102	52	207	136	196	129	67	189	125	64	
Jurupa Water Co.	62	0	62	793	0	793	351	0	351	634	0	1,217	0	1,217	1,372	0	1,372	
La Sierra Wtr. Co.	2,233	0	2,233	29	0	29	14	0	14	0	0	0	0	0	0	0	0	
Riverside Highland Wtr. Co.	4,965	1,676	3,289	3,330	1,248	2,082	2,536	889	1,646	4,545	1,367	4,475	1,299	3,176	2,069	1,001	1,088	
Temescal Wtr. Co.	2,196	0	2,196	1,423	0	1,423	0	0	0	1,190	0	1,817	0	1,817	2,015	0	2,015	
West Riverside 350" Wtr. Co.	1,395	0	1,395	905	0	905	46	0	46	0	0	585	0	585	0	0	0	
TOTAL	16,800	3,733	13,067	11,940*	3,483*	8,457	6,700*	2,925*	3,775	11,513	1,953	13,344	2,143	11,201	9,900	1,245	8,655	

See Report of Watermaster, Volume 5, Distribution of Extractions, Chapter III, Table No. 52-A.

\* Corrected during 1984 verification

TABLE NO. 5

GROUNDWATER PRODUCTION FROM THAT PART OF THE  
RIVERSIDE GROUNDWATER BASIN SITUATED WITHIN  
SAN BERNARDINO COUNTY BY SAN BERNARDINO COUNTY  
ENTITIES FOR USE IN SAN BERNARDINO COUNTY  
DURING THE 5-YEAR BASE PERIOD ENDING IN 1963  
AND FOR FOLLOWING CALENDAR YEARS 1971 THROUGH THE  
CURRENT YEAR

TABLE NO. 5

GROUNDWATER PRODUCTION FROM THAT PART OF THE RIVERSIDE GROUNDWATER  
BASIN SITUATED WITHIN SAN BERNARDINO COUNTY BY SAN BERNARDINO COUNTY  
ENTITIES FOR USE IN SAN BERNARDINO COUNTY DURING THE 5-YEAR BASE PERIOD  
ENDING IN 1963 AND FOR FOLLOWING CALENDAR YEARS 1971 THROUGH THE  
CURRENT YEAR

(All Quantities in Acre Feet)

Verified Extractions from Riverside Basin Area Within San Bernardino County			
Calendar Year	Total Basin (1)	by Riverside County Entities (2)	by San Bernardino County Entities (3) = (1) - (2)
1959	38,572	28,722	9,850
1960	33,837	24,054	9,783
1961	37,176	26,713	10,463
1962	30,539	21,454	9,085
1963	28,521	19,659	8,862
Total 5-Yr. Avg.	33,729	24,120	9,609
1971	29,070	20,322	8,748
1972	28,148	20,185	7,963
1973	21,809	15,319*	6,490*
1974	21,881	14,982	6,899
1975	22,701	16,188	6,513
1976	24,705	17,807	6,898
1977	23,506	16,417	7,089
1978	17,216	10,955	6,261
1979	20,024	12,962	7,062
1980	18,533	12,601**	5,932**
1981	23,611	16,800	6,811
1982	17,349***	11,940***	5,409
1983	11,904***	6,700***	5,204***
1984	17,161	11,513	5,648
1985	19,392****	13,344	6,048
1986	17,337	9,900	7,437
1987			
1988			
1989			
1990			

\* Corrected during 1974 verification  
 \*\* Corrected during 1981 verification  
 Column (1), Table 3 total verified production all Facilities  
 Column (2), Table 4 Total extractions  
 \*\*\* Corrected during 1984 verification  
 \*\*\*\* Corrected during 1986 verification  
 Same as Vol. 5, Table 53

# VOLUME 4 - 1986

**REPORT OF WATERMASTER**

**Western Municipal Water District of Riverside County, et al**

**Plaintiffs**

**vs.**

**East San Bernardino County Water District, et al**

**Defendants**

**Superior Court of Riverside County**

**Case No. 78426**

**VOLUME 4 – 1986**

**VERIFIED EXTRACTIONS FROM THE  
RIVERSIDE BASIN AREA WITHIN  
RIVERSIDE COUNTY  
FOR  
CALENDAR YEARS 1959–1963 & 1982–1986**

**ANNUAL ACCOUNTING  
FOR INDIVIDUAL WELLS**

**AUGUST 1, 1988**

**WATERMASTER**

*Donald L. Harriger  
Robert L. Reiter*

REPORT OF WATERMASTER

Western Municipal Water District of Riverside County, et al  
Plaintiffs

vs.

East San Bernardino County Water District, et al  
Defendants

Superior Court of Riverside County

Case No. 78426

VOLUME 4 - 1986

VERIFIED EXTRACTIONS FROM THE

RIVERSIDE BASIN AREA WITHIN

RIVERSIDE COUNTY

FOR

CALENDAR YEARS 1959-1963 & 1982-1986

ANNUAL ACCOUNTING

FOR INDIVIDUAL WELLS

AUGUST 1, 1988

WATERMASTER

Donald L. Harriger  
Robert L. Reiter

VOLUME 4-1986

TABLE OF CONTENTS

	<u>Page</u>
INTRODUCTION . . . . .	i
RIVERSIDE BASIN AREA IN RIVERSIDE COUNTY CROSS INDEX BY OWNER . . . . .	1
RIVERSIDE BASIN AREA IN RIVERSIDE COUNTY CROSS INDEX BY RECORDATION NUMBER . . . . .	4
RIVERSIDE BASIN AREA IN RIVERSIDE COUNTY CROSS INDEX BY STATE WELL NUMBER . . . . .	7
<u>TABLE NO. 1</u>	
VERIFIED EXTRACTIONS BY OWNERS WHICH HAVE RECORDATION FILINGS WITH THE STATE WATER RESOURCES CONTROL BOARD . . . . .	10
<u>TABLE NO. 2</u>	
VERIFIED EXTRACTIONS BY OWNERS WHICH HAVE NOT FILED WITH THE STATE WATER RESOURCES CONTROL BOARD . . . . .	15
<u>TABLE NO. 3</u>	
SUMMARY OF VERIFIED EXTRACTIONS (FILED AND NON-FILED) FROM RIVERSIDE BASIN AREA WITHIN RIVERSIDE COUNTY . . . . .	16
<u>TABLE NO. 4</u>	
TOTAL VERIFIED EXTRACTIONS FROM THE RIVERSIDE BASIN AREA WITHIN RIVERSIDE COUNTY FOR USE WITHIN RIVERSIDE COUNTY DURING THE 5-YEAR PERIOD ENDING IN 1963 AND FOR CALENDAR YEARS 1971 THROUGH THE CURRENT YEAR . . . . .	17



VOLUME 4-1986

VERIFIED EXTRACTIONS FROM  
THE RIVERSIDE BASIN AREA  
WITHIN RIVERSIDE COUNTY FOR  
CALENDAR YEARS 1959-1963 & 1982-1986

INTRODUCTION

The provisions of Paragraph IX(a) and IX(b) of the Judgment Case No. 78426 entered April 17, 1969, entitled "Extractions from the Portion of Riverside Basin Area in Riverside County Which is Tributary to Riverside Narrows" provide as follows:

IX(a) "The average annual extractions from the portion of the Riverside Basin Area in Riverside County which is tributary to Riverside Narrows, for use in Riverside County, for the five-year period ending with 1963 are assumed to be 30,044 acre-feet; the correct figures shall be determined by the Watermaster as herein provided."

IX(b) "Over any five-year period, there may be extracted from such Basin Area, without replenishment obligation, an amount equal to five times such annual average for the Basin Area; provided, however, that if extractions in any year exceed such average by more than 20 percent, Western shall provide replenishment in the following year equal to the excess extractions over such 20 percent peaking allowance."

Paragraph IX(a) of the Judgment requires only that extractions from that part of the Riverside Basin in Riverside County which is tributary to the Riverside Narrows and used in Riverside County, be verified for the five calendar year base period ending in 1963. Accordingly, a verification of these extractions has been made, the results of which are shown in Table No. 3 on page 16 and averaged 29,634 acre-feet annually for each year during the base period.

Three indexes are included which provide a cross index by owner's name, State Water Resources Control Board Recordation Number, and State Well Number. Each index shows in addition, the local designation of each well, if the State has closed the file, which year that occurred and the last five years verified extractions.

Tables No. 1 and No. 2 in this report list the individual wells by the owner, and the owner totals for each year in the five year base period ending in 1963, the five year base period average, the extractions for the years of 1981 through 1985 and the five year average for that period. Table No. 1 lists the wells upon which filings have been made with the State Water Resources Control Board, and Table No. 2 lists the wells upon which no filings have been made. Table No. 3 is a summary of the verified extractions, by owner, as presented in Tables No. 1 and No. 2.

The Judgment further provides in Paragraph XVI that the accounting is effective from and after January 1, 1971. The recent verified extractions from the Riverside Basin Area in Riverside County for calendar years 1975 through the current year have been determined to be as follows:

<u>Year</u>	<u>Verified Extractions</u>
1975	28,285 A.F.
1976	31,565 A.F.
1977	28,226 A.F.
1978	24,878 A.F. 1)
1979	25,512 A.F.
1980	30,206 A.F. 2)
1981	30,243 A.F. 2)
1982	20,365 A.F. 3)
1983	22,991 A.F. 3)
1984	32,466 A.F. 4)
1985	23,970 A.F. 5)
1986	25,308 A.F.

Table No. 4 shows the total verified extractions from the Riverside Basin Area in Riverside County for use in Riverside County during the five year period ending in 1963 and for calendar years 1971 through the current year.

- 1) Corrected during 1980 verification.
- 2) Corrected during 1983 verification.
- 3) Corrected during 1984 verification (Victoria C.C.)
- 4) Corrected during 1985 verification (Hunter Engineering)
- 5) Corrected during 1986 verification (Hunter Engineering)

RIVERSIDE BASIN AREA

IN RIVERSIDE COUNTY

CROSS INDEX BY OWNER

VERIFIED WELL MASTER FILE LISTING FOR BASIN RIVERSIDE SOUTH BY OWNER NAME

WM:VXR

RUN DATE: 21 MAR 1988

OWNER.....	T P	RECORD NUMBER	DTN NUMBER	STATE NUMBER	WELL DESIGNATION	LOCAL CLSD	YEAR	---CALENDAR YEAR EXTRACTIIONS---				
								1982	1983	1984	1985	1986
ALAMO WATER COMPANY	W	3301768	2S5W11J					453	408	585	538	497
BANK OF AMERICA N.T.&S.A.	W	3301605	2S4W19P01S	WOODILL		1967	0	0	0	0	0	0
BOX SPRINGS MUTUAL WATER COMPANY	W	3300272	3S4W10A			1978	0	0	0	0	0	0
BOX SPRINGS MUTUAL WATER COMPANY	W	3300272-	3S4W10A	14		1964	0	0	0	0	0	0
BOX SPRINGS MUTUAL WATER COMPANY	W	3300273	3S4W10G	13A		1978	0	0	0	0	0	0
BOX SPRINGS MUTUAL WATER COMPANY	W	3300273-	3S4W10G	15		1964	0	0	0	0	0	0
BOX SPRINGS MUTUAL WATER COMPANY	W	3300274	3S4W10B	15A		1978	0	0	0	0	0	0
BOX SPRINGS MUTUAL WATER COMPANY	W	3300274-	3S4W10B	16			15	22	19	10	9	
BOX SPRINGS MUTUAL WATER COMPANY	W	3300275	3S4W10A	17			283	268	417	440	395	
BURNS F L AND LAURA	W	3300439	2S4W07N	CIT ST 2		1971	0	0	0	0	0	0
CALIF DEPT OF TRANSPORTATION DIST 8R	W	3301915	2S5W23Q03S	FREEWAY			306	83	463	33	856	
CANYON CREST COUNTRY CLUB	W	3302052	2S4W31R01S	NO 1			9	9	9	7	9	
CARPENTER COMPANY	W	3301036	3S5W09A01S	CBLNCA 1			10	10	10	10	10	
CERTAIN-TEED PRODUCTS	W	3302233	2S5W10C04S	1			16	16	16	16	16	
CERTAIN-TEED PRODUCTS	W	3302234	2S5W10C03S	2			16	16	16	16	16	
CERTAIN-TEED PRODUCTS	W	3302235	2S5W10C01S	3			16	16	16	16	16	
CITIZENS NATIONAL COMPANY	W	3300375	2S5W23L01S	AIR COND		1971	0	0	0	0	0	0
CRESTMORE HEIGHTS MUTUAL WATER CO	W	3301372	2S5W03B02S	2			19	17	24	23	20	
CRESTMORE HEIGHTS MUTUAL WATER CO	W	3301659	2S5W03B	3			49	44	62	60	51	
EASTERN MUNICIPAL WATER DISTRICT	W	3300981	3S4W03Q	RECHE CN		1974	0	0	0	0	0	0
EASTERN MUNICIPAL WATER DISTRICT	W	3300982	3S4W03R	DICKNSON		1974	0	0	0	0	0	0
FORT FREMONT MUTUAL WATER CO	W	3301296	2S5W16J	1			59	124	107	110	171	
FORT FREMONT MUTUAL WATER CO	W	3301297	2S5W16J	2			84	56	97	84	30	
GROSS DALE P	W	3300748	2S5W12E	1		1971	0	0	0	0	0	0
GRUBBS V W	W	3300076	2S4W07P			1968	0	0	0	0	0	0
HUNTER ENGINEERING COMPANY	W	3300607	2S4W18E01S	SMITH 1		1974	0	0	0	0	0	0
HUNTER ENGINEERING COMPANY	W	3300608	2S4W18F	2		1974	0	0	0	0	0	0
HUNTER ENGINEERING COMPANY	W	3300609	2S4W18C	3		1974	39	32	26	50	40	
JOHNSON TRUMAN	W	0000014	2S5W14E	1			0	0	0	0	0	0
JOHNSON TRUMAN	W	3300160	2S5W14E	1		1981	0	0	0	0	0	0
JURUPA COMM SERVICES DIST	W	3301362	2S5W08G04S	3			0	0	52	266	70	
JURUPA COMM SERVICES DIST	W	3301501	2S5W08G01S	5			0	0	475	634	475	
JURUPA COMM SERVICES DIST	W	3301502	2S5W08K02S	6		1981	0	0	0	0	0	0
JURUPA COMM SERVICES DIST	W	3301578	2S5W05R	PERSON MUT		1980	0	0	0	0	0	0
JURUPA COMM SERVICES DIST	W	3301625	2S5W08K03S	7		1981	0	0	0	0	0	0
LA CASA CONTENTA MOTEL	W	3300573	2S4W19P	ADLINE		1967	0	0	0	0	0	0
MARTIN KENNETH ALLAN	W	3300554	2S5W32B01S	RR 1		1968	0	0	0	0	0	0
MICHAEL C	W	3300595	2S5W22C01S	OLD A		1978	0	0	0	0	0	0
MICHAEL C	W	3300595-	2S5W22D	A			481	0	159	276	296	
MICHAEL C	W	3300597	2S5W22C02S	C			0	0	0	0	310	
MICHAEL C	W	3300599	2S5W21B01S	E			0	10	244	327	398	
MICHAEL C	W	3300600	2S5W21A01S	F			0	0	0	0	198	
MICHAEL C	W	3300601	2S5W22D01S	G			23	5	0	46	300	
MIPO CORP DBA MISSION	W	3300000	2S5W23G02S	6TH ST		1975	0	0	0	0	0	0
MUTUAL WATER CO OF W RIVERSIDE	W	3302008	2S5W10K06S	NO 1			279	229	266	276	272	
PROPERTY ACQUISITION CO	W	3301422	2S5W05R02S	PATA 66		1974	0	0	0	0	0	0
RIO RANCHO MUTUAL WATER COMPANY	W	3300022	2S5W16R	1		1978	0	0	0	0	0	0
RIO RANCHO MUTUAL WATER COMPANY	W	3300022-	2S5W16R01S	1			69	65	78	86	82	
RIVERSIDE CITY OF	W	3300417	2S5W25F01S	CLEARWTR			0	0	0	0	0	0
RIVERSIDE CITY OF	W	3300686	2S4W19J01S	LEMONA 1		1974	0	0	0	0	0	0

VERIFIED WELL MASTER FILE LISTING FOR BASIN RIVERSIDE SOUTH BY OWNER NAME

WM:VXF

RUN DATE: 21 MAR 1988

OWNER.....	T P	RECORD NUMBER	DTN NUMBER	STATE NUMBER	WELL DESIGNATION	LOCAL DESIGNATION	YEAR CLSD	---CALENDAR YEAR EXTRACTIONS---				
								1982	1983	1984	1985	1986
RIVERSIDE CITY OF	W	3301073	2S5W12K02S	TWIN 1&2				2674	1865	2951	1676	2184
RIVERSIDE CITY OF	W	3301074	2S5W23J01S	MULBERRY				0	1	1	0	0
RIVERSIDE CITY OF	W	3301075	2S5W12B01S	GARNER				198	158	220	168	6
RIVERSIDE CITY OF	W	3301076	2S5W12P01S	MREGRIFF 1				681	763	1069	221	855
RIVERSIDE CITY OF	W	3301077	2S5W12P02S	BRUNTON				87	265	394	0	381
RIVERSIDE CITY OF	W	3301078	2S5W28A01S	SANITARY			1977	0	0	0	0	0
RIVERSIDE CITY OF	W	3301079	2S5W28C01S	DAVIS			1977	0	0	0	0	0
RIVERSIDE CITY OF	W	3301082	2S5W14G02S	FAIRMT 1				298	461	207	415	33
RIVERSIDE CITY OF	W	3301084	2S5W12A01S	RUSSELL			1972	0	0	0	0	0
RIVERSIDE CITY OF	D	3301086	2S5W14K	SPBROOK			1966	0	0	0	0	0
RIVERSIDE CITY OF	D	3301087	2S5W29G	JENSEN			1977	0	0	0	0	0
RIVERSIDE CITY OF	W	3301284	2S5W24D01S	1ST ST				866	769	1083	22	35
RIVERSIDE CITY OF	W	3301285	2S5W13Q01S	CUNHAM 1			1978	0	0	0	0	0
RIVERSIDE CITY OF	W	3301285-	2S5W13Q02S	CUNHAM 2				426	1166	341	0	0
RIVERSIDE CITY OF	W	3301286	2S4W07N01S	PALMYR 1			1978	0	0	0	0	0
RIVERSIDE CITY OF	W	3301286-	2S4W07N03S	PALMYR 2				0	0	0	16	0
RIVERSIDE CITY OF	W	3301287	2S4W07L01S	ELECTRIC ST				131	614	2742	2216	2673
RIVERSIDE CITY OF	W	3301288	2S5W23R01S	FILL				230	1795	808	119	8
RIVERSIDE CITY OF	W	3301289	2S5W23Q01S	11TH ST				132	956	396	63	0
RIVERSIDE CITY OF	W	3301358	2S4W08E01S	HIGHGRV 1				0	0	0	0	0
RIVERSIDE CITY OF	W	3301359	2S4W08D03S	HIGHGRV 2			1978	0	0	0	0	0
RIVERSIDE CITY OF	W	3301359-	2S4W08D04S	HIGHGRV 3				0	0	0	0	0
RIVERSIDE CITY OF	W	3301635	2S5W14G03S	MORI 2				472	540	571	403	77
RIVERSIDE CITY OF	W	3301814	3S5W03F01S	ORNG ACRE			1982	0	0	0	0	0
RIVERSIDE CITY OF	W	3301851	2S5W14E01S	FAIRMT 2				77	434	298	39	49
RIVERSIDE CITY OF	W	3301940	3S5W09E01S	LINC HTS			1981	0	0	0	0	0
RIVERSIDE CITY OF	W	3301959	2S5W12B04S	GARNER B				1411	699	1411	810	1004
RIVERSIDE CITY OF	W	3302485	2S5W12A03S	RUSSELL B				1364	913	1615	1061	1653
RIVERSIDE CITY OF-GAGE CANAL	W	3300366	2S5W26F01S	OLVEWOOD 1				176	80	787	535	680
RIVERSIDE CITY OF-GAGE CANAL	W	3300367	2S5W26E02S	OLVEWOOD 2				528	301	1306	968	1091
RIVERSIDE CITY OF-GAGE CANAL	W	3300368	2S5W26M01S	OLVEWOOD 3				180	44	694	487	485
RIVERSIDE COUNTY OF	W	3300596	2S5W21K01S	HQ				24	24	24	24	24
RIVERSIDE COUNTY OF	W	3300598	2S5W21K	Edmunds				72	374	374	374	374
RIVERSIDE COUNTY OF	W	3302205	2S5W21M01S	PIC LAK 12				0	0	0	0	0
RIVERSIDE COUNTY OF	W	3302206	2S5W21M04S	PIC LAK 14				155	155	155	155	155
RIVERSIDE CEMENT CO	W	3300369	2S5W02E	CHINO NO 2			1960	0	0	0	0	0
RIVERSIDE CEMENT CO	W	3300370	2S5W03J	CRESTMOR				507	2280	2419	2503	0
RIVERSIDE CEMENT CO	W	3300371	2S5W05K	FALCO				0	0	0	0	0
RIVERSIDE CEMENT CO	W	3300372	2S5W03G02S	49			1960	0	0	0	0	0
RIVERSIDE CEMENT CO	W	3301203	2S5W02F	1 VALENCIA				14	0	325	371	378
RIVERSIDE CEMENT CO	W	3301473	2S5W02F	CHINO NO 3				356	525	163	274	0
RIVERSIDE CEMENT CO	W	3301610	2S5W03A	60-1				14	29	13	238	1321
RIVERSIDE CEMENT CO	W	3301626	2S5W02L	53-2			1978	0	0	0	0	0
RIVERSIDE CEMENT CO	W	3301626-	2S5W02L	64-1				332	0	0	251	0
RIVERSIDE HIGHLAND WATER COMPANY	W	3301655	2S4W08M01S	21				700	1031	1910	1120	1175
RIVERSIDE HIGHLAND WATER COMPANY	W	3301656	2S4W08M02S	22				453	2	682	797	842
RIVERSIDE INDUSTRIAL PARK	W	3300330	2S5W11C01S	8			1974	0	0	0	0	0
RIVERSIDE THOROUGHbred FARM	W	3301834	2S5W15B10S	1				594	491	939	977	670
RIVERSIDE THOROUGHbred FARM	W	3301835	2S5W15B11S				1986	152	162	218	71	FC
RIVINO WATER COMPANY	W	3301346	2S5W02L01S	1			1980	0	0	0	0	0

VERIFIED WELL MASTER FILE LISTING FOR BASIN RIVERSIDE SOUTH BY OWNER NAME

WM:VXF

RUN DATE: 21 MAR 1988

OWNER.....	T P	RECORD NUMBER	DTN STATE NUMBER	WELL LOCAL DESIGNATION	YEAR CLSD	---CALENDAR YEAR EXTRACTIONS---				
						1982	1983	1984	1985	1986
ROCKY R RANCH	W	3300768	3S5W14E	GURNEY 1	1974	20	20	20	0	0
ROOS CHARLES E	W	3301257	2S4W31E	1	1970	0	0	0	0	0
ROSS SAM	W	3301194	2S5W12R01S	1 WEST	1959	0	0	0	0	0
RUBIDOUX COMMUNITY SERVICES DISTRICT	W	0000013	2S5W20R01S	SEWER PLANT		0	0	0	0	0
RUBIDOUX COMMUNITY SERVICES DISTRICT	W	0000015	2S5W11C02S	SCOTTY #4		597	846	928	769	809
RUBIDOUX COMMUNITY SERVICES DISTRICT	W	0000016	2S5W21C	12-AIRPORT		708	736	843	742	831
RUBIDOUX COMMUNITY SERVICES DISTRICT	W	0000017	2S5W15L	14-CRESTMORE		610	29	236	265	520
RUBIDOUX COMMUNITY SERVICES DISTRICT	W	0000018	2S5W20A	46 ST, #15					159	435
RUBIDOUX COMMUNITY SERVICES DISTRICT	W	3301153	2S5W15M02S	NO 7		320	301	304	369	375
RUBIDOUX COMMUNITY SERVICES DISTRICT	W	3301154	2S5W15L09S	NO 8		13	3	0	0	0
RUBIDOUX COMMUNITY SERVICES DISTRICT	W	3301363	2S5W16E06S	NO 4		0	0	0	0	0
RUBIDOUX COMMUNITY SERVICES DISTRICT	W	3301423	2S5W16G04S	NO 1	1985	0	0	0	0	0
RUBIDOUX COMMUNITY SERVICES DISTRICT	W	3301424	2S5W15M01S	NO 9		0	0	0	0	0
RUBIDOUX COMMUNITY SERVICES DISTRICT	W	3301524	2S5W19J	J H NO 9	1979	0	0	0	0	0
RUBIDOUX COMMUNITY SERVICES DISTRICT	W	3301524-	2S5W20J02S	HUNTER 5		40	35	0	108	133
RUBIDOUX COMMUNITY SERVICES DISTRICT	W	3301694	2S5W20H04S	HUNTER 6	1981	233	190	316	390	355
RUBIDOUX COMMUNITY SERVICES DISTRICT	W	3301887	2S5W10P01S	NO 3		0	0	0	37	100
RUBIDOUX COMMUNITY SERVICES DISTRICT	W	3301892	2S5W17R03S	NO 11	1981	783	1328	796	750	474
RUBIDOUX COMMUNITY SERVICES DISTRICT	W	3302007	2S5W16H06S	NO 2, TROYER	1981	896	668	1129	370	273
SCHWAB A M	W	3300230	2S4W08N02S	PLMYRTA	1981	0	0	0	0	0
SCOPE CORPORATION	W	3300003	2S4W19J02S	COOK 2	1972	0	0	0	0	0
SCOPE CORPORATION	W	3300004	2S4W19R01S	HALL 1	1972	0	0	0	0	0
SOUTHERN SERVICE COMPANY LTD	W	3301384	2S5W22R01S	RIV LDRY		41	42	45	48	48
STOKER GEORGE	W	3300798	2S5W12A		1971	0	0	0	0	0
UNIVERSITY OF CALIFORNIA REGENTS OF	W	3300040	2S4W08D02S	HIGHGROV		319	240	343	0	0
VICTORIA COUNTRY CLUB	W	3300417-	2S5W25F01S	CLEARWTR		255	226	249	265	265
VON KANEL ALFRED	W	3300068	2S5W32A01S		1979	0	0	0	0	0
WATERMAN ALLEN H	W	3300812	2S5W11P	WTRMN 1	1962	0	0	0	0	0
WHITE SULPHUR SPRINGS POOL	W	3300754	2S5W13E	WHSLPHR 1	1971	0	0	0	0	0
WIGHT MRS CHARLES H	W	3300277	2S5W11K		1972	0	0	0	0	0
YEAGER CONSTRUCTION CO	W	3301081	2S5W14B	ANZA	1975	0	0	0	0	0
YEAGER CONSTRUCTION CO	W	3301927	2S5W03R03S	2	1974	0	0	0	0	0
ZINKE VERA	W	3300811	2S5W32K01S	WAYMAN	1975	0	0	0	0	0
END OF RIVERSIDE SOUTH BASIN						20365	22991	32466	23970	25308

RIVERSIDE BASIN AREA

IN RIVERSIDE COUNTY

CROSS INDEX BY RECORDATION NUMBER



VERIFIED WELL MASTER FILE LISTING FOR BASIN RIVERSIDE SOUTH BY RECORDATION NUMBER

WM:VXR

RUN DATE: 21 MAR 1988

RECORDTN NUMBER	STATE NUMBER	WELL OWNER.....	T LOCAL P DESIGNATION	YEAR CLSD	---CALENDAR YEAR EXTRACTIONS----				
					1982	1983	1984	1985	1986
0000013	2S5W20R01S	RUBIDOUX COMMUNITY SERVICES DISTRICT	W SEWER PLANT		0	0	0	0	0
0000014	2S5W14E	JOHNSON TRUMAN	W 1		0	0	0	0	0
0000015	2S5W11C02S	RUBIDOUX COMMUNITY SERVICES DISTRICT	W SCOTTY #4		597	846	928	769	809
0000016	2S5W21C	RUBIDOUX COMMUNITY SERVICES DISTRICT	W 12-AIRPORT		708	736	843	742	831
0000017	2S5W15L	RUBIDOUX COMMUNITY SERVICES DISTRICT	W 14-CRESTMORE		610	29	236	265	520
0000018	2S5W20A	RUBIDOUX COMMUNITY SERVICES DISTRICT	W 46 ST, #15					159	435
3300000	2S5W23G02S	MIPO CORP DBA MISSION	W 6TH ST	1975	0	0	0	0	0
3300003	2S4W19J02S	SCOPE CORPORATION	W COOK 2	1972	0	0	0	0	0
3300004	2S4W19R01S	SCOPE CORPORATION	W HALL 1	1972	0	0	0	0	0
3300022	2S5W16R	RIO RANCHO MUTUAL WATER COMPANY	W 1	1978	0	0	0	0	0
3300022-	2S5W16R01S	RIO RANCHO MUTUAL WATER COMPANY	W 1		69	65	78	86	82
3300040	2S4W08D02S	UNIVERSITY OF CALIFORNIA REGENTS OF	W HIGHGROV		319	240	343	0	0
3300068	2S5W32A01S	VOM KANEL ALFRED	W	1979	0	0	0	0	0
3300076	2S4W07P	GRUBBS V W	W	1968	0	0	0	0	0
3300160	2S5W14E	JOHNSON TRUMAN	W 1	1981	0	0	0	0	0
3300230	2S4W08N02S	SCHWAB A M	W PLMYRTA	1981	0	0	0	0	0
3300272	3S4W10A	BOX SPRINGS MUTUAL WATER COMPANY	W	1978	0	0	0	0	0
3300272-	3S4W10A	BOX SPRINGS MUTUAL WATER COMPANY	W 14	1964	0	0	0	0	0
3300273	3S4W10G	BOX SPRINGS MUTUAL WATER COMPANY	W 13A	1978	0	0	0	0	0
3300273-	3S4W10G	BOX SPRINGS MUTUAL WATER COMPANY	W 15	1964	0	0	0	0	0
3300274	3S4W10B	BOX SPRINGS MUTUAL WATER COMPANY	W 15A	1978	0	0	0	0	0
3300274-	3S4W10B	BOX SPRINGS MUTUAL WATER COMPANY	W 16		15	22	19	10	9
3300275	3S4W10A	BOX SPRINGS MUTUAL WATER COMPANY	W 17		283	268	417	440	395
3300277	2S5W11K	WIGHT MRS CHARLES H	W	1972	0	0	0	0	0
3300330	2S5W11C01S	RIVERSIDE INDUSTRIAL PARK	W 8	1974	0	0	0	0	0
3300366	2S5W26F01S	RIVERSIDE CITY OF-GAGE CANAL	W OLVEWOD 1		176	80	787	535	680
3300367	2S5W26E02S	RIVERSIDE CITY OF-GAGE CANAL	W OLVEWOD 2		528	301	1306	968	1091
3300368	2S5W26M01S	RIVERSIDE CITY OF-GAGE CANAL	W OLVEWOD 3		180	44	694	487	485
3300369	2S5W02E	RIVERSIDE CEMENT CO	W CHINO NO 2	1960	0	0	0	0	0
3300370	2S5W03J	RIVERSIDE CEMENT CO	W CRESTMOR		507	2280	2419	2503	0
3300371	2S5W05K	RIVERSIDE CEMENT CO	W FALCO		0	0	0	0	0
3300372	2S5W03G02S	RIVERSIDE CEMENT CO	W 49	1960	0	0	0	0	0
3300375	2S5W23L01S	CITIZENS NATIONAL COMPANY	W AIR COND	1971	0	0	0	0	0
3300417	2S5W25F01S	RIVERSIDE CITY OF	W CLEARWTR		0	0	0	0	0
3300417-	2S5W25F01S	VICTORIA COUNTRY CLUB	W CLEARWTR		255	226	249	265	265
3300439	2S4W07N	BURNS F L AND LAURA	W CIT ST 2	1971	0	0	0	0	0
3300554	2S5W32B01S	MARTIN KENNETH ALLAN	W RR 1	1968	0	0	0	0	0
3300573	2S4W19P	LA CASA CONTENTA MOTEL	W ADLINE	1967	0	0	0	0	0
3300595	2S5W22C01S	MICHAEL C	W OLD A	1978	0	0	0	0	0
3300595-	2S5W22D	MICHAEL C	W A		481	0	159	276	296
3300596	2S5W21K01S	RIVERSIDE COUNTY OF	W HQ		24	24	24	24	24
3300597	2S5W22C02S	MICHAEL C	W C		0	0	0	0	310
3300598	2S5W21K	RIVERSIDE COUNTY OF	W Edmunds		72	374	374	374	374
3300599	2S5W21B01S	MICHAEL C	W E		0	10	244	327	398
3300600	2S5W21A01S	MICHAEL C	W F		0	0	0	0	198
3300601	2S5W22D01S	MICHAEL C	W G		23	5	0	46	300
3300607	2S4W18E01S	HUNTER ENGINEERING COMPANY	W SMITH 1	1974	0	0	0	0	0
3300608	2S4W18F	HUNTER ENGINEERING COMPANY	W 2	1974	0	0	0	0	0
3300609	2S4W18C	HUNTER ENGINEERING COMPANY	W 3	1974	39	32	26	50	40
3300686	2S4W19J01S	RIVERSIDE CITY OF	W LEMONA 1	1974	0	0	0	0	0

VERIFIED WELL MASTER FILE LISTING FOR BASIN RIVERSIDE SOUTH BY RECORDATION NUMBER

WM:VXF

RUN DATE: 21 MAR 1988

RECORDTN NUMBER	STATE NUMBER	WELL OWNER.....	T LOCAL P DESIGNATION	YEAR CLSD	---CALENDAR YEAR EXTRACTIIONS---				
					1982	1983	1984	1985	1986
3300748	2S5W12E	GROSS DALE P	W 1	1971	0	0	0	0	0
3300754	2S5W13E	WHITE SULPHUR SPRINGS POOL	W WHSLPHR 1	1971	0	0	0	0	0
3300768	3S5W14E	ROCKY R RANCH	W GURNEY 1	1974	20	20	20	0	0
3300798	2S5W12A	STOKER GEORGE	W	1971	0	0	0	0	0
3300811	2S5W32K01S	ZINKE VERA	W WAYMAN	1975	0	0	0	0	0
3300812	2S5W11P	WATERMAN ALLEN H	W WTRMN 1	1962	0	0	0	0	0
3300981	3S4W03Q	EASTERN MUNICIPAL WATER DISTRICT	W RECHE CN	1974	0	0	0	0	0
3300982	3S4W03R	EASTERN MUNICIPAL WATER DISTRICT	W DICKNSON	1974	0	0	0	0	0
3301036	3S5W09A01S	CARPENTER COMPANY	W CBLNCA 1		10	10	10	10	10
3301073	2S5W12K02S	RIVERSIDE CITY OF	W TWIN 1&2		2674	1865	2951	1676	2184
3301074	2S5W23J01S	RIVERSIDE CITY OF	W MULBERRY		0	1	1	0	0
3301075	2S5W12B01S	RIVERSIDE CITY OF	W GARNER		198	158	220	168	6
3301076	2S5W12P01S	RIVERSIDE CITY OF	W MREGRIFF 1		681	763	1069	221	855
3301077	2S5W12P02S	RIVERSIDE CITY OF	W BRUNTON		87	265	394	0	381
3301078	2S5W28A01S	RIVERSIDE CITY OF	W SANITARY	1977	0	0	0	0	0
3301079	2S5W28C01S	RIVERSIDE CITY OF	W DAVIS	1977	0	0	0	0	0
3301081	2S5W14B	YEAGER CONSTRUCTION CO	W ANZA	1975	0	0	0	0	0
3301082	2S5W14G02S	RIVERSIDE CITY OF	W FAIRMT 1		298	461	207	415	33
3301084	2S5W12A01S	RIVERSIDE CITY OF	W RUSSELL	1972	0	0	0	0	0
3301086	2S5W14K	RIVERSIDE CITY OF	D SPBROOK	1966	0	0	0	0	0
3301087	2S5W29G	RIVERSIDE CITY OF	D JENSEN	1977	0	0	0	0	0
3301153	2S5W15M02S	RUBIDOUX COMMUNITY SERVICES DISTRICT	W NO 7		320	301	304	369	375
3301154	2S5W15L09S	RUBIDOUX COMMUNITY SERVICES DISTRICT	W NO 8		13	3	0	0	0
3301194	2S5W12R01S	ROSS SAM	W 1 WEST	1959	0	0	0	0	0
3301203	2S5W02F	RIVERSIDE CEMENT CO	W 1 VALENCIA		14	0	325	371	378
3301257	2S4W31E	ROOS CHARLES E	W 1	1970	0	0	0	0	0
3301284	2S5W24D01S	RIVERSIDE CITY OF	W 1ST ST		866	769	1083	22	35
3301285	2S5W13Q01S	RIVERSIDE CITY OF	W CUNHAM 1	1978	0	0	0	0	0
3301285-	2S5W13Q02S	RIVERSIDE CITY OF	W CUNHAM 2		426	1166	341	0	0
3301286	2S4W07N01S	RIVERSIDE CITY OF	W PALMYR 1	1978	0	0	0	0	0
3301286-	2S4W07N03S	RIVERSIDE CITY OF	W PALMYR 2		0	0	0	16	0
3301287	2S4W07L01S	RIVERSIDE CITY OF	W ELECTRIC ST		131	614	2742	2216	2673
3301288	2S5W23R01S	RIVERSIDE CITY OF	W FILL		230	1795	808	119	8
3301289	2S5W23Q01S	RIVERSIDE CITY OF	W 11TH ST		132	956	396	63	0
3301296	2S5W16J	FORT FREMONT MUTUAL WATER CO	W 1		59	124	107	110	171
3301297	2S5W16J	FORT FREMONT MUTUAL WATER CO	W 2		84	56	97	84	30
3301346	2S5W02L01S	RIVINO WATER COMPANY	W 1	1980	0	0	0	0	0
3301358	2S4W08E01S	RIVERSIDE CITY OF	W HIGHGRV 1		0	0	0	0	0
3301359	2S4W08D03S	RIVERSIDE CITY OF	W HIGHGRV 2	1978	0	0	0	0	0
3301359-	2S4W08D04S	RIVERSIDE CITY OF	W HIGHGRV 3		0	0	0	0	0
3301362	2S5W08G04S	JURUPA COMM SERVICES DIST	W 3		0	0	52	266	70
3301363	2S5W16E06S	RUBIDOUX COMMUNITY SERVICES DISTRICT	W NO 4		0	0	0	0	0
3301372	2S5W03B02S	CRESTMORE HEIGHTS MUTUAL WATER CO	W 2		19	17	24	23	20
3301384	2S5W22R01S	SOUTHERN SERVICE COMPANY LTD	W RIV LDYR		41	42	45	48	48
3301422	2S5W05R02S	PROPERTY ACQUISITION CO	W PATA 66	1974	0	0	0	0	0
3301423	2S5W16G04S	RUBIDOUX COMMUNITY SERVICES DISTRICT	W NO 1	1985	0	0	0	0	0
3301424	2S5W15M01S	RUBIDOUX COMMUNITY SERVICES DISTRICT	W NO 9		0	0	0	0	0
3301473	2S5W02F	RIVERSIDE CEMENT CO	W CHINO NO 3		356	525	163	274	0
3301501	2S5W08G01S	JURUPA COMM SERVICES DIST	W 5		0	0	475	634	475
3301502	2S5W08K02S	JURUPA COMM SERVICES DIST	W 6	1981	0	0	0	0	0

VERIFIED WELL MASTER FILE LISTING FOR BASIN RIVERSIDE SOUTH BY RECORDATION NUMBER

WM:VXF

RUN DATE: 21 MAR 1988

RECORDTN NUMBER	STATE NUMBER	WELL OWNER.....	T LOCAL P DESIGNATION	YEAR CLSD	---CALENDAR YEAR EXTRACTIONS---				
					1982	1983	1984	1985	1986
3301524	2S5W19J	RUBIDOUX COMMUNITY SERVICES DISTRICT	W J H NO 9	1979	0	0	0	0	0
3301524-	2S5W20J02S	RUBIDOUX COMMUNITY SERVICES DISTRICT	W HUNTER 5		40	35	0	108	133
3301578	2S5W05R	JURUPA COMM SERVICES DIST	W PERSON MUT	1980	0	0	0	0	0
3301605	2S4W19P01S	BANK OF AMERICA N.T.&S.A.	W WOODILL	1967	0	0	0	0	0
3301610	2S5W03A	RIVERSIDE CEMENT CO	W 60-1		14	29	13	238	1321
3301625	2S5W08K03S	JURUPA COMM SERVICES DIST	W 7	1981	0	0	0	0	0
3301626	2S5W02L	RIVERSIDE CEMENT CO	W 53-2	1978	0	0	0	0	0
3301626-	2S5W02L	RIVERSIDE CEMENT CO	W 64-1		332	0	0	251	0
3301635	2S5W14G03S	RIVERSIDE CITY OF	W MORI 2		472	540	571	403	77
3301655	2S4W08M01S	RIVERSIDE HIGHLAND WATER COMPANY	W 21		700	1031	1910	1120	1175
3301656	2S4W08M02S	RIVERSIDE HIGHLAND WATER COMPANY	W 22		453	2	682	797	842
3301659	2S5W03B	CRESTMORE HEIGHTS MUTUAL WATER CO	W 3		49	44	62	60	51
3301694	2S5W20H04S	RUBIDOUX COMMUNITY SERVICES DISTRICT	W HUNTER 6	1981	233	190	316	390	355
3301768	2S5W11J	ALAMO WATER COMPANY	W		453	408	585	538	497
3301814	3S5W03F01S	RIVERSIDE CITY OF	W ORNG ACRE	1982	0	0	0	0	0
3301834	2S5W15B10S	RIVERSIDE THOROUGHBRED FARM	W 1		594	491	939	977	670
3301835	2S5W15B11S	RIVERSIDE THOROUGHBRED FARM	W	1986	152	162	218	71	FC
3301851	2S5W14E01S	RIVERSIDE CITY OF	W FAIRMT 2		77	434	298	39	49
3301887	2S5W10P01S	RUBIDOUX COMMUNITY SERVICES DISTRICT	W NO 3		0	0	0	37	100
3301892	2S5W17R03S	RUBIDOUX COMMUNITY SERVICES DISTRICT	W NO 11	1981	783	1328	796	750	474
3301915	2S5W23Q03S	CALIF DEPT OF TRANSPORTATION DIST 8R	W FREEWAY		306	83	463	33	856
3301927	2S5W03R03S	YEAGER CONSTRUCTION CO	W 2	1974	0	0	0	0	0
3301940	3S5W09E01S	RIVERSIDE CITY OF	W LINC HTS	1981	0	0	0	0	0
3301959	2S5W12B04S	RIVERSIDE CITY OF	W GARNER B		1411	699	1411	810	1004
3302007	2S5W16H06S	RUBIDOUX COMMUNITY SERVICES DISTRICT	W NO 2, TROYER	1981	896	668	1129	370	273
3302008	2S5W10K06S	MUTUAL WATER CO OF W RIVERSIDE	W NO 1		279	229	266	276	272
3302052	2S4W31R01S	CANYON CREST COUNTRY CLUB	W NO 1		9	9	9	7	9
3302205	2S5W21M01S	RIVERSIDE COUNTY OF	W PIC LAK 12		0	0	0	0	0
3302206	2S5W21M04S	RIVERSIDE COUNTY OF	W PIC LAK 14		155	155	155	155	155
3302233	2S5W10C04S	CERTAIN-TEED PRODUCTS	W 1		16	16	16	16	16
3302234	2S5W10C03S	CERTAIN-TEED PRODUCTS	W 2		16	16	16	16	16
3302235	2S5W10C01S	CERTAIN-TEED PRODUCTS	W 3		16	16	16	16	16
3302485	2S5W12A03S	RIVERSIDE CITY OF	W RUSSELL B		1364	913	1615	1061	1653
END OF RIVERSIDE SOUTH BASIN					20365	22991	32466	23970	25308

RIVERSIDE BASIN AREA

IN RIVERSIDE COUNTY

CROSS INDEX BY STATE WELL NUMBER

VERIFIED WELL MASTER FILE LISTING FOR BASIN RIVERSIDE SOUTH BY STATE WELL #

WM:VXR

RUN DATE: 21 MAR 1988

STATE WELL NUMBER	RECORDTN NUMBER	OWNER.....	T LOCAL P DESIGNATION	YEAR CLSD	---CALENDAR YEAR EXTRACTIIONS---				
					1982	1983	1984	1985	1986
2S4W07L01S	3301287	RIVERSIDE CITY OF	W ELECTRIC ST		131	614	2742	2216	2673
2S4W07N	3300439	BURNS F L AND LAURA	W CIT ST 2	1971	0	0	0	0	0
2S4W07N01S	3301286	RIVERSIDE CITY OF	W PALMYR 1	1978	0	0	0	0	0
2S4W07N03S	3301286	RIVERSIDE CITY OF	W PALMYR 2		0	0	0	16	0
2S4W07P	3300076	GRUBBS V W	W	1968	0	0	0	0	0
2S4W08D02S	3300040	UNIVERSITY OF CALIFORNIA REGENTS OF	W HIGHGROV		319	240	343	0	0
2S4W08D03S	3301359	RIVERSIDE CITY OF	W HIGHGRV 2	1978	0	0	0	0	0
2S4W08D04S	3301359	RIVERSIDE CITY OF	W HIGHGRV 3		0	0	0	0	0
2S4W08E01S	3301358	RIVERSIDE CITY OF	W HIGHGRV 1		0	0	0	0	0
2S4W08M01S	3301655	RIVERSIDE HIGHLAND WATER COMPANY	W 21		700	1031	1910	1120	1175
2S4W08M02S	3301656	RIVERSIDE HIGHLAND WATER COMPANY	W 22		453	2	682	797	842
2S4W08N02S	3300230	SCHWAB A M	W PLMYRTA	1981	0	0	0	0	0
2S4W18C	3300609	HUNTER ENGINEERING COMPANY	W 3	1974	39	32	26	50	40
2S4W18E01S	3300607	HUNTER ENGINEERING COMPANY	W SMITH 1	1974	0	0	0	0	0
2S4W18F	3300608	HUNTER ENGINEERING COMPANY	W 2	1974	0	0	0	0	0
2S4W19J01S	3300686	RIVERSIDE CITY OF	W LEMONA 1	1974	0	0	0	0	0
2S4W19J02S	3300003	SCOPE CORPORATION	W COOK 2	1972	0	0	0	0	0
2S4W19P	3300573	LA CASA CONTENTA MOTEL	W ADLINE	1967	0	0	0	0	0
2S4W19P01S	3301605	BANK OF AMERICA N.T.&S.A.	W WOODILL	1967	0	0	0	0	0
2S4W19R01S	3300004	SCOPE CORPORATION	W HALL 1	1972	0	0	0	0	0
2S4W31E	3301257	ROOS CHARLES E	W 1	1970	0	0	0	0	0
2S4W31R01S	3302052	CANYON CREST COUNTRY CLUB	W NO 1		9	9	9	7	9
2S5W02E	3300369	RIVERSIDE CEMENT CO	W CHINO NO 2	1960	0	0	0	0	0
2S5W02F	3301203	RIVERSIDE CEMENT CO	W 1 VALENCIA		14	0	325	371	378
2S5W02F	3301473	RIVERSIDE CEMENT CO	W CHINO NO 3		356	525	163	274	0
2S5W02L	3301626	RIVERSIDE CEMENT CO	W 53-2	1978	0	0	0	0	0
2S5W02L	3301626	RIVERSIDE CEMENT CO	W 64-1		332	0	0	251	0
2S5W02L01S	3301346	RIVINO WATER COMPANY	W 1	1980	0	0	0	0	0
2S5W03A	3301610	RIVERSIDE CEMENT CO	W 60-1		14	29	13	238	1321
2S5W03B	3301659	CRESTMORE HEIGHTS MUTUAL WATER CO	W 3		49	44	62	60	51
2S5W03B02S	3301372	CRESTMORE HEIGHTS MUTUAL WATER CO	W 2		19	17	24	23	20
2S5W03G02S	3300372	RIVERSIDE CEMENT CO	W 49	1960	0	0	0	0	0
2S5W03J	3300370	RIVERSIDE CEMENT CO	W CRESTMOR		507	2280	2419	2503	0
2S5W03R03S	3301927	YEAGER CONSTRUCTION CO	W 2	1974	0	0	0	0	0
2S5W05K	3300371	RIVERSIDE CEMENT CO	W FALCO		0	0	0	0	0
2S5W05R	3301578	JURUPA COMM SERVICES DIST	W PERSON MUT	1980	0	0	0	0	0
2S5W05R02S	3301422	PROPERTY ACQUISITION CO	W PATA 66	1974	0	0	0	0	0
2S5W08G01S	3301501	JURUPA COMM SERVICES DIST	W 5		0	0	475	634	475
2S5W08G04S	3301362	JURUPA COMM SERVICES DIST	W 3		0	0	52	266	70
2S5W08K02S	3301502	JURUPA COMM SERVICES DIST	W 6	1981	0	0	0	0	0
2S5W08K03S	3301625	JURUPA COMM SERVICES DIST	W 7	1981	0	0	0	0	0
2S5W10C01S	3302235	CERTAIN-TEED PRODUCTS	W 3		16	16	16	16	16
2S5W10C03S	3302234	CERTAIN-TEED PRODUCTS	W 2		16	16	16	16	16
2S5W10C04S	3302233	CERTAIN-TEED PRODUCTS	W 1		16	16	16	16	16
2S5W10K06S	3302008	MUTUAL WATER CO OF W RIVERSIDE	W NO 1		279	229	266	276	272
2S5W10P01S	3301887	RUBIDOUX COMMUNITY SERVICES DISTRICT	W NO 3		0	0	0	37	100
2S5W11C01S	3300330	RIVERSIDE INDUSTRIAL PARK	W 8	1974	0	0	0	0	0
2S5W11C02S	0000015	RUBIDOUX COMMUNITY SERVICES DISTRICT	W SCOTTY #4		597	846	928	769	809
2S5W11J	3301768	ALAMO WATER COMPANY	W		453	408	585	538	497
2S5W11K	3300277	WIGHT MRS CHARLES H	W	1972	0	0	0	0	0

VERIFIED WELL MASTER FILE LISTING FOR BASIN RIVERSIDE SOUTH BY STATE WELL #

WM:VXR

RUN DATE: 21 MAR 1988

STATE WELL NUMBER	RECORDTN NUMBER	OWNER.....	T LOCAL P DESIGNATION	YEAR CLSD	---CALENDAR YEAR EXTRACTIIONS---				
					1982	1983	1984	1985	1986
2S5W11P	3300812	WATERMAN ALLEN H	W WTRMN 1	1962	0	0	0	0	0
2S5W12A	3300798	STOKER GEORGE	W	1971	0	0	0	0	0
2S5W12A01S	3301084	RIVERSIDE CITY OF	W RUSSELL	1972	0	0	0	0	0
2S5W12A03S	3302485	RIVERSIDE CITY OF	W RUSSELL B		1364	913	1615	1061	1653
2S5W12B01S	3301075	RIVERSIDE CITY OF	W GARNER		198	158	220	168	6
2S5W12B04S	3301959	RIVERSIDE CITY OF	W GARNER B		1411	699	1411	810	1004
2S5W12E	3300748	GROSS DALE P	W 1	1971	0	0	0	0	0
2S5W12K02S	3301073	RIVERSIDE CITY OF	W TWIM 1&2		2674	1865	2951	1676	2184
2S5W12P01S	3301076	RIVERSIDE CITY OF	W MREGRIFF 1		681	763	1069	221	855
2S5W12P02S	3301077	RIVERSIDE CITY OF	W BRUNTON		87	265	394	0	381
2S5W12R01S	3301194	ROSS SAM	W 1 WEST	1959	0	0	0	0	0
2S5W13E	3300754	WHITE SULPHUR SPRINGS POOL	W WHSLPHR 1	1971	0	0	0	0	0
2S5W13Q01S	3301285	RIVERSIDE CITY OF	W CUNHAM 1	1978	0	0	0	0	0
2S5W13Q02S	3301285-	RIVERSIDE CITY OF	W CUNHAM 2		426	1166	341	0	0
2S5W14B	3301081	YEAGER CONSTRUCTION CO	W ANZA	1975	0	0	0	0	0
2S5W14E	0000014	JOHNSON TRUMAN	W 1		0	0	0	0	0
2S5W14E	3300160	JOHNSON TRUMAN	W 1	1981	0	0	0	0	0
2S5W14E01S	3301851	RIVERSIDE CITY OF	W FAIRMT 2		77	434	298	39	49
2S5W14G02S	3301082	RIVERSIDE CITY OF	W FAIRMT 1		298	461	207	415	33
2S5W14G03S	3301635	RIVERSIDE CITY OF	W MORI 2		472	540	571	403	77
2S5W14K	3301086	RIVERSIDE CITY OF	D SPBROOK	1966	0	0	0	0	0
2S5W15B10S	3301834	RIVERSIDE THOROUGHBRED FARM	W 1		594	491	939	977	670
2S5W15B11S	3301835	RIVERSIDE THOROUGHBRED FARM	W	1986	152	162	218	71	FC
2S5W15L	0000017	RUBIDOUX COMMUNITY SERVICES DISTRICT	W 14-CRESTMORE		610	29	236	265	520
2S5W15L09S	3301154	RUBIDOUX COMMUNITY SERVICES DISTRICT	W NO 8		13	3	0	0	0
2S5W15M01S	3301424	RUBIDOUX COMMUNITY SERVICES DISTRICT	W NO 9		0	0	0	0	0
2S5W15M02S	3301153	RUBIDOUX COMMUNITY SERVICES DISTRICT	W NO 7		320	301	304	369	375
2S5W16E06S	3301363	RUBIDOUX COMMUNITY SERVICES DISTRICT	W NO 4		0	0	0	0	0
2S5W16G04S	3301423	RUBIDOUX COMMUNITY SERVICES DISTRICT	W NO 1	1985	0	0	0	0	0
2S5W16H06S	3302007	RUBIDOUX COMMUNITY SERVICES DISTRICT	W NO 2, TROYER	1981	896	668	1129	370	273
2S5W16J	3301296	FORT FREMONT MUTUAL WATER CO	W 1		59	124	107	110	171
2S5W16J	3301297	FORT FREMONT MUTUAL WATER CO	W 2		84	56	97	84	30
2S5W16R	3300022	RIO RANCHO MUTUAL WATER COMPANY	W 1	1978	0	0	0	0	0
2S5W16R01S	3300022-	RIO RANCHO MUTUAL WATER COMPANY	W 1		69	65	78	86	82
2S5W17R03S	3301892	RUBIDOUX COMMUNITY SERVICES DISTRICT	W NO 11	1981	783	1328	796	750	474
2S5W19J	3301524	RUBIDOUX COMMUNITY SERVICES DISTRICT	W J H NO 9	1979	0	0	0	0	0
2S5W20A	0000018	RUBIDOUX COMMUNITY SERVICES DISTRICT	W 46 ST, #15					159	435
2S5W20H04S	3301694	RUBIDOUX COMMUNITY SERVICES DISTRICT	W HUNTER 6	1981	233	190	316	390	355
2S5W20J02S	3301524-	RUBIDOUX COMMUNITY SERVICES DISTRICT	W HUNTER 5		40	35	0	108	133
2S5W20R01S	0000013	RUBIDOUX COMMUNITY SERVICES DISTRICT	W SEWER PLANT		0	0	0	0	0
2S5W21A01S	3300600	MICHAEL C	W F		0	0	0	0	198
2S5W21B01S	3300599	MICHAEL C	W E		0	10	244	327	398
2S5W21C	0000016	RUBIDOUX COMMUNITY SERVICES DISTRICT	W 12-AIRPORT		708	736	843	742	831
2S5W21K	3300598	RIVERSIDE COUNTY OF	W Edmunds		72	374	374	374	374
2S5W21K01S	3300596	RIVERSIDE COUNTY OF	W HQ		24	24	24	24	24
2S5W21M01S	3302205	RIVERSIDE COUNTY OF	W PIC LAK 12		0	0	0	0	0
2S5W21M04S	3302206	RIVERSIDE COUNTY OF	W PIC LAK 14		155	155	155	155	155
2S5W22C01S	3300595	MICHAEL C	W OLD A	1978	0	0	0	0	0
2S5W22C02S	3300597	MICHAEL C	W C		0	0	0	0	310
2S5W22D	3300595-	MICHAEL C	W A		481	0	159	276	296

VERIFIED WELL MASTER FILE LISTING FOR BASIN RIVERSIDE SOUTH BY STATE WELL #

WM:VXR

RUN DATE: 21 MAR 1988

STATE WELL NUMBER	RECORDTN NUMBER	OWNER.....	T LOCAL P DESIGNATION	YEAR CLSD	---CALENDAR YEAR EXTRACTIIONS---				
					1982	1983	1984	1985	1986
2S5W22D01S	3300601	MICHAEL C	W G		23	5	0	46	300
2S5W22R01S	3301384	SOUTHERN SERVICE COMPANY LTD	W RIV LDYR		41	42	45	48	48
2S5W23G02S	3300000	MIPO CORP DBA MISSION	W 6TH ST	1975	0	0	0	0	0
2S5W23J01S	3301074	RIVERSIDE CITY OF	W MULBERRY		0	1	1	0	0
2S5W23L01S	3300375	CITIZENS NATIONAL COMPANY	W AIR COND	1971	0	0	0	0	0
2S5W23Q01S	3301289	RIVERSIDE CITY OF	W 11TH ST		132	956	396	63	0
2S5W23Q03S	3301915	CALIF DEPT OF TRANSPORTATION DIST 8R	W FREEWAY		306	83	463	33	856
2S5W23R01S	3301288	RIVERSIDE CITY OF	W FILL		230	1795	808	119	8
2S5W24D01S	3301284	RIVERSIDE CITY OF	W 1ST ST		866	769	1083	22	35
2S5W25F01S	3300417	RIVERSIDE CITY OF	W CLEARWTR		0	0	0	0	0
2S5W25F01S	3300417-	VICTORIA COUNTRY CLUB	W CLEARWTR		255	226	249	265	265
2S5W26E02S	3300367	RIVERSIDE CITY OF-GAGE CANAL	W OLVEWOD 2		528	301	1306	968	1091
2S5W26F01S	3300366	RIVERSIDE CITY OF-GAGE CANAL	W OLVEWOD 1		176	80	787	535	680
2S5W26M01S	3300368	RIVERSIDE CITY OF-GAGE CANAL	W OLVEWOD 3		180	44	694	487	485
2S5W28A01S	3301078	RIVERSIDE CITY OF	W SANITARY	1977	0	0	0	0	0
2S5W28C01S	3301079	RIVERSIDE CITY OF	W DAVIS	1977	0	0	0	0	0
2S5W29G	3301087	RIVERSIDE CITY OF	D JENSEN	1977	0	0	0	0	0
2S5W32A01S	3300068	VON KANEL ALFRED	W	1979	0	0	0	0	0
2S5W32B01S	3300554	MARTIN KENNETH ALLAN	W RR 1	1968	0	0	0	0	0
2S5W32K01S	3300811	ZINKE VERA	W WAYMAN	1975	0	0	0	0	0
3S4W03Q	3300981	EASTERN MUNICIPAL WATER DISTRICT	W RECHE CN	1974	0	0	0	0	0
3S4W03R	3300982	EASTERN MUNICIPAL WATER DISTRICT	W DICKNSON	1974	0	0	0	0	0
3S4W10A	3300272	BOX SPRINGS MUTUAL WATER COMPANY	W	1978	0	0	0	0	0
3S4W10A	3300272-	BOX SPRINGS MUTUAL WATER COMPANY	W 14	1964	0	0	0	0	0
3S4W10A	3300275	BOX SPRINGS MUTUAL WATER COMPANY	W 17		283	268	417	440	395
3S4W10B	3300274	BOX SPRINGS MUTUAL WATER COMPANY	W 15A	1978	0	0	0	0	0
3S4W10B	3300274-	BOX SPRINGS MUTUAL WATER COMPANY	W 16		15	22	19	10	9
3S4W10G	3300273	BOX SPRINGS MUTUAL WATER COMPANY	W 13A	1978	0	0	0	0	0
3S4W10G	3300273-	BOX SPRINGS MUTUAL WATER COMPANY	W 15	1964	0	0	0	0	0
3S5W03F01S	3301814	RIVERSIDE CITY OF	W ORNG ACRE	1982	0	0	0	0	0
3S5W09A01S	3301036	CARPENTER COMPANY	W CBLNCA 1		10	10	10	10	10
3S5W09E01S	3301940	RIVERSIDE CITY OF	W LINC HTS	1981	0	0	0	0	0
3S5W14E	3300768	ROCKY R RANCH	W GURNEY 1	1974	20	20	20	0	0
END OF RIVERSIDE SOUTH BASIN					20365	22991	32466	23970	25308

TABLE NO. 1

VERIFIED EXTRACTIONS BY OWNERS WHICH  
HAVE RECORDATION FILINGS WITH THE STATE  
WATER RESOURCES CONTROL BOARD



TABLE NO. 1  
 VERIFIED EXTRACTIONS BY OWNERS WHICH HAVE FILINGS WITH THE STATE WATER RESOURCES CONTROL BOARD  
 FOR RIVERSIDE SOUTH BASIN

13:03:53 21 MAR 1988

RECORDTH NUMBER	STATE WELL NUMBER	WELL TYPE	-----BASE YEARS-----					-----CURRENT YEARS-----						
			1959	1960	1961	1962	1963	1959-63 AVERAGE	1982	1983	1984	1985	1986	1982-86 AVERAGE
3301768	2S5W11J	W	79	100	132	163	149	125	453	408	585	538	497	496
ALAMO WATER COMPANY			79	100	132	163	149	125	453	408	585	538	497	496
3301605	2S4W19P01S	W	90	90	90	90	94	91	0	0	0	0	0	0
BANK OF AMERICA N.T.&S.A.			90	90	90	90	94	91	0	0	0	0	0	0
3300272	3S4W10A	W	0	0	0	0	0	0	0	0	0	0	0	0
3300272-	3S4W10A	W	0	0	0	0	0	0	0	0	0	0	0	0
3300275	3S4W10A	W	473	453	492	442	428	458	283	268	417	440	395	361
3300274	3S4W10B	W	0	0	0	0	0	0	0	0	0	0	0	0
3300274-	3S4W10B	W	53	50	55	55	42	51	15	22	19	10	9	15
3300273	3S4W10G	W	0	0	0	0	0	0	0	0	0	0	0	0
3300273-	3S4W10G	W	0	0	0	0	0	0	0	0	0	0	0	0
BOX SPRINGS MUTUAL WATER COMP			526	503	547	497	470	509	298	290	436	450	404	376
3300439	2S4W07N	W	0	0	0	0	0	0	0	0	0	0	0	0
BURNS F L AND LAURA			0	0	0	0	0	0	0	0	0	0	0	0
3301915	2S5W23Q03S	W	0	0	0	0	0	0	306	83	463	33	856	348
CALIF DEPT OF TRANSPORTATION			0	0	0	0	0	0	306	83	463	33	856	348
3302052	2S4W31R01S	W	0	0	0	0	0	0	9	9	9	7	9	9
CANYON CREST COUNTRY CLUB			0	0	0	0	0	0	9	9	9	7	9	9
3301036	3S5W09A01S	W	118	247	420	300	300	277	10	10	10	10	10	10
CARPENTER COMPANY			118	247	420	300	300	277	10	10	10	10	10	10
3302235	2S5W10C01S	W						0	16	16	16	16	16	16
3302234	2S5W10C03S	W						0	16	16	16	16	16	16
3302233	2S5W10C04S	W						0	16	16	16	16	16	16
CERTAIN-TEED PRODUCTS			0	0	0	0	0	0	48	48	48	48	48	48
3300375	2S5W23L01S	W	0	33	33	33	33	26	0	0	0	0	0	0
CITIZENS NATIONAL COMPANY			0	33	33	33	33	26	0	0	0	0	0	0
3301659	2S5W03B	W	0	0	13	44	42	20	49	44	62	60	51	53
3301372	2S5W03B02S	W	67	63	52	17	16	43	19	17	24	23	20	21
CRESTMORE HEIGHTS MUTUAL WATER			67	63	65	61	58	63	68	61	86	83	71	74
3300981	3S4W03Q	W	0	0	0	0	0	0	0	0	0	0	0	0
3300982	3S4W03R	W	3	1	0	0	0	1	0	0	0	0	0	0
EASTERN MUNICIPAL WATER DISTRI			3	1	0	0	0	1	0	0	0	0	0	0
3301296	2S5W16J	W	70	27	27	18	45	37	59	124	107	110	171	114
3301297	2S5W16J	W	136	182	188	184	144	167	84	56	97	84	30	70
FORT FREMONT MUTUAL WATER CO			206	209	215	202	189	204	143	180	204	194	201	184
3300748	2S5W12E	W	0	0	0	0	0	0	0	0	0	0	0	0
GROSS DALE P			0	0	0	0	0	0	0	0	0	0	0	0

TABLE NO. 1  
 VERIFIED EXTRACTIONS BY OWNERS WHICH HAVE FILINGS WITH THE STATE WATER RESOURCES CONTROL BOARD  
 FOR RIVERSIDE SOUTH BASIN

13:03:58 21 MAR 1988

RECORDTN NUMBER	STATE NUMBER	WELL TYPE	-----BASE YEARS-----					-----CURRENT YEARS-----					1986	1982-86 AVERAGE
			1959	1960	1961	1962	1963	1959-63 AVERAGE	1982	1983	1984	1985		
3300076	2S4W07P	W	45	40	51	38	39	43	0	0	0	0	0	0
GRUBBS V	W		45	40	51	38	39	43	0	0	0	0	0	0
3300609	2S4W18C	W	0	0	0	31	188	44	39	32	26	50	40	37
3300607	2S4W18E01S	W	0	0	0	0	0	0	0	0	0	0	0	
3300608	2S4W18F	W	0	0	0	0	0	0	0	0	0	0	0	
HUNTER ENGINEERING COMPANY			0	0	0	31	188	44	39	32	26	50	40	37
3300160	2S5W14E	W	270	214	248	187	250	234	0	0	0	0	0	0
JOHNSON TRUMAN			270	214	248	187	250	234	0	0	0	0	0	0
3301578	2S5W05R	W	9	6	6	6	78	21	0	0	0	0	0	0
3301501	2S5W08G01S	W	624	180	422	275	552	411	0	0	475	634	475	317
3301362	2S5W08G04S	W	12	180	422	275	552	288	0	0	52	266	70	78
3301502	2S5W08K02S	W	308	351	103	295	116	235	0	0	0	0	0	0
3301625	2S5W08K03S	W	50	351	103	295	116	183	0	0	0	0	0	0
JURUPA COMM SERVICES DIST			1003	1068	1056	1146	1414	1138	0	0	527	900	545	395
3300573	2S4W19P	W	0	0	0	0	0	0	0	0	0	0	0	0
LA CASA CONTENTA MOTEL			0	0	0	0	0	0	0	0	0	0	0	0
3300554	2S5W32B01S	W	0	0	0	0	0	0	0	0	0	0	0	0
MARTIN KENNETH ALLAN			0	0	0	0	0	0	0	0	0	0	0	0
3300600	2S5W21A01S	W	564	564	564	564	564	564	0	0	0	0	198	40
3300599	2S5W21B01S	W	422	422	422	422	422	422	0	10	244	327	398	196
3300595	2S5W22C01S	W	0	0	0	0	0	0	0	0	0	0	0	0
3300597	2S5W22C02S	W	1	1	1	1	1	1	0	0	0	0	310	62
3300595-	2S5W22D	W	354	354	354	354	354	354	481	0	159	276	296	242
3300601	2S5W22D01S	W	5	5	5	5	5	5	23	5	0	46	300	75
MICHAEL C			1346	1346	1346	1346	1346	1346	504	15	403	649	1502	615
3300000	2S5W23G02S	W	73	73	73	73	73	73	0	0	0	0	0	0
MIPO CORP DBA MISSION			73	73	73	73	73	73	0	0	0	0	0	0
3302008	2S5W10K06S	W	178	178	178	178	178	178	279	229	266	276	272	264
MUTUAL WATER CO OF W RIVERSID			178	178	178	178	178	178	279	229	266	276	272	264
3301422	2S5W05R02S	W	140	136	143	139	141	140	0	0	0	0	0	0
PROPERTY ACQUISITION CO			140	136	143	139	141	140	0	0	0	0	0	0
3300022	2S5W16R	W	0	0	0	0	0	0	0	0	0	0	0	0
3300022-	2S5W16R01S	W	84	86	98	76	103	89	69	65	78	86	82	76
RIO RANCHO MUTUAL WATER COMPAN			84	86	98	76	103	89	69	65	78	86	82	76
3301287	2S4W07L01S	W	2731	1776	507	167	258	1088	131	614	2742	2216	2673	1675
3301286	2S4W07N01S	W	553	0	0	0	0	111	0	0	0	0	0	0
3301286-	2S4W07N03S	W	0	1069	811	620	599	620	0	0	0	16	0	3
3301359	2S4W08D03S	W	147	357	375	254	0	227	0	0	0	0	0	0

TABLE NO. 1  
 VERIFIED EXTRACTATIONS BY OWNERS WHICH HAVE FILINGS WITH THE STATE WATER RESOURCES CONTROL BOARD  
 FOR RIVERSIDE SOUTH BASIN

13:04:03 21 MAR 1988

RECORDTN NUMBER	STATE WELL NUMBER	WELL TYPE	-----BASE YEARS-----					-----CURRENT YEARS-----						
			1959	1960	1961	1962	1963	1959-63 AVERAGE	1982	1983	1984	1985	1986	1982-86 AVERAGE
3301359-	2S4W08D04S	W	0	0	0	0	0	0	0	0	0	0	0	0
3301358	2S4W08E01S	W	220	198	210	250	439	263	0	0	0	0	0	0
3300686	2S4W19J01S	W	384	319	378	203	274	312	0	0	0	0	0	0
3301084	2S5W12A01S	W	483	740	445	778	510	591	0	0	0	0	0	0
3302485	2S5W12A03S	W	0	0	0	0	0	0	1364	913	1615	1061	1653	1321
3301075	2S5W12B01S	W	264	383	250	534	285	343	198	158	220	168	6	150
3301959	2S5W12B04S	W	0	0	0	0	0	0	1411	699	1411	810	1004	1067
3301073	2S5W12K02S	W	672	1034	2232	1593	1026	1311	2674	1865	2951	1676	2184	2270
3301076	2S5W12P01S	W	458	589	685	690	771	639	681	763	1069	221	855	718
3301077	2S5W12P02S	W	259	299	152	482	409	320	87	265	394	0	381	225
3301285	2S5W13Q01S	W	0	0	0	0	0	0	0	0	0	0	0	0
3301285-	2S5W13Q02S	W	0	0	2075	1325	1547	989	426	1166	341	0	0	387
3301851	2S5W14E01S	W	0	0	0	0	0	0	77	434	298	39	49	179
3301082	2S5W14G02S	W	1166	1187	1096	1045	675	1034	298	461	207	415	33	283
3301635	2S5W14G03S	W	0	365	1829	1684	1536	1083	472	540	571	403	77	413
3301086	2S5W14K	D	0	0	0	0	0	0	0	0	0	0	0	0
3301074	2S5W23J01S	W	12	46	24	108	40	46	0	1	1	0	0	0
3301289	2S5W23Q01S	W	543	760	895	573	311	616	132	956	396	63	0	309
3301288	2S5W23R01S	W	651	1103	629	369	374	625	230	1795	808	119	8	592
3301284	2S5W24D01S	W	766	2360	1246	1012	581	1193	866	769	1083	22	35	555
3300417	2S5W25F01S	W	528	631	805	23	126	423	0	0	0	0	0	0
3301078	2S5W28A01S	W	4	3	3	3	3	3	0	0	0	0	0	0
3301079	2S5W28C01S	W	0	0	0	0	0	0	0	0	0	0	0	0
3301087	2S5W29G	D	2613	2475	1628	1467	1467	1930	0	0	0	0	0	0
3301814	3S5W03F01S	W	24	19	18	14	12	17	0	0	0	0	0	0
3301940	3S5W09E01S	W	438	464	448	358	300	402	0	0	0	0	0	0
RIVERSIDE	CITY OF		12916	16177	16741	13552	11543	14186	9047	11399	14107	7229	8958	10147
3300367	2S5W26E02S	W	1752	1595	1633	985	1165	1426	528	301	1306	968	1091	839
3300366	2S5W26F01S	W	856	931	1044	727	688	849	176	80	787	535	680	452
3300368	2S5W26M01S	W	449	461	559	305	318	418	180	44	694	487	485	378
RIVERSIDE	CITY OF-GAGE	CANA3057	2987	3236	2017	2171	2693	884	425	2787	1990	2256	1669	
3300598	2S5W21K	W	1220	1220	1220	1220	1220	1220	72	374	374	374	374	314
3300596	2S5W21K01S	W	1	1	1	1	1	1	24	24	24	24	24	24
3302205	2S5W21M01S	W	515	515	515	515	515	515	0	0	0	0	0	0
3302206	2S5W21M04S	W	504	504	504	504	504	504	155	155	155	155	155	155
RIVERSIDE	COUNTY OF		2240	2240	2240	2240	2240	2240	251	553	553	553	553	493
3300369	2S5W02E	W	398	0	0	0	0	80	0	0	0	0	0	0
3301203	2S5W02F	W	564	704	731	476	912	677	14	0	325	371	378	218
3301473	2S5W02F	W	603	781	465	515	531	579	356	525	163	274	0	264
3301626	2S5W02L	W	350	350	0	132	110	188	0	0	0	0	0	0
3301626-	2S5W02L	W	0	0	0	0	0	0	332	0	0	251	0	117
3301610	2S5W03A	W	0	488	2420	2020	1563	1298	14	29	13	238	1321	323
3300372	2S5W03G02S	W	37	0	0	0	0	7	0	0	0	0	0	0
3300370	2S5W03J	W	282	242	282	282	532	324	507	2280	2419	2503	0	1542
3300371	2S5W05K	W	0	0	0	30	15	9	0	0	0	0	0	0
RIVERSIDE	CEMENT CO		2234	2565	3898	3455	3663	3162	1223	2834	2920	3637	1699	2464

TABLE NO. 1  
 VERIFIED EXTRACTIONS BY OWNERS WHICH HAVE FILINGS WITH THE STATE WATER RESOURCES CONTROL BOARD  
 FOR RIVERSIDE SOUTH BASIN

m:vc

13:04:11 21 MAR 1988

RECORDTN NUMBER	STATE WELL NUMBER	WELL TYPE	-----BASE YEARS-----					-----CURRENT YEARS-----						
			1959	1960	1961	1962	1963	1959-63 AVERAGE	1982	1983	1984	1985	1986	1982-86 AVERAGE
3301655	2S4W08M01S	W	0	0	0	1393	1381	555	700	1031	1910	1120	1175	1187
3301656	2S4W08M02S	W	0	0	0	0	0	0	453	2	682	797	842	555
RIVERSIDE HIGHLAND WATER COMPA			0	0	0	1393	1381	555	1153	1033	2592	1917	2017	1742
3300330	2S5W11C01S	W	315	315	224	209	174	247	0	0	0	0	0	0
RIVERSIDE INDUSTRIAL PARK			315	315	224	209	174	247	0	0	0	0	0	0
3301834	2S5W15B10S	W	0	0	0	0	30	6	594	491	939	977	670	734
3301835	2S5W15B11S	W	0	0	0	0	60	0	152	162	218	71	FC	121
RIVERSIDE THOROUGHBRED FARM			0	0	0	0	90	6	746	653	1157	1048	670	855
3301346	2S5W02L01S	W	297	211	187	477	372	309	0	0	0	0	0	0
RIVINO WATER COMPANY			297	211	187	477	372	309	0	0	0	0	0	0
3300768	3S5W14E	W	45	24	6	6	5	17	20	20	20	0	0	12
ROCKY R RANCH			45	24	6	6	5	17	20	20	20	0	0	12
3301257	2S4W31E	W	0	200	0	0	0	40	0	0	0	0	0	0
ROOS CHARLES E			0	200	0	0	0	40	0	0	0	0	0	0
3301194	2S5W12R01S	W	0	0	0	0	0	0	0	0	0	0	0	0
ROSS SAM			0	0	0	0	0	0	0	0	0	0	0	0
3301887	2S5W10P01S	W	0	0	0	0	0	0	0	0	0	37	100	27
3301154	2S5W15L09S	W	50	51	62	32	28	45	13	3	0	0	0	3
3301424	2S5W15M01S	W	136	195	190	140	117	156	0	0	0	0	0	0
3301153	2S5W15M02S	W	101	126	123	75	117	108	320	301	304	369	375	334
3301363	2S5W16E06S	W	59	90	190	130	108	115	0	0	0	0	0	0
3301423	2S5W16G04S	W	167	136	129	126	141	140	0	0	0	0	0	0
3302007	2S5W16H06S	W	0	0	0	0	0	0	896	668	1129	370	273	667
3301892	2S5W17R03S	W	0	0	0	0	0	0	783	1328	796	750	474	826
3301524	2S5W19J	W	22	3	0	0	0	5	0	0	0	0	0	0
3301694	2S5W20H04S	W	0	0	76	100	94	54	233	190	316	390	355	297
3301524-	2S5W20J02S	W	0	35	125	117	141	84	40	35	0	108	133	63
RUBIDOUX COMMUNITY SERVICES D535			0	35	125	117	141	84	40	35	0	108	133	63
3300230	2S4W08N02S	W	110	88	42	11	12	53	0	0	0	0	0	0
SCHWAB A M			110	88	42	11	12	53	0	0	0	0	0	0
3300003	2S4W19J02S	W	99	67	85	101	5	71	0	0	0	0	0	0
3300004	2S4W19R01S	W	17	23	50	98	95	57	0	0	0	0	0	0
SCOPE CORPORATION			116	90	135	199	100	128	0	0	0	0	0	0
3301384	2S5W22R01S	W	30	34	38	35	31	34	41	42	45	48	48	45
SOUTHERN SERVICE COMPANY LTD			30	34	38	35	31	34	41	42	45	48	48	45
3300798	2S5W12A	W	158	165	159	165	134	156	0	0	0	0	0	0
STOKER GEORGE			158	165	159	165	134	156	0	0	0	0	0	0

TABLE NO. 1  
 VERIFIED EXTRACTIONS BY OWNERS WHICH HAVE FILINGS WITH THE STATE WATER RESOURCES CONTROL BOARD  
 FOR RIVERSIDE SOUTH BASIN

13:04:16 21 MAR 1988

RECORD NUMBER	DTM STATE NUMBER	WELL WELL TYPE	-----BASE YEARS-----					-----CURRENT YEARS-----						
			1959	1960	1961	1962	1963	1959-63 AVERAGE	1982	1983	1984	1985	1986	1982-86 AVERAGE
3300040	2S4W08D02S	W	131	283	370	94	227	221	319	240	343	0	0	180
	UNIVERSITY OF CALIFORNIA	REG131	283	283	370	94	227	221	319	240	343	0	0	180
3300417-	2S5W25F01S	W	0	0	0	0	0	0	255	226	249	265	265	252
	VICTORIA COUNTRY CLUB		0	0	0	0	0	0	255	226	249	265	265	252
3300068	2S5W32A01S	W	83	87	94	94	78	87	0	0	0	0	0	0
	VON KANEL ALFRED		83	87	94	94	78	87	0	0	0	0	0	0
3300812	2S5W11P	W	25	33	16	0	0	15	0	0	0	0	0	0
	WATERMAN ALLEN H		25	33	16	0	0	15	0	0	0	0	0	0
3300754	2S5W13E	W	49	53	54	44	40	48	0	0	0	0	0	0
	WHITE SULPHUR SPRINGS POOL		49	53	54	44	40	48	0	0	0	0	0	0
3300277	2S5W11K	W	76	0	0	0	0	15	0	0	0	0	0	0
	WIGHT MRS CHARLES H		76	0	0	0	0	15	0	0	0	0	0	0
3301927	2S5W03R03S	W	0	0	0	0	0	0	0	0	0	0	0	0
3301081	2S5W14B	W	121	151	134	0	0	81	0	0	0	0	0	0
	YEAGER CONSTRUCTION CO		121	151	134	0	0	81	0	0	0	0	0	0
3300811	2S5W32K01S	W	53	37	47	20	18	35	0	0	0	0	0	0
	ZINKE VERA		53	37	47	20	18	35	0	0	0	0	0	0
TTL RIVERSIDE SOUTH BASIN			26819	30763	33211	29291	28050	29616	18450	21380	30459	22035	22713	23008

TABLE NO. 2

VERIFIED EXTRACTIONS BY OWNERS WHICH HAVE  
NOT FILED WITH THE STATE WATER RESOURCES  
CONTROL BOARD

TABLE NO. 2  
 VERIFIED EXTRACTIONS BY OWNERS WHICH HAVE NOT FILED WITH THE STATE WATER RESOURCES CONTROL BOARD  
 FOR RIVERSIDE SOUTH BASIN

wm:vc)

13:04:45 21 MAR 1988

RECORDTN NUMBER	STATE WELL NUMBER	WELL TYPE	-----BASE YEARS-----					-----CURRENT YEARS-----						
			1959	1960	1961	1962	1963	1959-63 AVERAGE	1982	1983	1984	1985	1986	1982-86 AVERAGE
0000014	2S5W14E	W	4	4	4	4	4	4	0	0	0	0	0	0
JOHNSON	TRUMAN		4	4	4	4	4	4	0	0	0	0	0	0
0000015	2S5W11C02S	W						0	597	846	928	769	809	790
0000017	2S5W15L	W						0	610	29	236	265	520	332
0000018	2S5W20A	W						0				159	435	119
0000013	2S5W20R01S	W	3	3	3	3	3	3	0	0	0	0	0	0
0000016	2S5W21C	W						0	708	736	843	742	831	772
RUBIDOUX	COMMUNITY SERVICES	DI	3	3	3	3	3	3	1915	1611	2007	1935	2595	2013
TTL RIVERSIDE SOUTH BASIN			7	7	7	7	7	7	1915	1611	2007	1935	2595	2013

TABLE NO. 3

SUMMARY OF VERIFIED EXTRACTIONS (FILED AND  
NON-FILED) FROM RIVERSIDE BASIN AREA WITHIN  
RIVERSIDE COUNTY



TABLE NO. 3  
SUMMARY OF VERIFIED EXTRACTIONS (FILED AND NON-FILED) FOR RIVERSIDE SOUTH

13:05:25 21 MAR 1988

wm:vc)

	-----BASE YEARS-----						-----CURRENT YEARS-----					
	1959	1960	1961	1962	1963	1959-63 AVERAGE	1982	1983	1984	1985	1986	1982-86 AVERAGE
ALAMO WATER COMPANY	79	100	132	163	149	125	453	408	585	538	497	496
BANK OF AMERICA N.T.&S.A.	90	90	90	90	94	91	0	0	0	0	0	0
BOX SPRINGS MUTUAL WATER COMPA	526	503	547	497	470	509	298	290	436	450	404	376
BURNS F L AND LAURA	0	0	0	0	0	0	0	0	0	0	0	0
CALIF DEPT OF TRANSPORTATION D	0	0	0	0	0	0	306	83	463	33	856	348
CANYON CREST COUNTRY CLUB	0	0	0	0	0	0	9	9	9	7	9	9
CARPENTER COMPANY	118	247	420	300	300	277	10	10	10	10	10	10
CERTAIN-TEED PRODUCTS	0	0	0	0	0	0	48	48	48	48	48	48
CITIZENS NATIONAL COMPANY	0	33	33	33	33	26	0	0	0	0	0	0
CRESTMORE HEIGHTS MUTUAL WATER	67	63	65	61	58	63	68	61	86	83	71	74
EASTERN MUNICIPAL WATER DISTRI	3	1	0	0	0	1	0	0	0	0	0	0
FORT FREMONT MUTUAL WATER CO	206	209	215	202	189	204	143	180	204	194	201	184
GROSS DALE P	0	0	0	0	0	0	0	0	0	0	0	0
GRUBBS V W	45	40	51	38	39	43	0	0	0	0	0	0
HUNTER ENGINEERING COMPANY	0	0	0	31	188	44	39	32	26	50	40	37
JOHNSON TRUMAN	274	218	252	191	254	238	0	0	0	0	0	0
JURUPA COMM SERVICES DIST	1003	1068	1056	1146	1414	1138	0	0	527	900	545	395
LA CASA CONTENTA MOTEL	0	0	0	0	0	0	0	0	0	0	0	0
MARTIN KENNETH ALLAN	0	0	0	0	0	0	0	0	0	0	0	0
MICHAEL C	1346	1346	1346	1346	1346	1346	504	15	403	649	1502	615
MIPO CORP DBA MISSION	73	73	73	73	73	73	0	0	0	0	0	0
MUTUAL WATER CO OF W RIVERSIDE	178	178	178	178	178	178	279	229	266	276	272	264
PROPERTY ACQUISITION CO	140	136	143	139	141	140	0	0	0	0	0	0
RIO RANCHO MUTUAL WATER COMPAN	84	86	98	76	103	89	69	65	78	86	82	76
RIVERSIDE CITY OF	12916	16177	16741	13552	11543	14186	9047	11399	14107	7229	8958	10147
RIVERSIDE CITY OF-GAGE CANAL	3057	2987	3236	2017	2171	2693	884	425	2787	1990	2256	1669
RIVERSIDE COUNTY OF	2240	2240	2240	2240	2240	2240	251	553	553	553	553	493
RIVERSIDE CEMENT CO	2234	2565	3898	3455	3663	3162	1223	2834	2920	3637	1699	2464
RIVERSIDE HIGHLAND WATER COMPA	0	0	0	1393	1381	555	1153	1033	2592	1917	2017	1742
RIVERSIDE INDUSTRIAL PARK	315	315	224	209	174	247	0	0	0	0	0	0
RIVERSIDE THOROUGHFBRED FARM	0	0	0	0	90	6	746	653	1157	1048	670	855
RIVINO WATER COMPANY	297	211	187	477	372	309	0	0	0	0	0	0
ROCKY R RANCH	45	24	6	6	5	17	20	20	20	0	0	12
ROOS CHARLES E	0	200	0	0	0	40	0	0	0	0	0	0
ROSS SAM	0	0	0	0	0	0	0	0	0	0	0	0
RUBIDOUX COMMUNITY SERVICES DI	538	639	898	723	749	710	4200	4136	4552	3959	4305	4230
SCHWAB A M	110	88	42	11	12	53	0	0	0	0	0	0
SCOPE CORPORATION	116	90	135	199	100	128	0	0	0	0	0	0
SOUTHERN SERVICE COMPANY LTD	30	34	38	35	31	34	41	42	45	48	48	45
STOKER GEORGE	158	165	159	165	134	156	0	0	0	0	0	0
UNIVERSITY OF CALIFORNIA REGE	131	283	370	94	227	221	319	240	343	0	0	180
VICTORIA COUNTRY CLUB	0	0	0	0	0	0	255	226	249	265	265	252
VON KANEL ALFRED	83	87	94	94	78	87	0	0	0	0	0	0
WATERMAN ALLEN H	25	33	16	0	0	15	0	0	0	0	0	0
WHITE SULPHUR SPRINGS POOL	49	53	54	44	40	48	0	0	0	0	0	0
WIGHT MRS CHARLES H	76	0	0	0	0	15	0	0	0	0	0	0
YEAGER CONSTRUCTION CO	121	151	134	0	0	81	0	0	0	0	0	0
ZINKE VERA	53	37	47	20	18	35	0	0	0	0	0	0
TTL RIVERSIDE SOUTH BASIN	26826	30770	33218	29298	28057	29623	20365	22991	32466	23970	25308	25021

TABLE NO. 4

TOTAL VERIFIED EXTRACTIONS  
FROM THE RIVERSIDE BASIN AREA  
WITHIN RIVERSIDE COUNTY  
FOR USE WITHIN RIVERSIDE COUNTY  
DURING THE 5-YEAR PERIOD ENDING IN  
1963 AND FOR CALENDAR YEARS 1971 THROUGH THE  
CURRENT YEAR

TABLE NO. 4

TOTAL VERIFIED EXTRACTIONS FROM THE RIVERSIDE BASIN AREA WITHIN  
RIVERSIDE COUNTY FOR USE WITHIN RIVERSIDE COUNTY DURING THE 5-YEAR  
PERIOD ENDING IN 1963 AND FOR CALENDAR YEARS 1971 THROUGH THE  
CURRENT YEAR

<u>Year</u>	<u>Extractions Acre Feet</u>
1959	26,826
1960	30,770
1961	33,218
1962	29,298
1963	28,057
<hr/>	
Total	148,169
5-Yr. Avg.	29,634
<hr/>	
1971	30,942
1972	37,804
1973	33,094
1974	38,304
1975	28,285
1976	31,565
1977	28,226
1978	24,878 1)
1979	25,512
1980	30,206 2)
1981	30,243 2)
1982	20,365 3)
1983	22,991 3)
1984	32,466 4)
1985	23,970 5)
1986	25,308

- 1) Corrected during 1980 verification (Co. parks 1970 production missing)
- 2) Corrected during 1983 verification
- 3) Corrected during 1984 verification (Victoria CC)
- 4) Corrected during 1985 verification (Hunter Engineering)
- 5) Corrected during 1986 verification (Hunter Engineering)

# VOLUME 5 - 1986

**REPORT OF WATERMASTER**

**Western Municipal Water District of Riverside County, et al**  
**Plaintiffs**

**vs.**

**East San Bernardino County Water District, et al**  
**Defendants**

**Superior Court of Riverside County**  
**Case No. 78426**

**VOLUME 5 - 1986**

**DISTRIBUTION OF EXTRACTIONS**

1. EXTRACTIONS BY PLAINTIFFS FROM SAN BERNARDINO BASIN AREA.
2. EXTRACTIONS BY SAN BERNARDINO AND RIVERSIDE COUNTY ENTITIES FROM COLTON BASIN AREA FOR USE WITHIN EACH COUNTY.
3. EXTRACTIONS BY SAN BERNARDINO AND RIVERSIDE COUNTY ENTITIES FROM RIVERSIDE BASIN AREA IN SAN BERNARDINO COUNTY FOR USE WITHIN EACH COUNTY.
4. EXTRACTIONS BY RIVERSIDE COUNTY ENTITIES FROM RIVERSIDE BASIN IN RIVERSIDE COUNTY.
5. SUMMARY OF EXTRACTIONS FROM SAN BERNARDINO BASIN AREA, COLTON BASIN AREA, RIVERSIDE BASIN IN SAN BERNARDINO COUNTY, AND RIVERSIDE BASIN IN RIVERSIDE COUNTY FOR USE IN RIVERSIDE COUNTY.

**ANNUAL ACCOUNTING**

**1986**

**AUGUST 1, 1988**

**WATERMASTER**

*Donald L. Harriger*  
*Robert L. Reiter*

REPORT OF WATERMASTER

Western Municipal Water District of Riverside County, et al  
Plaintiffs

vs.

East San Bernardino County Water District, et al  
Defendants

Superior Court of Riverside County

Case No. 78426

VOLUME 5-1986

DISTRIBUTION OF EXTRACTIONS

1. EXTRACTIONS BY PLAINTIFFS FROM SAN BERNARDINO BASIN AREA.
2. EXTRACTIONS BY SAN BERNARDINO AND RIVERSIDE COUNTY ENTITIES FROM COLTON BASIN AREA FOR USE WITHIN EACH COUNTY.
3. EXTRACTIONS BY SAN BERNARDINO AND RIVERSIDE COUNTY ENTITIES FROM RIVERSIDE BASIN AREA IN SAN BERNARDINO COUNTY FOR USE WITHIN EACH COUNTY.
4. EXTRACTIONS BY RIVERSIDE COUNTY ENTITIES FROM RIVERSIDE BASIN IN RIVERSIDE COUNTY.
5. SUMMARY OF EXTRACTIONS FROM SAN BERNARDINO BASIN AREA, COLTON BASIN AREA, RIVERSIDE BASIN IN SAN BERNARDINO COUNTY, AND RIVERSIDE BASIN IN RIVERSIDE COUNTY FOR USE IN RIVERSIDE COUNTY.

ANNUAL ACCOUNTING

1986

August 1, 1988

WATERMASTER

Donald L. Harriger  
Robert L. Reiter

VOLUME 5-1986

DISTRIBUTION OF EXTRACTIONS

The distribution of the verified extractions by the Plaintiffs and Riverside County entities from the San Bernardino Basin Area, Colton Basin Area, and Riverside Basin Area for the five calendar years ending with 1963 and the ensuing years 1964 through 1970 was presented in the Report of Watermaster, Volume 5, dated June 1972. That volume also included the distribution of extractions from the Colton Basin Area and that portion of the Riverside Basin Area within San Bernardino County made by San Bernardino County entities for the five calendar years ending with 1963 and the year of 1970.

The distribution of extractions in calendar years 1971, 1972, and 1973 was presented in separate reports as updates to the original Volume 5 dated June 1972. Changes in the distribution systems of the various water entities during the period 1971 through 1973, necessitated several revisions of the original Volume 5. Therefore, Volume 5 for calendar year 1974 was completely revised and updated to reflect these changes. As a result Volume 5 dated August 1976 now represents the most recent complete report on distribution of extractions including descriptions of each water system.

This report, Volume 5-1986 shows the distribution of extractions for calendar years 1971 through 1986 and is supplementary to the Volume 5 dated August 1976. Detailed computations and tables are used to show the distribution of extractions from Colton and Riverside Basin Areas by both Riverside and San Bernardino County entities and the Plaintiffs' extractions from the San Bernardino Basin Area.

The following Table of Contents lists the tables used to show the distribution of extractions. Tables 5 through 7 and 23 through 27 did not require updating and therefore they are not included in this volume. These tables are presented in Volume 5-1975.

Tables 5 through 7 do not require updating because Ownership changes within the service area of the Trujillo Water Company have occurred and since 1965 the entire service area of the Trujillo Water Company is within Riverside County and is served by water extracted from the Garner Well, situated in Riverside County and owned by the City of Riverside.

Tables 23 through 27 do not require updating because they contain data for years prior to 1963. These tables show the distribution of the Riverside Highland Water Company production from the San Bernardino Basin based on the assumption that 50 percent of the delivery was made in each county. This assumption results in the distribution shown on Table No. 27 and is identical with Table B-1, Appendix "B" of the Judgment. Following the settlement of the suit and the filing of the Judgment, the actual water deliveries in Riverside County were provided by the Riverside Highland Water Company. This information has been used by the Watermaster for the period 1964 through the current year, and results in the data shown in Table No. 31-A.



VOLUME 5-1986

TABLE OF CONTENTS

	<u>Page</u>
<u>TABLE NO. 1</u>	
CITY OF RIVERSIDE WATER PRODUCTION BUNKER HILL BASIN, DOMESTIC & IRRIGATION DIVISIONS INCLUDING FORMER RIVERSIDE WATER CO. IN SAN BERNARDINO BASIN AREA . . . . .	1
<u>TABLE NO. 2</u>	
CITY OF RIVERSIDE WATER PRODUCTION COLTON BASIN & RIVERSIDE BASIN IN SAN BERNARDINO CO., DOMESTIC & IRRIGATION DIVISIONS INCLUDING FORMER RIVERSIDE WATER CO. . . . .	3
<u>TABLE NO. 3</u>	
CITY OF RIVERSIDE DOMESTIC & IRRIGATION DIVISIONS, DELIVERIES MADE FROM WATER PRODUCED FROM THE BUNKER HILL, COLTON AND RIVERSIDE GROUND WATER BASINS SITUATED IN SAN BERNARDINO CO. . . . .	5
<u>TABLE NO. 4</u>	
CITY OF RIVERSIDE WATER DELIVERIES TO TRUJILLO WATER CO. IN SAN BERNARDINO AND RIVERSIDE COUNTIES . . . . .	6
<u>TABLES NO. 5, 6 &amp; 7</u> - See Volume 5-1974 for data	
<u>TABLE NO. 8</u>	
CITY OF RIVERSIDE JURUPA DITCH CO. WATER PRODUCTION FROM RIVERSIDE BASIN IN SAN BERNARDINO COUNTY FOR USE IN SAN BERNARDINO CO. AND EXPORT TO RIVERSIDE CO. . . . .	7
<u>TABLE NO. 9</u>	
CITY OF RIVERSIDE IRRIGATION DIVISION, PRODUCTION DELIVERED TO FORMER RIVERSIDE WATER COMPANY CANAL AND DISTRIBUTION OF PRODUCTION DELIVERED TO SALAZAR WATER CO. . . . .	8
<u>TABLE NO. 10</u>	
CITY OF RIVERSIDE IRRIGATION DIVISION, PRODUCTION DELIVERED TO FORMER RIVERSIDE WATER COMPANY CANAL AND DISTRIBUTION OF PRODUCTION DELIVERED TO SO. CALIF. EDISON CO. HIGHGROVE POWER PLANT . . . . .	9

TABLE NO. 11

CITY OF RIVERSIDE DOMESTIC & IRRIGATION DIVISIONS, WATER  
 PRODUCTION & DELIVERIES FROM COLTON BASIN-WATER PRODUCTION  
 FROM COLTON GROUND WATER BASIN IN SAN BERNARDINO COUNTY  
 AND DELIVERIES OF PRODUCTION MADE NORTH OF THE COUNTY  
 LINE IN SAN BERNARDINO COUNTY AND SOUTH OF THE COUNTY  
 LINE IN RIVERSIDE COUNTY . . . . . 10

TABLE NO. 12

CITY OF RIVERSIDE DOMESTIC & IRRIGATION DIVISIONS, WATER  
 PRODUCTION & DELIVERIES FROM PORTION RIVERSIDE BASIN-  
 WATER PRODUCTION FROM THAT PORTION OF THE RIVERSIDE  
 GROUND WATER BASIN SITUATED NORTH OF THE COUNTY LINE IN  
 SAN BERNARDINO COUNTY AND DELIVERIES OF PRODUCTION MADE  
 NORTH OF THE COUNTY LINE IN SAN BERNARDINO COUNTY AND SOUTH  
 OF THE COUNTY LINE IN RIVERSIDE COUNTY . . . . . 11

TABLE NO. 13

CITY OF RIVERSIDE WATER PRODUCTION FROM SAN BERNARDINO  
 BASIN AREA AND DELIVERIES WITHIN SAN BERNARDINO COUNTY  
 AND EXPORT TO RIVERSIDE COUNTY . . . . . 12

TABLE NO. 14

CITY OF RIVERSIDE AND UNIVERSITY OF CALIFORNIA  
 EXTRACTIONS FROM BUNKER HILL BASIN IN SAN BERNARDINO  
 BASIN AREA . . . . . 13

TABLE NO. 15

THE GAGE CANAL COMPANY WATER PRODUCTION FROM BUNKER  
 HILL BASIN, RIVERSIDE BASIN IN SAN BERNARDINO COUNTY  
 AND RIVERSIDE BASIN IN RIVERSIDE COUNTY . . . . . 14

TABLE NO. 16

THE GAGE CANAL COMPANY WATER PRODUCTION FROM BUNKER  
 HILL BASIN DELIVERED IN SAN BERNARDINO COUNTY & RIVERSIDE  
 COUNTY TO EAST RIVERSIDE WATER COMPANY . . . . . 15

TABLE NO. 17

THE GAGE CANAL COMPANY WATER PRODUCTION FROM BUNKER HILL AND  
 RIVERSIDE BASINS SITUATED IN SAN BERNARDINO COUNTY WITH  
 DELIVERIES MADE IN SAN BERNARDINO COUNTY & EXPORTS TO  
 RIVERSIDE COUNTY . . . . . 16

TABLE NO. 18

GAGE CANAL WATER PRODUCTION FROM SAN BERNARDINO BASIN AREA AND DELIVERIES WITHIN SAN BERNARDINO COUNTY AND EXPORTS TO RIVERSIDE COUNTY FOR BASE PERIOD 1959-1963 AND SUBSEQUENT YEARS . . . . . 17

TABLE NO. 19

RIVERSIDE HIGHLAND WATER COMPANY WATER PRODUCTION FROM LYTLE AND BUNKER HILL BASINS IN SAN BERNARDINO BASIN AREA . . . . . 18

TABLE NO. 20

RIVERSIDE HIGHLAND WATER CO. WATER PRODUCTION FROM COLTON BASIN . . . . . 19

TABLE NO. 21

RIVERSIDE HIGHLAND WATER CO. WATER PRODUCTION FROM RIVERSIDE BASIN IN SAN BERNARDINO AND RIVERSIDE COUNTIES . . . . . 20

TABLE NO. 22

RIVERSIDE HIGHLAND WATER COMPANY WATER SUPPLY FROM OTHER COMPANIES AND RIVERSIDE HIGHLAND CO. PRODUCTION . . . . . 21

TABLES NO. 23, 24, 25, 26 & 27 - See Volume 5-1974 for data

TABLE NO. 28

RIVERSIDE HIGHLAND WATER COMPANY IRRIGATION AND DOMESTIC DELIVERIES AND PRODUCTION REQUIRED IN RIVERSIDE & SAN BERNARDINO COUNTIES . . . . . 22

TABLE NO. 29

RIVERSIDE HIGHLAND WATER COMPANY WATER PRODUCTION SHOWN ON RECORDATION FILING DELIVERED FOR IRRIGATION & DOMESTIC USES WITHIN BOTH RIVERSIDE AND SAN BERNARDINO COUNTIES . . . . . 23

TABLE NO. 30

RIVERSIDE HIGHLAND WATER COMPANY WATER PRODUCTION FROM LYTLE, BUNKER HILL, COLTON & RIVERSIDE BASINS IN SAN BERNARDINO AND RIVERSIDE COUNTIES AND THE DELIVERY OF THE PRODUCTION IN SAN BERNARDINO AND RIVERSIDE COUNTIES . . . . . 24

TABLE NO. 31

RIVERSIDE HIGHLAND WATER COMPANY WATER PRODUCTION FROM  
LYTLE, BUNKER HILL, COLTON & RIVERSIDE BASINS IN SAN  
BERNARDINO AND RIVERSIDE COUNTIES AND THE DELIVERY OF  
THE PRODUCTION IN SAN BERNARDINO & RIVERSIDE COUNTIES . . . . . 27

TABLE NO. 31-A

TOTAL PRODUCTION BY RIVERSIDE HIGHLAND WATER COMPANY  
FROM THE SAN BERNARDINO BASIN AREA (INCLUDES LYTLE AND  
BUNKER HILL BASINS) AS DELIVERED IN SAN BERNARDINO AND  
RIVERSIDE COUNTIES . . . . . 28

TABLE NO. 31-B - Not required for updating after 1970

TABLE NO. 32

MEEKS & DALEY WATER COMPANY AND AGUA MANSA WATER COMPANY  
WATER PRODUCTION FROM THE SAN BERNARDINO BASIN AREA AND  
THE COLTON BASIN AREA . . . . . 29

TABLE NO. 33

MEEKS & DALEY WATER COMPANY AND AGUA MANSA WATER COMPANY  
WATER PRODUCTION FROM THE SAN BERNARDINO BASIN AREA AND  
THE COLTON BASIN AREA DELIVERED IN SAN BERNARDINO COUNTY  
AND EXPORTED TO RIVERSIDE COUNTY . . . . . 30

TABLE NO. 34

MEEKS & DALEY WATER COMPANY WATER PRODUCTION FROM SAN  
BERNARDINO BASIN AREA AND DELIVERIES WITHIN SAN BERNARDINO  
COUNTY AND EXPORT TO RIVERSIDE COUNTY . . . . . 31

TABLE NO. 35

UNIVERSITY OF CALIFORNIA WATER PRODUCTION FROM BUNKER  
HILL BASIN IN THE SAN BERNARDINO BASIN AREA AND EXPORT  
TO RIVERSIDE COUNTY . . . . . 32

TABLE NO. 36

UNIVERSITY OF CALIFORNIA WATER PRODUCTION FROM SAN  
BERNARDINO BASIN AREA AND EXPORT TO RIVERSIDE COUNTY . . . . . 33

TABLE NO. 36-A

EXTRACTIONS BY PLAINTIFFS FROM THE SAN BERNARDINO BASIN  
AREA THROUGH THE CURRENT YEAR . . . . . 34

TABLE NO. 36-B

TOTAL PLAINTIFF EXTRACTIONS FROM SAN BERNARDINO  
BASIN AREA . . . . . 36

TABLE NO. 36-C

PLAINTIFF EXTRACTIONS FROM SAN BERNARDINO BASIN AREA  
DELIVERIES IN SAN BERNARDINO BASIN AREA . . . . . 37

TABLE NO. 36-D

PLAINTIFF EXTRACTIONS FROM SAN BERNARDINO BASIN AREA  
DELIVERIES IN COLTON & RIVERSIDE BASINS IN SAN BERNARDINO  
COUNTY . . . . . 38

TABLE NO. 36-E

PLAINTIFF EXTRACTIONS FROM SAN BERNARDINO BASIN AREA  
DELIVERIES OUTSIDE SAN BERNARDINO VALLEY . . . . . 39

TABLE NO. 37

RIVERSIDE ENTITIES PRODUCTION AND DELIVERY FROM COLTON  
BASIN AREA FOR USE WITHIN SAN BERNARDINO COUNTY AND  
RIVERSIDE COUNTY . . . . . 40

TABLE NO. 38

SAN BERNARDINO ENTITIES PRODUCTION FROM COLTON BASIN  
AREA FOR USE WITHIN  
SAN BERNARDINO COUNTY . . . . . 42

TABLE NO. 38-A

COLTON BASIN EXTRACTIONS BY RIVERSIDE ENTITIES AND  
PLACE OF USE . . . . . 43

TABLE NO. 39

VERIFIED EXTRACTIONS FROM COLTON BASIN AREA BY  
SAN BERNARDINO AND RIVERSIDE COUNTY ENTITIES FOR USE  
WITHIN EACH COUNTY . . . . . 44

TABLE NO. 39-A

GROUND WATER EXTRACTIONS BY RIVERSIDE ENTITIES FROM COLTON  
BASIN AREA FOR USE IN RIVERSIDE & SAN BERNARDINO COUNTIES  
FROM 1976 THROUGH CURRENT YEAR . . . . . 46

TABLE NO. 40

RIVERSIDE CEMENT COMPANY,  
WATER PRODUCTION FROM RIVERSIDE GROUND WATER BASIN  
SITUATED WITHIN SAN BERNARDINO COUNTY . . . . . 48

TABLE NO. 41

RIVERSIDE CEMENT COMPANY, WATER PRODUCTION FROM RIVERSIDE  
GROUND BASIN WITHIN SAN BERNARDINO COUNTY FOR PERIOD 1971  
THROUGH CURRENT YEAR AND PRODUCTION DELIVERED IN RIVERSIDE  
AND SAN BERNARDINO COUNTIES . . . . . 49

TABLE NO. 42

CITY OF RIVERSIDE IRRIGATION & DOMESTIC DIVISIONS WATER  
PRODUCTION FROM RIVERSIDE GROUND WATER BASIN WITHIN  
SAN BERNARDINO COUNTY FOR PERIOD 1971 THROUGH CURRENT YEAR  
AND PRODUCTION DELIVERED IN RIVERSIDE AND SAN BERNARDINO  
COUNTIES . . . . . 50

TABLE NO. 43

CITY OF RIVERSIDE IRRIGATION & DOMESTIC DIVISIONS, GAGE  
CANAL COMPANY, WATER PRODUCTION FROM RIVERSIDE GROUND WATER  
BASIN WITHIN SAN BERNARDINO COUNTY FOR PERIOD 1971 THROUGH  
CURRENT YEAR, AND PRODUCTION DELIVERED IN RIVERSIDE AND SAN  
BERNARDINO COUNTIES . . . . . 51

TABLE NO. 44

INTER COUNTY WATER COMPANY WATER PRODUCTION FROM  
RIVERSIDE GROUND WATER BASIN WITHIN SAN BERNARDINO  
COUNTY FOR PERIOD 1971 THROUGH CURRENT YEAR AND PRODUCTION  
DELIVERED IN RIVERSIDE AND SAN BERNARDINO COUNTIES . . . . . 52

TABLE NO. 45

JURUPA WATER COMPANY WATER PRODUCTION FROM RIVERSIDE  
GROUND WATER BASIN WITHIN SAN BERNARDINO COUNTY FOR  
PERIOD 1971 THROUGH CURRENT YEAR AND PRODUCTION DELIVERED  
IN RIVERSIDE AND SAN BERNARDINO COUNTIES . . . . . 53

TABLE NO. 46-A & 46-B

LA SIERRA WATER COMPANY WATER PRODUCTION FROM COLTON  
BASIN AND THAT PART OF RIVERSIDE BASIN LOCATED WITHIN  
SAN BERNARDINO COUNTY . . . . . 54A-54B

TABLE NO. 47

LA SIERRA WATER COMPANY WATER PRODUCTION FROM COLTON AND RIVERSIDE BASIN SITUATED WITHIN SAN BERNARDINO COUNTY WITH DELIVERIES IN SAN BERNARDINO COUNTY AND EXPORTS TO RIVERSIDE COUNTY . . . . . 55

TABLE NO. 48

LA SIERRA WATER CO. WATER PRODUCTION FROM RIVERSIDE GROUND WATER BASIN WITHIN SAN BERNARDINO COUNTY FOR PERIOD 1971 THROUGH CURRENT YEAR AND PRODUCTION DELIVERED IN RIVERSIDE AND SAN BERNARDINO COUNTIES . . . . . 56

TABLE NO. 49

RIVERSIDE HIGHLAND WATER COMPANY WATER PRODUCTION FROM RIVERSIDE GROUND WATER BASIN WITHIN SAN BERNARDINO COUNTY FOR PERIOD 1971 THROUGH CURRENT YEAR AND PRODUCTION DELIVERED IN RIVERSIDE AND SAN BERNARDINO COUNTIES . . . . . 57

TABLE NO. 50

TEMESCAL WATER CO. WATER PRODUCTION FROM RIVERSIDE GROUND WATER BASIN WITHIN SAN BERNARDINO COUNTY FOR PERIOD 1971 THROUGH CURRENT YEAR AND PRODUCTION DELIVERED IN RIVERSIDE AND SAN BERNARDINO COUNTIES . . . . . 58

TABLE NO. 51

WEST RIVERSIDE 350 INCH WATER COMPANY WATER PRODUCTION FROM RIVERSIDE GROUND WATER BASIN WITHIN SAN BERNARDINO COUNTY FOR PERIOD 1971 THROUGH CURRENT YEAR . . . . . 59

TABLE NO. 52

GROUND WATER PRODUCTION FROM THAT PART OF THE RIVERSIDE GROUND WATER BASIN SITUATED WITHIN SAN BERNARDINO COUNTY, A PART IS USED IN SAN BERNARDINO COUNTY AND THE REMAINDER EXPORTED TO RIVERSIDE COUNTY DURING CALENDAR YEARS 1971 THROUGH CURRENT YEAR . . . . . 60

TABLE NO. 52-A

GROUND WATER PRODUCTION FROM THAT PART OF THE RIVERSIDE GROUND WATER BASIN SITUATED WITHIN SAN BERNARDINO COUNTY, A PART OF WHICH IS USED IN SAN BERNARDINO COUNTY AND THE REAMINDER EXPORTED TO RIVERSIDE COUNTY DURING THE CALENDAR YEARS 1971 THROUGH CURRENT YEAR . . . . . 62

TABLE NO. 53

SAN BERNARDINO ENTITIES PRODUCTION FROM RIVERSIDE BASIN  
AREA WITHIN SAN BERNARDINO COUNTY FOR THE PERIOD 1971  
THROUGH CURRENT YEAR FOR USE WITHIN SAN BERNARDINO COUNTY . . . . 64

TABLE NO. 54

TOTAL VERIFIED EXTRACTATIONS FROM THAT PROTION OF THE RIVERSIDE  
BASIN SITUATED IN SAN BERNARDINO COUNTY FOR THE PERIOD 1971  
THROUGH CURRENT YEAR BY SAN BERNARDINO AND RIVERSIDE COUNTY  
ENTITIES FOR USE WITHIN EACH COUNTY . . . . . 65

TABLE NO. 55 - This table has not been updated after 1970.

TABLE NO. 56

TOTAL VERIFIED EXTRACTATIONS BY RIVERSIDE ENTITIES FROM THE  
RIVERSIDE BASIN AREA WITHIN RIVERSIDE COUNTY FOR USE WITHIN  
RIVERSIDE COUNTY . . . . . 67

TABLE NO. 57

SUMMARY OF EXTRACTATIONS FROM SAN BERNARDNINO BASIN AREA,  
COLTON BASIN AREA, RIVERSIDE BASIN AREA IN SAN BERNARDINO  
COUNTY, AND RIVERSIDE BASIN AREA IN RIVERSIDE COUNTY FOR  
USE IN RIVERSIDE COUNTY . . . . . 68

DIAGRAM B

RIVERSIDE HIGHLAND WATER COMPANY DIAGRAM ILLUSTRATING  
THE PRODUCTION AND DISTRIBUTION NORTH AND SOUTH OF  
RIVERSIDE-SAN BERNARDINO CO. LINE, YEARS 1971 THROUGH  
CURRENT YEAR . . . . . 69



TABLE NO. 1

CITY OF RIVERSIDE WATER PRODUCTION  
 BUNKER HILL BASIN  
 DOMESTIC & IRRIGATION DIVISIONS INCLUDING FORMER RIVERSIDE WATER CO.  
 IN SAN BERNARDINO BASIN AREA  
 (Quantities in Acre Feet by Calendar Year)

Line No.	From	Local Designation	State Well Number	Recordation Number	1971	1972	1973	1974	1975	1976	1977	1978	1979	1980	1981	1982
1	Rec. filling	*McCrary #1	IS-4W-1B3	3601457	0	0	0	0	0	0	0	0	0	0	0	0
2		*McCrary #2	IS-4W-1B2	3601458	0	0	0	0	0	0	0	0	0	0	0	0
3		*McCrary #3	IS-4W-1B	3601459	0	0	0	0	0	0	0	0	0	0	0	0
4		*McCrary #4	IS-4W-1B	3601460	0	0	0	0	0	0	0	0	0	0	0	0
5		*McCrary #5	IS-4W-1B	3601461	0	0	0	0	0	0	0	0	0	0	0	0
6		Pooler	IS-4W-1E1	3601462	1,927	1,498	0	0	0	0	0	0	0	0	0	0
7		Stiles	IS-4W-2A3	3601463	1,870	1,401	1,349	1,665	1,938	1,911	1,520	1,367	1,702	1,578	1,739	1,517
8		Scheuer	IS-4W-2L1	3601489	588	525	83	527	560	406	633	442	658	570	366	183
9		Garner #1	IS-4W-2P6	3601464	755	566	392	958	1,029	598	448	546	654	602	753	742
10		Garner #2	IS-4W-2Q3	3601465	669	506	419	359	527	602	302	373	582	470	238	502
11		*Garner #3	IS-4W-2Q7	3601466	0	0	0	0	0	0	0	0	0	0	0	0
12		Garner #4	IS-4W-2Q6	3601467	771	460	525	749	881	874	669	951	1,275	865	365	894
13		Garner #5	IS-4W-2P1	3601468	2,100	2,206	2,411	1,438	2,422	2,237	1,599	1,806	1,904	1,598	1,485	1,565
14		*Paine Hot	IS-4W-22A1	3601469	0	0	0	0	0	0	0	0	0	0	0	0
15		Thorn #1 *	IS-4W-22G1	3601016	-	-	-	-	-	-	-	-	-	-	-	-
16		*Thorn #2 **	IS-4W-22G15	3601470	-	-	-	-	-	-	-	-	-	-	-	-
17		Thorn #3	IS-4W-22G14	3601471	502	94	0	0	1,077	31	0	0	0	0	0	266
18		*Thorn #4	IS-4W-22G11	3601472	0	0	0	0	0	0	0	0	0	0	0	0
19		Thorn #5	IS-4W-22G16	3601473	359	0	0	0	494	0	0	0	0	0	0	16
20		Thorn #6	IS-4W-22G18	3601474	0	0	0	0	0	0	0	0	0	0	0	2
21		Thorn #7	IS-4W-22G17	3601475	0	0	0	0	0	0	0	0	0	0	0	7
22		Thorn #8	IS-4W-22G19	3601476	134	121	0	323	140	0	0	0	0	0	0	0
23		*Thorn #9	IS-4W-22B1	3601477	0	0	0	0	0	0	0	0	0	0	0	0
24		Thorn #10	IS-4W-22B3	3601478	0	40	27	47	5	37	12	0	0	0	0	146
25		Thorn #11	IS-4W-22B5	3601479	0	0	0	0	0	0	0	0	0	0	0	0
26		Thorn #12 **	IS-4W-22B7	3601470	1,162	1,054	502	1,345	976	909	743	776	582	578	64+	708
27		Warm Creek Rising Water	IS-4W-21P	3601496	0	0	0	0	0	-	0	0	0	0	0	0
28																
29																
29a																
29b																
29c																
30	Sub Total	Sheet No. 3			10,817	8,471	5,708	7,411	10,049	7,605	5,926	6,261	7,357	6,261	5,044	6,553

\*Thorn No. 1 well sold to C.E.P. Co., no production by C. of R. Irrig. Division after 1958. (So. Calif. Edison)

\*\*Thorn #12 replacement well for Thorn #2.

FOR YEARS PRECEDING 1971: Refer to Volume 5, August 1976, Page I-9

\*Abandoned &/or File Closed

+26AF added to 1981 production as a correction to 1980 extraction

TABLE NO. 1

CITY OF RIVERSIDE WATER PRODUCTION  
 BUNKER HILL BASIN  
 DOMESTIC & IRRIGATION DIVISIONS INCLUDING FORMER RIVERSIDE WATER CO.  
 IN SAN BERNARDINO BASIN AREA  
 (Quantities in Acre Feet by Calendar Year)

Line No.	From	Local Designation	State Well Number	Re-ordation Number	1983	1984	1985	1986
1	Rec. lifts #1	*McCrary #1	1S-4W-1B3	3601457	0	0	0	0
2		*McCrary #2	1S-4W-1B2	3601458	0	0	0	0
3		*McCrary #3	1S-4W-1B	3601459	0	0	0	0
4		*McCrary #4	1S-4W-1B	3601460	0	0	0	0
5		*McCrary #5	1S-4W-1B	3601461	0	0	0	0
6		Pooler	1S-4W-1E1	3601462	0	0	0	0
7		Stiles	1S-4W-2A3	3601463	1,779	1,848	2,105	1,899
8		Scheuer	1S-4W-2L1	3601489	37	159	436	655
9		Garner #1	1S-4W-2P6	3601464	376	1,026	595	808
10		Garner #2	1S-4W-2O1	3601465	196	54	419	341
11		Garner #3	1S-4W-2Q7	3601466	0	0	0	0
12		Garner #4	1S-4W-2O6	3601467	74	185	895	668
13		Garner #5	1S-4W-2P1	3601458	1,602	1,639	1,292	1,942
14		*Faine Hot	1S-4W-22A1	3601469	0	0	0	0
15		Thorn #1 *	1S-4W-22G1	3601016	-	-	-	-
16		Thorn #2 **	1S-4W-22G15	3601470	-	-	-	-
17		Thorn #3	1S-4W-22G14	3601471	0	0	1,103	12
18		Thorn #4	1S-4W-22G11	3601472	0	0	0	0
19		Thorn #5	1S-4W-22G16	3601473	0	0	525	6
20		Thorn #6	1S-4W-22G18	3601474	0	0	311	2
21		Thorn #7	1S-4W-22G17	3601475	0	0	322	2
22		Thorn #8	1S-4W-22G19	3601476	0	0	0	0
23		Thorn #9	1S-4W-22E01	3601477	0	0	0	0
24		Thorn #10	1S-4W-22B3	3601478	144	0	0	0
25		Thorn #11	1S-4W-22B5	3601479	0	0	0	0
26		Thorn #12 **	1S-4W-22B7	3601470	1,345	0	515	1,552
27		Warm Creek Rising Water	1S-4W-21P	3601496	0	0	0	0
28								
29								
29a								
29b								
29c								
30	Sub Total				5,553	4,911	8,518	7,887

\*Thorn No. 1 well sold to C.E.P. Co., no production by C. of R. Irrig. Division after 1958. (So. Calif. Edison)  
 \*\*Thorn #12 replacement well for Thorn #2. 1) In Colton Basin, Met in Volume 2.

PER YEARS PRECEDING 1971: Refer to Volume 5, August 1976, Page I-9

\* Withdrawn &/or File Closed

+26AF added to 1981 production as a correction to 1980 extraction

TABLE NO. 1

**CITY OF RIVERSIDE WATER PRODUCTION  
BUNKER HILL BASIN  
DOMESTIC & IRRIGATION DIVISIONS INCLUDING FORMER RIVERSIDE WATER CO.  
IN SAN BERNARDINO BASIN AREA  
(Quantities in Acre Feet by Calendar Year)**

Line No.	From	Local Designation	State Well Number	Recordation Number	1971	1972	1973	1974	1975	1976	1977	1978	1979	1980	1981	1982
31	Rec. filling	*Cooley #E	1S-4W-2P4	3601220	0	0	0	0	0	0	0	0	0	0	0	0
32		*Cooley #C	1S-4W-2P3	3601224	0	0	0	0	0	0	0	0	0	0	0	0
33		*Cooley #D	1S-4W-2P2	3601225	0	0	0	0	0	0	0	0	0	0	0	0
34		*Cooley #F	1S-4W-2L2	3601226	0	0	0	0	0	0	0	0	0	0	0	0
35		*Cooley #G	1S-4W-2N2	3601227	0	0	0	0	0	0	0	0	0	0	0	0
36		Cooley #H	1S-4W-11D2	3601228	1,420	1,053	494	725	1,045	923	1,065	1,116	1,209	1,092	1,125	643
37		Cooley #I	1S-4W-11D3	3601229	3,580	2,606	4,089	3,743	3,328	5,367	2,756	2,318	2,884	2,513	3,086	2,017
38		*Cooley #A	1S-4W-11D4	3601232	0	0	0	0	0	0	0	0	0	0	0	0
39		*Cooley #B	1S-4W-11D1	3601432	0	0	0	0	0	0	0	0	0	0	0	0
40		Raub #1	1S-4W-14P2	3601218	0	0	0	0	0	0	0	0	0	0	0	0
41		Raub #2	1S-4W-23C2	3601219	904	724	772	939	812	542	699	431	466	572	189	495
42		Raub #4	1S-4W-23C3	3601238	1,267	1,074	2,001	2,024	1,333	1,747	1,221	1,328	1,632	971	1,374	1,306
43		Raub #3	1S-4W-14P6	3601239	342	216	294	605	748	444	502	97	603	661	199	562
43a		Raub #5	1S-4W-14N9	3602484	0	1,353	2,465	3,731	1,544	2,966	2,277	2,697	3,335	2,306	1,861	2,249
44		*Byrne	1S-4W-22B2	3601237	0	0	0	0	0	0	0	0	0	0	0	0
45		Warren #3	1S-4W-22H3	3601230	484	180	222	408	0	0	221	275	173	105	60	0
46		Warren #2	1S-4W-22H1	3601231	784	357	603	1,124	830	666	473	783	344	790	711	299
47		Warren #1	1S-4W-22H4	3601240	1,921	1,614	1,809	1,700	1,785	1,496	573	1,030	902	939	468	485
48		Warren #4	1S-4W-22H2	3601243	2,737	2,012	1,822	2,875	2,479	1,450	1,258	1,678	1,517	2,022	2,096	1,772
49		Hunt #6 *	1S-4W-27A11	3601222 2771	225	209	249	547	241	22	542	393	397	1	1	77
50		Hunt #8 *	1S-4W-27A7	3601241	0	0	0	0	0	0	0	0	0	0	0	0
51		Hunt #9 *	1S-4W-27A8	3601242	0	0	0	0	0	0	0	0	0	0	0	0
52		Hunt #10 *	1S-4W-27A9	3601244 2772	446	600	933	1,577	1,010	600	899	645	738	6	510	25
53		Hunt #11 *	1S-4W-27A10	3601245 2773	0	0	0	0	10	31	462	0	0	0	0	86
54		Stewart #21	1S-4W-27A13	3601233	0	0	0	0	0	0	0	0	0	0	0	0
55		*Stewart #19	1S-4W-27A19	3601234	0	0	0	0	0	0	0	0	0	0	0	0
56		*Stewart #20	1S-4W-27H1	3601431	12	5	32	11	13	4	26	3	4	3	4	1
56a		Raub #6	1S-4W-14N10S	3602778	0	0	0	0	0	0	0	0	0	0	0	0
56b																
56c																
57	Lines 31 thru 56	Sub Total			14,122	12,003	15,785	20,009	15,199	14,480	12,974	12,794	14,204	12,614	15,319	12,969
58																
59		Sub Total	Sheet No. 1	Line 30	10,817	8,471	5,708	7,411	10,049	7,605	5,926	6,261	7,357	6,261	5,044	6,553
60		Sub Total	Sheet No. 2	Line 57	14,122	12,003	15,785	20,009	15,199	14,480	12,974	12,794	14,204	12,614	15,319	12,969
61		Total Production Bunker Hill			24,939	20,474	21,493	27,420	25,248	22,085	18,900	19,055	21,561	18,875	20,363	19,522
62																
63		Meeks & Daley Sta. 59			0	0	0	275	1,649	1,895	1,868	1,385	1,231	1,650	2,496	1,471
64		Gage Canal Co. 30-1 & Gage Stewart		3601887	2,854	1,900	2,446	2,095	1,577	0**	0	0**	0**	0**	0**	0**
65		Total Lines 61 - 63 & 64			27,793	22,374	23,939	29,790	28,474	23,980	20,748	20,440	22,792	20,525	22,859	20,993
		Total Water for Distribution														
		** 30-1 & Gage Stewart removed after covering of the canal in 1975														
		*Extractions from Hunt #6, 8, 9, 10 & 11 by City of Riverside only - University of California production from these wells reported under the Bunker Hill														

SUMMARY BUNKER HILL PRODUCTION

ADDITIONAL DELIVERIES FROM OTHER COMPANIES

TABLE NO. 1

CITY OF RIVERSIDE WATER PRODUCTION  
 BUNKER HILL BASIN  
 DOMESTIC & IRRIGATION DIVISIONS INCLUDING FORMER RIVERSIDE WATER CO.  
 IN SAG DEMANDING BASIN AREA  
 (Quantities in Acre Feet by Calendar Year)

Line No.	From	Local Designation	State Well Number	Coordination Number	1983	1984	1985	1986
31	Rec. fillings	*Cooley #E	IS-4W-2P4	3601220	0	0	0	0
32		*Cooley #C	IS-4W-2P3	3601224	0	0	0	0
33		*Cooley #D	IS-4W-2P2	3601225	0	0	0	0
34		*Cooley #F	IS-4W-2L2	3601226	0	0	0	0
35		*Cooley #G	IS-4W-2N2	3601227	0	0	0	0
36		Cooley #H	IS-4W-11D2	3601228	1,138	907	1,489	1,160
37		Cooley #I	IS-4W-11D3	3601229	3,242	3,221	3,680	2,264
38		*Cooley #A	IS-4W-11D4	3601232	0	0	0	0
39		Cooley #B	IS-4W-11D1	3601432	0	0	0	0
40		*Raub #1	IS-4W-14P2	3601218	0	0	0	0
41		Raub #2	IS-4W-23C2	3601219	222	3	96	0
42		Raub #4	IS-4W-23C3	3601238	1,649	1,775	2,201	1,425
43		Raub #3	IS-4W-14P6	3601239	221	43	236	460
43a		Raub #5	IS-4W-14N9	3602484	3,359	3,747	3,351	4,223
44		*Byrne	IS-4W-22B2	3601237	0	0	0	0
45		Warren #3	IS-4W-22H3	3601230	2	0	276	72
46		Warren #2	IS-4W-22H1	3601231	517	1,111	1,185	725
47		Warren #1	IS-4W-22H4	3601240	1,014	490	467	749
48		Warren #4	IS-4W-22H2	3601243	1,559	2,592	2,844	2,526
49		Hunt #6 *	IS-4W-27A11	3601222	2771	568	224	866
50		*Hunt #8 *	IS-4W-27A7	3601241	0	0	0	0
51		*Hunt #9 *	IS-4W-27A8	3601242	0	0	0	0
52		Hunt #10 *	IS-4W-27A9	3601244	2772	1,547	1,307	1,170
53		Hunt #11 *	IS-4W-27A10	3601245	2773	850	537	782
54		*Stewart #21	IS-4W-27A13	3601233	0	0	0	0
55		*Stewart #19	IS-4W-27A19	3601234	0	0	0	0
56		Stewart #20	IS-4W-27H1	3601231	1	1	1	3
56a		Raub #6	IS-4W-14N10S	3602778	4,239	4,162	4,655	2,638
56b								
56c								
57	Lines 31 thru 56	Sub Total			20,128	20,120	23,299	18,109
58								
59		Sub Total	Sheet No. 1	Line 30	5,553	4,911	8,518	7,887
60		Sub Total	Sheet No. 2	Line 57	20,128	20,120	23,299	18,109
61		Total Production Bunker Hill			25,681	25,031	31,817	25,996
62								
63								
64								
65								
66								
67								
68								
69								
70								
71								
72								
73								
74								
75								
76								
77								
78								
79								
80								
81								
82								
83								
84								
85								
86								
87								
88								
89								
90								
91								
92								
93								
94								
95								
96								
97								
98								
99								
100								

SUMMARY BUNKER HILL PRODUCTION

ADDITIONAL DELIVERIES FROM OTHER COMPANIES

\*\* 30-1 & 30-2 Stewart removed after covering of the canal in 1975  
 #21-23 & 24-26 Warren removed after covering of the canal in 1975  
 #27-29 & 30-1 & 30-2 by City of Riverside only - University of California production from these wells reported under the Regents of the University  
 #31-33 & 34-36 by City of Riverside only - University of California section of this report.  
 #37-39 & 40-42 by City of Riverside only - University of California section of this report.  
 #43-45 & 46-48 by City of Riverside only - University of California section of this report.  
 #49-51 & 52-54 by City of Riverside only - University of California section of this report.  
 #55-57 & 58-60 by City of Riverside only - University of California section of this report.  
 #61-63 & 64-66 by City of Riverside only - University of California section of this report.  
 #67-69 & 70-72 by City of Riverside only - University of California section of this report.  
 #73-75 & 76-78 by City of Riverside only - University of California section of this report.  
 #79-81 & 82-84 by City of Riverside only - University of California section of this report.  
 #85-87 & 88-90 by City of Riverside only - University of California section of this report.  
 #91-93 & 94-96 by City of Riverside only - University of California section of this report.  
 #97-99 & 100-102 by City of Riverside only - University of California section of this report.

TABLE NO. 2

CITY OF RIVERSIDE WATER PRODUCTION  
 COLTON BASIN & RIVERSIDE BASIN IN SAN BERNARDINO CO.  
 DOMESTIC & IRRIGATION DIVISIONS INCLUDING FORMER RIVERSIDE WATER CO.  
 (Quantities in Acre Feet by Calendar Year)

Line No.	From	Local Designation	State Well Number	Recordation Number	1971	1972	1973	1974	1975	1976	1977	1978	1979	1980	1981	1982
1	Rec. filling	Johnson #1	1S-4W-21Q3	3601480	851	954	1	576	1,162	479	241	0	1	0	23	15
2	"	*Johnson #2	1S-4W-21P1	3601494	0	0	0	0	0	0	0	0	0	0	0	0
3	"	*Johnson #3	1S-4W-21Q1	3601495	0	0	0	0	0	0	0	0	0	0	0	0
4	"	Vaughn #1	1S-4W-21L1	3601481	1,193	956	0	378	816	67	0	456	3	0	31	22
5	"	Neeks #1	1S-4W-28C1	3601482	443	383	31	315	397	299	25	0	1	0	11	11
6	"	Mill	1S-4W-28D1	3602208	209	228	69	167	170	8	29	8	0	0	12	9
6a																
6b																
7	Lines 1 thru 6b	Total Production			2,696	2,521	101	1,386	2,545	853	295	464	5	0	77	57
RIVERSIDE BASIN - IN SAN BERNARDINO COUNTY																
8	Rec. filling	*Flume #1	1S-4W-29H2	3601483	0	0	0	0	0	0	0	0	0	0	0	0
9	"	Flume #2	1S-4W-29H1	3601484	855	1,856	1,778	547	530	2	401	7	15	1	6	2
10	"	Flume #3	1S-4W-29R1	3601485	161	496	486	364	103	3	192	1	0	0	15	8
11	"	Flume #4	1S-4W-29Q3	3601486	8	404	144	533	1,030	1,615	561**	0	0	8	0	12
12	"	*Flume #5	1S-4W-29Q1	3601487	0	0	0	0	0	0	0	0	0	0	0	0
12a	"	Flume #6	1S-4W-29Q4	3602486	0	0	0	144	408	832	45**	0	0	2	0	2
12b																
13	Lines 8 thru 12b	Sub Total			1,024	2,756	2,408	1,388	2,071	1,452	1,199	8	15	11	21	24
14																
15	Rec. filling	Twin Buttes #6	1S-5W-25R2	3600898	406	173	0	1,532	807	426	69	0	0	0	0	0
16	"	Pellissier River	1S-5W-36Q	3601088	0	0	0	0	0	0	0	0	0	0	0	0
17	"	Agua Mansa	1S-5W-36L1	3601236	157	55	0	3	12	2	7	7	19	25	23	25
18	"	*Pellissier														
19	"	La-Loma	2S-5W-101	3601235	0	0	0	0	0	0	0	0	0	0	0	0
20	"	Pellissier Main	2S-5W-162	3601223	13	47	40	103	77	117	265	258	558	1,551	1,489	2,063
21	Lines 15 thru 19	Sub Total			4	5	5	5	5	7	7	6	10	15	14	14*
22	Rec. filling	Marcy C.T. or Putnam L.L.	25-4W-603	3601271	174	107	45	111	94	136	219	271	587	1,591	1,526	2,102*
23	"	Williams	25-5W-1Q1	3601488	*	*	*	*	*	*	*	*	*	*	*	*
24	Rec. filling	*Jurupa #1	2S-5W-2R	3601490	381	321	277	3	322	649	359	0	0	0	0	0
25	"	Jurupa #3	2S-5W-2R3	3601491	902	942	563	910	852	936	787	0	0	0	0	0
26	Rec. filling	Jurupa #4	2S-5W-2R2	3601492	136	138	307	466	281	192	102	0	0	0	0	0
27	Rec. filling	Jurupa #5	2S-5W-2R1	3601493	1,452	1,453	1,273	1,504	1,411	1,564	1,317	0	0	0	0	0
27a	"	Jurupa #6	2S-5W-2Q7	3602234	62	30	113	2	0	0	0	0	0	0	0	0
27b	"	Mason	2S-5W-2													
27c	Rec. filling	Jurupa #7	2S-5W-2Q	3602748								1,085	2,234	95	0	0
28	Lines 21 thru 27c	Sub Total**			2,933	2,884	2,533	2,885	2,866	3,341	2,565	1,085	2,234	104	1,347	1,489
29	Total Lines				4,131	5,747	4,986	4,584	5,031	5,919	4,043	1,364	2,836	1,706	2,894	3,615*
30	Lines 20+22+28	Total Production			4,537	5,920	4,986	6,123	5,838	6,345	4,112	1,364	2,836	1,706	2,894	3,615*
29+14+21																

\*Change of Owner, to Stapakis, William S., in calendar year 1974.  
 \*\* Amount shown here is Riverside's production only.  
 FOR YEARS PRECEDING 1971: Refer to Volume 5, August 1976, Page I-15.

TABLE NO. 2

CITY OF RIVERSIDE WATER PRODUCTION  
 COLTON BASIN & RIVERSIDE BASIN IN SAN BERNARDINO CO.  
 DOMESTIC & IRRIGATION DIVISIONS INCLUDING FORMER RIVERSIDE WATER CO.  
 (Quantities in Acre Feet by Calendar Year)

Line No.	From	Local Designation	State Well Number	Recordation Number	1983	1984	1985	1986	
1	Rec. filling	Johnson #1	1S-4W-21C3	3601480	0	0	0	0	
2	"	Johnson #2	1S-4W-21F1	3601494	0	0	0	0	
3	"	Johnson #3	1S-4W-21C1	3601495	0	0	0	0	
4	"	Vaughn #1	1S-4W-21L1	3601481	0	0	695	0	
5	"	Neeks #1	1S-4W-28C1	3601482	0	0	0	0	
6	"	Mill	1S-4W-28L1	3602208	0	0	0	0	
6a									
6b									
7	Lines 1 thru 6b	Total Production			0	0	695	0	
RIVERSIDE BASIN - IN SAN BERNARDINO COUNTY									
8	Rec. filling	Flume #1	1S-4W-29H2	3601483	0	0	0	0	
9	"	Flume #2	1S-4W-29R1	3601484	18	6	4	0	
10	"	Flume #3	1S-4W-29R1	3601485	2	0	29	50	
11	"	Flume #4	1S-4W-29Q3	3601486	25	0	28	127	
12	"	Flume #5	1S-4W-29C1	3601487	0	0	0	0	
12a									
12b									
13	Lines 8 thru 12b	Sub Total			57	9	79	193	
14		Twin Buttes #6	1S-5W-25R2	3600898	0	0	0	0	
15	Rec. filling	Pellissier River	1S-5W-30C	3301088	0	0	0	0	
16		Pellissier			0	0	0	0	
17		Agua Mansa	1S-5W-36L1	3601236	26	58	29	93	
18		La-Loua	2S-5W-10C1	3601235	0	0	0	0	
19		Pellissier Main	2S-5W-10C2	3601223	1,866	387	652	0	
20		Pellissier							
20	Lines 15 thru 19	Sub Total			41*	3	33	24	
21		Domestic	2S-5W-13C	3601221	1,933*	448	714	117	
21		Marry C.E. or Pat. Am L.L.							
22	Rec. filling	Williams	2S-4W-60C	3601271	*	*	*	*	
23	Rec. filling	Jurupa #1	2S-5W-10L	3601488	0	0	0	0	
24	Rec. filling	Jurupa #3	2S-5W-2R	3601490	0	0	0	0	
25	Rec. filling	Jurupa #4	2S-5W-2R	3601491	0	0	0	0	
26	Rec. filling	Jurupa #5	2S-5W-2R	3601492	0	0	0	0	
27	Rec. filling	Jurupa #6	2S-5W-2R1	3601493	0	0	0	0	
27a		Jurupa	2S-5W-2Q7	3602234	0	0	0	0	
27b		Mason	2S-5W-2		0	0	0	0	
27c	Rec. filling	Jurupa #7	2S-5W-2Q	3602748	591	2,434	2,400	2,032	
28	Lines 21 thru 27b	Sub Total**			591	2,434	2,400	2,032	
29	Total Lines				2,581*	2,891	3,193	2,342	
30	Total Lines				2,581*	2,891	3,193	2,342	
30+1+2+3									

\*Change of Owner, to Stupakis, William S., in calendar year 1974.  
 \*\*A portion of the flow from flume 4 & 6 is leased to LaSierra Water Co.  
 \*\*\*YEARS PRODUING 1971: Amount shown here is Riverside's production only.  
 Refer to Volume 5, August 1976, Page I-15  
 \* Abandoned 5/07 File Closed  
 \* Corrected during 1984 verification

TABLE NO. 2

CITY OF RIVERSIDE WATER PRODUCTION  
FROM RIVERSIDE BASIN IN RIVERSIDE COUNTY  
DOMESTIC & IRRIGATION DIVISIONS INCLUDING FORMER RIVERSIDE WATER CO.  
(Quantities in Acre Feet by Calendar Year)

Line No.	From	Local Designation	State Well Number	Recordation Number	1971	1972	1973	1974	1975	1976	1977	1978	1979	1980	1981	1982
RIVERSIDE BASIN - IN RIVERSIDE COUNTY																
31	Rec. Filings	(Highgrove) Electric	2S-4W-7L1	3301287	329	898	1,313	1,612	1,344	225	1,119	162	424	2,435	2,541	131
32	Rec. Filings	*Palmyra	2S-4W-7N1	3301286	-	-	-	-	-	-	-	-	-	-	-	-
33	Rec. Filings	Palmyra #2	2S-4W-7N3	3301286-	415	783	562	1,829	1,275	345	605	840	1,564	2,036	320	0
34	Rec. Filings	*Cunningham	2S-5W-13Q1	3301285	-	-	-	-	-	-	-	-	-	-	-	-
35	Rec. Filings	Cunningham #2	2S-5W-13Q2	3301285-	163	129	28	542	113	2,405	2,588	1,838	833	2,809	3,633	426
36	Rec. Filings	First St.	2S-5W-24D1	3301284	480	673	406	692	670	748	920	565	708	1,179	1,016	866
37	Rec. Filings	Fill	2S-5W-23R1	3301288	625	1,262	1,039	1,105	766	469	207	420	1,276	478	674	230
38	Rec. Filings	Eleventh	2S-5W-23Q1	3301289	1,393	1,589	1,228	1,679	211	477	97	198	1,380	565	793	132
39	Rec. Filings	Highgrove No. 1	2S-4W-8E1	3301358	0	0	0	0	0	0	0	0	0	0	0	0
40	Rec. Filings	Highgrove No. 2	2S-4W-8D3	3301359	0	0	0	0	0	0	0	0	0	0	0	0
40a																
41		Highgrove No. 3	2S-4W-8D4	3301359-	0	0	0	0	0	0	0	0	0	0	0	0
42		*Lemona	2S-4W-19J1	3300686	0	0	0	0	0	0	0	0	0	0	0	0
43		Garner	2S-5W-12B1	3301075	300	275	253	231	220	248	257	177	265	328	2+3	198
44		*Russell	2S-5W-12A1	3301084	0	0	0	0	0	0	0	0	0	0	0	0
45		Twin Springs	2S-5W-12K2	3301073	3,119	3,736	2,941	3,111	2,526	3,504	2,435	1,822	1,978	2,434	2,868	2,674
45a		Russell B	2S-5W-12A	3302485	727	2,010	1,694	1,972	1,561	2,323	1,339	1,628	1,822	1,966	1,930	1,364
46		Moore Griffith	2S-5W-12P1	3301076	642	891	801	1,476	1,606	1,363	1,395	718	1,157	1,217	1,754	681
47		Mulberry	2S-5W-23J1	3301074	363	406	125	773	471	557	5	0	24	0	94	0
48		Garner B	2S-5W-12B	3301959	1,049	1,548	1,350	992	581	1,528	1,552	1,875	1,033	1,156	1,332	1,411
48a																
49	Lines 31 thru 48	Sub Total			9,605	14,200	11,640	16,034	11,344	14,192	12,539	10,273	12,464	16,623	17,198	8,113
50		*Cleveland	2S-5W-23F1	3300417	*	*	*	*	*	*	*	*	*	*	*	*
51		Brunton	2S-5W-12P2	3301077	357	361	281	244	326	289	282	270	199	313	119	87
52	Rec. Filings	Fairmount Park #1	2S-5W-14G2	3301082	691	471	868	864	0	0	440	692	7	1,503	169	298
53		Fairmount Park #2	2S-5W-14E1	3301851	687	2,381	2,441	2,065	525	873	117	0	34	0	112	77
54		Mori No. 2	2S-5W-14G3	3301635	1,442	1,537	1,161	1,517	287	122	134	452	596	307	2	472
55		*Springbrook Diver.	2S-5W-14K	3301086	-	-	0	0	0	0	0	0	0	0	0	0
56a		*Sanitary Fill	2S-5W-28A1	3301078	0	0	0	0	0	0	0	0	0	0	0	0
57		*Sanitary Fill Davis	2S-5W-28C1	3301079	0	0	0	0	0	0	0	0	0	0	0	0
58		*Jensen Slough	2S-5W-29C	3301087	1,089	**	**	**	**	**	**	**	**	**	**	**
59		Orange Acres														
59a		Mutual Water Co.	3S-5W-3E1	3301814	57	90	63	67	69	6	0	0	0	0	0	0
60		Lincoln Heights														
61		Water Co.	3S-5W-9E1	3301940	170	208	274	201	298	148	72	0	0	0	0	0
62	Lines 52 thru 61	Sub Total			4,423	5,048	5,088	4,958	1,505	1,438	1,045	1,414	836	2,132	402	934
63	Total Lines 49+50+62				14,098	19,248	16,728	20,992	12,849	15,630	13,584	11,687	13,300	18,744	17,600	9,047

\*"Change of Owner" to Victoria Club  
Year 1968 City used 25 Ac. Ft. and  
Victoria Club used 97 Ac. Ft; Total = 122 Ac. Ft.  
FOR YEARS PRECEDING 1971: Refer to Volume 5, August 1976, Page 1-18  
\*Abandoned &/or File Closed  
All quantities in above table were obtained  
from Verification of Extractions, Volume 4,  
for the appropriate year.  
\*\*Jensen Slough sold to Riverside County Parks Department in 1972.

TABLE NO. 2

CITY OF RIVERSIDE WATER PRODUCTION  
 FROM RIVERSIDE BASIN IN RIVERSIDE COUNTY  
 DOMESTIC & IRRIGATION DIVISIONS INCLUDING FORMER RIVERSIDE WATER CO.  
 (Quantities in Acre Feet by Calendar Year)

Line No.	From	Local Designation	State Well Number	Recordation Number	1983	1984	1985	1986
31	Rec. Filings	(Highgrove) Electric	2S-4W-7L1	3301287	614	2,742	2,216	2,673
32	Rec. Filings	*Palmyra	2S-4W-7N1	3301286	0	0	0	0
33	Rec. Filings	*Palmyra #2	2S-4W-7N3	3301286	0	0	16	0
34	Rec. Filings	*Cunningham	2S-5W-13Q1	3301285	0	0	0	0
35	Rec. Filings	*Cunningham #2	2S-5W-13Q2	3301285	1,166	341	0	0
36	Rec. Filings	*First St.	2S-5W-24D1	3301287	769	1,083	22	35
37	Rec. Filings	*Fill	2S-5W-23R1	3301288	1,795	808	119	8
38	Rec. Filings	*Eleventh	2S-5W-23Q1	3301289	956	396	63	0
39	Rec. Filings	*Highgrove No. 1	2S-4W-8E1	3301358	0	0	0	0
40	Rec. Filings	*Highgrove No. 2	2S-4W-8D3	3301359	0	0	0	0
40A								
41		*Highgrove No. 3	2S-4W-8D4	3301359	0	0	0	0
42		*Lemona	2S-4W-10J1	3300686	0	0	0	0
43		*Garner	2S-5W-12H1	3301075	158	220	168	6
44		*Russell	2S-5W-12A1	3301084	0	0	0	0
45		*Twin Springs	2S-5W-13K2	3301073	1,865	2,931	1,676	2,184
45A		*Russell B	2S-5W-12A	330248	913	1,615	1,061	1,653
46		*Moore Griffith	2S-5W-12H	3301076	763	1,069	221	855
47		*Malberry	2S-5W-23J1	3301074	1	1	0	0
48		*Garner B	2S-5W-12B	3301959	699	1,411	810	1,004
48A								
49	Lines 31 thru 48	Sub Total			9,699	12,637	6,372	8,418
50		*Cleghwater	2S-5W-23F1	3300417	*	*	*	*
51		*Ererton	2S-5W-13P2	3301077	265	394	0	381
52	Rec. Filings	*Fairmount Park #1	2S-5W-14G7	3301382	461	207	415	33
53		*Fairmount Park #2	2S-5W-14E1	3301851	434	298	39	49
54		*Mori No. 2	2S-5W-14G3	3301635	540	571	403	77
55		*Springbrook Diver	2S-5W-14K	3301086	0	0	0	0
56		*Sanitary Fill	2S-5W-28 I	3301078	0	0	0	0
57		*Sanitary Fill Davis	2S-5W-28C1	3301079	0	0	0	0
58		*Jensen Slough	2S-5W-29G	3301087	0	0	0	0
59		*Orange Acres						
60		*Mutual Water Co.	2S-5W-3E1	3301814	0	0	0	0
61		*Lincoln Heights						
62	Lines 51 thru 61	Sub Total			1,700	1,470	857	539
63	TOTAL LINES 49-60/62				11,399	14,107	7,229	8,958

\*Change of Owner to Victoria Club  
 Year 1968 City used 25 Ac. Ft. and  
 Victoria Club used 97 Ac. Ft; Total = 122 Ac. Ft.  
 FOR YEARS PREVIOUS TO 1971: Refer to Volume 5, August 1976, Page I-18  
 \*Abandoned &/or File Closed  
 All quantities in above table were obtained  
 from Verification of Extractions, Volume 7,  
 for the appropriate year.  
 \*\*Jensen Slough sold to Riverside County Parks Department in 1972.  
 Water rights quit-deeded back to City in 1975.



TABLE NO. 3

CITY OF RIVERSIDE  
DOMESTIC AND IRRIGATION DIVISIONS  
DELIVERIES MADE FROM WATER PRODUCED FROM THE  
BUNKER HILL, COLTON, AND RIVERSIDE GROUND WATER BASINS SITUATED IN SAN BERNARDINO CO.

Year	Identification of Deliveries and Amounts Delivered in Ac. Ft.										Overlying Total of Land Use (10)
	Riverside Highland Water Co. (1)	Salazar Water Co. (2)	Trujillo Water Co. (3)	Jurupa Ditch Co. (4)	S.E. Co. Highgrove Power Plant (5)	Pellissier Ranch (6)	Williams Ranch (7)	City of San Bernardino (8)	Overlying Land Use (9)	Total (10)	
1971	0	0	300(c)	2,933	0	174	0	0	0	3,407	
1972	0	0	175(c)	2,884	0	107	0	0	0	3,166	
1973	0	0	77(c)	2,533	0	45	0	0	0	2,655	
1974	279	0	73(c)	2,885	0	111	0	0	0	3,348	
1975	0	0	72(c)	2,866	0	94	0	0	0	3,032	
1976	0	0	80(c)	3,341	0	126	0	0	0	3,547	
1977	0	0	76(c)	2,565	0	279	0	0	0	2,920	
1978	0	0	174(c)	1,085	0	271	0	0	0	1,530	
1979	0	0	264(c)	2,234	0	587	0	0	0	3,085	
1980	0	0	328(c)	104	0	1,591	0	0	0	2,023	
1981	0	0	243(c)	1,347	0	1,526	0	0	0	3,116	
1982	0	0	185(c)	1,489	0	2,102*	0	146	0	3,922*	
1983	0	0	158(c)	591	0	1,933*	0	144	0	2,826*	

(1) From City Records  
 (2) From City Records  
 (3) From City Records  
 (4) From Table No. 2, Line 28, Sht. 1  
 (5) From City Records  
 (6) From Table No. 2, Line 20, Sht. 1  
 (7) From City Records  
 (8) From City Records  
 (9) Golf Course Irrigation, Thorn 10  
 (10) Total Col. (1) through Col. (8)

(a) Delivery made from Canal  
 (b) Delivery made from Williams Well  
 (c) Delivery made from Garner Wells  
 (T & G) in Riverside County

\* Corrected during 1984 verification

(1) Riverside Highlands delivery made from water produced in Bunker Hill Basin. Water is commingled with production from other basins by Riverside Highland Water Company and delivered by this company. See Riverside Highland tabulation for basin allocation of water production.

(2) Salazar Water Company delivery made in San Bernardino County from the canal of the Riverside Water Company, which contains commingled water produced from Bunker Hill, Colton, and Riverside Basins, all within San Bernardino County. Delivery is made directly to the West Riverside Canal and transported by this canal directly to Riverside County southerly of the County Line.

(3) Trujillo Water Company. For the period 1947 through a portion of 1952, deliveries were made to the Trujillo Water Company at a point in San Bernardino County from the canal of the Riverside Water Company, which contained a commingled water supply produced from the Bunker Hill, Colton, and Riverside Ground Water Basins, all within San Bernardino County. For the period a portion of 1952 through 1965, deliveries to the Trujillo Water Company were made from the Williams Well, producing water from that portion of the Riverside Ground Water Basin lying within San Bernardino County. The service area of the Trujillo Water Company lies astride the Riverside-San Bernardino County line, and during both of the periods described above, water was delivered both in San Bernardino County and in Riverside County to shareholders entitled to receive this water by ownership of Trujillo Water Company stock. In addition, deliveries were also made from the Williams Well for overlying use on the Williams Ranch, situated within San Bernardino County. Tabulations of this production and the inter-county deliveries are shown in detail on Tables No. 4, 5, 6, and 7.

(4) Deliveries to the Jurupa Ditch Company are made directly from the production from the Jurupa Wells, situated within San Bernardino County in the Riverside Ground Water Basin and exported across the County line to Riverside County. Deliveries for overlying use in San Bernardino County are also made from these wells for use on the Jurupa Ranch in San Bernardino County. A tabulation of overlying use from the Jurupa Wells within San Bernardino County and exported to Riverside County is shown in Table No. 8. No other breakdown is required.

(5) Water delivered to the Southern California Edison Company Highgrove Power Plant was delivered from 1952 through 1963 from a commingled water supply in the Riverside Water Company Canal, which was produced entirely within San Bernardino County from the Bunker Hill, Colton, and Riverside Ground Water Basins. An allocation of this production, by basins, is shown in Table No. 10.

(6) The Pellissier Ranch, which is owned by the City of Riverside, overlies that portion of the Riverside Ground Water Basin situated within San Bernardino County, and water is produced from wells located thereon for overlying use within San Bernardino County. The production from these wells is shown in Table No. 2, Line 20.

(7) Change of owner to Stapakis, William S., in calendar year 1974.

(8) The delivery to the City of San Bernardino was made during the years of 1959 and 1960 from water produced in the Bunker Hill Basin from the Garner Wells.

CITY OF RIVERSIDE

DOMESTIC AND IRRIGATION DIVISIONS

DELIVERIES MADE FROM WATER PRODUCED FROM THE

BUNKER HILL, COLTON, AND RIVERSIDE GROUND WATER BASINS SITUATED IN SAN BERNARDINO CO.

Year	Identification of Deliveries and Amounts Delivered in Ac. Ft.										Overlying Total Land of all Use Deliveries
	Riverside Highland Water Co. (1)	Co. (2)	Co. (3)c	Co. (4)	Plant (5)	Pellissier Ranch (6)	Williams Ranch (7)	City of San Bernardino (8)	City of San Bernardino (8)	City of San Bernardino (8)	
1984	0	0	220	2,434	0	448	0	9	0	0	3,102
1985	0	0	168	2,400	0	714	0	0	0	0	3,282
1986	0	0	6	2,032	0	117	0	292	0	0	2,441

(1) From City Records  
 (2) From City Records  
 (3) From City Printout  
 (4) From Table No. 2, Line 28, Sht. 1  
 (5) From City Records  
 (6) From Table No. 2, Line 20, Sht. 1  
 (7) From City Records  
 (8) From City Records  
 (9) Golf Course Irrigation, Thorn 10  
 (10) Total Col. (1) through Col. (8)  
 FOR YEARS RECEIVING 1973

(a) Delivery made from Canal  
 (b) Delivery made from Williams Well  
 (c) Delivery made from Garner Wells  
 (T & G) in Riverside County

TABLE NO. 4

CITY OF RIVERSIDE  
WATER DELIVERIES TO TRUJILLO WATER CO.  
IN SAN BERNARDINO AND RIVERSIDE COUNTIES

Year	Trujillo Water Co. Delivery Ac. Ft. (1)	<u>Delivered in San Bernardino County</u>					Delivered in Riverside County Ac. Ft. (7)
		<u>Individual</u>		<u>Total</u>			
		<u>Russell</u> (2)	<u>Pellissier</u> (3)	<u>Proportion</u> (4)	<u>Percent</u> (5)	<u>Ac. Ft.</u> (6)	
1971	300(c)	0	0	0	0	0	300
1972	175(c)	0	0	0	0	0	175
1973	77(c)	0	0	0	0	0	77
1974	73(c)	0	0	0	0	0	73
1975	72(c)	0	0	0	0	0	72
1976	80(c)	0	0	0	0	0	80
1977	76(c)	0	0	0	0	0	76
1978	174(c)	0	0	0	0	0	174
1979	264(c)	0	0	0	0	0	264
1980	328(c)	0	0	0	0	0	328
1981	243(c)	0	0	0	0	0	243
1982	185(c)	0	0	0	0	0	185
1983	158(c)	0	0	0	0	0	158

Explanation

- |                              |                                                            |
|------------------------------|------------------------------------------------------------|
| (1) = From Table No. 3       | (a) = Delivered from Canal                                 |
| (2) = Historical Entitlement | (b) = Delivered from Williams Well                         |
| (3) = Historical Entitlement | (c) = Delivered from Garner T & G Well in<br>Riverside Co. |
| (4) = (2) + (3)              |                                                            |
| (5) = Computed               |                                                            |
| (6) = (1) x (5)              |                                                            |
| (7) = (1) - (6)              |                                                            |

FOR YEARS PRECEDING 1971: Refer to Volume 5, August 1976, Page I-23

TABLE NO. 4

CITY OF RIVERSIDE  
WATER DELIVERIES TO TRUJILLO WATER CO.  
IN SAN BERNARDINO AND RIVERSIDE COUNTIES

<u>Year</u>	<u>Trujillo Water Co. Delivery Ac. Ft. (1)c</u>	<u>Delivered in San Bernardino County</u>					<u>Delivered in Riverside County Ac. Ft. (7)</u>
		<u>Individual</u>		<u>Total</u>			
		<u>Russell (2)</u>	<u>Pellissier (3)</u>	<u>Proportion (4)</u>	<u>Percent (5)</u>	<u>Ac. Ft. (6)</u>	
1984	220	0	0	0	0	0	220
1985	168	0	0	0	0	0	168
1986	6	0	0	0	0	0	6

Explanation

- |                              |                                                            |
|------------------------------|------------------------------------------------------------|
| (1) = From Table No. 3       | (a) = Delivered from Canal                                 |
| (2) = Historical Entitlement | (b) = Delivered from Williams Well                         |
| (3) = Historical Entitlement | (c) = Delivered from Garner T & G Well in<br>Riverside Co. |
| (4) = (2) + (3)              |                                                            |
| (5) = Computed               |                                                            |
| (6) = (1) x (5)              |                                                            |
| (7) = (1) - (6)              |                                                            |

FOR YEARS PRECEDING 1971: Refer to Volume 5, August 1976, Page I-23

TABLE NO. 8

CITY OF RIVERSIDE  
JURUPA DITCH CO.  
WATER PRODUCTION FROM RIVERSIDE  
BASIN IN SAN BERNARDINO COUNTY  
FOR USE IN SAN BERNARDINO CO.  
AND EXPORT TO RIVERSIDE CO.

Jurupa Ditch Co.  
Water Production & Distribution

<u>Year</u>	<u>Total Production Jurupa Wells</u>	<u>Distribution</u>	
		<u>Overlying Use in S. B. Co.</u>	<u>Export to Riverside County</u>
<u>(1)</u>	<u>(2)</u>	<u>(3)</u>	<u>(4)</u>
1971	2,933	0	2,933
1972	2,884	0	2,884
1973	2,533	0	2,533
1974	2,885	0	2,885
1975	2,866	0	2,866
1976	3,341	0	3,341
1977	2,565	0	2,565
1978	1,085*	0	1,085
1979	2,234*	0	2,234
1980	104**	0	104
1981	1,347	0	1,347
1982	1,489	0	1,489
1983	591	0	591

Explanation

(2) From Table No. 3, Col.4, or No.2 Ln 28

(3) From City of Riverside Records

(4) Col. 2 - Col. 3

\* Production From Mason Well

\*\* Includes Mason Well, Jurupa 7 Onlin

FOR YEARS PRECEDING 1971: Refer to Volume 5, August 1976, Page I-28

Note: Jurupa 1,3,4,5 destroyed by flooding

TABLE NO. 8

CITY OF RIVERSIDE  
JURUPA DITCH CO.  
WATER PRODUCTION FROM RIVERSIDE  
BASIN IN SAN BERNARDINO COUNTY  
FOR USE IN SAN BERNARDINO CO.  
AND EXPORT TO RIVERSIDE CO.

Jurupa Ditch Co.  
Water Production & Distribution

<u>Year</u> (1)	<u>Total</u> <u>Production</u> <u>Jurupa</u> <u>Wells</u> (2)*	<u>Distribution</u>	
		<u>Overlying</u> <u>Use in</u> <u>S. B. Co.</u> (3)	<u>Export</u> <u>to Riverside</u> <u>County</u> (4)
1984	2,434	0	2,434
1985	2,400	0	2,400
1986	2,032	0	2,032

Explanation

(2) From Table No. 3, Col. 4, or No. 2 Ln 28

(3) From City of Riverside Records

(4) Col. 2 - Col. 3

\* All production from Jurupa #7

FOR YEARS PRECEDING 1971: Refer to Volume 5, August 1976, Page I-28

Note: Jurupa 1,3,4,5 destroyed by flooding



TABLE NO. 10

CITY OF RIVERSIDE  
IRRIGATION DIVISION  
PRODUCTION DELIVERED TO FORMER RIVERSIDE WATER COMPANY CANAL  
AND DISTRIBUTION OF PRODUCTION DELIVERED TO SOUTHERN CALIFORNIA EDISON CO.  
HIGHGROVE POWER PLANT  
(Quantities in Acre feet)

SUB-ROUTINE TO ASCERTAIN COMPONENTS OF COMMINGLED WATER APPURTENANT TO S.C.E. CO. HIGHGROVE POWER PLANT DELIVERY

Calendar Year	BUNKER HILL BASIN										Percent of Water Prod. in Canal, from Ground Water Basins		Southern California Edison Co. Highgrove Power Plant Deliveries					
	Less Deliveries in Basin					Water to Domestic Canal					Riverside Basin		Total Prod. to Canal		From Bunker Hill Colton Riverside Basin			
	Riverside Highland Water Co. (2)	City of Domestic System (3)	Riverside (4)	City of Sun Bernardino (4)	Sub Total Deliveries Above Bunker Hill Dike (5)	from Bunker Hill Basin (6)	Warren No. 1 Well to Canal (7)	Total Bunker Hill Basin to Canal (8)	Colton Johnson Vaughn Wells (9)	Flume To (10a)	Mells 1-2-3-4-5 (10)	From Bunker Hill Colton and Riverside (11)	From Bunker Hill Colton Riverside Basin (12)	From Bunker Hill Colton Riverside Basin (13)	Total Delivery (15)	From Bunker Hill Colton Riverside Basin (16)	from Colton Riverside Basin (17)	from Colton Riverside Basin (18)
1971	10,817	0	9,822	0	9,822	995	0	995	2,696	276	748	4,439	22.42	60.73	0	0	0	0
1972	8,471	0	8,216	0	8,216	255	0	255	2,521	1,576	1,180	3,956	6.45	63.73	0	0	0	0
1973	5,708	0	5,681	0	5,681	27	0	27	104	1,864	544	672	4.02	15.03	0	0	0	0
1974	7,411	279	7,041	0	7,320	91	0	91	1,386	0	1,588	3,065	2.97	45.22	0	0	0	0
1975	10,049	0	8,333	0	8,333	1,716	0	1,716	2,545	0	2,070	6,332	27.10	40.19	0	0	0	0
1976	7,605	0	7,537	0	7,537	68	0	68	853	0	2,452	3,373	2.02	25.29	0	0	0	0
1977	5,026	0	5,914	0	5,914	12	0	12	295	0	1,199	1,506	0.80	19.59	0	0	0	0
1978	6,261	0	6,261	0	6,261	0	0	0	464	0	8	472	0.00	98.31	0	0	0	0
1979	7,357	0	7,357	0	7,357	0	0	0	5	0	97	102	0.00	4.90	0	0	0	0
1980	6,261	0	6,261	0	6,261	0	0	0	0	0	11	11	0.00	0.00	0	0	0	0
1981	5,044	0	5,010	0	5,010	34	0	34	77	0	21	132	25.75	58.33	0	0	0	0

Table Not Required, Water No Longer Delivered

\*Grand Avenue Booster Start Operating October 1966

Prod. = Production

- (1) From Table No. 1, Sub Total Sheet 1
- (2) From Table No. 3, Column (1)
- (3) Col. (1) - Production from Thorn 1-11
- (4) From Table No. 3, Column (8)
- (5) Columns (2) + (3) + (4)
- (6) Column (1) - Column (5)
- (7) From City of Riverside records
- (8) Column (6) + Column (7)
- (9) From Table No. 2, Sheet 1, Line 7
- (10) From Table No. 2, Sheet 1, Line 13
- (11) Less Grand Ave. Booster to Domestic Columns (8) + (9) + (10)
- (12) Column (8) + Column (11)
- (13) Column (9) ÷ (11)
- (14) Column (10) ÷ Column (11)
- (15) From Table No. 3, Column (5)
- (16) Column (15) x Column (12)
- (17) Column (15) x Column (13)
- (18) Column (15) x Column (14)



TABLE NO. 11

CITY OF RIVERSIDE  
DOMESTIC & IRRIGATION DIVISIONS  
WATER PRODUCTION & DELIVERIES  
FROM  
COLTON BASIN

WATER PRODUCTION FROM COLTON GROUND WATER BASIN IN  
 SAN BERNARDINO COUNTY AND DELIVERIES OF PRODUCTION  
 MADE NORTH OF THE COUNTY LINE IN SAN BERNARDINO COUNTY  
 AND SOUTH OF THE COUNTY LINE IN RIVERSIDE COUNTY

Acre Feet

<u>Calendar</u> <u>Year</u> (1)	<u>Total</u> <u>Prod.</u> <u>From</u> <u>Colton</u> <u>Basin</u> (2)	<u>COLTON BASIN PRODUCTION</u> <u>Delivered in San Bernardino County</u>			<u>Total</u> <u>Deliveries</u> <u>Exported</u> <u>to</u> <u>Riverside</u> <u>County</u> (6)
		<u>Trujillo</u> <u>Water</u> <u>Co.</u> (3)	<u>S.C.E. Co.</u> <u>Power</u> <u>Plant</u> <u>Highgrove</u> (4)	<u>Total</u> <u>Deliveries</u> (5)	
1971	2,696	0	0	0	2,696
1972	2,521	0	0	0	2,521
1973	101	0	0	0	101
1974	1,386	0	0	0	1,386
1975	2,545	0	0	0	2,545
1976	853	0	0	0	853
1977	295	0	0	0	295
1978	464	0	0	0	464
1979	5	0	0	0	5
1980	0	0	0	0	0
1981	77	0	0	0	77

Table Not Required, Deliveries No Longer Made

FOR YEARS PRECEDING 1971: Refer to Volume 5, August 1976, Page I-34

- (2) From Table No. 2, Sheet 1, Line 7
- (3) From Table No. 4, See Note (C) thereon
- (4) From Table No. 10, Column (17)
- (5) Column (3) + Column (4)
- (6) Column (2) - Column (5)

CITY OF RIVERSIDE  
DOMESTIC & IRRIGATION DIVISIONS  
WATER PRODUCTION & DELIVERIES  
 FROM  
RIVERSIDE BASIN

WATER PRODUCTION FROM THAT PORTION OF THE RIVERSIDE GROUND WATER  
 BASIN SITUATED NORTH OF THE COUNTY LINE IN SAN BERNARDINO COUNTY  
 AND DELIVERIES OF PRODUCTION MADE NORTH OF THE COUNTY LINE IN  
 SAN BERNARDINO COUNTY AND SOUTH OF THE COUNTY LINE IN RIVERSIDE CO.

Calendar Year	Total Prod. from Riverside Basin	Riverside Basin Production in San Bernardino County; Delivered in San Bernardino County				Overlying Land Use			Total Deliveries (9)	Total Deliveries Exported to Riverside County (10)
		Trujillo Water Co. (3)	S.C.E. Co. Highgrove (4)	Pellissier Ranch (5)	Williams Ranch (6)	Jurupa Ranch (7)	Total Deliveries (8)			
(1)	(2)	(3)	(4)	(5)	(6)	(7)	(8)	(9)	(10)	
1971	4,537	0	0	174	0	0	0	174	4,363	
1972	5,920	0	0	107	0	0	0	107	5,813	
1973	4,986	0	0	45	0	0	0	45	4,941	
1974	6,123	0	0	111	0	0	0	111	6,012	
1975	5,838	0	0	94	0	0	0	94	5,744	
1976	6,345	0	0	126	0	0	0	126	6,219	
1977	4,112	0	0	279	0	0	0	279	3,833	
1978	1,364	0	0	271	0	0	0	271	1,093	
1979	2,836	0	0	587	0	0	0	587	2,249	
1980	1,706	0	0	1,591	0	0	0	1,591	115	
1981	2,894	0	0	1,526	0	0	0	1,526	1,368	
1982	3,615*	0	0	2,102*	0	0	0	2,102*	1,513	

(2) From Table No. 2, Sheet 1, Line 30  
 (3) From Table No. 4, See Note (C)  
 (4) From Table No. 10, Column (18)  
 (4a) Space reserved for future  
 (5) From Table No. 2, Sheet 1, Line 20  
 (6) From Table No. 6, Column (7)  
 (7) From Table No. 8, Column (3)  
 (8) Space reserved for future  
 (9) (3)+(4)+(5)+(6)+(7)  
 (10) (2) - (9)  
 Ranch and well sold to others  
 \* Corrected during 1984 verification.

CITY OF RIVERSIDE  
DOMESTIC & IRRIGATION DIVISIONS  
WATER PRODUCTION & DELIVERIES

FROM  
PORTION RIVERSIDE BASIN

WATER PRODUCTION FROM THAT PORTION OF THE RIVERSIDE GROUND WATER BASIN SITUATED NORTH OF THE COUNTY LINE IN SAN BERNARDINO COUNTY AND DELIVERIES OF PRODUCTION MADE NORTH OF THE COUNTY LINE IN SAN BERNARDINO COUNTY AND SOUTH OF THE COUNTY LINE IN RIVERSIDE CO.

Calendar Year (1)	Acre Feet										Total Deliveries Exported to Riverside County (10)
	Total Prod. from Riverside Basin (2)	Trujillo Water Co. (3)	S.C.E. Co. Power Plant Highgrove (4)	Riverside Basin Production in San Bernardino County; Delivered in San Bernardino County		Overlying Land Use		Total Deliveries (9)			
				Pellissier Ranch (5)	Williams Ranch (6)	Jurupa Ranch (7)					
1983	2,581*	0	0	1,933*	0	0	0	0	1,933*	648	
1984	2,891	0	0	448	0	0	0	0	448	2,443	
1985	3,193	0	0	714	0	0	0	0	714	2,479	
1986	2,342	0	0	117	0	0	0	0	117	2,225	

(2) From Table No. 2, Sheet 1, Line 30  
 (3) From Table No. 4, See Note (C)  
 (4) From Table No. 10, Column (18)  
 (4a) Space reserved for future  
 (5) From Table No. 2, Sheet 1, Line 20  
 (6) From Table No. 6, Column (7)  
 (7) From Table No. 8, Column (3)  
 (8) Space reserved for future  
 (9) (3)+(4)+(5)+(6)+(7)  
 (10) (2) - (9)  
 Ranch and well sold to others  
 \* Correct from previous year

TABLE NO. 13

CITY OF RIVERSIDE  
 WATER PRODUCTION FROM SAN BERNARDINO BASIN AREA  
 AND DELIVERIES WITHIN SAN BERNARDINO COUNTY  
 AND EXPORT TO RIVERSIDE COUNTY

(All Quantities in Acre Feet)

Year	CITY PRODUCTION & DELIVERY IN SAN BERNARDINO BASIN AREA		CITY DELIVERIES IN COLTON & RIVERSIDE BASINS IN SAN BERNARDINO COUNTY				Total Water from San Bernardino Basin Area Export to Riverside County (8)
	City Wells (1)	Deliveries in San Bernardino Basin Area (2)	Total City Production Available For Export (3)	Prior Right Delivered to Riverside Highland Water Company (4)	Trujillo Water Company (5)	Edison Power Plant (6)	
1971	24,939	0	24,939	0	0	0	24,939
1972	20,474	0	20,474	0	0	0	20,474
1973	21,493	0	21,493	0	0	0	21,493
1974	27,420	0	27,420	65	0	0	27,355
1975	25,248	0	25,248	0	0	0	25,248
1976	22,085	0	22,085	0	0	0	22,085
1977	18,900	0	18,900	0	0	0	18,900
1978	19,055	0	19,055	0	0	0	19,055
1979	21,561	0	21,561	0	0	0	21,561
1980	18,875	0	18,875	0	0	0	18,875
1981	20,363	0	20,363	0	0	0	20,363
1982	19,522	146	19,376	0	0	0	19,376
1983	25,681	144	25,537	0	0	0	25,537
1984	25,031	0	25,031	0	0	0	25,031
1985	31,817	0	31,817	0	0	0	31,817
1986	25,996	292	25,704	0	0	0	25,704

(1) From Table No. 1, Line 61, Sheet 2, City of Riverside  
 (2) From Table No. 3, Column (8) City of Riverside  
 (3) Column (1) - Column (2)  
 (4) For years 1964 and after, Table No. 31, Col. (4), R.H.W. Co.  
 (5) From Table No. 4, Col. (1), Note "(C)"  
 (6) From Table No. 10, Col. (16)  
 (7) Col. (4) + Col. (5) + Col. (6)  
 (8) Col. (3) - Col. (7)  
 Column (8) includes R.H.W. Co. Prior Right export to Riverside County as follows.  
 For years 1959 thru 1963, Table No. 26, Col. (13)  
 For years 1964 and after, Table No. 31, Col. (13)

TABLE NO. 14

CITY OF RIVERSIDE AND  
UNIVERSITY OF CALIFORNIA  
EXTRACTIONS FROM BUNKER HILL BASIN  
IN SAN BERNARDINO BASIN AREA

<u>Year</u>	<u>City of Riverside Extractions From Bunker Hill Basin</u>		<u>University of California Extractions From Bunker Hill Basin</u>		<u>Total City and University Extractions From Bunker Hill Basin</u>	
	<u>Amended Filings Ac. Ft.</u>	<u>Original Filings Ac. Ft.</u>	<u>Amended Filings Ac. Ft.</u>	<u>Original Filings Ac. Ft.</u>	<u>Amended Filings Ac. Ft.</u>	<u>Original Filings Ac. Ft.</u>
(1)	(2)	(3)	(4)	(5)	(6)	(7)
1971	24,939	24,939	219	219	25,158	25,158
1972	20,474	20,474	239	239	20,713	20,713
1973	21,493	21,493	239	239	21,732	21,732
1974	27,420	27,420	267	267	27,687	27,687
1975	25,248	25,248	179	179	25,427	25,427
1976	22,085	22,085	245	245	22,330	22,330
1977	18,900	18,900	87	87	18,987	18,987
1978	19,055	20,099	183	183	19,238	20,282
1979	21,561	21,561	83	83	21,644	21,644
1980	18,875	18,875	7	7	18,882	18,882
1981	20,363	20,363	143	143	20,506	20,506
1982	19,522	19,522	48	48	19,570	19,570

Table Not Needed

(1959-1963)

(Average) 24,092 \* 24,061 550 \* 581 24,642 \* 24,642

\* = Amended Recordation Filings

(2) = City of Riverside Table No. 1, Line 61

(3) = City of Riverside Original Recordation Filings

(4) = University of California Table No. 35, Col. 6

(5) = University of California Table No. 35, Col. 7

(6) = Col. 2 + Col. 4

(7) = Col. 3 + Col. 5

FOR YEARS PRECEDING 1971: Refer to Volume 5, August 1976, Page I-40

TABLE NO. 15

THE GAGE CANAL COMPANY WATER PRODUCTION  
FROM BUNKER HILL BASIN  
RIVERSIDE BASIN IN SAN BERNARDINO COUNTY  
AND RIVERSIDE BASIN IN RIVERSIDE COUNTY

Line No.	Reference	Local Designation	State Well Number	Recordation Number	Quantities in Acre Feet by Calendar Year													
					1971	1972	1973	1974	1975	1976	1977	1978	1979	1980	1981	1982		
<u>BUNKER HILL BASIN IN SAN BERNARDINO BASIN AREA</u>																		
1	Rec. Filing	*No. 6	1S-4W-13L1	3600784	-	-	-	-	-	-	-	-	-	-	-	-	-	-
2		*No. 17	1S-4W-14R	3600785	-	-	-	-	-	-	-	-	-	-	-	-	-	-
3		No. 21	1S-4W-13L2	3600786	612	662	710	983	1,117	1,527	2,046	1,286	732	970	1,421	1,341	1,341	1,341
4		No. 26-1	1S-4W-23A2	3600787	1,597	1,241	1,703	1,165	1,358	2,608	2,659	1,538	1,819	1,483	1,679	1,576	1,576	1,576
5		No. 27-1	1S-4W-23H1	3600788	2,010	1,921	1,844	1,152	1,317	225	2,208	1,521	2,381	1,780	1,901	1,606	1,606	1,606
6		No. 27-2	1S-4W-23K1	3600789	1,201	1,224	967	1,325	1,278	1,731	2,021	1,556	2,476	1,440	1,140	1,347	1,347	1,347
7		No. 29-1	1S-4W-23K2	3600790	2,052	1,742	1,567	1,296	951	2,061	2,145	1,255	1,891	1,924	1,444	1,356	1,356	1,356
8		No. 29-2	1S-4W-13N1	3600791	4,365	3,645	3,604	64	3,816	4,720	4,432	3,029	3,282	3,308	4,464	3,517	3,517	3,517
9		No. 29-3	1S-4W-13N2	3600792	3,864	3,220	3,78	1,241	3,343	3,943	3,843	2,849	2,750	3,299	2,832	3,263	3,263	3,263
10		No. 30-1	1S-4W-13M2	3600793	1,778	1,323	1,499	1,352	1,577	891	1,204	1,594	1,603	1,204	1,754	1,430	1,430	1,430
11		No. 31-1	1S-4W-13F2	3600794	1,266	721	787	1,266	1,154	1,837	289	937	1,749	1,203	1,213	1,244	1,244	1,244
12		No. 46-1	1S-4W-13G2	3600795	3,906	3,431	2,915	2,232	2,508	3,420	3,981	4,774	4,801	5,372	5,010	4,782	4,782	4,782
13		No. 51-1	1S-4W-23A5	3600796	673	616	624	121	4	452	875	775	1,358	967	1,380	1,245	1,245	1,245
14		No. 56-1	1S-4W-13G3	3600797	2,513	2,973	2,436	1,870	2,132	2,923	3,170	2,537	3,389	4,015	3,130	3,896	3,896	3,896
15		*Cowlane	1S-4W-23G1	3600798	-	-	-	-	-	-	-	-	-	-	-	-	-	-
16		No. 66-1	1S-4W-23G	3602331	2,980	2,394	2,415	1,748	2,077	2,855	3,113	2,581	2,558	4,853	4,372	3,425	3,425	3,425
17		No. 6-Dem.	1S-4W-13P	3602423	126	107	80	132	82	96	113	97	27	63	54	49	49	49
18																		
19																		
20	Lines 1 thru 17	Total Production	Bunker Hill Basin		28,943	25,220	21,529	15,947	22,714	29,289	32,099	26,329	30,816	31,881	31,794	30,077	30,077	30,077
21																		
22																		
23																		
24	Rec. Filing	DeBerry	2S-4W-05C1	3600783	567	778	222	472	645	440	389	734	413	2,032	2,467	1,645	1,645	1,645
25																		
26																		
27																		
28	Rec. Filing	Olivewood 1	2S-5W-26F1	3300366	392	674	550	539	413	253	89	131	352	557	247	172	172	172
29		Olivewood 2	2S-5W-26E2	3300367	1,026	1,140	908	1,182	789	273	653	614	978	929	399	528	528	528
30		Olivewood 3	2S-5W-26M1	3300368	127	396	404	715	249	52	60	72	64	343	35	180	180	180
31																		
32																		
33																		
34																		
35																		
36	Gage Records	Riverside Water Co. Booster for Gage R.W. Co. Stock																
37	Gage Records	City of Riverside - Clearwater Well (Sold to Victoria Club)																
Line (36) not required because of revision of method for determining quantity of water "not tributary" to Riverside Narrows (see Vol. 6). FOR YEARS PRECEDING 1971: Refer to Volume 5, August 1976, Page I-44																		

RIVERSIDE BASIN IN SAN BERNARDINO COUNTY

RIVERSIDE BASIN IN RIVERSIDE COUNTY

ADDITIONAL DELIVERIES FROM OTHER COMPANIES

\* Abandoned &/or File Closed  
 \* Correction made during 1983 verification

TABLE NO. 15

THE GAGE CANAL COMPANY WATER PRODUCTION  
FROM BUNKER HILL BASIN  
RIVERSIDE BASIN IN SAN BERNARDINO COUNTY  
AND RIVERSIDE BASIN IN RIVERSIDE COUNTY

Line No.	Reference	Local Designation	State Well Number	Recordation Number	Quantities in Acre Feet by Calendar Year		
					1983	1984	1985
BUNKER HILL BASIN IN SAN BERNARDINO BASIN AREA							
1	Rec. Filing	No. 6	1S-4W-13L1	3600784	0	0	0
2		No. 17	1S-4W-14R	3600785	0	0	0
3		No. 21	1S-4W-13L2	3600786	621	742	985
4		No. 26-1	1S-4W-23A2	3600787	1,147	2,208	2,021
5		No. 27-1	1S-4W-23H1	3600788	1,417	2,544	2,013
6		No. 27-2	1S-4W-23K1	3600789	872	2,127	2,332
7		No. 29-1	1S-4W-23K2	3600790	1,017	2,265	2,003
8		No. 29-2	1S-4W-13N1	3600791	2,621	3,630	3,498
9		No. 28-3	1S-4W-13H2	3600792	2,384	4,044	3,152
10		No. 30-1	1S-4W-13H2	3600793	588	970	1,118
11		No. 31-1	1S-4W-13F2	3600794	1,035	1,444	2,192
12		No. 46-1	1S-4W-13G2	3600795	3,230	5,407	5,050
13		No. 51-1	1S-4W-23A5	3600796	372	1,138	969
14		No. 56-1	1S-4W-13G3	3600797	2,385	3,525	2,251
15		*Cowlane	1S-4W-23G1	3600798	0	0	0
16		No. 66-1	1S-4W-23G	3602331	2,630	3,759	3,607
17		No. 6-Don.	1S-4W-13P	3602423	44	72	65
18							
19							
20	Lines 1 thru 17	Total Production	Bunker Hill Basin		20,383	33,875	31,256
21							33,983
RIVERSIDE BASIN IN SAN BERNARDINO COUNTY							
22				3600783	1,019	2,046	1,861
23							1,893
RIVERSIDE BASIN IN RIVERSIDE COUNTY							
24	Rec. Filing	DeBerry	2S-4W-05C1	3600783	1,019	2,046	1,861
25							1,893
26							
27							
28	Rec. Filing	Ollivewood 1	2S-5W-26F1	3300366	80	787	535
29		Ollivewood 2	2S-5W-26E2	3300367	301	1,306	968
30		Ollivewood 3	2S-5W-25M1	3300368	44	694	487
31							485
32		Total Production	Riverside Basin in Riverside Co.		425	2,787	1,990
33							2,756
34							
ADDITIONAL DELIVERIES FROM OTHER COMPANIES							
35							
36	Gage Records	Riverside Water Co. Booster for Gage R.W. Co. Stock					
37	Gage Records	City of Riverside - Clearwater Well (Sold to Victoria Club)					

Line (36) not required because of revision of method for determining quantity of water "not tributary" to Riverside Narrows (see Vol. 6).

FIG. 1 ABS. PRODUCTION [107] Refer to Volume 5, August 1976, Page 1-44

\*Abandoned Gage File Closed

TABLE NO. 16

THE GAGE CANAL COMPANY  
WATER PRODUCTION FROM BUNKER HILL BASIN  
DELIVERED IN SAN BERNARDINO COUNTY  
& RIVERSIDE COUNTY  
TO EAST RIVERSIDE WATER COMPANY

Calendar Year	Irrigation Season In Days	Total Delivered To East Riverside Water Company Ac. Ft.	Average Ac. Ft. Per Day Of Irrig. Season Ac. Ft.	Delivered		Riverside County Ac. Ft.
				San Bernardino County Deliveries		
(1)	(2)	(3)	(4)	Estimated Ac. Ft.	Measured Ac. Ft.	(7)
				(5)	(6)*	
1971					108	
1972					90	
1973					82	
1974					0**	
1975					0**	
1976					0**	
1977					0**	
1978					0**	
1979					0**	
1980					0**	
1981					0**	
1982					0**	

See \*\*, Table No Longer Needed

(2) (3) Gage Records

(4)  $632 \text{ Ac. Ft.} \div 326 \text{ Days} = 1.94$  for Years 1947 thru 1952 = Col. (6)  $\div$  Col. (2)

(5) (4) x (2)

(6) Gage Canal Records

(7) Col. (3) - Col. (5) or Col. (3) - Col. (6)

\* From 1968 to 1973, the Gage Canal has provided the Watermaster with just that portion of water delivered to East Riverside Water Co. that was used within San Bernardino County.

\* Beginning in 1974 all water delivered to East Riverside Water Co. within San Bernardino Co. was produced by the DeBerry Well which is located in the Riverside Basin within San Bernardino County.

FOR YEARS PRECEDING 1971: Refer to Volume 5, August 1976, Page I-47



TABLE NO. 17

THE GAGE CANAL COMPANY  
 WATER PRODUCTION FROM BUNKER HILL AND RIVERSIDE BASINS SITUATED  
 IN SAN BERNARDINO COUNTY WITH DELIVERIES MADE IN SAN BERNARDINO  
 COUNTY & EXPORTS TO RIVERSIDE COUNTY  
 (Quantities in Acre Feet by Calendar Year)

Year (1)	Production in Bunker Hill Basin		Delivery in Bunker Hill Basin		Bunker Hill Export		Delivery in Colton Basin		Bunker Hill Export To Riverside Basin In San Bernardino County		Bunker Hill Water Delivered To Riverside Basin North of County Line East		Bunker Hill Water Delivered To Riverside Basin Export To Riverside County		Production In Riverside Basin Within San Bernardino County Delivered To East Riverside Water Company		Export To Riverside County	
	(2)	(3)	(4)*	(5)	(6)	(7)	(8)	(9)	(10)	(11)	(12)	(13)	(14)	(15)	(16)	(17)	(18)	(19)
1971	28,943	698	98(a)	28,845	526***	35	561	28,284	108	108	28,176	567	567	0	567	0	567	0
1972	25,220	708	85	25,135	422	35	457	24,678	90	90	24,588	778	778	0	778	0	778	0
1973	21,529	671	156	21,373	331	99	430	20,943	82	82	20,861	222	222	0	222	0	222	0
1974	15,947	761	0	15,947	381	104	485	15,462	0****	0	15,462	472	472	98****	472	98****	374	374
1975	22,714	644	0	22,714	342	156	498	22,216	0	0	22,216	645	645	77	645	77	568	568
1976	29,289	1,085	0	29,289	305	218	523	28,766	0	0	28,766	440	440	62	440	62	378	378
1977	32,099	1,212	0	32,099	263	83	346	31,753	0	0	31,753	389	389	6	389	6	383	383
1978+	26,329	781	646	25,683	213	88	301	25,382	0	0	25,382	734	734	4	734	4	730	730
1979+	30,816	814	0	30,816	273	142	415	30,401	0	0	30,401	413	413	4	413	4	409	409
1980	31,881	631	383	31,498	0	0	0	31,498	0	0	31,498	2,032	2,032	4	2,032	4	2,028	2,028
1981	31,794	724	0	31,070	0	0	0	31,070	0	0	31,070	2,467	2,467	3	2,467	3	2,464	2,464
1982	30,077	451	435	30,061	0	0	0	30,061	0	0	30,061	1,645	1,645	1	1,645	1	1,644	1,644
1983	20,383	191	0	20,192	0	0	0	20,192	0	0	20,192	1,019	1,019	1	1,019	1	1,018	1,018

(2) From Recordation filings, Table 15, Line 20  
 (3) From Gage Canal Records  
 (3a) From S.C.E. Co. Reports to GRWQB  
 (4) Column (3) - Column (3a)  
 (5) Column (2) - Column (4)  
 (6) From Gage Canal Records  
 (7) From Gage Canal Records  
 (8) Column (6) + Column (7)  
 (9) Column (5) - Column (8)  
 (10) From Table 16, Column (6)  
 (11) Same as Column (10)  
 (12) Column (9) - Column (11)  
 (13) From Table 15, Line 24  
 (14) Same as Column (13)  
 (14a) Commencing in the Year 1974, water supplied by DeBerry Well (from Table 16, Column (6))  
 (15) Column (14) - Column (14a)  
 \*\* Returned to former Riverside Water Co. Canal  
 \* After 1974, Water cannot be returned to Gage Canal  
 \*\*\*Includes deliveries to City of Colton as follows:  
 1966 = 8 Acre Feet  
 1967 = 15 Acre Feet  
 1968 = 24 Acre Feet  
 1969 = 23 Acre Feet  
 1970 = 29 Acre Feet  
 1971 = 2 Acre Feet  
 \*\*\*\*Beginning in 1974 all deliveries in San Bernardino Co. to East Riverside Water Co. supplied by the DeBerry Well

(a) Revised delivery to S.C.E. Power Plant beginning in 1967 during 1972 verification.

NOTE: DE BERRY WELL WAS FINANCED AND CONSTRUCTED BY THE GAGE CANAL COMPANY STOCKHOLDERS, FOR THE SOLE USE OF GAGE STOCKHOLDERS, AND DOES NOT SERVE EAST RIVERSIDE WATER CO. PRIOR TO 1974.

TABLE NO. 17

THE GAGE CANAL COMPANY  
 WATER PRODUCTION FROM BUNKER HILL AND RIVERSIDE BASINS SITUATED  
 IN SAN BERNARDINO COUNTY WITH DELIVERIES MADE IN SAN BERNARDINO  
 COUNTY & EXPORTS TO RIVERSIDE COUNTY  
 (Quantities in Acre Feet by Calendar Year)

Year (1)	Production In Bunker Hill Basin		Delivery in Bunker Hill Basin		Bunker Hill Export From Basin (5)	Delivery in Colton Basin		Bunker Hill Export To Riverside Basin In San Bernardino County (9)		Bunker Hill Water Delivered To Riverside Basin North of County Line East Riverside Water Company (10)		Bunker Hill Export To Riverside County (12)		Production In Riverside Basin Within San Bernardino County Delivered To East Riverside Water Company (14a)		Export To Riverside County (15)
	Total Delivery (2)	Net Delivery (4) <sup>a</sup>	Total Delivery (3)	Return Canals (3a)		Cooley Ranch Water Right (6)	Gage Stock (7)	Total Delivery (8)	San Bernardino County (9)	Riverside Water Company (10)	Total Delivery (11)	Export To Riverside County (12)	DeBerry Well (13)	Basin Total (14)	Riverside Water Company (14a)	
1984	33,875	32	32	0	33,843	0	0	33,843	0	*	33,843	2,046	2,046	2	2,044	
1985	31,256	59	59	0	31,197	0	0	31,197	0	*	31,197	1,861	1,861	1	1,860	
1986	33,983	145	145	0	33,838	0	0	33,838	0	*	33,838	1,893	1,893	2	1,891	

(2) From Recordation Filings, Table 15, Line 20  
 (3) From Gage Canal Records  
 (3a) From S.C.E. Co. Reports to CRWQCB  
 (4) Column (3) - Column (3a)  
 (5) Column (2) - Column (4)  
 (6) From Gage Canal Records  
 (7) From Gage Canal Records  
 (8) Column (6) + Column (7)  
 (9) Column (5) - Column (8)  
 (10) From Table 16, Column (6)  
 (11) Same as Column (10)  
 (12) Column (9) - Column (11)  
 (13) From Table 15, Line 24  
 (14) Same as Column (13)  
 (14a) From Gage Canal records  
 (15) Column (14) - Column (14a)  
 \*All deliveries in San Bernardino Co. from DeBerry well  
<sup>a</sup>After 1974, Water cannot be returned to Gage Canal

TABLE NO. 18

GAGE CANAL  
 WATER PRODUCTION FROM SAN BERNARDINO BASIN AREA  
 AND DELIVERIES WITHIN SAN BERNARDINO COUNTY  
 AND EXPORTS TO RIVERSIDE COUNTY

(Quantities in Acre Feet)

Year	GAGE CANAL WATER COMPANY PRODUCTION AND DELIVERY IN SAN BERNARDINO BASIN AREA			GAGE DELIVERIES IN COLTON AND RIVERSIDE BASINS IN SAN BERNARDINO COUNTY			Total Water from San Bernardino Basin Area Exported To Riverside County (7)
	Production Gage Wells (1)	Delivery To Power Plant (2)	Total Available For Export (3)	Cooley Stock and Prior Right (4)	East Riverside Water Company (5)	Total Delivery (6)	
1971	28,943	98(a)	28,845	561	108	669	28,176
1972	25,220	85	25,135	457	90	547	24,588
1973	21,529	156	21,373	430	82	512	20,861
1974	15,947	0	15,947	485	0	485	15,462
1975	22,714	0	22,714	498	0	498	22,216
1976	29,289	0	29,289	523	0	523	28,766
1977	32,099	0	32,099	346	0	346	31,753
1978 +	26,329	646	25,683	301	0	301	25,382
1979	30,816	0	30,816	415	0	415	30,401
1980	31,881	383	31,498	0	0	0	31,498
1981	31,794	724	31,070	0	0	0	31,070
1982	30,077	16	30,061	0	0	0	30,061
1983	20,383	191	20,192	0	0	0	20,192
1984	33,875	32	33,843	0	0	0	33,843
1985	31,256	59	31,197	0	0	0	31,197
1986	33,983	145	33,838	0	0	0	33,838

- (1) From Table No. 15, Line 20, Gage Canal
- (2) From Table No. 17, Col. (4), Gage Canal
- (3) Col. (1) - Col. (2)
- (4) Table No. 17, Col. (8), Gage Canal
- (5) Table No. 17, Col. (11), Gage Canal
- (6) Col. (4) + Col. (5)
- (7) Col. (3) - Col. (6)

(a) Revised delivery to S.C.E. Power Plant beginning 1967 during 1972 verification.

FOR YEARS PRECEDING 1971: Refer to Volume 5, August 1976, Page 1-51

+ Corrected during 1980 verification

TABLE NO. 19

RIVERSIDE HIGHLAND WATER COMPANY WATER PRODUCTION  
FROM LYLE AND BUNKER HILL BASINS  
IN SAN BERNARDINO BASIN AREA

Line No.	From	Local Designation	State Well No.	Recordation No.	1971	1972	1973	1974	1975	1976	1977	1978	1979	1980	1981	1982
1	Recordation Filing	L.C. #1	1N-4W-31E1	3601535	1,669	1,468	1,282	1,374	1,302	1,468	1,406	964	1,352	1,600*	1,806	1,538
2	Recordation Filing	*L.C. #2	1N-4W-31E2	3601536	-	-	-	-	-	-	-	-	-	-	-	-
3	Lines 1+2	S U B - T O T A L - L Y L E - C R E E K - B A S I N			1,669	1,468	1,282	1,374	1,302	1,468	1,406	964	1,352	1,600	1,806	1,538
4	Recordation Filing	R.H. #1	1S-4W-22M7	3601522	177	0	259	68	14	0	0	0	0	0	0	0
5	Recordation Filing	R.H. #2	1S-4W-22L	3601523	313	113	155	146	236	28	59	100	457	649	650	392
6	Recordation Filing	*R.H. #8	1S-4W-22P	3601527	-	-	-	-	-	-	-	-	-	-	-	-
7	Recordation Filing	*Flowing	1S-4W-22N	3601537	-	-	-	-	-	-	-	-	-	-	-	-
8	Recordation Filing	*R.H. #10	1S-4W-22N	3601528	-	-	-	-	-	-	-	-	-	-	-	-
9	Recordation Filing	*R.H. #11	1S-4W-22P	3601529	-	-	-	-	-	-	-	-	-	-	-	-
10	Recordation Filing	R.H. #12	1S-4W-22L8	3601530	761	804	772	656	697	936	378	142	368	669	86	439
11	Recordation Filing	R.H. #18	1S-4W-22L5	3601533	1,092	1,178	1,044	830	1,137	703	983	144	351	37	915	227
12	Recordation Filing	R.H. #24	1S-4W-22P5	3602254	0	969	0	1,014	1,323	1,385	757	0	841	722	147	199
13	Lines 4 thru 12	S U B - T O T A L - B U N K E R - H I L L - B A S I N			2,343	3,064	2,230	2,714	3,407	3,052	2,177	386	2,017	2,077	1,798	1,257
14	TOTAL WATER PRODUCTION	SAN BERNARDINO BASIN AREA			4,012	4,532	3,512	4,088	4,709	4,520	3,583	1,350	3,369	3,677	3,604	2,795

FOR YEARS PRECEDING 1971: Refer to Volume 5, August 1976, Page I-58

\* Abandoned &/or File Closed

\* L.C. flow Artesian during the year, R.H. filed on pumped total of 232AF Watermaster calculated 1600Af as reasonable number.

TABLE NO. 19

RIVERSIDE HIGHLAND WATER COMPANY WATER PRODUCTION  
FROM LYLLIE AND BUNKER HILL BASINS  
IN SAN BERNARDINO BASIN AREA

Line No.	From	Local Destination	State Well No.	Recordation No.	1983	1984	1985	1986
1	Recordation Filing	L.C. #1	1N-4W-31E1	3601535	2,248	0	0	199
2	Recordation Filing	*L.C. #2	1N-4W-31E2	3601536	0	0	0	0
2a	Recordation Filing	L.C. #8	1N-4W-31F01	3602840	2,300	2,300	1,880**	1,939
3	Lines 1-2	S U B T O T A L	L Y L L I E C R E E K B A S I N		2,248	2,300	1,880	2,138
4	Recordation Filing	R.H. #1	1S-4W-22L7	3601522	0	0	0	0
5	Recordation Filing	R.H. #2	1S-4W-22L	3601523	578	1,293	809	1,058
6	Recordation Filing	*R.H. #8	1S-4W-22P	3601527	0	0	0	0
7	Recordation Filing	*Flowing	1S-4W-22N	3601537	0	0	0	0
8	Recordation Filing	*R.H. #10	1S-4W-22N	3601528	0	0	0	0
9	Recordation Filing	*R.H. #11	1S-4W-22P	3601529	0	0	0	0
10	Recordation Filing	R.H. #12	1S-4W-22L8	3601530	255	85	122	1
11	Recordation Filing	R.H. #18	1S-4W-22L5	3601533	81	1,081	501	1,547
12	Recordation Filing	R.H. #24	1S-4W-22P5	3602254	0	0	0	0
13	Lines 4 thru 12	S U B T O T A L	B U N K E R H I L L B A S I N		914	2,459	1,432	2,606
14	TOTAL WATER PRODUCTION	SAN BERNARDINO BASIN AREA			3,162	4,759	3,312	4,744

FOR YEARS PRECEDING 1971: Refer to Volume 5, August 1976, Page I-58

\*Abandoned /not File Closed

\* L.C. flow Artesian during the year, R.H. filed on pumped total of 1,891 A.F. Watermaster calculated 2300 A.F. as reasonable number.

\*\* Filed 2748. Large known loss near well site of 868 AF

TABLE NO. 20

RIVERSIDE HIGHLAND WATER CO. WATER PRODUCTION  
FROM COLLON BASIN

Description		Acre Feet From Recordation Filings			Total Production
State Well Number	1S/4W-28K1	1S/4W-28K2			In
Recordation Number	3601525	3602182			Acre Feet
Local Designation	R.H. No. 4	R.H. No. 4A			
Line No.	Year				
1	1971	240	16	-	256
2	1972	261	24	-	285
3	1973	212	0	-	212
4	1974	220	62	-	282
5	1975	260	40	-	300
6	1976	130	40	-	170
7	1977	175	157	-	332
8	1978	265	5	-	270
9	1979	139	52	-	191
10	1980	0	0	-	0
11	1981	0	0	-	0
12	1982	0	0	-	0
13	1983	0	0	-	0

TABLE NO. 20

RIVERSIDE HIGHLAND WATER CO. WATER PRODUCTION  
FROM COLTON BASIN

Description	Acre Feet From Recordation Filings		Total Production In Acre Feet
	1S/4W-28K1	1S/4W-28K2	
State Well Number	1S/4W-28K1	1S/4W-28K2	
Recordation Number	3601525	3602182	
Local Designation	R.H. No. 4	R.H. No. 4A	
Year			
1984	0	83	83
1985	0	675	675
1986	0	721	721

TABLE NO. 21

RIVERSIDE HIGHLAND WATER CO. WATER PRODUCTION  
FROM RIVERSIDE BASIN IN SAN BERNARDINO AND RIVERSIDE COUNTIES

RIVERSIDE BASIN PRODUCTION - SAN BERNARDINO COUNTY

Line No.	From	Local Designation	State Well No.	Recordation No.	1977 F E E T												1982		
					1971	1972	1973	1974	1975	1976	1977	1978	1979	1980	1981	1982			
1	Recordation Filing	*R.H. #3	1S-4W-28L1	3601524	0	0	0	0	0	0	0	0	0	0	0	0	0	0	
2	Recordation Filing	R.H. #7	2S-4W-68L1	3601526	1,901	1,572	1,339	1,255	1,340	1,284	1,693	1,460	1,513	1,356	1,543	760	0		
3	Recordation Filing	*R.H. #16	1S-4W-33B5	3601531	0	0	0	0	0	0	0	0	0	0	0	0	0	0	
4	Recordation Filing	R.H. #17	1S-4W-28N5	3601532	2,734	1,868	1,903	1,283	871	1,469	2,343	1,629	1,488	1,926	2,200	1,679	0	0	
5	Recordation Filing	R.H. #20	1S-4W-28L2	3601534	669	789	832	833	805	839	663	834	875	732	789	485	0	0	
6	Recordation Filing	L.V. #1	1S-4W-32M1	3601789	0	0	0	0	0	0	0	0	0	270	411	364	0	0	
7	Recordation Filing	L.V. #2	1S-4W-32M	3601790	0	0	0	0	0	0	0	0	0	0	22	42	0	0	
8	TOTAL WATER PRODUCTION RIVERSIDE BASIN - SAN BERNARDINO COUNTY				5,304	4,229	4,074	3,371	3,016	3,592	4,699	3,923	3,876	4,284	4,965	3,330			

RIVERSIDE BASIN PRODUCTION - RIVERSIDE COUNTY

Line No.	From	Local Designation	State Well No.	Recordation No.	1977 F E E T												1982		
					1971	1972	1973	1974	1975	1976	1977	1978	1979	1980	1981	1982			
1	Recordation Filing	R.H. #21	2S-4W-08M1	3301655	642	272	236	480	94	137	219	683	172	590	607	700			
2	Recordation Filing	R.H. #22	2S-4W-08M2	3301656	1,456	1,096	1,034	1,053	1,133	1,183	869	613	803	410	665	453			
3	TOTAL WATER PRODUCTION RIVERSIDE BASIN - RIVERSIDE COUNTY				2,098	1,368	1,270	1,533	1,227	1,320	1,088	1,296	975	1,000	1,272	1,153			

FOR YEARS PRECEDING 1971: Refer to Volume 5, August 1976, Page I-62

\*Abandoned &/or File Closed



TABLE NO. 21

RIVERSIDE HIGHLAND WATER CO. WATER PRODUCTION  
FROM RIVERSIDE BASIN IN SAN BERNARDINO AND RIVERSIDE COUNTIES

RIVERSIDE BASIN PRODUCTION - SAN BERNARDINO COUNTY

Line No.	From	Local Designation	State Well No.	Recordation No.	A C R E F E E T			
					1983	1984	1985	1986
1	Recordation Filing	*R.H. #3	1S-4W-28L1	3601524	0	0	0	0
2	Recordation Filing	R.H. #7	2S-4W-6R1	3601526	539	1,101	1,174	875
3	Recordation Filing	*R.H. #16	1S-4W-33B5	3601531	0	0	0	0
4	Recordation Filing	R.H. #17	1S-4W-28N5	3601532	1,299	2,498	2,198	175
5	Recordation Filing	R.H. #20	1S-4W-18L2	3601534	604	897	816	890
6	Recordation Filing	L.V. #1	1S-4W-32W1	3601789	94	49	287	149
7	Recordation Filing	L.V. #2	1S-4W-32W	3601790	0	0	0	0
8	TOTAL WATER PRODUCTION RIVERSIDE BASIN - SAN BERNARDINO COUNTY				2,536	4,545	4,475	2,089

RIVERSIDE BASIN PRODUCTION - RIVERSIDE COUNTY

Line No.	From	Local Designation	State Well No.	Recordation No.	A C R E F E E T			
					1983	1984	1985	1986
1	Recordation Filing	R.H. #21	2S-4W-08M1	3301655	1,031	1,910	1,120	1,175
2	Recordation Filing	R.H. #22	2S-4W-08M2	3301656	2	682	797	842
3	TOTAL WATER PRODUCTION RIVERSIDE BASIN - RIVERSIDE COUNTY				1,033	2,592	1,917	2,017

FOR YEARS PRECEDING 1971: Refer to Volume 5, August 1976, Page I-62

\*Abandoned &/or File Closed

TABLE NO. 22

RIVERSIDE HIGHLAND WATER COMPANY  
 WATER SUPPLY FROM OTHER COMPANIES  
 AND RIVERSIDE HIGHLAND CO. PRODUCTION  
 (Quantities in Acre feet)

Line No.	Year (1)	COMPANY SUPPLYING ADDITIONAL WATER				RIVERSIDE - HIGHLAND COMPANY WATER PRODUCTION					Grand Total Water Supply (10)
		City Of Riverside (2)	La Sierra Water Company (3)	Total Supply (4)	San Bernardino Basin (5)	Colton Basin (6)	Riverside Basin County		Total Prod. (9)		
							San Bernardino County (7)	Riverside County (8)			
1	1971	0	0	0	4,012	256	5,304	2,098	11,670	11,670	
2	1972	0	0	0	4,532	285	4,229	1,368	10,414	10,414	
3	1973	0	0	0	3,512	212	4,074	1,270	9,068	9,068	
4	1974	279	0	279	4,088	282	3,371	1,533	9,274	9,553	
5	1975	0	0	0	4,709	300	3,016	1,227	9,252	9,252	
6	1976	0	0	0	4,520	170	3,592	1,320	9,602	9,602	
7	1977	0	0	0	3,583	332	4,699	1,088	9,702	9,702	
8	1978	0	0	0	1,350	270	3,923	1,296	6,839	6,839	
9	1979	0	0	0	3,369	191	3,876	975	8,411	8,411	
10	1980	0	0	0	3,677	0	4,284	1,000	8,961	8,961	
11	1981	44*	0	44	3,604	0	4,965	1,272	9,841	9,885	
12	1982	0	0	0	2,795	0	3,330	1,153	7,278	7,278	
13	1983	0	0	0	3,162	0	2,536	1,033	6,731	6,731	
14	1984	0	0	0	4,759	83	4,545	2,592	11,979	11,979	
15	1985	0	0	0	3,312	675	4,475	1,917	10,379	10,379	
16	1986	0	0	0	4,744	721	2,089	2,017	9,571	9,571	

(2) From City of Riverside Table No. 3, Col. (1)

(3) From Records of Company

(\*) = (2) + (3)

(6) From R.H. Water Co. Table No. 20

(7) From R.H. Water Co. Table No. 21, Line 8

(8) From R.H. Water Co. Table No. 21, Line 3

(10) = (4) + (9)

Note: Includes Total Water Production in Area.

TABLE NO. 28

RIVERSIDE HIGHLAND WATER COMPANY  
IRRIGATION AND DOMESTIC DELIVERIES AND PRODUCTION  
REQUIRED IN RIVERSIDE & SAN BERNARDINO COUNTIES  
(All Quantities in M.I.D.)

Note: As verified by inventory of  
agriculture and domestic  
deliveries in Riverside County.

Year (1)	DELIVERIES N.I.D.										RIVERSIDE COUNTY HISTORIC DELIVERY & REQUIRED PROD.						San Bernardino Required Production		
	Total Water Prod. M.I.D.*		Domestic		Irrigation		Unaccounted For		Production In M.I.D. Required For Irrigation & Domestic		Irrigation		Domestic		Total		Irrigation (15)	Domestic (16)	Total (17)
	(2)	(3)	(4)	(5)	(6)	(7)	(8)	(9)	(10)	(11)	(12)	(13)	(14)						
1976	241,910	43,263	170,027	213,290	28,620	11.83	192,840	9,068	138,206	156,749	1,241	1,407	158,156	36,091	47,861	83,752			
1977	244,510	41,580	175,362	216,942	27,568	11.27	197,636	46,861	142,848	160,992	1,237	1,394	162,386	36,644	45,467	82,113			
1978	172,318	44,491	110,302	154,793	17,525	10.17	122,790	9,528	94,077	104,728	1,600	1,781	106,509	18,062	47,747	65,809			
1979	211,969	49,024	128,539	177,563	34,406	16.23	153,446	8,523	109,106	130,247	1,745	2,083	132,330	23,199	56,440	79,639			
1980	**225,892	51,948	130,037	181,985	43,907	19.44	161,411	64,481	108,677	134,897	2,089	2,593	137,490	26,514	61,888	88,403			
1981	249,099	57,199	142,376	199,575	49,524	19.88	177,705	71,393	119,741	149,454	2,254	2,913	152,393	28,252	68,455	96,706			
1982	183,419	54,277	96,872	151,149	32,270	17.59+	123,715	59,704	82,196	104,972	2,024	2,226	107,198	18,742	57,478	76,220			
1983	169,623	67,702	60,009	127,711	41,912	24.71+	95,151	74,472	54,155	85,874	2,440	2,684	88,558	9,277	71,788	81,065			
1984	301,971	75,971	112,549	188,520	113,451	37.57+	218,304	83,667	100,795	195,513	2,409	2,650	198,163	22,791	81,017	103,808			
1985	261,587	69,503	93,043	162,551	99,036	37.86++	178,178	33,409	83,352	159,612	2,486	2,983	162,595	18,566	80,426	98,992			
1986	241,156	72,147	85,598	157,745	83,411	34.59+++	150,972	90,184	80,048	141,189	2,943	3,679	144,868	9,783	86,505	96,248			
1987																			
1988																			
1989																			
1990																			

\*Includes deliveries from other companies.

Col. (2), (3), (4), (5), (6) From Company Records  
Col. (7) Col. (6) + Col. (2)  
Col. (8) Col. (4) ÷ (100%-Col. (7))  
Col. (9) Col. (3) ÷ (100%-Col. (7))

Col. (10) From Company Records  
Col. (11) Col. (10) ÷ (100%-Col. (7)) See Worksheet  
Col. (12) Estimated from Company Records 1959-1983  
Based on Company Records thereafter.

Col. (13) Col. (12) ÷ (100%-Col. (7)) x X  
Col. (14) Col. (11) + Col. (13)  
Col. (15) Col. (12) ÷ (100%-Col. (7)) See Worksheet  
Col. (16) Col. (9) ÷ (100%-Col. (7)) x X  
Col. (17) Col. (15) + Col. (16)

FOR YEARS PRECEDING 1971: Refer to Volume 5, August 1976, Page I-73

\*\* Col. 2-6 calculated by watermaster due to problem with artesian flow on L.C.#1

+ We assumed domestic loss at 10%, with Col. 7 as total system loss

++ We assumed domestic loss at 20%, with Col. 7 as total system loss

+++ We assumed domestic loss at 25%, with Col. 7 as total system loss

X = See worksheet

TABLE NO. 29

RIVERSIDE HIGHLAND WATER COMPANY  
 WATER PRODUCTION SHOWN ON RECORDATION FILING  
 DELIVERED FOR IRRIGATION AND DOMESTIC USES WITHIN  
 BOTH RIVERSIDE AND SAN BERNARDINO COUNTIES

Note: As verified by inventory of  
 agriculture and domestic  
 deliveries in Riverside County.

Year	PRODUCTION REQUIRED FOR DELIVERIES				Ratio Of Rec. Filings To Prod. Req. For Del.	REQUIRED PRODUCTION FOR DELIVERIES MADE IN SAN BERNARDINO AND RIVERSIDE								WATER PRODUCTION FOR RIVERSIDE AND SAN BERNARDINO COUNTIES				Total Prod. & San Bdn. Counties A.F.								
	Irrig.		Dom.			Riverside County				San Bernardino County				Riverside County		San Bernar- dino County										
	M.I.D.	A.F.	M.I.D.	A.F.		Irrigation		Domestic		Irrigation		Domestic		Irrig.	Dom.	Irrig.	Dom.									
	(1)	(2)	(3)	(4)		(5)	(6)	(7)	(8)	(9)	(10)	(11)	(12)	(13)	(14)	(15)	(16)		(17)	(18)	(19)	(20)	(21)	(22)		
1976	192,840	49,068	241,910	9,596	9,602	156,749	6,218	64.80	1,407	56	.58	36,091	1,432	14.92	47,661	1,891	19.71	6,222	56	1,432	1,892	56	1,432	1,892	9,602	
1977	197,636	46,861	244,510	9,700	9,702	160,992	6,386	65.84	1,394	55	.57	36,644	1,454	14.99	45,467	1,804	18.60	6,388	55	1,454	1,805	55	1,454	1,805	9,702	
1978	122,790	49,528	172,318	6,836	6,839	104,728	4,154	60.76	1,781	71	1.04	18,062	717	10.49	47,747	1,894	27.71	4,155	71	717	1,896	71	717	1,896	6,839	
1979	153,446	58,523	211,969	8,409	8,411	130,247	5,167	61.45	2,003	83	.99	23,199	920	10.94	56,440	2,239	26.62	5,169	83	920	2,239	83	920	2,239	8,411	
1980	161,411	64,481	225,892	8,961	8,961*	134,897	5,351	59.71	2,503	103	1.15	26,514	1,052	11.74	61,888	2,455	27.40	5,351	103	1,052	2,455	103	1,052	2,455	8,961	
1981	177,766	71,393	249,099	9,882	9,885	149,454	5,924	60.00	2,908	117	1.18	28,252	1,121	11.34	68,485	2,716	27.48	5,931	117	1,121	2,716	117	1,121	2,716	9,885	
1982	123,715	59,704	183,419	7,276	7,278	104,972	4,165	57.25	2,226	88	1.21	18,742	743	10.21	57,478	2,280	31.33	4,167	88	743	2,280	88	743	2,280	7,278	
1983	95,151	74,472	169,623	6,729	6,731	85,874	3,406	50.61	2,684	107	1.59	9,277	368	05.49	71,788	2,848	42.31	3,407	107	368	2,849	107	368	2,849	6,731	
1984	218,394	83,667	301,971	11,979	11,979*	195,513	7,756	64.75	2,650	105	0.87	22,791	904	07.55	81,017	3,214	26.83	7,756	105	904	3,214	105	904	3,214	11,979	
1985	178,178	83,409	261,587	10,377	10,379	159,612	6,332	61.01	2,983	118	1.14	18,566	737	07.10	80,426	3,191	30.75	6,332	118	737	3,192	118	737	3,192	10,379	
1986	150,972	90,184	241,156	9,567	9,571	141,189	5,601	58.54	3,679	146	1.53	9,783	388	4.06	86,505	3,432	35.87	5,603	146	389	3,433	146	389	3,433	9,571	
1987																										
1988																										
1989																										
1990																										
1991																										
1992																										
1993																										

(1) From Col. (8), Table No. 28  
 (2) From Col. (9), Table No. 28  
 (3) From Col. (2), Table No. 28  
 (4) Col. (3) x .0396694  
 (5) From Col. (10), Table No. 22  
 (6) Col. (5) ÷ Col. (4)  
 (7) From Col. (11), Table No. 28  
 (8) Col. (7) x .0396694  
 (9) Col. (8) ÷ Col. (4)  
 (10) From Col. (13), Table No. 28  
 (11) Col. (10) x .0396694  
 (12) Col. (11) ÷ Col. (4)  
 (13) From Col. (15), Table No. 28  
 (14) Col. (13) x .0396694  
 (15) Col. (14) ÷ Col. (4)  
 (16) From Col. (16), Table No. 28  
 (17) Col. (16) x .0396694  
 (18) Col. (17) ÷ Col. (4)  
 (19) Col. (5) x Col. (9)  
 (20) Col. (5) x Col. (12)  
 (21) Col. (5) x Col. (15)  
 (22) Col. (5) x Col. (18)  
 (23) Col. (19)+(20)+(21)+(22), Table No. 27,  
 Col. (10)  
 (Same as Col. 5)

FOR YEARS PRECEDING 1971: Refer to Volume 5, August 1976, Page I-75

\* See footnote on Table 19

TABLE NO. 30

**RIVERSIDE HIGHLAND WATER COMPANY**  
**WATER PRODUCTION FROM LYTLE, BUNKER HILL, COLTON & RIVERSIDE BASINS**  
**IN SAN BERNARDINO AND RIVERSIDE COUNTIES AND THE DELIVERY OF THE PRODUCTION IN**  
**SAN BERNARDINO AND RIVERSIDE COUNTIES**  
 (Quantities in Acre Feet)

Note: As verified by inventory of agriculture and domestic deliveries in Riverside County.

Commingled water sources comprise a group of wells situated in San Bernardino County that provide water for irrigation in both Counties and are so designated to distinguish them from wells that serve a single purpose or area.

Year	P R O D U C T I O N I N S A N B E R N A R D I N O C O U N T Y													Total Production (13)
	Domestic Supply				Commingled Sources					Riverside Basin Well RH 7 (10)	Production In Riverside County Used Therein Wells RH21 RH22 (11)	Agri. Supply For Riverside County Demand RH17, RH21, RH22 (12)		
	Lytle Creek Area Wells L.C.1, L.C.8 (2)		Riverside Basin Area Wells RH10, RH12 (3)		Bunker Hill Basin Rice thorn aka. Ward Warren (5)		Colton Basin Wells RH4, RH4A Until 1966 (6)		Riverside Basin RH16, RH17 (7)				La Sierra Water Company (8)	
	Colton Basin Wells RH4A (b)	Colton Basin Wells RH10, RH12 (b)	Bunker Hill Basin Wells (b)	Riverside Basin Wells (b)	Ward Warren (b)	Colton Basin Wells RH4, RH4A (b)	Riverside Basin Wells RH16, RH17 (b)	La Sierra Water Company (b)	Colton Basin Wells RH4, RH4A (b)	Riverside Basin Wells RH16, RH17 (b)	La Sierra Water Company (b)	Total Commingled Source (b)		
1976	170	839	3,052	0	0	1,469	0	4,521	1,284	1,320	2,604	9,602		
1977	332	663	2,177	0	0	2,343	0	4,520	1,693	1,088	2,781	9,702		
1978	270	834	386	0	0	1,629	0	2,015	1,460	1,296	2,756	6,839		
1979	191	875	2,017	0	0	1,488	0	3,505	1,513	975	2,468	8,411		
1980	0	1,002	2,077	0	0	1,926	0	4,003	1,356	1,000	2,356	8,961		
1981	0	1,222	1,798	44	0	2,200	0	4,042	1,543	1,272	2,815	9,075		
1982	0	891	1,257	0	0	1,679	0	2,936	760	1,153	1,913	7,278		
1983	0	698	914	0	0	1,299	0	2,213	539	1,033	1,572	6,731		
1984	83	946	2,459	0	0	2,498	0	2,498	1,101	2,592	3,693	11,979		
1985	675	1,103	1,432	0	0	2,198	0	3,630	1,174	1,917	3,091	10,379		
1986	721	1,039	2,606	0	0	175	0	2,781	875	2,017	2,892	9,571		

- (1) Table No. 19, Line 3
  - (2) Table No. 20, Col. Total Prod.
  - (3) Table No. 21, Line 1 + 5 + 6 + 7
  - (4) Table No. 19, Line (13)
  - (5) Table No. 22, Col. (2)
  - (6) Table No. 20, Col. Total Prod. (Until 1966)
  - (7) Table No. 21, Lines (3) + (4) + (6) + (7) + (8) + (10) + (11) Table 22, Col. (10)
  - (8) Table No. 22, Col. (3)
  - (9) Cols. (4) + (5) + (6) + (7) + (8)
  - (10) Table No. 21, Line (2)
  - (11) Table No. 21, Line (3) bottom of page
  - (12) Col. (10) + Col. (11)
  - (13) Cols. (1) + (2) + (3) + (4) + (5) + (6) + (7) + (8) + (10) + (11) Table 22, Col. (10)
- (a) Lytle Creek Area wells (L.C. #1 & L.C. #2) are used to serve domestic demands North and South of County Line with residual in excess of domestic requirements being used for irrigation in San Bernardino County.
- (b) Riverside Basin Area wells (RH3 & RH20) and Colton Basin Area wells (RH4 & RH4A) starting in year 1966 are used solely to serve domestic requirements North and South of County Line.

TABLE NO. 30

**RIVERSIDE HIGHLAND WATER COMPANY**  
**WATER PRODUCTION FROM LYTLE, BUNKER HILL, COLTON & RIVERSIDE BASINS**  
**IN SAN BERNARDINO AND RIVERSIDE COUNTIES AND THE DELIVERY OF THE PRODUCTION IN**  
**SAN BERNARDINO AND RIVERSIDE COUNTIES**  
 (Quantities in acre feet)

Note: As verified by inventory of agriculture and domestic deliveries in Riverside County.

Year	DOMESTIC SYSTEM										LYTLE CREEK AREA									
	Domestic Demand		Production For Domestic Demand				Domestic Export To Riverside County				Domestic Deliveries In San Bernardino County			Residual Prod. Available For Irrigation		Prod. Used In San Bernardino County For Irrigation & Domestic (19)				
	San Bernardino County (1)	Riverside County (2)	Lytle Creek Area (3)	Colton Basin & RH4A After 1965 (4)	Riverside Basin in San Bernardino County, RH3 RH201V162 (5)	Lytle Creek Area (7)	Colton Basin After 1965 (8)	Riverside Basin in San Bernardino County (9)	From Lytle Creek Area (10)	From Colton Basin (11)	From Riverside Basin in San Bernardino County (12)	From Lytle Creek Area (13)	From Colton Basin (14)	From Riverside Basin in San Bernardino County (15)	Total Prod. (16)		San Bernardino County (17)	Riverside County (18)		
1976	1,892	56	1,948	939	170	839	48.20	8.73	43.07	27	5	24	912	165	815	1,468	529	0	1,441	
1977	1,805	55	1,860	865	332	663	46.51	17.85	35.64	26	10	19	839	322	644	1,406	541	0	1,380	
1978	1,896	71	1,967	863	270	834	43.87	13.73	42.40	31	10	30	832	260	804	964	101	0	933	
1979	2,219	83	2,322	1,256	191	875	54.09	8.23	37.68	45	7	31	1,211	184	844	1,352	96	0	1,307	
1980	2,455	103	2,558	1,556	0	1,002	60.83	0	39.17	63	0	40	1,493	0	962	1,600	44	0	1,537	
1981	2,716	117	2,822	1,611	0	1,222	56.87	0	43.13	67	0	50	1,544	0	1,172	1,806	195	0	1,719	
1982	2,280	88	2,368	1,477	0	891	62.37	0	37.63	55	0	33	1,422	0	858	1,538	61	0	1,483	
1983	2,849	107	2,956	2,258	0	698	76.39	0	23.61	82	0	25	2,176	0	673	2,248	0	0	2,166	
1984	3,214	105	3,319	2,290	83	946	69.00	2.50	28.50	73	2	30	2,217	81	916	2,300	10	0	2,227	
1985	3,191	118	3,309	1,531	675	1,103	46.27	20.40	33.33	55	24	39	1,476	651	1,064	1,880	349	0	1,825	
1986	3,433	146	3,579	1,819	721	1,039	50.82	20.15	29.03	74	30	42	1,745	691	997	2,138	319	0	2,064	
1987																				
1988																				
1989																				
1990																				

(1) Table No. 29, Col. (22)  
 (2) Table No. 29, Col. (20)  
 (3) Col. (1) + Col. (2)  
 (4) Col. (3) - ((Col. (6) + Col. (5))  
 (5) Table No. 20, Total prod. T10, Col. 2  
 (6) Table No. 21, Line (1) + (5) + (6) + (7), T. 30 Sheet 1 Col. 3  
 (7) Col. (4) + (Col. (3) x 100)  
 (8) Col. (5) + (Col. (3) x 100)  
 (9) Col. (6) + (Col. (3) x 100)  
 (10) Col. (2) x Col. (7)  
 (11) Col. (2) x Col. (8)  
 (12) Col. (2) x Col. (9)  
 (13) Col. (4) - Col. (10)  
 (14) Col. (5) - Col. (11)  
 (15) Col. (6) - Col. (12)  
 (16) Table No. 19, Line (3)  
 (17) Col. (16) - Col. (4)  
 (18) Company method of operation  
 (19) Col. (16) - Col. (10)

\*Note on Col. 4, This cannot exceed production Table 19, Line 3

FOR YEARS PRECEDING 1971: Refer to Volume 5, August 1976, Page 1-79

TABLE NO. 30

**RIVERSIDE HIGHLAND WATER COMPANY  
WATER PRODUCTION FROM LYTLE, BUNKER HILL, COLTON & RIVERSIDE BASINS  
IN SAN BERNARDINO AND RIVERSIDE COUNTIES AND THE DELIVERY OF THE PRODUCTION IN  
SAN BERNARDINO AND RIVERSIDE COUNTIES**  
(Quantities in Acre Feet)

Note: As verified by inventory of agriculture and domestic deliveries in Riverside County.

Year	Irrigation Demand		San Bernardino County		Riverside County		Percent Of Commingled Water		Irrigation Deliveries in San Bernardino County From Commingled Water Sources				Irrigation Deliveries in Riverside County From Commingled Water Sources						
	San Bernardino County (2)	Riverside County (3)	Lytle Creek Area Water For Irrig. (4)	Irrigation Supplied From Commingled Sources (5)	Irrig. Supplied From RH 7 RH 21 RH 22 Wells (6)	Irrigation Supplied From Commingled Sources (7)	Total Commingled Water For Irrigation (8)	Used In San Bernardino County (9)	Used In Riverside County (10)	Bunker Hill Basin		Riverside Basin		Bunker Hill Basin		Riverside Basin			
										R.H.W. Co. Wells (11)	Rice Thorn (12)	Colton Basin Util Year 1966 (13)	R.H.W. Co. Wells (14)	La Sierra Water Company (15)	R.H.W. Co. Wells (16)	Rice Thorn (17)	Colton Basin Util Year 1966 (18)	R.H.W. Co. Wells (19)	La Sierra Water Company (20)
1976	7,654	1,432	6,222	529	903	2,604	3,618	19.57	80.03	609	0	293	0	2,443	0	1,176	0		
1977	7,842	1,454	6,388	541	913	2,781	3,607	20.20	79.80	440	0	473	0	1,737	0	1,870	0		
1978	4,872	717	4,155	101	616	2,756	1,399	30.57	69.43	118	0	498	0	268	0	1,131	0		
1979	6,089	920	5,169	96	824	2,488	2,681	21.51	76.49	474	0	350	0	1,543	0	1,138	0		
1980	6,403	1,052	5,351	44	1,008	2,356	2,995	25.18	74.82	523	0	485	0	1,554	0	1,441	0		
1981	7,052	1,121	5,931	195	926	2,815	3,116	22.91	77.09	412	10	504	0	1,386	34	1,696	0		
1982	4,910	743	4,167	61	682	1,913	2,254	23.23	76.77	292	0	390	0	965	0	1,289	0		
1983	3,775	368	3,407	0	368	1,572	1,835	16.70	83.30	152	0	216	0	761	0	1,082	0		
1984	8,669	904	7,766	10	894	3,693	4,063	18.04	81.96	444	0	451	0	2,015	0	2,047	0		
1985	7,069	737	6,332	349	388	3,091	3,241	10.69	89.31	153	0	235	0	1,279	0	1,963	0		
1986	5,992	389	5,603	319	70	2,892	2,711	2.52	97.48	66	0	4	0	2,540	0	171	0		
1987																			
1988																			
1989																			

(1) Cols. (2) + (3)  
 (2) Table No. 29, Col. (21)  
 (3) Table No. 29, Col. (19)  
 (4) Table No. 30, Sheet 2, Col. (17)  
 (5) Col. (2) - Col. (4)  
 (6) Table No. 30, Sheet 1, Col. (12)  
 (7) Col. (3) - Col. (6)  
 (8) Col. (5) + Col. (7)  
 (9) Col. (5) + Col. (8) x 100  
 (10) Col. (7) + Col. (8) x 100

(11) Table No. 30, Sheet 1, Col. (4) x Col. (9) this sheet  
 (12) Table No. 30, Sheet 1, Col. (5) x Col. (9) this sheet  
 (13) Table No. 30, Sheet 1, Col. (6) x Col. (9) this sheet  
 (14) Table No. 30, Sheet 1, Col. (7) x Col. (9) this sheet  
 (15) Table No. 30, Sheet 1, Col. (8) x Col. (9) this sheet  
 (16) Table No. 30, Sheet 1, Col. (4) x Col. (10) this sheet  
 (17) Table No. 30, Sheet 1, Col. (5) x Col. (10) this sheet  
 (18) Table No. 30, Sheet 1, Col. (6) x Col. (10) this sheet  
 (19) Table No. 30, Sheet 1, Col. (7) x Col. (10) this sheet  
 (20) Table No. 30, Sheet 1, Col. (9) x Col. (10) this sheet

Commingled water sources comprise a group of wells situated in San Bernardino County that provide water for irrigation in both Counties and are so designated to distinguish them from wells that serve a single purpose or area.

TABLE NO. 31

RIVERSIDE HIGHLAND WATER COMPANY  
 WATER PRODUCTION FROM LITTLE, BUNKER HILL, COLTON & RIVERSIDE BASINS  
 IN SAN BERNARDINO AND RIVERSIDE COUNTIES AND THE DELIVERY OF THE PRODUCTION IN  
 SAN BERNARDINO AND RIVERSIDE COUNTIES  
 (Quantities in Acre Feet)

Note: As verified by inventory of  
 agriculture and domestic  
 deliveries in Riverside County.

Year	PRODUCTION DELIVERED NORTH OF COUNTY LINE IN SAN BERNARDINO COUNTY											PRODUCTION DELIVERED SOUTH OF COUNTY LINE IN RIVERSIDE COUNTY											Total Production		
	From Groundwater Basin											From Groundwater Basin													
	Bunker Hill			Colton			Riverside					Bunker Hill			Colton			Riverside							
	R. H. Wells	R. H. Wells	Total Bunker Hill	R. H. Wells	R. H. Wells	Total Colton	R. H. Wells	R. H. Wells	La Sierra Wells	Total Riverside Basin	Total Production Delivered	R. H. Wells	R. H. Wells	Total Bunker Hill	R. H. Wells	R. H. Wells	Total Colton	R. H. Wells	La Sierra Wells	Total Riverside Basin	Total Production Delivered	Total Prod. North Of County Line		Total Prod. South Of County Line	
1976	1,441	603	0	609	0	609	165	1,108	0	1,108	3,323	61	77	0	1,388	5	2,442	0	2,442	0	2,442	20	21	9,600	
1977	1,380	440	0	440	0	440	322	1,117	0	1,117	3,259	26	1,737	0	1,737	10	3,582	0	3,582	0	3,582	1,088	21	9,702	
1978	933	118	0	118	0	118	260	1,302	0	1,302	2,613	31	268	0	268	10	2,621	0	2,621	0	2,621	1,296	21	6,839	
1979	1,307	474	0	474	0	474	184	1,194	0	1,194	3,159	45	1,543	0	1,543	7	2,682	0	2,682	0	2,682	975	21	8,411	
1980	1,537	523	0	523	0	523	0	1,447	0	1,447	3,507	63	1,554	0	1,554	0	2,837	0	2,837	0	2,837	1,000	21	8,961	
1981	1,770	412	10	422	0	422	0	1,676	0	1,676	3,837	67	1,386	34	1,420	0	3,289	0	3,289	0	3,289	1,272	21	9,895	
1982	1,483	292	0	292	0	292	0	1,248	0	1,248	3,023	55	965	0	965	0	2,082	0	2,082	0	2,082	1,153	21	7,278	
1983	2,166	152	0	152	0	152	0	889	0	889	3,207	82	761	0	761	0	1,646	0	1,646	0	1,646	1,033	21	6,729	
1984	2,227	444	0	444	0	444	81	1,367	0	1,367	4,119	73	2,015	0	2,015	2	3,178	0	3,178	0	3,178	2,592	21	11,979	
1985	1,825	153	0	153	0	153	651	1,299	0	1,299	3,928	55	1,279	0	1,279	24	3,176	0	3,176	0	3,176	1,917	21	10,379	
1986	2,064	66	0	66	0	66	691	1,001	0	1,001	3,822	74	2,540	0	2,540	30	1,088	0	1,088	0	1,088	2,017	21	9,571	
1987																									
1988																									
1989																									
1990																									

(2) Table No. 30, Sheet No. 2, Col. (19)  
 (3) Table No. 30, Sheet No. 3, Col. (11)  
 (4) Table No. 30, Sheet No. 3, Col. (12)  
 (5) Col. (3) + Col. (4)  
 (6) Table No. 30, Sheet No. 5, Col. (13) thru year 1965; and Sheet No. 2, Col. (14) for yrs. 1966-70 inc.; then Sht. No. 2, Col. (15) plus Sheet No. 3, Col. (15)  
 (7) Table No. 30, Sheet No. 4, Col. (14) for 1971 & beyond.  
 (8) Col. (7) + Col. (8)  
 (9) Cols. (2) + (5) + (6) + (9)  
 (10) Table No. 30, Sheet No. 2, Col. (10)  
 (11) Table No. 30, Sheet No. 2, Col. (11) thru year 1965; and Sheet No. 2, Col. (11) for 1971 and beyond.  
 (12) Table No. 30, Sheet 3, Col. (16)  
 (13) Table No. 30, Sheet 3, Col. (17)  
 (14) Col. (12) + Col. (13)  
 (15) Table No. 30, Sheet 3, Col. (18) thru year 1965; and Sheet No. 2, Col. (18) plus Sheet 3, Col. (19)  
 (16) Col. (16) + Col. (17)  
 (17) Cols. (11) + (14) + (15) + (18)  
 (18) Col. (10) + Col. (19)  
 (19) Table No. 30, Sheet No. 1, Col. (11)  
 (20) Table No. 30, Sheet No. 1, Col. (11)  
 (21) Table No. 30, Sheet No. 1, Col. (11)  
 (22) Col. 20+ Col. 21= Table 22, Col. (10)  
 FOR YEARS PRECEDING 1971: Refer to Volume 5, August 1976, Page I-83



TABLE NO. 31-A  
TOTAL PRODUCTION BY RIVERSIDE HIGHLAND WATER COMPANY  
FROM THE SAN BERNARDINO BASIN AREA  
(INCLUDES LYTLE AND BUNKER HILL BASINS)  
AS DELIVERED IN  
SAN BERNARDINO AND RIVERSIDE COUNTIES  
(All Quantities in Acre Feet)

CALENDAR YEAR	TOTAL DELIVERIES IN SAN BERNARDINO COUNTY (From Table No. 31, Column 2 + Column 3)	TOTAL DELIVERIES IN RIVERSIDE COUNTY (From Table No.31, Column 11+ Column12)	TOTAL PRODUCTION FROM SAN BERNARDINO BASIN AREA (Total Deliveries in Both Counties)
(1)	(2)	(3)	(4)
1971	2,388	1,624	4,012
1972	2,239	2,293	4,532
1973	1,751	1,761	3,512
1974	1,985	2,103	4,088
1975	2,002	2,707	4,709
1976	2,050	2,469	4,519
1977	1,820	1,763	3,583
1978	1,051	299	1,350
1979	1,781	1,588	3,369
1980	2,060	1,617	3,677
1981	2,151	1,453	3,604
1982	1,775	1,020	2,795
1983	2,318	843	3,161
1984	2,671	2,088	4,759
1985	1,978	1,334	3,312
1986	2,130	2,614	4,744

Note: Excludes City of Riverside production (Ward & Warren) in Bunker Hill Basin which is delivered to Riverside Highland Water Company.

FOR YEARS PRECEDING 1971: Refer to Volume 5, August 1976, Page 1-85

(4) Same as Table 22, Col. (5)

TABLE NO. 32

MEEKS & DALEY WATER COMPANY  
AND  
AGUA MANSÁ WATER COMPANY  
WATER PRODUCTION FROM  
THE SAN BERNARDINO BASIN AREA  
AND THE COLTON BASIN AREA

Line No.	Reference	Local Designation	State Well Number	Recordation Number	Quantities in Acre Feet by Calendar Year																	
					1971	1972	1973	1974	1975	1976	1977	1978	1979	1980	1981	1982						
SAN BERNARDINO BASIN AREA																						
1	Rec. Filing	E St.	*1S-4W-15M2	3601511	0	0	0	0	0	0	0	0	0	0	0	0	0	0	0	0	0	0
2		51	*1S-4W-15N5	3601512	0	0	0	0	0	0	0	0	0	0	0	0	0	0	0	0	0	0
3		54 Sold to State	*1S-4W-16R3	3601513	0	0	0	0	0	0	0	0	0	0	0	0	0	0	0	0	0	0
4		Coburn	1S-4W-16J9	3601737	178	265	117	354	276	329	4	162	207	155	8	127						
5		59	1S-4W-15L3	3601887	0	1,503	1,246	2,606	1,649	2,305	1,848	1,518	1,549	2,102	3,084	1,845						
6		New E St.	1S-4W-15R10	3602169	2,502	1,678	1,412	1,379	2,025	2,759	2,368	574	2,174	76	0	1,744						
7		66	*1S-4W-15E	3602329	0	0	0	0	0	0	0	0	0	0	0	0	0	0	0	0	0	0
8		Warm Creek	*1S-4W-16Q	3601514	0	0	0	0	0	0	0	0	0	0	0	0	0	0	0	0	0	0
9		Workman Ditch	*1S-4W-16Q	3601515	0	0	0	0	0	0	0	0	0	0	0	0	0	0	0	0	0	0
10		69	1S-4W-16R	3600000	222	81	204	165	0	0	0	0	0	0	0	0	0	0	0	0	0	0
10a																						
10b																						
10c																						
11	Lines 1 thru 10	Total Production San Bernardino Basin Area			2,902	3,527	2,979	4,504	3,950	5,393	4,220	2,254	3,930	2,333	3,092	3,716						
12																						
13																						
INTERAGENCY TRANSFER OF SAN BERNARDINO BASIN AREA PRODUCTION																						
14	Delivery to City of Riverside from 59				0	0	0	275	1,649	2,178	1,848	1,385	1,231	1,658	2,496	1,471						
15	(Net San Bernardino Basin Area Production																					
16	for delivery by Meeks & Daley Line 11-Line 14)				2,902	3,527	2,979	4,229	2,301	3,215	2,372	869	2,699	675	588	2,245						
17																						
COLTON BASIN AREA																						
18																						
19	Rec. Filing	36	1S-4W-21N1	3601510	0	0	484	0	1,350	1,860	2,018	422	1,698	0	0	910						
20																						
21	Lines 19 thru 20	Total Production Colton Basin Area			0	0	484	0	1,350	1,860	2,018	422	1,698	0	0	910						

Note: No Production from the Riverside Basin Area  
FOR YEARS PRECEDING 1971: Refer to Volume 5, August 1976, Page I-91

\*Abandoned &/or File Closed

Line (14) - compare to line 63 Table 1

TABLE NO. 12

MEEKS & DALEY WATER COMPANY  
AND  
ACHIA MANSA WATER COMPANY  
WATER PRODUCTION FROM  
THE SAN BERNARDINO BASIN AREA  
AND THE COLTON BASIN AREA

Line No.	Reference	Local Designation	State Well Number	Recordation Number	Quantities in Acre Feet by Calendar Year			
					1983	1984	1985	1986
1	Rec. Filling	E St.	*1S-4W-15N2	3601511	0	0	0	0
2		51	*1S-4W-15N5	3601512	0	0	0	0
3		54 Sold to State	*1S-4W-16R3	3601513	0	0	0	0
4		Coburn	1S-4W-16J9	3601737	0	249	165	274
5		59	1S-4W-15L3	3601887	2,383	2,947	2,815	1,990
6		New E St.	1S-4W-15M10	3602109	68	1,969	2,405	2,600
7		66	*1S-4W-15E	3602329	0	0	0	0
8		Wana Creek	*1S-4W-16Q	3601514	0	0	0	0
9		Worleuan Ditch	*1S-4W-16Q	3601515	0	0	0	0
10		69	1S-4W-16R	3600000	0	0	0	0
10a		*Warren #4	1S-4W-22H01	3602863				38
10b		*Raub #6	1S-4W-14N010	3602864				668
11	Lines 1 thru 10	Total Production San Bernardino Basin Area			2,651	5,165	5,385	5,570
12								
13					<u>INTER-AGENCY TRANSFER OF SAN BERNARDINO BASIN AREA PRODUCTION</u>			
14	Delivery to City of Riverside from 59	(Warren #4, Raub #6)			2,317	2,613	2,487	2,660
15	(Net San Bernardino Basin Area Production							
16	for delivery by Meeks & Daley Line 11-Line 14)				334	2,552	2,898	2,910
17					<u>COLTON BASIN AREA</u>			
18								
19	Rec. Filling	36	1S-4W-21N1	3601510	50	1,383	1,554	1,575
20								
21	Lines 19 thru 20	Total Production Colton Basin Area			50	1,383	1,554	1,575

Note: No Production from the Riverside Basin Area FOR YEARS PRECEDING 1971. Refer to Volume 5, August 1976, Page I-91

\*Abandoned &/or File Closed

Line (14) - compare to line 63 Table 1

Line 14 = Temescal Company Record

\*Warren #4 and Raub #6 are owned by City of Riverside and are being pumped by Meeks and Daley into Riverside's system to meet stock rights.

TABLE NO. 33

NEEKS & DALEY WATER COMPANY AND AGUA MANSA WATER COMPANY  
 WATER PRODUCTION FROM THE SAN BERNARDINO BASIN AREA  
 AND THE COLTON BASIN AREA DELIVERED IN  
 SAN BERNARDINO COUNTY AND EXPORTED TO RIVERSIDE COUNTY  
 (Quantities in Acre Feet)

Calendar Year	San Bernardino Basin Area Net Production (1)	Composition Of Production (4) (5)		Delivery In San Bdnno. County (6)	Delivery In San Bernardino County (7) (8)		Production Exported To Riverside County (9) (10) (11)			Total (12)	
		San Bdnno. Basin Area % (4)	Colton Basin Area % (5)		San Bdnno. Basin Area Production (7)	Colton Basin Area Production (8)	San Bdnno. Basin Area (9)	Colton Basin Area (10)	Riverside Basin Area (11)		
1971	2,902	100.00	0.00	383	383	0	2,519	0	0	0	2,519
1972	3,527	100.00	0.00	377	377	0	3,150	0	0	0	3,150
1973	2,979	86.02	13.98	291	250	41	2,729	443	0	0	3,172
1974	4,229	100.00	0.00	246	246	0	3,983	0	0	0	3,983*
1975	2,301	63.02	36.98	266	168	98	2,133	1,252	0	0	3,385*
1976	3,215	63.35	36.65	287	182	105	3,033	1,755	0	0	4,788*
1977	2,372	54.03	45.97	271	146	125	2,226	1,893	0	0	4,119*
1978	869	67.31	32.69	239	161	78	708	344	0	0	1,052*
1979	2,699	61.38	38.62	270	166	104	2,533	1,594	0	0	4,127*
1980	675	100.00	0.00	323	323	0	352	0	0	0	352*
1981	588	100.00	0.00	358	358	0	230	0	0	0	230*
1982	2,245	71.16	28.84	237	169	68	2,076	842	0	0	2,918*
1983	334	86.98	13.02	282	245	37	89	13	0	0	102*
1984	2,552	64.85	35.15	359	233	126	2,319	1,257	0	0	3,576*
1985	2,898	65.09	34.91	322	210	112	2,688	1,442	0	0	4,130*
1986	2,910	64.88	35.12	327	212	115	2,698	1,460	0	0	4,158*

REFERENCE

- Col. (1) Neeks & Daley Table No. 32, Line 16
- Col. (2) Neeks & Daley Table No. 32, Line 21
- Col. (3) Col. (1) ÷ Col. (2)
- Col. (4) Col. (1) ÷ Col. (3)
- Col. (5) Col. (2) ÷ Col. (3)
- Col. (6) From Neeks & Daley Records
- Col. (7) Col. (6) x Col. (4)
- Col. (8) Col. (6) x Col. (5)
- Col. (9) Col. (1) - Col. (7)
- Col. (10) Col. (2) - Col. (8)
- Col. (11) No Production Riverside Basin Area
- Col. (12) Col. (9) + Col. (10) + Col. (11)

FOR YEARS PRECEDING 1971: Refer to Volume 5, August 1976, Page I-94

\* Quantity shown is portion exported via canals and excludes Well No. 59. See Table No. 34 for total export from San Bernardino Basin Area which includes Well No. 59.

TABLE NO. 34

MEEKS & DALEY WATER COMPANY  
WATER PRODUCTION FROM SAN BERNARDINO BASIN AREA  
AND DELIVERIES WITHIN SAN BERNARDINO COUNTY  
AND EXPORT TO RIVERSIDE COUNTY

<u>Year</u>	<u>Production in San Bernardino Basin Area</u> (1)	<u>Deliveries within Colton &amp; Riverside Basin in San Bernardino County</u> (2)	<u>San Bernardino Basin Production Exported to Riverside County</u> (3)
1971	2,902	383	2,519
1972	3,527	377	3,150
1973	2,979	250	2,729
1974	4,504	246	4,258
1975	3,950	168	3,782
1976	5,393	182	5,211
1977	4,220	146	4,074
1978	2,254	161	2,093
1979	3,930	166*	3,764
1980	2,333	323	2,010
1981	3,092	358	2,734
1982	3,716	169	3,547
1983	2,651	245	2,406
1984	5,165	233	4,932
1985	5,385	210	5,175
1986	5,570	234	5,336
1987			

(1) From Table No. 32, Line 11

(2) From Table No. 33, Col. 7

(3) Col. (1) - Col. (2)

Export of water from well No. 59 by City of Riverside's (Table No. 32, Line (14)) Domestic system is credited to Meeks & Daley Water Co. who produced s d water and is excluded from City of Riverside's production. (Compare to Table 1, Line 63)

FOR YEARS PRECEDING 1971: Refer to Volume 5, August 1976, Page 1-96

\* Corrected during 1981 verification.

TABLE NO )

UNIVERSITY OF CALIFORNIA  
WATER PRODUCTION FROM BUNKER HILL BASIN  
IN THE SAN BERNARDINO BASIN AREA  
AND EXPORT TO RIVERSIDE COUNTY  
 (Quantities in Acre Feet)

Description	BUNKER HILL PRODUCTION (From City of Riverside Records)					Export to Riverside County (7)
	IS/4W-27A11 3691222 Hunt 6 3601222 (1)	°1S/4W-27A7 3691241 Hunt 8 (2)	°1S/4W-27A8 3691242 Hunt 9 (3)	1S/4W-27A9 3691244 Hunt 10 3601244 (4)	1S/4W-27A10 3691245 Hunt 11 3601245 (5)	
1971	73	0	0	146	0	219
1972	62	0	0	177	0	239
1973	50	0	0	189	0	239
1974	69	0	0	198	0	267
1975	34	0	0	143	2	179
1976	8	0	0	225	12	245
1977	25	0	0	41	21	87
1978	69	0	0	114	0	183
1979	29	0	0	54	0	83
1980	1	0	0	6	0	7
1981	0	0	0	143	0	143
1982	20	0	0	6	22	48
1983	0	0	0	0	0	0
1984	0	0	0	0	0	0
1985	0	0	0	0	0	0
1986	13	0	0	25	10	48

Note: Note deliveries in Bunker Hill Basin or Riverside North Basin. °Abandoned &/or File Closed  
 No production or deliveries in Colton Basin.  
 FOR YEARS PRECEDING 1971: Refer to Volume 5, August 1976, Page I-100  
 Revised recordation number issued in 1981

TABLE NO. 36

UNIVERSITY OF CALIFORNIA  
WATER PRODUCTION FROM  
SAN BERNARDINO BASIN AREA  
AND EXPORT TO RIVERSIDE COUNTY

<u>Year</u>	<u>Production In San Bernardino Basin Area</u> (1)	<u>Delivery Within San Bernardino County</u> (2)	<u>San Bernardino Basin Production Exported To Riverside County</u> (3)
1971	219	0	219
1972	239	0	239
1973	239	0	239
1974	267	0	267
1975	179	0	179
1976	245	0	245
1977	87	0	87
1978	183	0	183
1979	83	0	83
1980	7	0	7
1981	143	0	143
1982	48	0	48
1983	0	0	0
1984	0	0	0
1985	0	0	0
1986	48	0	48
1987			
1988			
1989			
1990			

(1) Table No. 35, Col. (6)

(2) None

(3) Col. (1) - Col. (2)

FOR YEARS PRECEDING 1971: Refer to Volume 5, August 1976, Page 1-102

TABLE NO. 36-A

EXTRACTIONS BY PLAINTIFFS  
FROM THE SAN BERNARDINO BASIN AREA  
THROUGH THE CURRENT YEAR  
(All Values in Acre Feet)

CLASSIFIED ACCORDING TO SERVICE AREA

PLAINTIFFS	EXTRACTIONS FROM SAN BERNARDINO BASIN AREA FOR USE WITHIN & EXPORTS THEREFROM																							
	1976				1977				1978				1979				1980				1981			
	Total Extractions	Deliveries San Bernardino Basin	Deliveries Colton & Riverside basin in San Bernardino County	Deliveries Outside San Bernardino Valley	Total Extractions	Deliveries San Bernardino Basin	Deliveries Colton & Riverside Basin in San Bernardino County	Deliveries Outside San Bernardino Valley	Total Extractions	Deliveries San Bernardino Basin	Deliveries Colton & Riverside Basins in San Bernardino County	Deliveries Outside San Bernardino Valley	Total Extractions	Deliveries San Bernardino Basin	Deliveries Colton & Riverside Basins in San Bernardino County	Deliveries Outside San Bernardino Valley	Total Extractions	Deliveries San Bernardino Basin	Deliveries Colton & Riverside Basin in San Bernardino County	Deliveries Outside San Bernardino Valley	Total Extractions	Deliveries San Bernardino Basin	Deliveries Colton & Riverside Basin in San Bernardino County	Deliveries Outside San Bernardino Valley
CITY OF RIVERSIDE City & Riverside Water Co. Wells (a)	22,085	0	0	22,085	18,900	0	0	18,900	19,055	0	0	19,055	21,561	0	0	21,561	18,875	0	0	18,875	20,363	0	0	20,363
CITY OF RIVERSIDE Gage Canal Co. Wells (b)	29,289	0	523	28,766	32,099	0	346	31,753	26,329	646	301	25,382	30,816	0	415	30,401	31,881	383	0	31,498	31,794	724	0	31,070
RIVERSIDE HIGHLAND WATER COMPANY (c)	4,519	0	2,050	2,469	3,583	0	1,820	1,763	1,350	0	1,051	299	3,369	0	1,781	1,588	3,677	0	2,060	1,617	3,604	0	2,151	1,451
DEKES & DALEY WATER COMPANY & AGUA FANSA WATER COMPANY (d)	5,393	0	182	5,211	4,220	0	146	4,074	2,254	0	161	2,093	3,930	0	166	3,764	2,333	0	323	2,010	3,092	0	358	2,731
UNIVERSITY OF CALIFORNIA (e)	245	0	0	245	87	0	0	87	183	0	0	183	83	0	0	83	7	0	0	7	143	0	0	143
TOTAL	61,531	0	2,755	58,776	58,889	0	2,312	56,577	49,171	646	1,513	47,012	59,759	0	2,362	57,397	56,773	383	2,383	54,007	58,996	724	2,509	55,763

(a) Table No. 13 - Columns 1,2,7,8, Chapter 1, Volume 5

(b) Table No. 18 - Columns 1,2,6,7, Chapter 1, Volume 5

(c) Table No. 31-A, Chapter 1, Volume 5, Columns 4, (1), 2, 3

(d) Table No. 34 - Columns 1,2,3, Chapter 1, Volume 5

(e) Table No. 36 - Columns 1,2,3, Chapter 1, Volume 5

FOR YEARS PRECEDING 1976: Refer to Volume 5-1975, August 1977, Page 34

(Same as Table 3, Vol. 1a)



TABLE NO. 36-A

EXTRACTIONS BY PLAINTIFFS  
FROM THE SAN BERNARDINO BASIN AREA  
THROUGH THE CURRENT YEAR

(all values in acre feet)

PLAINTIFFS	EXTRACTIONS FROM SAN BERNARDINO BASIN AREA FOR USE WITHIN & EXPORTS THEREFROM																			
	1982				1983				1984				1985				1986			
	Total Extractions	Deliveries, San Bernardino Basin	Deliveries Colton & Riverside Basins in San Bernardino County	Deliveries Outside San Bernardino Valley	Total Extractions	Deliveries, San Bernardino Basin	Deliveries Colton & Riverside Basins in San Bernardino County	Deliveries Outside San Bernardino Valley	Total Extractions	Deliveries, San Bernardino Basin	Deliveries Colton & Riverside Basins in San Bernardino County	Deliveries Outside San Bernardino Valley	Total Extractions	Deliveries, San Bernardino Basin	Deliveries Colton & Riverside Basins in San Bernardino County	Deliveries Outside San Bernardino Valley	Total Extractions	Deliveries, San Bernardino Basin	Deliveries Colton & Riverside Basins in San Bernardino County	Deliveries Outside San Bernardino Valley
CITY OF RIVERSIDE City & Riverside Water Co. Wells (a)	19,522	146	0	19,376	25,681	144	0	25,537	25,031	0	0	25,031	31,817	0	0	31,817	25,996	292	0	25,704
CITY OF RIVERSIDE Cage Canal Co. Wells (b)	30,077	16	0	30,061	20,383	191	0	20,192	33,863	32	0	33,863	31,256	59	0	63,014	33,983	145	0	33,838
RIVERSIDE HIGHLAND WATER COMPANY (c)	2,795	0	1,775	1,020	3,161	0	2,318	843	2,088	0	0	2,088	3,312	0	1,978	1,334	4,744	0	2,130	2,614
MILES & DALEY WATER COMPANY & MCCA MANGA WATER COMPANY (d)	3,716	0	169	3,547	2,651	0	245	2,406	4,932	0	233	4,932	5,385	0	210	5,175	5,570	0	234	5,336
UNIVERSITY OF CALIFORNIA (e)	48	0	0	48	0	0	0	0	0	0	0	0	0	0	0	0	48	0	0	48
TOTAL	56,158	162	1,944	54,052	51,876	335	2,563	48,978	65,894	68,830	32	2,904	71,770	59	2,188	69,523	79,341	437	2,364	67,540

(a) Table No. 13 - Columns 1,2,7,8, Chapter 1, Volume 5

(b) Table No. 18 - Columns 1,2,6,7, Chapter 1, Volume 5

(c) Table No. 31-A, Chapter 1, Volume 5, Columns 4, 2, 3

(d) Table No. 34 - Columns 1,2,3, Chapter 1, Volume 5

(e) Table No. 36 - Columns 1,2,3, Chapter 1, Volume 5

FOR YEARS PRECEDING 1976: Refer to Volume 5-1975, August 1977, Page 34

(Same as Table 3, Vol. 1a)

TABLE NO. 36-B

TOTAL PLAINTIFF EXTRACTIONS FROM  
SAN BERNARDINO BASIN AREA  
 (Quantities in Acre Feet)

EXTRACTING PLAINTIFF						
Year	City of Riverside	Gage Canal	Riverside Highland	Meeks & Daley	Univ. of Calif.	Total
1971	24,939	28,943	4,012	2,902	219	61,015
1972	20,474	25,220	4,532	3,527	239	53,992
1973	21,493	21,529	3,512	2,979	239	49,752
1974	27,420	15,947	4,088	4,504	267	52,226
1975	25,248	22,714	4,709	3,950	179	56,800
1976	22,085	29,289	4,519	5,393	245	61,531
1977	18,900	32,099	3,583	4,220	87	58,888
1978	19,055	26,329	1,350	2,254	183	49,181
1979	21,561	30,816	3,369	3,930	83	59,759
1980	18,875	31,881	3,677	2,333	7	56,773
1981	20,363	31,794	3,604	3,092	143	58,996
1982	19,522	30,077	2,795	3,716	48	56,158
1983	25,681	20,383	3,161	2,651	0	51,876
1984	25,031	33,875	4,759	5,165	0	68,830
1985	31,817	31,256	3,312	5,385	0	71,770
1986	25,996	33,983	4,744	5,570	48	70,341
1987						
1988						
1989						
1990						
1991						
1992						
1992						

From Table No. 36-A Column 1.

FOR YEARS PRECEDING 1971: Refer to Volume 5, August 1976, Page 1-109

(Same as Table 4, Vol. 1a)

TABLE NO. 36-C

PLAINTIFF EXTRACTIONS  
FROM  
SAN BERNARDINO BASIN AREA  
DELIVERIES IN  
SAN BERNARDINO BASIN AREA  
(Quantities in Acre Feet)

EXTRACTING PLAINTIFF						
	City of Riverside	Gage Canal	Riverside Highland	Meeks & Daley	Univ. of Calif.	Total
1971	0	98	0	0	0	98
1972	0	85	0	0	0	85
1973	0	156	0	0	0	156
1974	0	0	0	0	0	0
1975	0	0	0	0	0	0
1976	0	0	0	0	0	0
1977	0	0	0	0	0	0
1978	0	646	0	0	0	646
1979	0	0	0	0	0	0
1980	0	383	0	0	0	383
1981	0	724	0	0	0	724
1982	146	16	0	0	0	162
1983	144	191	0	0	0	335
1984	0	32	0	0	0	32
1985	0	59	0	0	0	59
1986	292	145	0	0	0	437
1987						
1989						
1990						

From Table No. 36-A Column 2

FOR YEARS PRECEDING 1971: Refer to Volume 5, August 1976, Page 1-111

(Same as Table 5, Vol. 1a)

TABLE NO. 36-D

PLAINTIFF EXTRACTIONS  
FROM  
SAN BERNARDINO BASIN AREA  
DELIVERIES IN COLTON &  
RIVERSIDE BASINS IN  
SAN BERNARDINO COUNTY  
(Quantities in Acre Feet)

EXTRACTING PLAINTIFF						
Year	City of Riverside	Gage Canal	Riverside Highland	Meeks & Daley	Univ. of Calif.	Total
1971	0	669	2,388	383	0	3,440
1972	0	547	2,239	377	0	3,163
1973	0	512	1,751	250	0	2,513
1974	65	485	1,985	246	0	2,781
1975	0	575	2,002	168	0	2,745
1976	0	523	2,050	182	0	2,755
1977	0	346	1,820	146	0	2,312
1978	0	301	1,051	161	0	1,513
1979	0	415	1,781	166*	0	2,362*
1980	0	0	2,060	323	0	2,382
1981	0	0	2,151	358	0	2,509
1982	0	0	1,775	169	0	1,944
1983	0	0	2,318	245	0	2,563
1984	0	0	2,671	233	0	2,904
1985	0	0	1,978	210	0	2,188
1986	0	0	2,130	234	0	2,364
1987						
1988						
1989						
1990						

From Table No. 36-A Column 3

FOR YEARS PRECEDING 1971: Refer to Volume 5, August 1976, Page 1-113

\* Corrected during 1981 verification  
(Same as Table 6, Vol. 1a)

TABLE NO. 36-E

PLAINTIFF EXTRACTIONS  
FROM  
SAN BERNARDINO BASIN AREA  
DELIVERIES OUTSIDE  
SAN BERNARDINO VALLEY  
 (Quantities in Acre Feet)

EXTRACTING PLAINTIFF						
Year	City of Riverside	Gage Canal	Riverside Highland	Meeks & Daley	Univ. of Calif.	Total
1971	24,939	28,176	1,624	2,519	219	57,477
1972	20,474	24,588	2,293	3,150	239	50,744
1973	21,493	20,861	1,761	2,729	239	47,083
1974	27,355	15,462	2,103	4,258	267	49,445
1975	25,248	22,139	2,707	3,783	179	54,055
1976	22,085	28,766	2,469	5,211	245	58,776
1977	18,900	31,753	1,763	4,074	87	56,577
1978	19,055	25,382	299	2,093	183	47,012
1979	21,561	30,401	1,588	3,764*	83	57,397*
1980	18,875	31,498	1,617	2,010	7	54,007
1981	20,363	31,070	1,453	2,734	143	55,763
1982	19,376	30,061	1,020	3,547	48	54,052
1983	25,537	20,192	843	2,406	0	48,978
1984	25,031	33,843	2,088	4,932	0	65,894
1985	31,817	31,197	1,334	5,175	0	69,523
1986	25,704	33,838	2,614	5,336	48	67,540
1987						
1988						
1989						
1990						

From Table No. 36-A column 4

FOR YEARS PRECEDING 1971: Refer to Volume 5, August 1976, Page 1-115

(Same as Table 7, Vol. 1a)

\* Corrected during 1981 verification

TABLE NO. 37

RIVERSIDE ENTITIES  
 PRODUCTION AND DELIVERY FROM COLTON BASIN AREA  
 FOR USE WITHIN SAN BERNARDINO COUNTY  
 AND RIVERSIDE COUNTY  
 (Quantities in Acre Feet)

LINE NO.	RIVERSIDE ENTITIES	1971	1972	1973	1974	1975	TOTAL	5-YEAR AVERAGE	
1	<u>City of Riverside Irrigation &amp; Domestic</u>								
2	Colton Basin Area Production	2,696	2,521	101	1,386	2,545	9,249	1,850	See Chapter I, City of Riverside, Table No. 2, Line 7
3	Delivery to S. C. Edison Steam Plant Highgrove	0	0	0	0	0	0	0	See Chapter I, City of Riverside, Table No. 10, Col. (17)
4	Colton Production exported to Riverside County	2,696	2,521	101	1,386	2,545	9,249	1,850	See Chapter I, City of Riverside, Table No. 11, Col. (6)
5									
6	<u>Meeks &amp; Daley Water Company</u>								
7	Colton Basin Area Production	0	0	484	0	1,350	1,834	367	See Chapter I, Meeks & Daley, Table No. 32, Line 21
8	Delivery (Vicinity of Colton)	0	0	41	0	98	139	28	See Chapter I, Meeks & Daley, Table No. 33, Col. (8)
9	Colton Production exported to Riverside County	0	0	443	0	1,252	1,695	339	See Chapter I, Meeks & Daley, Table No. 33, Col. (10)
10									
11	<u>Riverside Highland Water Company</u>								
12	Colton Basin Production	256	285	212	282	300	1,335	267	See Chapter I, R.H.W. Co., Table No. 20, Total Prod.
13	Delivery North of County Line	248	271	206	273	291	1,289	258	See Chapter I, R.H.W. Co., Table No. 31, Col. (6)
14	Colton Production exported to Riverside County	8	14	6	9	9	46	9	See Chapter I, R.H.W. Co., Table No. 31, Col. (15)
15	<u>Reche Canyon Mutual Water Company</u>								
16	Colton Basin Production	73	76	65	69	67	350	70	See Volume 2 Reche Canyon Mutual Wtr. Co., Table No. 3
17	Delivery North of County Line	0	0	0	0	0	0	0	Production and use in Riverside County only.
18	Colton Production exported to Riverside County	73	76	65	69	67	350	70	Production and use in Riverside County only.
19	City of Riverside	0	0	0	0	0	0	0	
20	Meeks & Daley	0	0	41	0	98	139	28	
21	Riverside Highland Water Company	248	271	206	273	291	1,289	258	
22	Reche Canyon Mutual Water Co.	0	0	0	0	0	0	0	
23	Total Lines 3 + 8 + 13 + 17	248	271	247	273	389	1,428	286	
24	City of Riverside	2,696	2,521	101	1,386	2,545	9,249	1,850	
25	Meeks & Daley	0	0	443	0	1,252	1,695	339	
26	Riverside Highland Water Company	8	14	6	9	9	46	9	
27	Reche Canyon Mutual Water Company	73	76	65	69	67	350	70	
28	Total Lines 4 + 9 + 14 + 18	2,777	2,611	615	1,464	3,873	11,340	2,268	

Summary of Colton Basin Water Used in San Bernardino Co.  
 FOR YEARS PRECEDING 1971: Refer to Volume 5, August 1976, Page II-4

TABLE NO. 37

RIVERSIDE ENTITIES  
PRODUCTION AND DELIVERY FROM COLTON BASIN AREA  
FOR USE WITHIN SAN BERNARDINO COUNTY  
AND RIVERSIDE COUNTY  
(Quantities in Acre Feet)

LINE NO.	RIVERSIDE ENTITIES	1982	1983	1984	1985	1986
1	City of Riverside Irrigation & Domestic					
2	Colton Basin Area Production	57	0	0	695	0
3	Delivery to S.C. Edison Highgrove Steam Plant	0	0	0	0	0
4	Colton Production exported to Riverside County	57	0	0	695	0
5						
6	<u>Meeks &amp; Daley Water Company</u>					
7	Colton Basin Area Production	910	50	1,383	1,554	1,575
8	Delivery (Vicinity of Colton)	68	37	126	112	93
9	Colton Production exported to Riverside County	842	13	1,257	1,442	1,482
10						
11	<u>Riverside Highland Water Company</u>					
12	Colton Basin Production	0	0	83	675	721
13	Delivery North of County Line	0	0	80	651	691
14	Colton Production Exported to Riverside County	0	0	3	24	30
15						
16	<u>Reche Canyon Mutual Water Company</u>					
17	Colton Basin Production	82	82	80	83	88
18	Delivery North of County Line	0	0	0	0	0
19	Colton Production exported to Riverside County	82	82	80	83	88
20	City of Riverside	0	0	0	0	0
21	Meeks & Daley	68	37	126	112	93
22	Riverside Highland Water Company	0	0	80	651	691
23	Reche Canyon Mutual Water Co.	0	0	0	0	0
24	Total Lines 3 + 8 + 13 + 18	68	37	206	763	784
	<u>Summary of Colton Basin Water Used in San Bernardino Co.</u>					
25	City of Riverside	57	0	0	695	0
26	Meeks & Daley	842	13	1,257	1,442	1,482
27	Riverside Highland Water Company	0	0	3	24	30
28	Reche Canyon Mutual Water Company	82	82	80	83	88
29	Total Lines 4 + 9 + 14 + 19	981	95	1,340	2,244	1,600

Table No. 2, Line 7  
Table No. 10, Col. 17  
Table No. 11, Col. 6

Table No. 32, Line 21  
Table No. 33, Col. 8  
Table No. 33, Col. 10

Table No. 20, Total Pre  
Table No. 31, Col. 6  
Table No. 31, Col. 15

See Vol. 2 Reche Canyon  
Mutual Wtr. Co., Table  
Prod. & use Riv. Co. on  
Prod. & use Riv. Co. on

TABLE NO. 38

SAN BERNARDINO ENTITIES  
 PRODUCTION FROM COLTON BASIN AREA  
 FOR USE WITHIN SAN BERNARDINO COUNTY  
 (Quantities in Acre Feet)

Calendar Year	Total Verified Extractions From Colton Basin Area	RIVERSIDE ENTITIES			Total Production By San Bernardino Entities Used In San Bernardino County
		Production Used In San Bernardino County	Production Used In Riverside County	Total Production	
	(1)	(2)	(3)	(4)	(5)
1971	11,388(A)	248	2,777	3,025	8,363
1972	10,414	271	2,611	2,882	7,532
1973	7,844	247	615	862	6,982
1974	8,906	273	1,464	1,737	7,169
1975	11,083	389	3,873	4,262	6,821
1976	11,558*	270	2,683	2,953	8,605
1977	8,777	447	2,269	2,716	6,061
1978	7,663	338	895	1,233	6,430
1979	7,194	288	1,682	1,970	5,224
1980	5,681	0	71	71	5,610
1981	6,348	0	173	173	6,175
1982	6,499	68	981	1,049	5,450
1983	4,735**	37	95	132	4,603**
1984	8,987	206	1,340	1,546	7,441
1985	10,149	763	2,244	3,007	7,142
1986	10,035	784	1,600	2,384	7,651
1987					
1988					
1989					
1990					

(1) Total Extractions as verified in Volume 2 for the appropriate year entitled Verified Extractions From Colton Basin Area  
 (2) From Table No. 37, Line 24 \* Filing corrected  
 (3) From Table No. 37, Line 29 \*\* Filing corrected (FUW)  
 (4) Col. (2) + Col. (3)  
 (5) Col. (1) - Col. (4)  
 (A) Verified Extractions corrected during 1972 verification  
 FOR YEARS PRECEDING 1971: Refer to Volume 5, August 1976, Page II-7



TABLE NO. 38-A  
COLTON BASIN EXTRACTIONS  
BY RIVERSIDE ENTITIES  
AND PLACE OF USE  
(Quantities in Acre Feet)

Year	Total Extractions (1)	Place of Use	
		San Bernardino County (2)	Riverside County (3)
1971	3,025	248	2,777
1972	2,882	271	2,611
1973	862	247	615
1974	1,737	273	1,464
1975	4,262	389	3,873
1976	2,953	270	2,683
1977	2,716	447	2,269
1978	1,233	338	895
1979	1,970	288	1,682
1980	71	0	71
1981	173	0	173
1982	1,049	68	981
1983	132	37	95
1984	1,546	206	1,340
1985	3,007	763	2,244
1986	2,384	784	1,600
1987			
1988			
1989			
1990			

(1) From Table No. 38, Column (4)

(2) From Table No. 38, Column (2)

(3) From Table No.38, Column (3). Col.(1)-Col.(2)=Col.(3).

FOR YEARS PRECEDING 1971: Refer to Volume 5, August 1976, Page II-9

TABLE NO. 39

VERIFIED EXTRACTIONS FROM COLTON BASIN AREA  
BY SAN BERNARDINO AND RIVERSIDE COUNTY ENTITIES  
FOR USE WITHIN EACH COUNTY  
(Quantities in Acre Feet)

Line No.	Calendar Year	Producter	Place of Use		Total Production in A.F.
			San Bernardino County	Riverside County	
1	1976*	San Bernardino Co. Wtr. Interests	8,605	0	8,605
2		Riverside Co. Wtr. Interests	270	2,683	2,953
		TOTAL	8,335	2,683	11,558
1	1977	San Bernardino Co. Wtr. Interests	6,061	0	6,061
2		Riverside Co. Wtr. Interests	447	2,269	2,716
		TOTAL	6,508	2,269	8,777
1	1978	San Bernardino Co. Wtr. Interests	6,430	0	6,430
2		Riverside Co. Wtr. Interests	338	895	1,233
		TOTAL	6,768	895	7,663
1	1979	San Bernardino Co. Wtr. Interests	5,224	0	5,224
2		Riverside Co. Wtr. Interests	238	1,682	1,970
		TOTAL	5,512	1,682	7,194
1	1980	San Bernardino Co. Wtr. Interests	5,610	0	5,610
2		Riverside Co. Wtr. Interests	0	71	71
		TOTAL	5,610	71	5,681
1	1981	San Bernardino Co. Wtr. Interests	6,175	0	6,175
2		Riverside Co. Wtr. Interests	0	173	173
		TOTAL	6,175	173	6,348

Note: Line 1 from Table No. 38, Col. (5) \*backfiling corrected for in 1977  
Line 2 from Table No. 38, Cols. (2), (3), & (4) \*\*correction made in 1981

FOR YEARS PRECEDING 1976: Refer to Volume 5, August 1977, Page II-11

TABLE NO. 39

VERIFIED EXTRACTIONS FROM COLTON BASIN AREA  
BY SAN BERNARDINO AND RIVERSIDE COUNTY ENTITIES  
FOR USE WITHIN EACH COUNTY  
(Quantities in Acre Feet)

Line No.	Calendar Year	Producter	Place of Use		Total Production In A.F.
			San Bernardino County	Riverside County	
1	1982	San Bernardino Co. Wtr. Interests	5,450	0	5,450
2		Riverside Co. Wtr. Interests	<u>68</u>	<u>981</u>	<u>1,049</u>
		TOTAL	5,518	981	6,499
1	1983	San Bernardino Co. Wtr. Interests	4,603*	0	4,603*
2		Riverside Co. Wtr. Interests	<u>37</u>	<u>95</u>	<u>132</u>
		TOTAL	4,555	95	4,735*
1	1984	San Bernardino Co. Wtr. Interests	7,441	0	7,441
2		Riverside Co. Wtr. Interests	<u>206</u>	<u>1,340</u>	<u>1,546</u>
		TOTAL	7,647	1,340	8,987
1	1985	San Bernardino Co. Wtr. Interests	7,142	0	7,142
2		Riverside Co. Wtr. Interests	<u>763</u>	<u>2,244</u>	<u>3,007</u>
		TOTAL	7,905	2,244	10,149
1	1986	San Bernardino Co. Wtr. Interests	7,651	0	7,651
2		Riverside Co. Wtr. Interests	<u>784</u>	<u>1,600</u>	<u>2,384</u>
		TOTAL	8,435	1,600	10,035

\*Corrected from previous year  
See Table 5, Vol. 2

line 1: Table 38, Column (5)  
line 2: Table 38A, Column (2), (3), (1)

TABLE NO. 39-A  
 GROUNDWATER EXTRACTIONS BY RIVERSIDE ENTITIES FROM COLTON BASIN AREA FOR  
 USE IN RIVERSIDE & SAN BERNARDINO COUNTIES FROM 1976  
 THROUGH CURRENT YEAR

(All Quantities in Acre Feet)

Riverside Entities	EXTRACTIONS FROM COLTON BASIN AREA FOR USE WITHIN & EXPORT THEREFROM																	
	1976			1977			1978			1979			1980			1981		
	Total Extractions	Delivery within Colton Basin	Delivery within Riverside County	Total Extractions	Delivery within Colton Basin	Delivery within Riverside County	Total Extractions	Delivery within Colton Basin	Delivery within Riverside County	Total Extractions	Delivery within Colton Basin	Delivery within Riverside County	Total Extractions	Delivery within Colton Basin	Delivery within Riverside County	Total Extractions	Delivery within Colton Basin	Delivery within Riverside County
City of Riverside Dom. & Irrig.	853	0	853	295	0	295	464	0	464	5	0	5	0	0	0	77	0	77
Meeks & Daley Water Company	1,860	105	1,755	2,018	125	1,893	422	78	344	1,698	104	1,594	0	0	0	0	0	0
Riverside Highland Water Company	170	165	5	332	322	10	270	260	10	191	184	7	0	0	0	0	0	0
Reche Canyon Mutual Water Company	70	0	70	71	0	71	77	0	77	76	0	76	71	0	71	96	0	96
<b>TOTAL</b>	<b>2,953</b>	<b>270</b>	<b>2,683</b>	<b>2,716</b>	<b>447</b>	<b>2,269</b>	<b>1,233</b>	<b>338</b>	<b>895</b>	<b>1,970</b>	<b>288</b>	<b>1,682</b>	<b>71</b>	<b>0</b>	<b>71</b>	<b>173</b>	<b>0</b>	<b>173</b>

See Table No. 37 (Same as Table 4, Vol. 2)  
 FOR YEARS PRECEDING 1976: Refer to Volume 5-1974, August 1976, Page II-13

TABLE NO. 39-A  
 GROUNDWATER EXTRACTIONS BY RIVERSIDE COUNTY ENTITIES FROM COLTON BASIN AREA FOR  
 USE IN RIVERSIDE & SAN BERNARDINO COUNTIES FROM 1976  
 THROUGH CURRENT YEAR

Riverside County Entities	EXTRACTIONS FROM COLTON BASIN AREA FOR USE WITHIN & EXPORT THEREFROM (All Quantities In Acre Feet)														
	1982			1983			1984			1985			1986		
	Total Extractions	Delivery Within San Bernardino Co.	Delivery Within Riverside Co.	Total Extractions	Delivery Within San Bernardino Co.	Delivery Within Riverside Co.	Total Extractions	Delivery Within San Bernardino Co.	Delivery Within Riverside Co.	Total Extractions	Delivery Within San Bernardino Co.	Delivery Within Riverside Co.	Total Extractions	Delivery Within San Bernardino Co.	Delivery Within Riverside Co.
City of Riverside Dom. & Irrig.	57	0	57	0	0	0	0	0	695	0	695	0	0	0	
Meeks & Daley Water Company	910	68	842	50	37	13	1,383	126	1,554	112	1,442	1,575	93	1,482	
Riverside Highland Water Company	0	0	0	0	0	0	83	80	675	651	24	721	691	30	
Reche Canyon Mutual Water Company	82	0	82	82	0	82	80	0	83	0	83	88	0	88	
<b>TOTAL</b>	<b>1,049</b>	<b>68</b>	<b>981</b>	<b>132</b>	<b>37</b>	<b>95</b>	<b>1,546</b>	<b>206</b>	<b>3,007</b>	<b>763</b>	<b>2,244</b>	<b>2,384</b>	<b>784</b>	<b>1,600</b>	

See Table No. 37, and Table 39.  
 FOR YEARS PRECEDING 1971: Refer to Volume 5, August 1976, Page 11-13  
 (Same as Vol. 2, Table 4)

TABLE NO. 40

RIVERSIDE CEMENT COMPANY\*  
 DIVISION, AMERICAN CEMENT CORP.  
 WATER PRODUCTION  
 FROM RIVERSIDE GROUND WATER BASIN  
 SITUATED WITHIN SAN BERNARDINO COUNTY  
 (All Quantities in Acre Feet)

Production from Recordation Filings (Volume 3, Table No. 1)

Year	State Well No. Rec. No. Local Desig. Basin	1S/5W-34K 3601721 E. Crestmore #56 Riverside (1)	1S/5W-34K2 3600873 W. Crestmore #57 Riverside (2)	(2a)	Production Exported To Riverside County Riverside (3)	2S/5W-02A 3600874 White Well Riverside (4)	2S/5W-02G2 3600883 Wright Riverside (5)	2S/5W-02R 3601722 New White 58-1 Riverside (6)	2S/5W-2L2 3601782 None Riverside (7)	2S/5W-02G 3602114 63-1 Riverside (8)	(8a)	Production Used In San Bernardino County (9)	Total Production In San Bernardino County (10)
1971		130	219	-	349	0	0	0	-	482	-	482	831
1972		353	20	-	373	0	0	0	-	204	-	204	577
1973		531	6	-	537	0	0	0	-	0	-	0	537
1974		133	0(a)	-	133	0	0	0	-	0	-	0	133
1975		0(b)	0(a)	-	0(a)(b)	0	0	0	-	0	-	0	0(a)(b)
1976		0(b)	0(a)	-	0(a)(b)	0	0	0	-	218	-	218	218
1977		0(b)	0(a)	-	0(a)(b)	0	0	0	-	446	-	446	446
1978		0(b)	0(a)	-	0(a)(b)	0	0	0	-	227	-	227	227
1979		0(b)	0(a)	-	0(a)(b)	0	0	0	-	436	-	436	436
1980		0(b)	0(a)	-	0(a)(b)	0	0	0	-	218	-	218	218
1981		0(b)	0(a)	-	0	0	0	0	-	413	-	413	413
1982		0(b)	0(a)	-	0	0	0	0	-	0	-	0	0
1983		-	-	-	0	0	0	0	-	0	-	0	0
1984		-	-	-	0	0	0	0	-	0	-	0	0
1985		-	-	-	0	0	0	0	-	0	-	0	0
1986		-	-	-	0	0	0	0	-	0	-	0	0
1987		-	-	-	0	0	0	0	-	0	-	0	0
1988		-	-	-	0	0	0	0	-	0	-	0	0
1989		-	-	-	0	0	0	0	-	0	-	0	0
1990		-	-	-	0	0	0	0	-	0	-	0	0

(a) 3600873 sold to Green Acres Mem. Park Ass'n. 1974 (b) 3601721 sold to Green Acres Mem. Park Ass'n. 1975 \*Abandoned or File closed  
 (3) Col. (2) + Col. (1) (10) Col. (3) + Col. (9)  
 (9) Cols. (4) + (5) + (6) + (7) + (8) F.C. File Closed  
 FOR YEARS PRECEDING 1971: Refer to Volume 5, August 1976, Page III-7  
 \*Name changed to Amcord, Inc. 1973 & recurred in 1981

TABLE NO. 41

RIVERSIDE CEMENT COMPANY

WATER PRODUCTION FROM RIVERSIDE GROUND WATER BASIN  
WITHIN SAN BERNARDINO COUNTY FOR PERIOD 1971 THROUGH CURRENT YEAR  
AND PRODUCTION DELIVERED IN RIVERSIDE AND SAN BERNARDINO COUNTIES

(All Quantities in Acre Feet)

<u>Year</u>	<u>Production Exported To Riverside County (1)</u>	<u>Production Used In San Bernardino County (2)</u>	<u>Total Production (3)</u>
1971	349	482	831
1972	373	204	577
1973	537	0	537
1974	133	0	133
1975	0	0	0
1976	0	218	218
1977	0	446	446
1978	0	227	227
1979	0	436	436
1980	0	218	218
1981	0	413	413
1982	0	0	0
1983	0	0	0
1984	0	0	0
1985	0	0	0
1986	0	0	0
1987			
1988			
1989			
1990			

Col. (1) from Table No. 40, Col. (3)  
Col. (2) from Table No. 40, Col. (9)  
Col. (3) from Table No. 40, Col. (10)

FOR YEARS PRECEDING 1971: Refer to Volume 5, August 1976, Page III-9

TABLE NO. 42

CITY OF RIVERSIDE  
IRRIGATION AND DOMESTIC DIVISIONS  
WATER PRODUCTION FROM RIVERSIDE GROUND WATER BASIN  
WITHIN SAN BERNARDINO COUNTY FOR PERIOD 1971 THROUGH CURRENT YEAR  
AND PRODUCTION DELIVERED IN RIVERSIDE AND SAN BERNARDINO COUNTIES

(All Quantities in Acre Feet)

<u>Year</u>	<u>Production Exported To Riverside County</u> (1)	<u>Production Used In San Bernardino County</u> (2)	<u>Total Production</u> (3)
1971	4,363	174	4,537
1972	5,813	107	5,920
1973	4,941	45	4,986
1974	6,012	111	6,123
1975	5,744	94	5,838
1976	6,219	126	6,345
1977	3,833	279	4,112
1978	1,093	271	1,364
1979	2,249	587	2,836
1980	115	1,591	1,706
1981	1,368	1,526	2,894
1982	1,513	2,102*	3,615*
1983	648	1,933*	2,581*
1984	2,443	448	2,891
1985	2,479	714	3,193
1986	2,225	117	2,342
1987			
1988			
1989			
1990			

Col. (1) From Chapter No. I, City of Riverside, Table No. 12, Col. (10)  
 Col. (2) From Chapter No. I, City of Riverside, Table No. 12, Col. (9)  
 Col. (3) From Chapter No. I, City of Riverside, Table No. 2, Sht. 1  
 Line No. 30 or Table 12 Col. 2

FOR YEARS PRECEDING 1971: Refer to Volume 5, August 1976, Page III-11

\*Corrected during 1984 verification



TABLE NO. 43

CITY OF RIVERSIDE  
IRRIGATION & DOMESTIC DIVISIONS  
GAGE CANAL COMPANY  
WATER PRODUCTION FROM RIVERSIDE GROUND WATER BASIN  
WITHIN SAN BERNARDINO COUNTY FOR PERIOD 1971 THROUGH CURRENT YEAR  
AND PRODUCTION DELIVERED IN RIVERSIDE AND SAN BERNARDINO COUNTIES

(All Quantities in Acre Feet)

<u>Year</u>	<u>Production Exported To Riverside County</u> (1)	<u>Production Used In San Bernardino County</u> (2)	<u>Total Production</u> (3)
1971	567	0	567
1972	778	0	778
1973	222	0	222
1974	374	98	472
1975	568	77	645
1976	378	62	440
1977	383	6	389
1978	730	4	734
1979	409	4	413
1980	2,028	4	2,032
1981	2,464	3	2,467
1982	1,644	1	1,645
1983	1,018	1	1,019
1984	2,044	2	2,046
1985	1,860	1	1,861
1986	1,891	2	1,893
1987			
1988			
1989			
1990			

(1) From Chapter I, Gage Canal, Table No. 17, Col. (15)

(2) From Chapter I, Gage Canal, Table No. 17, Col. (14a)

(3) From Chapter I, Gage Canal, Table No. 15, Line 24

FOR YEARS PRECEDING 1971: Refer to Volume, 5, August 1976, Page III-13

TABLE NO. 44

INTER COUNTY WATER COMPANYWATER PRODUCTION FROM RIVERSIDE GROUND WATER BASIN  
WITHIN SAN BERNARDINO COUNTY FOR PERIOD 1971 THROUGH CURRENT YEAR  
AND PRODUCTION DELIVERED IN RIVERSIDE AND SAN BERNARDINO COUNTIES

(All Quantities in Acre Feet)

Year	Total Production 2S5W2C Recordation 3301347 (1)	Production	
		Exported To Riverside County (2)	Used In San Bernardino County (3)
1971	83	51	32
1972	95	58	37
1973*	157	96	61
1974	206	125	81
1975	225	137	88
1976	230	78	152
1977	207	70	137
1978	145	49	96
1979	225	76	149
1980	228	78	150
1981	175	60	115
1982	200	68	132
1983	154	52	102
1984	207	71	136
1985	196	67	129
1986	189	64	125

\* Used Southern California Edison record since 1973 to determine water production. This well is shown by the State Water Rights Board as being located in Riverside County as evidenced by 33 for the first two numbers on the recordation number. The well is actually located in San Bernardino County and the first two numbers should be 36. The State Board has been notified but has taken no action.

Note: Information on 9/8/66 from Company officials shows that the Company has 87 customers of which 34 are in San Bernardino County and 53 in Riverside County and the number of meters has not changed since 1980. Therefore, the delivery split between the two counties is based on meter ratio. 6/7/77 71 meters total 47 (66%) in San Bernardino County and 24 (34%) in Riverside County.

Note: Col. (1) from Volume 3, Table No. 1  
FOR YEARS PRECEDING 1971: Refer to Volume 5, August 1976, Page III-15

TABLE NO. 45

JURUPA WATER COMPANY

WATER PRODUCTION FROM RIVERSIDE GROUND WATER BASIN  
WITHIN SAN BERNARDINO COUNTY FOR PERIOD 1971 THROUGH CURRENT YEAR  
AND PRODUCTION DELIVERED IN RIVERSIDE AND SAN BERNARDINO COUNTIES

(All Quantities in Acre Feet)

Description State Well No. Rec. No. Local Desig. <u>Year</u>	Production		Total Production See Note (3)
	<u>1S5W36C11</u> 3600535- No. 3 (1)	<u>1S5W36C10</u> 3600536 No. 1-1/2 (2)	
1971	94	0	94
1972	376	0	376
1973	200	0	200
1974	402	0	402
1975	592	0	592
1976	637	0	637
1977	756	0	756
1978	1,118	0	1,118
1979	421	0	421
1980	478*	0	478
1981	62	0	62
1982	793	0	793
1983	351	0	351
1984	634	0	634
1985	1,217	0	1,217
1986	1,372	0	1,372
1987			
1988			
1989			
1990			

Note: Total Production shown in Col. (3) is all exported to Riverside County via West Riverside Canal. Deliveries to San Bernardino County and zero.

FOR YEARS PRECEDING 1971: Refer to Volume 5, August 1976, Page III-17

\* Corrected during 1981 verification

° Abandoned or File closed

TABLE NO. 46A

LA SIERRA WATER COMPANY  
 WATER PRODUCTION FROM COLTON BASIN AND  
 THAT PART OF RIVERSIDE BASIN LOCATED WITHIN SAN BERNARDINO COUNTY  
 (Quantities in Acre Feet by Calendar Year)

Description State Well No. Rec. No. Local Desig. Line Year	Colton Basin Production							
	1S4W18G		1S4W18F		Total Production			
	3601259 Col. 15 (1)	3602227 LS #15 (2)	3601261 Col. 17 (3)	3602228 LS #17 (4)	Colton (1)+(3) (5)	La Sierra (2)+(4) (6)	Total (5)+(6) (7)	
1	1971	137	267	116	860	253	1,127	1,380
2	1972	106	364	245	693	351	1,057	1,408
3	1973	158	466	369	440	527	906	1,433
4	1974	329	348	545	312	874	660	1,534
5	1975	292	69	194	559	486	628	1,114
6	1976	259	349	467	304	726	653	1,379
7	1977	314	202	452	304	766	506	1,272
8	1978	273	202	572	304	845	506	1,351
9	1979	612	184	1,184	351	1,760	535	2,295
10	1980	698	275	728	267	1,426	542	1,968
11	1981	447	229	763	312	1,210	541	1,751
12	1982	586	0	1,030	582	1,616	582	2,198
13	1983	537	236	909	316	1,446	552	1,998
14	1984	667	216	811	287	1,478	503	1,981
15	1985	306	150	725	340	1,031	490	1,521
16	1986	668	347	507	103	1,175	450	1,625
17	1987							
18	1988							
19	1989							
20	1990							

- (1) Table No. 1, Volume 2
- (2) Table No. 1, Volume 2
- (3) Table No. 1, Volume 2
- (4) Table No. 1, Volume 2
- (8)-(16) Table No. 1, Volume 3

Note: Well 1S/4W-18G and 1S/4W-18F beginning in 1964 were used by both La Sierra Water Company and City of Colton under the different Recordation Numbers shown for the same wells.

FOR YEARS PRECEDING 1971: Refer to Volume 5, August 1976, Page III-19

TABLE NO. 468

LA SIERRA WATER COMPANY  
 WATER PRODUCTION FROM CHITON BASIN AND  
 THAT PART OF RIVERSIDE BASIN LOCATED WITHIN SAN BERNARDINO COUNTY  
 (Quantities in Acre Feet by Calendar Year)

Riverside North Basin

Column # State Well # Recordation # Local Desig.	(1) 1S4W32E01S 3601539 LS #1°	(2) 1S4W32E03S 3601540 LS #2°	(3) 1S4W32E06S 3601541 LS #4°	(4) 1S4W32E05S 3601542 LS #5°	(5) 1S4W32E02S 3601543 LS #6°	(6) 1S4W32E07S 3601544 LS #7°	(7) 1S4W32E11S 3601545 LS #8°	(8) 1S4W32E09S 3601546 LS #10°	(9) 1S4W32E10S 3601547 LS #9°	(10) 1S4W290003S 3691486 Flume 4°	(11) 1S4W290004S 3692486 Flume 6°	(12) La Sierra Production Riverside Basin
1971	-	-	-	-	-	1,218	2,106	1,415	-	-	-	4,739
1972	-	-	-	-	-	1,330	2,178	1,201	-	-	-	4,709
1973	-	-	-	-	-	664	1,980	0	-	-	-	2,644
1974	-	-	-	-	-	0	1,932	1	-	-	-	1,933
1975	-	-	-	-	-	0	2,309	2	-	-	-	2,311
1976	-	-	-	-	-	0	2,682	0	-	-	-	2,682
1977	-	-	-	-	-	0	2,396	0	-	-	-	2,862
1978	-	-	-	-	-	0	2,496	0	-	431	35	2,862
1979	-	-	-	-	-	0	1,654	0	-	3	1	1,500
1980	-	-	-	-	-	0	1,654	0	-	53	29	1,736
1981	-	-	-	-	-	98 276	1,004	0	-	0	0	1,102
1982	-	-	-	-	-	0	0	1,957	-	-	-	2,233
1983	-	-	-	-	-	0	0	29	-	-	-	29
1984	-	-	-	-	-	0	0	14	-	-	-	14
1985	-	-	-	-	-	0	0	0	-	-	-	0
1986	-	-	-	-	-	0	0	0	-	-	-	0
1986	-	-	-	-	-	0	0	0	-	-	-	0

Column(3) LS #10 well assigned to Southern California Edison Co. Highgrove Steam Plant.  
 Column(10)&(11) Starting in 1976 part of the flow from the Flume Wells are leased by the City of Riverside. The amounts shown is La Sierra production only. Riverside production is shown under 3601886 and 3602486

LS #10 well production in 1964 delivered by S.C.F. Co. to Temescal Water Co.  
 See La Sierra Water Co. presentation.  
 ° Abandoned or File closed

Column(12) = Total of Column 1 thru 11

TABLE NO. 47

LA SIERRA WATER COMPANY  
 WATER PRODUCTION FROM COLTON AND RIVERSIDE BASIN  
 SITUATED WITHIN SAN BERNARDINO COUNTY WITH DELIVERIES  
 IN SAN BERNARDINO COUNTY AND EXPORTS TO RIVERSIDE COUNTY  
 (Quantities in Acre Feet by Calendar Year)

Line	Year	La Sierra Production in Colton Basin and Riverside Basin in San Bernardino County			DELIVERIES OF LA SIERRA WATER COMPANY WATER PRODUCTION					Total Deliveries in Riverside County (14)			
		Colton Basin (3)	Riverside Basin (4)	Total Production (5)	Deliveries Made in San Bernardino County								
					Southern California Edison Steam Plant (6)	Riverside Highland Water Co. (7)	City of Colton (8)	Total in San Bernardino County (9)	West Riverside Canal (10)		Riverside Highland Water Co. (11)	Temescal Water Company (12)	City of Riverside (13)
1	1971	1,127	4,739	5,866	-	0	1,127	1,127	3,324	0	1,415	-	4,739
2	1972	1,057	4,709	5,766	-	0	1,057	1,057	3,508	0	1,201	-	4,709
3	1973	906	2,644	3,550	-	0	906	906	2,644	0	0	-	2,644
4	1974	660	1,933	2,593	-	0	660	660	1,932	0	1	-	1,933
5	1975	628	2,311	2,939	-	0	628	628	2,309	0	2	-	2,311
6	1976	653	2,682	3,335	-	0	653	653	2,682	0	0	-	2,682
7	1977	506	2,862	3,368	-	0	506	506	2,396	0	0	466	2,862
8	1978	506	1,500	2,006	-	0	506	506	1,496	0	0	4	1,500
9	1979	515	1,736	2,271	-	0	535	535	1,654	0	0	82	1,736
10	1980	542	1,102	1,644	-	0	542	542	1,102	0	0	0	1,102
11	1981	541	2,233	2,774	-	0	541	541	2,233	0	0	0	2,233
12	1982	582	29	611	-	0	582	582	29	0	0	0	29
13	1983	532	14	566	-	0	532	532	14	0	0	0	14
14	1984	503	0	503	-	0	503	503	0	0	0	0	0
15	1985	490	0	490	-	0	490	490	0	0	0	0	0

General Notes:

- (a) Production shown is from Well 1S/4W-18C. This well is owned by City of Colton and no production from this well was made by La Sierra Water Co. prior to 1964. Beginning in 1964 production by Colton recorded under 3601259 and by La Sierra under 3602227.
- (b) Production shown includes water from 1S/4W-18F. This well is owned by City of Colton and no production from this well was made by La Sierra prior to 1964. Beginning in 1964 production by Colton recorded under 3601261 and by La Sierra under 3602228.
- (c) La Sierra Well No. 10 delivered directly to Edison Steam Plant in Hightrove 1959-63. Beginning in 1964 California Edison Company. Beginning in 1964 Riverside County purchased the flow of Sierra No. 10 well from Southern California Edison Company.

TABLE NO. 47

LA SIERRA WATER COMPANY  
 WATER PRODUCTION FROM COLTON AND RIVERSIDE BASIN  
 SITUATED WITHIN SAN BERNARDINO COUNTY WITH DELIVERIES  
 IN SAN BERNARDINO COUNTY AND EXPORTS TO RIVERSIDE COUNTY  
 (Quantities in Acre Feet by Calendar Year)

Line	Year	La Sierra Production in Colton Basin and Riverside Basin in San Bernardino County				DELIVERIES OF LA SIERRA WATER COMPANY WATER PRODUCTION					Total Deliveries in Riverside County	
		Colton Basin		Riverside Basin		Deliveries Made in San Bernardino County						
		(3)	(4)	(5)	(6)	(7)	(8)	(9)	(10)	(11)		(12)
1	1966	450	0	450	(c)	(7)	(8)	(9)	(10)	(11)	(12)	(13)
2							(a) & (b)				(c)	
3								450	0	0	0	0
4												
5												
6												
7												
8												
9												
10												
11												
12												
13												
14												

(3) From Table No. 46A Col. (6)  
 (4) From Table No. 46B Col. (12)  
 (5) Col. (3) + (4)  
 (6) From Table No. 46B, Col. (8)  
 (7) From Chapter I, Table No. 31, Col. (8), Riverside Highland Wtr. Co.  
 (8) Identical with this Table No. 47, Col. (3)  
 (9) Total of Cols. (6), (7) & (8)  
 (10) 1959-63: Col. (5) - [Cols. (6)+(7)+(8)+(11)]  
 1964 and after: Col. 5 - [Cols. (6) + (7) + (8) + (12) + (13)]  
 (11) From Chapter I, Table No. 31, Col. (17), Riverside Highland Wtr. Co.  
 (12) From Table No. 46, Col. (8) 1964 and after, see Temescal File  
 (13) From Table 46B, Cols. (10) + (11)  
 (14) Cols. (10) + (11) + (12) + (13)

General Notes:  
 (a) Production shown is from Well 1S/4W-188. This well is owned by City of Colton and no production from this well was made by La Sierra Water Co. prior to 1964. Beginning in 1964 production by Colton recorded under 3601259 and by La Sierra under 3602227.  
 (b) Production shown includes water from 1S/4W-188. This well is owned by City of Colton and no production from this well was made by La Sierra prior to 1964. Beginning in 1964 production by Colton recorded under 360126; and by La Sierra under 3602228.  
 (c) La Sierra Well No. 10 delivered directly to Edison Steam Plant in Highgrove 1959-63. Beginning in 1964 Temescal Water Co. in Riverside County purchased the flow of Sierra No. 10 well from Southern California Edison Company.

FOR YEARS PRECEDING 1971: Refer to Volume 5, August 1976, Page III-21

TABLE NO. 48

LA SIERRA WATER COMPANY

WATER PRODUCTION FROM RIVERSIDE GROUND WATER BASIN  
WITHIN SAN BERNARDINO COUNTY FOR PERIOD 1971 THROUGH CURRENT YEAR  
AND PRODUCTION DELIVERED IN RIVERSIDE AND SAN BERNARDINO COUNTIES

(All Quantities in Acre Feet)

<u>Year</u>	<u>Total Production</u> (1)	<u>Used in San Bernardino County</u> (2)	<u>Exported To Riverside County</u> (3)
1971	4,739	0	4,739
1972	4,709	0	4,709
1973	2,644	0	2,644
1974	1,933	0	1,933
1975	2,311	0	2,311
1976	2,682	0	2,682
1977	2,862	0	2,862
1978	1,500	0	1,500
1979	1,736	0	1,736
1980	1,102	0	1,102
1981	2,233	0	2,233
1982	29	0	29
1983	14	0	14
1984	0	0	0
1985	0	0	0
1986	0	0	0
1987			
1988			
1989			
1990			

(1) From Col. (4), Table No. 47

(2) Col. (4) - [Cols. (10) + (11) + (13)], Table No. 47

(3) From Col. (14), Table No. 47

FOR YEARS PRECEDING 1971: Refer to Volume 5, August 1976, Page III-23



TABLE NO. 49

RIVERSIDE HIGHLAND WATER COMPNAY  
WATER PRODUCTION FROM RIVERSIDE GROUND WATER BASIN  
WITHIN SAN BERNARDINO COUNTY FOR PERIOD 1971 THROUGH CURRENT YEAR  
AND PRODUCTION DELIVERED IN RIVERSIDE AND SAN BERNARDINO COUNTIES

(All Quantities in Acre Feet)

<u>Year</u>	<u>Total Production</u> (1)	<u>Export To Riverside County</u> (2)	<u>Used In San Bernardino County</u> (3)
1971	5,304	3,778	1,526
1972	4,229	2,980	1,249
1973	4,074	2,847	1,227
1974	3,371	2,262	1,109
1975	3,016	2,050	966
1976	3,592	2,484	1,108
1977	4,699	3,582	1,117
1978	3,923	2,621	1,302
1979	3,876	2,682	1,194
1980	4,284	2,837	1,447
1981	4,965	3,289	1,676
1982	3,330	2,082	1,248
1983	2,536	1,646	889
1984	4,545	3,178	1,367
1985	4,475	3,176	1,299
1986	2,089	1,088	1,001
1987			
1988			
1989			
1990			

(1) From Riverside Highland Water Company Table No. 21, Line 8

(2) From Riverside Highland Water Company Table No. 31, Col. (16)

(3) From Riverside Highland Water Company Table No. 31, Col. (7)

FOR YEARS PRECEDING 1971: Refer to Volume 5, August 1976, Page III-25

TABLE NO. 50

TEMESCAL WATER COMPANY

WATER PRODUCTION FROM RIVERSIDE GROUND WATER BASIN  
WITHIN SAN BERNARDINO COUNTY FOR PERIOD 1971 THROUGH CURRENT YEAR  
AND PRODUCTION DELIVERED IN RIVERSIDE AND SAN BERNARDINO COUNTIES

(All Quantities in Acre Feet)

<u>Description</u>	<u>Production</u>
State Well No.	2S4W6A3
Rec. No.	3601509
<u>Local Desig.</u>	<u>Palm Ave. Well</u>
	(1)
<u>Year</u>	
1971	1,948
1972	1,368
1973	1,614
1974	821
1975	2,035
1976	2,682
1977	2,363
1978	1,528
1979	2,130
1980	1,968
1981	2,196
1982	1,423
1983	0
1984	1,190
1985	1,817
1986	2,015
1987	
1988	
1989	
1990	

Note: Total production shown in column (1) is all exported to Riverside County via Gage or Riverside Canals. Deliveries in San Bernardino County are zero.

FOR YEARS PRECEDING 1971: Refer to Volume 5, August 1976, Page III-27

No deliveries made via Gage since conversion to domestic pipeline in 1975.

TABLE NO. 51

WEST RIVERSIDE 350 INCH WATER COMPANY  
WATER PRODUCTION FROM RIVERSIDE GROUND WATER BASIN  
WITHIN SAN BERNARDINO COUNTY FOR PERIOD 1971 THROUGH CURRENT YEAR

(All Quantities in Acre Feet)

State Well # Rec. No. <u>Local Desig.</u> <u>Year</u>	1S4W32B1 3600832 <u>No.</u> (1)	1S4W32B2 3601953 <u>No.</u> (2)	<u>Total Production</u> (3)
1971	470	1,749	2,219
1972	225	1,908	2,133
1973	197	688	885
1974	218	1,240	1,521
1975	228	1,298	1,526
1976	84	897	981
1977	262	321	583
1978	233	183	416
1979	139	750	889
1980	454	131	585
1981	611	784	1,395
1982	641	264	905
1983	6	40	46
1984	0	0	0
1985	155	430	585
1986	0	0	0
1987			
1988			
1989			
1990			

Cols. (1) & (2) From Table No. 1, Volume 3

Col. (3) Sum of Cols. (1) & (2)

Note: Total production shown in Col. (3) is all exported to Riverside County via West Riverside Canal. Deliveries in San Bernardino County are zero. Wells #s 1, 2, 4, 6 are abandoned.

FOR YEARS PRECEDING 1971: Refer to Volume 5, August 1976, Page III-29

TABLE NO. 52

GROUND WATER PRODUCTION FROM THAT PART OF THE RIVERSIDE GROUND WATER BASIN SITUATED WITHIN SAN BERNARDINO COUNTY A PART OF WHICH IS USED IN SAN BERNARDINO COUNTY AND THE REMAINDER EXPORTED TO RIVERSIDE COUNTY DURING CALENDAR YEARS 1971-1975  
(All Quantities in Acre Feet)

Line No.	PRODUCING AGENCY	WATER PRODUCTION USED IN SAN BERNARDINO COUNTY					Total	Five Year Average	References
		1971	1972	1973	1974	1975			
1	American Cement Company (Crestmore)	482	204	0	0	0	686	137	From Table No. 41, Col. (2)
2	City of Riverside Irrigation and Domestic	174	107	45	111	94	531	106	From Table No. 42, Col. (2)
3	City of Riverside "The Gage Canal"	0	0	0	98	77	175	35	From Table No. 43, Col. (2)
4	Inter County Water Company	32	37	61	81	88	299	60	From Table No. 44, Col. (3)
5	Jurupa Water Company	0	0	0	0	0	0	0	From Table No. 45, See Footnote
6	La Sierra Water Company	0	0	0	0	0	0	0	From Table No. 48, Col. (2)
7	Riverside Highland Water Company	1,526	1,249	1,227	1,109	966	6,077	1,216	From Table No. 49, Col. (3)
8	Temescal Water Company	0	0	0	0	0	0	0	From Table No. 50, See Footnote
9	West Riverside 350 Inch Water Company	0	0	0	0	0	0	0	From Table No. 51, See Footnote
10	TOTAL LINES 1 THROUGH 9	2,214	1,597	1,333	1,399	1,225	7,768	1,554	

WATER PRODUCTION EXPORTED TO RIVERSIDE COUNTY

15	American Cement Company (Crestmore)	349	373	537	133	0	1,392	278	From Table No. 41, Col. (1)
16	City of Riverside Irrigation and Domestic	4,363	5,813	4,941	6,012	5,744	26,873	5,375	From Table No. 42, Col. (1)
17	City of Riverside "The Gage Canal"	567	778	222	374	568	2,509	502	From Table No. 43, Col. (1)
18	Inter County Water Company	51	58	96	125	137	467	93	From Table No. 44, Col. (2)
19	Jurupa Water Company	94	376	200	402	592	1,664	333	From Table No. 45, Col. (3)
20	La Sierra Water Company	4,739	4,709	2,644	1,933	2,311	16,336	3,267	From Table No. 48, Col. (3)
21	Riverside Highland Water Company	3,778	2,980	2,847	2,262	2,050	13,917	2,783	From Table No. 49, Col. (2)
22	Temescal Water Company	1,948	1,368	1,614	821	2,035	7,786	1,557	From Table No. 50, Col. (1)
23	West Riverside 350 Inch Water Company	2,219	2,133	885	1,521	1,526	8,284	1,657	From Table No. 51, Col. (7)
24	TOTAL LINES 15 THROUGH 23	18,108	18,588	13,986	13,583	14,963	79,228	15,845	
25	TOTAL LINES 10 PLUS 24	20,322	20,185	15,319	14,982	16,188	86,996	17,399	

TABLE NO. 52  
GROUNDWATER PRODUCTION FROM THAT PART OF THE RIVERSIDE GROUNDWATER BASIN  
SITUATED WITHIN SAN BERNARDINO COUNTY A PART OF WHICH IS USED IN  
SAN BERNARDINO COUNTY AND THE REMAINDER EXPORTED TO  
RIVERSIDE COUNTY DURING CALENDAR YEARS 1976 THROUGH CURRENT YEAR  
 (All Quantities in Acre Feet)

WATER PRODUCTION USED IN SAN BERNARDINO COUNTY												
Line No.	1976	1977	1978	1979	1980	1981	1982	1983	1984	1985	References	
1	Riverside Cement Co. +	218	446--	227	436	218	413	0	0	0	From Table No. 41, Col. (2)	
2	City of Riverside Domestic & Irrigation	126	279	271	587	1,591	1,526	1,933**	448	714	From Table No. 42, Col. (2)	
3	City of Riverside "The Gage Canal"	62	6	4	4	3	1	1	2	1	From Table No. 43, Col. (2)	
4	Inter County Water Company	152	137	96	149	150	132	102	136	129	From Table No. 44, Col. (3)	
5	Jurupa Water Company	-	-	-	-	-	-	-	-	-	Table No. 45, See Footnote	
6	La Sierra Water Company	0	0	0	0	0	0	0	0	0	From Table No. 48, Col. (2)	
7	Riverside Highland Water Company	1,108	1,117	1,302	1,194	1,447	1,248	889	1,367	1,299	From Table No. 49, Col. (3)	
8	Temescal Water Company	-	-	-	-	-	-	-	-	-	Table No. 50, See Footnote	
9	West Riverside 350" Water Company	-	-	-	-	-	-	-	-	-	Table No. 51, See Footnote	
10	TOTAL LINES 1 THROUGH 9	1,666	1,985	1,900	2,370	3,410	3,733	3,483**	1,953	2,143		

WATER PRODUCTION EXPORTED TO RIVERSIDE COUNTY												
Line No.	1976	1977	1978	1979	1980	1981	1982	1983	1984	1985	References	
15	Riverside Cement Co. +	0	0	0	0	0	0	0	0	0	From Table No. 41, Col. (1)	
16	City of Riverside Domestic & Irrigation	6,219	3,833	1,093	2,249	1,368	1,513	648	2,443	2,479	From Table No. 42, Col. (1)	
17	City of Riverside "The Gage Canal"	378	383	730	409	2,464	1,644	1,018	2,044	1,860	From Table No. 43, Col. (1)	
18	Inter County Water Company	78	70	49	76	60	68	52	71	67	From Table No. 44, Col. (2)	
19	Jurupa Water Company	637	756	1,118	421	478	793	351	634	1,217	From Table No. 45, Col. (3)	
20	La Sierra Water Company	2,682	2,862	1,500	1,736	2,233	29	14	0	0	From Table No. 48, Col. (3)	
21	Riverside Highland Water Company	2,484	3,582	2,621	2,682	3,289	2,082	1,646	3,178	3,176	From Table No. 49, Col. (2)	
22	Temescal Water Company	2,682	2,363	1,528	2,130	1,968	1,423	0	1,190	1,817	From Table No. 50, Col. (1)	
23	West Riverside 350" Water Company	981	583	416	889	1,395	905	46	0	585	From Table No. 51, Col. (3)	
24	TOTAL LINES 15 THROUGH 23	16,141	14,432	9,055	10,592	13,067	8,457	3,775	9,560	11,201		
25	TOTAL LINES 10 PLUS 24	17,807	16,417	10,955	12,962	16,800	11,940**	6,700**	11,513	13,344		

FOR YEARS PRECEDING 1976: Refer to Volume 5-1975, August 1977, Page 56

+ Name change in 1981 from Amcord

\* Corrected in 1981

\*\* Corrected in 1984

TABLE NO. 52

GROUNDWATER PRODUCTION FROM THAT PART OF THE RIVERSIDE-GROUNDWATER BASIN SITUATED WITHIN SAN BERNARDINO COUNTY A PART OF WHICH IS USED IN SAN BERNARDINO COUNTY AND THE REMAINDER EXPORTED TO RIVERSIDE COUNTY DURING CALENDAR YEARS 1976 THROUGH CURRENT YEAR  
(All Quantities in Acre Feet)

WATER PRODUCTION USED IN SAN BERNARDINO COUNTY

Line No.	1976	1977	1978	1979	1980	1981	1982	1983	1984	1985	References
1	218	446--	227	436	218	413	0	0	0	0	From Table No. 41, Col. (1)
2	126	279	271	587	1,591	1,526	2,102**	1,933**	448	714	From Table No. 42, Col. (2)
3	62	6	4	4	4	3	1	1	2	1	From Table No. 43, Col. (2)
4	152	137	96	149	150	115	132	102	136	129	From Table No. 44, Col. (3)
5	-	-	-	-	-	-	-	-	-	-	Table No. 45, See Footnote
6	0	0	0	0	0	0	0	0	0	0	From Table No. 48, Col. (2)
7	1,108	1,117	1,302	1,194	1,447	1,676	1,248	889	1,367	1,299	From Table No. 49, Col. (3)
8	-	-	-	-	-	-	-	-	-	-	Table No. 50, See Footnote
9	-	-	-	-	-	-	-	-	-	-	Table No. 51, See Footnote
10	1,666	1,985	1,900	2,370	3,410	3,733	3,483**	2,925 **	1,953	2,143	

WATER PRODUCTION EXPORTED TO RIVERSIDE COUNTY

Line No.	1976	1977	1978	1979	1980	1981	1982	1983	1984	1985	References
15	0	0	0	0	0	0	0	0	0	0	From Table No. 41, Col. (1)
16	6,219	3,833	1,093	2,249	115	1,368	1,513	648	2,443	2,479	From Table No. 42, Col. (1)
17	378	383	730	409	2,028	2,464	1,644	1,018	2,044	1,860	From Table No. 43, Col. (1)
18	78	70	49	76	78	60	68	52	71	67	From Table No. 44, Col. (2)
19	637	756	1,118	421	478	62	793	351	634	1,217	From Table No. 45, Col. (3)
20	2,682	2,862	1,500	1,736	1,102	2,233	29	14	0	0	From Table No. 48, Col. (2)
21	2,484	3,582	2,621	2,682	2,837	3,289	2,082	1,646	3,178	3,176	From Table No. 49, Col. (2)
22	2,682	2,363	1,528	2,130	1,968	2,196	1,423	0	1,190	1,817	From Table No. 50, Col. (1)
23	981	583	416	889	585	1,352	905	46	0	585	From Table No. 51, Col. (3)
24	16,141	14,432	9,055	10,592	9,191	13,067	8,457	3,775	9,560	11,201	
25	17,807	16,417	10,955	12,962	12,601	16,800	11,940**	6,700**	11,513	13,344	

FOR YEARS PRECEDING 1976: Refer to Volume 5-1975, August 1977, Page 56

+ Name change in 1981 from Amcord

\* Corrected in 1981

\*\* Corrected in 1984

TABLE NO. 52  
 GROUNDWATER PRODUCTION FROM THAT PART OF THE RIVERSIDE GROUNDWATER BASIN  
 SITUATED WITHIN SAN BERNARDINO COUNTY A PART OF WHICH IS USED IN  
 SAN BERNARDINO COUNTY AND THE REMAINDER EXPORTED TO  
 RIVERSIDE COUNTY DURING CALENDAR YEARS 1976 THROUGH CURRENT YEAR  
 (All quantities in acre feet)

Line No.	WATER PRODUCTION USED IN SAN BERNARDINO COUNTY		References
	1986		
1	Riverside Cement Co. +	0	From Table No. 41, Col. (2)
2	City of Riverside Domestic & Irrigation	117	From Table No. 42, Col. (2)
3	City of Riverside "The Gage Canal"	2	From Table No. 43, Col. (2)
4	Inter County Water Company	125	From Table No. 44, Col. (3)
5	Jurupa Water Company	-	Table No. 45, See Footnote
6	La Sierra Water Company	0	From Table No. 48, Col. (2)
7	Riverside Highland Water Company	1,001	From Table No. 49, Col. (3)
8	Temescal Water Company	-	Table No. 50, See Footnote
9	West Riverside 350" Water Company	-	Table No. 51, See Footnote
10	TOTAL LINES 1 THROUGH 9	1,245	
11			
12			
13			
14			
15	Riverside Cement Co. +	0	From Table No. 41, Col. (2)
16	City of Riverside Domestic & Irrigation	2,225	From Table No. 42, Col. (1)
17	City of Riverside "The Gage Canal"	1,891	From Table No. 43, Col. (1)
18	Inter County Water Company	64	From Table No. 44, Col. (2)
19	Jurupa Water Company	1,372	From Table No. 45, Col. (2)
20	La Sierra Water Company	0	From Table No. 48, Col. (2)
21	Riverside Highland Water Company	1,088	From Table No. 49, Col. (2)
22	Temescal Water Company	2,015	From Table No. 50, Col. (1)
23	West Riverside 350" Water Company	0	From Table No. 51, Col. (1)
24	TOTAL LINES 15 THROUGH 23	8,655	
25	TOTAL LINES 10 PLUS 24	9,900	

FOR YEARS PRECEDING 1976: Refer to Volume 5-1975, August 1977, Page 56  
 + Same change in 1981 from Amcord  
 \* Corrected in 1981

TABLE NO. 52-A

GROUNDWATER PRODUCTION FROM THAT PART OF THE RIVERSIDE GROUNDWATER BASIN SITUATED WITHIN SAN BERNARDINO COUNTY, A PART OF WHICH IS USED IN SAN BERNARDINO COUNTY AND THE REMAINDER EXPORTED TO RIVERSIDE COUNTY DURING CALENDAR YEARS 1976 THROUGH CURRENT YEAR

(All Quantities in Acre Feet)

RIVERSIDE ENTITIES	EXTRACTIONS FROM RIVERSIDE BASIN AREA WITHIN SAN BERNARDINO COUNTY FOR USE WITHIN & EXPORT THEREFROM																	
	1976			1977			1978			1979			1980		1981			
	Total Extractions	San Bernardino County	Riverside County	Total Extractions	San Bernardino County	Riverside County	Total Extractions	San Bernardino County	Riverside County	Total Extractions	San Bernardino County	Riverside County	Total Extractions	San Bernardino County	Riverside County			
*Riverside Cement Co.	218	218	0	446	446	0	227	227	0	436	436	0	218	218	0	413	413	0
City of Riverside Dom. & Irrig.	6,345	126	6,219	4,112	279	3,833	1,364	271	1,093	2,836	587	2,249	1,706	1,591	115	2,894	1,526	1,368
City of Riverside Gage Canal	440	62	378	389	6	383	734	4	730	413	4	409	2,032	4	2,028	2,467	3	2,464
Inter County Wtr. Co.	230	152	78	207	137	70	145	96	49	225	149	76	228	150	78	175	115	60
Jurupa Water Co.	637	0	637	756	0	756	1,118	0	1,118	421	0	421	478**	0	478	62	0	62
La Sierra Wtr. Co.	2,682	0	2,682	2,862	0	2,862	1,500	0	1,500	1,736	0	1,736	1,102	0	1,102	2,233	0	2,233
Riverside Highland Water Co.	3,592	1,108	2,484	4,699	1,117	3,582	3,923	1,302	2,621	3,876	1,194	2,682	4,284	1,447	2,837	4,955	1,676	3,279
Temescal Water Co.	2,682	0	2,682	2,363	0	2,363	1,528	0	1,528	2,130	0	2,130	1,968	0	1,968	2,196	0	2,196
West Riverside 350" Water Co.	981	0	981	583	0	583	416	0	416	889	0	889	585	0	585	1,395	0	1,395
TOTAL	17,807	1,666	16,141	16,417	1,985	14,432	10,955	1,900	9,055	12,962	2,370	10,592	12,601	3,410	9,191	16,800	3,733	13,067

From Table No. 52 FOR YEARS PRECEDING 1976; Refer to Volume 5-1975, August 1976, Page 57  
 \*Name change in 1981 from Amcord  
 \*\*Corrected during 1981



TABLE NO. 52-A

GROUNDWATER PRODUCTION FROM THAT PART OF THE RIVERSIDE GROUNDWATER BASIN SITUATED WITHIN SAN BERNARDINO COUNTY, A PART OF WHICH IS USED IN SAN BERNARDINO COUNTY AND THE REMAINDER EXPORTED TO RIVERSIDE COUNTY DURING CALENDAR YEARS 1976 THROUGH CURRENT YEAR (All Quantities in Acre Feet)

RIVERSIDE COUNTY ENTITIES	EXTRACTIONS FROM RIVERSIDE BASIN AREA WITHIN SAN BERNARDINO COUNTY FOR USE WITHIN & EXPORT THEREFROM																
	1982			1983			1984			1985			1986			5-YEAR AVG.	
	Total Extractions	DELIVERIES		Total Extractions	DELIVERIES		Total Extractions	DELIVERIES		Total Extractions	DELIVERIES		Total Extractions	DELIVERIES		Total Extractions	
		San Bernardino County	Riverside County		San Bernardino County	Riverside County		San Bernardino County	Riverside County		San Bernardino County	Riverside County					
Riverside Cement Co.	0	0	0	0	0	0	0	0	0	0	0	0	0	0	0		
City of Riverside Dom. & Irrig.	3,615*	2,102*	1,513	2,581*	1,933*	448	2,443	714	2,479	3,193	2,342	117	2,225	0	0		
City of Riverside Gage Canal	1,645	1	1,644	1,019	1	2	2,044	1	1,860	1,861	1,893	2	1,891	0	0		
Inter County Wtr. Co.	200	132	68	154	102	136	71	129	67	196	189	125	64	0	0		
Jurupa Water Co.	793	0	793	351	0	0	634	0	1,217	1,217	1,372	0	1,372	0	0		
La Sierra Wtr. Co.	29	0	29	14	0	0	0	0	0	0	0	0	0	0	0		
Riverside Highland Wtr. Co.	3,330	1,248	2,082	2,536	889	1,367	3,178	1,299	3,176	4,475	2,089	1,001	1,088	0	0		
Temescal Wtr. Co.	1,423	0	1,423	0	0	0	1,190	0	1,817	1,817	2,015	0	2,015	0	0		
West Riverside 350" Wtr. Co.	905	0	905	46	0	0	0	0	585	585	0	0	0	0	0		
TOTAL	11,940*	3,483*	8,457	6,700*	2,925*	1,953	9,560	2,143	11,201	13,344	9,900	1,245	8,655	9,900	1,245	8,655	

From Table 52, same as Vol. 3, Table 4.  
\*Corrected during 1984 verification

TABLE NO. 53

SAN BERNARDINO ENTITIES PRODUCTION  
FROM RIVERSIDE BASIN AREA  
WITHIN SAN BERNARDINO COUNTY  
FOR THE PERIOD 1971 THROUGH THE CURRENT YEAR  
FOR USE WITHIN SAN BERNARDINO COUNTY

(All Quantities in Acre Feet)

CALENDAR YEAR	TOTAL VERIFIED EXTRACTIONS FROM RIVERSIDE BASIN AREA WITHIN SAN BERNARDINO COUNTY	TOTAL PRODUCTION BY RIVERSIDE ENTITIES	TOTAL PRODUCTION BY SAN BERNARDINO ENTITIES
	(1)	(2)	(3)
1971	29,070	20,322	8,748
1972	28,148	20,185	7,963
1973	21,809	15,319	6,490
1974	21,881	14,982	6,899
1975	22,701	16,188	6,513
1976	24,705	17,807	6,898
1977	23,506	16,417	7,089
1978	17,216	10,955	6,261
1979	20,024	12,962	7,062
1980	18,533	12,601*	5,932
1981	23,611	16,800	6,811
1982	17,349*	11,940*	5,409
1983	11,904**	6,700**	5,204
1984	17,161	11,513	5,648
1985	19,392***	13,344	6,048
1986	17,337	9,900	7,437
1987			
1988			
1989			
1990			

(1) Total Extractions as verified in Volume 3 for appropriate year, entitled Verified Extractions From the Riverside Basin Area Within San Bernardino County

(2) From Table No. 52, Line 25

\* corrected during 1981

\*\*\* corrected during 1986 (Green Acres#56)

(3) Col. (1) - Col. (2)

\*\* corrected during 1984

FOR YEARS PRECEDING 1971: Refer to Volume 5, August 1976, Page III-39

Same as Vol. 3, Table 5

TABLE NO. 54

TOTAL VERIFIED EXTRACTIONS FROM THAT PORTION  
OF THE RIVERSIDE BASIN SITUATED  
IN SAN BERNARDINO COUNTY FOR THE  
PERIOD 1971 THROUGH CURRENT YEAR  
BY SAN BERNARDINO AND RIVERSIDE COUNTY ENTITIES  
FOR USE WITHIN EACH COUNTY  
(Quantities in Acre Feet by Calendar Year)

Line No.	Calendar Year	Producer	Place of Use		Total Production
			San Bernardino County	Riverside County	
1	1976	San Bernardino Co. Wtr. Interests	6,898	0	6,898
2		Riverside Co. Wtr. Interests	<u>1,666</u>	<u>16,141</u>	<u>17,807</u>
		TOTAL	8,564	16,141	24,705
1	1977	San Bernardino Co. Wtr. Interests	7,089	0	7,089
2		Riverside Co. Wtr. Interests	<u>1,985</u>	<u>14,432</u>	<u>16,417</u>
		TOTAL	9,074	14,432	23,506
1	1978	San Bernardino Co. Wtr. Interests	6,261	0	6,261
2		Riverside Co. Wtr. Interests	<u>1,900</u>	<u>9,055</u>	<u>10,955</u>
		TOTAL	8,161	9,055	17,216
1	1979	San Bernardino Co. Wtr. Interests	7,062	0	7,062
2		Riverside Co. Wtr. Interests	<u>2,370</u>	<u>10,592</u>	<u>12,962</u>
		TOTAL	9,432	10,592	20,024
1	1980*	San Bernardino Co. Wtr. Interests	5,932	0	5,932
2		Riverside Co. Wtr. Interests	<u>3,410</u>	<u>9,191</u>	<u>12,601</u>
		TOTAL	9,342	9,191	18,533
1	1981	San Bernardino Co. Wtr. Interests	6,811	0	6,811
2		Riverside Co. Wtr. Interests	<u>3,733</u>	<u>13,067</u>	<u>16,800</u>
		TOTAL	10,544	13,067	23,611

Note: Line 1 from Table No. 53, Column (3)  
Line 2 from Table No. 52, Lines 10, 24, and 25

FOR YEARS PRECEDING 1976: Refer to Volume 5-1975, August 1977, Page 59

\* Corrected during 1981

TABLE NO. 54

TOTAL VERIFIED EXTRACTIONS FROM THAT PORTION  
OF THE RIVERSIDE BASIN SITUATED  
IN SAN BERNARDINO COUNTY FOR THE  
PERIOD 1976 THROUGH CURRENT YEAR  
BY SAN BERNARDINO AND RIVERSIDE COUNTY ENTITIES  
FOR USE WITHIN EACH COUNTY  
(Quantities in Acre Feet by Calendar Year)

Line No.	Calendar Year	Producer	Place of Use		Total Production
			San Bernardino County	Riverside County	
1	1982	San Bernardino Co. Wtr. Interests	5,409	0	5,409
2		Riverside Co. Water Interests	<u>3,483</u>	<u>8,457</u>	<u>11,940</u>
		Total	8,892	8,457	17,349
1	1983	San Bernardino Co. Wtr. Interests	5,204	0	5,204
2		Riverside Co. Water Interests	<u>2,925</u>	<u>3,775</u>	<u>6,700</u>
		TOTAL	8,129	3,775	11,904
1	1984	San Bernardino Co. Wtr. Interests	5,648	0	5,648
2		Riverside Co. Water Interests	<u>1,953</u>	<u>9,560</u>	<u>11,513</u>
		TOTAL	7,601	9,560	17,161
1	1985	San Bernardino Co. Wtr. Interests	6,048	0	6,048
2		Riverside Co. Water Interests	<u>2,143</u>	<u>11,201</u>	<u>13,344</u>
		TOTAL	8,191	11,201	19,392
1	1986	San Bernardino Co. Wtr. Interests	7,437	0	7,437
2		Riverside Co. Water Interests	<u>1,245</u>	<u>8,655</u>	<u>9,900</u>
		TOTAL	8,682	8,655	17,337

Line 1: Table 53, Column (3)

Line 2: Table 52A, Columns (2), (3), (1)

TABLE NO. 56

TOTAL VERIFIED EXTRACTIONS  
BY RIVERSIDE ENTITIES  
FROM THE RIVERSIDE BASIN AREA  
WITHIN RIVERSIDE COUNTY  
FOR USE WITHIN RIVERSIDE COUNTY

Year	Extractions Acre Feet*
1971	30,942
1972	37,804
1973	33,094
1974	38,304
1975	28,285
1976	31,565
1977	28,226
1978	24,878 1)
1979	25,512
1980	30,206 2)
1981	30,243 2)
1982	20,365 3)
1983	22,991 3)
1984	32,466 4)
1985	23,970 5)
1986	25,308
1987	
1988	
1989	
1990	

\*See Table No. 4, Report of Watermaster, Volume 4, for appropriate year.

The verified extractions for the five-year base period ending in 1963 are 29,634 acre feet annually, as compared with 30,044 acre feet annually assumed in the Judgement.

- |                                                |                                       |
|------------------------------------------------|---------------------------------------|
| 1) Corrected during 1980 verification          | 5) Corrected during 1986 verification |
| 2) Corrected during 1983 verification          | (Hunter Park)                         |
| 3) Corrected during 1984 verification          |                                       |
| 4) Corrected during 1985 verification (Hunter) |                                       |

TABLE NO. 57

SUMMARY OF EXTRACTIONS FROM SAN BERNARDINO  
 BASIN AREA, COLTON BASIN AREA, RIVERSIDE BASIN AREA  
 IN SAN BERNARDINO COUNTY, AND RIVERSIDE BASIN AREA  
 IN RIVERSIDE COUNTY FOR USE IN RIVERSIDE COUNTY

(All Quantities in Acre Feet)

Basin Extractions for Use in Riverside County					
Calendar Year	San Bernardino Basin Area from Table No. 36-A	Colton Basin Area from Table No. 39-A	Riverside North Basin from Table No. 52-A	Riverside South Basin from Table No. 56	Total
1971	57,477	2,777	18,108	30,942	109,304
1972	50,744	2,611	18,588	37,804	109,747
1973	47,083	615	13,986	33,094	94,778
1974	49,445	1,464	13,583	38,304	102,796
1975*	54,132	3,873	14,963	28,285	101,253
1976*	58,776	2,683	16,141	31,565	109,165
1977	56,577	2,269	14,432	28,226	101,504
1978	47,012**	895	9,055	24,878	81,840
1979	57,397***	1,682	10,592	25,512	95,183
1980	54,007	71	9,191***	30,206****	93,475
1981	55,763	173	13,067	30,243****	99,246
1982	54,052	981	8,457	20,365++	84,855+
1983	48,978+	95	3,775	22,991+	75,839+
1984	65,894	1,340	9,560	32,466	109,260
1985	69,523	2,244	11,201	23,970++	106,938
1986	67,540	1,600	8,655	25,308	103,103
1987					
1988					
1989					
1990					

FOR YEARS PRECEDING 1971: Refer to Volume 5, August 1976, Page IV-11

\* Corrected during 1977 Verification      ++ Corrected during 1986 Verification

\*\* Corrected during 1980 Verification

\*\*\* Corrected during 1981 Verification

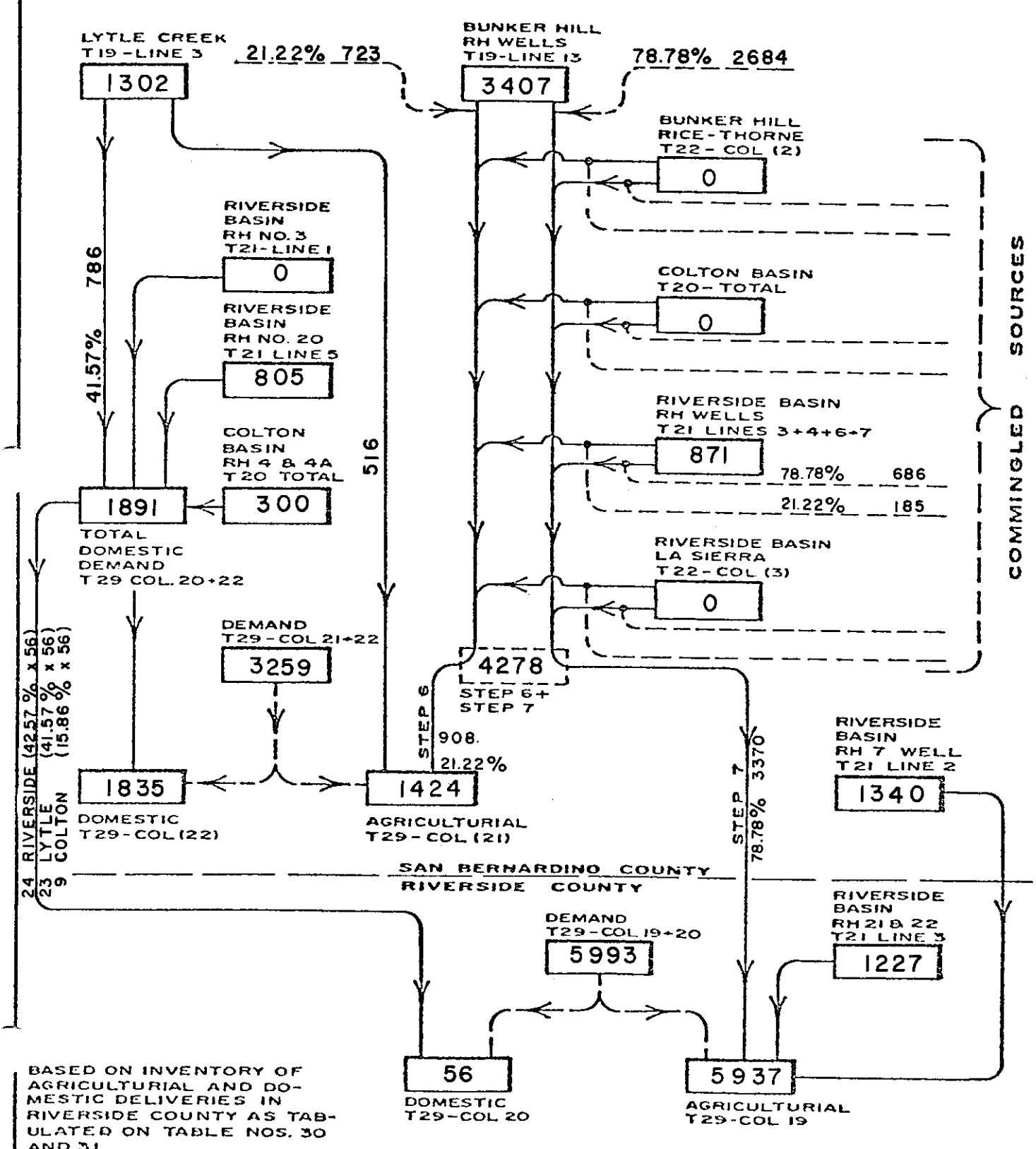
\*\*\*\* Corrected during 1983 Verification

+ Corrected during 1984 Verification- 68 -

DIAGRAM B

RIVERSIDE HIGHLAND WATER COMPANY  
 DIAGRAM ILLUSTRATING THE PRODUCTION AND DISTRIBUTION  
 NORTH AND SOUTH OF RIVERSIDE-SAN BERNARDINO CO. LINE

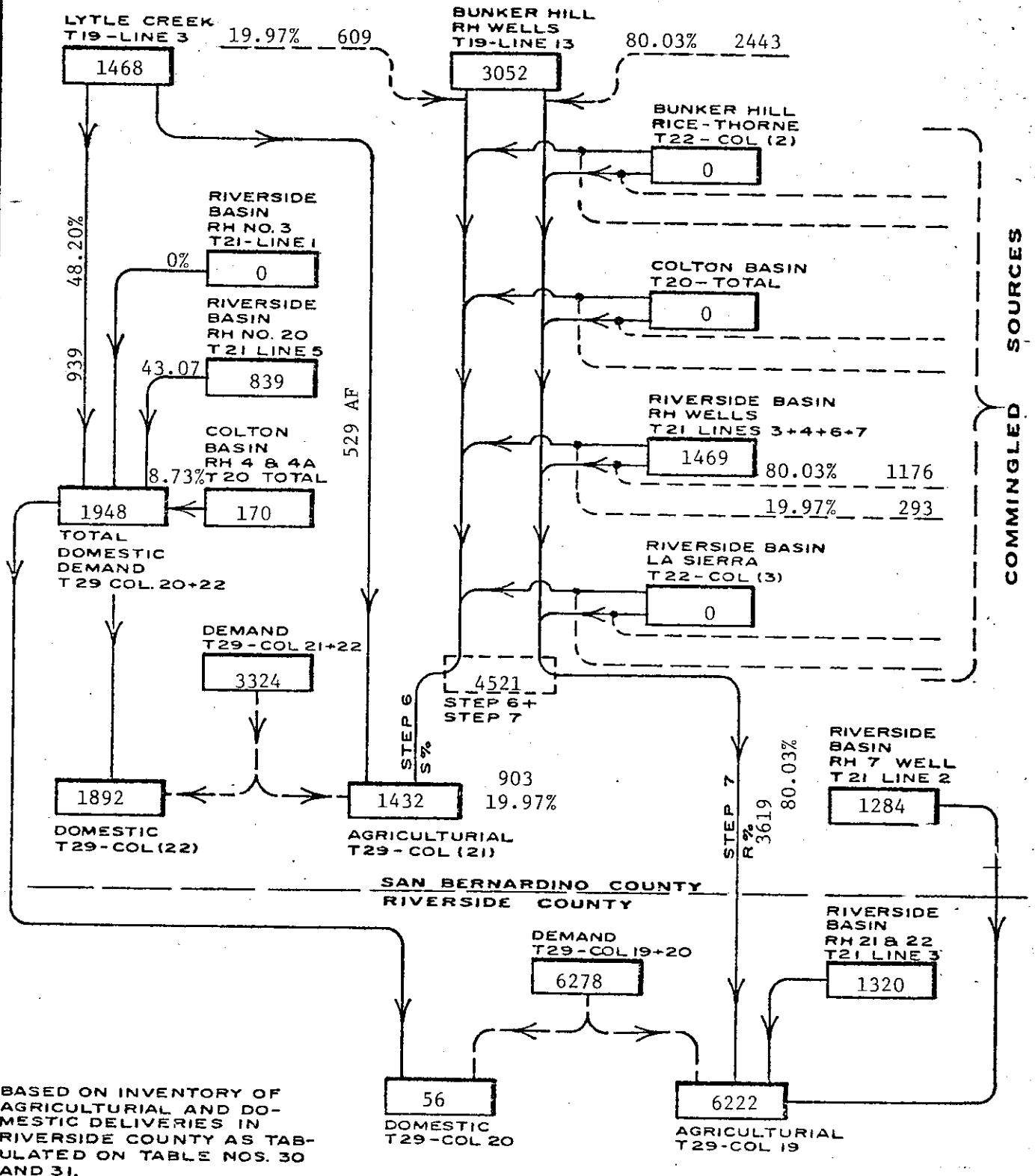
YEAR 1975



BASED ON INVENTORY OF AGRICULTURAL AND DOMESTIC DELIVERIES IN RIVERSIDE COUNTY AS TABULATED ON TABLE NOS. 30 AND 31.

# RIVERSIDE HIGHLAND WATER COMPANY DIAGRAM ILLUSTRATING THE PRODUCTION AND DISTRIBUTION NORTH AND SOUTH OF RIVERSIDE-SAN BERNARDINO CO. LINE

YEAR 1976



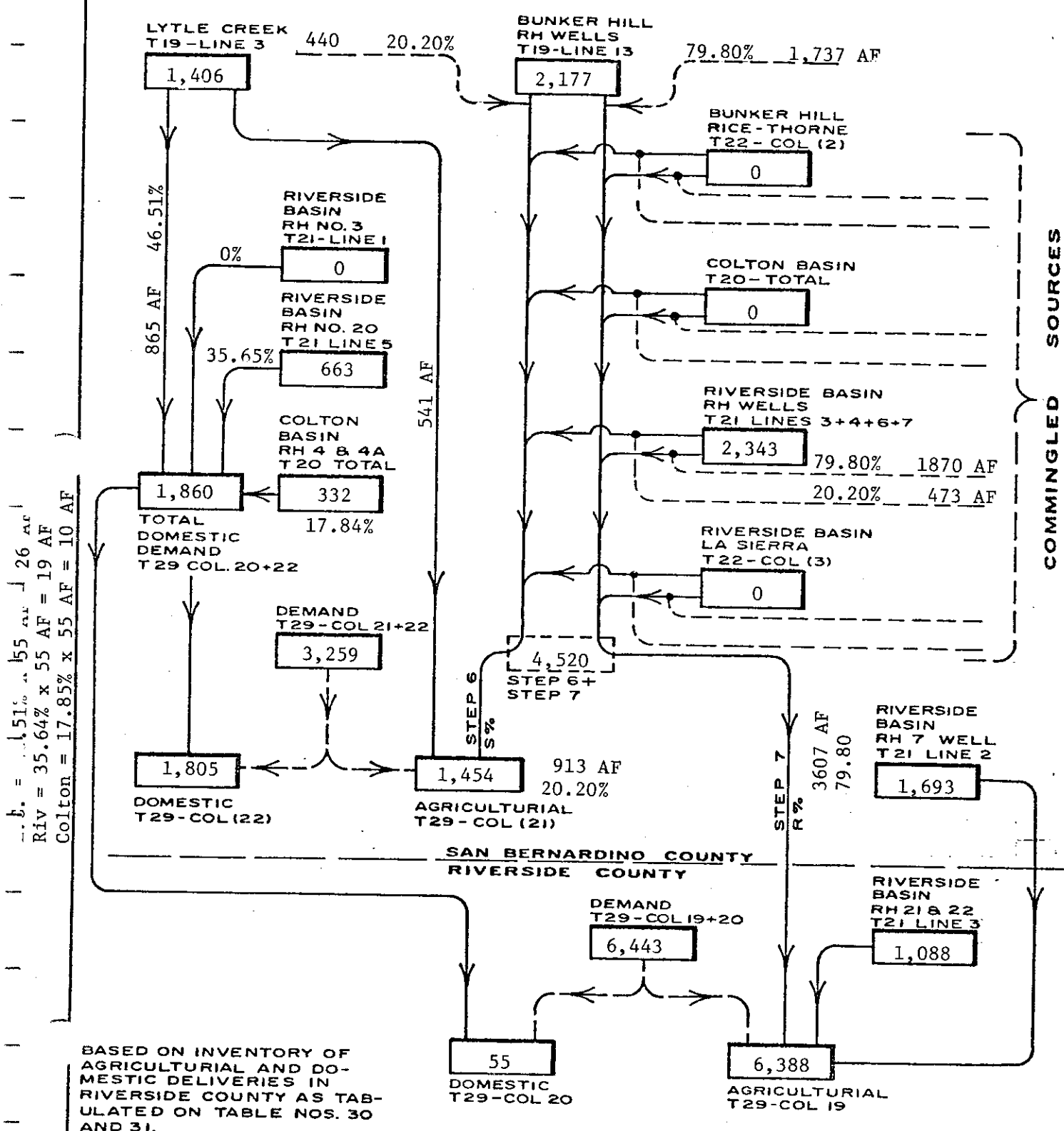
L.C. = 30 x 40.20 = 1206  
 Riv = 56 x 43.07 = 2412  
 Colton = 56 x 8.73 = 488

BASED ON INVENTORY OF AGRICULTURAL AND DOMESTIC DELIVERIES IN RIVERSIDE COUNTY AS TABULATED ON TABLE NOS. 30 AND 31.



**RIVERSIDE HIGHLAND WATER COMPANY  
 DIAGRAM ILLUSTRATING THE PRODUCTION AND DISTRIBUTION  
 NORTH AND SOUTH OF RIVERSIDE-SAN BERNARDINO CO. LINE**

YEAR 1977



...b. = 1.51% x 55 AF = 26 AF  
 Riv = 35.64% x 55 AF = 19 AF  
 Colton = 17.85% x 55 AF = 10 AF

BASED ON INVENTORY OF AGRICULTURAL AND DOMESTIC DELIVERIES IN RIVERSIDE COUNTY AS TABULATED ON TABLE NOS. 30 AND 31.

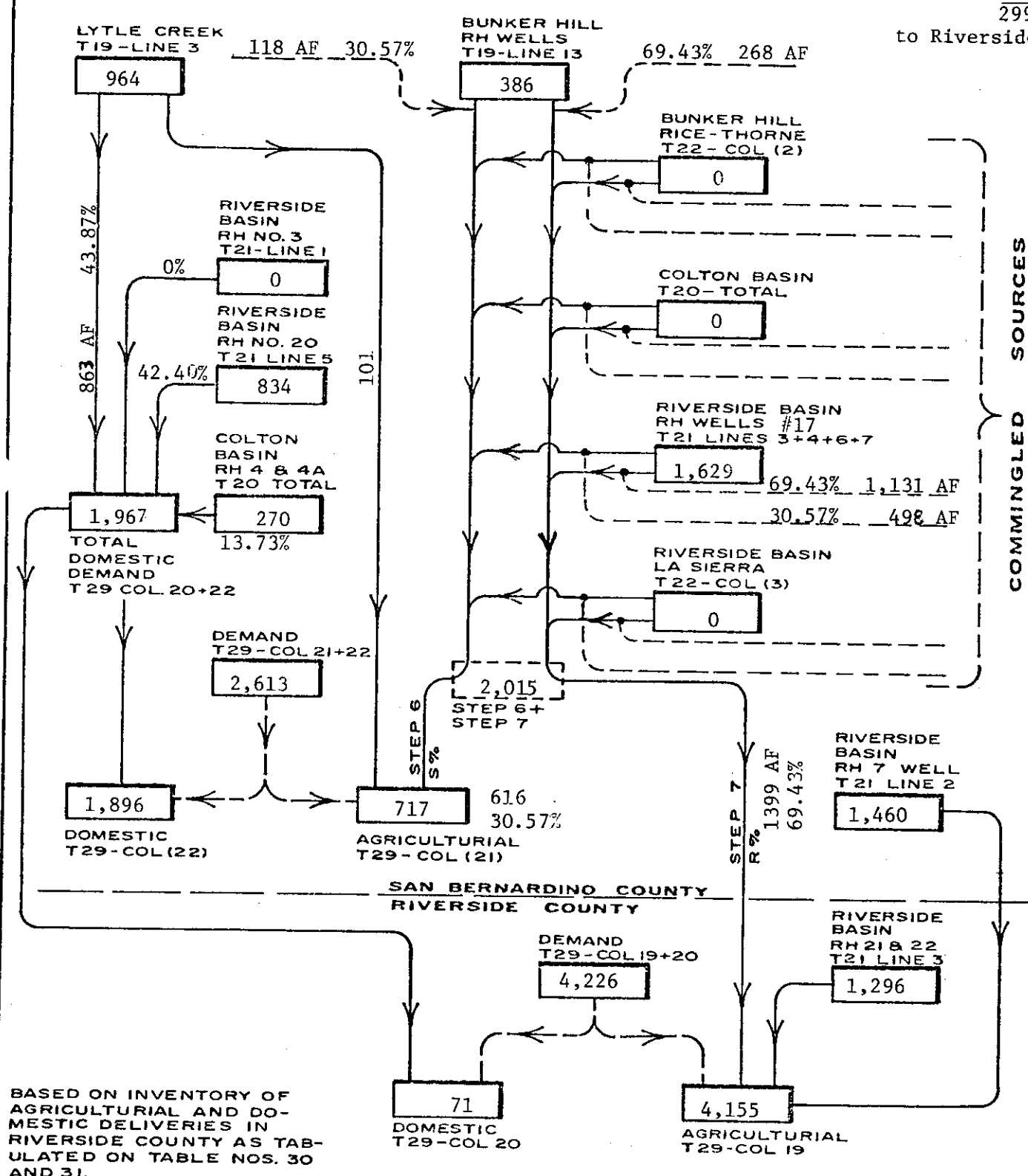
# RIVERSIDE HIGHLAND WATER COMPANY

## DIAGRAM ILLUSTRATING THE PRODUCTION AND DISTRIBUTION NORTH AND SOUTH OF RIVERSIDE-SAN BERNARDINO CO. LINE

YEAR 1978

Bunker Hill  
Flow wells 268  
L.C. wells 31  
299AF  
to Riverside

L.C. = 43.0% = 30 AF  
 Riv = 71.42% = 30 AF  
 Colt. = 71.73% = 10 AF



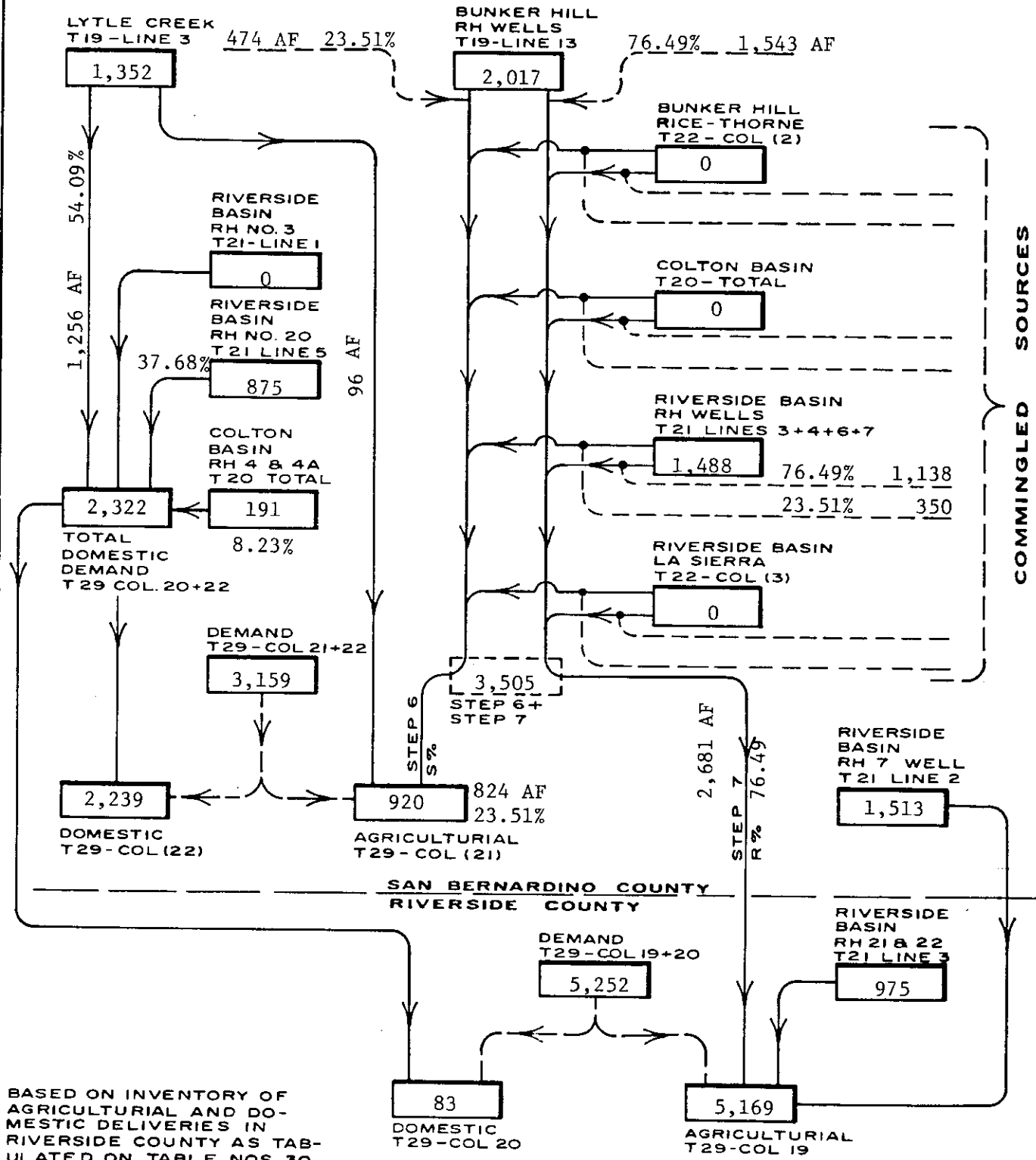
BASED ON INVENTORY OF AGRICULTURAL AND DOMESTIC DELIVERIES IN RIVERSIDE COUNTY AS TABULATED ON TABLE NOS. 30 AND 31.

**RIVERSIDE HIGHLAND WATER COMPANY  
DIAGRAM ILLUSTRATING THE PRODUCTION AND DISTRIBUTION  
NORTH AND SOUTH OF RIVERSIDE-SAN BERNARDINO CO. LINE**

YEAR 1979

BH Export 1,543  
45  
1,588

L.C. = 71 X 43.85% = 45 AF  
Riv = 83 X 37.68% = 31 AF  
Colt. = 83 X 8.23% = 7 AF



BASED ON INVENTORY OF AGRICULTURAL AND DOMESTIC DELIVERIES IN RIVERSIDE COUNTY AS TABULATED ON TABLE NOS. 30 AND 31.

# RIVERSIDE HIGHLAND WATER COMPANY DIAGRAM ILLUSTRATING THE PRODUCTION AND DISTRIBUTION NORTH AND SOUTH OF RIVERSIDE-SAN BERNARDINO CO. LINE

YEAR 1980

TOTAL BUNKER HILL EXPORT  
TO RIVERSIDE COUNTY

1616

LYTLE CREEK  
T19-LINE 3

1600

25.2% 522

BUNKER HILL  
RH WELLS  
T19-LINE 13

2076

1554 74.8%

BUNKER HILL  
RICE-THORNE  
T22-COL (2)

XXXX

RIVERSIDE  
BASIN  
RH NO. 3  
T21-LINE 1

XXXX

RIVERSIDE  
BASIN  
RH NO. 20 LV. 1  
T21 LINES

39.2%

1002

COLTON  
BASIN  
RH 4 & 4A  
T20 TOTAL

0

0%

TOTAL  
DOMESTIC  
DEMAND  
T29 COL. 20+22

2557

DEMAND  
T29-COL 21+22

3506

DOMESTIC  
T29-COL (22)

2454

AGRICULTURAL  
T29-COL (21)

1052

TOTAL  
COMMINGLE

4002

TO S.B. AG.

1007

25.2%

TO RIV. AG.

2995

74.8%

RIVERSIDE  
BASIN  
RH 7 WELL  
T21 LINE 2

1356

RIVERSIDE  
BASIN  
RH 21 & 22  
T21 LINE 3

1000

DEMAND  
T29-COL 19+20

5454

AGRICULTURAL  
T29-COL 19

5351

103

DOMESTIC  
T29-COL 20

L.C. TO RIV. CO. DOM. = 6.  
L.C. TO AG. = 40  
RIV - 39.2% = 40  
COL ) 0  
TO RIV. CO. DOM. )

L.C. TO DOM. = 1555

L.C. TO AG. = 45

SOURCES  
COMMINGLED

BASED ON INVENTORY OF  
AGRICULTURAL AND DO-  
MESTIC DELIVERIES IN  
RIVERSIDE COUNTY AS TAB-  
ULATED ON TABLE NOS. 30  
AND 31.

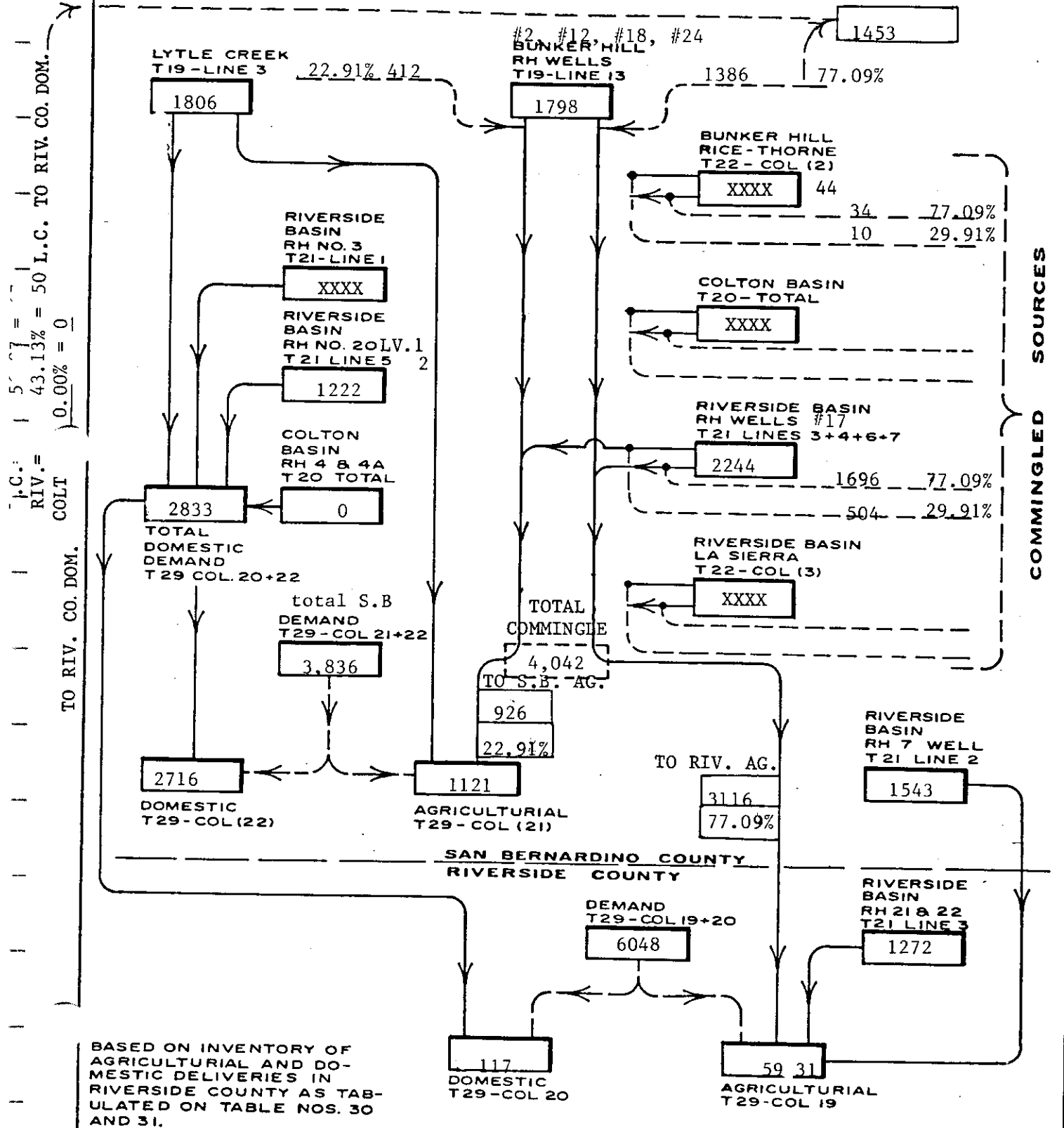
ALBERT A. WEBB ASSOCIATES

XXX NOT IN USE

# RIVERSIDE HIGHLAND WATER COMPANY DIAGRAM ILLUSTRATING THE PRODUCTION AND DISTRIBUTION NORTH AND SOUTH OF RIVERSIDE-SAN BERNARDINO CO. LINE

YEAR 1981

TOTAL BUNKER HILL EXPORT  
TO RIVERSIDE COUNTY



XXX NOT IN USE

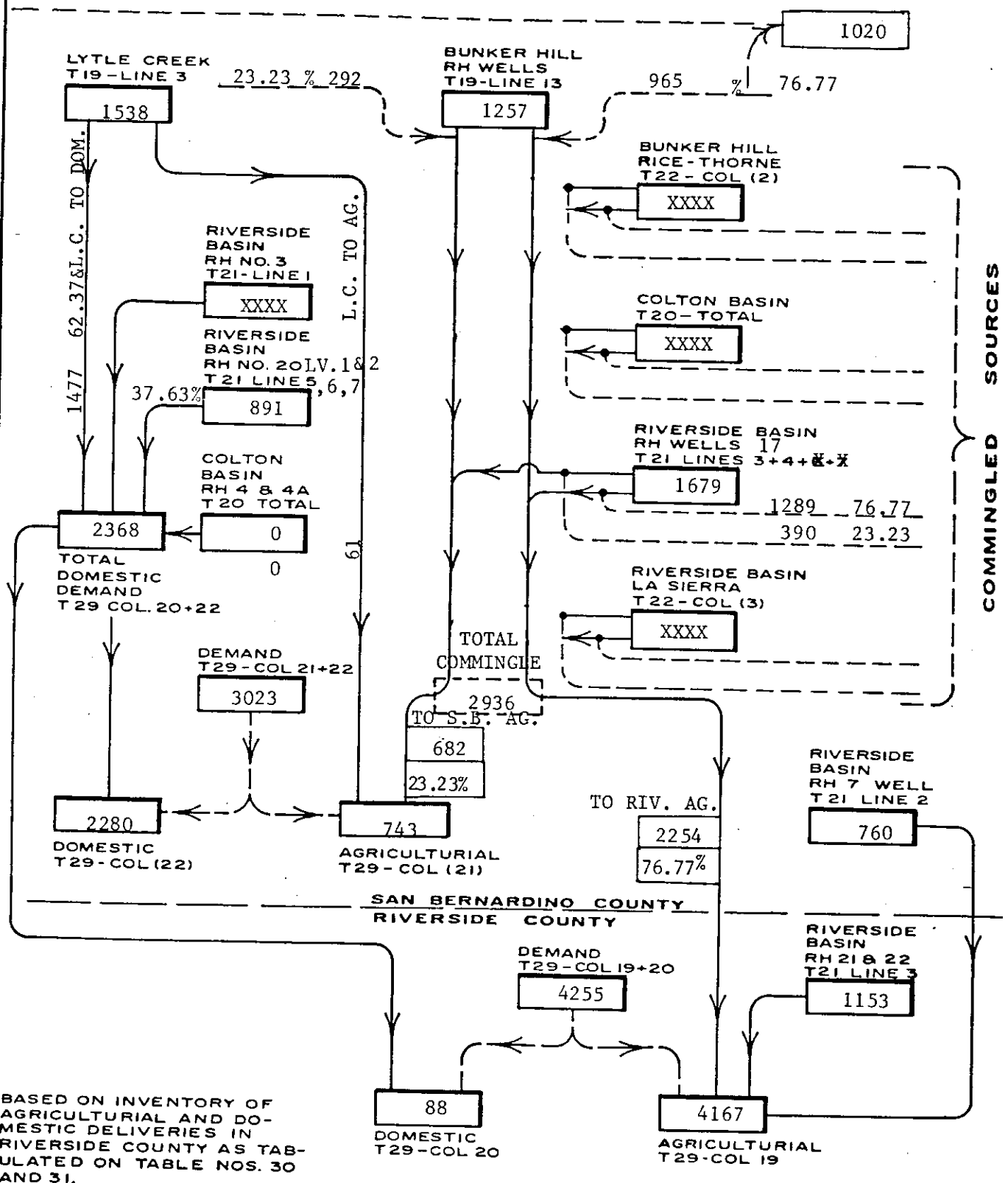
ALBERT A. WEBB ASSOCIATES

# RIVERSIDE HIGHLAND WATER COMPANY DIAGRAM ILLUSTRATING THE PRODUCTION AND DISTRIBUTION NORTH AND SOUTH OF RIVERSIDE-SAN BERNARDINO CO. LINE

YEAR 1982

TOTAL BUNKER HILL EXPORT  
TO RIVERSIDE COUNTY

L.C. TO RIV. CO. DOM. 15.5%  
 RIV. H x 37.63%  
 COLT x 0%



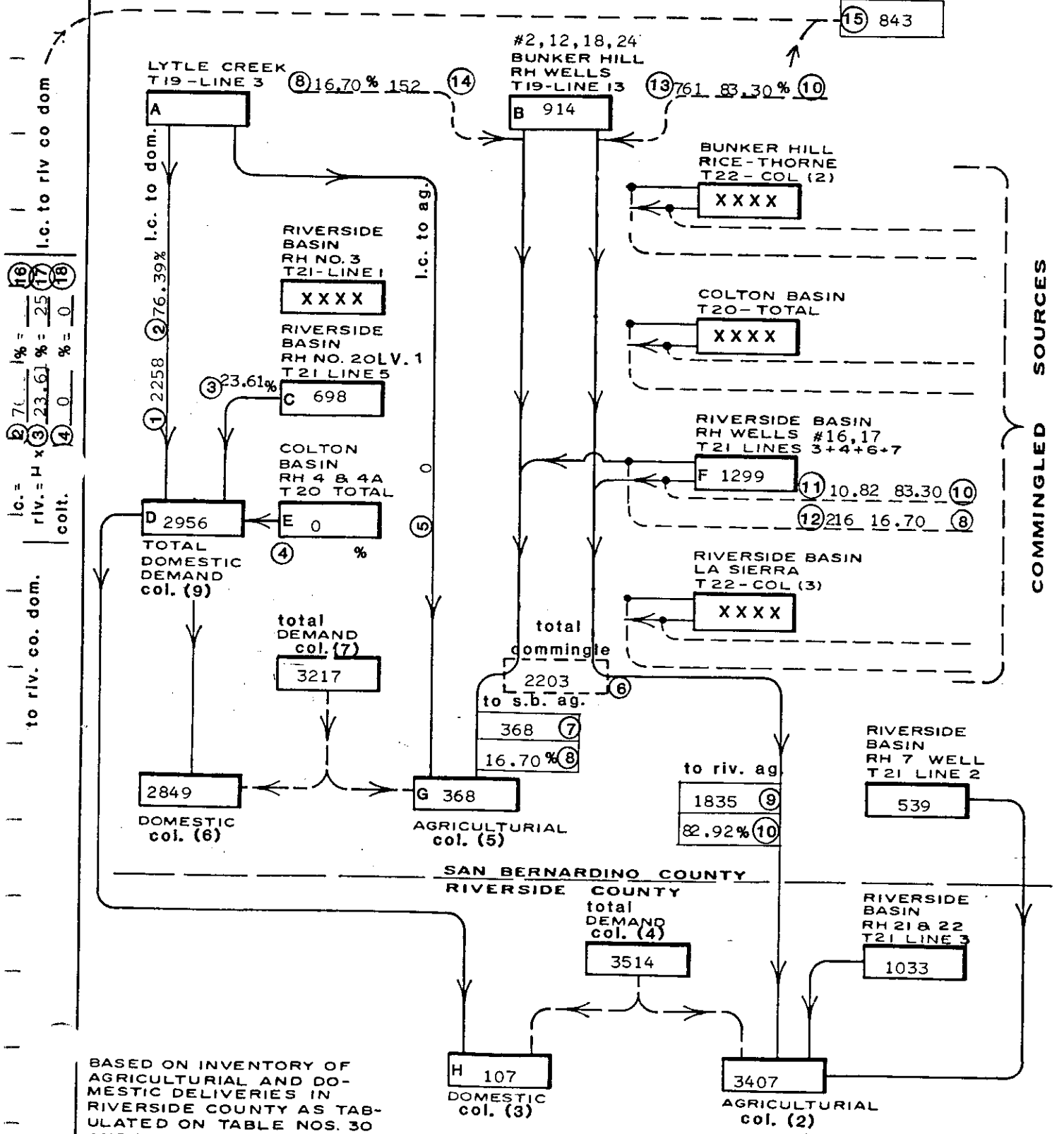
BASED ON INVENTORY OF AGRICULTURAL AND DOMESTIC DELIVERIES IN RIVERSIDE COUNTY AS TABULATED ON TABLE NOS. 30 AND 31.

ALBERT A. WEBB ASSOCIATES

# RIVERSIDE HIGHLAND WATER COMPANY DIAGRAM ILLUSTRATING THE PRODUCTION AND DISTRIBUTION NORTH AND SOUTH OF RIVERSIDE-SAN BERNARDINO CO. LINE

YEAR 1983

total bunker hill export  
to riverside county



BASED ON INVENTORY OF AGRICULTURAL AND DOMESTIC DELIVERIES IN RIVERSIDE COUNTY AS TABULATED ON TABLE NOS. 30 AND 31.

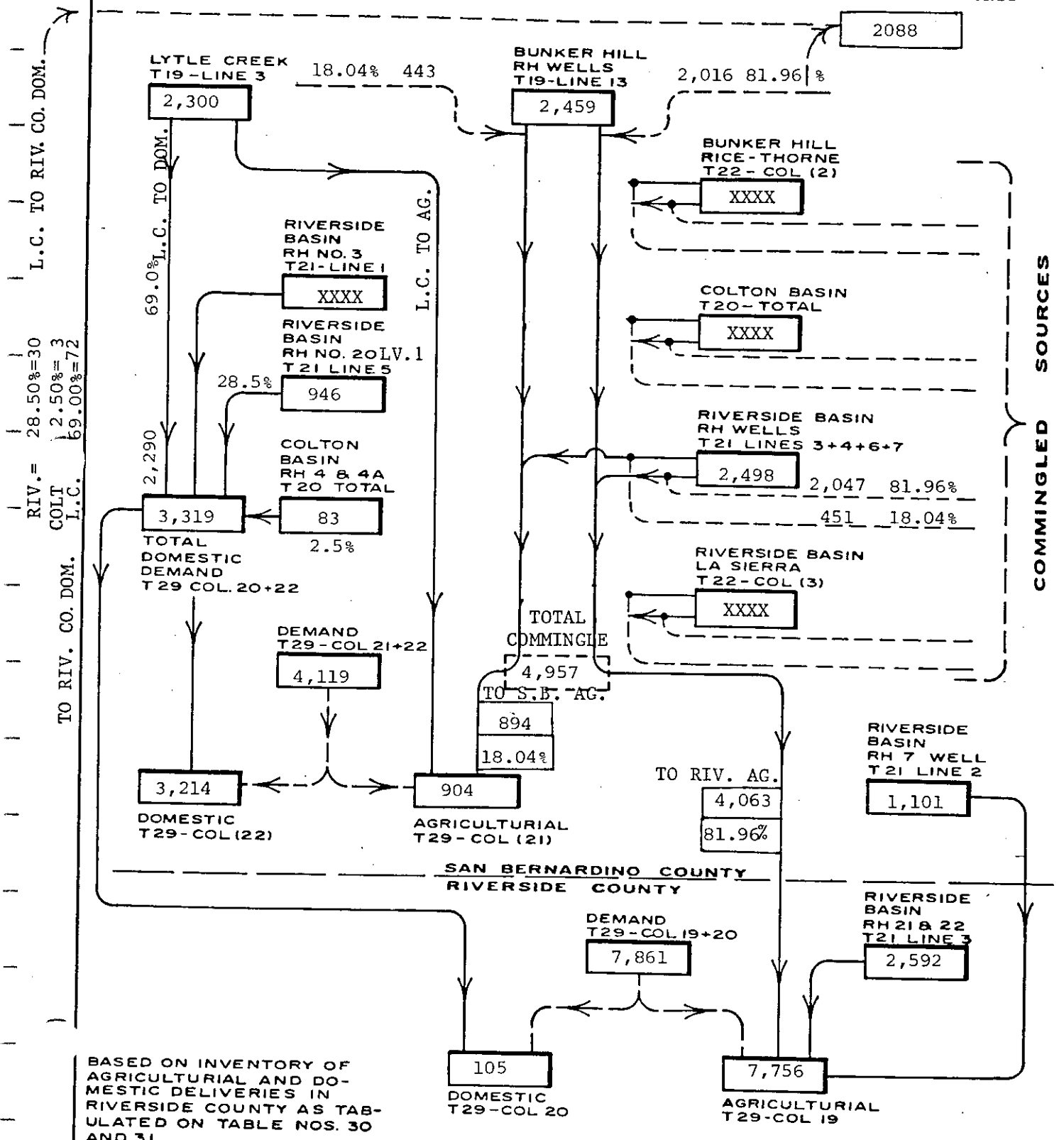
XXX NOT IN USE column notations are from condensed water summary report

WMWD/SEM 10-80

# RIVERSIDE HIGHLAND WATER COMPANY DIAGRAM ILLUSTRATING THE PRODUCTION AND DISTRIBUTION NORTH AND SOUTH OF RIVERSIDE-SAN BERNARDINO CO. LINE

YEAR 1984

TOTAL BUNKER HILL EXPORT  
TO RIVERSIDE COUNTY



BASED ON INVENTORY OF AGRICULTURAL AND DOMESTIC DELIVERIES IN RIVERSIDE COUNTY AS TABULATED ON TABLE NOS. 30 AND 31.

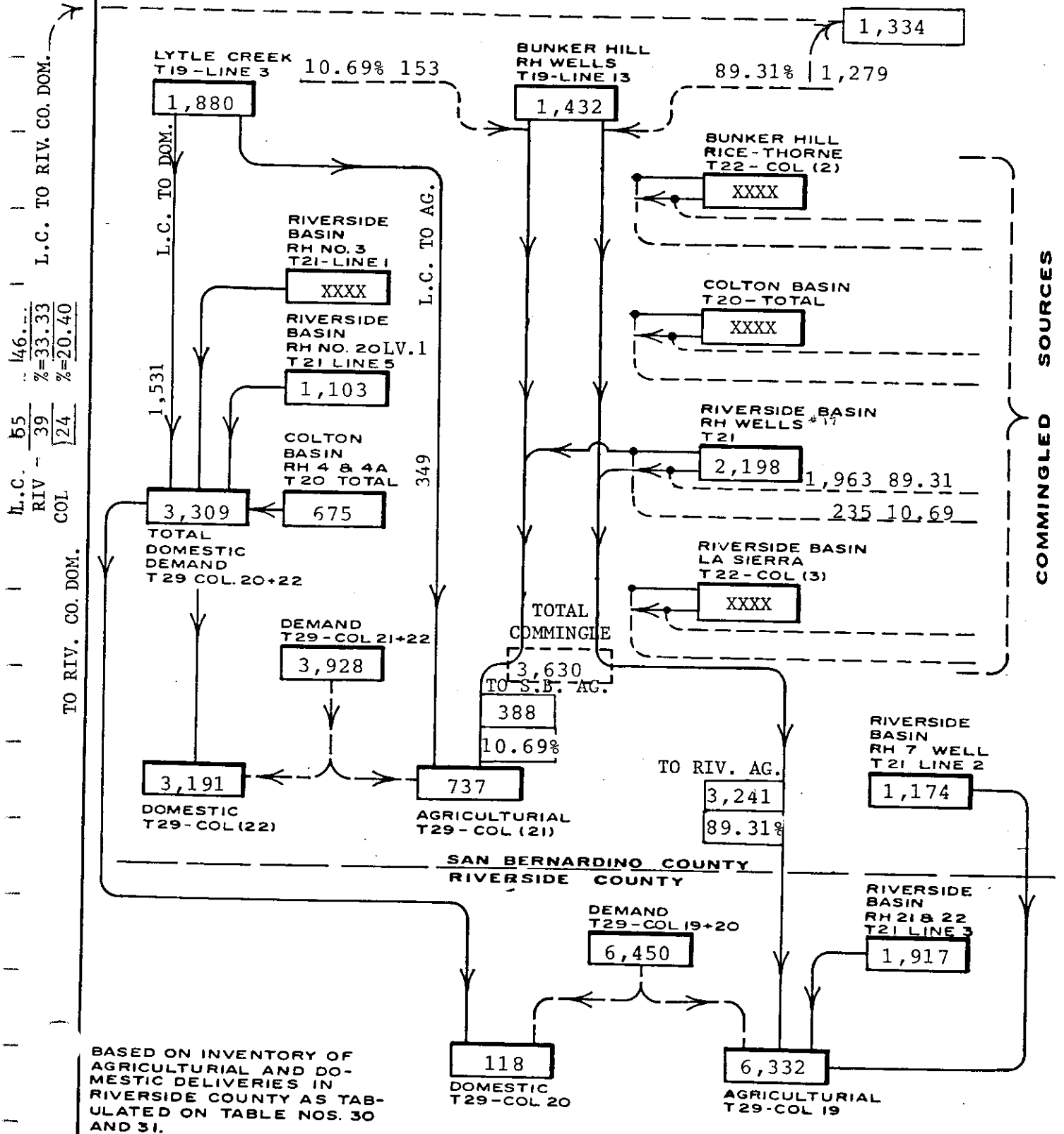
ALBERT A. WEBB ASSOCIATES



# RIVERSIDE HIGHLAND WATER COMPANY DIAGRAM ILLUSTRATING THE PRODUCTION AND DISTRIBUTION NORTH AND SOUTH OF RIVERSIDE-SAN BERNARDINO CO. LINE

YEAR 1985

TOTAL BUNKER HILL EXPORT  
TO RIVERSIDE COUNTY



L.C. TO RIV. CO. DOM. 146.00  
 L.C. TO AG. 33.33  
 L.C. TO DOM. 20.40  
 L.C. 55  
 RIV - 39  
 COL 24

BASED ON INVENTORY OF AGRICULTURAL AND DOMESTIC DELIVERIES IN RIVERSIDE COUNTY AS TABULATED ON TABLE NOS. 30 AND 31.

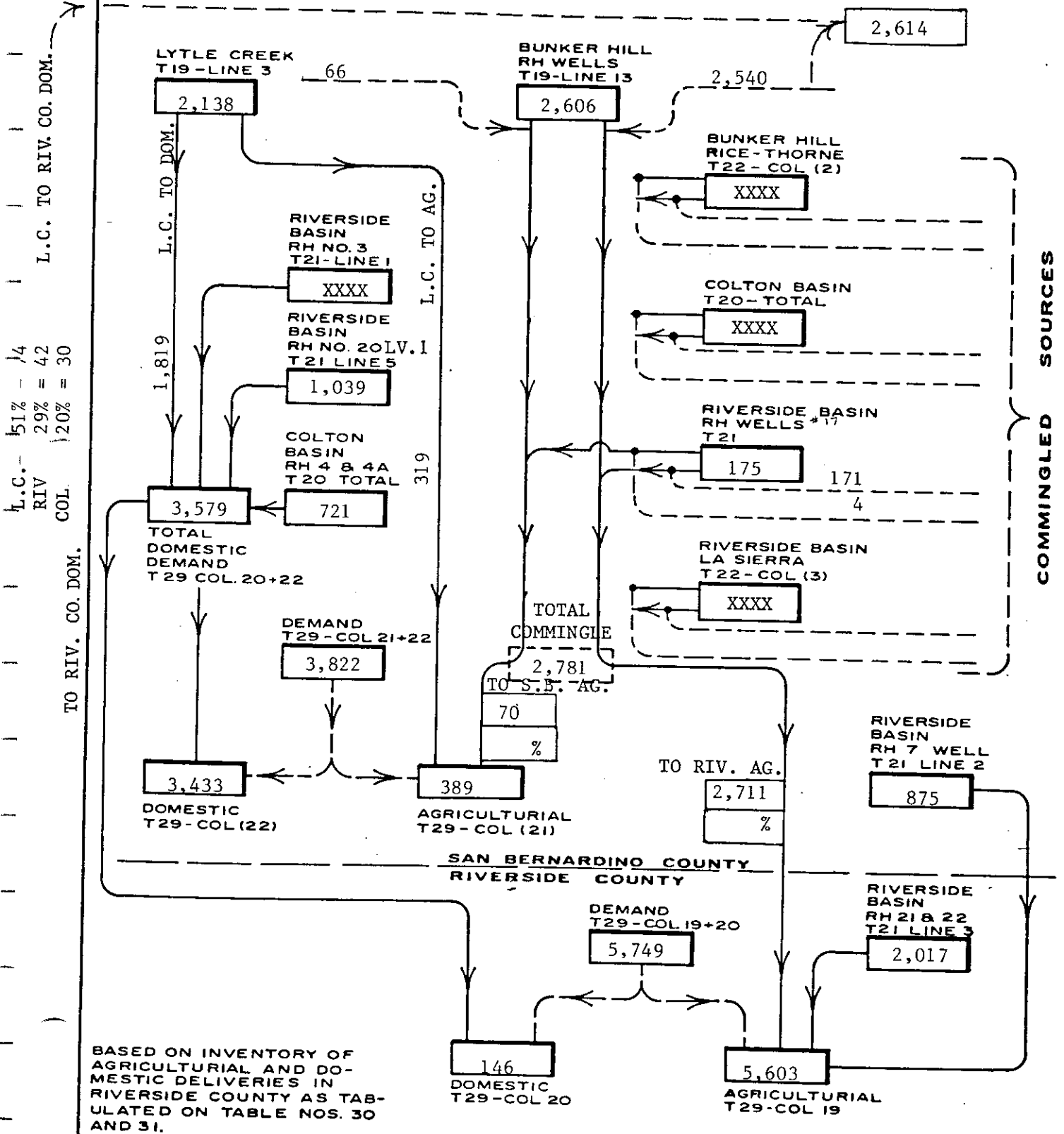
ALBERT A. WEBB ASSOCIATES

XXX NOT IN USE

# RIVERSIDE HIGHLAND WATER COMPANY DIAGRAM ILLUSTRATING THE PRODUCTION AND DISTRIBUTION NORTH AND SOUTH OF RIVERSIDE-SAN BERNARDINO CO. LINE

YEAR 1986

TOTAL BUNKER HILL EXPORT  
TO RIVERSIDE COUNTY



BASED ON INVENTORY OF AGRICULTURAL AND DOMESTIC DELIVERIES IN RIVERSIDE COUNTY AS TABULATED ON TABLE NOS. 30 AND 31.

# VOLUME 6 - 1986

**REPORT OF WATERMASTER**

**Western Municipal Water District of Riverside County, et al**  
**Plaintiffs**

**vs.**

**East San Bernardino County Water District, et al**  
**Defendants**

**Superior Court of Riverside County**  
**Case No. 78426**

**VOLUME 6 – 1986**

**VERIFIED EXTRACTIONS FROM THE  
SAN BERNARDINO BASIN AREA, COLTON BASIN AREA,  
AND RIVERSIDE BASIN AREA FOR USE WITHIN WESTERN  
ON LANDS NOT TRIBUTARY  
TO THE RIVERSIDE NARROWS**

**ANNUAL ACCOUNTING**  
**1986**

**AUGUST 1, 1988**

**WATERMASTER**  
*Donald L. Harriger*  
*Robert L. Reiter*

REPORT OF WATERMASTER

Western Municipal Water District of Riverside County, et al  
Plaintiffs

vs.

East San Bernardino County Water District, et al  
Defendants

Superior Court of Riverside County

Case No. 78426

Volume 6 - 1986

VERIFIED EXTRACTIONS FROM  
THE SAN BERNARDINO BASIN AREA, COLTON BASIN AREA,  
AND RIVERSIDE BASIN AREA FOR USE WITHIN WESTERN  
ON LANDS NOT TRIBUTARY  
TO THE RIVERSIDE NARROWS

ANNUAL ACCOUNTING

1986

AUGUST 1, 1988

WATERMASTER  
Donald L. Harriger  
Robert L. Reiter

VOLUME 6 - 1986

TABLE OF CONTENTS

	<u>PAGE</u>
INTRODUCTION . . . . .	i
<u>TABLE A</u>	
VERIFIED EXTRACTIONS FOR USE ON LANDS NOT TRIBUTARY TO RIVERSIDE NARROWS FOR CALENDAR YEARS 1971 TO CURRENT YEAR. . . . .	1
<u>TABLE NO. 1</u>	
CITY OF RIVERSIDE NUMBER OF ACTIVE METERS MEASURING WATER DELIVERED TO AREAS THAT ARE NOT TRIBUTARY TO THE RIVERSIDE NARROWS. . . . .	2
<u>TABLE NO. 1A</u>	
DELIVERIES MADE BY CITY OF RIVERSIDE DOMESTIC DIVISION TO AREAS WHICH ARE NOT TRIBUTARY TO THE RIVERSIDE NARROWS . . . . .	3
<u>TABLE NO. 2</u>	
DELIVERIES MADE BY CITY OF RIVERSIDE IRRIGATION DIVISION FROM RIVERSIDE CANAL TO AREAS WHICH ARE NOT TRIBUTARY TO THE RIVERSIDE NARROWS. . . . .	4
<u>TABLE NO. 3</u>	
DELIVERIES MADE BY THE GAGE CANAL COMPANY TO AREAS WHICH ARE NOT TRIBUTARY TO THE RIVERSIDE NARROWS. . . . .	5
<u>TABLE NO. 4</u>	
DELIVERIES BY CITY OF RIVERSIDE IRRIGATION DIVISION FROM RIVERSIDE CANAL FOR USE ON LANDS NOT TRIBUTARY TO THE RIVERSIDE NARROWS . . . . .	6
<u>TABLE NO. 5</u>	
DELIVERIES BY GAGE CANAL COMPANY FOR USE ON LANDS NOT TRIBUTARY TO THE RIVERSIDE NARROWS. . . . .	7

TABLE NO. 6

SUMMARY OF DELIVERIES MADE BY MEEKS & DALEY WATER COMPANY, AGUA MANSA WATER COMPANY AND TEMESCAL WATER COMPANY INCLUDING WATER RECEIVED FROM CITY OF RIVERSIDE FROM THE RIVERSIDE AND GAGE CANALS TO AREAS WHICH ARE NOT TRIBUTARY TO THE RIVERSIDE NARROWS . . . . . 8

TABLE NO. 7

WEST RIVERSIDE CANAL COMPANY DELIVERIES MADE TO LATERALS #3 & #2 FOR USE IN GLEN AVON & PEDLEY AREAS (FROM RECORDS OF WEST RIVERSIDE CANAL COMPANY) . . . . . 9

TABLE NO. 8 - Not required after 1968

TABLE NO. 9

DELIVERIES MADE BY JURUPA COMMUNITY SERVICES DISTRICT TO AREAS WHICH ARE NOT TRIBUTARY TO THE RIVERSIDE NARROWS . . . . . 10

TABLE NO. 10

DELIVERIES MADE BY RUBIDOUX COMMUNITY SERVICES DISTRICT TO AREAS WHICH ARE NOT TRIBUTARY TO THE RIVERSIDE NARROWS . . . . . 11

VOLUME 6 - 1986

VERIFIED EXTRACTIONS FROM THE  
SAN BERNARDINO BASIN AREA, COLTON BASIN AREA,  
AND RIVERSIDE BASIN AREA FOR USE WITHIN  
WESTERN ON LANDS NOT TRIBUTARY  
TO THE RIVERSIDE NARROWS

INTRODUCTION

The extractions from the San Bernardino, Colton and Riverside Basin Areas for use within Western Municipal Water District on lands not tributary to the Riverside Narrows have been verified for the five-year base period ending in 1963. The resulting five-year annual average was determined to be 42,535 acre-feet, as shown in Table No. 12 at page 37 of Chapter VII of the Annual Report of the Western-San Bernardino Watermaster for Calendar Year 1971. A detailed report on the verification for the five-year base period 1959-1963, and for ensuing years 1964-1970, is contained in Report of Watermaster, Volume 6, dated June 1972.

The extractions from the above mentioned basin areas for the Calendar years 1975 through 1986, which were delivered within the Western District for use on lands not tributary to the Riverside Narrows, have been verified by the Watermaster as follows:



<u>YEAR</u>	<u>VERIFIED EXTRACTIONS</u>
1975	38,737 A.F.
1976	42,927 A.F.
1977	37,113 A.F.
1978	34,988 A.F.
1979	39,963 A.F. *
1980	41,458 A.F.
1981	39,358 A.F.
1982	29,422 A.F.**
1983	28,876 A.F.
1984	36,413 A.F.
1985	31,604 A.F.***
1986	32,085 A.F.

\*Corrected during 1980 verification  
 \*\*Corrected during 1983 verification  
 \*\*\*Corrected during 1986 verification

This Volume 6 summarizes the total extractions and includes tables showing the detailed computations of the extractions by each entity. Table No. 8 was included in the original Volume 6 for the period 1959-1968, but has been omitted and will not be included in future volumes.

TABLE A

VERIFIED EXTRACTIONS FOR USE ON  
LANDS NOT TRIBUTARY TO RIVERSIDE NARROWS  
FOR CALENDAR YEARS 1971 THROUGH CURRENT YEAR

Water Extracted and Delivered by	Refer to Table No.	Column or Line No.	DELIVERIES BY CALENDAR YEARS									
			1983	1984	1985	1986	1987	1988	1989	1990		
City of Riverside												
Domestic Division	1A	16	15,276	12,176	11,344	10,994						
Irrigation Division (1)	2	7	0	0	0	0						
Gage Canal (2)	3	5	9,208 (24,484)	16,339 (28,515)	13,353 (24,697)	14,117 (25,111)						
Meeks & Daley Water Co. Agua Mansa Water co. and Temescal Water Co. including water received from City of Riverside	6	3	3,299	5,895	4,738++	5,417						
Extractions delivered by (3) West Riverside Canal received from Twin Buttes Wtr. Co., La Sierra Wtr. Co., Agua Mansa Wtr. Co. Salazar Wtr. co., West Riverside 350" Wtr. Co. and Jurupa Wtr. Co.	7	8	817	1,160	945	684						
Jurupa Community (4) Services District	9	7	0	527	900	545						
Rubidoux C.S.D. (5)	10	7	276	316	324	328						
TOTALS			28,876	36,413	31,604	32,085						

NOTES: (1) CITY IRRIGATION DIVISION INCLUDES THE FORMER RIVERSIDE WATER COMPANY

(2) DELIVERIES TO GAGE CANAL SHAREHOLDERS

(3) DELIVERIES MADE FROM LATERALS 2 & 3 OF WEST RIVERSIDE CANAL

(4) DELIVERIES MADE BY RUBIDOUX COMMUNITY SERVICE PRIOR TO 1968

(5) DELIVERIES MADE BY JURUPA HILLS WATER COMPANY BEFORE ITS PURCHASE BY RUBIDOUX C.S.D. IN 1968

\* VERIFIED EXTRACTIONS CORRECTED DURING 1972 VERIFICATION

\*\* CORRECTED DURING 1975 VERIFICATION

+ CORRECTED DURING 1980 VERIFICATION

++ CORRECTED DURING 1986 VERIFICATION

TABLE NO. 1

CITY OF RIVERSIDE  
NUMBER OF ACTIVE METERS  
MEASURING WATER DELIVERED TO AREAS  
THAT ARE NOT TRIBUTARY TO THE RIVERSIDE NARROWS

Meter Bk. Area	1	13	14	15	16	17	18	19	22
Column No.	(1)	(2)	(3)	(4)	(5)	(6)	(7)	(8)	(9)
Calendar Year	Total								
1971	203	1,677	2,151	-	2,389	-	-	871	84
1972	239	1,776	2,243	-	2,407	-	-	913	89
1973	229	1,765	2,760	-	2,330	-	-	966	88
1974	197	1,795	2,804	-	2,325	-	-	971	88
1975	428	1,980	4,045	3,027	2,357	509	562	1,149	106
1976	659	2,166	5,287	3,220	2,378	509	562	1,328	124
1977	877	2,242	5,185	5,799	2,465	- *	- *	1,607	129
1978	917	2,367	5,535	8,680	2,686	- *	- *	1,833	171
1979	709	2,377	5,740	8,879	2,608	- *	- *	1,965	163
1980	491	2,857	5,791	9,344	2,645	- *	- *	2,011	163
1981	23,303	2,857	5,791	9,344	2,645	- *	- *	2,011	163
1982	23,302	2,857	5,791	9,344	2,645	- *	- *	2,011	163
1983**	20,421	2,195	3,259	9,799	2,394	-	-	2,073	117
1984**	20,766								
1985**	21,336								
1986**	21,669								
1986**	22,658								

Column (1) through (9) - from City of Riverside Records.  
 Column (4) - Starting July 1, 1973 City of Riverside took over operation of the Southwest Water Company (Meter Book area 15). At the time water use in that area was reported directly in Acre Feet [See Table No. 1A, Column (4)].  
 Columns (6) and (7) - In 1975, Meter Book areas 17 and 18 were split off of Meter Book area 15 and all three areas are now reported by number of active meters.

\* In 1977 Meter Book Areas 17 and 18 were recombined with Book 15.  
 \*\*Starting in 1983, the City is able to generate an annual tabulation of water used in areas not tributary to the Riverside Narrows.

TABLE NO. 1A

DELIVERIES MADE BY CITY OF RIVERSIDE  
DOMESTIC DIVISION TO AREAS WHICH ARE  
NOT TRIBUTARY TO THE RIVERSIDE NARROWS

Arlington Basin Production

Meter Bk. Areas Column No. Calendar Year	Deliveries in Acre Feet										Subtotal (10)	La Granada Wells (11)	M.M.W.D. Total Used In Arlington Wells (12)	Southwest Water Co Wells (13)	Add'l Extractions From SBBA (14)	Total From Upper Basins Not Tributary (15)	Total (16)
	13	14	15	16	17	18	19	20	21	22							
168	1,389	2,968	-	2,308	-	-	841	139	7,813	68	13	9	-	-	-	7,736	
178	1,321	2,781	-	2,089	-	-	793	132	7,294	1	13	9	-	-	-	7,284	
147	1,130	2,926	2,941	1,729	-	-	714	112	9,699*	29	18	12	1,359	-	-	8,299*	
131	1,195	3,112	3,945	1,807	-	-	754	117	11,061	69	49	33	1,651	-	-	9,308	
277	1,283	4,369	1,962	1,782	330	364	869	137	11,373	0	904	602	83	-	-	10,688	
439	1,443	5,869	2,145	1,855	361	398	1,032	165	13,707	31	7	11	13	-	-	13,658	
535	1,368	5,288	3,855	1,750	-**	-**	1,141	157	14,094	143	17	11	198	-	-	13,742	
614	1,586	6,144	5,012	2,095	-**	-**	1,430	227	17,108	739	0	0	0	-	-	16,369	
503	1,688	6,831	5,930	2,165	-**	-**	1,631	233	18,981	633	4	3	0	-	-	18,345	
314	1,828	6,138	6,268	1,957	-**	-**	1,488	207	18,200	127	161	108	0	-	-	17,965	
329	1,914	6,428	6,818	2,063	-**	-**	1,569	217	19,338	280	0	0	29	1,148	-	17,881	
356	1,339	3,324	6,290	1,699	-	-	1,472	117	14,597	0	0	0	0	0	0	14,597	
1983***									15,352	0	0	0	0	76	-	15,276	
1984***									19,088	0	0	0	0	6,912	-	12,176	
1985***									19,095	0	0	0	0	7,751	-	11,344	
1986									20,994	0	11	0	0	10,000	-	10,994	

PLEASE SEE NOTES ON FOLLOWING PAGE

\* Arithmetic errors corrected during 1975 verification.

Col.(1) through (9) were estimated as follows: Using the factor Acre Feet per connection, obtained for the year 1965 for each Meter book area, said duty factors were adjusted for subsequent and preceding years to compensate for consumptive variances, due to temperature and rainfall, by a ratio based on the ratio of total Annual system production to Annual System population for each year as compared to the same ratio for the year 1965.

Col.(4) - Starting July 1, 1973 City of Riverside took over operation of Southwest Water Company (Meter Book area 15). At the time water use in that area was reported directly in acre feet.

Col.(6) & (7) - In 1975, Meter book areas 17 and 18 were split off of Meter book area 15 and all three areas are now reported by number of active meters.

Col.(10) = Total of Columns (1) through (9).

Col.(12) = Total treated WWD water to City of Riverside.

Col.(13) = Col. (12) x 2/3.

Col.(14) = Total production from former Southwest Water co. wells.

Col.(15) = Pursuant to agreement regarding additional extractions dated Dec. 22, 1981, Feb. 25, 1985 and Aug. 21, 1985; additional extractions made thereunder are to be treated in the same manner as water produced from wells in the nontributary area. In 1985, excludes 5,721 acre feet of additional water delivered to Orange County pursuant to the Feb. 25, 1985 and August 21, 1985 agreements.

Col.(16) = (10) minus Cols. (11) + (13) + (14) + (15).

\*\* In 1977, Meter book Areas 17 & 18 were recombined with Book 15.

\*\*\* Starting in 1983, the City is able to generate, an annual tabulation of water used in areas not tributary to the Riverside Narrows.

TABLE NO. 2

DELIVERIES MADE BY CITY OF RIVERSIDE IRRIGATION  
DIVISION FROM RIVERSIDE CANAL TO AREAS  
WHICH ARE NOT TRIBUTARY TO THE RIVERSIDE NARROWS  
 (All quantities in Acre Feet)

LINE NO	DELIVERY LOCATION	CALENDAR YEARS							
		1983	1984	1985	1986	1987	1988	1989	1990
1	Delivery to Lower Canal Section	0	0	0	0	0	0	0	0
2	Less Adj. for Temescal Delivery	0	0	0	0	0	0	0	0
3	Total Delivery from Lower Canal Section	0	0	0	0	0	0	0	0
4	Less Deliveries to Temescal Water Co. from Lower Canal Section	0	0	0	0	0	0	0	0
5	Deliveries to Riverside Water Co. Stock & contract Water from Lower Canal Section	0	0	0	0	0	0	0	0
6	Plus Deliveries from Upper Canal Section below Riverside Narrows	0	0	0	0	0	0	0	0
7	Total Deliveries by City of Riverside Irrigation Division not Tributary to Riverside Narrows	0	0	0	0	0	0	0	0

NOTE: Lines #1 & #2 from City Records  
 Line #4 from Table No. 4, Col. (4)  
 Line #6 from City Records  
 Quantities in parenthesis (-) are negative values

TABLE NO. 3

DELIVERIES MADE BY THE GAGE CANAL COMPANY  
TO AREAS WHICH ARE NOT TRIBUTARY  
TO THE RIVERSIDE NARROWS  
 (All Quantities in Acre Feet)

Calendar Year	DELIVERIES to Gage Stockholders (1)	LOSSES IN Arlington Basin (2)	NET INTO Mockingbird Lake (3)	2/3 DIFFERENCE OF WEIR NO. 2 Chart & Calculated Flow (4)	TOTAL Gage Delivery (5)
1971	17,113	(42)*	(57)	-	17,014
1972	15,328	(16)*	1,317	-	16,629
1973	13,144	(298)*	(11)	-	12,835
1974	14,233	(330)*	234	-	14,137
1975	14,370	1,007**	372	-	15,749
1976	14,553	793**	277	-	15,623
1977	14,533	(104)**	181	-	14,610
1978	11,572	(102)**	89	-	11,559
1979	12,560	(63)**	(172)	-	12,325
1980	14,191	351**	(278)	-	14,265
1981	11,347	239**	237	-	11,823
1982	8,616+	288**	(127)	-	8,777
1983	8,731	549**	(72)	-	9,208
1984	15,439	912**	(12)	-	16,339
1985	12,326	981**	46	-	13,353
1986	13,314	937	(134)	-	14,117

- NOTES: Col. (5) = Cols. (1) + (2) + (3) + (4)  
 Quantities in parenthesis are negative values, net gains to the canal.  
 Deliveries shown in Col. (1) above are those made to the lands of shareholders in areas which are not tributary to Riverside Narrows.
- \* Canal losses are assumed to occur equally along the entire canal, half above Weir No. 2 and half below. It is further assumed that 2/3 of the lower canal losses occur in the Arlington Basin.
  - \*\* Since the canal was converted to a pipeline from the headworks to about Weir No. 2 in 1975, the canal losses in Arlington Basin are assumed to equal 2/3 of the total loss.
  - + Corrected during 1983 verification.  
 Data from Gage Canal Company records.

TABLE NO. 4

DELIVERIES BY CITY OF RIVERSIDE IRRIGATION  
DIVISION FROM RIVERSIDE CANAL FOR USE ON LANDS  
NOT TRIBUTARY TO THE RIVERSIDE NARROWS  
 (ALL QUANTITIES IN ACRE FEET)

Calendar Year	Inch Rate Contract Water Delivery to Temescal (1)	Carrying Right (Mt. Vernon) Meter Delivered to Temescal (2)	Carrying Right S.C.E. Co. For Delivery to Temescal (3)	Total Delivery to Temescal by C.R.I.D. (4)
1971	3,566	1,652	1,266	6,484
1972	3,183	1,459	1,204	5,846
1973	0	0	0	0
1974	0	0	0	0
1975	0	0	0	0
1976	0	0	0	0
1977	0	0	0	0
1978	0	0	0	0
1979	0	0	0	0
1980	0	0	0	0
1981	0	0	0	0
1982	0	0	0	0
1983	0	0	0	0

SEE NOTE: Table no longer needed.

NOTE: Cols. (1), (2) & (3) from City Records.

NOTE: Temescal Water company discontinued receiving their irrigation water delivery from the Riverside Canal in calendar year 1973, and began taking all their water delivery from the Gage Canal.



TABLE NO. 5

DELIVERIES BY GAGE CANAL COMPANY  
FOR  
USE ON LANDS NOT TRIBUTARY TO THE  
RIVERSIDE NARROWS  
 (All Quantities in Acre Feet)

Calendar Year	Gage Canal Delivery to Alta Mesa	Gage Canal Delivery To Temescal	Total Delivery to Alta Mesa and Temescal by Gage Canal Company
1971	278	1,433	1,711
1972	143	2,581	2,724
1973	65	4,226	4,291
1974	38	4,629	4,667
1975	45	4,666	4,711
1976	20	6,828	6,848
1977	16	3,986	4,002
1978	16	3,996	4,012
1979	21	5,549	5,570
1980	21	6,189	6,210
1981	18	5,956	5,974
1982	13	4,677	4,690
1983	11	3,288	3,299
1984	18	5,877	5,895
1985	14	4,724	4,738 1)
1986	14	5,403	5,417

NOTE: Data from Gage Canal Company Records.  
 1) Corrected during 1986 verification.

TABLE NO. 6

SUMMARY OF DELIVERIES  
MADE BY MEEKS & DALEY WATER COMPANY,  
AGUA MANSA WATER COMPANY AND TEMESCAL WATER COMPANY  
INCLUDING WATER RECEIVED FROM CITY OF RIVERSIDE  
FROM THE RIVERSIDE AND GAGE CANALS  
TO AREAS WHICH ARE NOT TRIBUTARY  
TO THE RIVERSIDE NARROWS  
 (All quantities in Acre Feet)

Calendar Year	Total Delivery to Temescal by City of Riverside Irrigation Division (1)	Total Delivery to Alta Mesa and Temescal by Gage Canal Company (from Table No. 5) (2)	Total Delivery by City of Riverside Irrigation Division and Gage Canal not Tributary to Riverside Narrows (3)
1971	6,484	1,711	8,195
1972	5,846	2,724	8,570
1973	- 1)	4,291	4,291
1974	-	4,667	4,667
1975	-	4,711	4,711
1976	-	6,848	6,848
1977	-	4,002	4,002
1978	-	4,012	4,012
1979	-	5,570	5,570
1980	-	6,210	6,210
1981	-	5,974	5,974
1982	-	4,690	4,690
1983	-	3,299	3,299
1984	-	5,895	5,895
1985	-	4,738 2)	4,738 2)
1986	-	5,417	5,417

1) Temescal Water Company discontinued receiving their irrigation water delivery from the Riverside Canal in Calendar year 1973, and began taking all of the water delivery from the Gage Canal.  
 2) Corrected during 1986 verification.

Notes: Col. (1) from City of Riverside  
 Col. (2) from Table No. 5

TABLE NO. 7

WEST RIVERSIDE CANAL COMPANY  
DELIVERIES MADE TO LATERALS #3 & #2  
FOR USE IN GLEN AVON & PEDLEY AREAS  
(FROM RECORDS OF WEST RIVERSIDE CANAL CO.)  
 (All Quantities in Acre Feet)

Water Delivered to Lateral #2 and #3

Calendar Year	La Sierra Water Co	Agua Mansa Water Co	Salazar Water Co	350 Inch Water Co	Jurupa Water Co	Twin Buttes Water Co*	Total Deliveries
(1)	(2)	(3)	(4)	(5)	(6)	(7)	(8)
1971	2,619	485	23	771	1,220	834	5,952
1972	3,396	249	25	682	1,032	72	5,456
1973	2,162	201	21	541	785	-	3,710
1974	2,673	359	0	825	1,012	-	4,869
1975	1,823	384	0	845	906	917	4,874
1976	1,770	318	0	778	1,004	759	4,628
1977	1,281	242	0	742	957	0	3,222
1978	850	125	0	223	783	0	1,981
1979	993	155	0	376	1,183	0	2,707
1980	1,001	135	0	420	950	0	2,506
1981	949	220	0	1,395	582	0	3,146
1982	175	62	0	220	649	0	1,106
1983	212	42	0	134	520	0	817
1984	200	81	0	203	676	0	1,160
1985	144	36	0	162	603	0	945
1986	129	31	0	139	382	0	684

\* Twin Buttes now owned by City of Riverside  
 Note: Data from West Riverside Canal company records.  
 Conversion Factor: 0.03967 AF/MID

TABLE NO. 9

DELIVERIES MADE BY  
JURUPA COMMUNITY SERVICES DISTRICT\*  
TO AREAS WHICH ARE NOT TRIBUTARY TO THE  
RIVERSIDE NARROWS  
 (ALL QUANTITIES IN ACRE FEET)

State Well No. Rec. No. Local Desig.	2S5W08G4 3301362 S.S.#3 (1)	2S5W08G1 3301501 S.S.#5 (2)	2S5W08K2 3301502 S.S.#6 (3)	2S5W08K3 3301625 S.S.#7 (4)	Total Export Riverside Basin Area (5)
<u>Year</u>					
1971	223	517	54	0	794
1972	288	516	3	0	807
1973	201	339	5	0	545
1974	223	322	21	0	566
1975	229	411	0	0	640
1976	268	597	0	0	865
1977	231	542	0	0	773
1978	199	411	0	0	610
1979	184	366	0	0	550
1980	0	3	0	0	3
1981	0	0	0	0	0
1982	0	0	+	+	0
1983	0	0	-	-	0
1984	0	0	-	-	0
1985	52	475	-	-	527
186	266	634	-	-	900
	70	475	-	-	545

\* Was Rubidoux Community Services District prior to 1968.  
 + Abandoned or file closed.

TABLE NO. 10

DELIVERIES MADE BY RUBIDOUX COMMUNITY SERVICES DISTRICT\*  
 TO AREAS WHICH ARE NOT TRIBUTARY  
 TO THE RIVERSIDE NARROWS  
 (All Quantities in Acre Feet)

Calendar Year	Total Number of Meter Connections (1)	Annual Water Production Per Meter (A.F./Meter) (2)	Total Water Production Delivered (Col 1xCol 2) (3)	Delivery to Boise Cascade Mobile Park (4)	Total Water Delivery to Basin (5)	Flow returned to Sewer (40% of total Delivered) (6)	Total Export From Riverside Basin Area (7)
1971	89	0.85	76	16	92	37	55
1972	89	0.85	76	32	108	43	65
1973	111	0.85	94	44	138	55	83
1974	127	0.85	108	35	143	57	86
1975	130	0.85	111	45	156	62	94
1976	181	0.85	154	53	207	83	124
1977	232	0.85	197	62	259	104	155
1978	322	0.85	274	81	355	142	213
1979	407	0.85	346	60+	406	162	244
1980	407	0.85	346	78	424	170	254
1981	407	0.85	346	88	434	173	261
1982	407	0.85	346	74	420	168	252
1983	407	0.85	346	114	460	184	276
1984	407	0.85	346	180	526	210	316
1985	407	0.85	346	194	540	216	324
1986	407	0.85	346	200 2)	546	218	328

\* Corrected during 1980 verification.

Notes: Col. (3) = Col. (1) x Col. (2)

Col. (6) = Col. (5) x 40%

Col. (5) = Col. (3) + col. (4)

Col. (7) = Col. (5) - Col. (6)

\* Was Jurupa Hills Water Company prior to 1968.

1) 1971 values revised during 1972 verification (delivery to Boise Cascade Mobile park as 16 acre feet). See WM file 2.50.

2) In 1986 individual meters were installed, flow estimated.

# VOLUME 7 - 1986

**REPORT OF WATERMASTER**

**Western Municipal Water District of Riverside County, et al**  
**Plaintiffs**

**vs.**

**East San Bernardino County Water District, et al**  
**Defendants**

**Superior Court of Riverside County**  
**Case No. 78426**

**VOLUME 7 – 1986**

**VERIFICATION OF EXTRACTIONS FROM THE  
SAN BERNARDINO BASIN AREA  
AND COLTON BASIN AREA WITHIN  
THE SAN BERNARDINO VALLEY  
MUNICIPAL WATER DISTRICT  
FOR USE ON LANDS NOT WITHIN WESTERN  
NOR TRIBUTARY TO THE RIVERSIDE NARROWS**

**ANNUAL ACCOUNTING**

**1986**

**AUGUST 1, 1988**

**WATERMASTER**

*Donald L. Harriger  
Robert L. Reiter*

**REPORT OF WATERMASTER**

**Western Municipal Water District of Riverside County, et al**  
**Plaintiffs**

**vs.**

**East San Bernardino County Water District, et al**  
**Defendants**

**Superior Court of Riverside County**  
**Case No. 78426**

**VOLUME 1 – 1986**

**VERIFIED EXTRACTIONS FROM THE**  
**SAN BERNARDINO BASIN AREA**  
**FOR**  
**CALENDAR YEARS 1959–1963 & 1982–1986**

**By Non–Plaintiffs For Use Within San Bernardino County**

**ANNUAL ACCOUNTING**  
**FOR INDIVIDUAL WELLS**

**AUGUST 1, 1988**

**WATERMASTER**  
*Donald L. Harriger*  
*Robert L. Reiter*



Sets 4 + 5 2/3 over 4 over 1000

**REPORT OF WATERMASTER**

**Western Municipal Water District of Riverside County, et al**  
**Plaintiffs**

**vs.**

**East San Bernardino County Water District, et al**  
**Defendants**

**Superior Court of Riverside County**  
**Case No. 78426**

**VOLUME 1 - 1986**

**VERIFIED EXTRACTIONS FROM THE**  
**SAN BERNARDINO BASIN AREA**  
**FOR**  
**CALENDAR YEARS 1959-1963 & 1982-1986**

**By Non-Plaintiffs For Use Within San Bernardino County**

**ANNUAL ACCOUNTING**  
**FOR INDIVIDUAL WELLS**

**AUGUST 1, 1988**

**WATERMASTER**  
*Donald L. Harriger*  
*Robert L. Reiter*

# VOLUME 8 - 1986

**REPORT OF WATERMASTER**

**Western Municipal Water District of Riverside County, et al**  
**Plaintiffs**

**vs.**

**East San Bernardino County Water District, et al**  
**Defendants**

**Superior Court of Riverside County**  
**Case No. 78426**

**VOLUME 8 - 1986**

**GROUND WATER SURFACE ELEVATIONS  
OF WELLS NUMBERED 1S/4W-21Q3,  
1S/4W-29H1 AND 1S/4W-29Q1 LOCATED WITHIN  
THE COLTON BASIN AREA AND  
RIVERSIDE BASIN AREA IN SAN BERNARDINO COUNTY  
THROUGH DECEMBER 1987**

**ANNUAL ACCOUNTING**

**AUGUST 1, 1988**

**WATERMASTER**  
*Donald L. Harriger*  
*Robert L. Reiter*

REPORT OF WATERMASTER

Western Municipal Water District of Riverside County, et al  
Plaintiffs

vs.

East San Bernardino County Water District, et al  
Defendants

Superior Court of Riverside County

Case No. 78426

Volume 8 - 1986

GROUNDWATER SURFACE ELEVATIONS  
OF WELLS NUMBERED 1S/4W-21Q3  
1S/4W-29H1 AND 1S/4W-29Q1 LOCATED WITHIN  
THE COLTON BASIN AREA AND  
RIVERSIDE BASIN AREA IN SAN BERNARDINO COUNTY  
THROUGH DECEMBER 1987

ANNUAL ACCOUNTING

August 1, 1988

WATERMASTER  
Donald L. Harriger  
Robert L. Reiter

VOLUME 8-1986

TABLE OF CONTENTS

	<u>Page</u>
INTRODUCTION . . . . .	i
<u>MAP NO. 1</u>	
SHOWING LOCATION OF WELLS . . . . .	1
<u>FIGURE NO. 1</u>	
1985 GROUNDWATER SURFACE ELEVATIONS (JOHNSON NO. 1) . . . . .	2
<u>FIGURE NO. 1A</u>	
ANNUAL LOWEST FALL STATIC GROUNDWATER ELEVATIONS, 1936-1987 1S/4W-21Q3 (JOHNSON NO. 1) . . . . .	3
<u>FIGURE NO. 2</u>	
1985 GROUNDWATER SURFACE ELEVATIONS, (FLUME NO. 2) . . . . .	4
<u>FIGURE NO. 2A</u>	
ANNUAL LOWEST FALL STATIC GROUNDWATER ELEVATIONS, 1936-1987 1S/4W-29H1 (FLUME NO. 2) . . . . .	5
<u>FIGURE NO. 3</u>	
1985 GROUNDWATER SURFACE ELEVATIONS (FLUME NO. 5) . . . . .	6
<u>FIGURE NO. 3A</u>	
ANNUAL LOWEST FALL STATIC GROUNDWATER ELEVATIONS, 1931-1987 1S/4W-29Q1 (FLUME NO. 5) . . . . .	7
<u>TABLE NO. 1</u>	
LOWEST STATIC WATER ELEVATIONS, 1963 and 1975-1987. . . . .	8
WELL MEASUREMENT RECORD, JOHNSON NO. 1, STATE WELL NUMBER 1S/4W-21Q3 . . . . .	9
WELL MEASUREMENT RECORD, FLUME NO. 2, STATE WELL NUMBER 1S/4W-29H1 . . . . .	12
WELL MEASUREMENT RECORD, FLUME NO. 5, STATE WELL NUMBER 1S/4W029Q1 . . . . .	16

VOLUME 8-1986

GROUNDWATER SURFACE ELEVATIONS  
OF WELLS NUMBERED 1S/4W-21Q3,  
1S/4W-29H1 AND 1S/4W-29Q1 LOCATED WITHIN  
THE COLTON BASIN AREA AND  
RIVERSIDE BASIN AREA IN SAN BERNARDINO COUNTY

INTRODUCTION

The settlement of the case of the Orange County Water District, Plaintiff, vs. City of Chino, et al, Defendants, being Case No. 117628 in the Superior Court of the State of California in and for the County of Orange, made necessary a settlement of the case of Western Municipal Water District of Riverside County, et al, vs. East San Bernardino County Water District, which was settled by Stipulated Judgment in Case No. 78426, entered in the Superior Court of the State of California in and for the County of Riverside, on April 17, 1969.

Paragraph VIII of the judgment entitled "Extractions from Colton Basin Area and Riverside Basin Area in San Bernardino County" in subparagraph (d) recites as follows:

VIII "Extractions from the Colton Basin Area and that portion of the Riverside Basin Area within San Bernardino County, for use within San Bernardino Valley, shall not be limited. However, except for any required replenishment by Western, San Bernardino Valley shall provide the water to maintain the static water levels in the area, as determined by wells numbered 1S/4W-21Q3, 1S/4W-29H1, and 1S/4W-29Q1 at an average level no lower than that which existed in the Fall season of 1963. Such 1963 average water level is hereby determined to be 822.04 feet above sea level. In future years, the level shall be computed by averaging the lowest static water levels in each of the three wells occurring at or about the same time of the year, provided that no measurements will be used which reflect the undue influence of pumping in nearby wells, or in the three wells, or pumping from the Riverside Basin in Riverside in the three wells, or pumping from the Riverside Basin in Riverside County in excess of that determined pursuant to Paragraph IX(a) hereof."

Pursuant to the foregoing, the Watermaster has compiled all available records and data pertinent to the water surface elevation in the three key wells named in the Judgment and shown on Map No. 1. These data, including elevations through December 1971, are presented in "Report of Watermaster, Volume 8" dated June, 1972.

Groundwater elevations of the key wells for calendar years 1972 through 1986 are presented in "Report of Watermaster", Volume 8-1971 through Volume 8-1986. This report includes the detail data for calendar year 1987 along with graphical summaries of historic water level elevations.

Figures 1, 2 and 3 graphically display the specific static water elevations for each key well that were used to select the lowest elevation for calendar year 1987. Figures 1A, 2A and 3A show the lowest fall static water elevation recorded each year for each of the three wells since about 1935.

Table 1 presents the lowest static water surface elevation for each well and the average low elevation for the three wells for calendar year 1963 and calendar years 1975 through 1987.

The basic data compiled in tabular form at the end of this report is based on measurements of depth to water by the City of Riverside (C of R), the United States Geological Survey (USGS), San Bernardino Valley Municipal Water District (SBVMWD) and Western Municipal Water District (WMWD).



The City of Riverside established a new measurement point for the Flume No. 5 well in May 1982. The elevation of this new reference point has been established as 916.53 feet above sea level. Therefore, there are now three reference points available for use on the Flume 5 well. The well record tables included in this report indicate which reference point was used for each measurement since 1976.

Monthly measurements of the key wells by the USGS began in October of 1972 under a cooperative agreement with SBVMWD. In July 1974, the USGS agreement was terminated and the SBVMWD staff has continued the monthly measurements.

Using the City of Riverside, San Bernardino Valley Municipal Water District and Western Municipal Water District data, the average of the lowest static level in each well has been determined to be at elevation 905.12 feet for 1987. This elevation is 83.08 feet higher than the 1963 minimum (822.04) required by the Judgment.

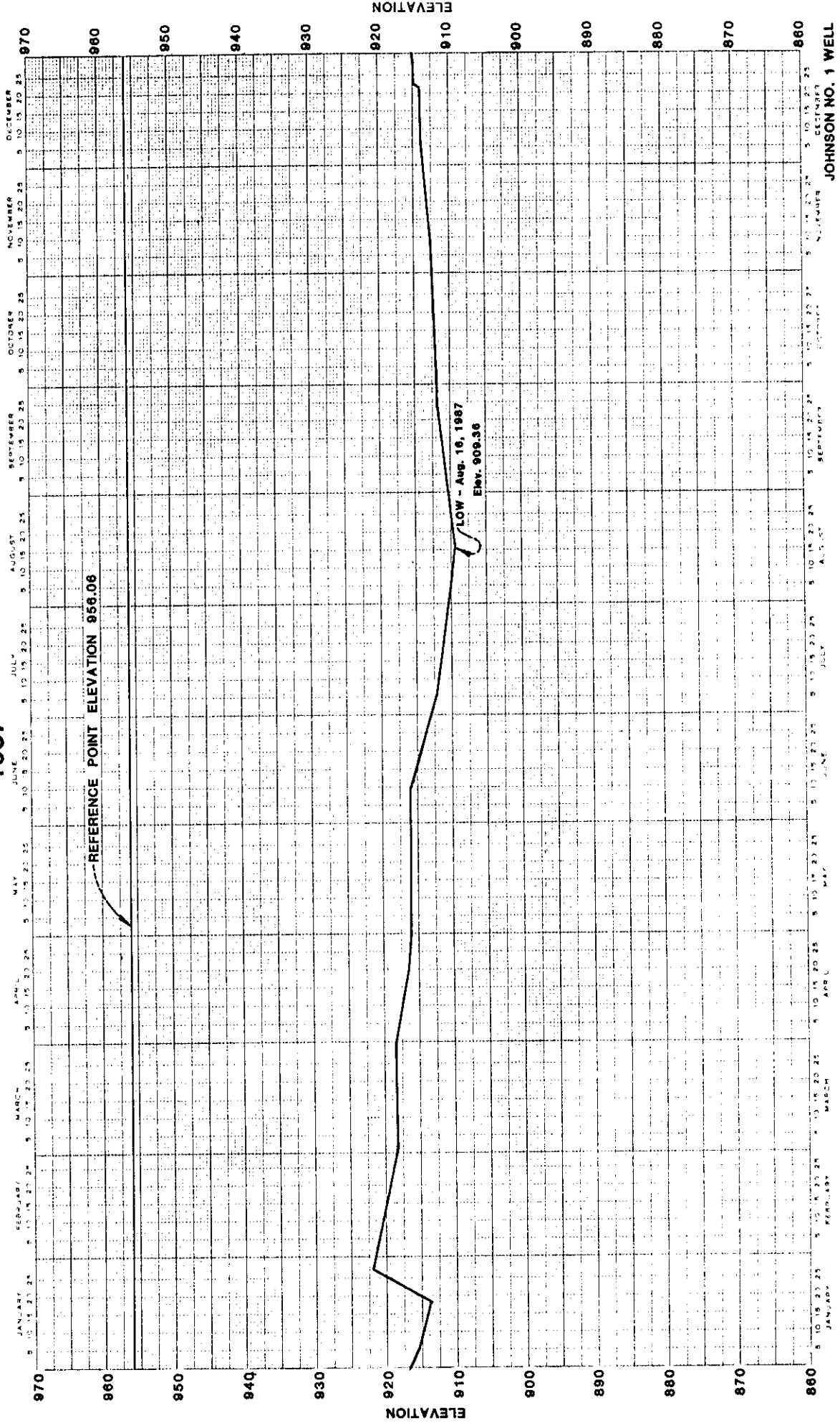
Since 1979, flow in the Santa Ana River caused channel erosion of about 8 feet in the vicinity of the Flume No. 5 well and the river was flowing immediately adjacent to the well most of the year. Since the ground in the vicinity of the well was essentially saturated during 1987, the elevation of the water in the well was about the same as the elevation of flow in the river. However, as a result of the channel erosion, the elevation of the water table since 1981 is about 10 feet less than in prior years when a similar saturated condition existed.



# GROUNDWATER SURFACE ELEVATION JOHNSON NO. 1 WELL

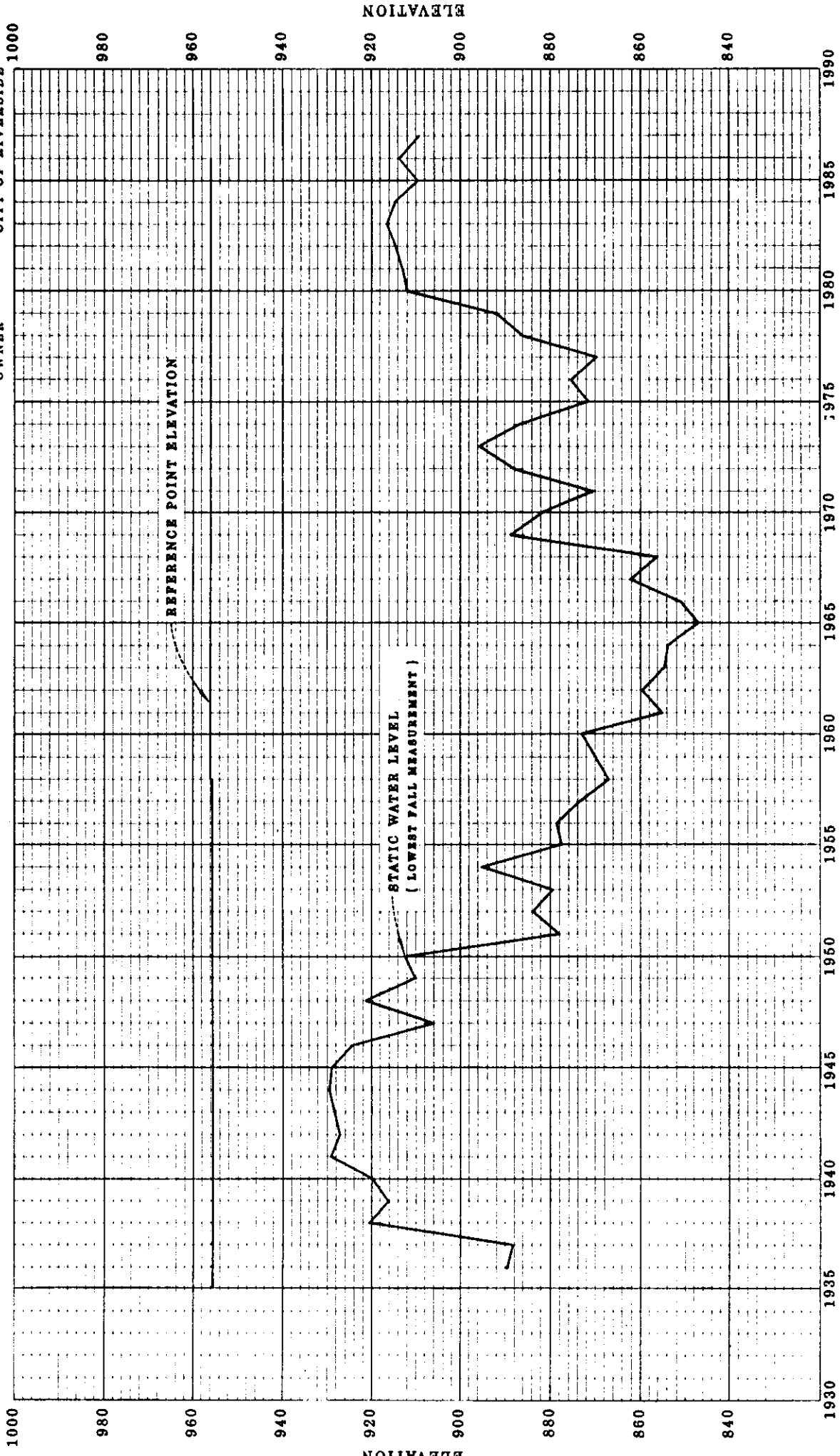
1987

STATE WELL NUMBER 1S/4W - 21Q3  
 RECORDATION NUMBER 36-01480  
 BASIN COLTON  
 OWNER CITY OF RIVERSIDE



**LOWEST FALL STATIC  
GROUNDWATER ELEVATIONS  
JOHNSON NO. 1 WELL**

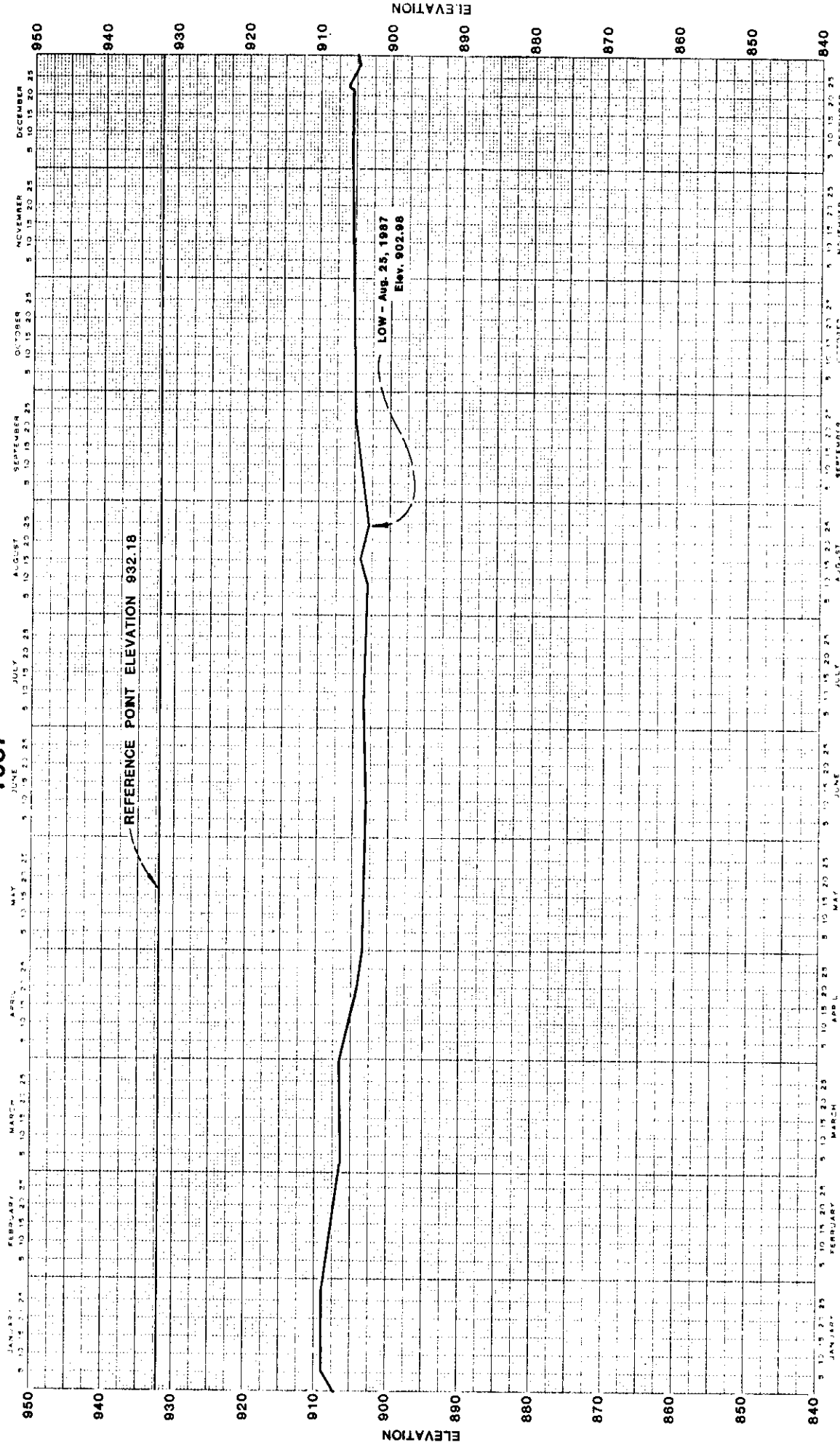
STATE WELL NUMBER 18/4W-21Q3  
 RECORDATION NUMBER 86-01480  
 BASIN COLTON  
 OWNER CITY OF RIVERSIDE



# GROUNDWATER SURFACE ELEVATION FLUME NO. 2 WELL

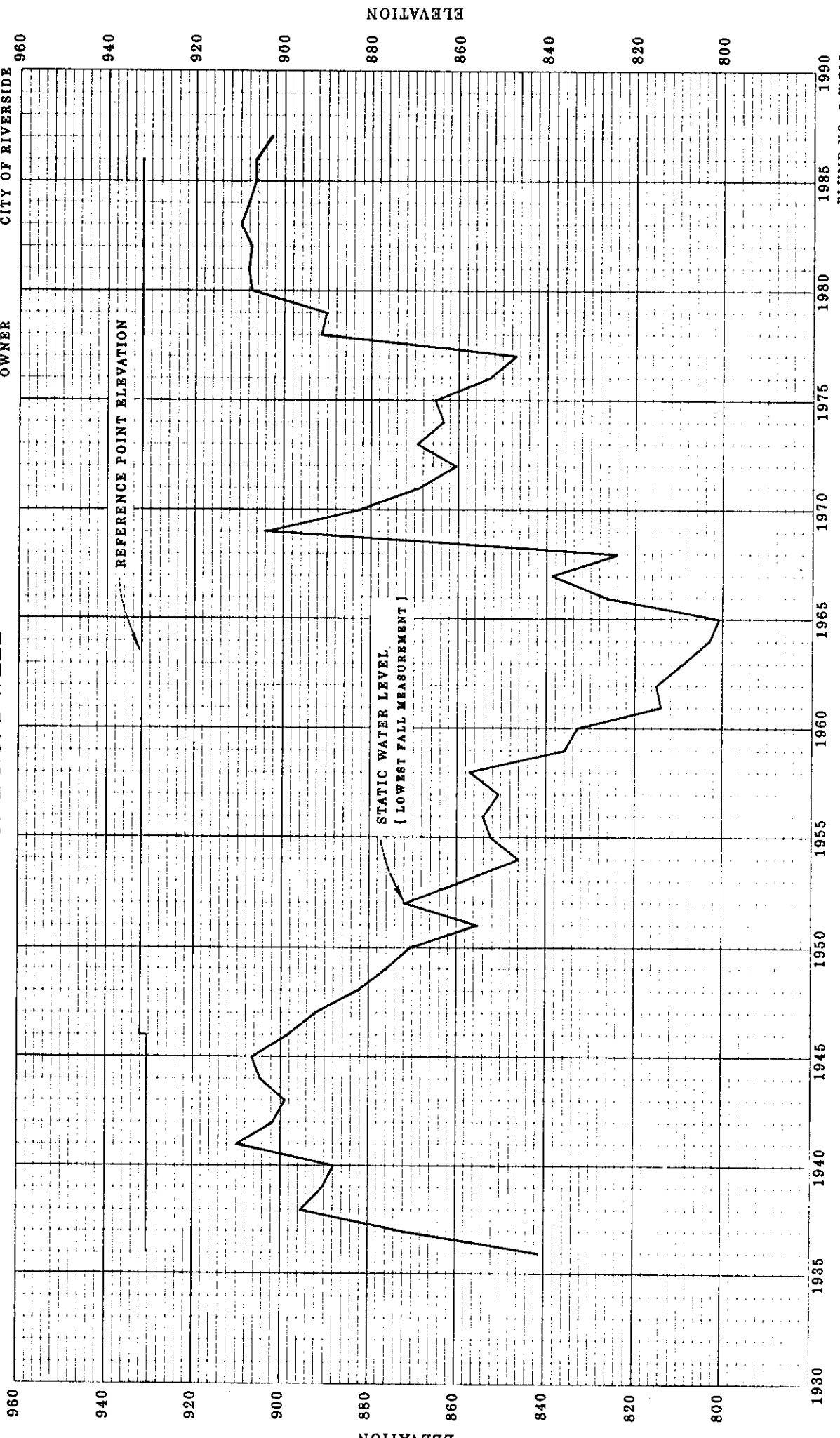
**1987**

STATE WELL NUMBER 1S/4W - 29H1  
 RECORDATION NUMBER 36-01484  
 BASIN RIVERSIDE  
 OWNER CITY OF RIVERSIDE



**LOWEST FALL STATIC  
GROUNDWATER ELEVATIONS  
FLUME NO. 2 WELL**

STATE WELL NUMBER 1S/4W-29H1  
 RECORDATION NUMBER 36-01484  
 BASIN RIVERSIDE  
 OWNER CITY OF RIVERSIDE



# GROUNDWATER SURFACE ELEVATION FLUME NO. 5 WELL 1987

STATE WELL NUMBER 1S/4W - 29Q1  
 RECORDATION NUMBER 36-01487  
 BASIN RIVERSIDE  
 OWNER CITY OF RIVERSIDE

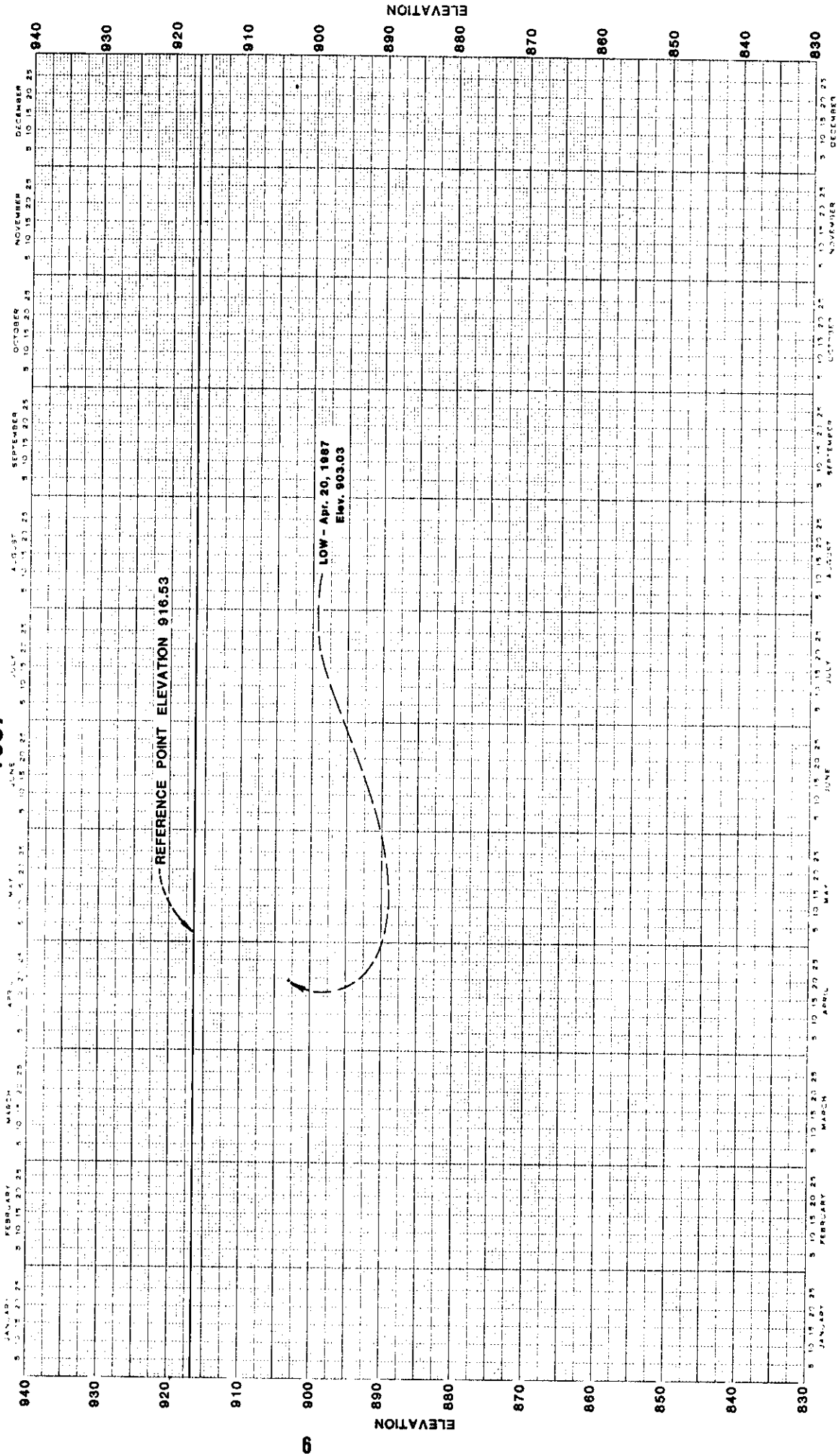






TABLE NO. 1

LOWEST STATIC WATER LEVEL  
ELEVATION IN WELLS NUMBERED  
1S/4W-21Q3, 1S/4W-29H1 & 1S/4W-29Q1  
FOR YEARS 1963 AND 1975 THROUGH PRESENT

STATIC WATER LEVEL ELEVATION

Calendar Year	Well #1S/4W-21Q3 Johnson No. 1		Well #1S/4W-29H1 Flume No. 2		Well #1S/4W-29Q1 Flume No. 5		Total of Three Wells	Average of Three Wells
	Lowest Static W.S. Elev.	Date Recorded	Lowest Static W.S. Elev.	Date Recorded	Lowest Static W.S. Elev.	Date Recorded		
1963	854.56	Aug. 1	809.28	Sept. 20	802.27	Sept. 19	2466.11	822.04*
1975	871.36	Nov. 12	865.48	Nov. 19	858.48	Nov. 12	2595.32	865.11
1976	875.88	July 15	853.08	Jun. 30	849.63	July 15	2578.59	859.53
1977	869.66	Dec. 6	847.18	Dec. 27	845.45	Dec. 27	2562.29	854.09
1978	886.06	Nov. 21	891.63	Nov. 15	888.05	Nov. 6	2665.74	888.58
1979	892.06	Oct. 11	890.48	Oct. 11	889.25	Oct. 16	2671.79	890.59
1980	911.93	Nov. 25	907.48	Nov. 11	902.72	Nov. 3	2722.13	907.38
1981	913.06	Aug. 13	908.28	Sept. 02	901.92	Aug. 18	2723.26	907.75
1982	914.56	Aug. 06	907.48	Aug. 25	904.03	Aug. 25	2726.07	908.69
1983	916.56	Jan. 04	909.98	Jan. 18	906.63	Jan. 18	2733.17	911.05
1984	914.76	Oct. 02	908.08	Dec. 01	907.23	Oct. 02	2730.07	910.02
1985	909.66	Dec. 01	906.68	Sept. 01	907.23	**	2723.57	907.85
1986	913.86	Sep. 23	906.58	Nov. 19	905.03	Oct. 24	2725.47	908.49
1987	909.36	Aug. 16	902.98	Aug. 25	903.03	Apr. 20	2715.37	905.12

\* Minimum Average Water level as provided for in the Section VIII (d) of the Judgment.  
\*\* Unable to measure during 1985, assume same low as previous year.

## WESTERN MUNICIPAL WATER DISTRICT

(WMR)

## WELL MEASUREMENT REPORT

WELL NUMBER: 1S/4W21Q03S

COLTON BASIN

LOCAL DESIGNATION: JOHNSON #1

REFERENCE POINT: 956.06

FROM 01-01-82 TO 01-30-86

DATE	OBTAINED FROM	REFERENCE PT TO WATER	ELEVATION OF WATER	REMARKS
11-08-83	C OF R	32.6	923.46	
11-16-83	C OF R	32.4	923.66	
11-22-83	C OF R	32.5	923.56	
12-01-83	C OF R	32.2	923.86	
12-06-83	C OF R	32.3	923.76	
12-20-83	C OF R	31.5	924.56	
12-27-83	C OF R	32.0	924.06	
END OF 1983				
01-01-84	C OF R	31.5	924.56	
01-10-84	C OF R	31.7	924.36	
01-17-84	C OF R	31.5	924.56	
01-24-84	C OF R	31.6	924.46	
02-01-84	C OF R	31.4	924.66	
02-07-84	C OF R	31.6	924.46	
02-14-84	C OF R	31.4	924.66	
02-21-84	C OF R	32.5	923.56	
03-01-84	C OF R	34.3	921.76	
03-08-84	C OF R	35.8	920.26	
03-20-84	C OF R	36.4	919.66	
04-01-84	C OF R	33.2	922.86	
04-03-84	C OF R	33.7	922.36	
04-25-84	C OF R	34.5	921.56	
04-30-84	C OF R	33.7	922.36	
05-01-84	C OF R	37.0	919.06	
05-08-84	C OF R	37.6	918.46	
05-15-84	C OF R	37.8	918.26	
05-22-84	C OF R	39.0	917.06	
06-01-84	C OF R	39.0	917.06	
06-12-84	C OF R	38.2	917.86	
06-19-84	C OF R	38.4	917.66	
07-01-84	C OF R	39.1	916.96	
07-10-84	C OF R	36.5	919.56	
08-01-84	C OF R	34.0	922.06	
09-01-84	C OF R	39.0	917.06	
10-01-84	C OF R	40.6	915.46	
10-02-84	WMWD	41.3	914.76	LOW
11-01-84	C OF R	40.6	915.46	
12-01-84	C OF R	35.5	920.56	
END OF 1984				
02-01-85	C OF R	33.5	922.56	
03-01-85	C OF R	31.2	924.86	
03-05-85	C OF R	33.3	922.76	
03-12-85	C OF R	33.0	923.06	
03-19-85	C OF R	36.5	919.56	
04-01-85	C OF R	29.8	926.26	
04-09-85	C OF R	30.7	925.36	

## WESTERN MUNICIPAL WATER DISTRICT

(WMR)

## WELL MEASUREMENT REPORT

WELL NUMBER: 1S/4W21Q03S

COLTON BASIN

LOCAL DESIGNATION: JOHNSON #1

REFERENCE POINT: 956.06

FROM 04-23-85 TO 05-01-88

DATE	OBTAINED FROM	REFERENCE PT TO WATER	ELEVATION OF WATER	REMARKS
04-23-85	C OF R	32.7	923.36	
05-01-85	C OF R	32.7	923.36	
06-11-85	C OF R	38.4	917.66	
09-01-85	C OF R	37.4	918.66	
10-01-85	C OF R	44.1	911.96	
12-01-85	C OF R	46.4	909.66	LOW
END OF 1985				
01-01-86	C OF R	43.0	913.06	
02-01-86	C OF R	37.4	918.66	
02-11-86	C OF R	37.4	918.66	
03-04-86	C OF R	36.4	919.66	
03-25-86	C OF R	35.4	920.66	
04-01-86	C OF R	35.2	920.86	
04-08-86	C OF R	35.0	921.06	
05-06-86	C OF R	38.4	917.66	
05-13-86	C OF R	38.7	917.36	
05-20-86	C OF R	38.9	917.16	
06-11-86	WMWD	39.9	916.16	
06-17-86	C OF R	40.0	916.06	
07-20-86	C OF R	40.7	915.36	
08-05-86	C OF R	40.3	915.76	
08-12-86	C OF R	40.5	915.56	
08-26-86	C OF R	41.3	914.76	
09-02-86	C OF R	41.7	914.36	
09-16-86	WMWD	42.1	913.96	
09-23-86	C OF R	42.2	913.86	LOW
10-24-86	WMWD	39.2	916.86	
11-19-86	C OF R	38.7	917.36	
12-29-86	C OF R	38.7	917.36	
END OF 1986				
01-06-87	WMWD	40.6	915.46	
01-19-87	C OF R	42.3	913.76	
01-28-87	C OF R	34.2	921.86	
03-03-87	C OF R	37.9	918.16	
03-31-87	C OF R	37.8	918.26	
04-20-87	WMWD	39.5	916.56	
04-30-87	C OF R	40.0	916.06	
06-10-87	C OF R	40.0	916.06	
07-06-87	C OF R	43.8	912.26	
08-09-87	C OF R	46.1	909.96	
08-16-87	C OF R	46.7	909.36	LOW
08-25-87	C OF R	30.9	925.16	?
09-24-87	C OF R	44.4	911.66	
11-03-87	C OF R	47.0	909.06	?
11-10-87	C OF R	43.3	912.76	
12-08-87	C OF R	42.1	913.96	

WESTERN MUNICIPAL WATER DISTRICT

(WMR)

WELL MEASUREMENT REPORT

WELL NUMBER: 1S/4W21Q03S

COLTON BASIN

LOCAL DESIGNATION: JOHNSON #1

REFERENCE POINT: 956.06

FROM 04-23-85 TO 05-01-88

DATE	OBTAINED FROM	REFERENCE PT TO WATER	ELEVATION OF WATER	REMARKS
12-22-87	C OF R	42.0	914.06	
12-23-87	WMWD	41.2	914.86	
12-29-87	C OF R	41.2	914.86	
END OF 1987				
01-05-88	C OF R	40.7	915.36	
01-12-88	C OF R	42.1	913.96	
01-26-88	C OF R	40.5	915.56	
03-01-88	C OF R	40.0	916.06	
03-08-88	C OF R	40.1	915.96	
END OF 1988				

## WESTERN MUNICIPAL WATER DISTRICT

(WMR)

## WELL MEASUREMENT REPORT

WELL NUMBER: 1S/4W29H01S

RIVERSIDE NORTH

LOCAL DESIGNATION: FLUME #2

REFERENCE POINT: 932.18

FROM 01-01-82 TO 02-01-87

DATE	OBTAINED FROM	REFERENCE PT TO WATER	ELEVATION OF WATER	REMARKS
01-13-83	C OF R	21.9	910.28	
01-18-83	C OF R	22.2	909.98	
01-25-83	C OF R	21.6	910.58	
02-01-83	C OF R	21.0	911.18	
02-08-83	C OF R	21.0	911.18	
02-15-83	C OF R	21.1	911.08	
02-22-83	C OF R	21.1	911.08	
03-01-83	C OF R	19.2	912.98	
03-08-83	C OF R	19.5	912.68	
03-15-83	C OF R	19.6	912.58	
03-22-83	C OF R	19.7	912.48	
04-01-83	C OF R	19.5	912.68	
04-05-83	C OF R	19.8	912.38	
04-12-83	C OF R	19.8	912.38	
04-19-83	C OF R	19.9	912.28	
04-26-83	C OF R	20.0	912.18	
05-01-83	C OF R	20.0	912.18	
05-03-83	C OF R	19.5	912.68	
05-10-83	C OF R	19.5	912.68	
05-24-83	C OF R	21.4	910.78	
05-29-83	C OF R	23.4	908.78	
06-21-83	C OF R	21.0	911.18	(?)
06-29-83	C OF R	21.0	911.18	
07-12-83	C OF R	22.0	910.18	
07-19-83	C OF R	20.9	911.28	
07-26-83	C OF R	21.0	911.18	
08-30-83	C OF R	20.6	911.58	
09-01-83	C OF R	20.6	911.58	
09-01-83	WMWD	20.1	912.08	
09-07-83	C OF R	20.6	911.58	
09-13-83	C OF R	20.8	911.38	
09-20-83	C OF R	20.8	911.38	
09-27-83	C OF R	20.8	911.38	
10-04-83	C OF R	19.9	912.28	
10-11-83	C OF R	19.6	912.58	
10-18-83	C OF R	19.9	912.28	
10-25-83	C OF R	20.6	911.58	
11-01-83	C OF R	20.8	911.38	
11-01-83	WMWD	20.2	911.98	
11-08-83	C OF R	20.7	911.48	
11-16-83	C OF R	20.6	911.58	
11-22-83	C OF R	20.5	911.68	
12-01-83	C OF R	20.1	912.08	
12-06-83	C OF R	19.7	912.48	

## WESTERN MUNICIPAL WATER DISTRICT

(WMR)

## WELL MEASUREMENT REPORT

WELL NUMBER: 1S/4W29H01S

RIVERSIDE NORTH

LOCAL DESIGNATION: FLUME #2

REFERENCE POINT: 932.18

FROM 04-23-85 TO 05-01-88

DATE	OBTAINED FROM	REFERENCE PT TO WATER	ELEVATION OF WATER	REMARKS
12-20-83	C OF R	20.3	911.88	
12-27-83	C OF R	19.0	913.18	
END OF 1983				
01-01-84	C OF R	20.3	911.88	
01-10-84	C OF R	19.3	912.88	
01-17-84	C OF R	19.4	912.78	
01-24-84	C OF R	31.6	900.58	?
02-01-84	C OF R	20.1	912.08	
02-07-84	C OF R	20.5	911.68	
02-14-84	C OF R	20.6	911.58	
02-21-84	C OF R	20.6	911.58	
03-01-84	C OF R	20.6	911.58	
03-08-84	C OF R	21.4	910.78	
03-20-84	C OF R	21.0	911.18	
04-01-84	C OF R	20.9	911.28	
04-03-84	C OF R	21.0	911.18	
04-25-84	C OF R	20.9	911.28	
04-30-84	C OF R	21.0	911.18	
05-01-84	C OF R	21.0	911.18	
05-08-84	C OF R	21.1	911.08	
05-15-84	C OF R	21.2	910.98	
05-22-84	C OF R	21.3	910.88	
06-01-84	C OF R	21.3	910.88	
06-12-84	C OF R	22.2	909.98	
06-19-84	C OF R	21.5	910.68	
07-01-84	C OF R	22.5	909.68	
07-10-84	C OF R	22.7	909.48	
08-01-84	C OF R	22.5	909.68	
09-01-84	C OF R	21.9	910.28	
10-01-84	C OF R	23.6	908.58	
10-02-84	WMWD	23.3	908.88	
11-01-84	C OF R	23.9	908.28	
12-01-84	C OF R	24.1	908.08	LOW
END OF 1984				
02-01-85	C OF R	21.0	911.18	
03-01-85	C OF R	21.7	910.48	
03-05-85	C OF R	21.8	910.38	
03-12-85	C OF R	22.0	910.18	
03-19-85	C OF R	22.1	910.08	
03-26-85	C OF R	22.1	910.08	
04-01-85	C OF R	22.1	910.08	
04-02-85	C OF R	22.0	910.18	
04-09-85	C OF R	22.2	909.98	
04-16-85	C OF R	22.3	909.88	
04-23-85	C OF R	22.4	909.78	
05-01-85	C OF R	22.4	909.78	

## WESTERN MUNICIPAL WATER DISTRICT

(WMR)

## WELL MEASUREMENT REPORT

WELL NUMBER: 1S/4W29H01S

RIVERSIDE NORTH

LOCAL DESIGNATION: FLUME #2

REFERENCE POINT: 932.18

FROM 04-23-85 TO 05-01-88

DATE	OBTAINED FROM	REFERENCE PT TO WATER	ELEVATION OF WATER	REMARKS
06-01-85	C OF R	22.4	909.78	
07-01-85	C OF R	24.1	908.08	
08-01-85	C OF R	24.1	908.08	
09-01-85	C OF R	25.5	906.68	LOW
10-01-85	C OF R	24.9	907.28	
12-01-85	C OF R	24.8	907.38	
END OF 1985				
01-01-86	C OF R	22.8	909.38	
02-01-86	C OF R	23.7	908.48	
02-11-86	C OF R	23.0	909.18	
03-25-86	C OF R	21.2	910.98	
04-01-86	C OF R	21.5	910.68	
04-08-86	C OF R	21.6	910.58	
05-06-86	C OF R	22.0	910.18	
05-13-86	C OF R	22.6	909.58	
05-20-86	C OF R	22.7	909.48	
05-27-86	WMWD	22.0	910.18	
06-17-86	C OF R	23.0	909.18	
07-20-86	C OF R	23.6	908.58	
08-05-86	C OF R	23.6	908.58	
08-12-86	C OF R	24.0	908.18	
08-26-86	C OF R	24.4	907.78	
09-02-86	C OF R	24.7	907.48	
09-16-86	WMWD	24.5	907.68	
09-23-86	C OF R	25.1	907.08	
10-24-86	WMWD	23.0	909.18	
11-19-86	C OF R	25.6	906.58	LOW
12-29-86	C OF R	25.6	906.58	
END OF 1986				
01-06-87	WMWD	23.3	908.88	
01-28-87	C OF R	23.2	908.98	
03-03-87	C OF R	25.8	906.38	
03-31-87	C OF R	25.6	906.58	
04-20-87	WMWD	28.0	904.18	
04-30-87	C OF R	28.7	903.48	
06-10-87	C OF R	29.0	903.18	
07-06-87	C OF R	28.7	903.48	
08-09-87	C OF R	29.1	903.08	
08-16-87	C OF R	27.6	904.58	
08-25-87	C OF R	29.2	902.98	LOW
09-24-87	C OF R	27.3	904.88	
11-03-87	C OF R	13.8	918.38	?
11-10-87	C OF R	26.9	905.28	
12-08-87	C OF R	26.6	905.58	
12-22-87	C OF R	26.6	905.58	
12-23-87	WMWD	26.0	906.18	

## WESTERN MUNICIPAL WATER DISTRICT

(WMR)

## WELL MEASUREMENT REPORT

WELL NUMBER: 1S/4W29H01S

RIVERSIDE NORTH

LOCAL DESIGNATION: FLUME #2

REFERENCE POINT: 932.18

FROM 04-23-85 TO 05-01-88

DATE	OBTAINED FROM	REFERENCE PT TO WATER	ELEVATION OF WATER	REMARKS
12-29-87	C OF R	27.5	904.68	
	END OF 1987			
01-05-88	C OF R	26.9	905.28	
01-12-88	C OF R	26.9	905.28	
01-19-88	C OF R	26.2	905.98	
01-26-88	C OF R	26.1	906.08	
	END OF 1988			



## WESTERN MUNICIPAL WATER DISTRICT

(WMR)

## WELL MEASUREMENT REPORT

WELL NUMBER: 1S/4W29Q01S

RIVERSIDE NORTH

LOCAL DESIGNATION: FLUME #5

REFERENCE POINT: 916.53

FROM 04-23-85 TO 05-01-88

DATE	OBTAINED FROM	REFERENCE PT TO WATER	ELEVATION OF WATER	REMARKS
11-02-82	C OF R	11.3	905.23	
11-09-82	C OF R	12.0	904.53	
11-16-82	C OF R	10.2	906.33	
12-14-82	C OF R	10.1	906.43	
12-27-82	WMWD	9.3	907.23	
END OF 1982				
01-13-83	C OF R	9.7	906.83	
01-14-83	C OF R	9.7	906.83	
01-18-83	C OF R	9.9	906.63	LOW
02-01-83	C OF R	8.7	907.83	
02-15-83	C OF R	9.1	907.43	
02-22-83	C OF R	9.4	907.13	
09-01-83	WMWD	9.1	907.43	
09-07-83	C OF R	9.4	907.13	
09-13-83	C OF R	9.3	907.23	
09-20-83	C OF R	9.3	907.23	
09-27-83	C OF R	9.3	907.23	
11-01-83	WMWD	8.3	908.23	
11-20-83	C OF R	9.8	906.73	
END OF 1983				
05-15-84	C OF R	9.0	907.53	
08-01-84	C OF R	9.4	907.13	
10-02-84	WMWD	9.3	907.23	LOW
END OF 1984				
12-31-85	WMWD	0.0		WELL NOT MEAS
END OF 1985				
10-24-86	WMWD	11.5	905.03	LOW
END OF 1986				
04-20-87	WMWD	13.5	903.03	LOW
12-23-87	WMWD	13.4	903.13	
END OF 1987				
04-14-88	WMWD	14.0	902.53	
END OF 1988				