

REPORT OF WATERMASTER

Western Municipal Water District of Riverside County, et al  
Plaintiffs

vs.

East San Bernardino County Water District, et al  
Defendants

Superior Court of Riverside County

Case No. 78426

Volume 1-1979

VERIFIED EXTRACTIONS FROM

SAN BERNARDINO BASIN AREA

By Non-Plaintiffs For Use Within San Bernardino County

FOR

CALENDAR YEARS 1959-1963 & 1975-1979

ANNUAL ACCOUNTING

FOR INDIVIDUAL WELLS

August 1, 1981

WATERMASTER

James C. Hanson  
Donald L. Harriger

VOLUME 1 - 1979

TABLE OF CONTENTS

	<u>Page</u>
INTRODUCTION . . . . .	i
SAN BERNARDINO BASIN AREA, CROSS INDEX BY OWNER . . . . .	1
SAN BERNARDINO BASIN AREA, CROSS INDEX BY RECORDATION NUMBER. . . . .	32
SAN BERNARDINO BASIN AREA, CROSS INDEX BY STATE WELL NUMBER . . . . .	63
CHANGE IN OWNERSHIP FROM BASE PERIOD . . . . .	94
<u>TABLE NO. 1</u>	
EXTRACTIONS BY OWNERS (NON-PLAINTIFFS) WHICH HAVE RECORDATION FILINGS WITH THE STATE WATER RESOURCES CONTROL BOARD . . . . .	97
<u>TABLE NO. 2</u>	
EXTRACTIONS BY OWNERS (NON-PLAINTIFFS) WHICH HAVE NOT FILED WITH THE STATE WATER RESOURCES CONTROL BOARD . . . . .	139
<u>TABLE NO. 3</u>	
SUMMARY OF EXTRACTIONS (FILED AND NON-FILED) FROM SAN BERNARDINO BASIN AREA BY NON-PLAINTIFFS FOR USE WITHIN SAN BERNARDINO COUNTY. . . . .	155
<u>TABLE NO. 4</u>	
LYTLE CREEK VERIFICATION OF EXTRACTIONS FOR CALENDAR YEARS 1959-1963 & 1975-1979. . . . .	182
<u>TABLE NO. 5</u>	
MILL CREEK VERIFICATION OF EXTRACTIONS FOR CALENDAR YEARS 1975-1979. . . . .	192
<u>TABLE NO. 6</u>	
SANTA ANA RIVER VERIFICATION OF EXTRACTIONS FOR CALENDAR YEARS 1975-1979. . . . .	197

TABLE NO. 7

SUMMARY OF REPORTED EXTRACTIONS FROM LYTTLE CREEK, MILL CREEK, AND SANTA ANA RIVER . . . . . 202

TABLE NO. 8

SUMMARY OF PRODUCTION FROM SAN BERNARDINO BASIN AREA AND CORRECTION FOR VERIFIED DIVERSIONS OF MAJOR STREAMFLOWS. . . . . 203

PLATE NO. 1

SCHEMATIC DIAGRAM OF LYTTLE CREEK DIVERSION FACILITIES AND CONDUITS. . . . . 204

PLATE NO. 1A

LOCATION MAP, LYTTLE CREEK DIVERSIONS . . . . . 205

PLATE NO. 2

SCHEMATIC DIAGRAM OF MILL CREEK DIVERSION FACILITIES AND CONDUITS. . . . . 206

PLATE NO. 3

SCHEMATIC DIAGRAM OF SANTA ANA RIVER DIVERSION FACILITIES AND CONDUITS. . . . . 207

PLATE NO. 3A

LOCATION MAP, SANTA ANA RIVER AND MILL CREEK DIVERSIONS. . . . . 208

VOLUME 1-1979

VERIFIED EXTRACTIONS  
FROM THE SAN BERNARDINO BASIN AREA  
BY NON-PLAINTIFFS FOR USE WITHIN  
SAN BERNARDINO COUNTY FOR CALENDAR YEARS  
1959-1963 & 1975-1979

INTRODUCTION

The provisions of Paragraphs V(b) and VI(c) of the Judgment in Case No. 78426 entered April 17, 1969, entitled "San Bernardino Valley Replenishment," provide as follows:

- V(b) "The total actual average annual extractions from the San Bernardino Basin Area by entities other than Plaintiffs for use within San Bernardino County for the five-year period ending with 1963 are assumed to be 165,407 acre-feet; the correct figure shall be determined by the Watermaster as herein provided."
- VI(c) "San Bernardino Valley shall provide imported water for replenishment of the San Bernardino Basin Area at least equal to the amount by which extractions therefrom for use within San Bernardino County exceed during any five-year period the sum of: (a) five times the total average annual extractions determined under Paragraph V(b) hereof, adjusted as may be required by the natural safe yield of the San Bernardino Basin Area; and (b) any new conservation to which users within San Bernardino Valley are entitled. Such replenishment shall be supplied in the year following any five-year period; provided that during the first five-year period, San Bernardino Valley shall supply annual amounts on account of its obligations hereunder, and such amounts shall be not less than fifty percent of the gross amount of excess extractions in the previous year."

Compliance with these provisions of the Judgment requires an annual accounting of the total actual extractions of surface and groundwater within the San Bernardino Basin Area. Included in this Volume 1-1979 is the verified accounting of such production by non-plaintiff owners for



the calendar year 1979. The verified production for the five-year base period ending with 1963 and the verified production for calendar years 1975, 1976, 1977 and 1978 are also included.

Three indexes are included which provide a cross index by owner's name, State Water Resources Control Board Well Recordation Number, and State Well Number. In addition and where known, each index shows the local designation of each well and the groundwater basin in which the well is located.

Tables No. 1 and No. 2 in this report list the individual wells by the owner for each year in the five-year base period ending in 1963, the five-year base period average, the extractions for the years 1975 through 1979, the five-year average for that period and the owner's total annual verified extractions. Table No. 1 lists the wells upon which filings have been made with the State Water Resources Control Board, and Table No. 2 lists the wells upon which no filings have been made. Table No. 3 is a summary of the verified extractions, by owner, as presented in Tables No. 1 and No. 2.

Table No. 4 contains the total verified Lytle Creek stream diversions by Fontana Union Water Company, West San Bernardino County Water District, City of Rialto, City of San Bernardino and Mount Vernon Water Company. The total verified Lytle Creek stream diversion takes into account, and excludes, the return flow to Lytle Creek from the Fontana Power House afterbay.

Table No. 5 of this report contains the verification of the Mill Creek stream diversions by month and Table No. 6 contains the verification of the Santa Ana River stream diversions by Month.

Table No. 7 shows the reported diversions by entity from the major streams in San Bernardino Basin Area, namely, Lytle Creek, Mill Creek and

Santa Ana River. Schematic diagrams of the diversion works on each of these three major streams are shown on Plates 1, 2, and 3.

The total Verified Production of ground and surface water within the San Bernardino Basin Area is shown on Table 8.

The total of the verified extractions of water from the San Bernardino Basin Area by non-plaintiff owners for the calendar year 1979 is 154,807 acre-feet.

SAN BERNARDINO BASIN AREA,

CROSS INDEX BY OWNER

SAN BERNARDINO BASIN AREA  
CROSS INDEX BY OWNER

OWNER NAME	RECORDATION NUMBER	STATE WELL NUMBER	LOCAL DESIGNATION	BASIN NAME
ANNANSON RANCH	NON-FILER	1S4W27H		BNK HILL
ANDERSON, W.D.	NON-FILER	1N4W25R		BNK HILL
ARMSTRONG, DOUGLAS	3600076	1S3W17	2	BNK HILL
ARNOLD RANCH	NON-FILER	1N3W34H		BNK HILL
ARROWHEAD COUNTRY CLUB	3601925	1N4W23E	1	BNK HILL
ARROYO VERDE MUTUAL WATER CO.	3602068	1S4W01A02S	1	BNK HILL
ARROYO VERDE MUTUAL WATER CO.	3602069	1S4W01A	2	BNK HILL
ATCHISON, TUPEKA & SANTA FE RAILWAY CO.	3600178	1S4W08F02S	3	BNK HILL
ATCHISON, TUPEKA & SANTA FE RAILWAY CO.	3600179	1S4W08F	4	BNK HILL
B & I FARMS	3600107	1S3W21P01	COLTON 1	BNK HILL
BALTON	NON-FILER	1S4W11M		BNK HILL
BALDWIN	NON-FILER	1N3W34K		BNK HILL
BARNES, JOHN	3602079	1S3W03F	1	BNK HILL
BARRIER	NON-FILER	1S4W22B		BNK HILL
BASIN TIES WELL COMPANY	3600456	1N3W33R07S	1	BNK HILL
BASILINE GARDENS MUTUAL WATER COMPANY	3600457	1N4W35J02S	PAC&BARL	BNK HILL
BASILINE GARDENS MUTUAL WATER COMPANY	3600458	1N4W36W01S	PS & B 2	BNK HILL
BASILINE GARDENS MUTUAL WATER COMPANY	3602528	1N4W35P01	3	BNK HILL
BASILINE LAUNDRY	NON-FILER	1N3W310		BNK HILL
BASILINE LAUNDRY	NON-FILER	1N3W31		BNK HILL
BATCHFLOE	NON-FILER	1N4W14R		DEVIL CAN
BATCHFLOE	NON-FILER	1N4W14R		DEVIL CAN

SAN BERNARDINO BASIN AREA  
CROSS INDEX BY OWNER

OWNER NAME	RECORDATION NUMBER	STATE WELL NUMBER	LOCAL DESIGNATION	BASIN NAME
BEAR VALLEY MUTUAL WATER COMPANY	3600021	1N2W26H	SANTA ANA 1	SANTA ANA
BEAR VALLEY MUTUAL WATER COMPANY	3600022	1N2W34	SANTA ANA 2	SANTA ANA
BEAR VALLEY MUTUAL WATER COMPANY	3600023	1S3W24C	JUDSON 1	BNK HILL
BEAR VALLEY MUTUAL WATER COMPANY	3600024	1S2W19D	WABASH 2	BNK HILL
BEAR VALLEY MUTUAL WATER COMPANY	3600025	1N3W29R01S	PALM AV3	BNK HILL
BEAR VALLEY MUTUAL WATER COMPANY	3600027	1N2W10N	ALDER CR	SANTA ANA
BEAR VALLEY MUTUAL WATER COMPANY	3600028	1S2W04N		BNK HILL
BEAR VALLEY MUTUAL WATER COMPANY	3601586	1S3W15F02S	ORANGE 5	BNK HILL
BEELER, RAYMOND A.	3600451	1S3W15		BNK HILL
BELL, H. EUGENE	3600449	1S3W20	BELL WELL	BNK HILL
BERMAN, JERRY	NON-FILER	1S4W02K	OLD WELL	BNK HILL
BERMAN, JERRY	NON-FILER	1S4W02J		BNK HILL
BERMAN, JERRY & SONS	3602007	1S4W02	2	BNK HILL
BLISS	NON-FILER	1S2W22E		BNK HILL
BLUE GOOSE GROWERS INC	3602529	1S2W09P02	NO. 6	BNK HILL
BLUE GOOSE GROWERS INC	3602530	1S2W09L02S	NO. 11	BNK HILL
BLUE GOOSE GROWERS INC	3602531	1S2W09L03S	TUNNEL DIV.	BNK HILL
BOUCHER	NON-FILER	1N4W14J		DEVIL CAN
BPEAK, ALLEN, ESTATE	NON-FILER	1S3W31A		BNK HILL
BRISTOL RANCH	3601631	1N3W34C02S	1	BNK HILL
BROOKSIDE DAIRY, INC	3600036	1S3W33D	1	BNK HILL
BRYN MAWR MUTUAL WATER COMPANY	3600053	1S3W31A	1	BNK HILL

SAN BERNARDINO BASIN AREA  
CROSS INDEX BY OWNER

OWNER NAME	RECORDATION NUMBER	STATE WELL NUMBER	LOCAL DESIGNATION	BASIN NAME
BAYN WARR MUTUAL WATER COMPANY	3600054	1S3W31A	2	BNK HILL
BAYN WARR MUTUAL WATER COMPANY	3600055	1S3W31A	3	BNK HILL
BAYN WARR MUTUAL WATER COMPANY	3602109	1S3W31R00S	4	BNK HILL
BUDYE WELL	3602062	1S2W29N	1	BNK HILL
CALIFORNIA, STATE OF PATTON HOSPITAL	3600923	1N3W32C01S	PATTON 1	BNK HILL
CALIFORNIA, STATE OF PATTON HOSPITAL	3600924	1N3W29M01S	PATTON 2	BNK HILL
CALIFORNIA, STATE OF PATTON HOSPITAL	3600924-	1N3W29M	2A	BNK HILL
CALIFORNIA, STATE OF PATTON HOSPITAL	3600929	1N3W31K02S	PATTON 8	BNK HILL
CALIFORNIA, STATE OF PATTON HOSPITAL	3600931	1N3W29M01S	PATTON 10	BNK HILL
CALIFORNIA, STATE OF PATTON HOSPITAL	3601930	1N3W32C02S	PATTON 11	BNK HILL
CALIFORNIA, STATE OF PATTON HOSPITAL	3602381	1N3W29M	14	BNK HILL
CANYON RANCH	3600523	1S3W32G03S	HNTSCHKE	BNK HILL
CARDIFF FARMS MUTUAL WATER COMPANY	3600973	1S4W120	1	BNK HILL
CARDIFF FARMS MUTUAL WATER COMPANY	3601619	1S4W120	2	BNK HILL
CARPERITE	NON-FILER	1S4W228		BNK HILL
CHARLES, J. J.	3600815	1S3W06		BNK HILL
CHRISTINA WATER COMPANY	3601751	1S3W21E	ALABAMA	BNK HILL
CLIFFSIDE RANCH	NON-FILER	1S3W03F		BNK HILL
COGSBILL, CLINTON L.	3601628	1S2W09Q	2	BNK HILL
CULTON, CITY OF	3601250	1S4W08R	4	BNK HILL
CULTON, CITY OF	3601251	1S4W08R	5	BNK HILL
CULTON, CITY OF	3601252	1S4W05R	6	BNK HILL

SAN BERNARDINO BASIN AREA  
CROSS INDEX BY OWNER

OWNER NAME	RECORDATION NUMBER	STATE WELL NUMBER	LOCAL DESIGNATION	BASIN NAME
COLTON, CITY OF	3601253	1S4W08R	7	BNK HILL
COLTON, CITY OF	3601254	1S4W08F	8	BNK HILL
COLTON, CITY OF	3601256	1S4W09N	PLUNGE 12	BNK HILL
COLTON, CITY OF	3601257	1S4W08F	13	BNK HILL
COLTON, CITY OF	3601258	1S4W08R	14	BNK HILL
COLTON, CITY OF	3601260	1S4W08F01S	16	BNK HILL
COLTON, CITY OF	3601262	1S4W08C02S	BARHLL 18	BNK HILL
COLTON, CITY OF	3602405	1S4W08C	19	BNK HILL
COLTON, CITY OF	3602498	1S4W08R07	68	BNK HILL
COMEJO RANCHOS MUTUAL WATER COMPANY	3601186	1N4W36F03S	1	BNK HILL
COOK CANYON	NON-FILER	1N3W27R		BNK HILL
CRAFTON WATER COMPANY	3600272	1S2W29N	5TH AVE 1	BNK HILL
CRAFTON WATER COMPANY	3602186	1S2W21L02	2	BNK HILL
CRAM PATTERSON WELL	3600188	1S2W16	CRAWPAT 2	BNK HILL
CRY, W. ROSCIE	3601171	1S3W20F	1	BNK HILL
CRYSTAL SPRINGS	NON-FILER	2S2W06D		BNK HILL
DANGLD DAIRY	NON-FILER	1S4W11F		BNK HILL
DANIELS AND BEST RANCH	3602549	1S3W19J	CALIF STREET	BNK HILL
DANIELS AND BEST RANCH	3602550	1S3W17R	ALABAMA ST	BNK HILL
DANIELS, DON	NON-FILER	1S3W19J		BNK HILL
DANIELS, HAROLD	NON-FILER	1S3W17R	RANCH	BNK HILL
DANIELS, HAROLD	NON-FILER	1S3W17C	DOMEST. WELL	BNK HILL

SAN BERNARDINO BASIN AREA  
CROSS INDEX BY OWNER

OWNER NAME	RECORDATION NUMBER	STATE WELL NUMBER	LOCAL DESIGNATION	BASIN NAME
D'EL ROSA MUTUAL WATER COMPANY	3601809	1N4W26	GOLDNAV 1	BNK HILL
DEVORE WATER CO.	3602382	2N5W28D	1	L CAJON
DEVORE WATER CO.	3602383	2N5W28C	2	L CAJON
DEVORE WATER CO.	3602384	2N5W28C	3	L CAJON
DEVORE WATER CO.	3602385	2N5W20H	MEDLIN CR.	L CAJON
DEVORE WATER CO.	3602386	2N5W21E	LETHIN SP.	L CAJON
DEVORE WATER CO.	3602387	2N5W22E	E. KIMBARK	L CAJON
DEVORE WATER CO.	3602388	2N5W21G	KIMBARK	L CAJON
DEVORE WATER CO.	3602389	2N5W22N	HOPPER	L CAJON
DEVORE WATER CO.	3602390	2N5W28B	SANTA FE	L CAJON
DEVORE WATER CO.	3602391	2N5W28D	CASADY	L CAJON
DEVORE WATER CO.	3602428	2N5W33H	4	L CAJON
DILLSON W.H. JR. CO.	NON-FILER	1N4W13P	DILLSON AVE	DEVIL CAN
DILLSON W.H. JR. CO.	NON-FILER	1N4W13P	HARRISON CYN	DEVIL CAN
DILLSON W.H. JR. CO.	NON-FILER	1N4W13P	CISCO WELL	DEVIL CAN
DOON, VALLEY AND BETTY	3601839	1S3W10D01S	1	BNK HILL
RADONOFFER FRUIT CO. CROK RANCH	3600527	1S3W16	HOME	BNK HILL
EAST BARTON WATER COMPANY	3600608	1S3W28R01S	BARTON	BNK HILL
EAST COLTON AVENUE WATER COMPANY	3600240	1S2W30	SOUTH WELL	BNK HILL
EAST COLTON AVENUE WATER COMPANY	3601645	1S2W30B	1	BNK HILL
EAST HERNANDEZ ORANGE COMPANY	NON-FILER	1N3W35A	BOX SPRING	BNK HILL
EAST LUCONIA MUTUAL WATER CO.	3600005	1S3W35H0RS	LUETCKE	BNK HILL



SAN BERNARDINO BASIN AREA  
CROSS INDEX BY OWNER

OWNER NAME	RECORDATION NUMBER	STATE WELL NUMBER	LOCAL DESIGNATION	BASIN NAME
EAST LUTOVIA MUTUAL WATER CO.	3600006	1S2W19G01S	BEKYL ST	BNK HILL
EAST LUTOVIA MUTUAL WATER CO.	3600038	1S2W17		BNK HILL
EAST PIONEER MUTUAL WELL COMPANY	3602224	1S3W13P		BNK HILL
EAST SAN RDNO. COUNTY WATER DIST.	NON-FILER	1N3W30C	NO. 36	BNK HILL
EAST SAN RDNO. COUNTY WATER DIST.	NON-FILER	1S3W04P	NO. 43	BNK HILL
EAST SAN RDNO. COUNTY WATER DIST.	NON-FILER	1N3W30C	NO. 44	BNK HILL
EAST SAN RDNO. COUNTY WATER DIST.	NON-FILER	1N3W31A	NO. 45	BNK HILL
EAST SAN RDNO. COUNTY WATER DIST.	NON-FILER	1S3W050	NO. 46	BNK HILL
EAST SAN RDNO. COUNTY WATER DIST.	NON-FILER	1N4W36H	NO. 52	BNK HILL
EAST SAN RDNO. COUNTY WATER DIST.	NON-FILER	1S3W06	NO. 69	BNK HILL
EAST SAN RDNO. COUNTY WATER DIST.	NON-FILER	1N3W31D	NO. 70	BNK HILL
EAST SAN RDNO. COUNTY WATER DIST.	NON-FILER	1S3W06E	NO. 71	BNK HILL
EAST SAN RDNO. COUNTY WATER DIST.	NON-FILER	1S3W06R	NO. 72	BNK HILL
EAST SAN RDNO. COUNTY WATER DIST.	NON-FILER	1S3W06C	NO. 74	BNK HILL
EAST SAN RDNO. COUNTY WATER DIST.	NON-FILER	1S4W02L	NO. 75	BNK HILL
EAST SAN RDNO. COUNTY WATER DIST.	NON-FILER	1S3W06P	NO. 78	BNK HILL
EAST SAN RDNO. COUNTY WATER DIST.	NON-FILER	1S3W050	NO. 80	BNK HILL
EAST SAN RDNO. COUNTY WATER DIST.	NON-FILER	1S3W06W	NO. 81	BNK HILL
EAST SAN RDNO. COUNTY WATER DIST.	NON-FILER	1S3W060	NO. 83	BNK HILL
EAST SAN RDNO. COUNTY WATER DIST.	NON-FILER	1S3W03N	NO. 84	BNK HILL
EAST SAN RDNO. COUNTY WATER DIST.	NON-FILER	1N4W25D	NO. 85	BNK HILL
EAST SAN RDNO. COUNTY WATER DIST.	NON-FILER	1S3W03N	NO. 93	BNK HILL

SAN BERNARDINO BASIN AREA  
CROSS INDEX BY OWNER

OWNER NAME	RECORDATION NUMBER	STATE WELL NUMBER	LOCAL DESIGNATION	BASIN NAME
EAST SAN RDNO. COUNTY WATER DIST.	NON-FILER	1S3W05J	NO. 95	BNK HILL
EAST SAN RDNO. COUNTY WATER DIST.	NON-FILER	1S4W01D	NO. 96	BNK HILL
EAST SAN RDNO. COUNTY WATER DIST.	NON-FILER	1S3W06N	NO. 97	BNK HILL
EAST SAN RDNO. COUNTY WATER DIST.	NON-FILER	1S3W04Q	NO. 106	BNK HILL
EAST SAN RDNO. COUNTY WATER DIST.	3600026	1S3W04J	NO. 102	BNK HILL
EAST SAN RDNO. COUNTY WATER DIST.	3600058	1S3W03F	NO. 53	BNK HILL
EAST SAN RDNO. COUNTY WATER DIST.	3600183	1S4W02	NO. 60	BNK HILL
EAST SAN RDNO. COUNTY WATER DIST.	3600221	1N3W30	NO. 63	BNK HILL
EAST SAN RDNO. COUNTY WATER DIST.	3600269	1N3W31L	NO. 68	BNK HILL
EAST SAN RDNO. COUNTY WATER DIST.	3600275	1N3W32	NO. 64	BNK HILL
EAST SAN RDNO. COUNTY WATER DIST.	3600444	1N3W30H01S	NO. 98	BNK HILL
EAST SAN RDNO. COUNTY WATER DIST.	3600466	1S3W04	NO. 48	BNK HILL
EAST SAN RDNO. COUNTY WATER DIST.	3600545	1N3W30	WUTW-DS	BNK HILL
EAST SAN RDNO. COUNTY WATER DIST.	3600643	1N4W25K01	NO. 66	BNK HILL
EAST SAN RDNO. COUNTY WATER DIST.	3600855	1N3W28P01S	SEAVEY 1	BNK HILL
EAST SAN RDNO. COUNTY WATER DIST.	3600864	1N3W19	NO. 79	BNK HILL
EAST SAN RDNO. COUNTY WATER DIST.	3600925	1S4W01Q01	NO. 100	BNK HILL
EAST SAN RDNO. COUNTY WATER DIST.	3600926	1S4W01F02S	PATTON 4	BNK HILL
EAST SAN RDNO. COUNTY WATER DIST.	3600928	1N3W31L02S	PATTON 7	BNK HILL
EAST SAN RDNO. COUNTY WATER DIST.	3600930	1N3W31L03S	PATTON 9	BNK HILL
EAST SAN RDNO. COUNTY WATER DIST.	3600970	1N3W19	LSC 1	BNK HILL
EAST SAN RDNO. COUNTY WATER DIST.	3600971	1N3W19F	L. SAND CR.	BNK HILL

SAN BERNARDINO BASIN AREA  
CROSS INDEX BY OWNER

OWNER NAME	RECORDATION NUMBR	STATE WELL NUMBER	LOCAL DESIGNATION	BASIN NAME
EAST SAN BOND. COUNTY WATER DIST.	3601184	1N3W33F01S	NO. 94	BNK HILL
EAST SAN BOND. COUNTY WATER DIST.	3601582	1S4W02R		BNK HILL
EAST SAN BOND. COUNTY WATER DIST.	3601584	1N3W33H01S	NO. 47	BNK HILL
EAST SAN BOND. COUNTY WATER DIST.	3601653	1N4W36K04S	NO. 1	BNK HILL
EAST SAN BOND. COUNTY WATER DIST.	3601654	1N4W36	NO. 1A	BNK HILL
EAST SAN BOND. COUNTY WATER DIST.	3601655	1N4W36K05S	NO. 2	BNK HILL
EAST SAN BOND. COUNTY WATER DIST.	3601656	1N4W36O01S	NO. 6	BNK HILL
EAST SAN BOND. COUNTY WATER DIST.	3601657	1S4W01R04S	NO. 7	BNK HILL
EAST SAN BOND. COUNTY WATER DIST.	3601658	1N4W36R01S		BNK HILL
EAST SAN BOND. COUNTY WATER DIST.	3601659	1S3W06H01S	NO. 9	BNK HILL
EAST SAN BOND. COUNTY WATER DIST.	3601660	1S3W06H04S	NO. 9A	BNK HILL
EAST SAN BOND. COUNTY WATER DIST.	3601661	1S4W01J08S	NO. 10	BNK HILL
EAST SAN BOND. COUNTY WATER DIST.	3601662	1S4W02Q05S	11	BNK HILL
EAST SAN BOND. COUNTY WATER DIST.	3601663	1S4W02Q04S	12	BNK HILL
EAST SAN BOND. COUNTY WATER DIST.	3601664	1S4W02N01S	13	BNK HILL
EAST SAN BOND. COUNTY WATER DIST.	3601665	1S4W01K04S	14	BNK HILL
EAST SAN BOND. COUNTY WATER DIST.	3601666	1N4W36F08S	16	BNK HILL
EAST SAN BOND. COUNTY WATER DIST.	3601667	1S3W06A05S	21	BNK HILL
EAST SAN BOND. COUNTY WATER DIST.	3601668	1S4W01F02S	22	BNK HILL
EAST SAN BOND. COUNTY WATER DIST.	3601669	1N4W36H06S	23	BNK HILL
EAST SAN BOND. COUNTY WATER DIST.	3601670	1N4W26A01S	24	BNK HILL
EAST SAN BOND. COUNTY WATER DIST.	3601671	1N4W26A02S	24A	BNK HILL

SAN BERNARDINO BASIN AREA  
CROSS INDEX BY OWNER

OWNER NAME	RECORDATION NUMBER	STATE WELL NUMBER	LOCAL DESIGNATION	BASIN NAME
EAST SAN RDNO. COUNTY WATER DIST.	3601672	1N4W25R	25	BNK HILL
EAST SAN RDNO. COUNTY WATER DIST.	3601673	1N4W25C02S	25A	BNK HILL
EAST SAN RDNO. COUNTY WATER DIST.	3601674	1N4W25G01S	26	BNK HILL
EAST SAN RDNO. COUNTY WATER DIST.	3601675	1N4W25A01S	27	BNK HILL
EAST SAN RDNO. COUNTY WATER DIST.	3601676	1S4W128U5S	28	BNK HILL
EAST SAN RDNO. COUNTY WATER DIST.	3601677	1S3W05A02S	31	BNK HILL
EAST SAN RDNO. COUNTY WATER DIST.	3601678	1S3W05R04S	32	BNK HILL
EAST SAN RDNO. COUNTY WATER DIST.	3601679	1S3W05N05S	38	BNK HILL
EAST SAN RDNO. COUNTY WATER DIST.	3601781	1S3W06K01S	35	BNK HILL
EAST SAN RDNO. COUNTY WATER DIST.	3601884	1N3W31C02S	30	BNK HILL
EAST SAN RDNO. COUNTY WATER DIST.	3601978	1S3W04N	40	BNK HILL
EAST SAN RDNO. COUNTY WATER DIST.	3602034	1S4W01O	12A	BNK HILL
EAST SAN RDNO. COUNTY WATER DIST.	3602113	1N3W30W	41	BNK HILL
EAST SAN RDNO. COUNTY WATER DIST.	3602274	1N3W30J	39	BNK HILL
EAST SAN RDNO. COUNTY WATER DIST.	3602337	1N4W26A	24 B	BNK HILL
EAST SAN RDNO. COUNTY WATER DIST.	3602338	1S3W04N	40A	BNK HILL
EAST SAN RDNO. COUNTY WATER DIST.	3602370	1N4W25F	4A	BNK HILL
EAST SAN RDNO. COUNTY WATER DIST.	3602563	1S4W02O	11A	BNK HILL
EAST SAN RDNO. COUNTY WATER DIST.	3602564	1S4W12B	28A	BNK HILL
EAST SAN RDNO. COUNTY WATER DIST.	3602571	1S3W03F		BNK HILL
EASTWOOD FARMS COMMUNITY WATER USERS	3602130	1S4W01P01S	1	BNK HILL
EASTWOOD FARMS COMMUNITY WATER USERS	3602131	1S4W01P02S	2	BNK HILL

SAN BERNARDINO BASIN AREA  
CROSS INDEX BY OWNER

OWNER NAME	RECORDATION NUMBER	STATE WELL NUMBER	LOCAL DESIGNATION	RASIN NAME
ELIPNA, JOHN R.	NON-FILER	1N4#08N		DEVIL CAN
FILGODD	NON-FILER	1S2W24C		BNK HILL
FITZICE & GRAZIANO	3600766	1S3W29A01	COLTAMA	BNK HILL
F. A. S. WELLS	3602020	1S2W20K		BNK HILL
FAIRVIEW WATER COMPANY	3600554	1S3W17	FAIRVW 1	BNK HILL
FARROW	NON-FILER	1S2#22E		BNK HILL
FITCH	NON-FILER	1S2#29		BNK HILL
FONTANA UNION WATER COMPANY	3600561	1N5W23K01S	FU 1	LYTLE
FONTANA UNION WATER COMPANY	3600562	1N5W22F02S	FU 3	LYTLE
FONTANA UNION WATER COMPANY	3600563	1N5W22C02S	FU 4	LYTLE
FONTANA UNION WATER COMPANY	3600569	1N5W22A01S	FU 13	LYTLE
FONTANA UNION WATER COMPANY	3600579	1N5W22F03S	FU 24	LYTLE
FONTANA UNION WATER COMPANY	3600580	1N5W22F01S	FU 25	LYTLE
FONTANA UNION WATER COMPANY	3600581	1N5W07H01S	FU 26	LYTLE
FONTANA UNION WATER COMPANY	3600582	1N5W06G01S	FU 27	LYTLE
FONTANA UNION WATER COMPANY	3600585	1N5W16K01S	FU 32	LYTLE
FONTANA UNION WATER COMPANY	3600586	1N5W06K02S	FU 33	LYTLE
FONTANA UNION WATER COMPANY	3600588	2N6W26L2	MN 1	LYTLE
FONTANA UNION WATER COMPANY	3600590	2N6W26L1	MN 2	LYTLE
FONTANA UNION WATER COMPANY	3600591	1N5W06E		LYTLE
FONTANA UNION WATER COMPANY	3602727	1N5W15002S	FU 8	LYTLE
FRIEDRICH, ERNEST C.	3600747	1N3W31P02S	WELL 1	BNK HILL

SAN BERNARDINO BASIN AREA  
CROSS INDEX BY OWNER

OWNER NAME	RECORDATION NUMBER	STATE WELL NUMBER	LOCAL DESIGNATION	BASIN NAME
FRANK RANCH	3601131	1S3W30		BNK HILL
GAY, PHILIP L.	3601126	1S2W30H	1	BNK HILL
GIFFORD PARK MUTUAL WATER CO.	3602128	1S4W14A	1	BNK HILL
GIFFORD PARK MUTUAL WATER CO.	3602252	1S4W14R	2	BNK HILL
GLADYSTA WELL & WATER COMPANY	3600182	1S3W20H01	1	BNK HILL
GLADYSTA WELL & WATER COMPANY	3600182-	1S3W20H02		BNK HILL
GOLCONDA WATER CO.	NON-FILER	1S4W13E		BNK HILL
GOLDEN STATE BLDG PRODUCTS	3602127	1S3W15A01		BNK HILL
GRANT WATER COMPANY	3600075	1S3W28C01	GRANT	BNK HILL
GREENSPOT MUTUAL WATER CO TUNNEL	NON-FILER	1S2W22		BNK HILL
GREENSPOT MUTUAL WELL CO.	3600266	1S2W16C01	GRNSPTMU	BNK HILL
QUERTY, WILLIAM H.	3600856	1N3W27W	CITY CREEK	BNK HILL
HAGAP	NON-FILER	1S2W16L		BNK HILL
HARPE MUTUAL WELL COMPANY	3600238	1S2W29W01	1	BNK HILL
HARDISON	NON-FILER	1N4W130		DEVIL CAN
HARPISON	NON-FILER	1S3W04J		BNK HILL
HARRISON CANYON	NON-FILER	1N4W13P		DEVIL CAN
HARRISON CANYON	NON-FILER	1N4W13P		DEVIL CAN
HAZAS	NON-FILER	1S4W11G		BNK HILL
HEAD, JOE T.	3600226	1S2W21L01	1	BNK HILL
HILGPORT	NON-FILER	1S4W15G		BNK HILL
HIGHLAND ACRES RANCH	3600323	1S2W06M	ELEC 1	BNK HILL

SAN BERNARDINO BASIN AREA  
CROSS INDEX BY OWNER

OWNER NAME	RECORDATION NUMBER	STATE WELL NUMBER	LOCAL DESIGNATION	BASIN NAME
HIGHLAND WELL COMPANY	3600194	1N3W28N01	APLIN WELL	BNK HILL
HILL	NON-FILER	1S2W31R		BNK HILL
HOBBS WELL PARTNERSHIP	3600040	1S3W25M	MORRISON	BNK HILL
HOBBS WELL PARTNERSHIP	3600049-	1S3W25M	HOBBS WELL	BNK HILL
HODGDON, WARNER	NON-FILER	1N4W14C	W TWIN CRK	DEVIL CAN
HODGDON, WARNER	3601910	1N4W23E	PRKSOE 2	BNK HILL
HODGDON, WARNER	3601911	1N4W14	EAST TWIN	DEVIL CAN
HODGDON, WARNER	3601979	1N4W14A	EAST TWIN	DEVIL CAN
HOLDEV MUT. WTR. CO.	NON-FILER	1S4W14E		BNK HILL
HOLDEN MUT. WTR. CO.	NON-FILER	1S4W14F	HOLDEN AVE.	BNK HILL
HOOVER WELL	3601549	1S3W28M	HOOVER	BNK HILL
HOOVER WELL	3601649-	1S3W28M	HOOVER	BNK HILL
HORTON	NON-FILER	1S3W32J		BNK HILL
HUNTER	NON-FILER	1S3W03D		BNK HILL
HUNTER/CREM/23RUBICA WELL	3601172	1S3W20C		BNK HILL
ICE PRODUCTS INC.	3600644	1S4W09R03S	2	BNK HILL
ICE PRODUCTS INC.	3600645	1S4W09R01S		BNK HILL
INFER CITY MUTUAL WATER CO	NON-FILER	1S4W23P		BNK HILL
IOWA STREET WELL	3601932	1S3W29R01		BNK HILL
JEWEL WATER COMPANY, THE	3600091	1S3W20	1	BNK HILL
JUDSON MUTUAL WATER COMPANY	3601647	1S3W23A03	1	BNK HILL
KANSAS STREET MUTUAL WATER CO.	3601092	1S3W28D01		BNK HILL

SAN BERNARDINO BASIN AREA  
CROSS INDEX BY OWNER

OWNER NAME	RECORDATION NUMBER	STATE WELL NUMBER	LOCAL DESIGNATION	BASIN NAME
KAKHALDIS	NON-FILER	1S2W17	PEPPER HOUSE	BNK HILL
KING	NON-FILER	1N4W14R		DEVIL CAN
KING STREET MUTUAL WELL COMPANY	3600530	1S2W30G01	1	BNK HILL
KING STREET MUTUAL WELL COMPANY	3600530-	1S2W30G02	2	BNK HILL
KOCH	NON-FILER	1S2W32R		BNK HILL
KOCH, GEORGE J.	3601451	1S2W32G01	1	BNK HILL
KRANTZ DAIRY	NON-FILER	1S4W11F		BNK HILL
KUHL, RICHARD J	NON-FILER	1S3W32S		BNK HILL
L.P.R. ICE COMPANY	3602525	1S3W13C		BNK HILL
L.P.R. PATCH	NON-FILER	1S3W13C		BNK HILL
LA BONDIE, JIM	3600865	1N4W24	MULTOWN2	BNK HILL
LA BOSSE, CHARLES H.	3600708	1S3W29	GOODWIN	BNK HILL
LA DORVILLE	NON-FILER	1S2W28W		BNK HILL
LAKESIDE AVENUE MUTUAL WELL COMPANY	3602119	1S3W33C01S		BNK HILL
LAKELAND RANCHES	3600524	1S3W17L01S	NEVADA ST	BNK HILL
LAKELAND RANCHES	3600525	1S3W17H01S	ALABAMA	BNK HILL
LAKELAND RANCHES	3600526	1S3W21G01S	LUGONIA	BNK HILL
LAWSTON-NEARY DEVELOPMENT CO.	3600218	1N4W24	1	DEVIL CAN
LANKERSHIM MUT. WTR. CO.	NON-FILER	1S3W06L	LANKERSHIM A	BNK HILL
LANKERSHIM MUT. WTR. CO.	NON-FILER	1S3W06F	MCKINLEY ST.	BNK HILL
LARABEE GUTTER WELL	3600160	1S3W32G01	GUTTER WELL	BNK HILL
LOMA LILJA HEIGHTS RANCHO	3601632	2S3W05A2	MARCUM WELL	BNK HILL



SAN BERNARDINO BASIN AREA  
CROSS INDEX BY OWNER

OWNER NAME	RECORDATION NUMBER	STATE WELL NUMBER	LOCAL DESIGNATION	BASIN NAME
LOMA LINDA UNIVERSITY	3601910	1S3W30L	PUFFER	BANK HILL
LOMA LINDA UNIVERSITY	3602008	1S4W26A	1	BANK HILL
LOMA LINDA UNIVERSITY	3602009	1S4W25G01S	3	BANK HILL
LOMA LINDA UNIVERSITY	3602012	1S4W25C01S	6	BANK HILL
LOMA LINDA UNIVERSITY	3602013	1S4W24N	7	BANK HILL
LOMA LINDA UNIVERSITY	3602014	1S4W26J01S	8	BANK HILL
LOMA LINDA UNIVERSITY	3602017	1S4W25E01S	2	BANK HILL
LOMA LINDA UNIVERSITY	3602249	1S4W25D0S	ANDERSON	BANK HILL
LOMA LINDA, CITY OF	3601130	1S3W32D	NICKS WELL	BANK HILL
LOMA LINDA, CITY OF	3601384	1S4W25	1	BANK HILL
LOMA LINDA, CITY OF	3601388	1S4W25	2	BANK HILL
LOMA LINDA, CITY OF	3601989	1S4W24R01S	1	BANK HILL
LOMA LINDA, CITY OF	3602010	1S4W25H02S	LLU 4	BANK HILL
LOMA LINDA, CITY OF	3602011	1S4W25P02S	LLU 5	BANK HILL
LOMA LINDA, CITY OF	3602015	1S4W25R	LLU 9	BANK HILL
LOMA LINDA, CITY OF	3602016	1S4W25G	ROBINSON	BANK HILL
LOMA LINDA, CITY OF	3602057	1S4W25C	MITTLEID	BANK HILL
LOMA LINDA, CITY OF	3602058	1S4W25F	CROOKS	BANK HILL
LOMA LINDA, CITY OF	3602596	1S4W24R	NEW GOLCONDA	BANK HILL
LOMA LINDA, CITY OF	3602759	1S4W24A		BANK HILL
LOMA	NON-FILED	1S2W28V	SPRING DIV.	BANK HILL
LUGO WATER COMPANY	3600510	1S3W21K01	1	BANK HILL

SAN BERNARDINO BASIN AREA  
CROSS INDEX BY OWNER

OWNER NAME	RECORDATION NUMBER	STATE WELL NUMPR	LOCAL DESIGNATION	BASIN NAME
BUGONIA WATER COMPANY	3601585	1S3W23A03S	SBDVD AV 1	BNK HILL
LULY, DR. LUCIAY L.	3601376	1N4W14	WATERMAN	DEVIL CAN
LULY, DR. LUCIAY L.	3601377	1N4W14	WATERMAN	DEVIL CAN
LULY, DR. LUCIAY L.	3601378	1N4W14	WATERMAN	DEVIL CAN
MARIGOLD FARMS COMPANY	3600418	1S3W19	BRAGA WELL	BNK HILL
MARIGOLD FARMS COMPANY	3601748	1S3W18H01	CALIF	BNK HILL
MARIGOLD FARMS COMPANY	3601748-	1S3W19A01	CALIF	BNK HILL
MARIGOLD FARMS COMPANY	3601749	1S3W19A01	JAP	BNK HILL
MARIGOLD FARMS COMPANY	3601750	1S3W18L	ACQUIL	BNK HILL
MARSHRUPE	NON-FILFR	1S3W17G		BNK HILL
MASCANT WATER COMPANY	3601102	1S3W21F	2	BNK HILL
MAYBELL, N. O.	3600291	1S4W12		BNK HILL
MCCALLA BROS	NON-FILFR	1S3W20		BNK HILL
MEADOWBROOK DAIRY	3600030	1S4W23D	IRRIG 2	BNK HILL
MEADOWBROOK DAIRY	3600037	1S4W23D	DOMESTIC 1	BNK HILL
MENTONE ACRES MUTUAL WELL CO.	3600748	1S3W24A01	OLD WELL 1	BNK HILL
MENTONE ACRES MUTUAL WELL CO.	3600749	1S3W13	NEW 2	BNK HILL
MENTONE CITRUS GROVES	3600139	1S2W18P01S		BNK HILL
MENTONE CITRUS GROVES	3602280	1S2W180		BNK HILL
MENTONE DOMESTIC WTR. CO.	NON-FILFR	1S2W19J		BNK HILL
MENTONE DOMESTIC WTR. CO.	NON-FILFR	1S2W19J	3 1971	BNK HILL
MEYER, CHARLES R.	3600760	1N5W01P	1	DEVIL CAN

SAN BERNARDINO BASIN AREA  
CROSS INDEX BY OWNER

OWNER NAME	RECORDATION NUMBER	STAFF WELL NUMBER	LOCAL DESIGNATION	BASIN NAME
MEYER, ERNEST	3602174	1S4W02		RNK HILL
MILLER MUTUAL WELL CO.	3600630	1N3W32		RNK HILL
MILLER MUTUAL WELL CO.	3600630-	1N3W32D		RNK HILL
MISSION MUTUAL WATER COMPANY	3600756	1S3W19H	1	RNK HILL
MISSION MUTUAL WATER COMPANY	3600757	1S3W19L	2	RNK HILL
MONTICITO MUTUAL WATER COMPANY	3600119	1S4W26F01	1	RNK HILL
MOORE, R. H.	NON-FILER	1S4W24K		RNK HILL
JOINT VERNON WATER COMPANY	3600319	1N4W31A01S	1	RNK HILL
JOINT VERNON WATER COMPANY	3600320	1N5W22M		LYTLE
MT. HAPPISOR MUTUAL WATER CO.	3600220	1S3W01H	1	RNK HILL
MT. VIEW CEMETERY OF SAN BERNARDINO	3600742	1N4W26	1	RNK HILL
MT. VIEW CEMETERY OF SAN BERNARDINO	3600742-	1N4W26	3	RNK HILL
MT. VIEW CEMETERY OF SAN BERNARDINO	3600743	1N4W26	2	RNK HILL
MT. VIEW CHILD CARE CENTER	NON-FILER	1S4W24J		RNK HILL
MULLINS, JAMES C., JR., EXECUTOR	3602074	1N3W34B02	IRRIG. 1	RNK HILL
MULLINS, JAMES C., JR., EXECUTOR	3602075	1N3W34B01	DOM. 2	RNK HILL
MUSCOY MUTUAL WATER COMPANY, NO. 1	3601497	1N5W23H01S	MUSCOY 1	LYTLE
MUSCOY MUTUAL WATER COMPANY, NO. 1	3601498	1N5W24D01S	NO. 4	LYTLE
MUSCOY MUTUAL WATER COMPANY, NO. 1	3601499	1N5W23A01S	MUSCOY 2	LYTLE
MUSCOY MUTUAL WATER COMPANY, NO. 1	3601500	1N5W23A02S	MUSCOY 3	LYTLE
MUSCOY MUTUAL WATER COMPANY, NO. 1	3602345	1N5W24F	WELL NO 4	LYTLE
MUTUAL WELL COMPANY (OF HIGHLAND)	3600765	1N3W33C01	RODDICK WELL	RNK HILL

SAN BERNARDINO BASIN AREA  
CROSS INDEX BY OWNER

OWNER NAME	RECORDATION NUMBER	STATE WELL NUMBER	LOCAL DESIGNATION	BASIN NAME
NAMIAS, M.D., IVAN/SHERLEY	3601084	1S2W20K		BANK HILL
NATIONAL ORANGE SH04	3601924	1S4W15D		BANK HILL
NEALEY MUTUAL WATER COMPANY	3601381	1M5W07C		LYTLE
NEW ENGLAND WATER CO.	3602320	1S3W16		BANK HILL
NICKERSON WATER COMPANY	3600123	1S3W20R01	ALABAMA NO 1	BANK HILL
NICKERSON WATER COMPANY	3600124	1S3W21W01	LUGONIA NO 2	BANK HILL
NICKERSON, E. O.	3600270	1S3W20P	ORANGEDALE	BANK HILL
NO NAME WELL	NON-FILER	1N3W32M		BANK HILL
NORTH FORK WATER COMPANY	3600678	1S2W08C01S	NO. 1	BANK HILL
NORTH FORK WATER COMPANY	3600679	1S2W08C02S	NO. 2	BANK HILL
NORTH FORK WATER COMPANY	3600680	1S3W02	NF CRAM3	BANK HILL
NORTH FORK WATER COMPANY	3600681	1N3W27	CITY CREEK	BANK HILL
NORTH FORK WATER COMPANY	3601643	1S3W030	4	BANK HILL
NORTH FORK WATER COMPANY	3601644	1S3W01A	PLUNGE CR	BANK HILL
NORTHRRAK WATER COMPANY	3600296	1S3W15R01	1	BANK HILL
NORTHSIDE WATER COMPANY	3600933	1S3W23F	1	BANK HILL
NORTON AIR FORCE BASE	NON-FILER	1S4W12B	LOCAL NO. 2	BANK HILL
NORTON AIR FORCE BASE	NON-FILER	1S4W12C	LOCAL NO. 3	BANK HILL
NORTON AIR FORCE BASE	NON-FILER	1S4W12D	LOCAL NO. 4	BANK HILL
NORTON AIR FORCE BASE	NON-FILER	1S4W12F	LOCAL NO. 5	BANK HILL
NORTON AIR FORCE BASE	NON-FILER	1S3W08A	LOCAL NO. 11	BANK HILL
NORTON AIR FORCE BASE	NON-FILER	1S4W12Q	NO NO. WELL	BANK HILL

SAN BERNARDINO BASIN AREA  
CROSS INDEX BY OWNER

OWNER NAME	RECORDATION NUMBER	STATE WELL NUMBER	LOCAL DESIGNATION	BASIN NAME
NORTON AIR FORCE BASE	NON-FILER	1S4W12G	LOCAL NO. 44	BNK HILL
NORTON AIR FORCE BASE	NON-FILER	1S3W08F	LOCAL NO. 347	BNK HILL
NORTON AIR FORCE BASE	NON-FILER	1S3W08M	LOCAL NO. 865	BNK HILL
NORWOOD	NON-FILER	1N3W34F		BNK HILL
NYE, WILLIAM H.	3600313	1S2W29N01S	WYE	BNK HILL
OLD TOWN WELL CT.	3600493	1S3W29	1	BNK HILL
OLD TOWN WELL CT.	3600494	1S3W29	2	BNK HILL
ORANGE ST. RANCH	3600241	1S3W030		BNK HILL
PACIFIC HIGH SCHOOL	NON-FILER	1N4W35H		BNK HILL
PAINE, ROBERT T., TRUSTEE	3601641	1S2W30C01S	OPAL ST	BNK HILL
PAINE, ROBERT T., TRUSTEE	3601642	1S2W30R02S	KING ST	BNK HILL
PATTERSON, ROY H.	NON-FILER	1N3W34		BNK HILL
PAXTON, R. H.	3600468	1S3W30	BAHR 1	BNK HILL
PENNY WELL COMPANY	3601099	1S3W22F	1	BNK HILL
PENNY WELL COMPANY	3601405	1S3W22	2	BNK HILL
PHADAN POWELL WATER CO.	3600415	1S3W29J01		BNK HILL
PIERSON	NON-FILER	1N4W35N		BNK HILL
PIONEER MUTUAL WATER CO.	3600642	1S3W14P01	SRDND 1	BNK HILL
QUALITY FARMS	NON-FILER	1S3W04F	NO. 102	BNK HILL
RAMIREZ BROTHERS	3601728	1S3W30	1	BNK HILL
RAMIREZ, J.J.	3600484	1S3W16	BUCKEYE 2	BNK HILL
RAMSEY	NON-FILER	1S2W22F	SPRING DIV	BNK HILL

SAN BERNARDINO BASIN AREA  
CROSS INDEX BY OWNER

OWNER NAME	RECORDATION NUMBER	STATE WELL NUMBER	LOCAL DESIGNATION	BASIN NAME
RANCHERIA WATER CO. TORIN	3601929	1S4W06C04S	NFW RAYN 3	BNK HILL
RANCHO CITRUS AMIGOS	3601753	1S3W29	PARK AVE 1	BNK HILL
RANCHO CANERA	3602189	1S2W29L	ROLADERA	BNK HILL
RAUGHT MUTUAL WELL COMPANY	3602193	1S3W14RQ1	RAUGHT	BNK HILL
REDLANDS ASSOCIATES	NON-FILER	1S2W178	NO. 0	BNK HILL
REDLANDS ASSOCIATES	NON-FILER	1S2W09P	BLOCK NO. 6	BNK HILL
REDLANDS ASSOCIATES	NON-FILER	1S2W09G	BLOCK NO. 11	BNK HILL
REDLANDS ASSOCIATES	NON-FILER	1S2W09L	TUNNEL DIV.	BNK HILL
REDLANDS HEIGHTS WATER COMPANY	3600918	2S3W01F	1	BNK HILL
REDLANDS TRAP/SKEET	3600628	1S3W15G		BNK HILL
REDLANDS WTR. CO.	NON-FILER	1S2W08	TUNNEL DIV.	BNK HILL
REDLANDS, CITY OF	NON-FILER	1S2W13R	MILL CR. DIV	BNK HILL
REDLANDS, CITY OF	3600019	1S3W23	GR REES 1	BNK HILL
REDLANDS, CITY OF	3600085	1S3W28J01	NY ST 1	BNK HILL
REDLANDS, CITY OF	3601281	1S2W21W01S	MAGUET 1	BNK HILL
REDLANDS, CITY OF	3601282	1S1W08G1	MC 1	MILL CRK
REDLANDS, CITY OF	3601283	1S2W22C02S	E LUG 2	BNK HILL
REDLANDS, CITY OF	3601284	1S2W21E01S	MAGUET 2	BNK HILL
REDLANDS, CITY OF	3601285	1S1W10L1	MC 2	MILL CRK
REDLANDS, CITY OF	3601286	1S2W21F02S	MAGUET 3	BNK HILL
REDLANDS, CITY OF	3601287	1S2W21C	ELUGNA3	BNK HILL
REDLANDS, CITY OF	3601288	1S1W1101	MC 4	MILL CRK

SAN BERNARDINO BASIN AREA  
CROSS INDEX BY OANFR

OANFR NAME	RECORDATION NUMBER	STAFF WELL NUMBER	LOCAL DESIGNATION	BASIN NAME
REDLANDS, CITY OF	3601289	1S3W35E	4R	BNK HILL
REDLANDS, CITY OF	3601290	1S2W21D01S	ELUGNA6	BNK HILL
REDLANDS, CITY OF	3601291	1S3W35G09S	10	BNK HILL
REDLANDS, CITY OF	3601292	1S3W35G07S	11	BNK HILL
REDLANDS, CITY OF	3601293	1S3W35H02S	12	BNK HILL
REDLANDS, CITY OF	3601294	1S3W35G09S	13	BNK HILL
REDLANDS, CITY OF	3601295	1S3W35H04S	14	BNK HILL
REDLANDS, CITY OF	3601296	1S3W35H03S	16	BNK HILL
REDLANDS, CITY OF	3601297	1S3W35G11S	17	BNK HILL
REDLANDS, CITY OF	3601298	1S3W21H01S	32	BNK HILL
REDLANDS, CITY OF	3601299	1S4W24K01S	34	BNK HILL
REDLANDS, CITY OF	3601300	1S3W27E02S	40	BNK HILL
REDLANDS, CITY OF	3601301	1S3W28H01S	41	BNK HILL
REDLANDS, CITY OF	3601302	1S2W14W	WILL CR.	BNK HILL
REDLANDS, CITY OF	3601308	1S2W19K01S	FENCH	BNK HILL
REDLANDS, CITY OF	3601636	1S4W24	LANGFORD	BNK HILL
REDLANDS, CITY OF	3601637	1S3W30	PTRSON WELL	BNK HILL
REDLANDS, CITY OF	3602031	1S3W21H	30A	BNK HILL
REDLANDS, CITY OF	3602032	1S3W22A	35	BNK HILL
REDLANDS, CITY OF	3602036	1S3W21H	31A	BNK HILL
REDLANDS, CITY OF	3602082	2S3W03K		BNK HILL
REDLANDS, CITY OF	3602106	1S3W22A01S		BNK HILL

SAN BERNARDINO BASIN AREA  
CROSS INDEX BY OWNER

OWNER NAME	RECORDATION NUMBER	STATE WELL NUMBER	LOCAL DESIGNATION	BASIN NAME
REDLANDS, CITY OF	3602211	1S3W26C	37SYLVN	BANK HILL
REDLANDS, CITY OF	3602346	1S3W28J07	1	BANK HILL
REDLANDS, CITY OF	3602351	1S2W13A	MC 0-A	BANK HILL
REDLANDS, CITY OF	3602653	1S2W19J		BANK HILL
REDLANDS, CITY OF	3602654	1S2W19J		BANK HILL
REDLANDS, CITY OF	3602732	1S3W32J02S	DOC. REF	BANK HILL
RFES & PERRICONE RANCH	3602171	1S2W18M	1	BANK HILL
REGINA GRAPE PRODUCTS	NON-FILER	1N5W04M	WELL NO. 1	LYTLE
REGINA GRAPE PRODUCTS	NON-FILER	1N5W04N	WELL NO. 2	LYTLE
REGINA GRAPE PRODUCTS	NON-FILER	1N5W04N	WELL NO. 3	LYTLE
REGINA GRAPE PRODUCTS	NON-FILER	1N5W05B	SPRING DIV.	LYTLE
REGINA GRAPE PRODUCTS	NON-FILER	1N5W05P	WELL NO. 4	LYTLE
REGINA GRAPE PRODUCTS	NON-FILER	1N5W04N	WELL NO. 5	LYTLE
REGINA GRAPE PRODUCTS	NON-FILER	1N5W04N	WELL NO. 6	LYTLE
REGINA GRAPE PRODUCTS	NON-FILER	1N5W04N	WELL NO. 7	LYTLE
REYNOLDS, RIGG	3600981	1S2W21H01		BANK HILL
RIALTO, CITY OF	3601085	1N4W31N	RIALTO MUT	LYTLE
RIALTO, CITY OF	3601263	1N5W23O01S	CITY WELL	LYTLE
RIALTO, CITY OF	3601718	1N5W22M		LYTLE
RIALTO, CITY OF	3602080	1N5W23Q	CITY 2	LYTLE
RIEDMAN, FRED M.	3601629	1S1W03P00S	1	BANK HILL
RIVAS	NON-FILER	1S4W24J		BANK HILL



SAN BERNARDINO BASIN AREA  
CROSS INDEX BY UWNFR

OWNER NAME	RECORDATION NUMBER	STATE WELL NUMBFR	LOCAL DESIGNATION	BASIN NAME
RIVAS, RAMON	3600016	1S4*24J	REES 4	BK HILL
ROBBINS, H. W.	3602170	1S2*31W		BK HILL
RULE	NON-FILER	1N3*34K	SPRING	BK HILL
SAN BERNARDINO AVENUE WATER COMPANY	3600125	1S3*14	1	BK HILL
SAN BERNARDINO INVESTORS	3602499	1S4*22A01		BK HILL
SAN BERNARDINO WATER UTILITIES COR	3601843	1N5*03H01S	1	L CAJON
SAN BERNARDINO WATER UTILITIES COR	3601844	1N5*03	2	L CAJON
SAN BERNARDINO WATER UTILITIES COR	3601845	1N4*30L	3	LYTLE
SAN BERNARDINO, CITY OF	NON-FILER	1S4*21A	SEWER PLNT 1	BK HILL
SAN BERNARDINO, CITY OF	NON-FILER	1S4*22C	SEWER PLNT 2	BK HILL
SAN BERNARDINO, CITY OF	3600034	1S4*16H	SMITH 1	BK HILL
SAN BERNARDINO, CITY OF	3600035	1S4*15W01		BK HILL
SAN BERNARDINO, CITY OF	3600222	1S4*11001S		BK HILL
SAN BERNARDINO, CITY OF	3600709	2N5*19Q01	VINCENT	L CAJON
SAN BERNARDINO, CITY OF	3600710	2N5*19	CAJON	L CAJON
SAN BERNARDINO, CITY OF	3600711	1N4*07F01S	DEV CYN 2	DEVIL CAN
SAN BERNARDINO, CITY OF	3600712	1N4*08V01S	DEV CYN 1	DEVIL CAN
SAN BERNARDINO, CITY OF	3600713	1N5*36R01S	LYTLE CR 3	LYTLE
SAN BERNARDINO, CITY OF	3600714	1N4*15E01S	NEWMRK 1	DEVIL CAN
SAN BERNARDINO, CITY OF	3600715	1N4*16E	NEWMRK 2	DEVIL CAN
SAN BERNARDINO, CITY OF	3600716	1N4*16E03S	NEWMRK 3	DEVIL CAN
SAN BERNARDINO, CITY OF	3600717	1N4*32D03S	19TH STL	BK HILL

SAN BERNARDINO BASIN AREA  
CROSS INDEX BY OWNER

OWNER NAME	RECORDATION NUMBER	STATE WELL NUMBER	LOCAL DESIGNATION	BASIN NAME
SAN BERNARDINO, CITY OF	3600718	1N4W32D04S	19ST. 2	BNK HILL
SAN BERNARDINO, CITY OF	3600719	1N4W27E01S	MARSHALL	BNK HILL
SAN BERNARDINO, CITY OF	3600720	1N4W27E02S	27TH ST	BNK HILL
SAN BERNARDINO, CITY OF	3600721	1N4W27E01S	NO E ST	BNK HILL
SAN BERNARDINO, CITY OF	3600722	1S4W03D01S	ACACIA	BNK HILL
SAN BERNARDINO, CITY OF	3600723	1S4W10E01S	HANFORD 1	BNK HILL
SAN BERNARDINO, CITY OF	3600724	1S4W10E05S	HANFORD 2	BNK HILL
SAN BERNARDINO, CITY OF	3600725	1N4W34E01S	17 ST SW	BNK HILL
SAN BERNARDINO, CITY OF	3600726	1N4W34E03S	16TH ST	BNK HILL
SAN BERNARDINO, CITY OF	3600727	1N4W26E	LYNWOOD	BNK HILL
SAN BERNARDINO, CITY OF	3600728	1N4W27A01S	WYRMN AV	BNK HILL
SAN BERNARDINO, CITY OF	3600729	1N4W35E03S	GILBERTST	BNK HILL
SAN BERNARDINO, CITY OF	3600730	1S4W02E01S	ANTIL 3	BNK HILL
SAN BERNARDINO, CITY OF	3600731	1S4W02E07S	ANTIL 5	BNK HILL
SAN BERNARDINO, CITY OF	3600732	1S4W02E05S	ANTIL 2	BNK HILL
SAN BERNARDINO, CITY OF	3600733	1S4W02E04S	ANTIL 1	BNK HILL
SAN BERNARDINO, CITY OF	3600734	1S4W02E03S	ANTIL 4	BNK HILL
SAN BERNARDINO, CITY OF	3600735	1S4W09E01S	BIRCH ST	BNK HILL
SAN BERNARDINO, CITY OF	3600736	1S4W09E01S	SO G ST	BNK HILL
SAN BERNARDINO, CITY OF	3600737	1S4W10E06S	MILL & D	BNK HILL
SAN BERNARDINO, CITY OF	3600738	1N4W06	O.C. DIV.	DEVIL CAN
SAN BERNARDINO, CITY OF	3600739	1N5W06	L.C. DIV.	LYTLE

SAN BERNARDINO BASIN AREA  
CROSS INDEX BY OWNER

OWNER NAME	RECORDATION NUMBER	STATE WELL NUMBER	LOCAL DESIGNATION	BASIN NAME
SAN BERNARDINO, CITY OF	3600927	1N3W31R01	PATTON 6	BANK HILL
SAN BERNARDINO, CITY OF	3601114	1N4W35C01S	PRRSHLL 2	BANK HILL
SAN BERNARDINO, CITY OF	3601115	1N4W26P03S	PERRISH 5	BANK HILL
SAN BERNARDINO, CITY OF	3601116	1N4W35C02S	PRRSHLL 3	BANK HILL
SAN BERNARDINO, CITY OF	3601117	1N4W35C03S	PRRSHLL 4	BANK HILL
SAN BERNARDINO, CITY OF	3601316	1S4W23N	1	BANK HILL
SAN BERNARDINO, CITY OF	3601626	1S4W10	CITYLOTS	BANK HILL
SAN BERNARDINO, CITY OF	3602081	1N4W27R	31 ST	BANK HILL
SAN BERNARDINO, CITY OF	3602205	1N4W06H01S	DEVIL 4	DEVIL CAN
SAN BERNARDINO, CITY OF	3602206	1N4W06H02S	DEVIL 3	DEVIL CAN
SAN BERNARDINO, CITY OF	3602264	1N4W27N01S	23RD ST.	BANK HILL
SAN BERNARDINO, CITY OF	3602265	1S4W03J	7TH ST.	BANK HILL
SAN BERNARDINO, CITY OF	3602285	1S4W15D05	15D5	BANK HILL
SAN BERNARDINO, CITY OF	3602399	1N4W16E	NEWMARK 4	BANK HILL
SAN BERNARDINO, CITY OF	3602400	1N4W32N	BASE LINE	BANK HILL
SAN BERNARDINO, CITY OF	3602401	1N4W27A	LEROY	BANK HILL
SAN BERNARDINO, CITY OF	3602422	1S4W02K08S	ANTIL 6	BANK HILL
SAN BERNARDINO, CITY OF	3602426	2N5W19K	C.C. DIV.	L CAJON
SAN BERNARDINO, CITY OF	3602521	1S4W23N04	2	BANK HILL
SAN BERNARDINO, CITY OF	3602712	1N4W08N		DEVIL CAN
SAN BERNARDINO, COUNTY OF	NON-FILER	1S4W14A	AEROSPACE	BANK HILL
SAN BERNARDINO, COUNTY OF	NON-FILER	1N4W35F	COUNTY HOSP	BANK HILL

SAN BERNARDINO BASIN AREA  
CROSS INDEX BY OWNER

OWNER NAME	RECORDATION NUMBER	STATE WELL NUMBER	LOCAL DESIGNATION	BASIN NAME
SAN BERNARDINO, COUNTY OF	NON-FILER	2N5W33F	GLEN HELEN 3	L CAJON
SAN BERNARDINO, COUNTY OF	NON-FILER	2N5W33G	GLEN HELEN 4	L CAJON
SAN BERNARDINO, COUNTY OF	NON-FILER	2N5W33Q02	GLEN HELEN 2	L CAJON
SAN MANUEL INDIAN RESERV.	NON-FILER	1N3W20N		BNK HILL
SANDYS RESTAURANT	NON-FILER	1S3W21W2		CITY CRK
SANTINI	NON-FILER	1S4W14A		BNK HILL
SARATOGA DEVELOPMENT CO	NON-FILER	1S2W06	TUNNEL DIV.	BNK HILL
SARATOGA DEVELOPMENT CO	3600598	1S3W02	LOCAL 1	BNK HILL
SARATOGA DEVELOPMENT CO	3600604	1S2W07B	RANNEY	BNK HILL
SARATOGA DEVELOPMENT CO	3600605	1N3W36	PLUNGE CK DI	PLUNGE
SARATOGA DEVELOPMENT CO	3600606	1N3W35	ELDER GULCH	BNK HILL
SARATOGA DEVELOPMENT CO	3600607	1S3W02	SMALL	BNK HILL
SARATOGA DEVELOPMENT CO	3600607-	1S3W02	SMALL	BNK HILL
SARATOGA DEVELOPMENT CO	3601639	1S3W03R01	STORE WELL	BNK HILL
SARATOGA DEVELOPMENT CO	3602474	1N3W25Q		PLUNGE
SATOSKI, DOCTOR	NON-FILER	1N4W14J		DEVIL CAN
SECREST, RALPH F.	3600483	1S2W31	GPERRCH 1	BNK HILL
SFLRY, DR. S MRS. ARTHUR	3600017	1S2W29	GRREES 3	BNK HILL
SFLRY, DR. S MRS. ARTHUR	3600018	1S2W29	GRREES 2	BNK HILL
SFLRY	NON-FILER	1N3W19Q	TUNNEL DIV.	BNK HILL
SIX HOUSES	NON-FILER	1S4W22A		BNK HILL
SMITH	NON-FILER	1N4W14J		DEVIL CAN

SAN BERNARDINO BASIN AREA  
CROSS INDEX BY OWNER

OWNER NAME	RECORDATION NUMBER	STATE WELL NUMBER	LOCAL DESIGNATION	BASIN NAME
SMITH MEAT PACKING PLANT	NON-FILER	1S4W22M		BNK HILL
SMITH TRACT WFLG COMPANY	3600001	1S3W21R	11	BNK HILL
SMITH TRACT WELL COMPANY	3600001-	1S3W21R		BNK HILL
SMITH,	NON-FILER	1S3W02J		BNK HILL
SO. SAN BERNARDINO COUNTY WATER DIST.	3602060	1S4W24P	BENNETT WELL	BNK HILL
SO. SAN BERNARDINO COUNTY WATER DIST.	3602122	1S4W23R03S	ROSEWOOD	BNK HILL
SO. SAN BERNARDINO COUNTY WATER DIST.	3602123	1S4W14J	NORMAN	BNK HILL
SO. SAN BERNARDINO COUNTY WATER DIST.	3602124	1S4W14J	CENTRAL	BNK HILL
SO. SAN BERNARDINO COUNTY WATER DIST.	3602125	1S4W24P04S	OLDGOULD	BNK HILL
SO. SAN BERNARDINO COUNTY WATER DIST.	3602126	1S4W24F	NEWGOULD	BNK HILL
SOJKA, DONALD P	3601173	1S3W32K		BNK HILL
SOLANO WELL NO. 1	3600187	1S2W09	1	BNK HILL
SOLANO WELL NO. 3	3602003	1S2W16C	3	BNK HILL
SOMERS, R.	3601093	1R4W24	SPRING	BNK HILL
SOUTHERN CALIFORNIA EDISON COMPANY	3600651	1S3W28		BNK HILL
SOUTHERN CALIFORNIA EDISON COMPANY	3601012	1S4W08R	STM PL 1	BNK HILL
SOUTHERN CALIFORNIA EDISON COMPANY	3601013	1S4W08R	STM PL 2	BNK HILL
SOUTHERN CALIFORNIA EDISON COMPANY	3601014	1S3W18	SB STMP 1	BNK HILL
SOUTHERN CALIFORNIA EDISON COMPANY	3601015	1S3W18	SB STMP 2	BNK HILL
SOUTHERN CALIFORNIA EDISON COMPANY	3601016	1S4W22G01S	THORN 1	BNK HILL
SOUTHERN CALIFORNIA EDISON COMPANY	3609723	1S4W10F01S	HANFORD 1	BNK HILL
SOUTHERN CALIFORNIA WATER COMPANY	3600374	1N3W33M01S	PALMHI 1	BNK HILL

SAN BERNARDINO BASIN AREA  
CROSS INDEX BY OWNER

OWNER NAME	RECORDATION NUMBER	STATE WELL NUMBER	LOCAL DESIGNATION	BASIN NAME
SOUTHERN CALIFORNIA WATER COMPANY	3600375	1S3W05	CULHEND 1	BNK HILL
SOUTHERN CALIFORNIA WATER COMPANY	3600376	1S3W05	CULHEND 2	BNK HILL
SOUTHERN CALIFORNIA WATER COMPANY	3600377	1N3W27N08S	CCH 1	BNK HILL
SOUTHERN CALIFORNIA WATER COMPANY	3600378	1N3W27N02S	CCH 3	BNK HILL
SOUTHERN CALIFORNIA WATER COMPANY	3601069	1N3W33W02S	1	BNK HILL
SOUTHERN CALIFORNIA WATER COMPANY	3601588	1N4W31H	BFRD00 1	BNK HILL
SOUTHERN CALIFORNIA WATER COMPANY	3601878	1N4W29E01S	DARBY	BNK HILL
SOUTHERN CALIFORNIA WATER COMPANY	3601879	1N4W29	GARDENA	BNK HILL
SOUTHERN CALIFORNIA WATER COMPANY	3601880	1N4W29F01S	COLIMA	BNK HILL
SOUTHERN CALIFORNIA WATER COMPANY	3601987	1S3W04G	HIGHLD 1	BNK HILL
SOUTHERN CALIFORNIA WATER COMPANY	3602260	1S3W05D06	CULL 3	BNK HILL
SOUTHERN CALIFORNIA WATER COMPANY	3602417	1S3W05D	4	BNK HILL
SOUTHERN CALIFORNIA WATER COMPANY	3602560	1S3W04G	DUNKIRK 2	BNK HILL
STANLEY BROWN CO.	3601352	1S3W19N		BNK HILL
STANLEY, SILAS	NON-FILER	1S2W24H		BNK HILL
STEWART, WILLARD	NON-FILER	1S3W31D		BNK HILL
STORKSON, WILLIAM F.	3600083	1N5W06	1	LYTLE
STORKSON, WILLIAM F.	3602664	1N5W06		LYTLE
STOWE WATER COMPANY	3601046	1S3W21A	1	BNK HILL
STRAWBERRY PATCH	NON-FILER	1S3W03N		BNK HILL
STRAWBERRY PATCH	NON-FILER	1S3W03N		BNK HILL
SUNRISE RANCH PART C/O LIFE DEVELOPMENT	3600599	1S2W13		BNK HILL

SAN BERNARDINO BASIN AREA  
CROSS INDEX BY OWNER

OWNER NAME	RECORDATION NUMBER	STAFF WELL NUMBER	LOCAL DESIGNATION	BASIN NAME
SUNRISE RANCH PART C/O LIFE DEVELOPMENT	3600600	1S2W13	SUNRISE 2	BANK HILL
SUNRISE RANCH PART C/O LIFE DEVELOPMENT	3600601	1S2W14	SUNRISE 3A	BANK HILL
SUNRISE RANCH PART C/O LIFE DEVELOPMENT	3600602	1S2W15P	SUNRISE 4	BANK HILL
SUNRISE RANCH PART C/O LIFE DEVELOPMENT	3600603	1S2W15G	SUNRISE 5	BANK HILL
SUNRISE RANCH PART C/O LIFE DEVELOPMENT	3601640	1S2W14		BANK HILL
SUNRISE RANCH PART C/O LIFE DEVELOPMENT	3601969	1S2W14L	SUNRISE 7	BANK HILL
SUPERIOR ORCHARDS	NON-FILER	1N3W29B	TUNNEL DIV.	BANK HILL
SYCAMORE HEIGHTS WATER COMPANY, INC.	3601837	1N3W34B	HERCULES	BANK HILL
SYCAMORE HEIGHTS WATER COMPANY, INC.	3601838	1N3W34A	WALKISHA	BANK HILL
TENNESSEE MUTUAL WELL COMPANY	3601161	1S3W16L	PIONEER 1	BANK HILL
TENNESSEE WATER CO.	3600474	1S3W16L	1	BANK HILL
TERRACE WATER COMPANY	3601684	1S4W08F06S	LARGE 1	BANK HILL
TERRACE WATER COMPANY	3601684-	1S4W08F	4	BANK HILL
TERRACE WATER COMPANY	3601685	1S4W08F	SMALL 2	BANK HILL
TERRACE WATER COMPANY	3601686	1S4W08F	3	BANK HILL
TEXACO GAS STATION	NON-FILER	1S4W24J		BANK HILL
THOMPSON RANDALL	NON-FILER	1N3W28A	SPRING DIV.	CITY CRK
TRI CITY CONCRETE	3600935	1N4W31N		LYTLE
TRI CITY CONCRETE	3601309	1S4W05M	PLANT	BANK HILL
TRI CITY CONCRETE	3601420	1S3W09E	ALARAMA 2	BANK HILL
TRI CITY MUTUAL WATER COMPANY	NON-FILER	1S4W23N		BANK HILL
TRI CITY MUTUAL WATER COMPANY	3601823	1S4W23K		BANK HILL

SAN BERNARDINO BASIN AREA  
CROSS INDEX BY OWNER

OWNER NAME	RECORDATION NUMBER	STATE WELL NUMBER	LOCAL DESIGNATION	BASIN NAME
TRIPLE FALLS MUT. WTR. CO.	NON-FILER	1S1W19G		BNK HILL
TRIPLE FALLS MUT. WTR. CO.	NON-FILER	1S1W20D		MILL CRK
TRIPLE FALLS MUT. WTR. CO.	NON-FILER	1S1W20D		MILL CRK
U.S. FOREST SERVICE	NON-FILER	1N4W13Q	MAINT. YARD	DEVIL CAN
U.S. FOREST SERVICE	NON-FILER	1S2W13P	MILL CREEK	MILL CRK
UNGER, V.F.	360116R	1S4W26F		BNK HILL
VALDEPENA ACRES	360224I	1S3W20F03	ALMOND	BNK HILL
VALENCIA AVE. MUT. WTR. CO.	NON-FILER	1N4W23K	WATERMAN AVE	BNK HILL
VALLEY FARMS MUT. WTR. CO.	NON-FILER	1S4W15R	NO 1 WASHTN	BNK HILL
VALLEY FARMS MUT. WTR. CO.	NON-FILER	1S4W15O	NO 2 WELL	BNK HILL
VAN LOON MUTUAL WATER COMPANY	3602066	1S4W02R	1	BNK HILL
VAN LOON MUTUAL WATER COMPANY	3602067	1N1W35K	2	BNK HILL
VAN MEETER	NON-FILER	1S3W02P	OLD WELL	BNK HILL
VAN MEETER	NON-FILER	1S3W02P	NEW WELL	BNK HILL
VANLEUVEN, CLARENCE	NON-FILER	1S4W24J		BNK HILL
VICTORIA FARMS MUTUAL WATER CO.	3602112	1S4W13R01S		BNK HILL
VICTORIA FARMS MUTUAL WATER CO.	3602247	1S4W13R03	2	BNK HILL
VICTORIA FARMS MUTUAL WATER CO.	3602574	1S4W17R	#3 WELL	BNK HILL
VICTORIA FARMS MUTUAL WATER CO.	3602714	1S4W13R	1	BNK HILL
VICTORIA GUERNSEY	3600399	1S4W02	1	BNK HILL
VICTORIA SEVENTH DAY ADVENTIST	NON-FILER	1S4W24J		BNK HILL
WALLACE	NON-FILER	1N4W14J		DEVIL CAN



SAN BERNARDINO BASIN AREA  
CROSS INDEX BY OWNER

OWNER NAME	RECORDATION NUMBER	STATE WELL NUMBER	LOCAL DESIGNATION	BASIN NAME
WARD, FLOYD	NON-FILER	1S1*18N	WELL NO. 1	BNK HILL
WARD, FLOYD	NON-FILER	1S1*18P	WELL NO. 2	BNK HILL
WARD, FLOYD	NON-FILER	1S1*18P	WELL NO. 3	BNK HILL
WARD, FLOYD	NON-FILER	1S1*18N	WELL NO. 4	BNK HILL
WARD, FLOYD	NON-FILER	1S1*18*	WELL NO. 6	MILL CRK
WARD, FLOYD	NON-FILER	1S1*18P	LATERAL SPRG	BNK HILL
WEATHERMAX, W. G.	3600652	1S3*15N01S	RFDLANDS	BNK HILL
WEST SAN RDNO. COUNTY WATER DIST.	3600302	1N5*26A01S	LOWER 2	LYTLE
WEST SAN RDNO. COUNTY WATER DIST.	3600303	1N5*26B01S	LOWER 4	LYTLE
WEST SAN RDNO. COUNTY WATER DIST.	3600304	1N5*26A03S	LS	LYTLE
WEST SAN RDNO. COUNTY WATER DIST.	3600305	1N5*25E01S	LOWER 6	LYTLE
WEST SAN RDNO. COUNTY WATER DIST.	3600306	1N5*23P02S	UPPER 2	LYTLE
WEST SAN RDNO. COUNTY WATER DIST.	3600307	1N5*23P04S	UPPER 4	LYTLE
WEST SAN RDNO. COUNTY WATER DIST.	3600312	1N5*22M		LYTLE
WEST SAN RDNO. COUNTY WATER DIST.	3600996	1N5*36J03S	NO 8	LYTLE
WEST SAN RDNO. COUNTY WATER DIST.	3600997	1N5*36H04S	LORD 7	LYTLE
WEST SAN RDNO. COUNTY WATER DIST.	3600998	1N5*25E02S	FERG 1	LYTLE
WEST SAN RDNO. COUNTY WATER DIST.	3600999	1S4*06J01S	DIXON 1	BNK HILL
WEST SAN RDNO. COUNTY WATER DIST.	3601000	1S4*06J02S	DIXON 2	BNK HILL
WEST SAN RDNO. COUNTY WATER DIST.	3601002	1N4*31P03S	RAYNOR 1	LYTLE
WEST SAN RDNO. COUNTY WATER DIST.	3601003	1S4*06H01S	RAYMOR 4	BNK HILL
WEST SAN RDNO. COUNTY WATER DIST.	3601725	1N5*25E00S		LYTLE

SAN BERNARDINO BASIN AREA  
CROSS INDEX BY OWNER

OWNER NAME	RECORDATION NUMBER	STATE WELL NUMBER	LOCAL DESIGNATION	BASIN NAME
WEST SAN ROND. COUNTY WATER DIST.	3601848	1S4W05E05S	RAYNOR 5	BNK HILL
WEST SAN ROND. COUNTY WATER DIST.	3601944	1N5W23Q00S	LOWER 7	LYTLE
WESTERN FRUIT GROWERS	NON-FILER	1S3W24Q		BNK HILL
WIDEMEYER	NON-FILER	1N3W29H	SPRING DIV.	BNK HILL
WIDEMEYER	NON-FILER	1N3W29H		BNK HILL
WILEY, RUTH MORWOOD	3600052	1S4W36J	1	BNK HILL
WILLIAMS DAIRY	NON-FILER	1S4W11G		BNK HILL
WILLIAMS WELL CORPORATION, LTD.	3600828	1S3W16J		BNK HILL
WOHR MUTUAL WATER COMPANY	3600817	1S3W29H		BNK HILL
YAHIKU, PAUL	3601280	1S3W29D	SOUTH 1	BNK HILL
YORK	NON-FILER	1N3W19R	DOMESTIC	BNK HILL
YORK	NON-FILER	1N3W19P		BNK HILL
YORK	NON-FILER	1N3W19R	SAND CYN TUN	BNK HILL
YUCAIPA VALLEY COUNTY WATER DISTRICT	3602657	1S1W20D		MILL CRK
YUCAIPA VALLEY COUNTY WATER DISTRICT	3602658	1S1W20D		MILL CRK
YUCAIPA VALLEY COUNTY WATER DISTRICT	3602659	1S1W19G		BNK HILL
7TH AVE. WELL	3601121	1S2W31	1	BNK HILL

SAN BERNARDINO BASIN AREA,

CROSS INDEX BY RECORDATION NUMBER

SAN BERNARDINO BASIN AREA  
CROSS INDEX BY RECORDATION NUMBER

RECORDATION NUMBER	OWNER NAME	STATE WELL NUMBER	LOCAL DESIGNATION	BASIN NAME
NON-FILER	ARMAYSON RANCH	1S4W27H		BNK HILL
NON-FILER	ANDERSON, A.D.	1N4W25R		BNK HILL
NON-FILER	ARYOLD RANCH	1N3W34H		BNK HILL
NON-FILER	BALCOM	1S4W11M		BNK HILL
NON-FILER	BAUDWIN	1N3W34K		BNK HILL
NON-FILER	BARRIER	1S4W22B		BNK HILL
NON-FILER	BASELINE LAUNDRY	1N3W310		BNK HILL
NON-FILER	BASELINE LAUNDRY	1N3W31		BNK HILL
NON-FILER	BATCHELOR	1N4W14R		DEVIL CAN
NON-FILER	BATCHELOR	1N4W14R		DEVIL CAN
NON-FILER	BERMAN, JERRY	1S4W02K	OLD WELL	BNK HILL
NON-FILER	BERMAN, JERRY	1S4W02J		BNK HILL
NON-FILER	BLISS	1S2W22E		BNK HILL
NON-FILER	BOUCHER	1N4W14J		DEVIL CAN
NON-FILER	BREAK, ALLEN, FSTATE	1S3W31A		BNK HILL
NON-FILER	CARPENTER	1S4W22B		BNK HILL
NON-FILER	CLIFFSIDE RANCH	1S3W03F		BNK HILL
NON-FILER	COOK CANYON	1N3W27R		BNK HILL
NON-FILER	CRYSTAL SPRINGS	2S2W06D		BNK HILL
NON-FILER	DANGLO DAIRY	1S4W11F		BNK HILL
NON-FILER	DAVIELS, DON	1S3W19J		BNK HILL
NON-FILER	DAVIELS, HAROLD	1S3W17R	RANCH	BNK HILL

SAN BERNARDINO BASIN AREA  
CROSS INDEX BY RECORDATION NUMBER

RECORDATION NUMBER	OWNER NAME	STAFF WELL NUMBER	LOCAL DESIGNATION	BASIN NAME
NON-FILER	DAVIELS, HAROLD	1S3W17C	DOMEST. WELL	BNK HILL
NON-FILER	DILLSON MUT. WTR. CO.	1N4W13P	DILLSON AVE	DEVIL CAN
NON-FILER	DILLSON MUT. WTR. CO.	1N4W13P	HARRISON CYN	DEVIL CAN
NON-FILER	DILLSON MUT. WTR. CO.	1N4W13P	CISCO WELL	DEVIL CAN
NON-FILER	EAST HIGHLANDS ORANGE COMPANY	1N3W35R	ROX SPRING	BNK HILL
NON-FILER	EAST SAN BOND. COUNTY WATER DIST.	1N3W30C	NO. 36	BNK HILL
NON-FILER	EAST SAN BOND. COUNTY WATER DIST.	1S3W04P	NO. 43	BNK HILL
NON-FILER	EAST SAN BOND. COUNTY WATER DIST.	1N3W30C	NO. 44	BNK HILL
NON-FILER	EAST SAN BOND. COUNTY WATER DIST.	1N3W31A	NO. 45	BNK HILL
NON-FILER	EAST SAN BOND. COUNTY WATER DIST.	1S3W05Q	NO. 46	BNK HILL
NON-FILER	EAST SAN BOND. COUNTY WATER DIST.	1N4W36H	NO. 52	BNK HILL
NON-FILER	EAST SAN BOND. COUNTY WATER DIST.	1S3W06	NO. 69	BNK HILL
NON-FILER	EAST SAN BOND. COUNTY WATER DIST.	1N3W31D	NO. 70	BNK HILL
NON-FILER	EAST SAN BOND. COUNTY WATER DIST.	1S3W06E	NO. 71	BNK HILL
NON-FILER	EAST SAN BOND. COUNTY WATER DIST.	1S3W06R	NO. 72	BNK HILL
NON-FILER	EAST SAN BOND. COUNTY WATER DIST.	1S3W06C	NO. 74	BNK HILL
NON-FILER	EAST SAN BOND. COUNTY WATER DIST.	1S4W02L	NO. 75	BNK HILL
NON-FILER	EAST SAN BOND. COUNTY WATER DIST.	1S3W06P	NO. 78	BNK HILL
NON-FILER	EAST SAN BOND. COUNTY WATER DIST.	1S3W05D	NO. 80	BNK HILL
NON-FILER	EAST SAN BOND. COUNTY WATER DIST.	1S3W06M	NO. 81	BNK HILL
NON-FILER	EAST SAN BOND. COUNTY WATER DIST.	1S3W06O	NO. 83	BNK HILL
NON-FILER	EAST SAN BOND. COUNTY WATER DIST.	1S3W03N	NO. 84	BNK HILL

SAN BERNARDINO BASIN AREA  
 CROSS INDEX BY RECORDATION NUMBER

RECORDATION NUMBER	OWNER NAME	STATE WELL NUMBER	LOCAL DESIGNATION	BASIN NAME
NON-FILER	EAST SAN BOND. COUNTY WATER DIST.	1N4W25D	NO. 85	BNK HILL
NON-FILER	EAST SAN BOND. COUNTY WATER DIST.	1S3W03N	NO. 93	BNK HILL
NON-FILER	EAST SAN BOND. COUNTY WATER DIST.	1S3W05J	NO. 95	BNK HILL
NON-FILER	EAST SAN BOND. COUNTY WATER DIST.	1S4W01D	NO. 96	BNK HILL
NON-FILER	EAST SAN BOND. COUNTY WATER DIST.	1S3W06N	NO. 97	BNK HILL
NON-FILER	EAST SAN BOND. COUNTY WATER DIST.	1S3W04O	NO. 106	BNK HILL
NON-FILER	ELLENA, JOHN B.	1N4W08N		DEVIL CAN
NON-FILER	ELLGOOD	1S2W24C		BNK HILL
NON-FILER	FARROW	1S2W22E		BNK HILL
NON-FILER	FINCH	1S2W29		BNK HILL
NON-FILER	SOLCONDA WATER CO.	1S4W13E		BNK HILL
NON-FILER	GREENSPOT MUTUAL WATER CO TUNNEL	1S2W22		BNK HILL
NON-FILER	HAGAR	1S2W16L		BNK HILL
NON-FILER	HARDISON	1N4W13O		DEVIL CAN
NON-FILER	HARRISON	1S3W04J		BNK HILL
NON-FILER	HARRISON CANYON	1N4W13P		DEVIL CAN
NON-FILER	HARRISON CANYON	1N4W13P		DEVIL CAN
NON-FILER	HAZAS	1S4W11G		BNK HILL
NON-FILER	HELIPORT	1S4W15G		BNK HILL
NON-FILER	HILL	1S2W31R		BNK HILL
NON-FILER	HOGSDON, WARNER	1N4W14C	W TWIN CRK	DEVIL CAN
NON-FILER	HOLDEN MUT. WTR. CO.	1S4W14E		BNK HILL

SAN BERNARDINO BASIN AREA  
CROSS INDEX BY RECORDATION NUMBER

RECORDATION NUMBER	OWNER NAME	STATE WELL NUMBER	LOCAL DESIGNATION	BASIN NAME
NON-FILER	HOLDEN MUT. WTR. CO.	1S4W14F	HOLDEN AVE.	BNK HILL
NON-FILER	HOSTON	1S3W32J		BNK HILL
NON-FILER	HUYTER	1S3W03D		BNK HILL
NON-FILER	INTER CITY MUTUAL WATER CO	1S4W23P		BNK HILL
NON-FILER	KARHALOIS	1S2W17	PEPPER HOUSE	BNK HILL
NON-FILER	KING	1R4W14R		DEVIL CAN
NON-FILER	KOCH	1S2W32R		BNK HILL
NON-FILER	KRAMTZ DAIRY	1S4W11F		BNK HILL
NON-FILER	KUHN, RICHARD J	1S3W32G		BNK HILL
NON-FILER	L.P.R. RANCH	1S3W13C		BNK HILL
NON-FILER	LA TOURETTE	1S2W28M		BNK HILL
NON-FILER	LANKERSHIM MUT. WTR. CO.	1S3W06L	LANKERSHIM A	BNK HILL
NON-FILER	LANKERSHIM MUT. WTR. CO.	1S3W06F	MCKINLEY ST.	BNK HILL
NON-FILER	LORD	1S2W28M	SPRING DIV.	BNK HILL
NON-FILER	MARSHBURN	1S3W17G		BNK HILL
NON-FILER	MCCALLA BROS	1S3W20		BNK HILL
NON-FILER	MERTONE DOMESTIC WTR. CO.	1S2W19J		BNK HILL
NON-FILER	MERTONE DOMESTIC WTR. CO.	1S2W19J	3 1971	BNK HILL
NON-FILER	MOORE, P. H.	1S4W24K		BNK HILL
NON-FILER	MT. VIEW CHILD CARE CENTER	1S4W24J		BNK HILL
NON-FILER	NO NAME WELL	1N3W32M		BNK HILL
NON-FILER	NORTON AIR FORCE BASE	1S4W12B	LOCAL NO. 2	BNK HILL

SAN BERNARDINO BASIN AREA  
 CROSS INDEX BY RECORDATION NUMBER

RECORDATION NUMBER	OWNER NAME	STATE WELL NUMBER	LOCAL DESIGNATION	BASIN NAME
NOV-FILER	VORTON AIR FORCE BASE	1S4W12C	LOCAL NO. 3	BNK HILL
NOV-FILER	VORTON AIR FORCE BASE	1S4W12D	LOCAL NO. 4	BNK HILL
NOV-FILER	VORTON AIR FORCE BASE	1S4W12F	LOCAL NO. 5	BNK HILL
NOV-FILER	VORTON AIR FORCE BASE	1S3W08A	LOCAL NO. 11	BNK HILL
NOV-FILER	VORTON AIR FORCE BASE	1S4W12D	NO NO. WELL	BNK HILL
NOV-FILER	VORTON AIR FORCE BASE	1S4W12G	LOCAL NO. 44	BNK HILL
NOV-FILER	VORTON AIR FORCE BASE	1S3W08E	LOCAL NO. 347	BNK HILL
NOV-FILER	VORTON AIR FORCE BASE	1S3W08M	LOCAL NO. 865	BNK HILL
NOV-FILER	VORWOOD	1N3W34F		BNK HILL
NOV-FILER	PACIFIC HIGH SCHOOL	1N4W35H		BNK HILL
NOV-FILER	PATTERSON, ROY H.	1N3W34		BNK HILL
NOV-FILER	PIERSON	1N4W35W		BNK HILL
NOV-FILER	QUALITY FARMS	1S3W04R	NO. 102	BNK HILL
NOV-FILER	RAMSEY	1S2W22F	SPRING DIV	BNK HILL
NOV-FILER	REDLANDS ASSOCIATES	1S2W17B	NO. 0	BNK HILL
NOV-FILER	REDLANDS ASSOCIATES	1S2W09P	BLOCK NO. 6	BNK HILL
NOV-FILER	REDLANDS ASSOCIATES	1S2W09L	BLOCK NO. 11	BNK HILL
NOV-FILER	REDLANDS ASSOCIATES	1S2W09L	TUNNEL DIV.	BNK HILL
NOV-FILER	REDLANDS WTR. CO.	1S2W08	TUNNEL DIV.	BNK HILL
NOV-FILER	REDLANDS, CITY OF	1S2W13B	MILL CR. DIV	BNK HILL
NOV-FILER	REGINA GRAPE PRODUCTS	1N5W04W	WELL NO. 1	LYTLE
NOV-FILER	REGINA GRAPE PRODUCTS	1N5W04W	WELL NO. 2	LYTLE



SAN BERNARDINO BASIN AREA  
CROSS INDEX BY RECORDATION NUMBER

RECORDATION NUMBER	OWNER NAME	STATE WELL NUMBER	LOCAL DESIGNATION	BASIN NAME
NON-FILER	REGINA GRAPE PRODUCTS	1N5W04N	WELL NO. 3	LYTLE
NON-FILER	REGINA GRAPE PRODUCTS	1N5W05R	SPRING DIV.	LYTLE
NON-FILER	REGINA GRAPE PRODUCTS	1N5W05R	WELL NO. 4	LYTLE
NON-FILER	REGINA GRAPE PRODUCTS	1N5W04N	WELL NO. 5	LYTLE
NON-FILER	REGINA GRAPE PRODUCTS	1N5W04N	WELL NO. 6	LYTLE
NON-FILER	REGINA GRAPE PRODUCTS	1N5W04N	WELL NO. 7	LYTLE
NON-FILER	PIVAS	1S4W24J		BNK HILL
NON-FILER	PULE	1N3W34K	SPRING	BNK HILL
NON-FILER	SAN BERNARDINO, CITY OF	1S4W21A	SEWER PLANT 1	BNK HILL
NON-FILER	SAN BERNARDINO, CITY OF	1S4W22C	SEWER PLANT 2	BNK HILL
NON-FILER	SAN BERNARDINO, COUNTY OF	1S4W14A	AEROSPACE	BNK HILL
NON-FILER	SAN BERNARDINO, COUNTY OF	1N4W35F	COUNTY HOSP	BNK HILL
NON-FILER	SAN BERNARDINO, COUNTY OF	2N5W33F	GLEN HELEN 3	L CAJON
NON-FILER	SAN BERNARDINO, COUNTY OF	2N5W33G	GLEN HELEN 4	L CAJON
NON-FILER	SAN BERNARDINO, COUNTY OF	2N5W33Q02	GLEN HELEN 2	L CAJON
NON-FILER	SAN MANUAL INDIAN RESERV.	1N3W20N		BNK HILL
NON-FILER	SANDYS RESTAURANT	1S3W21H2		CITY CRK
NON-FILER	SANTINI	1S4W14A		BNK HILL
NON-FILER	SARATOGA DEVELOPMENT CO	1S2W06	TUNNEL DIV.	BNK HILL
NON-FILER	SATOSKI, DOCTOR	1N4W14J		DEVIL CAN
NON-FILER	SELEY	1N3W190	TUNNEL DIV.	BNK HILL
NON-FILER	SIX HOUSES	1S4W22A		BNK HILL

SAN BERNARDINO BASIN AREA  
 CROSS INDEX BY RECORDATION NUMBER

RECORDATION NUMBER	OWNER NAME	STATE WELL NUMBER	LOCAL DESIGNATION	BASIN NAME
NON-FILER	SMITH	1N4W14J		DEVIL CAN
NON-FILER	SMITH MPAT PACKING PLANT	1S4W22M		BNK HILL
NON-FILER	SMITH,	1S3W02J		BNK HILL
NON-FILER	STANLEY, SILAS	1S2W24H		BNK HILL
NON-FILER	STEWART, WILLARD	1S3W31D		BNK HILL
NON-FILER	STRAWBERRY PATCH	1S3W03N		BNK HILL
NON-FILER	STRAWBERRY PATCH	1S3W03N		BNK HILL
NON-FILER	SUPERIOR ORCHARDS	1N3W29B	TUNNEL DIV.	BNK HILL
NON-FILER	TEXACO GAS STATION	1S4W24J		BNK HILL
NON-FILER	THOMPSON RANDALL	1N3W28A	SPRING DIV.	CITY CRK
NON-FILER	TRI CITY MUTUAL WATER COMPANY	1S4W23N		BNK HILL
NON-FILER	TRIPLE FALLS MUT. WTP. CO.	1S1W19G		BNK HILL
NON-FILER	TRIPLE FALLS MUT. WTP. CO.	1S1W20D		HILL CRK
NON-FILER	TRIPLE FALLS MUT. WTR. CO.	1S1W20P		HILL CRK
NON-FILER	U.S. FOREST SERVICE	1N4W130	MAINT. YARD	DEVIL CAN
NON-FILER	U.S. FOREST SERVICE	1S2W13P	HILL CREEK	KILL CRK
NON-FILER	VALENCIA AVE. MUT. WTR. CO.	1N4W23K	WATERMAN AVE	BNK HILL
NON-FILER	VALLEY FARMS MUT. WTP. CO.	1S4W15P	NO 1 WASHTN	BNK HILL
NON-FILER	VALLEY FARMS MUT. WTR. CO.	1S4W150	NO 2 WELL	BNK HILL
NON-FILER	VAN NEETER	1S3W02P	OLD WELL	BNK HILL
NON-FILER	VAN NEETER	1S3W02P	NEW WELL	BNK HILL
NON-FILER	VANLEUVEN, CLARENCE	1S4W24J		BNK HILL

SAN BERNARDINO BASIN AREA  
CROSS INDEX BY RECORDATION NUMBER

RECORDATION NUMBER	OWNER NAME	STATE WELL NUMBER	LOCAL DESIGNATION	BASIN NAME
NON-FILER	VICTORIA SEVENTH DAY ADVENTIST	1S424J		BNK HILL
NON-FILER	KALLACE	1N4W14J		DEVIL CAN
NON-FILER	WARD, FLOYD	1S1W16N	WELL NO. 1	BNK HILL
NON-FILER	WARD, FLOYD	1S1W18P	WELL NO. 2	BNK HILL
NON-FILER	WARD, FLOYD	1S1W18P	WELL NO. 3	BNK HILL
NON-FILER	WARD, FLOYD	1S1W18N	WELL NO. 4	BNK HILL
NON-FILER	WARD, FLOYD	1S1W18M	WELL NO. 6	WELL CRK
NON-FILER	WARD, FLOYD	1S1W18P	LATERAL SPRG	BNK HILL
NON-FILER	WESTERN FRUIT GROWERS	1S3W24O		BNK HILL
NON-FILER	WIDEMEYER	1N3W29H	SPRING DIV.	BNK HILL
NON-FILER	WIDEMEYER	1N3W29H		BNK HILL
NON-FILER	WILLIAMS DAIRY	1S4W11C		BNK HILL
NON-FILER	YORK	1N3W19R	DOMESTIC	BNK HILL
NON-FILER	YORK	1N3W19R		BNK HILL
NON-FILER	YORK	1N3W19R	SAND CYN TUN	BNK HILL
3600001	SMITH TRACT WELL COMPANY	1S3W21R	11	BNK HILL
3600001-	SMITH TRACT WELL COMPANY	1S3W21R		BNK HILL
3600005	EAST LUGONIA MUTUAL WATER CO.	1S3W35H08S	LUETCKE	BNK HILL
3600006	EAST LUGONIA MUTUAL WATER CO.	1S2W19G01S	BERYL ST	BNK HILL
3600016	RIVAS, RAMON	1S4W24J	REES 4	BNK HILL
3600017	SELBY, DR. & MRS. ARTHUR	1S2W29	GRREES 3	BNK HILL
3600018	SELBY, DR. & MRS. ARTHUR	1S2W29	GRREES 2	BNK HILL

SAN BERNARDINO BASIN AREA  
CROSS INDEX BY RECORDATION NUMBER

RECORDATION NUMBER	OWNER NAME	STAFF WELL NUMBER	LOCAL DESIGNATION	BASIN NAME
3600019	REGLANDS, CITY OF	1S3W23	GR REFS 1	BNK HILL
3600021	BEAR VALLEY MUTUAL WATER COMPANY	1N2W26H	SANTA ANA 1	SANTA ANA
3600022	BEAR VALLEY MUTUAL WATER COMPANY	1N2W34	SANTA ANA 2	SANTA ANA
3600023	BEAR VALLEY MUTUAL WATER COMPANY	1S3W24C	JUDSON 1	BNK HILL
3600024	BEAR VALLEY MUTUAL WATER COMPANY	1S2W19D	WABASH 2	BNK HILL
3600025	BEAR VALLEY MUTUAL WATER COMPANY	1N3W29R01S	PALM AV3	BNK HILL
3600026	EAST SAN BOND. COUNTY WATER DIST.	1S3W04J	NO. 102	BNK HILL
3600027	BEAR VALLEY MUTUAL WATER COMPANY	1N2W10N	ALDER CR	SANTA ANA
3600028	BEAR VALLEY MUTUAL WATER COMPANY	1S2W04N		BNK HILL
3600030	MEADOWBROOK DAIRY	1S4W23D	IRRIG 2	BNK HILL
3600034	SAY BERNARDINO, CITY OF	1S4W16H	SMITH 1	BNK HILL
3600035	SAY BERNARDINO, CITY OF	1S4W15M01		BNK HILL
3600036	BROOKSIDE DAIRY, INC	1S3W33D	1	BNK HILL
3600037	MEADOWBROOK DAIRY	1S4W23D	DOMESTIC 1	BNK HILL
3600038	EAST LUGONIA MUTUAL WATER CO.	1S2W17		BNK HILL
3600049	HORS WELL PARTNERSHIP	1S3W25M	MORRISON	BNK HILL
3600049-	HORS WELL PARTNERSHIP	1S3W25M	HORS WELL	BNK HILL
3600052	WILEY, RUTH MORFODD	1S4W36J	1	BNK HILL
3600053	RYAN MAWR MUTUAL WATER COMPANY	1S3W31A	1	BNK HILL
3600054	RYAN MAWR MUTUAL WATER COMPANY	1S3W31A	2	BNK HILL
3600055	RYAN MAWR MUTUAL WATER COMPANY	1S3W31A	3	BNK HILL
3600058	EAST SAN BOND. COUNTY WATER DIST.	1S3W03F	NO. 53	BNK HILL

SAN BERNARDINO BASIN AREA  
 CROSS INDEX BY RECORDATION NUMBER

RECORDATION NUMBER	OWNER NAME	STATE WELL NUMBER	LOCAL DESIGNATION	BASIN NAME
3600075	GRANT WATER COMPANY	1S3W28C01	GRANT	BNK HILL
3600076	ARMSTRONG, DOUGLAS	1S3W17	2	BNK HILL
3600083	SIDKSON, WILLIAM F.	1N5W06	1	LYTLE
3600085	REDLANDS, CITY OF	1S3W28J01	NY ST 1	BNK HILL
3600091	JEWEL WATER COMPANY, THE	1S3W20	1	BNK HILL
3600107	R & I FUNDS	1S3W21P01	COLTON 1	BNK HILL
3600119	MONTICITO MUTUAL WATER COMPANY	1S4W26F01	1	BNK HILL
3600123	NICKERSON WATER COMPANY	1S3W20F01	ALABAMA NO 1	BNK HILL
3600124	VICKERSON WATER COMPANY	1S3W21Y01	LUGONIA NO 2	BNK HILL
3600125	SAN BERNARDINO AVENUE WATER COMPANY	1S3W14	1	BNK HILL
3600139	MONTONE CITRUS GROVES	1S2W18P01S		BNK HILL
3600160	LARANNA GUNTER WELL	1S3W32S01	GUNTER WELL	BNK HILL
3600178	ATCHISON, TOPEKA & SANTA FE RAILWAY CO.	1S4W08F02S	3	BNK HILL
3600179	ATCHISON, TOPEKA & SANTA FE RAILWAY CO.	1S4W08F	4	BNK HILL
3600182	GLADYSTA WELL & WATER COMPANY	1S3W20H01	1	BNK HILL
3600182-	GLADYSTA WELL & WATER COMPANY	1S3W20H02		BNK HILL
3600193	EAST SAN BDMG. COUNTY WATER DIST.	1S4W02	NO. 60	BNK HILL
3600184	HIGHLAND WELL COMPANY	1N3W28Y01	APLIN WELL	BNK HILL
3600197	SOLANO WELL NO. 1	1S2W09	1	BNK HILL
3600188	CRAM PATTERSON WELL	1S2W16	CRAMPAT 2	BNK HILL
3600210	LANGSTON-NEWBY DEVELOPMENT CO.	1N4W24	1	DEVIL CAN
3600220	WT. HARRISON MUTUAL WATER CO.	1S3W01H	1	BNK HILL

SAN BERNARDINO BASIN AREA  
CROSS INDEX BY RECORDATION NUMBER

RECORDATION NUMBER	OWNER NAME	STAFF WELL NUMBER	LOCAL DESIGNATION	BASIN NAME
3600221	EAST SAN BOND. COUNTY WATER DIST.	1N3W30	NO. 63	BANK HILL
3600222	SAN BERNARDINO, CITY OF	1S4W11001S		BANK HILL
3600226	HEAD, JOE F.	1S2W21L01	1	BANK HILL
3600238	HAPPE MUTUAL WELL COMPANY	1S2W29M01	1	BANK HILL
3600240	EAST COLTON AVENUE WATER COMPANY	1S2W30	SOUTH WELL	BANK HILL
3600241	ORANGE ST. RANCH	1S3W030		BANK HILL
3600266	GREENSPOT MUTUAL WELL CO.	1S2W16C01	GRNSPTMU	BANK HILL
3600269	EAST SAN BOND. COUNTY WATER DIST.	1N3W31L	NO. 6R	BANK HILL
3500270	VICKERSON, E. D.	1S3W20P	ORANGEDALE	BANK HILL
3600272	CHAFTON WATER COMPANY	1S2W29N	5TH AVE 1	BANK HILL
3500275	EAST SAN BOND. COUNTY WATER DIST.	1N3W32	NO. 64	BANK HILL
3600291	WAYBELL, N. J.	1S4W12		BANK HILL
3600296	NORTHBRAE WATER COMPANY	1S3W15R01	1	BANK HILL
3600302	WEST SAN BOND. COUNTY WATER DIST.	1N5W26A01S	LOWER 2	LYTLE
3600303	WEST SAN BOND. COUNTY WATER DIST.	1N5W26B01S	LOWER 4	LYTLE
3600304	WEST SAN BOND. COUNTY WATER DIST.	1N5W26A03S	L5	LYTLE
3600305	WEST SAN BOND. COUNTY WATER DIST.	1N5W25F01S	LOWER 6	LYTLE
3600306	WEST SAN BOND. COUNTY WATER DIST.	1N5W23P02S	UPPER 2	LYTLE
3600307	WEST SAN BOND. COUNTY WATER DIST.	1N5W23P04S	UPPER 4	LYTLE
3600312	WEST SAN BOND. COUNTY WATER DIST.	1N5W22M		LYTLE
3600313	WYE, WILLIAM H.	1S2W29N01S	WYE	BANK HILL
3500319	YOUNT VERNON WATER COMPANY	1N4W31A01S	1	BANK HILL

SAN BERNARDINO BASIN AREA  
CROSS INDEX BY RECORDATION NUMBER

RECORDATION NUMBER	OWNER NAME	STATE WELL NUMBER	LOCAL DESIGNATION	BASIN NAME
3600370	MOUNT VERNON WATER COMPANY	1N5W22M		LYTLE
3600373	HIGHLAND ACRES RANCH	1S2W06M	ELEC 1	BNK HILL
3600374	SOUTHERN CALIFORNIA WATER COMPANY	1N3W33M01S	PALMHI 1	BNK HILL
3600375	SOUTHERN CALIFORNIA WATER COMPANY	1S3W05	CULHND 1	BNK HILL
3600376	SOUTHERN CALIFORNIA WATER COMPANY	1S3W05	CULHND 2	BNK HILL
3600377	SOUTHERN CALIFORNIA WATER COMPANY	1N3W27N08S	CCH 1	BNK HILL
3600378	SOUTHERN CALIFORNIA WATER COMPANY	1N3W27M02S	CCH 3	BNK HILL
3600399	VICTORIA GUERNSEY	1S4W02	1	BNK HILL
3600415	PHARAH POWELL WATER CO.	1S3W29J01		BNK HILL
3600418	MARIGOLD FARMS COMPANY	1S3W19	BRAGA WELL	BNK HILL
3600444	FAST SAN BND. COUNTY WATER DIST.	1N3W30H01S	NO. 98	BNK HILL
3600449	BELL, H. EUGENE	1S3W20	BELL WELL	BNK HILL
3600451	BEFLER, RAYMOND A.	1S3W15		BNK HILL
3600456	RASE LINE WELL COMPANY	1N3W33R02S	1	BNK HILL
3600457	RASELINE GARDENS MUTUAL WATER COMPANY	1N4W35J02S	PAGEBARL	BNK HILL
3600458	RASELINE GARDENS MUTUAL WATER COMPANY	1N4W36M01S	PS & B 2	BNK HILL
3600466	EAST SAN BOND. COUNTY WATER DIST.	1S3W04	NO. 48	BNK HILL
3600468	PAYTON, R. H.	1S3W30	BAHR 1	BNK HILL
3600474	TENNESSEE WATER CO.	1S3W16L	1	BNK HILL
3600483	SECREST, RALPH F.	1S2W31	SPHRRCH 1	BNK HILL
3600484	KAMIRFZ, J.J.	1S3W16	BUCKEYE 2	BNK HILL
3600493	OLD TOWN WELL CO.	1S3W29	1	BNK HILL

SAN BERNARDINO BASIN AREA  
CROSS INDEX BY RECORDATION NUMBER

RECORDATION NUMBER	OWNER NAME	STATE WELL NUMBER	LOCAL DESIGNATION	BASIN NAME
3600494	OLD TOWN WELL CO.	1S3W29	2	BNK HILL
3600510	LUSSO WATER COMPANY	1S3W21K01	1	BNK HILL
3600523	CANYON RANCH	1S3W32G03S	HVTSCHKE	BNK HILL
3600524	LANGFORD RANCHES	1S3W17L01S	NEVADA ST	BNK HILL
3600525	LANGFORD RANCHES	1S3W17H01S	ALABAMA	BNK HILL
3600526	LANGFORD RANCHES	1S3W21G01S	LUGONIA	BNK HILL
3600527	EADINGTON FRUIT CO. COOK RANCH	1S3W16	HOME	BNK HILL
3600530	KING STREET MUTUAL WELL COMPANY	1S2W30G01	1	BNK HILL
3600530-	KING STREET MUTUAL WELL COMPANY	1S2W30G02	2	BNK HILL
3600545	EAST SAN BOND. COUNTY WATER DIST.	1N3W30	NUTW-DS	BNK HILL
3600554	FAIRVIEW WATER COMPANY	1S3W17	FAIRVM 1	BNK HILL
3600561	FONTANA UNION WATER COMPANY	1N5W23K01S	FU 1	LYTLE
3600562	FONTANA UNION WATER COMPANY	1N5W22F02S	FU 3	LYTLE
3600563	FONTANA UNION WATER COMPANY	1N5W22C02S	FU 4	LYTLE
3600569	FONTANA UNION WATER COMPANY	1N5W22A01S	FU 13	LYTLE
3600579	FONTANA UNION WATER COMPANY	1N5W22F03S	FU 24	LYTLE
3600580	FONTANA UNION WATER COMPANY	1N5W22F01S	FU 25	LYTLE
3600581	FONTANA UNION WATER COMPANY	1N5W07H01S	FU 26	LYTLE
3600592	FONTANA UNION WATER COMPANY	1N5W06G01S	FU 27	LYTLE
3600595	FONTANA UNION WATER COMPANY	1N5W16K01S	FU 32	LYTLE
3600586	FONTANA UNION WATER COMPANY	1N5W06K02S	FU 33	LYTLE
3600588	FONTANA UNION WATER COMPANY	2N6W26L2	WN 1	LYTLE



SAN BERNARDINO BASIN AREA  
 CROSS INDEX BY RECORDATION NUMBER

RECORDATION NUMBER	OWNER NAME	STATE WELL NUMBER	LOCAL DESIGNATION	BASIN NAME
3600590	FOYANA UNION WATER COMPANY	2N6W26L1	KN 2	LYTLE
3600591	FOYANA UNION WATER COMPANY	1N5W06E		LYTLE
3600596	SARATOGA DEVELOPMENT CO	1S3W02	LOCAL 1	BNK HILL
3600599	SUNRISE RANCH PART C/O LIFE DEVELOPMENT	1S2W13		BNK HILL
3600600	SUNRISE RANCH PART C/O LIFE DEVELOPMENT	1S2W13	SUNRISE 2	BNK HILL
3600601	SUNRISE RANCH PART C/O LIFE DEVELOPMENT	1S2W14	SUNRISE 3A	BNK HILL
3600602	SUNRISE RANCH PART C/O LIFE DEVELOPMENT	1S2W15P	SUNRISE 4	BNK HILL
3600603	SUNRISE RANCH PART C/O LIFE DEVELOPMENT	1S2W15G	SUNRISE 5	BNK HILL
3600604	SARATOGA DEVELOPMENT CO	1S2W07R	RANNEY	BNK HILL
3600605	SARATOGA DEVELOPMENT CO	1N3W36	PLUNGE CK DI	PLUNGE
3600606	SARATOGA DEVELOPMENT CO	1N3W35	ELDER GULCH	BNK HILL
3600607	SARATOGA DEVELOPMENT CO	1S3W02	SMALL	BNK HILL
3600607-	SARATOGA DEVELOPMENT CO	1S3W02	SMALL	BNK HILL
3600608	EAST BARTON WATER COMPANY	1S3W28R01S	BARTON	BNK HILL
3600628	REDLANDS TRAP/SKEET	1S3W15G		BNK HILL
3600630	MILLER MUTUAL WELL CO.	1N3W32		BNK HILL
3600630-	MILLER MUTUAL WELL CO.	1N3W32D		BNK HILL
3600642	PIONEER MUTUAL WATER CO.	1S3W14P01	SBDNO 1	BNK HILL
3600643	EAST SAN BOND. COUNTY WATER DIST.	1N4W25K01	NO. 66	BNK HILL
3600644	ICE PRODUCTS INC.	1S4W09B03S	2	BNK HILL
3600645	ICE PRODUCTS INC.	1S4W09R01S		BNK HILL
3600651	SOUTHERN CALIFORNIA EDISON COMPANY	1S3W28		BNK HILL

SAN BERNARDINO BASIN AREA  
CROSS INDEX BY RECORDATION NUMBER

RECORDATION NUMBER	OWNER NAME	STAFF WELL NUMBER	LOCAL DESIGNATION	BASIN NAME
3500652	WEATHERAX, W. G.	1S3415N01S	REDLANDS	BNK HILL
3500678	NORTH FORK WATER COMPANY	1S2408C01S	NO. 1	BNK HILL
3500679	NORTH FORK WATER COMPANY	1S2408C02S	NO. 2	BNK HILL
3500680	NORTH FORK WATER COMPANY	1S3402	MF CRAM3	BNK HILL
3500681	NORTH FORK WATER COMPANY	1N3427	CITY CREEK	BNK HILL
3500708	L.A. ROSSE, CHARLES H.	1S3429	GOODWIN	BNK HILL
3500709	SAN BERNARDINO, CITY OF	2N5419001	VINCENT	L CAJON
3500710	SAN BERNARDINO, CITY OF	2NS419	CAJON	L CAJON
3500711	SAN BERNARDINO, CITY OF	1H4407F01S	DEVCON 2	DEVIL CAN
3500712	SAN BERNARDINO, CITY OF	1N4408M01S	DEVCON 1	DEVIL CAN
3500713	SAN BERNARDINO, CITY OF	1N5436R01S	LYTLE CR 3	LYTLE
3500714	SAN BERNARDINO, CITY OF	1N4416E01S	NEWARK 1	DEVIL CAN
3500715	SAN BERNARDINO, CITY OF	1N4416E	NEWARK 2	DEVIL CAN
3500716	SAN BERNARDINO, CITY OF	1N4416E03S	NEWARK 3	DEVIL CAN
3500717	SAN BERNARDINO, CITY OF	1N4432D03S	19TH STL	BNK HILL
3500718	SAN BERNARDINO, CITY OF	1H4432D04S	19ST. 2	BNK HILL
3500719	SAN BERNARDINO, CITY OF	1N4427G01S	MARSHALL	BNK HILL
3500720	SAN BERNARDINO, CITY OF	1N4427M02S	27TH ST	BNK HILL
3500721	SAN BERNARDINO, CITY OF	1N4427M01S	NO E ST	BNK HILL
3500722	SAN BERNARDINO, CITY OF	1S4403D01S	ACACIA	BNK HILL
3500723	SAN BERNARDINO, CITY OF	1S4410F01S	HANFORD 1	BNK HILL
3500724	SAN BERNARDINO, CITY OF	1S4410F05S	HANFORD 2	BNK HILL

SAN BERNARDINO BASIN AREA  
 CROSS INDEX BY RECORDATION NUMBER

RECORDATION NUMBER	OWNER NAME	STATE WELL NUMBER	LOCAL DESIGNATION	BASIN NAME
3600725	SAN BERNARDINO, CITY OF	1N4#34G01S	17 ST SW	BNK HILL
3600726	SAN BERNARDINO, CITY OF	1N4#34G03S	16TH ST	BNK HILL
3600727	SAN BERNARDINO, CITY OF	1N4#26G	LYNWOOD	BNK HILL
3600728	SAN BERNARDINO, CITY OF	1N4#27A01S	WTRMN AV	BNK HILL
3600729	SAN BERNARDINO, CITY OF	1N4#35M03S	GILBERTST	BNK HILL
3600730	SAN BERNARDINO, CITY OF	1S4#02K01S	ANTIL 3	BNK HILL
3600731	SAN BERNARDINO, CITY OF	1S4#02K02S	AVTIL 5	BNK HILL
3600732	SAN BERNARDINO, CITY OF	1S4#02K05S	ANTIL 2	BNK HILL
3600733	SAN BERNARDINO, CITY OF	1S4#02K04S	ANTIL 1	BNK HILL
3600734	SAN BERNARDINO, CITY OF	1S4#02K03S	ANTIL 4	BNK HILL
3600735	SAN BERNARDINO, CITY OF	1S4#09P01S	BIRCH ST	BNK HILL
3600736	SAN BERNARDINO, CITY OF	1S4#09J01S	SO G ST	BNK HILL
3600737	SAN BERNARDINO, CITY OF	1S4#10M06S	HILL & D	BNK HILL
3600738	SAN BERNARDINO, CITY OF	1N4#06	D.C. DIV.	DEVIL CAN
3600739	SAN BERNARDINO, CITY OF	1N5#06	L.C. DIV.	LYTLE
3600742	MT. VIEW CEMETERY OF SAN BERNARDINO	1N4#26	1	BNK HILL
3600742-	MT. VIEW CEMETERY OF SAN BERNARDINO	1N4#26	3	BNK HILL
3600743	MT. VIEW CEMETERY OF SAN BERNARDINO	1N4#26	2	BNK HILL
3600747	FRIEDENANN, ERNEST C.	1N3#31P02S	WELL 1	BNK HILL
3600748	VENTONE ACRES MUTUAL WELL CO.	1S3#24A01	OLD WELL 1	BNK HILL
3600749	VENTONE ACRES MUTUAL WELL CO.	1S3#13	NEW 2	BNK HILL
3600756	MISSION MUTUAL WATER COMPANY	1S3#19H	1	BNK HILL

SAN BERNARDINO BASIN AREA  
 CROSS INDEX BY RECORDATION NUMBER

RECORDATION NUMBER	OWNER NAME	STATE WELL NUMBER	LOCAL DESIGNATION	BASIN NAME
3600757	MISSION MUTUAL WATER COMPANY	1S3W19L	2	BNK HILL
3600760	MEYER, CHARLES R.	1N5W01R	1	DEVIL CAN
3600765	MUTUAL WELL COMPANY (OF HIGHLAND)	1N3W33C01	RODDICK WELL	BNK HILL
3600766	ELTINGE & GRAZIADIO	1S3W29A01	COLTAMA	BNK HILL
3600815	CHARLES, J. J.	1S3W06		BNK HILL
3600817	MOEHP MUTUAL WATER COMPANY	1S3W29H		BNK HILL
3600828	WILLIAMS WELL CORPORATION, LTD.	1S3W16J		BNK HILL
3600855	EAST SAN BOND. COUNTY WATER DIST.	1N3W28P01S	SFAVEY 1	BNK HILL
3600856	GURTH, WILLIAM H.	1N3W27M	CITY CREEK	BNK HILL
3600864	EAST SAN BOND. COUNTY WATER DIST.	1N3W19	NO. 79	BNK HILL
3600865	LA BOWTE, JIM	1N4W24	MULTOWN2	BNK HILL
3600918	REDLANDS HEIGHTS WATER COMPANY	2S3W01E	1	BNK HILL
3600923	CALIFORNIA, STATE OF PATTON HOSPITAL	1N3W32C01S	PATTON 1	BNK HILL
3600924	CALIFORNIA, STATE OF PATTON HOSPITAL	1N3W29M01S	PATTON 2	BNK HILL
3600924-	CALIFORNIA, STATE OF PATTON HOSPITAL	1N3W29M	2A	BNK HILL
3600925	EAST SAN BOND. COUNTY WATER DIST.	1S4W01001	NO. 100	BNK HILL
3600926	EAST SAN BOND. COUNTY WATER DIST.	1S4W01F02S	PATTON 4	BNK HILL
3600927	SAN BERNARDINO, CITY OF	1N3W31R01	PATTON 6	BNK HILL
3600928	EAST SAN BOND. COUNTY WATER DIST.	1N3W31L02S	PATTON 7	BNK HILL
3600929	CALIFORNIA, STATE OF PATTON HOSPITAL	1N3W31K02S	PATTON 8	BNK HILL
3600930	EAST SAN BOND. COUNTY WATER DIST.	1N3W31L03S	PATTON 9	BNK HILL
3600931	CALIFORNIA, STATE OF PATTON HOSPITAL	1N3W29V01S	PATTON 10	BNK HILL

SAN BERNARDINO BASIN AREA  
 CROSS INDEX BY RECORDATION NUMBER

RECORDATION NUMBER	OWNER NAME	STATE WELL NUMBER	LOCAL DESIGNATION	BASIN NAME
3500933	NORTHSIDE WATER COMPANY	1S3W23F	1	BANK HILL
3500935	TRJ CITY CONCRETE	1N4W31N		LYTLE
3500970	EAST SAN BOND. COUNTY WATER DIST.	1N3W19	LSC 1	BANK HILL
3500971	EAST SAN BOND. COUNTY WATER DIST.	1N3W19F	L. SAND CR.	BANK HILL
3500973	CARDIFF FARMS MUTUAL WATER COMPANY	1S4W12D	1	BANK HILL
3500981	REYNOLDS, BILL	1S2W21H01		BANK HILL
3500996	WEST SAN BOND. COUNTY WATER DIST.	1N5W36J03S	NO 8	LYTLE
3500997	WEST SAN BOND. COUNTY WATER DIST.	1N5W36H04S	LORD 7	LYTLE
3500998	WEST SAN BOND. COUNTY WATER DIST.	1N5W25F02S	FERG 1	LYTLE
3500999	WEST SAN BOND. COUNTY WATER DIST.	1S4W06J01S	DIXON 1	BANK HILL
3501000	WEST SAN BOND. COUNTY WATER DIST.	1S4W06J02S	DIXON 2	BANK HILL
3501002	WEST SAN BOND. COUNTY WATER DIST.	1N4W31P03S	RAYNOR 1	LYTLE
3501003	WEST SAN BOND. COUNTY WATER DIST.	1S4W06H01S	RAYNOR 4	BANK HILL
3501012	SOUTHERN CALIFORNIA EDISON COMPANY	1S4W08R	STM PL 1	BANK HILL
3501013	SOUTHERN CALIFORNIA EDISON COMPANY	1S4W08R	STM PL 2	BANK HILL
3501014	SOUTHERN CALIFORNIA EDISON COMPANY	1S3W18	SB STMP 1	BANK HILL
3501015	SOUTHERN CALIFORNIA EDISON COMPANY	1S3W18	SB STMP 2	BANK HILL
3501016	SOUTHERN CALIFORNIA EDISON COMPANY	1S4W22G01S	THORN 1	BANK HILL
3501046	STONE WATER COMPANY	1S3W21A	1	BANK HILL
3501069	SOUTHERN CALIFORNIA WATER COMPANY	1N3W33M02S	1	BANK HILL
3501084	MAVIHAS, M.D., IVAN/SHIRLEY	1S2W20K		BANK HILL
3501085	RIALTO, CITY OF	1N4W31N	RIALTO MUT	LYTLE

SAK BERNARDINO BASIN AREA  
CROSS INDEX BY RECORDATION NUMREP

RECORDATION NUMBER	OWNER NAME	STATE WELL NUMBER	LOCAL DESIGNATION	BASIN NAME
3501092	KANSAS STREET MUTUAL WATER CO.	1S3W28D01		BNK HILL
3601093	SMYERS, R.	1H4W24	SPRING	BNK HILL
3501099	PEYN WELL COMPANY	1S3W22F	1	BNK HILL
3501102	MASCART WATER COMPANY	1S3W21E	2	BNK HILL
3601114	SAV BERNARDINO, CITY OF	1N4W35C01S	PRRSHLL 2	BNK HILL
3501115	SAV BERNARDINO, CITY OF	1N4W26P03S	PERRISH 5	BNK HILL
3501116	SAV BERNARDINO, CITY OF	1N4W35C02S	PRRSHLL 3	BNK HILL
3501117	SAV BERNARDINO, CITY OF	1N4W35C03S	PRRSHLL 4	BNK HILL
3501121	7TH AVE. WELL	1S2W31	1	BNK HILL
3601126	GAY, PHILIP L.	1S2W30H	1	BNK HILL
3601130	LOVA LINDA, CITY OF	1S3W32D	NICKS WELL	BNK HILL
3601131	FRANK RAYCH	1S3W30		BNK HILL
3601161	TENNESSEE MUTUAL WELL COMPANY	1S3W16L	PIONEER 1	BNK HILL
3501156	UNSEP, V.E.	1S4W26F		BNK HILL
3601171	CRIM, W. ROSCOE	1S3W20F	1	BNK HILL
3601172	HUNTER/CRIM/ZARURICA WELL	1S3W20C		BNK HILL
3601173	SOJKA, DONALD R	1S3W32K		BNK HILL
3601184	EAST SAN BONO. COUNTY WATER DIST.	1H3W33F01S	NO. 94	BNK HILL
3601185	CONEJO RANCHES MUTJAL WATER COMPANY	1N4W36F03S	1	BNK HILL
3601250	COLTON, CITY OF	1S4W08R	4	BNK HILL
3601251	COLTON, CITY OF	1S4W08R	5	BNK HILL
3601252	COLTON, CITY OF	1S4W05P	6	BNK HILL

SAN BERNARDINO BASIN AREA  
CROSS INDEX BY RECORDATION NUMBER

RECORDATION NUMBER	OWNER NAME	STATE WELL NUMBER	LOCAL DESIGNATION	BASIN NAME
3601253	COLTON, CITY OF	1S4#08R	7	BANK HILL
3601254	COLTON, CITY OF	1S4#08F	8	BANK HILL
3601256	COLTON, CITY OF	1S4#09N	PLUNGE 12	BANK HILL
3601257	COLTON, CITY OF	1S4#08F	13	BANK HILL
3601258	COLTON, CITY OF	1S4#08R	14	BANK HILL
3601260	COLTON, CITY OF	1S4#09F01S	16	BANK HILL
3601262	COLTON, CITY OF	1S4#08C02S	BARNHL 18	BANK HILL
3601263	RIALTO, CITY OF	1N5#23Q01S	CITY WELL	LYTLE
3601280	YAHIKU, PAUL	1S3#29D	SOUTH 1	BANK HILL
3601291	REDLANDS, CITY OF	1S2#21M01S	MAGUET 1	BANK HILL
3601292	REDLANDS, CITY OF	1S1#08G1	MC 1	MILL CRK
3601293	REDLANDS, CITY OF	1S2#22C02S	E LUG 2	BANK HILL
3601294	REDLANDS, CITY OF	1S2#21E01S	MAGUET 2	BANK HILL
3601295	REDLANDS, CITY OF	1S1#10L1	MC 2	MILL CRK
3601296	REDLANDS, CITY OF	1S2#21E02S	MAGUET 3	BANK HILL
3601297	REDLANDS, CITY OF	1S2#21C	ELUGNA3	BANK HILL
3601298	REDLANDS, CITY OF	1S1#11Q1	MC 4	MILL CRK
3601299	REDLANDS, CITY OF	1S3#35E	4R	BANK HILL
3601290	REDLANDS, CITY OF	1S2#21D01S	ELUGNA6	BANK HILL
3601291	REDLANDS, CITY OF	1S3#35G09S	10	BANK HILL
3601292	REDLANDS, CITY OF	1S3#35G07S	11	BANK HILL
3601293	REDLANDS, CITY OF	1S3#35H02S	12	BANK HILL

SAN BERNARDINO BASIN AREA  
CROSS INDEX BY RECORDATION NUMBER

RECORDATION NUMBER	OWNER NAME	STATE WELL NUMBER	LOCAL DESIGNATION	BASIN NAME
3601294	REDLANDS, CITY OF	1S3W35G09S	13	BNK HILL
3601295	REDLANDS, CITY OF	1S3W35H04S	14	BNK HILL
3601296	REDLANDS, CITY OF	1S3W35H03S	16	BNK HILL
3601297	REDLANDS, CITY OF	1S3W35G11S	17	BNK HILL
3601298	REDLANDS, CITY OF	1S3W21R01S	32	BNK HILL
3601299	REDLANDS, CITY OF	1S4W24K01S	34	BNK HILL
3601300	REDLANDS, CITY OF	1S3W27E02S	40	BNK HILL
3601301	REDLANDS, CITY OF	1S3W28H01S	41	BNK HILL
3601302	REDLANDS, CITY OF	1S2W14N	MILL CR.	BNK HILL
3601308	REDLANDS, CITY OF	1S2W19K01S	FENCH	BNK HILL
3601309	TRI CITY CONCRETE	1S4W05W	PLANT	BNK HILL
3601316	SAN BERNARDINO, CITY OF	1S4W23N	1	BNK HILL
3601352	STANLEY BROWN CO.	1S3W19N		BNK HILL
3601376	LULY, DR. LUCIAN L.	1N4W14	WATERMAN	DEVIL CAN
3601377	LULY, DR. LUCIAN L.	1N4W14	WATERMAN	DEVIL CAN
3601378	LULY, DR. LUCIAN L.	1N4W14	WATERMAN	DEVIL CAN
3601381	VEALEY MUTUAL WATER COMPANY	1N5W07C		LYTLE
3601384	LOMA LINDA, CITY OF	1S4W25	1	BNK HILL
3601388	LOMA LINDA, CITY OF	1S4W25	2	BNK HILL
3601405	PENN WELL COMPANY	1S3W22	2	BNK HILL
3601420	TRI CITY CONCRETE	1S3W09E	ALARAMA 2	BNK HILL
3601451	KOCH, GEORGE J.	1S2W32G01	1	BNK HILL



SAN BERNARDINO BASIN AREA  
 CROSS INDEX BY RECORDATION NUMBER

REC'DATION NUMBER	OWNER NAME	STATE WELL NUMBER	LOCAL DESIGNATION	BASIN NAME
3601497	MUSCOY MUTUAL WATER COMPANY, NO. 1	1N5W23H01S	MUSCOY 1	LYTLE
3601498	MUSCOY MUTUAL WATER COMPANY, NO. 1	1N5W24D01S	NO. 4	LYTLE
3601499	MUSCOY MUTUAL WATER COMPANY, NO. 1	1N5W23A01S	MUSCOY 2	LYTLE
3601500	MUSCOY MUTUAL WATER COMPANY, NO. 1	1N5W23A02S	MUSCOY 3	LYTLE
3601582	EAST SAN BDNQ. COUNTY WATER DIST.	1S4W02R		BNK HILL
3601584	EAST SAN RONJ. COUNTY WATER DIST.	1N3W33H01S	NO. 47	BNK HILL
3601585	LUCOMIA WATER COMPANY	1S3W23A03S	SADNO AV 1	BNK HILL
3601586	BEAR VALLEY MUTUAL WATER COMPANY	1S3W15F02S	ORANGE 5	BNK HILL
3601588	SOUTHERN CALIFORNIA WATER COMPANY	1N4W31H	BERDOO 1	BNK HILL
3601619	CARDIFF FARMS MUTUAL WATER COMPANY	1S4W12D	2	BNK HILL
3601626	SAN BERNARDINO, CITY OF	1S4W10	CITYLOTS	BNK HILL
3601628	COSRILL, CLIVON L.	1S2W09Q	2	BNK HILL
3601629	RIEDMAN, FRED M.	1S3W03P00S	1	BNK HILL
3601631	BRISTOL RANCH	1N3W34C02S	1	BNK HILL
3601632	LOMA LINDA HEIGHTS RANCHO	2S3W05A2	MARCUM WELL	BNK HILL
3601636	REDLANDS, CITY OF	1S4W24	LANGFORD	BNK HILL
3601637	REDLANDS, CITY OF	1S3W30	PTRSON WELL	BNK HILL
3601639	SARATOGA DEVELOPMENT CO	1S3W03P01	STORE WELL	BNK HILL
3601640	SUNRISE RANCH PART C/D LIFE DEVELOPMENT	1S2W14		BNK HILL
3601641	PAINE, ROBERT T., TRUSTEE	1S2W30C01S	OPAL ST	BNK HILL
3601642	PAINE, ROBERT T., TRUSTEE	1S2W30R02S	KING ST	BNK HILL
3601643	WORTH FORK WATER COMPANY	1S3W03Q	4	BNK HILL

SAN BERNARDINO BASIN AREA  
 CROSS INDEX BY RECORDATION NUMBER

RECORDATION NUMBER	OWNER NAME	STAFF WELL NUMBER	LOCAL DESIGNATION	BASIN NAME
3601644	NORTH FORK WATER COMPANY	1S3-01A	PLUNGE CR	BNK HILL
3601645	EAST COLTON AVENUE WATER COMPANY	1S2-30R	1	BNK HILL
3601647	JUDSON MUTUAL WATER COMPANY	1S3-23A03	1	BNK HILL
3601649	HOOVER WELL	1S3-284	HOOVER	BNK HILL
3601649-	HOOVER WELL	1S3-284	HOOVER	BNK HILL
3601653	EAST SAN BOND. COUNTY WATER DIST.	1N1-26K04S	NO. 1	BNK HILL
3601654	EAST SAN BOND. COUNTY WATER DIST.	1N2-36	NO. 1A	BNK HILL
3601655	EAST SAN BOND. COUNTY WATER DIST.	1N4-26K05S	NO. 2	BNK HILL
3601656	EAST SAN BOND. COUNTY WATER DIST.	1N1-36001S	NO. 6	BNK HILL
3601657	EAST SAN BOND. COUNTY WATER DIST.	1S4-01R04S	NO. 7	BNK HILL
3601658	EAST SAN BOND. COUNTY WATER DIST.	1N4-36R01S		BNK HILL
3601659	EAST SAN BOND. COUNTY WATER DIST.	1S3-06H01S	NO. 9	BNK HILL
3601660	EAST SAN BOND. COUNTY WATER DIST.	1S3-06H04S	NO. 9A	BNK HILL
3601661	EAST SAN BOND. COUNTY WATER DIST.	1S4-01J09S	NO. 10	BNK HILL
3601662	EAST SAN BOND. COUNTY WATER DIST.	1S4-02005S	11	BNK HILL
3601663	EAST SAN BOND. COUNTY WATER DIST.	1S4-02004S	12	BNK HILL
3601664	EAST SAN BOND. COUNTY WATER DIST.	1S4-02N01S	13	BNK HILL
3601665	EAST SAN BOND. COUNTY WATER DIST.	1S4-01K04S	14	BNK HILL
3601666	EAST SAN BOND. COUNTY WATER DIST.	1N4-36F09S	16	BNK HILL
3601667	EAST SAN BOND. COUNTY WATER DIST.	1S3-06A05S	21	BNK HILL
3601668	EAST SAN BOND. COUNTY WATER DIST.	1S1-01E02S	22	BNK HILL
3601669	EAST SAN BOND. COUNTY WATER DIST.	1N4-35H06S	23	BNK HILL

SAN BERNARDINO BASIN AREA  
CROSS INDEX BY RECORDATION NUMBER

RECORDATION NUMBER	OWNER NAME	STAFF WELL NUMBER	LOCAL DESIGNATION	BASIN NAME
3601670	EAST SAN BOND. COUNTY WATER DIST.	1N4W26A01S	24	BANK HILL
3601671	EAST SAN BOND. COUNTY WATER DIST.	1N4W26A02S	24A	BANK HILL
3601672	EAST SAN BOND. COUNTY WATER DIST.	1N4W25B	25	BANK HILL
3601673	EAST SAN BOND. COUNTY WATER DIST.	1N4W25C02S	25A	BANK HILL
3601674	EAST SAN BOND. COUNTY WATER DIST.	1N4W25G01S	26	BANK HILL
3601675	EAST SAN BOND. COUNTY WATER DIST.	1N4W25A01S	27	BANK HILL
3601676	EAST SAN BOND. COUNTY WATER DIST.	1S4W12R05S	28	BANK HILL
3601677	EAST SAN BOND. COUNTY WATER DIST.	1S3W05A02S	31	BANK HILL
3601678	EAST SAN BOND. COUNTY WATER DIST.	1S3W05B04S	32	BANK HILL
3601679	EAST SAN BOND. COUNTY WATER DIST.	1S3W05N05S	38	BANK HILL
3601684	TERRACE WATER COMPANY	1S4W08F06S	LARGE 1	BANK HILL
3601684-	TERRACE WATER COMPANY	1S4W08F	4	BANK HILL
3601685	TERRACE WATER COMPANY	1S4W08F	SMALL 2	BANK HILL
3601686	TERRACE WATER COMPANY	1S4W08F	3	BANK HILL
3601718	PIALTO, CITY OF	1N5W22M		LYTLE
3601725	WEST SAN BOND. COUNTY WATER DIST.	1N5W25E00S		LYTLE
3601728	RAVIREZ BROTHERS.	1S3W30	1	BANK HILL
3601748	VARIGOLD FARMS COMPANY	1S3W18H01	CALIF	BANK HILL
3601748-	VARIGOLD FARMS COMPANY	1S3W19A01	CALIF	BANK HILL
3601749	VARIGOLD FARMS COMPANY	1S3W19B01	JAP	BANK HILL
3601750	VARIGOLD FARMS COMPANY	1S3W18L	ACQUIL	BANK HILL
3601751	CHRISTINA WATER COMPANY	1S3W21E	ALABAMA	BANK HILL

SAN BERNARDINO BASIN AREA  
CROSS INDEX BY RECORDATION NUMBER

RECORDATION NUMBER	OWNER NAME	STAFF WELL NUMBER	LOCAL DESIGNATION	BASIN NAME
3601753	PACHO CITRUS AMIGOS	1S3W29	PARK AVE 1	BNK HILL
3601781	EAST SAN BOND. COUNTY WATER DIST.	1S3W06K01S	35	BNK HILL
3601809	DEL ROSA MUTUAL WATER COMPANY	1N4W26	GOLDNAV 1	BNK HILL
3501810	HODGDON, WARNER	1N4W23E	PRKSOE 2	BNK HILL
3601811	HODGDON, WARNER	1N4W14	EAST TWIN	DEVIL CAN
3601823	TRI CITY MUTUAL WATER COMPANY	1S4W23K		BNK HILL
3601837	SYCAMORE HEIGHTS WATER COMPANY, INC.	1N3W34B	HERCULES	BNK HILL
3601838	SYCAMORE HEIGHTS WATER COMPANY, INC.	1N3W34A	WALKISHA	BNK HILL
3601839	DUDA, WALTER AND BETTY	1S3W10D01S	1	BNK HILL
3601843	SAN BERNARDINO WATER UTILITIES COR	1N5W03H01S	1	L CAJON
3601844	SAN BERNARDINO WATER UTILITIES COR	1N5W03	2	L CAJON
3601845	SAN BERNARDINO WATER UTILITIES COR	1N4W30L	3	LYTLE
3601848	WEST SAN BOND. COUNTY WATER DIST.	1S4W05E05S	RAYNOR 5	BNK HILL
3601878	SOUTHERN CALIFORNIA WATER COMPANY	1N4W29E01S	DARRY	BNK HILL
3601879	SOUTHERN CALIFORNIA WATER COMPANY	1N4W29	GARDENA	BNK HILL
3601880	SOUTHERN CALIFORNIA WATER COMPANY	1N4W29F01S	COLIMA	BNK HILL
3601884	EAST SAN BOND. COUNTY WATER DIST.	1N3W31C02S	30	BNK HILL
3601910	LOMA LINDA UNIVERSITY	1S3W30L	PUFFER	BNK HILL
3601924	NATIONAL ORANGE SHOW	1S4W15D		BNK HILL
3601925	ARROWHEAD COUNTRY CLUB	1N4W23E	1	BNK HILL
3601929	RANCHERIA WATER CO. TOBIN	1S4W06C04S	NEW RAYN 3	BNK HILL
3601930	CALIFORNIA, STATE OF PATTON HOSPITAL	1N3W32C02S	PATTON 11	BNK HILL

SAN BERNARDINO BASIN AREA  
CROSS INDEX BY RECORDATION NUMBER

RECORDATION NUMBER	OWNER NAME	STATE WELL NUMBER	LOCAL DESIGNATION	BASIN NAME
3601932	IOWA STREET WELL	1S3W29B01		BNK HILL
3601934	WEST SAN BOND. COUNTY WATER DIST.	1N5W23Q00S	LOWER 7	LYTLE
3601959	SUNRISE RANCH PARI C/O LIFE DEVELOPMENT	1S2W14L	SUNRISE 7	BNK HILL
3601976	FAST SAN BOND. COUNTY WATER DIST.	1S3W04N	40	BNK HILL
3601979	WADGON, WARNER	1N4W14A	EAST TWIN	DEVIL CAN
3601987	SOUTHERN CALIFORNIA WATER COMPANY	1S3W04G	HIGHLD 1	BNK HILL
3601989	LOVA LINDA, CITY OF	1S4W24R01S	1	BNK HILL
3602003	SOLANO WELL NO. 3	1S2W16C	3	BNK HILL
3602007	RESMAN, JERRY & SONS	1S4W02	2	BNK HILL
3602008	LOVA LINDA UNIVERSITY	1S4W26A	1	BNK HILL
3602009	LOVA LINDA UNIVERSITY	1S4W25G01S	3	BNK HILL
3602010	LOVA LINDA, CITY OF	1S4W25H02S	LLU 4	BNK HILL
3602011	LOVA LINDA, CITY OF	1S4W25B02S	LLU 5	BNK HILL
3602012	LOVA LINDA UNIVERSITY	1S4W25C01S	6	BNK HILL
3602013	LOVA LINDA UNIVERSITY	1S4W24N	7	BNK HILL
3602014	LOVA LINDA UNIVERSITY	1S4W26J01S	8	BNK HILL
3602015	LOVA LINDA, CITY OF	1S4W25B	LLU 9	BNK HILL
3602016	LOVA LINDA, CITY OF	1S4W25G	ROBINSON	BNK HILL
3602017	LOVA LINDA UNIVERSITY	1S4W25E01S	2	BNK HILL
3602020	F. A. R. WELL	1S2W20K		BNK HILL
3602031	REDGLANDS, CITY OF	1S3W21H	30A	BNK HILL
3602032	REDGLANDS, CITY OF	1S3W22A	35	BNK HILL

SAN BERNARDINO BASIN AREA  
CROSS INDEX BY RECORDATION NUMBER

RECORDATION NUMBER	OWNER NAME	STATE WELL NUMBEP	LOCAL DESIGNATION	BASIN NAME
3602034	EAST SAN BOND. COUNTY WATER DIST.	1S4W010	12A	BNK HILL
3602036	REDLANDS, CITY OF	1S3W21H	31A	BNK HILL
3602057	LOMA LINDA, CITY OF	1S4W25C	MITTLEID	BNK HILL
3602058	LOMA LINDA, CITY OF	1S4W25F	CROOKS	BNK HILL
3602060	SO. SAN BERNARDINO COUNTY WATER DIST.	1S4W24P	BENNETT WELL	BNK HILL
3602062	MUDYE WELL	1S2W29N	1	BNK HILL
3602066	VAN LOON MUTUAL WATER COMPANY	1S4W02B	1	BNK HILL
3602067	VAN LOON MUTUAL WATER COMPANY	1N4W35K	2	BNK HILL
3602068	ARROYO VERDE MUTUAL WATER CO.	1S4W01A02S	1	BNK HILL
3602069	ARROYO VERDE MUTUAL WATER CO.	1S4W01A	2	BNK HILL
3602074	MULLINS, JAMES C., JR., EXECUTOR	1N3W34B02	IRRIG. 1	BNK HILL
3602075	MULLINS, JAMES C., JR., EXECUTOR	1N3W34B01	DOM. 2	BNK HILL
3602079	BARNO, JOHN	1S3W03F	1	BNK HILL
3602080	RIALTO, CITY OF	1N5W230	CITY 2	LYTLE
3602081	SAN BERNARDINO, CITY OF	1M4W27B	31 ST	BNK HILL
3602082	REDLANDS, CITY OF	2S3W03K		BNK HILL
3602106	REDLANDS, CITY OF	1S3W22A01S		BNK HILL
3602109	RYN MAWR MUTUAL WATER COMPANY	1S3W31R00S	4	BNK HILL
3602112	VICTORIA FARMS MUTUAL WATER CO.	1S4W13R01S		BNK HILL
3602113	EAST SAN BOND. COUNTY WATER DIST.	1N3W30N	41	BNK HILL
3602119	LAKESIDE AVENUE MUTUAL WELL COMPANY	1S3W33C01S		BNK HILL
3602122	SO. SAN BERNARDINO COUNTY WATER DIST.	1S4W23R03S	ROSEWOOD	BNK HILL

SAN BERNARDINO BASIN AREA  
CROSS INDEX BY RECORDATION NUMBER

RECORDATION NUMBER	OWNER NAME	STATE WELL NUMBER	LOCAL DESIGNATION	BASIN NAME
3602123	SO. SAN BERNARDINO COUNTY WATER DIST.	1S4W14J	NORMAN	BNK HILL
3602124	SO. SAN BERNARDINO COUNTY WATER DIST.	1S4W14J	CENTRAL	BNK HILL
3602125	SO. SAN BERNARDINO COUNTY WATER DIST.	1S4W24F04S	OLDGUILD	BNK HILL
3602126	SO. SAN BERNARDINO COUNTY WATER DIST.	1S4W24F	NEWGOULD	BNK HILL
3602127	GOLDEN STATE BLDG PRODUCTS	1S3W15A01		BNK HILL
3602128	GIFFORD PARK MUTUAL WATER CO.	1S4W14A	1	BNK HILL
3602130	EASTWOOD FARMS COMMUNITY WATER USERS	1S4W01P01S	1	BNK HILL
3602131	EASTWOOD FARMS COMMUNITY WATER USERS	1S4W01P02S	2	BNK HILL
3602170	ROBINS, H. W.	1S2W31M		BNK HILL
3602171	PEES & PERRICONE RANCH	1S2W18M	1	BNK HILL
3602174	WEYER, ERNEST	1S4W02		BNK HILL
3602126	CRAFTON WATER COMPANY	1S2W21L02	2	BNK HILL
3602198	RANCHO LADERA	1S2W29L	ROLADERA	BNK HILL
3602193	RAUGHT MUTUAL WELL COMPANY	1S3W14R01	RAUGHT	BNK HILL
3602205	SAY BERNARDINO, CITY OF	1N4W06H01S	DEVIL 4	DEVIL CAN
3602206	SAY BERNARDINO, CITY OF	1N4W06H02S	DEVIL 3	DEVIL CAN
3602211	REDLANDS, CITY OF	1S3W26C	37SYLVN	BNK HILL
3602224	FAST PIONEER MUTUAL WELL COMPANY	1S3W13P		BNK HILL
3602241	VALDFEENA ACRES	1S3W20F03	ALMOND	BNK HILL
3602247	VICTORIA FARMS MUTUAL WATER CO.	1S4W13R03	2	BNK HILL
3602249	LOMA LINDA UNIVERSITY	1S4W25D05	ANDERSON	BNK HILL
3602252	GIFFORD PARK MUTUAL WATER CO.	1S4W14B	2	BNK HILL

SAN BERNARDINO BASIN AREA  
 CROSS INDEX BY RECORDATION NUMBER

RECORDATION NUMBER	OWNER NAME	STATE WELL NUMBER	LOCAL DESIGNATION	BASIN NAME
3602260	SOUTHERN CALIFORNIA WATER COMPANY	1S3W05D06	CULL 3	RNK HILL
3602264	SAN BERNARDINO, CITY OF	1N4W27N01S	23RD ST.	RNK HILL
3602265	SAN BERNARDINO, CITY OF	1S4W03J	7TH ST.	RNK HILL
3602274	EAST SAN BONDJ. COUNTY WATER DIST.	1N3W30J	39	RNK HILL
3602280	MENTONE CITRUS GROVES	1S2W180		RNK HILL
3602285	SAN BERNARDINO, CITY OF	1S4W15D05	15D5	RNK HILL
3602320	NEW ENGLAND WATER CO.	1S3W16		RNK HILL
3602337	EAST SAN BONDJ. COUNTY WATER DIST.	1N4W26A	24 A	RNK HILL
3602338	EAST SAN BONDJ. COUNTY WATER DIST.	1S3W04N	40A	RNK HILL
3602345	MUSCOY MUTUAL WATER COMPANY, NO. 1	1N5W24E	WELL NO 4	LYTLE
3602346	REDLANDS, CITY OF	1S3W28J02	1	RNK HILL
3602351	REDLANDS, CITY OF	1S2W13A	MC 0-A	RNK HILL
3602370	EAST SAN BONDJ. COUNTY WATER DIST.	1N4W25F	4A	RNK HILL
3602391	CALIFORNIA, STATE OF PATTON HOSPITAL	1N3W29M	14	RNK HILL
3602382	DEVORE WATER CO.	2N5W28D	1	L CAJON
3602383	DEVORE WATER CO.	2N5W28C	2	L CAJON
3602384	DEVORE WATER CO.	2N5W28C	3	L CAJON
3602385	DEVORE WATER CO.	2N5W20H	YFDLIN CR.	L CAJON
3602386	DEVORE WATER CO.	2N5W21E	LETHIN SP.	L CAJON
3602387	DEVORE WATER CO.	2N5W22E	E. KIMBAK	L CAJON
3602388	DEVORE WATER CO.	2N5W21G	KIMBARK	L CAJON
3602389	DEVORE WATER CO.	2N5W22M	HOPPER	L CAJON



SAN BERNARDINO BASIN AREA  
CROSS INDEX BY RECORDATION NUMBER

RECORDATION NUMBER	OWNER NAME	STATE WELL NUMBER	LOCAL DESIGNATION	BASIN NAME
3602390	DEVORE WATER CO.	2N5W28R	SANTA FE	L CAJON
3602391	DEVORE WATER CO.	2N5W28D	CASADY	L CAJON
3602399	SAN BERNARDINO, CITY OF	1N4W16E	NEWMARK 4	BNK HILL
3602400	SAN BERNARDINO, CITY OF	1N4W32N	BASE LINE	BNK HILL
3602401	SAN BERNARDINO, CITY OF	1N4W27A	LEROY	BNK HILL
3602405	COLTON, CITY OF	1S4W08C	19	BNK HILL
3602417	SOUTHERN CALIFORNIA WATER COMPANY	1S3W05D	4	BNK HILL
3602422	SAN BERNARDINO, CITY OF	1S4W02K08S	ANTIL 6	BNK HILL
3602426	SAN BERNARDINO, CITY OF	2N5W19K	C.C. DIV.	L CAJON
3602428	DEVORE WATER CO.	2N5W33H	4	L CAJON
3602474	SARATOGA DEVELOPMENT CO	1N3W25D		PLUNGE
3602498	COLTON, CITY OF	1S4W08R07	6B	BNK HILL
3602499	SAN BERNARDINO INVESTORS	1S4W22A01		BNK HILL
3602521	SAN BERNARDINO, CITY OF	1S4W23N04	2	BNK HILL
3602525	L.P.R. ICE COMPANY	1S3W13C		BNK HILL
3602529	BASELINE GARDENS MUTUAL WATER COMPANY	1N4W35R01	3	BNK HILL
3602529	BLUE GOOSE GROWERS INC	1S2W09P02	NO. 6	BNK HILL
3602530	BLUE GOOSE GROWERS INC	1S2W09L02S	NO. 11	BNK HILL
3602531	BLUE GOOSE GROWERS INC	1S2W09L03S	TUNNEL DIV.	BNK HILL
3602549	DAVIELS AND BEST RANCH	1S3W19J	CALIF STREET	BNK HILL
3602550	DAVIELS AND BEST RANCH	1S3W17R	ALABAMA ST	BNK HILL
3602560	SOUTHERN CALIFORNIA WATER COMPANY	1S3W04G	DUNKIRK 2	BNK HILL

SAN BERNARDINO BASIN AREA  
CROSS INDEX BY RECORDATION NUMBER

RECORDATION NUMBER	OWNER NAME	STATE WELL NUMBER	LOCAL DESIGNATION	BASIN NAME
3602563	EAST SAN BONO. COUNTY WATER DIST.	1S4W020	11A	BNK HILL
3602564	EAST SAN BONO. COUNTY WATER DIST.	1S4W12A	28A	BNK HILL
3602571	EAST SAN BONO. COUNTY WATER DIST.	1S3W03F		BNK HILL
3602574	VICTORIA FARMS MUTUAL WATER CO.	1S4W17R	#3 WELL	BNK HILL
3602596	LOWA LINDA, CITY OF	1S4W24R	NEW GOLCONDA	BNK HILL
3602653	REDLANDS, CITY OF	1S2W19J		BNK HILL
3602654	REDLANDS, CITY OF	1S2W19J		BNK HILL
3602657	YUCAIPA VALLEY COUNTY WATER DISTRICT	1S1W20D		MILL CRK
3602658	YUCAIPA VALLEY COUNTY WATER DISTRICT	1S1W20D		MILL CRK
3602659	YUCAIPA VALLEY COUNTY WATER DISTRICT	1S1W19G		BNK HILL
3602664	STORKSON, WILLIAM F.	1N5W06		LYTLE
3602712	SAN BERNARDINO, CITY OF	1N4W08N		DEVIL CAN
3602714	VICTORIA FARMS MUTUAL WATER CO.	1S4W13R	1	BNK HILL
3602727	FONTANA UNION WATER COMPANY	1N5W15Q02S	FU 8	LYTLE
3502732	REDLANDS, CITY OF	1S3W32J02S	DCC. LEE	BNK HILL
3602759	LOWA LINDA, CITY OF	1S4W24A		BNK HILL
3609723	SOUTHERN CALIFORNIA EDISON COMPANY	1S4W10F01S	HANFORD 1	BNK HILL

SAN BERNARDINO BASIN AREA,

CROSS INDEX BY STATE WELL NUMBER

SAN BERNARDINO BASIN AREA  
CROSS INDEX BY STATE WELL NUMBER

STATE WELL NUMBER	OWNER NAME	RECORDATION NUMBER	LOCAL DESIGNATION	BASIN NAME
1N2A10N	PEAR VALLEY MUTUAL WATER COMPANY	3600027	ALDER CR	SANTA ANA
1N2A26H	PEAR VALLEY MUTUAL WATER COMPANY	3600021	SANTA ANA 1	SANTA ANA
1N2A34	PEAR VALLEY MUTUAL WATER COMPANY	3600022	SANTA ANA 2	SANTA ANA
1N3M19	EAST SAN BOND. COUNTY WATER DIST.	3600864	NO. 79	BNK HILL
1N3M19	EAST SAN BOND. COUNTY WATER DIST.	3600970	LSC 1	BNK HILL
1N3M19F	EAST SAN BOND. COUNTY WATER DIST.	3600971	L. SAND CR.	BNK HILL
1N3M190	SEGEY	NON-FILER	TUNNEL DIV.	BNK HILL
1N3M19R	YORK	NON-FILER	DOMESTIC	BNK HILL
1N3M19K	YORK	NON-FILER		BNK HILL
1N3M19R	YORK	NON-FILER	SAND CYN TUN	BNK HILL
1N3M20N	SAV MANUAL INDIAN RESERV.	NON-FILER		BNK HILL
1N3A250	SARATOGA DEVELOPMENT CO	3602474		PLUNGE
1N3A27	NORTH FORK WATER COMPANY	3600681	CITY CREEK	BNK HILL
1N3A27M	GUERTH, WILLIAM H.	3600856	CITY CREEK	BNK HILL
1N3A27N92S	SOUTHERN CALIFORNIA WATER COMPANY	3600378	CCH 3	BNK HILL
1N3A27N08S	SOUTHERN CALIFORNIA WATER COMPANY	3600377	CCH 1	BNK HILL
1N3M27K	COCK CANYON	NON-FILER		BNK HILL
1N3M28A	THOMPSON RANDALL	NON-FILER	SPRING DIV.	CITY CRK
1N3M28N01	HIGHLAND WELL COMPANY	3600184	APLIN WELL	BNK HILL
1N3A28P01S	EAST SAN BOND. COUNTY WATER DIST.	3600855	SEAVEY J	BNK HILL
1N3M29H	SUPERIOR ORCHARDS	NON-FILER	TUNNEL DIV.	BNK HILL
1N3M29H	WIDMEYER	NON-FILER	SPRING DIV.	BNK HILL

SAN BERNARDINO BASIN AREA  
 CROSS INDEX BY STATE WELL NUMBER

STATE WELL NUMBER	OWNER NAME	RECORDATION NUMBER	LOCAL DESIGNATION	BASIN NAME
1N3W29H	WINDMYER	NON-FILER		BNK HILL
1N3W29H	CALIFORNIA, STATE OF PATTON HOSPITAL	3600924-	2A	BNK HILL
1N3W29H	CALIFORNIA, STATE OF PATTON HOSPITAL	3602381	14	BNK HILL
1N3W29H01S	CALIFORNIA, STATE OF PATTON HOSPITAL	3600924	PATTON 2	BNK HILL
1N3W29H01S	CALIFORNIA, STATE OF PATTON HOSPITAL	3600931	PATTON 10	BNK HILL
1N3W29H01S	BEAR VALLEY MUTUAL WATER COMPANY	3600025	PALM AV3	BNK HILL
1N3W30	EAST SAN BOND. COUNTY WATER DIST.	3600221	NO. 63	BNK HILL
1N3W30	EAST SAN BOND. COUNTY WATER DIST.	3600545	NUTW-DS	BNK HILL
1N3W30C	EAST SAN BOND. COUNTY WATER DIST.	NON-FILER	NO. 36	BNK HILL
1N3W30C	EAST SAN BOND. COUNTY WATER DIST.	NON-FILER	NO. 44	BNK HILL
1N3W30H01S	EAST SAN BOND. COUNTY WATER DIST.	3600444	NO. 98	BNK HILL
1N3W30J	EAST SAN BOND. COUNTY WATER DIST.	3602274	39	BNK HILL
1N3W30K	EAST SAN BOND. COUNTY WATER DIST.	3602113	41	BNK HILL
1N3W31	BASELINE LAUNDRY	NON-FILER		BNK HILL
1N3W31A	EAST SAN BOND. COUNTY WATER DIST.	NON-FILER	NO. 45	BNK HILL
1N3W31H01	SAN BERNARDINO, CITY OF	3600927	PATTON 6	BNK HILL
1N3W31C02S	EAST SAN BOND. COUNTY WATER DIST.	3601884	30	BNK HILL
1N3W31D	EAST SAN BOND. COUNTY WATER DIST.	NON-FILER	NO. 70	BNK HILL
1N3W31K02S	CALIFORNIA, STATE OF PATTON HOSPITAL	3600929	PATTON 8	BNK HILL
1N3W31L	EAST SAN BOND. COUNTY WATER DIST.	3600269	NO. 68	BNK HILL
1N3W31L02S	EAST SAN BOND. COUNTY WATER DIST.	3600928	PATTON 7	BNK HILL
1N3W31L03S	EAST SAN BOND. COUNTY WATER DIST.	3600930	PATTON 9	BNK HILL

SAN BERNARDINO BASIN AREA  
 CROSS INDEX BY STATE WELL NUMBER

STATE WELL NUMBER	OWNER NAME	RECORDATION NUMBER	LOCAL DESIGNATION	BASIN NAME
1N3W31P02S	FRIEDEMANN, ERNEST C.	3600747	WELL 1	BNK HILL
1N3W310	RASLINE LAUNDRY	NON-FILER		BNK HILL
1N3W32	EAST SAN BDNJ. COUNTY WATER DIST.	3600275	NO. 64	BNK HILL
1N3W32	MILLER MUTUAL WELL CO.	3600630		BNK HILL
1N3W32C01S	CALIFORNIA, STATE OF PATTON HOSPITAL	3600923	PATTON 1	BNK HILL
1N3W32C02S	CALIFORNIA, STATE OF PATTON HOSPITAL	3601930	PATTON 11	BNK HILL
1N3W32D	MILLER MUTUAL WELL CO.	3600630-		BNK HILL
1N3W32M	VO NAME WELL	NON-FILER		BNK HILL
1N3W33C01	MUTUAL WELL COMPANY(OF HIGHLAND)	3600765	RODDICK WELL	BNK HILL
1N3W33F01S	EAST SAN BDNJ. COUNTY WATER DIST.	3601194	NO. 94	BNK HILL
1N3W33H01S	EAST SAN BDNJ. COUNTY WATER DIST.	3601584	NO. 47	BNK HILL
1N3W33M01S	SOUTHERN CALIFORNIA WATER COMPANY	3600374	PALMHI 1	BNK HILL
1N3W33M02S	SOUTHERN CALIFORNIA WATER COMPANY	3601069	1	BNK HILL
1N3W33K02S	RASE LINE WELL COMPANY	3600456	1	BNK HILL
1N3W34	PATTERSON, ROY H.	NON-FILER		BNK HILL
1N3W34A	SYCAMORE HEIGHTS WATER COMPANY, INC.	3601838	WALKISHA	BNK HILL
1N3W34B	SYCAMORE HEIGHTS WATER COMPANY, INC.	3601837	HERCULES	BNK HILL
1N3W34F01	MULLINS, JAMES C., JP., EXECUTOR	3602075	DOM. 2	BNK HILL
1N3W34B02	MULLINS, JAMES C., JR., EXECUTOR	3602074	IRRIG. 1	BNK HILL
1N3W34C02S	BRISTOL RANCH	3601631	1	BNK HILL
1N3W34F	WDRWDDO	NON-FILER		BNK HILL
1N3W34H	ARNOLD RANCH	NON-FILER		BNK HILL

SAN BERNARDINO BASIN AREA  
 CROSS INDEX BY STATE WELL NUMBER

STATE WELL NUMBER	OWNER NAME	RECORDATION NUMBER	LOCAL DESIGNATION	BASIN NAME
1N3434K	RALDWIN	NON-FILER		BNK HILL
1N3434K	RULF	NON-FILER	SPRING	BNK HILL
1N3435	SARATOGA DEVELOPMENT CO	3600606	ELDER GULCH	BNK HILL
1N3435H	EAST HIGHLANDS ORANGE COMPANY	NON-FILER	BOX SPRING	BNK HILL
1N3435	SARATOGA DEVELOPMENT CO	3600605	PLUNGE CK DI	PLUNGE
1N4406	SAN BERNARDINO, CITY OF	3600738	D.C. DIV.	DEVIL CAN
1N4406H01S	SAN BERNARDINO, CITY OF	3602205	DEVIL 4	DEVIL CAN
1N4406H02S	SAN BERNARDINO, CITY OF	3602206	DEVIL 3	DEVIL CAN
1N4407F01S	SAN BERNARDINO, CITY OF	3600711	DEVICYN 2	DEVIL CAN
1N4408X01S	SAN BERNARDINO, CITY OF	3600712	DEVICYN 1	DEVIL CAN
1N4408N	ELGENA, JOHN B.	NON-FILER		DEVIL CAN
1N4408N	SAN BERNARDINO, CITY OF	3602712		DEVIL CAN
1N4413P	DILLSON MUT. WTR. CO.	NON-FILER	DILLSON AVE	DEVIL CAN
1N4413P	DILLSON MUT. WTR. CO.	NON-FILER	HARRISON CYN	DEVIL CAN
1N4413P	DILLSON MUT. WTR. CO.	NON-FILER	CISCO WELL	DEVIL CAN
1N4413P	HARRISON CANYON	NON-FILER		DEVIL CAN
1N4413P	HARRISON CANYON	NON-FILER		DEVIL CAN
1N44130	HARRISON	NON-FILER		DEVIL CAN
1N44130	U.S. FOREST SERVICE	NON-FILER	MAINT. YARD	DEVIL CAN
1N4414	LULY, DR. LUCIAN L.	3601376	WATERMAN	DEVIL CAN
1N4414	LULY, DR. LUCIAN L.	3601377	WATERMAN	DEVIL CAN
1N4414	LULY, DR. LUCIAN L.	3601378	WATERMAN	DEVIL CAN

SAN BERNARDINO BASIN AREA  
CROSS INDEX BY STATE WELL NUMBER

STATE #WELL NUMREP	OWNER NAME	RECORDATION NUMBER	LOCAL DESIGNATION	BASIN NAME
1N4W14	HODGROD, WARNER	3601811	EAST TWIN	DEVIL CAN
1N4W14A	HODGROD, WARNER	3601979	EAST TWIN	DEVIL CAN
1N4W14C	HODGROD, WARNER	NON-FILER	W TWIN CRK	DEVIL CAN
1N4W14J	HOUCHE	NON-FILER		DEVIL CAN
1N4W14J	SATOSKI, DOCTOR	NON-FILER		DEVIL CAN
1N4W14J	SMITH	NON-FILER		DEVIL CAN
1N4W14J	WALLACE	NON-FILER		DEVIL CAN
1N4W14R	BATCHELOR	NON-FILER		DEVIL CAN
1N4W14R	BATCHELOR	NON-FILER		DEVIL CAN
1N4W14R	KING	NON-FILER		DEVIL CAN
1N4W16F	SAN BERNARDINO, CITY OF	3600715	NEWMRK 2	DEVIL CAN
1N4W16E	SAN BERNARDINO, CITY OF	3602399	NEWMRK 4	BNK HILL
1N4W16E01S	SAN BERNARDINO, CITY OF	3600714	NEWMRK 1	DEVIL CAN
1N4W16E03S	SAN BERNARDINO, CITY OF	3600716	NEWMRK 3	DEVIL CAN
1N4W23E	HODGROD, WARNER	3601810	PRKSDE 2	BNK HILL
1N4W23E	ARROWHEAD COUNTRY CLUB	3601925	1	BNK HILL
1N4W23K	VALENCIA AVE. MUT. WTR. CO.	NON-FILER	WATERMAN AVE	BNK HILL
1N4W24	LAUGSTON-NEBY DEVELOPMENT CO.	3600218	1	DEVIL CAN
1N4W24	LA BONTE, JIM	3600865	MULTDWN2	BNK HILL
1N4W24	SOYERS, R.	3601093	SPRING	BNK HILL
1N4W25A01S	EAST SAN BDNJ. COUNTY WATER DIST.	3601675	27	BNK HILL
1N4W25B	EAST SAN BDNJ. COUNTY WATER DIST.	3601672	25	BNK HILL



SAN BERNARDINO BASIN AREA  
 CROSS INDEX BY STATE WELL NUMBER

STATE WELL NUMBER	OWNER NAME	RECORDATION NUMBER	LOCAL DESIGNATION	BASIN NAME
1N4W25C02S	EAST SAN BOND. COUNTY WATER DIST.	3601673	25A	BNK HILL
1N4W25D	EAST SAN BOND. COUNTY WATER DIST.	NON-FILER	NO. 85	BNK HILL
1N4W25F	EAST SAN BOND. COUNTY WATER DIST.	3602370	4A	BNK HILL
1N4W25G01S	EAST SAN BOND. COUNTY WATER DIST.	3601674	26	BNK HILL
1N4W25K01	EAST SAN BOND. COUNTY WATER DIST.	3600543	NO. 66	BNK HILL
1N4W25R	ANDERSON, W.D.	NON-FILER		BNK HILL
1N4W26	VT. VIEW CEMETERY OF SAN BERNARDINO	3600742	1	BNK HILL
1N4W26	VT. VIEW CEMETERY OF SAN BERNARDINO	3600742-	3	BNK HILL
1N4W26	VT. VIEW CEMETERY OF SAN BERNARDINO	3600743	2	BNK HILL
1N4W26	DEL ROSA MUTUAL WATER COMPANY	3601809	GOLDNAV 1	BNK HILL
1N4W26A	EAST SAN BOND. COUNTY WATER DIST.	3602337	24 B	BNK HILL
1N4W26A01S	EAST SAN BOND. COUNTY WATER DIST.	3601670	24	BNK HILL
1N4W26A02S	EAST SAN BOND. COUNTY WATER DIST.	3601671	24A	BNK HILL
1N4W26G	SAN BERNARDINO, CITY OF	3600727	LYNWOOD	BNK HILL
1N4W26P03S	SAN BERNARDINO, CITY OF	3601115	PERRISH 5	BNK HILL
1N4W27A	SAN BERNARDINO, CITY OF	3602401	LEROY	BNK HILL
1N4W27A01S	SAN BERNARDINO, CITY OF	3600728	WTRMN AV	BNK HILL
1N4W27B	SAN BERNARDINO, CITY OF	3602081	31 ST	BNK HILL
1N4W27G01S	SAN BERNARDINO, CITY OF	3600719	MARSHALL	BNK HILL
1N4W27M01S	SAN BERNARDINO, CITY OF	3600721	NO E ST	BNK HILL
1N4W27M02S	SAN BERNARDINO, CITY OF	3600720	27TH ST	BNK HILL
1N4W27N01S	SAN BERNARDINO, CITY OF	3602264	23RD ST.	BNK HILL

SAN BERNARDINO BASIN AREA  
 CROSS INDEX BY STATE WELL NUMBER

STATE WELL NUMBER	OWNER NAME	RECORDATION NUMBER	LOCAL DESIGNATION	BASIN NAME
1N4W29	SOUTHERN CALIFORNIA WATER COMPANY	3601879	GARDENA	BNK HILL
1N4W29E01S	SOUTHERN CALIFORNIA WATER COMPANY	3601878	DARBY	BNK HILL
1N4W29F01S	SOUTHERN CALIFORNIA WATER COMPANY	3601880	COLTMA	BNK HILL
1N4W30L	SAN BERNARDINO WATER UTILITIES COR	3601845	3	LYTLE
1N4W31A01S	MOUNT VERNON WATER COMPANY	3600319	1	BNK HILL
1N4W31H	SOUTHERN CALIFORNIA WATER COMPANY	3601588	BERDOO 1	BNK HILL
1N4W31N	TRI CITY CONCRETE	3600935		LYTLE
1N4W31H	RIALTO, CITY OF	3601085	RIALTO MUT	LYTLE
1N4W31P03S	WEST SAN BDRG. COUNTY WATER DIST.	3601002	RAYNOR 1	LYTLE
1N4W32D03S	SAN BERNARDINO, CITY OF	3600717	19TH STL	BNK HILL
1N4W32D04S	SAN BERNARDINO, CITY OF	3600718	19ST. 2	BNK HILL
1N4W32H	SAN BERNARDINO, CITY OF	3602400	BASE LINE	BNK HILL
1N4W34G01S	SAN BERNARDINO, CITY OF	3600725	17 ST SW	BNK HILL
1N4W34G03S	SAN BERNARDINO, CITY OF	3600726	16TH ST	BNK HILL
1N4W35C01S	SAN BERNARDINO, CITY OF	3601114	PRRSHLL 2	BNK HILL
1N4W35C02S	SAN BERNARDINO, CITY OF	3601116	PRRSHLL 3	BNK HILL
1N4W35C03S	SAN BERNARDINO, CITY OF	3601117	PRRSHLL 4	BNK HILL
1N4W35F	SAN BERNARDINO, COUNTY OF	NON-FILER	COUNTY HOSP	BNK HILL
1N4W35H	PACIFIC HIGH SCHOOL	NON-FILER		BNK HILL
1N4W35J02S	BASELINE GARDENS MUTUAL WATER COMPANY	3600457	PAC&BARL	BNK HILL
1N4W35K	VAN LOON MUTUAL WATER COMPANY	3602057	2	BNK HILL
1N4W35M03S	SAN BERNARDINO, CITY OF	3600729	GILBERTST	BNK HILL

SAN BERNARDINO BASIN AREA  
CROSS INDEX BY STATE WELL NUMBER

STATE WELL NUMBER	OWNER NAME	RECORDATION NUMBER	LOCAL DESIGNATION	BASIN NAME
1N4W35H	PIFRSON	NON-FILER		BNK HILL
1N4W35R01	BASELINE GARDENS MUTUAL WATER COMPANY	3602528	3	BNK HILL
1N4W36	EAST SAN BOND. COUNTY WATER DIST.	3601054	NJ. 1A	BNK HILL
1N4W36P03R	CONEJO RANCHES MUTUAL WATER COMPANY	3601186	1	BNK HILL
1N4W36F08S	EAST SAN BOND. COUNTY WATER DIST.	3601666	16	BNK HILL
1N4W36H	EAST SAN BOND. COUNTY WATER DIST.	NON-FILER	NO. 52	BNK HILL
1N4W36H06S	EAST SAN BOND. COUNTY WATER DIST.	3601669	23	BNK HILL
1N4W36K04S	EAST SAN BOND. COUNTY WATER DIST.	3601653	NO. 1	PNK HILL
1N4W36K05S	EAST SAN BOND. COUNTY WATER DIST.	3601655	NO. 2	BNK HILL
1N4W36M01S	BASELINE GARDENS MUTUAL WATER COMPANY	3600458	PS 5 B 2	BNK HILL
1N4W36Q01S	EAST SAN BOND. COUNTY WATER DIST.	3601656	NO. 6	BNK HILL
1N4W36P01S	EAST SAN BOND. COUNTY WATER DIST.	3601658		BNK HILL
1N5W01R	MEYER, CHARLES R.	3600750	1	DEVIL CAN
1N5W03	SAN BERNARDINO WATER UTILITIES COR	3601844	2	L CAJON
1N5W03H01S	SAN BERNARDINO WATER UTILITIES COR	3601843	1	L CAJON
1N5W04N	REGINA GRAPE PRODUCTS	NON-FILER	WELL NO. 1	LYTLE
1N5W04N	REGINA GRAPE PRODUCTS	NON-FILER	WELL NO. 2	LYTLE
1N5W04H	REGINA GRAPE PRODUCTS	NON-FILER	WELL NO. 3	LYTLE
1N5W04N	REGINA GRAPE PRODUCTS	NON-FILER	WELL NO. 5	LYTLE
1N5W04N	REGINA GRAPE PRODUCTS	NON-FILER	WELL NO. 6	LYTLE
1N5W04N	REGINA GRAPE PRODUCTS	NON-FILER	WELL NO. 7	LYTLE
1N5W05H	REGINA GRAPE PRODUCTS	NON-FILER	SPRING DIV.	LYTLE

SAN BERNARDINO BASIN AREA  
CROSS INDEX BY STATE WELL NUMBER

STATE WELL NUMBER	OWNER NAME	RECORDATION NUMBER	LOCAL DESIGNATION	BASIN NAME
15W05R	REGINA GRAPE PRODUCTS	NON-FILER	WELL NO. 4	LYTLE
15W06	STARKSON, WILLIAM F.	3600083	1	LYTLE
15W06	SAN BERNARDINO, CITY OF	3600739	L.C. DIV.	LYTLE
15W06	STARKSON, WILLIAM F.	3602664		LYTLE
15W06E	FONTANA UNION WATER COMPANY	3600591		LYTLE
15W06G01S	FONTANA UNION WATER COMPANY	3600582	FU 27	LYTLE
15W06K02S	FONTANA UNION WATER COMPANY	3600586	FU 33	LYTLE
15W07C	NEALEY MUTUAL WATER COMPANY	3601381		LYTLE
15W07H01S	FONTANA UNION WATER COMPANY	3600581	FU 26	LYTLE
15W15002S	FONTANA UNION WATER COMPANY	3602727	FU 8	LYTLE
15W16K01S	FONTANA UNION WATER COMPANY	3600585	FU 32	LYTLE
15W22A01S	FONTANA UNION WATER COMPANY	3600569	FU 13	LYTLE
15W22C02S	FONTANA UNION WATER COMPANY	3600563	FU 4	LYTLE
15W22F01S	FONTANA UNION WATER COMPANY	3600580	FU 25	LYTLE
15W22F02S	FONTANA UNION WATER COMPANY	3600562	FU 3	LYTLE
15W22F03S	FONTANA UNION WATER COMPANY	3600579	FU 24	LYTLE
15W22H	WEST SAN BERN. COUNTY WATER DIST.	3600312		LYTLE
15W22H	MOUNT VERNON WATER COMPANY	3600320		LYTLE
15W22H	RIALTO, CITY OF	3601718		LYTLE
15W23A01S	MUSCOY MUTUAL WATER COMPANY, NO. 1	3601499	MUSCOY 2	LYTLE
15W23A02S	MUSCOY MUTUAL WATER COMPANY, NO. 1	3601500	MUSCOY 3	LYTLE
15W23H01S	MUSCOY MUTUAL WATER COMPANY, NO. 1	3601497	MUSCOY 1	LYTLE

SAN BERNARDINO BASIN AREA  
CROSS INDEX BY STATE WELL NUMBER

STATE WELL NUMBER	OWNER NAME	RECREATION NUMBER	LOCAL DESIGNATION	BASIN NAME
1N5#23K01S	FORTANA UNION WATER COMPANY	3600561	FU 1	LYTLE
1N5#23P02S	WEST SAN BOND. COUNTY WATER DIST.	3600306	UPPER 2	LYTLE
1N5#23P04S	WEST SAN BOND. COUNTY WATER DIST.	3600307	UPPER 4	LYTLE
1N5#23J	RIALTO, CITY OF	3602080	CITY 2	LYTLE
1N5#23J00S	WEST SAN BOND. COUNTY WATER DIST.	3601944	LOWER 7	LYTLE
1N5#23J01S	RIALTO, CITY OF	3601263	CITY WELL	LYTLE
1N5#24D01S	MUSCOY MUTUAL WATER COMPANY, NO. 1	3601498	NO. 4	LYTLE
1N5#24E	MUSCOY MUTUAL WATER COMPANY, NO. 1	3602345	WELL NO 4	LYTLE
1N5#25E00S	WEST SAN BOND. COUNTY WATER DIST.	3601725		LYTLE
1N5#25E01S	WEST SAN BOND. COUNTY WATER DIST.	3600305	LOWER 6	LYTLE
1N5#25E02S	WEST SAN BOND. COUNTY WATER DIST.	3600998	FERG 1	LYTLE
1N5#25A01S	WEST SAN BOND. COUNTY WATER DIST.	3600302	LOWER 2	LYTLE
1N5#25A03S	WEST SAN BOND. COUNTY WATER DIST.	3600304	L5	LYTLE
1N5#25A01S	WEST SAN BOND. COUNTY WATER DIST.	3600303	LOWER 4	LYTLE
1N5#36H04S	WEST SAN BOND. COUNTY WATER DIST.	3600997	LORD 7	LYTLE
1N5#36J03S	WEST SAN BOND. COUNTY WATER DIST.	3600996	NO 8	LYTLE
1N5#36R01S	SAN BERNARDINO, CITY OF	3600713	LYTLE CR 3	LYTLE
1S1#40R1	REDLANDS, CITY OF	3601282	MC 1	MILL CRK
1S1#40L1	REDLANDS, CITY OF	3601285	MC 2	MILL CRK
1S1#41I01	REDLANDS, CITY OF	3601288	MC 4	MILL CRK
1S1#41R4	HARD, FLOYD	NON-FILER	WELL NO. 6	MILL CRK
1S1#41R4	HARD, FLOYD	NON-FILER	WELL NO. 1	BANK HILL

SAN BERNARDINO BASIN AREA  
 CROSS INDEX BY STATE WELL NUMBER

STATE #WELL NUMBER	OWNER NAME	RECORDATION NUMBER	LOCAL DESIGNATION	BASIN NAME
1S1418N	WARD, FLOYD	NON-FILER	WELL NO. 4	BNK HILL
1S1418P	WARD, FLOYD	NON-FILER	WELL NO. 2	BNK HILL
1S1418P	WARD, FLOYD	NON-FILER	WELL NO. 3	BNK HILL
1S1418P	WARD, FLOYD	NON-FILER	LATERAL SPRG	BNK HILL
1S1419G	TRIPLE FALLS MUT. WTR. CO.	NON-FILER		BNK HILL
1S1419G	YUCAIPA VALLEY COUNTY WATER DISTRICT	3602659		BNK HILL
1S1420D	TRIPLE FALLS MUT. WTR. CO.	NON-FILER		MILL CRK
1S1420D	TRIPLE FALLS MUT. WTR. CO.	NON-FILER		MILL CRK
1S1420D	YUCAIPA VALLEY COUNTY WATER DISTRICT	3602657		MILL CRK
1S1420D	YUCAIPA VALLEY COUNTY WATER DISTRICT	3602658		MILL CRK
1S2404N	PEAR VALLEY MUTUAL WATER COMPANY	3600028		BNK HILL
1S2405	SARATOGA DEVELOPMENT CO	NON-FILER	TUNNEL DIV.	BNK HILL
1S2405H	HIGHLAND ACRES RANCH	3600323	ELEC 1	BNK HILL
1S2407H	SARATOGA DEVELOPMENT CO	3600604	RANNEY	BNK HILL
1S2408	REDLANDS WTR. CO.	NON-FILER	TUNNEL DIV.	BNK HILL
1S2409C01S	NORTH FORK WATER COMPANY	3600678	NO. 1	BNK HILL
1S2409C02S	NORTH FORK WATER COMPANY	3600679	NO. 2	BNK HILL
1S2409	SOLANO WELL NO. 1	3600187	1	BNK HILL
1S2409L	REDLANDS ASSOCIATES	NON-FILER	BLOCK NO. 11	BNK HILL
1S2409L	REDLANDS ASSOCIATES	NON-FILER	TUNNEL DIV.	BNK HILL
1S2409L02S	BLUE GOOSE GROWERS INC	3602530	NO. 11	BNK HILL
1S2409L03S	BLUE GOOSE GROWERS INC	3602531	TUNNEL DIV.	BNK HILL

SAN BERNARDINO BASIN AREA  
 CROSS INDEX BY STATE WELL NUMBER

STATE WELL NUMBER	OWNER NAME	RECORDATION NUMBER	LOCAL DESIGNATION	BASIN NAME
1S2409P	REDLANDS ASSOCIATES	NON-FILER	BLOCK NO. 6	BNK HILL
1S2409P02	ELBE GOOSE GROWERS INC	3602529	NO. 6	BNK HILL
1S2409Q	COSBELL, CLINTON L.	3601628	2	BNK HILL
1S2413	SUNRISE RANCH PART C/O LIFE DEVELOPMENT	3600599		BNK HILL
1S2413	SUNRISE RANCH PART C/O LIFE DEVELOPMENT	3600600	SUNRISE 2	BNK HILL
1S2413A	REDLANDS, CITY OF	3602351	MC 0-A	BNK HILL
1S2413B	REDLANDS, CITY OF	NON-FILER	MILL CR. DIV	BNK HILL
1S2413P	U.S. FOREST SERVICE	NON-FILER	MILL CREEK	MILL CRK
1S2414	SUNRISE RANCH PART C/O LIFE DEVELOPMENT	3600601	SUNRISE 3A	BNK HILL
1S2414	SUNRISE RANCH PART C/O LIFE DEVELOPMENT	3601640		BNK HILL
1S2414L	SUNRISE RANCH PART C/O LIFE DEVELOPMENT	3601969	SUNRISE 7	BNK HILL
1S2414N	REDLANDS, CITY OF	3601302	MILL CR.	BNK HILL
1S2415G	SUNRISE RANCH PART C/O LIFE DEVELOPMENT	3600603	SUNRISE 5	BNK HILL
1S2415P	SUNRISE RANCH PART C/O LIFE DEVELOPMENT	3600602	SUNRISE 4	BNK HILL
1S2416	CRAM PATTERSON WELL	3600188	CRAMPAT 2	BNK HILL
1S2416C	SOLANO WELL NO. 3	3602003	3	BNK HILL
1S2416C01	GREENSPOT MUTUAL WELL CO.	3600266	GRNSPTMU	BNK HILL
1S2416L	HAGAR	NON-FILER		BNK HILL
1S2417	KARAHALOIS	NON-FILER	PEPPER HOUSE	BNK HILL
1S2417	EAST IADONIA MUTUAL WATER CO.	3600038		BNK HILL
1S2417H	REDLANDS ASSOCIATES	NON-FILER	NO. 0	BNK HILL
1S2418M	PEES & PEPRICONE RANCH	3602171	1	BNK HILL

SAN BERNARDINO BASIN AREA  
CROSS INDEX BY STATE WELL NUMBER

STATE WELL NUMBER	OWNER NAME	RECORDATION NUMBER	LOCAL DESIGNATION	BASIN NAME
1S24180	VENTONE CITRUS GROVES	3602280		BNK HILL
1S2418801S	VENTONE CITRUS GROVES	3600139		BNK HILL
1S24190	WEAR VALLEY MUTUAL WATER COMPANY	3600024	WABASH 2	BNK HILL
1S2419601S	EAST LUGONIA MUTUAL WATER CO.	3600006	BERYL ST	BNK HILL
1S2419J	VENTONE DOMESTIC WTR. CO.	NON-FILER		BNK HILL
1S2419J	VENTONE DOMESTIC WTR. CO.	NON-FILER	3 1971	BNK HILL
1S2419J	REDLANDS, CITY OF	3602653		BNK HILL
1S2419J	REDLANDS, CITY OF	3602654		BNK HILL
1S2419K01S	REDLANDS, CITY OF	3601308	TENCH	BNK HILL
1S2420K	VANHAS, M.D., IVAY/SHIRLEY	3601084		BNK HILL
1S2420K	F. A. R. WELLS	3602020		BNK HILL
1S2421C	REDLANDS, CITY OF	3601287	ELUGNA3	BNK HILL
1S2421D01S	REDLANDS, CITY OF	3601290	ELUGNA6	BNK HILL
1S2421E01S	REDLANDS, CITY OF	3601284	MAGUET 2	BNK HILL
1S2421E02S	REDLANDS, CITY OF	3601286	MAGUET 3	BNK HILL
1S2421H01	REYNOLDS, BILL	3600981		BNK HILL
1S2421L01	HEAD, JOE T.	3600226	1	BNK HILL
1S2421L02	CRAFTON WATER COMPANY	3602186	2	BNK HILL
1S2421M01S	REDLANDS, CITY OF	3601281	MAGUET 1	BNK HILL
1S2422	GREENSPOT MUTUAL WATER CO TUNNEL	NON-FILER		BNK HILL
1S2422C02S	REDLANDS, CITY OF	3601283	E LUG 2	BNK HILL
1S2422E	MISS	NON-FILER		BNK HILL



SAN BERNARDINO BASIN AREA  
 CROSS INDEX BY STATE WELL NUMBER

STATE WELL NUMBER	OWNER NAME	RECORDATION NUMBER	LOCAL DESIGNATION	BASIN NAME
1S2#22E	PARKER	NON-FILER		BNK HILL
1S2#22F	PAVSFY	NON-FILER	SPRING DIV	BNK HILL
1S2#24C	ELUGOOD	NON-FILER		BNK HILL
1S2#24H	STANLEY, SILAS	NON-FILER		BNK HILL
1S2#28M	LA TOURETTE	NON-FILER		BNK HILL
1S2#28M	LORD	NON-FILER	SPRING DIV.	BNK HILL
1S2#29	FINCH	NON-FILER		BNK HILL
1S2#29	SPLBY, DR. & MRS. ARTHUR	3600017	GRREES 3	BNK HILL
1S2#29	SELBY, DR. & MRS. ARTHUR	3600018	GRREES 2	BNK HILL
1S2#29L	RAYCHO LADERA	3602188	ROLADERA	BNK HILL
1S2#29#01	HAPPE MUTUAL WELL COMPANY	3600238	1	BNK HILL
1S2#29N	CRAFTON WATER COMPANY	3600272	5TH AVE 1	BNK HILL
1S2#29N	TOJYE WELL	3602062	1	BNK HILL
1S2#29#01S	NYE, WILLIAM H.	3600313	NYE	BNK HILL
1S2#30	FAST COLTON AVENUE WATER COMPANY	3600240	SOUTH WELL	BNK HILL
1S2#30B	FAST COLTON AVENUE WATER COMPANY	3601645	1	BNK HILL
1S2#30B02S	PAINE, ROBERT T., TRUSTEE	3601642	KING ST	BNK HILL
1S2#30C01S	PAINE, ROBERT T., TRUSTEE	3601641	OPAL ST	BNK HILL
1S2#30G01	KING STREET MUTUAL WELL COMPANY	3600530	1	BNK HILL
1S2#30G02	KING STREET MUTUAL WELL COMPANY	3600530-	2	BNK HILL
1S2#30H	GAY, PHILIP L.	3601126	1	BNK HILL
1S2#31	SECHREST, RALPH F.	3600493	SPHRRCH 1	BNK HILL

SAN BERNARDINO BASIN AREA  
 CROSS INDEX BY STATE WELL NUMBER

STATE WELL NUMBER	OWNER NAME	RECORDATION NUMBER	LOCAL DESIGNATION	BASIN NAME
1S2W31	7TH AVE. WELL	3601121	1	BNK HILL
1S2W31B	HILL	NON-FILER		BNK HILL
1S2W31M	PURBINS, H. A.	3602170		BNK HILL
1S2W32H	KOCH	NON-FILER		BNK HILL
1S2W32G01	KOCH, GEORGE J.	3601451	1	BNK HILL
1S3W01A	NORTH FORK WATER COMPANY	3601644	PLUNGE CR	BNK HILL
1S3W01H	MT. HARRISON MUTUAL WATER CO.	3600220	1	BNK HILL
1S3W02	SARATOGA DEVELOPMENT CO	3600598	LOCAL 1	BNK HILL
1S3W07	SARATOGA DEVELOPMENT CO	3600607	SMALL	BNK HILL
1S3W02	SARATOGA DEVELOPMENT CO	3600607-	SMALL	BNK HILL
1S3W02	NORTH FORK WATER COMPANY	3600680	NF CRAM3	BNK HILL
1S3W02J	SMITH,	NON-FILER		BNK HILL
1S3W02P	VAN WERTER	NON-FILER	OLD WELL	BNK HILL
1S3W02P	VAN WERTER	NON-FILER	NEW WELL	BNK HILL
1S3W03D	HUNTER	NON-FILER		BNK HILL
1S3W01F	CLIFFSIDE RANCH	NON-FILER		BNK HILL
1S3W03F	EAST SAN BONO. COUNTY WATER DIST.	3600058	NO. 53	BNK HILL
1S3W03F	RARNO, JOHN	3602079	1	BNK HILL
1S3W03F	EAST SAN BONO. COUNTY WATER DIST.	3602571		BNK HILL
1S3W03H	EAST SAN BONO. COUNTY WATER DIST.	NON-FILER	NO. 84	BNK HILL
1S3W03H	EAST SAN BONO. COUNTY WATER DIST.	NON-FILER	NO. 93	BNK HILL
1S3W03H	STRAWBERRY PATCH	NON-FILER		BNK HILL

SAN BERNARDINO BASIN AREA  
CROSS INDEX BY STATE WELL NUMBER

STATE WELL NUMBER	OWNER NAME	RECORDATION NUMBER	LOCAL DESIGNATION	BASIN NAME
1S3W03N	STRAFFORD PATCH	NON-FILER		BNK HILL
1S3W03P00S	RIEDMAN, FRED W.	3601629	1	BNK HILL
1S3W03P	ORANGE ST. RANCH	3600241		BNK HILL
1S3W03P	NORTH FORK WATER COMPANY	3601643	4	BNK HILL
1S3W03P01	SARATOGA DEVELOPMENT CO	3601639	STORE WELL	BNK HILL
1S3W04	EAST SAN BOND. COUNTY WATER DIST.	3600466	NO. 48	BNK HILL
1S3W04G	SOUTHERN CALIFORNIA WATER COMPANY	3601987	HIGHLD 1	BNK HILL
1S3W04G	SOUTHERN CALIFORNIA WATER COMPANY	3602560	DUNKIRK 2	BNK HILL
1S3W04J	HARRISON	NON-FILER		BNK HILL
1S3W04J	EAST SAN BOND. COUNTY WATER DIST.	3600026	NO. 102	BNK HILL
1S3W04N	EAST SAN BOND. COUNTY WATER DIST.	3601978	40	BNK HILL
1S3W04N	EAST SAN BOND. COUNTY WATER DIST.	3602338	40A	BNK HILL
1S3W04P	EAST SAN BOND. COUNTY WATER DIST.	NON-FILER	NO. 43	BNK HILL
1S3W04Q	EAST SAN BOND. COUNTY WATER DIST.	NON-FILER	NO. 106	BNK HILL
1S3W04R	DUALITY FARMS	NON-FILER	NO. 102	BNK HILL
1S3W05	SOUTHERN CALIFORNIA WATER COMPANY	3600375	CULHLND 1	BNK HILL
1S3W05	SOUTHERN CALIFORNIA WATER COMPANY	3600376	CULHLND 2	BNK HILL
1S3W05A02S	EAST SAN BOND. COUNTY WATER DIST.	3601677	31	BNK HILL
1S3W05B04S	EAST SAN BOND. COUNTY WATER DIST.	3601678	32	BNK HILL
1S3W05D	SOUTHERN CALIFORNIA WATER COMPANY	3602417	4	BNK HILL
1S3W05D06	SOUTHERN CALIFORNIA WATER COMPANY	3602260	CULL 3	BNK HILL
1S3W05J	EAST SAN BOND. COUNTY WATER DIST.	NON-FILER	NO. 95	BNK HILL

SAN BERNARDINO BASIN AREA  
CROSS INDEX BY STATE WELL NUMBER

STATE WELL NUMBER	OWNER NAME	RECORDATION NUMBER	LOCAL DESIGNATION	BASIN NAME
1S34054055	EAST SAN BOND. COUNTY WATER DIST.	3601679	38	BNK HILL
1S34050	EAST SAN BOND. COUNTY WATER DIST.	NON-FILER	NO. 46	BNK HILL
1S34050	EAST SAN BOND. COUNTY WATER DIST.	NON-FILER	NO. 80	BNK HILL
1S3405	EAST SAN BOND. COUNTY WATER DIST.	NON-FILER	NO. 69	BNK HILL
1S3406	CHARLES, J. J.	3600815		BNK HILL
1S34064055	EAST SAN BOND. COUNTY WATER DIST.	3601667	21	BNK HILL
1S3406B	EAST SAN BOND. COUNTY WATER DIST.	NON-FILER	NO. 72	BNK HILL
1S3406C	EAST SAN BOND. COUNTY WATER DIST.	NON-FILER	NO. 74	BNK HILL
1S3406E	EAST SAN BOND. COUNTY WATER DIST.	NON-FILER	NO. 71	BNK HILL
1S3406F	LANKERSHIM MUT. WTR. CO.	NON-FILER	MCKINLEY ST.	BNK HILL
1S3406H01S	EAST SAN BOND. COUNTY WATER DIST.	3601659	NO. 9	BNK HILL
1S3406H04S	EAST SAN BOND. COUNTY WATER DIST.	3601660	NO. 9A	BNK HILL
1S3406K01S	EAST SAN BOND. COUNTY WATER DIST.	3601781	35	BNK HILL
1S3406L	LANKERSHIM MUT. WTP. CO.	NON-FILER	LANKERSHIM A	BNK HILL
1S3406M	EAST SAN BOND. COUNTY WATER DIST.	NON-FILER	NO. 81	BNK HILL
1S3406H	EAST SAN BOND. COUNTY WATER DIST.	NON-FILER	NO. 97	BNK HILL
1S3406P	EAST SAN BOND. COUNTY WATER DIST.	NON-FILER	NO. 78	BNK HILL
1S3406Q	EAST SAN BOND. COUNTY WATER DIST.	NON-FILER	NO. 83	BNK HILL
1S3408A	MORTON AIR FORCE BASE	NON-FILER	LOCAL NO. 11	BNK HILL
1S3408E	MORTON AIR FORCE BASE	NON-FILER	LOCAL NO. 347	BNK HILL
1S3408M	MORTON AIR FORCE BASE	NON-FILER	LOCAL NO. 965	BNK HILL
1S3409E	TRI CITY CONCRETE	3601420	ALABAMA 2	BNK HILL

SAN BERNARDINO BASIN AREA  
CROSS INDEX BY STATE WELL NUMBER

STATE WELL NUMBER	OWNER NAME	RECORDATION NUMBER	LOCAL DESIGNATION	BASIN NAME
153410001S	DUDA, WALTER AND BETTY	3601839	1	BNK HILL
153413	NEWTONS ACRES MUTUAL WELL CO.	3600749	NEW 2	BNK HILL
153413C	L.P.R. RANCH	NON-FILER		BNK HILL
153413C	L.P.R. ICE COMPANY	3602525		BNK HILL
153413P	EAST PIONEER MUTUAL WELL COMPANY	3602224		BNK HILL
153414	SAN BERNARDINO AVENUE WATER COMPANY	3600125	1	BNK HILL
153414P01	PIONEER MUTUAL WATER CO.	3600642	SBDNO 1	BNK HILL
153414R01	RAUGHT MUTUAL WELL COMPANY	3602193	RAUGHT	BNK HILL
153415	BEELER, PAYMOND A.	3600451		BNK HILL
153415A01	GOLDEN STATE BLOG PRODUCTS	3602127		BNK HILL
153415F02S	PEAR VALLEY MUTUAL WATER COMPANY	3601586	ORANGE 5	BNK HILL
153415G	REDLANDS TRAP/SKEET	3600628		BNK HILL
153415N01S	WEATHERMAX, A. G.	3600652	REDLANDS	BNK HILL
153415R01	NORTHBRAD WATER COMPANY	3600296	1	BNK HILL
153416	PAMIREZ, J.J.	3600484	BUCKEYE 2	BNK HILL
153416	SADINGTON FRUIT CO. COOK RANCH	3600527	HOME	BNK HILL
153416	NEW ENGLAND WATER CO.	3602320		BNK HILL
153416J	WILLIAMS WELL CORPORATION, LTD.	3600828		BNK HILL
153416L	TENNESSEE WATER CO.	3600474	1	BNK HILL
153416L	TENNESSEE MUTUAL WELL COMPANY	3601161	PIONEER 1	BNK HILL
153417	ARMSTRONG, DOUGLAS	3600076	2	BNK HILL
153417	FAIRVIEW WATER COMPANY	3600554	FAIRVM 1	BNK HILL

SAN BERNARDINO BASIN AREA  
 CROSS INDEX BY STATE WELL NUMBER

STATE WELL NUMBER	OWNER NAME	RECORDATION NUMBER	LOCAL DESIGNATION	BASIN NAME
1S3W17C	DAVIELS, HAROLD	NON-FILER	DOMEST. WELL	BNK HILL
1S3W17G	VANSHUBEN	NON-FILER		BNK HILL
1S3W17H01S	LANGFORD RANCHES	3600525	ALABAMA	BNK HILL
1S3W17L01S	LANGFORD RANCHES	3600524	NEVADA ST	BNK HILL
1S3W17R	DAVIELS, HAROLD	NON-FILER	RANCH	BNK HILL
1S3W17F	DAVIELS AND BEST RANCH	3602550	ALABAMA ST	BNK HILL
1S3W18	SOUTHERN CALIFORNIA EDISON COMPANY	3601014	SB STMP 1	BNK HILL
1S3W18	SOUTHERN CALIFORNIA EDISON COMPANY	3601015	SB STMP 2	BNK HILL
1S3W18H01	VARIGOLD FARMS COMPANY	3601748	CALIF	BNK HILL
1S3W18L	VARIGOLD FARMS COMPANY	3601750	ACQUIL	BNK HILL
1S3W19	VARIGOLD FARMS COMPANY	3600418	BRAGA WELL	BNK HILL
1S3W19A01	VARIGOLD FARMS COMPANY	3601748-	CALIF	BNK HILL
1S3W19B01	VARIGOLD FARMS COMPANY	3601749	JAP	BNK HILL
1S3W19H	VISSION MUTUAL WATER COMPANY	3600756	1	BNK HILL
1S3W19J	DAVIELS, DON	NON-FILER		BNK HILL
1S3W19J	DAVIELS AND BEST RANCH	3602549	CALIF STREET	BNK HILL
1S3W19L	VISSION MUTUAL WATER COMPANY	3600757	2	BNK HILL
1S3W19N	STANLEY BROWN CO.	3601352		BNK HILL
1S3W20	ACCALLA PROS	NON-FILER		BNK HILL
1S3W20	JEWEL WATER COMPANY, THE	3600091	1	BNK HILL
1S3W20	RELL, H. EUGENE	3600449	BELL WELL	BNK HILL
1S3W20C	HUNTER/CRIM/ZARURICA WELL	3601172		BNK HILL

SAN BERNARDINO BASIN AREA  
 CROSS INDEX BY STATE WELL NUMBER

STATE WELL NUMBER	OWNER NAME	RECORDATION NUMBER	LOCAL DESIGNATION	BASIN NAME
1S3W20F	CRYN, W. ROSCOE	3601171	1	BNK HILL
1S3W20F03	VALDEPENA ACRES	3602241	ALMOND	BNK HILL
1S3W20H01	GLADYSTA WELL & WATER COMPANY	3600182	1	BNK HILL
1S3W20H02	GLADYSTA WELL & WATER COMPANY	3600182-		BNK HILL
1S3W20P	NICKERSON, E. D.	3600270	ORANGEDALE	BNK HILL
1S3W20P01	NICKERSON WATER COMPANY	3600123	ALABAMA NO 1	BNK HILL
1S3W21A	STONE WATER COMPANY	3601046	1	BNK HILL
1S3W21E	MASCART WATER COMPANY	3601102	2	BNK HILL
1S3W21E	CHRISTINA WATER COMPANY	3601751	ALABAMA	BNK HILL
1S3W21G01S	LAVGFORD RANCHES	3600526	LUGONIA	BNK HILL
1S3W21H	REDLANDS, CITY OF	3602031	30A	BNK HILL
1S3W21H	REDLANDS, CITY OF	3602036	31A	BNK HILL
1S3W21H01S	REDLANDS, CITY OF	3601298	32	BNK HILL
1S3W21K01	LUED WATER COMPANY	3600510	1	BNK HILL
1S3W21M01	NICKERSON WATER COMPANY	3600124	LUGONIA NO 2	BNK HILL
1S3W21M2	SAVOYS RESTAURANT	NON-FILER		CITY CRK
1S3W21P01	R M I FUNDS	3600107	COLTON 1	BNK HILL
1S3W21R	SMITH TRACT WELL COMPANY	3600001	11	BNK HILL
1S3W21R	SMITH TRACT WELL COMPANY	3600001-		BNK HILL
1S3W22	PENN WELL COMPANY	3601405	2	BNK HILL
1S3W22A	REDLANDS, CITY OF	3602032	35	BNK HILL
1S3W22A01S	REDLANDS, CITY OF	3602106		BNK HILL

SAN BERNARDINO BASIN AREA  
CROSS INDEX BY STATE WELL NUMBER

STATE WELL NUMBER	OWNER NAME	RECORDATION NUMBER	LOCAL DESIGNATION	BASIN NAME
1S3W22F	PEVN WELL COMPANY	3601099	1	BNK HILL
1S3W23	REDLANDS, CITY OF	3600019	GR REES 1	BNK HILL
1S3W23A03	JUDSON MUTUAL WATER COMPANY	3601647	1	BNK HILL
1S3W23A03S	COGONIA WATER COMPANY	3601585	SBDND AV 1	BNK HILL
1S3W23F	NORTHSIDE WATER COMPANY	3600933	1	BNK HILL
1S3W24A01	VENTONE ACRES MUTUAL WELL CO.	3600748	OLD WELL 1	BNK HILL
1S3W24C	BEAR VALLEY MUTUAL WATER COMPANY	3600023	JUDSON 1	BNK HILL
1S3W24O	WESTERN FRUIT GROWERS	NON-FILER		BNK HILL
1S3W25M	HORS WELL PARTNERSHIP	3600049	MORRISON	BNK HILL
1S3W25W	HORS WELL PARTNERSHIP	3600049-	HORS WELL	BNK HILL
1S3W26C	REDLANDS, CITY OF	3602211	37SYLVN	BNK HILL
1S3W27F02S	REDLANDS, CITY OF	3601300	40	BNK HILL
1S3W28	SOUTHERN CALIFORNIA EDISON COMPANY	3600651		BNK HILL
1S3W28R01S	EAST BARTON WATER COMPANY	3600608	BARTON	BNK HILL
1S3W28C01	GRANT WATER COMPANY	3600075	GRANT	BNK HILL
1S3W28D01	KANSAS STREET MUTUAL WATER CO.	3601092		BNK HILL
1S3W28R01S	REDLANDS, CITY OF	3601301	41	BNK HILL
1S3W28J01	REDLANDS, CITY OF	3600085	NY ST 1	BNK HILL
1S3W28J02	REDLANDS, CITY OF	3602346	1	BNK HILL
1S3W28W	HOOVER WELL	3601649	HOOVER	BNK HILL
1S3W28M	HOOVER WELL	3601649-	HOOVER	BNK HILL
1S3W29	OLD TOWN WELL CO.	3600493	1	BNK HILL



SAN BERNARDINO BASIN AREA  
 CROSS INDEX BY STATE WELL NUMBER

STATE WELL NUMBER	OWNER NAME	RECORDATION NUMBER	LOCAL DESIGNATION	BASIN NAME
1S3W29	OLD TOWN WELL CO.	3600494	2	BNK HILL
1S3W29	LA POSSE, CHARLES H.	3600708	GOODWIN	BNK HILL
1S3W29	RANCHO CITRUS AMIGOS	3601753	PARK AVE 1	BNK HILL
1S3W29A01	FLTINGE & GRAZIADIO	3600766	COLTAMA	BNK HILL
1S3W29B01	IOWA STREET WELL	3601932		BNK HILL
1S3W29D	YAHIKU, PAUL	3601280	SOUTH 1	BNK HILL
1S3W29H	MOEHR MUTUAL WATER COMPANY	3600817		BNK HILL
1S3W29J01	PHAROAH POWELL WATER CO.	3600415		BNK HILL
1S3W30	PAYTON, P. H.	3600468	BAHR 1	BNK HILL
1S3W30	FRINK RANCH	3601131		BNK HILL
1S3W30	REDLANDS, CITY OF	3601637	PTRSON WELL	BNK HILL
1S3W30	RAVIREZ BROTHERS	3601728	1	BNK HILL
1S3W30L	LOVA LINDA UNIVERSITY	3601910	PUFFER	BNK HILL
1S3W31A	BREAK, ALLEN, ESTATE	NON-FILER		BNK HILL
1S3W31A	BRYN MAWR MUTUAL WATER COMPANY	3600053	1	BNK HILL
1S3W31A	BRYN MAWR MUTUAL WATER COMPANY	3600054	2	BNK HILL
1S3W31A	BRYN MAWR MUTUAL WATER COMPANY	3600055	3	BNK HILL
1S3W31H005	BRYN MAWR MUTUAL WATER COMPANY	3602109	4	BNK HILL
1S3W31D	STEWART, WILLARD	NON-FILER		BNK HILL
1S3W32D	IOWA LINDA, CITY OF	3601130	NICKS WELL	BNK HILL
1S3W32G	KUHN, RICHARD J	NON-FILER		BNK HILL
1S3W32G01	LAPANNI GUNTER WELL	3600160	GUNTER WELL	BNK HILL

SAY BERNARDINO BASIN AREA  
 CROSS INDEX BY STATE WELL NUMBER

STATE WELL NUMBER	OWNER NAME	RECORDATION NUMBER	LOCAL DESIGNATION	BASIN NAME
1S3432G03S	CANYON RANCH	3600523	HNTSCHKE	BNK HILL
1S3432J	WORTER	NON-FILER		BNK HILL
1S3432J02S	REDLANDS, CITY OF	3602732	DOC. LEE	BNK HILL
1S3432K	SOJKA, DONALD R	3601173		BNK HILL
1S3433C01S	LAKESIDE AVENUE MUTUAL WELL COMPANY	3602119		BNK HILL
1S3433D	ARTOKSIDE DAIRY, INC	3600036	1	BNK HILL
1S3433E	REDLANDS, CITY OF	3601289	4R	BNK HILL
1S3435G07S	REDLANDS, CITY OF	3601292	11	BNK HILL
1S3435G08S	REDLANDS, CITY OF	3601291	10	BNK HILL
1S3435G09S	REDLANDS, CITY OF	3601294	13	BNK HILL
1S3435G11S	REDLANDS, CITY OF	3601297	17	BNK HILL
1S3435H02S	REDLANDS, CITY OF	3601293	12	BNK HILL
1S3435H03S	REDLANDS, CITY OF	3601296	16	BNK HILL
1S3435H04S	REDLANDS, CITY OF	3601295	14	BNK HILL
1S3435H08S	EAST LUGONIA MUTUAL WATER CO.	3600005	LUETCKE	BNK HILL
1S4401A	ARROYO VERDE MUTUAL WATER CO.	3602069	2	BNK HILL
1S4401A02S	ARROYO VERDE MUTUAL WATER CO.	3602068	1	BNK HILL
1S4401B04S	EAST SAN BDNJ. COUNTY WATER DIST.	3601657	NO. 7	BNK HILL
1S4401D	EAST SAN BDNJ. COUNTY WATER DIST.	NON-FILER	NO. 96	BNK HILL
1S4401E02S	EAST SAN BDNJ. COUNTY WATER DIST.	3601668	22	BNK HILL
1S4401F02S	EAST SAN BDNJ. COUNTY WATER DIST.	3600926	PATTON 4	BNK HILL
1S4401J08S	EAST SAN BDNJ. COUNTY WATER DIST.	3601661	NO. 10	BNK HILL

SAN BERNARDINO BASIN AREA  
 CROSS INDEX BY STATE WELL NUMBER

STATE #/FLW NUMBER	OWNER NAME	RECORDATION NUMBER	LOCAL DESIGNATION	BASIN NAME
154401K045	FAST SAN BOND. COUNTY WATER DIST.	3601665	14	BNK HILL
154401P015	FASTWOOD FARMS COMMUNITY WATER USERS	3602130	1	BNK HILL
154401P025	FASTWOOD FARMS COMMUNITY WATER USERS	3602131	2	BNK HILL
154401C	EAST SAN BOND. COUNTY WATER DIST.	3602034	12A	BNK HILL
154401001	EAST SAN BOND. COUNTY WATER DIST.	3600925	NO. 100	BNK HILL
154402	EAST SAN BOND. COUNTY WATER DIST.	3600183	NO. 60	BNK HILL
154402	VICTORIA GUERNSEY	3600399	1	BNK HILL
154402	BERMAN, JERRY & SONS	3602007	2	BNK HILL
154402	MEYER, ERNEST	3602174		BNK HILL
154402R	VAN LOON MUTUAL WATER COMPANY	3602066	1	BNK HILL
154402J	BERMAN, JERRY	NON-FILER		BNK HILL
154402K	BERMAN, JERRY	NON-FILER	OLD WELL	BNK HILL
154402K015	SAN BERNARDINO, CITY OF	3600730	ANTIL 3	BNK HILL
154402K025	SAN BERNARDINO, CITY OF	3600731	ANTIL 5	BNK HILL
154402K035	SAN BERNARDINO, CITY OF	3600734	ANTIL 4	BNK HILL
154402K045	SAN BERNARDINO, CITY OF	3600733	ANTIL 1	BNK HILL
154402K055	SAN BERNARDINO, CITY OF	3600732	ANTIL 2	BNK HILL
154402K095	SAN BERNARDINO, CITY OF	3602422	ANTIL 6	BNK HILL
154402L	EAST SAN BOND. COUNTY WATER DIST.	NON-FILER	NO. 75	BNK HILL
154402N015	EAST SAN BOND. COUNTY WATER DIST.	3601664	13	BNK HILL
154402O	EAST SAN BOND. COUNTY WATER DIST.	3602563	11A	BNK HILL
1544020045	EAST SAN BOND. COUNTY WATER DIST.	3601663	12	BNK HILL

SAN BERNARDINO BASIN AREA  
CROSS INDEX BY STATE WELL NUMBER

STATE WELL NUMBER	OWNER NAME	RECORDATION NUMBER	LOCAL DESIGNATION	BASIN NAME
1544020055	EAST SAN BDNJ. COUNTY WATER DIST.	3601662	11	BNK HILL
154402R	EAST SAN BDNJ. COUNTY WATER DIST.	3601582		BNK HILL
1544030015	SAN BERNARDINO, CITY OF	3600722	ACACIA	BNK HILL
154403J	SAN BERNARDINO, CITY OF	3602265	7TH ST.	BNK HILL
154405F055	WEST SAN BDNJ. COUNTY WATER DIST.	3601848	RAYNOR 5	BNK HILL
154405M	TRI CITY CONCRETE	3601309	PLANT	BNK HILL
154405R	COLTON, CITY OF	3601252	6	BNK HILL
154406C04S	PAYCHEPIA WATER CO. TORIN	3601929	NEW RAYN 3	BNK HILL
154406H01S	WEST SAN BDNJ. COUNTY WATER DIST.	3601003	RAYNOR 4	BNK HILL
154406J01S	WEST SAN BDNJ. COUNTY WATER DIST.	3600999	DIXON 1	BNK HILL
154406J02S	WEST SAN BDNJ. COUNTY WATER DIST.	3601000	DIXON 2	BNK HILL
154408C	COLTON, CITY OF	3602405	19	BNK HILL
154408C02S	COLTON, CITY OF	3601262	BARNHL 18	BNK HILL
154408F	ATCHISON, TOPEKA & SANTA FE RAILWAY CO.	3600179	4	BNK HILL
154408F	COLTON, CITY OF	3601254	8	BNK HILL
154408F	COLTON, CITY OF	3601257	13	BNK HILL
154408F	TERRACE WATER COMPANY	3601684-	4	BNK HILL
154408F	TERRACE WATER COMPANY	3601685	SMALL 2	BNK HILL
154408F	TERRACE WATER COMPANY	3601686	3	BNK HILL
154408F01S	COLTON, CITY OF	3601260	16	BNK HILL
154408F02S	ATCHISON, TOPEKA & SANTA FE RAILWAY CO.	3600178	3	BNK HILL
154408F06S	TERRACE WATER COMPANY	3601684	LARGE 1	BNK HILL

SAN BERNARDINO BASIN AREA  
 CROSS INDEX BY STATE WELL NUMBER

STATE WELL NUMBER	OWNER NAME	RECORDATION NUMBER	LOCAL DESIGNATION	BASIN NAME
1544084	SOUTHERN CALIFORNIA EDISON COMPANY	3601012	STM PL 1	BNK HILL
1544084	SOUTHERN CALIFORNIA EDISON COMPANY	3601013	STM PL 2	BNK HILL
1544082	COLTON, CITY OF	3601250	4	BNK HILL
1544082	COLTON, CITY OF	3601251	5	BNK HILL
1544082	COLTON, CITY OF	3601253	7	BNK HILL
1544082	COLTON, CITY OF	3601258	14	BNK HILL
1544082	COLTON, CITY OF	3602498	68	BNK HILL
1544082	ICE PRODUCTS INC.	3600645		BNK HILL
1544082	ICE PRODUCTS INC.	3600644	2	BNK HILL
1544082	SAN BERNARDINO, CITY OF	3600736	SO G ST	BNK HILL
1544082	COLTON, CITY OF	3601256	PLUNGE 12	BNK HILL
1544082	SAN BERNARDINO, CITY OF	3600735	BIRCH ST	BNK HILL
1544082	SAN BERNARDINO, CITY OF	3601626	CITYLOTS	BNK HILL
1544082	SAN BERNARDINO, CITY OF	3600723	HANFORD 1	BNK HILL
1544082	SOUTHERN CALIFORNIA EDISON COMPANY	3609723	HANFORD 1	BNK HILL
1544082	SAN BERNARDINO, CITY OF	3600724	HANFORD 2	BNK HILL
1544082	SAN BERNARDINO, CITY OF	3600737	MILL & D	BNK HILL
154411F	DANGLIO DAIRY	NON-FILER		BNK HILL
154411F	KRANIZ DAIRY	NON-FILER		BNK HILL
154411G	HAZAS	NON-FILER		BNK HILL
154411G	WILLIAMS DAIRY	NON-FILER		BNK HILL
154411H	RALCOM	NON-FILER		BNK HILL

SAN BERNARDINO BASIN AREA  
CROSS INDEX BY STATE WELL NUMBER

STATE WELL NUMBER	OWNER NAME	RECORDATION NUMBER	LOCAL DESIGNATION	BASIN NAME
154411001S	SAN BERNARDINO, CITY OF	3600222		BNK HILL
154412	MAYFIELD, N. J.	3600291		BNK HILL
154417B	MORTON AIR FORCE BASE	NON-FILER	LOCAL NO. 2	BNK HILL
154412H	EAST SAN BDN. COUNTY WATER DIST.	3602564	29A	BNK HILL
154412B05S	EAST SAN BDN. COUNTY WATER DIST.	3601676	28	BNK HILL
154417C	MORTON AIR FORCE BASE	NON-FILER	LOCAL NO. 3	BNK HILL
154412D	MORTON AIR FORCE BASE	NON-FILER	LOCAL NO. 4	BNK HILL
154412D	CARDIFF FARMS MUTUAL WATER COMPANY	3600973	1	BNK HILL
154412D	CARDIFF FARMS MUTUAL WATER COMPANY	3601619	2	BNK HILL
154412F	MORTON AIR FORCE BASE	NON-FILER	LOCAL NO. 5	BNK HILL
154412G	MORTON AIR FORCE BASE	NON-FILER	LOCAL NO. 44	BNK HILL
154412Q	MORTON AIR FORCE BASE	NON-FILER	NO NO. WELL	BNK HILL
154413E	COLCONDA WATER CO.	NON-FILER		BNK HILL
154413R	VICTORIA FARMS MUTUAL WATER CO.	3602714	1	BNK HILL
154413R01S	VICTORIA FARMS MUTUAL WATER CO.	3602112		BNK HILL
154413R03	VICTORIA FARMS MUTUAL WATER CO.	3602247	2	BNK HILL
154414A	SAN BERNARDINO, COUNTY OF	NON-FILER	AEROSPACE	BNK HILL
154414A	SAVINI	NON-FILER		BNK HILL
154414A	GIFFORD PARK MUTUAL WATER CO.	3602128	1	BNK HILL
154414B	GIFFORD PARK MUTUAL WATER CO.	3602252	2	BNK HILL
154414E	HOLDEN MUT. 4TP. CO.	NON-FILER		BNK HILL
154414F	HOLDEN MUT. 4TP. CO.	NON-FILER	HOLDEN AVE.	BNK HILL

SAN BERNARDINO BASIN AREA  
 CROSS INDEX BY STATE WELL NUMBER

STATE WELL NUMBER	OWNER NAME	RECORDATION NUMBER	LOCAL DESIGNATION	BASIN NAME
154#14J	SO. SAN BERNARDINO COUNTY WATER DIST.	3602123	NORMAN	BNK HILL
154#14J	SO. SAN BERNARDINO COUNTY WATER DIST.	3602124	CENTRAL	BNK HILL
154#15D	NATIONAL ORANGE SHOW	3601924		BNK HILL
154#15D05	SAN BERNARDINO, CITY OF	3602285	1505	BNK HILL
154#15G	HELIPORT	NON-FILER		BNK HILL
154#15M01	SAN BERNARDINO, CITY OF	3600035		BNK HILL
154#15Q	VALLEY FARMS MUT. WTR. CO.	NON-FILER	NO 2 WELL	BNK HILL
154#15R	VALLEY FARMS MUT. WTR. CO.	NON-FILER	NO 1 WASHTN	BNK HILL
154#16M	SAN BERNARDINO, CITY OF	3600034	SMITH 1	BNK HILL
154#17R	VICTORIA FARMS MUTUAL WATER CO.	3602574	#3 WELL	BNK HILL
154#21A	SAN BERNARDINO, CITY OF	NON-FILER	SEWER PLNT 1	BNK HILL
154#22A	SIX HOUSES	NON-FILER		BNK HILL
154#22A01	SAN BERNARDINO INVESTORS	3602499		BNK HILL
154#22B	BARRIER	NON-FILER		BNK HILL
154#22B	CARPENTER	NON-FILER		BNK HILL
154#22C	SAN BERNARDINO, CITY OF	NON-FILER	SEWER PLNT 2	BNK HILL
154#22G01S	SOUTHERN CALIFORNIA EDISON COMPANY	3601016	THORN 1	BNK HILL
154#22V	SMITH MEAT PACKING PLANT	NON-FILER		BNK HILL
154#23D	MEADOWBROOK DAIRY	3600030	IRRIG 2	BNK HILL
154#23U	MEADOWBROOK DAIRY	3600037	DOMESTIC 1	BNK HILL
154#23K	TPT CITY MUTUAL WATER COMPANY	3601823		BNK HILL
154#23N	TPT CITY MUTUAL WATER COMPANY	NON-FILER		BNK HILL

SAN BERNARDINO BASIN AREA  
CROSS INDEX BY STATE WELL NUMBER

STATE WELL NUMBER	OWNER NAME	RECORDATION NUMBER	LOCAL DESIGNATION	BASIN NAME
1S4W23N	SAN BERNARDINO, CITY OF	3601316	1	BNK HILL
1S4W23N04	SAN BERNARDINO, CITY OF	3602521	2	BNK HILL
1S4W23P	INTER CITY MUTUAL WATER CO	NON-FILER		BNK HILL
1S4W23R03S	SO. SAN BERNARDINO COUNTY WATER DIST.	3602122	ROSEWOOD	BNK HILL
1S4W24	REDLANDS, CITY OF	3601636	LANGFORD	BNK HILL
1S4W24A	LOVA LINDA, CITY OF	3602759		BNK HILL
1S4W24F	SO. SAN BERNARDINO COUNTY WATER DIST.	3602126	NEWGOULD	BNK HILL
1S4W24F04S	SO. SAN BERNARDINO COUNTY WATER DIST.	3602125	OLDGOULD	BNK HILL
1S4W24J	MT. VISTA CHILD CARE CENTER	NON-FILER		BNK HILL
1S4W24J	RIVAS	NON-FILER		BNK HILL
1S4W24J	TEXACO GAS STATION	NON-FILER		BNK HILL
1S4W24J	VANLEUVEN, CLARENCE	NON-FILER		BNK HILL
1S4W24J	VICTORIA SEVENTH DAY ADVENTIST	NON-FILER		BNK HILL
1S4W24J	RIVAS, RAMON	3600016	REES 4	BNK HILL
1S4W24K	MOORE, F. H.	NON-FILER		BNK HILL
1S4W24K01S	REDLANDS, CITY OF	3601299	34	BNK HILL
1S4W24Y	LOVA LINDA UNIVERSITY	3602013	7	BNK HILL
1S4W24P	SO. SAN BERNARDINO COUNTY WATER DIST.	3602060	BENNETT WELL	BNK HILL
1S4W24R	LOVA LINDA, CITY OF	3602596	NEW GOLCONDA	BNK HILL
1S4W24R01S	LOVA LINDA, CITY OF	3601989	1	BNK HILL
1S4W25	LOVA LINDA, CITY OF	3601384	1	BNK HILL
1S4W25	LOVA LINDA, CITY OF	3601388	2	BNK HILL



SAN BERNARDINO BASIN AREA  
 CROSS INDEX BY STATE WELL NUMBER

STATE WELL NUMBER	OWNER NAME	RECORDATION NUMBER	LOCAL DESIGNATION	BASIN NAME
1S4425B	LOVA LINDA, CITY OF	3602015	LLU 9	BNK HILL
1S4425H02S	LOVA LINDA, CITY OF	3602011	LLU 5	BNK HILL
1S4425C	LOVA LINDA, CITY OF	3602057	MITTLEID	BNK HILL
1S4425C01S	LOVA LINDA UNIVERSITY	3602012	6	BNK HILL
1S4425D05	LOVA LINDA UNIVERSITY	3602249	ANDERSON	BNK HILL
1S4425E01S	LOVA LINDA UNIVERSITY	3602017	2	BNK HILL
1S4425F	LOVA LINDA, CITY OF	3602058	CROOKS	BNK HILL
1S4425G	LOVA LINDA, CITY OF	3602016	ROBINSON	BNK HILL
1S4425G01S	LOVA LINDA UNIVERSITY	3602009	3	BNK HILL
1S4425H02S	LOVA LINDA, CITY OF	3602010	LLU 4	BNK HILL
1S4426A	LOVA LINDA UNIVERSITY	3602008	1	BNK HILL
1S4426F	INGER, V.E.	3601168		BNK HILL
1S4426F01	PROTECTOR MUTUAL WATER COMPANY	3600119	1	BNK HILL
1S4426J01S	LOVA LINDA UNIVERSITY	3602014	8	BNK HILL
1S4427H	ARMANSON RANCH	NON-FILER		BNK HILL
1S4436J	WILFY, RUTH NORMOOD	3600052	1	BNK HILL
2N5419	SAN BERNARDINO, CITY OF	3600710	CAJON	L CAJON
2N5419K	SAN BERNARDINO, CITY OF	3602426	C.C. DIV.	L CAJON
2N5419Q01	SAN BERNARDINO, CITY OF	3600709	VINCENT	L CAJON
2N5420H	DEVORE WATER CO.	3602385	MEDLIN CR.	L CAJON
2N5421E	DEVORE WATER CO.	3602386	LETHIN SP.	L CAJON
2N5421G	DEVORE WATER CO.	3602388	KIMBARK	L CAJON

SAN BERNARDINO BASIN AREA  
 CROSS INDEX BY STATE WELL NUMBER

STATE #FLI. NUMBER	OWNER NAME	RECORDATION NUMBER	LOCAL DESIGNATION	BASIN NAME
2NS#22E	DEVORE WATER CO.	3602387	E. KIMBARK	L CAJON
2NS#22N	DEVORE WATER CO.	3602389	HOPPER	L CAJON
2NS#29E	DEVORE WATER CO.	3602390	SANTA FE	L CAJON
2NS#28C	DEVORE WATER CO.	3602383	2	L CAJON
2NS#28C	DEVORE WATER CO.	3602384	3	L CAJON
2NS#28D	DEVORE WATER CO.	3602382	1	L CAJON
2NS#28D	DEVORE WATER CO.	3602391	CASADY	L CAJON
2NS#33F	SAN BERNARDINO, COUNTY OF	NON-FILER	GLEN HELEN 3	L CAJON
2NS#33G	SAN BERNARDINO, COUNTY OF	NON-FILER	GLEN HELEN 4	L CAJON
2NS#33H	DEVORE WATER CO.	3602428	4	L CAJON
2NS#33Q02	SAN BERNARDINO, COUNTY OF	NON-FILER	GLEN HELEN 2	L CAJON
2NG#26L1	FONTANA UNION WATER COMPANY	3600590	MN 2	LYTLE
2NG#26L2	FONTANA UNION WATER COMPANY	3600588	MN 1	LYTLE
2S2#06D	CRYSTAL SPRINGS	NON-FILER		BNK HILL
2S3#01E	REDLANDS HEIGHTS WATER COMPANY	3600918	1	BNK HILL
2S3#03K	REDLANDS, CITY OF	3602042		BNK HILL
2S3#05A2	LOVA LINDA HEIGHTS RANCHO	3601632	MARCUM WELL	BNK HILL

CHANGE IN OWNERSHIP FROM BASE PERIOD

CHANGE IN OWNERSHIP FROM BASE PERIOD

FORMER OWNER	PRESENT OWNER	RECORDATION NUMBER	STATE WELL NUMBER	YEAR CHANGE SHOWN IN VOLUME 1
AEROSPACE	SAN BERNARDINO, COUNTY OF	3600275	1S4W14A	1973
ANDERSON MUTUAL WELL COMPANY, INC	EAST SAN BDN. COUNTY WATER DIST.	NF	1N3W32	1970
BASELINE & LAPRAIX WELL	EAST SAN BDN. COUNTY WATER DIST.	3600466	1N3W04	1973
BEAR VALLEY MUTUAL WATER COMPANY	EAST SAN BDN. COUNTY WATER DIST.	3600026	1S3W4J	1971
BEVERLY ASSOCIATES REC 3602065	REDLANDS, CITY OF REC 3602732	3602732	1S3W32J2	1978
BIG BEAR TIMBER COMPANY	GOLDEN STATE BLDG. PRODUCTS	3602127	1S3W15A1	1973
CALAGONIA GROVES	CRIM, W. ROSCOE	3601171	1S3W20F	1974
CALIFORNIA, STATE OF	EAST SAN BDN. COUNTY WATER DIST.	3600926	1S4W01F2	1973
PATTON HOSPITAL		3600928	1N3W31L2	1973
		3600930	1N3W31L3	1973
CALIFORNIA, STATE OF	SAN BERNARDINO, CITY OF	3600927	1N3W31B1	1973
PATTON HOSPITAL		3601632	2S3W05A2	1979
CANYON KNOWLS RANCH	LOMA LINDA HEIGHTS RANCHO	3600643	1N4W25K1	1973
CAMERON RANCHO MUTUAL WATER COMPANY	EAST SAN BDN. COUNTY WATER DIST.	3601172	1S3W20C	1970
CARL'S RANCH C/O REDLANDS FARMING CO.	AIELLO RANCH C/O CRIM GROVE CARE 1970-71	3601172	1S3W20C	1972
	CRIM WELL C/O REDLANDS FARMING CO. 1972-75	3601172	1S3W20C	1975
	HUNTER/CRIM/ZARUBICA WELL 1975-	3602106	1S3W22A1	1970
CHURCH STREET MUTUAL WELL CO	REDLANDS, CITY OF	3600449	1S3W20	1974
CITRUS PROPERTY MANAGEMENT CO.	BELL, H. EUGENE	3602571	1S3W03F	1974
CLIFFSIDE RANCH	TEAGLE, M., ESTATE	3602571	1S3W3F	1978
	EAST SAN BER. CO. WATER DIST.	3600085	1S3W28J1	1973
COLTON AVENUE WATER COMPANY	REDLANDS, CITY OF	3602346	1S3W28J2	1973
		3600527	1S3W16	1975
COOK ORCHARDS CO.	EADINGTON FRUIT CO. COOK RANCH	3601184	1N3W33F1	1973
CORWIN WELL COMPANY	EAST SAN BDN. COUNTY WATER DIST.	NF	1N4W35F	1971
COUNTY HOSPITAL	SAN BERNARDINO, COUNTY OF	3601384	1S4W25	1971
COURT STREET WATER COMPANY	LOMA LINDA, CITY OF	3601388	1S4W25	1971
		3601628	1S2W090	1979
CRAM, FRANCES L.	COGBILL, CLINTON L.	3602549	1S3W19J	1973
DANIELS, DON	DANIELS AND BEST RANCH	3602550	1S3W17R	1973
DANIELS, HAROLD	DANIELS AND BEST RANCH	3602370	1N4W25F	1976
DEL ROSA MUTUAL WATER CO.	EAST SAN BDN. COUNTY WATER DIST.	3601810	1N4W23E	1976
DEL ROSA MUTUAL WATER CO.	HODGDON, WARNER	3601811	1N4W14	1976
		NF	1S4W24J	1973
DOUGLAS GAS STATION	TEXACO GAS STATION	3601649	1S3W28M	1973
E R DUNLOP	HOOVER WELL	3600607	1S3W02	1973
EAST HIGHLANDS DOMESTIC WATER CO	SARATOGA DEVELOPMENT CO.	3600607-	1S3W02	1973
		3600598	1S3W02	1973
EAST HIGHLANDS ORANGE COMPANY	SARATOGA DEVELOPMENT CO.	3600604	1S2W07B	1973
		3600605	1N3W36	1973
		3600606	1N3W35	1973
		3601639	1S3W03R1	1973
		3602474	1N3W250	1973
		NF	1S2W06	1977

CHANGE IN OWNERSHIP FROM BASE PERIOD

FORMER OWNER	PRESENT OWNER	RECORDATION NUMBER	STATE WELL NUMBER	YEAR CHANGE SHOWN IN VOLUME 1
EAST HIGHLANDS ORANGE COMPANY	SUNRISE RANCH PART. C/O LIFE DEVEL. CO.	3600599	1S2W13	1973
		3600600	1S2W13	1973
		3600601	1S2W14	1973
		3600602	1S2W15P	1973
		3600603	1S2W15C	1973
		3601640	1S2W14	1973
EAST HIGHLANDS ORANGE COMPANY	SUNRISE RANCH PART. C/O LIFE DEVEL. CO.	3601969	1S2W14L	1973
EAST SAN BDNO. COUNTY WATER DISTRICT	HODGSON, WARNER	3601979	1N4W14A	1976
ELLENA, JOHN B.	SAN BERNARDINO, CITY OF	3602712	1N4W08N	1977
FRANK RANCH RECDRATON NO 3601131	RAMIREZ BROTHERS REC. NO. 3601728	3601728	1S3W30	1970
HACIENDA TRAILER PARK	EAST SAN BDNO. COUNTY WATER DIST.	NF	1S3W040	1970
HICKS, JOHN/LOUISE	REYNOLDS, BILL	3600981	1S2W21H01	1978
HOLIDAY ROCK CO.	REDLANDS TRAP/SKEET	3600628	1S3W15G	1974
HOMART DEVELOPMENT CO	SAN BERNARDINO, CITY OF	3600034	1S4W16H	1970
		3600035	1S4W15M1	1970
		3602285	1S4W15D5	1970
INDUST. ACRES C/O CITRUS INVESTMENT	MENTONE CITRUS GROVES	3600139	1S2W18R01S	1975
INLAND FARMING CO.		3602280	1S2W18Q	1975
INTER CITY MUTUAL WATER CO.	RIEDMAN, FRED M.	3602079	1S3W03F	1974
	BARNO, JOHN	3601316	1S4W23N	1977
	SAN BERNARDINO, CITY OF	3602521	1S4W23N4	1977
JACINTO, FRANK JR	F. A. R. WELL	3602020	1S2W20K	1973
JACINTO FARMING, INC	MCCLINTOCK, W.L. 1970-1972	3601280	1S3W29D	1970
	YAHIKU, PAUL 1973-	3601280	1S3W29D	1973
	BENNETT 1976-1978	3602060	1S4W24P	1976
JOHANSSON, RUF	SD. SAN BERNARDINO COUNTY WATER DIST. 1979-3602060	3601173	1S4W24P	1979
		3600523	1S3W32K	1975
LAND CAPITOL CORP & DONALD SOJKA	SOJKA, DONALD R.	3600160	1S3W32G3	1973
LANGFORD RANCHES REC 3600523	CANYON RANCH	3602499	1S4W22A01	1979
LARSEN, ERNEST R.	LARANNI GUNTER WELL	3600083	1N5W6	1970
LEONARD, WILLIAM E.	SAN BERNARDINO INVESTORS	3602525	1S3W13C	1971
LONG ACRES MUTUAL WATER CO	STORKSON, WILLIAM F.	NF	1N3W31	1973
L.P.R. RANCH	L.P.R. ICE COMPANY	3601308	1S2W19K1	1978
MECKS & DALEY (1N3W31)	BASELINE LAUNDRY	3602653	1S2W19J	1978
MENTONE DOMESTIC WATER CO.	REDLANDS, CITY OF	3602654	1S4W02	1974
		3602174	1S4W02	1975
		3600925	1S4W0101	1973
		3601093	1N4W24	1977
		3600865	1N4W24	1978
		3602529	1S2W09P2	1971
		3602530	1S2W09L2	1971
		3602531	1S2W09L3	1971
		3600017	1S2W29	1976
		3600018	1S2W29	1976
MEYER, ERNEST	EAST SAN BDNO. COUNTY WATER DIST.			
	MEYER, ERNEST			
NORTON VILLAGE, LTD.	EAST SAN BDNO. COUNTY WATER DIST.			
PEYTON, A.L. OR IRENE A.	SOMERS, R.			
PEYTON, MRS. A.L.	LA BONTE, JIM			
REDLANDS ASSOCIATES	BLUE GOOSE GROWERS INC.			
REES-REES PATCHES, INC.	SELBY, DR. & MRS. ARTHUR			

CHANGE IN OWNERSHIP FROM BASE PERIOD

FORMER OWNER	PRESENT OWNER	RECORDATION NUMBER	STATE WELL NUMBER	YEAR CHANGE SHOWN IN VOLUME 1
REFS-REES RANCHES, INC.	REDLANDS, CITY OF	3600019	1S3W23	1978
RIALTO MUTUAL LAND AND WATER COMPANY	RIALTO, CITY OF	3601085	1N4W31N	1973
ROBERTS, DR. G.	PATTERSON, ROY H.	NF	1N3W34Q	1977
ROZEMA CHICKEN RANCH	QUALITY FARMS	NF	1S3W04R	1975
SAN BERNARDINO COUNTY SERVICE AREA 2	LOMA LINDA, CITY OF	3601989	1S4W24R1	1970
		3602010	1S4W25H2	1970
		3602011	1S4W25B2	1970
		3602015	1S4W25B	1970
		3602016	1S4W25G	1970
		3602057	1S4W25C	1970
		3602058	1S4W25F	1970
		3600484	1S3W16	1978
SECHREST, RALPH F.	RAMIREZ, J.J.	3600545	1N3W30	1970
SELEY WELL CO	EAST SAN BDNQ. COUNTY WATER DIST.	3600468	1S3W30	1971
SMITH, LEONA BERNICE	PAXTON, R. H.	3600451	1S3W15	1970
STUCKER RANCH	BEELER, RAYMOND A.	3601582	1S4W02R	1975
SUNNYSIDE MUTUAL WATER COMPANY	EAST SAN BDNQ. COUNTY WATER DIST.	3600935	1N4W31N	1973
TRI CITY BASELINE	TRI CITY CONCRETE	3601420	1S3W09E	1970
TRI CITY ROCK	TRI CITY CONCRETE	3602657	1S1W20D	1975
TRIPLE FALLS MUT. WTR. CO.	YUCAIPA VALLEY COUNTY WATER DISTRICT	3602658	1S1W20D	1975
		3602659	1S1W19G	1975
UNIVERSITY OF REDLANDS	KARAHALDIS	NF	1S2W17	1975
VALLE VISTA RANCH CO.	LOMA LINDA, CITY OF	3601130	1S3W32D	1973
VAN CAMP, GILBERT C.	CALLISON, ROY A. 1977-1978	3600218	1N4W24	1977
	LANGSTON-NEWBY DEVELOPMENT CO. 1979-	3600218	1N4W24	1979
VAHLKOVEN NURSING HOME	MT. VIEW CHILD CARE CENTER	NF	1S4W24J	1978
WEST HIGHLAND WELL COMPANY	EAST SAN BDNQ. COUNTY WATER DIST.	3600221	1N3W30	1970
WEST TWIN CREEK WATER COMPANY	HODGDON, WARNER	NF	1N4W14C	1976

TABLE NO. 1

EXTRACTIONS BY OWNERS (NON-PLAINTIFFS) WHICH  
HAVE RECORDATION FILINGS WITH THE STATE  
WATER RESOURCES CONTROL BOARD

TABLE NO. 1  
 VERIFIED EXTRACTATIONS BY OWNERS (NON-PLAINTIFFS) WHICH HAVE RECORDATION FILINGS  
 WITH THE STATE WATER RESOURCES CONTROL BOARD

OWNER	1959	1960	1961	1962	1963	1959-63 AVERAGE	1975	1976	1977	1978	1979	1975-79 AVERAGE
ARMSTRONG, DOUGLAS												
3600076 1S3*17 W	286	342	-	-	-	126	-	-	-	-	-	0
ARMWHEAD COUNTRY CLUB												
3601925 1N4*23E W	600	607	650	650	650	631	431	555	562	429	396	475
ARRDYD VERDE MUTUAL WATER CO.												
3602068 1S4*01A025 W <sup>1</sup>	166	186	162	168	141	165	145	130	120	95	95	117
3602069 1S4*01A W <sup>1</sup>	-	-	-	-	-	0	87	78	72	58	58	71
OWNER TOTAL	166*	186*	162*	168*	141*	165*	232*	208*	192*	153*	153*	188*
ATCHISON, JOPEKA & SANTA FE RAILWAY CO.												
3600178 1S4*08F02S W	158	127	113	110	69	115	-	-	-	-	-	0
3600179 1S4*08F W	158	127	113	110	69	115	-	-	-	-	-	0
OWNER TOTAL	316*	254*	226*	220*	138*	231*	0*	0*	0*	0*	0*	0*
B M I FUNDS												
3600107 1S3*21P01 W	343	373	165	165	-	199	-	-	-	-	-	0
BARND, JOHN												
3602079 1S3*03F W <sup>2</sup>	-	-	-	-	34	7	0	0	1	1	0	0
BASF LIME WELL COMPANY												
3600456 1E3*33R02S W	0	0	0	0	0	0	-	-	-	-	-	0

1 1976 VERIFIED EXTRACTION CORRECTED DURING THE 1977 VERIFICATION

2 FORMERLY ISLAND FARMING CO.



TABLE NO. 1  
 VERIFIED EXTRACTATIONS BY OWNERS (NON-PLAINTIFFS) WHICH HAVE RECORDATION FILINGS  
 WITH THE STATE WATER RESOURCES CONTROL BOARD

OWNER	1959	1960	1961	1962	1963	1959-63 AVERAGE	1975	1976	1977	1978	1979	1975-79 AVERAGE
BASELINE GARDENS MUTUAL WATER COMPANY												
3600457 1H4W35J02S W	28	28	28	28	28	28	0	5	0	0	0	1
3600458 1H4W36Y01S W <sup>1</sup>	275	275	275	275	275	275	160	148	193	190	240	186
3602528 1N4W35R01 W <sup>1</sup>	-	-	-	-	-	0	200	201	133	161	158	171
OWNER TOTAL	303*	303*	303*	303*	303*	303*	360*	354*	326*	351*	398*	358*
BEAR VALLEY MUTUAL WATER COMPANY												
3600021 1N2W26H W	687	556	465	555	532	559	489	691	811	224	62	455
3600022 1N2W34 W	531	522	351	472	458	467	756	773	734	58	52	475
3600023 1S3W24C W	1780	1845	2434	1726	1444	1846	0	0	1031	1	1	207
3600024 1S2W19D W	0	219	163	32	8	84	0	0	0	0	0	0
3600025 1N3W29R01S W	0	0	170	0	0	34	FC	-	-	-	-	0
3600027 1N2W10N W	266	170	196	180	106	184	FC	-	-	-	-	0
3600028 1S2W04N W <sup>2</sup>	19622	15927	11418	13528	10836	14266	20658	18840	14424	16809	19470	18040
3601536 1S3W15F02S W	0	0	2177	1354	1488	1004	0	0	0	0	0	0
OWNER TOTAL	22886*	19239*	17374*	17847*	14872*	18444*	21903*	20304*	17000*	17092*	19585*	19177*
BEEBEE, RAYMOND A.												
3600451 1S3W15 W <sup>3</sup>	962	700	940	784	816	840	721	592	760	567	655	659

1 1974 VERIFIED EXTRACTION CORRECTED DURING THE 1975 VERIFICATION  
 2 CORRECTING 1974 INCLUDES GROSS SANTA ANA RIVER DIVERSIONS--SEE TABLE NO. 6 FOR VERIFIED DIVERSIONS  
 3 FORMERLY STUCKER RANCH

TABLE NO. 1  
 VERIFIED EXTRACTIONS BY OWNERS (NON-PLAINTIFFS) WHICH HAVE RECORDATION FILINGS  
 WITH THE STATE WATER RESOURCES CONTROL BOARD

OWNER	1959	1960	1961	1962	1963	1959-63 AVERAGE	1975	1976	1977	1978	1979	1975-79 AVERAGE
BELL, H. EUGEVE												
3600449 1S3W20 W <sup>1</sup>	115	88	30	85	167 <sup>1</sup>	97	99	45	36	0	0	36
BERMAN, JERRY & SONS												
3602007 1S4W02 W	-	-	-	28	32	12	26	24	22	20	22	23
BLUE GOOSE GROWERS INC												
3602529 1S2W09P02 W <sup>2</sup>	-	-	-	-	-	0	0	0	0	0	0	0
3602530 1S2W09L02S W <sup>2</sup>	-	-	-	-	-	0	5	0	0	0	0	1
3602531 1S2W09L03S D <sup>2</sup>	-	-	-	-	-	0	116	117	80	80	80	95
OWNER TOTAL	0*	0*	0*	0*	0*	0*	121*	117*	80*	80*	80*	96*
BRISTOL RANCH												
3601631 1N3W34C02S W	90	100	160	108	108	113	55	63	49	0	0	33
BROOKSIDE DAIRY, INC												
3600036 1S3W33D W	302	302	312	312	313	308	315	195	63	9	19	120
BRYN MAWR MUTUAL WATER COMPANY												
3600053 1S3W31A W	585	470	583	296	249	437	360	320	381	303	296	332
3600054 1S3W31A W	306	330	375	295	0	261	-	-	-	-	-	0
3600055 1S3W31A W	306	330	375	0	249	252	0	0	0	0	0	0
3602109 1S3W31B00S W	0	0	0	708	554	252	443	343	288	194	167	287

1 FORPEPLY CITRUS PROPERTY MANAGEMENT CO.  
 2 PRIOR TO 1972 SEE NON-FILED EXTRACTIONS TABLE NO. 2 REDLANDS ASSOCIATES

TABLE NO. 1  
 VERIFIED EXTRACTIONS BY OWNERS (NON-PLAINTIFFS) WHICH HAVE RECORDATION FILINGS  
 WITH THE STATE WATER RESOURCES CONTROL BOARD

OWNER	1959	1960	1961	1962	1963	1959-63 AVERAGE	1975	1976	1977	1978	1979	1975-79 AVERAGE
OWNER TOTAL	1197*	1130*	1333*	1299*	1052*	1202*	803*	663*	669*	497*	463*	619*
BUOYE WELL	0	0	146	160	177	97	180	141	136	0	0	91
CALIFORNIA, STATE OF PATTON HOSPITAL												
3600923 1N3W32C01S W	211	286	257	218	212	237	-	-	-	-	-	0
3600924 1N3W29M01S W	175	223	146	156	143	169	-	-	-	-	-	0
3600924- 1N3W29M W	-	-	-	-	-	0	159	125	160	102	126	134
3600929 1N3W31K02S W	41	-	-	-	0	8	-	-	-	-	-	0
3600931 1N3W29M01S W	520	227	282	303	307	328	125	148	134	166	162	147
3601930 1N3W32C02S W	-	340	400	326	295	272	27	30	6	8	9	16
3602381 1N3W29M W	-	-	-	-	-	0	136	142	125	145	147	139
OWNER TOTAL	947*	1076*	1085*	1003*	957*	1014*	447*	445*	425*	421*	444*	436*
CANYON RANCH												
3500523 1S3W32G03S W <sup>1</sup>	298	222	101	109	103	167	96	0	0	0	0	19
CARDIFF FARMS MUTUAL WATER COMPANY												
3600973 1S4W12D W	445	391	432	339	384	398	286	286	255	190	250	253
3601619 1S4W12D W	73	64	70	64	62	67	107	107	134	150	150	130
OWNER TOTAL	518*	455*	502*	403*	446*	465*	393*	393*	389*	340*	400*	383*

CHARLES, J. J.

3600815 1S3W06

<sup>1</sup> FORMERLY LANGFORD RANCHES

TABLE NO. 1  
 VERIFIED EXTRACTIONS BY OWNERS (NON-PLAINTIFFS) WHICH HAVE RECORDATION FILINGS  
 WITH THE STATE WATER RESOURCES CONTROL BOARD

OWNER	1959	1960	1961	1962	1963	1959-63 AVERAGE	1975	1976	1977	1978	1979	1975-79 AVERAGE
CHRISTINA WATER COMPANY												
3601751 1S3W21E W	1302	1403	700	865	793	1013	18	20	88	13	8	29
COGRILL, CLINTON L.												
3601628 1S2W090 W <sup>1</sup>	312	296	325	181	91	241	0	0	0	0	1	0
CALTON, CITY OF												
3601250 1S4W08R W	326	132	102	133	121	163	92	129	91	78	178	114
3601251 1S4W08R W	0	101	233	578	227	228	310	309	122	260	305	261
3601252 1S4W05R W	463	733	129	154	62	308	-	-	-	-	-	0
3601253 1S4W08R W	376	526	364	339	189	359	577	310	554	371	243	411
3601254 1S4W08F W	111	172	257	378	651	314	799	830	897	721	879	825
3601256 1S4W09N W	114	79	77	13	11	59	0	0	0	0	0	0
3601257 1S4W08F W	786	519	726	861	919	762	929	1189	1016	964	717	963
3601258 1S4W08R W	10	4	163	228	210	123	336	188	251	245	412	286
3601259 1S4W08F01S W	628	1066	967	689	595	789	473	705	712	419	448	551
3601262 1S4W08C025 W	0	274	287	370	282	243	0	0	0	0	0	0
3602405 1S4W08C W	-	-	-	-	-	0	284	308	57	859	763	454
3602498 1S4W08R07 W <sup>2</sup>	-	-	-	-	-	0	140	93	158	145	128	133
OWNER TOTAL	2814*	3606*	3305*	3743*	3267*	3347*	3940*	4061*	3858*	4062*	4073*	3999*

1 FORMERLY GRAM, FRANCIS L.  
 2 WELL DRILLED 1972

TABLE NO. 1  
 VERIFIED EXTRACTIIONS BY OWNERS (NON-PLAINTIFFS) WHICH HAVE RECORDATION FILINGS  
 WITH THE STATE WATER RESOURCES CONTROL BOARD

OWNER	1959	1960	1961	1962	1963	1959-63 AVERAGE	1975	1976	1977	1978	1979	1975-79 AVERAGE
CONEJO RANCHOS MUTUAL WATER COMPANY												
3601196 1W436F03S W	-	-	-	-	-	0	-	-	-	-	-	0
CHAFTON WATER COMPANY												
3600272 1S2W29N W	623	750	854	483	477	637	447	342	353	0	0	228
3602186 1S2W21L02 W	-	-	57	262	181	100	230	137	217	0	2	117
OWNER TOTAL	623*	750*	911*	745*	658*	737*	677*	479*	570*	0*	2*	346*
CRAM PATTERSON WELL												
3600188 1S2W16 W	413	257	361	277	294	320	374	336	384	340	288	344
CRIM, W. ROSCJE												
3601171 1S3W20F W <sup>1</sup>	389	343	435	413	396	395	243	216	257	189	182	217
DANIELS AND BEST RANCH												
3602549 1S3W19J W <sup>2</sup>	-	-	-	-	-	0	80	75	81	69	69	75
3602550 1S3W17R W <sup>3</sup>	-	-	-	-	-	0	200	189	240	182	182	199
OWNER TOTAL	0*	0*	0*	0*	0*	0*	280*	264*	321*	251*	251*	273*
DEL ROSA MUTUAL WATER COMPANY												
3601609 1N4W26 W	94	100	561	529	284	314	-	-	-	-	-	0
DEVORE WATER CO.												
3602382 2W5W28D W	-	-	-	-	-	0	-	-	-	-	-	0

1 FOREPELY CALAGONIA GROVES  
 2 PRIOR TO 1973 SEE NON-FILED EXTRACTIIONS TABLE NO. 2 DANIELS, DON  
 3 PRIOR TO 1973 SEE NON-FILED EXTRACTIIONS TABLE NO. 2 DANIELS, HAROLD

TABLE NO. 1  
 VERIFIED EXTRACTATIONS BY OWNERS (NON-PLAINTIFFS) WHICH HAVE RECORDATION FILINGS  
 WITH THE STATE WATER RESOURCES CONTROL BOARD

OWNER	1959	1960	1961	1962	1963	1959-63 AVERAGE	1975	1976	1977	1978	1979	1975-79 AVERAGE
(CONTINUED)												
DEVORE WATER CO.												
3602383 2N5W28C W	35	57	80	15	32	44	73	88	92	52	77	76
3602384 2N5W28C W	-	-	-	5	17	4	52	72	80	41	63	62
3602385 2N5W20H D	2	2	2	3	3	2	6	3	3	5	5	4
3602396 2N5W21E D	9	7	6	11	9	8	17	9	9	18	17	14
3602387 2N5W22E D	35	27	22	42	31	31	14	31	35	67	62	42
3602388 2N5W21G D	45	36	30	56	44	42	81	42	47	91	84	69
3602399 2N5W22N D	0	0	0	0	0	0	-	-	-	-	-	0
3602390 2N5W28B D	0	0	0	0	0	0	-	-	-	-	-	0
3602391 2N5W28D D	0	0	0	0	0	0	-	-	-	-	-	0
3602428 2N5W33H W	-	-	-	-	-	0	0	0	0	0	0	0
OWNER TOTAL	126*	129*	140*	132*	136*	133*	243*	245*	266*	274*	308*	267*
DUDA, WALTER AND BETTY												
3601839 1S3W10D01S W	5	13	37	21	22	20	22	19	13	25	32	22
EADINGTON FRUIT CO. COOK RANCH												
3600527 1S3W16 W <sup>1</sup>	133	133	133	133	133	133	99	99	103	95	95	98
EAST RARION WATER COMPANY												
3500608 1S3W28B01S W	168	127	135	274	145	170	FC	-	-	-	-	0
EAST COLTON AVENUE WATER COMPANY												
3600240 1S2W30 W	401	325	337	230	176	294	0	0	0	0	0	0

<sup>1</sup> FORMERLY CLOK ORCHARDS COMPANY

TABLE NO. 1  
 VERIFIED EXTRACTATIONS BY OWNERS (NON-PLAINTIFFS) WHICH HAVE RECORDATION FILINGS  
 WITH THE STATE WATER RESOURCES CONTROL BOARD

OWNER	1959	1960	1961	1962	1963	1959-63 AVERAGE	1975	1976	1977	1978	1979	1975-79 AVERAGE
(CONTINUED)												
EAST COLTON AVENUE WATER COMPANY												
3601645 1S2W308 W	417	310	275	232	215	290	0	0	0	0	0	0
OWNER TOTAL	818*	635*	612*	462*	391*	584*	0*	0*	0*	0*	0*	0*
EAST LUGOVIA MUTUAL WATER CO.												
3600005 1S3W35H08S W	741	493	543	448	391	523	0	0	522	0	0	104
3600006 1S2W19G01S W	261	131	94	12	0	100	0	0	0	0	0	0
3600038 1S2W17 D	-	-	-	-	-	0	0	0	0	0	0	0
OWNER TOTAL	1002*	624*	637*	460*	391*	623*	0*	0*	522*	0*	0*	104*
EAST PIONEER MUTUAL WELL COMPANY												
3602274 1S3W13P W	776	692	876	403	431	636	372	365	382	325	365	362
EAST SAY BOND, COUNTY WATER DIST.												
3600026 1S3W04J W <sup>1</sup>	1711	1467	2031	1017	760	1397	0	0	0	0	0	0
3600054 1S3W03F W	178	160	130	124	28	124	0	0	0	0	0	0
3600183 1S4W02 W	75	70	69	28	28	54	0	0	0	0	0	0
3600221 1N3W30 W <sup>2</sup>	413	339	339	415	498	401	0	0	0	0	0	0
3600265 1S3W31L W	40	33	62	53	4	38	0	0	0	0	0	0
3600275 1N3W32 W <sup>3</sup>	126	126	159	170	0	116	0	0	0	0	0	0

1 FORMERLY DEAR VALLEY MUTUAL WATER COMPANY  
 2 FORMERLY WEST HIGHLAND WELL COMPANY  
 3 FORMERLY ANDERSON MUTUAL WELL COMPANY INC.

TABLE NO. 1  
 VERIFIED EXTRACTATIONS BY OWNERS (NON-PLAINTIFFS) WHICH HAVE RECORDATION FILINGS  
 WITH THE STATE WATER RESOURCES CONTROL BOARD

OWNER	1959	1960	1961	1962	1963	1959-63 AVERAGE	1975	1976	1977	1978	1979	1975-79 AVERAGE
EAST SAN RDNO. COUNTY WATER DIST. (CONTINUED)												
3600444 1N3W30H01S W	115	174	302	383	204	236	0	0	0	0	0	0
3600466 1S3W04 W <sup>1</sup>	318	248	316	225	244	270	0	0	0	0	0	0
3600545 1N3W30 W <sup>2</sup>	208	174	141	174	3	140	0	0	0	0	0	0
3600643 1N4W25K01 W <sup>3</sup>	-	21	14	12	10	11	0	0	0	0	0	0
3600855 1N3W28P01S W	-	-	-	-	-	0	59	0	0	0	0	12
3600864 1N3W19 W <sup>1</sup>	1	-	-	-	-	0	0	0	0	0	0	0
3600925 1S4W01001 W <sup>4</sup>	384	258	244	292	151	266	0	0	0	0	0	0
3600926 1S4W01F02S W <sup>5</sup>	368	441	512	441	490	450	0	0	0	0	0	0
3600928 1N3W31L02S W <sup>5</sup>	0	114	229	200	152	139	0	0	0	0	0	0
3600930 1N3W31L03S W <sup>5</sup>	206	133	114	214	110	155	0	0	0	0	0	0
3600970 1N3W19 W	20	20	15	10	10	15	0	0	0	0	0	0
3600971 1N3W19F D	49	49	49	49	49	49	0	0	0	0	0	0
3601194 1N3W33F01S W <sup>6</sup>	229	485	573	575	497	472	0	0	0	0	0	0

1 FORMERLY BASELINE & LAPRAIX WELL

2 FORMERLY SELEY WELL COMPANY

3 FORMERLY CAMERON RANCHO MUTUAL WATER COMPANY WELL FILLED AND CAPPED 1969

4 FORMERLY WORTON VILLAGE, LTD.

5 FORMERLY CALIFORNIA, STATE OF PATTON HOSPITAL

6 FORMERLY CORWIN WELL COMPANY



TABLE NO. 1  
 VERIFIED EXTRACTIONS BY OWNERS (NON-PLAINTIFFS) WHICH HAVE RECORDATION FILINGS  
 WITH THE STATE WATER RESOURCES CONTROL BOARD

OWNER	1959	1960	1961	1962	1963	1959-63 AVERAGE	1975	1976	1977	1978	1979	1975-79 AVERAGE
EAST SAN JOHNS COUNTY WATER DIST. (CONTINUED)												
3601582 1S4W02R W <sup>1</sup>	209	161	154	153	153	166	39	0	0	0	0	8
3601584 1N3W33H01S W	84	77	75	54	44	67	0	0	0	0	0	0
3601653 1N4W36K04S W	0	0	0	0	0	0	0	0	0	0	0	0
3601654 1N4W36 W	10	0	0	0	0	2	0	0	0	0	0	0
3601655 1N4W36K05S W	0	0	0	0	0	0	0	0	0	0	0	0
3601656 1N4W36Q01S W	0	0	2	28	0	6	0	0	0	0	0	0
3601657 1S4W01B04S W	0	60	21	17	67	33	0	0	0	0	0	0
3601658 1N4W36R01S W	0	0	0	0	0	0	0	0	0	0	0	0
3601659 1S3W06H01S W	0	0	0	0	0	0	0	0	0	0	0	0
3601660 1S3W06H04S W	260	572	803	543	771	590	1954	2348	3448	3615	3637	3000
3601661 1S1W01J08S W	-	-	0	0	0	0	0	0	0	0	0	0
3601662 1S1W02Q05S W	739	556	541	407	487	546	0	0	0	0	0	0
3601663 1S1W02Q04S W	257	284	279	265	204	258	0	0	0	0	0	0
3601664 1S1W02N01S W	0	0	0	0	0	0	0	0	0	0	0	0
3601665 1S1W01K04S W	254	423	382	153	33	249	0	0	0	0	0	0
3601666 1N4W36F08S W	0	0	0	0	0	0	0	0	0	0	0	0
3601667 1S3W06A05S W	0	0	0	0	0	0	0	0	0	0	0	0
3601668 1S1W01E02S W	68	92	82	104	217	113	0	0	0	0	0	0

1 FOPVFLY SUNNYSIDE MUTUAL WATER COMPANY

TABLE NO. 1  
 VERIFIED EXTRACTATIONS BY OWNERS (NON-PLAINTIFFS) WHICH HAVE RECORDATION FILINGS  
 WITH THE STATE WATER RESOURCES CONTROL BOARD

OWNER	1959	1960	1961	1962	1963	1959-63 AVERAGE	1975	1976	1977	1978	1979	1975-79 AVERAGE
EAST SAN RAYNO. COUNTY WATER DIST. (CONTINUED)												
3601669 1N4W36H06S W	-	-	-	-	-	0	0	0	0	0	0	0
3601670 1N4W26A01S W	252	261	264	332	168	255	0	0	0	0	0	0
3601671 1N4W26A02S W	671	830	833	1042	817	839	483	450	26	442	1220	524
3601672 1N4W25B W	0	0	0	0	0	0	0	0	0	0	0	0
3601673 1N4W25C02S W	656	602	920	865	1059	820	739	1602	1332	1182	1072	1185
3601674 1N4W25G01S W	0	0	0	0	0	0	0	0	0	0	0	0
3601675 1N4W25A01S W	913	824	809	538	456	708	599	183	398	478	35	339
3601676 1S4W12B05S W	125	145	174	238	264	189	0	0	0	0	0	0
3601677 1S3W05A02S W	0	-	-	-	-	0	0	0	0	0	0	0
3601678 1S3W05B04S W <sup>1</sup>	-	-	-	-	-	0	0	0	0	0	0	0
3601679 1S3W05N05S W	0	0	0	0	0	0	0	0	0	0	0	0
3601781 1S3W06K01S W	0	0	0	0	0	0	0	0	0	0	0	0
3601884 1N3W31C02S W	116	116	116	116	90	111	0	0	0	0	0	0
3601978 1S3W04N W	1	3	6	6	5	4	0	0	0	0	0	0
3602034 1S4W01Q W	-	-	-	252	1021	255	1080	1010	402	622	376	698
3602113 1N3W30N W	273	216	254	159	241	229	1058	531	437	450	246	544
3602274 1N3W30J W	-	-	-	-	-	0	385	265	129	66	166	202
3602337 1N4W26A W	-	-	-	-	-	0	220	960	439	526	1391	707

<sup>1</sup> WELL DESTROYED PRIOR TO BASE PERIOD

TABLE NO. 1  
 VERIFIED EXTRACTIONS BY OWNERS (NON-PLAINTIFFS) WHICH HAVE RECORDATION FILINGS  
 WITH THE STATE WATER RESOURCES CONTROL BOARD

OWNER	1959	1960	1961	1962	1963	1959-63 AVERAGE	1975	1976	1977	1978	1979	1975-79 AVERAGE
EAST SAN BONO COUNTY WATER DIST. (CONTINUED)												
3602338 1S3W01N W	-	-	-	-	-	0	1586	106	6	24	10	346
3602370 1N4W25F W <sup>1</sup>	-	-	-	-	-	0	0	985	1765	1586	1166	1100
3602563 1S4W02O W <sup>2</sup>	-	-	-	-	-	0	1	7	0	0	0	2
3602564 1S4W12B W <sup>2</sup>	-	-	-	-	-	0	140	389	863	691	912	599
3602571 1S3W03F W <sup>3</sup>	-	-	-	-	-	0	182	300	300	150	194	225
OWNER TOTAL	9329*	9534*	11014*	9654*	9335*	9773*	8525*	9136*	9545*	9832*	10425*	9493*
EASTWOOD FARMS COMMUNITY WATER USERS												
3602130 1S4W01P01S W	99	115	165	105	125	122	48	25	25	20	20	28
3602131 1S4W01P02S W	101	115	165	105	125	122	233	175	125	100	100	147
OWNER TOTAL	200*	230*	330*	210*	250*	244*	281*	200*	150*	120*	120*	174*
ELTINGE & GRAZIADIO												
3600766 1S3W29A01 W	122	81	64	49	32	70	0	0	0	0	0	0
F. A. R. WELL												
3602020 1S2W20K W <sup>4</sup>	-	-	-	272	264	107	251	200	236	220	104	202
FAIRVIEW WATER COMPANY												
3600554 1S3W17 W	1395	875	825	780	575	890	363	288	360	322	400	347

1 FORMERLY DEL ROSA MUTUAL WATER COMPANY  
 2 WELL DRILLED 1972 EXTRACTIONS VERIFIED DURING THE 1974 VERIFICATION  
 3 FORMERLY CLIFFSIDE RANCH PRIOR TO 1974 SEE NON-FILED EXTRACTIONS TABLE NO. 2 CLIFFSIDE RANCH  
 4 FORMERLY JACINTO, FRANK JR

VERIFIED EXTRACTATIONS BY OWNERS (NON-PLAINTIFFS) WHICH HAVE RECORDATION FILINGS WITH THE STATE WATER RESOURCES CONTROL BOARD

OWNER	1959	1960	1961	1962	1963	1959-63 AVERAGE	1975	1976	1977	1978	1979	1975-79 AVERAGE
FONTANA UNION WATER COMPANY												
3600561 1N5W23K01S W	1393	1396	1765	746	726	1205	614	0	0	0	0	123
3600562 1N5W22F02S W	1095	880	994	588	714	854	1083	1322	1346	1197	1187	1227
3600563 1N5W22C02S W	938	625	371	231	195	472	1552	1338	835	852	1040	1123
3600569 1N5W22A01S W	1783	1876	1539	272	47	1103	1703	1313	887	615	18	907
3600579 1N5W22F03S W	0	0	0	0	0	0	801	230	0	0	0	206
3600580 1N5W22F01S W	1631	1329	942	855	881	1128	172	1151	973	1124	1369	958
3600581 1N5W07H01S W	319	0	0	105	0	85	354	110	39	171	16	138
3600582 1N5W06G01S W	652	204	58	306	42	252	734	737	751	36	7	453
3600585 1N5W16K01S W	1051	6	0	0	0	211	904	1093	764	745	311	763
3600586 1N5W06K02S W	307	355	299	418	174	311	314	422	221	199	26	236
3600588 2N6W26L2 W	0	0	0	0	0	0	0	0	0	0	0	0
3600590 2N5W26L1 W	2185	3145	3006	2421	3162	2784	3455	3414	3529	1310	0	2342
3600591 1N5W06E D <sup>1</sup>	8487	5833	4321	8732	6145	6704	9084	8802	7635	11659	18694	11175
3602727 1N5W15002S W <sup>2</sup>	-	-	-	FC	-	0	-	-	643	1171	733	509
OWNER TOTAL	19841*	15649*	13295*	14674*	12086*	15109*	20770*	19932*	17623*	19079*	23401*	20161*
FRIEDENANN, ERNEST C.												
3600717 1N3W31P02S W	90	85	75	50	50	70	-	-	-	-	-	0

1 INCLUDES GROSS LYTLE CREEK DIVERSIONS--SEE TABLE NO. 4 FOR VERIFIED DIVERSIONS FROM LYTLE CREEK  
 2 FORMERLY FONTANA UNION WATER COMPANY RECORDATION NO. 3600566. WELL RENOVATED 1977.

TABLE NO. 1  
 VERIFIED EXTRACTATIONS BY OWNERS (NON-PLAINTIFFS) WHICH HAVE RECORDATION FILINGS  
 WITH THE STATE WATER RESOURCES CONTROL BOARD

OWNER	1959	1960	1961	1962	1963	1959-63 AVERAGE	1975	1976	1977	1978	1979	1975-79 AVERAGE
FPINK RANCH												
3601131 1S3W30 W <sup>1</sup>	-	-	-	-	-	0	-	-	-	-	-	0
GAY, PHILIP L.												
3601126 1S2W30H W	200	200	260	250	200	222	125	72	67	4	6	55
GIFFORD PARK MUTUAL WATER CO.												
3602128 1S4W14A W	50	50	50	50	51	50	-	-	-	-	-	0
3602252 1S4W14B W	-	-	-	-	-	0	-	-	-	-	-	0
OWNER TOTAL	50*	50*	50*	50*	51*	50*	0*	0*	0*	0*	0*	0*
GLADYSTA WELLS & WATER COMPANY												
3500102 1S3W20H01 W	527	486	FC	-	-	203	-	-	-	-	-	0
3500182- 1S3W20H02 W <sup>2</sup>	-	-	609	517	507	327	364	206	218	157	224	234
OWNER TOTAL	527*	486*	609*	517*	507*	529*	364*	206*	218*	157*	224*	234*
GOLDEN STATE BLDG PRODUCTS												
3602127 1S3W15A01 W <sup>3</sup>	30	30	33	33	33	32	34	30	30	30	30	31
GRANT WATER COMPANY												
3600075 1S3W28C01 W	429	424	483	436	363	427	240	70	124	104	0	108
GREENSPOT MUTUAL WELL CO.												
3600266 1S2W16C01 W	142	149	121	105	76	119	272	162	201	141	85	172

1 VOM PAVIPEZ BROTHERS RECORDATION NO. 3601728  
 2 1974 VERIFIED EXTRACTION CORRECTED DURING THE 1975 VERIFICATION  
 3 FORMERLY BIG BEAR TIMBER COMPANY

TABLE NO. 1  
 VERIFIED EXTRACTATIONS BY OWNERS (NON-PLAINTIFFS) WHICH HAVE RECORDATION FILINGS  
 WITH THE STATE WATER RESOURCES CONTROL BOARD

OWNER	1959	1960	1961	1962	1963	1959-63 AVERAGE	1975	1976	1977	1978	1979	1975-79 AVERAGE
GUERTH, WILLIAM H.												
3600456 1N3W27M D	1585	695	922	1230	860	1058	513	142	300	250	250	291
HAPPE MUTUAL WELL COMPANY												
3600238 1S2W29M01 W	526	592	649	358	500	525	215	107	253	0	0	115
HEAD, JOE I.												
3600226 1S2W21L01 W FC	-	-	-	-	-	0	-	-	-	-	-	0
HIGHLAND ACRES RANCH												
3600323 1S2W06M W	250	160	350	400	400	312	0	0	0	0	0	0
HIGHLAND WELL COMPANY												
3600184 1N3W28M01 W	278	263	265	232	184	244	58	56	85	57	65	64
HOBBS WELL PARTNERSHIP												
3600037 1S3W25M W	174	96	FC	-	-	54	-	-	-	-	-	0
3600049- 1S3W25M W	-	-	696	692	532	384	0	0	607	23	28	132
OWNER TOTAL	174*	96*	696*	692*	532*	438*	0*	0*	607*	23*	28*	132*
HODGDON, ARNER												
3601810 1N3W23E W <sup>1</sup>	231	200	9	0	0	88	0	0	0	0	0	0
3601811 1N3W14 D <sup>1</sup>	400	300	302	272	211	297	0	0	100	150	150	80
3601979 1N3W14A D <sup>2</sup>	146	146	146	146	146	146	0	0	0	0	0	0

1 FORMERLY UEL ROSA MUTUAL WATER COMPANY

2 FORMERLY EAST SAN BONO COUNTY WATER DIST.

TABLE NO. 1  
 VERIFIED EXTRACTONS BY OWNERS (NON-PLAINTIFFS) WHICH HAVE RECORDATION FILINGS  
 WITH THE STATE WATER RESOURCES CONTROL BOARD

OWNER	1959	1960	1961	1962	1963	1959-63 AVERAGE	1975	1976	1977	1978	1979	1975-79 AVERAGE
OWNER TOTAL	777*	646*	457*	418*	357*	531*	0*	0*	100*	150*	150*	80*
HOOVER WELL												
3601649 1S3*284 <sup>1</sup> W	100	100	100	FC	-	60	-	-	-	-	-	0
3601649- 1S3*284 <sup>1</sup> W	-	-	-	25	85	22	90	110	100	95	83	96
OWNER TOTAL	100*	100*	100*	25*	85*	82*	90*	110*	100*	95*	83*	96*
HUNTER/CRIM/ZARUBICA WELL												
3601172 1S3W20C <sup>2</sup> W	380	350	415	362	358	373	292	252	332	234	283	279
ICE PRODUCTS INC.												
3600644 1S4*09803S W	591	405	410	345	344	419	2	3	4	4	4	3
3600645 1S4*09801S W	-	-	-	-	-	0	-	-	-	-	-	0
OWNER TOTAL	591*	405*	410*	345*	344*	419*	2*	3*	4*	4*	4*	3*
IOWA STREET WELL												
3601932 1S3*29801 W	62	62	21	10	7	32	0	0	0	0	0	0
JF WEL WAFER COMPANY, THE												
3600091 1S3W20 W	504	408	356	293	258	364	99	34	FC	-	-	27
JUDSON MUTUAL WATER COMPANY												
3601647 1S3*23A03 W	403	356	348	367	363	367	221	159	163	165	83	158
KANSAS STPEET MUTUAL WATER CO.												
3601092 1S3W28D01 W	376	327	378	328	353	352	277	194	197	129	89	177

1 FORMERLY E. R. DUNLOP  
 2 FORMERLY CAPL'S RANCH

TABLE NO. 1  
 VERIFIED EXTRACTIONS BY OWNERS (NON-PLAINTIFFS) WHICH HAVE RECORDATION FILINGS  
 WITH THE STATE WATER RESOURCES CONTROL BOARD

OWNER	1959	1960	1961	1962	1963	1959-63 AVERAGE	1975	1976	1977	1978	1979	1975-79 AVERAGE
KING STREET MUTUAL WELL COMPANY												
3600530 1S2W30G01 W	408	371	358	281	FC	284	-	-	-	-	-	0
3600530- 1S2W30G02 W	-	-	-	-	372	74	432	312	440	0	0	237
OWNER TOTAL	408*	371*	358*	281*	372*	358*	432*	312*	440*	0*	0*	237*
KOCH, GEORGE J.												
3601451 1S2W32G01 W	FC	-	-	-	-	0	-	-	-	-	-	0
L.P.R. ICE COMPANY												
3602525 1S3W13C W <sup>1</sup>	-	-	-	-	-	0	269	171	258	314	305	263
LA BONTE, JIM												
3600865 1R4W24 W <sup>2</sup>	5	5	5	5	5	5	5	5	5	5	5	5
LA ROSSE, CHARLES H.												
3600708 1S3W29 W	38	21	35	18	14	25	0	0	0	0	0	0
LAKESIDE AVENUE MUTUAL WELL COMPANY												
3602114 1S3W33C01S W	79	48	58	51	20	51	-	-	-	-	-	0
LANGFORD RANCHES												
3600524 1S3W17L01S W	991	876	572	429	772	728	571	538	573	329	629	528
3600525 1S3W17H01S W	214	263	231	369	336	283	241	207	223	215	260	229
3600526 1S3W21G01S W	475	425	343	326	360	386	359	218	141	111	112	188

1 PRIOR TO 1972 SEE NON-FILED EXTRACTIONS TABLE NO. 2 L.P.R. RANCH

2 FORMERLY PEYTON, MRS. A.L.



TABLE NO. 1  
 VERIFIED EXTRACTATIONS BY OWNERS (NON-PLAINTIFFS) WHICH HAVE RECORDATION FILINGS  
 WITH THE STATE WATER RESOURCES CONTROL BOARD

OWNER	1959	1960	1961	1962	1963	1959-63 AVERAGE	1975	1976	1977	1978	1979	1975-79 AVERAGE
OWNER TOTAL	1680*	1564*	1146*	1124*	1468*	1396*	1171*	963*	937*	655*	1001*	945*
LANGSTON-WERRY DEVELOPMENT CO.	50	50	50	50	50	50	50	5	5	5	75	28
3600218 1M4W24 W <sup>1</sup>												
LARANNI GUNTER WELL												
3600160 1S3W32G01 W <sup>2</sup>	200	200	200	200	200	200	108	176	202	211	203	180
LONA LINDA HEIGHTS RANCHO												
3601632 2S3W05A2 W <sup>3</sup>	104	85	105	88	87	94	57	120	68	230	247	144
LONA LINDA UNIVERSITY												
3601910 1S3W30L W	112	129	129	97	87	111	0	0	0	0	0	0
3602008 1S1W26A W	146	98	177	203	209	167	94	84	19	0	0	39
3602009 1S1W25G01S W	195	364	407	304	78	270	-	-	-	-	-	0
3602012 1S1W25C01S W	323	369	376	463	347	376	99	160	93	166	215	147
3602013 1S1W24N W	149	70	27	13	69	66	-	-	-	-	-	0
3602014 1S1W26J01S W	86	86	86	86	111	91	0	0	0	0	0	0
3602017 1S1W25E01S W	-	-	-	-	0	0	-	-	-	-	-	0
3602249 1S1W25D05 W	-	-	-	-	-	0	525	445	499	523	458	490
OWNER TOTAL	1011*	1116*	1202*	1166*	901*	1079*	718*	689*	611*	689*	673*	676*

1 FORMERLY VAN CAMP, GILBERT C.

2 FORMERLY LAPSEN, ERNEST R.

3 FORMERLY CANYON KNOLLS RANCHO

TABLE NO. 1  
 VERIFIED EXTRACTATIONS BY OWNERS (NON-PLAINTIFFS) WHICH HAVE RECORDATION FILINGS  
 WITH THE STATE WATER RESOURCES CONTROL BOARD

OWNER	1959	1960	1961	1962	1963	1959-63 AVERAGE	1975	1976	1977	1978	1979	1975-79 AVERAGE
LOMA LINDA, CITY OF												
3601130 1S3W32D W <sup>1</sup>	389	401	501	464	290	409	204	300	94	710	142	290
3601384 1S4W25 W <sup>2</sup>	0	0	0	20	73	19	-	-	-	-	-	0
3601388 1S4W25 W <sup>2</sup>	111	114	147	140	98	122	235	179	351	312	403	296
3601989 1S4W24R01S W <sup>3</sup>	44	40	37	32	42	39	1	FC	-	-	-	0
3602010 1S4W25H02S W <sup>3</sup>	123	160	100	105	131	124	63	26	5	0	1	19
3602011 1S4W25B02S W <sup>3</sup>	61	150	166	232	219	166	191	219	239	105	136	178
3602015 1S4W258 W <sup>3</sup>	1077	772	760	615	627	770	890	995	896	749	751	856
3602016 1S4W25G W <sup>3</sup>	57	161	228	157	59	132	-	-	-	-	-	0
3602057 1S4W25C W <sup>3</sup>	335	420	524	400	16	339	5	1	0	0	0	1
3602059 1S4W25F W <sup>3</sup>	19	23	29	28	25	25	158	45	0	0	0	41
3602596 1S4W24R W <sup>4</sup>	-	-	-	-	-	0	0	1	0	FC	-	0
3602759 1S4W24A W <sup>5</sup>	-	-	-	-	-	0	-	-	-	-	289	58
OWNER TOTAL	2216*	2241*	2492*	2193*	1580*	2144*	1747*	1766*	1595*	1876*	1722*	1739*
LUGD WATER COMPANY												
3600510 1S3W21K01 W	414	346	324	300	239	325	143	178	206	323	247	219

1 FORMERLY VALLE VISTA RANCH CO.  
 2 FORMERLY COURT STREET WATER COMPANY  
 3 FORMERLY SAN BERNARDINO COUNTY SERVICE AREA NO. 2  
 4 WELL DRILLED 1974  
 5 WELL DRILLED 1979

TABLE NO. 1  
 VERIFIED EXTRACTATIONS BY OWNERS (NON-PLAINTIFFS) WHICH HAVE RECORDATION FILINGS  
 WITH THE STATE WATER RESOURCES CONTROL BOARD

OWNER	1959	1960	1961	1962	1963	1959-63 AVERAGE	1975	1976	1977	1978	1979	1975-79 AVERAGE
LUGONIA WATER COMPANY												
3601585 1S3W23A03S W	0	0	1012	974	882	574	0	0	722	0	0	144
LUCY, DR. LUCIAY L.												
3601376 1N4W14 D	-	-	-	-	-	0	-	-	-	-	-	0
3601377 1N4W14 D	-	-	-	-	-	0	-	-	-	-	-	0
3601376 1N4W14 D	-	-	-	-	-	0	-	-	-	-	-	0
OWNER TOTAL	0*	0*	0*	0*	0*	0*	0*	0*	0*	0*	0*	0*
MARIGOLD FARMS COMPANY												
3600418 1S3W19 W	182	173	116	66	57	119	826	848	683	637	790	757
3601748 1S3W18H01 W	1133	1622	1145	300	475	935	-	-	-	-	-	0
3601748- 1S3W19A01 W <sup>1</sup>	-	-	-	-	-	0	2603	1669	2206	1200	1100	1756
3601749 1S3W19B01 W	91	364	180	600	64	260	-	-	-	-	-	0
3601750 1S1W18L W <sup>1</sup>	390	1072	610	930	1392	879	1388	902	1254	1483	1620	1329
OWNER TOTAL	1796*	3231*	2051*	1896*	1988*	2192*	4817*	3419*	4143*	3320*	3510*	3842*
MASCARI WATER COMPANY												
3601102 1S3W21E W <sup>1</sup>	395	302	468	381	367	383	190	213	197	118	190	182
MAYBELL, H. O.												
3600291 1S4W12 W	26	26	12	12	12	18	-	-	-	-	-	0
MEADSBROOK DAIRY												
3600030 1S4W23D W	443	343	295	288	421	358	477	484	417	404	436	444

<sup>1</sup> 1976 VERIFIED EXTRACTION CORRECTED DURING THE 1977 VERIFICATION

TABLE NO. 1  
 VERIFIED EXTRACTATIONS BY OWNERS (NON-PLAINTIFFS) WHICH HAVE RECORDATION FILINGS  
 WITH THE STATE WATER RESOURCES CONTROL BOARD

OWNER	1959	1960	1961	1962	1963	1959-63 AVERAGE	1975	1976	1977	1978	1979	1975-79 AVERAGE
MEADOWBROOK DAIRY (CONTINUED)												
3600037 1S4*230 W	49	45	45	43	41	45	73	76	69	71	83	74
OWNER TOTAL	492*	388*	340*	331*	462*	403*	550*	560*	486*	475*	519*	518*
MEATONE ACRES MUTUAL WELL CO.												
3600748 1S3W24A01 W	455	495	505	475	121	410	0	0	0	0	0	0
3600749 1S3W13 W	885	960	975	940	917	935	707	512	432	280	196	425
OWNER TOTAL	1340*	1455*	1480*	1415*	1038*	1346*	707*	512*	432*	280*	196*	425*
MENTONE CITRUS GROVES												
3600139 1S2W18R01S W <sup>1</sup>	714	873	637	409	306	588	0	0	279	0	0	56
3602240 1S2W18Q W <sup>1</sup>	-	-	-	-	-	0	689	603	966	574	690	704
OWNER TOTAL	714*	873*	637*	409*	306*	588*	689*	603*	1245*	574*	690*	760*
MEYER, CHARLES R.												
3600760 1N3W01R W	42	42	55	51	53	49	53	57	52	0	0	32
MEYER, FRIEST												
3602174 1S1W02 W	172	172	172	172	172	172	0	0	0	0	0	0
MILLER MUTUAL WELL CO.												
3600630 1N3W32 W	20	8	-	-	-	6	-	-	-	-	-	0
3600630- 1N3W32 W	-	-	41	58	53	30	40	36	34	40	47	39
OWNER TOTAL	20*	8*	41*	58*	53*	36*	40*	36*	34*	40*	47*	39*

<sup>1</sup> FORMERLY INDUSTR. ACRES C/O CITRUS INVESTMENT

TABLE NO. 1  
 VERIFIED EXTRACTATIONS BY OWNERS (NON-PLAINTIFFS) WHICH HAVE RECORDATION FILINGS  
 WITH THE STATE WATER RESOURCES CONTROL BOARD

OWNER	1959	1960	1961	1962	1963	1950-63 AVERAGE	1975	1976	1977	1978	1979	1975-79 AVERAGE
MISSION MUTUAL WATER COMPANY												
3600756 1S3W19H W	715	510	675	660	560	624	301	270	503	225	229	306
3600757 1S3W19L W	374	272	367	433	322	354	649	423	799	500	465	567
OWNER TOTAL	1089*	782*	1042*	1093*	882*	978*	950*	693*	1302*	725*	694*	873*
MONTECITO MUTUAL WATER COMPANY												
3600119 1S4W26F01 W	104	109	110	77	71	94	121	124	130	132	133	128
MOUNT VERNON WATER COMPANY												
3600319 1N4W31A01S W	1020	748	1030	624	508	786	828	529	182	522	466	505
3600320 1N5W22N D <sup>1</sup>	730	730	730	730	730	730	724	724	724	724	724	724
OWNER TOTAL	1750*	1478*	1760*	1354*	1238*	1516*	1552*	1253*	906*	1246*	1190*	1229*
MT. HARRISON MUTUAL WATER CO.												
3600220 1S3W01H W	753	874	303	371	310	522	167	178	248	139	228	192
MT. VIEW CEMETERY OF SAN BERNARDINO												
3600742 1N4W26 W	17	15	12	13	4	12	-	-	-	-	-	0
3600712- 1N4W26 W	-	-	-	-	-	0	69	93	163	140	145	122
3600743 1N4W26 W	211	170	133	237	137	178	150	164	120	114	125	135
OWNER TOTAL	228*	185*	145*	250*	141*	190*	219*	257*	283*	254*	270*	257*
MULLINS, JAMES C., JR., EXECUTOR												
3602074 1W3W34B02 W	112	112	112	112	112	112	42	52	67	17	4	36

1 INCLUDES GROSS LITTLE CREEK DIVERSIONS--SEE TABLE NO. 4 FOR VERIFIED DIVERSIONS FROM LITTLE CREEK

TABLE NO. 1  
 VERIFIED EXTRACTATIONS BY OWNERS (NON-PLAINTIFFS) WHICH HAVE RECORDATION FILINGS  
 WITH THE STATE WATER RESOURCES CONTROL BOARD

OWNER	1959	1960	1961	1962	1963	1959-63 AVERAGE	1975	1976	1977	1978	1979	1975-79 AVERAGE
MULLINS, JAMES C., JR., EXECUTOR (CONTINUED)												
3602075 1N3W34B01 W	36	36	36	36	36..	36	7	3	4	1	2	3
OWNER TOTAL	148*	148*	148*	148*	148*	148*	49*	55*	71*	18*	6*	40*
MUSCOY MUTUAL WATER COMPANY, NO. 1												
3601497 1N5W23H01S W <sup>1</sup>	648	624	676	621	562	626	308	371	395	144	137	271
3601498 1N5W24D01S W <sup>1</sup>	0	FC	-	-	-	0	-	-	-	-	4	1
3601499 1N5W23A01S W <sup>1</sup>	648	623	676	621	561	626	45	255	255	184	353	218
3601500 1N5W23A02S W <sup>1</sup>	647	623	676	621	561	626	1174	738	1100	1200	890	1020
3602345 1N5W24E W <sup>1</sup>	-	-	-	-	-	0	323	332	80	18	75	166
OWNER TOTAL	1943*	1870*	2028*	1863*	1684*	1878*	1850*	1696*	1830*	1546*	1459*	1676*
MUTUAL WELL COMPANY (OF HIGHLAND)												
3600765 1N3W33C01 W	252	243	353	250	244	268	0	0	0	0	0	0
NAVTHAS, W.D., IVAN/SHIRLEY												
36010H4 1S2W20K W	7	7	9	10	9	8	0	0	0	0	0	0
NATIONAL ORANGE SHOW												
3601924 1S4W15D W	135	135	135	135	135	135	58	58	58	58	58	58
NEALEY MUTUAL WATER COMPANY												
3601391 1N5W07C D	-	-	-	-	-	0	-	-	-	-	-	0
NEW ENGLAND WATER CO.												
3602320 1S3W16 W	946	892	1023	836	880	915	442	338	520	505	496	460

1 1974 VERIFIED EXTRACTIION CORRECTED DURING THE 1975 VERIFICATION

TABLE NO. 1  
 VERIFIED EXTRACTIIONS BY OWNERS (NON-PLAINTIFFS) WHICH HAVE RECORDATION FILINGS  
 WITH THE STATE WATER RESOURCES CONTROL BOARD

OWNER	1959	1960	1961	1962	1963	1959-63 AVERAGE	1975	1976	1977	1978	1979	1975-79 AVERAGE
NICKERSON WATER COMPANY												
3600123 1S3W20R01 W	212	220	348	297	250	265	172	166	104	72	49	113
3600124 1S3W21M01 W	466	331	490	424	290	400	205	182	162	127	89	153
OWNER TOTAL	678*	551*	838*	721*	540*	666*	377*	348*	266*	199*	138*	266*
NICKERSON, E. D.												
3600270 1S3W20P W <sup>1</sup>	300	248	288	153	139	226	143	222	314	232	102	203
NORTH FORK WATER COMPANY												
3600678 1S2W08C01S W	310	291	285	266	277	286	0	0	0	0	0	0
3600679 1S2W08C02S W	163	142	131	136	119	138	0	0	0	0	0	0
3600680 1S3W02 W	789	573	715	533	593	641	0	0	0	0	0	0
3600681 1M3W27 D	123	51	7	64	30	55	0	0	0	0	0	0
3601013 1S3W03Q W	0	0	1411	1286	1064	752	0	0	0	0	0	0
3601614 1S3W01A D	3	10	0	62	0	15	0	0	0	0	0	0
OWNER TOTAL	1388*	1067*	2549*	2347*	2083*	1887*	0*	0*	0*	0*	0*	0*
NORTHBRAE WATER COMPANY												
3600296 1S3W15R01 W	394	530	608	395	466	479	-	-	-	-	-	0
NORTHSIDE WATER COMPANY												
3600933 1S3W23F W	398	402	491	385	333	402	202	224	122	0	0	110
NYE, WILLIAM H.												
3600313 1S7W29V01S W	164	199	294	156	167	196	124	0	0	0	0	25

<sup>1</sup> 1974 VERIFIED EXTRACTIION CORRECTED DURING THE 1975 VERIFICATION

TABLE NO. 1  
 VERIFIED EXTRACTATIONS BY OWNERS (NONPLUMBER ACTIVITIES) WHICH HAVE RECORDATION FILINGS  
 WITH THE STATE WATER RESOURCES CONTROL BOARD

OWNER	1959	1960	1961	1962	1963	1959-63 AVERAGE	1975	1976	1977	1978	1979	1975-79 AVERAGE
OLD TOWN WELL CO.												
3600493 1S3W29 W	205	225	250	220	247	229	182	167	177	136	137	160
3600494 1S3W29 W	283	309	322	305	268	297	173	159	165	88	78	133
OWNER TOTAL	488*	534*	572*	525*	515*	527*	355*	326*	342*	224*	215*	292*
ORANGE ST. RANCH												
3600241 1S3W030 W	220	194	179	190	224	201	166	132	110	85	30	105
PALVE, ROBERT J., TRUSTEE												
3601641 1S2W30C01S W	470	462	484	410	470	459	297	244	291	160	80	214
3601642 1S2W30B02S W	133	147	180	120	116	139	117	92	30	5	0	49
OWNER TOTAL	603*	609*	664*	530*	586*	598*	414*	336*	321*	165*	80*	263*
PAXTON, R. H.												
3600468 1S3W30 W <sup>1</sup>	511	245	243	378	179	311	-	-	-	-	-	0
PENNY WELL COMPANY												
3601099 1S3W22F W	-	-	-	-	-	0	-	-	-	-	-	0
3601405 1S3W22 W	539	447	504	550	440	496	314	350	362	254	308	318
OWNER TOTAL	539*	447*	504*	550*	440*	496*	314*	350*	362*	254*	308*	318*
PHAROAH POWELL WATER CO.												
3600115 1S3W29J01 W	326	350	365	371	322	347	311	222	279	219	219	250
PIONEER MUTUAL WATER CO.												
3600642 1S3W14P01 W	314	222	288	316	275	283	230	261	226	84	80	176

<sup>1</sup> FORMERLY SMITH, LEONA BERNICE



TABLE NO. 1  
 VERIFIED EXTRACTATIONS BY OWNERS (NON-PLAINTIFFS) WHICH HAVE RECORDATION FILINGS  
 WITH THE STATE WATER RESOURCES CONTROL BOARD

OWNER	1959	1960	1961	1962	1963	1959-63 AVERAGE	1975	1976	1977	1978	1979	1975-79 AVERAGE
RAMIREZ BROTHERS												
3601728 1S3W30	61	61	65	62	64	63	151	135	170	92	175	145
RAMIREZ, J.J.												
3600484 1S3W16	246	220	352	224	259	260	161	166	166	183	165	168
RANCHERIA WATER CO. TOBIN												
3601929 1S4W06C04S W	374	52	0	458	0	177	-	-	-	-	-	0
RANCHO CITRUS AMIGOS												
3601753 1S3W29 W	80	80	80	80	80	80	70	80	60	60	25	59
RANCHO LADERA												
3602188 1S2W29L W	162	148	331	206	313	232	96	124	147	90	570	205
RAUGHT AUTUAL WELLS COMPANY												
3502193 1S3W14R01 W	504	550	552	506	520	526	320	293	355	399	437	361
REDLANDS HEIGHTS WATER COMPANY												
3600918 2S3W01E W	604	567	554	459	480	533	272	286	247	409	273	297
REDLANDS TRAP/SHEET												
3600628 1S3W15G W	145	235	235	2	2	124	2	3	4	12	6	5
REDLANDS, CITY OF												
3600019 1S3W23 W	531	288	342	320	461	388	5	0	317	0	0	64

1 FORKEDLY FRINK RANCH RECORDATION NO. 3601131

2 FURAPPLY SECUREST, RALPH F.

3 FORMERLY HOLIDAY ROCK CO.

4 FORMERLY REES REES RANCHES, INC.

TABLE NO. 1  
 VERIFIED EXTRACTATIONS BY OWNERS (NON-PLAINTIFFS) WHICH HAVE RECORDATION FILINGS  
 WITH THE STATE WATER RESOURCES CONTROL BOARD

OWNER	1959	1960	1961	1962	1963	1959-63 AVERAGE	1975	1976	1977	1978	1979	1975-79 AVERAGE
REDLANDS, CITY OF												
(CONTINUED)												
3600095 1S3W28J01 W <sup>1</sup>	190	186	180	180	180..	183	-	-	-	-	-	0
3601281 1S2W21M01S W	133	123	195	75	61	117	0	0	0	0	0	0
3601282 1S1W08G1 W	1296	916	839	955	1132	1028	761	750	828	7	403	550
3601283 1S2W22C02S W	225	186	114	41	7	115	0	0	0	0	0	0
3601284 1S2W21E01S W	162	83	157	67	77	109	37	63	36	101	82	64
3601295 1S1W10L1 W	1548	939	814	1123	1076	1100	1316	1167	1620	1308	540	1190
3601286 1S2W21E02S W	0	3	0	0	0	1	0	0	0	0	0	0
3601287 1S2W21C W	319	333	293	358	267	314	0	0	0	0	0	0
3601288 1S1W11O1 W	855	817	903	671	745	798	766	874	769	90	157	531
3601299 1S3W35E W	0	0	0	0	0	0	0	0	0	0	0	0
3601200 1S2W21D01S W	243	209	169	141	138	180	0	0	0	0	0	0
3601291 1S3W35G08S W	196	487	664	131	101	316	5	131	280	371	34	164
3601292 1S3W35G07S W	772	1077	737	117	103	561	4	73	182	247	1	101
3601293 1S3W35H02S W	2	0	0	0	0	0	0	0	0	0	0	0
3601294 1S3W35G09S W	189	646	682	362	453	466	799	1347	991	636	988	952
3601295 1S1W35H04S W	915	1128	871	184	83	636	386	336	12	19	17	154
3601295 1S1W35H03S W	545	343	587	491	1686	730	739	648	60	58	17	304
3601297 1S3W35G11S W	249	434	507	171	0	272	0	0	0	0	0	0

<sup>1</sup> FORMERLY COLTON AVENUE WATER COMPANY

TABLE NO. 1  
 VERIFIED EXTRACTATIONS BY OWNERS (NON-PLAINTIFFS) WHICH HAVE RECORDATION FILINGS  
 WITH THE STATE WATER RESOURCES CONTROL BOARD

OWNER	1959	1960	1961	1962	1963	1959-63 AVERAGE	1975	1976	1977	1978	1979	1975-79 AVERAGE
(CONTINUED)												
360129R 1S3W21H01S *	322	557	1136	800	1095	782	11	59	11	4	1	17
360129Q 1S4W24K01S W	246	124	1607	853	133	593	85	127	418	758	669	411
360130P 1S3W27E02S W	1278	902	1113	1446	1099	1168	1438	1540	1503	1364	1399	1449
360130I 1S3W28H01S W	1443	1623	1808	1226	1063	1433	860	908	956	921	986	926
360130J 1S2W14N D <sup>1</sup>	7047	6913	3615	8973	4451	6200	10483	9261	8827	23648	31915	16827
360130K 1S2W19K01S W <sup>2</sup>	772	750	738	487	470	643	139	136	326	56	0	131
3601636 1S4W24 W <sup>3</sup>	216	230	65	58	51	124	-	-	-	-	-	0
3601637 1S3W30 W	0	0	0	0	0	0	-	-	-	-	-	0
3602031 1S3W21H W	506	1181	1429	699	492	861	161	188	8	18	297	134
3602032 1S3W22A W	-	-	50	273	140	93	546	562	753	499	856	643
3602036 1S3W21H W	-	-	-	676	1244	384	1352	1294	2115	1659	1954	1675
3602082 2S3W03K W	-	-	-	-	215	43	49	154	34	63	130	86
3602106 1S3W22A01S W <sup>4</sup>	323	292	-	-	-	123	-	-	-	-	-	0
3602211 1S3W26C W	-	-	-	-	-	0	72	97	65	67	63	73
3602316 1S3W28J02 W <sup>5</sup>	-	-	-	-	-	0	918	571	369	74	126	412

1 COMMENCING 1974 INCLUDES GROSS MILL CREEK DIVERSIONS--SEE TABLE NO. 5 FOR VERIFIED DIVERSIONS

2 FORMERLY MONTONE DOMESTIC WATER COMPANY, INC.

3 PRODUCTION INCLUDED IN AMOUNT REPORTED BY STANLEY BROWN COMPANY RECORDATION NO. 3601352 SUBSEQUENT TO 1968

4 FORMERLY CHURCH STREET MUTUAL WELL COMPANY

5 FORMERLY COLTON AVENUE WATER COMPANY

TABLE NO. 1  
 VERIFIED EXTRACTATIONS BY OWNERS (NON-PLAINTIFFS) WHICH HAVE RECORDATION FILINGS  
 WITH THE STATE WATER RESOURCES CONTROL BOARD

OWNER	1959	1960	1961	1962	1963	1959-63 AVERAGE	1975	1976	1977	1978	1979	1975-79 AVERAGE
(CONTINUED)												
REDLANDS, CITY OF												
3602351 1S2W13A W	-	-	-	-	-	0	129	8	46	3	0	37
3602653 1S2W19J W <sup>1</sup>	-	-	-	-	-	0	90	88	15	65	FC	52
3502654 1S2W19J W <sup>1</sup>	-	-	-	-	-	0	181	176	603	76	581	323
3602732 1S3W32J02S W <sup>2</sup>	114	97	114	88	80	99	0	0	0	71	626	139
OWNER TOTAL	20637*	20867*	19729*	20966*	17103*	19860*	21332*	20558*	21144*	32183*	41842*	27412*
REES & PERRICONE RANCH												
3602171 1S2W19M W	-	-	-	-	-	0	7	0	0	0	0	1
KEYNOLDS, BILL												
3600991 1S2W21K01 W <sup>3</sup>	3	3	3	3	3	3	3	3	3	3	3	3
RIALTO, CITY OF												
3601635 1N4W31N W <sup>4</sup>	585	775	875	575	470	656	0	0	382	336	934	330
3601263 1N5W23J001S W	1035	169	334	481	0	404	784	1085	1064	1179	1359	1094
3601718 1N5W22M D <sup>5</sup>	624	626	625	587	624	617	928	651	1111	348	690	746
3602080 1N5W230 W	-	-	-	-	773	155	1574	807	900	1189	2240	1342

1 FORMERLY MENTONE DOMESTIC WATER COMPANY, INC. PRIOR TO 1975 SEE NON-FILED EXTRACTATIONS TABLE NO. 2

2 FORMERLY BEVERLY ASSOCIATES RECORDATION NO. 3602065

3 FORMERLY HICKS, JOHN/LUJISE

4 FORMERLY RIALTO MUTUAL LAND AND WATER COMPANY

5 INCLUDES GROSS LYTLE CREEK DIVERSIONS--SEE TABLE NO. 4 FOR VERIFIED DIVERSIONS FROM LYTLE CREEK

TABLE NO. 1  
 VERIFIED EXTRACTATIONS BY OWNERS (NON-PLAINTIFFS) WHICH HAVE RECORDATION FILINGS  
 WITH THE STATE WATER RESOURCES CONTROL BOARD

OWNER	1959	1960	1961	1962	1963	1959-63 AVERAGE	1975	1976	1977	1978	1979	1975-79 AVERAGE
OWNER TOTAL	2244*	1570*	1834*	1643*	1867*	1832*	3286*	2543*	3457*	3052*	5223*	3512*
RICHMAN, FRED M.												
3501629 153W03P00S W	230	230	230	230	15	187	FC	-	-	-	-	0
RIVAS, RAMON												
3500016 154W24J W	30	43	0	0	0	15	0	0	0	0	0	0
ROBBINS, H. W.												
3602170 152W31W W	-	-	-	-	18	4	2	3	7	3	3	4
SAN BERNARDINO AVENUE WATER COMPANY												
3600125 153W14 W	371	303	394	352	298	344	259	215	225	172	203	215
SAN BERNARDINO INVESTORS												
3602499 151W22A01 W <sup>1</sup>	-	-	-	-	-	0	165	151	206	195	257	195
SAN BERNARDINO WATER UTILITIES COR												
3601843 1N5W03H01S W	179	13	8	19	6	45	85	268	304	343	21	204
3601844 1N5W03 W	856	807	630	748	742	757	1309	1370	1005	1777	2714	1635
3601845 1H1W30L W	5	19	28	33	33	24	75	89	95	100	101	92
OWNER TOTAL	1040*	839*	666*	800*	781*	825*	1469*	1727*	1404*	2220*	2836*	1931*
SAN BERNARDINO, CITY OF												
3600034 154W16H W <sup>2</sup>	90	85	76	79	-	66	0	0	0	0	0	0

1 FORMERLY LEONARD, WILLIAM E.

2 FORMERLY HOWART DEVELOPMENT COMPANY

TABLE NO. 1  
 VERIFIED EXTRACTATIONS BY OWNERS (NON-PLAINIFFS) WHICH HAVE RECORDATION FILINGS  
 WITH THE STATE WATER RESOURCES CONTROL BOARD

OWNER	1959	1960	1961	1962	1963	1959-63 AVERAGE	1975	1976	1977	1978	1979	1975-79 AVERAGE
(CONTINUED)												
SAN BERNARDINO, CITY OF												
3600035 1S4W15W01 W <sup>1</sup>	85	80	82	12	0	52	0	0	0	0	0	0
3600222 1S4W11001S W	195	210	-	-	-	81	0	0	0	0	0	0
3600709 2N5W19001 W	0	0	0	0	0	0	-	-	-	-	-	0
3600710 2N5W19 W	0	0	0	0	0	0	-	-	-	-	-	0
3600711 1N4W07E01S W	867	776	705	617	295	642	0	395	829	1426	1148	760
3600712 1N4W08W01S W	141	1	0	0	0	28	0	168	1558	2286	2001	1203
3600713 1N5W36R01S W	378	85	314	199	360	267	1905	1763	1400	1788	1630	1697
3600714 1N4W16E01S W	163	643	624	531	571	506	962	1741	854	0	1303	972
3600715 1N4W16E W	0	205	233	1188	623	450	1016	1694	1127	744	1589	1234
3600716 1N4W16E03S W	964	919	1093	576	839	878	1127	1459	1467	1730	876	1332
3600717 1N4W32D03S W	146	221	30	46	163	121	0	298	164	459	729	330
3600718 1N4W32D04S W	365	40	96	0	0	100	852	619	255	702	496	585
3600719 1N4W27G01S W	1173	1086	922	998	1005	1037	1003	1340	1302	799	869	1063
3600720 1N4W27W02S W	0	134	481	293	212	224	0	149	0	0	0	30
3600721 1N4W27W01S W	0	194	407	313	395	262	870	642	412	670	0	519
3600722 1S4W30D01S W	0	0	0	0	0	0	-	-	-	-	-	0
3600723 1S4W10F01S W	146	489	345	0	0	196	-	-	-	-	-	0
3600724 1S4W10F05S W	0	0	0	0	0	0	-	-	-	-	-	0

1 FOR SHELBY HOMART DEVELOPMENT COMPANY

TABLE NO. 1  
 VERIFIED EXTRACTONS BY OWNERS (NON-PLAINTIFFS) WHICH HAVE RECORDATION FILINGS  
 WITH THE STATE WATER RESOURCES CONTROL BOARD

OWNER	1959	1960	1961	1962	1963	1959-63 AVERAGE	1975	1976	1977	1978	1979	1975-79 AVERAGE
(CONTINUED)												
SAN BERNARDINO, CITY OF												
3600725 1N4W34G01S W	1102	1155	1245	405	538	889	0	0	0	0	0	0
3600726 1N4W34G03S W	354	305	91	12	29	158	596	174	0	51	0	164
3600727 1N4W26G W	1238	927	1475	1365	1180	1237	971	1073	1017	1070	1287	1084
3600728 1N4W27A01S W	1265	1724	2214	1404	1122	1546	2609	1845	1993	770	2136	1871
3600729 1N4W35M03S W	1348	940	1573	2522	2574	1791	107	160	0	0	0	53
3600730 1S1W02K01S W	0	0	0	0	0	0	0	0	0	0	0	0
3600731 1S4W02K02S W	750	684	1295	642	750	824	0	75	0	0	0	15
3600732 1S1W02K05S W	0	0	0	0	0	0	0	0	0	FC	-	0
3600733 1S1W02K04S W	0	0	0	0	0	0	0	0	0	0	0	0
3600734 1S1W02K03S W	1052	458	411	478	367	553	0	66	0	0	0	13
3600735 1S1W09P01S W	0	0	0	0	0	0	0	0	0	0	0	0
3600736 1S4W09J01S W	127	83	103	254	153	144	0	0	0	0	0	0
3600737 1S4W10N06S W	66	143	271	32	158	134	328	3	175	0	0	101
3600738 1Y4K06 D	1117	768	549	836	592	772	1159	985	1258	2587	2441	1686
3600739 1M5W06 D <sup>1</sup>	1069	994	1286	1403	1279	1206	1448	1448	1448	1448	1448	1448
3600927 1N3W31B01 W <sup>2</sup>	399	401	259	301	242	320	69	76	71	138	186	108
3601114 1N4W35C01S W	12	358	353	0	0	145	0	0	0	0	0	0

1 INCLUDES GROSS LITTLE CREEK DIVERSIONS--SEE TABLE NO. 4 FOR VERIFIED DIVERSIONS FROM LITTLE CREEK

2 FOR PROPERTY CALIFORNIA, STATE OF PATTON HOSPITAL 1974 VERIFIED EXTRACTION CORRECTED DURING THE 1975 VERIFICATION

TABLE NO. 1  
 VERIFIED EXTRACTIONS BY OWNERS (NON-PLAINTIFFS) WHICH HAVE RECORDATION FILINGS  
 WITH THE STATE WATER RESOURCES CONTROL BOARD

OWNER	1959	1960	1961	1962	1963	1959-63 AVERAGE	1975	1976	1977	1978	1979	1975-79 AVERAGE
(CONTINUED)												
SAN BERNARDINO, CITY OF												
3601115 1N4W26P03S W	33	342	519	899	832	525	672	586	274	317	482	466
3601116 1N4W35C02S W	0	0	0	0	0	0	0	0	0	0	0	0
3601117 1N4W35C03S W	1559	1464	811	386	408	926	0	0	0	0	0	0
3601316 1S4W23N <sup>1</sup> W	238	238	238	238	238	238	0	0	0	0	0	0
3601626 1S4W10 W	26	23	28	27	24	26	-	-	-	-	-	0
3602031 1N4W27B W	-	-	-	-	1019	204	1216	762	2106	981	1000	1213
3602205 1N4W06H01S W	-	-	-	-	-	0	37	37	37	52	24	37
3602206 1N4W06H02S W	-	-	-	-	-	0	21	23	15	47	31	27
3602264 1N4W27N01S W	-	-	-	-	-	0	383	788	0	18	0	238
3602265 1S4W03J W	-	-	-	-	-	0	1110	857	696	1137	458	852
3602285 1S4W15D05 W <sup>2</sup>	8	8	8	8	1	7	0	0	0	0	0	0
3602339 1N4W16E W	-	-	-	-	-	0	2557	1929	2222	1697	1903	2062
3602400 1N4W32N W	-	-	-	-	-	0	1224	1006	756	674	141	760
3602401 1N4W27A W	-	-	-	-	-	0	1121	1830	1773	2811	967	1700
3602422 1S1W02K08S W	-	-	-	-	-	0	0	0	0	0	1647	329
3602426 2N5W19K D	1604	770	966	2141	960	1288	3382	3840	3305	217	2017	2552
3602521 1S1W23N04 W <sup>3</sup>	-	-	-	-	-	0	0	0	0	0	0	0

1 FURBERLY INTER CITY MUTUAL WATER CO.

2 FURBERLY HUBBART DEVELOPMENT COMPANY

3 FURBERLY INTER CITY MUTUAL WATER CO.

PRIOR TO 1972 SEE NON-FILED EXTRACTIONS TABLE NO. 2 INTER CITY MUTUAL WATER CO.



TABLE NO. 1  
 VERIFIED EXTRACTIONS BY OWNERS (NON-PLAINTIFFS) WHICH HAVE RECORDATION FILINGS  
 WITH THE STATE WATER RESOURCES CONTROL BOARD

OWNER	1959	1960	1961	1962	1963	1959-63 AVERAGE	1975	1976	1977	1978	1979	1975-79 AVERAGE
SAN BERNARDINO, CITY OF (CONTINUED)												
3602712 1N4*08V W <sup>1</sup>	-	-	-	-	-	0	-	-	653	1519	778	590
OWNER TOTAL	18080*	16903*	19103*	18205*	16929*	17844*	26745*	27831*	27167*	26138*	27587*	27094*
SARATOGA DEVELOPMENT CO												
3600598 1S3*02 W <sup>2</sup>	1116	1071	1166	1111	1071	1107	910	80	150	31	277	290
3600604 1S2*078 W <sup>2</sup>	315	325	0	67	0	141	0	0	0	0	0	0
3600605 1N3*16 D <sup>2</sup>	757	430	399	828	662	615	676	606	635	1119	1437	895
3609606 1N3*35 W <sup>2</sup>	135	135	135	135	135	135	135	3	30	135	135	88
3600607 1S3*02 W <sup>3</sup>	955	900	990	945	875	933	-	-	-	-	-	0
3600607- 1S3*02 W <sup>3</sup>	-	-	-	-	-	0	161	752	110	0	0	205
3601639 1S3*03R01 W <sup>4</sup>	841	944	1116	1095	1111	1021	300	70	750	500	200	364
3602474 1N3*25Q W <sup>5</sup>	-	-	-	-	-	0	40	13	10	70	70	41
OWNER TOTAL	4119*	3805*	3806*	4181*	3854*	3953*	2222*	1524*	1685*	1855*	2119*	1881*

SECHEMST, RALPH F.

3600453 1S2\*31 W 87 71 192 906 141 279 0 0 0 0 0 0 0

1 FORMERLY FULLENA, JOHN B. PRIOR TO 1977 SEE NON-FILED EXTRACTIONS TABLE NO. 2 ELLENA, JOHN B.

2 FORMERLY EAST HIGHLANDS ORANGE COMPANY

3 FORMERLY EAST HIGHLANDS DOMESTIC WATER COMPANY

4 FORMERLY EAST HIGHLANDS ORANGE COMPANY

5 FORMERLY EAST HIGHLANDS ORANGE COMPANY PRIOR TO 1972 SEE NON-FILED EXTRACTIONS TABLE NO. 2 EAST HIGHLANDS ORANGE COMPANY

TABLE NO. 1  
 VERIFIED EXTRACTATIONS BY OWNERS (NON-PAYING TITLES) WHICH HAVE RECORDATION FILINGS  
 WITH THE STATE WATER RESOURCES CONTROL BOARD

OWNER	1959	1960	1961	1962	1963	1959-63 AVERAGE	1975	1976	1977	1978	1979	1975-79 AVERAGE
SELY, DR. & MRS. ARTHUR												
3600017 1S2A29	137	64	278	171	76	145	50	55	32	0	0	27
3600018 1S2A29	10	163	452	88	330	209	-	-	-	0	0	0
OWNER TOTAL	147*	227*	730*	259*	406*	354*	50*	55*	32*	0*	0*	27*
SMITH TRACT WELL COMPANY												
3600001 1S3W21R	270	177	56	0	FC	101	-	-	-	-	-	0
3600001- 1S3W21R	-	-	-	-	127	25	0	0	0	0	0	0
OWNER TOTAL	270*	177*	56*	0*	127*	126*	0*	0*	0*	0*	0*	0*
SO. SAN BERNARDINO COUNTY WATER DIST.												
3602050 1S1W24P	111	71	125	60	79	89	53	33	30	0	0	23
3602122 1S1W23R03S	111	154	114	2	0	76	-	-	-	-	-	0
3602123 1S1W14J	485	443	526	50	58	312	55	91	66	90	32	67
3602121 1S1W14J	179	159	158	151	80	145	82	48	56	35	0	44
3602125 1S1W24F04S	150	167	226	144	91	156	72	110	112	61	67	84
3602126 1S1W24F	-	-	0	105	84	38	186	158	132	184	54	143
OWNER TOTAL	1036*	994*	1149*	512*	392*	817*	448*	440*	396*	370*	153*	361*
SOJKA, DONALD R												
3601173 1S3W32K	91	82	99	86	84	88	33	34	37	35	0	28

1 FORMERLY REES REES RANCHES, INC.  
 2 FORMERLY JOHANSSON, RUYE  
 3 1974 VERIFIED EXTRACTION CORRECTED DURING THE 1975 VERIFICATION  
 4 FORMERLY LAND CAPITOL CORP & DONALD SOJKA

TABLE NO. 1  
 VERIFIED EXTRACTATIONS BY OWNERS (NON-PLAINTIFFS) WHICH HAVE RECORDATION FILINGS  
 WITH THE STATE WATER RESOURCES CONTROL BOARD

OWNER	1959	1960	1961	1962	1963	1959-63 AVERAGE	1975	1976	1977	1978	1979	1975-79 AVERAGE
SOLANO WELL NO. 1												
3600147 1S2W09 W	212	143	147	88	43	127	36	29	34	36	34	34
SOLANO WELL NO. 3												
3602003 1S2W16C W	-	-	-	202	179	76	102	88	154	103	112	112
SUMERS, R.												
3601093 1W4W24 D <sup>1</sup>	1	1	1	1	1	1	1	1	1	1	1	1
SOUTHERN CALIFORNIA EDISON COMPANY												
3600651 1S3W28 W	58	35	64	47	49	51	-	-	-	-	-	0
3601012 1S4W08R W	2	2	2	2	2	2	0	0	0	0	0	0
3601013 1S1W08R W	0	0	0	0	0	0	0	0	0	0	0	0
3601014 1S3W18 W	266	182	312	307	110	235	170	466	441	348	538	393
3601015 1S1W18 W	266	239	362	368	583	364	1187	806	823	1173	1157	1029
3601016 1S4W22G01S W	818	761	685	2	0	453	0	0	0	0	0	0
3609723 1S4W10F01S W	-	-	-	883	883	353	0	0	0	0	0	0
OWNER TOTAL	1410*	1219*	1425*	1609*	1627*	1458*	1357*	1272*	1264*	1521*	1695*	1422*
SOUTHERN CALIFORNIA WATER COMPANY												
3600374 1N3W33W01S W	81	105	186	45	102	104	11	3	0	0	0	3
3600375 1S3W05 W	170	198	234	155	195	190	8	0	0	0	0	2
3600376 1S1W05 W	238	174	240	379	281	262	494	544	17	156	86	259

1 FOR TRACY PEYTON, A.L. OR IRENE A.

TABLE NO. 1  
 VERIFIED EXTRACTATIONS BY OWNERS (NON-PLAINTIFFS) WHICH HAVE RECORDATION FILINGS  
 WITH THE STATE WATER RESOURCES CONTROL BOARD

OWNER	1959	1960	1961	1962	1963	1959-63 AVERAGE	1975	1976	1977	1978	1979	1975-79 AVERAGE
SOUTHWEST CALIFORNIA WATER COMPANY (CONTINUED)												
3600377 1N3W27N08S W	103	11	0	1	0	23	13	16	1	10	9	10
3600378 1N3W27N02S W	278	330	201	196	136	228	368	326	295	181	168	268
3601069 1N4W33W02S W	96	28	61	148	144	93	137	196	265	271	390	252
3601588 1N4W31N W	68	75	74	64	72	71	218	193	181	176	187	191
3601878 1N4W29E01S W	181	123	86	17	146	111	48	80	97	95	115	87
3601879 1N4W29 W	205	182	182	136	103	162	66	66	49	51	48	56
3601840 1N4W29F01S W	227	141	193	221	118	180	0	0	0	0	6	1
3601997 1S3W04G W	16	115	200	204	332	173	1	9	2	0	0	2
3602260 1S3W05D06 W	-	-	-	-	-	0	661	450	228	286	296	384
3602417 1S3W05D W	-	-	-	-	-	0	290	306	130	3	28	151
3602560 1S3W04G W <sup>1</sup>	-	-	-	-	-	0	108	21	3	0	0	26
<b>OWNER TOTAL</b>	<b>1653*</b>	<b>1482*</b>	<b>1657*</b>	<b>1566*</b>	<b>1629*</b>	<b>1597*</b>	<b>2423*</b>	<b>2210*</b>	<b>1268*</b>	<b>1229*</b>	<b>1333*</b>	<b>1693*</b>
STANLEY BROWN CO.												
3601357 1S3W19N W <sup>2</sup>	507	493	300	285	280	373	113	102	136	150	147	130
STOKESON, WILLIAM F.												
3600093 1N5W06 W <sup>3</sup>	35	30	20	40	35	32	30	0	0	0	0	6

1 WELL DRILLED 1973 EXTRACTATIONS VERIFIED DURING THE 1974 VERIFICATION  
 2 AFTER 1968 INCLUDES WATER PUMPED BY CITY OF REDLANDS FROM THIS WELL  
 3 FORMERLY LONG ACRES MUTUAL WATER COMPANY

TABLE NO. 1  
 VERIFIED EXTRACTATIONS BY OWNERS (NON-PLAINTIFFS) WHICH HAVE RECORDATION FILINGS  
 WITH THE STATE WATER RESOURCES CONTROL BOARD

OWNER	1959	1960	1961	1962	1963	1959-63 AVERAGE	1975	1976	1977	1978	1979	1975-79 AVERAGE
(CONTINUED)												
STORKSUN, WILLIAM F.												
3602664 1N5W06	-	-	-	-	-	0	20	30	20	41	41	30
OWNER TOTAL	35*	30*	20*	40*	35*	32*	50*	30*	20*	41*	41*	36*
STONE WATER COMPANY												
3501046 1S3W21A	630	598	622	560	667	615	401	332	396	317	336	356
SUNRISE RANCH PART C/O LIFE DEVELOPMENT												
3600599 1S2W13	444	397	452	381	381	411	384	258	226	124	402	279
3600600 1S2W13	240	226	253	238	159	223	0	0	0	0	0	0
3600601 1S2W14	321	317	313	301	230	296	0	0	0	0	0	0
3600602 1S2W15P	294	230	234	254	238	250	0	0	0	0	0	0
3600603 1S2W15G	238	214	230	222	206	222	102	93	41	41	102	76
3601640 1S2W14	320	309	294	317	381	324	55	34	40	35	52	43
3601949 1S2W14L	-	-	343	324	397	213	43	105	70	101	50	74
OWNER TOTAL	1857*	1693*	2119*	2037*	1992*	1940*	584*	490*	377*	301*	606*	472*
SYCAMORE HEIGHTS WATER COMPANY, INC.												
3601837 1N3W34B	210	-	-	FC	-	42	-	-	-	-	-	0
3601838 1N3W34A	210	52	52	52	52	84	0	0	0	0	0	0
OWNER TOTAL	420*	52*	52*	52*	52*	126*	0*	0*	0*	0*	0*	0*

1 ORIGINAL VERIFICATION DONE DURING THE 1975 VERIFICATION  
 2 FORMERLY EAST HIGHLANDS ORANGE COMPANY

TABLE NO. 1  
 VERIFIED EXTRACTIONS BY OWNERS (NON-PLAINTIFFS) WHICH HAVE RECORDATION FILINGS  
 WITH THE STATE WATER RESOURCES CONTROL BOARD

OWNER	1959	1960	1961	1962	1963	1959-63 AVERAGE	1975	1976	1977	1978	1979	1975-79 AVERAGE
TENNESSEE MUTUAL WELL COMPANY												
3601161 1S3W16L W	537	501	622	516	476	530	375	375	310	218	243	304
TENNESSEE WATER CO.												
3600474 1S3W16L W	530	530	540	540	550	538	481	424	533	419	456	463
TERRACE WATER COMPANY												
3601684 1S4W08F06S W	0	191	263	280	FC	147	-	-	-	-	-	0
3601684- 1S4W08F W	-	-	-	-	455	91	459	390	350	360	350	382
3601685 1S4W08F W	66	0	0	0	0	13	-	-	-	-	-	0
3601686 1S4W08F W	1252	730	814	732	444	794	459	580	530	540	530	528
OWNER TOTAL	1318*	921*	1077*	1012*	899*	1045*	918*	970*	880*	900*	880*	910*
TRI CITY CONCRETE												
3600935 1N4W31N W <sup>1</sup>	10	10	10	10	10	10	FC	-	-	-	-	0
3601309 1S4W05W W	125	125	125	125	126	125	0	0	0	0	0	0
3601320 1S3W09E W <sup>2</sup>	221	225	220	293	295	251	322	264	271	318	311	297
OWNER TOTAL	356*	360*	355*	428*	431*	386*	322*	264*	271*	318*	311*	297*
TRI CITY MUTUAL WATER COMPANY												
3601823 1S4W23K W	53	20	0	0	0	15	-	-	-	-	-	0
UNGER, V.C.												
3601168 1S4W26F W	-	-	-	-	-	0	-	-	-	-	-	0

1 FORMERLY TRI CITY BASELINE  
 2 FORMERLY TRI CITY ROCK

TABLE NO. 1  
 VERIFIED EXTRACTIONS BY OWNERS (NON-PLAINTIFFS) WHICH HAVE RECORDATION FILINGS  
 WITH THE STATE WATER RESOURCES CONTROL BOARD

OWNER	1959	1960	1961	1962	1963	1959-63 AVERAGE	1975	1976	1977	1978	1979	1975-79 AVERAGE
VALDEPEÑA ACRES												
3602241 1S3W20F03 W	25	25	25	27	8	22	40	40	36	25	34	35
VAN LOON MUTUAL WATER COMPANY												
3602066 1S4W02B W	33	49	25	26	25	32	2	3	0	7	1	3
3602067 1N4W35K W	120	110	74	177	164	129	103	144	115	159	77	120
OWNER TOTAL	153*	159*	99*	203*	189*	161*	105*	147*	115*	166*	78*	122*
VICTORIA FARMS MUTUAL WATER CO.												
3602112 1S4W13R01S W	335	288	320	275	266	297	-	-	-	-	-	0
3602247 1S4W13R03 W	-	-	-	-	-	0	264	147	10	0	77	100
3602574 1S4W17R W <sup>1</sup>	-	-	-	-	-	0	0	105	134	115	1	71
3602714 1S4W13R W	-	-	-	-	-	0	-	-	80	97	112	58
OWNER TOTAL	335*	288*	320*	275*	266*	297*	264*	252*	224*	212*	190*	228*
VICTORIA SUPPLYSEY												
3600389 1S4W02 W	163	248	200	160	223	199	-	-	-	-	-	0
WEATHERAY, W. G.												
3600652 1S3W15N01S W	-	-	-	-	-	0	-	-	-	-	-	0
WEST SAN BORO. COUNTY WATER DIST.												
3600302 1N5W26A01S W	158	259	160	0	0	115	-	-	-	-	-	0
3600303 1N5W26B01S W	FC	-	-	-	-	0	-	-	-	-	-	0

1. AFTL GFILLED 1972

TABLE NO. 1  
 VERIFIED EXTRACTIONS BY OWNERS (NON-PLAINTIFFS) WHICH HAVE RECORDATION FILINGS  
 WITH THE STATE WATER RESOURCES CONTROL BOARD

OWNER	1959	1960	1961	1962	1963	1959-63 AVERAGE	1975	1976	1977	1978	1979	1975-79 AVERAGE
WEST SAN RDNO. COUNTY WATER DIST. (CONTINUED)												
3600304 1NSW26A03S W	816	671	611	540	804	688	416	394	480	479	520	458
3600305 1NSW25E01S W	922	990	1124	471	573	816	286	355	182	701	505	406
3600306 1NSW23P02S W	-	-	-	-	-	0	-	-	-	-	-	0
3600307 1NSW23P04S W	1057	1152	399	72	435	623	1366	1175	1030	1209	1507	1257
3600312 1NSW224 D <sup>1</sup>	4258	2709	2424	4392	4097	3576	3230	2598	2965	1988	2621	2680
3600996 1NSW36J03S W	839	1355	1048	1552	1366	1232	680	793	1025	881	1225	921
3600997 1NSW36H04S W	230	85	0	0	-	63	354	32	194	397	0	195
3600998 1NSW25E02S W	1228	639	356	8	-	446	-	-	-	-	-	0
3600999 1S4W06J01S W	531	70	435	70	9	223	-	-	-	-	-	0
3601000 1S4W06J02S W	312	0	0	0	0	62	-	-	-	-	-	0
3601002 1N1W31P03S W	338	540	554	221	148	360	-	-	-	-	-	0
3601003 1S4W06H01S W	1283	929	1264	794	1434	1141	0	0	0	0	0	0
3601725 1NSW25E00S W	-	-	-	-	-	0	0	0	0	0	0	0
3601848 1S4W05E05S W	1612	2655	3145	1951	1965	2266	1294	1664	1337	1106	1061	1292
3601944 1E5W23O00S W	0	36	2067	1260	1006	874	406	713	619	14	0	350
<b>DAMER TOTAL</b>	<b>13584*</b>	<b>12090*</b>	<b>13587*</b>	<b>11331*</b>	<b>11837*</b>	<b>12486*</b>	<b>8032*</b>	<b>7724*</b>	<b>7832*</b>	<b>6775*</b>	<b>7439*</b>	<b>7560*</b>
MILEY, RUTH DORWOOD												
3600052 1S4W36J W	-	-	-	-	52	10	1	1	1	1	1	1

<sup>1</sup> INCLUDES GROSS LYTLE CREEK DIVERSIONS--SEE TABLE NO. 4 FOR VERIFIED DIVERSIONS FROM LYTLE CREEK



TABLE NO. 1  
 VERIFIED EXTRACTIONS BY OWNERS (NON-PLAINTIFFS) WHICH HAVE RECORDATION FILINGS  
 WITH THE STATE WATER RESOURCES CONTROL BOARD

OWNER	1959	1960	1961	1962	1963	1959-63 AVERAGE	1975	1976	1977	1978	1979	1975-79 AVERAGE
WILLIAMS WELL CORPORATION, LTD.												
3600828 1S3W16J W	721	684	765	706	595	694	482	472	579	466	463	492
WOMER MUTUAL WATER COMPANY												
3600817 1S3W29H W	374	465	625	488	423	475	217	73	139	119	131	136
YAHIKU, PAUL												
3601280 1S3W29D W <sup>1</sup>	50	95	51	51	51	60	40	0	0	FC	-	8
YUCAIPA VALLEY COUNTY WATER DISTRICT												
3602657 1S1W20D W <sup>2</sup>	-	-	-	-	-	0	0	0	0	0	0	0
3602658 1S1W20D W <sup>2</sup>	-	-	-	-	-	0	2	5	0	0	0	1
3602659 1S1W19G W <sup>2</sup>	-	-	-	-	-	0	63	70	51	64	51	60
OWNER TOTAL	0*	0*	0*	0*	0*	0*	65*	75*	51*	64*	51*	61*
7TH AVE. WELL												
3601121 1S2W31 W	230	342	514	161	271	304	155	89	125	0	0	74

TOTAL VERIFIED  
 PRODUCTION ALL  
 FACILITIES

177260\* 162019\* 167648\* 161479\* 144956\* 162672\* 158889\* 150045\* 149145\* 152703\* 175845\* 157325\*

1 1974 VERIFIED EXTRACTION CORRECTED DURING THE 1975 VERIFICATION  
 2 FORMERLY TRIPLE FALLS MUT. WTR. CO. PRIOR TO 1975 SEE NON-FILED EXTRACTIONS TABLE NO. 2 TRIPLE FALLS MUT. WTR. CO.  
 PAGE 138

TABLE NO. 2

EXTRACTIONS BY OWNERS, (NON-PLAINTIFFS) WHICH  
HAVE NOT FILED WITH THE STATE WATER  
RESOURCES CONTROL BOARD

TABLE NO. 2  
 VERIFIED EXTRACTATIONS BY OWNERS (NON-PLAINTIFFS) WHICH HAVE NOT FILED  
 WITH THE STATE WATER RESOURCES CONTROL BOARD

OWNER	1959	1960	1961	1962	1963	1959-63 AVERAGE	1975	1976	1977	1978	1979	1975-79 AVERAGE
AHANSON RANCH												
NON-FILER 1S4W27H *	200	200	200	200	200	200	0	0	0	0	0	0
ANDERSON, W.D.												
NON-FILER 1N4W25R	0	0	0	0	0	0	0	0	0	FC	-	0
ARNOLD RANCH												
NON-FILER 1N3W34H	230	230	230	230	230	230	0	0	0	0	0	0
BALCOM												
NON-FILER 1S4W11H	1	1	1	1	1	1	FC	-	-	-	-	0
BALDWIN												
NON-FILER 1N3W34K	1	1	1	1	1	1	0	0	0	0	0	0
BARRIER												
NON-FILER 1S4W22R	3	3	3	3	3	3	0	0	0	0	0	0
BASENTH LAUNDRY												
NON-FILER 1N3W31O	50	50	50	50	50	50	26	37	23	29	24	28
NON-FILER 1N3W31	-	-	-	-	-	0	0	0	0	0	0	0
OWNER TOTAL	50*	50*	50*	50*	50*	50*	26*	37*	23*	29*	24*	28*
BAICHFLOR												
NON-FILER 1N4W14R	1	1	1	1	1	1	1	1	1	1	1	1
NON-FILER 1N4W14R	1	1	1	1	1	1	1	1	1	1	1	1
1 FORMERLY WEEKS & DALEY												

TABLE NO. 2  
 VERIFIED EXTRACTATIONS BY OWNERS (NON-PLAINTIFFS) WHICH HAVE NOT FILED  
 WITH THE STATE WATER RESOURCES CONTROL BOARD

OWNER	1959	1960	1961	1962	1963	1959-63 AVERAGE	1975	1976	1977	1978	1979	1975-79 AVERAGE
OWNER TOTAL	2*	2*	2*	2*	2*	2*	2*	2*	2*	2*	2*	2*
BERMAN, JERRY												
NON-FILER 1S4W02K	W	120	110	130	-	72	0	0	0	0	0	0
NON-FILER 1S4W02J	W	84	84	84	84	84	0	0	0	0	0	0
OWNER TOTAL	204*	194*	214*	84*	84*	156*	0*	0*	0*	0*	0*	0*
BLISS												
NON-FILER 1S2W22E	W	2	2	2	2	2	0	0	0	1	0	0
BOUCHER												
NON-FILER 1N4W14J	W	1	1	1	1	1	1	1	1	1	1	1
BREAK, ALLEN, ESTATE												
NON-FILER 1S3W31A	W	760	608	760	608	669	0	5	0	0	36	8
CARPENTER												
NON-FILER 1S4W22B	W	4	4	4	4	4	0	0	0	0	0	0
CLIFFSIDE RANCH												
NON-FILER 1S3W03F	W	171	174	181	150	172	-	-	-	-	-	0
COOK CANYON												
NON-FILER 1N3W27R	D	35	35	35	35	35	34	27	28	24	16	26
CRYSTAL SPRINGS												
NON-FILER 2S2W06D	W	1	1	1	1	1	1	1	1	1	1	1

1 FILED BY TEAGLE, H. ESTATES RECORDATION NO. 3602571 COMMENCING 1974 SEE TABLE NO. 1

TABLE NO. 2  
 VERIFIED EXTRACTATIONS BY OWNERS (NON-PLAINTIFFS) WHICH HAVE NOT FILED  
 WITH THE STATE WATER RESOURCES CONTROL BOARD

OWNER	1959	1960	1961	1962	1963	1959-63 AVERAGE	1975	1976	1977	1978	1979	1975-79 AVERAGE
DANGLD DAIRY												
NON-FILER 1S4W11F	W	35	35	35	35	35	10	10	-	FC	-	4
DANIELS, DON												
NON-FILER 1S3W19J	W	-	-	-	-	0	-	-	-	-	-	0
DANIELS, HAROLD												
NON-FILER 1S3W17R	W	-	-	-	500	100	-	-	-	-	-	0
NON-FILER 1S3W17C	W	2	2	2	2	2	2	2	2	1	1	2
OWNER TOTAL	2*	2*	2*	2*	502*	102*	2*	2*	2*	1*	1*	2*
DILLSON MUT. TR. CO.												
NON-FILER 1N4W13P	W	18	18	18	18	18	-	-	-	-	-	0
NON-FILER 1N4W13P	W	18	18	18	18	18	14	14	10	0	0	8
NON-FILER 1N4W13P	W	-	-	-	-	0	42	42	30	0	0	23
OWNER TOTAL	36*	36*	36*	36*	36*	36*	56*	56*	40*	0*	0*	30*
EAST HIGHLANDS ORANGE COMPANY												
NON-FILER 1N3W35B	D	53	28	47	46	43	-	-	-	-	-	0
EAST SAN ROND. COUNTY WATER DIST.												
NON-FILER 1N3W30C	W	-	-	-	-	0	0	0	0	0	0	0

1 FILED BY DANIELS AND BEST RANCH RECORDATION NUMBER 3602549 COMMENCING 1973 SEE TABLE NO. 1

2 FILED BY DANIELS AND BEST RANCH RECORDATION NUMBER 3602550 COMMENCING 1973 SEE TABLE NO. 1

3 FILED BY EAST HIGHLANDS ORANGE COMPANY RECORDATION NO. 3602474 COMMENCING 1972 SEE TABLE NO. 1

TABLE NO. 2  
 VERIFIED EXTRACTATIONS BY OWNERS (NON-CLAIMANTIFFS) WHICH HAVE NOT FILED  
 WITH THE STATE WATER RESOURCES CONTROL BOARD

OWNER	1959	1960	1961	1962	1963	1959-63 AVERAGE	1975	1976	1977	1978	1979	1975-79 AVERAGE
EAST SAN BENO. COUNTY WATER DIST. (CONTINUED)												
NON-FILER 1S3*04P	W	24	24	29	30	20	25	0	0	0	0	0
NON-FILER 1N3*30C	W	50	51	56	38	34	46	0	0	0	0	0
NON-FILER 1N3*31A	W	216	110	75	0	0	80	0	0	0	0	0
NON-FILER 1S3*050	W	11	9	12	6	3	8	0	0	0	0	0
NON-FILER 1N4*36H	W	35	1	0	0	0	7	0	0	0	0	0
NON-FILER 1S3*06	W	0	0	0	0	0	0	0	0	0	0	0
NON-FILER 1N3*31D	W	39	55	2	2	0	20	0	0	0	0	0
NON-FILER 1S3*06E	W	35	35	35	0	0	21	0	0	0	0	0
NON-FILER 1S3*06B	W	10	10	10	10	10	10	0	0	0	0	0
NON-FILER 1S3*06C	W	-	-	-	-	-	0	0	0	0	0	0
NON-FILER 1S4*02L	W	20	20	20	20	20	20	0	0	0	0	0
NON-FILER 1S3*06P	W	4	4	4	4	-	3	0	0	0	0	0
NON-FILER 1S3*050	W	1	1	1	1	1	1	0	0	0	0	0
NON-FILER 1S3*06M	W	572	690	848	560	668	668	0	0	0	0	0
NON-FILER 1S3*060	W	27	21	23	25	27	25	0	0	0	0	0
NON-FILER 1S3*03N	W	10	10	10	10	10	10	10	10	10	10	10
NON-FILER 1N4*25D	W	11	11	11	11	11	11	0	0	0	0	0
NON-FILER 1S3*03N	W	5	5	5	-	-	3	0	0	0	0	0
NON-FILER 1S3*05J	W	2	2	-	-	-	1	0	0	0	0	0

TABLE NO. 2  
 VERIFIED EXTRACTIONS BY OWNERS (NON-PLAINTIFFS) WHICH HAVE NOT FILED  
 WITH THE STATE WATER RESOURCES CONTROL BOARD

OWNER	1959	1960	1961	1962	1963	1959-63 AVERAGE	1975	1976	1977	1978	1979	1975-79 AVERAGE
EAST SAN BONO. COUNTY WATER DIST. (CONTINUED)												
NON-FILER 1S4W01D	W	20	20	20	20	20	0	0	0	0	0	0
NON-FILER 1S3W06N <sup>1</sup>	W	150	99	137	373	190	0	0	0	0	0	0
NON-FILER 1S3W04O <sup>2</sup>	W	20	20	20	20	20	0	0	0	0	0	0
OWNER TOTAL		1198*	1318*	1130*	1034*	1188*	10*	10*	10*	10*	10*	10*
EUREKA, JOHN B.												
NON-FILER 1N4W08N <sup>3</sup>	W	585	585	585	585	585	0	0	-	-	-	0
ELLGORD												
NON-FILER 1S2W24C	W	5	5	5	5	5	50	30	30	40	40	38
FARROW												
NON-FILER 1S2W22E	W	6	5	28	5	5	5	5	5	5	5	5
FINCH												
NON-FILER 1S2W29	W	-	-	-	-	-	0	0	0	0	0	0
GOLCONDA WATER CO.												
NON-FILER 1S1W13E	W	96	96	96	96	96	0	0	-	-	-	0
GREENSPOT MUTUAL WATER CO TUNNEL												
NON-FILER 1S2W22	D	-	-	-	-	-	0	0	0	580	600	236

<sup>1</sup> STATE WELL NO. CORRECTED DURING THE 1974 VERIFICATION PREVIOUSLY 1S4W06N

<sup>2</sup> FORMERLY HACIENDA TRAILER PARK

<sup>3</sup> FILED BY NEW OWNER SAN BERNARDINO, CITY OF RECORDATION NO. 3602712 COMMENCING 1977 SEE TABLE NO. 1

TABLE NO. 2  
 VERIFIED EXTRACTATIONS BY OWNERS (NON-PLAINTIFFS) WHICH HAVE NOT FILED  
 WITH THE STATE WATER RESOURCES CONTROL BOARD

OWNER	1959	1960	1961	1962	1963	1959-63 AVERAGE	1975	1976	1977	1978	1979	1975-79 AVERAGE
HAGAR												
NON-FILER 1S2W16L	W	1	1	1	1	1	0	0	0	0	0	0
HARDISON												
NON-FILER 1N4W13Q	W	1	1	1	1	1	1	1	1	1	1	1
HARRISON												
NON-FILER 1S3W04J	W	1	1	1	1	1	0	0	0	0	0	0
HARRISON CANYON												
NON-FILER 1N4W13P	W	1	1	1	1	1	0	0	0	0	0	0
NON-FILER 1N4W13P	W	1	1	1	1	1	1	1	1	1	1	1
OTHER TOTAL		2*	2*	2*	2*	2*	1*	1*	1*	1*	1*	1*
HAZAS												
NON-FILER 1S4W11G	W	8	8	8	8	8	-	-	-	-	-	0
HELIPORT												
NON-FILER 1S4W15G	W	1	1	1	1	1	0	0	0	0	0	0
HILL												
NON-FILER 1S2W31B	W	-	-	-	-	0	0	0	0	0	0	0
HODSDON, WARNER												
NON-FILER 1N4W14C	D <sup>1</sup>	200	200	150	150	150	30	20	150	150	250	120
HOLDEN MUT. WTR. CO.												
NON-FILER 1S4W14E	W	2	2	2	2	2	FC	-	-	-	-	0

<sup>1</sup> FORMERLY WEST TWIN CREEK WATER COMPANY



TABLE NO. 2  
 VERIFIED EXTRACTATIONS BY OWNERS (NON-PLAINTIFFS) WHICH HAVE NOT FILED  
 WITH THE STATE WATER RESOURCES CONTROL BOARD

OWNER	1959	1960	1961	1962	1963	1959-63 AVERAGE	1975	1976	1977	1978	1979	1975-79 AVERAGE
(CONTINUED)												
HOLDER MUT. WTR. CO.												
NON-FILER 1S4W14F	12	12	12	12	12	12	FC	-	-	-	-	0
OWNER TOTAL	14*	14*	14*	14*	14*	14*	0*	0*	0*	0*	0*	0*
HORTON												
NON-FILER 1S3W32J	385	300	420	364	357	365	89	80	355	270	240	207
HUNTER												
NON-FILER 1S3W03D	3	3	3	3	3	3	0	0	0	0	0	0
INTER CITY MUTUAL WATER CO												
NON-FILER 1S4W23P	-	-	-	-	-	0	-	-	-	-	-	0
KARAHARRIS												
NON-FILER 1S2W17	-	-	-	-	-	0	1	1	1	1	1	1
KING												
NON-FILER 1N4W14R	1	1	1	1	1	1	1	1	1	1	1	1
KOCH												
NON-FILER 1S2W32B	-	-	-	-	-	0	0	0	0	0	0	0
KWANTZ DAIRY												
NON-FILER 1S4W11F	100	100	100	100	100	100	0	0	0	0	0	0
KUHN, RICHARD J												
NON-FILER 1S3W32G	-	-	-	-	-	0	-	-	0	15	40	11

1 FILED BY INTER CITY MUTUAL WATER COMPANY RECORDATION NO. 3602521 COMMENCING 1972 SEE TABLE NO. 1

2 FORMERLY UNIVERSITY OF REDLANDS

3 WELLS DRILLED 1976

TABLE NO. 2  
 VERIFIED EXTRACTIONS BY OWNERS (NON-PLAINTIFFS) WHICH HAVE NOT FILED  
 WITH THE STATE WATER RESOURCES CONTROL BOARD

OWNER	1959	1960	1961	1962	1963	1959-63 AVERAGE	1975	1976	1977	1978	1979	1975-79 AVERAGE
L.P.R. RANCH												
NON-FILER 1S3W13C	1	-	485	660	610	351	-	-	-	-	-	0
LA TOURETTE												
NON-FILER 1S2W28N	W	30	30	30	30	30	21	11	14	12	12	14
LANKERSHIM MUT. WTR. CO.												
NON-FILER 1S3W06L	W	100	100	100	100	100	50	45	60	40	65	52
NON-FILER 1S3W06F	W	50	50	50	50	50	30	40	30	60	15	35
OWNER TOTAL		150*	150*	150*	150*	150*	80*	85*	90*	100*	80*	87*
LORD												
NON-FILER 1S2W28M	D	1	1	1	1	1	1	1	1	1	1	1
MARKSHURN												
NON-FILER 1S3W17G	W	-	380	300	290	194	210	100	280	280	300	234
MCCALLA BROS												
NON-FILER 1S3W20	W	-	1	1	1	1	0	0	0	0	0	0
MENTONE DOMESTIC WTR. CO.												
NON-FILER 1S2W19J	W	3	-	25	-	5	-	-	-	-	-	0
NON-FILER 1S2W19J	W	3	-	-	-	0	-	-	-	-	-	0

1 FILED BY L.P.R. ICE COMPANY RECORDATION NO. 3602525 COMMENCING 1972 SEE TABLE NO. 1

2 1974 VERIFIED EXTRACTION CORRECTED DURING THE 1975 VERIFICATION

3 FILED BY MENTONE DOMESTIC WTR. CO. COMMENCING 1975 SEE TABLE NO. 1

TABLE NO. 2  
 VERIFIED EXTRACTATIONS BY OWNERS (NON-PLAINTIFFS) WHICH HAVE NOT FILED  
 WITH THE STATE WATER RESOURCES CONTROL BOARD

OWNER	1959	1960	1961	1962	1963	1963 AVERAGE	1975	1976	1977	1978	1979	1975-79 AVERAGE
OWNER TOTAL	0*	0*	25*	0*	0*	5*	0*	0*	0*	0*	0*	0*
MOORE, R. H.												
NON-FILER 1S1W24K W	46	42	89	78	77	66	41	34	42	35	38	38
MT. VIEW CHILD CARE CENTER												
NON-FILER 1S1W24J W <sup>1</sup>	2	2	2	2	2	2	0	0	0	0	0	0
NO NAME WELL												
NON-FILER 1N3W32M W	30	27	32	28	28	29	0	0	0	0	0	0
HORTON AIR FORCE BASE												
NON-FILER 1S1W12B W	688	619	640	699	623	654	398	292	95	537	510	366
NON-FILER 1S1W12C W	473	425	440	480	429	449	61	40	71	19	3	39
NON-FILER 1S1W12D W	860	773	800	874	780	817	0	0	0	0	0	0
NON-FILER 1S1W12F W	1721	1546	1599	1747	1559	1634	1554	1282	1587	700	550	1135
NON-FILER 1S1W08A W	946	850	879	961	857	899	616	617	731	788	820	714
NON-FILER 1S1W12Q W	0	0	0	0	0	0	0	0	0	0	0	0
NON-FILER 1S1W12G W	860	773	800	874	780	817	0	0	0	0	0	0
NON-FILER 1S1W08E W	0	0	0	0	0	0	0	0	0	0	0	0
NON-FILER 1S1W08M W	344	309	320	350	312	327	0	0	0	0	0	0
OWNER TOTAL	5892*	5295*	5478*	5985*	5340*	5598*	2629*	2231*	2484*	2044*	1883*	2254*
NORWOOD												
NON-FILER 1N3W34F W	1	1	1	1	1	1	0	0	0	0	0	0
1 FORMERLY VANLEUVEN NURSING HOME												

TABLE NO. 2  
 VERIFIED EXTRACTATIONS BY OWNERS (NON-PLAINTIFFS) WHICH HAVE NOT FILED  
 WITH THE STATE WATER RESOURCES CONTROL BOARD

OWNER	1959	1960	1961	1962	1963	1959-63 AVERAGE	1975	1976	1977	1978	1979	1975-79 AVERAGE
PACIFIC HIGH SCHOOL												
NON-FILER 1N4W35H W	75	75	75	75	75	75	0	0	0	0	0	0
PATTERSON, ROY H.												
NON-FILER 1N3W34 W <sup>1</sup>	-	-	-	-	-	0	0	1	1	1	1	1
PIERSON												
NON-FILER 1N4W35N W	80	80	80	80	-	64	FC	-	-	-	-	0
QUALITY FARMS												
NON-FILER 1S3W04R W <sup>2</sup>	123	123	123	123	123	123	125	125	125	125	125	125
RANSEY												
NON-FILER 1S2W22F D	1	1	1	1	1	1	1	1	1	1	1	1
REDWARDS ASSOCIATES												
NON-FILER 1S2W17B W	-	-	-	-	13	3	0	0	0	0	0	0
NON-FILER 1S2W09P W <sup>3</sup>	200	162	200	169	166	179	-	-	-	-	-	0
NON-FILER 1S2W09L W <sup>3</sup>	145	119	146	123	122	131	-	-	-	-	-	0
NON-FILER 1S2W09L D <sup>3</sup>	144	97	92	122	110	113	-	-	-	-	-	0
OWNER TOTAL	489*	378*	438*	414*	411*	426*	0*	0*	0*	0*	0*	0*
REDWARDS WTR. CO.												
NON-FILER 1S2W08 D <sup>4</sup>	544	599	301	754	581	556	976	1010	947	1197	1194	1065

1 FORMERLY ROBERTS, DR. G.

2 FORMERLY POZEMA CHICKEN RANCH

3 FILED BY NEW OWNER BUDIF GOOSE GROWERS INC. COMMENCING 1972 SEE TABLE NO. 1

4 COMMENCING 1974 SEE TABLE NO. 6 SANTA ANA RIVER VERIFICATION OF EXTRACTATIONS

TABLE NO. 2  
 VERIFIED EXTRACTATIONS BY OWNERS (NON-PLAINTIFFS) WHICH HAVE NOT FILED  
 WITH THE STATE WATER RESOURCES CONTROL BOARD

OWNER	1959	1960	1961	1962	1963	1959-63 AVERAGE	1975	1976	1977	1978	1979	1975-79 AVERAGE
REFLANDS, CITY OF												
NON-FILER 1S2W138 D <sup>1</sup>	10	10	10	10	10	10	12	10	9	13	4	10
REGINA GRAPE PRODUCTS												
NON-FILER 1N5W04N W	60	60	60	60	60	60	10	10	50	60	74	41
NON-FILER 1N5W04N W	24	24	24	24	24	24	0	0	0	0	0	0
NON-FILER 1N5W04N W	27	27	27	27	27	27	0	0	0	0	0	0
NON-FILER 1N5W05B D	29	29	29	29	29	29	30	30	30	30	30	30
NON-FILER 1N5W05R W	33	33	33	33	33	33	0	0	0	0	0	0
NON-FILER 1N5W04N W	24	24	24	24	24	24	5	62	95	2	0	33
NON-FILER 1N5W04N W	33	33	33	33	33	33	0	0	0	0	0	0
NON-FILER 1N5W04N W	20	20	20	20	20	20	0	0	0	0	0	0
OTHER TOTAL	250*	250*	250*	250*	250*	250*	45*	102*	175*	92*	104*	104*
RIVAS												
NON-FILER 1S4W24J W	1	1	1	1	1	1	1	1	1	1	1	1
RULE												
NON-FILER 1N3W34K W	1	1	1	1	1	1	0	0	0	0	0	0
SAN BRYANDINO, CITY OF												
NON-FILER 1S4W21A W	3	3	3	3	3	3	0	0	0	0	0	0
NON-FILER 1S4W22C W	5	5	5	5	5	5	0	0	0	0	0	0

<sup>1</sup> COMMENCING 1974 SEE TABLE NO. 5 MILL CREEK VERIFICATION OF EXTRACTATIONS MILL CREEK RANGER STATION

TABLE NO. 2  
 VERIFIED EXTRACTIONS BY OWNERS (NON-PLAINTIFFS) WHICH HAVE NOT FILED  
 WITH THE STATE WATER RESOURCES CONTROL BOARD

OWNER	1959	1960	1961	1962	1963	1963 AVERAGE	1975	1976	1977	1978	1979	1975-79 AVERAGE
OWNER TOTAL	8*	8*	8*	8*	8*	8*	8*	0*	0*	0*	0*	0*
SAN BERNARDINO, COUNTY OF												
NON-FILER 1S4W14A W <sup>1</sup>	145	145	145	80	80	119	90	64	20	12	19	41
NON-FILER 1N4W35F W <sup>2</sup>	200	200	200	200	200	200	220	220	220	220	220	220
NON-FILER 2NSW33F W	428	330	410	308	207	337	212	193	273	142	130	190
NON-FILER 2NSW33G W	208	285	399	256	179	265	223	217	291	158	150	208
NON-FILER 2NSW33Q02 W <sup>3</sup>	-	-	-	-	-	0	99	79	66	34	94	74
OWNER TOTAL	981*	960*	1154*	844*	666*	921*	844*	773*	870*	566*	613*	733*
SAY MAHAL INDIAN RESERV.												
NON-FILER 1N3W20N W	6	6	6	6	6	6	0	0	0	0	0	0
SANDYS RESTAURANT												
NON-FILER 1S4W21M2 W	-	-	-	-	-	0	0	0	0	0	0	0
SANTINI												
NON-FILER 1S4W14A W	90	90	90	90	90	90	23	20	17	14	22	19
SARATOGA DEVELOPMENT CO												
NON-FILER 1S2W06 W <sup>4</sup>	1	1	1	1	1	1	1	1	1	1	1	1

1 FORMERLY AEROSPACE  
 2 FORMERLY COUNTY HOSPITAL  
 3 ORIGINAL VERIFICATION DONE DURING THE 1973 VERIFICATION  
 4 FORMERLY EAST HIGHLANDS ORANGE COMPANY

TABLE NO. 2  
 VERIFIED EXTRACTATIONS BY OWNERS (NON-PLAINTIFFS) WHICH HAVE NOT FILED  
 WITH THE STATE WATER RESOURCES CONTROL BOARD

OWNER	1959	1960	1961	1962	1963	1959-63 AVERAGE	1975	1976	1977	1978	1979	1975-79 AVERAGE
SATOSKI, DOCTOR												
NON-FILER 1N4W14J	1	1	1	1	1	1	1	1	1	1	1	1
SFLEY												
NON-FILER 1N3W19Q	1	1	1	1	1	1	1	1	1	1	1	1
SIX HOUSES												
NON-FILER 1S4W22A	6	6	6	6	6	6	0	0	0	0	0	0
SMITH												
NON-FILER 1N4W14J	1	1	1	1	1	1	1	1	1	1	1	1
SMITH MEAT PACKING PLANT												
NON-FILER 1S4W22M	3	3	3	3	3	3	-	-	-	-	-	0
SMITH,												
NON-FILER 1S3W02J	10	10	10	10	10	10	10	10	10	10	10	10
STANLEY, SILAS												
NON-FILER 1S2W24H	2	2	2	2	2	2	3	3	3	3	3	3
STEWART, WILLARD												
NON-FILER 1S3W31D	53	53	53	53	53	53	0	0	0	0	0	0
STRAWBERRY PATCH												
NON-FILER 1S3W03N	-	-	-	-	-	0	16	20	30	30	30	25
NON-FILER 1S3W03N	1	1	1	1	1	1	0	0	0	0	0	0
OWNER TOTAL	1*	1*	1*	1*	1*	1*	16*	20*	30*	30*	30*	25*

TABLE NO. 2  
 VERIFIED EXTRACTATIONS BY OWNERS (NON-PLAINTIFFS) WHICH HAVE NOT FILED  
 WITH THE STATE WATER RESOURCES CONTROL BOARD

OWNER	1959	1960	1961	1962	1963	1959-63 AVERAGE	1975	1976	1977	1978	1979	1975-79 AVERAGE
SUPERIOR ORCHARDS												
NON-FILER 1N3W29B D	1	1	1	1	1	1	1	0	0	0	0	0
TFXACO GAS STATION												
NON-FILER 1S1W24J #1	-	-	-	-	-	0	1	1	1	1	1	1
THOMPSON RANDALL												
NON-FILER 1N3W28A D	3	3	3	3	3	3	0	0	0	0	0	0
TRI CITY MUTUAL WATER COMPANY												
NON-FILER 1S1W23N W	0	0	0	0	0	0	0	0	0	0	0	0
TRIPLE FALLS MUT. WTR. CO.												
NON-FILER 1S1W19G #2	-	-	-	-	-	0	-	-	-	-	-	0
NON-FILER 1S1W20D #2	5	5	4	5	5	5	-	-	-	-	-	0
NON-FILER 1S1W20D #2	10	7	6	10	13	9	-	-	-	-	-	0
OWNER TOTAL	15*	12*	10*	15*	18*	14*	0*	0*	0*	0*	0*	0*
U.S. FOREST SERVICE												
NON-FILER 1N4W130 W	9	9	9	9	9	9	0	0	0	0	0	0
NON-FILER 1S2W13P W	-	-	-	-	-	0	0	0	0	0	0	0
OWNER TOTAL	9*	9*	9*	9*	9*	9*	0*	0*	0*	0*	0*	0*
VALENCIA AVF. MUT. WTR. CO.												
NON-FILER 1N4W23K W	30	30	30	30	30	30	3	3	2	2	2	2

1 FORMERLY DOUGLAS GAS STATION

2 FILLED BY NEW OWNER YUCAIPA VALLEY COUNTY WATER DISTRICT COMMENCING 1975 SEE TABLE NO. 1



TABLE NO. 2  
 VERIFIED EXTRACTATIONS BY OWNERS (NON-PLAINTIFFS) WHICH HAVE NOT FILED  
 WITH THE STATE WATER RESOURCES CONTROL BOARD

OWNER	1959	1960	1961	1962	1963	1959-63 AVERAGE	1975	1976	1977	1978	1979	1975-79 AVERAGE
VALLEY FARMS MUT. WTR. CO.												
NON-FILER 1S4W15R W	90	90	90	90	90	90	122	241	218	195	135	182
NON-FILER 1S4W150 W	29	29	29	29	29	29	91	56	39	54	86	65
OWNER TOTAL	119*	119*	119*	119*	119*	119*	213*	297*	257*	249*	221*	247*
VAN MEETER												
NON-FILER 1S3W02P W	3	3	0	0	0	1	0	0	0	0	0	0
NON-FILER 1S3W02P W	-	-	-	-	-	0	3	3	3	3	3	3
OWNER TOTAL	3*	3*	0*	0*	0*	1*	3*	3*	3*	3*	3*	3*
VANLEUVEN, CLARENCE												
NON-FILER 1S4W24J W	26	26	26	26	26	26	15	13	16	10	1	11
VICTORIA SEVENTH DAY ADVENTIST												
NON-FILER 1S1W24J W <sup>1</sup>	15	15	15	15	15	15	10	0	1	0	0	2
WALLACE												
NON-FILER 1N4W14J W	1	1	1	1	1	1	1	1	1	1	1	1
WARD, FLOYD												
NON-FILER 1S1W18N W	-	-	-	16	16	6	0	0	0	0	0	0
NON-FILER 1S1W18P W	-	-	-	17	17	7	0	0	0	0	0	0
NON-FILER 1S1W18P W	1	1	1	1	1	1	1	1	1	1	1	1
NON-FILER 1S1W18N W	-	-	-	16	16	6	0	0	0	0	0	0

1 FORMERLY VANLEUVEN, ED

TABLE NO. 2  
 VERIFIED EXTRactions BY OWNERS (NON-PLAINTIFFS) WHICH HAVE NOT FILED  
 WITH THE STATE WATER RESOURCES CONTROL BOARD

OWNER	1959	1960	1961	1962	1963	1959-63 AVERAGE	1975	1976	1977	1978	1979	1975-79 AVERAGE
(CONTINUED)												
WARD, FLOYD												
NON-FILER 1S1W18W	-	-	-	52	52	21	0	0	0	0	0	0
NON-FILER 1S1W18P	-	-	-	1	1	0	1	2	2	2	2	2
OWNER TOTAL	1*	1*	1*	103*	103*	42*	2*	3*	3*	3*	3*	3*
WESTERN FRUIT GROWERS												
NON-FILER 1S3W240	147	220	177	0	0	109	0	0	0	0	0	0
WIDEMEYER												
NON-FILER 1N3W29H	1	1	1	1	1	1	0	0	0	0	0	0
NON-FILER 1N3W29H	5	5	5	5	5	5	0	0	0	0	0	0
OWNER TOTAL	6*	6*	6*	6*	6*	6*	0*	0*	0*	0*	0*	0*
WILLIAMS DAIRY												
NON-FILER 1S4W11G	142	142	142	142	142	142	0	0	0	0	0	0
YORK												
NON-FILER 1N3W19R	1	1	1	1	1	1	1	1	1	1	1	1
NON-FILER 1N3W19R	28	28	28	28	28	28	15	15	15	15	15	15
NON-FILER 1N3W19R	30	26	20	30	28	27	0	0	0	0	0	0
OWNER TOTAL	59*	55*	49*	59*	57*	56*	16*	16*	16*	16*	16*	16*
TOTAL VERIFIED PRODUCTION ADD FACILITIES	13929*	12980*	14412*	14460*	13653*	13897*	5627*	5160*	6055*	5947*	5944*	5748*

TABLE NO. 3

SUMMARY OF EXTRACTIONS (FILED AND NON-FILED)  
FROM SAN BERNARDINO BASIN AREA BY NON-PLAINTIFFS  
FOR USE WITHIN SAN BERNARDINO COUNTY

TABLE NO. 3  
 SUMMARY OF VERIFIED EXTRACTIIONS (FILLED & NON-FILLED) FROM SAN BERNARDINO BASIN AREA  
 BY NON-PLAINTIFFS FOR USE WITHIN SAN BERNARDINO COUNTY

OWNER	1959	1960	1961	1962	1963	1959-63 AVERAGE	1976	1977	1978	1979	1975-79 AVERAGE
APMANSOV RANCH											
OWNER TOTAL	200*	200*	200*	200*	200*	200*	0*	0*	0*	0*	0*
ANDERSON, W.D.											
OWNER TOTAL	0*	0*	0*	0*	0*	0*	0*	0*	0*	0*	0*
ARMSTRONG, DOUGLAS											
OWNER TOTAL	286*	342*	0*	0*	0*	126*	0*	0*	0*	0*	0*
ARNOLD RANCH											
OWNER TOTAL	230*	230*	230*	230*	230*	230*	0*	0*	0*	0*	0*
ARROWHEAD COUNTRY CLUB											
OWNER TOTAL	600*	607*	650*	650*	650*	631*	431*	562*	429*	396*	475*
ARRIYO VERDE MUTUAL WATER CO.											
OWNER TOTAL	166*	186*	162*	168*	141*	165*	232*	192*	153*	153*	188*
ATCHISON, TOPEKA & SANTA FE RAILWAY CO.											
OWNER TOTAL	316*	254*	226*	220*	138*	231*	0*	0*	0*	0*	0*
B M I FUNDS											
OWNER TOTAL	343*	323*	165*	165*	0*	199*	0*	0*	0*	0*	0*
BALCOM											
OWNER TOTAL	1*	1*	1*	1*	1*	1*	0*	0*	0*	0*	0*
BALDWIN											
OWNER TOTAL	1*	1*	1*	1*	1*	1*	0*	0*	0*	0*	0*

TABLE NO. 3  
 SUMMARY OF VERIFIED EXTRACTIIONS (FILED & NON-FILED) FROM SAN BERNARDINO BASIN AREA  
 BY NON-PLAINTIFFS FOR USE WITHIN SAN BERNARDINO COUNTY

OWNER	1959	1960	1961	1962	1963	1959-63 AVERAGE	1975	1976	1977	1978	1979	1975-79 AVERAGE
BARNO, JOHN												
OWNER TOTAL	0*	0*	0*	0*	34*	7*	0*	0*	1*	1*	0*	0*
BARRIFR												
OWNER TOTAL	3*	3*	3*	3*	3*	3*	0*	0*	0*	0*	0*	0*
BASE LINE WELL COMPANY												
OWNER TOTAL	0*	0*	0*	0*	0*	0*	0*	0*	0*	0*	0*	0*
BASELINE GARDENS MUTUAL WATER COMPANY												
OWNER TOTAL	303*	303*	303*	303*	303*	303*	360*	354*	326*	351*	398*	358*
BASELINE LAUNDRY												
OWNER TOTAL	50*	50*	50*	50*	50*	50*	26*	37*	23*	29*	24*	28*
BATCHELOR												
OWNER TOTAL	2*	2*	2*	2*	2*	2*	2*	2*	2*	2*	2*	2*
BEAR VALLEY MUTUAL WATER COMPANY												
OWNER TOTAL	22886*	19239*	17374*	17847*	14872*	18444*	21903*	20304*	17000*	17092*	19585*	19177*
BEEGER, RAYMOND A.												
OWNER TOTAL	962*	700*	940*	784*	816*	840*	721*	592*	760*	567*	655*	659*
BELL, H. EUGENE												
OWNER TOTAL	115*	88*	30*	85*	167*	97*	99*	45*	36*	0*	0*	36*
BERMAN, JERRY												
OWNER TOTAL	204*	194*	214*	84*	84*	156*	0*	0*	0*	0*	0*	0*

SUMMARY OF VERIFIED EXTRACTATIONS (FILED & NON-FILED) FROM SAN BERNARDINO BASIN AREA  
 BY NON-PLAINTIFFS FOR USE WITHIN SAN BERNARDINO COUNTY

TABLE NO. 3

OWNER	1959	1960	1961	1962	1963	1959-63 AVERAGE	1975	1976	1977	1978	1979	1975-79 AVERAGE
BERMAN, JERRY & SONS												
OWNER TOTAL	0*	0*	0*	28*	32*	12*	26*	24*	22*	20*	22*	23*
BLISS												
OWNER TOTAL	2*	2*	2*	2*	2*	2*	0*	0*	0*	1*	0*	0*
BLUE GOOSE GROWERS INC												
OWNER TOTAL	0*	0*	0*	0*	0*	0*	121*	117*	80*	80*	80*	96*
BOUCHER												
OWNER TOTAL	1*	1*	1*	1*	1*	1*	1*	1*	1*	1*	1*	1*
BREAK, ALLEN, ESTATE												
OWNER TOTAL	760*	608*	760*	608*	608*	669*	0*	5*	0*	0*	36*	8*
BRISTOL RANCH												
OWNER TOTAL	90*	100*	160*	108*	108*	113*	55*	63*	49*	0*	0*	33*
BROOKSIDE DAIRY, INC												
OWNER TOTAL	302*	302*	312*	312*	313*	308*	315*	195*	63*	9*	19*	120*
BRYN MAWR MUTUAL WATER COMPANY												
OWNER TOTAL	1197*	1130*	1333*	1299*	1052*	1202*	803*	663*	669*	497*	463*	619*
BUOYE WELL												
OWNER TOTAL	0*	0*	146*	160*	177*	97*	180*	141*	136*	0*	0*	91*
CALIFORNIA, STATE OF PATTON HOSPITAL												
OWNER TOTAL	947*	1076*	1085*	1003*	957*	1014*	447*	445*	425*	421*	444*	436*

TABLE NO. 3  
 SUMMARY OF VERIFIED EXTRACTIIONS (FILED & NON-FILED) FROM SAN BERNARDINO BASIN AREA  
 BY NON-PLAINTIFFS FOR USE WITHIN SAN BERNARDINO COUNTY

OWNER	1959	1960	1961	1962	1963	1959-63 AVERAGE	1975	1976	1977	1978	1979	1975-79 AVERAGE
CANYON RANCH												
OWNER TOTAL	298*	222*	101*	109*	103*	167*	96*	0*	0*	0*	0*	19*
CARDIFF FARMS MUTUAL WATER COMPANY												
OWNER TOTAL	518*	455*	502*	403*	446*	465*	393*	393*	389*	340*	400*	383*
CARPENTER												
OWNER TOTAL	4*	4*	4*	4*	4*	4*	0*	0*	0*	0*	0*	0*
CHARLES, J. J.												
OWNER TOTAL	0*	0*	0*	0*	0*	0*	0*	0*	0*	0*	0*	0*
CHRISTINA WATER COMPANY												
OWNER TOTAL	1302*	1403*	700*	865*	793*	1013*	18*	20*	88*	13*	8*	29*
CLIFFSIDE RANCH												
OWNER TOTAL	171*	174*	181*	150*	186*	172*	0*	0*	0*	0*	0*	0*
COGBILL, CLINTON L.												
OWNER TOTAL	312*	296*	325*	181*	91*	241*	0*	0*	0*	0*	1*	0*
COLTON, CITY OF												
OWNER TOTAL	2814*	3606*	3305*	3743*	3267*	3347*	3940*	4061*	3858*	4062*	4073*	3999*
CONEJO RANCHOS MUTUAL WATER COMPANY												
OWNER TOTAL	0*	0*	0*	0*	0*	0*	0*	0*	0*	0*	0*	0*
COOK CANYON												
OWNER TOTAL	35*	35*	35*	35*	35*	35*	34*	27*	28*	24*	16*	26*

SUMMARY OF VERIFIED EXTRACTIIONS (FILED & NON-FILED) FROM SAN BERNARDINO BASIN AREA  
 BY NON-PLAINTIFFS FOR USE WITHIN SAN BERNARDINO COUNTY

TABLE NO. 3

OWNER	1959	1960	1961	1962	1963	1959-63 AVERAGE	1975	1976	1977	1978	1979	1975-79 AVERAGE
CRAFTON WATER COMPANY												
OWNER TOTAL	623*	750*	911*	745*	658*	737*	677*	479*	570*	0*	2*	346*
CRAW PATTERSON WELL												
OWNER TOTAL	413*	257*	361*	277*	294*	320*	374*	336*	384*	340*	288*	344*
CRIV, W. ROSCOE												
OWNER TOTAL	389*	343*	435*	413*	396*	395*	243*	216*	257*	189*	182*	217*
CRYSTAL SPRINGS												
OWNER TOTAL	1*	1*	1*	1*	1*	1*	1*	1*	1*	1*	1*	1*
DANGLO DAIRY												
OWNER TOTAL	35*	35*	35*	35*	35*	35*	10*	10*	0*	0*	0*	4*
DANIELS AND BEST RANCH												
OWNER TOTAL	0*	0*	0*	0*	0*	0*	280*	264*	321*	251*	251*	273*
DANIELS, DON												
OWNER TOTAL	0*	0*	0*	0*	0*	0*	0*	0*	0*	0*	0*	0*
DANIELS, HAROLD												
OWNER TOTAL	2*	2*	2*	2*	502*	102*	2*	2*	2*	1*	1*	2*
DEL ROSA MUTUAL WATER COMPANY												
OWNER TOTAL	94*	100*	561*	529*	284*	314*	0*	0*	0*	0*	0*	0*
DEVORE WATER CO.												
OWNER TOTAL	126*	179*	140*	132*	136*	133*	243*	245*	266*	274*	308*	267*



TABLE NO. 3  
 SUMMARY OF VERIFIED EXTRACTIIONS (FILLED & NON-FILLED) FROM SAN BERNARDINO BASIN AREA  
 BY NON-PLAINTIFFS FOR USE WITHIN SAN BERNARDINO COUNTY

OWNER	1959	1960	1961	1962	1963	1959-63 AVERAGE	1975	1976	1977	1978	1979	1975-79 AVERAGE
DILLSON MUT. TR. CO.												
OWNER TOTAL	36*	36*	36*	36*	36*	36*	56*	56*	40*	0*	0*	30*
DUDA, WALTER AND BETTY												
OWNER TOTAL	5*	13*	37*	21*	22*	20*	22*	19*	13*	25*	32*	22*
EADINGTON FRUIT CO. COOK RANCH												
OWNER TOTAL	133*	133*	133*	133*	133*	133*	99*	99*	103*	95*	95*	98*
EAST RARION WATER COMPANY												
OWNER TOTAL	168*	127*	135*	274*	145*	170*	0*	0*	0*	0*	0*	0*
EAST COLTON AVENUE WATER COMPANY												
OWNER TOTAL	818*	635*	612*	462*	391*	584*	0*	0*	0*	0*	0*	0*
EAST HIGHLANDS ORANGE COMPANY												
OWNER TOTAL	53*	28*	40*	47*	46*	43*	0*	0*	0*	0*	0*	0*
EAST LUSOMIA MUTUAL WATER CO.												
OWNER TOTAL	1002*	624*	637*	460*	391*	623*	0*	0*	522*	0*	0*	104*
EAST PIONEER MUTUAL WELL COMPANY												
OWNER TOTAL	776*	692*	876*	403*	431*	636*	372*	365*	382*	325*	365*	362*
EAST SAN BONO. COUNTY WATER DIST.												
OWNER TOTAL	10591*	10732*	12332*	10784*	10369*	10962*	8535*	9146*	9555*	9842*	10435*	9503*
EASTWOOD FARMS COMMUNITY WATER USERS												
OWNER TOTAL	200*	230*	330*	210*	250*	244*	281*	200*	150*	120*	120*	174*

SUMMARY OF VERIFIED EXTRACTIIONS (FILED & NON-FILED) FROM SAN BERNARDINO BASIN AREA  
 BY NON-PLAINTIFFS FOR USE WITHIN SAN BERNARDINO COUNTY

TABLE NO. 3  
 1959-63 AVERAGE 1975 1976 1977 1978 1979 1975-79 AVERAGE

OWNER	1959	1960	1961	1962	1963	1963 AVERAGE	1975	1976	1977	1978	1979	1975-79 AVERAGE
ELLENA, JOHN B.												
OWNER TOTAL	585*	585*	585*	585*	585*	585*	0*	0*	0*	0*	0*	0*
ELSGOOD												
OWNER TOTAL	5*	5*	5*	5*	5*	5*	50*	30*	30*	40*	40*	38*
ELTINGE & GRAZIADIO												
OWNER TOTAL	122*	81*	64*	49*	32*	70*	0*	0*	0*	0*	0*	0*
F. A. P. WELL												
OWNER TOTAL	0*	0*	0*	272*	264*	107*	251*	200*	236*	220*	104*	202*
FAIRVIEW WATER COMPANY												
OWNER TOTAL	1395*	875*	825*	780*	575*	890*	363*	288*	360*	322*	400*	347*
FARROW												
OWNER TOTAL	6*	5*	28*	5*	5*	10*	5*	5*	5*	5*	5*	5*
FINCH												
OWNER TOTAL	0*	0*	0*	0*	0*	0*	0*	0*	0*	0*	0*	0*
FONTANA UNION WATER COMPANY												
OWNER TOTAL	19841*	15649*	13295*	14674*	12086*	15109*	20770*	19932*	17623*	19079*	23401*	20161*
FRIEDERMAN, ERNEST C.												
OWNER TOTAL	90*	85*	75*	50*	50*	70*	0*	0*	0*	0*	0*	0*
FRIVK RANCH												
OWNER TOTAL	0*	0*	0*	0*	0*	0*	0*	0*	0*	0*	0*	0*

TABLE NO. 3  
 SUMMARY OF VERIFIED EXTRACTIONS (FILED & NON-FILED) FROM SAN BERNARDINO BASIN AREA  
 BY NON-PLAINTIFFS FOR USE WITHIN SAN BERNARDINO COUNTY

OWNER	1959	1960	1961	1962	1963	1959-63 AVERAGE	1975	1976	1977	1978	1979	1975-79 AVERAGE
GAY, PHILIP L.												
OWNER TOTAL	200*	200*	260*	250*	200*	222*	125*	72*	67*	4*	6*	55*
GIFFORD PARK MUTUAL WATER CO.												
OWNER TOTAL	50*	50*	50*	50*	51*	50*	0*	0*	0*	0*	0*	0*
GLADYSTA WELLS & WATER COMPANY												
OWNER TOTAL	527*	486*	609*	517*	507*	529*	364*	206*	218*	157*	224*	234*
GOLCONDA WATER CO.												
OWNER TOTAL	96*	96*	96*	96*	96*	96*	0*	0*	0*	0*	0*	0*
GOLDEN STATE BLDG PRODUCTS												
OWNER TOTAL	30*	30*	33*	33*	33*	32*	34*	30*	30*	30*	30*	31*
GRANT WATER COMPANY												
OWNER TOTAL	429*	424*	483*	436*	363*	427*	240*	70*	124*	104*	0*	108*
GREENSPOT MUTUAL WATER CO TUNNEL												
OWNER TOTAL	0*	0*	0*	0*	0*	0*	0*	0*	0*	580*	600*	236*
GREENSPOT MUTUAL WELL CO.												
OWNER TOTAL	142*	149*	121*	105*	76*	119*	272*	162*	201*	141*	85*	172*
GUERTH, WILLIAM H.												
OWNER TOTAL	1585*	695*	922*	1230*	860*	1058*	513*	142*	300*	250*	250*	291*
HAGAR												
OWNER TOTAL	1*	1*	1*	1*	1*	1*	0*	0*	0*	0*	0*	0*

SUMMARY OF VERIFIED EXTRACTIIONS (PILED & NON-PILED) FROM SAN BERNARDINO BASIN AREA  
 BY NON-PLAINTIFFS FOR USE WITHIN SAN BERNARDINO COUNTY

TABLE NO. 3

OWNER	1959	1960	1961	1962	1963	1959-63 AVERAGE	1975	1976	1977	1978	1979	1975-79 AVERAGE
HAPPE MUTUAL WELL COMPANY												
OWNER TOTAL	526*	592*	649*	358*	500*	525*	215*	107*	253*	0*	0*	115*
HARDISON												
OWNER TOTAL	1*	1*	1*	1*	1*	1*	1*	1*	1*	1*	1*	1*
HARRISON												
OWNER TOTAL	1*	1*	1*	1*	1*	1*	0*	0*	0*	0*	0*	0*
HARRISON CANYON												
OWNER TOTAL	2*	2*	2*	2*	2*	2*	1*	1*	1*	1*	1*	1*
HAZAS												
OWNER TOTAL	8*	8*	8*	8*	8*	8*	0*	0*	0*	0*	0*	0*
HEAD, JOE T.												
OWNER TOTAL	0*	0*	0*	0*	0*	0*	0*	0*	0*	0*	0*	0*
HELIPORT												
OWNER TOTAL	1*	1*	1*	1*	1*	1*	0*	0*	0*	0*	0*	0*
HIGHLAND ACRES RANCH												
OWNER TOTAL	250*	160*	350*	400*	400*	312*	0*	0*	0*	0*	0*	0*
HIGHLAND WELL COMPANY												
OWNER TOTAL	278*	263*	265*	232*	184*	244*	58*	85*	57*	65*	64*	64*
HILL												
OWNER TOTAL	0*	0*	0*	0*	0*	0*	0*	0*	0*	0*	0*	0*

TABLE NO. 3  
 SUMMARY OF VERIFIED EXTRACTIIONS (FILED & NON-FILED) FROM SAN BERNARDINO BASIN AREA  
 BY NON-PLAINTIFFS FOR USE WITHIN SAN BERNARDINO COUNTY

OWNER	1959	1960	1961	1962	1963	1959-63 AVERAGE	1975	1976	1977	1978	1979	1975-79 AVERAGE
HOBBS WELL PARTNERSHIP												
OWNER TOTAL	174*	96*	696*	692*	532*	438*	0*	0*	607*	23*	28*	132*
HODGDON, WARNER												
OWNER TOTAL	977*	846*	607*	568*	407*	681*	30*	20*	250*	300*	400*	200*
HOLDEN MUT. TR. CO.												
OWNER TOTAL	14*	14*	14*	14*	14*	14*	0*	0*	0*	0*	0*	0*
HOOVER WELL												
OWNER TOTAL	100*	100*	100*	25*	85*	82*	90*	110*	100*	95*	83*	96*
HORTON												
OWNER TOTAL	385*	300*	420*	364*	357*	365*	89*	80*	355*	270*	240*	207*
HUNTER												
OWNER TOTAL	3*	3*	3*	3*	3*	3*	0*	0*	0*	0*	0*	0*
HUNTER/CRIM/ZARUBICA WELL												
OWNER TOTAL	380*	350*	415*	362*	358*	373*	292*	252*	332*	234*	283*	279*
ICE PRODUCTS INC.												
OWNER TOTAL	591*	405*	410*	345*	344*	419*	2*	3*	4*	4*	4*	3*
INTER CITY MUTUAL WATER CO												
OWNER TOTAL	0*	0*	0*	0*	0*	0*	0*	0*	0*	0*	0*	0*
IOWA STREET WELLS												
OWNER TOTAL	62*	62*	21*	10*	7*	32*	0*	0*	0*	0*	0*	0*

TABLE NO. 3  
SUMMARY OF VERIFIED EXTRACTIONS (FILED & NON-FILED) FROM SAN BERNARDINO BASIN AREA  
BY NON-PLAINTIFFS FOR USE WITHIN SAN BERNARDINO COUNTY

OWNER	1959	1960	1961	1962	1963	1959-63 AVERAGE	1975	1976	1977	1978	1979	1975-79 AVERAGE
JEWEL WATER COMPANY, THE												
OWNER TOTAL	504*	408*	356*	293*	258*	364*	99*	34*	0*	0*	0*	27*
JUDSON MUTUAL WATER COMPANY												
OWNER TOTAL	403*	356*	348*	367*	363*	367*	221*	159*	163*	165*	83*	158*
KANSAS SPEEET MUTUAL WATER CO.												
OWNER TOTAL	376*	327*	378*	328*	353*	352*	277*	194*	197*	129*	89*	177*
KARHALOIS												
OWNER TOTAL	0*	0*	0*	0*	0*	0*	1*	1*	1*	1*	1*	1*
KING												
OWNER TOTAL	1*	1*	1*	1*	1*	1*	1*	1*	1*	1*	1*	1*
KING STREET MUTUAL WELL COMPANY												
OWNER TOTAL	408*	371*	358*	281*	372*	358*	432*	312*	440*	0*	0*	237*
KOCH												
OWNER TOTAL	0*	0*	0*	0*	0*	0*	0*	0*	0*	0*	0*	0*
KOCH, GEORGE J.												
OWNER TOTAL	0*	0*	0*	0*	0*	0*	0*	0*	0*	0*	0*	0*
KRANTZ DAIRY												
OWNER TOTAL	100*	100*	100*	100*	100*	100*	0*	0*	0*	0*	0*	0*
KUHN, RICHARD J												
OWNER TOTAL	0*	0*	0*	0*	0*	0*	0*	0*	0*	15*	40*	11*

TABLE NO. 3  
 SUMMARY OF VERIFIED EXTRACTIIONS (FILED & NON-FILED) FROM SAN BERNARDINO BASIN AREA  
 BY NON-PLAINTIFFS FOR USE WITHIN SAN BERNARDINO COUNTY

OWNER	1959	1960	1961	1962	1963	1959-63 AVERAGE	1975	1976	1977	1978	1979	1975-79 AVERAGE
L.P.R. ICE COMPANY												
OWNER TOTAL	0*	0*	0*	0*	0*	0*	269*	171*	258*	314*	305*	263*
L.P.R. PAYCH												
OWNER TOTAL	0*	0*	485*	660*	610*	351*	0*	0*	0*	0*	0*	0*
LA BONTE, JIM												
OWNER TOTAL	5*	5*	5*	5*	5*	5*	5*	5*	5*	5*	5*	5*
LA ROSSE, CHARLES H.												
OWNER TOTAL	38*	21*	35*	18*	14*	25*	0*	0*	0*	0*	0*	0*
LA TOURETTE												
OWNER TOTAL	30*	30*	30*	30*	30*	30*	21*	11*	14*	12*	12*	14*
LAKESIDE AVENUE MUTUAL WELL COMPANY												
OWNER TOTAL	79*	48*	58*	51*	20*	51*	0*	0*	0*	0*	0*	0*
LANGFORD RANCHES												
OWNER TOTAL	1680*	1564*	1146*	1124*	1468*	1396*	1171*	963*	937*	655*	1001*	945*
LANGSTON-NEWBY DEVELOPMENT CO.												
OWNER TOTAL	50*	50*	50*	50*	50*	50*	50*	5*	5*	5*	75*	28*
LANKERSHIM MUT. WTR. CO.												
OWNER TOTAL	150*	150*	150*	150*	150*	150*	80*	85*	90*	100*	80*	87*
LARAMMI GUNTER WELL												
OWNER TOTAL	200*	200*	200*	200*	200*	200*	108*	176*	202*	211*	203*	180*

TABLE NO. 3  
 SUMMARY OF VERIFIED EXTRACTIIONS (FILED & NON-FILED) FROM SAN BERNARDINO BASIN AREA  
 BY NON-PLAINTIFFS FOR USE WITHIN SAN BERNARDINO COUNTY

OWNER	1959	1960	1961	1962	1963	1959-63 AVERAGE	1975	1976	1977	1978	1979	1975-79 AVERAGE
LOMA LINDA HEIGHTS RANCHO												
OWNER TOTAL	104*	85*	105*	88*	87*	94*	57*	120*	68*	230*	247*	144*
LOMA LINDA UNIVERSITY												
OWNER TOTAL	1011*	1116*	1202*	1166*	901*	1079*	718*	689*	611*	689*	673*	676*
LOMA LINDA, CITY OF												
OWNER TOTAL	2216*	2241*	2492*	2193*	1580*	2144*	1747*	1766*	1585*	1876*	1722*	1739*
LORD												
OWNER TOTAL	1*	1*	1*	1*	1*	1*	1*	1*	1*	1*	1*	1*
LUGO WATER COMPANY												
OWNER TOTAL	414*	346*	324*	300*	239*	325*	143*	178*	206*	323*	247*	219*
LUGONIA WATER COMPANY												
OWNER TOTAL	0*	0*	1012*	974*	882*	574*	0*	0*	722*	0*	0*	144*
LULY, DR. LUCIAN L.												
OWNER TOTAL	0*	0*	0*	0*	0*	0*	0*	0*	0*	0*	0*	0*
MARIGOLD PAPMS COMPANY												
OWNER TOTAL	1796*	3231*	2051*	1896*	1988*	2192*	4817*	3419*	4143*	3320*	3510*	3842*
MARSHBURN												
OWNER TOTAL	0*	0*	380*	300*	290*	194*	210*	100*	280*	280*	300*	234*
MASCART WATER COMPANY												
OWNER TOTAL	395*	302*	468*	381*	367*	383*	190*	213*	197*	118*	190*	182*



SUMMARY OF VERIFIED EXTRACTIIONS (FILED & NON-FILED) FROM SAN BERNARDINO BASIN AREA  
 BY NON-PLAINTIFFS FOR USE WITHIN SAN BERNARDINO COUNTY

TABLE NO. 3

1975-79  
 AVERAGE

1959-63  
 AVERAGE

OWNER	1959	1960	1961	1962	1963	1964	1965	1966	1967	1968	1969	1970	1971	1972	1973	1974	1975	1976	1977	1978	1979	1975-79 AVERAGE	
MAYRELL, N. O.																							
OWNER TOTAL	26*	26*	12*	12*	12*	18*	0*	0*	0*	0*	0*	0*	0*	0*	0*	0*	0*	0*	0*	0*	0*	0*	0*
MCCALLA RROS																							
OWNER TOTAL	0*	0*	1*	1*	1*	1*	0*	0*	0*	0*	0*	0*	0*	0*	0*	0*	0*	0*	0*	0*	0*	0*	0*
MEADOWBROOK DAIRY																							
OWNER TOTAL	492*	388*	340*	331*	462*	403*	550*	560*	486*	475*	519*	518*											
MENTONE ACRES MUTUAL WELL CO.																							
OWNER TOTAL	1340*	1455*	1480*	1415*	1038*	1346*	707*	512*	432*	280*	196*	425*											
MENTONE CITRUS GROVES																							
OWNER TOTAL	714*	873*	637*	409*	306*	588*	689*	603*	1245*	574*	690*	760*											
MENTONE DOMESTIC WTR. CO.																							
OWNER TOTAL	0*	0*	25*	0*	0*	5*	0*	0*	0*	0*	0*	0*											
MEYER, CHARLES R.																							
OWNER TOTAL	42*	42*	55*	51*	53*	49*	53*	57*	52*	0*	0*	32*											
MEYER, ERNEST																							
OWNER TOTAL	172*	172*	172*	172*	172*	172*	0*	0*	0*	0*	0*	0*											
MILGER MUTUAL WELL CO.																							
OWNER TOTAL	20*	8*	41*	58*	53*	36*	40*	36*	34*	40*	47*	39*											
MISSION MUTUAL WATER COMPANY																							
OWNER TOTAL	1089*	782*	1042*	1093*	882*	978*	950*	693*	1302*	725*	694*	873*											

TABLE NO. 3  
 SUMMARY OF VERIFIED EXTRACTIIONS (FILED & NON-FILED) FROM SAN BERNARDINO BASIN AREA  
 BY NON-BLAINTIFFS FOR USE WITHIN SAN BERNARDINO COUNTY

OWNER	1959	1960	1961	1962	1963	1959-63 AVERAGE	1975	1976	1977	1978	1979	1975-79 AVERAGE
MONTECITO MUTUAL WATER COMPANY												
OWNER TOTAL	104*	109*	110*	77*	71*	94*	121*	124*	130*	132*	133*	128*
MROPE, R. H.												
OWNER TOTAL	46*	42*	89*	78*	77*	66*	41*	34*	42*	35*	38*	38*
MOUNT VERNON WATER COMPANY												
OWNER TOTAL	1750*	1478*	1760*	1354*	1238*	1516*	1552*	1253*	906*	1246*	1190*	1229*
MT. HAKPISON MUTUAL WATER CO.												
OWNER TOTAL	753*	874*	303*	371*	310*	522*	167*	178*	248*	139*	228*	192*
MT. VIEW CEMETERY OF SAN BERNARDINO												
OWNER TOTAL	228*	185*	145*	250*	141*	190*	219*	257*	283*	254*	270*	257*
MT. VIEW CHILD CARE CENTER												
OWNER TOTAL	2*	2*	2*	2*	2*	2*	0*	0*	0*	0*	0*	0*
MULLINS, JAMES C., JR., EXECUTOR												
OWNER TOTAL	148*	148*	148*	148*	148*	148*	49*	55*	71*	18*	6*	40*
MUSCOY MUTUAL WATER COMPANY, NO. 1												
OWNER TOTAL	1943*	1870*	2028*	1863*	1684*	1878*	1850*	1696*	1830*	1546*	1459*	1676*
MUTUAL WELL COMPANY(OF HIGHLAND)												
OWNER TOTAL	252*	243*	353*	250*	244*	268*	0*	0*	0*	0*	0*	0*
NAMIHAS, M.O., IVAN/SHIPLEY												
OWNER TOTAL	7*	7*	9*	10*	9*	8*	0*	0*	0*	0*	0*	0*

TABLE NO. 3  
SUMMARY OF VERIFIED EXTRACTIIONS (FILED & NON-FILED) FROM SAN BERNARDINO BASIN AREA  
BY NON-PLAINTIFFS FOR USE WITHIN SAN BERNARDINO COUNTY

OWNER	1959	1960	1961	1962	1963	1959-63 AVERAGE	1975	1976	1977	1978	1979	1975-79 AVERAGE
NATIONAL ORANGE SHD*												
OWNER TOTAL	135*	135*	135*	135*	135*	135*	58*	58*	58*	58*	58*	58*
NEALEY MUTUAL WATER COMPANY												
OWNER TOTAL	0*	0*	0*	0*	0*	0*	0*	0*	0*	0*	0*	0*
NEW ENGLAND WATER CO.												
OWNER TOTAL	946*	892*	1023*	836*	880*	915*	442*	338*	520*	505*	496*	460*
NICKERSON WATER COMPANY												
OWNER TOTAL	678*	551*	838*	721*	540*	666*	377*	348*	266*	199*	138*	266*
NICKERSON, R. D.												
OWNER TOTAL	300*	248*	288*	153*	139*	226*	143*	222*	314*	232*	102*	203*
NO NAME WELL												
OWNER TOTAL	30*	27*	32*	28*	28*	29*	0*	0*	0*	0*	0*	0*
NORTH FORK WATER COMPANY												
OWNER TOTAL	1388*	1067*	2549*	2347*	2083*	1887*	0*	0*	0*	0*	0*	0*
NORTHBRAE WATER COMPANY												
OWNER TOTAL	394*	530*	608*	395*	466*	479*	0*	0*	0*	0*	0*	0*
NORHSIDE WATER COMPANY												
OWNER TOTAL	398*	402*	491*	385*	333*	402*	202*	224*	122*	0*	0*	110*
NORTON AIR FORCE BASE												
OWNER TOTAL	5892*	5295*	5478*	5985*	5340*	5598*	2629*	2231*	2484*	2044*	1883*	2254*

TABLE NO. 3  
 SUMMARY OF VERIFIED EXTRACTIONS (FILED & NON-FILED) FROM SAN BERNARDINO BASIN AREA  
 BY NON-PLAINTIFFS FOR USE WITHIN SAN BERNARDINO COUNTY

OWNER	1959	1960	1961	1962	1963	1959-63 AVERAGE	1975	1976	1977	1978	1979	1975-79 AVERAGE
HORWOOD												
OWNER TOTAL	1*	1*	1*	1*	1*	1*	0*	0*	0*	0*	0*	0*
NYE, WILLIAM W.												
OWNER TOTAL	164*	199*	294*	156*	167*	196*	124*	0*	0*	0*	0*	25*
OLD TONY WELL CO.												
OWNER TOTAL	488*	534*	572*	525*	515*	527*	355*	326*	342*	224*	215*	292*
ORANGE ST. RANCH												
OWNER TOTAL	220*	194*	179*	190*	224*	201*	166*	132*	110*	85*	30*	105*
PACIFIC HIGH SCHOOL												
OWNER TOTAL	75*	75*	75*	75*	75*	75*	0*	0*	0*	0*	0*	0*
PAINE, ROBERT T., TRUSTEE												
OWNER TOTAL	603*	609*	664*	530*	586*	598*	414*	336*	321*	165*	80*	263*
PATTERSON, ROY W.												
OWNER TOTAL	0*	0*	0*	0*	0*	0*	0*	0*	1*	1*	1*	1*
PAXTON, R. H.												
OWNER TOTAL	511*	245*	243*	378*	179*	311*	0*	0*	0*	0*	0*	0*
PENNY WELL COMPANY												
OWNER TOTAL	539*	447*	504*	550*	440*	496*	314*	350*	362*	254*	308*	318*
PHAROAH POWELL WATER CO.												
OWNER TOTAL	326*	350*	365*	371*	322*	347*	311*	222*	279*	219*	219*	250*

TABLE NO. 3  
 SUMMARY OF VERIFIED EXTRACTATIONS (FILED & NON-FILED) FROM SAN BERNARDINO BASIN AREA  
 BY NON-PLAINTIFFS FOR USE WITHIN SAN BERNARDINO COUNTY

OWNER	1959	1960	1961	1962	1963	1959-63 AVERAGE	1976	1977	1978	1979	1975-79 AVERAGE
PIERSON											
OWNER TOTAL	80*	80*	80*	80*	0*	64*	0*	0*	0*	0*	0*
PIONEER MUTUAL WATER CO.											
OWNER TOTAL	314*	222*	288*	316*	275*	283*	261*	226*	84*	80*	176*
QUALITY FARMS											
OWNER TOTAL	123*	123*	123*	123*	123*	123*	125*	125*	125*	125*	125*
RAMIREZ BROTHERS											
OWNER TOTAL	61*	61*	65*	62*	64*	63*	135*	170*	92*	175*	145*
RAMIREZ, J.J.											
OWNER TOTAL	246*	220*	352*	224*	259*	260*	166*	166*	183*	165*	168*
RAMSEY											
OWNER TOTAL	1*	1*	1*	1*	1*	1*	1*	1*	1*	1*	1*
RANCHERIA WATER CO. TOBIN											
OWNER TOTAL	374*	52*	0*	458*	0*	177*	0*	0*	0*	0*	0*
RANCHO CITRUS AMIGOS											
OWNER TOTAL	80*	80*	80*	80*	80*	80*	80*	60*	60*	25*	59*
RANCHO LADERA											
OWNER TOTAL	162*	148*	331*	206*	313*	232*	124*	147*	90*	570*	205*
RAUGHT MUTUAL WELL COMPANY											
OWNER TOTAL	504*	550*	552*	506*	520*	526*	293*	355*	399*	437*	361*

TABLE NO. 3  
 SUMMARY OF VERIFIED EXTRACTIIONS (FILED & NON-FILED) FROM SAN BERNARDINO BASIN AREA  
 BY NON-PLAINTIFFS FOR USE WITHIN SAN BERNARDINO COUNTY

OWNER	1959	1960	1961	1962	1963	1950-63 AVERAGE	1975	1976	1977	1978	1979	1975-79 AVERAGE
REDLANDS ASSOCIATES												
OWNER TOTAL	489*	378*	438*	414*	411*	426*	0*	0*	0*	0*	0*	0*
REDLANDS HEIGHTS WATER COMPANY												
OWNER TOTAL	604*	567*	554*	459*	480*	533*	272*	286*	247*	409*	273*	297*
REDLANDS TRAP/SKEET												
OWNER TOTAL	145*	235*	235*	2*	2*	124*	2*	3*	4*	12*	6*	5*
REDLANDS WTR. CO.												
OWNER TOTAL	544*	599*	301*	754*	581*	556*	976*	1010*	947*	1197*	1194*	1065*
REDLANDS, CITY OF												
OWNER TOTAL	20647*	20877*	19739*	20976*	17113*	19870*	21344*	20568*	21153*	32196*	41846*	27421*
REES & PERRICONE RANCH												
OWNER TOTAL	0*	0*	0*	0*	0*	0*	7*	0*	0*	0*	0*	1*
REGINA GRAPE PRODUCTS												
OWNER TOTAL	250*	250*	250*	250*	250*	250*	45*	102*	175*	92*	104*	104*
REYNOLDS, BILL												
OWNER TOTAL	3*	3*	3*	3*	3*	3*	3*	3*	3*	3*	3*	3*
RIALTO, CITY OF												
OWNER TOTAL	2244*	1570*	1834*	1643*	1867*	1832*	3286*	2543*	3457*	3052*	5223*	3512*
RIEDMAN, FRED M.												
OWNER TOTAL	230*	230*	230*	230*	15*	187*	0*	0*	0*	0*	0*	0*

TABLE NO. 3  
 SUMMARY OF VERIFIED EXTRACTIONS (FILED & NON-FILED) FROM SAN BERNARDINO BASIN AREA  
 BY NON-PLAINTIFFS FOR USE WITHIN SAN BERNARDINO COUNTY

OWNER	1959	1960	1961	1962	1963	1959-63 AVERAGE	1975	1976	1977	1978	1979	1975-79 AVERAGE
RIVAS												
OWNER TOTAL	1*	1*	1*	1*	1*	1*	1*	1*	1*	1*	1*	1*
RIVAS, RAMON												
OWNER TOTAL	30*	43*	0*	0*	0*	15*	0*	0*	0*	0*	0*	0*
ROBBINS, H. W.												
OWNER TOTAL	0*	0*	0*	0*	18*	4*	2*	3*	7*	3*	3*	4*
RULE												
OWNER TOTAL	1*	1*	1*	1*	1*	1*	0*	0*	0*	0*	0*	0*
SAN BERNARDINO AVENUE WATER COMPANY												
OWNER TOTAL	371*	303*	394*	352*	298*	344*	259*	215*	225*	172*	203*	215*
SAN BERNARDINO INVESTORS												
OWNER TOTAL	0*	0*	0*	0*	0*	0*	165*	151*	206*	195*	257*	195*
SAN BERNARDINO WATER UTILITIES COR												
OWNER TOTAL	1040*	839*	666*	800*	781*	825*	1469*	1727*	1404*	2220*	2836*	1931*
SAN BERNARDINO, CITY OF												
OWNER TOTAL	19088*	16911*	19111*	18213*	16937*	17852*	26745*	27831*	27167*	26138*	27587*	27094*
SAN BERNARDINO, COUNTY OF												
OWNER TOTAL	981*	960*	1154*	844*	666*	921*	844*	773*	870*	566*	613*	733*
SAN MANUEL INDIAN RESERV.												
OWNER TOTAL	6*	6*	6*	6*	6*	6*	0*	0*	0*	0*	0*	0*

TABLE NO. 3  
 SUMMARY OF VERIFIED EXTRACTIIONS (FILED & NON-FILED) FROM SAN BERNARDINO BASIN AREA  
 BY NON-PLAINTIFFS FOR USE WITHIN SAN BERNARDINO COUNTY

OWNER	1959	1960	1961	1962	1963	1959-63 AVERAGE	1975	1976	1977	1978	1979	1975-79 AVERAGE
SANDYS RESTAURANT												
OWNER TOTAL	0*	0*	0*	0*	0*	0*	0*	0*	0*	0*	0*	0*
SANTINI												
OWNER TOTAL	90*	90*	90*	90*	90*	90*	23*	20*	17*	14*	22*	19*
SARATOGA DEVELOPMENT CO												
OWNER TOTAL	4120*	3806*	3807*	4182*	3855*	3954*	2223*	1525*	1686*	1856*	2120*	1882*
SAPSKI, DOCTOR												
OWNER TOTAL	1*	1*	1*	1*	1*	1*	1*	1*	1*	1*	1*	1*
SECHREST, RALPH F.												
OWNER TOTAL	87*	71*	192*	906*	141*	279*	0*	0*	0*	0*	0*	0*
SELY, DR. & WPS. ARTHUR												
OWNER TOTAL	147*	227*	730*	259*	406*	354*	50*	55*	32*	0*	0*	27*
SELEY												
OWNER TOTAL	1*	1*	1*	1*	1*	1*	1*	1*	1*	1*	1*	1*
SIX HOUSES												
OWNER TOTAL	6*	6*	6*	6*	6*	6*	0*	0*	0*	0*	0*	0*
SMITH												
OWNER TOTAL	1*	1*	1*	1*	1*	1*	1*	1*	1*	1*	1*	1*
SMITH MEAT PACKING PLANT												
OWNER TOTAL	3*	3*	3*	3*	3*	3*	0*	0*	0*	0*	0*	0*



TABLE NO. 3  
 SUMMARY OF VERIFIED EXTRACTIIONS (FILED & NON-FILED) FROM SAN BERNARDINO BASIN AREA  
 BY NON-PLAINTIFFS FOR USE WITHIN SAN BERNARDINO COUNTY

OWNER	1959	1960	1961	1962	1963	1959-63 AVERAGE	1975	1976	1977	1978	1979	1975-79 AVERAGE
SMITH TRACT WELL COMPANY												
OWNER TOTAL	270*	177*	56*	0*	127*	126*	0*	0*	0*	0*	0*	0*
SMITH,												
OWNER TOTAL	10*	10*	10*	10*	10*	10*	10*	10*	10*	10*	10*	10*
SO. SAN BERNARDINO COUNTY WATER DIST.												
OWNER TOTAL	1036*	994*	1149*	512*	392*	817*	448*	440*	396*	370*	153*	361*
SOJKA, DONALD R												
OWNER TOTAL	91*	82*	99*	86*	84*	88*	33*	34*	37*	35*	0*	28*
SOLANO WELL NO. 1												
OWNER TOTAL	212*	143*	147*	88*	43*	127*	36*	29*	34*	36*	34*	34*
SOLANO WELL NO. 3												
OWNER TOTAL	0*	0*	0*	202*	179*	76*	102*	88*	154*	103*	112*	112*
SOMERS, R.												
OWNER TOTAL	1*	1*	1*	1*	1*	1*	1*	1*	1*	1*	1*	1*
SOUTHERN CALIFORNIA EDISON COMPANY												
OWNER TOTAL	1410*	1219*	1425*	1609*	1627*	1458*	1357*	1272*	1264*	1521*	1695*	1422*
SOUTHERN CALIFORNIA WATER COMPANY												
OWNER TOTAL	1653*	1482*	1657*	1566*	1629*	1597*	2423*	2210*	1268*	1229*	1333*	1693*
STANLEY BROWN CO.												
OWNER TOTAL	507*	493*	300*	285*	280*	373*	113*	102*	136*	150*	147*	130*

SUMMARY OF VERIFIED EXTRACTIIONS (FILED & NON-FILED) FROM SAN BERNARDINO BASIN AREA  
 BY NON-PLAINTIFFS FOR USE WITHIN SAN BERNARDINO COUNTY

TABLE NO. 3

OWNER	1958-63 AVERAGE										1975-79 AVERAGE	
	1959	1960	1961	1962	1963	1964	1965	1966	1967	1968		1969
STANLEY, SILAS	2*	2*	2*	2*	2*	2*	3*	3*	3*	3*	3*	3*
OWNER TOTAL	2*	2*	2*	2*	2*	2*	3*	3*	3*	3*	3*	3*
STEWART, WILLARD	53*	53*	53*	53*	53*	53*	0*	0*	0*	0*	0*	0*
OWNER TOTAL	53*	53*	53*	53*	53*	53*	0*	0*	0*	0*	0*	0*
STORKSON, WILLIAM F.	35*	30*	20*	40*	35*	32*	50*	30*	20*	41*	41*	36*
OWNER TOTAL	35*	30*	20*	40*	35*	32*	50*	30*	20*	41*	41*	36*
STONE WATER COMPANY	630*	598*	622*	560*	667*	615*	401*	332*	396*	317*	336*	356*
OWNER TOTAL	630*	598*	622*	560*	667*	615*	401*	332*	396*	317*	336*	356*
STRAWBERRY PATCH	1*	1*	1*	1*	1*	1*	16*	20*	30*	30*	30*	25*
OWNER TOTAL	1*	1*	1*	1*	1*	1*	16*	20*	30*	30*	30*	25*
SUNRISE RANCH PART C/O LIFE DEVELOPMENT	1857*	1693*	2119*	2037*	1992*	1940*	584*	490*	377*	301*	606*	472*
OWNER TOTAL	1857*	1693*	2119*	2037*	1992*	1940*	584*	490*	377*	301*	606*	472*
SUPRIOR ORCHARDS	1*	1*	1*	1*	1*	1*	1*	0*	0*	0*	0*	0*
OWNER TOTAL	1*	1*	1*	1*	1*	1*	1*	0*	0*	0*	0*	0*
SYCAMORE HEIGHTS WATER COMPANY, INC.	420*	52*	52*	52*	52*	126*	0*	0*	0*	0*	0*	0*
OWNER TOTAL	420*	52*	52*	52*	52*	126*	0*	0*	0*	0*	0*	0*
TENNESSEE MUTUAL WELL COMPANY	537*	501*	622*	516*	476*	530*	375*	375*	310*	218*	243*	304*
OWNER TOTAL	537*	501*	622*	516*	476*	530*	375*	375*	310*	218*	243*	304*
TENNESSEE WATER CO.	530*	530*	540*	540*	550*	538*	481*	424*	533*	419*	456*	463*
OWNER TOTAL	530*	530*	540*	540*	550*	538*	481*	424*	533*	419*	456*	463*

TABLE NO. 3  
 SUMMARY OF VERIFIED EXTRACTATIONS (FILED & NON-FILED) FROM SAN BERNARDINO BASIN AREA  
 BY NON-PLAINTIFFS FOR USE WITHIN SAN BERNARDINO COUNTY

OWNER	1959	1960	1961	1962	1963	1959-63 AVERAGE	1975	1976	1977	1978	1979	1975-79 AVERAGE
TERRACE WATER COMPANY												
OWNER TOTAL	1318*	921*	1077*	1012*	899*	1045*	918*	970*	880*	900*	880*	910*
TEXACO GAS STATION												
OWNER TOTAL	0*	0*	0*	0*	0*	0*	1*	1*	1*	1*	1*	1*
THOMPSON RANDALL												
OWNER TOTAL	3*	3*	3*	3*	3*	3*	0*	0*	0*	0*	0*	0*
TRI CITY CONCRETE												
OWNER TOTAL	356*	360*	355*	428*	431*	386*	322*	264*	271*	318*	311*	297*
TRI CITY MUFUAL WATER COMPANY												
OWNER TOTAL	53*	20*	0*	0*	0*	15*	0*	0*	0*	0*	0*	0*
TRIPLE FALLS MUT. WTR. CO.												
OWNER TOTAL	15*	12*	10*	15*	18*	14*	0*	0*	0*	0*	0*	0*
U.S. FOREST SERVICE												
OWNER TOTAL	9*	9*	9*	9*	9*	9*	0*	0*	0*	0*	0*	0*
UNGER, V.F.												
OWNER TOTAL	0*	0*	0*	0*	0*	0*	0*	0*	0*	0*	0*	0*
VALDEPENA ACRES												
OWNER TOTAL	25*	25*	25*	27*	8*	22*	40*	40*	36*	25*	34*	35*
VALANCIA AVE. MUT. WTR. CO.												
OWNER TOTAL	30*	30*	30*	30*	30*	30*	3*	3*	2*	2*	2*	2*

TABLE NO. 3  
 SUMMARY OF VERIFIED EXTRACTATIONS (FILLED & NON-FILLED) FROM SAN BERNARDINO BASIN AREA  
 BY NON-PLAINTIFFS FOR USE WITHIN SAN BERNARDINO COUNTY

OWNER	1959	1960	1961	1962	1963	1959-63 AVERAGE	1975	1976	1977	1978	1979	1975-79 AVERAGE
VALLEY FARMS MFG. WTR. CO.												
OWNER TOTAL	119*	119*	119*	119*	119*	119*	213*	297*	257*	249*	221*	247*
VAN LOON MUTUAL WATER COMPANY												
OWNER TOTAL	153*	159*	99*	203*	189*	161*	105*	147*	115*	166*	78*	122*
VAN METER												
OWNER TOTAL	3*	3*	0*	0*	0*	1*	3*	3*	3*	3*	3*	3*
VANLEUVEN, CLARENCE												
OWNER TOTAL	26*	26*	26*	26*	26*	26*	15*	13*	16*	10*	1*	11*
VICTORIA FARMS MUTUAL WATER CO.												
OWNER TOTAL	335*	298*	320*	275*	266*	297*	264*	252*	224*	212*	190*	228*
VICTORIA GUERNSEY												
OWNER TOTAL	163*	248*	200*	160*	223*	199*	0*	0*	0*	0*	0*	0*
VICTORIA SEVENTH DAY ADVENTIST												
OWNER TOTAL	15*	15*	15*	15*	15*	15*	10*	0*	1*	0*	0*	2*
WALLACE												
OWNER TOTAL	1*	1*	1*	1*	1*	1*	1*	1*	1*	1*	1*	1*
WARD, FLOYD												
OWNER TOTAL	1*	1*	1*	103*	103*	42*	2*	3*	3*	3*	3*	3*
WEATHERWAX, W. S.												
OWNER TOTAL	0*	0*	0*	0*	0*	0*	0*	0*	0*	0*	0*	0*

TABLE NO. 3  
 SUMMARY OF VERIFIED EXTRACTIIONS (FILED & NON-FILED) FROM SAN BERNARDINO BASIN AREA  
 BY NON-PLAINTIFFS FOR USE WITHIN SAN BERNARDINO COUNTY

OWNER	1959	1960	1961	1962	1963	1959-63 AVERAGE	1975	1976	1977	1978	1979	1975-79 AVERAGE
WEST SAN BERN. COUNTY WATER DIST.												
OWNER TOTAL	13584*	12090*	13587*	11331*	11837*	12486*	8032*	7724*	7832*	6775*	7439*	7560*
WESTERN FRUIT GROWERS												
OWNER TOTAL	147*	220*	177*	0*	0*	109*	0*	0*	0*	0*	0*	0*
WIDEMEYER												
OWNER TOTAL	6*	6*	6*	6*	6*	6*	0*	0*	0*	0*	0*	0*
WILEY, RUTH WOOD												
OWNER TOTAL	0*	0*	0*	0*	52*	10*	1*	1*	1*	1*	1*	1*
WILLIAMS DAIRY												
OWNER TOTAL	142*	142*	142*	142*	142*	142*	0*	0*	0*	0*	0*	0*
WILLIAMS WELL CORPORATION, LTD.												
OWNER TOTAL	721*	684*	765*	706*	595*	694*	482*	472*	579*	466*	463*	492*
WDEHR MUTUAL WATER COMPANY												
OWNER TOTAL	374*	465*	625*	488*	423*	475*	217*	73*	139*	119*	131*	136*
YAHFUD, PAUL												
OWNER TOTAL	50*	95*	51*	51*	51*	60*	40*	0*	0*	0*	0*	8*
YORK												
OWNER TOTAL	59*	55*	49*	59*	57*	56*	16*	16*	16*	16*	16*	16*
YUCAIPA VALLEY COUNTY WATER DISTRICT												
OWNER TOTAL	0*	0*	0*	0*	0*	0*	65*	75*	51*	64*	51*	61*

TABLE NO. 3  
 SUMMARY OF VERIFIED EXTRACTIIONS (FILED & NON-FILED) FROM SAN BERNARDINO BASIN AREA  
 BY NDN-PLAINTIFFS FOR USE WITHIN SAN BERNARDINO COUNTY

DATER	1959	1960	1961	1962	1963	1959-63 AVERAGE	1975	1976	1977	1978	1979	1975-79 AVERAGE
7TH AVE. WELL												
NUMBER TOTAL	230*	342*	514*	161*	271*	304*	155*	89*	125*	0*	0*	74*
TOTAL VERIFIED PRODUCTION ALL FACILITIES	191189*	174999*	182060*	175939*	158609*	176559*	164516*	155213*	155200*	158650*	181789*	163074*

TABLE NO. 4

LYTLE CREEK VERIFICATION OF EXTRACTIONS FOR  
CALENDAR YEARS 1959-1963 & 1975-1979

TABLE NO. 4

LYTLE CREEK  
VERIFICATIONS OF EXTRACTIONS  
FOR CALENDAR YEAR 1959

LINE NO	LOCATION OF MEASUREMENT	JAN	FEB	MAR	APR	MAY	JUN	JUL	AUG	SEP	OCT	NOV	DEC	TOTAL	REMARKS
1	WEIR NO. 1	1,337	1,043	1,406	1,085	1,026	948	797	732	875	910	847	873	11,879	SEE NOTE 1
2	WEIR NO. 2	0	0	0	0	0	0	0	0	0	0	0	0	0	SEE NOTE 2
3	WEIR NO. 3	292	235	575	323	307	241	200	188	150	182	137	123	2,953	SEE NOTE 3
4	TOTAL OF WEIRS NO. 1, 2, & 3	1,629	1,278	1,981	1,408	1,333	1,189	997	920	1,025	1,092	984	996	14,832	LINES 1 + 2 + 3
5	DEDUCT STREAM RETURN OVER 20' WEIR	8	3	0	0	0	0	0	0	0	0	0	0	11	SEE NOTE 4
6	TOTAL CALCULATED FLOW TO LOWER POWERHOUSE	1,621	1,275	1,981	1,408	1,333	1,189	997	920	1,025	1,092	984	996	14,821	LINE 4 - 5
7	ANNUAL % DIFFERENCE													-1.2%	SEE NOTE 5
8	MEASURED FLOW TO LOWER POWERHOUSE	1,623	1,253	1,955	1,374	1,342	1,174	991	906	1,028	1,069	954	978	14,647	SEE NOTE 6
	DEDUCT MILLER NARROWS WELLS														
9	WELL NO. 1 SDWR RECORDATION NO. 3600588	0	0	0	0	0	0	0	0	0	0	0	0	0	SEE NOTE 7
10	WELL NO. 2 SDWR RECORDATION NO. 3600590	0	0	0	0	141	333	341	340	268	266	259	237	2,185	SEE NOTE 7
11	TOTAL PUMPED WATER	0	0	0	0	141	333	341	340	268	266	259	237	2,185	LINE 9 + 10
12	STREAM FLOW DIVERTED FROM LYTLE CREEK	1,623	1,253	1,955	1,374	1,201	841	650	566	760	803	695	741	12,462	LINE 8 - 11
13	DEDUCT FLOW RETURNED TO STREAM BELOW LOWER POWERHOUSE	400	411	326	19	0	0	0	0	172	35	6	95	1,464	SEE NOTE 8
14	TOTAL STREAM DIVERSION AT LOWER POWERHOUSE	1,223	842	1,629	1,355	1,201	841	650	566	588	768	689	646	10,998	LINE 12 - 13
	BREED LINE CALCULATION														
15	WEIR NO. 4	80	141	91	112	112	101	102	95	79	83	84	73	1,153	SEE NOTE 9
16	LESS WATER PUMPED FONTANA UNION WELL NO. 27 SDWR RECORDATION NO. 3600582	39	19	65	81	84	75	69	62	46	46	41	25	652	SEE NOTE 10
17	TOTAL STREAM DIVERSION AT FONTANA UNION INTAKE TO BREED LINE	41	122	26	31	28	26	33	33	33	37	43	48	501	LINE 15 - 16
18	TOTAL LYTLE CREEK STREAM DIVERSION AS VERIFIED	1,264	964	1,655	1,386	1,229	867	683	599	621	805	732	694	11,499	LINE 14 + 17

NOTES

- WEIR NO. 1 MEASURES SOUTHERN CALIFORNIA EDISON CONDUIT NEAR FONTANA (USGS).
- WEIR NO. 2 MEASURES INFILTRATION LINE WATER TO FONTANA UNION INTAKE (USGS).
- WEIR NO. 3 MEASURES EITHER STREAM DIVERSION OR INFILTRATION WATER (USGS).
- 20 FOOT WEIR MEASURES FLOW RETURNED TO STREAM AT INTAKE (FONTANA UNION).
- ANNUAL PERCENTAGE OF DIFFERENCE BETWEEN MEASURED & CALCULATED FLOW AT LOWER POWERHOUSE.
- MEASURED FLOW AT LOWER POWERHOUSE (USGS) ASSUMED TO BE CORRECT.
- WATER EXTRACTED BY FONTANA UNION WATER COMPANY MILLER NARROWS WELLS AND DISCHARGED TO EDISON CONDUIT. (FONTANA UNION).
- WATER RETURNED TO STREAM FROM AFTERBAY AT LOWER POWERHOUSE (FONTANA UNION).
- WEIR NO. 4 MEASURES FLOW TO BREED LINE AT INTAKE (USGS).
- FONTANA UNION WATER COMPANY WELL #27 PUMPS INTERMITTENTLY TO BREED LINE (FONTANA UNION)



TABLE NO. 4

LYTLE CREEK  
VERIFICATIONS OF EXTRACTIONS  
FOR CALENDAR YEAR 1960

LINE NO	LOCATION OF MEASUREMENT	JAN	FEB	MAR	APR	MAY	JUN	JUL	AUG	SEP	OCT	NOV	DEC	TOTAL	REMARKS
1	WEIR NO. 1	989	1,007	956	772	855	591	497	456	432	520	666	704	8,445	SEE NOTE 1
2	WEIR NO. 2	0	0	0	0	0	0	0	0	0	0	0	0	0	SEE NOTE 2
3	WEIR NO. 3	118	125	141	113	136	146	152	135	125	112	78	145	1,526	SEE NOTE 3
4	TOTAL OF WEIRS NO. 1, 2, & 3	1,107	1,132	1,097	885	991	737	649	591	557	632	744	849	9,971	LINES 1 + 2 + 3
5	DEDUCT STREAM RETURN OVER 20' WEIR	0	0	1	0	0	0	0	0	0	0	1	0	2	SEE NOTE 4
6	TOTAL CALCULATED FLOW TO LOWER POWERHOUSE LINE 8 - LINE 6	1,107	1,137	1,096	885	991	737	649	591	557	632	743	849	9,969	LINE 4 - 5
7	ANNUAL % DIFFERENCE													+1.2%	SEE NOTE 5
8	MEASURED FLOW TO LOWER POWERHOUSE LINE 8	1,106	1,127	1,119	910	1,000	738	649	602	566	647	760	859	10,093	SEE NOTE 6
	DEDUCT MILLER NARROWS WELLS														
9	WELL NO. 1 SDMR RECORDATION NO. 3600588	0	0	0	0	0	0	0	0	0	0	0	0	0	SEE NOTE 7
10	WELL NO. 2 SDMR RECORDATION NO. 3600590	186	213	280	244	302	293	302	299	291	302	159	274	3,145	SEE NOTE 7
11	TOTAL PUMPED WATER	186	213	280	244	302	293	302	299	291	302	159	274	3,145	LINE 9 + 10
12	STREAM FLOW DIVERTED FROM LYTLE CREEK	920	914	839	666	698	445	347	303	275	345	601	595	6,948	LINE 8 - 11
13	DEDUCT FLOW RETURNED TO STREAM BELOW LOWER POWERHOUSE	144	160	45	63	0	0	0	0	0	36	304	9	761	SEE NOTE 8
14	TOTAL STREAM DIVERSION AT LOWER POWERHOUSE	776	754	794	603	698	445	347	303	275	309	297	586	6,187	LINE 12 - 13
	BREED LINE CALCULATION														
15	WEIR NO. 4	82	76	37	61	36	62	75	52	47	54	101	42	725	SEE NOTE 9
16	LESS WATER PUMPED FONTANA UNION WELL NO. 27 SDMR RECORDATION NO. 3600582	33	19	0	0	0	30	41	22	16	16	13	14	204	SEE NOTE 10
17	TOTAL STREAM DIVERSION AT FONTANA UNION INTAKE TO BREED LINE	49	57	37	61	36	32	34	30	31	38	88	28	521	LINE 15 - 16
18	TOTAL LYTLE CREEK STREAM DIVERSION AS VERIFIED	825	811	831	664	734	477	381	333	306	347	385	614	6,708	LINE 14 + 17

NOTES

- WEIR NO. 1 MEASURES SOUTHERN CALIFORNIA EDISON CONDUIT NEAR FONTANA (USGS).
- WEIR NO. 2 MEASURES INFILTRATION LINE WATER TO FONTANA UNION INTAKE (USGS).
- WEIR NO. 3 MEASURES EITHER STREAM DIVERSION OR INFILTRATION WATER (USGS).
- 20 FOOT WEIR MEASURES FLOW RETURNED TO STREAM AT INTAKE (FONTANA UNION).
- ANNUAL PERCENTAGE OF DIFFERENCE BETWEEN MEASURED & CALCULATED FLOW AT LOWER POWERHOUSE.
- MEASURED FLOW AT LOWER POWERHOUSE (USGS) ASSUMED TO BE CORRECT.
- WATER EXTRACTED BY FONTANA UNION WATER COMPANY MILLER NARROWS WELLS AND DISCHARGED TO EDISON CONDUIT. (FONTANA UNION).
- WATER RETURNED TO STREAM FROM AFTERBAY AT LOWER POWERHOUSE (FONTANA UNION).
- WEIR NO. 4 MEASURES FLOW TO BREED LINE AT INTAKE (USGS).
- FONTANA UNION WATER COMPANY WELL #27 PUMPS INTERMITTENTLY TO BREED LINE (FONTANA UNION)

TABLE NO. 4

LYTLE CREEK  
VERIFICATIONS OF EXTRACTIONS  
FOR CALENDAR YEAR 1961

LINE NO	LOCATION OF MEASUREMENT	JAN	FEB	MAR	APR	MAY	JUN	JUL	AUG	SEP	OCT	NOV	DEC	TOTAL	REMARKS
1	WEIR NO. 1	634	624	658	551	505	442	378	372	366	362	418	626	5,936	SEE NOTE 1
2	WEIR NO. 2	0	0	0	0	0	0	0	0	0	0	0	0	0	SEE NOTE 2
3	WEIR NO. 3	117	115	130	114	117	108	109	93	86	70	48	110	1,217	SEE NOTE 3
4	TOTAL OF WEIRS NO. 1, 2, & 3	751	739	788	665	622	550	487	465	452	432	466	736	7,153	LINES 1 + 2 + 3
5	DEDUCT STREAM RETURN OVER 20' WEIR	2	0	0	0	0	0	0	0	0	0	0	3	5	SEE NOTE 4
6	TOTAL CALCULATED FLOW TO LOWER POWERHOUSE	749	739	788	665	622	550	487	465	452	432	466	733	7,148	LINE 4 - 5
7	ANNUAL % DIFFERENCE														
8	MEASURED FLOW TO LOWER POWERHOUSE	752	762	813	700	637	544	488	480	472	431	469	785	7,333	SEE NOTE 5
	DEDUCT MILLER NARROWS WELLS														SEE NOTE 6
9	WELL NO. 1 SDWR RECORDATION NO. 3600588	0	0	0	0	0	0	0	0	0	0	0	0	0	SEE NOTE 7
10	WELL NO. 2 SDWR RECORDATION NO. 3600590	220	231	265	253	262	253	262	259	250	261	233	257	3,006	SEE NOTE 7
11	TOTAL PUMPED WATER	220	231	265	253	262	253	262	259	250	261	233	257	3,006	LINE 9 + 10
12	STREAM FLOW DIVERTED FROM LYTLE CREEK	532	531	548	447	375	291	226	221	222	170	236	528	4,327	LINE 8 - 11
13	DEDUCT FLOW RETURNED TO STREAM BELOW LOWER POWERHOUSE	89	32	22	6	3	0	0	0	0	0	78	82	312	SEE NOTE 8
14	TOTAL STREAM DIVERSION AT LOWER POWERHOUSE	443	499	526	441	372	291	226	221	221	170	158	446	4,015	LINE 12 - 13
	BREED LINE CALCULATION														
15	WEIR NO. 4	65	35	31	32	35	32	32	33	31	32	45	68	471	SEE NOTE 9
16	LESS WATER PUMPED FONTANA UNION WELL NO. 27 SDWR RECORDATION NO. 3600582	13	1	1	3	4	6	8	6	3	4	3	6	58	SEE NOTE 10
17	TOTAL STREAM DIVERSION AT FONTANA UNION INTAKE TO BREED LINE	52	34	30	29	31	26	24	27	28	28	42	62	413	LINE 15 - 16
18	TOTAL LYTLE CREEK STREAM DIVERSION AS VERIFIED	495	533	556	470	403	317	250	248	250	198	200	508	4,428	LINE 14 + 17

NOTES

- WEIR NO. 1 MEASURES SOUTHERN CALIFORNIA EDISON CONDUIT NEAR FONTANA (USGS).
- WEIR NO. 2 MEASURES INFILTRATION LINE WATER TO FONTANA UNION INTAKE (USGS).
- WEIR NO. 3 MEASURES EITHER STREAM DIVERSION OR INFILTRATION WATER (USGS).
- 20 FOOT WEIR MEASURES FLOW RETURNED TO STREAM AT INTAKE (FONTANA UNION).
- ANNUAL PERCENTAGE OF DIFFERENCE BETWEEN MEASURED & CALCULATED FLOW AT LOWER POWERHOUSE.
- MEASURED FLOW AT LOWER POWERHOUSE (USGS) ASSUMED TO BE CORRECT.
- WATER EXTRACTED BY FONTANA UNION WATER COMPANY MILLER NARROWS WELLS AND DISCHARGED TO EDISON CONDUIT. (FONTANA UNION).
- WATER RETURNED TO STREAM FROM AFTERBAY AT LOWER POWERHOUSE (FONTANA UNION).
- WEIR NO. 4 MEASURES FLOW TO BREED LINE AT INTAKE (USGS).
- FONTANA UNION WATER COMPANY WELL #27 PUMPS INTERMITTENTLY TO BREED LINE (FONTANA UNION)

TABLE NO. 4

LYTLE CREEK  
VERIFICATIONS OF EXTRACTIIONS  
FOR CALENDAR YEAR 1962

LINE NO	LOCATION OF MEASUREMENT	JAN	FEB	MAR	APR	MAY	JUN	JUL	AUG	SEP	OCT	NOV	DEC	TOTAL	REMARKS
1	WEIR NO. 1	698	721	1,448	1,359	966	847	738	636	738	1,289	1,327	1,254	12,021	SEE NOTE 1
2	WEIR NO. 2	0	196	403	0	0	0	0	0	0	0	0	0	599	SEE NOTE 2
3	WEIR NO. 3	177	335	526	477	327	290	238	230	208	196	183	174	3,411	SEE NOTE 3
4	TOTAL OF WEIRS NO. 1, 2, & 3	875	1,252	2,427	1,836	1,293	1,137	976	866	946	1,485	1,510	1,428	16,031	LINES 1 + 2 + 3
5	DEDUCT STREAM RETURN OVER 20' WEIR	0	69	72	0	0	0	0	0	0	0	0	0	141	SEE NOTE 4
6	TOTAL CALCULATED FLOW TO LOWER POWERHOUSE	875	1,183	2,355	1,836	1,293	1,137	976	866	946	1,485	1,510	1,428	15,890	LINE 4 - 5
7	ANNUAL % DIFFERENCE													-1.3%	SEE NOTE 5
8	MEASURED FLOW TO LOWER POWERHOUSE	894	1,187	2,386	1,827	1,291	1,113	978	845	904	1,450	1,454	1,361	15,690	SEE NOTE 6
DEDUCT MILLER NARROWS WELLS															
9	WELL NO. 1 SDMR RECORDATION NO. 3600588	0	0	0	0	0	0	0	0	0	0	0	0	0	SEE NOTE 7
10	WELL NO. 2 SDMR RECORDATION NO. 3600590	293	81	0	0	0	232	308	310	299	303	294	301	2,421	SEE NOTE 7
11	TOTAL PUMPED WATER	293	81	0	0	0	232	308	310	299	303	294	301	2,421	LINE 9 + 10
12	STREAM FLOW DIVERTED FROM LYTLE CREEK	601	1,106	2,386	1,827	1,291	881	670	535	605	1,147	1,160	1,060	13,269	LINE 8 - 11
13	DEDUCT FLOW RETURNED TO STREAM BELOW LOWER POWERHOUSE	49	515	809	616	20	0	0	0	0	31	0	0	2,040	SEE NOTE 8
14	TOTAL STREAM DIVERSION AT LOWER POWERHOUSE	552	591	1,577	1,211	1,271	881	670	535	605	1,116	1,160	1,060	11,229	LINE 12 - 13
BREED LINE CALCULATION															
15	WEIR NO. 4	41	143	40	101	81	77	77	73	65	59	43	32	832	SEE NOTE 9
16	LESS WATER PUMPED FONTANA UNION WELL NO. 27 SDWR RECORDATION NO. 3600582	2	8	3	59	42	40	38	34	28	33	18	1	306	SEE NOTE 10
17	TOTAL STREAM DIVERSION AT FONTANA UNION INTAKE TO BREED LINE	39	135	37	42	39	37	39	39	37	26	25	31	526	LINE 15 - 16
18	TOTAL LYTLE CREEK STREAM DIVERSION AS VERIFIED	591	726	1,614	1,253	1,310	918	709	574	642	1,142	1,185	1,091	11,755	LINE 14 + 17

NOTES

- WEIR NO. 1 MEASURES SOUTHERN CALIFORNIA EDISON CONDUIT NEAR FONTANA (USGS).
- WEIR NO. 2 MEASURES INFILTRATION LINE WATER TO FONTANA UNION INTAKE (USGS).
- WEIR NO. 3 MEASURES EITHER STREAM DIVERSION OR INFILTRATION WATER (USGS).
- 20 FOOT WEIR MEASURES FLOW RETURNED TO STREAM AT INTAKE (FONTANA UNION).
- ANNUAL PERCENTAGE OF DIFFERENCE BETWEEN MEASURED & CALCULATED FLOW AT LOWER POWERHOUSE.
- MEASURED FLOW AT LOWER POWERHOUSE (USGS) ASSUMED TO BE CORRECT.
- WATER EXTRACTED BY FONTANA UNION WATER COMPANY MILLER NARROWS WELLS AND DISCHARGED TO EDISON CONDUIT. (FONTANA UNION).
- WATER RETURNED TO STREAM FROM AFTERBAY AT LOWER POWERHOUSE (FONTANA UNION).
- WEIR NO. 4 MEASURES FLOW TO BREED LINE AT INTAKE (USGS).
- FONTANA UNION WATER COMPANY WELL #27 PUMPS INTERMITTENTLY TO BREED LINE (FONTANA UNION)

TABLE NO. 4

LYTLE CREEK  
VERIFICATIONS OF EXTRACTIIONS  
FOR CALENDAR YEAR 1963

LINE NO	LOCATION OF MEASUREMENT	JAN	FEB	MAR	APR	MAY	JUN	JUL	AUG	SEP	OCT	NOV	DEC	TOTAL	REMARKS
1	WEIR NO. 1	1,174	947	1,095	944	918	718	574	528	521	660	616	726	9,421	SEE NOTE 1
2	WEIR NO. 2	0	0	0	0	0	0	0	0	0	0	0	0	0	SEE NOTE 2
3	WEIR NO. 3	155	145	223	194	196	154	154	139	75	73	68	74	1,650	SEE NOTE 3
4	TOTAL OF WEIRS NO. 1, 2, & 3	1,329	1,092	1,318	1,138	1,114	872	728	667	596	733	684	800	11,071	LINES 1 + 2 + 3
5	DEDUCT STREAM RETURN OVER 20' WEIR	0	0	0	0	0	0	0	0	0	0	0	0	0	SEE NOTE 4
6	TOTAL CALCULATED FLOW TO LOWER POWERHOUSE	1,329	1,092	1,318	1,138	1,114	872	728	667	596	733	680	800	11,067	LINE 4 - 5
7	ANNUAL % DIFFERENCE													+0.5%	SEE NOTE 5
8	MEASURED FLOW TO LOWER POWERHOUSE	1,246	1,038	1,273	1,121	1,109	881	742	688	615	803	725	881	11,122	SEE NOTE 6
	DEDUCT MILLER NARROWS WELLS														
9	WELL NO. 1 SDMR RECORDATION NO. 3600588	0	0	0	0	0	0	0	0	0	0	0	0	0	SEE NOTE 7
10	WELL NO. 2 SDMR RECORDATION NO. 3600590	296	172	253	283	299	289	294	303	201	277	183	312	3,162	SEE NOTE 7
11	TOTAL PUMPED WATER	296	172	253	283	299	289	294	303	201	277	183	312	3,162	LINE 9 + 10
12	STREAM FLOW DIVERTED FROM LYTLE CREEK	950	866	1,020	838	810	592	448	385	414	526	542	569	7,960	LINE 8 - 11
13	DEDUCT FLOW RETURNED TO STREAM BELOW LOWER POWERHOUSE	11	100	51	64	10	0	16	0	219	36	112	2	621	SEE NOTE 8
14	TOTAL STREAM DIVERSION AT LOWER POWERHOUSE	939	766	969	774	800	592	432	385	195	490	430	567	7,339	LINE 12 - 13
	BREED LINE CALCULATION														
15	WEIR NO. 4	32	64	42	41	31	29	37	42	85	51	68	42	564	SEE NOTE 9
16	LESS WATER PUMPED FONTANA UNION WELL NO. 27 SDMR RECORDATION NO. 3600582	0	0	0	2	0	0	10	17	7	0	0	6	42	SEE NOTE 10
17	TOTAL STREAM DIVERSION AT FONTANA UNION INTAKE TO BREED LINE	32	64	42	39	31	29	27	25	78	51	68	36	522	LINE 15 - 16
18	TOTAL LYTLE CREEK STREAM DIVERSION AS VERIFIED	971	830	1,011	813	831	621	459	410	273	541	498	603	7,861	LINE 14 + 17

NOTES

1. WEIR NO. 1 MEASURES SOUTHERN CALIFORNIA EDISON CONDUIT NEAR FONTANA (USGS).
2. WEIR NO. 2 MEASURES INFILTRATION LINE WATER TO FONTANA UNION INTAKE (USGS).
3. WEIR NO. 3 MEASURES EITHER STREAM DIVERSION OR INFILTRATION WATER (USGS).
4. 20 FOOT WEIR MEASURES FLOW RETURNED TO STREAM AT INTAKE (FONTANA UNION).
5. ANNUAL PERCENTAGE OF DIFFERENCE BETWEEN MEASURED & CALCULATED FLOW AT LOWER POWERHOUSE.
6. MEASURED FLOW AT LOWER POWERHOUSE (USGS) ASSUMED TO BE CORRECT.
7. WATER EXTRACTED BY FONTANA UNION WATER COMPANY MILLER NARROWS WELLS AND DISCHARGED TO EDISON CONDUIT. (FONTANA UNION).
8. WATER RETURNED TO STREAM FROM AFTERBAY AT LOWER POWERHOUSE (FONTANA UNION).
9. WEIR NO. 4 MEASURES FLOW TO BREED LINE AT INTAKE (USGS).
10. FONTANA UNION WATER COMPANY WELL #27 PUMPS INTERMITTENTLY TO BREED LINE (FONTANA UNION)

TABLE NO. 4

LYTLE CREEK  
VERIFICATIONS OF EXTRACTATIONS  
FOR CALENDAR YEAR 1975

LINE NO.	LOCATION OF MEASUREMENT	JAN	FEB	MAR	APR	MAY	JUN	JUL	AUG	SEP	OCT	NOV	DEC	TOTAL	REMARKS
1	WEIR NO. 1	1,117	1,146	1,254	1,365	1,327	1,002	845	738	690	766	817	914	11,981	SEE NOTE 1
2	WEIR NO. 2	213	186	240	274	247	179	172	162	152	149	130	129	2,233	SEE NOTE 2
3	WEIR NO. 3	0	0	33	11	1	1	0	0	0	0	0	0	46	SEE NOTE 3
4	TOTAL OF WEIRS NO. 1, 2, & 3	1,330	1,332	1,527	1,650	1,575	1,182	1,017	900	842	915	947	1,043	14,260	LINES 1, 2, & 3
5	DEDUCT STREAM RETURN OVER 20' WEIR	0	0	5	2	0	0	0	0	0	0	0	0	7	SEE NOTE 4
6	TOTAL CALCULATED FLOW TO LOWER POWERHOUSE	1,330	1,332	1,522	1,648	1,575	1,182	1,017	900	842	915	947	1,043	14,253	LINE 4 - 5
7	ANNUAL % DIFFERENCE													-0.4%	SEE NOTE 5
8	MEASURED FLOW TO LOWER POWERHOUSE	1,321	1,351	1,530	1,630	1,581	1,188	1,014	881	847	920	936	1,037	14,196	SEE NOTE 6
	DEDUCT MILLER NARROWS WELLS														
9	WELL NO. 1 SDMR RECORDATION NO. 3600588	0	0	0	0	0	0	0	0	0	0	0	0	0	SEE NOTE 7
10	WELL NO. 2 SDMR RECORDATION NO. 3600590	239	278	142	312	316	307	315	313	302	313	304	314	3,455	SEE NOTE 7
11	TOTAL PUMPED WATER	239	278	142	312	316	307	315	313	302	313	304	314	3,455	LINE 9 + 10
12	STREAM FLOW DIVERTED FROM LYTLE CREEK	1,082	1,073	1,388	1,318	1,225	881	699	568	545	607	632	723	10,741	LINE 8 - 11
	DEDUCT FLOW RETURNED TO STREAM BELOW LOWER POWERHOUSE														
13	RETURN FLOW FROM AFTERBAY	1	50	152	73	4	0	0	0	0	9	2	1	292	SEE NOTE 8
14	RETURN FLOW FROM WSBCHD DIVISION BOX	490	411	465	464	275	113	5	13	65	57	9	293	2,660	SEE NOTE 11
15	TOTAL RETURN FLOW BELOW AT LOWER POWERHOUSE	491	461	617	537	279	113	5	13	65	66	11	294	2,952	LINE 13+14
16	NET STREAM DIVERSION AT LOWER POWERHOUSE	591	612	771	781	946	768	694	555	480	541	621	429	7,789	LINE 12 - 15
	BREED LINE CALCULATION														
17	WEIR NO. 4	115	82	94	89	132	127	129	120	105	97	88	86	1,264	SEE NOTE 9
18	LESS WATER PUMPED FONTANA UNION WELL NO. 27 SDMR RECORDATION NO. 3600582	75	44	25	48	89	80	77	70	63	59	52	52	734	SEE NOTE 10
19	TOTAL STREAM DIVERSION AT FONTANA UNION INTAKE TO BREED LINE	40	38	69	41	43	47	52	50	42	38	36	34	530	LINE 17 - 18
20	TOTAL LYTLE CREEK STREAM DIVERSION AS VERIFIED	631	650	840	822	989	815	746	605	522	579	657	463	8,319	LINE 16 + 19

NOTES

- WEIR NO. 1 MEASURES SOUTHERN CALIFORNIA EDISON CONDUIT NEAR FONTANA (USGS).
- WEIR NO. 2 MEASURES INFILTRATION LINE WATER TO FONTANA UNION INTAKE (USGS).
- WEIR NO. 3 MEASURES EITHER STREAM DIVERSION OR INFILTRATION WATER (USGS).
- 20 FOOT WEIR MEASURES FLOW RETURNED TO STREAM AT INTAKE (FONTANA UNION).
- ANNUAL PERCENTAGE OF DIFFERENCE BETWEEN MEASURED & CALCULATED FLOW AT LOWER POWERHOUSE.
- MEASURED FLOW AT LOWER POWERHOUSE (USGS) ASSUMED TO BE CORRECT.
- WATER EXTRACTED BY FONTANA UNION WATER COMPANY MILLER NARROWS WELLS AND DISCHARGED TO EDISON CONDUIT (FONTANA UNION).
- WATER RETURNED TO STREAM FROM AFTERBAY AT LOWER POWERHOUSE FONTANA UNION (USGS).
- WEIR NO. 4 MEASURES FLOW TO BREED LINE AT INTAKE (USGS).
- FONTANA UNION WATER COMPANY WELL #27 PUMPS TO BREED LINE (FONTANA UNION).
- WATER RETURNED TO STREAM FROM WEST SAN BERNARDINO COUNTY WATER DISTRICT DIVISION BOX (COMPANY RECORDS).

TABLE NO. 4

LYTLE CREEK  
VERIFICATIONS OF EXTRACTIONS  
FOR CALENDAR YEAR 1976

LINE NO	LOCATION OF MEASUREMENT	JAN	FEB	MAR	APR	MAY	JUN	JUL	AUG	SEP	OCT	NOV	DEC	TOTAL	REMARKS
1	WEIR NO. 1	899	1,108	1,424	1,244	1,148	863	730	694	604	903	827	789	11,233	SEE NOTE 1
2	WEIR NO. 2	128	150	239	177	133	119	114	118	51	95	101	100	1,525	SEE NOTE 2
3	WEIR NO. 3	0	70	4	0	0	0	0	0	0	0	0	0	74	SEE NOTE 3
4	TOTAL OF WEIRS NO. 1-2-3	1,027	1,328	1,667	1,421	1,281	982	844	812	655	998	928	889	12,832	LINES 1+2+3 SEE NOTE 4
5	DEDUCT STREAM RETURN OVER 20' WEIR	0	15	1	0	0	0	0	0	0	0	2	7	25	SEE NOTE 4
6	TOTAL CALCULATED FLOW TO LOWER POWERHOUSE LINE 8 - LINE 6	1,027	1,313	1,666	1,421	1,281	982	844	812	655	998	926	882	12,807	LINE 4 - 5
7	ANNUAL % DIFFERENCE													+0.50%	SEE NOTE 5
8	MEASURED FLOW TO LOWER POWERHOUSE LINE 8	1,022	1,288	1,678	1,428	1,281	1,035	877	799	628	952	944	940	12,872	SEE NOTE 6
DEDUCT MILLER NARROWS WELLS															
9	WELL NO. 1 SDWR RECORDATION NO. 3600588	0	0	0	0	0	0	0	0	0	0	0	0	0	SEE NOTE 7
10	WELL NO. 2 SDWR RECORDATION NO. 3600590	314	184	315	300	309	299	311	310	286	271	258	257	3,414	SEE NOTE 7
11	TOTAL PUMPED WATER	314	184	315	300	309	299	311	310	286	271	258	257	3,414	LINE 9 + 10
12	STREAM FLOW DIVERTED FROM LYTLE CREEK	708	1,104	1,363	1,128	972	736	566	489	342	681	686	683	9,458	LINE 8 - 11
DEDUCT FLOW RETURNED TO STREAM BELOW LOWER POWERHOUSE															
13	RETURN FLOW FROM AFTERBAY	1	245	74	6	1	0	0	0	246	113	49	43	778	SEE NOTE 8
14	RETURN FLOW FROM WSCWD DIVISION BOX	225	196	308	298	117	93	0	12	96	99	183	117	1,744	SEE NOTE 11
15	TOTAL RETURN FLOW BELOW AT LOWER POWERHOUSE	226	441	382	304	118	93	0	12	342	212	232	160	2,522	LINE 13+14
16	NET STREAM DIVERSION AT LOWER POWERHOUSE	482	663	981	824	854	643	566	477	0	469	454	523	6,936	LINE 12 - 15
BREED LINE CALCULATION															
17	WEIR NO. 4	88	128	117	104	124	117	113	97	163	129	103	102	1,385	SEE NOTE 9
18	LESS WATER PUMPED FONTANA UNION WELL NO. 27 SDWR RECORDATION NO. 3600582	50	45	62	75	78	70	65	58	55	65	60	54	737	SEE NOTE 10
19	TOTAL STREAM DIVERSION AT FONTANA UNION INTAKE TO BREED LINE	38	83	55	29	46	47	48	39	108	64	43	48	648	LINE 17 - 18
20	TOTAL LYTLE CREEK STREAM DIVERSION AS VERIFIED	520	746	1,036	853	900	670	614	516	108	533	497	571	7,584	LINE 16 + 19

NOTES

- WEIR NO. 1 MEASURES SOUTHERN CALIFORNIA EDISON CONDUIT NEAR FONTANA (USGS).
- WEIR NO. 2 MEASURES INFILTRATION LINE WATER TO FONTANA UNION INTAKE (USGS).
- WEIR NO. 3 MEASURES EITHER STREAM DIVERSION OR INFILTRATION WATER (USGS).
- 20 FOOT WEIR MEASURES FLOW RETURNED TO STREAM AT INTAKE (FONTANA UNION).
- ANNUAL PERCENTAGE OF DIFFERENCE BETWEEN MEASURED & CALCULATED FLOW AT LOWER POWERHOUSE.
- MEASURED FLOW AT LOWER POWERHOUSE (USGS) ASSUMED TO BE CORRECT.
- WATER EXTRACTED BY FONTANA UNION WATER COMPANY MILLER NARROWS WELLS AND DISCHARGED TO EDISON CONDUIT. (FONTANA UNION).
- WATER RETURNED TO STREAM FROM AFTERBAY AT LOWER POWERHOUSE FONTANA UNION (USGS).
- WEIR NO. 4 MEASURES FLOW TO BREED LINE AT INTAKE (USGS).
- FONTANA UNION WATER WELL TO BREED LINE (FONTANA UNION).
- WATER RETURNED TO STREAM FROM WEST SAN BERNARDINO COUNTY WATER DISTRICT DIVISION BOX (COMPANY RECORDS).

TABLE NO. 4

LYTLE CREEK  
VERIFICATIONS OF EXTRACTIIONS  
FOR CALENDAR YEAR 1977

LINE NO	LOCATION OF MEASUREMENT	JAN	FEB	MAR	APR	MAY	JUN	JUL	AUG	SEP	OCT	NOV	DEC	TOTAL	REMARKS
1	WEIR NO. 1	1,046	859	962	875	1,224	1,137	843	779	718	783	831	676	10,731	SEE NOTE 1
2	WEIR NO. 2	89	109	111	91	81	115	123	109	108	107	102	80	1,225	SEE NOTE 2
3	WEIR NO. 3	0	0	0	0	0	20	1	0	0	0	0	14	35	SEE NOTE 3
4	TOTAL OF WEIRS NO. 1, 2, & 3	1,135	968	1,071	966	1,325	1,253	966	888	826	890	933	770	11,991	LINES 1+2+3
5	DUCT STREAM RETURN OVER 20' WEIR	0	0	0	0	7	0	0	0	0	0	0	3	10	SEE NOTE 4
6	TOTAL CALCULATED FLOW TO LOWER POWERHOUSE LINE 8 - LINE 6	1,135	968	1,071	966	1,318	1,253	966	888	826	890	933	767	11,981	LINE 4 - 5
7	ANNUAL % DIFFERENCE													1.71%	SEE NOTE 5
8	MEASURED FLOW TO LOWER POWERHOUSE	1,171	960	1,057	974	1,323	1,244	964	945	904	932	984	732	12,190	SEE NOTE 6
DUCT MILLER NARROWS WELLS															
9	WELL NO. 1 SDWR RECORDATION NO. 3600588	0	0	0	0	0	0	0	0	0	0	0	0	0	SEE NOTE 7
10	WELL NO. 2 SDWR RECORDATION NO. 3600590	298	268	296	288	300	294	302	301	289	299	288	306	3,529	SEE NOTE 7
11	TOTAL PUMPED WATER	298	268	296	288	300	294	302	301	289	299	288	306	3,529	LINE 9 + 10
12	STREAM FLOW DIVERTED FROM LYTLE CREEK	873	692	761	686	1,023	950	662	644	615	633	696	426	8,661	LINE 8 - 11
DUCT FLOW RETURNED TO STREAM BELOW LOWER POWERHOUSE															
13	RETURN FLOW FROM AFTERBAY	135	3	4	16	422	8	0	71	0	0	0	127	786	SEE NOTE 8
14	RETURN FLOW FROM AFTERBAY DIVISION BOX	208	199	230	141	99	97	33	109	161	81	201	52	1,611	SEE NOTE 11
15	TOTAL RETURN FLOW BELOW AT LOWER POWERHOUSE	343	202	234	157	521	105	33	108	161	81	201	479	2,397	LINE 13+14
16	NET STREAM DIVERSION AT LOWER POWERHOUSE	530	490	527	529	502	845	629	464	454	552	495	247	6,264	LINE 12 - 15
BREED LINE CALCULATION															
17	WEIR NO. 4	108	89	114	120	144	119	122	118	107	111	95	136	1,383	SEE NOTE 9
18	LESS WATER PUMPED FONTANA UNION WELL NO. 27 SDWR RECORDATION NO. 3600582	50	54	70	66	69	75	74	67	62	61	53	50	751	SEE NOTE 10
19	TOTAL STREAM DIVERSION AT FONTANA UNION INTAKE TO BREED LINE	58	35	44	54	75	44	48	51	45	50	42	86	632	LINE 17 - 18
20	TOTAL LYTLE CREEK STREAM DIVERSION AS VERIFIED	588	525	571	583	577	889	677	515	499	602	537	333	6,896	LINE 16 + 19

NOTES

- WEIR NO. 1 MEASURES SOUTHERN CALIFORNIA EDISON CONDUIT NEAR FONTANA (USGS).
- WEIR NO. 2 MEASURES INFILTRATION LINE WATER TO FONTANA UNION INTAKE (USGS).
- WEIR NO. 3 MEASURES EITHER STREAM DIVERSION OR INFILTRATION WATER (USGS).
- 20 FOOT WEIR MEASURES FLOW RETURNED TO STREAM AT INTAKE (FONTANA UNION).
- ANNUAL PERCENTAGE OF DIFFERENCE BETWEEN MEASURED & CALCULATED FLOW AT LOWER POWERHOUSE.
- MEASURED FLOW AT LOWER POWERHOUSE (USGS) ASSUMED TO BE CORRECT.
- WATER EXTRACTED BY FONTANA UNION WATER COMPANY MILLER NARROWS WELLS AND DISCHARGED TO EDISON CONDUIT (FONTANA UNION).
- WATER RETURNED TO STREAM FROM AFTERBAY AT LOWER POWERHOUSE FONTANA UNION (USGS).
- WEIR NO. 4 MEASURES FLOW TO BREED LINE AT INTAKE (USGS).
- FONTANA UNION WATER COMPANY WELL TO BREED LINE (FONTANA UNION).
- WATER RETURNED TO STREAM FROM WEST SAN BERNARDINO COUNTY WATER DISTRICT DIVISION BOX (COMPANY RECORDS).

TABLE NO. 4

LYTLE CREEK  
VERIFICATIONS OF EXTRACTIONS  
FOR CALENDAR YEAR 1978

LINE NO	LOCATION OF MEASUREMENT	JAN	FEB	MAR	APR	MAY	JUN	JUL	AUG	SEP	OCT	NOV	DEC	TOTAL	REMARKS
1	WEIR NO. 1	846	264	258	366	1,482	1,436	1,488	1,338	1,319	1,468	1,428	1,446	13,139	SEE NOTE 1
2	WEIR NO. 2	116	230	48	200	693	358	611	1,002	1,002	566	233	192	5,251	SEE NOTE 2
3	WEIR NO. 3	319	245	48	0	881	504	683	1,111	946	598	255	233	5,823	SEE NOTE 3
4	TOTAL OF WEIRS NO. 1, 2, & 3	1,281	739	354	566	3,056	2,298	2,782	3,451	3,267	2,632	1,916	1,871	24,213	LINES 1+2+3
5	DEDUCT STREAM RETURN OVER 20' WEIR	3	143	81	0	221	301	76	111	88	0	33	0	1,057	SEE NOTE 4
5	TOTAL CALCULATED FLOW TO LOWER POWERHOUSE LINE 8 - LINE 6	1,278	596	273	566	2,835	1,997	2,706	3,340	3,179	2,632	1,883	1,871	23,156	LINE 4 - 5
7	ANNUAL % DIFFERENCE													-4.52	SEE NOTE 5
8	MEASURED FLOW TO LOWER POWERHOUSE	1,277	600	255	600	2,846	<del>1,997</del> 2,458	3,303	3,213	2,519	2,519	1,882	1,783	22,155	SEE NOTE 6
	DEDUCT MILLER NARROWS WELLS						1,997								
9	WELL NO. 1 SDMR RECORDATION NO. 3600588	0	0	0	0	0	0	0	0	0	0	0	0	0	SEE NOTE 7
10	WELL NO. 2 SDMR RECORDATION NO. 3600590	212	48	239	297	311	203	0	0	0	0	0	0	1,310	SEE NOTE 7
11	TOTAL PUMPED WATER	212	48	239	297	311	203	0	0	0	0	0	0	1,310	LINE 9 + 10
12	STREAM FLOW DIVERTED FROM LYTLE CREEK	1,065	552	16	303	2,535	1,794	2,458	3,303	3,213	2,519	1,882	1,783	21,423	LINE 8 - 11
	DEDUCT FLOW RETURNED TO STREAM BELOW LOWER POWERHOUSE														
13	RETURN FLOW FROM AFTERBAY	1,067	306	36	70	2,586	1,619	1,389	1,692	1,815	882	673	727	12,862	SEE NOTE 8
14	RETURN FLOW FROM WSBOWD DIVISION BOX	0	69	0	0	0	0	0	0	331	51	187	195	833	SEE NOTE 11
15	TOTAL RETURN FLOW BELOW AT LOWER POWERHOUSE	1,067	375	36	70	2,586	1,619	1,389	1,692	2,146	933	860	922	13,695	LINE 13+14
16	NET STREAM DIVERSION AT LOWER POWERHOUSE	<del>0</del>	177	<del>0</del>	233	<del>51</del> 0	175	1,069	1,611	1,067	1,586	1,022	861	<del>7,801</del>	LINE 12 - 15
	BREED LINE CALCULATION														
17	WEIR NO. 4	281	204	220	28	288	285	295	295	278	286	269	275	3,004	SEE NOTE 9
18	LESS WATER PUMPED FONTANA UNION WELL NO. 27 SDMR RECORDATION NO. 3600582	35	1	0	0	0	0	0	0	0	0	0	0	36	SEE NOTE 10
19	TOTAL STREAM DIVERSION AT FONTANA UNION INTAKE TO BREED LINE	246	203	220	28	288	285	295	295	278	286	269	275	2,968	LINE 17 - 18
20	TOTAL LYTLE CREEK STREAM DIVERSION AS VERIFIED	246	380	220	261	288	460	1,364	1,906	1,345	1,872	1,291	1,136	10,769	LINE 16 + 19

NOTES

- WEIR NO. 1 MEASURES SOUTHERN CALIFORNIA EDISON CONDUIT NEAR FONTANA (USGS).
- WEIR NO. 2 MEASURES INFILTRATION LINE WATER TO FONTANA UNION INTAKE (USGS).
- WEIR NO. 3 MEASURES EITHER STREAM DIVERSION OR INFILTRATION WATER (USGS).
- 20 FOOT WEIR MEASURES FLOW RETURNED TO STREAM AT INTAKE (FONTANA UNION).
- ANNUAL PERCENTAGE OF DIFFERENCE BETWEEN MEASURED & CALCULATED FLOW AT LOWER POWERHOUSE.

NOTES

- MEASURED FLOW AT LOWER POWERHOUSE (USGS) ASSUMED TO BE CORRECT.
- WATER EXTRACTED BY FONTANA UNION WATER COMPANY MILLER NARROWS WELLS AND DISCHARGED TO EDISON CONDUIT. (FONTANA UNION).
- WATER RETURNED TO STREAM FROM AFTERBAY AT LOWER POWERHOUSE FONTANA UNION (USGS).
- WEIR NO. 4 MEASURES FLOW TO BREED LINE AT INTAKE (USGS).
- FONTANA UNION WATER COMPANY WELL TO BREED LINE (FONTANA UNION).
- WATER RETURNED TO STREAM FROM WEST SAN BERNARDINO COUNTY WATER DISTRICT DIVISION BOX (COMPANY RECORDS).



TABLE NO. 4

LYTLE CREEK  
VERIFICATIONS OF EXTRACTIIONS  
FOR CALENDAR YEAR 1979

LINE NO.	LOCATION OF MEASUREMENT	JAN	FEB	MAR	APR	MAY	JUN	JUL	AUG	SEP	OCT	NOV	DEC	TOTAL	REMARKS
1	WEIR NO. 1	1,399	1,277	1,281	1,130	1,428	1,345	1,353	1,228	1,198	1,291	1,240	1,273	15,442	SEE NOTE 1
2	WEIR NO. 2	422	594	545	870	865	658	756	649	427	326	203	86	6,401	SEE NOTE 2
3	WEIR NO. 3	500	696	638	1,058	1,072	785	877	817	534	416	251	135	7,729	SEE NOTE 3
4	TOTAL OF WEIRS NO. 1, 2, & 3	2,320	2,567	2,464	3,058	3,315	2,788	2,986	2,694	2,159	2,033	1,694	1,434	29,572	LINES 1+2+3
5	DEDUCT STREAM RETURN OVER 20' WEIR	17	104	194	11	25	4	243	0	0	3	0	0	601	SEE NOTE 4
6	TOTAL CALCULATED FLOW TO LOWER POWERHOUSE LINE 8 - LINE 6	2,303	2,463	2,270	3,047	3,290	2,784	2,743	2,694	2,159	2,030	1,694	1,494	28,971	LINES 4 - 5
7	ANNUAL % DIFFERENCE													-4.5%	SEE NOTE 5
8	MEASURED FLOW TO LOWER POWERHOUSE LINE 8	2,073	2,176	2,205	3,142	3,304	2,582	2,610	2,694	2,029	1,886	1,613	1,398	27,712	SEE NOTE 6
9	DEDUCT MILLER NAPROKS WELLS														
9	WELL NO. 1 SOWP RECORDATION NO. 3600588	0	0	0	0	0	0	0	0	0	0	0	0	0	SEE NOTE 7
10	WELL NO. 2 SOWP RECORDATION NO. 3600590	0	0	0	0	0	0	0	0	0	0	0	0	0	SEE NOTE 7
11	TOTAL PUMPED WATER	0	0	0	0	0	0	0	0	0	0	0	0	0	LINE 9 + 10
12	STREAM FLOW DIVERTED FROM LYTLE CREEK	2,073	2,176	2,205	3,142	3,304	2,582	2,610	2,694	2,029	1,886	1,613	1,398	27,712	LINE 8 - 11
13	DEDUCT FLOW RETURNED TO STREAM BELOW LOWER POWERHOUSE														
13	RETURN FLOW FROM AFTERBAY	1,236	1,412	1,110	1,565	1,422	633	701	723	235	355	191	58	9,641	SEE NOTE 9
14	RETURN FLOW FROM WSPCMD DIVISION BOX	0	0	0	168	306	72	0	11	5	137	156	237	1,092	SEE NOTE 11
15	TOTAL RETURN FLOW BELOW AT LOWER POWERHOUSE	1,236	1,412	1,110	1,733	1,728	705	701	734	240	492	347	295	10,733	LINE 13+14
16	NET STREAM DIVERSION AT LOWER POWERHOUSE	837	764	1,095	1,409	1,576	1,877	1,909	1,960	1,789	1,394	1,266	1,103	16,979	LINE 12 - 15
17	BREED LINE CALCULATION														
17	WEIR NO. 4	282	256	265	224	272	288	300	301	290	301	286	295	3,360	SEE NOTE 9
18	LESS WATER PUMPED FONTANA UNION WELL NO. 27 SOWP RECORDATION NO. 3600582	0	0	6	0	0	1	0	0	0	0	0	0	7	SEE NOTE 10
19	TOTAL STREAM DIVERSION AT FONTANA UNION INTAKE TO BREED LINE	282	256	259	224	272	287	300	301	290	301	286	295	3,353	LINE 17 - 19
20	TOTAL LYTLE CREEK STREAM DIVERSION AS VERIFIED	1,119	1,020	1,354	1,633	1,848	2,164	2,209	2,261	2,079	1,695	1,552	1,398	20,332	LINE 16 + 19

NOTES

- WEIR NO. 1 MEASURES SOUTHERN CALIFORNIA EDISON CONDUIT NEAR FONTANA (USGS).
- WEIR NO. 2 MEASURES INFILTRATION LINE WATER TO FONTANA UNION INTAKE (USGS).
- WEIR NO. 3 MEASURES EITHER STREAM DIVERSION OR INFILTRATION WATER (USGS).
- 20 FOOT WEIR MEASURES FLOW RETURNED TO STREAM AT INTAKE (FONTANA UNION).
- ANNUAL PERCENTAGE OF DIFFERENCE BETWEEN MEASURED & CALCULATED FLOW AT LOWER POWERHOUSE.
- WEIR NO. 4 MEASURES FLOW TO BREED LINE AT INTAKE (USGS).
- FONTANA UNION WATER COMPANY WELL TO BREED LINE (FONTANA UNION).
- WATER RETURNED TO STREAM FROM WEST SAN BERNARDINO COUNTY WATER DISTRICT DIVISION BOX (COMPANY RECORDS).
- MEASURED FLOW AT LOWER POWERHOUSE (USGS) ASSUMED TO BE CORRECT.
- WATER EXTRACTED BY FONTANA UNION WATER COMPANY MILLER NAPROKS WELLS AND DISCHARGED TO EDISON CONDUIT. (FONTANA UNION).
- WATER RETURNED TO STREAM FROM AFTERBAY AT LOWER POWERHOUSE (FONTANA UNION (USGS)).
- WEIR NO. 4 MEASURES FLOW TO BREED LINE AT INTAKE (USGS).
- FONTANA UNION WATER COMPANY WELL TO BREED LINE (FONTANA UNION).
- WATER RETURNED TO STREAM FROM WEST SAN BERNARDINO COUNTY WATER DISTRICT DIVISION BOX (COMPANY RECORDS).

TABLE NO. 5

MILL CREEK VERIFICATION OF EXTRACTIONS FOR  
CALENDAR YEARS 1975 - 1979

TABLE NO. 5

MILL CREEK  
VERIFICATIONS OF EXTRACTIONS  
FOR CALENDAR YEAR 1975

LINE NO	LOCATION OF MEASUREMENT	JAN	FEB	MAR	APR	MAY	JUN	JUL	AUG	SEP	OCT	NOV	DEC	TOTAL	REMARKS
1	MILL CREEK RANGER STA. DIVERSION PH NO. 2 & 3	1	0	1	0	1	1	2	2	2	1	1	0	12	SEE NOTE 1
2	MILL CREEK NEAR YUCAIPA STREAMFLOW	5	143	199	37	45	8	17	0	2	4	13	21	494	SEE NOTE 2
3	MILL CREEK NEAR YUCAIPA POWER CANALS	1,022	805	1,132	1,346	1,661	1,591	1,282	1,029	1,020	952	814	784	13,438	SEE NOTE 2
4	MILL CREEK NEAR YUCAIPA COMBINED FLOW	1,027	948	1,331	1,383	1,706	1,599	1,299	1,029	1,022	956	827	805	13,932	SEE NOTE 2
5	TOTAL FLOW AVAILABLE FOR DIVERSION	1,028	948	1,332	1,383	1,707	1,600	1,301	1,031	1,024	957	828	805	13,944	LINE 1 + 4
DIVERSIONS															
MILL CREEK NO. 2 & 3 POWERHOUSE AFTERBAY															
6	DIVERSION TO MILL CREEK RANGER STA. FROM AFTERBAY	1	0	1	0	1	1	2	2	2	1	1	0	12	SEE NOTE 1
CITY OF REDLANDS TATE FILTER PLANT															
7	INFLOW TO TATE FILTER PLANT	675	489	341	466	601	820	800	726	627	612	534	511	7,202	SEE NOTE 3
8	LESS FILTER BACKWASH WATER RETURNED TO ZANJA	10	10	11	10	10	11	15	12	9	10	6	8	122	SEE NOTE 3
9	LESS GROUND WATER RECHARGE IN CITY WELLS 10, 11 & 12	55	42	41	35	1	5	16	3	15	0	2	1	216	SEE NOTE 4
10	NET DIVERSION FROM AVAILABLE FLOW	610	437	289	421	590	804	769	711	603	602	526	502	6,864	LINE 7-8-9
BULLION BOX															
11	TRANSFER OF MILL CREEK WATER TO BEAR VALLEY HIGHLINE	0	0	0	0	0	0	0	0	0	0	0	0	0	SEE NOTE 5
12	TRANSFER OF SANTA ANA RIVER WATER TO ZANJA	0	0	0	0	0	0	0	0	0	0	0	0	0	SEE NOTE 5
CRAFTON WATER COMPANY CANAL															
13	INFLOW TO CRAFTON CANAL FROM ZANJA	80	86	188	50	562	599	342	164	268	237	215	189	2,980	SEE NOTE 6
14	LESS GROUND WATER RECHARGE-HILL WELL & KING ST. SHAFT	48	57	24	0	0	0	0	0	0	0	0	0	129	SEE NOTE 7
15	NET DIVERSION FROM AVAILABLE FLOW	32	29	164	50	562	599	342	164	268	237	215	189	2,851	LINE 13 - 14
16	TOTAL FLOW DIVERTED INCLUDING UPPER MILL CREEK WELLS	643	466	454	471	1,153	1,404	1,113	877	873	840	742	691	9,727	LINE 6+10+11-12+15
DEDUCT UPPER MILL CREEK WELLS															
17	CITY OF REDLANDS MILL CREEK NO. 1 REC. NO. 3601282	83	0	0	0	0	46	140	127	118	100	75	67	756	SEE NOTE 8
18	CITY OF REDLANDS MILL CREEK NO. 2 REC. NO. 3601285	149	67	86	0	0	166	146	135	118	241	115	93	1,316	SEE NOTE 8
19	CITY OF REDLANDS MILL CREEK NO. 4 REC. NO. 3601288	94	33	16	0	0	79	121	110	105	93	88	27	766	SEE NOTE 8
20	CITY OF REDLANDS MILL CREEK NO. 0-A REC. NO. 3602351	0	0	0	0	0	0	50	48	29	0	0	0	127	SEE NOTE 8
21	TOTAL UPPER MILL CREEK WELL PRODUCTION	326	100	102	0	0	291	457	420	370	434	278	187	2,965	LINE 17+18+19+20
22	TOTAL MILL CREEK STREAM DIVERSION AS VERIFIED	317	366	352	471	1,153	1,113	656	457	503	406	464	504	6,762	LINE 16 - 21

NOTES

- METERED DIVERSION FROM POWERHOUSE NO. 2 & 3 AFTERBAY (CITY OF REDLANDS).
- U.S.G.S. RECORDS OF MILL CREEK FLOWS.
- TATE FILTER PLANT OPERATIONS RECORDS (CITY OF REDLANDS).
- METERED RECHARGE IN WELLS NUMBERS 10, 11 AND 12 (RECORDATION NUMBERS 3601291, 3601292, AND 3601293 RESPECTIVELY) (CITY OF REDLANDS).
- BULLION BOX CONNECTS BEAR VALLEY HIGHLINE AND THE ZANJA (BEAR VALLEY MUTUAL WATER CO.).
- CRAFTON CANAL DIVERTS FROM THE ZANJA (USGS).
- GROUND WATER RECHARGE IN HILL WELL AND KING STREET SHAFT (CRAFTON WATER CO.).
- METERED PRODUCTION REDUCED BY AMOUNT OF USE FROM WELLS IN UPPER MILL CREEK. WELLS PUMP DIRECTLY INTO POWER CANALS, DIVERSIONS OF STREAM FLOW AND WELL EXTRACTIONS ARE COMINGLED (CITY OF REDLANDS).

TABLE NO. 5

MILL CREEK  
VERIFICATIONS OF EXTRACTIONS  
FOR CALENDAR YEAR 1976

LINE NO	LOCATION OF MEASUREMENT	JAN	FEB	MAR	APR	MAY	JUN	JUL	AUG	SEP	OCT	NOV	DEC	TOTAL	REMARKS
1	MILL CREEK RANGER STA. DIVERSION PH NO. 2 & 3	0	1	0	0	1	1	2	1	1	1	1	1	10	SEE NOTE 1
2	MILL CREEK NEAR YUCAIPA STREAMFLOW	12	387	240	9	5	49	45	2700	130	130	7	21	3,610	SEE NOTE 2
3	MILL CREEK NEAR YUCAIPA POWER CANALS	831	786	897	1,112	1,328	1,126	961	921	662	1,122	1,157	1,055	11,918	SEE NOTE 2
4	MILL CREEK NEAR YUCAIPA COMBINED FLOW	893	1,133	1,137	1,121	1,333	1,131	1,010	966	3,362	1,252	1,164	1,076	15,528	SEE NOTE 2
5	TOTAL FLOW AVAILABLE FOR DIVERSION	843	1,134	1,137	1,121	1,334	1,132	1,012	967	3,363	1,253	1,165	1,077	15,538	LINE 1 + 4
DIVERSIONS															
6	MILL CREEK NO. 2 & 3 POWERHOUSE AFTERBAY	0	1	0	0	1	1	2	1	1	1	1	1	10	SEE NOTE 1
CITY OF REDLANDS TATE FILTER PLANT															
7	INFLOW TO TATE FILTER PLANT	573	447	490	455	767	792	643	662	338	634	724	689	7,214	SEE NOTE 3
8	LESS FILTER BACKWASH WATER RETURNED TO ZANJA	10	8	11	11	14	11	8	10	52	8	9	12	164	SEE NOTE 3
9	LESS GROUND WATER RECHARGE IN CITY WELLS 10, 11 & 12	0	2	1	0	2	1	2	1	0	1	1	0	11	SEE NOTE 4
10	NET DIVERSION FROM AVAILABLE FLOW	563	437	478	444	751	780	633	651	286	625	714	677	7,039	LINE 7-8-9
BOULLIQUON BOX															
11	TRANSFER OF MILL CREEK WATER TO BEAR VALLEY HIGHLINE	0	0	0	0	0	0	0	0	0	0	0	0	0	SEE NOTE 5
12	TRANSFER OF SANTA ANA RIVER WATER TO ZANJA	17	0	0	3	23	24	27	10	1	20	19	0	144	SEE NOTE 5
CRAFTON WATER COMPANY CANAL															
13	INFLOW TO CRAFTON CANAL FROM ZANJA	161	49	62	235	423	292	263	192	168	234	269	241	2,589	SEE NOTE 6
14	LESS GROUND WATER RECHARGE-HILL WELL & KING ST. SHAFT	0	0	0	0	0	0	0	0	0	0	0	0	0	SEE NOTE 7
15	NET DIVERSION FROM AVAILABLE FLOW	161	49	62	235	423	292	263	192	168	234	269	241	2,589	LINE 13 - 14
16	TOTAL FLOW DIVERTED INCLUDING UPPER MILL CREEK WELLS	707	487	540	676	1,152	1,049	871	834	454	840	965	919	9,494	LINE 6+10+11-12+15
DEDUCT UPPER MILL CREEK WELLS															
17	CITY OF REDLANDS MILL CREEK NO. 1 REC. NO. 3601282	58	23	39	22	100	113	130	99	139	14	0	0	737	SEE NOTE 8
18	CITY OF REDLANDS MILL CREEK NO. 2 REC. NO. 3601285	113	14	0	0	158	193	193	166	147	157	188	71	1,167	SEE NOTE 8
19	CITY OF REDLANDS MILL CREEK NO. 4 REC. NO. 3601288	106	14	0	0	69	107	105	101	96	94	104	78	874	SEE NOTE 8
20	CITY OF REDLANDS MILL CREEK NO. 0-A REC. NO. 3602351	3	0	0	0	0	0	0	0	1	0	0	0	4	SEE NOTE 8
21	TOTAL UPPER MILL CREEK WELL PRODUCTION	280	51	39	22	169	378	428	366	383	265	252	149	2,782	LINE 17+18+19+20
22	TOTAL MILL CREEK STREAM DIVERSION AS VERIFIED	427	436	501	654	983	671	443	468	71	575	713	770	6,712	LINE 16 - 21

NOTES

1. WETERED DIVERSION FROM POWERHOUSE NO. 2 & 3 AFTERBAY (CITY OF REDLANDS).
2. U.S.G.S. RECORDS OF MILL CREEK FLOWS.
3. TATE FILTER PLANT OPERATIONS RECORDS (CITY OF REDLANDS).
4. WETERED RECHARGE IN WELLS NUMBERS 10, 11 AND 12 (RECORDATION NUMBERS 3601291, 3601292, AND 3601293 RESPECTIVELY) (CITY OF REDLANDS).
5. BOULLIQUON BOX CONTACTS BEAR VALLEY HIGHLINE AND THE ZANJA (BEAR VALLEY MUTUAL WATER CO.).
6. CRAFTON CANAL DIVERTS FROM THE ZANJA (USGS).
7. GROUND WATER RECHARGE IN HILL WELL AND KING STREET SHAFT (CRAFTON WATER CO.).
8. WETERED PRODUCTION REDUCED BY AMOUNT OF USE FROM WELLS IN UPPER MILL CREEK. WELLS PUMP DIRECTLY INTO POWER CANALS, DIVERSIONS OF STREAM FLOW AND WELL EXTRACTIONS ARE COMMINGLED (CITY OF REDLANDS).

TABLE NO. 5

MILL CREEK  
VERIFICATIONS OF EXTRACTIONS  
FOR CALENDAR YEAR 1977

LINE NO	LOCATION OF MEASUREMENT	JAN	FEB	MAR	APR	MAY	JUN	JUL	AUG	SEP	OCT	NOV	DEC	TOTAL	REMARKS
1	MILL CREEK RANGER STA. DIVERSION PH NO. 2 & 3	0	1	0	1	0	1	1	1	1	1	1	1	9	SEE NOTE 1
2	MILL CREEK NEAR YUCAIPA STREAMFLOW	137	12	7	5	188	7	4	161	79	8	0	753	1,361	SEE NOTE 2
3	MILL CREEK NEAR YUCAIPA POWER CANALS	904	896	977	1,007	1,304	1,381	1,210	912	1,067	964	857	707	12,186	SEE NOTE 2
4	MILL CREEK NEAR YUCAIPA COMBINED FLOW	1,041	908	984	1,012	1,492	1,388	1,214	1,073	1,146	972	857	1,460	13,547	SEE NOTE 2
5	TOTAL FLOW AVAILABLE FOR DIVERSION	1,041	909	984	1,013	1,492	1,389	1,215	1,074	1,147	973	858	1,461	13,556	LINE 1 + 4
DIVERSIONS															
6	MILL CREEK NO. 2 & 3 POWERHOUSE AFTERBAY	0	1	0	1	0	1	1	1	1	1	1	1	9	SEE NOTE 1
7	CITY OF REDLANDS TATE FILTER PLANT	532	610	653	718	538	789	808	481	718	645	639	487	7,618	SEE NOTE 3
8	INFLOW TO TATE FILTER PLANT	8	9	12	16	13	19	20	9	10	11	12	10	149	SEE NOTE 3
9	LESS FILTER BACKWASH WATER RETURNED TO ZANJA	0	0	0	5	4	0	0	0	30	8	13	39	99	SEE NOTE 4
0	LESS GROUND WATER RECHARGE IN CITY WELLS 10, 11 & 12	524	601	641	697	521	770	788	472	678	626	614	438	7,370	LINE 7-8-9
0	NET DIVERSION FROM AVAILABLE FLOW														
BOULLIQUON BOX															
1	TRANSFER OF MILL CREEK WATER TO BEAR VALLEY HIGHLINE	0	0	0	0	0	0	0	0	0	0	0	0	0	SEE NOTE 5
2	TRANSFER OF SANTA ANA RIVER WATER TO ZANJA	0	9	5	8	0	0	0	24	0	0	0	1	47	SEE NOTE 5
CRAFTON WATER COMPANY CANAL															
3	INFLOW TO CRAFTON CANAL FROM ZANJA	106	182	199	243	248	382	318	258	227	197	175	148	2,683	SEE NOTE 6
4	LESS GROUND WATER RECHARGE-HILL WELL & KING ST. SHAFT	0	0	0	0	0	0	0	0	0	0	0	0	0	SEE NOTE 7
5	NET DIVERSION FROM AVAILABLE FLOW	106	182	199	243	248	382	318	258	227	197	175	148	2,683	LINE 13 - 14
6	TOTAL FLOW DIVERTED INCLUDING UPPER MILL CREEK WELLS	630	775	835	933	769	1,153	1,107	707	906	824	790	586	10,015	LINE 6+10+11-12+15
DEDUCT UPPER MILL CREEK WELLS															
7	CITY OF REDLANDS MILL CREEK NO. 1 REC. NO. 3601282	0	0	0	92	44	39	134	75	131	113	108	92	828	SEE NOTE 8
8	CITY OF REDLANDS MILL CREEK NO. 2 REC. NO. 3601285	162	132	133	121	128	125	138	135	141	144	132	129	1,620	SEE NOTE 8
9	CITY OF REDLANDS MILL CREEK NO. 4 REC. NO. 3601288	0	48	91	69	0	37	100	64	99	90	93	78	769	SEE NOTE 8
0	CITY OF REDLANDS MILL CREEK NO. 0-A REC. NO. 3602351	0	0	0	0	0	0	0	0	2	13	31	0	46	SEE NOTE 8
1	TOTAL UPPER MILL CREEK WELL PRODUCTION	162	180	224	282	172	201	372	274	373	360	364	299	3,263	LINE 17+18+19+20
2	TOTAL MILL CREEK STREAM DIVERSION AS VERIFIED	468	595	611	651	597	952	735	433	533	464	426	287	6,752	LINE 16 - 21

NOTES

1. METERED DIVERSION FROM POWERHOUSE NO. 2 & 3 AFTERBAY (CITY OF REDLANDS).
2. U.S.G.S. RECORDS OF MILL CREEK FLOWS.
3. TATE FILTER PLANT OPERATIONS RECORDS (CITY OF REDLANDS).
4. METERED RECHARGE IN WELLS NUMBERS 10, 11 AND 12.
5. (RECORDATION NUMBERS 3601291, 3601292, AND 3601293 RESPECTIVELY) (CITY OF REDLANDS).
6. BOULLIQUON BOX CONNECTS BEAR VALLEY HIGHLINE AND THE ZANJA (BEAR VALLEY MUTUAL WATER CO.).
7. CRAFTON CANAL DIVERTS FROM THE ZANJA (USGS).
8. GROUND WATER RECHARGE IN HILL WELL AND KING STREET SHAFT (CRAFTON WATER CO.).
9. METERED PRODUCTION FROM WELLS IN UPPER MILL CREEK, WELLS PUMP DIRECTLY INTO POWER CANALS, DIVERSIONS OF STREAM FLOW AND WELL EXTRACTIONS ARE COMINGLED (CITY OF REDLANDS).

TABLE NO. 5

MILL CREEK  
VERIFICATIONS OF EXTRACTIIONS  
FOR CALENDAR YEAR 1978

LINE NO	LOCATION OF MEASUREMENT	JAN	FEB	MAR	APR	MAY	JUN	JUL	AUG	SEP	OCT	NOV	DEC	TOTAL	REMARKS
1	MILL CREEK RANGER STA. DIVERSION PH NO. 2 & 3	0	1	0	1	1	2	0	3	2	2	1	0	13	SEE NOTE 1
2	MILL CREEK NEAR YUCAIPA STREAMFLOW	1,622	7,450	32,112	30,341	17,530	9,086	3,261	1,357	450	2	311	216	103,807	SEE NOTE 2
3	MILL CREEK NEAR YUCAIPA POWER CANALS	986	787	1,133	1,353	2,712	2,033	1,979	2,128	2,273	2,172	2,037	2,131	21,124	SEE NOTE 2
4	MILL CREEK NEAR YUCAIPA COMBINED FLOW	2,608	8,237	33,245	31,694	19,642	11,119	5,240	3,485	2,723	2,243	2,348	2,347	124,931	SEE NOTE 2
5	TOTAL FLOW AVAILABLE FOR DIVERSION	2,608	8,238	33,245	31,695	19,643	11,121	5,240	3,488	2,725	2,245	2,349	2,347	124,944	LINE 1 + 4
DIVERISIONS															
MILL CREEK NO. 2 & 3 POWERHOUSE AFTERBAY															
6	DIVERSION TO MILL CREEK RANGER STA. FROM AFTERBAY	0	1	0	1	1	2	0	3	2	2	1	0	13	SEE NOTE 1
CITY OF REDLANDS TATE FILTER PLANT															
7	INFLOW TO TATE FILTER PLANT	288	227	322	425	722	1,070	1,119	906	872	1,089	662	579	8,281	SEE NOTE 3
8	LESS FILTER BACKWASH WATER RETURNED TO ZANJA	5	4	6	5	16	17	16	11	8	11	7	6	112	SEE NOTE 3
9	LESS GROUND WATER RECHARGE IN CITY WELLS 10, 11 & 12	47	7	0	0	0	0	0	0	0	0	0	0	54	SEE NOTE 4
10	NET DIVERSION FROM AVAILABLE FLOW	236	216	316	420	706	1,053	1,103	895	864	1,078	655	573	8,115	LINE 7-9
BOULLIOWN BOX															
11	TRANSFER OF MILL CREEK WATER TO BEAR VALLEY HIGHLINE	0	0	0	0	0	0	0	0	0	0	0	0	0	SEE NOTE 5
12	TRANSFER OF SANTA ANA RIVER WATER TO ZANJA	0	0	0	0	0	17	24	16	39	37	14	0	147	SEE NOTE 5
CRAFTON WATER COMPANY CANAL															
13	INFLOW TO CRAFTON CANAL FROM ZANJA	136	34	0	0	295	579	570	671	640	621	281	133	3,960	SEE NOTE 6
14	LESS GROUND WATER RECHARGE-HILL WELL & KING ST. SHAFT	0	0	0	0	0	0	0	0	0	0	0	0	0	SEE NOTE 7
15	NET DIVERSION FROM AVAILABLE FLOW	136	34	0	0	295	579	570	671	640	621	281	133	3,960	LINE 13 - 14
16	TOTAL FLOW DIVERTED INCLUDING UPPER MILL CREEK WELLS	372	251	316	421	1,002	1,617	1,649	1,553	1,467	1,664	923	706	11,941	LINE 6-9+11-12+15
DEDUCT UPPER MILL CREEK WELLS															
17	CITY OF REDLANDS MILL CREEK NO. 1 REC. NO. 3601282	0	0	0	0	0	0	0	0	0	0	0	0	0	SEE NOTE 8
18	CITY OF REDLANDS MILL CREEK NO. 2 REC. NO. 3601285	159	134	304	303	315	89	4	0	0	0	0	0	1,308	SEE NOTE 8
19	CITY OF REDLANDS MILL CREEK NO. 4 REC. NO. 3601288	62	28	0	0	0	0	0	0	0	0	0	0	90	SEE NOTE 8
20	CITY OF REDLANDS MILL CREEK NO. 0-A REC. NO. 3602351	0	0	0	0	0	0	0	0	0	0	0	0	3	SEE NOTE 8
21	TOTAL UPPER MILL CREEK WELL PRODUCTION	221	162	304	303	315	89	4	0	10	0	0	0	1,408	LINE 17+18+19+20
22	TOTAL MILL CREEK STREAM DIVERSION AS VERIFIED	151	89	12	118	687	1,528	1,645	1,553	1,457	1,664	923	706	10,533	LINE 15 - 21

NOTES

- METERED DIVERSION FROM POWERHOUSE NO. 2 & 3 AFTERBAY (CITY OF REDLANDS).
- U.S.G.S. RECORDS OF MILL CREEK FLOWS.
- TATE FILTER PLANT OPERATIONS RECORDS (CITY OF REDLANDS).
- METERED RECHARGE IN WELLS NUMBERS 10, 11 AND 12 (RECORDATION NUMBERS 3601291, 3601292, AND 3601293 RESPECTIVELY) (CITY OF REDLANDS)
- BOULLIOWN BOX CONNECTS BEAR VALLEY HIGHLINE AND THE ZANJA (BEAR VALLEY MUTUAL WATER CO.).
- CRAFTON CANAL DIVERTS FROM THE ZANJA (USGS).
- GROUND WATER RECHARGE IN HILL WELL AND KING STREET SHAFT (CRAFTON WATER CO.)
- METERED PRODUCTION FROM WELLS IN UPPER MILL CREEK, WELLS PUMP DIRECTLY INTO POWER CANALS, DIVERSIONS OF STREAM FLOW AND WELL EXTRACTIIONS ARE COMMINGLED (CITY OF REDLANDS).

TABLE 5  
MILL CREEK  
VERIFICATIONS OF EXTRACTIIONS  
FOR CALENDAR YEAR 1979

LINE NO	LOCATION OF MEASUREMENT	JAN	FEB	MAR	APR	MAY	JUN	JUL	AUG	SEP	OCT	NOV	DEC	TOTAL	REMARKS
1	MILL CREEK RANGER STA. DIVERSION PH NO. 2 & 3	0	1	2	1	0	0	0	0	0	0	0	0	4	SEE NOTE 1
2	MILL CREEK NEAR YUCAIPA STREAMFLOW	194	302	1,334	3,177	4,610	2,565	589	677	66	775	350	574	15,213	SEE NOTE 2
3	MILL CREEK NEAR YUCAIPA POWER CANALS	2,283	2,168	2,488	2,313	2,223	2,239	2,430	1,735	1,945	1,518	1,280	1,598	23,230	SEE NOTE 2
4	MILL CREEK NEAR YUCAIPA COMBINED FLOW	2,477	2,470	3,922	5,490	6,833	4,814	3,019	2,412	2,011	2,293	1,630	2,172	39,443	SEE NOTE 2
5	TOTAL FLOW AVAILABLE FOR DIVERSION	2,477	2,471	3,824	5,491	6,833	4,814	3,019	2,412	2,011	2,293	1,630	2,172	39,447	LINE 1 + 4
DIVERSIONS															
6	MILL CREEK NO. 2 & 3 POWERHOUSE AFTERBAY	0	1	2	1	0	0	0	0	0	0	0	0	4	SEE NOTE 1
7	DIVERSION TO MILL CREEK RANGER STA. FROM AFTERBAY	0	0	0	0	0	0	0	80	35	4	0	0	119	SEE NOTE 3
8	DIVERSION TO YUCAIPA REGIONAL PARK	426	476	332	624	746	1,024	1,054	686	1,050	867	967	922	9,174	SEE NOTE 4
9	INFLOW TO FATE FILTER PLANT	6	4	3	6	10	14	12	9	11	10	9	15	109	SEE NOTE 4
10	LESS FILTER BACKWASH WATER RETURNED TO ZANJA	0	0	0	0	0	0	0	0	0	0	0	0	0	SEE NOTE 5
11	LESS GROUND WATER RECHARGE IN CITY WELLS 10, 11 & 12	420	472	329	618	736	1,010	1,042	677	1,039	857	959	907	9,065	LINE 8-9-10
12	NET DIVERSION FROM AVAILABLE FLOW	0	0	0	0	0	0	0	0	0	0	0	0	0	SEE NOTE 5
BULLTOWN BOX															
12	TRANSFER OF MILL CREEK WATER TO BEAR VALLEY HIGHLINE	0	0	0	0	0	0	0	0	0	0	0	0	0	SEE NOTE 5
13	TRANSFER OF SANTA ANA RIVER WATER TO ZANJA	0	0	0	0	12	26	22	20	16	57	76	87	316	SEE NOTE 5
CRAFTON WATER COMPANY CANAL															
14	INFLOW TO CRAFTON CANAL FROM ZANJA	145	92	170	182	458	538	522	545	621	418	285	277	4,253	SEE NOTE 7
15	LESS GROUND WATER RECHARGE-HILL WELL & KING ST. SHAFT	0	0	0	0	0	0	0	0	0	0	0	0	0	SEE NOTE 8
16	NET DIVERSION FROM AVAILABLE FLOW	145	92	170	182	458	538	522	545	621	418	285	277	4,253	LINE 14 - 15
17	TOTAL FLOW DIVERTED INCLUDING UPPER MILL CREEK WELLS	565	565	501	801	1,182	1,522	1,542	1,282	1,679	1,222	1,167	1,097	13,125	LINE 8+9+11+12-13+16
DEDUCT UPPER MILL CREEK WELLS															
18	CITY OF REDLANDS MILL CREEK NO. 1 REC. NO. 3601282	0	0	0	0	0	0	0	0	78	168	139	18	403	SEE NOTE 9
19	CITY OF REDLANDS MILL CREEK NO. 2 REC. NO. 3601285	0	0	0	0	0	0	0	38	0	120	295	87	540	SEE NOTE 9
20	CITY OF REDLANDS MILL CREEK NO. 4 REC. NO. 3601288	0	0	0	0	0	0	0	12	0	7	19	119	157	SEE NOTE 9
21	CITY OF REDLANDS MILL CREEK NO. 0-A REC. NO. 3602351	0	0	0	0	0	0	0	0	0	0	0	0	0	SEE NOTE 9
22	TOTAL UPPER MILL CREEK WELL PRODUCTION	0	0	0	0	0	0	0	50	78	295	453	224	1,100	LINE 8+9+11+12+2
23	TOTAL MILL CREEK STREAM DIVERSION AS VERIFIED	565	565	501	801	1,182	1,522	1,542	1,232	1,601	927	714	873	12,025	LINE 17 - 22

NOTES

1. METERED DIVERSION FROM POWERHOUSE NO. 2 & 3 AFTERBAY TERMINATED MAY, 1979 (CITY OF REDLANDS).
2. U.S.G.S. RECORDS OF MILL CREEK FLOWS.
3. MILL CREEK PIPELINE TO YUCAIPA OPERATIONS RECORDS (SAN BERNARDINO VALLEY MUNICIPAL WATER DISTRICT).
4. FATE FILTER PLANT OPERATIONS RECORDS (CITY OF REDLANDS).
5. METERED RECHARGE IN WELLS NUMBERS 10, 11 AND 12 (RECORDATION NUMBERS 3601291, 3601292, AND 3601293 RESPECTIVELY), (CITY OF REDLANDS)
6. BULLTOWN BOX CONNECTS BEAR VALLEY HIGHLINE AND THE ZANJA (BEAR VALLEY MUTUAL WATER CO.).
7. CRAFTON CANAL DIVERTS FROM THE ZANJA (USGS AND SAN BERNARDINO COUNTY WATER CONSERVATION DISTRICT).
8. GROUND WATER RECHARGE IN HILL WELL AND KING STREET SHAFT (CRAFTON WATER CO.).
9. METERED PRODUCTION FROM WELLS IN UPPER MILL CREEK, WELLS PUMP DIRECTLY INTO PUMP CANALS, DIVERSIONS OF STREAM FLOW AND WELL EXTRACTIIONS ARE COMINGLED (CITY OF REDLANDS).

TABLE NO. 6

SANTA ANA RIVER VERIFICATION OF EXTRACTIONS FOR  
CALENDAR YEARS 1975 - 1979



TABLE NO. 6

SANTA ANA RIVER  
VERIFICATIONS OF EXTRACTATIONS  
FOR CALENDAR YEAR 1975

LINE NO	LOCATION OF MEASUREMENT	JAN	FEB	MAR	APR	MAY	JUN	JUL	AUG	SEP	OCT	NOV	DEC	TOTAL	REMARKS
1	SANTA ANA RIVER NEAR MENTONE STREAMFLOW	19	491	1,550	541	130	65	24	673	2	8	14	233	3,750	SEE NOTE 1
2	SANTA ANA RIVER NEAR MENTONE POWER CANALS	1,758	1,616	2,560	3,408	2,950	2,403	2,715	1,675	2,497	2,592	2,140	1,394	37,708	SEE NOTE 1
3	SANTA ANA RIVER NEAR MENTONE COMBINED FLOW	1,777	2,107	4,110	3,949	3,080	2,468	2,739	2,348	2,499	2,600	2,154	1,627	31,458	SEE NOTE 1
4	BEAR VALLEY SANTA ANA NO. 2 WELL REC. NO. 3600022	27	14	0	0	0	146	81	146	108	84	79	71	758	SEE NOTE 2
5	REDLANDS WATER CO. REDLANDS TUNNEL OUTFLOW	87	74	87	92	95	75	74	117	85	64	61	65	976	SEE NOTE 3
6	TOTAL FLOW AVAILABLE FOR DIVERSION DIVERSIONS	1,891	2,195	4,197	4,041	3,175	2,689	2,894	2,611	2,692	2,748	2,294	1,763	33,190	LINE 3 & 4 & 5
EAST HIGHLAND CANAL															
7	EAST HIGHLAND WEIR	85	18	29	3	166	161	166	166	168	184	143	119	1,408	SEE NOTE 4
8	LESS SPREADING	0	0	0	0	0	0	0	0	0	0	0	0	0	SEE NOTE 4
9	NET EAST HIGHLAND CANAL DIVERSION	85	18	29	3	166	161	166	166	168	184	143	119	1,408	LINE 7 - 8
NORTH FORK CANAL															
10	NORTH FORK WEIR	284	154	225	357	569	683	701	708	696	699	639	519	6,234	SEE NOTE 4
11	LESS SPREADING FROM CANAL AT CITY CR. AND SAND CYN.	148	104	161	206	134	15	28	6	0	41	40	51	934	SEE NOTE 4
12	NET NORTH FORK DIVERSION	136	50	64	151	435	668	673	702	696	658	599	468	5,300	LINE 10 - 11
REDLANDS CANAL															
13	MORTON CYN. BOOSTER TO UPPER MORTON CYN. GROVES	0	0	0	0	0	0	0	39	31	20	0	0	90	SEE NOTE 5
14	PLUS BRACERO CAMP, ZANJERO & SO. CAL. ED. USES	3	3	3	3	4	4	4	4	4	3	3	3	40	SEE NOTE 6
15	PLUS REDLANDS CANAL WEIR AT SANDBOX	522	246	290	232	1,149	1,272	1,419	1,324	1,282	1,210	890	574	10,410	SEE NOTE 7
16	LESS SPREADING MENTONE RES. JUDSON ST. MOUND CITY	135	71	123	119	63	0	0	0	0	0	0	0	511	SEE NOTE 7
17	NET REDLANDS CANAL DIVERSION	390	178	170	116	1,089	1,276	1,423	1,367	1,317	1,233	893	577	10,029	LINE 13+14+15-16
BEAR VALLEY HIGHLINE															
18	GREENSPOT WEIR ON HIGHLINE	330	142	100	309	465	490	486	423	503	528	504	356	4,636	SEE NOTE 8
19	LESS SPREADING AT MILL CREEK AND REES PONDS	86	0	12	179	4	0	0	0	0	0	0	0	281	SEE NOTE 8
20	NET BEAR VALLEY HIGHLINE DIVERSION	244	142	88	130	461	490	486	423	503	528	504	356	4,355	LINE 18 - 19
21	TOTAL NET DIVERSIONS FROM AVAILABLE FLOW	855	388	351	400	2,151	2,595	2,748	2,658	2,684	2,603	2,139	1,520	21,092	LINE 9+12+17+20
DEDUCT SANTA ANA WELLS															
22	SANTA ANA WELL NO. 1 RECORDATION NO. 3600021	22	9	0	0	0	57	70	84	75	68	68	36	489	SEE NOTE 9
23	SANTA ANA WELL NO. 2 RECORDATION NO. 3600022	27	14	0	0	0	146	81	146	108	84	79	71	756	SEE NOTE 9
24	TOTAL PUMPED WATER	49	23	0	0	0	203	151	230	183	152	147	107	1,245	LINE 22 + 23
25	TOTAL SANTA ANA RIVER STREAM DIVERSION AS VERIFIED	806	365	351	400	2,151	2,392	2,597	2,428	2,501	2,451	1,992	1,413	19,847	LINE 21 - 24

NOTES

- U.S.G.S. RECORDS OF SANTA ANA RIVER FLOWS.
- SANTA ANA NO. 2 WELL PUMPS INTO POWER CANALS BELOW U.S.G.S. GAGE UNTIL APRIL 26, 1976. DATA FROM BEAR VALLEY MUTUAL WATER COMPANY RECORDS.
- REDLANDS WATER COMPANY REDLANDS TUNNEL IS AN INFILTRATION GALLERY WHICH INTERCEPTS SANTA ANA RIVER UNDERFLOW. DATA FROM BEAR VALLEY MUTUAL WATER COMPANY RECORDS. OUTFLOW SHOWN INCLUDES LINE NO. 14 OF THIS TABLE.
- EAST HIGHLANDS CANAL AND NORTH FORK CANAL DIVERT WATER TO AGRICULTURAL USE AND LIMITED SPREADING. DATA FROM BEAR VALLEY MUTUAL WATER COMPANY RECORDS.
- MORTON CANYON BOOSTER DIVERTS WATER TO AGRICULTURAL USE IN UPPER MORTON CANYON FROM THE REDLANDS CANAL UPSTREAM OF THE REDLANDS CANAL WEIR. DATA FROM BEAR VALLEY MUTUAL WATER COMPANY.

NOTES

- BRACERO CAMP, BEAR VALLEY MUTUAL WATER COMPANY'S ZANJERO AND SOUTHERN CALIFORNIA EDISON COMPANY DIVERT WATER FROM REDLANDS TUNNEL UPSTREAM OF THE TUNNELS CONFLUENCE WITH REDLANDS CANAL WHICH IS UPSTREAM OF THE REDLANDS CANAL WEIR. DATA FROM BEAR VALLEY MUTUAL WATER CO.
- DATA FROM BEAR VALLEY MUTUAL WATER COMPANY RECORDS OF OPERATIONS OF REDLANDS CANAL WEIR AND REDLANDS CANAL.
- DATA FROM BEAR VALLEY MUTUAL WATER COMPANY RECORDS OF OPERATIONS OF BEAR VALLEY HIGHLINE.
- SANTA ANA NO. 1 AND NO. 2 WELLS ARE LOCATED IN UPPER SANTA ANA CANYON AND PUMPED DIRECTLY TO POWER CANALS, DIVERSION OF STREAMFLOW AND WELL EXTRACTIIONS ARE COMINGLED. DATA FROM BEAR VALLEY MUTUAL WATER COMPANY RECORDS.

TABLE NO. 6

SANTA ANA RIVER  
VERIFICATIONS OF EXTRACTIONS  
FOR CALENDAR YEAR 1976

LINE NO	LOCATION OF MEASUREMENT	JAN	FEB	MAR	APR	MAY	JUN	JUL	AUG	SEP	OCT	NOV	DEC	TOTAL	REMARKS
1	SANTA ANA RIVER NEAR MENTONE STREAMFLOW	0	1,557	1,244	182	19	2	0	0	3,193	204	5	212	6,618	SEE NOTE 1
2	SANTA ANA RIVER NEAR MENTONE POWER CANALS	1,825	1,811	2,060	2,139	2,272	2,465	2,614	2,555	1,228	1,825	1,709	1,873	24,376	SEE NOTE 1
3	SANTA ANA RIVER NEAR MENTONE COMBINED FLOW	1,825	3,368	3,304	2,321	2,291	2,467	2,614	2,555	4,421	2,029	1,714	2,085	30,994	SEE NOTE 1
4	BEAR VALLEY SANTA ANA NO. 2 WELL REC. NO. 3600022	94	0	0	0	0	0	0	0	0	0	0	0	94	SEE NOTE 2
5	REDLANDS WATER CO. REDLANDS TUNNEL OUTFLOW	65	81	111	99	94	70	65	65	84	115	111	78	1,038	SEE NOTE 3
6	TOTAL FLOW AVAILABLE FOR DIVERSION	1,984	3,449	3,415	2,420	2,385	2,537	2,679	2,620	4,505	2,144	1,825	2,163	32,126	LINE 3 & 4 & 5
	EAST HIGHLAND CANAL														
7	EAST HIGHLAND WEIR	166	21	0	86	166	161	166	166	54	102	161	150	1,399	SEE NOTE 4
8	LESS SPREADING	0	0	0	0	0	0	0	0	0	0	0	0	0	SEE NOTE 4
9	NET EAST HIGHLAND CANAL DIVERSIONS	166	21	0	86	166	161	166	166	54	102	161	150	1,399	LINE 7 - 8
	NORTH FORK CANAL														
10	NORTH FORK WEIR	574	164	151	434	556	624	637	622	262	420	509	489	5,442	SEE NOTE 4
11	LESS SPREADING FROM CANAL AT CITY CR. AND SAND CYN.	24	96	115	167	6	0	15	2	71	105	21	7	629	SEE NOTE 4
12	NET NORTH FORK DIVERSION	550	68	36	267	550	624	622	620	191	315	488	482	4,813	LINE 10 - 11
	REDLANDS CANAL														
13	MORTON CYN. BOOSTER TO UPPER MORTON CYN. GROVES	0	0	0	0	10	31	51	37	9	0	0	0	138	SEE NOTE 5
14	PLUS BRACERO CAMP, ZANJERO & SO. CAL. ED. USES	3	3	4	4	4	4	4	4	4	4	4	4	46	SEE NOTE 6
15	PLUS REDLANDS CANAL WEIR AT SANDBOX	815	210	302	650	1,152	1,088	1,174	1,204	436	651	613	828	9,124	SEE NOTE 7
16	LESS SPREADING MENTONE RES. JUDDSON ST. MOUND CITY	0	19	123	115	8	0	0	4	12	43	4	0	328	SEE NOTE 7
17	NET REDLANDS CANAL DIVERSION	819	194	183	539	1,158	1,123	1,229	1,241	437	612	613	832	8,980	LINE 13+14+15-16
	BEAR VALLEY HIGHLINE														
18	GREENSPOT WEIR ON HIGHLINE	474	208	98	500	521	498	523	525	194	422	532	474	4,969	SEE NOTE 8
19	LESS SPREADING AT MILL CREEK AND REES PONDS	0	114	8	176	0	0	0	0	0	0	0	0	298	SEE NOTE 8
20	NET BEAR VALLEY HIGHLINE DIVERSION	474	94	90	324	521	498	523	525	194	422	532	474	4,671	LINE 18 - 19
21	TOTAL NET DIVERSION FROM AVAILABLE FLOW	2,009	377	309	1,216	2,395	2,406	2,540	2,552	875	1,451	1,794	1,938	19,863	LINE 9+12+17+20
	DEDUCT SANTA ANA WELLS														
22	SANTA ANA WELL NO. 1 RECORDATION NO. 3600021	48	4	0	0	19	65	140	134	71	64	85	61	691	SEE NOTE 9
23	SANTA ANA WELL NO. 2 RECORDATION NO. 3600022	94	0	0	0	102	94	102	80	44	72	99	86	773	SEE NOTE 9
24	TOTAL PUMPED WATER	142	4	0	0	121	159	242	214	115	136	184	147	1,464	LINE 22 + 23
25	TOTAL SANTA ANA RIVER STREAM DIVERSION AS VERIFIED	1,867	373	309	1,216	2,274	2,247	2,298	2,338	761	1,315	1,610	1,791	18,399	LINE 21 - 24

NOTES

- U.S.G.S. RECORDS OF SANTA ANA RIVER FLOWS.
- SANTA ANA NO. 2 WELL PUMPS INTO POWER CANALS BELOW U.S.G.S. GAGE UNTIL APRIL 26, 1976. DATA FROM BEAR VALLEY MUTUAL WATER COMPANY RECORDS.
- REDLANDS WATER COMPANY REDLANDS TUNNEL IS AN INFILTRATION GALLERY WHICH INTERCEPTS SANTA ANA RIVER UNDERFLOW. DATA FROM BEAR VALLEY MUTUAL WATER COMPANY RECORDS. OUTFLOW SHOWN INCLUDES LINE NO. 14 OF THIS TABLE.
- EAST HIGHLANDS CANAL AND NORTH FORK CANAL DIVERT WATER TO AGRICULTURAL USE AND LIMITED SPREADING. DATA FROM BEAR VALLEY MUTUAL WATER COMPANY RECORDS.
- MORTON CANYON BOOSTER DIVERTS WATER TO AGRICULTURAL USE IN UPPER MORTON CANYON FROM THE REDLANDS CANAL UPSTREAM OF THE REDLANDS CANAL WEIR. DATA FROM BEAR VALLEY MUTUAL WATER COMPANY RECORDS.

NOTES

- BRACERO CAMP, BEAR VALLEY MUTUAL WATER COMPANY'S ZANJERO AND SOUTHERN CALIFORNIA EDISON COMPANY DIVERT WATER FROM REDLANDS TUNNEL UPSTREAM OF THE TUNNELS CONFLUENCE WITH REDLANDS CANAL WHICH IS UPSTREAM OF THE REDLANDS CANAL WEIR. DATA FROM BEAR VALLEY MUTUAL WATER COMPANY RECORDS.
- DATA FROM BEAR VALLEY MUTUAL WATER COMPANY RECORDS OF OPERATIONS OF REDLANDS CANAL WEIR AND REDLANDS CANAL.
- DATA FROM BEAR VALLEY MUTUAL WATER COMPANY RECORDS OF OPERATIONS OF BEAR VALLEY HIGHLINE.
- SANTA ANA NO. 1 AND NO. 2 WELLS ARE LOCATED IN UPPER SANTA ANA CANYON AND PUMPED DIRECTLY TO POWER CANALS, DIVERSION OF STREAMFLOW AND WELL EXTRACTIONS ARE COMMINGLED. DATA FROM BEAR VALLEY MUTUAL WATER COMPANY RECORDS.

TABLE NO. 6

SANTA ANA RIVER  
VERIFICATIONS OF EXTRACTIIONS  
FOR CALENDAR YEAR 1977

LINE NO	LOCATION OF MEASUREMENT	JAN	FEB	MAR	APR	MAY	JUN	JUL	AUG	SEP	OCT	NOV	DEC	TOTAL	REMARKS
1	SANTA ANA RIVER NEAR MENTONE STREAMFLOW	509	585	52	23	989	33	1	132	0	0	0	1,410	3,734	SEE NOTE 1
2	SANTA ANA RIVER NEAR MENTONE POWER CANALS	1,593	1,579	1,840	1,802	2,024	1,863	1,518	1,455	1,474	1,420	1,319	1,381	19,268	SEE NOTE 1
3	SANTA ANA RIVER NEAR MENTONE COMBINED FLOW	2,102	2,164	1,892	1,825	3,013	1,896	1,519	1,587	1,474	1,420	1,319	2,791	23,002	SEE NOTE 1
4	BEAR VALLEY SANTA ANA NO. 2 WELL REC. NO. 3600022	0	0	0	0	0	0	0	0	0	0	0	0	0	SEE NOTE 2
5	REDLANDS WATER CO. REDLANDS TUNNEL OUTFLOW	90	87	92	92	97	97	81	77	74	65	64	64	980	SEE NOTE 3
6	TOTAL FLOW AVAILABLE FOR DIVERSION	2,192	2,251	1,984	1,917	3,110	1,993	1,600	1,664	1,548	1,485	1,383	2,955	23,982	LINE 3 & 4 & 5
	EAST HIGHLAND CANAL														
7	EAST HIGHLAND WEIR	0	118	147	142	35	107	128	112	155	164	160	136	1,404	SEE NOTE 4
8	LESS SPREADING	0	0	0	0	0	0	0	0	0	0	0	0	0	SEE NOTE 4
9	NET EAST HIGHLAND CANAL DIVERSIONS	0	118	147	142	35	107	128	112	155	164	160	136	1,404	LINE 7 - 8
	NORTH FORK CANAL														
10	NORTH FORK WEIR	99	337	445	611	283	626	597	503	642	574	537	420	5,674	SEE NOTE 4
11	LESS SPREADING FROM CANAL AT CITY CR. AND SAND CYN.	0	0	0	107	106	87	57	77	47	41	18	19	559	SEE NOTE 4
12	NET NORTH FORK DIVERSION	99	337	445	504	177	539	540	426	595	533	519	401	5,115	LINE 10 - 11
	REDLANDS CANAL														
13	MORTON CYN. BOOSTER TO UPPER MORTON CYN. GROVES	0	0	0	0	0	0	0	0	0	0	0	0	0	SEE NOTE 5
14	PLUS BRACERO CAMP, ZANJERO & SO. CAL. ED. USES	169	648	619	675	303	685	256	368	240	204	250	255	4,672	SEE NOTE 6
15	PLUS REDLANDS CANAL WEIR AT SANDBOX	92	61	13	0	0	0	0	0	0	0	0	12	178	SEE NOTE 7
16	LESS SPREADING MENTONE RES. JUDSON ST. MOUND CITY	77	588	606	675	304	685	256	369	240	204	251	243	4,498	LINE 13+14+15-16
17	NET REDLANDS CANAL DIVERSION	222	335	448	503	330	429	506	500	519	526	461	380	5,159	SEE NOTE 8
	BEAR VALLEY HIGHLINE														SEE NOTE 8
18	GREENSPOT WEIR ON HIGHLINE	126	8	48	24	154	0	0	0	0	0	0	0	360	SEE NOTE 8
19	LESS SPREADING AT MILL CREEK AND REES PONDS	96	327	400	479	176	429	506	500	519	526	461	380	4,799	LINE 18 - 19
20	NET BEAR VALLEY HIGHLINE DIVERSION	272	1,370	1,598	1,800	692	1,760	1,430	1,407	1,509	1,427	1,391	1,160	15,816	LINE 9+12+17+20
21	TOTAL NET DIVERSION FROM AVAILABLE FLOW														
	DEDUCT SANTA ANA WELLS														
22	SANTA ANA WELL NO. 1 RECORDATION NO. 3600021	0	49	36	78	20	107	113	45	91	60	109	103	811	SEE NOTE 9
23	SANTA ANA WELL NO. 2 RECORDATION NO. 3600022	0	19	35	77	45	106	111	58	86	75	63	59	734	SEE NOTE 9
24	TOTAL PUMPED WATER	0	68	71	155	65	213	224	103	177	135	172	162	1,545	LINE 22 + 23
25	TOTAL SANTA ANA RIVER STREAM DIVERSION AS VERIFIED	272	1,302	1,527	1,645	627	1,547	1,206	1,304	1,332	1,292	1,219	998	14,271	LINE 21 - 24

NOTES

- U.S.G.S. RECORDS OF SANTA ANA RIVER FLOWS.
- SANTA ANA NO. 2 WELL PUMPS INTO POWER CANALS BELOW U.S.G.S. GAGE UNTIL APRIL 26, 1976. DATA FROM BEAR VALLEY MUTUAL WATER COMPANY RECORDS.
- REDLANDS WATER COMPANY REDLANDS TUNNEL IS AN INFILTRATION GALLERY WHICH INTERCEPTS SANTA ANA RIVER UNDERFLOW. DATA FROM BEAR VALLEY MUTUAL WATER COMPANY RECORDS. OUTFLOW SHOWN INCLUDES LINE NO. 14 OF THIS TABLE.
- EAST HIGHLANDS CANAL AND NORTH FORK CANAL DIVERT WATER TO AGRICULTURAL USE AND LIMITED SPREADING. DATA FROM BEAR VALLEY MUTUAL WATER COMPANY RECORDS. MORTON CANYON BOOSTER DIVERTS WATER TO AGRICULTURAL USE IN UPPER MORTON CANYON FROM THE REDLANDS CANAL UPSTREAM OF THE REDLANDS CANAL WEIR. DATA FROM BEAR VALLEY MUTUAL WATER COMPANY RECORDS.
- BRACERO CAMP, BEAR VALLEY MUTUAL WATER COMPANY'S ZANJERO AND SOUTHERN CALIFORNIA EDISON COMPANY DIVERT WATER FROM REDLANDS TUNNEL UPSTREAM OF THE TUNNELS CONFLUENCE WITH REDLANDS CANAL WHICH IS UPSTREAM OF THE REDLANDS CANAL WEIR. DATA FROM BEAR VALLEY MUTUAL WATER COMPANY RECORDS. DATA FROM BEAR VALLEY MUTUAL WATER COMPANY RECORDS OF OPERATIONS OF REDLANDS CANAL WEIR AND REDLANDS CANAL.
- DATA FROM BEAR VALLEY MUTUAL WATER COMPANY RECORDS OF OPERATIONS OF BEAR VALLEY HIGHLINE.
- SANTA ANA NO. 1 AND NO. 2 WELLS ARE LOCATED IN UPPER SANTA ANA CANYON AND PUMPED DIRECTLY TO POWER CANALS. DIVERSION OF STREAMFLOW AND WELL EXTRACTIIONS ARE COMMINGLED. DATA FROM BEAR VALLEY MUTUAL WATER COMPANY RECORDS.

TABLE NO. 6

SANTA ANA RIVER  
VERIFICATIONS OF EXTRACTIIONS  
FOR CALENDAR YEAR 1978

LINE NO	LOCATION OF MEASUREMENT	JAN	FEB	MAR	APR	MAY	JUN	JUL	AUG	SEP	OCT	NOV	DEC	TOTAL	REMARKS
1	SANTA ANA RIVER NEAR MENTONE STREAMFLOW	5,126	12,795	11,365	17,883	10,114	7,125	4,092	1,171	547	335	568	2,048	73,169	SEE NOTE 1
2	SANTA ANA RIVER NEAR MENTONE POWER CANALS	1,628	1,680	1,541	1,261	3,628	4,310	4,939	4,093	3,729	3,198	4,067	4,085	37,660	SEE NOTE 1
3	SANTA ANA RIVER NEAR MENTONE COMBINED FLOW	6,754	14,475	12,906	19,144	13,742	11,435	8,531	5,264	4,276	3,533	4,635	6,133	110,838	SEE NOTE 1
4	BEAR VALLEY SANTA ANA NO. 2 WELL REC. NO. 3600022	0	0	0	0	0	0	0	0	0	0	0	0	0	SEE NOTE 2
5	REDLANDS WATER CO. REDLANDS TUNNEL OUTFLOW	107	135	186	175	162	128	124	124	122	124	115	110	1,613	SEE NOTE 3
6	TOTAL FLOW AVAILABLE FOR DIVERSION DIVERSIONS	6,861	14,620	13,092	19,319	13,904	11,563	8,656	5,388	4,398	3,657	4,750	6,243	112,451	LINE 3 & 4 & 5
7	EAST HIGHLAND CANAL	0	15	0	0	0	90	163	159	113	76	66	3	782	SEE NOTE 4
8	EAST HIGHLAND WEIR	0	0	0	0	0	0	0	0	0	0	0	0	0	SEE NOTE 4
9	LESS SPREADING	0	15	0	0	0	90	163	159	113	76	66	3	782	LINE 7 - 8
10	NET EAST HIGHLAND CANAL DIVERSIONS	0	0	0	0	0	0	0	0	0	0	0	0	0	
11	NORTH FORK CANAL	42	106	72	101	517	667	703	653	675	703	416	296	4,951	SEE NOTE 4
12	NORTH FORK WEIR	30	75	42	87	127	92	92	103	81	100	166	234	1,229	SEE NOTE 4
13	LESS SPREADING FROM CANAL AT CITY CR. AND SAND CYN.	12	31	30	14	390	575	611	550	594	603	250	62	3,722	LINE 10 - 11
14	NET NORTH FORK DIVERSION	0	0	0	0	0	0	0	0	0	0	0	0	0	
15	REDLANDS CANAL	0	0	0	0	0	0	0	0	0	0	0	0	0	
16	MORTON CYN. BOOSTER TO UPPER MORTON CYN. GROVES PLUS BRACERO CAMP, ZANJERO & SO. CAL. ED. USES	228	49	124	82	755	1,016	1,120	1,138	1,130	1,064	520	262	7,488	SEE NOTE 5
17	LESS SPREADING MENTONE RES. JUDSON ST. MOUND CITY	0	0	0	0	0	0	0	0	0	0	0	0	0	SEE NOTE 6
18	LESS SPREADING HENTONE RES. JUDSON ST. MOUND CITY	0	0	0	0	0	0	0	0	0	0	0	0	0	SEE NOTE 7
19	NET REDLANDS CANAL DIVERSION	228	49	125	82	755	1,017	1,120	1,138	1,131	1,064	427	132	7,268	SEE NOTE 7
20	BEAR VALLEY HIGHLINE	184	160	198	184	485	534	544	537	531	542	530	521	4,950	LINE 13+14+15-16
21	GREENSPOT WEIR ON HIGHLINE	168	127	188	111	116	0	0	0	0	0	259	291	1,260	SEE NOTE 8
22	LESS SPREADING AT HILL CREEK AND REES PONDS	16	33	10	73	369	534	544	537	531	542	271	230	3,690	LINE 18 - 19
23	NET BEAR VALLEY HIGHLINE DIVERSION	256	128	165	169	1,604	2,223	2,438	2,384	2,369	2,285	1,014	427	15,462	LINE 9+12+17+20
24	TOTAL NET DIVERSION FROM AVAILABLE FLOW	1	14	79	81	0	0	0	34	0	0	0	15	224	SEE NOTE 9
25	DEDUCT SANTA ANA WELLS	0	0	0	5	0	0	0	37	0	0	0	16	58	SEE NOTE 9
26	SANTA ANA WELL NO. 1 RECORDATION NO. 3600021	1	14	79	81	0	0	0	0	0	0	0	0	224	LINE 22 + 23
27	SANTA ANA WELL NO. 2 RECORDATION NO. 3600022	0	0	0	0	0	0	0	0	0	0	0	0	0	LINE 21 - 24
28	TOTAL PUMPED WATER	1	14	79	86	0	0	0	71	0	0	0	0	282	
29	TOTAL SANTA ANA RIVER STREAM DIVERSION AS VERIFIED	255	114	86	83	1,604	2,223	2,438	2,313	2,369	2,285	1,014	396	15,180	

NOTES

- U.S.G.S. RECORDS OF SANTA ANA RIVER FLOWS.
- SANTA ANA NO. 2 WELL PUMPS INTO POWER CANALS BELOW U.S.G.S. GAGE UNTIL APRIL 26, 1976. DATA FROM BEAR VALLEY MUTUAL WATER COMPANY RECORDS.
- REDLANDS WATER COMPANY REDLANDS TUNNEL IS AN INFILTRATION GALLERY WHICH INTERCEPTS SANTA ANA RIVER UNDERFLOW. DATA FROM BEAR VALLEY MUTUAL WATER COMPANY RECORDS. OUTFLOW SHOWN INCLUDES LINE NO. 14 OF THIS TABLE.
- EAST HIGHLANDS CANAL AND NORTH FORK CANAL DIVERT WATER TO AGRICULTURAL USE AND LIMITED SPREADING. DATA FROM BEAR VALLEY MUTUAL WATER COMPANY RECORDS.
- MORTON CANYON BOOSTER DIVERTS WATER TO AGRICULTURAL USE IN UPPER MORTON CANYON FROM THE REDLANDS CANAL UPSTREAM OF THE REDLANDS CANAL WEIR. DATA FROM BEAR VALLEY MUTUAL WATER COMPANY RECORDS.
- BRACERO CAMP, BEAR VALLEY MUTUAL WATER COMPANY'S ZANJERO AND SOUTHERN CALIFORNIA EDISON COMPANY DIVERT WATER FROM REDLANDS TUNNEL UPSTREAM OF THE TUNNELS CONFLUENCE WITH REDLANDS CANAL WHICH IS UPSTREAM OF THE REDLANDS CANAL WEIR. DATA FROM BEAR VALLEY MUTUAL WATER COMPANY RECORDS.
- DATA FROM BEAR VALLEY MUTUAL WATER COMPANY RECORDS OF OPERATIONS OF REDLANDS CANAL WEIR AND REDLANDS CANAL.
- DATA FROM BEAR VALLEY MUTUAL WATER COMPANY RECORDS OF OPERATIONS OF BEAR VALLEY HIGHLINE.
- SANTA ANA NO. 1 AND NO. 2 WELLS, DIVERSION OF STREAMFLOW AND HELL EXTRAC-TIONS ARE COMMINGLED. DATA FROM BEAR VALLEY MUTUAL WATER COMPANY RECORDS.

TABLE 6  
SANTA ANA RIVER  
VERIFICATIONS OF EXTRACTATIONS  
FOR CALENDAR YEAR 1979

LINE NO	LOCATION OF MEASUREMENT	JAN	FEB	MAR	APR	MAY	JUN	JUL	AUG	SEP	OCT	NOV	DEC	TOTAL	REMARKS
1	SANTA ANA RIVER NEAR MENTONE STREAMFLOW	3,657	6,492	11,431	17,998	12,178	2,559	854	776	497	2,516	394	484	59,831	SEE NOTE 1
2	SANTA ANA RIVER NEAR MENTONE POWER CANALS	4,206	4,842	3,824	2,896	3,136	4,260	4,156	4,099	3,661	3,002	2,786	2,558	42,726	SEE NOTE 1
3	SANTA ANA RIVER NEAR MENTONE COMBINED FLOW	7,863	10,534	15,255	20,894	15,314	6,819	5,010	4,875	4,153	5,518	3,180	3,142	102,557	SEE NOTE 1
4	BEAR VALLEY SANTA ANA NO. 2 WELL RFC. NO. 3600022	0	0	0	0	0	0	0	0	0	0	0	0	0	SEE NOTE 2
5	REDLANDS WATER CO. REDLANDS TUNNEL OUTFLOW	114	107	119	125	131	123	124	123	102	106	91	94	1,359	SEE NOTE 3
6	TOTAL FLOW AVAILABLE FOR DIVERSION DIVERSIONS	7,977	10,641	15,174	21,019	15,445	6,942	5,134	4,998	4,255	5,624	3,271	3,236	103,916	LINE 3 & 4
7	FAST HIGHLAND CANAL	0	0	0	30	127	125	132	158	163	102	98	128	1,063	SEE NOTE 4
8	FAST HIGHLAND WEIR	0	0	0	0	0	0	0	0	0	0	0	0	0	SEE NOTE 4
9	WEST EAST HIGHLAND CANAL DIVERSIONS	0	0	0	30	127	125	132	158	163	102	98	128	1,063	LINE 7 - 8
10	NORTH FORK CANAL	173	134	138	216	549	639	699	687	713	548	470	538	5,504	SEE NOTE 4
11	NORTH FORK WEIR	153	115	117	79	105	72	92	102	87	80	71	75	1,148	SEE NOTE 4
12	LESS SPREADING FROM CANAL AT CITY CR. AND SAND CYN.	20	19	21	137	444	567	607	585	626	468	399	463	4,356	LINE 10 - 11
13	REDLANDS CANAL	0	0	0	0	0	0	0	0	0	0	0	0	0	SEE NOTE 5
14	MORTON CYN. BOOSTER TO UPPER MORTON CYN. GROVES	0	0	0	0	0	0	0	0	0	0	0	0	0	SEE NOTE 6
15	PLUS BRACERO CAMP, ZANJERO & SO. CAL. ED. USES	230	235	254	398	896	1,037	1,088	1,047	1,053	840	717	647	8,442	SEE NOTE 7
16	PLUS REDLANDS CANAL WEIR AT SANDROX	111	111	123	87	0	0	0	0	0	0	0	0	432	SEE NOTE 7
17	LESS SPREADING MENTONE RES. JUDSON ST. MOUND CITY	119	124	132	311	896	1,038	1,088	1,047	1,054	840	717	649	8,014	LINE 13+14+15-16
18	BEAR VALLEY HIGHLINE	401	124	500	422	520	522	520	524	518	481	521	512	5,565	SEE NOTE 8
19	BARBERSPT WEIR ON HIGHLINE	331	123	400	315	69	0	0	0	0	3	0	0	1,241	SEE NOTE 8
20	LESS SPREADING AT MILL CREEK AND REES PONDS	70	1	100	107	451	522	520	524	518	478	521	512	4,324	LINE 16 - 17
21	TOTAL WEL DIVERSION FROM AVAILABLE FLOW	209	144	253	585	1,918	2,252	2,347	2,314	2,361	1,888	1,735	1,751	17,757	LINE 9+12+17+20
22	DEDUCT SANTA ANA WELLS	0	0	0	0	0	0	0	0	0	0	0	0	0	SEE NOTE 9
23	SANTA ANA WELL NO. 1 RECORDATION NO. 3600021	0	0	15	16	31	0	0	0	0	0	0	0	62	SEE NOTE 9
24	SANTA ANA WELL NO. 2 RECORDATION NO. 3600022	0	0	30	22	0	0	0	0	0	0	0	0	52	SEE NOTE 9
25	TOTAL PUMPED WATER	0	0	45	38	31	0	0	0	0	0	0	0	114	LINE 22 + 23
26	TOTAL SANTA ANA RIVER STREAM DIVERSION AS VERIFIED	209	144	208	547	1,887	2,252	2,347	2,314	2,361	1,888	1,735	1,751	17,643	LINE 21 - 24

NOTES

- U.S.G.S. RECORDS OF SANTA ANA RIVER FLOWS.
- SANTA ANA NO. 2 WELL PUMPS INTO POWER CANALS BELOW U.S.G.S. GAGE UNTIL APRIL 26, 1976. DATA FROM BEAR VALLEY MUTUAL WATER COMPANY RECORDS.
- REDLANDS WATER COMPANY REDLANDS TUNNEL IS AN INFILTRATION GALLERY WHICH INTERCEPTS SANTA ANA RIVER UNDERFLOW. DATA FROM BEAR VALLEY MUTUAL WATER COMPANY RECORDS. OUTFLOW SHOWN INCLUDES LINE NO. 14 OF THIS TABLE.
- FAST HIGHLANDS CANAL AND NORTH FORK CANAL DIVERT WATER TO AGRICULTURAL USE AND LIMITED SPREADING. DATA FROM BEAR VALLEY MUTUAL WATER COMPANY RECORDS.
- MORTON CANYON BOOSTER DIVERTS WATER TO AGRICULTURAL USE IN UPPER MORTON CANYON FROM THE REDLANDS CANAL UPSTREAM OF THE REDLANDS CANAL WEIR. DATA FROM BEAR VALLEY MUTUAL WATER COMPANY RECORDS.
- BRACERO CAMP, BEAR VALLEY MUTUAL WATER COMPANY'S ZANJERO AND SOUTHERN CALIFORNIA EDISON COMPANY DIVERT WATER FROM REDLANDS TUNNEL UPSTREAM OF THE TUNNELS CONFLUENCE WITH REDLANDS CANAL WHICH IS UPSTREAM OF THE REDLANDS CANAL WEIR. DATA FROM BEAR VALLEY MUTUAL WATER COMPANY RECORDS.
- DATA FROM BEAR VALLEY MUTUAL WATER COMPANY RECORDS OF OPERATIONS OF REDLANDS CANAL WEIR AND REDLANDS CANAL.
- DATA FROM BEAR VALLEY MUTUAL WATER COMPANY RECORDS OF OPERATIONS OF BEAR VALLEY HIGHLINE.
- SANTA ANA NO. 1 AND NO. 2 WELLS ARE LOCATED IN UPPER SANTA ANA CANYON AND PUMPED DIRECTLY TO POWER CANALS, DIVERSION OF STREAMFLOW AND WELL EXTRACTATIONS ARE COMBINGLED. DATA FROM BEAR VALLEY MUTUAL WATER COMPANY RECORDS.

TABLE NO. 7

SUMMARY OF REPORTED EXTRACTIONS FROM LYTLE CREEK  
MILL CREEK, AND SANTA ANA RIVER

TABLE NO. 7

SUMMARY OF REPORTED EXTRACTATIONS FROM  
LYTLE CREEK, MILL CREEK AND  
SANTA ANA RIVER

	1959	1960	1961	1962	1963	1959-63 AVERAGE	1975	1976	1977	1978	1979	1975-79 AVERAGE
FILED LYTLE CREEK DIVERSIONS												
FONTANA UNION WATER CO REC. NO. 3600591	8,487	5,833	4,321	8,732	6,145	6,704	9,084	8,802	7,635	11,659	18,694	11,175
MT. VERNON WATER CO REC. NO. 3600320	730	730	730	730	730	730	724	724	724	724	724	724
RIALTO, CITY OF REC. NO. 3601718	624	626	625	587	624	617	928	651	1,111	348	690	740
SAN BERNARDINO, CITY OF REC. NO. 3600739	1,069	994	1,286	1,403	1,279	1,206	1,448	1,448	1,448	1,448	1,448	1,448
WEST SAN BERNARDINO CWD REC. NO. 3600312	4,258	2,709	2,424	4,392	4,097	3,576	3,230	2,598	2,965	1,988	2,621	2,080
TOTAL RECORDED	15,168	10,892	9,386	15,844	12,875	12,833	15,414	14,223	13,883	16,167	24,177	16,773
FILED AND NON-FILED MILL CREEK DIVERSIONS												
REGLANDS, CITY OF REC. NO. 3601302 NON-FILER 1524110	-	-	-	-	-	-	10,483	9,261	8,827	23,648	31,915	16,827
TOTAL	-	-	-	-	-	-	12	10	9	13	4	10
FILED AND NON-FILED SANTA ANA RIVER DIVERSIONS												
BEAR VALLEY WJD WTR CO REC. NO. 3600028	-	-	-	-	-	-	20,658	18,840	14,424	16,809	19,470	18,040
REGLANDS WATER CO NON-FILED 15248	-	-	-	-	-	-	976	1,010	947	1,197	1,194	1,065
TOTAL	-	-	-	-	-	-	21,634	19,850	15,371	18,006	20,664	19,105

NOTES

- PRIOR TO 1974 VERIFICATION, THE VERIFIED NET DIVERSIONS FROM MILL CREEK ARE SHOWN ON TABLES 1 & 2. FOR FILERS AND NON-FILERS RESPECTIVELY SEE TABLE 5.
- PRIOR TO 1974 VERIFICATION, THE VERIFIED NET DIVERSIONS FROM SANTA ANA RIVER ARE SHOWN ON TABLES 1 & 2. FOR FILERS AND NON-FILERS RESPECTIVELY SEE TABLE 6.
- PRIOR TO 1974 VERIFICATION, THE VERIFIED PRODUCTION OF REGLANDS TUNNEL WAS SHOWN IN TABLE 2. SEE TABLE 6 1974 TO DATE.

TABLE NO. 8

SUMMARY OF PRODUCTION FROM SAN BERNARDINO  
BASIN AREA AND CORRECTION FOR VERIFIED DIVERSIONS  
OF MAJOR STREAMFLOWS



TABLE NO. 8

SUMMARY OF PRODUCTION FROM  
SAN BERNARDINO BASIN AREA AND  
CORRECTION FOR VERIFIED DIVERSIONS  
OF MAJOR STREAMFLOWS

	1959	1960	1961	1962	1963	1959-63 AVERAGE	1975	1976	1977	1978	1979	1975-7 AVERAGE
BASIN TOTAL PRODUCTION FILED AND NON-FILED <sup>1</sup>	191,189	174,999	182,060	175,939	158,609	176,559	164,516	155,213	155,200	158,650	181,789	163,07
TOTAL RECORDED STREAMFLOW DIVERSIONS												
LYLIE CREEK <sup>2</sup>	15,168	10,892	9,386	15,844	12,875	12,833	15,414	14,223	13,883	16,167	24,177	16,77
MILL CREEK <sup>2</sup>	-	-	-	-	-	-	10,495	9,271	8,836	23,661	31,919	16,83
SANTA ANA RIVER <sup>2</sup>	-	-	-	-	-	-	21,634	19,850	15,371	18,006	20,664	19,10
BASIN TOTAL PRODUCTION LESS MAJOR STREAM DIVERSIONS	176,021	164,107	172,674	160,095	145,734	163,726	116,973	111,869	117,110	100,816	105,079	110,35
VERIFIED STREAMFLOW DIVERSIONS												
LYLIE CREEK <sup>3</sup>	11,499	6,708	4,428	11,755	7,861	8,450	8,319	7,584	6,896	10,769	20,332	10,78
MILL CREEK <sup>3</sup>	-	-	-	-	-	-	6,762	6,712	6,752	10,533	12,025	6,55
SANTA ANA RIVER <sup>3</sup>	-	-	-	-	-	-	19,847	18,399	14,271	15,180	17,643	17,06
BASIN TOTAL VERIFIED PRODUCTION FROM SAN BERNARDINO BASIN AREA	187,520	170,815	177,102	171,850	153,595	172,176	151,901	144,564	145,029	137,298	155,029	146,75
TOTAL VERIFIED PRODUCTION FROM SAN BERNARDINO EXCLUDING MINOR PRODUCTION	186,546	170,058	176,439	171,015	152,651	171,342	151,681	144,317	144,811	137,040	154,807	146,53

NOTES

1. TOTAL FILED AND NON-FILED PRODUCTION BY NON-PLAINTIFFS FROM SAN BERNARDINO BASIN AREA FROM TABLE NO. 3.
2. FROM TABLE NO. 7 SUMMARY OF REPORTED EXTRACTIONS FROM LYLIE CREEK, MILL CREEK, AND SANTA ANA RIVER.
3. FROM TABLE NO. 4 LYLIE CREEK VERIFICATION OF EXTRACTIONS.
4. FROM TABLE NO. 5 MILL CREEK VERIFICATION OF EXTRACTIONS.
5. FROM TABLE NO. 6 SANTA ANA RIVER VERIFICATION OF EXTRACTIONS (INCLUDES REDLANDS WATER COMPANY, REDLANDS TUNNEL).
6. EXCLUDES THOSE EXTRACTIONS FOR WHICH THE 1959-63 AVERAGE WAS LESS THAN 25 ACRE FEET.
7. EXCLUDES THOSE EXTRACTIONS FOR WHICH THE ANNUAL OWNER TOTAL PRODUCTION WAS LESS THAN 25 ACRE FEET.

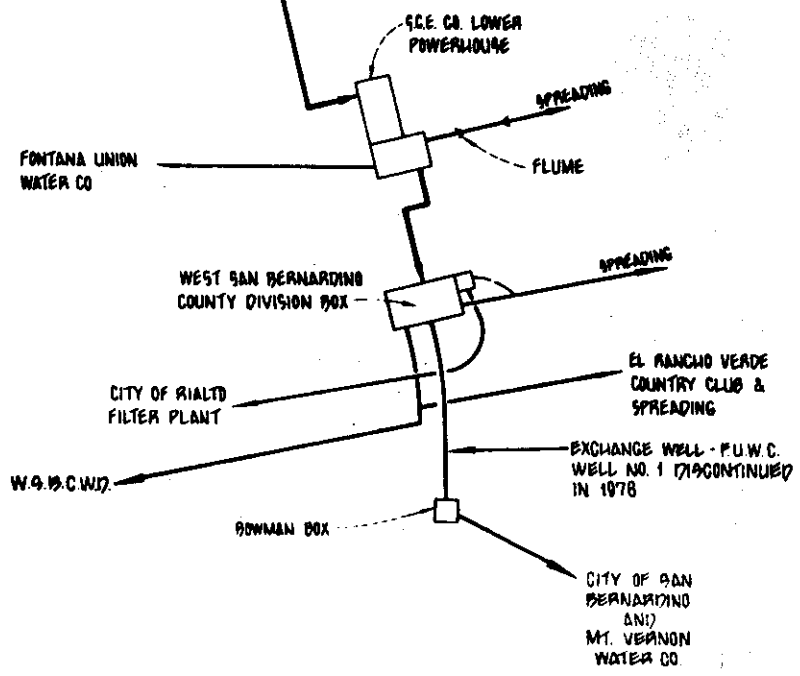
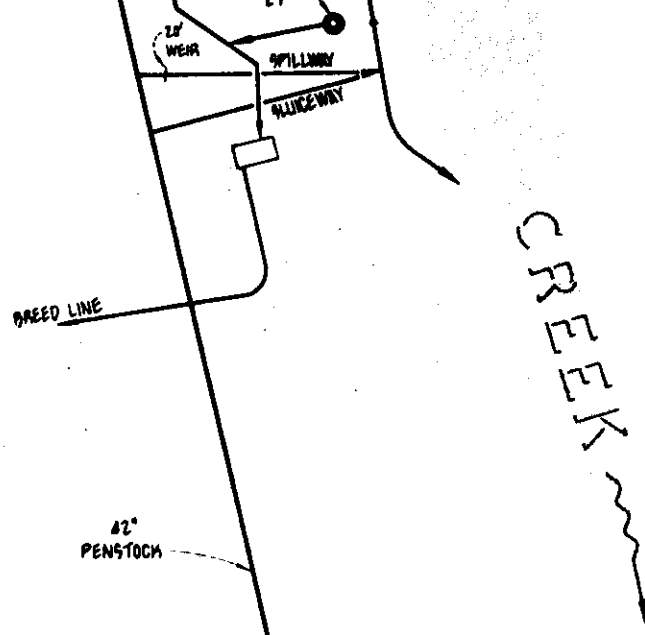
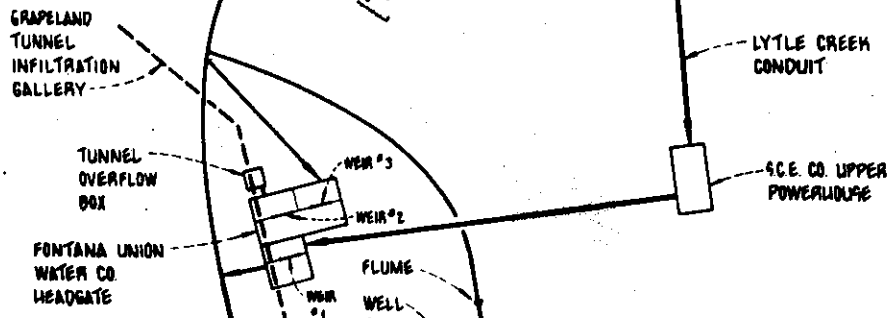
PLATE NO. 1

SCHEMATIC DIAGRAM OF LYTLE CREEK  
DIVERSION FACILITIES AND CONDUITS

LYTLE

USGS GAGE

FLOW INCLUDES PRODUCTION OF:  
 FONTANA UNION M.N. #1 WELL  
 FONTANA UNION M.N. #2 WELL

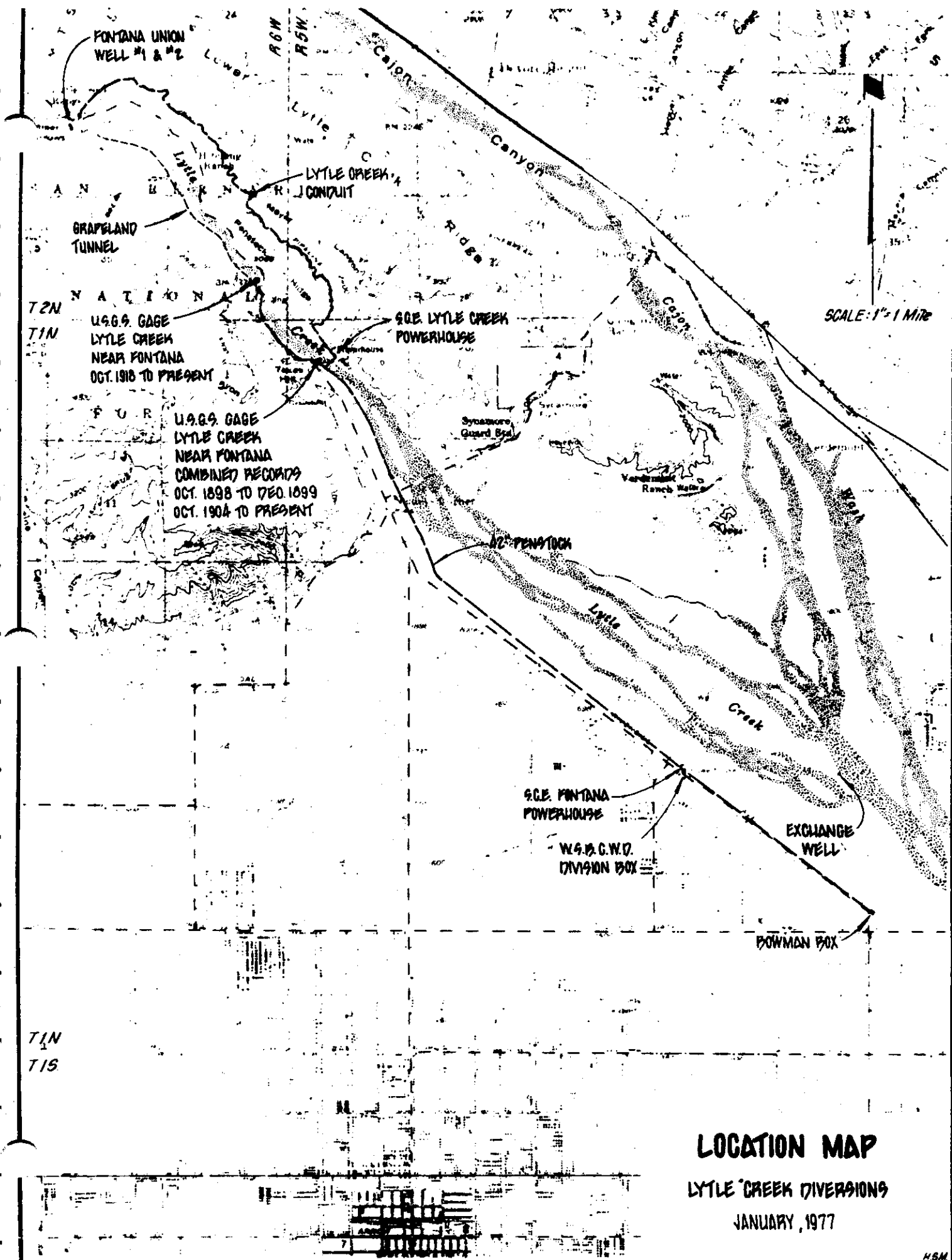


**SCHEMATIC DIAGRAM**  
 OF  
**LYTLE CREEK DIVERSION**  
**FACILITIES AND CONDUITS**  
 AUGUST, 1977

JAMES C HANSON  
 CONSULTING CIVIL ENGINEER  
 SACRAMENTO, CALIFORNIA

PLATE NO. 1A

LOCATION MAP, LITTLE CREEK DIVERSIONS



FONTANA UNION  
WELL #1 & #2

GRAPELAND  
TUNNEL

T2N  
T1N

U.S.G.S. GAGE  
LYTLE CREEK  
NEAR FONTANA  
OCT. 1918 TO PRESENT

U.S.G.S. GAGE  
LYTLE CREEK  
NEAR FONTANA  
COMBINED RECORDS  
OCT. 1898 TO DEC. 1899  
OCT. 1904 TO PRESENT

LYTLE CREEK  
CONDUIT

S.C.E. LYTLE CREEK  
POWERHOUSE

SCALE: 1" = 1 MILE

Synamore  
Guard Box

Verdeman  
Ranch Well

12" PENSTOCK

S.C.E. FONTANA  
POWERHOUSE

W.S.D.C.W.D.  
DIVISION BOX

EXCHANGE  
WELL

POWMAN BOX

T1N  
T1S

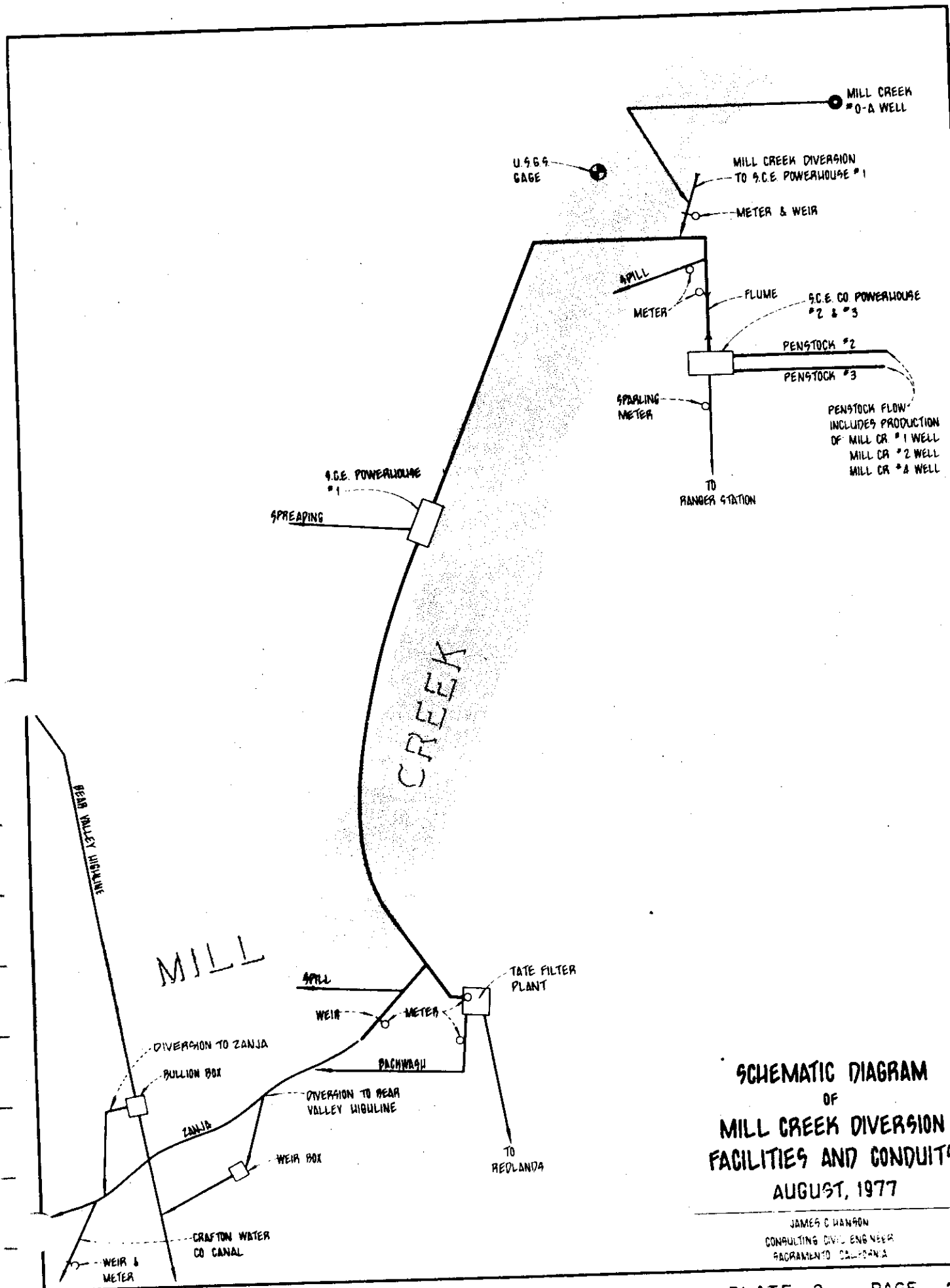
# LOCATION MAP

LYTLE CREEK DIVERSIONS  
JANUARY, 1977

N.S.M.

PLATE NO. 2

SCHEMATIC DIAGRAM OF MILL CREEK  
DIVERSION FACILITIES AND CONDUITS



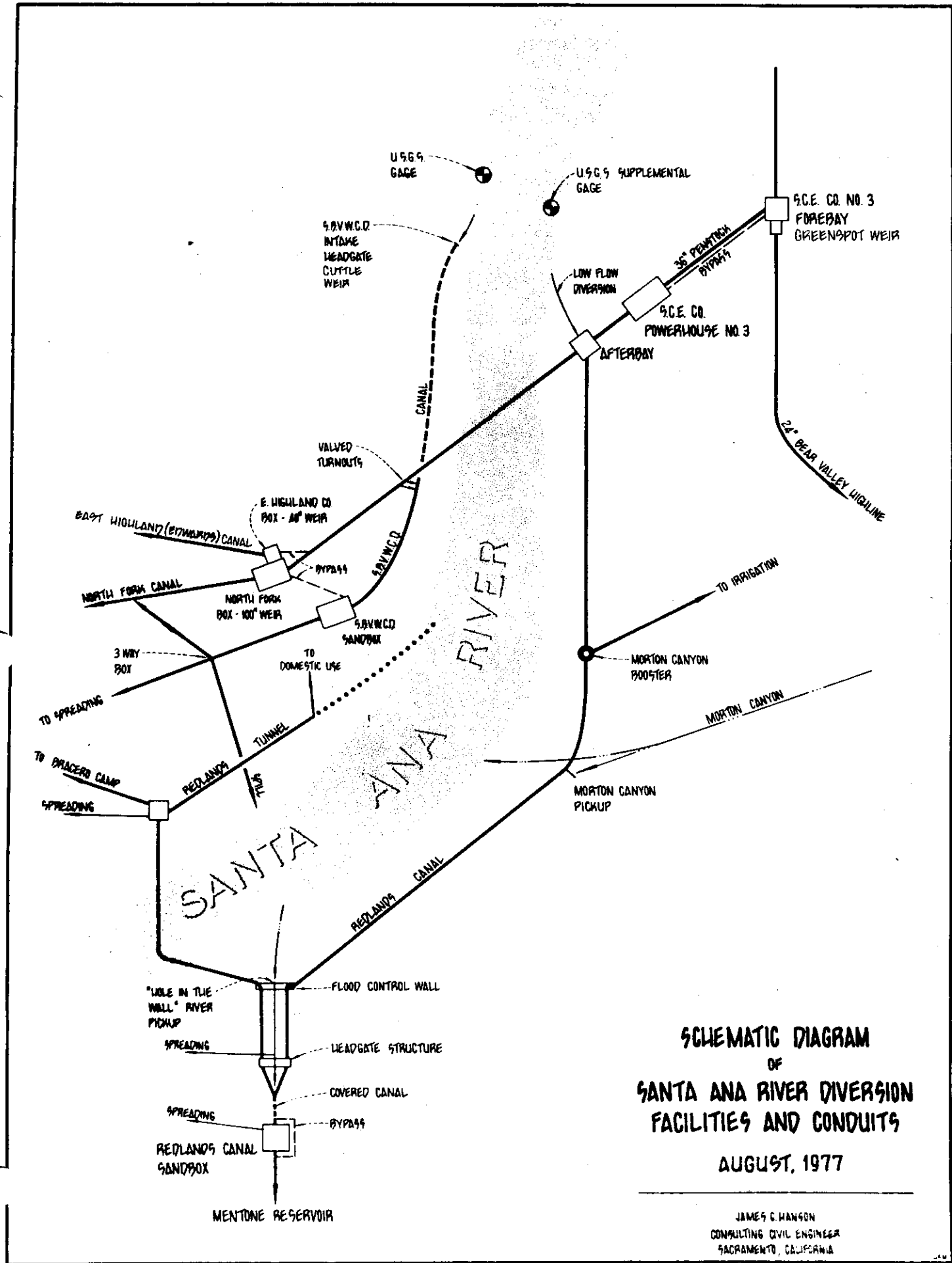
**SCHEMATIC DIAGRAM  
OF  
MILL CREEK DIVERSION  
FACILITIES AND CONDUITS  
AUGUST, 1977**

JAMES C HANRAN  
CONSULTING CIVIL ENGINEER  
SACRAMENTO, CALIFORNIA

PLATE NO. 3

SCHEMATIC DIAGRAM OF SANTA ANA RIVER  
DIVERSION FACILITIES AND CONDUITS





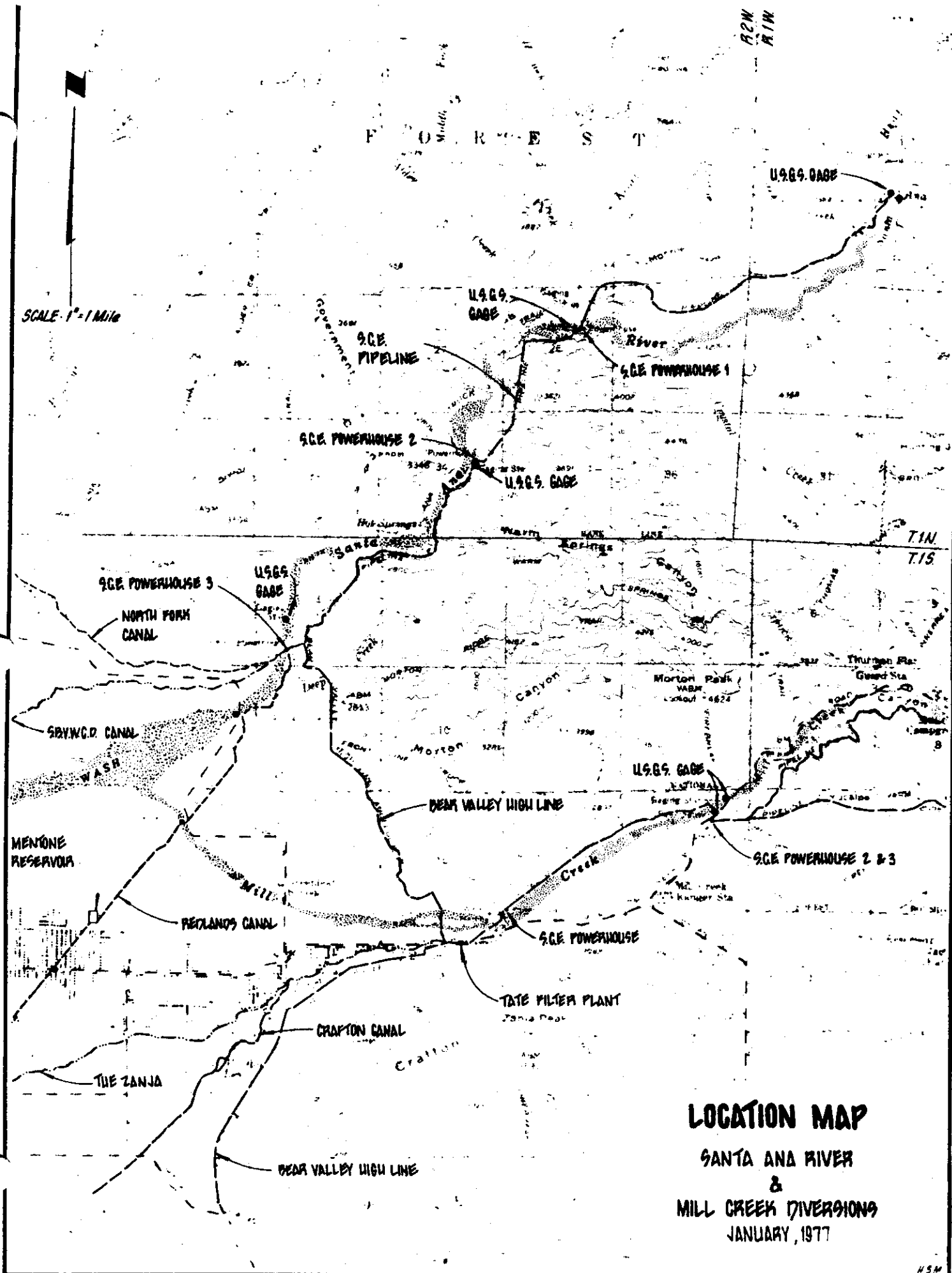
**SCHEMATIC DIAGRAM  
OF  
SANTA ANA RIVER DIVERSION  
FACILITIES AND CONDUITS**

**AUGUST, 1977**

JAMES C. HANSON  
CONSULTING CIVIL ENGINEER  
SACRAMENTO, CALIFORNIA

PLATE NO. 3A

LOCATION MAP, SANTA ANA RIVER AND MILL CREEK DIVERSIONS



**LOCATION MAP**

**SANTA ANA RIVER  
&  
MILL CREEK DIVERSIONS  
JANUARY, 1977**

# Volume 1A -1979

REPORT OF WATERMASTER

Western Municipal Water District of Riverside County, et al  
Plaintiffs

vs.

East San Bernardino County Water District, et al  
Defendants

Superior Court of Riverside County

Case No. 78426

VOLUME 1A-1979

VERIFIED EXTRACTIONS FROM

SAN BERNARDINO BASIN AREA

FOR

CALENDAR YEARS 1959-1963 AND 1975-1979

By Plaintiffs - City of Riverside, The Gage Canal Co.,  
Meeks & Daley Water Co., Agua Mansa Water Co.,  
Riverside Highland Water Co.,  
and Regents of University of California

ANNUAL ACCOUNTING  
FOR INDIVIDUAL WELLS

AUGUST 1, 1981

WATERMASTER

James C. Hanson  
Donald L. Harriger

VOLUME 1A-1979

TABLE OF CONTENTS

	<u>Page</u>
 <u>CHAPTER I</u>	
PLAINTIFFS EXTRACTIONS FROM THE SAN BERNARDINO BASIN AREA FOR CALENDAR YEARS 1959-1963 AND 1975-1979 . . . . .	i
 <u>CHAPTER II</u>	
PLAINTIFFS EXTRACTIONS FROM THE SAN BERNARDINO BASIN AREA FOR CALENDAR YEARS 1959 THROUGH 1963 AND 1975 THROUGH 1979 AND DISTRIBUTION BY SERVICE AREA . . . . .	iii
 SAN BERNARDINO BASIN AREA, CROSS INDEX BY OWNER-PLAINTIFFS . . . . .	 1
 SAN BERNARDION BASIN AREA, CROSS INDEX BY RECORDATION NUMBER-PLAINTIFFS . . . . .	 6
 SAN BERNARDINO BASIN AREA, CROSS INDEX BY STATE WELL NUMBER-PLAINTIFFS . . . . .	 11
 <u>TABLE NO. 1</u>	
EXTRACTIONS BY OWNERS (PLAINTIFFS) FROM THE SAN BERNARDINO BASIN AREA . . . . .	16
 <u>TABLE NO. 2</u>	
SUMMARY OF EXTRACTIONS BY ALL PLAINTIFFS FROM THE SAN BERNARDINO BASIN AREA . . . . .	21
 <u>TABLE NO. 3</u>	
EXTRACTIONS BY PLAINTIFFS FROM THE SAN BERNARDINO BASIN AREA FOR AVERAGE OF FIVE-YEAR PERIOD ENDING WITH 1963 AND CALENDAR YEARS 1964 THROUGH 1979 CLASSIFIED ACCORDING TO SERVICE AREA . . . . .	22
 <u>TABLE NO. 4</u>	
TOTAL EXTRACTIONS BY PLAINTIFFS FROM SAN BERNARDINO BASIN AREA . . . . .	26
 <u>TABLE NO. 5</u>	
EXTRACTIONS BY PLAINTIFFS FROM THE SAN BERNARDINO BASIN AREA FOR DELIVERIES IN SAN BERNARDINO BASIN AREA . . . . .	27

TABLE NO. 6

EXTRACTIONS BY PLAINTIFFS FROM THE SAN BERNARDINO  
BASIN AREA FOR DELIVERIES IN COLTON AND RIVERSIDE  
BASINS IN SAN BERNARDINO COUNTY . . . . . 28

TABLE NO. 7

EXTRACTIONS BY PLAINTIFFS FROM THE SAN BERNARDINO  
BASIN AREA FOR DELIVERIES OUTSIDE SAN BERNARDINO VALLEY . . . . . 29

VOLUME 1A-1979

CHAPTER I

PLAINTIFFS EXTRACTIONS FROM THE  
SAN BERNARDINO BASIN AREA FOR  
CALENDAR YEARS 1959-1963 AND 1975-1979

The provisions of Paragraph VI(b,3) of the Judgment in Case No. 78426 entered April 17, 1969, entitled "San Bernardino Basin Area Rights and Replenishment (Annual Adjusted Rights of Plaintiffs)" provides as follows:

VI(b,3) "In any five-year period, each Plaintiff shall have the right to extract from the San Bernardino Basin Area for use in each service area designated in Table B-1 an amount of water equal to five times its adjusted right for such service area; provided, however, that extractions by each Plaintiff in any year in any service area shall not exceed such Plaintiff's adjusted right for that service area by more than 30 percent."

Compliance with this provision of the Judgment requires that an accounting of the total actual extractions of surface and groundwater by the Plaintiffs--City of Riverside, The Gage Canal Co., Meeks & Daley Water Co., Agua Mansa Water Co., Riverside Highland Water Co., and the Regents of the University of California--from the San Bernardino Basin Area be made annually. Included in this Volume 1A-1979 is the verified accounting of such extractions by the Plaintiffs for the calendar years 1975 through 1979. The extractions for the five-year base period ending with 1963 are also included for comparison.

Three indexes are included which provide a cross index by owner's name, State Water Resources Control Board Well Recordation Number, and State Well Number. Each index shows, in addition, the local designation of each well and groundwater basin in which the well is located.

The individual wells of each owner are listed in Table No. 1, showing the extractions from each well for each year in the five-year base period ending in



1963, the base period average, and the extractions for the years 1975 through 1979 and the 1975-79 annual average.

Table No. 2 on page 21 summarizes, by owner, the total annual extractions for the base period and base period average, together with the annual extractions for the years 1975 through 1979. The total annual extractions for 1979 are 59,759 acre feet.

## CHAPTER II

### PLAINTIFFS EXTRACTIONS FROM THE SAN BERNARDINO BASIN AREA FOR CALENDAR YEARS 1959 THROUGH 1963 AND 1975 THROUGH 1979 AND DISTRIBUTION BY SERVICE AREA

Paragraph XVI of the Judgment states:

"The provisions of Paragraph 3 and 5 through 12 of this Judgment shall be in effect from and after January 1, 1971; and remaining provisions are in effect immediately."

Thus the annual accounting provisions which relate to extractions from the San Bernardino Basin Area by Plaintiffs were not effective until January 1, 1971.

Table No. 1 of Chapter I shows the extractions from individual wells owned by each Plaintiff for the five calendar year period ending with 1963, the annual average for said five-year period, and the extractions for the calendar years 1975 through 1979 and the annual average for that period. Table No. 2 described in Chapter I summarizes the total annual extractions for each Plaintiff during the five-year period 1959 through 1963, the annual average for the five-year period, and the 1975 through 1979 extractions and the annual average.

Although the annual accounting is not required prior to January 1, 1971, the extractions for the period 1959 through 1970, with five-year averages for the period 1959 through 1963 and 1964 through 1968, if tabulated by Plaintiff, are of interest to the Watermaster and other interested parties as an indication of the trend in Plaintiff's extractions from the San Bernardino Basin Area. This tabulation is presented in Table No. 3.

To facilitate the comparison of the total annual extractions as well as the portions thereof delivered within the San Bernardino Basin Area, the

Colton Basin and Riverside Basin within San Bernardino County, and to areas outside San Bernardino Valley, four additional tables have been prepared which summarize the total annual extractions from the San Bernardino Basin Area for the period 1959 through 1979 for each Plaintiff, as well as the portions thereof delivered to various service areas described above.

Table No. 4 lists the Total Extractions from the San Bernardino Basin Area for each Plaintiff annually for the period 1959 through 1979 with five-year averages for the period 1959 through 1963, 1964 through 1968 and 1975 through 1979.

Similar listings were made for the same period which show the deliveries within the San Bernardino Basin Area, the deliveries to Colton and Riverside Basins within San Bernardino County, and the deliveries to areas outside San Bernardino Valley. These listings are shown on Tables No. 5, 6 and 7 respectively.

SAN BERNARDINO BASIN AREA

CROSS INDEX BY OWNER

PLAINTIFFS

SAN BERNARDINO BASIN AREA  
CROSS INDEX BY OWNER

OWNER NAME	RECORDATION NUMBER	STATE WELL NUMBER	LOCAL DESIGNATION	BASIN NAME
WEEKS & CALEY WATER CO.	360000	1S4W16R04S	69	BNK HILL
WEEKS & CALEY WATER CO.	3601511	1S4W15M02S	E STREET	BNK HILL
WEEKS & CALEY WATER CO.	3601512	1S4W15N05S	51	BNK HILL
WEEKS & CALEY WATER CO.	3601513	1S4W16R03S	54	BNK HILL
WEEKS & CALEY WATER CO.	3601514	1S4W16000	WARM CRK	BNK HILL
WEEKS & CALEY WATER CO.	3601515	1S4W16000	WORKMAN	BNK HILL
WEEKS & CALEY WATER CO.	3601737	1S4W16J09S	CORURN	BNK HILL
WEEKS & CALEY WATER CO.	3601887	1S4W15L03S	59	BNK HILL
WEEKS & CALEY WATER CO.	3602169	1S4W15M10S	NEW E ST	BNK HILL
WEEKS & CALEY WATER CO.	3602329	1S4W15E00	STA 66	BNK HILL
RIVERSIDE HIGHLAND WATER COMPANY	3601522	1S4W22M07S	1	BNK HILL
RIVERSIDE HIGHLAND WATER COMPANY	3601523	1S4W22L00	2	BNK HILL
RIVERSIDE HIGHLAND WATER COMPANY	3601527	1S4W22P00	8	BNK HILL
RIVERSIDE HIGHLAND WATER COMPANY	3601528	1S4W22N00	10	BNK HILL
RIVERSIDE HIGHLAND WATER COMPANY	3601529	1S4W22P00	11	BNK HILL
RIVERSIDE HIGHLAND WATER COMPANY	3601530	1S4W22L08S	12	PNK HILL
RIVERSIDE HIGHLAND WATER COMPANY	3601533	1S4W22L05S	18	BNK HILL
RIVERSIDE HIGHLAND WATER COMPANY	3601537	1S4W22N00	FLOWING	BNK HILL
RIVERSIDE HIGHLAND WATER COMPANY	3602254	1S4W22P05S	24	BNK HILL
RIVERSIDE HIGHLAND WATER COMPANY	3601535	1N4W31E01S	L.C. 1	LYTLE
RIVERSIDE HIGHLAND WATER COMPANY	3601536	1N4W31E02S	LC 2	LYTLE
RIVERSIDE, CITY OF	3601218	1S4W14P02S	RAUB 1	BNK HILL

SAN BERNARDINO BASIN AREA  
CROSS INDEX BY OWNER

OWNER NAME	RECORDATION NUMBER	STATE WELL NUMBER	LOCAL DESIGNATION	BASIN NAME
RIVERSIDE, CITY OF	3601219	1S4W23C02S	RAUB 2	BNK HILL
RIVERSIDE, CITY OF	3601220	1S4W02P04S	COOLEY E	BNK HILL
RIVERSIDE, CITY OF	3601222	1S4W27A11S	HUNT 4	BNK HILL
RIVERSIDE, CITY OF	3601224	1S4W02P03S	COOLEY C	BNK HILL
RIVERSIDE, CITY OF	3601225	1S4W02P02S	COOLEY D	BNK HILL
RIVERSIDE, CITY OF	3601226	1S4W02L02S	COOLEY F	BNK HILL
RIVERSIDE, CITY OF	3601227	1S4W02N02S	COOLEY G	BNK HILL
RIVERSIDE, CITY OF	3601228	1S4W11D02S	COOLEY H	BNK HILL
RIVERSIDE, CITY OF	3601229	1S4W11D03S	COOLEY I	BNK HILL
RIVERSIDE, CITY OF	3601230	1S4W22H03S	WARREN 3	BNK HILL
RIVERSIDE, CITY OF	3601231	1S4W22H01S	WARREN 2	BNK HILL
RIVERSIDE, CITY OF	3601232	1S4W11D04S	COOLEY A	BNK HILL
RIVERSIDE, CITY OF	3601233	1S4W27A13S	STEWRT 21	BNK HILL
RIVERSIDE, CITY OF	3601234	1S4W27A10S	STEWRT 19	BNK HILL
RIVERSIDE, CITY OF	3601237	1S4W22B02S	BYRNE 1	BNK HILL
RIVERSIDE, CITY OF	3601238	1S4W23C03S	RAUB 4	BNK HILL
RIVERSIDE, CITY OF	3601239	1S4W14P06S	RAUB 3	BNK HILL
RIVERSIDE, CITY OF	3601240	1S4W22H04S	WARREN 1	BNK HILL
RIVERSIDE, CITY OF	3601241	1S4W27A07S	HUNT 8	BNK HILL
RIVERSIDE, CITY OF	3601242	1S4W27A08S	HUNT 9	BNK HILL
RIVERSIDE, CITY OF	3601243	1S4W22H02S	WARREN 4	BNK HILL
RIVERSIDE, CITY OF	3601244	1S4W27A00S	HUNT 10	BNK HILL

SAN BERNARDINO BASIN AREA  
CROSS INDEX BY OWNER

OWNER NAME	RECORDATION NUMBER	STATE WELL NUMBER	LOCAL DESIGNATION	BASIN NAME
RIVERSIDE, CITY OF	3601245	1S4W27A10S	HUNT 11	BNK HILL
RIVERSIDE, CITY OF	3601431	1S4W27H01S	STEWRT 20	BNK HILL
RIVERSIDE, CITY OF	3601432	1S4W11D01S	COOLEY B	BNK HILL
RIVERSIDE, CITY OF	3601457	1S4W01E03S	MCCRARY 1	BNK HILL
RIVERSIDE, CITY OF	3601458	1S4W01B02S	MCCRARY 2	BNK HILL
RIVERSIDE, CITY OF	3601459	1S4W01B000	MCCRARY 3	BNK HILL
RIVERSIDE, CITY OF	3601460	1S4W01B000	MCCRARY 4	BNK HILL
RIVERSIDE, CITY OF	3601461	1S4W01B000	MCCRARY 5	BNK HILL
RIVERSIDE, CITY OF	3601462	1S4W01E01S	POOLE	BNK HILL
RIVERSIDE, CITY OF	3601463	1S4W02A03S	STILES	BNK HILL
RIVERSIDE, CITY OF	3601464	1S4W02P06S	GARNER 1	BNK HILL
RIVERSIDE, CITY OF	3601465	1S4W02Q03S	GARNER 2	BNK HILL
RIVERSIDE, CITY OF	3601466	1S4W02Q07S	GARNER 3	BNK HILL
RIVERSIDE, CITY OF	3601467	1S4W02Q06S	GARNER 4	BNK HILL
RIVERSIDE, CITY OF	3601468	1S4W02P01S	GARNER 5	BNK HILL
RIVERSIDE, CITY OF	3601469	1S4W22A01S	PAINEHOT	BNK HILL
RIVERSIDE, CITY OF	3601470	1S4W22G15S	THORN 2	BNK HILL
RIVERSIDE, CITY OF	3601470-	1S4W22B07S	THORN 12	BNK HILL
RIVERSIDE, CITY OF	3601471	1S4W22G14S	THORN 3	BNK HILL
RIVERSIDE, CITY OF	3601472	1S4W22G11S	THORN 4	BNK HILL
RIVERSIDE, CITY OF	3601473	1S4W22G16S	THORN 5	BNK HILL
RIVERSIDE, CITY OF	3601474	1S4W22G18S	THORN 6	BNK HILL

SAN BERNARDINO BASIN AREA  
CROSS INDEX BY OWNER

OWNER NAME	RECORDATION NUMBER	STATE WELL NUMBER	LOCAL DESIGNATION	BASIN NAME
RIVERSIDE, CITY OF	3601475	1S4W22G17S	THORN 7	BNK HILL
RIVERSIDE, CITY OF	3601476	1S4W22G19S	THORN 8	BNK HILL
RIVERSIDE, CITY OF	3601477	1S4W22B01S	THORN 9	BNK HILL
RIVERSIDE, CITY OF	3601478	1S4W22B03S	THORN 10	BNK HILL
RIVERSIDE, CITY OF	3601479	1S4W22B05S	THORN 11	BNK HILL
RIVERSIDE, CITY OF	3601489	1S4W02L01S	SCHEUER	BNK HILL
RIVERSIDE, CITY OF	3602484	1S4W14N09S	RAUB NO 5	BNK HILL
RIVERSIDE, CITY OF GAGE CANAL	3600784	1S4W13L01S	6	BNK HILL
RIVERSIDE, CITY OF GAGE CANAL	3600785	1S4W14R000	17	BNK HILL
RIVERSIDE, CITY OF GAGE CANAL	3600786	1S4W13L02S	GAGE 21	BNK HILL
RIVERSIDE, CITY OF GAGE CANAL	3600787	1S4W23A02S	26 1	BNK HILL
RIVERSIDE, CITY OF GAGE CANAL	3600788	1S4W23H01S	27 1	BNK HILL
RIVERSIDE, CITY OF GAGE CANAL	3600789	1S4W23K01S	27 2	BNK HILL
RIVERSIDE, CITY OF GAGE CANAL	3600790	1S4W23K02S	29 1	BNK HILL
RIVERSIDE, CITY OF GAGE CANAL	3600791	1S4W13N01S	29 2	BNK HILL
RIVERSIDE, CITY OF GAGE CANAL	3600792	1S4W13N02S	29 3	BNK HILL
RIVERSIDE, CITY OF GAGE CANAL	3600793	1S4W13M02S	30 1	BNK HILL
RIVERSIDE, CITY OF GAGE CANAL	3600794	1S4W13F02S	31 1	BNK HILL
RIVERSIDE, CITY OF GAGE CANAL	3600795	1S4W13G02S	46 1	BNK HILL
RIVERSIDE, CITY OF GAGE CANAL	3600796	1S4W23A05S	51 1	BNK HILL
RIVERSIDE, CITY OF GAGE CANAL	3600797	1S4W13G03S	56 1	BNK HILL
RIVERSIDE, CITY OF GAGE CANAL	3600798	1S4W23G01S	COWLANE	BNK HILL



SAN BERNARDINO BASIN AREA  
 CROSS INDEX BY OWNER

OWNER NAME	RECORDATION NUMBER	STATE WELL NUMBER	LOCAL DESIGNATION	BASIN NAME
RIVERSIDE, CITY OF GAGE CANAL	3602331	1S4W23G000	66 1	BNK HILL
RIVERSIDE, CITY OF GAGE CANAL	3602423	1S4W13P000	6	BNK HILL
UNIVERSITY OF CALIFORNIA, REGENTS OF	3691222	1S4W27A11S	HUNT 6	BNK HILL
UNIVERSITY OF CALIFORNIA, REGENTS OF	3691241	1S4W27A07S	HUNT 8	BNK HILL
UNIVERSITY OF CALIFORNIA, REGENTS OF	3691242	1S4W27A08S	HUNT 9	BNK HILL
UNIVERSITY OF CALIFORNIA, REGENTS OF	3691244	1S4W27A09S	HUNT 10	BNK HILL
UNIVERSITY OF CALIFORNIA, REGENTS OF	3691245	1S4W27A10S	HUNT 11	BNK HILL

SAN BERNARDINO BASIN AREA

CROSS INDEX BY RECORDATION NUMBER

PLAINTIFFS

SAN BERNARDINO BASIN AREA  
CROSS INDEX BY RECORDATION NUMBER

RECORDATION NUMBER	OWNER NAME	STATE WELL NUMBER	LOCAL DESIGNATION	BASIN NAME
3600000	WEEKS & DALEY WATER CO.	1S4W16R04S	69	BNK HILL
3600784	RIVERSIDE, CITY OF GAGE CANAL	1S4W13L01S	6	BNK HILL
3600785	RIVERSIDE, CITY OF GAGE CANAL	1S4W14R000	17	BNK HILL
3600786	RIVERSIDE, CITY OF GAGE CANAL	1S4W13L02S	GAGE 21	BNK HILL
3600787	RIVERSIDE, CITY OF GAGE CANAL	1S4W23A02S	26 1	BNK HILL
3600788	RIVERSIDE, CITY OF GAGE CANAL	1S4W23H01S	27 1	BNK HILL
3600789	RIVERSIDE, CITY OF GAGE CANAL	1S4W23K01S	27 2	BNK HILL
3600790	RIVERSIDE, CITY OF GAGE CANAL	1S4W23K02S	29 1	BNK HILL
3600791	RIVERSIDE, CITY OF GAGE CANAL	1S4W13N01S	29 2	BNK HILL
3600792	RIVERSIDE, CITY OF GAGE CANAL	1S4W13N02S	29 3	BNK HILL
3600793	RIVERSIDE, CITY OF GAGE CANAL	1S4W13M02S	30 1	BNK HILL
3600794	RIVERSIDE, CITY OF GAGE CANAL	1S4W13F02S	31 1	BNK HILL
3600795	RIVERSIDE, CITY OF GAGE CANAL	1S4W13G02S	46 1	BNK HILL
3600796	RIVERSIDE, CITY OF GAGE CANAL	1S4W23A05S	51 1	BNK HILL
3600797	RIVERSIDE, CITY OF GAGE CANAL	1S4W13G03S	56 1	BNK HILL
3600798	RIVERSIDE, CITY OF GAGE CANAL	1S4W23G01S	COVLANE	BNK HILL
3601218	RIVERSIDE, CITY OF	1S4W14P02S	RAUB 1	BNK HILL
3601219	RIVERSIDE, CITY OF	1S4W23C02S	RAUB 2	BNK HILL
3601220	RIVERSIDE, CITY OF	1S4W02P04S	COOLEY E	BNK HILL
3601222	RIVERSIDE, CITY OF	1S4W27A11S	HUNT 6	BNK HILL
3601224	RIVERSIDE, CITY OF	1S4W02P03S	COOLEY C	BNK HILL
3601225	RIVERSIDE, CITY OF	1S4W02P02S	COOLEY D	BNK HILL

SAN BERNARDINO BASIN AREA  
CROSS INDEX BY RECORDATION NUMBER

RECORDATION NUMBER	OWNER NAME	STATE WELL NUMBER	LOCAL DESIGNATION	BASIN NAME
3601226	RIVERSIDE, CITY OF	1S4W02L02S	COOLEY F	BNK HILL
3601227	RIVERSIDE, CITY OF	1S4W02N02S	COOLEY G	BNK HILL
3601228	RIVERSIDE, CITY OF	1S4W11C02S	COOLEY H	BNK HILL
3601229	RIVERSIDE, CITY OF	1S4W11D03S	COOLEY I	BNK HILL
3601230	RIVERSIDE, CITY OF	1S4W22H03S	WARREN 3	BNK HILL
3601231	RIVERSIDE, CITY OF	1S4W22H01S	WARREN 2	BNK HILL
3601232	RIVERSIDE, CITY OF	1S4W11D04S	COOLEY A	BNK HILL
3601233	RIVERSIDE, CITY OF	1S4W27A13S	STEWRT 21	BNK HILL
3601234	RIVERSIDE, CITY OF	1S4W27A19S	STEWRT 19	BNK HILL
3601237	RIVERSIDE, CITY OF	1S4W22B02S	BYRNE 1	BNK HILL
3601238	RIVERSIDE, CITY OF	1S4W23C03S	RAUB 4	BNK HILL
3601239	RIVERSIDE, CITY OF	1S4W14P06S	RAUB 3	BNK HILL
3601240	RIVERSIDE, CITY OF	1S4W22H04S	WARREN 1	BNK HILL
3601241	RIVERSIDE, CITY OF	1S4W27A07S	HUNT 8	BNK HILL
3601242	RIVERSIDE, CITY OF	1S4W27A08S	HUNT 9	BNK HILL
3601243	RIVERSIDE, CITY OF	1S4W22H02S	WARREN 4	BNK HILL
3601244	RIVERSIDE, CITY OF	1S4W27A09S	HUNT 10	BNK HILL
3601245	RIVERSIDE, CITY OF	1S4W27A10S	HUNT 11	BNK HILL
3601431	RIVERSIDE, CITY OF	1S4W27H01S	STEWRT 20	BNK HILL
3601432	RIVERSIDE, CITY OF	1S4W11D01S	COOLEY R	BNK HILL
3601457	RIVERSIDE, CITY OF	1S4W01F03S	MCCRARY 1	BNK HILL
3601458	RIVERSIDE, CITY OF	1S4W01F02S	MCCRARY 2	BNK HILL

SAN BERNARDINO BASIN AREA  
CROSS INDEX BY RECORDATION NUMBER

RECORDATION NUMBER	OWNER NAME	STATE WELL NUMBER	LOCAL DESIGNATION	BASIN NAME
3601459	RIVERSIDE, CITY OF	1S4W018000	MCCRARY 3	BNK HILL
3601460	RIVERSIDE, CITY OF	1S4W018000	MCCRARY 4	BNK HILL
3601461	RIVERSIDE, CITY OF	1S4W018000	MCCRARY 5	BNK HILL
3601462	RIVERSIDE, CITY OF	1S4W01E01S	POOLE	BNK HILL
3601463	RIVERSIDE, CITY OF	1S4W02A03S	STILES	BNK HILL
3601464	RIVERSIDE, CITY OF	1S4W02P06S	GARNER 1	BNK HILL
3601465	RIVERSIDE, CITY OF	1S4W02Q03S	GARNER 2	BNK HILL
3601466	RIVERSIDE, CITY OF	1S4W02Q07S	GARNER 3	BNK HILL
3601467	RIVERSIDE, CITY OF	1S4W02Q06S	GARNER 4	BNK HILL
3601468	RIVERSIDE, CITY OF	1S4W02P01S	GARNER 5	BNK HILL
3601469	RIVERSIDE, CITY OF	1S4W22A01S	PAINEHOT	BNK HILL
3601470	RIVERSIDE, CITY OF	1S4W22G15S	THORN 2	BNK HILL
3601470-	RIVERSIDE, CITY OF	1S4W22B07S	THORN 12	BNK HILL
3601471	RIVERSIDE, CITY OF	1S4W22G14S	THORN 3	BNK HILL
3601472	RIVERSIDE, CITY OF	1S4W22G11S	THORN 4	BNK HILL
3601473	RIVERSIDE, CITY OF	1S4W22G16S	THORN 5	BNK HILL
3601474	RIVERSIDE, CITY OF	1S4W22G18S	THORN 6	BNK HILL
3601475	RIVERSIDE, CITY OF	1S4W22G17S	THORN 7	BNK HILL
3601476	RIVERSIDE, CITY OF	1S4W22G19S	THORN 8	BNK HILL
3601477	RIVERSIDE, CITY OF	1S4W22B01S	THORN 9	BNK HILL
3601478	RIVERSIDE, CITY OF	1S4W22B03S	THORN 10	BNK HILL
3601479	RIVERSIDE, CITY OF	1S4W22B05S	THORN 11	BNK HILL

SAN BERNARDINO BASIN AREA  
CROSS INDEX BY RECORDATION NUMBER

RECORDATION NUMBER	OWNER NAME	STATE WELL NUMBER	LOCAL DESIGNATION	BASIN NAME
3601489	RIVERSIDE, CITY OF	1S4W02L01S	SCHUEER	BNK HILL
3601511	WEEKS & DALEY WATER CO.	1S4W15M02S	E STREET	BNK HILL
3601512	WEEKS & DALEY WATER CO.	1S4W15N05S	51	BNK HILL
3601513	WEEKS & DALEY WATER CO.	1S4W16R03S	54	BNK HILL
3601514	WEEKS & DALEY WATER CO.	1S4W16O000	WARM CRK	BNK HILL
3601515	WEEKS & DALEY WATER CO.	1SAW16O000	WORKMAN	BNK HILL
3601522	RIVERSIDE HIGHLAND WATER COMPANY	1S4W22M07S	1	BNK HILL
3601523	RIVERSIDE HIGHLAND WATER COMPANY	1S4W22L000	2	BNK HILL
3601527	RIVERSIDE HIGHLAND WATER COMPANY	1S4W22P000	8	BNK HILL
3601528	RIVERSIDE HIGHLAND WATER COMPANY	1S4W22N000	10	BNK HILL
3601529	RIVERSIDE HIGHLAND WATER COMPANY	1S4W22P000	11	BNK HILL
3601530	RIVERSIDE HIGHLAND WATER COMPANY	1S4W22L08S	12	BNK HILL
3601533	RIVERSIDE HIGHLAND WATER COMPANY	1S4W22L05S	18	BNK HILL
3601535	RIVERSIDE HIGHLAND WATER COMPANY	1NAW31E01S	L-C. 1	LYTLE
3601536	RIVERSIDE HIGHLAND WATER COMPANY	1NAW31E02S	LC 2	LYTLE
3601537	RIVERSIDE HIGHLAND WATER COMPANY	1S4W22N000	FLOWING	BNK HILL
3601737	WEEKS & DALEY WATER CO.	1SAW16J09S	COBURN	BNK HILL
3601887	WEEKS & DALEY WATER CO.	1S4W15L03S	59	BNK HILL
3602169	WEEKS & DALEY WATER CO.	1S4W15M10S	NEW E ST	BNK HILL
3602254	RIVERSIDE HIGHLAND WATER COMPANY	1S4W22P05S	24	BNK HILL
3602329	WEEKS & DALEY WATER CO.	1S4W15E000	STA 56	BNK HILL
3602331	RIVERSIDE, CITY OF GAGE CANAL	1S4W23G000	66 1	BNK HILL

SAN BERNARDINO BASIN AREA  
 CROSS INDEX BY RECORDATION NUMBER

RECORDATION NUMBER	OWNER NAME	STATE WELL NUMBER	LOCAL DESIGNATION	BASIN NAME
3602423	RIVERSIDE, CITY OF GAGE CANAL	1SAW13P000	6	BNK HILL
3602484	RIVERSIDE, CITY OF	1SAW14N09S	RAUB NO 5	BNK HILL
3691222	UNIVERSITY OF CALIFORNIA, REGENTS OF	1SAW27A11S	HUNT 6	BNK HILL
3691241	UNIVERSITY OF CALIFORNIA, REGENTS OF	1SAW27A07S	HUNT R	BNK HILL
3691242	UNIVERSITY OF CALIFORNIA, REGENTS OF	1SAW27A08S	HUNT 9	BNK HILL
3691244	UNIVERSITY OF CALIFORNIA, REGENTS OF	1SAW27A09S	HUNT 10	BNK HILL
3691245	UNIVERSITY OF CALIFORNIA, REGENTS OF	1SAW27A10S	HUNT 11	BNK HILL

SAN BERNARDINO BASIN AREA  
 CROSS INDEX BY STATE WELL NUMBER

STATE WELL NUMBER	OWNER NAME	RECORDATION NUMBER	LOCAL DESIGNATION	BASIN NAME
1N4W31E01S	RIVERSIDE HIGHLAND WATER COMPANY	3601535	L.C. 1	LYTLE
1N4W31E02S	RIVERSIDE HIGHLAND WATER COMPANY	3601536	LC 2	LYTLE
1S4W01E000	RIVERSIDE, CITY OF	3601459	MCCRARY 3	BNK HILL
1S4W01E000	RIVERSIDE, CITY OF	3601460	MCCRARY 4	ENK HILL
1S4W01E000	RIVERSIDE, CITY OF	3601461	MCCRARY 5	BNK HILL
1S4W01R02S	RIVERSIDE, CITY OF	3601458	MCCRARY 2	PNK HILL
1S4W01R03S	RIVERSIDE, CITY OF	3601457	MCCRARY 1	BNK HILL
1S4W01E01S	RIVERSIDE, CITY OF	3601462	POOLE	BNK HILL
1S4W02A03S	RIVERSIDE, CITY OF	3601463	STILES	BNK HILL
1S4W02L01S	RIVERSIDE, CITY OF	3601489	SCHEUER	BNK HILL
1S4W02L02S	RIVERSIDE, CITY OF	3601226	COOLEY F	BNK HILL
1S4W02N02S	RIVERSIDE, CITY OF	3601227	COOLEY G	BNK HILL
1S4W02P01S	RIVERSIDE, CITY OF	3601468	GARNER 5	BNK HILL
1S4W02P02S	RIVERSIDE, CITY OF	3601225	COOLEY D	BNK HILL
1S4W02P03S	RIVERSIDE, CITY OF	3601224	COOLEY C	BNK HILL
1S4W02P04S	RIVERSIDE, CITY OF	3601220	COOLEY E	BNK HILL
1S4W02P06S	RIVERSIDE, CITY OF	3601464	GARNER 1	BNK HILL
1S4W02Q03S	RIVERSIDE, CITY OF	3601465	GARNER 2	PNK HILL
1S4W02Q06S	RIVERSIDE, CITY OF	3601467	GARNER 4	BNK HILL
1S4W02Q07S	RIVERSIDE, CITY OF	3601456	GARNER 3	BNK HILL
1S4W11D01S	RIVERSIDE, CITY OF	3601432	COOLEY B	BNK HILL
1S4W11D02S	RIVERSIDE, CITY OF	360122P	COOLEY H	PNK HILL



SAN BERNARDINO BASIN AREA

CROSS INDEX BY STATE WELL NUMBER

PLAINTIFFS

SAN BERNARDINO BASIN AREA  
CROSS INDEX BY STATE WELL NUMBER

STATE WELL NUMBER	OWNER NAME	RECORDATION NUMBER	LOCAL DESIGNATION	BASIN NAME
1S4W11C03S	RIVERSIDE, CITY OF	3601229	COOLEY 1	BNK HILL
1S4W11C04S	RIVERSIDE, CITY OF	3601232	COOLEY A	BNK HILL
1S4W13F02S	RIVERSIDE, CITY OF GAGE CANAL	3600794	31 1	BNK HILL
1S4W13G02S	RIVERSIDE, CITY OF GAGE CANAL	3600795	46 1	BNK HILL
1S4W13G03S	RIVERSIDE, CITY OF GAGE CANAL	3600797	56 1	BNK HILL
1S4W13L01S	RIVERSIDE, CITY OF GAGE CANAL	3600784	6	BNK HILL
1S4W13L02S	RIVERSIDE, CITY OF GAGE CANAL	3600786	GAGE 21	BNK HILL
1S4W13M02S	RIVERSIDE, CITY OF GAGE CANAL	3600793	30 1	BNK HILL
1S4W13N01S	RIVERSIDE, CITY OF GAGE CANAL	3600791	29 2	BNK HILL
1S4W13N02S	RIVERSIDE, CITY OF GAGE CANAL	3600792	29 3	BNK HILL
1S4W13P000	RIVERSIDE, CITY OF GAGE CANAL	3602423	6	BNK HILL
1S4W14N00S	RIVERSIDE, CITY OF	3602484	RAUB NO 5	BNK HILL
1S4W14P02S	RIVERSIDE, CITY OF	3601218	RAUB 1	BNK HILL
1S4W14P06S	RIVERSIDE, CITY OF	3601230	RAUB 3	BNK HILL
1S4W14R000	RIVERSIDE, CITY OF GAGE CANAL	3600785	17	BNK HILL
1S4W15E000	WEEKS & DALEY WATER CO.	3602329	STA 66	BNK HILL
1S4W15L03S	WEEKS & DALEY WATER CO.	3601887	59	BNK HILL
1S4W15M02S	WEEKS & DALEY WATER CO.	3601511	E STREET	BNK HILL
1S4W15M10S	WEEKS & DALEY WATER CO.	3602169	NEW E ST	BNK HILL
1S4W15N05S	WEEKS & DALEY WATER CO.	3601512	51	BNK HILL
1S4W16J00S	WEEKS & DALEY WATER CO.	3601737	CORURN	BNK HILL
1S4W16Q000	WEEKS & DALEY WATER CO.	3601514	WARM CRK	BNK HILL

SAN BERNARDINO BASIN AREA  
CROSS INDEX BY STATE WELL NUMBER

STATE WELL NUMBER	OWNER NAME	RECORDATION NUMBER	LOCAL DESIGNATION	BASIN NAME
1S4W16000	MEEKS & DALEY WATER CO.	3601515	WORKMAN	BNK HILL
1S4W16R03S	MEEKS & DALEY WATER CO.	3601513	54	BNK HILL
1S4W15R04S	MEEKS & DALEY WATER CO.	3600000	69	BNK HILL
1S4W22A01S	RIVERSIDE, CITY OF	3601469	PAINEHOT	BNK HILL
1S4W22B01S	RIVERSIDE, CITY OF	3601477	THORN 9	PNK HILL
1S4W22E02S	RIVERSIDE, CITY OF	3601237	BYRNE 1	PNK HILL
1S4W22B03S	RIVERSIDE, CITY OF	3601478	THORN 10	BNK HILL
1S4W22B05S	RIVERSIDE, CITY OF	3601479	THORN 11	BNK HILL
1S4W22B07S	RIVERSIDE, CITY OF	3601470-	THORN 12	BNK HILL
1S4W22G11S	RIVERSIDE, CITY OF	3601472	THORN 4	BNK HILL
1S4W22G14S	RIVERSIDE, CITY OF	3601471	THORN 3	BNK HILL
1S4W22G15S	RIVERSIDE, CITY OF	3601470	THORN 2	BNK HILL
1S4W22G16S	RIVERSIDE, CITY OF	3601473	THORN 5	BNK HILL
1S4W22G17S	RIVERSIDE, CITY OF	3601475	THORN 7	BNK HILL
1S4W22G18S	RIVERSIDE, CITY OF	3601474	THORN 6	BNK HILL
1S4W22G19S	RIVERSIDE, CITY OF	3601476	THORN 8	BNK HILL
1S4W22H01S	RIVERSIDE, CITY OF	3601231	WARREN 2	BNK HILL
1S4W22H02S	RIVERSIDE, CITY OF	3601243	WARREN 4	BNK HILL
1S4W22H03S	RIVERSIDE, CITY OF	3601230	WARREN 3	BNK HILL
1S4W22H04S	RIVERSIDE, CITY OF	3601240	WARREN 1	PNK HILL
1S4W22L000	RIVERSIDE HIGHLAND WATER COMPANY	3601523	2	PNK HILL
1S4W22L05S	RIVERSIDE HIGHLAND WATER COMPANY	3601533	19	PNK HILL

SAN BERNARDINO BASIN AREA  
CROSS INDEX BY STATE WELL NUMBER

STATE WELL NUMBER	OWNER NAME	RECORDATION NUMBER	LOCAL DESIGNATION	BASIN NAME
1S4W22L08S	RIVERSIDE HIGHLAND WATER COMPANY	3601530	12	BNK HILL
1S4W22M07S	RIVERSIDE HIGHLAND WATER COMPANY	3601522	1	BNK HILL
1S4W22N000	RIVERSIDE HIGHLAND WATER COMPANY	3601528	10	BNK HILL
1S4W22NC00	RIVERSIDE HIGHLAND WATER COMPANY	3601537	FLOWING	BNK HILL
1S4W22P000	RIVERSIDE HIGHLAND WATER COMPANY	3601527	8	BNK HILL
1S4W22P000	RIVERSIDE HIGHLAND WATER COMPANY	3601529	11	BNK HILL
1S4W22F05S	RIVERSIDE HIGHLAND WATER COMPANY	3602254	24	BNK HILL
1S4W23A02S	RIVERSIDE, CITY OF GAGE CANAL	3600787	26 1	BNK HILL
1S4W23A05S	RIVERSIDE, CITY OF GAGE CANAL	3600796	51 1	BNK HILL
1S4W23C02S	RIVERSIDE, CITY OF	3601219	RAUB 2	BNK HILL
1S4W23C03S	RIVERSIDE, CITY OF	3601238	RAUB 4	BNK HILL
1S4W23G000	RIVERSIDE, CITY OF GAGE CANAL	3602331	66 1	BNK HILL
1S4W23G01S	RIVERSIDE, CITY OF GAGE CANAL	3600798	COWLANE	BNK HILL
1S4W23M01S	RIVERSIDE, CITY OF GAGE CANAL	3600788	27 1	BNK HILL
1S4W23K01S	RIVERSIDE, CITY OF GAGE CANAL	3600789	27 2	BNK HILL
1S4W23K02S	RIVERSIDE, CITY OF GAGE CANAL	3600790	20 1	BNK HILL
1S4W27A07S	RIVERSIDE, CITY OF	3601241	HUNT A	BNK HILL
1S4W27A07S	UNIVERSITY OF CALIFORNIA, REGENTS OF	3691241	HUNT B	BNK HILL
1S4W27A09S	RIVERSIDE, CITY OF	3601242	HUNT C	BNK HILL
1S4W27A09S	UNIVERSITY OF CALIFORNIA, REGENTS OF	3691242	HUNT D	BNK HILL
1S4W27A09S	RIVERSIDE, CITY OF	3601244	HUNT 10	BNK HILL
1S4W27A09S	UNIVERSITY OF CALIFORNIA, REGENTS OF	3691244	HUNT 10	BNK HILL

SAN BERNARDINO BASIN AREA  
 CROSS INDEX BY STATE WELL NUMBER

STATE WELL NUMBER	OWNER NAME	RECORDATION NUMBER	LOCAL DESIGNATION	BASIN NAME
1S4W27A10S	RIVERSIDE, CITY OF	3601245	HUNT 11	BNK HILL
1S4W27A10S	UNIVERSITY OF CALIFORNIA, REGENTS OF	3691245	HUNT 11	BNK HILL
1S4W27A11S	RIVERSIDE, CITY OF	3601222	HUNT 6	BNK HILL
1S4W27A11S	UNIVERSITY OF CALIFORNIA, REGENTS OF	3691222	HUNT 6	BNK HILL
1S4W27A13S	RIVERSIDE, CITY OF	3601233	STEWRT 21	BNK HILL
1S4W27A19S	RIVERSIDE, CITY OF	3601234	STEWRT 19	BNK HILL
1S4W27H01S	RIVERSIDE, CITY OF	3601431	STEWRT 20	BNK HILL

TABLE NO. 1

EXTRACTIONS BY OWNERS (PLAINTIFFS) FROM  
THE SAN BERNARDINO BASIN AREA

TABLE NO. 1  
EXTRACTIONS BY OWNERS (PLAINTIFFS)  
FROM THE SAN BERNARDINO BASIN AREA

OWNER	1959	1960	1961	1962	1963	1959-63 AVERAGE	1975	1976	1977	1978	1979	1975-79 AVERAGE
<b>WEEKS &amp; CALEY WATER CO.</b>												
3600000 1S4W16R04S W	0	0	0	0	0	0	0	0	0	0	0	0
3601511 1S4W15M02S W	1711	488	672	1213	1126	1042	0	0	0	0	0	0
3601512 1S4W15N05S W	2157	2230	2201	1788	2256	2126	0	0	0	0	0	0
3601513 1S4W16R03S W	1518	1190	1519	910	1119	1251	0	0	0	0	0	0
3601514 1S4W160000 D	18	2	0	0	0	4	0	0	0	0	0	0
3601515 1S4W160000 D	2	0	0	0	0	0	0	0	0	0	0	0
3601737 1S4W16J09S W	600	314	447	299	280	388	276	329	4	162	207	196
3601887 1S4W15L03S W	1276	3813	4560	3350	3073	3214	1649	2305	1848	1518	1549	1774
3602169 1S4W15M10S W	0	0	0	0	0	0	2025	2759	2368	574	2174	1980
3602329 1S4W15E000 W	0	0	0	0	0	0	0	0	0	0	0	0
<b>OWNER TOTAL</b>	<b>7282*</b>	<b>8037*</b>	<b>9399*</b>	<b>7560*</b>	<b>7854*</b>	<b>8026*</b>	<b>3950*</b>	<b>5393*</b>	<b>4220*</b>	<b>2254*</b>	<b>3930*</b>	<b>3949*</b>
<b>RIVERSIDE HIGHLAND WATER COMPANY</b>												
3601522 1S4W22M07S W	740	757	887	739	399	704	14	0	0	0	0	3
3601523 1S4W22L000 W	802	576	995	796	634	761	236	28	59	100	457	176
3601527 1S4W22P000 W	0	0	0	0	0	0	0	0	0	0	0	0
3601528 1S4W22N000 W	0	0	0	0	0	0	0	0	0	0	0	0
3601529 1S4W22P000 W	0	0	0	0	0	0	0	0	0	0	0	0
3601530 1S4W22L00S W	255	200	546	346	379	345	697	936	375	142	368	504
3601533 1S4W22L05S W	1551	1442	1749	1125	1062	1394	1137	703	923	144	351	664
3601537 1S4W22N000 W	0	0	0	0	0	0	0	0	0	0	0	0
3602254 1S4W22P05S W	0	0	0	0	0	0	1323	1385	757	0	241	861

TABLE NO. 1  
EXTRACTIONS BY OWNERS (PLAINTIFFS)  
FROM THE SAN BERNARDINO BASIN AREA

OWNER	1959	1960	1961	1962	1959-63		1976	1977	1978	1979	1975-79 AVERAGE
					1963	AVERAGE					
RIVERSIDE HIGHLAND WATER COMPANY											
3601535 1N4W31E01S W	1397	1226	1358	1141	852	1195	1468	1406	964	1352	1298
3601536 1N4W31E02S W	0	0	0	0	0	0	0	0	0	0	0
OWNER TOTAL	4745*	4241*	5535*	4147*	3326*	4399*	4520*	3583*	1350*	3369*	3506*
RIVERSIDE CITY OF											
3601218 1S4W14P02S W	0	0	0	0	0	0	0	0	0	0	0
3601219 1S4W23C02S W	537	484	637	712	682	610	542	699	431	466	590
3601220 1S4W02P04S W	0	0	0	0	0	0	0	0	0	0	0
3601222 1S4W27A11S W	70	234	105	212	136	151	22	542	393	397	319
3601224 1S4W02P03S W	0	0	0	0	0	0	0	0	0	0	0
3601225 1S4W02P02S W	0	0	0	0	0	0	0	0	0	0	0
3601226 1S4W02L02S W	0	0	0	0	0	0	0	0	0	0	0
3601227 1S4W02N02S W	0	0	0	0	0	0	0	0	0	0	0
3601228 1S4W11D02S W	957	572	224	793	1110	731	923	1065	1116	1209	1072
3601229 1S4W11D03S W	3062	1465	1770	2307	2669	2255	3367	2756	2318	2884	2931
3601230 1S4W22P03S W	346	408	368	323	177	324	222	221	275	173	182
3601231 1S4W22P01S W	709	869	844	568	550	708	666	473	783	344	619
3601232 1S4W11D04S W	0	0	0	0	0	0	0	0	0	0	0
3601233 1S4W27A13S W	0	0	0	0	0	0	0	0	0	0	0
3601234 1S4W27A19S W	0	0	0	0	0	0	0	0	0	0	0
3601237 1S4W20P02S W	440	551	330	371	309	400	0	0	0	0	0
3601238 1S4W23C03S W	826	557	815	857	591	709	1747	1221	1328	1632	1452



TABLE NO. 1  
EXTRACTIONS BY OWNERS (PLAINTIFFS)  
FROM THE SAN BERNARDINO BASIN AREA

OWNER	1959-79										1975-79 AVERAGE	
	1959	1960	1961	1962	1963	1963 AVERAGE	1975	1976	1977	1978		1979
RIVERSIDE, CITY OF												
3601239 1S4W14P06S W	390	444	356	524	318	406	748	444	502	97	603	479
3601240 1S4W22H04S W	2445	2170	1894	1440	1651	1920	1785	1496	573	1030	902	1157
3601241 1S4W27A07S W	0	0	0	0	0	0	0	0	0	0	0	0
3601242 1S4W27A08S W	0	0	0	0	0	0	0	0	0	0	0	0
3601243 1S4W22H02S W	3222	2840	2834	2839	2444	2836	2479	1450	1258	1678	1517	1676
3601244 1S4W27A09S W	1202	1086	961	1294	891	1087	1010	600	899	646	738	779
3601245 1S4W27A10S W	472	217	54	354	200	259	10	31	462	0	0	101
3601431 1S4W27H01S W	6	5	5	4	5	5	13	4	26	3	4	10
3601432 1S4W11D01S W	0	0	0	0	0	0	0	0	0	0	0	0
3601457 1S4W01B03S W	0	0	0	0	0	0	0	0	0	0	0	0
3601458 1S4W01B02S W	0	0	0	0	0	0	0	0	0	0	0	0
3601459 1S4W01R000 W	0	0	0	0	0	0	0	0	0	0	0	0
3601460 1S4W01B000 W	0	0	0	0	0	0	0	0	0	0	0	0
3601461 1S4W01B000 W	0	0	0	0	0	0	0	0	0	0	0	0
3601462 1S4W01E01S W	887	1043	1428	1088	1004	1090	0	0	0	0	0	0
3601463 1S4W02A03S W	1808	1070	1686	1354	1220	1428	1938	1911	1520	1367	1702	1688
3601464 1S4W02P06S W	613	1370	1100	988	989	1032	1029	598	448	546	654	655
3601465 1S4W02P003S W	512	527	884	811	546	656	527	602	302	373	582	477
3601466 1S4W02P007S W	0	0	0	0	0	0	0	0	0	0	0	0
3601467 1S4W02P006S W	373	595	967	957	986	776	881	874	669	951	1275	930
3601468 1S4W02P01S W	1822	1853	1523	978	912	1418	2422	2237	1505	1806	1904	1904

TABLE NO. 1  
EXTRACTIONS BY OWNERS (PLAINTIFFS)  
FROM THE SAN BERNARDINO BASIN AREA

OWNER	1959	1960	1961	1962	1963	1963 AVERAGE	1975	1976	1977	1978	1979	1975-79 AVERAGE
(CONTINUED)												
RIVERSIDE, CITY OF												
3601469 1S4W22401S W	0	0	0	0	0	0	0	0	0	0	0	0
3601470 1S4W22615S W	0	0	0	0	0	0	0	0	0	0	0	0
3601470- 1S4W22607S W	0	476	1345	1244	1471	907	976	909	743	776	582	797
3601471 1S4W22614S W	1264	980	1225	820	545	967	1077	31	0	0	0	222
3601472 1S4W22611S W	198	98	48	60	0	81	0	0	0	0	0	0
3601473 1S4W22616S W	691	584	343	443	364	485	494	0	0	0	0	99
3601474 1S4W22618S W	552	392	326	289	348	381	0	0	0	0	0	0
3601475 1S4W22617S W	509	422	316	377	323	389	0	0	0	0	0	0
3601476 1S4W22619S W	443	277	236	481	270	341	140	0	0	0	0	28
3601477 1S4W22601S W	543	332	392	398	298	393	0	0	0	0	0	0
3601478 1S4W22603S W	597	367	412	392	322	418	5	37	12	0	0	11
3601479 1S4W22605S W	487	317	334	355	259	350	0	0	0	0	0	0
3601480 1S4W02101S W	0	410	830	758	789	557	560	406	633	442	658	540
3602484 1S4W14N09S W	0	0	0	0	0	0	1544	2966	2277	2697	3335	2564
OWNER TOTAL	25983*	23024*	24682*	24391*	22379*	24092*	25248*	22085*	18900*	19056*	21561*	21370*
RIVERSIDE, CITY OF GAGE CANAL												
3600784 1S4W13L01S W	10	44	68	36	12	34	0	0	0	0	0	0
3600785 1S4W14R000 W	0	0	0	0	0	0	0	0	0	0	0	0
3600786 1S4W13L02S W	0	0	0	0	0	0	1117	1527	2046	1286	732	1342
3600787 1S4W23402S W	2950	2805	2762	2535	2773	2765	1358	2608	2659	1538	1819	1996
3600788 1S4W23401S W	2840	1566	2163	2207	2465	2248	1317	225	2208	1521	2381	1530

TABLE NO. 1  
EXTRACTIONS BY OWNERS (PLAINTIFFS)  
FROM THE SAN BERNARDINO BASIN AREA

OWNER	1959	1960	1961	1962	1963	AVERAGE	1959-63	1975	1976	1977	1978	1979	AVERAGE	1975-79
RIVERSIDE, CITY OF GAGE CANAL (CONTINUED)														
3600789	154W23K01S W	3466	2409	2076	2928	2239	2624	1278	1731	2021	1556	2476	1812	1812
3600790	154W23K02S W	2235	2725	2904	2155	2394	2483	951	2061	2145	1255	1891	1661	1661
3600791	154W13N01S W	3633	3693	4680	3387	3475	3774	3816	4720	4432	3029	3282	3856	3856
3600792	154W13N02S W	3537	4709	5071	4094	3750	4232	3343	3943	3843	2849	2750	3346	3346
3600793	154W13M02S W	1582	1768	1495	2145	1719	1742	1577	891	1204	1594	1603	1374	1374
3600794	154W13F02S W	3219	2141	2353	2057	1372	2228	1154	1837	289	937	1749	1193	1193
3600795	154W13G02S W	3640	2828	2909	2820	2765	2992	2508	3420	3981	4774	4801	3897	3897
3600796	154W23A05S W	1314	1183	946	642	736	964	4	452	875	775	1358	693	693
3600797	154W13G03S W	3379	3148	3243	3434	3299	3301	2132	2923	3170	2537	3389	2830	2830
3600798	154W23G01S W	0	0	0	0	0	0	0	0	0	0	0	0	0
3602331	154W23G000 W	0	0	0	0	0	0	2077	2855	3113	2581	2558	2637	2637
3602423	154W13P000 W	0	0	0	0	0	0	82	96	113	97	27	83	83
OWNER TOTAL	31805*	29019*	30670*	28440*	26999*	29387*	22714*	29289*	32099*	26329*	30816*	28249*		
UNIVERSITY OF CALIFORNIA, REGENTS OF														
3691222	154W27A11S W	22	83	62	65	47	56	85	0	25	69	29	42	42
3691241	154W27A07S W	0	0	0	0	0	0	0	0	0	0	0	0	0
3691242	154W27A08S W	0	0	0	0	0	0	0	0	0	0	0	0	0
3691244	154W27A09S W	385	386	564	392	309	407	94	245	41	114	54	110	110
3691245	154W27A10S W	151	77	32	107	69	87	0	0	21	0	0	4	4
OWNER TOTAL	558*	546*	658*	564*	425*	550*	179*	245*	87*	183*	83*	155*		
TOTAL VERIFIED PRODUCTION ALL FACILITIES	70373*	64867*	70944*	65102*	60983*	66454*	56800*	61532*	58889*	49172*	59759*	57230*		

TABLE NO. 2

SUMMARY OF EXTRACTIONS BY ALL PLAINTIFFS

FROM THE SAN BERNARDINO BASIN AREA

TABLE NO. 2  
SUMMARY OF EXTRACTIIONS BY ALL PLAINTIFFS  
FROM THE SAN BERNARDINO BASIN AREA

OWNER	1959	1960	1961	1962	1963	AVERAGE	1975	1976	1977	1978	1979	1975-79 AVERAGE
MEEKS & CALEY WATER CO.						1959-63						
OWNER TOTAL	7282*	8037*	9399*	7560*	7854*	8026*	3950*	5393*	4220*	2254*	3930*	3949*
RIVERSIDE HIGHLAND WATER COMPANY												
OWNER TOTAL	4745*	4241*	5535*	4147*	3326*	4399*	4709*	4520*	3583*	1350*	3369*	3506*
RIVERSIDE* CITY OF												
OWNER TOTAL	25983*	23024*	24682*	24391*	22379*	24092*	25248*	22085*	18900*	19056*	21561*	21370*
RIVERSIDE* CITY OF GAGE CANAL												
OWNER TOTAL	31805*	29019*	30670*	28440*	26999*	29387*	22714*	29289*	32099*	26329*	30816*	28249*
UNIVERSITY OF CALIFORNIA* REGENTS OF												
OWNER TOTAL	558*	546*	658*	564*	425*	550*	179*	245*	87*	183*	83*	155*
TOTAL VERIFIED PRODUCTION ALL FACILITIES	70373*	64867*	70944*	65102*	60983*	66454*	56800*	61532*	58889*	49172*	59759*	57230*

TABLE NO. 3

EXTRACTIONS BY PLAINTIFFS FROM THE  
SAN BERNARDINO BASIN AREA FOR AVERAGE OF  
FIVE-YEAR PERIOD ENDING WITH 1963  
AND CALENDAR YEARS 1964 THROUGH 1979  
CLASSIFIED ACCORDING TO SERVICE AREA

TABLE NO. 3

EXTRACTIONS BY PLAINTIFFS  
FROM THE SAN BERNARDINO BASIN AREA  
FOR AVERAGE OF FIVE-YEAR PERIOD ENDING WITH 1963  
AND CALENDAR YEARS 1964 THROUGH 1979  
CLASSIFIED ACCORDING TO SERVICE AREA

(ALL VALUES IN ACRE FEET)

PLAINTIFFS	EXTRACTIONS FROM SAN BERNARDINO BASIN AREA FOR USE WITHIN & EXPORTS THEREFROM																							
	1959				1960				1961				1962				1963				Five-Year Average			
	Total Extractions	Deliveries San Bernardino Basin	Deliveries Colton & Riverside Basins in San Bernardino County	Deliveries Outside San Bernardino Valley	Total Extractions	Deliveries San Bernardino Basin	Deliveries Colton & Riverside Basins in San Bernardino County	Deliveries Outside San Bernardino Valley	Total Extractions	Deliveries San Bernardino Basin	Deliveries Colton & Riverside Basins in San Bernardino County	Deliveries Outside San Bernardino Valley	Total Extractions	Deliveries San Bernardino Basin	Deliveries Colton & Riverside Basins in San Bernardino County	Deliveries Outside San Bernardino Valley	Total Extractions	Deliveries San Bernardino Basin	Deliveries Colton & Riverside Basins in San Bernardino County	Deliveries Outside San Bernardino Valley				
CITY OF RIVERSIDE City & Riverside Water Co. Wells	25,983	2,369	382	23,232	23,024	2,006	356	20,662	24,682	0	338	24,344	24,391	0	345	24,046	22,379	0	435	21,944	24,092	875	371	22,846
CITY OF RIVERSIDE Cage Canal Co. Wells	31,805	501	1,001	30,303	29,019	539	892	27,588	30,670	461	1,010	29,199	28,440	751	783	26,906	26,999	683	758	25,558	29,387	587	889	27,911
CITY OF RIVERSIDE SUBTOTAL	57,788	2,870	1,383	53,535	52,043	2,545	1,248	48,250	55,352	461	1,348	53,543	52,831	751	1,128	50,952	49,378	683	1,193	47,502	53,479	1,462	1,260	50,757
RIVERSIDE HIGHLAND WATER COMPANY	4,745	0	2,561	2,184	4,241	0	2,352	1,889	5,535	0	3,026	2,509	4,147	0	2,569	1,578	3,326	0	2,037	1,289	4,399	0	2,509	1,890
HEEKS & DALEY WATER COMPANY & AGUA MANSA WATER COMPANY	7,282	0	295	6,987	8,037	0	312	7,725	9,399	0	363	9,036	7,560	0	363	7,197	7,854	0	297	7,557	8,026	0	326	7,700
UNIVERSITY OF CALIFORNIA	558	0	0	558	546	0	0	546	658	0	0	658	564	0	0	564	425	0	0	425	550	0	0	550
TOTAL	70,373	2,870	4,239	63,264	64,867	2,545	3,912	58,410	70,944	461	4,737	65,746	65,102	751	4,060	60,291	60,983	683	3,527	56,773	66,454	1,462	4,095	60,897

TABLE NO. 3

EXTRACTIONS BY PLAINTIFFS  
FROM THE SAN BERNARDINO BASIN AREA  
FOR AVERAGE OF FIVE-YEAR PERIOD ENDING WITH 1963  
AND CALENDAR YEARS 1964 THROUGH 1979  
CLASSIFIED ACCORDING TO SERVICE AREA

(ALL VALUES IN ACRE FEET)

PLAINTIFFS	EXTRACTIONS FROM SAN BERNARDINO BASIN AREA FOR USE WITHIN & EXPORTS THEREFROM																									
	1964				1965				1966				1967				1968				Five-Year Average					
	Deliveries San Bernardino Basin	Deliveries Colton & Riverside Basins in San Bernardino County	Deliveries Outside San Bernardino Valley	Total Extractions	Deliveries San Bernardino Basin	Deliveries Colton & Riverside Basins in San Bernardino County	Deliveries Outside San Bernardino Valley	Total Extractions	Deliveries San Bernardino Basin	Deliveries Colton & Riverside Basins in San Bernardino County	Deliveries Outside San Bernardino Valley	Total Extractions	Deliveries San Bernardino Basin	Deliveries Colton & Riverside Basins in San Bernardino County	Deliveries Outside San Bernardino Valley	Total Extractions	Deliveries San Bernardino Basin	Deliveries Colton & Riverside Basins in San Bernardino County	Deliveries Outside San Bernardino Valley	Total Extractions	Deliveries San Bernardino Basin	Deliveries Colton & Riverside Basins in San Bernardino County	Deliveries Outside San Bernardino Valley	Total Extractions		
CITY OF RIVERSIDE City & Riverside Water Co. Wells	0	245	23,615	20,973	0	166	20,807	20,900	0	173	20,727	19,185	0	0	19,185	0	0	0	21,230	0	0	21,230	0	0	21,230	21,230
CITY OF RIVERSIDE Gage Canal Co. Wells	515	766	27,509	22,238	379	586	21,273	24,910	503	636	23,771	22,903	224*	528	22,151*	311*	669	27,601*	311*	669	27,601*	311*	669	25,484	24,461*	
CITY OF RIVERSIDE SUBTOTAL	515	1,011	51,124	43,211	379	752	42,080	45,810	503	809	44,498	42,088	224*	528	41,336*	311*	669	48,831*	311*	669	48,831*	311*	669	46,714	45,574*	
RIVERSIDE HIGHLAND WATER COMPANY	0	2,190	2,113	3,932	0	2,076	1,856	4,000	0	2,029	1,971	4,076	0	2,074	2,002	0	2,443	1,911	0	2,443	0	0	4,133	4,133		
NEEKS & DALEY WATER COMPANY & AGUA MANSA WATER COMPANY	0	449	8,047	7,388	0	303	7,085	7,205	0	238	6,967	7,383	0	354	7,029	0	318	8,654	0	318	8,654	0	0	7,889	7,556	
UNIVERSITY OF CALIFORNIA	0	0	443	410	0	0	410	323	0	0	323	104	0	0	104	0	0	73	0	0	73	0	0	270	270	
TOTAL	515	3,650	61,727	54,941	379	3,131	51,431	57,338	503	3,076	53,759	53,651	224*	2,956	50,471*	311*	3,430	59,469*	311*	3,430	311*	3,430	311*	59,006	55,371*	

See Report of Watermaster, Volume 5, Distribution of Extractions, Chapter I, Table No. 36-A.

\*Deliveries corrected during 1972 verification.



TABLE NO. 3

EXTRACTIONS BY PLAINTIFFS  
FROM THE SAN BERNARDINO BASIN AREA  
FOR AVERAGE OF FIVE-YEAR PERIOD ENDING WITH 1963  
AND CALENDAR YEARS 1964 THROUGH 1979  
CLASSIFIED ACCORDING TO SERVICE AREA  
(ALL VALUES IN ACRE FEET)

PLAINTIFFS	EXTRACTIONS FROM SAN BERNARDINO BASIN AREA FOR USE WITHIN & EXPORTS THEREFROM																												
	1969			1970			1971			1972			1973			1974													
	Total Extractions	Deliveries San Bernardino Basin	Deliveries Colton & Riverside Basins in San Bernardino County	Deliveries Outside San Bernardino Valley	Total Extractions	Deliveries San Bernardino Basin	Deliveries Colton & Riverside Basins in San Bernardino County	Deliveries Outside San Bernardino Valley	Total Extractions	Deliveries San Bernardino Basin	Deliveries Colton & Riverside Basins in San Bernardino County	Deliveries Outside San Bernardino Valley	Total Extractions	Deliveries San Bernardino Basin	Deliveries Colton & Riverside Basins in San Bernardino County	Deliveries Outside San Bernardino Valley	Total Extractions	Deliveries San Bernardino Basin	Deliveries Colton & Riverside Basins in San Bernardino County	Deliveries Outside San Bernardino Valley									
CITY OF RIVERSIDE City & Riverside Water Co. Wells	19,088	0	0	19,088	20,815	0	0	20,815	24,939	0	0	24,939	20,474	6	0	20,474	21,493	0	0	21,493	27,420	0	0	27,420	65	0	0	65	27,355
CITY OF RIVERSIDE Cane Canal Co. Wells	21,737	74*	554	21,109*	25,571	285*	589	24,697*	28,943	98*	669	28,176*	25,220	85	547	24,588	21,529	156	512	20,861	15,947	0	0	15,947	485	0	0	485	15,462
CITY OF RIVERSIDE SUBTOTAL	40,825	74*	554	40,197*	46,386	285*	589	45,512*	53,882	98*	669	53,115*	45,694	85	547	45,062	43,022	156	512	42,354	43,367	0	0	43,367	550	0	0	550	42,817
RIVERSIDE HIGHLAND WATER COMPANY	2,699	0	1,591	1,108	4,197	0	2,200	1,997	4,012	0	2,388	1,624	4,532	0	2,239	2,293	3,512	0	1,751	1,761	4,088	0	0	4,088	0	0	0	0	2,103
MEERS & DALEY WATER COMPANY & ACUA MANSA WATER COMPANY	5,348	0	299	5,049	5,049	0	561	4,488	2,902	0	383	2,519	3,527	0	377	3,150	2,979	0	250	2,729	4,504	0	0	4,504	0	0	0	0	4,258
UNIVERSITY OF CALIFORNIA	148	0	0	148	268	0	0	268	219	0	0	219	239	0	0	239	239	0	0	239	267	0	0	267	0	0	0	0	267
TOTAL	49,020	74*	2,444	46,502*	55,900	285*	3,350	52,265*	61,015	98*	3,460	57,477*	53,992	85	3,163	50,744	49,752	156	2,513	47,083	52,226	0	0	52,226	0	0	0	0	49,445

See Report of Watermaster, Volume 5, Distribution of Extractions, Chapter I, Table No. 36-A.

\*Deliveries corrected during 1972 verification.

TABLE NO. 3

EXTRACTIONS BY PLAINTIFFS  
FROM THE SAN BERNARDINO BASIN AREA  
FOR AVERAGE OF FIVE-YEAR PERIOD ENDING WITH 1963  
AND CALENDAR YEARS 1964 THROUGH 1976  
CLASSIFIED ACCORDING TO SERVICE AREA  
(all values in acre feet)

PLAINTIFFS	EXTRACTIONS FROM SAN BERNARDINO BASIN AREA FOR USE WITHIN & EXPORTS THEREFROM																																											
	1975								1976								1977								1978								1979								Five-Year Average			
	Total Extractions	Deliveries, San Bernardino Basin	Deliveries Colton & Riverside Basins in San Bernardino County	Deliveries Outside San Bernardino Valley	Total Extractions	Deliveries, San Bernardino Basin	Deliveries Colton & Riverside Basins in San Bernardino County	Deliveries Outside San Bernardino Valley	Total Extractions	Deliveries, San Bernardino Basin	Deliveries Colton & Riverside Basins in San Bernardino County	Deliveries Outside San Bernardino Valley	Total Extractions	Deliveries, San Bernardino Basin	Deliveries Colton & Riverside Basins in San Bernardino County	Deliveries Outside San Bernardino Valley	Total Extractions	Deliveries, San Bernardino Basin	Deliveries Colton & Riverside Basins in San Bernardino County	Deliveries Outside San Bernardino Valley	Total Extractions	Deliveries, San Bernardino Basin	Deliveries Colton & Riverside Basins in San Bernardino County	Deliveries Outside San Bernardino Valley	Total Extractions	Deliveries, San Bernardino Basin	Deliveries Colton & Riverside Basins in San Bernardino County	Deliveries Outside San Bernardino Valley																
CITY OF RIVERSIDE City & Riverside Water Co. wells	25,248	0	0	25,248	22,085	0	0	22,085	18,900	0	0	18,900	19,055	0	0	19,055	21,561	0	0	21,561	21,370	0	0	21,370	0	0	0	0	21,370															
CITY OF RIVERSIDE Gage Canal Co. Wells	22,714	0	498	22,216	29,289	0	523	28,766	32,099	0	346	31,753	26,329	0	301	26,028	30,815	0	0	415	30,401	28,249	0	417	27,832	0	0	0	27,832															
CITY OF RIVERSIDE SUBTOTAL	47,962	0	498	47,464	51,374	0	523	50,851	50,999	0	346	50,653	45,384	0	301	45,083	52,377	0	0	415	51,962	49,619	0	417	49,202	0	0	0	49,202															
RIVERSIDE HIGHLAND WATER COMPANY	4,709	0	2,002	2,707	4,519	0	2,050	2,469	3,583	0	1,820	1,763	1,350	0	1,051	299	3,369	0	0	1,781	1,588	3,506	0	1,741	1,765	0	0	0	1,765															
NEPES & DALEY WATER COMPANY & AGUA MANSA WATER COMPANY	3,950	0	168	3,782	5,393	0	182	5,211	4,220	0	146	4,074	2,254	0	161	2,093	3,930	0	0	270	3,660	3,950	0	185	3,765	0	0	0	3,765															
UNIVERSITY OF CALIFORNIA	179	0	0	179	245	0	0	245	87	0	0	87	183	0	0	183	83	0	0	0	83	155	0	0	155	0	0	0	155															
TOTAL	56,800	0	2,668	54,132	61,531	0	2,755	58,776	58,889	0	2,312	56,577	49,171	0	1,513	47,658	59,757	0	0	2,466	57,293	57,230	0	2,343	54,887	0	0	0	54,887															

See Report of Watermaster, Volume 5, Distribution of Extractions, Chapter 1, Table No. 36-A.

TABLE NO. 4

TOTAL EXTRACTIONS BY  
PLAINTIFFS FROM SAN BERNARDINO BASIN AREA

TABLE NO. 4

TOTAL EXTRACTIONS BY PLAINTIFFS FROM  
 SAN BERNARDINO BASIN AREA  
 (Quantities in Acre Feet)

EXTRACTING PLAINTIFF						
Year	City of Riverside	Gage Canal	Riverside Highland	Meeks & Daley	Univ. of Calif.	Total
1959	25,983	31,805	4,745	7,282	558	70,373
1960	23,024	29,019	4,241	8,037	546	64,867
1961	24,682	30,670	5,535	9,399	658	70,944
1962	24,391	28,440	4,147	7,560	564	65,107
1963	22,379	26,999	3,326	7,854	425	60,983
Total	120,459	146,933	21,994	40,132	2,751	332,269
5-Yr. Avg.	24,092	29,387	4,399	8,026	550	66,454
1964	23,860	28,790	4,303	8,496	443	65,892
1965	20,973	22,238	3,932	7,388	410	54,941
1966	20,900	24,910	4,000	7,205	323	57,338
1967	19,185	22,903	4,076	7,383	104	53,651
1968	21,230	28,581	4,354	8,972	73	63,210
Total	106,148	127,422	20,665	39,444	1,353	295,032
5-Yr. Avg.	21,230	25,484	4,133	7,889	270	59,006
1969	19,088	21,737	2,699	5,348	148	49,020
1970	20,815	25,571	4,197	5,049	268	55,900
1971	24,939	28,943	4,012	2,902	219	61,015
1972	20,474	25,220	4,532	3,527	239	53,992
1973	21,493	21,529	3,512	2,979	239	49,752
1974	27,420	15,947	4,088	4,504	267	52,226
1975	25,248	22,714	4,709	3,950	179	56,800
1976	22,085	29,289	4,519	5,393	245	61,531
1977	18,900	32,099	3,583	4,220	87	58,889
1978	19,055	26,329	1,350	2,254	183	49,171
1979	21,561	30,816	3,369	3,930	83	59,759
Total	106,489	141,247	17,530	19,747	777	286,150
5-Yr. Avg.	21,370	28,249	3,506	3,950	155	57,230

TABLE NO. 5

EXTRACTIONS BY PLAINTIFFS FROM  
THE SAN BERNARDINO BASIN AREA  
FOR DELIVERIES IN SAN BERNARDINO BASIN AREA

TABLE NO. 5

EXTRACTIONS BY PLAINTIFFS FROM  
THE SAN BERNARDINO BASIN AREA FOR DELIVERIES IN  
SAN BERNARDINO BASIN AREA  
 (Quantities in Acre Feet)

EXTRACTING PLAINTIFF						
Year	City of Riverside	Gage Canal	Riverside Highland	Meeks & Daley	Univ. of Calif.	Total
1959	2,369	501	0	0	0	2,870
1960	2,006	539	0	0	0	2,545
1961	0	461	0	0	0	461
1962	0	751	0	0	0	751
1963	0	683	0	0	0	683
Total	4,375	2,935	0	0	0	7,310
5-Yr. Avg.	875	587	0	0	0	1,462
1964	0	515	0	0	0	515
1965	0	379	0	0	0	379
1966	0	503	0	0	0	503
1967	0	224	0	0	0	224
1968	0	311	0	0	0	311
Total	0	1,932	0	0	0	1,932
5-Yr. Avg.	0	386	0	0	0	386
1969	0	74	0	0	0	74
1970	0	285	0	0	0	285
1971	0	98	0	0	0	98
1972	0	85	0	0	0	85
1973	0	156	0	0	0	156
1974	0	0	0	0	0	0
1975	0	0	0	0	0	0
1976	0	0	0	0	0	0
1977	0	0	0	0	0	0
1978	0	0	0	0	0	0
1979	0	0	0	0	0	0
Total	0	0	0	0	0	0
5-Yr. Avg.	0	0	0	0	0	0

TABLE NO. 6  
EXTRACTIONS BY PLAINTIFFS FROM  
THE SAN BERNARDINO BASIN AREA  
FOR DELIVERIES IN COLTON AND  
RIVERSIDE BASINS IN SAN BERNARDINO COUNTY

TABLE NO. 6

EXTRACTIONS BY PLAINTIFFS FROM  
THE SAN BERNARDINO BASIN AREA FOR DELIVERIES IN  
COLTON & RIVERSIDE BASINS IN SAN BERNARDINO COUNTY  
(Quantities in Acre Feet)

EXTRACTING PLAINTIFF						
Year	City of Riverside	Gage Canal	Riverside Highland	Meeks & Daley	Univ. of Calif.	Total
1959	382	1,001	2,561	295	0	4,239
1960	356	892	2,352	312	0	3,912
1961	338	1,010	3,026	363	0	4,737
1962	345	783	2,569	363	0	4,060
1963	435	758	2,037	297	0	3,527
Total	1,856	4,444	12,545	1,630	0	20,475
5-Yr. Avg.	371	889	2,509	326	0	4,095
1964	245	766	2,190	449	0	3,650
1965	166	586	2,076	303	0	3,131
1966	173	636	2,029	238	0	3,076
1967	0	528	2,074	354	0	2,956
1968	0	669	2,443	318	0	3,430
Total	584	3,185	10,812	1,662	0	16,243
5-Yr. Avg.	117	637	2,162	333	0	3,249
1969	0	554	1,591	299	0	2,444
1970	0	589	2,200	561	0	3,350
1971	0	669	2,388	383	0	3,440
1972	0	547	2,239	377	0	3,163
1973	0	512	1,751	250	0	2,513
1974	65	485	1,985	246	0	2,781
1975	0	498	2,002	168	0	2,668
1976	0	523	2,050	182	0	2,755
1977	0	346	1,820	146	0	2,312
1978	0	301	1,051	161	0	1,513
1979	0	415	1,781	270	0	2,466
Total	0	2,083	8,704	927	0	11,714
5-Yr. Avg.	0	417	1,741	185	0	2,343



TABLE NO. 7

EXTRACTIONS BY PLAINTIFFS FROM  
THE SAN BERNARDINO BASIN AREA FOR  
DELIVERIES OUTSIDE SAN BERNARDINO VALLEY

TABLE NO. 7

EXTRACTIONS BY PLAINTIFFS FROM  
THE SAN BERNARDINO BASIN AREA FOR DELIVERIES  
OUTSIDE SAN BERNARDINO VALLEY  
 (Quantities in Acre Feet)

EXTRACTING PLAINTIFF						
Year	City of Riverside	Gage Canal	Riverside Highland	Meeks & Daley	Univ. of Calif.	Total
1959	23,232	30,303	2,184	6,987	558	63,264
1960	20,662	27,588	1,889	7,725	546	58,410
1961	24,344	29,199	2,509	9,036	658	65,746
1962	24,046	26,906	1,578	7,197	564	60,291
1963	21,944	25,558	1,289	7,557	425	56,773
Total	114,228	139,554	9,449	38,502	2,751	304,484
5-Yr. Avg.	22,846	27,911	1,890	7,700	550	60,897
1964	23,615	27,509	2,113	8,047	443	61,727
1965	20,807	21,273	1,856	7,085	410	51,431
1966	20,727	23,771	1,971	6,967	323	53,759
1967	19,185	22,151	2,002	7,029	104	50,471
1968	21,230	27,601	1,911	8,654	73	59,469
Total	105,564	122,305	9,853	37,782	1,353	276,857
5-Yr. Avg.	21,113	24,461	1,971	7,556	270	55,371
1969	19,088	21,109	1,108	5,049	148	46,502
1970	20,815	24,697	1,997	4,488	268	52,265
1971	24,939	28,176	1,624	2,519	219	57,477
1972	20,474	24,588	2,293	3,150	239	50,744
1973	21,493	20,861	1,761	2,729	239	47,083
1974	27,355	15,462	2,103	4,258	267	49,445
1975	25,248	22,216	2,707	3,782	179	54,132
1976	22,085	28,766	2,469	5,211	245	58,776
1977	18,900	31,753	1,763	4,074	87	56,577
1978	19,055	26,028	299	2,093	183	47,658
1979	21,561	30,401	1,588	3,660	83	57,293
Total	106,849	139,164	8,826	18,820	777	274,436
5-Yr. Avg.	21,370	27,832	1,765	3,765	155	54,887

# Volume 2 -1979

REPORT OF WATERMASTER

Western Municipal Water District of Riverside County, et al  
Plaintiffs

vs.

East San Bernardino County Water District, et al  
Defendants

Superior Court of Riverside County

Case No. 78426

VOLUME 2-1979

VERIFIED EXTRACTIONS FROM  
COLTON BASIN AREA  
FOR  
CALENDAR YEARS 1959-1963 & 1975-1979

ANNUAL ACCOUNTING  
FOR INDIVIDUAL WELLS

AUGUST 1, 1981

WATERMASTER

James C. Hanson  
Donald L. Harriger

VOLUME 2-1979

TABLE OF CONTENTS

	<u>Page</u>
INTRODUCTION . . . . .	1
COLTON BASIN AREA, CROSS INDEX BY OWNER . . . . .	1
COLTON BASIN AREA, CROSS INDEX BY RECORDATION NUMBER . . . . .	4
COLTON BASIN AREA, CROSS INDEX BY STATE WELL NUMBER . . . . .	7
 <u>TABLE NO. 1</u>	
VERIFIED EXTRACTIONS BY OWNERS WHICH HAVE RECORDATION FILINGS WITH THE STATE WATER RESOURCES CONTROL BOARD . . . . .	10
 <u>TABLE NO. 2</u>	
VERIFIED EXTRACTIONS BY OWNERS WHICH HAVE NOT FILED WITH THE STATE WATER RESOURCES CONTROL BOARD . . . . .	14
 <u>TABLE NO. 3</u>	
SUMMARY OF VERIFIED EXTRACTIONS (FILED AND NON-FILED) FROM COLTON BASIN AREA . . . . .	15
 <u>TABLE NO. 4</u>	
GROUNDWATER EXTRACTIONS BY RIVERSIDE COUNTY ENTITIES FROM COLTON BASIN AREA FOR USE IN RIVERSIDE & SAN BERNARDINO COUNTIES DURING THE 5-YEAR BASE PERIOD 1959 THROUGH 1963 AND CALENDAR YEARS 1964 THROUGH 1979 . . . . .	17
 <u>TABLE NO. 5</u>	
GROUNDWATER EXTRACTIONS FROM COLTON BASIN AREA BY SAN BERNARDINO COUNTY ENTITIES FOR USE IN SAN BERNARDINO COUNTY DURING THE 5-YEAR BASE PERIOD 1959 THROUGH 1963 AND CALENDAR YEARS 1964 THROUGH 1979 . . . . .	21

VOLUME 2-1979

VERIFIED EXTRACTIONS FROM  
THE COLTON BASIN AREA FOR  
CALENDAR YEARS 1959-1963 & 1975-1979

INTRODUCTION

The provisions of Paragraph VIII(a) and VIII(b) of the Judgment in Case No. 78426 entered April 17, 1969, entitled "Extractions from Colton Basin Area and Riverside Basin Area in San Bernardino County" provide as follows:

VIII(a) "The average annual extractions from the Colton Basin Area and that portion of the Riverside Basin Area within San Bernardino County for use outside San Bernardino Valley for the five-year period ending with 1963 are assumed to be 3,349 acre-feet and 20,191 acre-feet, respectively, the correct figures shall be determined by the Watermaster as therein provided."

VIII(b) "Over any five-year period, there may be extracted from each such Basin Area for use outside San Bernardino Valley, without replenishment obligation, an amount equal to five times such annual average for the Basin Area; provided, however, that if extractions in any year exceed such average by more than 20 percent, Western shall provide replenishment in the following year equal to the excess extractions over such 20 percent peaking allowance."

Compliance with these provisions of the Judgment requires that an accounting of the total actual extractions of surface and groundwater within the Colton Basin Area and the Riverside Basin Area within San Bernardino County be made annually. Included in this Volume 2-1979 is the verified account of the production from the Colton Basin Area by owners for the calendar years 1975 through 1979. The verified production for the five-year period ending with 1963 and the five-year average is also included for comparison. The five-year average production from the Colton Basin Area ending in 1963 was verified to be 11,731\* acre-feet.

\*Verified extractions corrected during the 1972 & 1973 verification.

Three indexes are included which provide a cross index by owner's name, State Water Resources Control Board Well Recordation Number, and State Well Number. Each index shows, in addition, the local designation of each well and groundwater basin in which the well is located.

Tables No. 1 and No. 2 in this report list the individual wells by the owner for each year in the five-year base period ending in 1963, the five-year base period average, the extractions for the years 1975 through 1979, the five-year average for that period and the owner's total annual verified extractions. Table No. 1 lists the wells upon which filings have been made with the State Water Resources Control Board, and Table No. 2 lists the wells upon which no filings have been made. Table No. 3 is a summary of the verified extractions, by owner, as presented in Tables No. 1 and No. 2.

Paragraph VIII(a) of the Judgment requires that only those extractions from the Colton Basin Area which are used outside San Bernardino Valley be verified for the five calendar years ending with 1963 and accounted for annually from and after January 1, 1971. Accordingly, those extractions from the Colton Basin Area by Riverside County entities for the five calendar years ending with 1963 have been determined and are set forth in Table No. 4. Such extractions averaged 3,496 acre-feet for said five-year period, of which 3,381 acre-feet were delivered outside San Bernardino Valley.

Table No. 4 also shows the extractions from the Colton Basin Area for the years 1959 through 1979. Since the provisions of Paragraph VIII are effective from and after January 1, 1971, the findings for the years 1964 through 1970 are for illustrative and planning purposes only.

The verified extractions from the Colton Basin Area are as follows:

<u>Year</u>	<u>Verified Extractions</u>
1971	11,388 A.F.
1972	10,414 A.F.
1973	7,844 A.F.
1974	8,906 A.F.
1975	11,083 A.F.
1976	11,558 A.F.*
1977	8,777 A.F.
1978	7,663 A.F.
1979	7,194 A.F.

The verified extractions by Riverside entities for 1979 have been determined to be 1,970 acre-feet of which 1,682 acre-feet were delivered outside San Bernardino Valley as shown on Table No. 4, page 20.

Table No. 5 shows the verified extractions from the Colton Basin Area by San Bernardino County entities during the five-year base period 1959 through 1963 and the calendar years 1970 through 1979. The extractions for the years from 1964 through 1969 have also been tabulated in Table No. 5, but since the extractions were not verified for these years, the filed extractions for the Colton Basin Area were used and extractions by the San Bernardino County entities were calculated for 1964 through 1969 by subtracting the verified extractions by Riverside County entities from the total filed extractions from the Colton Basin Area.

\* Corrected during 1977 verification



COLTON BASIN AREA

CROSS INDEX BY OWNER

COLTON BASIN AREA  
CROSS INDEX BY OWNER

OWNER NAME	RECORDATION NUMBER	STATE WELL NUMBER	LOCAL DESIGNATION	BASIN NAME
COLTON, CITY OF	3601255	1S4W18B000	9	RIAL-COLT
COLTON, CITY OF	3601259	1S4W18G000	15	RIAL-COLT
COLTON, CITY OF	3601261	1S4W18F000	17	RIAL-COLT
FONTANA UNION WATER COMPANY	3600577	1S5W05A03S	22	RIAL-COLT
FONTANA UNION WATER COMPANY	3600578	1S5W05A02S	23	RIAL-COLT
FONTANA UNION WATER COMPANY	3600589	1S5W04D01S	35	RIAL-COLT
FONTANA UNION WATER COMPANY	3602129	1N5W30A000	36	RIAL-COLT
HAYES, GEC. G.	3601141	1S4W18K01S	1	RIAL-COLT
JAMES SULLIVAN MUTUAL WATER COMPANY	3602356	1S4W34H000	5731	RIAL-COLT
KATZ HOFFMAN POLVERINI	3602255	1S4W27L01S		RIAL-COLT
LA SIERRA WATER CO.	3602227	1S4W18G000	15	RIAL-COLT
LA SIERRA WATER CO.	3602228	1S4W18F000	17	RIAL-COLT
LEDIG, ALFRED H	3601383	1N5W18D000		RIAL-COLT
MEEKS & DALEY WATER CO.	3601510	1S4W21N01S	36	RIAL-COLT
PATTERSON, JOHN A., M.D.	3600634	1S4W17M01S	PATTERSN	RIAL-COLT
RECHE CANYON MUTUAL WATER CO	3302054	2S4W11A02S	BIG WELL	RIAL-COLT
RECHE CANYON MUTUAL WATER CO	3302055	2S4W11A01S	SMALL WELL	RIAL-COLT
RIALTO, CITY OF	3601264	1S5W03A000	DUNCAN	RIAL-COLT
RIALTO, CITY OF	3601993	1N5W34E000	HIGHLAND	RIAL-COLT
RIALTO, CITY OF	3602253	1N5W27D01S	CEDAR	RIAL-COLT
RIALTO, CITY OF	3602269	1S5W03N02S	TUDOR 1	RIAL-COLT
RIALTO, CITY OF	3602271	1S5W03J01S	TUDOR	RIAL-COLT

COLTON BASIN AREA  
CROSS INDEX BY OWNER

OWNER NAME	RECORDATION NUMBER	STATE WELL NUMBER	LOCAL DESIGNATION	BASIN NAME
RIALTO, CITY OF	3602558	1N5W34M01S	AIRPORT	RIAL-COLT
RIVERSIDE HIGHLAND WATER COMPANY	3601525	1S4W28K01S	4	RIAL-COLT
RIVERSIDE HIGHLAND WATER COMPANY	3602182	1S4W28K02S	4 A	RIAL-COLT
RIVERSIDE, CITY OF	3601480	1S4W21Q03S	JOHNSON 1	RIAL-COLT
RIVERSIDE, CITY OF	3601481	1S4W21L01S	VAUGHN 1	RIAL-COLT
RIVERSIDE, CITY OF	3601482	1S4W28C01S	MEEKS 1	RIAL-COLT
RIVERSIDE, CITY OF	3601494	1S4W21P01S	JOHNSON 2	RIAL-COLT
RIVERSIDE, CITY OF	3601495	1S4W21Q01S	JOHNSON 3	RIAL-COLT
RIVERSIDE, CITY OF	3601496	1S4W21P000	WARM CR.	RIAL-COLT
RIVERSIDE, CITY OF	3602208	1S4W28D01S	MILL	RIAL-COLT
SEGONIA COUNTRY CLUB	NON-FILER	1S4W07C01S	EDMUNDS	RIAL-COLT
SOUTHERN CALIFORNIA EDISON COMPANY	3601008	1S5W12A000	1	RIAL-COLT
SOUTHERY CALIFORNIA EDISON COMPANY	3601010	1S5W12A000	2	RIAL-COLT
SOUTHERN CALIFORNIA EDISON COMPANY	3602218	1S4W29H03S	COLTON	RIAL-COLT
TAYLOR, JOHN S.	3600867	1N5W07P000	TAYLOR 1	RIAL-COLT
TAYLOR, JOHN S.	3600868	1N5W07P000		RIAL-COLT
VILLELLI ENTERPRISES	NON-FILER	1S4W28G000	WELL NO. 4	RIAL-COLT
VILLELLI ENTERPRISES	NON-FILER	1S4W28G000	5 DOMESTIC	RIAL-COLT
VILLELLI ENTERPRISES	3601550	1S4W28A05S	3	RIAL-COLT
VILLELLI ENTERPRISES	3601548	1S4W28G01S	1	RIAL-COLT
WEATHERWELL TILE CO.	NON-FILER	1N5W29P000	PERRY WELL	RIAL-COLT
WEST SAN BENO. COUNTY WATER DIST.	3600309	1S5W02C01S	PLANT NO 10	RIAL-COLT

COLTON BASIN AREA  
CROSS INDEX BY OWNER

OWNER NAME	RECORDATION NUMBER	STATE WELL NUMBER	LOCAL DESIGNATION	BASIN NAME
WEST SAN BONO. COUNTY WATER DIST.	3600311	1S5W02K01S	PLANT NO 11	RIAL-COLT
WEST SAN BONO. COUNTY WATER DIST.	3600995	1S5W12N01S	PLANT NO 17	RIAL-COLT
WEST SAN BONO. COUNTY WATER DIST.	3601001	1S5W12L01S	PLANT NO 16	RIAL-COLT
WEST SAN BONO. COUNTY WATER DIST.	3601689	1N5W17K01S	PLANT NO 21	RIAL-COLT
WEST SAN BONO. COUNTY WATER DIST.	3601690	1N5W28J01S	PLANT NO 22	RIAL-COLT
WEST SAN BONO. COUNTY WATER DIST.	3601691	1N5W17G01S	PLANT NO 23	RIAL-COLT
WEST SAN BONO. COUNTY WATER DIST.	3601931	1N5W17K02S	PLANT NO 24	RIAL-COLT

COLTON BASIN AREA  
 CROSS INDEX BY RECORDATION NUMBER

RECORDATION NUMBER	OWNER NAME	STATE WELL NUMBER	LOCAL DESIGNATION	BASIN NAME
NON-FILER	VILLELLI ENTERPRISES	1S4W28G000	WELL NO. 4	RIAL-COLT
NON-FILER	VILLELLI ENTERPRISES	1S4W28G000	5 DOMESTIC	RIAL-COLT
NON-FILER	SEQUOIA COUNTRY CLUB	1S4W07C01S	EDMUNDS	RIAL-COLT
NON-FILER	WEATHERWELL TILE CO.	1N5W29P000	PERRY WELL	RIAL-COLT
3302054	PECHE CANYON MUTUAL WATER CO	2S4W11A02S	BIG WELL	RIAL-COLT
3302055	PECHE CANYON MUTUAL WATER CO	2S4W11A01S	SMALL WELL	RIAL-COLT
3600309	WEST SAN EDNO. COUNTY WATER DIST.	1S5W02C01S	PLANT NO 10	RIAL-COLT
3600311	WEST SAN EDNO. COUNTY WATER DIST.	1S5W02K01S	PLANT NO 11	RIAL-COLT
3600577	FONTANA UNION WATER COMPANY	1S5W05A03S	22	RIAL-COLT
3600578	FONTANA UNION WATER COMPANY	1S5W05A02S	23	RIAL-COLT
3600588	FONTANA UNION WATER COMPANY	1S5W04D01S	35	RIAL-COLT
3600634	PATTERSON, JOHN A., M.D.	1S4W17M01S	PATTERSN	RIAL-COLT
3600667	TAYLOR, JOHN S.	1N5W07P000	TAYLOR 1	RIAL-COLT
3600668	TAYLOR, JOHN S.	1N5W07P000		RIAL-COLT
3600985	WEST SAN EDNO. COUNTY WATER DIST.	1S5W12N01S	PLANT NO 17	RIAL-COLT
3601001	WEST SAN EDNO. COUNTY WATER DIST.	1S5W12L01S	PLANT NO 16	RIAL-COLT
3601006	SOUTHERN CALIFORNIA EDISON COMPANY	1S5W12A000	1	RIAL-COLT
3601010	SOUTHERN CALIFORNIA EDISON COMPANY	1S5W12A000	2	RIAL-COLT
3601141	HAYES, GEC. G.	1S4W18K01S	1	RIAL-COLT
3601255	COLTON, CITY OF	1S4W14R000	9	RIAL-COLT
3601258	COLTON, CITY OF	1S4W18G000	15	RIAL-COLT
3601261	COLTON, CITY OF	1S4W18F000	17	RIAL-COLT

COLTON BASIN AREA  
CROSS INDEX BY RECORDATION NUMBER

RECORDATION NUMBER	OWNER NAME	STATE WELL NUMBER	LOCAL DESIGNATION	BASIN NAME
3601264	RIALTO, CITY OF	1S5W03A000	DUNCAN	RIAL-COLT
3601353	LEDIG, ALFRED H	1N5W18D000		RIAL-COLT
3601490	RIVERSIDE, CITY OF	1S4W21Q03S	JOHNSON 1	RIAL-COLT
3601491	RIVERSIDE, CITY OF	1S4W21L01S	VAUGHN 1	RIAL-COLT
3601492	RIVERSIDE, CITY OF	1S4W28C01S	MEEKS 1	RIAL-COLT
3601494	RIVERSIDE, CITY OF	1S4W21P01S	JOHNSON 2	RIAL-COLT
3601495	RIVERSIDE, CITY OF	1S4W21Q01S	JOHNSON 3	RIAL-COLT
3601496	RIVERSIDE, CITY OF	1S4W21P000	WARM CR.	RIAL-COLT
3601510	WEEKS & DALEY WATER CO.	1S4W21N01S	36	RIAL-COLT
3601525	RIVERSIDE HIGHLAND WATER COMPANY	1S4W28K01S	4	RIAL-COLT
3601549	VILLELLI ENTERPRISES	1S4W28G01S	1	RIAL-COLT
3601550	VILLELLI ENTERPRISES	1S4W28A05S	3	RIAL-COLT
3601699	WEST SAN BDNO. COUNTY WATER DIST.	1NSW17K01S	PLANT NO 21	RIAL-COLT
3601690	WEST SAN BDNO. COUNTY WATER DIST.	1NSW28J01S	PLANT NO 22	RIAL-COLT
3601691	WEST SAN BDNO. COUNTY WATER DIST.	1NSW17G01S	PLANT NO 23	RIAL-COLT
3601931	WEST SAN BDNO. COUNTY WATER DIST.	1NSW17K02S	PLANT NO 24	RIAL-COLT
3601993	RIALTO, CITY OF	1NSW34B000	HIGHLAND	RIAL-COLT
3602129	FONTANA UNION WATER COMPANY	1NSW30A000	36	RIAL-COLT
3602192	RIVERSIDE HIGHLAND WATER COMPANY	1S4W28K02S	4 A	RIAL-COLT
3602208	RIVERSIDE, CITY OF	1S4W28D01S	MILL	RIAL-COLT
3602219	SOUTHERN CALIFORNIA EDISON COMPANY	1S4W29H03S	COLTON	RIAL-COLT
3602227	LA SIERRA WATER CO.	1S4W16G000	15	RIAL-COLT

COLTON BASIN AREA  
 CROSS INDEX BY RECORDATION NUMBER

RECORDATION NUMBER	OWNER NAME	STATE WELL NUMBER	LOCAL DESIGNATION	BASIN NAME
360222P	LA SIERRA WATER CO.	1S4W18F000	17	RIAL-COLT
3602253	RIALTO, CITY OF	1N5W27D01S	CEDAR	RIAL-COLT
3602255	KATZ HOFFMAN POLVERINI	1S4W27L01S		RIAL-COLT
3602269	RIALTO, CITY OF	1S5W03N02S	TUDOR 1	RIAL-COLT
3602271	RIALTO, CITY OF	1S5W03J01S	TUDOR	RIAL-COLT
3602356	JAMES SULLIVAN MUTUAL WATER COMPANY	1S4W34H000	5731	RIAL-COLT
3602558	RIALTO, CITY OF	1N5W34M01S	AIRPORT	RIAL-COLT

COLTON BASIN AREA

CROSS INDEX BY STATE WELL NUMBER



COLTON BASIN AREA  
 CROSS INDEX BY STATE WELL NUMBER

STATE WELL NUMBER	OWNER NAME	RECORDATION NUMBER	LOCAL DESIGNATION	BASIN NAME
1NSW07P000	TAYLOR, JOHN S.	3600867	TAYLOR 1	RIAL-COLT
1NSW07P000	TAYLOR, JOHN S.	3600868		RIAL-COLT
1NSW17G01S	WEST SAN EDNO. COUNTY WATER DIST.	3601691	PLANT NO 23	RIAL-COLT
1NSW17K01S	WEST SAN EDNO. COUNTY WATER DIST.	3601689	PLANT NO 21	RIAL-COLT
1NSW17K02S	WEST SAN EDNO. COUNTY WATER DIST.	3601931	PLANT NO 24	RIAL-COLT
1NSW1AD000	LECIG, ALFRED H	3601383		RIAL-COLT
1NSW27D01S	PIALTO, CITY OF	3602253	CEDAR	RIAL-COLT
1NSW28J01S	WEST SAN EDNO. COUNTY WATER DIST.	3601690	PLANT NO 22	RIAL-COLT
1NSW20P000	WEATHERWELL TILE CO.	NON-FILER	PERRY WELL	RIAL-COLT
1NSW30A000	FONTANA UNION WATER COMPANY	3602129	36	RIAL-COLT
1NSW34B000	RIALTO, CITY OF	3601993	HIGHLAND	RIAL-COLT
1NSW34M01S	RIALTO, CITY OF	3602558	AIRPORT	RIAL-COLT
1S4W07C01S	SEQUOIA COUNTRY CLUB	NON-FILER	EDMUNDS	RIAL-COLT
1S4W17M01S	PATTERSON, JOHN A., M.O.	3600634	PATTERSN	RIAL-COLT
1S4W14R000	COLTON, CITY OF	3601255	9	RIAL-COLT
1S4W14F000	COLTON, CITY OF	3601261	17	RIAL-COLT
1S4W14F000	LA SIERRA WATER CO.	3602228	17	RIAL-COLT
1S4W14G000	COLTON, CITY OF	3601259	15	RIAL-COLT
1S4W14G000	LA SIERRA WATER CO.	3602227	15	RIAL-COLT
1S4W14K01S	HAYS, GEC. G.	3601141	1	RIAL-COLT
1S4W21L01S	RIVERSIDE, CITY OF	3601481	VAUGHN 1	RIAL-COLT
1S4W21N01S	MEEKS & DALEY WATER CO.	3601510	36	RIAL-COLT

COLTON BASIN AREA  
 CROSS INDEX BY STATE WELL NUMBER

STATE WELL NUMBER	OWNER NAME	RECORDATION NUMBER	LOCAL DESIGNATION	BASIN NAME
1S4W21P000	RIVERSIDE, CITY OF	3601496	WARM CR.	RIAL-COLT
1S4W21P01S	RIVERSIDE, CITY OF	3601494	JOHNSON 2	RIAL-COLT
1S4W21001S	RIVERSIDE, CITY OF	3601495	JOHNSON 3	RIAL-COLT
1S4W21003S	RIVERSIDE, CITY OF	3601480	JOHNSON 1	RIAL-COLT
1S4W27L01S	KATZ HOFFMAN POLVERINI	3602255		RIAL-COLT
1S4W28A05S	VILLELLI ENTERPRISES	3601550	3	RIAL-COLT
1S4W28C01S	RIVERSIDE, CITY OF	3601482	WEEKS 1	RIAL-COLT
1S4W28C01S	RIVERSIDE, CITY OF	3602208	HILL	RIAL-COLT
1S4W28G000	VILLELLI ENTERPRISES	NON-FILER	WELL NO. 4	RIAL-COLT
1S4W28G000	VILLELLI ENTERPRISES	NON-FILER	5 DOMESTIC	RIAL-COLT
1S4W28G01S	VILLELLI ENTERPRISES	3601548	1	RIAL-COLT
1S4W28K01S	RIVERSIDE HIGHLAND WATER COMPANY	3601525	4	RIAL-COLT
1S4W28K02S	RIVERSIDE HIGHLAND WATER COMPANY	3602182	4 A	RIAL-COLT
1S4W29H03S	SOUTHERN CALIFORNIA EDISON COMPANY	3602218	COLTON	RIAL-COLT
1S4W34H000	JAMES SULLIVAN MUTUAL WATER COMPANY	3602356	5731	RIAL-COLT
1S5W02C01S	WEST SAN RDNO. COUNTY WATER DIST.	3600309	PLANT NO 10	RIAL-COLT
1S5W02K01S	WEST SAN RDNO. COUNTY WATER DIST.	3600311	PLANT NO 11	RIAL-COLT
1S5W03A000	RIALTO, CITY OF	3601264	DUNCAN	RIAL-COLT
1S5W03J01S	RIALTO, CITY OF	3602271	TUDOR	RIAL-COLT
1S5W03N02S	RIALTO, CITY OF	3602269	TUDOR 1	RIAL-COLT
1S5W04D01S	FONTANA UNION WATER COMPANY	3600589	35	RIAL-COLT
1S5W05A02S	FONTANA UNION WATER COMPANY	3600579	23	RIAL-COLT

COLTON BASIN AREA  
 CROSS INDEX BY STATE WELL NUMBER

STATE WELL NUMBER	OWNER NAME	RECORDATION NUMBER	LOCAL DESIGNATION	BASIN NAME
155W05A03S	FONTANA UNION WATER COMPANY	3600577	22	RIAL-COLT
155W12A000	SOUTHERN CALIFORNIA EDISON COMPANY	3601008	1	RIAL-COLT
155W12A000	SOUTHERN CALIFORNIA EDISON COMPANY	3601010	2	RIAL-COLT
155W12L01S	WEST SAN BDNO. COUNTY WATER DIST.	3601001	PLANT NO 16	RIAL-COLT
155W12N01S	WEST SAN BDNO. COUNTY WATER DIST.	3600995	PLANT NO 17	RIAL-COLT
2S4W11A01S	RECHE CANYON MUTUAL WATER CO	3302055	SMALL WELL	RIAL-COLT
2S4W11A02S	RECHE CANYON MUTUAL WATER CO	3302054	BIG WELL	RIAL-COLT

TABLE NO. 1

VERIFIED EXTRACTIONS BY OWNERS WHICH HAVE  
RECORDATION FILINGS WITH THE STATE WATER  
RESOURCES CONTROL BOARD

TABLE NO. 1  
 VERIFIED EXTRACTIIONS BY OWNERS WHICH HAVE RECORDATION FILINGS  
 WITH THE STATE WATER RESOURCES CONTROL BOARD

OWNER	1959	1960	1961	1962	1963 AVERAGE	1975	1976	1977	1978	1979	1975-79 AVERAGE
COLTON, CITY OF											
3601255 1S4W18B000 W	101	101	106	135	103	64	166	125	156	224	147
3601259 1S4W18G000 W	1064	781	787	377	455	292	259	314	273	612	350
3601261 1S4W18F000 W	761	880	752	394	474	194	467	452	572	1148	567
OWNER TOTAL	1926*	1762*	1645*	906*	1032*	550*	892*	891*	1001*	1984*	1064*
FONTANA UNION WATER COMPANY											
3600577 1S5W05A03S W	0	132	546	0	400	550	815	382	439	105	458
3600578 1S5W05A02S W	0	0	429	0	0	0	0	0	0	0	0
3600589 1S5W04D01S W	437	621	227	407	449	351	635	706	261	129	416
3602129 1N5W30A000 W	31	31	31	31	31	0	0	0	0	0	0
OWNER TOTAL	468*	784*	1233*	438*	880*	901*	1450*	1088*	700*	234*	875*
HAYES, GEO. G.											
3601141 1S4W19K01S W	0	0	0	0	0	0	0	0	0	0	0
JAMES SULLIVAN MUTUAL WATER COMPANY											
3602356 1S4W34H000 W	22	24	12	13	14	14	18	18	15	15	16
KATZ HOFFMAN POLVERINI											
3602255 1S4W27L01S W	283	283	283	283	0	0	0	0	0	0	0
LA SIERRA WATER CO.											
3602227 1S4W18G000 W	0	0	0	0	0	69	349	202	202	184	201
3602228 1S4W18F000 W	0	0	0	0	0	559	304	304 <sup>(3)</sup>	304	351	364
OWNER TOTAL	0*	0*	0*	0*	0*	628*	653*	506*	506*	535*	566*
LEDIG, ALFRED H											
3601383 1N5W18D000 W	0	0	0	0	0	0	0	0	0	0	0

(3) VERIFIED EXTRACTIIONS CORRECTED DURING THE 1977 VERIFICATION

TABLE NO. 1  
 VERIFIED EXTRACTATIONS BY OWNERS WHICH HAVE RECORDATION FILINGS  
 WITH THE STATE WATER RESOURCES CONTROL BOARD

OWNER	1959	1960	1961	1962	1963	1959-63 AVERAGE	1975	1976	1977	1978	1979	1975-79 AVERAGE
WEEKS & DALEY WATER CO.												
3601510 1S4W21N01S W	2168	23	465	1185	339	836	1350	1860	2018	422	1698	1470
PATTERSON, JOHN A., M.D.												
3600634 1S4W17N01S W	137	0	0	0	0	27	0	0	0	0	0	0
RECHE CANYON MUTUAL WATER CO												
(1) 3302054 2S4W11A02S W						0	49	50	51	51	50	50
(1) 3302055 2S4W11A01S W						0	18	20	20	26	26	22
OWNER TOTAL	0*	0*	0*	0*	0*	0*	67*	70*	71*	77*	76*	72*
RIALTO, CITY OF												
3601264 1S5W03A000 W	967	808	1372	754	994 <sup>(2)</sup>	983 <sup>(2)</sup>	775	739	434	589	541	616
3601993 1N5W34E000 W	0	0	0	723	600 <sup>(2)</sup>	265 <sup>(2)</sup>	326	573	105	283	249	307
3602253 1N5W27D01S W	0	0	0	0	0	0	1279	1167	767	1119	208	908
3602269 1S5W03N02S W	0	275	342	236	385	248	0	677	121	199	0	199
3602271 1S5W03J01S W	160	160	160	160	160	160	0	0	0	0	0	0
3602558 1N5W34K01S W						0	364	440	330	254	41	286
OWNER TOTAL	1147*	1243*	1874*	1873*	2139*	1655*	2744*	3596*	1757*	2444*	1039*	2316*
RIVERSIDE HIGHLAND WATER COMPANY												
3601525 1S4W28K01S W	211	126	357	280	163	227	260	130	175	265	139	194
3602182 1S4W28K02S W	0	0	0	0	0	0	40	40	157	5	52	59
OWNER TOTAL	211*	126*	357*	280*	163*	227*	300*	170*	332*	270*	191*	253*
RIVERSIDE, CITY OF												
3601480 1S4W21O03S W	2183	1569	1569	963	789	1415	1162	479	241	0	1	377

(1) WELL EXTRACTATIONS NOT VERIFIED FOR 1959 TO 1963 (OWNER FILED FIRST NOTICE WITH STATE IN 1971)  
 (2) 1963 VERIFIED EXTRACTATIONS CORRECTED DURING THE 1973 VERIFICATION

TABLE NO. 1  
 VERIFIED EXTRACTATIONS BY OWNERS WHICH HAVE RECORDATION FILINGS  
 WITH THE STATE WATER RESOURCES CONTROL BOARD

OWNER	1959	1960	1961	1962	1963	1959-63			1978	1979	1975-79	
						AVERAGE	1975	1976				1977
(CONTINUED)												
RIVERSIDE, CITY OF												
3601481	39	135	1378	498	593	529	816	67	0	456	3	268
3601482	649	461	539	374	425	490	397	299	25	0	1	144
3601494	0	0	0	0	0	0	0	0	0	0	0	0
3601495	0	0	0	0	0	0	0	0	0	0	0	0
3601496	0	0	0	0	0	0	0	0	0	0	0	0
3602208	0	0	0	0	0	0	170	8	29	8	0	43
OWNER TOTAL	2871*	2165*	3486*	1835*	1807*	2433*	2545*	853*	295*	464*	5*	832*
SOUTHERN CALIFORNIA EDISON COMPANY												
3601008	199	200	215	200	200	203	200	200	200	200	200	200
3601010	0	0	0	0	0	0	0	0	0	0	0	0
3602218	8	8	7	8	8	8	6	1	0	2	0	2
OWNER TOTAL	207*	208*	222*	208*	208*	211*	206*	201*	200*	202*	200*	202*
TAYLOR, JOHN S.												
3600867	0	0	0	0	0	0	0	0	0	0	0	0
3600868	0	0	0	0	0	0	0	0	0	0	0	0
OWNER TOTAL	0*	0*	0*	0*	0*	0*	0*	0*	0*	0*	0*	0*
VILLELLI ENTERPRISES												
3601550	193	147	172	75	2	118	0	0	0	0	0	0
3601548	246	171	209	105	41	154	307	277	221	169	30	201
OWNER TOTAL	439*	318*	381*	180*	43*	272*	307*	277*	221*	169*	30*	201*
WEST SAN BENO. COUNTY WATER DIST.												
3600300	1222	1032	837	763	825	936	0	0	0	0	0	0

TABLE NO. 1  
 VERIFIED EXTRactions BY OWNERS WHICH HAVE RECORDATION FILINGS  
 WITH THE STATE WATER RESOURCES CONTROL BOARD

OWNER	1959	1960	1961	1962	1963	1959-63		1976	1977	1978	1979	1975-79
						AVERAGE	AVERAGE					
WEST SAN BONO COUNTY WATER DIST. (CONTINUED)												
3600311 1S5W02K01S W	0	1096	1123	563	1042	765	0	0	0	0	0	0
3600995 1S5W12M01S W	476	795	630	475	128	501	305	278	655	575	6	364
3601001 1S5W12L01S W	1418	1145	1453	1089	627	1146	791	943	401	553	833	704
3601689 1N5W17K01S W	3	0	0	1	0	1	0	0	0	0	0	0
3601690 1N5W28J01S W	0	0	0	0	0	0	0	0	0	0	0	0
3601691 1N5W17G01S W	116	43	15	54	15	49	0	4	0	3	90	19
3601931 1N5W17K02S W	0	84	115	95	132	85	315	266	229	235	258	261
OWNER TOTAL	3235*	4195*	4173*	3040*	2769*	3482*	1411*	1491*	1285*	1366*	1187*	1348*
TOTAL VERIFIED PRODUCTION ALL FACILITIES	13114*	11131*	14131*	10241*	9394*	11602*(2)	11023*	11531*	8682*	7636*	7194*	9213*

(2) 1963 VERIFICATION EXTRactions CORRECTED DURING THE 1973 VERIFICATION



TABLE NO. 2

VERIFIED EXTRACTIONS BY OWNERS WHICH HAVE  
NOT FILED WITH THE STATE WATER RESOURCES  
CONTROL BOARD

TABLE NO. 2  
 VERIFIED EXTRACTIONS BY OWNERS WHICH HAVE NOT FILED  
 WITH THE STATE WATER RESOURCES CONTROL BOARD

OWNER	1959	1960	1961	1962	1963	1959-63		1976	1977	1978	1979	1975-79
						AVERAGE	AVERAGE					AVERAGE
SEQUOIA COUNTRY CLUB												
NON-FILER 1S4W07C01S W	0	0	215	215	215	129	60	27	95	27	0	42
VILLELLI ENTERPRISES												
NON-FILER 1S4W28G000 W	0	0	0	0	0	0	0	0	0	0	0	0
NON-FILER 1S4W28G000 W	0	0	0	0	0	0	0	0	0	0	0	0
OWNER TOTAL	0*	0*	0*	0*	0*	0*	0*	0*	0*	0*	0*	0*
WEATHERWELL TILE CO.												
(1) NON-FILER 1N5W29P000 W						0	0	0	0	0	0	0
TOTAL VERIFIED PRODUCTION ALL FACILITIES	0*	0*	215*	215*	215*	129*	60*	27*	95*	27*	0*	42*

(1) WELL EXTRACTIONS VERIFIED DURING THE 1972 VERIFICATION (PRODUCTION BEGAN IN 1961)

TABLE NO. 3

SUMMARY OF VERIFIED EXTRACTIONS  
(FILED AND NON-FILED)  
FROM COLTON BASIN AREA

TABLE NO. 3  
 SUMMARY OF VERIFIED EXTRactions (FILED AND NON-FILED)  
 FROM COLTON BASIN AREA

OWNER	1959	1960	1961	1962	1963	1959-63 AVERAGE	1975	1976	1977	1978	1979	1975-79 AVERAGE
COLTON, CITY OF												
OWNER TOTAL	1926*	1762*	1645*	906*	1032*	1454*	550*	892*	891*	1001*	1984*	1064*
FONTANA UNION WATER COMPANY												
OWNER TOTAL	468*	784*	1233*	438*	880*	761*	901*	1450*	1088*	700*	234*	875*
HAYES, GEO. C.												
OWNER TOTAL	0*	0*	0*	0*	0*	0*	0*	0*	0*	0*	0*	0*
JAMES SULLIVAN MUTUAL WATER COMPANY												
OWNER TOTAL	22*	24*	12*	13*	14*	17*	14*	18*	18*	15*	15*	16*
KATZ HOFFMAN POLVERINI												
OWNER TOTAL	283*	283*	283*	283*	0*	226*	0*	0*	0*	0*	0*	0*
LA SIERRA WATER CO.												
OWNER TOTAL	0*	0*	0*	0*	0*	0*	628*	653*	506*	506*	535*	566*
LEDIG, ALFRED H.												
OWNER TOTAL	0*	0*	0*	0*	0*	0*	0*	0*	0*	0*	0*	0*
MEEKS & DALEY WATER CO.												
OWNER TOTAL	2168*	23*	465*	1185*	339*	836*	1350*	1860*	2018*	422*	1698*	1470*
PATTERSON, JOHN A., M.D.												
OWNER TOTAL	137*	0*	0*	0*	0*	27*	0*	0*	0*	0*	0*	0*
RECHE CANYON MUTUAL WATER CO.												
OWNER TOTAL	0*	0*	0*	0*	0*	0*	67*	70*	71*	77*	76*	72*
REALTY, CITY OF												
OWNER TOTAL	1147*	1243*	1874*	1873*	2139*	1655*	2744*	3586*	1757*	2444*	1039*	2216*

TABLE NO. 3  
 SUMMARY OF VERIFIED EXTRACTIONS (FILED AND NON-FILED)  
 FROM COLTON BASIN AREA

OWNER	1959	1960	1961	1962	1963	1959-63 AVERAGE	1975	1976	1977	1978	1979	1975-79 AVERAGE
RIVERSIDE HIGHLAND WATER COMPANY												
OWNER TOTAL	211*	126*	357*	280*	163*	227*	300*	170*	332*	270*	191*	253*
RIVERSIDE, CITY OF												
OWNER TOTAL	2871*	2165*	3486*	1835*	1807*	2433*	2545*	853*	295*	464*	5*	832*
SEQUOIA COUNTRY CLUB												
OWNER TOTAL	0*	0*	215*	215*	215*	129*	60*	27*	95*	27*	0*	42*
SOUTHERN CALIFORNIA EDISON COMPANY												
OWNER TOTAL	207*	208*	222*	208*	208*	211*	206*	201*	200*	202*	200*	202*
TAYLOR, JOHN S.												
OWNER TOTAL	0*	0*	0*	0*	0*	0*	0*	0*	0*	0*	0*	0*
VILLELLI ENTERPRISES												
OWNER TOTAL	439*	318*	381*	180*	43*	272*	307*	277*	221*	169*	30*	201*
WEATHERWELL TILE CO.												
OWNER TOTAL	0*	0*	0*	0*	0*	0*	0*	0*	0*	0*	0*	0*
WEST SAN EDNO. COUNTY WATER DIST.												
OWNER TOTAL	3235*	4195*	4173*	3040*	2769*	3482*	1411*	1491*	1285*	1366*	1187*	1348*
TOTAL VERIFIED PRODUCTION ALL FACILITIES	13114*	11131*	14346*	(1) 10456*	(2) 9609*	(2) 11731*	11083*	11558*	(3) 8777*	7663*	7104*	9255*

(1) VERIFIED EXTRACTIONS CORRECTED DURING THE 1972 VERIFICATION  
 (2) VERIFIED EXTRACTIONS CORRECTED DURING THE 1973 VERIFICATION  
 (3) VERIFIED EXTRACTIONS CORRECTED DURING THE 1977 VERIFICATION

TABLE NO. 4

GROUNDWATER EXTRACTIONS BY RIVERSIDE COUNTY  
ENTITIES FROM COLTON BASIN AREA FOR USE IN  
RIVERSIDE & SAN BERNARDINO COUNTIES DURING  
THE 5-YEAR BASE PERIOD 1959 THROUGH 1963  
AND CALENDAR YEARS 1964 THROUGH 1979

TABLE NO. 4

GROUNDWATER EXTRACTIONS BY RIVERSIDE COUNTY ENTITIES FROM COLTON BASIN AREA FOR USE IN RIVERSIDE AND SAN BERNARDINO COUNTIES DURING THE 5-YEAR BASE PERIOD 1959 THROUGH 1963 AND CALENDAR YEARS 1964 THROUGH 1979

(ALL VALUES IN ACRE FEET)

Riverside Entities	EXTRACTIONS FROM COLTON BASIN AREA FOR USE WITHIN & EXPORT THEREFROM																	
	1959			1960			1961			1962			1963			5-Year Avg.		
	Total Extractions	Delivery within San Bernardino Co.	Delivery within Riverside Co.	Total Extractions	Delivery within San Bernardino Co.	Delivery within Riverside Co.	Total Extractions	Delivery within San Bernardino Co.	Delivery within Riverside Co.	Total Extractions	Delivery within San Bernardino Co.	Delivery within Riverside Co.	Total Extractions	Delivery within San Bernardino Co.	Delivery within Riverside Co.	Total Extractions	Delivery within San Bernardino Co.	Delivery within Riverside Co.
City of Riverside Dom. & Irrig.	2,871	41	2,830	2,165	28	2,137	3,486	0	3,486	1,835	0	1,835	1,807	7	1,800	2,433	15	2,418
Meeks & Daley Water Company	2,168	88	2,080	465	18	447	1,185	57	1,128	1,128	339	339	339	13	326	836	35	801
Riverside Highland Water Company	211	50	161	357	107	250	280	96	184	280	163	163	163	47	116	227	65	162
<b>TOTAL</b>	<b>5,250</b>	<b>179</b>	<b>5,071</b>	<b>4,308</b>	<b>125</b>	<b>4,183</b>	<b>3,300</b>	<b>153</b>	<b>3,147</b>	<b>2,309</b>	<b>67</b>	<b>2,242</b>	<b>3,496</b>	<b>115</b>	<b>3,381</b>			

See Volume 5, Distribution of Extractions, Chapter II, Table No. 37.

TABLE NO. 4

GROUNDWATER EXTRACTIONS BY RIVERSIDE COUNTY ENTITIES FROM COLTON BASIN AREA FOR USE IN RIVERSIDE AND SAN BERNARDINO COUNTIES DURING THE 5-YEAR BASE PERIOD 1959 THROUGH 1963 AND CALENDAR YEARS 1964 THROUGH 1979 (ALL VALUES IN ACRE FEET)

Riverside Entities	EXTRACTIONS FROM COLTON BASIN AREA FOR USE WITHIN & EXPORT THEREFROM																	
	1964			1965			1966			1967			1968			5-Year Avg.		
	Total Extractions	Delivery within San Bernardino Co.	Delivery within Riverside Co.	Total Extractions	Delivery within San Bernardino Co.	Delivery within Riverside Co.	Total Extractions	Delivery within San Bernardino Co.	Delivery within Riverside Co.	Total Extractions	Delivery within San Bernardino Co.	Delivery within Riverside Co.	Total Extractions	Delivery within San Bernardino Co.	Delivery within Riverside Co.	Total Extractions	Delivery within San Bernardino Co.	Delivery within Riverside Co.
City of Riverside Dom. & Irrig.	2,179	0	2,179	2,185	0	2,185	1,824	0	1,824	2,295	0	2,295	3,289	0	3,289	2,355	0	2,355
Weeks & Daley Water Company	310	16	294	1,547	86	1,461	1,731	106	1,625	271	23	248	596	37	559	891	54	837
Riverside Highland Water Company	188	69	119	254	95	159	337	11	11	127	123	4	525	509	16	286	224	62
<b>TOTAL</b>	<b>2,677</b>	<b>85</b>	<b>2,592</b>	<b>3,986</b>	<b>181</b>	<b>3,805</b>	<b>3,892</b>	<b>432</b>	<b>3,460</b>	<b>2,693</b>	<b>166</b>	<b>2,547</b>	<b>4,410</b>	<b>546</b>	<b>3,864</b>	<b>3,532</b>	<b>278</b>	<b>3,254</b>

See Volume 5, Distribution of Extractions, Chapter II, Table No. 37.



TABLE NO. 4

GROUND WATER EXTRactions BY RIVERSIDE COUNTY ENTITIES FROM COLTON BASIN AREA FOR USE IN RIVERSIDE & SAN BERNARDINO COUNTIES DURING THE 5-YEAR BASE PERIOD 1959 THROUGH 1963 AND CALENDAR YEARS 1964 THROUGH 1979

(All Quantities in Acre Ft.)

Riverside County Entities	EXTRactions FROM COLTON BASIN AREA FOR USE WITHIN & EXPORT THEREFROM																	
	1969			1970			1971			1972			1973			1974		
	Total Extractions	Delivery Within San Bernardino Co.	Delivery Within Riverside Co.	Total Extractions	Delivery Within San Bernardino Co.	Delivery Within Riverside Co.	Total Extractions	Delivery Within San Bernardino Co.	Delivery Within Riverside Co.	Total Extractions	Delivery Within San Bernardino Co.	Delivery Within Riverside Co.	Total Extractions	Delivery Within San Bernardino Co.	Delivery Within Riverside Co.	Total Extractions	Delivery Within San Bernardino Co.	Delivery Within Riverside Co.
City of Riverside Dam. & Irrig.	1,130	0	1,130	2,260	0	2,260	2,696	0	2,696	2,521	0	2,521	101	0	101	1,386	0	1,386
Weeks & Daley Water Company	753	66	687	0	0	0	0	0	0	0	0	484	41	443	0	0	0	
Riverside Highland Water Company	263	254	9	221	214	7	256	248	8	285	271	14	206	6	282	273	9	
Reche Canyon Mutual Water Company				70	0	70	73	0	73	76	0	76	65	0	69	0	69	
<b>TOTAL</b>	<b>2,146</b>	<b>320</b>	<b>1,826</b>	<b>2,551</b>	<b>214</b>	<b>2,337</b>	<b>3,025</b>	<b>248</b>	<b>2,777</b>	<b>2,882</b>	<b>271</b>	<b>2,611</b>	<b>862</b>	<b>267</b>	<b>1,737</b>	<b>273</b>	<b>1,464</b>	

See Report of Watermaster, Volume 5, Distribution of Extractions, Chapter II, Table No. 37.

TABLE NO. 4

GROUNDWATER EXTRACTIONS BY RIVERSIDE COUNTY ENTITIES FROM COLTON BASIN AREA FOR USE IN RIVERSIDE & SAN BERNARDINO COUNTIES DURING THE 5-YEAR BASE PERIOD 1959 THROUGH 1963 AND CALENDAR YEARS 1964 THROUGH 1979

Riverside County Entities	(All Quantities in Acre Feet)																	
	EXTRACTIONS FROM COLTON BASIN AREA FOR USE WITHIN & EXPORT THEREFROM																	
	1975			1976			1977			1978			1979			5-Yr Average		
	Total Extractions	Delivery Within San Bernardino Co	Delivery Within Riverside Co	Total Extractions	Delivery Within San Bernardino Co	Delivery Within Riverside Co	Total Extractions	Delivery Within San Bernardino Co	Delivery Within Riverside Co	Total Extractions	Delivery Within San Bernardino Co	Delivery Within Riverside Co	Total Extractions	Delivery Within San Bernardino Co	Delivery Within Riverside Co	Total Extractions	Delivery Within San Bernardino Co	Delivery Within Riverside Co
City of Riverside Dom. & Irrig.	2,545	0	2,545	853	0	853	295	0	295	464	0	464	5	0	5	832	0	832
Meeks & Daley Water Company	1,350	98	1,252	1,860	105	1,755	2,018	125	1,893	422	78	344	1,698	104	1,594	1,470	102	1,368
Riverside Highland Water Company	300	291	9	170	165	5	332	322	10	270	260	10	191	184	7	253	245	8
Reche Canyon Mutual Water Company	67	0	67	70	0	70	71	0	71	77	0	77	76	0	76	72	0	72
<b>TOTAL</b>	<b>4,262</b>	<b>389</b>	<b>3,873</b>	<b>2,953</b>	<b>270</b>	<b>2,683</b>	<b>2,716</b>	<b>447</b>	<b>2,269</b>	<b>1,233</b>	<b>338</b>	<b>895</b>	<b>1,970</b>	<b>288</b>	<b>1,682</b>	<b>2,627</b>	<b>347</b>	<b>2,280</b>

See Report of Watermaster, Volume 5, Distribution of Extractions, Chapter II, Table No. 37.

TABLE NO. 5

GROUNDWATER EXTRACTIONS FROM COLTON BASIN AREA  
BY SAN BERNARDINO COUNTY ENTITIES FOR USE IN  
SAN BERNARDINO COUNTY DURING THE 5-YEAR BASE PERIOD  
1959 THROUGH 1963 AND CALENDAR YEARS 1964 THROUGH 1979

TABLE NO. 5

GROUNDWATER EXTRACTIONS FROM COLTON BASIN AREA BY SAN BERNARDINO COUNTY ENTITIES  
FOR USE IN SAN BERNARDINO COUNTY DURING THE 5-YEAR BASE PERIOD 1959 THROUGH 1963 AND  
CALENDAR YEARS 1964 THROUGH 1979  
 (All Quantities in Acre Feet)

Verified Extractions from Colton Basin Area °

Calendar Year	Total from Basin (1)	by Riverside County Entities (2)	by San Bernardino County Entities (3) = (1) - (2)
1959	13,114	5,250	7,864
1960	11,131	2,314	8,817
1961	14,346	4,308	10,038
1962	10,456	3,300	7,156
1963	9,609	2,309	7,300
Total 5-Yr. Avg.	11,731	3,496	8,235
1964	12,824*	2,677	10,147
1965	12,981*	3,986	8,995
1966	13,479*	3,892	9,587
1967	11,385*	2,693	8,692
1968	13,993*	4,410	9,583
Total 5-Yr. Avg.	12,932	3,532	9,400
1969	11,646*	2,146	9,500
1970	11,567	2,551	9,016
1971	11,388	3,025	8,363
1972	10,414	2,882	7,532
1973	7,844	862	6,982
1974	8,906	1,737	7,169
1975	11,083	4,262	6,821
1976	11,558**	2,953	8,605
1977	8,777	2,716	6,061
1978	7,663	1,233	6,430
1979	7,194	1,970	5,224
Total 5-Yr. Avg.	46,275 9,255	13,134 2,627	33,141 6,628

\* Total filed Extractions from Colton Basin Column (2) from Table 4, Total Extractions

\*\*Corrected during 1977 Verification ° From Table 39, Vol. 5

# Volume 3 -1979

REPORT OF WATERMASTER

Western Municipal Water District of Riverside County, et al  
Plaintiffs

vs.

East San Bernardino County Water District, et al  
Defendants

Superior Court of Riverside County

Case No. 78426

VOLUME 3-1979

VERIFIED EXTRACTIONS FROM THE  
RIVERSIDE BASIN AREA WITHIN  
SAN BERNARDINO COUNTY  
FOR  
CALENDAR YEARS 1959-1963 & 1975-1979

ANNUAL ACCOUNTING  
FOR INDIVIDUAL WELLS

AUGUST 1, 1981

WATERMASTER

James C. Hanson  
Donald L. Harriger

VOLUME 3-1979.

TABLE OF CONTENTS

	<u>Page</u>
INTRODUCTION . . . . .	1
RIVERSIDE BASIN AREA IN SAN BERNARDINO COUNTY CROSS INDEX BY OWNER . . . . .	1
RIVERSIDE BASIN AREA IN SAN BERNARDINO COUNTY CROSS INDEX BY RECORDATION NUMBER . . . . .	7
RIVERSIDE BASIN AREA IN SAN BERNARDINO COUNTY CROSS INDEX BY STATE WELL NUMBER . . . . .	13
<u>TABLE NO. 1</u>	
VERIFIED EXTRACTIONS BY OWNERS WHICH HAVE RECORDATION FILINGS WITH THE STATE WATER RESOURCES CONTROL BOARD . . . . .	19
<u>TABLE NO. 2</u>	
VERIFIED EXTRACTIONS BY OWNERS WHICH HAVE NOT FILED WITH THE STATE WATER RESOURCES CONTROL BOARD . . . . .	27
<u>TABLE NO. 3</u>	
SUMMARY OF VERIFIED EXTRACTIONS (FILED AND NON-FILED) FROM RIVERSIDE BASIN AREA WITHIN SAN BERNARDINO COUNTY . . . . .	28
<u>TABLE NO. 4</u>	
GROUNDWATER PRODUCTION FROM THAT PART OF THE RIVERSIDE GROUNDWATER BASIN SITUATED WITHIN SAN BERNARDINO COUNTY BY RIVERSIDE COUNTY ENTITIES, A PART OF WHICH IS USED IN SAN BERNARDINO COUNTY AND THE REMAINDER EXPORTED TO RIVERSIDE COUNTY DURING THE 5-YEAR BASE PERIOD ENDING IN 1963 AND FOR FOLLOWING CALENDAR YEARS 1964 THROUGH 1979 . . . . .	33
<u>TABLE NO. 5</u>	
GROUNDWATER PRODUCTION FROM THAT PART OF THE RIVERSIDE GROUNDWATER BASIN SITUATED WITHIN SAN BERNARDINO COUNTY BY SAN BERNARDINO COUNTY ENTITIES FOR USE IN SAN BERNARDINO COUNTY DURING THE 5-YEAR BASE PERIOD ENDING IN 1963 AND FOR FOLLOWING CALENDAR YEARS 1964 THROUGH 1979 . . . . .	37

VOLUME 3-1979

VERIFIED EXTRACTIONS FROM  
THE RIVERSIDE BASIN AREA  
WITHIN SAN BERNARDINO COUNTY FOR  
CALENDAR YEAR 1959-1963 & 1975-1979

INTRODUCTION

The provisions of Paragraphs VIII(a) and VIII(b) of the Judgment in Case No. 78426 entered April 17, 1969, entitled "Extractions from Colton Basin Area and Riverside Basin Area in San Bernardino County" provide as follows:

VIII(a) "The average annual extractions from the Colton Basin Area and that portion of the Riverside Basin Area within San Bernardino County, for use outside San Bernardino Valley, for the five-year period ending with 1963 are assumed to be 3,349 acre-feet and 20,191 acre-feet, respectively; the correct figures shall be determined by the Watermaster as herein provided.

VIII(b) "Over any five-year period, there may be extracted from over such Basin Area and for use outside San Bernardino Valley, without replenishment obligation, an amount equal to five times such annual average for the Basin Area; provided, however, that if extractions in any year exceed such average by more than 20 percent, Western shall provide replenishment in the following year equal to the excess extractions over such 20 percent peaking allowance."

Compliance with these provisions of the Judgment requires that an accounting of the total actual extractions of surface and groundwater from the Colton Basin Area and the Riverside Basin Area within San Bernardino County be made annually. Included in this Volume 3-1979 is the verified accounting of the production from the Riverside Basin Area in San Bernardino County by owners for the calendar years 1975 through 1979 and the five-year average for that period. The verified production for the five-year period ending with 1963 and the five-year average is also included for comparison.



The five-year average production from the Riverside Basin Area within San Bernardino County ending in 1963 was verified to be 33,729 acre-feet.

Three indexes are included which provide a cross index by owner's name, State Water Resources Control Board Well Recordation Number, and State Well Number. Each index shows, in addition, the local designation of each well and groundwater basin in which the well is located.

Tables No. 1 and No. 2 in this report list the individual wells by the owner for each year in the five-year base period ending in 1963, the five-year base period average, the extractions for the years 1975 through 1979, the five-year average for that period and the owner's total annual verified extractions. Table No. 1 lists the wells upon which filings have been made with the State Water Resources Control Board, and Table No. 2 lists the wells upon which no filings have been made. Table No. 3 is a summary of the verified extractions, by owner, as presented in Tables No. 1 and No. 2.

Paragraph VIII(a) of the Judgment requires that only those extractions from the Riverside Basin Area in San Bernardino County, which are used outside San Bernardino Valley, be verified for the five calendar years ending with 1963 and accounted for annually from and after January 1, 1971. Accordingly, those extractions from the Riverside Basin Area in San Bernardino County by Riverside County entities for the five calendar years ending with 1963 have been determined and are set forth in Table No. 4. Such extractions averaged 24,120 acre-feet for said five-year period, of which 21,085 acre-feet were delivered outside San Bernardino Valley.

Table No. 4 also shows the extractions from the Riverside Basin Area in San Bernardino County by the Riverside County entities for the years 1964 through 1979. Since the provisions of Paragraph VIII are effective from and after January 1, 1971, the findings for the years 1964 through 1970 are for illustrative and planning purposes only.

The verified extractions from the Riverside Basin Area in San Bernardino County for calendar years 1971 through 1979 have been determined to be as follows:

<u>Year</u>	<u>Verified Extractions</u>
1971	29,070 A.F.
1972	28,148 A.F.
1973	21,809 A.F.
1974	21,881 A.F.
1975	22,701 A.F.
1976	24,705 A.F.
1977	23,506 A.F.
1978	17,216 A.F.
1979	20,024 A.F.

The verified extractions by Riverside entities for 1979 have been determined to be 12,962 acre-feet, of which 10,592 acre-feet were delivered outside San Bernardino County as shown in Table No. 4, page 36.

Table No. 5 shows the verified extractions from the Riverside Basin Area in San Bernardino County by the San Bernardino County entities during the five-year period 1959 through 1963 and the calendar years 1970 through 1979. The extractions for the years from 1964 through 1969 have also been tabulated in Table No. 5, but since the extractions were not verified for these years, the filed extractions for the Riverside Basin Area in San Bernardino County were used, and extractions by the San Bernardino County entities were calculated for 1964 through 1969 by subtracting the verified extractions by Riverside County entities from the total filed extractions from the Riverside Basin Area in San Bernardino County.

RIVERSIDE BASIN AREA

IN SAN BERNARDINO COUNTY

CROSS INDEX BY OWNER

RIVERSIDE BASIN AREA IN SAN BERN. CO.  
CROSS INDEX BY OWNER

OWNER NAME	RECORDATION NUMBER	STATE WELL NUMBER	LOCAL DESIGNATION	BASIN NAME
ALLEE RANCH	3601891	1SSW36F000		RIV-NORTH
ALLEE RANCH	3601892	1SSW36F000		RIV-NORTH
AMCORD, INC.	3600874	2SSW02A000	58 1	RIV-NORTH
AMCORD, INC.	3600883	2SSW02G02S	WRIGHT	RIV-NORTH
AMCORD, INC.	3601722	2SSW02A000	58 1	RIV-NORTH
AMCORD, INC.	3601782	2SSW02L02S		RIV-NORTH
AMCORD, INC.	3602114	2SSW02G000	63 1	RIV-NORTH
ANDERSON & YEAGER	3601996	2SSW02J000	SND RIV 1	RIV-NORTH
ATLAS MATERIALS COMPANY	3600627	1SSW25M000	NO. 1	RIV-NORTH
BRADFORD, IVAN	3602697	2SSW01P000		RIV-NORTH
BRADVICA, LOUIS A.	3600972	2SSW02Q000	RNCH 1	RIV-NORTH
CALIFORNIA PORTLAND CEMENT COMPANY	NON-FILER	1SSW25P000		RIV-NORTH
CALIFORNIA PORTLAND CEMENT COMPANY	3601425	1S4W30D000	NO 6	RIV-NORTH
CALIFORNIA PORTLAND CEMENT COMPANY	3601426	1S4W30D06S	5	RIV-NORTH
CALIFORNIA PORTLAND CEMENT COMPANY	3601427	1SSW25A02S	7	RIV-NORTH
CALIFORNIA PORTLAND CEMENT COMPANY	3602028	1SSW25B02S	SEINTUR	RIV-NORTH
CARSON, K. R.	NON-FILER	1SSW35B000		RIV-NORTH
COUNTRY CLUB STORAGE	3602326	1S4W30R000		RIV-NORTH
DAGGETT, FOREST N.	3601100	1S4W31C000	BARN 1	RIV-NORTH
DAGGETT, FOREST N.	3601101	1S4W31C000	RIVER 2	RIV-NORTH
DOUBLE H RANCH	3601717	1SSW35R000		RIV-NORTH
DUNN, ELMER	NON-FILER	1SSW36B000		RIV-NORTH

RIVERSIDE BASIN AREA IN SAN BERN. CO.  
 CROSS INDEX BY OWNER

OWNER NAME	RECORDATION NUMBER	STATE WELL NUMBER	LOCAL DESIGNATION	BASIN NAME
FIRESTONE GROUP LTD	3600413	1S5W34R01S		RIV-NORTH
GENERAL AMERICAN TRANSPORTATION CORP.	3601124	1S5W24R01S	1 SOUTH	RIV-NORTH
GREEN ACRES MEMORIAL PARK ASS N.	3600873	1S5W34K02S	NO 57	RIV-NORTH
GREEN ACRES MEMORIAL PARK ASS N.	3601706	1S5W34L02S	8TH ST.	RIV-NORTH
GREEN ACRES MEMORIAL PARK ASS N.	3601707	1S5W34J01S	CACTUS	RIV-NORTH
GREEN ACRES MEMORIAL PARK ASS N.	3601721	1S5W34K000	NO 56	RIV-NORTH
HAMADA BROS.	3600507	1S5W35D01S	1	RIV-NORTH
HENDRIX, ALBERT	3602233	1S5W35J000		RIV-NORTH
HOLTER RANCH	NON-FILER	1S5W36N000		RIV-NORTH
HOPKINS, ARVA F.	NON-FILER	1S5W36F000		RIV-NORTH
HOWELL, ORUS	3600097	2S5W01Q000		RIV-NORTH
HUNGERFORD, FRANK B	3601345	2S4W05E000	JOHNSON	RIV-NORTH
VILLELLI ENTERPRISE	3601549	1S4W28M01S	NO. 2	RIV-NORTH
INTER COUNTY WATER COMPANY	3301347	2S5W02C000	1	RIV-NORTH
JAMES SULLIVAN MUTUAL WATER COMPANY	3602357	1S4W34L000	6610	RIV-NORTH
JAMES SULLIVAN MUTUAL WATER COMPANY	3602358	1S4W34L000	7418	RIV-NORTH
JOHNSON, DOROTHY	3600820	2S4W05P000	1	RIV-NORTH
JUNAL WATER COMPANY	3600537	2S4W05F02S		RIV-NORTH
JURUPA WATER COMPANY	3600535	1S5W36C09S	1	RIV-NORTH
JURUPA WATER COMPANY	3600535-	1S5W36C11S	3	RIV-NORTH
JURUPA WATER COMPANY	3600536	1S5W36C10S	1 AND HALF	RIV-NORTH
LA SIERRA WATER CO.	3601539	1S4W32E01S	1	RIV-NORTH

RIVERSIDE BASIN AREA IN SAN BERN. CO.  
 CROSS INDEX BY OWNER

OWNER NAME	RECORDATION NUMBER	STATE WELL NUMBER	LOCAL DESIGNATION	BASIN NAME
LA SIERRA WATER CO.	3601540	1S4W32E03S	2	RIV-NORTH
LA SIERRA WATER CO.	3601541	1S4W32E06S	4	RIV-NORTH
LA SIERRA WATER CO.	3601542	1S4W32E05S	5	RIV-NORTH
LA SIERRA WATER CO.	3601543	1S4W32E02S	6	RIV-NORTH
LA SIERRA WATER CO.	3601544	1S4W32E07S	7	RIV-NORTH
LA SIERRA WATER CO.	3601545	1S4W32E11S	8	RIV-NORTH
LA SIERRA WATER CO.	3601546	1S4W32E09S	10	RIV-NORTH
LA SIERRA WATER CO.	3601547	1S4W32E10S	9	RIV-NORTH
LA SIERRA WATER CO.	3691486	1S4W29Q03S	FLUME 4	RIV-NORTH
LA SIERRA WATER CO.	3692486	1S4W29Q04S	FLUME 6	RIV-NORTH
MAAS, HARRY, ET AL	3601110	1S5W34A000	1	RIV-NORTH
MCDANIEL & SON DAIRY	NON-FILER	1S4W30P000		RIV-NORTH
MERRYFIELD WATER COMPANY	3600962	2S4W06A01S	1	RIV-NORTH
RANCHO DE SANTA FE	3601088	1S5W33A01S	1	RIV-NORTH
RANCHO DE SANTA FE	3602222	1S5W33A02S	2	RIV-NORTH
RIALTO, CITY OF	3601680	1S5W25L02S	DISPOSAL	RIV-NORTH
RIVERSIDE HIGHLAND WATER COMPANY	3601524	1S4W28L01S	3	RIV-NORTH
RIVERSIDE HIGHLAND WATER COMPANY	3601526	2S4W06R01S	7	RIV-NORTH
RIVERSIDE HIGHLAND WATER COMPANY	3601531	1S4W33B05S	16	RIV-NORTH
RIVERSIDE HIGHLAND WATER COMPANY	3601532	1S4W28N05S	17	RIV-NORTH
RIVERSIDE HIGHLAND WATER COMPANY	3601534	1S4W28L02S	20	RIV-NORTH
RIVERSIDE HIGHLAND WATER COMPANY	3601789	1S4W32W01S	LV 1	RIV-NORTH

RIVERSIDE BASIN AREA IN SAN BERN. CO.  
 CROSS INDEX BY OWNER

OWNER NAME	RECORDATION NUMBER	STATE WELL NUMBER	LOCAL DESIGNATION	BASIN NAME
RIVERSIDE HIGHLAND WATER COMPANY	3601790	1S4W32M000	LV 2	RIV-NORTH
RIVERSIDE, CITY OF	NON-FILER	255W020000	MASON	RIV-NORTH
RIVERSIDE, CITY OF	3301088	1S5W360000	PELISIER	RIV-NORTH
RIVERSIDE, CITY OF	3600898	1S5W25R02S	NO 6	RIV-NORTH
RIVERSIDE, CITY OF	3600898-	1S5W25R04S	TW. 8T. 6	RIV-NORTH
RIVERSIDE, CITY OF	3601221	2S5W01J03S	DOMESTIC	RIV-NORTH
RIVERSIDE, CITY OF	3601223	2S5W01G02S	MAIN	RIV-NORTH
RIVERSIDE, CITY OF	3601235	2S5W01G01S	LA LOMA	RIV-NORTH
RIVERSIDE, CITY OF	3601236	1S5W36L01S	AQUA MNSA	RIV-NORTH
RIVERSIDE, CITY OF	3601271	2S4W06003S	MARCY	RIV-NORTH
RIVERSIDE, CITY OF	3601483	1S4W29H02S	FLUME 1	RIV-NORTH
RIVERSIDE, CITY OF	3601484	1S4W29H01S	FLUME 2	RIV-NORTH
RIVERSIDE, CITY OF	3601485	1S4W29R01S	FLUME 3	RIV-NORTH
RIVERSIDE, CITY OF	3601486	1S4W29003S	FLUME 4	RIV-NORTH
RIVERSIDE, CITY OF	3601487	1S4W29001S	FLUME 5	RIV-NORTH
RIVERSIDE, CITY OF	3601488	2S5W01001S	WILLIAMS	RIV-NORTH
RIVERSIDE, CITY OF	3601490	2S5W02R000	JURUPA 1	RIV-NORTH
RIVERSIDE, CITY OF	3601491	2S5W02R03S	JURUPA 3	RIV-NORTH
RIVERSIDE, CITY OF	3601492	2S5W02R02S	JURUPA 4	RIV-NORTH
RIVERSIDE, CITY OF	3601493	2S5W02R01S	JURUPA 5	RIV-NORTH
RIVERSIDE, CITY OF	3602234	2S5W02007S	JURUPA 6	RIV-NORTH
RIVERSIDE, CITY OF	3602486	1S4W29004S	FLUME 6	RIV-NORTH

RIVERSIDE BASIN AREA IN SAN BERN. CO.  
CROSS INDEX BY OWNER

OWNER NAME	RECORDATION NUMBER	STATE WELL NUMBER	LOCAL DESIGNATION	BASIN NAME
RIVERSIDE, CITY OF	3602748	2S5W02Q080	JURUPA NO. 7	RIV-NORTH
RIVERSIDE, CITY OF GAGE CANAL	3600783	2S4W05C01S	DEBERRY	RIV-NORTH
ROQUET, HARRY V.	3601423	2S4W06N000	2 WEST	RIV-NORTH
ROQUET, HARRY V.	3601424	2S4W06P000		RIV-NORTH
ROSEDALE WATER COMPANY	3600915	1S4W31J01S	NEW WELL	RIV-NORTH
SERVICE ROCK CO.	3600910	1S5W35G02S	1	RIV-NORTH
SERVICE ROCK CO.	3600911	1S5W35J000	2	RIV-NORTH
SOUTHERN CALIFORNIA EDISON COMPANY	3601009	2S4W06J01S	KELLY 1	RIV-NORTH
SOUTHERN CALIFORNIA EDISON COMPANY	3601011	2S4W06R04S	DAHL 2	RIV-NORTH
SOUTHERN CALIFORNIA EDISON COMPANY	3601020	2S4W06R05S	3	RIV-NORTH
SOUTHERN CALIFORNIA EDISON COMPANY	3601023	2S4W06R06S	4	RIV-NORTH
SOUTHERN CALIFORNIA EDISON COMPANY	3601970	2S4W05M000	PICO	RIV-NORTH
STAPAKIS, WILLIAM S	3601488-	2S5W01Q01S	WILLIAMS	RIV-NORTH
TEMESCAL WATER COMPANY	3601509	2S4W06A03S	PALM AVE.	RIV-NORTH
TRINITY WATER CO.	3601422	2S4W06Q000	1 HOUSE	RIV-NORTH
WAGONER, JOHN J., JR.	3600899	2S4W05F000	DOM. 1	RIV-NORTH
WARD DUCK COMPANY	NON-FILER	1S5W25R000		RIV-NORTH
WEST RIVERSIDE 350 WATER CO.	3600829	1S4W32G02S	1	RIV-NORTH
WEST RIVERSIDE 350 WATER CO.	3600830	1S4W32G04S	2	RIV-NORTH
WEST RIVERSIDE 350 WATER CO.	3600831	1S4W32H01S	4	RIV-NORTH
WEST RIVERSIDE 350 WATER CO.	3600832	1S4W32B01S	5	RIV-NORTH
WEST RIVERSIDE 350 WATER CO.	3600833	1S4W32G01S	6	RIV-NORTH



RIVERSIDE BASIN AREA IN SAN BERN. CO.  
 CROSS INDEX BY OWNER

OWNER NAME	RECORDATION NUMBER	STATE WELL NUMBER	LOCAL DESIGNATION	BASIN NAME
WEST RIVERSIDE 350 WATER CO.	3601953	154W32B02S	7	RIV-NORTH
WEST SAN BONO. COUNTY WATER DIST.	3600074	155W23Q01S	CRAM WRIGHT	RIV-NORTH
WEST SAN BONO. COUNTY WATER DIST.	3601004	155W23M01S	PLANT NO 19	RIV-NORTH
WEST SAN BONO. COUNTY WATER DIST.	3601434	155W34D01S	PLANT NO 25	RIV-NORTH
WEST SAN BONO. COUNTY WATER DIST.	3601683	155W34B02S	PLANT NO 26	RIV-NORTH
WEST SAN BONO. COUNTY WATER DIST.	3601763	155W24M01S	PLANT NO 18	RIV-NORTH
YEAGER CONSTRUCTION CO., INC., E. L.	3601961	155W25P000	AMRCH 1	RIV-NORTH

RIVERSIDE BASIN AREA

IN SAN BERNARDINO COUNTY

CROSS INDEX BY RECORDATION NUMBER

RIVERSIDE BASIN AREA IN SAN BERN. CO.  
CROSS INDEX BY RECORDATION NUMBER

RECORDATION NUMBER	OWNER NAME	STATE WELL NUMBER	LOCAL DESIGNATION	BASIN NAME
NON-FILER	CALIFORNIA PORTLAND CEMENT COMPANY	1S5W25P000		RIV-NORTH
NON-FILER	CARSON, K. R.	1S5W35B000		RIV-NORTH
NON-FILER	DUNN, ELMER	1S5W36B000		RIV-NORTH
NON-FILER	HOLTER RANCH	1S5W36N000		RIV-NORTH
NON-FILER	HOPKINS, ARVA F.	1S5W36F000		RIV-NORTH
NON-FILER	MCDANIEL & SON DAIRY	1S4W30P000		RIV-NORTH
NON-FILER	WARD DUCK COMPANY	1S5W25R000		RIV-NORTH
NON-FILER	RIVERSIDE, CITY OF	255W020000	MASON	RIV-NORTH
3301088	RIVERSIDE, CITY OF	1S5W360000	PELISIER	RIV-NORTH
3301347	INTER COUNTY WATER COMPANY	2S5W02C000	1	RIV-NORTH
3600074	WEST SAN BDNO. COUNTY WATER DIST.	1S5W23001S	CRAM WRIGHT	RIV-NORTH
3600097	HOWELL, ORUS	2S5W010000		RIV-NORTH
3600413	FIRESTONE GROUP LTD	1S5W34B01S		RIV-NORTH
3600507	HAMADA BROS.	1S5W35D01S	1	RIV-NORTH
3600535	JURUPA WATER COMPANY	1S5W36C09S	1	RIV-NORTH
3600535-	JURUPA WATER COMPANY	1S5W36C11S	3	RIV-NORTH
3600536	JURUPA WATER COMPANY	1S5W36C10S	1 AND HALF	RIV-NORTH
3600537	JUMAL WATER COMPANY	2S4W05F02S		RIV-NORTH
3600627	ATLAS MATERIALS COMPANY	1S5W25M000	NO. 1	RIV-NORTH
3600783	RIVERSIDE, CITY OF GAGE CANAL	2S4W05C01S	DEBERRY	RIV-NORTH
3600820	JOHNSON, DOROTHY	2S4W05P000	1	RIV-NORTH
3600829	WEST RIVERSIDE 350 WATER CO.	1S4W32G02S	1	RIV-NORTH

RIVERSIDE BASIN AREA IN SAN BERN. CO.  
CROSS INDEX BY RECORDATION NUMBER

RECORDATION NUMBER	OWNER NAME	STATE WELL NUMBER	LOCAL DESIGNATION	BASIN NAME
3600830	WEST RIVERSIDE 350 WATER CO.	1S4W32G04S	2	RIV-NORTH
3600831	WEST RIVERSIDE 350 WATER CO.	1S4W32H01S	4	RIV-NORTH
3600832	WEST RIVERSIDE 350 WATER CO.	1S4W32B01S	5	RIV-NORTH
3600833	WEST RIVERSIDE 350 WATER CO.	1S4W32G01S	6	RIV-NORTH
3600873	GREEN ACRES MEMORIAL PARK ASS N.	1SSW34K02S	NO 57	RIV-NORTH
3600874	AMCORD, INC.	2SSW02A000	58 1	RIV-NORTH
3600883	AMCORD, INC.	2SSW02G02S	WRIGHT	RIV-NORTH
3600898	RIVERSIDE, CITY OF	1SSW25R02S	NO 5	RIV-NORTH
3600898-	RIVERSIDE, CITY OF	1SSW25R04S	TV. BT. 6	RIV-NORTH
3600899	WAGONER, JOHN J., JR.	2S4W05F000	DOM. 1	RIV-NORTH
3600910	SERVICE ROCK CO.	1SSW35G02S	1	RIV-NORTH
3600911	SERVICE ROCK CO.	1SSW35J000	2	RIV-NORTH
3600915	ROSEDALE WATER COMPANY	1S4W31J01S	NEW WELL	RIV-NORTH
3600962	MERRYFIELD WATER COMPANY	2S4W06A01S	1	RIV-NORTH
3600972	BRADVICA, LOUIS A.	2SSW02Q000	RNCH 1	RIV-NORTH
3601004	WEST SAN BONO. COUNTY WATER DIST.	1SSW23M01S	PLANT NO 19	RIV-NORTH
3601009	SOUTHERN CALIFORNIA EDISON COMPANY	2S4W06J01S	KELLY 1	RIV-NORTH
3601011	SOUTHERN CALIFORNIA EDISON COMPANY	2S4W06R04S	DAHL 2	RIV-NORTH
3601020	SOUTHERN CALIFORNIA EDISON COMPANY	2S4W06R05S	3	RIV-NORTH
3601023	SOUTHERN CALIFORNIA EDISON COMPANY	2S4W06R06S	4	RIV-NORTH
3601088	RANCHO DE SANTA FE	1SSW33A01S	1	RIV-NORTH
3601100	DAGGETT, FOREST N.	1S4W31C000	BARN 1	RIV-NORTH

RIVERSIDE BASIN AREA IN SAN BERN. CO.  
CROSS INDEX BY RECORDATION NUMBER

RECORDATION NUMBER	OWNER NAME	STATE WELL NUMBER	LOCAL DESIGNATION	BASIN NAME
3601101	DAGGETT, FOREST N.	1S4W31C000	RIVER 2	RIV-NORTH
3601110	MAAS, HARRY, ET AL	1S5W34A000	1	RIV-NORTH
3601124	GENERAL AMERICAN TRANSPORTATION CORP.	1S5W24R01S	1 SOUTH	RIV-NORTH
3601221	RIVERSIDE, CITY OF	2S5W01J03S	DOMESTIC	RIV-NORTH
3601223	RIVERSIDE, CITY OF	2S5W01G02S	MAIN	RIV-NORTH
3601235	RIVERSIDE, CITY OF	2S5W01G01S	LA LOMA	RIV-NORTH
3601236	RIVERSIDE, CITY OF	1S5W36L01S	AQUA MNSA	RIV-NORTH
3601271	RIVERSIDE, CITY OF	2S4W06G03S	MARCY	RIV-NORTH
3601345	HUNGERFORD, FRANK B	2S4W05E000	JOHNSON	RIV-NORTH
3601422	TRINITY WATER CO.	2S4W06G000	1 HOUSE	RIV-NORTH
3601423	ROQUET, HARRY V.	2S4W06M000	2 WEST	RIV-NORTH
3601424	ROQUET, HARRY V.	2S4W06P000		RIV-NORTH
3601425	CALIFORNIA PORTLAND CEMENT COMPANY	1S4W30D000	NO 6	RIV-NORTH
3601426	CALIFORNIA PORTLAND CEMENT COMPANY	1S4W30D06S	5	RIV-NORTH
3601427	CALIFORNIA PORTLAND CEMENT COMPANY	1S5W25A02S	7	RIV-NORTH
3601434	WEST SAN BONO. COUNTY WATER DIST.	1S5W34D01S	PLANT NO 25	RIV-NORTH
3601483	RIVERSIDE, CITY OF	1S4W29H02S	FLUME 1	RIV-NORTH
3601484	RIVERSIDE, CITY OF	1S4W29H01S	FLUME 2	RIV-NORTH
3601485	RIVERSIDE, CITY OF	1S4W29R01S	FLUME 3	RIV-NORTH
3601486	RIVERSIDE, CITY OF	1S4W29Q03S	FLUME 4	RIV-NORTH
3601487	RIVERSIDE, CITY OF	1S4W29Q01S	FLUME 5	RIV-NORTH
3601488	RIVERSIDE, CITY OF	2S5W01Q01S	WILLIAMS	RIV-NORTH

RIVERSIDE BASIN AREA IN SAN BERN. CO.  
CROSS INDEX BY RECORDATION NUMBER

RECORDATION NUMBER	OWNER NAME	STATE WELL NUMBER	LOCAL DESIGNATION	BASIN NAME
3601488-	STAPAKIS, WILLIAM S	2SSW01001S	WILLIAMS	RIV-NORTH
3601490	RIVERSIDE, CITY OF	2SSW02R000	JURUPA 1	RIV-NORTH
3601491	RIVERSIDE, CITY OF	2SSW02R03S	JURUPA 3	RIV-NORTH
3601492	RIVERSIDE, CITY OF	2SSW02R02S	JURUPA 4	RIV-NORTH
3601493	RIVERSIDE, CITY OF	2SSW02R01S	JURUPA 5	RIV-NORTH
3601509	TEMESCAL WATER COMPANY	2S4W06A03S	PALM AVE.	RIV-NORTH
3601524	RIVERSIDE HIGHLAND WATER COMPANY	1S4W28L01S	3	RIV-NORTH
3601526	RIVERSIDE HIGHLAND WATER COMPANY	2S4W06R01S	7	RIV-NORTH
3601531	RIVERSIDE HIGHLAND WATER COMPANY	1S4W33B05S	16	RIV-NORTH
3601532	RIVERSIDE HIGHLAND WATER COMPANY	1S4W28N05S	17	RIV-NORTH
3601534	RIVERSIDE HIGHLAND WATER COMPANY	1S4W28L02S	20	RIV-NORTH
3601539	LA SIERRA WATER CO.	1S4W32E01S	1	RIV-NORTH
3601540	LA SIERRA WATER CO.	1S4W32E03S	2	RIV-NORTH
3601541	LA SIERRA WATER CO.	1S4W32E06S	4	RIV-NORTH
3601542	LA SIERRA WATER CO.	1S4W32E05S	5	RIV-NORTH
3601543	LA SIERRA WATER CO.	1S4W32E02S	6	RIV-NORTH
3601544	LA SIERRA WATER CO.	1S4W32E07S	7	RIV-NORTH
3601545	LA SIERRA WATER CO.	1S4W32E11S	8	RIV-NORTH
3601546	LA SIERRA WATER CO.	1S4W32E09S	10	RIV-NORTH
3601547	LA SIERRA WATER CO.	1S4W32E10S	9	RIV-NORTH
3601549	VILFELLI ENTERPRISE	1S4W28M01S	NO. 2	RIV-NORTH
3601680	RIALTO, CITY OF	1SSW25L02S	DISPOSAL	RIV-NORTH

RIVERSIDE BASIN AREA IN SAN BERN. CO.  
 CROSS INDEX BY RECORDATION NUMBER

RECORDATION NUMBER	OWNER NAME	STATE WELL NUMBER	LOCAL DESIGNATION	BASIN NAME
3601683	WEST SAN BDMO. COUNTY WATER DIST.	1S5W34B02S	PLANT NO 26	RIV-NORTH
3601706	GREEN ACRES MEMORIAL PARK ASS N.	1S5W34L02S	8TH ST.	RIV-NORTH
3601707	GREEN ACRES MEMORIAL PARK ASS N.	1S5W34J01S	CACTUS	RIV-NORTH
3601717	DOUBLE H RANCH	1S5W35R000		RIV-NORTH
3601721	GREEN ACRES MEMORIAL PARK ASS N.	1S5W34K000	NO 56	RIV-NORTH
3601722	AMCORD, INC.	2S5W02A000	58 1	RIV-NORTH
3601763	WEST SAN BDMO. COUNTY WATER DIST.	1S5W24H01S	PLANT NO 18	RIV-NORTH
3601782	AMCORD, INC.	2S5W02L02S		RIV-NORTH
3601789	RIVERSIDE HIGHLAND WATER COMPANY	1S4W32H01S	LV 1	RIV-NORTH
3601790	RIVERSIDE HIGHLAND WATER COMPANY	1S4W32H000	LV 2	RIV-NORTH
3601891	ALLEE RANCH	1S5W36F000		RIV-NORTH
3601892	ALLEE RANCH	1S5W36F000		RIV-NORTH
3601953	WEST RIVERSIDE 350 WATER CO.	1S4W32B02S	7	RIV-NORTH
3601961	YEAGER CONSTRUCTION CO., INC., E. L.	1S5W25P000	AMRCH 1	RIV-NORTH
3601970	SOUTHERN CALIFORNIA EDISON COMPANY	2S4W05H000	PICO	RIV-NORTH
3601996	ANDERSON & YEAGER	2S5W02J000	SND RIV 1	RIV-NORTH
3602028	CALIFORNIA PORTLAND CEMENT COMPANY	1S5W25B02S	SEINTUR	RIV-NORTH
3602114	AMCORD, INC.	2S5W02G000	63 1	RIV-NORTH
3602222	RANCHO DE SANTA FE	1S5W33A02S	2	RIV-NORTH
3602233	HENDRIX, ALBERT	1S5W35J000		RIV-NORTH
3602234	RIVERSIDE, CITY OF	2S5W02007S	JURUPA 6	RIV-NORTH
3602326	COUNTRY CLUB STORAGE	1S4W30R000		RIV-NORTH

RIVERSIDE BASIN AREA IN SAN BERN. CO.  
 CROSS INDEX BY RECORDATION NUMBER

RECORDATION NUMBER	OWNER NAME	STATE WELL NUMBER	LOCAL DESIGNATION	BASIN NAME
3602357	JAMES SULLIVAN MUTUAL WATER COMPANY	1S4W34L000	6610	RIV-NORTH
3602358	JAMES SULLIVAN MUTUAL WATER COMPANY	1S4W34L000	7418	RIV-NORTH
3602486	RIVERSIDE, CITY OF	1S4W29004S	FLUME 6	RIV-NORTH
3602697	BRADFORD, IVAN	2S5W01P000		RIV-NORTH
3602748	RIVERSIDE, CITY OF	2S5W020080	JURUPA NO. 7	RIV-NORTH
3691486	LA SIERRA WATER CO.	1S4W290035	FLUME 4	RIV-NORTH
3692486	LA SIERRA WATER CO.	1S4W29004S	FLUME 6	RIV-NORTH



RIVERSIDE BASIN AREA

IN SAN BERNARDINO COUNTY

CROSS INDEX BY STATE WELL NUMBER

RIVERSIDE BASIN AREA IN SAN BERN. CO.  
 CROSS INDEX BY STATE WELL NUMBER

STATE WELL NUMBER	OWNER NAME	RECORDATION NUMBER	LOCAL DESIGNATION	BASIN NAME
1S4W28L01S	RIVERSIDE HIGHLAND WATER COMPANY	3601524	3	RIV-NORTH
1S4W28L02S	RIVERSIDE HIGHLAND WATER COMPANY	3601534	20	RIV-NORTH
1S4W28M01S	VILLELLI ENTERPRISE	3601549	NO. 2	RIV-NORTH
1S4W28M05S	RIVERSIDE HIGHLAND WATER COMPANY	3601532	17	RIV-NORTH
1S4W29M01S	RIVERSIDE, CITY OF	3601484	FLUME 2	RIV-NORTH
1S4W29M02S	RIVERSIDE, CITY OF	3601483	FLUME 1	RIV-NORTH
1S4W29M01S	RIVERSIDE, CITY OF	3601487	FLUME 5	RIV-NORTH
1S4W29M03S	RIVERSIDE, CITY OF	3601486	FLUME 4	RIV-NORTH
1S4W29M03S	LA SIERRA WATER CO.	3691486	FLUME 4	RIV-NORTH
1S4W29M04S	LA SIERRA WATER CO.	3692486	FLUME 6	RIV-NORTH
1S4W29M04S	RIVERSIDE, CITY OF	3602486	FLUME 6	RIV-NORTH
1S4W29M01S	RIVERSIDE, CITY OF	3601485	FLUME 3	RIV-NORTH
1S4W30D000	CALIFORNIA PORTLAND CEMENT COMPANY	3601425	NO 6	RIV-NORTH
1S4W30D06S	CALIFORNIA PORTLAND CEMENT COMPANY	3601426	5	RIV-NORTH
1S4W30P000	MCDANIEL & SON DAIRY	NON-FILER		RIV-NORTH
1S4W30R000	COUNTRY CLUB STORAGE	3602326		RIV-NORTH
1S4W31C000	DAGGETT, FOREST N.	3601100	BARN 1	RIV-NORTH
1S4W31C000	DAGGETT, FOREST N.	3601101	RIVER 2	RIV-NORTH
1S4W31J01S	ROSEDALE WATER COMPANY	3600915	NEW WELL	RIV-NORTH
1S4W32B01S	WEST RIVERSIDE 350 WATER CO.	3600832	5	RIV-NORTH
1S4W32B02S	WEST RIVERSIDE 350 WATER CO.	3601953	7	RIV-NORTH
1S4W32E01S	LA SIERRA WATER CO.	3601539	1	RIV-NORTH

RIVERSIDE BASIN AREA IN SAN BERN. CO.  
CROSS INDEX BY STATE WELL NUMBER

STATE WELL NUMBER	OWNER NAME	RECORDATION NUMBER	LOCAL DESIGNATION	BASIN NAME
1S4U32E02S	LA SIERRA WATER CO.	3601543	6	RIV-NORTH
1S4U32E03S	LA SIERRA WATER CO.	3601540	2	RIV-NORTH
1S4U32E05S	LA SIERRA WATER CO.	3601542	5	RIV-NORTH
1S4U32E06S	LA SIERRA WATER CO.	3601541	4	RIV-NORTH
1S4U32E07S	LA SIERRA WATER CO.	3601544	7	RIV-NORTH
1S4U32E09S	LA SIERRA WATER CO.	3601546	10	RIV-NORTH
1S4U32E10S	LA SIERRA WATER CO.	3601547	9	RIV-NORTH
1S4U32E11S	LA SIERRA WATER CO.	3601545	8	RIV-NORTH
1S4U32G01S	WEST RIVERSIDE 350 WATER CO.	3600833	6	RIV-NORTH
1S4U32G02S	WEST RIVERSIDE 350 WATER CO.	3600829	1	RIV-NORTH
1S4U32G04S	WEST RIVERSIDE 350 WATER CO.	3600830	2	RIV-NORTH
1S4U32H01S	WEST RIVERSIDE 350 WATER CO.	3600831	4	RIV-NORTH
1S4U32M000	RIVERSIDE HIGHLAND WATER COMPANY	3601790	LV 2	RIV-NORTH
1S4U32M01S	RIVERSIDE HIGHLAND WATER COMPANY	3601789	LV 1	RIV-NORTH
1S4U33B05S	RIVERSIDE HIGHLAND WATER COMPANY	3601531	16	RIV-NORTH
1S4U34L000	JAMES SULLIVAN MUTUAL WATER COMPANY	3602357	6610	RIV-NORTH
1S4U34L000	JAMES SULLIVAN MUTUAL WATER COMPANY	3602358	7418	RIV-NORTH
1S5U23N01S	WEST SAN BONO. COUNTY WATER DIST.	3601004	PLANT NO 19	RIV-NORTH
1S5U23O01S	WEST SAN BONO. COUNTY WATER DIST.	3600074	CRAM WRIGHT	RIV-NORTH
1S5U24H01S	WEST SAN BONO. COUNTY WATER DIST.	3601763	PLANT NO 18	RIV-NORTH
1S5U24R01S	GENERAL AMERICAN TRANSPORTATION CORP.	3601124	1 SOUTH	RIV-NORTH
1S5U25A02S	CALIFORNIA PORTLAND CEMENT COMPANY	3601427	7	RIV-NORTH

RIVERSIDE BASIN AREA IN SAN BERN. CO.  
 CROSS INDEX BY STATE WELL NUMBER

STATE WELL NUMBER	OWNER NAME	RECORDATION NUMBER	LOCAL DESIGNATION	BASIN NAME
155W25B02S	CALIFORNIA PORTLAND CEMENT COMPANY	3602028	SEINTUR	RIV-NORTH
155W25L02S	RIALTO, CITY OF	3601680	DISPOSAL	RIV-NORTH
155W25M000	ATLAS MATERIALS COMPANY	3600627	NO. 1	RIV-NORTH
155W25P000	CALIFORNIA PORTLAND CEMENT COMPANY	NON-FILER		RIV-NORTH
155W25P000	YEAGER CONSTRUCTION CO., INC., E. L.	3601961	AMRCH 1	RIV-NORTH
155W25R000	WARD DUCK COMPANY	NON-FILER		RIV-NORTH
155W25R02S	RIVERSIDE, CITY OF	3600898	NO 6	RIV-NORTH
155W25R04S	RIVERSIDE, CITY OF	3600898-	TW. RT. 6	RIV-NORTH
155W33A01S	RANCHO DE SANTA FE	3601088	1	RIV-NORTH
155W33A02S	RANCHO DE SANTA FE	3602222	2	RIV-NORTH
155W34A000	MAAS, HARRY, ET AL	3601110	1	RIV-NORTH
155W34B01S	FIRESTONE GROUP LTD	3600413		RIV-NORTH
155W34B02S	WEST SAN BDNO. COUNTY WATER DIST.	3601683	PLANT NO 26	RIV-NORTH
155W34D01S	WEST SAN BDNO. COUNTY WATER DIST.	3601434	PLANT NO 25	RIV-NORTH
155W34J01S	GREEN ACRES MEMORIAL PARK ASS N.	3601707	CACTUS	RIV-NORTH
155W34K000	GREEN ACRES MEMORIAL PARK ASS N.	3601721	NO 56	RIV-NORTH
155W34K02S	GREEN ACRES MEMORIAL PARK ASS N.	3600873	NO 57	RIV-NORTH
155W34L02S	GREEN ACRES MEMORIAL PARK ASS N.	3601706	8TH ST.	RIV-NORTH
155W35B000	CARSON, K. R.	NON-FILER		RIV-NORTH
155W35D01S	HAMADA BROS.	3600507	1	RIV-NORTH
155W35G02S	SERVICE ROCK CO.	3600910	1	RIV-NORTH
155W35J000	HENDRIX, ALBERT	3602233		RIV-NORTH

RIVERSIDE BASIN AREA IN SAN BERN. CO.  
 CROSS INDEX BY STATE WELL NUMBER

STATE WELL NUMBER	OWNER NAME	RECORDATION NUMBER	LOCAL DESIGNATION	BASIN NAME
1S5W35J000	SERVICE ROCK CO.	3600911	2	RIV-NORTH
1S5W35R000	DOUBLE H RANCH	3601717		RIV-NORTH
1S5W36B000	DUNN, ELMER	NON-FILER		RIV-NORTH
1S5W36C09S	JURUPA WATER COMPANY	3600535	1	RIV-NORTH
1S5W36C10S	JURUPA WATER COMPANY	3600536	1 AND HALF	RIV-NORTH
1S5W36C11S	JURUPA WATER COMPANY	3600535-	3	RIV-NORTH
1S5W36F000	ALLEE RANCH	3601891		RIV-NORTH
1S5W36F000	ALLEE RANCH	3601892		RIV-NORTH
1S5W36F000	HOPKINS, ARVA F.	NON-FILER		RIV-NORTH
1S5W36L01S	RIVERSIDE, CITY OF	3601236	AQUA MNSA	RIV-NORTH
1S5W36N000	HOLTER RANCH	NON-FILER		RIV-NORTH
1S5W36O000	RIVERSIDE, CITY OF	3301088	PELISIER	RIV-NORTH
2S4W05C01S	RIVERSIDE, CITY OF GAGE CANAL	3600783	DEBERRY	RIV-NORTH
2S4W05E000	HUNGERFORD, FRANK B	3601345	JOHNSON	RIV-NORTH
2S4W05F000	WAGONER, JOHN J., JR.	3600899	DOM. 1	RIV-NORTH
2S4W05F02S	JUMAL WATER COMPANY	3600537		RIV-NORTH
2S4W05M000	SOUTHERN CALIFORNIA EDISON COMPANY	3601970	PICO	RIV-NORTH
2S4W05P000	JOHNSON, DOROTHY	3600820	1	RIV-NORTH
2S4W06A01S	MERRYFIELD WATER COMPANY	3600962	1	RIV-NORTH
2S4W06A03S	TEMESCAL WATER COMPANY	3601509	PALM AVE.	RIV-NORTH
2S4W06J01S	SOUTHERN CALIFORNIA EDISON COMPANY	3601009	KELLY 1	RIV-NORTH
2S4W06N000	ROQUET, HARRY V.	3601423	2 WEST	RIV-NORTH

RIVERSIDE BASIN AREA IN SAN BERN. CO.  
 CROSS INDEX BY STATE WELL NUMBER

STATE WELL NUMBER	OWNER NAME	RECORDATION NUMBER	LOCAL DESIGNATION	BASIN NAME
2S4W06P000	ROQUET, HARRY V.	3601424		RIV-NORTH
2S4W06Q000	TRINITY WATER CO.	3601422	1 HOUSE	RIV-NORTH
2S4W06Q03S	RIVERSIDE, CITY OF	3601271	MARCY	RIV-NORTH
2S4W06R01S	RIVERSIDE HIGHLAND WATER COMPANY	3601526	7	RIV-NORTH
2S4W06R04S	SOUTHERN CALIFORNIA EDISON COMPANY	3601011	DAHL 2	RIV-NORTH
2S4W06R05S	SOUTHERN CALIFORNIA EDISON COMPANY	3601020	3	RIV-NORTH
2S4W06R06S	SOUTHERN CALIFORNIA EDISON COMPANY	3601023	4	RIV-NORTH
2S5W01601S	RIVERSIDE, CITY OF	3601235	LA LOMA	RIV-NORTH
2S5W01602S	RIVERSIDE, CITY OF	3601223	MAIN	RIV-NORTH
2S5W01J03S	RIVERSIDE, CITY OF	3601221	DOMESTIC	RIV-NORTH
2S5W01P000	BRADFORD, IVAN	3602697		RIV-NORTH
2S5W01Q000	HOWELL, ORUS	3600097		RIV-NORTH
2S5W01Q01S	RIVERSIDE, CITY OF	3601488	WILLIAMS	RIV-NORTH
2S5W01Q01S	STAPAKIS, WILLIAM S	3601488-	WILLIAMS	RIV-NORTH
2S5W02A000	AMCORD, INC.	3600874	58 1	RIV-NORTH
2S5W02A000	AMCORD, INC.	3601722	58 1	RIV-NORTH
2S5W02C000	INTER COUNTY WATER COMPANY	3301347	1	RIV-NORTH
2S5W02G000	AMCORD, INC.	3602114	63 1	RIV-NORTH
2S5W02G02S	AMCORD, INC.	3600883	WRIGHT	RIV-NORTH
2S5W02J000	ANDERSON & YEAGER	3601996	SND RIV 1	RIV-NORTH
2S5W02L02S	AMCORD, INC.	3601782		RIV-NORTH
2S5W02Q000	ERADVICA, LOUIS A.	3600972	RNCH 1	RIV-NORTH

RIVERSIDE BASIN AREA IN SAN BERN. CO.  
 CROSS INDEX BY STATE WELL NUMBER

STATE WELL NUMBER	OWNER NAME	RECORDATION NUMBER	LOCAL DESIGNATION	BASIN NAME
255H02Q07S	RIVERSIDE, CITY OF	3602234	JURUPA 6	RIV-NORTH
255H02Q080	RIVERSIDE, CITY OF	3602748	JURUPA NO. 7	RIV-NORTH
255H02R000	RIVERSIDE, CITY OF	3601490	JURUPA 1	RIV-NORTH
255H02R01S	RIVERSIDE, CITY OF	3601493	JURUPA 5	RIV-NORTH
255H02R02S	RIVERSIDE, CITY OF	3601492	JURUPA 4	RIV-NORTH
255H02R03S	RIVERSIDE, CITY OF	3601491	JURUPA 3	RIV-NORTH
255H020000	RIVERSIDE, CITY OF	NON-FILER	MASON	RIV-NORTH

TABLE NO. 1

VERIFIED EXTRACTIONS BY OWNERS WHICH HAVE  
RECORDATION FILINGS WITH THE STATE WATER  
RESOURCES CONTROL BOARD



TABLE NO. 1  
 VERIFIED EXTRACTATIONS BY OWNERS WHICH HAVE RECORDATION FILINGS  
 WITH THE STATE WATER RESOURCES CONTROL BOARD

OWNER	1959	1960	1961	1962	1963	1963 AVERAGE	1975	1976	1977	1978	1979	1975-79 AVERAGE
ALLEE RANCH												
3601891 1S5W36F000 W	0	1	1	0	0	0	0	0	0	0	0	0
3601892 1S5W36F000 W	150	150	165	200	200	173	240	260	260	260	260	256
OWNER TOTAL	150*	151*	166*	200*	200*	173*	240*	260*	260*	260*	260*	256*
AMCORD, INC.												
3600874 2S5W02A000 W	2	2	1	1	0	1	0	0	0	0	0	0
3600883 2S5W02G02S W	0	0	0	0	0	0	0	0	0	0	0	0
3601722 2S5W02A000 W	606	612	726	404	271	524	0	0	0	0	0	0
3601782 2S5W02L02S W	105	105	105	105	0	84	0	0	0	0	0	0
3602114 2S5W02G000 W	0	0	0	0	27	5	0	218	446	227	436	265
OWNER TOTAL	713*	719*	832*	510*	298*	614*	0*	218*	446*	227*	436*	265*
ANDERSON & YEAGER												
3601996 2S5W02J000 W	0	0	18	67	161	49	0	14	34	13	10	14
ATLAS MATERIALS COMPANY												
3600627 1S5W25M000 W	158	155	151	148	149	152	69	110	108	114	143	109
BRADFORD, IVAN												
3602697 2S5W01P000 W						0		20	20	20	0	12
BRADVICA, LOUIS A.												
3600972 2S5W02Q000 W	105	123	83	78	61	90	4	4	0	0	0	2
CALIFORNIA PORTLAND CEMENT COMPANY												
3601425 1S4W30D000 W	749	7	45	86	84	194	684	424	541	545	490	537
3601426 1S4W30D006S W	1363	515	347	545	692	694	562	577	747	660	903	690

TABLE NO. 1  
 VERIFIED EXTRACTATIONS BY OWNERS WHICH HAVE RECREATION FILINGS  
 WITH THE STATE WATER RESOURCES CONTROL BOARD

OWNER	1959	1960	1961	1962	1963	1959-63 AVERAGE	1975	1976	1977	1978	1979	1975-79 AVERAGE
CALIFORNIA PORTLAND CEMENT COMPANY (CONTINUED)												
3601427 1S5W25A02S W	4	1328	1090	178	322	584	482	713	715	591	523	605
3602028 1S5W25B02S W	61	140	238	68	135	128	170	159	177	145	168	164
OWNER TOTAL	2177*	1990*	1720*	877*	1239*	1601*	1898*	1873*	2180*	1941*	2084*	1995*
COUNTRY CLUB STORAGE												
3602326 1S4W30R000 W	55	58	61	68	71	63	0	3	0	0	0	1
DAGGETT, FOREST N.												
3601100 1S4W31C000 W	227	169	174	181	0	150	0	0	0	0	0	0
3601101 1S4W31C000 W	198	178	159	167	0	140	0	0	0	0	0	0
OWNER TOTAL	425*	347*	333*	348*	0*	291*	0*	0*	0*	0*	0*	0*
DOUBLE H RANCH												
3601717 1S5W35R000 W	112	118	123	123	125	120	78	69	72	69	75	73
FIRESTONE GROUP LTD												
3600413 1S5W34B01S W	285	240	379	338	205	289	81	83	88	64	64	76
GENERAL AMERICAN TRANSPORTATION CORP.												
3601124 1S5W24R01S W	30	30	28	31	34	31	26	22	20	24	33	25
GREEN ACRES MEMORIAL PARK ASS N.												
3600873 1S5W34K02S W	726	544	0	0	130	280	455	455	455	455	455	455
3601706 1S5W34L02S W	105	110	112	115	124	113	44	1	0	0	0	9
3601707 1S5W34J01S W	733	733	733	733	733	733	467	550	550	405	537	502
3601721 1S5W34K000 W	1087	915	314	543	520	676	521	521	521	521	521	521
OWNER TOTAL	2651*	2302*	1159*	1391*	1507*	1802*	1487*	1527*	1526*	1381*	1513*	1487*

TABLE NO. 1  
 VERIFIED EXTRACTIONS BY OWNERS WHICH HAVE RECORDATION FILINGS  
 WITH THE STATE WATER RESOURCES CONTROL BOARD

OWNER	1959	1960	1961	1962	1963	1963 AVERAGE	1959-63 AVERAGE	1975	1976	1977	1978	1979	1975-79 AVERAGE
HAMADA BROS.													
3600507 1S5W35D01S W	323	325	348	390	346	346	346	352	342	282	250	298	305
HENDRIX, ALBERT													
3602233 1S5W35J000 W	9	9	9	9	9	9	9	0	0	0	0	0	0
HOWELL, ORUS													
3600097 2S5W01Q000 W	50	50	50	50	50	50	50	82	100	52	85	57	75
HUNGERFORD, FRANK B													
3601345 2S4W05E000 W	0	0	0	0	0	0	0	0	0	0	0	0	0
VILLELLI ENTERPRISE													
3601549 1S4W28M01S W	600	680	820	680	580	672	672	7	170	170	0	0	69
INTER COUNTY WATER COMPANY													
3301347 2S5W02C000 W	145	141	133	117	131	133	133	225	230	207	145	225	206
JAMES SULLIVAN MUTUAL WATER COMPANY													
3602357 1S4W34L000 W	0	0	11	11	11	7	7	6	1	9	1	1	4
3602358 1S4W34L000 W	0	0	0	0	0	0	0	66	66	66	75	75	70
OWNER TOTAL	0*	0*	11*	11*	11*	7*	7*	72*	67*	75*	76*	76*	73*
JOHNSON, DOROTHY													
3600820 2S4W05P000 W	0	0	0	0	0	0	0	0	0	0	0	0	0
JUMAL WATER COMPANY													
3600537 2S4W05F02S W	322	272	257	210	141	240	240	97	105	97	97	97	99
JURUPA WATER COMPANY													
3600535 1S5W36C09S W	58	67	73	73	29	60	60	0	0	0	0	0	0

TABLE NO. 1  
 VERIFIED EXTRACTATIONS BY OWNERS WHICH HAVE RECORDATION FILINGS  
 WITH THE STATE WATER RESOURCES CONTROL BOARD

OWNER	1959	1960	1961	1962	1963	1959-63 AVERAGE	1975	1976	1977	1978	1979	1975-79 AVERAGE
(CONTINUED)												
JURUPA WATER COMPANY												
3600535- 155W36C11S W	0	0	0	0	0	0	592	637	756	1118	421	705
3600536 155W36C10S W	753	695	1041	672	304	693	0	0	0	0	0	0
OWNER TOTAL	811*	762*	1114*	745*	333*	753*	592*	637*	756*	1118*	421*	705*
LA SIERRA WATER CO.												
3601539 154W32E01S W	0	0	0	0	0	0	0	0	0	0	0	0
3601540 154W32E03S W	0	0	0	0	0	0	0	0	0	0	0	0
3601541 154W32E06S W	0	0	0	0	0	0	0	0	0	0	0	0
3601542 154W32E05S W	0	0	0	0	0	0	0	0	0	0	0	0
3601543 154W32E02S W	188	191	132	59	5	115	0	0	0	0	0	0
3601544 154W32E07S W	1093	981	1254	646	108	814	0	0	0	0	0	0
3601545 154W32E11S W	1104	1005	1005	847	577	908	2309	2682	2396	1496	1654	2107
3601546 154W32E09S W	614	610	428	278	274	441	2	0	0	0	0	0
3601547 154W32E10S W	474	403	568	31	0	295	0	0	0	0	0	0
3691486 154W290035 W						0			431	3	53	97
3692486 154W29004S W						0			35	1	29	13
OWNER TOTAL	3463*	3190*	3387*	1861*	964*	2573*	2311*	2682*	2862*	1500*	1736*	2218*
MAAS, HARRY, ET AL												
3601110 155W34A000 W	161	156	142	115	97	142	104	102	79	112	79	95
MERRYFIELD WATER COMPANY												
3600962 254W06A01S W	490	310	444	252	242	348	138	150	161	98	105	131
RANCHO DE SANTA FE												
360109A 155W33A01S W	378	335	514	448	377	411	0	0	0	0	0	0

TABLE NO. 1  
 VERIFIED EXTRACTIONS BY OWNERS WHICH HAVE RECORDATION FILINGS  
 WITH THE STATE WATER RESOURCES CONTROL BOARD

OWNER	1959	1960	1961	1962	1963	1959-63 AVERAGE	1975	1976	1977	1978	1979	1975-79 AVERAGE
RANCHO DE SANTA FE												
360222 1S5W33A02S W	0	0	0	0	0	0	135	167	134	170	135	148
OWNER TOTAL	378*	335*	518*	448*	377*	411*	135*	167*	134*	170*	135*	148*
RIALTO, CITY OF												
3601680 1S5W25L02S W	130	130	130	130	180	140	31	33	33	19	0	23
RIVERSIDE HIGHLAND WATER COMPANY												
3601524 1S4W28L01S W	43	150	13	0	0	41	0	0	0	0	0	0
3601526 2S4W06R01S W	1338	1226	1834	1549	1429	1475	1340	1284	1693	1460	1513	1458
3601531 1S4W33R05S W	42	2	4	30	4	16	0	0	0	0	0	0
3601532 1S4W28N05S W	944	1164	1129	820	1029	1017	871	1469	2343	1629	1488	1560
3601534 1S4W28L02S W	973	428	460	560	795	643	805	839	663	834	875	803
3601789 1S4W32M01S W	461	409	664	621	572	545	0	0	0	0	0	0
3601790 1S4W32M000 W	0	0	0	0	69	14	0	0	0	0	0	0
CUMNER TOTAL	3801*	3379*	4104*	3580*	3898*	3752*	3016*	3592*	4699*	3923*	3876*	3821*
RIVERSIDE, CITY OF												
3301088 1S5W36Q000 O	67	0	0	0	0	13	0	0	0	0	0	0
3600898 1S5W25R02S W	1196	1042	869	0	0	621	0	0	0	0	0	0
3600898- 1S5W25R04S W	0	0	0	1082	1127	442	807	426	69	0	0	260
3601221 2S5W01J03S W	38	13	20	26	5	20	5	7	7	6	10	7
3601222 2S5W01G02S W	1070	518	392	0	0	396	77	117	265	258	558	255
3601235 2S5W01G01S W	0	0	0	0	0	0	0	0	0	0	0	0
3601236 1S5W36L01S W	0	0	402	0	0	80	12	2	7	7	19	9

TABLE NO. 1  
 VERIFIED EXTRACTATIONS BY OWNERS WHICH HAVE RECORDATION FILINGS  
 WITH THE STATE WATER RESOURCES CONTROL BOARD

OWNER	1959	1960	1961	1962	1963	1959-63	1975	1976	1977	1978	1979	1975-79
	AVERAGE											
(CONTINUED)												
RIVERSIDE, CITY OF												
3601271 2S4W06Q03S W	61	20	25	47	42	39	0	0	0	0	0	0
36014F3 1S4W29H02S W	576	481	140	0	0	239	0	0	0	0	0	0
3601484 1S4W29H01S W	1257	968	1237	854	642	992	530	2	401	7	15	191
3601485 1S4W29R01S W	1497	979	1862	1458	1165	1392	103	3	192	1	0	60
3601486 1S4W29Q03S W	2218	1501	1663	1316	1503	1640	1030	1615	561	0	0	641
3601487 1S4W29Q01S W	1665	1198	981	657	636	1027	0	0	0	0	0	0
3601488 2S5W01Q01S W	562	493	634	251	265	441	0	0	0	0	0	0
3601490 2S5W02R000 W	310	65	582	694	582	447	322	649	359	0	0	266
3601491 2S5W02R03S W	720	1060	1141	862	796	916	852	936	787	0	0	515
3601492 2S5W02R02S W	237	0	141	123	296	159	281	192	102	0	0	115
3601493 2S5W02R01S W	1500	1301	1590	1345	1200	1387	1411	1564	1317	0	0	858
3602234 2S5W02Q07S W	0	0	0	0	0	0	0	0	0	0	0	0
3602486 1S4W29Q04S W	0	0	0	0	0	0	408	832	45	0	0	257
3602748 2S5W02Q080 W						0						0
OWNER TOTAL	12974*	9639*	11679*	8715*	8259*	10253*	5838*	6345*	4112*	279*	602*	3435*
RIVERSIDE, CITY OF GAGE CANAL												
3600783 2S4W05C01S W	1504	1474	1639	1231	1169	1403	645	440	389	734	413	524
ROQUET, HARRY V.												
3601423 2S4W06N000 W	0	0	0	0	0	0	0	0	0	0	0	0
3601424 2S4W06P000 C	67	67	67	67	67	67	40	25	0	0	0	13
OWNER TOTAL	67*	67*	67*	67*	67*	67*	40*	25*	0*	0*	0*	13*

TABLE NO. 1  
 VERIFIED EXTRACTIONS BY OWNERS WHICH HAVE RECORDATION FILINGS  
 WITH THE STATE WATER RESOURCES CONTROL BOARD

OWNER	1959	1960	1961	1962	1963	1959-63 AVERAGE	1975	1976	1977	1978	1979	1975-79 AVERAGE
ROSEDALE WATER COMPANY												
3600915 1S4W31J01S W	45	45	25	25	25	33	0	0	0	0	0	0
SERVICE ROCK CO.												
3600910 1S5W35G02S W	133	124	125	115	118	123	0	0	0	0	0	0
3600911 1S5W35J000 W	123	104	46	7	8	58	0	0	0	0	0	0
OWNER TOTAL	256*	228*	171*	122*	126*	181*	0*	0*	0*	0*	0*	0*
SOUTHERN CALIFORNIA EDISON COMPANY												
3601009 2S4W06J01S W	25	35	38	51	53	40	17	9	7	9	11	11
3601011 2S4W06R04S W	26	25	52	52	59	43	77	125	105	141	172	124
3601020 2S4W06R05S W	292	422	526	494	701	499	73	71	52	96	185	95
3601023 2S4W06R06S W	282	406	508	507	540	449	73	71	54	96	185	96
3601970 2S4W05M000 W	0	0	139	211	244	119	133	186	254	239	229	208
OWNER TOTAL	625*	948*	1263*	1315*	1597*	1150*	373*	462*	472*	581*	782*	534*
STAPAKIS, WILLIAM S												
360148R- 2S5W01Q01S W						0	0	0	0	0	0	0
TEMESCAL WATER COMPANY												
3601509 2S4W06A03S W	1203	1319	1363	1163	1265	1263	2035	2682	2363	1528	2130	2148
TRINITY WATER CO.												
3601422 2S4W06Q000 W	23	23	23	23	23	23	61	74	48	5	10	40
WAGONER, JOHN J., JR.												
3600899 2S4W05F000 W	0	0	0	0	0	0	0	0	0	0	0	0
WEST RIVERSIDE 350 WATER CO.												
3600R29 1S4W32G02S W	26	10	0	0	0	7	0	0	0	0	0	0

TABLE NO. 1  
 VERIFIED EXTRACTONS BY OWNERS WHICH HAVE RECORDATION FILINGS  
 WITH THE STATE WATER RESOURCES CONTROL BOARD

OWNER	1959	1960	1961	1962	1963	1959-63			1975	1976	1977	1978	1979	1975-79
						AVERAGE	1975	1976	1977	1978	1979	AVERAGE		
(CONTINUED)														
WEST RIVERSIDE 350 WATER CO.														
3600830 1S4W32G04S W	310	252	245	0	0	161	0	0	0	0	0	0	0	0
3600831 1S4W32M01S W	58	30	150	0	0	48	0	0	0	0	0	0	0	0
3600832 1S4W32E01S W	723	784	571	0	180	452	228	84	262	233	139	189		
3600833 1S4W32G01S W	1178	896	542	0	0	523	0	0	0	0	0	0		
3601953 1S4W32B02S W	0	0	640	2989	2512	1228	1298	897	321	183	750	690		
OWNER TOTAL	2295*	1972*	2148*	2989*	2692*	2419*	1526*	981*	583*	416*	889*	879*		
WEST SAN EDNO. COUNTY WATER DIST.														
3600074 1S5W23O01S W	150	150	150	150	150	150	0	131	466	278	688	313		
3601004 1S5W23N01S W	824	904	831	808	622	798	0	0	0	0	18	4		
3601434 1S5W34D01S W	204	211	212	203	201	206	416	263	0	0	0	136		
3601683 1S5W34B02S W	146	170	193	118	117	149	0	0	0	0	0	0		
3601763 1S5W24M01S W	35	40	46	35	35	38	0	0	0	0	0	0		
OWNER TOTAL	1359*	1475*	1432*	1314*	1125*	1341*	416*	394*	466*	278*	706*	452*		
YEAGER CONSTRUCTION CO., INC., E. L.														
3601961 1S5W25P000 W	20	18	149	141	107	87	0	0	0	0	0	0		
TOTAL VERIFIED PRODUCTION ALL FACILITIES	37915*	33180*	36510*	29982*	27864*	33072*	21979*	23983*	22794*	15527*	17256*	20308*		



TABLE NO. 2

VERIFIED EXTRACTIONS BY OWNERS WHICH  
HAVE NOT FILED WITH THE STATE WATER  
RESOURCES CONTROL BOARD

TABLE NO. 2  
 VERIFIED EXTRACTATIONS BY OWNERS WHICH HAVE NOT FILED  
 WITH THE STATE WATER RESOURCES CONTROL BOARD

OWNER	1959	1960	1961	1962	1963	1959-63 AVERAGE	1975	1976	1977	1978	1979	1975-79 AVERAGE
CALIFORNIA PORTLAND CEMENT COMPANY												
NON-FILER 1S5U25P000 W	0	0	0	0	0	0	0	0	0	0	0	0
CARSON, K. R.												
NON-FILER 1S5U358000 W	50	50	50	50	50	50	0	0	0	0	0	0
DUNN, ELMER												
NON-FILER 1S5U368000 W	0	0	0	0	0	0	25	22	26	20	25	24
HOLTER RANCH												
NON-FILER 1S5U36N000 W	38	38	38	38	38	38	11	17	3	14	13	12
HOPKINS, ARVA F.												
NON-FILER 1S5U36F000 W	0	0	0	0	0	0	106	115	120	99	109	110
MCDANIEL & SON DAIRY												
NON-FILER 1S4U30P000 W	13	13	13	13	13	13	0	0	0	0	0	0
RIVERSIDE, CITY OF												
NON-FILER 255U020000 W						0				1085	2234	664
WARD DUCK COMPANY												
NON-FILER 1S5U25R000 W	556	556	556	556	556	556	580	568	563	471	387	514
TOTAL VERIFIED PRODUCTION ALL FACILITIES	657*	657*	657*	657*	657*	657*	722*	722*	712*	1689*	2768*	1323*

TABLE NO. 3

SUMMARY OF VERIFIED EXTRACTIONS (FILED AND  
NON-FILED) FROM RIVERSIDE BASIN AREA WITHIN  
SAN BERNARDINO COUNTY

TABLE NO. 3  
SUMMARY OF VERIFIED EXTRACTIONS (FILED AND NON-FILED)  
FROM RIVERSIDE BASIN AREA WITHIN SAN BERNARDINO COUNTY

OWNER	1959	1960	1961	1962	1963	1959-63 AVERAGE	1975	1976	1977	1978	1979	1975-79 AVERAGE
ALLEE RANCH												
OWNER TOTAL	150*	151*	166*	200*	200*	173*	240*	260*	260*	260*	260*	256*
AMCORD, INC.												
OWNER TOTAL	713*	719*	832*	510*	298*	614*	0*	218*	446*	227*	436*	265*
ANDERSON & YEAGER												
OWNER TOTAL	0*	0*	18*	67*	161*	49*	0*	14*	34*	13*	10*	14*
ATLAS MATERIALS COMPANY												
OWNER TOTAL	158*	155*	151*	148*	149*	152*	69*	110*	108*	114*	143*	100*
BRADFORD, IVAN												
OWNER TOTAL	0*	0*	0*	0*	0*	0*	0*	20*	20*	20*	0*	12*
BRADVICA, LOUIS A.												
OWNER TOTAL	105*	123*	83*	78*	61*	90*	4*	4*	0*	0*	0*	2*
CALIFORNIA PORTLAND CEMENT COMPANY												
OWNER TOTAL	2177*	1990*	1720*	877*	1239*	1601*	1898*	1873*	2180*	1941*	2084*	1995*
CARSON, K. R.												
OWNER TOTAL	50*	50*	50*	50*	50*	50*	0*	0*	0*	0*	0*	0*
COUNTRY CLUB STORAGE												
OWNER TOTAL	55*	58*	61*	68*	71*	63*	0*	3*	0*	0*	0*	1*
DAGGETT, FOREST N.												
OWNER TOTAL	425*	347*	333*	348*	0*	291*	0*	0*	0*	0*	0*	0*
DOUBLE H RANCH												
OWNER TOTAL	112*	118*	123*	123*	125*	120*	78*	69*	72*	69*	75*	73*

TABLE NO. 3  
 SUMMARY OF VERIFIED EXTRACTIONS (FILED AND NON-FILED)  
 FROM RIVERSIDE BASIN AREA WITHIN SAN BERNARDINO COUNTY

OWNER	1959	1960	1961	1962	1963	1959-63		1975	1976	1977	1978	1979	1975-79
						AVERAGE	AVERAGE						AVERAGE
DUNN, ELMER													
OWNER TOTAL	0*	0*	0*	0*	0*	0*	0*	25*	22*	26*	20*	25*	24*
FIRESTONE GROUP LTD													
OWNER TOTAL	285*	240*	379*	338*	205*	289*	81*	83*	88*	64*	64*	64*	76*
GENERAL AMERICAN TRANSPORTATION CORP.													
OWNER TOTAL	30*	30*	28*	31*	34*	31*	26*	22*	20*	24*	24*	33*	25*
GREEN ACRES MEMORIAL PARK ASS N.													
OWNER TOTAL	2651*	2302*	1159*	1391*	1507*	1802*	1487*	1527*	1526*	1381*	1513*	1513*	1487*
HARADA BROS.													
OWNER TOTAL	323*	325*	348*	390*	346*	346*	352*	342*	282*	250*	298*	298*	305*
HENDRIX, ALBERT													
OWNER TOTAL	9*	9*	9*	9*	9*	9*	0*	0*	0*	0*	0*	0*	0*
HOLTER RANCH													
OWNER TOTAL	38*	38*	38*	38*	38*	38*	11*	17*	3*	14*	13*	13*	12*
HOPKINS, ARVA F.													
OWNER TOTAL	0*	0*	0*	0*	0*	0*	106*	115*	120*	99*	109*	109*	110*
HOWELL, ORUS													
OWNER TOTAL	50*	50*	50*	50*	50*	50*	82*	100*	52*	85*	57*	57*	75*
HUNGERFORD, FRANK B													
OWNER TOTAL	0*	0*	0*	0*	0*	0*	0*	0*	0*	0*	0*	0*	0*
VILLELLI ENTERPRISE													
OWNER TOTAL	600*	680*	820*	680*	580*	672*	7*	170*	170*	170*	0*	0*	69*

TABLE NO. 3  
SUMMARY OF VERIFIED EXTRACTIONS (FILED AND NON-FILED)  
FROM RIVERSIDE BASIN AREA WITHIN SAN BERNARDINO COUNTY

OWNER	1959-63					1975-79 AVERAGE
	1959	1960	1961	1962	1963 AVERAGE	
INTER COUNTY WATER COMPANY						
OWNER TOTAL	145*	141*	133*	117*	133*	225*
JAMES SULLIVAN MUTUAL WATER COMPANY						
OWNER TOTAL	0*	0*	11*	11*	7*	75*
JOHNSON, DOROTHY						
OWNER TOTAL	0*	0*	0*	0*	0*	0*
JUMAL WATER COMPANY						
OWNER TOTAL	322*	272*	257*	210*	141*	97*
JURUPA WATER COMPANY						
OWNER TOTAL	811*	762*	1114*	745*	333*	756*
LA SIERRA WATER CO.						
OWNER TOTAL	3463*	3190*	3387*	1861*	964*	2311*
MAAS, HARRY, ET AL						
OWNER TOTAL	161*	156*	182*	115*	97*	79*
MCDANIEL & SON DAIRY						
OWNER TOTAL	13*	13*	13*	13*	13*	0*
MERRYFIELD WATER COMPANY						
OWNER TOTAL	490*	310*	444*	252*	242*	161*
RANCHO DE SANTA FE						
OWNER TOTAL	378*	335*	518*	448*	377*	134*
RIALTO, CITY OF						
OWNER TOTAL	130*	130*	130*	130*	140*	33*

TABLE NO. 3  
SUMMARY OF VERIFIED EXTRACTIIONS (FILED AND NON-FILED)  
FROM RIVERSIDE BASIN AREA WITHIN SAN BERNARDINO COUNTY

OWNER	1959	1960	1961	1962	1963	1963 AVERAGE	1959-63 AVERAGE	1975	1976	1977	1978	1979	1975-79 AVERAGE
RIVERSIDE HIGHLAND WATER COMPANY													
OWNER TOTAL	3801*	3379*	4104*	3580*	3898*	3752*	3016*	3592*	4699*	3923*	3876*	3876*	3821*
RIVERSIDE, CITY OF													
OWNER TOTAL	12974*	9639*	11679*	8715*	8259*	10253*	5838*	6345*	4112*	1364*	2836*	2836*	4099*
RIVERSIDE, CITY OF GAGE CANAL													
OWNER TOTAL	1504*	1474*	1639*	1231*	1169*	1403*	645*	440*	389*	734*	413*	413*	524*
ROQUET, HARRY V.													
OWNER TOTAL	67*	67*	67*	67*	67*	67*	40*	25*	0*	0*	0*	0*	13*
ROSEDALE WATER COMPANY													
OWNER TOTAL	45*	45*	25*	25*	25*	33*	0*	0*	0*	0*	0*	0*	0*
SERVICE ROCK CO.													
OWNER TOTAL	256*	228*	171*	122*	126*	181*	0*	0*	0*	0*	0*	0*	0*
SOUTHERN CALIFORNIA EDISON COMPANY													
OWNER TOTAL	625*	948*	1263*	1315*	1597*	1150*	373*	462*	472*	581*	782*	782*	534*
STAPAKIS, WILLIAM S													
OWNER TOTAL	0*	0*	0*	0*	0*	0*	0*	0*	0*	0*	0*	0*	0*
TEMESCAL WATER COMPANY													
OWNER TOTAL	1203*	1319*	1363*	1163*	1265*	1263*	2035*	2682*	2363*	1528*	2130*	2130*	2148*
TRINITY WATER CO.													
OWNER TOTAL	23*	23*	23*	23*	23*	23*	61*	74*	48*	5*	10*	10*	40*
WAGONER, JOHN J., JR.													
OWNER TOTAL	0*	0*	0*	0*	0*	0*	0*	0*	0*	0*	0*	0*	0*

TABLE NO. 3  
 SUMMARY OF VERIFIED EXTRACTIONS (FILED AND NON-FILED)  
 FROM RIVERSIDE BASIN AREA WITHIN SAN BERNARDINO COUNTY

OWNER	1959	1960	1961	1962	1963 AVERAGE	1959-63 AVERAGE	1975	1976	1977	1978	1979	1975-79 AVERAGE
WARD DUCK COMPANY												
OWNER TOTAL	556*	556*	556*	556*	556*	556*	580*	568*	563*	471*	387*	514*
WEST RIVERSIDE 350 WATER CO.												
OWNER TOTAL	2295*	1972*	2148*	2989*	2692*	2419*	1526*	981*	583*	416*	889*	879*
WEST SAN RDNO. COUNTY WATER DIST.												
OWNER TOTAL	1359*	1475*	1432*	1314*	1125*	1341*	416*	394*	466*	278*	706*	452*
YEAGER CONSTRUCTION CO. INC. E. L.												
OWNER TOTAL	20*	18*	149*	141*	107*	87*	0*	0*	0*	0*	0*	0*
TOTAL VERIFIED PRODUCTION ALL FACILITIES	38572*	33837*	37176*	30539*	28521*	33729*	22701*	24705*	23506*	17216*	20024*	21630*



TABLE NO. 4

GROUNDWATER PRODUCTION FROM THAT PART OF THE RIVERSIDE  
GROUNDWATER BASIN SITUATED WITHIN SAN BERNARDINO COUNTY  
BY RIVERSIDE COUNTY ENTITIES, A PART OF WHICH IS USED IN  
SAN BERNARDINO COUNTY AND THE REMAINDER EXPORTED TO  
RIVERSIDE COUNTY DURING THE 5-YEAR BASE PERIOD  
ENDING IN 1963 AND FOR FOLLOWING CALENDAR  
YEARS 1964 THROUGH 1979

TABLE NO. 4

GROUNDWATER PRODUCTION FROM THAT PART OF THE RIVERSIDE GROUNDWATER BASIN SITUATED WITHIN SAN BERNARDINO COUNTY BY RIVERSIDE COUNTY ENTITIES, A PART OF WHICH IS USED IN SAN BERNARDINO COUNTY AND THE REMAINDER EXPORTED TO RIVERSIDE COUNTY DURING THE 5-YEAR BASE PERIOD ENDING IN 1963 AND FOR FOLLOWING CALENDAR YEARS 1964 THROUGH 1979

(All Quantities in Acres Feet)

Riverside Entities	EXTRACTIONS FROM RIVERSIDE BASIN AREA WITHIN SAN BERNARDINO COUNTY FOR USE WITHIN & EXPORT THEREFROM																	
	1959			1960			1961			1962			1963			5-Year Avg.		
	Total Extraction	San Bernardino County	Riverside County	Total Extraction	San Bernardino County	Riverside County	Total Extraction	San Bernardino County	Riverside County	Total Extraction	San Bernardino County	Riverside County	Total Extraction	San Bernardino County	Riverside County	Total Extraction	San Bernardino County	
American Cement Co.	2,526	713	1,813	2,178	719	1,459	1,146	832	314	1,053	510	543	948	298	650	1,570	614	956
City of Riverside Dom. & Irrig.	12,974	1,581	11,393	9,639	852	8,787	11,679	1,171	10,508	8,715	81	8,634	8,259	84	8,175	10,254	754	9,500
City of Riverside Gage Canal	1,504	0	1,504	1,474	0	1,474	1,639	0	1,639	1,231	0	1,231	1,169	0	1,169	1,403	0	1,403
Inter County Wtr. Co.	145	57	88	141	55	86	133	52	81	117	46	71	131	51	80	133	52	81
Jurupa Water Co.	811	0	811	762	0	762	1,114	0	1,114	745	0	745	333	0	333	753	0	753
La Sierra Water Co.	3,463	725	2,738	3,190	698	2,492	3,387	598	2,789	1,861	289	1,572	964	274	690	2,573	517	2,056
Riverside Highland Water Co.	3,801	1,317	2,484	3,379	890	2,489	4,104	994	3,110	3,580	1,043	2,537	3,898	1,246	2,652	3,752	1,098	2,654
Temescal Water Co.	1,203	0	1,203	1,319	0	1,319	1,363	0	1,363	1,169	0	1,163	1,265	0	1,265	1,263	0	1,263
West Riverside 350" Water Co.	2,295	0	2,295	1,972	0	1,972	2,148	0	2,148	2,989	0	2,989	2,692	0	2,692	2,419	0	2,419
<b>TOTAL</b>	<b>28,722</b>	<b>4,393</b>	<b>24,329</b>	<b>24,054</b>	<b>3,214</b>	<b>20,840</b>	<b>26,713</b>	<b>3,647</b>	<b>23,066</b>	<b>21,454</b>	<b>1,969</b>	<b>19,485</b>	<b>19,659</b>	<b>1,953</b>	<b>17,706</b>	<b>24,120</b>	<b>3,035</b>	<b>21,085</b>

See Report of Watermaster, Volume 5, Distribution of Extractions, Chapter III, Table No. 52-A.

TABLE NO. 4

GROUNDWATER PRODUCTION FROM THAT PART OF THE RIVERSIDE GROUNDWATER BASIN SITUATED WITHIN SAN BERNARDINO COUNTY BY RIVERSIDE COUNTY ENTITIES, A PART OF WHICH IS USED IN SAN BERNARDINO COUNTY AND THE REMAINDER EXPORTED TO RIVERSIDE COUNTY DURING THE 5-YEAR BASE PERIOD ENDING IN 1963 AND FOR FOLLOWING CALENDAR YEARS 1964 THROUGH 1979

(All Quantities in Acre Feet)

Riverside Entities	EXTRACTIONS FROM RIVERSIDE BASIN AREA WITHIN SAN BERNARDINO COUNTY FOR USE WITHIN & EXPORT THEREFROM																
	1964			1965			1966			1967			1968			5-Year Avg.	
	Total Extraction	San Bernardino County	Riverside County	Total Extraction	San Bernardino County	Riverside County	Total Extraction	San Bernardino County	Riverside County	Total Extraction	San Bernardino County	Riverside County	Total Extraction	San Bernardino County	Riverside County	Total Extraction	Riverside County
American Cement Co.	1,951	1,090	861	851	509	342	741	462	279	604	389	912	566	346	1,090	646	444
City of Riverside Dom. & Irrig.	9,423	251	9,172	7,752	335	7,417	4,594	254	4,340	201	5,549	9,062	1,315	7,727	7,312	471	6,841
City of Riverside Gege Canal	1,247	0	1,247	867	0	867	570	0	570	0	692	538	0	538	783	0	783
Inter County Wtr. Co.	116	45	71	108	42	66	113	44	69	45	70	114	45	69	113	44	69
Jurupa Water Co.	728	0	728	927	0	927	954	0	954	0	421	679	0	679	742	0	742
La Sierra Water Co.	1,739	0	1,739	2,159	0	2,159	2,051	0	2,051	0	2,722	3,692	0	3,692	2,472	0	2,472
Riverside Highland Water Co.	4,243	1,287	2,956	3,234	1,012	2,222	3,546	994	2,552	1,144	2,290	4,664	1,469	3,195	3,825	1,182	2,643
Temescal Water Co.	1,303	0	1,303	1,223	0	1,223	1,485	0	1,485	0	1,308	744	0	744	1,228	0	1,228
West Riverside 350" Water Co.	3,728	0	3,728	3,148	0	3,148	3,154	0	3,154	0	2,396	3,293	0	3,293	3,144	0	3,144
TOTAL	24,558	2,673	21,885	20,269	1,898	18,371	17,208	1,754	15,454	1,994	15,837	23,678	3,395	20,283	20,709	2,343	18,366

See Report of Watermaster, Volume 5, Distribution of Extractions, Chapter III, Table No. 52-A.

TABLE NO. 4

GROUND WATER PRODUCTION FROM THAT PART OF THE RIVERSIDE GROUND WATER BASIN SITUATED WITHIN SAN BERNARDINO COUNTY BY RIVERSIDE COUNTY ENTITIES. A PART OF WHICH IS USED IN SAN BERNARDINO COUNTY AND THE REMAINDER EXPORTED TO RIVERSIDE COUNTY DURING THE 5-YEAR BASE PERIOD ENDING IN 1963 AND FOR FOLLOWING CALENDAR YEARS 1964 THROUGH 1979

(All Quantities in Acre Feet)

Riverside County Entities	EXTRACTIONS FROM RIVERSIDE BASIN AREA WITHIN SAN BERNARDINO COUNTY FOR USE WITHIN & EXPORT THEREFROM																	
	1969			1970			1971			1972			1973			1974		
	Total Extraction	San Bernardino County	Riverside County	Total Extraction	San Bernardino County	Riverside County	Total Extraction	San Bernardino County	Riverside County	Total Extraction	San Bernardino County	Riverside County	Total Extraction	San Bernardino County	Riverside County	Total Extraction	San Bernardino County	Riverside County
American Cement Co.	387	128	259	739	154	585	831	482	349	577	204	373	537	0	537	133	0	133
City of Riverside Dom. & Irrig.	6,969	147	6,822	3,772	94	3,678	4,537	174	4,363	5,920	107	5,813	4,906	45	4,941	6,123	111	6,012
City of Riverside Gage Canal	194	0	194	419	0	419	567	0	567	778	0	778	222	0	222	472	98	374
Inter County Wtr. Co.	115	45	70	116	45	71	83	32	51	95	37	58	157 <sup>(1)</sup>	61 <sup>(1)</sup>	96 <sup>(1)</sup>	206	81	125
Jurupa Water Co.	826	0	826	121	0	121	94	0	94	376	0	376	200	0	200	402	0	402
La Sierra Wtr. Co.	1,282	0	1,282	4,667	0	4,667	4,739	0	4,739	4,709	0	4,709	2,644	0	2,644	1,933	0	1,933
Riverside Highland Wtr. Co.	4,755	1,416	3,339	4,360	1,395	2,965	5,304	1,526	3,778	4,729	1,249	2,980	4,074	1,227	2,847	3,371	1,109	2,262
Temescal Wtr. Co.	706	0	706	970	0	970	1,948	0	1,948	1,368	0	1,368	1,614	0	1,614	821	0	821
West Riverside 350" Wtr. Co.	309	0	309	2,830	0	2,830	2,219	0	2,219	2,133	0	2,133	885	0	885	1,521	0	1,521
TOTAL	15,543	1,736	13,807	17,994	1,688	16,306	20,322	2,214	18,108	20,185	1,597	18,588	15,319	1,333 <sup>(1)</sup>	13,986 <sup>(1)</sup>	14,982	1,399	13,583

See Report of Watermaster, Volume 5, Distribution of Extractions, Chapter III, Table No. 52-A.

(1) Amount corrected during verification of 1974 extractions.

TABLE NO. 4

GROUNDWATER PRODUCTION FROM THAT PART OF THE RIVERSIDE GROUNDWATER BASIN SITUATED WITHIN SAN BERNARDINO COUNTY BY RIVERSIDE COUNTY ENTITIES, A PART OF WHICH IS USED IN SAN BERNARDINO COUNTY AND THE REMAINDER EXPORTED TO RIVERSIDE COUNTY DURING THE 5-YEAR BASE PERIOD ENDING IN 1963 AND FOR FOLLOWING CALENDAR YEARS 1964 THROUGH 1979

(All quantities in Acre Feet)

RIVERSIDE COUNTY ENTITIES	EXTRACTIONS FROM RIVERSIDE BASIN AREA WITHIN SAN BERNARDINO COUNTY FOR USE WITHIN & EXPORT THEREFROM																	
	1975			1976			1977			1978			1979			5-YEAR AVG.		
	Total Extractions	San Bernardino County	Riverside County	Total Extractions	San Bernardino County	Riverside County	Total Extractions	San Bernardino County	Riverside County	Total Extractions	San Bernardino County	Riverside County	Total Extractions	San Bernardino County	Riverside County	Total Extractions	San Bernardino County	Riverside County
American Cement Co.	0	0	0	218	218	0	446	446	0	227	227	0	436	436	0	266	266	0
City of Riverside Dom. & Irrig.	5,838	94	5,744	6,345	126	5,219	4,112	279	3,833	1,364	271	1,093	2,836	587	2,249	4,099	271	3,828
City of Riverside Gage Canal	645	77	568	440	62	378	389	6	383	734	4	730	413	4	409	524	30	494
Inter County Wtr. Co.	225	88	137	230	152	78	207	137	70	145	96	49	225	149	76	206	124	82
Jurupa Water Co.	592	0	592	637	0	637	756	0	756	1,118	0	1,118	421	0	421	705	0	705
La Sierra Wtr. Co.	2,311	0	2,311	2,682	0	1,682	2,862	0	2,862	1,500	0	1,500	1,736	0	1,736	2,218	0	2,218
Riverside Highland Wtr. Co.	3,016	966	2,050	3,592	1,108	2,484	4,699	1,117	3,582	3,923	1,302	2,621	3,876	1,194	2,682	3,821	1,137	2,684
Temescal Wtr. Co.	2,035	0	2,035	2,682	0	2,682	2,363	0	2,363	1,528	0	1,528	2,130	0	2,130	2,148	0	2,148
West Riverside 350" Wtr. Co.	1,526	0	1,526	981	0	981	583	0	583	416	0	416	889	0	889	879	0	879
<b>TOTAL</b>	<b>16,188</b>	<b>1,225</b>	<b>14,963</b>	<b>17,807</b>	<b>1,666</b>	<b>16,141</b>	<b>16,417</b>	<b>1,985</b>	<b>14,432</b>	<b>10,955</b>	<b>1,900</b>	<b>9,055</b>	<b>12,962</b>	<b>2,370</b>	<b>10,592</b>	<b>14,866</b>	<b>1,828</b>	<b>13,038</b>

See Report of Watermaster, Volume 5, Distribution of Extractions, Chapter III, Table No. 52-A.  
(1) Amount corrected during verification of 1974 extractions.

TABLE NO. 5

GROUNDWATER PRODUCTION FROM THAT PART OF THE  
RIVERSIDE GROUNDWATER BASIN SITUATED WITHIN  
SAN BERNARDINO COUNTY BY SAN BERNARDINO COUNTY  
ENTITIES FOR USE IN SAN BERNARDINO COUNTY  
DURING THE 5-YEAR BASE PERIOD ENDING IN 1963  
AND FOR FOLLOWING CALENDAR YEARS 1964 THROUGH 1979

TABLE NO. 5

**GROUNDWATER PRODUCTION FROM THAT PART OF THE RIVERSIDE GROUNDWATER  
BASIN SITUATED WITHIN SAN BERNARDINO COUNTY BY SAN BERNARDINO COUNTY  
ENTITIES FOR USE IN SAN BERNARDINO COUNTY DURING THE 5-YEAR BASE PERIOD  
ENDING IN 1963 AND FOR FOLLOWING CALENDAR YEARS 1964 THROUGH 1979**

(All Quantities in Acre Feet)

Verified Extractions from Riverside Basin Area Within San Bernardino County

Calendar Year	Total Basin (1)	by Riverside County Entities (2)	by San Bernardino County Entities (3) = (1) - (2)
1959	38,572	28,722	9,850
1960	33,837	24,054	9,783
1961	37,176	26,713	10,463
1962	30,539	21,454	9,085
1963	28,521	19,659	8,862
<b>Total 5-Yr. Avg.</b>	<b>33,729</b>	<b>24,120</b>	<b>9,609</b>
1964	34,991*	24,558	10,433
1965	30,176*	20,269	9,907
1966	27,035*	17,208	9,827
1967	26,769*	17,831	8,938
1968	35,093*	23,678	11,415
<b>Total 5-Yr. Avg.</b>	<b>30,813</b>	<b>20,709</b>	<b>10,104</b>
1969	26,107*	15,543	10,564
1970	26,875	17,994	8,881
1971	29,070	20,322	8,748
1972	28,148	20,185	7,963
1973	21,809	15,319**	6,490**
1974	21,881	14,982	6,899
1975	22,701	16,188	6,513
1976	24,705	17,807	6,898
1977	23,506	16,417	7,089
1978	17,216	10,955	6,261
1979	20,024	12,962	7,062
<b>Total 5-Yr. Avg.</b>	<b>108,152</b>	<b>74,329</b>	<b>33,823</b>
	<b>21,630</b>	<b>14,866</b>	<b>6,765</b>

\*\* Amount corrected during verification of 1974 Extractions

\* Total filed Extractions from Riverside Basin Area in San Bernardino County  
Column(1), Table 3 Total Verified Production all Facilities  
Column(2), Table 4 Total Extractions

# Volume 4 -1979



REPORT OF WATERMASTER

Western Municipal Water District of Riverside County, et al  
Plaintiffs

vs.

East San Bernardino County Water District, et al  
Defendants

Superior Court of Riverside County

Case No. 78426

VOLUME 4-1979

VERIFIED EXTRACTIONS FROM THE  
RIVERSIDE BASIN AREA WITHIN  
RIVERSIDE COUNTY  
FOR  
CALENDAR YEARS 1959-1963 & 1975-1979

ANNUAL ACCOUNTING  
FOR INDIVIDUAL WELLS

AUGUST 1, 1981

WATERMASTER

James C. Hanson  
Donald L. Harriger

VOLUME 4-1979

TABLE OF CONTENTS

	<u>Page</u>
INTRODUCTION . . . . .	1
RIVERSIDE BASIN AREA IN RIVERSIDE COUNTY CROSS INDEX BY OWNER . . . . .	1
RIVERSIDE BASIN AREA IN RIVERSIDE COUNTY CROSS INDEX BY RECORDATION NUMBER . . . . .	7
RIVERSIDE BASIN AREA IN RIVERSIDE COUNTY CROSS INDEX BY STATE WELL NUMBER . . . . .	13
<u>TABLE NO. 1</u>	
VERIFIED EXTRACTIONS BY OWNERS WHICH HAVE RECORDATION FILINGS WITH THE STATE WATER RESOURCES CONTROL BOARD . . . . .	19
<u>TABLE NO. 2</u>	
VERIFIED EXTRACTIONS BY OWNERS WHICH HAVE NOT FILED WITH THE STATE WATER RESOURCES CONTROL BOARD . . . . .	28
<u>TABLE NO. 3</u>	
SUMMARY OF VERIFIED EXTRACTIONS (FILED AND NON-FILED) FROM RIVERSIDE BASIN AREA WITHIN RIVERSIDE COUNTY . . . . .	29
<u>TABLE NO. 4</u>	
TOTAL VERIFIED EXTRACTIONS FROM THE RIVERSIDE BASIN AREA WITHIN RIVERSIDE COUNTY FOR USE WITHIN RIVERSIDE COUNTY DURING THE 5-YEAR PERIOD ENDING IN 1963 AND FOR CALENDAR YEARS 1964 THROUGH 1979 . . . . .	34

VOLUME 4-1979

VERIFIED EXTRACTIONS FROM  
THE RIVERSIDE BASIN AREA  
WITHIN RIVERSIDE COUNTY FOR  
CALENDAR YEARS 1959-1963 & 1975-1979

INTRODUCTION

The provisions of Paragraph IX(a) and IX(b) of the Judgment Case No. 78426 entered April 17, 1969, entitled "Extractions from the Portion of Riverside Basin Area in Riverside County Which is Tributary to Riverside Narrows" provide as follows:

- IX(a) "The average annual extractions from the portion of the Riverside Basin Area in Riverside County which is tributary to Riverside Narrows, for use in Riverside County, for the five-year period ending with 1963 are assumed to be 30,044 acre-feet; the correct figures shall be determined by the Watermaster as herein provided."
- IX(b) "Over any five-year period, there may be extracted from such Basin Area, without replenishment obligation, an amount equal to five times such annual average for the Basin Area; provided, however, that if extractions in any year exceed such average by more than 20 percent, Western shall provide replenishment in the following year equal to the excess extractions over such 20 percent peaking allowance."

Paragraph IX(a) of the Judgment requires only that extractions from that part of the Riverside Basin in Riverside County which is tributary to the Riverside Narrows and used in Riverside County, be verified for the five calendar year base period ending in 1963. Accordingly, a verification of these extractions has been made, the results of which are shown in Table No. 3 on page 33 and averaged 29,634 acre-feet annually for each year during the base period.

Three indexes are included which provide a cross index by owner's name, State Water Resources Control Board Recordation Number, and State Well Number. Each index shows, in addition, the local designation of each well and groundwater basin in which the well is located.

Tables No. 1 and No. 2 in this report list the individual wells by the owner, and owner totals for each year in the five-year base period ending in 1963, the five year base period average, the extractions for the years of 1975 through 1979 and the five-year average for that period. Table No. 1 lists the wells upon which filings have been made with the State Water Resources Control Board, and Table No. 2 lists the wells upon which no filings have been made. Table No. 3 is a summary of the verified extractions, by owner, as presented in Tables No. 1 and No. 2.

The Judgment further provides in Paragraph XVI that the accounting is effective from and after January 1, 1971. Thus the verified extractions from the Riverside Basin Area in Riverside County for calendar years 1971 through 1979 have been determined to be as follows:

<u>Year</u>	<u>Verified Extractions</u>
1971	30,942 A.F.
1972	37,804 A.F.
1973	33,094 A.F.
1974	38,304 A.F.
1975	28,285 A.F.
1976	31,565 A.F.
1977	28,226 A.F.
1978	24,415 A.F.
1979	25,512 A.F.

Table No. 4 shows the total verified extractions from the Riverside Basin Area in Riverside County for use in Riverside County during the five-year period ending in 1963 and for calendar years 1964 through 1979. Since the accounting was not effective until January 1, 1971, the extractions from 1964 to 1970 are for illustrative and planning purposes only.

RIVERSIDE BASIN AREA

IN RIVERSIDE COUNTY

CROSS INDEX BY OWNER

RIVERSIDE BASIN AREA IN RIVERSIDE CO.  
 CROSS INDEX BY OWNER

OWNER NAME	RECORDATION NUMBER	STATE WELL NUMBER	LOCAL DESIGNATION	BASIN NAME
ALAMO WATER COMPANY	3301768	2SSW11J000		RIV-SOUTH
AMCORD, INC.	3300369	2SSW02E000	CHIMO NO 2	RIV-SOUTH
AMCORD, INC.	3300370	2SSW03J000	CRESTMOR	RIV-SOUTH
AMCORD, INC.	3300371	2SSW05K000	FALCO	RIV-SOUTH
AMCORD, INC.	3300372	2SSW03G02S	49	RIV-SOUTH
AMCORD, INC.	3301473	2SSW02F000	CHIMO NO 3	RIV-SOUTH
AMCORD, INC.	3301610	2SSW03A000	60 1	RIV-SOUTH
AMCORD, INC.	3301626	2SSW02L000	53 2	RIV-SOUTH
AMCORD, INC.	3301626-	2SSW02L000	64 1	RIV-SOUTH
BANK OF AMERICA NATL. TRUST & SAVINGS	3301605	2S4W19P01S	WOODILL	RIV-SOUTH
BOX SPRINGS MUTUAL WATER COMPANY	3300272	3S4W100000		RIV-SOUTH
BOX SPRINGS MUTUAL WATER COMPANY	3300272-	3S4W10A000	14	RIV-SOUTH
BOX SPRINGS MUTUAL WATER COMPANY	3300273	3S4W10G000		RIV-SOUTH
BOX SPRINGS MUTUAL WATER COMPANY	3300273-	3S4W10G000	15	RIV-SOUTH
BOX SPRINGS MUTUAL WATER COMPANY	3300274	3S4W10B000		RIV-SOUTH
BOX SPRINGS MUTUAL WATER COMPANY	3300274-	3S4W10R000	16	RIV-SOUTH
BOX SPRINGS MUTUAL WATER COMPANY	3300275	3S4W10A000	17	RIV-SOUTH
BURNS, F. L. AND LAURA	3300439	2S4W07N000	CIT. ST. 2	RIV-SOUTH
CALIF. DEPT. OF TRANSPORTATION DIST. RR	3301915	2S5W23G03S	FREEMAY	RIV-SOUTH
CANYON CREST COUNTRY CLUB	3302052	2S4W31R01S	NO 1	RIV-SOUTH
CARPENTER COMPANY	3301036	3S5W09A01S	CBLNCA 1	RIV-SOUTH
CERTAIN TEED PRODUCTS	3302233	2S5W10C04S	NO. 1	RIV-SOUTH

RIVERSIDE BASIN AREA IN RIVERSIDE CO.  
 CROSS INDEX BY OWNER

OWNER NAME	RECORDATION NUMBER	STATE WELL NUMBER	LOCAL DESIGNATION	BASIN NAME
CERTAIN TEED PRODUCTS	3302234	2S5W10C03S	NO. 2	RIV-SOUTH
CERTAIN TEED PRODUCTS	3302235	2S5W10C01S	NO. 3	RIV-SOUTH
CITIZENS NATIONAL COMPANY	3300375	2S5W23L01S	AIR COND	RIV-SOUTH
CRESTMORE HEIGHTS MUTUAL WATER CO.	3301372	2S5W03R02S	2	RIV-SOUTH
CRESTMORE HEIGHTS MUTUAL WATER CO.	3301659	2S5W03R000	3	RIV-SOUTH
EASTERN MUNICIPAL WATER DISTRICT	3300981	3S4W03Q000	RECHE CN.	RIV-SOUTH
EASTERN MUNICIPAL WATER DISTRICT	3300982	3S4W03R000	DICKINSON	RIV-SOUTH
FORT FREMONT MUTUAL WATER CO.	3301296	2S5W16J000	1	RIV-SOUTH
FORT FREMONT MUTUAL WATER CO.	3301297	2S5W16J000	2	RIV-SOUTH
GROSS, DALE P.	3300748	2S5W12E000	1	RIV-SOUTH
GRUBBS, V. W.	3300076	2S4W07P000		RIV-SOUTH
HUNTER ENGINEERING COMPANY	3300607	2S4W18E01S	SMITH 1	RIV-SOUTH
HUNTER ENGINEERING COMPANY	3300608	2S4W18F000	2	RIV-SOUTH
HUNTER ENGINEERING COMPANY	3300609	2S4W18C000	3	RIV-SOUTH
JOHNSON, TRUMAN	NON-FILER	2S5W14E000		RIV-SOUTH
JOHNSON, TRUMAN	3300160	2S5W14E000	1	RIV-SOUTH
JURUPA COMM. SERVICES DIST.	3301362	2S5W08G04S	3	RIV-SOUTH
JURUPA COMM. SERVICES DIST.	3301501	2S5W08G01S	5	RIV-SOUTH
JURUPA COMM. SERVICES DIST.	3301502	2S5W08K02S	6	RIV-SOUTH
JURUPA COMM. SERVICES DIST.	3301578	2S5W05R000	M 1	RIV-SOUTH
JURUPA COMM. SERVICES DIST.	3301625	2S5W08K03S	7	RIV-SOUTH
LA CASA CONTENTA MOTFL	3300573	2S4W19P000	ADL INF	RIV-SOUTH

RIVERSIDE BASIN AREA IN RIVERSIDE CO.  
CROSS INDEX BY OWNER

OWNER NAME	RECORDATION NUMBER	STATE WELL NUMBER	LOCAL DESIGNATION	BASIN NAME
MARTIN, KENNETH ALLAN	3300554	2S5W32B01S	RR 1	RIV-SOUTH
MIPO CORP. DBA MISSION	3300000	2S5W23G02S	6TH ST	RIV-SOUTH
MICHAEL, C. INC.	3300595	2S5W22C01S	OLD A	RIV-SOUTH
MICHAEL, C. INC.	3300595-	2S5W22D000	A	RIV-SOUTH
MICHAEL, C. INC.	3300597	2S5W22C02S	C	RIV-SOUTH
MICHAEL, C. INC.	3300598	2S5W21K000	D	RIV-SOUTH
MICHAEL, C. INC.	3300599	2S5W21B01S	E	RIV-SOUTH
MICHAEL, C. INC.	3300600	2S5W21A01S	F	RIV-SOUTH
MICHAEL, C. INC.	3300601	2S5W22D01S	G	RIV-SOUTH
MISSION INN COMPANY	3301081	2S5W14B000	ANZA	RIV-SOUTH
MUTUAL WATER CO OF W RIVERSIDE	3302008	2S5W10K06S	NO 1	RIV-SOUTH
PROPERTY ACQUISITION CO.	3301422	2S5W05R02S	PATA 66	RIV-SOUTH
RIO RANCHO MUTUAL WATER COMPANY	3300022	2S5W16R000	1	RIV-SOUTH
RIO RANCHO MUTUAL WATER COMPANY	3300022-	2S5W16R01S		RIV-SOUTH
RIVERSIDE COUNTY PARKS	3300596	2S5W21K01S	R	RIV-SOUTH
RIVERSIDE COUNTY PARKS	3302205	2S5W22M02S	NO. 1	RIV-SOUTH
RIVERSIDE COUNTY PARKS	3302206	2S5W22M03S	NO. 2	RIV-SOUTH
RIVERSIDE HIGHLAND WATER COMPANY	3301655	2S4W08M01S	21	RIV-SOUTH
RIVERSIDE HIGHLAND WATER COMPANY	3301656	2S4W08M02S	22	RIV-SOUTH
RIVERSIDE INDUSTRIAL PARK	3300330	2S5W11C01S	B	RIV-SOUTH
RIVERSIDE, CITY OF	3300417	2S5W25F01S		RIV-SOUTH
RIVERSIDE, CITY OF	3300686	2S4W19J01S	LEMONA 1	RIV-SOUTH



RIVERSIDE BASIN AREA IN RIVERSIDE CO.  
 CROSS INDEX BY OWNER

OWNER NAME	RECORDATION NUMBER	STATE WELL NUMBER	LOCAL DESIGNATION	BASIN NAME
RIVERSIDE, CITY OF	3301073	2S5W12K02S	TWIN 1&2	RIV-SOUTH
RIVERSIDE, CITY OF	3301074	2S5W23J01S	MULBERRY	RIV-SOUTH
RIVERSIDE, CITY OF	3301075	2S5W12B01S	GARNER	RIV-SOUTH
RIVERSIDE, CITY OF	3301076	2S5W12P01S	MREGRIFF 1	RIV-SOUTH
RIVERSIDE, CITY OF	3301077	2S5W12P02S	BRUNTON	RIV-SOUTH
RIVERSIDE, CITY OF	3301078	2S5W28A01S	SANITARY	RIV-SOUTH
RIVERSIDE, CITY OF	3301079	2S5W28C01S	DAVIS	RIV-SOUTH
RIVERSIDE, CITY OF	3301082	2S5W14G02S	FAIRMT 1	RIV-SOUTH
RIVERSIDE, CITY OF	3301084	2S5W12A01S	RUSSELL 1	RIV-SOUTH
RIVERSIDE, CITY OF	3301086	2S5W14K000	SPBROOK	RIV-SOUTH
RIVERSIDE, CITY OF	3301087	2S5W29G000	JENSEN SLOUG	RIV-SOUTH
RIVERSIDE, CITY OF	3301284	2S5W24D01S	1ST. ST.	RIV-SOUTH
RIVERSIDE, CITY OF	3301285	2S5W13Q01S	CUNHAM 1	RIV-SOUTH
RIVERSIDE, CITY OF	3301285-	2S5W13Q02S	CUNHAM 2	RIV-SOUTH
RIVERSIDE, CITY OF	3301286	2S4W07N01S	PALMYR 1	RIV-SOUTH
RIVERSIDE, CITY OF	3301286-	2S4W07N03S	PALMYR 2	RIV-SOUTH
RIVERSIDE, CITY OF	3301287	2S4W07L01S	ELECTRIC ST	RIV-SOUTH
RIVERSIDE, CITY OF	3301288	2S5W23R01S	FILL	RIV-SOUTH
RIVERSIDE, CITY OF	3301289	2S5W23Q01S	11TH ST	RIV-SOUTH
RIVERSIDE, CITY OF	3301358	2S4W08E01S	HIGHGRV 1	RIV-SOUTH
RIVERSIDE, CITY OF	3301359	2S4W0P003S	HIGHGRV 2	RIV-SOUTH
RIVERSIDE, CITY OF	3301359-	2S4W0R004S	HIGHGRV 3	RIV-SOUTH

RIVERSIDE BASIN AREA IN RIVERSIDE CO.  
 CROSS INDEX BY OWNER

OWNER NAME	RECORDATION NUMBER	STATE WELL NUMBER	LOCAL DESIGNATION	BASIN NAME
RIVERSIDE, CITY OF	3301635	2S5W14G03S	MORI ?	RIV-SOUTH
RIVERSIDE, CITY OF	3301814	3S5W03F01S	ORNG ACRE	RIV-SOUTH
RIVERSIDE, CITY OF	3301851	2S5W14E01S	FAIRMT 2	RIV-SOUTH
RIVERSIDE, CITY OF	3301940	3S5W09E000	LINC. HTS	RIV-SOUTH
RIVERSIDE, CITY OF	3301959	2S5W12B04S	GARNER B	RIV-SOUTH
RIVERSIDE, CITY OF	3302485	2S5W12A03S	RUSSELL B	RIV-SOUTH
RIVERSIDE, CITY OF GAGE CANAL	3300366	2S5W26F01S	OLVEVOD 1	RIV-SOUTH
RIVERSIDE, CITY OF GAGE CANAL	3300367	2S5W26E02S	OLVEVOD 2	RIV-SOUTH
RIVERSIDE, CITY OF GAGE CANAL	3300368	2S5W26M01S	OLVEVOD 3	RIV-SOUTH
RIVERSIDE THOROUGHbred FARM	3301834	2S5W15B10S	NO. 1	RIV-SOUTH
RIVERSIDE THOROUGHbred FARM	3301835	2S5W15B11S	NO. 2	RIV-SOUTH
RIVINO WATER COMPANY	3301346	2S5W02L01S	1	RIV-SOUTH
ROCKY R RANCH	3300768	3S5W14E000	GURNEY 1	RIV-SOUTH
ROOS, CHARLES E.	3301257	2S4W31E000	1	RIV-SOUTH
ROSS, SAM	3301194	2S5W12R01S	1 WEST	RIV-SOUTH
RURIDOUX COMMUNITY SERVICES DISTRICT	NON-FILER	2S5W11C02S	SKOTTY NO 4	RIV-SOUTH
RURIDOUX COMMUNITY SERVICES DISTRICT	NON-FILER	2S5W20R01S	SEWER PLANT	RIV-SOUTH
RURIDOUX COMMUNITY SERVICES DISTRICT	3301153	2S5W15M02S	NO 7	RIV-SOUTH
RURIDOUX COMMUNITY SERVICES DISTRICT	3301154	2S5W15L09S	NO 8	RIV-SOUTH
RURIDOUX COMMUNITY SERVICES DISTRICT	3301363	2S5W16E06S	NO 4	RIV-SOUTH
RURIDOUX COMMUNITY SERVICES DISTRICT	3301423	2S5W15M01S	NO 1	RIV-SOUTH
RURIDOUX COMMUNITY SERVICES DISTRICT	3301424	2S5W16G04S	NO 9	RIV-SOUTH

RIVERSIDE BASIN AREA IN RIVERSIDE CO.  
 CROSS INDEX BY OWNER

OWNER NAME	RECORDATION NUMBER	STATE WELL NUMBER	LOCAL DESIGNATION	BASIN NAME
RUBIDOUX COMMUNITY SERVICES DISTRICT	3301524	2S5W19J000	J. H. NO 9	RIV-SOUTH
RUBIDOUX COMMUNITY SERVICES DISTRICT	3301524-	2S5W20J02S	NO 5	RIV-SOUTH
RUBIDOUX COMMUNITY SERVICES DISTRICT	3301694	2S5W20M04S	NO 6	RIV-SOUTH
RUBIDOUX COMMUNITY SERVICES DISTRICT	3301887	2S5W10P01S	NO 3	RIV-SOUTH
RUBIDOUX COMMUNITY SERVICES DISTRICT	3301892	2S5W17R03S	8 350IN.	RIV-SOUTH
RUBIDOUX COMMUNITY SERVICES DISTRICT	3302007	2S5W16H06S	NO 2	RIV-SOUTH
SCHWAR, A.W.	3300230	2S5W08N02S	PALMYRITA	RIV-SOUTH
SCOPE CORPORATION	3300003	2S4W19J02S	COOK 2	RIV-SOUTH
SCOPE CORPORATION	3300004	2S4W19R01S	HALL 1	RIV-SOUTH
SOUTHERN SERVICE COMPANY, LTD.	3301384	2S5W22R01S	RIV LDY	RIV-SOUTH
STOKER, GEORGE	3300798	2S5W12A000		RIV-SOUTH
UNIVERSITY OF CALIFORNIA, REGENTS OF	3300040	2S4W08D02S	HIGHGROV	RIV-SOUTH
VALENCIA MUTUAL WATER CO.	3301203	2S5W02F000	1	PIV-SOUTH
VICTORIA CLUB	3300417-	2S5W25F01S	CLEARWTR	RIV-SOUTH
VON KANEL, ALFRED	3300068	2S5W32A01S		RIV-SOUTH
WATERMAN, ALLEN H.	3300812	2S5W11P000	WTRMN 1	RIV-SOUTH
WHITE SULPHUR SPRINGS POOL	3300754	2S5W13E000	WHSPLHR 1	RIV-SOUTH
WIGHT, MRS. CHARLES H.	3300277	2S5W11K000		RIV-SOUTH
YEAGER CONSTRUCTION CO., INC., E. L.	3301927	2S5W03R000	2	RIV-SOUTH
ZINKE, VERA	3300811	2S5W32K01S	WAYMAN	RIV-SOUTH

RIVERSIDE BASIN AREA

IN RIVERSIDE COUNTY

CROSS INDEX BY RECORDATION NUMBER

RIVERSIDE BASIN AREA IN RIVERSIDE CO.  
CROSS INDEX BY RECORDATION NUMBER

RECORDATION NUMBER	OWNER NAME	STATE WELL NUMBER	LOCAL DESIGNATION	BASIN NAME
NON-FILER	RUBIDOUX COMMUNITY SERVICES DISTRICT	2S5W20R01S	SEWER PLANT	RIV-SOUTH
NON-FILER	JOHNSON, TRUMAN	2S5W14E000		RIV-SOUTH
NON-FILER	RUBIDOUX COMMUNITY SERVICES DISTRICT	2S5W11C02S	SKOTTY NO 4	RIV-SOUTH
3300000	MIPO CORP. DBA MISSION	2S5W23G02S	6TH ST	RIV-SOUTH
3300003	SCOPE CORPORATION	2S4W19J02S	COOK 2	RIV-SOUTH
3300004	SCOPE CORPORATION	2S4W19R01S	HALL 1	RIV-SOUTH
3300022	RIO RANCHO MUTUAL WATER COMPANY	2S5W16R000	1	RIV-SOUTH
3300022-	RIO RANCHO MUTUAL WATER COMPANY	2S5W16R01S		RIV-SOUTH
3300040	UNIVERSITY OF CALIFORNIA, REGENTS OF	2S4W08D02S	HIGHGROV	RIV-SOUTH
3300068	VON KANEL, ALFRED	2S5W32A01S		RIV-SOUTH
3300076	GRUBBS, V. W.	2S4W07P000		RIV-SOUTH
3300160	JOHNSON, TRUMAN	2S5W14E000	1	RIV-SOUTH
3300230	SCHWAB, A.W.	2S5W08N02S	PALMYRITA	RIV-SOUTH
3300272	FOX SPRINGS MUTUAL WATER COMPANY	3S4W100000		RIV-SOUTH
3300272-	FOX SPRINGS MUTUAL WATER COMPANY	3S4W10A000	14	RIV-SOUTH
3300273	FOX SPRINGS MUTUAL WATER COMPANY	3S4W10G000		RIV-SOUTH
3300273-	FOX SPRINGS MUTUAL WATER COMPANY	3S4W10G000	15	RIV-SOUTH
3300274	FOX SPRINGS MUTUAL WATER COMPANY	3S4W10R000		RIV-SOUTH
3300274-	FOX SPRINGS MUTUAL WATER COMPANY	3S4W10E000	16	RIV-SOUTH
3300275	FOX SPRINGS MUTUAL WATER COMPANY	3S4W10A000	17	RIV-SOUTH
3300277	WIGHT, MRS. CHARLES H.	2S5W11K000		RIV-SOUTH
3300330	RIVERSIDE INDUSTRIAL PARK	2S5W11C01S	A	RIV-SOUTH

RIVERSIDE BASIN AREA IN RIVERSIDE CO.  
 CROSS INDEX BY RECORDATION NUMBER

RECORDATION NUMBER	OWNER NAME	STATE WELL NUMBER	LOCAL DESIGNATION	BASIN NAME
3300366	RIVERSIDE, CITY OF GAGE CANAL	2S5W26F01S	OLVEW00 1	RIV-SOUTH
3300367	RIVERSIDE, CITY OF GAGE CANAL	2S5W26E02S	OLVEW00 2	RIV-SOUTH
3300368	RIVERSIDE, CITY OF GAGE CANAL	2S5W26M01S	OLVEW00 3	RIV-SOUTH
3300369	AMCORD, INC.	2S5W02E000	CHINO NO 2	RIV-SOUTH
3300370	AMCORD, INC.	2S5W03J000	CRESTMOR	RIV-SOUTH
3300371	AMCORD, INC.	2S5W05K000	FALCO	RIV-SOUTH
3300372	AMCORD, INC.	2S5W03G02S	49	RIV-SOUTH
3300375	CITIZENS NATIONAL COMPANY	2S5W23L01S	AIR COND	RIV-SOUTH
3300417	RIVERSIDE, CITY OF	2S5W25F01S		RIV-SOUTH
3300417-	VICTORIA CLUB	2S5W25F01S	CLEARWTR	RIV-SOUTH
3300439	BURNS, F. L. AND LAURA	2S4W07M000	CIT. ST. 2	RIV-SOUTH
3300554	MARTIN, KENNETH ALLAN	2S5W32901S	RR 1	RIV-SOUTH
3300573	LA CASA CONTENTA MOTEL	2S4W19P000	ADLINE	RIV-SOUTH
3300595	MICHAEL, C. INC.	2S5W22C01S	OLD A	RIV-SOUTH
3300595-	MICHAEL, C. INC.	2S5W22D000	A	RIV-SOUTH
3300596	RIVERSIDE COUNTY PARKS	2S5W21K01S	B	RIV-SOUTH
3300597	MICHAEL, C. INC.	2S5W22C02S	C	RIV-SOUTH
3300598	MICHAEL, C. INC.	2S5W21K000	D	RIV-SOUTH
3300599	MICHAEL, C. INC.	2S5W21R01S	E	RIV-SOUTH
3300600	MICHAEL, C. INC.	2S5W21A01S	F	RIV-SOUTH
3300601	MICHAEL, C. INC.	2S5W22D01S	G	RIV-SOUTH
3300607	HUNTER ENGINEERING COMPANY	2S4W19F01S	SMITH 1	RIV-SOUTH

RIVERSIDE BASIN AREA IN RIVERSIDE CO.  
CROSS INDEX BY RECORDATION NUMBER

RECORDATION NUMBER	OWNER NAME	STATE WELL NUMBER	LOCAL DESIGNATION	BASIN NAME
3300608	HUNTER ENGINEERING COMPANY	2S4W18F000	2	RIV-SOUTH
3300609	HUNTER ENGINEERING COMPANY	2S4W18C000	3	RIV-SOUTH
3300686	RIVERSIDE, CITY OF	2S4W19J01S	LEMONA 1	RIV-SOUTH
3300748	GROSS, DALE P.	2S5W12E000	1	RIV-SOUTH
3300754	WHITE SULPHUR SPRINGS POOL	2S5W13E000	WHSLPHR 1	RIV-SOUTH
3300768	ROCKY R RANCH	3S5W14E000	GURNEY 1	RIV-SOUTH
3300798	STOKER, GEORGE	2S5W12A000		RIV-SOUTH
3300811	ZINKE, VERA	2S5W32K01S	WAYMAN	RIV-SOUTH
3300812	WATERMAN, ALLEN H.	2S5W11P000	WTRMN 1	RIV-SOUTH
3300981	EASTERN MUNICIPAL WATER DISTRICT	3S4W03Q000	RECHE CN.	RIV-SOUTH
3300982	EASTERN MUNICIPAL WATER DISTRICT	3S4W03R000	DICKNSON	RIV-SOUTH
3301036	CARPENTER COMPANY	3S5W09A01S	CBLNCA 1	RIV-SOUTH
3301073	RIVERSIDE, CITY OF	2S5W12K02S	TWIN 1&2	RIV-SOUTH
3301074	RIVERSIDE, CITY OF	2S5W23J01S	MULBERRY	RIV-SOUTH
3301075	RIVERSIDE, CITY OF	2S5W12B01S	GARNER	RIV-SOUTH
3301076	RIVERSIDE, CITY OF	2S5W12P01S	MREGRTF 1	PIV-SOUTH
3301077	RIVERSIDE, CITY OF	2S5W12P02S	BRUNTON	RIV-SOUTH
3301078	RIVERSIDE, CITY OF	2S5W28A01S	SANITARY	RIV-SOUTH
3301079	RIVERSIDE, CITY OF	2S5W28C01S	DAVIS	RIV-SOUTH
3301081	MISSION INN COMPANY	2S5W14R000	ANZA	RIV-SOUTH
3301082	PIVRSIDE, CITY OF	2S5W14G02S	FAIRMT 1	RIV-SOUTH
3301084	RIVFRSIDE, CITY OF	2S5W12A01S	RUSSELL 1	RIV-SOUTH

RIVERSIDE BASIN AREA IN RIVERSIDE CO.  
CROSS INDEX BY RECORDATION NUMBER

RECORDATION NUMBER	OWNER NAME	STATE WELL NUMBER	LOCAL DESIGNATION	BASIN NAME
3301086	RIVERSIDE, CITY OF	2S5W14K000	SPBROOK	RIV-SOUTH
3301087	RIVERSIDE, CITY OF	2S5W29G000	JENSEN SLOUG	RIV-SOUTH
3301153	RUEIDOUX COMMUNITY SERVICES DISTRICT	2S5W15M02S	NO 7	RIV-SOUTH
3301154	RUEIDOUX COMMUNITY SERVICES DISTRICT	2S5W15L09S	NO 8	RIV-SOUTH
3301194	ROSS, SAM	2S5W12R01S	1 WEST	RIV-SOUTH
3301203	VALENCIA MUTUAL WATER CO.	2S5W02F000	1	RIV-SOUTH
3301257	ROOS, CHARLES E.	2S4W31E000	1	RIV-SOUTH
3301284	RIVERSIDE, CITY OF	2S5W24D01S	1ST. ST.	RIV-SOUTH
3301285	RIVERSIDE, CITY OF	2S5W13Q01S	CUNHAM 1	RIV-SOUTH
3301285-	RIVERSIDE, CITY OF	2S5W13Q02S	CUNHAM 2	RIV-SOUTH
3301286	RIVERSIDE, CITY OF	2S4W07N01S	PALMYR 1	RIV-SOUTH
3301286-	RIVERSIDE, CITY OF	2S4W07N03S	PALMYR 2	RIV-SOUTH
3301287	RIVERSIDE, CITY OF	2S4W07L01S	ELECTRIC ST	RIV-SOUTH
3301288	RIVERSIDE, CITY OF	2S5W23R01S	FILL	RIV-SOUTH
3301289	RIVERSIDE, CITY OF	2S5W23Q01S	11TH ST	RIV-SOUTH
3301296	FORT FREMONT MUTUAL WATER CO.	2S5W16J000	1	RIV-SOUTH
3301297	FORT FREMONT MUTUAL WATER CO.	2S5W16J000	2	RIV-SOUTH
3301346	RIVINO WATER COMPANY	2S5W02L01S	1	RIV-SOUTH
3301358	RIVERSIDE, CITY OF	2S4W08E01S	HIGHGRV 1	RIV-SOUTH
3301359	RIVERSIDE, CITY OF	2S4W08D03S	HIGHGRV 2	RIV-SOUTH
3301359-	RIVERSIDE, CITY OF	2S4W08D04S	HIGHGRV 3	RIV-SOUTH
3301362	JURUPA COMM. SERVICES DIST.	2S5W08C04S	3	RIV-SOUTH



RIVERSIDE BASIN AREA IN RIVERSIDE CO.  
CROSS INDEX BY RECORDATION NUMBER

RECORDATION NUMBER	OWNER NAME	STATE WELL NUMBER	LOCAL DESIGNATION	BASIN NAME
3301363	RUPIDOUX COMMUNITY SERVICES DISTRICT	2S5W16E06S	NO 4	RIV-SOUTH
3301372	CRESTMORE HEIGHTS MUTUAL WATER CO.	2S5W03E02S	2	RIV-SOUTH
3301384	SOUTHERN SERVICE COMPANY, LTD.	2S5W22R01S	RIV LDRY	RIV-SOUTH
3301422	PROPERTY ACQUISITION CO.	2S5W05R02S	PATA 66	RIV-SOUTH
3301423	RUEIDOUX COMMUNITY SERVICES DISTRICT	2S5W15M01S	NO 1	RIV-SOUTH
3301424	RUBIDOUX COMMUNITY SERVICES DISTRICT	2S5W16G04S	NO 9	RIV-SOUTH
3301473	AMCORD, INC.	2S5W02F00D	CHINO NO 3	RIV-SOUTH
3301501	JURUPA COMM. SERVICES DIST.	2S5W08G01S	5	RIV-SOUTH
3301502	JURUPA COMM. SERVICES DIST.	2S5W08K02S	6	RIV-SOUTH
3301524	RUPIDOUX COMMUNITY SERVICES DISTRICT	2S5W19J00D	J. H. NO 9	RIV-SOUTH
3301524-	RUBIDOUX COMMUNITY SERVICES DISTRICT	2S5W20J02S	NO 5	RIV-SOUTH
330157R	JURUPA COMM. SERVICES DIST.	2S5W05R00D	W 1	RIV-SOUTH
3301605	BANK OF AMERICA NATL. TRUST & SAVINGS	2S4W19P01S	WOODILL	RIV-SOUTH
3301610	AMCORD, INC.	2S5W03A00D	60 1	RIV-SOUTH
3301625	JURUPA COMM. SERVICES DIST.	2S5W08K03S	7	RIV-SOUTH
3301626	AMCORD, INC.	2S5W02L00D	53 2	RIV-SOUTH
3301626-	AMCORD, INC.	2S5W02L00D	64 1	RIV-SOUTH
3301635	RIVERSIDE, CITY OF	2S5W14G03S	MORI 2	RIV-SOUTH
3301655	RIVERSIDE HIGHLAND WATER COMPANY	2S4W08M01S	21	RIV-SOUTH
3301656	RIVERSIDE HIGHLAND WATER COMPANY	2S4W08M02S	22	RIV-SOUTH
3301659	CRESTMORE HEIGHTS MUTUAL WATER CO.	2S5W03E00D	3	RIV-SOUTH
3301694	RUPIDOUX COMMUNITY SERVICES DISTRICT	2S5W20H04S	NO 6	RIV-SOUTH

RIVERSIDE BASIN AREA IN RIVERSIDE CO.  
 CROSS INDEX BY RECORDATION NUMBER

RECORDATION NUMBER	OWNER NAME	STATE WELL NUMBER	LOCAL DESIGNATION	BASIN NAME
3301768	ALAMO WATER COMPANY	2S5W11J000		RIV-SOUTH
3301814	RIVERSIDE, CITY OF	3S5W03F01S	ORNG ACRE	RIV-SOUTH
3301834	RIVERSIDE THOROUGHbred FARM	2S5W15B10S	NO. 1	RIV-SOUTH
3301835	RIVERSIDE THOROUGHbred FARM	2S5W15B11S	NO. 2	RIV-SOUTH
3301851	RIVERSIDE, CITY OF	2S5W14E01S	FAIRMT 2	RIV-SOUTH
3301887	RUBIDOUX COMMUNITY SERVICES DISTRICT	2S5W10P01S	NO 3	RIV-SOUTH
3301892	RUBIDOUX COMMUNITY SERVICES DISTRICT	2S5W17R03S	8 350YN.	RIV-SOUTH
3301915	CALIF. DEPT. OF TRANSPORTATION DIST. 8R	2S5W23Q03S	FREEWAY	RIV-SOUTH
3301927	YEAGER CONSTRUCTION CO., INC., E. L.	2S5W03R000	2	RIV-SOUTH
3301940	RIVERSIDE, CITY OF	3S5W09E000	LINC. HTS	RIV-SOUTH
3301959	RIVERSIDE, CITY OF	2S5W12B04S	GARNER B	RIV-SOUTH
3302007	RUBIDOUX COMMUNITY SERVICES DISTRICT	2S5W16H06S	NO 2	RIV-SOUTH
3302008	MUTUAL WATER CO OF W RIVERSIDE	2S5W10K06S	NO 1	RIV-SOUTH
3302052	CANYON CREST COUNTRY CLUB	2S4W31R01S	NO 1	RIV-SOUTH
3302205	RIVERSIDE COUNTY PARKS	2S5W22M02S	NO. 1	RIV-SOUTH
3302206	RIVERSIDE COUNTY PARKS	2S5W22M03S	NO. 2	RIV-SOUTH
3302233	CERTAIN TEED PRODUCTS	2S5W10C04S	NO. 1	RIV-SOUTH
3302234	CERTAIN TEED PRODUCTS	2S5W10C03S	NO. 2	RIV-SOUTH
3302235	CERTAIN TEED PRODUCTS	2S5W10C01S	NO. 3	RIV-SOUTH
3302485	RIVERSIDE, CITY OF	2S5W12A03S	RUSSELL B	RIV-SOUTH

RIVERSIDE BASIN AREA

IN RIVERSIDE COUNTY

CROSS INDEX BY STATE WELL NUMBER

RIVERSIDE BASIN AREA IN RIVERSIDE CO.  
 CROSS INDEX BY STATE WELL NUMBER

STATE WELL NUMBER	OWNER NAME	RECORDATION NUMBER	LOCAL DESIGNATION	BASIN NAME
2S4W07L01S	RIVERSIDE, CITY OF	3301287	ELECTRIC ST	RIV-SOUTH
2S4W07N000	BURNS, F. L. AND LAURA	3300439	CIT. ST. 2	RIV-SOUTH
2S4W07N01S	RIVERSIDE, CITY OF	3301286	PALMYR 1	RIV-SOUTH
2S4W07N03S	RIVERSIDE, CITY OF	3301286-	PALMYR 2	RIV-SOUTH
2S4W07P000	GRUBBS, V. W.	3300076		RIV-SOUTH
2S4W08D02S	UNIVERSITY OF CALIFORNIA, REGENTS OF	3300040	HIGHGROV	RIV-SOUTH
2S4W08D03S	RIVERSIDE, CITY OF	3301359	HIGHGRV 2	RIV-SOUTH
2S4W08D04S	RIVERSIDE, CITY OF	3301359-	HIGHGRV 3	RIV-SOUTH
2S4W08E01S	RIVERSIDE, CITY OF	3301358	HIGHGRV 1	RIV-SOUTH
2S4W08W01S	RIVERSIDE HIGHLAND WATER COMPANY	3301655	21	RIV-SOUTH
2S4W08W02S	RIVERSIDE HIGHLAND WATER COMPANY	3301656	22	RIV-SOUTH
2S4W12C000	HUNTER ENGINEERING COMPANY	3300609	3	RIV-SOUTH
2S4W18E01S	HUNTER ENGINEERING COMPANY	3300607	SMITH 1	RIV-SOUTH
2S4W18F000	HUNTER ENGINEERING COMPANY	3300608	2	RIV-SOUTH
2S4W19J01S	RIVERSIDE, CITY OF	3300686	LEMONA 1	PIV-SOUTH
2S4W19J02S	SCOPE CORPORATION	3300003	COOK 2	RIV-SOUTH
2S4W19P000	LA CASA CONTENTA MOTEL	3300573	ADLINE	RIV-SOUTH
2S4W19P01S	BANK OF AMERICA NATL. TRUST & SAVINGS	3301605	WOODHILL	RIV-SOUTH
2S4W19R01S	SCOPE CORPORATION	3300004	HALL 1	RIV-SOUTH
2S4W31E000	ROOS, CHARLES E.	3301257	1	RIV-SOUTH
2S4W31R01S	CANYON CREST COUNTRY CLUB	3302052	NO 1	RIV-SOUTH
2S5W02E000	WACCORD, INC.	3300360	CHINO NO 2	RIV-SOUTH

RIVERSIDE BASIN AREA IN RIVERSIDE CO.  
 CROSS INDEX BY STATE WELL NUMBER

STATE WELL NUMBER	OWNER NAME	RECORDATION NUMBER	LOCAL DESIGNATION	BASIN NAME
2S5W02F000	AMCORD, INC.	3301473	CHINO NO 3	RIV-SOUTH
2S5W02F000	VALENCIA MUTUAL WATER CO.	3301203	1	RIV-SOUTH
2S5W02L000	AMCORD, INC.	3301626	53 2	RIV-SOUTH
2S5W02L000	AMCORD, INC.	3301626-	64 1	RIV-SOUTH
2S5W02L01S	RIVINO WATER COMPANY	3301346	1	RIV-SOUTH
2S5W03A000	AMCORD, INC.	3301610	60 1	RIV-SOUTH
2S5W03B000	CRESTMORE HEIGHTS MUTUAL WATER CO.	3301659	3	RIV-SOUTH
2S5W03B02S	CRESTMORE HEIGHTS MUTUAL WATER CO.	3301372	2	RIV-SOUTH
2S5W03B02S	AMCORD, INC.	3300372	49	RIV-SOUTH
2S5W03J000	AMCORD, INC.	3300370	CRESTMOR	RIV-SOUTH
2S5W03R000	YEAGER CONSTRUCTION CO., INC., E. L.	3301927	2	RIV-SOUTH
2S5W05M000	AMCORD, INC.	3300371	FALCO	RIV-SOUTH
2S5W05R000	JURUPA COMM. SERVICES DIST.	3301578	W 1	RIV-SOUTH
2S5W05P02S	PROPERTY ACQUISITION CO.	3301422	PATA 66	RIV-SOUTH
2S5W06G01S	JURUPA COMM. SERVICES DIST.	3301501	5	RIV-SOUTH
2S5W08G04S	JURUPA COMM. SERVICES DIST.	3301362	3	RIV-SOUTH
2S5W08K02S	JURUPA COMM. SERVICES DIST.	3301502	6	RIV-SOUTH
2S5W08K03S	JURUPA COMM. SERVICES DIST.	3301625	7	RIV-SOUTH
2S5W08N02S	SCHWAB, A.V.	3300230	PALMYRITA	RIV-SOUTH
2S5W10C01S	CERTAIN TEED PRODUCTS	3302235	NO. 3	RIV-SOUTH
2S5W10C03S	CERTAIN TEED PRODUCTS	3302234	NO. 2	RIV-SOUTH
2S5W10C04S	CERTAIN TEED PRODUCTS	3302233	NO. 1	RIV-SOUTH

RIVERSIDE BASIN AREA IN RIVERSIDE CO.  
 CROSS INDEX BY STATE WELL NUMBER

STATE WELL NUMBER	OWNER NAME	RECORDATION NUMBER	LOCAL DESIGNATION	BASIN NAME
2S5W10K06S	MUTUAL WATER CO OF W RIVERSIDE	3302008	NO 1	RIV-SOUTH
2S5W10P01S	RUFIDOUX COMMUNITY SERVICES DISTRICT	3301887	NO 3	RIV-SOUTH
2S5W11C01S	RIVERSIDE INDUSTRIAL PARK	3300330	8	RIV-SOUTH
2S5W11C02S	RUFIDOUX COMMUNITY SERVICES DISTRICT	NON-FILER	SKOTTY NO 4	RIV-SOUTH
2S5W11J000	ALAMO WATER COMPANY	3301768		RIV-SOUTH
2S5W11K000	WIGHT, MRS. CHARLES H.	3300277		RIV-SOUTH
2S5W11P000	WATERMAN, ALLEN H.	3300812	WTRMN 1	RIV-SOUTH
2S5W12A000	STOKER, GEORGE	3300798		RIV-SOUTH
2S5W12A01S	RIVERSIDE, CITY OF	3301084	RUSSELL 1	RIV-SOUTH
2S5W12A03S	RIVERSIDE, CITY OF	3302485	RUSSELL B	RIV-SOUTH
2S5W12B01S	RIVERSIDE, CITY OF	3301075	GARNER	RIV-SOUTH
2S5W12R04S	RIVERSIDE, CITY OF	3301959	GARNER B	RIV-SOUTH
2S5W12E000	GROSS, DALE P.	3300748	1	RIV-SOUTH
2S5W12K02S	RIVERSIDE, CITY OF	3301073	TWIN 1&2	RIV-SOUTH
2S5W12P01S	RIVERSIDE, CITY OF	3301076	MREGRIF 1	RIV-SOUTH
2S5W12P02S	RIVERSIDE, CITY OF	3301077	BRUNTON	RIV-SOUTH
2S5W12R01S	ROSS, SAM	3301194	1 WEST	RIV-SOUTH
2S5W13E000	WHITE SULPHUR SPRINGS POOL	3300754	WHSPLHR 1	RIV-SOUTH
2S5W13O01S	RIVERSIDE, CITY OF	3301285	CUNHAM 1	RIV-SOUTH
2S5W13O02S	RIVERSIDE, CITY OF	3301285~	CUNHAM 2	RIV-SOUTH
2S5W14R000	MISSION INN COMPANY	3301081	ANZA	RIV-SOUTH
2S5W14E000	JOHNSON, TRUMAN	NON-FILER		RIV-SOUTH

RIVERSIDE BASIN AREA IN RIVERSIDE CO.  
 CROSS INDEX BY STATE WELL NUMBER

STATE WELL NUMBER	OWNER NAME	RECORDATION NUMBER	LOCAL DESIGNATION	BASIN NAME
2S5W14E000	JOHNSON, TRUMAN	3300160	1	RIV-SOUTH
2S5W14E01S	RIVERSIDE, CITY OF	3301851	FAJRT 2	RIV-SOUTH
2S5W14G02S	FIVERSIDE, CITY OF	3301082	FAIRMT 1	RIV-SOUTH
2S5W14G03S	RIVERSIDE, CITY OF	3301635	MORI 2	RIV-SOUTH
2S5W14K000	RIVERSIDE, CITY OF	3301086	SPBROOK	RIV-SOUTH
2S5W15R10S	RIVERSIDE THOROUGHFBRED FARM	3301834	NO. 1	RIV-SOUTH
2S5W15R11S	RIVERSIDE THOROUGHFBRED FARM	3301835	NO. 2	RIV-SOUTH
2S5W15L09S	RUPIDOUX COMMUNITY SERVICES DISTRICT	3301154	NO 8	RIV-SOUTH
2S5W15M01S	RUBIDOUX COMMUNITY SERVICES DISTRICT	3301423	NO 1	RIV-SOUTH
2S5W15M02S	RUBIDOUX COMMUNITY SERVICES DISTRICT	3301153	NO 7	RIV-SOUTH
2S5W16E06S	RUBIDOUX COMMUNITY SERVICES DISTRICT	3301363	NO 4	RIV-SOUTH
2S5W16S04S	RUBIDOUX COMMUNITY SERVICES DISTRICT	3301424	NO 9	RIV-SOUTH
2S5W16H06S	RUBIDOUX COMMUNITY SERVICES DISTRICT	3302007	NO 2	RIV-SOUTH
2S5W16J000	FORT FREMONT MUTUAL WATER CO.	3301296	1	RIV-SOUTH
2S5W16J000	FORT FREMONT MUTUAL WATER CO.	3301297	2	RIV-SOUTH
2S5W16R000	RIO RANCHO MUTUAL WATER COMPANY	3300022	1	RIV-SOUTH
2S5W16R01S	RIO RANCHO MUTUAL WATER COMPANY	3300022-		RIV-SOUTH
2S5W17R03S	RUBIDOUX COMMUNITY SERVICES DISTRICT	3301892	8 350IN.	RIV-SOUTH
2S5W19J000	RUBIDOUX COMMUNITY SERVICES DISTRICT	3301524	J. H. NO 9	RIV-SOUTH
2S5W20H04S	RUBIDOUX COMMUNITY SERVICES DISTRICT	3301694	NO 6	RIV-SOUTH
2S5W20J02S	RUBIDOUX COMMUNITY SERVICES DISTRICT	3301524-	NO 5	RIV-SOUTH
2S5W20R01S	RUBIDOUX COMMUNITY SERVICES DISTRICT	NON-FILER	SEWER PLANT	RIV-SOUTH

RIVERSIDE BASIN AREA IN RIVERSIDE CO.  
CROSS INDEX BY STATE WELL NUMBER

STATE WELL NUMBER	OWNER NAME	RECORDATION NUMBER	LOCAL DESIGNATION	BASIN NAME
255W21A01S	MICHAEL, C., INC.	3300600	F	RIV-SOUTH
255W21B01S	MICHAEL, C., INC.	3300599	E	RIV-SOUTH
255W21K000	MICHAEL, C., INC.	3300598	D	RIV-SOUTH
255W21K01S	RIVERSIDE COUNTY PARKS	3300596	B	RIV-SOUTH
255W22C01S	MICHAEL, C., INC.	3300595	OLD A	RIV-SOUTH
255W22C02S	MICHAEL, C., INC.	3300597	C	RIV-SOUTH
255W22D000	MICHAEL, C., INC.	3300595-	A	RIV-SOUTH
255W22D01S	MICHAEL, C., INC.	3300601	G	RIV-SOUTH
255W22M02S	RIVERSIDE COUNTY PARKS	3302205	NO. 1	RIV-SOUTH
255W22M03S	RIVERSIDE COUNTY PARKS	3302206	NO. 2	RIV-SOUTH
255W22R01S	SOUTHERN SERVICE COMPANY, LTD.	3301384	RIV LDY	RIV-SOUTH
255W23G02S	WPO CORP. DBA MISSION	3300000	6TH ST	RIV-SOUTH
255W23J01S	RIVERSIDE, CITY OF	3301074	MULBERRY	RIV-SOUTH
255W23L01S	CITIZENS NATIONAL COMPANY	3300375	AIR COND	RIV-SOUTH
255W23Q01S	RIVERSIDE, CITY OF	3301289	11TH ST	RIV-SOUTH
255W23Q03S	CALIF. DEPT. OF TRANSPORTATION DIST. RR	3301915	FREEWAY	RIV-SOUTH
255W23R01S	RIVERSIDE, CITY OF	3301288	FILL	RIV-SOUTH
255W24D01S	RIVERSIDE, CITY OF	3301284	1ST. ST.	RIV-SOUTH
255W25F01S	RIVERSIDE, CITY OF	3300417		RIV-SOUTH
255W25F01S	VICTORIA CLUB	3300417-	CLEARWTR	RIV-SOUTH
255W26E02S	RIVERSIDE, CITY OF GAGE CANAL	3300367	OLVEMOD 2	RIV-SOUTH
255W26F01S	RIVERSIDE, CITY OF GAGE CANAL	3300366	OLVEMOD 1	RIV-SOUTH



RIVERSIDE BASIN AREA IN RIVERSIDE CO.  
 CROSS INDEX BY STATE WELL NUMBER

STATE WELL NUMBER	OWNER NAME	RECORDATION NUMBER	LOCAL DESIGNATION	BASIN NAME
255W26M01S	RIVERSIDE, CITY OF GAGE CANAL	3300368	OLVEDD 3	RIV-SOUTH
255W28A01S	RIVERSIDE, CITY OF	3301078	SANITARY	RIV-SOUTH
255W28C01S	RIVERSIDE, CITY OF	3301079	DAVIS	RIV-SOUTH
255W29G000	RIVERSIDE, CITY OF	3301087	JENSEN SLOUG	RIV-SOUTH
255W32A01S	VON KANEL, ALFRED	3300068		RIV-SOUTH
255W32B01S	MARTIN, KENNETH ALLAN	3300554	RR 1	RIV-SOUTH
255W32K01S	ZINKE, VERA	3300811	WAYMAN	RIV-SOUTH
354W03Q000	EASTERN MUNICIPAL WATER DISTRICT	3300981	RECHE CN.	RIV-SOUTH
354W03P000	EASTERN MUNICIPAL WATER DISTRICT	3300982	DICKNSON	RIV-SOUTH
354W10A000	BOX SPRINGS MUTUAL WATER COMPANY	3300272-	14	RIV-SOUTH
354W10A000	BOX SPRINGS MUTUAL WATER COMPANY	3300275	17	RIV-SOUTH
354W10B000	BOX SPRINGS MUTUAL WATER COMPANY	3300274		RIV-SOUTH
354W10R000	BOX SPRINGS MUTUAL WATER COMPANY	3300274-	16	RIV-SOUTH
354W10G000	BOX SPRINGS MUTUAL WATER COMPANY	3300273		RIV-SOUTH
354W10G000	BOX SPRINGS MUTUAL WATER COMPANY	3300273-	15	RIV-SOUTH
354W100000	BOX SPRINGS MUTUAL WATER COMPANY	3300272		RIV-SOUTH
355W03F01S	RIVERSTIDE, CITY OF	3301814	ORNG ACRE	RIV-SOUTH
355W09A01S	CARPENTER COMPANY	3301036	CALNCA 1	RIV-SOUTH
355W09E000	RIVERSIDE, CITY OF	3301940	LINC. HTS	RIV-SOUTH
355W14E000	ROCKY R RANCH	3300768	GURNEY 1	RIV-SOUTH

TABLE NO. 1

VERIFIED EXTRACTIONS BY OWNERS WHICH  
HAVE RECORDATION FILINGS WITH THE STATE  
WATER RESOURCES CONTROL BOARD

TABLE NO. 1  
 VERIFIED EXTRACTATIONS BY OWNERS WHICH HAVE RECORDATION FILINGS  
 WITH THE STATE WATER RESOURCES CONTROL BOARD

OWNER	1959	1960	1961	1962	1963	1963 AVERAGE	1959-63	1975	1976	1977	1978	1979	1975-79 AVERAGE
ALAMO WATER COMPANY													
3301769 2S5W11J000 W	79	100	132	163	149	125	493	512	521	245	488	452	
AMCORD* INC.													
3300369 2S5W02E000 W	398	0	0	0	0	80	0	0	0	0	0	0	0
3300370 2S5W03J000 W	282	242	282	282	532	324	502	554	364	789	791	600	
3300371 2S5W05K000 W	0	0	0	30	15	9	0	0	0	0	0	0	0
3300372 2S5W03G02S W	37	0	0	0	0	7	0	0	0	0	0	0	0
3301473 2S5W02F000 W	603	781	465	515	531	579	506	464	484	490	486	486	
3301610 2S5W03A000 W	0	488	2420	2020	1563	1298	587	552	854	930	962	777	
3301626 2S5W02L000 W	350	350	0	132	110	188	0	0	0	0	0	0	0
3301626- 2S5W02L000 W	0	0	0	0	0	0	0	176	176	177	104	127	
OWNER TOTAL	1670*	1861*	3167*	2979*	2751*	2486*	1595*	1746*	1878*	2386*	2343*	1990*	
BANK OF AMERICA NATL. TRUST & SAVINGS													
3301605 2S4W19C01S W	90	90	90	90	94	91	0	0	0	0	0	0	0
BOX SPRINGS MUTUAL WATER COMPANY													
3300272 3S4W10D000 W	0	0	0	0	0	0	0	0	0	0	0	0	0
3300272- 3S4W10A000 W	0	0	0	0	0	0	0	0	0	0	0	0	0
3300273 3S4W10E000 W	0	0	0	0	0	0	0	0	0	0	0	0	0
3300273- 3S4W10G000 W	0	0	0	0	0	0	0	0	0	0	0	0	0
3300274 3S4W10R000 W	0	0	0	0	0	0	0	0	0	0	0	0	0
3300274- 3S4W10R000 W	53	50	55	55	42	51	32	19	20	13	19	21	
3300275 3S4W10A000 W	473	453	492	442	428	458	261	263	258	275	279	267	

TABLE NO. 1  
 VERIFIED EXTRACTIONS BY OWNERS WHICH HAVE RECORDATION FILINGS  
 WITH THE STATE WATER RESOURCES CONTROL BOARD

OWNER	1959	1960	1961	1962	1963	1959-63		1975	1976	1977	1978	1979	1975-79
	526*	503*	547*	497*	470*	509*	293*	282*	278*	288*	298*	288*	AVERAGE
BURNS, F. L. AND LAURA													
3300439 2S4W07N00 W	0	0	0	0	0	0	20	0	0	0	0	0	4
CALIF. DEPT. OF TRANSPORTATION DIST. 8R													
3301915 2S5W23O3S W	0	0	0	0	0	0	503	435	408	573	35	391	
CANYON CREST COUNTRY CLUB													
3302052 2S4W31R01S W	0	0	0	0	0	0	14	12	9	9	9	11	
CARPENTER COMPANY													
3301036 3S5W09A01S W	118	247	420	300	300	277	182	195	140	0	0	103	
CERTAIN TEED PRODUCTS													
3302233 2S5W10C04S W						0		16	16	16	16	16	13
3302234 2S5W10C03S W						0		16	16	16	16	16	13
3302235 2S5W10C01S W						0		16	16	16	16	16	13
OWNER TOTAL	0*	0*	0*	0*	0*	0*	0*	48*	48*	48*	48*	48*	38*
CITIZENS NATIONAL COMPANY													
3300375 2S5W23L01S W	0	33	33	33	33	26	0	0	0	0	0	0	0
CRESTMORE HEIGHTS MUTUAL WATER CO.													
3301372 2S5W03R02S W	67	63	52	17	16	43	21	21	14	13	12	15	
3301650 2S5W03R00 W	0	0	13	44	42	20	54	54	37	33	32	42	
OWNER TOTAL	67*	63*	65*	61*	58*	63*	75*	75*	51*	46*	44*	58*	
EASTERN MUNICIPAL WATER DISTRICT													
33009P1 3S4W03O00 W	0	0	0	0	0	0	0	0	0	0	0	0	0

TABLE NO. 1  
 VERIFIED EXTRACTATIONS BY OWNERS WHICH HAVE RECORDATION FILINGS  
 WITH THE STATE WATER RESOURCES CONTROL BOARD

OWNER	1959	1960	1961	1962	1963	1959-63		1975	1976	1977	1978	1979	1975-79 AVERAGE
						AVERAGE	AVERAGE						
EASTERN MUNICIPAL WATER DISTRICT (CONTINUED)													
3300982 3S4W03R000 W	3	1	0	0	0	1	0	0	0	0	0	0	0
OWNER TOTAL	3*	1*	0*	0*	0*	1*	0*	0*	0*	0*	0*	0*	0*
FORT FREMONT MUTUAL WATER CO.													
3301296 2S5W16J000 W	70	27	27	18	45	37	71	44	46	70	46	39	54
3301297 2S5W16J000 W	136	182	188	184	144	167	130	120	150	114	150	139	131
OWNER TOTAL	206*	209*	215*	202*	189*	204*	201*	164*	196*	184*	196*	178*	185*
GROSS, DALE P.													
3300748 2S5W12E000 W	0	0	0	0	0	0	0	0	0	0	0	0	0
GRUBBS, V. W.													
3300076 2S4W07P000 W	45	40	51	38	39	43	0	0	0	0	0	0	0
HUNTER ENGINEERING COMPANY													
3300607 2S4W18E01S W	0	0	0	0	0	0	0	0	0	0	0	0	0
3300608 2S4W18F000 W	0	0	0	0	0	0	0	0	0	0	0	0	0
3300609 2S4W18C000 W	0	0	0	31	188	44	84	65	36	44	36	47	55
OWNER TOTAL	0*	0*	0*	31*	188*	44*	84*	65*	36*	44*	36*	47*	55*
JOHNSON, TRUMAN													
3300160 2S5W14E000 W	270	214	248	187	250	234	0	0	0	0	0	0	0
JURUPA COMM. SERVICES DIST.													
3301362 2S5W08G04S W	12	180	422	275	552	288	229	268	190	231	190	184	222
3301501 2S5W08G01S W	624	180	422	275	552	411	411	597	411	542	411	366	465
3301502 2S5W08K02S W	308	351	103	295	116	235	0	0	0	0	0	0	0

TABLE NO. 1  
 VERIFIED EXTRACTATIONS BY OWNERS WHICH HAVE RECORDATION FILINGS  
 WITH THE STATE WATER RESOURCES CONTROL BOARD

OWNER	1959	1960	1961	1962	1963	1963 AVERAGE	1975	1976	1977	1978	1979	1975-79 AVERAGE
(CONTINUED)												
JURUPA COMM. SERVICES DIST.												
3301578 2S5W05R000 W	9	6	6	6	78	21	265	28	22	0	0	63
3301625 2S5W0PK03S W	50	351	103	295	116	183	0	0	0	0	0	0
OWNER TOTAL	1003*	1068*	1056*	1146*	1414*	1137*	905*	893*	795*	610*	550*	751*
LA CASA CONTENTA MOTEL												
3300573 2S4W19P000 W	0	0	0	0	0	0	0	0	0	0	0	0
MARTIN, KENNETH ALLAN												
3300554 2S5W32B01S W	0	0	0	0	0	0	0	0	0	0	0	0
MIPO CORP. DRA MISSION												
3300000 2S5W23G02S W	73	73	73	73	73	73	4	0	0	0	0	1
MICHAEL, C., INC.												
3300595 2S5W22C01S W	0	0	0	0	0	0	0	0	0	0	0	0
3300595- 2S5W22D000 W	354	354	354	354	354	354	311	468	251	388	299	343
3300597 2S5W22C02S W	1	1	1	1	1	1	0	0	0	0	0	0
3300598 2S5W21K000 W	1220	1220	1220	1220	1220	1220	554	248	581	554	424	472
3300599 2S5W21R01S W	422	422	422	422	422	422	299	438	299	48	0	217
3300600 2S5W21A01S W	564	564	564	564	564	564	457	448	0	0	0	181
3300601 2S5W22D01S W	5	5	5	5	5	5	23	14	6	2	4	10
OWNER TOTAL	2566*	2566*	2566*	2566*	2566*	2566*	1644*	1616*	1137*	992*	727*	1223*
MISSION INN COMPANY												
3301081 2S5W14P000 W	121	151	134	0	0	81	0	0	0	0	0	0
MUTUAL WATER CO OF W RIVERSIDE												
3302008 2S5W10K06S W	178	178	178	178	178	178	203	209	216	198	196	205

TABLE NO. 1  
 VERIFIED EXTRACTIONS BY OWNERS WHICH HAVE RECORDATION FILINGS  
 WITH THE STATE WATER RESOURCES CONTROL BOARD

OWNER	1959	1960	1961	1962	1963	1963 AVERAGE	1959-63 AVERAGE	1975	1976	1977	1978	1979	1975-79 AVERAGE
PROPERTY ACQUISITION CO.													
3301422 2S5W05R02S W	140	136	143	139	141	140	140	0	0	0	0	0	0
RIO RANCHO MUTUAL WATER COMPANY													
3300022 2S5W16R000 W	0	0	0	0	0	0	0	0	0	0	0	0	0
3300022- 2S5W16R01S W	84	86	98	76	103	89	89	103	135	109	87	88	104
OWNER TOTAL	84*	86*	98*	76*	103*	89*	89*	103*	135*	109*	87*	88*	104*
RIVERSIDE COUNTY PARKS													
3300596 2S5W21K01S W	1	1	1	1	1	1	1	0	0	0	10	24	7
3302205 2S5W22H02S W	515	515	515	515	515	515	515	214	0	0	0	0	43
3302205 2S5W22H03S W	504	504	504	504	504	504	504	197	463	463	463	463	317
OWNER TOTAL	1020*	1020*	1020*	1020*	1020*	1020*	1020*	411*	463*	463*	10*	487*	367*
RIVERSIDE HIGHLAND WATER COMPANY													
3301655 2S4W08M01S W	0	0	0	1393	1381	555	555	94	137	219	683	172	261
3301656 2S4W08M02S W	0	0	0	0	0	0	0	1133	1183	869	613	803	920
OWNER TOTAL	0*	0*	0*	1393*	1381*	555*	555*	1227*	1320*	1088*	1296*	975*	1181*
RIVERSIDE INDUSTRIAL PARK													
3300330 2S5W11C01S W	315	315	224	209	174	247	247	0	0	0	0	0	0
RIVERSIDE, CITY OF													
3300417 2S5W25F01S W	528	631	805	23	126	423	423	0	0	0	0	0	0
3300686 2S4W19J01S W	384	319	378	203	274	312	312	0	0	0	0	0	0
3301073 2S5W12K02S W	672	1034	2232	1593	1026	1311	1311	2526	3504	2435	1822	1978	2453
3301074 2S5W23J01S W	12	46	24	108	40	46	46	471	557	5	0	24	211

TABLE NO. 1  
 VERIFIED EXTRACTONS BY OWNERS WHICH HAVE RECORDATION FILINGS  
 WITH THE STATE WATER RESOURCES CONTROL BOARD

OWNER	RIVERSIDE, CITY OF	1959	1960	1961	1962	1963	1959-63		1976	1977	1978	1979	1975-79
		264	383	250	534	285	343	220	248	257	177	265	233
3301075	2S5W12B01S W	458	589	685	690	771	639	1606	1363	1395	712	1157	1248
3301076	2S5W12P01S W	259	299	152	482	409	320	326	289	282	270	199	273
3301077	2S5W12P02S W	4	3	3	3	3	3	0	0	0	0	0	0
3301078	2S5W28A01S W	0	0	0	0	0	0	0	0	0	0	0	0
3301079	2S5W28C01S W	1166	1187	1096	1045	675	1034	0	0	440	692	7	228
3301082	2S5W14G02S W	483	740	445	778	510	591	0	0	0	0	0	0
3301084	2S5W12A01S W	0	0	0	0	0	0	0	0	0	0	0	0
3301086	2S5W14K000 D	2613	2475	1628	1467	1467	1930	0	0	0	0	0	0
3301087	2S5W29G000 W	766	2360	1246	1012	581	1193	670	748	920	545	708	718
3301284	2S5W24D01S W	0	0	0	0	0	0	0	0	0	0	0	0
3301285	2S5W13Q01S W	0	0	2075	1325	1547	989	113	2405	2588	1838	833	1555
3301286	2S4W07N01S W	553	0	0	0	0	111	0	0	0	0	0	0
3301286--	2S4W07N03S W	0	1069	811	620	599	620	1275	345	605	840	1564	926
3301287	2S4W07L01S W	2731	1776	507	167	258	1088	1344	225	1119	162	424	655
3301288	2S5W23R01S W	651	1103	629	369	374	625	766	469	207	420	1276	628
3301289	2S5W23Q01S W	543	760	895	573	311	616	211	477	97	198	1380	473
3301358	2S4W08E01S W	220	198	210	250	439	263	0	0	0	0	0	0
3301359	2S4W08D03S W	147	357	375	254	0	227	0	0	0	0	0	0
3301359--	2S4W08D04S W	0	0	0	0	0	0	0	0	0	0	0	0
3301615	2S5W14G03S W	0	365	1829	1684	1536	1083	287	122	134	452	596	318



TABLE NO. 1  
 VERIFIED EXTRACTATIONS BY OWNERS WHICH HAVE RECORDATION FILINGS  
 WITH THE STATE WATER RESOURCES CONTROL BOARD

OWNER	1959	1960	1961	1962	1963	1959-63 AVERAGE	1975	1976	1977	1978	1979	1975-79 AVERAGE
(CONTINUED)												
RIVERSIDE, CITY OF												
3301814 3S5W03F01S W	24	19	18	14	12	17	69	6	0	0	0	15
3301851 2S5W14E01S W	0	0	0	0	0	0	525	873	117	0	34	310
3301940 3S5W09E000 W	438	464	448	358	300	402	298	148	72	0	0	104
3301959 2S5W12B04S W	0	0	0	0	0	0	581	1528	1552	1875	1033	1314
3302485 2S5W12A03S W	0	0	0	0	0	0	1561	2323	1359	1678	1822	1749
OWNER TOTAL	12916*	16177*	16741*	13552*	11543*	14186*	12849*	15630*	13584*	11687*	13300*	13410*
RIVERSIDE, CITY OF GAGE CANAL												
3300356 2S5W26F01S W	856	931	1044	727	688	849	413	253	89	131	352	248
3300367 2S5W26E02S W	1752	1595	1633	985	1165	1426	789	273	633	614	978	661
3300368 2S5W26M01S W	449	461	559	305	318	418	249	52	60	72	64	99
OWNER TOTAL	3057*	2987*	3236*	2017*	2171*	2694*	1451*	578*	802*	817*	1394*	1008*
RIVERSIDE THOROUGHBRED FARM												
3301834 2S5W15R10S W	0	0	0	0	30	6	717	964	650	390	163	577
3301835 2S5W15B11S W	0	0	0	0	60	12	134	179	194	196	152	171
OWNER TOTAL	0*	0*	0*	0*	90*	18*	851*	1143*	844*	586*	315*	748*
RIVINO WATER COMPANY												
3301346 2S5W02L01S W	297	211	187	477	372	309	193	524	79	17	0	163
ROCKY R RANCH												
3300768 3S5W14E000 W	45	24	6	6	5	17	0	0	0	0	0	0
ROOS, CHARLES E.												
3301257 2S4V31E000 W	0	200	0	0	0	40	0	0	0	0	0	0

TABLE NO. 1  
 VERIFIED EXTRACTATIONS BY OWNERS WHICH HAVE RECORDATION FILINGS  
 WITH THE STATE WATER RESOURCES CONTROL BOARD

OWNER	1959	1960	1961	1962	1963	1959-63		1975	1976	1977	1978	1979	1975-79
						AVERAGE	AVERAGE						AVERAGE
ROSS, SAM													
3301194 2S5W12R01S W	0	0	0	0	0	0	0	0	0	0	0	0	0
RURIDOUX COMMUNITY SERVICES DISTRICT													
3301153 2S5W15M02S W	101	126	123	75	117	108	242	254	238	259	239	246	
3301154 2S5W15L09S W	50	51	62	32	28	45	11	20	15	21	15	16	
3301363 2S5W16E06S W	59	90	190	130	108	115	0	0	0	0	0	0	
3301423 2S5W15M01S W	167	136	129	126	141	140	27	48	14	95	60	49	
3301424 2S5W16G04S W	136	195	190	140	117	156	142	127	127	0	0	79	
3301524 2S5W19J000 W	22	3	0	0	0	5	0	0	0	0	0	0	
3301524- 2S5W20J02S W	0	35	125	117	141	84	64	93	73	95	97	84	
3301604 2S5W20H04S W	0	0	76	100	94	54	359	474	520	454	443	450	
3301887 2S5W10P01S W	0	0	0	0	0	0	209	241	327	408	95	256	
3301892 2S5W17R03S W	0	0	0	0	0	0	597	612	242	313	422	437	
3302007 2S5W16H06S W	0	0	0	0	0	0	1118	1283	1394	1231	998	1205	
OWNER TOTAL	535*	636*	895*	720*	746*	706*	2769*	3152*	2950*	2876*	2369*	2823*	
SCHWAB, A.V.													
3300230 2S5W08N02S W	110	88	42	11	12	53	70	70	0	0	0	28	
SCOPE CORPORATION													
3300003 2S4W19J02S W	99	67	85	101	5	71	0	4	0	0	0	1	
3300004 2S4W19R01S W	17	23	50	98	95	57	0	0	0	0	0	0	
OWNER TOTAL	116*	90*	135*	199*	100*	128*	0*	4*	0*	0*	0*	1*	
SOUTHERN SERVICE COMPANY, LTD.													
3301384 2S5W22R01S W	30	34	38	35	31	34	41	39	34	35	39	38	

TABLE NO. 1  
 VERIFIED EXTRactions BY OWNERS WHICH HAVE RECORDATION FILINGS  
 WITH THE STATE WATER RESOURCES CONTROL BOARD

OWNER	1959	1960	1961	1962	1963	1959-63 AVERAGE	1975	1976	1977	1978	1979	1975-79 AVERAGE
STOKER, GEORGE												
3300798 2S5W12A000 W	158	165	159	165	134	156	0	0	0	0	0	0
UNIVERSITY OF CALIFORNIA, REGENTS OF												
3300040 2S4W08D02S W	131	283	370	94	227	221	216	163	129	125	387	204
VALENCIA MUTUAL WATER CO.												
3301203 2S5W02F000 W	564	704	731	476	912	677	903	1078	1499	379	0	772
VICTORIA CLUB												
3300417- 2S5W25F01S W						0	215	244	218	202	197	215
VON KANEL, ALFRED												
3300068 2S5W32A01S W	83	87	94	94	78	87	44	41	33	0	0	24
WATERMAN, ALLEN H.												
3300812 2S5W11P000 W	25	33	16	0	0	15	0	0	0	0	0	0
WHITE SULPHUR SPRINGS POOL												
3300754 2S5W13E000 W	49	53	54	44	40	48	0	0	0	0	0	0
WIGHT, MRS. CHARLES H.												
3300277 2S5W11K000 W	76	0	0	0	0	15	0	0	0	0	0	0
YEAGER CONSTRUCTION CO., INC., E. L.												
3301927 2S5W03R000 W	0	0	0	0	0	0	0	0	0	0	0	0
ZINKE, VERA												
3300811 2S5W32K01S W	53	37	47	20	18	35	0	0	0	0	0	0
TOTAL VERIFIED PRODUCTION ALL FACILITIES	26819*	30763*	33211*	29291*	28050*	29627*	27559*	30836*	27543*	23744*	24514*	26839*

TABLE NO. 2

VERIFIED EXTRACTIONS BY OWNERS WHICH HAVE  
NOT FILED WITH THE STATE WATER RESOURCES  
CONTROL BOARD

TABLE NO. 2  
 VERIFIED EXTRACTIONS BY OWNERS WHICH HAVE NOT FILED  
 WITH THE STATE WATER RESOURCES CONTROL BOARD

OWNER	1959	1960	1961	1962	1963	1959-63		1975	1976	1977	1978	1979	1975-79
						AVERAGE	AVERAGE						AVERAGE
JOHNSON, TRUMAN													
NON-FILER 2S5W14E00 W	4	4	4	4	4	4	4	0	0	0	0	0	0
RUBIDOUX COMMUNITY SERVICES DISTRICT													
NON-FILER 2S5W11C02S W							0	726	729	683	671	998	761
NON-FILER 2S5W20R01S W	3	3	3	3	3	3	3	0	0	0	0	0	0
OWNER TOTAL	3*	3*	3*	3*	3*	3*	3*	726*	729*	683*	671*	998*	761*
TOTAL VERIFIED PRODUCTION ALL FACILITIES	7*	7*	7*	7*	7*	7*	7*	726*	729*	683*	671*	998*	761*

TABLE NO. 3

SUMMARY OF VERIFIED EXTRACTIONS (FILED AND  
NON-FILED) FROM RIVERSIDE BASIN AREA WITHIN  
RIVERSIDE COUNTY

TABLE NO. 3  
SUMMARY OF VERIFIED EXTRACTIIONS (FILED AND NON-FILED)  
FROM RIVERSIDE BASIN AREA WITHIN RIVERSIDE COUNTY

OWNER	1959	1960	1961	1962	1963	1959-63 AVERAGE	1975	1976	1977	1978	1979	1975-79 AVERAGE
ALAMO WATER COMPANY												
OWNER TOTAL	79*	100*	132*	163*	149*	125*	493*	512*	521*	245*	444*	452*
AMCORD, INC.												
OWNER TOTAL	1670*	1861*	3167*	2979*	2751*	2486*	1595*	1746*	1878*	2386*	2343*	1990*
BANK OF AMERICA NATL. TRUST & SAVINGS												
OWNER TOTAL	90*	90*	90*	90*	94*	91*	0*	0*	0*	0*	0*	0*
BOX SPRINGS MUTUAL WATER COMPANY												
OWNER TOTAL	526*	503*	547*	497*	470*	509*	293*	282*	278*	244*	244*	244*
BURNS, F. L. AND LAURA												
OWNER TOTAL	0*	0*	0*	0*	0*	0*	20*	0*	0*	0*	0*	4*
CALIF. DEPT. OF TRANSPORTATION DIST. 8R												
OWNER TOTAL	0*	0*	0*	0*	0*	0*	503*	435*	408*	573*	35*	301*
CANYON CREST COUNTRY CLUB												
OWNER TOTAL	0*	0*	0*	0*	0*	0*	14*	12*	9*	9*	9*	11*
CARPENTER COMPANY												
OWNER TOTAL	118*	247*	420*	300*	300*	277*	182*	195*	140*	0*	0*	103*
CERTAIN TEED PRODUCTS												
OWNER TOTAL	0*	0*	0*	0*	0*	0*	0*	48*	48*	48*	48*	38*
CITIZENS NATIONAL COMPANY												
OWNER TOTAL	0*	33*	33*	33*	33*	26*	0*	0*	0*	0*	0*	0*
CRESTMORE HEIGHTS MUTUAL WATER CO.												
OWNER TOTAL	67*	63*	65*	61*	58*	63*	75*	75*	51*	46*	44*	58*

TABLE NO. 3  
 SUMMARY OF VERIFIED EXTRACTIIONS (FILED AND NON-FILED)  
 FROM RIVERSIDE BASIN AREA WITHIN RIVERSIDE COUNTY

OWNER	1959	1960	1961	1962	1963	1963 AVERAGE	1975	1976	1977	1978	1979	1975-79 AVERAGE
EASTERN MUNICIPAL WATER DISTRICT												
OWNER TOTAL	3*	1*	0*	0*	0*	1*	0*	0*	0*	0*	0*	0*
FORT FREMONT MUTUAL WATER CO.												
OWNER TOTAL	206*	209*	215*	202*	189*	204*	201*	164*	184*	196*	178*	185*
GROSS, DALE P.												
OWNER TOTAL	0*	0*	0*	0*	0*	0*	0*	0*	0*	0*	0*	0*
GRUBBS, V. W.												
OWNER TOTAL	45*	40*	51*	38*	39*	43*	0*	0*	0*	0*	0*	0*
HUNTER ENGINEERING COMPANY												
OWNER TOTAL	0*	0*	0*	31*	188*	44*	84*	65*	44*	36*	47*	55*
JOHNSON, TRUMAN												
OWNER TOTAL	274*	218*	252*	191*	254*	238*	0*	0*	0*	0*	0*	0*
JURUPA COMM. SERVICES DIST.												
OWNER TOTAL	1003*	1068*	1056*	1146*	1414*	1137*	905*	893*	795*	610*	550*	751*
LA CASA CONTENTA MOTEL												
OWNER TOTAL	0*	0*	0*	0*	0*	0*	0*	0*	0*	0*	0*	0*
MARTIN, KENNETH ALLAN												
OWNER TOTAL	0*	0*	0*	0*	0*	0*	0*	0*	0*	0*	0*	0*
MIPO CORP. DBA MISSION												
OWNER TOTAL	73*	73*	73*	73*	73*	73*	4*	0*	0*	0*	0*	1*
MICHAEL, C. INC.												
OWNER TOTAL	2566*	2566*	2566*	2566*	2566*	2566*	1644*	1616*	1137*	992*	727*	1223*



TABLE NO. 3  
 SUMMARY OF VERIFIED EXTRactions (FILED AND NON-FILED)  
 FROM RIVERSIDE BASIN AREA WITHIN RIVERSIDE COUNTY

OWNER	1959	1960	1961	1962	1963	1959-63 AVERAGE	1975	1976	1977	1978	1979	1975-79 AVERAGE
MISSION INN COMPANY												
OWNER TOTAL	121*	151*	134*	0*	0*	81*	0*	0*	0*	0*	0*	0*
MUTUAL WATER CO OF W RIVERSIDE												
OWNER TOTAL	178*	178*	178*	178*	178*	178*	203*	209*	218*	198*	196*	205*
PROPERTY ACQUISITION CO.												
OWNER TOTAL	140*	136*	143*	139*	141*	140*	0*	0*	0*	0*	0*	0*
RIO RANCHO MUTUAL WATER COMPANY												
OWNER TOTAL	84*	85*	98*	76*	103*	89*	103*	135*	109*	87*	88*	104*
RIVERSIDE COUNTY PARKS												
OWNER TOTAL	1020*	1020*	1020*	1020*	1020*	1020*	411*	463*	463*	10*	487*	367*
RIVERSIDE HIGHLAND WATER COMPANY												
OWNER TOTAL	0*	0*	0*	1393*	1381*	555*	1227*	1320*	1088*	1296*	975*	1181*
RIVERSIDE INDUSTRIAL PARK												
OWNER TOTAL	315*	315*	224*	209*	174*	247*	0*	0*	0*	0*	0*	0*
RIVERSIDE, CITY OF												
OWNER TOTAL	12916*	16177*	16741*	13552*	11543*	14186*	12849*	15630*	13584*	11687*	13300*	13410*
RIVERSIDE, CITY OF GAGE CANAL												
OWNER TOTAL	3057*	2987*	3236*	2017*	2171*	2694*	1451*	578*	802*	817*	1394*	1008*
RIVERSIDE THOROUGHBRED FARM												
OWNER TOTAL	0*	0*	0*	0*	90*	18*	851*	1143*	844*	586*	315*	748*
RIVINO WATER COMPANY												
OWNER TOTAL	297*	211*	187*	477*	372*	309*	193*	524*	79*	17*	0*	163*

TABLE NO. 3  
 SUMMARY OF VERIFIED EXTRACTIIONS (FILED AND NON-FILED)  
 FROM RIVERSIDE BASIN AREA WITHIN RIVERSIDE COUNTY

OWNER	1959	1960	1961	1962	1963	1959-63 AVERAGE	1975	1976	1977	1978	1979	1975-79 AVERAGE
ROCKY R RANCH												
OWNER TOTAL	45*	24*	6*	6*	5*	17*	0*	0*	0*	0*	0*	0*
ROOS, CHARLES E.												
OWNER TOTAL	0*	200*	0*	0*	0*	40*	0*	0*	0*	0*	0*	0*
ROSS, SAM												
OWNER TOTAL	0*	0*	0*	0*	0*	0*	0*	0*	0*	0*	0*	0*
RUSIDOUX COMMUNITY SERVICES DISTRICT												
OWNER TOTAL	538*	639*	898*	723*	749*	709*	3495*	3881*	3633*	3547*	3367*	3585*
SCHWAB, A.W.												
OWNER TOTAL	110*	88*	42*	11*	12*	53*	70*	70*	0*	0*	0*	28*
SCOPE CORPORATION												
OWNER TOTAL	116*	90*	135*	199*	100*	128*	0*	4*	0*	0*	0*	1*
SOUTHERN SERVICE COMPANY, LTD.												
OWNER TOTAL	30*	34*	78*	35*	31*	34*	41*	39*	34*	35*	39*	38*
STOKER, GEORGE												
OWNER TOTAL	158*	165*	159*	165*	134*	156*	0*	0*	0*	0*	0*	0*
UNIVERSITY OF CALIFORNIA, REGENTS OF												
OWNER TOTAL	131*	283*	370*	94*	227*	221*	216*	163*	129*	125*	387*	204*
VALENCIA MUTUAL WATER CO.												
OWNER TOTAL	564*	704*	731*	476*	512*	677*	903*	1078*	1499*	379*	0*	772*
VICTORIA CLUB												
OWNER TOTAL	0*	0*	0*	0*	0*	0*	215*	244*	218*	202*	107*	215*

TABLE NO. 3  
 SUMMARY OF VERIFIED EXTRACTIONS (FILED AND NON-FILED)  
 FROM RIVERSIDE BASIN AREA WITHIN RIVERSIDE COUNTY

OWNER	1959	1960	1961	1962	1963	1959-63 AVERAGE	1975	1976	1977	1978	1979	1975-79 AVERAGE
VON KANEL, ALFRED												
OWNER TOTAL	83*	87*	94*	94*	78*	87*	44*	41*	33*	0*	0*	24*
WATERMAN, ALLEN H.												
OWNER TOTAL	25*	33*	16*	0*	0*	15*	0*	0*	0*	0*	0*	0*
WHITE SULPHUR SPRINGS POOL												
OWNER TOTAL	49*	53*	54*	44*	40*	48*	0*	0*	0*	0*	0*	0*
WIGHT, MRS. CHARLES H.												
OWNER TOTAL	76*	0*	0*	0*	0*	15*	0*	0*	0*	0*	0*	0*
YEAGER CONSTRUCTION CO., INC., E. L.												
OWNER TOTAL	0*	0*	0*	0*	0*	0*	0*	0*	0*	0*	0*	0*
ZINKE, VERA												
OWNER TOTAL	53*	37*	47*	20*	18*	35*	0*	0*	0*	0*	0*	0*
TOTAL VERIFIED PRODUCTION ALL FACILITIES	26826*	30770*	33218*	29298*	28057*	29634*	28285*	31565*	28226*	24415*	25512*	27601*

TABLE NO. 4

TOTAL VERIFIED EXTRACTIONS  
FROM THE RIVERSIDE BASIN AREA  
WITHIN RIVERSIDE COUNTY  
FOR USE WITHIN RIVERSIDE COUNTY  
DURING THE 5-YEAR PERIOD ENDING IN  
1963 AND FOR CALENDAR YEARS 1964 THROUGH 1979

TABLE NO. 4

TOTAL VERIFIED EXTRACTIONS FROM THE RIVERSIDE BASIN AREA WITHIN RIVERSIDE COUNTY FOR USE WITHIN RIVERSIDE COUNTY DURING THE 5-YEAR PERIOD ENDING IN 1963 AND FOR CALENDAR YEARS 1964 THROUGH 1978

<u>Year</u>	<u>Extractions Acre Feet</u>
1959	26,826
1960	30,770
1961	33,218
1962	29,298
1963	28,057
<u>Total</u>	<u>148,169</u>
<u>5-Yr. Avg.</u>	<u>29,634</u>
1964	30,872
1965	29,652
1966	29,409
1967	29,351
1968	28,684
<u>Total</u>	<u>147,968</u>
<u>5-Yr. Avg.</u>	<u>29,594</u>
1969	26,750
1970	32,345
1971	30,942
1972	37,804
1973	33,094
1974	38,304
1975	28,285
1976	31,565
1977	28,226
1978	24,415
1979	25,512
<u>Total</u>	<u>138,003</u>
<u>5-Yr. Avg.</u>	<u>27,601</u>

# Volume 5 -1979

REPORT OF WATERMASTER

Western Municipal Water District of Riverside County, et al  
Plaintiffs

vs.

East San Bernardino County Water District, et al  
Defendants

Superior Court of Riverside County

Case No. 78426

VOLUME 5-1979

DISTRIBUTION OF EXTRACTIONS

1. EXTRACTIONS BY PLAINTIFFS FROM SAN BERNARDINO BASIN AREA.
2. EXTRACTIONS BY SAN BERNARDINO AND RIVERSIDE COUNTY ENTITIES FROM COLTON BASIN AREA FOR USE WITHIN EACH COUNTY.
3. EXTRACTIONS BY SAN BERNARDINO AND RIVERSIDE COUNTY ENTITIES FROM RIVERSIDE BASIN AREA IN SAN BERNARDINO COUNTY FOR USE WITHIN EACH COUNTY.
4. EXTRACTIONS BY RIVERSIDE COUNTY ENTITIES FROM RIVERSIDE BASIN IN RIVERSIDE COUNTY.
5. SUMMARY OF EXTRACTIONS FROM SAN BERNARDINO BASIN AREA, COLTON BASIN AREA, RIVERSIDE BASIN IN SAN BERNARDINO COUNTY, AND RIVERSIDE BASIN IN RIVERSIDE COUNTY FOR USE IN RIVERSIDE COUNTY.

ANNUAL ACCOUNTING

1979

AUGUST 1, 1981

WATERMASTER  
James C. Hanson  
Donald L. Harriger

VOLUME 5-1979

DISTRIBUTION OF EXTRACTIONS

The distribution of the verified extractions by the Plaintiffs and Riverside County entities from the San Bernardino Basin Area, Colton Basin Area, and Riverside Basin Area for the five calendar years ending with 1963 and the ensuing years 1964 through 1970 was presented in the Report of Watermaster, Volume 5, dated June 1972. That volume also included the distribution of extractions from the Colton Basin Area and that portion of the Riverside Basin Area within San Bernardino County made by San Bernardino County entities for the five calendar years ending with 1963 and the year of 1970.

The distribution of extractions in calendar years 1971, 1972, and 1973 was presented in separate reports as updates to the original Volume 5 dated June 1972. Changes in the distribution systems of the various water entities during the period 1971 through 1973, necessitated several revisions of the original Volume 5. Therefore, Volume 5 for calendar year 1974 was completely revised and updated to reflect these changes. As a result Volume 5 dated August 1976 now represents the most recent complete report on distribution of extractions including descriptions of each water system.

This report, Volume 5-1979, shows the distribution of extractions for calendar years 1971 through 1979 and is supplementary to the Volume 5 dated August 1976. Detailed computations and tables are used to show the distribution of extractions from Colton and Riverside Basin Areas by both Riverside and San Bernardino County entities and the Plaintiffs' extractions from the San Bernardino Basin Area.



The following Table of Contents lists the tables used to show the distribution of extractions. Tables 5 through 7 and 23 through 27 did not require updating and therefore they are not included in this volume. These tables are presented in Volume 5-1974.

Tables 5 through 7 do not require updating because Ownership changes within the service area of the Trujillo Water Company have occurred and since 1965 the entire service area of the Trujillo Water Company is within Riverside County and is served by water extracted from the Garner Well, situated in Riverside County and owned by the City of Riverside.

Tables 23 through 27 do not require updating because they contain data for years prior to 1963. These tables show the distribution of the Riverside Highland Water Company production from the San Bernardino Basin based on the assumption that 50 percent of the delivery was made in each county. This assumption results in the distribution shown on Table No. 27 and is identical with Table B-1, Appendix "B" of the Judgment. Following the settlement of the suit and the filing of the Judgment, the actual water deliveries in Riverside County were provided by the Riverside Highland Water Company. This information has been used by the Watermaster for the period 1964 through 1979, and results in the data shown in Table No. 31-A.

VOLUME 5-1979

TABLE OF CONTENTS

	<u>Page</u>
<u>TABLE NO. 1</u>	
CITY OF RIVERSIDE WATER PRODUCTION BUNKER HILL BASIN, DOMESTIC & IRRIGATION DIVISIONS INCLUDING FORMER RIVERSIDE WATER CO. IN SAN BERNARDINO BASIN AREA . . . . .	1
<u>TABLE NO. 2</u>	
CITY OF RIVERSIDE WATER PRODUCTION COLTON BASIN & RIVERSIDE BASIN IN SAN BERNARDINO CO., DOMESTIC & IRRIGATION DIVISIONS INCLUDING FORMER RIVERSIDE WATER CO. . . . .	2
<u>TABLE NO. 3</u>	
CITY OF RIVERSIDE DOMESTIC & IRRIGATION DIVISIONS, DELIVERIES MADE FROM WATER PRODUCED FROM THE BUNKER HILL, COLTON AND RIVERSIDE GROUND WATER BASINS SITUATED IN SAN BERNARDINO CO. . . . .	5
<u>TABLE NO. 4</u>	
CITY OF RIVERSIDE WATER DELIVERIES TO TRUJILLO WATER CO. IN SAN BERNARDINO AND RIVERSIDE COUNTIES . . . . .	6
<u>TABLES NO. 5, 6 &amp; 7 - See Volume 5-1974 for data</u>	
<u>TABLE NO. 8</u>	
CITY OF RIVERSIDE JURUPA DITCH CO. WATER PRODUCTION FROM RIVERSIDE BASIN IN SAN BERNARDINO COUNTY FOR USE IN SAN BERNARDINO CO. AND EXPORT TO RIVERSIDE CO. . . . .	7
<u>TABLE NO. 9</u>	
CITY OF RIVERSIDE IRRIGATION DIVISION, PRODUCTION DELIVERED TO FORMER RIVERSIDE WATER COMPANY CANAL AND DISTRIBUTION OF PRODUCTION DELIVERED TO SALAZAR WATER CO. . . . .	8
<u>TABLE NO. 10</u>	
CITY OF RIVERSIDE IRRIGATION DIVISION, PRODUCTION DELIVERED TO FORMER RIVERSIDE WATER COMPANY CANAL AND DISTRIBUTION OF PRODUCTION DELIVERED TO SO. CALIF. EDISON CO. HIGHGROVE POWER PLANT . . . . .	9

TABLE NO. 11

CITY OF RIVERSIDE DOMESTIC & IRRIGATION DIVISIONS, WATER PRODUCTION & DELIVERIES FROM COLTON BASIN-WATER PRODUCTION FROM COLTON GROUND WATER BASIN IN SAN BERNARDINO COUNTY AND DELIVERIES OF PRODUCTION MADE NORTH OF THE COUNTY LINE IN SAN BERNARDINO COUNTY AND SOUTH OF THE COUNTY LINE IN RIVERSIDE COUNTY . . . . . 10

TABLE NO. 12

CITY OF RIVERSIDE DOMESTIC & IRRIGATION DIVISIONS, WATER PRODUCTION & DELIVERIES FROM PORTION RIVERSIDE BASIN-WATER PRODUCTION FROM THAT PORTION OF THE RIVERSIDE GROUND WATER BASIN SITUATED NORTH OF THE COUNTY LINE IN SAN BERNARDINO COUNTY AND DELIVERIES OF PRODUCTION MADE NORTH OF THE COUNTY LINE IN SAN BERNARDINO COUNTY AND SOUTH OF THE COUNTY LINE IN RIVERSIDE COUNTY . . . . . 11

TABLE NO. 13

CITY OF RIVERSIDE WATER PRODUCTION FROM SAN BERNARDINO BASIN AREA AND DELIVERIES WITHIN SAN BERNARDINO COUNTY AND EXPORT TO RIVERSIDE COUNTY . . . . . 12

TABLE NO. 14

CITY OF RIVERSIDE AND UNIVERSITY OF CALIFORNIA EXTRACTIONS FROM BUNKER HILL BASIN IN SAN BERNARDINO BASIN AREA . . . . . 13

TABLE NO. 15

THE GAGE CANAL COMPANY WATER PRODUCTION FROM BUNKER HILL BASIN, RIVERSIDE BASIN IN SAN BERNARDINO COUNTY AND RIVERSIDE BASIN IN RIVERSIDE COUNTY . . . . . 14

TABLE NO. 16

THE GAGE CANAL COMPANY WATER PRODUCTION FROM BUNKER HILL BASIN DELIVERED IN SAN BERNARDINO COUNTY & RIVERSIDE COUNTY TO EAST RIVERSIDE WATER COMPANY . . . . . 15

TABLE NO. 17

THE GAGE CANAL COMPANY WATER PRODUCTION FROM BUNKER HILL AND RIVERSIDE BASINS SITUATED IN SAN BERNARDINO COUNTY WITH DELIVERIES MADE IN SAN BERNARDINO COUNTY & EXPORTS TO RIVERSIDE COUNTY . . . . . 16

TABLE NO. 18

GAGE CANAL WATER PRODUCTION FROM SAN BERNARDINO BASIN AREA AND DELIVERIES WITHIN SAN BERNARDINO COUNTY AND EXPORTS TO RIVERSIDE COUNTY FOR BASE PERIOD 1959-1963 AND SUBSEQUENT YEARS . . . . . 17

TABLE NO. 19

RIVERSIDE HIGHLAND WATER COMPANY WATER PRODUCTION FROM LYTLE AND BUNKER HILL BASINS IN SAN BERNARDINO BASIN AREA . . . . . 18

TABLE NO. 20

RIVERSIDE HIGHLAND WATER CO. WATER PRODUCTION FROM COLTON BASIN . . . . . 19

TABLE NO. 21

RIVERSIDE HIGHLAND WATER CO. WATER PRODUCTION FROM RIVERSIDE BASIN IN SAN BERNARDINO AND RIVERSIDE COUNTIES . . . . . 20

TABLE NO. 22

RIVERSIDE HIGHLAND WATER COMPANY WATER SUPPLY FROM OTHER COMPANIES AND RIVERSIDE HIGHLAND CO. PRODUCTION . . . . . 21

TABLES NO. 23, 24, 25, 26 & 27 - See Volume 5-1974 for data

TABLE NO. 28

RIVERSIDE HIGHLAND WATER COMPANY IRRIGATION AND DOMESTIC DELIVERIES AND PRODUCTION REQUIRED IN RIVERSIDE & SAN BERNARDINO COUNTIES . . . . . 22

TABLE NO. 29

RIVERSIDE HIGHLAND WATER COMPANY WATER PRODUCTION SHOWN ON RECORDATION FILING DELIVERED FOR IRRIGATION & DOMESTIC USES WITHIN BOTH RIVERSIDE AND SAN BERNARDINO COUNTIES . . . . . 23

TABLE NO. 30

RIVERSIDE HIGHLAND WATER COMPANY WATER PRODUCTION FROM LYTLE, BUNKER HILL, COLTON & RIVERSIDE BASINS IN SAN BERNARDINO AND RIVERSIDE COUNTIES AND THE DELIVERY OF THE PRODUCTION IN SAN BERNARDINO AND RIVERSIDE COUNTIES . . . . . 24

TABLE NO. 31

RIVERSIDE HIGHLAND WATER COMPANY WATER PRODUCTION FROM  
LYTLE, BUNKER HILL, COLTON & RIVERSIDE BASINS IN SAN  
BERNARDINO AND RIVERSIDE COUNTIES AND THE DELIVERY OF  
THE PRODUCTION IN SAN BERNARDINO & RIVERSIDE COUNTIES . . . . . 27

TABLE NO. 31-A

TOTAL PRODUCTION BY RIVERSIDE HIGHLAND WATER COMPANY  
FROM THE SAN BERNARDINO BASIN AREA (INCLUDES LYTLE AND  
BUNKER HILL BASINS) AS DELIVERED IN SAN BERNARDINO AND  
RIVERSIDE COUNTIES . . . . . 28

TABLE NO. 31-B - Not required for updating after 1970

TABLE NO. 32

MEEKS & DALEY WATER COMPANY AND AGUA MANSA WATER COMPANY  
WATER PRODUCTION FROM THE SAN BERNARDINO BASIN AREA AND  
THE COLTON BASIN AREA . . . . . 29

TABLE NO. 33

MEEKS & DALEY WATER COMPANY AND AGUA MANSA WATER COMPANY  
WATER PRODUCTION FROM THE SAN BERNARDINO BASIN AREA AND  
THE COLTON BASIN AREA DELIVERED IN SAN BERNARDINO COUNTY  
AND EXPORTED TO RIVERSIDE COUNTY . . . . . 30

TABLE NO. 34

MEEKS & DALEY WATER COMPANY WATER PRODUCTION FROM SAN  
BERNARDINO BASIN AREA AND DELIVERIES WITHIN SAN BERNARDINO  
COUNTY AND EXPORT TO RIVERSIDE COUNTY . . . . . 31

TABLE NO. 35

UNIVERSITY OF CALIFORNIA WATER PRODUCTION FROM BUNKER  
HILL BASIN IN THE SAN BERNARDINO BASIN AREA AND EXPORT  
TO RIVERSIDE COUNTY . . . . . 32

TABLE NO. 36

UNIVERSITY OF CALIFORNIA WATER PRODUCTION FROM SAN  
BERNARDINO BASIN AREA AND EXPORT TO RIVERSIDE COUNTY . . . . . 33

TABLE NO. 36-A

EXTRACTIONS BY PLAINTIFFS FROM THE SAN BERNARDINO BASIN  
AREA FOR AVERAGE OF FIVE-YEAR PERIOD ENDING WITH 1978 . . . . . 34

TABLE NO. 36-B

TOTAL PLAINTIFF EXTRACTIONS FROM SAN BERNARDINO  
BASIN AREA . . . . . 36

TABLE NO. 36-C

PLAINTIFF EXTRACTIONS FROM SAN BERNARDINO BASIN AREA  
DELIVERIES IN SAN BERNARDINO BASIN AREA . . . . . 37

TABLE NO. 36-D

PLAINTIFF EXTRACTIONS FROM SAN BERNARDINO BASIN AREA  
DELIVERIES IN COLTON & RIVERSIDE BASINS IN SAN BERNARDINO  
COUNTY . . . . . 38

TABLE NO. 36-E

PLAINTIFF EXTRACTIONS FROM SAN BERNARDINO BASIN AREA  
DELIVERIES OUTSIDE SAN BERNARDINO VALLEY . . . . . 39

TABLE NO. 37

RIVERSIDE ENTITIES PRODUCTION AND DELIVERY FROM COLTON  
BASIN AREA FOR USE WITHIN SAN BERNARDINO COUNTY AND  
RIVERSIDE COUNTY . . . . . 40

TABLE NO. 38

SAN BERNARDINO ENTITIES PRODUCTION FROM COLTON BASIN  
AREA FOR CALENDAR YEARS 1971 THROUGH 1980 FOR USE WITHIN  
SAN BERNARDINO COUNTY . . . . . 42

TABLE NO. 38-A

COLTON BASIN EXTRACTIONS BY RIVERSIDE ENTITIES AND  
PLACE OF USE . . . . . 43

TABLE NO. 39

VERIFIED EXTRACTIONS FROM COLTON BASIN AREA FOR CALENDAR  
YEARS 1971-1980 BY SAN BERNARDINO AND RIVERSIDE COUNTY  
ENTITIES FOR USE WITHIN EACH COUNTY . . . . . 44

TABLE NO. 39-A

GROUND WATER EXTRACTIONS BY RIVERSIDE ENTITIES FROM COLTON  
BASIN AREA FOR USE IN RIVERSIDE & SAN BERNARDINO COUNTIES  
DURING THE CALENDAR YEARS 1971-1979 . . . . . 46

TABLE NO. 40

RIVERSIDE CEMENT COMPANY, DIVISION AMERICAN CEMENT CORP.  
WATER PRODUCTION FROM RIVERSIDE GROUND WATER BASIN  
SITUATED WITHIN SAN BERNARDINO COUNTY . . . . . 48

TABLE NO. 41

RIVERSIDE CEMENT COMPANY, DIVISION OF AMERICAN CEMENT  
CORP. WATER PRODUCTION FROM RIVERSIDE GROUND WATER BASIN  
WITHIN SAN BERNARDINO COUNTY FOR PERIOD 1971-1980  
AND PRODUCTION DELIVERED IN RIVERSIDE AND SAN BERNARDINO  
COUNTIES . . . . . 49

TABLE NO. 42

CITY OF RIVERSIDE IRRIGATION & DOMESTIC DIVISIONS WATER  
PRODUCTION FROM RIVERSIDE GROUND WATER BASIN WITHIN  
SAN BERNARDINO COUNTY FOR PERIOD 1971-1980 AND PRODUCTION  
DELIVERED IN RIVERSIDE AND SAN BERNARDINO COUNTIES . . . . . 50

TABLE NO. 43

CITY OF RIVERSIDE IRRIGATION & DOMESTIC DIVISIONS, GAGE  
CANAL COMPANY, WATER PRODUCTION FROM RIVERSIDE GROUND WATER  
BASIN WITHIN SAN BERNARDINO COUNTY FOR PERIOD 1971-1980 AND  
PRODUCTION DELIVERED IN RIVERSIDE AND SAN BERNARDINO COUNTIES. . . 51

TABLE NO. 44

INTER COUNTY WATER COMPANY WATER PRODUCTION FROM  
RIVERSIDE GROUND WATER BASIN WITHIN SAN BERNARDINO  
COUNTY FOR PERIOD 1971-1980 AND PRODUCTION DELIVERED  
IN RIVERSIDE AND SAN BERNARDINO COUNTIES . . . . . 52

TABLE NO. 45

JURUPA WATER COMPANY WATER PRODUCTION FROM RIVERSIDE  
GROUND WATER BASIN WITHIN SAN BERNARDINO COUNTY FOR  
PERIOD 1971-1980 AND PRODUCTION DELIVERED IN RIVERSIDE  
AND SAN BERNARDINO COUNTIES . . . . . 53

TABLE NO. 46-A & 46-B

LA SIERRA WATER COMPANY WATER PRODUCTION FROM COLTON  
BASIN AND THAT PART OF RIVERSIDE BASIN LOCATED WITHIN  
SAN BERNARDINO COUNTY . . . . . 54A-54B

TABLE NO. 47

LA SIERRA WATER COMPANY WATER PRODUCTION FROM COLTON AND RIVERSIDE BASIN SITUATED WITHIN SAN BERNARDINO COUNTY WITH DELIVERIES IN SAN BERNARDINO COUNTY AND EXPORTS TO RIVERSIDE COUNTY . . . . . 55

TABLE NO. 48

LA SIERRA WATER CO. WATER PRODUCTION FROM RIVERSIDE GROUND WATER BASIN WITHIN SAN BERNARDINO COUNTY FOR PERIOD 1971-1980 AND PRODUCTION DELIVERED IN RIVERSIDE AND SAN BERNARDINO COUNTIES . . . . . 56

TABLE NO. 49

RIVERSIDE HIGHLAND WATER COMPANY WATER PRODUCTION FROM RIVERSIDE GROUND WATER BASIN WITHIN SAN BERNARDINO COUNTY FOR PERIOD 1971-1980 AND PRODUCTION DELIVERED IN RIVERSIDE AND SAN BERNARDINO COUNTIES. ALSO SHOWN IS THE AVERAGE ANNUAL PRODUCTION AND DELIVERIES . . . . . 57

TABLE NO. 50

TEMESCAL WATER CO. WATER PRODUCTION FROM RIVERSIDE GROUND WATER BASIN WITHIN SAN BERNARDINO COUNTY FOR PERIOD 1971-1980, AND PRODUCTION DELIVERED IN RIVERSIDE AND SAN BERNARDINO COUNTIES . . . . . 58

TABLE NO. 51

WEST RIVERSIDE 350 INCH WATER COMPANY WATER PRODUCTION FROM RIVERSIDE GROUND WATER BASIN WITHIN SAN BERNARDINO COUNTY FOR PERIOD 1971-1980 . . . . . 59

TABLE NO. 52

GROUND WATER PRODUCTION FROM THAT PART OF THE RIVERSIDE GROUND WATER BASIN SITUATED WITHIN SAN BERNARDINO COUNTY, A PART IS USED IN SAN BERNARDINO COUNTY AND THE REMAINDER EXPORTED TO RIVERSIDE COUNTY DURING CALENDAR YEARS 1971-1979 . . . . . 60

TABLE NO. 52-A

GROUND WATER PRODUCTION FROM THAT PART OF THE RIVERSIDE GROUND WATER BASIN SITUATED WITHIN SAN BERNARDINO COUNTY, A PART OF WHICH IS USED IN SAN BERNARDINO COUNTY AND THE REMAINDER EXPORTED TO RIVERSIDE COUNTY DURING THE CALENDAR YEARS 1971 THROUGH 1979 . . . . . 62



TABLE NO. 53

SAN BERNARDINO ENTITIES PRODUCTION FROM RIVERSIDE BASIN  
AREA WITHIN SAN BERNARDINO COUNTY FOR CALENDAR YEARS 1971-  
1980 FOR USE WITHIN SAN BERNARDINO COUNTY . . . . . 64

TABLE NO. 54

TOTAL VERIFIED EXTRactions FROM THAT PORTION OF THE RIVERSIDE  
BASIN SITUATED IN SAN BERNARDINO COUNTY FOR THE CALENDAR  
YEARS 1971-1980 BY SAN BERNARDINO AND RIVERSIDE COUNTY  
ENTITIES FOR USE WITHIN EACH COUNTY . . . . . 65

TABLE NO. 55 - This table has not been updated after 1970.

TABLE NO. 56

TOTAL VERIFIED EXTRactions BY RIVERSIDE ENTITIES FROM THE  
RIVERSIDE BASIN AREA WITHIN RIVERSIDE COUNTY FOR USE WITHIN  
RIVERSIDE COUNTY . . . . . 67

TABLE NO. 57

SUMMARY OF EXTRactions FROM SAN BERNARDINO BASIN AREA,  
COLTON BASIN AREA, RIVERSIDE BASIN AREA IN SAN BERNARDINO  
COUNTY, AND RIVERSIDE BASIN AREA IN RIVERSIDE COUNTY FOR  
USE IN RIVERSIDE COUNTY . . . . . 68

DIAGRAM B

RIVERSIDE HIGHLAND WATER COMPANY DIAGRAM ILLUSTRATING  
THE PRODUCTION AND DISTRIBUTION NORTH AND SOUTH OF  
RIVERSIDE-SAN BERNARDINO CO. LINE, YEARS 1971 THRU 1979 . . . . . 69

TABLE NO. 1

**CITY OF RIVERSIDE WATER PRODUCTION  
BUNKER HILL BASIN  
DOMESTIC & IRRIGATION DIVISIONS INCLUDING FORMER RIVERSIDE WATER CO.  
IN SAN BERNARDINO BASIN AREA  
(Quantities in Acre Feet by Calendar Year)**

Line No.	From	Local Designation	State Well Number	Recordation Number	1971	1972	1973	1974	1975	1976	1977	1978	1979	1980	1981	1982
1	Rec. filling	*McCrary #1	IS-4W-1B3	3601457	0	0	0	0	0	0	0	0	0	0	0	0
2		*McCrary #2	IS-4W-1B2	3601458	0	0	0	0	0	0	0	0	0	0	0	0
3		*McCrary #3	IS-4W-1B	3601459	0	0	0	0	0	0	0	0	0	0	0	0
4		*McCrary #4	IS-4W-1B	3601460	0	0	0	0	0	0	0	0	0	0	0	0
5		*McCrary #5	IS-4W-1B	3601461	0	0	0	0	0	0	0	0	0	0	0	0
6		Pooler	IS-4W-1B1	3601462	1,927	1,498	0	0	0	0	0	0	0	0	0	0
7		Stiles	IS-4W-2A3	3601463	1,870	1,401	1,349	1,665	1,938	1,911	1,520	1,367	1,702			
8		Scheuer	IS-4W-2L1	3601489	568	525	83	527	560	406	633	442	658			
9		Garner #1	IS-4W-2P6	3601464	755	566	392	958	1,029	598	448	546	654			
10		Garner #2	IS-4W-2O3	3601465	669	506	419	359	527	602	302	373	582			
11		*Garner #3	IS-4W-2Q7	3601466	0	0	0	0	0	0	0	0	0	0	0	0
12		Garner #4	IS-4W-2Q6	3601467	771	460	525	749	881	874	669	951	1,275			
13		Garner #5	IS-4W-2P1	3601468	2,100	2,206	2,411	1,438	2,422	2,237	1,599	1,806	1,904			
14		*Paine Hot	IS-4W-22A1	3601469	0	0	0	0	0	0	0	0	0	0	0	0
15		Thorn #1 *	IS-4W-22G1	3601016	-	-	-	-	-	-	-	-	-	-	-	-
16		*Thorn #2 **	IS-4W-22G15	3601470	-	-	-	-	-	-	-	-	-	-	-	-
17		Thorn #3	IS-4W-22G14	3601471	502	94	0	0	1,077	31	0	0	0	0	0	0
18		*Thorn #4	IS-4W-22G11	3601472	0	0	0	0	0	0	0	0	0	0	0	0
19		Thorn #5	IS-4W-22G16	3601473	359	0	0	0	494	0	0	0	0	0	0	0
20		Thorn #6	IS-4W-22G18	3601474	0	0	0	0	0	0	0	0	0	0	0	0
21		Thorn #7	IS-4W-22G17	3601475	0	0	0	0	0	0	0	0	0	0	0	0
22		Thorn #8	IS-4W-22G19	3601476	134	121	0	323	140	0	0	0	0	0	0	0
23		*Thorn #9	IS-4W-22B01	3601477	0	0	0	0	0	0	0	0	0	0	0	0
24		Thorn #10	IS-4W-22B3	3601478	0	40	27	47	5	37	12	0	0	0	0	0
25		Thorn #11	IS-4W-22B5	3601479	0	0	0	0	0	0	0	0	0	0	0	0
26		Thorn #12 **	IS-4W-22B7	3601470	1,162	1,054	502	1,345	976	909	743	776	582			
27		Warm Creek Rising Water	IS-4W-21P	3601496	0	0	0	0	0	0	0	0	0	0	0	0
28																
29																
29a																
29b																
29c																
30	Sub Total	Sheet No. 3			10,817	8,471	5,708	7,411	10,049	7,605	5,926	6,261	7,357			

\*Thorn No. 1 well sold to C.R.P. Co., no production by C. of R. Irrig. Division after 1958. (So. Calif. Edison)

\*\*Thorn #12 replacement well for Thorn #2.

FOR YEARS PRECEDING 1971: Refer to Volume 5, August 1976, Page I-9

\* Abandoned &/or File Closed

TABLE NO. 1

**CITY OF RIVERSIDE WATER PRODUCTION  
BUNKER HILL BASIN  
DOMESTIC & IRRIGATION DIVISIONS INCLUDING FORMER RIVERSIDE WATER CO.  
IN SAN BERNARDINO BASIN AREA  
(Quantities in Acre Feet by Calendar Year)**

Line No.	From	Local Designation	State Well Number	Recordation Number	1971	1972	1973	1974	1975	1976	1977	1978	1979	1980	1981	1982
31	Rec. filling	*Cooley #E	IS-4W-2P4	3601220	0	0	0	0	0	0	0	0	0	0	0	0
32		*Cooley #C	IS-4W-2F3	3601224	0	0	0	0	0	0	0	0	0	0	0	0
33		*Cooley #D	IS-4W-2P2	3601225	0	0	0	0	0	0	0	0	0	0	0	0
34		*Cooley #F	IS-4W-2L2	3601226	0	0	0	0	0	0	0	0	0	0	0	0
35		*Cooley #G	IS-4W-2R2	3601227	0	0	0	0	0	0	0	0	0	0	0	0
36		Cooley #H	IS-4W-11D2	3601228	1,420	1,053	494	725	1,045	923	1,065	1,116	1,209			
37		Cooley #I	IS-4W-11D3	3601229	3,580	2,606	4,089	3,743	3,328	5,367	2,756	2,318	2,884			
38		*Cooley #A	IS-4W-11D4	3601232	0	0	0	0	0	0	0	0	0	0	0	0
39		*Cooley #B	IS-4W-11D1	3601432	0	0	0	0	0	0	0	0	0	0	0	0
40		Raub #1	IS-4W-14P2	3601218	0	0	0	0	0	0	0	0	0	0	0	0
41		Raub #2	IS-4W-23C2	3601219	904	724	772	939	812	542	699	431	466			
42		Raub #4	IS-4W-23C3	3601238	1,267	1,074	2,001	2,024	1,333	1,747	1,221	1,328	1,632			
43		Raub #3	IS-4W-14P6	3601239	342	216	294	605	748	444	502	97	603			
43a		Raub #5	IS-4W-14N9	3602484	0	1,353	2,465	3,731	1,544	2,966	2,277	2,697	3,335			
44		*Byrne	IS-4W-22B2	3601237	0	0	0	0	0	0	0	0	0	0	0	0
45		Warren #3	IS-4W-22B3	3601230	484	180	222	408	21	222	221	275	173			
46		Warren #2	IS-4W-22H1	3601231	784	357	603	1,124	830	666	473	783	344			
47		Warren #1	IS-4W-22B4	3601240	1,971	1,614	1,809	1,700	1,785	1,496	573	1,030	902			
48		Warren #4	IS-4W-22H2	3601243	2,737	2,012	1,822	2,875	2,479	1,520	1,258	1,678	1,517			
49		Hunt #6 *	IS-4W-27A11	3601222	225	209	249	547	241	22	542	393	397			
50		*Hunt #8 *	IS-4W-27A7	3601241	0	0	0	0	0	0	0	0	0	0	0	0
51		*Hunt #9 *	IS-4W-27A8	3601242	0	0	0	0	0	0	0	0	0	0	0	0
52		Hunt #10 *	IS-4W-27A9	3601244	446	600	933	1,577	1,010	600	899	645	738			
53		Hunt #11 *	IS-4W-27A10	3601245	0	0	0	0	10	31	462	0	0			
54		Stewart #21	IS-4W-27A13	3601233	0	0	0	0	0	0	0	0	0			
55		*Stewart #19	IS-4W-27A19	3601234	0	0	0	0	0	0	0	0	0			
56		*Stewart #20	IS-4W-27H1	3601431	12	5	32	11	13	4	26	3	4			
56a																
56b																
56c																
57	Lines 31 thru 56	Sub Total			14,122	12,003	15,785	20,009	15,199	14,480	12,974	12,794	14,204			
58																
59		Sub Total	Sheet No. 1	Line 30	10,817	8,471	5,708	7,411	10,049	7,605	5,926	6,261	7,357			
60		Sub Total	Sheet No. 2	Line 57	14,122	12,003	15,785	20,009	15,199	14,480	12,974	12,794	14,204			
61		Total Production Bunker Hill			24,939	20,474	21,493	27,420	25,248	22,085	18,900	19,055	21,561			
62																
63		Meeks & Daley Sta. 59			0	0	0	275	1,649	1,895	1,848	1,385	1,231			
64		Gage Canal Co. 30-1 & Gage Stewart			2,854	1,900	2,446	2,095	1,577	0**	0	0**	0**			
65		Total Lines 61 - 63 & 64	Total Water for Distribution		27,793	22,374	23,939	29,790	28,474	23,980	20,748	20,440	22,792			

**SUMMARY BUNKER HILL PRODUCTION**

**ADDITIONAL DELIVERIES FROM OTHER COMPANIES**

\*\* 30-1 & Gage Stewart removed after covering of the canal in 1975  
 \*\* Abandoned &/or File Closed  
 \*\*\* University of California production from these wells reported under the Regents of the University of California section of this report.  
 FOR YEARS PRECEDING 1971: Refer to Volume 5, August 1976, Page 1-12

TABLE NO. 2

CITY OF RIVERSIDE WATER PRODUCTION  
 COLTON BASIN & RIVERSIDE BASIN IN SAN BERNARDINO CO.  
 DOMESTIC & IRRIGATION DIVISIONS INCLUDING FORMER RIVERSIDE WATER CO.  
 (Quantities in Acre Feet by Calendar Year)

Line No.	From	Local Designation	State Well Number	Recordation Number	1971	1972	1973	1974	1975	1976	1977	1978	1979	1980	1981	1982
1	Rec. filling	Johnson #1	IS-4W-21Q3	3601480	851	954	1	526	1,162	479	241	0	1			
2		*Johnson #2	IS-4W-21P1	3601494	0	0	0	0	0	0	0	0	0			
3		*Johnson #3	IS-4W-21Q1	3601495	0	0	0	0	0	0	0	0	0			
4		Vaughn #1	IS-4W-21L1	3601481	1,193	956	0	378	816	67	0	456	0			
5		Meeks #1	IS-4W-28C1	3601482	443	383	31	315	397	299	23	0	1			
6		Mill	IS-4W-28D1	3602208	209	228	69	167	170	8	29	8	0			
6a																
6b																
7	Lines 1 thru 6b	Total Production			2,696	2,521	101	1,386	2,545	853	295	464	5			
RIVERSIDE BASIN - IN SAN BERNARDINO COUNTY																
8	Rec. filling	*Flume #1	IS-4W-29H2	3601483	0	0	0	0	0	0	0	0	0			
9		Flume #2	IS-4W-29H1	3601484	855	1,856	1,778	547	530	2	401	7	15			
10		Flume #3	IS-4W-29R1	3601485	161	496	486	364	103	3	192	1	0			
11		Flume #4	IS-4W-29Q3	3601486	8	404	144	533	1,030	1,615	561**	0	0			
12		*Flume #5	IS-4W-29Q1	3601487	0	0	0	0	0	0	0	0	0			
12a		Flume #6	IS-4W-29Q4	3602486	0	0	0	144	408	832	45**	0	0			
12b																
13	Lines 8 thru 12b	Sub Total			1,024	2,756	2,408	1,588	2,071	2,452	1,199	8	15			
14		Twin Buttes	IS-5W-25R2													
15	Rec. filling	Pellissier River	IS-5W-25R4	3600898	406	173	0	1,539	807	426	69	0	0			
16		Pellissier	IS-5W-36Q	3321088	0	0	0	0	0	0	0	0	0			
17		*Agua Mansa	IS-5W-36L1	3601236	157	55	0	3	12	2	7	7	19			
18		La-Losa	IS-5W-1G1	3601235	0	0	0	0	0	0	0	0	0			
19		Pellissier Main	IS-5W-1G2	3601223	13	47	40	103	77	117	265	258	558			
20	Lines 15 thru 19	Sub Total			4	5	5	5	94	126	279	271	587			
21		Domestic	IS-5W-1J3	3601221	174	107	45	111	94	126	279	271	587			
Prescriptive Rights only																
22	Rec. filling	Putnam L.L.	IS-4W-603	3601271	*	*	*	*	*	*	*	*	*			
23		Williams	IS-5W-1Q1	3601488	*	*	*	*	*	*	*	*	*			
24	Rec. filling	Jurupa #1	IS-5W-2R3	3601490	381	321	277	3	322	649	359	0	0			
25	Rec. filling	Jurupa #3	IS-5W-2R3	3601491	902	942	563	910	852	936	787	0	0			
26	Rec. filling	Jurupa #4	IS-5W-2R2	3601492	136	138	307	466	281	192	102	0	0			
27	Rec. filling	Jurupa #5	IS-5W-2R1	3601493	1,452	1,453	1,273	1,504	1,411	1,564	1,317	0	0			
27a		Jurupa #6	IS-5W-2	3602234	62	30	113	2	0	0	0	0	0			
27b		Mason	IS-5W-2	3602740	-	-	-	-	-	-	-	-	-			
28	Rec. filling	Jurupa #7	IS-5W-20	3602748	-	-	-	-	-	-	-	-	-			
28a	Lines 23 thru 27b	Sub Total**			2,933	2,804	2,533	2,885	2,866	3,341	2,565	1,085	2,234			
29	Total Lines	Total Production			4,131	5,747	4,986	4,584	5,031	5,919	4,043	1,364	2,836			
30	Total Lines	Total Production			4,537	5,920	4,986	6,123	5,838	6,345	4,112	1,364	2,835			

\*\*Change of Owner, to Stepakis, William S., in calendar year 1974.  
 FOR YEARS PRECEDING 1971: Refer to Volume 5, August 1976, Page I-15  
 \* Abandoned &/or File Closed  
 \*\* A portion of the flow from flume 4 & 6 is leased to LaSierra Water Co.  
 Amount shown here is Riverside's production only.

TABLE NO. 2

CITY OF RIVERSIDE WATER PRODUCTION  
 FROM RIVERSIDE BASIN IN RIVERSIDE COUNTY  
 DOMESTIC & IRRIGATION DIVISIONS INCLUDING FORMER RIVERSIDE WATER CO.  
 (Quantities in Acre Feet by Calendar Year)

Line No.	From	Local Designation	State Well Number	Recordation Number	1971	1972	1973	1974	1975	1976	1977	1978	1979	1980	1981	1982
<b>RIVERSIDE BASIN - IN RIVERSIDE COUNTY</b>																
31	Rec. Filings	(Highgrove)Electric	2S-4W-71L	3301287	329	898	1,313	1,612	1,344	225	1,119	162	423			
32	Rec. Filings	*Palmyra	2S-4W-78L	3301286												
33	Rec. Filings	Palmyra #2	2S-4W-78J	3301285	415	783	562	1,829	1,275	345	605	840	1,564			
34	Rec. Filings	*Cunningham	2S-5W-130L	3301285												
35	Rec. Filings	Cunningham #2	2S-5W-130Z	3301285	163	129	28	542	113	2,405	2,588	1,838	833			
35a																
36	Rec. Filings	*First St.	2S-5W-260L	3301284	480	673	406	692	670	748	920	345	708			
37	Rec. Filings	Fill	2S-5W-238L	3301288	625	1,262	1,039	1,105	766	469	207	420	1,276			
38	Rec. Filings	Eleventh	2S-5W-230L	3301289	1,393	1,589	1,228	1,679	211	477	97	198	1,380			
39	Rec. Filings	Highgrove No. 1	2S-4W-88L	3301358	0	0	0	0	0	0	0	0	0			
40	Rec. Filings	Highgrove No. 2	2S-4W-80J	3301359	0	0	0	0	0	0	0	0	0			
40a																
41		Highgrove No. 3	2S-4W-80A	3301359	0	0	0	0	0	0	0	0	0			
42		*Lemona	2S-4W-193L	3300686	0	0	0	0	0	0	0	0	0			
43		Garner	2S-5W-128L	3301075	300	275	253	251	220	248	257	177	265			
44		*Russell	2S-5W-12AL	3301084	0	0	0	0	0	0	0	0	0			
45		Twin Springs	2S-5W-12KZ	3301073	3,119	3,736	2,841	3,111	2,526	3,504	2,435	1,822	1,978			
45a		Russell B	2S-5W-12A	3302483	727	2,010	1,624	1,922	1,561	2,323	1,359	1,628	1,822			
46		Moore Griffith	2S-5W-12PL	3301076	642	891	801	1,476	1,606	1,363	1,395	718	1,157			
47		Hulberry	2S-5W-23JL	3301074	363	406	125	773	471	557	5	0	24			
48		Garner B	2S-5W-12B	3301959	1,049	1,548	1,350	992	581	1,528	1,552	1,875	1,033			
48a																
49	Lines 31 thru 48	Sub Total			9,605	14,200	11,640	16,034	11,344	14,192	12,539	10,273	12,464			
50		*Clearwater	2S-5W-23FL	330041L	*	*	*	*	*	*	*	*	*			
51		Brimton	2S-5W-12P2	3301077	357	361	281	244	326	289	282	270	199			
52	Rec. Filings	Fairmount Park #1	2S-5W-14G2	3301082	691	471	868	864	0	0	440	692	7			
53		Fairmount Park #2	2S-5W-14E1	3301851	687	2,381	2,441	2,065	525	873	117	0	34			
54		Mori No. 2	2S-5W-14G3	3301635	1,442	1,537	1,161	1,517	287	122	134	452	596			
55		*Springbrook Diver.	2S-5W-14K	3301086			0	0	0	0	0	0	0			
56		*Sanitary Fill	2S-5W-28A1	3301078	0	0	0	0	0	0	0	0	0			
57		*Sanitary Fill Davis	2S-5W-28C1	3301079	0	0	0	0	0	0	0	0	0			
58		*Jensen Slough	2S-5W-29C	3301087	1,089	**	**	**	**	**	**	**	**			
59		Orange Acres														
59a		Mutugi Water Co.	3S-5W-3F1	3301814	57	90	63	67	69	6	0	0	0			
60		Lincoln Heights														
61		Water Co.	3S-5W-9E1	3301940	170	208	274	201	298	148	72	0	0			
62	Lines 52 thru 61	Sub Total			4,493	5,048	5,088	4,958	1,505	1,438	1,045	1,414	836			
63	Total Lines 49-50-62				14,098	19,248	16,728	20,992	12,849	15,630	13,584	11,687	13,300			

All quantities in above table were obtained from Verification of Extractions, Volume 4, for the appropriate year.

\*\*Jensen Slough sold to Riverside County Parks Department in 1972. Water rights quit-deeded back to City in 1975.

\*\*Change of Owner to Victoria Club Year 1968 City used 25 Ac. Ft. and Victoria Club used 97 Ac. Ft; Total = 122 Ac. Ft.

FOR YEARS PRECEDING 1971: Refer to Volume 5, August 1976, Page 1-15

\*Abandoned &/or File Closed

TABLE NO. 3

CITY OF RIVERSIDE  
DOMESTIC AND IRRIGATION DIVISIONS  
DELIVERIES MADE FROM WATER PRODUCED FROM THE  
BUNKER HILL, COLTON, AND RIVERSIDE GROUND WATER BASINS SITUATED IN SAN BERNARDINO CO.

Year	Identification of Deliveries and Amounts Delivered in Ac. Ft.									Total of all Deliveries (9)
	Riverside Highland Water Co. (1)	Salazar Water Co. (2)	Trujillo Water Co. (3)	Jurupa Ditch Co. (4)	S.C.E. Co. Plant (5)	Pellissier Ranch (6)	Williams Ranch (7)	City of San Bernardino (8)	Other (9)	
1971	0	0	300(c)	2,933	0	174	0	0	0	3,407
1972	0	0	175(c)	2,884	0	107	0	0	0	3,166
1973	0	0	77(c)	2,533	0	45	0	0	0	2,655
1974	279	0	73(c)	2,885	0	111	0	0	0	3,368
1975	0	0	72(c)	2,866	0	94	0	0	0	3,032
1976	0	0	80(c)	3,341	0	126	0	0	0	3,567
1977	0	0	76(c)	2,565	0	279	0	0	0	2,920
1978	0	0	174(c)	1,085	0	271	0	0	0	1,530
1979	0	0	264(c)	2,234	0	587	0	0	0	3,085
1980										
1981										
1982										

- (1) From City Records
- (2) From City Records
- (3) From City Records
- (4) From Table No. 2, Line 28, Sht. 1
- (5) From City Records
- (6) From Table No. 2, Line 20, Sht. 1
- (7) From City Records
- (8) From City Records
- (9) Total Col. (1) through Col. (8)

COM.

- (1) Riverside Highlands delivery made from water produced in Bunker Hill Basin. Water is commingled with production from other basins by Riverside Highland Water Company and delivered by this company. See Riverside Highland tabulation for basin allocation of water production.
- (2) Salazar Water Company delivery made in San Bernardino County from the canal of the Riverside Water Company, which contains commingled water produced from Bunker Hill, Colton, and Riverside Basins, all within San Bernardino County. Delivery is made directly to the West Riverside Canal and transported by this canal directly to Riverside County southerly of the County Line.
- (3) Trujillo Water Company. For the period 1947 through a portion of 1952, deliveries were made to the Trujillo Water Company at a point in San Bernardino County from the canal of the Riverside Water Company, which contained a commingled water supply produced from the Bunker Hill, Colton, and Riverside Ground Water Basins, all within San Bernardino County. For the period a portion of 1952 through 1965, deliveries to the Trujillo Water Company were made from the Williams Well, producing water from that portion of the Riverside Ground Water Basin lying within San Bernardino County. The service area of the Trujillo Water Company lies astride the Riverside-San Bernardino County line, and during both of the periods described above, water was delivered both in San Bernardino County and in Riverside County to shareholders entitled to receive this water by ownership of Trujillo Water Company stock. In addition, deliveries were also made from the Williams Well for overlying use on the Williams Ranch, situated within San Bernardino County. Tabulations of this production and the inter-county deliveries are shown in detail on Tables No. 4, 5, 6, and 7.
- (4) Deliveries to the Jurupa Ditch Company are made directly from the production from the Jurupa Wells, situated within San Bernardino County in the Riverside Ground Water Basin and exported across the County Line to Riverside County. Deliveries for overlying use in San Bernardino County are also made from these wells for use on the Jurupa Ranch in San Bernardino County. A tabulation of overlying use from the Jurupa Wells within San Bernardino County and exported to Riverside County is shown in Table No. 8. No other breakdown is required.
- (5) Water delivered to the Southern California Edison Company Highgrove Power Plant was delivered from 1952 through 1963 from a commingled water supply in the Riverside Water Company Canal, which was produced entirely within San Bernardino County from the Bunker Hill, Colton, and Riverside Ground Water Basins. An allocation of this production, by basins, is shown in Table No. 10.
- (6) The Pellissier Ranch, which is owned by the City of Riverside, overlies that portion of the Riverside Ground Water Basin situated within San Bernardino County, and water is produced from wells located thereon for overlying use within San Bernardino County. The production from these wells is shown in Table No. 2, Line 20.
- (7) Change of owner to Stapakis, William S., in calendar year 1974.
- (8) The delivery to the City of San Bernardino was made during the years of 1959 and 1960 from water produced in the Bunker Hill Basin from the Garnet Wells.

TABLE NO. 4

CITY OF RIVERSIDE  
WATER DELIVERIES TO TRUJILLO WATER CO.  
IN SAN BERNARDINO AND RIVERSIDE COUNTIES

<u>Year</u>	<u>Trujillo Water Co. Delivery Ac. Ft.</u> (1)	<u>Delivered in San Bernardino County</u>					<u>Delivered in Riverside County Ac. Ft.</u> (7)
		<u>Individual</u>		<u>Total</u>			
		<u>Russell</u> (2)	<u>Pellissier</u> (3)	<u>Proportion</u> (4)	<u>Percent</u> (5)	<u>Ac. Ft.</u> (6)	
1971	300(c)	0	0	0	0	0	300
1972	175(c)	0	0	0	0	0	175
1973	77(c)	0	0	0	0	0	77
1974	73(c)	0	0	0	0	0	73
1975	72(c)	0	0	0	0	0	72
1976	80(c)	0	0	0	0	0	80
1977	76(c)	0	0	0	0	0	76
1978	174(c)	0	0	0	0	0	174
1979	264(c)	0	0	0	0	0	264
1980							
1981							
1982							

Explanation

- |                              |   |
|------------------------------|---|
| (1) = From Table No. 3       | (a) = Delivered from Canal                              |
| (2) = Historical Entitlement | (b) = Delivered from Williams Well                      |
| (3) = Historical Entitlement | (c) = Delivered from Garner T & G Well in Riverside Co. |
| (4) = (2) + (3)              |   |
| (5) = Computed               |   |
| (6) = (1) x (5)              |   |
| (7) = (1) - (6)              |   |

FOR YEARS PRECEDING 1971: Refer to Volume 5, August 1976, Page I-23

TABLE NO. 8

CITY OF RIVERSIDE  
JURUPA DITCH CO.  
WATER PRODUCTION FROM RIVERSIDE  
BASIN IN SAN BERNARDINO COUNTY  
FOR USE IN SAN BERNARDINO CO.  
AND EXPORT TO RIVERSIDE CO.

Jurupa Ditch Co.  
Water Production & Distribution

<u>Year</u> (1)	<u>Total</u> <u>Production</u> <u>Jurupa</u> <u>Wells</u> (2)	<u>Distribution</u>	
		<u>Overlying</u> <u>Use in</u> <u>S. B. Co.</u> (3)	<u>Export</u> <u>to Riverside</u> <u>County</u> (4)
1971	2,933	0	2,933
1972	2,884	0	2,884
1973	2,533	0	2,533
1974	2,885	0	2,885
1975	2,866	0	2,866
1976	3,341	0	3,341
1977	2,565	0	2,565
1978	1,085*	0	1,085
1979	2,234*	0	2,234
1980			
1981			
1982			

Explanation

(2) From Table No. 3, Col. 4

(3) From City of Riverside Records

(4) Col. 2 - Col. 3

\* Production From Mason Well

FOR YEARS PRECEDING 1971: Refer to Volume 5, August 1976, Page I-28



TABLE NO. 9

CITY OF RIVERSIDE  
 IRRIGATION DIVISION  
 PRODUCTION DELIVERED TO FORMER RIVERSIDE WATER COMPANY CANAL  
 AND DISTRIBUTION OF PRODUCTION DELIVERED TO SALAZAR WATER CO.  
 (Quantities in Acre Feet)

SUB-ROUTINE TO ASCERTAIN COMPONENTS OF COMINGLED WATER APPURTENANT TO SALAZAR DELIVERY AND EXPORTED TO RIVERSIDE COUNTY

Calendar Year	BUNKER HILL BASIN										Riverside Total			Percent of Water Prod. in Canal, from Ground Water Basins		Total Production Delivered to Salazar Water Co.		
	Less Deliveries in Basin		Water to Domestic		Total		Colton Basin		Bunker Hill		Prod. to Canal		from Bunker Hill		Total			
	Riverside City of Highland Water Co. System	City of San Bernardino	(2)	(3)	(4)	(5)	(6)	(7)	(8)	(9)	(10a)	(10)	(11)	(12)	(13)	(14)	(15)	
1971	0	9,822	0	9,822	0	995	0	995	2,596	276	748	4,439	22.42	60.73	16.85	0	0	
1972	0	8,216	0	8,216	0	255	0	255	2,521	1,576	1,180	3,956	6.45	63.73	29.82	0	0	
1973	0	5,681	0	5,681	0	27	0	27	101	1,864	544	672	4.02	15.03	80.95	0	0	
1974	279	7,041	0	7,320	0	91	0	91	1,386	0	1,588	3,065	2.97	45.22	51.81	0	0	
1975	0	8,333	0	8,333	0	1,716	0	1,716	2,545	0	2,071	6,332	27.10	40.19	32.71	0	0	
1976	0	7,537	0	7,537	0	68	0	68	853	0	2,452	3,373	2.02	25.29	72.69	0	0	
1977	0	5,914	0	5,914	0	12	0	12	295	0	1,199	1,506	0.80	19.59	79.61	0	0	
1978	0	6,261	0	6,261	0	0	0	0	464	0	8	472	0.00	98.31	1.69	0	0	
1979	0	7,357	0	7,357	0	0	0	0	5	0	97	102	0.00	4.90	95.10	0	0	
1980																		
1981																		
1982																		
1983																		
1984																		
1985																		

\*Grand Avenue Booster Start Operating October 1966 # Domestic Division Total (Table 1, Set 1, line 30), less Thorn 2 thru 11 (irrigation use)

- Prod. - Production  
 (1) From Table No. 1, Sub Total Sheet 1  
 (2) From Table No. 3, Column (1)  
 (3) Col. 1 - (Production from Thorn 1-11)  
 (4) From Table No. 3, Column (8)  
 (5) Columns (2) + (3) + (4)  
 (6) Column (1) - Column (5)  
 (7) From City of Riverside records  
 (8) Column (6) + Column (7)  
 (9) From Table No. 2, Sheet 1, Line 7  
 (10) From Table No. 2, Sheet 1, Line 13 less Grand Ave. Booster to Domestic  
 (11) Columns (8) + (9) + (10)  
 (12) Column (8) + Column (11)  
 (13) Column (9) + Column (11)  
 (14) Column (10) + Column (11)  
 (15) From Table No. 3, Column (2)  
 (16) Column (15) x Column (12)  
 (17) Column (15) x Column (13)  
 (18) Column (15) x Column (14)

SALAZAR WATER CO. MAKES NO DELIVERIES IN SAN BERNARDINO COUNTY.  
 FOR YEARS PRECEDING 1971: Refer to Volume 5, August 1976, Page 1-30

TABLE NO. 10

CITY OF RIVERSIDE  
 IRRIGATION DIVISION  
 PRODUCTION DELIVERED TO FORMER RIVERSIDE WATER COMPANY CANAL  
 AND DISTRIBUTION OF PRODUCTION DELIVERED TO SOUTHERN CALIFORNIA EDISON CO.  
 HIGHGROVE POWER PLANT  
 (Quantities in Acre Feet)

Calendar Year	SUB-ROUTINE TO ASCERTAIN COMPONENTS OF COMINGLED WATER APPURTENANT TO S.C.E. CO. HIGHGROVE POWER PLANT DELIVERY										Percent of Water Prod. in Canal, from Ground Water Basins		Southern California Edison Co. Highgrove Power Plant Deliveries					
	BUNKER HILL BASIN				RIVERSIDE				Total Prod. to Canal		from Bunker Hill Colton		from Bunker Hill Colton					
	Less Deliveries in Basin		Water to Domestic		Water to Domestic		Water to Domestic		Total Bunker Hill Basin		from Bunker Hill Basin		from Bunker Hill Basin					
Total Irrig. Division (1)	Riverside Highland Water Co. (2)	City of Domestic System (3)	City of Riverside Domestic System (4)	Sub Total Deliveries Above Bunker Hill Dike (5)	Canal from Bunker Hill Basin (6)	Warren No. 1 Well to Canal (7)	Total Bunker Hill Basin to Canal (8)	Colton Basin Johnson Vaughn Hill (9)	Flume Wells 1-2-3-4-5 (10a)	To To and (10b)	Colton Riverside (11)	Bunker Hill Colton (12)	from Colton Basin (13)	from Riverside Basin (14)	Total Delivery (15)	from Colton Basin (16)	from Riverside Basin (17)	Total Delivery (18)
1971	10,817	0	9,822	0	9,822	0	995	2,656	276	748	4,439	22.42	60.73	16.85	0	0	0	0
1972	8,471	0	8,216	0	8,216	0	255	2,571	1,576	1,180	3,956	6.45	63.73	29.82	0	0	0	0
1973	5,708	0	5,681	0	5,681	0	27	161	1,864	544	672	4.02	15.03	80.95	0	0	0	0
1974	7,411	279	7,041	0	7,320	91	91	1,386	0	1,588	3,065	2.97	45.22	51.81	0	0	0	0
1975	10,049	0	8,333	0	8,333	0	1,716	2,545	0	2,070	6,332	27.10	40.19	32.71	0	0	0	0
1976	7,605	0	7,537	0	7,537	68	68	853	0	2,452	3,373	2.02	25.29	72.69	0	0	0	0
1977	5,926	0	5,914	0	5,914	12	12	295	0	1,199	1,506	0.80	19.59	79.61	0	0	0	0
1978	6,261	0	6,261	0	6,261	0	0	464	0	8	472	0.00	98.31	1.69	0	0	0	0
1979	7,357	0	7,357	0	7,357	0	0	5	0	97	102	0.00	4.90	95.10	0	0	0	0
1980																		
1981																		
1982																		
1983																		
1984																		
1985																		

Grand Avenue Booster Start Operating October 1966

Prod. - Production

- (1) From Table No. 1, Sub Total Sheet 1
- (2) From Table No. 3, Column (1)
- (3) Col. (1) - (Production from Thorn 1-11)
- (4) From Table No. 3, Column (8)
- (5) Columns (2) + (3) + (4)
- (6) Column (1) - Column (5)
- (7) From City of Riverside records
- (8) Column (6) + Column (7)
- (9) From Table No. 2, Sheet 1, Line 7
- (10) From Table No. 2, Sheet 1, Line 13
- (11) Less Grand Ave. Booster to Domestic
- (12) Columns (8) + (9) + (10)
- (13) Column (8) + Column (11)
- (14) Column (10) + Column (11)
- (15) From Table No. 3, Column (5)
- (16) Column (15) x Column (12)
- (17) Column (15) x Column (13)
- (18) Column (15) x Column (14)

FOR YEARS PRECEDING 1971: Refer to Volume 5, August 1976, Page 1-32

TABLE NO. 11

CITY OF RIVERSIDE  
DOMESTIC & IRRIGATION DIVISIONS  
WATER PRODUCTION & DELIVERIES  
FROM  
COLTON BASIN

WATER PRODUCTION FROM COLTON GROUND WATER BASIN IN  
 SAN BERNARDINO COUNTY AND DELIVERIES OF PRODUCTION  
 MADE NORTH OF THE COUNTY LINE IN SAN BERNARDINO COUNTY  
 AND SOUTH OF THE COUNTY LINE IN RIVERSIDE COUNTY

Acre Feet

Calendar Year	Total Prod. From Colton Basin	COLTON BASIN PRODUCTION Delivered in San Bernardino County			Total Deliveries	Total Deliveries Exported to Riverside County
		Trujillo Water Co.	S.C.E. Co. Power Plant Highgrove			
(1)	(2)	(3)	(4)	(5)	(6)	
1971	2,696	0	0	0	2,696	
1972	2,521	0	0	0	2,521	
1973	101	0	0	0	101	
1974	1,386	0	0	0	1,386	
1975	2,545	0	0	0	2,545	
1976	853	0	0	0	853	
1977	295	0	0	0	295	
1978	464	0	0	0	464	
1979	5	0	0	0	5	
1980						
1981						
1982						

FOR YEARS PRECEDING 1971: Refer to Volume 5, August 1976, Page I-34

- (2) From Table No. 2, Sheet 1, Line 7
- (3) From Table No. 4, See Note (C) thereon
- (4) From Table No. 10, Column (17)
- (5) Column (3) + Column (4)
- (6) Column (2) - Column (5)

CITY OF RIVERSIDE  
DOMESTIC & IRRIGATION DIVISIONS  
WATER PRODUCTION & DELIVERIES

FROM  
PORTION RIVERSIDE BASIN

WATER PRODUCTION FROM THAT PORTION OF THE RIVERSIDE GROUND WATER BASIN SITUATED NORTH OF THE COUNTY LINE IN SAN BERNARDINO COUNTY AND DELIVERIES OF PRODUCTION MADE NORTH OF THE COUNTY LINE IN SAN BERNARDINO COUNTY AND SOUTH OF THE COUNTY LINE IN RIVERSIDE CO.

Acres Feet

Calendar Year (1)	Total Prod. from Riverside Basin (2)	Riverside Basin Production in San Bernardino County; Delivered in San Bernardino County				Overlying Land Use			Total Deliveries to Riverside County (9)	Total Deliveries Exported to Riverside County (10)
		Trujillo Water Co. (3)	S.C.E. Co. Highgrove (4)	Pellissier Ranch (5)	Williams Ranch (6)	Jurupa Ranch (7)	(8)			
1971	4,537	0	0	174	0	0	0	174	4,363	
1972	5,920	0	0	107	0	0	0	107	5,813	
1973	4,986	0	0	45	0	0	0	45	4,941	
1974	6,123	0	0	111	0	0	0	111	6,012	
1975	5,838	0	0	94	0	0	0	94	5,744	
1976	6,345	0	0	126	0	0	0	126	6,219	
1977	4,112	0	0	279	0	0	0	279	3,833	
1978	1,364	0	0	271	0	0	0	271	1,093	
1979	2,836	0	0	587	0	0	0	587	2,249	
1980										
1981										

- (2) From Table No. 2, Sheet 1, Line 30
- (3) From Table No. 4, See Note (C)
- (4) From Table No. 10, Column (18)
- (4a) Space reserved for future
- (5) From Table No. 2, Sheet 1, Line 20
- (6) From Table No. 6, Column (7) Ranch and well sold to others
- (7) From Table No. 8, Column (3)
- (8) Space reserved for future
- (9) (3)+(4)+(5)+(6)+(7)
- (10) (2) - (9)

TABLE NO. 13

CITY OF RIVERSIDE  
 WATER PRODUCTION FROM SAN BERNARDINO BASIN AREA  
 AND DELIVERIES WITHIN SAN BERNARDINO COUNTY  
 AND EXPORT TO RIVERSIDE COUNTY

(All Quantities in Acre Feet)

Year	CITY PRODUCTION & DELIVERY IN SAN BERNARDINO BASIN AREA			CITY DELIVERIES IN COLTON & RIVERSIDE BASINS IN SAN BERNARDINO COUNTY					Total Water from San Bernardino Basin Area Export to Riverside County (8)
	City Wells (1)	Deliveries in San Bernardino Basin Area (2)	Total City Production Available For Export (3)	Prior Right Delivered To Riverside Highland Water Company (4)	Trujillo Water Company (5)	Edison Power Plant (6)	Total (7)		
1971	24,939	0	24,939	0	0	0	0	0	24,939
1972	20,474	0	20,474	0	0	0	0	0	20,474
1973	21,493	0	21,493	0	0	0	0	0	21,493
1974	27,420	0	27,420	65	0	0	0	65	27,355
1975	25,248	0	25,248	0	0	0	0	0	25,248
Total	119,574	0	119,574	65	0	0	0	65	119,509
Aver.	23,915	0	23,915	13	0	0	0	13	23,902
1976	22,085	0	22,085	0	0	0	0	0	22,085
1977	18,900	0	18,900	0	0	0	0	0	18,900
1978	19,055	0	19,055	0	0	0	0	0	19,055
1979	21,561	0	21,561	0	0	0	0	0	21,561
1980									
Total									
Aver.									

(1) From Table No. 1, Line 61, Sheet 2, City of Riverside  
 (2) From Table No. 3, Column(8), City of Riverside  
 (3) Column (1) - Column (2)  
 (4) For years 1959 thru 1963, Table No. 26, Col. (4), R.H.W. Co.  
 For years 1964 and after, Table No. 31, Col. (4), R.H.W. Co.  
 (5) From Table No. 4, Col. (1), Note "(C)"  
 (6) From Table No. 10, Col. (16)  
 (7) Col. (4) + Col. (5) + Col. (6)  
 (8) Col. (3) - Col. (7)  
 Column (8) includes R.H.W. Co. Prior Right export to Riverside County as follows.  
 For years 1959 thru 1963, Table No. 26, Col. (13)  
 For years 1964 and after, Table No. 31, Col. (13)

TABLE NO. 14

CITY OF RIVERSIDE AND  
UNIVERSITY OF CALIFORNIA  
EXTRACTIONS FROM BUNKER HILL BASIN  
IN SAN BERNARDINO BASIN AREA

Year	City of Riverside Extractions From Bunker Hill Basin		University of California Extractions From Bunker Hill Basin		Total City and University Extractions From Bunker Hill Basin	
	Amended Filings Ac. Ft.	Original Filings Ac. Ft.	Amended Filings Ac. Ft.	Original Filings Ac. Ft.	Amended Filings Ac. Ft.	Original Filings Ac. Ft.
(1)	(2)	(3)	(4)	(5)	(6)	(7)
1971	24,939	24,939	219	219	25,158	25,158
1972	20,474	20,474	239	239	20,713	20,713
1973	21,493	21,493	239	239	21,732	21,732
1974	27,420	27,420	267	267	27,687	27,687
1975	25,248	25,248	179	179	25,427	25,427
1976	22,085	22,085	245	245	22,330	22,330
1977	18,900	18,900	87	87	18,987	18,987
1978	19,055	20,099	183	183	19,238	20,282
1979	21,561	21,561	83	83	21,644	21,644
1980						

(1959-1963)

(Average) 24,092 \* 24,061 550 \* 581 24,642 \* 24,642

\* = Amended Recordation Filings

(2) = City of Riverside Table No. 1, Line 61

(3) = City of Riverside Original Recordation Filings

(4) = University of California Table No. 35, Col. 6

(5) = University of California Table No. 35, Col. 7

(6) = Col. 2 + Col. 4

(7) = Col. 3 + Col. 5

FOR YEARS PRECEDING 1971: Refer to Volume 5, August 1976, Page I-40

TABLE NO. 15

THE GAGE CANAL COMPANY WATER PRODUCTION  
FROM BUNKER HILL BASIN  
RIVERSIDE BASIN IN SAN BERNARDINO COUNTY  
AND RIVERSIDE BASIN IN RIVERSIDE COUNTY

Line No.	Reference	Local Designation	State Well Number	Recordation Number	Quantities in Acre Feet by Calendar Year													
					1971	1972	1973	1974	1975	1976	1977	1978	1979	1980	1981	1982		
<b>BUNKER HILL BASIN IN SAN BERNARDINO BASIN AREA</b>																		
1	Rec. Filling	*No. 6	1S-4W-13L1	3600784	-	-	-	-	-	-	-	-	-	-	-	-	-	-
2		*No. 17	1S-4W-14R	3600785	-	-	-	-	-	-	-	-	-	-	-	-	-	-
3		No. 21	1S-4W-13L2	3600786	612	662	710	983	1,117	1,527	2,046	1,286	732	-	-	-	-	-
4		No. 26-1	1S-4W-23A2	3600787	1,597	1,241	1,703	1,165	1,338	2,608	2,659	1,538	1,819	-	-	-	-	-
5		No. 27-1	1S-4W-23K1	3600788	2,010	1,921	1,844	1,152	1,317	2,25	2,208	1,521	2,381	-	-	-	-	-
6		No. 27-2	1S-4W-23K1	3600789	1,201	1,224	967	1,325	1,278	1,731	2,021	1,556	2,476	-	-	-	-	-
7		No. 29-1	1S-4W-23K2	3600790	2,052	1,742	1,567	1,296	951	2,061	2,145	1,255	1,891	-	-	-	-	-
8		No. 29-2	1S-4W-13N1	3600791	4,365	3,645	3,604	64	3,816	4,720	4,432	3,029	3,282	-	-	-	-	-
9		No. 29-3	1S-4W-13N2	3600792	3,864	3,220	378	1,241	3,343	3,943	3,843	2,849	2,750	-	-	-	-	-
10		No. 30-1	1S-4W-13M2	3600793	1,778	1,323	1,499	1,352	1,577	1,204	1,204	1,594	1,603	-	-	-	-	-
11		No. 31-1	1S-4W-13F2	3600794	1,266	721	787	1,266	1,154	1,837	289	937	1,749	-	-	-	-	-
12		No. 46-1	1S-4W-13G2	3600795	3,906	3,431	2,915	2,232	2,508	3,420	3,981	4,774	4,801	-	-	-	-	-
13		No. 51-1	1S-4W-23A5	3600796	673	616	624	121	4	452	875	775	1,358	-	-	-	-	-
14		No. 56-1	1S-4W-13G3	3600797	2,513	2,973	2,436	1,870	2,132	2,923	3,170	2,537	3,389	-	-	-	-	-
15		*Cowlane	1S-4W-23G1	3600798	-	-	-	-	-	-	-	-	-	-	-	-	-	-
16		No. 66-1	1S-4W-23G	3602331	2,980	2,394	2,415	1,748	2,077	2,855	3,113	2,581	2,558	-	-	-	-	-
17		No. 6-Dom.	1S-4W-13P	3602423	126	107	80	132	82	96	113	97	27	-	-	-	-	-
18																		
19																		
20	Lines 1 thru 17	Total Production	Bunker Hill Basin		28,943	25,220	21,529	15,947	22,714	29,289	32,099	26,329	30,816	-	-	-	-	-
21																		
22																		
23																		
24	Rec. Filling	DeBerry	2S-4W-05C1	3600783	567	778	222	472	645	440	389	734	413	-	-	-	-	-
25																		
26																		
27																		
28	Rec. Filling	Olivehood 1	2S-5W-26F1	3300366	392	674	550	539	413	253	89	131	352	-	-	-	-	-
29		Olivehood 2	2S-5W-26E2	3300367	1,026	1,140	908	1,182	789	273	653	614	978	-	-	-	-	-
30		Olivehood 3	2S-5W-26H1	3300368	127	396	404	715	249	52	60	72	64	-	-	-	-	-
31																		
32																		
33																		
34																		
35	Gage Records	Riverside Water Co. Booster for Gage R.W. Co. Stock			-	-	-	-	-	-	-	-	-	-	-	-	-	-
36	Gage Records	City of Riverside - Clearwater Well (Sold to Victoria Club)			-	-	-	-	-	-	-	-	-	-	-	-	-	-
37	Gage Records	City of Riverside - Clearwater Well (Sold to Victoria Club)			-	-	-	-	-	-	-	-	-	-	-	-	-	-

RIVERSIDE BASIN IN SAN BERNARDINO COUNTY

RIVERSIDE BASIN IN RIVERSIDE COUNTY

ADDITIONAL DELIVERIES FROM OTHER COMPANIES

Line (36) not required because of revision of method for determining quantity of water "not tributary" to Riverside Narrows (see Vol. 6).

FOR YEARS PRECEDING 1971: Refer to Volume 5, August 1976, Page I-44

\* Abandoned &/or File Closed

TABLE NO. 16

THE GAGE CANAL COMPANY  
WATER PRODUCTION FROM BUNKER HILL BASIN  
DELIVERED IN SAN BERNARDINO COUNTY  
& RIVERSIDE COUNTY  
TO EAST RIVERSIDE WATER COMPANY

Calendar Year	Irrigation Season In Days	Total Delivered To East Riverside Water Company Ac. Ft.	Average Ac. Ft. Per Day Of Irrig. Season Ac. Ft.	Delivered San Bernardino County		Riverside County
				Estimated	Measured	
(1)	(2)	(3)	(4)	Ac. Ft. (5)	Ac. Ft. (6)*	Ac. Ft. (7)
1971					108	
1972					90	
1973					82	
1974					0**	
1975					0**	
1976					0**	
1977					0**	
1978					0**	
1979					0**	
1980						
1981						
1982						

(2) (3) Gage Records

(4)  $632 \text{ Ac. Ft.} \div 326 \text{ Days} = 1.94$  for Years 1947 thru 1952 = Col. (6)  $\div$  Col. (2)

(5) (4) x (2)

(6) Gage Canal Records

(7) Col. (3) - Col. (5) or Col. (3) - Col. (6)

\* From 1968 to 1973, the Gage Canal has provided the Watermaster with just that portion of water delivered to East Riverside Water Co. that was used within San Bernardino County.

Beginning in 1974 all water delivered to East Riverside Water Co. within San Bernardino Co. was produced by the DeBerry Well which is located in the Riverside Basin within San Bernardino County.

FOR YEARS PRECEDING 1971: Refer to Volume 5, August 1976, Page I-47



TABLE NO. 17

THE GAGE CANAL COMPANY  
 WATER PRODUCTION FROM BUNKER HILL AND RIVERSIDE BASINS SITUATED  
 IN SAN BERNARDINO COUNTY WITH DELIVERIES MADE IN SAN BERNARDINO  
 COUNTY & EXPORTS TO RIVERSIDE COUNTY  
 (Quantities in Acre Feet by Calendar Year)

Year (1)	Production In Bunker Hill Basin (2)	Delivery in Bunker Hill Basin			Delivery in Colton			Bunker Hill			Bunker Hill			Production In		
		Total Delivery (3)	Southern California Edison Co. Power Plant To Return (3a)	Net Delivery (4)*	Bunker Hill Export Basin (5)	Cooley Ranch Water Right (6)	Gage Stock (7)	Total Delivery (8)	Export To Riverside Basin In San Bernardino County (9)	Water Delivered To Riverside Basin North of County Line East Riverside Company (10)	Total Delivery (11)	Export To Riverside County (12)	DeBerry Well (13)	Basin Total (14)	Riverside Water Company (14a)	Export To Riverside County (15)
1971	28,943	698	600**	98(a)	28,845	35	526***	35	561	28,284	108	108	28,176	567	0	567
1972	25,220	708	623**	85	25,135	35	422	35	457	24,678	90	90	24,588	778	0	778
1973	21,529	671	515**	156	21,373	331	99	331	430	20,943	82	82	20,861	222	0	222
1974	15,947	761	1,004**	0	15,947	381	104	381	485	15,462	0****	0	15,462	472	98****	374
1975	22,714	644	1,099**	0	22,714	342	156	342	498	22,216	0	0	22,216	645	77	568
1976	29,289	1,085	1,137**	0	29,289	305	218	305	523	28,766	0	0	28,766	440	62	378
1977	32,099	1,212	1,338**	0	32,099	263	83	263	346	31,753	0	0	31,753	389	6	383
1978	26,329	781	332**	0	26,329	213	88	213	301	26,028	0	0	26,028	734	4	730
1979	30,816	814	1,295**	0	30,816	273	142	273	415	30,401	0	0	30,401	413	4	409
1980																
1981																
1982																

(2) From Recordation filings, Table 15, Line 20  
 (3) From Gage Canal Records  
 (3a) From S.C.E. Co. Reports to CRQCB  
 (4) Column (3) - Column (3a)  
 (5) Column (2) - Column (4)  
 (6) From Gage Canal Records  
 (7) From Gage Canal Records  
 (8) Column (6) + Column (7)  
 (9) Column (5) - Column (8)  
 (10) From Table 16, Column (6)  
 (11) Same as Column (10)  
 (12) Column (9) - Column (11)  
 (13) From Table 15, Line 24  
 (14) Same as Column (13)  
 (14a) Commencing in the Year 1974, water supplied by DeBerry Well (from Table 16, Column (6))  
 (15) Column (14) - Column (14a)  
 \*\* Returned to former Riverside Water Co. Canal  
 \*After 1974, Water cannot be returned to Canal  
 \*\*\*Includes deliveries to City of Colton as follows:  
 1966 = 8 Acre Feet  
 1967 = 15 Acre Feet  
 1968 = 24 Acre Feet  
 1969 = 23 Acre Feet  
 1970 = 29 Acre Feet  
 1971 = 2 Acre Feet  
 \*\*\*\*Beginning in 1974 all deliveries in San Bernardino Co. to East Riverside Water Co. supplied by the DeBerry Well

(a) Revised delivery to S.C.E. Power Plant beginning in 1967 during 1972 verification.

NOTE: DE BERRY WELL WAS FINANCED AND CONSTRUCTED BY THE GAGE CANAL COMPANY STOCKHOLDERS, FOR THE SOLE USE OF GAGE STOCKHOLDERS, AND DOES NOT SERVE EAST RIVERSIDE WATER CO. PRIOR TO 1974.

CRQCB = California Regional Water Quality Control Board

FOR YEARS PRECEDING 1971: Refer to Volume 5, August 1976, Page I-49

TABLE NO. 18

GAGE CANAL  
 WATER PRODUCTION FROM SAN BERNARDINO BASIN AREA  
 AND DELIVERIES WITHIN SAN BERNARDINO COUNTY  
 AND EXPORTS TO RIVERSIDE COUNTY

(Quantities in Acre Feet)

Year	GAGE CANAL WATER COMPANY PRODUCTION AND DELIVERY IN SAN BERNARDINO BASIN AREA			GAGE DELIVERIES IN COLTON AND RIVERSIDE BASINS IN SAN BERNARDINO COUNTY			Total Water from San Bernardino Basin Areas Exported To Riverside County (7)
	Production Gage Wells (1)	Delivery To Power Plant (2)	Total Available For Export (3)	Cooley Stock and Prior Right (4)	East Riverside Water Company (5)	Total Delivery (6)	
1971	28,943	98(a)	28,845	561	108	669	28,176
1972	25,220	85	25,135	457	90	547	24,588
1973	21,529	156	21,373	430	82	512	20,861
1974	15,947	0	15,947	485	0	485	15,462
1975	22,714	0	22,714	498	0	498	22,216
1976	29,289	0	29,289	523	0	523	28,766
1977	32,099	0	32,099	346	0	346	31,753
1978	26,329	0	26,329	301	0	301	26,028
1979	30,816	0	30,816	415	0	415	30,401

- (1) From Table No. 15, Line 20, Gage Canal
- (2) From Table No. 17, Col. (4), Gage Canal
- (3) Col. (1) - Col. (2)
- (4) Table No. 17, Col. (8), Gage Canal
- (5) Table No. 17, Col. (11), Gage Canal
- (6) Col. (4) + Col. (5)
- (7) Col. (3) - Col. (6)

(a) Revised delivery to S.C.E. Power Plant beginning 1967 during 1972 verification.  
 FOR YEARS PRECEDING 1971: Refer to Volume 5, August 1976, Page I-51

TABLE NO. 19

RIVERSIDE HIGHLAND WATER COMPANY WATER PRODUCTION  
FROM LYTLE AND BUNKER HILL BASINS  
IN SAN BERNARDINO BASIN AREA

Line No.	From	Local Designation	State Well No.	Recordation No.	1971	1972	1973	1974	1975	1976	1977	1978	1979	1980	1981	1982	
									A C R E F E E T								
1	Recordation Filing	L.C. #1	1N-4W-31E1	3601535	1,669	1,468	1,282	1,374	1,302	1,468	1,406	964	1,352				
2	Recordation Filing	*L.C. #2	1N-4W-31E2	3601536	-	-	-	-	-	-	-	-	-				
3	Lines 1+2	S U B - T O T A L - L Y T L E - C R E K - B A S I N			1,669	1,468	1,282	1,374	1,302	1,468	1,406	964	1,352				
4	Recordation Filing	R.H. #1	1S-4W-22M7	3601522	177	0	259	68	14	0	0	0	0				
5	Recordation Filing	R.H. #2	1S-4W-22L	3601523	313	113	155	146	236	28	59	100	457				
6	Recordation Filing	*R.H. #8	1S-4W-22P	3601527	-	-	-	-	-	-	-	-	-				
7	Recordation Filing	*Flowing	1S-4W-22N	3601537	-	-	-	-	-	-	-	-	-				
8	Recordation Filing	*R.H. #10	1S-4W-22N	3601528	-	-	-	-	-	-	-	-	-				
9	Recordation Filing	*R.H. #11	1S-4W-22P	3601529	-	-	-	-	-	-	-	-	-				
10	Recordation Filing	R.H. #12	1S-4W-22L8	3601530	761	804	772	656	697	936	378	142	368				
11	Recordation Filing	R.H. #18	1S-4W-22L5	3601533	1,092	1,178	1,044	830	1,137	703	983	144	351				
12	Recordation Filing	R.H. #24	1S-4W-22P5	3602254	0	969	0	1,014	1,323	1,385	757	0	841				
13	Lines 4 thru 12	S U B - T O T A L - B U N K E R - H I L L - B A S I N			2,343	3,064	2,230	2,714	3,407	3,052	2,177	386	2,017				
14	TOTAL WATER PRODUCTION	SAN BERNARDINO BASIN AREA			4,012	4,532	3,512	4,088	4,709	4,520	3,583	1,350	3,369				

FOR YEARS PRECEDING 1971: Refer to Volume 5, August 1976, Page I-58

\*Abandoned &/or File Closed

TABLE NO. 20

RIVERSIDE HIGHLAND WATER CO. WATER PRODUCTION  
FROM COLLON BASIN

Description		Acre Feet From Recordation Filings			Total Production
State Well Number	1S/4W-28K1	1S/4W-28K2			In
Recordation Number	3601525	3602182			Acre Feet
Local Designation	R.H. No. 4	R.H. No. 4A			
Line No.	Year				
1	1971	240	16	-	256
2	1972	261	24	-	285
3	1973	212	0	-	212
4	1974	220	62	-	282
5	1975	260	40	-	300
6	1976	130	40	-	170
7	1977	175	157	-	332
8	1978	265	5	-	270
9	1979	139	52	-	191
10	1980				
11	1981				
12	1982				

TABLE NO. 21

RIVERSIDE HIGHLAND WATER CO. WATER PRODUCTION  
FROM RIVERSIDE BASIN IN SAN BERNARDINO AND RIVERSIDE COUNTIES

Line No.	From	Local Designation	State Well No.	Recordation No.	RIVERSIDE BASIN PRODUCTION - SAN BERNARDINO COUNTY													
					1971	1972	1973	1974	1975	1976	1977	1978	1979	1980	1981	1982		
1	Recordation Filing	*R.H. #3	1S-4W-28L1	3601524	0	0	0	0	0	0	0	0	0	0	0	0	0	0
2	Recordation Filing	R.H. #7	2S-4W-6R1	3601526	1,901	1,572	1,339	1,255	1,340	1,284	1,693	1,460	1,513	0	0	0	0	0
3	Recordation Filing	*R.H. #16	1S-4W-33B5	3601531	0	0	0	0	0	0	0	0	0	0	0	0	0	0
4	Recordation Filing	R.H. #17	1S-4W-28N5	3601532	2,734	1,868	1,903	1,283	871	1,469	2,343	1,629	1,488	0	0	0	0	0
5	Recordation Filing	R.H. #20	1S-4W-28L2	3601534	669	789	832	833	805	839	663	834	875	0	0	0	0	0
6	Recordation Filing	*L.V. #1	1S-4W-32M1	3601789	0	0	0	0	0	0	0	0	0	0	0	0	0	0
7	Recordation Filing	*L.V. #2	1S-4W-32M	3601790	0	0	0	0	0	0	0	0	0	0	0	0	0	0
8	TOTAL WATER PRODUCTION RIVERSIDE BASIN - SAN BERNARDINO COUNTY				5,304	4,229	4,074	3,371	3,016	3,592	4,699	3,923	3,876					

RIVERSIDE BASIN PRODUCTION - RIVERSIDE COUNTY

Line No.	From	Local Designation	State Well No.	Recordation No.	RIVERSIDE BASIN PRODUCTION - RIVERSIDE COUNTY													
					1971	1972	1973	1974	1975	1976	1977	1978	1979	1980	1981	1982		
1	Recordation Filing	R.H. #21	2S-4W-08M1	3301655	642	272	236	480	94	137	219	683	172					
2	Recordation Filing	R.H. #22	2S-4W-08M2	3301656	1,456	1,096	1,034	1,053	1,133	1,183	869	613	803					
3	TOTAL WATER PRODUCTION RIVERSIDE BASIN - RIVERSIDE COUNTY				2,098	1,368	1,270	1,533	1,227	1,320	1,088	1,296	975					

FOR YEARS PRECEDING 1971: Refer to Volume 5, August 1976, Page I-62

\*Abandoned &/or File Closed

TABLE NO. 22

RIVERSIDE HIGHLAND WATER COMPANY  
 WATER SUPPLY FROM OTHER COMPANIES  
 AND RIVERSIDE HIGHLAND CO. PRODUCTION  
 (Quantities in Acre Feet)

Line No.	Year (1)	COMPANY SUPPLYING ADDITIONAL WATER			RIVERSIDE - HIGHLAND COMPANY WATER PRODUCTION					Grand Total Water Supply (10)
		City Of Riverside (2)	La Sierra Water Company (3)	Total Supply (4)	San Bernardino Basin (5)	Colton Basin (6)	San Bernardino County (7)	Riverside Basin Riverside County (8)	Total Prod. (9)	
1	1971	0	0	0	4,012	256	5,304	2,098	11,670	11,670
2	1972	0	0	0	4,532	285	4,229	1,368	10,414	10,414
3	1973	0	0	0	3,512	212	4,074	1,270	9,068	9,068
4	1974	279	0	279	4,088	282	3,371	1,533	9,274	9,553
5	1975	0	0	0	4,709	300	3,016	1,227	9,252	9,252
6	1976	0	0	0	4,520	170	3,592	1,320	9,602	9,602
7	1977	0	0	0	3,583	332	4,699	1,088	9,702	9,702
8	1978	0	0	0	1,350	270	3,923	1,296	6,839	6,839
9	1979	0	0	0	3,369	191	3,876	975	8,411	8,411
10	1980									
11	1981									
12	1982									
13										
14										
15										
16										
17										
18										
19										
20										
21										
22										
23										
24										

(2) From City of Riverside Table No. 3, Col. (1)

(3) From Records of Company

(4) = (2) + (3)

(5) From R.H. Water Co. Table No. 19, Line 14

(6) From R.H. Water Co. Table No. 20

(7) From R.H. Water Co. Table No. 21, Line 8

(8) From R.H. Water Co. Table No. 21, Line 3

(9) = (5) + (6) + (7) + (8)

(10) = (4) + (9)

Note: Includes Linda Vista Water in years in which  
 Recordation Filings were made.

FOR YEARS PRECEDING 1971: Refer to Volume 5, August 1976, Page I-64

TABLE NO. 28

RIVERSIDE HIGHLAND WATER COMPANY  
IRRIGATION AND DOMESTIC DELIVERIES AND PRODUCTION  
REQUIRED IN RIVERSIDE & SAN BERNARDINO COUNTIES  
(All Quantities in M.I.D.)

Note: As verified by inventory of  
agriculture and domestic  
deliveries in Riverside County.

Year (1)	DELIVERIES M.I.D.										RIVERSIDE COUNTY HISTORIC DELIVERY & REQUIRED PROD.						San Bernardino Required Production																		
	Total Water Prod. M.I.D.* (2)		Domestic (3)		Irrigation (4)		Total Domestic And Irrigation (5)		Unaccounted For (6)		% (7)		Production In M.I.D. Required For Irrigation & Domestic (8)		Domestic (9)		Irrigation (10)		Del. (11)		Domestic (12)		Irrigation (13)		Total Prod. (14)		Irrigation (15)		Domestic (16)		Total (17)				
1971	294,107	44,029	208,260	252,289	41,818	14.22	242,780	51,327	160,989	187,674	1,317	1,535	189,209	55,106	49,792	104,898																			
1972	262,453	43,737	183,269	227,006	35,447	13.51	211,886	50,567	142,980	165,306	2,074	2,398	167,704	46,580	48,169	94,749																			
1973	228,494	39,865	157,982	197,847	30,647	13.41	182,454	46,040	127,170	146,869	1,211	1,399	148,268	35,585	44,641	80,226																			
1974	240,733	43,375	168,048	211,423	29,310	12.18	191,345	49,388	134,160	152,759	1,295	1,474	154,233	38,586	47,914	86,500																			
1975	233,140	41,641	162,050	203,691	29,449	12.63	185,476	47,661	130,714	149,610	1,242	1,422	151,032	35,866	46,239	82,105																			
TOTAL	1,258,927	212,647	879,609	1,092,256	166,671	65.95	1,013,941	244,983	696,013	802,218	7,139	8,228	810,446	211,723	236,755	448,478																			
AVERAGE	251,785	42,529	175,922	218,451	33,334	13.19	202,788	48,997	139,203	160,444	1,428	1,646	162,089	42,345	47,351	89,696																			
1976	241,910	43,263	170,027	213,290	28,620	11.83	192,840	49,068	138,206	156,749	1,241	1,407	158,156	36,091	47,661	83,752																			
1977	244,510	41,580	175,362	216,942	27,568	11.27	197,636	46,861	142,848	160,992	1,237	1,394	162,386	36,644	45,467	82,111																			
1978	172,318	44,491	110,302	154,793	17,525	10.17	122,790	49,528	94,077	104,728	1,600	1,781	106,509	18,062	47,747	65,809																			
1979	211,969	49,024	128,539	177,563	34,406	16.23	153,446	58,523	109,106	130,247	1,745	2,083	132,330	23,199	56,440	79,639																			
1980																																			
TOTAL																																			
AVERAGE																																			

\*Includes deliveries from other companies.

Col. (2), (3), (4), (5), (6) From Company Records  
Col. (7) Col. (6) + Col. (2)  
Col. (8) Col. (4) + (100%-Col. (7))  
Col. (9) Col. (3) + (100%-Col. (7))

Col. (10) From Company Records  
Col. (11) Col. (10) + (100%-Col. (7))  
Col. (12) Estimated from Company Records 1959-1963  
Based on Company Records thereafter.

Col. (13) Col. (12) + (100%-Col. (7))  
Col. (14) Col. (11) + Col. (13)  
Col. (15) Col. (8) - Col. (11)  
Col. (16) Col. (9) - Col. (13)  
Col. (17) Col. (15) + Col. (16)

FOR YEARS PRECEDING 1971: Refer to Volume 5, August 1976, Page 1-73

TABLE NO. 29

RIVERSIDE HIGHLAND WATER COMPANY  
 WATER PRODUCTION SHOWN ON RECORDATION FILING  
 DELIVERED FOR IRRIGATION AND DOMESTIC USES WITHIN  
 BOTH RIVERSIDE AND SAN BERNARDINO COUNTIES

Note: As verified by inventory of  
 agriculture and domestic  
 deliveries in Riverside County.

Year	PRODUCTION REQUIRED FOR DELIVERIES				Ratio Of Rec. Fillings To Prod. Req. For Del.	REQUIRED PRODUCTION FOR DELIVERIES MADE IN SAN BERNARDINO AND RIVERSIDE										WATER PRODUCTION FOR RIVERSIDE AND SAN BERNARDINO COUNTIES				Total Prod. Riverside & San Bdn. Counties A.F.		
	Total		Total Co. Fillings A.F.			Riverside County					San Bernardino County					Riverside County		San Bernar- dino County				
	Irrig. M.I.D.	Dom. M.I.D.	M.I.D.	A.F.		Irrigation		Domestic			Irrigation		Domestic			Irrig. A.F.	Dom. A.F.	Irrig. A.F.	Dom. A.F.			
	(1)	(2)	(3)	(4)		(7)	(8)	(9)	(10)	(11)	(12)	(13)	(14)	(15)	(16)	(17)	(18)	(19)	(20)		(21)	(22)
1971	242,780	51,327	294,107	11,667	187,674	7,445	63.81	1,535	61	.52	55,106	2,186	18.74	49,792	1,975	16.93	7,447	61	2,186	1,976	11,670	
1972	211,886	50,567	262,453	10,411	165,306	6,557	62.99	2,398	95	.91	46,580	1,848	17.75	48,169	1,911	18.35	6,560	95	1,848	1,911	10,414	
1973	182,454	46,040	228,494	9,064	146,869	5,826	64.28	1,399	55	.61	35,585	1,412	15.57	44,641	1,771	19.54	5,829	55	1,412	1,772	9,068	
1974	191,345	49,388	240,733	9,550	152,759	6,060	63.46	1,474	58	.61	38,586	1,531	16.03	47,914	1,901	19.90	6,062	59	1,531	1,901	9,553	
1975	185,476	47,661	233,140	9,249	149,610	5,935	64.17	1,422	56	.61	35,866	1,423	15.39	46,239	1,834	19.83	5,937	56	1,424	1,835	9,252	
TOTAL	1,013,941	244,983	1,258,927	49,941	802,218	31,823	318.71	8,228	325	.326	211,723	8,400	83.48	236,755	9,392	94.55	31,835	326	8,401	9,395	49,957	
AVER.	202,788	48,997	251,785	9,988	160,444	6,365	63.74	1,646	65	.65	42,345	1,680	16.70	47,351	1,878	18.91	6,367	65	1,680	1,879	9,991	
1976	192,840	49,068	241,910	9,596	156,749	6,218	64.80	1,407	56	.58	36,091	1,432	14.92	47,661	1,891	19.71	6,222	56	1,432	1,892	9,602	
1977	197,636	46,861	244,510	9,700	160,992	6,386	65.84	1,394	55	.57	36,644	1,454	14.99	45,467	1,804	18.60	6,388	55	1,454	1,805	9,702	
1978	122,790	49,528	172,318	6,836	104,728	4,154	60.76	1,781	71	1.04	18,062	717	10.49	47,747	1,894	27.71	4,155	71	717	1,896	6,839	
1979	153,446	58,523	211,969	8,409	130,247	5,167	61.45	2,083	83	.99	23,199	920	10.94	56,440	2,239	26.62	5,169	83	920	2,239	8,411	
1980																						
TOTAL																						
AVER.																						

(1) From Col. (8), Table No. 28  
 (2) From Col. (9), Table No. 28  
 (3) From Col. (2), Table No. 28  
 (4) Col. (3) x .0396694  
 (5) From Col. (10), Table No. 22  
 (6) Col. (5) + Col. (4)  
 (7) From Col. (11), Table No. 28  
 (8) Col. (7) x .0396694  
 (9) Col. (8) + Col. (4)  
 (10) From Col. (13), Table No. 28  
 (11) Col. (10) x .0396694  
 (12) Col. (11) + Col. (4)  
 (13) From Col. (15), Table No. 28  
 (14) Col. (13) x .0396694  
 (15) Col. (14) + Col. (4)  
 (16) From Col. (16), Table No. 28  
 (17) Col. (16) x .0396694  
 (18) Col. (17) + Col. (4)  
 (19) Col. (5) x Col. (9)  
 (20) Col. (5) x Col. (12)  
 (21) Col. (3) x Col. (15)  
 (22) Col. (5) x Col. (18)  
 (23) Col. (19) + (20) + (21) + (22)

FOR YEARS PRECEDING 1971: Refer to Volume 5, August 1976, Page 1-75



**TABLE NO. 30**  
**RIVERSIDE HIGHLAND WATER COMPANY**  
**WATER PRODUCTION FROM LYTLE, BUNKER HILL, COLTON & RIVERSIDE BASINS**  
**IN SAN BERNARDINO AND RIVERSIDE COUNTIES AND THE DELIVERY OF THE PRODUCTION IN**  
**SAN BERNARDINO AND RIVERSIDE COUNTIES**  
 (Quantities in Acre Feet)

Note: As verified by inventory of agriculture and domestic deliveries in Riverside County.

Year	PRODUCTION IN SAN BERNARDINO COUNTY													Production In Riverside County Used Therein Wells RH21, RH22 (11)	Agri. Supply For Portion Riverside County Demand RH7, RH21, RH22 (12)	Total Production (13)
	Domestic Supply			Commingled Sources					Riverside Basin Well RH 7							
	Lytle Creek Area Wells L.C.1, RH4, RH4A After 1965		Riverside Basin Wells RH3, RH20	Bunker Hill Basin		Colton Basin Wells RH4, RH4A Until 1966	Riverside Basin		Total Commingled Source		Riverside Basin Well RH 7					
	(1)	(2)	(3)	(4)	(5)	(6)	(7)	(8)	(9)	(10)	(11)					
1971	1,669	256	669	2,343	0	0	2,734	0	5,077	1,901	2,098	3,999	11,670			
1972	1,468	285	789	3,064	0	0	1,868	0	4,932	1,572	1,368	2,940	10,414			
1973	1,282	212	832	2,230	0	0	1,903	0	4,133	1,339	1,270	2,609	9,068			
1974	1,374	282	833	2,714	279	0	1,283	0	4,276	1,255	1,533	2,788	9,553			
1975	1,302	300	805	3,407	0	0	871	0	4,278	1,340	1,227	2,567	9,252			
TOTAL	7,095	1,335	3,928	13,758	279	0	8,659	0	22,696	7,407	7,496	14,903	49,957			
AVER.	1,419	267	786	2,752	56	0	1,732	0	4,539	1,481	1,499	2,981	9,991			
1976	1,468	170	839	3,052	0	0	1,469	0	4,521	1,284	1,320	2,604	9,602			
1977	1,406	332	663	2,177	0	0	2,343	0	4,520	1,693	1,088	2,781	9,702			
1978	964	270	834	386	0	0	1,629	0	2,015	1,460	1,296	2,756	6,839			
1979	1,352	191	875	2,017	0	0	1,488	0	3,505	1,513	975	2,488	8,411			
1980																
TOTAL																
AVER.																

Commingled water sources comprise a group of wells situated in San Bernardino County that provide water for irrigation in both counties and are so designated to distinguish them from wells that serve a single purpose or area.

(a) Lytle Creek Area wells (L.C. #1 & L.C. #2) are used to serve domestic demands North and South of County Line with residual in excess of domestic requirements being used for irrigation in San Bernardino County.  
 (b) Riverside Basin Area wells (RH3 & RH20) and Colton Basin Area wells (RH4 & RH4A) starting in year 1966) are used solely to serve domestic requirements North and South of County Line.

(8) Table No. 22, Col. (3)  
 (9) Cols. (4) + (5) + (6) + (7) + (8)  
 (10) Table No. 21, Line (2)  
 (11) Table No. 21, Line (3) bottom of page  
 (12) Col. (10) + Col. (11)  
 (13) Cols. (1) + (2) + (3) + (4) + (5) + (6) + (7) +

(1) Table No. 19, Line 3  
 (2) Table No. 20, Col. Total Prod. (after 1965)  
 (3) Table No. 21, Line (1) + Line (5)  
 (4) Table No. 19, Line (13)  
 (5) Table No. 22, Col. (2)  
 (6) Table No. 20, Col. Total Prod. (Until 1966)  
 (7) Table No. 21, Lines (3) + (4) + (6) + (7)

FOR YEARS PRECEDING 1971: Refer to Volume 5, August 1976, Page I-77

TABLE NO. 30

Note: As verified by inventory of agriculture and domestic deliveries in Riverside County.

**RIVERSIDE HIGHLAND WATER COMPANY**  
**WATER PRODUCTION FROM LYTLE, BUNKER HILL, COLTON & RIVERSIDE BASINS**  
**IN SAN BERNARDINO AND RIVERSIDE COUNTIES AND THE DELIVERY OF THE PRODUCTION IN**  
**SAN BERNARDINO AND RIVERSIDE COUNTIES**  
 (Quantities in Acre Feet)

Year	DOMESTIC SYSTEM													L Y L E C R E E K A R E A					
	Domestic Demand				Production For Domestic Demand					Domestic Export to Riverside County				Residual Prod. Available For Irrigation		Prod. Used In San Bernardino County For Irrigation & Domestic (19)			
	San Bernardino County (1)	Riverside County (2)	Total (3)	Lytle Creek Area (4)	Colton Basin & RH4 After 1965 (5)	Riverside Basin In San Bernardino County, RH3 & RH20 (6)	Percent of Production From Groundwater Basins			From Lytle Creek Area (10)	From Colton Basin (11)	From Riverside Basin in San Bernardino County (12)	From Lytle Creek Area (13)	From Colton Basin (14)	From Riverside Basin in San Bernardino County (15)				
							Lytle Creek Area (7)	Colton Basin After 1965 (8)	Riverside Basin in San Bernardino County (9)										
1971	1,976	61	2,037	1,112	256	669	54.59	12.57	32.84	33	8	20	1,079	248	649	1,669	557	0	1,636
1972	1,911	95	2,006	932	285	789	46.46	14.21	39.33	44	14	37	888	271	752	1,468	536	0	1,424
1973	1,772	55	1,827	783	212	832	42.86	11.60	45.54	24	6	25	759	206	807	1,282	499	0	1,258
1974	1,901	59	1,960	845	282	833	43.11	14.39	42.50	25	9	25	820	273	808	1,374	529	0	1,349
1975	1,835	56	1,891	786	300	805	41.57	15.86	42.57	23	9	24	763	291	781	1,302	516	0	1,279
TOTAL	9,395	326	9,721	4,458	1,335	3,928	228.59	68.63	202.78	149	46	131	4,309	1,289	3,797	7,095	2,637	0	6,946
AVER.	1,879	65	1,944	892	267	786	45.72	13.73	40.56	30	9	26	862	258	759	1,419	527	0	1,389
1976	1,892	56	1,948	939	170	839	48.20	8.73	43.07	27	5	24	912	165	815	1,468	529	0	1,441
1977	1,805	55	1,860	865	332	663	46.51	17.85	35.64	26	10	19	839	322	644	1,406	541	0	1,380
1978	1,896	71	1,967	863	270	834	43.87	13.73	42.40	31	10	30	832	260	804	964	101	0	933
1979	2,239	83	2,322	1,256	191	875	54.09	8.23	37.68	45	7	31	1,211	184	844	1,352	96	0	1,307
1980																			
TOTAL																			
AVER.																			

(1) Table No. 29, Col. (22)  
 (2) Table No. 29, Col. (20)  
 (3) Col. (1) + Col. (2)  
 (4) Col. (3) - (Col. (6) + Col. (5))  
 (5) Table No. 20, Col. (Total Prod. after year 1965)  
 (6) Table No. 21, Line (1) + Line (5)  
 (7) Col. (4) + (Col. (3) x 100)  
 (8) Col. (5) + (Col. (3) x 100)  
 (9) Col. (6) + (Col. (3) x 100)  
 (10) Col. (2) x Col. (7)  
 (11) Col. (2) x Col. (8)  
 (12) Col. (2) x Col. (9)  
 (13) Col. (4) - Col. (10)  
 (14) Col. (5) - Col. (11)  
 (15) Col. (6) - Col. (12)  
 (16) Table No. 19, Line (3)  
 (17) Col. (16) - Col. (4)  
 (18) Company method of operation  
 (19) Col. (16) - Col. (10)  
 FOR YEARS PRECEDING 1971: Refer to Volume 5, August 1976, Page 1-79

TABLE NO. 30

Note: As verified by inventory of agriculture and domestic deliveries in Riverside County.

RIVERSIDE HIGHLAND WATER COMPANY  
 WATER PRODUCTION FROM LYTLE, BUNKER HILL, COLTON & RIVERSIDE BASINS  
 IN SAN BERNARDINO AND RIVERSIDE COUNTIES AND THE DELIVERY OF THE PRODUCTION IN  
 SAN BERNARDINO AND RIVERSIDE COUNTIES  
 (Quantities In Acre Feet)

Year	Irrigation Demand		San Bernardino County		Riverside County		Percent Of Commingled Water		Irrigation Deliveries in San Bernardino County From Commingled Water Sources				Irrigation Deliveries in Riverside County From Commingled Water Sources							
	San Bernardino County	Riverside County	Lytle Creek Area Water For. Irrig.	Irrigation Supplied From Commingled Sources	Irrig. Supplied From RH 7 RH 21 RH 22 Wells	Irrigation Supplied From Commingled Sources	Total Commingled Water For Irrigation	Used In San Bernardino County	Used In Riverside County	Bunker Hill Basin		Riverside Basin		Bunker Hill Basin		Riverside Basin				
										R.H.W. Co. Wells	Rice Thorn	R.H.W. Co. Wells	La Sierra Water Company	R.H.W. Co. Wells	Rice Thorn	R.H.W. Co. Wells	La Sierra Water Company			
	(1)	(2)	(3)	(4)	(5)	(6)	(7)	(8)	(9)	(10)	(11)	(12)	(13)	(14)	(15)	(16)	(17)	(18)	(19)	(20)
1971	9,633	2,186	7,447	537	1,629	3,999	3,448	5,077	32.09	67.91	752	0	0	877	0	1,591	0	0	1,857	0
1972	8,408	1,848	6,560	536	1,312	2,940	3,620	4,932	26.60	73.40	815	0	0	497	0	2,249	0	0	1,371	0
1973	7,241	1,412	5,829	499	913	2,609	3,220	4,133	22.09	77.91	493	0	0	420	0	1,737	0	0	1,483	0
1974	7,593	1,531	6,062	529	1,002	2,788	3,274	4,276	23.43	76.57	636	65	0	301	0	2,078	214	0	982	0
1975	7,361	1,424	5,937	516	908	2,567	3,370	4,278	21.22	78.78	723	0	0	185	0	2,684	0	0	686	0
TOTAL	40,236	8,401	31,835	2,637	5,764	14,903	16,932	22,696	125.43	374.57	3,419	65	0	2,280	0	10,339	214	0	6,379	0
AVER.	8,047	1,680	6,367	527	1,153	2,981	3,386	4,539	25.09	74.91	684	13	0	456	0	2,068	43	0	1,276	0
1976	7,654	1,432	6,222	529	903	2,604	3,618	4,521	19.97	80.03	609	0	0	293	0	2,443	0	0	1,176	0
1977	7,842	1,454	6,388	541	913	2,781	3,607	4,520	20.20	79.80	440	0	0	473	0	1,737	0	0	1,870	0
1978	4,872	717	4,155	101	616	2,756	1,399	2,015	30.57	69.43	118	0	0	498	0	268	0	0	1,131	0
1979	6,089	920	5,169	96	824	2,488	2,681	3,505	23.51	76.49	474	0	0	350	0	1,543	0	0	1,138	0
1980																				
TOTAL																				
AVER.																				

(1) Col. (2) + (3)  
 (2) Table No. 29, Col. (21)  
 (3) Table No. 29, Col. (19)  
 (4) Table No. 30, Sheet 2, Col. (17)  
 (5) Col. (2) - Col. (4)  
 (6) Table No. 30, Sheet 1, Col. (12)  
 (7) Col. (3) - Col. (6)  
 (8) Col. (5) + Col. (7)  
 (9) Col. (5) + Col. (8) x 100  
 (10) Col. (7) + Col. (8) x 100  
 (11) Table No. 30, Sheet 1, Col. (4) x Col. (9) this sheet  
 (12) Table No. 30, Sheet 1, Col. (5) x Col. (9) this sheet  
 (13) Table No. 30, Sheet 1, Col. (6) x Col. (9) this sheet  
 (14) Table No. 30, Sheet 1, Col. (7) x Col. (9) this sheet  
 (15) Table No. 30, Sheet 1, Col. (8) x Col. (9) this sheet  
 (16) Table No. 30, Sheet 1, Col. (6) x Col. (10) this sheet  
 (17) Table No. 30, Sheet 1, Col. (5) x Col. (10) this sheet  
 (18) Table No. 30, Sheet 1, Col. (6) x Col. (10) this sheet  
 (19) Table No. 30, Sheet 1, Col. (7) x Col. (10) this sheet  
 (20) Table No. 30, Sheet 1, Col. (8) x Col. (10) this sheet

Commingled water sources comprise a group of wells situated in San Bernardino County that provide water for irrigation in both Counties and are so designated to distinguish them from wells that serve a single purpose or area.

FOR YEARS PRECEDING 1971: Refer to Volume 5, August 1976, Page I-81

TABLE NO. 31

**RIVERSIDE HIGHLAND WATER COMPANY**  
**WATER PRODUCTION FROM LYTLE, BUNKER HILL, COLTON & RIVERSIDE BASINS**  
**IN SAN BERNARDINO AND RIVERSIDE COUNTIES AND THE DELIVERY OF THE PRODUCTION IN**  
**SAN BERNARDINO AND RIVERSIDE COUNTIES**  
 (Quantities in Acre Feet)

Note: As verified by inventory of agriculture and domestic deliveries in Riverside County.

Year	PRODUCTION DELIVERED NORTH OF COUNTY LINE IN SAN BERNARDINO COUNTY										PRODUCTION DELIVERED SOUTH OF COUNTY LINE IN RIVERSIDE COUNTY																											
	From Groundwater Basin					From Groundwater Basin					From Groundwater Basin					From Groundwater Basin																						
	Bunker Hill		Colton			Riverside		Bunker Hill		Colton			Riverside		Bunker Hill		Colton			Riverside		Bunker Hill		Colton			Riverside											
	R. H. Wells	Ward Warren	R. H. Wells	R. H. Wells	Total Bunker Hill	R. H. Wells	La Sierra Wells	Total Riverside Basin	R. H. Wells	Ward Warren	Total Bunker Hill	R. H. Wells	La Sierra Wells	Total Riverside Basin	R. H. Wells	Ward Warren	Total Bunker Hill	R. H. Wells	La Sierra Wells	Total Riverside Basin	R. H. Wells	Ward Warren	Total Bunker Hill	R. H. Wells	La Sierra Wells	Total Riverside Basin	R. H. Wells	Ward Warren	Total Bunker Hill	R. H. Wells	La Sierra Wells	Total Riverside Basin	Total Production Delivered	Total Production Delivered	Total Production Delivered	Total Production Delivered		
(1)	(2)	(3)	(4)	(5)	(6)	(7)	(8)	(9)	(10)	(11)	(12)	(13)	(14)	(15)	(16)	(17)	(18)	(19)	(20)	(21)	(22)	(23)	(24)	(25)	(26)	(27)	(28)	(29)	(30)	(31)	(32)	(33)	(34)	(35)	(36)			
1971	1,636	752	0	752	248	1,526	0	1,526	4,162	33	1,591	0	1,591	8	3,778	0	3,778	5,410	33	1,591	0	1,591	8	3,778	0	3,778	5,410	33	1,591	0	1,591	8	3,778	0	3,778	5,410	9,572	2,098
1972	1,424	815	0	815	271	1,249	0	1,249	3,759	44	2,249	0	2,249	14	2,980	0	2,980	5,287	44	2,249	0	2,249	14	2,980	0	2,980	5,287	44	2,249	0	2,249	14	2,980	0	2,980	5,287	9,046	1,368
1973	1,258	493	0	493	206	1,227	0	1,227	3,184	24	1,737	0	1,737	6	2,847	0	2,847	4,614	24	1,737	0	1,737	6	2,847	0	2,847	4,614	24	1,737	0	1,737	6	2,847	0	2,847	4,614	7,798	1,270
1974	1,349	636	65	701	273	1,109	0	1,109	3,432	25	2,078	214	2,292	9	2,262	0	2,262	4,588	25	2,078	214	2,292	9	2,262	0	2,262	4,588	25	2,078	214	2,292	9	2,262	0	2,262	4,588	8,020	1,533
1975	1,279	723	0	723	291	966	0	966	3,259	23	2,684	0	2,684	9	2,050	0	2,050	4,766	23	2,684	0	2,684	9	2,050	0	2,050	4,766	23	2,684	0	2,684	9	2,050	0	2,050	4,766	8,025	1,227
TOTAL	6,946	3,419	65	3,484	1,289	6,077	0	6,077	17,796	149	10,339	214	10,553	46	13,917	0	13,917	24,665	149	10,339	214	10,553	46	13,917	0	13,917	24,665	149	10,339	214	10,553	46	13,917	0	13,917	24,665	42,461	7,496
AVER.	1,389	684	13	697	258	1,215	0	1,215	3,559	30	2,068	43	2,111	9	2,783	0	2,783	4,933	30	2,068	43	2,111	9	2,783	0	2,783	4,933	30	2,068	43	2,111	9	2,783	0	2,783	4,933	8,492	1,499
1976	1,441	609	0	609	165	1,108	0	1,108	3,323	27	2,442	0	2,442	5	2,484	0	2,484	4,957	27	2,442	0	2,442	5	2,484	0	2,484	4,957	27	2,442	0	2,442	5	2,484	0	2,484	4,957	8,280	1,320
1977	1,380	440	0	440	322	1,117	0	1,117	3,259	26	1,737	0	1,737	10	3,582	0	3,582	5,355	26	1,737	0	1,737	10	3,582	0	3,582	5,355	26	1,737	0	1,737	10	3,582	0	3,582	5,355	8,614	1,088
1978	933	118	0	118	260	1,302	0	1,302	2,613	31	268	0	268	10	2,621	0	2,621	2,930	31	268	0	268	10	2,621	0	2,621	2,930	31	268	0	268	10	2,621	0	2,621	2,930	5,543	1,296
1979	1,307	474	0	474	184	1,194	0	1,194	3,159	45	1,543	0	1,543	7	2,682	0	2,682	4,277	45	1,543	0	1,543	7	2,682	0	2,682	4,277	45	1,543	0	1,543	7	2,682	0	2,682	4,277	7,436	975
1980																																						
TOTAL																																						
AVER.																																						

(2) Table No. 30, Sheet No. 2, Col. (19)  
 (3) Table No. 30, Sheet No. 3, Col. (11)  
 (4) Table No. 30, Sheet No. 3, Col. (12)  
 (5) Col. (3) + Col. (4)  
 (6) Table No. 30, Sheet No. 3, Col. (13) thru year 1965; and Sheet No. 2, Col. (14) for yrs. 1966-70 inc.; then Sht. No. 2, Col. (14) plus Sheet No. 3, Col. (14)  
 (7) Table No. 30, Sheet No. 2, Col. (14) for yrs. 1966-70 inc.; then Sht. No. 2, Col. (14) plus Sheet No. 3, Col. (14)  
 (8) Table No. 30, Sheet No. 3, Col. (15)  
 (9) Col. (7) + Col. (8)  
 (10) Col. (2) + (5) + (6) + (9)  
 (11) Table No. 30, Sheet No. 2, Col. (10)  
 (12) Table No. 30, Sheet No. 3, Col. (16)  
 (13) Table No. 30, Sheet No. 3, Col. (17)  
 (14) Col. (12) + Col. (13)  
 (15) Table No. 30, Sheet No. 3, Col. (18) thru year 1965; and Sheet No. 2, Col. (11) for yrs. 1966-70 inc.; then Sheet No. 2, Col. (11) for 1971 and beyond.  
 (16) Table No. 30, Sheet No. 3, Col. (17)  
 (17) Table No. 30, Sheet No. 3, Col. (20)  
 (18) Col. (16) + Col. (17)  
 (19) Col. (11) + (14) + (15) + (18)  
 (20) Col. (10) + Col. (19)  
 (21) Table No. 30, Sheet No. 1, Col. (11)  
 FOR YEARS PRECEDING 1971: Refer to Volume 5, August 1976, Page I-83

**TABLE NO. 31-A**  
**TOTAL PRODUCTION BY RIVERSIDE HIGHLAND WATER COMPANY**  
**FROM THE SAN BERNARDINO BASIN AREA**  
**(INCLUDES LYTLE AND BUNKER HILL BASINS)**  
**AS DELIVERED IN**  
**SAN BERNARDINO AND RIVERSIDE COUNTIES**  
**(All Quantities in Acre Feet)**

CALENDAR YEAR	TOTAL DELIVERIES IN SAN BERNARDINO COUNTY (From Table No. 31, Column 2 + Column 3)	TOTAL DELIVERIES IN RIVERSIDE COUNTY (From Table No. 31, Column 11 + Column 12)	TOTAL PRODUCTION FROM SAN BERNARDINO BASIN AREA (Total Deliveries in Both Counties)
(1)	(2)	(3)	(4)
1971	2,388	1,624	4,012
1972	2,239	2,293	4,532
1973	1,751	1,761	3,512
1974	1,985	2,103	4,088
1975	2,002	2,707	4,709
5-YEAR TOTAL 1971-1975	10,365	10,488	20,853
5-YEAR AVER. 1971-1975	2,073	2,098	4,171
1976	2,050	2,469	4,519
1977	1,820	1,763	3,583
1978	1,051	299	1,350
1979	1,781	1,588	3,369
1980			
5-YEAR TOTAL 1976-1980			
5-YEAR AVER. 1976-1980			

**Note:** Excludes City of Riverside production (Ward & Warren) in Bunker Hill Basin which is delivered to Riverside Highland Water Company.

FOR YEARS PRECEDING 1971: Refer to Volume 5, August 1976, Page I-85

TABLE NO. 32

WEEKS & DALEY WATER COMPANY  
AND  
AGUA MANSA WATER COMPANY  
WATER PRODUCTION FROM  
THE SAN BERNARDINO BASIN AREA  
AND THE COLTON BASIN AREA

Line No.	Reference	Local Designation	State Well Number	Recordation Number	Quantities in Acre Feet by Calendar Year																	
					1971	1972	1973	1974	1975	1976	1977	1978	1979	1980	1981	1982						
SAN BERNARDINO BASIN AREA																						
1	Rec. Filing	E St.	*1S-4W-15M2	3601511	0	0	0	0	0	0	0	0	0	0	0	0	0	0	0	0	0	
2		51	*1S-4W-15N5	3601512	0	0	0	0	0	0	0	0	0	0	0	0	0	0	0	0	0	
3		54 Sold to State	*1S-4W-16R3	3601513	0	0	0	0	0	0	0	0	0	0	0	0	0	0	0	0	0	
4		Coburn	1S-4W-16J9	3601737	178	265	117	354	276	329	4	162	207									
5		59	1S-4W-15L3	3601887	0	1,503	1,246	2,606	1,649	2,305	1,848	1,518	1,549									
6		New E St.	1S-4W-15M10	3602169	2,502	1,678	1,412	1,379	2,025	2,759	2,368	574	2,174									
7		66	*1S-4W-15E	3602329	0	0	0	0	0	0	0	0	0									
8		Warm Creek	*1S-4W-16Q	3601514	0	0	0	0	0	0	0	0	0									
9		Workman Ditch	*1S-4W-16Q	3601515	0	0	0	0	0	0	0	0	0									
10		69	1S-4W-16R	3600000	222	81	204	165	0	0	0	0	0									
11	Lines 1 thru 10 Total Production San Bernardino Basin Area					2,902	3,527	2,979	4,504	3,950	5,393	4,220	2,254	3,930								
INTERAGENCY TRANSFER OF SAN BERNARDINO BASIN AREA PRODUCTION																						
14	Delivery to City of Riverside from 59				0	0	0	275	1,649	2,178	1,848	1,385	1,231									
15	(Net San Bernardino Basin Area Production																					
16	for delivery by Weeks & Daley Line 11-Line 14)				2,902	3,527	2,979	4,229	2,301	3,215	2,372	869	2,699									
COLTON BASIN AREA																						
19	Rec. Filing	36	1S-6W-21N1	3601510	0	0	484	0	1,350	1,860	2,018	422	1,698									
21	Lines 19 thru 20 Total Production Colton Basin Area					0	0	484	0	1,350	1,860	2,018	422	1,698								

Note: No Production from the Riverside Basin Area FOR YEARS PRECEDING 1971: Refer to Volume 5, August 1976, Page I-91

\*Abandoned &/or File Closed

TABLE NO. 33

MEEKS & DALEY WATER COMPANY AND AGUA MANSA WATER COMPANY  
 WATER PRODUCTION FROM THE SAN BERNARDINO BASIN AREA  
 AND THE COLTON BASIN AREA DELIVERED IN  
 SAN BERNARDINO COUNTY AND EXPORTED TO RIVERSIDE COUNTY  
 (Quantities in Acre Feet)

Calendar Year	San Bernardino Basin Area Net Production (1)	Colton Basin Area Production (2)	Composition Of Production % (4)		Delivery In San Bdnno. County (6)	Delivery In San Bernardino County (7)		From San Bdnno. Basin Area (9)	Production Exported To Riverside County (10)		Total (12)
			San Bdnno. Basin Area % (4)	Colton Basin Area % (5)		San Bdnno. Basin Area Production (7)	Colton Basin Area Production (8)		Colton Basin Area (10)	Riverside Basin Area (11)	
1971	2,902	0	100.00	0.00	383	383	0	2,519	0	0	2,519
1972	3,527	0	100.00	0.00	377	377	0	3,150	0	0	3,150
1973	2,979	484	86.02	13.98	291	250	41	2,729	443	0	3,172
1974	4,229	0	100.00	0.00	246	246	0	3,983	0	0	3,983*
1975	2,301	1,350	63.02	36.98	266	168	98	2,133	1,252	0	3,385*
1976	3,215	1,860	63.35	36.65	287	182	105	3,033	1,755	0	4,788*
1977	2,372	2,018	54.03	45.97	271	146	125	2,226	1,893	0	4,119*
1978	869	422	67.31	32.69	239	161	78	708	344	0	1,052*
1979	2,699	1,698	61.38	38.62	270	166	104	2,533	1,594	0	4,127*
1980											
1981											
1982											

REFERENCE

Col. (1) Meeks & Daley Table No. 32, Line 16  
 Col. (2) Meeks & Daley Table No. 32, Line 21  
 Col. (3) Col. (1) + Col. (2)  
 Col. (4) Col. (1) + Col. (3)  
 Col. (5) Col. (2) + Col. (3)  
 Col. (6) From Meeks & Daley Records

Col. (7) Col. (6) x Col. (4)  
 Col. (8) Col. (6) x Col. (5)  
 Col. (9) Col. (1) - Col. (7)  
 Col. (10) Col. (2) - Col. (8)  
 Col. (11) No Production Riverside Basin Area  
 Col. (12) Col. (9) + Col. (10) + Col. (11)

FOR YEARS PRECEDING 1971: Refer to Volume 5, August 1976, Page I-94

\* Quantity shown is portion exported via canals and excludes Well No. 59. See Table No. 34 for total export from San Bernardino Basin Area which includes Well No. 59.

TABLE NO. 34

MEEKS & DALEY WATER COMPANY  
WATER PRODUCTION FROM SAN BERNARDINO BASIN AREA  
AND DELIVERIES WITHIN SAN BERNARDINO COUNTY  
AND EXPORT TO RIVERSIDE COUNTY

<u>Year</u>	<u>Production in San Bernardino Basin Area</u> (1)	<u>Deliveries within Colton &amp; Riverside Basin in San Bernardino County</u> (2)	<u>San Bernardino Basin Production Exported to Riverside County</u> (3)
1971	2,902	383	2,519
1972	3,527	377	3,150
1973	2,979	250	2,729
1974	4,504	246	4,258
1975	3,950	168	3,782
<b>Total</b>	17,862	1,424	16,438
<b>Average</b>	3,572	285	3,287
1976	5,393	182	5,211
1977	4,220	146	4,074
1978	2,254	161	2,093
1979	3,930	270	3,660
1980			
<b>Total</b>			
<b>Average</b>			

- (1) From Table No. 32, Line 11
- (2) From Table No. 33, Col. 7
- (3) Col. (1) - Col. (2)

Export of water from well No. 59 by City of Riverside's (Table No. 32, Line (14)) Domestic system is credited to Meeks & Daley Water Co. who produced said water and is excluded from City of Riverside's production.

FOR YEARS PRECEDING 1971: Refer to Volume 5, August 1976, Page I-96



**TABLE NO. 35**

UNIVERSITY OF CALIFORNIA  
WATER PRODUCTION FROM BUNKER HILL BASIN  
IN THE SAN BERNARDINO BASIN AREA  
AND EXPORT TO RIVERSIDE COUNTY  
 (Quantities in Acre Feet)

Description	BUNKER HILL PRODUCTION (From City of Riverside Records)						
	(1)	(2)	(3)	(4)	(5)	(6)	(7)
State Well No.	1S/4W-27A11	°1S/4W-27A7	°1S/4W-27A8	1S/4W-27A9	1S/4W-27A10	Total	Export
Recordation No.	3691222	3691241	3691242	3691244	3691245	Prod.	to
Local Designation	Hunt 6	Hunt 8	Hunt 9	Hunt 10	Hunt 11	Bunker Hill	Riverside County
Calendar Year							
1971	73	0	0	146	0	219	219
1972	62	0	0	177	0	239	239
1973	50	0	0	189	0	239	239
1974	69	0	0	198	0	267	267
1975	34	0	0	143	2	179	179
1976	8	0	0	225	12	245	245
1977	25	0	0	41	21	87	87
1978	69	0	0	114	0	183	183
1979	29	0	0	54	0	83	83
1980							

**Note:** No deliveries in Bunker Hill Basin.  
 No production or deliveries in Colton Basin.  
 No production or deliveries in Riverside Basin within San Bernardino County.  
 FOR YEARS PRECEDING 1971: Refer to Volume 5, August 1976, Page I-100

°Abandoned &/or File Closed

**TABLE NO. 36**  
**UNIVERSITY OF CALIFORNIA**  
**WATER PRODUCTION FROM**  
**SAN BERNARDINO BASIN AREA**  
**AND EXPORT TO RIVERSIDE COUNTY**

<u>Year</u>	<u>Production In San Bernardino Basin Area</u>	<u>Delivery Within San Bernardino County</u>	<u>San Bernardino Basin Production Exported To Riverside County</u>
	(1)	(2)	(3)
1971	219	0	219
1972	239	0	239
1973	239	0	239
1974	267	0	267
1975	179	0	179
<b>TOTAL</b>	1,143	0	1,143
<b>AVERAGE</b>	229	0	229
1976	245	0	245
1977	87	0	87
1978	183	0	183
1979	83	0	83
1980			
<b>TOTAL</b>			
<b>AVERAGE</b>			

- (1) Table No. 35, Col. (6)  
(2) None  
(3) Col. (1) - Col. (2)

FOR YEARS PRECEDING 1971: Refer to Volume 5, August 1976, Page I-102

TABLE NO. 36-A

EXTRACTIONS BY PLAINTIFFS  
FROM THE SAN BERNARDINO BASIN AREA  
FOR AVERAGE OF FIVE-YEAR PERIOD ENDING WITH 1975  
(All Values in Acre Feet)

CLASSIFIED ACCORDING TO SERVICE AREA

PLAINTIFFS	EXTRACTIONS FROM SAN BERNARDINO BASIN AREA FOR USE WITHIN & EXPORTS THEREFROM																								
	1971				1972				1973				1974				1975				Five-Year Average				
	Total Extractions	Deliveries San Bernardino Basin	Deliveries Colton & Riverside Basins in San Bernardino County	Deliveries Outside San Bernardino Valley	Total Extractions	Deliveries San Bernardino Basin	Deliveries Colton & Riverside Basins in San Bernardino County	Deliveries Outside San Bernardino Valley	Total Extractions	Deliveries San Bernardino Basin	Deliveries Colton & Riverside Basins in San Bernardino County	Deliveries Outside San Bernardino Valley	Total Extractions	Deliveries San Bernardino Basin	Deliveries Colton & Riverside Basins in San Bernardino County	Deliveries Outside San Bernardino Valley	Total Extractions	Deliveries San Bernardino Basin	Deliveries Colton & Riverside Basins in San Bernardino County	Deliveries Outside San Bernardino Valley	Total Extractions	Deliveries San Bernardino Basin	Deliveries Colton & Riverside Basins in San Bernardino County	Deliveries Outside San Bernardino Valley	
CITY OF RIVERSIDE City & Riverside Water Co. Wells (a)	24,939	0	0	24,939	20,474	0	0	20,474	21,493	0	0	21,493	27,420	0	0	27,355	25,248	0	0	25,248	23,915	0	0	23,915	23,902
CITY OF RIVERSIDE Gage Canal Co. Wells (b)	28,943	98*	669	28,176*	25,220	85	547	24,588	21,529	156	512	20,861	15,947	0	485	15,462	22,714	0	498**	22,216**	22,871	68	542**	22,260	
RIVERSIDE HIGHLAND WATER COMPANY (c)	4,012	0	2,388	1,624	4,532	0	2,239	2,293	3,512	0	1,751	1,761	4,088	0	1,985	2,103	4,709	0	2,002	2,707	4,171	0	2,073	2,098	
MERKS & DALEY WATER COMPANY & AGUA MANSA WATER COMPANY (d)	2,902	0	383	2,519	3,527	0	377	3,150	2,979	0	250	2,729	4,504	0	246	4,258	3,950	0	168	3,782	3,572	0	285	3,287	
UNIVERSITY OF CALIFORNIA (e)	219	0	0	219	239	0	0	239	239	0	0	239	267	0	0	267	179	0	0	179	229	0	0	229	
TOTAL	61,015	98*	3,440	57,477*	53,992	85	3,163	50,744	49,752	156	2,513	47,083	52,226	0	2,781	49,445	56,800	0	2,668*	54,132*	54,758	68	2,913**	51,777	

(a) Table No. 13 - Columns 1, 2, 7, 8, Chapter I, Volume 5  
 (b) Table No. 18 - Columns 1, 2, 6, 7, Chapter I, Volume 5  
 (c) Table No. 31-A Chapter I, Volume 5

(d) Table No. 34 - Columns 1, 2, 3, Chapter I, Volume 5  
 (e) Table No. 36 - Columns 1, 2, 3, Chapter I, Volume 5  
 FOR YEARS PRECEDING 1971: Refer to Volume 5, August 1976, Page I-105

\*1971 deliveries corrected during 1972 verification.  
 \*\* Corrected for error on Table 16, Vol. 5, 1975

TABLE NO. 36-A

EXTRACTIONS BY PLAINTIFFS  
FROM THE SAN BERNARDINO BASIN AREA  
FOR AVERAGE OF FIVE-YEAR PERIOD ENDING WITH 1980  
(All Values in Acre Feet)

CLASSIFIED ACCORDING TO SERVICE AREA

PLAINTIFFS	EXTRACTIONS FROM SAN BERNARDINO BASIN AREA FOR USE WITHIN & EXPORTS THEREFROM																							
	1976				1977				1978				1979				1980				5-Year Average			
	Total Extractions	Deliveries San Bernardino Basin	Deliveries Colton & Riverside Basin in San Bernardino County	Deliveries Outside San Bernardino Valley	Total Extractions	Deliveries San Bernardino Basin	Deliveries Colton & Riverside Basin in San Bernardino County	Deliveries Outside San Bernardino Valley	Total Extractions	Deliveries San Bernardino Basin	Deliveries Colton & Riverside Basin in San Bernardino County	Deliveries Outside San Bernardino Valley	Total Extractions	Deliveries San Bernardino Basin	Deliveries Colton & Riverside Basin in San Bernardino County	Deliveries Outside San Bernardino Valley	Total Extractions	Deliveries San Bernardino Basin	Deliveries Colton & Riverside Basin in San Bernardino County	Deliveries Outside San Bernardino Valley				
CITY OF RIVERSIDE City & Riverside Water Co. Wells (a)	22,085	0	22,085	18,900	0	0	18,900	19,055	0	0	19,055	21,561	0	0	21,561	21,561	0	0	21,561					
CITY OF RIVERSIDE Gage Canal Co. Wells (b)	29,289	0	28,766	32,099	0	346	31,753	26,329	0	301	26,028	30,816	0	0	30,401	30,401	0	0	30,401					
RIVERSIDE HIGHLAND WATER COMPANY (c)	4,519	0	2,469	3,583	0	1,820	1,763	1,350	0	1,051	299	3,369	0	1,781	1,588	1,588	0	0	1,588					
NEEKS & DALEY WATER COMPANY & AGUA MANSA WATER COMPANY (d)	5,393	0	5,211	4,220	0	166	4,074	2,254	0	161	2,093	3,930	0	270	3,660	3,660	0	0	3,660					
UNIVERSITY OF CALIFORNIA (e)	245	0	245	87	0	0	87	183	0	0	183	83	0	0	83	83	0	0	83					
TOTAL	61,531	0	58,776	58,889	0	2,312	56,577	49,171	0	1,513	47,658	59,756	0	2,466	57,293	57,293	0	0	57,293					

(a) Table No. 13 - Columns 1,2,7,8, Chapter I, Volume 5

(b) Table No. 18 - Columns 1,2,6,7, Chapter I, Volume 5

(c) Table No. 31-A, Chapter I, Volume 5

(d) Table No. 34 - Columns 1,2,3, Chapter I, Volume 5

(e) Table No. 36 - Columns 1,2,3, Chapter I, Volume 5

FOR YEARS PRECEDING 1976: Refer to Volume 5-1975, August 1977, Page 34

TABLE NO. 36-B

TOTAL PLAINTIFF EXTRACTIONS FROM  
SAN BERNARDINO BASIN AREA  
 (Quantities in Acre Feet)

EXTRACTING PLAINTIFF						
Year	City of Riverside	Gage Canal	Riverside Highland	Meeks & Daley	Univ. of Calif.	Total
1971	24,939	28,943	4,012	2,902	219	61,015
1972	20,474	25,220	4,532	3,527	239	53,992
1973	21,493	21,529	3,512	2,979	239	49,752
1974	27,420	15,947	4,088	4,504	267	52,226
1975	25,248	22,714	4,709	3,950	179	56,800
<b>Total</b>	119,574	114,353	20,853	17,862	1,143	273,785
<b>5-Yr.Avg.</b>	23,915	22,871	4,171	3,572	229	54,758
1976	22,085	29,289	4,519	5,393	245	61,531
1977	18,900	32,099	3,583	4,220	87	58,888
1978	19,055	26,329	1,350	2,254	183	49,171
1979	21,561	30,816	3,369	3,930	83	59,759
1980						
<b>Total</b>						
<b>5-Yr.Avg.</b>						

From Table No. 36-A.

FOR YEARS PRECEDING 1971: Refer to Volume 5, August 1976, Page I-109.

TABLE NO. 36-C

PLAINTIFF EXTRACTIONS  
FROM  
SAN BERNARDINO BASIN AREA  
DELIVERIES IN  
SAN BERNARDINO BASIN AREA  
 (Quantities in Acre Feet)

EXTRACTING PLAINTIFF						
Year	City of Riverside	Gage Canal	Riverside Highland	Meeks & Daley	Univ. of Calif.	Total
1971	0	98	0	0	0	98
1972	0	85	0	0	0	85
1973	0	156	0	0	0	156
1974	0	0	0	0	0	0
1975	0	0	0	0	0	0
Total	0	339	0	0	0	339
5-Yr.Avg.	0	68	0	0	0	68
1976	0	0	0	0	0	0
1977	0	0	0	0	0	0
1978	0	0	0	0	0	0
1979	0	0	0	0	0	0
1980						
Total						
5-Yr.Avg.						

From Table No. 36-A.

FOR YEARS PRECEDING 1971: Refer to Volume 5, August 1976, Page I-111

TABLE NO. 36-D

PLAINTIFF EXTRACTIIONS  
FROM  
SAN BERNARDINO BASIN AREA  
DELIVERIES IN COLTON &  
RIVERSIDE BASINS IN  
SAN BERNARDINO COUNTY  
(Quantities in Acre Feet)

EXTRACTING PLAINTIFF						
Year	City of Riverside	Gage Canal	Riverside Highland	Meeks & Daley	Univ. of Calif.	Total
1971	0	669	2,388	383	0	3,440
1972	0	547	2,239	377	0	3,163
1973	0	512	1,751	250	0	2,513
1974	65	485	1,985	246	0	2,781
1975	0	575	2,002	168	0	2,745
<b>Total</b>	65	2,788	10,365	1,424	0	14,642
<b>5-Yr.Avg.</b>	13	558	2,073	285	0	2,929
1976	0	523	2,050	182	0	2,755
1977	0	346	1,820	146	0	2,312
1978	0	301	1,051	161	0	1,513
1979	0	415	1,781	270	0	2,466
1980						
<b>Total</b>						
<b>5-Yr.Avg.</b>						

From Table No. 36-A.

FOR YEARS PRECEDING 1971: Refer to Volume 5, August 1976, Page I-113

TABLE NO. 36-E

PLAINTIFF EXTRACTIONS  
FROM  
SAN BERNARDINO BASIN AREA  
DELIVERIES OUTSIDE  
SAN BERNARDINO VALLEY  
(Quantities in Acre Feet)

EXTRACTING PLAINTIFF						
Year	City of Riverside	Gage Canal	Riverside Highland	Meeks & Daley	Univ. of Calif.	Total
1971	24,939	28,176	1,624	2,519	219	57,477
1972	20,474	24,588	2,293	3,150	239	50,744
1973	21,493	20,861	1,761	2,729	239	47,083
1974	27,355	15,462	2,103	4,258	267	49,445
1975	25,248	22,139	2,707	3,783	179	54,055
Total	119,509	111,226	10,488	16,439	1,143	258,804
5-Yr.Avg.	23,902	22,245	2,098	3,287	229	51,761
1976	22,085	28,766	2,469	5,211	245	58,776
1977	18,900	31,753	1,763	4,074	87	56,576
1978	19,055	26,028	299	2,093	183	47,658
1979	21,561	30,401	1,588	3,660	83	57,293
1980						
Total						
5-Yr.Avg.						

From Table No. 36-A.

FOR YEARS PRECEDING 1971: Refer to Volume 5, August 1976, Page I-115



TABLE NO. 37

RIVERSIDE ENTITIES  
PRODUCTION AND DELIVERY FROM COLTON BASIN AREA  
FOR USE WITHIN SAN BERNARDINO COUNTY  
AND RIVERSIDE COUNTY  
(Quantities in Acre Feet)

LINE NO.	RIVERSIDE ENTITIES	1971	1972	1973	1974	1975	TOTAL	5-YEAR AVERAGE	
1	<u>City of Riverside Irrigation &amp; Domestic</u>	2,696	2,521	101	1,386	2,545	9,249	1,850	See Chapter 1, City of Riverside, Table No. 2, Line 7
2	Colton Basin Area Production	0	0	0	0	0	0	0	See Chapter 1, City of Riverside, Table No. 10, Col. (17)
3	Delivery to S. C. Edison Steam Plant Highgrove	2,696	2,521	101	1,386	2,545	9,249	1,850	See Chapter 1, City of Riverside, Table No. 11, Col. (6)
4	Colton Production exported to Riverside County								
5									
6	<u>Meeks &amp; Daley Water Company</u>	0	0	484	0	1,350	1,834	367	See Chapter 1, Meeks & Daley, Table No. 32, Line 21
7	Colton Basin Area Production	0	0	41	0	98	139	28	See Chapter 1, Meeks & Daley, Table No. 33, Col. (8)
8	Delivery (Vicinity of Colton)	0	0	443	0	1,252	1,695	339	See Chapter 1, Meeks & Daley, Table No. 33, Col. (10)
9	Colton Production exported to Riverside County								
10									
11	<u>Riverside Highland Water Company</u>	256	285	212	282	300	1,335	267	See Chapter 1, R.H.W. Co., Table No. 20, Total Prod.
12	Colton Basin Production	248	271	206	273	291	1,289	258	See Chapter 1, R.H.W. Co., Table No. 31, Col. (6)
13	Delivery North of County Line	8	14	6	9	9	46	9	See Chapter 1, R.H.W. Co., Table No. 31, Col. (15)
14	Colton Production exported to Riverside County								
15	<u>Reche Canyon Mutual Water Company</u>	73	76	65	69	67	350	70	See Volume 2 Reche Canyon Mutual Wtr. Co., Table No. 3
16	Colton Basin Production	0	0	0	0	0	0	0	Production and use in Riverside County only.
17	Delivery North of County Line	73	76	65	69	67	350	70	Production and use in Riverside County only.
18	Colton Production exported to Riverside County								
19	City of Riverside	0	0	0	0	0	0	0	
20	Meeks & Daley	0	0	41	0	98	139	28	
21	Riverside Highland Water Company	248	271	206	273	291	1,289	258	
22	Reche Canyon Mutual Water Co.	0	0	0	0	0	0	0	
23	Total Lines 3 + 8 + 13 + 17	248	271	247	273	389	1,428	286	
	Summary of Colton Basin Water Exported to Riverside Co.								
24	City of Riverside	2,696	2,521	101	1,386	2,545	9,249	1,850	
25	Meeks & Daley	0	0	443	0	1,252	1,695	339	
26	Riverside Highland Water Company	8	14	6	9	9	46	9	
27	Reche Canyon Mutual Water Company	73	76	65	69	67	350	70	
28	Total Lines 4 + 9 + 14 + 18	2,777	2,611	615	1,464	3,873	11,340	2,268	

FOR YEARS PRECEDING 1971: Refer to Volume 5, August 1976, Page II-4

TABLE NO. 37

RIVERSIDE ENTITIES  
PRODUCTION AND DELIVERY FROM COLTON BASIN AREA  
FOR USE WITHIN SAN BERNARDINO COUNTY  
AND RIVERSIDE COUNTY  
(Quantities in Acre Feet)

LINE NO.	RIVERSIDE ENTITIES	1976	1977	1978	1979	1980	TOTAL	5-YEAR AVERAGE
1	<u>City of Riverside Irrigation &amp; Domestic</u>							
2	Colton Basin Area Production	853	295	464	5			See Chapter I, City of Riverside, Table No. 2, Line 7
3	Delivery to S.C. Edison Highgrove Steam Plant	0	0	0	0			See Chapter I, City of Riverside, Table No. 10, Col. 17
4	Colton Production exported to Riverside County	853	295	464	5			See Chapter I, City of Riverside, Table No. 11, Col. 6
5								
6	<u>Meeks &amp; Daley Water Company</u>							
7	Colton Basin Area Production	1,860	2,018	422	1,698			See Chapter I, Meeks & Daley, Table No. 32, Line 21
8	Delivery (Vicinity of Colton)	105	125	78	104			See Chapter I, Meeks & Daley, Table No. 33, Col. 8
9	Colton Production exported to Riverside County	1,755	1,893	344	1,594			See Chapter I, Meeks & Daley, Table No. 33, Col. 10
10								
11	<u>Riverside Highland Water Company</u>							
12	Colton Basin Production	170	332	270	191			See Chapter I, R.H.W. Co., Table No. 20, Total Prod.
13	Delivery North of County Line	165	322	260	184			See Chapter I, R.H.W. Co., Table No. 31, Col. 6
14	Colton Production Exported to Riverside County	5	10	10	7			See Chapter I, R.H.W. Co., Table No. 31, Col. 15
15								
16	<u>Reche Canyon Mutual Water Company</u>							
17	Colton Basin Production	70	71	77	76			See Vol. 2 Reche Canyon Mutual Wtr. Co., Table 3
18	Delivery North of County Line	0	0	0	0			Production and use in Riverside County only.
19	Colton Production exported to Riverside County	70	71	77	76			Production and use in Riverside County only.
20								
21	City of Riverside	0	0	0	0			
22	Meeks & Daley	105	125	78	104			
23	Riverside Highland Water Company	165	322	260	184			
24	Reche Canyon Mutual Water Co.	0	0	0	0			
25	Total Lines 3 + 8 + 13 + 18	270	447	338	288			
26								
27	City of Riverside	853	295	464	5			
28	Meeks & Daley	1,755	1,893	344	1,594			
29	Riverside Highland Water Company	5	10	10	7			
30	Reche Canyon Mutual Water Company	70	71	77	76			
31	Total Lines 4 + 9 + 14 + 19	2,683	2,269	895	1,682			
32	Total Production by Riverside Entities - Line 24 & 29	2,953	2,716	1,233	1,970			

Summary of Colton Basin Water Used in San Bernardino Co.

Summary of Colton Basin Water Exported to Riverside Co.

TABLE NO. 38

SAN BERNARDINO ENTITIES  
PRODUCTION FROM COLTON BASIN AREA  
FOR USE WITHIN SAN BERNARDINO COUNTY  
(Quantities in Acre Feet)

Calendar Year	Total Verified Extractions From Colton Basin Area	RIVERSIDE ENTITIES			Total Production By San Bernardino Entities Used In San Bernardino County
		Production Used In San Bernardino County	Production Used In Riverside County	Total Production	
	(1)	(2)	(3)	(4)	(5)
1971	11,388 (A)	248	2,777	3,025	8,363
1972	10,414	271	2,611	2,882	7,532
1973	7,844	247	615	862	6,982
1974	8,906	273	1,464	1,737	7,169
1975	11,083	389	3,873	4,262	6,821
TOTAL	49,635	1,428	11,340	12,768	36,867
AVERAGE	9,927	286	2,268	2,554	7,373
1976	11,558*	270	2,683	2,953	8,605
1977	8,777	447	2,269	2,716	6,061
1978	7,663	338	895	1,233	6,430
1979	7,194	288	1,682	1,970	5,224
1980					
TOTAL					
AVERAGE					

(1) Total Extractions as verified in Volume 2 for the appropriate year entitled Verified Extractions From Colton Basin Area

(2) From Table No. 37, Line 24

\*1976 filing corrected

(3) From Table No. 37, Line 29

(4) Col. (2) + Col. (3)

(5) Col. (1) - Col. (4)

(A) Verified Extractions corrected during 1972 verification  
FOR YEARS PRECEDING 1971: Refer to Volume 5, August 1976, Page II-7

**TABLE NO. 38-A**  
**COLTON BASIN EXTRACTIONS**  
**BY RIVERSIDE ENTITIES**  
**AND PLACE OF USE**  
(Quantities in Acre Feet)

Year	Total Extractions (1)	Place of Use	
		San Bernardino County (2)	Riverside County (3)
1971	3,025	248	2,777
1972	2,882	271	2,611
1973	862	247	615
1974	1,737	273	1,464
1975	4,262	389	3,873
5-Year Total	12,768	1,428	11,340
5-Year Average	2,554	286	2,268
1976	2,953	270	2,683
1977	2,716	447	2,269
1978	1,233	338	895
1979	1,970	288	1,682
1980			
5-Year Total			
5-Year Average			

(1) From Table No: 38, Col. (4)

(2) From Table No. 38, Col. (2)

(3) From Table No. 38, Col. (3)

FOR YEARS PRECEDING 1971: Refer to Volume 5, August 1976, Page II-9

TABLE NO. 39

VERIFIED EXTRACTIONS FROM COLTON BASIN AREA  
BY SAN BERNARDINO AND RIVERSIDE COUNTY ENTITIES  
FOR USE WITHIN EACH COUNTY  
 (Quantities in Acre Feet)

Line No.	Calendar Year	Producer	Place of Use		Total Production in Ac. Ft.
			San Bernardino County	Riverside County	
1	1971	San Bernardino Co. Wtr. Interests	8,363	0	8,363
2		Riverside Co. Wtr. Interests	<u>248</u>	<u>2,777</u>	<u>3,025</u>
		TOTAL	8,611	2,777	11,388
1	1972	San Bernardino Co. Wtr. Interests	7,532	0	7,532
2		Riverside Co. Wtr. Interests	<u>271</u>	<u>2,611</u>	<u>2,882</u>
		TOTAL	7,803	2,611	10,414
1	1973	San Bernardino Co. Wtr. Interests	6,982	0	6,982
2		Riverside Co. Wtr. Interests	<u>247</u>	<u>615</u>	<u>862</u>
		TOTAL	7,229	615	7,844
1	1974	San Bernardino Co. Wtr. Interests	7,169	0	7,169
2		Riverside Co. Wtr. Interests	<u>273</u>	<u>1,464</u>	<u>1,737</u>
		TOTAL	7,442	1,464	8,906
1	1975	San Bernardino Co. Wtr. Interests	6,821	0	6,821
2		Riverside Co. Wtr. Interests	<u>389</u>	<u>3,873</u>	<u>4,262</u>
		TOTAL	7,210	3,873	11,083
1	1971-75 5-Yr.Avg.	San Bernardino Co. Wtr. Interests	7,373	0	7,373
2		Riverside Co. Wtr. Interests	<u>286</u>	<u>2,268</u>	<u>2,554</u>
		TOTAL	7,659	2,268	9,927

Note: Line 1 from Table No. 38, Col. (5)  
 Line 2 from Table No. 38, Cols. (2), (3) & (4)

FOR YEARS PRECEDING 1971: Refer to Volume 5, August 1976, Page II-11

TABLE NO. 39

VERIFIED EXTRACTIONS FROM COLTON BASIN AREA  
BY SAN BERNARDINO AND RIVERSIDE COUNTY ENTITIES  
FOR USE WITHIN EACH COUNTY  
(Quantities in Acre Feet)

Line No.	Calendar Year	Producter	Place of Use		Total Production in A.F.
			San Bernardino County	Riverside County	
1	1976 *	San Bernardino Co. Wtr. Interests	8,605	0	8,605
2		Riverside Co. Wtr. Interests	270	2,683	2,953
		TOTAL	8,335	2,683	11,558
1	1977	San Bernardino Co. Wtr. Interests	6,061	0	6,061
2		Riverside Co. Wtr. Interests	447	2,269	2,716
		TOTAL	6,508	2,269	8,777
1	1978	San Bernardino Co. Wtr. Interests	6,430	0	6,430
2		Riverside Co. Wtr. Interests	338	895	1,233
		TOTAL	6,768	895	7,663
1	1979	San Bernardino Co. Wtr. Interests	5,224	0	5,224
2		Riverside Co. Wtr. Interests	288	1,682	1,970
		TOTAL	5,512	1,682	7,194
1	1980	San Bernardino Co. Wtr. Interests			
2		Riverside Co. Wtr. Interests			
		TOTAL			
1	1976-80 5-Yr.Avg.	San Bernardino Co. Wtr. Interests			
2		Riverside Co. Wtr. Interests			
		TOTAL			

Note: Line 1 from Table No. 38, Col. (5)

\*backfiling corrected for in 1977

Line 2 from Table No. 38, Cols. (2), (3), & (4)

FOR YEARS PRECEDING 1976: Refer to Volume 5, August 1977, Page II-11

TABLE NO. 39-A

GROUND WATER EXTRactions BY RIVERSIDE ENTITIES FROM COLTON BASIN AREA FOR USE IN RIVERSIDE & SAN BERNARDINO COUNTIES DURING THE CALENDAR YEARS 1971-75  
(All Quantities in Acre Feet)

Riverside Entities	EXTRactions FROM COLTON BASIN AREA FOR USE WITHIN & EXPORT THEREFROM																	
	1971			1972			1973			1974			1975			5-Year Avg.		
	Total Extractions	Delivery within Colton Basin	Delivery within Riverside County	Total Extractions	Delivery within Colton Basin	Delivery within Riverside County	Total Extractions	Delivery within Colton Basin	Delivery within Riverside County	Total Extractions	Delivery within Colton Basin	Delivery within Riverside County	Total Extractions	Delivery within Colton Basin	Delivery within Riverside County	Total Extractions	Delivery within Colton Basin	Delivery within Riverside County
City of Riverside Dom. & Irrig.	2,696	0	2,696	2,521	0	2,521	101	0	101	1,386	0	1,386	2,545	0	2,545	1,850	0	1,850
Meeks & Daley Water Company	0	0	0	0	0	0	484	41	443	0	0	0	1,350	98	1,252	367	28	339
Riverside Highland Water Company	256	248	8	285	271	14	212	206	6	282	273	9	300	291	9	267	258	9
Reche Canyon Mutual Water Company	73	0	73	76	0	76	65	0	65	69	0	69	67	0	67	70	0	70
<b>TOTAL</b>	<b>3,025</b>	<b>248</b>	<b>2,777</b>	<b>2,882</b>	<b>271</b>	<b>2,611</b>	<b>862</b>	<b>247</b>	<b>615</b>	<b>1,737</b>	<b>273</b>	<b>1,464</b>	<b>4,262</b>	<b>389</b>	<b>3,873</b>	<b>2,554</b>	<b>286</b>	<b>2,268</b>

See Table No. 37.  
FOR YEARS PRECEDING 1971. Refer to Volume 5, August 1976, Page II-13

TABLE NO. 39-A

GROUNDWATER EXTRACTIONS BY RIVERSIDE ENTITIES FROM COLTON BASIN AREA FOR USE IN RIVERSIDE & SAN BERNARDINO COUNTIES DURING THE CALENDAR YEAR 1976-80

(All Quantities in Acre Feet)

Riverside Entities	EXTRACTIONS FROM COLTON BASIN AREA FOR USE WITHIN & EXPORT THEREFROM																	
	1976			1977			1978			1979			1980			5-Year Avg.		
	Total Extractions	Delivery within Colton Basin	Delivery within Riverside County	Total Extractions	Delivery within Colton Basin	Delivery within Riverside County	Total Extractions	Delivery within Colton Basin	Delivery within Riverside County	Total Extractions	Delivery within Colton Basin	Delivery within Riverside County	Total Extractions	Delivery within Colton Basin	Delivery within Riverside County			
City of Riverside Pom. & Irrig.	853	0	853	255	0	255	464	0	464	5	0	5						
Meeks & Daley Water Company	1,860	105	1,755	2,018	125	1,893	422	78	344	1,698	104	1,594						
Riverside Highland Water Company	170	165	5	332	322	10	270	260	10	191	184	7						
Reche Canyon Mutual Water Company	70	0	70	71	0	71	77	0	77	76	0	76						
<b>TOTAL</b>	<b>2,953</b>	<b>270</b>	<b>2,683</b>	<b>2,716</b>	<b>447</b>	<b>2,269</b>	<b>1,233</b>	<b>338</b>	<b>895</b>	<b>1,970</b>	<b>288</b>	<b>1,682</b>						

See Table No. 37 FOR YEARS PRECEDING 1976: Refer to Volume 5-1974, August 1976, Page II-13



TABLE NO. 40

RIVERSIDE CEMENT COMPANY\*  
 DIVISION, AMERICAN CEMENT CORP.  
 WATER PRODUCTION  
 FROM RIVERSIDE GROUND WATER BASIN  
 SITUATED WITHIN SAN BERNARDINO COUNTY  
 (All Quantities in Acre Feet)

Production from Recordation Filings (Volume 3, Table No. 1)

Year	State Well No. Rec. No. Local Desig. Basin	1S/5W-34K2 3600873 W. Crestmore #57 Riverside (2)	(1)	Production Exported To Riverside County Riverside (3)	(2a)	2S/5W-02A 3600874 White Well Riverside (4)	2S/5W-02G2 3600883 Wright Riverside (5)	2S/5W-02R 3601722 New White 58-1 Riverside (6)	2S/5W-2L2 3601782 None Riverside (7)	2S/5W-02G 3602114 63-1 Riverside (8)	(8a)	Production Used In San Bernardino County (9)	Total Production In San Bernardino County (10)
1971	130	219	0(b)	349	-	0	0	0	-	482	-	482	831
1972	353	20	0(b)	373	-	0	0	0	-	204	-	204	577
1973	531	6	0(b)	537	-	0	0	0	-	0	-	0	537
1974	133	0(a)	0(b)	133	-	0	0	0	-	0	-	0	133
1975	0(b)	0(a)	0(b)	0(a)(b)	-	0	0	0	-	0	-	0	0(a)(b)
1976	0(b)	0(a)	0(b)	0(a)(b)	-	0	0	0	-	218	-	218	218
1977	0(b)	0(a)	0(b)	0(a)(b)	-	0	0	0	0	446	-	446	446
1978	0(b)	0(a)	0(b)	0(a)(b)	-	0	0	0	0	227	-	227	227
1979	0(b)	0(a)	0(b)	0(a)(b)	-	0	0	0	0	436	-	436	436
1980													
1981													
1982													
1983													
1984													
1985													
1986													
1987													
1988													
1989													
1990													

(a) 3600873 sold to Green Acres Mem. Park Ass'n. 1974  
 (b) 3601721 sold to Green Acres Mem. Park Ass'n. 1975  
 (c) Col. (2) + Col. (1)  
 (d) Col. (2) + Col. (1)  
 (e) Col. (4) + (5) + (6) + (7) + (8)  
 (f) Col. (4) + (5) + (6) + (7) + (8)  
 (g) Col. (4) + (5) + (6) + (7) + (8)  
 (h) Col. (4) + (5) + (6) + (7) + (8)  
 (i) Col. (4) + (5) + (6) + (7) + (8)  
 (j) Col. (4) + (5) + (6) + (7) + (8)  
 (k) Col. (4) + (5) + (6) + (7) + (8)  
 (l) Col. (4) + (5) + (6) + (7) + (8)  
 (m) Col. (4) + (5) + (6) + (7) + (8)  
 (n) Col. (4) + (5) + (6) + (7) + (8)  
 (o) Col. (4) + (5) + (6) + (7) + (8)  
 (p) Col. (4) + (5) + (6) + (7) + (8)  
 (q) Col. (4) + (5) + (6) + (7) + (8)  
 (r) Col. (4) + (5) + (6) + (7) + (8)  
 (s) Col. (4) + (5) + (6) + (7) + (8)  
 (t) Col. (4) + (5) + (6) + (7) + (8)  
 (u) Col. (4) + (5) + (6) + (7) + (8)  
 (v) Col. (4) + (5) + (6) + (7) + (8)  
 (w) Col. (4) + (5) + (6) + (7) + (8)  
 (x) Col. (4) + (5) + (6) + (7) + (8)  
 (y) Col. (4) + (5) + (6) + (7) + (8)  
 (z) Col. (4) + (5) + (6) + (7) + (8)  
 \*Name changed to Amcord, Inc. 1973

TABLE NO. 41

RIVERSIDE CEMENT COMPANY\*  
DIVISION OF AMERICAN  
CEMENT CORP.

WATER PRODUCTION FROM RIVERSIDE GROUND WATER BASIN  
WITHIN SAN BERNARDINO COUNTY FOR PERIOD 1971-80  
AND PRODUCTION DELIVERED IN RIVERSIDE AND SAN BERNARDINO COUNTIES

(All Quantities in Acre Feet)

<u>Year</u>	<u>Production Exported To Riverside County</u> (1)	<u>Production Used In San Bernardino County</u> (2)	<u>Total Production</u> (3)
1971	349	482	831
1972	373	204	577
1973	537	0	537
1974	133	0	133
1975	0	0	0
<b>TOTAL</b>	1,392	686	2,078
<b>AVERAGE</b>	278	137	415
1976	0	218	218
1977	0	446	446
1978	0	227	227
1979	0	436	436
1980			
<b>TOTAL</b>			
<b>AVERAGE</b>			

Col. (1) from Table No. 40, Col. (3)  
Col. (2) from Table No. 40, Col. (9)  
Col. (3) from Table No. 40, Col. (10)

FOR YEARS PRECEDING 1971: Refer to Volume 5, August 1976, Page III-9

**TABLE NO. 42**  
**CITY OF RIVERSIDE**  
**IRRIGATION AND DOMESTIC DIVISIONS**  
**WATER PRODUCTION FROM RIVERSIDE GROUND WATER BASIN**  
**WITHIN SAN BERNARDINO COUNTY FOR PERIOD 1971-80**  
**AND PRODUCTION DELIVERED IN RIVERSIDE AND SAN BERNARDINO COUNTIES**  
**(All Quantities in Acre Feet)**

<u>Year</u>	<u>Production Exported To Riverside County</u> (1)	<u>Production Used In San Bernardino County</u> (2)	<u>Total Production</u> (3)
1971	4,363	174	4,537
1972	5,813	107	5,920
1973	4,941	45	4,986
1974	6,012	111	6,123
1975	5,744	94	5,838
<b>TOTAL</b>	26,873	531	27,404
<b>AVERAGE</b>	5,375	106	5,481
1976	6,219	126	6,345
1977	3,833	279	4,112
1978	1,093	271	1,364
1979	2,249	587	2,836
1980			
<b>TOTAL</b>			
<b>AVERAGE</b>			

Col. (1) From Chapter No. I, City of Riverside, Table No. 12, Col. (10)  
Col. (2) From Chapter No. I, City of Riverside, Table No. 12, Col. (9)  
Col. (3) From Chapter No. I, City of Riverside, Table No. 2, Sht. 1,  
Line No. 30.

FOR YEARS PRECEDING 1971: Refer to Volume 5, August 1976, Page III-11

TABLE NO. 43

CITY OF RIVERSIDE  
IRRIGATION & DOMESTIC DIVISIONS  
GAGE CANAL COMPANY  
WATER PRODUCTION FROM RIVERSIDE GROUND WATER BASIN  
WITHIN SAN BERNARDINO COUNTY FOR PERIOD 1971-80  
AND PRODUCTION DELIVERED IN RIVERSIDE AND SAN BERNARDINO COUNTIES.

(All Quantities in Acre Feet)

<u>Year</u>	<u>Production Exported To Riverside County</u> (1)	<u>Production Used In San Bernardino County</u> (2)	<u>Total Production</u> (3)
1971	567	0	567
1972	778	0	778
1973	222	0	222
1974	374	98	472
1975	568	77	645
<b>TOTAL</b>	<b>2,509</b>	<b>175</b>	<b>2,684</b>
<b>AVERAGE</b>	<b>502</b>	<b>35</b>	<b>537</b>
1976	378	62	440
1977	383	6	389
1978	730	4	734
1979	409	4	413
1980			
<b>TOTAL</b>			
<b>AVERAGE</b>			

(1) From Chapter I, Gage Canal, Table No. 17, Col. (15)

(2) From Chapter I, Gage Canal, Table No. 17, Col. (14a)

(3) From Chapter I, Gage Canal, Table No. 15, Line 24

FOR YEARS PRECEDING 1971: Refer to Volume 5, August 1976, Page III-13

TABLE NO. 44

INTER COUNTY WATER COMPANY

WATER PRODUCTION FROM RIVERSIDE GROUND WATER BASIN

WITHIN SAN BERNARDINO COUNTY FOR PERIOD 1971-80

AND PRODUCTION DELIVERED IN RIVERSIDE AND SAN BERNARDINO COUNTIES

(All Quantities in Acre Feet)

<u>Year</u>	<u>Total Production 2S5W2C Recordation 3301347 (1)</u>	<u>Production</u>	
		<u>Exported To Riverside County (2)</u>	<u>Used In San Bernardino County (3)</u>
1971	83	51	32
1972	95	58	37
1973	157 *	96	61
1974	206 *	125	81
1975	225 *	137	88
<b>TOTAL</b>	766	467	299
<b>AVERAGE</b>	153	93	60
1976	230	78	152
1977	207	70	137
1978	145	49	96
1979	225	76	149
1980			
<b>TOTAL</b>			
<b>AVERAGE</b>			

\* Used Southern California Edison record to determine water production. This well is shown by the State Water Rights Board as being located in Riverside County as evidenced by 33 for the first two numbers on the recordation number. The well is actually located in San Bernardino County and the first two numbers should be 36. The State Board has been notified but has taken no action.

Note: Information on 9/8/66 from Company officials shows that the Company has 87 customers of which 34 are in San Bernardino County and 53 in Riverside County and the number of meters has not changed since 1960. Therefore, the delivery split between the two counties is based on meter ratio. 6/7/77 71 meters total 47 (66%) in San Bernardino County and 24 (34%) in Riverside County.

Note: Col. (1) from Volume 3, Table No. 1)

FOR YEARS PRECEDING 1971: Refer to Volume 5, August 1976, Page III-15

TABLE NO. 45

JURUPA WATER COMPANY

WATER PRODUCTION FROM RIVERSIDE GROUND WATER BASIN  
WITHIN SAN BERNARDINO COUNTY FOR PERIOD 1971-80  
AND PRODUCTION DELIVERED IN RIVERSIDE  
AND SAN BERNARDINO COUNTIES

(All Quantities in Acre Feet)

Description State Well No. Rec. No. Local Desig. Year	Production		Total Production See Note (3)
	1S5W36C11 3600535- No. 3 (1)	1S5W36C10 3600536 No. 1-1/2 (2)	
1971	94	0	94
1972	376	0	376
1973	200	0	200
1974	402	0	402
1975	592	0	592
<b>TOTAL</b>	1,664	0	1,664
<b>AVERAGE</b>	333	0	333
1976	637	0	637
1977	756	0	756
1978	1,118	0	1,118
1979	421	0	421
1980			
<b>TOTAL</b>			
<b>AVERAGE</b>			

Note: Total Production shown in Col. (3) is all exported to Riverside County via West Riverside Canal. Deliveries to San Bernardino County are zero.

FOR YEARS PRECEDING 1971: Refer to Volume 5, August 1976, Page III-17

TABLE NO. 46 A

LA SIERRA WATER COMPANY  
WATER PRODUCTION FROM COLTON BASIN AND  
THAT PART OF RIVERSIDE BASIN LOCATED WITHIN SAN BERNARDINO COUNTY  
 (Quantities in Acre Feet by Calendar Year)

Description State Well No.	Colton Basin Production						
	1S4W18G		1S4W18F		Total Production		
Rec. No.	3601259	3602227	3601261	3602228	Colton	La Sierra	Total
Local Desig.	Col. 15	LS #15	Col. 17	LS #17	(1)+(3)	(2)+(4)	(5)+(6)
<u>Line</u> <u>Year</u>	<u>(1)</u>	<u>(2)</u>	<u>(3)</u>	<u>(4)</u>	<u>(5)</u>	<u>(6)</u>	<u>(7)</u>
1 1971	137	267	116	860	253	1,127	1,380
2 1972	106	364	245	693	351	1,057	1,408
3 1973	158	466	369	440	527	906	1,433
4 1974	329	348	545	312	874	660	1,534
5 1975	292	69	194	559	486	628	1,114
6 TOTAL	1,022	1,514	1,469	2,864	2,491	4,378	6,869
7 AVG.	204	303	294	573	498	876	1,374
8 1976	259	349	467	304	726	653	1,379
9 1977	314	202	452	304	766	506	1,272
10 1978	273	202	572	304	845	506	1,351
11 1979	612	184	1,148	351	1,760	535	2,295
12 1980							
13 TOTAL							
14 AVG.							

Note: Well 1S/4W-18G and 1S/4W-18F beginning in 1964 were used by both La Sierra Water Company and City of Colton under the different Recordation Numbers shown for the same wells.

- (1) Table No. 1, Volume 2
- (2) Table No. 1, Volume 2
- (3) Table No. 1, Volume 2
- (4) Table No. 1, Volume 2
- (8)-(16) Table No. 1, Volume 3

FOR YEARS PRECEDING 1971: Refer to Volume 5, August 1976, Page III-19

TABLE NO. 46R

LA SIERRA WATER COMPANY  
 WATER PRODUCTION FROM COLTON BASIN AND  
 THAT PART OF RIVERSIDE BASIN LOCATED WITHIN SAN BERNARDINO COUNTY  
 (Quantities in Acre Feet by Calendar Year)

Column # State Well # Recordation # Local Desig.	Riverside North Basin											
	(1) 1S4W32E01S 3601539 LS #1	(2) 1S4W32E03S 3601540 LS #2	(3) 1S4W32E06S 3601541 LS #3	(4) 1S4W32E03S 3601542 LS #5	(5) 1S4W32E02S 3601543 LS #6	(6) 1S4W32E07S 3601544 LS #7	(7) 1S4W32E11S 3601545 LS #8	(8) 1S4W32E09S 3601546 LS #10	(9) 1S4W32E10S 3601547 LS #9	(10) 1S4W29W01S 3601686 Flume 4	(11) 1S1029W04S 3602486 Flume 6	(12) La Sierra Production Riverside Basin
1971	-	-	-	-	-	1,218	2,106	1,415	-	-	-	4,739
1972	-	-	-	-	-	1,330	2,178	1,201	-	-	-	4,709
1973	-	-	-	-	-	664	1,980	0	-	-	-	2,644
1974	-	-	-	-	-	0	1,932	1	-	-	-	1,933
1975	-	-	-	-	-	0	2,309	2	-	-	-	2,311
1976	-	-	-	-	-	0	2,682	0	-	-	-	2,682
1977	-	-	-	-	-	0	2,396	0	-	-	-	2,682
1978	-	-	-	-	-	0	1,496	0	431	35	1	2,862
1979	-	-	-	-	-	0	1,654	0	3	1	1	1,500
1980	-	-	-	-	-	0	1,654	0	53	29	29	1,736

Column(12) = Total of Column 1 thru 11

Columns(10)&(11) Starting in 1976 part of the flow from the Flume wells are leased by the City of Riverside. The amounts shown is La Sierra production only. Riverside production is shown under 3601886 and 3602486

Column(8) LS #10 Well assigned to Southern California Edison Co. Highgrove Steam Plant.  
 LS #10 well production in 1964 delivered by S.C.E. Co. to Temescal Water Co.  
 See La Sierra Water Co. presentation.



TABLE NO. 47

LA SIERRA WATER COMPANY  
 WATER PRODUCTION FROM COLTON AND RIVERSIDE BASIN  
 SITUATED WITHIN SAN BERNARDINO COUNTY WITH DELIVERIES  
 IN SAN BERNARDINO COUNTY AND EXPORTS TO RIVERSIDE COUNTY  
 (Quantities in Acre Feet by Calendar Year)

Line	Year	La Sierra Production in Colton Basin and Riverside Basin in San Bernardino County			DELIVERIES OF LA SIERRA WATER COMPANY WATER PRODUCTION							Total Deliveries in Riverside County (14)	
		Colton Basin (3)	Riverside Basin (4)	Total Production (5)	Deliveries Made in San Bernardino County			Deliveries Made in Riverside County					
					Southern California Edison Steam Plant (6)	Riverside Highland Water Co. (7)	City of Colton (8)	Total in San Bernardino County (9)	West Riverside Canal (10)	Riverside Highland Water Co. (11)	Temescal Water Company (12)		City of Riverside (13)
1	1971	1,127	4,739	5,866	-	0	1,127	1,127	3,324	0	1,415	-	4,739
2	1972	1,057	4,709	5,766	-	0	1,057	1,057	3,508	0	1,201	-	4,709
3	1973	906	2,644	3,550	-	0	906	906	2,644	0	0	-	2,644
4	1974	660	1,933	2,593	-	0	660	660	1,932	0	1	-	1,933
5	1975	628	2,311	2,939	-	0	628	628	2,309	0	2	-	2,311
6	TOTAL	4,378	16,336	20,714	-	0	4,378	4,378	13,717	0	2,619	-	16,336
7	AVG.	876	3,267	4,143	-	0	876	876	2,743	0	524	-	3,267
8	1976	553	2,682	3,235	-	0	553	553	2,682	0	0	-	2,682
9	1977	506	2,862	3,368	-	0	506	506	2,396	0	0	466	2,862
10	1978	506	1,500	2,006	-	0	506	506	1,496	0	0	4	1,500
11	1979	535	1,736	2,271	-	0	535	535	1,654	0	0	82	1,736
12	1980												
13	TOTAL												
14	AVG.												

General Notes:

- (3) From Table No. 46A Col. (6)
  - (4) From Table No. 46B Col. (1,2)
  - (5) Col. (3) + (4)
  - (6) From Table No. 46B, Col. (8)
  - (7) From Chapter I, Table No. 31, Col. (8), Riverside Highland Wtr. Co.
  - (8) Identical with this Table No. 47, Col. (3)
  - (9) Total of Cols. (6), (7) & (8)
  - (10) 1959-63: Col. (5) - [Cols. (6)+(7)+(8)+(11)]  
 1964 and after: Col. 5 - [Cols. (6) + (7) + (8) + (12) + (13)]
  - (11) From Chapter I, Table No. 31, Col. (17), Riverside Highland Wtr. Co.
  - (12) From Table No. 46, Col. (15), 1964 and after
  - (13) From Table 46B, Cols. (10) + (11)
  - (14) Cols (10) + (11) + (12) + (13)
- (a) Production shown is from Well 1S/4W-18C. This well is owned by City of Colton and no production from this well was made by La Sierra Water Co. prior to 1964. Beginning in 1964 production by Colton recorded under 3601259 and by La Sierra under 3602227.
- (b) Production shown includes water from 1S/4W-18F. This well is owned by City of Colton and no production from this well was made by La Sierra prior to 1964. Beginning in 1964 production by Colton recorded under 3601261 and by La Sierra under 3602228.
- (c) La Sierra Well No. 10 delivered directly to Edison Steam Plant in Highgrove 1959-63. Beginning in 1964 Temescal Water Co. in Riverside County purchased the flow of Sierra No. 10 well from Southern California Edison Company.
- FOR YEARS PRECEDING 1971: Refer to Volume 5, August 1976, Page III-21

TABLE NO. 48

LA SIERRA WATER COMPANY

WATER PRODUCTION FROM RIVERSIDE GROUND WATER BASIN  
WITHIN SAN BERNARDINO COUNTY FOR PERIOD 1971-80  
AND PRODUCTION DELIVERED IN RIVERSIDE AND SAN BERNARDINO COUNTIES

(All Quantities in Acre Feet)

<u>Year</u>	<u>Total Production</u>	<u>Used in San Bernardino County</u>	<u>Exported To Riverside County</u>
	(1)	(2)	(3)
1971	4,739	0	4,739
1972	4,709	0	4,709
1973	2,644	0	2,644
1974	1,933	0	1,933
1975	2,311	0	2,311
<b>TOTAL</b>	16,336	0	16,336
<b>AVERAGE</b>	3,267	0	3,267
1976	2,682	0	2,682
1977	2,862	0	2,862
1978	1,500	0	1,500
1979	1,736	0	1,736
1980			
<b>TOTAL</b>			
<b>AVERAGE</b>			

(1) From Col. (4), Table No. 47

(2) Col. (4) - [Cols. (10) + (11) + (13)], Table No. 47

(3) From Col. (14) - Table No. 47

FOR YEARS PRECEDING 1971: Refer to Volume 5, August 1976, Page III-23

TABLE NO. 50

TEMESCAL WATER COMPANY

WATER PRODUCTION FROM RIVERSIDE GROUND WATER BASIN  
WITHIN SAN BERNARDINO COUNTY FOR PERIOD 1971-80  
AND PRODUCTION DELIVERED IN RIVERSIDE AND SAN BERNARDINO COUNTIES  
(ALL QUANTITIES IN ACRE FEET)

<u>Description</u>	<u>Production</u>
State Well No.	2S4W6A3
Rec. No.	3601509
<u>Local Desig.</u>	<u>Palm Ave. Well</u>
<u>Year</u>	(1)
1971	1,948
1972	1,368
1973	1,614
1974	821
1975	2,035
<hr/>	
TOTAL	7,786
AVERAGE	1,557
<hr/>	
1976	2,682
1977	2,363
1978	1,528
1979	2,130
1980	
<hr/>	
TOTAL	
AVERAGE	

Note: Total production shown in column (1) is all exported to Riverside County via Gage or Riverside Canals. Deliveries in San Bernardino County are zero.

FOR YEARS PRECEDING 1971: Refer to Volume 5, August 1976, Page III-27

No deliveries made via Gage since conversion to domestic pipeline in 1975.

TABLE NO. 51

WEST RIVERSIDE 350 INCH WATER COMPANY  
WATER PRODUCTION FROM RIVERSIDE GROUND WATER BASIN  
WITHIN SAN BERNARDINO COUNTY FOR PERIOD 1971-80  
 (All Quantities in Acre Feet)

State Well # Rec. No. Local Desig.	1S4W32G2		1S4W32G4		1S4W32H1		1S4W32B1		1S4W32G1		1S4W32B2		Total Production (7)
	No. 1 (1)	No. 2 (2)	No. 3 (3)	No. 4 (4)	No. 5 (5)	No. 6 (6)	No. 7 (6a)						
1971	0	0	0	470	0	1,749	0	0	0	0	0	0	2,219
1972	0	0	0	225	0	1,908	0	0	0	0	0	0	2,133
1973	0	0	0	197	0	688	0	0	0	0	0	0	885
1974	0	0	0	281	0	1,240	0	0	0	0	0	0	1,521
1975	0	0	0	228	0	1,298	0	0	0	0	0	0	1,526
TOTAL	0	0	0	1,401	0	6,883	0	0	0	0	0	0	8,284
AVERAGE	0	0	0	280	0	1,377	0	0	0	0	0	0	1,657
1976	0	0	0	84	0	897	0	0	0	0	0	0	981
1977	0	0	0	262	0	321	0	0	0	0	0	0	583
1978	0	0	0	233	0	183	0	0	0	0	0	0	416
1979	0	0	0	139	0	750	0	0	0	0	0	0	889
1980													
TOTAL													
AVERAGE													

Cols. (1), (2), (3), (4), (5), & (6) From Table No. 1, Volume 3  
 Col. (7) Sum of Cols. (1), (2), (3), (4), (5), & (6)  
 Note: Total production shown in Col. (7) is all exported to Riverside County via West Riverside Canal.  
 Deliveries in San Bernardino County are zero.

TABLE NO. 52

GROUND WATER PRODUCTION FROM THAT PART OF THE RIVERSIDE GROUND WATER BASIN SITUATED WITHIN SAN BERNARDINO COUNTY A PART OF WHICH IS USED IN SAN BERNARDINO COUNTY AND THE REMAINDER EXPORTED TO RIVERSIDE COUNTY DURING CALENDAR YEARS 1971-1975  
(All Quantities in Acre Feet)

Line No.	PRODUCING AGENCY	1971	1972	1973	1974	1975	Total	Five Year Average	References
1	American Cement Company (Crestmore)	482	204	0	0	0	686	137	From Table No. 41, Col. (2)
2	City of Riverside Irrigation and Domestic	174	107	45	111	94	531	106	From Table No. 42, Col. (2)
3	City of Riverside "The Gage Canal"	0	0	0	98	77	175	35	From Table No. 43, Col. (2)
4	Inter County Water Company	32	37	61	81	88	299	60	From Table No. 44, Col. (3)
5	Jurupa Water Company	0	0	0	0	0	0	0	From Table No. 45, See Footnote
6	La Sierra Water Company	0	0	0	0	0	0	0	From Table No. 48, Col. (2)
7	Riverside Highland Water Company	1,526	1,249	1,227	1,109	966	6,077	1,216	From Table No. 49, Col. (3)
8	Temescal Water Company	0	0	0	0	0	0	0	From Table No. 50, See Footnote
9	West Riverside 350 Inch Water Company	0	0	0	0	0	0	0	From Table No. 51, See Footnote
10	TOTAL LINES 1 THROUGH 9	2,214	1,597	1,333	1,399	1,225	7,768	1,554	

WATER PRODUCTION EXPORTED TO RIVERSIDE COUNTY

15	American Cement Company (Crestmore)	349	373	537	133	0	1,392	278	From Table No. 41, Col. (1)
16	City of Riverside Irrigation and Domestic	4,363	5,813	4,941	6,012	5,744	26,873	5,375	From Table No. 42, Col. (1)
17	City of Riverside "The Gage Canal"	567	778	222	374	568	2,509	502	From Table No. 43, Col. (1)
18	Inter County Water Company	51	58	96	125	137	467	93	From Table No. 44, Col. (2)
19	Jurupa Water Company	94	376	200	402	592	1,664	333	From Table No. 45, Col. (3)
20	La Sierra Water Company	4,739	4,709	2,644	1,933	2,311	16,336	3,267	From Table No. 48, Col. (3)
21	Riverside Highland Water Company	3,778	2,980	2,847	2,262	2,050	13,917	2,783	From Table No. 49, Col. (2)
22	Temescal Water Company	1,948	1,368	1,614	821	2,035	7,786	1,557	From Table No. 50, Col. (1)
23	West Riverside 350 Inch Water Company	2,219	2,133	885	1,521	1,526	8,284	1,657	From Table No. 51, Col. (7)
24	TOTAL LINES 15 THROUGH 23	18,108	18,588	13,986	13,583	14,963	79,228	15,845	
25	TOTAL LINES 10 PLUS 24	20,322	20,185	15,319	14,982	16,188	86,996	17,399	

FOR YEARS PRECEDING 1971: Refer to Volume 5, August 1976, Page III-32

TABLE NO. 52

GROUNDWATER PRODUCTION FROM THAT PART OF THE RIVERSIDE GROUNDWATER BASIN SITUATED WITHIN SAN BERNARDINO COUNTY A PART OF WHICH IS USED IN SAN BERNARDINO COUNTY AND THE REMAINDER EXPORTED TO RIVERSIDE COUNTY DURING CALENDAR YEARS 1976-1980  
(All Quantities in Acre Feet)

WATER PRODUCTION USED IN SAN BERNARDINO COUNTY

Line No.	1976	1977	1978	1979	1980	Total	5-Year Average	References
1	218	446	227	436				From Table No. 41, Col. (1)
2	126	279	271	587				From Table No. 42, Col. (2)
3	62	6	4	4				From Table No. 43, Col. (2)
4	152	137	96	149				From Table No. 44, Col. (3)
5	0	0	0	0				Table No. 45, See Footnote
6	0	0	0	0				From Table No. 48, Col. (2)
7	1,108	1,117	1,302	1,194				From Table No. 49, Col. (3)
8	0	0	0	0				Table No. 50, See Footnote
9	0	0	0	0				Table No. 51, See Footnote
10	1,666	1,985	1,900	2,370				
11								
12								
13								
14								

WATER PRODUCTION EXPORTED TO RIVERSIDE COUNTY

15	0	0	0	0				From Table No. 41, Col. (1)
16	6,219	3,833	1,093	2,249				From Table No. 42, Col. (1)
17	378	383	730	409				From Table No. 43, Col. (1)
18	78	70	49	76				From Table No. 44, Col. (2)
19	637	756	1,118	421				From Table No. 45, Col. (3)
20	2,682	2,862	1,500	1,736				From Table No. 48, Col. (3)
21	2,484	3,582	2,621	2,682				From Table No. 49, Col. (2)
22	2,682	2,363	1,528	2,130				From Table No. 50, Col. (1)
23	981	583	416	889				From Table No. 51, Col. (7)
24	16,141	14,432	9,055	10,592				
25	17,807	16,417	10,955	12,962				

FOR YEARS PRECEDING 1976: Refer to Volume 5-1975, August 1977, Page 56

TABLE NO. 52-A

GROUND WATER PRODUCTION FROM THAT PART OF THE RIVERSIDE GROUND WATER BASIN SITUATED WITHIN SAN BERNARDINO COUNTY, A PART OF WHICH IS USED IN SAN BERNARDINO COUNTY AND THE REMAINDER EXPORTED TO RIVERSIDE COUNTY DURING CALENDAR YEARS 1971 THROUGH 1975  
(All Quantities in Acre Feet)

Riverside Entities	EXTRactions FROM RIVERSIDE BASIN AREA WITHIN SAN BERNARDINO COUNTY FOR USE WITHIN & EXPORT THEREFROM																	
	1971			1972			1973			1974			1975			5-Year Avg.		
	Total Extraction	Deliveries		Total Extraction	Deliveries		Total Extraction	Deliveries		Total Extraction	Deliveries		Total Extraction	Deliveries		Total Extraction	San Bernardino County	Riverside County
		San Bernardino County	Riverside County		San Bernardino County	Riverside County		San Bernardino County	Riverside County		San Bernardino County	Riverside County		San Bernardino County	Riverside County			
American Cement Co.	831	482	349	577	204	373	537	0	537	133	0	133	0	0	0	415	137	278
City of Riverside Dom. & Irrig.	4,537	174	4,363	5,920	107	5,813	4,986	45	4,941	6,123	111	6,012	94	5,744	5,481	106	5,375	
City of Riverside Cane Canal	567	0	567	778	0	778	222	0	222	472	98	374	77	568	537	35	502	
Inter County Wtr. Co.	83	32	51	95	37	58	157	61	96	206	81	125	88	137	153	60	93	
Jurupa Water Co.	94	0	94	376	0	376	200	0	200	402	0	402	0	592	333	0	333	
La Sierra Wtr. Co.	4,739	0	4,739	4,709	0	4,709	2,644	0	2,644	1,933	0	1,933	0	2,311	3,267	0	3,267	
Riverside Highland Water Co.	5,304	1,526	3,778	4,229	1,249	2,980	4,074	1,227	2,847	3,371	1,109	2,262	966	2,050	3,999	1,216	2,783	
Temescal Water Co.	1,948	0	1,948	1,368	0	1,368	1,614	0	1,614	821	0	821	0	2,035	1,557	0	1,557	
West Riverside 350" Water Co.	2,219	0	2,219	2,133	0	2,133	885	0	885	1,521	0	1,521	0	1,526	1,657	0	1,657	
TOTAL	20,322	2,214	18,108	20,185	1,597	18,588	15,319	1,333	13,986	14,982	1,399	13,583	1,225	14,963	17,399	1,554	15,845	

From Table No. 52.  
FOR YEARS PRECEDING 1971: Refer to Volume 5, August 1976, Page III-35

TABLE NO. 52-A

GROUNDWATER PRODUCTION FROM THAT PART OF THE RIVERSIDE GROUNDWATER BASIN SITUATED WITHIN SAN BERNARDINO COUNTY, A PART OF WHICH IS USED IN SAN BERNARDINO COUNTY AND THE REMAINDER EXPORTED TO RIVERSIDE COUNTY, DURING CALENDAR YEARS 1976 THROUGH 1980

(All Quantities in Acre Feet)

RIVERSIDE ENTITIES	EXTRACTIONS FROM RIVERSIDE BASIN AREA WITHIN SAN BERNARDINO COUNTY FOR USE WITHIN & EXPORT THEREFROM																					
	1976				1977				1978				1979				1980				5-Year Avg.	
	Extractions		Deliveries		Extractions		Deliveries		Extractions		Deliveries		Extractions		Deliveries		Extractions		Deliveries		Total Extractions	
	San Bernardino County	Riverside County	San Bernardino County	Riverside County	San Bernardino County	Riverside County	San Bernardino County	Riverside County	San Bernardino County	Riverside County	San Bernardino County	Riverside County	San Bernardino County	Riverside County	San Bernardino County	Riverside County	San Bernardino County	Riverside County	San Bernardino County	Riverside County	San Bernardino County	Riverside County
American Cement Co.	218	0	446	0	227	227	0	436	0	436	0	436	0	436	0	436	0	436	0	436	0	
City of Riverside Dom. & Irrig.	6,345	6,219	279	3,833	1,364	271	1,093	2,836	587	2,249	4	409	76	421	0	1,736	1,194	2,682	2,130	889	10,592	
City of Riverside Gage Canal	440	378	6	383	734	4	730	413	4	409	96	49	225	149	76	421	0	1,736	0	889	10,592	
Inter County Wtr. Co.	230	78	137	70	145	96	49	225	149	76	421	0	1,736	1,194	2,682	2,130	889	10,592	2,370	10,592		
Jurupa Water Co.	637	0	637	756	1,118	0	1,118	421	0	421	0	1,736	1,194	2,682	2,130	889	10,592	2,370	10,592			
La Sierra Wtr. Co.	2,682	0	2,682	2,862	1,500	0	1,500	1,736	0	1,736	0	1,736	1,194	2,682	2,130	889	10,592	2,370	10,592			
Riverside Highland Water Co.	3,592	2,484	1,117	3,582	3,923	1,302	2,621	3,876	1,194	2,682	0	1,528	2,130	889	10,592	2,370	10,592					
Temescal Water Co.	2,682	0	2,682	2,363	1,528	0	1,528	416	0	416	0	416	0	416	0	416	0	416	0	416	0	
West Riverside 350" Water Co.	981	0	981	583	416	0	416	889	0	889	0	889	0	889	0	889	0	889	0	889	0	
<b>TOTAL</b>	<b>17,807</b>	<b>16,141</b>	<b>1,666</b>	<b>16,417</b>	<b>10,955</b>	<b>1,900</b>	<b>9,055</b>	<b>12,962</b>	<b>2,370</b>	<b>10,592</b>	<b>9,055</b>	<b>12,962</b>	<b>2,370</b>	<b>10,592</b>	<b>9,055</b>	<b>12,962</b>	<b>2,370</b>	<b>10,592</b>	<b>9,055</b>	<b>12,962</b>	<b>2,370</b>	<b>10,592</b>

From Table No. 52 FOR YEARS PRECEDING 1976; Refer to Volume 5-1975, August 1976, Page 57



**TABLE NO. 53**

**SAN BERNARDINO ENTITIES PRODUCTION**  
**FROM RIVERSIDE BASIN AREA**  
**WITHIN SAN BERNARDINO COUNTY**  
**FOR CALENDAR YEARS 1971-80**  
**FOR USE WITHIN SAN BERNARDINO COUNTY**  
**(All Quantities in Acre Feet)**

CALENDAR YEAR	TOTAL VERIFIED EXTRACTIONS FROM RIVERSIDE BASIN AREA WITHIN SAN BERNARDINO COUNTY	TOTAL PRODUCTION BY RIVERSIDE ENTITIES	TOTAL PRODUCTION BY SAN BERNARDINO ENTITIES
	(1)	(2)	(3)
1971	29,070	20,322	8,748
1972	28,148	20,185	7,963
1973	21,809	15,319	6,490
1974	21,881	14,982	6,899
1975	22,701	16,188	6,513
TOTAL	123,609	86,996	36,613
5-YEAR AVERAGE	24,722	17,399	7,323
1976	24,705	17,807	6,898
1977	23,506	16,417	7,089
1978	17,216	10,955	6,261
1979	20,024	12,962	7,062
1980			
TOTAL			
5-YEAR AVERAGE			

(1) Total Extractions as verified in Volume 3 for appropriate year, entitled Verified Extractions From the Riverside Basin Area Within San Bernardino County

(2) From Table No. 52, Line 25

(3) Col. (1) - Col. (2)

FOR YEARS PRECEDING 1971: Refer to Volume 5, August 1976, Page III-39

TABLE NO. 54

TOTAL VERIFIED EXTRACTATIONS FROM THAT PORTION  
OF THE RIVERSIDE BASIN SITUATED  
IN SAN BERNARDINO COUNTY FOR THE  
CALENDAR YEARS 1971-1980  
BY SAN BERNARDINO AND RIVERSIDE COUNTY ENTITIES  
FOR USE WITHIN EACH COUNTY  
(Quantities in Acre Feet by Calendar Year)

Line No.	Calendar Year	Producer	Place of Use		Total Production
			San Bernardino County	Riverside County	
1	1971	San Bernardino Co. Wtr. Interests	8,748	0	8,748
2		Riverside Co. Wtr. Interests	<u>2,214</u>	<u>18,108</u>	<u>20,322</u>
		TOTAL	10,962	18,108	29,070
1	1972	San Bernardino Co. Wtr. Interests	7,963	0	7,963
2		Riverside Co. Wtr. Interests	<u>1,597</u>	<u>18,588</u>	<u>20,185</u>
		TOTAL	9,560	18,588	28,148
1	1973	San Bernardino Co. Wtr. Interests	6,490	0	6,490
2		Riverside Co. Wtr. Interests	<u>1,333</u>	<u>13,986</u>	<u>15,319</u>
		TOTAL	7,823	13,986	21,809
1	1974	San Bernardino Co. Wtr. Interests	6,899	0	6,899
2		Riverside Co. Wtr. Interests	<u>1,399</u>	<u>13,583</u>	<u>14,982</u>
		TOTAL	8,298	13,583	21,881
1	1975	San Bernardino Co. Wtr. Interests	6,513	0	6,513
2		Riverside Co. Wtr. Interests	<u>1,225</u>	<u>14,963</u>	<u>16,188</u>
		TOTAL	7,738	14,963	22,701
1	1971-75 5-Yr.Avg.	San Bernardino Co. Wtr. Interests	7,323	0	7,323
2		Riverside Co. Wtr. Interests	<u>1,554</u>	<u>15,846</u>	<u>17,399</u>
		TOTAL	8,877	15,846	24,722

Note: Line 1 from Table No. 53, Column (3)

Line 2 from Table No. 52, Lines 10, 24 and 25

FOR YEARS PRECEDING 1971: Refer to Volume 5, August 1976, Page III-41

TABLE NO. 54

TOTAL VERIFIED EXTRACTATIONS FROM THAT PORTION  
OF THE RIVERSIDE BASIN SITUATED  
IN SAN BERNARDINO COUNTY FOR THE  
CALENDAR YEARS 1976-1980  
BY SAN BERNARDINO AND RIVERSIDE COUNTY ENTITIES  
FOR USE WITHIN EACH COUNTY  
(Quantities in Arce Feet by Calendar Year)

Line No.	Calendar Year	Producer	Place of Use		Total Production
			San Bernardino County	Riverside County	
1	1976	San Bernardino Co. Wtr. Interests	6,898	0	6,898
2		Riverside Co. Wtr. Interests	<u>1,666</u>	<u>16,141</u>	<u>17,807</u>
		TOTAL	8,564	16,141	24,705
1	1977	San Bernardino Co. Wtr. Interests	7,089	0	7,089
2		Riverside Co. Wtr. Interests	<u>1,985</u>	<u>14,432</u>	<u>16,417</u>
		TOTAL	9,074	14,432	23,506
1	1978	San Bernardino Co. Wtr. Interests	6,261	0	6,261
2		Riverside Co. Wtr. Interests	<u>1,900</u>	<u>9,055</u>	<u>10,955</u>
		TOTAL	8,161	9,055	17,216
1	1979	San Bernardino Co. Wtr. Interests	7,062	0	7,062
2		Riverside Co. Wtr. Interests	<u>2,370</u>	<u>10,592</u>	<u>12,962</u>
		TOTAL	9,432	10,592	20,024
1	1980	San Bernardino Co. Wtr. Interests			
2		Riverside Co. Wtr. Interests			
		TOTAL			
1	1976-80 5-Yr.Avg.	San Bernardino Co. Wtr. Interests			
2		Riverside Co. Wtr. Interests			
		TOTAL			

Note: Line 1 from Table No. 53, Column (3)  
Line 2 from Table No. 52, Lines 10, 24, and 25

FOR YEARS PRECEDING 1976: Refer to Volume 5-1975, August 1977, Page 59

CL2 VOL.5

TABLE NO. 56

TOTAL VERIFIED EXTRACTIONS  
BY RIVERSIDE ENTITIES  
FROM THE RIVERSIDE BASIN AREA  
WITHIN RIVERSIDE COUNTY  
FOR USE WITHIN RIVERSIDE COUNTY

<u>Year</u>	<u>Extractions</u> <u>Acre Feet*</u>
1971	30,942
1972	37,804
1973	33,094
1974	38,304
1975	28,285
<hr/>	
5-Year Total	168,429
5-Year Average	33,686
<hr/>	
1976	31,565
1977	28,226
1978	24,415
1979	25,512
1980	
<hr/>	
5-Year Total	
5-Year Average	

\*See Table No. 4, Report of Watermaster, Volume 4, for appropriate year.

The verified extractions for the five-year base period ending in 1963 are 29,634 acre feet annually, as compared with 30,044 acre feet annually assumed in the Judgment.

**TABLE NO. 57**

**SUMMARY OF EXTRACTIONS FROM SAN BERNARDINO  
BASIN AREA, COLTON BASIN AREA, RIVERSIDE BASIN AREA  
IN SAN BERNARDINO COUNTY, AND RIVERSIDE BASIN AREA  
IN RIVERSIDE COUNTY FOR USE IN RIVERSIDE COUNTY  
(All Quantities in Acre Feet)**

Basin Extractions for Use in Riverside County					
Calendar Year	San Bernardino Basin Area from Table No. 36-A	Colton Basin Area from Table No. 39-A	Riverside Basin Area in San Bernardino Co. from Table No. 52-A	Riverside Basin Area in Riverside Co. from Table No. 56	Total
1971	57,477	2,777	18,108	30,942	109,304
1972	50,744	2,611	18,588	37,804	109,747
1973	47,083	615	13,986	33,094	94,778
1974	49,445	1,464	13,583	38,304	102,796
1975*	54,132	3,873	14,963	28,285	101,253
<b>Total 1971-1975</b>	258,881	11,340	79,228	168,429	517,878
<b>5-Year Avg 1971-1975</b>	51,776	2,268	15,846	33,686	103,576
1976*	58,776	2,683	16,141	31,565	109,165
1977	56,577	2,269	14,432	28,226	101,504
1978	47,658	895	9,055	24,415	82,023
1979	57,263	1,682	10,592	25,512	95,049
1980					
<b>Total 1976-1980</b>					
<b>5-Year Avg 1976-1980</b>					

FOR YEARS PRECEDING 1971: Refer to Volume 5, August 1976, Page IV-11

\* Corrected during 1977 Verification

**DIAGRAM B**  
**RIVERSIDE HIGHLAND WATER COMPANY**  
**DIAGRAM ILLUSTRATING THE PRODUCTION AND DISTRIBUTION**  
**NORTH AND SOUTH OF RIVERSIDE-SAN BERNARDINO CO. LINE**

YEAR 1971

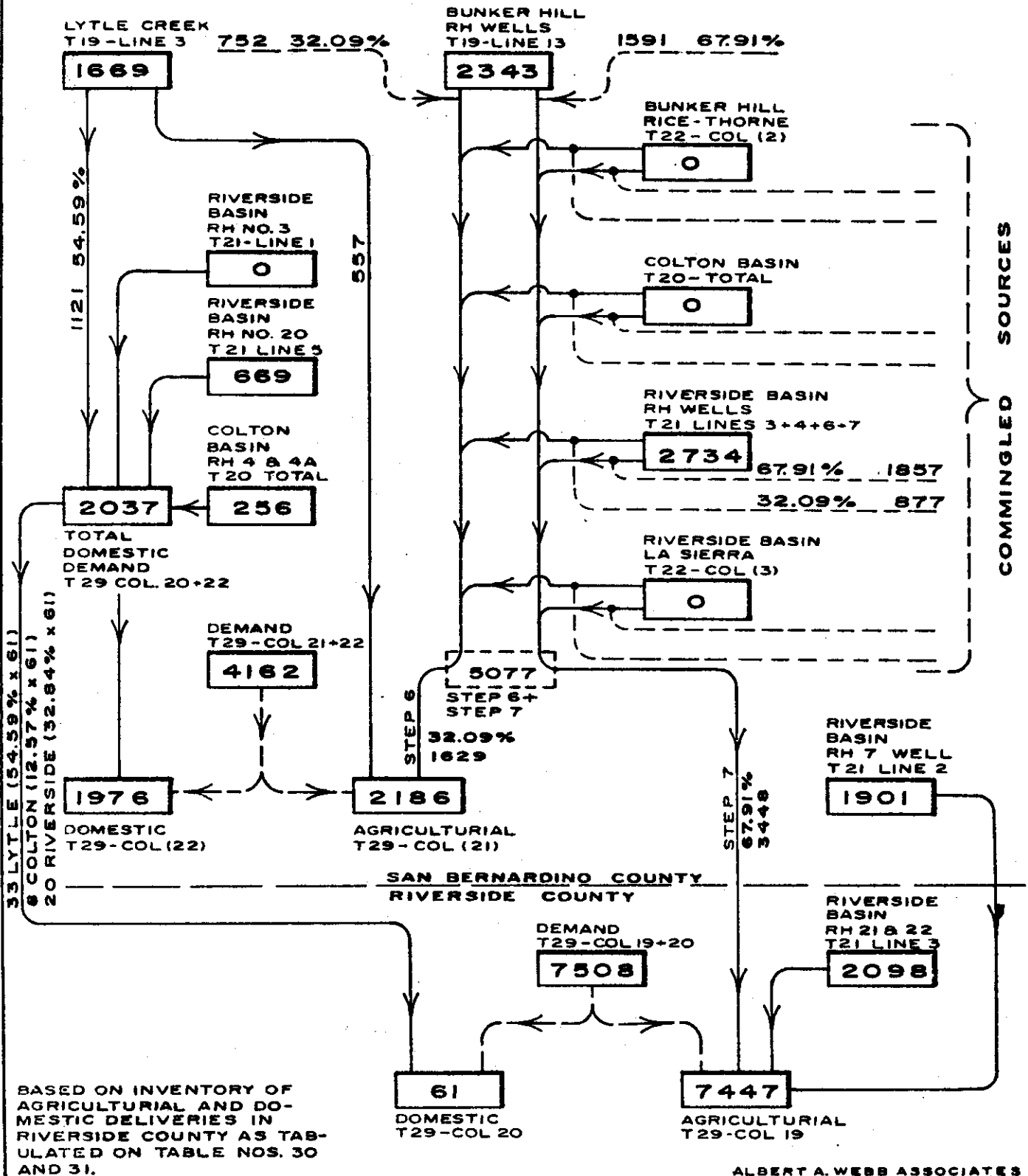


DIAGRAM B

RIVERSIDE HIGHLAND WATER COMPANY  
 DIAGRAM ILLUSTRATING THE PRODUCTION AND DISTRIBUTION  
 NORTH AND SOUTH OF RIVERSIDE-SAN BERNARDINO CO. LINE

YEAR 1972

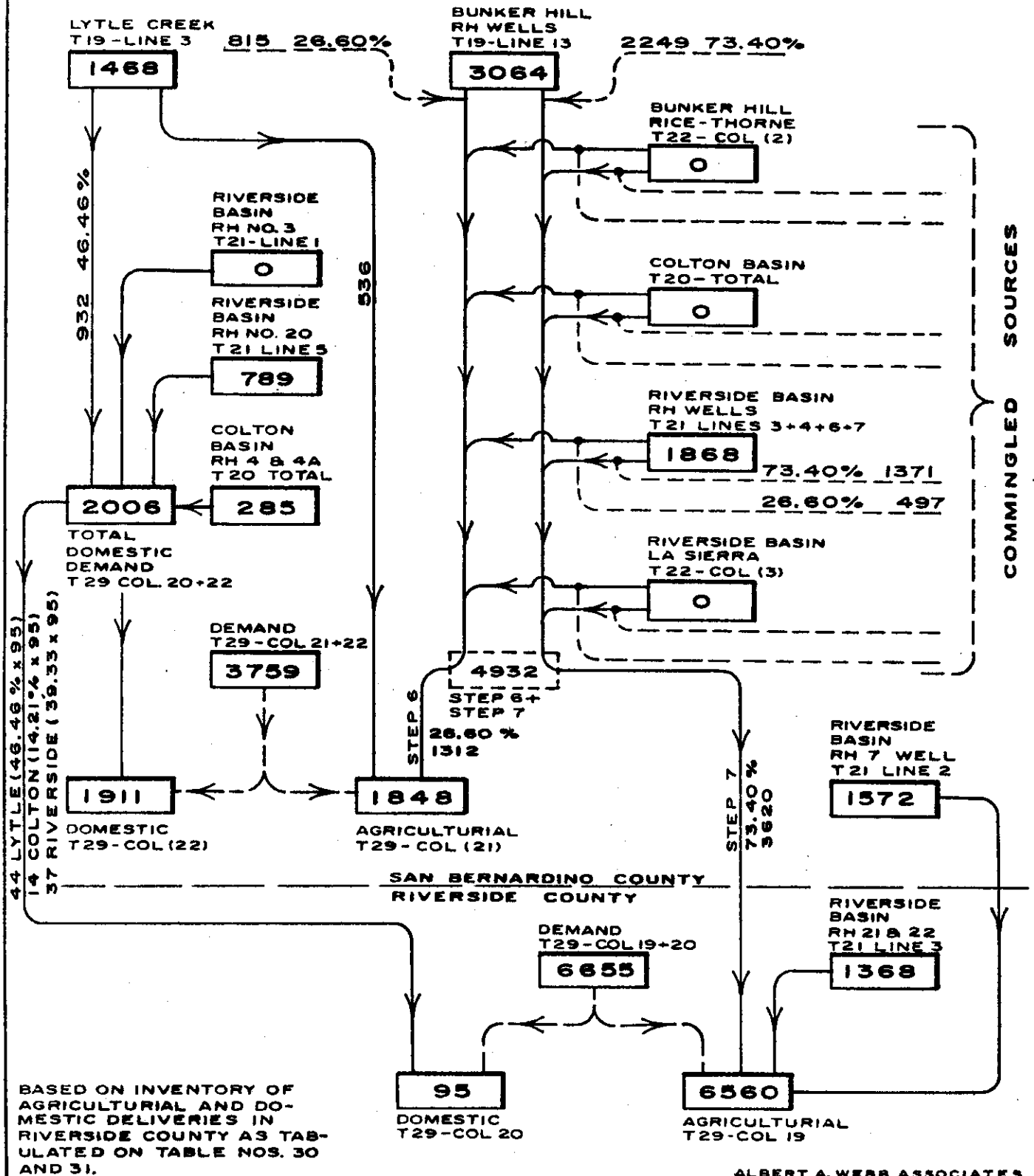
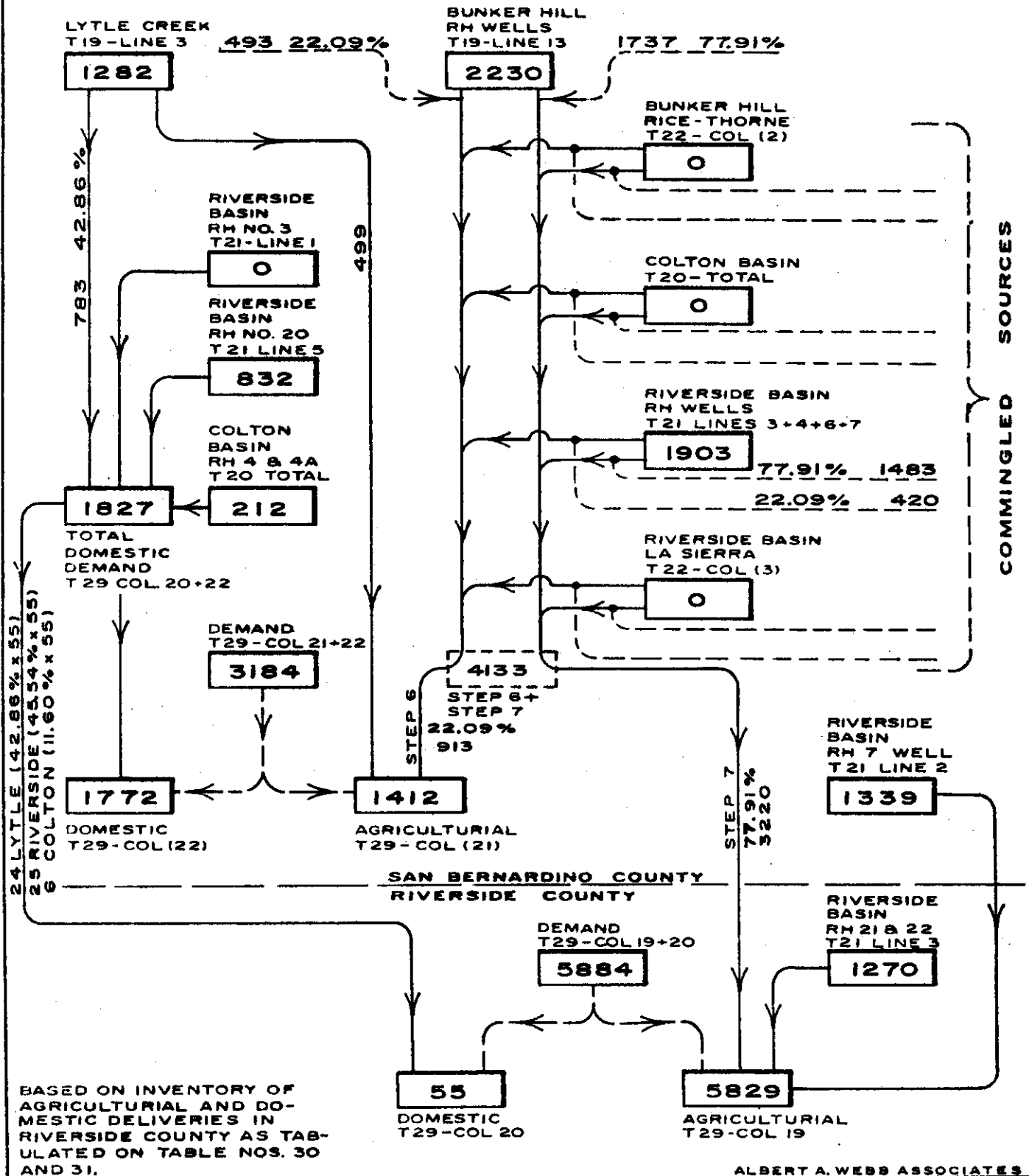


DIAGRAM B

RIVERSIDE HIGHLAND WATER COMPANY  
 DIAGRAM ILLUSTRATING THE PRODUCTION AND DISTRIBUTION  
 NORTH AND SOUTH OF RIVERSIDE-SAN BERNARDINO CO. LINE

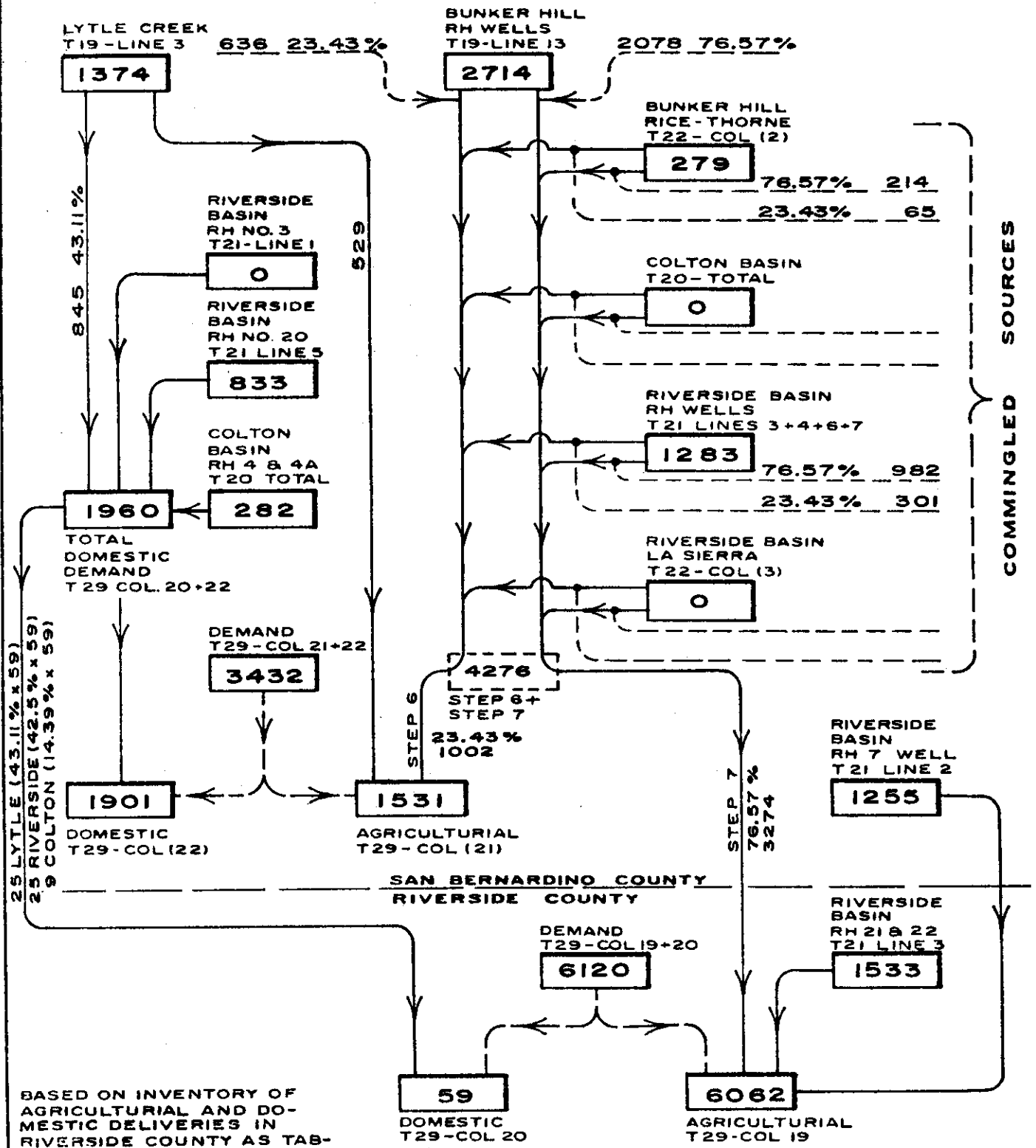
YEAR 1973





**DIAGRAM B  
RIVERSIDE HIGHLAND WATER COMPANY  
DIAGRAM ILLUSTRATING THE PRODUCTION AND DISTRIBUTION  
NORTH AND SOUTH OF RIVERSIDE-SAN BERNARDINO CO. LINE**

**YEAR 1974**



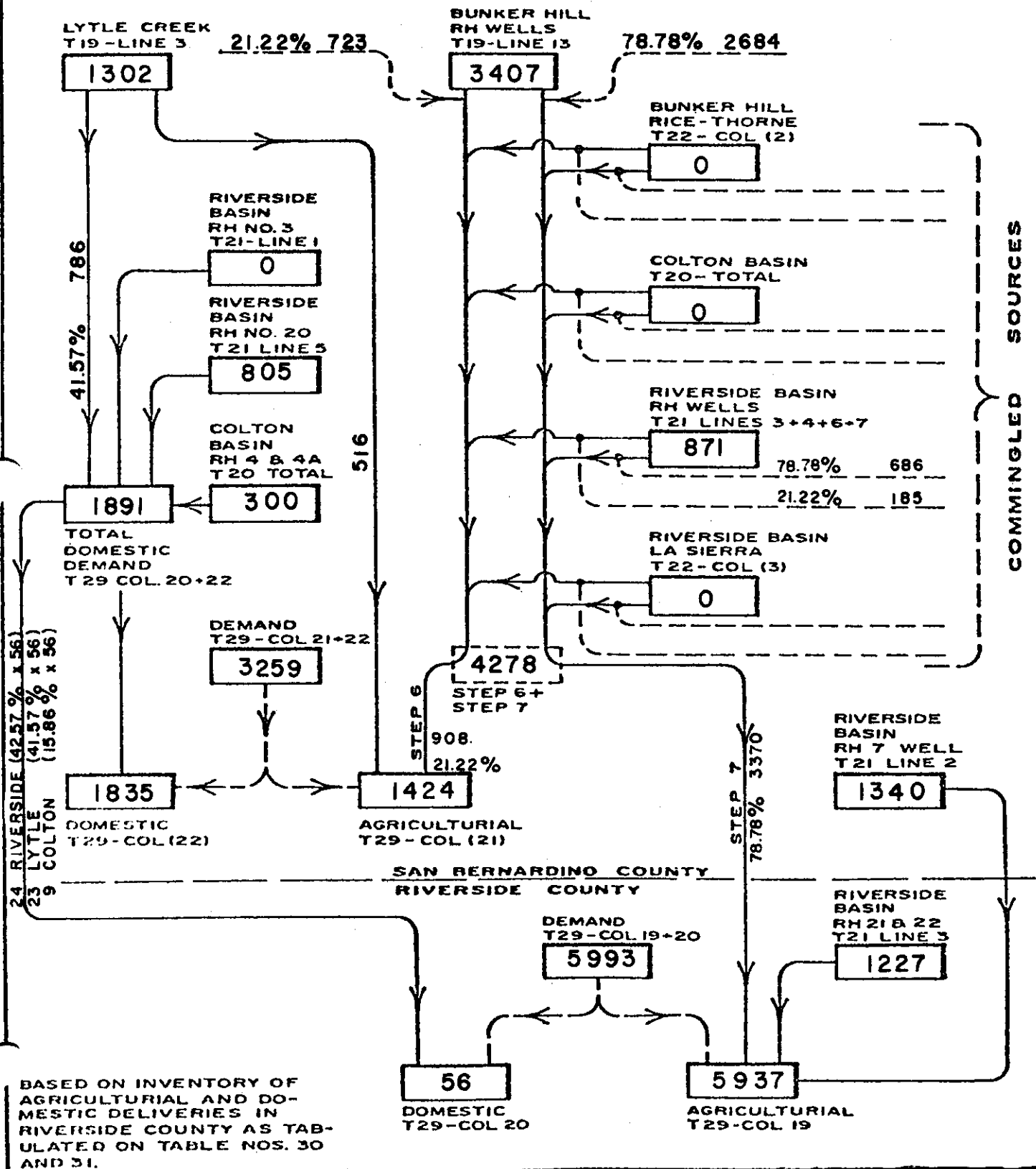
BASED ON INVENTORY OF AGRICULTURAL AND DOMESTIC DELIVERIES IN RIVERSIDE COUNTY AS TABULATED ON TABLE NOS. 30 AND 31.

ALBERT A. WEBB ASSOCIATES

DIAGRAM B

RIVERSIDE HIGHLAND WATER COMPANY  
 DIAGRAM ILLUSTRATING THE PRODUCTION AND DISTRIBUTION  
 NORTH AND SOUTH OF RIVERSIDE-SAN BERNARDINO CO. LINE

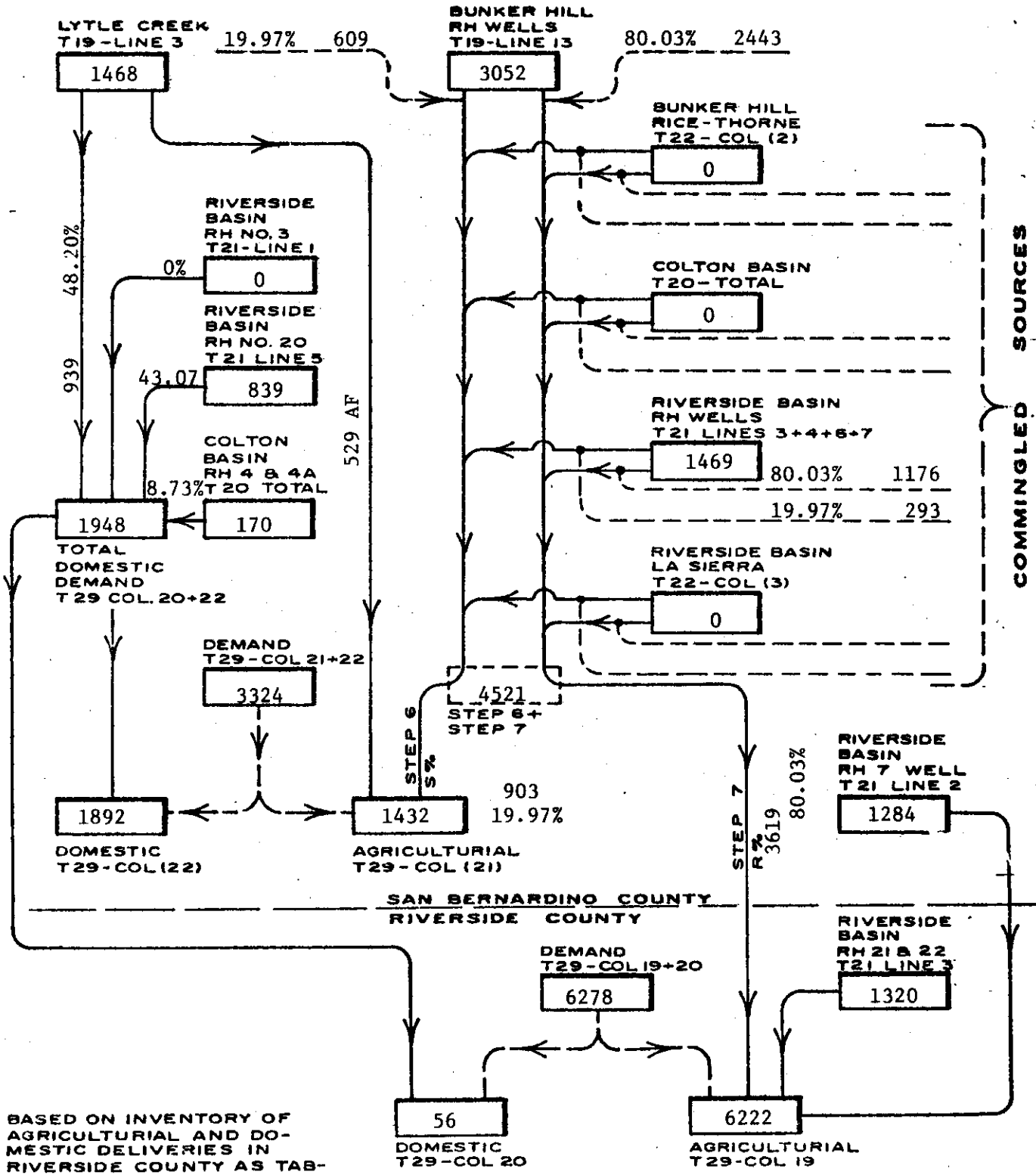
YEAR 1975



BASED ON INVENTORY OF AGRICULTURAL AND DOMESTIC DELIVERIES IN RIVERSIDE COUNTY AS TABULATED ON TABLE NOS. 30 AND 31.

**RIVERSIDE HIGHLAND WATER COMPANY  
DIAGRAM ILLUSTRATING THE PRODUCTION AND DISTRIBUTION  
NORTH AND SOUTH OF RIVERSIDE-SAN BERNARDINO CO. LINE**

YEAR 1976

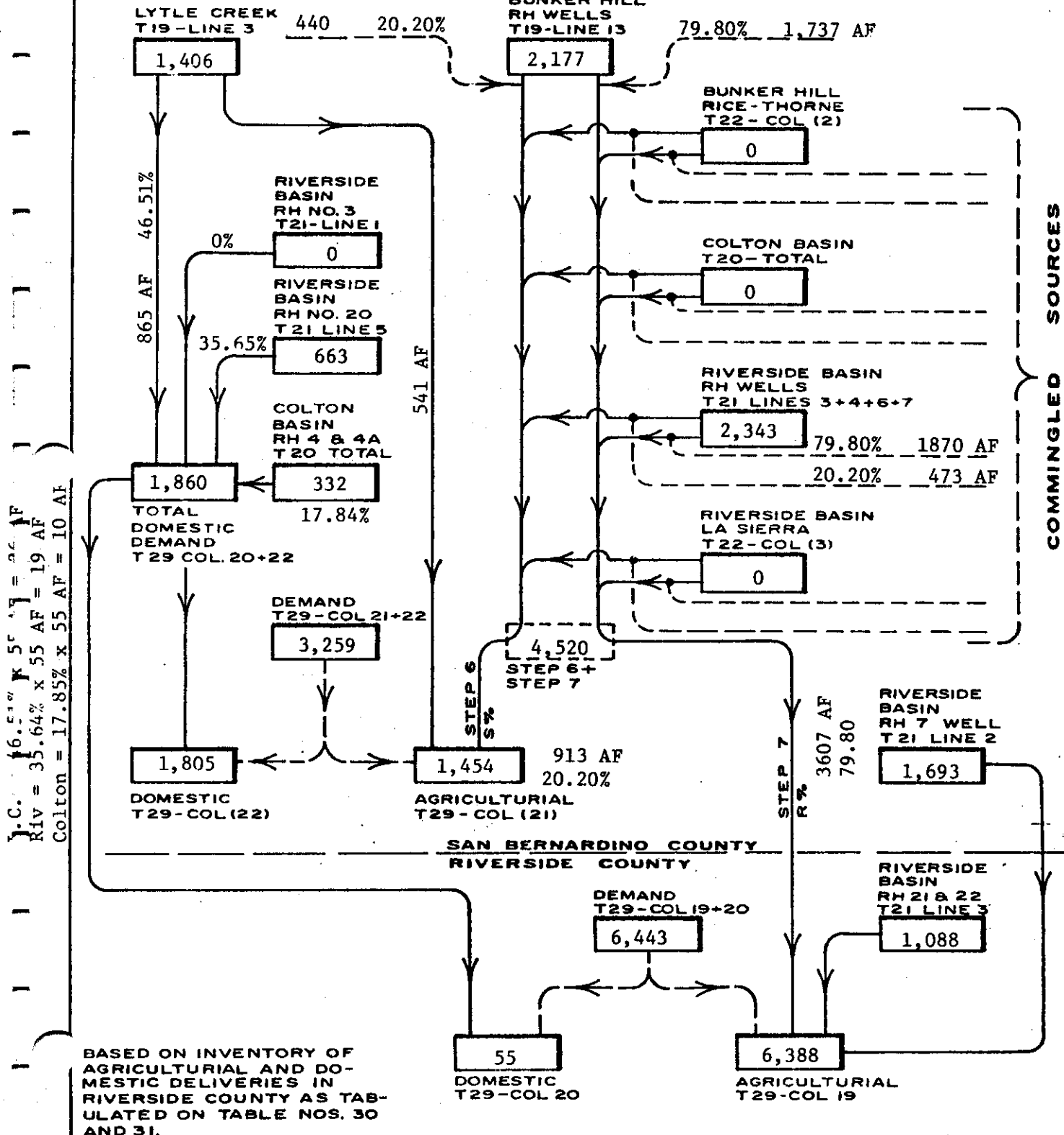


FC. 56 x 43.07 = 24  
Riv = 56 x 43.07 = 24  
Colton = 56 x 8.73 = 5

BASED ON INVENTORY OF AGRICULTURAL AND DOMESTIC DELIVERIES IN RIVERSIDE COUNTY AS TABULATED ON TABLE NOS. 30 AND 31.

**RIVERSIDE HIGHLAND WATER COMPANY  
DIAGRAM ILLUSTRATING THE PRODUCTION AND DISTRIBUTION  
NORTH AND SOUTH OF RIVERSIDE-SAN BERNARDINO CO. LINE**

YEAR 1977



R.C. = 16.51% x 55 AF = 9.08 AF  
 RIV = 35.64% x 55 AF = 19.60 AF  
 Colton = 17.85% x 55 AF = 9.81 AF

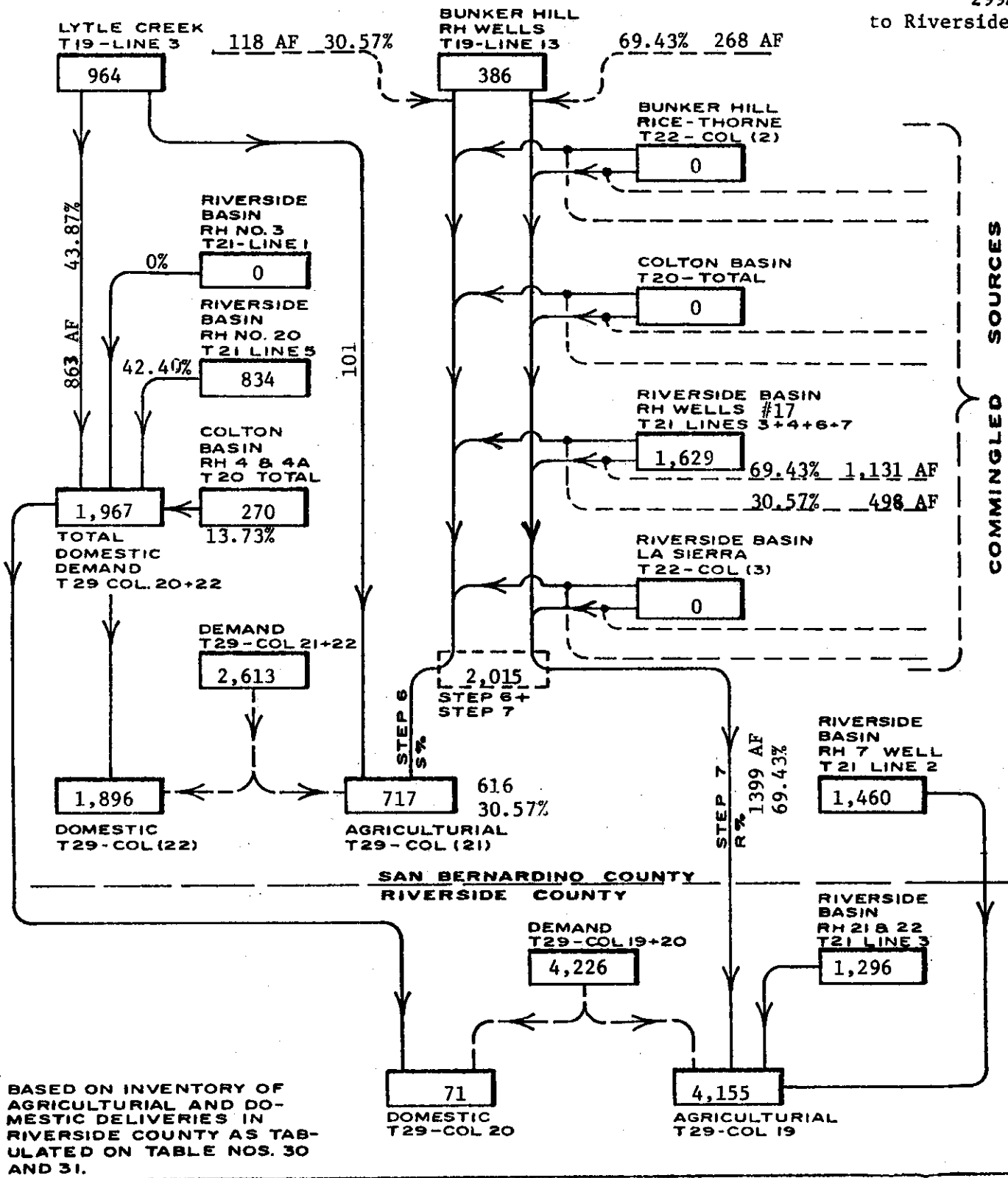
BASED ON INVENTORY OF AGRICULTURAL AND DOMESTIC DELIVERIES IN RIVERSIDE COUNTY AS TABULATED ON TABLE NOS. 30 AND 31.

**RIVERSIDE HIGHLAND WATER COMPANY  
DIAGRAM ILLUSTRATING THE PRODUCTION AND DISTRIBUTION  
NORTH AND SOUTH OF RIVERSIDE-SAN BERNARDINO CO. LINE**

YEAR 1978

Bunker Hill  
Flow wells 268  
L.C. wells 31  
299AF  
to Riverside

Riv = 71 X 42.47% = 30 AF  
Coll. = 7 X 13.13% = 10 AF



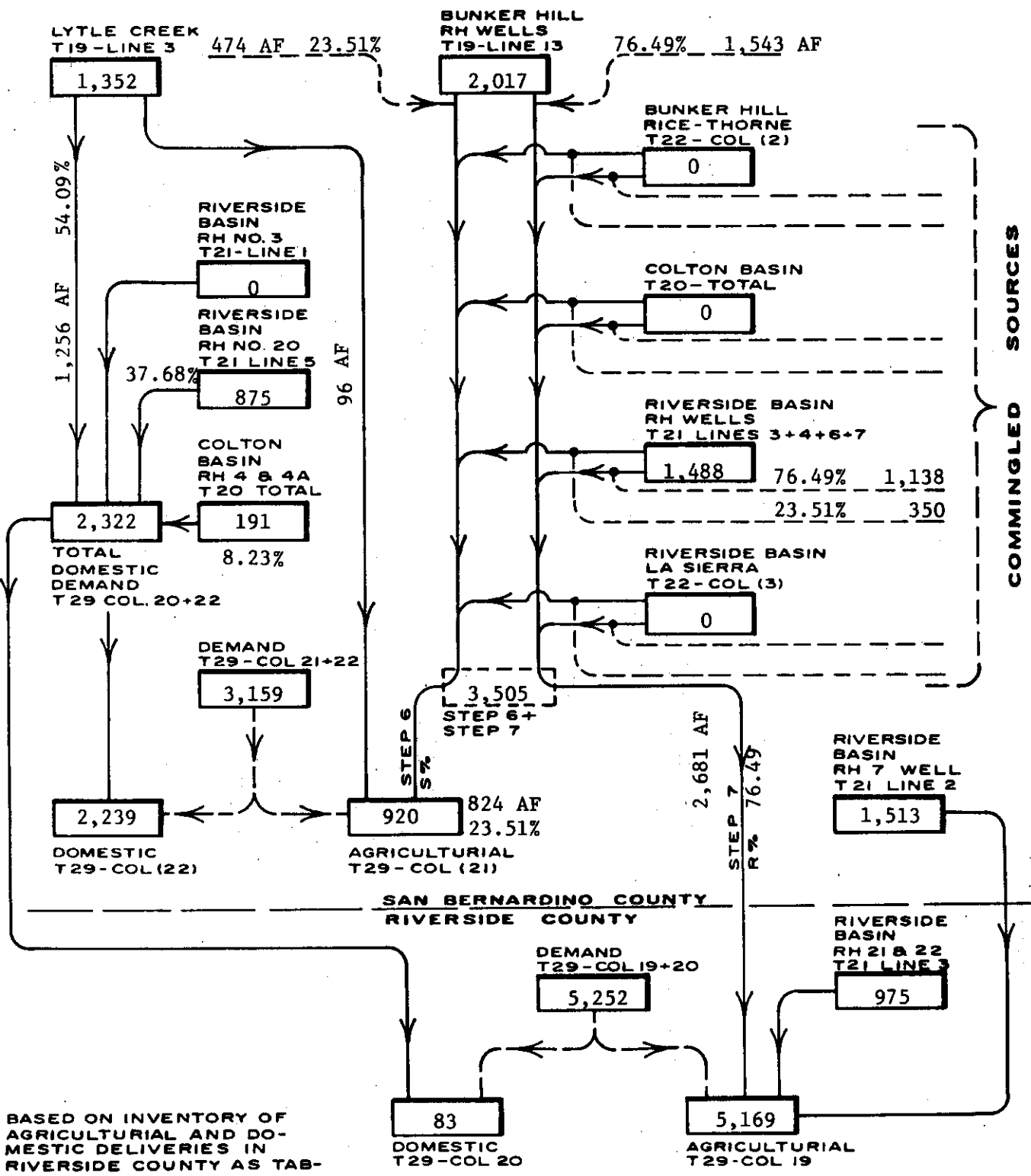
BASED ON INVENTORY OF AGRICULTURAL AND DOMESTIC DELIVERIES IN RIVERSIDE COUNTY AS TABULATED ON TABLE NOS. 30 AND 31.

# RIVERSIDE HIGHLAND WATER COMPANY DIAGRAM ILLUSTRATING THE PRODUCTION AND DISTRIBUTION NORTH AND SOUTH OF RIVERSIDE-SAN BERNARDINO CO. LINE

YEAR 1979

BH Export 1,543  
45  
1,588

L.C. = 71 A + 3.85, 45 AF  
Riv = 83 X 37.68, 31 AF  
Colt. = 83 X 8.23, 7 AF



BASED ON INVENTORY OF AGRICULTURAL AND DOMESTIC DELIVERIES IN RIVERSIDE COUNTY AS TABULATED ON TABLE NOS. 30 AND 31.

# Volume 6 -1979

REPORT OF WATERMASTER

Western Municipal Water District of Riverside County, et al  
Plaintiffs

vs.

East San Bernardino County Water District, et al  
Defendants

Superior Court of Riverside County

Case No. 78426

Volume 6-1979

VERIFIED EXTRACTIONS FROM  
THE SAN BERNARDINO BASIN AREA, COLTON BASIN AREA,  
AND RIVERSIDE BASIN AREA FOR USE WITHIN WESTERN  
ON LANDS NOT TRIBUTARY  
TO THE RIVERSIDE NARROWS

ANNUAL ACCOUNTING

1979

AUGUST 1, 1981

WATERMASTER

James C. Hanson  
Donald L. Harriger



VOLUME 6-1979

TABLE OF CONTENTS

	<u>Page</u>
INTRODUCTION . . . . .	i
<u>TABLE A</u>	
VERIFIED EXTRACTIONS FOR USE ON LANDS NOT TRIBUTARY TO RIVERSIDE NARROWS FOR CALENDAR YEARS 1971-1979 . . . . .	1
<u>TABLE NO. 1</u>	
CITY OF RIVERSIDE NUMBER OF ACTIVE METERS MEASURING WATER DELIVERED TO AREAS THAT ARE NOT TRIBUTARY TO THE RIVERSIDE NARROWS . . . . .	2
<u>TABLE NO. 1A</u>	
DELIVERIES MADE BY CITY OF RIVERSIDE DOMESTIC DIVISION TO AREAS WHICH ARE NOT TRIBUTARY TO THE RIVERSIDE NARROWS . . . . .	3
<u>TABLE NO. 2</u>	
DELIVERIES MADE BY CITY OF RIVERSIDE IRRIGATION DIVISION FROM RIVERSIDE CANAL TO AREAS WHICH ARE NOT TRIBUTARY TO THE RIVERSIDE NARROWS . . . . .	4
<u>TABLE NO. 3</u>	
DELIVERIES MADE BY THE GAGE CANAL COMPANY TO AREAS WHICH ARE NOT TRIBUTARY TO THE RIVERSIDE NARROWS . . . . .	5
<u>TABLE NO. 4</u>	
DELIVERIES BY CITY OF RIVERSIDE IRRIGATION DIVISION FROM RIVERSIDE CANAL FOR USE ON LANDS NOT TRIBUTARY TO THE RIVERSIDE NARROWS . . . . .	6
<u>TABLE NO. 5</u>	
DELIVERIES BY GAGE CANAL COMPANY FOR USE ON LANDS NOT TRIBUTARY TO THE RIVERSIDE NARROWS . . . . .	7

TABLE NO. 6

SUMMARY OF DELIVERIES MADE BY MEEKS & DALEY WATER COMPANY,  
AGUA MANSA WATER COMPANY AND TEMESCAL WATER COMPANY  
INCLUDING WATER RECEIVED FROM CITY OF RIVERSIDE FROM THE  
RIVERSIDE AND GAGE CANALS TO AREAS WHICH ARE NOT TRIBUTARY  
TO THE RIVERSIDE NARROWS . . . . . 8

TABLE NO. 7

WEST RIVERSIDE CANAL COMPANY DELIVERIES MADE TO LATERALS  
#3 & #2 FOR USE IN GLEN AVON & PEDLEY AREAS (FROM RECORDS  
OF WEST RIVERSIDE CANAL COMPANY) . . . . . 9

TABLE NO. 8 - Not required after 1968

TABLE NO. 9

DELIVERIES MADE BY RUBIDOUX COMMUNITY SERVICES  
DISTRICT TO AREAS WHICH ARE NOT TRIBUTARY TO  
THE RIVERSIDE NARROWS . . . . . 10

TABLE NO. 10

DELIVERIES MADE BY JURUPA HILLS WATER COMPANY  
TO AREAS WHICH ARE NOT TRIBUTARY TO THE RIVERSIDE  
NARROWS . . . . . 11

VOLUME 6-1979

VERIFIED EXTRACTIONS FROM THE  
SAN BERNARDINO BASIN AREA, COLTON BASIN AREA,  
AND RIVERSIDE BASIN AREA FOR USE WITHIN  
WESTERN ON LANDS NOT TRIBUTARY  
TO THE RIVERSIDE NARROWS

INTRODUCTION

The extractions from the San Bernardino, Colton and Riverside Basin Areas for use within Western Municipal Water District on lands not tributary to the Riverside Narrows have been verified for the five-year base period ending in 1963. The resulting five-year annual average was determined to be 42,535 acre-feet, as shown in Table No. 12 at page 37 of Chapter VII of the Annual Report of the Western-San Bernardino Watermaster for Calendar Year 1971. A detailed report on the verification for the five-year base period 1959-1963, and for ensuing years 1964-1970, is contained in Report of Watermaster, Volume 6, dated June 1972.

The extractions from the above mentioned basin areas for the Calendar Years 1971 through 1979, which were delivered within the Western District for use on lands not tributary to the Riverside Narrows, have been verified by the Watermaster as follows:

<u>Year</u>	<u>Verified Extractions</u>
1971	41,612 A.F.
1972	40,314 A.F.
1973	31,133 A.F.*
1974	35,020 A.F.
1975	38,737 A.F.
1976	42,927 A.F.
1977	37,113 A.F.
1978	34,998 A.F.
1979	39,973 A.F.

\*Corrected during 1975 verification.

This Volume 6 summarizes the total extractions and includes tables showing the detailed computations of the extractions by each entity. Table No. 8 was included in the original Volume 6 for the period 1959-1968, but has been omitted and will not be included in future volumes. The format used in Volume 6-1979 will be used annually for ten year periods, and then combined with the earlier Volume 6-1972 for a complete Summary Volume for the period 1959-1980, with a continuation of this procedure annually unless changes are required with the passage of time.

TABLE A

VERIFIED EXTRACTIIONS FOR USE ON  
LANDS NOT TRIBUTARY TO RIVERSIDE MARROWS  
FOR CALENDAR YEARS 1971-1979  
(All Quantities in Acre Feet)

Water Extracted and Delivered by	Refer to		DELIVERIES BY CALENDAR YEARS													5 Yr. Total	5 Yr. Average
	Table No.	Column or Line No.	1971	1972	1973	1974	1975	1976	1977	1978	1979	1980					
City of Riverside Domestic Division Irrigation Division (1) Gage Canal (2)	1A	15	7,736	7,284	8,299**	9,308	10,688	13,658	13,742	16,369	18,345				72,802	14,560	
	2	7	1,866	1,503	1,370	1,387	1,981	1,181	609	244	222				4,237	847	
	3	5	17,014	16,629	12,835	14,137	15,749	15,623	14,610	11,559	12,325				69,866	13,973	
Heeks & Daley Water Co. Agua Mansa Water Co. and Temescal Water Co. including water received from City of Riverside			(26,616)	(25,416)	(22,504)**	(24,832)	(28,418)	(30,462)	(28,961)	(28,172)	(30,892)				(146,905)	(29,380)	
	6	3	8,195	8,570	4,291	4,667	4,711	6,848	4,002	4,012	5,570				25,143	5,029	
Extractions delivered by (3) West Riverside Canal received from Twin Buttes Wtr. Co., La Sierra Wtr. Co., Agua Mansa Wtr. Co., Salazar Wtr. Co., West Riverside 350" Wtr. Co. and Jurupa Wtr. Co.	7	13	5,952	5,456	3,710	4,869	4,874	4,628	3,222	1,981	2,707				17,412	3,482	
	9	7	794	807	545	566	640	865	773	610	550				3,438	688	
Rubidoux C. S. D. (5)	10	7	55*	65	83	86	94	124	155	213	254				840	168	
TOTALS			41,612*	40,314	31,133**	35,020	38,737	42,927	37,113	34,998	39,973				193,738	38,747	

NOTES: (1) City Irrigation Division includes the former Riverside Water Company  
(2) Deliveries to Gage Canal Shareholders.  
(3) Deliveries made from Laterals 2 & 3 of West Riverside Canal  
(4) Deliveries made by Rubidoux Community Service prior to 1968  
(5) Deliveries made by Jurupa Hills Water Company before its purchase by Rubidoux C.S.D. in 1968  
\* Verified extractions corrected during 1972 verification.  
\*\* Corrected during 1975 verification

TABLE NO. 1

CITY OF RIVERSIDE  
 NUMBER OF ACTIVE METERS  
 MEASURING WATER DELIVERED TO AREAS  
 THAT ARE NOT TRIBUTARY TO THE RIVERSIDE NARROWS

Meter Bk. Area	1	13	14	15	16	17	18	19	22
Column No.	(1)	(2)	(3)	(4)	(5)	(6)	(7)	(8)	(9)
Calendar Year	Number of Active Meters								
1971	203	1,677	2,151	-	2,389	-	-	871	84
1972	239	1,776	2,243	-	2,407	-	-	913	89
1973	229	1,765	2,760	-	2,330	-	-	966	88
1974	197	1,795	2,804	-	2,325	-	-	971	88
1975	428	1,980	4,045	3,027	2,357	509	562	1,149	106
1976	659	2,166	5,287	3,220	2,378	509	562	1,328	124
1977	877	2,242	5,185	5,799	2,465	-*	-*	1,607	129
1978	917	2,367	5,535	8,680	2,686	-*	-*	1,833	171
1979	709	2,377	5,740	8,879	2,608	-*	-*	1,965	163
1975-79 Total	3,590	11,132	25,792	29,605	12,494	1,018	1,124	7,882	693
5 Year Average	718	2,226	5,158	5,921	2,499	204	225	1,576	139

Column (1) through (9) - from City of Riverside Records.  
 Column (4) - Starting July 1, 1973 City of Riverside took over operation of the Southwest Water Company (Meter Book area 15). At the time water use in that area was reported directly in Acre Feet [See Table No. 1A, Column (4)].  
 Columns (6) and (7) - In 1975, Meter Book areas 17 and 18 were split off of Meter Book area 15 and all three areas are now reported by number of active meters.

\* In 1977 Meter Book Areas 17 and 18 were recombined with Book 15.

TABLE NO. 1A  
 DELIVERIES MADE BY CITY OF RIVERSIDE  
 DOMESTIC DIVISION TO AREAS WHICH ARE  
 NOT TRIBUTARY TO THE RIVERSIDE NARROWS

Meter Bk. Areas	Column No.	Calendar Year	Deliveries in Acre Feet										Arlington Basin Production				Total From Upper Basins Not Tributary
			(1)	(2)	(3)	(4)	(5)	(6)	(7)	(8)	(9)	(10)	(11)	(12)	(13)	(14)	
168	173	1971	1,389	2,968	-	2,308	-	841	139	7,813	68	13	-	-	-	7,736	
173	172	1972	1,321	2,781	-	2,089	-	793	132	7,294	1	13	-	-	7,284		
147	1973	1973	1,130	2,926	2,941	1,729	-	714	112	9,699*	29	18	1,359	12	8,299*		
131	1974	1974	1,195	3,112	3,945	1,807	-	754	117	11,061	69	49	1,651	33	9,308		
277	1975	1975	1,283	4,369	1,962	1,782	330	364	869	11,373	0	904	83	602	10,688		
439	1976	1976	1,443	5,869	2,145	1,855	361	398	1,032	13,707	31	17	13	5	13,658		
535	1977	1977	1,368	5,288	3,855	1,750	-**	-** 1,141	137	14,094	143	17	198	11	13,742		
614	1978	1978	1,586	6,144	5,012	2,095	-**	-** 1,430	227	17,108	739	0	0	0	16,369		
503	1979	1979	1,688	6,831	5,930	2,165	-**	-** 1,631	233	18,981	633	4	0	3	18,345		
2,368	1975-79 Total		7,368	28,501	18,904	9,647	691	762	6,103	919	75,263	1,546	932	621	72,802		
474	5 Year Average		1,474	5,700	3,781	1,929	138	152	1,221	183	15,052	309	186	124	14,560		

\* Arithmetic errors corrected during 1975 verification.

Col. (1) through (9) were estimated as follows: Using the factor Acre Feet per connection, obtained for the year 1965 for each Meter Book area, said duty factors were adjusted for subsequent and preceding years to compensate for consumptive variances, due to temperature and rainfall, by a ratio based on the ratio of total Annual System production to Annual System production for each year as compared to the same ratio for the year 1965.

Col. (4) - Starting July 1, 1973 City of Riverside took over operation of Southwest Water Company (Meter Book area 15). At the time water use in that area was reported directly in acre feet.

Col. (6) & (7) - In 1975, Meter Book areas 17 and 18 were split off of Meter Book area 15 and all three areas are now reported by number of active meters.

Col. (10) = Total of Columns (1) through (9).

Col. (12) = Total treated W.H.W.D. water to City of Riverside.

Col. (13) = Col. (12) x 2/3/

Col. (14) = Total production from former Southwest Water Co. wells.

Col. (15) = Col. (10) minus Cols. (11) + (13) + (14)

\*\* In 1977, Meter Book Areas 17 & 18 were recombined with Book 15

TABLE NO. 2

DELIVERIES MADE BY CITY OF RIVERSIDE IRRIGATION  
DIVISION FROM RIVERSIDE CANAL TO AREAS  
WHICH ARE NOT TRIBUTARY TO THE RIVERSIDE NARROWS  
(All Quantities in Acre Feet)

Line No.	Delivery Location	CALENDAR YEARS											5-Year Total	5-Year Avg.	
		1971	1972	1973	1974	1975	1976	1977	1978	1979					
1	Delivery to Lower Canal Section	8,471	7,538	1,357	1,371	1,963	1,165	607	244	221				4,200	840
2	Less Adj. for Temescal Delivery	162	226	0	0	0	0	0	0	0				0	0
3	Total Delivery from Lower Canal Section	8,309	7,312	1,357	1,371	1,963	1,165	607	244	221				4,200	840
4	Less Deliveries to Temescal Water Co. from Lower Canal Section	6,484	5,846	0	0	0	0	0	0	0				0	0
5	Deliveries to Riverside Water Co. Stock & Contract Water from Lower Canal Section	1,825	1,466	1,357	1,371	1,963	1,165	607	244	221				4,200	840
6	Plus Deliveries from Upper Canal Section below Riverside Narrows	41	37	13	16	18	16	2	0	1				37	7
7	Total Deliveries by City of Riverside Irrigation Division not Tributary to Riverside Narrows	1,866	1,503	1,370	1,387	1,981	1,181	609	244	222				4,237	847

Note: Lines #1 & #2 from City Records  
Line #4 from Table No. 4, Col. (4)  
Line #6 from City Records  
Quantities in parenthesis (-) are negative values



TABLE NO. 3

DELIVERIES MADE BY THE GAGE CANAL COMPANY  
TO AREAS WHICH ARE NOT TRIBUTARY  
TO THE RIVERSIDE NARROWS  
 (All Quantities in Acre Feet)

<u>Calendar Year</u>	<u>Deliveries to Gage Stockholders</u> (1)	<u>Losses in Arlington Basin</u> (2)	<u>Net into Mockingbird Lake</u> (3)	<u>2/3 Difference of Weir No. 2 Chart &amp; Calculated Flow</u> (4)	<u>Total Gage Delivery</u> (5)
1971	17,113	(42)*	(57)	-	17,014
1972	15,328	(16)*	1,317	-	16,629
1973	13,144	(298)*	(11)	-	12,835
1974	14,233	(330)*	234	-	14,137
1975	14,370	1,007**	372	-	15,749
1976	14,553	793**	277	-	15,623
1977	14,533	(104)**	181	-	14,610
1978	11,572	(102)**	89	-	11,559
1979	12,560	(63)**	(172)	-	12,325
1975-79 Total	67,588	1,531	747	-	69,866
5-Yr. Average	13,518	306	149	-	13,973

Notes: Col. (5) = Cols. (1) + (2) + (3) + (4)

Quantities in parenthesis are negative values, net gains to the canal.

Deliveries shown in Col. (1) above are those made to the lands of shareholders in areas which are not tributary to Riverside Narrows.

\* Canal losses are assumed to occur equally along the entire canal, half above Weir No. 2 and half below. It is further assumed that 2/3 of the lower canal losses occur in the Arlington Basin.

\*\* Since the canal was converted to a pipeline from the headworks to about Weir No. 2 in 1975, the canal losses in Arlington Basin are assumed to equal 2/3 of the total loss.

Data from Gage Canal Company Records.

TABLE NO. 4

DELIVERIES BY CITY OF RIVERSIDE IRRIGATION  
DIVISION FROM RIVERSIDE CANAL FOR USE ON LANDS  
NOT TRIBUTARY TO THE RIVERSIDE NARROWS  
 (All Quantities in Acre Feet)

<u>Calendar Year</u>	<u>Inch Rate Contract Water Delivery to Temescal</u> (1)	<u>Carrying Right (Mt. Vernon) Meter Delivered to Temescal</u> (2)	<u>Carrying Right S.C.E. Co. for Delivery to Temescal</u> (3)	<u>Total Delivery to Temescal by C.R.I.D.</u> (4)
1971	3,566	1,652	1,266	6,484
1972	3,183	1,459	1,204	5,846
1973	0	0	0	0
1974	0	0	0	0
1975	0	0	0	0
1976	0	0	0	0
1977	0	0	0	0
1978	0	0	0	0
1979	0	0	0	0
1975-79 Total	0	0	0	0
5-Yr. Average	0	0	0	0

Note: Cols. (1), (2) & (3) from City Records.

Note: Temescal Water Company discontinued receiving their irrigation water delivery from the Riverside Canal in calendar year 1973, and began taking all of their water delivery from the Gage Canal.

TABLE NO. 5

DELIVERIES BY GAGE CANAL COMPANY  
FOR  
USE ON LANDS NOT TRIBUTARY TO THE  
RIVERSIDE NARROWS  
 (All Quantities in Acre Feet)

<u>Calendar Year</u>	<u>Gage Canal Delivery to Alta Mesa</u>	<u>Gage Canal Delivery to Temescal</u>	<u>Total Delivery to Alta Mesa and Temescal by Gage Canal Company</u>
1971	278	1,433	1,711
1972	143	2,581	2,724
1973	65	4,226	4,291
1974	38	4,629	4,667
1975	45	4,666	4,711
1976	20	6,828	6,848
1977	16	3,986	4,002
1978	16	3,996	4,012
1979	21	5,549	5,570
1975-79 Total	118	25,025	25,143
5-Yr. Average	24	5,005	5,029

Note: Data from Gage Canal Company Records.

TABLE NO. 6

SUMMARY OF DELIVERIES  
MADE BY MEEKS & DALEY WATER COMPANY,  
AGUA MANSA WATER COMPANY AND TEMESCAL WATER COMPANY  
INCLUDING WATER RECEIVED FROM CITY OF RIVERSIDE  
FROM THE RIVERSIDE AND GAGE CANALS  
TO AREAS WHICH ARE NOT TRIBUTARY  
TO THE RIVERSIDE NARROWS  
 (All Quantities in Acre Feet)

<u>Calendar Year</u>	<u>Total Delivery to Temescal by City of Riverside Irrigation Division</u> (1)	<u>Total Delivery to Alta Mesa and Temescal by Gage Canal Company (from Table No. 5)</u> (2)	<u>Total Delivery by City of Riverside Irrigation Division and Gage Canal not Tributary to Riverside Narrows</u> (3)
1971	6,484	1,711	8,195
1972	5,846	2,724	8,570
1973	0 1)	4,291	4,291
1974	0	4,667	4,667
1975	0	4,711	4,711
1976	0	6,848	6,848
1977	0	4,002	4,002
1978	0	4,012	4,012
1979	0	5,570	5,570
1975-79 Total	0	25,143	25,143
5-Yr. Average	0	5,029	5,029

1) Temescal Water Company discontinued receiving their irrigation water delivery from the Riverside Canal in calendar year 1973, and began taking all of the water delivery from the Gage Canal.

Notes: Col. (1) from city of Riverside  
 Col. (2) from Table No. 5

TABLE NO. 7

WEST RIVERSIDE CANAL COMPANY  
DELIVERIES MADE TO LATERALS #3 & #2  
FOR USE IN GLEN AVON & PEDLEY AREAS  
(FROM RECORDS OF WEST RIVERSIDE CANAL CO.)  
 (All Quantities in Acre Feet)

Water Delivered to Lateral #2 and #3 in A.F.

<u>Calendar Year</u>	<u>La Sierra Water Co.</u>	<u>Aqua Mansa Water Co.</u>	<u>Salazar Water Co.</u>	<u>350 Inch Water Co.</u>	<u>Jurupa Water Co.</u>	<u>Twin Buttes Water Co.*</u>	<u>Total Deliveries</u>
1971	2,619	485	23	771	1,220	834	5,952
1972	3,396	249	25	682	1,032	72	5,456
1973	2,162	201	21	541	785	-	3,710
1974	2,673	359	0	825	1,012	-	4,869
1975	1,823	384	0	845	906	917	4,874
1976	1,770	318	0	778	1,004	759	4,628
1977	1,281	242	0	742	957	0	3,222
1978	850	125	0	223	783	0	1,981
1979	993	155	0	376	1,183	0	2,707
1980							
1975-79 Total	6,717	1,224	0	2,964	4,833	1,676	17,414
5-Yr. Average	1,343	245	0	593	967	335	3,483

\* Twin Buttes now owned by City of Riverside

Note: Data from West Riverside Canal Company records.

Conversion Factor: 0.03967 AF/MID

TABLE NO. 9

DELIVERIES MADE BY RUBIDOUX  
 COMMUNITY SERVICES DISTRICT\* TO AREAS  
 WHICH ARE NOT TRIBUTARY TO THE  
 RIVERSIDE NARROWS  
 (All Quantities in Acre Feet)

State Well No. Rec. No. Local Desig.	2S5W08G4 3301362 S.S.#3	2S5W08G1 3301501 S.S.#5	2S5W08K2 3301502 S.S.#6	2S5W08K3 3301625 S.S.#7	(5)	(6)	Total Export from Riverside Basin Area
	(1)	(2)	(3)	(4)	(5)	(6)	(7)
1971	223	517	54	-0-	-	-	794
1972	288	516	3	-0-	-	-	807
1973	201	339	5	-0-	-	-	545
1974	223	322	21	-0-	-	-	566
1975	229	411	0	-0-	-	-	640
1976	268	597	0	-0-	-	-	865
1977	231	542	0	-0-	-	-	773
1978	199	411	0	-0-	-	-	610
1979	184	366	0	-0-	-	-	550
1975-79 Total	1,111	2,327	0	0	-	-	3,438
5-Yr. Average	222	465	0	0	-	-	688

\*Jurupa Community Services District purchased the above listed wells from Rubidoux Community Services District and began delivering water in 1968.

TABLE NO. 10

DELIVERIES MADE BY JURUPA HILLS WATER COMPANY\* TO AREAS WHICH ARE NOT TRIBUTARY TO THE RIVERSIDE NARROWS  
(All Quantities in Acre Feet)

Calendar Year	Total Number of Meter Connections (1)	Annual Water Production per Meter (A.F./Meter) (2)	Total Water Production Delivered (Total Meters Times (A.F./Meter)) (3)		Delivery to Boise Cascade Mobile Park (4)	Total Water Delivery to Chino Basin (5)	Flow Returned to Sewer (40% of Total Delivered) (6)	Total Export From Riverside Basin Area (7)
			(Total Meters Times (A.F./Meter)) (3)	(Total Meters Times (A.F./Meter)) (3)				
1971	89	0.85	76	16 1)	92 1)	37 1)	55 1)	
1972	89	0.85	76	32	108	43	65	
1973	111	0.85	94	44	138	55	83	
1974	127	0.85	108	35	143	57	86	
1975	130	0.85	111	45	156	62	94	
1976	181	0.85	154	53	207	83	124	
1977	232	0.85	197	62	259	104	155	
1978	322	0.85	274	81	355	142	213	
1979	407	0.85	346	78	424	170	254	
1975-79 Total	1,272	4.25	1,082	319	1,401	561	840	
5-Yr. Average	254	0.85	216	64	280	112	168	

Notes: Col. (3) = Col. (1) x Col. (2)  
Col. (5) = Col. (3) + Col. (4)  
Col. (6) = Col. (5) x 40%  
Col. (7) = Col. (5) - Col. (6)

\*Jurupa Hills Water Co. purchased by Rubidoux Community Services District in 1968;  
1) 1971 values revised during 1972 verification (delivery to Boise Cascade Mobile Park was 16 acre feet).

# Volume 7 -1979



REPORT OF WATERMASTER

Western Municipal Water District of Riverside County, et al  
Plaintiffs

vs.

East San Bernardino County Water District, et al  
Defendants

Superior Court of Riverside County

Case No. 78426

VOLUME 7-1979

VERIFICATION OF EXTRACTIONS FROM THE  
SAN BERNARDINO BASIN AREA  
AND COLTON BASIN AREA WITHIN  
THE SAN BERNARDINO VALLEY  
MUNICIPAL WATER DISTRICT  
FOR USE ON LANDS NOT WITHIN WESTERN  
NOR TRIBUTARY TO THE RIVERSIDE NARROWS

ANNUAL ACCOUNTING

1979

AUGUST 1, 1981

WATERMASTER

James C. Hanson  
Donald L. Harriger

VOLUME 7-1979

TABLE OF CONTENTS

	<u>Page</u>
INTRODUCTION . . . . .	i
<u>TABLE A</u>	
VERIFIED EXTRACTIONS FROM THE SAN BERNARDINO BASIN AREA AND COLTON BASIN AREA WITHIN THE SAN BERNARDINO VALLEY MUNICIPAL WATER DISTRICT FOR USE ON LANDS NOT WITHIN WESTERN NOR TRIBUTARY TO THE RIVERSIDE NARROWS(1959-1963) . . . . .	1
<u>TABLE B</u>	
VERIFIED EXTRACTIONS FROM THE SAN BERNARDINO BASIN AREA AND COLTON BASIN AREA WITHIN THE SAN BERNARDINO VALLEY MUNICIPAL WATER DISTRICT FOR USE ON LANDS NOT WITHIN WESTERN NOR TRIBUTARY TO THE RIVERSIDE NARROWS (1975-1979) . . . . .	2
<u>CHAPTER I</u>	
DELIVERIES TO CHINO BASIN . . . . .	3
FONTANA UNION WATER COMPANY . . . . .	4
<u>TABLE NO. 1</u>	
VERIFICATION OF EXTRACTIONS FROM THE SAN BERNARDINO BASIN AREA AND COLTON BASIN AREA WITHIN THE SAN BERNARDINO VALLEY MUNICIPAL WATER DISTRICT FOR USE ON LANDS NOT WITHIN WESTERN NOR TRIBUTARY TO THE RIVERSIDE NARROWS - FONTANA UNION WATER COMPANY . . . . .	6
WEST SAN BERNARDINO COUNTY WATER DISTRICT . . . . .	7
<u>TABLE NO. 2</u>	
VERIFICATION OF EXTRACTIONS FROM THE SAN BERNARDINO BASIN AREA AND COLTON BASIN AREA WITHIN THE SAN BERNARDINO VALLEY MUNICIPAL WATER DISTRICT FOR USE ON LANDS NOT WITHIN WESTERN NOR TRIBUTARY TO THE RIVERSIDE NARROWS - WEST SAN BERNARDINO COUNTY WATER DISTRICT . . . . .	8

CITY OF RIALTO . . . . . 9

TABLE NO. 3

VERIFICATION OF EXTRACTIONS FROM THE SAN BERNARDINO BASIN  
AREA AND COLTON BASIN AREA WITHIN THE SAN BERNARDINO  
VALLEY MUNICIPAL WATER DISTRICT FOR USE ON LANDS NOT WITHIN  
WESTERN NOR TRIBUTARY TO THE RIVERSIDE NARROWS - CITY OF  
RIALTO. . . . . 11

CHAPTER II

DELIVERIES TO AREAS OTHER THAN CHINO BASIN. . . . . 12

MAP NO. 1

FONTANA UNION WATER COMPANY LANDS RECEIVING WATER EXTRACTED FROM  
THE SAN BERNARDINO BASIN AREA AND COLTON BASIN AREA WITHIN THE  
SAN BERNARDINO VALLEY MUNICIPAL WATER DISTRICT FOR USE ON LANDS  
NOT WITHIN WESTERN NOR TRIBUTARY TO THE RIVERSIDE NARROWS . . . . . 13

MAP NO. 2

WEST SAN BERNARDINO COUNTY WATER DISTRICT LANDS RECEIVING  
WATER EXTRACTED FROM THE SAN BERNARDINO BASIN AREA AND COLTON  
BASIN AREA WITHIN THE SAN BERNARDINO VALLEY MUNICIPAL WATER  
DISTRICT FOR USE ON LANDS NOT WITHIN WESTERN NOR TRIBUTARY  
TO THE RIVERSIDE NARROWS . . . . . 14

MAP NO. 3

CITY OF RIALTO AND LANDS THEREIN RECEIVING WATER EXTRACTED  
FROM THE SAN BERNARDINO BASIN AREA AND COLTON BASIN AREA  
WITHIN THE SAN BERNARDINO VALLEY MUNICIPAL WATER DISTRICT  
FOR USE ON LANDS NOT WITHIN WESTERN NOR TRIBUTARY TO  
THE RIVERSIDE NARROWS . . . . . 15

MAP NO. 4

SAN BERNARDINO VALLEY MUNICIPAL WATER DISTRICT'S MILL CREEK  
PIPELINE AND LANDS WITHIN YUCAIPA BASIN WHICH RECEIVE WATER  
DIVERTED FROM THE SAN BERNARDINO BASIN AREA . . . . . 16

VOLUME 7-1979

VERIFICATION OF EXTRACTIONS FROM THE  
SAN BERNARDINO BASIN AREA AND COLTON BASIN AREA  
WITHIN THE SAN BERNARDINO VALLEY MUNICIPAL WATER  
DISTRICT FOR USE ON LANDS NOT WITHIN  
WESTERN NOR TRIBUTARY TO THE RIVERSIDE NARROWS

INTRODUCTION

The settlement of the case of the Orange County Water District, Plaintiff, vs. City of Chino, et al, Defendants, being Case No. 117628 in the Superior Court of the State of California in and for the County of Orange, necessitated a settlement of the case of Western Municipal Water District, which was settled by Stipulated Judgment in Case No. 78426, entered in the Superior Court of the State of California in and for the County of Riverside, on April 17, 1969.

Paragraph X of the Judgment, entitled, "Replenishment to Offset New Exports of Water Not Tributary to the Riverside Narrows" recites as follows:

"Certain average annual amounts of water extracted from the San Bernardino Basin Area and the area downstream therefrom to Riverside Narrows during the five year period ending in 1963 have been exported for use outside the area tributary to Riverside Narrows . . ."

"San Bernardino Valley shall be obligated to provide replenishment for any increase over the exports from San Bernardino Valley for use in any area not within Western nor tributary to Riverside Narrows as set forth in Table C-2 of Appendix "C", such amounts being subject to correction by the Watermaster . . ."

Pursuant to the foregoing instructions, the Watermaster conducted an investigation of water produced within the Colton and San Bernardino Basin Areas and delivered to lands not within Western nor tributary to the Riverside Narrows. The results of this investigation which included

the five-year base period 1959-1963 as well as the verified production for the Calendar Years 1970 and 1971 were embodied in Report of Watermaster, Volume 7-Base Period 1959-1963 and 1970-1971, dated February, 1973.

During the verification of the extractions from the San Bernardino and Colton Basin Area for the Calendar Year 1973, the amounts previously verified for the base period 1959-1963 were revised. The revised verified amounts for the Base Period 1959-1963 are shown on Table A of this report. The verified amounts for 1975-1979 are shown on Table B.

Procedures and basic data used in preparation of Tables A and B are contained in the succeeding chapters of this report.

TABLE A

VERIFIED EXTRACTIIONS FROM THE  
SAN BERNARDINO BASIN AREA AND COLTON BASIN AREA  
WITHIN THE SAN BERNARDINO VALLEY MUNICIPAL WATER  
DISTRICT FOR USE ON LANDS NOT WITHIN  
WESTERN NOR TRIBUTARY TO THE RIVERSIDE NARROWS

<u>Deliveries To</u>	<u>Source In This Volume</u>	<u>1959-63 Average Annual Amount</u>
<u>Areas Within Chino Basin</u>	<u>Chapter I</u>	
Fontana Union Water Company	Table No. 1, Column No. 12	10,170*
West San Bernardino County Water District	Table No. 2, Column No. 7	1,806
City of Rialto	Table No. 3, Column No. 14	551**
<u>Areas Other Than Chino Basin</u>	<u>Chapter II</u>	
Yucaipa		0
San Timoteo		0
Oak Glen		0
Beaumont		<u>0</u>
Total		12,527

\* Original Verification of 10,903 acre feet revised to 10,170 acre feet during 1973 verification.

\*\* Original Verification of 781 acre feet revised to 551 acre feet during 1973 verification.

TABLE B

VERIFIED EXTRACTIONS FROM THE  
 SAN BERNARDINO BASIN AREA AND COLTON BASIN AREA  
 WITHIN THE SAN BERNARDINO VALLEY MUNICIPAL WATER  
 DISTRICT FOR USE ON LANDS NOT WITHIN  
 WESTERN NOR TRIBUTARY TO THE RIVERSIDE NARROWS

Deliveries To	Table No.	Refer To Col. No.	Deliveries By Calendar Years				5-Yr. Total	1975-79 Average	
			1975	1976	1977	1978			
<u>Areas Within Chino Basin</u>									
Fontana Union Water Company	1	12	15,775	15,427	14,343	16,830	20,768	83,143	16,629
West San Bernardino County Water District	2	7	1,535	1,965	1,948	1,914	1,950	9,312	1,862
City of Rialto	3	14	600	403	255	473	625	2,356	471
<u>Areas Other Than Chino Basin</u>									
Yucaipa	-	-	0	0	0	0	119	119	24
San Timoteo	-	-	0	0	0	0	0	0	0
Oak Glen	-	-	0	0	0	0	0	0	0
Beaumont	-	-	0	0	0	0	0	0	0
<b>Total</b>			<b>17,910</b>	<b>17,795</b>	<b>16,546</b>	<b>19,217</b>	<b>23,462</b>	<b>94,930</b>	<b>18,986</b>

CHAPTER I

DELIVERIES TO CHINO BASIN

The verified amounts set forth in this Chapter pertain solely to those extractions from the San Bernardino and Colton Basin Areas within the San Bernardino Valley Municipal Water District for use on lands situated within the Chino Basin.

The entities delivering water to this area include Fontana Union Water Company, West San Bernardino County Water District and the City of Rialto. Maps 1, 2 and 3 appended hereto delineate the boundaries of the three agencies respectively, and also show the lands within each agency which are not within Western nor tributary to the Riverside Narrows. For purposes of this determination such lands are considered as lying northerly of the groundwater divide separating the Riverside and Chino Basins and westerly of the Rialto-Colton Fault.

Deliveries to these areas within each agency have been determined as follows:



FONTANA UNION WATER COMPANY

The lands served by the Fontana Union Water Company which include the San Gabriel Valley Water Company and which are not within Western nor tributary to the Riverside Narrows are shown on Map No. 1. The location of wells and surface diversion facilities which produce water delivered to said lands are also shown.

The total production from the Colton and San Bernardino Basin Areas available for use on the nontributary lands have been determined by the sum of the following:

1. Production from Fontana Union Water Company wells situated within the Colton and San Bernardino Basin Areas and being within the San Bernardino Valley Municipal Water District as reported in Recordation Filings to the State Water Resources Control Board and verified by Watermaster with the exception that two wells situated on the Lytle Creek stream channel at Miller Narrows deliver water into the Lytle Powerhouse penstock. This water has been commingled with surface diversions and was excluded from the total well production.
2. Deliveries to Fontana Union Water Company's "Breedline" measured at the Fontana Powerhouse forebay Weir No. 4 and adjusted for deliveries to Breedline from Fontana Union Well No. 27.
3. Deliveries to the Fontana Union Water Company measured at their 20 foot weir diverting from the Fontana Powerhouse afterbay plus diversions from the afterbay for delivery to City of Rialto and Owl Service Rock Co.

The Item 3 deliveries to Fontana Union Water Company reckoned at the Fontana Powerhouse 20' Weir were measured by Fontana Union Water Company and the United States Geological Survey. Since United States Geological Survey measurements were based on data obtained by continuous stage recorder as opposed to instantaneous measurements by Fontana Union Water Company two to three times daily, the United States Geological Survey data were used for purposes of the determinations contained in this report. In addition to surface diversions from Lytle Creek, the

United States Geological Survey data also include an undetermined amount of water produced by the Miller Narrows Wells and may from time to time also include water obtained by temporary arrangements with other agencies diverting from the Fontana afterbay. For these reasons the amounts used by the Watermaster are for purposes of this report only (i.e. deliveries to Chino Basin) and are not to be construed as a Watermaster verification of the total production by Fontana Union Water Company from either San Bernardino Basin Area or Colton Basin Area.

In order to determine the net deliveries to the nontributary area (Chino Basin) the total was adjusted for deliveries to tributary areas as follows:

1. Deliveries to the City of San Bernardino from Fontana Union Well No. 1, reported by Fontana Union Water Company as total production of this well.
2. Water delivered to the Owl Service Rock Company located within the San Bernardino Basin Area as reported by Fontana Union Water Company.
3. Water delivered for use on citrus groves situated within the Colton Basin Area as reported by Fontana Union Water Company.
4. Water delivered to City of Rialto through West San Bernardino County Water District diversion facilities at Fontana Powerhouse afterbay.

The components of production and delivery by the Fontana Union Water Company for the five calendar years ending with 1963 and the years 1975 through 1979, together with the indicated deliveries to Chino Basin, are summarized in Table No. 1.

TABLE NO. 1

VERIFICATION OF EXTRACTIONS FROM THE  
 SAN BERNARDINO BASIN AREA AND COLTON BASIN AREA  
 WITHIN THE SAN BERNARDINO VALLEY MUNICIPAL WATER  
 DISTRICT FOR USE ON LANDS NOT WITHIN  
 WESTERN NOR TRIBUTARY TO THE RIVERSIDE NARROWS

FONTANA UNION WATER COMPANY  
 (Quantities in Acre Feet)

Year	PRODUCTION					DELIVERIES WITHIN SAN BERNARDINO VALLEY M.W.D.					Total	City of Rialto	Citrus	City of San B'dno.	Owl Service Rock Co.	City of San B'dno.	Citrus	City of Rialto	Total	Export to Chino Basin in San Bernardino Co. Non Tributary (12)
	San B'dno. Basin Area		Colton Basin		Total Prod.	Owl Service Rock Co.	City of San B'dno.	Citrus	City of Rialto	Total										
	Surface Water	Wells	Wells	Area																
	(1)	(2)	(3)	(4)	(5)	(6)	(7)	(8)	(9)	(10)	(11)									
1959	9,169	7,964	501	31	31	17,665	323	1,393	700	0	2,416	15,249								
1960	6,671	5,344	521	31	31	12,567	491	1,396	600	0	2,487	10,080								
1961	5,968	3,864	413	31	31	10,276	417	1,765	600	0	2,782	7,494								
1962	3,521	8,225	526	31	31	12,303	481	746	500	0	1,727	10,576								
1963	2,779	5,692	522	31	31	9,024	446	726	400	0	1,572	7,452								
5-Yr. Avg.						12,367					2,197									
1975	8,231	8,716	530	0	0	17,477	1,039	614	49	0	1,702	15,775								
1976	7,716	7,991	648	0	0	16,355	879	0	49	0	928	15,427								
1977	6,459	7,891	632	0	0	14,982	608	0	31	0	639	14,343								
1978	6,110	8,406	2,968	0	0	17,484	654	0	0	0	654	16,830								
1979	4,707	13,726	3,353	0	0	21,786	1,018	0	0	0	1,018	20,768								
5-Yr. Avg.						17,617					988									

Column explanation:

- (2) Table No. 1 of Volume No. 1 of the Watermaster Report (excluding Miller Narrows Wells Recordation No.'s 3600588 and 3600590 and Lytle Creek Diversion Recordation No. 3600591).
- (3) United States Geological Survey and Fontana Union Water Company records of diversions from Fontana Powerhouse Afterbay including deliveries to Owl Service Rock Co. and City of Rialto.
- (4) Line No. 17, for 1959-63 and Line No. 19 for 1971 to date on Table No. 4 of Volume No. 1 of the Watermaster Report (excludes production of Fontana Union Well No. 27, Recordation No. 3600582).
- (5) Table No. 1 of Volume No. 2 of the Watermaster Report (excluding Wells Rec. No.'s 3600577, 3600578 and 3600589 which are not within S.B.V.M.W.D.).
- (6) Sum of Columns (2) + (3) + (4) + (5).
- (7) Fontana Union Water Company Records.
- (8) Fontana Union Water Company Records Total Production of Fontana Union Well No. 1, Recordation No. 3600561.
- (9) Fontana Union Water Company Records.
- (10) Fontana Union Water Company Records.
- (11) Sum of Columns (7) + (8) + (9) + (10).
- (12) Difference of Column (6) minus Column (11).

Note: Table No. 1 revised during the 1973 verification.

WEST SAN BERNARDINO COUNTY WATER DISTRICT

The lands served by the West San Bernardino County Water District which are not within Western nor tributary to the Riverside Narrows are delineated on Map No. 2. Water delivered to said area was obtained from wells located within the Colton Basin and San Bernardino Basin Areas and surface diversions from Lytle Creek. In addition these lands also received water extracted from three wells within the Chino Basin.

The total deliveries to the nontributary area (Chino Basin) were based on the actual metered deliveries obtained from the records of the West San Bernardino County Water District. Since a portion of this water was supplied by wells located within the nontributary area, the total deliveries were reduced by the amount supplied by said wells. West San Bernardino County Water District reports that the production from these wells is used wholly within the Chino Basin. Subsequent to the 1959-1963 base period, the District records also include the Domestic and Commercial deliveries as determined from the meter books covering the nontributary area. These metered areas are also shown on Map No. 2.

The annual deliveries to nontributary areas by the West San Bernardino County Water District for the five calendar years ending with 1963 and the years 1975 through 1979 are summarized in Table No. 2.

TABLE NO. 2

VERIFICATION OF EXTRACTIIONS FROM THE  
SAN BERNARDINO BASIN AREA AND COLTON BASIN AREA  
WITHIN THE SAN BERNARDINO VALLEY MUNICIPAL WATER  
DISTRICT FOR USE ON LANDS NOT WITHIN  
WESTERN NOR TRIBUTARY TO THE RIVERSIDE NARROWS

WEST SAN BERNARDINO COUNTY WATER DISTRICT  
 (Quantities in Acre Feet)

Year	Deliveries in Chino Basin	Production From Chino Basin Wells Recordation No.			Total	Export To Chino Basin In San Bernardino Co. Nontributary
		3600379	3600380	3601005		
(1)	(2)	(3)	(4)	(5)	(6)	(7)
1959	3,103	133	498	233	864	2,239
1960	2,424	140	520	38	698	1,726
1961	3,046	158	559	297	1,014	2,032
1962	2,576	137	536	262	935	1,641
1963	2,225	100	509	227	836	1,389
5-Yr. Avg.	2,675				869	1,806
1975	2,340	426	379	0	805	1,535
1976	2,458	493	0	0	493	1,965
1977	1,995	47	0	0	47	1,948
1978	1,960	46	0	0	46	1,914
1979	1,950	0	0	0	0	1,950
5-Yr. Avg.	2,140				278	1,862

Column explanation:

- (2) Company records. Amount includes production of Wells #3600379, 3600380 & 3601005.
- (3) So. Calif. Water Co. Well #3600379 purchased by W.S.B.C.W.D. in 1970.
- (4) So. Calif. Water Co. Well #3600380 purchased by W.S.B.C.W.D. in 1970.
- (5) Former Citizens Land & Water Co. merged in 1962 to form W.S.B.C.W.D.
- (6) Column (3) + (4) + (5).
- (7) Column (2) minus (6). Deliveries in Chino Basin from production in San Bernardino Basin and Colton Basin Area.

## CITY OF RIALTO

The lands served by the City of Rialto which are not within Western nor tributary to the Riverside Narrows are delineated on Map No. 3. Water delivered to the City was produced from wells within the Colton and San Bernardino Basin Areas and surface diversions from Lytle Creek. In addition the City also receives water extracted from a well within the Chino Basin.

The production records and records of water purchased together with records of metered customer deliveries are furnished by the City of Rialto. The total water production delivered into the City's system has been determined as follows:

1. Production from City of Rialto wells situated within the Colton and San Bernardino Basin Areas as reported in Recordation Filings to the State Water Resources Control Board and verified from records furnished by the City.
2. Surface water diverted at Fontana Powerhouse afterbay and delivered to City of Rialto determined from City Records.
3. Water purchased by City of Rialto as determined from City Records.
4. Water produced in Chino Basin and delivered into City's system from Recordation Filing to the State Water Resources Control Board and City of Rialto records. Such water is produced from Well No. 3602270 and during the 1959-1963 base period was used solely for agricultural purposes in the Chino Basin. From 1966 to date this well delivered water into the City's domestic system and is considered to be used wholly within the Chino Basin.

Based on metered deliveries it was determined that the percentage of total production delivered to Chino Basin was about 18 percent as compared to the 28 percent used during the initial verification. The total production delivered to Chino Basin during the 1959-1963 base period was revised accordingly, and beginning in 1971 the actual metered deliveries were used. The amount delivered to the Chino Basin was reduced

by the total verified production within Chino Basin as set forth in Item (4) above, assuming that such production was used entirely within the Chino Basin as reported by the City. The remaining amount was considered representative of the total production from the Colton and San Bernardino Basin Areas exported to the Chino Basin by the City of Rialto.

Since the sewage effluent from the City Sewage Treatment Plant accrues to the Santa Ana River above the Riverside Narrows, the total exports were adjusted to reflect this return flow. Such adjustment was based on a percentage estimated at 32 percent for the year 1959 and increasing on a straight line basis to 40 percent in 1963. This assumption was predicated on the date of construction of the treatment plant and the gradual conversion of individual septic tanks and cesspools to the sewage system. Analysis of the production and sewage plant effluent discharge data indicates an average effluent discharge from water exported to Chino Basin of about 43 percent for the calendar year 1979. This amount is weighted to account for the domestic, agricultural and industrial deliveries through the City's domestic system and the difference in sewage return flow accruing from such uses.

The annual deliveries to nontributary areas for the five calendar years ending with 1963 and the years 1975 through 1979 are summarized in Table No. 3.

TABLE NO. 3

VERIFICATION OF EXTRACTIIONS FROM THE  
SAN BERNARDINO BASIN AREA AND COLTON BASIN AREA  
WITHIN THE SAN BERNARDINO VALLEY MUNICIPAL WATER  
DISTRICT FOR USE ON LANDS NOT WITHIN  
WESTERN NOR TRIBUTARY TO THE RIVERSIDE NARROWS

CITY OF RIALTO  
(Quantities in Acre Feet)

Year	San Bernardino Basin		Colton Basin		Purchased Water	Total Prod. Subject To Export	Chino Basin Well	Total Prod.	Water Required In Chino Basin	Chino Basin Well	San B'dno. & Colton Basins Export To Chino Basin	Percent Return Flow To Sewer Plant	Return Flow To Sewer Plant	Total Export From San B'dno. & Colton Basins - Nontributary
	Rialto Wells	Surface Water	Rialto Wells	City Of Rialto										
(1)	(2)	(3)	(4)	(5)	(6)	(7)	(8)	(9)	(10)	(11)	(12)	(13)	(14)	
1959	1,035	415	987	2,258	4,695	0	4,695	845	0	845	32%	270	575	
1960	1,69	625	808	3,052	4,654	0	4,654	838	0	838	34%	285	553	
1961	334	572	1,372	2,538	4,816	0	4,816	867	0	867	36%	312	555	
1962	481	587	1,477	2,398	4,943	0	4,943	890	0	890	38%	338	552	
1963	773	384	1,594	2,051	4,802	0	4,802	864	0	864	40%	346	518	
5-Yr. Avg.	558	517	1,248	2,459	4,782	0	4,782	861	0	861	-	310	551	
1975	2,358	928	2,744	0	6,030	0	6,030	1,072	0	1,072	44%	472	600	
1976	1,892	651	3,596	0	6,139	403	6,542	1,122	403	719	44%	316	403	
1977	2,346	1,111	1,757	0	5,214	691	5,905	1,147	691	456	44%	201	255	
1978	2,704	348	2,444	0	5,496	676	6,172	1,521	676	845	44%	372	473	
1979	4,533	690	1,039	0	6,262	497	6,759	1,594	497	1,097	43%	472	625	
5-Yr. Avg.					5,828	453	6,282	1,291	453	838		367	471	

Column explanation:

- (2) Verified extractions, Volume 1, Report of Watermaster. Excludes Lytle Creek Diversion #3601718. Includes Well 3601085 after acquisition by City of Rialto.
- (3) Metered Inflow to City of Rialto Filter Plant City of Rialto Records. Includes water delivered under stock entitlement City of Rialto owns in West San Bernardino County Water District and purchases from Fontana Union Water Co.
- (4) Verified extractions, Volume 2, Report of Watermaster. Includes production of Wells #3602269 & #3602271 after acquisition by City of Rialto.
- (5) City of Rialto Records of Purchases.
- (6) Sum Columns (2) + (3) + (4) + (5).
- (7) Well Recordation Files, Department of Water Resources and City of Rialto Production Records. Well #3602270 acquired by City of Rialto in 1966.
- (8) Sum Columns (6) + (7).
- (9) Metered deliveries in Chino Basin from City of Rialto Billing Records beginning 1971. Base period years revised during 1973 verification to reflect 18%. Average distribution of metered deliveries by City of Rialto records for years 1971 through 1974.
- (10) Same as Column (7).
- (11) Difference Column (9) minus Column (10).
- (12) Assumed for Base Period. 1971 to date estimated weighted average return flow percentage based on: 1) metered agricultural and park deliveries with no return flow, 2) metered residential deliveries at 40 percent return flow, and 3) metered industrial deliveries (Phototron Company) at 90 percent return flow.
- (13) Product Column (11) times Column (12).
- (14) Difference Column (11) minus Column (13) net export of water produced in San Bernardino & Colton Basin Areas to Chino Basin.

Table No. 3 revised during the 1973 verification.



VOLUME 7-1979

CHAPTER II

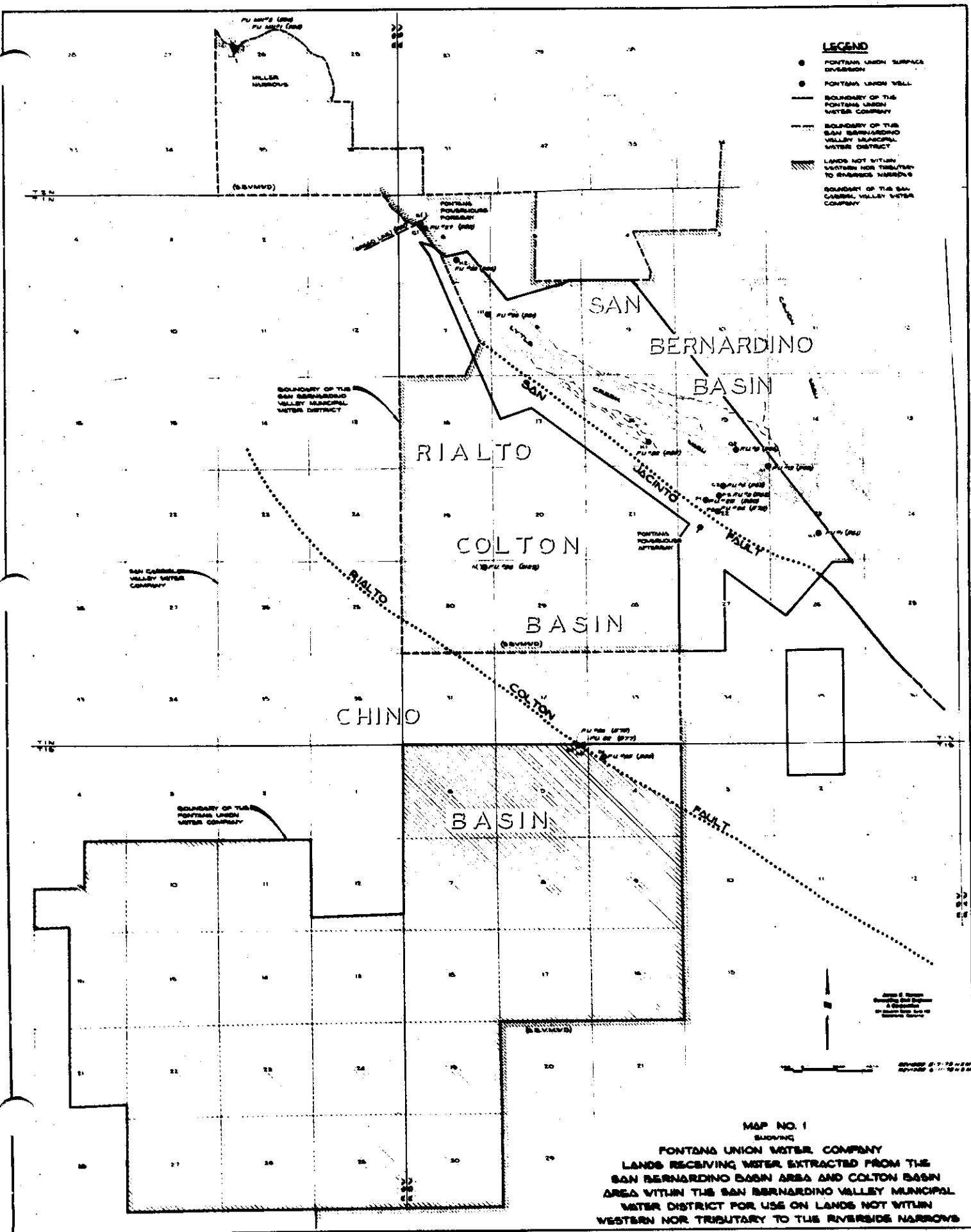
DELIVERIES TO AREAS OTHER THAN CHINO BASIN

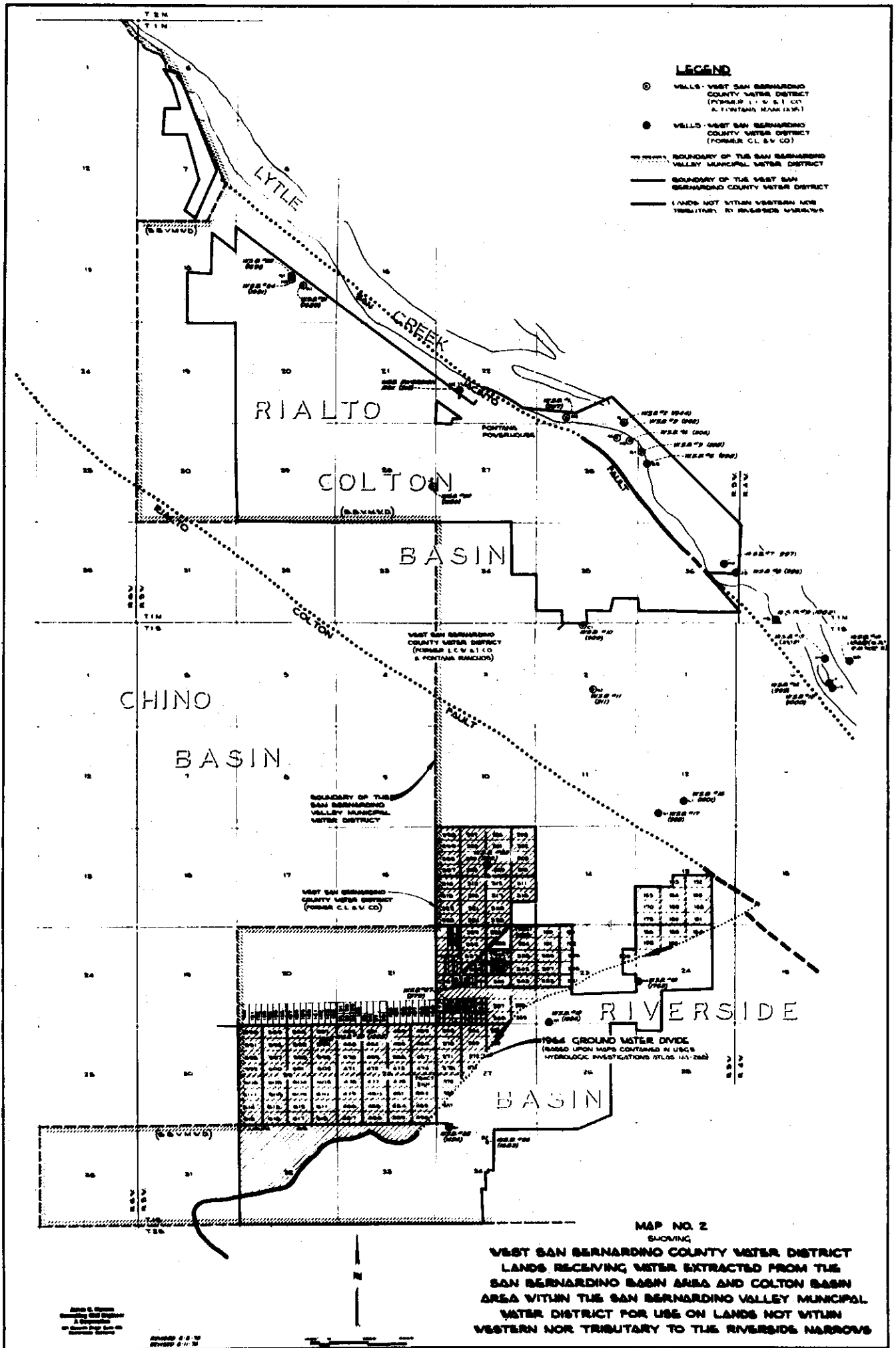
Paragraph X of the Judgment also provides for replenishment by San Bernardino Valley to the extent exports are made from the San Bernardino Basin Area for use in the Yucaipa, San Timoteo, Oak Glen and Beaumont Basins.

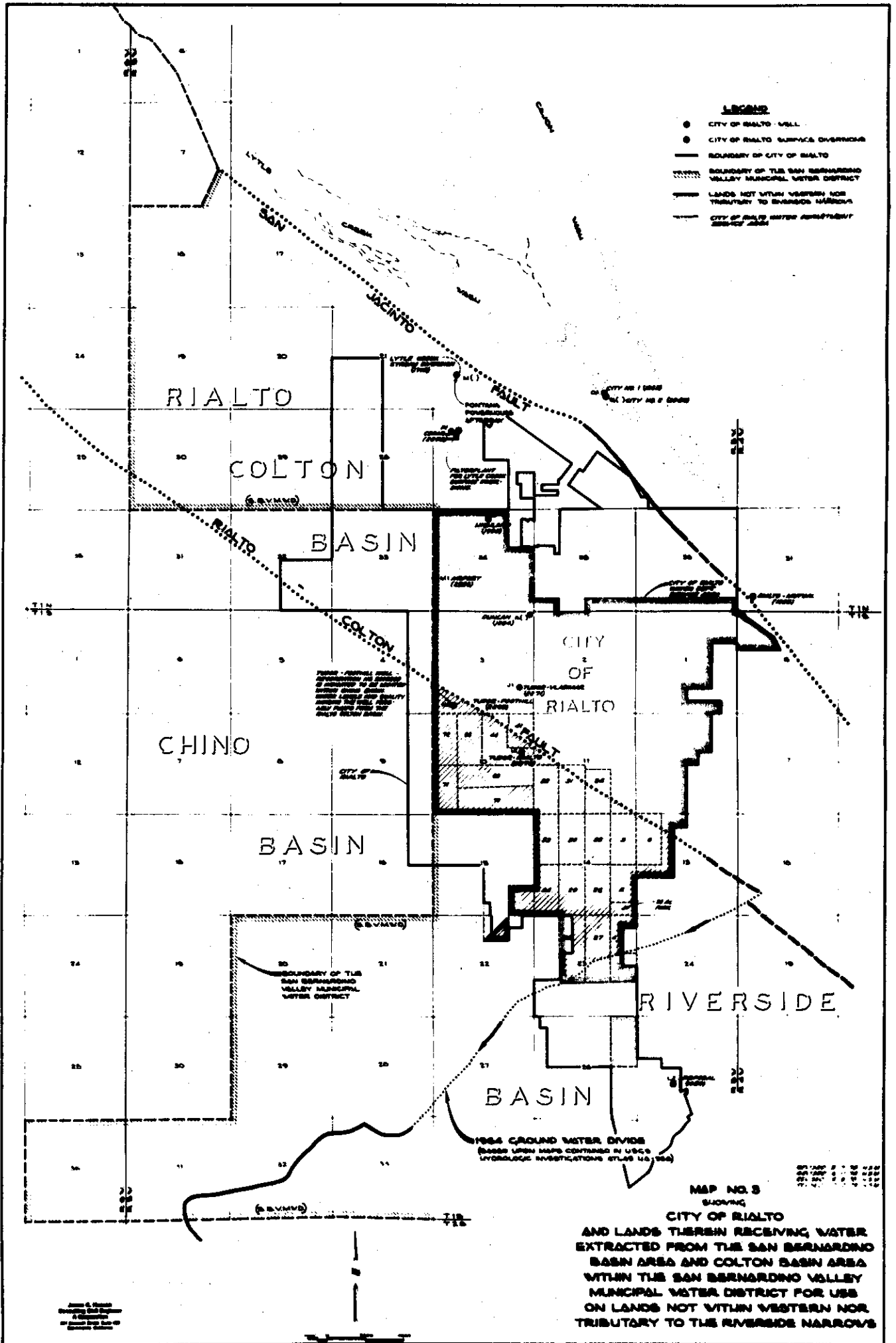
The results of the initial verification of production from the San Bernardino Basin Area indicates that such exports were not made during the five year base period 1959 through 1963 nor prior to the calendar year 1979.

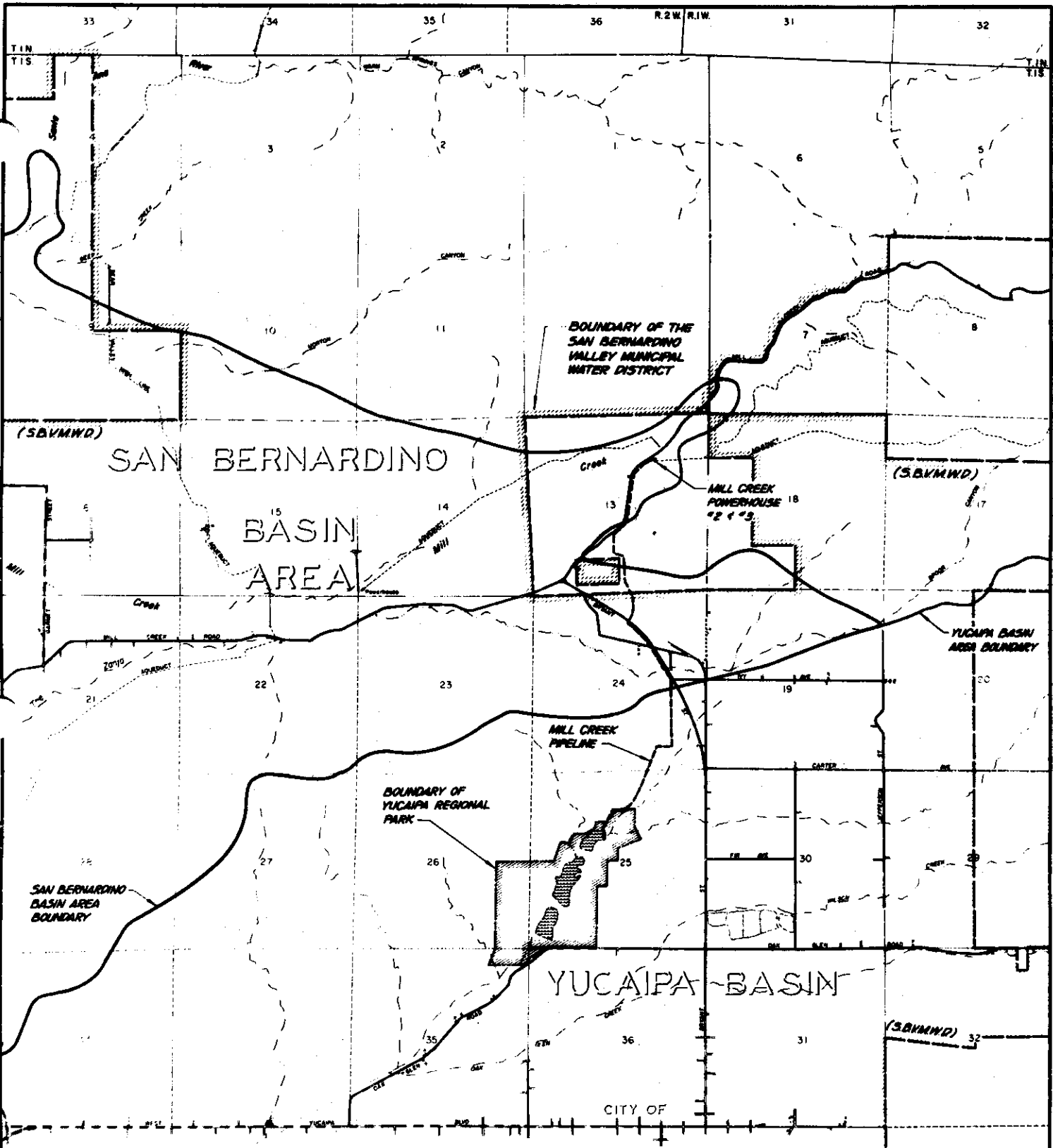
During 1979 San Bernardino Valley Municipal Water District completed construction of the "Mill Creek Pipeline" which conveys Mill Creek waters from the San Bernardino Basin Area to the Yucaipa Basin. Presently, only the Yucaipa Regional Park receives Mill Creek water which is used for maintenance of the reservoir levels, irrigation of the park and limited spreading for recharge of the Yucaipa Groundwater Basin. The location of the Mill Creek Pipeline and the Yucaipa Regional Park are shown on Map No. 4 which is appended hereto.

During the calendar year 1979, San Bernardino Valley Municipal Water District delivered 119 acre-feet of water to the Yucaipa Basin.









- LEGEND**
- BASIN BOUNDARY
  - BOUNDARY OF THE SAN BERNARDINO VALLEY MUNICIPAL WATER DISTRICT
  - YUCAIPA REGIONAL PARK
  - MILL CREEK PIPELINE

**MAP NO. 4**  
**SHOWING**  
**SAN BERNARDINO VALLEY MUNICIPAL WATER DISTRICT'S MILL CREEK PIPELINE AND LANDS WITHIN YUCAIPA BASIN WHICH RECEIVE WATER DIVERTED FROM THE SAN BERNARDINO BASIN AREA**

James C. Hanson  
 Consulting Civil Engineer  
 A Corporation  
 921 Eleventh Street, Suite 400  
 Sacramento, California

# Volume 8 -1979

REPORT OF WATERMASTER

Western Municipal Water District of Riverside County, et al  
Plaintiffs

vs.

East San Bernardino County Water District, et al  
Defendants

Superior Court of Riverside County

Case No. 78426

Volume 8 - 1979

GROUNDWATER SURFACE ELEVATIONS  
OF WELLS NUMBERED 1S/4W-21Q3  
1S/4W-29H1 AND 1S/4W-29Q1 LOCATED WITHIN  
THE COLTON BASIN AREA AND  
RIVERSIDE BASIN AREA IN SAN BERNARDINO COUNTY  
THROUGH DECEMBER 1980

ANNUAL ACCOUNTING

August 1, 1981

WATERMASTER

James C. Hanson  
Donald L. Harriger

VOLUME 8-1979

TABLE OF CONTENTS

	<u>Page</u>
INTRODUCTION . . . . .	i
<u>MAP NO. 1</u>	
SHOWING LOCATION OF WELLS . . . . .	1
<u>FIGURE NO. 1</u>	
1980 GROUNDWATER SURFACE ELEVATIONS (JOHNSON NO. 1) . . . . .	2
<u>FIGURE NO. 1A</u>	
ANNUAL LOWEST FALL STATIC GROUNDWATER ELEVATIONS, 1936-1980 1S/4W-21Q3 (JOHNSON NO. 1) . . . . .	3
<u>FIGURE NO. 2</u>	
1980 GROUNDWATER SURFACE ELEVATIONS, (FLUME NO. 2) . . . . .	4
<u>FIGURE NO. 2A</u>	
ANNUAL LOWEST FALL STATIC GROUNDWATER ELEVATIONS, 1936-1980 1S/4W-29H1 (FLUME NO. 2) . . . . .	5
<u>FIGURE NO. 3</u>	
1980 GROUNDWATER SURFACE ELEVATIONS (FLUME NO. 5) . . . . .	6
<u>FIGURE NO. 3A</u>	
ANNUAL LOWEST FALL STATIC GROUNDWATER ELEVATIONS, 1931-1980 1S/4W-29Q1 (FLUME NO. 5) . . . . .	7
<u>TABLE NO. 1</u>	
LOWEST STATIC WATER ELEVATIONS, 1963 AND 1970-1980 . . . . .	8
WELL MEASUREMENT RECORD, JOHNSON NO. 1, STATE WELL NUMBER 1S/4W-21Q3 . . . . .	9
WELL MEASUREMENT RECORD, FLUME NO. 2, STATE WELL NUMBER 1S/4W-29H1 . . . . .	21
WELL MEASUREMENT RECORD, FLUME NO. 5, STATE WELL NUMBER 1S/4W-29Q1 . . . . .	33



VOLUME 8-1979

GROUNDWATER SURFACE ELEVATIONS  
OF WELLS NUMBERED 1S/4W-21Q3,  
1S/4W-29H1 AND 1S/4W-29Q1 LOCATED WITHIN  
THE COLTON BASIN AREA AND  
RIVERSIDE BASIN AREA IN SAN BERNARDINO COUNTY

INTRODUCTION

The settlement of the case of the Orange County Water District, Plaintiff, vs. City of Chino, et al, Defendants, being Case No. 117628 in the Superior Court of the State of California in and for the County of Orange, made necessary a settlement of the case of Western Municipal Water District of Riverside County, et al, vs. East San Bernardino County Water District, which was settled by Stipulated Judgment in Case No. 78426, entered in the Superior Court of the State of California in and for the County of Riverside, on April 17, 1969.

Paragraph VIII of the judgment entitled "Extractions from Colton Basin Area and Riverside Basin Area in San Bernardino County" in subparagraph (d) recites as follows:

VIII "Extractions from the Colton Basin Area and that portion of the Riverside Basin Area within San Bernardino County, for use within San Bernardino Valley, shall not be limited. However, except for any required replenishment by Western, San Bernardino Valley shall provide the water to maintain the static water levels in the area, as determined by wells numbered 1S/4W-21Q3, 1S/4W-29H1, and 1S/4W-29Q1 at an average level no lower than that which existed in the Fall season of 1963. Such 1963 average water level is hereby determined to be 822.04 feet above sea level. In future years, the level shall be computed by averaging the lowest static water levels in each of the three wells occurring at or about the same time of the year, provided that no measurements will be used which reflect the undue influence of pumping in nearby wells, or in the three wells, or pumping from the Riverside Basin in Riverside in the three wells, or pumping from the Riverside Basin in Riverside County in excess of that determined pursuant to Paragraph IX(a) hereof."

Pursuant to the foregoing, the Watermaster has compiled all available records and data pertinent to the water surface elevation in the three key wells named in the Judgment and shown on Map No. 1. These data, including elevations through December 1971, are presented in "Report of Watermaster, Volume 8" dated June, 1972.

Groundwater elevations of the key wells for calendar years 1972 through 1979 are presented in "Report of Watermaster", Volume 8-1971 through Volume 8-1978. This report includes the detail data for calendar year 1980 along with graphical summaries of historic water level elevations.

Figures 1, 2 and 3 graphically display the specific static water elevations for each key well that were used to select the lowest elevation for calendar year 1980. Figures 1A, 2A and 3A show the lowest fall static water elevation recorded each year for each of the three wells since about 1935.

Table 1 presents the lowest static water surface elevation for each well and the average low elevation for the three wells for calendar year 1963 and calendar years 1970 through 1980.

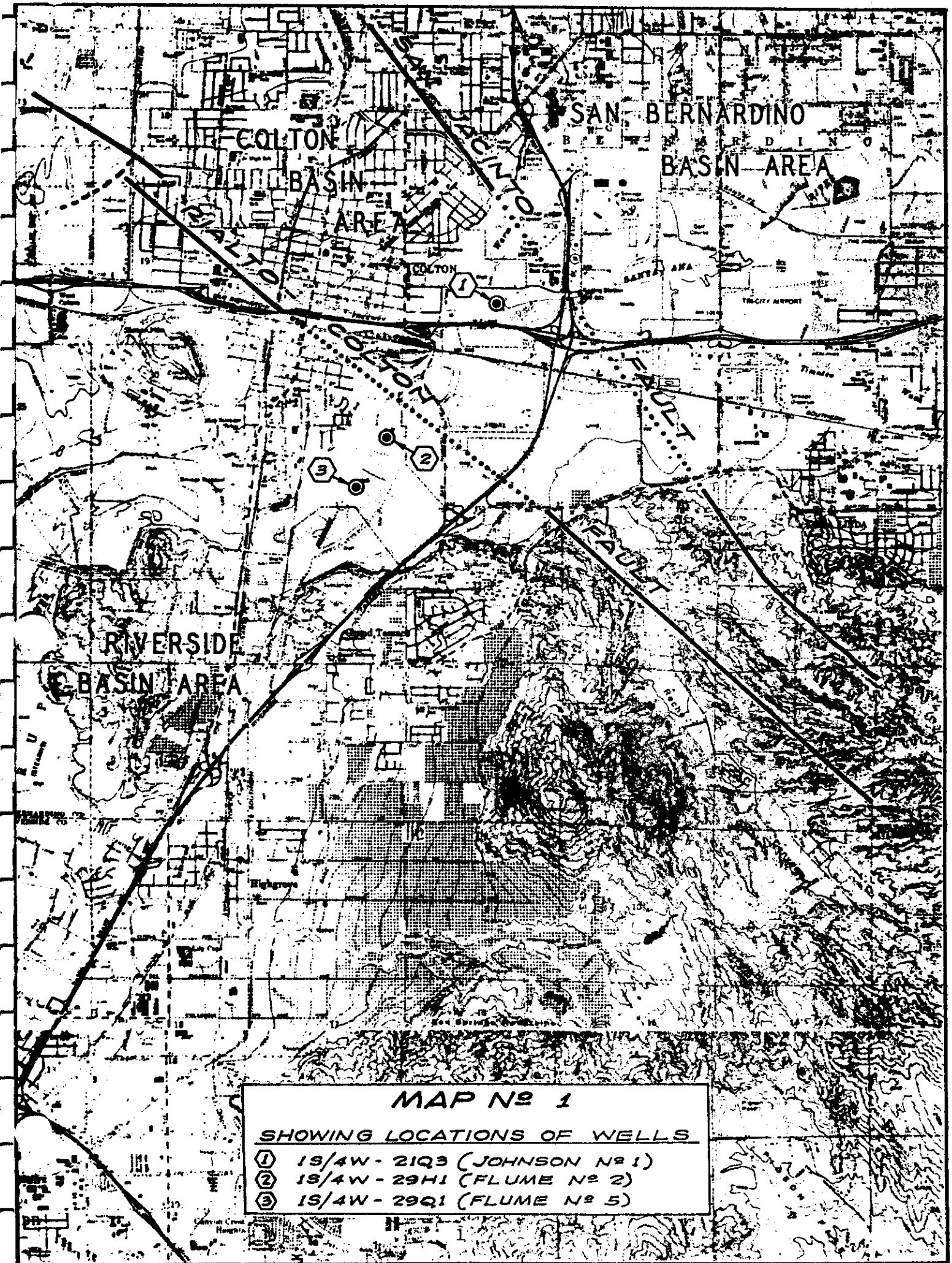
The basic data compiled in tabular form at the end of this report is based on measurements of depth to water by the City of Riverside (C of R), the United States Geological Survey (USGS), San Bernardino Valley Municipal Water District (SBVMWD) and Western Municipal Water District (WMWD).

The City of Riverside established a new measurement point for the Flume No. 5 well in June 1976. The elevation of this new reference point has been established as 917.75 feet above sea level. Therefore, there are now two reference points available for use on the Flume 5 well. The well record tables included in this report indicate which reference point was used for each measurement since 1976.

Monthly measurements of the key wells by the USGS began in October of 1972 under a cooperative agreement with SBVMWD. In July 1974, the USGS agreement was terminated and the SBVMWD staff has continued the monthly measurements.

Using the City of Riverside, San Bernardino Valley Municipal Water District and Western Municipal Water District data, the average of the lowest static level in each well has been determined to be at elevation 907.38 feet for 1980. This elevation is 85.34 feet higher than the 1963 minimum required by the Judgment.

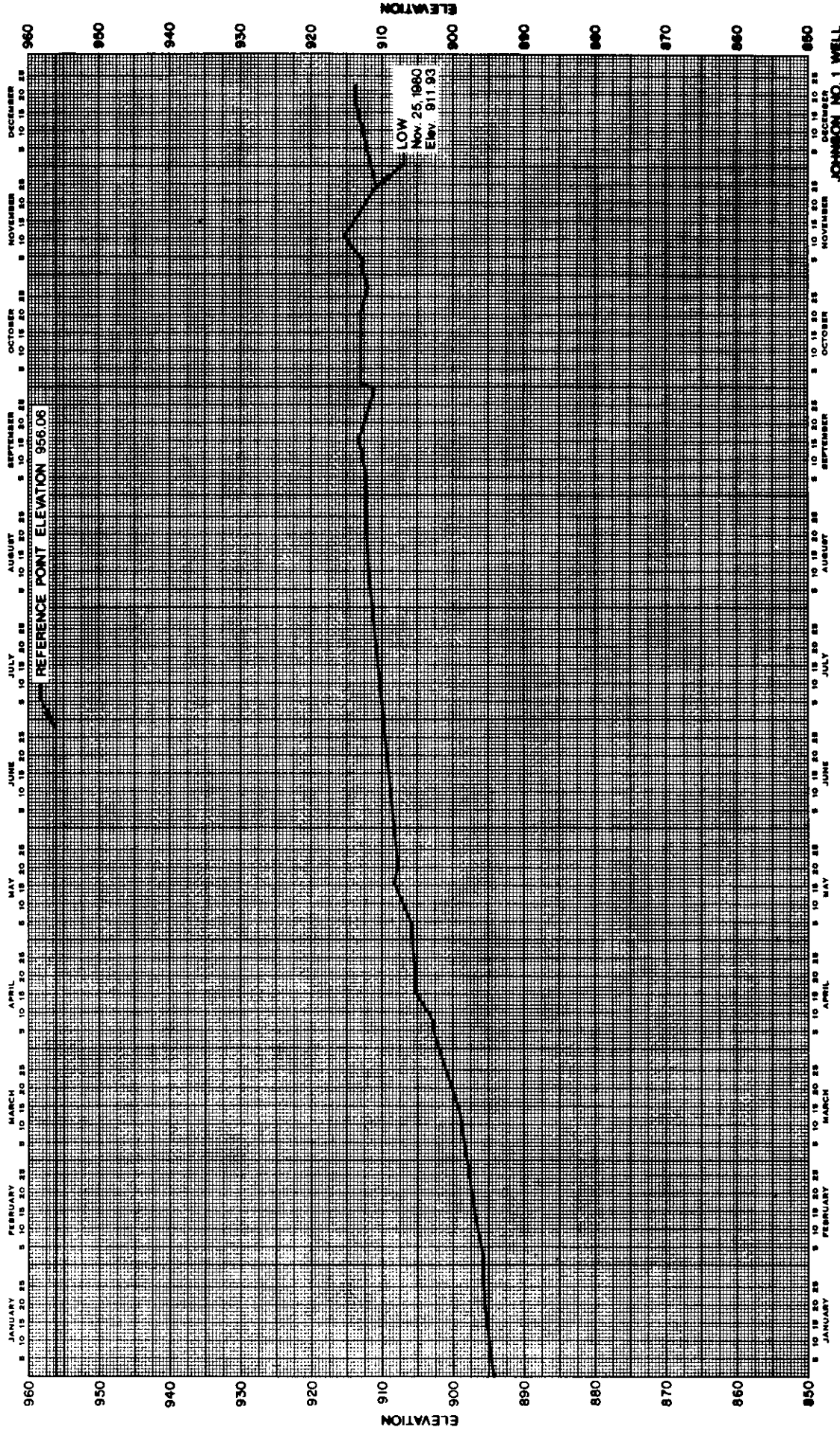
During 1979 and 1980, flow in the Santa Ana River caused channel erosion of about 5 feet in the vicinity of the Flume No. 5 well and the river was flowing immediately adjacent to the well most of the year. Since the ground in the vicinity of the well was essentially saturated during 1980, the elevation of the water in the well was about the same as the elevation of flow in the river. However, as a result of the channel erosion, the elevation of the water table in 1980 was about 10 feet less than in prior years when a similar saturated condition existed.



# GROUNDWATER SURFACE ELEVATION JOHNSON NO. 1 WELL

1980

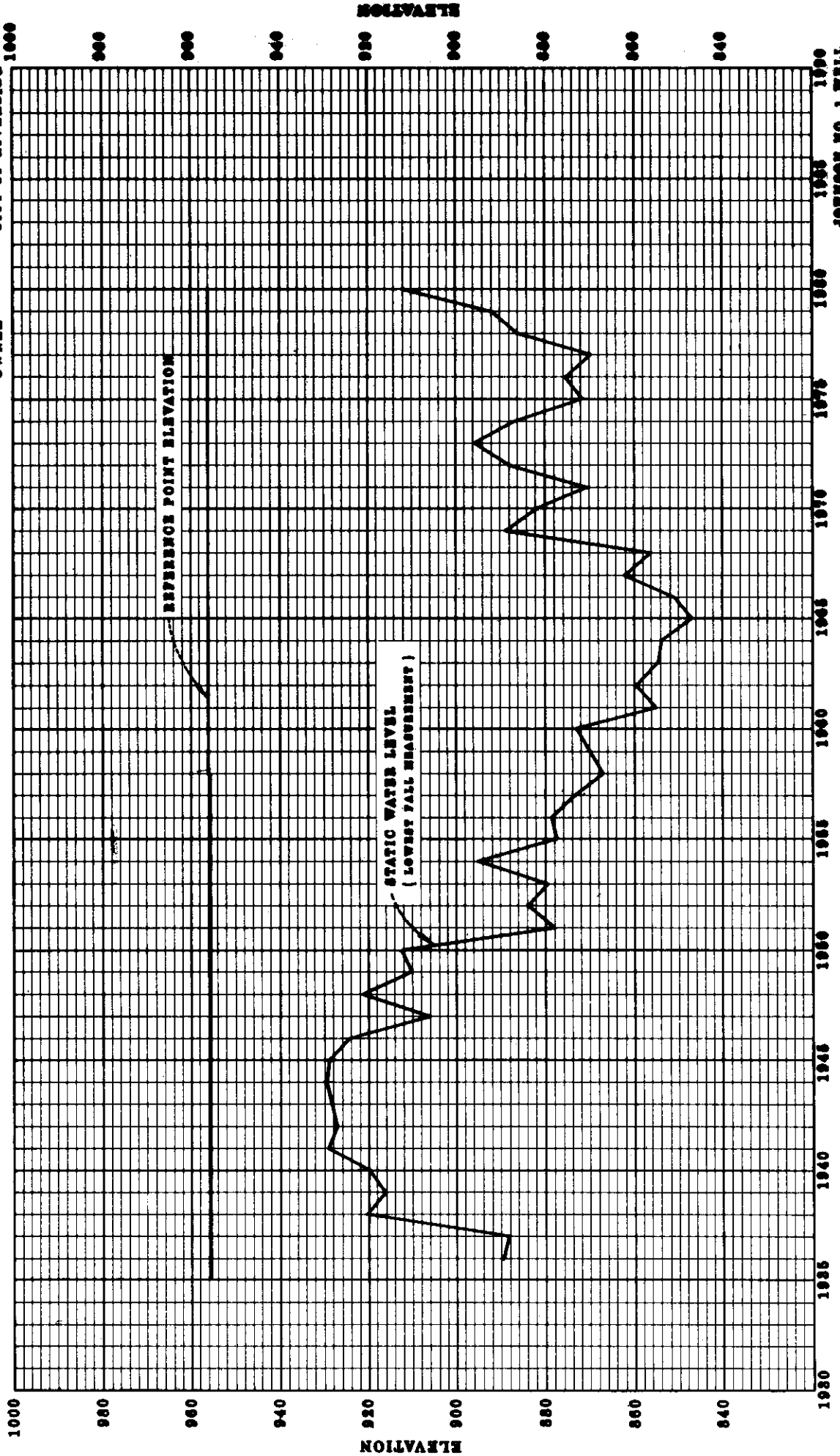
STATE WELL NUMBER 18/4W - 21Q3  
 RECORDATION NUMBER 36 - 01490  
 BASIN COLTON  
 OWNER CITY OF RIVERSIDE



JOHNSON NO. 1 WELL  
FIGURE NO. 1

**LOWEST FALL STATIC  
GROUNDWATER ELEVATIONS  
JOHNSON NO. 1 WELL**

STATE WELL NUMBER 18/4W-2198  
 RECORDATION NUMBER 88-01008  
 BASIN COLTON  
 OWNER CITY OF RIVERSIDE



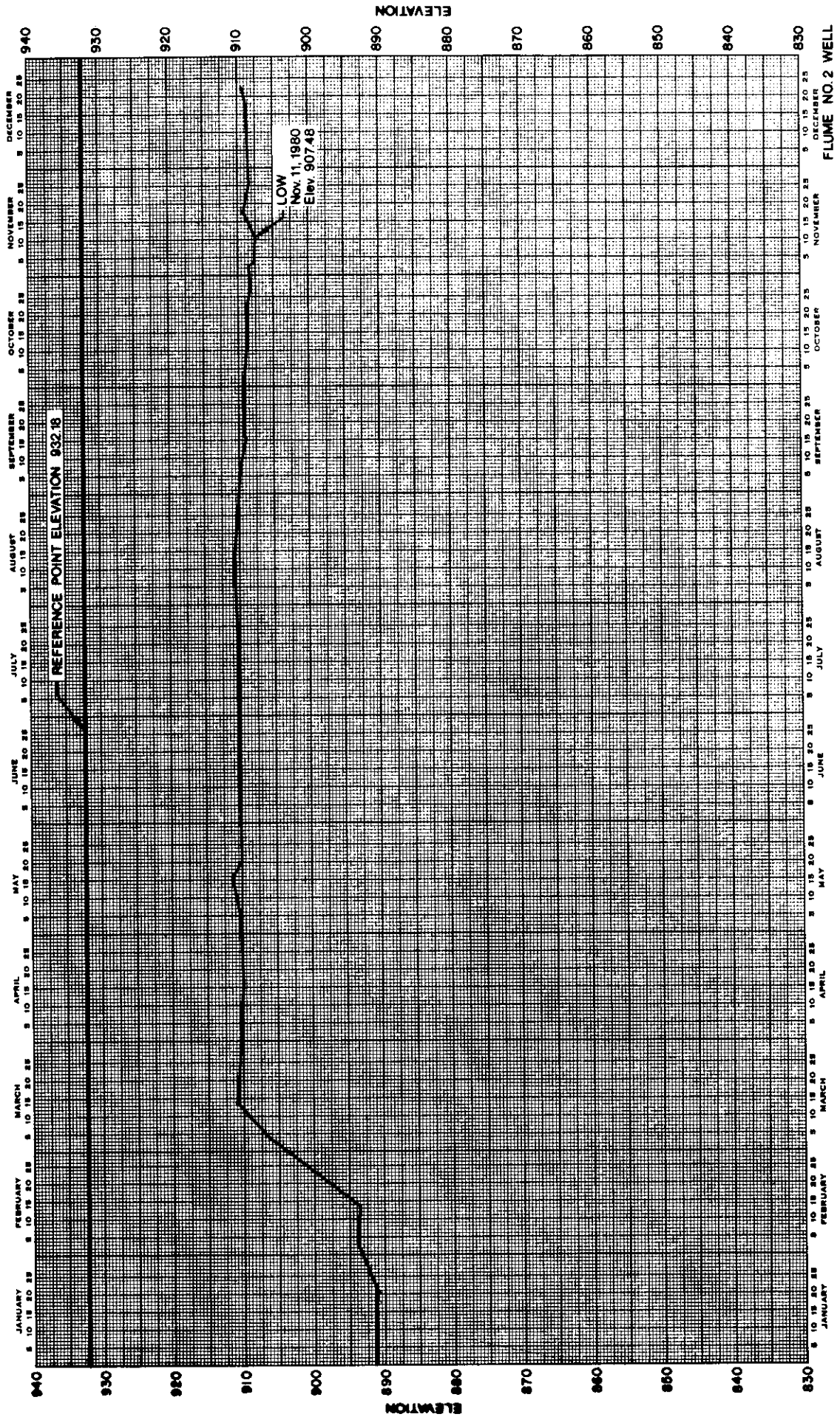
JOHNSON NO. 1 WELL  
 FIGURE NO. 1A



# GROUNDWATER SURFACE ELEVATION FLUME NO. 2 WELL

1980

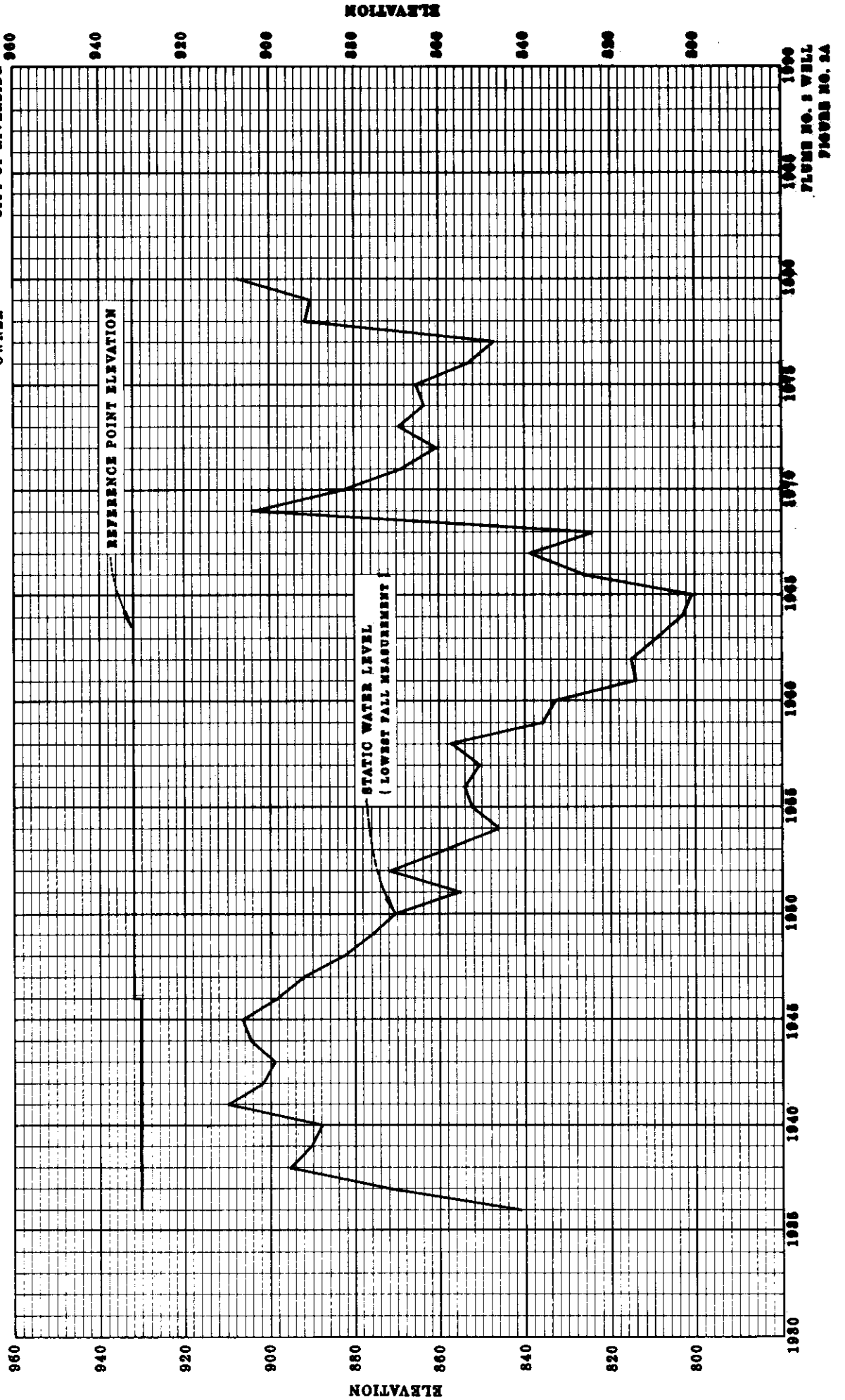
STATE WELL NUMBER 1S/4W - 29H1  
 RECORDATION NUMBER 38 - 01484  
 BASIN RIVERSIDE  
 OWNER CITY OF RIVERSIDE



FLUME NO. 2 WELL  
FIGURE NO. 2

**LOWEST FALL STATIC  
GROUNDWATER ELEVATIONS  
FLUME NO. 2 WELL**

STATE WELL NUMBER 1874W-39H1  
 RECORDATION NUMBER 86-01484  
 BASIN RIVERSIDE  
 OWNER CITY OF RIVERSIDE



ELEVATION

ELEVATION

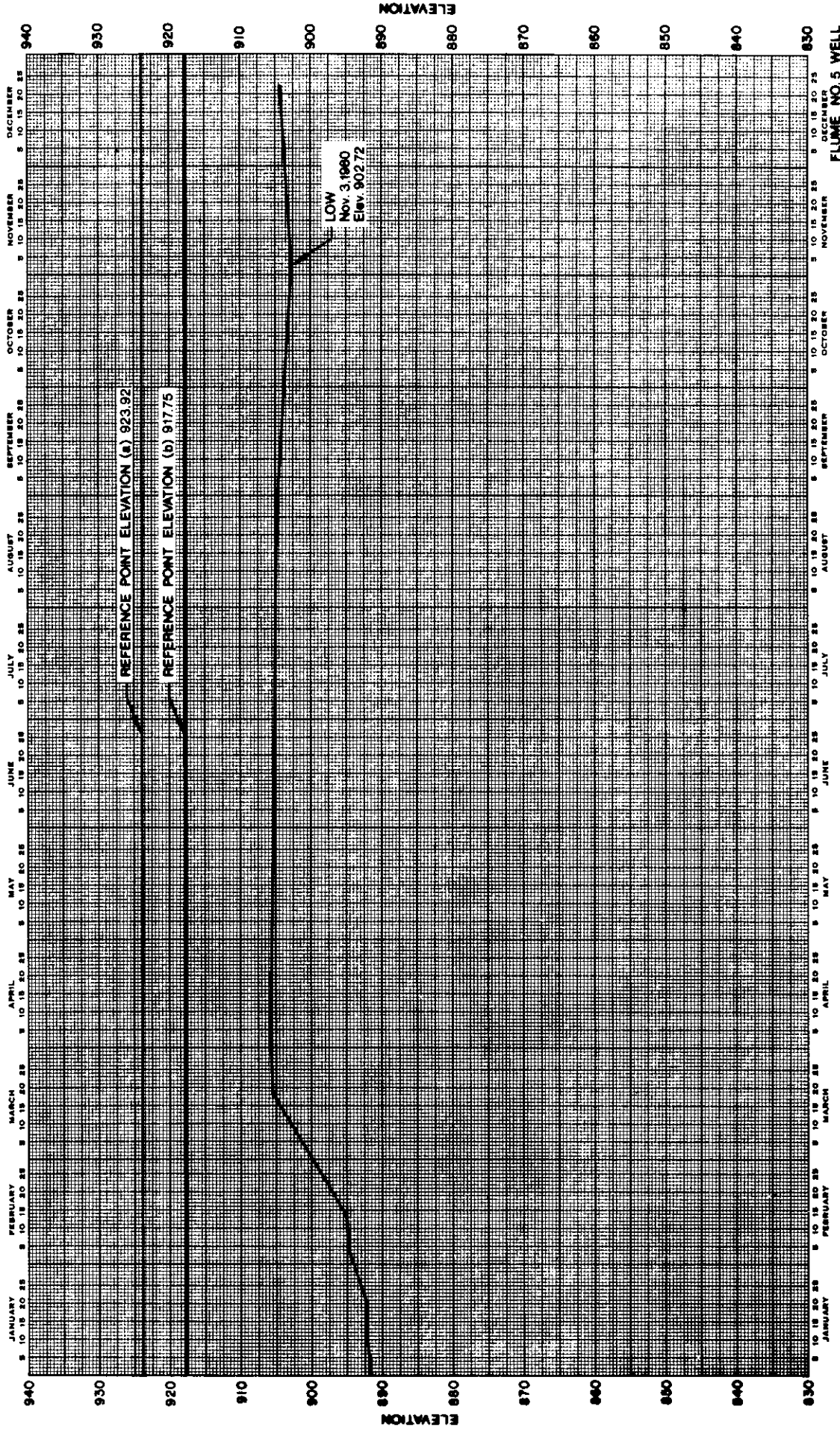
1930 1935 1940 1945 1950 1955 1960 1965 1970 1975 1980 1985 1990  
 FLUME NO. 2 WELL  
 FIGURE NO. 2A



# GROUNDWATER SURFACE ELEVATION FLUME NO. 5 WELL

1980

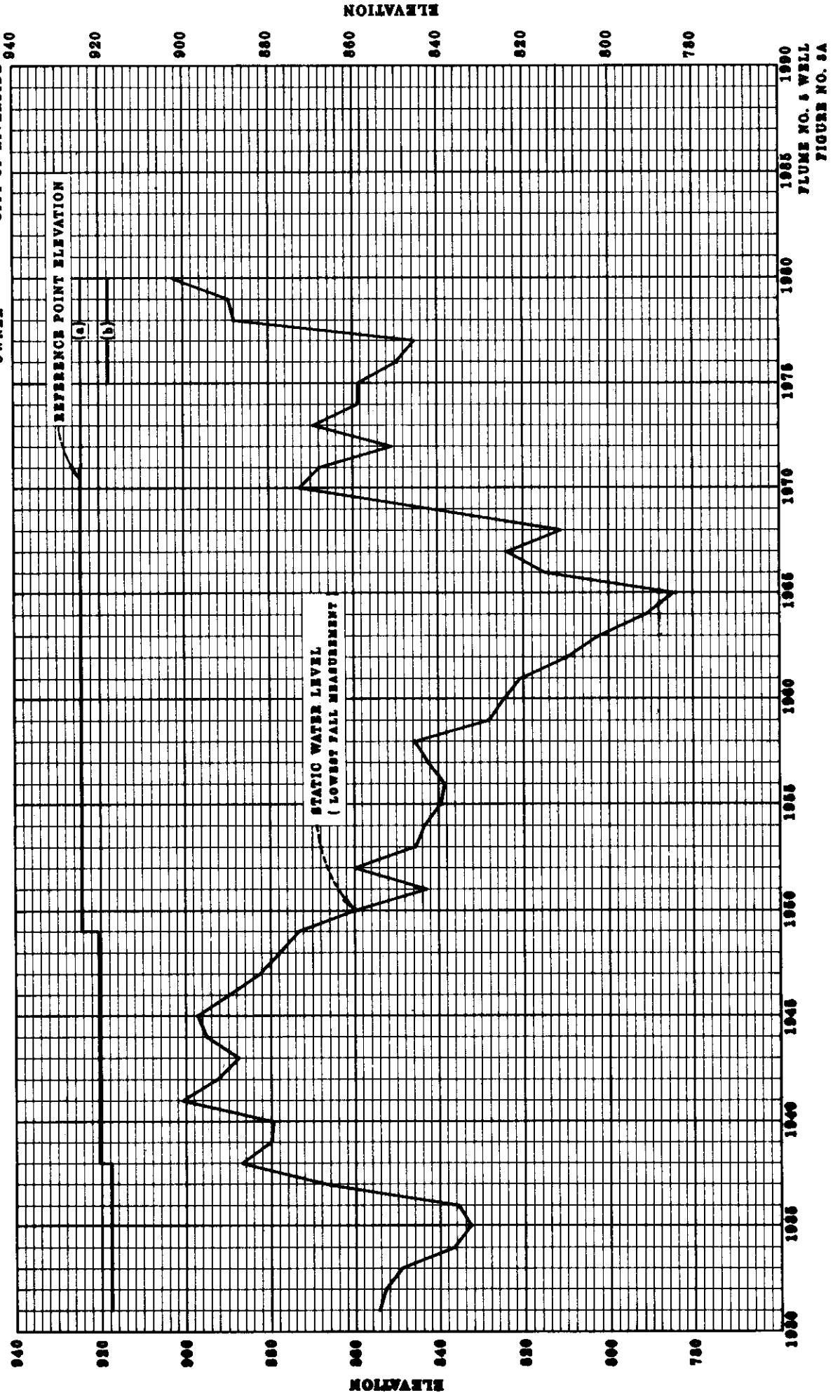
STATE WELL NUMBER 1S/AW - 29Q1  
 RECORDATION NUMBER 36 - 01487  
 BASIN RIVERSIDE  
 OWNER CITY OF RIVERSIDE



FLUME NO. 5 WELL  
FIGURE NO. 3

**LOWEST FALL STATIC  
GROUNDWATER ELEVATIONS  
FLUME NO. 5 WELL**

STATE WELL NUMBER 18/4W-29Q1  
 RECORDATION NUMBER 86-01487  
 BASIN RIVERSIDE  
 OWNER CITY OF RIVERSIDE



FLUME NO. 5 WELL  
 FIGURE NO. 3A

TABLE NO. 1

LOWEST STATIC WATER LEVEL  
ELEVATION IN WELLS NUMBERED  
1S/4W-21Q3, 1S/4W-29H1 & 1S/4W-29Q1  
FOR YEARS 1963 AND 1970 THROUGH 1980

STATIC WATER LEVEL ELEVATION

Well #1S/4W-21Q3  
Johnson No. 1

Well #1S/4W-29H1  
Flume No. 2

Well #1S/4W-29Q1  
Flume No. 5

Calendar Year	Lowest Static W.S. Elev.	Date Recorded	Lowest Static W.S. Elev.	Date Recorded	Lowest Static W.S. Elev.	Date Recorded	Total of Three Wells	Average of Three Wells
1963	854.56	Aug. 1	809.28	Sept. 20	802.27	Sept. 19	2466.11	822.04*
1970	881.66	Aug. 17	882.38	Nov. 2	872.47	Oct. 12	2636.51	878.84
1971	870.26	Oct. 4	869.08	Oct. 4	867.92	Sept. 27	2607.26	869.09
1972	888.46	Nov. 20	860.58	Nov. 27	850.52	Nov. 20	2599.56	866.52
1973	895.26	Nov. 16	869.48	Nov. 20	869.42	Oct. 30	2634.16	878.05
1974	887.05	Oct. 24	863.78	Oct. 31	858.82	Oct. 22	2609.65	869.88
1975	871.36	Nov. 12	865.48	Nov. 19	858.48	Nov. 12	2595.32	865.11
1976	875.88	July 15	853.08	Jun. 30	849.63	July 15	2578.59	859.53
1977	869.66	Dec. 6	847.18	Dec. 27	845.45	Dec. 27	2562.29	854.09
1978	886.06	Nov. 21	891.63	Nov. 15	888.05	Nov. 6	2665.74	888.58
1979	892.06	Oct. 11	890.48	Oct. 11	889.25	Oct. 16	2671.79	890.59
1980	911.93	Nov. 25	907.48	Nov. 11	902.72	Nov. 3	2722.13	907.38

\* Minimum Average Water level as provided for in the Section VIII (d) of the Judgment.

ENGINEERING OFFICE  
ALBERT A. WEBB ASSOCIATES  
RIVERSIDE, CALIFORNIA

NUMBER 1S/4W-2103

Colton Basin

LOCAL DESIGNATION \_\_\_\_\_

RP = 956.06

## WELL RECORD

Johnson #1

DATE	OBTAINED FROM	DIST. R. P. TO WATER	ELEVATION OF WATER	REMARKS
<b>1971</b>				
11- 9	C of R	79.9	876.16	Static
11-15	"	78.5	877.56	"
11-22	"	78.1	877.96	"
12- 1	"	119.6	836.46	"
12- 6	"	77.8	878.26	"
12-13	"	77.5	878.56	"
12-20	"	77.3	878.76	"
12-27	"	65.1	890.96	"
<b>1972</b>				
1- 3	C of R	63.4	892.66	Static
1-10	"	60.4	895.66	"
1-17	"	58.9	897.16	"
1-19	"	113.7	842.36	Pumping
1-24	"	61.4	894.66	Static
2- 1	"	58.5	897.56	"
2- 7	"	59.2	896.86	"
2-14	"	124.0	832.06	Pumping
2-21	"	128.5	827.56	"
2-28	"	127.5	828.56	"
3- 6	"	62.0	894.06	Static
3-13	"	60.1	895.96	"
3-20	"	133.5	822.56	Pumping
3-27	"	61.7	894.36	Static
4- 1	"	59.8	896.26	"
4-10	"	59.7	896.36	"
4-17	"	132.4	823.66	Pumping
4-24	"	132.9	823.16	"
5- 1	"	27.8	?	Static (Looks like Johnson #3)
5- 8	"	66.5	889.56	"
5-15	"	135.0	821.06	Pumping
5-22	"	80.0	876.06	Static
5-29	"	81.2	874.86	"
6- 1	"	131.9	824.16	Pumping
6- 5	"	132.1	823.96	"
6-12	"	68.2	887.86	Static
6-19	"	79.8	876.26	"
6-26	"	132.6	823.46	Pumping
7- 1	"	135.1	820.96	"
7-10	"	131.4	824.66	"
7-17	"	140.8	815.26	"
7-24	"	139.9	816.16	"
7-31	"	140.2	815.86	"
8-26	"	140.8	815.26	"
9- 1	"	139.2	816.86	"
9-11	"	86.0	870.06	Static
9-18	"	70.0	886.06	"
9-25	"	68.8	887.26	"
10-16	"	68.1	887.96	"
10-24	"	67.8	888.26	"
10-30	"	67.6	888.46	"
11- 6	"	67.5	888.56	"

Colton Basin

RIVERSIDE, CALIFORNIA

LOCAL DESIGNATION \_\_\_\_\_

RP = 956.06

**WELL RECORD**

Johnson #1

DATE	OBTAINED FROM	DIST. R. P. TO WATER	ELEVATION OF WATER	REMARKS
<b>1972</b>				
11-9	USGS	64.69		
11-14	C of R	67.2	888.86	Static
11-20	"	67.6	888.46	" (Low)
11-27	"	67.2	888.86	"
11-28	USGS	63.75	892.31	
12-4	C of R	67.4	888.66	"
12-18	"	61.6	894.46	"
12-26	"	61.9	894.16	"
12-27	USGS	62.30	893.76	"
<b>1973</b>				
1-2	C of R	63.3	892.76	Static
1-8	"	63.1	892.96	"
1-22	"	63.5	892.56	"
1-29	"	62.5	893.56	"
2-5	"	63.7	892.36	" Feb.5 USGS 61.78 = 894.28
2-20	"	63.5	892.56	" Feb.22 USGS 59.20 = 896.86
2-26	"	63.0	893.06	"
3-5	"	63.4	892.66	"
3-12	"	63.6	892.46	"
3-21	"	59.2	896.86	"
4-1	"	58.2	897.86	" Apr.2 USGS 57.30 = 898.76
4-16	"	57.6	898.46	"
4-23	"	57.9	898.16	" Apr.26 USGS 59.04 = 897.02
5-8	"	58.2	897.86	"
5-27	"	61.0	895.06	"
5-30	USGS	59.99	896.07	"
6-11	C of R	61.1	894.96	"
6-18	"	62.0	894.06	"
6-26	"	61.3	894.76	"
7-1	"	61.5	894.56	"
7-3	USGS	58.08	897.98	"
7-9	C of R	58.8	897.26	"
7-16	"	58.6	897.46	"
7-23	"	58.7	897.36	"
7-25	USGS	57.41	898.65	"
8-6	C of R	57.7	898.36	"
8-13	"	57.6	898.46	"
8-20	"	57.5	898.56	"
8-28	USGS	57.84	898.22	"
9-1	C of R	58.7	897.36	"
9-10	"	58.4	897.66	"
9-16	"	58.3	897.76	"
10-1	"	57.9	898.16	"
10-1	USGS	58.64	897.42	"
10-8	C of R	58.2	897.86	"
10-16	"	59.4	896.66	"
10-23	"	59.6	896.46	"
10-30	"	59.5	896.56	"
10-30	USGS	59.67	896.39	"
11-6	C of R	60.5	895.56	"
11-13	"	59.8	896.26	"

ENGINEERING OFFICE  
**ALBERT A. WEBB ASSOCIATES**

NUMBER 1S/4W-21Q3

RIVERSIDE, CALIFORNIA

Colton Basin

LOCAL DESIGNATION \_\_\_\_\_

RP = 956.06

**WELL RECORD**

Johnson #1

DATE	OBTAINED FROM	DIST. R. P. TO WATER	ELEVATION OF WATER	REMARKS
<b>1973</b>				
11-16	USGS	60.80	895.26	Static (Low)
11-20	C of R	60.2	895.86	"
11-27	"	60.5	895.56	"
12-1	"	60.1	895.96	"
12-4	"	60.1	895.96	"
12-5	USGS	60.01	896.05	"
12-11	C of R	60.1	895.96	"
12-18	"	60.0	896.06	"
12-26	C of R	59.8	896.26	"
<b>1974</b>				
1-1	C of R	59.2	896.86	"
	USGS	59.37	896.69	"
1-8	C of R	59.4	896.66	"
1-8	USGS	58.98	897.08	"
1-15	C of R	59.6	896.46	"
1-16	USGS	59.20	896.86	"
1-22	C of R	58.6	897.46	"
1-29	"	58.8	897.26	"
2-1	"	58.3	897.76	"
2-5	"	58.4	897.66	"
2-6	USGS	57.91	898.15	"
2-12	C of R	57.4	898.66	"
2-26	"	72.0	884.06	" Vaughn Well Pumping
3-5	"	60.5	895.56	"
3-12	"	60.4	895.66	"
3-12	USGS	60.50	895.56	"
3-19	C of R	58.2	897.86	"
3-26	"	58.2	897.86	"
4-2	"	125.3	830.76	Pumping
4-4	USGS	-	-	Pumping
4-9	C of R	124.4	831.66	"
4-17	"	62.4	893.66	Static
4-23	"	60.3	895.76	"
4-30	"	60.9	895.16	"
5-7	"	76.3	879.76	" Vaughn Well Pumping
5-14	"	61.3	894.76	"
5-21	"	71.6	884.46	" Vaughn Well Pumping
5-28	"	61.5	894.56	"
5-31	USGS	60.50	895.56	"
6-5	C of R	67.5	888.56	" Vaughn Well Pumping
6-11	"	65.6	890.46	"
6-19	"	66.4	889.66	"
6-25	"	65.4	890.66	"
6-27	USGS	61.20	894.86	"
7-9	C of R	125.1	830.96	Pumping
7-16	SBVMWD	66.40	889.66	Static
7-17	C of R	66.4	889.66	"
7-24	"	120.3	835.76	Pumping
7-25	SBVMWD	126.90	829.16	"
7-29	"	125.10	830.96	"
7-30	C of R	125.4	830.66	"

# WELL MEASUREMENT RECORD

NUMBER 1S/4W-2103

Colton Basin

LOCAL DESIGNATION \_\_\_\_\_

RP = 956.06

Johnson #1

DATE	OBTAINED FROM	DIST. R.P. TO WATER	ELEVATION OF WATER	REMARKS
<b>1974</b>				
8-9	C of R	127.4	828.66	Pumping
8-13	"	69.2	886.86	Static
8-20	"	68.4	887.66	"
8-22	SBVMWD	68.14	887.92	"
8-27	C of R	126.7	829.36	Pumping
9-1	"	126.5	829.56	"
9-3	"	127.6	828.46	"
9-10	"	69.7	886.36	Static
9-12	SBVMWD	69.80	886.26	"
9-24	C of R	67.6	888.46	"
9-26	SBVMWD	66.84	889.22	"
10-1	C of R	68.8	887.26	"
10-8	"	66.6	889.46	"
10-16	"	67.4	888.66	"
10-22	"	68.0	888.06	"
10-24	SBVMWD	69.01	887.05	" (Low)
10-31	C of R	65.8	890.26	"
11-5	"	65.7	890.36	"
11-12	"	69.3	886.76	"
11-15	SBVMWD	62.60	893.46	"
11-20	C of R	78.5	877.56	" Pumping Nearby
11-22	SBVMWD	78.59	877.47	" "
11-26	C of R	79.3	876.76	" "
12-1	"	79.6	876.46	" "
12-3	"	79.5	876.56	" "
12-10	"	67.7	888.36	"
12-17	"	66.1	889.96	"
12-24	"	65.7	890.36	"
12-30	"	64.0	892.06	"
<b>1975</b>				
1-7	C of R	63.4	892.66	Static
1-14	"	64.5	891.56	"
1-21	"	138.0	818.06	Pumping
1-28	"	138.4	817.66	"
2-3	"	138.7	817.36	"
2-11	"	51.5	904.56	Static
2-18	"	68.8	887.26	"
2-27	"	66.2	889.86	"
2-27	SBVMWD	66.2	889.86	"
3-11	C of R	65.6	890.46	"
3-12	SBVMWD	71.29	884.77	"
3-18	C of R	66.0	890.06	"
3-24	SBVMWD	65.2	890.86	"
3-25	C of R	65.8	890.26	"

WELL MEASUREMENT RECORD

NUMBER 1S/4W-21Q3

Colton Basin

LOCAL DESIGNATION \_\_\_\_\_

RP = 956.06

Johnson #1

DATE	OBTAINED FROM	DIST. R.P. TO WATER	ELEVATION OF WATER	REMARKS
1975				
4-1	SBVMWD	66.0	890.06	Static
4-1	C of R	66.0	890.06	"
4-8	"	117.1	838.96	Pumping
4-9	SBVMWD	70.54	885.52	Static
4-16	C of R	64.6	891.46	"
4-23	"	63.7	892.36	"
4-30	"	64.1	891.96	"
4-30	SBVMWD	64.1	891.96	"
5-6	C of R	80.4	875.66	Pumping Nearby
5-13	"	147.8	808.26	Pumping
5-15	SBVMWD	68.23	887.83	"
5-22	C of R	81.4	874.66	Pumping Nearby
5-27	"	82.0	874.06	"
5-27	"	82.0	874.06	"
6-3	"	83.2	872.86	Pumping Nearby
6-10	"	83.0	873.06	"
6-13	SBVMWD	70.03	886.03	Static
6-17	C of R	84.2	871.86	Pumping Nearby
6-24	"	84.7	871.36	"
6-25	"	84.7	871.36	"
7-1	SBVMWD	84.8	871.26	"
7-1	C of R	84.8	871.26	Pumping Nearby
7-9	"	86.1	869.96	"
7-10	SBVMWD	69.41	886.65	Static
7-15	C of R	78.5	877.56	Pumping Nearby
7-22	"	145.6	810.46	Pumping
7-29	"	146.8	809.26	"
7-29	SBVMWD	146.8	809.26	Pumping
8-3	"	147.6	808.46	"
8-4	C of R	147.6	808.46	"
8-10	"	147.9	808.16	"
8-14	SBVMWD	68.71	887.35	Static
8-17	C of R	148.1	807.96	Pumping
8-27	SBVMWD	149.10	806.96	"
9-1	C of R	149.1	806.96	"
9-10	"	152.1	803.96	"
9-12	SBVMWD	63.22	892.84	Static
9-16	C of R	153.5	802.56	Pumping
9-23	"	157.6	798.46	"
9-30	"	157.8	798.26	"
10-1	SBVMWD	157.6	798.46	Pumping
10-1	C of R	157.6	798.46	"
10-7	"	158.0	798.06	"
10-10	SBVMWD	62.27	893.79	Static
10-15	C of R	154.4	801.66	Pumping
10-21	"	152.8	803.26	"
10-28	"	153.0	803.06	"



# WELL MEASUREMENT RECORD

NUMBER 1S/4W-21Q3

Colton Basin

LOCAL DESIGNATION

R.P. = 956.06

Johnson #1

DATE	OBTAINED FROM	DIST. R.P. TO WATER	ELEVATION OF WATER	REMARKS
1975				
11-4	SBVMWD	153.2	802.86	Pumping
11-4	C of R	153.2	802.86	"
11-12	"	84.6	871.46	Static
11-12	SBVMWD	84.7	871.36	" (LOW)
11-15	C of R	84.0	872.06	"
11-28	"	83.4	872.66	"
12-2	SBVMWD	79.33	876.73	"
12-2	C of R	79.4	876.66	"
12-9	"	78.4	877.66	"
12-10	SBVMWD	78.44	877.62	"
12-23	C of R	79.8	876.26	"
12-30	"	76.3	879.76	"
1976				
1-1	SBVMWD	76.3	879.76	Static
1-7	C of R	76.1	879.96	"
1-13	"	77.6	878.46	"
1-15	SBVMWD	72.11	883.95	"
1-20	C of R	78.1	877.96	"
1-27	"	78.1	877.96	"
2-4	"	76.6	879.46	"
2-11	"	75.6	880.46	"
2-12	SBVMWD	75.75	880.31	"
2-17	C of R	74.6	881.56	"
2-24	"	74.8	881.26	"
3-2	"	71.3	884.76	"
3-9	"	73.7	882.36	"
3-12	SBVMWD	73.26	882.80	"
3-17	C of R	74.5	881.56	"
3-23	"	72.9	883.16	"
4-1	"	74.1	881.96	"
4-6	"	74.2	881.86	"
4-13	"	75.2	880.86	"
4-15	SBVMWD	76.23	879.83	"
4-21	C of R	76.2	879.86	"
4-27	"	76.0	880.06	"
5-4	"	65.7	?	" (Reading error?)
5-11	"	73.0	883.06	"
5-12	SBVMWD	79.87	876.19	"
5-18	C of R	74.6	881.46	"
5-26	"	76.1	879.96	"
6-1	"	77.3	878.76	"
6-9	"	77.0	879.06	"
6-11	SBVMWD	77.23	878.83	"
6-15	C of R	75.8	880.26	"
6-22	"	77.2	878.86	"
6-30	"	77.9	878.16	"

# WELL MEASUREMENT RECORD

NUMBER 1S/4W-21Q3

Colton Basin

LOCAL DESIGNATION \_\_\_\_\_

R.P. = 956.06

Johnson #1

DATE	OBTAINED FROM	DIST. R.P. TO WATER	ELEVATION OF WATER	REMARKS
<b>1976</b>				
7-13	C of R	78.2	877.86	Static
7-15	SBVMWD	80.18	875.88	" (LOW)
7-27	C of R	81.4	874.66	Pumping Nearby
8-1	"	81.4	874.66	"
8-10	"	82.5	873.56	"
8-13	SBVMWD	79.42	876.64	Static
8-17	C of R	83.6	872.46	Pumping Nearby
8-24	"	83.2	872.86	"
8-31	"	84.4	871.66	"
9-8	"	83.9	872.16	"
9-10	SBVMWD	81.22	874.84	Static
9-14	C of R	80.0	876.06	"
9-21	"	78.4	877.66	"
9-28	"	78.8	877.26	"
10-6	"	158.9	797.16	Well Pumping
10-12	"	155.1	800.96	"
10-13	SBVMWD	78.63	877.43	Static
10-19	C of R	155.2	800.86	Well Pumping
10-26	"	158.4	797.66	"
11-1	"	160.3	795.76	"
11-10	"	159.8	796.26	"
11-16	"	80.1	875.96	Static
11-17	SBVMWD	92.44	863.62	Pumping Nearby
11-23	C of R	95.0	861.06	"
12-1	"	156.0	800.06	Well Pumping
12-7	"	156.8	799.26	"
12-14	"	156.1	799.96	"
12-16	SBVMWD	88.15	867.91	Static
12-21	C of R	86.4	869.66	"
<b>1977</b>				
1-1	C of R	85.3	870.76	Static
1-4	"	85.4	870.66	"
1-12	"	82.3	873.76	"
1-17	SBVMWD	82.20	873.86	"
1-18	C of R	81.6	874.46	"
1-25	"	81.1	874.96	"
2-1	"	80.2	875.86	"
2-8	"	80.6	875.46	"
2-10	SBVMWD	81.90	874.16	"
2-15	C of R	81.6	874.46	"
2-22	"	82.5	873.56	"
3-1	"	78.9	877.16	"
3-8	"	78.8	877.26	"
3-10	SBVMWD	81.62	874.44	"
3-15	C of R	79.6	876.46	"
3-22	"	80.1	875.96	"

# WELL MEASUREMENT RECORD

NUMBER 1S/4W-21Q3

Colton Basin

LOCAL DESIGNATION \_\_\_\_\_

R.P. = 956.06

Johnson #1

DATE	OBTAINED FROM	DIST. R.P. TO WATER	ELEVATION OF WATER	REMARKS
<b>1977</b>				
3-29	C of R	79.8	876.26	Static
4-1	"	79.1	876.96	"
4-5	"	78.8	877.26	"
4-12	"	80.0	876.06	"
4-13	SBVMWD	82.79	873.27	"
4-19	C of R	79.8	876.26	"
4-26	"	80.2	875.86	"
5-1	"	79.8	876.26	"
5-4	"	80.4	875.66	"
5-11	SBVMWD	81.34	874.72	"
5-12	C of R	81.2	874.86	"
5-17	"	79.2	876.86	"
5-24	"	78.0	878.06	"
6-2	"	79.8	876.26	"
6-7	"	80.0	876.06	"
6-8	SBVMWD	82.10	873.96	"
6-14	C of R	80.0	876.06	"
6-21	"	79.9	876.16	"
6-28	"	77.8	878.26	"
7-5	"	77.9	878.16	"
7-7	SBVMWD	83.32	872.74	"
7-12	C of R	156.0	800.06	Well Pumping
7-19	"	156.7	799.36	"
7-26	"	160.6	795.46	"
8-1	"	158.2	797.86	"
8-2	"	158.4	797.66	"
8-8	"	159.2	796.86	"
8-9	WMWD	89.4	866.66	Static #36 on
8-16	C of R	90.0	866.06	" meeks on
8-22	WMWD	85.9	870.16	"
8-23	C of R	85.6	870.46	"
8-25	SBVMWD	84.67	871.39	"
8-31	C of R	85.6	870.46	"
9-1	"	85.6	870.46	"
9-5	"	86.4	869.66	"
9-6	WMWD	86.4	869.66	"
9-13	C of R	85.9	870.16	"
9-16	WMWD	86.0	870.06	"
9-20	C of R	85.7	870.86	"
9-21	SBVMWD	86.72	869.34	"
9-27	C of R	85.7	870.36	"
10-1	"	85.7	870.36	"
10-3	WMWD	86.0	870.06	"
10-5	C of R	87.4	868.66	"
10-11	"	84.8	871.26	"
10-11	SBVMWD	86.17	869.89	"
10-20	C of R	85.7	870.36	"

# WELL MEASUREMENT RECORD

NUMBER

1S/4W-21Q3

Colton Basin

LOCAL DESIGNATION

R.P. = 956.06

Johnson #1

DATE	OBTAINED FROM	DIST. R.P. TO WATER	ELEVATION OF WATER	REMARKS
1977				
10-25	C of R	86.5	870.56	Static
11-2	"	86.0	870.06	"
11-8	"	86.4	869.66	"
11-11	WMWD	86.3	869.76	"
11-14	SBVMWD	85.96	870.10	
11-15	C of R	85.3	870.76	Static
11-22	"	86.3	869.76	"
12-1	"	85.8	870.26	"
12-6	"	86.4	869.66	" (Low)
12-13	"	85.3	870.76	"
12-14	SBVMWD	85.97	870.09	
12-20	C of R	85.2	870.86	Static
12-27	"	84.6	871.46	"
1978				
1-1	C of R	84.6	871.46	Static
1-10	"	82.6	873.46	"
1-14	SBVMWD	83.36	872.70	"
1-17	C of R	82.8	873.26	"
1-24	"	82.8	873.26	"
1-31	"	81.6	874.46	
2-7	"	81.3	874.76	Static
2-14	"	82.0	874.06	"
2-16	SBVMWD	81.55	874.51	"
2-17	WMWD	82.4	873.66	"
2-21	C of R	81.9	874.16	"
2-28	"	80.4	875.66	"
3-14	"	79.6	876.46	"
3-16	WMWD	80.40	876.66	"
3-16	SBVMWD	79.95	876.11	"
3-21	C of R	79.6	876.46	"
3-29	"	79.3	876.76	"
4-5	"	78.5	877.56	"
4-11	"	77.4	878.66	"
4-11	SBVMWD	78.05	878.01	"
4-18	C of R	76.6	879.46	Pumping Nearby
4-25	"	76.4	879.66	Static
4-27	WMWD	76.5	879.56	"
5-10	SBVMWD	75.30	880.76	"
5-10	C of R	75.2	880.86	"
5-17	"	74.3	881.76	"
5-25	"	73.5	882.56	"
6-7	"	71.6	884.46	"
6-13	"	71.5	884.56	"
6-13	WMWD	71.5	884.56	"
6-14	SBVMWD	71.45	884.61	"
6-20	C of R	70.5	885.56	"

# WELL MEASUREMENT RECORD

NUMBER 1S/4W-21Q3

Colton Basin

LOCAL DESIGNATION \_\_\_\_\_

R.P. = 956.06

Johnson #1

DATE	OBTAINED FROM	DIST. R.P. TO WATER	ELEVATION OF WATER	REMARKS
<b>1978</b>				
6-28	C of R	69.8	886.26	Static
7-4	"	70.6	885.46	"
7-11	SBVMWD	69.05	887.01	"
7-11	C of R	69.50	886.56	"
8-1	"	72.6	883.46	"
8-2	WMWD	67.3	888.76	"
8-8	C of R	66.9	889.16	"
8-9	SBVMWD	67.20	888.86	"
8-15	C of R	66.9	889.16	"
8-22	"	67.6	888.46	"
8-29	"	67.9	888.16	"
9-4	"	67.0	889.06	"
9-12	"	65.8	890.26	"
9-13	SBVMWD	65.76	890.30	"
9-13	WMWD	65.70	890.36	"
9-20	C of R	64.9	891.16	"
9-26	"	68.7	887.36	Pumping Nearby
10-1	"	68.5	887.56	"
10-9	"	73.7	882.36	"
10-11	SBVMWD	74.10	881.96	Static
10-17	C of R	82.3	873.76	Pumping Nearby
10-24	"	82.5	873.56	"
10-26	WMWD	85.0	871.06	"
11-6	C of R	86.0	870.06	"
11-14	"	85.8	870.26	"
11-15	SBVMWD	84.10	871.96	"
11-21	C of R	70.0	886.06	Static (Low)
11-28	"	68.2	887.86	"
12-5	"	68.0	888.06	"
12-13	SBVMWD	64.80	891.26	"
12-19	C of R	66.9	889.16	"
12-27	"	66.3	889.76	"
<b>1979</b>				
1-2	C of R	65.8	890.26	Static
1-9	"	65.1	890.96	"
1-16	"	64.9	891.16	"
1-17	SBVMWD	60.1	895.96	Reading Error?
1-30	C of R	64.1	891.96	Static
2-5	WMWD	63.8	892.26	"
2-6	C of R	64.2	891.86	"
2-14	"	64.1	891.96	"
2-15	SBVMWD	63.35	892.71	"
2-20	C of R	63.9	892.16	"
3-1	"	62.8	893.26	"
3-7	WMWD	62.0	894.06	"
3-7	C of R	62.4	893.66	"

# WELL MEASUREMENT RECORD

NUMBER 1S/4W-21Q3

Colton Basin

LOCAL DESIGNATION \_\_\_\_\_

R.P. = 956.06

Johnson #1

DATE	OBTAINED FROM	DIST. R.P. TO WATER	ELEVATION OF WATER	REMARKS
<b>1979</b>				
3-14	C of R	62.1	893.96	Static
3-15	SBVMWD	62.4	893.66	"
3-20	C of R	61.7	894.36	"
3-27	"	61.0	895.06	"
4-5	"	62.3	893.76	"
4-10	"	60.2	895.86	"
4-11	SBVMWD	60.95	895.11	"
4-18	C of R	60.1	895.96	"
4-25	"	59.4	896.66	"
5-3	"	59.2	896.86	"
5-16	SBVMWD	63.55	892.51	"
5-22	WMWD	62.2	893.86	"
5-22	C of R	61.5	894.56	"
5-29	"	51.8	904.26	Reading Error?
6-1	"	51.8	904.26	Reading Error?
6-5	"	52.1	903.96	Reading Error?
6-11	SBVMWD	62.3	893.76	Static
6-12	C of R	52.1	903.96	Reading Error?
6-19	"	62.1	893.96	Static
6-26	"	52.3	903.76	Reading Error?
7-3	"	61.2	894.86	Static
7-10	"	61.9	894.16	"
7-11	SBVMWD	61.95	894.11	"
8-1	C of R	58.7	897.36	Reading Error?
8-8	SBVMWD	63.25	892.81	"
8-21	WMWD	62.5	893.56	"
8-28	C of R	63.7	892.36	"
9-5	"	63.6	892.46	"
9-13	SBVMWD	63.2	892.86	"
10-11	"	64.0	892.06	Low
10-16	C of R	63.7	892.36	Static
10-23	"	60.2	895.86	"
10-30	"	60.4	895.66	"
11-6	"	60.1	895.96	"
11-13	"	62.9	893.16	"
11-15	SBVMWD	64.8	891.26	"
11-16	WMWD	64.6	891.46	"
11-21	C of R	60.6	895.46	"
11-27	"	61.8	894.26	"
12-17	SBVMWD	62.6	893.46	"
<b>1980</b>				
1-21	SBVMWD	60.47	895.59	"

# WELL MEASUREMENT RECORD

NUMBER 1S/4W-21Q3

Colton Basin

LOCAL DESIGNATION \_\_\_\_\_

R. P. = 956.06

Johnson #1

DATE	OBTAINED FROM	DIST. R.P. TO WATER	ELEVATION OF WATER	REMARKS
1980				
1-18	WMWD	60.5	895.56	Static
1-21	SBVMWD	60.47	895.59	"
2-4	WMWD	60.1	895.96	"
2-14	SBVMWD	59.13	896.93	"
3-4	C of R	65.0	891.06?	" Reading Error?
3-14	SBVMWD	56.90	899.16	"
4-4	C of R	53.5	902.56	"
4-8	WMWD	53.3	902.76	"
4-16	SBVMWD	50.80	905.26	"
5-5	C of R	50.2	905.86	"
5-16	SBVMWD	47.85	908.21	"
5-21	C of R	48.3	907.76	"
6-12	SBVMWD	48.92	907.14	" Reading Error?
7-22	"	48.16	907.90	" Reading Error?
8-13	"	48.33	907.73	" Reading Error?
8-13	WMWD	44.0	912.06	"
9-8	"	43.6	912.46	"
9-16	C of R	42.7	913.36	"
9-17	SBVMWD	48.02	908.04	" Reading Error?
9-30	C of R	45.0	911.06	"
10-1	"	43.1	912.96	"
10-15	"	43.0	913.06	"
10-21	"	43.0	913.06	"
10-23	SBVMWD	45.91	910.15	" Reading Error?
10-28	C of R	44.0	912.06	"
11-3	WMWD	43.0	913.06	"
11-4	C of R	43.5	912.56	"
11-11	"	40.7	915.36	"
11-18	"	43.0	913.06	"
11-25	SBVMWD	44.13	911.93	Low
12-18	"	42.32	913.74	Static
12-23	WMWD	42.3	913.76	"

Riverside Basin

LOCAL DESIGNATION \_\_\_\_\_

RP = 932.18

**WELL RECORD**

Flume #2

DATE	OBTAINED FROM	DIST. R. P. TO WATER	ELEVATION OF WATER	REMARKS
<b>1970</b>				
11-23	C of R	78.9	853.28	Pumping
12-28	"	42.8	889.38	Static
<b>1971</b>				
1-4	C of R	42.5	889.68	"
1-11	"	42.3	889.88	"
1-18	"	43.9	888.28	"
1-25	"	44.0	888.18	"
2-1	"	43.5	888.68	"
4-12	"	46.1	886.08	"
4-19	"	45.9	886.28	"
5-10	"	47.9	884.28	"
5-17	"	48.3	883.88	"
5-24	"	46.9	885.28	"
6-21	"	80.5	851.68	Pumping
6-28	"	81.2	850.98	"
7-6	"	81.0	851.18	"
7-12	"	80.9	851.28	"
7-20	"	50.1	882.08	Static
7-26	"	49.3	882.88	"
8-9	"	75.8	856.38	Pumping
8-16	"	76.3	855.88	"
8-23	"	74.3	857.88	"
9-6	"	104.0	828.18	"
9-14	"	90.5	841.68	"
9-20	"	92.5	839.68	"
9-27	"	94.0	838.18	"
9-30	"	62.5	869.68	Static
10-4	"	63.1	869.08	" Low
10-11	"	62.1	870.08	"
10-18	"	62.1	870.08	"
11-1	"	61.7	870.48	"
11-9	"	59.3	872.88	"
11-15	"	59.5	872.68	"
11-22	"	57.6	874.58	"
12-2	"	47.3	884.88	"
12-6	"	57.3	874.88	"
12-13	"	57.6	874.58	"
12-20	"	56.8	875.38	"
12-27	"	58.0	874.18	"
<b>1972</b>				
1-3	C of R	54.4	877.78	Static
1-10	"	55.2	876.98	"
1-17	"	54.1	878.08	"
1-20	"	53.9	878.28	Idle 53.9 Pump 83.5 Edison Test
1-24	"	54.0	878.18	Static
2-1	"	53.5	878.68	"
2-7	"	53.9	878.28	"
2-14	"	54.2	877.98	"
2-21	"	87.4	844.78	Pumping
2-28	"	88.0	844.18	"
3-6	"	58.4	873.78	Static



ENGINEERING OFFICE  
**ALBERT A. WEBB ASSOCIATES**

NUMBER 1S/4W-29H1

Riverside Basin

RIVERSIDE, CALIFORNIA

LOCAL DESIGNATION \_\_\_\_\_

RP = 932.18

**WELL RECORD**

Flume #2

DATE	OBTAINED FROM	DIST. R. P. TO WATER	ELEVATION OF WATER	REMARKS
<b>1972</b>				
3-13	C of R	58.0	874.18	Static
3-20	"	59.4	872.78	"
3-27	"	90.6	841.58	Pumping
4-1	"	60.4	871.78	Static
4-10	"	89.6	842.58	Pumping
4-17	"	93.2	838.98	"
4-24	"	94.5	837.68	"
5-1	"	94.4	837.78	"
5-8	"	63.2	868.98	Static
5-15	"	64.9	867.28	"
5-22	"	94.3	837.88	Pumping
5-29	"	95.1	837.08	"
6-1	"	94.6	837.58	"
6-5	"	93.4	838.78	"
6-12	"	93.4	838.78	"
6-19	"	110.4	821.78	"
6-26	"	108.6	823.58	"
7-1	"	104.8	827.38	"
7-10	"	105.6	826.58	"
7-17	"	106.2	825.98	"
7-24	"	106.4	825.78	"
7-31	"	105.6	826.58	"
8-26	"	106.1	826.08	"
9-1	"	104.7	827.48	"
9-11	"	105.9	826.28	"
9-18	"	105.2	826.98	"
9-25	"	104.0	828.18	"
10-16	"	109.6	822.58	"
10-24	"	107.8	824.38	"
10-30	"	107.3	824.88	"
11-6	"	107.1	825.08	"
11-9	USGS	111.59	820.59	
11-14	C of R	107.6	824.58	Pumping
11-20	"	107.2	824.98	"
11-27	"	71.6	860.58	Static (Low)
11-28	USGS	103.38	828.80	
12-4	C of R	105.8	826.38	Pumping
12-18	"	66.0	866.18	Static
12-26	"	103.6	828.58	Pumping
12-27	USGS	97.60	834.58	
<b>1973</b>				
1-2	C of R	107.9	824.28	Pumping
1-8	"	98.0	834.18	"
1-22	"	98.7	833.48	"
1-29	"	62.7	869.48	Static
2-5	"	98.9	833.28	Pumping 2-5 USGS 92.73 = 839.45
2-20	"	96.8	835.38	"
2-26	"	88.7	843.48	" 2-28 USGS 88.17 = 844.01
3-5	"	88.5	843.68	"
3-12	"	88.9	843.28	"
3-21	"	81.3	850.88	" TDS 440

ENGINEERING OFFICE  
 ALBERT A. WEBB ASSOCIATES  
 RIVERSIDE, CALIFORNIA

NUMBER IS/4W-29H1

Riverside Basin

LOCAL DESIGNATION \_\_\_\_\_

RP = 932.18

**WELL RECORD**

Flume #2

DATE	OBTAINED FROM	DIST. R. P. TO WATER	ELEVATION OF WATER	REMARKS
<u>1973</u>				
4-1	C of R	83.4	848.78	Pumping Apr. 2 USGS 83.84 = 848.34
4-16	"	50.5	881.68	Static
4-23	"	50.8	881.38	" Apr. 26 USGS 81.18 = 851.00
5-8	C of R	85.3	846.88	Pumping
5-27	"	85.5	846.68	"
5-30	USGS	83.86	848.32	"
6-11	C of R	84.6	847.58	"
6-18	"	85.1	847.08	"
6-26	"	87.6	844.58	"
7-1	"	55.3	876.88	Static
7-3	USGS	54.99	877.19	"
7-9	C of R	87.2	844.98	Pumping
7-16	"	57.8	874.38	Static
7-23	"	86.4	845.78	Pumping
8-6	"	85.5	846.68	"
8-13	"	84.1	848.08	"
8-20	"	84.5	847.68	"
8-28	USGS	54.74	877.44	Static
9-1	C of R	81.2	850.98	"
9-10	"	89.3	842.88	"
9-16	"	89.0	843.18	"
10-1	"	90.1	842.08	"
10-1	USGS	60.54	871.64	Static
10-8	C of R	91.1	841.08	"
10-16	"	94.6	837.58	"
10-23	"	95.3	836.88	"
10-30	"	94.5	837.68	"
11-3	"	94.6	837.58	"
11-6	"	94.1	838.08	"
11-13	"	94.3	837.88	"
11-20	"	62.7	869.48	Static (Low)
11-27	"	61.5	870.68	"
12-1	"	61.2	870.98	"
12-4	"	60.9	871.28	"
12-5	USGS	60.65	871.53	"
12-11	C of R	60.5	871.68	"
12-18	"	60.5	871.68	"
12-26	"	59.1	873.08	"
<u>1974</u>				
1-1	C of R	58.3	873.88	"
	USGS	54.29	877.89	"
1-8	C of R	55.4	876.78	"
1-8	USGS	55.01	877.17	"
1-15	C of R	53.1	879.08	"
1-22	"	52.7	879.48	"
1-29	"	52.4	879.78	"
2-1	"	52.1	880.08	"
2-5	"	53.0	879.18	"
2-6	USGS	52.65	879.53	"
2-12	C of R	53.1	879.08	"
2-26	"	87.4	844.78	Pumping

ENGINEERING OFFICE  
ALBERT A. WEBB ASSOCIATES

NUMBER 1S/4W-29H1

RIVERSIDE, CALIFORNIA

Riverside Basin

LOCAL DESIGNATION \_\_\_\_\_

WELL RECORD

RP = 932.18

Flume #2

DATE	OBTAINED FROM	DIST. R. P. TO WATER	ELEVATION OF WATER	REMARKS
1974				
3-5	C of R	55.1	877.08	Idle
3-12	"	56.2	875.98	"
3-19	"	54.6	877.58	"
3-26	"	51.3	880.88	"
4-2	"	86.0	846.18	Pumping
4-4	USGS	-	-	"
4-6	C of R	85.5	846.68	"
4-9	"	85.5	846.68	"
4-17	"	84.8	847.38	"
4-23	"	90.2	841.98	"
4-30	"	90.8	841.38	"
5-2	USGS	57.87	874.31	Static
5-7	C of R	57.6	874.58	"
5-14	"	56.3	875.88	"
5-21	"	56.4	875.78	"
5-28	"	90.8	841.38	Pumping
6-5	"	91.6	840.58	"
6-11	"	92.4	839.78	"
6-19	"	59.1	873.08	Static
6-25	"	60.4	871.78	"
6-27	USGS	59.60	872.58	"
7-9	C of R	60.9	871.28	"
7-17	"	62.1	870.08	"
7-24	"	62.2	869.98	"
7-25	SBVMWD	63.10	869.08	"
7-30	C of R	62.4	869.78	"
8-9	"	63.5	868.68	"
8-13	"	63.4	868.78	"
8-20	"	63.4	868.78	"
8-22	SBVMWD	63.96	868.22	"
8-27	C of R	64.5	867.68	"
9-1	"	64.5	867.68	"
9-3	"	65.1	867.08	"
9-10	"	65.4	866.78	"
9-24	"	98.8	833.38	Pumping
10-1	"	99.8	832.38	"
10-8	"	101.4	832.38	"
10-16	"	102.1	830.08	"
10-22	"	101.9	830.28	"
10-24	SBVMWD	64.27	867.91	Static
10-31	C of R	68.4	863.78	Static (Low)
11-5	"	67.4	864.78	"
11-12	"	66.6	865.58	"
11-20	"	65.8	866.38	"
11-22	SBVMWD	65.40	866.78	"
11-26	C of R	66.1	866.08	"
12-1	"	65.3	866.88	"
12-3	"	65.1	867.08	"
12-10	"	64.2	867.98	"
12-17	"	60.9	871.28	"
12-24	"	61.1	871.08	"

# WELL MEASUREMENT RECORD

NUMBER 1S/4W-29H1

Riverside Basin

LOCAL DESIGNATION \_\_\_\_\_

RP = 932.18

Flume #2

DATE	OBTAINED FROM	DIST. R.P. TO WATER	ELEVATION OF WATER	REMARKS
<b>1974</b>				
12-30	C of R	60.8	871.38	Static
<b>1975</b>				
1-7	C of R	59.1	873.08	"
1-14	"	58.9	873.28	"
1-16	SBVMWD	60.17	872.01	"
1-21	C of R	91.4	840.78	Pumping
1-28	"	92.9	839.28	"
2-3	"	93.9	838.28	"
2-11	"	57.8	874.38	Static
2-18	"	56.5	875.68	"
2-27	"	80.2	851.98	(Pumping ?)
3-11	"	55.2	876.98	Static
3-12	SBVMWD	59.63	872.55	"
3-18	C of R	53.8	878.38	"
3-25	"	53.9	878.28	"
4-1	"	54.1	878.08	"
4-8	"	54.3	877.88	"
4-10	SBVMWD	57.86	874.32	"
4-16	C of R	52.4	879.78	"
4-23	"	53.6	878.58	"
4-30	"	53.3	878.88	"
5-6	"	86.1	846.08	Pumping
5-13	"	87.1	845.08	"
5-22	"	88.0	844.18	"
5-27	"	55.8	876.38	Pumping Nearby
6-3	"	88.4	843.78	Pumping
6-10	"	88.1	844.08	"
6-17	"	89.5	842.68	"
6-24	"	57.5	874.68	Static
6-25	"	57.5	874.68	"
7-1	"	57.8	874.38	"
7-9	"	58.3	873.88	"
7-10	SBVMWD	64.28	867.90	"
7-15	C of R	91.8	840.38	Pumping
7-22	"	61.9	870.28	Static
7-29	"	63.7	868.48	"
8-4	"	94.6	837.58	Pumping
8-10	"	64.5	867.68	Pumping Nearby
8-14	SBVMWD	64.6	867.58	"
8-17	C of R	64.6	867.58	Pumping Nearby
9-1	"	95.6	836.58	Pumping
9-10	"	65.8	866.38	Pumping Nearby
9-12	SBVMWD	61.05	871.13	Static
9-16	C of R	65.5	866.68	Pumping Nearby
9-23	"	65.2	866.98	Pumping Nearby
9-30	"	65.3	866.88	"

# WELL MEASUREMENT RECORD

NUMBER 1S/4W-29H1

Riverside Basin

LOCAL DESIGNATION

R.P. = 932.18

Flume #2

DATE	OBTAINED FROM	DIST. R.P. TO WATER	ELEVATION OF WATER	REMARKS
1975				
10-1	C of R	65.2	866.98	Pumping Nearby
10-7	"	64.9	867.28	" "
10-10	SBVMWD	58.86	873.32	Static
10-15	C of R	65.4	866.78	Pumping Nearby
10-21	"	66.3	865.88	" "
10-28	"	66.5	865.68	" "
11-4	"	66.9	865.28	" "
11-12	"	70.4	861.78	" "
11-19	"	66.7	865.48	Static (LOW)
11-28	"	66.2	865.98	"
12-2	"	67.0	865.18	Pumping Nearby
12-9	"	68.1	864.08	" "
12-10	SBVMWD	69.44	862.74	" "
12-23	C of R	68.3	863.88	" "
12-30	"	67.9	864.28	" "
1976				
1-7	C of R	67.3	864.88	Static
1-13	"	69.4	862.78	"
1-15	SBVMWD	64.87	867.31	"
1-20	C of R	68.3	863.88	"
1-27	"	65.2	866.98	"
2-4	"	64.9	867.28	"
2-11	"	57.4	874.78	"
2-12	SBVMWD	57.4	874.78	"
2-17	C of R	60.6	871.58	"
2-24	"	57.0	875.18	"
3-2	"	56.5	875.68	"
3-9	"	56.1	876.08	"
3-12	SBVMWD	56.29	875.89	"
3-17	C of R	57.1	875.08	"
3-23	"	58.0	874.18	"
4-1	"	60.0	872.18	"
4-6	"	61.6	870.58	"
4-13	"	63.3	868.88	"
4-15	SBVMWD	62.74	869.44	"
4-21	C of R	63.9	868.28	"
4-27	"	62.8	869.38	"
5-4	"	66.9	865.28	"
5-11	"	64.6	867.58	"
5-12	SBVMWD	70.31	861.87	"
5-18	C of R	67.4	864.78	"
5-26	"	68.7	863.48	"
6-1	"	69.6	862.58	"
6-9	"	70.5	861.68	"
6-11	SBVMWD	70.77	861.41	"
6-15	C of R	71.2	860.98	"

# WELL MEASUREMENT RECORD

NUMBER 1S/4W-29H1

Riverside Basin

LOCAL DESIGNATION \_\_\_\_\_

R.P. = 932.18

Flume #2

DATE	OBTAINED FROM	DIST. R.P. TO WATER	ELEVATION OF WATER	REMARKS
<b>1976</b>				
6-22	C of R	78.3	853.88	Static
6-30	"	79.1	853.08	" (LOW)
7-13	"	78.2	853.98	"
7-15	SBVMWD	76.18	856.00	"
7-20	C of R	75.7	856.48	"
7-27	"	75.6	856.58	"
8-1	"	75.6	856.58	"
8-10	"	75.4	856.78	"
8-13	SBVMWD	78.29	853.89	"
8-17	C of R	76.3	855.88	"
8-24	"	75.9	856.28	"
8-31	"	76.0	856.18	"
9-8	"	75.9	856.28	"
9-10	SBVMWD	71.54	860.64	"
9-14	C of R	74.1	858.08	"
9-21	"	71.9	860.28	"
9-28	"	71.4	860.78	"
10-6	"	73.9	858.28	"
10-12	"	73.2	858.98	"
10-13	SBVMWD	74.33	857.85	"
10-17	C of R	70.2	861.98	"
10-26	"	71.4	860.78	"
11-1	"	71.7	860.48	"
11-10	"	72.8	859.38	"
11-16	"	73.1	859.08	"
11-17	SBVMWD	73.92	858.26	"
11-23	C of R	73.9	858.28	"
12-1	"	74.4	857.78	"
12-7	"	74.1	858.08	"
12-14	"	74.2	857.98	"
12-16	SBVMWD	75.1	857.08	"
12-21	C of R	74.8	857.38	"
<b>1977</b>				
1-1	C of R	74.7	857.48	Static
1-4	"	73.6	858.58	"
1-12	"	72.8	859.38	"
1-17	SBVMWD	72.50	859.68	"
1-18	C of R	71.9	860.28	"
1-25	"	72.1	860.08	"
2-1	"	71.8	860.38	"
2-8	"	105.2	826.98	Well Pumping
2-10	SBVMWD	102.70	829.48	"
2-15	C of R	108.2	823.98	"
2-22	"	109.4	822.78	"
3-1	"	75.6	856.58	Static
3-8	"	74.2	857.98	"

# WELL MEASUREMENT RECORD

NUMBER 1S/4W-29H1

Riverside Basin

LOCAL DESIGNATION

R.P. = 932.18

Flume #2

DATE	OBTAINED FROM	DIST. R.P. TO WATER	ELEVATION OF WATER	REMARKS
1977				
3-10	SBVMWD	74.8	857.38	Static
3-15	C of R	75.0	857.18	"
3-22	"	76.5	855.69	"
3-29	"	77.0	855.18	"
4-1	"	76.3	855.88	"
4-5	"	72.8	859.38	"
4-12	"	72.4	859.78	"
4-13	SBVMWD	74.0	858.18	"
4-19	C of R	72.8	859.38	"
4-26	"	72.4	859.78	"
5-1	"	72.8	859.38	" #3 pumping
5-5	"	106.3	825.88	Well Pumping
5-10	"	76.3	855.88	Static
5-11	SBVMWD	76.88	855.30	"
5-17	C of R	66.7	865.48	"
5-24	"	73.3	858.88	"
6-2	"	75.5	856.68	Well Pumping (?)
6-7	"	107.8	824.38	"
6-8	SBVMWD	122	810.18	"
6-14	C of R	108.9	823.28	"
6-21	"	107.8	824.38	"
6-28	"	109.4	822.78	"
7-5	"	110.0	822.18	"
7-7	SBVMWD	121.96	810.22	"
7-12	C of R	76.6	855.58	Static
7-19	"	76.7	855.48	"
7-19	WMWD	77.1	855.08	"
7-26	C of R	78.3	853.88	"
8-1	"	79.0	853.18	"
8-2	"	79.2	852.98	"
8-8	"	80.0	852.18	"
8-9	WMWD	79.8	852.38	Pump off one hour
8-16	C of R	80.6	851.58	Static Meeks & Mill on
8-22	WMWD	76.7	855.48	"
8-23	C of R	76.8	855.38	"
8-25	SBVMWD	75.69	856.49	"
8-31	C of R	76.8	855.38	" Mill on
9-1	"	76.8	855.38	" "
9-13	"	110.4	821.78	Well Pumping
9-20	"	112.3	819.88	"
9-21	SBVMWD	111.10	821.08	"
9-27	C of R	111.0	821.18	"
10-1	"	111.2	820.98	"
10-5	"	111.9	820.28	"
10-11	"	79.7	852.48	Static
10-11	SBVMWD	97.79 (?)	834.42	Static (?)
10-20	C of R	80.6	851.58	" #4 on

# WELL MEASUREMENT RECORD

NUMBER 1S/4W-29H1

Riverside Basin

LOCAL DESIGNATION \_\_\_\_\_

R.P. = 932.18

Flume #2

DATE	OBTAINED FROM	DIST. R.P. TO WATER	ELEVATION OF WATER	REMARKS
<u>1977</u>				
10-25	C of R	80.2	851.98	Static #4 on
11-2	"	81.2	850.98	" "
11-8	"	80.9	851.28	" "
11-11	WMWD	82.1	850.08	" "
11-15	C of R	83.2	848.98	" "
11-15	SBVMWD	82.40	849.78	Static, Pumping Nearby
11-22	C of R	83.8	848.38	Static #4 on
12-1	"	82.1	850.08	" "
12-6	"	82.8	849.38	" "
12-13	"	83.0	849.18	" "
12-14	SBVMWD	83.34	848.84	Static, Pumping Nearby
12-20	C of R	83.8	848.38	Static #4 on
12-27	"	85.0	847.18	" (Low)
<u>1978</u>				
1-1	C of R	85.0	847.18	Static
1-10	"	76.5	855.68	"
1-14	SBVMWD	76.98	855.20	"
1-17	C of R	72.3	859.88	"
1-24	"	71.8	860.38	"
1-31	"	71.8	860.38	"
2-7	"	70.1	862.08	"
2-14	"	68.2	863.98	"
2-16	SBVMWD	68.2	863.98	"
2-17	WMWD	67.3	864.88	"
2-21	C of R	67.8	864.38	"
2-28	"	66.9	865.28	"
3-14	"	51.1	881.08	"
3-16	SBVMWD	48.35	883.83	"
3-21	C of R	44.2	887.98	"
3-29	"	41.3	890.88	"
4-5	"	37.6	894.58	"
4-11	"	35.9	896.28	"
4-11	SBVMWD	41.90	890.28	"
4-18	C of R	66.8	865.38	Pumping
4-25	"	34.2	897.98	Static
4-27	WMWD	32.0	900.18	"
5-10	SBVMWD	30.10	902.08	"
5-10	C of R	29.8	902.38	"
5-17	"	29.8	902.38	"
5-25	"	28.7	903.48	"
6-7	"	28.8	903.38	"
6-13	"	29.2	902.98	"
6-13	WMWD	29.0	903.18	"
6-14	SBVMWD	29.10	903.08	"
6-20	C of R	28.2	903.98	"
6-28	"	28.1	904.08	"



# WELL MEASUREMENT RECORD

NUMBER

1S/4W-29H1

Riverside Basin

LOCAL DESIGNATION

R.P. = 932.18

Flume #2

DATE	OBTAINED FROM	DIST. R.P. TO WATER	ELEVATION OF WATER	REMARKS
<b>1978</b>				
7-4	C of R	29.2	902.98	Static
7-11	SBVMWD	31.10	901.08	"
7-11	C of R	30.4	901.78	"
8-1	"	31.6	900.58	"
8-2	WMWD	31.4	900.78	"
8-8	C of R	31.0	901.18	"
8-9	SBVMWD	32.15	900.03	"
8-15	C of R	30.9	901.28	"
8-22	"	31.0	901.18	"
8-29	"	31.1	901.08	"
9-4	"	31.4	900.78	"
9-12	"	33.4	898.78	"
9-13	SBVMWD	33.89	898.29	"
9-13	WMWD	33.10	899.08	"
9-20	C of R	34.1	898.08	"
9-26	"	34.9	897.28	"
10-1	"	35.0	897.18	"
10-9	"	36.5	895.68	"
10-11	SBVMWD	36.62	895.56	"
10-17	C of R	36.7	895.48	"
10-24	"	38.1	894.08	"
10-26	WMWD	38.0	894.18	"
11-6	C of R	39.6	892.58	"
11-14	"	39.8	892.38	"
11-15	SBVMWD	40.55	891.63	" (Low)
11-21	C of R	36.5	895.68	"
11-28	"	38.5	893.68	"
12-5	"	37.6	894.58	"
12-13	SBVMWD	37.70	894.48	"
12-19	C of R	32.4	899.78	"
12-27	"	32.2	899.98	"
<b>1979</b>				
1-2	C of R	32.0	900.18	Static
1-9	"	32.3	899.88	"
1-16	"	32.0	900.18	"
1-17	SBVMWD	35.25	896.93	Reading Error?
1-30	C of R	33.4	898.78	Static
2-5	WMWD	33.0	899.18	"
2-6	C of R	33.3	898.88	"
2-14	"	32.3	899.88	"
2-15	SBVMWD	33.0	899.18	"
2-20	C of R	33.0	899.18	"
3-1	"	31.6	900.58	"
3-7	WMWD	30.9	901.28	"
3-7	C of R	31.0	901.18	"
3-14	"	29.8	902.38	"

# WELL MEASUREMENT RECORD

NUMBER 1S/4W-29H1

Riverside Basin

LOCAL DESIGNATION \_\_\_\_\_

R.P. = 932.18

Flume #2

DATE	OBTAINED FROM	DIST. R.P. TO WATER	ELEVATION OF WATER	REMARKS
1979				
3-14	SBVMWD	32.25	899.93	Reading Error?
3-20	C of R	29.6	902.58	Static
3-27	"	28.9	903.28	"
4-3	"	28.6	903.58	"
4-10	"	27.6	904.58	"
4-11	SBVMWD	33.0	899.18	Reading Error?
4-18	C of R	26.5	905.68	Static
4-25	"	25.9	906.28	"
5-3	"	24.8	907.38	"
5-16	SBVMWD	28.7	903.48	Reading Error?
5-22	WMWD	26.0	906.18	Static
5-22	C of R	25.2	906.98	"
5-29	"	26.4	905.78	"
6-1	"	26.4	905.78	"
6-5	"	27.4	904.78	"
6-11	SBVMWD	30.25	901.93	Reading Error?
6-12	C of R	28.2	903.98	Static
6-19	"	29.3	902.88	"
6-26	"	29.8	902.38	"
7-3	"	30.8	901.38	"
7-10	"	31.1	901.08	"
7-11	SBVMWD	32.15	900.03	"
8-1	C of R	31.2	900.98	"
8-8	SBVMWD	32.35	899.83	"
8-14	C of R	30.8	901.38	"
8-21	WMWD	35.0	897.18	"
8-28	C of R	37.1	895.08	"
9-5	"	36.1	896.08	"
9-13	SBVMWD	38.8	893.38	"
10-1	C of R	32	900.18	Reading Error?
10-11	SBVMWD	41.7	890.48	Low
10-16	C of R	39.3	892.88	Static
10-23	"	38.1	894.08	"
10-30	"	38.3	893.88	"
11-6	"	38.6	893.58	"
11-13	"	39.7	892.48	"
11-15	SBVMWD	40.3	891.88	"
11-16	WMWD	40.0	892.18	"
11-21	C of R	40.7	891.48	"
11-27	"	40.6	891.58	"
12-17	SBVMWD	40.75	891.43	"

# WELL MEASUREMENT RECORD

NUMBER

1S/4W-29H1

Riverside Basin

LOCAL DESIGNATION

R. P. = 932.18

Flume #2

DATE	OBTAINED FROM	DIST. R.P. TO WATER	ELEVATION OF WATER	REMARKS
1980				
1-18	WMWD	41.0	891.18	Static
1-21	SBVMWD	41.18	891.00	"
2-4	WMWD	38.2	893.98	"
2-14	SBVMWD	38.73	893.45	"
3-4	C of R	26.0	906.18	"
3-14	SBVMWD	21.3	910.88	"
4-4	C of R	22.0	910.18	"
4-8	WMWD	22.0	910.18	"
4-16	SBVMWD	22.20	909.98	"
5-5	C of R	22.0	910.18	"
5-16	SBVMWD	20.70	911.48	"
5-21	C of R	22.2	909.98	"
6-12	SBVMWD	21.93	910.25	"
7-22	"	21.87	910.31	"
8-13	"	21.84	910.34	"
8-13	WMWD	21.4	910.78	"
9-8	"	22.4	909.78	"
9-16	C of R	23.2	908.98	"
9-17	SBVMWD	22.89	909.29	"
9-30	C of R	23.0	909.18	"
10-1	"	23.0	909.18	"
10-15	"	23.5	908.68	"
10-21	"	23.5	908.68	"
10-23	SBVMWD	23.59	908.59	"
10-28	C of R	23.8	908.38	"
11-3	WMWD	23.7	908.48	"
11-4	C of R	24.5	907.68	"
11-11	"	24.7	907.48	Low
11-18	"	23.0	909.18	Static
11-26	SBVMWD	23.73	908.45	"
12-18	"	23.37	908.81	"
12-23	WMWD	22.7	909.48	"

ENGINEERING OFFICE  
**ALBERT A. WEBB ASSOCIATES**  
 RIVERSIDE, CALIFORNIA

NUMBER 1S/4W-29Q1

Riverside Basin

LOCAL DESIGNATION \_\_\_\_\_

R.P. Elev. 923.92

**WELL RECORD**

Flume #5

DATE	OBTAINED FROM	DIST. R. P. TO WATER	ELEVATION OF WATER	REMARKS
<b>1972</b>				
1-3	C of R	49.10	874.82	Static
1-10	"	48.80	875.12	"
1-17	"	49.00	874.92	"
1-24	"	50.10	873.82	"
2-1	"	51.4	872.52	"
2-7	"	52.3	871.62	"
2-14	"	53.7	870.22	"
2-21	"	59.6	864.32	"
2-28	"	60.4	863.52	"
3-6	"	57.2	866.72	"
3-13	"	56.9	867.02	"
3-20	"	58.8	865.12	"
3-27	"	58.9	865.02	"
4-1	"	58.2	865.72	"
4-10	"	60.3	863.62	"
5-1	"	65.6	858.32	Static
5-8	"	61.8	862.12	"
5-15	"	62.5	861.42	"
5-22	"	62.4	861.52	"
6-1	"	62.3	861.62	"
6-5	"	63.0	860.92	"
6-12	"	63.6	860.32	"
6-19	"	66.2	857.72	"
6-26	"	65.0	858.92	"
7-1	"	65.3	858.62	"
7-10	"	64.5	859.42	"
7-17	"	65.2	858.72	"
7-24	"	65.4	858.52	"
7-31	"	65.8	858.12	"
8-26	"	66.3	857.62	"
9-1	"	67.5	856.42	"
9-11	"	67.0	856.92	"
9-18	"	68.2	855.72	"
9-25	"	68.5	855.42	"
10-16	"	73.6	850.32	"
10-24	"	70.9	853.02	"
10-30	"	70.6	853.32	"
11-6	"	70.8	853.12	"
11-9	USGS	71.70	852.22	"
11-14	C of R	73.4	850.52	"
11-20	"	73.4	850.52	"
11-27	"	73.0	850.92	" (LOW)
11-28	USGS	63.97	859.95	"
12-4	C of R	72.5	851.42	"
12-18	"	62.8	861.12	"
12-26	C of R	65.1	858.82	"
12-27	USGS	59.30	864.62	"

ENGINEERING OFFICE  
**ALBERT A. WEBB ASSOCIATES**  
 RIVERSIDE, CALIFORNIA

NUMBER 1S/4W-2901

Riverside Basin

LOCAL DESIGNATION \_\_\_\_\_

R.P. = 923.92

**WELL RECORD**

Flume #5

DATE	OBTAINED FROM	DIST. R. P. TO WATER	ELEVATION OF WATER	REMARKS
<b>1973</b>				
1-2	C of R	-	-	Water in river. No measurement.
1-8	"	-	-	No measurement.
1-22	"	63.7	860.22	Static
1-29	"	43.3	880.62	"
2-5	"	63.4	860.52	"
2-5	USGS	55.18	868.74	"
2-20	C of R	63.1	860.82	"
2-26	"	44.6	879.32	"
2-28	USGS	51.71	872.21	"
3-5	C of R	45.1	878.82	"
3-12	"	-	-	River too high. No measurement.
4-2	USGS	50.78	873.14	Idle
4-16	C of R	47.9	876.02	Idle
4-23	"	47.7	876.22	"
5-8	"	-	-	Unable to measure.
5-27	"	46.2	877.72	Idle
5-30	USGS	44.65	879.27	"
6-11	C of R	46.1	877.82	Idle
6-18	"	46.9	877.02	"
6-26	"	48.5	875.42	"
7-1	"	48.8	875.12	"
7-3	USGS	50.99	872.93	"
7-9	C of R	48.5	875.42	"
7-16	"	48.2	875.72	"
7-23	"	48.1	875.82	"
7-25	USGS	47.99	875.93	"
8-6	C of R	48.7	875.22	"
8-13	"	48.7	875.22	"
8-20	"	49.1	874.82	"
8-28	USGS	52.34	871.58	"
9-1	C of R	49.4	874.52	"
9-10	"	51.4	872.52	"
9-16	"	58.7	865.22	"
10-1	"	52.7	871.22	"
10-1	USGS	52.31	871.61	"
10-8	C of R	52.4	871.52	"
10-16	"	53.6	870.32	"
10-23	"	54.2	869.72	"
10-30	"	54.5	869.42	"
10-30	USGS	54.32	869.60	" (Low)
11-6	C of R	53.9	870.02	"
11-13	"	53.7	870.22	"
11-20	"	52.6	871.32	"
11-27	"	52.1	871.82	"
12-1	"	52.4	871.52	"
12-4	"	53.1	870.82	"
12-5	USGS	54.77	869.15	"
12-11	C of R	52.9	871.02	"
12-18	"	52.7	871.22	"
12-26	"	52.6	871.32	"

ENGINEERING OFFICE  
 ALBERT A. WEBB ASSOCIATES  
 RIVERSIDE, CALIFORNIA

Riverside Basin

LOCAL DESIGNATION \_\_\_\_\_

R.P. = 923.92

**WELL RECORD**

Flume #5

DATE	OBTAINED FROM	DIST. R. P. TO WATER	ELEVATION OF WATER	REMARKS
1974				
1-1	C of R	52.2	871.72	Idle
	USGS	49.69	874.23	"
1-8	C of R	-	-	Unable to measure. Can't ford river.
1-8	USGS	47.08	876.84	"
2-6	USGS	47.27	876.65	"
2-26	C of R	56.2	867.72	"
4-2	"	54.6	869.32	"
4-4	USGS	50.14	873.78	"
4-9	C of R	54.2	869.72	"
4-17	"	54.7	869.22	"
4-23	"	56.2	867.72	"
4-30	"	55.8	868.12	"
5-2	USGS	56.0	867.92	"
5-7	C of R	54.1	869.82	"
5-14	"	55.3	868.62	"
5-21	"	54.6	869.32	"
5-28	"	55.5	868.42	"
5-31	USGS	54.40	869.52	"
6-5	C of R	56.2	867.72	"
6-25	"	56.8	867.12	"
6-27	USGS	59.57	864.35	"
7-9	C of R	55.7	868.22	"
7-17	"	55.8	868.12	"
7-24	"	56.3	867.62	"
7-25	SBVMWD	58.47	865.45	"
7-30	C of R	56.9	867.02	"
8-9	"	57.4	866.52	"
8-13	"	56.9	867.02	"
8-20	"	56.7	867.22	"
8-22	SBVMWD	59.78	864.14	"
8-27	C of R	60.6	863.32	"
8-31	"	60.6	863.32	"
9-3	"	60.8	863.12	"
9-10	"	61.7	862.22	"
9-24	"	62.9	861.02	"
9-26	SBVMWD	60.72	863.20	"
10-1	C of R	63.6	860.32	"
10-8	"	64.4	859.52	"
10-16	"	64.9	859.02	"
10-22	"	65.1	858.82	" (Low)
10-24	SBVMWD	61.12	862.80	"
10-31	C of R	64.0	859.92	"
11-5	"	61.2	862.72	"
11-12	"	61.0	862.92	"
11-20	"	61.8	862.12	"
11-22	SBVMWD	59.51	864.41	"
11-26	C of R	62.0	861.92	"
12-1	"	62.9	861.02	"
12-10	"	62.7	861.22	"
12-24	"	56.2	867.72	"
12-30	"	56.6	867.32	"

# WELL MEASUREMENT RECORD

NUMBER 1S/4W-29Q1

Riverside Basin

LOCAL DESIGNATION

R.P. = 923.92 - a  
= 917.75 - b

Flume #5

DATE	OBTAINED FROM	DIST. R.P. TO WATER	ELEVATION OF WATER	REMARKS
1975				
1-7	C of R	55.1	868.82	Static a
1-14	"	55.8	868.12	" a
1-16	SBVMWD	54.82	869.10	" a
1-21	C of R	57.4	866.52	" a
1-28	"	59.2	864.72	" a
2-3	"	59.6	864.32	" a
2-11	"	54.2	869.72	" a
2-18	"	53.0	870.92	" a
2-27	"	52.4	871.52	" a
3-12	SBVMWD	49.29	874.63	" a
3-25	C of R	51.6	872.32	" a
4-1	"	51.9	872.02	" a
4-8	"	52.0	871.92	" a
4-10	SBVMWD	53.72	870.20	" a
4-16	C of R	50.2	873.72	" a
4-30	"	51.3	872.62	" a
5-6	"	52.9	871.02	" a
5-13	"	53.3	870.62	" a
5-15	SBVMWD	55.02	868.90	" a
5-22	C of R	53.5	870.42	" a
5-27	"	52.9	871.02	" a
6-10	"	54.1	869.82	" a
6-11	SBVMWD	56.27	867.65	" a
6-17	C of R	54.8	869.12	" a
6-24	"	55.0	868.92	" a
6-25	"	55.0	868.92	" a
7-1	"	56.1	867.82	" a
7-9	"	56.8	867.12	" a
7-10	SBVMWD	56.84	867.08	" a
7-29	C of R	57.6	866.32	" a
8-8	"	57.8	866.12	" a
8-14	SBVMWD	55.47	868.45	" a
8-20	C of R	58.3	865.62	" a
9-12	SBVMWD	53.39	870.53	" a
10-10	"	49.72	874.20	" a
11-12	"	65.44	858.48	" a
12-10	"	65.07	858.85	" LOW a
1976				
1-15	SBVMWD	61.57	862.35	Static a
2-12	"	63.56	860.36	" a
3-12	"	62.83	861.09	" a
4-16	"	60.43	863.49	" a
5-12	"	58.76	858.99	" a
6-11	C of R	68.70	849.05	Pumping Nearby b
6-11	SBVMWD	62.18	855.57	Static a
6-15	C of R	67.2	850.55	Pumping Nearby b

# WELL MEASUREMENT RECORD

NUMBER 1S/4W-29Q1

Riverside Basin

LOCAL DESIGNATION \_\_\_\_\_

R.P. = 923.92 - a  
= 917.75 - b

Flume #5

DATE	OBTAINED FROM	DIST. R.P. TO WATER	ELEVATION OF WATER	REMARKS
<b>1976</b>				
6-22	C of R	68.4	849.35	Pumping Nearby b
6-30	"	68.9	848.85	" " b
7-13	"	69.4	848.35	" " b
7-15	SBVMWD	74.3	849.63	Static (LOW) a
7-20	C of R	66.6	851.15	" b
7-27	"	65.2	852.55	" b
8-1	"	65.2	852.55	" b
8-10	"	64.8	852.95	" b
8-17	"	65.3	852.45	" b
8-17	SBVMWD	64.94	852.81	" b
8-24	C of R	65.18	852.57	" b
8-31	"	66.2	851.55	" b
9-10	SBVMWD	62.83	854.92	" b
9-14	C of R	60.0	857.75	" b
9-21	"	49.5	?	Reading error? b
10-6	"	56.5	861.25	Static b
10-12	"	58.0	859.75	" b
10-13	SBVMWD	65.27	858.65	" a
10-19	C of R	58.2	859.55	" b
10-26	"	60.5	857.25	" b
11-1	"	60.3	857.45	" b
11-10	"	57.7	860.05	" b
11-16	"	58.9	858.85	" b
11-18	SBVMWD	61.43	856.32	" b
11-23	C of R	57.4	860.35	" b
12-1	"	60.1	857.65	" b
12-7	"	62.8	854.95	" b
12-14	"	63.0	854.75	" b
12-16	SBVMWD	61.63	856.12	" b
12-21	C of R	62.3	855.45	" b
12-29	"	61.3	856.45	" b
<b>1977</b>				
1-4	C of R	55.7	862.05	Static b
1-12	"	55.3	862.45	" b
1-14	SBVMWD	61.75	856.00	" Ref. Point? b
1-18	C of R	53.7	864.05	" b
1-25	"	54.6	863.15	" b
2-1	"	54.1	863.65	" b
2-8	"	59.1	858.65	" #4 on b
2-10	SBVMWD	61.65	856.10	" b
2-15	C of R	62.4	855.35	" #4 on b
2-22	"	61.3	856.45	" " b
3-1	"	51.6	866.15	Reading Error? b
3-8	"	60.3	857.45	" b
3-10	SBVMWD	60.49	857.26	" b
3-15	C of R	60.1	857.65	" b



# WELL MEASUREMENT RECORD

NUMBER 1S/4W-29Q1

Riverside Basin

LOCAL DESIGNATION \_\_\_\_\_

R.P. = 923.92 - a  
= 917.75 - b

Flume #5

DATE	OBTAINED FROM	DIST. R.P. TO WATER	ELEVATION OF WATER	REMARKS
1977				
3-22	C of R	60.2	857.55	Static b
3-29	"	58.3	859.45	" b
4-1	"	57.8	859.95	" b
4-5	"	57.4	860.35	" b
4-12	"	57.4	860.35	" b
4-13	SBVMWD	58.50	859.25	" b
4-19	C of R	57.8	859.95	" b
4-26	"	57.4	860.35	" b
5-1	"	57.8	859.95	" #3 on b
5-5	"	60.9	856.85	" " b
5-10	"	54.6	863.15	" b
5-11	SBVMWD	61.44	856.31	" Ref. Point? b
5-17	C of R	54.2	863.55	" b
5-24	"	54.5	863.25	" b
6-2	"	55.6	862.15	" #2 on b
6-7	"	55.9	861.85	" " b
6-8	SBVMWD	55.01	862.74	" b
6-14	C of R	56.4	861.35	" #2 on b
6-21	"	57.4	860.35	" " b
6-28	"	58.3	859.45	" " b
7-5	"	59.0	858.75	" " b
7-7	SBVMWD	61.42	856.33	" b
7-12	C of R	61.8	855.95	" b
7-19	"	64.5	853.25	" b
7-19	WMWD	68.5	855.42	" a
7-26	C of R	64.5	853.25	" b
8-1	"	65.6	852.15	" b
8-2	"	65.3	852.45	" b
8-8	"	66.1	851.65	" b
8-9	WMWD	73.2	850.72	" #6 & 3 on a
8-16	C of R	66.1	851.65	" b
8-22	WMWD	65.2	858.72	" a
8-23	C of R	59.3	858.45	" b
8-25	SBVMWD	59.24	858.51	" b
8-31	C of R	59.3	858.45	" b
9-1	"	59.3	858.45	" b
9-5	"	59.1	858.65	" b
9-6	WMWD	65.6	858.32	" #2 on a
9-13	C of R	60.0	857.75	" " b
9-16	WMWD	67.2	856.72	" a
9-20	C of R	64.1	853.65	" #2 on b
9-21	SBVMWD	63.97	853.78	Pumping Nearby b
9-27	C of R	63.7	854.05	Static #2 on b
10-1	"	63.7	854.05	" " b
10-3	WMWD	70.5	853.42	" a
10-5	C of R	64.0	853.75	" #2 on b
10-11	"	66.4	851.35	" b

# WELL MEASUREMENT RECORD

NUMBER 1S/4W-29Q1

Riverside Basin

LOCAL DESIGNATION \_\_\_\_\_

R.P. = 923.92 - a  
= 917.75 - b

Flume #5

DATE	OBTAINED FROM	DIST. R.P. TO WATER	ELEVATION OF WATER	REMARKS
<b>1977</b>				
10-11	SBVMWD	64.51	853.24	Static b
10-20	C of R	68.2	849.55	" #4 on b
10-25	"	70.4	847.35	" " b
11-2	"	70.5	847.25	" " b
11-8	"	71.2	846.55	" " b
11-11	WMWD	78.9	845.02	" #4 on a
11-15	SBVMWD	74.99	842.76	Pumping Nearby b
11-15	C of R	73.4	844.35	" #4 on b
11-22	"	74.5	843.25	" " b
12-1	"	73.0	844.75	" " b
12-6	"	74.6	843.15	" " b
12-13	"	73.8	843.95	" " b
12-14	SBVMWD	74.08	843.67	Pumping Nearby b
12-20	C of R	74.2	843.55	" #4 on b
12-27	"	72.3	845.45	" (Low) b
<b>1978</b>				
1-1	C of R	72.3	845.45	Static b
1-10	"	63.1	854.65	" b
1-14	SBVMWD	58.84	858.91	" b
1-17	C of R	53.8	863.95	" b
1-24	"	53.2	864.55	" b
1-31	"	54.2	863.55	" b
2-14	"	47.8	869.95	" b
2-16	SBVMWD	55.39	862.36	Reading Error? b
2-17	WMWD	54.00	869.92	" a
2-21	C of R	48.8	868.95	" b
2-28	"	49.8	867.95	" b
3-14	"	21.8	895.95	" b
3-16	SBVMWD	20.28	897.47	" b
3-16	WMWD	26.1	897.82	" a
3-21	C of R	18.3	899.45	" b
3-29	"	20.4	897.35	" b
4-5	WMWD	22.3	901.62	" a
4-11	SBVMWD	14.62	903.13	" b
4-11	C of R	14.5	903.25	" b
4-18	"	14.0	903.75	" b
4-25	"	14.2	903.55	" b
4-27	WMWD	20.3	903.62	" a
5-10	SBVMWD	13.55	904.20	" b
5-10	C of R	13.6	904.15	" b
5-17	"	13.6	904.15	" b
5-25	"	14.0	903.75	" b
6-7	"	13.7	904.05	" b
6-13	"	14.1	903.65	" b
6-13	WMWD	20.0	903.92	" a
6-14	SBVMWD	14.48	903.27	" b

# WELL MEASUREMENT RECORD

NUMBER 1S/4W-29Q1

Riverside Basin

LOCAL DESIGNATION \_\_\_\_\_

R.P. = 923.92 - a  
= 917.75 - b

Flume #5

DATE	OBTAINED FROM	DIST. R.P. TO WATER	ELEVATION OF WATER	REMARKS
<b>1978</b>				
6-20	C of R	13.4	904.35	Static b
6-28	"	13.9	903.85	" b
7-4	"	14.6	903.15	" b
7-11	SBVMWD	17.20	900.55	" b
7-11	C of R	17.90	899.85	" b
8-1	"	19.1	898.65	" b
8-1	WMWD	24.5	899.42	" a
8-8	C of R	18.1	899.65	" b
8-9	SBVMWD	18.05	899.70	" b
8-15	C of R	18.0	899.75	" b
8-24	"	15.5	902.25	" b
8-29	"	20.3	897.45	" b
9-4	"	21.3	896.45	" b
9-12	"	22.5	895.25	" b
9-13	SBVMWD	20.10	897.65	" b
9-13	WMWD	28.0	895.92	" a
9-20	C of R	22.8	894.95	" b
9-26	"	22.8	894.95	" b
10-1	"	24.5	893.25	" b
10-9	"	26.0	891.75	" b
10-11	SBVMWD	26.34	891.41	" b
10-17	C of R	26.8	890.95	" b
10-24	"	27.2	890.55	" b
10-26	WMWD	34.7	889.22	" a
11-6	C of R	29.7	888.05	" (Low) b
11-14	"	26.4	891.35	" b
11-15	SBVMWD	30.95	886.80	Pumping Nearby b
11-21	C of R	25.3	892.45	Static b
11-28	"	25.0	892.75	" b
12-5	"	22.1	895.65	" b
12-13	SBVMWD	25.05	892.70	Pumping Nearby b
12-19	C of R	20.4	897.35	Static b
12-27	"	19.8	897.95	" b
<b>1979</b>				
1-2	C of R	19.8	897.95	Static b
1-9	"	19.8	897.95	" b
1-16	"	19.5	898.25	" b
1-17	SBVMWD	20.15	897.60	" b
1-30	C of R	19.6	898.15	" b
2-5	WMWD	25.4	898.52	" a
2-6	C of R	17.9	899.85	Reading Error? b
2-14	"	18.1	899.65	Static b
2-15	SBVMWD	18.75	899.00	" b
2-20	C of R	18.2	899.55	" b
3-1	"	16.3	901.45	" b
3-7	WMWD	23.6	900.32	" a

# WELL MEASUREMENT RECORD

NUMBER 1S/4W-29Q1

Riverside Basin

LOCAL DESIGNATION \_\_\_\_\_

R.P. = 923.92 - a  
= 917.75 - b

Flume #5

DATE	OBTAINED FROM	DIST. R.P. TO WATER	ELEVATION OF WATER	REMARKS
1979				
3-7	C of R	17.1	900.65	Static b
3-14	"	18.1	899.65	" b
3-14	SBVMWD	17.60	900.15	" b
3-20	C of R	18.0	899.75	" b
3-27	"	15.2	902.55	" b
4-3	"	13.8	903.95	" b
4-10	"	14.7	903.05	" b
4-11	SBVMWD	20.3	897.45	Reading Error? b
4-18	C of R	13.8	903.95	Static b
4-25	"	12.9	904.85	" b
5-3	"	13.1	904.65	" b
5-16	SBVMWD	13.1	904.65	" b
5-22	WMWD	20.0	903.92	" a
5-22	C of R	13.7	904.05	" b
5-29	"	14.3	903.45	" b
6-1	"	14.3	903.45	" b
6-5	"	15.9	901.85	" b
6-11	SBVMWD	15.05	902.70	" b
6-12	C of R	18.2	899.55	" b
6-19	"	18.8	898.95	" b
6-26	"	19.2	898.55	" b
7-3	"	20.7	897.05	" b
7-10	"	21.4	896.35	" b
7-11	SBVMWD	20.55	897.20	" b
8-1	C of R	18.8	898.95	" b
8-8	SBVMWD	22.8	894.95	" b
8-14	C of R	18.9	898.85	" b
8-21	WMWD	30.4	893.52	" a
8-28	C of R	24.8	892.95	" b
9-5	"	26.1	891.65	" b
9-13	SBVMWD	27.8	889.95	" b
10-11	"	28.35	889.40	Static b
10-16	C of R	28.5	889.25	Low b
10-23	"	26.8	890.95	Static b
10-30	"	25.7	892.05	" b
11-6	"	25.6	892.15	" b
11-13	"	25.8	891.95	" b
11-15	SBVMWD	28.2	889.55	" b
11-16	WMWD	34.1	889.82	" a
11-21	C of R	26.0	891.75	" b
11-27	"	26.0	891.75	" b
12-17	SBVMWD	26.90	890.85	" b

