

**WESTERN - SAN BERNARDINO WATERMASTER
FOR**

WESTERN MUNICIPAL WATER DISTRICT et al.

vs.

EAST SAN BERNARDINO COUNTY WATER DISTRICT et al.

CASE NO. 78426 - COUNTY OF RIVERSIDE

VOLUME 1 - 1998

**VERIFIED EXTRACTIONS FROM THE
SAN BERNARDINO BASIN AREA**

FOR

CALENDAR YEARS 1959-1963 & 1994-1998

By Non-Plaintiffs For Use Within San Bernardino County

**ANNUAL ACCOUNTING
FOR INDIVIDUAL WELLS**

August 1, 2000

WATERMASTER

*Donald L. Harriger
Robert L. Reiter*

REPORT OF WATERMASTER

Western Municipal Water District of Riverside County et al.
Plaintiffs

vs.

East San Bernardino County Water District et al.
Defendants

Superior Court of Riverside County

Case No. 78426

Volume 1-1998

VERIFIED EXTRACTIONS FROM THE

SAN BERNARDINO BASIN AREA

By Non-Plaintiffs For Use Within San Bernardino County

FOR

CALENDAR YEARS 1959-1963 & 1994-1998

ANNUAL ACCOUNTING

FOR INDIVIDUAL WELLS

AUGUST 1, 2000

WATERMASTER

Donald L. Harriger
Robert L. Reiter

TABLE OF CONTENTS

	Page
INTRODUCTION.....	i
SAN BERNARDINO BASIN AREA, CROSS INDEX BY OWNER.....	1
SAN BERNARDINO BASIN AREA, CROSS INDEX BY RECORDATION NUMBER.....	35
SAN BERNARDINO BASIN AREA, CROSS INDEX BY STATE WELL NUMBER.....	69
CHANGE IN OWNERSHIP FROM BASE PERIOD	103
<u>TABLE NO. 1</u>	
EXTRACTIONS BY OWNERS (NON-PLAINTIFFS) WHICH HAVE RECORDATION FILINGS WITH THE STATE WATER RESOURCES CONTROL BOARD	113
<u>TABLE NO. 2</u>	
EXTRACTIONS BY OWNERS (NON-PLAINTIFFS) WHICH HAVE NOT FILED WITH THE STATE WATER RESOURCES CONTROL BOARD.....	164
<u>TABLE NO. 3</u>	
SUMMARY OF EXTRACTIONS (FILED AND NON-FILED) FROM SAN BERNARDINO BASIN AREA BY NON-PLAINTIFFS FOR USE WITHIN SAN BERNARDINO COUNTY	181
<u>TABLE NO. 4</u>	
LYTLE CREEK VERIFICATION OF EXTRACTIONS FOR CALENDAR YEARS 1959-1963 & 1994-1998.....	207
<u>TABLE NO. 5</u>	
MILL CREEK VERIFICATION OF EXTRACTIONS FOR CALENDAR YEARS 1994-1998	217

	Page
<u>TABLE NO. 6</u>	
SANTA ANA RIVER VERIFICATION OF EXTRACTIONS FOR CALENDAR YEARS 1994-1998.....	222
<u>TABLE NO. 7</u>	
SUMMARY OF REPORTED EXTRACTIONS FROM LYTLE CREEK, MILL CREEK, AND SANTA ANA RIVER.....	227
<u>TABLE NO. 8</u>	
SUMMARY OF PRODUCTION FROM SAN BERNARDINO BASIN AREA AND CORRECTION FOR VERIFIED DIVERSIONS OF MAJOR STREAMFLOWS.....	228
<u>PLATE NO. 1</u>	
SCHEMATIC DIAGRAM OF LYTLE CREEK DIVERSION FACILITIES AND CONDUITS.....	229
<u>PLATE NO. 1A</u>	
LOCATION MAP, LYTLE CREEK DIVERSIONS.....	230
<u>PLATE NO. 2</u>	
SCHEMATIC DIAGRAM OF MILL CREEK DIVERSION FACILITIES AND CONDUITS.....	231
<u>PLATE NO. 3</u>	
SCHEMATIC DIAGRAM OF SANTA ANA RIVER DIVERSION FACILITIES AND CONDUITS.....	232
<u>PLATE NO. 3A</u>	
LOCATION MAP, SANTA ANA RIVER AND MILL CREEK DIVERSIONS.....	233

VOLUME 1-1998

VERIFIED EXTRACTIONS
FROM THE SAN BERNARDINO BASIN AREA
BY NON-PLAINTIFFS FOR USE WITHIN
SAN BERNARDINO COUNTY FOR CALENDAR YEARS
1959-1963 & 1994-1998

INTRODUCTION

The provisions of Paragraphs V(b) and VI(c) of the Judgment in Case No. 78426 entered April 17, 1969, entitled "San Bernardino Valley Replenishment," provide as follows:

V(b) "The total actual average annual extractions from the San Bernardino Basin Area by entities other than Plaintiffs for use within San Bernardino County for the five-year period ending with 1963 are assumed to be 165,407 acre-feet; the correct figure shall be determined by the Watermaster as herein provided."

VI(c) "San Bernardino Valley shall provide imported water for replenishment of the San Bernardino Basin Area at least equal to the amount by which extractions therefrom for use within San Bernardino County exceed during any five-year period the sum of: (a) five times the total average annual extractions determined under Paragraph V(b) hereof, adjusted as may be required by the natural safe yield of the San Bernardino Basin Area; and (b) any new conservation to which users within San Bernardino Valley are entitled. Such replenishment shall be supplied in the year following any five-year period; provided that during the first five-year period, San Bernardino Valley shall supply annual amounts on account of its obligations hereunder, and such amounts shall be not less than fifty percent of the gross amount of excess extractions in the previous year."

Compliance with these provisions of the Judgment requires an annual accounting of the total actual extractions of surface and groundwater within the San Bernardino Basin Area. Included in this Volume 1-1998 is the verified accounting of such production by non-plaintiff owners for the calendar year 1998. The verified production for the five-year base period ending with 1963 and the verified production for calendar years 1994, 1995, 1996 and 1997 are also included.

Three indexes are included which provide a cross index by owner's name, State Water Resources Control Board Well Recordation Number, and State Well Number. In addition and where known, each index shows the local designation of each well and the groundwater basin in which the well is located.

Tables No. 1 and No. 2 in this report list the individual wells by the owner for each year in the five-year base period ending in 1963, the five-year base period average, the extractions for the years 1994 through 1998, the five-year average for that period and the owner's total annual verified extractions. Table No. 1 lists the wells upon which filings have been made with the State Water Resources Control Board, and Table No. 2 lists the wells upon which no filings have been made.

Table No. 3 is a summary of the verified extractions, by owner, as presented in Tables No. 1 and No. 2.

Table No. 4 contains the total verified Lytle Creek stream diversions by Fontana Union Water Company, West San Bernardino County Water District, City of Rialto, City of San Bernardino and Mount Vernon Water Company. The total verified Lytle Creek stream diversion takes into account, and excludes, the return flow to Lytle Creek from the Fontana Power House afterbay.

Table No. 5 of this report contains the verification of the Mill Creek stream diversions by month and Table No. 6 contains the verification of the Santa Ana River stream diversions by month.

Table No. 7 shows the reported diversions by entity from the major streams in San Bernardino Basin Area, namely, Lytle Creek, Mill Creek and Santa Ana River. Schematic diagrams of the diversion works on each of these three major streams are shown on Plates 1, 2, and 3.

The total Verified Production of ground and surface water within the San Bernardino Basin Area is shown on Table 8.

The total of the verified extractions of water from the San Bernardino Basin Area by non-plaintiff owners for the calendar year 1998 is 197,432 acre-feet.

SAN BERNARDINO BASIN AREA,

CROSS INDEX BY OWNER

SAN BERNARDINO BASIN AREA
CROSS INDEX BY OWNER

OWNER NAME	RECORDATION NUMBER	STATE WELL NUMBER	LOCAL DESIGNATION	BASIN NAME
AHMANSON RANCH	2	1S4W27H		BNK HILL
ANDERSON, W.D.	3	1N4W25R		BNK HILL
ARMSTRONG, DOUGLAS	3600076	1S3W17G	2	BNK HILL
ARNOLD RANCH	4	1N3W34H		BNK HILL
ARROWHEAD COUNTRY CLUB	3601925	1N4W23E	NO 1	BNK HILL
ARROYO VERDE MUTUAL WATER COMPANY	3602068	1S4W01A02S	1	BNK HILL
ARROYO VERDE MUTUAL WATER COMPANY	3602069	1S4W01A	2	BNK HILL
ATCHISON, TOPEKA & SANTA FE RAILWAY CO.	3600178	1S4W08F02S	WELL 3	BNK HILL
ATCHISON, TOPEKA & SANTA FE RAILWAY CO.	3600179	1S4W08F	4	BNK HILL
B M I FUNDS	3600107	1S3W21P01	COLTON 1	BNK HILL
BALCOM	5	1S4W11M		BNK HILL
BALDWIN	6	1N3W34K		BNK HILL
BARNO, JOHN	3602079	1S3W03F	1	BNK HILL
BARRIER	7	1S4W22B		BNK HILL
BARTON DEVELOPMENT	3600418	1S3W19G	BRAGA WELL	BNK HILL
BARTON DEVELOPMENT	3601748	1S3W18H01	CALIF	BNK HILL
BARTON DEVELOPMENT	3601748-	1S3W19A01	CALIF	BNK HILL
BARTON DEVELOPMENT	3603554	1S3W19A01S	CALIFORNIA S	BNK HILL
BASE LINE WELL COMPANY	3600456	1N3W33R02S	1	BNK HILL
BASELINE GARDENS MUTUAL WATER COMPANY	3600457	1N4W35J02S	PAC&BARL	BNK HILL
BASELINE GARDENS MUTUAL WATER COMPANY	3600458	1N4W36M01S	PS & B 2	BNK HILL
BASELINE GARDENS MUTUAL WATER COMPANY	3602528	1N4W35R01	3	BNK HILL

SAN BERNARDINO BASIN AREA
CROSS INDEX BY OWNER

OWNER NAME	RECORDATION NUMBER	STATE WELL NUMBER	LOCAL DESIGNATION	BASIN NAME
BASELINE LAUNDRY	8	1N3W31Q		BNK HILL
BASELINE LAUNDRY	82	1N3W31Q		BNK HILL
BACHELOR	9	1N4W14R		DEVIL CAN
BACHELOR	10	1N4W14R		DEVIL CAN
BEAR VALLEY MUTUAL WATER COMPANY	3600021	1N2W26G01	SANTA ANA 1	SANTA ANA
BEAR VALLEY MUTUAL WATER COMPANY	3600022	1N2W34G	SANTA ANA 2	SANTA ANA
BEAR VALLEY MUTUAL WATER COMPANY	3600023	1S3W24C	JUDSON 1	BNK HILL
BEAR VALLEY MUTUAL WATER COMPANY	3600024	1S2W19D	WABASH 2	BNK HILL
BEAR VALLEY MUTUAL WATER COMPANY	3600025	1N3W29R01S	PALM AV3	BNK HILL
BEAR VALLEY MUTUAL WATER COMPANY	3600027	1N2W26E	ALDER CR	SANTA ANA
BEAR VALLEY MUTUAL WATER COMPANY	3600028	1S2W04P	SANTA ANA RI	BNK HILL
BEAR VALLEY MUTUAL WATER COMPANY	3601585	1S3W23A03S	SAN BERNARDI	BNK HILL
BELL, H. EUGENE	3600449	1S3W20A	BELL WELL	BNK HILL
BERMAN, JERRY & SONS	11	1S4W02K	OLD WELL	BNK HILL
BERMAN, JERRY & SONS	12	1S4W02J		BNK HILL
BERMAN, JERRY & SONS	3602007	1S4W02K	2	BNK HILL
BLISS	13	1S2W22E		BNK HILL
BLUE BANNER COMPANY	3602531	1S2W09L03S	TUNNEL DIV.	BNK HILL
BLUE GOOSE GROWERS INC	3602529	1S2W09P02	NO. 6	BNK HILL
BLUE GOOSE GROWERS INC	3602530	1S2W09L02S	NO. 11	BNK HILL
BOUCHER	14	1N4W14J		DEVIL CAN
BREAK, ALLEN, ESTATE	15	1S3W31A		BNK HILL

SAN BERNARDINO BASIN AREA
CROSS INDEX BY OWNER

OWNER NAME	RECORDATION NUMBER	STATE WELL NUMBER	LOCAL DESIGNATION	BASIN NAME
BRISTOL RANCH	3601631	1N3W34C02S	1	BNK HILL
BROOKSIDE DAIRY, INC	3600036	1S3W33D	1	BNK HILL
BROOKSIDE PLAZA	3602917	1S3W03D01S		BNK HILL
BRYN MAWR MUTUAL WATER COMPANY	3600053	1S3W31A	1	BNK HILL
BRYN MAWR MUTUAL WATER COMPANY	3600054	1S3W31A	2	BNK HILL
BRYN MAWR MUTUAL WATER COMPANY	3600055	1S3W31A	3	BNK HILL
BRYN MAWR MUTUAL WATER COMPANY	3602109	1S3W31B00S	4	BNK HILL
BUOYE WELL	3602062	1S2W29N	1	BNK HILL
C. L. PHARRIS SAND & GRAVEL	3601420	1S3W09E	NO 2 - ALABA	BNK HILL
C. L. PHARRIS SAND & GRAVEL	3603653	1S3W10J	ORANGE STREE	BNK HILL
CALIFORNIA, STATE OF PATTON HOSPITAL	3600923	1N3W32C01S	PATTON 1	BNK HILL
CALIFORNIA, STATE OF PATTON HOSPITAL	3600924	1N3W29M01S	PATTON 2	BNK HILL
CALIFORNIA, STATE OF PATTON HOSPITAL	3600924-	1N3W29M	2A	BNK HILL
CALIFORNIA, STATE OF PATTON HOSPITAL	3600929	1N3W31K02S	PATTON 8	BNK HILL
CALIFORNIA, STATE OF PATTON HOSPITAL	3600931	1N3W29N01S	PATTON 10	BNK HILL
CALIFORNIA, STATE OF PATTON HOSPITAL	3601930	1N3W32C02S	PATTON 11	BNK HILL
CALIFORNIA, STATE OF PATTON HOSPITAL	3602381	1N3W29M	14	BNK HILL
CAMPUS CRUSADE FOR CHRIST	155	1N4W14C	W TWIN CRK	DEVIL CAN
CAMPUS CRUSADE FOR CHRIST	3601810	1N4W23E	PRKSDE 2	BNK HILL
CAMPUS CRUSADE FOR CHRIST	3601811	1N4W14A	EAST TWIN	DEVIL CAN
CAMPUS CRUSADE FOR CHRIST	3601979	1N4W14A	EAST TWIN	DEVIL CAN
CANYON KNOLLS RANCH	3601632	2S3W05A2	MARCUM WELL	BNK HILL

SAN BERNARDINO BASIN AREA
CROSS INDEX BY OWNER

OWNER NAME	RECORDATION NUMBER	STATE WELL NUMBER	LOCAL DESIGNATION	BASIN NAME
CANYON RANCH	3600523	1S3W32F	HINTSCHKE	BNK HILL
CARDIFF FARMS MUTUAL WATER COMPANY	3600973	1S4W12D	1	BNK HILL
CARDIFF FARMS MUTUAL WATER COMPANY	3601619	1S4W12D	2	BNK HILL
CARPENTER	16	1S4W22B		BNK HILL
CARTER, JAMES E., M.D.	3602241	1S3W20F03	ALMOND	BNK HILL
CHARLES, J. J.	3600815	1S3W06L		BNK HILL
CHRISTINA WATER COMPANY	3601751	1S3W21E	ALABAMA	BNK HILL
CLIFFSIDE RANCH	17	1S3W03F		BNK HILL
COGBILL, CLINTON L.	3601628	1S2W09Q	2	BNK HILL
COLTON, CITY OF	3601250	1S4W08R	4	BNK HILL
COLTON, CITY OF	3601251	1S4W08R	5	BNK HILL
COLTON, CITY OF	3601252	1S4W08R	6	BNK HILL
COLTON, CITY OF	3601253	1S4W08R	7	BNK HILL
COLTON, CITY OF	3601254	1S4W08F	8	BNK HILL
COLTON, CITY OF	3601256	1S4W09N	PLUNGE 12	BNK HILL
COLTON, CITY OF	3601257	1S4W08F	13	BNK HILL
COLTON, CITY OF	3601258	1S4W08R	14	BNK HILL
COLTON, CITY OF	3601260	1S4W08F01S	16	BNK HILL
COLTON, CITY OF	3601262	1S4W08C02S	BARNHL 18	BNK HILL
COLTON, CITY OF	3602405	1S4W08C	19	BNK HILL
COLTON, CITY OF	3602498	1S4W08R07	NO 6B	BNK HILL
COLTON, CITY OF	3602793	1S4W08F01	NO 21	BNK HILL

SAN BERNARDINO BASIN AREA
CROSS INDEX BY OWNER

OWNER NAME	RECORDATION NUMBER	STATE WELL NUMBER	LOCAL DESIGNATION	BASIN NAME
CONEJO RANCHOS MUTUAL WATER COMPANY	3601186	1N4W36F03S	1	BNK HILL
COOK CANYON	18	1N3W27R		BNK HILL
CRAFTON WATER COMPANY	3600272	1S2W29N	5TH AVE 1	BNK HILL
CRAFTON WATER COMPANY	3602186	1S2W21L02	2	BNK HILL
GRAM PATTERSON WELL	3600188	1S2W16C	CRAMPAT 2	BNK HILL
GRAM RANCH ASSOCIATES	3600241	1S3W03Q		BNK HILL
CRYSTAL SPRINGS	20	2S2W06D		BNK HILL
DANIELS AND BEST RANCH	3602550	1S3W17R	ALABAMA ST	BNK HILL
DANIELS, DON	175	1S3W19J		BNK HILL
DANIELS, HAROLD	22	1S3W17R	RANCH	BNK HILL
DANIELS, HAROLD	23	1S3W17C	DOMEST. WELL	BNK HILL
DEL ROSA MUTUAL WATER COMPANY	3601809	1N4W26H	GOLDNAV 1	BNK HILL
DEVORE WATER COMPANY	3602382	2N5W28D	1	L CAJON
DEVORE WATER COMPANY	3602383	2N5W28C	2	L CAJON
DEVORE WATER COMPANY	3602384	2N5W28C	3	L CAJON
DEVORE WATER COMPANY	3602385	2N5W20H	MEDLIN CR.	L CAJON
DEVORE WATER COMPANY	3602386	2N5W21E	LETHIN SP.	L CAJON
DEVORE WATER COMPANY	3602387	2N5W22E	E. KIMBARK	L CAJON
DEVORE WATER COMPANY	3602388	2N5W21G	KIMBARK	L CAJON
DEVORE WATER COMPANY	3602389	2N5W22N	HOPPER	L CAJON
DEVORE WATER COMPANY	3602390	2N5W28B	SANTA FE	L CAJON
DEVORE WATER COMPANY	3602391	2N5W28D	CASADY	L CAJON

SAN BERNARDINO BASIN AREA
CROSS INDEX BY OWNER

OWNER NAME	RECORDATION NUMBER	STATE WELL NUMBER	LOCAL DESIGNATION	BASIN NAME
DEVORE WATER COMPANY	3602428	2N5W33H	NO 4	L CAJON
DILLSON MUTUAL WATER COMPANY	25	1N4W24C	DILLSON AVE	DEVIL CAN
DILLSON MUTUAL WATER COMPANY	26	1N4W13P	HARRISON CYN	DEVIL CAN
DILLSON MUTUAL WATER COMPANY	173	1N4W24C	CISCO WELL	DEVIL CAN
DONGLO DAIRY	21	1S4W11F		BNK HILL
EAST BARTON WATER COMPANY	3600608	1S3W28B01S	BARTON	BNK HILL
EAST HIGHLANDS ORANGE COMPANY	29	1N3W35B	BOX SPRING	PLUNGE
EAST HIGHLANDS RANCH, INC.	3600598	1S3W02L	LOCAL 1	BNK HILL
EAST HIGHLANDS RANCH, INC.	3600604	1S2W07B	RANNEY	BNK HILL
EAST HIGHLANDS RANCH, INC.	3600605	1N3W35G	PLUNGE CREEK	PLUNGE
EAST HIGHLANDS RANCH, INC.	3600606	1N3W35K	ELDER GULCH	BNK HILL
EAST HIGHLANDS RANCH, INC.	3600607	1S3W02L	SMALL	BNK HILL
EAST HIGHLANDS RANCH, INC.	3600607 -	1S3W02L	SMALL	BNK HILL
EAST HIGHLANDS RANCH, INC.	3602474	1N3W26R	BOX SPRING	PLUNGE
EAST PIONEER MUTUAL WELL COMPANY	3602224	1S3W13P		BNK HILL
EAST VALLEY WATER DISTRICT	30	1N3W30C	PLANT NO 36	BNK HILL
EAST VALLEY WATER DISTRICT	32	1S3W04P	PLANT NO 43	BNK HILL
EAST VALLEY WATER DISTRICT	33	1S3W05R	PLANT NO 44	BNK HILL
EAST VALLEY WATER DISTRICT	34	1N3W31A	PLANT NO 45	BNK HILL
EAST VALLEY WATER DISTRICT	35	1S3W05Q	PLANT NO 46	BNK HILL
EAST VALLEY WATER DISTRICT	36	1N4W36H	PLANT NO 52	BNK HILL
EAST VALLEY WATER DISTRICT	37	1S3W06Q	PLANT NO 69	BNK HILL

SAN BERNARDINO BASIN AREA
CROSS INDEX BY OWNER

OWNER NAME	RECORDATION NUMBER	STATE WELL NUMBER	LOCAL DESIGNATION	BASIN NAME
EAST VALLEY WATER DISTRICT	38	1N3W31D	PLANT NO 70	BNK HILL
EAST VALLEY WATER DISTRICT	39	1S3W06E	PLANT NO 71	BNK HILL
EAST VALLEY WATER DISTRICT	40	1S3W06B	PLANT NO 72	BNK HILL
EAST VALLEY WATER DISTRICT	41	1S3W06C	PLANT NO 74	BNK HILL
EAST VALLEY WATER DISTRICT	42	1S4W02L	PLANT NO 75	BNK HILL
EAST VALLEY WATER DISTRICT	43	1S3W06P	PLANT NO 78	BNK HILL
EAST VALLEY WATER DISTRICT	44	1S3W05Q	PLANT NO 80	BNK HILL
EAST VALLEY WATER DISTRICT	45	1S3W06M	PLANT NO 81	BNK HILL
EAST VALLEY WATER DISTRICT	46	1S3W06Q	PLANT NO 83	BNK HILL
EAST VALLEY WATER DISTRICT	47	1S3W03N	PLANT NO 84	BNK HILL
EAST VALLEY WATER DISTRICT	48	1N4W25D	PLANT NO 85	BNK HILL
EAST VALLEY WATER DISTRICT	49	1S3W03N	PLANT NO 93	BNK HILL
EAST VALLEY WATER DISTRICT	50	1S3W05J	PLANT NO 95	BNK HILL
EAST VALLEY WATER DISTRICT	51	1S4W01D	PLANT NO 96	BNK HILL
EAST VALLEY WATER DISTRICT	52	1S3W06N	PLANT NO 97	BNK HILL
EAST VALLEY WATER DISTRICT	59	1S3W04Q	PLANT NO 106	BNK HILL
EAST VALLEY WATER DISTRICT	76	1S3W06L	LANKERSHIM A	BNK HILL
EAST VALLEY WATER DISTRICT	77	1S3W06F	MCKINLEY ST.	BNK HILL
EAST VALLEY WATER DISTRICT	3600026	1S3W04J	PLANT NO 102	BNK HILL
EAST VALLEY WATER DISTRICT	3600058	1S3W03F	PLANT NO 53	BNK HILL
EAST VALLEY WATER DISTRICT	3600183	1S4W02A	PLANT NO 60	BNK HILL
EAST VALLEY WATER DISTRICT	3600220	1S3W01H	PLANT NO 142	BNK HILL

SAN BERNARDINO BASIN AREA
CROSS INDEX BY OWNER

OWNER NAME	RECORDATION NUMBER	STATE WELL NUMBER	LOCAL DESIGNATION	BASIN NAME
EAST VALLEY WATER DISTRICT	3600221	1N3W30J	PLANT NO 63	BNK HILL
EAST VALLEY WATER DISTRICT	3600269	1N3W31M	PLANT NO 68	BNK HILL
EAST VALLEY WATER DISTRICT	3600275	1N3W32B	PLANT NO 64	BNK HILL
EAST VALLEY WATER DISTRICT	3600374	1N3W33M01S	PLANT 138	BNK HILL
EAST VALLEY WATER DISTRICT	3600375	1S3W05D	PLANT 132 CU	BNK HILL
EAST VALLEY WATER DISTRICT	3600376	1S3W05D	PLANT 132 CU	BNK HILL
EAST VALLEY WATER DISTRICT	3600377	1N3W27N08S	PLANT 134 CI	BNK HILL
EAST VALLEY WATER DISTRICT	3600378	1N3W27N02S	PLANT 134 CI	BNK HILL
EAST VALLEY WATER DISTRICT	3600444	1N3W30H01S	PLANT NO 98	BNK HILL
EAST VALLEY WATER DISTRICT	3600466	1S3W04C	PLANT NO 48	BNK HILL
EAST VALLEY WATER DISTRICT	3600545	1N3W30J	PLANT NO 62	BNK HILL
EAST VALLEY WATER DISTRICT	3600643	1N4W25K01	PLANT NO 66	BNK HILL
EAST VALLEY WATER DISTRICT	3600680	1S3W02J	PLANT NO 120	BNK HILL
EAST VALLEY WATER DISTRICT	3600855	1N3W28P01S	PLANT NO 54	BNK HILL
EAST VALLEY WATER DISTRICT	3600864	1N3W19F	PLANT NO 79	BNK HILL
EAST VALLEY WATER DISTRICT	3600925	1S4W01Q01	PLANT NO 100	BNK HILL
EAST VALLEY WATER DISTRICT	3600926	1S4W01F02S	PLANT NO 115	BNK HILL
EAST VALLEY WATER DISTRICT	3600927	1N3W31B01	PLANT NO 116	BNK HILL
EAST VALLEY WATER DISTRICT	3600928	1N3W31L02S	PLANT NO 117	BNK HILL
EAST VALLEY WATER DISTRICT	3600930	1N3W31L03S	PLANT NO 118	BNK HILL
EAST VALLEY WATER DISTRICT	3600970	1N3W19G	PLANT NO 57	BNK HILL
EAST VALLEY WATER DISTRICT	3600971	1N3W18R	PLANT NO 58	BNK HILL

SAN BERNARDINO BASIN AREA
CROSS INDEX BY OWNER

OWNER NAME	RECORDATION NUMBER	STATE WELL NUMBER	LOCAL DESIGNATION	BASIN NAME
EAST VALLEY WATER DISTRICT	3601069	1N3W33M02S	CHURCH	BNK HILL
EAST VALLEY WATER DISTRICT	3601184	1N3W33F01S	PLANT NO 94	BNK HILL
EAST VALLEY WATER DISTRICT	3601582	1S4W02R	PLANT NO 119	BNK HILL
EAST VALLEY WATER DISTRICT	3601584	1N3W33H01S	PLANT NO 47	BNK HILL
EAST VALLEY WATER DISTRICT	3601639	1S3W03R01	PLANT NO 146	BNK HILL
EAST VALLEY WATER DISTRICT	3601643	1S3W03Q	PLANT NO 121	BNK HILL
EAST VALLEY WATER DISTRICT	3601653	1N4W36K04S	PLANT NO 1	BNK HILL
EAST VALLEY WATER DISTRICT	3601654	1N4W36K	PLANT NO 1A	BNK HILL
EAST VALLEY WATER DISTRICT	3601655	1N4W36K05S	PLANT NO 2	BNK HILL
EAST VALLEY WATER DISTRICT	3601656	1N4W36Q01S	PLANT NO 6	BNK HILL
EAST VALLEY WATER DISTRICT	3601657	1S4W01B04S	PLANT NO 7	BNK HILL
EAST VALLEY WATER DISTRICT	3601658	1N4W36R01S	PLANT NO 8	BNK HILL
EAST VALLEY WATER DISTRICT	3601659	1S3W06H01S	PLANT NO 9	BNK HILL
EAST VALLEY WATER DISTRICT	3601660	1S3W06H04S	PLANT NO 9A	BNK HILL
EAST VALLEY WATER DISTRICT	3601661	1S4W01J08S	PLANT NO 10	BNK HILL
EAST VALLEY WATER DISTRICT	3601662	1S4W02Q05S	PLANT NO 11	BNK HILL
EAST VALLEY WATER DISTRICT	3601663	1S4W02Q04S	PLANT NO 12	BNK HILL
EAST VALLEY WATER DISTRICT	3601664	1S4W02N01S	PLANT NO 13	BNK HILL
EAST VALLEY WATER DISTRICT	3601665	1S4W01K04S	PLANT NO 14	BNK HILL
EAST VALLEY WATER DISTRICT	3601666	1N4W36F08S	PLANT NO 16	BNK HILL
EAST VALLEY WATER DISTRICT	3601667	1S3W06A05S	PLANT NO 21	BNK HILL
EAST VALLEY WATER DISTRICT	3601668	1S4W01E02S	PLANT NO 22	BNK HILL

SAN BERNARDINO BASIN AREA
CROSS INDEX BY OWNER

OWNER NAME	RECORDATION NUMBER	STATE WELL NUMBER	LOCAL DESIGNATION	BASIN NAME
EAST VALLEY WATER DISTRICT	3601669	1N4W36H06S	PLANT NO 23	BNK HILL
EAST VALLEY WATER DISTRICT	3601670	1N4W26A01S	PLANT NO 24	BNK HILL
EAST VALLEY WATER DISTRICT	3601671	1N4W26A02S	PLANT NO 24A	BNK HILL
EAST VALLEY WATER DISTRICT	3601672	1N4W25C	PLANT NO 25	BNK HILL
EAST VALLEY WATER DISTRICT	3601673	1N4W25C02S	PLANT NO 25A	BNK HILL
EAST VALLEY WATER DISTRICT	3601674	1N4W25G01S	PLANT NO 26	BNK HILL
EAST VALLEY WATER DISTRICT	3601675	1N4W25A01S	PLANT NO 27	BNK HILL
EAST VALLEY WATER DISTRICT	3601676	1S4W12B05S	PLANT NO 28	BNK HILL
EAST VALLEY WATER DISTRICT	3601677	1S3W05A02S	PLANT NO 31	BNK HILL
EAST VALLEY WATER DISTRICT	3601678	1S3W05B04S	PLANT NO 32	BNK HILL
EAST VALLEY WATER DISTRICT	3601679	1S3W05N05S	PLANT NO 38	BNK HILL
EAST VALLEY WATER DISTRICT	3601781	1S3W06K01S	PLANT NO 35	BNK HILL
EAST VALLEY WATER DISTRICT	3601884	1N3W31C02S	PLANT NO 30	BNK HILL
EAST VALLEY WATER DISTRICT	3601978	1S3W04N	PLANT NO 40	BNK HILL
EAST VALLEY WATER DISTRICT	3601987	1S3W04B	PLANT NO 136	BNK HILL
EAST VALLEY WATER DISTRICT	3602034	1S4W02Q	PLANT NO 12A	BNK HILL
EAST VALLEY WATER DISTRICT	3602113	1N3W30N	PLANT NO 41	BNK HILL
EAST VALLEY WATER DISTRICT	3602174	1S4W02A	PLANT NO 105	BNK HILL
EAST VALLEY WATER DISTRICT	3602260	1S3W05D06	PLANT NO 132	BNK HILL
EAST VALLEY WATER DISTRICT	3602274	1N3W30J	PLANT NO 39	BNK HILL
EAST VALLEY WATER DISTRICT	3602337	1N4W26A	PLANT NO 24B	BNK HILL
EAST VALLEY WATER DISTRICT	3602338	1S3W04N	PLANT NO 40A	BNK HILL

SAN BERNARDINO BASIN AREA
CROSS INDEX BY OWNER

OWNER NAME	RECORDATION NUMBER	STATE WELL NUMBER	LOCAL DESIGNATION	BASIN NAME
EAST VALLEY WATER DISTRICT	3602370	1N4W25F	PLANT NO 107	BNK HILL
EAST VALLEY WATER DISTRICT	3602417	1S3W05D	PLANT NO 132	BNK HILL
EAST VALLEY WATER DISTRICT	3602560	1S3W04G	PLANT NO 136	BNK HILL
EAST VALLEY WATER DISTRICT	3602563	1S4W02Q	PLANT NO 11A	BNK HILL
EAST VALLEY WATER DISTRICT	3602564	1S4W12B	PLANT NO 28A	BNK HILL
EAST VALLEY WATER DISTRICT	3602571	1S3W03F	PLANT NO 122	BNK HILL
EAST VALLEY WATER DISTRICT	3602799	1S2W07F	PLANT NO 125	BNK HILL
EAST VALLEY WATER DISTRICT	3603247	1S3W06P18S	PLANT NO 141	BNK HILL
EAST VALLEY WATER DISTRICT	3603583	1S3W02N02	PLANT NO 143	BNK HILL
EASTWOOD FARMS COMMUNITY WATER USERS	3602130	1S4W01P01S	1	BNK HILL
EASTWOOD FARMS COMMUNITY WATER USERS	3602131	1S4W01P02S	2	BNK HILL
ELLENA, JOHN B.	54	1N4W08N		DEVIL CAN
ELLGOOD	55	1S2W24C		BNK HILL
ELTINGE & GRAZIADIO	3600766	1S3W29A01	COLTAMA	BNK HILL
F. A. R. WELL	3602020	1S2W20K	NO 1 FAR WEL	BNK HILL
FAIRVIEW WATER COMPANY	3600554	1S3W17R	FAIRVIEW WEL	BNK HILL
FARROW	56	1S2W22E		BNK HILL
FINCH	57	1S2W29C	FINCH	BNK HILL
FONTANA UNION WATER COMPANY	3600561	1N5W23K01S	FU 1	LYTLE
FONTANA UNION WATER COMPANY	3600562	1N5W22F02S	FU 3	LYTLE
FONTANA UNION WATER COMPANY	3600563	1N5W22C02S	FU 4	LYTLE
FONTANA UNION WATER COMPANY	3600569	1N5W22A01S	FU 13	LYTLE

SAN BERNARDINO BASIN AREA
CROSS INDEX BY OWNER

OWNER NAME	RECORDATION NUMBER	STATE WELL NUMBER	LOCAL DESIGNATION	BASIN NAME
FONTANA UNION WATER COMPANY	3600579	1N5W22F03S	FU 24	LYTLE
FONTANA UNION WATER COMPANY	3600580	1N5W22F01S	FU 25	LYTLE
FONTANA UNION WATER COMPANY	3600581	1N5W07H01S	FU 26	LYTLE
FONTANA UNION WATER COMPANY	3600582	1N5W06G01S	FU 27	LYTLE
FONTANA UNION WATER COMPANY	3600585	1N5W16K01S	FU 32	LYTLE
FONTANA UNION WATER COMPANY	3600586	1N5W06K02S	FU 33	LYTLE
FONTANA UNION WATER COMPANY	3600588	2N6W26L2	MN 1	
FONTANA UNION WATER COMPANY	3600590	2N6W26L1	MN 2	
FONTANA UNION WATER COMPANY	3600591	1N5W06E		LYTLE
FONTANA UNION WATER COMPANY	3602727	1N5W15Q02S	FU 8	LYTLE
FRIEDEMANN, ERNEST C.	3600747	1N3W31P02S	WELL 1	BNK HILL
FRINK RANCH	3601131	1S3W30K		BNK HILL
GENERAL AMERICAN LIFE INS. COMPANY	3601352	1S3W19N	LANGFORD WEL	BNK HILL
GLADYSTA WELL & WATER COMPANY	3600182	1S3W20H01	1	BNK HILL
GLADYSTA WELL & WATER COMPANY	3600182 -	1S3W20H02	1	BNK HILL
GOLCONDA WATER COMPANY	58	1S4W13E		BNK HILL
GOLDEN BEAR FOREST PRODUCTS	3602127	1S3W15A01		BNK HILL
GRANT WATER COMPANY	3600075	1S3W28C01	GRANT	BNK HILL
GREENSPOT MUTUAL WATER CO TUNNEL	166	1S2W22C		BNK HILL
GREENSPOT MUTUAL WELL COMPANY	3600266	1S2W16C01	GRNSPTMU	BNK HILL
GUERTH, WILLIAM H.	3600856	1N3W27E	CITY CREEK	BNK HILL
HAGAR	60	1S2W16L		BNK HILL

SAN BERNARDINO BASIN AREA
CROSS INDEX BY OWNER

OWNER NAME	RECORDATION NUMBER	STATE WELL NUMBER	LOCAL DESIGNATION	BASIN NAME
HAPPE MUTUAL WELL COMPANY	3600238	1S2W29M01	1	BNK HILL
HARDISON	61	1N4W13Q		DEVIL CAN
HARRISON	62	1S3W04J		BNK HILL
HARRISON CANYON	63	1N4W13N		DEVIL CAN
HARRISON CANYON	64	1N4W13N		DEVIL CAN
HAZAS	65	1S4W11G		BNK HILL
HEAD, JOE T.	3600226	1S2W21L01	1	BNK HILL
HELIPORT	66	1S4W15G		BNK HILL
HIGHLAND ACRES RANCH	3600323	1S2W06M	ELEC 1	BNK HILL
HIGHLAND WELL COMPANY	3600184	1N3W27N01	APLIN WELL	BNK HILL
HILL	67	1S2W31B		BNK HILL
HINCKLEY, HORACE P.	3600240	1S2W30B	SOUTH WELL	BNK HILL
HINCKLEY, HORACE P.	3601645	1S2W30B	1	BNK HILL
HOLDEN MUTUAL WATER COMPANY	68	1S4W14E		BNK HILL
HOLDEN MUTUAL WATER COMPANY	69	1S4W14F	HOLDEN AVE.	BNK HILL
HOLLIDAY TRUCKING	3603262	1N4W31M03S	SB # 1	LYTLE
HOLMES ICE & COLD STORAGE CO. INC.	3600644	1S4W09B03S	2	BNK HILL
HOLMES ICE & COLD STORAGE CO. INC.	3600645	1S4W09B01S		BNK HILL
HORTON	70	1S3W32J		BNK HILL
HUNTER	71	1S3W03D		BNK HILL
INLAND VALLEY DEVELOPMENT AGENCY	86	1S4W07D	LOCAL NO. 2	BNK HILL
INLAND VALLEY DEVELOPMENT AGENCY	87	1S4W12C	LOCAL NO. 3	BNK HILL

SAN BERNARDINO BASIN AREA
CROSS INDEX BY OWNER

OWNER NAME	RECORDATION NUMBER	STATE WELL NUMBER	LOCAL DESIGNATION	BASIN NAME
INLAND VALLEY DEVELOPMENT AGENCY	88	1S4W12D	LOCAL NO. 4	BNK HILL
INLAND VALLEY DEVELOPMENT AGENCY	89	1S4W12F	LOCAL NO. 5	BNK HILL
INLAND VALLEY DEVELOPMENT AGENCY	90	1S3W07A	LOCAL NO. 11	BNK HILL
INLAND VALLEY DEVELOPMENT AGENCY	91	1S4W12Q	NO NO. WELL	BNK HILL
INLAND VALLEY DEVELOPMENT AGENCY	92	1S4W12G	LOCAL NO. 44	BNK HILL
INLAND VALLEY DEVELOPMENT AGENCY	93	1S3W08E	LOCAL NO. 347	BNK HILL
INLAND VALLEY DEVELOPMENT AGENCY	94	1S3W08M	LOCAL NO. 865	BNK HILL
INLAND VALLEY DEVELOPMENT AGENCY	3603646	1S4W07D	NORTON 2	BNK HILL
INLAND VALLEY DEVELOPMENT AGENCY	3603647	1S4W12C	NORTON 3	BNK HILL
INLAND VALLEY DEVELOPMENT AGENCY	3603648	1S4W12F	NORTON 5	BNK HILL
INLAND VALLEY DEVELOPMENT AGENCY	3603649	1S3W07A	NORTON 11	BNK HILL
INLAND VALLEY DEVELOPMENT AGENCY	3603650	1S3W18C	GOLF COURSE	BNK HILL
INTER CITY MUTUAL WATER COMPANY	72	1S4W23P		BNK HILL
IOWA STREET WELL	3601932	1S3W29B01		BNK HILL
J. G. GOLFING ENTERPRISES, INC.	3602499	1S4W22A01	PAYNE HOT WE	BNK HILL
J. G. GOLFING ENTERPRISES, INC.	3602846	1S4W22A	KLINGE WELL	BNK HILL
JACINTO	3601126	1S2W30H	GAY GROVE 4	BNK HILL
JEWEL WATER COMPANY, THE	3600091	1S3W20R	1	BNK HILL
JUDSON MUTUAL WATER COMPANY	3601647	1S3W23A03	1	BNK HILL
K INV./TRUTANIC/Y UN WELL	3601172	1S3W20C	K INV/TRUTAN	BNK HILL
KANSAS STREET MUTUAL WATER COMPANY	3601092	1S3W28E		BNK HILL
KING	73	1N4W14R		DEVIL CAN

SAN BERNARDINO BASIN AREA
CROSS INDEX BY OWNER

OWNER NAME	RECORDATION NUMBER	STATE WELL NUMBER	LOCAL DESIGNATION	BASIN NAME
KING STREET MUTUAL WELL COMPANY	3600530	1S2W30G01	1	BNK HILL
KING STREET MUTUAL WELL COMPANY	3600530-	1S2W30G02	2	BNK HILL
KOCH	74	1S2W32B		BNK HILL
KOCH, GEORGE J.	3601451	1S2W32G01	1	BNK HILL
KRANTZ DAIRY	75	1S4W11F		BNK HILL
KUHN, RICHARD J	178	1S3W32G		BNK HILL
L.P.R. ICE COMPANY	3602525	1S3W13L		BNK HILL
L.P.R. RANCH	80	1S3W13C		BNK HILL
LA BONTE, JIM	3600865	1N4W24H	MULTOWN2	BNK HILL
LA ROSSE, CHARLES H.	3600708	1S3W29B	GOODWIN	BNK HILL
LA TOURETTE	78	1S2W28M		BNK HILL
LAKESIDE AVENUE MUTUAL WELL COMPANY	3602119	1S3W33C01S	1	BNK HILL
LANGFORD RANCHES	3600524	1S3W17L01S	NEVADA ST	BNK HILL
LANGFORD RANCHES	3600525	1S3W17H01S	ALABAMA	BNK HILL
LANGFORD RANCHES	3600526	1S3W21G01S	LUGONIA	BNK HILL
LANGSTON-NEWBY DEVELOPMENT CO.	3600218	1N4W24A	1	DEVIL CAN
LARANZI GUNTER WELL	3600160	1S3W32G01	GUNTER WELL	BNK HILL
LOMA LINDA UNIVERSITY	3601910	1S3W30L	PUFFER	BNK HILL
LOMA LINDA UNIVERSITY	3602008	1S4W26A	1	BNK HILL
LOMA LINDA UNIVERSITY	3602009	1S4W25G01S	3	BNK HILL
LOMA LINDA UNIVERSITY	3602012	1S4W25C01S	6	BNK HILL
LOMA LINDA UNIVERSITY	3602013	1S4W24P	7	BNK HILL

SAN BERNARDINO BASIN AREA
CROSS INDEX BY OWNER

OWNER NAME	RECORDATION NUMBER	STATE WELL NUMBER	LOCAL DESIGNATION	BASIN NAME
LOMA LINDA UNIVERSITY	3602014	1S4W26J01S	8	BNK HILL
LOMA LINDA UNIVERSITY	3602017	1S4W25E01S	2	BNK HILL
LOMA LINDA UNIVERSITY	3602249	1S4W25D05	ANDERSON	BNK HILL
LOMA LINDA UNIVERSITY	3602781	1S4W25D	ANDERSON II	BNK HILL
LOMA LINDA UNIVERSITY	3602855	1S4W25D07S	ANDERSON III	BNK HILL
LOMA LINDA, CITY OF	3601130	1S3W32D	NICKS WELL	BNK HILL
LOMA LINDA, CITY OF	3601384	1S4W25C	1	BNK HILL
LOMA LINDA, CITY OF	3601388	1S4W25C	COURT ST	BNK HILL
LOMA LINDA, CITY OF	3601989	1S4W24R01S	GOLCONDA WEL	BNK HILL
LOMA LINDA, CITY OF	3602010	1S4W25H02S	LLU 4	BNK HILL
LOMA LINDA, CITY OF	3602011	1S4W25B02S	LLU 5	BNK HILL
LOMA LINDA, CITY OF	3602015	1S4W25B	LLU 9	BNK HILL
LOMA LINDA, CITY OF	3602016	1S4W25G	ROBINSON	BNK HILL
LOMA LINDA, CITY OF	3602057	1S4W25C	MITTLEIDER W	BNK HILL
LOMA LINDA, CITY OF	3602058	1S4W25B	JANZEN CREEK	BNK HILL
LOMA LINDA, CITY OF	3602596	1S4W24R	NEW GOLCONDA	BNK HILL
LOMA LINDA, CITY OF	3602759	1S4W24A	MOUNTAIN VIE	BNK HILL
LOMA LINDA, CITY OF	3602760	1S4W24B	MOUNTAIN VIE	BNK HILL
LOMA LINDA, CITY OF	3603057	1S4W24B	RICHARDSON W	BNK HILL
LOMA LINDA, CITY OF	3603058	1S4W24B	RICHARDSON W	BNK HILL
LOMA LINDA, CITY OF	3603523	1S4W24P04S	SOUTH RICHA	BNK HILL
LORD	79	1S2W28M	SPRING DIV.	BNK HILL

SAN BERNARDINO BASIN AREA
CROSS INDEX BY OWNER

OWNER NAME	RECORDATION NUMBER	STATE WELL NUMBER	LOCAL DESIGNATION	BASIN NAME
LUGO WATER COMPANY	3600510	1S3W21K01	1	BNK HILL
LULY, DR. LUCIAN L.	3601376	1N4W14C	WATERMAN	DEVIL CAN
LULY, DR. LUCIAN L.	3601377	1N4W14C	WATERMAN	DEVIL CAN
LULY, DR. LUCIAN L.	3601378	1N4W14C	WATERMAN	DEVIL CAN
MARIGOLD FARMS COMPANY	3600757	1S3W19H	2	BNK HILL
MARIGOLD FARMS COMPANY	3601749	1S3W19B01	JAP	BNK HILL
MARIGOLD FARMS COMPANY	3601750	1S3W18L	ACQUILLIAN	BNK HILL
MARSHBURN	81	1S3W17G		BNK HILL
MASCART WATER COMPANY	3601102	1S3W21E	2	BNK HILL
MAYBELL, N. O.	3600291	1S4W13E		BNK HILL
MCCALLA BROS	164	1S3W20Q		BNK HILL
MCCALLA, ROBERT	3601839	1S3W10D01S	NO 1	BNK HILL
MEADOWBROOK DAIRY	3600030	1S4W23D	IRRIG 2	BNK HILL
MEADOWBROOK DAIRY	3600037	1S4W23D	DOMESTC 1	BNK HILL
MENTONE ACRES MUTUAL WELL COMPANY	3600748	1S3W24A01	OLD WELL 1	BNK HILL
MENTONE CITRUS GROVES	3600139	1S2W18R01S	PRH RANCH	BNK HILL
MENTONE CITRUS GROVES	3602280	1S2W18Q		BNK HILL
MENTONE DOMESTIC WATER COMPANY	83	1S2W19J		BNK HILL
MENTONE DOMESTIC WATER COMPANY	176	1S2W19J	3 1971	BNK HILL
MEYER, CHARLES R.	3600760	1N5W01R	1	DEVIL CAN
MILLER MUTUAL WELL COMPANY	3600630	1N3W32D		BNK HILL
MILLER MUTUAL WELL COMPANY	3600630-	1N3W32D		BNK HILL

SAN BERNARDINO BASIN AREA
CROSS INDEX BY OWNER

OWNER NAME	RECORDATION NUMBER	STATE WELL NUMBER	LOCAL DESIGNATION	BASIN NAME
MOORE, R. H.	84	1S4W24K		BNK HILL
MOUNT VERNON WATER COMPANY	3600319	1N4W31A01S	MT VERNON WE	BNK HILL
MT. VIEW CEMETERY OF SAN BERNARDINO	3600119	1S4W26E	1	BNK HILL
MT. VIEW CEMETERY OF SAN BERNARDINO	3600742	1N4W26N	1	BNK HILL
MT. VIEW CEMETERY OF SAN BERNARDINO	3600742 -	1N4W26N	3	BNK HILL
MT. VIEW CEMETERY OF SAN BERNARDINO	3600743	1N4W26M	2	BNK HILL
MT. VIEW CHILD CARE CENTER	145	1S4W24J		BNK HILL
MUSCOY MUTUAL WATER COMPANY, NO. 1	3601497	1N5W23H01S	MUSCOY 1	LYTLE
MUSCOY MUTUAL WATER COMPANY, NO. 1	3601498	1N5W24D01S	NO. 4	LYTLE
MUSCOY MUTUAL WATER COMPANY, NO. 1	3601499	1N5W23A01S	MUSCOY 2	LYTLE
MUSCOY MUTUAL WATER COMPANY, NO. 1	3601500	1N5W23A02S	MUSCOY 3	LYTLE
MUSCOY MUTUAL WATER COMPANY, NO. 1	3602345	1N5W24E	WELL NO 4	LYTLE
NATIONAL ORANGE SHOW	3601924	1S4W15D		BNK HILL
NEALEY MUTUAL WATER COMPANY	3601381	1N5W07J		LYTLE
NEW ENGLAND WATER COMPANY	3602320 -	1S3W16L		BNK HILL
NICKERSON WATER COMPANY	3600123	1S3W20R01	ALABAMA NO 1	BNK HILL
NICKERSON WATER COMPANY	3600124	1S3W21M01	LUGONIA NO 2	BNK HILL
NO NAME WELL	85	1N3W32M		BNK HILL
NORTH FORK WATER COMPANY	3600678	1S2W08C01S	NO. 1	BNK HILL
NORTH FORK WATER COMPANY	3600679	1S2W08C02S	NO. 2	BNK HILL
NORTH FORK WATER COMPANY	3600681	1N3W27M	CITY CREEK	BNK HILL
NORTH FORK WATER COMPANY	3600765	1N3W33C01	RODDICK WELL	BNK HILL

SAN BERNARDINO BASIN AREA
CROSS INDEX BY OWNER

OWNER NAME	RECORDATION NUMBER	STATE WELL NUMBER	LOCAL DESIGNATION	BASIN NAME
NORTH FORK WATER COMPANY	3601644	1S3W01A	PLUNGE CR	BNK HILL
NORTHBRAE WATER COMPANY	3600296	1S3W15R01	1	BNK HILL
NORTHSIDE WATER COMPANY	3600933	1S3W23F	1	BNK HILL
NORWOOD	95	1N3W34F		BNK HILL
NYE, WILLIAM H.	3600313	1S2W29N01S	NYE	BNK HILL
OLD TOWN WELL COMPANY	3600493	1S3W29K	NEW WELL 2	BNK HILL
OLD TOWN WELL COMPANY	3600494	1S3W29K	OLD WELL 1	BNK HILL
PACIFIC HIGH SCHOOL	96	1N4W35H		BNK HILL
PAINE, ROBERT T., TRUSTEE	3601642	1S2W30B02S	KING ST	BNK HILL
PATTERSON, ROY H.	163	1N3W34Q		BNK HILL
PAXTON, R. H.	3600468	1S3W30Q	BAHR 1	BNK HILL
PENN WELL COMPANY	3601099	1S3W22F	1	BNK HILL
PENN WELL COMPANY	3601405	1S3W22F	2	BNK HILL
PHAROAH POWELL WATER COMPANY	3600415	1S3W29J01		BNK HILL
PHAROAH'S LOST KINGDOM	3602549	1S3W19J	CALIF STREET	BNK HILL
PIERSON	97	1N4W35N		BNK HILL
PIONEER MUTUAL WATER COMPANY	3600642	1S3W14P01	SBDNO 1	BNK HILL
QUALITY FARMS	53	1S3W04R	NO. 102	BNK HILL
RAMIREZ BROTHERS	3601728	1S3W30K	FRINK	BNK HILL
RAMIREZ, CARLOS	3601649	1S3W28M	HOOVER	BNK HILL
RAMIREZ, CARLOS	3601649-	1S3W28M	HOOVER	BNK HILL
RAMIREZ, J.J.	3600484	1S3W16F	BUCKEYE 2	BNK HILL

SAN BERNARDINO BASIN AREA
CROSS INDEX BY OWNER

OWNER NAME	RECORDATION NUMBER	STATE WELL NUMBER	LOCAL DESIGNATION	BASIN NAME
RAMIREZ, J.J.	3600527	1S3W16A	MIDAS	BNK HILL
RAMIREZ, J.J.	3601171	1S3W20F	1	BNK HILL
RAMSEY	98	1S2W22F	SPRING DIV	BNK HILL
RANCHO CITRUS AMIGOS	3601753	1S3W29D	PARK AVE 1	BNK HILL
RANCHO LADERA	3602188	1S2W29L	ROLADERA	BNK HILL
RAUGHT MUTUAL WELL COMPANY	3602193	1S3W14R01	RAUGHT	BNK HILL
REDLANDS ASSOCIATES	99	1S2W17B	#0	BNK HILL
REDLANDS ASSOCIATES	100	1S2W09P	BLOCK NO. 6	BNK HILL
REDLANDS ASSOCIATES	101	1S2W09L	BLOCK NO. 11	BNK HILL
REDLANDS ASSOCIATES	102	1S2W09L	TUNNEL DIV.	BNK HILL
REDLANDS COUNTRY CLUB	3600049	1S3W25N	MORRISON WEL	BNK HILL
REDLANDS COUNTRY CLUB	3600049-	1S3W25N	HOBBS WELL	BNK HILL
REDLANDS TRAP/SKEET	3600628	1S3W15G	1	BNK HILL
REDLANDS UNIFIED SCHOOL DISTRICT	3601641	1S2W30C01S	OPAL ST	BNK HILL
REDLANDS WATER COMPANY	104	1S2W08A	REDLANDS WAT	BNK HILL
REDLANDS, CITY OF	103	1S2W13B	MILL CREEK D	BNK HILL
REDLANDS, CITY OF	3600005	1S3W35H08S	LUETCKE	BNK HILL
REDLANDS, CITY OF	3600006	1S2W19G01S	EAST LUGONIA	BNK HILL
REDLANDS, CITY OF	3600019	1S3W23A	GR REES NO 1	BNK HILL
REDLANDS, CITY OF	3600038	1S2W17N	DRY CREEK DI	BNK HILL
REDLANDS, CITY OF	3600085	1S3W28J01	NY ST 1	BNK HILL
REDLANDS, CITY OF	3600749	1S3W13Q	MENTONE ACRE	BNK HILL

SAN BERNARDINO BASIN AREA
 DEED CROSS INDEX BY OWNER

OWNER NAME	RECORDATION NUMBER	STATE WELL NUMBER	LOCAL DESIGNATION	BASIN NAME
REDLANDS, CITY OF	3600756	1S3W19L	MISSION #1	BNK HILL
REDLANDS, CITY OF	3600918	2S3W01D	REDLANDS HEI	BNK HILL
REDLANDS, CITY OF	3601281	1S2W21M01S	MAGUET 1	BNK HILL
REDLANDS, CITY OF	3601282	1S1W08G01	1 - MILL CRE	MILL CRK
REDLANDS, CITY OF	3601283	1S2W22C02S	EAST LUGONIA	BNK HILL
REDLANDS, CITY OF	3601284	1S2W21E01S	MAGUET 2	BNK HILL
REDLANDS, CITY OF	3601285	1S1W10L1	2 MILL CREEK	MILL CRK
REDLANDS, CITY OF	3601286	1S2W21D	MAGUET 3	BNK HILL
REDLANDS, CITY OF	3601287	1S2W21B	EAST LUGONIA	BNK HILL
REDLANDS, CITY OF	3601288	1S1W11Q1	4 MILL CREEK	MILL CRK
REDLANDS, CITY OF	3601289	1S3W35E	4R	BNK HILL
REDLANDS, CITY OF	3601290	1S2W21D01S	EAST LUGONIA	BNK HILL
REDLANDS, CITY OF	3601291	1S3W35G08S	10	BNK HILL
REDLANDS, CITY OF	3601292	1S3W35G07S	11	BNK HILL
REDLANDS, CITY OF	3601293	1S3W35H02S	12	BNK HILL
REDLANDS, CITY OF	3601294	1S3W35G09S	13	BNK HILL
REDLANDS, CITY OF	3601295	1S3W35H04S	14	BNK HILL
REDLANDS, CITY OF	3601296	1S3W35H03S	16	BNK HILL
REDLANDS, CITY OF	3601297	1S3W35G11S	17	BNK HILL
REDLANDS, CITY OF	3601298	1S3W21H01S	32	BNK HILL
REDLANDS, CITY OF	3601299	1S4W24K01S	34	BNK HILL
REDLANDS, CITY OF	3601300	1S3W27E02S	40	BNK HILL

SAN BERNARDINO BASIN AREA
CROSS INDEX BY OWNER

OWNER NAME	RECORDATION NUMBER	STATE WELL NUMBER	LOCAL DESIGNATION	BASIN NAME
REDLANDS, CITY OF	3601301	1S3W28H01S	41	BNK HILL
REDLANDS, CITY OF	3601302	1S2W14N	MILL CREEK D	BNK HILL
REDLANDS, CITY OF	3601308	1S2W19K01S	AGATE WELL N	BNK HILL
REDLANDS, CITY OF	3601586	1S3W15F02S	ORANGE 5	BNK HILL
REDLANDS, CITY OF	3601636	1S3W19N	LANGFORD	BNK HILL
REDLANDS, CITY OF	3601637	1S3W30D	PTRSON WELL	BNK HILL
REDLANDS, CITY OF	3602031	1S3W21H	WELL 30A	BNK HILL
REDLANDS, CITY OF	3602032	1S3W22A	WELL NO 35	BNK HILL
REDLANDS, CITY OF	3602036	1S3W21H	31-A	BNK HILL
REDLANDS, CITY OF	3602065	1S3W32J02S	LEE WELL	BNK HILL
REDLANDS, CITY OF	3602082	2S3W03K	WELL NO 36	BNK HILL
REDLANDS, CITY OF	3602106	1S3W22A01S		BNK HILL
REDLANDS, CITY OF	3602211	1S3W26C	NO 37 SYLVAN	BNK HILL
REDLANDS, CITY OF	3602346	1S3W28J02	NEW YORK ST	BNK HILL
REDLANDS, CITY OF	3602351	1S2W13A	0 - A MILL C	BNK HILL
REDLANDS, CITY OF	3602653	1S2W19J	KNARR WELL	BNK HILL
REDLANDS, CITY OF	3602654	1S2W19J	CRAFTON AVE	BNK HILL
REDLANDS, CITY OF	3602791	1S2W20B01	EAST LUGONIA	BNK HILL
REDLANDS, CITY OF	3602792	1S2W19A01	AGATE NO 2	BNK HILL
REDLANDS, CITY OF	3602895	1S3W13H	AIRPORT WELL	BNK HILL
REDLANDS, CITY OF	3602896	1S2W20D	MADEIRA WELL	BNK HILL
REDLANDS, CITY OF	3603045	1S1W09J01	MILL CREEK N	MILL CRK

SAN BERNARDINO BASIN AREA
CROSS INDEX BY OWNER

OWNER NAME	RECORDATION NUMBER	STATE WELL NUMBER	LOCAL DESIGNATION	BASIN NAME
REDLANDS, CITY OF	3603655	1S3W29Q01S	38	BNK HILL
REDLANDS, CITY OF	3603656	1S3W14E01S	CHURCH STREE	BNK HILL
REES & PERRICONE RANCH	3602171	1S2W18M	1	BNK HILL
REGINA GRAPE PRODUCTS	105	1N5W04M	WELL NO. 1	LYTLE
REGINA GRAPE PRODUCTS	106	1N5W04N	WELL NO. 2	LYTLE
REGINA GRAPE PRODUCTS	107	1N5W04N	WELL NO. 3	LYTLE
REGINA GRAPE PRODUCTS	108	1N5W05C	SPRING DIV.	LYTLE
REGINA GRAPE PRODUCTS	109	1N5W05R	WELL NO. 4	LYTLE
REGINA GRAPE PRODUCTS	110	1N5W04N	WELL NO. 5	LYTLE
REGINA GRAPE PRODUCTS	111	1N5W04N	WELL NO. 6	LYTLE
REGINA GRAPE PRODUCTS	112	1N5W04N	WELL NO. 7	LYTLE
REYNOLDS, BILL	3600981	1S2W21H01		BNK HILL
RIALTO, CITY OF	3601085	1N4W31N	CITY NO 4	LYTLE
RIALTO, CITY OF	3601263	1N5W23Q01S	CITY NO 1	LYTLE
RIALTO, CITY OF	3601718	1N5W22M	LYTLE CREEK	LYTLE
RIALTO, CITY OF	3601929	1S4W06C04S	CITY #6	BNK HILL
RIALTO, CITY OF	3602080	1N5W23Q	CITY NO 2	LYTLE
RIALTO, CITY OF	3602848	1N5W36B01S	CITY NO 3	LYTLE
RIALTO, CITY OF	3603030	1S4W06B01S	CITY # 5	BNK HILL
RIALTO, CITY OF	3603538	1S4W06H	CITY #4	BNK HILL
RIEDMAN, FRED M.	3601629	1S3W03P00S	1	BNK HILL
RIVAS	113	1S4W24J		BNK HILL

SAN BERNARDINO BASIN AREA
CROSS INDEX BY OWNER

OWNER NAME	RECORDATION NUMBER	STATE WELL NUMBER	LOCAL DESIGNATION	BASIN NAME
RIVAS, RAMON	3600016	1S4W24J	REES 4	BNK HILL
ROBBINS, H. W.	3602170	1S2W31M		BNK HILL
RULE	114	1N3W34K	SPRING	BNK HILL
SAN BERNARDINO AVENUE WATER COMPANY	3600125	1S3W14P	1	BNK HILL
SAN BERNARDINO VALLEY MWD	3603116	1S3W13R01S	SAN BERNARDI	BNK HILL
SAN BERNARDINO VALLEY MWD	3603141	1S4W04E	9TH STREET W	BNK HILL
SAN BERNARDINO VALLEY MWD	3603174	1S4W04F02	PERRIS STREE	BNK HILL
SAN BERNARDINO, CITY OF	115	1S4W21A	SEWER PLANT	BNK HILL
SAN BERNARDINO, CITY OF	116	1S4W22C	SEWER PLANT	BNK HILL
SAN BERNARDINO, CITY OF	3600034	1S4W16H	SMITH 1	BNK HILL
SAN BERNARDINO, CITY OF	3600035	1S4W15M03		BNK HILL
SAN BERNARDINO, CITY OF	3600222	1S4W11Q01S	MACFARLAND J	BNK HILL
SAN BERNARDINO, CITY OF	3600320	1N5W22M	MOUNT VERNON	LYTLE
SAN BERNARDINO, CITY OF	3600709	2N5W19Q01	VINCENT	L CAJON
SAN BERNARDINO, CITY OF	3600710	2N5W19K01	CAJON CANYON	L CAJON
SAN BERNARDINO, CITY OF	3600711	1N4W07F01S	DEVIL CANYON	DEVIL CAN
SAN BERNARDINO, CITY OF	3600712	1N4W08M01S	DEVIL CANYON	DEVIL CAN
SAN BERNARDINO, CITY OF	3600713	1N5W36R01S	LYTLE CREEK	LYTLE
SAN BERNARDINO, CITY OF	3600714	1N4W16E01S	NEWMARK NO 1	DEVIL CAN
SAN BERNARDINO, CITY OF	3600715	1N4W16E	NEWMARK NO 2	DEVIL CAN
SAN BERNARDINO, CITY OF	3600716	1N4W16E03S	NEWMARK NO 3	DEVIL CAN
SAN BERNARDINO, CITY OF	3600717	1N4W32D03S	19TH STREET	BNK HILL

SAN BERNARDINO BASIN AREA
CROSS INDEX BY OWNER

OWNER NAME	RECORDATION NUMBER	STATE WELL NUMBER	LOCAL DESIGNATION	BASIN NAME
SAN BERNARDINO, CITY OF	3600718	1N4W32D04S	19TH STREET	BNK HILL
SAN BERNARDINO, CITY OF	3600719	1N4W27G01S	30TH STREET	BNK HILL
SAN BERNARDINO, CITY OF	3600720	1N4W27M02S	27TH STREET	BNK HILL
SAN BERNARDINO, CITY OF	3600721	1N4W27M01S	NORTH E STRE	BNK HILL
SAN BERNARDINO, CITY OF	3600722	1S4W03D01S	ACACIA	BNK HILL
SAN BERNARDINO, CITY OF	3600723	1S4W10F01S	HANFORD 1	BNK HILL
SAN BERNARDINO, CITY OF	3600724	1S4W10F05S	HANFORD NO 2	BNK HILL
SAN BERNARDINO, CITY OF	3600725	1N4W34G01S	17TH STREET	BNK HILL
SAN BERNARDINO, CITY OF	3600726	1N4W34G03S	16TH STREET	BNK HILL
SAN BERNARDINO, CITY OF	3600727	1N4W26G	LYNWOOD	BNK HILL
SAN BERNARDINO, CITY OF	3600728	1N4W27A01S	WATERMAN AVE	BNK HILL
SAN BERNARDINO, CITY OF	3600729	1N4W35M03S	GILBERT STRE	BNK HILL
SAN BERNARDINO, CITY OF	3600730	1S4W02K01S	ANTIL WELL N	BNK HILL
SAN BERNARDINO, CITY OF	3600731	1S4W02K02S	ANTIL WELL N	BNK HILL
SAN BERNARDINO, CITY OF	3600732	1S4W02K05S	ANTIL 2	BNK HILL
SAN BERNARDINO, CITY OF	3600733	1S4W02K04S	ANTIL 1	BNK HILL
SAN BERNARDINO, CITY OF	3600734	1S4W02K03S	ANTIL 4	BNK HILL
SAN BERNARDINO, CITY OF	3600735	1S4W09P01S	BIRCH ST	BNK HILL
SAN BERNARDINO, CITY OF	3600736	1S4W09J01S	SO G ST	BNK HILL
SAN BERNARDINO, CITY OF	3600737	1S4W10N06S	MILL & D	BNK HILL
SAN BERNARDINO, CITY OF	3600738	1N4W06J	D C DIVERSIO	DEVIL CAN
SAN BERNARDINO, CITY OF	3600739	1N5W06E	LYTLE CREEK	LYTLE

SAN BERNARDINO BASIN AREA
CROSS INDEX BY OWNER

OWNER NAME	RECORDATION NUMBER	STATE WELL NUMBER	LOCAL DESIGNATION	BASIN NAME
SAN BERNARDINO, CITY OF	3601114	1N4W35C01S	PERRIS HILL	BNK HILL
SAN BERNARDINO, CITY OF	3601115	1N4W26P03S	PERRIS HILL	BNK HILL
SAN BERNARDINO, CITY OF	3601116	1N4W35C02S	PERRIS HILL	BNK HILL
SAN BERNARDINO, CITY OF	3601117	1N4W35C03S	PERRIS HILL	BNK HILL
SAN BERNARDINO, CITY OF	3601316	1S4W23N	1	BNK HILL
SAN BERNARDINO, CITY OF	3601588	1N4W31H	WELL NO 1 ST	BNK HILL
SAN BERNARDINO, CITY OF	3601626	1S4W10D01	CITYLOTS	BNK HILL
SAN BERNARDINO, CITY OF	3601843	1N5W03H01S	CAJON NO 1	L CAJON
SAN BERNARDINO, CITY OF	3601844	1N5W03A02	CAJON NO 2	L CAJON
SAN BERNARDINO, CITY OF	3601845	1N4W30M	MALLORY	LYTLE
SAN BERNARDINO, CITY OF	3601878	1N4W29E01S	DARBY	BNK HILL
SAN BERNARDINO, CITY OF	3601879	1N4W29N	GARDENA	BNK HILL
SAN BERNARDINO, CITY OF	3601880	1N4W29F01S	COLIMA	BNK HILL
SAN BERNARDINO, CITY OF	3602060	1S4W24L	BENNETT WELL	BNK HILL
SAN BERNARDINO, CITY OF	3602066	1S4W02B	1	BNK HILL
SAN BERNARDINO, CITY OF	3602067	1N4W35K	2-GILBERT/CA	BNK HILL
SAN BERNARDINO, CITY OF	3602081	1N4W27B	31 ST	BNK HILL
SAN BERNARDINO, CITY OF	3602122	1S4W23R03S	ROSEWOOD	BNK HILL
SAN BERNARDINO, CITY OF	3602123	1S4W14J	NORMAN ROAD	BNK HILL
SAN BERNARDINO, CITY OF	3602124	1S4W14J	CENTRAL	BNK HILL
SAN BERNARDINO, CITY OF	3602125	1S4W24F04S	GOULD STREET	BNK HILL
SAN BERNARDINO, CITY OF	3602126	1S4W24F	GOULD STREET	BNK HILL

SAN BERNARDINO BASIN AREA
CROSS INDEX BY OWNER

OWNER NAME	RECORDATION NUMBER	STATE WELL NUMBER	LOCAL DESIGNATION	BASIN NAME
SAN BERNARDINO, CITY OF	3602128	1S4W14A	GIFFORD PARK	BNK HILL
SAN BERNARDINO, CITY OF	3602205	1N4W06H01S	DEVIL 4	DEVIL CAN
SAN BERNARDINO, CITY OF	3602206	1N4W06H02S	DEVIL 3	DEVIL CAN
SAN BERNARDINO, CITY OF	3602252	1S4W14B	2	BNK HILL
SAN BERNARDINO, CITY OF	3602264	1N4W27N01S	23RD STREET	BNK HILL
SAN BERNARDINO, CITY OF	3602265	1S4W03J	7TH STREET	BNK HILL
SAN BERNARDINO, CITY OF	3602285	1S4W15D05	15D5	BNK HILL
SAN BERNARDINO, CITY OF	3602399	1N4W16E	NEWMARK 4	DEVIL CAN
SAN BERNARDINO, CITY OF	3602400	1N4W32N	E-6W BASELIN	BNK HILL
SAN BERNARDINO, CITY OF	3602401	1N4W27A	LEROY	BNK HILL
SAN BERNARDINO, CITY OF	3602422	1S4W02K08S	ANTIL 6	BNK HILL
SAN BERNARDINO, CITY OF	3602426	2N5W19K	C.C. DIV.	L CAJON
SAN BERNARDINO, CITY OF	3602521	1S4W23P	WELL NO 2	BNK HILL
SAN BERNARDINO, CITY OF	3602712	1N4W08P	ELLENA BROS	DEVIL CAN
SAN BERNARDINO, CITY OF	3602821	1N5W03A02	CAJON # 3/ST	L CAJON
SAN BERNARDINO, CITY OF	3602844	1N4W08M02	DEVIL CANYON	DEVIL CAN
SAN BERNARDINO, CITY OF	3603027	1N5W36J01S	LYTLE CREEK	LYTLE
SAN BERNARDINO, CITY OF	3603206	1S4W04D02	OLIVE/GARNER	BNK HILL
SAN BERNARDINO, CITY OF	3603207	1S4W04C	10TH & J STR	BNK HILL
SAN BERNARDINO, CITY OF	3603208	1N4W34G04	17TH & SIERR	BNK HILL
SAN BERNARDINO, CITY OF	3603471	2N5W19R	KENWOOD	L CAJON
SAN BERNARDINO, CITY OF	3603472	1N4W14P01S	40TH & VALEN	DEVIL CAN

SAN BERNARDINO BASIN AREA
CROSS INDEX BY OWNER

OWNER NAME	RECORDATION NUMBER	STATE WELL NUMBER	LOCAL DESIGNATION	BASIN NAME
SAN BERNARDINO, CITY OF	3603579	1N4W05D	DEVIL CANYON	DEVIL CAN
SAN BERNARDINO, CITY OF	3603580	1N4W05D	DEVIL CANYON	DEVIL CAN
SAN BERNARDINO, CITY OF	3603581	1S4W22C05	CENTURY	BNK HILL
SAN BERNARDINO, CITY OF	3603582	1S4W15P05	CHANDLER	BNK HILL
SAN BERNARDINO, CITY OF	3603688	1S4W03D04S	EPA 1	BNK HILL
SAN BERNARDINO, CITY OF	3603689	1S4W03C03S	EPA 2	BNK HILL
SAN BERNARDINO, CITY OF	3603690	1S4W03C04S	EPA 3	BNK HILL
SAN BERNARDINO, CITY OF	3603691	1S4W03B03S	EPA 4	BNK HILL
SAN BERNARDINO, CITY OF	3603692	1S4W03A04S	EPA 5	BNK HILL
SAN BERNARDINO, CITY OF	3603693	1S4W16M03S	EPA 6	BNK HILL
SAN BERNARDINO, CITY OF	3603694	1S4W16M04S	EPA 7	BNK HILL
SAN BERNARDINO, COUNTY OF	1	1S4W14A	AEROSPACE	BNK HILL
SAN BERNARDINO, COUNTY OF	19	1N4W35F	COUNTY HOSP	BNK HILL
SAN BERNARDINO, COUNTY OF	117	2N5W33F	GLEN HELEN 3	L CAJON
SAN BERNARDINO, COUNTY OF	118	2N5W33G	GLEN HELEN 4	L CAJON
SAN BERNARDINO, COUNTY OF	177	1N5W04B	GLEN HELEN 2	L CAJON
SAN MANUAL INDIAN RESERVATION	119	1N3W20N		BNK HILL
SANDYS RESTAURANT	165	1S3W21M2		
SANTINI	120	1S4W14A		BNK HILL
SARATOGA DEVELOPMENT COMPANY	28	1S2W06Q	TUNNEL DIVER	BNK HILL
SATOSKI, DOCTOR	121	1N4W14J		DEVIL CAN
SECHREST, RALPH F.	3600483	1S2W31F	GPHRRCH 1	BNK HILL

SAN BERNARDINO BASIN AREA
CROSS INDEX BY OWNER

OWNER NAME	RECORDATION NUMBER	STATE WELL NUMBER	LOCAL DESIGNATION	BASIN NAME
SELBY, DR. & MRS. ARTHUR	3600017	1S2W29P	GR REES 3	BNK HILL
SELBY, DR. & MRS. ARTHUR	3600018	1S2W29P	GR REES 2	BNK HILL
SELEY	122	1N3W19Q	TUNNEL DIV.	BNK HILL
SIX HOUSES	123	1S4W22A		BNK HILL
SMITH	124	1N4W14J		DEVIL CAN
SMITH MEAT PACKING PLANT	126	1S4W22M01		BNK HILL
SMITH TRACT WELL COMPANY	3600001	1S3W21R	11	BNK HILL
SMITH TRACT WELL COMPANY	3600001-	1S3W21R		BNK HILL
SMITH,	125	1S3W02J		BNK HILL
SOJKA, DONALD R	3601173	1S3W32K		BNK HILL
SOLANO WELL NO. 1	3600187	1S2W09Q	SOLANO # 1	BNK HILL
SOLANO WELL NO. 3	3602003	1S2W16C	3	BNK HILL
SOMERS, R.	3601093	1N4W24H	SPRING	BNK HILL
SOUTHERN CALIFORNIA EDISON COMPANY	3600651	1S3W28L		BNK HILL
SOUTHERN CALIFORNIA EDISON COMPANY	3601012	1S4W08R	STM PL 1	BNK HILL
SOUTHERN CALIFORNIA EDISON COMPANY	3601013	1S4W08R	STM PL 2	BNK HILL
SOUTHERN CALIFORNIA EDISON COMPANY	3601016	1S4W22G01S	THORN 1	BNK HILL
SOUTHERN CALIFORNIA EDISON COMPANY	3690723	1S4W10F01S	HANFORD 1	BNK HILL
SOUZA, JOHN	3601084	1S2W20K		BNK HILL
STANLEY, SILAS	127	1S2W24H		BNK HILL
STEWART, WILLARD	128	1S3W31D		BNK HILL
STORKSON, WILLIAM F.	3600083	1N5W06P	1 LONGACRES	LYTLE

SAN BERNARDINO BASIN AREA
CROSS INDEX BY OWNER

OWNER NAME	RECORDATION NUMBER	STATE WELL NUMBER	LOCAL DESIGNATION	BASIN NAME
STORKSON, WILLIAM F.	3602664	1N5W06M01S	SPRING NO 1	LYTLE
STOME WATER COMPANY	3601046	1S3W21A	OLD	BNK HILL
STOME WATER COMPANY	3601046-	1S3W21A	1/NEW	BNK HILL
STRAWBERRY PATCH	129	1S3W03N		BNK HILL
STRAWBERRY PATCH	130	1S3W03N		BNK HILL
SUNRISE RANCH PART C/O LIFE DEVELOPMENT	3600599	1S2W13C	SUNRISE WELL	BNK HILL
SUNRISE RANCH PART C/O LIFE DEVELOPMENT	3600600	1S2W14L	SUNRISE 2	BNK HILL
SUNRISE RANCH PART C/O LIFE DEVELOPMENT	3600601	1S2W14F	SUNRISE 3A	BNK HILL
SUNRISE RANCH PART C/O LIFE DEVELOPMENT	3600602	1S2W15P	SUNRISE 4	BNK HILL
SUNRISE RANCH PART C/O LIFE DEVELOPMENT	3600603	1S2W15G	SUNRISE 5	BNK HILL
SUNRISE RANCH PART C/O LIFE DEVELOPMENT	3601640	1S2W14N	SUNRISE WELL	BNK HILL
SUNRISE RANCH PART C/O LIFE DEVELOPMENT	3601969	1S2W14L	SUNRISE 7	BNK HILL
SUPERIOR ORCHARDS	131	1N3W29B	TUNNEL DIV.	BNK HILL
SYCAMORE HEIGHTS WATER COMPANY, INC.	3601837	1N3W34C	HERCULES	BNK HILL
SYCAMORE HEIGHTS WATER COMPANY, INC.	3601838	1N3W34C	WALKISHA	BNK HILL
TENNESSEE MUTUAL WELL COMPANY	3601161	1S3W16K	PIONEER 1	BNK HILL
TENNESSEE WATER COMPANY	3600474	1S3W16L	WELL NO 1	BNK HILL
TERRACE WATER COMPANY	3601684	1S4W08F06S	LARGE 1	BNK HILL
TERRACE WATER COMPANY	3601684-	1S4W08F	WELL NO 1 -	BNK HILL
TERRACE WATER COMPANY	3601685	1S4W08F	SMALL 2	BNK HILL
TERRACE WATER COMPANY	3601686	1S4W08F	WELL NO 2 -	BNK HILL
TEXACO GAS STATION	27	1S4W24J		BNK HILL

SAN BERNARDINO BASIN AREA
CROSS INDEX BY OWNER

OWNER NAME	RECORDATION NUMBER	STATE WELL NUMBER	LOCAL DESIGNATION	BASIN NAME
THERMO ECOTEK CORPORATION	3601014	1S3W18N	MOUNTAIN VIE	BNK HILL
THERMO ECOTEK CORPORATION	3601015	1S3W18N	MOUNTAIN VIE	BNK HILL
THOMPSON RANDALL	132	1N3W28A	SPRING DIV.	
TILDEN, M. WILLIAM	3602074	1N3W34B02	IRRIG. 1	BNK HILL
TILDEN, M. WILLIAM	3602075	1N3W34B01	DOM. 2	BNK HILL
TRI CITY CONCRETE	3600935	1N4W31N		LYTLE
TRI CITY CONCRETE	3601309	1S4W05M	PLANT	BNK HILL
TRI CITY MUTUAL WATER COMPANY	133	1S4W23N		BNK HILL
TRI CITY MUTUAL WATER COMPANY	3601823	1S4W23N		BNK HILL
TRIPLE FALLS MUTUAL WATER COMPANY	134	1S1W19G		BNK HILL
TRIPLE FALLS MUTUAL WATER COMPANY	135	1S1W20D		MILL CRK
TRIPLE FALLS MUTUAL WATER COMPANY	136	1S1W20D		MILL CRK
TROJAN GROVES	3600451	1S3W15M		BNK HILL
U.S. FOREST SERVICE	137	1N4W13Q	MAINT. YARD	DEVIL CAN
U.S. FOREST SERVICE	138	1S2W13P	MILL CREEK	BNK HILL
UNGER, V.E.	3601168	1S4W26F		BNK HILL
UNIVERSITY OF REDLANDS	139	1S2W17A	PEPPER HOUSE	BNK HILL
VALENCIA AVE. MUTUAL WATER COMPANY	140	1N4W23K	WATERMAN AVE	BNK HILL
VALLEY FARMS MUTUAL WATER COMPANY	141	1S4W15R	NO 1 WASHTN	BNK HILL
VALLEY FARMS MUTUAL WATER COMPANY	142	1S4W15Q	NO 2 WELL	BNK HILL
VAN MEETER	146	1S3W02P	OLD WELL	BNK HILL
VAN MEETER	147	1S3W02P	NEW WELL	BNK HILL

SAN BERNARDINO BASIN AREA
CROSS INDEX BY OWNER

OWNER NAME	RECORDATION NUMBER	STATE WELL NUMBER	LOCAL DESIGNATION	BASIN NAME
VANLEUVEN, CLARENCE	143	1S4W24J		BNK HILL
VICTORIA FARMS MUTUAL WATER COMPANY	3602112	1S4W13R01S		BNK HILL
VICTORIA FARMS MUTUAL WATER COMPANY	3602247	1S4W13R03	2	BNK HILL
VICTORIA FARMS MUTUAL WATER COMPANY	3602574	1S4W13R	#3 WELL	BNK HILL
VICTORIA FARMS MUTUAL WATER COMPANY	3602714	1S4W13R	1	BNK HILL
VICTORIA GUERNSEY	3600399	1S4W02D	1	BNK HILL
VICTORIA SEVENTH DAY ADVENTIST	144	1S4W24J		BNK HILL
WALLACE	148	1N4W14J		DEVIL CAN
WARD, FLOYD	149	1S1W18N	WELL NO. 1	BNK HILL
WARD, FLOYD	150	1S1W18P	WELL NO. 2	BNK HILL
WARD, FLOYD	151	1S1W18P	WELL NO. 3	BNK HILL
WARD, FLOYD	152	1S1W18N	WELL NO. 4	BNK HILL
WARD, FLOYD	153	1S1W18M	WELL NO. 6	MILL CRK
WARD, FLOYD	154	1S1W18P	LATERAL SPR	BNK HILL
WARMINGTON, ROBERT P.	3600270	1S3W20P	ORANGEDALE	BNK HILL
WEATHERWAX, W. G.	3600652	1S3W15N01S	REDLANDS	BNK HILL
WEST SAN BDNO. COUNTY WATER DIST.	3600302	1N5W26A01S	WELL NO 3	LYTLE
WEST SAN BDNO. COUNTY WATER DIST.	3600303	1N5W26B01S	LOWER 4	LYTLE
WEST SAN BDNO. COUNTY WATER DIST.	3600304	1N5W26A03S	WELL NO 4	LYTLE
WEST SAN BDNO. COUNTY WATER DIST.	3600305	1N5W25E01S	WELL NO 5	LYTLE
WEST SAN BDNO. COUNTY WATER DIST.	3600306	1N5W23P02S	UPPER 2	LYTLE
WEST SAN BDNO. COUNTY WATER DIST.	3600307	1N5W23P04S	WELL NO 1	LYTLE

SAN BERNARDINO BASIN AREA
CROSS INDEX BY OWNER

OWNER NAME	RECORDATION NUMBER	STATE WELL NUMBER	LOCAL DESIGNATION	BASIN NAME
WEST SAN BDNO. COUNTY WATER DIST.	3600312	1N5W22M	LYTLE CREEK	LYTLE
WEST SAN BDNO. COUNTY WATER DIST.	3600996	1N5W36J03S	NO 8	LYTLE
WEST SAN BDNO. COUNTY WATER DIST.	3600997	1N5W36H04S	WELL NO 7	LYTLE
WEST SAN BDNO. COUNTY WATER DIST.	3600998	1N5W25E02S	FERG 1	LYTLE
WEST SAN BDNO. COUNTY WATER DIST.	3600999	1S4W06J01S	WELL NO 14	BNK HILL
WEST SAN BDNO. COUNTY WATER DIST.	3601000	1S4W06J02S	WELL NO 12	BNK HILL
WEST SAN BDNO. COUNTY WATER DIST.	3601002	1N4W31P03S	WELL NO 9	LYTLE
WEST SAN BDNO. COUNTY WATER DIST.	3601003	1S4W06H01S	WELL NO 13	BNK HILL
WEST SAN BDNO. COUNTY WATER DIST.	3601725	1N5W25E00S	LYTLE BASIN	LYTLE
WEST SAN BDNO. COUNTY WATER DIST.	3601848	1S4W05E05S	WELL NO 15	BNK HILL
WEST SAN BDNO. COUNTY WATER DIST.	3601944	1N5W23Q00S	WELL NO 2	LYTLE
WEST SAN BDNO. COUNTY WATER DIST.	3602766	1S4W06H02	WELL NO 30	BNK HILL
WEST SAN BDNO. COUNTY WATER DIST.	3602897	1N5W23P	WELL NO 34	LYTLE
WEST SAN BDNO. COUNTY WATER DIST.	3603054	1N5W25E	WELL NO 35	LYTLE
WEST SAN BDNO. COUNTY WATER DIST.	3603055	1N5W36H05	WELL NO 36	LYTLE
WESTERN FRUIT GROWERS	156	1S3W24Q		BNK HILL
WIDEMEYER	157	1N3W29H	SPRING DIV.	BNK HILL
WIDEMEYER	158	1N3W29H		BNK HILL
WILEY, RUTH NORWOOD	3600052	1S4W36J	1	BNK HILL
WILLIAMS DAIRY	159	1S4W11G		BNK HILL
WILLIAMS WELL CORPORATION, LTD.	3600828	1S3W16J		BNK HILL
WOEHR MUTUAL WATER COMPANY	3600817	1S3W29H		BNK HILL

SAN BERNARDINO BASIN AREA
CROSS INDEX BY OWNER

OWNER NAME	RECORDATION NUMBER	STATE WELL NUMBER	LOCAL DESIGNATION	BASIN NAME
YAIKU, PAUL	3601280	1S3W29D	SOUTH 1	BNK HILL
YORK	160	1N3W19R	DOMESTIC	BNK HILL
YORK	161	1N3W19R		BNK HILL
YORK	162	1N3W19R	YORK TUNNEL	BNK HILL
YUCAIPA VALLEY WATER DISTRICT	3602657	1S1W20D	WELL NO 31	MILL CRK
YUCAIPA VALLEY WATER DISTRICT	3602658	1S1W20D	WELL NO 32	MILL CRK
YUCAIPA VALLEY WATER DISTRICT	3602659	1S1W19G	WELL NO 33	BNK HILL
YUCAIPA VALLEY WATER DISTRICT	3603539	1S2W24C	YVWD 51	BNK HILL
'7TH AVE. WELL	3601121	1S2W31F	1	BNK HILL

SAN BERNARDINO BASIN AREA,
CROSS INDEX BY RECORDATION NUMBER

SAN BERNARDINO BASIN AREA
CROSS INDEX BY RECORDATION NUMBER

RECORDATION NUMBER	OWNER NAME	STATE WELL NUMBER	LOCAL DESIGNATION	BASIN NAME
1	SAN BERNARDINO, COUNTY OF	1S4W14A	AEROSPACE	BNK HILL
2	AHMANSON RANCH	1S4W27H		BNK HILL
3	ANDERSON, W.D.	1N4W25R		BNK HILL
4	ARNOLD RANCH	1N3W34H		BNK HILL
5	BALCOM	1S4W11M		BNK HILL
6	BALDWIN	1N3W34K		BNK HILL
7	BARRIER	1S4W22B		BNK HILL
8	BASELINE LAUNDRY	1N3W31Q		BNK HILL
9	BACHELOR	1N4W14R		DEVIL CAN
10	BACHELOR	1N4W14R		DEVIL CAN
11	BERMAN, JERRY & SONS	1S4W02K	OLD WELL	BNK HILL
12	BERMAN, JERRY & SONS	1S4W02J		BNK HILL
13	BLISS	1S2W22E		BNK HILL
14	BOUCHER	1N4W14J		DEVIL CAN
15	BREAK, ALLEN, ESTATE	1S3W31A		BNK HILL
16	CARPENTER	1S4W22B		BNK HILL
17	CLIFFSIDE RANCH	1S3W03F		BNK HILL
18	COOK CANYON	1N3W27R		BNK HILL
19	SAN BERNARDINO, COUNTY OF	1N4W35F	COUNTY HOSP	BNK HILL
20	CRYSTAL SPRINGS	2S2W06D		BNK HILL
21	DONGLO DAIRY	1S4W11F		BNK HILL
22	DANTELS, HAROLD	1S3W17R	RANCH	BNK HILL

SAN BERNARDINO BASIN AREA
CROSS INDEX BY RECORDATION NUMBER

RECORDATION NUMBER	OWNER NAME	STATE WELL NUMBER	LOCAL DESIGNATION	BASIN NAME
23	DANIELS, HAROLD	1S3W17C	DOMEST. WELL	BNK HILL
25	DILLSON MUTUAL WATER COMPANY	1N4W24C	DILLSON AVE	DEVIL CAN
26	DILLSON MUTUAL WATER COMPANY	1N4W13P	HARRISON CYN	DEVIL CAN
27	TEXACO GAS STATION	1S4W24J		BNK HILL
28	SARATOGA DEVELOPMENT COMPANY	1S2W06Q	TUNNEL DIVER	BNK HILL
29	EAST HIGHLANDS ORANGE COMPANY	1N3W35B	BOX SPRING	PLUNGE
30	EAST VALLEY WATER DISTRICT	1N3W30C	PLANT NO 36	BNK HILL
32	EAST VALLEY WATER DISTRICT	1S3W04P	PLANT NO 43	BNK HILL
33	EAST VALLEY WATER DISTRICT	1S3W05R	PLANT NO 44	BNK HILL
34	EAST VALLEY WATER DISTRICT	1N3W31A	PLANT NO 45	BNK HILL
35	EAST VALLEY WATER DISTRICT	1S3W05Q	PLANT NO 46	BNK HILL
36	EAST VALLEY WATER DISTRICT	1N4W36H	PLANT NO 52	BNK HILL
37	EAST VALLEY WATER DISTRICT	1S3W06Q	PLANT NO 69	BNK HILL
38	EAST VALLEY WATER DISTRICT	1N3W31D	PLANT NO 70	BNK HILL
39	EAST VALLEY WATER DISTRICT	1S3W06E	PLANT NO 71	BNK HILL
40	EAST VALLEY WATER DISTRICT	1S3W06B	PLANT NO 72	BNK HILL
41	EAST VALLEY WATER DISTRICT	1S3W06C	PLANT NO 74	BNK HILL
42	EAST VALLEY WATER DISTRICT	1S4W02L	PLANT NO 75	BNK HILL
43	EAST VALLEY WATER DISTRICT	1S3W06P	PLANT NO 78	BNK HILL
44	EAST VALLEY WATER DISTRICT	1S3W05Q	PLANT NO 80	BNK HILL
45	EAST VALLEY WATER DISTRICT	1S3W06M	PLANT NO 81	BNK HILL
46	EAST VALLEY WATER DISTRICT	1S3W06Q	PLANT NO 83	BNK HILL

SAN BERNARDINO BASIN AREA
CROSS INDEX BY RECORDATION NUMBER

RECORDATION NUMBER	OWNER NAME	STATE WELL NUMBER	LOCAL DESIGNATION	BASIN NAME
47	EAST VALLEY WATER DISTRICT	1S3W03N	PLANT NO 84	BNK HILL
48	EAST VALLEY WATER DISTRICT	1N4W25D	PLANT NO 85	BNK HILL
49	EAST VALLEY WATER DISTRICT	1S3W03N	PLANT NO 93	BNK HILL
50	EAST VALLEY WATER DISTRICT	1S3W05J	PLANT NO 95	BNK HILL
51	EAST VALLEY WATER DISTRICT	1S4W01D	PLANT NO 96	BNK HILL
52	EAST VALLEY WATER DISTRICT	1S3W06N	PLANT NO 97	BNK HILL
53	QUALITY FARMS	1S3W04R	NO. 102	BNK HILL
54	ELLENA, JOHN B.	1N4W08N		DEVIL CAN
55	ELLGOOD	1S2W24C		BNK HILL
56	FARROW	1S2W22E		BNK HILL
57	FINCH	1S2W29C	FINCH	BNK HILL
58	GOLCONDA WATER COMPANY	1S4W13E		BNK HILL
59	EAST VALLEY WATER DISTRICT	1S3W04Q	PLANT NO 106	BNK HILL
60	HAGAR	1S2W16L		BNK HILL
61	HARDISON	1N4W13Q		DEVIL CAN
62	HARRISON	1S3W04J		BNK HILL
63	HARRISON CANYON	1N4W13N		DEVIL CAN
64	HARRISON CANYON	1N4W13N		DEVIL CAN
65	HAZAS	1S4W11G		BNK HILL
66	HELIPORT	1S4W15G		BNK HILL
67	HILL	1S2W31B		BNK HILL
68	HOLDEN MUTUAL WATER COMPANY	1S4W14E		BNK HILL

SAN BERNARDINO BASIN AREA
CROSS INDEX BY RECORDATION NUMBER

RECORDATION NUMBER	OWNER NAME	STATE WELL NUMBER	LOCAL DESIGNATION	BASIN NAME
69	HOLDEN MUTUAL WATER COMPANY	1S4W14F	HOLDEN AVE.	BNK HILL
70	HORTON	1S3W32J		BNK HILL
71	HUNTER	1S3W03D		BNK HILL
72	INTER CITY MUTUAL WATER COMPANY	1S4W23P		BNK HILL
73	KING	1N4W14R		DEVIL CAN
74	KOCH	1S2W32B		BNK HILL
75	KRANTZ DAIRY	1S4W11F		BNK HILL
76	EAST VALLEY WATER DISTRICT	1S3W06L	LANKERSHIM A	BNK HILL
77	EAST VALLEY WATER DISTRICT	1S3W06F	MCKINLEY ST.	BNK HILL
78	LA TOURETTE	1S2W28M		BNK HILL
79	LORD	1S2W28M	SPRING DIV.	BNK HILL
80	L.P.R. RANCH	1S3W13C		BNK HILL
81	MARSHBURN	1S3W17G		BNK HILL
82	BASELINE LAUNDRY	1N3W31Q		BNK HILL
83	MENTONE DOMESTIC WATER COMPANY	1S2W19J		BNK HILL
84	MOORE, R. H.	1S4W24K		BNK HILL
85	NO NAME WELL	1N3W32M		BNK HILL
86	INLAND VALLEY DEVELOPMENT AGENCY	1S4W07D	LOCAL NO. 2	BNK HILL
87	INLAND VALLEY DEVELOPMENT AGENCY	1S4W12C	LOCAL NO. 3	BNK HILL
88	INLAND VALLEY DEVELOPMENT AGENCY	1S4W12D	LOCAL NO. 4	BNK HILL
89	INLAND VALLEY DEVELOPMENT AGENCY	1S4W12F	LOCAL NO. 5	BNK HILL
90	INLAND VALLEY DEVELOPMENT AGENCY	1S3W07A	LOCAL NO.11	BNK HILL

SAN BERNARDINO BASIN AREA
CROSS INDEX BY RECORDATION NUMBER

RECORDATION NUMBER	OWNER NAME	STATE WELL NUMBER	LOCAL DESIGNATION	BASIN NAME
91	INLAND VALLEY DEVELOPMENT AGENCY	1S4W12Q	NO NO. WELL	BNK HILL
92	INLAND VALLEY DEVELOPMENT AGENCY	1S4W12G	LOCAL NO. 44	BNK HILL
93	INLAND VALLEY DEVELOPMENT AGENCY	1S3W08E	LOCAL NO. 347	BNK HILL
94	INLAND VALLEY DEVELOPMENT AGENCY	1S3W08M	LOCAL NO. 865	BNK HILL
95	NORWOOD	1N3W34F		BNK HILL
96	PACIFIC HIGH SCHOOL	1N4W35H		BNK HILL
97	PIERSON	1N4W35N		BNK HILL
98	RAMSEY	1S2W22F	SPRING DIV	BNK HILL
99	REDLANDS ASSOCIATES	1S2W17B	#0	BNK HILL
100	REDLANDS ASSOCIATES	1S2W09P	BLOCK NO. 6	BNK HILL
101	REDLANDS ASSOCIATES	1S2W09L	BLOCK NO. 11	BNK HILL
102	REDLANDS ASSOCIATES	1S2W09L	TUNNEL DIV.	BNK HILL
103	REDLANDS, CITY OF	1S2W13B	MILL CREEK D	BNK HILL
104	REDLANDS WATER COMPANY	1S2W08A	REDLANDS WAT	BNK HILL
105	REGINA GRAPE PRODUCTS	1N5W04M	WELL NO. 1	LYTLE
106	REGINA GRAPE PRODUCTS	1N5W04N	WELL NO. 2	LYTLE
107	REGINA GRAPE PRODUCTS	1N5W04N	WELL NO. 3	LYTLE
108	REGINA GRAPE PRODUCTS	1N5W05C	SPRING DIV.	LYTLE
109	REGINA GRAPE PRODUCTS	1N5W05R	WELL NO. 4	LYTLE
110	REGINA GRAPE PRODUCTS	1N5W04N	WELL NO. 5	LYTLE
111	REGINA GRAPE PRODUCTS	1N5W04N	WELL NO. 6	LYTLE
112	REGINA GRAPE PRODUCTS	1N5W04N	WELL NO. 7	LYTLE

SAN BERNARDINO BASIN AREA
CROSS INDEX BY RECORDATION NUMBER

RECORDATION NUMBER	OWNER NAME	STATE WELL NUMBER	LOCAL DESIGNATION	BASIN NAME
113	RIVAS	1S4W24J		BNK HILL
114	RULE	1N3W34K	SPRING	BNK HILL
115	SAN BERNARDINO, CITY OF	1S4W21A	SEWER PLANT	BNK HILL
116	SAN BERNARDINO, CITY OF	1S4W22C	SEWER PLANT	BNK HILL
117	SAN BERNARDINO, COUNTY OF	2N5W33F	GLEN HELEN 3	L CAJON
118	SAN BERNARDINO, COUNTY OF	2N5W33G	GLEN HELEN 4	L CAJON
119	SAN MANUAL INDIAN RESERVATION	1N3W20N		BNK HILL
120	SANTINI	1S4W14A		BNK HILL
121	SATOSKI, DOCTOR	1N4W14J		DEVIL CAN
122	SELEY	1N3W19Q	TUNNEL DIV.	BNK HILL
123	SIX HOUSES	1S4W22A		BNK HILL
124	SMITH	1N4W14J		DEVIL CAN
125	SMITH,	1S3W02J		BNK HILL
126	SMITH MEAT PACKING PLANT	1S4W22M01		BNK HILL
127	STANLEY, SILAS	1S2W24H		BNK HILL
128	STEWART, WILLARD	1S3W31D		BNK HILL
129	STRAWBERRY PATCH	1S3W03N		BNK HILL
130	STRAWBERRY PATCH	1S3W03N		BNK HILL
131	SUPERIOR ORCHARDS	1N3W29B	TUNNEL DIV.	BNK HILL
132	THOMPSON RANDALL	1N3W28A	SPRING DIV.	
133	TRI CITY MUTUAL WATER COMPANY	1S4W23N		BNK HILL
134	TRIPLE FALLS MUTUAL WATER COMPANY	1S1W19G		BNK HILL

SAN BERNARDINO BASIN AREA
CROSS INDEX BY RECORDATION NUMBER

RECORDATION NUMBER	OWNER NAME	STATE WELL NUMBER	LOCAL DESIGNATION	BASIN NAME
135	TRIPLE FALLS MUTUAL WATER COMPANY	1S1W20D		MILL CRK
136	TRIPLE FALLS MUTUAL WATER COMPANY	1S1W20D		MILL CRK
137	U.S. FOREST SERVICE	1N4W13Q	MAINT. YARD	DEVIL CAN
138	U.S. FOREST SERVICE	1S2W13P	MILL CREEK	BNK HILL
139	UNIVERSITY OF REDLANDS	1S2W17A	PEPPER HOUSE	BNK HILL
140	VALENCIA AVE. MUTUAL WATER COMPANY	1N4W23K	WATERMAN AVE	BNK HILL
141	VALLEY FARMS MUTUAL WATER COMPANY	1S4W15R	NO 1 WASHTN	BNK HILL
142	VALLEY FARMS MUTUAL WATER COMPANY	1S4W15Q	NO 2 WELL	BNK HILL
143	VANLEUVEN, CLARENCE	1S4W24J		BNK HILL
144	VICTORIA SEVENTH DAY ADVENTIST	1S4W24J		BNK HILL
145	MT. VIEW CHILD CARE CENTER	1S4W24J		BNK HILL
146	VAN MEETER	1S3W02P	OLD WELL	BNK HILL
147	VAN MEETER	1S3W02P	NEW WELL	BNK HILL
148	WALLACE	1N4W14J		DEVIL CAN
149	WARD, FLOYD	1S1W18N	WELL NO. 1	BNK HILL
150	WARD, FLOYD	1S1W18P	WELL NO. 2	BNK HILL
151	WARD, FLOYD	1S1W18P	WELL NO. 3	BNK HILL
152	WARD, FLOYD	1S1W18N	WELL NO. 4	BNK HILL
153	WARD, FLOYD	1S1W18M	WELL NO. 6	MILL CRK
154	WARD, FLOYD	1S1W18P	LATERAL SPR	BNK HILL
155	CAMPUS CRUSADE FOR CHRIST	1N4W14C	W TWIN CRK	DEVIL CAN
156	WESTERN FRUIT GROWERS	1S3W24Q		BNK HILL

SAN BERNARDINO BASIN AREA
CROSS INDEX BY RECORDATION NUMBER

RECORDATION NUMBER	OWNER NAME	STATE WELL NUMBER	LOCAL DESIGNATION	Basin Name
157	WIDEMEYER	1N3W29H	SPRING DIV.	BNK HILL
158	WIDEMEYER	1N3W29H		BNK HILL
159	WILLIAMS DAIRY	1S4W11G		BNK HILL
160	YORK	1N3W19R	DOMESTIC	BNK HILL
161	YORK	1N3W19R		BNK HILL
162	YORK	1N3W19R	YORK TUNNEL	BNK HILL
163	PATTERSON, ROY H.	1N3W34Q		BNK HILL
164	MCCALLA BROS	1S3W20Q		BNK HILL
165	SANDYS RESTAURANT	1S3W21M2		BNK HILL
166	GREENSPOT MUTUAL WATER CO TUNNEL	1S2W22C		BNK HILL
173	DILLSON MUTUAL WATER COMPANY	1N4W24C	CISCO WELL	DEVIL CAN
175	DANIELS, DON	1S3W19J		BNK HILL
176	MENTONE DOMESTIC WATER COMPANY	1S2W19J	3 1971	BNK HILL
177	SAN BERNARDINO, COUNTY OF	1N5W04B	GLEN HELEN 2	L CAJON
178	KUHN, RICHARD J	1S3W32G		BNK HILL
3600001	SMITH TRACT WELL COMPANY	1S3W21R	11	BNK HILL
3600001-	SMITH TRACT WELL COMPANY	1S3W21R		BNK HILL
3600005	REDLANDS, CITY OF	1S3W35H08S	LUETCKE	BNK HILL
3600006	REDLANDS, CITY OF	1S2W19G01S	EAST LUGONIA	BNK HILL
3600016	RIVAS, RAMON	1S4W24J	REES 4	BNK HILL
3600017	SELBY, DR. & MRS. ARTHUR	1S2W29P	GR REES 3	BNK HILL
3600018	SELBY, DR. & MRS. ARTHUR	1S2W29P	GR REES 2	BNK HILL

SAN BERNARDINO BASIN AREA
CROSS INDEX BY RECORDATION NUMBER

RECORDATION NUMBER	OWNER NAME	STATE WELL NUMBER	LOCAL DESIGNATION	BASIN NAME
3600019	REDLANDS, CITY OF	1S3W23A	GR REES NO 1	BNK HILL
3600021	BEAR VALLEY MUTUAL WATER COMPANY	1N2W26G01	SANTA ANA 1	SANTA ANA
3600022	BEAR VALLEY MUTUAL WATER COMPANY	1N2W34G	SANTA ANA 2	SANTA ANA
3600023	BEAR VALLEY MUTUAL WATER COMPANY	1S3W24C	JUDSON 1	BNK HILL
3600024	BEAR VALLEY MUTUAL WATER COMPANY	1S2W19D	WABASH 2	BNK HILL
3600025	BEAR VALLEY MUTUAL WATER COMPANY	1N3W29R01S	PALM AV3	BNK HILL
3600026	EAST VALLEY WATER DISTRICT	1S3W04J	PLANT NO 102	BNK HILL
3600027	BEAR VALLEY MUTUAL WATER COMPANY	1N2W26E	ALDER CR	SANTA ANA
3600028	BEAR VALLEY MUTUAL WATER COMPANY	1S2W04P	SANTA ANA RI	BNK HILL
3600030	MEADOWBROOK DAIRY	1S4W23D	IRRIG 2	BNK HILL
3600034	SAN BERNARDINO, CITY OF	1S4W16H	SMITH 1	BNK HILL
3600035	SAN BERNARDINO, CITY OF	1S4W15M03		BNK HILL
3600036	BROOKSIDE DAIRY, INC	1S3W33D	1	BNK HILL
3600037	MEADOWBROOK DAIRY	1S4W23D	DOMESTC 1	BNK HILL
3600038	REDLANDS, CITY OF	1S2W17N	DRY CREEK DI	BNK HILL
3600049	REDLANDS COUNTRY CLUB	1S3W25N	MORRISON WEL	BNK HILL
3600049-	REDLANDS COUNTRY CLUB	1S3W25N	HOBBS WELL	BNK HILL
3600052	WILEY, RUTH NORWOOD	1S4W36J	1	BNK HILL
3600053	BRYN MAWR MUTUAL WATER COMPANY	1S3W31A	1	BNK HILL
3600054	BRYN MAWR MUTUAL WATER COMPANY	1S3W31A	2	BNK HILL
3600055	BRYN MAWR MUTUAL WATER COMPANY	1S3W31A	3	BNK HILL
3600058	EAST VALLEY WATER DISTRICT	1S3W03F	PLANT NO 53	BNK HILL

SAN BERNARDINO BASIN AREA
CROSS INDEX BY RECORDATION NUMBER

RECORDATION NUMBER	OWNER NAME	STATE WELL NUMBER	LOCAL DESIGNATION	BASIN NAME
3600075	GRANT WATER COMPANY	1S3W28C01	GRANT	BNK HILL
3600076	ARMSTRONG, DOUGLAS	1S3W17G	2	BNK HILL
3600083	STORKSON, WILLIAM F.	1N5W06P	1 LONGACRES	LYTLE
3600085	REDLANDS, CITY OF	1S3W28J01	NY ST 1	BNK HILL
3600091	JEWEL WATER COMPANY, THE	1S3W20R	1	BNK HILL
3600107	B M I FUNDS	1S3W21P01	COLTON 1	BNK HILL
3600119	MT. VIEW CEMETERY OF SAN BERNARDINO	1S4W26E	1	BNK HILL
3600123	NICKERSON WATER COMPANY	1S3W20R01	ALABAMA NO 1	BNK HILL
3600124	NICKERSON WATER COMPANY	1S3W21M01	LUGONIA NO 2	BNK HILL
3600125	SAN BERNARDINO AVENUE WATER COMPANY	1S3W14P	1	BNK HILL
3600139	MENTONE CITRUS GROVES	1S2W18R01S	PRH RANCH	BNK HILL
3600160	LARANNI GUNTER WELL	1S3W32G01	GUNTER WELL	BNK HILL
3600178	ATCHISON, TOPEKA & SANTA FE RAILWAY CO.	1S4W08F02S	WELL 3	BNK HILL
3600179	ATCHISON, TOPEKA & SANTA FE RAILWAY CO.	1S4W08F	4	BNK HILL
3600182	GLADYSTA WELL & WATER COMPANY	1S3W20H01	1	BNK HILL
3600182-	GLADYSTA WELL & WATER COMPANY	1S3W20H02	1	BNK HILL
3600183	EAST VALLEY WATER DISTRICT	1S4W02A	PLANT NO 60	BNK HILL
3600184	HIGHLAND WELL COMPANY	1N3W27N01	APLIN WELL	BNK HILL
3600187	SOLANO WELL NO. 1	1S2W09Q	SOLANO # 1	BNK HILL
3600188	CRAM PATTERSON WELL	1S2W16C	CRAMPAT 2	BNK HILL
3600218	LANGSTON-NEWBY DEVELOPMENT CO.	1N4W24A	1	DEVIL CAN
3600220	EAST VALLEY WATER DISTRICT	1S3W01H	PLANT NO 142	BNK HILL

SAN BERNARDINO BASIN AREA
CROSS INDEX BY RECORDATION NUMBER

RECORDATION NUMBER	OWNER NAME	STATE WELL NUMBER	LOCAL DESIGNATION	BASIN NAME
3600221	EAST VALLEY WATER DISTRICT	1N3W30J	PLANT NO 63	BNK HILL
3600222	SAN BERNARDINO, CITY OF	1S4W11Q01S	MACFARLAND J	BNK HILL
3600226	HEAD, JOE T.	1S2W21L01	1	BNK HILL
3600238	HAPPE MUTUAL WELL COMPANY	1S2W29M01	1	BNK HILL
3600240	HINCKLEY, HORACE P.	1S2W30B	SOUTH WELL	BNK HILL
3600241	CRAM RANCH ASSOCIATES	1S3W03Q		BNK HILL
3600266	GREENSPOT MUTUAL WELL COMPANY	1S2W16C01	GRNSPTMU	BNK HILL
3600269	EAST VALLEY WATER DISTRICT	1N3W31M	PLANT NO 68	BNK HILL
3600270	WARMINGTON, ROBERT P.	1S3W20P	ORANGEDALE	BNK HILL
3600272	CRAFTON WATER COMPANY	1S2W29N	5TH AVE 1	BNK HILL
3600275	EAST VALLEY WATER DISTRICT	1N3W32B	PLANT NO 64	BNK HILL
3600291	MAYBELL, N. O.	1S4W13E		BNK HILL
3600296	NORTHBRAE WATER COMPANY	1S3W15R01	1	BNK HILL
3600302	WEST SAN BDNO. COUNTY WATER DIST.	1N5W26A01S	WELL NO 3	LYTLE
3600303	WEST SAN BDNO. COUNTY WATER DIST.	1N5W26B01S	LOWER 4	LYTLE
3600304	WEST SAN BDNO. COUNTY WATER DIST.	1N5W26A03S	WELL NO 4	LYTLE
3600305	WEST SAN BDNO. COUNTY WATER DIST.	1N5W25E01S	WELL NO 5	LYTLE
3600306	WEST SAN BDNO. COUNTY WATER DIST.	1N5W23P02S	UPPER 2	LYTLE
3600307	WEST SAN BDNO. COUNTY WATER DIST.	1N5W23P04S	WELL NO 1	LYTLE
3600312	WEST SAN BDNO. COUNTY WATER DIST.	1N5W22M	LYTLE CREEK	LYTLE
3600313	NYE, WILLIAM H.	1S2W29N01S	NYE	BNK HILL
3600319	MOUNT VERNON WATER COMPANY	1N4W31A01S	MT VERNON WE	BNK HILL

SAN BERNARDINO BASIN AREA
CROSS INDEX BY RECORDATION NUMBER

RECORDATION NUMBER	OWNER NAME	STATE WELL NUMBER	LOCAL DESIGNATION	BASIN NAME
3600320	SAN BERNARDINO, CITY OF	1N5W22M	MOUNT VERNON	LYTLE
3600323	HIGHLAND ACRES RANCH	1S2W06M	ELEC 1	BNK HILL
3600374	EAST VALLEY WATER DISTRICT	1N3W33M01S	PLANT 138	BNK HILL
3600375	EAST VALLEY WATER DISTRICT	1S3W05D	PLANT 132 CU	BNK HILL
3600376	EAST VALLEY WATER DISTRICT	1S3W05D	PLANT 132 CU	BNK HILL
3600377	EAST VALLEY WATER DISTRICT	1N3W27N08S	PLANT 134 CI	BNK HILL
3600378	EAST VALLEY WATER DISTRICT	1N3W27N02S	PLANT 134 CI	BNK HILL
3600399	VICTORIA GUERNSEY	1S4W02D	1	BNK HILL
3600415	PHAROAH POWELL WATER COMPANY	1S3W29J01		BNK HILL
3600418	BARTON DEVELOPMENT	1S3W19G	BRAGA WELL	BNK HILL
3600444	EAST VALLEY WATER DISTRICT	1N3W30H01S	PLANT NO 98	BNK HILL
3600449	BELL, H. EUGENE	1S3W20A	BELL WELL	BNK HILL
3600451	TROJAN GROVES	1S3W15M		BNK HILL
3600456	BASE LINE WELL COMPANY	1N3W33R02S	1	BNK HILL
3600457	BASELINE GARDENS MUTUAL WATER COMPANY	1N4W35J02S	PAC&BARL	BNK HILL
3600458	BASELINE GARDENS MUTUAL WATER COMPANY	1N4W36M01S	PS & B 2	BNK HILL
3600466	EAST VALLEY WATER DISTRICT	1S3W04C	PLANT NO 48	BNK HILL
3600468	PAXTON, R. H.	1S3W30Q	BAHR 1	BNK HILL
3600474	TENNESSEE WATER COMPANY	1S3W16L	WELL NO 1	BNK HILL
3600483	SECHREST, RALPH F.	1S2W31F	GPHRRCH 1	BNK HILL
3600484	RAMIREZ, J.J.	1S3W16F	BUCKEYE 2	BNK HILL
3600493	OLD TOWN WELL COMPANY	1S3W29K	NEW WELL 2	BNK HILL

SAN BERNARDINO BASIN AREA
CROSS INDEX BY RECORDATION NUMBER

RECORDATION NUMBER	OWNER NAME	STATE WELL NUMBER	LOCAL DESIGNATION	BASIN NAME
3600494	OLD TOWN WELL COMPANY	1S3W29K	OLD WELL 1	BNK HILL
3600510	LUGO WATER COMPANY	1S3W21K01	1	BNK HILL
3600523	CANYON RANCH	1S3W32F	HNTSCHKE	BNK HILL
3600524	LANGFORD RANCHES	1S3W17L01S	NEVADA ST	BNK HILL
3600525	LANGFORD RANCHES	1S3W17H01S	ALABAMA	BNK HILL
3600526	LANGFORD RANCHES	1S3W21G01S	LUGONIA	BNK HILL
3600527	RAMIREZ, J.J.	1S3W16A	MIDAS	BNK HILL
3600530	KING STREET MUTUAL WELL COMPANY	1S2W30G01	1	BNK HILL
3600530 -	KING STREET MUTUAL WELL COMPANY	1S2W30G02	2	BNK HILL
3600545	EAST VALLEY WATER DISTRICT	1N3W30J	PLANT NO 62	BNK HILL
3600554	FAIRVIEW WATER COMPANY	1S3W17R	FAIRVIEW WEL	BNK HILL
3600561	FONTANA UNION WATER COMPANY	1N5W23K01S	FU 1	LYTLE
3600562	FONTANA UNION WATER COMPANY	1N5W22F02S	FU 3	LYTLE
3600563	FONTANA UNION WATER COMPANY	1N5W22C02S	FU 4	LYTLE
3600569	FONTANA UNION WATER COMPANY	1N5W22A01S	FU 13	LYTLE
3600579	FONTANA UNION WATER COMPANY	1N5W22F03S	FU 24	LYTLE
3600580	FONTANA UNION WATER COMPANY	1N5W22F01S	FU 25	LYTLE
3600581	FONTANA UNION WATER COMPANY	1N5W07H01S	FU 26	LYTLE
3600582	FONTANA UNION WATER COMPANY	1N5W06G01S	FU 27	LYTLE
3600585	FONTANA UNION WATER COMPANY	1N5W16K01S	FU 32	LYTLE
3600586	FONTANA UNION WATER COMPANY	1N5W06K02S	FU 33	LYTLE
3600588	FONTANA UNION WATER COMPANY	2N6W26L2	MN 1	

SAN BERNARDINO BASIN AREA
CROSS INDEX BY RECORDATION NUMBER

RECORDATION NUMBER	OWNER NAME	STATE WELL NUMBER	LOCAL DESIGNATION	BASIN NAME
3600590	FONTANA UNION WATER COMPANY	2N6W26L1	MN 2	LYTLE
3600591	FONTANA UNION WATER COMPANY	1N5W06E		
3600598	EAST HIGHLANDS RANCH, INC.	1S3W02L	LOCAL 1	BNK HILL
3600599	SUNRISE RANCH PART C/O LIFE DEVELOPMENT	1S2W13C	SUNRISE WELL	BNK HILL
3600600	SUNRISE RANCH PART C/O LIFE DEVELOPMENT	1S2W14L	SUNRISE 2	BNK HILL
3600601	SUNRISE RANCH PART C/O LIFE DEVELOPMENT	1S2W14F	SUNRISE 3A	BNK HILL
3600602	SUNRISE RANCH PART C/O LIFE DEVELOPMENT	1S2W15P	SUNRISE 4	BNK HILL
3600603	SUNRISE RANCH PART C/O LIFE DEVELOPMENT	1S2W15G	SUNRISE 5	BNK HILL
3600604	EAST HIGHLANDS RANCH, INC.	1S2W07B	RANNEY	BNK HILL
3600605	EAST HIGHLANDS RANCH, INC.	1N3W35G	PLUNGE CREEK	PLUNGE
3600606	EAST HIGHLANDS RANCH, INC.	1N3W35K	ELDER GULCH	BNK HILL
3600607	EAST HIGHLANDS RANCH, INC.	1S3W02L	SMALL	BNK HILL
3600607 -	EAST HIGHLANDS RANCH, INC.	1S3W02L	SMALL	BNK HILL
3600608	EAST BARTON WATER COMPANY	1S3W28B01S	BARTON	BNK HILL
3600628	REDLANDS TRAP/SKEET	1S3W15G	1	BNK HILL
3600630	MILLER MUTUAL WELL COMPANY	1N3W32D		BNK HILL
3600630 -	MILLER MUTUAL WELL COMPANY	1N3W32D		BNK HILL
3600642	PIONEER MUTUAL WATER COMPANY	1S3W14P01	SBDNO 1	BNK HILL
3600643	EAST VALLEY WATER DISTRICT	1N4W25K01	PLANT NO 66	BNK HILL
3600644	HOLMES ICE & COLD STORAGE CO. INC.	1S4W09B03S	2	BNK HILL
3600645	HOLMES ICE & COLD STORAGE CO. INC.	1S4W09B01S		BNK HILL
3600651	SOUTHERN CALIFORNIA EDISON COMPANY	1S3W28L		BNK HILL

SAN BERNARDINO BASIN AREA
CROSS INDEX BY RECORDATION NUMBER

RECORDATION NUMBER	OWNER NAME	STATE WELL NUMBER	LOCAL DESIGNATION	BASIN NAME
3600652	WEATHERWAX, W. G.	1S3W15N01S	REDLANDS	BNK HILL
3600678	NORTH FORK WATER COMPANY	1S2W08C01S	NO. 1	BNK HILL
3600679	NORTH FORK WATER COMPANY	1S2W08C02S	NO. 2	BNK HILL
3600680	EAST VALLEY WATER DISTRICT	1S3W02J	PLANT NO 120	BNK HILL
3600681	NORTH FORK WATER COMPANY	1N3W27M	CITY CREEK	BNK HILL
3600708	LA ROSSE, CHARLES H.	1S3W29B	GOODWIN	BNK HILL
3600709	SAN BERNARDINO, CITY OF	2N5W19Q01	VINCENT	L CAJON
3600710	SAN BERNARDINO, CITY OF	2N5W19K01	CAJON CANYON	L CAJON
3600711	SAN BERNARDINO, CITY OF	1N4W07F01S	DEVIL CANYON	DEVIL CAN
3600712	SAN BERNARDINO, CITY OF	1N4W08M01S	DEVIL CANYON	DEVIL CAN
3600713	SAN BERNARDINO, CITY OF	1N5W36R01S	LYTLE CREEK	LYTLE
3600714	SAN BERNARDINO, CITY OF	1N4W16E01S	NEWMARK NO 1	DEVIL CAN
3600715	SAN BERNARDINO, CITY OF	1N4W16E	NEWMARK NO 2	DEVIL CAN
3600716	SAN BERNARDINO, CITY OF	1N4W16E03S	NEWMARK NO 3	DEVIL CAN
3600717	SAN BERNARDINO, CITY OF	1N4W32D03S	19TH STREET	BNK HILL
3600718	SAN BERNARDINO, CITY OF	1N4W32D04S	19TH STREET	BNK HILL
3600719	SAN BERNARDINO, CITY OF	1N4W27G01S	30TH STREET	BNK HILL
3600720	SAN BERNARDINO, CITY OF	1N4W27M02S	27TH STREET	BNK HILL
3600721	SAN BERNARDINO, CITY OF	1N4W27M01S	NORTH E STRE	BNK HILL
3600722	SAN BERNARDINO, CITY OF	1S4W03D01S	ACACIA	BNK HILL
3600723	SAN BERNARDINO, CITY OF	1S4W10F01S	HANFORD 1	BNK HILL
3600724	SAN BERNARDINO, CITY OF	1S4W10F05S	HANFORD NO 2	BNK HILL

SAN BERNARDINO BASIN AREA
CROSS INDEX BY RECORDATION NUMBER

RECORDATION NUMBER	OWNER NAME	STATE WELL NUMBER	LOCAL DESIGNATION	BASIN NAME
3600725	SAN BERNARDINO, CITY OF	1N4W34G01S	17TH STREET	BNK HILL
3600726	SAN BERNARDINO, CITY OF	1N4W34G03S	16TH STREET	BNK HILL
3600727	SAN BERNARDINO, CITY OF	1N4W26G	LYNWOOD	BNK HILL
3600728	SAN BERNARDINO, CITY OF	1N4W27A01S	WATERMAN AVE	BNK HILL
3600729	SAN BERNARDINO, CITY OF	1N4W35M03S	GILBERT STRE	BNK HILL
3600730	SAN BERNARDINO, CITY OF	1S4W02K01S	ANTIL WELL N	BNK HILL
3600731	SAN BERNARDINO, CITY OF	1S4W02K02S	ANTIL WELL N	BNK HILL
3600732	SAN BERNARDINO, CITY OF	1S4W02K05S	ANTIL 2	BNK HILL
3600733	SAN BERNARDINO, CITY OF	1S4W02K04S	ANTIL 1	BNK HILL
3600734	SAN BERNARDINO, CITY OF	1S4W02K03S	ANTIL 4	BNK HILL
3600735	SAN BERNARDINO, CITY OF	1S4W09P01S	BIRCH ST	BNK HILL
3600736	SAN BERNARDINO, CITY OF	1S4W09J01S	SO G ST	BNK HILL
3600737	SAN BERNARDINO, CITY OF	1S4W10N06S	MILL & D	BNK HILL
3600738	SAN BERNARDINO, CITY OF	1N4W06J	D C DIVERSIO	DEVIL CAN
3600739	SAN BERNARDINO, CITY OF	1N5W06E	LYTLE CREEK	LYTLE
3600742	MT. VIEW CEMETERY OF SAN BERNARDINO	1N4W26N	1	BNK HILL
3600742-	MT. VIEW CEMETERY OF SAN BERNARDINO	1N4W26N	3	BNK HILL
3600743	MT. VIEW CEMETERY OF SAN BERNARDINO	1N4W26M	2	BNK HILL
3600747	FRIEDEMANN, ERNEST C.	1N3W31P02S	WELL 1	BNK HILL
3600748	MENTONE ACRES MUTUAL WELL COMPANY	1S3W24A01	OLD WELL 1	BNK HILL
3600749	REDLANDS, CITY OF	1S3W13Q	MENTONE ACRE	BNK HILL
3600756	REDLANDS, CITY OF	1S3W19L	MISSION #1	BNK HILL

SAN BERNARDINO BASIN AREA
CROSS INDEX BY RECORDATION NUMBER

RECORDATION NUMBER	OWNER NAME	STATE WELL NUMBER	LOCAL DESIGNATION	BASIN NAME
3600757	MARIGOLD FARMS COMPANY	1S3W19H	2	BNK HILL
3600760	MEYER, CHARLES R.	1N5W01R	1	DEVIL CAN
3600765	NORTH FORK WATER COMPANY	1N3W33C01	RODDICK WELL	BNK HILL
3600766	ELTINGE & GRAZIADIO	1S3W29A01	COLTAMA	BNK HILL
3600815	CHARLES, J. J.	1S3W06L		BNK HILL
3600817	WOEHR MUTUAL WATER COMPANY	1S3W29H		BNK HILL
3600828	WILLIAMS WELL CORPORATION, LTD.	1S3W16J		BNK HILL
3600855	EAST VALLEY WATER DISTRICT	1N3W28P01S	PLANT NO 54	BNK HILL
3600856	GUERTH, WILLIAM H.	1N3W27E	CITY CREEK	BNK HILL
3600864	EAST VALLEY WATER DISTRICT	1N3W19F	PLANT NO 79	BNK HILL
3600865	LA BONTE, JIM	1N4W24H	MULTOWN2	BNK HILL
3600918	REDLANDS, CITY OF	2S3W01D	REDLANDS HEJ	BNK HILL
3600923	CALIFORNIA, STATE OF PATTON HOSPITAL	1N3W32C01S	PATTON 1	BNK HILL
3600924	CALIFORNIA, STATE OF PATTON HOSPITAL	1N3W29M01S	PATTON 2	BNK HILL
3600924-	CALIFORNIA, STATE OF PATTON HOSPITAL	1N3W29M	2A	BNK HILL
3600925	EAST VALLEY WATER DISTRICT	1S4W01Q01	PLANT NO 100	BNK HILL
3600926	EAST VALLEY WATER DISTRICT	1S4W01F02S	PLANT NO 115	BNK HILL
3600927	EAST VALLEY WATER DISTRICT	1N3W31B01	PLANT NO 116	BNK HILL
3600928	EAST VALLEY WATER DISTRICT	1N3W31L02S	PLANT NO 117	BNK HILL
3600929	CALIFORNIA, STATE OF PATTON HOSPITAL	1N3W31K02S	PATTON 8	BNK HILL
3600930	EAST VALLEY WATER DISTRICT	1N3W31L03S	PLANT NO 118	BNK HILL
3600931	CALIFORNIA, STATE OF PATTON HOSPITAL	1N3W29N01S	PATTON 10	BNK HILL

SAN BERNARDINO BASIN AREA
CROSS INDEX BY RECORDATION NUMBER

RECORDATION NUMBER	OWNER NAME	STATE WELL NUMBER	LOCAL DESIGNATION	BASIN NAME
3600933	NORTHSIDE WATER COMPANY	1S3W23F	1	BNK HILL
3600935	TRI CITY CONCRETE	1N4W31N		LYTLE
3600970	EAST VALLEY WATER DISTRICT	1N3W19G	PLANT NO 57	BNK HILL
3600971	EAST VALLEY WATER DISTRICT	1N3W18R	PLANT NO 58	BNK HILL
3600973	CARDIFF FARMS MUTUAL WATER COMPANY	1S4W12D	1	BNK HILL
3600981	REYNOLDS, BILL	1S2W21H01		BNK HILL
3600996	WEST SAN BDNO. COUNTY WATER DIST.	1N5W36J03S	NO 8	LYTLE
3600997	WEST SAN BDNO. COUNTY WATER DIST.	1N5W36H04S	WELL NO 7	LYTLE
3600998	WEST SAN BDNO. COUNTY WATER DIST.	1N5W25E02S	FERG 1	LYTLE
3600999	WEST SAN BDNO. COUNTY WATER DIST.	1S4W06J01S	WELL NO 14	BNK HILL
3601000	WEST SAN BDNO. COUNTY WATER DIST.	1S4W06J02S	WELL NO 12	BNK HILL
3601002	WEST SAN BDNO. COUNTY WATER DIST.	1N4W31P03S	WELL NO 9	LYTLE
3601003	WEST SAN BDNO. COUNTY WATER DIST.	1S4W06H01S	WELL NO 13	BNK HILL
3601012	SOUTHERN CALIFORNIA EDISON COMPANY	1S4W08R	STM PL 1	BNK HILL
3601013	SOUTHERN CALIFORNIA EDISON COMPANY	1S4W08R	STM PL 2	BNK HILL
3601014	THERMO ECOTEK CORPORATION	1S3W18N	MOUNTAIN VIE	BNK HILL
3601015	THERMO ECOTEK CORPORATION	1S3W18N	MOUNTAIN VIE	BNK HILL
3601016	SOUTHERN CALIFORNIA EDISON COMPANY	1S4W22G01S	THORN 1	BNK HILL
3601046	STOWE WATER COMPANY	1S3W21A	OLD	BNK HILL
3601046-	STOWE WATER COMPANY	1S3W21A	1/NEW	BNK HILL
3601069	EAST VALLEY WATER DISTRICT	1N3W33M02S	CHURCH	BNK HILL
3601084	SOUZA, JOHN	1S2W20K		BNK HILL

SAN BERNARDINO BASIN AREA
CROSS INDEX BY RECORDATION NUMBER

RECORDATION NUMBER	OWNER NAME	STATE WELL NUMBER	LOCAL DESIGNATION	BASIN NAME
3601085	RIALTO, CITY OF	1N4W31N	CITY NO 4	LYTLE
3601092	KANSAS STREET MUTUAL WATER COMPANY	1S3W28E		BNK HILL
3601093	SOMERS, R.	1N4W24H	SPRING	BNK HILL
3601099	PENN WELL COMPANY	1S3W22F	1	BNK HILL
3601102	MASCART WATER COMPANY	1S3W21E	2	BNK HILL
3601114	SAN BERNARDINO, CITY OF	1N4W35C01S	PERRIS HILL	BNK HILL
3601115	SAN BERNARDINO, CITY OF	1N4W26P03S	PERRIS HILL	BNK HILL
3601116	SAN BERNARDINO, CITY OF	1N4W35C02S	PERRIS HILL	BNK HILL
3601117	SAN BERNARDINO, CITY OF	1N4W35C03S	PERRIS HILL	BNK HILL
3601121	'7TH AVE. WELL	1S2W31F	1	BNK HILL
3601126	JACINTO	1S2W30H	GAY GROVE 4	BNK HILL
3601130	LOMA LINDA, CITY OF	1S3W32D	NICKS WELL	BNK HILL
3601131	FRINK RANCH	1S3W30K		BNK HILL
3601161	TENNESSEE MUTUAL WELL COMPANY	1S3W16K	PIONEER 1	BNK HILL
3601168	UNGER, V.E.	1S4W26F		BNK HILL
3601171	RAMIREZ, J.J.	1S3W20F	1	BNK HILL
3601172	K INV./TRUTANIC/Y UN WELL	1S3W20C	K INV/TRUTAN	BNK HILL
3601173	SOJKA, DONALD R	1S3W32K		BNK HILL
3601184	EAST VALLEY WATER DISTRICT	1N3W33F01S	PLANT NO 94	BNK HILL
3601186	CONEJO RANCHOS MUTUAL WATER COMPANY	1N4W36F03S	1	BNK HILL
3601250	COLTON, CITY OF	1S4W08R	4	BNK HILL
3601251	COLTON, CITY OF	1S4W08R	5	BNK HILL

SAN BERNARDINO BASIN AREA
CROSS INDEX BY RECORDATION NUMBER

RECORDATION NUMBER	OWNER NAME	STATE WELL NUMBER	LOCAL DESIGNATION	BASIN NAME
3601252	COLTON, CITY OF	1S4W08R	6	BNK HILL
3601253	COLTON, CITY OF	1S4W08R	7	BNK HILL
3601254	COLTON, CITY OF	1S4W08F	8	BNK HILL
3601256	COLTON, CITY OF	1S4W09N	PLUNGE 12	BNK HILL
3601257	COLTON, CITY OF	1S4W08F	13	BNK HILL
3601258	COLTON, CITY OF	1S4W08R	14	BNK HILL
3601260	COLTON, CITY OF	1S4W08F01S	16	BNK HILL
3601262	COLTON, CITY OF	1S4W08C02S	BARNHL 18	BNK HILL
3601263	RIALTO, CITY OF	1N5W23Q01S	CITY NO 1	LYTLE
3601280	YAHIKU, PAUL	1S3W29D	SOUTH 1	BNK HILL
3601281	REDLANDS, CITY OF	1S2W21M01S	MAGUET 1	BNK HILL
3601282	REDLANDS, CITY OF	1S1W08G01	1 - MILL CRE	MILL CRK
3601283	REDLANDS, CITY OF	1S2W22C02S	EAST LUGONIA	BNK HILL
3601284	REDLANDS, CITY OF	1S2W21E01S	MAGUET 2	BNK HILL
3601285	REDLANDS, CITY OF	1S1W10L1	2 MILL CREEK	MILL CRK
3601286	REDLANDS, CITY OF	1S2W21D	MAGUET 3	BNK HILL
3601287	REDLANDS, CITY OF	1S2W21B	EAST LUGONIA	BNK HILL
3601288	REDLANDS, CITY OF	1S1W11Q1	4 MILL CREEK	MILL CRK
3601289	REDLANDS, CITY OF	1S3W35E	4R	BNK HILL
3601290	REDLANDS, CITY OF	1S2W21D01S	EAST LUGONIA	BNK HILL
3601291	REDLANDS, CITY OF	1S3W35G08S	10	BNK HILL
3601292	REDLANDS, CITY OF	1S3W35G07S	11	BNK HILL

SAN BERNARDINO BASIN AREA
CROSS INDEX BY RECORDATION NUMBER

RECORDATION NUMBER	OWNER NAME	STATE WELL NUMBER	LOCAL DESIGNATION	BASIN NAME
3601293	REDLANDS, CITY OF	1S3W35H02S	12	BNK HILL
3601294	REDLANDS, CITY OF	1S3W35G09S	13	BNK HILL
3601295	REDLANDS, CITY OF	1S3W35H04S	14	BNK HILL
3601296	REDLANDS, CITY OF	1S3W35H03S	16	BNK HILL
3601297	REDLANDS, CITY OF	1S3W35G11S	17	BNK HILL
3601298	REDLANDS, CITY OF	1S3W21H01S	32	BNK HILL
3601299	REDLANDS, CITY OF	1S4W24K01S	34	BNK HILL
3601300	REDLANDS, CITY OF	1S3W27E02S	40	BNK HILL
3601301	REDLANDS, CITY OF	1S3W28H01S	41	BNK HILL
3601302	REDLANDS, CITY OF	1S2W14N	MILL CREEK D	BNK HILL
3601308	REDLANDS, CITY OF	1S2W19K01S	AGATE WELL N	BNK HILL
3601309	TRI CITY CONCRETE	1S4W05M	PLANT	BNK HILL
3601316	SAN BERNARDINO, CITY OF	1S4W23N	1	BNK HILL
3601352	GENERAL AMERICAN LIFE INS. COMPANY	1S3W19N	LANGFORD WEL	BNK HILL
3601376	LULY, DR. LUCIAN L.	1N4W14C	WATERMAN	DEVIL CAN
3601377	LULY, DR. LUCIAN L.	1N4W14C	WATERMAN	DEVIL CAN
3601378	LULY, DR. LUCIAN L.	1N4W14C	WATERMAN	DEVIL CAN
3601381	NEALEY MUTUAL WATER COMPANY	1N5W07J		LYTLE
3601384	LOMA LINDA, CITY OF	1S4W25C	1	BNK HILL
3601388	LOMA LINDA, CITY OF	1S4W25C	COURT ST	BNK HILL
3601405	PENN WELL COMPANY	1S3W22F	2	BNK HILL
3601420	C. L. PHARRIS SAND & GRAVEL	1S3W09E	NO 2 - ALABA	BNK HILL

SAN BERNARDINO BASIN AREA
CROSS INDEX BY RECORDATION NUMBER

RECORDATION NUMBER	OWNER NAME	STATE WELL NUMBER	LOCAL DESIGNATION	BASIN NAME
3601451	KOCH, GEORGE J.	1S2W32G01	1	BNK HILL
3601497	MUSCOY MUTUAL WATER COMPANY, NO. 1	1N5W23H01S	MUSCOY 1	LYTLE
3601498	MUSCOY MUTUAL WATER COMPANY, NO. 1	1N5W24D01S	NO. 4	LYTLE
3601499	MUSCOY MUTUAL WATER COMPANY, NO. 1	1N5W23A01S	MUSCOY 2	LYTLE
3601500	MUSCOY MUTUAL WATER COMPANY, NO. 1	1N5W23A02S	MUSCOY 3	LYTLE
3601582	EAST VALLEY WATER DISTRICT	1S4W02R	PLANT NO 119	BNK HILL
3601584	EAST VALLEY WATER DISTRICT	1N3W33H01S	PLANT NO 47	BNK HILL
3601585	BEAR VALLEY MUTUAL WATER COMPANY	1S3W23A03S	SAN BERNARDI	BNK HILL
3601586	REDLANDS, CITY OF	1S3W15F02S	ORANGE 5	BNK HILL
3601588	SAN BERNARDINO, CITY OF	1N4W31H	WELL NO 1 ST	BNK HILL
3601619	CARDIFF FARMS MUTUAL WATER COMPANY	1S4W12D	2	BNK HILL
3601626	SAN BERNARDINO, CITY OF	1S4W10D01	CITYLOTS	BNK HILL
3601628	COGBILL, CLINTON L.	1S2W09Q	2	BNK HILL
3601629	RIEDMAN, FRED M.	1S3W03P00S	1	BNK HILL
3601631	BRISTOL RANCH	1N3W34C02S	1	BNK HILL
3601632	CANYON KNOLLS RANCH	2S3W05A2	MARCUM WELL	BNK HILL
3601636	REDLANDS, CITY OF	1S3W19N	LANGFORD	BNK HILL
3601637	REDLANDS, CITY OF	1S3W30D	PTRSON WELL	BNK HILL
3601639	EAST VALLEY WATER DISTRICT	1S3W03R01	PLANT NO 146	BNK HILL
3601640	SUNRISE RANCH PART C/O LIFE DEVELOPMENT	1S2W14N	SUNRISE WELL	BNK HILL
3601641	REDLANDS UNIFIED SCHOOL DISTRICT	1S2W30C01S	OPAL ST	BNK HILL
3601642	PAINE, ROBERT T., TRUSTEE	1S2W30B02S	KING ST	BNK HILL

SAN BERNARDINO BASIN AREA
CROSS INDEX BY RECORDATION NUMBER

RECORDATION NUMBER	OWNER NAME	STATE WELL NUMBER	LOCAL DESIGNATION	BASIN NAME
3601643	EAST VALLEY WATER DISTRICT	1S3W03Q	PLANT NO 121	BNK HILL
3601644	NORTH FORK WATER COMPANY	1S3W01A	PLUNGE CR	BNK HILL
3601645	HINCKLEY, HORACE P.	1S2W30B	1	BNK HILL
3601647	JUDSON MUTUAL WATER COMPANY	1S3W23A03	1	BNK HILL
3601649	RAMIREZ, CARLOS	1S3W28M	HOOVER	BNK HILL
3601649-	RAMIREZ, CARLOS	1S3W28M	HOOVER	BNK HILL
3601653	EAST VALLEY WATER DISTRICT	1N4W36K04S	PLANT NO 1	BNK HILL
3601654	EAST VALLEY WATER DISTRICT	1N4W36K	PLANT NO 1A	BNK HILL
3601655	EAST VALLEY WATER DISTRICT	1N4W36K05S	PLANT NO 2	BNK HILL
3601656	EAST VALLEY WATER DISTRICT	1N4W36Q01S	PLANT NO 6	BNK HILL
3601657	EAST VALLEY WATER DISTRICT	1S4W01B04S	PLANT NO 7	BNK HILL
3601658	EAST VALLEY WATER DISTRICT	1N4W36R01S	PLANT NO 8	BNK HILL
3601659	EAST VALLEY WATER DISTRICT	1S3W06H01S	PLANT NO 9	BNK HILL
3601660	EAST VALLEY WATER DISTRICT	1S3W06H04S	PLANT NO 9A	BNK HILL
3601661	EAST VALLEY WATER DISTRICT	1S4W01J08S	PLANT NO 10	BNK HILL
3601662	EAST VALLEY WATER DISTRICT	1S4W02Q05S	PLANT NO 11	BNK HILL
3601663	EAST VALLEY WATER DISTRICT	1S4W02Q04S	PLANT NO 12	BNK HILL
3601664	EAST VALLEY WATER DISTRICT	1S4W02N01S	PLANT NO 13	BNK HILL
3601665	EAST VALLEY WATER DISTRICT	1S4W01K04S	PLANT NO 14	BNK HILL
3601666	EAST VALLEY WATER DISTRICT	1N4W36F08S	PLANT NO 16	BNK HILL
3601667	EAST VALLEY WATER DISTRICT	1S3W06A05S	PLANT NO 21	BNK HILL
3601668	EAST VALLEY WATER DISTRICT	1S4W01E02S	PLANT NO 22	BNK HILL

SAN BERNARDINO BASIN AREA
CROSS INDEX BY RECORDATION NUMBER

RECORDATION NUMBER	OWNER NAME	STATE WELL NUMBER	LOCAL DESIGNATION	BASIN NAME
3601669	EAST VALLEY WATER DISTRICT	1N4W36H06S	PLANT NO 23	BNK HILL
3601670	EAST VALLEY WATER DISTRICT	1N4W26A01S	PLANT NO 24	BNK HILL
3601671	EAST VALLEY WATER DISTRICT	1N4W26A02S	PLANT NO 24A	BNK HILL
3601672	EAST VALLEY WATER DISTRICT	1N4W25C	PLANT NO 25	BNK HILL
3601673	EAST VALLEY WATER DISTRICT	1N4W25C02S	PLANT NO 25A	BNK HILL
3601674	EAST VALLEY WATER DISTRICT	1N4W25G01S	PLANT NO 26	BNK HILL
3601675	EAST VALLEY WATER DISTRICT	1N4W25A01S	PLANT NO 27	BNK HILL
3601676	EAST VALLEY WATER DISTRICT	1S4W12B05S	PLANT NO 28	BNK HILL
3601677	EAST VALLEY WATER DISTRICT	1S3W05A02S	PLANT NO 31	BNK HILL
3601678	EAST VALLEY WATER DISTRICT	1S3W05B04S	PLANT NO 32	BNK HILL
3601679	EAST VALLEY WATER DISTRICT	1S3W05N05S	PLANT NO 38	BNK HILL
3601684	TERRACE WATER COMPANY	1S4W08F06S	LARGE 1	BNK HILL
3601684-	TERRACE WATER COMPANY	1S4W08F	WELL NO 1 -	BNK HILL
3601685	TERRACE WATER COMPANY	1S4W08F	SMALL 2	BNK HILL
3601686	TERRACE WATER COMPANY	1S4W08F	WELL NO 2 -	BNK HILL
3601718	RIALTO, CITY OF	1N5W22M	LYTLE CREEK	LYTLE
3601725	WEST SAN BDNO. COUNTY WATER DIST.	1N5W25E00S	LYTLE BASIN	LYTLE
3601728	RAMIREZ BROTHERS	1S3W30K	FRINK	BNK HILL
3601748	BARTON DEVELOPMENT	1S3W18H01	CALIF	BNK HILL
3601748-	BARTON DEVELOPMENT	1S3W19A01	CALIF	BNK HILL
3601749	MARIGOLD FARMS COMPANY	1S3W19B01	JAP	BNK HILL
3601750	MARIGOLD FARMS COMPANY	1S3W18L	ACQUILLIAN	BNK HILL

SAN BERNARDINO BASIN AREA
CROSS INDEX BY RECORDATION NUMBER

RECORDATION NUMBER	OWNER NAME	STATE WELL NUMBER	LOCAL DESIGNATION	BASIN NAME
3601751	CHRISTINA WATER COMPANY	1S3W21E	ALABAMA	BNK HILL
3601753	RANCHO CITRUS AMIGOS	1S3W29D	PARK AVE 1	BNK HILL
3601781	EAST VALLEY WATER DISTRICT	1S3W06K01S	PLANT NO 35	BNK HILL
3601809	DEL ROSA MUTUAL WATER COMPANY	1N4W26H	GOLDNAV 1	BNK HILL
3601810	CAMPUS CRUSADE FOR CHRIST	1N4W23E	PRKSD 2	BNK HILL
3601811	CAMPUS CRUSADE FOR CHRIST	1N4W14A	EAST TWIN	DEVIL CAN
3601823	TRI CITY MUTUAL WATER COMPANY	1S4W23N		BNK HILL
3601837	SYCAMORE HEIGHTS WATER COMPANY, INC.	1N3W34C	HERCULES	BNK HILL
3601838	SYCAMORE HEIGHTS WATER COMPANY, INC.	1N3W34C	WALKISHA	BNK HILL
3601839	MCCALLA, ROBERT	1S3W10D01S	NO 1	BNK HILL
3601843	SAN BERNARDINO, CITY OF	1N5W03H01S	CAJON NO 1	L CAJON
3601844	SAN BERNARDINO, CITY OF	1N5W03A02	CAJON NO 2	L CAJON
3601845	SAN BERNARDINO, CITY OF	1N4W30M	MALLORY	LYTLE
3601848	WEST SAN BDNO. COUNTY WATER DIST.	1S4W05E05S	WELL NO 15	BNK HILL
3601878	SAN BERNARDINO, CITY OF	1N4W29E01S	DARBY	BNK HILL
3601879	SAN BERNARDINO, CITY OF	1N4W29N	GARDENA	BNK HILL
3601880	SAN BERNARDINO, CITY OF	1N4W29F01S	COLIMA	BNK HILL
3601884	EAST VALLEY WATER DISTRICT	1N3W31C02S	PLANT NO 30	BNK HILL
3601910	LOMA LINDA UNIVERSITY	1S3W30L	PUFFER	BNK HILL
3601924	NATIONAL ORANGE SHOW	1S4W15D		BNK HILL
3601925	ARROWHEAD COUNTRY CLUB	1N4W23E	NO 1	BNK HILL
3601929	RIALTO, CITY OF	1S4W06C04S	CITY #6	BNK HILL

SAN BERNARDINO BASIN AREA
CROSS INDEX BY RECORDATION NUMBER

RECORDATION NUMBER	OWNER NAME	STATE WELL NUMBER	LOCAL DESIGNATION	BASIN NAME
3601930	CALIFORNIA, STATE OF PATTON HOSPITAL	1N3W32C02S	PATTON 11	BNK HILL
3601932	IOWA STREET WELL	1S3W29B01		BNK HILL
3601944	WEST SAN BDNO. COUNTY WATER DIST.	1N5W23Q00S	WELL NO 2	LYTLE
3601969	SUNRISE RANCH PART C/O LIFE DEVELOPMENT	1S2W14L	SUNRISE 7	BNK HILL
3601978	EAST VALLEY WATER DISTRICT	1S3W04N	PLANT NO 40	BNK HILL
3601979	CAMPUS CRUSADE FOR CHRIST	1N4W14A	EAST TWIN	DEVIL CAN
3601987	EAST VALLEY WATER DISTRICT	1S3W04B	PLANT NO 136	BNK HILL
3601989	LOMA LINDA, CITY OF	1S4W24R01S	GOLCONDA WEL	BNK HILL
3602003	SOLANO WELL NO. 3	1S2W16C	3	BNK HILL
3602007	BERMAN, JERRY & SONS	1S4W02K	2	BNK HILL
3602008	LOMA LINDA UNIVERSITY	1S4W26A	1	BNK HILL
3602009	LOMA LINDA UNIVERSITY	1S4W25G01S	3	BNK HILL
3602010	LOMA LINDA, CITY OF	1S4W25H02S	LLU 4	BNK HILL
3602011	LOMA LINDA, CITY OF	1S4W25B02S	LLU 5	BNK HILL
3602012	LOMA LINDA UNIVERSITY	1S4W25C01S	6	BNK HILL
3602013	LOMA LINDA UNIVERSITY	1S4W24P	7	BNK HILL
3602014	LOMA LINDA UNIVERSITY	1S4W26J01S	8	BNK HILL
3602015	LOMA LINDA, CITY OF	1S4W25B	LLU 9	BNK HILL
3602016	LOMA LINDA, CITY OF	1S4W25G	ROBINSON	BNK HILL
3602017	LOMA LINDA UNIVERSITY	1S4W25E01S	2	BNK HILL
3602020	F. A. R. WELL	1S2W20K	NO 1 FAR WEL	BNK HILL
3602031	REDLANDS, CITY OF	1S3W21H	WELL 30A	BNK HILL

SAN BERNARDINO BASIN AREA
CROSS INDEX BY RECORDATION NUMBER

RECORDATION NUMBER	OWNER NAME	STATE WELL NUMBER	LOCAL DESIGNATION	BASIN NAME
3602032	REDLANDS, CITY OF	1S3W22A	WELL NO 35	BNK HILL
3602034	EAST VALLEY WATER DISTRICT	1S4W02Q	PLANT NO 12A	BNK HILL
3602036	REDLANDS, CITY OF	1S3W21H	31-A	BNK HILL
3602057	LOMA LINDA, CITY OF	1S4W25C	MITTLEIDER W	BNK HILL
3602058	LOMA LINDA, CITY OF	1S4W25B	JANZEN CREEK	BNK HILL
3602060	SAN BERNARDINO, CITY OF	1S4W24L	BENNETT WELL	BNK HILL
3602062	BUOYE WELL	1S2W29N	1	BNK HILL
3602065	REDLANDS, CITY OF	1S3W32J02S	LEE WELL	BNK HILL
3602066	SAN BERNARDINO, CITY OF	1S4W02B	1	BNK HILL
3602067	SAN BERNARDINO, CITY OF	1N4W35K	2-GILBERT/CA	BNK HILL
3602068	ARROYO VERDE MUTUAL WATER COMPANY	1S4W01A02S	1	BNK HILL
3602069	ARROYO VERDE MUTUAL WATER COMPANY	1S4W01A	2	BNK HILL
3602074	TILDEN, M. WILLIAM	1N3W34B02	IRRIG. 1	BNK HILL
3602075	TILDEN, M. WILLIAM	1N3W34B01	DOM. 2	BNK HILL
3602079	BARNO, JOHN	1S3W03F	1	BNK HILL
3602080	RIALTO, CITY OF	1N5W23Q	CITY NO 2	LYTLE
3602081	SAN BERNARDINO, CITY OF	1N4W27B	31 ST	BNK HILL
3602082	REDLANDS, CITY OF	2S3W03K	WELL NO 36	BNK HILL
3602106	REDLANDS, CITY OF	1S3W22A01S		BNK HILL
3602109	BRYN MAWR MUTUAL WATER COMPANY	1S3W31B00S	4	BNK HILL
3602112	VICTORIA FARMS MUTUAL WATER COMPANY	1S4W13R01S		BNK HILL
3602113	EAST VALLEY WATER DISTRICT	1N3W30N	PLANT NO 41	BNK HILL

SAN BERNARDINO BASIN AREA
CROSS INDEX BY RECORDATION NUMBER

RECORDATION NUMBER	OWNER NAME	STATE WELL NUMBER	LOCAL DESIGNATION	BASIN NAME
3602119	LAKESIDE AVENUE MUTUAL WELL COMPANY	1S3W33C01S	1	BNK HILL
3602122	SAN BERNARDINO, CITY OF	1S4W23R03S	ROSEWOOD	BNK HILL
3602123	SAN BERNARDINO, CITY OF	1S4W14J	NORMAN ROAD	BNK HILL
3602124	SAN BERNARDINO, CITY OF	1S4W14J	CENTRAL	BNK HILL
3602125	SAN BERNARDINO, CITY OF	1S4W24F04S	GOULD STREET	BNK HILL
3602126	SAN BERNARDINO, CITY OF	1S4W24F	GOULD STREET	BNK HILL
3602127	GOLDEN BEAR FOREST PRODUCTS	1S3W15A01		BNK HILL
3602128	SAN BERNARDINO, CITY OF	1S4W14A	GIFFORD PARK	BNK HILL
3602130	EASTWOOD FARMS COMMUNITY WATER USERS	1S4W01P01S	1	BNK HILL
3602131	EASTWOOD FARMS COMMUNITY WATER USERS	1S4W01P02S	2	BNK HILL
3602170	ROBBINS, H. W.	1S2W31M		BNK HILL
3602171	REES & PERRICONE RANCH	1S2W18M	1	BNK HILL
3602174	EAST VALLEY WATER DISTRICT	1S4W02A	PLANT NO 105	BNK HILL
3602186	CRAFTON WATER COMPANY	1S2W21L02	2	BNK HILL
3602188	RANCHO LADERA	1S2W29L	ROLADERA	BNK HILL
3602193	RAUGHT MUTUAL WELL COMPANY	1S3W14R01	RAUGHT	BNK HILL
3602205	SAN BERNARDINO, CITY OF	1N4W06H01S	DEVIL 4	DEVIL CAN
3602206	SAN BERNARDINO, CITY OF	1N4W06H02S	DEVIL 3	DEVIL CAN
3602211	REDLANDS, CITY OF	1S3W26C	NO 37 SYLVAN	BNK HILL
3602224	EAST PIONEER MUTUAL WELL COMPANY	1S3W13P		BNK HILL
3602241	CARTER, JAMES E., M.D.	1S3W20F03	ALMOND	BNK HILL
3602247	VICTORIA FARMS MUTUAL WATER COMPANY	1S4W13R03	2	BNK HILL

SAN BERNARDINO BASIN AREA
CROSS INDEX BY RECORDATION NUMBER

RECORDATION NUMBER	OWNER NAME	STATE WELL NUMBER	LOCAL DESIGNATION	BASIN NAME
3602249	LOMA LINDA UNIVERSITY	1S4W25D05	ANDERSON	BNK HILL
3602252	SAN BERNARDINO, CITY OF	1S4W14B	2	BNK HILL
3602260	EAST VALLEY WATER DISTRICT	1S3W05D06	PLANT NO 132	BNK HILL
3602264	SAN BERNARDINO, CITY OF	1N4W27N01S	23RD STREET	BNK HILL
3602265	SAN BERNARDINO, CITY OF	1S4W03J	7TH STREET	BNK HILL
3602274	EAST VALLEY WATER DISTRICT	1N3W30J	PLANT NO 39	BNK HILL
3602280	MENTONE CITRUS GROVES	1S2W18Q		BNK HILL
3602285	SAN BERNARDINO, CITY OF	1S4W15D05	15D5	BNK HILL
3602320 -	NEW ENGLAND WATER COMPANY	1S3W16L		BNK HILL
3602337	EAST VALLEY WATER DISTRICT	1N4W26A	PLANT NO 24B	BNK HILL
3602338	EAST VALLEY WATER DISTRICT	1S3W04N	PLANT NO 40A	BNK HILL
3602345	MUSCOY MUTUAL WATER COMPANY, NO. 1	1N5W24E	WELL NO 4	LYTLE
3602346	REDLANDS, CITY OF	1S3W28J02	NEW YORK ST	BNK HILL
3602351	REDLANDS, CITY OF	1S2W13A	0 - A MILL C	BNK HILL
3602370	EAST VALLEY WATER DISTRICT	1N4W25F	PLANT NO 107	BNK HILL
3602381	CALIFORNIA, STATE OF PATTON HOSPITAL	1N3W29M	14	BNK HILL
3602382	DEVORE WATER COMPANY	2N5W28D	1	L CAJON
3602383	DEVORE WATER COMPANY	2N5W28C	2	L CAJON
3602384	DEVORE WATER COMPANY	2N5W28C	3	L CAJON
3602385	DEVORE WATER COMPANY	2N5W20H	MEDLIN CR.	L CAJON
3602386	DEVORE WATER COMPANY	2N5W21E	LETHIN SP.	L CAJON
3602387	DEVORE WATER COMPANY	2N5W22E	E. KIMBARK	L CAJON

SAN BERNARDINO BASIN AREA
CROSS INDEX BY RECORDATION NUMBER

RECORDATION NUMBER	OWNER NAME	STATE WELL NUMBER	LOCAL DESIGNATION	BASIN NAME
3602388	DEVORE WATER COMPANY	2N5W21G	KIMBARK	L CAJON
3602389	DEVORE WATER COMPANY	2N5W22N	HOPPER	L CAJON
3602390	DEVORE WATER COMPANY	2N5W28B	SANTA FE	L CAJON
3602391	DEVORE WATER COMPANY	2N5W28D	CASADY	L CAJON
3602399	SAN BERNARDINO, CITY OF	1N4W16E	NEWMARK 4	DEVIL CAN
3602400	SAN BERNARDINO, CITY OF	1N4W32N	E-6W BASELIN	BNK HILL
3602401	SAN BERNARDINO, CITY OF	1N4W27A	LEROY	BNK HILL
3602405	COLTON, CITY OF	1S4W08C	19	BNK HILL
3602417	EAST VALLEY WATER DISTRICT	1S3W05D	PLANT NO 132	BNK HILL
3602422	SAN BERNARDINO, CITY OF	1S4W02K08S	ANTIL 6	BNK HILL
3602426	SAN BERNARDINO, CITY OF	2N5W19K	C.C. DIV.	L CAJON
3602428	DEVORE WATER COMPANY	2N5W33H	NO 4	L CAJON
3602474	EAST HIGHLANDS RANCH, INC.	1N3W26R	BOX SPRING	PLUNGE
3602498	COLTON, CITY OF	1S4W08R07	NO 6B	BNK HILL
3602499	J. G. GOLFING ENTERPRISES, INC.	1S4W22A01	PAYNE HOT WE	BNK HILL
3602521	SAN BERNARDINO, CITY OF	1S4W23P	WELL NO 2	BNK HILL
3602525	L.P.R. ICE COMPANY	1S3W13L		BNK HILL
3602528	BASELINE GARDENS MUTUAL WATER COMPANY	1N4W35R01	3	BNK HILL
3602529	BLUE GOOSE GROWERS INC	1S2W09P02	NO. 6	BNK HILL
3602530	BLUE GOOSE GROWERS INC	1S2W09L02S	NO. 11	BNK HILL
3602531	BLUE BANNER COMPANY	1S2W09L03S	TUNNEL DIV.	BNK HILL
3602549	PHAROAHS LOST KINGDOM	1S3W19J	CALIF STREET	BNK HILL

SAN BERNARDINO BASIN AREA
CROSS INDEX BY RECORDATION NUMBER

RECORDATION NUMBER	OWNER NAME	STATE WELL NUMBER	LOCAL DESIGNATION	BASIN NAME
3602550	DANIELS AND BEST RANCH	1S3W17R	ALABAMA ST	BNK HILL
3602560	EAST VALLEY WATER DISTRICT	1S3W04G	PLANT NO 136	BNK HILL
3602563	EAST VALLEY WATER DISTRICT	1S4W02Q	PLANT NO 11A	BNK HILL
3602564	EAST VALLEY WATER DISTRICT	1S4W12B	PLANT NO 28A	BNK HILL
3602571	EAST VALLEY WATER DISTRICT	1S3W03F	PLANT NO 122	BNK HILL
3602574	VICTORIA FARMS MUTUAL WATER COMPANY	1S4W13R	#3 WELL	BNK HILL
3602596	LOMA LINDA, CITY OF	1S4W24R	NEW GOLCONDA	BNK HILL
3602653	REDLANDS, CITY OF	1S2W19J	KNARR WELL	BNK HILL
3602654	REDLANDS, CITY OF	1S2W19J	CRAFTON AVE	BNK HILL
3602657	YUCAIPA VALLEY WATER DISTRICT	1S1W20D	WELL NO 31	MILL CRK
3602658	YUCAIPA VALLEY WATER DISTRICT	1S1W20D	WELL NO 32	MILL CRK
3602659	YUCAIPA VALLEY WATER DISTRICT	1S1W19G	WELL NO 33	BNK HILL
3602664	STORKSON, WILLIAM F.	1N5W06M01S	SPRING NO 1	LYTLE
3602712	SAN BERNARDINO, CITY OF	1N4W08P	ELLENA BROS	DEVIL CAN
3602714	VICTORIA FARMS MUTUAL WATER COMPANY	1S4W13R	1	BNK HILL
3602727	FONTANA UNION WATER COMPANY	1N5W15Q02S	FU 8	LYTLE
3602759	LOMA LINDA, CITY OF	1S4W24A	MOUNTAIN VIE	BNK HILL
3602760	LOMA LINDA, CITY OF	1S4W24B	MOUNTAIN VIE	BNK HILL
3602766	WEST SAN BONO. COUNTY WATER DIST.	1S4W06H02	WELL NO 30	BNK HILL
3602781	LOMA LINDA UNIVERSITY	1S4W25D	ANDERSON II	BNK HILL
3602791	REDLANDS, CITY OF	1S2W20B01	EAST LUGONIA	BNK HILL
3602792	REDLANDS, CITY OF	1S2W19A01	AGATE NO 2	BNK HILL

SAN BERNARDINO BASIN AREA
CROSS INDEX BY RECORDATION NUMBER

RECORDATION NUMBER	OWNER NAME	STATE WELL NUMBER	LOCAL DESIGNATION	BASIN NAME
3602793	COLTON, CITY OF	1S4W08F01	NO 21	BNK HILL
3602799	EAST VALLEY WATER DISTRICT	1S2W07F	PLANT NO 125	BNK HILL
3602821	SAN BERNARDINO, CITY OF	1N5W03A02	CAJON # 3/ST	L CAJON
3602844	SAN BERNARDINO, CITY OF	1N4W08M02	DEVIL CANYON	DEVIL CAN
3602846	J. G. GOLFING ENTERPRISES, INC.	1S4W22A	KLINE WELL	BNK HILL
3602848	RIALTO, CITY OF	1N5W36B01S	CITY NO 3	LYTLE
3602855	LOMA LINDA UNIVERSITY	1S4W25D07S	ANDERSON III	BNK HILL
3602895	REDLANDS, CITY OF	1S3W13H	AIRPORT WELL	BNK HILL
3602896	REDLANDS, CITY OF	1S2W20D	MADEIRA WELL	BNK HILL
3602897	WEST SAN BDN. COUNTY WATER DIST.	1N5W23P	WELL NO 34	LYTLE
3602917	BROOKSIDE PLAZA	1S3W03D01S		BNK HILL
3603027	SAN BERNARDINO, CITY OF	1N5W36J01S	LYTLE CREEK	LYTLE
3603030	RIALTO, CITY OF	1S4W06B01S	CITY # 5	BNK HILL
3603045	REDLANDS, CITY OF	1S1W09J01	MILL CREEK N	MILL CRK
3603054	WEST SAN BDN. COUNTY WATER DIST.	1N5W25E	WELL NO 35	LYTLE
3603055	WEST SAN BDN. COUNTY WATER DIST.	1N5W36H05	WELL NO 36	LYTLE
3603057	LOMA LINDA, CITY OF	1S4W24B	RICHARDSON W	BNK HILL
3603058	LOMA LINDA, CITY OF	1S4W24B	RICHARDSON W	BNK HILL
3603116	SAN BERNARDINO VALLEY MWD	1S3W13R01S	SAN BERNARDI	BNK HILL
3603141	SAN BERNARDINO VALLEY MWD	1S4W04E	9TH STREET W	BNK HILL
3603174	SAN BERNARDINO VALLEY MWD	1S4W04F02	PERRIS STREE	BNK HILL
3603206	SAN BERNARDINO, CITY OF	1S4W04D02	OLIVE/GARNER	BNK HILL

SAN BERNARDINO BASIN AREA
CROSS INDEX BY RECORDATION NUMBER

RECORDATION NUMBER	OWNER NAME	STATE WELL NUMBER	LOCAL DESIGNATION	BASIN NAME
3603207	SAN BERNARDINO, CITY OF	1S4W04C	10TH & J STR	BNK HILL
3603208	SAN BERNARDINO, CITY OF	1N4W34G04	17TH & SIERR	BNK HILL
3603247	EAST VALLEY WATER DISTRICT	1S3W06P18S	PLANT NO 141	BNK HILL
3603262	HOLLIDAY TRUCKING	1N4W31M03S	SB # 1	LYTLE
3603471	SAN BERNARDINO, CITY OF	2N5W19R	KENWOOD	L CAJON
3603472	SAN BERNARDINO, CITY OF	1N4W14P01S	40TH & VALEN	DEVIL CAN
3603523	LOMA LINDA, CITY OF	1S4W24P04S	SOUTH RICHA	BNK HILL
3603538	RIALTO, CITY OF	1S4W06H	CITY #4	BNK HILL
3603539	YUCAIPA VALLEY WATER DISTRICT	1S2W24C	YWWD 51	BNK HILL
3603554	BARTON DEVELOPMENT	1S3W19A01S	CALIFORNIA S	BNK HILL
3603579	SAN BERNARDINO, CITY OF	1N4W05D	DEVIL CANYON	DEVIL CAN
3603580	SAN BERNARDINO, CITY OF	1N4W05D	DEVIL CANYON	DEVIL CAN
3603581	SAN BERNARDINO, CITY OF	1S4W22C05	CENTURY	BNK HILL
3603582	SAN BERNARDINO, CITY OF	1S4W15P05	CHANDLER	BNK HILL
3603583	EAST VALLEY WATER DISTRICT	1S3W02N02	PLANT NO 143	BNK HILL
3603646	INLAND VALLEY DEVELOPMENT AGENCY	1S4W07D	NORTON 2	BNK HILL
3603647	INLAND VALLEY DEVELOPMENT AGENCY	1S4W12C	NORTON 3	BNK HILL
3603648	INLAND VALLEY DEVELOPMENT AGENCY	1S4W12F	NORTON 5	BNK HILL
3603649	INLAND VALLEY DEVELOPMENT AGENCY	1S3W07A	NORTON 11	BNK HILL
3603650	INLAND VALLEY DEVELOPMENT AGENCY	1S3W18C	GOLF COURSE	BNK HILL
3603653	C. L. PHARRIS SAND & GRAVEL	1S3W10J	ORANGE STREE	BNK HILL
3603655	REDLANDS, CITY OF	1S3W29Q01S	38	BNK HILL

SAN BERNARDINO BASIN AREA
CROSS INDEX BY RECORDATION NUMBER

RECORDATION NUMBER	OWNER NAME	STATE WELL NUMBER	LOCAL DESIGNATION	BASIN NAME
3603656	REDLANDS, CITY OF	1S3W14E01S	CHURCH STREE	BNK HILL
3603688	SAN BERNARDINO, CITY OF	1S4W03D04S	EPA 1	BNK HILL
3603689	SAN BERNARDINO, CITY OF	1S4W03C03S	EPA 2	BNK HILL
3603690	SAN BERNARDINO, CITY OF	1S4W03C04S	EPA 3	BNK HILL
3603691	SAN BERNARDINO, CITY OF	1S4W03B03S	EPA 4	BNK HILL
3603692	SAN BERNARDINO, CITY OF	1S4W03A04S	EPA 5	BNK HILL
3603693	SAN BERNARDINO, CITY OF	1S4W16M03S	EPA 6	BNK HILL
3603694	SAN BERNARDINO, CITY OF	1S4W16M04S	EPA 7	BNK HILL
3690723	SOUTHERN CALIFORNIA EDISON COMPANY	1S4W10F01S	HANFORD 1	BNK HILL

SAN BERNARDINO BASIN AREA,
CROSS INDEX BY STATE WELL NUMBER

SAN BERNARDINO BASIN AREA
CROSS INDEX BY STATE WELL NUMBER

STATE WELL NUMBER	OWNER NAME	RECORDATION NUMBER	LOCAL DESIGNATION	BASIN NAME
1N2W26E	BEAR VALLEY MUTUAL WATER COMPANY	3600027	ALDER CR	SANTA ANA
1N2W26G01	BEAR VALLEY MUTUAL WATER COMPANY	3600021	SANTA ANA 1	SANTA ANA
1N2W34G	BEAR VALLEY MUTUAL WATER COMPANY	3600022	SANTA ANA 2	SANTA ANA
1N3W18R	EAST VALLEY WATER DISTRICT	3600971	PLANT NO 58	BNK HILL
1N3W19F	EAST VALLEY WATER DISTRICT	3600864	PLANT NO 79	BNK HILL
1N3W19G	EAST VALLEY WATER DISTRICT	3600970	PLANT NO 57	BNK HILL
1N3W19Q	SELEY	122	TUNNEL DIV.	BNK HILL
1N3W19R	YORK	160	DOMESTIC	BNK HILL
1N3W19R	YORK	161		BNK HILL
1N3W19R	YORK	162	YORK TUNNEL	BNK HILL
1N3W20N	SAN MANUAL INDIAN RESERVATION	119		BNK HILL
1N3W26R	EAST HIGHLANDS RANCH, INC.	3602474	BOX SPRING	PLUNGE
1N3W27E	GUERTH, WILLIAM H.	3600856	CITY CREEK	BNK HILL
1N3W27M	NORTH FORK WATER COMPANY	3600681	CITY CREEK	BNK HILL
1N3W27N01	HIGHLAND WELL COMPANY	3600184	APLIN WELL	BNK HILL
1N3W27N02S	EAST VALLEY WATER DISTRICT	3600378	PLANT 134 CI	BNK HILL
1N3W27N08S	EAST VALLEY WATER DISTRICT	3600377	PLANT 134 CI	BNK HILL
1N3W27R	COOK CANYON	18		BNK HILL
1N3W28A	THOMPSON RANDALL	132	SPRING DIV.	
1N3W28P01S	EAST VALLEY WATER DISTRICT	3600855	PLANT NO 54	BNK HILL
1N3W29B	SUPERIOR ORCHARDS	131	TUNNEL DIV.	BNK HILL
1N3W29H	WIDEMEYER	157	SPRING DIV.	BNK HILL

SAN BERNARDINO BASIN AREA
CROSS INDEX BY STATE WELL NUMBER

STATE WELL NUMBER	OWNER NAME	RECORDATION NUMBER	LOCAL DESIGNATION	BASIN NAME
1N3W29H	WIDEMEYER	158		BNK HILL
1N3W29M	CALIFORNIA, STATE OF	3600924-	2A	BNK HILL
1N3W29M	CALIFORNIA, STATE OF	3602381	14	BNK HILL
1N3W29M01S	CALIFORNIA, STATE OF	3600924	PATTON 2	BNK HILL
1N3W29N01S	CALIFORNIA, STATE OF	3600931	PATTON 10	BNK HILL
1N3W29R01S	BEAR VALLEY MUTUAL WATER COMPANY	3600025	PALM AV3	BNK HILL
1N3W30C	EAST VALLEY WATER DISTRICT	30	PLANT NO 36	BNK HILL
1N3W30H01S	EAST VALLEY WATER DISTRICT	3600444	PLANT NO 98	BNK HILL
1N3W30J	EAST VALLEY WATER DISTRICT	3600221	PLANT NO 63	BNK HILL
1N3W30J	EAST VALLEY WATER DISTRICT	3600545	PLANT NO 62	BNK HILL
1N3W30J	EAST VALLEY WATER DISTRICT	3602274	PLANT NO 39	BNK HILL
1N3W30N	EAST VALLEY WATER DISTRICT	3602113	PLANT NO 41	BNK HILL
1N3W31A	EAST VALLEY WATER DISTRICT	34	PLANT NO 45	BNK HILL
1N3W31B01	EAST VALLEY WATER DISTRICT	3600927	PLANT NO 116	BNK HILL
1N3W31C02S	EAST VALLEY WATER DISTRICT	3601884	PLANT NO 30	BNK HILL
1N3W31D	EAST VALLEY WATER DISTRICT	38	PLANT NO 70	BNK HILL
1N3W31K02S	CALIFORNIA, STATE OF	3600929	PATTON 8	BNK HILL
1N3W31L02S	EAST VALLEY WATER DISTRICT	3600928	PLANT NO 117	BNK HILL
1N3W31L03S	EAST VALLEY WATER DISTRICT	3600930	PLANT NO 118	BNK HILL
1N3W31M	EAST VALLEY WATER DISTRICT	3600269	PLANT NO 68	BNK HILL
1N3W31P02S	FRIEDEMANN, ERNEST C.	3600747	WELL 1	BNK HILL
1N3W31Q	BASELINE LAUNDRY	8		BNK HILL

SAN BERNARDINO BASIN AREA
CROSS INDEX BY STATE WELL NUMBER

STATE WELL NUMBER	OWNER NAME	RECORDATION NUMBER	LOCAL DESIGNATION	BASIN NAME
1N3W31Q	BASELINE LAUNDRY	82		BNK HILL
1N3W32B	EAST VALLEY WATER DISTRICT	3600275	PLANT NO 64	BNK HILL
1N3W32C01S	CALIFORNIA, STATE OF PATTON HOSPITAL	3600923	PATTON 1	BNK HILL
1N3W32C02S	CALIFORNIA, STATE OF PATTON HOSPITAL	3601930	PATTON 11	BNK HILL
1N3W32D	MILLER MUTUAL WELL COMPANY	3600630		BNK HILL
1N3W32D	MILLER MUTUAL WELL COMPANY	3600630-		BNK HILL
1N3W32M	NO NAME WELL	85		BNK HILL
1N3W33C01	NORTH FORK WATER COMPANY	3600765	RODDICK WELL	BNK HILL
1N3W33F01S	EAST VALLEY WATER DISTRICT	3601184	PLANT NO 94	BNK HILL
1N3W33H01S	EAST VALLEY WATER DISTRICT	3601584	PLANT NO 47	BNK HILL
1N3W33M01S	EAST VALLEY WATER DISTRICT	3600374	PLANT 138	BNK HILL
1N3W33M02S	EAST VALLEY WATER DISTRICT	3601069	CHURCH	BNK HILL
1N3W33R02S	BASE LINE WELL COMPANY	3600456	1	BNK HILL
1N3W34B01	TILDEN, M. WILLIAM	3602075	DOM. 2	BNK HILL
1N3W34B02	TILDEN, M. WILLIAM	3602074	IRRIG. 1	BNK HILL
1N3W34C	SYCAMORE HEIGHTS WATER COMPANY, INC.	3601837	HERCULES	BNK HILL
1N3W34C	SYCAMORE HEIGHTS WATER COMPANY, INC.	3601838	WALKISHA	BNK HILL
1N3W34C02S	BRISTOL RANCH	3601631	1	BNK HILL
1N3W34F	NORWOOD	95		BNK HILL
1N3W34H	ARNOLD RANCH	4		BNK HILL
1N3W34K	BALDWIN	6		BNK HILL
1N3W34K	RULE	114	SPRING	BNK HILL

SAN BERNARDINO BASIN AREA
CROSS INDEX BY STATE WELL NUMBER

STATE WELL NUMBER	OWNER NAME	RECORDATION NUMBER	LOCAL DESIGNATION	BASIN NAME
1N3W34Q	PATTERSON, ROY H.	163		BNK HILL
1N3W35B	EAST HIGHLANDS ORANGE COMPANY	29	BOX SPRING	PLUNGE
1N3W35G	EAST HIGHLANDS RANCH, INC.	3600605	PLUNGE CREEK	PLUNGE
1N3W35K	EAST HIGHLANDS RANCH, INC.	3600606	ELDER GULCH	BNK HILL
1N4W05D	SAN BERNARDINO, CITY OF	3603579	DEVIL CANYON	DEVIL CAN
1N4W05D	SAN BERNARDINO, CITY OF	3603580	DEVIL CANYON	DEVIL CAN
1N4W06H01S	SAN BERNARDINO, CITY OF	3602205	DEVIL 4	DEVIL CAN
1N4W06H02S	SAN BERNARDINO, CITY OF	3602206	DEVIL 3	DEVIL CAN
1N4W06J	SAN BERNARDINO, CITY OF	3600738	D C DIVERSIO	DEVIL CAN
1N4W07F01S	SAN BERNARDINO, CITY OF	3600711	DEVIL CANYON	DEVIL CAN
1N4W08M01S	SAN BERNARDINO, CITY OF	3600712	DEVIL CANYON	DEVIL CAN
1N4W08M02	SAN BERNARDINO, CITY OF	3602844	DEVIL CANYON	DEVIL CAN
1N4W08N	ELLENA, JOHN B.	54		DEVIL CAN
1N4W08P	SAN BERNARDINO, CITY OF	3602712	ELLENA BROS	DEVIL CAN
1N4W13N	HARRISON CANYON	63		DEVIL CAN
1N4W13N	HARRISON CANYON	64		DEVIL CAN
1N4W13P	DILLSON MUTUAL WATER COMPANY	26	HARRISON CYN	DEVIL CAN
1N4W13Q	HARDISON	61		DEVIL CAN
1N4W13Q	U. S. FOREST SERVICE	137	MAINT. YARD	DEVIL CAN
1N4W14A	CAMPUS CRUSADE FOR CHRIST	3601811	EAST TWIN	DEVIL CAN
1N4W14A	CAMPUS CRUSADE FOR CHRIST	3601979	EAST TWIN	DEVIL CAN
1N4W14C	CAMPUS CRUSADE FOR CHRIST	155	W TWIN CRK	DEVIL CAN

SAN BERNARDINO BASIN AREA
CROSS INDEX BY STATE WELL NUMBER

STATE WELL NUMBER	OWNER NAME	RECORDATION NUMBER	LOCAL DESIGNATION	BASIN NAME
1N4W14C	LULY, DR. LUCIAN L.	3601376	WATERMAN	DEVIL CAN
1N4W14C	LULY, DR. LUCIAN L.	3601377	WATERMAN	DEVIL CAN
1N4W14C	LULY, DR. LUCIAN L.	3601378	WATERMAN	DEVIL CAN
1N4W14J	BOUCHER	14		DEVIL CAN
1N4W14J	SATOSKI, DOCTOR	121		DEVIL CAN
1N4W14J	SMITH	124		DEVIL CAN
1N4W14J	WALLACE	148		DEVIL CAN
1N4W14P01S	SAN BERNARDINO, CITY OF	3603472	40TH & VALEN	DEVIL CAN
1N4W14R	BACHELOR	9		DEVIL CAN
1N4W14R	BACHELOR	10		DEVIL CAN
1N4W14R	KING	73		DEVIL CAN
1N4W16E	SAN BERNARDINO, CITY OF	3600715	NEWMARK NO 2	DEVIL CAN
1N4W16E	SAN BERNARDINO, CITY OF	3602399	NEWMARK 4	DEVIL CAN
1N4W16E01S	SAN BERNARDINO, CITY OF	3600714	NEWMARK NO 1	DEVIL CAN
1N4W16E03S	SAN BERNARDINO, CITY OF	3600716	NEWMARK NO 3	DEVIL CAN
1N4W23E	CAMPUS CRUSADE FOR CHRIST	3601810	PRKSD 2	BNK HILL
1N4W23E	ARROWHEAD COUNTRY CLUB	3601925	NO 1	BNK HILL
1N4W23K	VALENCIA AVE. MUTUAL WATER COMPANY	140	WATERMAN AVE	BNK HILL
1N4W24A	LANGSTON-NEWBY DEVELOPMENT CO.	3600218	1	DEVIL CAN
1N4W24C	DILLSON MUTUAL WATER COMPANY	25	DILLSON AVE	DEVIL CAN
1N4W24C	DILLSON MUTUAL WATER COMPANY	173	CISCO WELL	DEVIL CAN
1N4W24H	LA BONTE, JIM	3600865	MULTOWN2	BNK HILL

SAN BERNARDINO BASIN AREA
CROSS INDEX BY STATE WELL NUMBER

STATE WELL NUMBER	OWNER NAME	RECORDATION NUMBER	LOCAL DESIGNATION	BASIN NAME
1N4W24H	SOMERS, R.	3601093	SPRING	BNK HILL
1N4W25A01S	EAST VALLEY WATER DISTRICT	3601675	PLANT NO 27	BNK HILL
1N4W25C	EAST VALLEY WATER DISTRICT	3601672	PLANT NO 25	BNK HILL
1N4W25C02S	EAST VALLEY WATER DISTRICT	3601673	PLANT NO 25A	BNK HILL
1N4W25D	EAST VALLEY WATER DISTRICT	48	PLANT NO 85	BNK HILL
1N4W25F	EAST VALLEY WATER DISTRICT	3602370	PLANT NO 107	BNK HILL
1N4W25G01S	EAST VALLEY WATER DISTRICT	3601674	PLANT NO 26	BNK HILL
1N4W25K01	EAST VALLEY WATER DISTRICT	3600643	PLANT NO 66	BNK HILL
1N4W25R	ANDERSON, W.D.	3		BNK HILL
1N4W26A	EAST VALLEY WATER DISTRICT	3602337	PLANT NO 24B	BNK HILL
1N4W26A01S	EAST VALLEY WATER DISTRICT	3601670	PLANT NO 24	BNK HILL
1N4W26A02S	EAST VALLEY WATER DISTRICT	3601671	PLANT NO 24A	BNK HILL
1N4W26G	SAN BERNARDINO, CITY OF	3600727	LYNWOOD	BNK HILL
1N4W26H	DEL ROSA MUTUAL WATER COMPANY	3601809	GOLDNAV 1	BNK HILL
1N4W26M	MT. VIEW CEMETERY OF SAN BERNARDINO	3600743	2	BNK HILL
1N4W26N	MT. VIEW CEMETERY OF SAN BERNARDINO	3600742	1	BNK HILL
1N4W26N	MT. VIEW CEMETERY OF SAN BERNARDINO	3600742-	3	BNK HILL
1N4W26P03S	SAN BERNARDINO, CITY OF	3601115	PERRIS HILL	BNK HILL
1N4W27A	SAN BERNARDINO, CITY OF	3602401	LEROY	BNK HILL
1N4W27A01S	SAN BERNARDINO, CITY OF	3600728	WATERMAN AVE	BNK HILL
1N4W27B	SAN BERNARDINO, CITY OF	3602081	31 ST	BNK HILL
1N4W27G01S	SAN BERNARDINO, CITY OF	3600719	30TH STREET	BNK HILL

SAN BERNARDINO BASIN AREA
CROSS INDEX BY STATE WELL NUMBER

STATE WELL NUMBER	OWNER NAME	RECORDATION NUMBER	LOCAL DESIGNATION	BASIN NAME
1N4W27M01S	SAN BERNARDINO, CITY OF	3600721	NORTH E STRE	BNK HILL
1N4W27M02S	SAN BERNARDINO, CITY OF	3600720	27TH STREET	BNK HILL
1N4W27N01S	SAN BERNARDINO, CITY OF	3602264	23RD STREET	BNK HILL
1N4W29E01S	SAN BERNARDINO, CITY OF	3601878	DARBY	BNK HILL
1N4W29F01S	SAN BERNARDINO, CITY OF	3601880	COLIMA	BNK HILL
1N4W29N	SAN BERNARDINO, CITY OF	3601879	GARDENA	BNK HILL
1N4W30M	SAN BERNARDINO, CITY OF	3601845	MALLORY	LYTLE
1N4W31A01S	MOUNT VERNON WATER COMPANY	3600319	MT VERNON WE	BNK HILL
1N4W31H	SAN BERNARDINO, CITY OF	3601588	WELL NO 1 ST	BNK HILL
1N4W31M03S	HOLLIDAY TRUCKING	3603262	SB # 1	LYTLE
1N4W31N	TRI CITY CONCRETE	3600935		LYTLE
1N4W31N	RIALTO, CITY OF	3601085	CITY NO 4	LYTLE
1N4W31P03S	WEST SAN BDNQ. COUNTY WATER DIST.	3601002	WELL NO 9	LYTLE
1N4W32D03S	SAN BERNARDINO, CITY OF	3600717	19TH STREET	BNK HILL
1N4W32D04S	SAN BERNARDINO, CITY OF	3600718	19TH STREET	BNK HILL
1N4W32N	SAN BERNARDINO, CITY OF	3602400	E-6W BASELIN	BNK HILL
1N4W34G01S	SAN BERNARDINO, CITY OF	3600725	17TH STREET	BNK HILL
1N4W34G03S	SAN BERNARDINO, CITY OF	3600726	16TH STREET	BNK HILL
1N4W34G04	SAN BERNARDINO, CITY OF	3603208	17TH & SIERR	BNK HILL
1N4W35C01S	SAN BERNARDINO, CITY OF	3601114	PERRIS HILL	BNK HILL
1N4W35C02S	SAN BERNARDINO, CITY OF	3601116	PERRIS HILL	BNK HILL
1N4W35C03S	SAN BERNARDINO, CITY OF	3601117	PERRIS HILL	BNK HILL

SAN BERNARDINO BASIN AREA
CROSS INDEX BY STATE WELL NUMBER

STATE WELL NUMBER	OWNER NAME	RECORDATION NUMBER	LOCAL DESIGNATION	BASIN NAME
1N4W35F	SAN BERNARDINO, COUNTY OF	19	COUNTY HOSP	BNK HILL
1N4W35H	PACIFIC HIGH SCHOOL	96		BNK HILL
1N4W35J02S	BASELINE GARDENS MUTUAL WATER COMPANY	3600457	PAC&BARL	BNK HILL
1N4W35K	SAN BERNARDINO, CITY OF	3602067	2-GILBERT/CA	BNK HILL
1N4W35M03S	SAN BERNARDINO, CITY OF	3600729	GILBERT STRE	BNK HILL
1N4W35N	PIERSON	97		BNK HILL
1N4W35R01	BASELINE GARDENS MUTUAL WATER COMPANY	3602528	3	BNK HILL
1N4W36F03S	CONEJO RANCHOS MUTUAL WATER COMPANY	3601186	1	BNK HILL
1N4W36F08S	EAST VALLEY WATER DISTRICT	3601666	PLANT NO 16	BNK HILL
1N4W36H	EAST VALLEY WATER DISTRICT	36	PLANT NO 52	BNK HILL
1N4W36H06S	EAST VALLEY WATER DISTRICT	3601669	PLANT NO 23	BNK HILL
1N4W36K	EAST VALLEY WATER DISTRICT	3601654	PLANT NO 1A	BNK HILL
1N4W36K04S	EAST VALLEY WATER DISTRICT	3601653	PLANT NO 1	BNK HILL
1N4W36K05S	EAST VALLEY WATER DISTRICT	3601655	PLANT NO 2	BNK HILL
1N4W36M01S	BASELINE GARDENS MUTUAL WATER COMPANY	3600458	PS & B 2	BNK HILL
1N4W36Q01S	EAST VALLEY WATER DISTRICT	3601656	PLANT NO 6	BNK HILL
1N4W36R01S	EAST VALLEY WATER DISTRICT	3601658	PLANT NO 8	BNK HILL
1N5W01R	MEYER, CHARLES R.	3600760	1	DEVIL CAN
1N5W03A02	SAN BERNARDINO, CITY OF	3601844	CAJON NO 2	L CAJON
1N5W03A02	SAN BERNARDINO, CITY OF	3602821	CAJON # 3/ST	L CAJON
1N5W03H01S	SAN BERNARDINO, CITY OF	3601843	CAJON NO 1	L CAJON
1N5W04B	SAN BERNARDINO, COUNTY OF	177	GLEN HELEN 2	L CAJON

SAN BERNARDINO BASIN AREA
CROSS INDEX BY STATE WELL NUMBER

STATE WELL NUMBER	OWNER NAME	RECORDATION NUMBER	LOCAL DESIGNATION	BASIN NAME
1N5W04M	REGINA GRAPE PRODUCTS	105	WELL NO. 1	LYTLE
1N5W04N	REGINA GRAPE PRODUCTS	106	WELL NO. 2	LYTLE
1N5W04N	REGINA GRAPE PRODUCTS	107	WELL NO. 3	LYTLE
1N5W04N	REGINA GRAPE PRODUCTS	110	WELL NO. 5	LYTLE
1N5W04N	REGINA GRAPE PRODUCTS	111	WELL NO. 6	LYTLE
1N5W04N	REGINA GRAPE PRODUCTS	112	WELL NO. 7	LYTLE
1N5W05C	REGINA GRAPE PRODUCTS	108	SPRING DIV.	LYTLE
1N5W05R	REGINA GRAPE PRODUCTS	109	WELL NO. 4	LYTLE
1N5W06E	FONTANA UNION WATER COMPANY	3600591		LYTLE
1N5W06E	SAN BERNARDINO, CITY OF	3600739	LYTLE CREEK	LYTLE
1N5W06G01S	FONTANA UNION WATER COMPANY	3600582	FU 27	LYTLE
1N5W06K02S	FONTANA UNION WATER COMPANY	3600586	FU 33	LYTLE
1N5W06M01S	STORKSON, WILLIAM F.	3602664	SPRING NO 1	LYTLE
1N5W06P	STORKSON, WILLIAM F.	3600083	1 LONGACRES	LYTLE
1N5W07H01S	FONTANA UNION WATER COMPANY	3600581	FU 26	LYTLE
1N5W07J	NEALEY MUTUAL WATER COMPANY	3601381		LYTLE
1N5W15Q02S	FONTANA UNION WATER COMPANY	3602727	FU 8	LYTLE
1N5W16K01S	FONTANA UNION WATER COMPANY	3600585	FU 32	LYTLE
1N5W22A01S	FONTANA UNION WATER COMPANY	3600569	FU 13	LYTLE
1N5W22C02S	FONTANA UNION WATER COMPANY	3600563	FU 4	LYTLE
1N5W22F01S	FONTANA UNION WATER COMPANY	3600580	FU 25	LYTLE
1N5W22F02S	FONTANA UNION WATER COMPANY	3600562	FU 3	LYTLE

SAN BERNARDINO BASIN AREA
CROSS INDEX BY STATE WELL NUMBER

STATE WELL NUMBER	OWNER NAME	RECORDATION NUMBER	LOCAL DESIGNATION	BASIN NAME
1N5W22F03S	FONTANA UNION WATER COMPANY	3600579	FU 24	LYTLE
1N5W22M	WEST SAN BDNO. COUNTY WATER DIST.	3600312	LYTLE CREEK	LYTLE
1N5W22M	SAN BERNARDINO, CITY OF	3600320	MOUNT VERNON	LYTLE
1N5W22M	RIALTO, CITY OF	3601718	LYTLE CREEK	LYTLE
1N5W23A01S	MUSCOY MUTUAL WATER COMPANY, NO. 1	3601499	MUSCOY 2	LYTLE
1N5W23A02S	MUSCOY MUTUAL WATER COMPANY, NO. 1	3601500	MUSCOY 3	LYTLE
1N5W23H01S	MUSCOY MUTUAL WATER COMPANY, NO. 1	3601497	MUSCOY 1	LYTLE
1N5W23K01S	FONTANA UNION WATER COMPANY	3600561	FU 1	LYTLE
1N5W23P	WEST SAN BDNO. COUNTY WATER DIST.	3602897	WELL NO 34	LYTLE
1N5W23P02S	WEST SAN BDNO. COUNTY WATER DIST.	3600306	UPPER 2	LYTLE
1N5W23P04S	WEST SAN BDNO. COUNTY WATER DIST.	3600307	WELL NO 1	LYTLE
1N5W23Q	RIALTO, CITY OF	3602080	CITY NO 2	LYTLE
1N5W23Q00S	WEST SAN BDNO. COUNTY WATER DIST.	3601944	WELL NO 2	LYTLE
1N5W23Q01S	RIALTO, CITY OF	3601263	CITY NO 1	LYTLE
1N5W24D01S	MUSCOY MUTUAL WATER COMPANY, NO. 1	3601498	NO. 4	LYTLE
1N5W24E	MUSCOY MUTUAL WATER COMPANY, NO. 1	3602345	WELL NO 4	LYTLE
1N5W25E	WEST SAN BDNO. COUNTY WATER DIST.	3603054	WELL NO 35	LYTLE
1N5W25E00S	WEST SAN BDNO. COUNTY WATER DIST.	3601725	LYTLE BASIN	LYTLE
1N5W25E01S	WEST SAN BDNO. COUNTY WATER DIST.	3600305	WELL NO 5	LYTLE
1N5W25E02S	WEST SAN BDNO. COUNTY WATER DIST.	3600998	FERG 1	LYTLE
1N5W26A01S	WEST SAN BDNO. COUNTY WATER DIST.	3600302	WELL NO 3	LYTLE
1N5W26A03S	WEST SAN BDNO. COUNTY WATER DIST.	3600304	WELL NO 4	LYTLE

SAN BERNARDINO BASIN AREA
CROSS INDEX BY STATE WELL NUMBER

STATE WELL NUMBER	OWNER NAME	RECORDATION NUMBER	LOCAL DESIGNATION	BASIN NAME
1N5W26B01S	WEST SAN BDNO. COUNTY WATER DIST.	3600303	LOWER 4	LYTLE
1N5W36B01S	RIALTO, CITY OF	3602848	CITY NO 3	LYTLE
1N5W36H04S	WEST SAN BDNO. COUNTY WATER DIST.	3600997	WELL NO 7	LYTLE
1N5W36H05	WEST SAN BDNO. COUNTY WATER DIST.	3603055	WELL NO 36	LYTLE
1N5W36J01S	SAN BERNARDINO, CITY OF	3603027	LYTLE CREEK	LYTLE
1N5W36J03S	WEST SAN BDNO. COUNTY WATER DIST.	3600996	NO 8	LYTLE
1N5W36R01S	SAN BERNARDINO, CITY OF	3600713	LYTLE CREEK	LYTLE
1S1W08G01	REDLANDS, CITY OF	3601282	1 - MILL CRE	MILL CRK
1S1W09J01	REDLANDS, CITY OF	3603045	MILL CREEK N	MILL CRK
1S1W10L1	REDLANDS, CITY OF	3601285	2 MILL CREEK	MILL CRK
1S1W11Q1	REDLANDS, CITY OF	3601288	4 MILL CREEK	MILL CRK
1S1W18M	WARD, FLOYD	153	WELL NO. 6	MILL CRK
1S1W18N	WARD, FLOYD	149	WELL NO. 1	BNK HILL
1S1W18N	WARD, FLOYD	152	WELL NO. 4	BNK HILL
1S1W18P	WARD, FLOYD	150	WELL NO. 2	BNK HILL
1S1W18P	WARD, FLOYD	151	WELL NO. 3	BNK HILL
1S1W18P	WARD, FLOYD	154	LATERAL SPR	BNK HILL
1S1W19G	TRIPLE FALLS MUTUAL WATER COMPANY	134		BNK HILL
1S1W19G	YUCAIPA VALLEY WATER DISTRICT	3602659	WELL NO 33	BNK HILL
1S1W20D	TRIPLE FALLS MUTUAL WATER COMPANY	135		MILL CRK
1S1W20D	TRIPLE FALLS MUTUAL WATER COMPANY	136		MILL CRK
1S1W20D	YUCAIPA VALLEY WATER DISTRICT	3602657	WELL NO 31	MILL CRK

SAN BERNARDINO BASIN AREA
CROSS INDEX BY STATE WELL NUMBER

STATE WELL NUMBER	OWNER NAME	RECORDATION NUMBER	LOCAL DESIGNATION	BASIN NAME
1S1W20D	YUCAIPA VALLEY WATER DISTRICT	3602658	WELL NO 32	MILL CRK
1S2W04P	BEAR VALLEY MUTUAL WATER COMPANY	3600028	SANTA ANA RI	BNK HILL
1S2W06M	HIGHLAND ACRES RANCH	3600323	ELEC 1	BNK HILL
1S2W06Q	SARATOGA DEVELOPMENT COMPANY	28	TUNNEL DIVER	BNK HILL
1S2W07B	EAST HIGHLANDS RANCH, INC.	3600604	RANNEY	BNK HILL
1S2W07F	EAST VALLEY WATER DISTRICT	3602799	PLANT NO 125	BNK HILL
1S2W08A	REDLANDS WATER COMPANY	104	REDLANDS WAT	BNK HILL
1S2W08C01S	NORTH FORK WATER COMPANY	3600678	NO. 1	BNK HILL
1S2W08C02S	NORTH FORK WATER COMPANY	3600679	NO. 2	BNK HILL
1S2W09L	REDLANDS ASSOCIATES	101	BLOCK NO. 11	BNK HILL
1S2W09L	REDLANDS ASSOCIATES	102	TUNNEL DIV.	BNK HILL
1S2W09L02S	BLUE GOOSE GROWERS INC	3602530	NO. 11	BNK HILL
1S2W09L03S	BLUE BANNER COMPANY	3602531	TUNNEL DIV.	BNK HILL
1S2W09P	REDLANDS ASSOCIATES	100	BLOCK NO. 6	BNK HILL
1S2W09P02	BLUE GOOSE GROWERS INC	3602529	NO. 6	BNK HILL
1S2W09Q	SOLANO WELL NO. 1	3600187	SOLANO # 1	BNK HILL
1S2W09Q	COGBILL, CLINTON L.	3601628	2	BNK HILL
1S2W13A	REDLANDS, CITY OF	3602351	0 - A MILL C	BNK HILL
1S2W13B	REDLANDS, CITY OF	103	MILL CREEK D	BNK HILL
1S2W13C	SUNRISE RANCH PART C/O LIFE DEVELOPMENT	3600599	SUNRISE WELL	BNK HILL
1S2W13P	U.S. FOREST SERVICE	138	MILL CREEK	BNK HILL
1S2W14F	SUNRISE RANCH PART C/O LIFE DEVELOPMENT	3600601	SUNRISE 3A	BNK HILL

SAN BERNARDINO BASIN AREA
CROSS INDEX BY STATE WELL NUMBER

STATE WELL NUMBER	OWNER NAME	RECORDATION NUMBER	LOCAL DESIGNATION	BASIN NAME
1S2W14L	SUNRISE RANCH PART C/O LIFE DEVELOPMENT	3600600	SUNRISE 2	BNK HILL
1S2W14L	SUNRISE RANCH PART C/O LIFE DEVELOPMENT	3601969	SUNRISE 7	BNK HILL
1S2W14N	REDLANDS, CITY OF	3601302	MILL CREEK D	BNK HILL
1S2W14N	SUNRISE RANCH PART C/O LIFE DEVELOPMENT	3601640	SUNRISE WELL	BNK HILL
1S2W15G	SUNRISE RANCH PART C/O LIFE DEVELOPMENT	3600603	SUNRISE 5	BNK HILL
1S2W15P	SUNRISE RANCH PART C/O LIFE DEVELOPMENT	3600602	SUNRISE 4	BNK HILL
1S2W16C	GRAM PATTERSON WELL	3600188	CRAMPAT 2	BNK HILL
1S2W16C	SOLANO WELL NO. 3	3602003	3	BNK HILL
1S2W16C01	GREENSPOT MUTUAL WELL COMPANY	3600266	GRNSPTMU	BNK HILL
1S2W16L	HAGAR	60		BNK HILL
1S2W17A	UNIVERSITY OF REDLANDS	139	PEPPER HOUSE	BNK HILL
1S2W17B	REDLANDS ASSOCIATES	99	#0	BNK HILL
1S2W17N	REDLANDS, CITY OF	3600038	DRY CREEK DI	BNK HILL
1S2W18M	REES & PERRICONE RANCH	3602171	1	BNK HILL
1S2W18Q	MENTONE CITRUS GROVES	3602280		BNK HILL
1S2W18R01S	MENTONE CITRUS GROVES	3600139	PRH RANCH	BNK HILL
1S2W19A01	REDLANDS, CITY OF	3602792	AGATE NO 2	BNK HILL
1S2W19D	BEAR VALLEY MUTUAL WATER COMPANY	3600024	WABASH 2	BNK HILL
1S2W19G01S	REDLANDS, CITY OF	3600006	EAST LUGONIA	BNK HILL
1S2W19J	MENTONE DOMESTIC WATER COMPANY	83		BNK HILL
1S2W19J	MENTONE DOMESTIC WATER COMPANY	176	3 1971	BNK HILL
1S2W19J	REDLANDS, CITY OF	3602653	KNARR WELL	BNK HILL

SAN BERNARDINO BASIN AREA
CROSS INDEX BY STATE WELL NUMBER

STATE WELL NUMBER	OWNER NAME	RECORDATION NUMBER	LOCAL DESIGNATION	BASIN NAME
1S2W19J	REDLANDS, CITY OF	3602654	CRAFTON AVE	BNK HILL
1S2W19K01S	REDLANDS, CITY OF	3601308	AGATE WELL N	BNK HILL
1S2W20B01	REDLANDS, CITY OF	3602791	EAST LUGONIA	BNK HILL
1S2W20D	REDLANDS, CITY OF	3602896	MADEIRA WELL	BNK HILL
1S2W20K	SOUZA, JOHN	3601084		BNK HILL
1S2W20K	F. A. R. WELL	3602020	NO 1 FAR WEL	BNK HILL
1S2W21B	REDLANDS, CITY OF	3601287	EAST LUGONIA	BNK HILL
1S2W21D	REDLANDS, CITY OF	3601286	MAGUET 3	BNK HILL
1S2W21D01S	REDLANDS, CITY OF	3601290	EAST LUGONIA	BNK HILL
1S2W21E01S	REDLANDS, CITY OF	3601284	MAGUET 2	BNK HILL
1S2W21H01	REYNOLDS, BILL	3600981		BNK HILL
1S2W21L01	HEAD, JOE T.	3600226	1	BNK HILL
1S2W21L02	CRAFTON WATER COMPANY	3602186	2	BNK HILL
1S2W21M01S	REDLANDS, CITY OF	3601281	MAGUET 1	BNK HILL
1S2W22C	GREENSPOT MUTUAL WATER CO TUNNEL	166		BNK HILL
1S2W22C02S	REDLANDS, CITY OF	3601283	EAST LUGONIA	BNK HILL
1S2W22E	BLISS	13		BNK HILL
1S2W22E	FARROW	56		BNK HILL
1S2W22F	RAMSEY	98	SPRING DIV	BNK HILL
1S2W24C	ELLG00D	55		BNK HILL
1S2W24C	YUCAIPA VALLEY WATER DISTRICT	3603539	YVWD 51	BNK HILL
1S2W24H	STANLEY, SILAS	127		BNK HILL

SAN BERNARDINO BASIN AREA
CROSS INDEX BY STATE WELL NUMBER

STATE WELL NUMBER	OWNER NAME	RECORDATION NUMBER	LOCAL DESIGNATION	BASIN NAME
1S2W28M	LA TOURETTE	78		BNK HILL
1S2W28M	LORD	79	SPRING DIV.	BNK HILL
1S2W29C	FINCH	57	FINCH	BNK HILL
1S2W29L	RANCHO LADERA	3602188	ROLADERA	BNK HILL
1S2W29M01	HAPPE MUTUAL WELL COMPANY	3600238	1	BNK HILL
1S2W29N	CRAFTON WATER COMPANY	3600272	5TH AVE 1	BNK HILL
1S2W29N	BUOYE WELL	3602062	1	BNK HILL
1S2W29N01S	NYE, WILLIAM H.	3600313	NYE	BNK HILL
1S2W29P	SELBY, DR. & MRS. ARTHUR	3600017	GR REES 3	BNK HILL
1S2W29P	SELBY, DR. & MRS. ARTHUR	3600018	GR REES 2	BNK HILL
1S2W30B	HINCKLEY, HORACE P.	3600240	SOUTH WELL	BNK HILL
1S2W30B	HINCKLEY, HORACE P.	3601645	1	BNK HILL
1S2W30B02S	PAINE, ROBERT T., TRUSTEE	3601642	KING ST	BNK HILL
1S2W30C01S	REDLANDS UNIFIED SCHOOL DISTRICT	3601641	OPAL ST	BNK HILL
1S2W30G01	KING STREET MUTUAL WELL COMPANY	3600530	1	BNK HILL
1S2W30G02	KING STREET MUTUAL WELL COMPANY	3600530-	2	BNK HILL
1S2W30H	JACINTO	3601126	GAY GROVE 4	BNK HILL
1S2W31B	HILL	67		BNK HILL
1S2W31F	SECHREST, RALPH F.	3600483	GPHRRCH 1	BNK HILL
1S2W31F	'7TH AVE. WELL	3601121	1	BNK HILL
1S2W31M	ROBBINS, H. W.	3602170		BNK HILL
1S2W32B	KOCH	74		BNK HILL

SAN BERNARDINO BASIN AREA
CROSS INDEX BY STATE WELL NUMBER

STATE WELL NUMBER	OWNER NAME	RECORDATION NUMBER	LOCAL DESIGNATION	BASIN NAME
1S2W32G01	KOCH, GEORGE J.	3601451	1	BNK HILL
1S3W01A	NORTH FORK WATER COMPANY	3601644	PLUNGE CR	BNK HILL
1S3W01H	EAST VALLEY WATER DISTRICT	3600220	PLANT NO 142	BNK HILL
1S3W02J	SMITH,	125		BNK HILL
1S3W02J	EAST VALLEY WATER DISTRICT	3600680	PLANT NO 120	BNK HILL
1S3W02L	EAST HIGHLANDS RANCH, INC.	3600598	LOCAL 1	BNK HILL
1S3W02L	EAST HIGHLANDS RANCH, INC.	3600607	SMALL	BNK HILL
1S3W02L	EAST HIGHLANDS RANCH, INC.	3600607 -	SMALL	BNK HILL
1S3W02N02	EAST VALLEY WATER DISTRICT	3603583	PLANT NO 143	BNK HILL
1S3W02P	VAN MEETER	146	OLD WELL	BNK HILL
1S3W02P	VAN MEETER	147	NEW WELL	BNK HILL
1S3W03D	HUNTER	71		BNK HILL
1S3W03D01S	BROOKSIDE PLAZA	3602917		BNK HILL
1S3W03F	CLIFFSIDE RANCH	17		BNK HILL
1S3W03F	EAST VALLEY WATER DISTRICT	3600058	PLANT NO 53	BNK HILL
1S3W03F	BARNO, JOHN	3602079	1	BNK HILL
1S3W03F	EAST VALLEY WATER DISTRICT	3602571	PLANT NO 122	BNK HILL
1S3W03N	EAST VALLEY WATER DISTRICT	47	PLANT NO 84	BNK HILL
1S3W03N	EAST VALLEY WATER DISTRICT	49	PLANT NO 93	BNK HILL
1S3W03N	STRAWBERRY PATCH	129		BNK HILL
1S3W03N	STRAWBERRY PATCH	130		BNK HILL
1S3W03P00S	RIEDMAN, FRED M.	3601629	1	BNK HILL

SAN BERNARDINO BASIN AREA
CROSS INDEX BY STATE WELL NUMBER

STATE WELL NUMBER	OWNER NAME	RECORDATION NUMBER	LOCAL DESIGNATION	BASIN NAME
1S3W03Q	CRAM RANCH ASSOCIATES	3600241		BNK HILL
1S3W03Q	EAST VALLEY WATER DISTRICT	3601643	PLANT NO 121	BNK HILL
1S3W03R01	EAST VALLEY WATER DISTRICT	3601639	PLANT NO 146	BNK HILL
1S3W04B	EAST VALLEY WATER DISTRICT	3601987	PLANT NO 136	BNK HILL
1S3W04C	EAST VALLEY WATER DISTRICT	3600466	PLANT NO 48	BNK HILL
1S3W04G	EAST VALLEY WATER DISTRICT	3602560	PLANT NO 136	BNK HILL
1S3W04J	HARRISON	62		BNK HILL
1S3W04J	EAST VALLEY WATER DISTRICT	3600026	PLANT NO 102	BNK HILL
1S3W04N	EAST VALLEY WATER DISTRICT	3601978	PLANT NO 40	BNK HILL
1S3W04N	EAST VALLEY WATER DISTRICT	3602338	PLANT NO 40A	BNK HILL
1S3W04P	EAST VALLEY WATER DISTRICT	32	PLANT NO 43	BNK HILL
1S3W04Q	EAST VALLEY WATER DISTRICT	59	PLANT NO 106	BNK HILL
1S3W04R	QUALITY FARMS	53	NO. 102	BNK HILL
1S3W05A02S	EAST VALLEY WATER DISTRICT	3601677	PLANT NO 31	BNK HILL
1S3W05B04S	EAST VALLEY WATER DISTRICT	3601678	PLANT NO 32	BNK HILL
1S3W05D	EAST VALLEY WATER DISTRICT	3600375	PLANT 132 CU	BNK HILL
1S3W05D	EAST VALLEY WATER DISTRICT	3600376	PLANT 132 CU	BNK HILL
1S3W05D	EAST VALLEY WATER DISTRICT	3602417	PLANT NO 132	BNK HILL
1S3W05D06	EAST VALLEY WATER DISTRICT	3602260	PLANT NO 132	BNK HILL
1S3W05J	EAST VALLEY WATER DISTRICT	50	PLANT NO 95	BNK HILL
1S3W05N05S	EAST VALLEY WATER DISTRICT	3601679	PLANT NO 38	BNK HILL
1S3W05Q	EAST VALLEY WATER DISTRICT	35	PLANT NO 46	BNK HILL

SAN BERNARDINO BASIN AREA
CROSS INDEX BY STATE WELL NUMBER

STATE WELL NUMBER	OWNER NAME	RECORDATION NUMBER	LOCAL DESIGNATION	BASIN NAME
1S3W05Q	EAST VALLEY WATER DISTRICT	44	PLANT NO 80	BNK HILL
1S3W05R	EAST VALLEY WATER DISTRICT	33	PLANT NO 44	BNK HILL
1S3W06A05S	EAST VALLEY WATER DISTRICT	3601667	PLANT NO 21	BNK HILL
1S3W06B	EAST VALLEY WATER DISTRICT	40	PLANT NO 72	BNK HILL
1S3W06C	EAST VALLEY WATER DISTRICT	41	PLANT NO 74	BNK HILL
1S3W06E	EAST VALLEY WATER DISTRICT	39	PLANT NO 71	BNK HILL
1S3W06F	EAST VALLEY WATER DISTRICT	77	MCKINLEY ST.	BNK HILL
1S3W06H01S	EAST VALLEY WATER DISTRICT	3601659	PLANT NO 9	BNK HILL
1S3W06H04S	EAST VALLEY WATER DISTRICT	3601660	PLANT NO 9A	BNK HILL
1S3W06K01S	EAST VALLEY WATER DISTRICT	3601781	PLANT NO 35	BNK HILL
1S3W06L	EAST VALLEY WATER DISTRICT	76	LANKERSHIM A	BNK HILL
1S3W06L	CHARLES, J. J.	3600815		BNK HILL
1S3W06M	EAST VALLEY WATER DISTRICT	45	PLANT NO 81	BNK HILL
1S3W06N	EAST VALLEY WATER DISTRICT	52	PLANT NO 97	BNK HILL
1S3W06P	EAST VALLEY WATER DISTRICT	43	PLANT NO 78	BNK HILL
1S3W06P18S	EAST VALLEY WATER DISTRICT	3603247	PLANT NO 141	BNK HILL
1S3W06Q	EAST VALLEY WATER DISTRICT	37	PLANT NO 69	BNK HILL
1S3W06Q	EAST VALLEY WATER DISTRICT	46	PLANT NO 83	BNK HILL
1S3W07A	INLAND VALLEY DEVELOPMENT AGENCY	90	LOCAL NO. 11	BNK HILL
1S3W07A	INLAND VALLEY DEVELOPMENT AGENCY	3603649	NORTON 11	BNK HILL
1S3W08E	INLAND VALLEY DEVELOPMENT AGENCY	93	LOCAL NO. 347	BNK HILL
1S3W08M	INLAND VALLEY DEVELOPMENT AGENCY	94	LOCAL NO. 865	BNK HILL

SAN BERNARDINO BASIN AREA
CROSS INDEX BY STATE WELL NUMBER

STATE WELL NUMBER	OWNER NAME	RECORDATION NUMBER	LOCAL DESIGNATION	BASIN NAME
1S3W09E	C. L. PHARRIS SAND & GRAVEL	3601420	NO 2 - ALABA	BNK HILL
1S3W10D01S	MCCALLA, ROBERT	3601839	NO 1	BNK HILL
1S3W10J	C. L. PHARRIS SAND & GRAVEL	3603653	ORANGE STREE	BNK HILL
1S3W13C	L.P.R. RANCH	80		BNK HILL
1S3W13H	REDLANDS, CITY OF	3602895	AIRPORT WELL	BNK HILL
1S3W13L	L.P.R. ICE COMPANY	3602525		BNK HILL
1S3W13P	EAST PIONEER MUTUAL WELL COMPANY	3602224		BNK HILL
1S3W13Q	REDLANDS, CITY OF	3600749	MENTONE ACRE	BNK HILL
1S3W13R01S	SAN BERNARDINO VALLEY MWD	3603116	SAN BERNARDI	BNK HILL
1S3W14E01S	REDLANDS, CITY OF	3603656	CHURCH STREE	BNK HILL
1S3W14P	SAN BERNARDINO AVENUE WATER COMPANY	3600125	1	BNK HILL
1S3W14P01	PIONEER MUTUAL WATER COMPANY	3600642	SBDNO 1	BNK HILL
1S3W14R01	RAUGHT MUTUAL WELL COMPANY	3602193	RAUGHT	BNK HILL
1S3W15A01	GOLDEN BEAR FOREST PRODUCTS	3602127		BNK HILL
1S3W15F02S	REDLANDS, CITY OF	3601586	ORANGE 5	BNK HILL
1S3W15G	REDLANDS TRAP/SKEET	3600628	1	BNK HILL
1S3W15M	TROJAN GROVES	3600451		BNK HILL
1S3W15N01S	WEATHERWAX, W. G.	3600652	REDLANDS	BNK HILL
1S3W15R01	NORTHBRAE WATER COMPANY	3600296	1	BNK HILL
1S3W16A	RAMIREZ, J.J.	3600527	MTDAS	BNK HILL
1S3W16F	RAMIREZ, J.J.	3600484	BUCKEYE 2	BNK HILL
1S3W16J	WILLIAMS WELL CORPORATION, LTD.	3600828		BNK HILL

SAN BERNARDINO BASIN AREA
CROSS INDEX BY STATE WELL NUMBER

STATE WELL NUMBER	OWNER NAME	RECORDATION NUMBER	LOCAL DESIGNATION	BASIN NAME
1S3W16K	TENNESSEE MUTUAL WELL COMPANY	3601161	PIONEER 1	BNK HILL
1S3W16L	TENNESSEE WATER COMPANY	3600474	WELL NO 1	BNK HILL
1S3W16L	NEW ENGLAND WATER COMPANY	3602320-		BNK HILL
1S3W17C	DANIELS, HAROLD	23	DOMEST. WELL	BNK HILL
1S3W17G	MARSHBURN	81		BNK HILL
1S3W17G	ARMSTRONG, DOUGLAS	3600076	2	BNK HILL
1S3W17H01S	LANGFORD RANCHES	3600525	ALABAMA	BNK HILL
1S3W17L01S	LANGFORD RANCHES	3600524	NEVADA ST	BNK HILL
1S3W17R	DANIELS, HAROLD	22	RANCH	BNK HILL
1S3W17R	FAIRVIEW WATER COMPANY	3600554	FAIRVIEW WEL	BNK HILL
1S3W17R	DANIELS AND BEST RANCH	3602550	ALABAMA ST	BNK HILL
1S3W18C	INLAND VALLEY DEVELOPMENT AGENCY	3603650	GOLF COURSE	BNK HILL
1S3W18H01	BARTON DEVELOPMENT	3601748	CALIF	BNK HILL
1S3W18L	MARIGOLD FARMS COMPANY	3601750	ACQUILLIAN	BNK HILL
1S3W18N	THERMO ECOTEK CORPORATION	3601014	MOUNTAIN VIE	BNK HILL
1S3W18N	THERMO ECOTEK CORPORATION	3601015	MOUNTAIN VIE	BNK HILL
1S3W19A01	BARTON DEVELOPMENT	3601748-	CALIF	BNK HILL
1S3W19A01S	BARTON DEVELOPMENT	3603554	CALIFORNIA S	BNK HILL
1S3W19B01	MARIGOLD FARMS COMPANY	3601749	JAP	BNK HILL
1S3W19G	BARTON DEVELOPMENT	3600418	BRAGA WELL	BNK HILL
1S3W19H	MARIGOLD FARMS COMPANY	3600757	2	BNK HILL
1S3W19J	DANIELS, DON	175		BNK HILL

SAN BERNARDINO BASIN AREA
CROSS INDEX BY STATE WELL NUMBER

STATE WELL NUMBER	OWNER NAME	RECORDATION NUMBER	LOCAL DESIGNATION	BASIN NAME
1S3W19J	PHAROAHS LOST KINGDOM	3602549	CALIF STREET	BNK HILL
1S3W19L	REDLANDS, CITY OF	3600756	MISSION #1	BNK HILL
1S3W19N	GENERAL AMERICAN LIFE INS. COMPANY	3601352	LANGFORD WEL	BNK HILL
1S3W19N	REDLANDS, CITY OF	3601636	LANGFORD	BNK HILL
1S3W20A	BELL, H. EUGENE	3600449	BELL WELL	BNK HILL
1S3W20C	K INV./TRUTANIC/Y UN WELL	3601172	K INV/TRUTAN	BNK HILL
1S3W20F	RAMIREZ, J.J.	3601171	1	BNK HILL
1S3W20F03	CARTER, JAMES E., M.D.	3602241	ALMOND	BNK HILL
1S3W20H01	GLADYSTA WELL & WATER COMPANY	3600182	1	BNK HILL
1S3W20H02	GLADYSTA WELL & WATER COMPANY	3600182-	1	BNK HILL
1S3W20P	WARMINGTON, ROBERT P.	3600270	ORANGEDALE	BNK HILL
1S3W20Q	MCCALLA BROS	164		BNK HILL
1S3W20R	JEWEL WATER COMPANY, THE	3600091	1	BNK HILL
1S3W20R01	NICKERSON WATER COMPANY	3600123	ALABAMA NO 1	BNK HILL
1S3W21A	STOWE WATER COMPANY	3601046	OLD	BNK HILL
1S3W21A	STOWE WATER COMPANY	3601046-	1/NEW	BNK HILL
1S3W21E	MASCART WATER COMPANY	3601102	2	BNK HILL
1S3W21E	CHRISTINA WATER COMPANY	3601751	ALABAMA	BNK HILL
1S3W21G01S	LANGFORD RANCHES	3600526	LUGONIA	BNK HILL
1S3W21H	REDLANDS, CITY OF	3602031	WELL 30A	BNK HILL
1S3W21H	REDLANDS, CITY OF	3602036	31-A	BNK HILL
1S3W21H01S	REDLANDS, CITY OF	3601298	32	BNK HILL

SAN BERNARDINO BASIN AREA
CROSS INDEX BY STATE WELL NUMBER

STATE WELL NUMBER	OWNER NAME	RECORDATION NUMBER	LOCAL DESIGNATION	BASIN NAME
1S3W21K01	LUGO WATER COMPANY	3600510	1	BNK HILL
1S3W21M01	NICKERSON WATER COMPANY	3600124	LUGONIA NO 2	BNK HILL
1S3W21M2	SANDYS RESTAURANT	165		
1S3W21P01	B M I FUNDS	3600107	COLTON 1	BNK HILL
1S3W21R	SMITH TRACT WELL COMPANY	3600001	11	BNK HILL
1S3W21R	SMITH TRACT WELL COMPANY	3600001-		BNK HILL
1S3W22A	REDLANDS, CITY OF	3602032	WELL NO 35	BNK HILL
1S3W22A01S	REDLANDS, CITY OF	3602106		BNK HILL
1S3W22F	PENN WELL COMPANY	3601099	1	BNK HILL
1S3W22F	PENN WELL COMPANY	3601405	2	BNK HILL
1S3W23A	REDLANDS, CITY OF	3600019	GR REES NO 1	BNK HILL
1S3W23A03	JUDSON MUTUAL WATER COMPANY	3601647	1	BNK HILL
1S3W23A03S	BEAR VALLEY MUTUAL WATER COMPANY	3601585	SAN BERNARDI	BNK HILL
1S3W23F	NORTHSIDE WATER COMPANY	3600933	1	BNK HILL
1S3W24A01	MENTONE ACRES MUTUAL WELL COMPANY	3600748	OLD WELL 1	BNK HILL
1S3W24C	BEAR VALLEY MUTUAL WATER COMPANY	3600023	JUDSON 1	BNK HILL
1S3W24Q	WESTERN FRUIT GROWERS	156		BNK HILL
1S3W25N	REDLANDS COUNTRY CLUB	3600049	MORRISON WEL	BNK HILL
1S3W25N	REDLANDS COUNTRY CLUB	3600049-	HOBBS WELL	BNK HILL
1S3W26C	REDLANDS, CITY OF	3602211	NO 37 SYLVAN	BNK HILL
1S3W27E02S	REDLANDS, CITY OF	3601300	40	BNK HILL
1S3W28B01S	EAST BARTON WATER COMPANY	3600608	BARTON	BNK HILL

SAN BERNARDINO BASIN AREA
CROSS INDEX BY STATE WELL NUMBER

STATE WELL NUMBER	OWNER NAME	RECORDATION NUMBER	LOCAL DESIGNATION	BASIN NAME
1S3W28C01	GRANT WATER COMPANY	3600075	GRANT	BNK HILL
1S3W28E	KANSAS STREET MUTUAL WATER COMPANY	3601092		BNK HILL
1S3W28H01S	REDLANDS, CITY OF	3601301	41	BNK HILL
1S3W28J01	REDLANDS, CITY OF	3600085	NY ST 1	BNK HILL
1S3W28J02	REDLANDS, CITY OF	3602346	NEW YORK ST	BNK HILL
1S3W28L	SOUTHERN CALIFORNIA EDISON COMPANY	3600651		BNK HILL
1S3W28M	RAMIREZ, CARLOS	3601649	HOOVER	BNK HILL
1S3W28M	RAMIREZ, CARLOS	3601649-	HOOVER	BNK HILL
1S3W29A01	ELTINGE & GRAZIADIO	3600766	COLTAMA	BNK HILL
1S3W29B	LA ROSSE, CHARLES H.	3600708	GOODWIN	BNK HILL
1S3W29B01	IOWA STREET WELL	3601932		BNK HILL
1S3W29D	YAHIKU, PAUL	3601280	SOUTH 1	BNK HILL
1S3W29D	RANCHO CITRUS AMIGOS	3601753	PARK AVE 1	BNK HILL
1S3W29H	WOEHR MUTUAL WATER COMPANY	3600817		BNK HILL
1S3W29J01	PHAROAH POWELL WATER COMPANY	3600415		BNK HILL
1S3W29K	OLD TOWN WELL COMPANY	3600493	NEW WELL 2	BNK HILL
1S3W29K	OLD TOWN WELL COMPANY	3600494	OLD WELL 1	BNK HILL
1S3W29Q01S	REDLANDS, CITY OF	3603655	38	BNK HILL
1S3W30D	REDLANDS, CITY OF	3601637	PTRSON WELL	BNK HILL
1S3W30K	FRINK RANCH	3601131		BNK HILL
1S3W30K	RAMIREZ BROTHERS	3601728	FRINK	BNK HILL
1S3W30L	LOMA LINDA UNIVERSITY	3601910	PUFFER	BNK HILL

SAN BERNARDINO BASIN AREA
CROSS INDEX BY STATE WELL NUMBER

STATE WELL NUMBER	OWNER NAME	RECORDATION NUMBER	LOCAL DESIGNATION	BASIN NAME
1S3W30Q	PAXTON, R. H.	3600468	BAHR 1	BNK HILL
1S3W31A	BREAK, ALLEN, ESTATE	15		BNK HILL
1S3W31A	BRYN MAWR MUTUAL WATER COMPANY	3600053	1	BNK HILL
1S3W31A	BRYN MAWR MUTUAL WATER COMPANY	3600054	2	BNK HILL
1S3W31A	BRYN MAWR MUTUAL WATER COMPANY	3600055	3	BNK HILL
1S3W31B00S	BRYN MAWR MUTUAL WATER COMPANY	3602109	4	BNK HILL
1S3W31D	STEWART, WILLARD	128		BNK HILL
1S3W32D	LOMA LINDA, CITY OF	3601130	NICKS WELL	BNK HILL
1S3W32F	CANYON RANCH	3600523	HNTSCHKE	BNK HILL
1S3W32G	KUHN, RICHARD J	178		BNK HILL
1S3W32G01	LARANNI GUNTER WELL	3600160	GUNTER WELL	BNK HILL
1S3W32J	HORTON	70		BNK HILL
1S3W32J02S	REDLANDS, CITY OF	3602065	LEE WELL	BNK HILL
1S3W32K	SOJKA, DONALD R	3601173		BNK HILL
1S3W33C01S	LAKESIDE AVENUE MUTUAL WELL COMPANY	3602119	1	BNK HILL
1S3W33D	BROOKSIDE DAIRY, INC	3600036	1	BNK HILL
1S3W35E	REDLANDS, CITY OF	3601289	4R	BNK HILL
1S3W35G07S	REDLANDS, CITY OF	3601292	11	BNK HILL
1S3W35G08S	REDLANDS, CITY OF	3601291	10	BNK HILL
1S3W35G09S	REDLANDS, CITY OF	3601294	13	BNK HILL
1S3W35G11S	REDLANDS, CITY OF	3601297	17	BNK HILL
1S3W35H02S	REDLANDS, CITY OF	3601293	12	BNK HILL

SAN BERNARDINO BASIN AREA
CROSS INDEX BY STATE WELL NUMBER

STATE WELL NUMBER	OWNER NAME	RECORDATION NUMBER	LOCAL DESIGNATION	BASIN NAME
1S3W35H03S	REDLANDS, CITY OF	3601296	16	BNK HILL
1S3W35H04S	REDLANDS, CITY OF	3601295	14	BNK HILL
1S3W35H08S	REDLANDS, CITY OF	3600005	LUETCKE	BNK HILL
1S4W01A	ARROYO VERDE MUTUAL WATER COMPANY	3602069	2	BNK HILL
1S4W01A02S	ARROYO VERDE MUTUAL WATER COMPANY	3602068	1	BNK HILL
1S4W01B04S	EAST VALLEY WATER DISTRICT	3601657	PLANT NO 7	BNK HILL
1S4W01D	EAST VALLEY WATER DISTRICT	51	PLANT NO 96	BNK HILL
1S4W01E02S	EAST VALLEY WATER DISTRICT	3601668	PLANT NO 22	BNK HILL
1S4W01F02S	EAST VALLEY WATER DISTRICT	3600926	PLANT NO 115	BNK HILL
1S4W01J08S	EAST VALLEY WATER DISTRICT	3601661	PLANT NO 10	BNK HILL
1S4W01K04S	EAST VALLEY WATER DISTRICT	3601665	PLANT NO 14	BNK HILL
1S4W01P01S	EASTWOOD FARMS COMMUNITY WATER USERS	3602130	1	BNK HILL
1S4W01P02S	EASTWOOD FARMS COMMUNITY WATER USERS	3602131	2	BNK HILL
1S4W01Q01	EAST VALLEY WATER DISTRICT	3600925	PLANT NO 100	BNK HILL
1S4W02A	EAST VALLEY WATER DISTRICT	3600183	PLANT NO 60	BNK HILL
1S4W02A	EAST VALLEY WATER DISTRICT	3602174	PLANT NO 105	BNK HILL
1S4W02B	SAN BERNARDINO, CITY OF	3602066	1	BNK HILL
1S4W02D	VICTORIA GUERNSEY	3600399	1	BNK HILL
1S4W02J	BERMAN, JERRY & SONS	12		BNK HILL
1S4W02K	BERMAN, JERRY & SONS	11	OLD WELL	BNK HILL
1S4W02K	BERMAN, JERRY & SONS	3602007	2	BNK HILL
1S4W02K01S	SAN BERNARDINO, CITY OF	3600730	ANTIL WELL N	BNK HILL

SAN BERNARDINO BASIN AREA
CROSS INDEX BY STATE WELL NUMBER

STATE WELL NUMBER	OWNER NAME	RECORDATION NUMBER	LOCAL DESIGNATION	BASIN NAME
1S4W02K02S	SAN BERNARDINO, CITY OF	3600731	ANTIL WELL N	BNK HILL
1S4W02K03S	SAN BERNARDINO, CITY OF	3600734	ANTIL 4	BNK HILL
1S4W02K04S	SAN BERNARDINO, CITY OF	3600733	ANTIL 1	BNK HILL
1S4W02K05S	SAN BERNARDINO, CITY OF	3600732	ANTIL 2	BNK HILL
1S4W02K08S	SAN BERNARDINO, CITY OF	3602422	ANTIL 6	BNK HILL
1S4W02L	EAST VALLEY WATER DISTRICT	42	PLANT NO 75	BNK HILL
1S4W02N01S	EAST VALLEY WATER DISTRICT	3601664	PLANT NO 13	BNK HILL
1S4W02Q	EAST VALLEY WATER DISTRICT	3602034	PLANT NO 12A	BNK HILL
1S4W02Q	EAST VALLEY WATER DISTRICT	3602563	PLANT NO 11A	BNK HILL
1S4W02Q04S	EAST VALLEY WATER DISTRICT	3601663	PLANT NO 12	BNK HILL
1S4W02Q05S	EAST VALLEY WATER DISTRICT	3601662	PLANT NO 11	BNK HILL
1S4W02R	EAST VALLEY WATER DISTRICT	3601582	PLANT NO 119	BNK HILL
1S4W03A04S	SAN BERNARDINO, CITY OF	3603692	EPA 5	BNK HILL
1S4W03B03S	SAN BERNARDINO, CITY OF	3603691	EPA 4	BNK HILL
1S4W03C03S	SAN BERNARDINO, CITY OF	3603689	EPA 2	BNK HILL
1S4W03C04S	SAN BERNARDINO, CITY OF	3603690	EPA 3	BNK HILL
1S4W03D01S	SAN BERNARDINO, CITY OF	3600722	ACACIA	BNK HILL
1S4W03D04S	SAN BERNARDINO, CITY OF	3603688	EPA 1	BNK HILL
1S4W03J	SAN BERNARDINO, CITY OF	3602265	7TH STREET	BNK HILL
1S4W04C	SAN BERNARDINO, CITY OF	3603207	10TH & J STR	BNK HILL
1S4W04D02	SAN BERNARDINO, CITY OF	3603206	OLIVE/GARNER	BNK HILL
1S4W04E	SAN BERNARDINO VALLEY MWD	3603141	9TH STREET W	BNK HILL

SAN BERNARDINO BASIN AREA
CROSS INDEX BY STATE WELL NUMBER

STATE WELL NUMBER	OWNER NAME	RECORDATION NUMBER	LOCAL DESIGNATION	BASIN NAME
1S4W04F02	SAN BERNARDINO VALLEY MWD	3603174	PERRIS STREE	BNK HILL
1S4W05E05S	WEST SAN BDNO. COUNTY WATER DIST.	3601848	WELL NO 15	BNK HILL
1S4W05M	TRI CITY CONCRETE	3601309	PLANT	BNK HILL
1S4W06B01S	RIALTO, CITY OF	3603030	CITY # 5	BNK HILL
1S4W06C04S	RIALTO, CITY OF	3601929	CITY #6	BNK HILL
1S4W06H	RIALTO, CITY OF	3603538	CITY #4	BNK HILL
1S4W06H01S	WEST SAN BDNO. COUNTY WATER DIST.	3601003	WELL NO 13	BNK HILL
1S4W06H02	WEST SAN BDNO. COUNTY WATER DIST.	3602766	WELL NO 30	BNK HILL
1S4W06J01S	WEST SAN BDNO. COUNTY WATER DIST.	3600999	WELL NO 14	BNK HILL
1S4W06J02S	WEST SAN BDNO. COUNTY WATER DIST.	3601000	WELL NO 12	BNK HILL
1S4W07D	INLAND VALLEY DEVELOPMENT AGENCY	86	LOCAL NO. 2	BNK HILL
1S4W07D	INLAND VALLEY DEVELOPMENT AGENCY	3603646	NORTON 2	BNK HILL
1S4W08C	COLTON, CITY OF	3602405	19	BNK HILL
1S4W08C02S	COLTON, CITY OF	3601262	BARNHL 18	BNK HILL
1S4W08F	ATCHISON, TOPEKA & SANTA FE RAILWAY CO.	3600179	4	BNK HILL
1S4W08F	COLTON, CITY OF	3601254	8	BNK HILL
1S4W08F	COLTON, CITY OF	3601257	13	BNK HILL
1S4W08F	TERRACE WATER COMPANY	3601684-	WELL NO 1 -	BNK HILL
1S4W08F	TERRACE WATER COMPANY	3601685	SMALL 2	BNK HILL
1S4W08F	TERRACE WATER COMPANY	3601686	WELL NO 2 -	BNK HILL
1S4W08F01	COLTON, CITY OF	3602793	NO 21	BNK HILL
1S4W08F01S	COLTON, CITY OF	3601260	16	BNK HILL

SAN BERNARDINO BASIN AREA
CROSS INDEX BY STATE WELL NUMBER

STATE WELL NUMBER	OWNER NAME	RECORDATION NUMBER	LOCAL DESIGNATION	BASIN NAME
1S4W08F02S	ATCHISON, TOPEKA & SANTA FE RAILWAY CO.	3600178	WELL 3	BNK HILL
1S4W08F06S	TERRACE WATER COMPANY	3601684	LARGE 1	BNK HILL
1S4W08R	SOUTHERN CALIFORNIA EDISON COMPANY	3601012	STM PL 1	BNK HILL
1S4W08R	SOUTHERN CALIFORNIA EDISON COMPANY	3601013	STM PL 2	BNK HILL
1S4W08R	COLTON, CITY OF	3601250	4	BNK HILL
1S4W08R	COLTON, CITY OF	3601251	5	BNK HILL
1S4W08R	COLTON, CITY OF	3601252	6	BNK HILL
1S4W08R	COLTON, CITY OF	3601253	7	BNK HILL
1S4W08R	COLTON, CITY OF	3601258	14	BNK HILL
1S4W08R07	COLTON, CITY OF	3602498	NO 6B	BNK HILL
1S4W09B01S	HOLMES ICE & COLD STORAGE CO. INC.	3600645		BNK HILL
1S4W09B03S	HOLMES ICE & COLD STORAGE CO. INC.	3600644	2	BNK HILL
1S4W09J01S	SAN BERNARDINO, CITY OF	3600736	SO G ST	BNK HILL
1S4W09N	COLTON, CITY OF	3601256	PLUNGE 12	BNK HILL
1S4W09P01S	SAN BERNARDINO, CITY OF	3600735	BIRCH ST	BNK HILL
1S4W10D01	SAN BERNARDINO, CITY OF	3601626	CITYLOTS	BNK HILL
1S4W10F01S	SAN BERNARDINO, CITY OF	3600723	HANFORD 1	BNK HILL
1S4W10F01S	SOUTHERN CALIFORNIA EDISON COMPANY	3690723	HANFORD 1	BNK HILL
1S4W10F05S	SAN BERNARDINO, CITY OF	3600724	HANFORD NO 2	BNK HILL
1S4W10N06S	SAN BERNARDINO, CITY OF	3600737	MILL & D	BNK HILL
1S4W11F	DONGLO DAIRY	21		BNK HILL
1S4W11F	KRANTZ DAIRY	75		BNK HILL

SAN BERNARDINO BASIN AREA
CROSS INDEX BY STATE WELL NUMBER

STATE WELL NUMBER	OWNER NAME	RECORDATION NUMBER	LOCAL DESIGNATION	BASIN NAME
1S4W11G	HAZAS	65		BNK HILL
1S4W11G	WILLIAMS DAIRY	159		BNK HILL
1S4W11M	BALCOM	5		BNK HILL
1S4W11Q01S	SAN BERNARDINO, CITY OF	3600222	MACFARLAND J	BNK HILL
1S4W12B	EAST VALLEY WATER DISTRICT	3602564	PLANT NO 28A	BNK HILL
1S4W12B05S	EAST VALLEY WATER DISTRICT	3601676	PLANT NO 28	BNK HILL
1S4W12C	INLAND VALLEY DEVELOPMENT AGENCY	87	LOCAL NO. 3	BNK HILL
1S4W12C	INLAND VALLEY DEVELOPMENT AGENCY	3603647	NORTON 3	BNK HILL
1S4W12D	INLAND VALLEY DEVELOPMENT AGENCY	88	LOCAL NO. 4	BNK HILL
1S4W12D	CARDIFF FARMS MUTUAL WATER COMPANY	3600973	1	BNK HILL
1S4W12D	CARDIFF FARMS MUTUAL WATER COMPANY	3601619	2	BNK HILL
1S4W12F	INLAND VALLEY DEVELOPMENT AGENCY	89	LOCAL NO. 5	BNK HILL
1S4W12F	INLAND VALLEY DEVELOPMENT AGENCY	3603648	NORTON 5	BNK HILL
1S4W12G	INLAND VALLEY DEVELOPMENT AGENCY	92	LOCAL NO. 44	BNK HILL
1S4W12Q	INLAND VALLEY DEVELOPMENT AGENCY	91	NO NO. WELL	BNK HILL
1S4W13E	GOLCONDA WATER COMPANY	58		BNK HILL
1S4W13E	MAYBELL, N. O.	3600291		BNK HILL
1S4W13R	VICTORIA FARMS MUTUAL WATER COMPANY	3602574	#3 WELL	BNK HILL
1S4W13R	VICTORIA FARMS MUTUAL WATER COMPANY	3602714	1	BNK HILL
1S4W13R01S	VICTORIA FARMS MUTUAL WATER COMPANY	3602112		BNK HILL
1S4W13R03	VICTORIA FARMS MUTUAL WATER COMPANY	3602247	2	BNK HILL
1S4W14A	SAN BERNARDINO, COUNTY OF	1	AEROSPACE	BNK HILL

SAN BERNARDINO BASIN AREA
CROSS INDEX BY STATE WELL NUMBER

STATE WELL NUMBER	OWNER NAME	RECORDATION NUMBER	LOCAL DESIGNATION	BASIN NAME
1S4W14A	SANTINI	120		BNK HILL
1S4W14A	SAN BERNARDINO, CITY OF	3602128	GIFFORD PARK	BNK HILL
1S4W14B	SAN BERNARDINO, CITY OF	3602252	2	BNK HILL
1S4W14E	HOLDEN MUTUAL WATER COMPANY	68		BNK HILL
1S4W14F	HOLDEN MUTUAL WATER COMPANY	69	HOLDEN AVE.	BNK HILL
1S4W14J	SAN BERNARDINO, CITY OF	3602123	NORMAN ROAD	BNK HILL
1S4W14J	SAN BERNARDINO, CITY OF	3602124	CENTRAL	BNK HILL
1S4W15D	NATIONAL ORANGE SHOW	3601924		BNK HILL
1S4W15D05	SAN BERNARDINO, CITY OF	3602285	15D5	BNK HILL
1S4W15G	HELLIPORT	66		BNK HILL
1S4W15M03	SAN BERNARDINO, CITY OF	3600035		BNK HILL
1S4W15P05	SAN BERNARDINO, CITY OF	3603582	CHANDLER	BNK HILL
1S4W15Q	VALLEY FARMS MUTUAL WATER COMPANY	142	NO 2 WELL	BNK HILL
1S4W15R	VALLEY FARMS MUTUAL WATER COMPANY	141	NO 1 WASHTN	BNK HILL
1S4W16H	SAN BERNARDINO, CITY OF	3600034	SMITH 1	BNK HILL
1S4W16M03S	SAN BERNARDINO, CITY OF	3603693	EPA 6	BNK HILL
1S4W16M04S	SAN BERNARDINO, CITY OF	3603694	EPA 7	BNK HILL
1S4W21A	SAN BERNARDINO, CITY OF	115	SEWER PLANT	BNK HILL
1S4W22A	SIX HOUSES	123		BNK HILL
1S4W22A	J. G. GOLFING ENTERPRISES, INC.	3602846	KLINE WELL	BNK HILL
1S4W22A01	J. G. GOLFING ENTERPRISES, INC.	3602499	PAYNE HOT WE	BNK HILL
1S4W22B	BARRIER	7		BNK HILL

SAN BERNARDINO BASIN AREA
CROSS INDEX BY STATE WELL NUMBER

STATE WELL NUMBER	OWNER NAME	RECORDATION NUMBER	LOCAL DESIGNATION	BASIN NAME
1S4W22B	CARPENTER	16		BNK HILL
1S4W22C	SAN BERNARDINO, CITY OF	116	SEWER PLANT	BNK HILL
1S4W22C05	SAN BERNARDINO, CITY OF	3603581	CENTURY	BNK HILL
1S4W22G01S	SOUTHERN CALIFORNIA EDISON COMPANY	3601016	THORN 1	BNK HILL
1S4W22M01	SMITH MEAT PACKING PLANT	126		BNK HILL
1S4W23D	MEADOWBROOK DAIRY	3600030	IRRIG 2	BNK HILL
1S4W23D	MEADOWBROOK DAIRY	3600037	DOMESTC 1	BNK HILL
1S4W23N	TRI CITY MUTUAL WATER COMPANY	133		BNK HILL
1S4W23N	SAN BERNARDINO, CITY OF	3601316	1	BNK HILL
1S4W23N	TRI CITY MUTUAL WATER COMPANY	3601823		BNK HILL
1S4W23P	INTER CITY MUTUAL WATER COMPANY	72		BNK HILL
1S4W23P	SAN BERNARDINO, CITY OF	3602521	WELL NO 2	BNK HILL
1S4W23R03S	SAN BERNARDINO, CITY OF	3602122	ROSEWOOD	BNK HILL
1S4W24A	LOMA LINDA, CITY OF	3602759	MOUNTAIN VIE	BNK HILL
1S4W24B	LOMA LINDA, CITY OF	3602760	MOUNTAIN VIE	BNK HILL
1S4W24B	LOMA LINDA, CITY OF	3603057	RICHARDSON W	BNK HILL
1S4W24B	LOMA LINDA, CITY OF	3603058	RICHARDSON W	BNK HILL
1S4W24F	SAN BERNARDINO, CITY OF	3602126	GOULD STREET	BNK HILL
1S4W24F04S	SAN BERNARDINO, CITY OF	3602125	GOULD STREET	BNK HILL
1S4W24J	TEXACO GAS STATION	27		BNK HILL
1S4W24J	RIVAS	113		BNK HILL
1S4W24J	VANLEUVEN, CLARENCE	143		BNK HILL

SAN BERNARDINO BASIN AREA
CROSS INDEX BY STATE WELL NUMBER

STATE WELL NUMBER	OWNER NAME	RECORDATION NUMBER	LOCAL DESIGNATION	BASIN NAME
1S4W24J	VICTORIA SEVENTH DAY ADVENTIST	144		BNK HILL
1S4W24J	MT. VIEW CHILD CARE CENTER	145		BNK HILL
1S4W24J	RIVAS, RAMON	3600016	REES 4	BNK HILL
1S4W24K	MOORE, R. H.	84		BNK HILL
1S4W24K01S	REDLANDS, CITY OF	3601299	34	BNK HILL
1S4W24L	SAN BERNARDINO, CITY OF	3602060	BENNETT WELL	BNK HILL
1S4W24P	LOMA LINDA UNIVERSITY	3602013	7	BNK HILL
1S4W24P04S	LOMA LINDA, CITY OF	3603523	SOUTH RICHA	BNK HILL
1S4W24R	LOMA LINDA, CITY OF	3602596	NEW GOLCONDA	BNK HILL
1S4W24R01S	LOMA LINDA, CITY OF	3601989	GOLCONDA WEL	BNK HILL
1S4W25B	LOMA LINDA, CITY OF	3602015	LLU 9	BNK HILL
1S4W25B	LOMA LINDA, CITY OF	3602058	JANZEN CREEK	BNK HILL
1S4W25B02S	LOMA LINDA, CITY OF	3602011	LLU 5	BNK HILL
1S4W25C	LOMA LINDA, CITY OF	3601384	1	BNK HILL
1S4W25C	LOMA LINDA, CITY OF	3601388	COURT ST	BNK HILL
1S4W25C	LOMA LINDA, CITY OF	3602057	MITTLEIDER W	BNK HILL
1S4W25C01S	LOMA LINDA UNIVERSITY	3602012	6	BNK HILL
1S4W25D	LOMA LINDA UNIVERSITY	3602781	ANDERSON II	BNK HILL
1S4W25D05	LOMA LINDA UNIVERSITY	3602249	ANDERSON	BNK HILL
1S4W25D07S	LOMA LINDA UNIVERSITY	3602855	ANDERSON III	BNK HILL
1S4W25E01S	LOMA LINDA UNIVERSITY	3602017	2	BNK HILL
1S4W25G	LOMA LINDA, CITY OF	3602016	ROBINSON	BNK HILL

SAN BERNARDINO BASIN AREA
CROSS INDEX BY STATE WELL NUMBER

STATE WELL NUMBER	OWNER NAME	RECORDATION NUMBER	LOCAL DESIGNATION	BASIN NAME
1S4W25G01S	LOMA LINDA UNIVERSITY	3602009	3	BNK HILL
1S4W25H02S	LOMA LINDA, CITY OF	3602010	LLU 4	BNK HILL
1S4W26A	LOMA LINDA UNIVERSITY	3602008	1	BNK HILL
1S4W26E	MT. VIEW CEMETERY OF SAN BERNARDINO	3600119	1	BNK HILL
1S4W26F	UNGER, V.E.	3601168		BNK HILL
1S4W26J01S	LOMA LINDA UNIVERSITY	3602014	8	BNK HILL
1S4W27H	AHMANSON RANCH	2		BNK HILL
1S4W36J	WILEY, RUTH NORWOOD	3600052	1	BNK HILL
2N5W19K	SAN BERNARDINO, CITY OF	3602426	C.C. DIV.	L CAJON
2N5W19K01	SAN BERNARDINO, CITY OF	3600710	CAJON CANYON	L CAJON
2N5W19Q01	SAN BERNARDINO, CITY OF	3600709	VINCENT	L CAJON
2N5W19R	SAN BERNARDINO, CITY OF	3603471	KENWOOD	L CAJON
2N5W20H	DEVORE WATER COMPANY	3602385	MEDLIN CR.	L CAJON
2N5W21E	DEVORE WATER COMPANY	3602386	LETHIN SP.	L CAJON
2N5W21G	DEVORE WATER COMPANY	3602388	KIMBARK	L CAJON
2N5W22E	DEVORE WATER COMPANY	3602387	E. KIMBARK	L CAJON
2N5W22N	DEVORE WATER COMPANY	3602389	HOPPER	L CAJON
2N5W28B	DEVORE WATER COMPANY	3602390	SANTA FE	L CAJON
2N5W28C	DEVORE WATER COMPANY	3602383	2	L CAJON
2N5W28C	DEVORE WATER COMPANY	3602384	3	L CAJON
2N5W28D	DEVORE WATER COMPANY	3602382	1	L CAJON
2N5W28D	DEVORE WATER COMPANY	3602391	CASADY	L CAJON

SAN BERNARDINO BASIN AREA
CROSS INDEX BY STATE WELL NUMBER

STATE WELL NUMBER	OWNER NAME	RECORDATION NUMBER	LOCAL DESIGNATION	BASIN NAME
2N5W33F	SAN BERNARDINO, COUNTY OF	117	GLEN HELEN 3	L CAJON
2N5W33G	SAN BERNARDINO, COUNTY OF	118	GLEN HELEN 4	L CAJON
2N5W33H	DEVORE WATER COMPANY	3602428	NO 4	L CAJON
2N6W26L1	FONTANA UNION WATER COMPANY	3600590	MN 2	
2N6W26L2	FONTANA UNION WATER COMPANY	3600588	MN 1	
2S2W06D	CRYSTAL SPRINGS	20		BNK HILL
2S3W01D	REDLANDS, CITY OF	3600918	REDLANDS HEI	BNK HILL
2S3W03K	REDLANDS, CITY OF	3602082	WELL NO 36	BNK HILL
2S3W05A2	CANYON KNOLLS RANCH	3601632	MARCUM WELL	BNK HILL

CHANGE IN OWNERSHIP FROM BASE PERIOD

CHANGE IN OWNERSHIP FROM BASE PERIOD

FORMER OWNER	PRESENT OWNER	RECORDATION NUMBER	STATE WELL NUMBER	YEAR CHANGE SHOWN IN VOLUME 1
AEROSPACE	SAN BERNARDINO, COUNTY OF	NF	1S4W14A	1973
ANDERSON MUTUAL WELL COMPANY, INC	EAST SAN BDNO. COUNTY WATER DIST.	3600275	1N3W32	1970
BASELINE & LAPRAIX WELL	EAST VALLEY WATER DISTRICT	3600275	1N3W32	1982
BEAR VALLEY MUTUAL WATER COMPANY	EAST SAN BDNO. COUNTY WATER DIST.	3600466	1N3W04	1973
	EAST VALLEY WATER DISTRICT	3600466	1N3W04	1982
	EAST SAN BDNO. COUNTY WATER DIST.	3600026	1S3W4J	1971
	EAST VALLEY WATER DISTRICT	3600026	1S3W4J	1982
BEELE, RAYMOND A.	REDLANDS, CITY OF	3601586	1S3W15F02S	1987
BEVERLY ASSOCIATES REC 3602065	TROJAN GROVES	3600451	1S3W15	1989
BIG BEAR MUNICIPAL WATER DISTRICT	REDLANDS, CITY OF REC 3602732	3602732	1S3W32J2	1978
BIG BEAR TIMBER COMPANY	SAN BERNARDINO VALLEY MWD	3603116	1S3W13R01S	1996
	GOLDEN STATE BLDG. PRODUCTS	3602127	1S3W15A1	1973
	GOLDEN BEAR FOREST PROD.	3602127	1S3W15A1	1980
C. L. PHARRIS	SUNWEST	3604003	1S3W10K	1997
CALAGONIA GROVES	C. L. PHARRIS	3604003	1S4W10K	1998
CALIFORNIA, STATE OF	CRIM, W. ROSCOE	3601171	1S3W20F	1974
	EAST SAN BDNO. COUNTY WATER DIST.	3600926	1S4W01F2	1973
	EAST VALLEY WATER DISTRICT	3600926	1N4W01F2	1982
	EAST SAN BDNO. COUNTY WATER DIST.	3600928	1N3W31L2	1973
	EAST VALLEY WATER DISTRICT	3600928	1N3W31L2	1982
	EAST SAN BDNO. COUNTY WATER DIST.	3600930	1N3W31L3	1973
	EAST VALLEY WATER DISTRICT	3600930	1N3W31L3	1982
CALIFORNIA, STATE OF	SAN BERNARDINO, CITY OF	3600927	1N3W31B1	1973
	EAST SAN BDNO. COUNTY WATER DIST.	3600927	1N3W31B1	1980
	EAST VALLEY WATER DISTRICT	3600927	1N3W31B1	1982
CAMERON RANCHO MUTUAL WATER COMPANY	EAST SAN BDNO. COUNTY WATER DIST.	3600643	1N4W25K1	1973
	EAST VALLEY WATER DISTRICT	3600643	1N4W25K1	1982
CANYON KNOLLS RANCH	LOMA LINDA HEIGHTS RANCHO	3601632	2S3W05A2	1979
	CANYON KNOLLS RANCH	3601632	2S3W05A2	1982
CARL'S RANCH C/O REDLANDS FARMING CO.	AIELLO RANCH C/O CRIM GROVE CARE 1970-71	3601172	1S3W20C	1970
	CRIM WELL C/O REDLANDS FARMING CO. 1972-75	3601172	1S3W20C	1972
	HUNTER/CRIM/ZARUBICA WELL 1975-	3601172	1S3W20C	1975
	K INV./TRUTANIC/Y UN WELL	3601172	1S3W20C	1981
CHURCH STREET MUTUAL WELL CO	REDLANDS, CITY OF	3602106	1S3W22A1	1970
CITRUS PROPERTY MANAGEMENT CO.	BELL, H. EUGENE	3600449	1S3W20	1974

CHANGE IN OWNERSHIP FROM BASE PERIOD

FORMER OWNER	PRESENT OWNER	RECORDATION NUMBER	STATE WELL NUMBER	YEAR CHANGE SHOWN IN VOLUME 1
CLIFFSIDE RANCH	TEAGLE, M., ESTATE	3602571	1S3W03F	1974
	EAST SAN BER. CO. WATER DIST.	3602571	1S3W3F	1978
	EAST VALLEY WATER DISTRICT	3602571	1S3W3F	1982
COLTON AVENUE WATER COMPANY	REDLANDS, CITY OF	3600085	1S3W28J1	1973
		3602346	1S3W28J2	1973
COOK ORCHARDS CO.	EADINGTON FRUIT CO. COOK RANCH	3600527	1S3W16	1975
CORWIN WELL COMPANY	EAST SAN BDNO. COUNTY WATER DIST.	3601184	1N3W33F1	1973
	EAST VALLEY WATER DISTRICT	3601184	1N3W33F1	1982
COUNTY HOSPITAL	SAN BERNARDINO, COUNTY OF	NF	1N4W35F	1971
COURT STREET WATER COMPANY	LOMA LINDA, CITY OF	3601384	1S4W25	1971
		3601388	1S4W25	1971
CRAM, FRANCES L.	COGBILL, CLINTON L.	3601628	1S2W09Q	1979
CRIM, W. ROSCOE	RAMIREZ, J.J.	3601171	1S3W20F	1996
DANIELS, DON	DANIELS AND BEST RANCH	3602549	1S3W19J	1973
	PHAROAH'S LOST KINGDOM			1996
DANIELS, HAROLD	DANIELS AND BEST RANCH	3602550	1S3W17R	1973
DEL ROSA MUTUAL WATER CO.	EAST SAN BDNO. COUNTY WATER DIST.	3602370	1N4W25F	1976
	EAST VALLEY WATER DISTRICT	3602370	1N4W25F	1982
DEL ROSA MUTUAL WATER CO.	HODGDON, WARNER	3601810	1N4W23E	1976
	CAMPUS CRUSADE FOR CHRIST	3601810	1N4W23E	1987
	HODGDON, WARNER	3601811	1N4W14	1976
	CAMPUS CRUSADE FOR CHRIST	3601811	1N4214	1987
DOUGLAS GAS STATION	TEXACO GAS STATION	NF	1S4W24J	1973
DUDA, WALTER AND BETTY	MCCALLA, ROBERT	3601839	1S3210D01S	1992
E R DUNLOP	HOOVER WELL	3601649	1S3W28M	1973
	RAMIREZ, CARLOS	3601649	1S3W28M	1980
	HOOVER WELL	3601649-	1S3W28M	1973
	RAMIREZ, CARLOS	3601649-	1S3W28M	1980
EADINGTON FRUIT CO. COOK RANCH	RAMIREZ, J.J.	3600527	1S3216	1996
EAST COLTON AVENUE WATER COMPANY	HINCKLEY, HORACE P.	3600240	1S2W30D	1982
		3601645	1S2W30B	1982
EAST HIGHLANDS DOMESTIC WATER CO	SARATOGA DEVELOPMENT CO.	3600607	1S3W02	1973
	EAST HIGHLANDS RANCH INC.	3600607	1S3W02	1980
	SARATOGA DEVELOPMENT CO.	3600607-	1S3W02	1973
	EAST HIGHLANDS RANCH INC.	3600607-	1S3W02	1980

CHANGE IN OWNERSHIP FROM BASE PERIOD

FORMER OWNER	PRESENT OWNER	RECORDATION NUMBER	STATE WELL NUMBER	YEAR CHANGE SHOWN IN VOLUME 1
EAST HIGHLANDS ORANGE COMPANY	SARATOGA DEVELOPMENT CO.	NF 3600598	1S2W06 1S3W02	1977 1973
	EAST HIGHLANDS RANCH INC.	3600598	1S3W02	1980
EAST HIGHLANDS ORANGE COMPANY	SARATOGA DEVELOPMENT CO.	3600604	1S2W07B	1973
	EAST HIGHLANDS RANCH INC.	3600604	1S2W07B	1980
	SARATOGA DEVELOPMENT CO.	3600605	1N3W36	1973
	EAST HIGHLANDS RANCH INC.	3600605	1N3W36	1980
	SARATOGA DEVELOPMENT CO.	3600606	1N3W35	1973
	EAST HIGHLANDS RANCH INC.	3600606	1N3W35	1980
	SARATOGA DEVELOPMENT CO.	3601639	1S3W03R1	1973
	EAST HIGHLANDS RANCH INC.	3601639	1S3W03R1	1980
	EAST VALLEY WATER DISTRICT	3601639	1S3W03R1	1995
	SARATOGA DEVELOPMENT CO.	3602474	1N3W25Q	1973
	EAST HIGHLANDS RANCH INC.	3602474	1N3W25Q	1980
	SUNRISE RANCH PART. C/O LIFE DEVEL. CO.	3600599	1S2W13	1973
		3600600	1S2W13	1973
		3600601	1S2W14	1973
		3600602	1S2W15P	1973
		3600603	1S2W15G	1973
		3601640	1S2W14	1973
EAST HIGHLANDS ORANGE COMPANY	SUNRISE RANCH PART. C/O LIFE DEVEL. CO.	3601969	1S2W14L	1973
EAST LUGONIA MUTUAL WATER CO.	REDLANDS, CITY OF	3600005	1S3W35H08S	1996
		3600006	1S2W19G01S	1996
		3600038	1S2W17	1996
EAST SAN BDNO. COUNTY WATER DISTRICT	EAST VALLEY WATER DISTRICT	NF	1N3W30C	1982
		NF	1S3W04P	1982
		NF	1N3W30C	1982
		NF	1N3W31A	1982
		NF	1S3W05Q	1982
		NF	1N4W36H	1982
		NF	1S3W06	1982
		NF	1N3W31D	1982
		NF	1S3W06E	1982
		NF	1S3W06B	1982
		NF	1S3W06C	1982

CHANGE IN OWNERSHIP FROM BASE PERIOD

FORMER OWNER	PRESENT OWNER	RECORDATION NUMBER	STATE WELL NUMBER	YEAR CHANGE SHOWN IN VOLUME 1
EAST SAN BDNO. COUNTY WATER DISTRICT	EAST VALLEY WATER DISTRICT	NF	1S4W02L	1982
		NF	1S3W06P	1982
		NF	1S3W05Q	1982
		NF	1S3W06M	1982
		NF	1S3W06Q	1982
		NF	1S3W03N	1982
		NF	1N4W25D	1982
		NF	1S3W03N	1982
		NF	1S3W05J	1982
		NF	1S4W01D	1982
		NF	1S3W06N	1982
			1S3W03F	1982
			1S4W02	1982
			1N3W31L	1982
			1N3W30H01S	1982
			1N3W28P01S	1982
			1N3W19	1982
			1N3W19	1982
			1N3W19F	1982
			1N3W33H01S	1982
			1N4W36K04S	1982
			1N4W36	1982
			1N4W36K05S	1982
			1N4W36Q01S	1982
			1S4W01B04S	1982
			1N4W36R01S	1982
			1S3W06H01S	1982
			1D3W06H04S	1982
			1S4W01J08S	1982
			1S4W02Q05S	1982
			1S4W02Q04S	1982
			1S4W02N01S	1982
			1S4W01K04S	1982
			1N4W36F08S	1982
			1S3W06A05S	1982
			1S4W01E02S	1982
EAST SAN BDNO. COUNTY WATER DISTRICT	EAST VALLEY WATER DISTRICT	3600058		
		3600183		
		3600269		
		3600444		
		3600855		
		3600864		
		3600970		
		3600971		
		3601584		
		3601653		
		3601654		
		3601655		
		3601656		
		3601657		
		3601658		
		3601659		
		3601660		
		3601661		
		3601662		
		3601663		
		3601664		
		3601665		
		3601666		
		3601667		
		3601668		

CHANGE IN OWNERSHIP FROM BASE PERIOD

FORMER OWNER	PRESENT OWNER	RECORDATION NUMBER	STATE WELL NUMBER	YEAR CHANGE SHOWN IN VOLUME 1
EAST SAN BDNO. COUNTY WATER DISTRICT	EAST VALLEY WATER DISTRICT	3601669	1N4W36H06S	1982
		3601670	1N4W26A01S	1982
		3601671	1N4W26A02S	1982
		3601672	1N4W25B	1982
		3601673	1N4W25C02S	1982
		3601674	1N4W25G01S	1982
		3601675	1N4W25A01S	1982
		3601676	1S4W12B05S	1982
		3601677	1S3W05A02S	1982
		3601678	1S3W05B04S	1982
		3601679	1S3W05N05S	1982
		3601781	1S3W06K01S	1982
		3601884	1N3W31C02S	1982
		3601978	1S3W04N	1982
	HODGDON, WARNER	3601979	1N4W14A	1976
	CAMPUS CRUSADE FOR CHRIST	3601979	1N4W14A	1987
	EAST VALLEY WATER DISTRICT	3602034	1S4W01Q	1982
		3602113	1N3W30N	1982
		3602274	1N3W30J	1982
		3602337	1N4W26A	1982
		3602338	1S3W04N	1982
		3602563	1S4W02Q	1982
		3602564	1S4W12B	1982
		3602799	1S2W07H01	1982
ELLENA, JOHN B.	SAN BERNARDINO, CITY OF	3602712	1N4W08N	1977
FONTANA UNION WATER COMPANY 3600566	FONTANA UNION WATER COMPANY 3602727	3602727	1N5W15Q02S	1977
FRINK RANCH RECORDATION NO 3601131	RAMIREZ BROTHERS REC. NO. 3601728	3601728	1S3W30	1970
GIFFORD PARK MUTUAL WATER CO.	SAN BERNARDINO, CITY OF	3602128	1S4W14A	1987
		3602252	1S4W14B	1987
HACIENDA TRAILER PARK	EAST SAN BDNO. COUNTY WATER DIST.	NE	1S3W04Q	1970
	EAST VALLEY WATER DISTRICT	NE	1S3W04Q	1982
HICKS, JOHN/LOUISE	REYNOLDS, BILL	3600981	1S2W21H01	1978
HOBBS WELL PARTNERSHIP	REDLANDS COUNTRY CLUB	3600049	1S3W25M	1994
		3600049-	1S3W25M	1994
HOLIDAY ROCK CO.	REDLANDS TRAP/SKEET	3600628	1S3W15G	1974
HOMART DEVELOPMENT CO	SAN BERNARDINO, CITY OF	3600034	1S4W16H	1970

CHANGE IN OWNERSHIP FROM BASE PERIOD

FORMER OWNER	PRESENT OWNER	RECORDATION NUMBER	STATE WELL NUMBER	YEAR CHANGE SHOWN IN VOLUME 1
HOMART DEVELOPMENT CO	SAN BERNARDINO, CITY OF	3600035	1S4W15M1	1970
ICE PRODUCTS INC.	HOLMES ICE & COLD STORAGE CO., INC.	3602285	1S4W15D5	1970
INDUST. ACRES C/O CITRUS INVESTMENT	MENTONE CITRUS GROVES	3600644	1S4W09B03S	1983
INLAND FARMING CO.	RIEDMAN, FRED M.	3600645	1S4W09B01S	1983
INTER CITY MUTUAL WATER CO.	BARNO, JOHN	3600139	1S2W18R01S	1975
JACINTO, FRANK JR	SAN BERNARDINO, CITY OF	3602280	1S2W18Q	1975
JACINTO FARMING, INC	F. A. R. WELL	3602079	1S3W03F	1974
JOHANSSON, RUNE	MCCLINTOCK, W.L. 1970-1972	3602079	1S3W03F	1977
LAND CAPITOL CORP & DONALD SOJKA	YAHIKU, PAUL 1973-	3601316	1S4W23N	1977
LANGFORD RANCHES REC 3600523	BENNETT 1976-1978	3602521	1S4W23N4	1977
LANKERSHIM MUT. WTR. CO.	SO. SAN BERNARDINO COUNTY WATER DIST. 1979-3602060	3602020	1S2W20K	1973
LARSEN, ERNEST R.	SAN BERNARDINO, CITY OF	3601280	1S3W29D	1970
LEONARD, WILLIAM E.	SOJKA, DONALD R.	3601280	1S3W29D	1973
LONG ACRES MUTUAL WATER CO	CANYON RANCH	3602060	1S4W24P	1976
L.P.R. RANCH	EAST VALLEY WATE DISTRICT	3602060	1S4W24P	1979
LUGONIA WATER COMPANY	EAST VALLEY WATE DISTRICT	3601173	1S3W32K	1990
MARIGOLD FARMS COMPANY	LARANNI GUNTER WELL	3600523	1S3W32G3	1975
MEEKS & DALEY (1N3W31)	SAN BERNARDINO INVESTORS	0000076	1S3W06L	1973
MENTONE ACRES MUTUAL WELL CO.	J. G. GOLFING ENTERPRISES, INC.	0000077	1S3W06F	1990
	STORKSON, WILLIAM F.	3600160	1S3W32G1	1974
	L.P.R. ICE COMPANY	3602499	1S4W22A01	1979
	REDLANDS, CITY OF	3602499	1S4W22A01	1981
	BEAR VALLEY MUTUAL WATER COMPANY	3600083	1N5W6	1970
	BARTON DEVELOPMENT	3602525	1S3W13C	1971
	BASELINE LAUNDRY	3600018	1S2W29	1976
	REDLANDS, CITY OF	3601585	1S3W23A03S	1987
	BEAR VALLEY MUTUAL WATER COMPANY	3601585	1S3W23A03S	1990
	BARTON DEVELOPMENT	3600418	1S4W19	1994
	BASELINE LAUNDRY	3601748	1S3W18H01	1994
	REDLANDS, CITY OF	3601748-	1S3W19A01	1994
		NF	1N3W31	1973
		3600749	1S3W13	1983

CHANGE IN OWNERSHIP FROM BASE PERIOD

FORMER OWNER	PRESENT OWNER	RECORDATION NUMBER	STATE WELL NUMBER	YEAR CHANGE SHOWN IN VOLUME 1
MENTONE DOMESTIC WATER CO.	REDLANDS, CITY OF	3601308	1S2W19K1	1978
		3602653	1S2W19J	1978
		3602654	1S2W19J	1978
MEYER, ERNEST	EAST SAN BDNO. COUNTY WATER DIST.	3602174	1S4W02	1974
	MEYER, ERNEST	3602174	1S4W02	1975
	EAST SAN BDNO. COUNTY WATER DIST.	3602174	1S4W02	1980
	EAST VALLEY WATER DISTRICT	3602174	1S4W02	1982
MISSION MUTUAL WATER COMPANY	REDLANDS, CITY OF	3600756	1S3W19H	1987
	MARIGOLD FARMS COMPANY	3600757	1S3W19L	1987
MONTECITO MUTUAL WATER COMPANY	MT. VIEW CEMETERY OF SAN BERNARDINO	3600119	1S4W26F01	1995
MT. HARRISON MUTUAL WATER CO.	EAST VALLEY WATER DISTRICT	3600220	1S3W01H	1994
MOUNT VERNON WATER COMPANY	SAN BERNARDINO, CITY OF	3600320	1N5W22M	1997
MULLINS, JAMES C., JR., EXECUTOR	TILDEN, M. WILLIAM	3602074	1N3W34B02	1991
		3602075	1N3W34B01	1991
MUTUAL WELL CO. (OF HIGHLAND)	NORTH FORK WATER	3600765	1N3W33C01	1981
NAMIHAS, M.D. IVAN/SHIRLEY	SOUZA, JOHN	3601084	1S2W20K	1980
NICKERSON, E. D.	WARMINGTON, ROBT. P.	3600270	1S3W20P	1982
NORTH FORK WATER COMPANY	EAST SAN BDNO. COUNTY WATER DIST.	3600680	1S3W02	1982
	EAST VALLEY WATER DISTRICT	3600680	1S3W02	1982
	EAST SAN BDNO. COUNTY WATER DIST.	3601643	1S3W03Q	1982
	EAST VALLEY WATER DISTRICT	3601643	1S3W03Q	1982
NORTON AIR FORCE BASE	INLAND VALLEY DEVELOPMENT AGENCY	0000086	1S4W12B	1997
	0000086 BECOMES FILER	3600645	1S4W07D	1998
		0000087	1S4W12C	1997
	0000087 BECOMES FILER	3603647		1998
		0000088	1S4W12D	1997
		0000089	1S3W07A	1997
	0000089 BECOMES FILER	3603649	1S3W07A	1998
		0000090	1S3218C	1997
	0000090 BECOMES FILER	3603650		1998
NORTON VILLAGE, LTD.	EAST SAN BDNO. COUNTY WATER DIST.	3600925	1S4W01Q1	1973
	EAST VALLEY WATER DISTRICT	3600925	1S4W01Q1	1982
ORANGE ST. RANCH	CRAM RANCH ASSOCIATES	3600241	1S3W03Q	1980
PAINE, ROBERT T. TRUSTEE	REDLANDS UNIFIED SCHOOL DISTRICT	3601641	1S2W30C01S	1996
PEYTON, A.L. OR IRENE A.	SOMERS, R.	3601093	1N4W24	1977
PEYTON, MRS. A.L.	LA BONTE, JIM	3600865	1N4W24	1978

CHANGE IN OWNERSHIP FROM BASE PERIOD

FORMER OWNER	PRESENT OWNER	RECORDATION NUMBER	STATE WELL NUMBER	YEAR CHANGE SHOWN IN VOLUME 1
RANCHERIA WATER CO. TOBIN	RIALTO, CITY OF	3601929	1S4W06C04S	1987
REDLANDS ASSOCIATES	BLUE GOOSE GROWERS INC.	3602529	1S2W09P2	1971
		3602530	1S2W09L2	1971
		3602531	1S2W09L3	1971
REDLANDS HEIGHTS WATER COMPANY	BLUE BANNER CO.	3602531	1S2W09L3	1980
REES-REES RANCHES, INC.	REDLANDS, CITY OF	3600918	2S3W01E	1983
	SELBY, DR. & MRS. ARTHUR	3600017	1S2W29	1976
		3600018	1S2W29	1976
	REDLANDS, CITY OF	3600019	1S3W23	1978
RIALTO MUTUAL LAND AND WATER COMPANY	RIALTO, CITY OF	3601085	1N4W31N	1973
RIVERSIDE, CITY OF 3601478	J. G. GOLFING ENTERPRISES, INC. 3602846	3602846	1S4W22A	1985
ROBERTS, DR. G.	PATTERSON, ROY H.	NF	1N3W34Q	1977
ROZEMA CHICKEN RANCH	QUALITY FARMS	NF	1S3W04R	1975
SAN BERNARDINO COUNTY SERVICE AREA 2	LOMA LINDA, CITY OF	3601989	1S4W24R1	1970
		3602010	1S4W25H2	1970
		3602011	1S4W25B2	1970
		3602015	1S4W25B	1970
SAN BERNARDINO WATER UTILITIES	SAN BERNARDINO, CITY OF	3602016	1S4W25G	1970
		3602057	1S4W25C	1970
		3602058	1S4W25F	1970
		3601843	1N5W03H01S	1987
		3601844	1N5W03	1987
		3601845	1N4W30L	1987
SECHREST, RALPH F.	RAMIREZ, J.J.	3600484	1S3W16	1978
SELEY WELL CO	EAST SAN BDNO. COUNTY WATER DIST.	3600545	1N3W30	1970
	EAST VALLEY WATER DISTRICT	3600545	1N3W30	1982
SMITH, LEONA BERNICE	PAXTON, R. H.	3600468	1S3W30	1971
		3600378	1N3W27N02S	1987
SO. SAN BERNARDINO COUNTY WATER DIST.	SAN BERNARDINO, CITY OF	3601069	1N3W33M02S	1987
		3602122	1S4W23R03S	1990
		3602123	1S4W14J	1990
SO. SAN BERNARDINO COUNTY WATER DIST.	SAN BERNARDINO, CITY OF	3602124	1S4W14J	1990
		3602125	1S4W24F04S	1990
		3602126	1S4W24F	1990
SOUTHERN CALIFORNIA EDISON	THERMO ECOTEK CORPORATION	3601014	1S3W18N	1998
		3601015	1S3W18N	1998

CHANGE IN OWNERSHIP FROM BASE PERIOD

FORMER OWNER	PRESENT OWNER	RECORDATION NUMBER	STATE WELL NUMBER	YEAR CHANGE SHOWN IN VOLUME 1
SOUTHERN CALIFORNIA WATER COMPANY	EAST VALLEY WATER DISTRICT	3600374	1N3W33M01S	1987
		3600375	1S3W05	1987
		3600376	1S3W05	1987
		3600377	1N3W27N08S	1987
	SAN BERNARDINO, CITY OF	3601588	1N4W31H	1987
		3601878	1N4W29E01S	1987
		3601879	1N4W29	1987
		3601880	1N4W29F01S	1987
		3601987	1S3W04G	1987
	EAST VALLEY WATER DISTRICT	3602260	1S3W05D06	1987
		3602417	1S3W05D	1987
		3602560	1S3W04G	1987
STANLEY BROWN CO.	LEWIS DEVELOPMENT CO.	3601352	1S3W19N	1980
	CHRISTENSEN, JACK. O.	3601352	1S3W19N	1981
	AMERICAN GENERAL LIFE INS. CO.	3601352	1S3W19N	1987
	GENERAL AMERICAN LIFE INS. CO.	3601352	1S3W19N	1988
STUCKER RANCH	BEELER, RAYMOND A.	3600451	1S3W15	1970
SUNNYSIDE MUTUAL WATER COMPANY	EAST SAN BDNO. COUNTY WATER DIST.	3601582	1S4W02R	1975
	EAST VALLEY WATER DISTRICT	3601582	1S4W02R	1982
TRI CITY BASELINE	TRI CITY CONCRETE	3600935	1N4W31N	1973
TRI CITY ROCK	TRI CITY CONCRETE	3601420	1S3W09E	1970
	LIVINGSTON-GRAHAM	3601420	1S3W09E	1980
	C. L. PHARRIS SAND & GRAVEL	3601420	1S3209E	1992
	SUNWEST	3601420	1S3W09E	1997
	C. L. PHARRIS SAND & GRAVEL	3601420	1S3W09E	1998
TRIPLE FALLS MUT. WTR. CO.	YUCAIPA VALLEY COUNTY WATER DISTRICT	3602657	1S1W20D	1975
	YUCAIPA VALLEY WATER DISTRICT	3602657	1S1W20D	1987
	YUCAIPA VALLEY COUNTY WATER DISTRICT	3602658	1S1W20D	1975
	YUCAIPA VALLEY WATER DISTRICT	3602658	1S1W20D	1987
	YUCAIPA VALLEY COUNTY WATER DISTRICT	3602659	1S1W19G	1975
	YUCAIPA VALLEY WATER DISTRICT	3602659	1S1W19G	1987
UNIVERSITY OF REDLANDS	KARHALOIS	NF	1S2W17	1975
VALDEPENNA ACRES	CARTER, DR. JAMES E.	3602241	1S3W20F03	1997
VALLE VISTA RANCH CO.	LOMA LINDA, CITY OF	3601130	1S3W32D	1973
VAN CAMP, GILBERT C.	CALLISON, ROY A. 1977-1978	3600218	1N4W24	1977
	LANGSTON-NEWBY DEVELOPMENT CO. 1979-	3600218	1N4W24	1979

CHANGE IN OWNERSHIP FROM BASE PERIOD

FORMER OWNER	PRESENT OWNER	RECORDATION NUMBER	STATE WELL NUMBER	YEAR CHANGE SHOWN IN VOLUME 1
VAN LEUVEN NURSING HOME	MT. VIEW CHILD CARE CENTER	NF	1S4W24J	1978
VAN LEUVEN, ED	VICTORIA SEVENTH DAY ADVENTIST	NF	1S4W24J	1978
VAN LOON MUTUAL WATER COMPANY	SAN BERNARDINO, CITY OF	3602066	1S4W02B	1990
WEST HIGHLAND WELL COMPANY	EAST SAN BDNO. COUNTY WATER DIST.	3600221	1N3W30	1970
	EAST VALLEY WATER DISTRICT	3600221	1N3W30	1982
WEST TWIN CREEK WATER COMPANY	HODGDON, WARNER	NF	1N4W14C	1976
	CAMPUS CRUSADE FOR CHRIST	NF	1N4W14C	1987

TABLE NO. 1

EXTRACTIONS BY OWNERS (NON-PLAINTIFFS) WHICH
HAVE RECORDATION FILINGS WITH THE STATE
WATER RESOURCES CONTROL BOARD

TABLE NO. 1
 VERIFIED EXTRACTIONS BY OWNERS (NON-PLAINTIFFS) WHICH HAVE RECORDATION FILINGS
 WITH THE STATE WATER RESOURCES CONTROL BOARD

OWNER	1959	1960	1961	1962	1963	1959-63 AVERAGE	1994	1995	1996	1997	1998	1994-98 AVERAGE
ARMSTRONG, DOUGLAS												
3600076 1S3W17G W	286	342	-	-	-	126	-	-	-	-	-	0
ARROWHEAD COUNTRY CLUB												
3601925 1N4W23E W	600	607	650	650	650	631	410	488	537	521	482	488
ARROYO VERDE MUTUAL WATER COMPANY												
3602068 1S4W01A02S W	166	186	162	168	141	165	100	100	100	50	70	84
3602069 1S4W01A W	-	-	-	-	-	0	30	30	30	50	70	42
OWNER TOTAL	166*	186*	162*	168*	141*	165*	130*	130*	130*	100*	140*	126*
ATCHISON, TOPEKA & SANTA FE RAILWAY CO.												
3600178 1S4W08F02S W	158	127	113	110	69	115	-	-	-	-	-	0
3600179 1S4W08F W	158	127	113	110	69	115	-	-	-	-	-	0
OWNER TOTAL	316*	254*	226*	220*	138*	231*	0*	0*	0*	0*	0*	0*
B M I FUNDS												
3600107 1S3W21P01 W	343	323	165	165	-	199	-	-	-	-	-	0
BARNO, JOHN												
3602079 1S3W03F W ¹	-	-	-	-	34	7	0	0	0	0	0	0
BARTON DEVELOPMENT												
3600418 1S3W19G W ²	182	173	116	66	57	119	474	543	475	754	603	570

1 FORMERLY INLAND FARMING CO.

2 FORMERLY MARIGOLD FARMS COMPANY

TABLE NO. 1
 VERIFIED EXTRACTATIONS BY OWNERS (NON-PLAINTIFFS) WHICH HAVE RECORDATION FILINGS
 WITH THE STATE WATER RESOURCES CONTROL BOARD

OWNER	1959	1960	1961	1962	1963	1959-63 AVERAGE	1964	1965	1966	1967	1968	1994-98 AVERAGE
(CONTINUED)												
BARTON DEVELOPMENT												
3601748 1S3W18H01 W ¹	1133	1622	1145	300	475	935	-	-	-	-	-	0
3601748- 1S3W19A01 W ²	-	-	-	-	-	0	0	FC	-	-	-	0
3603554 1S3W19A01S W ³	-	-	-	-	-	0	550	600	880	760	670	692
OWNER TOTAL	1315*	1795*	1261*	366*	532*	1054*	1024*	1143*	1355*	1514*	1273*	1262*
BASE LINE WELL COMPANY												
3600456 1N3W33R02S W	0	0	0	0	0	0	-	-	-	-	-	0
BASELINE GARDENS MUTUAL WATER COMPANY												
3600457 1N4W35J02S W	28	28	28	28	28	28	0	0	0	0	0	0
3600458 1N4W36M01S W	275	275	275	275	275	275	0	0	0	0	0	0
3602528 1N4W35R01 W	-	-	-	-	-	0	400	356	441	427	367	398
OWNER TOTAL	303*	303*	303*	303*	303*	303*	400*	356*	441*	427*	367*	398*
BEAR VALLEY MUTUAL WATER COMPANY												
3600021 1N2W26G01 W	687	556	465	555	532	559	243	25	509	720	105	320
3600022 1N2W34G W ⁴	531	522	351	472	458	467	351	35	621	839	0	369
3600023 1S3W24C W	1780	1845	2434	1726	1444	1846	48	0	0	0	0	10

1 FORMERLY MARIGOLD FARMS COMPANY

2 FORMERLY MARIGOLD FARMS COMPANY, 1993 EXTRACTION CORRECTED DURING 1994 VERIFICATION

3 WELL 3601748- WAS ASSIGNED RECORDATION NO. 3603554 IN 1993

4 WELL RENOVATED 1988

TABLE NO. 1
 VERIFIED EXTRACTATIONS BY OWNERS (NON-PLAINTIFFS) WHICH HAVE RECORDATION FILINGS
 WITH THE STATE WATER RESOURCES CONTROL BOARD

OWNER	1959	1960	1961	1962	1963	1959-63 AVERAGE	1964	1965	1966	1967	1968	1994-98 AVERAGE
BEAR VALLEY MUTUAL WATER COMPANY (CONTINUED)												
3600024 1S2W19D W	0	219	163	32	8	84	0	0	0	0	0	0
3600025 1N3W29R01S W ¹	0	0	170	0	0	34	-	-	-	-	-	0
3600027 1N2W26E D ¹	266	170	196	180	106	184	-	-	-	-	-	0
3600028 1S2W04P D ²	19622	15927	11418	13528	10836	14266	23812	30794	38252	31479	36632	32194
3601585 1S3W23A03S W ²	0	0	1012	974	882	574	0	0	0	0	0	0
OWNER TOTAL	22886*	19239*	16209*	17467*	14266*	18013*	24454*	30854*	39382*	33038*	36737*	32893*
BELL, H. EUGENE												
3600449 1S3W20A W ³	115	88	30	85	167	97	20	20	20	20	20	20
BERMAN, JERRY & SONS												
3602007 1S4W02K W	-	-	-	28	32	12	4	4	4	4	4	4
BLUE BANNER COMPANY												
3602531 1S2W09L03S D ⁴	-	-	-	-	-	0	100	100	100	100	100	100
BLUE GOOSE GROWERS INC												
3602529 1S2W09P02 W ⁵	-	-	-	-	-	0	0	0	0	0	0	0

1 COMMENCING 1974 INCLUDES GROSS SANTA ANA RIVER DIVERSIONS--SEE TABLE NO. 6 FOR VERIFIED DIVERSIONS

2 FORMERLY LUGONIA WATER COMPANY; FORMERLY REDLANDS, CITY OF

3 FORMERLY CITRUS PROPERTY MANAGEMENT CO.

4 FORMERLY REDLANDS ASSOCIATES NON-FILED NO. 102 PRIOR TO 1972

5 FORMERLY REDLANDS ASSOCIATES NON-FILED NO. 100 PRIOR TO 1972

TABLE NO. 1
 VERIFIED EXTRACTIIONS BY OWNERS (NON-PLAINTIFFS) WHICH HAVE RECORDATION FILINGS
 WITH THE STATE WATER RESOURCES CONTROL BOARD

OWNER	1959	1960	1961	1962	1963	1959-63 AVERAGE	1964	1965	1966	1967	1968	1994-98 AVERAGE
BLUE GOOSE GROWERS INC												
3602530 1S2W09L02S W ¹	-	-	-	-	-	0	0	0	0	0	0	0
OWNER TOTAL	0*	0*	0*	0*	0*	0*	0*	0*	0*	0*	0*	0*
BRISTOL RANCH												
3601631 1N3W34C02S W	90	100	160	108	108	113	0	0	0	0	0	0
BROOKSIDE DAIRY, INC												
3600036 1S3W33D W	302	302	312	312	313	308	0	0	0	0	0	0
BROOKSIDE PLAZA												
3602917 1S3W03D01S W ²	-	-	-	-	-	0	10	10	10	10	10	10
BRYN MAWR MUTUAL WATER COMPANY												
3600053 1S3W31A W	585	470	583	296	249	437	87	0	0	0	0	17
3600054 1S3W31A W	306	330	375	295	0	261	-	-	-	-	-	0
3600055 1S3W31A W	306	330	375	0	249	252	0	0	0	0	0	0
3602109 1S3W31B00S W	0	0	0	708	554	252	0	0	0	0	0	0
OWNER TOTAL	1197*	1130*	1333*	1299*	1052*	1202*	87*	0*	0*	0*	0*	17*
BUOYE WELL												
3602062 1S2W29N W	0	0	146	160	177	97	0	0	0	0	0	0
C. L. PHARRIS SAND & GRAVEL												
3601420 1S3W09E W ³	221	225	220	293	295	251	174	173	173	174	176	174

1 FORMERLY REDLANDS ASSOCIATES NON-FILED NO. 101 PRIOR TO 1972

2 WELL DRILLED 1988

3 FORMERLY TRI CITY ROCK; TRI CITY CONCRETE; LIVINGSTON-GRAHAM; CL PHARRIS SAND & GRAVEL; SUNWEST MATERIALS

TABLE NO. 1
 VERIFIED EXTRACTATIONS BY OWNERS (NON-PLAINTIFFS) WHICH HAVE RECORDATION FILINGS
 WITH THE STATE WATER RESOURCES CONTROL BOARD

OWNER	1959	1960	1961	1962	1963	1959-63 AVERAGE	1994	1995	1996	1997	1998	1994-98 AVERAGE
C. L. PHARRIS SAND & GRAVEL												
3603653 1S3W10J W ¹	-	-	-	-	-	0	-	-	500	500	1309	462
OWNER TOTAL	221*	225*	220*	293*	295*	251*	174*	173*	673*	674*	1485*	636*
CALIFORNIA, STATE OF PATTON HOSPITAL												
3600923 1N3W32C01S W	211	286	257	218	212	237	-	-	-	-	-	0
3600924 1N3W29M01S W	175	223	146	156	143	169	-	-	-	-	-	0
3600924- 1N3W29M W	-	-	-	-	-	0	318	316	341	334	371	336
3600929 1N3W31K02S W	41	-	-	-	0	8	-	-	-	-	-	0
3600931 1N3W29N01S W	520	227	282	303	307	328	51	144	257	173	20	129
3601930 1N3W32C02S W	-	340	400	326	295	272	-	-	-	-	-	0
3602381 1N3W29M W	-	-	-	-	-	0	105	114	102	169	266	151
OWNER TOTAL	947*	1076*	1085*	1003*	957*	1014*	474*	574*	700*	676*	657*	616*
CAMPUS CRUSADE FOR CHRIST												
3601810 1N4W23E W ²	231	200	9	0	0	88	0	0	0	0	0	0
3601811 1N4W14A D ²	400	300	302	272	211	297	100	100	100	100	100	100
3601979 1N4W14A D ³	146	146	146	146	146	146	0	0	0	0	0	0
OWNER TOTAL	777*	646*	457*	418*	357*	531*	100*	100*	100*	100*	100*	100*

1 WELL DRILLED 1987; FIRST VERIFIED IN 1996 VERIFICATION; FORMERLY C.L. PHARRIS SAND AND GRAVEL; SUNWEST MATERIALS

2 FORMERLY DEL ROSA MUTUAL WATER COMPANY; FORMERLY HODGDON, WARNER

3 FORMERLY EAST SAN BDNO. COUNTY WATER DIST.; FORMERLY HODGDON, WARNER

TABLE NO. 1
 VERIFIED EXTRACTATIONS BY OWNERS (NON-PLAINTIFFS) WHICH HAVE RECORDATION FILINGS
 WITH THE STATE WATER RESOURCES CONTROL BOARD

OWNER	1959	1960	1961	1962	1963	1959-63 AVERAGE	1964	1965	1966	1967	1968	1994-98 AVERAGE
CANYON KNOLLS RANCH												
3601632 2S3W05A2 W	104	85	105	88	87	94	159	158	194	198	168	175
CANYON RANCH												
3600523 1S3W32F W ¹	298	222	101	109	103	167	0	0	0	0	0	0
CARDIFF FARMS MUTUAL WATER COMPANY												
3600973 1S4W12D W	445	391	432	339	384	398	200	0	0	0	0	40
3601619 1S4W12D W	73	64	70	64	62	67	0	0	0	0	0	0
OWNER TOTAL	518*	455*	502*	403*	446*	465*	200*	0*	0*	0*	0*	40*
CARTER, JAMES E., M.D. ²												
3602241 1S3W20F03 W	25	25	25	27	8	22	40	40	40	40	30	38
CHARLES, J. J.												
3600815 1S3W06L W	-	-	-	-	-	0	-	-	-	-	-	0
CHRISTINA WATER COMPANY												
3601751 1S3W21E W	1302	1403	700	865	793	1013	230	0	0	0	0	46
COGBILL, CLINTON L. ³												
3601628 1S2W09Q W	312	296	325	181	91	241	50	50	50	50	50	50
COLTON, CITY OF												
3601250 1S4W08R W	326	132	102	133	121	163	0	0	0	0	0	0

1 FORMERLY LANGFORD RANCHES

2 FORMERLY VALEPENA ACRES

3 FORMERLY CRAM, FRANCES L.

TABLE NO. 1
 VERIFIED EXTRACTATIONS BY OWNERS (NON-PLAINTIFFS) WHICH HAVE RECORDATION FILINGS
 WITH THE STATE WATER RESOURCES CONTROL BOARD

OWNER	1959	1960	1961	1962	1963	1959-63 AVERAGE	1994	1995	1996	1997	1998	1994-98 AVERAGE
COLTON, CITY OF												
3601251 1S4W08R W	0	101	233	578	227	228	44	170	33	344	267	172
3601252 1S4W08R W	463	733	129	154	62	308	-	-	-	-	-	0
3601253 1S4W08R W	376	526	364	339	189	359	820	873	95	0	750	508
3601254 1S4W08F W	111	172	257	378	651	314	153	436	264	362	173	278
3601256 1S4W09N W	114	79	77	13	11	59	-	-	-	-	-	0
3601257 1S4W08F W	786	519	726	861	919	762	143	366	445	516	528	400
3601258 1S4W08R W	10	4	163	228	210	123	367	276	27	158	212	208
3601260 1S4W08F01S W	628	1066	967	689	595	789	541	951	658	1026	630	761
3601262 1S4W08C02S W	0	274	287	370	282	243	-	-	-	-	-	0
3602405 1S4W08C W ¹	-	-	-	-	-	0	621	626	441	1045	942	735
3602498 1S4W08R07 W ¹	-	-	-	-	-	0	128	0	0	0	0	26
3602793 1S4W08F01 W ²	-	-	-	-	-	0	1585	1263	2054	2020	2204	1825
OWNER TOTAL	2814*	3606*	3305*	3743*	3267*	3347*	4402*	4961*	4017*	5471*	5706*	4911*
CONEJO RANCHOS MUTUAL WATER COMPANY												
3601186 1N4W36F03S W	-	-	-	-	-	0	-	-	-	-	-	0
CRAFTON WATER COMPANY												
3600272 1S2W29N W	623	750	854	483	477	637	86	0	0	107	105	60
1 WELL DRILLED 1972												
2 WELL DRILLED 1981												

TABLE NO. 1
 VERIFIED EXTRACTIONS BY OWNERS (NON-PLAINTIFFS) WHICH HAVE RECORDATION FILINGS
 WITH THE STATE WATER RESOURCES CONTROL BOARD

OWNER	1959	1960	1961	1962	1963	1959-63 AVERAGE	1964	1965	1966	1967	1968	1994-98 AVERAGE
CRAFTON WATER COMPANY												
3602186 1S2W21L02 W	-	-	57	262	181	100	0	0	0	2	3	1
OWNER TOTAL	623*	750*	911*	745*	658*	737*	86*	0*	0*	109*	108*	61*
GRAM PATTERSON WELL												
3600188 1S2W16C W	413	257	361	277	294	320	300	218	282	290	255	269
GRAM RANCH ASSOCIATES												
3600241 1S3W03Q W ¹	220	194	179	190	224	201	20	20	20	20	20	20
DANIELS AND BEST RANCH												
3602550 1S3W17R W ²	-	-	-	-	-	0	200	200	200	200	200	200
DEL ROSA MUTUAL WATER COMPANY												
3601809 1N4W26H W	94	100	561	529	284	314	-	-	-	-	-	0
DEVORE WATER COMPANY												
3602382 2N5W28D W	-	-	-	-	-	0	-	-	-	-	-	0
3602383 2N5W28C W	35	57	80	15	32	44	188	89	267	166	104	163
3602384 2N5W28C W	-	-	-	5	17	4	35	52	15	50	9	32
3602385 2N5W20H D	2	2	2	3	3	2	12	14	13	9	6	11
3602386 2N5W21E D	9	7	6	11	9	8	42	62	53	53	47	51
3602387 2N5W22E D	35	27	22	42	31	31	52	122	54	52	78	72

1 FORMERLY ORANGE ST. RANCH

2 PRIOR TO 1973 SEE NON-FILED EXTRACTIONS TABLE NO. 2 DANIELS, HAROLD

TABLE NO. 1
 VERIFIED EXTRACTATIONS BY OWNERS (NON-PLAINTIFFS) WHICH HAVE RECORDATION FILINGS
 WITH THE STATE WATER RESOURCES CONTROL BOARD

OWNER	1959	1960	1961	1962	1963	1964	1965	1966	1967	1968	1994-98 AVERAGE
(CONTINUED)											
DEVORE WATER COMPANY											
3602388 2N5W21G D	45	36	30	56	44	137	276	104	214	282	203
3602389 2N5W22N D	0	0	0	0	0	-	-	-	-	-	0
3602390 2N5W28B D	0	0	0	0	0	-	-	-	-	-	0
3602391 2N5W28D D	0	0	0	0	0	-	-	-	-	-	0
3602428 2N5W33H W	-	-	-	-	-	30	19	6	1	1	11
OWNER TOTAL	126*	129*	140*	132*	136*	496*	634*	512*	545*	527*	543*
EAST BARTON WATER COMPANY											
3600608 1S3W28B01S W	168	127	135	274	145	-	-	-	-	-	0
EAST HIGHLANDS RANCH, INC.											
3600598 1S3W02L W ¹	1116	1071	1166	1111	1071	0	0	0	0	0	0
3600604 1S2W07B W ¹	315	325	0	67	0	0	0	0	0	0	0
3600605 1N3W35G D ¹	757	430	399	828	662	789	712	460	550	860	674
3600606 1N3W35K W ¹	135	135	135	135	135	2	2	2	2	0	2
3600607 1S3W02L W ²	955	900	990	945	875	-	-	-	-	-	0
3600607- 1S3W02L W ²	-	-	-	-	-	0	0	0	0	0	0
3602474 1N3W26R D ³	-	-	-	-	-	100	100	100	100	100	100

1 FORMERLY EAST HIGHLANDS ORANGE COMPANY; FORMERLY SARATOGA DEVELOPMENT COMPANY
 2 FORMERLY EAST HIGHLANDS DOMESTIC WATER COMPANY; FORMERLY SARATOGA DEVELOPMENT COMPANY
 3 FORMERLY EAST HIGHLANDS ORANGE COMPANY NON-FILED NO. 29 PRIOR TO 1972; FORMERLY SARATOGA DEVELOPMENT COMPANY

TABLE NO. 1
 VERIFIED EXTRACTATIONS BY OWNERS (NON-PLAINTIFFS) WHICH HAVE RECORDATION FILINGS
 WITH THE STATE WATER RESOURCES CONTROL BOARD

OWNER	1959	1960	1961	1962	1963	1959-63 AVERAGE	1994	1995	1996	1997	1998	1994-98 AVERAGE
OWNER TOTAL	3278*	2861*	2690*	3086*	2743*	2932*	891*	814*	562*	652*	960*	776*
EAST PIONEER MUTUAL WELL COMPANY	776	692	876	403	431	636	0	0	0	0	0	0
EAST VALLEY WATER DISTRICT												
3600026 1S3W04J W ¹	1711	1467	2031	1017	760	1397	0	0	0	0	0	0
3600058 1S3W03F W ²	178	160	130	124	28	124	0	0	0	0	0	0
3600183 1S4W02A W ²	75	70	69	28	28	54	0	0	0	0	0	0
3600220 1S3W01H W ³	753	874	303	371	310	522	0	0	0	0	1	0
3600221 1N3W30J W ⁴	413	339	339	415	498	401	0	0	0	0	0	0
3600269 1N3W31M W ⁵	40	33	62	53	4	38	0	0	0	0	0	0
3600275 1N3W32B W ⁶	126	126	159	170	0	116	0	0	0	0	0	0
3600374 1N3W33M01S W ⁷	81	105	186	45	102	104	0	0	0	0	0	0
3600375 1S3W05D W ⁷	170	198	234	155	195	190	0	0	0	0	0	0

1 FORMERLY BEAR VALLEY MUTUAL WATER COMPANY; FORMERLY EAST SAN BDNO. COUNTY WATER DIST.

2 FORMERLY EAST SAN BDNO. COUNTY WATER DIST.

3 FORMERLY MT. HARRISON MUTUAL WATER CO.

4 FORMERLY WEST HIGHLAND WELL COMPANY; FORMERLY EAST SAN BDNO. COUNTY WATER DIST.

5 FORMERLY EAST SAN BDNO. COUNTY WATER DIST.

6 FORMERLY ANDERSON MUTUAL WELL COMPANY INC.; FORMERLY EAST SAN BDNO. COUNTY WATER DIST.

7 FORMERLY SOUTHERN CALIFORNIA WATER COMPANY

TABLE NO. 1
 VERIFIED EXTRACTATIONS BY OWNERS (NON-PLAINTIFFS) WHICH HAVE RECORDATION FILINGS
 WITH THE STATE WATER RESOURCES CONTROL BOARD

OWNER	1959	1960	1961	1962	1963	1959-63 AVERAGE	1964	1965	1966	1967	1968	1994-98 AVERAGE
(CONTINUED)												
EAST VALLEY WATER DISTRICT												
3600376 1S3W05D W ¹	238	174	240	379	281	262	433	437	623	144	3	328
3600377 1N3W27N08S W ¹	103	11	0	1	0	23	0	0	0	0	0	0
3600378 1N3W27N02S W ¹	278	330	201	196	136	228	311	401	243	0	0	191
3600444 1N3W30H01S W ²	115	174	302	383	204	236	0	0	0	0	0	0
3600466 1S3W04C W ³	318	248	316	225	244	270	0	0	0	0	0	0
3600545 1N3W30J W ⁴	208	174	141	174	3	140	0	0	0	0	0	0
3600643 1N4W25K01 W ⁵	-	21	14	12	10	11	0	0	0	0	0	0
3600680 1S3W02J W ⁶	789	573	715	533	593	641	1418	802	625	914	656	883
3600855 1N3W28P01S W ⁷	-	-	-	-	-	0	0	0	0	0	0	0
3600864 1N3W19F W ⁷	1	-	-	-	-	0	0	0	0	0	0	0
3600925 1S4W01Q01 W ⁸	384	258	244	292	151	266	0	0	0	0	0	0

1 FORMERLY SOUTHERN CALIFORNIA WATER COMPANY

2 FORMERLY EAST SAN BDNO. COUNTY WATER DIST.

3 FORMERLY BASELINE & LAPRAIX WELL; FORMERLY EAST SAN BDNO. COUNTY WATER DIST.

4 FORMERLY SELEY WELL COMPANY; FORMERLY EAST SAN BDNO. COUNTY WATER DIST.

5 FORMERLY CAMERON RANCHO MUTUAL WATER COMPANY; WELL FILLED AND CAPPED 1969; FORMERLY EAST SAN BDNO. COUNTY WATER DIST.

6 FORMERLY NORTH FORK WATER COMPANY; FORMERLY EAST SAN BDNO. COUNTY WATER DIST.

7 FORMERLY EAST SAN BDNO. COUNTY WATER DIST.

8 FORMERLY NORTON VILLAGE, LTD.; FORMERLY EAST SAN BDNO. COUNTY WATER DIST.

TABLE NO. 1
 VERIFIED EXTRACTATIONS BY OWNERS (NON-PLAINTIFFS) WHICH HAVE RECORDATION FILINGS
 WITH THE STATE WATER RESOURCES CONTROL BOARD

OWNER	1959	1960	1961	1962	1963	1959-63 AVERAGE	1994	1995	1996	1997	1998	1994-98 AVERAGE
(CONTINUED)												
EAST VALLEY WATER DISTRICT												
3600926 1S4W01F02S W ¹	368	441	512	441	490	450	0	0	0	0	0	0
3600927 1N3W31B01 W ²	399	401	259	301	242	320	0	0	0	0	0	0
3600928 1N3W31L02S W ³	0	114	229	200	152	139	0	0	0	0	0	0
3600930 1N3W31L03S W ³	206	133	114	214	110	155	0	0	0	0	0	0
3600970 1N3W19G W ⁴	20	20	15	10	10	15	0	0	0	0	0	0
3600971 1N3W18R D ⁴	49	49	49	49	49	49	0	0	0	0	0	0
3601069 1N3W33M02S W ⁵	86	28	61	148	144	93	0	0	0	0	0	0
3601184 1N3W33F01S W ⁶	229	485	573	575	497	472	0	0	0	0	0	0
3601582 1S4W02R W ⁷	209	161	154	153	153	166	0	0	0	0	0	0
3601584 1N3W33H01S W ⁸	84	77	75	54	44	67	0	0	0	0	0	0
3601639 1S3W03R01 W ⁹	841	944	1116	1095	1111	1021	0	97	1605	1248	1170	824

- 1 FORMERLY CALIFORNIA, STATE OF PATTON HOSPITAL; FORMERLY EAST SAN BDNO. COUNTY WATER DIST.
- 2 FORMERLY CALIFORNIA, STATE OF PATTON HOSPITAL; SAN BERNARDINO, CITY OF; ESBCWD; INCLUDES 3690927 PRODUCTION
- 3 FORMERLY CALIFORNIA, STATE OF PATTON HOSPITAL; FORMERLY EAST SAN BDNO. COUNTY WATER DIST.
- 4 FORMERLY EAST SAN BDNO. COUNTY WATER DIST.
- 5 FORMERLY SOUTHERN CALIFORNIA WATER COMPANY
- 6 FORMERLY CORWIN WELL COMPANY; FORMERLY EAST SAN BDNO. COUNTY WATER DIST.
- 7 FORMERLY SUNNYSIDE MUTUAL WATER COMPANY; FORMERLY EAST SAN BDNO. COUNTY WATER DIST.
- 8 FORMERLY EAST SAN BDNO. COUNTY WATER DIST.
- 9 FORMERLY EAST HIGHLANDS RANCH; FORMERLY EAST HIGHLANDS ORANGE COMPANY; FORMERLY SARATOGA DEVELOPMENT COMPANY

TABLE NO. 1
 VERIFIED EXTRACTATIONS BY OWNERS (NON-PLAINTIFFS) WHICH HAVE RECORDATION FILINGS
 WITH THE STATE WATER RESOURCES CONTROL BOARD

OWNER	1959	1960	1961	1962	1963	1959-63 AVERAGE	1964	1965	1966	1967	1968	1994-98 AVERAGE
EAST VALLEY WATER DISTRICT (CONTINUED)												
3601643 1S3W03Q W ¹	0	0	1411	1286	1064	752	1160	1984	1618	1323	1489	1515
3601653 1N4W36K04S W ²	0	0	0	0	0	0	0	0	0	0	0	0
3601654 1N4W36K W ²	10	0	0	0	0	2	0	0	0	0	0	0
3601655 1N4W36K05S W ²	0	0	0	0	0	0	0	0	0	0	0	0
3601656 1N4W36Q01S W ²	0	0	2	28	0	6	0	0	0	0	0	0
3601657 1S4W01B04S W ²	0	60	21	17	67	33	0	0	0	0	0	0
3601658 1N4W36R01S W ²	0	0	0	0	0	0	0	0	0	0	0	0
3601659 1S3W06H01S W ²	0	0	0	0	0	0	0	1	0	0	0	0
3601660 1S3W06H04S W ²	260	572	803	543	771	590	4	1	1	1	1	2
3601661 1S4W01J08S W ²	0	0	0	0	0	0	0	0	0	0	0	0
3601662 1S4W02Q05S W ²	739	556	541	407	487	546	0	0	0	0	0	0
3601663 1S4W02Q04S W ²	257	284	279	265	204	258	0	0	0	0	0	0
3601664 1S4W02N01S W ²	0	0	0	0	0	0	0	0	0	0	0	0
3601665 1S4W01K04S W ²	254	423	382	153	33	249	0	0	0	0	0	0
3601666 1N4W36F08S W ²	0	0	0	0	0	0	0	0	0	0	0	0
3601667 1S3W06A05S W ²	0	0	0	0	0	0	0	0	0	0	0	0
3601668 1S4W01E02S W ²	68	92	82	104	217	113	0	0	0	0	0	0

1 FORMERLY NORTH FORK WATER COMPANY; FORMERLY EAST SAN BDNO. COUNTY WATER DIST.

2 FORMERLY EAST SAN BDNO. COUNTY WATER DIST.

TABLE NO. 1
 VERIFIED EXTRACTATIONS BY OWNERS (NON-PLAINTIFFS) WHICH HAVE RECORDATION FILINGS
 WITH THE STATE WATER RESOURCES CONTROL BOARD

OWNER	1959	1960	1961	1962	1963	1959-63 AVERAGE	1994	1995	1996	1997	1998	1994-98 AVERAGE
EAST VALLEY WATER DISTRICT (CONTINUED)												
3601669 1N4W36H06S W ¹	-	-	-	-	-	0	0	0	0	0	0	0
3601670 1N4W26A01S W ¹	252	261	264	332	168	255	0	0	0	0	0	0
3601671 1N4W26A02S W ¹	671	830	833	1042	817	839	310	372	763	703	480	526
3601672 1N4W25C W ¹	0	0	0	0	0	0	0	0	0	0	0	0
3601673 1N4W25C02S W ¹	656	602	920	865	1059	820	0	313	878	1339	635	633
3601674 1N4W25G01S W ¹	0	0	0	0	0	0	0	0	0	0	0	0
3601675 1N4W25A01S W ¹	913	824	809	538	456	708	19	6	2	1	1	6
3601676 1S4W12B05S W ¹	125	145	174	238	264	189	0	0	0	0	0	0
3601677 1S3W05A02S W ¹	0	-	-	-	-	0	0	0	0	0	0	0
3601678 1S3W05B04S W ²	-	-	-	-	-	0	0	0	0	0	0	0
3601679 1S3W05N05S W ³	0	0	0	0	0	0	0	0	0	0	0	0
3601781 1S3W06K01S W ³	0	0	0	0	0	0	0	0	0	0	0	0
3601884 1N3W31C02S W ³	116	116	116	116	90	111	0	0	0	0	0	0
3601978 1S3W04N W ³	1	3	6	6	5	4	0	0	0	0	0	0
3601987 1S3W04B W ⁴	16	115	200	204	332	173	0	0	0	0	0	0

1 FORMERLY EAST SAN BDNO. COUNTY WATER DIST.

2 WELL DESTROYED PRIOR TO BASE PERIOD; FORMERLY EAST SAN BDNO. COUNTY WATER DIST.

3 FORMERLY EAST SAN BDNO. COUNTY WATER DIST.

4 FORMERLY SOUTHERN CALIFORNIA WATER COMPANY

TABLE NO. 1
 VERIFIED EXTRACTATIONS BY OWNERS (NON-PLAINTIFFS) WHICH HAVE RECORDATION FILINGS
 WITH THE STATE WATER RESOURCES CONTROL BOARD

OWNER	1959	1960	1961	1962	1963	1959-63 AVERAGE	1964	1965	1966	1967	1968	1994-98 AVERAGE
EAST VALLEY WATER DISTRICT (CONTINUED)												
3602034 1S4W02Q W ¹	-	-	-	252	1021	255	1345	2061	2158	1921	1457	1788
3602113 1N3W30N W ¹	273	216	254	159	241	229	649	5	2	1	1	132
3602174 1S4W02A W ²	172	172	172	172	172	172	0	0	0	0	0	0
3602260 1S3W05D06 W ³	-	-	-	-	-	0	270	151	2	2	0	85
3602274 1N3W30J W ⁴	-	-	-	-	-	0	166	253	531	206	325	296
3602337 1N4W26A W ⁴	-	-	-	-	-	0	1380	1259	1773	2210	1499	1624
3602338 1S3W04N W ⁴	-	-	-	-	-	0	2836	2755	2580	2245	2442	2572
3602370 1N4W25F W ⁵	-	-	-	-	-	0	498	675	431	425	573	520
3602417 1S3W05D W ⁶	-	-	-	-	-	0	434	314	350	42	1	228
3602560 1S3W04G W ⁷	-	-	-	-	-	0	0	0	0	0	0	0
3602563 1S4W02Q W ⁸	-	-	-	-	-	0	2174	2737	2474	1966	2591	2388

1 FORMERLY EAST SAN BDNO. COUNTY WATER DIST.

2 FORMERLY MEYER, ERNEST; FORMERLY EAST SAN BDNO. COUNTY WATER DIST.; INCLUDES 3692174 PRODUCTION

3 FORMERLY SOUTHERN CALIFORNIA WATER COMPANY

4 FORMERLY EAST SAN BDNO. COUNTY WATER DIST.

5 FORMERLY DEL ROSA MUTUAL WATER COMPANY; FORMERLY EAST SAN BDNO. COUNTY WATER DIST.

6 FORMERLY SOUTHERN CALIFORNIA WATER COMPANY

7 FORMERLY SOUTHERN CALIFORNIA WATER COMPANY; WELL DRILLED 1973 EXTRACTATIONS VERIFIED DURING THE 1974 VERIFICATION

8 WELL DRILLED 1972 EXTRACTATIONS VERIFIED DURING THE 1974 VERIFICATION; FORMERLY E.S.B.C.W.D.

TABLE NO. 1
 VERIFIED EXTRACTIIONS BY OWNERS (NON-PLAINTIFFS) WHICH HAVE RECORDATION FILINGS
 WITH THE STATE WATER RESOURCES CONTROL BOARD

OWNER	1959	1960	1961	1962	1963	1959-63 AVERAGE	1964	1965	1966	1967	1968	1994-98 AVERAGE
EAST VALLEY WATER DISTRICT												
3602564 1S4W12B W ¹	-	-	-	-	-	0	1016	788	413	365	704	657
3602571 1S3W03F W ²	-	-	-	-	-	0	0	0	0	0	0	0
3602799 1S2W07F W ³	-	-	-	-	-	0	1722	1878	1786	1159	1595	1628
3603247 1S3W06P18S W ⁴	-	-	-	-	-	0	2414	2147	1597	1468	1802	1886
3603583 1S3W02N02 W ⁵	-	-	-	-	-	0	1073	949	1153	1139	980	1059
OWNER TOTAL	13255*	13459*	16112*	14540*	14017*	14277*	19632*	20386*	21608*	18822*	18406*	19771*
EASTWOOD FARMS COMMUNITY WATER USERS												
3602130 1S4W01P01S W	99	115	165	105	125	122	30	30	30	0	0	18
3602131 1S4W01P02S W	101	115	165	105	125	122	85	85	85	0	0	51
OWNER TOTAL	200*	230*	330*	210*	250*	244*	115*	115*	115*	0*	0*	69*
ELTINGE & GRAZIADIO												
3600766 1S3W29A01 W	122	81	64	49	32	70	0	0	0	0	0	0
F. A. R. WELL												
3602020 1S2W20K W ⁶	-	-	-	272	264	107	154	100	100	40	86	96

1 FORMERLY EAST SAN BDNO. COUNTY WATER DIST.

2 FORMERLY CLIFFSIDE RANCH; PRIOR TO 1974 SEE NON-FILED EXTRACTIIONS TABLE NO. 2 CLIFFSIDE RANCH; FORMERLY E.S.B.C.W.D.

3 WELL DRILLED 1981; FORMERLY EAST SAN BDNO. COUNTY WATER DIST.

4 WELL DRILLED 1991

5 WELL DRILLED 1994

6 FORMERLY JACINTO, FRANK JR

TABLE NO. 1
 VERIFIED EXTRACTATIONS BY OWNERS (NON-PLAINTIFFS) WHICH HAVE RECORDATION FILINGS
 WITH THE STATE WATER RESOURCES CONTROL BOARD

OWNER	1959	1960	1961	1962	1963	1959-83 AVERAGE	1994	1995	1996	1997	1998	1994-98 AVERAGE
FAIRVIEW WATER COMPANY												
3600554 1S3W17R W	1395	875	825	780	575	890	337	347	295	314	211	301
FONTANA UNION WATER COMPANY												
3600561 1N5W23K01S W	1393	1396	1765	746	726	1205	0	0	0	0	0	0
3600562 1N5W22F02S W	1095	880	994	588	714	854	2226	3075	2350	3271	3483	2881
3600563 1N5W22C02S W	938	625	371	231	195	472	1070	890	781	1301	974	1003
3600569 1N5W22A01S W	1783	1876	1539	272	47	1103	3041	604	3693	1915	2279	2306
3600579 1N5W22F03S W	0	0	0	0	0	0	861	1097	1335	605	246	829
3600580 1N5W22F01S W	1631	1329	942	855	881	1128	274	863	283	1614	383	683
3600581 1N5W07H01S W	319	0	0	105	0	85	0	0	0	0	0	0
3600582 1N5W06G01S W	652	204	58	306	42	252	0	0	0	0	0	0
3600585 1N5W16K01S W	1051	6	0	0	0	211	12	210	767	961	373	465
3600586 1N5W06K02S W	307	355	299	418	174	311	0	0	0	0	738	148
3600588 2N6W26L2 W	0	0	0	0	0	0	0	0	0	0	0	0
3600590 2N6W26L1 W ¹	2185	3145	3006	2421	3162	2784	0	0	0	0	0	0
3600591 1N5W06E D ¹	8487	5833	4321	8732	6145	6704	-	-	-	-	-	0
3602727 1N5W15Q02S W ²	-	-	-	FC	-	0	2122	1627	2518	2283	1253	1961
OWNER TOTAL	19841*	15649*	13295*	14674*	12086*	15109*	9606*	8366*	11727*	11950*	9729*	10276*

1 INCLUDES GROSS LYTLE CREEK DIVERSIONS--SEE TABLE NO. 4 FOR VERIFIED DIVERSIONS FROM LYTLE CREEK

2 FORMERLY FONTANA UNION WATER COMPANY RECORDATION NO. 3600566; WELL RENOVATED 1977

TABLE NO. 1
 VERIFIED EXTRACTATIONS BY OWNERS (NON-PLAINTIFFS) WHICH HAVE RECORDATION FILINGS
 WITH THE STATE WATER RESOURCES CONTROL BOARD

OWNER	1959	1960	1961	1962	1963	1959-63 AVERAGE	1964	1965	1966	1967	1968	1994-98 AVERAGE
FRIEDEMANN, ERNEST C.												
3600747 1N3W31P02S W	90	85	75	50	50	70	-	-	-	-	-	0
FRINK RANCH												
3601131 1S3W30K W ¹	-	-	-	-	-	0	-	-	-	-	-	0
GENERAL AMERICAN LIFE INS. COMPANY												
3601352 1S3W19N W ²	507	493	300	285	280	373	20	20	20	40	91	38
GLADYSTA WELL & WATER COMPANY												
3600182 1S3W20H01 W	527	486	FC	-	-	203	-	-	-	-	-	0
3600182- 1S3W20H02 W	-	-	609	517	507	327	414	411	379	395	309	382
OWNER TOTAL	527*	486*	609*	517*	507*	529*	414*	411*	379*	395*	309*	382*
GOLDEN BEAR FOREST PRODUCTS												
3602127 1S3W15A01 W ³	30	30	33	33	33	32	0	0	0	0	0	0
GRANT WATER COMPANY												
3600075 1S3W28C01 W	429	424	483	436	363	427	0	0	0	0	0	0
GREENSPOT MUTUAL WELL COMPANY												
3600266 1S2W16C01 W	142	149	121	105	76	119	125	114	136	159	128	132
GUERTH, WILLIAM H.												
3600856 1N3W27E D	1585	695	922	1230	860	1058	0	0	0	0	0	0

1 NOW RAMIREZ BROTHERS RECORDATION NO. 3601728

2 AFTER 1968 INCLUDES WATER PUMPED BY CITY OF REDLANDS FROM THIS WELL; FORMERLY STANLEY BROWN CO.; FORM. CHRISTENSEN, JACK O.

3 FORMERLY BIG BEAR TIMBER COMPANY

TABLE NO. 1
 VERIFIED EXTRACTONS BY OWNERS (NON-PLAINTIFFS) WHICH HAVE RECORDATION FILINGS
 WITH THE STATE WATER RESOURCES CONTROL BOARD

OWNER	1959	1960	1961	1962	1963	1959-63 AVERAGE	1994	1995	1996	1997	1998	1994-98 AVERAGE
HAPPE MUTUAL WELL COMPANY												
3600238 1S2W29M01 W	526	592	649	358	500	525	0	0	0	0	0	0
HEAD, JOE T.												
3600226 1S2W21L01 W	FC	-	-	-	-	0	-	-	-	-	-	0
HIGHLAND ACRES RANCH												
3600323 1S2W06M W	250	160	350	400	400	312	0	0	0	0	0	0
HIGHLAND WELL COMPANY												
3600184 1N3W27N01 W	278	263	265	232	184	244	0	0	0	0	0	0
HINCKLEY, HORACE P.												
3600240 1S2W30B W ¹	401	325	337	230	176	294	-	-	-	-	-	0
3601645 1S2W30B W ¹	417	310	275	232	215	290	-	-	-	-	-	0
OWNER TOTAL	818*	635*	612*	462*	391*	584*	0*	0*	0*	0*	0*	0*
HOLLIDAY TRUCKING												
3603262 1N4W31M03S W ²	-	-	-	-	-	0	154	163	173	202	214	181
HOLMES ICE & COLD STORAGE CO. INC.												
3600644 1S4W09B03S W ³	591	405	410	345	344	419	4	4	3	12	23	9
3600645 1S4W09B01S W ³	-	-	-	-	-	0	-	-	-	-	-	0

1 FORMERLY EAST COLTON AVENUE WATER COMPANY
 2 WELL DRILLED 1991
 3 FORMERLY ICE PRODUCTS INC.

TABLE NO. 1
 VERIFIED EXTRACTATIONS BY OWNERS (NON-PLAINTIFFS) WHICH HAVE RECORDATION FILINGS
 WITH THE STATE WATER RESOURCES CONTROL BOARD

OWNER	1959	1960	1961	1962	1963	1964	1965	1966	1967	1968	1969-83 AVERAGE	1994-98 AVERAGE
OWNER TOTAL	591*	405*	410*	345*	344*	4*	4*	3*	12*	23*	419*	23*
INLAND VALLEY DEVELOPMENT AGENCY												
3603646 1S4W07D W ¹	-	-	-	-	-	-	-	-	0	0	0	0
3603647 1S4W12C W ²	-	-	-	-	-	-	-	-	587	74	0	132
3603648 1S4W12F W ³	-	-	-	-	-	-	-	-	235	446	0	136
3603649 1S3W07A W ⁴	-	-	-	-	-	-	-	-	315	3	0	64
3603650 1S3W18C W ⁵	-	-	-	-	-	-	-	-	171	275	0	89
OWNER TOTAL	0*	0*	0*	0*	0*	0*	0*	0*	1308*	798*	0*	421*
IOWA STREET WELL												
3601932 1S3W29B01 W	62	62	21	10	7	0	0	0	0	0	32	0
J. G. GOLFING ENTERPRISES, INC.												
3602499 1S4W22A01 W ⁶	-	-	-	-	-	32	15	137	150	99	0	87
3602846 1S4W22A W ⁷	-	-	-	-	-	337	321	263	290	232	0	289
1 FORMERLY NORTON AIR FORCE BASE; INLAND VALLEY DEVELOPMENT AGENCY NON-FILED 0000086 PRIOR TO 1997												
2 FORMERLY NORTON AIR FORCE BASE; INLAND VALLEY DEVELOPMENT AGENCY NON-FILED 0000087 PRIOR TO 1997												
3 FORMERLY NORTON AIR FORCE BASE; INLAND VALLEY DEVELOPMENT AGENCY NON-FILED 0000089 PRIOR TO 1997												
4 FORMERLY NORTON AIR FORCE BASE; INLAND VALLEY DEVELOPMENT AGENCY NON-FILED 0000090 PRIOR TO 1997												
5 WELL DRILLED 1997												
6 FORMERLY LEONARD, WILLIAM E.; FORMERLY SAN BERNARDINO INVESTORS												
7 FORMERLY CITY OF RIVERSIDE RECORDATION NO. 3601478												

TABLE NO. 1
 VERIFIED EXTRACTIONS BY OWNERS (NON-PLAINTIFFS) WHICH HAVE RECORDATION FILINGS
 WITH THE STATE WATER RESOURCES CONTROL BOARD

OWNER	1959	1960	1961	1962	1963	1959-63 AVERAGE	1994	1995	1996	1997	1998	1994-98 AVERAGE
JACINTO												
OWNER TOTAL	0*	0*	0*	0*	0*	0*	369*	336*	400*	440*	331*	375*
3601126 1S2W30H W	200	200	260	250	200	222	78	80	80	80	80	80
JEWEL WATER COMPANY, THE												
3600091 1S3W20R W	504	408	356	293	258	364	-	-	-	-	-	0
JUDSON MUTUAL WATER COMPANY												
3601647 1S3W23A03 W	403	356	348	367	363	367	0	0	0	0	0	0
K INV./TRUTANIC/Y UN WELL												
3601172 1S3W20C W	380	350	415	362	358	373	307	262	355	346	292	312
KANSAS STREET MUTUAL WATER COMPANY												
3601092 1S3W28E W	376	327	378	328	353	352	101	94	116	108	90	102
KING STREET MUTUAL WELL COMPANY												
3600530 1S2W30G01 W	408	371	358	281	FC	284	-	-	-	-	-	0
3600530- 1S2W30G02 W	-	-	-	-	372	74	0	0	0	0	0	0
OWNER TOTAL	408*	371*	358*	281*	372*	358*	0*	0*	0*	0*	0*	0*
KOCH, GEORGE J.												
3601451 1S2W32G01 W	FC	-	-	-	-	0	-	-	-	-	-	0
L.P.R. ICE COMPANY												
3602525 1S3W13L W ²	-	-	-	-	-	0	0	0	0	0	0	0

1 FORMERLY CARL'S RANCH; FORMERLY AIELLO RANCH; FORMERLY CRIM WELL; FORMERLY HUNTER/CRIM/ZARUBICA

2 FORMERLY L.P.R. RANCH NON-FILED NO. 80 PRIOR TO 1972

TABLE NO. 1
 VERIFIED EXTRACTATIONS BY OWNERS (NON-PLAINTIFFS) WHICH HAVE RECORDATION FILINGS
 WITH THE STATE WATER RESOURCES CONTROL BOARD

OWNER	1959	1960	1961	1962	1963	1959-63 AVERAGE	1994	1995	1996	1997	1998	1994-98 AVERAGE
LA BONTE, JIM												
3600865 1N4W24H W ¹	5	5	5	5	5	5	4	4	4	4	4	4
LA ROSSE, CHARLES H.												
3600708 1S3W29B W	38	21	35	18	14	25	0	0	0	0	0	0
LAKESIDE AVENUE MUTUAL WELL COMPANY												
3602119 1S3W33C01S W	79	48	58	51	20	51	0	0	0	0	0	0
LANGFORD RANCHES												
3600524 1S3W17L01S W	991	876	572	429	772	728	657	841	667	787	656	722
3600525 1S3W17H01S W	214	263	231	369	336	283	331	204	308	211	209	253
3600526 1S3W21G01S W	475	425	343	326	360	386	0	0	0	0	0	0
OWNER TOTAL	1680*	1564*	1146*	1124*	1468*	1396*	988*	1045*	975*	998*	865*	974*
LANGSTON-NEWBY DEVELOPMENT CO.												
3600218 1N4W24A W ²	50	50	50	50	50	50	0	0	0	0	0	0
LARANNI GUNTER WELL												
3600160 1S3W32G01 W ³	200	200	200	200	200	200	289	315	304	301	228	287
LOMA LINDA UNIVERSITY												
3601910 1S3W30L W	112	129	129	97	87	111	-	-	-	-	-	0

1 FORMERLY PEYTON, MRS. A.L.

2 FORMERLY VAN CAMP, GILBERT C.; FORMERLY CALLISON, ROY A.

3 FORMERLY LARSEN, ERNEST R.

TABLE NO. 1
 VERIFIED EXTRACTATIONS BY OWNERS (NON-PLAINTIFFS) WHICH HAVE RECORDATION FILINGS
 WITH THE STATE WATER RESOURCES CONTROL BOARD

OWNER	1959	1960	1961	1962	1963	1959-63 AVERAGE	1964	1965	1966	1967	1968	1994-98 AVERAGE
LOMA LINDA UNIVERSITY (CONTINUED)												
3602008 1S4W26A W	146	98	177	203	209	167	-	-	-	-	-	0
3602009 1S4W25G01S W	195	364	407	304	78	270	-	-	-	-	-	0
3602012 1S4W25C01S W	323	369	376	463	347	376	-	-	-	-	-	0
3602013 1S4W24P W	149	70	27	13	69	66	-	-	-	-	-	0
3602014 1S4W26J01S W	86	86	86	86	111	91	-	-	-	-	-	0
3602017 1S4W25E01S W	-	-	-	-	0	0	-	-	-	-	-	0
3602249 1S4W25D05 W ¹	-	-	-	-	-	0	-	-	-	-	-	0
3602781 1S4W25D W ¹	-	-	-	-	-	0	317	122	614	447	470	394
3602855 1S4W25D07S W ²	-	-	-	-	-	0	742	942	581	783	465	703
OWNER TOTAL	1011*	1116*	1202*	1166*	901*	1079*	1059*	1064*	1195*	1230*	935*	1097*
LOMA LINDA, CITY OF												
3601130 1S3W32D W ³	389	401	501	464	290	409	0	0	0	0	64	13
3601384 1S4W25C W ⁴	0	0	0	20	73	19	-	-	-	-	-	0
3601388 1S4W25C W ⁴	111	114	147	140	98	122	0	0	0	0	0	0
3601989 1S4W24R01S W ⁵	44	40	37	32	42	39	-	-	-	-	-	0

1 WELL DRILLED 1980

2 WELL DRILLED 1986

3 FORMERLY VALLE VISTA RANCH CO.

4 FORMERLY COURT STREET WATER COMPANY

5 FORMERLY SAN BERNARDINO COUNTY SERVICE AREA NO. 2

TABLE NO. 1
 VERIFIED EXTRACTATIONS BY OWNERS (NON-PLAINTIFFS) WHICH HAVE RECORDATION FILINGS
 WITH THE STATE WATER RESOURCES CONTROL BOARD

OWNER	1959	1960	1961	1962	1963	1959-63 AVERAGE	1964	1965	1966	1967	1968	1994-98 AVERAGE
LOMA LINDA, CITY OF				(CONTINUED)								
3602010 1S4W25H02S W ¹	123	160	100	105	131	124	0	0	0	0	0	0
3602011 1S4W25B02S W ¹	61	150	166	232	219	166	-	-	-	-	-	0
3602015 1S4W25B W ¹	1077	772	760	615	627	770	-	-	-	-	-	0
3602016 1S4W25G W ¹	57	161	228	157	59	132	-	-	-	-	-	0
3602057 1S4W25C W ¹	335	420	524	400	16	339	-	-	-	-	-	0
3602058 1S4W25B W ¹	19	23	29	28	25	25	-	-	-	-	-	0
3602596 1S4W24R W ²	-	-	-	-	-	0	-	-	-	-	-	0
3602759 1S4W24A W ³	-	-	-	-	-	0	1135	975	829	878	117	787
3602760 1S4W24B W ⁴	-	-	-	-	-	0	1523	1585	1449	1582	1193	1466
3603057 1S4W24B W ⁵	-	-	-	-	-	0	974	811	777	757	1166	897
3603058 1S4W24B W ⁵	-	-	-	-	-	0	1039	1366	1861	1776	1389	1486
3603523 1S4W24P04S W ⁶	-	-	-	-	-	0	0	0	0	0	0	0
OWNER TOTAL	2216*	2241*	2492*	2193*	1580*	2144*	4671*	4737*	4916*	4993*	3929*	4649*

1 FORMERLY SAN BERNARDINO COUNTY SERVICE AREA NO. 2

2 WELL DRILLED 1974

3 WELL DRILLED 1979

4 WELL DRILLED 1980

5 WELL DRILLED 1988

6 WELL DRILLED 1992

TABLE NO. 1
 VERIFIED EXTRACTATIONS BY OWNERS (NON-PLAINTIFFS) WHICH HAVE RECORDATION FILINGS
 WITH THE STATE WATER RESOURCES CONTROL BOARD

OWNER	1959	1960	1961	1962	1963	1959-63 AVERAGE	1964	1965	1966	1967	1968	1994-98 AVERAGE
LUGO WATER COMPANY												
3600510 1S3W21K01 W	414	346	324	300	239	325	400	400	400	400	400	400
LULY, DR. LUCIAN L.												
3601376 1N4W14C D	-	-	-	-	-	0	-	-	-	-	-	0
3601377 1N4W14C D	-	-	-	-	-	0	-	-	-	-	-	0
3601378 1N4W14C D	-	-	-	-	-	0	-	-	-	-	-	0
OWNER TOTAL	0*	0*	0*	0*	0*	0*	0*	0*	0*	0*	0*	0*
MARIGOLD FARMS COMPANY ¹												
3600757 1S3W19H W ¹	374	272	367	433	322	354	211	200	128	129	202	174
3601749 1S3W19B01 W	91	364	180	600	64	260	-	-	-	-	-	0
3601750 1S3W18L W	390	1072	610	930	1392	879	953	950	661	660	988	842
OWNER TOTAL	855*	1708*	1157*	1963*	1778*	1492*	1164*	1150*	789*	789*	1190*	1016*
MASCART WATER COMPANY												
3601102 1S3W21E W	395	302	468	381	367	383	416	452	309	62	3	248
MAYBELL, N. O.												
3600291 1S4W13E W	26	26	12	12	12	18	-	-	-	-	-	0
MCCALLA, ROBERT												
3601839 1S3W10D01S W ²	5	13	37	21	22	20	90	70	70	150	150	106

1 FORMERLY MISSION MUTUAL WATER COMPANY; FORMERLY REDLANDS, CITY OF

2 FORMERLY DUDA, WALTER AND BETTY

TABLE NO. 1
 VERIFIED EXTRACTATIONS BY OWNERS (NON-PLAINTIFFS) WHICH HAVE RECORDATION FILINGS
 WITH THE STATE WATER RESOURCES CONTROL BOARD

OWNER	1959	1960	1961	1962	1963	1959-63 AVERAGE	1994	1995	1996	1997	1998	1994-98 AVERAGE
MEADOWBROOK DAIRY												
3600030 1S4W23D W	443	343	295	288	421	358	206	197	165	0	0	114
3600037 1S4W23D W	49	45	45	43	41	45	189	87	93	81	87	107
OWNER TOTAL	492*	388*	340*	331*	462*	403*	395*	284*	258*	81*	87*	221*
MENTONE ACRES MUTUAL WELL COMPANY												
3600748 1S3W24A01 W ¹	455	495	505	475	121	410	304	263	188	149	141	209
MENTONE CITRUS GROVES												
3600139 1S2W18R01S W ²	714	873	637	409	306	588	0	0	100	101	74	55
3602280 1S2W18Q W ²	-	-	-	-	-	0	200	200	500	400	0	260
OWNER TOTAL	714*	873*	637*	409*	306*	588*	200*	200*	600*	501*	74*	315*
MEYER, CHARLES R.												
3600760 1N5W01R W	42	42	55	51	53	49	0	0	0	0	0	0
MILLER MUTUAL WELL COMPANY												
3600630 1N3W32D W	20	8	-	-	-	6	-	-	-	-	-	0
3600630- 1N3W32D W	-	-	41	58	53	30	30	30	30	30	30	30
OWNER TOTAL	20*	8*	41*	58*	53*	36*	30*	30*	30*	30*	30*	30*
MOUNT VERNON WATER COMPANY												
3600319 1N4W31A01S W	1020	748	1030	624	508	786	0	0	0	0	0	0

1 WELL REHABILITATED 1994.

2 FORMERLY INDUSTRY. ACRES C/O CITRUS INVESTMENT

TABLE NO. 1
 VERIFIED EXTRACTIONS BY OWNERS (NON-PLAINTIFFS) WHICH HAVE RECORDATION FILINGS
 WITH THE STATE WATER RESOURCES CONTROL BOARD

OWNER	1959	1960	1961	1962	1963	1959-63 AVERAGE	1964	1965	1966	1967	1968	1994-98 AVERAGE
MT. VIEW CEMETERY OF SAN BERNARDINO												
3600119 1S4W26E W ¹	104	109	110	77	71	94	138	166	150	150	150	151
3600742 1N4W26N W	17	15	12	13	4	12	-	-	-	-	-	0
3600742- 1N4W26N W	-	-	-	-	-	0	156	137	148	91	128	132
3600743 1N4W26M W	211	170	133	237	137	178	110	103	105	131	130	116
OWNER TOTAL	332*	294*	255*	327*	212*	284*	404*	406*	403*	372*	408*	399*
MUSCOY MUTUAL WATER COMPANY, NO. 1												
3601497 1N5W23H01S W ₂	648	624	676	621	562	626	325	509	679	151	0	333
3601498 1N5W24D01S W ²	0	FC	-	-	-	0	2	176	7	6	1	38
3601499 1N5W23A01S W	648	623	676	621	561	626	613	59	348	1296	1516	766
3601500 1N5W23A02S W	647	623	676	621	561	626	604	1344	1145	780	394	853
3602345 1N5W24E W	-	-	-	-	-	0	1	177	166	188	207	148
OWNER TOTAL	1943*	1870*	2028*	1863*	1684*	1878*	1545*	2265*	2345*	2421*	2118*	2139*
NATIONAL ORANGE SHOW												
3601924 1S4W15D W	135	135	135	135	135	135	60	60	60	30	30	48
NEALEY MUTUAL WATER COMPANY												
3601381 1N5W07J D	-	-	-	-	-	0	-	-	-	-	-	0
NEW ENGLAND WATER COMPANY												
3602320- 1S3W16L W	946	892	1023	836	880	915	442	451	409	433	289	405

1 FORMERLY MONTECITO MUTUAL WATER COMPANY

2 WELL RENOVATED 1979

TABLE NO. 1
 VERIFIED EXTRACTATIONS BY OWNERS (NON-PLAINTIFFS) WHICH HAVE RECORDATION FILINGS
 WITH THE STATE WATER RESOURCES CONTROL BOARD

OWNER	1959	1960	1961	1962	1963	1959-63 AVERAGE	1964	1965	1966	1967	1968	1994-98 AVERAGE
NICKERSON WATER COMPANY												
3600123 1S3W20R01 W	212	220	348	297	250	265	0	0	0	0	0	0
3600124 1S3W21M01 W	466	331	490	424	290	400	0	0	0	0	0	0
OWNER TOTAL	678*	551*	838*	721*	540*	666*	0*	0*	0*	0*	0*	0*
NORTH FORK WATER COMPANY												
3600678 1S2W08C01S W	310	291	285	266	277	286	0	0	0	0	0	0
3600679 1S2W08C02S W ¹	163	142	131	136	119	138	0	0	0	0	0	0
3600681 1N3W27M D ²	123	51	7	64	30	55	0	0	0	0	0	0
3600765 1N3W33C01 W ²	252	243	353	250	244	268	0	0	0	0	0	0
3601644 1S3W01A D	3	10	0	62	0	15	0	0	0	0	0	0
OWNER TOTAL	851*	737*	776*	778*	670*	762*	0*	0*	0*	0*	0*	0*
NORTHBRAE WATER COMPANY												
3600296 1S3W15R01 W	394	530	608	395	466	479	-	-	-	-	-	0
NORTHSIDE WATER COMPANY												
3600933 1S3W23F W	398	402	491	385	333	402	0	0	0	0	0	0
NYE, WILLIAM H.												
3600313 1S2W29N01S W	164	199	294	156	167	196	0	0	0	0	0	0
OLD TOWN WELL COMPANY												
3600493 1S3W29K W	205	225	250	220	247	229	232	199	65	101	88	137

1 1996 VERIFIED AMOUNT CORRECTED DURING 1998 VERIFICATION

2 FORMERLY MUTUAL WELL COMPANY (OF HIGHLAND)

TABLE NO. 1
 VERIFIED EXTRACTATIONS BY OWNERS (NON-PLAINTIFFS) WHICH HAVE RECORDATION FILINGS
 WITH THE STATE WATER RESOURCES CONTROL BOARD

OWNER	1959	1960	1961	1962	1963	1959-83 AVERAGE	1964	1965	1966	1967	1968	1994-98 AVERAGE
(CONTINUED)												
OLD TOWN WELL COMPANY												
3600494 1S3W29K W	283	309	322	305	268	297	0	0	0	0	0	0
OWNER TOTAL	488*	534*	572*	525*	515*	527*	232*	199*	65*	101*	88*	137*
PAINE, ROBERT T., TRUSTEE												
3601642 1S2W30B02S W	133	147	180	120	116	139	0	0	0	0	0	0
PAXTON, R. H.												
3600468 1S3W30Q W ¹	511	245	243	378	179	311	-	-	-	-	-	0
PENN WELL COMPANY												
3601099 1S3W22F W	-	-	-	-	-	0	-	-	-	-	-	0
3601405 1S3W22F W	539	447	504	550	440	496	0	0	0	0	0	0
OWNER TOTAL	539*	447*	504*	550*	440*	496*	0*	0*	0*	0*	0*	0*
PHAROAH POWELL WATER COMPANY												
3600415 1S3W29J01 W	326	350	365	371	322	347	242	129	192	273	194	206
PHAROAHS LOST KINGDOM												
3602549 1S3W19J W ²	-	-	-	-	-	0	0	0	40	100	100	48
PIONEER MUTUAL WATER COMPANY												
3600642 1S3W14P01 W	314	222	288	316	275	283	75	102	100	97	94	94
RAMIREZ BROTHERS												
3601728 1S3W30K W ³	61	61	65	62	64	63	221	0	0	0	0	44

1 FORMERLY SMITH, LEONA BERNICE

2 PRIOR TO 1973 SEE NON-FILED EXTRACTATIONS TABLE NO. 2 DANIELS, DON; FORMERLY DANIELS AND BEST RANCH

3 FORMERLY FRINK RANCH RECORDATION NO. 3601131

TABLE NO. 1
 VERIFIED EXTRACTATIONS BY OWNERS (NON-PLAINTIFFS) WHICH HAVE RECORDATION FILINGS
 WITH THE STATE WATER RESOURCES CONTROL BOARD

OWNER	1959	1960	1961	1962	1963	1959-63 AVERAGE	1994	1995	1996	1997	1998	1994-98 AVERAGE
RAMIREZ, CARLOS												
3601649 1S3W28M	100	100	100	FC	-	60	-	0	-	-	-	0
3601649- 1S3W28M	-	-	-	25	85	22	113	83	100	77	54	85
OWNER TOTAL	100*	100*	100*	25*	85*	82*	113*	83*	100*	77*	54*	85*
RAMIREZ, J.J.												
3600484 1S3W16F	246	220	352	224	259	260	150	213	200	43	64	134
3600527 1S3W16A	133	133	133	133	133	133	156	365	106	172	124	185
3601171 1S3W20F	389	343	435	413	396	395	273	201	295	239	238	249
OWNER TOTAL	768*	696*	920*	770*	788*	788*	579*	779*	601*	454*	426*	568*
RANCHO CITRUS AMIGOS												
3601753 1S3W29D	80	80	80	80	80	80	0	0	0	0	0	0
RANCHO LADERA												
3602188 1S2W29L	162	148	331	206	313	232	0	0	0	0	0	0
RAUGHT MUTUAL WELL COMPANY												
3602193 1S3W14R01	504	550	552	506	520	526	238	343	319	267	172	268
REDLANDS COUNTRY CLUB												
3600049 1S3W25N	174	96	FC	-	-	54	-	-	-	-	-	0
1 FORMERLY E. R. DUNLOP; FORMERLY HOOVER WELL												
2 FORMERLY SECHREST, RALPH F.												
3 FORMERLY COOK ORCHARDS COMPANY; FORMERLY EADINGTON FRUIT CO. COOK RANCH												
4 FORMERLY CALAGONIA GROVES; FORMERLY CRIM, W. ROSCOE												
5 FORMERLY HOBBS WELL PARTNERSHIP												

TABLE NO. 1
 VERIFIED EXTRACTATIONS BY OWNERS (NON-PLAINTIFFS) WHICH HAVE RECORDATION FILINGS
 WITH THE STATE WATER RESOURCES CONTROL BOARD

OWNER	1959	1960	1961	1962	1963	1959-63 AVERAGE	1964	1965	1966	1967	1968	1994-98 AVERAGE
REDLANDS COUNTRY CLUB												
3600049- 1S3W25N W ¹	-	-	696	692	532	384	30	30	35	35	35	33
OWNER TOTAL	174*	96*	696*	692*	532*	438*	30*	30*	35*	35*	35*	33*
REDLANDS TRAP/SKEET												
3600628 1S3W15G W ²	145	235	235	2	2	124	0	0	0	0	0	0
REDLANDS UNIFIED SCHOOL DISTRICT												
3601641 1S2W30C01S W ³	470	462	484	410	470	459	181	3	3	0	107	59
REDLANDS, CITY OF												
3600005 1S3W35H08S W ⁴	741	493	543	448	391	523	0	0	0	0	0	0
3600006 1S2W19G01S W ⁴	261	131	94	12	0	100	0	0	0	0	0	0
3600019 1S3W23A W ⁵	531	288	342	320	461	388	0	573	1821	1420	945	952
3600038 1S2W17N W ⁶	-	-	-	-	-	0	0	0	0	0	0	0
3600085 1S3W28J01 W ⁷	190	186	180	180	180	183	-	-	-	-	-	0

1 FORMERLY HOBBS WELL PARTNERSHIP

2 FORMERLY HOLIDAY ROCK CO.

3 FORMERLY PAINE, ROBERT T., TRUSTEE

4 FORMERLY EAST LUGONIA MUTUAL WATER CO.

5 FORMERLY REES REES RANCHES, INC.

6 FORMERLY EAST LUGONIA MUTUAL WATER CO.

7 FORMERLY COLTON AVENUE WATER COMPANY

TABLE NO. 1
 VERIFIED EXTRACTATIONS BY OWNERS (NON-PLAINTIFFS) WHICH HAVE RECORDATION FILINGS
 WITH THE STATE WATER RESOURCES CONTROL BOARD

OWNER	1959	1960	1961	1962	1963	1959-63 AVERAGE	1994	1995	1996	1997	1998	1994-98 AVERAGE
REDLANDS, CITY OF												
3600749 1S3W13Q W ¹	885	960	975	940	917	935	32	0	0	75	413	104
3600756 1S3W19L W ²	715	510	675	660	560	624	76	0	0	0	0	15
3600918 2S3W01D W ³	604	567	554	459	480	533	243	96	0	16	21	75
3601281 1S2W21M01S W	133	123	195	75	61	117	0	0	0	0	0	0
3601282 1S1W08G01 W	1296	916	839	955	1132	1028	0	0	118	368	0	97
3601283 1S2W22C02S W	225	186	114	41	7	115	0	0	0	0	0	0
3601284 1S2W21E01S W	162	83	157	67	77	109	29	34	74	131	344	122
3601285 1S1W10L1 W	1548	939	814	1123	1076	1100	2135	2280	2083	1886	2131	2103
3601286 1S2W21D W	0	3	0	0	0	1	0	0	0	0	0	0
3601287 1S2W21B W	319	333	293	358	267	314	0	0	0	0	27	5
3601288 1S1W11Q1 W	855	817	903	671	745	798	401	87	440	430	0	272
3601289 1S3W35E W	0	0	0	0	0	0	0	0	0	0	0	0
3601290 1S2W21D01S W	243	209	169	141	138	180	0	0	0	0	150	30
3601291 1S3W35G08S W	196	487	664	131	101	316	0	0	0	19	0	4
3601292 1S3W35G07S W	772	1077	737	117	103	561	0	0	0	0	0	0
3601293 1S3W35H02S W	2	0	0	0	0	0	0	0	0	0	0	0

1 FORMERLY MENTONE ACRES MUTUAL WELL CO.

2 FORMERLY MISSION MUTUAL WATER COMPANY

3 FORMERLY REDLANDS HEIGHTS WATER COMPANY

TABLE NO. 1
 VERIFIED EXTRACTATIONS BY OWNERS (NON-PLAINTIFFS) WHICH HAVE RECORDATION FILINGS
 WITH THE STATE WATER RESOURCES CONTROL BOARD

OWNER	1959	1960	1961	1962	1963	1959-63 AVERAGE	1964	1965	1966	1967	1968	1994-98 AVERAGE
REDLANDS, CITY OF (CONTINUED)												
3601294 1S3W35G09S W	189	646	682	362	453	466	108	21	142	195	280	149
3601295 1S3W35H04S W	915	1128	871	184	83	636	0	0	0	0	0	0
3601296 1S3W35H03S W	545	343	587	491	1686	730	231	27	171	124	99	130
3601297 1S3W35G11S W	249	434	507	171	0	272	0	0	0	0	0	0
3601298 1S3W21H01S W	322	557	1136	800	1095	782	0	0	0	29	0	6
3601299 1S4W24K01S W	246	124	1607	853	133	593	0	0	0	0	0	0
3601300 1S3W27E02S W	1278	902	1113	1446	1099	1168	0	0	0	0	0	0
3601301 1S3W28H01S W ¹	1443	1623	1808	1226	1063	1433	625	975	929	848	857	847
3601302 1S2W14N D ²	7047	6913	3615	8973	4451	6200	14505	9786	12236	11620	11224	11874
3601308 1S2W19K01S W ²	772	750	738	487	470	643	111	4	0	0	0	23
3601586 1S3W15F02S W ³	0	0	2177	1354	1488	1004	345	364	332	944	1671	731
3601636 1S3W19N W ⁴	216	230	65	58	51	124	-	-	-	-	-	0
3601637 1S3W30D W	0	0	0	0	0	0	-	-	-	-	-	0
3602031 1S3W21H W	506	1181	1429	699	492	861	0	0	10	7	1	4
3602032 1S3W22A W	-	-	50	273	140	93	0	0	0	0	0	0

1 COMMENCING 1974 INCLUDES GROSS MILL CREEK DIVERSIONS--SEE TABLE NO. 5 FOR VERIFIED DIVERSIONS

2 FORMERLY MENTONE DOMESTIC WATER COMPANY, INC.

3 FORMERLY BEAR VALLEY MUTUAL WATER COMPANY

4 PRODUCTION INCLUDED IN AMOUNT REPORTED BY STANLEY BROWN COMPANY RECORDATION NO. 3601352 SUBSEQUENT TO 1968

TABLE NO. 1
 VERIFIED EXTRACTATIONS BY OWNERS (NON-PLAINTIFFS) WHICH HAVE RECORDATION FILINGS
 WITH THE STATE WATER RESOURCES CONTROL BOARD

OWNER	1959	1960	1961	1962	1963	1959-63 AVERAGE	1994	1995	1996	1997	1998	1994-98 AVERAGE
REDLANDS, CITY OF												
3602036 1S3W21H W ¹	-	-	-	676	1244	384	3288	2522	2533	346	0	1738
3602065 1S3W32J02S W ¹	114	97	114	88	80	99	0	0	0	0	0	0
3602082 2S3W03K W ²	-	-	-	-	215	43	0	0	0	0	0	0
3602106 1S3W22A01S W ²	323	292	-	-	-	123	-	-	-	-	-	0
3602211 1S3W26C W ³	-	-	-	-	-	0	0	0	0	0	0	0
3602346 1S3W28J02 W ³	-	-	-	-	-	0	1754	1498	1364	1184	767	1313
3602351 1S2W13A W ⁴	-	-	-	-	-	0	0	0	0	25	13	8
3602653 1S2W19J W ⁴	-	-	-	-	-	0	-	-	-	-	-	0
3602654 1S2W19J W ⁴	-	-	-	-	-	0	270	8	0	0	64	68
3602791 1S2W20B01 W ⁵	-	-	-	-	-	0	0	0	0	39	93	26
3602792 1S2W19A01 W ⁶	-	-	-	-	-	0	2061	1473	2267	2401	2608	2162
3602895 1S3W13H W ⁷	-	-	-	-	-	0	291	103	563	944	1203	621

1 FORMERLY BEVERLY ASSOCIATES RECORDATION NO. 3602732

2 FORMERLY CHURCH STREET MUTUAL WELL COMPANY

3 FORMERLY COLTON AVENUE WATER COMPANY

4 FORMERLY MENTONE DOMESTIC WATER COMPANY, INC.; PRIOR TO 1975 SEE NON-FILED EXTRACTATIONS TABLE NO. 2

5 WELL DRILLED 1980

6 WELL DRILLED 1981

7 WELL DRILLED 1986

TABLE NO. 1
 VERIFIED EXTRACTATIONS BY OWNERS (NON-PLAINTIFFS) WHICH HAVE RECORDATION FILINGS
 WITH THE STATE WATER RESOURCES CONTROL BOARD

OWNER	1959	1960	1961	1962	1963	1959-83 AVERAGE	1994	1995	1996	1997	1998	1994-98 AVERAGE
REDLANDS, CITY OF												
3602896 1S2W20D W ¹	-	-	-	-	-	0	1367	848	1503	1562	1723	1401
3603045 1S1W09J01 W ²	-	-	-	-	-	0	1	0	73	363	1118	311
3603655 1S3W29Q01S W ³	-	-	-	-	-	0	-	-	1778	2018	1979	1155
3603656 1S3W14E01S W ³	-	-	-	-	-	0	-	-	0	1193	1431	525
OWNER TOTAL	23843*	23528*	24747*	24839*	20939*	23579*	27873*	20699*	28437*	28187*	29162*	26872*
REES & PERRICONE RANCH												
3602171 1S2W18M W	-	-	-	-	0	0	0	0	0	0	0	0
REYNOLDS, BILL												
3600981 1S2W21H01 W ⁴	3	3	3	3	3	3	5	5	5	5	5	5
RIALTO, CITY OF												
3601085 1N4W31N W ⁵	585	775	875	575	470	656	0	0	0	0	0	0
3601263 1N5W23Q01S W ⁶	1035	169	334	481	0	404	1422	1046	1502	861	726	1111
3601718 1N5W22M D	624	626	625	587	624	617	844	44	1070	393	896	649

1 WELL DRILLED 1986

2 WELL DRILLED 1989

3 WELL DRILLED 1996

4 FORMERLY HICKS, JOHN/LOUISE

5 FORMERLY RIALTO MUTUAL LAND AND WATER COMPANY

6 INCLUDES GROSS LYTLE CREEK DIVERSIONS--SEE TABLE NO. 4 FOR VERIFIED DIVERSIONS FROM LYTLE CREEK

TABLE NO. 1
 VERIFIED EXTRACTIIONS BY OWNERS (NON-PLAINTIFFS) WHICH HAVE RECORDATION FILINGS
 WITH THE STATE WATER RESOURCES CONTROL BOARD

OWNER	1959	1960	1961	1962	1963	1964	1965	1966	1967	1968	1994-98 AVERAGE
RIALTO, CITY OF											
3601929 1S4W06C04S W ¹	374	52	0	458	0	30	3	12	7	2	11
3602080 1N5W23Q W ²	-	-	-	-	773	3529	2586	2011	2373	2352	2570
3602848 1N5W36B01S W ³	-	-	-	-	-	15	5	4	1	1	5
3603030 1S4W06B01S W ⁴	-	-	-	-	-	19	6	10	8	3	9
3603538 1S4W06H W ⁵	-	-	-	-	-	564	220	80	81	673	324
OWNER TOTAL	2618*	1622*	1834*	2101*	1867*	6423*	3910*	4689*	3724*	4653*	4680*
RIEDMAN, FRED M.											
3601629 1S3W03P00S W	230	230	230	230	15	-	-	-	-	-	0
RIVAS, RAMON											
3600016 1S4W24J W	30	43	0	0	0	0	0	0	0	0	0
ROBBINS, H. W.											
3602170 1S2W31M W	0	0	0	0	18	4	0	0	0	0	0
SAN BERNARDINO AVENUE WATER COMPANY											
3600125 1S3W14P W	371	303	394	352	298	68	66	61	63	32	58
SAN BERNARDINO VALLEY MWD											
3603116 1S3W13R01S W ⁵	-	-	-	-	-	0	0	0	0	0	0

1 FORMERLY RANCHERIA WATER CO. TOBIN; WELL REHABILITATED 1985

2 WELL DRILLED 1985

3 WELL DRILLED 1986. EXTRACTIIONS COMMENCED 1989

4 WELL DRILLED 1993

5 WELL DRILLED 1989, FORMERLY BIG BEAR MUNICIPAL WATER DISTRICT

TABLE NO. 1
 VERIFIED EXTRACTATIONS BY OWNERS (NON-PLAINTIFFS) WHICH HAVE RECORDATION FILINGS
 WITH THE STATE WATER RESOURCES CONTROL BOARD

OWNER	1959	1960	1961	1962	1963	1959-63 AVERAGE	1994	1995	1996	1997	1998	1994-98 AVERAGE
(CONTINUED)												
SAN BERNARDINO VALLEY MWD ¹												
3603141 1S4W04E W ¹	-	-	-	-	-	0	2239	2723	2923	2785	2243	2583
3603174 1S4W04F02 W ¹	-	-	-	-	-	0	2585	3226	2814	2567	1891	2617
OWNER TOTAL	0*	0*	0*	0*	0*	0*	4824*	5949*	5737*	5352*	4134*	5199*
SAN BERNARDINO, CITY OF ²												
3600034 1S4W16H W ²	90	85	76	79	-	66	0	0	0	0	0	0
3600035 1S4W15M03 W ²	85	80	82	12	-	52	0	0	0	0	0	0
3600222 1S4W11Q01S W ³	195	210	-	-	-	81	0	0	0	0	0	0
3600320 1N5W22M D	730	730	730	730	730	730	102	0	0	0	719	164
3600709 2N5W19Q01 W	0	0	0	0	0	0	-	-	-	-	-	0
3600710 2N5W19K01 W	0	0	0	0	0	0	734	1128	1375	1533	2104	1375
3600711 1N4W07F01S W	867	726	705	617	295	642	703	780	759	840	720	760
3600712 1N4W08M01S W	141	1	0	0	0	28	1042	906	830	1207	1024	1002
3600713 1N5W36R01S W	378	85	314	199	360	267	1212	1199	1274	1303	1190	1236
3600714 1N4W16E01S W	163	643	624	531	571	506	1091	912	1337	887	642	974
3600715 1N4W16E W	0	205	233	1188	623	450	167	0	244	1478	901	558
3600716 1N4W16E03S W	964	919	1093	576	839	878	753	974	1025	1921	1123	1159

1 WELL DRILLED 1990

2 FORMERLY HOMART DEVELOPMENT COMPANY

3 INCLUDES GROSS LYTLE CRK DIVERSIONS--SEE TBL 4 FOR VERIFIED DIVERSIONS FROM LYTLE CREEK; FORMERLY MT. VERNON WATER CO

TABLE NO. 1
 VERIFIED EXTRACTIONS BY OWNERS (NON-PLAINTIFFS) WHICH HAVE RECORDATION FILINGS
 WITH THE STATE WATER RESOURCES CONTROL BOARD

OWNER	1959	1960	1961	1962	1963	1959-63 AVERAGE	1994	1995	1996	1997	1998	1994-98 AVERAGE
(CONTINUED)												
SAN BERNARDINO, CITY OF												
3600717 1N4W32D03S W	146	221	30	46	163	121	656	506	1056	1208	961	877
3600718 1N4W32D04S W	365	40	96	0	0	100	2647	2435	2467	2480	1259	2258
3600719 1N4W27G01S W	1173	1086	922	998	1005	1037	2832	1838	1226	1327	397	1524
3600720 1N4W27M02S W	0	134	481	293	212	224	0	75	544	334	126	216
3600721 1N4W27M01S W	0	194	407	313	395	262	0	0	0	0	0	0
3600722 1S4W03D01S W ¹	0	0	0	0	0	0	-	-	-	-	-	0
3600723 1S4W10F01S W	146	489	345	0	0	196	-	-	-	-	-	0
3600724 1S4W10F05S W	0	0	0	0	0	0	-	-	-	-	-	0
3600725 1N4W34G01S W	1102	1155	1245	405	538	889	0	0	0	0	0	0
3600726 1N4W34G03S W	354	305	91	12	29	158	2680	2876	2448	2597	1672	2455
3600727 1N4W26G W	1238	927	1475	1365	1180	1237	1910	2433	2571	994	1748	1931
3600728 1N4W27A01S W	1265	1724	2214	1404	1122	1546	1717	902	1976	1895	1057	1509
3600729 1N4W35M03S W	1348	940	1573	2522	2574	1791	1715	2399	2649	2157	473	1879
3600730 1S4W02K01S W	0	0	0	0	0	0	0	0	0	0	0	0
3600731 1S4W02K02S W	750	684	1295	642	750	824	0	0	0	0	0	0
3600732 1S4W02K05S W	0	0	0	0	0	0	0	0	0	0	0	0
3600733 1S4W02K04S W	0	0	0	0	0	0	0	0	0	0	0	0
3600734 1S4W02K03S W	1052	458	411	478	367	553	0	0	0	0	0	0

1 SEE ALSO SOUTHERN CALIFORNIA EDISON COMPANY 3690723

TABLE NO. 1
 VERIFIED EXTRACTATIONS BY OWNERS (NON-PLAINTIFFS) WHICH HAVE RECORDATION FILINGS
 WITH THE STATE WATER RESOURCES CONTROL BOARD

OWNER	1959	1960	1961	1962	1963	1959-63 AVERAGE	1964	1965	1966	1967	1968	1994-98 AVERAGE
(CONTINUED)												
SAN BERNARDINO, CITY OF												
3600735 1S4W09P01S W	0	0	0	0	0	0	0	0	0	0	0	0
3600736 1S4W09J01S W	127	83	103	254	153	144	0	0	0	0	0	0
3600737 1S4W10N06S W	66	143	271	32	158	134	487	432	499	665	458	508
3600738 1N4W06J D ¹	1117	768	549	836	592	772	0	0	0	0	0	0
3600739 1N5W06E D ¹	1069	994	1286	1403	1279	1206	-	2400	2400	0	0	960
3601114 1N4W35C01S W	12	358	353	0	0	145	0	0	0	0	0	0
3601115 1N4W26P03S W	33	342	519	899	832	525	205	0	0	0	199	81
3601116 1N4W35C02S W	0	0	0	0	0	0	0	0	0	0	0	0
3601117 1N4W35C03S W ²	1559	1464	811	386	408	926	862	414	115	282	10	337
3601316 1S4W23N W ³	238	238	238	238	238	238	0	0	0	0	0	0
3601588 1N4W31H W ³	68	75	74	64	72	71	0	0	0	0	0	0
3601626 1S4W10D01 W ⁴	26	23	28	27	24	26	-	-	-	-	-	0
3601843 1N5W03H01S W ⁴	179	13	8	19	6	45	0	0	0	0	0	0
3601844 1N5W03A02 W ⁴	856	807	630	748	742	757	1923	2210	2673	2724	2418	2390
3601845 1N4W30M W ⁴	5	19	28	33	33	24	130	157	221	480	599	317

1 INCLUDES GROSS LYTLE CREEK DIVERSIONS--SEE TABLE NO. 4 FOR VERIFIED DIVERSIONS FROM LYTLE CREEK

2 FORMERLY INTER CITY MUTUAL WATER CO.

3 FORMERLY SOUTHERN CALIFORNIA WATER COMPANY

4 FORMERLY SAN BERNARDINO WATER UTILITIES COR

TABLE NO. 1
 VERIFIED EXTRACTATIONS BY OWNERS (NON-PLAINTIFFS) WHICH HAVE RECORDATION FILINGS
 WITH THE STATE WATER RESOURCES CONTROL BOARD

OWNER	1959	1960	1961	1962	1963	1959-63 AVERAGE	1994	1995	1996	1997	1998	1994-98 AVERAGE
(CONTINUED)												
SAN BERNARDINO, CITY OF												
3601878 1N4W29E01S W ¹	181	123	86	17	146	111	0	0	0	0	0	0
3601879 1N4W29N W ¹	205	182	182	136	103	162	0	0	0	0	0	0
3601880 1N4W29F01S W ¹	227	141	193	221	118	180	0	0	0	0	0	0
3602060 1S4W24L W ²	111	71	125	60	79	89	0	0	0	0	0	0
3602066 1S4W02B W ³	33	49	25	26	25	32	0	0	0	0	0	0
3602067 1N4W35K W ³	120	110	74	177	164	129	0	0	0	0	0	0
3602081 1N4W27B W ⁴	-	-	-	-	1019	204	0	0	16	71	29	23
3602122 1S4W23R03S W ⁴	111	154	114	2	0	76	-	-	-	-	-	0
3602123 1S4W14J W ⁴	485	443	526	50	58	312	0	0	0	0	0	0
3602124 1S4W14J W ⁴	179	159	158	151	80	145	0	0	0	0	0	0
3602125 1S4W24F04S W ⁴	150	167	226	144	91	156	0	0	0	0	0	0
3602126 1S4W24F W ⁵	-	-	0	105	84	38	0	0	0	0	0	0
3602128 1S4W14A W ⁵	50	50	50	50	51	50	0	0	0	0	0	0
3602205 1N4W06H01S W	-	-	-	-	-	0	44	26	12	5	5	18

1 FORMERLY SOUTHERN CALIFORNIA WATER COMPANY

2 FORMERLY JOHANSSON, RUNE; FORMERLY BENNETT; FORMERLY SOUTH SAN BERNARDINO COUNTY WATER DISTRICT

3 FORMERLY VAN LOON MUTUAL WATER COMPANY

4 FORMERLY SOUTH SAN BERNARDINO COUNTY WATER DISTRICT

5 FORMERLY GIFFORD PARK MUTUAL WATER CO.

TABLE NO. 1
 VERIFIED EXTRACTIIONS BY OWNERS (NON-PLAINTIFFS) WHICH HAVE RECORDATION FILINGS
 WITH THE STATE WATER RESOURCES CONTROL BOARD

OWNER	1959	1960	1961	1962	1963	1959-63 AVERAGE	1964	1965	1966	1967	1968	1994-98 AVERAGE
SAN BERNARDINO, CITY OF (CONTINUED)												
3602206 1N4W06H02S W ¹	-	-	-	-	-	0	106	60	36	47	41	58
3602252 1S4W14B W ¹	-	-	-	-	-	0	0	0	0	0	0	0
3602264 1N4W27N01S W	-	-	-	-	-	0	0	0	0	0	0	0
3602265 1S4W03J W ²	-	-	-	-	-	0	2538	1689	1919	2916	1814	2175
3602285 1S4W15D05 W ²	8	8	8	8	1	7	0	0	0	0	0	0
3602399 1N4W16E W	-	-	-	-	-	0	2697	2602	2462	1789	820	2074
3602400 1N4W32N W	-	-	-	-	-	0	675	642	590	782	560	650
3602401 1N4W27A W	-	-	-	-	-	0	235	127	78	211	1072	345
3602422 1S4W02K08S W	-	-	-	-	-	0	2388	2271	1818	2375	2364	2243
3602426 2N5W19K D ³	1604	770	966	2141	960	1288	1890	1670	1040	1083	590	1255
3602521 1S4W23P W ⁴	-	-	-	-	-	0	0	0	0	0	0	0
3602712 1N4W08P W ⁴	-	-	-	-	-	0	0	0	0	0	0	0
3602821 1N5W03A02 W ⁵	-	-	-	-	-	0	342	862	1226	1185	1034	930
3602844 1N4W08M02 W ⁶	-	-	-	-	-	0	473	204	459	489	314	388

1 FORMERLY GIFFORD PARK MUTUAL WATER CO.

2 FORMERLY HOMART DEVELOPMENT COMPANY

3 FORMERLY INTER CITY MUTUAL WATER CO. NON-FILED NO. 72 PRIOR TO 1972

4 FORMERLY ELLENA, JOHN B.; PRIOR TO 1977 SEE NON-FILED EXTRACTIIONS TABLE NO. 2 ELLENA, JOHN B.

5 WELL DRILLED 1983, EXTRACTIIONS VERIFIED DURING THE 1986 VERIFICATION

6 WELL DRILLED 1985, EXTRACTIIONS VERIFIED DURING THE 1986 VERIFICATION

TABLE NO. 1
 VERIFIED EXTRACTATIONS BY OWNERS (NON-PLAINTIFFS) WHICH HAVE RECORDATION FILINGS
 WITH THE STATE WATER RESOURCES CONTROL BOARD

OWNER	1959	1960	1961	1962	1963	1959-63 AVERAGE	1964	1965	1966	1967	1968	1994-98 AVERAGE
SAN BERNARDINO, CITY OF												
3603027 1N5W36J01S W ¹	-	-	-	-	326	0	326	1780	2675	2410	2177	1874
3603206 1S4W04D02 W ²	-	-	-	-	1696	0	1696	1814	1679	1269	1565	1605
3603207 1S4W04C W ²	-	-	-	-	1027	0	1027	0	872	972	995	773
3603208 1N4W34G04 W ²	-	-	-	-	336	0	336	420	194	1	0	190
3603471 2N5W19R W ³	-	-	-	-	3155	0	3155	3163	2858	2783	2814	2955
3603472 1N4W14P01S W ³	-	-	-	-	40	0	40	120	82	117	88	89
3603579 1N4W05D W ⁴	-	-	-	-	1	0	1	129	111	210	164	123
3603580 1N4W05D W ⁴	-	-	-	-	128	0	128	210	361	349	319	273
3603581 1S4W22C05 W ⁴	-	-	-	-	554	0	554	1125	1237	1283	931	1026
3603582 1S4W15P05 W ⁴	-	-	-	-	159	0	159	461	320	502	698	428
3603688 1S4W03D04S W ⁵	-	-	-	-	-	0	-	-	-	-	3100	620
3603689 1S4W03C03S W ⁵	-	-	-	-	-	0	-	-	-	-	3200	640
3603690 1S4W03C04S W ⁵	-	-	-	-	-	0	-	-	-	-	3400	680
3603691 1S4W03B03S W ⁵	-	-	-	-	-	0	-	-	-	-	3200	640

1 WELL DRILLED 1989

2 WELL DRILLED 1991

3 WELL DRILLED 1992. EXTRACTATIONS VERIFIED DURING 1993 VERIFICATION

4 WELL DRILLED 1994

5 WELL FIRST USED 1998

TABLE NO. 1
 VERIFIED EXTRACTIONS BY OWNERS (NON-PLAINTIFFS) WHICH HAVE RECORDATION FILINGS
 WITH THE STATE WATER RESOURCES CONTROL BOARD

OWNER	1959	1960	1961	1962	1963	1959-63 AVERAGE	1964	1965	1966	1967	1968	1994-98 AVERAGE
(CONTINUED)												
SAN BERNARDINO, CITY OF												
3603692 1S4W03A04S W ¹	-	-	-	-	-	0	-	-	-	-	3200	640
3603693 1S4W16M03S W ¹	-	-	-	-	-	0	-	-	-	-	1500	300
3603694 1S4W16M04S W ¹	-	-	-	-	-	0	-	-	-	-	2400	480
OWNER TOTAL	21371*	19795*	22073*	20637*	19269*	20629*	42378*	44351*	47734*	47161*	58194*	47964*
SECHREST, RALPH F.												
3600483 1S2W31F W	87	71	192	906	141	279	0	0	0	0	0	0
SELBY, DR. & MRS. ARTHUR												
3600017 1S2W29P W ²	137	64	278	171	76	145	10	0	0	0	0	2
3600018 1S2W29P W ²	10	163	452	88	330	209	10	0	0	0	0	2
OWNER TOTAL	147*	227*	730*	259*	406*	354*	20*	0*	0*	0*	0*	4*
SMITH TRACT WELL COMPANY												
3600001 1S3W21R W	270	177	56	0	FC	101	-	-	-	-	-	0
3600001- 1S3W21R W	-	-	-	-	127	25	0	0	0	0	0	0
OWNER TOTAL	270*	177*	56*	0*	127*	126*	0*	0*	0*	0*	0*	0*
SOJKA, DONALD R												
3601173 1S3W32K W ³	91	82	99	86	84	88	0	0	0	0	0	0

1 WELL FIRST USED 1998

2 FORMERLY REES REES RANCHES, INC.

3 FORMERLY LAND CAPITOL CORP & DONALD SOJKA

TABLE NO. 1
 VERIFIED EXTRACTATIONS BY OWNERS (NON-PLAINTIFFS) WHICH HAVE RECORDATION FILINGS
 WITH THE STATE WATER RESOURCES CONTROL BOARD

OWNER	1959	1960	1961	1962	1963	1959-63 AVERAGE	1964	1965	1966	1967	1968	1994-98 AVERAGE
SOLANO WELL NO. 1												
3600187 1S2W09Q W	212	143	147	88	43	127	0	0	0	0	0	0
SOLANO WELL NO. 3												
3602003 1S2W16C W	-	-	-	202	179	76	100	100	100	100	0	80
SOMERS, R.												
3601093 1N4W24H D ¹	1	1	1	1	1	1	0	0	0	0	0	0
SOUTHERN CALIFORNIA EDISON COMPANY												
3600651 1S3W28L W	58	35	64	47	49	51	-	-	-	-	-	0
3601012 1S4W08R W	2	2	2	2	2	2	0	0	0	0	0	0
3601013 1S4W08R W	0	0	0	0	0	0	0	0	0	0	0	0
3601016 1S4W22G01S W ²	818	761	685	2	0	453	0	0	0	0	0	0
3690723 1S4W10F01S W ²	-	-	-	883	883	353	0	0	0	0	0	0
OWNER TOTAL	878*	798*	751*	934*	934*	859*	0*	0*	0*	0*	0*	0*
SOUZA, JOHN												
3601084 1S2W20K W ³	7	7	9	10	9	8	0	0	0	0	0	0
STORKSON, WILLIAM F.												
3600083 1N5W06P W ⁴	35	30	20	40	35	32	23	23	20	53	23	28

1 FORMERLY PEYTON, A.L. OR IRENE A.

2 SEE ALSO SAN BERNARDINO, CITY OF 3600723

3 FORMERLY NAMIHAS, M.D., IVAN/SHIRLEY

4 FORMERLY LONG ACRES MUTUAL WATER COMPANY

TABLE NO. 1
 VERIFIED EXTRACTATIONS BY OWNERS (NON-PLAINTIFFS) WHICH HAVE RECORDATION FILINGS
 WITH THE STATE WATER RESOURCES CONTROL BOARD

OWNER	1959	1960	1961	1962	1963	1964	1965	1966	1967	1968	1994-98 AVERAGE
STORKSON, WILLIAM F. ¹											1994-98 AVERAGE
3602664 1N5W06M01S D ¹	-	-	-	-	-	31	31	30	31	31	31
OWNER TOTAL	35*	30*	20*	40*	35*	54*	54*	50*	84*	54*	59*
STOWE WATER COMPANY											
3601046 1S3W21A W	-	-	-	-	-	-	-	-	-	-	0
3601046- 1S3W21A W	630	598	622	560	667	144	188	226	117	80	151
OWNER TOTAL	630*	598*	622*	560*	667*	144*	188*	226*	117*	80*	151*
SUNRISE RANCH PART C/O LIFE DEVELOPMENT											
3600599 1S2W13C W ²	444	397	452	381	381	0	0	0	0	0	0
3600600 1S2W14L W ²	240	226	253	238	159	0	0	0	0	0	0
3600601 1S2W14F W ²	321	317	313	301	230	0	0	0	0	0	0
3600602 1S2W15P W ²	294	230	234	254	238	0	0	10	0	0	2
3600603 1S2W15G W ²	238	214	230	222	206	0	0	0	0	0	0
3601640 1S2W14N W ²	320	309	294	317	381	0	0	0	0	0	0
3601969 1S2W14L W ²	-	-	343	324	397	0	0	0	0	0	0
OWNER TOTAL	1857*	1693*	2119*	2037*	1992*	0*	0*	10*	0*	0*	2*
SYCAMORE HEIGHTS WATER COMPANY, INC.											
3601837 1N3W34C W	210	-	-	FC	-	-	-	-	-	-	0

1 ORIGINAL VERIFICATION DONE DURING THE 1975 VERIFICATION

2 FORMERLY EAST HIGHLANDS ORANGE COMPANY

TABLE NO. 1
 VERIFIED EXTRACTIIONS BY OWNERS (NON-PLAINTIFFS) WHICH HAVE RECORDATION FILINGS
 WITH THE STATE WATER RESOURCES CONTROL BOARD

OWNER	1959	1960	1961	1962	1963	1959-63 AVERAGE	1964	1965	1966	1967	1968	1994-98 AVERAGE
SYCAMORE HEIGHTS WATER COMPANY, INC. (CONTINUED)												
3601838 1N3W34C W	210	52	52	52	52	84	0	0	0	0	0	0
OWNER TOTAL	420*	52*	52*	52*	52*	126*	0*	0*	0*	0*	0*	0*
TENNESSEE MUTUAL WELL COMPANY												
3601161 1S3W16K W	537	501	622	516	476	530	402	390	390	425	382	398
TENNESSEE WATER COMPANY												
3600474 1S3W16L W	530	530	540	540	550	538	950	961	907	998	588	881
TERRACE WATER COMPANY												
3601684 1S4W08F06S W	0	191	263	280	FC	147	-	-	-	-	-	0
3601684- 1S4W08F W	-	-	-	-	455	91	0	0	546	18	331	179
3601685 1S4W08F W	66	0	0	0	0	13	-	-	-	-	-	0
3601686 1S4W08F W	1252	730	814	732	444	794	771	750	293	885	377	615
OWNER TOTAL	1318*	921*	1077*	1012*	899*	1045*	771*	750*	839*	903*	708*	794*
THERMO ECOTEK CORPORATION												
3601014 1S3W18N W ¹	266	182	312	307	110	235	10	16	23	37	0	17
3601015 1S3W18N W ²	266	239	362	368	583	364	76	115	53	31	29	61
OWNER TOTAL	532*	421*	674*	675*	693*	599*	86*	131*	76*	68*	29*	78*
TILDEN, M. WILLIAM												
3602074 1N3W34B02 W ³	112	112	112	112	112	112	20	20	20	20	20	20

1 FORMERLY SOUTHERN CALIFORNIA EDISON UNTIL 1998

2 FORMERLY SOUTHERN CALIFORNIA EDISON UNTIL 1998:1997 AMOUNT CORRECTED DURING 1998 VERIFICATION

3 FORMERLY MULLINS, JAMES C... JR., EXECUTOR

TABLE NO. 1
 VERIFIED EXTRACTATIONS BY OWNERS (NON-PLAINTIFFS) WHICH HAVE RECORDATION FILINGS
 WITH THE STATE WATER RESOURCES CONTROL BOARD

OWNER	1959	1960	1961	1962	1963	1959-63 AVERAGE	1964	1965	1966	1967	1968	1994-98 AVERAGE
TILDEN, M. WILLIAM												
3602075 1N3W34B01 W ¹	36	36	36	36	36	36	0	0	0	0	0	0
OWNER TOTAL	148*	148*	148*	148*	148*	148*	20*	20*	20*	20*	20*	20*
TRI CITY CONCRETE												
3600935 1N4W31N W ²	10	10	10	10	10	10	-	-	-	-	-	0
3601309 1S4W05M W	125	125	125	125	126	125	-	-	-	-	-	0
OWNER TOTAL	135*	135*	135*	135*	136*	135*	0*	0*	0*	0*	0*	0*
TRI CITY MUTUAL WATER COMPANY												
3601823 1S4W23N W	53	20	0	0	0	15	-	-	-	-	-	0
TROJAN GROVES												
3600451 1S3W15M W ³	962	700	940	784	816	840	385	303	358	300	300	329
UNGER, V.E.												
3601168 1S4W26F W	-	-	-	-	-	0	-	-	-	-	-	0
VICTORIA FARMS MUTUAL WATER COMPANY												
3602112 1S4W13R01S W	335	288	320	275	266	297	-	0	-	-	-	0
3602247 1S4W13R03 W ⁴	-	-	-	-	-	0	0	0	0	0	0	0
3602574 1S4W13R W ⁴	-	-	-	-	-	0	10	0	0	0	0	2

1 FORMERLY MULLINS, JAMES C.. JR., EXECUTOR

2 FORMERLY TRI CITY BASELINE

3 FORMERLY STUCKER RANCH; FORMERLY BEELER, RAYMOND A.

4 WELL DRILLED 1972 STATE WELL NUMBER CORRECTED DURING 1983 VERIFICATION

TABLE NO. 1
 VERIFIED EXTRACTATIONS BY OWNERS (NON-PLAINTIFFS) WHICH HAVE RECORDATION FILINGS
 WITH THE STATE WATER RESOURCES CONTROL BOARD

OWNER	1959	1960	1961	1962	1963	1959-63 AVERAGE	1964	1965	1966	1967	1968	1994-98 AVERAGE
VICTORIA FARMS MUTUAL WATER COMPANY (CONTINUED)												
3602714 1S4W13R W	-	-	-	-	-	0	180	200	240	130	0	150
OWNER TOTAL	335*	288*	320*	275*	266*	297*	190*	200*	240*	130*	0*	152*
VICTORIA GUERNSEY												
3600399 1S4W02D W	163	248	200	160	223	199	-	-	-	-	-	0
WARMINGTON, ROBERT P. ¹												
3600270 1S3W20P W ¹	300	248	288	153	139	226	0	0	0	0	0	0
WEATHERWAX, W. G.												
3600652 1S3W15N01S W	-	-	-	-	-	0	-	-	-	-	-	0
WEST SAN BDNO. COUNTY WATER DIST.												
3600302 1N5W26A01S W	158	259	160	0	0	115	-	-	-	-	-	0
3600303 1N5W26B01S W	FC	-	-	-	-	0	-	-	-	-	-	0
3600304 1N5W26A03S W	816	671	611	540	804	688	1510	2079	1856	1272	756	1495
3600305 1N5W25E01S W	922	990	1124	471	573	816	1	0	205	500	988	339
3600306 1N5W23P02S W	-	-	-	-	-	0	-	-	-	-	-	0
3600307 1N5W23P04S W ₂	1057	1152	399	72	435	623	2169	2134	1236	739	642	1384
3600312 1N5W22M D ₂	4258	2709	2424	4392	4097	3576	3697	3696	3686	4079	3696	3771
3600996 1N5W36J03S W	839	1355	1048	1552	1366	1232	721	488	66	2	0	255

¹ FORMERLY NICKERSON, E.D.

² INCLUDES GROSS LYTLE CREEK DIVERSIONS--SEE TABLE NO. 4 FOR VERIFIED DIVERSIONS FROM LYTLE CREEK

TABLE NO. 1
 VERIFIED EXTRACTATIONS BY OWNERS (NON-PLAINTIFFS) WHICH HAVE RECORDATION FILINGS
 WITH THE STATE WATER RESOURCES CONTROL BOARD

OWNER	1959	1960	1961	1962	1963	1959-63 AVERAGE	1964	1965	1966	1967	1968	1994-98 AVERAGE
WEST SAN BDNO. COUNTY WATER DIST. (CONTINUED)												
3600997 1N5W36H04S W	230	85	0	0	-	63	361	1405	1750	1861	1879	1451
3600998 1N5W25E02S W	1228	639	356	8	-	446	-	-	-	-	-	0
3600999 1S4W06J01S W	531	70	435	70	9	223	-	-	-	-	-	0
3601000 1S4W06J02S W	312	0	0	0	0	62	-	-	-	-	-	0
3601002 1N4W31P03S W	338	540	554	221	148	360	-	-	-	-	-	0
3601003 1S4W06H01S W	1283	929	1264	794	1434	1141	-	-	-	-	-	0
3601725 1N5W25E00S W	-	-	-	-	-	0	-	-	-	-	-	0
3601848 1S4W05E05S W	1612	2655	3145	1951	1965	2266	683	629	800	1041	932	817
3601944 1N5W23Q00S W ¹	0	36	2067	1260	1006	874	2299	1723	1808	2109	2057	1999
3602766 1S4W06H02 W ¹	-	-	-	-	-	0	504	9	0	1	0	103
3602897 1N5W23P W ²	-	-	-	-	-	0	484	84	98	2	2	134
3603054 1N5W25E W ³	-	-	-	-	-	0	0	0	0	1	0	0
3603055 1N5W36H05 W ³	-	-	-	-	-	0	637	943	467	87	259	479
OWNER TOTAL	13584*	12090*	13587*	11331*	11837*	12486*	13066*	13190*	11972*	11694*	11211*	12227*

WILEY, RUTH NORWOOD

3600052 1S4W36J W

1 WELL DRILLED 1979

2 WELL DRILLED 1987

3 WELL DRILLED 1988

TABLE NO. 1
 VERIFIED EXTRACTATIONS BY OWNERS (NON-PLAINTIFFS) WHICH HAVE RECORDATION FILINGS
 WITH THE STATE WATER RESOURCES CONTROL BOARD

OWNER	1959	1960	1961	1962	1963	1959-63 AVERAGE	1964	1965	1966	1967	1968	1994-98 AVERAGE
WILLIAMS WELL CORPORATION, LTD.												
3600828 1S3W16J W	721	684	765	706	595	694	650	672	554	581	487	589
WOEHR MUTUAL WATER COMPANY												
3600817 1S3W29H W	374	465	625	488	423	475	0	0	0	0	0	0
YAHIKU, PAUL												
3601280 1S3W29D W ¹	50	95	51	51	51	60	-	-	-	-	-	0
YUCAIPA VALLEY WATER DISTRICT												
3602657 1S1W20D W ²	-	-	-	-	-	0	0	0	0	0	0	0
3602658 1S1W20D W ³	-	-	-	-	-	0	0	0	0	0	0	0
3602659 1S1W19G W ⁴	-	-	-	-	-	0	0	0	0	0	0	0
3603539 1S2W24C W ⁵	-	-	-	-	-	0	349	334	358	482	337	372
OWNER TOTAL	0*	0*	0*	0*	0*	0*	349*	334*	358*	482*	337*	372*
*7TH AVE. WELL												
3601121 1S2W31F W	230	342	514	161	271	304	0	0	0	0	0	0
1 FORMERLY JACINTO FARMING INC.												
2 FORMERLY Y.V.C.W.D.; FORMERLY TRIPLE FALLS MUT. WTR. CO. NON-FILED NO. 136 PRIOR TO 1975												
3 FORMERLY Y.V.C.W.D.; FORMERLY TRIPLE FALLS MUT. WTR. CO. NON-FILED NO. 135 PRIOR TO 1975												
4 FORMERLY Y.V.C.W.D.; FORMERLY TRIPLE FALLS MUT. WTR. CO. NON-FILED NO. 134 PRIOR TO 1975												
5 WELL DRILLED 1993												

TABLE NO. 1

VERIFIED EXTRACTATIONS BY OWNERS (NON-PLAINTIFFS) WHICH HAVE RECORDATION FILINGS
WITH THE STATE WATER RESOURCES CONTROL BOARD

OWNER	1959	1960	1961	1962	1963	1959-63 AVERAGE	1994	1995	1996	1997	1998	1994-98 AVERAGE
TOTAL VERIFIED PRODUCTION ALL FACILITIES	177260*	162019*	167648*	161479*	144956*	162672*	179007*	178982*	202309*	193717*	202714*	191346*
TOTAL VERIFIED PRODUCTION ALL FACILITIES 25 ACRE-FEET PER YEAR OR LARGER	176785*	161737*	167451*	161123*	144498*	162319*	178880*	178872*	202190*	193622*	202605*	191234*

TABLE NO. 2

EXTRACTIONS BY OWNERS (NON-PLAINTIFFS) WHICH
HAVE NOT FILED WITH THE STATE WATER RESOURCES
CONTROL BOARD

TABLE NO. 2

VERIFIED EXTRACTONS BY OWNERS (NON-PLAINTIFFS) WHICH HAVE NOT FILED
WITH THE STATE WATER RESOURCES CONTROL BOARD

OWNER	1959	1960	1961	1962	1963	1959-63 AVERAGE	1964	1965	1966	1967	1968	1994-98 AVERAGE
AHMANSON RANCH												
2 1S4W27H	200	200	200	200	200	200	0	0	0	0	0	0
ANDERSON, W.D.												
3 1N4W25R	0	0	0	0	0	0	-	-	-	-	-	0
ARNOLD RANCH												
4 1N3W34H	230	230	230	230	230	230	0	0	0	0	0	0
BALCOM												
5 1S4W11M	1	1	1	1	1	1	-	-	-	-	-	0
BALDWIN												
6 1N3W34K	1	1	1	1	1	1	0	0	0	0	0	0
BARRIER												
7 1S4W22B	3	3	3	3	3	3	0	0	0	0	0	0
BASELINE LAUNDRY												
8 1N3W31Q	50	50	50	50	50	50	0	0	0	0	0	0
82 1N3W31Q	-	-	-	-	-	0	0	0	0	0	0	0
OWNER TOTAL	50*	50*	50*	50*	50*	50*	0*	0*	0*	0*	0*	0*
BATCHELOR												
9 1N4W14R	1	1	1	1	1	1	1	1	1	1	1	1
10 1N4W14R	1	1	1	1	1	1	1	1	1	1	1	1

1 FORMERLY MEEKS & DALEY

TABLE NO. 2
 VERIFIED EXTRACTIONS BY OWNERS (NON-PLAINTIFFS) WHICH HAVE NOT FILED
 WITH THE STATE WATER RESOURCES CONTROL BOARD

OWNER	1959	1960	1961	1962	1963	1959-63 AVERAGE	1964	1965	1966	1967	1968	1994-98 AVERAGE
OWNER TOTAL	2*	2*	2*	2*	2*	2*	2*	2*	2*	2*	2*	2*
BERMAN, JERRY & SONS												
11 1S4W02K W	120	110	130	-	-	72	0	0	0	0	0	0
12 1S4W02J W	84	84	84	84	84	84	0	0	0	0	0	0
OWNER TOTAL	204*	194*	214*	84*	84*	156*	0*	0*	0*	0*	0*	0*
BLISS												
13 1S2W22E W	2	2	2	2	2	2	0	0	0	0	0	0
BOUCHER												
14 1N4W14J W	1	1	1	1	1	1	1	1	1	1	1	1
BREAK. ALLEN, ESTATE												
15 1S3W31A W	760	608	760	608	608	669	0	0	0	0	0	0
CAMPUS CRUSADE FOR CHRIST												
155 1N4W14C D ¹	200	200	150	150	50	150	50	50	50	50	50	50
CARPENTER												
16 1S4W22B W	4	4	4	4	4	4	0	0	0	0	0	0
CLIFFSIDE RANCH												
17 1S3W03F W ²	171	174	181	150	186	172	-	-	-	-	-	0
COOK CANYON												
18 1N3W27R D	35	35	35	35	35	35	0	0	0	0	0	0

1 FORMERLY WEST TWIN CREEK WATER COMPANY; FORMERLY HODGDON, WARNER

2 FILED BY E.V.W.D. RECORDATION NO. 3602571 COMMENCING 1978 SEE TABLE NO.1

TABLE NO. 2

VERIFIED EXTRACTIONS BY OWNERS (NON-PLAINTIFFS) WHICH HAVE NOT FILED WITH THE STATE WATER RESOURCES CONTROL BOARD

OWNER	1959	1960	1961	1962	1963	1959-63 AVERAGE	1964	1965	1966	1967	1968	1994-98 AVERAGE
CRYSTAL SPRINGS												
20 2S2W06D	W	1	1	1	1	1	1	1	1	1	1	1
DANIELS, DON												
175 1S3W19J	W ¹	-	-	-	-	0	-	-	-	-	-	0
DANIELS, HAROLD												
22 1S3W17R	W ²	-	-	-	500	100	-	-	-	-	-	0
23 1S3W17C	W	2	2	2	2	2	1	1	1	1	1	1
OWNER TOTAL		2*	2*	2*	502*	102*	1*	1*	1*	1*	1*	1*
DILLSON MUTUAL WATER COMPANY												
25 1N4W24C	W	18	18	18	18	18	-	-	-	-	-	0
26 1N4W13P	W	18	18	18	18	18	0	0	0	0	0	0
173 1N4W24C	W	-	-	-	-	0	0	0	0	0	0	0
OWNER TOTAL		36*	36*	36*	36*	36*	0*	0*	0*	0*	0*	0*
DONGLO DAIRY												
21 1S4W11F	W	35	35	35	35	35	-	-	-	-	-	0
EAST HIGHLANDS ORANGE COMPANY												
29 1N3W35B	D ³	53	28	40	47	43	-	-	-	-	-	0

1 FILED BY DANIELS AND BEST RANCH RECORDATION NUMBER 3602549 COMMENCING 1973 SEE TABLE NO. 1

2 FILED BY DANIELS AND BEST RANCH RECORDATION NUMBER 3602550 COMMENCING 1973 SEE TABLE NO. 1

3 FILED BY EAST HIGHLANDS RANCH INC. RECORDATION NO. 3602474 COMMENCING 1980 SEE TABLE NO. 1

TABLE NO. 2

VERIFIED EXTRACTIONS BY OWNERS (NON-PLAINTIFFS) WHICH HAVE NOT FILED
WITH THE STATE WATER RESOURCES CONTROL BOARD

OWNER	1959	1960	1961	1962	1963	1959-63 AVERAGE	1964	1965	1966	1967	1968	1994-98 AVERAGE
EAST VALLEY WATER DISTRICT												
30 1N3W30C W ₁	-	-	-	-	-	0	0	0	0	0	0	0
32 1S3W04P W ₁	24	24	29	30	20	25	0	0	0	0	0	0
33 1S3W05R W ₁	50	51	56	38	34	46	0	0	0	0	0	0
34 1N3W31A W ₁	216	110	75	0	0	80	0	0	0	0	0	0
35 1S3W05Q W ₁	11	9	12	6	3	8	0	0	0	0	0	0
36 1N4W36H W ₁	35	1	0	0	0	7	0	0	0	0	0	0
37 1S3W06Q W ₁	0	0	0	0	0	0	0	0	0	0	0	0
38 1N3W31D W ₁	39	55	2	2	0	20	0	0	0	0	0	0
39 1S3W06E W ₁	35	35	35	0	0	21	0	0	0	0	0	0
40 1S3W06B W ₁	10	10	10	10	10	10	0	0	0	0	0	0
41 1S3W06C W ₁	-	-	-	-	-	0	0	0	0	0	0	0
42 1S4W02L W ₁	20	20	20	20	20	20	0	0	0	0	0	0
43 1S3W06P W ₁	4	4	4	4	-	3	0	0	0	0	0	0
44 1S3W05Q W ₁	1	1	1	1	1	1	0	0	0	0	0	0
45 1S3W06M W ₁	572	690	848	560	668	668	0	0	0	0	0	0
46 1S3W06Q W ₁	27	21	23	25	27	25	0	0	0	0	0	0
47 1S3W03N W ₁	10	10	10	10	10	10	0	0	0	0	0	0
48 1N4W25D W ₁	11	11	11	11	11	11	0	0	0	0	0	0

1 FORMERLY EAST SAN BDNO. COUNTY WATER DIST.

TABLE NO. 2

VERIFIED EXTRACTATIONS BY OWNERS (NON-PLAINTIFFS) WHICH HAVE NOT FILED
WITH THE STATE WATER RESOURCES CONTROL BOARD

OWNER	1959	1960	1961	1962	1963	1959-63 AVERAGE	1964	1965	1966	1967	1968	1994-98 AVERAGE
EAST VALLEY WATER DISTRICT												
49 1S3W03N W ₁	5	5	5	-	-	3	0	0	0	0	0	0
50 1S3W05J W ₁	2	2	-	-	-	1	0	0	0	0	0	0
51 1S4W01D W ₁	20	20	20	20	20	20	0	0	0	0	0	0
52 1S3W06N W ₁	150	99	137	373	190	190	0	0	0	0	0	0
59 1S3W04Q W ₂	20	20	20	20	20	20	0	0	0	0	0	0
76 1S3W06L W ₃	100	100	100	100	100	100	0	0	0	0	0	0
77 1S3W06F W ₃	50	50	50	50	50	50	0	0	0	0	0	0
OWNER TOTAL	1412*	1348*	1468*	1280*	1184*	1338*	0*	0*	0*	0*	0*	0*
ELLENA, JOHN B.												
54 1N4W08N W ₄	585	585	585	585	585	585	-	-	-	-	-	0
ELLGOOD												
55 1S2W24C W	5	5	5	5	5	5	5	5	5	5	5	5
FARROW												
56 1S2W22E W	6	5	28	5	5	10	5	5	5	5	5	5
FINCH												
57 1S2W29C W	-	-	-	-	-	0	0	0	0	0	0	0

1 FORMERLY EAST SAN BDNO. COUNTY WATER DIST.

2 FORMERLY HACIENDA TRAILER PARK; FORMERLY EAST SAN BDNO. COUNTY WATER DIST.

3 FORMERLY LANKERSHIM MUT. WTR. CO.

4 FILED BY NEW OWNER SAN BERNARDINO, CITY OF RECORDATION NO. 3602712 COMMENCING 1977 SEE TABLE NO. 1

TABLE NO. 2

VERIFIED EXTRACTIIONS BY OWNERS (NON-PLAINTIFFS) WHICH HAVE NOT FILED
WITH THE STATE WATER RESOURCES CONTROL BOARD

OWNER	1959	1960	1961	1962	1963	1959-63 AVERAGE	1964	1965	1966	1967	1968	1994-98 AVERAGE
GOLCONDA WATER COMPANY												
58 1S4W13E W	96	96	96	96	96	96	-	-	-	-	-	0
GREENSPOT MUTUAL WATER CO TUNNEL												
166 1S2W22C D	-	-	-	-	-	0	0	0	0	0	100	20
HAGAR												
60 1S2W16L W	1	1	1	1	1	1	0	0	0	0	0	0
HARDISON												
61 1N4W13Q W	1	1	1	1	1	1	1	1	1	1	1	1
HARRISON												
62 1S3W04J W	1	1	1	1	1	1	0	0	0	0	0	0
HARRISON CANYON												
63 1N4W13N W	1	1	1	1	1	1	0	0	0	0	0	0
64 1N4W13N W	1	1	1	1	1	1	0	0	0	0	0	0
OWNER TOTAL	2*	2*	2*	2*	2*	2*	0*	0*	0*	0*	0*	0*
HAZAS												
65 1S4W11G W	8	8	8	8	8	8	-	-	-	-	-	0
HELIPORT												
66 1S4W15G W	1	1	1	1	1	1	0	0	0	0	0	0
HILL												
67 1S2W31B W	-	-	-	-	-	0	0	0	0	0	0	0

TABLE NO. 2

VERIFIED EXTRACTIONS BY OWNERS (NON-PLAINTIFFS) WHICH HAVE NOT FILED WITH THE STATE WATER RESOURCES CONTROL BOARD

OWNER	1959	1960	1961	1962	1963	1959-63 AVERAGE	1964	1965	1966	1967	1968	1994-98 AVERAGE
HOLDEN MUTUAL WATER COMPANY												
68 1S4W14E W	2	2	2	2	2	2	-	-	-	-	-	0
69 1S4W14F W	12	12	12	12	12	12	-	-	-	-	-	0
OWNER TOTAL	14*	14*	14*	14*	14*	14*	0*	0*	0*	0*	0*	0*
HORTON												
70 1S3W32J W	385	300	420	364	357	365	332	341	338	330	232	315
HUNTER												
71 1S3W03D W	3	3	3	3	3	3	0	0	0	0	0	0
INLAND VALLEY DEVELOPMENT AGENCY												
86 1S4W07D W ¹	688	619	640	699	623	654	370	370	0	-	-	148
87 1S4W12C W ¹	473	425	440	480	429	449	275	275	1221	-	-	354
88 1S4W12D W ²	860	773	800	874	780	817	0	0	0	0	0	0
89 1S4W12F W ³	1721	1546	1599	1747	1559	1634	890	890	144	-	-	385
90 1S3W07A W ³	946	850	879	961	857	899	850	850	322	-	-	404
91 1S4W12Q W ⁴	0	0	0	0	0	0	0	0	0	0	0	0
92 1S4W12G W ⁴	860	773	800	874	780	817	0	0	0	0	0	0

1 FORMERLY NORTON AIR FORCE BASE; FILED BY INLAND VALLEY DEVELOPMENT AGENCY - SEE TABLE 1 COMMENCING 1997

2 FORMERLY NORTON AIR FORCE BASE

3 FORMERLY NORTON AIR FORCE BASE; FILED BY INLAND VALLEY DEVELOPMENT AGENCY - SEE TABLE 1 COMMENCING 1997

4 FORMERLY NORTON AIR FORCE BASE

TABLE NO. 2

VERIFIED EXTRACTATIONS BY OWNERS (NON-PLAINTIFFS) WHICH HAVE NOT FILED
WITH THE STATE WATER RESOURCES CONTROL BOARD

OWNER	1959	1960	1961	1962	1963	1959-63 AVERAGE	1994	1995	1996	1997	1998	1994-98 AVERAGE
(CONTINUED)												
INLAND VALLEY DEVELOPMENT AGENCY												
93 1S3W08E W ¹	0	0	0	0	0	0	0	0	0	0	0	0
94 1S3W08M W ¹	344	309	320	350	312	327	0	0	0	0	0	0
OWNER TOTAL	5892*	5295*	5478*	5985*	5340*	5598*	2385*	2385*	1687*	0*	0*	1291*
INTER CITY MUTUAL WATER COMPANY												
72 1S4W23P W ²	-	-	-	-	-	0	-	-	-	-	-	0
KING												
73 1N4W14R W	1	1	1	1	1	1	1	1	1	1	1	1
KOCH												
74 1S2W32B W	-	-	-	-	-	0	0	0	0	0	0	0
KRANTZ DAIRY												
75 1S4W11F W	100	100	100	100	100	100	0	0	0	0	0	0
KUHN, RICHARD J												
178 1S3W32G W ³	-	-	-	-	-	0	0	0	0	0	0	0
L.P.R. RANCH												
80 1S3W13C W ⁴	-	-	485	660	610	351	-	-	-	-	-	0

1 FORMERLY NORTON AIR FORCE BASE

2 FILED BY SAN BERNARDINO, CITY OF RECORDATION NO. 3602521 COMMENCING 1977 SEE TABLE NO. 1

3 WELL DRILLED 1976

4 FILED BY L.P.R. ICE COMPANY RECORDATION NO. 3602525 COMMENCING 1972 SEE TABLE NO. 1

TABLE NO. 2

VERIFIED EXTRACTIONS BY OWNERS (NON-PLAINTIFFS) WHICH HAVE NOT FILED
WITH THE STATE WATER RESOURCES CONTROL BOARD

OWNER	1959	1960	1961	1962	1963	1959-63 AVERAGE	1964	1965	1966	1967	1968	1994-98 AVERAGE
LA TOURETTE												
78 1S2W28M W	30	30	30	30	30	30	2	2	2	2	2	2
LORD												
79 1S2W28M D	1	1	1	1	1	1	1	1	1	1	1	1
MARSHBURN												
81 1S3W17G W	-	-	380	300	290	194	100	100	100	100	100	100
MCCALLA BROS												
164 1S3W20Q W	-	-	1	1	1	1	0	0	0	0	0	0
MENTONE DOMESTIC WATER COMPANY												
83 1S2W19J W ¹	-	-	25	-	-	5	-	-	-	-	-	0
176 1S2W19J W ²	-	-	-	-	-	0	-	-	-	-	-	0
OWNER TOTAL	0*	0*	25*	0*	0*	5*	0*	0*	0*	0*	0*	0*
MOORE, R. H.												
84 1S4W24K W	46	42	89	78	77	66	0	0	0	0	0	0
MT. VIEW CHILD CARE CENTER												
145 1S4W24J W ³	2	2	2	2	2	2	1	1	1	1	1	1
NO NAME WELL												
85 1N3W32M W	30	27	32	28	28	29	0	0	0	0	0	0

1 FILED BY REDLANDS, CITY OF RECORDATION NO. 3602653 COMMENCING 1978 SEE TABLE NO. 1

2 FILED BY REDLANDS, CITY OF RECORDATION NO. 3602654 COMMENCING 1975 SEE TABLE NO. 1

3 FORMERLY VANLEUVEN NURSING HOME

TABLE NO. 2

VERIFIED EXTRACTATIONS BY OWNERS (NON-PLAINTIFFS) WHICH HAVE NOT FILED
WITH THE STATE WATER RESOURCES CONTROL BOARD

OWNER	1959	1960	1961	1962	1963	1959-63 AVERAGE	1964	1965	1966	1967	1968	1994-98 AVERAGE
NORWOOD												
95 1N3W34F PACIFIC HIGH SCHOOL	1	1	1	1	1	1	0	0	0	0	0	0
96 1N4W35H PATTERSON, ROY H.	75	75	75	75	75	75	0	0	0	0	0	0
163 1N3W34Q PIERSON	-	-	-	-	-	0	1	1	1	1	1	1
97 1N4W35N QUALITY FARMS	80	80	80	80	-	64	-	-	-	-	-	0
53 1S3W04R RAMSEY	123	123	123	123	123	123	80	80	80	80	80	80
98 1S2W22F REDLANDS ASSOCIATES	1	1	1	1	1	1	1	1	1	1	1	1
99 1S2W17B	-	-	-	-	13	3	0	0	0	0	0	0
100 1S2W09P	200	162	200	169	166	179	-	-	-	-	-	0
101 1S2W09L	145	119	146	123	122	131	-	-	-	-	-	0

1 FORMERLY ROBERTS, DR. G.

2 WELL DESTROYED

3 FORMERLY ROZEMA CHICKEN RANCH

4 FILED BY NEW OWNER BLUE GOOSE GROWERS INC. RECORDATION NO. 3602529 COMMENCING 1972 SEE TABLE NO. 1

5 FILED BY NEW OWNER BLUE GOOSE GROWERS INC. RECORDATION NO. 3602530 COMMENCING 1972 SEE TABLE NO. 1

TABLE NO. 2
 VERIFIED EXTRACTATIONS BY OWNERS (NON-PLAINTIFFS) WHICH HAVE NOT FILED
 WITH THE STATE WATER RESOURCES CONTROL BOARD

OWNER	1959	1960	1961	1962	1963	1959-63 AVERAGE	1964	1965	1966	1967	1968	1994-98 AVERAGE
REDLANDS ASSOCIATES												
102 1S2W09L D ¹	144	97	92	122	110	113	-	-	-	-	-	0
OWNER TOTAL	489*	378*	438*	414*	411*	426*	0*	0*	0*	0*	0*	0*
REDLANDS WATER COMPANY												
104 1S2W08A D ²	544	599	301	754	581	556	900	900	900	760	743	841
REDLANDS, CITY OF												
103 1S2W13B D ³	10	10	10	10	10	10	0	0	0	0	0	0
REGINA GRAPE PRODUCTS												
105 1N5W04M W	60	60	60	60	60	60	0	0	0	0	0	0
106 1N5W04N W	24	24	24	24	24	24	0	0	0	0	0	0
107 1N5W04N W	27	27	27	27	27	27	0	0	0	0	0	0
108 1N5W05C D	29	29	29	29	29	29	0	0	0	0	0	0
109 1N5W05R W	33	33	33	33	33	33	0	0	0	0	0	0
110 1N5W04N W	24	24	24	24	24	24	0	0	0	0	0	0
111 1N5W04N W	33	33	33	33	33	33	0	0	0	0	0	0
112 1N5W04N W	20	20	20	20	20	20	0	0	0	0	0	0
OWNER TOTAL	250*	250*	250*	250*	250*	250*	0*	0*	0*	0*	0*	0*

1 FILED BY NEW OWNER BLUE BANNER CO. RECORDATION NO. 3602531 COMMENCING 1980 SEE TABLE NO. 1

2 COMMENCING 1974 SEE TABLE NO. 6 SANTA ANA RIVER VERIFICATION OF EXTRACTATIONS

3 COMMENCING 1974 SEE TABLE NO. 5 MILL CREEK VERIFICATION OF EXTRACTATIONS MILL CREEK RANGER STATION TERMINATED MAY 1979

TABLE NO. 2
 VERIFIED EXTRACTIONS BY OWNERS (NON-PLAINTIFFS) WHICH HAVE NOT FILED
 WITH THE STATE WATER RESOURCES CONTROL BOARD

OWNER	1959	1960	1961	1962	1963	1959-63 AVERAGE	1964	1965	1966	1967	1968	1994-98 AVERAGE
RIVAS												
113 1S4W24J W	1	1	1	1	1	1	0	0	0	0	0	0
114 1N3W34K W	1	1	1	1	1	1	0	0	0	0	0	0
SAN BERNARDINO, CITY OF												
115 1S4W21A W	3	3	3	3	3	3	0	0	0	0	0	0
116 1S4W22C W	5	5	5	5	5	5	0	0	0	0	0	0
OWNER TOTAL	8*	8*	8*	8*	8*	8*	0*	0*	0*	0*	0*	0*
SAN BERNARDINO, COUNTY OF												
1 1S4W14A W ¹	145	145	145	80	80	119	0	0	0	0	0	0
19 1N4W35F W ²	200	200	200	200	200	200	350	350	350	350	350	350
117 2N5W33F W	428	330	410	308	207	337	614	381	343	520	341	440
118 2N5W33G W ³	208	285	399	256	179	265	196	408	556	609	637	481
177 1N5W04B W	-	-	-	-	-	0	0	0	50	30	40	24
OWNER TOTAL	981*	960*	1154*	844*	666*	921*	1160*	1139*	1299*	1509*	1368*	1295*
SAN MANUAL INDIAN RESERVATION												
119 1N3W20N W	6	6	6	6	6	6	0	0	0	0	0	0

1 FORMERLY AEROSPACE
 2 FORMERLY COUNTY HOSPITAL
 3 ORIGINAL VERIFICATION DONE DURING THE 1973 VERIFICATION

TABLE NO. 2

VERIFIED EXTRACTIONS BY OWNERS (NON-PLAINTIFFS) WHICH HAVE NOT FILED WITH THE STATE WATER RESOURCES CONTROL BOARD

OWNER	1959	1960	1961	1962	1963	1959-63 AVERAGE	1964	1965	1966	1967	1968	1994-98 AVERAGE
SANDYS RESTAURANT												
165 1S3W21M2 W	-	-	-	-	-	0	0	0	0	0	0	0
SANTINI												
120 1S4W14A W	90	90	90	90	90	90	0	0	0	0	0	0
SARATOGA DEVELOPMENT COMPANY												
28 1S2W06Q D ¹	1	1	1	1	1	1	1	1	1	1	1	1
SATOSKI, DOCTOR												
121 1N4W14J W	1	1	1	1	1	1	1	1	1	1	1	1
SELEY												
122 1N3W19Q D ²	1	1	1	1	1	1	1	1	1	1	1	1
SIX HOUSES												
123 1S4W22A W	6	6	6	6	6	6	0	0	0	0	0	0
SMITH												
124 1N4W14J W	1	1	1	1	1	1	1	1	1	1	1	1
SMITH MEAT PACKING PLANT ³												
126 1S4W22M01 W	3	3	3	3	3	3	-	-	-	-	-	0
SMITH,												
125 1S3W02J W	10	10	10	10	10	10	10	10	10	10	10	10

1 FORMERLY EAST HIGHLANDS ORANGE COMPANY

2 1992 VERIFIED AMOUNT CORRECTED DURING 1993 VERIFICATION

3 WELL DESTROYED

TABLE NO. 2

VERIFIED EXTRACTATIONS BY OWNERS (NON-PLAINTIFFS) WHICH HAVE NOT FILED WITH THE STATE WATER RESOURCES CONTROL BOARD

OWNER	1959	1960	1961	1962	1963	1959-63 AVERAGE	1964	1965	1966	1967	1968	1969-74 AVERAGE	1974-98 AVERAGE
STANLEY, SILAS													
127 1S2W24H	2	2	2	2	2	2	3	3	3	3	3	3	3
STEWART, WILLARD													
128 1S3W31D	53	53	53	53	53	53	0	0	0	0	0	0	0
STRAWBERRY PATCH													
129 1S3W03N	-	-	-	-	-	0	30	30	30	30	30	30	30
130 1S3W03N	1	1	1	1	1	1	0	0	0	0	0	0	0
OWNER TOTAL	1*	1*	1*	1*	1*	1*	30*	30*	30*	30*	30*	30*	30*
SUPERIOR ORCHARDS													
131 1N3W29B	1	1	1	1	1	1	0	0	0	0	0	0	0
TEXACO GAS STATION													
27 1S4W24J	-	-	-	-	-	0	1	1	.1	1	1	1	1
THOMPSON RANDALL													
132 1N3W28A	3	3	3	3	3	3	0	0	0	0	0	0	0
TRI CITY MUTUAL WATER COMPANY													
133 1S4W23N	0	0	0	0	0	0	0	0	0	0	0	0	0
TRIPLE FALLS MUTUAL WATER COMPANY													
134 1S1W19G	-	-	-	-	-	0	-	-	-	-	-	-	0

1 1982 VERIFIED AMOUNT CORRECTED DURING 1983 VERIFICATION

2 FORMERLY DOUGLAS GAS STATION

3 FILED BY NEW OWNER YUCAIPA VALLEY COUNTY WATER DISTRICT RECORDATION NO. 3602659 COMMENCING 1975 SEE TABLE NO. 1

TABLE NO. 2

VERIFIED EXTRACTATIONS BY OWNERS (NON-PLAINTIFFS) WHICH HAVE NOT FILED WITH THE STATE WATER RESOURCES CONTROL BOARD

OWNER	1959	1960	1961	1962	1963	1959-63 AVERAGE	1964	1965	1966	1967	1968	1994-98 AVERAGE
TRIPLE FALLS MUTUAL WATER COMPANY (CONTINUED)												
135 1S1W20D W ¹	5	4	5	5	5	5	-	-	-	-	-	0
136 1S1W20D W ²	10	7	6	10	13	9	-	-	-	-	-	0
OWNER TOTAL	15*	12*	10*	15*	18*	14*	0*	0*	0*	0*	0*	0*
U.S. FOREST SERVICE												
137 1N4W13Q W	9	9	9	9	9	9	0	0	0	0	0	0
138 1S2W13P W	-	-	-	-	-	0	0	0	0	0	0	0
OWNER TOTAL	9*	9*	9*	9*	9*	9*	0*	0*	0*	0*	0*	0*
UNIVERSITY OF REDLANDS ³												
139 1S2W17A W	-	-	-	-	-	0	1	1	1	1	1	1
VALENCIA AVE. MUTUAL WATER COMPANY												
140 1N4W23K W	30	30	30	30	30	30	20	20	20	20	20	20
VALLEY FARMS MUTUAL WATER COMPANY												
141 1S4W15R W	90	90	90	90	90	90	0	0	0	0	0	0
142 1S4W15Q W	29	29	29	29	29	29	0	0	0	0	0	0
OWNER TOTAL	119*	119*	119*	119*	119*	119*	0*	0*	0*	0*	0*	0*
VAN MEETER												
146 1S3W02P W	3	3	0	0	0	1	0	0	0	0	0	0

1 FILED BY NEW OWNER YUCAIPA VALLEY COUNTY WATER DISTRICT RECORDATION NO. 3602658 COMMENCING 1975 SEE TABLE NO. 1

2 FILED BY NEW OWNER YUCAIPA VALLEY COUNTY WATER DISTRICT RECORDATION NO. 3602657 COMMENCING 1975 SEE TABLE NO. 1

3 FORMERLY UNIVERSITY OF REDLANDS; FORMERLY KARAHALOIS

TABLE NO. 2

VERIFIED EXTRACTATIONS BY OWNERS (NON-PLAINTIFFS) WHICH HAVE NOT FILED
WITH THE STATE WATER RESOURCES CONTROL BOARD

OWNER	1959	1960	1961	1962	1963	1959-63 AVERAGE	1964	1965	1966	1967	1968	1994-98 AVERAGE
(CONTINUED)												
VAN MEETER												
147 1S3W02P W	-	-	-	-	-	0	3	3	3	3	3	3
OWNER TOTAL	3*	3*	0*	0*	0*	1*	3*	3*	3*	3*	3*	3*
VANLEUVEN, CLARENCE												
143 1S4W24J W	26	26	26	26	26	26	0	0	0	0	0	0
VICTORIA SEVENTH DAY ADVENTIST												
144 1S4W24J W	15	15	15	15	15	15	10	10	10	10	10	10
WALLACE												
148 1M4W14J W	1	1	1	1	1	1	1	1	1	1	1	1
WARD, FLOYD												
149 1S1W18N W	-	-	-	16	16	6	0	0	0	0	0	0
150 1S1W18P W	-	-	-	17	17	7	0	0	0	0	0	0
151 1S1W18P W	1	1	1	1	1	1	1	1	1	1	1	1
152 1S1W18N W	-	-	-	16	16	6	0	0	0	0	0	0
153 1S1W18M W	-	-	-	52	52	21	0	0	0	0	0	0
154 1S1W18P D	-	-	-	1	1	0	0	0	0	0	0	0
OWNER TOTAL	1*	1*	1*	103*	103*	42*	1*	1*	1*	1*	1*	1*
WESTERN FRUIT GROWERS												
156 1S3W24Q W	147	220	177	0	0	109	0	0	0	0	0	0
1 FORMERLY VANLEUVEN, ED												

TABLE NO. 2

VERIFIED EXTRACTATIONS BY OWNERS (NON-PLAINTIFFS) WHICH HAVE NOT FILED
WITH THE STATE WATER RESOURCES CONTROL BOARD

OWNER	1959	1960	1961	1962	1963	1959-63 AVERAGE	1994	1995	1996	1997	1998	1994-98 AVERAGE
WIDEMEYER												
157 IN3W29H D	1	1	1	1	1	1	0	0	0	0	0	0
158 IN3W29H W	5	5	5	5	5	5	0	0	0	0	0	0
OWNER TOTAL	6*	6*	6*	6*	6*	6*	0*	0*	0*	0*	0*	0*
WILLIAMS DAIRY												
159 1S4W11G W	142	142	142	142	142	142	0	0	0	0	0	0
YORK												
160 IN3W19R W	1	1	1	1	1	1	1	1	1	1	1	1
161 IN3W19R W	28	28	28	28	28	28	15	15	15	15	15	15
162 IN3W19R D	30	26	20	30	28	27	0	0	0	0	0	0
OWNER TOTAL	59*	55*	49*	59*	57*	56*	16*	16*	16*	16*	16*	16*
TOTAL VERIFIED PRODUCTION ALL FACILITIES	13929*	12980*	14412*	14460*	13653*	13887*	5130*	5118*	4577*	2952*	2796*	4115*
TOTAL VERIFIED PRODUCTION ALL FACILITIES 25 ACRE-FEET PER YEAR OR LARGER	13430*	12505*	13946*	13981*	13167*	13406*	5037*	5025*	4484*	2859*	2703*	4022*

TABLE NO. 3

SUMMARY OF EXTRACTIONS (FILED AND NON-FILED)
FROM SAN BERNARDINO BASIN AREA BY NON-PLAINTIFFS
FOR USE WITHIN SAN BERNARDINO COUNTY

TABLE NO. 3

SUMMARY OF VERIFIED EXTRACTIONS (FILED & NON-FILED) FROM SAN BERNARDINO BASIN AREA
 BY NON-PLAINTIFFS FOR USE WITHIN SAN BERNARDINO COUNTY

OWNER	1959	1960	1961	1962	1963	1959-63 AVERAGE	1964	1965	1966	1967	1968	1994-98 AVERAGE
AHMANSON RANCH	200*	200*	200*	200*	200*	200*	0*	0*	0*	0*	0*	0*
ANDERSON, W.D.	0*	0*	0*	0*	0*	0*	0*	0*	0*	0*	0*	0*
ARMSTRONG, DOUGLAS	286*	342*	0*	0*	0*	126*	0*	0*	0*	0*	0*	0*
ARNOLD RANCH	230*	230*	230*	230*	230*	230*	0*	0*	0*	0*	0*	0*
ARROWHEAD COUNTRY CLUB	600*	607*	650*	650*	650*	631*	410*	488*	537*	521*	482*	488*
ARROYO VERDE MUTUAL WATER COMPANY	166*	186*	162*	168*	141*	165*	130*	130*	130*	100*	140*	126*
ATCHISON, TOPEKA & SANTA FE RAILWAY CO.	316*	254*	226*	220*	138*	231*	0*	0*	0*	0*	0*	0*
B M I FUNDS	343*	323*	165*	165*	0*	199*	0*	0*	0*	0*	0*	0*
BALCOM	1*	1*	1*	1*	1*	1*	0*	0*	0*	0*	0*	0*
BALDWIN	1*	1*	1*	1*	1*	1*	0*	0*	0*	0*	0*	0*

TABLE NO. 3

SUMMARY OF VERIFIED EXTRACTIONS (FILED & NON-FILED) FROM SAN BERNARDINO BASIN AREA
 BY NON-PLAINTIFFS FOR USE WITHIN SAN BERNARDINO COUNTY

OWNER	1959	1960	1961	1962	1963	1959-63 AVERAGE	1964	1965	1966	1967	1968	1994-98 AVERAGE
BARNO, JOHN												
OWNER TOTAL	0*	0*	0*	0*	34*	7*	0*	0*	0*	0*	0*	0*
BARRIER												
OWNER TOTAL	3*	3*	3*	3*	3*	3*	0*	0*	0*	0*	0*	0*
BARTON DEVELOPMENT												
OWNER TOTAL	1315*	1795*	1261*	366*	532*	1054*	1024*	1143*	1355*	1514*	1273*	1262*
BASE LINE WELL COMPANY												
OWNER TOTAL	0*	0*	0*	0*	0*	0*	0*	0*	0*	0*	0*	0*
BASELINE GARDENS MUTUAL WATER COMPANY												
OWNER TOTAL	303*	303*	303*	303*	303*	303*	400*	356*	441*	427*	367*	398*
BASELINE LAUNDRY												
OWNER TOTAL	50*	50*	50*	50*	50*	50*	0*	0*	0*	0*	0*	0*
BATCHELOR												
OWNER TOTAL	2*	2*	2*	2*	2*	2*	2*	2*	2*	2*	2*	2*
BEAR VALLEY MUTUAL WATER COMPANY												
OWNER TOTAL	22886*	19239*	16209*	17467*	14266*	18013*	24454*	30854*	39382*	33038*	36737*	32893*
BELL, H. EUGENE												
OWNER TOTAL	115*	88*	30*	85*	167*	97*	20*	20*	20*	20*	20*	20*
BERMAN, JERRY & SONS												
OWNER TOTAL	204*	194*	214*	112*	116*	168*	4*	4*	4*	4*	4*	4*

TABLE NO. 3

SUMMARY OF VERIFIED EXTRACTIIONS (FILED & NON-FILED) FROM SAN BERNARDINO BASIN AREA
 BY NON-PLAINTIFFS FOR USE WITHIN SAN BERNARDINO COUNTY

OWNER	1959	1960	1961	1962	1963	1959-63 AVERAGE	1964	1965	1966	1967	1968	1994-98 AVERAGE
BLISS												
OWNER TOTAL	2*	2*	2*	2*	2*	2*	0*	0*	0*	0*	0*	0*
BLUE BANNER COMPANY												
OWNER TOTAL	0*	0*	0*	0*	0*	0*	100*	100*	100*	100*	100*	100*
BLUE GOOSE GROWERS INC												
OWNER TOTAL	0*	0*	0*	0*	0*	0*	0*	0*	0*	0*	0*	0*
BOUCHER												
OWNER TOTAL	1*	1*	1*	1*	1*	1*	1*	1*	1*	1*	1*	1*
BREAK, ALLEN, ESTATE												
OWNER TOTAL	760*	608*	760*	608*	608*	669*	0*	0*	0*	0*	0*	0*
BRISTOL RANCH												
OWNER TOTAL	90*	100*	160*	108*	108*	113*	0*	0*	0*	0*	0*	0*
BROOKSIDE DAIRY, INC												
OWNER TOTAL	302*	302*	312*	312*	313*	308*	0*	0*	0*	0*	0*	0*
BROOKSIDE PLAZA												
OWNER TOTAL	0*	0*	0*	0*	0*	0*	10*	10*	10*	10*	10*	10*
BRYN MAWR MUTUAL WATER COMPANY												
OWNER TOTAL	1197*	1130*	1333*	1299*	1052*	1202*	87*	0*	0*	0*	0*	17*
BUOYE WELL												
OWNER TOTAL	0*	0*	146*	160*	177*	97*	0*	0*	0*	0*	0*	0*

TABLE NO. 3
SUMMARY OF VERIFIED EXTRACTIIONS (FILED & NON-FILED) FROM SAN BERNARDINO BASIN AREA
BY NON-PLAINTIFFS FOR USE WITHIN SAN BERNARDINO COUNTY

OWNER	1959	1960	1961	1962	1963	1959-63 AVERAGE	1964	1965	1966	1967	1968	1994-98 AVERAGE
C. L. PHARRIS SAND & GRAVEL												
OWNER TOTAL	221*	225*	220*	293*	295*	251*	174*	173*	673*	674*	1485*	636*
CALIFORNIA, STATE OF PATTON HOSPITAL												
OWNER TOTAL	947*	1076*	1085*	1003*	957*	1014*	474*	574*	700*	676*	657*	616*
CAMPUS CRUSADE FOR CHRIST												
OWNER TOTAL	977*	846*	607*	568*	407*	681*	150*	150*	150*	150*	150*	150*
CANYON KNOLLS RANCH												
OWNER TOTAL	104*	85*	105*	88*	87*	94*	159*	158*	194*	198*	168*	175*
CANYON RANCH												
OWNER TOTAL	298*	222*	101*	109*	103*	167*	0*	0*	0*	0*	0*	0*
CARDIFF FARMS MUTUAL WATER COMPANY												
OWNER TOTAL	518*	455*	502*	403*	446*	465*	200*	0*	0*	0*	0*	40*
CARPENTER												
OWNER TOTAL	4*	4*	4*	4*	4*	4*	0*	0*	0*	0*	0*	0*
CARTER, JAMES E., M.D.												
OWNER TOTAL	25*	25*	25*	27*	8*	22*	40*	40*	40*	40*	30*	38*
CHARLES, J. J.												
OWNER TOTAL	0*	0*	0*	0*	0*	0*	0*	0*	0*	0*	0*	0*
CHRISTINA WATER COMPANY												
OWNER TOTAL	1302*	1403*	700*	865*	793*	1013*	230*	0*	0*	0*	0*	46*

TABLE NO. 3

SUMMARY OF VERIFIED EXTRACTIONS (FILED & NON-FILED) FROM SAN BERNARDINO BASIN AREA
 BY NON-PLAINTIFFS FOR USE WITHIN SAN BERNARDINO COUNTY

OWNER	1959	1960	1961	1962	1963	1959-63 AVERAGE	1964	1965	1966	1967	1968	1994-98 AVERAGE
CLIFFSIDE RANCH												
OWNER TOTAL	171*	174*	181*	150*	186*	172*	0*	0*	0*	0*	0*	0*
COGBILL, CLINTON L.												
OWNER TOTAL	312*	296*	325*	181*	91*	241*	50*	50*	50*	50*	50*	50*
COLTON, CITY OF												
OWNER TOTAL	2814*	3606*	3305*	3743*	3267*	3347*	4402*	4961*	4017*	5471*	5706*	4911*
CONEJO RANCHOS MUTUAL WATER COMPANY												
OWNER TOTAL	0*	0*	0*	0*	0*	0*	0*	0*	0*	0*	0*	0*
COOK CANYON												
OWNER TOTAL	35*	35*	35*	35*	35*	35*	0*	0*	0*	0*	0*	0*
CRAFTON WATER COMPANY												
OWNER TOTAL	623*	750*	911*	745*	658*	737*	86*	0*	0*	109*	108*	61*
CRAM PATTERSON WELL												
OWNER TOTAL	413*	257*	361*	277*	294*	320*	300*	218*	282*	290*	255*	269*
CRAM RANCH ASSOCIATES												
OWNER TOTAL	220*	194*	179*	190*	224*	201*	20*	20*	20*	20*	20*	20*
CRYSTAL SPRINGS												
OWNER TOTAL	1*	1*	1*	1*	1*	1*	1*	1*	1*	1*	1*	1*
DANIELS AND BEST RANCH												
OWNER TOTAL	0*	0*	0*	0*	0*	0*	200*	200*	200*	200*	200*	200*

TABLE NO. 3

SUMMARY OF VERIFIED EXTRACTIONS (FILED & NON-FILED) FROM SAN BERNARDINO BASIN AREA
 BY NON-PLAINTIFFS FOR USE WITHIN SAN BERNARDINO COUNTY

OWNER	1959	1960	1961	1962	1963	1959-63 AVERAGE	1994	1995	1996	1997	1998	1994-98 AVERAGE
DANIELS, DON												
OWNER TOTAL	0*	0*	0*	0*	0*	0*	0*	0*	0*	0*	0*	0*
DANIELS, HAROLD												
OWNER TOTAL	2*	2*	2*	2*	502*	102*	1*	1*	1*	1*	1*	1*
DEL ROSA MUTUAL WATER COMPANY												
OWNER TOTAL	94*	100*	561*	529*	284*	314*	0*	0*	0*	0*	0*	0*
DEVORE WATER COMPANY												
OWNER TOTAL	126*	129*	140*	132*	136*	133*	496*	634*	512*	545*	527*	543*
DILLSON MUTUAL WATER COMPANY												
OWNER TOTAL	36*	36*	36*	36*	36*	36*	0*	0*	0*	0*	0*	0*
DONGLO DAIRY												
OWNER TOTAL	35*	35*	35*	35*	35*	35*	0*	0*	0*	0*	0*	0*
EAST BARTON WATER COMPANY												
OWNER TOTAL	168*	127*	135*	274*	145*	170*	0*	0*	0*	0*	0*	0*
EAST HIGHLANDS ORANGE COMPANY												
OWNER TOTAL	53*	28*	40*	47*	46*	43*	0*	0*	0*	0*	0*	0*
EAST HIGHLANDS RANCH, INC.												
OWNER TOTAL	3278*	2861*	2690*	3086*	2743*	2932*	891*	814*	562*	652*	960*	776*
EAST PIONEER MUTUAL WELL COMPANY												
OWNER TOTAL	776*	692*	876*	403*	431*	636*	0*	0*	0*	0*	0*	0*

TABLE NO. 3
 SUMMARY OF VERIFIED EXTRACTATIONS (FILED & NON-FILED) FROM SAN BERNARDINO BASIN AREA
 BY NON-PLAINTIFFS FOR USE WITHIN SAN BERNARDINO COUNTY

OWNER	1959	1960	1961	1962	1963	1959-63 AVERAGE	1964	1965	1966	1967	1968	1994-98 AVERAGE
EAST VALLEY WATER DISTRICT												
OWNER TOTAL	14667*	14807*	17580*	15820*	15201*	15615*	19632*	20386*	21608*	18822*	18406*	19771*
EASTWOOD FARMS COMMUNITY WATER USERS												
OWNER TOTAL	200*	230*	330*	210*	250*	244*	115*	115*	115*	0*	0*	69*
ELLENA, JOHN B.												
OWNER TOTAL	585*	585*	585*	585*	585*	585*	0*	0*	0*	0*	0*	0*
ELLLGOOD												
OWNER TOTAL	5*	5*	5*	5*	5*	5*	5*	5*	5*	5*	5*	5*
ELTINGE & GRAZIADIO												
OWNER TOTAL	122*	81*	64*	49*	32*	70*	0*	0*	0*	0*	0*	0*
F. A. R. WELL												
OWNER TOTAL	0*	0*	0*	272*	264*	107*	154*	100*	100*	40*	86*	96*
FAIRVIEW WATER COMPANY												
OWNER TOTAL	1395*	875*	825*	780*	575*	890*	337*	347*	295*	314*	211*	301*
FARROW												
OWNER TOTAL	6*	5*	28*	5*	5*	10*	5*	5*	5*	5*	5*	5*
FINCH												
OWNER TOTAL	0*	0*	0*	0*	0*	0*	0*	0*	0*	0*	0*	0*
FONTANA UNION WATER COMPANY												
OWNER TOTAL	19841*	15649*	13295*	14674*	12086*	15109*	9606*	8366*	11727*	11950*	9729*	10276*

TABLE NO. 3

SUMMARY OF VERIFIED EXTRACTIIONS (FILED & NON-FILED) FROM SAN BERNARDINO BASIN AREA
 BY NON-PLAINTIFFS FOR USE WITHIN SAN BERNARDINO COUNTY

OWNER	1959	1960	1961	1962	1963	1959-63 AVERAGE	1964	1965	1966	1967	1968	1994-98 AVERAGE
FRIEDEMANN, ERNEST C.												
OWNER TOTAL	90*	85*	75*	50*	50*	70*	0*	0*	0*	0*	0*	0*
FRINK RANCH												
OWNER TOTAL	0*	0*	0*	0*	0*	0*	0*	0*	0*	0*	0*	0*
GENERAL AMERICAN LIFE INS. COMPANY												
OWNER TOTAL	507*	493*	300*	285*	280*	373*	20*	20*	20*	40*	91*	38*
GLADYSTA WELL & WATER COMPANY												
OWNER TOTAL	527*	486*	609*	517*	507*	529*	414*	411*	379*	395*	309*	382*
GOLCONDA WATER COMPANY												
OWNER TOTAL	96*	96*	96*	96*	96*	96*	0*	0*	0*	0*	0*	0*
GOLDEN BEAR FOREST PRODUCTS												
OWNER TOTAL	30*	30*	33*	33*	33*	32*	0*	0*	0*	0*	0*	0*
GRANT WATER COMPANY												
OWNER TOTAL	429*	424*	483*	436*	363*	427*	0*	0*	0*	0*	0*	0*
GREENSPOT MUTUAL WATER CO TUNNEL												
OWNER TOTAL	0*	0*	0*	0*	0*	0*	0*	0*	0*	0*	100*	20*
GREENSPOT MUTUAL WELL COMPANY												
OWNER TOTAL	142*	149*	121*	105*	76*	119*	125*	114*	136*	159*	128*	132*
GUERTH, WILLIAM H.												
OWNER TOTAL	1585*	695*	922*	1230*	860*	1058*	0*	0*	0*	0*	0*	0*

TABLE NO. 3
 SUMMARY OF VERIFIED EXTRACTIIONS (FILED & NON-FILED) FROM SAN BERNARDINO BASIN AREA
 BY NON-PLAINTIFFS FOR USE WITHIN SAN BERNARDINO COUNTY

	1959	1960	1961	1962	1963	1959-63 AVERAGE	1964	1965	1966	1967	1968	1994-98 AVERAGE
OWNER												
HAGAR												
OWNER TOTAL	1*	1*	1*	1*	1*	1*	0*	0*	0*	0*	0*	0*
HAPPE MUTUAL WELL COMPANY												
OWNER TOTAL	526*	592*	649*	358*	500*	525*	0*	0*	0*	0*	0*	0*
HARDISON												
OWNER TOTAL	1*	1*	1*	1*	1*	1*	1*	1*	1*	1*	1*	1*
HARRISON												
OWNER TOTAL	1*	1*	1*	1*	1*	1*	0*	0*	0*	0*	0*	0*
HARRISON CANYON												
OWNER TOTAL	2*	2*	2*	2*	2*	2*	0*	0*	0*	0*	0*	0*
HAZAS												
OWNER TOTAL	8*	8*	8*	8*	8*	8*	0*	0*	0*	0*	0*	0*
HEAD, JOE T.												
OWNER TOTAL	0*	0*	0*	0*	0*	0*	0*	0*	0*	0*	0*	0*
HELIPORT												
OWNER TOTAL	1*	1*	1*	1*	1*	1*	0*	0*	0*	0*	0*	0*
HIGHLAND ACRES RANCH												
OWNER TOTAL	250*	160*	350*	400*	400*	312*	0*	0*	0*	0*	0*	0*
HIGHLAND WELL COMPANY												
OWNER TOTAL	278*	263*	265*	232*	184*	244*	0*	0*	0*	0*	0*	0*

TABLE NO. 3

SUMMARY OF VERIFIED EXTRACTIIONS (FILED & NON-FILED) FROM SAN BERNARDINO BASIN AREA
 BY NON-PLAINTIFFS FOR USE WITHIN SAN BERNARDINO COUNTY

OWNER	1959	1960	1961	1962	1963	1959-63 AVERAGE	1964	1965	1966	1967	1968	1994-98 AVERAGE
HILL												
OWNER TOTAL	0*	0*	0*	0*	0*	0*	0*	0*	0*	0*	0*	0*
HINCKLEY, HORACE P.												
OWNER TOTAL	818*	635*	612*	462*	391*	584*	0*	0*	0*	0*	0*	0*
HOLDEN MUTUAL WATER COMPANY												
OWNER TOTAL	14*	14*	14*	14*	14*	14*	0*	0*	0*	0*	0*	0*
HOLLIDAY TRUCKING												
OWNER TOTAL	0*	0*	0*	0*	0*	0*	154*	163*	173*	202*	214*	181*
HOLMES ICE & COLD STORAGE CO. INC.												
OWNER TOTAL	591*	405*	410*	345*	344*	419*	4*	4*	3*	12*	23*	9*
HORTON												
OWNER TOTAL	385*	300*	420*	364*	357*	365*	332*	341*	338*	330*	232*	315*
HUNTER												
OWNER TOTAL	3*	3*	3*	3*	3*	3*	0*	0*	0*	0*	0*	0*
INLAND VALLEY DEVELOPMENT AGENCY												
OWNER TOTAL	5892*	5295*	5478*	5985*	5340*	5598*	2385*	2385*	1687*	1308*	798*	1713*
INTER CITY MUTUAL WATER COMPANY												
OWNER TOTAL	0*	0*	0*	0*	0*	0*	0*	0*	0*	0*	0*	0*
IOWA STREET WELL												
OWNER TOTAL	62*	62*	21*	10*	7*	32*	0*	0*	0*	0*	0*	0*

TABLE NO. 3

SUMMARY OF VERIFIED EXTRACTIONS (FILED & NON-FILED) FROM SAN BERNARDINO BASIN AREA
 BY NON-PLAINTIFFS FOR USE WITHIN SAN BERNARDINO COUNTY

OWNER	1959	1960	1961	1962	1963	1959-63 AVERAGE	1964	1965	1966	1967	1968	1994-98 AVERAGE
J. G. GOLFING ENTERPRISES, INC.	0*	0*	0*	0*	0*	0*	369*	336*	400*	440*	331*	375*
JACINTO												
OWNER TOTAL	200*	200*	260*	250*	200*	222*	78*	80*	80*	80*	80*	80*
JEWEL WATER COMPANY, THE												
OWNER TOTAL	504*	408*	356*	293*	258*	364*	0*	0*	0*	0*	0*	0*
JUDSON MUTUAL WATER COMPANY												
OWNER TOTAL	403*	356*	348*	367*	363*	367*	0*	0*	0*	0*	0*	0*
K INV./TRUTANIC/Y UN WELL												
OWNER TOTAL	380*	350*	415*	362*	358*	373*	307*	262*	355*	346*	292*	312*
KANSAS STREET MUTUAL WATER COMPANY												
OWNER TOTAL	376*	327*	378*	328*	353*	352*	101*	94*	116*	108*	90*	102*
KING												
OWNER TOTAL	1*	1*	1*	1*	1*	1*	1*	1*	1*	1*	1*	1*
KING STREET MUTUAL WELL COMPANY												
OWNER TOTAL	408*	371*	358*	281*	372*	358*	0*	0*	0*	0*	0*	0*
KOCH												
OWNER TOTAL	0*	0*	0*	0*	0*	0*	0*	0*	0*	0*	0*	0*
KOCH, GEORGE J.												
OWNER TOTAL	0*	0*	0*	0*	0*	0*	0*	0*	0*	0*	0*	0*

TABLE NO. 3

SUMMARY OF VERIFIED EXTRACTIONS (FILED & NON-FILED) FROM SAN BERNARDINO BASIN AREA
 BY NON-PLAINTIFFS FOR USE WITHIN SAN BERNARDINO COUNTY

OWNER	1959	1960	1961	1962	1963	1959-63 AVERAGE	1964	1965	1966	1967	1968	1994-98 AVERAGE
KRANTZ DAIRY												
OWNER TOTAL	100*	100*	100*	100*	100*	100*	0*	0*	0*	0*	0*	0*
KUHN, RICHARD J												
OWNER TOTAL	0*	0*	0*	0*	0*	0*	0*	0*	0*	0*	0*	0*
L.P.R. ICE COMPANY												
OWNER TOTAL	0*	0*	0*	0*	0*	0*	0*	0*	0*	0*	0*	0*
L.P.R. RANCH												
OWNER TOTAL	0*	0*	485*	660*	610*	351*	0*	0*	0*	0*	0*	0*
LA BONTE, JIM												
OWNER TOTAL	5*	5*	5*	5*	5*	5*	4*	4*	4*	4*	4*	4*
LA ROSSE, CHARLES H.												
OWNER TOTAL	38*	21*	35*	18*	14*	25*	0*	0*	0*	0*	0*	0*
LA TOURETTE												
OWNER TOTAL	30*	30*	30*	30*	30*	30*	2*	2*	2*	2*	2*	2*
LAKESIDE AVENUE MUTUAL WELL COMPANY												
OWNER TOTAL	79*	48*	58*	51*	20*	51*	0*	0*	0*	0*	0*	0*
LANGFORD RANCHES												
OWNER TOTAL	1680*	1564*	1146*	1124*	1468*	1396*	988*	1045*	975*	998*	865*	974*
LANGSTON-NEWBY DEVELOPMENT CO.												
OWNER TOTAL	50*	50*	50*	50*	50*	50*	0*	0*	0*	0*	0*	0*

TABLE NO. 3

SUMMARY OF VERIFIED EXTRACTIIONS (FILED & NON-FILED) FROM SAN BERNARDINO BASIN AREA
 BY NON-PLAINTIFFS FOR USE WITHIN SAN BERNARDINO COUNTY

OWNER	1959	1960	1961	1962	1963	1959-63 AVERAGE	1964	1965	1966	1967	1968	1994-98 AVERAGE
LARANNI GUNTER WELL												
OWNER TOTAL	200*	200*	200*	200*	200*	200*	289*	315*	304*	301*	228*	287*
LOMA LINDA UNIVERSITY												
OWNER TOTAL	1011*	1116*	1202*	1166*	901*	1079*	1059*	1064*	1195*	1230*	935*	1097*
LOMA LINDA, CITY OF												
OWNER TOTAL	2216*	2241*	2492*	2193*	1580*	2144*	4671*	4737*	4916*	4993*	3929*	4649*
LORD												
OWNER TOTAL	1*	1*	1*	1*	1*	1*	1*	1*	1*	1*	1*	1*
LUGO WATER COMPANY												
OWNER TOTAL	414*	346*	324*	300*	239*	325*	400*	400*	400*	400*	400*	400*
LULY, DR. LUCIAN L.												
OWNER TOTAL	0*	0*	0*	0*	0*	0*	0*	0*	0*	0*	0*	0*
MARIGOLD FARMS COMPANY												
OWNER TOTAL	855*	1708*	1157*	1963*	1778*	1492*	1164*	1150*	789*	789*	1190*	1016*
MARSHBURN												
OWNER TOTAL	0*	0*	380*	300*	290*	194*	100*	100*	100*	100*	100*	100*
MASCART WATER COMPANY												
OWNER TOTAL	395*	302*	468*	381*	367*	383*	416*	452*	309*	62*	3*	248*
MAYBELL, N. O.												
OWNER TOTAL	26*	26*	12*	12*	12*	18*	0*	0*	0*	0*	0*	0*

TABLE NO. 3
 SUMMARY OF VERIFIED EXTRACTIIONS (FILED & NON-FILED) FROM SAN BERNARDINO BASIN AREA
 BY NON-PLAINTIFFS FOR USE WITHIN SAN BERNARDINO COUNTY

OWNER	1959	1960	1961	1962	1963	1959-63 AVERAGE	1964	1965	1966	1967	1968	1994-98 AVERAGE
MCCALLA BROS												
OWNER TOTAL	0*	0*	1*	1*	1*	1*	0*	0*	0*	0*	0*	0*
MCCALLA, ROBERT												
OWNER TOTAL	5*	13*	37*	21*	22*	20*	90*	70*	70*	150*	150*	106*
MEADOWBROOK DAIRY												
OWNER TOTAL	492*	388*	340*	331*	462*	403*	395*	284*	258*	81*	87*	221*
MENTONE ACRES MUTUAL WELL COMPANY												
OWNER TOTAL	455*	495*	505*	475*	121*	410*	304*	263*	188*	149*	141*	209*
MENTONE CITRUS GROVES												
OWNER TOTAL	714*	873*	637*	409*	306*	588*	200*	200*	600*	501*	74*	315*
MENTONE DOMESTIC WATER COMPANY												
OWNER TOTAL	0*	0*	25*	0*	0*	5*	0*	0*	0*	0*	0*	0*
MEYER, CHARLES R.												
OWNER TOTAL	42*	42*	55*	51*	53*	49*	0*	0*	0*	0*	0*	0*
MILLER MUTUAL WELL COMPANY												
OWNER TOTAL	20*	8*	41*	58*	53*	36*	30*	30*	30*	30*	30*	30*
MOORE, R. H.												
OWNER TOTAL	46*	42*	89*	78*	77*	66*	0*	0*	0*	0*	0*	0*
MOUNT VERNON WATER COMPANY												
OWNER TOTAL	1020*	748*	1030*	624*	508*	786*	0*	0*	0*	0*	0*	0*

TABLE NO. 3

SUMMARY OF VERIFIED EXTRACTIIONS (FILED & NON-FILED) FROM SAN BERNARDINO BASIN AREA
 BY NON-PLAINTIFFS FOR USE WITHIN SAN BERNARDINO COUNTY

OWNER	1959	1960	1961	1962	1963	1959-63 AVERAGE	1964	1965	1966	1967	1968	1994-98 AVERAGE
MT. VIEW CEMETERY OF SAN BERNARDINO												
OWNER TOTAL	332*	294*	255*	327*	212*	284*	404*	406*	403*	372*	408*	399*
MT. VIEW CHILD CARE CENTER												
OWNER TOTAL	2*	2*	2*	2*	2*	2*	1*	1*	1*	1*	1*	1*
MUSCOY MUTUAL WATER COMPANY, NO. 1												
OWNER TOTAL	1943*	1870*	2028*	1863*	1684*	1878*	1545*	2265*	2345*	2421*	2118*	2139*
NATIONAL ORANGE SHOW												
OWNER TOTAL	135*	135*	135*	135*	135*	135*	60*	60*	60*	30*	30*	48*
NEALEY MUTUAL WATER COMPANY												
OWNER TOTAL	0*	0*	0*	0*	0*	0*	0*	0*	0*	0*	0*	0*
NEW ENGLAND WATER COMPANY												
OWNER TOTAL	946*	892*	1023*	836*	880*	915*	442*	451*	409*	433*	289*	405*
NICKERSON WATER COMPANY												
OWNER TOTAL	678*	551*	838*	721*	540*	666*	0*	0*	0*	0*	0*	0*
NO NAME WELL												
OWNER TOTAL	30*	27*	32*	28*	28*	29*	0*	0*	0*	0*	0*	0*
NORTH FORK WATER COMPANY												
OWNER TOTAL	851*	737*	776*	778*	670*	762*	0*	0*	0*	0*	0*	0*
NORTHBRAE WATER COMPANY												
OWNER TOTAL	394*	530*	608*	395*	466*	479*	0*	0*	0*	0*	0*	0*

TABLE NO. 3
 SUMMARY OF VERIFIED EXTRACTATIONS (FILED & NON-FILED) FROM SAN BERNARDINO BASIN AREA
 BY NON-PLAINTIFFS FOR USE WITHIN SAN BERNARDINO COUNTY

OWNER	1959	1960	1961	1962	1963	1959-63 AVERAGE	1964	1965	1966	1967	1968	1994-98 AVERAGE
NORTHSIDE WATER COMPANY	398*	402*	491*	385*	333*	402*	0*	0*	0*	0*	0*	0*
NORWOOD												
OWNER TOTAL	1*	1*	1*	1*	1*	1*	0*	0*	0*	0*	0*	0*
NYE, WILLIAM H.												
OWNER TOTAL	164*	199*	294*	156*	167*	196*	0*	0*	0*	0*	0*	0*
OLD TOWN WELL COMPANY												
OWNER TOTAL	488*	534*	572*	525*	515*	527*	232*	199*	65*	101*	88*	137*
PACIFIC HIGH SCHOOL												
OWNER TOTAL	75*	75*	75*	75*	75*	75*	0*	0*	0*	0*	0*	0*
PAINÉ, ROBERT T., TRUSTEE												
OWNER TOTAL	133*	147*	180*	120*	116*	139*	0*	0*	0*	0*	0*	0*
PATTERSON, ROY H.												
OWNER TOTAL	0*	0*	0*	0*	0*	0*	1*	1*	1*	1*	1*	1*
PAXTON, R. H.												
OWNER TOTAL	511*	245*	243*	378*	179*	311*	0*	0*	0*	0*	0*	0*
PENN WELL COMPANY												
OWNER TOTAL	539*	447*	504*	550*	440*	496*	0*	0*	0*	0*	0*	0*
PHAROAH POWELL WATER COMPANY												
OWNER TOTAL	326*	350*	365*	371*	322*	347*	242*	129*	192*	273*	194*	206*

TABLE NO. 3

SUMMARY OF VERIFIED EXTRACTIONS (FILED & NON-FILED) FROM SAN BERNARDINO BASIN AREA
 BY NON-PLAINTIFFS FOR USE WITHIN SAN BERNARDINO COUNTY

OWNER	1959	1960	1961	1962	1963	1959-63 AVERAGE	1964	1965	1966	1967	1968	1994-98 AVERAGE
PHAROAH'S LOST KINGDOM												
OWNER TOTAL	0*	0*	0*	0*	0*	0*	0*	0*	40*	100*	100*	48*
PIERSON												
OWNER TOTAL	80*	80*	80*	80*	0*	64*	0*	0*	0*	0*	0*	0*
PIONEER MUTUAL WATER COMPANY												
OWNER TOTAL	314*	222*	288*	316*	275*	283*	75*	102*	100*	97*	94*	94*
QUALITY FARMS												
OWNER TOTAL	123*	123*	123*	123*	123*	123*	80*	80*	80*	80*	80*	80*
RAMIREZ BROTHERS												
OWNER TOTAL	61*	61*	65*	62*	64*	63*	221*	0*	0*	0*	0*	44*
RAMIREZ, CARLOS												
OWNER TOTAL	100*	100*	100*	25*	85*	82*	113*	83*	100*	77*	54*	85*
RAMIREZ, J.J.												
OWNER TOTAL	768*	696*	920*	770*	788*	788*	579*	779*	601*	454*	426*	568*
RAMSEY												
OWNER TOTAL	1*	1*	1*	1*	1*	1*	1*	1*	1*	1*	1*	1*
RANCHO CITRUS AMIGOS												
OWNER TOTAL	80*	80*	80*	80*	80*	80*	0*	0*	0*	0*	0*	0*
RANCHO LADERA												
OWNER TOTAL	162*	148*	331*	206*	313*	232*	0*	0*	0*	0*	0*	0*

TABLE NO. 3

SUMMARY OF VERIFIED EXTRACTIIONS (FILED & NON-FILED) FROM SAN BERNARDINO BASIN AREA
 BY NON-PLAINTIFFS FOR USE WITHIN SAN BERNARDINO COUNTY

OWNER	1959	1960	1961	1962	1963	1959-63 AVERAGE	1964	1965	1966	1967	1968	1994-98 AVERAGE
RAUGHT MUTUAL WELL COMPANY	504*	550*	552*	506*	520*	526*	238*	343*	319*	267*	172*	268*
OWNER TOTAL	504*	550*	552*	506*	520*	526*	238*	343*	319*	267*	172*	268*
REDLANDS ASSOCIATES	489*	378*	438*	414*	411*	426*	0*	0*	0*	0*	0*	0*
OWNER TOTAL	489*	378*	438*	414*	411*	426*	0*	0*	0*	0*	0*	0*
REDLANDS COUNTRY CLUB	174*	96*	696*	692*	532*	438*	30*	30*	35*	35*	35*	33*
OWNER TOTAL	174*	96*	696*	692*	532*	438*	30*	30*	35*	35*	35*	33*
REDLANDS TRAP/SKEET	145*	235*	235*	2*	2*	124*	0*	0*	0*	0*	0*	0*
OWNER TOTAL	145*	235*	235*	2*	2*	124*	0*	0*	0*	0*	0*	0*
REDLANDS UNIFIED SCHOOL DISTRICT	470*	462*	484*	410*	470*	459*	181*	3*	3*	0*	107*	59*
OWNER TOTAL	470*	462*	484*	410*	470*	459*	181*	3*	3*	0*	107*	59*
REDLANDS WATER COMPANY	544*	599*	301*	754*	581*	556*	900*	900*	900*	760*	743*	841*
OWNER TOTAL	544*	599*	301*	754*	581*	556*	900*	900*	900*	760*	743*	841*
REDLANDS, CITY OF	23853*	23538*	24757*	24849*	20949*	23589*	27873*	20699*	28437*	28187*	29162*	26872*
OWNER TOTAL	23853*	23538*	24757*	24849*	20949*	23589*	27873*	20699*	28437*	28187*	29162*	26872*
REES & PERRICONE RANCH	0*	0*	0*	0*	0*	0*	0*	0*	0*	0*	0*	0*
OWNER TOTAL	0*	0*	0*	0*	0*	0*	0*	0*	0*	0*	0*	0*
REGINA GRAPE PRODUCTS	250*	250*	250*	250*	250*	250*	0*	0*	0*	0*	0*	0*
OWNER TOTAL	250*	250*	250*	250*	250*	250*	0*	0*	0*	0*	0*	0*
REYNOLDS, BILL	3*	3*	3*	3*	3*	3*	5*	5*	5*	5*	5*	5*
OWNER TOTAL	3*	3*	3*	3*	3*	3*	5*	5*	5*	5*	5*	5*

TABLE NO. 3
SUMMARY OF VERIFIED EXTRACTIIONS (FILED & NON-FILED) FROM SAN BERNARDINO BASIN AREA
BY NON-PLAINTIFFS FOR USE WITHIN SAN BERNARDINO COUNTY

OWNER	1959	1960	1961	1962	1963	1959-63 AVERAGE	1964	1965	1966	1967	1968	1994-98 AVERAGE
RIALTO, CITY OF												
OWNER TOTAL	2618*	1622*	1834*	2101*	1867*	2008*	6423*	3910*	4689*	3724*	4653*	4680*
RIEDMAN, FRED M.												
OWNER TOTAL	230*	230*	230*	230*	15*	187*	0*	0*	0*	0*	0*	0*
RIVAS												
OWNER TOTAL	1*	1*	1*	1*	1*	1*	0*	0*	0*	0*	0*	0*
RIVAS, RAMON												
OWNER TOTAL	30*	43*	0*	0*	0*	15*	0*	0*	0*	0*	0*	0*
ROBBINS, H. W.												
OWNER TOTAL	0*	0*	0*	0*	18*	4*	0*	0*	0*	0*	0*	0*
RULE												
OWNER TOTAL	1*	1*	1*	1*	1*	1*	0*	0*	0*	0*	0*	0*
SAN BERNARDINO AVENUE WATER COMPANY												
OWNER TOTAL	371*	303*	394*	352*	298*	344*	68*	66*	61*	63*	32*	58*
SAN BERNARDINO VALLEY MWD												
OWNER TOTAL	0*	0*	0*	0*	0*	0*	4824*	5949*	5737*	5352*	4134*	5199*
SAN BERNARDINO, CITY OF												
OWNER TOTAL	21379*	19803*	22081*	20645*	19277*	20637*	42378*	44351*	47734*	47161*	58194*	47964*
SAN BERNARDINO, COUNTY OF												
OWNER TOTAL	981*	960*	1154*	844*	666*	921*	1160*	1139*	1299*	1509*	1368*	1295*

TABLE NO. 3

SUMMARY OF VERIFIED EXTRACTIIONS (FILED & NON-FILED) FROM SAN BERNARDINO BASIN AREA
 BY NON-PLAINTIFFS FOR USE WITHIN SAN BERNARDINO COUNTY

OWNER	1959	1960	1961	1962	1963	1959-63 AVERAGE	1964	1965	1966	1967	1968	1994-98 AVERAGE
SAN MANUAL INDIAN RESERVATION												
OWNER TOTAL	6*	6*	6*	6*	6*	6*	0*	0*	0*	0*	0*	0*
SANDYS RESTAURANT												
OWNER TOTAL	0*	0*	0*	0*	0*	0*	0*	0*	0*	0*	0*	0*
SANTINI												
OWNER TOTAL	90*	90*	90*	90*	90*	90*	0*	0*	0*	0*	0*	0*
SARATOGA DEVELOPMENT COMPANY												
OWNER TOTAL	1*	1*	1*	1*	1*	1*	1*	1*	1*	1*	1*	1*
SATOSKI, DOCTOR												
OWNER TOTAL	1*	1*	1*	1*	1*	1*	1*	1*	1*	1*	1*	1*
SECHREST, RALPH F.												
OWNER TOTAL	87*	71*	192*	906*	141*	279*	0*	0*	0*	0*	0*	0*
SELBY, DR. & MRS. ARTHUR												
OWNER TOTAL	147*	227*	730*	259*	406*	354*	20*	0*	0*	0*	0*	4*
SELEY												
OWNER TOTAL	1*	1*	1*	1*	1*	1*	1*	1*	1*	1*	1*	1*
SIX HOUSES												
OWNER TOTAL	6*	6*	6*	6*	6*	6*	0*	0*	0*	0*	0*	0*
SMITH												
OWNER TOTAL	1*	1*	1*	1*	1*	1*	1*	1*	1*	1*	1*	1*

TABLE NO. 3
 SUMMARY OF VERIFIED EXTRACTATIONS (FILED & NON-FILED) FROM SAN BERNARDINO BASIN AREA
 BY NON-PLAINTIFFS FOR USE WITHIN SAN BERNARDINO COUNTY

OWNER	1959	1960	1961	1962	1963	1959-63 AVERAGE	1964	1965	1966	1967	1968	1994-98 AVERAGE
SMITH MEAT PACKING PLANT												
OWNER TOTAL	3*	3*	3*	3*	3*	3*	0*	0*	0*	0*	0*	0*
SMITH TRACT WELL COMPANY												
OWNER TOTAL	270*	177*	56*	0*	127*	126*	0*	0*	0*	0*	0*	0*
SMITH,												
OWNER TOTAL	10*	10*	10*	10*	10*	10*	10*	10*	10*	10*	10*	10*
SOJKA, DONALD R												
OWNER TOTAL	91*	82*	99*	86*	84*	88*	0*	0*	0*	0*	0*	0*
SOLANO WELL NO. 1												
OWNER TOTAL	212*	143*	147*	88*	43*	127*	0*	0*	0*	0*	0*	0*
SOLANO WELL NO. 3												
OWNER TOTAL	0*	0*	0*	202*	179*	76*	100*	100*	100*	100*	0*	80*
SOMERS, R.												
OWNER TOTAL	1*	1*	1*	1*	1*	1*	0*	0*	0*	0*	0*	0*
SOUTHERN CALIFORNIA EDISON COMPANY												
OWNER TOTAL	878*	798*	751*	934*	934*	859*	0*	0*	0*	0*	0*	0*
SOUZA, JOHN												
OWNER TOTAL	7*	7*	9*	10*	9*	8*	0*	0*	0*	0*	0*	0*
STANLEY, SILAS												
OWNER TOTAL	2*	2*	2*	2*	2*	2*	3*	3*	3*	3*	3*	3*

TABLE NO. 3

SUMMARY OF VERIFIED EXTRACTIIONS (FILED & NON-FILED) FROM SAN BERNARDINO BASIN AREA
 BY NON-PLAINTIFFS FOR USE WITHIN SAN BERNARDINO COUNTY

OWNER	1959	1960	1961	1962	1963	1959-63 AVERAGE	1994	1995	1996	1997	1998	1994-98 AVERAGE
STEWART, WILLARD												
OWNER TOTAL	53*	53*	53*	53*	53*	53*	0*	0*	0*	0*	0*	0*
STORKSON, WILLIAM F.												
OWNER TOTAL	35*	30*	20*	40*	35*	32*	54*	54*	50*	84*	54*	59*
STOWE WATER COMPANY												
OWNER TOTAL	630*	598*	622*	560*	667*	615*	144*	188*	226*	117*	80*	151*
STRAWBERRY PATCH												
OWNER TOTAL	1*	1*	1*	1*	1*	1*	30*	30*	30*	30*	30*	30*
SUNRISE RANCH PART C/O LIFE DEVELOPMENT												
OWNER TOTAL	1857*	1693*	2119*	2037*	1992*	1940*	0*	0*	10*	0*	0*	2*
SUPERIOR ORCHARDS												
OWNER TOTAL	1*	1*	1*	1*	1*	1*	0*	0*	0*	0*	0*	0*
SYCAMORE HEIGHTS WATER COMPANY, INC.												
OWNER TOTAL	420*	52*	52*	52*	52*	126*	0*	0*	0*	0*	0*	0*
TENNESSEE MUTUAL WELL COMPANY												
OWNER TOTAL	537*	501*	622*	516*	476*	530*	402*	390*	390*	425*	382*	398*
TENNESSEE WATER COMPANY												
OWNER TOTAL	530*	530*	540*	540*	550*	538*	950*	961*	907*	998*	588*	881*
TERRACE WATER COMPANY												
OWNER TOTAL	1318*	921*	1077*	1012*	899*	1045*	771*	750*	839*	903*	708*	794*

TABLE NO. 3

SUMMARY OF VERIFIED EXTRACTIONS (FILED & NON-FILED) FROM SAN BERNARDINO BASIN AREA
 BY NON-PLAINTIFFS FOR USE WITHIN SAN BERNARDINO COUNTY

OWNER	1959	1960	1961	1962	1963	1959-63 AVERAGE	1964	1965	1966	1967	1968	1994-98 AVERAGE
TEXACO GAS STATION												
OWNER TOTAL	0*	0*	0*	0*	0*	0*	1*	1*	1*	1*	1*	1*
THERMO ECOTEK CORPORATION												
OWNER TOTAL	532*	421*	674*	675*	693*	599*	86*	131*	76*	68*	29*	78*
THOMPSON RANDALL												
OWNER TOTAL	3*	3*	3*	3*	3*	3*	0*	0*	0*	0*	0*	0*
TILDEN, M. WILLIAM												
OWNER TOTAL	148*	148*	148*	148*	148*	148*	20*	20*	20*	20*	20*	20*
TRI CITY CONCRETE												
OWNER TOTAL	135*	135*	135*	135*	136*	135*	0*	0*	0*	0*	0*	0*
TRI CITY MUTUAL WATER COMPANY												
OWNER TOTAL	53*	20*	0*	0*	0*	15*	0*	0*	0*	0*	0*	0*
TRIPLE FALLS MUTUAL WATER COMPANY												
OWNER TOTAL	15*	12*	10*	15*	18*	14*	0*	0*	0*	0*	0*	0*
TROJAN GROVES												
OWNER TOTAL	962*	700*	940*	784*	816*	840*	385*	303*	358*	300*	300*	329*
U.S. FOREST SERVICE												
OWNER TOTAL	9*	9*	9*	9*	9*	9*	0*	0*	0*	0*	0*	0*
UNGER, V.E.												
OWNER TOTAL	0*	0*	0*	0*	0*	0*	0*	0*	0*	0*	0*	0*

TABLE NO. 3
 SUMMARY OF VERIFIED EXTRACTATIONS (FILED & NON-FILED) FROM SAN BERNARDINO BASIN AREA
 BY NON-PLAINTIFFS FOR USE WITHIN SAN BERNARDINO COUNTY

OWNER	1959	1960	1961	1962	1963	1959-63 AVERAGE	1964	1965	1966	1967	1968	1994-98 AVERAGE
UNIVERSITY OF REDLANDS												
OWNER TOTAL	0*	0*	0*	0*	0*	0*	1*	1*	1*	1*	1*	1*
VALENCIA AVE. MUTUAL WATER COMPANY												
OWNER TOTAL	30*	30*	30*	30*	30*	30*	20*	20*	20*	20*	20*	20*
VALLEY FARMS MUTUAL WATER COMPANY												
OWNER TOTAL	119*	119*	119*	119*	119*	119*	0*	0*	0*	0*	0*	0*
VAN MEETER												
OWNER TOTAL	3*	3*	0*	0*	0*	1*	3*	3*	3*	3*	3*	3*
VANLEUVEN, CLARENCE												
OWNER TOTAL	26*	26*	26*	26*	26*	26*	0*	0*	0*	0*	0*	0*
VICTORIA FARMS MUTUAL WATER COMPANY												
OWNER TOTAL	335*	288*	320*	275*	266*	297*	190*	200*	240*	130*	0*	152*
VICTORIA GUERNSEY												
OWNER TOTAL	163*	248*	200*	160*	223*	199*	0*	0*	0*	0*	0*	0*
VICTORIA SEVENTH DAY ADVENTIST												
OWNER TOTAL	15*	15*	15*	15*	15*	15*	10*	10*	10*	10*	10*	10*
WALLACE												
OWNER TOTAL	1*	1*	1*	1*	1*	1*	1*	1*	1*	1*	1*	1*
WARD, FLOYD												
OWNER TOTAL	1*	1*	1*	103*	103*	42*	1*	1*	1*	1*	1*	1*

TABLE NO. 3

SUMMARY OF VERIFIED EXTRACTIIONS (FILED & NON-FILED) FROM SAN BERNARDINO BASIN AREA
 BY NON-PLAINTIFFS FOR USE WITHIN SAN BERNARDINO COUNTY

OWNER	1959	1960	1961	1962	1963	1959-63 AVERAGE	1964	1965	1966	1967	1968	1994-98 AVERAGE
WARMINGTON, ROBERT P.												
OWNER TOTAL	300*	248*	288*	153*	139*	226*	0*	0*	0*	0*	0*	0*
WEATHERMAX, W. G.												
OWNER TOTAL	0*	0*	0*	0*	0*	0*	0*	0*	0*	0*	0*	0*
WEST SAN BDNO. COUNTY WATER DIST.												
OWNER TOTAL	13584*	12090*	13587*	11331*	11837*	12486*	13066*	13190*	11972*	11694*	11211*	12227*
WESTERN FRUIT GROWERS												
OWNER TOTAL	147*	220*	177*	0*	0*	109*	0*	0*	0*	0*	0*	0*
WIDEMEYER												
OWNER TOTAL	6*	6*	6*	6*	6*	6*	0*	0*	0*	0*	0*	0*
WILEY, RUTH NORWOOD												
OWNER TOTAL	0*	0*	0*	0*	52*	10*	0*	0*	0*	0*	0*	0*
WILLIAMS DAIRY												
OWNER TOTAL	142*	142*	142*	142*	142*	142*	0*	0*	0*	0*	0*	0*
WILLIAMS WELL CORPORATION, LTD.												
OWNER TOTAL	721*	684*	765*	706*	595*	694*	650*	672*	554*	581*	487*	589*
WOEHR MUTUAL WATER COMPANY												
OWNER TOTAL	374*	465*	625*	488*	423*	475*	0*	0*	0*	0*	0*	0*
YAHIKU, PAUL												
OWNER TOTAL	50*	95*	51*	51*	51*	60*	0*	0*	0*	0*	0*	0*

TABLE NO. 3

SUMMARY OF VERIFIED EXTRACTIONS (FILED & NON-FILED) FROM SAN BERNARDINO BASIN AREA
 BY NON-PLAINTIFFS FOR USE WITHIN SAN BERNARDINO COUNTY

OWNER	1959	1960	1961	1962	1963	1959-63 AVERAGE	1994	1995	1996	1997	1998	1994-98 AVERAGE
YUCAIPA VALLEY WATER DISTRICT	59*	55*	49*	59*	57*	56*	16*	16*	16*	16*	16*	16*
OWNER TOTAL	0*	0*	0*	0*	0*	0*	349*	334*	358*	482*	337*	372*
'7TH AVE. WELL	230*	342*	514*	161*	271*	304*	0*	0*	0*	0*	0*	0*
TOTAL VERIFIED PRODUCTION ALL FACILITIES	191189*	174999*	182060*	175939*	158609*	176559*	184137*	184100*	206886*	1966669*	205510*	195460*
TOTAL VERIFIED PRODUCTION ALL FACILITIES 25 ACRE-FEET PER YEAR OR LARGER	190215*	174242*	181397*	175104*	157665*	175725*	183917*	183897*	2066674*	196481*	205308*	195255*

TABLE NO. 4

LYTLE CREEK VERIFICATION OF EXTRACTIONS FOR
CALENDAR YEARS 1959-1963 & 1994-1998

TABLE NO. 4

LYTLE CREEK
VERIFICATIONS OF EXTRACTIONS
FOR CALENDAR YEAR 1959

LINE NO.	LOCATION OF MEASUREMENT	JAN	FEB	MAR	APR	MAY	JUN	JUL	AUG	SEP	OCT	NOV	DEC	TOTAL	REMARKS
1	WEIR NO. 1	1,337	1,043	1,406	1,085	1,026	948	797	732	875	910	847	873	# 11,879	SEE NOTE 1
2	WEIR NO. 2	0	0	0	0	0	0	0	0	0	0	0	0	0	SEE NOTE 2
3	WEIR NO. 3	292	235	575	323	307	241	200	188	150	182	137	123	2,953	SEE NOTE 3
4	TOTAL OF WEIRS NOS. 1, 2 & 3	1,629	1,278	1,981	1,408	1,333	1,189	997	920	1,025	1,092	984	996	14,832	LINE 1 + 2 + 3
5	DEDUCT STREAM RETURN OVER 20' WEIR	8	3	0	0	0	0	0	0	0	0	0	0	0	SEE NOTE 4
6	TOTAL CALCULATED FLOW TO LOWER POWERHOUSE	1,621	1,275	1,981	1,408	1,333	1,189	997	920	1,025	1,092	984	996	14,821	LINE 4 - 5
7	ANNUAL PERCENT DIFFERENCE														-1.19 %
8	MEASURED FLOW TO LOWER POWERHOUSE	1,623	1,253	1,955	1,374	1,342	1,174	991	906	1,028	1,069	954	978	14,847	SEE NOTE 6
<u>DEDUCT MILLER NARROWS WELLS</u>															
9	WELL NO. 1 SDWR RECORDATION NO. 3600588	0	0	0	0	0	0	0	0	0	0	0	0	0	SEE NOTE 7
10	WELL NO. 2 SDWR RECORDATION NO. 3600590	0	0	0	0	141	333	341	340	268	266	259	237	2,185	SEE NOTE 7
11	TOTAL PUMPED WATER	0	0	0	0	141	333	341	340	268	266	259	237	2,185	LINE 9 + 10
12	STREAM FLOW DIVERTED FROM LYTLE CREEK	1,623	1,253	1,955	1,374	1,201	841	650	566	760	803	695	741	12,462	LINE 8 - 11
13	DEDUCT FLOW RETURNED TO STREAM BELOW LOWER POWERHOUSE	400	411	326	19	0	0	0	0	172	35	6	95	0	SEE NOTE 8
14	TOTAL STREAM DIVERSION AT LOWER POWERHOUSE	1,223	842	1,629	1,355	1,201	841	650	566	588	768	689	646	10,998	LINE 12 - 13
<u>BREED LINE CALCULATION</u>															
15	WEIR NO. 4	80	141	91	112	112	101	102	95	79	83	84	73	1,153	SEE NOTE 9
16	LESS WATER PUMPED BY FONTANA UNION WELL NO. 27 SDWR RECORDATION NO. 3600582	39	19	65	81	84	75	69	62	46	46	41	25	652	SEE NOTE 10
17	TOTAL STREAM DIVERSION AT FONTANA UNION INTAKE TO BREED LINE	41	122	26	31	28	26	33	33	33	37	43	48	501	LINE 15 - 16
18	TOTAL LYTLE CREEK STREAM DIVERSION AS VERIFIED	1,264	964	1,655	1,386	1,229	867	683	599	621	805	732	694	11,499	LINE 14 + 17

NOTES

- WEIR NO. 1 MEASURES SOUTHERN CALIFORNIA EDISON CONDUIT NEAR FONTANA (USGS)
 - WEIR NO. 2 MEASURES INFILTRATION LINE WATER TO FONTANA UNION INTAKE (USGS)
 - WEIR NO. 3 MEASURES EITHER STREAM DIVERSION OR INFILTRATION WATER (USGS)
 - 20 FOOT WEIR MEASURES FLOW RETURNED TO STREAM AT INTAKE (FONTANA UNION)
 - ANNUAL PERCENTAGE OF DIFFERENCE BETWEEN MEASURED & CALCULATED FLOW AT LOWER POWERHOUSE
 - MEASURED FLOW AT LOWER POWERHOUSE (USGS) ASSUMED TO BE CORRECT
- NOTES
- WATER EXTRACTED BY FONTANA UNION WATER COMPANY MILLER NARROWS WELLS AND DISCHARGED TO EDISON CONDUIT (FONTANA UNION).
 - WATER RETURNED TO STREAM FROM AFTERBAY AT LOWER POWERHOUSE (FONTANA UNION)
 - WEIR NO. 4 MEASURES FLOW TO BREED LINE AT INTAKE (USGS)
 - FONTANA UNION WATER COMPANY WELL TO BREED LINE (FONTANA UNION)

TABLE NO. 4

LYTLE CREEK
VERIFICATIONS OF EXTRACTIONS
FOR CALENDAR YEAR 1960

LINE NO.	LOCATION OF MEASUREMENT	JAN	FEB	MAR	APR	MAY	JUN	JUL	AUG	SEP	OCT	NOV	DEC	TOTAL	REMARKS
1	WEIR NO. 1	989	1,007	956	772	855	591	497	456	432	520	666	704	# 8,445	SEE NOTE 1
2	WEIR NO. 2	0	0	0	0	0	0	0	0	0	0	0	0	0	SEE NOTE 2
3	WEIR NO. 3	118	125	141	113	136	146	152	135	125	112	78	145	1,528	SEE NOTE 3
4	TOTAL OF WEIRS NOS. 1, 2 & 3	1,107	1,132	1,097	885	991	737	649	591	557	632	744	849	9,971	LINE 1 + 2 + 3
5	DEDUCT STREAM RETURN OVER 20' WEIR	0	0	1	0	0	0	0	0	0	0	1	0	0	SEE NOTE 4
6	TOTAL CALCULATED FLOW TO LOWER POWERHOUSE	1,107	1,132	1,096	885	991	737	649	591	557	632	743	849	9,969	LINE 4 - 5
7	ANNUAL PERCENT DIFFERENCE _____ X 100													1.23 %	SEE NOTE 5
8	MEASURED FLOW TO LOWER POWERHOUSE	1,106	1,127	1,119	910	1,000	738	649	602	566	647	760	869	10,093	SEE NOTE 6
	<u>DEDUCT MILLER NARROWS WELLS</u>														
9	WELL NO. 1 SDWR RECORDATION NO. 3600588	0	0	0	0	0	0	0	0	0	0	0	0	0	SEE NOTE 7
10	WELL NO. 2 SDWR RECORDATION NO. 3600590	186	213	280	244	302	293	302	299	291	302	159	274	3,145	SEE NOTE 7
11	TOTAL PUMPED WATER	186	213	280	244	302	293	302	299	291	302	159	274	3,145	LINE 9 + 10
12	STREAM FLOW DIVERTED FROM LYTLE CREEK	920	914	839	666	698	445	347	303	275	345	601	595	6,948	LINE 8 - 11
13	DEDUCT FLOW RETURNED TO STREAM BELOW LOWER POWERHOUSE	144	160	45	63	0	0	0	0	0	36	304	9	0	SEE NOTE 8
14	TOTAL STREAM DIVERSION AT LOWER POWERHOUSE	776	754	794	603	698	445	347	303	275	309	297	586	6,187	LINE 12 - 13
	<u>BREED LINE CALCULATION</u>														
15	WEIR NO. 4	82	76	37	61	36	62	75	52	47	54	101	42	725	SEE NOTE 9
16	LESS WATER PUMPED BY FONTANA UNION WELL NO. 27 SDWR RECORDATION NO. 3600582	33	19	0	0	0	30	41	22	16	16	13	14	204	SEE NOTE 10
17	TOTAL STREAM DIVERSION AT FONTANA UNION INTAKE TO BREED LINE	49	57	37	61	36	32	34	30	31	38	88	28	521	LINE 15 - 16
18	TOTAL LYTLE CREEK STREAM DIVERSION AS VERIFIED	825	811	831	664	734	477	381	333	306	347	385	614	6,708	LINE 14 + 17

NOTES

- 1 WEIR NO. 1 MEASURES SOUTHERN CALIFORNIA EDISON CONDUIT NEAR FONTANA (USGS)
- 2 WEIR NO. 2 MEASURES INFILTRATION LINE WATER TO FONTANA UNION INTAKE (USGS)
- 3 WEIR NO. 3 MEASURES EITHER STREAM DIVERSION OR INFILTRATION WATER (USGS)
- 4 20 FOOT WEIR MEASURES FLOW RETURNED TO STREAM AT INTAKE (FONTANA UNION)
- 5 ANNUAL PERCENTAGE OF DIFFERENCE BETWEEN MEASURED & CALCULATED FLOW AT LOWER POWERHOUSE
- 6 MEASURED FLOW AT LOWER POWERHOUSE (USGS) ASSUMED TO BE CORRECT
- 7 WATER EXTRACTED BY FONTANA UNION WATER COMPANY MILLER NARROWS WELLS AND DISCHARGED TO EDISON CONDUIT (FONTANA UNION).
- 8 WATER RETURNED TO STREAM FROM AFTERBAY AT LOWER POWERHOUSE (FONTANA UNION)
- 9 WEIR NO. 4 MEASURES FLOW TO BREED LINE AT INTAKE (USGS)
- 10 FONTANA UNION WATER COMPANY WELL TO BREED LINE (FONTANA UNION)

TABLE NO. 4
LYTLE CREEK
VERIFICATIONS OF EXTRACTIONS
FOR CALENDAR YEAR 1961

LINE NO.	LOCATION OF MEASUREMENT	JAN	FEB	MAR	APR	MAY	JUN	JUL	AUG	SEP	OCT	NOV	DEC	TOTAL	REMARKS
1	WEIR NO. 1	634	624	658	551	505	442	378	372	366	362	418	626	5,936	SEE NOTE 1
2	WEIR NO. 2	0	0	0	0	0	0	0	0	0	0	0	0	0	SEE NOTE 2
3	WEIR NO. 3	117	115	130	114	117	108	109	93	86	70	48	110	1,217	SEE NOTE 3
4	TOTAL OF WEIRS NOS. 1, 2 & 3	751	739	788	665	622	550	487	465	452	432	466	736	7,153	LINE 1 + 2 + 3
5	DEDUCT STREAM RETURN OVER 20' WEIR	2	0	0	0	0	0	0	0	0	0	0	3	7,148	SEE NOTE 4
6	TOTAL CALCULATED FLOW TO LOWER POWERHOUSE	749	739	788	665	622	550	487	465	452	432	466	733	7,148	LINE 4 - 5
7	ANNUAL PERCENT DIFFERENCE													2.52 %	SEE NOTE 5
8	MEASURED FLOW TO LOWER POWERHOUSE	752	762	813	700	637	544	488	480	472	431	469	785	7,333	SEE NOTE 6
<u>DEDUCT MILLER NARROWS WELLS</u>															
9	WELL NO. 1 SDWR RECORDATION NO. 3600588	0	0	0	0	0	0	0	0	0	0	0	0	0	SEE NOTE 7
10	WELL NO. 2 SDWR RECORDATION NO. 3600590	220	231	265	253	262	253	262	259	250	261	233	257	3,006	SEE NOTE 7
11	TOTAL PUMPED WATER	220	231	265	253	262	253	262	259	250	261	233	257	3,006	LINE 9 + 10
12	STREAM FLOW DIVERTED FROM LYTLE CREEK	532	531	548	447	375	291	226	221	222	170	236	528	4,327	LINE 8 - 11
13	DEDUCT FLOW RETURNED TO STREAM BELOW LOWER POWERHOUSE	89	32	22	6	3	0	0	0	0	0	78	82	4,015	SEE NOTE 8
14	TOTAL STREAM DIVERSION AT LOWER POWERHOUSE	443	499	526	441	372	291	226	221	222	170	158	446	4,015	LINE 12 - 13
<u>BREED LINE CALCULATION</u>															
15	WEIR NO. 4	65	35	31	32	35	32	32	33	31	32	45	68	471	SEE NOTE 9
16	LESS WATER PUMPED BY FONTANA UNION WELL NO. 27 SDWR RECORDATION NO. 3600582	13	1	1	3	4	6	8	6	3	4	3	6	58	SEE NOTE 10
17	TOTAL STREAM DIVERSION AT FONTANA UNION INTAKE TO BREED LINE	52	34	30	29	31	26	24	27	28	28	42	62	413	LINE 15 - 16
18	TOTAL LYTLE CREEK STREAM DIVERSION AS VERIFIED	495	533	556	470	403	317	250	248	250	198	200	508	4,428	LINE 14 + 17

NOTES

- 1 WEIR NO. 1 MEASURES SOUTHERN CALIFORNIA EDISON CONDUIT NEAR FONTANA (USGS)
- 2 WEIR NO. 2 MEASURES INFILTRATION LINE WATER TO FONTANA UNION INTAKE (USGS)
- 3 WEIR NO. 3 MEASURES EITHER STREAM DIVERSION OR INFILTRATION WATER (USGS)
- 4 20 FOOT WEIR MEASURES FLOW RETURNED TO STREAM AT INTAKE (FONTANA UNION)
- 5 ANNUAL PERCENTAGE OF DIFFERENCE BETWEEN MEASURED & CALCULATED FLOW AT LOWER POWERHOUSE
- 6 MEASURED FLOW AT LOWER POWERHOUSE (USGS) ASSUMED TO BE CORRECT
- 7 WATER EXTRACTED BY FONTANA UNION WATER COMPANY MILLER NARROWS WELLS AND DISCHARGED TO EDISON CONDUIT (FONTANA UNION).
- 8 WATER RETURNED TO STREAM FROM AFTERBAY AT LOWER POWERHOUSE (FONTANA UNION)
- 9 WEIR NO. 4 MEASURES FLOW TO BREED LINE AT INTAKE (USGS).
- 10 FONTANA UNION WATER COMPANY WELL TO BREED LINE (FONTANA UNION)

TABLE NO. 4
LYTLE CREEK
VERIFICATIONS OF EXTRACTIONS
FOR CALENDAR YEAR 1962

LINE NO.	LOCATION OF MEASUREMENT	JAN	FEB	MAR	APR	MAY	JUN	JUL	AUG	SEP	OCT	NOV	DEC	TOTAL	REMARKS
1	WEIR NO. 1	698	721	1,448	1,359	966	847	738	636	738	1,289	1,327	1,254	# 12,021	SEE NOTE 1
2	WEIR NO. 2	0	196	403	0	0	0	0	0	0	0	0	0	599	SEE NOTE 2
3	WEIR NO. 3	177	335	526	477	327	290	238	230	208	196	183	174	3,361	SEE NOTE 3
4	TOTAL OF WEIRS NOS. 1, 2 & 3	875	1,252	2,377	1,836	1,293	1,137	976	866	946	1,485	1,510	1,428	15,981	LINE 1 + 2 + 3
5	DEDUCT STREAM RETURN OVER 20' WEIR	0	69	72	0	0	0	0	0	0	0	0	0	0	SEE NOTE 4
6	TOTAL CALCULATED FLOW TO LOWER POWERHOUSE	875	1,183	2,305	1,836	1,293	1,137	976	866	946	1,485	1,510	1,428	15,840	LINE 4 - 5
7	ANNUAL PERCENT DIFFERENCE _____ X 100													-0.96 %	SEE NOTE 5
8	MEASURED FLOW TO LOWER POWERHOUSE	894	1,187	2,386	1,827	1,291	1,113	978	845	904	1,450	1,454	1,361	15,690	SEE NOTE 6
<u>DEDUCT MILLER NARROWS WELLS</u>															
9	WELL NO. 1 SDWR RECORDATION NO. 3600588	0	0	0	0	0	0	0	0	0	0	0	0	0	SEE NOTE 7
10	WELL NO. 2 SDWR RECORDATION NO. 3600590	293	81	0	0	0	232	308	310	299	303	294	301	2,421	SEE NOTE 7
11	TOTAL PUMPED WATER	293	81	0	0	0	232	308	310	299	303	294	301	2,421	LINE 9 + 10
12	STREAM FLOW DIVERTED FROM LYTLE CREEK	601	1,106	2,386	1,827	1,291	881	670	535	605	1,147	1,160	1,060	13,269	LINE 8 - 11
13	DEDUCT FLOW RETURNED TO STREAM BELOW LOWER POWERHOUSE	49	515	809	616	20	0	0	0	0	31	0	0	0	SEE NOTE 8
14	TOTAL STREAM DIVERSION AT LOWER POWERHOUSE	552	591	1,577	1,211	1,271	881	670	535	605	1,116	1,160	1,060	11,229	LINE 12 - 13
<u>BREED LINE CALCULATION</u>															
15	WEIR NO. 4	41	143	40	101	81	77	77	73	65	59	43	32	832	SEE NOTE 9
16	LESS WATER PUMPED BY FONTANA UNION WELL NO. 27 SDWR RECORDATION NO. 3600582	2	8	3	59	42	40	38	34	28	33	18	1	306	SEE NOTE 10
17	TOTAL STREAM DIVERSION AT FONTANA UNION INTAKE TO BREED LINE	39	135	37	42	39	37	39	39	37	26	25	31	526	LINE 15 - 16
18	TOTAL LYTLE CREEK STREAM DIVERSION AS VERIFIED	591	726	1,614	1,253	1,310	918	709	574	642	1,142	1,185	1,091	11,755	LINE 14 + 17

NOTES

- 1 WEIR NO. 1 MEASURES SOUTHERN CALIFORNIA EDISON CONDUIT NEAR FONTANA (USGS)
 - 2 WEIR NO. 2 MEASURES INFILTRATION LINE WATER TO FONTANA UNION INTAKE (USGS)
 - 3 WEIR NO. 3 MEASURES EITHER STREAM DIVERSION OR INFILTRATION WATER (USGS)
 - 4 20 FOOT WEIR MEASURES FLOW RETURNED TO STREAM AT INTAKE (FONTANA UNION)
 - 5 ANNUAL PERCENTAGE OF DIFFERENCE BETWEEN MEASURED & CALCULATED FLOW AT LOWER POWERHOUSE
 - 6 MEASURED FLOW AT LOWER POWERHOUSE (USGS) ASSUMED TO BE CORRECT
- NOTES
- 7 WATER EXTRACTED BY FONTANA UNION WATER COMPANY MILLER NARROWS WELLS AND DISCHARGED TO EDISON CONDUIT (FONTANA UNION).
 - 8 WATER RETURNED TO STREAM FROM AFTERBAY AT LOWER POWERHOUSE (FONTANA UNION)
 - 9 WEIR NO. 4 MEASURES FLOW TO BREED LINE AT INTAKE (USGS).
 - 10 FONTANA UNION WATER COMPANY WELL TO BREED LINE (FONTANA UNION)

TABLE NO. 4
LYTLE CREEK
VERIFICATIONS OF EXTRACTIONS
FOR CALENDAR YEAR 1963

LINE NO.	LOCATION OF MEASUREMENT	JAN	FEB	MAR	APR	MAY	JUN	JUL	AUG	SEP	OCT	NOV	DEC	TOTAL	REMARKS
1	WEIR NO. 1	1,174	947	1,095	944	918	718	574	528	521	660	616	726	9,421	SEE NOTE 1
2	WEIR NO. 2	0	0	0	0	0	0	0	0	0	0	0	0	0	SEE NOTE 2
3	WEIR NO. 3	155	145	223	194	196	154	154	139	75	73	68	74	1,650	SEE NOTE 3
4	TOTAL OF WEIRS NOS. 1, 2 & 3	1,329	1,092	1,318	1,138	1,114	872	728	667	596	733	684	800	11,071	LINE 1 + 2 + 3
5	DEDUCT STREAM RETURN OVER 20' WEIR	0	0	0	0	0	0	0	0	0	0	0	0	0	SEE NOTE 4
6	TOTAL CALCULATED FLOW TO LOWER POWERHOUSE	1,329	1,092	1,318	1,138	1,114	872	728	667	596	733	680	800	11,067	LINE 4 - 5
7	ANNUAL PERCENT DIFFERENCE													0.49 %	SEE NOTE 5
8	MEASURED FLOW TO LOWER POWERHOUSE	1,246	1,038	1,273	1,121	1,109	881	742	688	615	803	725	881	11,122	SEE NOTE 6
<u>DEDUCT MILLER NARROWS WELLS</u>															
9	WELL NO. 1 SDWR RECORDATION NO. 3600588	0	0	0	0	0	0	0	0	0	0	0	0	0	SEE NOTE 7
10	WELL NO. 2 SDWR RECORDATION NO. 3600590	296	172	253	283	299	289	294	303	201	277	183	312	3,162	SEE NOTE 7
11	TOTAL PUMPED WATER	296	172	253	283	299	289	294	303	201	277	183	312	3,162	LINE 9 + 10
12	STREAM FLOW DIVERTED FROM LYTLE CREEK	950	866	1,020	838	810	592	448	385	414	526	542	569	7,960	LINE 8 - 11
13	DEDUCT FLOW RETURNED TO STREAM BELOW LOWER POWERHOUSE	11	100	51	64	10	0	16	0	219	36	112	2		SEE NOTE 8
14	TOTAL STREAM DIVERSION AT LOWER POWERHOUSE	939	766	969	774	800	592	432	385	195	490	430	567	7,339	LINE 12 - 13
<u>BREED LINE CALCULATION</u>															
15	WEIR NO. 4	32	64	42	41	31	29	37	42	85	51	68	42	564	SEE NOTE 9
16	LESS WATER PUMPED BY FONTANA UNION WELL NO. 27 SDWR RECORDATION NO. 3600582	0	0	0	2	0	0	10	17	7	0	0	6	42	SEE NOTE 10
17	TOTAL STREAM DIVERSION AT FONTANA UNION INTAKE TO BREED LINE	32	64	42	39	31	29	27	25	78	51	68	36	522	LINE 15 - 16
18	TOTAL LYTLE CREEK STREAM DIVERSION AS VERIFIED	971	830	1,011	813	831	621	459	410	273	541	498	603	7,861	LINE 14 + 17

NOTES

- 1 WEIR NO. 1 MEASURES SOUTHERN CALIFORNIA EDISON CONDUIT NEAR FONTANA (USGS)
 - 2 WEIR NO. 2 MEASURES INFILTRATION LINE WATER TO FONTANA UNION INTAKE (USGS)
 - 3 WEIR NO. 3 MEASURES EITHER STREAM DIVERSION OR INFILTRATION WATER (USGS)
 - 4 20 FOOT WEIR MEASURES FLOW RETURNED TO STREAM AT INTAKE (FONTANA UNION)
 - 5 ANNUAL PERCENTAGE OF DIFFERENCE BETWEEN MEASURED & CALCULATED FLOW AT LOWER POWERHOUSE
 - 6 MEASURED FLOW AT LOWER POWERHOUSE (USGS) ASSUMED TO BE CORRECT
- NOTES
- 7 WATER EXTRACTED BY FONTANA UNION WATER COMPANY MILLER NARROWS WELLS AND DISCHARGED TO EDISON CONDUIT (FONTANA UNION).
 - 8 WATER RETURNED TO STREAM FROM AFTERBAY AT LOWER POWERHOUSE (FONTANA UNION)
 - 9 WEIR NO. 4 MEASURES FLOW TO BREED LINE AT INTAKE (USGS).
 - 10 FONTANA UNION WATER COMPANY WELL TO BREED LINE (FONTANA UNION)

TABLE NO. 4

LYTLE CREEK
VERIFICATIONS OF EXTRACTIONS
FOR CALENDAR YEAR 1994

LINE NO.	LOCATION OF MEASUREMENT	JAN	FEB	MAR	APR	MAY	JUN	JUL	AUG	SEP	OCT	NOV	DEC	TOTAL	REMARKS
1	WEIR NO. 1	635	843	1,138	697	1,186	897	711	666	659	706	719	813	9,670	SEE NOTE 1
2	WEIR NO. 2	397	335	254	332	18	1	0	0	0	0	0	0	1,337	SEE NOTE 2
3	WEIR NO. 3 (INFILTRATION LINE METER)	443	362	269	347	23	2	0	0	0	0	0	0	1,446	SEE NOTE 3
4	TOTAL OF WEIRS NOS. 1, 2 & 3	1,475	1,540	1,661	1,376	1,227	900	711	666	659	706	719	813	12,453	LINE 1-2+3
5	DEDUCT STREAM RETURN OVER 20' WEIR	0	43	4	0	0	0	0	0	0	0	0	0	47	SEE NOTE 4
6	TOTAL CALCULATED FLOW TO LOWER POWERHOUSE	1,475	1,497	1,657	1,376	1,227	900	711	666	659	706	719	813	12,406	LINE 4-5
7	ANNUAL PERCENT DIFFERENCE													16.82 %	SEE NOTE 5
8	MEASURED FLOW TO LOWER POWERHOUSE	1,712	1,619	1,870	1,595	1,440	1,089	962	843	845	1,011	925	1,004	14,915	SEE NOTE 6
9	DEDUCT MILLER NARROWS WELLS														
10	WELL NO. 1 RECORDATION NO. 3600588	0	0	0	0	0	0	0	0	0	0	0	0	0	SEE NOTE 7
11	WELL NO. 2 RECORDATION NO. 3600590	0	0	0	0	0	0	0	0	0	0	0	0	0	SEE NOTE 7
11	TOTAL PUMPED WATER	0	0	0	0	0	0	0	0	0	0	0	0	0	LINE 9+10
12	STREAM FLOW DIVERTED FROM LYTLE CRK TO LOWER POWERHOUSE	1,712	1,619	1,870	1,595	1,440	1,089	962	843	845	1,011	925	1,004	14,915	LINE 8-11
13	DEDUCT FLOW RETURNED TO STREAM BELOW LOWER POWERHOUSE														
14	RETURN FLOW FROM AFTERBAY	213	654	316	156	23	2	4	6	1	14	11	99	1,499	SEE NOTE 8
15	RETURN FLOW FROM WSBOWD DIVISION BOX	0	0	0	0	0	0	0	0	0	0	0	0	0	SEE NOTE 11
15	TOTAL RETURN FLOW BELOW LOWER POWERHOUSE	213	654	316	156	23	2	4	6	1	14	11	99	1,499	LINE 13+14
16	NET STREAM FLOW DIVERSION AT LOWER POWERHOUSE	1,499	965	1,554	1,439	1,417	1,087	958	837	844	997	914	905	13,416	LINE 12-15
17	BREED LINE CALCULATION														
17	WEIR NO. 4													0	SEE NOTE 9
18	LESS WATER PUMPED BY FONTANA UNION WELL NO. 27													0	SEE NOTE 10
18	RECORDATION NO. 3600582													0	SEE NOTE 10
19	NET LYTLE CREEK STREAM FLOW AT FONTANA UNION INTAKE TO BREED LINE	0	0	0	0	0	0	0	0	0	0	0	0	0	LINE 17-18
20	TOTAL LYTLE CREEK STREAM FLOW DIVERSION AS VERIFIED	1,499	965	1,554	1,439	1,417	1,087	958	837	844	997	914	905	13,416	LINE 16+19
NOTES															
1	WEIR NO. 1 MEASURES SOUTHERN CALIFORNIA EDISON CONDUIT NEAR FONTANA (USGS)														
2	WEIR NO. 2 MEASURES INFILTRATION LINE WATER TO FONTANA UNION INTAKE (USGS)														
3	WEIR NO. 3 MEASURES EITHER STREAM DIVERSION OR INFILTRATION WATER (USGS)														
4	20 FOOT WEIR MEASURES FLOW RETURNED TO STREAM AT INTAKE (USGS)														
5	ANNUAL PERCENTAGE OF DIFFERENCE BETWEEN MEASURED & CALCULATED FLOW AT LOWER POWERHOUSE														
6	MEASURED FLOW AT LOWER POWERHOUSE (USGS) ASSUMED TO BE CORRECT														
7	WATER EXTRACTED BY FONTANA UNION WATER COMPANY MILLER NARROWS WELLS AND DISCHARGED TO EDISON CONDUIT (FONTANA UNION).														
8	WATER RETURNED TO STREAM FROM AFTERBAY AT LOWER POWERHOUSE FONTANA UNION (USGS)														
9	WEIR NO. 4 MEASURES FLOW TO BREED LINE AT INTAKE (USGS).														
10	FONTANA UNION WATER COMPANY WELL TO BREED LINE (FONTANA UNION)														
11	WATER RETURNED TO STREAM FROM WEST SAN BERNARDINO COUNTY WATER DISTRICT DIVISION BOX (WEST SAN BERNARDINO COUNTY WD)														

TABLE NO. 4

LYTLE CREEK
VERIFICATIONS OF EXTRACTIONS
FOR CALENDAR YEAR 1995

LINE NO.	LOCATION OF MEASUREMENT	JAN	FEB	MAR	APR	MAY	JUN	JUL	AUG	SEP	OCT	NOV	DEC	TOTAL	REMARKS
1	WEIR NO. 1	697	908	613	1,192	1,228	1,134	1,125	1,113	1,107	1,113	1,071	1,107	12,408	SEE NOTE 1
2	WEIR NO. 2	2	492	574	885	1,303	1,170	1,150	1,127	881	652	441	362	9,039	SEE NOTE 2
3	WEIR NO. 3 (INFILTRATION LINE METER)	1	439	525	783	1,172	1,069	1,019	984	760	0	0	0	6,752	SEE NOTE 3
4	TOTAL OF WEIRS NOS. 1, 2 & 3	700	1,839	1,712	2,860	3,703	3,373	3,294	3,224	2,748	1,765	1,512	1,469	28,199	LINE 1+2+3
5	DEDUCT STREAM RETURN OVER 20' WEIR	20	132	144	99	853	656	495	270	20	10	0	0	2,699	SEE NOTE 4
6	TOTAL CALCULATED FLOW TO LOWER POWERHOUSE	680	1,707	1,568	2,761	2,850	2,717	2,799	2,954	2,728	1,755	1,512	1,469	25,500	LINE 4-5
7	ANNUAL PERCENT DIFFERENCE _____ X 100													0.78 %	SEE NOTE 5
8	MEASURED FLOW TO LOWER POWERHOUSE	832	1,648	1,596	2,713	2,789	2,606	2,628	2,642	2,416	2,214	1,854	1,763	25,701	SEE NOTE 6
	<u>DEDUCT MILLER NARROWS WELLS</u>														
9	WELL NO. 1 RECORDATION NO. 3600588	0	0	0	0	0	0	0	0	0	0	0	0	0	SEE NOTE 7
10	WELL NO. 2 RECORDATION NO. 3600590	0	0	0	0	0	0	0	0	0	0	0	0	0	SEE NOTE 7
11	TOTAL PUMPED WATER	0	0	0	0	0	0	0	0	0	0	0	0	0	LINE 9+10
12	STREAM FLOW DIVERTED FROM LYTLE CRK TO LOWER POWERHOUSE	832	1,648	1,596	2,713	2,789	2,606	2,628	2,642	2,416	2,214	1,854	1,763	25,701	LINE 8-11
	<u>DEDUCT FLOW RETURNED TO STREAM BELOW LOWER POWERHOUSE</u>														
13	RETURN FLOW FROM AFTERBAY	125	639	973	2,713	2,696	1,724	1,533	1,355	1,023	688	531	479	14,479	SEE NOTE 8
14	RETURN FLOW FROM WSBOWD DIVISION BOX	0	0	0	0	0	0	0	0	0	0	0	0	0	SEE NOTE 11
15	TOTAL RETURN FLOW BELOW LOWER POWERHOUSE	125	639	973	2,713	2,696	1,724	1,533	1,355	1,023	688	531	479	14,479	LINE 13+14
16	NET STREAM FLOW DIVERSION AT LOWER POWERHOUSE	707	1,009	623	0	93	882	1,095	1,287	1,393	1,526	1,323	1,284	11,222	LINE 12-15
	<u>BREED LINE CALCULATION</u>														
17	WEIR NO. 4													0	SEE NOTE 9
18	LESS WATER PUMPED BY FONTANA UNION WELL NO. 27 RECORDATION NO. 3600582													0	SEE NOTE 10
19	NET LYTLE CREEK STREAM FLOW AT FONTANA UNION INTAKE TO BREED LINE	0	0	0	0	0	0	0	0	0	0	0	0	0	LINE 17-18
20	TOTAL LYTLE CREEK STREAM FLOW DIVERSION AS VERIFIED	707	1,009	623	0	93	882	1,095	1,287	1,393	1,526	1,323	1,284	11,222	LINE 16+19

NOTES

- WEIR NO. 1 MEASURES SOUTHERN CALIFORNIA EDISON CONDUIT NEAR FONTANA (USGS)
 - WEIR NO. 2 MEASURES INFILTRATION LINE WATER TO FONTANA UNION INTAKE (USGS)
 - WEIR NO. 3 MEASURES EITHER STREAM DIVERSION OR INFILTRATION WATER (USGS)
 - 20 FOOT WEIR MEASURES FLOW RETURNED TO STREAM AT INTAKE (USGS)
 - ANNUAL PERCENTAGE OF DIFFERENCE BETWEEN MEASURED & CALCULATED FLOW AT LOWER POWERHOUSE
 - MEASURED FLOW AT LOWER POWERHOUSE (USGS) ASSUMED TO BE CORRECT
- NOTES
- WATER EXTRACTED BY FONTANA UNION WATER COMPANY MILLER NARROWS WELLS AND DISCHARGED TO EDISON CONDUIT (FONTANA UNION).
 - WATER RETURNED TO STREAM FROM AFTERBAY AT LOWER POWERHOUSE FONTANA UNION (USGS)
 - WEIR NO. 4 MEASURES FLOW TO BREED LINE AT INTAKE (USGS).
 - FONTANA UNION WATER COMPANY WELL TO BREED LINE (FONTANA UNION) WATER RETURNED TO STREAM FROM WEST SAN BERNARDINO COUNTY WATER DISTRICT DIVISION BOX (WEST SAN BERNARDINO COUNTY WD)

TABLE NO. 4

LYTLE CREEK
VERIFICATIONS OF EXTRACTATIONS
FOR CALENDAR YEAR 1996

LINE NO.	LOCATION OF MEASUREMENT	JAN	FEB	MAR	APR	MAY	JUN	JUL	AUG	SEP	OCT	NOV	DEC	TOTAL	REMARKS
1	WEIR NO. 1	1,097	857	954	1,117	1,107	978	950	986	1,041	973	768	498	11,326	SEE NOTE 1
2	WEIR NO. 2	196	0	541	365	109	23	8	7	2	0	56	181	1,488	SEE NOTE 2
3	WEIR NO. 3 (INFILTRATION LINE METER)	0	28	0	0	8	0	0	0	303	339	365	397	1,440	SEE NOTE 3
4	TOTAL OF WEIRS NOS. 1, 2 & 3	1,293	885	1,495	1,482	1,224	1,001	958	993	1,346	1,312	1,189	1,076	14,254	LINE 1+2+3
5	DEDUCT STREAM RETURN OVER 20' WEIR	0	24	245	4	2	0	0	9	0	0	1	80	365	SEE NOTE 4
6	TOTAL CALCULATED FLOW TO LOWER POWERHOUSE	1,293	861	1,250	1,478	1,222	1,001	958	984	1,346	1,312	1,188	996	13,889	LINE 4-5
7	ANNUAL PERCENT DIFFERENCE													8.89 %	SEE NOTE 5
8	MEASURED FLOW TO LOWER POWERHOUSE	1,561	885	1,707	1,870	1,331	1,014	900	940	1,267	1,291	1,178	1,300	15,244	SEE NOTE 6
	DEDUCT MILLER NARROWS WELLS														
9	WELL NO. 1 RECORDATION NO. 3600588	0	0	0	0	0	0	0	0	0	0	0	0	0	SEE NOTE 7
10	WELL NO. 2 RECORDATION NO. 3800590	0	0	0	0	0	0	0	0	0	0	0	0	0	SEE NOTE 7
11	TOTAL PUMPED WATER	0	0	0	0	0	0	0	0	0	0	0	0	0	LINE 9+10
12	STREAM FLOW DIVERTED FROM LYTLE CRK TO LOWER POWERHOUSE	1,561	885	1,707	1,870	1,331	1,014	900	940	1,267	1,291	1,178	1,300	15,244	LINE 8-11
	DEDUCT FLOW RETURNED TO STREAM BELOW LOWER POWERHOUSE														
13	RETURN FLOW FROM AFTERBAY	311	255	835	551	263	122	381	196	225	94	487	1,133	4,853	SEE NOTE 8
14	RETURN FLOW FROM WSBOWD DIVISION BOX	0	0	0	0	0	0	0	0	0	0	0	0	0	SEE NOTE 11
15	TOTAL RETURN FLOW BELOW LOWER POWERHOUSE	311	255	835	551	263	122	381	196	225	94	487	1,133	4,853	LINE 13+14
16	NET STREAM FLOW DIVERSION AT LOWER POWERHOUSE	1,250	630	872	1,319	1,068	892	519	744	1,042	1,197	691	167	10,391	LINE 12-15
	BREED LINE CALCULATION														
17	WEIR NO. 4													0	SEE NOTE 9
18	LESS WATER PUMPED BY FONTANA UNION WELL NO. 27													0	
	RECORDATION NO. 3600582													0	
19	NET LYTLE CREEK STREAM FLOW AT FONTANA UNION INTAKE TO BREED LINE	0	0	0	0	0	0	0	0	0	0	0	0	0	SEE NOTE 10
20	TOTAL LYTLE CREEK STREAM FLOW DIVERSION AS VERIFIED	1,250	630	872	1,319	1,068	892	519	744	1,042	1,197	691	167	10,391	LINE 16+19

NOTES

- WEIR NO. 1 MEASURES SOUTHERN CALIFORNIA EDISON CONDUIT NEAR FONTANA (USGS)
- WEIR NO. 2 MEASURES INFILTRATION LINE WATER TO FONTANA UNION INTAKE (USGS)
- WEIR NO. 3 MEASURES EITHER STREAM DIVERSION OR INFILTRATION WATER (USGS)
- 20 FOOT WEIR MEASURES FLOW RETURNED TO STREAM AT INTAKE (USGS)
- ANNUAL PERCENTAGE OF DIFFERENCE BETWEEN MEASURED & CALCULATED FLOW AT LOWER POWERHOUSE
- MEASURED FLOW AT LOWER POWERHOUSE (USGS) ASSUMED TO BE CORRECT
- WATER EXTRACTED BY FONTANA UNION WATER COMPANY MILLER NARROWS WELLS AND DISCHARGED TO EDISON CONDUIT (FONTANA UNION).
- WATER RETURNED TO STREAM FROM AFTERBAY AT LOWER POWERHOUSE FONTANA UNION (USGS)
- WEIR NO. 4 MEASURES FLOW TO BREED LINE AT INTAKE (USGS).
- FONTANA UNION WATER COMPANY WELL TO BREED LINE (FONTANA UNION)
- WATER RETURNED TO STREAM FROM WEST SAN BERNARDINO COUNTY WATER DISTRICT DIVISION BOX (WEST SAN BERNARDINO COUNTY WD)

TABLE NO. 4

LYTLE CREEK
VERIFICATIONS OF EXTRACTIONS
FOR CALENDAR YEAR 1997

LINE NO.	LOCATION OF MEASUREMENT	JAN	FEB	MAR	APR	MAY	JUN	JUL	AUG	SEP	OCT	NOV	DEC	TOTAL	REMARKS
1	WEIR NO. 1	480	976	990	899	867	789	781	739	813	787	827	790	9,338	SEE NOTE 1
2	WEIR NO. 2	1,204	1,429	725	89	0	0	0	0	0	0	41	149	3,637	SEE NOTE 2
3	WEIR NO. 3 (INFILTRATION LINE METER)	330	0	78	360	243	347	319	299	258	270	249	284	3,037	SEE NOTE 3
4	TOTAL OF WEIRS NOS. 1, 2 & 3	2,014	2,405	1,793	1,348	1,110	1,136	1,100	1,038	871	1,057	917	1,223	16,012	LINE 1+2+3
5	DEDUCT STREAM RETURN OVER 20' WEIR	173	69	0	0	0	0	0	4	0	0	6	2	254	SEE NOTE 4
6	TOTAL CALCULATED FLOW TO LOWER POWERHOUSE	1,841	2,336	1,793	1,348	1,110	1,136	1,100	1,034	871	1,057	911	1,221	15,758	LINE 4-5
7	ANNUAL PERCENT DIFFERENCE													-3.63 %	SEE NOTE 5
8	MEASURED FLOW TO LOWER POWERHOUSE	1,860	2,249	1,773	1,303	1,150	1,055	984	957	830	1,047	847	1,151	15,206	SEE NOTE 6
	DEDUCT MILLER NARROWS WELLS														
9	WELL NO. 1 RECORDATION NO. 3600588	0	0	0	0	0	0	0	0	0	0	0	0	0	SEE NOTE 7
10	WELL NO. 2 RECORDATION NO. 3600590	0	0	0	0	0	0	0	0	0	0	0	0	0	SEE NOTE 7
11	TOTAL PUMPED WATER	0	0	0	0	0	0	0	0	0	0	0	0	0	LINE 9+10
12	STREAM FLOW DIVERTED FROM LYTLE CRK TO LOWER POWERHOUSE	1,860	2,249	1,773	1,303	1,150	1,055	984	957	830	1,047	847	1,151	15,206	LINE 8-11
	DEDUCT FLOW RETURNED TO STREAM BELOW LOWER POWERHOUSE														
13	RETURN FLOW FROM AFTERBAY	922	828	142	130	108	77	50	82	166	151	225	263	3,144	SEE NOTE 8
14	RETURN FLOW FROM WSBOWD DIVISION BOX	0	0	0	0	0	0	0	0	0	0	0	0	0	SEE NOTE 11
15	TOTAL RETURN FLOW BELOW LOWER POWERHOUSE	922	828	142	130	108	77	50	82	166	151	225	263	3,144	LINE 13+14
16	NET STREAM FLOW DIVERSION AT LOWER POWERHOUSE	938	1,421	1,631	1,173	1,042	978	934	875	664	896	622	888	12,062	LINE 12-15
	BREED LINE CALCULATION														
17	WEIR NO. 4													0	SEE NOTE 9
18	LESS WATER PUMPED BY FONTANA UNION WELL NO. 27													0	SEE NOTE 10
	RECORDATION NO. 3600582														
19	NET LYTLE CREEK STREAM FLOW AT FONTANA UNION INTAKE TO BREED LINE	0	0	0	0	0	0	0	0	0	0	0	0	0	LINE 17-18
20	TOTAL LYTLE CREEK STREAM FLOW DIVERSION AS VERIFIED	938	1,421	1,631	1,173	1,042	978	934	875	664	896	622	888	12,062	LINE 16+19

Record discontinued. WEIR NO. 4 receives FUWC WELL NO. 27 production only.

NOTES

- 1 WEIR NO. 1 MEASURES SOUTHERN CALIFORNIA EDISON CONDUIT NEAR FONTANA (USGS)
- 2 WEIR NO. 2 MEASURES INFILTRATION LINE WATER TO FONTANA UNION INTAKE (USGS)
- 3 WEIR NO. 3 MEASURES EITHER STREAM DIVERSION OR INFILTRATION WATER (USGS)
- 4 20 FOOT WEIR MEASURES FLOW RETURNED TO STREAM AT INTAKE (USGS)
- 5 ANNUAL PERCENTAGE OF DIFFERENCE BETWEEN MEASURED & CALCULATED FLOW AT LOWER POWERHOUSE
- 6 MEASURED FLOW AT LOWER POWERHOUSE (USGS) ASSUMED TO BE CORRECT
- 7 WATER EXTRACTED BY FONTANA UNION WATER COMPANY MILLER NARROWS WELLS AND DISCHARGED TO EDISON CONDUIT (FONTANA UNION).
- 8 WATER RETURNED TO STREAM FROM AFTERBAY AT LOWER POWERHOUSE FONTANA UNION (USGS)
- 9 WEIR NO. 4 MEASURES FLOW TO BREED LINE AT INTAKE (USGS).
- 10 FONTANA UNION WATER COMPANY WELL TO BREED LINE (FONTANA UNION)
- 11 WATER RETURNED TO STREAM FROM WEST SAN BERNARDINO COUNTY WATER DISTRICT DIVISION BOX (WEST SAN BERNARDINO COUNTY WWD)

TABLE NO. 4

LYTLE CREEK
VERIFICATIONS OF EXTRACTIONS
FOR CALENDAR YEAR 1988

LINE NO.	LOCATION OF MEASUREMENT	JAN	FEB	MAR	APR	MAY	JUN	JUL	AUG	SEP	OCT	NOV	DEC	TOTAL	REMARKS
1	WEIR NO. 1	825	227	749	1,180	943	164	333	1,228	1,137	1,168	1,115	1,129	10,198	SEE NOTE 1
2	WEIR NO. 2 and WEIR NO. 3	62	333	1,864	2,083	1,698	913	80	394	2,168	1,866	1,272	955	13,688	SEE NOTE 2
3	INFILTRATION LINE METER	321	301	328	14	0	436	0	633	132	101	98	101	2,465	SEE NOTE 3
4	TOTAL OF WEIRS NOS. 1, 2 & 3 and INFILTRATION	1,208	861	2,941	3,277	2,641	1,077	849	2,255	3,437	3,135	2,485	2,185	26,351	SEE NOTE 4
5	DEDUCT STREAM RETURN OVER 20' WEIR	79	69	554	435	356	32	49	173	568	212	6	12	2,565	SEE NOTE 4
6	TOTAL CALCULATED FLOW TO LOWER POWERHOUSE	1,129	792	2,387	2,842	2,285	1,045	800	2,082	2,849	2,923	2,479	2,173	23,786	LINE 4-5
7	ANNUAL PERCENT DIFFERENCE													-7.26 %	SEE NOTE 5
8	MEASURED FLOW TO LOWER POWERHOUSE	1,130	793	2,380	2,598	2,182	1,026	736	1,922	2,557	2,614	2,238	2,001	22,177	SEE NOTE 6
9	DEDUCT MILLER NARROWS WELLS														
10	WELL NO. 1 RECORDATION NO. 3600588	0	0	0	0	0	0	0	0	0	0	0	0	0	SEE NOTE 7
11	WELL NO. 2 RECORDATION NO. 3600580	0	0	0	0	0	0	0	0	0	0	0	0	0	SEE NOTE 7
11	TOTAL PUMPED WATER	0	0	0	0	0	0	0	0	0	0	0	0	0	LINE 9+10
12	STREAM FLOW DIVERTED FROM LYTLE CRK TO LOWER POWERHOUSE	1,130	793	2,380	2,598	2,182	1,026	736	1,922	2,557	2,614	2,238	2,001	22,177	LINE 8-11
13	DEDUCT FLOW RETURNED TO STREAM BELOW LOWER POWERHOUSE														
14	RETURN FLOW FROM AFTERBAY	212	380	926	933	970	949	378	555	758	670	383	198	7,312	SEE NOTE 8
15	RETURN FLOW FROM WSBOWD DIVISION BOX	0	0	0	0	0	0	0	0	0	0	0	0	0	SEE NOTE 11
15	TOTAL RETURN FLOW BELOW LOWER POWERHOUSE	212	380	926	933	970	949	378	555	758	670	383	198	7,312	LINE 13+14
16	NET STREAM FLOW DIVERSION AT LOWER POWERHOUSE	918	413	1,454	1,665	1,212	77	358	1,367	1,799	1,944	1,855	1,803	14,865	LINE 12-15
17	BREED LINE CALCULATION														
17	WEIR NO. 4													0	SEE NOTE 9
18	LESS WATER PUMPED BY FONTANA UNION WELL NO. 27													0	SEE NOTE 10
18	RECORDATION NO. 3600582													0	SEE NOTE 10
19	NET LYTLE CREEK STREAM FLOW AT FONTANA UNION INTAKE TO BREED LINE	0	0	0	0	0	0	0	0	0	0	0	0	0	LINE 17-18
20	TOTAL LYTLE CREEK STREAM FLOW DIVERSION AS VERIFIED	918	413	1,454	1,665	1,212	77	358	1,367	1,799	1,944	1,855	1,803	14,865	LINE 16+19

NOTES

- 1 WEIR NO. 1 MEASURES SOUTHERN CALIFORNIA EDISON CONDUIT NEAR FONTANA (USGS)
 - 2 WEIR NO. 2 MEASURES STREAM DIVERSION (USGS)
 - 3 WEIR NO. 3 MEASURES STREAM DIVERSION (USGS)
 - 4 20 FOOT WEIR MEASURES FLOW RETURNED TO STREAM AT INTAKE (USGS)
 - 5 ANNUAL PERCENTAGE OF DIFFERENCE BETWEEN MEASURED & CALCULATED FLOW AT LOWER POWERHOUSE
 - 6 MEASURED FLOW AT LOWER POWERHOUSE (USGS) ASSUMED TO BE CORRECT
- NOTES
- 7 WATER EXTRACTED BY FONTANA UNION WATER COMPANY MILLER NARROWS WELLS AND DISCHARGED TO EDISON CONDUIT (FONTANA UNION).
 - 8 WATER RETURNED TO STREAM FROM AFTERBAY AT LOWER POWERHOUSE FONTANA UNION (USGS)
 - 9 WEIR NO. 4 MEASURES FLOW TO BREED LINE AT INTAKE (USGS).
 - 10 FONTANA UNION WATER COMPANY WELL TO BREED LINE (FONTANA UNION)
 - 11 WATER RETURNED TO STREAM FROM WEST SAN BERNARDINO COUNTY WATER DISTRICT DIVISION BOX (WEST SAN BERNARDINO COUNTY WD)

TABLE NO. 5

MILL CREEK VERIFICATION OF EXTRACTIONS FOR
CALENDAR YEARS 1994-1998

TABLE NO. 5

MILL CREEK
VERIFICATIONS OF EXTRACTIONS
FOR CALENDAR YEAR 1994

LINE NO.	LOCATION OF MEASUREMENT	JAN	FEB	MAR	APR	MAY	JUN	JUL	AUG	SEP	OCT	NOV	DEC	TOTAL	REMARKS
1	MILL CREEK NEAR YUCAIPA STREAMFLOW	966	782	1229	1309	1494	1196	886	761	746	638	619	629	11,255	SEE NOTE 1
2	MILL CREEK NEAR YUCAIPA POWER CANALS		Station Discontinued												SEE NOTE 1
3	MILL CREEK NEAR YUCAIPA COMBINED FLOW		Station Discontinued												SEE NOTE 1
4	TOTAL FLOW AVAILABLE FOR DIVERSION		Station Discontinued												LINE 3
DIVERSIONS															
<u>MILL CREEK NO. 2 & 3 POWERHOUSE AFTERBAY</u>															
5	DIVERSION TO YUCAIPA; REGIONAL PARK & WILSON CREEK	280	193	285	425	462	522	293	17	0	48	6	0	2,531	SEE NOTE 2
<u>CITY OF REDLANDS TATE FILTER PLANT</u>															
6	INFLOW TO TATE FILTER PLANT	883	428	551	507	615	720	790	628	821	826	677	700	8,146	SEE NOTE 3
7	LESS FILTER BACK & SURF WASH WATER RETURNED TO ZANJA	0	0	0	0	0	0	0	0	0	0	0	0	0	SEE NOTE 3
8	LESS GROUNDWATER RECHARGE IN CITY WELLS 10, 11 & 12	0	0	0	0	0	0	0	0	0	0	0	0	0	SEE NOTE 4
9	NET DIVERSION FROM AVAILABLE FLOW TO TATE	883	428	551	507	615	720	790	628	821	826	677	700	8,146	LINE 6-7-8
<u>BOULLIQUON BOX</u>															
10	TRANSFER OF MILL CREEK WATER TO BEAR VALLEY HIGHLINE	0	0	0	0	0	0	0	0	0	0	0	0	0	SEE NOTE 5
11	TRANSFER OF SANTA ANA RIVER WATER TO ZANJA	0	0	0	0	0	0	0	0	0	0	0	0	0	SEE NOTE 5
12	SAN BERN VALLEY MWD TATE PUMP STATION	0	0	0	0	0	0	0	0	0	0	0	0	0	SEE NOTE 6
13	SAN BERN VALLEY MWD UNGER LANE TURNOUT	48	0	0	0	18	204	233	218	98	151	5	46	1,021	SEE NOTE 6
<u>CRAFTON WATER COMPANY CANAL</u>															
14	INFLOW TO CRAFTON CANAL FROM ZANJA	256	9	34	325	373	388	511	588	490	485	338	321	4,118	SEE NOTE 7
15	LESS GROUNDWATER RECHARGE HILL WELL & KING ST. SHAFT	0	0	0	0	0	0	0	0	0	0	0	0	0	SEE NOTE 8
16	NET DIVERSION FROM AVAILABLE FLOW TO CRAFTON	256	9	34	325	373	388	511	588	490	485	338	321	4,118	LINE 14-15
17	TOTAL FLOW DIVERTED INCLUDING UPPER MILL CREEK WELLS	1,371	630	870	1,257	1,432	1,426	1,381	1,015	1,213	1,208	1,016	975	13,774	LINE 5+9+10-11 -12-13+16
<u>DEDUCT UPPER MILL CREEK WELLS</u>															
18	CITY OF REDLANDS MILL CREEK NO. 1 REC. NO. 3601282	0	0	0	0	0	0	0	0	0	0	0	0	0	SEE NOTE 9
19	CITY OF REDLANDS MILL CREEK NO. 2 REC. NO. 3601285	189	214	201	193	197	190	195	179	149	151	142	135	2,135	SEE NOTE 9
20	CITY OF REDLANDS MILL CREEK NO. 4 REC. NO. 3601288	0	0	0	0	0	0	108	102	94	97	0	0	401	SEE NOTE 9
21	CITY OF REDLANDS MILL CREEK NO.0-A REC. NO. 3602351	0	0	0	0	0	0	0	0	0	0	0	0	0	SEE NOTE 9
22	CITY OF REDLANDS MILL CREEK NO.2-A REC. NO. 3603045	0	0	0	0	0	0	0	0	0	1	0	0	1	SEE NOTE 9
23	TOTAL UPPER MILL CREEK WELL PRODUCTION	189	214	201	193	197	190	303	281	243	249	142	135	2,537	LINE 18+19 +20+21
24	TOTAL MILL CREEK STREAM DIVERSION AS VERIFIED	1,182	416	669	1,064	1,235	1,236	1,058	734	970	959	874	840	11,237	LINE 17-22

NOTES

- 1 U.S.G.S. UNPUBLISHED RECORDS OF MILL CREEK FLOWS
- 2 YUCAIPA PIPELINE TO YUCAIPA OPERATIONS RECORDS (SAN BERNARDINO VALLEY MUNICIPAL WATER DISTRICT)
- 3 TATE FILTER PLANT OPERATIONS RECORDS (CITY OF REDLANDS)
- 4 METERED RECHARGE IN WELLS NUMBER 10, 11 AND 12 (RECORDATION NUMBERS 3601281, 3601282 & 3601283 RESPECTIVELY, CITY OF REDLANDS)
- 5 BOULLIQUON BOX CONNECTS BEAR VALLEY HIGHLINE AND THE ZANJA (SAN BERNARDINO VALLEY MWD & BEAR VALLEY MUTUAL WATER COMPANY)
- 6 SAN BERNARDINO VALLEY MUNICIPAL WATER DISTRICT COMPLETED THE TATE PUMP STATION. STATE WATER PROJECT OR SANTA ANA RIVER WATER CAN BE DELIVERED TO MILL CREEK FACILITIES.
- 7 CRAFTON CANAL DIVERTS FROM THE ZANJA (SAN BERNARDINO VALLEY MUNICIPAL WATER DISTRICT)
- 8 GROUNDWATER RECHARGE IN HILL WELL AND KING STREET SHAFT (CRAFTON WATER COMPANY)
- 9 METERED PRODUCTION FROM WELLS IN UPPER MILL CREEK WELLS PUMP DIRECTLY INTO POWER CANALS. SURFACE DIVERSIONS AND WELL EXTRACTIONS ARE COMMINGLED (CITY OF REDLANDS)

TABLE NO. 5

MILL CREEK
VERIFICATIONS OF EXTRactions
FOR CALENDAR YEAR 1995

LINE NO.	LOCATION OF MEASUREMENT	JAN	FEB	MAR	APR	MAY	JUN	JUL	AUG	SEP	OCT	NOV	DEC	TOTAL	REMARKS
1	MILL CREEK NEAR YUCAIPA STREAMFLOW														SEE NOTE 1
2	MILL CREEK NEAR YUCAIPA POWER CANALS	486	1036	855	1979	1956	1694	1565	1422	1206	1111	898	834	15,042	SEE NOTE 1
3	MILL CREEK NEAR YUCAIPA COMBINED FLOW														SEE NOTE 1
4	TOTAL FLOW AVAILABLE FOR DIVERSION														LINE 3
DIVERSIONS															
<u>MILL CREEK NO. 2 & 3 POWERHOUSE AFTERBAY</u>															
5	DIVERSION TO YUCAIPA; REGIONAL PARK & WILSON CREEK	0	0	0	92	248	583	264	13	24	0	12	0	1,236	SEE NOTE 2
<u>CITY OF REDLANDS, TATE FILTER PLANT</u>															
6	INFLOW TO TATE FILTER PLANT	244	538	468	866	1,037	939	1,075	1,006	1,029	1,039	795	750	9,786	SEE NOTE 3
7	LESS FILTER BACK & SURF WASH WATER RETURNED TO ZANJA	0	0	0	0	0	0	0	0	0	0	0	0	0	SEE NOTE 3
8	LESS GROUNDWATER RECHARGE IN CITY WELLS 10, 11 & 12	0	0	0	0	0	0	0	0	0	0	0	0	0	SEE NOTE 4
9	NET DIVERSION FROM AVAILABLE FLOW TO TATE	244	538	468	866	1,037	939	1,075	1,006	1,029	1,039	795	750	9,786	LINE 6-7-8
<u>BOULLIQUIN BOX</u>															
10	TRANSFER OF MILL CREEK WATER TO BEAR VALLEY HIGHLINE	0	0	0	0	0	0	0	0	0	0	0	0	0	SEE NOTE 5
11	TRANSFER OF SANTA ANA RIVER WATER TO ZANJA	2	39	0	147	28	27	0	1	0	0	1	0	245	SEE NOTE 5
12	SAN BERN VALLEY MWD TATE PUMP STATION	0	0	0	0	0	0	0	0	0	0	0	0	0	SEE NOTE 6
13	SAN BERN VALLEY MWD UNGER LANE TURNOUT	0	0	0	0	0	0	0	14	26	0	13	0	53	SEE NOTE 6
<u>CRAFTON WATER COMPANY CANAL</u>															
14	INFLOW TO CRAFTON CANAL FROM ZANJA	21	28	2	193	305	473	540	630	629	600	446	367	4,234	SEE NOTE 7
15	LESS GROUNDWATER RECHARGE HILL WELL & KING ST. SHAFT	0	0	0	0	0	0	0	0	0	0	0	0	0	SEE NOTE 8
16	NET DIVERSION FROM AVAILABLE FLOW TO CRAFTON	21	28	2	193	305	473	540	630	629	600	446	367	4,234	LINE 14-15
17	TOTAL FLOW DIVERTED INCLUDING UPPER MILL CREEK WELLS	263	527	470	1,004	1,562	1,968	1,879	1,634	1,656	1,639	1,239	1,117	14,958	LINE 5+9+10-11 -12-13+16
<u>DEDUCT UPPER MILL CREEK WELLS</u>															
18	CITY OF REDLANDS MILL CREEK NO. 1 REC. NO. 3601282	0	0	0	0	0	0	0	0	0	0	0	0	0	SEE NOTE 9
19	CITY OF REDLANDS MILL CREEK NO. 2 REC. NO. 3601285	150	137	202	199	208	196	199	204	200	201	192	192	2,280	SEE NOTE 9
20	CITY OF REDLANDS MILL CREEK NO. 4 REC. NO. 3601288	0	0	87	0	0	0	0	0	0	0	0	0	87	SEE NOTE 9
21	CITY OF REDLANDS MILL CREEK NO. 0-A REC. NO. 3602351	0	0	0	0	0	0	0	0	0	0	0	0	0	SEE NOTE 9
22	CITY OF REDLANDS MILL CREEK NO. 2-A REC. NO. 3603045	0	0	0	0	0	0	0	0	0	0	0	0	0	SEE NOTE 9
23	TOTAL UPPER MILL CREEK WELL PRODUCTION	150	137	289	199	208	196	199	204	200	201	192	192	2,367	LINE 18+19 +20+21
24	TOTAL MILL CREEK STREAM DIVERSION AS VERIFIED	113	390	181	805	1,354	1,772	1,680	1,430	1,456	1,438	1,047	925	12,591	LINE 17-22

NOTES

- U.S.G.S. UNPUBLISHED RECORDS OF MILL CREEK FLOWS
- YUCAIPA PIPELINE TO YUCAIPA OPERATIONS RECORDS (SAN BERNARDINO VALLEY MUNICIPAL WATER DISTRICT)
- TATE FILTER PLANT OPERATIONS RECORDS (CITY OF REDLANDS)
- METERED RECHARGE IN WELLS NUMBER 10, 11 AND 12 (RECORDATION NUMBERS 3601291, 3601292 & 3601293 RESPECTIVELY, CITY OF REDLANDS)
- BOULLIQUIN BOX CONNECTS BEAR VALLEY HIGHLINE AND THE ZANJA (SAN BERNARDINO VALLEY MWD & BEAR VALLEY MUTUAL WATER COMPANY)
- SAN BERNARDINO VALLEY MUNICIPAL WATER DISTRICT COMPLETED THE TATE PUMP STATION. STATE WATER PROJECT OR SANTA ANA RIVER WATER CAN BE DELIVERED TO MILL CREEK FACILITIES.
- CRAFTON CANAL DIVERTS FROM THE ZANJA (SAN BERNARDINO VALLEY MUNICIPAL WATER DISTRICT)
- GROUNDWATER RECHARGE IN HILL WELL AND KING STREET SHAFT (CRAFTON WATER COMPANY)
- METERED PRODUCTION FROM WELLS IN UPPER MILL CREEK. WELLS PUMP DIRECTLY INTO POWER CANALS. SURFACE DIVERSIONS AND WELL EXTRactions ARE COMMINGLED (CITY OF REDLANDS)

TABLE NO. 5

MILL CREEK
VERIFICATIONS OF EXTRACTIONS
FOR CALENDAR YEAR 1996

LINE NO.	LOCATION OF MEASUREMENT	JAN	FEB	MAR	APR	MAY	JUN	JUL	AUG	SEP	OCT	NOV	DEC	TOTAL	REMARKS
1	MILL CREEK NEAR YUCAIPA STREAMFLOW	777	697	1,277	1,043	1,039	873	833	710	653	676	657	926	10,161	SEE NOTE 1
2	MILL CREEK NEAR YUCAIPA POWER CANALS		Station Discontinued												SEE NOTE 1
3	MILL CREEK NEAR YUCAIPA COMBINED FLOW		Station Discontinued												SEE NOTE 1
4	TOTAL FLOW AVAILABLE FOR DIVERSION		Station Discontinued												LINE 3
DIVERSIONS															
<u>MILL CREEK NO. 2 & 3 POWERHOUSE AFTERBAY</u>															
5	DIVERSION TO YUCAIPA; REGIONAL PARK & WILSON CREEK	2	0	440	400	138	58	65	61	0	5	0	0	1,169	SEE NOTE 2
<u>CITY OF REDLANDS, TATE FILTER PLANT</u>															
6	INFLOW TO TATE FILTER PLANT	791	542	723	533	785	939	841	822	801	510	478	403	8,168	SEE NOTE 3
7	LESS FILTER BACK & SURF WASH WATER RETURNED TO ZANJA	0	0	0	0	0	0	0	0	0	0	0	0	0	SEE NOTE 3
8	LESS GROUNDWATER RECHARGE IN CITY WELLS 10, 11 & 12	0	0	0	0	0	0	0	0	0	0	0	0	0	SEE NOTE 4
9	NET DIVERSION FROM AVAILABLE FLOW TO TATE	791	542	723	533	785	939	841	822	801	510	478	403	8,168	LINE 6-7-8
<u>BOULLIQUIN BOX</u>															
10	TRANSFER OF MILL CREEK WATER TO BEAR VALLEY HIGHLINE	0	0	0	0	0	0	0	0	0	0	0	0	0	SEE NOTE 5
11	TRANSFER OF SANTA ANA RIVER WATER TO ZANJA	0	0	3	46	48	31	57	131	94	134	1	0	545	SEE NOTE 5
12	SAN BERN VALLEY MWD TATE PUMP STATION	0	0	0	0	0	0	0	0	0	0	0	0	0	SEE NOTE 6
13	SAN BERN VALLEY MWD UNGER LANE TURNOUT	0	0	0	167	83	163	248	173	224	195	75	0	1,328	SEE NOTE 6
<u>CRAFTON WATER COMPANY CANAL</u>															
14	INFLOW TO CRAFTON CANAL FROM ZANJA	399	21	72	311	503	489	546	509	540	434	217	5	4,046	SEE NOTE 7
15	LESS GROUNDWATER RECHARGE HILL WELL & KING ST. SHAFT	0	0	0	0	0	0	0	0	0	0	0	0	0	SEE NOTE 8
16	NET DIVERSION FROM AVAILABLE FLOW TO CRAFTON	399	21	72	311	503	489	546	509	540	434	217	5	4,046	LINE 14-15
17	TOTAL FLOW DIVERTED INCLUDING UPPER MILL CREEK WELLS	1,192	563	1,232	1,031	1,295	1,292	1,147	1,088	1,023	620	619	408	11,510	LINE 5+9+10+11 -12-13+16
<u>DUCT UPPER MILL CREEK WELLS</u>															
18	CITY OF REDLANDS MILL CREEK NO. 1 REC. NO. 3601282	0	0	0	0	0	0	0	0	0	118	0	0	118	SEE NOTE 9
19	CITY OF REDLANDS MILL CREEK NO. 2 REC. NO. 3601285	193	160	200	160	229	184	174	168	156	161	142	156	2,083	SEE NOTE 9
20	CITY OF REDLANDS MILL CREEK NO. 4 REC. NO. 3601288	0	0	0	0	0	96	109	108	101	20	8	0	440	SEE NOTE 9
21	CITY OF REDLANDS MILL CREEK NO. 0-A REC. NO. 3602351	0	0	0	0	0	0	0	0	0	0	0	0	0	SEE NOTE 9
22	CITY OF REDLANDS MILL CREEK NO. 2-A REC. NO. 3603045	0	0	0	0	0	0	0	0	0	0	0	73	73	SEE NOTE 9
23	TOTAL UPPER MILL CREEK WELL PRODUCTION	193	160	200	160	229	280	283	274	257	299	150	229	2,714	LINE 18+19 +20+21
24	TOTAL MILL CREEK STREAM DIVERSION AS VERIFIED	999	403	1,032	871	1,066	1,012	864	814	766	321	469	179	8,796	LINE 17-22

NOTES

- 1 U.S.G.S. UNPUBLISHED RECORDS OF MILL CREEK FLOWS
- 2 YUCAIPA PIPELINE TO YUCAIPA OPERATIONS RECORDS (SAN BERNARDINO VALLEY MUNICIPAL WATER DISTRICT)
- 3 TATE FILTER PLANT OPERATIONS RECORDS (CITY OF REDLANDS)
- 4 METERED RECHARGE IN WELLS NUMBER 10, 11 AND 12 (RECORDATION NUMBERS 3601291, 3601292 & 3601293 RESPECTIVELY, CITY OF REDLANDS)
- 5 BOULLIQUIN BOX CONNECTS BEAR VALLEY HIGHLINE AND THE ZANJA (SAN BERNARDINO VALLEY MWD & BEAR VALLEY MUTUAL WATER COMPANY)
- 6 SAN BERNARDINO VALLEY MUNICIPAL WATER DISTRICT COMPLETED THE TATE PUMP STATION. STATE WATER PROJECT OR SANTA ANA RIVER WATER CAN BE DELIVERED TO MILL CREEK FACILITIES.
- 7 CRAFTON CANAL DIVERTS FROM THE ZANJA (SAN BERNARDINO VALLEY MUNICIPAL WATER DISTRICT)
- 8 GROUNDWATER RECHARGE IN HILL WELL AND KING STREET SHAFT (CRAFTON WATER COMPANY)
- 9 METERED PRODUCTION FROM WELLS IN UPPER MILL CREEK. WELLS PUMP DIRECTLY INTO POWER CANALS. SURFACE DIVERSIONS AND WELL EXTRACTIONS ARE COMMINGLED (CITY OF REDLANDS)

TABLE NO. 5

MILL CREEK
VERIFICATIONS OF EXTRACTIONS
FOR CALENDAR YEAR 1997

LINE NO.	LOCATION OF MEASUREMENT	JAN	FEB	MAR	APR	MAY	JUN	JUL	AUG	SEP	OCT	NOV	DEC	TOTAL	REMARKS
1	MILL CREEK NEAR YUCAIPA STREAMFLOW														SEE NOTE 1
2	MILL CREEK NEAR YUCAIPA POWER CANALS	986	Station Discontinued 871	1,096	1,016	950	893	895	789	179	789	440	618	9,492	SEE NOTE 1
3	MILL CREEK NEAR YUCAIPA COMBINED FLOW		Station Discontinued												SEE NOTE 1
4	TOTAL FLOW AVAILABLE FOR DIVERSION		Station Discontinued												LINE 3
DIVERSIONS															
<u>MILL CREEK NO. 2 & 3 POWERHOUSE AFTERBAY</u>															
5	DIVERSION TO YUCAIPA; REGIONAL PARK & WILSON CREEK	0	0	0	19	59	2	55	49	0	7	9	0	200	SEE NOTE 2
<u>CITY OF REDLANDS TATE FILTER PLANT</u>															
6	INFLOW TO TATE FILTER PLANT	465	673	1,012	897	840	799	848	892	135	589	1	473	7,624	SEE NOTE 3
7	LESS FILTER BACK & SURF WASH WATER RETURNED TO ZANJA	0	0	0	0	0	0	0	0	0	0	0	0	0	SEE NOTE 3
8	LESS GROUNDWATER RECHARGE IN CITY WELLS 10, 11 & 12	0	0	0	0	0	0	0	0	0	0	0	0	0	SEE NOTE 4
9	NET DIVERSION FROM AVAILABLE FLOW TO TATE	465	673	1,012	897	840	799	848	892	135	589	1	473	7,624	LINE 6-7-8
<u>BOULLIQUIN BOX</u>															
10	TRANSFER OF MILL CREEK WATER TO BEAR VALLEY HIGHLINE	0	0	0	0	0	0	0	0	0	0	0	0	0	SEE NOTE 5
11	TRANSFER OF SANTA ANA RIVER WATER TO ZANJA	0	0	0	0	0	0	0	0	0	0	0	0	0	SEE NOTE 5
12	SAN BERN VALLEY MWD TATE PUMP STATION	0	0	0	0	0	0	0	49	8	0	0	0	57	SEE NOTE 6
13	SAN BERN VALLEY MWD UNGER LANE TURNOUT	0	0	0	19	100	151	186	375	355	353	171	53	1,763	SEE NOTE 6
<u>CRAFTON WATER COMPANY CANAL</u>															
14	INFLOW TO CRAFTON CANAL FROM ZANJA	21	17	290	513	531	526	521	547	340	384	206	40	3,936	SEE NOTE 7
15	LESS GROUNDWATER RECHARGE HILL WELL & KING ST. SHAFT	0	0	0	0	0	0	0	0	0	0	0	0	0	SEE NOTE 8
16	NET DIVERSION FROM AVAILABLE FLOW TO CRAFTON	21	17	290	513	531	526	521	547	340	384	206	40	3,936	LINE 14-15
17	TOTAL FLOW DIVERTED INCLUDING UPPER MILL CREEK WELLS	486	680	1,302	1,410	1,330	1,176	1,238	1,064	112	627	45	460	9,940	LINE 5+9+10-11 -12-13+16
<u>DUCT UPPER MILL CREEK WELLS</u>															
18	CITY OF REDLANDS MILL CREEK NO. 1 REC. NO. 3601282	0	0	0	0	0	0	145	170	53	0	0	0	368	SEE NOTE 9
19	CITY OF REDLANDS MILL CREEK NO. 2 REC. NO. 3601285	156	179	205	135	0	185	204	189	159	162	154	158	1,886	SEE NOTE 9
20	CITY OF REDLANDS MILL CREEK NO. 4 REC. NO. 3601288	94	54	27	69	0	85	101	101	0	0	0	0	430	SEE NOTE 9
21	CITY OF REDLANDS MILL CREEK NO. 0-A REC. NO. 3602351	0	0	0	0	0	0	0	14	11	0	0	0	25	SEE NOTE 9
22	CITY OF REDLANDS MILL CREEK NO. 2-A REC. NO. 3603045	0	0	0	38	113	7	0	0	33	96	25	51	363	SEE NOTE 9
23	TOTAL UPPER MILL CREEK WELL PRODUCTION	250	233	232	242	113	192	434	474	256	258	179	208	3,072	LINE 18+19 +20+21
24	TOTAL MILL CREEK STREAM DIVERSION AS VERIFIED	236	457	1,070	1,168	1,217	984	804	590	0	369	0	251	7,146	LINE 17-22

NOTES

- 1 U.S.G.S. UNPUBLISHED RECORDS OF MILL CREEK FLOWS
 - 2 YUCAIPA PIPELINE TO YUCAIPA OPERATIONS RECORDS (SAN BERNARDINO VALLEY MUNICIPAL WATER DISTRICT)
 - 3 TATE FILTER PLANT OPERATIONS RECORDS (CITY OF REDLANDS)
 - 4 METERED RECHARGE IN WELLS NUMBER 10, 11 AND 12 (RECORDATION NUMBERS 3601291, 3601292 & 3601283 RESPECTIVELY, CITY OF REDLANDS)
 - 5 BOULLIQUIN BOX CONNECTS BEAR VALLEY HIGHLINE AND THE ZANJA (SAN BERNARDINO VALLEY MWD & BEAR VALLEY MUTUAL WATER COMPANY)
- NOTES
- 6 SAN BERNARDINO VALLEY MUNICIPAL WATER DISTRICT COMPLETED THE TATE PUMP STATION. STATE WATER PROJECT OR SANTA ANA RIVER WATER CAN BE DELIVERED TO MILL CREEK FACILITIES.
 - 7 CRAFTON CANAL DIVERTS FROM THE ZANJA (SAN BERNARDINO VALLEY MUNICIPAL WATER DISTRICT)
 - 8 GROUNDWATER RECHARGE IN HILL WELL AND KING STREET SHAFT (CRAFTON WATER COMPANY)
 - 9 METERED PRODUCTION FROM WELLS IN UPPER MILL CREEK. WELLS PUMP DIRECTLY INTO POWER CANALS. SURFACE DIVERSIONS AND WELL EXTRACTIONS ARE COMMINGLED (CITY OF REDLANDS)

TABLE NO. 5

MILL CREEK
VERIFICATIONS OF EXTRACTIONS
FOR CALENDAR YEAR 1988

LINE NO.	LOCATION OF MEASUREMENT	JAN	FEB	MAR	APR	MAY	JUN	JUL	AUG	SEP	OCT	NOV	DEC	TOTAL	REMARKS
1	MILL CREEK NEAR YUCAIPA STREAMFLOW	644	334	631	984	696	1,327	1,313	928	967	1,119	1,053	1,021	11,025	SEE NOTE 1
2	MILL CREEK NEAR YUCAIPA POWER CANALS		Station Discontinued												SEE NOTE 1
3	MILL CREEK NEAR YUCAIPA COMBINED FLOW		Station Discontinued												SEE NOTE 1
4	TOTAL FLOW AVAILABLE FOR DIVERSION		Station Discontinued												LINE 3
DIVERSIONS															
<u>MILL CREEK NO. 2 & 3 POWERHOUSE AFTERBAY</u>															
5	DIVERSION TO YUCAIPA, REGIONAL PARK & WILSON CREEK	0	0	0	0	13	488	494	188	30	27	36	1	1,277	SEE NOTE 2
<u>CITY OF REDLANDS, TATE FILTER PLANT</u>															
6	INFLOW TO TATE FILTER PLANT	559	148	264	451	0	342	864	474	535	936	841	175	5,589	SEE NOTE 3
7	LESS FILTER BACK & SURF WASH WATER RETURNED TO ZANJA	0	0	0	0	0	0	0	0	0	0	0	0	0	SEE NOTE 3
8	LESS GROUNDWATER RECHARGE IN CITY WELLS 10, 11 & 12	0	0	0	0	0	0	0	0	0	0	0	0	0	SEE NOTE 4
9	NET DIVERSION FROM AVAILABLE FLOW TO TATE	559	148	264	451	0	342	864	474	535	936	841	175	5,589	LINE 6-7-8
<u>BOULLIQUIN BOX</u>															
10	TRANSFER OF SANTA ANA RIVER WATER TO BEAR VALLEY HIGHLINE	0	0	0	0	0	0	0	0	0	0	0	0	0	SEE NOTE 5
11	TRANSFER OF SANTA ANA RIVER WATER TO ZANJA	0	0	0	0	0	0	0	0	0	0	0	0	0	SEE NOTE 5
12	SAN BERN VALLEY MWD TATE PUMP STATION	0	0	0	0	0	0	0	0	0	(231)	(417)	(464)	(1,112)	SEE NOTE 6
13	SAN BERN VALLEY MWD UNGER LANE TURNOUT	5	6	0	0	0	0	0	23	119	0	0	0	153	SEE NOTE 6
<u>CRAFTON WATER COMPANY CANAL</u>															
14	INFLOW TO CRAFTON CANAL FROM ZANJA	87	77	1	0	0	478	364	430	373	403	306	303	2,823	SEE NOTE 7
15	LESS GROUNDWATER RECHARGE HILL WELL & KING ST. SHAFT	0	0	0	0	0	0	0	0	0	0	0	0	0	SEE NOTE 8
16	NET DIVERSION FROM AVAILABLE FLOW TO CRAFTON	87	77	1	0	0	478	364	430	373	403	306	303	2,823	LINE 14-15
17	TOTAL FLOW DIVERTED INCLUDING UPPER MILL CREEK WELLS	641	219	265	451	13	1,309	1,722	1,069	819	1,587	1,600	943	10,648	LINE 5+9+10-11 -12-13+16
<u>DUCT UPPER MILL CREEK WELLS</u>															
18	CITY OF REDLANDS MILL CREEK NO. 1 REC. NO. 3601282	0	0	0	0	0	0	0	0	0	0	0	0	0	SEE NOTE 9
19	CITY OF REDLANDS MILL CREEK NO. 2 REC. NO. 3601285	157	141	181	193	202	192	164	114	198	194	170	225	2,131	SEE NOTE 9
20	CITY OF REDLANDS MILL CREEK NO. 4 REC. NO. 3601288	0	0	0	0	0	0	0	0	0	0	0	0	0	SEE NOTE 9
21	CITY OF REDLANDS MILL CREEK NO. 0-A REC. NO. 3602351	13	0	0	0	0	0	0	0	0	0	0	0	0	SEE NOTE 9
22	CITY OF REDLANDS MILL CREEK NO. 2-A REC. NO. 3603045	80	89	113	98	77	113	110	93	79	85	82	99	1,118	SEE NOTE 9
23	TOTAL UPPER MILL CREEK WELL PRODUCTION	250	230	294	291	279	305	274	207	277	279	252	324	3,262	LINE 18+19 +20+21
24	TOTAL MILL CREEK STREAM DIVERSION AS VERIFIED	391	0	0	160	0	1,004	1,448	862	0	1,318	0	619	5,802	LINE 17-22

NOTES

- 1 U.S.G.S. UNPUBLISHED RECORDS OF MILL CREEK FLOWS
- 2 YUCAIPA PIPELINE TO YUCAIPA OPERATIONS RECORDS (SAN BERNARDINO VALLEY MUNICIPAL WATER DISTRICT)
- 3 TATE FILTER PLANT OPERATIONS RECORDS (CITY OF REDLANDS)
- 4 METERED RECHARGE IN WELLS NUMBER 10, 11 AND 12 (RECORDATION NUMBERS 3601291, 3601292 & 3601293 RESPECTIVELY, CITY OF REDLANDS)
- 5 BOULLIQUIN BOX CONNECTS BEAR VALLEY HIGHLINE AND THE ZANJA (SAN BERNARDINO VALLEY MWD & BEAR VALLEY MUTUAL WATER COMPANY)
- 6 SAN BERNARDINO VALLEY MUNICIPAL WATER DISTRICT COMPLETED THE TATE PUMP STATION. STATE WATER PROJECT OR SANTA ANA RIVER WATER CAN BE DELIVERED TO MILL CREEK FACILITIES. CRAFTON CANAL DIVERTS FROM THE ZANJA (SAN BERNARDINO VALLEY MUNICIPAL WATER DISTRICT)
- 7
- 8 GROUNDWATER RECHARGE IN HILL WELL AND KING STREET SHAFT (CRAFTON WATER COMPANY)
- 9 METERED PRODUCTION FROM WELLS IN UPPER MILL CREEK. WELLS PUMP DIRECTLY INTO POWER CANALS. SURFACE DIVERSIONS AND WELL EXTRACTIONS ARE COMMINGLED (CITY OF REDLANDS)

TABLE NO. 6

SANTA ANA RIVER VERIFICATION OF EXTRACTIONS
FOR CALENDAR YEARS 1994-1998

TABLE NO. 6

SANTA ANA RIVER
VERIFICATIONS OF EXTRACTIONS
FOR CALENDAR YEAR 1994

LINE NO.	LOCATION OF MEASUREMENT	JAN	FEB	MAR	APR	MAY	JUN	JUL	AUG	SEP	OCT	NOV	DEC	TOTAL	REMARKS
1	SANTA ANA RIVER NEAR MENTONE STREAMFLOW	451	1,667	1,385	501	420	220	57	25	30	298	860	399	6,313	SEE NOTE 1
2	SANTA ANA RIVER NEAR MENTONE POWER CANALS	2,810	3,050	3,921	3,486	3,120	2,122	1,728	1,738	1,702	1,985	1,822	1,943	29,427	SEE NOTE 1
3	SANTA ANA RIVER NEAR MENTONE COMBINED FLOW	3,261	4,717	5,306	3,987	3,540	2,342	1,785	1,763	1,732	2,283	2,682	2,342	35,740	SEE NOTE 1
4	REDLANDS WATER COMPANY REDLANDS TUNNEL													900	SEE NOTE 2
5	TOTAL FLOW AVAILABLE FOR DIVERSION	3,261	4,717	5,306	3,987	3,540	2,342	1,785	1,763	1,732	2,283	2,682	2,342	36,640	LINE 3+4
DIVERSIONS															
EAST HIGHLAND CANAL															
6	EAST HIGHLAND WEIR	42	7	0	20	75	93	135	143	146	148	121	92	1,022	SEE NOTE 3
7	LESS SPREADING	0	0	0	0	0	0	0	0	0	0	0	0	0	SEE NOTE 3
8	NET EAST HIGHLAND CANAL DIVERSIONS	42	7	0	20	75	93	135	143	146	148	121	92	1,022	LINE 6-7
NORTH FORK DIVERSION															
9	NORTH FORK WEIR	317	29	75	253	341	295	328	303	373	369	300	321	3,304	SEE NOTE 3
10	LESS SPREADING FROM CANAL AT CITY CR. & SAND CYN.	0	0	0	0	0	0	0	0	0	0	0	0	0	SEE NOTE 3
11	NET NORTH FORK DIVERSION	317	29	75	253	341	295	328	303	373	369	300	321	3,304	LINE 9-10
REDLANDS CANAL															
12	ZANJERO RESIDENCE & SO. CAL. EDISON CO. USE	0	0	1	0	0	0	0	0	1	0	0	0	2	SEE NOTE 4
12A	SBWIMD DIVERSIONS AT MORTON CANYON CONNECTION	0	0	0	0	0	0	0	0	0	0	0	0	0	SEE NOTE 5
13	REDLANDS CANAL WEIR AT SANDBOX	1,430	452	1,310	1,573	1,298	667	415	709	703	991	1,139	1,155	11,842	SEE NOTE 5
14	LESS SPREADING MENTONE RES. JUDSON ST. & FOOTHILL PIPELINE	676	341	418	424	62	0	0	0	0	0	0	223	2,144	SEE NOTE 5
15	NET REDLANDS CANAL DIVERSION	754	111	893	1,149	1,236	667	415	709	704	991	1,139	932	9,700	LINE 12+12A +13-14
BEAR VALLEY HIGHLINE															
16	BEAR VALLEY HIGHLINE	0	0	0	0	11	261	361	179	257	297	276	230	1,872	SEE NOTE 6
17	LESS SPREADING AT MILL CREEK	0	0	0	0	0	0	0	0	0	0	0	0	0	SEE NOTE 6
18	NET BEAR VALLEY HIGHLINE DIVERSION	0	0	0	0	11	261	361	179	257	297	276	230	1,872	LINE 16-17
SAN BERNARDINO VALLEY MWD GREENSPOT PIPELINE															
19	GREENSPOT METER STATION	861	645	834	960	1,021	666	403	448	302	280	47	81	6,548	SEE NOTE 6
20	LESS SPREADING AT MILL CREEK	265	532	489	422	461	312	80	0	0	9	11	0	2,541	SEE NOTE 6
21	NET GREENSPOT PIPELINE	596	113	365	538	560	354	343	448	302	271	36	81	4,007	LINE 19-20
22	TOTAL NET DIVERSION FROM AVAILABLE FLOW	1,709	260	1,333	1,960	2,223	1,670	1,582	1,782	1,782	2,076	1,872	1,656	19,905	LINE 8+11 +15+18+21
DEDUCT SANTA ANA WELLS															
23	SANTA ANA WELL NO. 1 RECORDATION NO. 36000021	0	0	0	0	0	36	84	88	34	0	0	0	242	SEE NOTE 7
24	SANTA ANA WELL NO. 2 RECORDATION NO. 36000022	0	0	0	0	0	47	142	131	31	0	0	0	351	SEE NOTE 7
25	TOTAL PUMPED WATER	0	0	0	0	0	83	226	219	65	0	0	0	593	LINE 23+24
26	TOTAL SANTA ANA RIVER STREAM DIVERSION AS VERIFIED	1,709	260	1,333	1,960	2,223	1,587	1,356	1,563	1,717	2,076	1,872	1,656	19,312	LINE 22-25

NOTES

- U.S.G.S. RECORDS OF SANTA ANA RIVER FLOWS
- REDLANDS WATER COMPANY TUNNEL IS AN INFILTRATION GALLERY WHICH INTERCEPTS SANTA ANA RIVER UNDERFLOW. DATA FROM SAN BERNARDINO VALLEY WATER CONSERVATION DISTRICT. FLOW SHOWN INCLUDES LINE NO. 12 OF THIS TABLE.
- EAST HIGHLAND CANAL AND NORTH FORK CANAL DIVERT WATER TO AGRICULTURAL USE AND LIMITED SPREADING. DATA FROM SAN BERNARDINO VALLEY WATER CONSERVATION DISTRICT. THE CORPS OF ENGINEERS AND SOUTHERN CALIFORNIA EDISON COMPANY DIVERT WATER FROM REDLANDS TUNNEL UPSTREAM OF THE TUNNELS CONFLUENCE WITH REDLANDS CANAL WHICH IS UPSTREAM OF THE REDLANDS CANAL WEIR.
- DATA FROM SAN BERNARDINO VALLEY MUNICIPAL WATER DISTRICT RECORDS OF OPERATIONS OF REDLANDS CANAL WEIR AND REDLANDS CANAL.
- DATA FROM SAN BERNARDINO VALLEY MUNICIPAL WATER DISTRICT RECORDS OF OPERATIONS OF BEAR VALLEY HIGHLINE. SAN BERNARDINO VALLEY MUNICIPAL WATER DISTRICT COMPLETED ITS GREENSPOT HIGHLINE PIPELINE IN 1985.
- SANTA ANA NO. 1 AND NO. 2 WELLS ARE LOCATED IN UPPER SANTA ANA CANYON AND PUMPED DIRECTLY TO POWER CANALS. DIVERSION OF STREAMFLOW AND WELL EXTRACTIONS ARE COMINGLED. DATA FROM SAN BERNARDINO VALLEY WATER CONSERVATION DISTRICT.

TABLE NO. 6

SANTA ANA RIVER
VERIFICATIONS OF EXTRACTIONS
FOR CALENDAR YEAR 1985

LINE NO.	LOCATION OF MEASUREMENT	JAN	FEB	MAR	APR	MAY	JUN	JUL	AUG	SEP	OCT	NOV	DEC	TOTAL	REMARKS
1	SANTA ANA RIVER NEAR MENTONE STREAMFLOW	10,757	13,373	38,118	7,098	8,946	3,594	1,549	342	368	328	365	755	85,593	SEE NOTE 1
2	SANTA ANA RIVER NEAR MENTONE POWER CANALS	2,205	2,396	633	4,392	4,619	4,675	5,008	3,815	3,187	2,903	2,810	2,316	38,759	SEE NOTE 1
3	SANTA ANA RIVER NEAR MENTONE COMBINED FLOW	12,962	15,769	38,751	11,490	13,565	8,269	6,557	4,157	3,955	3,231	2,975	3,071	124,352	SEE NOTE 1
4	REDLANDS WATER COMPANY REDLANDS TUNNEL													900	SEE NOTE 2
5	TOTAL FLOW AVAILABLE FOR DIVERSION	12,962	15,769	38,751	11,490	13,565	8,269	6,557	4,157	3,955	3,231	2,975	3,071	125,252	LINE 3+4
	DIVERSIONS														
	<u>EAST HIGHLAND CANAL</u>														
6	EAST HIGHLAND WEIR														
7	LESS SPREADING														812
8	NET EAST HIGHLAND CANAL DIVERSIONS	0	0	0	0	0	0	0	0	0	0	0	0	0	812
	<u>NORTH FORK DIVERSION</u>														
9	NORTH FORK WEIR	18	0	37	258	516	276	375	396	374	361	368	326	3,305	SEE NOTE 3
10	LESS SPREADING FROM CANAL AT CITY CR. & SAND CYN.	0	0	0	0	0	0	0	0	0	0	0	0	0	SEE NOTE 3
11	NET NORTH FORK DIVERSION	18	0	37	258	516	276	375	396	374	361	368	326	3,305	LINE 9-10
	<u>REDLANDS CANAL</u>														
12	ZANJERO RESIDENCE & SO. CAL. EDISON CO. USE	0	0	0	0	1	0	0	0	0	1	0	0	2	SEE NOTE 4
12A	SBVMWD DIVERSIONS AT MORTON CANYON CONNECTION	0	0	0	0	0	0	0	0	0	0	0	0	0	SEE NOTE 5
13	REDLANDS CANAL WEIR AT SANDBOX	345	596	28	1,148	818	1,971	2,216	1,412	1,719	1,691	1,584	1,249	14,779	SEE NOTE 5
14	LESS SPREADING MENTONE RES. JUDSON ST. & FOOTHILL PIPELINE	0	0	0	0	0	0	0	0	0	0	0	0	0	SEE NOTE 5
15	NET REDLANDS CANAL DIVERSION	345	596	28	1,148	819	1,971	2,216	1,412	1,719	1,692	1,584	1,249	14,781	LINE 12+12A +13-14
	<u>BEAR VALLEY HIGHLINE</u>														
16	BEAR VALLEY HIGHLINE	36	223	39	153	38	285	363	334	246	264	241	246	2,468	SEE NOTE 6
17	LESS SPREADING AT MILL CREEK	0	0	0	0	0	0	0	0	0	0	0	0	0	SEE NOTE 6
18	NET BEAR VALLEY HIGHLINE DIVERSION	36	223	39	153	38	285	363	334	246	264	241	246	2,468	LINE 16-17
	<u>SAN BERNARDINO VALLEY MWD GREENSPOT PIPELINE</u>														
19	GREENSPOT METER STATION	130	124	0	2	7	82	103	107	111	83	74	29	852	SEE NOTE 6
20	LESS SPREADING AT MILL CREEK	130	124	0	0	0	0	0	0	0	0	0	0	254	SEE NOTE 6
21	NET GREENSPOT PIPELINE	0	0	0	2	7	82	103	107	111	83	74	29	598	LINE 19-20
22	TOTAL NET DIVERSION FROM AVAILABLE FLOW	389	821	104	1,561	1,380	2,614	3,057	2,249	2,450	2,400	2,267	1,850	21,964	LINE 8+11 +15+18+21
	<u>DEDUCT SANTA ANA WELLS</u>														
23	SANTA ANA WELL NO. 1 RECORDATION NO. 3600021													25	SEE NOTE 7
24	SANTA ANA WELL NO. 2 RECORDATION NO. 3600022													35	SEE NOTE 7
25	TOTAL PUMPED WATER	0	0	0	0	0	0	0	0	0	0	0	0	60	LINE 23+24
26	TOTAL SANTA ANA RIVER STREAM DIVERSION AS VERIFIED	399	821	104	1,561	1,380	2,614	3,057	2,249	2,450	2,400	2,267	1,850	21,904	LINE 22,25

Monthly Amounts not available at time of publishing
Monthly Amounts not available at time of publishing

NOTES

- U.S.G.S. RECORDS OF SANTA ANA RIVER FLOWS
- REDLANDS WATER COMPANY TUNNEL IS AN INFILTRATION GALLERY WHICH INTERCEPTS SANTA ANA RIVER UNDERFLOW. DATA FROM SAN BERNARDINO VALLEY WATER CONSERVATION DISTRICT. FLOW SHOWN INCLUDES LINE NO. 12 OF THIS TABLE.
- EAST HIGHLAND CANAL AND NORTH FORK CANAL DIVERT WATER TO AGRICULTURAL USE AND LIMITED SPREADING. DATA FROM SAN BERNARDINO VALLEY WATER CONSERVATION DISTRICT. THE CORPS OF ENGINEERS AND SOUTHERN CALIFORNIA EDISON COMPANY DIVERT WATER FROM REDLANDS TUNNEL UPSTREAM OF THE TUNNELS CONFLUENCE WITH REDLANDS CANAL WHICH IS UPSTREAM OF THE REDLANDS CANAL WEIR.
- DATA FROM SAN BERNARDINO VALLEY MUNICIPAL WATER DISTRICT RECORDS OF OPERATIONS OF REDLANDS CANAL WEIR AND REDLANDS CANAL.
- DATA FROM SAN BERNARDINO VALLEY MUNICIPAL WATER DISTRICT RECORDS OF OPERATIONS OF BEAR VALLEY HIGHLINE. SAN BERNARDINO VALLEY MUNICIPAL WATER DISTRICT COMPLETED ITS GREENSPOT HIGHLINE PIPELINE IN 1985.
- SANTA ANA NO. 1 AND NO. 2 WELLS ARE LOCATED IN UPPER SANTA ANA CANYON AND PUMPED DIRECTLY TO POWER CANALS. DIVERSION OF STREAFLOW AND WELL EXTRACTIONS ARE COMMINGLED. DATA FROM SAN BERNARDINO VALLEY WATER CONSERVATION DISTRICT.

TABLE NO. 6

SANTA ANA RIVER
VERIFICATIONS OF EXTRACTIIONS
FOR CALENDAR YEAR 1996

LINE NO.	LOCATION OF MEASUREMENT	JAN	FEB	MAR	APR	MAY	JUN	JUL	AUG	SEP	OCT	NOV	DEC	TOTAL	REMARKS	
1	SANTA ANA RIVER NEAR MENTONE STREAMFLOW	768	5,453	2,706	541	387	256	250	51	91	68	1,493	3,245	15,309	SEE NOTE 1	
2	SANTA ANA RIVER NEAR MENTONE POWER CANALS	2,392	2,439	5,139	3,511	2,592	2,535	3,052	2,882	1,688	1,459	1,540	1,960	31,189	SEE NOTE 1	
3	SANTA ANA RIVER NEAR MENTONE COMBINED FLOW	3,160	7,892	7,845	4,052	2,979	2,791	3,302	2,933	1,779	1,527	3,033	5,205	46,498	SEE NOTE 1	
4	REDLANDS WATER COMPANY REDLANDS TUNNEL													900	SEE NOTE 2	
5	TOTAL FLOW AVAILABLE FOR DIVERSION	3,160	7,892	7,845	4,052	2,979	2,791	3,302	2,933	1,779	1,527	3,033	5,205	47,398	LINE 3+4	
DIVERSIONS																
<u>EAST HIGHLAND CANAL</u>																
6	EAST HIGHLAND WEIR	0	0	0	0	0	0	0	0	0	0	0	0	0	1,203	SEE NOTE 3
7	LESS SPREADING	0	0	0	0	0	0	0	0	0	0	0	0	0	0	SEE NOTE 3
8	NET EAST HIGHLAND CANAL DIVERSIONS	0	0	0	0	0	0	0	0	0	0	0	0	0	1,203	LINE 6-7
<u>NORTH FORK DIVERSION</u>																
9	NORTH FORK WEIR	372	29	82	246	326	296	336	277	218	330	330	115	2,957	SEE NOTE 3	
10	LESS SPREADING FROM CANAL AT CITY CR. & SAND CVN.	0	0	0	0	0	0	0	0	0	0	0	0	0	0	SEE NOTE 3
11	NET NORTH FORK DIVERSION	372	29	82	246	326	296	336	277	218	330	330	115	2,957	LINE 9-10	
<u>REDLANDS CANAL</u>																
12	ZANJERO RESIDENCE & SO. CAL. EDISON CO. USE	0	0	0	0	1	0	0	0	0	1	0	0	2	SEE NOTE 4	
13	SBVMWD DIVERSIONS AT MORTON CANYON CONNECTION	0	0	0	0	0	0	0	0	0	0	0	0	0	0	SEE NOTE 5
14	REDLANDS CANAL WEIR AT SANDBOX	1,125	575	144	1,681	1,527	1,316	1,510	836	270	350	435	875	10,644	SEE NOTE 5	
15	LESS SPREADING MENTONE RES. JUDSON ST. & FOOHILL PIPELINE	0	0	0	0	0	0	0	0	0	0	0	0	0	0	SEE NOTE 5
16	NET REDLANDS CANAL DIVERSION	1,125	575	144	1,681	1,528	1,316	1,510	836	270	351	435	875	10,646	LINE 12+12A +13-14	
<u>BEAR VALLEY HIGHLINE</u>																
17	BEAR VALLEY HIGHLINE	208	182	358	429	370	356	409	457	309	428	167	0	3,673	SEE NOTE 6	
18	LESS SPREADING AT MILL CREEK	0	0	0	0	0	0	0	0	0	0	0	0	0	0	SEE NOTE 6
19	NET BEAR VALLEY HIGHLINE DIVERSION	208	182	358	429	370	356	409	457	309	428	167	0	3,673	LINE 16-17	
<u>SAN BERNARDINO VALLEY MWD GREENSPOT PIPELINE</u>																
20	GREENSPOT METER STATION	41	38	71	184	180	251	335	256	378	264	96	0	2,094	SEE NOTE 6	
21	LESS SPREADING AT MILL CREEK	0	38	71	0	0	0	0	0	0	0	0	0	109	SEE NOTE 6	
22	NET GREENSPOT PIPELINE	41	0	0	184	180	251	335	256	378	264	96	0	1,985	LINE 18-20	
23	TOTAL NET DIVERSION FROM AVAILABLE FLOW	1,746	786	584	2,540	2,404	2,219	2,590	1,826	1,175	1,373	1,028	990	20,464	LINE 8+11 +15+18+21	
<u>DEDUCT SANTA ANA WELLS</u>																
24	SANTA ANA WELL NO. 1 RECORDATION NO. 3600021													509	SEE NOTE 7	
25	SANTA ANA WELL NO. 2 RECORDATION NO. 3600022													621	SEE NOTE 7	
26	TOTAL PUMPED WATER	0	0	0	0	0	0	0	0	0	0	0	0	1,130	LINE 23+24	
27	TOTAL SANTA ANA RIVER STREAM DIVERSION AS VERIFIED	1,746	786	584	2,540	2,404	2,219	2,590	1,826	1,175	1,373	1,028	990	19,334	LINE 22-25	

NOTES

- U.S.G.S. RECORDS OF SANTA ANA RIVER FLOWS
- REDLANDS WATER COMPANY TUNNEL IS AN INFILTRATION GALLERY WHICH INTERCEPTS SANTA ANA RIVER UNDERFLOW. DATA FROM SAN BERNARDINO VALLEY WATER CONSERVATION DISTRICT. FLOW SHOWN INCLUDES LINE NO. 12. OF THIS TABLE.
- EAST HIGHLAND CANAL AND NORTH FORK CANAL DIVERT WATER TO AGRICULTURAL USE AND LIMITED SPREADING. DATA FROM SAN BERNARDINO VALLEY WATER CONSERVATION DISTRICT.
- THE CORPS OF ENGINEERS AND SOUTHERN CALIFORNIA EDISON COMPANY DIVERT WATER FROM REDLANDS TUNNEL UPSTREAM OF THE TUNNELS CONFLUENCE WITH REDLANDS CANAL WHICH IS UPSTREAM OF THE REDLANDS CANAL WEIR.
- DATA FROM SAN BERNARDINO VALLEY MUNICIPAL WATER DISTRICT RECORDS OF OPERATIONS OF REDLANDS CANAL WEIR AND REDLANDS CANAL.
- DATA FROM SAN BERNARDINO VALLEY MUNICIPAL WATER DISTRICT RECORDS OF OPERATIONS OF BEAR VALLEY HIGHLINE. SAN BERNARDINO VALLEY MUNICIPAL WATER DISTRICT COMPLETED ITS GREENSPOT HIGHLINE PIPELINE IN 1985.
- SANTA ANA NO. 1 AND NO. 2 WELLS ARE LOCATED IN UPPER SANTA ANA CANYON AND PUMPED DIRECTLY TO POWER CANALS. DIVERSION OF STREAFLOW AND WELL EXTRACTIIONS ARE COMMINGLED. DATA FROM SAN BERNARDINO VALLEY WATER CONSERVATION DISTRICT.

TABLE NO. 6

SANTA ANA RIVER
VERIFICATIONS OF EXTRACTIONS
FOR CALENDAR YEAR 1997

LINE NO.	LOCATION OF MEASUREMENT	JAN	FEB	MAR	APR	MAY	JUN	JUL	AUG	SEP	OCT	NOV	DEC	TOTAL	REMARKS
1	SANTA ANA RIVER NEAR MENTONE STREAMFLOW	7,035	1,164	627	292	104	90	180	22	453	162	479	664	11,272	SEE NOTE 1
2	SANTA ANA RIVER NEAR MENTONE POWER CANALS	3,108	4,007	3,219	2,411	2,266	1,544	1,177	1,087	999	1,657	1,362	1,750	24,587	SEE NOTE 1
3	SANTA ANA RIVER NEAR MENTONE COMBINED FLOW	10,143	5,171	3,846	2,703	2,370	1,634	1,357	1,109	1,452	1,819	1,841	2,414	35,859	SEE NOTE 1
4	REDLANDS WATER COMPANY REDLANDS TUNNEL													760	SEE NOTE 2
5	TOTAL FLOW AVAILABLE FOR DIVERSION	10,143	5,171	3,846	2,703	2,370	1,634	1,357	1,109	1,452	1,819	1,841	2,414	36,619	LINE 3+4
DIVERSIONS															
EAST HIGHLAND CANAL															
6	EAST HIGHLAND WEIR	0	0	0	22	70	95	56	7	59	0	130	18	552	SEE NOTE 3
7	LESS SPREADING	0	0	0	0	0	0	0	0	0	0	0	0	0	SEE NOTE 3
8	NET EAST HIGHLAND CANAL DIVERSIONS	0	0	0	22	70	95	56	7	59	0	130	18	552	LINE 6-7
NORTH FORK DIVERSION															
9	NORTH FORK WEIR	15	45	241	289	272	224	49	0	0	248	201	207	1,791	SEE NOTE 3
10	LESS SPREADING FROM CANAL AT CITY CR. & SAND CYN.	0	0	0	0	0	0	0	0	0	0	0	0	0	SEE NOTE 3
11	NET NORTH FORK DIVERSION	15	45	241	289	272	224	49	0	0	248	201	207	1,791	LINE 9-10
REDLANDS CANAL															
12	ZANJERO RESIDENCE & SO. CAL. EDISON CO. USE	0	0	1	0	0	0	0	0	1	0	0	0	2	SEE NOTE 4
12A	SBVMWD DIVERSIONS AT MORTON CANYON CONNECTION (TOT-RECH)	164	2,462	1,461	0	0	0	0	0	0	0	0	0	4,087	SEE NOTE 5
13	REDLANDS CANAL WEIR AT SANDBOX	1,259	242	563	1,253	984	276	596	209	385	463	596	850	7,676	SEE NOTE 5
14	LESS SPREADING MENTONE RES. JUDSON ST. & FOOTHILL PIPELINE	0	0	0	0	0	0	0	0	0	0	0	0	0	SEE NOTE 5
15	NET REDLANDS CANAL DIVERSION	1,423	2,704	2,025	1,253	984	276	596	209	386	463	596	850	11,765	LINE 12+12A +13-14
BEAR VALLEY HIGHLINE															
16	BEAR VALLEY HIGHLINE	260	425	447	336	408	432	230	230	358	304	314	155	3,899	SEE NOTE 6
17	LESS SPREADING AT MILL CREEK	0	0	0	0	0	0	0	0	0	0	0	0	0	SEE NOTE 6
18	NET BEAR VALLEY HIGHLINE DIVERSION	260	425	447	336	408	432	230	230	358	304	314	155	3,899	LINE 16-17
SAN BERNARDINO VALLEY MWD GREENSPOT PIPELINE															
19	GREENSPOT METER STATION	0	0	31	109	190	230	455	697	424	433	203	53	2,825	SEE NOTE 6
20	LESS SPREADING AT MILL CREEK	0	0	0	0	0	0	0	0	0	0	0	0	0	SEE NOTE 6
21	NET GREENSPOT PIPELINE	0	0	31	109	190	230	455	697	424	433	203	53	2,825	LINE 19-20
22	TOTAL NET DIVERSION FROM AVAILABLE FLOW	1,698	3,174	2,766	2,057	1,949	1,218	1,337	1,195	1,168	1,543	1,444	1,283	20,832	LINE 8+11 +15+18+21
DEDUCT SANTA ANA WELLS															
23	SANTA ANA WELL NO. 1 RECORDATION NO. 3600021													720	SEE NOTE 7
24	SANTA ANA WELL NO. 2 RECORDATION NO. 3600022													839	SEE NOTE 7
25	TOTAL PUMPED WATER	0	0	0	0	0	0	0	0	0	0	0	0	1,559	LINE 23+24
26	TOTAL SANTA ANA RIVER STREAM DIVERSION AS VERIFIED	1,698	3,174	2,766	2,057	1,949	1,218	1,337	1,195	1,168	1,543	1,444	1,283	19,273	LINE 22-25

NOTES

- U.S.G.S. RECORDS OF SANTA ANA RIVER FLOWS
 - REDLANDS WATER COMPANY TUNNEL IS AN INFILTRATION GALLERY WHICH INTERCEPTS SANTA ANA RIVER UNDERFLOW. DATA FROM SAN BERNARDINO VALLEY WATER CONSERVATION DISTRICT. FLOW SHOWN INCLUDES LINE NO. 12. OF THIS TABLE.
 - EAST HIGHLAND CANAL AND NORTH FORK CANAL DIVERT WATER TO AGRICULTURAL USE AND LIMITED SPREADING. DATA FROM SAN BERNARDINO VALLEY WATER CONSERVATION DISTRICT.
 - THE CORPS OF ENGINEERS AND SOUTHERN CALIFORNIA EDISON COMPANY DIVERT WATER FROM REDLANDS TUNNEL UPSTREAM OF THE TUNNELS CONFLUENCE WITH REDLANDS CANAL WHICH IS UPSTREAM OF THE REDLANDS CANAL WEIR.
- NOTES
- DATA FROM SAN BERNARDINO VALLEY MUNICIPAL WATER DISTRICT RECORDS OF OPERATIONS OF REDLANDS CANAL WEIR AND REDLANDS CANAL
 - DATA FROM SAN BERNARDINO VALLEY MUNICIPAL WATER DISTRICT RECORDS OF OPERATIONS OF BEAR VALLEY HIGHLINE. SAN BERNARDINO VALLEY MUNICIPAL WATER DISTRICT COMPLETED ITS GREENSPOT HIGHLINE PIPELINE IN 1985
 - SANTA ANA NO.1 AND NO. 2 WELLS ARE LOCATED IN UPPER SANTA ANA CANYON AND PUMPED DIRECTLY TO POWER CANALS. DIVERSION OF STREAMFLOW AND WELL EXTRACTIONS ARE COMMINGLED. DATA FROM SAN BERNARDINO VALLEY WATER CONSERVATION DISTRICT.

TABLE NO. 6

SANTA ANA RIVER
VERIFICATIONS OF EXTRACTIIONS
FOR CALENDAR YEAR 1988

LINE NO.	LOCATION OF MEASUREMENT	JAN	FEB	MAR	APR	MAY	JUN	JUL	AUG	SEP	OCT	NOV	DEC	TOTAL	REMARKS
1	SANTA ANA RIVER NEAR MENTONE STREAMFLOW	1,034	14,370	7,428	11,736	27,418	7,307	4,481	2,704	2,496	1,998	3,630	3,203	87,805	SEE NOTE 1
2	SANTA ANA RIVER NEAR MENTONE POWER CANALS	1,846	585	3,053	4,788	1,941	4,495	4,522	3,068	2,615	1,737	0	50	28,700	SEE NOTE 1
3	SANTA ANA RIVER NEAR MENTONE COMBINED FLOW	2,880	14,955	10,481	16,524	29,359	11,802	9,003	5,772	5,111	3,735	3,630	3,253	116,505	SEE NOTE 1
4	REDLANDS WATER COMPANY REDLANDS TUNNEL														SEE NOTE 2
5	TOTAL FLOW AVAILABLE FOR DIVERSION	2,880	14,955	10,481	16,524	29,359	11,802	9,003	5,772	5,111	3,735	3,630	3,253	116,505	LINE 3+4
	REDLANDS Tunnel Meter failed during 1992. No record is available. Flow included at Redlands Canal Weir														
	DIVERSIONS														
	EAST HIGHLAND CANAL														
6	EAST HIGHLAND WEIR	0	0	0	7	23	41	83	109	116	101	76	72	628	SEE NOTE 3
7	LESS SPREADING	0	0	0	0	0	0	0	0	0	0	0	0	0	SEE NOTE 3
8	NET EAST HIGHLAND CANAL DIVERSIONS	0	0	0	7	23	41	83	109	116	101	76	72	628	LINE 6-7
	NORTH FORK DIVERSION														
9	NORTH FORK WEIR	98	98	174	243	461	564	652	696	537	499	543	582	5,147	SEE NOTE 3
10	LESS SPREADING FROM CANAL AT CITY CR. & SAND CYN.	4	62	13	83	88	80	98	28	123	12	5	43	639	SEE NOTE 3
11	NET NORTH FORK DIVERSION	94	36	161	160	373	484	554	668	414	487	538	539	4,508	LINE 9-10
	REDLANDS CANAL														
12	ZANJERO RESIDENCE & SO. CAL. EDISON CO. USE	0	1	0	0	0	1	0	0	0	1	0	0	3	SEE NOTE 4
12A	SBVMWD DIVERSIONS AT MORTON CANYON CONNECTION (TOT-RECH)	0	0	0	0	0	0	0	0	0	0	0	0	0	SEE NOTE 5
13	REDLANDS CANAL WEIR AT SANDBOX	652	377	1,217	1,879	1,113	2,020	1,935	1,769	354	1,775	1,810	1,893	18,011	SEE NOTE 5
14	LESS SPREADING MENTONE RES. JUDSON ST. & FOOHILL PIPELINE	0	0	0	0	0	0	0	0	0	0	0	0	0	SEE NOTE 5
15	NET REDLANDS CANAL DIVERSION	652	378	1,217	1,879	1,113	2,021	1,935	1,769	354	1,776	1,810	1,893	16,797	LINE 12+12A +13-14
	BEAR VALLEY HIGHLINE														
16	BEAR VALLEY HIGHLINE	238	33	282	401	241	400	417	391	410	222	0	0	3,035	SEE NOTE 6
17	LESS SPREADING AT MILL CREEK	0	0	0	0	0	0	0	0	0	0	0	0	0	SEE NOTE 6
18	NET BEAR VALLEY HIGHLINE DIVERSION	238	33	282	401	241	400	417	391	410	222	0	0	3,035	LINE 16-17
	SAN BERNARDINO VALLEY MWD GREENSPOT PIPELINE														
19	GREENSPOT METER STATION	95	37	126	13	0	49	100	303	200	49	0	0	972	SEE NOTE 6
20	LESS SPREADING AT MILL CREEK	90	31	126	13	0	0	0	208	0	0	0	0	468	SEE NOTE 6
21	NET GREENSPOT PIPELINE	5	6	0	0	0	49	100	95	200	49	0	0	504	LINE 19-20
22	TOTAL NET DIVERSION FROM AVAILABLE FLOW	989	453	1,660	2,447	1,750	2,995	3,089	3,032	1,494	2,635	2,424	2,504	25,472	LINE 8+11 +15+18+21
	DEDUCT SANTA ANA WELLS														
23	SANTA ANA WELL NO. 1 RECORDATION NO. 3600021													105	SEE NOTE 7
24	SANTA ANA WELL NO. 2 RECORDATION NO. 3600022													0	SEE NOTE 7
25	TOTAL PUMPED WATER	0	0	0	0	0	0	0	0	0	0	0	0	105	LINE 23+24
26	TOTAL SANTA ANA RIVER STREAM DIVERSION AS VERIFIED	989	453	1,660	2,447	1,750	2,995	3,089	3,032	1,494	2,635	2,424	2,504	25,367	LINE 22-25

NOTES

- U.S.G.S. RECORDS OF SANTA ANA RIVER FLOWS
- REDLANDS WATER COMPANY TUNNEL IS AN INFILTRATION GALLERY WHICH INTERCEPTS SANTA ANA RIVER UNDERFLOW. DATA FROM SAN BERNARDINO VALLEY WATER CONSERVATION DISTRICT. FLOW SHOWN INCLUDES LINE NO. 12 OF THIS TABLE
- EAST HIGHLAND CANAL AND NORTH FORK CANAL DIVERT WATER TO AGRICULTURAL USE AND LIMITED SPREADING. DATA FROM SAN BERNARDINO VALLEY WATER CONSERVATION DISTRICT. THE CORPS OF ENGINEERS AND SOUTHERN CALIFORNIA EDISON COMPANY DIVERT WATER FROM REDLANDS TUNNEL UPSTREAM OF THE TUNNELS CONFLUENCE WITH REDLANDS CANAL WHICH IS UPSTREAM OF THE REDLANDS CANAL WEIR.
- DATA FROM SAN BERNARDINO VALLEY MUNICIPAL WATER DISTRICT RECORDS OF OPERATIONS OF REDLANDS CANAL WEIR AND REDLANDS CANAL.
- DATA FROM SAN BERNARDINO VALLEY MUNICIPAL WATER DISTRICT RECORDS OF OPERATIONS OF BEAR VALLEY HIGHLINE. SAN BERNARDINO VALLEY MUNICIPAL WATER DISTRICT COMPLETED ITS GREENSPOT HIGHLINE PIPELINE IN 1985.
- SANTA ANA NO. 1 AND NO. 2 WELLS ARE LOCATED IN UPPER SANTA ANA CANYON AND PUMPED DIRECTLY TO POWER CANALS. DIVERSION OF STREAFLOW AND WELL EXTRACTIIONS ARE COMMINGLED. DATA FROM SAN BERNARDINO VALLEY WATER CONSERVATION DISTRICT.

TABLE NO. 7

SUMMARY OF REPORTED EXTRACTIONS FROM LYTLE
CREEK, MILL CREEK, AND SANTA ANA RIVER

TABLE NO. 7

SUMMARY OF REPORTED EXTRACTATIONS FROM
LYTLE CREEK, MILL CREEK AND
SANTA ANA RIVER

	1959	1960	1961	1962	1963	1959-63 AVERAGE	1994	1995	1996	1997	1998	1994-98 AVERAGE
<u>FILED LYTLE CREEK DIVERSIONS</u>												
FONTANA UNION WATER COMPANY RECORDATION NO. 3600591	8,487	5,833	4,321	8,732	6,145	6,704	--	--	--	--	--	0
SAN BERNARDINO, CITY OF (FORMERLY MOUNT VERNON WATER COMPANY) RECORDATION NO. 3600320	730	730	730	730	730	730	102	0	0	0	0	20
RIALTO, CITY OF RECORDATION NO. 3601718	624	626	625	587	624	617	844	44	1,070	393	719	470
SAN BERNARDINO, CITY OF RECORDATION NO. 3600739	1,069	994	1,286	1,403	1,279	1,206	--	2,400	2,400	0	896	960
WEST SAN BERNARDINO COUNTY WATER DIST RECORDATION NO. 3600312	4,258	2,709	2,424	4,392	4,097	3,576	3,697	3,696	3,686	4,079	3,696	3,032
TOTAL REPORTED DIVERSIONS	15,168	10,892	9,386	15,844	12,875	12,833	4,643	6,140	7,156	4,472	5,311	3,588

FILED AND NON-FILED MILL CREEK DIVERSIONS

REDLANDS, CITY OF (1) RECORDATION NO. 3601302	--	--	--	--	--	--	14,505	9,786	12,236	11,620	11,224	9,629
NON-FILED 1S2W13B	--	--	--	--	--	--	0	0	0	0	0	0
TOTAL REPORTED DIVERSIONS	--	--	--	--	--	--	14,505	9,786	12,236	11,620	11,224	9,629

FILED AND NON-FILED SANTA ANA RIVER DIVERSIONS

BEAR VALLEY MUTUAL WATER COMPANY (2) RECORDATION NO. 3600028	--	--	--	--	--	--	23,812	30,794	38,252	31,479	36,632	24,867
REDLANDS WATER COMPANY (3) NON-FILED 1S2W8	--	--	--	--	--	--	900	900	900	760	743	692
TOTAL REPORTED DIVERSIONS	--	--	--	--	--	--	24,712	31,694	39,152	32,239	37,375	25,559

NOTES

1. PRIOR TO 1974 VERIFICATION, THE VERIFIED NET DIVERSIONS FROM MILL CREEK WERE SHOWN ON TABLES 1 AND 2 FOR FILERS AND NON-FILERS RESPECTIVELY. SEE TABLE 5 1974 TO DATE.
2. PRIOR TO 1974 VERIFICATION, THE VERIFIED NET DIVERSIONS FROM SANTA ANA RIVER WERE SHOWN ON TABLES 1 AND 2 FOR FILERS AND NON-FILERS RESPECTIVELY. SEE TABLE 6 1974 TO DATE.

NOTES

3. PRIOR TO 1974 VERIFICATION, THE VERIFIED PRODUCTION OF REDLANDS WATER COMPANY'S REDLANDS TUNNEL WAS SHOWN IN TABLE 2. SEE TABLE 6 1974 TO DATE.
4. AMOUNT CORRECTED DURING 1996 VERIFICATION

TABLE NO. 8

SUMMARY OF PRODUCTION FROM SAN BERNARDINO
BASIN AREA AND CORRECTION FOR VERIFIED
DIVERSIONS OF MAJOR STREAMFLOWS

TABLE NO. 8

SUMMARY OF PRODUCTION FROM
SAN BERNARDINO BASIN AREA AND
CORRECTION FOR VERIFIED DIVERSIONS
OF MAJOR STREAMFLOWS

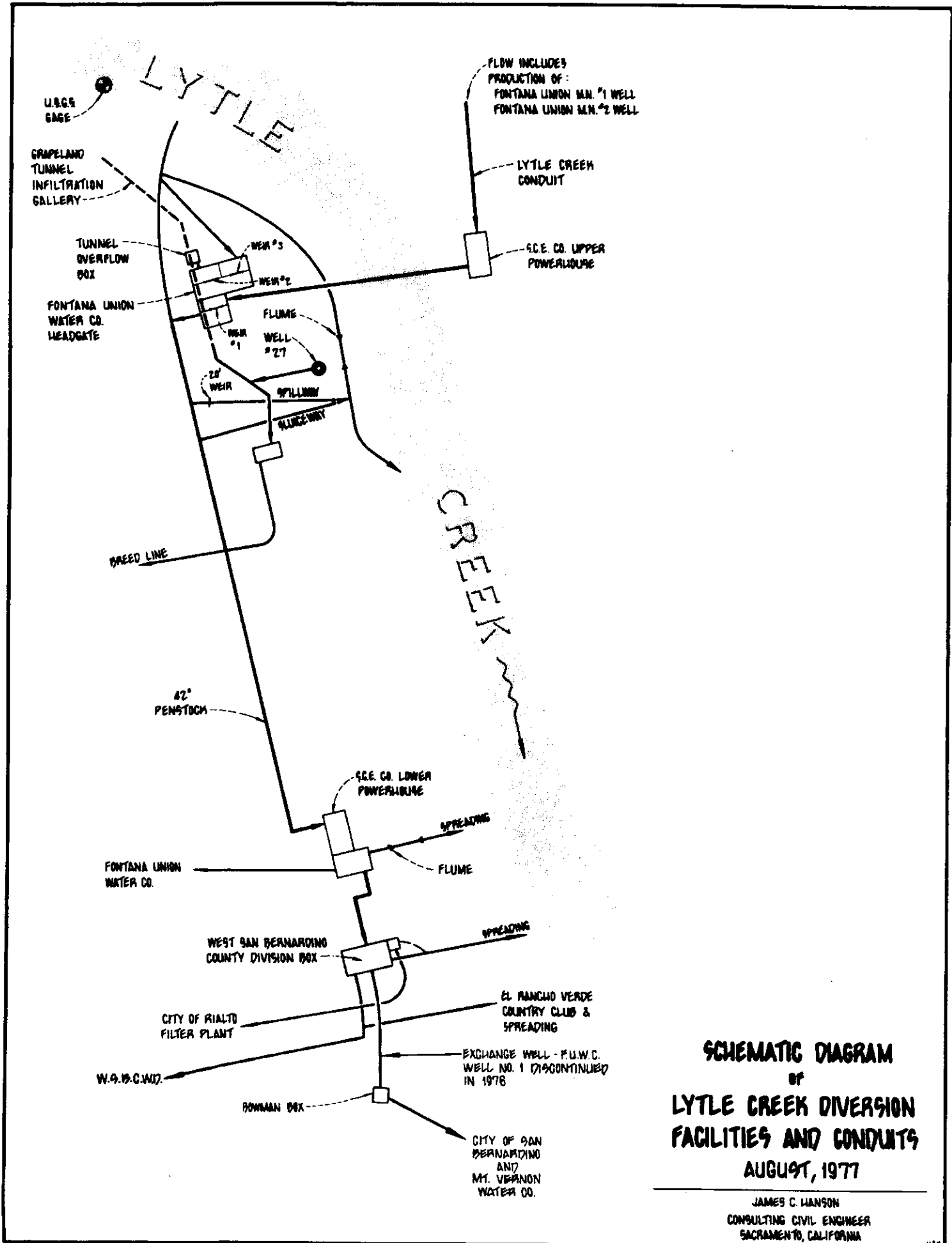
	1959	1960	1961	1962	1963	1959-63 AVERAGE	1964	1965	1966	1967	1968	1969-98 AVERAGE
BASIN TOTAL PRODUCTION (1) FILED AND NON-FILED	191,189	174,999	182,060	175,939	158,609	176,559	184,137	184,100	206,886	196,669	205,510	154,358
TOTAL RECORDED STREAMFLOW DIVERSIONS												
LYTLE CREEK (2)	15,168	10,892	9,386	15,844	12,875	12,833	4,643	6,140	7,156	4,472	5,311	5,544
MILL CREEK (2)	--	--	--	--	--	--	14,505	9,786	12,236	11,620	11,224	11,874
SANTA ANA RIVER (2)	--	--	--	--	--	--	24,712	31,694	39,152	32,239	37,375	33,034
BASIN TOTAL PRODUCTION LESS MAJOR STREAM DIVERSIONS	176,021	164,107	172,674	160,095	145,734	163,726	140,277	136,480	148,342	148,338	151,600	114,687
VERIFIED STREAMFLOW DIVERSIONS												
LYTLE CREEK (3)	11,489	6,708	4,428	11,755	7,861	8,450	13,416	11,222	10,391	12,062	14,865	12,391
MILL CREEK (4)	--	--	--	--	--	--	11,237	12,591	8,796	7,146	5,802	9,114
SANTA ANA RIVER (5)	--	--	--	--	--	--	19,312	21,904	19,334	19,273	25,367	21,038
BASIN TOTAL VERIFIED PRODUCTION FROM SAN BERNARDINO BASIN AREA	187,520	170,815	177,102	171,850	153,595	172,176	184,242	182,197	186,863	186,819	197,634	148,024
TOTAL VERIFIED PRODUCTION FROM SAN BERNARDINO BASIN AREA EXCLUDING MINOR PRODUCTION	6	6	6	6	6	6	8	8	8	8	8	8
	186,546	170,058	176,439	171,015	152,651	171,342	184,022	181,994	186,651	186,631	197,432	187,346

NOTES

- TOTAL FILED AND NON-FILED PRODUCTION BY NON-PLAINTIFFS FROM SAN BERNARDINO BASIN AREA FROM TABLE NO. 3.
- FROM TABLE NO. 7 SUMMARY OF REPORTED EXTRACTIONS FROM LYTLE CREEK, MILL CREEK AND SANTA ANA RIVER.
- FROM TABLE NO. 4 LYTLE CREEK VERIFICATIONS OF EXTRACTIONS.
- FROM TABLE NO. 5 MILL CREEK VERIFICATIONS OF EXTRACTIONS.
- FROM TABLE NO. 6 SANTA ANA RIVER VERIFICATIONS OF EXTRACTIONS (INCLUDES REDLANDS WATER COMPANY'S, REDLANDS TUNNEL)
- EXCLUDES THOSE EXTRACTIONS FOR WHICH THE 1959-63 AVERAGE WAS LESS THAN 25 ACRE-FEET.
- TOTAL BASIN PRODUCTION FROM SAN BERNARDINO BASIN AREA. SEE TABLE NO. 3 "TOTAL PRODUCTION FROM SAN BERNARDINO BASIN AREA"
- EXCLUDES THOSE EXTRACTIONS FOR WHICH THE ANNUAL OWNER TOTAL PRODUCTION WAS LESS THAN 25 ACRE-FEET. SEE TABLE NO. 3 "TOTAL PRODUCTION FROM SAN BERNARDINO BASIN EXCLUDING THOSE AMOUNTS FOR WHICH THE OWNER TOTAL PRODUCTION WAS LESS THAN 25 ACRE-FEET". THE AMOUNT IS ADJUSTED AS SHOWN ABOVE FOR VERIFIED STREAM DIVERSIONS.

PLATE NO. 1

SCHEMATIC DIAGRAM OF LYTLE CREEK DIVERSION
FACILITIES AND CONDUITS



**SCHEMATIC DIAGRAM
OF
LYTLE CREEK DIVERSION
FACILITIES AND CONDUITS
AUGUST, 1977**

JAMES C. HANSON
CONSULTING CIVIL ENGINEER
SACRAMENTO, CALIFORNIA

PLATE NO. 1A

LOCATION MAP, LYTLE CREEK DIVERSIONS

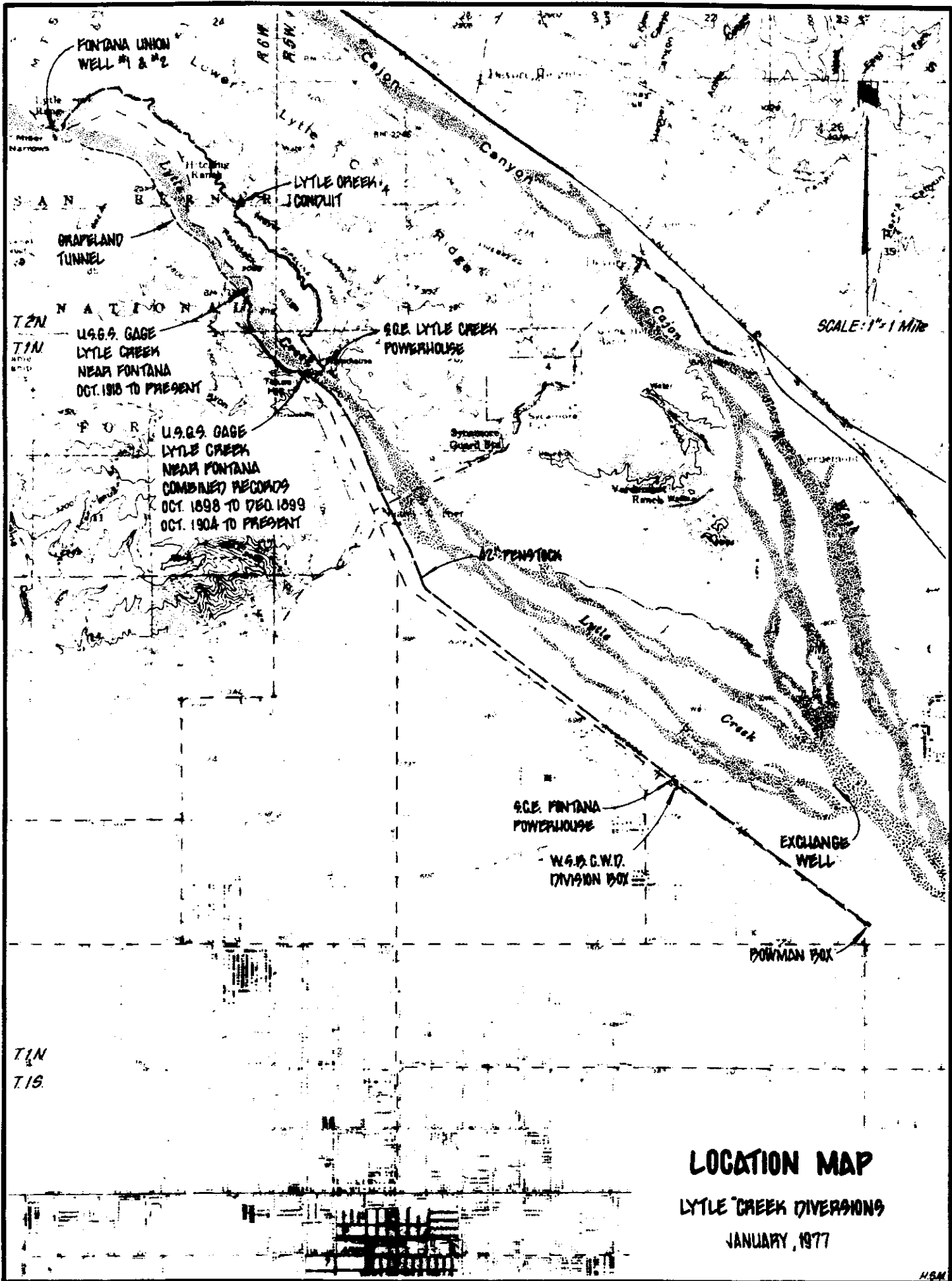
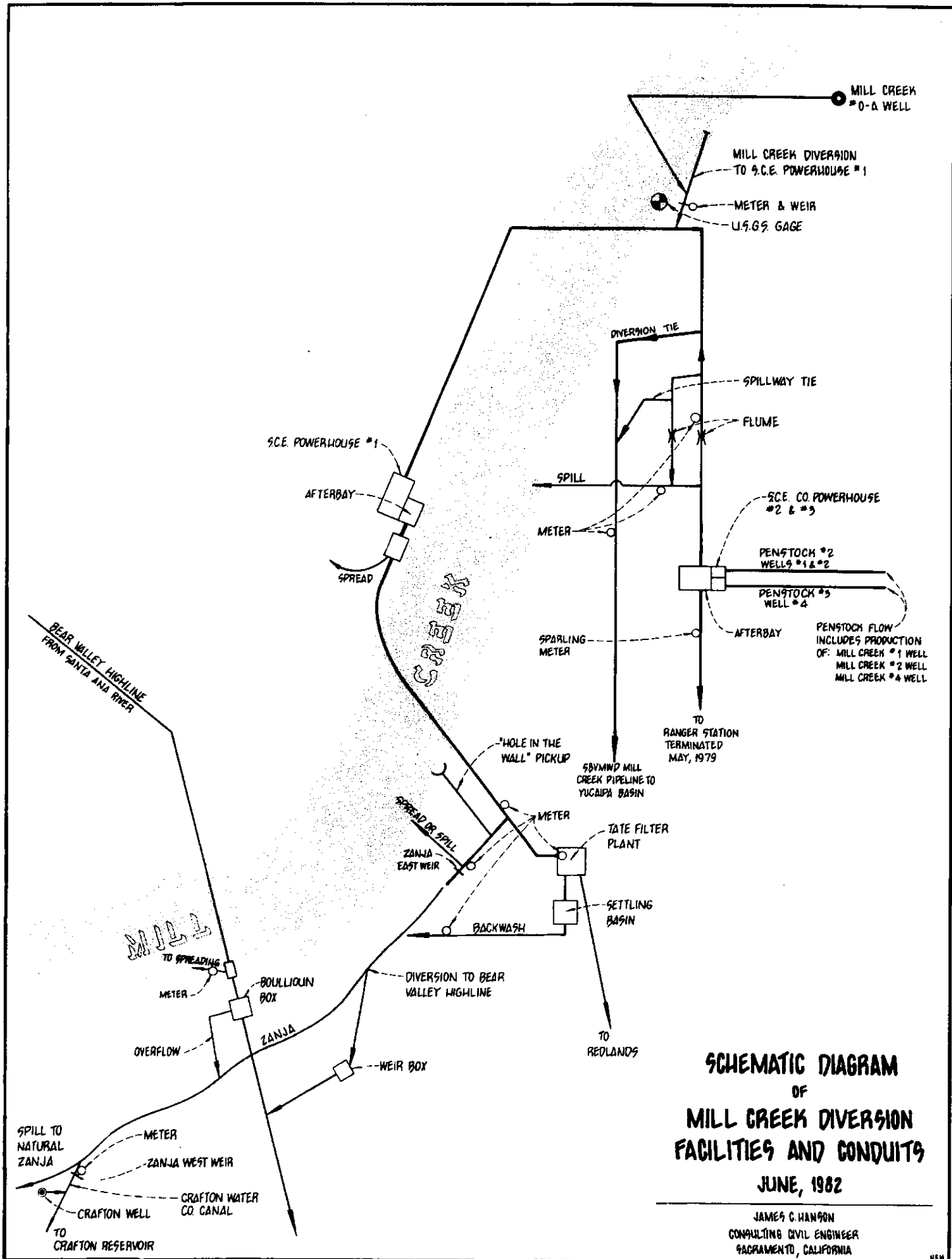


PLATE NO. 2

SCHEMATIC DIAGRAM OF MILL CREEK DIVERSION
FACILITIES AND CONDUITS



**SCHEMATIC DIAGRAM
OF
MILL CREEK DIVERSION
FACILITIES AND CONDUITS
JUNE, 1982**

JAMES C. HANSON
CONSULTING CIVIL ENGINEER
SACRAMENTO, CALIFORNIA

PLATE NO. 3

SCHEMATIC DIAGRAM OF SANTA ANA RIVER
DIVERSION FACILITIES AND CONDUITS

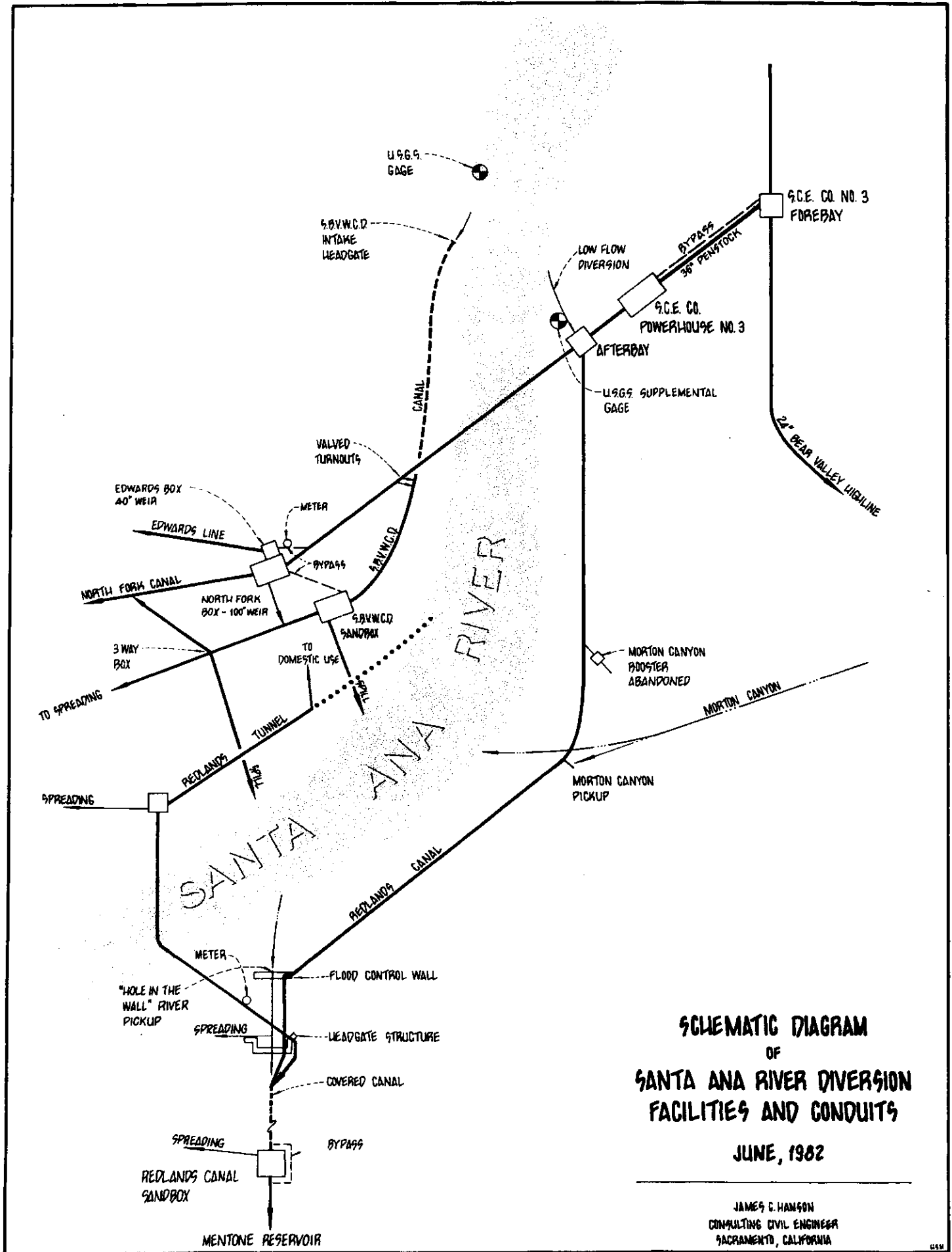
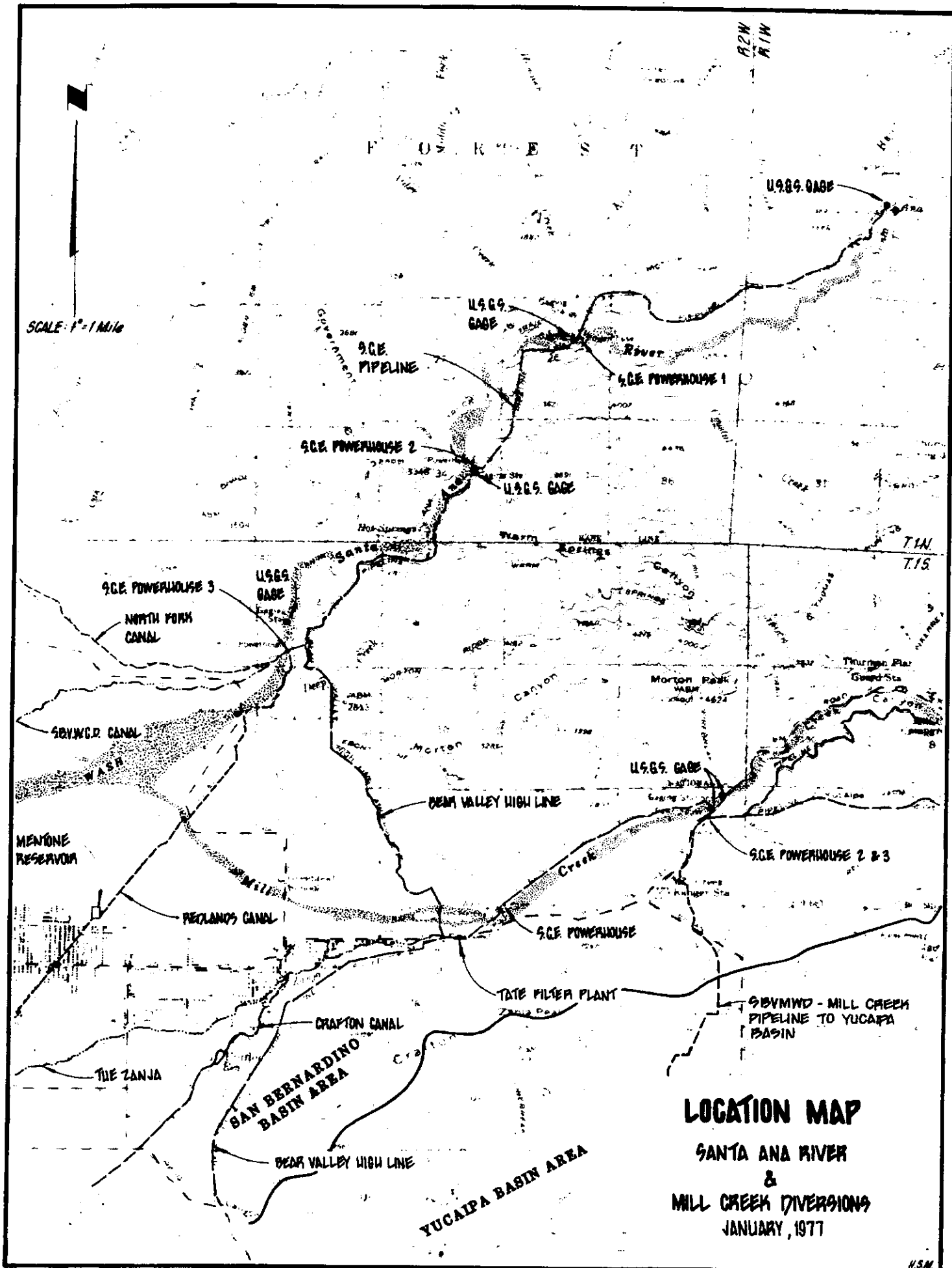


PLATE NO. 3A

LOCATION MAP, SANTA ANA RIVER AND MILL CREEK DIVERSIONS



LOCATION MAP
 SANTA ANA RIVER
 &
 MILL CREEK DIVERSIONS
 JANUARY, 1977

VOLUME 1A-1998

**WESTERN - SAN BERNARDINO WATERMASTER
FOR
WESTERN MUNICIPAL WATER DISTRICT et al.
vs.
EAST SAN BERNARDINO COUNTY WATER DISTRICT et al.
CASE NO. 78426 - COUNTY OF RIVERSIDE**

VOLUME 1A - 1998

**VERIFIED EXTRACTIONS FROM THE
SAN BERNARDINO BASIN AREA
FOR
CALENDAR YEARS 1959-1963 & 1994-1998**

**By Plaintiffs - City of Riverside, The Gage Canal Co.,
Meeks & Daley Water Co., Agua Mansa Water Co.,
Riverside Highland Water Co.,
and Regents of University of California**

**ANNUAL ACCOUNTING
FOR INDIVIDUAL WELLS**

August 1, 2000

**WATERMASTER
*Donald L. Harriger
Robert L. Reiter***

REPORT OF WATERMASTER

Western Municipal Water District of Riverside County, et al
Plaintiffs

vs.

East San Bernardino County Water District, et al
Defendants

Superior Court of Riverside County

Case No. 78426

VOLUME 1A - 1998

VERIFIED EXTRACTIONS FROM

SAN BERNARDINO BASIN AREA

FOR

CALENDAR YEARS 1959-1963 AND 1994-1998

By Plaintiffs - City of Riverside, The Gage Canal Company,
Meeks & Daley Water Company, Agua Mansa Water Company,
Riverside Highland Water Company,
and Regents of University of California

ANNUAL ACCOUNTING
FOR INDIVIDUAL WELLS

AUGUST 1, 2000

WATERMASTER

Donald L. Harriger
Robert L. Reiter

VOLUME 1A-1998

TABLE OF CONTENTS

<u>CHAPTER I</u>	<u>PAGE</u>
PLAINTIFFS EXTRACTIONS FROM THE SAN BERNARDINO BASIN AREA FOR CALENDAR YEARS 1959-1963 AND 1994-1998	i
<u>CHAPTER II</u>	
PLAINTIFFS EXTRACTIONS FROM THE SAN BERNARDINO BASIN AREA FOR CALENDAR YEARS 1959 THROUGH 1963 AND 1994 THROUGH 1998 AND DISTRIBUTION BY SERVICE AREA	iii
SAN BERNARDINO BASIN AREA, CROSS INDEX BY OWNER-PLAINTIFFS	1
SAN BERNARDINO BASIN AREA, CROSS INDEX BY STATE WELL NUMBER-PLAINTIFFS	4
SAN BERNARDINO BASIN AREA, CROSS INDEX BY RECORDATION NUMBER-PLAINTIFFS	7
<u>TABLE NO. 1</u>	
VERIFIED EXTRACTIONS BY OWNERS (PLAINTIFFS) WHICH HAVE FILINGS WITH THE STATE WATER RESOURCES CONTROL BOARD FOR SAN BERNARDINO BASIN AREA	10
<u>TABLE NO. 2</u>	
SUMMARY OF EXTRACTIONS (FILED AND NON-FILED BY ALL PLAINTIFFS) FOR SAN BERNARDINO BASIN AREA	13
<u>TABLE NO. 3</u>	
EXTRACTIONS BY PLAINTIFFS FROM THE SAN BERNARDINO BASIN AREA FOR AVERAGE OF FIVE-YEAR PERIOD ENDING WITH 1963 AND CALENDAR YEARS 1976 THROUGH CURRENT YEAR CLASSIFIED ACCORDING TO SERVICE AREA	14
<u>TABLE NO. 4</u>	
TOTAL EXTRACTIONS BY PLAINTIFFS FROM SAN BERNARDINO BASIN AREA	19
<u>TABLE NO. 5</u>	
EXTRACTIONS BY PLAINTIFFS FROM THE SAN BERNARDINO BASIN AREA FOR DELIVERIES IN SAN BERNARDINO BASIN AREA	20

TABLE NO. 6

EXTRACTIONS BY PLAINTIFFS FROM THE SAN BERNARDINO
BASIN AREA FOR DELIVERIES IN COLTON AND RIVERSIDE
BASINS IN SAN BERNARDINO COUNTY 21

TABLE NO. 7

EXTRACTIONS BY PLAINTIFFS FROM THE SAN BERNARDINO
BASIN AREA FOR DELIVERIES OUTSIDE SAN BERNARDINO
VALLEY 22

VOLUME 1A-1998

CHAPTER I

PLAINTIFFS EXTRACTIONS FROM THE
SAN BERNARDINO BASIN AREA FOR
CALENDAR YEARS 1959-1963 AND 1994-1998

The provisions of Paragraph IV (B,3) of the Judgment in Case No. 78426 entered April 17, 1969, entitled "San Bernardino Basin Area Rights and Replenishment (Annual Adjusted Rights of Plaintiffs)" provides as follows:

VI(B,3) "In any five-year period, each Plaintiff shall have the right to extract from the San Bernardino Basin area for use in each service area designated in Table B-1 an amount of water equal to five times its adjusted right for such service area; provided, however, that extractions by each Plaintiff in any year in any service area shall not exceed such Plaintiff's adjusted right for that service area by more than 30 percent."

Compliance with this provision of the Judgment requires that an accounting of the total actual extractions of surface and groundwater by the Plaintiffs-City of Riverside, The Gage Canal Co., Meeks & Daley Water Co., Agua Mansa Water Co., Riverside Highland Water Co., and the Regents of the University of California-from the San Bernardino Basin Area be made annually. Included in this Volume 1A-1998 is the verified accounting of such extractions by the Plaintiffs for the Calendar years 1994 through 1998. The extractions for the five-year base period ending with 1963 are also included for comparison.

Three indexes are included which provide a cross index by owner's name, State Water Resources Control Board Well Recordation Number, and State Well Number. Each index shows, in addition, the local designation of each well, if the State has closed the file, which year that occurred and the last 5 years verified extractions.

The individual wells of each owner are listed in Table No. 1, showing the extractions from each well for each year in the five-year base period ending in 1963, the base period average, and the extractions for the years 1994 through 1998.

Table No. 2 summarizes, by owner, the total annual extractions for the base period and base period average, together with the annual extractions for the years 1994 through 1998. The total annual extractions for 1998 are 62,085 acre feet.

Corrections during the 1990 verification:

City of Riverside Thorn 10 well which is used for golf course irrigation in the San Bernardino Basin was corrected for 1989 from 476 AF to 28AF.

CHAPTER II

PLAINTIFFS EXTRACTIONS FROM THE SAN BERNARDINO
BASIN AREA FOR CALENDAR YEARS 1959 THROUGH
1963 AND 1994 through 1998 AND DISTRIBUTION
BY SERVICE AREA

Paragraph XVI of the Judgment states:

"The provisions of Paragraph 3 and 5 through 12 of this Judgment shall be in effect from and after January 1, 1971; and remaining provisions are in effect immediately."

Thus the annual accounting provisions which relate to extractions from the San Bernardino Basin Area by Plaintiffs were not effective until January 1, 1971.

Table No. 1 and 1A of Chapter I shows the extractions from individual wells owned by each Plaintiff for the five calendar year period ending with 1963, the annual average for said five-year period, and the extractions for the calendar years 1994 through 1998 and the annual average for that period. Table No. 2 described in Chapter I summarizes the total annual extractions for each Plaintiff during the five-year period 1959 through 1963, the annual average for the five-year period, and the 1994 through 1998 extractions and the annual average.

Table No. 3 shows total annual extractions and its distribution.

To facilitate the comparison of the total annual extractions as well as the portions thereof delivered within the San Bernardino Basin Area, the Colton Basin and Riverside Basin within San Bernardino County, and to areas outside San Bernardino Valley, four additional tables have been prepared which summarize the total annual extractions from the San Bernardino Basin Area for the period 1959 through 1963 and 1971 through the current year for each Plaintiff, as well as the portions thereof delivered to various service areas described above.

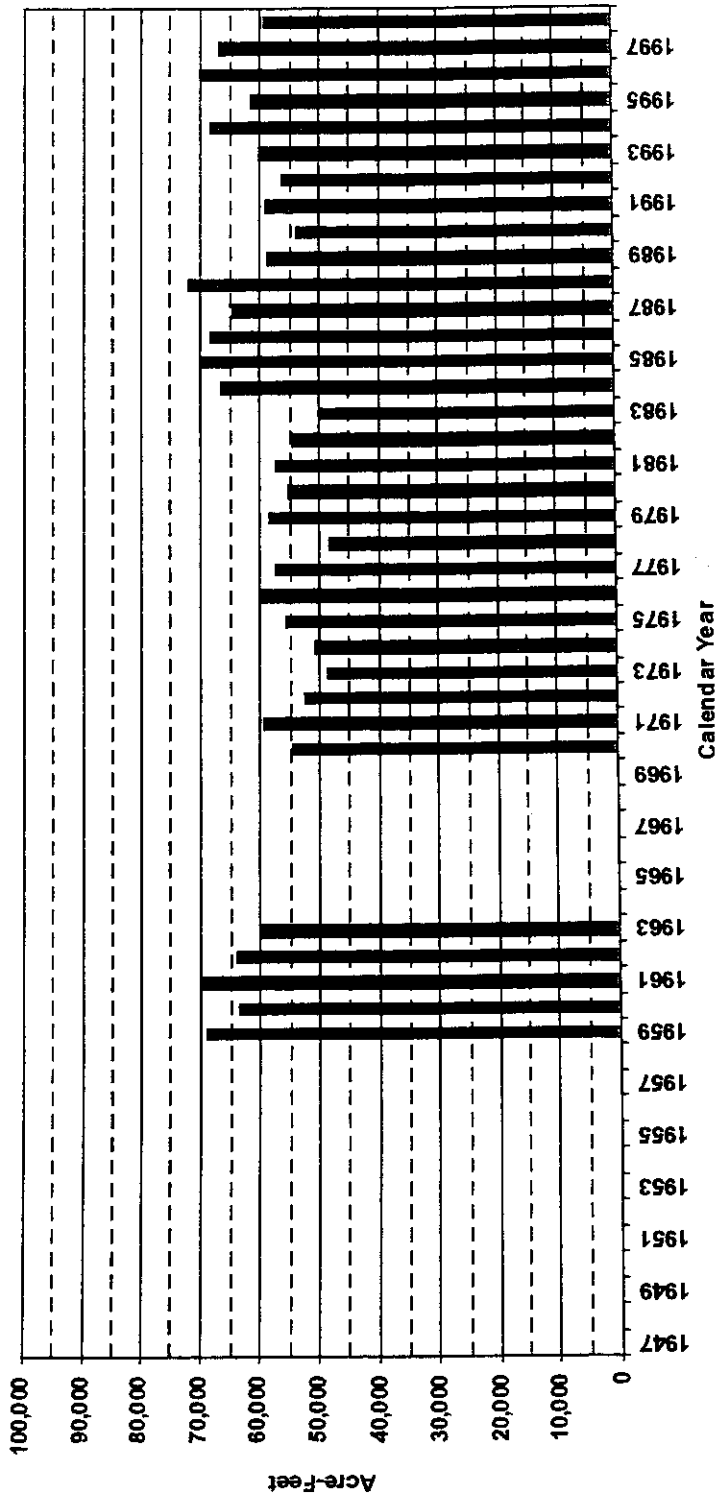
Table No. 4 lists the Total Extractions from the San Bernardino Basin Area for each Plaintiff annually for the period 1959 through 1963 and the five-year average and calendar years 1971 through the current year.

Similar listings were made for the same period which show the deliveries within the San Bernardino Basin Area, the deliveries to Colton and Riverside Basins within San Bernardino County, and the deliveries to areas outside San Bernardino Valley. These listings are shown on Tables No. 5, 6, and 7 respectively.

Production Graph - Verified Data: Single Basin

Basin: San Bernardino

Axis Settings: 100,000 Major Grid Minor Grid



SAN BERNARDINO BASIN AREA

CROSS INDEX BY OWNER

PLAINTIFFS

WESTERN - SAN BERNARDINO WATERMASTER
 VERIFIED PRODUCTION DATA
 CROSS INDEX BY OWNER
 SAN BERNARDINO BASIN

OWNER	WELL TYPE	REC'DTN NUMBER	STATE WELL NUMBER	LOCAL DESIGNATION	YEAR CLOSED	CALENDAR YEAR EXTRACTIONS							AVG
						1994	1995	1996	1997	1998	1999		
MEEKS & DALEY WATER COMPANY	W	3601511	01S04W-15M02S	E STREET	1974	0	0	0	0	0	0	0	0
MEEKS & DALEY WATER COMPANY	W	3601512	01S04W-15N05S	51	1967	0	0	0	0	0	0	0	0
MEEKS & DALEY WATER COMPANY	W	3601513	01S04W-16R03S	54	1974	0	0	0	0	0	0	0	0
MEEKS & DALEY WATER COMPANY	D	3601514	01S04W-16Q	WARM CRK	1974	0	0	0	0	0	0	0	0
MEEKS & DALEY WATER COMPANY	D	3601515	01S04W-16Q	WORKMAN	1974	0	0	0	0	0	0	0	0
MEEKS & DALEY WATER COMPANY	W	3601737	01S04W-16J09S	COBURN		401	343	160	134	134	134	234	234
MEEKS & DALEY WATER COMPANY	W	3601887	01S04W-15L03S	59		2,154	2,322	1,291	2,094	1,711	1,914	1,914	1,914
MEEKS & DALEY WATER COMPANY	W	3602169	01S04W-15M10S	NEW E ST	1991	0	0	0	0	0	0	0	0
MEEKS & DALEY WATER COMPANY	W	3602329	01S04W-15E	STATION 66	1974	0	0	0	0	0	0	0	0
MEEKS & DALEY WATER COMPANY	W	3602863	01S04W-22H02S	WARREN #4		347	750	1,656	1,249	427	886	886	886
MEEKS & DALEY WATER COMPANY	W	3602864	01S04W-14N10S	RAUB 6		639	94	62	0	1,119	383	383	383
MEEKS & DALEY WATER COMPANY	W	3603214	01S04W-16R04S	STATION 69		89	50	130	224	200	139	139	139
MEEKS & DALEY WATER COMPANY	W	3603215	01S04W-15M11S	STATION 91		895	1	613	464	237	442	442	442
MEEKS & DALEY WATER COMPANY	W	3603215	01S04W-22M07S	1	1965	0	0	0	0	0	0	0	0
RIVERSIDE HIGHLAND WATER COMPANY	W	3601522	01S04W-22L	FW #2		324	33	524	781	1	333	333	333
RIVERSIDE HIGHLAND WATER COMPANY	W	3601523	01S04W-22L	FW #8	1962	0	0	0	0	0	0	0	0
RIVERSIDE HIGHLAND WATER COMPANY	W	3601527	01S04W-22P	FW #8	1962	0	0	0	0	0	0	0	0
RIVERSIDE HIGHLAND WATER COMPANY	W	3601528	01S04W-22N	FW #10	1962	0	0	0	0	0	0	0	0
RIVERSIDE HIGHLAND WATER COMPANY	W	3601529	01S04W-22P	FW #11	1962	0	0	0	0	0	0	0	0
RIVERSIDE HIGHLAND WATER COMPANY	W	3601530	01S04W-22L08S	FW #12		0	0	0	0	0	0	0	0
RIVERSIDE HIGHLAND WATER COMPANY	W	3601533	01S04W-22L05S	FW #18		434	42	716	1,127	769	618	618	618
RIVERSIDE HIGHLAND WATER COMPANY	W	3601535	01N04W-31D02S	LC #1		917	1,164	996	520	581	836	836	836
RIVERSIDE HIGHLAND WATER COMPANY	W	3601536	01N04W-31E02S	LC #2	1962	0	0	0	0	0	0	0	0
RIVERSIDE HIGHLAND WATER COMPANY	W	3601537	01S04W-22N	FLOWING	1963	0	0	0	0	0	0	0	0
RIVERSIDE HIGHLAND WATER COMPANY	W	3602254	01S04W-22P05S	FW 24	1965	0	0	0	0	0	0	0	0
RIVERSIDE HIGHLAND WATER COMPANY	W	3602840	01N04W-31F01S	LC #8		960	183	507	636	108	479	479	479
RIVERSIDE HIGHLAND WATER COMPANY	W	3603470	01N04W-31E03S	LC #10		0	523	1,379	1,675	1,791	1,074	1,074	1,074
RIVERSIDE HIGHLAND WATER COMPANY	W	3603514	01S04W-22L17S	FLOW #5		1,689	2,010	929	200	0	966	966	966
RIVERSIDE HIGHLAND WATER COMPANY	W	3601218	01S04W-14P02S	RAUB 1	1977	0	0	0	0	0	0	0	0
RIVERSIDE, CITY OF	W	3601219	01S04W-23C02S	RAUB 2		342	411	349	383	130	323	323	323
RIVERSIDE, CITY OF	W	3601220	01S04W-02P04S	COOLEY E	1977	0	0	0	0	0	0	0	0
RIVERSIDE, CITY OF	W	3601224	01S04W-02P03S	COOLEY C	1977	0	0	0	0	0	0	0	0
RIVERSIDE, CITY OF	W	3601225	01S04W-02P02S	COOLEY D	1977	0	0	0	0	0	0	0	0
RIVERSIDE, CITY OF	W	3601226	01S04W-02L02S	COOLEY F	1977	0	0	0	0	0	0	0	0
RIVERSIDE, CITY OF	W	3601227	01S04W-02N02S	COOLEY G	1977	0	0	0	0	0	0	0	0
RIVERSIDE, CITY OF	W	3601228	01S04W-11D02S	COOLEY H		898	773	1,478	1,474	1,271	1,179	1,179	1,179
RIVERSIDE, CITY OF	W	3601229	01S04W-11D03S	COOLEY I		2,197	2,321	2,730	2,639	2,438	2,465	2,465	2,465
RIVERSIDE, CITY OF	W	3601230	01S04W-22H03S	WARREN 3		177	216	288	265	138	217	217	217

WESTERN - SAN BERNARDINO WATERMASTER
 VERIFIED PRODUCTION DATA
 CROSS INDEX BY OWNER
 SAN BERNARDINO BASIN

OWNER	WELL RECDTN TYPE	STATE WELL NUMBER	LOCAL DESIGNATION	YEAR CLOSED	-----CALENDAR YEAR EXTRACTIIONS-----										AVG
					1994	1995	1996	1997	1998						
RIVERSIDE, CITY OF	W	3601231	01S/O4W-22H01S WARREN 2		506	525	856	635	347	1996	1997	1998	574		
RIVERSIDE, CITY OF	W	3601232	01S/O4W-11D04S COOLEY A	1977	0	0	0	0	0	0	0	0	0		
RIVERSIDE, CITY OF	W	3601233	01S/O4W-27A13S STEWRT 21	1977	0	0	0	0	0	0	0	0	0		
RIVERSIDE, CITY OF	W	3601234	01S/O4W-27A19S STEWRT 19	1977	0	0	0	0	0	0	0	0	0		
RIVERSIDE, CITY OF	W	3601237	01S/O4W-22B02S BYRNE 1	1977	0	0	0	0	0	0	0	0	0		
RIVERSIDE, CITY OF	W	3601238	01S/O4W-23C03S RAUB 4		1,228	412	1,842	1,415	1,015	1,015	1,015	1,182			
RIVERSIDE, CITY OF	W	3601239	01S/O4W-14F06S RAUB 3		343	339	473	688	189	406					
RIVERSIDE, CITY OF	W	3601240	01S/O4W-22H04S WARREN 1		1,742	1,069	2,518	2,105	1,132	1,713					
RIVERSIDE, CITY OF	W	3601241	01S/O4W-27A07S HUNT 8	1977	0	0	0	0	0	0	0	0	0		
RIVERSIDE, CITY OF	W	3601242	01S/O4W-27A08S HUNT 9	1977	0	0	0	0	0	0	0	0	0		
RIVERSIDE, CITY OF	W	3601243	01S/O4W-22H02S WARREN 4		1,833	242	444	806	1,044	874					
RIVERSIDE, CITY OF	W	3601431	01S/O4W-27H01S STEWART 20	1992	1	3	1	1	1	1	1	1	1		
RIVERSIDE, CITY OF	W	3601432	01S/O4W-11D01S COOLEY B	1977	0	0	0	0	0	0	0	0	0		
RIVERSIDE, CITY OF	W	3601457	01S/O4W-01B03S MCCRARY 1	1977	0	0	0	0	0	0	0	0	0		
RIVERSIDE, CITY OF	W	3601458	01S/O4W-01B02S MCCRARY 2	1977	0	0	0	0	0	0	0	0	0		
RIVERSIDE, CITY OF	W	3601459	01S/O4W-01B MCCRARY 3	1977	0	0	0	0	0	0	0	0	0		
RIVERSIDE, CITY OF	W	3601460	01S/O4W-01B MCCRARY 4	1977	0	0	0	0	0	0	0	0	0		
RIVERSIDE, CITY OF	W	3601461	01S/O4W-01B MCCRARY 5	1977	0	0	0	0	0	0	0	0	0		
RIVERSIDE, CITY OF	W	3601462	01S/O4W-01E01S POOLE		0	0	0	0	0	0	0	0	0		
RIVERSIDE, CITY OF	W	3601463	01S/O4W-02A03S STILES		768	1,085	838	538	813	808					
RIVERSIDE, CITY OF	W	3601464	01S/O4W-02P06S GARNER 1		556	681	328	181	157	381					
RIVERSIDE, CITY OF	W	3601465	01S/O4W-02Q03S GARNER 2		293	562	170	67	131	245					
RIVERSIDE, CITY OF	W	3601466	01S/O4W-02Q07S GARNER 3	1977	0	0	0	0	0	0	0	0	0		
RIVERSIDE, CITY OF	W	3601467	01S/O4W-02Q06S GARNER 4		0	0	0	0	0	0	0	0	0		
RIVERSIDE, CITY OF	W	3601468	01S/O4W-02P01S GARNER 5		1,172	1,935	146	1,456	1,139	1,150					
RIVERSIDE, CITY OF	W	3601469	01S/O4W-22A01S FAINEHOT	1977	0	0	0	0	0	0	0	0	0		
RIVERSIDE, CITY OF	W	3601470	01S/O4W-22G15S THORN 2	1974	0	0	0	0	0	0	0	0	0		
RIVERSIDE, CITY OF	W	3601470	01S/O4W-22B07S THORN 12		1,421	1,081	1,660	1,296	300	1,152					
RIVERSIDE, CITY OF	W	3601471	01S/O4W-22G14S THORN 3		0	0	0	0	0	0	0	0	0		
RIVERSIDE, CITY OF	W	3601472	01S/O4W-22G11S THORN 4	1977	0	0	0	0	0	0	0	0	0		
RIVERSIDE, CITY OF	W	3601473	01S/O4W-22G16S THORN 5		1	0	0	0	0	0	0	0	0		
RIVERSIDE, CITY OF	W	3601474	01S/O4W-22G18S THORN 6		0	0	0	0	0	0	0	0	0		
RIVERSIDE, CITY OF	W	3601475	01S/O4W-22G17S THORN 7		0	0	0	0	0	0	0	0	0		
RIVERSIDE, CITY OF	W	3601476	01S/O4W-22G19S THORN 8		0	0	0	0	0	0	0	0	0		
RIVERSIDE, CITY OF	W	3601477	01S/O4W-22B01S THORN 9	1977	0	0	0	0	0	0	0	0	0		
RIVERSIDE, CITY OF	W	3601478	01S/O4W-22B03S THORN 10		7	1	0	68	0	15					
RIVERSIDE, CITY OF	W	3601479	01S/O4W-22B05S THORN 11		0	608	268	418	0	259					

WESTERN - SAN BERNARDINO WATERMASTER
 VERIFIED PRODUCTION DATA
 CROSS INDEX BY OWNER
 SAN BERNARDINO BASIN

OWNER	WELL TYPE	RECDTN NUMBER	STATE WELL NUMBER	LOCAL DESIGNATION	YEAR CLOSED	CALENDAR YEAR EXTRACTIONS										AVG	
						1994	1995	1996	1997	1998	1999	2000	2001	2002	2003		
RIVERSIDE, CITY OF	W	3601489	01S/O4W-02L01S	SCHUEER		220	368	163	36	55	188						
RIVERSIDE, CITY OF	W	3602484	01S/O4W-14N09S	RAUB 5		2,401	2,438	3,157	2,301	3,354	2,730						
RIVERSIDE, CITY OF	W	3602771	01S/O4W-27A11S	HUNT 6		323	413	0	298	127	232						
RIVERSIDE, CITY OF	W	3602772	01S/O4W-27A09S	HUNT 10		536	481	0	713	181	382						
RIVERSIDE, CITY OF	W	3602773	01S/O4W-27A10S	HUNT 11		440	430	0	139	36	209						
RIVERSIDE, CITY OF	W	3602778	01S/O4W-14N10S	RAUB 6		1,974	390	0	59	0	485						
RIVERSIDE, CITY OF	W	3603254	01S/O4W-02P09S	GARNER 6		3,428	4,014	4,152	4,173	4,697	4,093						
RIVERSIDE, CITY OF	W	3603555	01S/O4W-14N10S	RAUB 8		2,917	2,618	3,145	3,169	1,686	2,707						
RIVERSIDE, CITY OF	W	3604000	01S/O4W-02Q11S	GARNER 7			0	4,345	2,298	3,827	2,094						
RIVERSIDE, CITY OF-GAGE CANAL	W	3600784	01S/O4W-13L01S	6	1969	0	0	0	0	0	0						
RIVERSIDE, CITY OF-GAGE CANAL	W	3600785	01S/O4W-14R	17	1966	0	0	0	0	0	0						
RIVERSIDE, CITY OF-GAGE CANAL	W	3600786	01S/O4W-13L02S	GAGE 21	1996	880	0	0	0	0	176						
RIVERSIDE, CITY OF-GAGE CANAL	W	3600787	01S/O4W-23A02S	26-1		1,095	1,476	1,895	1,996	1,133	1,519						
RIVERSIDE, CITY OF-GAGE CANAL	W	3600788	01S/O4W-23H01S	27-1		1,528	1,990	2,237	1,825	1,193	1,755						
RIVERSIDE, CITY OF-GAGE CANAL	W	3600789	01S/O4W-23K01S	27-2		2,565	2,555	2,454	2,575	2,282	2,486						
RIVERSIDE, CITY OF-GAGE CANAL	W	3600790	01S/O4W-23K02S	29-1		689	2,355	1,495	2,224	1,733	1,699						
RIVERSIDE, CITY OF-GAGE CANAL	W	3600791	01S/O4W-13N01S	29-2		2,306	1,456	1,767	1,400	1,558	1,697						
RIVERSIDE, CITY OF-GAGE CANAL	W	3600792	01S/O4W-13N02S	29-3		1,681	15	1	311	727	547						
RIVERSIDE, CITY OF-GAGE CANAL	W	3600793	01S/O4W-13M02S	30-1		1,206	787	1,321	1,030	1,071	1,083						
RIVERSIDE, CITY OF-GAGE CANAL	W	3600794	01S/O4W-13F02S	31-1		2,308	1,967	1,980	1,933	1,567	1,951						
RIVERSIDE, CITY OF-GAGE CANAL	W	3600795	01S/O4W-13G02S	46-1		3,039	3,277	3,249	2,329	2,945	2,968						
RIVERSIDE, CITY OF-GAGE CANAL	W	3600796	01S/O4W-23A05S	51-1		1,123	0	1,429	1,681	1,573	1,161						
RIVERSIDE, CITY OF-GAGE CANAL	W	3600797	01S/O4W-13G03S	56-1		1,777	13	2,346	1,728	1,710	1,515						
RIVERSIDE, CITY OF-GAGE CANAL	W	3600798	01S/O4W-23G01S	COWLANE	1966	0	0	0	0	0	0						
RIVERSIDE, CITY OF-GAGE CANAL	W	3602331	01S/O4W-23G03S	66-1		2,354	2,196	2,136	2,264	1,963	2,183						
RIVERSIDE, CITY OF-GAGE CANAL	W	3602423	01S/O4W-13P	6		70	60	36	37	22	45						
RIVERSIDE, CITY OF-GAGE CANAL	W	3603556	01S/O4W-13L08S	92-3		3,705	4,437	4,028	3,804	3,555	3,906						
RIVERSIDE, CITY OF-GAGE CANAL	W	3603557	01S/O4W-13L07S	92-2		4,023	4,489	3,951	3,497	3,816	3,955						
RIVERSIDE, CITY OF-GAGE CANAL	W	3603558	01S/O4W-13N07S	92-1		4,374	5,003	3,706	3,683	3,359	4,025						
UNIVERSITY OF CALIFORNIA, REGENTS OF	W	3601222	01S/O4W-27A11S	HUNT 6		147	181	181	113	171	159						
UNIVERSITY OF CALIFORNIA, REGENTS OF	W	3601244	01S/O4W-27A09S	HUNT 10		245	210	0	207	250	182						
UNIVERSITY OF CALIFORNIA, REGENTS OF	W	3601245	01S/O4W-27A10S	HUNT 11		201	197	264	185	169	203						
UNIVERSITY OF CALIFORNIA, REGENTS OF	W	3691241	01S/O4W-27A07S	HUNT 8	1976	0	0	0	0	0	0						
UNIVERSITY OF CALIFORNIA, REGENTS OF	W	3691242	01S/O4W-27A08S	HUNT 9	1976	0	0	0	0	0	0						
TOTALS FOR 108 WELLS						68,889	63,495	72,790	69,547	62,085	67,561						

SAN BERNARDINO BASIN AREA
CROSS INDEX BY STATE WELL NUMBER
PLAINTIFFS

WESTERN - SAN BERNARDINO WATERMASTER
 VERIFIED PRODUCTION DATA
 CROSS INDEX BY STATE WELL NUMBER
 SAN BERNARDINO BASIN

STATE WELL NUMBER	RECRD TN NUMBER	OWNER	WELL TYPE	LOCAL DESIGNATION	YEAR CLOSED	CALENDAR YEAR EXTRACTIIONS										AVG		
						1994	1995	1996	1997	1998	1999	2000	2001	2002	2003		2004	
01N04W-31D02S	3601535	RIVERSIDE HIGHLAND WATER COMPANY	W	LC #1	1962	917	1,164	996	520	551	836							
01N04W-31E02S	3601536	RIVERSIDE HIGHLAND WATER COMPANY	W	LC #2		0	0	0	0	0	0							
01N04W-31E03S	3603470	RIVERSIDE HIGHLAND WATER COMPANY	W	LC #10		0	523	1,379	1,675	1,791	1,074							
01N04W-31F01S	3602840	RIVERSIDE HIGHLAND WATER COMPANY	W	LC #8		960	183	507	636	108	479							
01S04W-01B	3601459	RIVERSIDE, CITY OF	W	MCCRARY 3	1977	0	0	0	0	0	0							
01S04W-01B	3601460	RIVERSIDE, CITY OF	W	MCCRARY 4	1977	0	0	0	0	0	0							
01S04W-01B	3601461	RIVERSIDE, CITY OF	W	MCCRARY 5	1977	0	0	0	0	0	0							
01S04W-01B02S	3601458	RIVERSIDE, CITY OF	W	MCCRARY 2	1977	0	0	0	0	0	0							
01S04W-01B03S	3601457	RIVERSIDE, CITY OF	W	MCCRARY 1	1977	0	0	0	0	0	0							
01S04W-01E01S	3601462	RIVERSIDE, CITY OF	W	POOLE		0	0	0	0	0	0							
01S04W-02A03S	3601463	RIVERSIDE, CITY OF	W	STILES		768	1,085	838	538	813	808							
01S04W-02L01S	3601489	RIVERSIDE, CITY OF	W	SCHEUER		220	368	163	36	55	168							
01S04W-02L02S	3601226	RIVERSIDE, CITY OF	W	COOLEY F	1977	0	0	0	0	0	0							
01S04W-02N02S	3601227	RIVERSIDE, CITY OF	W	COOLEY G	1977	0	0	0	0	0	0							
01S04W-02P01S	3601468	RIVERSIDE, CITY OF	W	GARNER 5		1,172	1,835	146	1,456	1,139	1,150							
01S04W-02P02S	3601225	RIVERSIDE, CITY OF	W	COOLEY D	1977	0	0	0	0	0	0							
01S04W-02P03S	3601224	RIVERSIDE, CITY OF	W	COOLEY C	1977	0	0	0	0	0	0							
01S04W-02P04S	3601220	RIVERSIDE, CITY OF	W	COOLEY E	1977	0	0	0	0	0	0							
01S04W-02P06S	3601464	RIVERSIDE, CITY OF	W	GARNER 1		556	681	328	181	157	381							
01S04W-02P09S	3603254	RIVERSIDE, CITY OF	W	GARNER 6		3,428	4,014	4,152	4,173	4,697	4,093							
01S04W-02Q03S	3601465	RIVERSIDE, CITY OF	W	GARNER 2		293	562	170	67	131	245							
01S04W-02Q06S	3601467	RIVERSIDE, CITY OF	W	GARNER 4		0	0	0	0	0	0							
01S04W-02Q07S	3601466	RIVERSIDE, CITY OF	W	GARNER 3	1977	0	0	0	0	0	0							
01S04W-02Q11S	3604000	RIVERSIDE, CITY OF	W	GARNER 7		0	0	4,345	2,298	3,827	2,094							
01S04W-11D01S	3601432	RIVERSIDE, CITY OF	W	COOLEY B	1977	0	0	0	0	0	0							
01S04W-11D02S	3601228	RIVERSIDE, CITY OF	W	COOLEY H		898	773	1,478	1,474	1,271	1,179							
01S04W-11D03S	3601229	RIVERSIDE, CITY OF	W	COOLEY I		2,197	2,321	2,730	2,639	2,438	2,465							
01S04W-11D04S	3601232	RIVERSIDE, CITY OF	W	COOLEY A	1977	0	0	0	0	0	0							
01S04W-13F02S	3600784	RIVERSIDE, CITY OF-GAGE CANAL	W	31-1		2,308	1,967	1,980	1,933	1,567	1,951							
01S04W-13G02S	3600795	RIVERSIDE, CITY OF-GAGE CANAL	W	46-1		3,039	3,277	3,249	2,329	2,945	2,968							
01S04W-13G03S	3600797	RIVERSIDE, CITY OF-GAGE CANAL	W	56-1		1,777	13	2,346	1,728	1,710	1,515							
01S04W-13L01S	3600784	RIVERSIDE, CITY OF-GAGE CANAL	W	6	1969	0	0	0	0	0	0							
01S04W-13L02S	3600786	RIVERSIDE, CITY OF-GAGE CANAL	W	GAGE 21	1996	880	0	0	0	0	176							
01S04W-13L07S	3603557	RIVERSIDE, CITY OF-GAGE CANAL	W	92-2		4,023	4,489	3,951	3,497	3,616	3,955							
01S04W-13L08S	3603556	RIVERSIDE, CITY OF-GAGE CANAL	W	92-3		3,705	4,437	4,028	3,804	3,555	3,906							
01S04W-13M02S	3600793	RIVERSIDE, CITY OF-GAGE CANAL	W	30-1		1,206	787	1,321	1,030	1,071	1,083							
01S04W-13N01S	3600791	RIVERSIDE, CITY OF-GAGE CANAL	W	29-2		2,306	1,456	1,767	1,400	1,558	1,697							

WESTERN - SAN BERNARDINO WATERMASTER
 VERIFIED PRODUCTION DATA
 CROSS INDEX BY STATE WELL NUMBER
 SAN BERNARDINO BASIN

STATE WELL NUMBER	RECRD TN NUMBER	OWNER	WELL TYPE	LOCAL DESIGNATION	YEAR CLOSED	CALENDAR YEAR EXTRACTIONS										AVG				
						1994	1995	1996	1997	1998	1999	2000	2001	2002	2003					
01S04W-13N02S	3600792	RIVERSIDE, CITY OF-GAGE CANAL	W	29-3		1,681	15	1	311	727	547									
01S04W-13N07S	3603558	RIVERSIDE, CITY OF-GAGE CANAL	W	92-1		4,374	5,003	3,706	3,683	3,359	4,025									
01S04W-13P	3602423	RIVERSIDE, CITY OF-GAGE CANAL	W	6		70	60	36	37	22	45									
01S04W-14N09S	3602484	RIVERSIDE, CITY OF	W	RAUB 5		2,401	2,438	3,157	2,301	3,354	2,730									
01S04W-14N10S	3602778	RIVERSIDE, CITY OF	W	RAUB 6		1,974	390	0	59	0	485									
01S04W-14N10S	3602864	MEEKS & DALEY WATER COMPANY	W	RAUB 6		639	94	62	0	1,119	383									
01S04W-14N10S	3603555	RIVERSIDE, CITY OF	W	RAUB 8		2,917	2,618	3,145	3,169	1,688	2,707									
01S04W-14P02S	3601218	RIVERSIDE, CITY OF	W	RAUB 1	1977	0	0	0	0	0	0									
01S04W-14P06S	3601239	RIVERSIDE, CITY OF	W	RAUB 3		343	339	473	688	189	406									
01S04W-14R	3600785	RIVERSIDE, CITY OF-GAGE CANAL	W	17	1966	0	0	0	0	0	0									
01S04W-15E	3602329	MEEKS & DALEY WATER COMPANY	W	STATION 66	1974	0	0	0	0	0	0									
01S04W-15L03S	3601887	MEEKS & DALEY WATER COMPANY	W	59		2,154	2,322	1,291	2,094	1,711	1,914									
01S04W-15M02S	3601511	MEEKS & DALEY WATER COMPANY	W	E STREET	1974	0	0	0	0	0	0									
01S04W-15M10S	3602169	MEEKS & DALEY WATER COMPANY	W	NEW E ST	1991	0	0	0	0	0	0									
01S04W-15M11S	3603215	MEEKS & DALEY WATER COMPANY	W	STATION 91		895	1	613	464	237	442									
01S04W-15N05S	3601512	MEEKS & DALEY WATER COMPANY	W	51	1967	0	0	0	0	0	0									
01S04W-16J09S	3601737	MEEKS & DALEY WATER COMPANY	W	COBURN		401	343	160	134	134	234									
01S04W-16Q	3601514	MEEKS & DALEY WATER COMPANY	D	WARM CRK	1974	0	0	0	0	0	0									
01S04W-16Q	3601515	MEEKS & DALEY WATER COMPANY	D	WORKMAN	1974	0	0	0	0	0	0									
01S04W-16R03S	3601513	MEEKS & DALEY WATER COMPANY	W	54	1974	0	0	0	0	0	0									
01S04W-16R04S	3603214	MEEKS & DALEY WATER COMPANY	W	STATION 69		89	50	130	224	200	139									
01S04W-22A01S	3601469	RIVERSIDE, CITY OF	W	PAINEHOT	1977	0	0	0	0	0	0									
01S04W-22B01S	3601477	RIVERSIDE, CITY OF	W	THORN 9	1977	0	0	0	0	0	0									
01S04W-22B02S	3601237	RIVERSIDE, CITY OF	W	BYRNE 1	1977	0	0	0	0	0	0									
01S04W-22B03S	3601478	RIVERSIDE, CITY OF	W	THORN 10		7	1	0	68	0	15									
01S04W-22B05S	3601479	RIVERSIDE, CITY OF	W	THORN 11		0	608	268	418	0	259									
01S04W-22B07S	3601470	RIVERSIDE, CITY OF	W	THORN 12		1,421	1,081	1,660	1,296	300	1,152									
01S04W-22G11S	3601472	RIVERSIDE, CITY OF	W	THORN 4	1977	0	0	0	0	0	0									
01S04W-22G14S	3601471	RIVERSIDE, CITY OF	W	THORN 3		0	0	0	0	0	0									
01S04W-22G15S	3601470	RIVERSIDE, CITY OF	W	THORN 2	1974	0	0	0	0	0	0									
01S04W-22G16S	3601473	RIVERSIDE, CITY OF	W	THORN 5		1	0	0	0	0	0									
01S04W-22G17S	3601475	RIVERSIDE, CITY OF	W	THORN 7		0	0	0	0	0	0									
01S04W-22G18S	3601474	RIVERSIDE, CITY OF	W	THORN 6		0	0	0	0	0	0									
01S04W-22G19S	3601476	RIVERSIDE, CITY OF	W	THORN 8		0	0	0	0	0	0									
01S04W-22H01S	3601231	RIVERSIDE, CITY OF	W	WARREN 2		506	525	856	635	347	574									
01S04W-22H02S	3601243	RIVERSIDE, CITY OF	W	WARREN 4		1,633	242	444	806	1,044	874									
01S04W-22H02S	3602863	MEEKS & DALEY WATER COMPANY	W	WARREN #4		347	750	1,656	1,249	427	866									

WESTERN - SAN BERNARDINO WATERMASTER
 VERIFIED PRODUCTION DATA
 CROSS INDEX BY STATE WELL NUMBER
 SAN BERNARDINO BASIN

STATE WELL NUMBER	RECRDTN NUMBER	OWNER	WELL TYPE	LOCAL DESIGNATION	YEAR CLOSED	CALENDAR YEAR YEAR EXTRACTIONS										AVG				
						1994	1995	1996	1997	1998	1999	2000	2001	2002	2003		2004			
01S04W-22H03S	3601230	RIVERSIDE, CITY OF	W	WARREN 3		177	216	288	265	138	217									
01S04W-22H04S	3601240	RIVERSIDE, CITY OF	W	WARREN 1		1,742	1,069	2,518	2,105	1,132	1,713									
01S04W-22L	3601523	RIVERSIDE HIGHLAND WATER COMPANY	W	FW #2		324	33	524	781	1	333									
01S04W-22L05S	3601533	RIVERSIDE HIGHLAND WATER COMPANY	W	FW #18		434	42	716	1,127	769	618									
01S04W-22L08S	3601530	RIVERSIDE HIGHLAND WATER COMPANY	W	FW #12		0	0	0	0	0	0									
01S04W-22L17S	3603514	RIVERSIDE HIGHLAND WATER COMPANY	W	FLOW #5	1985	1,689	2,010	929	200	0	966									
01S04W-22M07S	3601522	RIVERSIDE HIGHLAND WATER COMPANY	W	1		0	0	0	0	0	0									
01S04W-22N	3601528	RIVERSIDE HIGHLAND WATER COMPANY	W	FW #10	1962	0	0	0	0	0	0									
01S04W-22N	3601537	RIVERSIDE HIGHLAND WATER COMPANY	W	FLOWING	1963	0	0	0	0	0	0									
01S04W-22P	3601527	RIVERSIDE HIGHLAND WATER COMPANY	W	FW #8	1962	0	0	0	0	0	0									
01S04W-22P05S	3602254	RIVERSIDE HIGHLAND WATER COMPANY	W	FW #11	1962	0	0	0	0	0	0									
01S04W-23A02S	3600787	RIVERSIDE, CITY OF-GAGE CANAL	W	FW 24	1985	0	0	0	0	0	0									
01S04W-23A05S	3600796	RIVERSIDE, CITY OF-GAGE CANAL	W	26-1		1,095	1,476	1,895	1,996	1,133	1,519									
01S04W-23C02S	3601219	RIVERSIDE, CITY OF	W	51-1		1,123	0	1,429	1,681	1,573	1,161									
01S04W-23C03S	3601238	RIVERSIDE, CITY OF	W	RAUB 2		342	411	349	383	130	323									
01S04W-23G01S	3600798	RIVERSIDE, CITY OF-GAGE CANAL	W	RAUB 4	1966	1,228	412	1,842	1,415	1,015	1,182									
01S04W-23G03S	3602331	RIVERSIDE, CITY OF-GAGE CANAL	W	COWLANE		0	0	0	0	0	0									
01S04W-23H01S	3600788	RIVERSIDE, CITY OF-GAGE CANAL	W	66-1		2,354	2,196	2,136	2,264	1,963	2,183									
01S04W-23K01S	3600789	RIVERSIDE, CITY OF-GAGE CANAL	W	27-1		1,528	1,990	2,237	1,825	1,193	1,755									
01S04W-23K02S	3600790	RIVERSIDE, CITY OF-GAGE CANAL	W	27-2		2,565	2,555	2,454	2,575	2,282	2,486									
01S04W-27A07S	3601241	RIVERSIDE, CITY OF	W	29-1		689	2,355	1,495	2,224	1,733	1,999									
01S04W-27A07S	3601241	RIVERSIDE, CITY OF	W	HUNT 8	1977	0	0	0	0	0	0									
01S04W-27A07S	3601241	UNIVERSITY OF CALIFORNIA, REGENTS OF	W	HUNT 8	1976	0	0	0	0	0	0									
01S04W-27A08S	3601242	RIVERSIDE, CITY OF	W	HUNT 9	1977	0	0	0	0	0	0									
01S04W-27A08S	3601242	UNIVERSITY OF CALIFORNIA, REGENTS OF	W	HUNT 9	1976	0	0	0	0	0	0									
01S04W-27A09S	3601244	UNIVERSITY OF CALIFORNIA, REGENTS OF	W	HUNT 10		245	210	0	207	250	182									
01S04W-27A09S	3602772	RIVERSIDE, CITY OF	W	HUNT 10		536	481	0	713	181	382									
01S04W-27A10S	3601245	UNIVERSITY OF CALIFORNIA, REGENTS OF	W	HUNT 11		201	197	264	185	169	203									
01S04W-27A10S	3602773	RIVERSIDE, CITY OF	W	HUNT 11		440	430	0	139	36	209									
01S04W-27A11S	3601222	UNIVERSITY OF CALIFORNIA, REGENTS OF	W	HUNT 6		147	181	181	113	171	159									
01S04W-27A11S	3602771	RIVERSIDE, CITY OF	W	HUNT 6		323	413	0	298	127	232									
01S04W-27A13S	3601233	RIVERSIDE, CITY OF	W	STEWRT 21	1977	0	0	0	0	0	0									
01S04W-27A19S	3601234	RIVERSIDE, CITY OF	W	STEWRT 19	1977	0	0	0	0	0	0									
01S04W-27H01S	3601431	RIVERSIDE, CITY OF	W	STEWART 20	1992	1	3	1	1	1	1									

TOTALS FOR 108 WELLS

69,889 63,495 72,790 69,547 62,085 67,561

SAN BERNARDINO BASIN AREA
CROSS INDEX BY RECORDATION NUMBER
PLAINTIFFS

WESTERN - SAN BERNARDINO WATERMASTER
 VERIFIED PRODUCTION DATA
 CROSS INDEX BY RECORDATION NUMBER
 SAN BERNARDINO BASIN

RECORDTN NUMBER	STATE WELL NUMBER	OWNER	WELL TYPE	LOCAL DESIGNATION	YEAR CLOSED	-----CALENDAR YEAR EXTRACTS-----									
						1969	1994	1995	1996	1997	1998	AVG			
3600784	01SO4W-13L01S	RIVERSIDE, CITY OF-GAGE CANAL	W	6		0	0	0	0	0	0	0	0	0	0
3600785	01SO4W-14R	RIVERSIDE, CITY OF-GAGE CANAL	W	17		0	0	0	0	0	0	0	0	0	0
3600786	01SO4W-13L02S	RIVERSIDE, CITY OF-GAGE CANAL	W	GAGE 21	1966	880	0	0	0	0	0	0	0	0	176
3600787	01SO4W-23A02S	RIVERSIDE, CITY OF-GAGE CANAL	W	26-1	1966	1,095	1,476	1,895	1,996	1,996	1,133	1,519			
3600788	01SO4W-23H01S	RIVERSIDE, CITY OF-GAGE CANAL	W	27-1	1966	1,528	1,990	2,237	1,825	1,193	1,755				
3600789	01SO4W-23K01S	RIVERSIDE, CITY OF-GAGE CANAL	W	27-2	1966	2,565	2,555	2,454	2,575	2,262	2,486				
3600790	01SO4W-23K02S	RIVERSIDE, CITY OF-GAGE CANAL	W	29-1	1966	689	2,355	1,495	2,224	1,733	1,699				
3600791	01SO4W-13N01S	RIVERSIDE, CITY OF-GAGE CANAL	W	29-2	1966	2,306	1,456	1,767	1,400	1,558	1,697				
3600792	01SO4W-13N02S	RIVERSIDE, CITY OF-GAGE CANAL	W	29-3	1966	1,661	15	1	311	727	547				
3600793	01SO4W-13M02S	RIVERSIDE, CITY OF-GAGE CANAL	W	30-1	1966	1,206	787	1,321	1,090	1,071	1,063				
3600794	01SO4W-13F02S	RIVERSIDE, CITY OF-GAGE CANAL	W	31-1	1966	2,308	1,967	1,980	1,993	1,567	1,951				
3600795	01SO4W-13G02S	RIVERSIDE, CITY OF-GAGE CANAL	W	48-1	1966	3,039	3,277	3,249	2,329	2,945	2,968				
3600796	01SO4W-23A05S	RIVERSIDE, CITY OF-GAGE CANAL	W	51-1	1966	1,123	0	1,429	1,661	1,573	1,161				
3600797	01SO4W-13G03S	RIVERSIDE, CITY OF-GAGE CANAL	W	56-1	1966	1,777	13	2,346	1,728	1,710	1,515				
3600798	01SO4W-23G01S	RIVERSIDE, CITY OF-GAGE CANAL	W	COWLANE	1966	0	0	0	0	0	0				
3601218	01SO4W-14P02S	RIVERSIDE, CITY OF	W	RAUB 1	1977	0	0	0	0	0	0				
3601219	01SO4W-23C02S	RIVERSIDE, CITY OF	W	RAUB 2	1977	342	411	349	363	130	323				
3601220	01SO4W-02P04S	RIVERSIDE, CITY OF	W	COOLEY E	1977	0	0	0	0	0	0				
3601222	01SO4W-27A11S	UNIVERSITY OF CALIFORNIA, REGENTS OF	W	HUNT 6	1977	147	181	181	113	171	159				
3601224	01SO4W-02P03S	RIVERSIDE, CITY OF	W	COOLEY C	1977	0	0	0	0	0	0				
3601225	01SO4W-02P02S	RIVERSIDE, CITY OF	W	COOLEY D	1977	0	0	0	0	0	0				
3601226	01SO4W-02L02S	RIVERSIDE, CITY OF	W	COOLEY F	1977	0	0	0	0	0	0				
3601227	01SO4W-02N02S	RIVERSIDE, CITY OF	W	COOLEY G	1977	0	0	0	0	0	0				
3601228	01SO4W-11D02S	RIVERSIDE, CITY OF	W	COOLEY H	1977	898	773	1,478	1,474	1,271	1,179				
3601229	01SO4W-11D03S	RIVERSIDE, CITY OF	W	COOLEY I	1977	2,197	2,321	2,730	2,639	2,438	2,465				
3601230	01SO4W-22H03S	RIVERSIDE, CITY OF	W	WARREN 3	1977	177	216	288	265	136	217				
3601231	01SO4W-22H01S	RIVERSIDE, CITY OF	W	WARREN 2	1977	506	525	856	635	347	574				
3601232	01SO4W-11D04S	RIVERSIDE, CITY OF	W	COOLEY A	1977	0	0	0	0	0	0				
3601233	01SO4W-27A13S	RIVERSIDE, CITY OF	W	STEWRT 21	1977	0	0	0	0	0	0				
3601234	01SO4W-27A19S	RIVERSIDE, CITY OF	W	STEWRT 19	1977	0	0	0	0	0	0				
3601237	01SO4W-22B02S	RIVERSIDE, CITY OF	W	BYRNE 1	1977	0	0	0	0	0	0				
3601238	01SO4W-23C03S	RIVERSIDE, CITY OF	W	RAUB 4	1977	1,228	412	1,842	1,415	1,015	1,182				
3601239	01SO4W-14P06S	RIVERSIDE, CITY OF	W	RAUB 3	1977	343	339	473	688	189	406				
3601240	01SO4W-22H04S	RIVERSIDE, CITY OF	W	WARREN 1	1977	1,742	1,069	2,518	2,105	1,132	1,713				
3601241	01SO4W-27A07S	RIVERSIDE, CITY OF	W	HUNT 8	1977	0	0	0	0	0	0				
3601242	01SO4W-27A06S	RIVERSIDE, CITY OF	W	HUNT 9	1977	0	0	0	0	0	0				
3601243	01SO4W-22H02S	RIVERSIDE, CITY OF	W	WARREN 4	1977	1,833	242	444	806	1,044	874				

WESTERN - SAN BERNARDINO WATERMASTER
 VERIFIED PRODUCTION DATA
 CROSS INDEX BY RECORDATION NUMBER
 SAN BERNARDINO BASIN

RECORDTN NUMBER	STATE WELL NUMBER	OWNER	WELL TYPE	LOCAL DESIGNATION	YEAR CLOSED	CALENDAR YEAR EXTRACTIIONS										
						1994	1995	1996	1997	1998	AVG					
3601244	01S/O4W-27A09S	UNIVERSITY OF CALIFORNIA, REGENTS OF	W	HUNT 10		245	210	0	207	250	182					
3601245	01S/O4W-27A10S	UNIVERSITY OF CALIFORNIA, REGENTS OF	W	HUNT 11		201	197	264	185	169	203					
3601431	01S/O4W-27H01S	RIVERSIDE, CITY OF	W	STEWART 20	1992	1	3	1	1	1	1					
3601432	01S/O4W-11D01S	RIVERSIDE, CITY OF	W	COOLEY B	1977	0	0	0	0	0	0					
3601457	01S/O4W-01B03S	RIVERSIDE, CITY OF	W	MCCRARY 1	1977	0	0	0	0	0	0					
3601458	01S/O4W-01B02S	RIVERSIDE, CITY OF	W	MCCRARY 2	1977	0	0	0	0	0	0					
3601459	01S/O4W-01B	RIVERSIDE, CITY OF	W	MCCRARY 3	1977	0	0	0	0	0	0					
3601460	01S/O4W-01B	RIVERSIDE, CITY OF	W	MCCRARY 4	1977	0	0	0	0	0	0					
3601461	01S/O4W-01B	RIVERSIDE, CITY OF	W	MCCRARY 5	1977	0	0	0	0	0	0					
3601462	01S/O4W-01E01S	RIVERSIDE, CITY OF	W	POOLE		0	0	0	0	0	0					
3601463	01S/O4W-02A03S	RIVERSIDE, CITY OF	W	STILES		768	1,085	838	538	813	808					
3601464	01S/O4W-02P06S	RIVERSIDE, CITY OF	W	GARNER 1		556	681	328	181	157	381					
3601465	01S/O4W-02Q03S	RIVERSIDE, CITY OF	W	GARNER 2		293	562	170	67	131	245					
3601466	01S/O4W-02Q07S	RIVERSIDE, CITY OF	W	GARNER 3	1977	0	0	0	0	0	0					
3601467	01S/O4W-02Q06S	RIVERSIDE, CITY OF	W	GARNER 4		0	0	0	0	0	0					
3601468	01S/O4W-02P01S	RIVERSIDE, CITY OF	W	GARNER 5		1,172	1,835	146	1,456	1,139	1,150					
3601469	01S/O4W-22A01S	RIVERSIDE, CITY OF	W	PAINEHOT	1977	0	0	0	0	0	0					
3601470	01S/O4W-22G15S	RIVERSIDE, CITY OF	W	THORN 2	1974	0	0	0	0	0	0					
3601471	01S/O4W-22B07S	RIVERSIDE, CITY OF	W	THORN 12		1,421	1,081	1,660	1,296	300	1,152					
3601471	01S/O4W-22G14S	RIVERSIDE, CITY OF	W	THORN 3		0	0	0	0	0	0					
3601472	01S/O4W-22G11S	RIVERSIDE, CITY OF	W	THORN 4		0	0	0	0	0	0					
3601473	01S/O4W-22G16S	RIVERSIDE, CITY OF	W	THORN 5		1	0	0	0	0	0					
3601474	01S/O4W-22G18S	RIVERSIDE, CITY OF	W	THORN 6		0	0	0	0	0	0					
3601475	01S/O4W-22G17S	RIVERSIDE, CITY OF	W	THORN 7		0	0	0	0	0	0					
3601476	01S/O4W-22G19S	RIVERSIDE, CITY OF	W	THORN 8		0	0	0	0	0	0					
3601477	01S/O4W-22B01S	RIVERSIDE, CITY OF	W	THORN 9	1977	0	0	0	0	0	0					
3601478	01S/O4W-22B03S	RIVERSIDE, CITY OF	W	THORN 10		7	1	0	68	0	15					
3601479	01S/O4W-22B05S	RIVERSIDE, CITY OF	W	THORN 11		0	608	268	418	0	259					
3601489	01S/O4W-02L01S	RIVERSIDE, CITY OF	W	SCHEUER		220	368	163	36	55	168					
3601511	01S/O4W-15M02S	MEEKS & DALEY WATER COMPANY	W	E STREET	1974	0	0	0	0	0	0					
3601512	01S/O4W-15N05S	MEEKS & DALEY WATER COMPANY	W	51	1967	0	0	0	0	0	0					
3601513	01S/O4W-16R03S	MEEKS & DALEY WATER COMPANY	W	54	1974	0	0	0	0	0	0					
3601514	01S/O4W-16Q	MEEKS & DALEY WATER COMPANY	D	WARM CRK	1974	0	0	0	0	0	0					
3601515	01S/O4W-16Q	MEEKS & DALEY WATER COMPANY	D	WORKMAN	1974	0	0	0	0	0	0					
3601522	01S/O4W-22M07S	RIVERSIDE HIGHLAND WATER COMPANY	W	1	1985	0	0	0	0	0	0					
3601523	01S/O4W-22L	RIVERSIDE HIGHLAND WATER COMPANY	W	FW #2		324	33	524	781	1	333					
3601527	01S/O4W-22P	RIVERSIDE HIGHLAND WATER COMPANY	W	FW #8	1962	0	0	0	0	0	0					

WESTERN - SAN BERNARDINO WATERMASTER
 VERIFIED PRODUCTION DATA
 CROSS INDEX BY RECORDATION NUMBER
 SAN BERNARDINO BASIN

RECORDTN NUMBER	STATE WELL NUMBER	OWNER	WELL TYPE	LOCAL DESIGNATION	YEAR CLOSED	-----CALENDAR YEAR EXTRACTATIONS-----									
						1994	1995	1996	1997	1998	AVG				
3601528	01S/O4W-22N	RIVERSIDE HIGHLAND WATER COMPANY	W	FW #10	1962	0	0	0	0	0	0	0	0	0	0
3601529	01S/O4W-22P	RIVERSIDE HIGHLAND WATER COMPANY	W	FW #11	1962	0	0	0	0	0	0	0	0	0	0
3601530	01S/O4W-22L08S	RIVERSIDE HIGHLAND WATER COMPANY	W	FW #12		0	0	0	0	0	0	0	0	0	0
3601533	01S/O4W-22L05S	RIVERSIDE HIGHLAND WATER COMPANY	W	FW #18		434	42	716	1,127	769	618				
3601535	01N/O4W-31D02S	RIVERSIDE HIGHLAND WATER COMPANY	W	LC #1		917	1,164	996	520	581	836				
3601536	01N/O4W-31E02S	RIVERSIDE HIGHLAND WATER COMPANY	W	LC #2	1962	0	0	0	0	0	0	0	0	0	0
3601537	01S/O4W-22N	RIVERSIDE HIGHLAND WATER COMPANY	W	FLOWING	1963	0	0	0	0	0	0	0	0	0	0
3601737	01S/O4W-16J09S	MEEKS & DALEY WATER COMPANY	W	COBURN		401	343	160	134	134	234				
3601887	01S/O4W-15L03S	MEEKS & DALEY WATER COMPANY	W	59		2,154	2,322	1,291	2,094	1,711	1,914				
3602169	01S/O4W-15M10S	MEEKS & DALEY WATER COMPANY	W	NEW E ST	1991	0	0	0	0	0	0	0	0	0	0
3602254	01S/O4W-22P05S	RIVERSIDE HIGHLAND WATER COMPANY	W	FW 24	1965	0	0	0	0	0	0	0	0	0	0
3602329	01S/O4W-15E	MEEKS & DALEY WATER COMPANY	W	STATION 66	1974	0	0	0	0	0	0	0	0	0	0
3602331	01S/O4W-23G03S	RIVERSIDE, CITY OF-GAGE CANAL	W	66-1		2,364	2,196	2,136	2,264	1,963	2,183				
3602423	01S/O4W-13P	RIVERSIDE, CITY OF-GAGE CANAL	W	6		70	60	36	37	22	45				
3602484	01S/O4W-14N09S	RIVERSIDE, CITY OF	W	RAUB 5		2,401	2,438	3,157	2,301	3,354	2,730				
3602771	01S/O4W-27A11S	RIVERSIDE, CITY OF	W	HUNT 6		323	413	0	296	127	232				
3602772	01S/O4W-27A09S	RIVERSIDE, CITY OF	W	HUNT 10		536	481	0	713	181	362				
3602773	01S/O4W-27A10S	RIVERSIDE, CITY OF	W	HUNT 11		440	430	0	139	36	209				
3602778	01S/O4W-14N10S	RIVERSIDE, CITY OF	W	RAUB 6		1,974	390	0	59	0	485				
3602840	01N/O4W-31F01S	RIVERSIDE HIGHLAND WATER COMPANY	W	LC #8		960	183	507	636	108	479				
3602863	01S/O4W-22H02S	MEEKS & DALEY WATER COMPANY	W	WARREN #4		347	750	1,656	1,249	427	886				
3602864	01S/O4W-14N10S	MEEKS & DALEY WATER COMPANY	W	RAUB 6		639	94	62	0	1,119	363				
3603214	01S/O4W-16R04S	MEEKS & DALEY WATER COMPANY	W	STATION 69		89	50	130	224	200	139				
3603215	01S/O4W-15M11S	MEEKS & DALEY WATER COMPANY	W	STATION 91		895	1	613	464	237	442				
3603254	01S/O4W-02P09S	RIVERSIDE, CITY OF	W	GARNER 6		3,428	4,014	4,152	4,173	4,697	4,083				
3603470	01N/O4W-31E03S	RIVERSIDE HIGHLAND WATER COMPANY	W	LC #10		0	523	1,379	1,675	1,791	1,074				
3603514	01S/O4W-22L17S	RIVERSIDE HIGHLAND WATER COMPANY	W	FLOW #5		1,689	2,010	929	200	0	966				
3603555	01S/O4W-14N10S	RIVERSIDE, CITY OF	W	RAUB 8		2,917	2,618	3,145	3,169	1,688	2,707				
3603556	01S/O4W-13L08S	RIVERSIDE, CITY OF-GAGE CANAL	W	92-3		3,705	4,437	4,028	3,804	3,555	3,906				
3603557	01S/O4W-13L07S	RIVERSIDE, CITY OF-GAGE CANAL	W	92-2		4,023	4,489	3,951	3,497	3,816	3,955				
3603558	01S/O4W-13N07S	RIVERSIDE, CITY OF-GAGE CANAL	W	92-1		4,374	5,003	3,706	3,683	3,359	4,025				
3604000	01S/O4W-02Q11S	RIVERSIDE, CITY OF	W	GARNER 7		0	0	0	0	0	0				
3691241	01S/O4W-27A07S	UNIVERSITY OF CALIFORNIA, REGENTS OF	W	HUNT 8	1976	0	0	0	0	0	0				
3691242	01S/O4W-27A06S	UNIVERSITY OF CALIFORNIA, REGENTS OF	W	HUNT 9	1976	0	0	0	0	0	0				
TOTALS FOR 108 WELLS						69,889	63,495	72,790	69,547	62,085	67,561				

TABLE NO.1

VERIFIED EXTRACTIONS BY OWNERS (PLAINTIFFS) WHICH HAVE FILINGS
WITH THE STATE WATER RESOURCES CONTROL BOARD FOR
THE SAN BERNARDINO BASIN AREA

WESTERN - SAN BERNARDINO WATERMASTER

TABLE 1

VERIFIED EXTRACTIONS - FILED
SAN BERNARDINO BASIN

RECRD TN NUMBER	STATE WELL NUMBER	WELL TYPE	LOCAL DESIGNATION	BASE YEARS					AVG	CALENDAR YEAR EXTRACTIONS					AVG
				1959	1960	1961	1962	1963		1994	1995	1996	1997	1998	
MEEKS & DALEY WATER COMPANY															
3602864	01S04W-14N10S	W	RAUB 6					0	639	94	62	0	1,119	383	
3602329	01S04W-15E	W	STATION 66					0	0	0	0	0	0	0	
3601887	01S04W-15L03S	W	59	1,276	3,813	4,560	3,350	3,073	3,214	2,322	1,291	2,094	1,711	1,914	
3601511	01S04W-15M02S	W	E STREET	1,711	488	672	1,213	1,126	1,042	0	0	0	0	0	
3602169	01S04W-15M10S	W	NEW E ST					0	0	0	0	0	0	0	
3603215	01S04W-15M11S	W	STATION 91					0	895	1	613	464	237	442	
3601512	01S04W-15N05S	W	51	2,157	2,230	2,201	1,788	2,256	2,126	0	0	0	0	0	
3601737	01S04W-16J09S	W	COBURN	600	314	447	299	280	388	401	343	160	134	234	
3601514	01S04W-16Q	D	WARM CRK	18	2	0	0	0	4	0	0	0	0	0	
3601515	01S04W-16Q	D	WORKMAN	2	0	0	0	0	0	0	0	0	0	0	
3601513	01S04W-16R03S	W	54	1,518	1,190	1,519	910	1,119	1,251	0	0	0	0	0	
3603214	01S04W-16R04S	W	STATION 69					0	89	50	130	224	200	139	
3602863	01S04W-22H02S	W	WARREN #4					0	347	750	1,656	1,249	427	886	
TOTALS FOR MEEKS & DALEY WATER COMPANY				7,282	8,037	9,369	7,560	7,854	8,026	4,525	3,560	3,912	4,165	3,828	3,998
RIVERSIDE HIGHLAND WATER COMPANY															
3601535	01N04W-31D02S	W	LC #1	1,397	1,226	1,358	1,141	852	1,195	917	1,164	996	520	581	
3601536	01N04W-31E02S	W	LC #2	0	0	0	0	0	0	0	0	0	0	0	
3603470	01N04W-31E03S	W	LC #10					0	0	523	1,379	1,675	1,791	1,074	
3602840	01N04W-31F01S	W	LC #8					0	960	183	507	636	108	479	
3601523	01S04W-22L	W	FW #2	802	576	995	796	634	761	324	33	524	781	333	
3601533	01S04W-22L05S	W	FW #18	1,551	1,482	1,749	1,125	1,062	1,394	434	42	716	1,127	769	
3601530	01S04W-22L09S	W	FW #12	255	200	546	346	379	345	0	0	0	0	0	
3603514	01S04W-22L17S	W	FLOW #5					0	1,689	2,010	929	200	0	966	
3601522	01S04W-22M07S	W	1	740	757	887	739	399	704	0	0	0	0	0	
3601528	01S04W-22N	W	FW #10	0	0	0	0	0	0	0	0	0	0	0	
3601537	01S04W-22N	W	FLOWING	0	0	0	0	0	0	0	0	0	0	0	
3601527	01S04W-22P	W	FW #8	0	0	0	0	0	0	0	0	0	0	0	
3601529	01S04W-22P	W	FW #11	0	0	0	0	0	0	0	0	0	0	0	
3602254	01S04W-22P05S	W	FW 24					0	0	0	0	0	0	0	
TOTALS FOR RIVERSIDE HIGHLAND WATER COMPANY				4,745	4,241	5,535	4,147	3,326	4,399	4,324	3,955	5,051	4,939	3,250	4,304
RIVERSIDE, CITY OF															
3601459	01S04W-01B	W	MCCRARY 3	0	0	0	0	0	0	0	0	0	0	0	

WESTERN - SAN BERNARDINO WATERMASTER
TABLE 1

VERIFIED EXTRACTIONS - FILED
SAN BERNARDINO BASIN

REC'DTN NUMBER	STATE WELL NUMBER	WELL TYPE	LOCAL DESIGNATION	BASE YEARS					AVG	CALENDAR YEAR EXTRACTIONS					AVG	
				1959	1960	1961	1962	1963		1994	1995	1996	1997	1998		
3601460	01S/O4W-01B	W	MCCRARY 4	0	0	0	0	0	0	0	0	0	0	0	0	0
3601461	01S/O4W-01B	W	MCCRARY 5	0	0	0	0	0	0	0	0	0	0	0	0	0
3601468	01S/O4W-01B02S	W	MCCRARY 2	0	0	0	0	0	0	0	0	0	0	0	0	0
3601467	01S/O4W-01B03S	W	MCCRARY 1	0	0	0	0	0	0	0	0	0	0	0	0	0
3601462	01S/O4W-01E01S	W	POOLE	887	1,043	1,428	1,068	1,004	1,090	0	0	0	0	0	0	0
3601463	01S/O4W-02A03S	W	STILES	1,808	1,070	1,686	1,354	1,220	1,428	768	1,065	838	538	813	808	808
3601489	01S/O4W-02L01S	W	SCHUEER	0	410	830	758	789	557	220	368	163	36	55	168	168
3601226	01S/O4W-02L02S	W	COOLEY F	0	0	0	0	0	0	0	0	0	0	0	0	0
3601227	01S/O4W-02N02S	W	COOLEY G	0	0	0	0	0	0	0	0	0	0	0	0	0
3601468	01S/O4W-02P01S	W	GARNER 5	1,822	1,853	1,523	978	912	1,418	1,172	1,835	146	1,456	1,139	1,150	1,150
3601225	01S/O4W-02P02S	W	COOLEY D	0	0	0	0	0	0	0	0	0	0	0	0	0
3601224	01S/O4W-02P03S	W	COOLEY C	0	0	0	0	0	0	0	0	0	0	0	0	0
3601220	01S/O4W-02P04S	W	COOLEY E	0	0	0	0	0	0	0	0	0	0	0	0	0
3601464	01S/O4W-02P06S	W	GARNER 1	613	1,379	1,190	988	989	1,032	556	681	328	181	157	381	381
3603254	01S/O4W-02P09S	W	GARNER 6	0	0	0	0	0	0	3,428	4,014	4,152	4,173	4,697	4,093	4,093
3601465	01S/O4W-02Q03S	W	GARNER 2	512	527	884	811	546	656	293	562	170	67	131	245	245
3601467	01S/O4W-02Q06S	W	GARNER 4	373	595	967	967	966	776	0	0	0	0	0	0	0
3601466	01S/O4W-02Q07S	W	GARNER 3	0	0	0	0	0	0	0	0	0	0	0	0	0
3604000	01S/O4W-02Q11S	W	GARNER 7	0	0	0	0	0	0	0	0	4,345	2,298	3,827	2,094	2,094
3601432	01S/O4W-11D01S	W	COOLEY B	0	0	0	0	0	0	0	0	0	0	0	0	0
3601228	01S/O4W-11D02S	W	COOLEY H	957	572	224	793	1,110	731	898	773	1,478	1,474	1,271	1,179	1,179
3601229	01S/O4W-11D03S	W	COOLEY I	3,062	1,465	1,770	2,307	2,689	2,255	2,197	2,321	2,730	2,639	2,438	2,465	2,465
3601232	01S/O4W-11D04S	W	COOLEY A	0	0	0	0	0	0	0	0	0	0	0	0	0
3602484	01S/O4W-14N09S	W	RAUB 5	0	0	0	0	0	0	2,401	2,438	3,157	2,301	3,354	2,730	2,730
3602778	01S/O4W-14N10S	W	RAUB 6	0	0	0	0	0	0	1,974	390	0	59	0	485	485
3603655	01S/O4W-14N10S	W	RAUB 8	0	0	0	0	0	0	0	2,917	2,618	3,145	3,169	1,698	2,707
3601218	01S/O4W-14P02S	W	RAUB 1	0	0	0	0	0	0	0	0	0	0	0	0	0
3601239	01S/O4W-14P06S	W	RAUB 3	360	444	356	524	318	406	343	339	473	688	189	406	406
3601469	01S/O4W-22A01S	W	PAINHOT	0	0	0	0	0	0	0	0	0	0	0	0	0
3601477	01S/O4W-22B01S	W	THORN 9	543	332	392	398	298	393	0	0	0	0	0	0	0
3601237	01S/O4W-22B02S	W	BYRNE 1	440	551	330	371	309	400	0	0	0	0	0	0	0
3601478	01S/O4W-22B03S	W	THORN 10	597	367	412	392	322	418	7	1	0	68	0	15	15
3601479	01S/O4W-22B05S	W	THORN 11	487	317	334	355	259	350	0	608	268	418	0	259	259
3601470	01S/O4W-22B07S	W	THORN 12	0	476	1,345	1,244	1,471	907	1,421	1,081	1,660	1,296	300	1,152	1,152
3601472	01S/O4W-22G11S	W	THORN 4	198	98	48	60	0	81	0	0	0	0	0	0	0

WESTERN - SAN BERNARDINO WATERMASTER
TABLE 1

VERIFIED EXTRACTIONS - FILED
SAN BERNARDINO BASIN

RECRD TN NUMBER	STATE WELL NUMBER	WELL TYPE	LOCAL DESIGNATION	BASE YEARS							CALENDAR YEAR EXTRACTIONS						
				1959	1960	1961	1962	1963	AVG	1994	1995	1996	1997	1998	AVG		
3601471	01S/O4W-22G14S	W	THORN 3	1,264	960	1,225	820	545	967	0	0	0	0	0	0	0	0
3601470	01S/O4W-22G15S	W	THORN 2	0	0	0	0	0	0	0	0	0	0	0	0	0	0
3601473	01S/O4W-22G16S	W	THORN 5	691	584	343	443	364	485	1	0	0	0	0	0	0	0
3601475	01S/O4W-22G17S	W	THORN 7	509	422	316	377	323	389	0	0	0	0	0	0	0	0
3601474	01S/O4W-22G18S	W	THORN 6	552	392	326	289	348	381	0	0	0	0	0	0	0	0
3601476	01S/O4W-22G19S	W	THORN 8	443	277	236	481	270	341	0	0	0	0	0	0	0	0
3601231	01S/O4W-22H01S	W	WARREN 2	709	869	844	568	550	708	506	525	856	635	347	574	574	
3601243	01S/O4W-22H02S	W	WARREN 4	3,222	2,840	2,834	2,839	2,444	2,836	1,833	242	444	806	1,044	874	874	
3601230	01S/O4W-22H03S	W	WARREN 3	346	408	368	323	177	324	177	216	298	265	136	217	217	
3601240	01S/O4W-22H04S	W	WARREN 1	2,445	2,170	1,894	1,440	1,651	1,920	1,742	1,069	2,518	2,105	1,132	1,713	1,713	
3601219	01S/O4W-23C02S	W	RAUB 2	537	484	637	712	682	610	342	411	349	383	130	323	323	
3601238	01S/O4W-23C03S	W	RAUB 4	826	557	815	857	591	729	1,228	412	1,842	1,415	1,015	1,182	1,182	
3601241	01S/O4W-27A07S	W	HUNT 8	0	0	0	0	0	0	0	0	0	0	0	0	0	
3601242	01S/O4W-27A08S	W	HUNT 9	0	0	0	0	0	0	0	0	0	0	0	0	0	
3602772	01S/O4W-27A09S	W	HUNT 10	1,202	1,086	961	1,294	891	1,087	536	481	0	713	181	382	382	
3602773	01S/O4W-27A10S	W	HUNT 11	472	217	54	354	200	259	440	430	0	139	36	209	209	
3602771	01S/O4W-27A11S	W	HUNT 6	70	234	105	212	136	151	323	413	0	298	127	232	232	
3601233	01S/O4W-27A13S	W	STEWRT 21	0	0	0	0	0	0	0	0	0	0	0	0	0	
3601234	01S/O4W-27A19S	W	STEWRT 19	0	0	0	0	0	0	0	0	0	0	0	0	0	
3601431	01S/O4W-27H01S	W	STEWART 20	6	5	5	4	5	5	1	3	1	1	1	1	1	
TOTALS FOR RIVERSIDE, CITY OF				25,983	23,024	24,682	24,391	22,379	24,092	25,724	23,316	29,351	27,621	24,210	26,044	26,044	
RIVERSIDE, CITY OF-GAGE CANAL																	
3600794	01S/O4W-13F02S	W	31-1	3,219	2,141	2,353	2,057	1,372	2,228	2,308	1,967	1,980	1,933	1,567	1,951	1,951	
3600795	01S/O4W-13G02S	W	46-1	3,640	2,828	2,909	2,820	2,765	2,992	3,039	3,277	3,249	2,329	2,945	2,968	2,968	
3600797	01S/O4W-13G03S	W	56-1	3,379	3,148	3,243	3,434	3,299	3,301	1,777	13	2,346	1,728	1,710	1,515	1,515	
3600784	01S/O4W-13L01S	W	6	10	44	68	36	12	34	0	0	0	0	0	0	0	
3600786	01S/O4W-13L02S	W	GAGE 21	0	0	0	0	0	0	880	0	0	0	0	176	176	
3603657	01S/O4W-13L07S	W	92-2	0	0	0	0	0	0	4,023	4,489	3,951	3,497	3,816	3,955	3,955	
3603656	01S/O4W-13L08S	W	92-3	0	0	0	0	0	0	3,705	4,437	4,028	3,804	3,555	3,906	3,906	
3600793	01S/O4W-13M02S	W	30-1	1,582	1,768	1,495	2,145	1,719	1,742	1,206	787	1,321	1,030	1,071	1,083	1,083	
3600791	01S/O4W-13N01S	W	29-2	3,633	3,683	4,680	3,367	3,475	3,774	2,306	1,456	1,767	1,400	1,558	1,697	1,697	
3600792	01S/O4W-13N02S	W	29-3	3,537	4,709	5,071	4,094	3,750	4,232	1,681	15	1	311	727	547	547	
3603658	01S/O4W-13N07S	W	92-1	0	0	0	0	0	0	4,374	5,003	3,706	3,683	3,359	4,025	4,025	
3602423	01S/O4W-13P	W	6	0	0	0	0	0	0	70	60	36	37	22	45	45	

WESTERN - SAN BERNARDINO WATERMASTER

TABLE 1

VERIFIED EXTRACTIIONS - FILED
SAN BERNARDINO BASIN

RECRD TN NUMBER	STATE WELL NUMBER	WELL TYPE	LOCAL DESIGNATION	BASE YEARS							CALENDAR YEAR EXTRACTIIONS						
				1959	1960	1961	1962	1963	AVG	1994	1995	1996	1997	1998	AVG		
3600785	01S/O4W-14R	W	17	0	0	0	0	0	0	0	0	0	0	0	0	0	0
3600787	01S/O4W-23A02S	W	26-1	2,950	2,805	2,762	2,535	2,773	2,765	2,765	1,095	1,476	1,895	1,996	1,133	1,519	1,519
3600796	01S/O4W-23A05S	W	51-1	1,314	1,183	946	642	736	964	964	1,123	0	1,429	1,681	1,573	1,161	1,161
3600798	01S/O4W-23G01S	W	COWLANE	0	0	0	0	0	0	0	0	0	0	0	0	0	0
3602331	01S/O4W-23G03S	W	66-1	0	0	0	0	0	0	0	0	0	0	0	0	0	0
3600788	01S/O4W-23H01S	W	27-1	2,840	1,566	2,163	2,207	2,465	2,248	2,248	1,528	1,990	2,237	1,825	1,193	1,755	1,755
3600789	01S/O4W-23K01S	W	27-2	3,466	2,409	2,076	2,928	2,239	2,624	2,624	2,565	2,555	2,454	2,575	2,282	2,486	2,486
3600790	01S/O4W-23K02S	W	29-1	2,235	2,725	2,904	2,155	2,394	2,483	2,483	689	2,355	1,465	2,224	1,733	1,699	1,699
TOTALS FOR RIVERSIDE, CITY OF-GAGE CANAL				31,805	29,019	30,670	28,440	26,999	29,387	29,387	34,723	32,076	34,031	32,317	30,207	32,671	32,671

UNIVERSITY OF CALIFORNIA, REGENTS OF

3691241	01S/O4W-27A07S	W	HUNT 8	0	0	0	0	0	0	0	0	0	0	0	0	0	0
3691242	01S/O4W-27A08S	W	HUNT 9	0	0	0	0	0	0	0	0	0	0	0	0	0	0
3601244	01S/O4W-27A09S	W	HUNT 10	385	386	564	392	309	407	407	245	210	0	207	250	182	182
3601245	01S/O4W-27A10S	W	HUNT 11	151	77	32	107	69	87	87	201	197	264	185	169	203	203
3601222	01S/O4W-27A11S	W	HUNT 6	22	83	62	65	47	56	56	147	181	181	113	171	159	159
TOTALS FOR UNIVERSITY OF CALIFORNIA, REGENTS OF				558	546	658	564	425	550	550	593	588	445	505	590	544	544

TOTALS FOR 108 WELLS 70,373 64,867 70,944 65,102 60,983 66,454 69,889 63,495 72,790 69,547 62,085 67,561

TABLE NO. 2

SUMMARY OF VERIFIED EXTRACTIONS (PLAINTIFFS)
(FILED AND NON-FILED) FOR
THE SAN BERNARDINO BASIN AREA

WESTERN - SAN BERNARDINO WATERMASTER

TABLE 2

VERIFIED EXTRACTION, SUMMARY - FILED AND NONFILED
SAN BERNARDINO BASIN

	BASE YEARS								CALENDAR YEAR EXTRACTIONS															
	1959	1960	1961	1962	1963	1964	1965	1966	1967	1968	1969	1970	1971	1972	1973	1974	1975	1976	1977	1978	1979	1980	AVG	
MEEKS & DALEY WATER COMPANY	7,282	8,037	9,399	7,560	7,854	8,026	8,026	8,026	8,026	8,026	8,026	8,026	8,026	8,026	8,026	8,026	8,026	8,026	8,026	8,026	8,026	8,026	8,026	8,026
RIVERSIDE HIGHLAND WATER COMPANY	4,745	4,241	5,535	4,147	3,326	4,369	4,369	4,369	4,369	4,369	4,369	4,369	4,369	4,369	4,369	4,369	4,369	4,369	4,369	4,369	4,369	4,369	4,369	4,369
RIVERSIDE, CITY OF	25,963	23,024	24,682	24,391	22,379	24,092	24,092	24,092	24,092	24,092	24,092	24,092	24,092	24,092	24,092	24,092	24,092	24,092	24,092	24,092	24,092	24,092	24,092	24,092
RIVERSIDE, CITY OF-GAGE CANAL	31,806	29,019	30,670	28,440	26,969	29,387	29,387	29,387	29,387	29,387	29,387	29,387	29,387	29,387	29,387	29,387	29,387	29,387	29,387	29,387	29,387	29,387	29,387	29,387
UNIVERSITY OF CALIFORNIA, REGENTS OF	558	546	658	564	425	550	550	550	550	550	550	550	550	550	550	550	550	550	550	550	550	550	550	550
TOTALS FOR ALL WELLS	70,373	64,867	70,944	65,102	60,983	66,454	66,454	66,454	66,454	66,454	66,454	66,454	66,454	66,454	66,454	66,454	66,454	66,454	66,454	66,454	66,454	66,454	66,454	66,454

TABLE NO. 3

EXTRACTIONS BY PLAINTIFFS FROM THE
SAN BERNARDINO BASIN AREA FOR AVERAGE OF
FIVE-YEAR PERIOD ENDING WITH 1963
AND CALENDAR YEARS 1976 THROUGH CURRENT YEAR
CLASSIFIED ACCORDING TO SERVICE AREA

TABLE NO. 3

EXTRACTIONS BY PLAINTIFF
 FROM THE SAN BERNARDINO BASIN AREA
 FOR AVERAGE OF THE FIVE-YEAR PERIOD ENDING WITH 1963
 AND CALENDAR YEARS 1976 THROUGH THE CURRENT YEAR

CLASSIFIED ACCORDING TO SERVICE AREA
 (Quantities in Acre Feet)

EXTRACTIONS FROM SAN BERNARDINO BASIN AREA FOR USE WITHIN AND EXPORT THEREFROM

PLAINTIFFS	1959		1960		1961		1962		1963		Five Year Average	
	Total Extract	Del. S.B. Colton Basin & Riv N SSVWMD	Total Extract	Del. S.B. Colton Basin & Riv N SSVWMD	Total Extract	Del. S.B. Colton Basin & Riv N SSVWMD	Total Extract	Del. S.B. Colton Basin & Riv N SSVWMD	Total Extract	Del. S.B. Colton Basin & Riv N SSVWMD	Total Extract	Del. S.B. Colton Basin & Riv N SSVWMD
CITY OF RIVERSIDE City & Riverside Wtr Co.	25,983	2,369	23,024	2,006	24,682	0	24,391	0	22,379	0	24,092	875
CITY OF RIVERSIDE Gage Canal Co.	31,805	501	29,019	539	30,670	461	28,440	751	26,999	683	29,387	587
SUB TOTAL - C of R	57,788	2,870	52,043	2,545	55,352	461	52,831	751	49,378	683	53,478	1,462
RIVERSIDE HIGHLAND WATER CO	4,745	0	4,241	0	5,535	0	4,147	0	3,326	0	4,399	0
MEZER & DALEY WATER CO. AGUA MANSA WATER CO.	7,282	0	8,037	0	9,399	0	7,560	0	7,854	0	9,026	0
UNIVERSITY OF CALIFORNIA	558	0	546	0	658	0	564	0	425	0	550	0
TOTALS	70,373	2,870	64,867	2,545	70,944	461	65,102	751	60,983	683	66,454	1,333

Total Extract -- TOTAL EXTRACTIONS.
 Del S.B. Basin -- DELIVERIES IN SAN BERNARDINO BASIN AREA.
 Del. Colton & Riv. N. -- DELIVERIES IN COLTON & RIVERSIDE BASIN IN SAN BERNARDINO COUNTY.
 Del. Outside SSVWMD -- DELIVERIES OUTSIDE SAN BERNARDINO VALLEY MUNICIPAL WATER DISTRICT.

See Report of the Watermaster, Volume 5, Distribution of Extractions, Chapter I, Table No. 36-A.

TABLE NO. 3

EXTRACTIONS BY PLAINTIFF
 FROM THE SAN BERNARDINO BASIN AREA
 FOR AVERAGE OF THE FIVE-YEAR PERIOD ENDING WITH 1963
 AND CALENDAR YEARS 1976 THROUGH THE CURRENT YEAR

CLASSIFIED ACCORDING TO SERVICE AREA
 (Quantities in Acre Feet)

EXTRACTIONS FROM SAN BERNARDINO BASIN AREA FOR USE WITHIN AND EXPORT THEREFROM

PLAINTIFFS	1976			1977			1978			1979			1980							
	Total Extract	Del. S.B. Basin & Riv N	Del. Colton & Riv N	Del. Outside SBVWMD	Total Extract	Del. S.B. Basin & Riv N	Del. Colton & Riv N	Del. Outside SBVWMD	Total Extract	Del. S.B. Basin & Riv N	Del. Colton & Riv N	Del. Outside SBVWMD	Total Extract	Del. S.B. Basin & Riv N	Del. Colton & Riv N	Del. Outside SBVWMD				
CITY OF RIVERSIDE City & Riverside Wtr Co.	22,085	0	0	22,085	18,900	0	0	18,900	19,055	0	0	19,055	21,561	0	0	21,561	18,875	0	0	18,875
CITY OF RIVERSIDE Gage Canal Co.	29,289	0	523	28,766	32,099	0	346	31,753	26,329	646	301	25,382	30,816	0	415	30,401	31,881	383	0	31,498
SUB TOTAL - C of R	51,374	0	523	50,851	50,999	0	346	50,653	45,384	646	301	44,437	52,377	0	415	51,962	50,756	383	0	50,373
RIVERSIDE HIGHLAND WATER CO	4,519	0	2,050	2,469	3,583	0	1,820	1,763	1,350	0	1,051	299	3,369	0	1,781	1,588	3,677	0	2,060	1,617
MEERS & DALEY WATER CO. AGUA MANSA WATER CO.	5,393	0	182	5,211	4,220	0	146	4,074	2,254	0	161	2,093	3,930	0	270	3,660	2,333	0	323	2,010
UNIVERSITY OF CALIFORNIA	245	0	0	245	87	0	0	87	183	0	0	183	83	0	0	83	7	0	0	7
TOTALS	61,531	0	2,755	58,776	58,889	0	2,312	56,577	49,171	646	1,513	47,012	59,759	0	2,466	57,293	56,773	383	2,383	54,007

Total Extract -- TOTAL EXTRACTIONS.
 Del S.B. Basin -- DELIVERIES IN SAN BERNARDINO BASIN AREA.
 Del. Colton & Riv. N. -- DELIVERIES IN COLTON & RIVERSIDE BASIN IN SAN BERNARDINO COUNTY.
 Del. Outside SBVWMD -- DELIVERIES OUTSIDE SAN BERNARDINO VALLEY MUNICIPAL WATER DISTRICT.

See Report of the Watermaster, Volume 5, Distribution of Extractions, Chapter I, Table No. 36-A.

TABLE NO. 3

**EXTRACTIONS BY PLAINTIFF
FROM THE SAN BERNARDINO BASIN AREA
FOR AVERAGE OF THE FIVE-YEAR PERIOD ENDING WITH 1963
AND CALENDAR YEARS 1976 THROUGH THE CURRENT YEAR**

**CLASSIFIED ACCORDING TO SERVICE AREA
(Quantities in Acre Feet)**

EXTRACTIONS FROM SAN BERNARDINO BASIN AREA FOR USE WITHIN AND EXPORT THEREFROM

PLAINTIFFS	1981			1982			1983			1984			1985		
	Total Extract	Del. S.B. Basin & Riv N	Del. Colton & Riv N SBVWMD	Total Extract	Del. S.B. Basin & Riv N	Del. Colton & Riv N SBVWMD	Total Extract	Del. S.B. Basin & Riv N	Del. Colton & Riv N SBVWMD	Total Extract	Del. S.B. Basin & Riv N	Del. Colton & Riv N SBVWMD	Total Extract	Del. S.B. Basin & Riv N	Del. Colton & Riv N SBVWMD
CITY OF RIVERSIDE City & Riverside Wtr Co.	20,363	0	20,363	19,522	146	0	25,681	144	0	25,537	25,031	0	0	0	31,817
CITY OF RIVERSIDE Gage Canal Co.	31,794	724	31,070	30,077	16	0	20,383	191	0	20,192	33,875	32	0	59	31,197
SUB TOTAL - C of R	52,157	724	51,433	49,599	162	0	46,064	335	0	45,729	58,906	32	0	59	63,014
RIVERSIDE HIGHLAND WATER CO	3,604	0	2,151	2,795	0	1,775	3,161	0	2,318	843	4,759	0	2,671	0	1,978
MEERS & DALEY WATER CO. AGUA MANSA WATER CO.	3,092	0	358	3,716	0	169	2,651	0	245	2,406	5,165	0	233	0	210
UNIVERSITY OF CALIFORNIA	143	0	143	48	0	0	0	0	0	0	0	0	0	0	0
TOTALS	58,996	724	2,509	56,158	162	1,944	51,876	335	2,563	48,978	68,830	32	2,904	59	2,188

Total Extract -- TOTAL EXTRACTIONS.

Del S.B. Basin -- DELIVERIES IN SAN BERNARDINO BASIN AREA.

Del. Colton & Riv. N. -- DELIVERIES IN COLTON & RIVERSIDE BASIN IN SAN BERNARDINO COUNTY.

Del. Outside SBVWMD -- DELIVERIES OUTSIDE SAN BERNARDINO VALLEY MUNICIPAL WATER DISTRICT.

See Report of the Watermaster, Volume 5, Distribution of Extractions, Chapter I, Table No. 36-A.

TABLE NO. 3

EXTRACTIONS BY PLAINTIFF
FROM THE SAN BERNARDINO BASIN AREA
FOR AVERAGE OF THE FIVE-YEAR PERIOD ENDING WITH 1963
AND CALENDAR YEARS 1976 THROUGH THE CURRENT YEAR

CLASSIFIED ACCORDING TO SERVICE AREA
(Quantities in Acre Feet)

EXTRACTIONS FROM SAN BERNARDINO BASIN AREA FOR USE WITHIN AND EXPORT THEREFROM

PLAINTIFFS	1986			1987			1988			1989			1990		
	Total Extract	Del. S.B. Basin	Del. Colton & Riv N SBVWMD	Total Extract	Del. S.B. Basin	Del. Colton & Riv N SBVWMD	Total Extract	Del. S.B. Basin	Del. Colton & Riv N SBVWMD	Total Extract	Del. S.B. Basin	Del. Colton & Riv N SBVWMD	Total Extract	Del. S.B. Basin	Del. Colton & Riv N SBVWMD
	CITY OF RIVERSIDE City & Riverside Wtr Co.	25,996	292	0 25,704	25,528	319	0 25,209	26,490	815	0 25,675	21,129	28	0 21,101	20,942	19
CITY OF RIVERSIDE Gage Canal Co.	33,983	145	0 33,838	32,313	15	0 32,298	38,022	0	0 38,022	29,655	0	0 29,655	26,695	0	0 26,695
SUB TOTAL - C of R	59,979	437	0 59,542	57,841	334	0 57,507	64,512	815	0 63,697	50,784	28	0 50,756	47,637	19	0 47,618
RIVERSIDE HIGHLAND WATER CO	4,744	0	2,130 2,614	3,919	0	2,229 1,690	4,775	0	2,229 2,546	4,681	0	1,968 2,713	4,092	0	2,313 1,779
MEEKS & DALEY WATER CO. AGUA HANSA WATER CO.	5,570	0	234 5,336	4,914	0	193 4,721	4,966	0	233 4,733	5,392	0	240 5,152	3,851	0	83 3,768
UNIVERSITY OF CALIFORNIA	48	0	0 48	195	0	0 195	179	0	0 179	62	0	0 62	95	0	0 95
TOTALS	70,341	437	2,364 67,540	66,869	334	2,422 64,113	74,432	815	2,462 71,155	60,919	28	2,208 58,683	55,675	19	2,396 53,260

Total Extract -- TOTAL EXTRACTIONS.
Del S.B. Basin -- DELIVERIES IN SAN BERNARDINO BASIN AREA.
Del. Colton & Riv. N. -- DELIVERIES IN COLTON & RIVERSIDE BASIN IN SAN BERNARDINO COUNTY.
Del. Outside SBVWMD -- DELIVERIES OUTSIDE SAN BERNARDINO VALLEY MUNICIPAL WATER DISTRICT.

See Report of the Watermaster, Volume 5, Distribution of Extractions, Chapter I, Table No. 36-A.

TABLE NO. 3

EXTRACTIONS BY PLAINTIFF
 FROM THE SAN BERNARDINO BASIN AREA
 FOR AVERAGE OF THE FIVE-YEAR PERIOD ENDING WITH 1963
 AND CALENDAR YEARS 1976 THROUGH THE CURRENT YEAR

CLASSIFIED ACCORDING TO SERVICE AREA
 (Quantities in Acre Feet)

EXTRACTIONS FROM SAN BERNARDINO BASIN AREA FOR USE WITHIN AND EXPORT THEREFROM

	1991			1992			1993			1994			1995					
	Total Extract	Del. S.B. Basin & Riv. N. SBVWMD	Del. Colton & Riv. N. SBVWMD	Del. S.B. Basin & Riv. N. SBVWMD	Del. Colton & Riv. N. SBVWMD	Del. Outside SBVWMD	Total Extract	Del. S.B. Basin & Riv. N. SBVWMD	Del. Colton & Riv. N. SBVWMD	Del. Outside SBVWMD	Total Extract	Del. S.B. Basin & Riv. N. SBVWMD	Del. Colton & Riv. N. SBVWMD	Del. Outside SBVWMD				
PLAINTIFFS																		
CITY OF RIVERSIDE City & Riverside Wtr Co.	26,133	155	0	24,580	203	0	25,675	-108	0	25,783	25,724	7	0	25,717	23,316	1	0	23,315
CITY OF RIVERSIDE Gage Canal Co.	26,776	0	0	25,456	0	0	26,439	0	0	26,439	34,723	39	0	34,684	32,076	98	0	31,978
SUB TOTAL - C of R	52,909	155	0	50,036	203	0	52,114	-108	0	52,222	60,447	46	0	60,401	55,392	99	0	55,293
RIVERSIDE HIGHLAND WATER CO	3,021	0	1,669	1,352	4,052	0	3,241	0	1,777	1,464	4,324	0	2,201	2,123	3,955	0	2,146	1,809
MEERS & DALEY WATER CO. AGUA MANSA WATER CO.	4,426	0	190	4,236	4,100	0	5,013	0	276	4,737	4,525	0	227	4,298	3,560	0	145	3,415
UNIVERSITY OF CALIFORNIA	23	0	0	32	32	0	536	0	0	536	593	0	0	593	588	0	0	588
TOTALS	60,379	155	1,859	58,365	58,423	203	60,904	-108	2,053	58,959	69,889	46	2,428	67,415	63,495	99	2,291	61,105

Total Extract -- TOTAL EXTRACTIONS.
 Del S.B. Basin -- DELIVERIES IN SAN BERNARDINO BASIN AREA.
 Del. Colton & Riv. N. -- DELIVERIES IN COLTON & RIVERSIDE BASIN IN SAN BERNARDINO COUNTY.
 Del. Outside SBVWMD -- DELIVERIES OUTSIDE SAN BERNARDINO VALLEY MUNICIPAL WATER DISTRICT.

See Report of the Watermaster, Volume 5, Distribution of Extractions, Chapter I, Table No. 36-A.

TABLE NO. 3

EXTRACTIONS BY PLAINTIFF
FROM THE SAN BERNARDINO BASIN AREA
FOR AVERAGE OF THE FIVE-YEAR PERIOD ENDING WITH 1963
AND CALENDAR YEARS 1976 THROUGH THE CURRENT YEAR

CLASSIFIED ACCORDING TO SERVICE AREA
(Quantities in Acre Feet)

EXTRACTIONS FROM SAN BERNARDINO BASIN AREA FOR USE WITHIN AND EXPORT THEREFROM

PLAINTIFFS	1996			1997			1998			1999			2000		
	Total Extract	Del. S.B. Basin	Del. Colton & Riv N SVMWD	Del. S.B. Basin	Del. Colton & Riv N SVMWD	Del. Outside SVMWD	Total Extract	Del. S.B. Basin	Del. Colton & Riv N SVMWD	Del. Outside SVMWD	Total Extract	Del. S.B. Basin	Del. Colton & Riv N SVMWD	Del. Outside SVMWD	
CITY OF RIVERSIDE City & Riverside Wtr Co.	29,351	268	0	27,083	486	0	27,135	0	0	24,210	0	0	0	24,210	
CITY OF RIVERSIDE Gage Canal Co.	34,031	251	0	33,780	197	0	32,120	182	0	30,025	182	0	0	30,025	
SUB TOTAL - C of R	63,382	519	0	62,863	683	0	59,255	182	0	54,235	182	0	0	54,235	
RIVERSIDE HIGHLAND WATER CO	5,051	0	2,756	2,295	4,939	0	2,656	2,283	0	1,961	1,289	0	0	1,289	
HEEKS & DALEY WATER CO. AGUA MANSA WATER CO.	3,912	0	194	3,718	4,165	0	137	4,028	0	210	3,618	0	0	3,618	
UNIVERSITY OF CALIFORNIA	445	0	0	445	505	0	0	505	0	0	590	0	0	590	
TOTALS	72,790	519	2,950	69,321	69,547	683	2,794	66,070	182	2,170	59,733	182	0	59,733	

Total Extract --- TOTAL EXTRACTIONS.

Del S.B. Basin -- DELIVERIES IN SAN BERNARDINO BASIN AREA.

Del. Colton & Riv. N. -- DELIVERIES IN COLTON & RIVERSIDE BASIN IN SAN BERNARDINO COUNTY.

Del. Outside SVMWD -- DELIVERIES OUTSIDE SAN BERNARDINO VALLEY MUNICIPAL WATER DISTRICT.

See Report of the Watermaster, Volume 5, Distribution of Extractions, Chapter I, Table No. 36-A.

TABLE NO. 4
TOTAL EXTRACTIONS BY
PLAINTIFFS FROM SAN BERNARDINO BASIN AREA

TABLE NO. 4

TOTAL PLAINTIFF EXTRACTIIONS FROM
SAN BERNARDINO BASIN AREA
 (Quantities in Acre Feet)

EXTRACTING PLAINTIFF

Year	City of Riverside	Gage Canal	Riverside Highland	Meeks & Daley	Univ. of California	Total
	(1)	(2)	(3)	(4)	(5)	(6)
1959	25,983	31,805	4,745	7,282	558	70,373
1960	23,024	29,019	4,241	8,037	546	64,867
1961	24,682	30,670	5,535	9,399	658	70,944
1962	24,391	28,440	4,147	7,560	564	65,102
1963	22,379	26,999	3,326	7,854	425	60,983
5 YR AVERAGE	24,092	29,387	4,399	8,026	550	66,454
1971	24,939	28,943	4,012	2,902	219	61,015
1972	20,474	25,220	4,532	3,527	239	53,992
1973	21,493	21,529	3,512	2,979	239	49,752
1974	27,420	15,947	4,088	4,504	267	52,226
1975	25,248	22,714	4,709	3,950	179	56,800
1976	22,085	29,289	4,519	5,393	245	61,531
1977	18,900	32,099	3,583	4,220	87	58,888
1978	19,055	26,329	1,350	2,254	183	49,181
1979	21,561	30,816	3,369	3,930	83	59,759
1980	18,875	31,881	3,677	2,333	7	56,773
1981	20,363	31,794	3,604	3,092	143	58,996
1982	19,522	30,077	2,795	3,716	48	56,158
1983	25,681	20,383	3,161	2,651	0	51,876
1984	25,031	33,875	4,759	5,165	0	68,830
1985	31,817	31,256	3,312	5,385	0	71,770
1986	25,996	33,983	4,744	5,570	48	79,341
1987	25,528	32,313	3,919	4,914	195	66,869
1988	26,490	38,022	4,775	4,966	179	74,432
1989	21,129	29,655	4,681	5,392	62	60,919
1990	20,942	26,695	4,092	3,851	95	55,675
1991	26,133	26,776	3,021	4,426	23	60,379
1992	24,783	25,456	4,052	4,100	32	58,423
1993	25,675	26,439	3,241	5,013	536	60,904
1994	25,724	34,723	4,324	4,525	593	69,889
1995	23,316	32,076	3,955	3,560	588	63,495
1996	29,351	34,031	5,051	3,912	445	72,790
1997	27,621	32,317	4,939	4,165	505	69,547
1998	24,210	30,207	3,250	3,828	590	62,085
1999						
2000						
2001						
2002						
2003						
2004						
2005						
2006						
2007						
2008						

From Table No. 3; same as Table 36-B, Volume 5.
 Excel; W-SB Wm; Vol 1a-8; tables 36 a-e & table 4-7, vol 1a

TABLE NO.5
EXTRACTIONS BY PLAINTIFFS FROM
THE SAN BERNARDINO BASIN AREA
FOR DELIVERIES IN SAN BERNARDINO BASIN AREA

TABLE NO. 5

EXTRACTIONS BY PLAINTIFFS FROM
THE SAN BERNARDINO BASIN AREA FOR DELIVERIES IN
SAN BERNARDINO BASIN AREA
(Quantities in Acre Feet)

Year	City of Riverside	Gage Canal	Riverside Highland	Meeks & Daley	Univ. of California	Total
	(1)	(2)	(3)	(4)	(5)	(6)
1959	2,369	501	0	0	0	2,870
1960	2,006	539	0	0	0	2,545
1961	0	461	0	0	0	461
1962	0	751	0	0	0	751
1963	0	683	0	0	0	683
5 YR AVERAGE	875	587	0	0	0	1,462
1971	0	98	0	0	0	98
1972	0	85	0	0	0	85
1973	0	156	0	0	0	156
1974	0	0	0	0	0	0
1975	0	0	0	0	0	0
1976	0	0	0	0	0	0
1977	0	0	0	0	0	0
1978	0	646	0	0	0	646
1979	0	0	0	0	0	0
1980	0	383	0	0	0	383
1981	0	724	0	0	0	724
1982	146	16	0	0	0	162
1983	144	191	0	0	0	335
1984	0	32	0	0	0	32
1985	0	59	0	0	0	59
1986	292	145	0	0	0	437
1987	319	15	0	0	0	334
1988	815	0	0	0	0	815
1989	28	0	0	0	0	28
1990	19	0	0	0	0	19
1991	155	0	0	0	0	155
1992	203	0	0	0	0	203
1993	-108	0	0	0	0	-108
1994	7	39	0	0	0	46
1995	1	98	0	0	0	99
1996	268	251	0	0	0	519
1997	486	197	0	0	0	683
1998	0	182	0	0	0	182
1999						
2000						
2001						
2002						
2003						
2004						
2005						
2006						
2007						
2008						

From Table No. 3; same as Table 36-C, Volume 5.
Excel;W-SB Wm; Vol 1a-8; tables 36 a-e & table 4-7, vol 1a

TABLE NO. 6
EXTRACTIONS BY PLAINTIFFS FROM
THE SAN BERNARDINO BASIN AREA
FOR DELIVERIES IN COLTON AND
RIVERSIDE BASINS IN SAN BERNARDINO COUNTY

TABLE NO. 6

EXTRACTIONS BY PLAINTIFFS FROM
THE SAN BERNARDINO BASIN AREA FOR DELIVERIES IN
COLTON & RIVERSIDE BASINS IN SAN BERNARDINO COUNTY

(Quantities in Acre Feet)

Year	City of Riverside	Gage Canal	Riverside Highland	Meeks & Daley	Univ. of California	Total
	(1)	(2)	(3)	(4)	(5)	(6)
1959	382	1,001	2,561	295	0	4,239
1960	356	892	2,352	312	0	3,912
1961	338	1,010	3,026	363	0	4,737
1962	345	783	2,569	363	0	4,060
1963	435	758	2,037	297	0	3,527
5 YR AVERAGE	371	889	2,509	326	0	4,095
1971	0	669	2,388	383	0	3,440
1972	0	547	2,239	377	0	3,163
1973	0	512	1,751	250	0	2,513
1974	65	485	1,985	246	0	2,781
1975	0	575	2,002	168	0	2,745
1976	0	523	2,050	182	0	2,755
1977	0	346	1,820	146	0	2,312
1978	0	301	1,051	161	0	1,513
1979	0	415	1,781	166	0	2,362
1980	0	0	2,060	323	0	2,383
1981	0	0	2,151	358	0	2,509
1982	0	0	1,775	169	0	1,944
1983	0	0	2,318	245	0	2,563
1984	0	0	2,671	233	0	2,904
1985	0	0	1,978	210	0	2,188
1986	0	0	2,130	234	0	2,364
1987	0	0	2,229	193	0	2,422
1988	0	0	2,229	233	0	2,462
1989	0	0	1,968	240	0	2,208
1990	0	0	2,313	83	0	2,396
1991	0	0	1,669	190	0	1,859
1992	0	0	2,275	118	0	2,393
1993	0	0	1,777	276	0	2,053
1994	0	0	2,201	227	0	2,428
1995	0	0	2,146	145	0	2,291
1996	0	0	2,756	194	0	2,950
1997	0	0	2,656	137	0	2,794
1998	0	0	1,961	210	0	2,170
1999						
2000						
2001						
2002						
2003						
2004						
2005						
2006						
2007						
2008						

From Table No. 3; same as Table 36-D, Volume 5.
 Excel;W-SB Wm; Vol 1a-8; tables 36 a-e & table 4-7, vol 1a

TABLE NO.7

EXTRACTIONS BY PLAINTIFFS FROM
THE SAN BERNARDINO BASIN AREA FOR
DELIVERIES OUTSIDE SAN BERNARDINO VALLEY

TABLE NO. 7

EXTRACTIONS BY PLAINTIFFS FROM
THE SAN BERNARDINO BASIN AREA FOR DELIVERIES
OUTSIDE SAN BERNARDINO VALLEY
(Quantities in Acre Feet)

Year	City of Riverside	Gage Canal	Riverside Highland	Meeks & Daley	Univ. of California	Total
	(1)	(2)	(3)	(4)	(5)	(6)
1959	23,232	30,303	2,184	6,987	558	63,264
1960	20,662	27,588	1,889	7,725	546	58,410
1961	24,344	29,199	2,509	9,036	658	65,746
1962	24,046	26,906	1,578	7,197	564	60,291
1963	21,944	25,558	1,289	7,557	425	56,773
5 YR AVERAGE	22,846	27,911	1,890	7,700	550	60,897
1971	24,939	28,176	1,624	2,519	219	57,477
1972	20,474	24,588	2,293	3,150	239	50,744
1973	21,493	20,861	1,761	2,729	239	47,083
1974	27,355	15,462	2,103	4,258	267	49,445
1975	25,248	22,139	2,707	3,783	179	54,056
1976	22,085	28,766	2,469	5,211	245	58,776
1977	18,900	31,753	1,763	4,074	87	56,577
1978	19,055	25,382	299	2,093	183	47,012
1979	21,561	30,401	1,588	3,764	83	57,397
1980	18,875	31,498	1,617	2,010	7	54,007
1981	20,363	31,070	1,453	2,734	143	55,763
1982	19,376	30,061	1,020	3,547	48	54,052
1983	25,537	20,192	843	2,406	0	48,978
1984	25,031	33,843	2,088	4,932	0	65,894
1985	31,817	31,197	1,334	5,175	0	69,523
1986	25,704	33,838	2,614	5,336	48	67,540
1987	25,209	32,298	1,690	4,721	195	64,113
1988	25,675	38,022	2,546	4,733	179	71,155
1989	21,101	29,655	2,713	5,152	62	58,683
1990	20,923	26,695	1,779	3,768	95	53,260
1991	25,978	26,776	1,352	4,236	23	58,365
1992	24,580	25,456	1,777	3,982	32	55,827
1993	25,783	26,439	1,464	4,737	536	58,959
1994	25,717	34,684	2,123	4,298	593	67,415
1995	23,315	31,978	1,809	3,415	588	61,105
1996	29,083	33,780	2,295	3,718	445	69,321
1997	27,135	32,120	2,283	4,028	505	66,070
1998	24,210	30,025	1,289	3,618	590	59,733
1999						
2000						
2001						
2002						
2003						
2004						
2005						
2006						
2007						
2008						

From Table No. 3; same as Table 36-E, Volume 5.
Excel; W-SB Wm; Vol 1a-8; tables 36 a-e & table 4-7, vol 1a

VOLUME 2-1998

**WESTERN - SAN BERNARDINO WATERMASTER
FOR
WESTERN MUNICIPAL WATER DISTRICT et al.
vs.
EAST SAN BERNARDINO COUNTY WATER DISTRICT et al.
CASE NO. 78426 - COUNTY OF RIVERSIDE**

VOLUME 2 - 1998

**VERIFIED EXTRACTIONS FROM THE
COLTON BASIN AREA
FOR
CALENDAR YEARS 1959-1963 & 1994-1998**

**ANNUAL ACCOUNTING
FOR INDIVIDUAL WELLS**

August 1, 2000

**WATERMASTER
*Donald L. Harriger
Robert L. Reiter***

REPORT OF WATERMASTER

Western Municipal Water District of Riverside County, et al
Plaintiffs

vs.

East San Bernardino County Water District, et al
Defendants

Superior Court of Riverside County

Case No. 78426

Volume 2 - 1998

VERIFIED EXTRACTIONS FROM

COLTON BASIN AREA

for

CALENDAR YEARS 1959-1963 & 1994-1998

ANNUAL ACCOUNTING

FOR INDIVIDUAL WELLS

AUGUST 1, 2000

WATERMASTER

Donald L. Harriger
Robert L. Reiter

VOLUME 2-1998

TABLE OF CONTENTS

	<u>Page</u>
INTRODUCTION	i
COLTON BASIN AREA, CROSS INDEX BY OWNER	1
COLTON BASIN AREA, CROSS INDEX BY STATE WELL NUMBER.	3
COLTON BASIN AREA, CROSS INDEX BY RECORDATION NUMBER	5
 <u>TABLE NO. 1</u>	
VERIFIED EXTRACTIONS BY OWNERS WHICH HAVE RECORDATION FILINGS WITH THE STATE WATER RESOURCES CONTROL BOARD	7
 <u>TABLE NO. 2</u>	
VERIFIED EXTRACTIONS BY OWNERS WHICH HAVE NOT FILED WITH THE STATE WATER RESOURCES CONTROL BOARD	9
 <u>TABLE NO. 3</u>	
SUMMARY OF VERIFIED EXTRACTIONS (FILED AND NON-FILED) FROM COLTON BASIN AREA10
 <u>TABLE NO. 4</u>	
GROUNDWATER EXTRACTIONS BY RIVERSIDE COUNTY ENTITIES FROM COLTON BASIN AREA FOR USE IN RIVERSIDE & SAN BERNARDINO COUNTIES DURING THE 5-YEAR BASE PERIOD 1959 THROUGH 1963 AND CALENDAR YEARS 1976 THROUGH THE CURRENT YEAR11
 <u>TABLE NO. 5</u>	
GROUNDWATER EXTRACTIONS FROM COLTON BASIN AREA BY SAN BERNARDINO COUNTY ENTITIES FOR USE IN SAN BERNARDINO COUNTY DURING THE 5-YEAR BASE PERIOD 1959 THROUGH 1963 AND CALENDAR YEARS 1971 THROUGH THE CURRENT YEAR	16

VOLUME 2-1998

VERIFIED EXTRACTIONS FROM
THE COLTON BASIN AREA FOR
CALENDAR YEARS 1959-1963 & 1994-1998

INTRODUCTION

The provisions of Paragraph VIII(a) and VIII(b) of the Judgement in Case No. 78426 entered April 17, 1969, entitled "Extractions from Colton Basin Area and Riverside Basin Area in San Bernardino County" provide as follows:

VIII(a) "The average annual extractions from the Colton Basin Area and that portion of the Riverside Basin Area within San Bernardino County for use outside San Bernardino Valley for the five-year period ending with 1963 are assumed to be 3,349 acre-feet and 20,191 acre-feet , respectively, the correct figures shall be determined by the Watermaster as therein provided."

VIII(b) "Over any five-year period, there may be extracted from each such Basin Area for use outside San Bernardino Valley, without replenishment obligation, and amount equal to five times such annual average for the Basin Area; provided, however, that if extractions in any year exceed such average by more than 20 percent, Western shall provide replenishment in the following year equal to the excess extractions over such 20 percent peaking allowance."

Compliance with these provisions of the Judgement requires that an accounting of the total actual extractions of surface and groundwater within the Colton Basin Area and the Riverside Basin Area within San Bernardino County be made annually. Included in this Volume 2-1998 is the verified account of the production from the Colton Basin Area by owners for the calendar years 1994 through 1998. The verified production for the five-year period ending with 1963 and the five-year average is also included for

comparison. The five-year average production from the Colton Basin Area ending in 1963 was verified to be 11,731* acre-feet. Three indexes are included which provide a cross index by owner's name, State Well Number, and State Water Resources Control Board Well Recordation Number. In addition, each index shows the local designation of each well, if the State has closed the file, which year that occurred, and the last 5 years of verified extractions.

Tables No. 1 and No. 2 in this report list the individual wells by the owner for each year in the five-year base period ending in 1963, the five-year base period average, the extractions for the years 1994 through 1998, and the owner's total annual verified extractions. Table No. 1 lists the wells upon which filings have been made with the State Water Resources Control Board, and Table No. 2 lists the wells upon which no filings have been made. Table No. 3 is a summary of the verified extractions, by owner, as presented in Tables No. 1 and No. 2.

Paragraph VIII(a) of the Judgment requires that only those extractions from the Colton Basin Area which are used outside San Bernardino Valley be verified for the five calendar years ending with 1963 and accounted for annually from and after January 1, 1971. Accordingly, those extractions from the Colton Basin Area by Riverside County entities for the five calendar years ending with 1963 have been determined and are set forth in Table No. 4. Such extractions averaged 3,496 acre-feet for said five-year period, of which 3,381 acre-feet were delivered outside San Bernardino Valley.

Table No. 4 also shows the extractions from the Colton Basin Area for the 1959-63 base period and 1976 through the current year.

The verified extractions from the Colton Basin Area are as follows:

<u>Year</u>	<u>Verified Extractions</u>
1975	11,083 A.F.
1976	11,558 A.F.
1977	8,777 A.F.
1978	7,663 A.F.
1979	7,194 A.F.
1980	5,681 A.F.
1981	6,348 A.F.
1982	6,499 A.F.
1983	4,735 A.F.
1984	8,987 A.F.
1985	10,149 A.F.
1986	10,035 A.F.
1987	13,175 A.F.
1988	13,552 A.F.
1989	14,103 A.F.
1990	17,571 A.F.
1991	14,323 A.F.
1992	16,750 A.F.
1993	14,977 A.F.
1994	14,588 A.F.
1995	*16,022 A.F.
1996	15,843 A.F.
1997	**13,373 A.F.
1998	10,314 A.F.

The verified extractions by Riverside entities for 1998 have been determined to be 283 acre-feet of which 251 acre-feet were delivered outside San Bernardino Valley as shown on Table No. 4, page 15.

Table No. 5 shows the verified extractions from the Colton Basin Area by San Bernardino County entities during the five-year base period 1959 through 1963 and the calendar years 1971 through the current year.

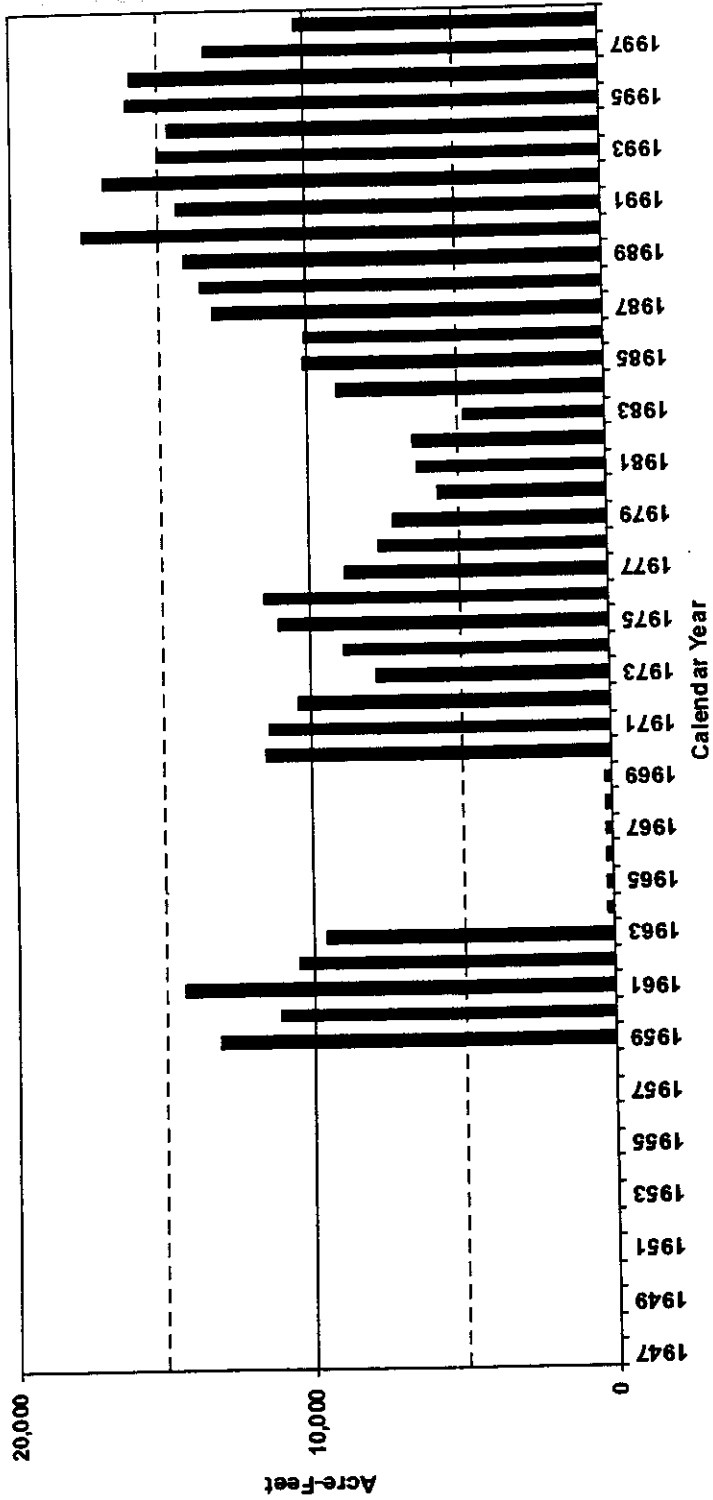
*Colton Well #24 reassigned from Rialto Colton Basin to Riverside North in 1996.
 ** Correction on Reche Canyon Mutual "Big Well" from 61 af to 85 af.

Production Graph - Verified Data, Single Basin

Basin: Rialto Colton

Y Axis Settings

Max Major Grid Minor Grid



WESTERN - SAN BERNARDINO WATERMASTER
 VERIFIED PRODUCTION DATA
 CROSS INDEX BY OWNER
 RIALTO COLTON BASIN

OWNER	WELL TYPE	RECORD#	STATE WELL NUMBER	LOCAL DESIGNATION	YEAR CLOSED	-----CALENDAR YEAR EXTRACTS-----					AVG
						1994	1995	1996	1997	1998	
COLTON, CITY OF	W	3601255	01S04W-18B 9		1982	0	0	0	0	0	0
COLTON, CITY OF	W	3601259	01S04W-18G01S 15			1,074	994	981	739	746	907
COLTON, CITY OF	W	3601261	01S04W-18F01S 17			1,159	992	978	1,311	681	1,024
COLTON, CITY OF	W	3602255	01S04W-27L01S KATZ/HOLLOW		1998	0	0	0	0	0	0
COLTON, CITY OF	W	3602881	01S04W-27L03S 22			727	976	763	0	0	493
COLTON, CITY OF	W	3603367	01S04W-21K01S #23			2,049	1,925	2,918	1,791	1,497	2,036
COLTON, CITY OF	W	3603677	01S05W-05A03S 23			1,261	1,032	931	172	0	679
FONTANA UNION WATER COMPANY	W	3600578	01S05W-05A02S 22		1980	0	0	0	0	0	0
FONTANA UNION WATER COMPANY	W	3600578	01S05W-05A02S 23		1989	0	0	0	0	0	0
FONTANA UNION WATER COMPANY	W	3600589	01S05W-04D01S 35		1980	0	0	0	0	0	0
FONTANA UNION WATER COMPANY	W	3602129	01N05W-30A 36			2,171	1,504	1,683	1,840	2,226	1,885
FONTANA UNION WATER COMPANY	W	3603060	01N05W-29R15S #37			0	0	0	0	0	0
HAYES, GEO. G.	W	3601141	01S04W-18K01S 1		1970	0	0	0	0	0	0
JAMES SULLIVAN MUTUAL WATER COMPANY	W	3602356	01S04W-34H 5731			0	0	0	0	0	0
LA SIERRA WATER COMPANY	W	3602227	01S04W-18G01S 15			316	715	343	0	0	275
LA SIERRA WATER COMPANY	W	3602228	01S04W-18F 17			392	822	199	0	0	283
LEDIG, ALFRED H	D	3601383	01N05W-18D		1959	0	0	0	0	0	0
MEEKS & DALEY WATER COMPANY	W	3601510	01S04W-21N01S 36			586	344	362	484	88	373
PATTERSON, JOHN A	W	3600634	01S04W-17M01S PATTERSON		1980	0	0	0	0	0	0
PERRY AND SONS	W	0000204	01N05W-29P		1997	0	0	0	0	0	0
RECHE CANYON MUTUAL WATER COMPANY	W	3302054	02S04W-11A02S BIG WELL		1991	80	71	61	85	35	66
RECHE CANYON MUTUAL WATER COMPANY	W	3302055	02S04W-11A01S SMALL WELL		1991	24	24	19	15	18	20
RECHE CANYON MUTUAL WATER COMPANY	W	3302326	02S04W-11A03S 7200		1991	5	5	5	5	0	4
RIALTO, CITY OF	W	3601264	01S05W-03A01S RIALTO #4 / DUNCAN			279	317	79	142	179	199
RIALTO, CITY OF	W	3601993	01N05W-34B01S #2 HIGHLAND			840	962	1,130	1,157	0	818
RIALTO, CITY OF	W	3602253	01N05W-27D01S #1 CEDAR			425	701	682	1,260	2,152	1,044
RIALTO, CITY OF	W	3602269	01S05W-03N02S #7 FOOTHILL TUDOR			0	0	0	0	0	0
RIALTO, CITY OF	W	3602271	01S05W-03J01S TUDOR		1966	0	0	0	0	0	0
RIALTO, CITY OF	W	3602558	01N05W-34M01 #3 AIRPORT			674	1,419	1,270	944	1,572	1,176
RIALTO, CITY OF	W	3603103	01S05W-02G01S #6 ETIWANDA			488	946	894	1,350	77	751
RIALTO, CITY OF	W	3603576	01S05W-02E01S #5 RIALTO			0	202	443	365	346	269
RIALTO, CITY OF	W	3601525	01S04W-28K01S CR #4		1980	0	0	0	0	0	0
RIVERSIDE HIGHLAND WATER COMPANY	W	3602182	01S04W-28K02S CR 4-A			0	0	0	0	0	0
RIVERSIDE, CITY OF	W	3601480	01S04W-21Q03S JOHNSON 1			0	0	0	0	0	0
RIVERSIDE, CITY OF	W	3601481	01S04W-21L01S VAUGHN 1			0	0	0	0	0	0
RIVERSIDE, CITY OF	W	3601482	01S04W-28C01S MEEKS 1			0	0	0	0	0	0
RIVERSIDE, CITY OF	W	3601484	01S04W-21P01S JOHNSON 2		1977	0	0	0	0	0	0
RIVERSIDE, CITY OF	W	3601485	01S04W-21Q01S JOHNSON 3		1977	0	0	0	0	0	0

WESTERN - SAN BERNARDINO WATERMASTER
 VERIFIED PRODUCTION DATA
 CROSS INDEX BY OWNER
 RIALTO COLTON BASIN

OWNER	WELL TYPE	REC'DTN NUMBER	STATE WELL NUMBER	LOCAL DESIGNATION	YEAR CLOSED	CALENDAR YEAR EXTRACTIIONS										AVG				
						1994	1995	1996	1997	1998	1999	2000	2001	2002	2003		2004			
RIVERSIDE, CITY OF	D	3601496	01S04W-21P	WARM CR	1974	0	0	0	0	0	0	0	0	0	0	0	0	0	0	0
RIVERSIDE, CITY OF	W	3602208	01S04W-28D01S	MILL		466	171	208	633	142	324									
RIVERSIDE, CITY OF	W	3603255	01S04W-21L04S	JOHNSON #4		0	0	0	0	0	0									
SEQUOIA COUNTRY CLUB	W	0000203	01S04W-07C01S	EDMUNDS	1997	0	0	0	0	0	0									
SOUTHERN CALIFORNIA EDISON	W	3601008	01S05W-12A	1 AC #58		18	18	0	0	0	2									
TAYLOR, JOHN S	W	3600867	01N05W-07P	TAYLOR 1	1974	0	0	0	0	0	0									
TAYLOR, JOHN S	D	3600868	01N05W-07P		1974	0	0	0	0	0	0									
THERMO ECOTEK CORPORATION	W	3601010	01S05W-12A	2	1977	0	0	0	0	0	0									
THERMO ECOTEK CORPORATION	W	3602218	01S04W-29H03S	COLTON	1981	0	0	0	0	0	0									
VILLELLI ENTERPRISES	W	0000201	01S04W-28G	4	1997	0	0	0	0	0	0									
VILLELLI ENTERPRISES	W	0000202	01S04W-28G	#5 DOMESTIC	1997	0	0	0	0	0	0									
VILLELLI ENTERPRISES	W	3601548	01S04W-28G01S	1	1981	0	0	0	0	0	0									
VILLELLI ENTERPRISES	W	3601550	01S04W-28A05S	3	1981	0	0	0	0	0	0									
WEST SAN BDNO COUNTY WATER DIST	W	3600309	01S05W-02C01S	PLANT NO 10	1982	0	0	0	0	0	0									
WEST SAN BDNO COUNTY WATER DIST	W	3600311	01S05W-02K01S	PLANT NO 11 / WILLOW		206	318	513	12	50	220									
WEST SAN BDNO COUNTY WATER DIST	W	3600995	01S05W-12N01S	PLANT NO 17		0	0	0	0	0	0									
WEST SAN BDNO COUNTY WATER DIST	W	3601001	01S05W-12L01S	PLANT NO 16 / BOYD		896	983	1,013	606	28	706									
WEST SAN BDNO COUNTY WATER DIST	W	3601689	01N05W-17K01S	#21 / FONTANA RNCH 1	1976	0	0	0	0	0	0									
WEST SAN BDNO COUNTY WATER DIST	W	3601690	01N05W-28J01S	#22 / FONTANA RNCH 2		0	0	0	0	0	0									
WEST SAN BDNO COUNTY WATER DIST	W	3601691	01N05W-17G01S	#23 / FONTANA RNCH 3	1982	0	0	0	0	0	0									
WEST SAN BDNO COUNTY WATER DIST	W	3601931	01N05W-17K02S	PL24/FONTANA RNCH 4		452	581	368	473	475	470									
TOTALS FOR 68 WELLS						14,588	16,022	15,843	13,373	10,314	14,028									

COLTON BASIN AREA
CROSS INDEX BY STATE WELL NUMBER

WESTERN - SAN BERNARDINO WATERMASTER
 VERIFIED PRODUCTION DATA
 CROSS INDEX BY STATE WELL NUMBER
 RIALTO COLTON BASIN

STATE WELL NUMBER	RECRD TN NUMBER	OWNER	WELL TYPE	LOCAL DESIGNATION	YEAR CLOSED	CALENDAR YEAR EXTRACTIONS							
						1994	1995	1996	1997	1998	AVG		
01N05W-07P	3600867	TAYLOR, JOHN S	W	TAYLOR 1	1974	0	0	0	0	0	0	0	0
01N05W-07P	3600868	TAYLOR, JOHN S	D		1974	0	0	0	0	0	0	0	0
01N05W-17G01S	3601691	WEST SAN BDNO COUNTY WATER DIST	W	#23 / FONTANA RNCH 3	1992	0	0	0	0	0	0	0	0
01N05W-17K01S	3601689	WEST SAN BDNO COUNTY WATER DIST	W	#21 / FONTANA RNCH 1	1976	0	0	0	0	0	0	0	0
01N05W-17K02S	3601931	WEST SAN BDNO COUNTY WATER DIST	W	PL24/FONTANA RNCH 4		452	581	368	473	475	475	475	470
01N05W-18D	3601383	LEDIG, ALFRED H	D		1959	0	0	0	0	0	0	0	0
01N05W-27D01S	3602253	RIALTO, CITY OF	W	#1 CEDAR		425	701	682	1,260	2,152	1,044		
01N05W-28J01S	3601690	WEST SAN BDNO COUNTY WATER DIST	W	#22 / FONTANA RNCH 2		0	0	0	0	0	0	0	0
01N05W-29P	0000204	PERRY AND SONS	W		1997	0	0	0	0	0	0	0	0
01N05W-29R15S	3603060	FONTANA UNION WATER COMPANY	W	#37		2,171	1,504	1,683	1,840	2,226	1,885		
01N05W-30A	3602129	FONTANA UNION WATER COMPANY	W	36	1980	0	0	0	0	0	0	0	0
01N05W-34B01S	3601993	RIALTO, CITY OF	W	#2 HIGHLAND		840	962	1,130	1,157	0	818		
01N05W-34M01	3602558	RIALTO, CITY OF	W	#3 AIRPORT		674	1,419	1,270	944	1,572	1,176		
01S04W-07C01S	0000203	SEQUOIA COUNTRY CLUB	W	EDMUNDS	1997	0	0	0	0	0	0	0	0
01S04W-17M01S	3600634	PATTERSON, JOHN A	W	PATTERSON	1980	0	0	0	0	0	0	0	0
01S04W-18B	3601255	COLTON, CITY OF	W	9	1982	0	0	0	0	0	0	0	0
01S04W-18F	3602228	LA SIERRA WATER COMPANY	W	17		392	822	199	0	0	283		
01S04W-18F01S	3601261	COLTON, CITY OF	W	17		1,159	992	978	1,311	681	1,024		
01S04W-18G01S	3601259	COLTON, CITY OF	W	15		1,074	994	981	739	746	907		
01S04W-18G01S	3602227	LA SIERRA WATER COMPANY	W	15		316	715	343	0	0	275		
01S04W-18K01S	3601141	HAYES, GEO. G.	W	1	1970	0	0	0	0	0	0	0	0
01S04W-21K01S	3603367	COLTON, CITY OF	W	#23		2,049	1,925	2,918	1,791	1,497	2,036		
01S04W-21L01S	3601481	RIVERSIDE, CITY OF	W	VAUGHN 1		0	0	0	0	0	0	0	0
01S04W-21L04S	3603255	RIVERSIDE, CITY OF	W	JOHNSON #4		0	0	0	0	0	0	0	0
01S04W-21N01S	3601510	MEEKS & DALEY WATER COMPANY	W	36		586	344	362	484	88	373		
01S04W-21P	3601496	RIVERSIDE, CITY OF	D	WARM CR	1974	0	0	0	0	0	0	0	0
01S04W-21P01S	3601494	RIVERSIDE, CITY OF	W	JOHNSON 2	1977	0	0	0	0	0	0	0	0
01S04W-21Q01S	3601495	RIVERSIDE, CITY OF	W	JOHNSON 3	1977	0	0	0	0	0	0	0	0
01S04W-21Q03S	3601490	RIVERSIDE, CITY OF	W	JOHNSON 1		0	0	0	0	0	0	0	0
01S04W-27L01S	3602255	COLTON, CITY OF	W	KATZHOLLOW	1998	0	0	0	0	0	0	0	0
01S04W-27L03S	3602881	COLTON, CITY OF	W	22		727	976	763	0	0	493		
01S04W-28A05S	3601550	VILLELLI ENTERPRISES	W	3	1981	0	0	0	0	0	0	0	0
01S04W-28C01S	3601482	RIVERSIDE, CITY OF	W	MEEKS 1		0	0	0	0	0	0	0	0
01S04W-28D01S	3602208	RIVERSIDE, CITY OF	W	MILL		466	171	208	633	142	324		
01S04W-28G	0000201	VILLELLI ENTERPRISES	W	4	1997	0	0	0	0	0	0	0	0
01S04W-28G	0000202	VILLELLI ENTERPRISES	W	#5 DOMESTIC	1997	0	0	0	0	0	0	0	0
01S04W-28G01S	3601548	VILLELLI ENTERPRISES	W	1	1981	0	0	0	0	0	0	0	0

WESTERN - SAN BERNARDINO WATERMASTER
 VERIFIED PRODUCTION DATA
 CROSS INDEX BY STATE WELL NUMBER
 RIALTO COLTON BASIN

STATE WELL NUMBER	RECROTN NUMBER	OWNER	WELL TYPE	LOCAL DESIGNATION	YEAR CLOSED	CALENDAR YEAR EXTRACTIIONS										AVG		
						1994	1995	1996	1997	1998	1999	2000	2001	2002	2003		2004	
01S04W-28K01S	3601525	RIVERSIDE HIGHLAND WATER COMPANY	W	CR #4	1980	0	0	0	0	0	0	0	0	0	0	0	0	0
01S04W-28K02S	3602182	RIVERSIDE HIGHLAND WATER COMPANY	W	CR 4-A		0	0	0	0	0	0	0	0	0	0	0	0	0
01S04W-29H03S	3602218	THERMO ECOTEK CORPORATION	W	COLTON	1981	0	0	0	0	0	0	0	0	0	0	0	0	0
01S04W-34H	3602356	JAMES SULLIVAN MUTUAL WATER COMPANY	W	5731		0	0	0	0	0	0	0	0	0	0	0	0	0
01S05W-02C01S	3600309	WEST SAN BDNO COUNTY WATER DIST	W	PLANT NO 10	1982	0	0	0	0	0	0	0	0	0	0	0	0	0
01S05W-02E01S	3603576	RIALTO, CITY OF	W	#5 RIALTO		0	202	443	355	346	289							
01S05W-02G01S	3603103	RIALTO, CITY OF	W	#6 ETWANDA		488	946	894	1,350	77	751							
01S05W-02K01S	3600311	WEST SAN BDNO COUNTY WATER DIST	W	PLANT NO 11 / WILLOW		206	318	513	12	50	220							
01S05W-03A01S	3601264	RIALTO, CITY OF	W	RIALTO #4 / DUNCAN		279	317	79	142	179	199							
01S05W-03J01S	3602271	RIALTO, CITY OF	W	TUDOR	1986	0	0	0	0	0	0	0	0	0	0	0	0	0
01S05W-03N02S	3602269	RIALTO, CITY OF	W	#7 FOOTHILL TUDOR		0	0	0	0	0	0	0	0	0	0	0	0	0
01S05W-04D01S	3600589	FONTANA UNION WATER COMPANY	W	35	1989	0	0	0	0	0	0	0	0	0	0	0	0	0
01S05W-05A02S	3600578	FONTANA UNION WATER COMPANY	W	23	1980	0	0	0	0	0	0	0	0	0	0	0	0	0
01S05W-05A03S	3600577	FONTANA UNION WATER COMPANY	W	22		1,261	1,032	931	172	0	679							
01S05W-12A	3601008	SOUTHERN CALIFORNIA EDISON	W	1 AC #58		18	18	0	0	0	2	8						
01S05W-12A	3601010	THERMO ECOTEK CORPORATION	W	2	1977	0	0	0	0	0	0	0	0	0	0	0	0	0
01S05W-12L01S	3601001	WEST SAN BDNO COUNTY WATER DIST	W	PLANT NO 16 / BOYD		896	983	1,013	605	28	705							
01S05W-12N01S	3600985	WEST SAN BDNO COUNTY WATER DIST	W	PLANT NO 17		0	0	0	0	0	0	0	0	0	0	0	0	0
02S04W-11A01S	3302055	RECHE CANYON MUTUAL WATER COMPANY	W	SMALL WELL	1991	24	24	19	15	18	20							
02S04W-11A02S	3302054	RECHE CANYON MUTUAL WATER COMPANY	W	BIG WELL	1991	80	71	61	85	35	66							
02S04W-11A03S	3302326	RECHE CANYON MUTUAL WATER COMPANY	W	7200	1991	5	5	5	5	5	4							
TOTALS FOR 68 WELLS						14,588	16,022	15,843	13,373	10,314	14,028							

COLTON BASIN AREA
CROSS INDEX BY RECORDATION NUMBER

WESTERN - SAN BERNARDINO WATERMASTER
 VERIFIED PRODUCTION DATA
 CROSS INDEX BY RECORDATION NUMBER
 RIALTO COLTON BASIN

RECDRTN NUMBER	STATE WELL NUMBER	OWNER	WELL TYPE	LOCAL DESIGNATION	YEAR CLOSED	-----CALENDAR YEAR EXTRACTIONS-----							AVG
						1994	1995	1996	1997	1998	1999		
0000201	01S/O4W-28G	VILLELLI ENTERPRISES	W 4		1997	0	0	0	0	0	0	0	0
0000202	01S/O4W-28G	VILLELLI ENTERPRISES	W #5 DOMESTIC		1997	0	0	0	0	0	0	0	0
0000203	01S/O4W-07C01S	SEQUOIA COUNTRY CLUB	W EDMUNDS		1997	0	0	0	0	0	0	0	0
0000204	01N/O5W-29P	PERRY AND SONS	W		1997	0	0	0	0	0	0	0	0
3302054	02S/O4W-11A02S	RECHE CANYON MUTUAL WATER COMPANY	W BIG WELL		1991	80	71	61	85	35	66		
3302055	02S/O4W-11A01S	RECHE CANYON MUTUAL WATER COMPANY	W SMALL WELL		1991	24	24	19	15	18	20		
3302326	02S/O4W-11A03S	RECHE CANYON MUTUAL WATER COMPANY	W 7200		1991	5	5	5	5	0	4		
3600309	01S/O5W-02C01S	WEST SAN BDNO COUNTY WATER DIST	W PLANT NO 10		1982	0	0	0	0	0	0		
3600311	01S/O5W-02K01S	WEST SAN BDNO COUNTY WATER DIST	W PLANT NO 11 / WILLOW			206	318	513	12	50	220		
3600577	01S/O5W-05A03S	FONTANA UNION WATER COMPANY	W 22			1,261	1,032	931	172	0	679		
3600578	01S/O5W-05A02S	FONTANA UNION WATER COMPANY	W 23		1980	0	0	0	0	0	0		
3600589	01S/O5W-04D01S	FONTANA UNION WATER COMPANY	W 36		1989	0	0	0	0	0	0		
3600634	01S/O4W-17M01S	PATTERSON, JOHN A	W PATTERSON		1980	0	0	0	0	0	0		
3600867	01N/O5W-07P	TAYLOR, JOHN S	W TAYLOR 1		1974	0	0	0	0	0	0		
3600868	01N/O5W-07P	TAYLOR, JOHN S	D		1974	0	0	0	0	0	0		
3600995	01S/O5W-12N01S	WEST SAN BDNO COUNTY WATER DIST	W PLANT NO 17			896	983	1,013	605	28	705		
3601001	01S/O5W-12L01S	WEST SAN BDNO COUNTY WATER DIST	W PLANT NO 16 / BOYD			18	18	0	0	2	8		
3601008	01S/O5W-12A	SOUTHERN CALIFORNIA EDISON	W 1 AC #58			0	0	0	0	0	0		
3601010	01S/O5W-12A	THERMO ECOTEK CORPORATION	W 2		1977	0	0	0	0	0	0		
3601141	01S/O4W-18K01S	HAYES, GEO. G.	W 1		1970	0	0	0	0	0	0		
3601255	01S/O4W-18B	COLTON, CITY OF	W 9		1982	0	0	0	0	0	0		
3601259	01S/O4W-18G01S	COLTON, CITY OF	W 15			1,074	994	981	739	746	907		
3601261	01S/O4W-18F01S	COLTON, CITY OF	W 17			1,159	992	976	1,311	681	1,024		
3601264	01S/O5W-03A01S	RIALTO, CITY OF	W RIALTO #4 / DUNCAN			279	317	79	142	179	199		
3601383	01N/O5W-18D	LEDIG, ALFRED H	D		1959	0	0	0	0	0	0		
3601480	01S/O4W-21Q03S	RIVERSIDE, CITY OF	W JOHNSON 1			0	0	0	0	0	0		
3601481	01S/O4W-21L01S	RIVERSIDE, CITY OF	W VAUGHN 1			0	0	0	0	0	0		
3601482	01S/O4W-28C01S	RIVERSIDE, CITY OF	W MEEKS 1			0	0	0	0	0	0		
3601494	01S/O4W-21P01S	RIVERSIDE, CITY OF	W JOHNSON 2		1977	0	0	0	0	0	0		
3601495	01S/O4W-21Q01S	RIVERSIDE, CITY OF	W JOHNSON 3		1977	0	0	0	0	0	0		
3601496	01S/O4W-21P	RIVERSIDE, CITY OF	D WARM CR		1974	0	0	0	0	0	0		
3601510	01S/O4W-21N01S	MEEKS & DALEY WATER COMPANY	W 36			586	344	362	484	88	373		
3601525	01S/O4W-28K01S	RIVERSIDE HIGHLAND WATER COMPANY	W CR #4		1980	0	0	0	0	0	0		
3601548	01S/O4W-28G01S	VILLELLI ENTERPRISES	W 1		1981	0	0	0	0	0	0		
3601550	01S/O4W-28A05S	VILLELLI ENTERPRISES	W 3		1981	0	0	0	0	0	0		
3601689	01N/O5W-17K01S	WEST SAN BDNO COUNTY WATER DIST	W #21 / FONTANA RNCH 1		1976	0	0	0	0	0	0		
3601690	01N/O5W-28J01S	WEST SAN BDNO COUNTY WATER DIST	W #22 / FONTANA RNCH 2			0	0	0	0	0	0		

WESTERN - SAN BERNARDINO WATERMASTER
 VERIFIED PRODUCTION DATA
 CROSS INDEX BY RECORDATION NUMBER
 RIALTO COLTON BASIN

REC'DTN NUMBER	STATE WELL NUMBER	OWNER	WELL TYPE	LOCAL DESIGNATION	YEAR CLOSED	CALENDAR YEAR EXTRACTIONS												
						1994	1995	1996	1997	1998	1999	2000	2001	2002	2003	2004	2005	AVG
3601691	01S05W-17G01S	WEST SAN BDNO COUNTY WATER DIST	W	#23 / FONTANA RNCH 3	1992	0	0	0	0	0	0	0	0	0	0	0	0	0
3601931	01N05W-17K02S	WEST SAN BDNO COUNTY WATER DIST	W	PL24FONTANA RNCH 4		452	581	368	473	475	475	475	475	475	475	475	470	470
3601993	01N05W-34B01S	RIALTO, CITY OF	W	#2 HIGHLAND		840	962	1,130	1,157	0	0	0	0	0	0	0	0	818
3602129	01N05W-30A	FONTANA UNION WATER COMPANY	W	36	1980	0	0	0	0	0	0	0	0	0	0	0	0	0
3602192	01S04W-28K02S	RIVERSIDE HIGHLAND WATER COMPANY	W	CR 4-A		466	171	208	633	142	142	142	142	142	142	142	324	324
3602208	01S04W-28D01S	RIVERSIDE, CITY OF	W	MILL		0	0	0	0	0	0	0	0	0	0	0	0	0
3602218	01S04W-29H03S	THERMO ECOTEK CORPORATION	W	COLTON	1981	316	715	343	0	0	0	0	0	0	0	0	0	275
3602227	01S04W-18G01S	LA SIERRA WATER COMPANY	W	15		392	822	199	0	0	0	0	0	0	0	0	0	283
3602228	01S04W-18F	LA SIERRA WATER COMPANY	W	17		425	701	682	1,260	2,152	1,044	1,044	1,044	1,044	1,044	1,044	1,044	1,044
3602253	01N05W-27D01S	RIALTO, CITY OF	W	#1 CEDAR		0	0	0	0	0	0	0	0	0	0	0	0	0
3602255	01S04W-27L01S	COLTON, CITY OF	W	KATZHOLLOW	1988	0	0	0	0	0	0	0	0	0	0	0	0	0
3602269	01S05W-03N02S	RIALTO, CITY OF	W	#7 FOOTHILL TUDOR		0	0	0	0	0	0	0	0	0	0	0	0	0
3602271	01S05W-03J01S	RIALTO, CITY OF	W	TUDOR	1966	0	0	0	0	0	0	0	0	0	0	0	0	0
3602356	01S04W-34H	JAMES SULLIVAN MUTUAL WATER COMPANY	W	5731		0	0	0	0	0	0	0	0	0	0	0	0	0
3602558	01N05W-34M01	RIALTO, CITY OF	W	#3 AIRPORT		674	1,419	1,270	944	1,572	1,176	1,176	1,176	1,176	1,176	1,176	1,176	1,176
3602881	01S04W-27L03S	COLTON, CITY OF	W	22		727	976	763	0	0	463	463	463	463	463	463	463	463
3603060	01N05W-29R15S	FONTANA UNION WATER COMPANY	W	#37		2,171	1,504	1,683	1,840	2,226	1,885	1,885	1,885	1,885	1,885	1,885	1,885	1,885
3603103	01S05W-02G01S	RIALTO, CITY OF	W	#6 ETIWANDA		488	946	894	1,350	77	751	751	751	751	751	751	751	751
3603255	01S04W-21L04S	RIVERSIDE, CITY OF	W	JOHNSON #4		0	0	0	0	0	0	0	0	0	0	0	0	0
3603367	01S04W-21K01S	COLTON, CITY OF	W	#23		2,049	1,925	2,918	1,791	1,497	2,036	2,036	2,036	2,036	2,036	2,036	2,036	2,036
3603676	01S05W-02E01S	RIALTO, CITY OF	W	#5 RIALTO		0	202	443	365	346	269	269	269	269	269	269	269	269
TOTALS FOR 68 WELLS						14,588	16,022	15,843	13,373	10,314	14,028	14,028	14,028	14,028	14,028	14,028	14,028	14,028

TABLE NO. 1
VERIFIED EXTRACTIONS BY OWNERS
WHICH HAVE RECORDATION FILINGS WITH
THE STATE WATER RESOURCES CONTROL BOARD

WESTERN - SAN BERNARDINO WATERMASTER

TABLE 1

VERIFIED EXTRACTIIONS - FILED
RIALTO COLTON BASIN

RECRD TN NUMBER	STATE WELL NUMBER	WELL TYPE	LOCAL DESIGNATION	BASE YEARS					CALENDAR YEAR EXTRACTIIONS						
				1959	1960	1961	1962	1963	AVG	1984	1985	1986	1987	1988	AVG
COLTON, CITY OF															
3601255	01S/O4W-188	W	9	101	101	106	135	103	109	0	0	0	0	0	0
3601261	01S/O4W-18F01S	W	17	761	880	752	394	474	652	1,159	992	978	1,311	681	1,024
3601259	01S/O4W-18G01S	W	15	1,064	781	787	377	455	693	1,074	994	981	739	746	907
3603367	01S/O4W-21K01S	W	#23						0	2,049	1,925	2,918	1,791	1,497	2,036
3602255	01S/O4W-27L01S	W	KATZ/HOLLOW	283	283	283	283	0	226	0	0	0	0	0	0
3602881	01S/O4W-27L03S	W	22						0	727	976	763	0	0	493
TOTALS FOR COLTON, CITY OF				2,209	2,045	1,928	1,189	1,032	1,681	5,009	4,887	5,640	3,841	2,924	4,480
FONTANA UNION WATER COMPANY															
3603060	01N/O5W-29R15S	W	#37						0	2,171	1,504	1,683	1,840	2,226	1,885
3602129	01N/O5W-30A	W	36	31	31	31	31	31	31	0	0	0	0	0	0
3600689	01S/O5W-04D01S	W	35	437	621	227	407	449	428	0	0	0	0	0	0
3600578	01S/O5W-05A02S	W	23	0	0	429	0	0	86	0	0	0	0	0	0
3600577	01S/O5W-05A03S	W	22	0	132	546	0	400	216	1,261	1,032	931	172	0	679
TOTALS FOR FONTANA UNION WATER COMPANY				468	784	1,233	438	880	761	3,432	2,536	2,614	2,012	2,226	2,564
HAYES, GEO. G.															
3601141	01S/O4W-18K01S	W	1	0	0	0	0	0	0	0	0	0	0	0	0
TOTALS FOR HAYES, GEO. G.				0	0	0	0	0	0	0	0	0	0	0	0
JAMES SULLIVAN MUTUAL WATER COMPANY															
3602366	01S/O4W-34H	W	5731	22	24	12	13	14	17	0	0	0	0	0	0
TOTALS FOR JAMES SULLIVAN MUTUAL WATER COMPANY				22	24	12	13	14	17	0	0	0	0	0	0
LA SIERRA WATER COMPANY															
3602228	01S/O4W-18F	W	17						0	392	822	199	0	0	283
3602227	01S/O4W-18G01S	W	15						0	316	715	343	0	0	275
TOTALS FOR LA SIERRA WATER COMPANY									0	708	1,537	542	0	0	557
LEDIG, ALFRED H															
3601383	01N/O5W-18D	D		0	0	0	0	0	0	0	0	0	0	0	0
TOTALS FOR LEDIG, ALFRED H				0	0	0	0	0	0	0	0	0	0	0	0

WESTERN - SAN BERNARDINO WATERMASTER
 TABLE 1
 VERIFIED EXTRACTIONS - FILED
 RIALTO COLTON BASIN

RECRD TN NUMBER	STATE WELL NUMBER	WELL TYPE	LOCAL DESIGNATION	BASE YEARS					AVG	CALENDAR YEAR EXTRACTIONS					AVG
				1959	1960	1961	1962	1963		1964	1965	1966	1967	1968	
MEEKS & DALEY WATER COMPANY															
3601510	01S04W-21N01S	W	36	2,168	23	465	1,185	339	586	344	362	484	88	373	
TOTALS FOR MEEKS & DALEY WATER COMPANY				2,168	23	465	1,185	339	586	344	362	484	88	373	
PATTERSON, JOHN A															
3600634	01S04W-17M01S	W	PATTERSON	137	0	0	0	0	0	0	0	0	0	0	
TOTALS FOR PATTERSON, JOHN A				137	0	0	0	0	0	0	0	0	0	0	
RECHE CANYON MUTUAL WATER COMPANY															
3302055	02S04W-11A01S	W	SMALL WELL					0	24	24	19	15	18	20	
3302054	02S04W-11A02S	W	BIG WELL					0	80	71	61	85	35	66	
3302326	02S04W-11A03S	W	7200					0	5	5	5	5	0	4	
TOTALS FOR RECHE CANYON MUTUAL WATER COMPANY								0	109	100	85	105	53	90	
RIALTO, CITY OF															
3602253	01N05W-27D01S	W	#1 CEDAR					0	425	701	682	1,260	2,152	1,044	
3601993	01N05W-34B01S	W	#2 HIGHLAND				723	600	840	962	1,130	1,157	0	818	
3602558	01N05W-34M01	W	#3 AIRPORT					0	674	1,419	1,270	944	1,572	1,176	
3603576	01S05W-02E01S	W	#5 RIALTO					0	0	202	443	355	346	269	
3603103	01S05W-02G01S	W	#6 ETIWANDA					0	488	946	894	1,350	77	751	
3601264	01S05W-03A01S	W	RIALTO #4 / DUNCAN	987	808	1,372	754	994	279	317	79	142	179	199	
3602271	01S05W-03J01S	W	TUDOR	160	160	160	160	160	0	0	0	0	0	0	
3602269	01S05W-03N02S	W	#7 FOOTHILL TUDOR	160	275	342	236	385	0	0	0	0	0	0	
TOTALS FOR RIALTO, CITY OF				1,147	1,243	1,874	1,873	2,139	1,655	2,706	4,547	4,498	5,208	4,326	4,257
RIVERSIDE HIGHLAND WATER COMPANY															
3601525	01S04W-28K01S	W	CR #4	211	126	367	280	163	0	0	0	0	0	0	
3602182	01S04W-28K02S	W	CR 4-A						0	0	0	0	0	0	
TOTALS FOR RIVERSIDE HIGHLAND WATER COMPANY				211	126	367	280	163	0	0	0	0	0	0	0
RIVERSIDE, CITY OF															
3601481	01S04W-21L01S	W	VAUGHN 1	39	136	1,378	498	553	529	0	0	0	0	0	
3603255	01S04W-21L04S	W	JOHNSON #4						0	0	0	0	0	0	
3601486	01S04W-21P	D	WARM CR	0	0	0	0	0	0	0	0	0	0	0	
3601494	01S04W-21P01S	W	JOHNSON 2	0	0	0	0	0	0	0	0	0	0	0	

WESTERN - SAN BERNARDINO WATERMASTER

TABLE 1
VERIFIED EXTRACTIONS - FILED
RIALTO COLTON BASIN

RECRD TN NUMBER	STATE WELL NUMBER	WELL TYPE	LOCAL DESIGNATION	BASE YEARS							CALENDAR YEAR EXTRACTIONS						
				1989	1990	1991	1992	1993	AVG	1994	1995	1996	1997	1998	AVG		
3601485	01S/O4W-21Q01S	W	JOHNSON 3	0	0	0	0	0	0	0	0	0	0	0	0	0	
3601480	01S/O4W-21Q03S	W	JOHNSON 1	2,183	1,569	1,569	963	789	1,415	0	0	0	0	0	0	0	
3601482	01S/O4W-28C01S	W	MEEKS 1	649	461	539	374	425	490	0	0	0	0	0	0	0	
3602208	01S/O4W-28D01S	W	MILL						0	466	171	208	633	142	324		
TOTALS FOR RIVERSIDE, CITY OF				2,871	2,165	3,486	1,835	1,807	2,433	466	171	208	633	142	324		
SOUTHERN CALIFORNIA EDISON																	
3601008	01S/O5W-12A	W	1 AC #58	199	200	215	200	200	203	18	18	0	0	2	2	8	
TOTALS FOR SOUTHERN CALIFORNIA EDISON				199	200	215	200	200	203	18	18	0	0	0	2	2	8
TAYLOR, JOHN S																	
3600867	01N/O5W-07P	W	TAYLOR 1	0	0	0	0	0	0	0	0	0	0	0	0	0	
3600868	01N/O5W-07P	D		0	0	0	0	0	0	0	0	0	0	0	0	0	
TOTALS FOR TAYLOR, JOHN S				0	0	0	0	0	0	0	0	0	0	0	0	0	
THERMO ECOTEK CORPORATION																	
3602218	01S/O4W-29H03S	W	COLTON	8	8	7	8	8	8	0	0	0	0	0	0	0	
3601010	01S/O5W-12A	W	2	0	0	0	0	0	0	0	0	0	0	0	0	0	
TOTALS FOR THERMO ECOTEK CORPORATION				8	8	7	8	8	8	0	0	0	0	0	0	0	0
VILLELLI ENTERPRISES																	
3601550	01S/O4W-28A05S	W	3	193	147	172	75	2	118	0	0	0	0	0	0	0	
3601548	01S/O4W-28G01S	W	1	246	171	209	105	41	154	0	0	0	0	0	0	0	
TOTALS FOR VILLELLI ENTERPRISES				439	318	381	180	43	272	0	0	0	0	0	0	0	0
WEST SAN BDNO COUNTY WATER DIST																	
3601691	01N/O5W-17G01S	W	#23 / FONTANA RNCH 3	116	43	15	54	15	49	0	0	0	0	0	0	0	
3601689	01N/O5W-17K01S	W	#21 / FONTANA RNCH 1	3	0	0	1	0	1	0	0	0	0	0	0	0	
3601931	01N/O5W-17K02S	W	PL24/FONTANA RNCH 4	84	115	95	132	85	85	452	581	368	473	475	470		
3601690	01N/O5W-28J01S	W	#22 / FONTANA RNCH 2	0	0	0	0	0	0	0	0	0	0	0	0	0	
3600309	01S/O5W-02C01S	W	PLANT NO 10	1,222	1,032	837	763	825	936	0	0	0	0	0	0	0	
3600311	01S/O5W-02K01S	W	PLANT NO 11 / WILLOW	0	1,096	1,123	563	1,042	765	206	318	513	12	50	220		
3601001	01S/O5W-12L01S	W	PLANT NO 16 / BOYD	1,418	1,145	1,453	1,089	627	1,146	896	983	1,013	605	28	705		
3600995	01S/O5W-12N01S	W	PLANT NO 17	476	795	630	475	128	501	0	0	0	0	0	0		

WESTERN - SAN BERNARDINO WATERMASTER

TABLE 1

VERIFIED EXTRACTIONS - FILED
RIALTO COLTON BASIN

RECRD TN NUMBER	STATE WELL NUMBER	WELL TYPE	LOCAL DESIGNATION	BASE YEARS					AVG	CALENDAR YEAR EXTRACTIONS					AVG	
				1959	1960	1961	1962	1963		1994	1995	1996	1997	1998		
TOTALS FOR WEST SAN BDNO COUNTY WATER DIST				3,235	4,195	4,173	3,040	2,769	3,482	14,588	1,554	1,882	1,894	1,090	553	1,396
TOTALS FOR 64 WELLS				13,114	11,131	14,131	10,241	9,394	11,602	14,588	16,022	15,843	13,373	10,314	14,028	

TABLE NO. 2
VERIFIED EXTRACTIONS BY OWNERS
WHICH HAVE NOT FILED
WITH THE STATE WATER RESOURCES CONTROL BOARD

WESTERN MUNICIPAL WATER DISTRICT
 TABLE 2
 VERIFIED EXTRACTIONS - NON-FILED
 RIAL TO COLTON BASIN

RECRD TN NUMBER	STATE WELL NUMBER	WELL TYPE	LOCAL DESIGNATION	BASE YEARS					AVG	CALENDAR YEAR EXTRACTIONS					
				1959	1960	1961	1962	1963		1964	1965	1966	1967	1968	AVG
VILLELLI ENTERPRISES															
0000201	01S/O4W-28G	W	4	0	0	0	0	0	0	0	0	0	0	0	0
TOTALS FOR VILLELLI ENTERPRISES				0	0	0	0	0	0	0	0	0	0	0	0
VILLELLI ENTERPRISES															
0000202	01S/O4W-28G	W	#5 DOMESTIC	0	0	0	0	0	0	0	0	0	0	0	0
TOTALS FOR VILLELLI ENTERPRISES				0	0	0	0	0	0	0	0	0	0	0	0
SEQUOIA COUNTRY CLUB															
0000203	01S/O4W-07C01S	W	EDMUNDS	0	0	215	215	215	215	0	0	0	0	0	0
TOTALS FOR SEQUOIA COUNTRY CLUB				0	0	215	215	215	215	129	129	0	0	0	0
PERRY AND SONS															
0000204	01N/O5W-29P	W		0	0	0	0	0	0	0	0	0	0	0	0
TOTALS FOR PERRY AND SONS				0	0	0	0	0	0	0	0	0	0	0	0
TOTALS FOR 4 WELLS				0	0	215	215	215	215	129	129	0	0	0	0

TABLE NO. 3
SUMMARY OF VERIFIED EXTRACTIONS
(FILED AND NON-FILED)
FROM COLTON BASIN AREA

WESTERN - SAN BERNARDINO WATERMASTER
TABLE 3

VERIFIED EXTRACTION, SUMMARY - FILED AND NONFILED
RIALTO COLTON BASIN

	BASE YEARS										CALENDAR YEAR EXTRACTIONS					AVG	
	1959	1960	1961	1962	1963	1963	1963	1963	1963	1963	1963	1994	1995	1996	1997		1998
COLTON, CITY OF	2,209	2,045	1,926	1,189	1,032	1,681	1,681	1,681	1,681	1,681	1,681	5,009	4,887	5,640	3,841	2,924	4,460
FONTANA UNION WATER COMPANY	468	784	1,233	438	880	761	761	761	761	761	761	3,432	2,536	2,614	2,012	2,226	2,564
HAYES, GEO. G.	0	0	0	0	0	0	0	0	0	0	0	0	0	0	0	0	0
JAMES SULLIVAN MUTUAL WATER COMPANY	22	24	12	13	14	17	17	17	17	17	17	708	1,537	542	0	0	557
LA SIERRA WATER COMPANY	0	0	0	0	0	0	0	0	0	0	0	0	0	0	0	0	0
LEDIG, ALFRED H	2,168	23	465	1,185	339	836	836	836	836	836	836	586	344	362	484	88	373
MEEKS & DALEY WATER COMPANY	137	0	0	0	0	27	27	27	27	27	27	0	0	0	0	0	0
PATTERSON, JOHN A	0	0	0	0	0	0	0	0	0	0	0	0	0	0	0	0	0
PERRY AND SONS	0	0	0	0	0	0	0	0	0	0	0	0	0	0	0	0	0
PERCHE CANYON MUTUAL WATER COMPANY	1,147	1,243	1,874	1,873	2,139	1,655	1,655	1,655	1,655	1,655	1,655	2,706	4,547	4,498	5,208	4,326	4,257
RIALTO, CITY OF	211	126	357	280	163	227	227	227	227	227	227	0	0	0	0	0	0
RIVERSIDE HIGHLAND WATER COMPANY	2,871	2,165	3,486	1,835	1,807	2,433	2,433	2,433	2,433	2,433	2,433	466	171	208	633	142	324
RIVERSIDE, CITY OF	0	0	215	215	215	129	129	129	129	129	129	0	0	0	0	0	0
SEQUOIA COUNTRY CLUB	199	200	215	200	200	203	203	203	203	203	203	18	18	0	0	2	8
SOUTHERN CALIFORNIA EDISON	0	0	0	0	0	0	0	0	0	0	0	0	0	0	0	0	0
TAYLOR, JOHN S	8	8	7	8	8	8	8	8	8	8	8	0	0	0	0	0	0
THERMO ECOTEK CORPORATION	439	318	381	180	43	272	272	272	272	272	272	0	0	0	0	0	0
VILLELLI ENTERPRISES	3,235	4,195	4,173	3,040	2,769	3,482	3,482	3,482	3,482	3,482	3,482	1,554	1,882	1,994	1,090	553	1,395
WEST SAN BDN CO COUNTY WATER DIST	13,114	11,131	14,346	10,456	9,609	11,731	11,731	11,731	11,731	11,731	11,731	14,588	16,022	15,843	13,373	10,314	14,028
TOTALS FOR ALL WELLS																	

TABLE NO. 4

GROUNDWATER EXTRACTIONS BY RIVERSIDE COUNTY ENTITIES
FROM COLTON BASIN AREA
FOR USE IN RIVERSIDE & SAN BERNARDINO COUNTIES
DURING THE 5-YEAR BASE PERIOD 1959 THROUGH 1963
AND CALENDAR YEARS 1976 THROUGH THE CURRENT YEAR

TABLE NO. 4

GROUNDWATER EXTRACTIONS BY RIVERSIDE COUNTY ENTITIES FROM COLTON BASIN AREA FOR USE IN RIVERSIDE AND SAN BERNARDINO COUNTIES DURING THE FIVE-YEAR BASE PERIOD 1959 THROUGH 1963 AND CALENDAR YEARS 1976 THROUGH THE CURRENT YEAR

Sheet 1 of 6

CLASSIFIED ACCORDING TO SERVICE AREA
(Quantities in Acre Feet)

EXTRACTIONS FROM THE COLTON BASIN AREA FOR USE WITHIN AND EXPORT THEREFROM

PLAINTIFFS	1959		1960		1961		1962		1963		5-Year Average							
	Total Extract	Del. in S.B. Co. Riv. Co.	Total Extract	Del. in S.B. Co. Riv. Co.	Total Extract	Del. in S.B. Co. Riv. Co.	Total Extract	Del. in S.B. Co. Riv. Co.	Total Extract	Del. in S.B. Co. Riv. Co.	Total Extract	Del. in S.B. Co. Riv. Co.						
CITY OF RIVERSIDE Dom & Irrig.	2,871	41	2,830	2,165	28	2,137	3,486	0	3,486	1,835	0	1,835	1,807	7	1,800	2,433	15	2,418
MEEKS & DALEY WATER CO	2,168	88	2,080	23	1	22	465	18	447	1,185	57	1,128	339	13	326	836	35	801
RIVERSIDE HIGHLAND WATER CO.	211	50	161	126	27	99	357	107	250	280	96	184	163	47	116	227	65	162
TOTALS	5,250	179	5,071	2,314	56	2,258	4,308	125	4,183	3,300	153	3,147	2,309	67	2,242	3,496	115	3,381

Total Extract -- TOTAL EXTRACTIONS.
Del in S.B. Co. -- DELIVERY WITHIN SAN BERNARDINO COUNTY.
Del. in Riv. Co. -- DELIVERY WITHIN RIVERSIDE COUNTY.

See Report of the Watermaster, Volume 5, Distribution of Extractions, Chapter I, Table No. 37.
Same as Table 39-A, Volume 5.

TABLE NO. 4

GROUNDWATER EXTRACTIONS BY RIVERSIDE COUNTY ENTITIES FROM COLTON BASIN AREA FOR USE IN RIVERSIDE AND SAN BERNARDINO COUNTIES DURING THE FIVE-YEAR BASE PERIOD 1959 THROUGH 1963 AND CALENDAR YEARS 1976 THROUGH THE CURRENT YEAR

CLASSIFIED ACCORDING TO SERVICE AREA
(Quantities in Acre Feet)

EXTRACTIONS FROM COLTON BASIN AREA FOR USE WITHIN AND EXPORT THEREFROM

PLAINTIFFS	1976		1977		1978		1979		1980						
	Total Del. in S.B. Co.	Del. in Riv. Co.	Total Del. in S.B. Co.	Del. in Riv. Co.	Total Del. in S.B. Co.	Del. in Riv. Co.	Total Del. in S.B. Co.	Del. in Riv. Co.	Total Del. in S.B. Co.	Del. in Riv. Co.					
CITY OF RIVERSIDE Dom & Irrig.	853	0	853	0	295	0	295	464	0	464	5	0	0	0	
MEEKS & DALEY WATER CO	1,860	105	1,755	125	2,018	1,893	422	78	344	1,698	104	1,594	0	0	
RIVERSIDE HIGHLAND WATER CO.	170	165	5	332	332	10	270	260	10	191	184	7	0	0	
RECHE CANYON MUTUAL WATER CO.	70	0	70	71	71	0	77	0	77	76	0	76	71	0	
TOTALS	2,953	270	2,683	447	2,716	2,269	1,233	338	895	1,970	288	1,682	71	0	71

Total Extract -- TOTAL EXTRACTIONS.
Del in S.B. Co. -- DELIVERY WITHIN SAN BERNARDINO COUNTY.
Del. in Riv. Co. -- DELIVERY WITHIN RIVERSIDE COUNTY.

See Report of the Watermaster, Volume 5, Distribution of Extractions, Chapter I, Table No. 37.
Same as Table 39A, Volume 5.

TABLE NO. 4

GROUNDWATER EXTRACTIONS BY RIVERSIDE COUNTY ENTITIES FROM COLTON BASIN AREA FOR USE IN RIVERSIDE AND SAN BERNARDINO COUNTIES DURING THE FIVE-YEAR BASE PERIOD 1959 THROUGH 1963 AND CALENDAR YEARS 1976 THROUGH THE CURRENT YEAR

CLASSIFIED ACCORDING TO SERVICE AREA
(Quantities in Acre Feet)

EXTRACTIONS FROM COLTON BASIN AREA FOR USE WITHIN AND EXPORT THEREFROM

PLAINTIFFS	1981		1982		1983		1984		1985	
	Total Del. in S.B. Co.	Del. in Riv. Co.	Total Del. in S.B. Co.	Del. in Riv. Co.	Total Del. in S.B. Co.	Del. in Riv. Co.	Total Del. in S.B. Co.	Del. in Riv. Co.	Total Del. in S.B. Co.	Del. in Riv. Co.
CITY OF RIVERSIDE Dom & Irrig.	77	0	57	0	0	0	0	0	695	0
MEEKS & DALEY WATER CO	0	0	910	68	50	37	1,383	126	1,554	112
RIVERSIDE HIGHLAND WATER CO.	0	0	0	0	0	0	83	80	675	651
RECHE CANYON MUTUAL WATER CO.	96	0	82	0	82	0	80	0	83	0
TOTALS	173	0	1,049	68	132	37	1,546	206	3,007	763

Total Extract -- TOTAL EXTRACTIONS.
Del in S.B. Co. -- DELIVERY WITHIN SAN BERNARDINO COUNTY.
Del. in Riv. Co. -- DELIVERY WITHIN RIVERSIDE COUNTY.

See Report of the Watermaster, Volume 5, Distribution of Extractions, Chapter I, Table No. 37.
Same as Table 39A, Volume 5.

TABLE NO. 4

GROUNDWATER EXTRACTIONS BY RIVERSIDE COUNTY ENTITIES FROM COLTON BASIN AREA FOR USE IN RIVERSIDE AND SAN BERNARDINO COUNTIES DURING THE FIVE-YEAR BASE PERIOD 1959 THROUGH 1963 AND CALENDAR YEARS 1976 THROUGH THE CURRENT YEAR

CLASSIFIED ACCORDING TO SERVICE AREA
(Quantities in Acres Feet)

EXTRACTIONS FROM COLTON BASIN AREA FOR USE WITHIN AND EXPORT THEREFROM

PLAINTIFFS	1991			1992			1993			1994			1995		
	Total Extract	Del. in S.B. Co.	Del. in Riv. Co.	Total Extract	Del. in S.B. Co.	Del. in Riv. Co.	Total Extract	Del. in S.B. Co.	Del. in Riv. Co.	Total Extract	Del. in S.B. Co.	Del. in Riv. Co.	Total Extract	Del. in S.B. Co.	Del. in Riv. Co.
CITY OF RIVERSIDE Dom & Irrig.	428	0	428	307	0	307	311	0	311	466	0	466	171	0	171
MEEKS & DALEY WATER CO	1,530	204	1,326	1,209	176	1,033	0	0	0	586	95	491	344	126	218
RIVERSIDE HIGHLAND WATER CO.	4	2	2	91	51	40	0	0	0	0	0	0	0	0	0
RECHE CANYON MUTUAL WATER CO.	79	0	79	75	0	75	85	0	85	109	0	109	100	0	100
TOTALS	2,041	206	1,835	1,682	227	1,455	396	0	396	1,161	95	1,066	615	126	489

Total Extract -- TOTAL EXTRACTIONS.
Del in S.B. Co. -- DELIVERY WITHIN SAN BERNARDINO COUNTY.
Del. in Riv. Co. -- DELIVERY WITHIN RIVERSIDE COUNTY.

See Report of the Watermaster, Volume 5, Distribution of Extractions, Chapter I, Table No. 37.
Same as Table 39A, Volume 5.

TABLE NO. 4

GROUNDWATER EXTRACTIONS BY RIVERSIDE COUNTY ENTITIES FROM COLTON BASIN AREA FOR USE IN RIVERSIDE AND SAN BERNARDINO COUNTIES DURING THE FIVE-YEAR BASE PERIOD 1959 THROUGH 1963 AND CALENDAR YEARS 1976 THROUGH THE CURRENT YEAR

CLASSIFIED ACCORDING TO SERVICE AREA
(Quantities in Acre Feet)

EXTRACTIONS FROM COLTON BASIN AREA FOR USE WITHIN AND EXPORT THEREFROM

PLAINTIFFS	1986		1987		1988		1989		1990	
	Total Del. in S.B. Co.	Del. in Riv. Co.	Total Del. in S.B. Co.	Del. in Riv. Co.	Total Del. in S.B. Co.	Del. in Riv. Co.	Total Del. in S.B. Co.	Del. in Riv. Co.	Total Del. in S.B. Co.	Del. in Riv. Co.
CITY OF RIVERSIDE Dom & Irrig.	0	0	0	0	0	0	519	0	131	131
MEEKS & DALEY WATER CO	1,575	93	1,560	113	1,754	150	1,538	157	1,691	306
RIVERSIDE HIGHLAND WATER CO.	721	691	471	451	256	242	158	142	109	62
RECHE CANYON MUTUAL WATER CO.	88	0	90	0	89	0	89	0	89	89
TOTALS	2,384	784	2,121	564	2,099	392	2,304	299	2,020	368

Total Extract -- TOTAL EXTRACTIONS.
Del in S.B. Co. -- DELIVERY WITHIN SAN BERNARDINO COUNTY.
Del. in Riv. Co. -- DELIVERY WITHIN RIVERSIDE COUNTY.

See Report of the Watermaster, Volume 5, Distribution of Extractions, Chapter I, Table No. 37.
Same as Table 39A, Volume 5.

TABLE NO. 4

GROUNDWATER EXTRACTONS BY RIVERSIDE COUNTY ENTITIES FROM COLTON BASIN AREA FOR USE IN RIVERSIDE AND SAN BERNARDINO COUNTIES DURING THE FIVE-YEAR BASE PERIOD 1959 THROUGH 1963 AND CALENDAR YEARS 1976 THROUGH THE CURRENT YEAR

CLASSIFIED ACCORDING TO SERVICE AREA
(Quantities in Acre Feet)

EXTRACTONS FROM COLTON BASIN AREA FOR USE WITHIN AND EXPORT THEREFROM

PLAINTIFFS	1996		1997		1998		1999		2000		
	Total Extract S.B. Co.	Del. in Riv. Co.	Total Extract S.B. Co.	Del. in Riv. Co.	Total Extract S.B. Co.	Del. in Riv. Co.	Total Extract S.B. Co.	Del. in Riv. Co.	Total Extract S.B. Co.	Del. in Riv. Co.	
CITY OF RIVERSIDE Dom & Irrig.	208	0	208	0	633	0	633	0	142	0	142
MEEKS & DALEY WATER CO	362	78	284	81	403	403	88	32	56	56	56
RIVERSIDE HIGHLAND WATER CO.	0	0	0	0	0	0	0	0	0	0	0
RECHE CANYON MUTUAL WATER CO.	85	0	85	0	105	0	105	0	53	0	53
TOTALS	655	78	577	81	1,141	81	1,141	32	283	32	251

Total Extract -- TOTAL EXTRACTONS.
Del in S.B. Co. -- DELIVERY WITHIN SAN BERNARDINO COUNTY.
Del. in Riv. Co. -- DELIVERY WITHIN RIVERSIDE COUNTY.

See Report of the Watermaster, Volume 5, Distribution of Extractions, Chapter I, Table No. 37.
Same as Table 39A, Volume 5.

TABLE NO. 5

GROUNDWATER EXTRACTIONS FROM COLTON BASIN AREA
BY SAN BERNARDINO COUNTY ENTITIES
FOR USE IN SAN BERNARDINO COUNTY
DURING THE 5-YEAR BASE PERIOD 1959 THROUGH 1963
AND CALENDAR YEARS 1971 THROUGH THE CURRENT YEAR

TABLE NO. 5

GROUNDWATER EXTRACTIONS FROM COLTON BASIN AREA
BY SAN BERNARDINO COUNTY ENTITIES FOR USE IN SAN BERNARDINO COUNTY
DURING THE 5-YEAR BASE PERIOD 1959 THROUGH 1963
AND CALENDAR YEARS 1971 THROUGH THE CURRENT YEAR

(All Quantities in Acre Feet)

Verified Extractions from Colton Basin Area

Calendar Year	Total Production from the Basin	Produced by Riverside Co. Entities	Accumulated Riverside Co. Entities	Produced by San Bernardino Co. Entities
	(1)	(2)		(3) = (1) - (2)
1959	13,114	5,250		7,864
1960	11,131	2,314		8,817
1961	14,346	4,308		10,038
1962	10,456	3,300		7,156
1963	9,609	2,309		7,300
Total	58,656	17,481		41,175
5-Year Avg.	11,731	3,496		8,235
1971	11,388	3,025	3,025	8,363
1972	10,414	2,882	5,907	7,532
1973	7,844	862	6,769	6,982
1974	8,906	1,737	8,506	7,169
1975	11,083	4,262	12,768	6,821
1976	11,558	2,953	15,721	8,605
1977	8,777	2,716	18,437	6,061
1978	7,663	1,233	19,670	6,430
1979	7,194	1,970	21,640	5,224
1980	5,681	71	21,711	5,610
1981	6,348	173	21,884	6,175
1982	6,499	1,049	22,933	5,450
1983	4,735	132	23,065	4,603
1984	8,987	1,546	24,611	7,441
1985	10,149	3,007	27,618	7,142
1986	10,035	2,384	30,002	7,651
1987	13,175	2,121	32,123	11,054
1988	13,552	2,099	34,222	11,453
1989	14,103	2,304	36,526	11,799
1990	17,571	2,020	38,546	15,551
1991	14,323	2,041	40,587	12,282
1992	16,750	1,682	42,269	15,068
1993	14,977	396	42,665	14,581
1994	14,588	1,161	43,826	13,427
1995	16,022 *	615	44,441	15,407 *
1996	15,843	655	45,096	15,188
1997	13,373 **	1,222	46,318	12,151
1998	10,314	283	46,601	10,031
1999				
2000				

From Table 39, Volume 5, Lines 3, 2, 1.

Data for Column 1 is from Table 3; Column 2 is from Total Extractions Table 4.

* Corrected during 1996 Verification.

** Corrected during 1998 Verification.

VOLUME 3-1998

WESTERN - SAN BERNARDINO WATERMASTER

FOR

WESTERN MUNICIPAL WATER DISTRICT et al.

vs.

EAST SAN BERNARDINO COUNTY WATER DISTRICT et al.

CASE NO. 78426 - COUNTY OF RIVERSIDE

VOLUME 3 - 1998

VERIFIED EXTRACTIONS FROM THE

RIVERSIDE BASIN AREA WITHIN

SAN BERNARDINO COUNTY

FOR

CALENDAR YEARS 1959-1963 & 1994-1998

ANNUAL ACCOUNTING
FOR INDIVIDUAL WELLS

August 1, 2000

WATERMASTER

Donald L. Harriger

Robert L. Reiter

REPORT OF WATERMASTER

Western Municipal Water District of Riverside County, et al
Plaintiffs

vs.

East San Bernardino County Water District, et al
Defendants

Superior Court of Riverside County

Case No. 78426

Volume 3 - 1998

VERIFIED EXTRACTIONS FROM
RIVERSIDE BASIN AREA WITHIN
SAN BERNARDINO COUNTY
FOR
CALENDAR YEARS 1959-1963 AND 1994-1998

ANNUAL ACCOUNTING
FOR INDIVIDUAL WELLS

AUGUST 1, 2000

WATERMASTER
Donald L. Harriger
Robert L. Reiter

VOLUME 3 - 1998

TABLE OF CONTENTS

	<u>Page</u>
INTRODUCTION	i
RIVERSIDE BASIN AREA IN SAN BERNARDINO COUNTY CROSS INDEX BY OWNER	1
RIVERSIDE BASIN AREA IN SAN BERNARDINO COUNTY CROSS INDEX BY STATE WELL NUMBER	4
RIVERSIDE BASIN AREA IN SAN BERNARDINO COUNTY CROSS INDEX BY RECORDATION NUMBER	7
 <u>TABLE NO. 1</u>	
VERIFIED EXTRACTIONS BY OWNERS WHICH HAVE RECORDATION FILINGS WITH THE STATE WATER RESOURCES CONTROL BOARD	10
 <u>TABLE NO. 2</u>	
VERIFIED EXTRACTIONS BY OWNERS WHICH HAVE NOT FILED WITH THE STATE WATER RESOURCES CONTROL BOARD	15
 <u>TABLE NO. 3</u>	
SUMMARY OF VERIFIED EXTRACTIONS (FILED AND NON-FILED) FROM RIVERSIDE BASIN AREA WITHIN SAN BERNARDINO COUNTY	16
 <u>TABLE NO. 4</u>	
GROUNDWATER PRODUCTION FROM THAT PART OF THE RIVERSIDE GROUNDWATER BASIN SITUATED WITHIN SAN BERNARDINO COUNTY BY RIVERSIDE COUNTY ENTITIES, A PART OF WHICH IS USED IN SAN BERNARDINO COUNTY AND THE REMAINDER EXPORTED TO RIVERSIDE COUNTY DURING THE 5-YEAR BASE PERIOD ENDING IN 1963 AND FOR FOLLOWING CALENDAR YEARS 1976 THROUGH THE CURRENT YEAR	18
 <u>TABLE NO. 5</u>	
GROUNDWATER PRODUCTION FROM THAT PART OF THE RIVERSIDE GROUNDWATER BASIN SITUATED WITHIN SAN BERNARDINO COUNTY BY SAN BERNARDINO COUNTY ENTITIES FOR USE IN SAN BERNARDINO COUNTY DURING THE 5-YEAR BASE PERIOD ENDING IN 1963 AND FOR FOLLOWING CALENDAR YEARS 1971 THROUGH THE CURRENT YEAR	23

VOLUME 3 - 1998

VERIFIED EXTRACTIONS FROM
THE RIVERSIDE BASIN AREA
WITHIN SAN BERNARDINO COUNTY FOR
CALENDAR YEAR 1959-1963 & 1994-1998

INTRODUCTION

The provisions of Paragraphs VIII(a) and VIII(b) of the judgment in Case No. 78426 entered April 17, 1969, entitled "Extractions from Colton Basin Area and Riverside Basin Area in San Bernardino County" provide as follows:

- VIII(a) "The average annual extractions from the Colton Basin and that portion of the Riverside Basin Area within San Bernardino County, for use outside San Bernardino Valley, for the five-year period ending with 1963 are assumed to be 3,349 acre-feet and 20,191 acre-feet, respectively; the correct figures shall be determined by the Watermaster as herein provided".
- VIII(b) "Over any five-year period, there may be extracted from over such Basin Area and for use outside San Bernardino Valley, without replenishment obligation, an amount equal to five times such annual average for the Basin Area; provided, however, that if extractions in any year exceed such average by more than 20 percent, Western shall provide replenishment in the following year equal to the excess extractions over such 20 percent peaking allowance."

Compliance with these provisions of the Judgment requires that an accounting of the total actual extractions of surface and groundwater from the Colton Basin Area and the Riverside Basin Area within San Bernardino County be made annually. Included in this Volume 3-1998 is the verified accounting of the production from the Riverside Basin Area in San Bernardino County by owners for the calendar years 1994 through 1998.

The verified production for the five-year period ending with 1963 and the five-year average is also included for comparison.

The five-year average production from the Riverside Basin Area within San Bernardino County ending in 1963 was verified to be 33,729 acre-feet.

Three indexes are included which provide a cross index by owner's name, State Well Number and State Water Resources Control Board Well Recordation number. In addition, each index shows the local designation of each well, if the State has closed the file, which year that occurred, and the last 5 years verified extractions.

Tables No. 1 and No. 2 in this report list the individual wells by the owner for each year in the five year base period ending in 1963, the five year base period average, the extractions for the years 1994 through 1998, the five year average for that period and the owner's total annual verified extractions. Table No. 1 lists the wells upon which filings have been made with the State Water Resources Control Board, and Table No. 2 lists the wells upon which no filings have been made. Table No. 3 is a summary of the verified extractions, by owner, as presented in Tables No. 1 and No. 2.

Paragraph VIII(a) of the Judgment requires that only those extractions from the Riverside Basin Area in San Bernardino Valley be verified for the five calendar years ending with 1963 and accounted for annually from and after January 1, 1971. Accordingly, those extractions from the Riverside Basin Area in San Bernardino County by Riverside County entities for the five calendar years ending with 1963 have been determined and are set forth in Table No. 4. Such extractions averaged 24,120 acre-feet for said five year period, of which 21,085 acre-feet were delivered outside San Bernardino Valley.

Table No. 4 also shows the extractions from the Riverside Basin Area in San Bernardino County by the Riverside County entities for the 1959-63 base period and 1976 through the current year.

The verified extractions from the Riverside Basin Area in San Bernardino County for calendar years 1975 through the present year have been determined to be as follows:

<u>Year</u>	<u>Verified Extractions</u>
1975	22,701 A.F.
1976	24,705 A.F.
1977	23,506 A.F.
1978	17,216 A.F.
1979	20,024 A.F.
1980	18,533 A.F.
1981	23,611 A.F.
1982	17,349 A.F.
1983	11,904 A.F.
1984	17,161 A.F.
1985	19,392 A.F.
1986	17,337 A.F.
1987	15,803 A.F. *
1988	16,933 A.F. **
1989	25,557 A.F.
1990	26,371 A.F.
1991	28,011 A.F.
1992	21,959 A.F. ***
1993	21,866 A.F.
1994	19,661 A.F.
1995	23,865 A.F. ****
1996	26,698 A.F. *****
1997	30,284 A.F. *****
1998	33,116 A.F.

The verified extractions by Riverside entities for 1998 have been determined to be 11,004 acre-feet, of which 9,680 acre-feet were delivered outside San Bernardino County as shown in Table No.4, Page 22 A.

Table No. 5 shows the verified extractions from the Riverside Basin Area in San Bernardino County by the San Bernardino County entities during the five year period 1959 through 1963 and the calendar years 1971 through the current year.

- * Corrected during 1988 verification (Holiday Sand & Gravel).
- ** Corrected during 1989 verification (Owl Service Rock).
- *** Corrected during 1993 verification (Owl Service Rock).
- **** Corrected during 1996 verification (Colton #24 and Kleckler).
- ***** Corrected during 1998 verification (RIX and Corridor Land Co.).

ERRATA

Volume 3, Riverside North Basin

During the 1998 verification (June 2000) the following changes and corrections were made to the report.

Major corrections were made to the RIX Over-Extraction (0000306) values. Conversion from MG to AF error was corrected.

Corridor Land Company Well 3604004 "Riverbottom" was deleted from our records as a duplicate filing of 3604005 "Holly". This dummy recordation number was replace by 3603651

During the 1997 verification (June 1999) no changes or corrections were made to the report.

During the 1996 verification (June 1998) the following changes and corrections were made to the report.

Colton Well #24 was reassigned from the Rialto Colton Basin to the Riverside North Basin. 169 AF increase for 1995

Kleckler (0000019) production was not entered into the computer during 1995 verification. Increase of 45 AF for 1995.

During the 1995 verification (June 1997) no changes or corrections were made to the report.

During the 1994 verification (June 1996) no changes or corrections were made to the report.

During the 1993 verification (May 1995) the following changes and corrections were made to the report:

Service Rock (Owl Resources, 3600910, 1S5W35G02S) production for 1992 was adjusted from 54 AF to 12 AF (-42AF) using power records and a back calculated KWH/AF.

During the 1991 verification (May 1993) the following changes and corrections were made to the report:

Holliday Trucking (3603261, 1S5W25M04S) Colton #2 well was added to the program.

During the 1990 verification (June 1992) the following changes and corrections were made to the report:

" " (blanks) and "FC" production amounts that were shown in the 1989 report were replaced by zero, "0", for Roquet (3601422, 1423, 1424) and Madison (3601722, 2114).

During the 1989 verification (June 1991) the following changes and corrections were made to the report:

Backfiled late correction for Owl Service Rock (3600910). Corrected from 5 AF to 56 AF (net 51 AF increase). Well has been re-equipped.

Table No. 4 for 1988 figure for C of R has been corrected

During the 1988 verification (June 1990) the following changes and corrections were made to the report:

Ward Duck Company (0000012) is now known as Woodland Farms.

City of Colton has taken over James Sullivan Mutual Water Co. I did not get an official name change for 3602357.

Inter-County Water was taken over by West San Bernardino County Water District in March of 1987 and a system intertie was installed. They will abandoned the well (3301347) shortly. Presently this makes WSBCWD an exporter from the upper basin.

Lopez bought the Seinturier Well (3602028) from California Portland Cement Co.

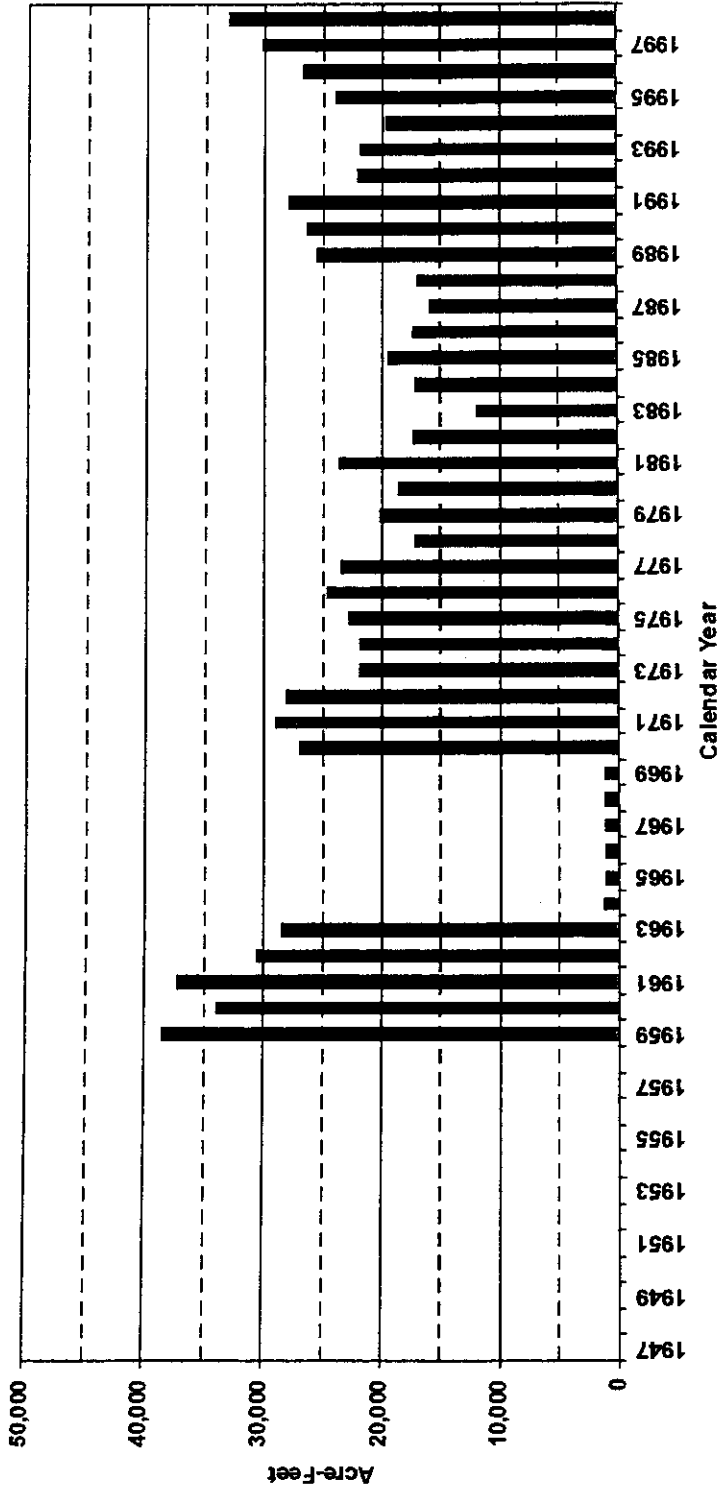
Minter, Beverly bought Elmer Dunn Ranch (0000008).

Holiday Sand and Gravel (3600627) back filing on 40 AF for CY 1987.

Production Graph - Verified Data - Single Basin

Basin: Riverside North

Y Axis Settings: Max Major Grid Minor Grid



RIVERSIDE BASIN AREA
IN SAN BERNARDINO COUNTY
CROSS INDEX BY OWNER

WESTERN - SAN BERNARDINO WATERMASTER
 VERIFIED PRODUCTION DATA
 CROSS INDEX BY OWNER
 RIVERSIDE NORTH BASIN

OWNER	WELL TYPE	RECRD TN NUMBER	STATE WELL NUMBER	LOCAL DESIGNATION	YEAR CLOSED	-----CALENDAR YEAR EXTRACTIIONS-----					
						1994	1995	1996	1997	1998	AVG
ALLEE RANCH	W	3601891	01S/05W-36F		1977	0	0	0	0	0	0
ALLEE RANCH	W	3601892	01S/05W-36F		1980	260	260	260	260	260	260
BRADFORD, IVAN	W	3602697	02S/05W-01P03S		1978	0	0	0	0	0	0
BRADVICA, LOUIS	W	3600972	02S/05W-02Q	RNCH 1	1974	0	0	0	0	0	0
CALIFORNIA PORTLAND CEMENT COMPANY	W	0000302	01S/05W-25P	MILLER HONEY		0	0	0	0	0	0
CALIFORNIA PORTLAND CEMENT COMPANY	W	3601425	01S/05W-25A03S	CPC #6		1,002	408	414	771	975	714
CALIFORNIA PORTLAND CEMENT COMPANY	W	3601426	01S/04W-30D06S	CPC #5		963	1,366	689	936	931	977
CALIFORNIA PORTLAND CEMENT COMPANY	W	3601427	01S/05W-25A02S	CPC #7		782	1,204	1,615	900	508	1,002
CANALE CATERING	W	3602233	01S/05W-35J		1964	0	0	0	0	0	0
CARSON, K.	W	0000303	01S/05W-35B			0	0	0	0	0	0
COLTON, CITY OF	W	3602358	01S/04W-34L	7418		0	0	0	0	0	0
COLTON, CITY OF	W	3603598	01S/04W-18N	#24		169	990	1,767	1,883	962	962
CORRIDOR LAND COMPANY	W	3600910	01S/05W-35G02S	1		10	18	38	79	123	54
CORRIDOR LAND COMPANY	W	3601717	01S/05W-35R	DOUBLE D RANCH		69	71	69	52	32	59
CORRIDOR LAND COMPANY	W	3601996	02S/05W-02J	SND RIV 1		360	360	360	360	321	352
CORRIDOR LAND COMPANY	W	3603651	02S/05W-05H	SOUTH WELL, HOLLY					8	0	2
CORRIDOR LAND COMPANY	W	3603652	02S/05W-01E	SOUTH #1, RIVERBOTTO							0
COUNTRY CLUB STORAGE	W	3602326	01S/04W-30R		1981	0	0	0	0	5	1
DAGGETT, FOREST N.	W	3601100	01S/04W-31C	BARN 1	1972	0	0	0	0	0	0
DAGGETT, FOREST N.	W	3601101	01S/04W-31C	RIVER 2	1972	0	0	0	0	0	0
EL RIVINO COUNTRY CLUB	W	3601707	01S/05W-34J01S	CACTUS		817	808	851	820	796	818
ELSINORE VALLEY M.W.D.	W	3601509	02S/04W-06A03S	PALM AVE		0	556	25	97	194	174
FIRESTONE GROUP LTD	W	3600413	01S/05W-34B01S		1981	0	0	0	0	0	0
GENERAL AMERICAN TRANSPORTATION CORP	W	3601124	01S/05W-24R01S	1 SOUTH		35	22	23	32	28	28
GREEN ACRES	W	3601110	01S/05W-34A	1		46	76	113	96	100	86
GREEN ACRES MEMORIAL PARK ASSN	W	3600873	01S/05W-34K02S	NO 57		103	103	103	103	100	102
GREEN ACRES MEMORIAL PARK ASSN	W	3601706	01S/05W-34L02S	8TH ST		120	58	125	83	69	91
GREEN ACRES MEMORIAL PARK ASSN	W	3601721	01S/05W-34K	56		0	186	117	160	129	118
HAMADA BROS	W	3600507	01S/05W-35D01S	1	1991	0	0	0	0	0	0
HOLIDAY TRUCKING	W	3600627	01S/05W-25M	1 COLTON		52	51	53	62	68	57
HOLIDAY TRUCKING	W	3603261	01S/05W-25M04S	COLTON #2		32	35	36	43	48	39
HOLTER RANCH	W	0000305	01S/05W-36N	HENDRICKS		0	0	0	0	0	0
HOWELL, ORUS	W	3600097	02S/05W-01Q		1991	14	19	14	21	0	14
HUNGERFORD, FRANK B.	W	3601345	02S/04W-05E	JOHNSON	1960	0	0	0	0	0	0
INTER COUNTY WATER COMPANY	W	3301347	02S/05W-02C	1	1981	0	0	0	0	0	0
JAMES SULLIVAN MUTUAL WATER COMPANY	W	3602357	01S/04W-34L	6610		0	0	0	0	0	0
JOHNSON, DOROTHY	W	3600920	02S/04W-05P	1	1965	0	0	0	0	0	0

WESTERN - SAN BERNARDINO WATERMASTER
 VERIFIED PRODUCTION DATA
 CROSS INDEX BY OWNER
 RIVERSIDE NORTH BASIN

OWNER	WELL TYPE	REC'DTN NUMBER	STATE WELL NUMBER	LOCAL DESIGNATION	YEAR CLOSED	CALENDAR YEAR EXTRACTIIONS												
						1994	1995	1996	1997	1998	1999	2000	2001	2002	2003	AVG		
JUMAL WATER COMPANY	W	3600537	02S/O4W-05F02S		1985	0	0	0	0	0	0	0	0	0	0	0	0	0
JURUPA WATER COMPANY	W	3600535	01S/O5W-36C09S NO 1		1978	0	0	0	0	0	0	0	0	0	0	0	0	0
JURUPA WATER COMPANY	W	3600535-	01S/O5W-36C11S 3			413	1,520	1,500	6	6	6	6	6	6	6	6	6	689
JURUPA WATER COMPANY	W	3600536	01S/O5W-36C10S 1 AND HALF		1974	0	0	0	0	0	0	0	0	0	0	0	0	0
KLECKLER, DON	W	0000309	01S/O4W-36N 15 HP			45	45	30	30	30	30	30	30	30	30	30	30	36
LA SIERRA WATER COMPANY	W	3601539	01S/O4W-32E01S 1		1962	0	0	0	0	0	0	0	0	0	0	0	0	0
LA SIERRA WATER COMPANY	W	3601540	01S/O4W-32E03S 2		1974	0	0	0	0	0	0	0	0	0	0	0	0	0
LA SIERRA WATER COMPANY	W	3601541	01S/O4W-32E06S 4		1974	0	0	0	0	0	0	0	0	0	0	0	0	0
LA SIERRA WATER COMPANY	W	3601542	01S/O4W-32E05S 5		1974	0	0	0	0	0	0	0	0	0	0	0	0	0
LA SIERRA WATER COMPANY	W	3601543	01S/O4W-32E02S 6		1974	0	0	0	0	0	0	0	0	0	0	0	0	0
LA SIERRA WATER COMPANY	W	3601544	01S/O4W-32E07S 7			0	0	0	0	0	0	0	0	0	0	0	0	0
LA SIERRA WATER COMPANY	W	3601545	01S/O4W-32E11S 8			0	0	0	0	0	0	0	0	0	0	0	0	0
LA SIERRA WATER COMPANY	W	3601546	01S/O4W-32E09S 10		1992	0	0	0	0	0	0	0	0	0	0	0	0	0
LA SIERRA WATER COMPANY	W	3601547	01S/O4W-32E10S 9		1974	0	0	0	0	0	0	0	0	0	0	0	0	0
LA SIERRA WATER COMPANY	W	3691486	01S/O4W-29Q03S FLUME 4		1984	0	0	0	0	0	0	0	0	0	0	0	0	0
LA SIERRA WATER COMPANY	W	3692486	01S/O4W-29Q04S FLUME 6		1982	0	0	0	0	0	0	0	0	0	0	0	0	0
LOPEZ, M & R	W	3602028	01S/O5W-25B02S SEINTURIER		1988	0	0	0	0	0	0	0	0	0	0	0	0	0
MADISON, ERIN	W	3601722	02S/O5W-02A 58-1		1989	0	0	0	0	0	0	0	0	0	0	0	0	0
MADISON, ERIN	W	3602114	02S/O5W-02G 63-1		1989	0	0	0	0	0	0	0	0	0	0	0	0	0
MASON,	W	0000301	02S/O5W-02R MASON		1997	0	0	0	0	0	0	0	0	0	0	0	0	0
MCDANIEL & SON DAIRY	W	0000307	01S/O4W-30P01S DAIRY			0	0	0	0	0	0	0	0	0	0	0	0	0
MERRYFIELD WATER COMPANY	W	3600962	02S/O4W-06A01S 1			134	111	129	144	98	123	123	123	123	123	123	123	123
MINTER, BEVERLY	W	0000304	01S/O5W-36B OLD DUNN			7	0	0	0	0	0	0	0	0	0	0	0	0
RANCHO DE SANTA FE	W	3601088	01S/O5W-33A01S SANTA FE ELECTRIC A1		1974	0	0	0	0	0	0	0	0	0	0	0	0	0
RANCHO DE SANTA FE	W	3602222	01S/O5W-33A02S GAS A-2		1989	0	0	0	0	0	0	0	0	0	0	0	0	0
RIALTO, CITY OF	W	3601680	01S/O5W-25L02S DISPOSAL		1989	0	0	0	0	0	0	0	0	0	0	0	0	0
RIVERSIDE CEMENT COMPANY	W	3600874	02S/O5W-02A 58-1		1974	0	0	0	0	0	0	0	0	0	0	0	0	0
RIVERSIDE CEMENT COMPANY	W	3600983	02S/O5W-02G02S WRIGHT		1962	0	0	0	0	0	0	0	0	0	0	0	0	0
RIVERSIDE CEMENT COMPANY	W	3601782	02S/O5W-02L02S		1964	0	0	0	0	0	0	0	0	0	0	0	0	0
RIVERSIDE HIGHLAND WATER COMPANY	W	3601524	01S/O4W-28L01S 3		1964	0	0	0	0	0	0	0	0	0	0	0	0	0
RIVERSIDE HIGHLAND WATER COMPANY	W	3601526	02S/O4W-06R01S RN #7			1,466	1,376	1,434	1,431	1,168	1,375	1,375	1,375	1,375	1,375	1,375	1,375	1,375
RIVERSIDE HIGHLAND WATER COMPANY	W	3601531	01S/O4W-33B05S RN #16		1964	0	0	0	0	0	0	0	0	0	0	0	0	0
RIVERSIDE HIGHLAND WATER COMPANY	W	3601532	01S/O4W-28N05S RN #17			1,643	780	232	430	248	667	667	667	667	667	667	667	667
RIVERSIDE HIGHLAND WATER COMPANY	W	3601534	01S/O4W-28L02S RN #20			110	311	528	471	609	406	406	406	406	406	406	406	406
RIVERSIDE HIGHLAND WATER COMPANY	W	3601789	01S/O4W-32M01S LV #1		1992	0	0	0	0	0	0	0	0	0	0	0	0	0
RIVERSIDE HIGHLAND WATER COMPANY	W	3601790	01S/O4W-32M02S LV #2		1992	0	0	0	0	0	0	0	0	0	0	0	0	0
RIVERSIDE HIGHLAND WATER COMPANY	W	3603139	01S/O4W-32M04S LV #3			66	659	202	181	170	256	256	256	256	256	256	256	256

WESTERN - SAN BERNARDINO WATERMASTER
 VERIFIED PRODUCTION DATA
 CROSS INDEX BY OWNER
 RIVERSIDE NORTH BASIN

OWNER	WELL TYPE	RECDTN NUMBER	STATE WELL NUMBER	LOCAL DESIGNATION	YEAR CLOSED	CALENDAR YEAR EXTRACTIIONS									
						1994	1995	1996	1997	1998	AVG				
RIVERSIDE, CITY OF	D	3301088	01S/05W-36Q	PELISIER		0	0	0	0	0	0	0	0	0	0
RIVERSIDE, CITY OF	W	3600898	01S/05W-25R02S	NO 6	1978	0	0	0	0	0	0	0	0	0	0
RIVERSIDE, CITY OF	W	3600898	01S/05W-25R04S	TW BT 6		0	0	0	0	0	0	0	0	0	0
RIVERSIDE, CITY OF	W	3601221	02S/05W-01J03S	DOM PELLISI		0	0	0	0	0	0	0	0	0	0
RIVERSIDE, CITY OF	W	3601223	02S/05W-01G02S	MAIN PELLISI		0	0	0	0	0	0	0	0	0	0
RIVERSIDE, CITY OF	W	3601235	02S/05W-01G01S	LA LOMA	1974	0	0	0	0	0	0	0	0	0	0
RIVERSIDE, CITY OF	W	3601236	01S/05W-36L01S	AGUA MNESA		72	0	0	0	0	0	0	0	0	14
RIVERSIDE, CITY OF	W	3601271	02S/04W-06Q03S	MARCY	1973	0	0	0	0	0	0	0	0	0	0
RIVERSIDE, CITY OF	W	3601483	01S/04W-29H02S	FLUME 1	1977	0	0	0	0	0	0	0	0	0	0
RIVERSIDE, CITY OF	W	3601484	01S/04W-29H01S	FLUME 2		50	572	723	863	300	502	0	0	0	0
RIVERSIDE, CITY OF	W	3601485	01S/04W-29R01S	FLUME 3		131	628	10	0	0	154	0	0	0	0
RIVERSIDE, CITY OF	W	3601486	01S/04W-29Q03S	FLUME 4		0	0	0	0	0	0	0	0	0	0
RIVERSIDE, CITY OF	W	3601487	01S/04W-29Q01S	FLUME 5	1977	0	0	0	0	0	0	0	0	0	0
RIVERSIDE, CITY OF	W	3601488	02S/05W-01Q01S	WILLIAMS	1974	0	0	0	0	0	0	0	0	0	0
RIVERSIDE, CITY OF	W	3601480	02S/05W-02R	JURUPA 1	1980	0	0	0	0	0	0	0	0	0	0
RIVERSIDE, CITY OF	W	3601491	02S/05W-02R03S	JURUPA 3	1980	0	0	0	0	0	0	0	0	0	0
RIVERSIDE, CITY OF	W	3601492	02S/05W-02R02S	JURUPA 4	1980	0	0	0	0	0	0	0	0	0	0
RIVERSIDE, CITY OF	W	3601493	02S/05W-02R01S	JURUPA 5	1980	0	0	0	0	0	0	0	0	0	0
RIVERSIDE, CITY OF	W	3602234	02S/05W-02Q07S	JURUPA 6		0	0	0	0	0	0	0	0	0	0
RIVERSIDE, CITY OF	W	3602486	01S/04W-29Q04S	FLUME 6		234	987	1,173	1,408	590	880	0	0	0	0
RIVERSIDE, CITY OF	W	3602748	02S/05W-02Q08S	JURUPA 7		1,133	1,225	1,067	1,067	1,034	1,109	0	0	0	0
RIVERSIDE, CITY OF	W	3603117	02S/04W-05E01S	VAN BUREN #1		3,311	3,655	3,476	2,750	2,925	3,223	0	0	0	0
RIVERSIDE, CITY OF	W	3603116	02S/04W-05E02S	VAN BUREN #2		3,272	3,678	2,585	2,081	1,916	2,708	0	0	0	0
RIVERSIDE, CITY OF-GAGE CANAL	W	3600783	02S/04W-05C01S	DEBERRY		2,028	1,664	1,706	1,591	1,823	1,762	0	0	0	0
ROQUET, HARRY V.	W	3601422	02S/04W-06Q	1 HOUSE	1991	0	0	0	0	0	0	0	0	0	0
ROQUET, HARRY V.	W	3601423	02S/04W-08N	2 WEST	1991	0	0	0	0	0	0	0	0	0	0
ROQUET, HARRY V.	D	3601424	02S/04W-08P		1991	0	0	0	0	0	0	0	0	0	0
ROSDALE WATER COMPANY	W	3600915	01S/04W-31J01S	NEW WELL	1988	0	0	0	0	0	0	0	0	0	0
SAN BERNARDINO, CITY OF	W	0000306	01S/05W-36F	RIX OVER EXTRACTIIONS		0	0	5,438	9,741	14,062	5,848	0	0	0	0
SERVICE ROCK CO	W	3600911	01S/05W-35J	2	1974	0	0	0	0	0	0	0	0	0	0
SOUTHERN CALIFORNIA EDISON	W	3601970	02S/04W-05M01S	PICO #64		82	64	164	178	133	124	0	0	0	0
STAPAKIS, WILLIAM	W	3601488	02S/05W-01Q01S	WILLIAMS	1974	0	0	0	0	0	0	0	0	0	0
THERMO ECOTEK CORPORATION	W	3601009	02S/04W-06J01S	RIV CANAL 60		0	0	0	0	1	0	0	0	0	0
THERMO ECOTEK CORPORATION	W	3601011	02S/04W-06R04S	RIV CANAL 61		50	43	46	54	1	39	0	0	0	0
THERMO ECOTEK CORPORATION	W	3601020	02S/04W-06R05S	RIV CANAL 62/ICE #3		5	0	15	34	0	11	0	0	0	0
THERMO ECOTEK CORPORATION	W	3601023	02S/04W-06R06S	RIV CANAL 63/ICE #4		5	0	15	34	0	11	0	0	0	0
VILLELLI ENTERPRISES	W	3601548	01S/04W-28M01S	2	1981	0	0	0	0	0	0	0	0	0	0

WESTERN - SAN BERNARDINO WATERMASTER
 VERIFIED PRODUCTION DATA
 CROSS INDEX BY OWNER
 RIVERSIDE NORTH BASIN

OWNER	WELL TYPE	REC'DTN NUMBER	STATE WELL NUMBER	LOCAL DESIGNATION	YEAR CLOSED	CALENDAR YEAR EXTRACTIIONS										AVG			
						1994	1995	1996	1997	1998	1999	2000	2001	2002	2003		2004		
WAGONER, JOHN J	W	3600699	02S/O4W-05F	DOM 1	1972	0	0	0	0	0	0	0	0	0	0	0	0	0	0
WEST RIVERSIDE 350 WATER COMPANY	W	3600829	01S/O4W-32G02S 1		1974	0	0	0	0	0	0	0	0	0	0	0	0	0	0
WEST RIVERSIDE 350 WATER COMPANY	W	3600830	01S/O4W-32G04S 2		1974	0	0	0	0	0	0	0	0	0	0	0	0	0	0
WEST RIVERSIDE 350 WATER COMPANY	W	3600831	01S/O4W-32H01S 4		1974	0	0	0	0	0	0	0	0	0	0	0	0	0	0
WEST RIVERSIDE 350 WATER COMPANY	W	3600832	01S/O4W-32B01S 350' #5			1	0	0	0	0	0	0	0	0	0	0	0	0	0
WEST RIVERSIDE 350 WATER COMPANY	W	3600833	01S/O4W-32G01S 6		1974	0	0	0	0	0	0	0	0	0	0	0	0	0	0
WEST RIVERSIDE 350 WATER COMPANY	W	3601953	01S/O4W-32B02S #7			1	0	0	0	0	0	0	0	0	0	0	0	0	0
WEST SAN BDNO COUNTY WATER DIST	W	3600074	01S/O5W-23Q01S PL 29 / CRAM-WRIGHT			303	240	0	0	0	0	0	0	0	0	0	0	0	109
WEST SAN BDNO COUNTY WATER DIST	W	3601004	01S/O5W-23N01S PLANT NO 19		1973	0	0	0	0	0	0	0	0	0	0	0	0	0	0
WEST SAN BDNO COUNTY WATER DIST	W	3601434	01S/O5W-34D01S PLANT NO 25		1981	0	0	0	0	0	0	0	0	0	0	0	0	0	0
WEST SAN BDNO COUNTY WATER DIST	W	3601683	01S/O5W-34B02S PLANT NO 26		1981	0	0	0	0	0	0	0	0	0	0	0	0	0	0
WEST SAN BDNO COUNTY WATER DIST	W	3601763	01S/O5W-24M01S PL 18/SLOVER MUTUAL		1981	0	0	0	0	0	0	0	0	0	0	0	0	0	0
WEST SAN BDNO COUNTY WATER DIST	W	3603669	01S/O5W-24M02S #18A																1
WEST SAN BDNO COUNTY WATER DIST	W	3603670	01S/O5W-36E03S #41																839
WOODLAND FARMS	W	0000308	01S/O5W-25R	WARD DUCK		434	527	300	300	300	300	300	300	300	300	300	300	300	372
YEAGER CONSTRUCTION COMPANY	W	3601961	01S/O5W-25P	AMRCH 1	1974	0	0	0	0	0	0	0	0	0	0	0	0	0	0
TOTALS FOR 127 WELLS						19,661	23,865	26,698	30,284	33,116	33,116	33,116	33,116	33,116	33,116	33,116	33,116	33,116	26,725

RIVERSIDE BASIN AREA
IN SAN BERNARDINO COUNTY
CROSS INDEX BY STATE WELL NUMBER

WESTERN - SAN BERNARDINO WATERMASTER
 VERIFIED PRODUCTION DATA
 CROSS INDEX BY RECORDATION NUMBER
 RIVERSIDE NORTH BASIN

RECRD TN NUMBER	STATE WELL NUMBER	OWNER	WELL TYPE	LOCAL DESIGNATION	YEAR CLOSED	CALENDAR YEAR EXTRACTIIONS									
						1994	1995	1996	1997	1998	AVG				
0000301	02S/05W-02R	MASON,	W	MASON	1997	0	0	0	0	0	0	0	0	0	0
0000302	01S/05W-25P	CALIFORNIA PORTLAND CEMENT COMPANY	W	MILLER HONEY		0	0	0	0	0	0	0	0	0	0
0000303	01S/05W-35B	CARSON, K.	W			0	0	0	0	0	0	0	0	0	0
0000304	01S/05W-36B	MINTER, BEVERLY	W	OLD DUNN		7	0	0	0	0	0	0	1	2	
0000305	01S/05W-36N	HOLTER RANCH	W	HENDRICKS		0	0	0	0	0	0	0	0	0	0
0000306	01S/05W-36F	SAN BERNARDINO, CITY OF	W	RIX OVER EXTRACTIIONS		0	0	5,438	9,741	14,062	5,848				
0000307	01S/04W-30P01S	MCDANIEL & SON DAIRY	W	DAIRY		0	0	0	0	0	0	0	0	0	0
0000308	01S/05W-25R	WOODLAND FARMS	W	WARD DUCK		494	527	300	300	300	372				
0000309	01S/04W-36N	KLECKLER, DON	W	15 HP		45	45	30	30	30	36				
3301088	01S/05W-36Q	RIVERSIDE, CITY OF	D	PELISIER		0	0	0	0	0	0	0	0	0	0
3301347	02S/05W-02C	INTER COUNTY WATER COMPANY	W	1	1981	0	0	0	0	0	0	0	0	0	0
3600074	01S/05W-23Q01S	WEST SAN BDNO COUNTY WATER DIST	W	PL 29 / CRAM-WRIGHT		303	240	0	0	0	0	0	0	109	
3600097	02S/05W-01Q	HOWELL, ORUS	W		1991	14	19	14	21	0	14				
3600413	01S/05W-34B01S	FIRESTONE GROUP LTD	W		1981	0	0	0	0	0	0	0	0	0	0
3600507	01S/05W-35D01S	HAMADA BROS	W	1	1991	0	0	0	0	0	0	0	0	0	0
3600535	01S/05W-36C09S	JURUPA WATER COMPANY	W	NO 1	1978	0	0	0	0	0	0	0	0	0	0
3600535-	01S/05W-36C11S	JURUPA WATER COMPANY	W	3		413	1,520	1,500	6	6	689				
3600536	01S/05W-36C10S	JURUPA WATER COMPANY	W	1 AND HALF	1974	0	0	0	0	0	0	0	0	0	0
3600537	02S/04W-05F02S	JUMAL WATER COMPANY	W		1985	0	0	0	0	0	0	0	0	0	0
3600627	01S/05W-25M	HOLIDAY TRUCKING	W	1 COLTON		52	51	53	62	68	57				
3600783	02S/04W-05C01S	RIVERSIDE, CITY OF-GAGE CANAL	W	DEBERRY		2,028	1,664	1,706	1,591	1,823	1,762				
3600820	02S/04W-05P	JOHNSON, DOROTHY	W	1	1965	0	0	0	0	0	0	0	0	0	0
3600829	01S/04W-32G02S	WEST RIVERSIDE 350 WATER COMPANY	W	1	1974	0	0	0	0	0	0	0	0	0	0
3600830	01S/04W-32G04S	WEST RIVERSIDE 350 WATER COMPANY	W	2	1974	0	0	0	0	0	0	0	0	0	0
3600831	01S/04W-32H01S	WEST RIVERSIDE 350 WATER COMPANY	W	4	1974	0	0	0	0	0	0	0	0	0	0
3600832	01S/04W-32B01S	WEST RIVERSIDE 350 WATER COMPANY	W	350' #5		1	0	0	0	0	0	0	0	0	0
3600833	01S/04W-32G01S	WEST RIVERSIDE 350 WATER COMPANY	W	6	1974	0	0	0	0	0	0	0	0	0	0
3600873	01S/05W-34K02S	GREEN ACRES MEMORIAL PARK ASS'N	W	NO 57		103	103	103	103	100	102				
3600874	02S/05W-02A	RIVERSIDE CEMENT COMPANY	W	58-1	1974	0	0	0	0	0	0	0	0	0	0
3600883	02S/05W-02G02S	RIVERSIDE CEMENT COMPANY	W	WRIGHT	1962	0	0	0	0	0	0	0	0	0	0
3600898	01S/05W-25R02S	RIVERSIDE, CITY OF	W	NO 6	1978	0	0	0	0	0	0	0	0	0	0
3600898-	01S/05W-25R04S	RIVERSIDE, CITY OF	W	TW BT 6		0	0	0	0	0	0	0	0	0	0
3600899	02S/04W-05F	WAGONER, JOHN J	W	DOM 1	1972	0	0	0	0	0	0	0	0	0	0
3600910	01S/05W-35G02S	CORRIDOR LAND COMPANY	W	1		10	18	38	79	123	54				
3600911	01S/05W-35J	SERVICE ROCK CO	W	2	1974	0	0	0	0	0	0	0	0	0	0
3600915	01S/04W-31J01S	ROSEDALE WATER COMPANY	W	NEW WELL	1968	0	0	0	0	0	0	0	0	0	0
3600962	02S/04W-06A01S	MERRYFIELD WATER COMPANY	W	1		134	111	129	144	98	123				

WESTERN - SAN BERNARDINO WATERMASTER
 VERIFIED PRODUCTION DATA
 CROSS INDEX BY RECORDATION NUMBER
 RIVERSIDE NORTH BASIN

RECRD TN NUMBER	STATE WELL NUMBER	OWNER	WELL TYPE	LOCAL DESIGNATION	YEAR CLOSED	CALENDAR YEAR EXTRACTATIONS										
						1994	1995	1996	1997	1998	AVG					
3600972	02S05W-02Q	BRADVICA, LOUIS	W	RNCH 1	1974	0	0	0	0	0	0	0	0	0	0	
3601004	01S05W-23N01S	WEST SAN BDNO COUNTY WATER DIST	W	PLANT NO 19	1973	0	0	0	0	0	0	0	0	0	0	
3601009	02S04W-06J01S	THERMO ECOTEK CORPORATION	W	RIV CANAL 60		0	0	0	0	1	0	0	0	0	0	
3601011	02S04W-06R04S	THERMO ECOTEK CORPORATION	W	RIV CANAL 61		50	43	46	54	1	39					
3601020	02S04W-06R05S	THERMO ECOTEK CORPORATION	W	RIV CANAL 62/ICE #3		5	0	15	34	0	11					
3601023	02S04W-06R06S	THERMO ECOTEK CORPORATION	W	RIV CANAL 63/ICE #4		5	0	15	34	0	11					
3601088	01S05W-33A01S	RANCHO DE SANTA FE	W	SANTA FE ELECTRIC A1	1974	0	0	0	0	0	0	0	0	0	0	
3601100	01S04W-31C	DAGGETT, FOREST N.	W	BARN 1	1972	0	0	0	0	0	0	0	0	0	0	
3601101	01S04W-31C	DAGGETT, FOREST N.	W	RIVER 2	1972	0	0	0	0	0	0	0	0	0	0	
3601110	01S05W-34A	GREEN ACRES	W	1		46	76	113	96	100	86					
3601124	01S05W-24R01S	GENERAL AMERICAN TRANSPORTATION CORP	W	1 SOUTH		35	22	23	32	28	28					
3601221	02S05W-01J03S	RIVERSIDE, CITY OF	W	DOM PELLISI		0	0	0	0	0	0	0	0	0	0	
3601223	02S05W-01G02S	RIVERSIDE, CITY OF	W	MAIN PELLISI		0	0	0	0	0	0	0	0	0	0	
3601235	02S05W-01G01S	RIVERSIDE, CITY OF	W	LA LOMA	1974	0	0	0	0	0	0	0	0	0	0	
3601236	01S05W-36L01S	RIVERSIDE, CITY OF	W	AGUA MNSA		72	0	0	0	0	14					
3601271	02S04W-06Q03S	RIVERSIDE, CITY OF	W	MARCY	1973	0	0	0	0	0	0	0	0	0	0	
3601345	02S04W-05E	HUNGERFORD, FRANK B.	W	JOHNSON	1960	0	0	0	0	0	0	0	0	0	0	
3601422	02S04W-08Q	ROQUET, HARRY V.	W	1 HOUSE	1991	0	0	0	0	0	0	0	0	0	0	
3601423	02S04W-06N	ROQUET, HARRY V.	W	2 WEST	1991	0	0	0	0	0	0	0	0	0	0	
3601424	02S04W-06P	ROQUET, HARRY V.	D		1991	0	0	0	0	0	0	0	0	0	0	
3601425	01S05W-25A03S	CALIFORNIA PORTLAND CEMENT COMPANY	W	CPC #6		1,002	408	414	771	975	714					
3601426	01S04W-30D06S	CALIFORNIA PORTLAND CEMENT COMPANY	W	CPC #5		963	1,366	689	936	931	977					
3601427	01S05W-25A02S	CALIFORNIA PORTLAND CEMENT COMPANY	W	CPC #7		782	1,204	1,615	900	508	1,002					
3601434	01S05W-34D01S	WEST SAN BDNO COUNTY WATER DIST	W	PLANT NO 25	1981	0	0	0	0	0	0	0	0	0	0	
3601483	01S04W-29H02S	RIVERSIDE, CITY OF	W	FLUME 1	1977	0	0	0	0	0	0	0	0	0	0	
3601484	01S04W-29H01S	RIVERSIDE, CITY OF	W	FLUME 2		50	572	723	863	300	502					
3601485	01S04W-29R01S	RIVERSIDE, CITY OF	W	FLUME 3		131	628	10	0	0	154					
3601486	01S04W-29Q03S	RIVERSIDE, CITY OF	W	FLUME 4		0	0	0	0	0	0	0	0	0	0	
3601487	01S04W-29Q01S	RIVERSIDE, CITY OF	W	FLUME 5	1977	0	0	0	0	0	0	0	0	0	0	
3601488	02S05W-01Q01S	RIVERSIDE, CITY OF	W	WILLIAMS	1974	0	0	0	0	0	0	0	0	0	0	
3601488-	02S05W-01Q01S	STAPAKIS, WILLIAM	W	WILLIAMS	1974	0	0	0	0	0	0	0	0	0	0	
3601480	02S05W-02R	RIVERSIDE, CITY OF	W	JURUPA 1	1980	0	0	0	0	0	0	0	0	0	0	
3601491	02S05W-02R03S	RIVERSIDE, CITY OF	W	JURUPA 3	1980	0	0	0	0	0	0	0	0	0	0	
3601492	02S05W-02R02S	RIVERSIDE, CITY OF	W	JURUPA 4	1980	0	0	0	0	0	0	0	0	0	0	
3601493	02S05W-02R01S	RIVERSIDE, CITY OF	W	JURUPA 5	1980	0	0	0	0	0	0	0	0	0	0	
3601509	02S04W-06A03S	ELSINORE VALLEY M.W.D.	W	PALM AVE		0	556	25	97	194	174					
3601524	01S04W-28L01S	RIVERSIDE HIGHLAND WATER COMPANY	W	3	1964	0	0	0	0	0	0	0	0	0	0	

WESTERN - SAN BERNARDINO WATERMASTER
 VERIFIED PRODUCTION DATA
 CROSS INDEX BY RECORDATION NUMBER
 RIVERSIDE NORTH BASIN

RECORDTN NUMBER	STATE WELL NUMBER	OWNER	WELL TYPE	LOCAL DESIGNATION	YEAR CLOSED	CALENDAR YEAR EXTRACTIONS															
						1984	1985	1986	1987	1988	1989	1990	1991	1992	1993	1994	1995	1996	1997	1998	AVG
3601528	02S/04W-06R01S	RIVERSIDE HIGHLAND WATER COMPANY	W	RN #7	1964	1,466	1,376	1,434	1,431	1,168	1,375	0	0	0	0	0	0	0	0	0	0
3601531	01S/04W-33B05S	RIVERSIDE HIGHLAND WATER COMPANY	W	RN #16	1964	1,643	780	232	430	248	667	0	0	0	0	0	0	0	0	0	0
3601532	01S/04W-28N05S	RIVERSIDE HIGHLAND WATER COMPANY	W	RN #17	1964	1,643	780	232	430	248	667	0	0	0	0	0	0	0	0	0	0
3601534	01S/04W-28L02S	RIVERSIDE HIGHLAND WATER COMPANY	W	RN #20	1962	110	311	528	471	609	406	0	0	0	0	0	0	0	0	0	0
3601539	01S/04W-32E01S	LA SIERRA WATER COMPANY	W	1	1962	0	0	0	0	0	0	0	0	0	0	0	0	0	0	0	0
3601540	01S/04W-32E03S	LA SIERRA WATER COMPANY	W	2	1974	0	0	0	0	0	0	0	0	0	0	0	0	0	0	0	0
3601541	01S/04W-32E06S	LA SIERRA WATER COMPANY	W	4	1974	0	0	0	0	0	0	0	0	0	0	0	0	0	0	0	0
3601542	01S/04W-32E06S	LA SIERRA WATER COMPANY	W	5	1974	0	0	0	0	0	0	0	0	0	0	0	0	0	0	0	0
3601543	01S/04W-32E02S	LA SIERRA WATER COMPANY	W	6	1974	0	0	0	0	0	0	0	0	0	0	0	0	0	0	0	0
3601544	01S/04W-32E07S	LA SIERRA WATER COMPANY	W	7	1974	0	0	0	0	0	0	0	0	0	0	0	0	0	0	0	0
3601545	01S/04W-32E11S	LA SIERRA WATER COMPANY	W	8	1974	0	0	0	0	0	0	0	0	0	0	0	0	0	0	0	0
3601546	01S/04W-32E09S	LA SIERRA WATER COMPANY	W	10	1992	0	0	0	0	0	0	0	0	0	0	0	0	0	0	0	0
3601547	01S/04W-32E10S	LA SIERRA WATER COMPANY	W	9	1974	0	0	0	0	0	0	0	0	0	0	0	0	0	0	0	0
3601549	01S/04W-28M01S	VILLELLI ENTERPRISES	W	2	1981	0	0	0	0	0	0	0	0	0	0	0	0	0	0	0	0
3601690	01S/05W-25L02S	RIALTO, CITY OF	W	DISPOSAL	1969	0	0	0	0	0	0	0	0	0	0	0	0	0	0	0	0
3601683	01S/05W-34B02S	WEST SAN BDN CO COUNTY WATER DIST	W	PLANT NO 26	1981	0	0	0	0	0	0	0	0	0	0	0	0	0	0	0	0
3601706	01S/05W-34L02S	GREEN ACRES MEMORIAL PARK ASSN	W	8TH ST	1981	120	58	125	83	69	91	0	0	0	0	0	0	0	0	0	0
3601707	01S/05W-34J01S	EL RIVINO COUNTRY CLUB	W	CACTUS	1981	817	808	851	820	796	818	0	0	0	0	0	0	0	0	0	0
3601717	01S/05W-36R	CORRIDOR LAND COMPANY	W	DOUBLE D RANCH	1981	69	71	69	52	32	59	0	0	0	0	0	0	0	0	0	0
3601721	01S/05W-34K	GREEN ACRES MEMORIAL PARK ASSN	W	56	1981	0	186	117	160	129	118	0	0	0	0	0	0	0	0	0	0
3601722	02S/05W-02A	MADISON, ERIN	W	58-1	1989	0	0	0	0	0	0	0	0	0	0	0	0	0	0	0	0
3601763	01S/05W-24M01S	WEST SAN BDN CO COUNTY WATER DIST	W	PL 18/SLOVER MUTUAL	1981	0	0	0	0	0	0	0	0	0	0	0	0	0	0	0	0
3601782	02S/05W-02L02S	RIVERSIDE CEMENT COMPANY	W		1964	0	0	0	0	0	0	0	0	0	0	0	0	0	0	0	0
3601789	01S/04W-32M01S	RIVERSIDE HIGHLAND WATER COMPANY	W	LV #1	1992	0	0	0	0	0	0	0	0	0	0	0	0	0	0	0	0
3601790	01S/04W-32M02S	RIVERSIDE HIGHLAND WATER COMPANY	W	LV #2	1992	0	0	0	0	0	0	0	0	0	0	0	0	0	0	0	0
3601891	01S/05W-36F	ALLEE RANCH	W		1977	0	0	0	0	0	0	0	0	0	0	0	0	0	0	0	0
3601892	01S/05W-36F	ALLEE RANCH	W		1980	260	260	260	260	260	260	260	260	260	260	260	260	260	260	260	260
3601953	01S/04W-32B02S	WEST RIVERSIDE 360 WATER COMPANY	W	#7	1974	1	0	0	0	0	0	0	0	0	0	0	0	0	0	0	0
3601961	01S/05W-25P	YEAGER CONSTRUCTION COMPANY	W	AMRCH 1	1974	0	0	0	0	0	0	0	0	0	0	0	0	0	0	0	0
3601970	02S/04W-03M01S	SOUTHERN CALIFORNIA EDISON	W	PICO #64	1964	82	64	164	178	133	124	0	0	0	0	0	0	0	0	0	0
3601996	02S/05W-02J	CORRIDOR LAND COMPANY	W	SND RIV 1	1988	360	360	360	360	360	352	0	0	0	0	0	0	0	0	0	0
3602028	01S/05W-25B02S	LOPEZ, M & R	W	SEINTURIER	1988	0	0	0	0	0	0	0	0	0	0	0	0	0	0	0	0
3602114	02S/05W-02G	MADISON, ERIN	W	63-1	1989	0	0	0	0	0	0	0	0	0	0	0	0	0	0	0	0
3602222	01S/05W-33A02S	RANCHO DE SANTA FE	W	GAS A-2	1989	0	0	0	0	0	0	0	0	0	0	0	0	0	0	0	0
3602233	01S/05W-35J	CANALE CATERING	W		1964	0	0	0	0	0	0	0	0	0	0	0	0	0	0	0	0
3602234	02S/05W-02Q07S	RIVERSIDE, CITY OF	W	JURUPA 6	1981	0	0	0	0	0	0	0	0	0	0	0	0	0	0	0	0
3602326	01S/04W-30R	COUNTRY CLUB STORAGE	W		1981	0	0	0	0	0	5	0	0	0	0	0	0	0	0	0	0

WESTERN - SAN BERNARDINO WATERMASTER
 VERIFIED PRODUCTION DATA
 CROSS INDEX BY RECORDATION NUMBER
 RIVERSIDE NORTH BASIN

RECRD TN NUMBER	STATE WELL NUMBER	OWNER	WELL TYPE	LOCAL DESIGNATION	YEAR CLOSED	CALENDAR YEAR EXTRACTIIONS										AVG		
						1994	1995	1996	1997	1998	1999	2000	2001	2002	2003		2004	
3602357	01S04W-34L	JAMES SULLIVAN MUTUAL WATER COMPANY	W	6610		0	0	0	0	0	0	0	0	0	0	0	0	0
3602358	01S04W-34L	COLTON, CITY OF	W	7418		0	0	0	0	0	0	0	0	0	0	0	0	0
3602486	01S04W-29Q04S	RIVERSIDE, CITY OF	W	FLUME 6		234	997	1,173	1,408	590	880							
3602697	02S05W-01P03S	BRADFORD, IVAN	W		1978	0	0	0	0	0	0	0	0	0	0	0	0	0
3602746	02S05W-02Q06S	RIVERSIDE, CITY OF	W	JURUPA 7		1,133	1,225	1,087	1,067	1,034	1,109							
3603117	02S04W-05E01S	RIVERSIDE, CITY OF	W	VAN BUREN #1		3,311	3,655	3,476	2,750	2,925	3,223							
3603118	02S04W-05E02S	RIVERSIDE, CITY OF	W	VAN BUREN #2		3,272	3,678	2,585	2,081	1,916	2,708							
3603139	01S04W-32M04S	RIVERSIDE HIGHLAND WATER COMPANY	W	LV #3		66	659	202	181	170	256							
3603261	01S05W-25M04S	HOLLIDAY TRUCKING	W	COLTON #2		32	35	36	43	48	39							
3603596	01S04W-18N	COLTON, CITY OF	W	#24		169	990	990	1,767	1,883	962							
3603651	02S05W-05H	CORRIDOR LAND COMPANY	W	SOUTH WELL, HOLLY					8	0	2							
3603652	02S05W-01E	CORRIDOR LAND COMPANY	W	SOUTH #1, RIVERBOTTO														
3603669	01S05W-24M02S	WEST SAN BDNQ COUNTY WATER DIST	W	#18A					0	1	0							
3603670	01S05W-36E03S	WEST SAN BDNQ COUNTY WATER DIST	W	#41					839	1,131	394							
3691466	01S04W-29Q03S	LA SIERRA WATER COMPANY	W	FLUME 4	1984	0	0	0	0	0	0							
3692466	01S04W-29Q04S	LA SIERRA WATER COMPANY	W	FLUME 6	1982	0	0	0	0	0	0							
TOTALS FOR 127 WELLS						19,661	23,865	26,698	30,284	33,116	26,725							

RIVERSIDE BASIN AREA
IN SAN BERNARDINO COUNTY
CROSS INDEX BY RECORDATION NUMBER

WESTERN - SAN BERNARDINO WATERMASTER
 VERIFIED PRODUCTION DATA
 CROSS INDEX BY STATE WELL NUMBER
 RIVERSIDE NORTH BASIN

STATE WELL NUMBER	RECRDTN NUMBER	OWNER	WELL TYPE	LOCAL DESIGNATION	YEAR CLOSED	CALENDAR YEAR EXTRACTIIONS														
						1984	1985	1986	1987	1988	1989	1990	1991	1992	1993	1994	1995	1996	1997	1998
01S04W-18N	3603598	COLTON, CITY OF	W	#24												169	990	1,767	1,853	962
01S04W-28L01S	3601524	RIVERSIDE HIGHLAND WATER COMPANY	W	3	1984											0	0	0	0	0
01S04W-28L02S	3601534	RIVERSIDE HIGHLAND WATER COMPANY	W	RN #20												110	311	528	471	609
01S04W-28M01S	3601549	VILLELLI ENTERPRISES	W	2	1981											0	0	0	0	0
01S04W-28N05S	3601532	RIVERSIDE HIGHLAND WATER COMPANY	W	RN #17												1,643	780	232	430	248
01S04W-29H01S	3601484	RIVERSIDE, CITY OF	W	FLUME 2												50	572	723	863	300
01S04W-29H02S	3601483	RIVERSIDE, CITY OF	W	FLUME 1	1977											0	0	0	0	0
01S04W-29Q01S	3601487	RIVERSIDE, CITY OF	W	FLUME 5	1977											0	0	0	0	0
01S04W-29Q03S	3601486	RIVERSIDE, CITY OF	W	FLUME 4												0	0	0	0	0
01S04W-29Q03S	3601486	LA SIERRA WATER COMPANY	W	FLUME 4	1984											0	0	0	0	0
01S04W-29Q04S	3602486	RIVERSIDE, CITY OF	W	FLUME 6												234	997	1,173	1,408	560
01S04W-29Q04S	3602486	LA SIERRA WATER COMPANY	W	FLUME 6	1982											0	0	0	0	0
01S04W-29R01S	3601485	RIVERSIDE, CITY OF	W	FLUME 3												131	628	10	0	154
01S04W-30D06S	3601426	CALIFORNIA PORTLAND CEMENT COMPANY	W	GPC #5												963	1,366	689	936	931
01S04W-30P01S	0000307	MCDANIEL & SON DAIRY	W	DAIRY												0	0	0	0	0
01S04W-30R	3602326	COUNTRY CLUB STORAGE	W		1981											0	0	0	0	1
01S04W-31C	3601100	DAGGETT, FOREST N.	W	BARN 1	1972											0	0	0	0	0
01S04W-31C	3601101	DAGGETT, FOREST N.	W	RIVER 2	1972											0	0	0	0	0
01S04W-31J01S	3600915	ROSEDALE WATER COMPANY	W	NEW WELL	1968											0	0	0	0	0
01S04W-32B01S	3600832	WEST RIVERSIDE 350 WATER COMPANY	W	350' #5												1	0	0	0	0
01S04W-32B02S	3601963	WEST RIVERSIDE 350 WATER COMPANY	W	#7												1	0	0	0	0
01S04W-32E01S	3601539	LA SIERRA WATER COMPANY	W	1	1962											0	0	0	0	0
01S04W-32E02S	3601543	LA SIERRA WATER COMPANY	W	6	1974											0	0	0	0	0
01S04W-32E03S	3601540	LA SIERRA WATER COMPANY	W	2	1974											0	0	0	0	0
01S04W-32E05S	3601542	LA SIERRA WATER COMPANY	W	5	1974											0	0	0	0	0
01S04W-32E06S	3601541	LA SIERRA WATER COMPANY	W	4	1974											0	0	0	0	0
01S04W-32E07S	3601544	LA SIERRA WATER COMPANY	W	7												0	0	0	0	0
01S04W-32E08S	3601546	LA SIERRA WATER COMPANY	W	10	1992											0	0	0	0	0
01S04W-32E10S	3601547	LA SIERRA WATER COMPANY	W	9	1974											0	0	0	0	0
01S04W-32E11S	3601545	LA SIERRA WATER COMPANY	W	8	1974											0	0	0	0	0
01S04W-32G01S	3600833	WEST RIVERSIDE 350 WATER COMPANY	W	6	1974											0	0	0	0	0
01S04W-32G02S	3600829	WEST RIVERSIDE 350 WATER COMPANY	W	1	1974											0	0	0	0	0
01S04W-32G04S	3600830	WEST RIVERSIDE 350 WATER COMPANY	W	2	1974											0	0	0	0	0
01S04W-32H01S	3600831	WEST RIVERSIDE 350 WATER COMPANY	W	4	1974											0	0	0	0	0
01S04W-32M01S	3601789	RIVERSIDE HIGHLAND WATER COMPANY	W	LV #1	1992											0	0	0	0	0
01S04W-32M02S	3601790	RIVERSIDE HIGHLAND WATER COMPANY	W	LV #2	1992											0	0	0	0	0
01S04W-32M04S	3603139	RIVERSIDE HIGHLAND WATER COMPANY	W	LV #3												66	659	202	181	170

**WESTERN - SAN BERNARDINO WATERMASTER
VERIFIED PRODUCTION DATA
CROSS INDEX BY STATE WELL NUMBER
RIVERSIDE NORTH BASIN**

STATE WELL NUMBER	RECRDTN NUMBER	OWNER	WELL TYPE	LOCAL DESIGNATION	YEAR CLOSED	-----CALENDAR YEAR EXTRACTIONS-----							
						1964	1965	1966	1967	1968	1969	AVG	
01S/04W-33806S	3601531	RIVERSIDE HIGHLAND WATER COMPANY	W	RN #16	1964	0	0	0	0	0	0	0	0
01S/04W-34L	3602357	JAMES SULLIVAN MUTUAL WATER COMPANY	W	6610		0	0	0	0	0	0	0	0
01S/04W-34L	3602358	COLTON, CITY OF	W	7418		0	0	0	0	0	0	0	0
01S/04W-36N	0000309	KLECKLER, DON	W	15 HP		45	45	30	30	30	30	30	36
01S/05W-23N01S	3601004	WEST SAN BDN CO COUNTY WATER DIST	W	PLANT NO 19	1973	0	0	0	0	0	0	0	0
01S/05W-23Q01S	3600074	WEST SAN BDN CO COUNTY WATER DIST	W	PL 29 / CRAM-WRIGHT		303	240	0	0	0	0	0	109
01S/05W-24M01S	3601763	WEST SAN BDN CO COUNTY WATER DIST	W	PL 18/SLOVER MUTUAL	1961	0	0	0	0	0	0	0	0
01S/05W-24M02S	3603669	WEST SAN BDN CO COUNTY WATER DIST	W	#18A		0	0	0	0	0	0	0	0
01S/05W-24R01S	3601124	GENERAL AMERICAN TRANSPORTATION CORP	W	1 SOUTH		35	22	23	32	28	28	28	28
01S/05W-25A02S	3601427	CALIFORNIA PORTLAND CEMENT COMPANY	W	CPC #7		782	1,204	1,615	900	508	508	1,002	1,002
01S/05W-25A03S	3601425	CALIFORNIA PORTLAND CEMENT COMPANY	W	CPC #6		1,002	408	414	771	975	975	714	714
01S/05W-25B02S	3602028	LOPEZ, M & R	W	SEINTURIER	1988	0	0	0	0	0	0	0	0
01S/05W-25L02S	3601680	RIALTO, CITY OF	W	DISPOSAL	1989	0	0	0	0	0	0	0	0
01S/05W-25M	3600627	HOLIDAY TRUCKING	W	1 COLTON		52	51	53	62	68	68	57	57
01S/05W-25M04S	3603261	HOLIDAY TRUCKING	W	COLTON #2		32	35	36	43	48	48	39	39
01S/05W-25P	0000302	CALIFORNIA PORTLAND CEMENT COMPANY	W	MILLER HONEY		0	0	0	0	0	0	0	0
01S/05W-25P	3601961	YEAGER CONSTRUCTION COMPANY	W	AMRCH 1	1974	0	0	0	0	0	0	0	0
01S/05W-25R	0000308	WOODLAND FARMS	W	WARD DUCK		434	527	300	300	300	300	372	372
01S/05W-25R02S	3600898	RIVERSIDE, CITY OF	W	NO 6	1978	0	0	0	0	0	0	0	0
01S/05W-25R04S	3600898-	RIVERSIDE, CITY OF	W	TW BT 6		0	0	0	0	0	0	0	0
01S/05W-33A01S	3601088	RANCHO DE SANTA FE	W	SANTA FE ELECTRIC A1	1974	0	0	0	0	0	0	0	0
01S/05W-33A02S	3602222	RANCHO DE SANTA FE	W	GAS A-2	1989	0	0	0	0	0	0	0	0
01S/05W-34A	3601110	GREEN ACRES	W	W 1		46	76	113	96	100	100	86	86
01S/05W-34B01S	3600413	FIRESTONE GROUP LTD	W		1981	0	0	0	0	0	0	0	0
01S/05W-34B02S	3601683	WEST SAN BDN CO COUNTY WATER DIST	W	PLANT NO 26	1981	0	0	0	0	0	0	0	0
01S/05W-34D01S	3601434	WEST SAN BDN CO COUNTY WATER DIST	W	PLANT NO 25	1981	0	0	0	0	0	0	0	0
01S/05W-34J01S	3601707	EL RIVINO COUNTRY CLUB	W	CACTUS		817	808	851	820	796	796	818	818
01S/05W-34K	3601721	GREEN ACRES MEMORIAL PARK ASS'N	W	56		0	186	117	160	129	129	118	118
01S/05W-34K02S	3600873	GREEN ACRES MEMORIAL PARK ASS'N	W	NO 57		103	103	103	103	100	100	102	102
01S/05W-34L02S	3601706	GREEN ACRES MEMORIAL PARK ASS'N	W	8TH ST		120	58	125	83	69	69	91	91
01S/05W-35B	0000303	CARSON, K.	W			0	0	0	0	0	0	0	0
01S/05W-35D01S	3600507	HAMADA BROS	W	1	1991	0	0	0	0	0	0	0	0
01S/05W-35G02S	3600910	CORRIDOR LAND COMPANY	W	1		10	18	38	79	123	123	54	54
01S/05W-35J	3600911	SERVICE ROCK CO	W	2	1974	0	0	0	0	0	0	0	0
01S/05W-35J	3602233	CANALE CATERING	W		1964	0	0	0	0	0	0	0	0
01S/05W-35R	3601717	CORRIDOR LAND COMPANY	W	DOUBLE D RANCH		69	71	69	52	32	32	59	59
01S/05W-36B	0000304	MINTER, BEVERLY	W	OLD DUNN		7	0	0	0	0	0	1	2

TABLE NO. 4

GROUNDWATER PRODUCTION FROM THAT PART OF THE RIVERSIDE GROUNDWATER BASIN SITUATED WITHIN SAN BERNARDINO COUNTY BY RIVERSIDE COUNTY ENTITIES, A PART OF WHICH IS USED IN SAN BERNARDINO COUNTY AND THE REMAINDER EXPORTED TO RIVERSIDE COUNTY DURING THE 5-YEAR BASE PERIOD ENDING IN 1963 AND FOR THE FOLLOWING CALENDAR YEARS 1976 THROUGH THE CURRENT YEAR

CLASSIFIED ACCORDING TO SERVICE AREA
(Quantities in Acre Feet)

EXTRACTIONS FROM RIVERSIDE BASIN AREA WITHIN SAN BERNARDINO COUNTY FOR USE WITHIN AND EXPORT THEREFROM

PLAINTIFFS	1991		1992		1993		1994		1995	
	Total Extract	Del. in Riv. Co.	Total Extract	Del. in Riv. Co.	Total Extract	Del. in Riv. Co.	Total Extract	Del. in Riv. Co.	Total Extract	Del. in Riv. Co.
Riverside Cement Co.*	-	-	-	-	-	-	-	-	-	-
City of Riverside Domestic & irrigation	13,203	1,005	10,343	334	9,300	69	8,203	72	10,755	0
City of Riverside Gage Canal Company	1,734	1	1,657	1	2,023	2	2,028	2	1,664	0
Inter County Water Co. WSBWCD after 1988	21	0	21	0	21	0	21	0	21	0
Jurupa Water Company JCSD after 1988	646	-	357	-	362	-	413	-	1,520	-
La Sierra Water Company	0	0	0	0	0	0	0	0	0	0
Riverside Highland Water Company	3,581	1,978	2,215	1,244	3,034	1,664	3,285	1,672	3,126	1,696
Temescal Water Company	2,354	-	1,714	-	1,698	-	0	-	556	-
West Riverside 350" Water Company	0	-	0	-	0	-	0	-	0	-
TOTALS	21,539	2,984	16,307	1,579	16,438	1,735	13,950	1,746	17,642	1,696
		18,555	14,728	14,703		12,204				15,946

Total Extract -- TOTAL EXTRACTIONS.
Del in S.B. Co. -- DELIVERY WITHIN SAN BERNARDINO COUNTY.
Del. in Riv. Co. -- DELIVERY WITHIN RIVERSIDE COUNTY.

* Name change from American Cement (Ancord) in 1981.
See Report of the Watermaster, Volume 5, Distribution of Extractions, Chapter I, Table No. 52-A.
Same as Table 52-A, Volume 5.

TABLE NO. 4

GROUNDWATER PRODUCTION FROM THAT PART OF THE RIVERSIDE GROUNDWATER BASIN SITUATED WITHIN SAN BERNARDINO COUNTY BY RIVERSIDE COUNTY ENTITIES, A PART OF WHICH IS USED IN SAN BERNARDINO COUNTY AND THE REMAINDER EXPORTED TO RIVERSIDE COUNTY DURING THE 5-YEAR BASE PERIOD ENDING IN 1963 AND FOR THE FOLLOWING CALENDAR YEARS 1976 THROUGH THE CURRENT YEAR

CLASSIFIED ACCORDING TO SERVICE AREA
(Quantities in Acre Feet)

EXTRACTIONS FROM RIVERSIDE BASIN AREA WITHIN SAN BERNARDINO COUNTY FOR USE WITHIN AND EXPORT THEREFROM

PLAINTIFFS	1996			1997			1998			2000		
	Total Extract	Del. in S.B. Co.	Del. in Riv. Co.	Total Extract	Del. in S.B. Co.	Del. in Riv. Co.	Total Extract	Del. in S.B. Co.	Del. in Riv. Co.	Total Extract	Del. in S.B. Co.	Del. in Riv. Co.
Riverside Cement Co.*	-	-	-	-	-	-	-	-	-	-	-	-
City of Riverside Domestic & irrigation	9,064	0	9,064	8,169	0	8,169	6,765	0	6,765	-	-	-
City of Riverside Gage Canal Company	1,706	0	1,706	1,591	0	1,591	1,823	0	1,823	-	-	-
Inter County Water Co. WSBCWD after 1988	21	-	21	21	-	21	21	-	21	-	-	-
Jurupa Water Company JCSD after 1988	1,500	-	1,500	6	-	6	6	-	6	-	-	-
La Sierra Water Company	0	0	0	0	0	0	0	0	0	0	0	0
Riverside Highland Water Company	2,396	1,307	1,089	2,513	1,352	1,161	2,195	1,324	871	-	-	-
Temescal Water Company	25	-	25	97	-	97	194	-	194	-	-	-
West Riverside 350" Water Company	0	-	0	0	-	0	0	-	0	-	-	-
TOTALS	14,712	1,307	13,405	12,397	1,352	11,045	11,004	1,324	9,680	-	-	-

Total Extract -- TOTAL EXTRACTIONS.
Del in S.B. Co. -- DELIVERY WITHIN SAN BERNARDINO COUNTY.
Del. in Riv. Co. -- DELIVERY WITHIN RIVERSIDE COUNTY.

* Name change from American Cement (Amcord) in 1981.
See Report of the Watermaster, Volume 5, Distribution of Extractions, Chapter I, Table No. 52-A.
Same as Table 52-A, Volume 5.

TABLE NO. 5

GROUNDWATER PRODUCTION FROM THAT PART OF THE
RIVERSIDE GROUNDWATER BASIN SITUATED WITHIN SAN BERNARDINO COUNTY
BY SAN BERNARDINO COUNTY ENTITIES
FOR USE IN SAN BERNARDINO COUNTY
DURING THE 5-YEAR BASE PERIOD ENDING IN 1963
AND FOR FOLLOWING CALENDAR YEARS 1971 THROUGH THE CURRENT YEAR

TABLE NO. 5

GROUNDWATER PRODUCTION FROM THAT PART OF THE
RIVERSIDE GROUNDWATER BASIN SITUATED WITHIN SAN BERNARDINO COUNTY
BY SAN BERNARDINO COUNTY ENTITIES FOR USE IN SAN BERNARDINO COUNTY
DURING THE 5-YEAR BASE PERIOD ENDING IN 1963
AND FOR FOLLOWING CALENDAR YEARS 1971 THROUGH THE CURRENT YEAR
(Quantities in Acre Feet)

Verified Extractions from
Riverside Basin Area Within San Bernardino County

Calendar Year	Total Basin	by Riverside Co. Entities	Riverside Accumulated	by San Bernardino Co. Entities
	(1)	(2)	(3)	(4)
1959	38,572	28,722		9,850
1960	33,837	24,054		9,783
1961	37,176	26,713		10,463
1962	30,539	21,454		9,085
1963	28,521	19,659		8,862
5-year Avg.	33,729	24,120		9,609
1971	29,070	20,322	20,322	8,748
1972	28,148	20,185	40,507	7,963
1973	21,809	15,319	55,826	6,490
1974	21,881	14,982	70,808	6,899
1975	22,701	16,188	86,996	6,513
1976	24,705	17,807	104,803	6,898
1977	23,506	16,417	121,220	7,089
1978	17,216	10,955	132,175	6,261
1979	20,024	12,962	145,137	7,062
1980	18,533	12,601	157,738	5,932
1981	23,611	16,800	174,538	6,811
1982	17,349	11,940	186,478	5,409
1983	11,904	6,700	193,178	5,204
1984	17,161	11,513	204,691	5,648
1985	19,392	13,344	218,035	6,048
1986	17,337	9,936	227,971	7,401
1987	15,803	8,429	236,400	7,374
1988	16,933	9,698	246,098	7,235
1989	25,557	17,776	263,874	7,781
1990	26,371	18,499	282,373	7,872
1991	28,011	21,539	303,912	6,472
1992	21,959 *	16,307	320,219	5,652
1993	21,866	16,438	336,657	5,428
1994	19,661	13,950	350,607	5,711
1995	23,865 **	17,642	368,249	6,223
1996	26,698 ***	14,712	382,961	11,986
1997	30,284 ***	12,397	395,358	17,887
1998	33,116	11,004	406,362	22,112
1999				
2000				
2001				
2002				
2003				
2004				
2005				

Column (1), Table No. 3 total verified production all facilities.

Column (2), Table No. 4 total extractions.

Column (3), Column (1) - (2)

Same as Vol. 5, Table No. 53.

* Corrected during 1993 verification (owl rock)

** corrected during 1997 (Colton #24 reassigned to Riverside North, Kleckler corrected)

*** corrected during 1998 (RIX conversion error corrected)

VOLUME 4-1998

WESTERN - SAN BERNARDINO WATERMASTER

FOR

WESTERN MUNICIPAL WATER DISTRICT et al.

vs.

EAST SAN BERNARDINO COUNTY WATER DISTRICT et al.

CASE NO. 78426 - COUNTY OF RIVERSIDE

VOLUME 4 - 1998

VERIFIED EXTRACTIONS FROM THE

RIVERSIDE BASIN AREA WITHIN

RIVERSIDE COUNTY

FOR

CALENDAR YEARS 1959-1963 & 1994-1998

ANNUAL ACCOUNTING
FOR INDIVIDUAL WELLS

August 1, 2000

WATERMASTER

Donald L. Harriger

Robert L. Reiter

REPORT OF WATERMASTER

Western Municipal Water District of Riverside County, et al
Plaintiffs

vs.

East San Bernardino County Water District, et al
Defendants

Superior Court of Riverside County

Case No. 78426

VOLUME 4 - 1998

VERIFIED EXTRACTIONS FROM THE

RIVERSIDE BASIN AREA WITHIN

RIVERSIDE COUNTY

FOR

CALENDAR YEARS 1959-1963 & 1994-1998

ANNUAL ACCOUNTING

FOR INDIVIDUAL WELLS

AUGUST 1, 2000

WATERMASTER

Donald L. Harriger
Robert L. Reiter

VOLUME 4-1998

TABLE OF CONTENTS

	<u>Page</u>
INTRODUCTION	i
RIVERSIDE BASIN AREA IN RIVERSIDE COUNTY CROSS INDEX BY OWNER	1
RIVERSIDE BASIN AREA IN RIVERSIDE COUNTY CROSS INDEX BY STATE WELL NUMBER	4
RIVERSIDE BASIN AREA IN RIVERSIDE COUNTY CROSS INDEX BY RECORDATION NUMBER	7
 <u>TABLE NO. 1</u>	
VERIFIED EXTRACTIONS BY OWNERS WHICH HAVE RECORDATION FILINGS WITH THE STATE WATER RESOURCES CONTROL BOARD	10
 <u>TABLE NO. 2</u>	
VERIFIED EXTRACTIONS BY OWNERS WHICH HAVE NOT FILED WITH THE STATE WATER RESOURCES CONTROL BOARD	15
 <u>TABLE NO. 3</u>	
SUMMARY OF VERIFIED EXTRACTIONS (FILED AND NON-FILED) FROM RIVERSIDE BASIN AREA WITHIN RIVERSIDE COUNTY	16
 <u>TABLE NO. 4</u>	
TOTAL VERIFIED EXTRACTIONS FROM THE RIVERSIDE BASIN AREA WITHIN RIVERSIDE COUNTY FOR USE WITHIN RIVERSIDE COUNTY DURING THE 5-YEAR BASE PERIOD ENDING IN 1963 AND FOR CALENDAR YEARS 1971 THROUGH THE CURRENT YEAR	17

VOLUME 4-1998

VERIFIED EXTRACTIONS FROM
THE RIVERSIDE BASIN AREA
WITHIN RIVERSIDE COUNTY FOR
CALENDAR YEARS 1959-1963 & 1994-1998

INTRODUCTION

The provisions of Paragraph IX(a) and IX(b) of the Judgment Case No. 78426 entered April 17, 1969, entitled "Extractions from the Portion of Riverside Basin Area in Riverside County which is Tributary to Riverside Narrows" provide as follows:

- IX(a) "The average annual extractions from the portion of the Riverside Basin Area in Riverside County which is tributary to Riverside Narrows, for use in Riverside County, for the five-year period ending with 1963 are assumed to be 30,044 acre-feet; the correct figures shall be determined by the Watermaster as herein provided."
- IX(b) "Over any five-year period, there may be extracted from such Basin Area, without replenishment obligation, an amount equal to five times such annual average for the Basin Area; provided, however, that if extractions in any year exceed such average by more than 20 percent, Western shall provide replenishment in the following year equal to the excess extractions over such 20 percent peaking allowance."

Paragraph IX(a) of the Judgment requires only that extractions from that part of the Riverside Basin in Riverside County which is tributary to the Riverside Narrows and used in Riverside County, be verified for the five calendar year base period ending in 1963. Accordingly, a verification of these extractions has been made, the results of which are shown in Table No. 3 on page 16 and averaged 29,634 acre-feet annually for each year during the base period.

Three indexes are included which provide a cross index by owner's name, State Well Number, and State Water Resources Control Board Recordation Number. In addition, each index shows the local designation of each well, if the State Board has closed the file, which year that occurred, and the last five years verified extractions.

Tables No. 1 and No. 2 in this report list the individual wells by the owner, the owner totals for each year in the five year base period ending in 1963, the five year period average, and the extractions for the years of 1994 through 1998. Table No. 1 lists the wells upon which filings have been made with the State Water Resources Control Board, and Table No. 2 lists the wells upon which no filings have been made. Table No. 3 is a summary of the verified extractions, by owner, as presented in Tables No. 1 and No. 2.

The judgment further provides in Paragraph XVI that the accounting is effective from and after January 1, 1971. The recent verified extractions from the Riverside Basin Area in Riverside County for calendar years 1980 through the current year have been determined to be as follows:

<u>Year</u>	<u>Verified Extractions</u>
1980	30,206 A.F.
1981	30,243 A.F.
1982	20,365 A.F.
1983	22,991 A.F.
1984	32,466 A.F.
1985	23,970 A.F.
1986	24,549 A.F.
1987	24,202 A.F.
1988	24,470 A.F.
1989	34,417 A.F. ^{1) 2)}
1990	31,760 A.F. ²⁾
1991	29,364 A.F. ³⁾
1992	29,538 A.F. ³⁾
1993	26,505 A.F.
1994	28,125 A.F.

1995	22,580 A.F.
1996	24,906 A.F.
1997	29,128 A.F.
1998	28,558 A.F.

Table No. 4 shows the total verified extractions from the Riverside Basin Area in Riverside County for use in Riverside County during the five year period ending in 1963 and for calendar years 1971 through the current year.

- 1) Corrected during 1990 verification (Riv.Cement 60-1,Cof R Garner T&G,1st St).
- 2) Corrected during 1991 verification (Riv.Co. Pk, Edmund, wrong power meter #).
- 3) Corrected during 1993 verification (Riv.Cement 88-1).

ERRATA

During the 1998 verification (June 2000) no changes or corrections were made to the report.

During the 1997 verification (June 1999) no changes or corrections were made to the report.

During the 1996 verification (June 1998) no changes or corrections were made to the report.

During the 1995 verification (June 1997) no changes or corrections were made to the report.

During the 1994 verification (June 1996) the following changes or corrections were made to the report.

Wells used by Fairmont Park (C of R wells 3301082, 1851, 1635, 1077) now are metered. Estimated water use is 3.5 af/ac.

During the 1993 verification (May 1995) the following changes and corrections were made to the report:

Riverside Cement backfiled on Well 88-1 (3302605) 64 AF for 1991 and 990 AF for 1992.

Erin Madison Well 64-1 1992 verification of 205 AF was not entered into the computer till 11/94.

During the 1992 verification (November 1993) no changes or corrections were made to the report.

During the 1991 verification (November 1992) the following changes and corrections were made to the report:

The Riverside County Park "Edmund D" well (3300598) electrical meter number has been wrong since 1987. The meter actually supplies the park headquarters office complex and a small 3 hp well. Field notes from well measurements had power meter reading that were used to correct the verification.

<u>year</u>	<u>verified</u>	<u>corrected</u>	<u>difference</u>
1987	683	0	-683
1988	750	0	-750
1989	910	0	-910
1990	884	62	-822

During the 1990 verification (November 1991) the following changes and corrections were made to the report:

The Riverside Cement Company 60-1 well (3301610) was double counted as (0000021), net change of -1,061 A.F.

City of Riverside Garner T & G (3301075) was corrected to 9 A.F., net -4 A.F. The 1st Street well (3301284) was increased from 254 A.F. (was the December production figure) to 781 A.F., a net of +527 A.F.

Changes for the year total -538 A.F. (-1061 - 4 + 527).

During the 1989 verification (June 1991) the following changes and corrections were made to the report:

The Erin Madison Group purchased land and wells from the Riverside Cement Company (3301203, 3301473, 3301626-). The wells are now listed under Madison, including the past production figures.

Corrected 1988 data for Michael C., -508 A.F. Non-verified figures used in error.

During the 1988 verification (June 1990) the following changes and corrections were made to the report:

Canyon Crest County Club (3302052) 1987 production was verified in the amount of 9 A.F.

Hunter Engineering (3600609) 1987 production of 36 A.F. was not included on the 1987 verified printout.

City of Riverside Garner C (3302472) 1987 production of 1,769 A.F. was mis-located and during 1987 verification was placed in the Riverside North Basin.

Net corrections $9 + 36 + 1,769 = 1,814$ A.F. increase from the 1987 verified amount of 23,071 A.F. to yield the 1988 verified figure of 24,885 A.F.

Riverside Cement Company's Falco well (3300371) was sold to Walter and Barbara Taylor.

RIVERSIDE BASIN AREA
IN RIVERSIDE COUNTY
CROSS INDEX BY OWNER

WESTERN - SAN BERNARDINO WATERMASTER
 VERIFIED PRODUCTION DATA
 CROSS INDEX BY OWNER
 RIVERSIDE SOUTH BASIN

OWNER	WELL RECDRTN TYPE NUMBER	STATE WELL NUMBER	LOCAL DESIGNATION	YEAR CLOSED	CALENDAR YEAR EXTRACTATIONS							AVG
					1994	1995	1996	1997	1998	1999		
ALAMO WATER COMPANY	W 3301768	02S/05W-11J			200	175	216	229	175	199	0	
BANK OF AMERICA N.T.&S.A.	W 3301605	02S/04W-19P01S	WOODHILL	1967	0	0	0	0	0	0	0	
BOX SPRINGS MUTUAL WATER COMPANY	W 3300272	03S/04W-10A	13	1978	0	0	0	0	0	0	0	
BOX SPRINGS MUTUAL WATER COMPANY	W 3300272	03S/04W-10A	14	1964	0	0	0	0	0	0	0	
BOX SPRINGS MUTUAL WATER COMPANY	W 3300273	03S/04W-10G	7	1978	0	0	0	0	0	0	0	
BOX SPRINGS MUTUAL WATER COMPANY	W 3300273	03S/04W-10G	15	1964	0	0	0	0	0	0	0	
BOX SPRINGS MUTUAL WATER COMPANY	W 3300274	03S/04W-10B	8	1978	0	0	0	0	0	0	0	
BOX SPRINGS MUTUAL WATER COMPANY	W 3300274	03S/04W-10B	16	1989	0	0	0	0	0	0	0	
BOX SPRINGS MUTUAL WATER COMPANY	W 3300275	03S/04W-10A	17		349	360	374	354	309	349	0	
BURNS, F.L. & LAURA	W 3300439	02S/04W-07N	CIT ST 2	1971	0	0	0	0	0	0	0	
CALIF BAPTIST UNIVERSITY	W 0000403	03S/05W-06B02S	IRRIGATION					50	50	20	0	
CALIF DEPT OF TRANSPORTATION DIST 8R	W 3301915	02S/05W-23Q03S	FREEWAY	1989	0	0	0	0	0	0	0	
CANYON CREST COUNTRY CLUB	W 3302052	02S/04W-31R01S	NO 1	1989	9	10	10	10	10	10	10	
CARPENTER COMPANY	W 3301036	03S/05W-08A01S	CBLNCA 1	1991	0	0	0	0	0	0	0	
CITIZENS NATIONAL COMPANY	W 3300375	02S/05W-23L01S	AIR COND	1971	0	0	0	0	0	0	0	
COUNTY OF RIVERSIDE, FLOOD CONTROL	W 0000404	02S/05W-14D01S	IRRIGATION					30	30	12	0	
CRESTMORE HEIGHTS MUTUAL WATER COMPAN	W 3301372	02S/05W-03B02S	2		25	25	25	25	0	0	15	
CRESTMORE HEIGHTS MUTUAL WATER COMPAN	W 3301659	02S/05W-03B	3		66	66	66	66	0	0	39	
EASTERN MUNICIPAL WATER DISTRICT	W 3300981	03S/04W-03Q	RECHE CN	1974	0	0	0	0	0	0	0	
EASTERN MUNICIPAL WATER DISTRICT	W 3300982	03S/04W-03R	DICKINSON	1974	0	0	0	0	0	0	0	
FORT FREMONT MUTUAL WATER COMPANY	W 3301296	02S/05W-16J	1		205	139	242	261	220	213	0	
FORT FREMONT MUTUAL WATER COMPANY	W 3301297	02S/05W-16J	2		27	82	0	0	0	22	0	
GROSS, DALE P.	W 3300748	02S/05W-12E	1	1971	0	0	0	0	0	0	0	
GRUBBS, V. W.	W 3300076	02S/04W-07P		1968	0	0	0	0	0	0	0	
HUNTER ENGINEERING COMPANY	W 3300607	02S/04W-18E01S	SMITH 1	1974	0	0	0	0	0	0	0	
HUNTER ENGINEERING COMPANY	W 3300608	02S/04W-18F	2	1974	0	0	0	0	0	0	0	
HUNTER ENGINEERING COMPANY	W 3300609	02S/04W-18C	3	1974	45	45	45	45	45	45	45	
JOHNSON, TRUMAN	W 0000402	02S/05W-14E	1, PALMYRITA		0	0	0	0	0	0	0	
JOHNSON, TRUMAN	W 3300160	02S/05W-14E	1, PALMYRITA	1981	0	0	0	0	0	0	0	
JURUPA COMMUNITY SERVICES DISTRICT	W 3301362	02S/05W-06G04S	3		236	266	236	0	0	148	0	
JURUPA COMMUNITY SERVICES DISTRICT	W 3301501	02S/05W-06G01S	SUNNYSLOPE #5		0	0	0	0	37	28	13	
JURUPA COMMUNITY SERVICES DISTRICT	W 3301502	02S/05W-06K02S	6	1981	0	0	0	0	0	0	0	
JURUPA COMMUNITY SERVICES DISTRICT	W 3301578	02S/05W-05R	PEARSON MUTAL	1990	0	0	0	0	0	0	0	
JURUPA COMMUNITY SERVICES DISTRICT	W 3301625	02S/05W-08K03S	#7	1981	0	0	0	0	0	0	0	
LA CASA CONTENTA MOTEL	W 3300573	02S/04W-19P	ADLINE	1967	0	0	0	0	0	0	0	
MADISON, ERIN	W 3301203	02S/05W-02F	1 VALENCIA	1989	205	0	0	0	0	0	41	
MADISON, ERIN	W 3301473	02S/05W-02F	CHINO NO 3	1989	0	0	0	0	0	0	0	

WESTERN - SAN BERNARDINO WATERMASTER
 VERIFIED PRODUCTION DATA
 CROSS INDEX BY OWNER
 RIVERSIDE SOUTH BASIN

OWNER	WELL RECDTN TYPE NUMBER	STATE WELL NUMBER	LOCAL DESIGNATION	YEAR CLOSED	CALENDAR YEAR EXTRACTIONS										AVG
					1994	1995	1996	1997	1998						
MADISON, ERIN	W	3301626	02S/05W-02L 64-1	1989	205	0	0	0	0	0	0	0	0	0	41
MARTIN, KENNETH ALLAN	W	3300654	02S/05W-32B01S RR 1/NICHOLS PARK	1968	0	0	0	0	0	0	0	0	0	0	0
MICHAEL, C.	W	3300695	02S/05W-22C01S OLD A	1978	0	0	0	0	0	0	0	0	0	0	0
MICHAEL, C.	W	3300695	02S/05W-22D A		0	0	0	0	0	0	0	0	0	0	0
MICHAEL, C.	W	3300697	02S/05W-22C02S C		196	222	219	72	72	91	160				
MICHAEL, C.	W	3300699	02S/05W-21B01S "E" (JONES RANCH)	1990	0	0	0	0	0	0	0	0	0	0	0
MICHAEL, C.	W	3300601	02S/05W-21A01S F		0	0	0	0	0	0	0	0	0	0	0
MICHAEL, C.	W	3300601	02S/05W-22D01S "G" (JONES RANCH)		0	0	0	0	0	0	0	0	0	0	0
MIPO CORP, DBA MISSION	W	3300000	02S/05W-23G02S 6TH ST	1975	0	0	0	0	0	0	0	0	0	0	0
MUTUAL WATER COMPANY OF WEST RIVERSIDE	W	3302008	02S/05W-10K06S NO 1		214	226	301	302	302	255	260				
PROPERTY ACQUISITION COMPANY	W	3301422	02S/05W-05R02S PATA 66	1974	0	0	0	0	0	0	0	0	0	0	0
RIO RANCHO MUTUAL WATER COMPANY	W	3300022	02S/05W-16R 1	1978	0	0	0	0	0	0	0	0	0	0	0
RIO RANCHO MUTUAL WATER COMPANY	W	3300022	02S/05W-16R01S 1		48	73	80	67	57	65	65				
RIVERSIDE CEMENT COMPANY	W	3300369	02S/05W-02E CHINO NO 2	1960	0	0	0	0	0	0	0	0	0	0	0
RIVERSIDE CEMENT COMPANY	W	3300370	02S/05W-03J CRESTMOR	1988	0	0	0	0	0	0	0	0	0	0	0
RIVERSIDE CEMENT COMPANY	W	3300372	02S/05W-03G02S 49	1960	0	0	0	0	0	0	0	0	0	0	0
RIVERSIDE CEMENT COMPANY	W	3301610	02S/05W-03A03S 60-1 BLENDING PILE		577	800	296	360	360	309	468				
RIVERSIDE CEMENT COMPANY	W	3301626	02S/05W-02L 53-2	1978	0	0	0	0	0	0	0	0	0	0	0
RIVERSIDE CEMENT COMPANY	W	3302605	02S/05W-03F02S 88-1		1,095	44	60	201	156	311	311				
RIVERSIDE HIGHLAND WATER COMPANY	W	3301655	02S/04W-08M01S RN #21		372	262	280	126	138	236	236				
RIVERSIDE HIGHLAND WATER COMPANY	W	3301656	02S/04W-08M02S RN #22		243	349	278	324	188	276	276				
RIVERSIDE INDUSTRIAL PARK	W	3300330	02S/05W-11C01S 8	1974	0	0	0	0	0	0	0	0	0	0	0
RIVERSIDE THOROUGHFBRED FARM	W	3301834	02S/05W-15B10S 1	1990	325	325	325	325	325	325	325				
RIVERSIDE THOROUGHFBRED FARM	W	3301835	02S/05W-15B11S #2	1986	0	0	0	0	0	0	0	0	0	0	0
RIVERSIDE, CITY OF	W	3300417	02S/05W-25F01S CLEARWTR	1985	0	0	0	0	0	0	0	0	0	0	0
RIVERSIDE, CITY OF	W	3300686	02S/04W-19J01S LEMONA 1	1974	0	0	0	0	0	0	0	0	0	0	0
RIVERSIDE, CITY OF	W	3301073	02S/05W-12K02S TWIN 1&2		0	0	0	0	0	0	0	0	0	0	0
RIVERSIDE, CITY OF	W	3301074	02S/05W-23J01S MULBERRY		0	0	0	0	0	0	0	0	0	0	0
RIVERSIDE, CITY OF	W	3301075	02S/05W-12B01S GARNER #1 (T&G)		7	12	11	6	5	8	8				
RIVERSIDE, CITY OF	W	3301076	02S/05W-12P01S MOORE GRIFFITH #1		1	0	0	0	0	0	0	0	0	0	0
RIVERSIDE, CITY OF	W	3301077	02S/05W-12P02S BRUNTON	1977	0	0	0	0	0	0	0	0	0	0	0
RIVERSIDE, CITY OF	W	3301078	02S/05W-28A01S SANITARY	1977	0	0	0	0	0	0	0	0	0	0	0
RIVERSIDE, CITY OF	W	3301079	02S/05W-28C01S DAVIS		0	0	0	0	0	0	0	0	0	0	0
RIVERSIDE, CITY OF	W	3301082	02S/05W-14G02S FAIRMOUNT PARK #1		299	533	803	835	1,117	717	717				
RIVERSIDE, CITY OF	W	3301084	02S/05W-12A01S RUSSELL	1972	0	0	0	0	0	0	0	0	0	0	0
RIVERSIDE, CITY OF	D	3301086	02S/05W-14K SPRING BROOK	1986	0	0	0	0	0	0	0	0	0	0	0
RIVERSIDE, CITY OF	D	3301087	02S/05W-29G JENSEN	1977	0	0	0	0	0	0	0	0	0	0	0

WESTERN - SAN BERNARDINO WATERMASTER
 VERIFIED PRODUCTION DATA
 CROSS INDEX BY OWNER
 RIVERSIDE SOUTH BASIN

OWNER	WELL TYPE	REC'DTN NUMBER	STATE WELL NUMBER	LOCAL DESIGNATION	YEAR CLOSED	CALENDAR YEAR EXTRACTIIONS										AVG		
						1984	1985	1986	1987	1988	1989	1990	1991	1992	1993			
RIVERSIDE, CITY OF	W	3301284	02S/05W-24D01S	1ST ST	1978	1,055	1,251	1,534	2,312	745	1,379	0	0	0	0	0	0	0
RIVERSIDE, CITY OF	W	3301285	02S/05W-13Q01S	CUNHAM 1	1978	0	0	0	0	0	0	0	0	0	0	0	0	0
RIVERSIDE, CITY OF	W	3301285	02S/05W-13Q02S	CUNHAM 2	1978	0	0	0	0	0	0	0	0	0	0	0	0	0
RIVERSIDE, CITY OF	W	3301286	02S/04W-07N01S	PALMYRITA 1	1978	0	0	0	0	0	0	0	0	0	0	0	0	0
RIVERSIDE, CITY OF	W	3301286	02S/04W-07N03S	PALMYRITA #2	1978	0	0	0	0	0	0	0	0	0	0	0	0	0
RIVERSIDE, CITY OF	W	3301287	02S/04W-07L01S	ELECTRIC ST	1978	3,304	2,437	2,866	3,890	3,171	3,134	0	0	0	0	0	0	0
RIVERSIDE, CITY OF	W	3301288	02S/05W-23R01S	FILL	1978	2,069	1,642	1,966	0	0	1,135	0	0	0	0	0	0	0
RIVERSIDE, CITY OF	W	3301289	02S/05W-23Q01S	11TH ST	1978	1,102	894	1,443	2,888	20	1,269	0	0	0	0	0	0	0
RIVERSIDE, CITY OF	W	3301358	02S/04W-08E01S	HIGHGROVE 1	1978	0	0	0	0	0	0	0	0	0	0	0	0	0
RIVERSIDE, CITY OF	W	3301359	02S/04W-08D03S	HIGHGROVE 2	1978	0	0	0	0	0	0	0	0	0	0	0	0	0
RIVERSIDE, CITY OF	W	3301359	02S/04W-08D04S	HIGHGROVE 3	1978	0	0	0	0	0	0	0	0	0	0	0	0	0
RIVERSIDE, CITY OF	W	3301635	02S/05W-14G03S	MORI 2	1982	38	925	1,034	0	0	902	0	0	0	0	0	0	0
RIVERSIDE, CITY OF	W	3301814	03S/05W-03F01S	ORANGE ACRES	1982	0	0	0	0	0	0	0	0	0	0	0	0	0
RIVERSIDE, CITY OF	W	3301851	02S/05W-14E01S	FAIRMONT PARK 2	1981	1,417	1,132	525	0	0	615	0	0	0	0	0	0	0
RIVERSIDE, CITY OF	W	3301940	03S/05W-09E01S	LINCOLN HEIGHTS	1981	0	0	0	0	0	0	0	0	0	0	0	0	0
RIVERSIDE, CITY OF	W	3301959	02S/05W-12B04S	GARNER B	1981	1,851	120	540	1,537	1,972	1,204	0	0	0	0	0	0	0
RIVERSIDE, CITY OF	W	3302472	02S/05W-12C03S	GARNER C	1981	1,870	1,345	1,552	3,048	3,289	2,221	0	0	0	0	0	0	0
RIVERSIDE, CITY OF	W	3302531	02S/05W-12A03S	RUSSELL B	1981	1,211	786	871	1,450	1,229	1,109	0	0	0	0	0	0	0
RIVERSIDE, CITY OF	W	3302618	02S/05W-12B06S	GARNER D	1981	1,373	1,127	957	2,387	2,768	1,722	0	0	0	0	0	0	0
RIVERSIDE, CITY OF	W	3303666	02S/05W-26F01S	OLIVEWOOD 1	1980	855	555	665	555	800	700	0	0	0	0	0	0	0
RIVERSIDE, CITY OF	W	3303667	02S/05W-26E02S	OLIVEWOOD 2	1980	1,402	930	912	667	1,184	1,019	0	0	0	0	0	0	0
RIVERSIDE, CITY OF	W	3303668	02S/05W-26M01S	OLIVEWOOD 3	1980	531	354	416	407	516	445	0	0	0	0	0	0	0
RIVERSIDE, COUNTY OF	W	3300596	02S/05W-21K01S	HQ	1980	24	24	24	24	24	24	0	0	0	0	0	0	0
RIVERSIDE, COUNTY OF	W	3300598	02S/05W-21K	EDMUNDS "D"	1980	0	0	82	367	393	165	0	0	0	0	0	0	0
RIVERSIDE, COUNTY OF	W	3302204	02S/05W-21M03S	PIC LAK 8	1980	0	0	0	0	0	0	0	0	0	0	0	0	0
RIVERSIDE, COUNTY OF	W	3302205	02S/05W-21M01S	PIC LAK 12	1980	0	0	0	0	0	0	0	0	0	0	0	0	0
RIVERSIDE, COUNTY OF	W	3302206	02S/05W-21M04S	PIC LAK 14	1980	100	100	100	100	100	100	0	0	0	0	0	0	0
RIVERSIDE, COUNTY OF	W	3301346	02S/05W-02L01S	1	1980	0	0	0	0	0	0	0	0	0	0	0	0	0
RIVERSIDE, COUNTY OF	W	3300768	03S/05W-14E	GURNEY 1	1974	0	0	0	0	0	0	0	0	0	0	0	0	0
RIVERSIDE, COUNTY OF	W	3301257	02S/04W-31E01S	1	1970	0	0	0	0	0	0	0	0	0	0	0	0	0
RIVERSIDE, COUNTY OF	W	3301194	02S/05W-12R01S	1 WEST	1959	0	0	0	0	0	0	0	0	0	0	0	0	0
RIVERSIDE, COUNTY OF	W	0000401	02S/05W-20R01S	SEWER PLANT	1989	146	51	1	3	1	40	0	0	0	0	0	0	0
RIVERSIDE, COUNTY OF	W	3301153	02S/05W-15M02S	#7, 36TH & DALY	1988	0	0	0	0	0	0	0	0	0	0	0	0	0
RIVERSIDE, COUNTY OF	W	3301154	02S/05W-15L08S	#8, 34TH & DALY	1988	0	0	0	0	0	0	0	0	0	0	0	0	0
RIVERSIDE, COUNTY OF	W	3301363	02S/05W-16E06S	OLD #4	1987	0	0	0	0	0	0	0	0	0	0	0	0	0
RIVERSIDE, COUNTY OF	W	3301423	02S/05W-16G04S	NO 1	1988	0	0	0	0	0	0	0	0	0	0	0	0	0
RIVERSIDE, COUNTY OF	W	3301424	02S/05W-15M01S	#9, WALLACE STREET	1988	0	0	0	0	0	0	0	0	0	0	0	0	0

WESTERN - SAN BERNARDINO WATERMASTER
 VERIFIED PRODUCTION DATA
 CROSS INDEX BY OWNER
 RIVERSIDE SOUTH BASIN

OWNER	WELL TYPE	RECDTN NUMBER	STATE WELL NUMBER	LOCAL DESIGNATION	YEAR CLOSED	CALENDAR YEAR EXTRACTIIONS										AVG	
						1984	1985	1986	1987	1988	1989	1990	1991	1992	1993		
RUBIDOUX COMMUNITY SERVICES DISTRICT	W	3301524	02S/05W-19J	JH #9	1979	0	0	0	0	0	0	0	0	0	0	0	0
RUBIDOUX COMMUNITY SERVICES DISTRICT	W	3301524	02S/05W-20J02S	#16 HUNTER		296	316	366	6	0	0	0	0	0	0	0	197
RUBIDOUX COMMUNITY SERVICES DISTRICT	W	3301694	02S/05W-20H04S	#13 HUNTER 6		392	348	300	0	0	0	0	0	0	0	0	206
RUBIDOUX COMMUNITY SERVICES DISTRICT	W	3301887	02S/05W-10P01S	#3 28TH ST		2	3	1	16	12	7						
RUBIDOUX COMMUNITY SERVICES DISTRICT	W	3301892	02S/05W-17R03S	#4 CLEMENTS (OLD 11)		1	132	3	284	293	143						
RUBIDOUX COMMUNITY SERVICES DISTRICT	W	3302007	02S/05W-16H06S	#2, TROYER		1,221	1,031	700	896	810	932						
RUBIDOUX COMMUNITY SERVICES DISTRICT	W	3302538	02S/05W-20A01S	#14, 46TH ST		596	598	586	494	304	516						
RUBIDOUX COMMUNITY SERVICES DISTRICT	W	3302539	02S/05W-21C01S	#12, AIRPORT	1988	636	298	209	0	0	229						
RUBIDOUX COMMUNITY SERVICES DISTRICT	W	3302540	02S/05W-15M	#5, NEW 36TH		832	912	866	615	484	736						
RUBIDOUX COMMUNITY SERVICES DISTRICT	W	3302541	02S/05W-11C02S	#4, SKOTTY		1	242	889	786	351	454						
RUBIDOUX COMMUNITY SERVICES DISTRICT	W	3302542	02S/05W-15L01S	#1-CRESTMORE		287	393	214	611	703	442						
RUBIDOUX COMMUNITY SERVICES DISTRICT	W	3302772	02S/05W-11C	#6, NEW SKOTTY		111	830	1,392	631	593							
RUBIDOUX COMMUNITY SERVICES DISTRICT	W	3302810	02S/05W-15L	NEW DALEY #8		0	0	0	0	0	228						
SCHWAB, A. M.	W	3300230	02S/04W-08N02S	PLMYRTA	1981	0	0	0	0	0	0						
SCOPE CORPORATION	W	3300003	02S/04W-19J02S	COOK 2	1972	0	0	0	0	0	0						
SCOPE CORPORATION	W	3300004	02S/04W-19R01S	HALL 1	1972	0	0	0	0	0	0						
STOKER, GEORGE	W	3300798	02S/05W-12A		1971	0	0	0	0	0	0						
TAYLOR, WALTER & BARBARA	W	3300371	02S/05W-05K	FALCO		0	0	0	0	0	0						
TRI-CITY LINEN SUPPLY COMPANY	W	3301384	02S/05W-22R01S	RIV LDRY/BLUE SEAL		79	65	71	80	83	76						
UNIVERSAL FOREST PRODUCTS	W	3302233	02S/05W-10C04S	1		5	0	0	0	0	1						
UNIVERSAL FOREST PRODUCTS	W	3302234	02S/05W-10C03S	2		10	0	0	0	0	2						
UNIVERSAL FOREST PRODUCTS	W	3302235	02S/05W-10C01S	3		5	0	0	0	0	1						
UNIVERSITY OF CALIFORNIA, REGENTS OF	W	3300040	02S/04W-08D02S	HIGHGROV		216	195	187	189	150	187						
VICTORIA COUNTRY CLUB	W	3300417-	02S/05W-25F01S	CLEARWTR		250	250	300	450	450	340						
VON KANEL, ALFRED	W	3300088	02S/05W-32A01S		1979	0	0	0	0	0	0						
WATERMAN, ALLEN H	W	3300812	02S/05W-11P	WTRMN 1	1962	0	0	0	0	0	0						
WHITE SULPHUR SPRINGS POOL	W	3300754	02S/05W-13E	WHSLPHR 1	1971	0	0	0	0	0	0						
WIGHT, CHARLES H	W	3300277	02S/05W-11K		1972	0	0	0	0	0	0						
YEAGER CONSTRUCTION COMPANY	W	3301081	02S/05W-14B	ANZA	1975	0	0	0	0	0	0						
YEAGER CONSTRUCTION COMPANY	W	3301927	02S/05W-03R03S	2	1974	0	0	0	0	0	0						
ZINKE VERA	W	3300811	02S/05W-32K01S	WAYMAN	1975	0	0	0	0	0	0						
TOTALS FOR 142 WELLS						28,125	22,580	24,906	29,128	28,558	26,659						

RIVERSIDE BASIN AREA
IN RIVERSIDE COUNTY
CROSS INDEX BY STATE WELL NUMBER

WESTERN - SAN BERNARDINO WATERMASTER
 VERIFIED PRODUCTION DATA
 CROSS INDEX BY STATE WELL NUMBER
 RIVERSIDE SOUTH BASIN

STATE WELL NUMBER	RECRD TN NUMBER	OWNER	WELL TYPE	LOCAL DESIGNATION	YEAR CLOSED	CALENDAR YEAR EXTRACTIIONS									
						1994	1995	1996	1997	1998	AVG				
02S/04W-07L01S	3301287	RIVERSIDE, CITY OF	W	ELECTRIC ST	1971	3,304	2,437	2,866	3,890	3,171	3,134	0	0	0	0
02S/04W-07N	3300436	BURNS, F.L. & LAURA	W	CIT ST 2	1978	0	0	0	0	0	0	0	0	0	0
02S/04W-07N01S	3301286	RIVERSIDE, CITY OF	W	PALMYRITA 1	1968	0	0	0	0	0	0	0	0	0	0
02S/04W-07N03S	3301286	RIVERSIDE, CITY OF	W	PALMYRITA #2	1978	0	0	0	0	0	0	0	0	0	0
02S/04W-07P	3300076	GRUBBS, V. W.	W		1978	216	195	187	189	150	187	0	0	0	0
02S/04W-08D02S	3300040	UNIVERSITY OF CALIFORNIA, REGENTS OF	W	HIGHGROV	1978	0	0	0	0	0	0	0	0	0	0
02S/04W-08D03S	3301359	RIVERSIDE, CITY OF	W	HIGHGROVE 2	1978	0	0	0	0	0	0	0	0	0	0
02S/04W-08D04S	3301359	RIVERSIDE, CITY OF	W	HIGHGROVE 3	1978	0	0	0	0	0	0	0	0	0	0
02S/04W-08E01S	3301358	RIVERSIDE, CITY OF	W	HIGHGROVE 1	1978	0	0	0	0	0	0	0	0	0	0
02S/04W-08M01S	3301655	RIVERSIDE HIGHLAND WATER COMPANY	W	RN #21	1974	372	262	280	126	138	236	0	0	0	0
02S/04W-08M02S	3301656	RIVERSIDE HIGHLAND WATER COMPANY	W	RN #22	1974	243	349	278	324	188	276	0	0	0	0
02S/04W-08N02S	3300230	SCHWAB, A. M.	W	PLMYRITA	1961	0	0	0	0	0	0	0	0	0	0
02S/04W-18C	3300609	HUNTER ENGINEERING COMPANY	W	3	1974	45	45	45	45	45	45	0	0	0	0
02S/04W-18E01S	3300607	HUNTER ENGINEERING COMPANY	W	SMITH 1	1974	0	0	0	0	0	0	0	0	0	0
02S/04W-18F	3300608	HUNTER ENGINEERING COMPANY	W	2	1974	0	0	0	0	0	0	0	0	0	0
02S/04W-19J01S	3300686	RIVERSIDE, CITY OF	W	LEMONA 1	1974	0	0	0	0	0	0	0	0	0	0
02S/04W-19J02S	3300003	SCOPE CORPORATION	W	COOK 2	1972	0	0	0	0	0	0	0	0	0	0
02S/04W-19P	3300673	LA CASA CONTENTA MOTEL	W	ADLINE	1967	0	0	0	0	0	0	0	0	0	0
02S/04W-19P01S	3301605	BANK OF AMERICA N.T.&S.A.	W	WOODILL	1967	0	0	0	0	0	0	0	0	0	0
02S/04W-19R01S	3300004	SCOPE CORPORATION	W	HALL 1	1972	0	0	0	0	0	0	0	0	0	0
02S/04W-31E01S	3301257	ROOS, CHARLES E.	W	1	1970	0	0	0	0	0	0	0	0	0	0
02S/04W-31R01S	3302052	CANYON CREST COUNTRY CLUB	W	NO 1	1989	9	10	10	10	10	10	0	0	0	0
02S/05W-02E	3300369	RIVERSIDE CEMENT COMPANY	W	CHINO NO 2	1960	0	0	0	0	0	0	0	0	0	0
02S/05W-02F	3301203	MADISON, ERIN	W	1 VALENCIA	1989	205	0	0	0	0	0	0	0	0	0
02S/05W-02F	3301473	MADISON, ERIN	W	CHINO NO 3	1989	0	0	0	0	0	0	0	0	0	0
02S/05W-02L	3301626	RIVERSIDE CEMENT COMPANY	W	53-2	1978	0	0	0	0	0	0	0	0	0	0
02S/05W-02L	3301626	MADISON, ERIN	W	64-1	1989	205	0	0	0	0	0	0	0	0	0
02S/05W-02L01S	3301346	RIVINO WATER COMPANY	W	1	1980	0	0	0	0	0	0	0	0	0	0
02S/05W-03A03S	3301610	RIVERSIDE CEMENT COMPANY	W	60-1 BLENDING PILE	1980	577	800	296	360	309	468	0	0	0	0
02S/05W-03B	3301659	CRESTMORE HEIGHTS MUTUAL WATER COMPAN	W	3	1966	65	65	65	65	65	65	0	0	0	0
02S/05W-03B02S	3301372	CRESTMORE HEIGHTS MUTUAL WATER COMPAN	W	2	1966	25	25	25	25	25	25	0	0	0	0
02S/05W-03F02S	3302605	RIVERSIDE CEMENT COMPANY	W	88-1	1960	1,095	44	60	201	156	311	0	0	0	0
02S/05W-03G02S	3300372	RIVERSIDE CEMENT COMPANY	W	49	1968	0	0	0	0	0	0	0	0	0	0
02S/05W-03J	3300370	RIVERSIDE CEMENT COMPANY	W	CRESTMOR	1974	0	0	0	0	0	0	0	0	0	0
02S/05W-03R03S	3301927	YEAGER CONSTRUCTION COMPANY	W	2	1974	0	0	0	0	0	0	0	0	0	0
02S/05W-05K	3300371	TAYLOR, WALTER & BARBARA	W	FALCO	1980	0	0	0	0	0	0	0	0	0	0
02S/05W-05R	3301578	JURUPA COMMUNITY SERVICES DISTRICT	W	PEARSON MUTAL	1980	0	0	0	0	0	0	0	0	0	0

WESTERN - SAN BERNARDINO WATERMASTER
 VERIFIED PRODUCTION DATA
 CROSS INDEX BY STATE WELL NUMBER
 RIVERSIDE SOUTH BASIN

STATE WELL NUMBER	RECRD TN NUMBER	OWNER	WELL TYPE	LOCAL DESIGNATION	YEAR CLOSED	CALENDAR YEAR EXTRACTIONS						
						1994	1995	1996	1997	1998	AVG	
02S/05W-06R02S	3301422	PROPERTY ACQUISITION COMPANY	W	PATA 66	1974	0	0	0	0	0	0	0
02S/05W-08G01S	3301501	JURUPA COMMUNITY SERVICES DISTRICT	W	SUNNYSLOPE #5		0	0	0	37	28	13	
02S/05W-08G04S	3301362	JURUPA COMMUNITY SERVICES DISTRICT	W	3		236	266	236	0	0	148	
02S/05W-08K02S	3301502	JURUPA COMMUNITY SERVICES DISTRICT	W	6	1981	0	0	0	0	0	0	0
02S/05W-08K03S	3301625	JURUPA COMMUNITY SERVICES DISTRICT	W	#7	1981	0	0	0	0	0	0	0
02S/05W-10C01S	3302235	UNIVERSAL FOREST PRODUCTS	W	3		5	0	0	0	0	1	
02S/05W-10C03S	3302234	UNIVERSAL FOREST PRODUCTS	W	2		10	0	0	0	0	2	
02S/05W-10C04S	3302233	UNIVERSAL FOREST PRODUCTS	W	1		5	0	0	0	0	1	
02S/05W-10K06S	3302008	MUTUAL WATER COMPANY OF WEST RIVERSIDE	W	NO 1		214	226	301	302	255	260	
02S/05W-10P01S	3301887	RUBIDOUX COMMUNITY SERVICES DISTRICT	W	#3 28TH ST		2	3	1	16	12	7	
02S/05W-11C	3302772	RUBIDOUX COMMUNITY SERVICES DISTRICT	W	#6, NEW SKOTTY		0	111	830	1,392	631	593	
02S/05W-11C01S	3300330	RIVERSIDE INDUSTRIAL PARK	W	8	1974	0	0	0	0	0	0	0
02S/05W-11C02S	3302541	RUBIDOUX COMMUNITY SERVICES DISTRICT	W	#4, SKOTTY		1	242	889	786	351	454	
02S/05W-11J	3301768	ALAMO WATER COMPANY	W			200	175	216	229	175	199	
02S/05W-11K	3300277	WIGHT, CHARLES H	W		1972	0	0	0	0	0	0	0
02S/05W-11P	3300812	WATERMAN, ALLEN H	W	WTRMN 1	1962	0	0	0	0	0	0	0
02S/05W-12A	3300798	STOKER, GEORGE	W		1971	0	0	0	0	0	0	0
02S/05W-12A01S	3301084	RIVERSIDE, CITY OF	W	RUSSELL	1972	0	0	0	0	0	0	0
02S/05W-12A03S	3302531	RIVERSIDE, CITY OF	W	RUSSELL B		1,211	786	871	1,450	1,229	1,109	
02S/05W-12B01S	3301075	RIVERSIDE, CITY OF	W	GARNER #1 (T&G)		7	12	11	6	5	8	
02S/05W-12B04S	3301959	RIVERSIDE, CITY OF	W	GARNER B		1,851	120	540	1,537	1,972	1,204	
02S/05W-12B06S	3302618	RIVERSIDE, CITY OF	W	GARNER D		1,373	1,127	957	2,387	2,768	1,722	
02S/05W-12C03S	3302472	RIVERSIDE, CITY OF	W	GARNER C		1,870	1,345	1,552	3,048	3,289	2,221	
02S/05W-12E	3300748	GROSS, DALE P.	W	1	1971	0	0	0	0	0	0	0
02S/05W-12K02S	3301073	RIVERSIDE, CITY OF	W	TWIN 1&2		0	0	0	0	0	1	0
02S/05W-12P01S	3301076	RIVERSIDE, CITY OF	W	MOORE GRIFFITH #1		1	0	0	0	0	1	0
02S/05W-12P02S	3301077	RIVERSIDE, CITY OF	W	BRUNTON		0	0	0	0	0	0	0
02S/05W-12R01S	3301194	ROSS, SAM	W	1 WEST	1969	0	0	0	0	0	0	0
02S/05W-13E	3300754	WHITE SULPHUR SPRINGS POOL	W	WHSLPHR 1	1971	0	0	0	0	0	0	0
02S/05W-13Q02S	3301285	RIVERSIDE, CITY OF	W	CUNHAM 1	1978	0	0	0	0	0	0	0
02S/05W-14B	3301081	YEAGER CONSTRUCTION COMPANY	W	CUNHAM 2	1975	0	0	0	0	0	0	0
02S/05W-14E	0000402	JOHNSON, TRUMAN	W	ANZA		0	0	0	30	30	12	
02S/05W-14E01S	3301851	RIVERSIDE, CITY OF	W	IRRIGATION		0	0	0	0	0	0	0
02S/05W-14G02S	3301082	RIVERSIDE, CITY OF	W	1 PALMYRITA	1961	0	0	0	0	0	0	0
			W	FAIRMOUNT PARK 2		1,417	1,132	525	0	0	615	
			W	FAIRMOUNT PARK #1		289	533	803	835	1,117	717	

WESTERN - SAN BERNARDINO WATERMASTER
 VERIFIED PRODUCTION DATA
 CROSS INDEX BY STATE WELL NUMBER
 RIVERSIDE SOUTH BASIN

STATE WELL NUMBER	RECDTN NUMBER	OWNER	WELL TYPE	LOCAL DESIGNATION	YEAR CLOSED	CALENDAR YEAR EXTRACTIONS										AVG	
						1994	1995	1996	1997	1998	1999	2000	2001	2002	2003		2004
02S/05W-14G03S	3301635	RIVERSIDE, CITY OF	W	MORI 2		36	925	1,034	0	2,513	902						
02S/05W-14K	3301086	RIVERSIDE, CITY OF	D	SPRING BROOK	1966	0	0	0	0	0	0						
02S/05W-15B10S	3301834	RIVERSIDE THOROUGHFBRED FARM	W	1	1990	325	325	325	325	325	325						
02S/05W-15B11S	3301835	RIVERSIDE THOROUGHFBRED FARM	W	#2	1986	0	0	0	0	0	0						
02S/05W-15L	3302810	RUBIDOUX COMMUNITY SERVICES DISTRICT	W	NEW DALEY #8													
02S/05W-15L01S	3302542	RUBIDOUX COMMUNITY SERVICES DISTRICT	W	#1-CRESTMORE		287	393	214	611	703	442						
02S/05W-15L06S	3301154	RUBIDOUX COMMUNITY SERVICES DISTRICT	W	#8, 34TH & DALY	1989	0	0	0	0	0	0						
02S/05W-15M	3302540	RUBIDOUX COMMUNITY SERVICES DISTRICT	W	#5, NEW 36TH		832	912	866	615	464	738						
02S/05W-15M01S	3301424	RUBIDOUX COMMUNITY SERVICES DISTRICT	W	#9, WALLACE STREET	1988	0	0	0	0	0	0						
02S/05W-15M02S	3301153	RUBIDOUX COMMUNITY SERVICES DISTRICT	W	#7, 36TH & DALY		146	51	1	3	1	40						
02S/05W-16E06S	3301363	RUBIDOUX COMMUNITY SERVICES DISTRICT	W	OLD #4	1988	0	0	0	0	0	0						
02S/05W-16G04S	3301423	RUBIDOUX COMMUNITY SERVICES DISTRICT	W	NO 1	1987	0	0	0	0	0	0						
02S/05W-16H06S	3302007	RUBIDOUX COMMUNITY SERVICES DISTRICT	W	#2, TROYER		1,221	1,031	700	896	810	932						
02S/05W-16J	3301296	FORT FREMONT MUTUAL WATER COMPANY	W	1		205	139	242	261	220	213						
02S/05W-16J	3301297	FORT FREMONT MUTUAL WATER COMPANY	W	2		27	92	0	0	0	22						
02S/05W-16R	3300022	RIO RANCHO MUTUAL WATER COMPANY	W	1		0	0	0	0	0	0						
02S/05W-16R01S	3300022	RIO RANCHO MUTUAL WATER COMPANY	W	1		48	73	80	67	57	65						
02S/05W-17R03S	33001892	RUBIDOUX COMMUNITY SERVICES DISTRICT	W	#4 CLEMENTS (OLD 11)		1	132	3	284	293	143						
02S/05W-19J	3301524	RUBIDOUX COMMUNITY SERVICES DISTRICT	W	J H #9	1979	0	0	0	0	0	0						
02S/05W-20A01S	3302538	RUBIDOUX COMMUNITY SERVICES DISTRICT	W	#14, 46TH ST		596	598	586	494	304	516						
02S/05W-20H04S	3301694	RUBIDOUX COMMUNITY SERVICES DISTRICT	W	#13 HUNTER 6		392	348	300	0	0	208						
02S/05W-20J02S	3301524	RUBIDOUX COMMUNITY SERVICES DISTRICT	W	#16 HUNTER		296	316	366	6	0	197						
02S/05W-20R01S	0000401	RUBIDOUX COMMUNITY SERVICES DISTRICT	W	SEWER PLANT		0	0	0	0	0	0						
02S/05W-21A01S	3300600	MICHAEL, C.	W	F	1990	0	0	0	0	0	0						
02S/05W-21B01S	3300599	MICHAEL, C.	W	"E" (JONES RANCH)		196	222	219	72	91	160						
02S/05W-21C01S	3302539	RUBIDOUX COMMUNITY SERVICES DISTRICT	W	#12, AIRPORT	1988	636	298	209	0	0	229						
02S/05W-21K	3300598	RIVERSIDE, COUNTY OF	W	EDMUNDS "D"		0	0	82	367	393	168						
02S/05W-21K01S	3300596	RIVERSIDE, COUNTY OF	W	HQ		24	24	24	24	24	24						
02S/05W-21M01S	3302205	RIVERSIDE, COUNTY OF	W	PIC LAK 12	1990	0	0	0	0	0	0						
02S/05W-21M03S	3302204	RIVERSIDE, COUNTY OF	W	PIC LAK 8	1990	0	0	0	0	0	0						
02S/05W-21M04S	3302206	RIVERSIDE, COUNTY OF	W	PIC LAK 14		100	100	100	100	100	100						
02S/05W-22C01S	3300595	MICHAEL, C.	W	OLD A	1978	0	0	0	0	0	0						
02S/05W-22C02S	3300597	MICHAEL, C.	W	C		0	0	0	0	0	0						
02S/05W-22D	3300595	MICHAEL, C.	W	A		0	0	0	0	0	0						
02S/05W-22D01S	3300601	MICHAEL, C.	W	"G" (JONES RANCH)		0	0	0	0	0	0						
02S/05W-22R01S	3301384	TRI-CITY LINEN SUPPLY COMPANY	W	RIV LDY/BLUE SEAL		79	65	71	80	83	76						
02S/05W-23G02S	3300000	MIPO CORP, DBA MISSION	W	6TH ST	1975	0	0	0	0	0	0						

WESTERN - SAN BERNARDINO WATERMASTER
 VERIFIED PRODUCTION DATA
 CROSS INDEX BY STATE WELL NUMBER
 RIVERSIDE SOUTH BASIN

STATE WELL NUMBER	RECRODTN NUMBER	OWNER	WELL TYPE	LOCAL DESIGNATION	YEAR CLOSED	CALENDAR YEAR EXTRACTIIONS								
						1984	1985	1986	1987	1988	1989	AVG		
02S/05W-23101S	3301074	RIVERSIDE, CITY OF	W	MULBERRY		0	0	0	0	0	0	0	0	0
02S/05W-23101S	3300375	CITIZENS NATIONAL COMPANY	W	AIR COND	1971	0	0	0	0	0	0	0	0	0
02S/05W-23001S	3301289	RIVERSIDE, CITY OF	W	11TH ST		1,102	894	1,443	2,888	20	1,269			
02S/05W-23003S	3301915	CALIF DEPT OF TRANSPORTATION DIST 8R	W	FREEWAY	1989	0	0	0	0	0	0	0	0	0
02S/05W-23R01S	3301288	RIVERSIDE, CITY OF	W	FILL		2,069	1,642	1,966	0	0	1,135			
02S/05W-24D01S	3301284	RIVERSIDE, CITY OF	W	1ST ST		1,055	1,251	1,534	2,312	745	1,379			
02S/05W-25F01S	3300417	RIVERSIDE, CITY OF	W	CLEARWTR	1985	0	0	0	0	0	0	0	0	0
02S/05W-25F01S	3300417-	VICTORIA COUNTRY CLUB	W	CLEARWTR		250	250	300	450	450	340			
02S/05W-26E02S	3300367	RIVERSIDE, CITY OF-GAGE CANAL	W	OLIVEWOOD 2		1,402	930	912	667	1,184	1,019			
02S/05W-26F01S	3300366	RIVERSIDE, CITY OF-GAGE CANAL	W	OLIVEWOOD 1		855	555	695	595	800	700			
02S/05W-26M01S	3300368	RIVERSIDE, CITY OF-GAGE CANAL	W	OLIVEWOOD 3		531	354	416	407	516	445			
02S/05W-28A01S	3301078	RIVERSIDE, CITY OF	W	SANITARY	1977	0	0	0	0	0	0	0	0	0
02S/05W-28C01S	3301079	RIVERSIDE, CITY OF	W	DAVIS	1977	0	0	0	0	0	0	0	0	0
02S/05W-29G	3301087	RIVERSIDE, CITY OF	D	JENSEN	1977	0	0	0	0	0	0	0	0	0
02S/05W-32A01S	3300068	VON KANEL, ALFRED	W		1979	0	0	0	0	0	0	0	0	0
02S/05W-32B01S	3300554	MARTIN, KENNETH ALLAN	W	RR 1/NICHOLS PARK	1968	0	0	0	0	0	0	0	0	0
02S/05W-32K01S	3300811	ZINKE VERA	W	WAYMAN	1975	0	0	0	0	0	0	0	0	0
03S/04W-03Q	3300981	EASTERN MUNICIPAL WATER DISTRICT	W	RECHE CN	1974	0	0	0	0	0	0	0	0	0
03S/04W-03R	3300982	EASTERN MUNICIPAL WATER DISTRICT	W	DICKSON	1974	0	0	0	0	0	0	0	0	0
03S/04W-10A	3300272	BOX SPRINGS MUTUAL WATER COMPANY	W	13	1978	0	0	0	0	0	0	0	0	0
03S/04W-10A	3300272-	BOX SPRINGS MUTUAL WATER COMPANY	W	14	1984	0	0	0	0	0	0	0	0	0
03S/04W-10A	3300275	BOX SPRINGS MUTUAL WATER COMPANY	W	17		349	360	374	354	309	349			
03S/04W-10B	3300274	BOX SPRINGS MUTUAL WATER COMPANY	W	8	1978	0	0	0	0	0	0	0	0	0
03S/04W-10B	3300274-	BOX SPRINGS MUTUAL WATER COMPANY	W	16	1989	0	0	0	0	0	0	0	0	0
03S/04W-10G	3300273	BOX SPRINGS MUTUAL WATER COMPANY	W	7	1978	0	0	0	0	0	0	0	0	0
03S/04W-10G	3300273-	BOX SPRINGS MUTUAL WATER COMPANY	W	15	1984	0	0	0	0	0	0	0	0	0
03S/05W-03F01S	3301814	RIVERSIDE, CITY OF	W	ORANGE ACRES	1982	0	0	0	0	0	0	0	0	0
03S/05W-08B02S	0000403	CALIF BAPTIST UNIVERSITY	W	IRRIGATION		0	0	0	0	50	50	20		
03S/05W-09A01S	3301036	CARPENTER COMPANY	W	CBLNCA 1	1991	0	0	0	0	0	0	0	0	0
03S/05W-09E01S	3301940	RIVERSIDE, CITY OF	W	LINCOLN HEIGHTS	1981	0	0	0	0	0	0	0	0	0
03S/05W-14E	3300768	ROCKY R RANCH	W	GURNEY 1	1974	0	0	0	0	0	0	0	0	0
TOTALS FOR 142 WELLS						28,125	22,580	24,906	28,128	28,558	26,659			

RIVERSIDE BASIN AREA
IN RIVERSIDE COUNTY
CROSS INDEX BY RECORDATION NUMBER

WESTERN - SAN BERNARDINO WATERMASTER
 VERIFIED PRODUCTION DATA
 CROSS INDEX BY RECORDATION NUMBER
 RIVERSIDE SOUTH BASIN

REC'DTN NUMBER	STATE WELL NUMBER	OWNER	WELL TYPE	LOCAL DESIGNATION	YEAR CLOSED	CALENDAR YEAR EXTRACTATIONS										
						1994	1995	1996	1997	1998	1999	AVG				
0000401	02S/05W-20R01S	RUBIDOUX COMMUNITY SERVICES DISTRICT	W	SEWER PLANT		0	0	0	0	0	0	0	0	0	0	0
0000402	02S/05W-14E	JOHNSON, TRUMAN	W	1		0	0	0	0	0	0	0	0	0	0	0
0000403	03S/05W-08B02S	CALIF BAPTIST UNIVERSITY	W	IRRIGATION							50	50	50	50	50	20
0000404	02S/05W-14D01S	COUNTY OF RIVERSIDE, FLOOD CONTROL	W	IRRIGATION							30	30	30	30	30	12
3300000	02S/05W-23G02S	MIPO CORP, DBA MISSION	W	6TH ST	1975	0	0	0	0	0	0	0	0	0	0	0
3300003	02S/04W-19J02S	SCOPE CORPORATION	W	COOK 2	1972	0	0	0	0	0	0	0	0	0	0	0
3300004	02S/04W-19R01S	SCOPE CORPORATION	W	HALL 1	1972	0	0	0	0	0	0	0	0	0	0	0
3300022	02S/05W-16R01S	RIO RANCHO MUTUAL WATER COMPANY	W	1	1978	0	0	0	0	0	0	0	0	0	0	0
3300022	02S/05W-16R01S	RIO RANCHO MUTUAL WATER COMPANY	W	1		48	73	80	80	67	57	57	57	57	66	66
3300040	02S/04W-08D02S	UNIVERSITY OF CALIFORNIA, REGENTS OF	W	HIGHGROV		216	195	197	189	150	187	187	187	187	187	187
3300068	02S/05W-32A01S	VON KANEL, ALFRED	W		1979	0	0	0	0	0	0	0	0	0	0	0
3300076	02S/04W-07P	GRUBBS, V. W.	W		1988	0	0	0	0	0	0	0	0	0	0	0
3300160	02S/05W-14E	JOHNSON, TRUMAN	W	1, PALMYRITA	1981	0	0	0	0	0	0	0	0	0	0	0
3300230	02S/04W-08N02S	SCHWAB, A. M.	W	PLMYRTA	1981	0	0	0	0	0	0	0	0	0	0	0
3300272	03S/04W-10A	BOX SPRINGS MUTUAL WATER COMPANY	W	13	1978	0	0	0	0	0	0	0	0	0	0	0
3300272-	03S/04W-10A	BOX SPRINGS MUTUAL WATER COMPANY	W	14	1984	0	0	0	0	0	0	0	0	0	0	0
3300273	03S/04W-10G	BOX SPRINGS MUTUAL WATER COMPANY	W	7	1978	0	0	0	0	0	0	0	0	0	0	0
3300273-	03S/04W-10G	BOX SPRINGS MUTUAL WATER COMPANY	W	15	1964	0	0	0	0	0	0	0	0	0	0	0
3300274	03S/04W-10B	BOX SPRINGS MUTUAL WATER COMPANY	W	8	1978	0	0	0	0	0	0	0	0	0	0	0
3300274-	03S/04W-10B	BOX SPRINGS MUTUAL WATER COMPANY	W	16	1989	0	0	0	0	0	0	0	0	0	0	0
3300275	03S/04W-10A	BOX SPRINGS MUTUAL WATER COMPANY	W	17		348	360	374	354	309	348	348	348	348	348	348
3300277	02S/05W-11K	WIGHT, CHARLES H	W		1972	0	0	0	0	0	0	0	0	0	0	0
3300330	02S/05W-11C01S	RIVERSIDE INDUSTRIAL PARK	W	8	1974	0	0	0	0	0	0	0	0	0	0	0
3300366	02S/05W-26F01S	RIVERSIDE, CITY OF-GAGE CANAL	W	OLIVEWOOD 1		855	555	695	595	800	700	700	700	700	700	700
3300367	02S/05W-26E02S	RIVERSIDE, CITY OF-GAGE CANAL	W	OLIVEWOOD 2		1,402	930	912	667	1,184	1,019	1,019	1,019	1,019	1,019	1,019
3300368	02S/05W-26M01S	RIVERSIDE, CITY OF-GAGE CANAL	W	OLIVEWOOD 3		531	354	416	407	516	445	445	445	445	445	445
3300369	02S/05W-02E	RIVERSIDE CEMENT COMPANY	W	CHINO NO 2	1960	0	0	0	0	0	0	0	0	0	0	0
3300370	02S/05W-03J	RIVERSIDE CEMENT COMPANY	W	CRESTMOR	1986	0	0	0	0	0	0	0	0	0	0	0
3300371	02S/05W-05K	TAYLOR, WALTER & BARBARA	W	FALCO		0	0	0	0	0	0	0	0	0	0	0
3300372	02S/05W-03G02S	RIVERSIDE CEMENT COMPANY	W	49	1960	0	0	0	0	0	0	0	0	0	0	0
3300375	02S/05W-23L01S	CITIZENS NATIONAL COMPANY	W	AIR COND	1971	0	0	0	0	0	0	0	0	0	0	0
3300417	02S/05W-25F01S	RIVERSIDE, CITY OF	W	CLEARWTR	1965	0	0	0	0	0	0	0	0	0	0	0
3300417-	02S/05W-25F01S	VICTORIA COUNTRY CLUB	W	CLEARWTR		250	250	300	450	450	340	340	340	340	340	340
3300439	02S/04W-07N	BURNS, F. L. & LAURA	W	CIT ST 2	1971	0	0	0	0	0	0	0	0	0	0	0
3300554	02S/05W-32B01S	MARTIN, KENNETH ALLAN	W	RR 1/NICHOLS PARK	1968	0	0	0	0	0	0	0	0	0	0	0
3300573	02S/04W-19P	LA CASA CONTENTA MOTEL	W	ADLINE	1967	0	0	0	0	0	0	0	0	0	0	0
3300595	02S/05W-22C01S	MICHAEL, C.	W	OLD A	1978	0	0	0	0	0	0	0	0	0	0	0

**WESTERN - SAN BERNARDINO WATERMASTER
VERIFIED PRODUCTION DATA
CROSS INDEX BY RECORDATION NUMBER
RIVERSIDE SOUTH BASIN**

RECRODTN NUMBER	STATE WELL NUMBER	OWNER	WELL TYPE	LOCAL DESIGNATION	YEAR CLOSED	CALENDAR YEAR EXTRACTIONS											
						1994	1995	1996	1997	1998	1999	2000	2001	2002	2003	AVG	
3300695	02S/05W-22D	MICHAEL, C.	W	A		0	0	0	0	0	0	0	0	0	0	0	0
3300696	02S/05W-21K01S	RIVERSIDE, COUNTY OF	W	HQ		24	24	24	24	24	24	24	24	24	24	24	24
3300697	02S/05W-22C02S	MICHAEL, C.	W	C		0	0	0	0	0	0	0	0	0	0	0	0
3300698	02S/05W-21K	RIVERSIDE, COUNTY OF	W	EDMUNDS "D"		0	0	0	82	367	393	168					
3300699	02S/05W-21B01S	MICHAEL, C.	W	"E" (JONES RANCH)		196	222	219	72	91	160						
3300700	02S/05W-21A01S	MICHAEL, C.	W	F	1990	0	0	0	0	0	0	0	0	0	0	0	0
3300701	02S/05W-22D01S	MICHAEL, C.	W	"G" (JONES RANCH)		0	0	0	0	0	0	0	0	0	0	0	0
3300702	02S/04W-18E01S	HUNTER ENGINEERING COMPANY	W	SMITH 1	1974	0	0	0	0	0	0	0	0	0	0	0	0
3300703	02S/04W-18F	HUNTER ENGINEERING COMPANY	W	2	1974	0	0	0	0	0	0	0	0	0	0	0	0
3300704	02S/04W-18C	HUNTER ENGINEERING COMPANY	W	3	1974	45	45	45	45	45	45	45	45	45	45	45	45
3300705	02S/04W-19J01S	RIVERSIDE, CITY OF	W	LEMONA 1	1974	0	0	0	0	0	0	0	0	0	0	0	0
3300706	02S/05W-12E	GROSS, DALE P.	W	1	1971	0	0	0	0	0	0	0	0	0	0	0	0
3300707	02S/05W-13E	WHITE SULPHUR SPRINGS POOL	W	WHSLPHR 1	1971	0	0	0	0	0	0	0	0	0	0	0	0
3300708	03S/05W-14E	ROCKY R RANCH	W	GURNEY 1	1974	0	0	0	0	0	0	0	0	0	0	0	0
3300709	02S/05W-12A	STOKER, GEORGE	W		1971	0	0	0	0	0	0	0	0	0	0	0	0
3300710	02S/05W-32K01S	ZINKE VERA	W	WAYMAN	1975	0	0	0	0	0	0	0	0	0	0	0	0
3300711	02S/05W-11P	WATERMAN, ALLEN H	W	WTRMN 1	1962	0	0	0	0	0	0	0	0	0	0	0	0
3300712	03S/04W-03Q	EASTERN MUNICIPAL WATER DISTRICT	W	RECHE CN	1974	0	0	0	0	0	0	0	0	0	0	0	0
3300713	03S/04W-03R	EASTERN MUNICIPAL WATER DISTRICT	W	DICKINSON	1974	0	0	0	0	0	0	0	0	0	0	0	0
3300714	03S/05W-09A01S	CARPENTER COMPANY	W	CBLNCA 1	1991	0	0	0	0	0	0	0	0	0	0	0	0
3300715	02S/05W-12K02S	RIVERSIDE, CITY OF	W	TWIN 1&2		0	0	0	0	0	0	0	0	0	0	0	0
3300716	02S/05W-23J01S	RIVERSIDE, CITY OF	W	MULBERRY		0	0	0	0	0	0	0	0	0	0	0	0
3300717	02S/05W-12B01S	RIVERSIDE, CITY OF	W	GARNER #1 (T&G)		7	12	11	6	5	8						
3300718	02S/05W-12P01S	RIVERSIDE, CITY OF	W	MOORE GRIFFITH #1		1	0	0	0	0	0	0	0	0	0	0	0
3300719	02S/05W-12P02S	RIVERSIDE, CITY OF	W	BRUNTON		0	0	0	0	0	0	0	0	0	0	0	0
3300720	02S/05W-28A01S	RIVERSIDE, CITY OF	W	SANITARY	1977	0	0	0	0	0	0	0	0	0	0	0	0
3300721	02S/05W-28C01S	RIVERSIDE, CITY OF	W	DAVIS	1977	0	0	0	0	0	0	0	0	0	0	0	0
3300722	02S/05W-14B	YEAGER CONSTRUCTION COMPANY	W	ANZA	1975	0	0	0	0	0	0	0	0	0	0	0	0
3300723	02S/05W-14G02S	RIVERSIDE, CITY OF	W	FAIRMOUNT PARK #1		299	533	803	835	1,117	717						
3300724	02S/05W-12A01S	RIVERSIDE, CITY OF	W	RUSSELL	1972	0	0	0	0	0	0	0	0	0	0	0	0
3300725	02S/05W-14K	RIVERSIDE, CITY OF	D	SPRING BROOK	1966	0	0	0	0	0	0	0	0	0	0	0	0
3300726	02S/05W-29G	RIVERSIDE, CITY OF	D	JENSEN	1977	0	0	0	0	0	0	0	0	0	0	0	0
3300727	02S/05W-15M02S	RUBIDOUX COMMUNITY SERVICES DISTRICT	W	#7, 36TH & DALY		146	51	1	3	1	40						
3300728	02S/05W-15L09S	RUBIDOUX COMMUNITY SERVICES DISTRICT	W	#8, 34TH & DALY	1989	0	0	0	0	0	0	0	0	0	0	0	0
3300729	02S/05W-12R01S	ROSS, SAM	W	1 WEST	1959	0	0	0	0	0	0	0	0	0	0	0	0
3300730	02S/05W-02F	MADISON, ERIN	W	1 VALENCIA	1989	205	0	0	0	0	0	0	0	0	0	0	0
3300731	02S/04W-31E01S	ROOS, CHARLES E.	W	1	1970	0	0	0	0	0	0	0	0	0	0	0	0

WESTERN - SAN BERNARDINO WATERMASTER
 VERIFIED PRODUCTION DATA
 CROSS INDEX BY RECORDATION NUMBER
 RIVERSIDE SOUTH BASIN

RECORDTN NUMBER	STATE WELL NUMBER	OWNER	WELL TYPE	LOCAL DESIGNATION	YEAR CLOSED	CALENDAR YEAR EXTRACTIIONS										
						1994	1995	1996	1997	1998	AVG					
3301284	02S05W-24D01S	RIVERSIDE, CITY OF	W	1ST ST	1978	1,055	1,251	1,534	2,312	745	1,379	0	0	0	0	0
3301285	02S05W-13Q01S	RIVERSIDE, CITY OF	W	CUNHAM 1	1978	0	0	0	0	0	0	0	0	0	0	0
3301285	02S05W-13Q02S	RIVERSIDE, CITY OF	W	CUNHAM 2		0	0	0	0	0	0	0	0	0	0	0
3301286	02S04W-07N01S	RIVERSIDE, CITY OF	W	PALMYRITA 1	1978	0	0	0	0	0	0	0	0	0	0	0
3301286	02S04W-07N03S	RIVERSIDE, CITY OF	W	PALMYRITA #2		0	0	0	0	0	0	0	0	0	0	0
3301287	02S04W-07L01S	RIVERSIDE, CITY OF	W	ELECTRIC ST		3,304	2,437	2,866	3,890	3,171	3,134	0	0	0	0	0
3301288	02S05W-23R01S	RIVERSIDE, CITY OF	W	FILL		2,069	1,642	1,966	0	0	1,136	0	0	0	0	0
3301289	02S05W-23Q01S	RIVERSIDE, CITY OF	W	11TH ST		1,102	894	1,443	2,888	20	1,269	0	0	0	0	0
3301296	02S05W-16J	FORT FREMONT MUTUAL WATER COMPANY	W	1	1997	205	139	242	261	220	213	0	0	0	0	0
3301297	02S05W-16J	FORT FREMONT MUTUAL WATER COMPANY	W	2	1997	27	82	0	0	0	22	0	0	0	0	0
3301346	02S05W-02L01S	RIVINO WATER COMPANY	W	1	1980	0	0	0	0	0	0	0	0	0	0	0
3301358	02S04W-08E01S	RIVERSIDE, CITY OF	W	HIGHGROVE 1		0	0	0	0	0	0	0	0	0	0	0
3301359	02S04W-08D03S	RIVERSIDE, CITY OF	W	HIGHGROVE 2	1978	0	0	0	0	0	0	0	0	0	0	0
3301359	02S04W-08D04S	RIVERSIDE, CITY OF	W	HIGHGROVE 3		0	0	0	0	0	0	0	0	0	0	0
3301362	02S05W-08G04S	JURUPA COMMUNITY SERVICES DISTRICT	W	3		236	266	236	0	0	148	0	0	0	0	0
3301363	02S05W-16E06S	RUBIDOUX COMMUNITY SERVICES DISTRICT	W	OLD #4	1988	0	0	0	0	0	0	0	0	0	0	0
3301372	02S05W-03B02S	CRESTMORE HEIGHTS MUTUAL WATER COMPAN	W	2		25	25	25	0	0	15	0	0	0	0	0
3301384	02S05W-22R01S	TRI-CITY LINEN SUPPLY COMPANY	W	RIV LDYRY/BLUE SEAL		79	65	71	80	83	76	0	0	0	0	0
3301422	02S05W-06R02S	PROPERTY ACQUISITION COMPANY	W	PATA 66	1974	0	0	0	0	0	0	0	0	0	0	0
3301423	02S05W-16G04S	RUBIDOUX COMMUNITY SERVICES DISTRICT	W	NO 1	1987	0	0	0	0	0	0	0	0	0	0	0
3301424	02S05W-15M01S	RUBIDOUX COMMUNITY SERVICES DISTRICT	W	#9, WALLACE STREET	1988	0	0	0	0	0	0	0	0	0	0	0
3301473	02S05W-02F	MADISON, ERIN	W	CHINO NO 3	1989	0	0	0	0	0	0	0	0	0	0	0
3301501	02S05W-08G01S	JURUPA COMMUNITY SERVICES DISTRICT	W	SUNNYSLOPE #5	1981	0	0	0	0	37	28	0	0	0	0	0
3301502	02S05W-08K02S	JURUPA COMMUNITY SERVICES DISTRICT	W	6	1979	0	0	0	0	0	0	0	0	0	0	0
3301524	02S05W-19J	RUBIDOUX COMMUNITY SERVICES DISTRICT	W	JH #9		296	316	366	6	0	197	0	0	0	0	0
3301524	02S05W-20J02S	RUBIDOUX COMMUNITY SERVICES DISTRICT	W	#16 HUNTER		0	0	0	0	0	0	0	0	0	0	0
3301578	02S05W-06R	JURUPA COMMUNITY SERVICES DISTRICT	W	PEARSON MUTAL	1980	0	0	0	0	0	0	0	0	0	0	0
3301605	02S04W-19P01S	BANK OF AMERICA N.T.&S.A.	W	WOODILL	1967	577	800	296	360	309	468	0	0	0	0	0
3301610	02S05W-03A03S	RIVERSIDE CEMENT COMPANY	W	60-1 BLENDING PILE		0	0	0	0	0	0	0	0	0	0	0
3301625	02S05W-08K03S	JURUPA COMMUNITY SERVICES DISTRICT	W	#7	1981	0	0	0	0	0	0	0	0	0	0	0
3301626	02S05W-02L	RIVERSIDE CEMENT COMPANY	W	53-2	1978	0	0	0	0	0	0	0	0	0	0	0
3301626	02S05W-02L	RIVERSIDE CEMENT COMPANY	W	64-1	1989	205	0	0	0	0	41	0	0	0	0	0
3301635	02S05W-14G03S	RIVERSIDE, CITY OF	W	MORI 2		38	925	1,034	0	2,513	902	0	0	0	0	0
3301655	02S04W-08M01S	RIVERSIDE HIGHLAND WATER COMPANY	W	RN #21		372	262	280	126	138	236	0	0	0	0	0
3301656	02S04W-08M02S	RIVERSIDE HIGHLAND WATER COMPANY	W	RN #22		243	349	278	324	188	276	0	0	0	0	0
3301659	02S05W-03B	CRESTMORE HEIGHTS MUTUAL WATER COMPAN	W	3		65	65	65	0	0	39	0	0	0	0	0
3301694	02S05W-20H04S	RUBIDOUX COMMUNITY SERVICES DISTRICT	W	#13 HUNTER 6		392	348	300	0	0	208	0	0	0	0	0

WESTERN - SAN BERNARDINO WATERMASTER
 VERIFIED PRODUCTION DATA
 CROSS INDEX BY RECORDATION NUMBER
 RIVERSIDE SOUTH BASIN

RECROTN NUMBER	STATE WELL NUMBER	OWNER	WELL TYPE	LOCAL DESIGNATION	YEAR CLOSED	CALENDAR YEAR EXTRACTATIONS											
						1984	1985	1986	1987	1988	1989	1990	1991	1992	1993	1994	AVG
3301768	02S/05W-11J	ALAMO WATER COMPANY	W			200	175	216	229	175	196						
3301814	03S/05W-03F01S	RIVERSIDE, CITY OF	W	ORANGE ACRES	1982	0	0	0	0	0	0						
3301834	02S/05W-15B10S	RIVERSIDE THOROUGHbred FARM	W	#1	1990	325	325	325	325	325	325						
3301835	02S/05W-15B11S	RIVERSIDE THOROUGHbred FARM	W	#2	1986	0	0	0	0	0	0						
3301851	02S/05W-14E01S	RIVERSIDE, CITY OF	W	FAIRMONT PARK 2		1,417	1,132	525	0	0	0						
3301887	02S/05W-10P01S	RUBIDOUX COMMUNITY SERVICES DISTRICT	W	#3 28TH ST		2	3	1	16	12	7						
3301892	02S/05W-17R03S	RUBIDOUX COMMUNITY SERVICES DISTRICT	W	#4 CLEMENTS (OLD 11)		1	132	3	284	293	143						
3301915	02S/05W-23Q03S	CALIF DEPT OF TRANSPORTATION DIST BR	W	FREEWAY	1989	0	0	0	0	0	0						
3301927	02S/05W-03R03S	YEAGER CONSTRUCTION COMPANY	W	#2	1974	0	0	0	0	0	0						
3301940	03S/05W-09E01S	RIVERSIDE, CITY OF	W	LINCOLN HEIGHTS	1981	0	0	0	0	0	0						
3301959	02S/05W-12B04S	RIVERSIDE, CITY OF	W	GARNER B		1,851	120	540	1,537	1,972	1,204						
3302007	02S/05W-16H06S	RUBIDOUX COMMUNITY SERVICES DISTRICT	W	#2, TROYER		1,221	1,031	700	896	810	932						
3302008	02S/05W-10K06S	MUTUAL WATER COMPANY OF WEST RIVERSIDE	W	NO 1		214	226	301	302	255	260						
3302052	02S/04W-31R01S	CANYON CREST COUNTRY CLUB	W	NO 1	1989	9	10	10	10	10	10						
3302204	02S/05W-21M03S	RIVERSIDE, COUNTY OF	W	PIC LAK 8	1990	0	0	0	0	0	0						
3302205	02S/05W-21M01S	RIVERSIDE, COUNTY OF	W	PIC LAK 12	1990	0	0	0	0	0	0						
3302206	02S/05W-21M04S	RIVERSIDE, COUNTY OF	W	PIC LAK 14		100	100	100	100	100	100						
3302233	02S/05W-10C04S	UNIVERSAL FOREST PRODUCTS	W	#1		5	0	0	0	0	0						
3302234	02S/05W-10C03S	UNIVERSAL FOREST PRODUCTS	W	#2		10	0	0	0	0	0						
3302235	02S/05W-10C01S	UNIVERSAL FOREST PRODUCTS	W	#3		5	0	0	0	0	0						
3302472	02S/05W-12C03S	RIVERSIDE, CITY OF	W	GARNER C		1,870	1,345	1,552	3,048	3,289	2,221						
3302531	02S/05W-12A03S	RIVERSIDE, CITY OF	W	RUSSELL B		1,211	786	871	1,450	1,229	1,109						
3302538	02S/05W-20A01S	RUBIDOUX COMMUNITY SERVICES DISTRICT	W	#14, 46TH ST		596	598	586	494	304	516						
3302539	02S/05W-21C01S	RUBIDOUX COMMUNITY SERVICES DISTRICT	W	#12, AIRPORT	1988	636	298	209	0	0	229						
3302540	02S/05W-15M	RUBIDOUX COMMUNITY SERVICES DISTRICT	W	#5, NEW 36TH		832	912	866	615	464	738						
3302541	02S/05W-11C02S	RUBIDOUX COMMUNITY SERVICES DISTRICT	W	#4, SKOTTY		1	242	889	786	351	454						
3302542	02S/05W-15L01S	RUBIDOUX COMMUNITY SERVICES DISTRICT	W	#1-CRESTMORE		287	363	214	611	703	442						
3302605	02S/05W-09F02S	RUBIDOUX CEMENT COMPANY	W	88-1		1,095	44	60	201	156	311						
3302618	02S/05W-12B06S	RIVERSIDE, CITY OF	W	GARNER D		1,373	1,127	957	2,387	2,768	1,722						
3302772	02S/05W-11C	RUBIDOUX COMMUNITY SERVICES DISTRICT	W	#6, NEW SKOTTY			111	830	1,392	631	593						
3302810	02S/05W-15L	RUBIDOUX COMMUNITY SERVICES DISTRICT	W	NEW DALEY #8						1,138	228						
TOTALS FOR 142 WELLS						28,125	22,580	24,906	29,128	28,558	26,659						

TABLE NO. 1

VERIFIED EXTRACTIONS BY OWNERS WHICH HAVE
RECORDATION FILINGS WITH THE STATE WATER
RESOURCES CONTROL BOARD

WESTERN - SAN BERNARDINO WATERMASTER

TABLE 1

VERIFIED EXTRACTIONS - FILED
RIVERSIDE SOUTH BASIN

RECRD TN NUMBER	STATE WELL NUMBER	WELL TYPE	LOCAL DESIGNATION	BASE YEARS					AVG	CALENDAR YEAR EXTRACTIONS					AVG	
				1989	1990	1991	1992	1993		1994	1995	1996	1997	1998		
ALAMO WATER COMPANY																
3301768	02S/06W-11J	W		79	100	132	163	148	125	200	175	216	229	175	199	
TOTALS FOR ALAMO WATER COMPANY				79	100	132	163	148	125	200	175	216	229	175	199	
BANK OF AMERICA N.T.&S.A.																
3301605	02S/04W-19P01S	W	WOODILL	90	90	90	90	94	91	0	0	0	0	0	0	
TOTALS FOR BANK OF AMERICA N.T.&S.A.				90	90	90	90	94	91	0	0	0	0	0	0	0
BOX SPRINGS MUTUAL WATER COMPANY																
3300272	03S/04W-10A	W	13	0	0	0	0	0	0	0	0	0	0	0	0	
3300272-	03S/04W-10A	W	14	0	0	0	0	0	0	0	0	0	0	0	0	
3300275	03S/04W-10A	W	17	473	453	492	442	428	458	349	360	374	354	309	349	
3300274	03S/04W-10B	W	8	0	0	0	0	0	0	0	0	0	0	0	0	
3300274-	03S/04W-10B	W	16	53	50	55	55	42	51	0	0	0	0	0	0	
3300273	03S/04W-10G	W	7	0	0	0	0	0	0	0	0	0	0	0	0	
3300273-	03S/04W-10G	W	15	0	0	0	0	0	0	0	0	0	0	0	0	
TOTALS FOR BOX SPRINGS MUTUAL WATER COMPANY				526	503	547	497	470	509	349	360	374	354	309	349	
BURNS, F.L. & LAURA																
3300439	02S/04W-07N	W	CIT ST 2	0	0	0	0	0	0	0	0	0	0	0	0	
TOTALS FOR BURNS, F.L. & LAURA				0	0	0	0	0	0	0	0	0	0	0	0	
CALIF DEPT OF TRANSPORTATION DIST 8R																
3301915	02S/05W-23Q03S	W	FREEWAY	0	0	0	0	0	0	0	0	0	0	0	0	
TOTALS FOR CALIF DEPT OF TRANSPORTATION DIST 8R				0	0	0	0	0	0	0	0	0	0	0	0	
CANYON CREST COUNTRY CLUB																
3302062	02S/04W-31R01S	W	NO 1	0	0	0	0	0	0	9	10	10	10	10	10	
TOTALS FOR CANYON CREST COUNTRY CLUB				0	0	0	0	0	0	9	10	10	10	10	10	
CARPENTER COMPANY																
3301036	03S/05W-09A01S	W	CBLNCA 1	118	247	420	300	300	277	0	0	0	0	0	0	
TOTALS FOR CARPENTER COMPANY				118	247	420	300	300	277	0	0	0	0	0	0	

WESTERN - SAN BERNARDINO WATERMASTER
TABLE 1

VERIFIED EXTRACTIONS - FILED
RIVERSIDE SOUTH BASIN

RECORD#	STATE WELL NUMBER	WELL TYPE	LOCAL DESIGNATION	BASE YEARS							CALENDAR YEAR EXTRACTIONS						
				1959	1960	1961	1962	1963	AVG	1994	1995	1996	1997	1998	AVG		
CITIZENS NATIONAL COMPANY																	
3300375	02S/05W-23L01S	W	AIR COND	0	33	33	33	33	33	26	0	0	0	0	0	0	
TOTALS FOR CITIZENS NATIONAL COMPANY				0	33	33	33	33	33	26	0	0	0	0	0	0	0
CRESTMORE HEIGHTS MUTUAL WATER COMPANY																	
3301659	02S/05W-03B	W	3			13	44	42		20	65	65	65	0	0	39	
3301372	02S/05W-03B02S	W	2	67	63	52	17	16		43	25	25	25	0	0	15	
TOTALS FOR CRESTMORE HEIGHTS MUTUAL WATER COMPAN				67	63	65	61	58		63	90	90	90	90	0	0	54
EASTERN MUNICIPAL WATER DISTRICT																	
3300981	03S/04W-03Q	W	RECHE CN	0	0	0	0	0	0	0	0	0	0	0	0	0	
3300982	03S/04W-03R	W	DICKNSON	3	1	0	0	0	0	1	0	0	0	0	0	0	
TOTALS FOR EASTERN MUNICIPAL WATER DISTRICT				3	1	0	0	0	0	1	0	0	0	0	0	0	0
FORT FREMONT MUTUAL WATER COMPANY																	
3301296	02S/05W-16J	W	1	70	27	27	18	45		37	205	139	242	261	220	213	
3301297	02S/05W-16J	W	2	136	182	188	164	144		167	27	82	0	0	0	22	
TOTALS FOR FORT FREMONT MUTUAL WATER COMPANY				206	209	215	202	189		204	232	221	242	242	261	220	235
GROSS, DALE P.																	
3300748	02S/05W-12E	W	1	0	0	0	0	0	0	0	0	0	0	0	0	0	
TOTALS FOR GROSS, DALE P.				0	0	0	0	0	0	0	0	0	0	0	0	0	0
GRUBBS, V. W.																	
3300076	02S/04W-07P	W		45	40	51	38	39		43	0	0	0	0	0	0	
TOTALS FOR GRUBBS, V. W.				45	40	51	38	39		43	0	0	0	0	0	0	0
HUNTER ENGINEERING COMPANY																	
3300609	02S/04W-18C	W	3	0	0	0	31	188		44	45	45	45	45	45	45	
3300607	02S/04W-18E01S	W	SMITH 1	0	0	0	0	0		0	0	0	0	0	0	0	
3300608	02S/04W-18F	W	2	0	0	0	0	0		0	0	0	0	0	0	0	
TOTALS FOR HUNTER ENGINEERING COMPANY				0	0	0	31	188		44	45	45	45	45	45	45	45
JOHNSON, TRUMAN																	
3300160	02S/05W-14E	W	1, PALMYRITA	270	214	248	187	250		234	0	0	0	0	0	0	

WESTERN - SAN BERNARDINO WATERMASTER

TABLE 1

VERIFIED EXTRACTIONS - FILED
RIVERSIDE SOUTH BASIN

RECRD#	STATE WELL NUMBER	WELL TYPE	LOCAL DESIGNATION	BASE YEARS							CALENDAR YEAR EXTRACTIONS						
				1959	1960	1961	1962	1963	1963	1963	1964	1965	1966	1967	1968	AVG	
TOTALS FOR JOHNSON, TRUMAN				270	214	248	187	250	234	234	0	0	0	0	0	0	0
JURUPA COMMUNITY SERVICES DISTRICT				9	6	6	6	78	21	21	0	0	0	0	0	0	0
3301578	02S/05W-05R	W	PEARSON MUTAL	624	180	422	275	552	411	411	0	0	0	0	37	28	
3301501	02S/05W-06G01S	W	SUNNYSLOPE #5	12	180	422	275	552	288	288	236	266	236	0	0	148	
3301362	02S/05W-08G04S	W	3	308	351	103	295	116	235	235	0	0	0	0	0	0	
3301502	02S/05W-08K02S	W	6	50	351	103	295	116	183	183	0	0	0	0	0	0	
3301625	02S/05W-08K03S	W	#7	1,003	1,068	1,056	1,146	1,414	1,137	1,137	236	266	236	37	28	161	
TOTALS FOR JURUPA COMMUNITY SERVICES DISTRICT				1,003	1,068	1,056	1,146	1,414	1,137	1,137	236	266	236	37	28	161	
LA CASA CONTENTA MOTEL				0	0	0	0	0	0	0	0	0	0	0	0	0	0
3300573	02S/04W-19P	W	ADLINE	0	0	0	0	0	0	0	0	0	0	0	0	0	
TOTALS FOR LA CASA CONTENTA MOTEL				0	0	0	0	0	0	0	0	0	0	0	0	0	0
MADISON, ERIN				564	704	731	476	912	677	677	205	0	0	0	0	0	41
3301203	02S/05W-02F	W	1 VALENCIA	603	781	465	515	531	579	579	0	0	0	0	0	0	
3301473	02S/05W-02F	W	CHINO NO 3	0	0	0	0	0	0	0	205	0	0	0	0	41	
3301626	02S/05W-02L	W	64-1	1,167	1,485	1,196	991	1,443	1,256	1,256	410	0	0	0	0	82	
TOTALS FOR MADISON, ERIN				1,167	1,485	1,196	991	1,443	1,256	1,256	410	0	0	0	0	0	82
MARTIN, KENNETH ALLAN				0	0	0	0	0	0	0	0	0	0	0	0	0	0
3300554	02S/05W-32B01S	W	RR 1/NICHOLS PARK	0	0	0	0	0	0	0	0	0	0	0	0	0	
TOTALS FOR MARTIN, KENNETH ALLAN				0	0	0	0	0	0	0	0	0	0	0	0	0	0
MICHAEL, C.				564	564	564	564	564	564	564	196	222	219	72	91	160	
3300600	02S/05W-21A01S	W	F	422	422	422	422	422	422	422	0	0	0	0	0	0	
3300589	02S/05W-21B01S	W	"E" (JONES RANCH)	0	0	0	0	0	0	0	0	0	0	0	0	0	
3300585	02S/05W-22C01S	W	OLD A	1	1	1	1	1	1	1	0	0	0	0	0	0	
3300587	02S/05W-22C02S	W	C	354	354	354	354	354	354	354	0	0	0	0	0	0	
3300586	02S/05W-22D	W	A	5	5	5	5	5	5	5	0	0	0	0	0	0	
3300601	02S/05W-22D01S	W	"G" (JONES RANCH)	1,346	1,346	1,346	1,346	1,346	1,346	1,346	196	222	219	72	91	160	
TOTALS FOR MICHAEL, C.				1,346	1,346	1,346	1,346	1,346	1,346	1,346	196	222	219	72	91	160	
MIPO CORP, DBA MISSION				73	73	73	73	73	73	73	0	0	0	0	0	0	0
3300000	02S/05W-23G02S	W	6TH ST	73	73	73	73	73	73	73	0	0	0	0	0	0	

WESTERN - SAN BERNARDINO WATERMASTER
TABLE 1
VERIFIED EXTRACTIONS - FILED
RIVERSIDE SOUTH BASIN

RECRD TN NUMBER	STATE WELL NUMBER	WELL TYPE	LOCAL DESIGNATION	BASE YEARS					AVG	CALENDAR YEAR EXTRACTIONS					AVG	
				1959	1960	1961	1962	1963		1984	1985	1986	1987	1988		1989
TOTALS FOR MIPO CORP. DBA MISSION				73	73	73	73	73	73	0	0	0	0	0	0	0
MUTUAL WATER COMPANY OF WEST RIVERSIDE																
3302008	02S/05W-10K06S	W	NO 1	178	178	178	178	178	178	214	226	301	302	255	260	
TOTALS FOR MUTUAL WATER COMPANY OF WEST RIVERSIDE				178	178	178	178	178	178	214	226	301	302	255	260	
PROPERTY ACQUISITION COMPANY																
3301422	02S/05W-05R02S	W	PATA 66	140	136	143	139	141	140	0	0	0	0	0	0	
TOTALS FOR PROPERTY ACQUISITION COMPANY				140	136	143	139	141	140	0	0	0	0	0	0	
RIO RANCHO MUTUAL WATER COMPANY																
3300022	02S/05W-16R	W	1	0	0	0	0	0	0	0	0	0	0	0	0	
3300022	02S/05W-16R01S	W	1	84	86	98	76	103	89	48	73	80	67	57	65	
TOTALS FOR RIO RANCHO MUTUAL WATER COMPANY				84	86	98	76	103	89	48	73	80	67	57	65	
RIVERSIDE CEMENT COMPANY																
3300369	02S/05W-02E	W	CHINO NO 2	398	0	0	0	0	80	0	0	0	0	0	0	
3301626	02S/05W-02L	W	53-2	350	350	0	132	110	188	0	0	0	0	0	0	
3301610	02S/05W-03A03S	W	60-1 BLENDING PILE	488	2,420	2,020	1,563	1,298	577	800	296	360	309	468		
3302605	02S/05W-03F02S	W	88-1					0	1,085	44	60	201	156	311		
3300372	02S/05W-03G02S	W	49	37	0	0	0	0	7	0	0	0	0	0		
3300370	02S/05W-03J	W	CRESTMOR	282	242	282	282	532	324	0	0	0	0	0		
TOTALS FOR RIVERSIDE CEMENT COMPANY				1,067	1,080	2,702	2,434	2,205	1,898	1,672	844	356	561	465	780	
RIVERSIDE HIGHLAND WATER COMPANY																
3301655	02S/04W-08M01S	W	RN #21	0	0	0	1,393	1,361	555	372	262	280	126	138	236	
3301656	02S/04W-08M02S	W	RN #22				0	0	0	243	349	278	324	188	276	
TOTALS FOR RIVERSIDE HIGHLAND WATER COMPANY				0	0	0	1,393	1,361	555	615	611	558	450	326	512	
RIVERSIDE INDUSTRIAL PARK																
3300330	02S/05W-11C01S	W	8	315	315	224	209	174	247	0	0	0	0	0	0	
TOTALS FOR RIVERSIDE INDUSTRIAL PARK				315	315	224	209	174	247	0	0	0	0	0	0	
RIVERSIDE THOROUGHbred FARM																
3301634	02S/05W-15B10S	W	1					30	6	325	325	325	325	325	325	

WESTERN - SAN BERNARDINO WATERMASTER
 TABLE 1
 VERIFIED EXTRACTATIONS - FILED
 RIVERSIDE SOUTH BASIN

RECDRTN NUMBER	STATE WELL NUMBER	WELL TYPE	LOCAL DESIGNATION	BASE YEARS							CALENDAR YEAR EXTRACTATIONS						
				1959	1960	1961	1962	1963	AVG	1994	1995	1996	1997	1998	AVG		
TOTALS FOR RIVERSIDE THOROUGHFBRED FARM				60	90	12	18	325	325	325	325	325	325	325	325	325	
RIVERSIDE, CITY OF																	
3301287	02S/04W-07L01S	W	ELECTRIC ST	2,731	1,776	507	167	258	1,088	3,304	2,437	2,866	3,890	3,171	3,134		
3301286	02S/04W-07N01S	W	PALMYRITA 1	553	0	0	0	0	111	0	0	0	0	0	0		
3301286-	02S/04W-07N03S	W	PALMYRITA #2	1,069	811	620	599	620	620	0	0	0	0	934	187		
3301359	02S/04W-08D03S	W	HIGHGROVE 2	147	357	375	254	0	227	0	0	0	0	0	0		
3301359-	02S/04W-08D04S	W	HIGHGROVE 3	0	0	0	0	0	0	0	0	0	0	0	0		
3301358	02S/04W-08E01S	W	HIGHGROVE 1	220	198	210	250	439	263	0	0	0	0	0	0		
3300686	02S/04W-19J01S	W	LEMONA 1	384	319	378	203	274	312	0	0	0	0	0	0		
3301084	02S/05W-12A01S	W	RUSSELL	483	740	445	778	510	581	0	0	0	0	0	0		
3302531	02S/05W-12A03S	W	RUSSELL B	0	0	0	0	0	0	1,211	786	871	1,450	1,229	1,109		
3301075	02S/05W-12B01S	W	GARNER #1 (T&G)	264	383	250	534	285	343	7	12	11	6	5	8		
3301959	02S/05W-12B04S	W	GARNER B	0	0	0	0	0	0	1,851	120	540	1,537	1,972	1,204		
3302618	02S/05W-12B06S	W	GARNER D	0	0	0	0	0	0	1,373	1,127	957	2,387	2,768	1,722		
3302472	02S/05W-12C03S	W	GARNER C	0	0	0	0	0	0	1,870	1,345	1,552	3,046	3,289	2,221		
3301073	02S/05W-12K02S	W	TWIN 1&2	672	1,034	2,232	1,593	1,026	1,311	0	0	0	0	0	0		
3301076	02S/05W-12P01S	W	MOORE GRIFFITH #1	458	589	685	690	771	639	1	0	0	0	1	0		
3301077	02S/05W-12P02S	W	BRUNTON	259	299	152	482	409	320	0	0	0	0	0	0		
3301285	02S/05W-13Q01S	W	CUNHAM 1	0	0	0	0	0	0	0	0	0	0	0	0		
3301285-	02S/05W-13Q02S	W	CUNHAM 2	0	0	2,075	1,325	1,547	989	0	0	0	0	0	0		
3301851	02S/05W-14E01S	W	FAIRMONT PARK 2	0	0	0	0	0	0	1,417	1,132	525	0	0	615		
3301082	02S/05W-14G02S	W	FAIRMOUNT PARK #1	1,166	1,187	1,096	1,045	675	1,034	299	533	803	835	1,117	717		
3301835	02S/05W-14G03S	W	MORI 2	365	1,829	1,684	1,536	1,083	1,083	38	925	1,034	0	2,513	902		
3301086	02S/05W-14K	D	SPRING BROOK	0	0	0	0	0	0	0	0	0	0	0	0		
3301074	02S/05W-23J01S	W	MULBERRY	12	46	24	108	40	46	0	0	0	0	0	0		
3301289	02S/05W-23Q01S	W	11TH ST	543	760	885	573	311	616	1,102	894	1,443	2,888	20	1,269		
3301288	02S/05W-23R01S	W	FILL	651	1,103	629	369	374	625	2,069	1,642	1,966	0	0	1,135		
3301284	02S/05W-24D01S	W	1ST ST	766	2,360	1,246	1,012	581	1,193	1,055	1,251	1,534	2,312	745	1,379		
3300417	02S/05W-25F01S	W	CLEARWTR	528	631	805	23	126	423	0	0	0	0	0	0		
3301078	02S/05W-28A01S	W	SANITARY	4	3	3	3	3	3	0	0	0	0	0	0		
3301079	02S/05W-28C01S	W	DAVIS	0	0	0	0	0	0	0	0	0	0	0	0		
3301087	02S/05W-29G	D	JENSEN	2,613	2,475	1,628	1,467	1,467	1,930	0	0	0	0	0	0		
3301814	03S/05W-03F01S	W	ORANGE ACRES	24	19	18	14	12	17	0	0	0	0	0	0		

WESTERN - SAN BERNARDINO WATERMASTER
 TABLE 1
 VERIFIED EXTRACTIONS - FILED
 RIVERSIDE SOUTH BASIN

RECRD TN NUMBER	STATE WELL NUMBER	WELL TYPE	LOCAL DESIGNATION	BASE YEARS							CALENDAR YEAR EXTRACTIONS						
				1959	1960	1961	1962	1963	AVG	1994	1995	1996	1997	1998	AVG		
3301940	03S/05W-09E01S	W	LINCOLN HEIGHTS	498	464	448	358	300	402	0	0	0	0	0	0	0	
TOTALS FOR RIVERSIDE, CITY OF				12,916	16,177	16,741	13,552	11,543	14,186	15,587	12,204	14,102	18,353	17,765	15,604		
RIVERSIDE, CITY OF-GAGE CANAL																	
3300367	02S/05W-26E02S	W	OLIVEWOOD 2	1,752	1,585	1,633	985	1,165	1,426	1,402	930	912	667	1,184	1,019		
3300366	02S/05W-26F01S	W	OLIVEWOOD 1	856	931	1,044	727	688	849	855	555	685	585	800	700		
3300368	02S/05W-26M01S	W	OLIVEWOOD 3	446	461	559	305	318	418	531	354	416	407	516	445		
TOTALS FOR RIVERSIDE, CITY OF-GAGE CANAL				3,057	2,987	3,236	2,017	2,171	2,694	2,788	1,839	2,023	1,669	2,500	2,164		
RIVERSIDE, COUNTY OF																	
3300598	02S/05W-21K	W	EDMUNDS "D"	1,220	1,220	1,220	1,220	1,220	1,220	0	0	82	367	393	168		
3300596	02S/05W-21K01S	W	HQ	1	1	1	1	1	1	24	24	24	24	24	24		
3302205	02S/05W-21M01S	W	PIC LAK 12	515	515	515	515	515	515	0	0	0	0	0	0		
3302204	02S/05W-21M03S	W	PIC LAK 8	0	0	0	0	0	0	0	0	0	0	0	0		
3302206	02S/05W-21M04S	W	PIC LAK 14	504	504	504	504	504	504	100	100	100	100	100	100		
TOTALS FOR RIVERSIDE, COUNTY OF				2,240	2,240	2,240	2,240	2,240	2,240	124	124	206	491	517	292		
RIVINO WATER COMPANY																	
3301346	02S/05W-02L01S	W	1	297	211	187	477	372	309	0	0	0	0	0	0	0	
TOTALS FOR RIVINO WATER COMPANY				297	211	187	477	372	309	0	0	0	0	0	0	0	0
ROCKY R RANCH																	
3300788	06S/05W-14E	W	GURNEY 1	45	24	6	6	5	17	0	0	0	0	0	0	0	
TOTALS FOR ROCKY R RANCH				45	24	6	6	5	17	0	0	0	0	0	0	0	0
ROOS, CHARLES E.																	
3301257	02S/04W-31E01S	W	1	0	200	0	0	0	40	0	0	0	0	0	0	0	
TOTALS FOR ROOS, CHARLES E.				0	200	0	0	0	40	0	0	0	0	0	0	0	0
ROSS, SAM																	
3301194	02S/05W-12R01S	W	1 WEST	0	0	0	0	0	0	0	0	0	0	0	0	0	
TOTALS FOR ROSS, SAM				0	0	0	0	0	0	0	0	0	0	0	0	0	0
RUBIDOUX COMMUNITY SERVICES DISTRICT																	
3301887	02S/05W-10F01S	W	#3 28TH ST	0	0	0	0	0	0	2	3	1	16	12	7		

WESTERN - SAN BERNARDINO WATERMASTER

TABLE 1

VERIFIED EXTRACTIONS - FILED
RIVERSIDE SOUTH BASIN

REGDRTN NUMBER	STATE WELL NUMBER	WELL TYPE	LOCAL DESIGNATION	BASE YEARS					AVG	CALENDAR YEAR EXTRACTIONS					AVG
				1959	1960	1961	1962	1963		1964	1965	1966	1967	1968	
3302772	02S/05W-11C	W	#6, NEW SKOTTY	0					0	111	830	1,392	631	593	
3302541	02S/05W-11C02S	W	#4, SKOTTY	0					0	242	889	786	351	454	
3302810	02S/05W-15L	W	NEW DALEY #8	0					0				1,138	228	
3302542	02S/05W-15L01S	W	#1-CRESTMORE	0					0	287	393	214	611	703	
3301154	02S/05W-15L09S	W	#8, 34TH & DALY	50	51	62	32	28	45	0	0	0	0	0	
3302540	02S/05W-15M	W	#5, NEW 36TH	0					0	832	912	866	615	738	
3301424	02S/05W-15M01S	W	#9, WALLACE STREET	136	195	190	140	117	156	0	0	0	0	0	
3301153	02S/05W-15M02S	W	#7, 36TH & DALY	101	126	123	75	117	108	146	51	1	3	40	
3301363	02S/05W-16E06S	W	OLD #4	59	90	190	130	108	115	0	0	0	0	0	
3301423	02S/05W-16G04S	W	NO 1	167	136	129	126	141	140	0	0	0	0	0	
3302007	02S/05W-16H06S	W	#2, TROYER	0					0	1,221	1,031	700	896	932	
3301892	02S/05W-17R03S	W	#4 CLEMENTS (OLD 11)	0					0	1	132	3	284	143	
3301524	02S/05W-19J	W	J H #9	22	3	0	0	0	5	0	0	0	0	0	
3302538	02S/05W-20A01S	W	#14, 46TH ST	0					0	596	598	586	494	516	
3301694	02S/05W-20H04S	W	#13 HUNTER 6	76	100	94	94	54	54	392	348	300	0	208	
3301524	02S/05W-20J02S	W	#16 HUNTER	35	125	117	141	84	84	296	316	366	6	197	
3302539	02S/05W-21C01S	W	#12, AIRPORT	0					0	636	298	209	0	229	
TOTALS FOR RUBIDOUX COMMUNITY SERVICES DISTRICT				535	636	895	720	746	706	4,410	4,435	4,965	5,103	4,724	
SCHWAB, A. M.															
3300230	02S/04W-08N02S	W	PLMYRTA	110	88	42	11	12	53	0	0	0	0	0	
TOTALS FOR SCHWAB, A. M.				110	88	42	11	12	53	0	0	0	0	0	0
SCOPE CORPORATION															
3300003	02S/04W-19J02S	W	COOK 2	99	67	85	101	5	71	0	0	0	0	0	
3300004	02S/04W-19R01S	W	HALL 1	17	23	50	96	95	57	0	0	0	0	0	
TOTALS FOR SCOPE CORPORATION				116	90	135	199	100	128	0	0	0	0	0	0
STOKER, GEORGE															
3300796	02S/05W-12A	W		158	165	159	165	134	156	0	0	0	0	0	
TOTALS FOR STOKER, GEORGE				158	165	159	165	134	156	0	0	0	0	0	0
TAYLOR, WALTER & BARBARA															
3300371	02S/05W-05K	W	FALCO	0	0	0	30	15	9	0	0	0	0	0	

WESTERN - SAN BERNARDINO WATERMASTER

TABLE 1

VERIFIED EXTRACTIONS - FILED
RIVERSIDE SOUTH BASIN

RECRD TN NUMBER	STATE WELL NUMBER	WELL TYPE	LOCAL DESIGNATION	BASE YEARS							CALENDAR YEAR EXTRACTIONS						
				1959	1960	1961	1962	1963	1964	1965	1966	1967	1968	1998	AVG		
TOTALS FOR TAYLOR, WALTER & BARBARA				0	0	0	0	30	15	9	0	0	0	0	0	0	0
TRI-CITY LINEN SUPPLY COMPANY				30	34	38	35	31	34	34	79	65	71	80	83	76	76
TOTALS FOR TRI-CITY LINEN SUPPLY COMPANY				30	34	38	35	31	34	34	79	65	71	80	83	76	76
UNIVERSAL FOREST PRODUCTS									0	5	0	0	0	0	1		
3302235	02S/05W-10C01S	W 3							0	5	0	0	0	0	0	1	
3302234	02S/05W-10C03S	W 2							0	10	0	0	0	0	0	2	
3302233	02S/05W-10C04S	W 1							0	5	0	0	0	0	0	1	
TOTALS FOR UNIVERSAL FOREST PRODUCTS									0	20	0	0	0	0	0	4	
UNIVERSITY OF CALIFORNIA, REGENTS OF				131	283	370	94	227	221	216	195	187	189	150	187	187	
3300040	02S/04W-08D02S	W	HIGHGROV	131	283	370	94	227	221	216	195	187	189	150	187		
TOTALS FOR UNIVERSITY OF CALIFORNIA, REGENTS OF				131	283	370	94	227	221	216	195	187	189	150	187		
VICTORIA COUNTRY CLUB				0	0	0	0	0	0	0	250	250	300	450	340	340	
3300417-	02S/05W-25F01S	W	CLEARWTR	0	0	0	0	0	0	0	250	250	300	450	340		
TOTALS FOR VICTORIA COUNTRY CLUB				0	0	0	0	0	0	0	250	250	300	450	340		
VON KANEL, ALFRED				83	87	94	94	78	87	87	0	0	0	0	0	0	
3300068	02S/05W-32A01S	W		83	87	94	94	78	87	87	0	0	0	0	0		
TOTALS FOR VON KANEL, ALFRED				83	87	94	94	78	87	87	0	0	0	0	0	0	
WATERMAN, ALLEN H				25	33	16	0	0	15	0	0	0	0	0	0	0	
3300812	02S/05W-11P	W	WTRMN 1	25	33	16	0	0	15	0	0	0	0	0	0		
TOTALS FOR WATERMAN, ALLEN H				25	33	16	0	0	15	0	0	0	0	0	0	0	
WHITE SULPHUR SPRINGS POOL				49	53	54	44	40	48	48	0	0	0	0	0	0	
3300754	02S/05W-13E	W	WHSLPHR 1	49	53	54	44	40	48	48	0	0	0	0	0		
TOTALS FOR WHITE SULPHUR SPRINGS POOL				49	53	54	44	40	48	48	0	0	0	0	0	0	
WIGHT, CHARLES H				76	0	0	0	0	15	0	0	0	0	0	0	0	
3300277	02S/05W-11K	W		76	0	0	0	0	15	0	0	0	0	0	0		

WESTERN - SAN BERNARDINO WATERMASTER

TABLE 1

VERIFIED EXTRACTIONS - FILED
RIVERSIDE SOUTH BASIN

RECRD TN NUMBER	STATE WELL NUMBER	WELL TYPE	LOCAL DESIGNATION	BASE YEARS					AVG	CALENDAR YEAR EXTRACTIONS						
				1959	1960	1961	1962	1963		1964	1965	1966	1967	1968	AVG	
TOTALS FOR WIGHT, CHARLES H				76	0	0	0	0	15	0	0	0	0	0	0	0
YEAGER CONSTRUCTION COMPANY																
3301927	02S05W-03R03S	W 2							0	0	0	0	0	0	0	
3301081	02S05W-14B	W ANZA		121	151	134	0	0	81	0	0	0	0	0	0	
TOTALS FOR YEAGER CONSTRUCTION COMPANY				121	151	134	0	0	81	0	0	0	0	0	0	0
ZINKE VERA																
3300811	02S05W-32K01S	W WAYMAN		53	37	47	20	18	35	0	0	0	0	0	0	
TOTALS FOR ZINKE VERA				53	37	47	20	18	35	0	0	0	0	0	0	0
TOTALS FOR 138 WELLS				26,819	30,763	33,211	29,291	28,050	29,627	28,125	22,580	24,906	29,048	28,478	26,627	

TABLE NO. 2

VERIFIED EXTRACTIONS BY OWNERS WHICH
HAVE NOT FILED WITH THE STATE WATER
RESOURCES CONTROL BOARD

WESTERN MUNICIPAL WATER DISTRICT
 TABLE 2
 VERIFIED EXTRACTIONS - NON-FILED
 RIVERSIDE SOUTH BASIN

RECRD TN NUMBER	STATE WELL NUMBER	WELL TYPE	LOCAL DESIGNATION	BASE YEARS							AVG	CALENDAR YEAR EXTRACTIONS					
				1959	1960	1961	1962	1963	1964	1965		1966	1967	1968	1969	AVG	
RUBIDOUX COMMUNITY SERVICES DISTRICT																	
0000401	02S05W-20R01S	W	SEWER PLANT	3	3	3	3	3	3	0	0	0	0	0	0	0	
TOTALS FOR RUBIDOUX COMMUNITY SERVICES DISTRICT				3	3	3	3	3	3	0	0	0	0	0	0	0	0
JOHNSON, TRUMAN																	
0000402	02S05W-14E	W	1	4	4	4	4	4	4	0	0	0	0	0	0	0	
TOTALS FOR JOHNSON, TRUMAN				4	4	4	4	4	4	0	0	0	0	0	0	0	0
CALIF BAPTIST UNIVERSITY																	
0000403	03S05W-08B02S	W	IRRIGATION							0	0	0	0	0	50	50	
TOTALS FOR CALIF BAPTIST UNIVERSITY										0	0	0	0	0	50	50	20
COUNTY OF RIVERSIDE, FLOOD CONTROL																	
0000404	02S05W-14D01S	W	IRRIGATION							0	0	0	0	0	30	30	
TOTALS FOR COUNTY OF RIVERSIDE, FLOOD CONTROL										0	0	0	0	0	30	30	12
TOTALS FOR 4 WELLS				7	7	7	7	7	7	7	0	0	0	0	80	80	32

TABLE NO. 3
SUMMARY OF VERIFIED EXTRACTIONS
(FILED AND NON-FILED)
FROM RIVERSIDE BASIN AREA WITHIN RIVERSIDE COUNTY

WESTERN - SAN BERNARDINO WATERMASTER

TABLE 3

VERIFIED EXTRACTION, SUMMARY - FILED AND NONFILED
RIVERSIDE SOUTH BASIN

	BASE YEARS										CALENDAR YEAR EXTRACTATIONS							
	1959	1960	1961	1962	1963	1964	1965	1966	1967	1968	1969	1994	1995	1996	1997	1998	1999	AVG
ALAMO WATER COMPANY	79	100	132	163	149	125	175	216	229	175	200	200	175	216	229	175	199	AVG
BANK OF AMERICA N.T.&S.A.	90	90	90	90	94	91	0	0	0	0	0	0	0	0	0	0	0	0
BOX SPRINGS MUTUAL WATER COMPANY	528	503	547	497	470	509	360	374	354	309	349	349	360	374	354	309	349	349
BURNS, F. L. & LAURA	0	0	0	0	0	0	0	0	0	0	0	0	0	0	0	0	0	0
CALIF BAPTIST UNIVERSITY						0					0					50	50	20
CALIF DEPT OF TRANSPORTATION DIST 8R						0					0					0	0	0
CANYON CREST COUNTRY CLUB						0					9					10	10	10
CARPENTER COMPANY	118	247	420	300	300	277	0	0	0	0	0	0	0	0	0	0	0	0
CITIZENS NATIONAL COMPANY	0	33	33	33	33	26	0	0	0	0	0	0	0	0	0	0	0	0
COUNTY OF RIVERSIDE, FLOOD CONTROL						0					0					30	30	12
CRESTMORE HEIGHTS MUTUAL WATER COMPANY	67	63	65	61	58	63	90	90	90	90	90	90	90	90	90	90	90	54
EASTERN MUNICIPAL WATER DISTRICT	3	1	0	0	0	1	0	0	0	0	0	0	0	0	0	0	0	0
FORT FREMONT MUTUAL WATER COMPANY	206	209	215	202	189	204	232	221	242	220	232	232	221	242	261	220	235	235
GROSS, DALE P.	0	0	0	0	0	0	0	0	0	0	0	0	0	0	0	0	0	0
GRUBBS, V. W.	45	40	51	38	39	43	45	45	45	45	45	45	45	45	45	45	45	45
HUNTER ENGINEERING COMPANY	0	0	0	31	188	44	45	45	45	45	45	45	45	45	45	45	45	45
JOHNSON, TRUMAN	274	218	252	191	254	238	0	0	0	0	0	0	0	0	0	0	0	0
JURACA COMMUNITY SERVICES DISTRICT	1,003	1,088	1,056	1,146	1,414	1,137	236	266	236	266	236	236	266	236	37	28	161	161
LA CASA CONTENTA MOTEL	0	0	0	0	0	0	0	0	0	0	0	0	0	0	0	0	0	0
MADISON, ERIN	1,167	1,485	1,196	991	1,443	1,256	410	0	0	0	410	0	0	0	0	0	82	82
MARTIN, KENNETH ALLAN	0	0	0	0	0	0	0	0	0	0	0	0	0	0	0	0	0	0
MICHAEL, C.	1,346	1,346	1,346	1,346	1,346	1,346	196	222	219	72	196	196	222	219	72	91	160	160
MIPO CORP, DBA MISSION	73	73	73	73	73	73	73	73	73	73	73	73	73	73	73	73	73	73
MUTUAL WATER COMPANY OF WEST RIVERSIDE	178	178	178	178	178	178	214	226	301	302	214	214	226	301	302	255	260	260
PROPERTY ACQUISITION COMPANY	140	136	143	139	141	140	0	0	0	0	0	0	0	0	0	0	0	0
RIO RANCHO MUTUAL WATER COMPANY	84	86	98	76	103	89	48	73	80	67	48	48	73	80	67	57	66	66
RIVERSIDE CEMENT COMPANY	1,067	1,080	2,702	2,434	2,205	1,898	1,672	844	356	561	1,672	1,672	844	356	561	465	780	780
RIVERSIDE HIGHLAND WATER COMPANY	0	0	0	1,363	1,381	555	615	611	558	450	615	615	611	558	450	326	512	512
RIVERSIDE INDUSTRIAL PARK	315	315	224	209	174	247	0	0	0	0	0	0	0	0	0	0	0	0
RIVERSIDE THOROUGHbred FARM					90	18	325	325	325	325	325	325	325	325	325	325	325	325
RIVERSIDE, CITY OF	12,916	16,177	16,741	13,552	11,543	14,186	15,597	12,204	14,102	18,353	15,597	15,597	12,204	14,102	18,353	17,765	15,604	15,604
RIVERSIDE, CITY OF-GAGE CANAL	3,057	2,887	3,236	2,017	2,171	2,684	2,788	1,839	2,023	1,669	2,788	2,788	1,839	2,023	1,669	2,500	2,164	2,164
RIVERSIDE, COUNTY OF	2,240	2,240	2,240	2,240	2,240	2,240	124	124	206	491	124	124	124	206	491	517	292	292
RIVINO WATER COMPANY	297	211	187	477	372	309	0	0	0	0	0	0	0	0	0	0	0	0
ROCKY R RANCH	45	24	6	6	5	17	0	0	0	0	0	0	0	0	0	0	0	0
ROOS, CHARLES E.	0	200	0	0	0	40	0	0	0	0	0	0	0	0	0	0	0	0
ROSS, SAM	0	0	0	0	0	0	0	0	0	0	0	0	0	0	0	0	0	0

**WESTERN - SAN BERNARDINO WATERMASTER
TABLE 3
VERIFIED EXTRACTION, SUMMARY - FILED AND NONFILED
RIVERSIDE SOUTH BASIN**

	BASE YEARS										CALENDAR YEAR EXTRACTIONS														
	1959	1960	1961	1962	1963	AVG	1964	1965	1966	1967	1968	1969	1970	1971	1972	1973	1974	1975	1976	1977	1978	1979	1980	AVG	
RUBIDLOUX COMMUNITY SERVICES DISTRICT	538	639	898	723	749	709	4,410	4,435	4,965	5,103	4,707														4,724
SCHWAB, A. M.	110	88	42	11	12	53	0	0	0	0	0														0
SCOPE CORPORATION	116	90	135	199	100	128	0	0	0	0	0														0
STOKER, GEORGE	158	165	159	165	134	156	0	0	0	0	0														0
TAYLOR, WALTER & BARBARA	0	0	0	30	15	9	0	0	0	0	0														0
TRI-CITY LINEN SUPPLY COMPANY	30	34	38	35	31	34	79	65	71	80	83														76
UNIVERSAL FOREST PRODUCTS						0	20	0	0	0	0														4
UNIVERSITY OF CALIFORNIA, REGENTS OF	131	283	370	94	227	221	216	195	187	189	150														187
VICTORIA COUNTRY CLUB	0	0	0	0	0	0	250	250	300	450	450														340
VON KANEL, ALFRED	83	87	94	94	78	87	0	0	0	0	0														0
WATERMAN, ALLEN H	25	33	16	0	0	15	0	0	0	0	0														0
WHITE SULPHUR SPRINGS POOL	49	53	54	44	40	48	0	0	0	0	0														0
WIGHT, CHARLES H	76	0	0	0	0	15	0	0	0	0	0														0
YEAGER CONSTRUCTION COMPANY	121	151	134	0	0	81	0	0	0	0	0														0
ZINKE VERA	53	37	47	20	18	35	0	0	0	0	0														0
TOTALS FOR ALL WELLS	26,826	30,770	33,216	29,298	28,057	29,634	28,125	22,590	24,906	29,128	28,558														26,659

TABLE NO. 4
TOTAL VERIFIED EXTRACTIONS FROM THE
RIVERSIDE BASIN AREA WITHIN RIVERSIDE COUNTY
FOR USE WITHIN RIVERSIDE COUNTY
DURING THE 5-YEAR PERIOD ENDING IN 1963
AND FOR CALENDAR YEARS 1971 THROUGH THE CURRENT YEAR

TABLE NO. 4

TOTAL VERIFIED EXTRactions FROM THE
RIVERSIDE BASIN AREA WITHIN RIVERSIDE COUNTY
FOR USE WITHIN RIVERSIDE COUNTY
DURING THE 5-YEAR BASE PERIOD ENDING IN 1963
AND FOR CALENDAR YEARS 1971 THROUGH THE CURRENT YEAR
(Quantities in Acre Feet)

Year	Extractions	Accumulated Extractions
1959	26,826	26,826
1960	30,770	57,596
1961	33,218	90,814
1962	29,298	120,112
1963	28,057	148,169
5-Yr. Avg.		29,634
1971	30,942	30,942
1972	37,804	68,746
1973	33,094	101,840
1974	38,304	140,144
1975	28,285	168,429
1976	31,565	199,994
1977	28,226	228,220
1978	24,878	253,098
1979	25,512	278,610
1980	30,206	308,816
1981	30,243	339,059
1982	20,365	359,424
1983	22,991	382,415
1984	32,466	414,881
1985	23,970	438,851
1986	24,549	463,400
1987	24,202	487,602
1988	24,470	512,072
1989	34,417	546,489
1990	31,760	578,249
1991	29,364	607,613
1992	26,538	634,151
1993	26,505	660,656
1994	28,125	688,781
1995	22,580	711,361
1996	24,906	736,267
1997	29,128	765,395
1998	28,558	793,953
1999		
2000		
2001		
2002		
2003		
2004		
2005		

Same as Table 56, Volume 5.

- 1) Corrected during 1989 verification (Michael C.).
- 2) Corrected during 1990 verification (Riv. Cement 60-1, C of R Garner T&G, 1st St).
- 3) Corrected during 1991 verification (Riv.Co Pk Edmund, wrong meter # for 5 yrs).
- 4) Corrected during 1993 verification (Riv Cement 88-1).

VOLUME 5-1998

WESTERN - SAN BERNARDINO WATERMASTER

FOR

WESTERN MUNICIPAL WATER DISTRICT et al.

vs.

EAST SAN BERNARDINO COUNTY WATER DISTRICT et al.

CASE NO. 78426 - COUNTY OF RIVERSIDE

VOLUME 5 - 1998

DISTRIBUTION OF EXTRACTIONS

1. EXTRACTIONS BY PLAINTIFFS FROM SAN BERNARDINO BASIN AREA.
2. EXTRACTION BY SAN BERNARDINO AND RIVERSIDE COUNTY ENTITIES FROM COLTON BASIN AREA FOR USE WITHIN EACH COUNTY.
3. EXTRACTIONS BY SAN BERNARDINO AND RIVERSIDE COUNTY ENTITIES FROM RIVERSIDE BASIN AREA IN SAN BERNARDINO COUNTY FOR USE WITHIN EACH COUNTY.
4. EXTRACTION BY RIVERSIDE COUNTY ENTITIES FROM RIVERSIDE BASIN IN RIVERSIDE COUNTY.
5. SUMMARY OF EXTRACTIONS FROM SAN BERNARDINO BASIN AREA, COLTON BASIN AREA, RIVERSIDE BASIN AREA IN SAN BERNARDINO COUNTY, AND RIVERSIDE BASIN AREA IN RIVERSIDE COUNTY FOR USE IN RIVERSIDE COUNTY.

ANNUAL ACCOUNTING

1998

August 1, 2000

WATERMASTER

Donald L. Harriger

Robert L. Reiter

REPORT OF WATERMASTER

Western Municipal Water District of Riverside County, et al
Plaintiffs

vs.

East San Bernardino County Water District, et al
Defendants

Superior Court of Riverside County

Case No. 78426

VOLUME 5-1998

Distribution of Extractions

1. EXTRACTIONS BY PLAINTIFFS FROM SAN BERNARDINO BASIN AREA.
2. EXTRACTIONS BY SAN BERNARDINO AND RIVERSIDE COUNTY ENTITIES FROM COLTON BASIN AREA FOR USE WITHIN EACH COUNTY.
3. EXTRACTIONS BY SAN BERNARDINO AND RIVERSIDE COUNTY ENTITIES FROM RIVERSIDE BASIN AREA IN SAN BERNARDINO COUNTY FOR USE WITHIN EACH COUNTY
4. EXTRACTIONS BY RIVERSIDE COUNTY ENTITIES FROM RIVERSIDE BASIN IN RIVERSIDE COUNTY.
5. SUMMARY OF EXTRACTIONS FROM SAN BERNARDINO BASIN AREA, COLTON BASIN AREA, RIVERSIDE BASIN IN SAN BERNARDINO COUNTY, AND RIVERSIDE BASIN IN RIVERSIDE COUNTY FOR USE IN RIVERSIDE COUNTY.

ANNUAL ACCOUNTING

1998

August 1, 2000

WATERMASTER
Donald L. Harriger
Robert L. Reiter

VOLUME 5-1998

DISTRIBUTION OF EXTRACTIONS

The distribution of the verified extractions by the Plaintiffs and Riverside County entities from the San Bernardino Basin Area, Colton Basin Area, and Riverside Basin Area for the five calendar years ending with 1963 and the ensuing years 1964 through 1970 was presented in the Report of Watermaster, Volume 5, dated June 1972. That volume also included the distribution of extractions from the Colton Basin Area and that portion of the Riverside Basin Area within San Bernardino County made by San Bernardino county entities for the five calendar years ending with 1963 and the year of 1970.

The distribution of extractions in calendar years 1971, 1972, and 1973 was presented in separate reports as updates to the original Volume 5 dated June 1972. Changes in the distribution systems of the various water entities during the period 1971 through 1973, necessitated several revisions of the original Volume 5. Therefore, Volume 5 for calendar year 1974 was completely revised and updated to reflect these changes. As a result Volume 5 dated August 1976 now represents the most recent complete report on distribution of extractions including descriptions of each water system.

This report, Volume 5-1998 shows the distribution of extractions for calendar years 1971 through 1998 and is supplementary to the Volume 5 dated August 1976. Detailed computations and tables are used to show the distribution of extractions from Colton and Riverside Basin Areas by both Riverside and San Bernardino County entities and the Plaintiffs' extractions from the San Bernardino Basin Area.

The following Table of Contents lists the tables used to show the distribution of extractions. Tables No.5 through No.7 and No.23 through No.27 did not require updating and therefore they are not included in this volume. These tables are presented in Volume 5 - 1974.

Tables No.5 through No.7 do not require updating because Ownership changes within the service area of the Trujillo Water Company have occurred and since 1965 the entire service area of the Trujillo Water Company is within Riverside County and is served by water extracted from the Garner Well, situated in Riverside County and owned by the City of Riverside.

Tables No.9, No.10, No.11, No.14 & No.16 also no longer require updating due to changes in methods of operation of the various water suppliers.

Tables No.23 through No.27 do not require updating because they contain data for years prior to 1963. These tables show the distribution of the Riverside Highland Water Company production from the San Bernardino Basin based on the assumption that 50 percent of the delivery was made in each county. This assumption results in the distribution shown on Table No. 27 and is identical with Table B-1, Appendix "B" of the Judgment. Following the settlement of the suit and the filing of the Judgment, the actual water deliveries in Riverside County were provided by the Riverside Highland Water Company. This information has been used by the Watermaster for the period 1964 through the current year, and results in the data shown in Table No. 31-A. Starting with calendar year 1990, Tables No.28-31 were replaced by Table No.23R in an effort to better quantify the distribution of extractions for Riverside Highland Water Company.

VOLUME 5-1998

TABLE OF CONTENTS

Page

TABLE NO. 1

CITY OF RIVERSIDE WATER PRODUCTION BUNKER HILL BASIN,
DOMESTIC & IRRIGATION DIVISIONS INCLUDING FORMER
RIVERSIDE WATER CO. IN SAN BERNARDINO BASIN AREA 1

TABLE NO. 2

CITY OF RIVERSIDE WATER PRODUCTION COLTON BASIN & RIVERSIDE
BASIN IN SAN BERNARDINO CO., DOMESTIC & IRRIGATION DIVISIONS
INCLUDING FORMER RIVERSIDE WATER CO. 3

TABLE NO. 3

CITY OF RIVERSIDE DOMESTIC & IRRIGATION DIVISIONS,
DELIVERIES MADE FROM WATER PRODUCED FROM THE BUNKER
HILL, COLTON AND RIVERSIDE GROUND WATER BASINS
SITUATED IN SAN BERNARDINO CO. 5

TABLE NO. 4

CITY OF RIVERSIDE WATER DELIVERIES TO TRUJILLO WATER CO.
IN SAN BERNARDINO AND RIVERSIDE COUNTIES 6

TABLES NO. 5, 6 & 7 - See Volume 5-1974 for data.

TABLE NO. 8

CITY OF RIVERSIDE JURUPA DITCH CO. WATER PRODUCTION FROM
RIVERSIDE BASIN IN SAN BERNARDINO COUNTY FOR USE IN
SAN BERNARDINO CO. AND EXPORT TO RIVERSIDE CO. 7

TABLE NO. 9

CITY OF RIVERSIDE IRRIGATION DIVISION, PRODUCTION DELIVERED
TO FORMER RIVERSIDE WATER COMPANY CANAL AND DISTRIBUTION OF
PRODUCTION DELIVERED TO SALAZAR WATER CO. 8

TABLE NO. 10

CITY OF RIVERSIDE IRRIGATION DIVISION, PRODUCTION DELIVERED
TO FORMER RIVERSIDE WATER COMPANY CANAL AND DISTRIBUTION OF
PRODUCTION DELIVERED TO SO. CALIF. EDISON CO. HIGHGROVE
POWER PLANT 9

TABLE NO. 11

CITY OF RIVERSIDE DOMESTIC & IRRIGATION DIVISIONS, WATER
PRODUCTION & DELIVERIES FROM COLTON BASIN-WATER PRODUCTION FROM
COLTON GROUND WATER BASIN IN SAN BERNARDINO COUNTY AND DELIVERIES
OF PRODUCTION MADE NORTH OF THE COUNTY LINE IN SAN BERNARDINO
COUNTY AND SOUTH OF THE COUNTY LINE IN RIVERSIDE COUNTY 10

TABLE NO. 12

CITY OF RIVERSIDE DOMESTIC & IRRIGATION DIVISIONS, WATER PRODUCTION & DELIVERIES FROM THE RIVERSIDE BASIN- WATER PRODUCTION FROM THAT PORTION OF THE RIVERSIDE GROUND WATER BASIN SITUATED NORTH OF THE COUNTY LINE IN SAN BERNARDINO COUNTY AND DELIVERIES OF PRODUCTION MADE NORTH OF THE COUNTY LINE IN SAN BERNARDINO COUNTY AND SOUTH OF THE RIVERSIDE COUNTY LINE. 11

TABLE NO. 13

CITY OF RIVERSIDE WATER PRODUCTION FROM SAN BERNARDINO BASIN AREA AND DELIVERIES WITHIN SAN BERNARDINO COUNTY AND EXPORT TO RIVERSIDE COUNTY 12

TABLE NO. 14

CITY OF RIVERSIDE AND UNIVERSITY OF CALIFORNIA EXTRACTIONS FROM BUNKER HILL BASIN IN SAN BERNARDINO BASIN AREA 13

TABLE NO. 15

THE GAGE CANAL COMPANY WATER PRODUCTION FROM BUNKER HILL BASIN, RIVERSIDE BASIN IN SAN BERNARDINO COUNTY AND RIVERSIDE BASIN IN RIVERSIDE COUNTY 14

TABLE NO. 16

THE GAGE CANAL COMPANY WATER PRODUCTION FROM BUNKER HILL BASIN DELIVERED IN SAN BERNARDINO COUNTY & RIVERSIDE COUNTY TO EAST RIVERSIDE WATER COMPANY 15

TABLE NO. 17

THE GAGE CANAL COMPANY WATER PRODUCTION FROM BUNKER HILL AND RIVERSIDE BASINS SITUATED IN SAN BERNARDINO COUNTY WITH DELIVERIES MADE IN SAN BERNARDINO COUNTY & EXPORTS TO RIVERSIDE COUNTY 16

TABLE NO. 18

GAGE CANAL WATER PRODUCTION FROM SAN BERNARDINO BASIN AREA AND DELIVERIES WITHIN SAN BERNARDINO COUNTY AND EXPORTS TO RIVERSIDE COUNTY FOR BASE PERIOD 1959-1963 AND SUBSEQUENT YEARS 17

TABLE NO. 19

RIVERSIDE HIGHLAND WATER COMPANY WATER PRODUCTION FROM LYTTLE AND BUNKER HILL BASINS IN SAN BERNARDINO BASIN AREA 18

TABLE NO. 20

RIVERSIDE HIGHLAND WATER CO. WATER PRODUCTION FROM COLTON BASIN 19

<u>TABLE NO. 21</u>	<u>Page</u>
RIVERSIDE HIGHLAND WATER CO. WATER PRODUCTION FROM RIVERSIDE BASIN IN SAN BERNARDINO AND RIVERSIDE COUNTIES	20

<u>TABLE NO. 22</u>	
RIVERSIDE HIGHLAND WATER COMPANY WATER SUPPLY FROM OTHER COMPANIES AND RIVERSIDE HIGHLAND CO. PRODUCTION	21

TABLE NO. 23, 24, 25, 26 & 27 - See Volume 5-1974 for data

<u>TABLE NO. 23R</u>	
RIVERSIDE HIGHLAND WATER COMPANY DISTRIBUTION OF EXTRACTATIONS.	22
Replaces Tables 28, 29, 30, 31 after 1989.	

<u>TABLE NO. 28</u>	
RIVERSIDE HIGHLAND WATER COMPANY IRRIGATION AND DOMESTIC DELIVERIES AND PRODUCTION REQUIRED IN RIVERSIDE & SAN BERNARDINO COUNTIES.	22x

<u>TABLE NO. 29</u>	
RIVERSIDE HIGHLAND WATER COMPANY WATER PRODUCTION SHOWN ON RECORDATION FILING DELIVERED FOR IRRIGATION & DOMESTIC USES WITHIN BOTH RIVERSIDE AND SAN BERNARDINO COUNTIES.	23x

<u>TABLE NO. 30</u>	
RIVERSIDE HIGHLAND WATER COMPANY WATER PRODUCTION FROM LYTTLE, BUNKER HILL, COLTON & RIVERSIDE BASINS IN SAN BERNARDINO AND RIVERSIDE COUNTIES AND THE DELIVERY OF THE PRODUCTION IN SAN BERNARDINO AND RIVERSIDE COUNTIES.	24x

<u>TABLE NO. 31</u>	
RIVERSIDE HIGHLAND WATER COMPANY WATER PRODUCTION FROM LYTTLE, BUNKER HILL, COLTON & RIVERSIDE BASINS IN SAN BERNARDINO AND RIVERSIDE COUNTIES AND THE DELIVERY OF THE PRODUCTION IN SAN BERNARDINO & RIVERSIDE COUNTIES.	27x

<u>TABLE NO. 31-A</u>	
TOTAL PRODUCTION BY RIVESIDE HIGHLAND WATER COMPANY FROM THE SAN BERNARDINO BASIN AREA (INCLUDES LYTTLE AND BUNKER HILL BASINS) AS DELIVERED IN SAN BERNARDINO AND RIVERSIDE COUNTIES	28

TABLE NO. 31-B - Not required for updating after 1970.

<u>TABLE NO. 32</u>	
MEEKS & DALEY WATER COMPANY AND AGUA MANSA WATER COMPANY WATER PRODUCTION FROM THE SAN BERNARDINO BASIN AREA AND THE COLTON BASIN AREA.	29

TABLE NO. 33

MEEKS & DALEY WATER COMPANY AND AGUA MANSA WATER COMPANY
WATER PRODUCTION FROM THE SAN BERNARDINO BASIN AREA AND
THE COLTON BASIN AREA DELIVERED IN SAN BERNARDINO COUNTY
AND EXPORTED TO RIVERSIDE COUNTY 30

TABLE NO. 34

MEEKS & DALEY WATER COMPANY WATER PRODUCTION FROM SAN
BERNARDINO BASIN AREA AND DELIVERIES WITHIN SAN BERNARDINO
COUNTY AND EXPORT TO RIVERSIDE COUNTY 31

TABLE NO. 35

UNIVERSITY OF CALIFORNIA WATER PRODUCTION FROM BUNKER
HILL BASIN IN THE SAN BERNARDINO BASIN AREA AND EXPORT
TO RIVERSIDE COUNTY 32

TABLE NO. 36

UNIVERSITY OF CALIFORNIA WATER PRODUCTION FROM SAN
BERNARDINO BASIN AREA AND EXPORT TO RIVERSIDE COUNTY 33

TABLE NO. 36-A

EXTRACTIONS BY PLAINTIFFS FROM THE SAN BERNARDINO BASIN
AREA THROUGH THE CURRENT YEAR 34

TABLE NO. 36-B

TOTAL PLAINTIFF EXTRACTIONS FROM SAN BERNARDINO
BASIN AREA 36

TABLE NO. 36-C

PLAINTIFF EXTRACTIONS FROM SAN BERNARDINO BASIN AREA
DELIVERIES IN SAN BERNARDINO BASIN AREA 37

TABLE NO. 36-D

PLAINTIFF EXTRACTIONS FROM SAN BERNARDINO BASIN AREA
DELIVERIES IN COLTON & RIVERSIDE BASINS IN SAN BERNARDINO
COUNTY 38

TABLE NO. 36-E

PLAINTIFF EXTRACTIONS FROM SAN BERNARDINO BASIN AREA
DELIVERIES OUTSIDE SAN BERNARDINO VALLEY 39

TABLE NO. 37

RIVERSIDE ENTITIES PRODUCTION AND DELIVERY FROM COLTON
BASIN AREA FOR USE WITHIN SAN BERNARDINO COUNTY AND
RIVERSIDE COUNTY. 40

TABLE NO. 38

Page

SAN BERNARDINO ENTITIES PRODUCTION FROM COLTON BASIN
AREA FOR USE WITHIN SAN BERNARDINO COUNTY 42

TABLE NO. 38-A

COLTON BASIN EXTRACTIONS BY RIVERSIDE ENTITIES AND
PLACE OF USE 43

TABLE NO. 39

VERIFIED EXTRACTIONS FROM COLTON BASIN AREA BY
SAN BERNARDINO AND RIVERSIDE COUNTY ENTITIES FOR USE
WITHIN EACH COUNTY 44

TABLE NO. 39-A

GROUND WATER EXTRACTIONS BY RIVERSIDE ENTITIES FROM COLTON
BASIN AREA FOR USE IN RIVERSIDE & SAN BERNARDINO COUNTIES
FROM 1976 THROUGH CURRENT YEAR 46

TABLE NO. 40

RIVERSIDE CEMENT COMPANY,
WATER PRODUCTION FROM RIVERSIDE GROUND WATER BASIN
SITUATED WITHIN SAN BERNARDINO COUNTY 48

TABLE NO. 41

RIVERSIDE CEMENT COMPANY, WATER PRODUCTION FROM RIVERSIDE
GROUND WATER BASIN WITHIN SAN BERNARDINO COUNTY FOR PERIOD 1971
THROUGH CURRENT YEAR AND PRODUCTION DELIVERED IN RIVERSIDE
AND SAN BERNARDINO COUNTIES 49

TABLE NO. 42

CITY OF RIVERSIDE IRRIGATION & DOMESTIC DIVISIONS WATER
PRODUCTION FROM RIVERSIDE GROUND WATER BASIN WITHIN SAN
BERNARDINO COUNTY FOR PERIOD 1971 THROUGH CURRENT YEAR AND
PRODUCTION DELIVERED IN RIVERSIDE AND SAN BERNARDINO COUNTIES. . . 50

TABLE NO. 43

CITY OF RIVERSIDE IRRIGATION & DOMESTIC DIVISIONS, GAGE
CANAL COMPANY, WATER PRODUCTION FROM RIVERSIDE GROUND WATER
BASIN WITHIN SAN BERNARDINO COUNTY FOR PERIOD 1971 THROUGH
CURRENT YEAR, AND PRODUCTION DELIVERED IN RIVERSIDE AND SAN
BERNARDINO COUNTIES 51

TABLE NO. 44

INTER COUNTY WATER COMPANY WATER PRODUCTION FROM
RIVERSIDE GROUND WATER BASIN WITHIN SAN BERNARDINO
COUNTY FOR PERIOD 1971 THROUGH CURRENT YEAR AND PRODUCTION
DELIVERED IN RIVERSIDE AND SAN BERNARDINO COUNTIES 52

TABLE NO. 45

Page

JURUPA WATER COMPANY WATER PRODUCTION FROM RIVERSIDE
GROUND WATER BASIN WITHIN SAN BERNARDINO COUNTY FOR
PERIOD 1971 THROUGH CURRENT YEAR AND PRODUCTION DELIVERED
IN RIVERSIDE AND SAN BERNARDINO COUNTIES 53

TABLE NO. 46-A & 46-B

LA SIERRA WATER COMPANY WATER PRODUCTION FROM COLTON
BASIN AND THAT PART OF RIVERSIDE BASIN LOCATED WITHIN
SAN BERNARDINO COUNTY 54

TABLE NO. 47

LA SIERRA WATER COMPANY WATER PRODUCTION FROM COLTON
AND RIVERSIDE BASIN SITUATED WITHIN SAN BERNARDINO COUNTY
WITH DELIVERIES IN SAN BERNARDINO COUNTY AND EXPORTS
TO RIVERSIDE COUNTY 55

TABLE NO. 48

LA SIERRA WATER CO. WATER PRODUCTION FROM RIVERSIDE
GROUND WATER BASIN WITHIN SAN BERNARDINO COUNTY FOR
PERIOD 1971 THROUGH CURRENT YEAR AND PRODUCTION DELIVERED
IN RIVERSIDE AND SAN BERNARDINO COUNTIES 56

TABLE NO. 49

RIVERSIDE HIGHLAND WATER COMPANY WATER PRODUCTION FROM
RIVERSIDE GROUND WATER BASIN WITHIN SAN BERNARDINO COUNTY
FOR PERIOD 1971 THROUGH CURRENT YEAR AND PRODUCTION
DELIVERED IN RIVERSIDE AND SAN BERNARDINO COUNTIES 57

TABLE NO. 50

TEMESCAL WATER CO. WATER PRODUCTION FROM RIVERSIDE GROUND
WATER BASIN WITHIN SAN BERNARDINO COUNTY FOR PERIOD 1971
THROUGH CURRENT YEAR AND PRODUCTION DELIVERED IN RIVERSIDE
AND SAN BERNARDINO COUNTIES 58

TABLE NO. 51

WEST RIVERSIDE 350 INCH WATER COMPANY WATER PRODUCTION FROM
RIVERSIDE GROUND WATER BASIN WITHIN SAN BERNARDINO COUNTY
FOR PERIOD 1971 THROUGH CURRENT YEAR 59

TABLE NO. 52

GROUND WATER PRODUCTION FROM THAT PART OF THE RIVERSIDE GROUND
WATER BASIN SITUATED WITHIN SAN BERNARDINO COUNTY,
A PART IS USED IN SAN BERNARDINO COUNTY
AND THE REMAINDER EXPORTED TO RIVERSIDE COUNTY DURING
CALENDAR YEARS 1971 THROUGH CURRENT YEARS 60

TABLE NO. 52-A

Page

GROUND WATER PRODUCTION FROM THAT PART OF RIVERSIDE
GROUND WATER BASIN SITUATED WITHIN SAN BERNARDINO COUNTY,
A PART OF WHICH IS USED IN SAN BERNARDINO COUNTY AND THE
REMAINDER EXPORTED TO RIVERSIDE COUNTY DURING THE CALENDAR
YEARS 1976 THROUGH CURRENT YEAR 62

TABLE NO. 53

SAN BERNARDINO ENTITIES PRODUCTION FROM RIVERSIDE BASIN
AREA WITHIN SAN BERNARDINO COUNTY FOR THE PERIOD 1971
THROUGH CURRENT YEAR FOR USE WITHIN SAN BERNARDINO COUNTY 64

TABLE NO. 54

TOTAL VERIFIED EXTRACTIONS FROM THAT PORTION OF THE RIVERSIDE
BASIN SITUATED IN SAN BERNARDINO COUNTY FOR THE PERIOD 1976
THROUGH CURRENT YEAR BY SAN BERNARDINO AND RIVERSIDE COUNTY
ENTITIES FOR USE WITHIN EACH COUNTY 65

TABLE NO. 55 - This table has not been updated after 1970.

TABLE NO. 56

TOTAL VERIFIED EXTRACTIONS BY RIVERSIDE ENTITIES FROM THE
RIVERSIDE BASIN AREA WITHIN RIVERSIDE COUNTY FOR USE WITHIN
RIVERSIDE COUNTY 67

TABLE NO. 57

SUMMARY OF EXTRACTIONS FROM SAN BERNARDINO BASIN AREA,
COLTON BASIN AREA, RIVERSIDE BASIN AREA IN SAN BERNARDINO
COUNTY, AND RIVERSIDE BASIN AREA IN RIVERSIDE COUNTY FOR
USE IN RIVERSIDE COUNTY 68

DIAGRAM B

RIVERSIDE HIGHLAND WATER COMPANY DIAGRAM ILLUSTRATING
THE PRODUCTION AND DISTRIBUTION NORTH AND SOUTH OF
RIVERSIDE-SAN BERNARDINO CO. LINE, YEARS 1985 THROUGH
CURRENT YEAR 69

TABLE NO. 1
CITY OF RIVERSIDE WATER PRODUCTION
BUNKER HILL BASIN
DOMESTIC & IRRIGATION DIVISIONS INCLUDING FORMER RIVERSIDE WATER CO.
IN SAN BERNARDINO BASIN AREA
 (Quantities in Acre Feet by Calendar Year)

Line No.	From	Local Designation	State Well Number	Recordation Number	1971	1972	1973	1974	1975	1976	1977	1978	1979	1980	1981	1982
1	Rec. filling	*McCrary #1	IS-4W-1B3	3601457	0	0	0	0	0	0	0	0	0	0	0	0
2		*McCrary #2	IS-4W-1B2	3601458	0	0	0	0	0	0	0	0	0	0	0	0
3		*McCrary #3	IS-4W-1B	3601459	0	0	0	0	0	0	0	0	0	0	0	0
4		*McCrary #4	IS-4W-1B	3601460	0	0	0	0	0	0	0	0	0	0	0	0
5		*McCrary #5	IS-4W-1B	3601461	0	0	0	0	0	0	0	0	0	0	0	0
6		Pooler	IS-4W-1E1	3601462	1,927	1,498	0	0	0	0	0	0	0	0	0	0
7		Stiles	IS-4W-2A3	3601463	1,870	1,401	1,349	1,665	1,938	1,911	1,520	1,367	1,702	1,578	1,739	1,517
8		Scheuer	IS-4W-2L1	3601489	568	525	83	527	560	406	633	442	658	570	366	183
9		Garner #1	IS-4W-2P6	3601464	755	566	392	958	1,029	598	448	546	654	602	753	742
10		Garner #2	IS-4W-2Q3	3601465	669	506	419	359	527	602	302	373	582	470	238	507
11		*Garner #3	IS-4W-2Q7	3601466	0	0	0	0	0	0	0	0	0	0	0	0
12		Garner #4	IS-4W-2Q6	3601467	771	460	525	749	881	874	669	951	1,275	865	365	894
13		Garner #5	IS-4W-2P1	3601468	2,100	2,206	2,411	1,438	2,422	2,237	1,599	1,806	1,904	1,598	1,485	1,565
14		*Paine Hot	IS-4W-22A1	3601469	0	0	0	0	0	0	0	0	0	0	0	0
15		Thorn #1 *	IS-4W-22G1	3601016	-	-	-	-	-	-	-	-	-	-	-	-
16		*Thorn #2 **	IS-4W-22G15	3601470	-	-	-	-	-	-	-	-	-	-	-	-
17		Thorn #3	IS-4W-22G14	3601471	502	94	0	0	1,077	31	0	0	0	0	0	266
18		*Thorn #4	IS-4W-22G11	3601472	0	0	0	0	0	0	0	0	0	0	0	0
19		Thorn #5	IS-4W-22G16	3601473	359	0	0	0	494	0	0	0	0	0	0	16
20		Thorn #6	IS-4W-22G18	3601474	0	0	0	0	0	0	0	0	0	0	0	2
21		Thorn #7	IS-4W-22G17	3601475	0	0	0	0	0	0	0	0	0	0	0	7
22		Thorn #8	IS-4W-22G19	3601476	134	121	0	323	140	0	0	0	0	0	0	0
23		*Thorn #9	IS-4W-22B01	3601477	0	0	0	0	0	0	0	0	0	0	0	0
24		Thorn #10	IS-4W-22B3	3601478	0	40	27	47	5	37	12	0	0	0	0	146
25		Thorn #11	IS-4W-22B5	3601479	0	0	0	0	0	0	0	0	0	0	0	0
26		Thorn #12 **	IS-4W-22B7	3601470	1,162	1,054	502	1,345	976	909	743	776	582	578	64+	708
27		Warm Creek Rising Water	IS-4W-21P	3601496	0	0	0	0	0	-	0	0	0	0	0	0
28																
29																
29a																
29b																
29c																
30	Sub Total				10,817	8,471	5,708	7,411	10,049	7,605	5,926	6,261	7,357	6,261	5,044	6,553

*Thorn No. 1 well sold to C.E.P. Co., no production by C. of R. Irrig. Division after 1958. (So. Calif. Edison)

**Thorn #12 replacement well for Thorn #2.

FOR YEARS PRECEDING 1971: Refer to Volume 5, August 1976, Page I-9

* Abandoned &/or File Closed

+26AF added to 1981 production as a correction to 1980 extraction

TABLE NO. 1

CITY OF RIVERSIDE WATER PRODUCTION
 BUNKER HILL BASIN
 DOMESTIC & IRRIGATION DIVISIONS INCLUDING FORMER RIVERSIDE WATER CO.
 IN SAN BERNARDINO BASIN AREA

(Quantities in Acre Feet by Calendar Year)

Line #	Local Designation	State Well #	Recordation #	1983	1984	1985	1986	1987	1988	1989	1990	1991	1992	1993	1994	1995
1	o McCrary # 1	1S/4W01B03S	3601457	0	0	0	0	0	0	0	0	0	0	0	0	0
2	o McCrary # 2	1S/4W01B02S	3601458	0	0	0	0	0	0	0	0	0	0	0	0	0
3	o McCrary # 3	1S/4W01B	3601459	0	0	0	0	0	0	0	0	0	0	0	0	0
4	o McCrary # 4	1S/4W01B	3601460	0	0	0	0	0	0	0	0	0	0	0	0	0
5	o McCrary # 5	1S/4W01B	3601461	0	0	0	0	0	0	0	0	0	0	0	0	0
6	Poole	1S/4W01E01S	3601462	0	0	0	0	0	0	0	0	0	0	0	0	0
7	Stiles	1S/4W02A03S	3601463	1,779	1,848	2,105	1,899	1,452	1,363	1,270	1,114	717	225	679	768	1,095
8	Scheuer	1S/4W02L01S	3601489	37	159	436	655	76	451	231	131	347	553	826	220	368
9	Garner # 1	1S/4W02P06S	3601464	376	1,026	595	808	836	867	594	775	760	769	723	556	681
10	Garner # 2	1S/4W02Q03S	3601465	196	54	419	341	416	536	524	543	462	500	461	293	562
11	o Garner # 3	1S/4W02Q07S	3601466	0	0	0	0	0	0	0	0	0	0	0	0	0
12	Garner # 4	1S/4W02Q06S	3601467	74	185	895	668	744	842	644	746	0	0	0	0	0
13	Garner # 5	1S/4W02P01S	3601468	1,602	1,639	1,292	1,942	1,805	2,224	2,027	2,024	1,713	1,701	1,388	1,172	1,835
14	o Paine Hot	1S/4W22A01S	3601469	0	0	0	0	0	0	0	0	0	0	0	0	0
15	Thorn # 1 +	1S/4W22G01S	3601016	-	-	-	-	-	-	-	-	-	-	-	-	-
16	o Thorn # 2 **	1S/4W22G15S	3601470	-	-	-	-	-	-	-	-	-	-	-	-	-
17	Thorn # 3	1S/4W22G14S	3601471	0	0	1,103	12	0	0	0	0	859	111	0	0	0
18	o Thorn # 4	1S/4W22G11S	3601472	0	0	0	0	0	0	0	0	0	0	0	0	0
19	Thorn # 5	1S/4W22G16S	3601473	0	0	525	6	0	0	0	0	487	61	109	1	0
20	Thorn # 6	1S/4W22G18S	3601474	0	0	311	2	0	0	0	0	98	22	0	0	0
21	Thorn # 7	1S/4W22G17S	3601475	0	0	322	2	0	0	0	0	93	0	0	0	0
22	Thorn # 8	1S/4W22G19S	3601476	0	0	0	0	0	0	0	0	0	0	0	0	0
23	o Thorn # 9	1S/4W22B01S	3601477	0	0	0	0	0	0	0	0	0	0	0	0	0
24	Thorn # 10	1S/4W22B03S	3601478	144	0	0	0	0	46	28	19	155	203	90	7	1
25	Thorn # 11	1S/4W22B05S	3601479	0	0	0	0	0	0	0	0	0	0	0	0	608
26	Thorn # 12 **	1S/4W22B07S	3601470-	1,345	0	515	1,552	1,593	1,277	1,112	160	1,200	1,021	907	1,421	1,081
27	o Warm Ck Rising Wtr.	1S/4W21P	3601496	-	-	-	-	-	-	-	-	-	-	-	-	-
28																
29				5,553	4,911	8,518	7,887	6,922	7,606	6,430	5,512	6,891	5,166	5,174	4,438	6,221
30	sub Total															

o Abandoned &/or File Closed.
 * Thorn No. 1 sold to C.E.P. (So Calif. Edison), in city production after 1958.

** Thorn # 12 replacement well for Thorn #2.

o Located in Colton Basin, see Volume 2.

TABLE NO. 1

CITY OF RIVERSIDE WATER PRODUCTION
 BUNKER HILL BASIN
 DOMESTIC & IRRIGATION DIVISIONS INCLUDING FORMER RIVERSIDE WATER CO.
 IN SAN BERNARDINO BASIN AREA

(Quantities in Acre Feet by Calendar Year)

Line #	Local Designation	State Well #	Recordation #	1996	1997	1998	1999	2000	2001	2002	2003	2004	2005	2006	2007	2008
1	o McCrary # 1	1S/4W01B03S	3601457	0	0	0	0	0	0	0	0	0	0	0	0	0
2	o McCrary # 2	1S/4W01B02S	3601458	0	0	0	0	0	0	0	0	0	0	0	0	0
3	o McCrary # 3	1S/4W01B	3601459	0	0	0	0	0	0	0	0	0	0	0	0	0
4	o McCrary # 4	1S/4W01B	3601460	0	0	0	0	0	0	0	0	0	0	0	0	0
5	o McCrary # 5	1S/4W01B	3601461	0	0	0	0	0	0	0	0	0	0	0	0	0
6	o Poole	1S/4W01E01S	3601462	0	0	0	0	0	0	0	0	0	0	0	0	0
7	o Stiles	1S/4W02A03S	3601463	838	538	813	0	0	0	0	0	0	0	0	0	0
8	o Scheuer	1S/4W02L01S	3601489	163	36	55	0	0	0	0	0	0	0	0	0	0
9	o Garner # 1	1S/4W02P06S	3601464	328	181	157	0	0	0	0	0	0	0	0	0	0
10	o Garner # 2	1S/4W02Q03S	3601465	170	67	131	0	0	0	0	0	0	0	0	0	0
11	o Garner # 3	1S/4W02Q07S	3601466	0	0	0	0	0	0	0	0	0	0	0	0	0
12	o Garner # 4	1S/4W02Q06S	3601467	0	0	0	0	0	0	0	0	0	0	0	0	0
13	o Garner # 5	1S/4W02P01S	3601468	146	1,456	1,139	0	0	0	0	0	0	0	0	0	0
14	o Paine Hot	1S/4W22A01S	3601469	0	0	0	0	0	0	0	0	0	0	0	0	0
15	o Thorn # 1 *	1S/4W22G01S	3601016	-	-	-	-	-	-	-	-	-	-	-	-	-
16	o Thorn # 2 **	1S/4W22G15S	3601470	-	-	-	-	-	-	-	-	-	-	-	-	-
17	o Thorn # 3	1S/4W22G14S	3601471	0	0	0	0	0	0	0	0	0	0	0	0	0
18	o Thorn # 4	1S/4W22G11S	3601472	0	0	0	0	0	0	0	0	0	0	0	0	0
19	o Thorn # 5	1S/4W22G16S	3601473	0	0	0	0	0	0	0	0	0	0	0	0	0
20	o Thorn # 6	1S/4W22G18S	3601474	0	0	0	0	0	0	0	0	0	0	0	0	0
21	o Thorn # 7	1S/4W22G17S	3601475	0	0	0	0	0	0	0	0	0	0	0	0	0
22	o Thorn # 8	1S/4W22G19S	3601476	0	0	0	0	0	0	0	0	0	0	0	0	0
23	o Thorn # 9	1S/4W22B01S	3601477	0	0	0	0	0	0	0	0	0	0	0	0	0
24	o Thorn # 10	1S/4W22B03S	3601478	0	68	0	0	0	0	0	0	0	0	0	0	0
25	o Thorn # 11	1S/4W22B05S	3601479	268	418	0	0	0	0	0	0	0	0	0	0	0
26	o Thorn # 12 **	1S/4W22B07S	3601470-	1,660	1,296	300	0	0	0	0	0	0	0	0	0	0
27	o Warm Ck Rising Wtr. 1S/4W21P	3601496	3601496	-	-	-	-	-	-	-	-	-	-	-	-	-
28																
29																
30	Sub Total	(Line 1 - 30)		3,573	4,060	2,595										

o Abandoned &/or File Closed.
 * Thorn No. 1 sold to C.E.P. (So Calif. Edison), in City production after 1958.
 ** Thorn # 12 replacement well for Thorn #2.
 o Located in Colton Basin, see Volume 2.

TABLE NO. 1

**CITY OF RIVERSIDE WATER PRODUCTION
BUNKER HILL BASIN
DOMESTIC & IRRIGATION DIVISIONS INCLUDING FORMER RIVERSIDE WATER CO.
IN SAN BERNARDINO BASIN AREA
(Quantities in Acre Feet by Calendar Year)**

Line No.	From	Local Designation	State Well Number	Recordation Number	1971	1972	1973	1974	1975	1976	1977	1978	1979	1980	1981	1982
31	Rec. filling	*Cooley #E	1S-4W-2P4	3601220	0	0	0	0	0	0	0	0	0	0	0	0
32		*Cooley #C	1S-4W-2P3	3601224	0	0	0	0	0	0	0	0	0	0	0	0
33		*Cooley #D	1S-4W-2P2	3601225	0	0	0	0	0	0	0	0	0	0	0	0
34		*Cooley #F	1S-4W-2L2	3601226	0	0	0	0	0	0	0	0	0	0	0	0
35		*Cooley #G	1S-4W-2N2	3601227	0	0	0	0	0	0	0	0	0	0	0	0
36		Cooley #H	1S-4W-11D2	3601228	1,420	1,053	494	725	1,045	923	1,065	1,116	1,209	1,092	1,125	643
37		Cooley #I	1S-4W-11D3	3601229	3,580	2,606	4,089	3,743	3,328	5,367	2,756	2,318	2,884	2,513	3,086	2,017
38		*Cooley #A	1S-4W-11D4	3601232	0	0	0	0	0	0	0	0	0	0	0	0
39		*Cooley #B	1S-4W-11D1	3601432	0	0	0	0	0	0	0	0	0	0	0	0
40		Raub #1	1S-4W-14P2	3601218	0	0	0	0	0	0	0	0	0	0	0	0
41		Raub #2	1S-4W-23C2	3601219	904	724	772	939	812	542	699	431	466	572	189	495
42		Raub #4	1S-4W-23C3	3601238	1,267	1,074	2,001	2,024	1,333	1,747	1,221	1,328	1,632	971	1,374	1,306
43		Raub #3	1S-4W-14P6	3601239	342	216	294	605	748	444	502	97	603	661	199	562
43a		Raub #5	1S-4W-14N9	3602484	0	1,353	2,465	3,731	1,544	2,966	2,277	2,697	3,335	2,306	1,861	2,249
44		*Byrne	1S-4W-22B2	3601237	0	0	0	0	0	0	0	0	0	0	0	0
45		Warren #3	1S-4W-22B3	3601230	484	180	222	408	21	222	221	275	173	105	60	132
46		Warren #2	1S-4W-22H1	3601231	784	357	603	1,124	830	666	473	783	344	790	711	299
47		Warren #1	1S-4W-22H4	3601240	1,921	1,614	1,809	1,700	1,785	1,496	573	1,030	902	939	468	485
48		Warren #4	1S-4W-22H2	3601243	2,737	2,012	1,822	2,875	2,479	1,450	1,258	1,678	1,517	2,022	2,096	1,772
49		Hunt #6 *	1S-4W-27A11	3602222 2771	225	209	249	547	241	22	542	393	397	1	1	77
50		*Hunt #8 *	1S-4W-27A7	3601241	0	0	0	0	0	0	0	0	0	0	0	0
51		*Hunt #9 *	1S-4W-27A8	3601242	0	0	0	0	0	0	0	0	0	0	0	0
52		Hunt #10 *	1S-4W-27A9	3602244 2772	446	600	933	1,577	1,010	600	899	645	738	6	510	25
53		Hunt #11 *	1S-4W-27A10	3602245 2773	0	0	0	0	10	31	462	0	0	0	0	86
54		Stewart #21	1S-4W-27A13	3601233	0	0	0	0	0	0	0	0	0	0	0	0
55		*Stewart #19	1S-4W-27A19	3601234	0	0	0	0	0	0	0	0	0	0	0	0
56		*Stewart #20	1S-4W-27H1	3601431	12	5	32	11	13	4	26	3	4	3	4	1
56a		Raub #6	1S-4W-14N10S	3602778	0	0	0	0	0	0	0	0	0	0	0	0
56b																
56c																
57	Lines 31 thru 56	Sub Total			14,122	12,003	15,785	20,009	15,199	14,680	12,974	12,794	14,204	12,614	15,319	12,969
58																
59	Sub Total	Sheet No. 1			10,817	8,471	5,708	7,411	10,049	7,605	5,926	6,261	7,357	6,261	5,044	6,553
60	Sub Total	Sheet No. 2			14,122	12,003	15,785	20,009	15,199	14,680	12,974	12,794	14,204	12,614	15,319	12,969
61	Total Production Bunker Hill				24,939	20,474	21,493	27,420	25,248	22,085	18,900	19,055	21,561	18,875	20,363	19,522
62																
63	Meeks & Daley	Sta. 59			0	0	0	275	1,649	1,895	1,848	1,385	1,231	1,650	2,496	1,471
64	Gage Canal Co.	30-1 & Gage Stewart			2,854	1,900	2,446	2,095	1,577	0**	0	0**	0**	0**	0**	0**
65	Total Lines				27,793	22,374	23,939	29,790	28,474	23,980	20,748	20,440	22,792	20,525	22,859	20,993
65	61 - 63 & 64	Total Water for Distribution														

SUMMARY BUNKER HILL PRODUCTION

ADDITIONAL DELIVERIES FROM OTHER COMPANIES

** 30-1 & Gage Stewart removed after covering of the canal in 1975
 *Extractions from Hunt #6, 8, 9, 10 & 11 by City of Riverside only - University of California production from these wells reported under the Regents of the University
 FOR YEARS PRECEDING 1971: Refer to Volume 5, August 1976, Page 1-12
 * Abandoned 6/or File Closed

TABLE NO. 1

CITY OF RIVERSIDE WATER PRODUCTION
 BUNKER HILL BASIN
 DOMESTIC & IRRIGATION DIVISIONS INCLUDING FORMER RIVERSIDE WATER CO.
 IN SAN BERNARDINO BASIN AREA

(Quantities in Acre Feet by Calendar Year)

Line #	Local Designation	State Well #	Recordation #	1983	1984	1985	1986	1987	1988	1989	1990	1991	1992	1993	1994	1995
31	Cooley E	1S/4W02P04S	3601220	0	0	0	0	0	0	0	0	0	0	0	0	0
32	Cooley C	1S/4W02P03S	3601224	0	0	0	0	0	0	0	0	0	0	0	0	0
33	Cooley D	1S/4W02P02S	3601225	0	0	0	0	0	0	0	0	0	0	0	0	0
34	Cooley F	1S/4W02L02S	3601226	0	0	0	0	0	0	0	0	0	0	0	0	0
35	Cooley G	1S/4W02R02S	3601227	0	0	0	0	0	0	0	0	0	0	0	0	0
36	Cooley H	1S/4W11D02S	3601228	1,138	907	1,489	1,160	633	933	820	864	1,003	1,032	1,132	898	773
37	Cooley I	1S/4W11D03S	3601229	3,242	3,221	3,680	2,264	2,239	2,505	1,891	2,291	2,332	1,886	2,716	2,197	2,321
38	Cooley A	1S/4W11D04S	3601232	0	0	0	0	0	0	0	0	0	0	0	0	0
39	Cooley B	1S/4W11D01S	3601432	0	0	0	0	0	0	0	0	0	0	0	0	0
40	Raub # 1	1S/4W14P02S	3601218	0	0	0	0	0	0	0	0	0	0	0	0	0
41	Raub # 2	1S/4W23C02S	3601219	222	3	96	0	37	250	169	64	99	285	254	342	411
42	Raub # 4	1S/4W23C03S	3601238	1,649	1,775	2,201	1,425	1,957	1,096	1,005	1,029	1,628	1,326	1,602	1,228	412
43	Raub # 3	1S/4W14P06S	3601239	221	43	236	460	89	340	321	205	280	342	273	343	339
44	Raub # 5	1S/4W14W09S	3602484	3,359	3,747	3,351	4,223	3,327	3,182	3,093	3,030	2,538	1,783	1,471	2,401	2,438
45	Byrne	1S/4W22R02S	3601237	0	0	0	0	0	0	0	0	0	0	0	0	0
46	Warren # 3	1S/4W22H03S	3601230	2	0	276	72	17	201	44	103	51	116	115	177	216
47	Warren # 2	1S/4W22H01S	3601231	517	1,111	1,185	725	842	801	717	1,075	884	570	277	506	525
48	Warren # 1	1S/4W22H04S	3601240	1,014	490	467	1,105	1,175	996	996	999	2,119	1,765	1,383	1,742	1,069
49	Warren # 4	1S/4W22H02S	3601243	1,559	2,592	2,844	2,526	3,077	2,374	1,586	1,805	1,243	1,583	1,744	1,833	242
50	Hunt # 6 *	1S/4W27A11S	3602771	568	224	866	661	454	642	496	394	472	233	144	323	413
51	Hunt # 8 *	1S/4W27A07S	3601241	0	0	0	0	0	0	0	0	0	0	0	0	0
52	Hunt # 9 *	1S/4W27A08S	3601242	0	0	0	0	0	0	0	0	0	0	0	0	0
53	Hunt # 10 *	1S/4W27A09S	3602772	1,547	1,307	1,170	726	912	782	694	845	1,027	791	460	536	481
54	Hunt # 11 *	1S/4W27A10S	3602773	850	537	782	477	434	634	608	326	961	636	536	440	430
55	Stewart # 21	1S/4W27A13S	3601233	0	0	0	0	0	0	0	0	0	0	0	0	0
56	Stewart # 19	1S/4W27A19S	3601234	0	0	0	0	0	0	0	0	0	0	0	0	0
57	Stewart # 20	1S/4W27H01S	3601431	1	1	1	3	1	1	1	3	1	1	1	1	3
58	Raub # 6	1S/4W14W10S	3602778	4,239	4,162	4,655	2,638	3,482	3,968	2,258	2,397	2,516	2,131	2,250	1,974	390
59	Garner # 6	1S/4W02P09S	3603254	0	0	0	0	0	0	0	0	2,088	3,082	3,476	3,428	4,014
59a	Raub # 8	1S/4W14W14N	3603555	20,128	20,120	23,299	18,109	18,606	18,884	14,699	15,430	19,242	19,617	20,393	21,286	17,095
60	Sub Total	(Lines 31 - 60)		20,128	20,120	23,299	18,109	18,606	18,884	14,699	15,430	19,242	19,617	20,393	21,286	17,095
61	Sub Total	(Lines 1 - 30)		5,553	4,911	8,518	7,887	6,922	7,606	6,430	5,512	6,891	5,166	5,174	4,438	6,221
62	Sub Total			25,681	25,031	31,817	25,996	25,528	26,490	21,129	20,942	26,133	24,783	25,567	25,724	23,316
63	TOTAL PRODUCTION FROM BUNKER HILL BASIN			25,681	25,031	31,817	25,996	25,528	26,490	21,129	20,942	26,133	24,783	25,567	25,724	23,316
64	ADDITIONAL DELIVERIES FROM OTHER COMPANIES			2,317	2,567	2,492	2,660	2,274	1,482	3,043	3,389	2,997	3,285	2,620	3,127	3,166
65	MEKKS & DALEY Station 59		3601887						2,251	2,505	2,079	1,597	1,888	1,597	2,141	2,322
66	MEKKS & DALEY Warren # 4		3602863						0	399	519	1,098	447	447	347	750
67	MEKKS & DALEY Raub # 6		3602864						0	139	791	302	950	378	639	94
68	NET WATER EXCHANGE WITH CITY OF SAN BERNARDINO								-769	0	0	0	198	0	0	0
69	TOTAL WATER FOR DISTRIBUTION			27,998	27,598	34,309	28,656	27,802	27,972	24,172	24,331	29,130	28,068	28,187	28,851	26,482
70	(line 64 + 66)			27,998	27,598	34,309	28,656	27,802	27,972	24,172	24,331	29,130	28,068	28,187	28,851	26,482
71	Abandoned &/or File Closed.															
72	* Figures shown for Hunt wells are for C of R use only, University of California reports its own usage.															
73	** Gage 30-1 & Gage Stewart removed after covering of the Canal in 1975.															

**CITY OF RIVERSIDE WATER PRODUCTION
BUNKER HILL BASIN
DOMESTIC & IRRIGATION DIVISIONS INCLUDING FORMER RIVERSIDE WATER CO.
IN SAN BERNARDINO BASIN AREA**

Line #	Local Designation	State Well #	Recordation #	1996	1997	1998	1999	2000	2001	2002	2003	2004	2005	2006	2007	2008
(Quantities in Acre Feet by Calendar Year)																
31	o Cooley E	1S/4W02P04S	3601220	0	0	0	0	0	0	0	0	0	0	0	0	0
32	o Cooley C	1S/4W02P03S	3601224	0	0	0	0	0	0	0	0	0	0	0	0	0
33	o Cooley D	1S/4W02P02S	3601225	0	0	0	0	0	0	0	0	0	0	0	0	0
34	o Cooley F	1S/4W02L02S	3601226	0	0	0	0	0	0	0	0	0	0	0	0	0
35	o Cooley G	1S/4W02N02S	3601227	0	0	0	0	0	0	0	0	0	0	0	0	0
36	o Cooley H	1S/4W11D02S	3601228	1,478	1,474	1,271										
37	o Cooley I	1S/4W11D03S	3601229	2,730	2,639	2,438										
38	o Cooley A	1S/4W11D04S	3601232	0	0	0	0	0	0	0	0	0	0	0	0	0
39	o Cooley B	1S/4W11D01S	3601432	0	0	0	0	0	0	0	0	0	0	0	0	0
40	Raub # 1	1S/4W14P02S	3601218	0	0	0	0	0	0	0	0	0	0	0	0	0
41	Raub # 2	1S/4W23C02S	3601219	349	383	130										
42	Raub # 4	1S/4W23C03S	3601238	1,842	1,415	1,015										
43	Raub # 3	1S/4W14P06S	3601239	473	688	189										
44	Raub # 5	1S/4W14N09S	3602484	3,157	2,301	3,354										
45	o Byrne	1S/4W22B02S	3601237	0	0	0	0	0	0	0	0	0	0	0	0	0
46	Warren # 3	1S/4W22H03S	3601230	288	265	138										
47	Warren # 2	1S/4W22H01S	3601231	856	635	347										
48	Warren # 1	1S/4W22H04S	3601240	2,518	2,105	1,132										
49	Warren # 4	1S/4W22H02S	3601243	444	806	1,044										
50	Hunt # 6 *	1S/4W27A11S	3602771	0	298	127										
51	o Hunt # 8 *	1S/4W27A07S	3601241	0	0	0	0	0	0	0	0	0	0	0	0	0
52	o Hunt # 9 *	1S/4W27A08S	3601242	0	0	0	0	0	0	0	0	0	0	0	0	0
53	Hunt # 10 *	1S/4W27A09S	3602772	0	713	181										
54	Hunt # 11 *	1S/4W27A10S	3602773	0	139	36										
55	o Stewart # 21	1S/4W27A13S	3601233	0	0	0	0	0	0	0	0	0	0	0	0	0
56	o Stewart # 19	1S/4W27A19S	3601234	0	0	0	0	0	0	0	0	0	0	0	0	0
57	Stewart # 20	1S/4W27H01S	3601431	1	1	1										
58	Raub # 6	1S/4W14N10S	3602778	0	59	0										
59	Garner # 6	1S/4W02P09S	3603254	4,152	4,173	4,697										
59a	Raub # 8	1S/4W14N	3603555	3,145	3,169	1,688										
59b	Garner # 7	12/4W02Q11S	3604000	4,345	2,238	3,827										
60	Sub Total	(Lines 31 - 60)		25,778	23,561	21,615										
61	Sub Total	(Lines 1 - 30)		3,573	4,060	2,595										
62	Sub Total	(Lines 1 - 30)		29,351	27,621	24,210										
63	TOTAL PRODUCTION FROM BUNKER HILL BASIN															
64	ADDITIONAL DELIVERIES FROM OTHER COMPANIES															
65	NEEKS & DALEY Station 59		3601887	1,291	2,094	1,711										
66	NEEKS & DALEY Warren # 4		3602863	1,056	1,249	427										
67	NEEKS & DALEY Raub # 6		3602854	62	0	1,119										
68	NET WATER EXCHANGE WITH CITY OF SAN BERNARDINO			0	0	0										
69	Sub Total	(Lines 67 - 70)		3,009	3,343	3,257										
70	TOTAL WATER FOR DISTRIBUTION	(line 64 + 71)		32,360	30,964	27,467										
71	o Abandoned s/or File Closed.															
72	* Figures shown for Hunt wells are for C of R use only, University of California reports its own usage.															
73	** Gage 30-1 & Gage Stewart removed after covering of the Canal in 1975.															

TABLE NO. 2

CITY OF RIVERSIDE WATER PRODUCTION
 COLTON BASIN & RIVERSIDE BASIN IN SAN BERNARDINO CO.
 DOMESTIC & IRRIGATION DIVISIONS INCLUDING FORMER RIVERSIDE WATER CO.
 (Quantities in Acre Feet by Calendar Year)

Line No.	From	Local Designation	State Well Number	Recordation Number	1971	1972	1973	1974	1975	1976	1977	1978	1979	1980	1981	1982
1	Rec. filling	Johnson #1	1S-4W-21Q3	3601480	851	954	1	526	1,162	479	241	0	1	0	23	15
2	"	*Johnson #2	1S-4W-21P1	3601494	0	0	0	0	0	0	0	0	0	0	0	0
3	"	*Johnson #3	1S-4W-21Q1	3601495	0	0	0	0	0	0	0	0	0	0	0	0
4	"	Vaughn #1	1S-4W-21L1	3601481	1,193	956	0	378	816	67	0	456	3	0	31	22
5	"	Neeks #1	1S-4W-28C1	3601482	443	383	31	315	397	299	25	0	1	0	11	11
6	"	Mill	1S-4W-28D1	3602208	209	228	69	167	170	8	29	8	0	0	12	9
6a																
6b																
7	Lines 1 thru 6b	Total Production			2,696	2,521	101	1,386	2,545	853	295	464	5	0	77	57
<u>RIVERSIDE BASIN - IN SAN BERNARDINO COUNTY</u>																
8	Rec. filling	*Flume #1	1S-4W-29I2	3601483	0	0	0	0	0	0	0	0	0	0	0	0
9	"	Flume #2	1S-4W-29H1	3601484	855	1,856	1,778	547	530	2	401	7	15	1	6	2
10	"	Flume #3	1S-4W-29R1	3601485	161	496	486	364	103	3	192	1	0	0	15	8
11	"	Flume #4	1S-4W-29Q3	3601486	8	404	144	533	1,030	1,615	561**	0	0	8	0	12
12	"	*Flume #5	1S-4W-29Q1	3601487	0	0	0	0	0	0	0	0	0	0	0	0
12a	"	Flume #6	1S-4W-29Q4	3602486	0	0	0	144	408	832	45**	0	0	2	0	2
12b																
13	Lines 8 thru 12b	Sub Total			1,024	2,756	2,408	1,588	2,071	2,452	1,199	8	15	11	21	24
14																
15	Rec. filling	Twin Buttes #6	1S-5W-25R4	3600898	406	173	0	1,539	807	426	69	0	0	0	0	0
16		Pelissier River	1S-5W-36Q	3601088	0	0	0	0	0	0	0	0	0	0	0	0
17		Agua Mansa	1S-5W-36L1	3601236	157	55	0	3	12	2	7	7	19	25	23	25
18		La-Loma	2S-5W-101	3601235	0	0	0	0	0	0	0	0	0	0	0	0
19		Pelissier Main	2S-5W-102	3601223	13	47	40	103	77	117	265	258	558	1,551	1,489	2,063
20	Lines 15 thru 19	Sub Total			174	107	45	111	94	126	279	271	587	1,591	1,526	2,102*
21		Domestic	2S-5W-1J3	3601221	4	5	5	5	5	7	7	6	10	15	14	14*
<u>Prescriptive Rights only</u>																
22	Rec. filling	Putnam L.L.	2S-4W-603	3601271	-	-	-	-	-	-	-	-	-	-	-	-
23	Rec. filling	Williams	2S-5W-101	3601488	-	-	-	-	-	-	-	-	-	-	-	-
24	Rec. filling	Ojurupa #1	2S-5W-2R	3601490	381	321	277	3	322	649	359	0	0	0	0	0
25	Rec. filling	Ojurupa #3	2S-5W-2R3	3601491	902	942	563	910	852	936	787	0	0	0	0	0
26	Rec. filling	Ojurupa #4	2S-5W-2R2	3601492	136	138	307	466	281	192	102	0	0	0	0	0
27	Rec. filling	Ojurupa #5	2S-5W-2R1	3601493	1,452	1,453	1,273	1,504	1,411	1,564	1,317	0	0	0	0	0
27a	Rec. filling	Ojurupa #6	2S-5W-207	3602234	62	30	113	2	0	0	0	0	0	0	0	0
27b	Rec. filling	Mason	2S-5W-2	3602748	-	-	-	-	-	-	-	1,085	2,234	95	0	0
28	Lines 21 thru 27b	Sub Total**			2,933	2,884	2,533	2,885	2,866	3,341	2,565	1,085	2,234	104	1,347	1,489
29	Total Lines 13+20+22+28	Total Production			4,131	5,747	4,986	4,584	5,031	5,919	4,043	1,364	2,836	1,706	2,894	3,615*
30	Total Lines 29+14+21	Total Production			4,537	5,920	4,986	6,123	5,838	6,345	4,112	1,364	2,836	1,706	2,894	3,615*

** A portion of the flow from flume 4 & 6 is leased to LaSierra Water Co.

TABLE NO. 2
CITY OF RIVERSIDE WATER PRODUCTION
FROM RIVERSIDE BASIN IN RIVERSIDE COUNTY
DOMESTIC & IRRIGATION DIVISIONS INCLUDING FORMER RIVERSIDE WATER CO.
 (Quantities in Acre Feet by Calendar Year)

Line No.	From	Local Designation	State Well Number	Recordation Number	1971	1972	1973	1974	1975	1976	1977	1978	1979	1980	1981	1982
RIVERSIDE BASIN - IN RIVERSIDE COUNTY																
31	Rec. Filings	(Highgrove) Electric	2S-4W-7L1	3301287	329	898	1,313	1,612	1,344	225	1,119	162	424	2,435	2,541	131
32	Rec. Filings	*Palmyrita	2S-4W-7N1	3301286	-	-	-	-	-	-	-	-	-	-	-	-
33	Rec. Filings	Palmyrita #2	2S-4W-7N3	3301286-	415	783	562	1,829	1,275	345	605	840	1,564	2,056	320	0
34	Rec. Filings	*Cunningham	2S-5W-13Q1	3301285	-	-	-	-	-	-	-	-	-	-	-	-
35	Rec. Filings	Cunningham #2	2S-5W-13Q2	3301285-	163	129	28	542	113	2,405	2,588	1,838	833	2,809	3,633	426
35a																
36	Rec. Filings	First St.	2S-5W-24D1	3301284	480	673	406	692	670	748	920	565	708	1,179	1,016	866
37	Rec. Filings	Fill	2S-5W-23R1	3301288	625	1,262	1,039	1,105	766	469	207	420	1,276	478	674	230
38	Rec. Filings	Eleventh	2S-5W-23Q1	3301289	1,393	1,589	1,228	1,679	211	477	97	198	1,380	565	793	132
39	Rec. Filings	Highgrove No. 1	2S-4W-8E1	3301358	0	0	0	0	0	0	0	0	0	0	0	0
40	Rec. Filings	Highgrove No. 2	2S-4W-8D3	3301359	0	0	0	0	0	0	0	0	0	0	0	0
40a																
41		Highgrove No. 3	2S-4W-8D4	3301359-	0	0	0	0	0	0	0	0	0	0	0	0
42		*Lemona	2S-4W-19J1	3300686	0	0	0	0	0	0	0	0	0	0	0	0
43		Garner	2S-5W-12B1	3301075	300	275	253	251	220	248	257	177	265	328	243	198
44		*Russell	2S-5W-12A1	3301084	0	0	0	0	0	0	0	0	0	0	0	0
45		Twin Springs	2S-5W-12K2	3301073	3,119	3,736	2,841	3,111	2,526	3,504	2,435	1,822	1,978	2,434	2,948	2,674
45a		Russell B	2S-5W-12A	3302485	727	2,010	1,694	1,912	1,561	2,323	1,359	1,628	1,822	1,966	1,940	1,364
46		Moore Griffith	2S-5W-12P1	3301076	642	891	801	1,476	1,406	1,363	1,395	718	1,157	1,217	1,754	681
47		Malberry	2S-5W-23J1	3301074	363	406	125	773	471	557	5	0	24	0	94	0
48		Garner B	2S-5W-12B	3301959	1,049	1,548	1,350	992	581	1,528	1,552	1,875	1,033	1,156	1,332	1,411
48a																
49	Lines 31 thru 48	Sub Total			9,605	14,200	11,640	16,034	11,344	14,192	12,539	10,273	12,464	16,623	17,198	8,113
50		Cleatwater	2S-5W-25F1	3300417	*	*	*	*	*	*	*	*	*	*	*	*
51		Brunton	2S-5W-12P2	3301077	357	361	281	244	326	289	282	270	199	313	119	87
53	Rec. Filings	Fairmount Park #1	2S-5W-14G2	3301082	691	471	868	864	0	0	440	692	7	1,503	169	298
54		Fairmount Park #2	2S-5W-14E1	3301851	687	2,381	2,441	2,065	525	873	117	0	34	0	112	77
55		Mori No. 2	2S-5W-14G3	3301635	1,442	1,537	1,161	1,517	287	122	134	452	596	307	2	472
56		*Springbrook Diver.	2S-5W-14K	3301086	-	-	0	0	0	0	0	0	0	0	0	0
56a																
57		*Sanitary Fill	2S-5W-28A1	3301078	0	0	0	0	0	0	0	0	0	0	0	0
58		*Sanitary Fill Davis	2S-5W-28C1	3301079	0	0	0	0	0	0	0	0	0	0	0	0
59		*Jensen Slough	2S-5W-29G	3301087	1,089	**	**	**	**	**	**	**	**	**	**	**
59a																
60		Orange Acres Mutual Water Co. Lincoln Heights	3S-5W-3F1	3301814	57	90	63	67	69	6	0	0	0	0	0	0
61		HAUER CO.	3S-5W-9E1	3301940	170	208	274	201	298	146	72	0	0	0	0	0
62	Lines 52 thru 61	Sub Total			4,493	5,048	4,988	4,938	1,505	1,438	1,045	1,414	836	2,132	402	924
63	Total Lines 49+50+62				14,098	19,248	16,728	20,992	12,849	15,630	13,584	11,687	13,300	18,744	17,600	9,047

*Change of Owner" to Victoria Club Year 1968 City used 25 Ac. Ft. and Victoria Club used 97 Ac. Ft; Total = 122 Ac. Ft.
 All quantities in above table were obtained from Verification of Extractions, Volume 4, for the appropriate year.
 FOR YEARS PRECEDING 1971. Refer to Volume 5, August 1976, Page I-18

TABLE NO. 2

CITY OF RIVERSIDE WATER PRODUCTION
 COLTON BASIN & RIVERSIDE BASIN IN SAN BERNARDINO CO.
 DOMESTIC & IRRIGATION DIVISIONS INCLUDING FORMER RIVERSIDE WATER CO.

(Quantities in Acre Feet by Calendar Year)

Line #	Local Designation	State Well #	Recordation #	1983	1984	1985	1986	1987	1988	1989	1990	1991	1992	1993	1994	1995
Riverside Basin in Riverside County																
46	Electric Street	2S/4W07L01S	3301287	614	2,742	2,216	2,673	3,251	2,983	4,072	3,913	3,302	3,151	4,035	3,304	2,437
47	Palmyrita #1	2S/4W07N01S	3301286	0	0	0	0	0	0	0	0	0	0	0	0	0
48	Palmyrita #2	2S/4W07N03S	3301286-	0	0	16	0	3	0	0	90	415	0	0	0	0
49	Cunningham #1	2S/5W13Q01S	3301285	0	0	0	0	0	0	0	0	0	0	0	0	0
50	Cunningham #2	2S/5W13Q02S	3301285-	1,166	341	0	0	0	0	0	0	0	0	0	0	0
51																
52	First Street	2S/5W24D01S	3301284	769	1,083	22	35	8	438	781	491	609	1,385	1,433	1,055	1,251
53	Fill	2S/5W23R01S	3301288	1,795	808	119	8	12	335	393	215	1,425	1,624	481	2,069	1,642
54	Eleventh	2S/5W23Q01S	3301289	956	396	63	0	0	57	419	419	479	83	825	1,102	894
55	Highgrove #1	2S/4W08E01S	3301358	0	0	0	0	0	0	0	0	0	0	0	0	0
56	Highgrove #2	2S/4W08D03S	3301359	0	0	0	0	0	0	0	0	0	0	0	0	0
57	Highgrove #3	2S/4W08D04S	3301359-	0	0	0	0	0	0	0	0	0	0	0	0	0
58	Lemona	2S/4W19J01S	3300686	0	0	0	0	0	0	0	0	0	0	0	0	0
59	Garner	2S/5W12E01S	3301075	158	220	168	6	11	15	9	10	8	8	8	7	12
60	Russell	2S/5W12A01S	3301084	0	0	0	0	0	0	0	0	0	0	0	0	0
61	Twin Springs	2S/5W12R02S	3301073	1,865	2,951	1,676	2,184	1,900	960	1,648	3	0	0	0	0	0
62	Russell B	2S/5W12A03S	3302531	913	1,615	1,061	1,653	1,467	1,277	2,356	2,631	1,736	1,685	1,615	1,211	786
63	Moore Griffith	2S/5W12F01S	3301076	763	1,069	221	855	61	28	0	1	0	0	0	1	0
64	Mulberry	2S/5W23J01S	3301074	1	1	0	0	0	0	0	0	1	0	0	0	0
65	Garner B	2S/5W12B04S	3301959	699	1,411	810	1,004	1,508	1,387	3,104	2,698	2,579	784	1,755	1,851	120
66	Garner C	2S/5W12C03S	3302472					1,769	2,495	3,782	3,706	3,025	2,854	2,538	1,870	1,345
67	Garner D	2S/5W12E06S	3302618									1,090	2,316	2,099	1,373	1,127
68																
69	Sub Total Lines 46-69			9,499	12,657	6,372	8,418	9,990	9,918	16,202	14,177	14,669	13,890	14,789	13,843	9,614
70																
71	Clearwater *	2S/5W25F01S	3300417	-	-	-	-	-	-	-	-	-	-	-	-	-
72																
73	Brunton	2S/5W12E02S	3301077	265	394	0	381	137	179	160	158	0	0	0	0	0
74	Fairmount Park #1	2S/5W14G02S	3301082	461	207	415	33	185	135	141	139	141	139	28	299	533
75	Fairmount Park #2	2S/5W14E01S	3301851	434	298	39	49	30	39	36	38	37	41	150	1,417	1,132
76	Mori No. 2	2S/5W14G03S	3301635	540	571	403	77	216	155	161	160	158	156	146	38	925
77	Springbrook Diversion	2S/5W14K	3301086	0	0	0	0	0	0	0	0	0	0	0	0	0
78	Sanitary Fill	2S/5W28A01S	3301078	0	0	0	0	0	0	0	0	0	0	0	0	0
79	Sanitary Fill, Davis	2S/5W28C01S	3301079	0	0	0	0	0	0	0	0	0	0	0	0	0
80	Jensen Slough **	2S/5W29G	3301087	0	0	0	0	0	0	0	0	0	0	0	0	0
81	Orange Acres Mutual	3S5W03F01S	3301814	0	0	0	0	0	0	0	0	0	0	0	0	0
82	Lincoln Heights Wtr	3S5W09E01S	3301940	0	0	0	0	0	0	0	0	0	0	0	0	0
83																
84																
85	Sub Total Lines 73-84			1,700	1,470	857	540	548	508	498	495	336	336	324	1,754	2,590
86	Total Lines 69+71+85			11,399	14,107	7,229	8,958	10,538	10,426	16,700	14,672	15,005	14,226	15,113	15,597	12,204

* Abandoned &/or File Closed.
 * Now owned by Victoria County Club.
 ** Jensen Slough sold to Riverside County Parks Dept in 1972, Water rights quit-deeded back to the City in 1975.

TABLE NO. 2

CITY OF RIVERSIDE WATER PRODUCTION
 COLTON BASIN & RIVERSIDE BASIN IN SAN BERNARDINO CO.
 DOMESTIC & IRRIGATION DIVISIONS INCLUDING FORMER RIVERSIDE WATER CO.

(Quantities in Acre Feet by Calendar Year)

Line #	Local Designation	State Well #	Recordation #	1996	1997	1998	1999	2000	2001	2002	2003	2004	2005	2006	2007	2008
Riverside Basin in Riverside County																
46	Electric Street	2S/4W07L01S	3301287	2,866	3,890	3,171										
47	o Palmyrita #1	2S/4W07N01S	3301286	0	0	0										
48	Palmyrita #2	2S/4W07N03S	3301286-	0	0	934										
49	o Cunningham #1	2S/5W13Q01S	3301285	0	0	0										
50	Cunningham #2	2S/5W13Q02S	3301285-	0	0	0										
51																
52	First Street	2S/5W24D01S	3301284	1,534	2,312	745										
53	Fill	2S/5W23R01S	3301288	1,966	0	0										
54	Elaventh	2S/5W23Q01S	3301289	1,443	2,888	20										
55	Highgrove #1	2S/4W08E01S	3301358	0	0	0										
56	o Highgrove #2	2S/4W08D03S	3301359	0	0	0										
57	Highgrove #3	2S/4W08D04S	3301359-	0	0	0										
58	o Lemona	2S/4W19J01S	3300686	0	0	0										
59	Garner	2S/5W12B01S	3301075	11	6	5										
60	o Russell	2S/5W12A01S	3301084	0	0	0										
61	Twin Springs	2S/5W12K02S	3301073	0	0	1										
62	Russell B	2S/5W12A03S	3302531	871	1,450	1,229										
63	Moore Griffith	2S/5W12P01S	3301076	0	0	1										
64	Mulberry	2S/5W23J01S	3301074	0	0	0										
65	Garner B	2S/5W12B04S	3301959	540	1,537	1,972										
66	Garner C	2S/5W12C03S	3302472	1,552	3,048	3,289										
67	Garner D	2S/5W12B06S	3302618	957	2,387	2,768										
68																
69	Sub Total Lines 46-69			11,740	17,518	14,135										
70																
71	o Clearwater *	2S/5W25F01S	3300417	-	-	-										
72																
73	Brunton	2S/5W12P02S	3301077	0	0	0										
74	Fairmount Park #1	2S/5W14G02S	3301082	803	835	1,117										
75	Fairmount Park #2	2S/5W14E01S	3301851	525	0	0										
76	Mori No. 2	2S/5W14G03S	3301635	1,034	0	2,513										
77	o Springbrook Diversion	2S/5W14K	3301086	0	0	0										
78	o Sanitary Fill	2S/5W28A01S	3301078	0	0	0										
79	o Sanitary Fill, Davis	2S/5W28C01S	3301079	0	0	0										
80	o Jensen Slough **	2S/5W29G	3301087	0	0	0										
81	o Orange Acres Mutual	3S/5W03F01S	3301814	0	0	0										
82	o Lincoln Heights Wtr	3S/5W09E01S	3301940	0	0	0										
83																
84																
85	Sub Total Lines 73-84			2,362	835	3,620										
86	Total Lines 69+71+85			14,102	19,353	17,755										

o Abandoned &/or Fills Closed.
 * Now owned by Victoria County Club.
 ** Jensen Slough sold to Riverside County Parks Dept in 1971, Water rights Quit-Deeded back to the City in 1975.

TABLE NO. 3

**CITY OF RIVERSIDE
DOMESTIC AND IRRIGATION DIVISIONS
DELIVERIES MADE FROM WATER PRODUCED FROM THE
BUNKER HILL, COLTON, AND RIVERSIDE GROUND WATER BASINS SITUATED IN SAN BERNARDINO CO.**

Year	Identification of Deliveries and Amounts Delivered in Ac. Ft.										Overlying Total of Land Use all Deliveries (9) (10)
	Riverside Highland Water Co. (1)	Salazar Water Co. (2)	Trujillo Water Co. (3)	Jurupa Ditch Co. (4)	S.C.E. Co. Highgrove Power Plant (5)	Pellissier Ranch (6)	Williams Ranch (7)	City of San Bernardino (8)	City of San Bernardino (8)	Overlying Total of Land Use all Deliveries (9) (10)	
1971	0	0	300(c)	2,933	0	174	0	0	0	3,407	
1972	0	0	175(c)	2,864	0	107	0	0	0	3,166	
1973	0	0	77(c)	2,533	0	45	0	0	0	2,655	
1974	279	0	73(c)	2,885	0	111	0	0	0	3,348	
1975	0	0	72(c)	2,866	0	94	0	0	0	3,032	
1976	0	0	80(c)	3,341	0	126	0	0	0	3,547	
1977	0	0	76(c)	2,565	0	279	0	0	0	2,920	
1978	0	0	174(c)	1,085	0	271	0	0	0	1,530	
1979	0	0	264(c)	2,234	0	587	0	0	0	3,085	
1980	0	0	328(c)	104	0	1,591	0	0	0	2,023	
1981	0	0	243(c)	1,347	0	1,526	0	0	0	3,116	
1982	0	0	185(c)	1,489	0	2,102*	0	0	0	3,922*	
1983	0	0	158(c)	591	0	1,933*	0	0	0	2,826*	

- (1) From City Records
 - (2) From City Records
 - (3) From City Records
 - (4) From Table No. 2, Line 28, Sht. 1
 - (5) From City Records
 - (6) From Table No. 2, Line 20, Sht. 1
 - (7) From City Records
 - (8) From City Records
 - (9) Golf Course Irrigation, Thorn 10
 - (10) Total Col. (1) through Col. (8)
- (a) Delivery made from Canal
 (b) Delivery made from Williams Well
 (c) Delivery made from Garner Wells
 (T-6-C) in Riverside County
 * Corrected during 1984 verification

(1) Riverside Highlands delivery made from water produced in Bunker Hill Basin. Water is commingled with production from other basins by Riverside Highland Water Company and delivered by this company. See Riverside Highland tabulation for basin allocation of water production.

(2) Salazar Water Company delivery made in San Bernardino County from the canal of the Riverside Water Company, which contains commingled water produced from Bunker Hill, Colton, and Riverside Basins, all within San Bernardino County. Delivery is made directly to the West Riverside Canal and transported by this canal directly to Riverside County southerly of the County Line.

(3) Trujillo Water Company. For the period 1947 through a portion of 1952, deliveries were made to the Trujillo Water Company at a point in San Bernardino County from the canal of the Riverside Water Company, which contained a commingled water supply produced from the Bunker Hill, Colton, and Riverside Ground Water Basins, all within San Bernardino County. For the period a portion of 1952 through 1965, deliveries to the Trujillo Water Company were made from the Williams Well, producing water from that portion of the Riverside Ground Water Basin lying within San Bernardino County. The service area of the Trujillo Water Company lies astride the Riverside-San Bernardino County line, and during both of the periods described above, water was delivered both in San Bernardino County and in Riverside County to shareholders entitled to receive this water by ownership of the Williams Well for overlying use on the Williams Ranch, situated within San Bernardino County. Tabulations of this production and the inter-county deliveries are shown in detail on Tables No. 4, 5, 6, and 7.

(4) Deliveries to the Jurupa Ditch Company are made directly from the production from the Jurupa Wells, situated within San Bernardino County in the Riverside Ground Water Basin and exported across the County Line to Riverside County. Deliveries for overlying use in San Bernardino County are also made from these wells for use on the Jurupa Ranch in San Bernardino County. A tabulation of overlying use from the Jurupa Wells within San Bernardino County and exported to Riverside County is shown in Table No. 8. No other breakdown is required.

(5) Water delivered to the Southern California Edison Company Highgrove Power Plant was delivered from 1952 through 1963 from a commingled water supply in the Riverside Water Company Canal, which was produced entirely within San Bernardino County from the Bunker Hill, Colton, and Riverside Ground Water Basins. An allocation of this production, by basins, is shown in Table No. 10.

(6) The Pellissier Ranch, which is owned by the City of Riverside, overlies that portion of the Riverside Ground Water Basin situated within San Bernardino County, and water is produced from wells located thereon for overlying use within San Bernardino County. The production from these wells is shown in Table No. 7, Line 20.

(7) Change of owner to Stapakis, William S., in calendar year 1974.

(8) The delivery to the City of San Bernardino was made during the years of 1959 and 1960 from water produced in the Bunker Hill Basin from the Garner Wells.

TABLE NO. 3

**CITY OF RIVERSIDE
DOMESTIC AND IRRIGATION DIVISIONS
DELIVERIES MADE FROM WATER PRODUCED FROM THE BUNKER HILL,
COLTON AND RIVERSIDE GROUNDWATER BASINS SITUATED IN SAN BERNARDINO CO.**

(Identification of Deliveries and Amounts Delivered in Acre Feet)

Calendar Year	Riverside Highland Water Company		Salazar Water Company		Trujillo Water Company		Jurupa Water Company		S.C.E. CO. Highgrove Power Plant		Pellissier Ranch		Williams Ranch		Net City of San Bernardino		Overlying Land Use		Total of all Deliveries
	(1)	(2)	(3)	(4)	(5)	(6)	(7)	(8)	(9)	(10)	(11)	(12)	(13)	(14)	(15)	(16)	(17)		
1984	0	-	220	2,434	-	448	-	-	-	-	448	-	-	9	0	0	0	3,111	
1985	0	-	168	2,400	-	714	-	-	-	-	714	-	-	0	0	0	0	3,282	
1986	0	-	6	2,032	-	117	-	-	-	-	117	-	-	292	0	0	0	2,447	
1987	0	-	11	1,614	-	87	-	-	-	-	87	-	-	319	0	0	0	2,031	
1988	0	-	15	1,990	-	58	-	-	-	-	58	-	-	769	46	0	0	2,878	
1989	0	-	7	2,088	-	59	-	-	-	-	59	-	-	0	28	0	0	2,182	
1990	0	-	10	1,822	-	1,011	-	-	-	-	1,011	-	-	0	19	0	0	2,862	
1991	0	-	8	1,511	-	1,005	-	-	-	-	1,005	-	-	0	155	0	0	2,679	
1992	0	-	8	1,398	-	334	-	-	-	-	334	-	-	0	203	0	0	1,943	
1993	0	-	8	947	-	69	-	-	-	-	69	-	-	-198	90	0	0	916	
1994	0	-	7	1,133	-	72	-	-	-	-	72	-	-	0	7	0	0	1,219	
1995	0	-	12	1,225	-	0	-	-	-	-	0	-	-	0	1	0	0	1,238	
1996	0	-	11	1,087	-	0	-	-	-	-	0	-	-	0	268	0	0	1,366	
1997	0	-	6	1,067	-	0	-	-	-	-	0	-	-	0	486	0	0	1,559	
1998	0	-	5	1,034	-	0	-	-	-	-	0	-	-	0	0	0	0	1,039	
1999	-	-	-	-	-	-	-	-	-	-	-	-	-	-	-	-	-	-	
2000	-	-	-	-	-	-	-	-	-	-	-	-	-	-	-	-	-	-	
2001	-	-	-	-	-	-	-	-	-	-	-	-	-	-	-	-	-	-	
2002	-	-	-	-	-	-	-	-	-	-	-	-	-	-	-	-	-	-	
2003	-	-	-	-	-	-	-	-	-	-	-	-	-	-	-	-	-	-	
2004	-	-	-	-	-	-	-	-	-	-	-	-	-	-	-	-	-	-	
2005	-	-	-	-	-	-	-	-	-	-	-	-	-	-	-	-	-	-	
2006	-	-	-	-	-	-	-	-	-	-	-	-	-	-	-	-	-	-	
2007	-	-	-	-	-	-	-	-	-	-	-	-	-	-	-	-	-	-	
2008	-	-	-	-	-	-	-	-	-	-	-	-	-	-	-	-	-	-	

(1) From City of Riverside Records.
 (2) No longer in use.
 (3) From City of Riverside Printout, Garner I & G (City source #'s 1203 & 1204) in Riverside Co.
 (4) From Table No. 2, Sheet 2, Line 35 + 36. Sheet 3 after 1995
 (5) No longer in use.
 (6) From Table No. 2, Sheet 2, Lines 21 thru 25. Sheet 3 after 1995
 (7) No longer in use.
 (8) From City of Riverside Records.
 (9) Golf Course Irrigation, Thorn 10 and 11.
 (10) Total of Column (1) through Column (9).

TABLE NO. 4

CITY OF RIVERSIDE
WATER DELIVERIES TO TRUJILLO WATER CO.
IN SAN BERNARDINO AND RIVERSIDE COUNTIES
(Quantities in Acre Feet)

Trujillo Water Company Delivery	DELIVERED IN SAN BERNARDINO COUNTY						Delivered in Riverside County
	Individual			Total			
	Year	Ac.Ft. (1)(c)	Russell (2)	Pellissier (3)	Proportion (4)	Percent (5)	
1971	300	-	-	-	-	-	300
1972	175	-	-	-	-	-	175
1973	77	-	-	-	-	-	77
1974	73	-	-	-	-	-	73
1975	72	-	-	-	-	-	72
1976	80	-	-	-	-	-	80
1977	76	-	-	-	-	-	76
1978	174	-	-	-	-	-	174
1979	264	-	-	-	-	-	264
1980	328	-	-	-	-	-	328
1981	243	-	-	-	-	-	243
1982	185	-	-	-	-	-	185
1983	158	-	-	-	-	-	158
1984	220	-	-	-	-	-	220
1985	168	-	-	-	-	-	168
1986	6	-	-	-	-	-	6
1987	11	-	-	-	-	-	11
1988	15	-	-	-	-	-	15
1989	7	-	-	-	-	-	7
1990	10	-	-	-	-	-	10
1991	8	-	-	-	-	-	8
1992	8	-	-	-	-	-	8
1993	8	-	-	-	-	-	8
1994	7	-	-	-	-	-	7
1995	12	-	-	-	-	-	12
1996	11	-	-	-	-	-	11
1997	6	-	-	-	-	-	6
1998	5	-	-	-	-	-	5
1999		-	-	-	-	-	
2000		-	-	-	-	-	
2001		-	-	-	-	-	
2002		-	-	-	-	-	
2003		-	-	-	-	-	
2004		-	-	-	-	-	
2005		-	-	-	-	-	
2006		-	-	-	-	-	
2007		-	-	-	-	-	
2008		-	-	-	-	-	

(1) = From Table No. 3.

(2)(3)(4)(5)(6) are no longer needed.

(c) = Delivered from Garner T & G Well in Riverside Co.

For Years Preceding 1971: Refer to Volume 5, August 1976, Page I-23.

6/17/93
14:40

TABLE NO. 8

CITY OF RIVERSIDE
JURUPA DITCH CO.

WATER PRODUCTION FROM RIVERSIDE BASIN IN SAN BERNARDINO COUNTY
FOR USE IN SAN BERNARDINO CO. AND EXPORTED TO RIVERSIDE CO.

Jurupa Ditch Co. Water Production & Distribution
(Quantities in Acre Feet by Calendar Year)

Year (1)	Total Production Jurupa Wells (2) *	Distribution		Export to Riverside County (4)
		Overlying Use in S.B. Co. (3)		
1971	2,933	0		2,933
1972	2,884	0		2,884
1973	2,533	0		2,533
1974	2,885	0		2,885
1975	2,866	0		2,866
1976	3,341	0		3,341
1977	2,565	0		2,565
1978	* 1,085	0		1,085
1979	* 2,234	0		2,234
1980	** 104	0		104
1981	1,347	0		1,347
1982	1,489	0		1,489
1983	591	0		591
1984	2,434	0		2,434
1985	2,400	0		2,400

Note: Jurupa 1,3,4,5 destroyed by flooding.

(2) From Table No. 3, Col. 4; or Table No. 2, Line 28.

(3) From City of Riverside Records - all water exported to Riverside County.

(4) Col. 2-Col. 3.

* Production from Mason Well.

** Includes Mason Well, Jurupa #7 online.

FOR YEARS PRECEDING 1971: Refer to Volume 5, August 1976, Page 1-28.

TABLE NO. 8CITY OF RIVERSIDEJURUPA DITCH CO.WATER PRODUCTION FROM RIVERSIDE BASIN IN SAN BERNARDINO COUNTY
FOR USE IN SAN BERNARDINO CO. AND EXPORTED TO RIVERSIDE CO.Jurupa Ditch Co. Water Production & Distribution
(Quantities in Acre Feet)

Year	Total Production Jurupa Wells	Distribution	
		Overlying Use in S.B. Co.	Export to Riverside County
(1)	(2)*	(3)	(4)
1986	2,032	-	2,032
1987	1,614	-	1,614
1988	1,990	-	1,990
1989	2,088	-	2,088
1990	1,822	-	1,822
1991	1,511	-	1,511
1992	1,398	-	1,398
1993	947	-	947
1994	1,133	-	1,133
1995	1,225	-	1,225
1996	1,087	-	1,087
1997	1,067	-	1,067
1998	1,034	-	1,034
1999		-	
2000		-	
2001		-	
2002		-	
2003		-	
2004		-	
2005		-	
2006		-	
2007		-	
2008		-	

* All production from Jurupa #7 (3602748).

Note: Jurupa 1,3,4,5 destroyed by flooding.

(2) From Table No. 3, Col. 4; or Table No. 2, Line 28.

(3) From City of Riverside Records - all water exported to Riverside County.

(4) Col. 2-Col. 3.

FOR YEARS PRECEDING 1971: Refer to Volume 5, August 1976, Page I-28.

TABLE NO. 9

CITY OF RIVERSIDE
IRRIGATION DIVISION
PRODUCTION DELIVERED TO FORMER RIVERSIDE WATER COMPANY CANAL
AND DISTRIBUTION OF PRODUCTION DELIVERED TO SALAZAR WATER CO.
(Quantities in Acre Feet)

SUB-ROUTINE TO ASCERTAIN COMPONENTS OF COMMINGLED WATER APPURTENANT TO SALAZAR DELIVERY AND EXPORTED TO RIVERSIDE COUNTY
BUNKER HILL BASIN

Calendar Year	Less Deliveries in Basin										Water to Domestic			Riverside Total			Percent of Water Prod. in Canal, from Ground Water Basins			Total Production Delivered to Salazar Water Co. exported to Riverside County																
	Total Prod. Irrig. Division (1)	Riverside Highland Water Co. System (2)	City of Riverside Domestic System (3)	City of San Bernardino (4)	Sub Total Deliveries Above Bunker Hill Dike (5)	Canal			Colton Basin Johnson Vaughn Meeks Hill (9)	Basin Wells 1-2-3-4-5 To To *Dom. Canal (10)	Prod. to Canal Bunker Hill Colton and Riverside (11)	from Bunker Hill Colton Riverside Basin (12)			from Bunker Hill Colton Riverside Basin (13)			Total Delivery Basin (14)			Total Delivery Basin (15)															
						Warren No. 1 (6)	Bunker Hill to Canal (7)	Total Bunker Hill Basin (8)				from Bunker Hill Basin (12)	from Colton Basin (13)	from Riverside Basin (14)	Total Delivery Basin (15)	from Bunker Hill Basin (16)	from Colton Basin (17)	from Riverside Basin (18)																		
1971	10,817	0	9,822	0	9,822	995	0	995	2,596	276	748	4,439	22.42	60.73	16.85	0	0	0	0	0	0	0	0	0	0	0	0	0	0	0	0					
1972	8,471	0	8,216	0	8,216	255	0	255	2,521	1,576	1,180	3,956	6.45	63.73	29.82	0	0	0	0	0	0	0	0	0	0	0	0	0	0	0	0	0				
1973	5,708	0	5,681	0	5,681	27	0	27	101	1,864	544	672	4.02	15.03	80.95	0	0	0	0	0	0	0	0	0	0	0	0	0	0	0	0	0				
1974	7,411	279	7,041	0	7,320	91	0	91	1,386	0	1,588	3,065	2.97	45.22	51.81	0	0	0	0	0	0	0	0	0	0	0	0	0	0	0	0	0	0			
1975	10,049	0	8,333	0	8,333	1,716	0	1,716	2,565	0	2,071	6,332	27.10	40.19	32.71	0	0	0	0	0	0	0	0	0	0	0	0	0	0	0	0	0	0			
1976	7,605	0	7,537	0	7,537	68	0	68	853	0	2,452	3,373	2.02	25.29	72.69	0	0	0	0	0	0	0	0	0	0	0	0	0	0	0	0	0	0	0		
1977	5,926	0	5,914	0	5,914	12	0	12	295	0	1,199	1,506	0.80	19.59	79.61	0	0	0	0	0	0	0	0	0	0	0	0	0	0	0	0	0	0	0		
1978	6,261	0	6,261	0	6,261	0	0	0	464	0	8	472	0.00	98.31	1.69	0	0	0	0	0	0	0	0	0	0	0	0	0	0	0	0	0	0	0	0	
1979	7,357	0	7,357	0	7,357	0	0	0	5	0	97	102	0.00	4.90	95.10	0	0	0	0	0	0	0	0	0	0	0	0	0	0	0	0	0	0	0	0	
1980	6,261	0	6,261	0	6,261	0	0	0	0	0	11	11	0.00	0.00	100.00	0	0	0	0	0	0	0	0	0	0	0	0	0	0	0	0	0	0	0	0	0
1981	5,044	0	5,010	0	5,010	34	0	34	77	0	21	132	25.75	58.33	15.92	0	0	0	0	0	0	0	0	0	0	0	0	0	0	0	0	0	0	0	0	0
-	-	Table Not Required, Water No Longer Delivered										-	-	-	-	-	-	-	-	-	-	-	-	-	-	-	-	-	-	-	-	-	-	-	-	-

*Grand Avenue Booster Start Operating October 1966 # Domestic Division Total (Table 1, Set 1, Line 30), less Thorn 2 thru 11 (irrigation use)
Prod. - Production
(1) From Table No. 1, Sub Total Sheet 1 (6) Column (1) - Column (5)
(2) From Table No. 3, Column (1) (7) From City of Riverside records
(3) Col. 1 - (Production from Thorn 1-11) (8) Column (6) + Column (7)
(4) From Table No. 3, Column (8) (9) From Table No. 2, Sheet 1, Line 7
(5) Columns (2) + (3) + (4) (10) From Table No. 2, Sheet 1, Line 13
Less Grand Ave. Booster to Domestic
(11) Columns (8) + (9) + (10)
(12) Column (8) + Column (11)
(13) Column (9) + Column (11)
(14) Column (10) + Column (11)
(15) From Table No. 3, Column (2)
(16) Column (15) x Column (12)
(17) Column (15) x Column (13)
(18) Column (15) x Column (14)

TABLE NO. 10

CITY OF RIVERSIDE
IRRIGATION DIVISION
PRODUCTION DELIVERED TO FORMER RIVERSIDE WATER COMPANY CANAL
AND DISTRIBUTION OF PRODUCTION DELIVERED TO SOUTHERN CALIFORNIA EDISON CO.
HIGHGROVE POWER PLANT
(Quantities in Acre Feet)

SUB-ROUTINE TO ASCERTAIN COMPONENTS OF COMBINGLED WATER APPURTENANT TO S.C.E. CO. HIGHGROVE POWER PLANT DELIVERY

Calendar Year	BUNKER HILL BASIN										Riverside Total			Percent of Water Prod. in Canal, from Ground Water Basins		Southern California Edison Co. Highgrove Power Plant Deliveries				
	Less Deliveries in Basin					Water to Domestic		Total Bunker Hill Basin			Colton Basin		Flume Wells 1-2-3-4-5		Bunker Hill Colton		From Bunker Hill Colton		Total Delivery	
	Riverside Highland Water Co. (2)	City of Domestic System (3)	City of San Bernardino (4)	Sub Total Deliveries Above Bunker Hill Dike (5)	Canal from Bunker Hill Basin (6)	Warren Well to Canal (7)	Hill Basin to Canal (8)	Johnson Vaughn Meeks (9)	To and from Colton (10a)	From Colton (10b)	From Bunker Hill (11)	From Bunker Hill (12)	From Colton (13)	From Bunker Hill (14)	From Bunker Hill (15)	From Colton (16)	From Bunker Hill (17)	From Colton (18)		
1971	0	9,822	0	9,822	995	0	995	2,696	276	748	4,439	22.42	60.73	0	0	0	0	0	0	
1972	0	8,216	0	8,216	255	0	255	2,521	1,576	1,180	3,956	6.45	63.73	0	0	0	0	0	0	
1973	0	5,681	0	5,681	27	0	27	101	1,864	544	672	4.02	15.03	0	0	0	0	0	0	
1974	279	7,041	0	7,320	91	0	91	1,386	0	1,588	3,065	2.97	45.22	0	0	0	0	0	0	
1975	0	8,333	0	8,333	1,716	0	1,716	2,545	0	2,070	6,332	27.10	40.19	0	0	0	0	0	0	
1976	0	7,537	0	7,537	68	0	68	853	0	2,452	3,373	2.02	25.29	0	0	0	0	0	0	
1977	0	5,914	0	5,914	12	0	12	295	0	1,199	1,506	0.80	19.59	0	0	0	0	0	0	
1978	0	6,261	0	6,261	0	0	0	464	0	8	472	0.00	98.31	0	0	0	0	0	0	
1979	0	7,357	0	7,357	0	0	0	5	0	97	102	0.00	4.90	0	0	0	0	0	0	
1980	0	6,261	0	6,261	0	0	0	0	0	11	11	0.00	0.00	0	0	0	0	0	0	
1981	0	5,010	0	5,010	34	0	34	77	0	21	132	25.75	58.33	0	0	0	0	0	0	

Table Not Required, Water No Longer Delivered

Grand Avenue Booster Start Operating October 1966
Prod. = Production
(1) From Table No. 1, Sub Total Sheet 1
(2) From Table No. 3, Column (1)
(3) Col. (1) - (Production from Thorn 1-11)
(4) From Table No. 3, Column (8)
(5) Columns (2) + (3) + (4)
(6) Column (1) - Column (5)
(7) From City of Riverside records
(8) Column (6) + Column (7)
(9) From Table No. 2, Sheet 1, Line 7
(10) From Table No. 2, Sheet 1, Line 13
(11) Less Grand Ave. Booster to Domestic
Columns (8) + (9) + (10)
(12) Column (8) + Column (11)
(13) Column (9) + (11)
(14) Column (10) + Column (11)
(15) From Table No. 3, Column (5)
(16) Column (15) x Column (12)
(17) Column (15) x Column (13)
(18) Column (15) x Column (14)

TABLE NO. 11

CITY OF RIVERSIDE
DOMESTIC & IRRIGATION DIVISIONS
WATER PRODUCTION & DELIVERIES
FROM
COLTON BASIN

WATER PRODUCTION FROM COLTON GROUND WATER BASIN IN
 SAN BERNARDINO COUNTY AND DELIVERIES OF PRODUCTION
 MADE NORTH OF THE COUNTY LINE IN SAN BERNARDINO COUNTY
 AND SOUTH OF THE COUNTY LINE IN RIVERSIDE COUNTY

Acre Feet

COLTON BASIN PRODUCTION
Delivered in San Bernardino County

Calendar Year	Total Prod. From Colton Basin	Trujillo Water Co.	S.C.E. Co. Power Plant Highgrove	Total Deliveries	Total Deliveries Exported to Riverside County
(1)	(2)	(3)	(4)	(5)	(6)
1971	2,696	0	0	0	2,696
1972	2,521	0	0	0	2,521
1973	101	0	0	0	101
1974	1,386	0	0	0	1,386
1975	2,545	0	0	0	2,545
1976	853	0	0	0	853
1977	295	0	0	0	295
1978	464	0	0	0	464
1979	5	0	0	0	5
1980	0	0	0	0	0
1981	77	0	0	0	77

Table not Required, Deliveries No Longer Made

FOR YEARS PRECEDING 1971: Refer to Volume 5, August 1976, Page I-34

- (2) From Table No. 2, Sheet 1, Line 7.
- (3) From Table No. 4, See Note (C) thereon.
- (4) From Table No. 10, Column (17).
- (5) Column (3) + Column (4).
- (6) Column (2) - Column (5).

TABLE NO. 12

CITY OF RIVERSIDE
DOMESTIC & IRRIGATION DIVISIONS
WATER PRODUCTION & DELIVERIES
FROM

THE RIVERSIDE BASIN

WATER PRODUCTION FROM THAT PORTION OF THE RIVERSIDE GROUND WATER BASIN SITUATED
NORTH OF THE COUNTY LINE IN SAN BERNARDINO COUNTY AND DELIVERIES OF PRODUCTION MADE
NORTH OF THE COUNTY LINE IN SAN BERNARDINO COUNTY AND SOUTH OF THE RIVERSIDE COUNTY LINE
(Quantities in Acre Feet)

Year	Total Production from Riverside Basin (2)	Trujillo Water Company (3)			S.C.E. Co. Highgrove Power Plant (4)			Overlying Land Use (5)			Total Deliveries Exported to Riverside County (8)	Total Deliveries (9)
		Trujillo Water Company (3)	S.C.E. Co. Highgrove Power Plant (4)	Pellissier Ranch (5)	Williams Ranch (6)	Jurupa Ranch (7)	Total Deliveries (8)					
1971	4,537	0	0	174	0	0	0	0	0	174	4,363	
1972	5,920	0	0	107	0	0	0	0	0	107	5,813	
1973	4,986	0	0	45	0	0	0	0	0	45	4,941	
1974	6,123	0	0	111	0	0	0	0	0	111	6,012	
1975	5,838	0	0	94	0	0	0	0	0	94	5,744	
1976	6,345	0	0	126	0	0	0	0	0	126	6,219	
1977	4,112	0	0	279	0	0	0	0	0	279	3,833	
1978	1,364	0	0	271	0	0	0	0	0	271	1,093	
1979	2,836	0	0	587	0	0	0	0	0	587	2,249	
1980	1,706	0	0	1,591	0	0	0	0	0	1,591	115	
1981	2,894	0	0	1,526	0	0	0	0	0	1,526	1,368	
1982	3,615	0	0	2,102	0	0	0	0	0	2,102	1,513	

Column (2) From Table No. 2, Sheet 1, Line 30.
 Column (3) From Table 4, See Note (c).
 Column (4) From Table No. 10, Column (18).
 Column (5) From Table No. 2, Sheet 1, Line 20.
 Column (6) From Table No. 6, Column (7) Ranch & Well sold to others
 Column (7) From Table No. 8, Column (3)
 Column (9) = Columns (3) + (4) + (5) + (6) + (7).
 Column (10) = Columns (2) - (9).

TABLE NO. 12

CITY OF RIVERSIDE
DOMESTIC & IRRIGATION DIVISIONS
WATER PRODUCTION & DELIVERIES

FROM
THE RIVERSIDE BASIN

WATER PRODUCTION FROM THAT PORTION OF THE RIVERSIDE GROUND WATER BASIN SITUATED
NORTH OF THE COUNTY LINE IN SAN BERNARDINO COUNTY AND DELIVERIES OF PRODUCTION MADE
NORTH OF THE COUNTY LINE IN SAN BERNARDINO COUNTY AND SOUTH OF THE RIVERSIDE COUNTY LINE
(Quantities in Acre Feet)

Year	Total Production from		Trujillo Water Company (3)		S.C.B. Co. Highgrove Power Plant (4)		Overlying Land Use (6)				Total Deliveries Exported to Riverside County (9)
	Riverside Basin (2)	North Basin (2)	(3)	(4)	Pellissier Ranch (5)	Williams Ranch (6)	Jurupa Ranch (7)	Total Deliveries (8)			
1983	2,581	-	-	-	1,933	-	-	1,933	648		
1984	2,891	-	-	-	448	-	-	448	2,443		
1985	3,193	-	-	-	714	-	-	714	2,479		
1986	2,342	-	-	-	117	-	-	117	2,225		
1987	1,762	-	-	-	87	-	-	87	1,675		
1988	3,315	-	-	-	58	-	-	58	3,257		
1989	10,194	-	-	-	59	-	-	59	10,135		
1990	10,983	-	-	-	1,011	-	-	1,011	9,972		
1991	13,203	-	-	-	1,005	-	-	1,005	12,198		
1992	10,343	-	-	-	334	-	-	334	10,009		
1993	9,300	-	-	-	69	-	-	69	9,231		
1994	8,203	-	-	-	72	-	-	72	8,131		
1995	10,755	-	-	-	0	-	-	0	10,755		
1996	9,064	-	-	-	0	-	-	0	9,064		
1997	8,169	-	-	-	0	-	-	0	8,169		
1998	6,765	-	-	-	0	-	-	0	6,765		
1999	-	-	-	-	-	-	-	-	-		
2000	-	-	-	-	-	-	-	-	-		
2001	-	-	-	-	-	-	-	-	-		
2002	-	-	-	-	-	-	-	-	-		
2003	-	-	-	-	-	-	-	-	-		
2004	-	-	-	-	-	-	-	-	-		
2005	-	-	-	-	-	-	-	-	-		
2006	-	-	-	-	-	-	-	-	-		
2007	-	-	-	-	-	-	-	-	-		
2008	-	-	-	-	-	-	-	-	-		

Riverside Basin production in San Bernardino County
Delivered in San Bernardino County

Column (2) From Table No. 2, Sheet 2, Line 43.
Column (3) From Table 4, See Note (c).
Column (4) From Table No. 10, Column (18).
Column (5) From Table No. 2, Sheet 2, Line 26.

Column (6) & (7): Property sold, Williams rights retained.
Column (8) = Columns (3) + (4) + (5) + (6) + (7).
Column (9) = Columns (2) - (9).

TABLE NO. 13

CITY OF RIVERSIDE
 WATER PRODUCTION FROM SAN BERNARDINO BASIN AREA
 AND DELIVERIES WITHIN SAN BERNARDINO COUNTY AND EXPORT TO RIVERSIDE COUNTY
 (Quantities in Acre Feet)

Year	CITY PRODUCTION & DELIVERY IN SAN BERNARDINO BASIN AREA			CITY DELIVERIES IN COLTON & RIVERSIDE BASINS IN SAN BERNARDINO COUNTY			Total San Bernardino Basin Area Exported to Riverside County
	City Wells San Bernardino Basin Area	Deliveries in San Bernardino Basin Area	Total City Production Available for Export	Prior Right Delivered to Riverside Highland Water Company	Trujillo Water Company	Edison Power Plant	
	(1)	(2)	(3)	(4)	(5)	(6)	(7)
1971	24,939	0	24,939	0	-	-	24,939
1972	20,474	0	20,474	0	-	-	20,474
1973	21,493	0	21,493	0	-	-	21,493
1974	27,420	0	27,420	65	-	-	27,355
1975	25,248	0	25,248	0	-	-	25,248
1976	22,085	0	22,085	0	-	-	22,085
1977	18,900	0	18,900	0	-	-	18,900
1978	19,055	0	19,055	0	-	-	19,055
1979	21,561	0	21,561	0	-	-	21,561
1980	18,875	0	18,875	0	-	-	18,875
1981	20,363	0	20,363	0	-	-	20,363
1982	19,522	146	19,376	0	-	-	19,376
1983	25,681	144	25,537	0	-	-	25,537
1984	25,031	9	25,022	0	-	-	25,022
1985	31,817	0	31,817	0	-	-	31,817
1986	25,996	292	25,704	0	-	-	25,704
1987	25,528	319	25,209	0	-	-	25,209
1988	26,490	815	25,675	0	-	-	25,675
1989	21,129	28	21,101	0	-	-	21,101
1990	20,942	19	20,923	0	-	-	20,923
1991	26,133	155	25,978	0	-	-	25,978
1992	24,783	203	24,580	0	-	-	24,580
1993	25,567	-108	25,675	0	-	-	25,675
1994	25,724	7	25,717	0	-	-	25,717
1995	23,316	1	23,315	0	-	-	23,315

Column (1) = From Table No. 1, Sheet 2, Line 64, C of R. Column (4) = Table No. 22, Column (2). Column (7) = Columns (4) + (5) + (6).
 Column (2) = From Table No. 3, Columns (8) + (9). Column (5) = Table No. 4, Column (1), Note *C*. Column (8) = Column (3) - (7).
 Column (3) = Column (1) - Column (2). Column (6) = Table No. 10, Column (16).
 FOR YEARS PRECEDING 1971: Refer to Volume 5, August 1976, Page I-28.

TABLE NO. 13

CITY OF RIVERSIDE
WATER PRODUCTION FROM SAN BERNARDINO BASIN AREA
AND DELIVERIES WITHIN SAN BERNARDINO COUNTY AND EXPORT TO RIVERSIDE COUNTY
 (Quantities in Acre Feet)

Year	CITY PRODUCTION & DELIVERY IN SAN BERNARDINO BASIN AREA			CITY DELIVERIES IN COLTON & RIVERSIDE BASINS IN SAN BERNARDINO COUNTY				Total San Bernardino Basin Area Exported to Riverside County
	City Wells Deliveries in San Bernardino Basin Area	Total City Production Available for Export	(2)	Prior Right Delivered to Riverside Highland Water Company	Trujillo Water Company	Edison power plant	Total	
	(1)	(3)	(4)	(5)	(6)	(7)	(8)	
1996	29,351	29,083	0	-	-	0	29,083	
1997	27,621	27,135	0	-	-	0	27,135	
1998	24,210	24,210	0	-	-	0	24,210	
1999								
2000								
2001								
2002								
2003								
2004								
2005								
2006								
2007								
2008								
2009								
2010								
2011								
2012								
2013								
2014								
2015								
2016								
2017								
2018								
2019								
2020								

Column (1) = From Table No. 1, Sheet 2, Line 64, C of R production
 Column (2) = From Table No. 3, Columns (8) + (9).
 Column (3) = Column (1) - Column (2).
 Column (4) = Table No. 22, Column (2).
 Column (5) = Table No. 4, Column (1), Note "C".
 Column (6) = Table No. 10, Column (16).
 Column (7) = Columns (4) + (5) + (6).
 Column (8) = Column (3) - (7).
 FOR YEARS PRECEDING 1971: Refer to Volume 5, August 1976, Page I-28.

TABLE NO. 14

CITY OF RIVERSIDE AND
UNIVERSITY OF CALIFORNIA
EXTRACTIONS FROM BUNKER HILL BASIN
IN SAN BERNARDINO BASIN AREA

<u>Year</u>	<u>City of Riverside</u> <u>Extractions From</u> <u>Bunker Hill Basin</u>		<u>University of California</u> <u>Extractions From</u> <u>Bunker Hill Basin</u>		<u>Total City & Univ</u> <u>Extractions From</u> <u>Bunker Basin</u>	
	<u>Amended</u> <u>Filings</u> <u>Ac. Ft.</u>	<u>Original</u> <u>Filings</u> <u>Ac. Ft.</u>	<u>Amended</u> <u>Filings</u> <u>Ac. Ft.</u>	<u>Original</u> <u>Filings</u> <u>Ac. Ft.</u>	<u>Amended</u> <u>Filings</u> <u>Ac. Ft.</u>	<u>Original</u> <u>Filings</u> <u>Ac. Ft.</u>
(1)	(2)	(3)	(4)	(5)	(6)	(7)
1971	24,939	24,939	219	219	25,158	25,158
1972	20,474	20,474	239	239	20,713	20,713
1973	21,493	21,493	239	239	21,732	21,732
1974	27,420	27,420	267	267	27,687	27,687
1975	25,248	25,248	179	179	25,427	25,427
1976	22,085	22,085	245	245	22,330	22,330
1977	18,900	18,900	87	87	18,987	18,987
1978	19,055	20,099	183	183	19,238	20,282
1979	21,561	21,561	83	83	21,644	21,644
1980	18,875	18,875	7	7	18,882	18,882
1981	20,363	20,363	143	143	20,506	20,506
1982	19,522	19,522	48	48	19,570	19,570

Table Not Needed

(1959-1963 Average)
 24,092 24,061 *550 581 *24,642 24,642

- * = Amended Recordation Filings
- (2) = City of Riverside Table No. 1, Line 61
- (3) = City of Riverside Original Recordation Filings
- (4) = University of California Table No. 35, Col. 6
- (5) = University of California Table No. 35, Col. 7
- (6) = Col. 2 + Col. 4
- (7) = Col. 3 + Col. 5

FOR YEARS PRECEDING 1971: Refer to Volume 5, August 1976, Page I-40

TABLE NO. 15

THE GAGE CANAL COMPANY WATER PRODUCTION
FROM BUNKER HILL BASIN
RIVERSIDE BASIN IN SAN BERNARDINO COUNTY
AND RIVERSIDE BASIN IN RIVERSIDE COUNTY

Line No.	Reference	Local Designation	State Well Number	Recordation Number	Quantities in Acre Feet by Calendar Year														
					1971	1972	1973	1974	1975	1976	1977	1978	1979	1980	1981	1982			
BUNKER HILL BASIN IN SAN BERNARDINO BASIN AREA																			
1	Rec. Filling	*No. 6	1S-4N-13L1	3600784	-	-	-	-	-	-	-	-	-	-	-	-	-	-	-
2		*No. 17	1S-4W-14R	3600785	-	-	-	-	-	-	-	-	-	-	-	-	-	-	-
3		No. 21	1S-4W-13L2	3600786	612	662	710	983	1,117	1,527	2,046	1,286	-	-	-	-	-	-	-
4		No. 26-1	1S-4W-23A2	3600787	1,597	1,241	1,703	1,165	1,358	2,608	2,659	1,538	732	-	-	-	-	-	-
5		No. 27-1	1S-4W-23U1	3600788	2,010	1,921	1,844	1,152	1,317	2,25	2,208	1,521	1,819	1,483	1,679	1,421	1,421	1,341	1,341
6		No. 27-2	1S-4W-23K1	3600789	1,201	1,224	967	1,325	1,278	1,731	2,021	1,556	2,381	1,780	1,901	1,901	1,606	1,606	1,606
7		No. 29-1	1S-4W-23K2	3600790	2,052	1,742	1,567	1,296	951	2,061	2,145	1,255	2,476	1,440	1,140	1,140	1,347	1,347	1,347
8		No. 29-2	1S-4W-13N1	3600791	4,365	3,645	3,604	64	3,816	4,720	4,432	3,029	1,891	1,924	1,444	1,444	1,356	1,356	1,356
9		No. 29-3	1S-4W-13N2	3600792	3,864	3,220	378	1,241	3,343	3,943	3,843	3,029	3,282	3,308	4,464	4,464	3,517	3,517	3,517
10		No. 30-1	1S-4W-13M2	3600793	1,778	1,323	1,499	1,352	1,577	891	1,204	2,849	2,750	3,299	2,832	3,263	3,263	3,263	3,263
11		No. 31-1	1S-4W-13F2	3600794	1,266	721	787	1,266	1,134	1,837	289	937	1,603	1,204	1,754	1,754	1,430	1,430	1,430
12		No. 46-1	1S-4W-13G2	3600795	3,906	3,431	2,915	2,232	2,508	3,420	3,981	4,774	1,749	1,203	1,213	1,213	1,244	1,244	1,244
13		No. 51-1	1S-4W-23A5	3600796	673	616	624	121	4	452	875	4,774	4,801	5,372	5,010	4,782	4,782	4,782	4,782
14		No. 56-1	1S-4W-13G3	3600797	2,513	2,973	2,436	1,870	2,132	2,923	3,170	2,537	3,389	967	1,380	1,245	1,245	1,245	1,245
15		*Cowlane	1S-4W-23G1	3600798	-	-	-	-	-	-	-	-	-	-	-	-	-	-	-
16		No. 66-1	1S-4W-23G	3602331	2,980	2,394	2,415	1,748	2,077	2,855	3,113	2,581	2,558	4,853	4,372	3,425	3,425	3,425	3,425
17		No. 6-Dom.	1S-4W-13P	3602423	126	107	80	132	82	96	113	97	27	63	54	49	49	49	49
18																			
19																			
20	Lines 1 thru 17	Total Production	Bunker Hill Basin		28,943	25,220	21,529	15,947	22,714	29,289	32,099	26,329	30,816	31,881	31,794	30,077	30,077	30,077	30,077
21																			
22																			
23																			
24	Rec. Filling	DeBerry	2S-4W-05C1	3600783	567	778	222	472	645	440	389	734	413	2,032	2,467	1,645	1,645	1,645	1,645
25																			
26																			
27																			
28	Rec. Filling	Olivewood 1	2S-5W-26F1	3300366	392	674	550	539	413	253	89	131	352	557	247	172	172	172	172
29		Olivewood 2	2S-5W-26E2	3300367	1,026	1,140	908	1,182	789	273	653	614	978	929	399	528	528	528	528
30		Olivewood 3	2S-5W-26M1	3300368	127	396	404	715	249	52	60	72	64	141	35	180	180	180	180
31																			
32		Total Production	Riverside Basin in Riverside Co.		1,545	2,210	1,862	2,436	1,451	578	802	817	1,394	1,829	681	880*	880*	880*	880*
33																			
34																			
35	Gage Records	Riverside Water Co. Booster for Gage R.W. Co. Stock																	
36	Gage Records	City of Riverside - Clearwater Well (Sold to Victoria Club)																	
37																			

RIVERSIDE BASIN IN SAN BERNARDINO COUNTY

RIVERSIDE BASIN IN RIVERSIDE COUNTY

ADDITIONAL DELIVERIES FROM OTHER COMPANIES

Line (36) not required because of revision of method for determining quantity of water "not tributary" to Riverside Harrows (see Vol. 6).

FOR YEARS PRECEDING 1971: Refer to Volume 5, August 1976, Page I-44

* Abandoned &/or File Closed
* Correction made during 1983 verification

TABLE NO. 15

THE GAGE CANAL COMPANY WATER PRODUCTION
FROM BUNKER HILL BASIN
RIVERSIDE BASIN IN SAN BERNARDINO COUNTY
AND RIVERSIDE BASIN IN RIVERSIDE COUNTY

(Quantities in Acre Feet)

Line #	Local Designation	State well #	Recordation #	1983	1984	1985	1986	1987	1988	1989	1990	1991	1992	1993	1994	1995
1	o No. 6	1S/4W13L01S	3600784	0	0	0	0	0	0	0	0	0	0	0	0	0
2	o No. 17	1S/4W14R	3600785	0	0	0	0	0	0	0	0	0	0	0	0	0
3	No. 21	1S/4W13L02S	3600786	621	742	985	1,213	1,097	1,560	919	678	588	679	630	880	0
4	No. 26-1	1S/4W23A02S	3600787	1,147	2,208	2,021	1,645	2,121	3,074	2,428	1,815	2,106	2,311	1,937	1,095	1,476
5	No. 27-1	1S/4W23H01S	3600788	1,417	2,544	2,013	1,940	2,061	3,047	1,773	1,723	1,878	1,590	1,551	1,528	1,990
6	No. 27-2	1S/4W23K01S	3600789	872	2,127	2,332	1,866	2,561	3,537	2,521	2,468	2,023	2,418	2,377	2,565	2,555
7	No. 29-1	1S/4W23K02S	3600790	1,017	2,265	2,003	1,962	1,778	2,847	1,792	1,564	1,789	1,901	2,208	689	2,355
8	No. 29-2	1S/4W13N01S	3600791	2,621	3,630	3,498	4,582	3,583	4,497	3,394	3,747	3,177	2,698	2,226	2,306	1,456
9	No. 29-3	1S/4W13N02S	3600792	2,384	4,044	3,152	3,396	4,427	3,912	3,410	2,739	2,921	2,335	2,320	1,681	15
10	No. 30-1	1S/4W13M02S	3600793	588	970	1,118	1,233	871	688	1,046	1,884	1,447	1,916	1,611	1,206	787
11	No. 31-1	1S/4W13P02S	3600794	1,035	1,444	2,192	2,119	1,225	1,010	1,347	1,251	1,729	2,395	1,987	2,308	1,967
12	No. 46-1	1S/4W13G02S	3600795	3,250	5,407	5,050	5,071	4,589	4,839	3,819	3,287	3,558	2,943	2,918	3,039	3,277
13	No. 51-1	1S/4W23A05S	3600796	372	1,138	969	1,434	1,428	1,671	975	754	1,003	595	1,274	1,123	0
14	No. 56-1	1S/4W13G03S	3600797	2,385	3,525	2,251	3,751	3,249	3,762	3,220	2,225	2,080	1,490	1,892	1,777	13
15	o Cowlane	1S/4W23G01S	3600798	0	0	0	0	0	0	0	0	0	0	0	0	0
16	No. 66-1	1S/4W23G	3602331	2,630	3,759	3,607	3,714	3,261	3,526	2,975	2,521	2,439	2,117	2,194	2,354	2,196
17	No. 6-Domestic	1S/4W13P	3602423	44	72	65	57	62	52	36	39	38	68	76	70	60
18	No. 92-3	1S/4W13L08S	3603556											1,005	3,705	4,437
19	No. 92-2	1S/4W13L07S	3603557											233	4,023	4,489
20	No. 92-1	1S/4W13N07S	3603558											0	4,374	5,003
21																
22																
23																
24																
25	Total Production	Bunker Hill Basin		20,383	33,875	31,256	33,983	32,313	38,022	29,655	26,695	26,776	25,456	26,439	34,723	32,076
26																
27																
28																
29	DeBerry	2S4W05C01S	3600783	1,019	2,046	1,861	1,893	1,996	2,189	1,965	1,962	1,734	1,657	2,023	2,028	1,664
30																
31	Total Production	Riverside Basin in S. B. Co.		1,019	2,046	1,861	1,893	1,996	2,189	1,965	1,962	1,734	1,657	2,023	2,028	1,664
32																
33																
34																
35	Olivewood #1	2S/5W26F01S	3300366	80	787	535	680	521	463	1,677	1,869	1,446	666	435	855	555
36	Olivewood #2	2S/5W26E02S	3300367	301	1,306	968	1,091	910	1,045	1,954	2,136	1,773	795	802	1,402	930
37	Olivewood #3	22/5W26M01S	3300368	44	694	487	485	336	576	1,239	1,300	940	324	265	531	354
38																
39	Total Production	Riverside Basin in Riverside Co.		425	2,787	1,990	2,256	1,767	2,084	4,870	5,305	4,159	1,785	1,502	2,788	1,839
40																
41	Gage Total Production			21,827	38,708	35,107	38,132	36,076	42,295	36,490	33,962	32,669	28,898	29,964	39,539	35,579

o Abandoned &/or File Closed.
Data from C of R Recordation Filings cross checked with Gage's Year End Report.
Wm:vol 1a-8:vol 5 - 14 A -

TABLE NO. 15

THE GAGE CANAL COMPANY WATER PRODUCTION
FROM BUNKER HILL BASIN
RIVERSIDE BASIN IN SAN BERNARDINO COUNTY
AND RIVERSIDE BASIN IN RIVERSIDE COUNTY

(Quantities in Acre Feet)

Line #	Local Designation	State Well #	Recordation #	1996	1997	1998	1999	2000	2001	2002	2003	2004	2005	2006	2007	2008
1	o No. 6	1S/4W13L01S	3600784	0	0	0	0	0	0	0	0	0	0	0	0	0
2	o No. 17	1S/4W14R	3600785	0	0	0	0	0	0	0	0	0	0	0	0	0
3	o No. 21	1S/4W13L02S	3600786	0	0	0	0	0	0	0	0	0	0	0	0	0
4	No. 26-1	1S/4W23A02S	3600787	1,895	1,996	1,133										
5	No. 27-1	1S/4W23H01S	3600788	2,237	1,825	1,193										
6	No. 27-2	1S/4W23K01S	3600789	2,454	2,375	2,282										
7	No. 29-1	1S/4W23K02S	3600790	1,495	2,224	1,733										
8	No. 29-2	1S/4W13N01S	3600791	1,767	1,400	1,558										
9	No. 29-3	1S/4W13N02S	3600792	1	311	727										
10	No. 30-1	1S/4W13H02S	3600793	1,321	1,030	1,071										
11	No. 31-1	1S/4W13F02S	3600794	1,980	1,933	1,567										
12	No. 46-1	1S/4W13G02S	3600795	3,249	2,329	2,945										
13	No. 51-1	1S/4W23A05S	3600796	1,429	1,681	1,573										
14	No. 56-1	1S/4W13G03S	3600797	2,346	1,728	1,710										
15	o Cowlane	1S/4W23G01S	3600798	0	0	0										
16	No. 66-1	1S/4W23G	3602331	2,136	2,264	1,963										
17	No. 6--Domestic	1S/4W13P	3602423	36	37	22										
18	No. 92-3	1S/4W13L08S	3603556	4,028	3,804	3,555										
19	No. 92-2	1S/4W13L07S	3603557	3,951	3,497	3,616										
20	No. 92-1	1S/4W13N07S	3603558	3,706	3,683	3,359										
21	No. 98-1	1S/4W23A06S														
22																
23																
24																
25	Total Production	Bunker Hill Basin		34,031	32,317	30,407										
26																
27																
28																
29	DeBerry	2S4W05C01S	3600783	1,706	1,591	1,823										
30																
31	Total Production	Riverside Basin in S. B. Co.		1,706	1,591	1,823										
32																
33																
34																
35	Olivewood #1	2S/5W26F01S	3300366	695	595	800										
36	Olivewood #2	2S/5W26E02S	3300367	912	667	1,184										
37	Olivewood #3	22/5W26W01S	3300368	416	407	516										
38																
39	Total Production	Riverside Basin in Riverside Co.		2,023	1,669	2,500										
40																
41	Gage Total Production			37,760	35,577	34,530										

o Abandoned &/or File Closed.
Data from C of R Recordation Filings cross checked with Gage's Year End Report.

TABLE NO. 16

THE GAGE CANAL COMPANY
WATER PRODUCTION FROM BUNKER HILL BASIN
DELIVERED IN SAN BERNARDINO COUNTY & RIVERSIDE COUNTY
TO EAST RIVERSIDE WATER COMPANY

Calendar Year	Irrigation Season In Days	Total Delivered to East Riverside Water Company Ac. Ft.	Average Ac. Ft. per day Of Irrig. Season Ac. Ft.	Delivered		Riverside County Ac. Ft.
				San Bernardino County Deliveries Estimated	Measured	
(1)	(2)	(3)	(4)	Ac. Ft.	Ac. FT.	(7)
1971						108
1972						90
1973						82
1974						**0
1975						**0
1976						**0
1977						**0
1978						**0
1979						**0
1980						**0
1981						**0
1982						**0

See **, Table No Longer Needed

- (2) (3) Gage Records
- (4) $632 \text{ Ac. Ft.} / 326 \text{ days} = 1.94$ for Years 1947 through 1952 = Col. (6)/Col. (2)
- (5) (4) x (2)
- (6) Gage Canal Records
- (7) Co. (3) - Col. (5) or Col. (3) - Col. (6)

* From 1968 to 1973, the Gage Canal has provided the Watermaster with just that portion of water delivered to East Riverside Water Co. that was used within San Bernardino County.

** Beginning in 1974 all water delivered to East Riverside Co. within San Bernardino Co. was produced by the DeBerry Well which is located in the Riverside Basin within San Bernardino County.

FOR YEARS PRECEDING 1971: Refer to Volume 5, August 1976, Page I-47

TABLE NO. 17

THE GAGE CANAL COMPANY
 WATER PRODUCTION FROM BUNKER HILL AND RIVERSIDE BASINS SITUATED
 IN SAN BERNARDINO COUNTY WITH DELIVERIES MADE IN SAN BERNARDINO
 COUNTY & EXPORTS TO RIVERSIDE COUNTY
 (Quantities in Acre Feet by Calendar Year)

Year (1)	Delivery In Bunker Hill Basin		Bunker Hill Export From Basin (5)	Delivery in Colton		Bunker Hill Export To Riverside Basin In San Bernardino County (9)		Bunker Hill Water Delivered To Riverside Basin North of County Line East Riverside Water Company (10)		Bunker Hill Export To Riverside County (12)		Production In Riverside Basin With In San Bernardino County Delivered To East Riverside Water Company (14a)		Export To Riverside County (15)
	Total Delivery (3)	Net Delivery (4)*		Water Right (6)	Coolley Ranch Gage Stock Delivery (7)	Total Delivery (8)	San Bernardino County (9)	Riverside Water Company (10)	Total Delivery (11)	Export To Riverside County (12)	DeBerry Well (13)	Total Company (14)	Export To Riverside County (15)	
1971	28,943	98(a)	600**	35	561	28,284	108	108	28,176	567	0	567	0	567
1972	25,220	85	623**	35	457	24,678	90	90	24,588	778	0	778	0	778
1973	21,529	156	515**	99	430	20,943	82	82	20,861	222	0	222	0	222
1974	15,947	0	1,004**	104	485	15,462	0***	0	15,462	472	472	98***	374	374
1975	22,714	0	1,099**	156	498	22,216	0	0	22,216	645	645	77	568	568
1976	29,289	0	1,137**	218	523	28,766	0	0	28,766	440	440	62	378	378
1977	32,099	0	1,338**	83	346	31,753	0	0	31,753	389	389	6	383	383
1978+	26,329	781	135**	88	301	25,382	0	0	25,382	734	734	4	730	730
1979+	30,816	814	1,057**	142	415	30,401	0	0	30,401	413	413	4	409	409
1980	31,881	631	248**	0	0	31,498	0	0	31,498	2,032	2,032	4	2,028	2,028
1981	31,794	724	0	0	0	31,070	0	0	31,070	2,467	2,467	3	2,464	2,464
1982	30,077	451	435	0	0	30,061	0	0	30,061	1,645	1,645	1	1,644	1,644
1983	20,383	191	0	0	0	20,192	0	0	20,192	1,019	1,019	1	1,018	1,018

(2) From Recordation Filings, Table 15, Line 20
 (3) From Gage Canal Records
 (3a) From S.C.E. Co. Reports to CRQCB
 (4) Column (3) - Column (3a)
 (5) Column (2) - Column (4)
 (6) From Gage Canal Records
 (7) From Gage Canal Records
 (8) In 1981 4/4AF of water was delivered to Riverside Highland in lieu of Rice-Thorn.
 (9) Revised delivery to S.C.E. Power Plant beginning in 1967 during 1972 verification.
 (10) From Recordation Filings, Table 15, Line 20
 (11) Same as Column (10)
 (12) From Table 15, Line 24
 (13) Same as Column (13)
 (14) Commencing in the Year 1974, water supplied by DeBerry Well (from Table 16, Column (6))
 (15) Column (14) - Column (14a)
 ** Returned to former Riverside Water Co. Canal
 *After 1974, Water cannot be returned to Gage Canal
 ***Includes deliveries to City of Colton as follows:
 1966 = 8 Acre Feet
 1967 = 15 Acre Feet
 1968 = 24 Acre Feet
 1969 = 23 Acre Feet
 1970 = 29 Acre Feet
 1971 = 2 Acre Feet
 ****Beginning in 1974 all deliveries in San Bernardino Co. to Enst Riverside Water Co. supplied by the DeBerry Well

NOTE: DE BERRY WELL WAS FINANCED AND CONSTRUCTED BY THE GAGE CANAL COMPANY STOCKHOLDERS, FOR THE SOLE USE OF GAGE STOCKHOLDERS, AND DOES NOT SERVE EAST RIVERSIDE WATER CO. PRIOR TO 1974.
 CRQCB = California Regional Water Quality Control Board
 THE YEARS BEGINNING 1971. Refer to Volume 5, August 1976, Page 1-49

TABLE NO. 17

THE GAGE CANAL COMPANY
 WATER PRODUCTION FROM BUNKER HILL AND RIVERSIDE BASINS SITUATED IN SAN BERNARDINO COUNTY
 WITH DELIVERIES MADE IN SAN BERNARDINO COUNTY & EXPORTED TO RIVERSIDE COUNTY

(Quantities in Acre Feet)

(1)	Production in Bunker Hill Basin			Delivery in Colton Basin			Delivery in Bunker Hill Basin			Production in Riverside Basin within San Bernardino County					
	(2)	(3)	(3a)	(3)	(4)	(5)	(6)	(7)	(8)	(9)	(10)	(11)	(12)	(13)	(14)
Year	Bunker Hill Basin	Total Delivery	Southern California Edison Power Plant Return to Canals	Net Delivery	Bunker Hill Export from Basin	Bunker Hill Export to Riverside Basin in San Bernardino County	Cooley Ranch Water Rights	Bunker Hill Export to Riverside Basin North of County Line	Bunker Hill Exported to Riverside County	Bunker Hill Exported to Riverside County	DeBerry Well	Exported to Riverside County	DeBerry Well	Exported to Riverside County	Export to Riverside County
1984	33,875	32	0	32	33,843	33,843	-	-	-	33,843	2,046	2	2,044	2	2,044
1985	31,256	59	0	59	31,197	31,197	-	-	-	31,197	1,861	1	1,860	1	1,860
1986	33,983	145	0	145	33,838	33,838	-	-	-	33,838	1,893	2	1,891	2	1,891
1987	32,313	15	0	15	32,298	32,298	-	-	-	32,298	1,996	1	1,995	1	1,995
1988	38,022	10	15	0	38,022	38,022	-	-	-	38,022	2,189	2	2,187	2	2,187
1989	29,655	0	-	0	29,655	29,655	-	-	-	29,655	1,965	2	1,963	2	1,963
1990	26,695	4	-	0	26,695	26,695	-	-	-	26,695	1,962	1	1,961	1	1,961
1991	26,776	6	-	0	26,776	26,776	-	-	-	26,776	1,734	1	1,733	1	1,733
1992	25,456	0	-	0	25,456	25,456	-	-	-	25,456	1,657	1	1,656	1	1,656
1993	26,439	0	-	0	26,439	26,439	-	-	-	26,439	2,023	2	2,021	2	2,021
1994	34,723	39	-	39	34,684	34,684	-	-	-	34,684	2,028	2	2,026	2	2,026
1995	32,076	98	-	98	31,978	31,978	-	-	-	31,978	1,664	0	1,664	0	1,664
1996	34,031	251	-	251	33,780	33,780	-	-	-	33,780	1,706	0	1,706	0	1,706
1997	32,317	197	-	197	32,120	32,120	-	-	-	32,120	1,591	0	1,591	0	1,591
1998	30,207	182	-	182	30,025	30,025	-	-	-	30,025	1,823	0	1,823	0	1,823
1999			-				-	-	-						
2000			-				-	-	-						
2001			-				-	-	-						
2002			-				-	-	-						
2003			-				-	-	-						
2004			-				-	-	-						
2005			-				-	-	-						
2006			-				-	-	-						
2007			-				-	-	-						
2008			-				-	-	-						

Column (2) = From Recordation Filings, Table 15, Line 20.
 Column (3) = From Gage Records.
 Column (3a) = From S.C.E. Co Report to CRWQB.
 Column (4) = Column (3) - Column (3a).
 Column (5) = Column (2) - Column (4).
 Column (6) = From Gage Records.
 Column (7) = From Gage Records.
 Column (8) = Column (6) + Column (7).
 Column (9) = Column (5) - Column (8).
 Column (10) = From Table 16, Column (6).
 Column (11) = Same as Column (10).
 Column (12) = Column (9) - Column (11).
 Column (13) = From Table 15, Line 24.
 Column (14) = Same as Column (13).
 Column (14a) = From Gage Canal records. (Outlets 1,3,5,6,8)
 Column (15) = Column (14) - Column (14a).
 * All deliveries in San Bernardino Co. from DeBerry Well.
 CRWQCB = California Regional Water Quality Control Board.
 SCE solid Power Plant to Mt. View Power Company in 1999

TABLE NO. 18

GAGE CANAL
 WATER PRODUCTION FROM SAN BERNARDINO BASIN AREA
 AND DELIVERIES WITHIN SAN BERNARDINO COUNTY
 AND EXPORTS TO RIVERSIDE COUNTY

(Quantities in Acre Feet)

Year	GAGE CANAL WATER COMPANY PRODUCTION AND DELIVERY IN SAN BERNARDINO BASIN AREA		GAGE DELIVERIES IN COLTON & RIVERSIDE BASINS IN SAN BERNARDINO COUNTY			Total Water From San Bernardino Basin Area Exported to Riverside County	
	Production from Gage Walls (1)	Delivery to Plant (2)	Total Available for Export (3)	Cooley Stock & Prior Rights (4)	East Riverside Water Company (5)	Total Delivery (6)	(7)
1971	28,943	98	28,845	561	108	669	28,176
1972	25,240	85	25,135	457	90	547	24,588
1973	21,529	136	21,373	430	82	512	20,861
1974	15,947	0	15,947	485	-	485	15,462
1975	32,714	0	32,714	498	-	498	22,216
1976	29,289	0	29,289	523	-	523	28,766
1977	34,099	0	34,099	346	-	346	31,753
1978	26,339	646	25,683	301	-	301	25,382
1979	30,818	0	30,818	415	-	415	30,401
1980	31,681	383	31,498	-	-	-	31,498
1981	31,794	724	31,070	-	-	-	31,070
1982	30,077	16	30,061	-	-	-	30,061
1983	33,875	191	33,684	-	-	-	33,684
1984	33,875	32	33,843	-	-	-	33,843
1985	31,256	59	31,197	-	-	-	31,197
1986	33,983	145	33,838	-	-	-	33,838
1987	32,313	15	32,298	-	-	-	32,298
1988	38,022	10	38,012	-	-	-	38,012
1989	29,655	0	29,655	-	-	-	29,655
1990	26,695	4	26,691	-	-	-	26,691
1991	26,776	6	26,770	-	-	-	26,770
1992	25,456	0	25,456	-	-	-	25,456
1993	26,439	0	26,439	-	-	-	26,439
1994	34,723	39	34,684	-	-	-	34,684
1995	32,076	98	31,978	-	-	-	31,978
1996	34,031	251	33,780	-	-	-	33,780
1997	32,317	197	32,120	-	-	-	32,120
1998	30,207	182	30,025	-	-	-	30,025
1999							
2000							
2001							
2002							
2003							
2004							
2005							
2006							
2007							
2008							

Column (1) = From Table No. 15, Line 20, Gage Canal.
 Column (2) = From Table No. 17, Column (4), Gage Canal.
 Column (3) = Column (1) - Column (2).
 Column (4) = Table No. 17, Column (8), Gage Canal, Cooley Ranch last took water in 1979.
 Column (5) = Table No. 17, Column (11), Gage Canal, after 1974, all East Riverside Water from DeBerry Well.
 Column (6) = Column (4) + Column (5).
 Column (7) = Column (3) - Column (6).

FOR YEARS PRECEDING 1971: Refer to Volume 5, August 1976, Page I-51.

TABLE NO. 19

RIVERSIDE HIGHLAND WATER COMPANY WATER PRODUCTION
FROM LYLE & BUNKER HILL BASINS
IN SAN BERNARDINO BASIN AREA

(Quantities in Acre Feet)

Year	L.C. #1		L.C. #8		L.C. #10		Lyle Creek		R.H. #1		R.H. #2		R.H. #5		R.H. #12		R.H. #18		R.H. #24		Bunker Hill Basin	Sub-Total	TOTAL
	1N4W1E01S	3601535	1N4W31E01S	3602840	1N4W31E03S	3603470	Sub-Total	154W22E01S	3601522	154W22E01S	3601523	154W22E01S	3601524	154W22E01S	3601525	154W22E01S	154W22E01S	154W22E01S	154W22E01S	154W22E01S			
(1)	(2)	(3)	(4)	(5)	(6)	(7)	(8)	(9)	(10)	(11)	(12)	(13)	(14)	(15)	(16)								
1971	1,669			1,669	177	313					761	1,092	0	2,343	4,012								
1972	1,468			1,468	0	113					804	1,178	969	3,064	4,532								
1973	1,282			1,282	259	155					772	1,044	0	2,230	3,512								
1974	1,374			1,374	68	146					656	830	1,014	2,714	4,088								
1975	1,302			1,302	14	236					697	1,137	1,323	3,407	4,709								
1976	1,468			1,468	0	28					936	703	1,385	3,052	4,520								
1977	1,406			1,406	0	59					378	983	757	2,177	3,583								
1978	964			964	0	100					142	144	0	386	1,350								
1979	1,352			1,352	0	457					368	351	841	2,017	3,369								
1980	1,600			1,600	0	649					669	37	722	2,077	3,677								
1981	1,806			1,806	0	650					86	915	147	1,798	3,604								
1982	1,538			1,538	0	392					439	227	199	1,257	2,785								
1983	2,248			2,248	0	578					255	81	0	914	3,182								
1984	0	2,300 *		2,300	0	1,293					85	1,081	0	2,459	4,759								
1985	0	1,880 **		1,880	-	809					122	501	0	1,432	3,312								
1986	199	1,939		2,138	-	1,058					1	1,547	0	2,606	4,744								
1987	1,680	490		2,170	-	730					0	1,019	0	1,749	3,919								
1988	1,354	935		2,289	-	1,058					0	1,428	0	2,486	4,775								
1989	1,072	1,068		2,140	-	1,201					0	1,340	0	2,541	4,681								
1990	905	1,084		1,989	-	25	2,047				0	31	0	2,103	4,092								
1991	188	526	473	1,187	-	46	1,736				0	52	0	1,834	3,021								
1992	14	125	2,018	2,157	-	37	1,771				0	87	0	1,895	4,052								
1993	20	933	227	1,180	-	28	1,998				0	35	0	2,061	3,241								
1994	917	960	0	1,877	-	324	1,689				0	434	0	2,447	4,324								
1995	1,164	183	523	1,870	-	33	2,010				0	42	0	2,085	3,955								
1996	996	507	1,379	2,882	-	524	929				0	716	0	2,169	5,051								
1997	520	636	1,675	2,831	-	781	200				0	1,127	0	2,108	4,939								
1998	581	108	1,791	2,480	-	1	0				0	769	0	770	3,250								
1999					-																		
2000					-																		
2001					-																		
2002					-																		
2003					-																		
2004					-																		
2005					-																		
2006					-																		
2007					-																		
2008					-																		

FOR YEARS PRECEDING 1971: Refer to Volume 5, August 1976, Page I-58.

L.C. #2, R.H. #8, Flowing, #10, #11 were abandoned &/or Filed Closed before 1971.

* Abandoned &/or Filed Closed.

Column (5) = Column (2) + (3) + (4).

Column (15) = Sum of Columns (6) thru Column (14).

* 1984 L.C. flowed artesian during the year, RH filed on pumped total of 1,891 af. Watermaster calculated 2300 af as reasonable.

** 1985 Filed 2,748. Large known loss near well site of 866 af.

TABLE NO. 20RIVERSIDE HIGHLAND WATER COMPANY WATER PRODUCTIONFROM COLTON BASIN

(Quantities in Acre Feet)

Year	R H # 4 1S4W28K01S 3601525	R H # 4A 1S4W28K02S 3602182	Total Production in Colton Basin (4)
(1)	(2)	(3)	(4)
1971	240	16	256
1972	261	24	285
1973	212	0	212
1974	220	62	282
1975	260	40	300
1976	130	40	170
1977	175	157	332
1978	265	5	270
1979	139	52	191
1980	0	0	0
1981	0	0	0
1982	0	0	0
1983	0	0	0
1984	0	83	83
1985	0	675	675
1986	0	721	721
1987	0	471	471
1988	0	256	256
1989	0	158	158
1990	0	109	109
1991	0	4	4
1992	0	91	91
1993	0	0	0
1994	0	0	0
1995	0	0	0
1996	0	0	0
1997	0	0	0
1998	0	0	0
1999			
2000			
2001			
2002			
2003			
2004			
2005			
2006			
2007			
2008			

Column (4) = Column (2) + Column (3).

FOR YEARS PRECEDING 1971: Refer to Volume 5, August 1976, Page I-60.

TABLE NO. 21

RIVERSIDE HIGHLAND WATER COMPANY WATER PRODUCTION
FROM RIVERSIDE BASIN IN SAN BERNARDINO & RIVERSIDE COUNTIES

Year	(Quantities in Acre Feet)														
	Riverside North Basin					Riverside South Basin					Total Water				
	R H #3 184W2L018 3601524	R H #7 284W6R018 3601526	R H #16 184W33B058 3601531	R H #17 184W28R058 3601532	R H #20 184W28E028 3601534	L V #1 184W32M018 3601789	L V #2 184W32M 3601790	L V #3 184W3M048 3603139	Production in Riverside Basin in San Bernardino County		Production in Riverside Basin in Riverside County		Total Water Production in Riverside Basin in Riverside County		
(2)	(3)	(4)	(5)	(6)	(7)	(8)	(9)	(10)	(11)	(12)	(13)	(14)	(15)		
1971	-	1,901	-	2,734	669	0	0	0	5,304	642	1,456	2,098	2,098		
1972	-	1,572	-	1,868	789	0	0	0	4,229	272	1,096	1,368	1,368		
1973	-	1,339	-	1,903	832	0	0	0	4,074	236	1,034	1,270	1,270		
1974	-	1,235	-	1,283	833	0	0	0	3,371	480	1,053	1,533	1,533		
1975	-	1,340	-	871	805	0	0	0	3,016	94	1,133	1,227	1,227		
1976	-	1,284	-	1,469	839	0	0	0	3,592	137	1,183	1,320	1,320		
1977	-	1,693	-	2,343	663	0	0	0	4,699	219	869	1,088	1,088		
1978	-	1,460	-	1,629	834	0	0	0	3,923	683	613	1,296	1,296		
1979	-	1,513	-	1,488	875	0	0	0	3,876	172	803	975	975		
1980	-	1,356	-	1,926	732	270	0	0	4,284	590	410	1,000	1,000		
1981	-	1,543	-	2,200	789	411	22	0	4,965	607	665	1,272	1,272		
1982	-	760	-	1,679	485	364	42	0	3,330	700	453	1,153	1,153		
1983	-	539	-	1,299	604	94	0	0	2,336	1,031	2	1,033	1,033		
1984	-	1,101	-	2,498	897	49	0	0	4,545	1,910	682	2,592	2,592		
1985	-	1,174	-	2,198	816	287	0	0	4,475	1,120	797	1,917	1,917		
1986	-	875	-	1,175	890	149	0	0	2,089	1,175	842	2,017	2,017		
1987	-	945	-	91	565	31	0	0	1,632	996	817	1,813	1,813		
1988	-	1,031	-	0	624	130	0	0	1,785	775	750	1,525	1,525		
1989	-	830	-	0	768	95	0	865	2,358	1,072	357	1,429	1,429		
1990	-	757	-	1	728	55	0	1,317	2,858	1,138	408	1,546	1,546		
1991	-	1,011	-	2	784	80	0	1,704	3,581	1,023	465	1,488	1,488		
1992	-	1,116	-	65	767	0	0	267	2,215	460	385	845	845		
1993	-	1,237	-	616	619	0	0	562	3,034	585	250	835	835		
1994	-	1,466	-	1,643	110	0	0	66	3,285	372	243	615	615		
1995	-	1,376	-	780	311	0	0	659	3,126	262	349	611	611		
1996	-	1,434	-	232	528	0	0	202	2,396	280	278	558	558		
1997	-	1,431	-	430	471	0	0	181	2,513	126	324	450	450		
1998	-	1,168	-	248	609	0	0	170	2,195	138	188	326	326		
1999	-	-	-	-	-	-	-	-	-	-	-	-	-		
2000	-	-	-	-	-	-	-	-	-	-	-	-	-		
2001	-	-	-	-	-	-	-	-	-	-	-	-	-		
2002	-	-	-	-	-	-	-	-	-	-	-	-	-		
2003	-	-	-	-	-	-	-	-	-	-	-	-	-		
2004	-	-	-	-	-	-	-	-	-	-	-	-	-		
2005	-	-	-	-	-	-	-	-	-	-	-	-	-		
2006	-	-	-	-	-	-	-	-	-	-	-	-	-		
2007	-	-	-	-	-	-	-	-	-	-	-	-	-		
2008	-	-	-	-	-	-	-	-	-	-	-	-	-		

FOR YEARS PRECEDING 1971: Refer to Volume 5, August 1976, Page I-62.

* Abandoned &/or Filled Closed.

Column (10) = Sum of Columns (2) thru Column (9).
Column (15) = Column (11) + Column (12).

TABLE NO. 22

RIVERSIDE HIGHLAND WATER COMPANY
 WATER SUPPLY FROM OTHER COMPANIES
 AND RIVERSIDE HIGHLAND CO. PRODUCTION

(Quantities in Acre Feet)

Year	City of Riverside	Net water from others	Total Supply	San Bernardino Basin		Colton Basin	Riverside Basin		Total Production	Grand Total
				Basin (5)	Basin (6)		San Bernardino County (7)	Riverside County (8)		
1971	0	0	0	4,012	256	0	5,304	2,098	11,670	11,670
1972	0	0	0	4,532	285	0	4,229	1,368	10,414	10,414
1973	0	0	0	3,512	212	0	4,074	1,270	9,068	9,068
1974	279	0	279	4,088	282	0	3,371	1,533	9,274	9,553
1975	0	0	0	4,709	300	0	3,016	1,227	9,252	9,252
1976	0	0	0	4,520	170	0	3,592	1,320	9,602	9,602
1977	0	0	0	3,583	332	0	4,699	1,088	9,702	9,702
1978	0	0	0	1,350	270	0	3,923	1,296	6,839	6,839
1979	0	0	0	3,369	191	0	3,876	975	8,411	8,411
1980	0	0	0	3,677	0	0	4,284	1,000	8,961	8,961
1981	44	0	44	3,604	0	0	4,965	1,272	9,841	9,885
1982	0	0	0	2,795	0	0	3,330	1,153	7,278	7,278
1983	0	0	0	3,162	83	0	2,536	1,033	6,731	6,731
1984	0	0	0	4,759	675	0	4,545	2,592	11,979	11,979
1985	0	0	0	3,312	721	0	4,475	1,917	10,379	10,379
1986	0	0	0	4,744	471	0	2,089	2,017	9,571	9,571
1987	0	0	0	3,919	256	0	1,632	1,813	7,835	7,835
1988	0	0	0	4,775	158	0	1,785	1,525	8,341	8,341
1989	0	0	0	4,681	109	0	2,558	1,429	8,826	8,826
1990	0	0	0	4,092	4	0	2,858	1,546	8,605	8,605
1991	0	0	0	3,021	91	0	3,581	1,488	8,094	8,094
1992	72	0	72	4,052	0	0	2,215	845	7,203	7,275
1993	575	0	575	3,241	0	0	3,034	835	7,110	7,685
1994	0	0	0	4,324	0	0	3,285	615	8,224	8,224
1995	0	0	0	3,955	0	0	3,126	611	7,692	7,692
1996	0	0	0	5,051	0	0	2,396	558	8,005	8,005
1997	0	0	0	4,939	0	0	2,513	450	7,902	7,902
1998	0	0	0	3,250	0	0	2,195	326	5,771	5,771
1999										
2000										
2001										
2002										
2003										
2004										
2005										
2006										
2007										
2008										

Column (2) = From City of Riverside Table 3, Column (1). Column (5) = From Table 19, Column (16). Column (8) = From Table 21, Column (15).
 Column (3) = From Riverside Highland Co. Records. Column (6) = From Table 20, Column (4). Column (9) = Column (5) + (6) + (7) + (8).
 Column (4) = Column (2) + Column (3). Column (7) = From Table 21, Column (10). Column (10) = Column (4) + Column (9).

TABLE NO. 23R

**RIVERSIDE HIGHLAND WATER COMPANY
DISTRIBUTION OF EXTRACTION**

(Quantities in Acre Feet)

Year (1)	San Bernardino Area		Riverside		Total S.B. Co. Production (5)	Riverside South Basin		Total Production (7)	Distribution of Production & S.B. & Colton & Riverside Basin Areas Basin North Basin			Water Delivered	
	Production (2)	Basin (3)	Production (4)	Basin (4)		Production (6)	Basin (6)		% (8)	% (9)	% (10)	in (11)	in (12)
1985	3,312	675	4,475	1,917	8,462	1,917	10,379	39%	8%	53%	3,043	3,405	6,448
1986	4,744	721	2,089	2,017	7,554	2,017	9,571	63%	10%	28%	2,965	3,292	6,257
1987	3,919	471	1,632	1,813	6,022	1,813	7,835	65%	8%	27%	2,777	2,918	5,695
1988	4,775	256	1,785	1,525	6,816	1,525	8,341	70%	4%	26%	2,736	3,430	6,166
1989	4,681	158	2,558	1,429	7,397	1,429	8,826	63%	2%	35%	2,938	3,536	6,474
1990	4,092	109	2,858	1,546	7,059	1,546	8,605	58%	2%	40%	3,111	3,597	6,708
1991	3,021	4	3,581	1,488	6,606	1,488	8,094	46%	0%	54%	2,756	3,357	6,113
1992	4,052	91	2,215	845	6,358	845	7,203	64%	1%	35%	2,799	2,849	5,648
1993	3,241	0	3,034	835	6,275	835	7,110	52%	0%	48%	2,921	3,114	6,035
1994	4,324	0	3,285	615	7,609	615	8,224	57%	0%	43%	3,030	3,403	6,433
1995	3,955	0	3,126	611	7,081	611	7,692	55%	0%	44%	3,073	3,078	6,151
1996	5,051	0	2,396	558	7,447	558	8,005	68%	0%	32%	3,237	3,139	6,376
1997	4,939	0	2,513	450	7,452	450	7,902	66%	0%	34%	3,241	3,149	6,390
1998	3,250	0	2,195	326	5,445	326	5,771	60%	0%	40%	2,810	2,127	4,937
1999													
2000													
2001													
2002													
2003													
2004													
2005													
2006													
2007													
2008													

Columns (2) (3) (4) (6) from Table No. 22.
 Column (5) = Column (2) + (3) + (4).
 Column (7) = Columns (5) + Column (6).
 1985-1989 shown for information only, new format starts with 1990 report.
 Replaces Tables 28 thru 31 starting with 1990.

Column (8) = Column (2) + Column (5).
 Column (9) = Column (3) + Column (5).
 Column (10) = Column (4) + Column (5).
 Columns (11) & (12) from RH Co. records.
 Column (13) = Columns (11) + Column (12).

TABLE NO. 23R

**RIVERSIDE HIGHLAND WATER COMPANY
DISTRIBUTION OF EXTRACTION**

(Quantities in Acre Feet)

Year	Production + Delivered	S. B. Co. Riv. Co. Delivery	Adjusted Delivery	S. B. Co. Riv. Co. Delivery	Adjusted Delivery	Total Production	San Bernardino Basin Area Production		Colton Basin		Adjusted Demand	
							Delivered to S.B. Basin	Delivered to Colton/Riv N Outside Valley	Delivered to Colton/Riv N Outside Valley	Delivered to Colton/Riv N Outside Valley	Delivered to Colton/Riv N Outside Valley	Delivered to Colton/Riv N Outside Valley
(1)	(2)	(3)	(4)	(5)	(6)	(7)	(8)	(9)	(10)	(11)	(12)	
1985	1,6096	4,898	5,481	-	1,917	1,395	391	284	2,590	1,885		
1986	1,5296	4,535	5,036	-	2,848	1,896	433	288	1,254	835		
1987	1,3758	3,821	4,014	-	2,486	1,433	299	172	1,035	597		
1988	1,3527	3,701	4,640	-	2,593	2,182	139	117	969	816		
1989	1,3633	4,005	4,821	-	2,535	2,146	86	72	1,365	1,173		
1990	1,2828	3,991	4,614	-	2,313	1,779	62	47	1,616	1,242		
1991	1,3241	3,649	4,445	-	1,669	1,352	2	2	1,978	1,603		
1992	1,2753	3,570	3,633	-	2,275	1,777	51	40	1,244	971		
1993	1,1781	3,441	3,669	-	1,777	1,464	0	0	1,664	1,370		
1994	1,2784	3,874	4,350	-	2,201	2,123	0	0	1,672	1,613		
1995	1,2505	3,843	3,849	-	2,146	1,809	0	0	1,696	1,430		
1996	1,2555	4,064	3,941	-	2,756	2,295	0	0	1,307	1,089		
1997	1,2366	4,008	3,894	-	2,656	2,283	0	0	1,352	1,161		
1998	1,1689	3,285	2,486	-	1,961	1,289	0	0	1,324	871		
1999				-								
2000				-								
2001				-								
2002				-								
2003				-								
2004				-								
2005				-								
2006				-								
2007				-								
2008				-								

Column (2) = Column (7) + Column (13) on previous page.
 Column (3) = Column (11) on previous page x Column (2).
 Column (4) = Column (12) on previous page x Column (2).
 Column (5) = Company method of operation.
 Column (6) = Column (2) previous page - Column (7).
 1985-1989 shown for information only, new format starts with 1990 report.
 Replaces Tables 28 thru 31 starting with 1990.

6/2/92
16:53

TABLE NO. 28

RIVERSIDE HIGHLAND WATER COMPANY
IRRIGATION AND DOMESTIC DELIVERIES AND PRODUCTION
REQUIRED IN RIVERSIDE & SAN BERNARDINO COUNTIES

Year	Deliveries in M.I.D.				Production in Riverside Co. Historic Delivery & Required Production				San Bernardino Required Production								
	(1)	(2)	(3)	(4)	(5)	(6)	(7)	(8)	(9)	(10)	(11)	(12)	(13)	(14)	(15)	(16)	(17)
Total Water Produced in MID	Domestic Irrigation	Total Irrigation	Total Domestic	Total	\$ Irr	Total	\$	Irrigation	Domestic	Del.	Prod.	Del.	Prod.	Prod.	Irrigation	Domestic	Total
1976	241,910	43,263	170,027	213,290	28,620	11.83%	192,842	49,068	138,206	156,749	1,241	1,407	158,156	36,091	47,561	83,752	
1977	244,510	41,580	175,362	216,942	27,568	11.27%	197,646	46,864	142,848	160,992	1,237	1,394	162,386	36,644	45,467	82,111	
1978	172,318	44,491	110,302	154,793	17,525	10.17%	122,790	49,528	94,077	104,728	1,600	1,781	106,509	18,062	47,747	65,809	
1979	211,969	49,024	128,539	177,563	34,406	16.23%	153,446	58,523	109,106	130,247	1,745	2,083	132,330	23,199	56,440	79,639	
1980	225,892	51,948	130,037	181,985	43,907	19.44%	161,411	64,481	108,677	134,897	2,089	2,593	137,490	26,514	61,888	88,402	
1981	249,099	57,199	142,376	199,575	49,524	19.88%	177,706	71,393	119,741	149,454	2,254	2,938	152,392	28,252	68,455	96,707	
1982	183,419	54,277	96,872	151,149	32,270	17.59%	123,715	59,704	82,196	104,972	2,024	2,226	107,198	18,742	57,478	76,220	
1983	169,623	67,702	60,009	127,711	41,912	24.71%	95,151	74,472	54,155	85,874	2,440	2,684	88,558	9,277	71,788	81,065	
1984	301,971	75,971	112,549	188,520	113,451	37.57%	218,304	83,667	100,795	195,513	2,409	2,650	199,163	22,791	81,017	103,808	
1985	261,587	69,508	93,043	162,551	99,036	37.86%	178,178	83,409	83,352	159,612	2,486	2,983	162,595	18,566	80,426	98,992	
1986	241,156	72,147	85,598	157,745	83,411	34.59%	150,372	90,184	80,048	141,189	2,943	3,679	144,868	9,783	86,505	96,288	
1987	197,512	69,232	74,309	143,541	53,971	27.33%	117,895	79,617	70,566	111,957	2,980	3,427	115,384	5,938	76,190	82,128	
1988	210,259	70,318	85,115	155,433	54,826	26.08%	129,393	80,866	82,600	125,570	3,860	4,439	130,009	3,823	76,427	80,250	
1989	222,442	79,141	84,048	163,189	59,253	26.64%	124,307	98,135	81,365	120,339	7,764	9,627	129,966	3,968	88,507	92,475	

Replaced by Table 23R starting with 1990.

"Condensed Water Summary".

Columns (2), (3), (4), (5), (6), (10) & (12) are from Company Records, "Condensed Water Summary".
Column (2) Includes water delivered by other companies.

Columns (7) (8) (9) See Notes.

Columns (11), (13), (15), (16) See Worksheets.

Column (14) = Column (11) + Column (13).

Column (17) = Column (15) + Column (16).

* Assumed domestic loss at 15% with Column (7) as total system loss.

** Assumed domestic loss at 20% with Column (7) as total system loss, known loss in L.C. Line of 868 a.f.

° Assumed domestic loss at 25% with Column (7) as total system loss.

°° Assumed domestic loss at 24% with Column (7) as total system loss.

6/1/92
17:38

TABLE NO. 29

RIVERSIDE HIGHLAND WATER COMPANY
WATER PRODUCTION SHOWN ON RECORDATION ELLINGS
DELIVERED FOR IRRIGATION AND DOMESTIC USES WITHIN BOTH RIVERSIDE AND SAN BERNARDINO COUNTIES

REQUIRED PRODUCTION FOR DELIVERIES MADE IN SAN BERNARDINO & RIVERSIDE COUNTIES

WATER PRODUCTION FOR RIVERSIDE & SAN BERNARDINO CO.

TOTAL

PRODUCTION IN RIVERSIDE & SAN BERNARDINO COUNTIES

YEAR	Production Required for Deliveries		Total	Ratio of Filled to Required	Irrigation		Domestic		Irrigation		Domestic		Irrigation		Domestic		Total	A.F.				
	M.I.D.	M.I.D.			M.I.D.	A.F.	M.I.D.	A.F.	M.I.D.	A.F.	M.I.D.	A.F.	M.I.D.	A.F.	M.I.D.	A.F.			M.I.D.	A.F.		
(1)	(2)	(3)	(4)	(5)	(6)	(7)	(8)	(9)	(10)	(11)	(12)	(13)	(14)	(15)	(16)	(17)	(18)	(19)	(20)	(21)	(22)	(23)
1976	192,842	49,068	241,910	9,596	100.064	156,749	6,218	64,804	1,407	56	0.584	36,091	1,432	14,924	47,661	1,890	19,704	6,222	56	1,433	1,892	9,602
1977	197,646	46,864	244,510	9,700	100.034	160,992	6,386	65,844	1,394	55	0.574	36,644	1,454	14,994	45,467	1,803	18,594	6,388	55	1,454	1,804	9,701
1978	122,790	49,528	172,318	6,836	100.051	104,728	4,154	60,788	1,791	71	1.034	18,062	717	10,484	47,747	1,894	27,704	4,156	71	717	1,895	6,839
1979	153,446	58,523	211,969	8,409	100.034	130,247	5,167	61,454	2,083	83	0.944	23,199	920	10,944	56,440	2,239	26,624	5,168	83	921	2,239	8,411
1980	161,411	64,481	225,892	8,961	100.004	134,897	5,351	59,724	2,593	103	1.154	26,514	1,052	11,744	61,888	2,455	27,394	5,351	103	1,052	2,455	9,961
1981	177,706	71,393	249,099	9,882	100.034	149,454	5,929	60,004	2,938	117	1.184	28,252	1,121	11,344	68,455	2,715	27,484	5,931	117	1,121	2,716	9,885
1982	123,715	59,704	183,419	7,276	100.034	104,972	4,164	57,234	2,226	88	1.214	18,742	743	10,224	57,478	2,260	31,334	4,165	88	744	2,260	7,278
1983	95,151	74,472	169,623	6,729	100.034	85,874	3,407	50,634	2,614	106	1.584	9,277	368	5,474	71,788	2,847	42,324	3,408	107	368	2,848	6,731
1984	218,304	83,667	301,971	11,979	100.004	195,513	7,756	64,754	2,650	105	0.844	22,791	904	7,554	81,017	3,213	26,834	7,756	105	904	3,213	11,979
1985	178,178	83,409	261,587	10,377	100.024	159,612	6,332	61,024	2,983	118	1.144	18,566	737	7,104	80,426	3,190	30,744	6,333	118	737	3,191	10,379
1986	150,972	90,184	241,156	9,567	100.054	141,189	5,601	58,554	3,479	146	1.534	9,783	388	4,064	86,505	3,431	35,874	5,604	146	388	3,433	9,571
1987	117,895	79,617	197,512	7,835	100.004	111,957	4,441	56,684	3,627	136	1.744	5,938	236	3,014	76,190	3,022	38,574	4,441	136	236	3,022	7,835
1988	129,393	80,866	210,259	8,341	100.004	125,570	4,981	59,724	4,439	176	2.114	3,823	152	1,824	76,427	3,031	36,344	4,981	176	152	3,031	8,341
1989	124,307	98,135	222,442	8,824	100.024	120,339	4,774	54,104	9,627	382	4.334	3,968	157	1,784	88,507	3,511	39,784	4,775	382	157	3,511	8,825

----- Riverside County ----- San Bernardino County -----

YEAR	(1)	(2)	(3)	(4)	(5)	(6)	(7)	(8)	(9)	(10)	(11)	(12)	(13)	(14)	(15)	(16)	(17)	(18)	(19)	(20)	(21)	(22)	(23)
1990																							
1991																							
1992																							
1993																							
1994																							
1995																							
1996																							
1997																							
1998																							
1999																							
2000																							
2001																							
2002																							
2003																							
2004																							
2005																							

Column (1) = From Column (9), Table No. 28.
 Column (2) = From Column (9), Table No. 28.
 Column (3) = From Column (2), Table No. 28.
 Column (4) = Column (3) * 0.0396694.
 Column (5) = From Column (19), Table No. 22.
 Column (6) = From Column (5) + Column (4).
 Column (7) = From Column (11), Table No. 28.
 Column (8) = Column (7) * 0.0396694.
 Column (9) = Column (8) + Column (4).
 Column (10) = From Column (13), Table No. 28.
 Column (11) = Column (10) * 0.0396694.
 Column (12) = Column (11) + Column (4).
 Column (13) = From Column (15), Table No. 28.
 Column (14) = Column (13) * 0.0396694.
 Column (15) = Column (7) + Column (4).
 Column (16) = From Column (16), Table No. 28.
 Column (17) = Column (16) * 0.0396694.
 Column (18) = Column (17) + Column (4).
 Column (19) = Column (5) x Column (9).
 Column (20) = Column (5) x Column (12).
 Column (21) = Column (5) x Column (15).
 Column (22) = Column (5) x Column (18).
 Column (23) = Sum of Columns (19), (20), (21), (22).
 Same as column (5); same as Table 22, Column (10).

Replaced by Table 23R starting with 1990.

TABLE NO. 30

6/2/92
16:54

RIVERSIDE HIGHLAND WATER COMPANY
WATER PRODUCTION FROM LYTLE, BUNKER HILL, COLTON AND RIVERSIDE BASINS IN SAN BERNARDINO AND RIVERSIDE COUNTIES
AND THE DELIVERY OF THE PRODUCTION IN SAN BERNARDINO AND RIVERSIDE COUNTIES
(Quantities in Acre Feet)

Year	PRODUCTION IN SAN BERNARDINO COUNTY										Production Agri. Supply		TOTAL PRODUCTION
	Domestic Supply				Commingled Sources				Riverside Basins Well	RH 7	RH 21 & 22	RH 7, 21, 22	
	Lytle Creek Wells	Colton Basin Well	Riverside Basin Wells	Walls	Bunker Hill Basin	Colton Basin	Riverside Basin	La Sierra Water Co.					
LC #1 & #8	RH 4a	IV #1 & #3	RH 20	RH 2, 12	Rice Thorn	Ward Warren	RH 17	La Sierra Water Co.	RH 7	RH 21 & 22	RH 7, 21, 22	(13)	
1976	1,468	170	839	3,052	0	0	1,469	0	4,521	1,284	1,320	2,604	9,602
1977	1,406	332	663	2,177	0	0	2,343	0	4,520	1,693	1,088	2,781	9,702
1978	964	270	834	386	0	0	1,629	0	2,015	1,460	1,296	2,756	6,039
1979	1,352	191	875	2,017	0	0	1,488	0	3,505	1,513	975	2,488	8,411
1980	1,600	0	1,002	2,077	0	0	1,926	0	4,003	1,356	1,000	2,356	8,961
1981	1,806	0	1,222	1,798	44	0	2,200	0	4,042	1,543	1,272	2,815	9,885
1982	1,538	0	891	1,257	0	0	1,679	0	2,936	760	1,153	1,913	7,278
1983	2,248	0	698	914	0	0	1,299	0	2,213	539	1,033	1,572	6,731
1984	2,300	83	946	2,459	0	0	2,498	0	4,957	1,101	2,592	3,693	11,979
1985	1,880	675	1,103	1,432	0	0	2,198	0	3,630	1,174	1,917	3,091	10,379
1986	2,138	721	1,039	2,606	0	0	175	0	2,781	875	2,017	2,892	9,571
1987	2,170	471	596	1,749	0	0	91	0	1,840	945	1,813	2,758	7,835
1988	2,289	256	754	2,486	0	0	0	0	2,486	1,031	1,525	2,556	8,341
1989	2,140	158	1,728	2,541	0	0	0	0	2,541	830	1,429	2,259	8,826

Replaced by Table 23R starting with 1990.

(1) - Table No. 19, Column (5).
 (2) - Table No. 20, Column (4).
 (3) - Table No. 21, Columns (6)+(7)+(8)+(9).
 (4) - Table No. 19, Column (15).
 (5) - Table No. 22, Column (21).
 (6) - N/A after 1966.
 (7) - Table No. 21, Column (5).
 (8) - Table No. 22, Column (31).
 (9) - Columns (4)+(5)+(7)+(8).
 (10) - Table No. 21, Column (3).
 (11) - Table No. 21, Column (15).
 (12) - Column (10) + (11).
 (13) - Columns (1)+(2)+(3)+(4)+(5)+(7)+(8)+(10)+(11).

TABLE NO. 30

RIVERSIDE HIGHLAND WATER COMPANY
 WATER PRODUCTION FROM LYTLE, BUNKER HILL, COLTON AND RIVERSIDE BASINS IN SAN BERNARDINO AND RIVERSIDE COUNTIES
 AND THE DELIVERY OF THE PRODUCTION IN SAN BERNARDINO AND RIVERSIDE COUNTIES
 (Quantities in Acre Feet)

LYTLE CREEK AREA

Year	DOMESTIC SYSTEM																		
	Domestic Demand					Production for Domestic Demand					Domestic Export to Riverside County			Dom Export to San Bernardino Co.		Residual Production Available for Irrig. Used in S.B.			
	San Bernardino County	Riv. County	Total	Lytle Creek	Basin RH 484A	Colton Basin RH 484A	Riverside North RH 3, RH 20	% of Production	Lytle Creek	Colton Riv. North	From Lytle Creek	From Colton Riv. North	From Lytle Creek	From Colton Riv. North	Total Production	San Bernardino County	Riv. County	CO. FOR IRRIG. & DOMESTIC	
(1)	(2)	(3)	(4)*	(5)	(6)	(7)	(8)	(9)	(10)	(11)	(12)	(13)	(14)	(15)	(16)	(17)	(18)	(19)	
1976	1,892	56	1,947	938	170	839	48.20%	8.73%	43.08%	27	5	24	911	165	815	1,468	530	-	1,441
1977	1,804	55	1,859	864	332	663	46.51%	17.85%	35.66%	26	10	20	838	322	643	1,406	542	-	1,380
1978	1,895	71	1,965	861	270	834	43.87%	13.74%	42.43%	31	10	30	830	260	804	964	103	-	933
1979	2,239	83	2,322	1,256	191	875	54.09%	8.23%	37.68%	45	7	31	1,211	184	844	1,352	96	-	1,307
1980	2,455	103	2,558	1,556	0	1,002	60.83%	0.00%	39.18%	63	0	40	1,493	0	962	1,600	44	-	1,537
1981	2,716	117	2,833	1,611	0	1,222	56.87%	0.00%	43.14%	66	0	50	1,544	0	1,172	1,806	195	-	1,740
1982	2,280	88	2,369	1,478	0	891	62.37%	0.00%	37.62%	55	0	33	1,423	0	858	1,538	60	-	1,483
1983	2,848	107	2,955	2,257	0	698	76.39%	0.00%	23.62%	81	0	25	2,175	0	673	2,248	0	-	2,167
1984	3,213	105	3,319	2,230	83	946	69.00%	2.50%	28.51%	73	2	30	2,217	81	916	2,300	10	-	2,227
1985	3,191	118	3,309	1,531	675	1,103	46.27%	20.40%	33.33%	55	24	39	1,476	651	1,064	1,880	349	-	1,825
1986	3,433	146	3,579	1,819	721	1,039	50.82%	20.15%	29.03%	74	30	42	1,745	691	997	2,138	319	-	2,064
1987	3,022	136	3,158	2,091	471	596	66.22%	14.92%	18.87%	90	20	26	2,001	451	570	2,170	79	-	2,080
1988	3,031	176	3,208	2,198	256	754	68.52%	7.98%	23.51%	121	14	41	2,077	242	713	2,289	91	-	2,168
1989	3,511	382	3,893	2,007	158	1,728	51.56%	4.06%	44.38%	197	16	170	1,810	142	1,558	2,140	133	-	1,943

Replaced by Table 23R starting with 1990.

(1) = Table No. 29, Column (22).
 (2) = Table No. 29, Column (20).
 (3) = Column (1) + Column (2).
 (4) = Column (3) - [Column (6) + Column (5)].
 (5) = Table No. 30, Column (21).
 (6) = Table No. 30, Sheet 1, Column (3).
 (7) = Column (4) + Column (3).
 (8) = Column (5) + Column (3).
 (9) = Column (6) + Column (3).
 (10) = Column (2) x Column (7).
 (11) = Table No. 30, Sheet 1, Column (3).
 (12) = Column (2) x Column (9).
 (13) = Column (4) - Column (10).
 (14) = Column (5) - Column (11).
 (15) = Column (6) - Column (12).
 (16) = Table 19, Column (15).
 (17) = Column (16) - Column (4).
 (18) = Company method of operation.
 (19) = Column (16) - Column (10).

* Production cannot exceed Table 19, Column 5.
 FOR YEARS PRECEDING 1971: Refer to Volume 5, August 1976, Page I-79.

**RIVERSIDE HIGHLAND WATER COMPANY
WATER PRODUCTION FROM LITTLE, BUNKER HILL, COLTON AND RIVERSIDE BASINS IN SAN BERNARDINO AND RIVERSIDE COUNTIES
AND THE DELIVERY OF THE PRODUCTION IN SAN BERNARDINO AND RIVERSIDE COUNTIES**
(Quantities in Acre Feet)

Year	Irrigation Demand		San Bernardino County		Riverside County		Total Commingled		Irrigation Deliveries in San Bernardino from Commingled Water		Irrigation Deliveries in Riverside from Commingled Water Sources									
	(1)	(2)	(3)	(4)	(5)	(6)	(7)	(8)	(9)	(10)	(11)	(12)	(13)	(14)	(15)	(16)	(17)	(18)	(19)	(20)
	San Bernardino County	Lytle	San Bernardino County	Lytle	Area Mtr. for Irrig.	Area Mtr. for Irrig.	Area Mtr. for Irrig.	Area Mtr. for Irrig.	Area Mtr. for Irrig.	Area Mtr. for Irrig.	Area Mtr. for Irrig.	Area Mtr. for Irrig.	Area Mtr. for Irrig.	Area Mtr. for Irrig.	Area Mtr. for Irrig.	Area Mtr. for Irrig.	Area Mtr. for Irrig.	Area Mtr. for Irrig.	Area Mtr. for Irrig.	Area Mtr. for Irrig.
1976	7,654	1,433	6,222	530	903	2,604	3,618	4,521	19,974	80,034	610	0	0	293	0	2,442	0	0	1,176	0
1977	7,942	1,454	6,388	542	912	2,781	3,697	4,519	20,184	79,824	439	0	0	473	0	1,738	0	0	1,070	0
1978	4,873	717	4,156	103	614	2,756	1,400	2,015	30,494	69,514	118	0	0	497	0	268	0	0	1,132	0
1979	4,089	921	5,168	96	824	2,488	2,680	3,505	23,524	76,484	474	0	0	350	0	1,543	0	0	1,138	0
1980	6,403	1,052	5,351	44	1,007	2,356	2,995	4,003	25,174	74,834	523	0	0	485	0	1,554	0	0	1,441	0
1981	7,052	1,121	5,931	195	926	2,915	3,116	4,042	22,914	77,094	412	10	0	504	0	1,386	34	0	1,696	0
1982	4,309	744	4,165	60	683	1,913	2,252	2,936	23,284	76,724	293	0	0	391	0	964	0	0	1,288	0
1983	3,776	368	3,408	0	368	1,572	1,836	2,204	16,704	83,304	153	0	0	217	0	761	0	0	1,082	0
1984	8,660	904	7,756	10	894	3,893	4,063	4,957	18,034	81,974	443	0	0	450	0	2,016	0	0	2,048	0
1985	7,070	737	6,333	349	388	3,091	3,242	3,830	10,684	89,324	153	0	0	235	0	1,279	0	0	1,963	0
1986	5,992	388	5,604	319	69	2,892	2,712	2,781	2,484	97,524	65	0	0	4	0	2,541	0	0	171	0
1987	4,877	236	4,441	79	156	2,758	1,683	1,840	8,504	91,504	149	0	0	8	0	1,600	0	0	83	0
1988	5,133	152	4,981	91	60	2,556	2,425	2,486	2,424	97,584	60	0	0	0	0	2,426	0	0	0	0
1989	4,932	157	4,775	133	25	2,259	2,516	2,540	0,974	99,034	25	0	0	0	0	2,516	0	0	0	0

Replaced by Table 23R starting with 1990.

(1) = Column (2) + (3).
 (2) = Table No. 29, Column (21).
 (3) = Table No. 29, Column (19).
 (4) = Table No. 30, Sheet 2, Column (17).
 (5) = Column (2) - Column (4).
 (6) = Table No. 30, Sheet 1, Column (12).
 (7) = Column (2) - Column (6).
 (8) = Column (5) + Column (7).
 (9) = Column (5) + Column (8).
 (10) = Column (7) + Column (8).
 (11) = Table 30, Sheet 1, Column (4) x Column (8) this page.
 (12) = Table 30, Sheet 1, Column (5) x Column (9) this page.
 (13) = Table 30, Sheet 1, Column (6) x Column (9) this page.
 (14) = Table 30, Sheet 1, Column (9) x Column (9) this page.
 (15) = Table 30, Sheet 1, Column (8) x Column (9) this page.
 (16) = Table 30, Sheet 1, Column (4) x Column (10) this page.
 (17) = Table 30, Sheet 1, Column (5) x Column (10) this page.
 (18) = Table 30, Sheet 1, Column (6) x Column (10) this page.
 (19) = Table 30, Sheet 1, Column (7) x Column (10) this page.
 (20) = Table 30, Sheet 1, Column (8) x Column (10) this page.

TABLE NO. 31

**RIVERSIDE HIGHLAND WATER COMPANY
WATER PRODUCTION FROM LYTLE, BUNKER HILL, COLTON & RIVERSIDE BASINS
IN SAN BERNARDINO AND RIVERSIDE COUNTIES AND THE DELIVERY OF THE PRODUCTION IN
SAN BERNARDINO AND RIVERSIDE COUNTIES**

(Quantities in Acre Feet)

Year (1)	PRODUCTION DELIVERED NORTH OF COUNTY LINE IN SAN BERNARDINO COUNTY					PRODUCTION DELIVERED SOUTH OF COUNTY LINE IN RIVERSIDE COUNTY					TOTAL											
	Lytle		Bunker Hill		Total	Lytle		Bunker Hill		Total	PRODUCTION OF THE NORTH COUNTY LINE	PRODUCTION OF THE SOUTH COUNTY LINE	TOTAL									
	R.H. Wells (2)	R.H. Wells (3)	Ward Hill (4)	Warren Hill (5)	R.H. Wells (6)	R.H. Wells (7)	Sierra Wells (8)	R.H. Wells (9)	Ward Hill (10)	Warren Hill (11)	R.H. Wells (12)	R.H. Wells (13)	Sierra Wells (14)	R.H. Wells (15)	Ward Hill (16)	Warren Hill (17)	Sierra Wells (18)	La (19)	Total (20)	PRODUCTION OF THE NORTH COUNTY LINE (21)	PRODUCTION OF THE SOUTH COUNTY LINE (22)	TOTAL (23)
1976	1,441	610	0	610	165	1,108	0	1,108	3,324	27	2,442	0	2,442	5	2,484	0	2,484	4,958	6,282	1,320	8,602	9,602
1977	1,380	439	0	439	322	1,116	0	1,116	3,258	26	1,738	0	1,738	10	3,583	0	3,583	5,356	8,614	1,088	9,702	9,702
1978	933	116	0	116	260	1,301	0	1,301	2,612	31	268	0	268	10	2,622	0	2,622	2,931	5,543	1,296	6,839	6,839
1979	1,307	474	0	474	184	1,194	0	1,194	3,160	45	1,543	0	1,543	7	2,682	0	2,682	4,276	7,436	975	8,411	8,411
1980	1,537	523	0	523	0	1,446	0	1,446	3,507	63	1,554	0	1,554	0	2,838	0	2,838	4,454	7,961	1,000	8,961	8,961
1981	1,740	412	10	422	0	1,676	0	1,676	3,837	66	1,386	34	1,420	0	3,289	0	3,289	4,776	8,613	1,272	9,885	9,885
1982	1,483	293	0	293	0	1,249	0	1,249	3,024	55	964	0	964	0	2,081	0	2,081	3,101	6,125	1,153	7,278	7,278
1983	2,187	153	0	153	0	890	0	890	3,209	81	761	0	761	0	1,646	0	1,646	2,489	5,698	1,033	6,731	6,731
1984	2,227	443	0	443	81	1,366	0	1,366	4,118	73	2,016	0	2,016	2	3,179	0	3,179	5,269	9,387	2,592	11,979	11,979
1985	1,825	153	0	153	651	1,298	0	1,298	3,927	55	1,279	0	1,279	24	3,177	0	3,177	4,535	8,462	1,917	10,379	10,379
1986	2,064	65	0	65	691	1,001	0	1,001	3,820	74	2,541	0	2,541	30	1,088	0	1,088	3,734	7,554	2,017	9,571	9,571
1987	2,080	149	0	149	451	578	0	578	3,258	90	1,600	0	1,600	20	1,054	0	1,054	2,764	6,022	1,813	7,835	7,835
1988	2,168	60	0	60	242	713	0	713	3,183	121	2,426	0	2,426	14	1,072	0	1,072	3,633	6,816	1,525	8,341	8,341
1989	1,943	25	0	25	142	1,558	0	1,558	3,669	197	2,516	0	2,516	16	1,000	0	1,000	3,728	7,397	1,429	8,826	8,826

Replaced by Table 23R starting with 1990.

(2) = Table No. 30, Sheet No. 2, Column (19).
 (3) = Table No. 30, Sheet No. 3, Column (11).
 (4) = Table No. 30, Sheet No. 3, Column (12).
 (5) = Column (3) + Column (4).
 (6) = Table No. 30, Sheet No. 2, Column (14).
 (7) = Table No. 30, Sheet No. 2, Column (15) + Sheet No. 3, Column (15).
 (8) = Table No. 30, Sheet No. 3, Column (15).
 (9) = Column (7) + Column (8).
 (10) = Column (2) + (5) + (6) + (9).
 (11) = Table No. 30, Sheet No. 2, Column (10).
 (12) = Table No. 30, Sheet No. 3, Column (17).
 (13) = Table No. 30, Sheet No. 3, Column (17).
 (14) = Column (12) + Column (13).
 (15) = Table No. 30, Sheet No. 2, Column (11).
 (16) = Table No. 30, Sheet No. 1, Column (10) + Sheet No. 2, Column (12) + Sheet No. 3, Column (19).
 (17) = Table No. 30, Sheet No. 3, Column (20).
 (18) = Column (16) + Column (17).
 (19) = Column (11) + (14) + (15) + (18).
 (20) = Column (10) + Column (19).
 (21) = Table No. 30, Sheet No. 1, Column (11).
 (22) = Column (20) + Column (21).
 Same as Table 22, Column (10).

TABLE NO. 31-A

TOTAL PRODUCTION BY RIVERSIDE HIGHLAND WATER COMPANY
FROM THE SAN BERNARDINO BASIN AREA
(INCLUDES LYTTLE AND BUNKER HILL BASINS)
AS DELIVERED IN SAN BERNARDINO AND RIVERSIDE COUNTIES
(Quantities in Acre Feet)

Calendar Year	Total Deliveries in San Bernardino County	Total Deliveries in Riverside County	Total Production From San Bernardino Basin Area
(1)	(2)	(3)	(4)
1971	2,388	1,624	4,012
1972	2,239	2,293	4,532
1973	1,751	1,761	3,512
1974	1,985	2,103	4,088
1975	2,002	2,707	4,709
1976	2,051	2,469	4,520
1977	1,820	1,763	3,583
1978	1,051	299	1,350
1979	1,782	1,587	3,369
1980	2,060	1,617	3,677
1981	2,152	1,452	3,604
1982	1,776	1,019	2,795
1983	2,319	843	3,162
1984	2,671	2,088	4,759
1985	1,978	1,334	3,312
1986	2,128	2,616	4,744
1987	2,229	1,690	3,919
1988	2,229	2,546	4,775
1989	1,968	2,713	4,681
1990	2,313	1,779	4,092
1991	1,669	1,352	3,021
1992	2,275	1,777	4,052
1993	1,777	1,464	3,241
1994	2,201	2,123	4,324
1995	2,146	1,809	3,955
1996	2,756	2,295	5,051
1997	2,656	2,283	4,939
1998	1,961	1,289	3,250
1999			
2000			
2001			
2002			
2003			
2004			
2005			
2006			
2007			
2008			

Note: Excludes City of Riverside production (Ward Warren) in Bunker Hill Basin which is delivered to Riverside Highland Water Company.

(2) = Table No. 31, Column (2) + (3); beginning with 1990, Table 23R, page 2, Column (6).

(3) = Table No. 31, Column (11) + (12); beginning with 1990, Table 23R, page 2, Column (7).

(4) = Column (2) + (3), Same as Table 22, Col. (5).

FOR YEARS PRECEDING 1971: Refer to Volume 5, August 1976, Page 1-85.

TABLE NO. 32

MEEKS & DALEY WATER COMPANY &
 AGUA MANSA WATER COMPANY
 WATER PRODUCTION FROM THE SAN BERNARDINO BASIN AREA
 AND THE COLTON BASIN AREA

Year	San Bernardino Basin Area Production										TOTAL	Net			Colton Basin Production				
	(1)	(2)	(3)	(4)	(5)	(6)	(7)	(8)	(9)	(10)		(11)	(12)	(13)		(14)	(15)	(16)	(17)
	E St. #51*	#54*	#54*	#54*	Coburn #59	New E St. #66*	farm Creek Ditch #69	farm Creek Ditch #91	Warren #4 #91	Warren #4 #91	Warren #4 #91	Warren #4 #91	Warren #4 #91	Warren #4 #91	Warren #4 #91	Warren #4 #91	Warren #4 #91	Warren #4 #91	
	184W13H028	184W13H028	184W13H028	184W13H028	184W15098	184W15038	184W15038	184W15038	184W15038	184W15038	184W15038	184W15038	184W15038	184W15038	184W15038	184W15038	184W15038	184W15038	184W15038
	3601511	3601512	3601513	3601513	3601737	3601887	3602129	3602129	3602129	3602129	3602129	3602129	3602129	3602129	3602129	3602129	3602129	3602129	3602129
1971	0	0	0	0	178	0	2,502	0	0	0	222	0	0	2,902	0	2,902	0	0	0
1972	0	0	0	0	285	1,503	1,678	0	0	0	81	0	0	3,527	0	3,527	0	0	0
1973	0	0	0	0	117	1,246	1,412	0	0	0	204	0	0	2,979	0	2,979	0	0	484
1974	-	-	-	-	354	2,606	1,379	-	-	-	165	-	-	4,504	275	4,229	0	0	0
1975	-	-	-	-	329	2,305	2,025	-	-	-	0	-	-	3,950	1,649	2,301	1,350	1,350	1,350
1976	-	-	-	-	329	2,305	2,759	-	-	-	0	-	-	5,393	2,178	3,215	1,860	1,860	1,860
1977	-	-	-	-	4	1,848	2,368	-	-	-	0	-	-	4,220	1,848	2,372	2,018	2,018	2,018
1978	-	-	-	-	182	1,518	574	-	-	-	0	-	-	2,254	1,385	869	422	422	422
1979	-	-	-	-	207	1,549	2,174	-	-	-	0	-	-	3,930	1,231	2,699	1,698	1,698	1,698
1980	-	-	-	-	155	2,102	76	-	-	-	0	-	-	2,333	1,658	675	0	0	0
1981	-	-	-	-	8	3,084	0	-	-	-	0	-	-	3,092	2,496	596	0	0	0
1982	-	-	-	-	127	1,845	1,744	-	-	-	0	-	-	3,716	1,471	2,245	910	910	910
1983	-	-	-	-	0	2,583	68	-	-	-	0	-	-	2,651	2,317	334	50	50	50
1984	-	-	-	-	249	2,947	1,969	-	-	-	0	-	-	5,165	2,613	2,552	1,383	1,383	1,383
1985	-	-	-	-	165	2,815	2,405	-	-	-	0	-	-	5,385	2,487	2,898	1,554	1,554	1,554
1986	-	-	-	-	274	1,990	2,600	-	-	-	0	-	-	5,570	2,660	2,910	1,575	1,575	1,575
1987	-	-	-	-	161	2,400	2,353	-	-	-	0	-	-	4,914	2,253	2,661	1,560	1,560	1,560
1988	-	-	-	-	355	2,251	2,360	-	-	-	0	-	-	4,966	2,251	2,715	1,754	1,754	1,754
1989	-	-	-	-	524	2,853	1,477	-	-	-	0	-	-	5,392	3,043	2,349	1,538	1,538	1,538
1990	-	-	-	-	352	2,189	0	-	-	-	0	-	-	3,389	3,389	462	1,651	1,651	1,651
1991	-	-	-	-	401	2,625	0	-	-	-	0	-	-	4,426	2,997	1,429	1,530	1,530	1,530
1992	-	-	-	-	224	1,946	0	-	-	-	224	-	-	4,100	3,285	815	1,209	1,209	1,209
1993	-	-	-	-	438	2,181	0	-	-	-	182	-	-	5,013	2,422	2,591	0	0	0
1994	-	-	-	-	401	2,134	0	-	-	-	89	-	-	4,525	3,127	1,398	586	586	586
1995	-	-	-	-	343	2,322	0	-	-	-	50	-	-	3,560	3,166	394	344	344	344
1996	-	-	-	-	160	1,291	0	-	-	-	130	-	-	3,912	3,009	903	362	362	362
1997	-	-	-	-	134	2,094	0	-	-	-	224	-	-	4,165	3,343	822	484	484	484
1998	-	-	-	-	134	1,711	0	-	-	-	200	-	-	3,828	3,257	571	88	88	88
1999	-	-	-	-	-	-	-	-	-	-	-	-	-	-	-	-	-	-	-
2000	-	-	-	-	-	-	-	-	-	-	-	-	-	-	-	-	-	-	-
2001	-	-	-	-	-	-	-	-	-	-	-	-	-	-	-	-	-	-	-
2002	-	-	-	-	-	-	-	-	-	-	-	-	-	-	-	-	-	-	-
2003	-	-	-	-	-	-	-	-	-	-	-	-	-	-	-	-	-	-	-
2004	-	-	-	-	-	-	-	-	-	-	-	-	-	-	-	-	-	-	-
2005	-	-	-	-	-	-	-	-	-	-	-	-	-	-	-	-	-	-	-
2006	-	-	-	-	-	-	-	-	-	-	-	-	-	-	-	-	-	-	-
2007	-	-	-	-	-	-	-	-	-	-	-	-	-	-	-	-	-	-	-
2008	-	-	-	-	-	-	-	-	-	-	-	-	-	-	-	-	-	-	-

Notes: No production from the Riverside Basin Area.
 Data from Temescal, Meeks & Daley records unless otherwise noted.
 * Abandoned t/or file closed.
 FOR YEARS PRECEDING 1971: Refer to Volume 5, August 1976, Page I-91.

* Warren #4 & Raub #6 are owned by the C of R and are being pumped by H & D into Riverside's system to meet stock rights.
 Column (12) = same as Table No. 1, Sheet 2, Line 48.
 Column (13) = same as Table No. 1, Sheet 2, Line 69.
 Column (15) = Water delivered to C of R from M&D #59 and Warren #4/Raub #6 production: Table 1, Sheet 2, Line (67+ 68+ 69).

TABLE NO. 33

**MEERS & DALEY WATER COMPANY AND AGUA MANSANA WATER COMPANY
WATER PRODUCTION FROM THE SAN BERNARDINO BASIN AREA
AND THE COLTON BASIN AREA DELIVERED IN SAN BERNARDINO COUNTY AND EXPORTED TO RIVERSIDE COUNTY**
(Quantities in Acre Feet by Calendar Year)

Year	San Bernardino Basin Area Net Production		Colton Basin Area Production		Composition of Production		Delivery in S.B. County		Delivery in San Bernardino County		Production Exported to Riverside County		Total
	(1)	(2)	(3)	(4)	(5)	(6)	(7)	(8)	(9)	(10)	(11)	(12)	
1971	2,902	0	2,902	100.00%	0.00%	383	383	0	2,519	0	-	2,519	0
1972	3,527	0	3,527	100.00%	0.00%	377	377	0	3,150	0	-	3,150	0
1973	2,979	484	3,463	86.02%	13.98%	291	250	41	2,729	443	-	3,172	3,172
1974	4,229	0	4,229	100.00%	0.00%	246	246	0	3,983	0	-	3,983	3,983
1975	2,301	1,350	3,651	63.02%	36.98%	266	168	98	2,133	1,252	-	3,385	3,385
1976	3,215	1,860	5,075	63.35%	36.65%	287	182	105	3,033	1,755	-	4,788	4,788
1977	2,372	2,018	4,390	54.03%	45.97%	271	146	125	2,226	1,893	-	4,119	4,119
1978	869	422	1,291	67.31%	32.69%	239	161	78	708	344	-	1,052	1,052
1979	2,699	1,698	4,397	61.38%	38.62%	270	166	104	2,533	1,594	-	4,127	4,127
1980	675	0	675	100.00%	0.00%	323	323	0	352	0	-	352	352
1981	596	0	596	100.00%	0.00%	358	358	0	238	0	-	238	238
1982	2,245	910	3,155	71.16%	28.84%	237	169	68	2,076	842	-	2,918	2,918
1983	334	50	384	86.98%	13.02%	282	245	37	2,076	842	-	2,918	2,918
1984	2,552	1,383	3,935	64.85%	35.15%	359	233	126	2,319	1,257	-	3,576	3,576
1985	2,898	1,854	4,752	65.09%	34.91%	322	210	112	2,688	1,442	-	4,130	4,130
1986	2,910	1,575	4,485	64.88%	35.12%	327	212	115	2,698	1,460	-	4,158	4,158
1987	2,661	1,560	4,221	63.04%	36.96%	306	193	113	2,468	1,447	-	3,915	3,915
1988	2,715	1,754	4,469	60.75%	39.25%	383	233	150	2,482	1,604	-	4,086	4,086
1989	2,349	1,538	3,887	60.43%	39.57%	397	240	157	2,109	1,381	-	3,490	3,490
1990	462	1,691	2,153	21.46%	78.54%	389	83	306	379	1,385	-	1,764	1,764
1991	1,429	1,530	2,959	48.29%	51.71%	394	190	204	1,239	1,326	-	2,565	2,565
1992	815	1,209	2,024	40.27%	59.73%	294	118	176	607	1,033	-	1,730	1,730
1993	2,591	0	2,591	100.00%	0.00%	276	276	0	2,315	0	-	2,315	2,315
1994	1,398	586	1,984	70.46%	29.54%	322	227	95	1,171	491	-	1,662	1,662
1995	394	344	738	53.39%	46.61%	271	145	126	249	218	-	467	467
1996	903	362	1,265	71.38%	28.62%	272	194	78	709	284	-	993	993
1997	822	484	1,306	62.94%	37.06%	218	137	81	685	403	-	1,088	1,088
1998	571	88	659	86.65%	13.35%	242	210	32	361	56	-	417	417
1999													
2000													
2001													
2002													
2003													
2004													
2005													
2006													
2007													
2008													

(1) = Table No. 32, Column (16).
 (2) = Table No. 32, Column (17).
 (3) = Column (1) + (2).
 (4) = Column (1) + (3).
 (5) = Column (2) + (3).
 (6) = From M & D records, "Deliveries in vicinity of Colton".
 FOR YEARS PRECEDING 1971: Refer to Volume 5, August 1976, Page I-94.

(7) = Column (6) x (4).
 (8) = Column (6) x (5).
 (9) = Column (1) - (7).
 (10) = Column (2) - (8).
 (11) = No Production in Riverside Basin.
 (12) = Column (9) + (10) + (11).
 * Quantity shown is portion exported via canals and excludes Well No. 59. See Table 34 for total exported from San Bernardino Basin Area which includes Well No. 59.
 * Corrected during 1989 verification.

TABLE NO. 34

MEEKS & DALEY WATER COMPANY
WATER PRODUCTION FROM SAN BERNARDINO BASIN AREA
AND DELIVERIES WITHIN SAN BERNARDINO COUNTY
AND EXPORT TO RIVERSIDE COUNTY

(Quantities in Acre Feet)

Year	Production in the San Bernardino Basin Area	Deliveries within Colton & Riverside Basins in San Bernardino County	San Bernardino Basin Production Exported to Riverside County
Year	(1)	(2)	(3)
1971	2,902	383	2,519
1972	3,527	377	3,150
1973	2,979	250	2,729
1974	4,504	246	4,258
1975	3,950	168	3,782
1976	5,393	182	5,211
1977	4,220	146	4,074
1978	2,254	161	2,093
1979	3,930	166	3,764
1980	2,333	323	2,010
1981	3,092	358	2,734
1982	3,716	169	3,547
1983	2,651	245	2,406
1984	5,165	233	4,932
1985	5,385	210	5,175
1986	5,570	212	5,358
1987	4,914	193	4,721
1988	4,966	233	4,733
1989	5,392	240	5,152
1990	3,851	83	3,768
1991	4,426	190	4,236
1992	4,100	118	3,982
1993	5,013	276	4,737
1994	4,525	227	4,298
1995	3,560	145	3,415
1996	3,912	194	3,718
1997	4,165	137	4,028
1998	3,828	210	3,618
1999			
2000			
2001			
2002			
2003			
2004			
2005			
2006			
2007			
2008			

Column (1) = From Table No. 32, Column (14).

Column (2) = From Table No. 33, Col. 7.

Column (3) = Col. (1) - Col. (2)

Export of water from Well No. 59 and others by C of R,
 (Table No. 32, Column 15) is credited to M & D who
 produced said water and is excluded from C of R
 production (Table 1, Line 64).

FOR YEARS PRECEDING 1971: Refer to Volume 5, August 1976, Page 1-96.

TABLE NO. 35

UNIVERSITY OF CALIFORNIA
WATER PRODUCTION FROM BUNKER HILL BASIN IN THE SAN BERNARDINO BASIN AREA
AND EXPORTED TO RIVERSIDE COUNTY
(Quantities in Acre Feet)

Year	Hunt 6	Hunt 8	Hunt 9	Hunt 10	Hunt 11	Total	Export
	1S4W27A11S	1S4W27A07S	1S4W27A08S	1S4W27A09S	1S4W27A10S	Production in Bunker Hill Basin Area	to Riverside County
	3601222	3691241	3691242	3601244	3601245	(6)	(7)
	(1)	(2) ^o	(3) ^o	(4)	(5)		
1971	73	0	0	146	0	219	219
1972	62	0	0	177	0	239	239
1973	50	0	0	189	0	239	239
1974	69	0	0	198	0	267	267
1975	34	0	0	143	2	179	179
1976	8	-	-	225	12	245	245
1977	25	-	-	41	21	87	87
1978	69	-	-	114	0	183	183
1979	29	-	-	54	0	83	83
1980	1	-	-	6	0	7	7
1981	0	-	-	143	0	143	143
1982	20	-	-	6	22	48	48
1983	0	-	-	0	0	0	0
1984	0	-	-	0	0	0	0
1985	0	-	-	0	0	0	0
1986	13	-	-	25	10	48	48
1987	51	-	-	99	45	195	195
1988	58	-	-	55	66	179	179
1989	12	-	-	25	25	62	62
1990	17	-	-	59	19	95	95
1991	5	-	-	12	6	23	23
1992	32	-	-	0	0	32	32
1993	70	-	-	214	252	536	536
1994	147	-	-	245	201	593	593
1995	181	-	-	210	197	588	588
1996	181	-	-	0	264	445	445
1997	113	-	-	207	185	505	505
1998	171	-	-	250	169	590	590
1999	-	-	-	-	-	-	-
2000	-	-	-	-	-	-	-
2001	-	-	-	-	-	-	-
2002	-	-	-	-	-	-	-
2003	-	-	-	-	-	-	-
2004	-	-	-	-	-	-	-
2005	-	-	-	-	-	-	-
2006	-	-	-	-	-	-	-
2007	-	-	-	-	-	-	-
2008	-	-	-	-	-	-	-

Note: No deliveries in Bunker Hill Basin or Riverside North Basin.

No production or deliveries in Colton Basin.

Revised Recordation Numbers issued in 1981.

^o Abandoned &/or Filed Closed.

FOR YEARS PRECEDING 1971: Refer to Volume 5, August 1976, Page I-100.

TABLE NO. 36

UNIVERSITY OF CALIFORNIA
WATER PRODUCTION FROM BUNKER HILL BASIN IN THE SAN BERNARDINO BASIN AREA
AND EXPORTED TO RIVERSIDE COUNTY

(Quantities in Acre Feet)

Year	Production in San Bernardino Basin Area	Delivery within San Bernardino Co.	S. B. Basin Production Exported to Riverside Co.
(1)	(2)	(3)	(3)
1971	219	-	219
1972	239	-	239
1973	239	-	239
1974	267	-	267
1975	179	-	179
1976	245	-	245
1977	87	-	87
1978	183	-	183
1979	83	-	83
1980	7	-	7
1981	143	-	143
1982	48	-	48
1983	0	-	0
1984	0	-	0
1985	0	-	0
1986	48	-	48
1987	195	-	195
1988	179	-	179
1989	62	-	62
1990	95	-	95
1991	23	-	23
1992	32	-	32
1993	536	-	536
1994	593	-	593
1995	588	-	588
1996	445	-	445
1997	505	-	505
1998	590	-	590
1999		-	
2000		-	
2001		-	
2002		-	
2003		-	
2004		-	
2005		-	
2006		-	
2007		-	
2008		-	

Column (1) = Table No. 35, Column (6).

Column (2) = No water delivered in San Bernardino County.

Column (3) = Column (1) - Column (2).

FOR YEARS PRECEDING 1971: Refer to Volume 5, August 1976, Page I-102.

TABLE NO. 36-A

EXTRACTIONS BY PLAINTIFF
FROM THE SAN BERNARDINO BASIN AREA
THROUGH THE CURRENT YEAR

CLASSIFIED ACCORDING TO SERVICE AREA
(Quantities in Acre Feet)

EXTRACTIONS FROM SAN BERNARDINO BASIN AREA FOR USE WITHIN AND EXPORT THEREFROM

PLAINTIFFS	1976			1977			1978			1979			1980					
	Total Extract	Del. S.B. Basin	Del. Colton & Riv N Outside	Total Extract	Del. S.B. Basin	Del. Colton & Riv N Outside	Total Extract	Del. S.B. Basin	Del. Colton & Riv N Outside	Total Extract	Del. S.B. Basin	Del. Colton & Riv N Outside	Total Extract	Del. S.B. Basin	Del. Colton & Riv N Outside			
CITY OF RIVERSIDE (a) City & Riverside Wtr Co.	22,085	0	22,085	18,900	0	18,900	19,055	0	0	19,055	21,561	0	0	21,561	18,875	0	0	18,875
CITY OF RIVERSIDE (b) Gage Canal Co.	29,289	0	28,766	32,099	0	31,753	26,329	646	301	25,382	30,816	0	415	30,401	31,881	383	0	31,498
SUB TOTAL - C of R	51,374	0	50,851	50,999	0	50,653	45,384	646	301	44,437	52,377	0	415	51,962	50,756	383	0	50,373
RIVERSIDE HIGHLAND (c) WATER CO	4,519	0	2,469	3,583	0	1,820	1,763	0	1,051	299	3,369	0	1,781	1,588	3,677	0	2,060	1,617
MECKS & DALEY WATER CO. AGUA HANSA WATER CO. (d)	5,393	0	5,211	4,220	0	4,074	2,254	0	161	2,093	3,930	0	270	3,660	2,333	0	323	2,010
UNIVERSITY OF CALIFORNIA (e)	245	0	245	87	0	87	183	0	0	183	83	0	0	83	7	0	0	7
TOTALS	61,531	0	58,776	58,889	0	56,577	49,171	646	1,513	47,012	59,759	0	2,466	57,293	56,773	383	2,383	54,007

Total Extract -- TOTAL EXTRACTIONS.

Del S.B. Basin -- DELIVERIES IN SAN BERNARDINO BASIN AREA.

Del. Colton & Riv. N. -- DELIVERIES IN COLTON & RIVERSIDE BASIN IN SAN BERNARDINO COUNTY.

Del. Outside SBVWMD -- DELIVERIES OUTSIDE SAN BERNARDINO VALLEY MUNICIPAL WATER DISTRICT.

(a) Table 13 - Columns 1, 2, 7, 8.

(b) Table 18 - Columns 1, 2, 6, 7.

(c) Table 31A - Columns 4, 1, 2, 3.

(d) Table 34 - Columns 1, 2, 3.

(e) Table 36 - Columns 1, 2, 3.

See Report of the Watermaster, Same as Table No. 3, Volume 1a. For Years Preceding 1976: Refer to Volume 5-1975, August 1977, Page 34.

TABLE NO. 36-A

EXTRACTIONS BY PLAINTIFF
FROM THE SAN BERNARDINO BASIN AREA
THROUGH THE CURRENT YEAR

CLASSIFIED ACCORDING TO SERVICE AREA
(Quantities in Acre Feet)

EXTRACTIONS FROM SAN BERNARDINO BASIN AREA FOR USE WITHIN AND EXPORT THEREFROM

PLAINTIFFS	1981			1982			1983			1984			1985		
	Total Extract	Del. S.B. Basin & Riv N SBVHWD	Del. Colton Outside SBVHWD	Total Extract	Del. S.B. Basin & Riv N SBVHWD	Del. Colton Outside SBVHWD	Total Extract	Del. S.B. Basin & Riv N SBVHWD	Del. Colton Outside SBVHWD	Total Extract	Del. S.B. Basin & Riv N SBVHWD	Del. Colton Outside SBVHWD	Total Extract	Del. S.B. Basin & Riv N SBVHWD	Del. Colton Outside SBVHWD
CITY OF RIVERSIDE (a) City & Riverside Wtr Co.	20,363	0	0 20,363	19,522	146	0 19,376	25,681	144	0 25,537	25,031	0	0 25,031	31,817	0	0 31,817
CITY OF RIVERSIDE (b) Gage Canal Co.	31,794	724	0 31,070	30,077	16	0 30,061	20,383	191	0 20,192	33,875	32	0 33,843	31,256	59	0 31,197
SUB TOTAL - C of R	52,157	724	0 51,433	49,599	162	0 49,437	46,064	335	0 45,729	58,906	32	0 58,874	63,073	59	0 63,014
RIVERSIDE HIGHLAND (c) WATER CO	3,604	0	2,151 1,453	2,795	0	1,775 1,020	3,161	0	2,318 843	4,759	0	2,671 2,088	3,312	0	1,978 1,334
MEERS & DALEY WATER CO. AGUA MANSÁ WATER CO. (d)	3,092	0	358 2,734	3,716	0	169 3,547	2,651	0	245 2,406	5,165	0	233 4,932	5,385	0	210 5,175
UNIVERSITY OF CALIFORNIA (e)	143	0	0 143	48	0	0 48	0	0	0 0	0	0	0 0	0	0	0 0
TOTALS	58,996	724	2,509 55,763	56,158	162	1,944 54,052	51,876	335	2,563 48,978	68,830	32	2,904 65,894	71,770	59	2,188 69,523

Total Extract -- TOTAL EXTRACTIONS.
Del S.B. Basin -- DELIVERIES IN SAN BERNARDINO BASIN AREA.
Del. Colton & Riv. N. -- DELIVERIES IN COLTON & RIVERSIDE BASIN IN SAN BERNARDINO COUNTY.
Del. Outside SBVHWD -- DELIVERIES OUTSIDE SAN BERNARDINO VALLEY MUNICIPAL WATER DISTRICT.

- (a) Table 13 - Columns 1, 2, 7, 8.
- (b) Table 18 - Columns 1, 2, 6, 7.
- (c) Table 31A - Columns 4, 9, 2, 3.
- (d) Table 34 - Columns 1, 0, 2, 3.
- (e) Table 36 - Columns 1, 0, 0, 3.

See Report of the Watermaster, Same as Table No. 3, Volume 1a. For Years Preceding 1976: Refer to Volume 5-1975, August 1977, Page 34.

TABLE NO. 36-A

EXTRACTIONS BY PLAINTIFF
FROM THE SAN BERNARDINO BASIN AREA
THROUGH THE CURRENT YEAR

CLASSIFIED ACCORDING TO SERVICE AREA
(Quantities in Acre Feet)

EXTRACTIONS FROM SAN BERNARDINO BASIN AREA FOR USE WITHIN AND EXPORT THEREFROM

PLAINTIFFS	1986			1987			1988			1989			1990							
	Total Extract	Del. S.B. Basin & Riv N SBVWMD	Del. Colton & Riv N SBVWMD	Del. S.B. Basin & Riv N SBVWMD	Total Extract	Del. S.B. Basin & Riv N SBVWMD	Del. Colton & Riv N SBVWMD	Del. Outside SBVWMD	Total Extract	Del. S.B. Basin & Riv N SBVWMD	Del. Colton & Riv N SBVWMD	Del. Outside SBVWMD	Total Extract	Del. S.B. Basin & Riv N SBVWMD	Del. Colton & Riv N SBVWMD	Del. Outside SBVWMD				
CITY OF RIVERSIDE (a) City & Riverside Wtr Co.	25,996	292	0	25,704	25,528	319	0	25,209	26,490	815	0	25,675	21,129	28	0	21,101	20,942	19	0	20,923
CITY OF RIVERSIDE (b) Sage Canal Co.	33,983	145	0	33,838	32,313	15	0	32,298	38,022	0	0	38,022	29,655	0	0	29,655	26,695	0	0	26,695
SUB TOTAL - C of R	59,979	437	0	59,542	57,841	334	0	57,507	64,512	815	0	63,697	50,784	28	0	50,756	47,637	19	0	47,618
RIVERSIDE HIGHLAND (c) WATER CO	4,744	0	2,130	2,614	3,919	0	2,229	1,690	4,775	0	2,229	2,546	4,661	0	1,968	2,713	4,092	0	2,313	1,779
MEERS & DALEY WATER CO. AGUA HANSA WATER CO. (d)	5,570	0	234	5,336	4,914	0	193	4,721	4,966	0	233	4,733	5,392	0	240	5,152	3,851	0	83	3,768
UNIVERSITY OF CALIFORNIA (e)	48	0	0	48	195	0	0	195	179	0	0	179	62	0	0	62	95	0	0	95
TOTALS	70,341	437	2,364	67,540	66,869	334	2,422	64,113	74,432	815	2,462	71,155	60,919	28	2,208	58,683	55,675	19	2,386	53,260

Total Extract -- TOTAL EXTRACTIONS.

Del S.B. Basin -- DELIVERIES IN SAN BERNARDINO BASIN AREA.

Del. Colton & Riv. N. -- DELIVERIES IN COLTON & RIVERSIDE BASIN IN SAN BERNARDINO COUNTY.

Del. Outside SBVWMD -- DELIVERIES OUTSIDE SAN BERNARDINO VALLEY MUNICIPAL WATER DISTRICT.

(a) Table 13 - Columns 1, 2, 7, 8.

(b) Table 18 - Columns 1, 2, 6, 7.

(c) Table 31A - Columns 4, 0, 2, 3.

(d) Table 34 - Columns 1, 0, 2, 3.

(e) Table 36 - Columns 1, 0, 0, 3.

See Report of the Watermaster, Same as Table No. 3, Volume 1a. For Years Preceding 1976: Refer to Volume 5-1975, August 1977, Page 34.

TABLE NO. 36-A

**EXTRACTIONS BY PLAINTIFF
FROM THE SAN BERNARDINO BASIN AREA
THROUGH THE CURRENT YEAR**

CLASSIFIED ACCORDING TO SERVICE AREA
(Quantities in Acre Feet)

EXTRACTIONS FROM SAN BERNARDINO BASIN AREA FOR USE WITHIN AND EXPORT THEREFROM

	1991			1992			1993			1994			1995							
	Total Extract	Del. S.B. Basin	Del. Colton & Riv N	Del. Outside SBVWD	Total Extract	Del. S.B. Basin	Del. Colton & Riv N	Del. Outside SBVWD	Total Extract	Del. S.B. Basin	Del. Colton & Riv N	Del. Outside SBVWD	Total Extract	Del. S.B. Basin	Del. Colton & Riv N	Del. Outside SBVWD				
PLAINTIFFS																				
CITY OF RIVERSIDE (a) City & Riverside Wtr Co.	26,133	155	0	25,978	24,783	203	0	24,580	25,675	-108	0	25,783	25,724	7	0	25,717	23,316	1	0	23,315
CITY OF RIVERSIDE (b) Gage Canal Co.	26,776	0	0	26,776	25,456	0	0	25,456	26,439	0	0	26,439	34,723	39	0	34,684	32,076	98	0	31,978
SUB TOTAL - C of R	52,909	155	0	52,754	50,239	203	0	50,036	52,114	-108	0	52,222	60,447	46	0	60,401	55,392	99	0	55,293
RIVERSIDE HIGHLAND (c) WATER CO	3,021	0	1,669	1,352	4,052	0	2,275	1,777	3,241	0	1,777	1,464	4,324	0	2,201	2,123	3,955	0	2,146	1,809
MEERS & DALEY WATER CO. AGUA MANSA WATER CO. (d)	4,426	0	190	4,236	4,100	0	118	3,982	5,013	0	276	4,737	4,525	0	227	4,298	3,560	0	145	3,415
UNIVERSITY OF CALIFORNIA (e)	23	0	0	23	32	0	0	32	536	0	0	536	593	0	0	593	588	0	0	588
TOTALS	60,379	155	1,859	58,365	58,423	203	2,393	55,827	60,904	-108	2,053	58,959	69,889	46	2,428	67,415	63,495	99	2,291	61,105

Total Extract -- TOTAL EXTRACTIONS.
Del S.B. Basin -- DELIVERIES IN SAN BERNARDINO BASIN AREA.
Del. Colton & Riv. N. -- DELIVERIES IN COLTON & RIVERSIDE BASIN IN SAN BERNARDINO COUNTY.
Del. Outside SBVWD -- DELIVERIES OUTSIDE SAN BERNARDINO VALLEY MUNICIPAL WATER DISTRICT.

- (a) Table 13 - Columns 1, 2, 7, 8.
- (b) Table 18 - Columns 1, 2, 6, 7.
- (c) Table 31A - Columns 4, 6, 2, 3.
- (d) Table 34 - Columns 1, 6, 2, 3.
- (e) Table 36 - Columns 1, 6, 3.

See Report of the Watermaster, Same as Table No. 3, Volume 1a. For Years Preceding 1976; Refer to Volume 5-1975, August 1977, Page 34.

TABLE NO. 36-A

EXTRACTIONS BY PLAINTIFF
FROM THE SAN BERNARDINO BASIN AREA
THROUGH THE CURRENT YEAR

CLASSIFIED ACCORDING TO SERVICE AREA
(Quantities in Acre Feet)

EXTRACTIONS FROM SAN BERNARDINO BASIN AREA FOR USE WITHIN AND EXPORT THEREFROM

PLAINTIFFS	1996			1997			1998			1999			2000		
	Total Extract	Del. S.B. Basin	Del. Colton & Riv N SBVWMD	Total Extract	Del. S.B. Basin	Del. Colton & Riv N SBVWMD	Total Extract	Del. S.B. Basin	Del. Colton & Riv N SBVWMD	Total Extract	Del. S.B. Basin	Del. Colton & Riv N SBVWMD	Total Extract	Del. S.B. Basin	Del. Colton & Riv N SBVWMD
CITY OF RIVERSIDE (a) City & Riverside Wtr Co.	29,351	268	0 29,083	27,621	486	0 27,135	24,210	0	0 24,210						
CITY OF RIVERSIDE (b) Gage Canal Co.	34,031	251	0 33,780	32,317	197	0 32,120	30,207	182	0 30,025						
SUB TOTAL - C of R	63,382	519	0 62,863	59,938	683	0 59,255	54,417	182	0 54,235						
RIVERSIDE HIGHLAND (c) WATER CO	5,051	0	2,756 2,295	4,939	0	2,656 2,283	3,250	0	1,961 1,289						
MEEKS & DALEY WATER CO. AGUA MANSA WATER CO. (d)	3,912	0	194 3,718	4,165	0	137 4,028	3,828	0	210 3,618						
UNIVERSITY OF CALIFORNIA (e)	445	0	0 445	505	0	0 505	590	0	0 590						
TOTALS	72,790	519	2,950 69,321	69,547	683	2,794 66,070	62,085	182	2,170 59,733						

Total Extract -- TOTAL EXTRACTIONS.

Del S.B. Basin -- DELIVERIES IN SAN BERNARDINO BASIN AREA.

Del. Colton & Riv. N. -- DELIVERIES IN COLTON & RIVERSIDE BASIN IN SAN BERNARDINO COUNTY.

Del. Outside SBVWMD -- DELIVERIES OUTSIDE SAN BERNARDINO VALLEY MUNICIPAL WATER DISTRICT.

(a) Table 13 - Columns 1, 2, 7, 8.

(b) Table 18 - Columns 1, 2, 6, 7.

(c) Table 31A - Columns 4, 0, 2, 3.

(d) Table 34 - Columns 1, 0, 2, 3.

(e) Table 36 - Columns 1, 0, 0, 3.

See Report of the Watermaster, same as Table No. 3, Volume 1a. For Years Preceding 1976; Refer to Volumes 5-1975, August 1977, Page 34.

TABLE NO. 36-B

TOTAL PLAINTIFF EXTRACTIONS FROM
SAN BERNARDINO BASIN AREA
 (Quantities in Acre Feet)

EXTRACTING PLAINTIFF

Year	City of Riverside	Gage Canal	Riverside Highland	Meeks & Daley	Univ. of California	Total
	(1)	(2)	(3)	(4)	(5)	(6)
1971	24,939	28,943	4,012	2,902	219	61,015
1972	20,474	25,220	4,532	3,527	239	53,992
1973	21,493	21,529	3,512	2,979	239	49,752
1974	27,420	15,947	4,088	4,504	267	52,226
1975	25,248	22,714	4,709	3,950	179	56,800
1976	22,085	29,289	4,519	5,393	245	61,531
1977	18,900	32,099	3,583	4,220	87	58,888
1978	19,055	26,329	1,350	2,254	183	49,181
1979	21,561	30,816	3,369	3,930	83	59,759
1980	18,875	31,881	3,677	2,333	7	56,773
1981	20,363	31,794	3,604	3,092	143	58,996
1982	19,522	30,077	2,795	3,716	48	56,158
1983	25,681	20,383	3,161	2,651	0	51,876
1984	25,031	33,875	4,759	5,165	0	68,830
1985	31,817	31,256	3,312	5,385	0	71,770
1986	25,996	33,983	4,744	5,570	48	79,341
1987	25,528	32,313	3,919	4,914	195	66,869
1988	26,490	38,022	4,775	4,966	179	74,432
1989	21,129	29,655	4,681	5,392	62	60,919
1990	20,942	26,695	4,092	3,851	95	55,675
1991	26,133	26,776	3,021	4,426	23	60,379
1992	24,783	25,456	4,052	4,100	32	58,423
1993	25,675	26,439	3,241	5,013	536	60,904
1994	25,724	34,723	4,324	4,525	593	69,889
1995	23,316	32,076	3,955	3,560	588	63,495
1996	29,351	34,031	5,051	3,912	445	72,790
1997	27,621	32,317	4,939	4,165	505	69,547
1998	24,210	30,207	3,250	3,828	590	62,085
1999						
2000						
2001						
2002						
2003						
2004						
2005						
2006						
2007						
2008						

From Table No. 36-A Column 1.

(Same as Table 4, Vol. 1a.)

FOR YEARS PRECEDING 1971: Refer to Volume 5, August 1976, Page 1-109.

TABLE NO. 36-C

TOTAL PLAINTIFF EXTRACTIONS FROM
SAN BERNARDINO BASIN AREA
DELIVERIES IN SAN BERNARDINO BASIN AREA
(Quantities in Acre Feet)

EXTRACTING PLAINTIFF

Year	City of Riverside	Gage Canal	Riverside Highland	Meeks & Daley	Univ. of California	Total
	(1)	(2)	(3)	(4)	(5)	(6)
1971	0	98	0	0	0	98
1972	0	85	0	0	0	85
1973	0	156	0	0	0	156
1974	0	0	0	0	0	0
1975	0	0	0	0	0	0
1976	0	0	0	0	0	0
1977	0	0	0	0	0	0
1978	0	646	0	0	0	646
1979	0	0	0	0	0	0
1980	0	383	0	0	0	383
1981	0	724	0	0	0	724
1982	146	16	0	0	0	162
1983	144	191	0	0	0	335
1984	0	32	0	0	0	32
1985	0	59	0	0	0	59
1986	292	145	0	0	0	437
1987	319	15	0	0	0	334
1988	815	0	0	0	0	815
1989	28	0	0	0	0	28
1990	19	0	0	0	0	19
1991	155	0	0	0	0	155
1992	203	0	0	0	0	203
1993	-108	0	0	0	0	-108
1994	7	39	0	0	0	46
1995	1	98	0	0	0	99
1996	268	251	0	0	0	519
1997	486	197	0	0	0	683
1998	0	182	0	0	0	182
1999						
2000						
2001						
2002						
2003						
2004						
2005						
2006						
2007						
2008						

From Table No. 36-A Column 2.

(Same as Table 5, Vol. 1a.)

FOR YEARS PRECEDING 1971: Refer to Volume 5, August 1976, Page 1-112.

TABLE NO. 36-D

TOTAL PLAINTIFF EXTRACTIIONS FROM
SAN BERNARDINO BASIN AREA
DELIVERIES IN COLTON & RIVERSIDE BASINS IN SAN BERNARDINO COUNTY
(Quantities in Acre Feet)

EXTRACTING PLAINTIFF

Year	City of Riverside	Gage Canal	Riverside Highland	Meeks & Daley	Univ. of California	Total
	(1)	(2)	(3)	(4)	(5)	(6)
1971	0	669	2,388	383	0	3,440
1972	0	547	2,239	377	0	3,163
1973	0	512	1,751	250	0	2,513
1974	65	485	1,985	246	0	2,781
1975	0	575	2,002	168	0	2,745
1976	0	523	2,050	182	0	2,755
1977	0	346	1,820	146	0	2,312
1978	0	301	1,051	161	0	1,513
1979	0	415	1,781	166	0	2,362
1980	0	0	2,060	323	0	2,383
1981	0	0	2,151	358	0	2,509
1982	0	0	1,775	169	0	1,944
1983	0	0	2,318	245	0	2,563
1984	0	0	2,671	233	0	2,904
1985	0	0	1,978	210	0	2,188
1986	0	0	2,130	234	0	2,364
1987	0	0	2,229	193	0	2,422
1988	0	0	2,229	233	0	2,462
1989	0	0	1,968	240	0	2,208
1990	0	0	2,313	83	0	2,396
1991	0	0	1,669	190	0	1,859
1992	0	0	2,275	118	0	2,393
1993	0	0	1,777	276	0	2,053
1994	0	0	2,201	227	0	2,428
1995	0	0	2,146	145	0	2,291
1996	0	0	2,756	194	0	2,950
1997	0	0	2,656	137	0	2,794
1998	0	0	1,961	210	0	2,170
1999						
2000						
2001						
2002						
2003						
2004						
2005						
2006						
2007						
2008						

From Table No. 36-A Column 3.

(Same as Table 6, Vol. 1a.)

FOR YEARS PRECEDING 1971: Refer to Volume 5, August 1976, Page 1-113.

TABLE NO. 36-E

TOTAL PLAINTIFF EXTRACTIONS FROM
SAN BERNARDINO BASIN AREA
DELIVERIES OUTSIDE SAN BERNARDINO VALLEY

(Quantities in Acre Feet)

EXTRACTING PLAINTIFF

Year	City of Riverside	Gage Canal	Riverside Highland	Meeks & Daley	Univ. of California	Total
	(1)	(2)	(3)	(4)	(5)	(6)
1971	24,939	28,176	1,624	2,519	219	57,477
1972	20,474	24,588	2,293	3,150	239	50,744
1973	21,493	20,861	1,761	2,729	239	47,083
1974	27,355	15,462	2,103	4,258	267	49,445
1975	25,248	22,139	2,707	3,783	179	54,056
1976	22,085	28,766	2,469	5,211	245	58,776
1977	18,900	31,753	1,763	4,074	87	56,577
1978	19,055	25,382	299	2,093	183	47,012
1979	21,561	30,401	1,588	3,764	83	57,397
1980	18,875	31,498	1,617	2,010	7	54,007
1981	20,363	31,070	1,453	2,734	143	55,763
1982	19,376	30,061	1,020	3,547	48	54,052
1983	25,537	20,192	843	2,406	0	48,978
1984	25,031	33,843	2,088	4,932	0	65,894
1985	31,817	31,197	1,334	5,175	0	69,523
1986	25,704	33,838	2,614	5,336	48	67,540
1987	25,209	32,298	1,690	4,721	195	64,113
1988	25,675	38,022	2,546	4,733	179	71,155
1989	21,101	29,655	2,713	5,152	62	58,683
1990	20,923	26,695	1,779	3,768	95	53,260
1991	25,978	26,776	1,352	4,236	23	58,365
1992	24,580	25,456	1,777	3,982	32	55,827
1993	25,783	26,439	1,464	4,737	536	58,959
1994	25,717	34,684	2,123	4,298	593	67,415
1995	23,315	31,978	1,809	3,415	588	61,105
1996	29,083	33,780	2,295	3,718	445	69,321
1997	27,135	32,120	2,283	4,028	505	66,070
1998	24,210	30,025	1,289	3,618	590	59,733
1999						
2000						
2001						
2002						
2003						
2004						
2005						
2006						
2007						
2008						

From Table No. 36-A Column 4.

(Same as Table 5, Vol. 1a.)

FOR YEARS PRECEDING 1971: Refer to Volume 5, August 1976, Page 1-115.

TABLE NO. 37

RIVERSIDE ENTITIES
PRODUCTION AND DELIVERY FROM COLTON BASIN AREA
FOR USE WITHIN SAN BERNARDINO COUNTY
AND RIVERSIDE COUNTY
(Quantities in Acre Feet)

LINE NO.	1976	1977	1978	1979	1980	1981	1982	1983	1984	1985	
<u>RIVERSIDE ENTITIES</u>											
1	<u>City of Riverside Irrigation & Domestic</u>										
2	853	295	464	5	0	77	57	0	0	695	Table No. 2, Line 7
3	0	0	0	0	0	0	0	0	0	0	Table No. 10, Col. 17
4	853	295	464	5	0	77	57	0	0	695	Table No. 11, Col. 6
5	<u>Weeks & Daley Water Company</u>										
7	1,860	2,018	422	1,698	0	0	910	50	1,383	1,554	Table No. 32, Line 21
8	105	125	78	104	0	0	68	37	126	112	Table No. 33, Col 8
9	1,755	1,893	344	1,594	0	0	842	13	1,257	1,442	Table No. 33, Col. 10
10	<u>Riverside Highland Water Company</u>										
12	170	332	270	191	0	0	0	0	83	675	Table No. 20, Total Prod.
13	165	322	260	184	0	0	0	0	80	651	Table No. 31, Col. 6
14	5	10	10	7	0	0	0	0	3	24	Table No. 31, Col. 15
15	<u>Reche Canyon Mutual Water Company</u>										
17	70	71	77	76	71	96	82	82	80	83	See Vol. 2 Reche Canyon Mutual Wtr. Co., Table 3
18	0	0	0	0	0	0	0	0	0	0	Prod. & use Riv. Co. only
19	70	71	77	76	71	96	82	82	80	83	Prod. & use Riv. Co. only
<u>Summary of Colton Basin Water Used in San Bernardino Co.</u>											
20	0	0	0	0	0	0	0	0	0	0	
21	105	125	78	104	0	0	68	37	126	112	
22	165	322	260	184	0	0	0	0	80	651	
23	0	0	0	0	0	0	0	0	0	0	
24	270	447	338	288	0	0	68	37	206	763	
<u>Summary of Colton Basin Water Exported to Riverside Co.</u>											
25	853	295	464	5	0	77	57	0	0	695	
26	1,755	1,893	344	1,594	0	0	842	13	1,257	1,442	
27	5	10	10	7	0	0	0	0	3	24	
28	70	71	77	76	71	96	82	82	80	83	
29	2,683	2,268	895	1,682	71	173	981	95	1,340	2,244	
30	2,953	2,716	1,233	1,970	71	173	1,049	132	1,546	3,007	

TABLE NO. 37

**RIVERSIDE ENTITIES
PRODUCTION AND DELIVERY FROM COLTON BASIN AREA
FOR USE WITHIN SAN BERNARDINO COUNTY & RIVERSIDE COUNTY**

(Quantities in Acre Feet)

Line #	Entity	1986	1987	1988	1989	1990	1991	1992	1993	1994	1995	Source
1	City of Riverside, Irrigation & Domestic	0	0	0	519	131	428	307	311	466	171	Table No. 2, Line 9
2	Colton Basin Area Production	-	-	-	-	-	-	-	-	-	-	Table No. 10, Column (17)
3	Delivery to Edison Highgrove Stream Plant	0	0	0	519	131	428	307	311	466	171	Ln 2 - Ln 3
4	Colton Production Exported to Riverside Co.	1,575	1,560	1,754	1,538	1,691	1,530	1,209	0	586	344	Table No. 32, Column (17)
5	Meeks & Daley Water Company	115	113	150	157	306	204	176	0	95	126	Table No. 33, Column (8)
6	Colton Basin Area Production	1,460	1,447	1,604	1,381	1,385	1,326	1,033	0	491	218	Table No. 33, Column (10)
7	Delivery in the Vicinity of Colton	721	471	256	158	109	4	91	0	0	0	Table No. 20, Column (4)
8	Colton Production Exported to Riverside Co.	691	451	242	142	62	2	51	0	0	0	T.No.31, Col(6): after 1989 T 23R, pg 2, Col(
9	Riverside Highland Water Company	30	20	14	16	47	2	40	0	0	0	T.No.31, Col(15): after 1989 T 23R, pg 2, Col(
10	Colton Production Exported to Riverside Co.	88	90	89	89	89	79	75	85	109	100	See Vol. 2, Reche Cyn M.W.C. Table No. 3
11	City of Riverside	-	-	-	-	-	-	-	-	-	-	Production & use only in Riv Co.
12	Meek & Daley	-	-	-	-	-	-	-	-	-	-	Production & use only in Riv Co.
13	Riverside Highlands	88	90	89	89	89	79	75	85	109	100	Production & use only in Riv Co.
14	Reche Canyon Mutual Water Company	806	564	392	299	368	206	227	0	95	126	
15	Total											

Summary of Colton Basin Water Used in San Bernardino County

20	City of Riverside	-	-	-	-	-	-	-	-	-	-	
21	Meek & Daley	115	113	150	157	306	204	176	0	95	126	
22	Riverside Highlands	691	451	242	142	62	2	51	0	0	0	
23	Reche Canyon Mutual Water Company	-	-	-	-	-	-	-	-	-	-	
24	Total	806	564	392	299	368	206	227	0	95	126	

Summary of Colton Basin Water Exported to Riverside County

25	City of Riverside	0	0	0	519	131	428	307	311	466	171	
26	Meek & Daley	1,460	1,447	1,604	1,381	1,385	1,326	1,033	0	491	218	
27	Riverside Highlands	30	20	14	16	47	2	40	0	0	0	
28	Reche Canyon Mutual Water Company	88	90	89	89	89	79	75	85	109	100	
29	Total	1,578	1,557	1,707	2,005	1,652	1,835	1,455	396	1,066	489	
30	Total Prod. by Riverside Entities, Lns 24 + 29	2,384	2,121	2,099	2,304	2,020	2,041	1,682	396	1,161	615	

TABLE NO. 37

**RIVERSIDE ENTITIES
PRODUCTION AND DELIVERY FROM COLTON BASIN AREA
FOR USE WITHIN SAN BERNARDINO COUNTY & RIVERSIDE COUNTY**

(Quantities in Acre Feet)

Line #	Entity	1996	1997	1998	1999	2000	2001	2002	2003	2004	2005	Reference
RIVERSIDE ENTITIES												
1	City of Riverside, Irrigation & Domestic											
2	Colton Basin Area Production	208	633	142	-	-	-	-	-	-	-	Table No. 2, Line 9
3	Delivery to Edison Highgate Stream Plant	-	-	-	-	-	-	-	-	-	-	Table No. 10, Column (17)
4	Colton Production Exported to Riverside Co.	208	633	142	-	-	-	-	-	-	-	Ln 2 - Ln 3
5												
Meeks & Daley Water Company												
6	Colton Basin Area Production	362	484	88	-	-	-	-	-	-	-	Table No. 32, Column (17)
7	Delivery in the Vicinity of Colton	78	81	32	-	-	-	-	-	-	-	Table No. 33, Column (8)
8	Colton Production Exported to Riverside Co.	284	403	56	-	-	-	-	-	-	-	Table No. 33, Column (10)
9												
10												
Riverside Highland Water Company												
11	Colton Basin Area Production	0	0	0	-	-	-	-	-	-	-	Table No. 20, Column (4)
12	Delivery North of the County Line	0	0	0	-	-	-	-	-	-	-	T.No.31, Col(6); after 1989 T 23R, pg 2, Col(8)
13	Colton Production Exported to Riverside Co.	0	0	0	-	-	-	-	-	-	-	T.No.31, Col(15); after 1989 T 23R, pg 2, Col(9)
14												
15												
Reche Canyon Mutual Water Company												
16	Colton Basin Area Production	85	105	53	-	-	-	-	-	-	-	See Vol. 2, Reche Cyn M.W.C.
17	Delivery North of the County Line	-	-	-	-	-	-	-	-	-	-	Table No. 3
18	Colton Production Exported to Riverside Co.	85	105	53	-	-	-	-	-	-	-	Production & use only in Riv Co.
19												Production & use only in Riv Co.
20												

Summary of Colton Basin Water Used in San Bernardino County

20	City of Riverside	Line 3	-	-	-	-	-	-	-	-	-
21	Meek & Daley	Line 8	78	81	32	-	-	-	-	-	-
22	Riverside Highlands	Line 13	0	0	0	-	-	-	-	-	-
23	Reche Canyon Mutual Water Company	Line 18	-	-	-	-	-	-	-	-	-
24	Total		78	81	32	-	-	-	-	-	-

Summary of Colton Basin Water Exported to Riverside County

25	City of Riverside	Line 4	208	633	142	-	-	-	-	-	-
26	Meek & Daley	Line 9	284	403	56	-	-	-	-	-	-
27	Riverside Highlands	Line 14	0	0	0	-	-	-	-	-	-
28	Reche Canyon Mutual Water Company	Line 19	85	105	53	-	-	-	-	-	-
29	Total		577	1,141	251	-	-	-	-	-	-
30	Total Prod. by Riverside Entities, Lns 24 + 29		655	1,222	283	-	-	-	-	-	-

TABLE NO. 38

SAN BERNARDINO ENTITIES PRODUCTION FROM COLTON BASIN AREA
FOR USE WITHIN SAN BERNARDINO COUNTY

(Quantities in Acre Feet)

Year	RIVERSIDE ENTITIES			Total Production	Total Production by San Bernardino Entities used in San Bernardino Co.
	Total Verified Extraction From Colton Basin Area	Production Used in San Bernardino County	Production Used in Riverside County		
	(1)	(2)	(3)	(4)	(5)
1971	11,388	248	2,777	3,025	8,363
1972	10,414	271	2,611	2,882	7,532
1973	7,844	247	615	862	6,982
1974	8,906	273	1,464	1,737	7,169
1975	11,083	389	3,873	4,262	6,821
1976	11,558	270	2,683	2,953	8,605
1977	8,777	447	2,269	2,716	6,061
1978	7,663	338	895	1,233	6,430
1979	7,194	288	1,682	1,970	5,224
1980	5,681	0	71	71	5,610
1981	6,348	0	173	173	6,175
1982	6,499	68	981	1,049	5,450
1983	4,735	37	95	132	4,603
1984	8,987	206	1,340	1,546	7,441
1985	10,149	763	2,244	3,007	7,142
1986	10,035	806	1,600	2,406	7,629
1987	13,175	564	1,557	2,121	11,054
1988	13,552	392	1,707	2,099	11,453
1989	14,103	299	2,005	2,304	11,799
1990	17,571	368	1,652	2,020	15,551
1991	14,323	206	1,835	2,041	12,282
1992	16,750	227	1,455	1,682	15,068
1993	14,977	0	396	396	14,581
1994	14,588	95	1,066	1,161	13,427
1995	16,022	126	489	615	15,407
1996	15,843	78	577	655	15,188
1997	13,373	*	81	1,222	12,151
1998	10,314	32	251	283	10,031
1999					
2000					
2001					
2002					
2003					
2004					
2005					

Column (1) = Total Extractions as verified in Volume 2 for the appropriate year entitled Verified Extractions From Colton Basin Area.

Column (2) = From Table No. 37, Line 24.

Column (3) = From Table No. 37, Line 29.

Column (4) = Column (2) + Column (3).

Column (5) = Column (1) - Column (4).

FOR YEARS PRECEDING 1971: Refer to Volume 5, August 1976, Page II-7.

* Corrected during 1998 verification

TABLE NO. 38-A

COLTON BASIN EXTRACTIONS
BY RIVERSIDE ENTITIES
AND PLACE OF USE
(Quantities in Acre Feet)

Year	Total Extractions	Place of Use	
		San Bernardino County	Riverside County
	(1)	(2)	(3)
1971	3,025	248	2,777
1972	2,882	271	2,611
1973	862	247	615
1974	1,737	273	1,464
1975	4,262	389	3,873
1976	2,953	270	2,683
1977	2,716	447	2,269
1978	1,233	338	895
1979	1,970	288	1,682
1980	71	0	71
1981	173	0	173
1982	1,049	68	981
1983	132	37	95
1984	1,546	206	1,340
1985	3,007	763	2,244
1986	2,406	806	1,600
1987	2,121	564	1,557
1988	2,099	392	1,707
1989	2,304	299	2,005
1990	2,020	368	1,652
1991	2,041	206	1,835
1992	1,682	227	1,455
1993	396	0	396
1994	1,161	95	1,066
1995	615	126	489
1996	655	78	577
1997	1,222	81	1,141
1998	283	32	251
1999			
2000			
2001			
2002			
2003			
2004			
2005			

(1) From Table No. 38, Column (4).

(2) From Table No. 38, Column (2).

(3) From Table No. 38, Column (3); Column (1) - Column (2) = Column (3).

FOR YEARS PRECEDING 1971: Refer to Volume 5, August 1976, Page II-9.

TABLE NO. 39

VERIFIED EXTRACTIONS FROM COLTON BASIN AREA
BY SAN BERNARDINO AND RIVERSIDE COUNTY ENTITIES
FOR USE WITHIN EACH COUNTY
(Quantities in Acre Feet)

Line No.	Calendar Year	Producer	Place of Use		Total Production in A.F.
			San Bernardino County	Riverside County	
1	*1976	San Bernardino Co. Wtr. Interests	8,605	0	8,605
2		Riverside Co. Wtr. Interests	<u>270</u>	<u>2,683</u>	<u>2,953</u>
		TOTAL	8,335	2,683	11,558
1	1977	San Bernardino Co. Wtr. Interests	6,061	0	6,061
2		Riverside Co. Wtr. Interests	<u>447</u>	<u>2,269</u>	<u>2,716</u>
		TOTAL	6,508	2,269	8,777
1	1978	San Bernardino Co. Wtr. Interests	6,430	0	6,430
2		Riverside Co. Wtr. Interests	<u>338</u>	<u>895</u>	<u>1,233</u>
		TOTAL	6,768	895	7,663
1	1979	San Bernardino Co. Wtr. Interests	5,224	0	5,224
2		Riverside Co. Wtr. Interests	<u>288</u>	<u>1,682</u>	<u>1,970</u>
		TOTAL	5,512	1,682	7,194
1	1980	San Bernardino Co. Wtr. Interests	5,610	0	5,610
2		Riverside Co. Wtr. Interests	<u>0</u>	<u>71</u>	<u>71</u>
		TOTAL	5,610	71	5,681

* Backfiling corrected for in 1977.

Note: Line 1 from Table No. 38, Col. (5).

Line 2 from Table No. 38, Cols. (2), (3) & (4).

FOR YEARS PRECEDING 1976: Refer to Volume 5, August 1977, Page II-11.

TABLE NO. 39

VERIFIED EXTRACTIONS FROM COLTON BASIN AREA
BY SAN BERNARDINO AND RIVERSIDE COUNTY ENTITIES
FOR USE WITHIN EACH COUNTY
(Quantities in Acre Feet)

Line No.	Calendar Year	Producer	Place of Use		Total Production in A.F.
			San Bernardino County	Riverside County	
1	1981	San Bernardino Co. Wtr. Interests	6,175	0	6,175
2		Riverside Co. Wtr. Interests	<u>0</u>	<u>173</u>	<u>173</u>
		TOTAL	6,175	173	6,348
1	1982	San Bernardino Co. Wtr. Interests	5,450	0	5,450
2		Riverside Co. Wtr. Interests	<u>68</u>	<u>981</u>	<u>1,049</u>
3		TOTAL	5,518	981	6,499
1	1983	San Bernardino Co. Wtr. Interests	*4,603	0	*4,603
2		Riverside Co. Wtr. Interests	<u>37</u>	<u>95</u>	<u>132</u>
3		TOTAL	4,555	95	*4,735
1	1984	San Bernardino Co. Wtr. Interests	7,441	0	7,441
2		Riverside Co. Wtr. Interests	<u>206</u>	<u>1,340</u>	<u>1,546</u>
3		TOTAL	7,647	1,340	8,987
1	1985	San Bernardino Co. Wtr. Interests	7,142	0	7,142
2		Riverside Co. Wtr. Interests	<u>763</u>	<u>2,244</u>	<u>3,007</u>
3		TOTAL	7,905	2,244	10,149

* Corrected from Previous year.
See Volume 2, Table 5.
Line 1: Table 38, Column (5).
Line 2: Table 38A, Column (2), (3), (1).
Line 3: Table 38-, (3), (1).

6/23/00

TABLE NO 39

15:24

VERIFIED EXTRACTIONS FROM COLTON BASIN AREA
BY SAN BERNARDINO AND RIVERSIDE COUNTY ENTITIES
FOR USE WITHIN EACH COUNTY

(Quantities in Acre Feet)

Ln. #	Calendar Year	Producer	Place of Use		Total Production in A.F.
			San Bernardino County	Riverside County	
1	1986	San Bernardino Co. Wtr. Interests	7,651	0	7,651
2		Riverside Co. Wtr. Interests	784	1,600	2,384
3		TOTAL	8,435	1,600	10,035
1	1987	San Bernardino Co. Wtr. Interests	11,054	0	11,054
2		Riverside Co. Wtr. Interests	564	1,557	2,121
3		TOTAL	11,618	1,557	13,175
1	1988	San Bernardino Co. Wtr. Interests	11,453	0	11,453
2		Riverside Co. Wtr. Interests	392	1,707	2,099
3		TOTAL	11,845	1,707	13,552
1	1989	San Bernardino Co. Wtr. Interests	11,799	0	11,799
2		Riverside Co. Wtr. Interests	299	2,005	2,304
3		TOTAL	12,098	2,005	14,103
1	1990	San Bernardino Co. Wtr. Interests	15,551	0	15,551
2		Riverside Co. Wtr. Interests	368	1,652	2,020
3		TOTAL	15,919	1,652	17,571

See Volume 2, Table 5.

Line 1: Table 38, Column (5).

Line 2: Table 38A, Column (2), (3), (1).

Bold values corrected during 1992 verification.

6/10/94

TABLE NO 39

9:36

VERIFIED EXTRACTIONS FROM COLTON BASIN AREA
BY SAN BERNARDINO AND RIVERSIDE COUNTY ENTITIES
FOR USE WITHIN EACH COUNTY

(Quantities in Acre Feet)

Ln. #	Calendar Year	Producer	Place of Use		Total Production in A.F.
			San Bernardino County	Riverside County	
1	1986	San Bernardino Co. Wtr. Interests	7,651	0	7,651
2		Riverside Co. Wtr. Interests	784	1,600	2,384
3		TOTAL	8,435	1,600	10,035
1	1987	San Bernardino Co. Wtr. Interests	11,054	0	11,054
2		Riverside Co. Wtr. Interests	564	1,557	2,121
3		TOTAL	11,618	1,557	13,175
1	1988	San Bernardino Co. Wtr. Interests	11,453	0	11,453
2		Riverside Co. Wtr. Interests	392	1,707	2,099
3		TOTAL	11,845	1,707	13,552
1	1989	San Bernardino Co. Wtr. Interests	11,799	0	11,799
2		Riverside Co. Wtr. Interests	299	2,005	2,304
3		TOTAL	12,098	2,005	14,103
1	1990	San Bernardino Co. Wtr. Interests	15,551	0	15,551
2		Riverside Co. Wtr. Interests	368	1,652	2,020
3		TOTAL	15,919	1,652	17,571

See Volume 2, Table 5.

Line 1: Table 38, Column (5).

Line 2: Table 38A, Column (2), (3), (1).

Bold values corrected during 1992 verification.

TABLE NO. 39

VERIFIED EXTRACTIONS FROM COLTON BASIN AREA
BY SAN BERNARDINO AND RIVERSIDE COUNTY ENTITIES
FOR USE WITHIN EACH COUNTY

(Quantities in Acre Feet)

Ln. #	Calendar Year	Producer	Place of Use		Total Production in A.F.
			San Bernardino County	Riverside County	
1	1991	San Bernardino Co. Wtr. Interests	12,282	0	12,282
2		Riverside Co. Wtr. Interests	206	1,835	2,041
3		TOTAL	12,488	1,835	14,323
1	1992	San Bernardino Co. Wtr. Interests	15,068	0	15,068
2		Riverside Co. Wtr. Interests	227	1,455	1,682
3		TOTAL	15,295	1,455	16,750
1	1993	San Bernardino Co. Wtr. Interests	14,581	0	14,581
2		Riverside Co. Wtr. Interests	0	396	396
3		TOTAL	14,581	396	14,977
1	1994	San Bernardino Co. Wtr. Interests	13,427	0	13,427
2		Riverside Co. Wtr. Interests	95	1,066	1,161
3		TOTAL	13,522	1,066	14,588
1	1995	San Bernardino Co. Wtr. Interests	15,407	0	15,407
2		Riverside Co. Wtr. Interests	126	489	615
3		TOTAL	15,533	489	16,022

See Table 5, Vol. 2

line 1: Table 38, Column (5)

line 2: Table 38A, Column (2),(3),(1)

Bold value are corrected values during 1996 verification

TABLE NO. 39

VERIFIED EXTRACTIONS FROM COLTON BASIN AREA
BY SAN BERNARDINO AND RIVERSIDE COUNTY ENTITIES
FOR USE WITHIN EACH COUNTY

(Quantities in Acre Feet)

Ln. #	Calendar Year	Producer	Place of Use		Total Production in A.F.
			San Bernardino County	Riverside County	
1	1996	San Bernardino Co. Wtr. Interests	15,188	0	15,188
2		Riverside Co. Wtr. Interests	78	577	655
3		TOTAL	15,266	577	15,843
1	1997	San Bernardino Co. Wtr. Interests	12,151	0	12,151
2		Riverside Co. Wtr. Interests	81	1,141	1,222
3		TOTAL	12,232	1,141	13,373
1	1998	San Bernardino Co. Wtr. Interests	10,031	0	10,031
2		Riverside Co. Wtr. Interests	32	251	283
3		TOTAL	10,063	251	10,314
1	1999	San Bernardino Co. Wtr. Interests			
2		Riverside Co. Wtr. Interests			
3		TOTAL			
1	2000	San Bernardino Co. Wtr. Interests			
2		Riverside Co. Wtr. Interests			
3		TOTAL			

See Table 5, Vol. 2

line 1: Table 38, Column (5)

line 2: Table 38A, Column (2),(3),(1)

GROUNDWATER EXTRACTIONS BY RIVERSIDE ENTITIES FROM
COLTON BASIN AREA FOR USE IN RIVERSIDE AND SAN BERNARDINO COUNTIES
FROM 1976 THROUGH CURRENT YEAR

CLASSIFIED ACCORDING TO SERVICE AREA
(Quantities in Acre Feet)

EXTRACTIONS FROM COLTON BASIN AREA FOR USE WITHIN AND EXPORT THEREFROM

PLAINTIFFS	1976		1977		1978		1979		1980	
	Total Extract	Del. in S.B. Co. Riv. Co.	Total Extract	Del. in S.B. Co. Riv. Co.	Total Extract	Del. in S.B. Co. Riv. Co.	Total Extract	Del. in S.B. Co. Riv. Co.	Total Extract	Del. in S.B. Co. Riv. Co.
CITY OF RIVERSIDE Dom & Irrig.	853	0	295	0	464	0	5	0	0	0
MEEKS & DALEY WATER CO	1,860	105	2,018	125	422	78	1,698	104	0	0
RIVERSIDE HIGHLAND WATER CO.	170	165	332	322	270	260	191	184	0	0
RECHE CANYON MUTUAL WATER CO.	70	0	71	0	77	0	76	0	71	71
TOTALS	2,953	270	2,716	447	1,233	338	1,970	288	71	0

Total Extract -- TOTAL EXTRACTIONS.

Del. in S.B. Co. -- DELIVERY WITHIN SAN BERNARDINO COUNTY.

Del. in Riv. Co. -- DELIVERY WITHIN RIVERSIDE COUNTY.

See Table 37 for figures.

FOR YEARS PRECEDING 1976: Refer to Volume 5-1974, August 1976, Page II-13.

Same as Table 4, Volume 2.

Exceliv-sb wms;vol 1a-8;vol 5 table 39a.

**GROUNDWATER EXTRactions BY RIVERSIDE ENTITIES FROM
COLTON BASIN AREA FOR USE IN RIVERSIDE AND SAN BERNARDINO COUNTIES
FROM 1976 THROUGH CURRENT YEAR**

**CLASSIFIED ACCORDING TO SERVICE AREA
(Quantities in Acre Feet)**

EXTRactions FROM COLTON BASIN AREA FOR USE WITHIN AND EXPORT THEREFROM

PLAINTIFFS	1981		1982		1983		1984		1985		
	Total Extract	Del. in S.B. Co. Riv. Co.	Total Extract	Del. in S.B. Co. Riv. Co.	Total Extract	Del. in S.B. Co. Riv. Co.	Total Extract	Del. in S.B. Co. Riv. Co.	Total Extract	Del. in S.B. Co. Riv. Co.	
CITY OF RIVERSIDE Dom & Irrig.	77	0	57	0	0	0	0	0	695	0	
MEEKS & DALEY WATER CO	0	0	910	68	50	37	1,383	126	1,554	112	
RIVERSIDE HIGHLAND WATER CO.	0	0	0	0	0	0	83	80	675	651	
RECHE CANYON MUTUAL WATER CO.	96	0	82	0	82	0	80	0	83	0	
TOTALS	173	0	1,049	68	132	37	1,546	206	3,007	763	
											2,244

Total Extract -- TOTAL EXTRactions.
Del in S.B. Co. -- DELIVERY WITHIN SAN BERNARDINO COUNTY.
Del. in Riv. Co. -- DELIVERY WITHIN RIVERSIDE COUNTY.

See Table 37 for figures.
FOR YEARS PRECEDING 1976: Refer to Volume 5-1974, August 1976, Page II-13.
Same as Table 4, Volume 2.

Excel:rv-sb wmv\vol 1a-8\vol 5 table 39A.

**GROUNDWATER EXTRACTIONS BY RIVERSIDE ENTITIES FROM
COLTON BASIN AREA FOR USE IN RIVERSIDE AND SAN BERNARDINO COUNTIES
FROM 1976 THROUGH CURRENT YEAR**

**CLASSIFIED ACCORDING TO SERVICE AREA
(Quantities in Acre Feet)**

EXTRACTIONS FROM COLTON BASIN AREA FOR USE WITHIN AND EXPORT THEREFROM

PLAINTIFFS	1986		1987		1988		1989		1990	
	Total Extract	Del. in S.B. Co. Riv. Co.	Total Extract	Del. in S.B. Co. Riv. Co.	Total Extract	Del. in S.B. Co. Riv. Co.	Total Extract	Del. in S.B. Co. Riv. Co.	Total Extract	Del. in S.B. Co. Riv. Co.
CITY OF RIVERSIDE Dom & Irrig.	0	0	0	0	0	0	519	0	131	0
MEERKS & DALEY WATER CO	1,575	93	1,560	133	1,754	150	1,538	157	1,691	306
RIVERSIDE HIGHLAND WATER CO.	721	691	471	451	256	242	158	142	109	62
RECHE CANYON MUTUAL WATER CO.	88	0	90	0	89	0	89	0	89	0
TOTALS	2,384	784	2,121	564	2,099	392	2,304	299	2,020	368

Total Extract -- TOTAL EXTRACTIONS.
Del in S.B. Co. -- DELIVERY WITHIN SAN BERNARDINO COUNTY.
Del. in Riv. Co. -- DELIVERY WITHIN RIVERSIDE COUNTY.

See Table 37 for figures.
FOR YEARS PRECEDING 1976: Refer to Volume 5-1974, August 1976, Page II-13.
Same as Table 4, Volume 2.

Escaljuw-eb waiwvcl la-9;vol 5 table 39A.

TABLE NO. 39-A

GROUNDWATER EXTRACTIONS BY RIVERSIDE ENTITIES FROM COLTON BASIN AREA FOR USE IN RIVERSIDE AND SAN BERNARDINO COUNTIES FROM 1976 THROUGH CURRENT YEAR

CLASSIFIED ACCORDING TO SERVICE AREA
(all values in Acre Feet)

EXTRACTIONS FROM COLTON BASIN AREA FOR USE WITHIN AND EXPORT THEREFROM

PLAINTIFFS	1991		1992		1993		1994		1995					
	Total Del. in S.B. Co. Riv. Co.	Del. in Riv. Co.	Total Del. in S.B. Co. Riv. Co.	Del. in Riv. Co.	Total Del. in S.B. Co. Riv. Co.	Del. in Riv. Co.	Total Del. in S.B. Co. Riv. Co.	Del. in Riv. Co.	Total Del. in S.B. Co. Riv. Co.	Del. in Riv. Co.				
CITY OF RIVERSIDE Dom & Irrig.	428	0	307	0	311	0	311	0	466	0	171	0	171	
MEEKS & DALEY WATER CO.	1,530	204	1,209	176	1,033	0	0	586	95	491	344	126	218	
RIVERSIDE HIGHLAND WATER CO.	4	2	91	51	40	0	0	0	0	0	0	0	0	
RECHE CANYON MUTUAL WATER CO.	79	0	75	0	75	85	85	109	0	109	100	0	100	
TOTALS	2,041	206	1,682	227	1,455	396	0	396	1,161	95	1,066	615	126	489

Total Extract -- TOTAL EXTRACTIONS
Del in S.B. Co. -- DELIVERY WITHIN SAN BERNARDINO COUNTY
Del. in Riv. Co. -- DELIVERY WITHIN RIVERSIDE COUNTY

See Table 37 for figures
FOR YEARS PRECEDING 1976: Refer to Volume 5-1974, August 1976, Page II-13
Same as Table 4, Volume 2

TABLE NO. 39-A

GROUNDWATER EXTRACTIONS BY RIVERSIDE ENTITIES FROM
COLTON BASIN AREA FOR USE IN RIVERSIDE AND SAN BERNARDINO COUNTIES
FROM 1976 THROUGH CURRENT YEAR

CLASSIFIED ACCORDING TO SERVICE AREA
(all values in Acre Feet)

EXTRACTIIONS FROM COLTON BASIN AREA FOR USE WITHIN AND EXPORT THEREFROM

PLAINTIFFS	1996		1997		1998		1999		2000	
	Total Extract	Del. in S.B. Co. Riv. Co.	Total Extract	Del. in S.B. Co. Riv. Co.	Total Extract	Del. in S.B. Co. Riv. Co.	Total Extract	Del. in S.B. Co. Riv. Co.	Total Extract	Del. in S.B. Co. Riv. Co.
CITY OF RIVERSIDE Dom & Irrig.	208	0	633	0	142	0	142	0	142	0
MEEKS & DALEY WATER CO.	362	78	484	81	88	32	56			
RIVERSIDE HIGHLAND WATER CO.	0	0	0	0	0	0	0			
RECHE CANYON MUTUAL WATER CO.	85	0	105	0	53	0	53			
TOTALS	655	78	1,222	81	283	32	251			

Total Extract -- TOTAL EXTRACTIIONS
Del in S.B. Co. -- DELIVERY WITHIN SAN BERNARDINO COUNTY
Del. in Riv. Co. -- DELIVERY WITHIN RIVERSIDE COUNTY

See Table 37 for figures
FOR YEARS PRECEDING 1976: Refer to Volume 5-1974, August 1976, Page II-13
Same as Table 4, Volume 2

TABLE NO. 40

RIVERSIDE CEMENT COMPANY*
 DIVISION, AMERICAN CEMENT CORP.
 WATER PRODUCTION
 FROM RIVERSIDE GROUND WATER BASIN
 SITUATED WITHIN SAN BERNARDINO COUNTY
 (All Quantities in Acre Feet)

Production from Recordation Filings (Volume 3, Table No. 1)

State Well No. Rec. No. Local Desig. Basin	1S/5W-34K 3601721 E. Cresmore #56 Riverside (1)	1S/5W-34K2 3600873 W. Cresmore #57 Riverside (2)	2S/5W-02A 3600874 White Well* Riverside (4)	2S/5W-02G2 3600883 Wright* Riverside (5)	2S/5W-02R 3601722 New White 58-1 Riverside (6)	2S/5W-2L2 3601782 None* Riverside (7)	2S/5W-02G 3602114 63-1 Riverside (8)	Production Used In San Bernardino County (9)	Total Production In San Bernardino County (10)
Year	(1)	(2)	(4)	(5)	(6)	(7)	(8)	(9)	(10)
1971	130	219	0	0	0	-	482	482	831
1972	353	20	0	0	0	-	204	204	577
1973	531	6	0	0	0	-	0	0	537
1974	133	0(a)	0	0	0	-	0	0	133
1975	0(b)	0(a)	0	0	0	-	0	0	0(a)(b)
1976	0(b)	0(a)	0	0	0	-	218	218	218
1977	0(b)	0(a)	0	0	0	0	446	446	446
1978	0(b)	0(a)	0	0	0	0	227	227	227
1979	0(b)	0(a)	0	0	0	0	436	436	436
1980	0(b)	0(a)	0	0	0	0	218	218	218
1981	0(b)	0(a)	0	0	0	0	413	413	413
1982	0(b)	0(a)	0	0	0	0	0	0	0
1983	-	-	0	0	0	0	0	0	0
1984	-	-	0	0	0	0	0	0	0
1985	-	-	0	0	0	0	0	0	0
1986	-	-	0	0	0	0	0	0	0
1987	-	-	0	0	0	0	0	0	0
1988	-	-	0	0	0	0	0	0	0
1989	-	-	0	0	0	0	0	0	0
1990	-	-	0	0	0	0	0	0	0

All wells sold or abandoned

(a) 3600873 sold to Green Acres Mem. Park Ass'n. 1974 (b) 3601721 sold to Green Acres Mem. Park Ass'n. 1975 *Abandoned or File closed
 (3) Col. (2) + Col. (1) (10) Col. (3) + Col. (9)
 (9) Col. (6) + (5) + (6) + (7) + (8) F.C. File Closed
 (c) Sold to Erin Madison in 1988
 *Name changed to Amcord, Inc. 1973 & recurred in 1981
 FOR YEARS PRECEDING 1971: Refer to Volume 5, August 1976, Page III-7

TABLE NO. 41

RIVERSIDE CEMENT COMPANY

WATER PRODUCTION FROM RIVERSIDE GROUND WATER BASIN
WITHIN SAN BERNARDINO COUNTY FOR PERIOD 1971 THROUGH CURRENT YEAR
AND PRODUCTION DELIVERED IN RIVERSIDE AND SAN BERNARDINO COUNTIES
(Quantities in Acre Feet)

<u>Year</u>	<u>Production Exported to Riverside County</u>	<u>Production Used In San Bernardino County</u>	<u>Total Production</u>
	(1)	(2)	(3)
1971	349	482	831
1972	373	204	577
1973	537	0	537
1974	133	0	133
1975	0	0	0
1976	0	218	218
1977	0	446	446
1978	0	227	227
1979	0	436	436
1980	0	218	218
1981	0	413	413
1982	0	0	0
1983	0	0	0
1984	0	0	0
1985	0	0	0
1986	0	0	0
1987	0	0	0
1988	0	0	0
1989			
1990			

All wells sold or abandoned.

Col. (1) from Table No. 40, Col. (3).

Col. (2) from Table No. 40, Col. (9).

Col. (3) from Table No. 40, Col. (10).

FOR YEARS PRECEDING 1971: Refer to Volume 5, August 1976, Page III-9.

TABLE NO. 42

CITY OF RIVERSIDE
IRRIGATION AND DOMESTIC DIVISION
WATER PRODUCTION FROM RIVERSIDE GROUNDWATER BASIN
WITHIN SAN BERNARDINO COUNTY FOR THE PERIOD 1971 THROUGH CURRENT YEAR
AND PRODUCTION DELIVERED IN RIVERSIDE AND SAN BERNARDINO COUNTIES

(Quantities in Acre Feet)

Year	Production Exported to Riverside County (1)	Production Used In San Bernardino County (2)	Total Production (3)
1971	4,363	174	4,537
1972	5,813	107	5,920
1973	4,941	45	4,986
1974	6,012	111	6,123
1975	5,744	94	5,838
1976	6,219	126	6,345
1977	3,833	279	4,112
1978	1,093	271	1,364
1979	2,249	587	2,836
1980	115	1,591	1,706
1981	1,368	1,526	2,894
1982	1,513	2,102	3,615
1983	648	1,933	2,581
1984	2,443	448	2,891
1985	2,479	714	3,193
1986	2,225	117	2,342
1987	1,675	87	1,762
1988	3,257	58	3,315
1989	10,135	59	10,194
1990	9,972	1,011	10,983
1991	12,198	1,005	13,203
1992	10,009	334	10,343
1993	9,231	69	9,300
1994	8,131	72	8,203
1995	10,755	0	10,755

Column (1) = Table No. 12, Column (9).

Column (2) = Table No. 12, Column (8).

Column (3) = Table No. 2, sht 1, Ln.43 or Table No. 12, Column (2).

TABLE NO. 42

CITY OF RIVERSIDE
IRRIGATION AND DOMESTIC DIVISION
WATER PRODUCTION FROM RIVERSIDE GROUNDWATER BASIN
WITHIN SAN BERNARDINO COUNTY FOR THE PERIOD 1971 THROUGH CURRENT YEAR
AND PRODUCTION DELIVERED IN RIVERSIDE AND SAN BERNARDINO COUNTIES

(Quantities in Acre Feet)

Year	Production Exported to Riverside County (1)	Production Used In San Bernardino County (2)	Total Production (3)
1996	9,064	0	9,064
1997	8,169	0	8,169
1998	6,765	0	6,765
1999			
2000			
2001			
2002			
2003			
2004			
2005			
2006			
2007			
2008			
2009			
2010			
2011			
2012			
2013			
2014			
2015			
2016			
2017			
2018			
2019			
2020			

Column (1) = Table No. 12, Column (9).

Column (2) = Table No. 12, Column (8).

Column (2) = Table No. 2, sht 1, Ln.43 or Table No. 12, Column (2).

TABLE NO. 43

CITY OF RIVERSIDE
IRRIGATION & DOMESTIC DIVISION
GAGE CANAL COMPANY
WATER PRODUCTION FROM RIVERSIDE GROUNDWATER BASIN
WITHIN SAN BERNARDINO COUNTY FOR THE PERIOD 1971 THROUGH CURRENT YEAR
AND PRODUCTION DELIVERED IN RIVERSIDE AND SAN BERNARDINO COUNTIES

(Quantities in Acre Feet)

Year	Production Exported to Riverside County (1)	Production Used in San Bernardino County (2)	Total Production (3)
1971	567	0	567
1972	778	0	778
1973	222	0	222
1974	374	98	472
1975	568	77	645
1976	378	62	440
1977	383	6	389
1978	730	4	734
1979	409	4	413
1980	2,028	4	2,032
1981	2,464	3	2,467
1982	1,644	1	1,645
1983	1,018	1	1,019
1984	2,044	2	2,046
1985	1,860	1	1,861
1986	1,891	2	1,893
1987	1,995	1	1,996
1988	2,187	2	2,189
1989	1,963	2	1,965
1990	1,961	1	1,962
1991	1,733	1	1,734
1992	1,656	1	1,657
1993	2,021	2	2,023
1994	2,026	2	2,028
1995	1,664	0	1,664
1996	1,706	0	1,706
1997	1,591	0	1,591
1998	1,823	0	1,823
1999			
2000			
2001			
2002			
2003			
2004			
2005			
2006			
2007			
2008			

Column (1) = Table No. 17, Column (15).

Column (2) = Table No. 17, Column (14a).

Column (3) = Table No. 15, Line 24.

TABLE NO. 44

INTER COUNTY WATER COMPANY
WATER PRODUCTION FROM RIVERSIDE GROUND WATER BASIN
WITHIN SAN BERNARDINO COUNTY FOR PERIOD 1971 THROUGH CURRENT YEAR
AND PRODUCTION DELIVERED IN RIVERSIDE AND SAN BERNARDINO COUNTIES
(Quantities in Acre Feet)

Year	Total Production 2S5W02C 3301347	Production		Delivered by WSBCWD to Riverside Co.
		Exported To Riverside Co.	Used In San Bernardino Co.	
	(1)	(2)	(3)	(4)
1971	83	51	32	
1972	95	58	37	
*1973	157	96	61	
1974	206	125	81	
1975	225	137	88	
1976	230	78	152	
1977	207	70	137	
1978	145	49	96	
1979	225	76	149	
1980	228	78	150	
1981	175	60	115	
1982	200	68	132	
1983	154	52	102	
1984	207	71	136	
1985	196	67	129	
1986	189	64	125	
**1987	78	27	51	
1988	0	21	0	21
1989	0	21	0	21
1990	0	0	0	21
1991	0	0	0	21
1992	0	0	0	21
1993	0	0	0	21
1994	0	0	0	21
1995	0	0	0	21
1996	0	0	0	21
1997	0	0	0	21
1998	0	0	0	21
1999				
2000				

* Used Southern California Edison record since 1973 to determine water production. This well is shown by the State Water Rights Board as being located in Riverside County as evidenced by 33 for the first two numbers on the recordation number. The well is actually located in San Bernardino County and the first two numbers should be "36". The State Board has been notified but has taken no action.

Note: Information on 9/8/66 from Company officials shows that the Company has 87 customers of which 34 are in San Bernardino County and 53 in Riverside County and the number of meters has not changed since 1980. Therefore, the delivery split between the two counties is based on meter ration. 6/7/77, 71 meters total 47 (66%) were in San Bernardino County and 24 (34%) in Riverside County.

** Intercounty acquired by West San Bernardino County Water District, in 1988 WSBCWD had 17 accounts in Riverside County. Assume 1.25 A.F. per account.

Note: Col. (1) from Volume 3, Table No. 1.

FOR YEARS PRECEDING 1971: Refer to Volume 5, August 1976, Page III-15.

TABLE NO. 45JURUPA WATER COMPANY

WATER PRODUCTION FROM RIVERSIDE GROUND WATER BASIN
WITHIN SAN BERNARDINO COUNTY FOR PERIOD 1971 THROUGH CURRENT YEAR
AND PRODUCTION DELIVERED IN RIVERSIDE AND SAN BERNARDINO COUNTIES

(Quantities in Acre Feet)

Year	Production		Total Production See note
	1S5W36C11S 3600535- Well #3	1S5W36C10S 3600536 Well # 1 1/2	
1971	94	0	94
1972	376	0	376
1973	200	0	200
1974	402	-	402
1975	592	-	592
1976	637	-	637
1977	756	-	756
1978	1,118	-	1,118
1979	421	-	421
1980	478	-	478
1981	62	-	62
1982	793	-	793
1983	351	-	351
1984	634	-	634
1985	1,217	-	1,217
1986	1,372	-	1,372
1987	1,083	-	1,083
1988	26	-	26
1989	248	-	248
1990	392	-	392
1991	646	-	646
1992	357	-	357
1993	362	-	362
1994	413	-	413
1995	1,520	-	1,520
1996	1,500	-	1,500
1997	6	-	6
1998	6	-	6
1999	-	-	-
2000	-	-	-
2001	-	-	-
2002	-	-	-
2003	-	-	-
2004	-	-	-
2005	-	-	-

Note: Total Production shown in Col. (3) is all exported to Riverside county via West Riverside Canal. Deliveries to San Bernardino County are zero.

FOR YEARS PRECEDING 1971: Refer to Volume 5, August 1976, Page III-17.

*Abandoned and/or file closed.

Canal was removed at the Agua Mansa Landfill in 1997, water truck only usage

TABLE NO. 46A

LA SIERRA WATER COMPANY
 WATER PRODUCTION FROM COLTON BASIN AND
 THAT PART OF RIVERSIDE BASIN LOCATED WITHIN SAN BERNARDINO COUNTY
 (Quantities in Acre Feet)

Year	Colton Basin Production				TOTAL PRODUCTION	
	1S4W18G		1S4W18F		Colton (5)	La Sierra (6)
	Colton # 15 3601259 (1)	La Sierra # 15 3602227 (2)	Colton # 17 3601261 (3)	La Sierra # 17 3602228 (4)		
1971	137	267	116	860	253	1,127
1972	106	364	245	693	351	1,057
1973	158	466	369	440	527	1,433
1974	329	348	545	312	874	1,534
1975	292	69	194	559	486	1,114
1976	259	349	467	304	726	1,379
1977	314	202	452	304	766	1,272
1978	273	202	572	304	845	1,351
1979	612	184	1,184	351	1,796	2,331
1980	698	275	728	267	1,426	1,968
1981	447	229	763	312	1,210	1,751
1982	586	0	1,030	582	1,616	2,198
1983	537	236	909	316	1,446	1,998
1984	667	216	811	287	1,478	1,981
1985	306	150	725	340	1,031	1,521
1986	668	347	507	103	1,175	1,625
1987	1,018	201	1,088	317	2,106	2,624
1988	1,286	200	1,448	278	2,734	3,212
1989	968	242	667	242	1,635	2,119
1990	1,014	174	795	352	1,809	2,335
1991	1,143	286	888	222	2,031	2,539
1992	1,149	390	1,030	156	2,179	2,725
1993	990	377	846	313	1,836	2,526
1994	1,074	316	1,159	392	2,233	2,941
1995	994	715	992	822	1,986	3,523
1996	981	343	978	199	1,959	2,501
1997	739	0	1,311	0	2,050	2,050
1998	746	0	681	0	1,427	1,427
1999						
2000						
2001						
2002						
2003						
2004						
2005						

(1) Table No. 1, Volume 2. Note: Wells 1S/4W-18G and 1S/4W-18F beginning in 1964 were used by both La Sierra
 (2) Table No. 1, Volume 2. Water Company and City of Colton under the different Recordation Numbers
 (3) Table No. 1, Volume 2. shown for the same wells.
 (4) Table No. 1, Volume 2.
 FOR YEARS PRECEDING 1971: Refer to Volume 5, August 1976, Page III-19.

TABLE NO. 46E

LA SIERRA WATER COMPANY
 WATER PRODUCTION FROM COLTON BASIN AND
 THAT PART OF RIVERSIDE BASIN LOCATED WITHIN SAN BERNARDINO COUNTY
 (Quantities in Acre Feet)

Year	(1)	(2)	(3)	(4)	(5)	(6)	(7)	(8)	(9)	(10)	(11)	(12)
State Well #	1S4W32E01S	1S4W32E03S	1S4W32E06S	1S4W32E05S	1S4W32E02S	1S4W32E07S	1S4W32E11S	1S4W32E09S	1S4W32E10S	1S4W29Q03S	1S4W29Q04S	La Sierra
Recordation #	3601539	3601540	3601541	3601542	3601543	3601544	3601545	3601546	3601547	3691486	3692486	Production
Local Desig.	LS #1°	LS #2°	LS #4°	LS #5°	LS #6°	LS #7	LS #8	LS #10°	LS #9°	Flume 4°	Flume 6°	Riverside Basin
1971	-	-	-	-	-	1,218	2,106	1,415	-	-	-	4,739
1972	-	-	-	-	-	1,330	2,178	1,201	-	-	-	4,709
1973	-	-	-	-	-	664	1,980	0	-	-	-	2,644
1974	-	-	-	-	-	0	1,932	1	-	-	-	1,933
1975	-	-	-	-	-	0	2,309	2	-	-	-	2,311
1976	-	-	-	-	-	0	2,682	0	-	-	-	2,682
1977	-	-	-	-	-	0	2,396	0	-	431	35	2,862
1978	-	-	-	-	-	0	1,496	0	-	3	1	1,500
1979	-	-	-	-	-	0	1,654	0	-	53	29	1,736
1980	-	-	-	-	-	98	1,004	0	-	0	0	1,102
1981	-	-	-	-	-	276	0	1,957	-	-	-	2,233
1982	-	-	-	-	-	0	0	29	-	-	-	29
1983	-	-	-	-	-	0	0	14	-	-	-	14
1984	-	-	-	-	-	0	0	0	-	-	-	0
1985	-	-	-	-	-	0	0	0	-	-	-	0
1986	-	-	-	-	-	0	0	0	-	-	-	0
1987	-	-	-	-	-	0	0	0	-	-	-	0
1988	-	-	-	-	-	0	0	0	-	-	-	0
1989	-	-	-	-	-	0	0	0	-	-	-	0
1990	-	-	-	-	-	0	0	0	-	-	-	0
1991	-	-	-	-	-	0	0	0	-	-	-	0
1992	-	-	-	-	-	0	0	0	-	-	-	0
1993	-	-	-	-	-	0	0	0	-	-	-	0
1994	-	-	-	-	-	0	0	0	-	-	-	0
1995	-	-	-	-	-	0	0	0	-	-	-	0
1996	-	-	-	-	-	0	0	0	-	-	-	0
1997	-	-	-	-	-	0	0	0	-	-	-	0
1998	-	-	-	-	-	0	0	0	-	-	-	0
1999	-	-	-	-	-	0	0	0	-	-	-	0
2000	-	-	-	-	-	0	0	0	-	-	-	0
2001	-	-	-	-	-	0	0	0	-	-	-	0
2002	-	-	-	-	-	0	0	0	-	-	-	0
2003	-	-	-	-	-	0	0	0	-	-	-	0
2004	-	-	-	-	-	0	0	0	-	-	-	0
2005	-	-	-	-	-	0	0	0	-	-	-	0

Column (8) = LS #10 assigned to Southern Calif. Edison Co. Highgrove Steam Plant.

Columns (10) & (11) = Starting in 1976 part of the flow from the Flume Wells is leased from the City of Riverside.

The amounts shown are La Sierra production only. Riverside production is shown under 3601886 & 3602486.

(12) = Total of Column (1) thru (11).

* Abandoned s/or Filled Closed.

TABLE NO. 47
LA SIERRA WATER COMPANY
WATER PRODUCTION FROM COLTON AND RIVERSIDE BASIN SITUATED WITHIN SAN BERNARDINO COUNTY
WITH DELIVERIES IN SAN BERNARDINO COUNTY AND EXPORTS TO RIVERSIDE COUNTY
 (Quantities in Acre Feet)

Year (2)	La Sierra Production in Colton and Riverside North Basins				DELIVERIES OF LA SIERRA WATER COMPANY WATER PRODUCTION									
	Colton Basin (3)	Riverside Basin (4)	Total Production (5)	So. California Edison Steam Plant (6)	Colton City (7)	San Bernardino County (8)	Total in San Bernardino County (9)	West Riverside Canal (10)	Highland Water Co. (11)	Temescal Water Company (12)	City of Riverside (13)	Total Deliveries in Riverside County (14)		
1971	1,127	4,739	5,866	-	0	1,127	1,127	3,324	0	1,415	0	4,739		
1972	1,057	4,709	5,766	-	0	1,057	1,057	3,508	0	1,201	0	4,709		
1973	906	2,644	3,550	-	0	906	906	2,644	0	0	0	2,644		
1974	660	1,933	2,593	-	0	660	660	1,932	0	1	0	1,933		
1975	628	2,311	2,939	-	0	628	628	2,309	0	2	0	2,311		
1976	2,682	2,682	3,333	-	0	653	653	2,682	0	0	0	2,682		
1977	506	2,862	3,368	-	0	506	506	2,396	0	0	0	2,396		
1978	506	1,500	2,006	-	0	506	506	1,496	0	0	4	1,496		
1979	535	1,736	2,271	-	0	535	535	1,654	0	0	82	1,654		
1980	542	1,102	1,644	-	0	542	542	1,102	0	0	0	1,102		
1981	541	2,233	2,774	-	0	541	541	276	0	1,957	0	2,233		
1982	582	29	611	-	0	582	582	0	0	29	0	29		
1983	552	14	566	-	0	552	552	0	0	14	0	14		
1984	503	0	503	-	0	503	503	0	0	0	0	0		
1985	490	0	490	-	0	490	490	0	0	0	0	0		
1986	450	0	450	-	0	450	450	0	0	0	0	0		
1987	518	0	518	-	0	518	518	0	0	0	0	0		
1988	478	0	478	-	0	478	478	0	0	0	0	0		
1989	484	0	484	-	0	484	484	0	0	0	0	0		
1990	526	0	526	-	0	526	526	0	0	0	0	0		
1991	508	0	508	-	0	508	508	0	0	0	0	0		
1992	546	0	546	-	0	546	546	0	0	0	0	0		
1993	690	0	690	-	0	690	690	0	0	0	0	0		
1994	708	0	708	-	0	708	708	0	0	0	0	0		
1995	1,537	0	1,537	-	0	1,537	1,537	0	0	0	0	0		
1996	542	0	542	-	0	542	542	0	0	0	0	0		
1997	0	0	0	-	0	0	0	0	0	0	0	0		
1998	0	0	0	-	0	0	0	0	0	0	0	0		
1999	-	-	-	-	-	-	-	-	-	-	-	-		
2000	-	-	-	-	-	-	-	-	-	-	-	-		
2001	-	-	-	-	-	-	-	-	-	-	-	-		
2002	-	-	-	-	-	-	-	-	-	-	-	-		
2003	-	-	-	-	-	-	-	-	-	-	-	-		
2004	-	-	-	-	-	-	-	-	-	-	-	-		
2005	-	-	-	-	-	-	-	-	-	-	-	-		

General Notes:
 Column (3) = From Table No. 46A Col. (6).
 Column (4) = From Table No. 46B Col. (12).
 Column (5) = Col. (3) + (4).
 Column (6) = See General Note (a).
 Column (7) = Table No. 31, Col. (8), Riverside Highland Wtr. Co.
 Column (8) = Identical to this Table No. 47, Col. (3).
 Column (9) = Total of Columns (5), (6), & (7).
 Column (10) = 1964 and after: Col. (5) + (7) + (8) + (12) + (13).
 Column (11) = Table No. 31, Col. (17), Riverside Highland Wtr. Co.
 Column (12) = 1964 and after, see Temescal File.
 Column (13) = From Table No. 46B, Col. (10) + (11).
 Column (14) = Total of Cols. (10), (11), (12), & (13).
 (a) Production shown is from Well 18/4N-180. This well is owned by City of Colton and no production from this well was made by La Sierra Water Co. prior to 1964. Beginning in 1964, production by Colton recorded under 3601259 and by La Sierra under 3602227.
 (b) Production shown includes water from 18/4N-187. This well is owned by the City of Colton and no production from this well was made by La Sierra prior to 1964. Beginning in 1964, production by Colton recorded under 3601261 and by La Sierra under 3602228.
 (c) La Sierra Well No. 10 delivered directly to Edison steam plant in Highgrove 1959-63. Beginning in 1964 Temescal Water Co. in Riverside County purchased the flow of La Sierra No. 10 Well from Southern California Edison Company.
 FOR YEARS PRECEDING 1971: Refer to Volume 5, August 1976, Page III-21.

TABLE NO. 48LA SIERRA WATER COMPANY

WATER PRODUCTION FROM RIVERSIDE GROUND WATER BASIN
WITHIN SAN BERNARDINO COUNTY FOR PERIOD 1971 THROUGH CURRENT YEAR
AND PRODUCTION DELIVERED IN RIVERSIDE AND SAN BERNARDINO COUNTIES
(Quantities in Acre Feet)

Year	Total Production	Used in San Bernardino County	Exported to Riverside County
	(1)	(2)	(3)
1971	4,739	0	4,739
1972	4,709	0	4,709
1973	2,644	0	2,644
1974	1,933	0	1,933
1975	2,311	0	2,311
1976	2,682	0	2,682
1977	2,862	0	2,396
1978	1,500	0	1,496
1979	1,736	0	1,654
1980	1,102	0	1,102
1981	2,233	0	2,233
1982	29	0	29
1983	14	0	14
1984	0	0	0
1985	0	0	0
1986	0	0	0
1987	0	0	0
1988	0	0	0
1989	0	0	0
1990	0	0	0
1991	0	0	0
1992	0	0	0
1993	0	0	0
1994	0	0	0
1995	0	0	0
1996	0	0	0
1997	0	0	0
1998	0	0	0
1999			
2000			
2001			
2002			
2003			
2004			
2005			

Column (1) = From Col. (4) Table No. 47.

Column (2) = Col. (4) - [Cols. (10) + (11) + (12) + (13)], Table No. 47.

Column (3) = From Col. (14), Table No. 47.

FOR YEARS PRECEDING 1971: Refer to Volume 5, August 1976, Page III-23.

TABLE NO. 49

RIVERSIDE HIGHLAND WATER COMPANY
WATER PRODUCTION FROM RIVERSIDE GROUND WATER BASIN
WITHIN SAN BERNARDINO COUNTY FOR PERIOD 1971 THROUGH CURRENT YEAR
AND PRODUCTION DELIVERED IN RIVERSIDE AND SAN BERNARDINO COUNTIES
(Quantities in Acre Feet)

Year	Total Production	Export to Riverside County	Used in San Bernardino County
	(1)	(2)	(3)
1971	5,304	3,778	1,526
1972	4,229	2,980	1,249
1973	4,074	2,847	1,227
1974	3,371	2,262	1,109
1975	3,016	2,050	966
1976	3,592	2,484	1,108
1977	4,699	3,582	1,117
1978	3,923	2,621	1,302
1979	3,876	2,682	1,194
1980	4,284	2,837	1,447
1981	4,965	3,289	1,676
1982	3,330	2,089	1,248
1983	2,536	1,646	889
1984	4,545	3,178	1,367
1985	4,475	3,176	1,299
1986	2,089	1,088	1,001
1987	1,632	1,054	578
1988	1,785	1,072	713
1989	2,558	1,000	1,558
1990	2,858	1,242	1,616
1991	3,581	1,603	1,978
1992	2,215	971	1,244
1993	3,034	1,370	1,664
1994	3,285	1,613	1,672
1995	3,126	1,430	1,696
1996	2,396	1,089	1,307
1997	2,513	1,161	1,352
1998	2,195	871	1,324
1999			
2000			
2001			
2002			
2003			
2004			
2005			
2006			
2007			
2008			

Column (1) = From Table No. 21, Col. (10).

Column (2) = T 31, Col. (16); after 1989, Table 23R, Sheet 2, Column (11).

Column (3) = T 31, Col. (7); after 1989, Table 23R, Sheet 2, Column (10).

FOR YEARS PRECEDING 1971: Refer to Volume 5, 1976, Page III-25

TABLE NO. 50TEMESCAL WATER COMPANY
(Elsinore Valley M.W.D. after 1995)WATER PRODUCTION FROM RIVERSIDE GROUNDWATER BASIN
WITHIN SAN BERNARDINO COUNTY FOR PERIOD 1971 THROUGH CURRENT YEAR
AND PRODUCTION DELIVERED IN RIVERSIDE AND SAN BERNARDINO COUNTIES
(Quantities in Acre Feet)Palm Ave. Well
State Well# 2S4W06A03S
Recordation # 3601509

<u>Year</u>	<u>Production (1)</u>
1971	1,948
1972	1,368
1973	1,614
1974	821
1975	2,035
1976	2,682
1977	2,363
1978	1,528
1979	2,130
1980	1,968
1981	2,196
1982	1,423
1983	0
1984	1,190
1985	1,817
1986	2,015
1987	1,878
1988	2,360
1989	2,790
1990	2,283
1991	2,354
1992	1,714
1993	1,698
1994	0
1995	556
1996	25
1997	97
1998	194
1999	
2000	
2001	
2002	
2003	
2004	
2005	

Note: Total production shown in column (1) is all exported to Riverside County via Gage or Riverside Canals. Deliveries in San Bernardino County are zero.

No deliveries made via Gage since conversion to domestic pipeline in 1975.
FOR YEARS PRECEDING 1971: Refer to Volume 5, August 1976, Page III-27.

TABLE NO. 51

WEST RIVERSIDE 350 INCH WATER COMPANY
WATER PRODUCTION FROM RIVERSIDE GROUND WATER BASIN
WITHIN SAN BERNARDINO COUNTY FOR PERIOD 1971 THROUGH CURRENT YEAR
(Quantities in Acre Feet)

Year	1S4W32B01S 3600832 Well # 5	1S4W32B02S 3601953 Well # 7	Total Production
1971	470	1,749	2,219
1972	225	1,908	2,133
1973	197	688	885
1974	218	1,240	1,521
1975	228	1,298	1,526
1976	84	897	981
1977	262	321	583
1978	233	183	416
1979	139	750	889
1980	454	131	585
1981	611	784	1,395
1982	641	264	905
1983	6	40	46
1984	0	0	0
1985	155	430	585
1986	0	0	0
1987	0	0	0
1988	0	0	0
1989	0	0	0
1990	0	0	0
1991	0	0	0
1992	0	0	0
1993 *	1	1	0
1994 *	1	1	0
1995	0	0	0
1996	0	0	0
1997	0	0	0
1998	0	0	0
1999			
2000			
2001			
2002			
2003			
2004			
2005			

Col (1) & (2) From Table No. 1, Volume 3.

Col. (3) = Cols. (1) + (2).

Note: Total production shown in Col. (3) is all exported to Riverside County via West Riverside Canal. Deliveries in San Bernardino County are zero.

Wells 1, 2, 4, 6 are abandoned.

FOR YEARS PRECEDING 1971: Refer to Volume 5, August 1976, Page III-29.

* Wells pump tested, no water exported

TABLE NO. 52

GROUND WATER PRODUCTION FROM THAT PART OF THE RIVERSIDE GROUND WATER BASIN
SITUATED WITHIN SAN BERNARDINO COUNTY A PART OF WHICH IS USED IN
SAN BERNARDINO COUNTY AND THE REMAINDER EXPORTED TO
RIVERSIDE COUNTY DURING CALENDAR YEARS 1971-1975
(All Quantities in Acre Feet)

WATER PRODUCTION USED IN SAN BERNARDINO COUNTY

Line No.	PRODUCING AGENCY	1971	1972	1973	1974	1975	Total	Five Year Average	References
1	American Cement Company (Crestmore)	482	204	0	0	0	.686	137	From Table No. 41, Col. (2)
2	City of Riverside Irrigation and Domestic	174	107	45	111	94	531	106	From Table No. 42, Col. (2)
3	City of Riverside "The Gage Canal"	0	0	0	98	77	175	35	From Table No. 43, Col. (2)
4	Inter County Water Company	32	37	61	81	88	299	60	From Table No. 44, Col. (3)
5	Jurupa Water Company	0	0	0	0	0	0	0	From Table No. 45, See Footnote
6	La Sierra Water Company	0	0	0	0	0	0	0	From Table No. 48, Col. (2)
7	Riverside Highland Water Company	1,526	1,249	1,227	1,109	966	6,077	1,216	From Table No. 49, Col. (3)
8	Temescal Water Company	0	0	0	0	0	0	0	From Table No. 50, See Footnote
9	West Riverside 350 Inch Water Company	0	0	0	0	0	0	0	From Table No. 51, See Footnote
10	TOTAL LINES 1 THROUGH 9	2,214	1,597	1,333	1,399	1,225	7,768	1,554	

WATER PRODUCTION EXPORTED TO RIVERSIDE COUNTY

15	American Cement Company (Crestmore)	349	373	537	133	0	1,392	278	From Table No. 41, Col. (1)
16	City of Riverside Irrigation and Domestic	4,363	5,813	4,941	6,012	5,744	26,873	5,375	From Table No. 42, Col. (1)
17	City of Riverside "The Gage Canal"	567	778	222	374	568	2,509	502	From Table No. 43, Col. (1)
18	Inter County Water Company	51	58	96	125	137	467	93	From Table No. 44, Col. (2)
19	Jurupa Water Company	94	376	200	402	592	1,664	333	From Table No. 45, Col. (3)
20	La Sierra Water Company	4,739	4,709	2,644	1,933	2,311	16,336	3,267	From Table No. 48, Col. (3)
21	Riverside Highland Water Company	3,778	2,980	2,847	2,262	2,050	13,917	2,783	From Table No. 49, Col. (2)
22	Temescal Water Company	1,948	1,368	1,614	821	2,035	7,786	1,557	From Table No. 50, Col. (1)
23	West Riverside 350 Inch Water Company	2,219	2,133	885	1,521	1,526	8,284	1,657	From Table No. 51, Col. (7)
24	TOTAL LINES 15 THROUGH 23	18,108	18,588	13,986	13,583	14,963	79,228	15,845	
25	TOTAL LINES 10 PLUS 24	20,322	20,185	15,319	14,982	16,188	86,996	17,399	

TABLE NO. 52
GROUNDWATER PRODUCTION FROM THAT PART OF THE RIVERSIDE GROUNDWATER BASIN SITUATED WITHIN SAN BERNARDINO COUNTY A PART OF WHICH IS USED IN SAN BERNARDINO COUNTY AND THE REMAINDER EXPORTED TO RIVERSIDE COUNTY DURING CALENDAR YEARS 1976 THROUGH CURRENT YEAR
 (All Quantities in Acre Feet)

<u>WATER PRODUCTION USED IN SAN BERNARDINO COUNTY</u>												
Line No.	1976	1977	1978	1979	1980	1981	1982	1983	1984	1985	References	
1	Riverside Cement Co. +	218	446	227	436	218	413	0	0	0	From Table No. 41, Col. (2)	
2	City of Riverside Domestic & Irrigation	126	279	271	587	1,591	2,102**	1,933**	448	714	From Table No. 42, Col. (2)	
3	City of Riverside "The Gage Canal"	62	6	4	4	3	1	1	2	1	From Table No. 43, Col. (2)	
4	Inter County Water Company	152	137	96	149	150	132	102	136	129	From Table No. 44, Col. (3)	
5	Jurupa Water Company	-	-	-	-	-	-	-	-	-	Table No. 45, See Footnote	
6	La Sierra Water Company	0	0	0	0	0	0	0	0	0	From Table No. 48, Col. (2)	
7	Riverside Highland Water Company	1,108	1,117	1,302	1,194	1,447	1,248	889	1,367	1,299	From Table No. 49, Col. (3)	
8	Temescal Water Company	-	-	-	-	-	-	-	-	-	Table No. 50, See Footnote	
9	West Riverside 350" Water Company	-	-	-	-	-	-	-	-	-	Table No. 51, See Footnote	
10	TOTAL LINES 1 THROUGH 9	1,666	1,985	1,900	2,370	3,410	3,733	2,925**	1,953	2,143		

<u>WATER PRODUCTION EXPORTED TO RIVERSIDE COUNTY</u>												
Line No.	1976	1977	1978	1979	1980	1981	1982	1983	1984	1985	References	
15	Riverside Cement Co. +	0	0	0	0	0	0	0	0	0	From Table No. 41, Col. (1)	
16	City of Riverside Domestic & Irrigation	6,219	3,833	1,093	2,249	115	1,513	648	2,443	2,479	From Table No. 42, Col. (1)	
17	City of Riverside "The Gage Canal"	378	383	730	409	2,028	1,644	1,018	2,044	1,860	From Table No. 43, Col. (1)	
18	Inter County Water Company	78	70	49	76	78	68	52	71	67	From Table No. 44, Col. (2)	
19	Jurupa Water Company	637	756	1,118	421	478	793	351	634	1,217	From Table No. 45, Col. (1)	
20	La Sierra Water Company	2,682	2,862	1,500	1,736	1,102	233	14	0	0	From Table No. 48, Col. (3)	
21	Riverside Highland Water Company	2,484	3,582	2,621	2,682	2,817	2,082	1,646	3,178	3,176	From Table No. 49, Col. (2)	
22	Temescal Water Company	2,682	2,363	1,528	2,130	1,968	1,423	0	1,190	1,817	From Table No. 50, Col. (1)	
23	West Riverside 350" Water Company	981	583	416	889	585	905	46	0	585	From Table No. 51, Col. (1)	
24	TOTAL LINES 15 THROUGH 23	16,141	14,432	9,055	10,592	9,191	8,457	3,775	9,560	11,201		
25	TOTAL LINES 10 PLUS 24	17,807	16,417	10,955	12,962	16,800	11,940**	6,700**	11,513	13,344		

FOR YEARS PRECEDING 1976: Refer to Volume 5-1975, August 1977, Page 56
 + Name change in 1981 from Amcord
 * Corrected in 1981
 ** Corrected in 1984

TABLE NO. 52

GROUNDWATER PRODUCTION FROM THAT PART OF THE RIVERSIDE GROUNDWATER BASIN SITUATED WITHIN SAN BERNARDINO COUNTY
A PART OF WHICH IS USED IN SAN BERNARDINO COUNTY AND THE REMAINDER EXPORTED TO
RIVERSIDE COUNTY DURING CALENDAR YEARS 1976 THROUGH CURRENT YEAR

(Quantities in Acre Feet)

	1986	1987	1988	1989	1990	1991	1992	1993	1994	1995		
Water Production used in San Bernardino County												
Riverside Cement Company	0	0	0	-	-	-	-	-	-	-	-	From Table No. 41, Column (2).
City of Riverside, Domestic & Irrigation	117	87	58	59	1,011	1,005	334	69	72	0	0	From Table No. 42, Column (2).
City of Riverside, "The Gage Canal"	2	1	2	2	1	1	1	2	2	2	0	From Table No. 43, Column (2).
Inter-County Water (W.S.B.C.W.D.)	125	51	0	0	0	0	0	0	0	0	0	From Table No. 44, Column (3).
Jurupa Water Company	-	-	-	-	-	-	-	-	-	-	-	From Table No. 45, See footnote.
La Sierra Water Company	0	0	0	0	0	0	0	0	0	0	0	From Table No. 48, Column (2).
Riverside Highland Water Company	1,001	578	713	1,558	1,616	1,978	1,244	1,664	1,672	1,696	0	From Table No. 49, Column (3).
Temescal Water Company	-	-	-	-	-	-	-	-	-	-	-	From Table No. 50, See footnote.
West Riverside 350" Water Company	-	-	-	-	-	-	-	-	-	-	-	From Table No. 51, See footnote.
TOTAL LINES 1 THROUGH 9	1,245	717	773	1,619	2,628	2,984	1,579	1,735	1,746	1,696		
Water Production Export to Riverside County												
Riverside Cement Company	0	0	0	-	-	-	-	-	-	-	-	From Table No. 41, Column (1).
City of Riverside, Domestic & Irrigation	2,225	1,675	3,257	10,135	9,972	12,198	10,009	9,231	8,131	10,755	0	From Table No. 42, Column (1).
City of Riverside, "The Gage Canal"	1,891	1,995	2,187	1,963	1,961	1,733	1,656	2,021	2,026	1,664	0	From Table No. 43, Column (1).
Inter-County Water (W.S.B.C.W.D.)	64	27	21	21	21	21	21	21	21	21	21	From Table No. 44, Col (2); Col (4) after 1988.
Jurupa Water Company	1,372	1,083	26	248	392	646	357	362	413	1,520	0	From Table No. 45, Column (3).
La Sierra Water Company	0	0	0	0	0	0	0	0	0	0	0	From Table No. 48, Column (3).
Riverside Highland Water Company	1,088	1,054	1,072	1,000	1,242	1,603	971	1,370	1,613	1,430	0	From Table No. 49, Column (2).
Temescal Water Company	2,015	1,878	2,360	2,790	2,283	2,354	1,714	1,698	0	556	0	From Table No. 50, Column (1).
West Riverside 350" Water Company	0	0	0	0	0	0	0	0	0	0	0	From Table No. 51, Column (3).
TOTAL LINES 15 THROUGH 23	8,655	7,712	8,923	16,157	15,871	18,555	14,728	14,703	12,204	15,946		
TOTAL LINES 10 plus 24	9,900	8,429	9,696	17,776	18,499	21,539	16,307	16,438	13,950	17,642		

FOR YEARS PRECEDING 1976: Refer to Volume 5-1975, August 1977, Page 56.
Inter-County Water Company was taken over in 1988 by West San Bernardino County Water District.

TABLE NO. 52

GROUNDWATER PRODUCTION FROM THAT PART OF THE RIVERSIDE GROUNDWATER BASIN SITUATED WITHIN SAN BERNARDINO COUNTY
 A PART OF WHICH IS USED IN SAN BERNARDINO COUNTY AND THE REMAINDER EXPORTED TO
 RIVERSIDE COUNTY DURING CALENDAR YEARS 1976 THROUGH CURRENT YEAR

(Quantities in Acre Feet)

Line #	Water Production used in San Bernardino County										
	1996	1997	1998	1999	2000	2001	2002	2003	2004	2005	
1											From Table No. 41, Column (2).
2	0	0	0								From Table No. 42, Column (2).
3	0	0	0								From Table No. 43, Column (2).
4											From Table No. 44, Column (3).
5											From Table No. 45, See footnote.
6	0	0	0								From Table No. 48, Column (2).
7	1,307	1,352	1,324								From Table No. 49, Column (3).
8											From Table No. 50, See footnote.
9											From Table No. 51, See footnote.
10	1,307	1,352	1,324								
11											
12											
13											
14											
	Water Production Export to Riverside County										
15											From Table No. 41, Column (1).
16	9,064	8,169	6,765								From Table No. 42, Column (1).
17	1,706	1,591	1,823								From Table No. 43, Column (1).
18	21	21	21								From Table No. 44, Col (4)
19	1,500	6	6								From Table No. 45, Column (3).
20	0	0	0								From Table No. 48, Column (3).
21	1,089	1,161	871								From Table No. 49, Column (2).
22	25	97	194								From Table No. 50, Column (1).
23	0	0	0								From Table No. 51, Column (3).
24	13,405	11,045	9,680								
25	14,712	12,397	11,004								

FOR YEARS PRECEDING 1976: Refer to Volume 5-1975, August 1977, Page 56.
 Inter-County Water Company was taken over in 1988 by West San Bernardino County Water District.

6/28/98 11:42

TABLE NO. 52-A

GROUNDWATER PRODUCTION FROM THAT PART OF THE RIVERSIDE GROUNDWATER BASIN SITUATED
 WITHIN SAN BERNARDINO COUNTY, A PART OF WHICH IS USED IN
 SAN BERNARDINO COUNTY AND THE REMAINDER EXPORTED TO RIVERSIDE COUNTY DURING
 CALENDAR YEARS 1976 THROUGH THE CURRENT YEAR

CLASSIFIED ACCORDING TO SERVICE AREA
 (All values in Acre Feet)

EXTRACTIONS FROM RIVERSIDE BASIN AREA WITHIN SAN BERNARDINO COUNTY FOR USE WITHIN AND EXPORT THEREFROM

PLAINTIFFS	1976		1977		1978		1979		1980	
	Total Extract	Del. in S.B. Co. Riv. Co.	Total Extract	Del. in S.B. Co. Riv. Co.	Total Extract	Del. in S.B. Co. Riv. Co.	Total Extract	Del. in S.B. Co. Riv. Co.	Total Extract	Del. in S.B. Co. Riv. Co.
American Cement Co.	218	218	446	446	227	227	436	436	218	218
City of Riverside Domestic & irrigation	6,345	126	4,112	279	1,364	271	2,836	587	1,706	1,591
City of Riverside Gage Canal Company	440	62	389	6	734	4	413	4	2,032	4
Inter County Water Co.	230	152	207	137	145	96	225	149	228	150
Jurupa Water Company	637	0	756	0	1,118	0	421	0	478	0
La Sierra Water Company	2,682	0	2,862	0	1,500	0	1,736	0	1,102	0
Riverside Highland Water Company	3,592	1,108	4,699	1,117	3,923	1,302	3,876	1,194	4,284	1,447
Temescal Water Company	2,682	0	2,363	0	1,528	0	2,130	0	1,968	0
West Riverside 350" Water Company	981	0	583	0	416	0	889	0	585	0
TOTALS	17,807	1,666	16,417	1,985	10,955	1,900	12,962	2,370	12,601	3,410

Total Extract --- TOTAL EXTRACTIONS
 Del in S.B. Co. -- DELIVERY WITHIN SAN BERNARDINO COUNTY
 Del. in Riv. Co. --- DELIVERY WITHIN RIVERSIDE COUNTY

FOR YEARS PRECEDING 1976: Refer to Volume 5-1975, August 1976, Page 57
 From 52, Same as Table 4, Volume 3

TABLE NO. 52-A

GROUNDWATER PRODUCTION FROM THAT PART OF THE RIVERSIDE GROUNDWATER BASIN SITUATED
 WITHIN SAN BERNARDINO COUNTY, A PART OF WHICH IS USED IN
 SAN BERNARDINO COUNTY AND THE REMAINDER EXPORTED TO RIVERSIDE COUNTY DURING
 CALENDAR YEARS 1976 THROUGH THE CURRENT YEAR

CLASSIFIED ACCORDING TO SERVICE AREA
 (All Values in Acre Feet)

EXTRACTIONS FROM RIVERSIDE BASIN AREA WITHIN SAN BERNARDINO COUNTY FOR USE WITHIN AND EXPORT THEREFROM

PLAINTIFFS	1981			1982			1983			1984			1985		
	Total Extract	Del. in S.B. Co.	Del. in Riv. Co.	Total Extract	Del. in S.B. Co.	Del. in Riv. Co.	Total Extract	Del. in S.B. Co.	Del. in Riv. Co.	Total Extract	Del. in S.B. Co.	Del. in Riv. Co.	Total Extract	Del. in S.B. Co.	Del. in Riv. Co.
Riverside Cement Co.*	413	413	0	0	0	0	0	0	0	0	0	0	0	0	0
City of Riverside Domestic & Irrigation	2,894	1,526	1,368	3,615	2,102	1,513	2,581	1,933	648	2,891	448	2,443	3,193	714	2,479
City of Riverside Gage Canal Company	2,467	3	2,464	1,645	1	1,644	1,019	1	1,018	2,046	2	2,044	1,861	1	1,860
Inter County Water Co.	175	115	60	200	132	68	154	102	52	207	136	71	196	129	67
Jurupa Water Company	62	0	62	793	0	793	351	0	351	634	0	634	1,217	0	1,217
La Sierra Water Company	2,233	0	2,233	29	0	29	14	0	14	0	0	0	0	0	0
Riverside Highland Water Company	4,965	1,676	3,289	3,330	1,248	2,082	2,535	889	1,646	4,545	1,367	3,178	4,475	1,299	3,176
Temescal Water Company	2,196	0	2,196	1,423	0	1,423	0	0	0	1,190	0	1,190	1,817	0	1,817
West Riverside 350" Water Company	1,395	0	1,395	905	0	905	46	0	46	0	0	0	585	0	585
TOTALS	16,800	3,733	13,067	11,940	3,483	8,457	6,700	2,925	3,775	11,513	1,953	9,560	13,344	2,143	11,201

Total Extract -- TOTAL EXTRACTIONS
 Del in S.B. Co. -- DELIVERY WITHIN SAN BERNARDINO COUNTY
 Del. in Riv. Co. -- DELIVERY WITHIN RIVERSIDE COUNTY

TABLE NO. 52-A

GROUNDWATER PRODUCTION FROM THAT PART OF THE RIVERSIDE GROUNDWATER BASIN SITUATED WITHIN SAN BERNARDINO COUNTY, A PART OF WHICH IS USED IN SAN BERNARDINO COUNTY AND THE REMAINDER EXPORTED TO RIVERSIDE COUNTY DURING CALENDAR YEARS 1976 THROUGH THE CURRENT YEAR

CLASSIFIED ACCORDING TO SERVICE AREA
(Quantities in Acre Feet)

EXTRACTIONS FROM RIVERSIDE BASIN AREA WITHIN SAN BERNARDINO COUNTY FOR USE WITHIN AND EXPORT THEREFROM

PLAINTIFFS	1986		1987		1988		1989		1990	
	Total Extract	Del. in S.B. Co.	Total Extract	Del. in S.B. Co.	Total Extract	Del. in S.B. Co.	Total Extract	Del. in S.B. Co.	Total Extract	Del. in S.B. Co.
Riverside Cement Co.*	0	0	0	0	0	0	0	0	0	0
City of Riverside Domestic & Irrigation	2,342	117	1,762	87	3,315	58	10,194	59	10,135	1,011
City of Riverside Gage Canal Company	1,893	2	1,996	1	2,191	2	1,963	2	1,963	1
Inter County Water Co. WBSCWD after 1988	189	125	78	51	21	0	21	0	21	0
Jurupa Water Company JCSD after 1988	1,372	0	1,083	0	26	0	248	0	392	0
La Sierra Water Company	0	0	0	0	0	0	0	0	0	0
Riverside Highland Water Company	2,089	1,001	1,632	578	1,785	713	2,558	1,558	2,858	1,616
Temescal Water Company	2,051	0	1,878	0	2,360	0	2,790	0	2,283	0
West Riverside 350" Water Company	0	0	0	0	0	0	0	0	0	0
TOTALS	9,936	1,245	8,429	717	9,698	773	17,776	1,619	16,157	2,628

Total Extract -- TOTAL EXTRACTIONS
Del in S.B. Co. -- DELIVERY WITHIN SAN BERNARDINO COUNTY
Del. in Riv. Co. --- DELIVERY WITHIN RIVERSIDE COUNTY

From Table No. 52, same as Table 4, Volume 3
* Name change from American Cement (Acoord) to Riverside Cement in 1981
FOR YEARS PRECEDING 1976: Refer to Volume 5-1975, August 1976, Page 57

TABLE NO. 52--A

GROUNDWATER PRODUCTION FROM THAT PART OF THE RIVERSIDE GROUNDWATER BASIN SITUATED
 WITHIN SAN BERNARDINO COUNTY, A PART OF WHICH IS USED IN
 SAN BERNARDINO COUNTY AND THE REMAINDER EXPORTED TO RIVERSIDE COUNTY DURING
 CALENDAR YEARS 1976 THROUGH THE CURRENT YEAR

CLASSIFIED ACCORDING TO SERVICE AREA
 (Quantities in Acre Feet)

EXTRACTIONS FROM RIVERSIDE BASIN AREA WITHIN SAN BERNARDINO COUNTY FOR USE WITHIN AND EXPORT THEREFROM

PLAINTIFFS	1991			1992			1993			1994			1995		
	Total Extract	Del. in S.B. Co.	Del. in Riv. Co.	Total Extract	Del. in S.B. Co.	Del. in Riv. Co.	Total Extract	Del. in S.B. Co.	Del. in Riv. Co.	Total Extract	Del. in S.B. Co.	Del. in Riv. Co.	Total Extract	Del. in S.B. Co.	Del. in Riv. Co.
Riverside Cement Co.*	-	-	-	-	-	-	-	-	-	-	-	-	-	-	-
City of Riverside Domestic & Irrigation	13,203	1,005	12,198	10,343	334	10,009	9,300	69	9,231	8,203	72	8,131	10,755	0	10,755
City of Riverside Gage Canal Company	1,734	1	1,733	1,657	1	1,656	2,023	2	2,021	2,028	2	2,026	1,664	0	1,664
Inter County Water Co. WBCWD after 1988	21	0	21	21	0	21	21	0	21	21	0	21	21	0	21
Jurupa Water Company JCSD after 1988	646	-	646	357	-	357	362	-	362	413	-	413	1,520	-	1,520
La Sierra Water Company	0	0	0	0	0	0	0	0	0	0	0	0	0	0	0
Riverside Highland Water Company	3,581	1,978	1,603	2,215	1,244	971	3,034	1,664	1,370	3,285	1,672	1,613	3,126	1,696	1,430
Temescal Water Company	2,354	-	2,354	1,714	-	1,714	1,698	-	1,698	0	-	0	556	-	556
West Riverside 350" Water Company	0	-	0	0	-	0	0	-	0	0	-	0	0	-	0
TOTALS	21,539	2,984	18,555	16,307	1,579	14,728	16,438	1,735	14,703	13,950	1,746	12,204	17,642	1,696	15,946

Total Extract -- TOTAL EXTRACTIONS
 Del in S.B. Co. -- DELIVERY WITHIN SAN BERNARDINO COUNTY
 Del. in Riv. Co. -- DELIVERY WITHIN RIVERSIDE COUNTY

From Table No. 51, same as Table 4, Volume 3
 * Name change from American Cement (Acoord) to Riverside Cement in 1981
 FOR YEARS PRECEDING 1976: Refer to Volume 5-1975, August 1976, Page 57

TABLE NO. 52-A

GROUNDWATER PRODUCTION FROM THAT PART OF THE RIVERSIDE GROUNDWATER BASIN SITUATED WITHIN SAN BERNARDINO COUNTY, A PART OF WHICH IS USED IN SAN BERNARDINO COUNTY AND THE REMAINDER EXPORTED TO RIVERSIDE COUNTY DURING CALENDAR YEARS 1976 THROUGH THE CURRENT YEAR

CLASSIFIED ACCORDING TO SERVICE AREA
(Quantities in Acre Feet)

EXTRACTIONS FROM RIVERSIDE BASIN AREA WITHIN SAN BERNARDINO COUNTY FOR USE WITHIN AND EXPORT THEREFROM

PLAINTIFFS	1996			1997			1998			2000		
	Total Extract	Del. in S.B. Co. Riv. Co.	Del. in Riv. Co.	Total Extract	Del. in S.B. Co. Riv. Co.	Del. in Riv. Co.	Total Extract	Del. in S.B. Co. Riv. Co.	Del. in Riv. Co.	Total Extract	Del. in S.B. Co. Riv. Co.	Del. in Riv. Co.
Riverside Cement Co.*	-	-	-	-	-	-	-	-	-	-	-	-
City of Riverside Domestic & Irrigation	9,064	0	9,064	8,169	0	8,169	6,765	0	6,765	-	-	-
City of Riverside Gage Canal Company	1,706	0	1,706	1,591	0	1,591	1,823	0	1,823	-	-	-
Inter County Water Co. WSBCWD after 1988	21	-	21	21	-	21	21	-	21	-	-	-
Jurupa Water Company JCSD after 1988	1,500	-	1,500	6	-	6	6	-	6	-	-	-
La Sierra Water Company	0	0	0	0	0	0	0	0	0	-	-	-
Riverside Highland Water Company	2,396	1,307	1,089	2,513	1,352	1,161	2,195	1,324	871	-	-	-
Temescal Water Company	25	-	25	97	-	97	194	-	194	-	-	-
West Riverside 350" Water Company	0	-	0	0	-	0	0	-	0	-	-	-
TOTALS	14,712	1,307	13,405	12,397	1,352	11,045	11,004	1,324	9,680			

Total Extract -- TOTAL EXTRACTIONS
Del in S.B. Co. -- DELIVERY WITHIN SAN BERNARDINO COUNTY
Del. in Riv. Co. -- DELIVERY WITHIN RIVERSIDE COUNTY
From Table No. 52, Same as Table 4, Volume 3
* Name change from American Cement (Acord) to Riverside Cement in 1981
FOR YEARS PRECEDING 1976; Refer to Volume 5-1975, August 1976, Page 57

TABLE NO. 53

SAN BERNARDINO ENTITIES PRODUCTION
FROM RIVERSIDE BASIN AREA WITHIN SAN BERNARDINO COUNTY
FOR THE PERIOD 1971 THROUGH THE CURRENT YEAR
FOR USE WITHIN SAN BERNARDINO COUNTY

(Quantities in Acre Feet)

Year	Total Verified Extractions from Riverside Basin within San Bernardino County (1)	Total Production by Riverside Entities (2)	Total Production by San Bernardino Entities (3)
1971	29,070	20,322	8,748
1972	28,148	20,185	7,963
1973	21,809	15,319	6,490
1974	21,881	14,982	6,899
1975	22,701	16,188	6,513
1976	24,705	17,807	6,898
1977	23,506	16,417	7,089
1978	17,216	10,955	6,261
1979	20,024	12,962	7,062
1980	18,533	12,601	5,932
1981	23,611	16,800	6,811
1982	17,349	11,940	5,409
1983	11,904	6,700	5,204
1984	17,161	11,513	5,648
1985	19,392	13,344	6,048
1986	17,337	9,900	7,437
1987	15,803	8,429	7,374
1988	16,933	9,698	7,235
1989	25,557	17,776	7,781
1990	26,371	18,499	7,872
1991	28,011	21,539	6,472
1992	* 21,959	16,307	5,652
1993	21,866	16,438	5,428
1994	19,661	13,950	5,711
1995	** 23,865	17,642	6,223
1996	*** 26,698	14,712	11,986
1997	*** 30,284	12,397	17,887
1998	33,116	11,004	22,112
1999			
2000			
2001			
2002			
2003			
2004			
2005			

(1) Total Extractions as verified in Volume 3, Table No. 3, for appropriate year, entitled Summary of Verified Extractions from the Riverside Basin Area Within San Bernardino County

(2) From Table No. 52, Line 25.

(3) Column (1) - Column (2).

Same as Volume 3, Table 5.

FOR YEARS PRECEDING 1971: Refer to Volume 5, August 1976, Page III-39.

* corrected during 1994 (Owl Rock).

** corrected during 1997 (Colton #24 reassigned to Riverside North, Kleckler corrected)

*** corrected during 1998 (RIX conversion error)

TABLE NO. 54

TOTAL VERIFIED EXTRACTIONS FROM THAT PORTION
OF THE RIVERSIDE BASIN SITUATED
IN SAN BERNARDINO COUNTY FOR THE
PERIOD 1971 THROUGH CURRENT YEAR
BY SAN BERNARDINO AND RIVERSIDE COUNTY ENTITIES
FOR USE WITHIN EACH COUNTY

(Quantities in Acre Feet)

Line No.	Calendar Year	Producer	Place of Use		Total Production
			San Bernardino County	Riverside County	
1	1976	San Bernardino Co. Wtr. Interests	6,898	0	6,898
2		Riverside Co. Water. Interests	1,666	16,141	17,807
3		TOTAL	8,564	16,141	24,705
1	1977	San Bernardino Co. Wtr. Interests	7,089	0	7,089
2		Riverside Co. Water. Interests	1,985	14,432	16,417
3		TOTAL	9,074	14,432	23,506
1	1978	San Bernardino Co. Wtr. Interests	6,261	0	6,261
2		Riverside Co. Wtr. Interests	1,900	9,055	10,955
3		TOTAL	8,161	9,055	17,216
1	1979	San Bernardino Co. Wtr. Interests	7,062	0	7,062
2		Riverside Co. Wtr. Interests	2,370	10,592	12,962
3		TOTAL	9,432	10,592	20,024
1	1980*	San Bernardino Co. Wtr. Interests	5,932	0	5,932
2		Riverside Co. Wtr. Interests	3,410	9,191	12,601
3		TOTAL	9,342	9,191	18,533

* Corrected during 1981.

Note: Line 1 from Table No. 53, Column (3).

Line 2 from Table No. 52, Lines 10, 24 and 25.

FOR YEARS PRECEDING 1976: Refer to Volume 5, August 1977, Page 59.

TABLE NO 54

TOTAL VERIFIED EXTRACTIONS FROM THAT PORTION
OF THE RIVERSIDE BASIN SITUATED IN SAN BERNARDINO COUNTY FOR THE
PERIOD 1976 THROUGH CURRENT YEAR
BY SAN BERNARDINO AND RIVERSIDE COUNTY ENTITIES
FOR USE WITHIN EACH COUNTY

(Quantities in Acre Feet)

Line No.	Calendar Year	Producer	Place of Use		Total Production
			San Bernardino County	Riverside County	
1	1981	San Bernardino Co. Water. Interests	6,811	0	6,811
2		Riverside Co. Water Interests	<u>3,733</u>	<u>13,067</u>	<u>16,800</u>
3		TOTAL	10,544	13,067	23,611
1	1982	San Bernardino Co. Water Interests	5,409	0	5,409
2		Riverside Co. Water Interests	<u>3,483</u>	<u>8,457</u>	<u>11,940</u>
3		TOTAL	8,892	8,457	17,349
1	1983	San Bernardino Co. Wtr. Interests	5,204	0	5,204
2		Riverside Co. Water Interests	<u>2,925</u>	<u>3,775</u>	<u>6,700</u>
3		TOTAL	8,129	3,775	11,904
1	1984	San Bernardino Co. Wtr. Interests	5,648	0	5,648
2		Riverside Co. Water Interests	<u>1,953</u>	<u>9,560</u>	<u>11,513</u>
3		TOTAL	7,601	9,560	17,161
1	1985	San Bernardino Co. Wtr. Interests	6,048	0	6,048
2		Riverside Co. Water Interests	<u>2,143</u>	<u>11,201</u>	<u>13,344</u>
3		TOTAL	8,191	11,201	19,392
1	1986	San Bernardino Co. Wtr. Interests	7,401	0	7,401
2		Riverside Co. Water Interests	<u>1,245</u>	<u>8,691</u>	<u>9,936</u>
3		TOTAL	8,646	8,691	17,337

Line 1: Table 53, Column (3).

Line 2: Table 52A, Columns (2), (3), (1).

TABLE NO 54

TOTAL VERIFIED EXTRACTIONS FROM THAT PORTION
OF THE RIVERSIDE BASIN SITUATED IN SAN BERNARDINO COUNTY FOR THE
PERIOD 1976 THROUGH CURRENT YEAR
BY SAN BERNARDINO AND RIVERSIDE COUNTY ENTITIES
FOR USE WITHIN EACH COUNTY

(Quantities in Acre Feet)

Line No.	Calendar Year	Producer	Place of Use		Total Production
			San Bernardino County	Riverside County	
1	1987	San Bernardino Co. Wtr. Interests	7,374	0	7,374
2		Riverside Co. Water Interests	<u>717</u>	<u>7,712</u>	<u>8,429</u>
3		TOTAL	8,091	7,712	15,803
1	1988	San Bernardino Co. Wtr. Interests	7,126	0	7,126
2		Riverside Co. Water Interests	<u>773</u>	<u>8,925</u>	<u>9,698</u>
3		TOTAL	7,899	8,925	16,824
1	1989	San Bernardino Co. Wtr. Interests	7,781	0	7,781
2		Riverside Co. Water Interests	<u>1,619</u>	<u>16,157</u>	<u>17,776</u>
3		TOTAL	9,400	16,157	25,557
1	1990	San Bernardino Co. Wtr. Interests	7,872	0	7,872
2		Riverside Co. Water Interests	<u>2,628</u>	<u>15,871</u>	<u>18,499</u>
3		TOTAL	10,500	15,871	26,371
1	1991	San Bernardino Co. Wtr. Interests	6,472	0	6,472
2		Riverside Co. Water Interests	<u>2,984</u>	<u>18,555</u>	<u>21,539</u>
3		TOTAL	9,456	18,555	28,011
1	1992	San Bernardino Co. Wtr. Interests	5,652	0	* 5,652
2		Riverside Co. Water Interests	<u>1,579</u>	<u>14,728</u>	<u>16,307</u>
3		TOTAL	7,231	14,728	21,959

Line 1: Table 53, Column (3).

Line 2: Table 52A, Columns (2), (3), (1).

* corrected during 1993 verification (owl rock)

TABLE NO 54

TOTAL VERIFIED EXTRACTATIONS FROM THAT PORTION
OF THE RIVERSIDE BASIN SITUATED IN SAN BERNARDINO COUNTY FOR THE
PERIOD 1976 THROUGH CURRENT YEAR
BY SAN BERNARDINO AND RIVERSIDE COUNTY ENTITIES
FOR USE WITHIN EACH COUNTY

(Quantities in Acre Feet)

Line No.	Calendar Year	Producer	Place of Use		Total Production
			San Bernardino County	Riverside County	
1	1993	San Bernardino Co. Wtr. Interests	5,428	0	5,428
2		Riverside Co. Water Interests	<u>1,735</u>	<u>14,703</u>	<u>16,438</u>
3		TOTAL	7,163	14,703	21,866
1	1994	San Bernardino Co. Wtr. Interests	5,711	0	5,711
2		Riverside Co. Water Interests	<u>1,746</u>	<u>12,204</u>	<u>13,950</u>
3		TOTAL	7,457	12,204	19,661
1	1995	San Bernardino Co. Wtr. Interests	6,223	0	6,223*
2		Riverside Co. Water Interests	<u>1,696</u>	<u>15,946</u>	<u>17,642</u>
3		TOTAL	7,919	15,946	23,865
1	1996	San Bernardino Co. Wtr. Interests	11,986	0	**11,986
2		Riverside Co. Water Interests	<u>1,307</u>	<u>13,405</u>	<u>14,712</u>
3		TOTAL	13,293	13,405	26,698
1	1997	San Bernardino Co. Wtr. Interests	17,887	0	**17,887
2		Riverside Co. Water Interests	<u>1,352</u>	<u>11,045</u>	<u>12,397</u>
3		TOTAL	19,239	11,045	30,284
1	1998	San Bernardino Co. Wtr. Interests	22,112	0	22,112
2		Riverside Co. Water Interests	<u>1,324</u>	<u>9,680</u>	<u>11,004</u>
3		TOTAL	23,436	9,680	33,116

Line 1: Table 53, Column (3).

Line 2: Table 52A, Columns (2), (3), (1).

* Corrected during 1996 Verification.

** Corrected during 1998 Verification.

TABLE NO. 56

TOTAL VERIFIED EXTRACTIONS BY RIVERSIDE ENTITIES
FROM THE RIVERSIDE BASIN ARE WITHIN RIVERSIDE COUNTY
FOR USE WITHIN RIVERSIDE COUNTY

(Quantities in Acre Feet)

Year	Extractions	Accumulated Extractions
1971	30,942	30,942
1972	37,804	68,746
1973	33,094	101,840
1974	38,304	140,144
1975	28,285	168,429
1976	31,565	199,994
1977	28,226	228,220
1978	24,878	253,098
1979	25,512	278,610
1980	30,206	308,816
1981	30,243	339,059
1982	20,365	359,424
1983	22,991	382,415
1984	32,466	414,881
1985	23,970	438,851
1986	24,549	463,400
1987	24,202	487,602
1988	24,470	512,072
1989	34,417	546,489
1990	31,760	578,249
1991	29,364	607,613
1992	26,538	634,151
1993	26,505	660,656
1994	28,125	688,781
1995	22,580	711,361
1996	24,906	736,267
1997	29,128	765,395
1998	28,558	793,953
1999		
2000		
2001		
2002		
2003		
2004		
2005		

Same Table No.4, Volume 4.

The verified extraction for the five-year base period ending in 1963 are 29,634 acre feet annually, as compared with 30,044 acre feet annually assumed in the Judgement.

- 1) Corrected during 1989 verification. (Michael C.).
- 2) Corrected during 1990 verification. (Riv. Cement 60-1, CofR Garner T&G, 1st St).
- 3) Corrected during 1991 verification. (Riv.Co Pk Edmund, wrong meter # for 5 yrs).
- 4) Corrected during 1993 verification. (Riv Cement 88-1).

TABLE NO. 57

SUMMARY OF EXTRACTIONS FROM SAN BERNARDINO
BASIN AREA, COLTON BASIN AREA, RIVERSIDE BASIN AREA
IN SAN BERNARDINO COUNTY, AND RIVERSIDE BASIN AREA
IN RIVERSIDE COUNTY FOR USE IN RIVERSIDE COUNTY
(Quantities in Acre Feet)

Basin Extractions for Use in Riverside County

Calendar Year	San Bernardino Basin Area From Table 36-E	Colton Basin Area From Table 38	Riverside North Basin From Table 52	RiversideSouth Basin From Table 56	Total
1971	57,477	2,777	18,108	30,942	109,304
1972	50,744	2,611	18,588	37,804	109,747
1973	47,083	615	13,986	33,094	94,778
1974	49,445	1,464	13,583	38,304	102,796
1975	54,132	3,873	14,963	28,285	101,253
1976	58,776	2,683	16,141	31,565	109,165
1977	56,577	2,269	14,432	28,226	101,504
1978	47,012	895	9,055	24,878	81,840
1979	57,397	1,682	10,592	25,512	95,183
1980	54,007	71	9,191	30,206	93,475
1981	55,763	173	13,067	30,243	99,246
1982	54,052	981	8,457	20,365	83,855
1983	48,978	95	3,775	22,991	75,839
1984	65,894	1,340	9,560	32,466	109,260
1985	69,523	2,244	11,201	23,970	106,938
1986	67,540	1,600	8,691	24,549	102,380
1987	64,113	1,557	7,712	24,202	97,584
1988	71,155	1,707	8,925	24,470	106,257 *
1989	58,683	2,005	16,157	34,417	111,262 **
1990	53,260	1,652	15,871	31,760	102,543 ***
1991	58,365	1,835	18,555	29,364	108,119 ****
1992	55,827	1,455	14,728	26,538	98,548 ****
1993	58,959	396	14,703	26,505	100,563
1994	67,415	95	12,204	28,125	107,839
1995	61,105	126	15,946	22,580	99,757
1996	69,321	78	13,405	24,906	107,709
1997	66,070	81	11,045	29,128	106,325
1998	59,733	32	9,680	28,558	98,003
1999					
2000					
2001					
2002					
2003					
2004					
2005					

FOR YEARS PRECEDING 1971: Refer to Volume 5, August 1976, Page IV-11.

* Corrected during 1989 Verification.

** Corrected during 1990 Verification.

*** Corrected during 1991 Verification.

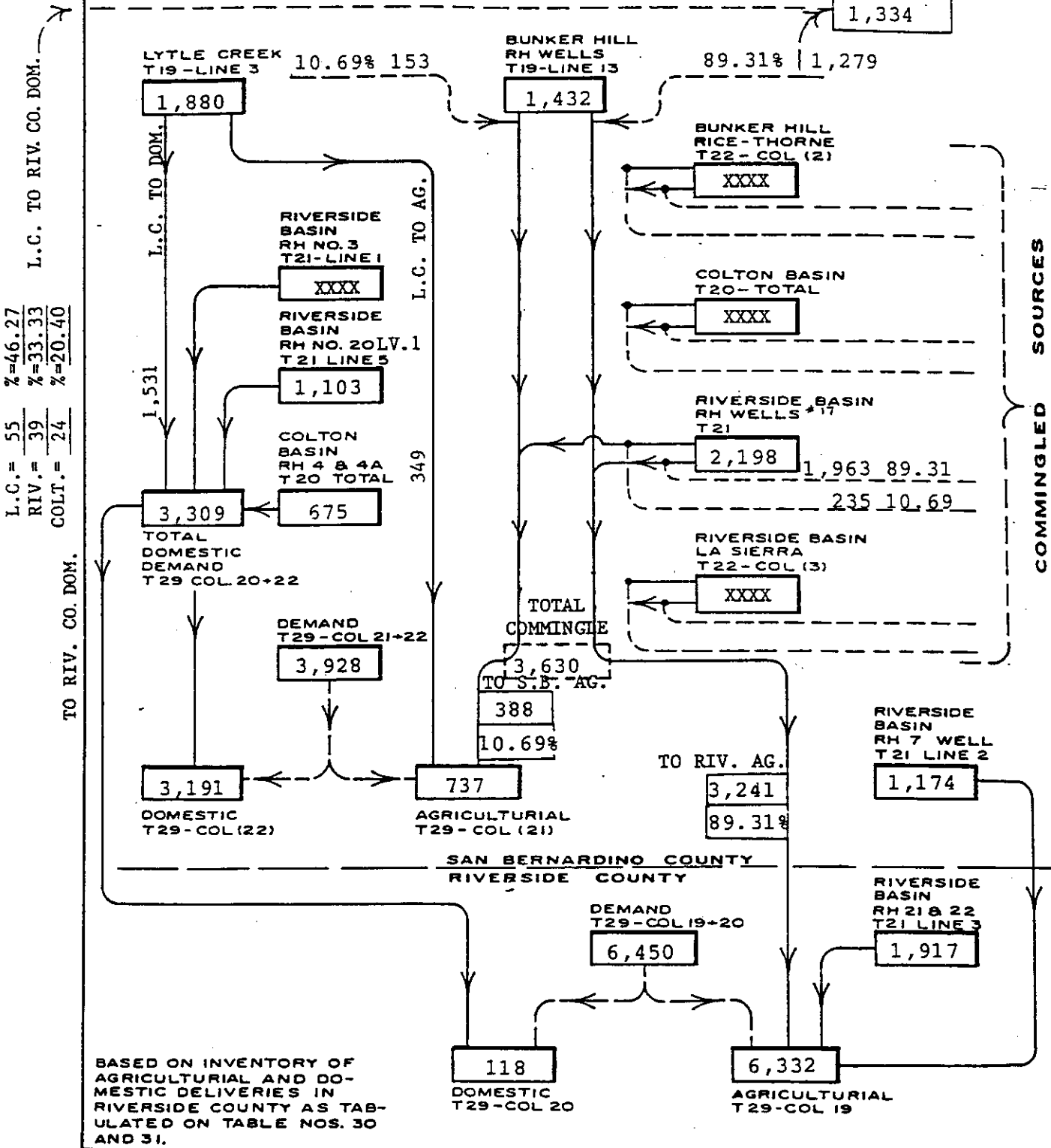
**** Corrected during 1993 Verification.

**RIVERSIDE HIGHLAND WATER COMPANY
DIAGRAM ILLUSTRATING THE PRODUCTION AND DISTRIBUTION
NORTH AND SOUTH OF RIVERSIDE-SAN BERNARDINO CO. LINE**

YEAR 1985

TOTAL BUNKER HILL EXPORT
TO RIVERSIDE COUNTY

1,334



L.C. = 55 % = 46.27
RIV. = 39 % = 33.33
COLT. = 24 % = 20.40

L.C. TO RIV. CO. DOM.

TO RIV. CO. DOM.

LYTLE CREEK
T19-LINE 3

10.69% 153

1,880

L.C. TO DOM.

RIVERSIDE BASIN
RH NO. 3
T21-LINE 1

RIVERSIDE BASIN
RH NO. 20LV.1
T21 LINES 5

1,103

COLTON BASIN
RH 4 & 4A
T20 TOTAL

675

3,309

TOTAL DOMESTIC DEMAND
T29 COL 20+22

3,191

DOMESTIC
T29-COL (22)

DEMAND
T29-COL 21+22

3,928

737

AGRICULTURAL
T29-COL (21)

L.C. TO AG.

349

3,630

388

10.69%

TO S.B. AG.

TO RIV. AG.

6,450

118

DOMESTIC
T29-COL 20

6,332

AGRICULTURAL
T29-COL 19

BUNKER HILL
RH WELLS
T19-LINE 13

1,432

89.31% 1,279

BUNKER HILL
RICE-THORNE
T22-COL (2)

XXXX

COLTON BASIN
T20-TOTAL

XXXX

RIVERSIDE BASIN
RH WELLS #17
T21

2,198

1,963 89.31

235 10.69

RIVERSIDE BASIN
LA SIERRA
T22-COL (3)

XXXX

TOTAL COMMINGLED

TO S.B. AG.

3,630

388

10.69%

TO RIV. AG.

3,241

89.31%

RIVERSIDE BASIN
RH 7 WELL
T21 LINE 2

1,174

RIVERSIDE BASIN
RH 21 & 22
T21 LINE 3

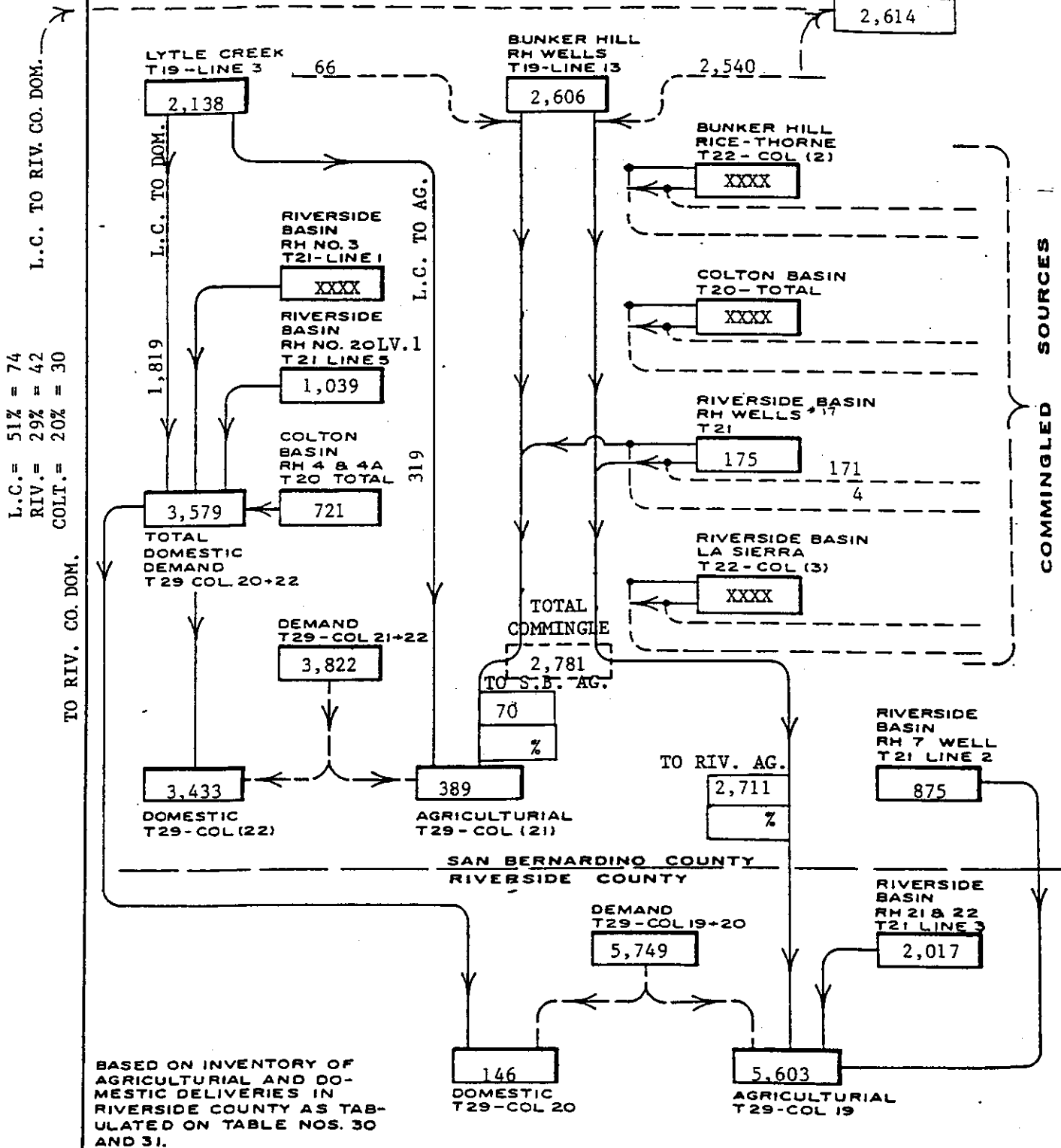
1,917

COMMINGLED SOURCES

**RIVERSIDE HIGHLAND WATER COMPANY
DIAGRAM ILLUSTRATING THE PRODUCTION AND DISTRIBUTION
NORTH AND SOUTH OF RIVERSIDE-SAN BERNARDINO CO. LINE**

YEAR 1986

TOTAL BUNKER HILL EXPORT
TO RIVERSIDE COUNTY

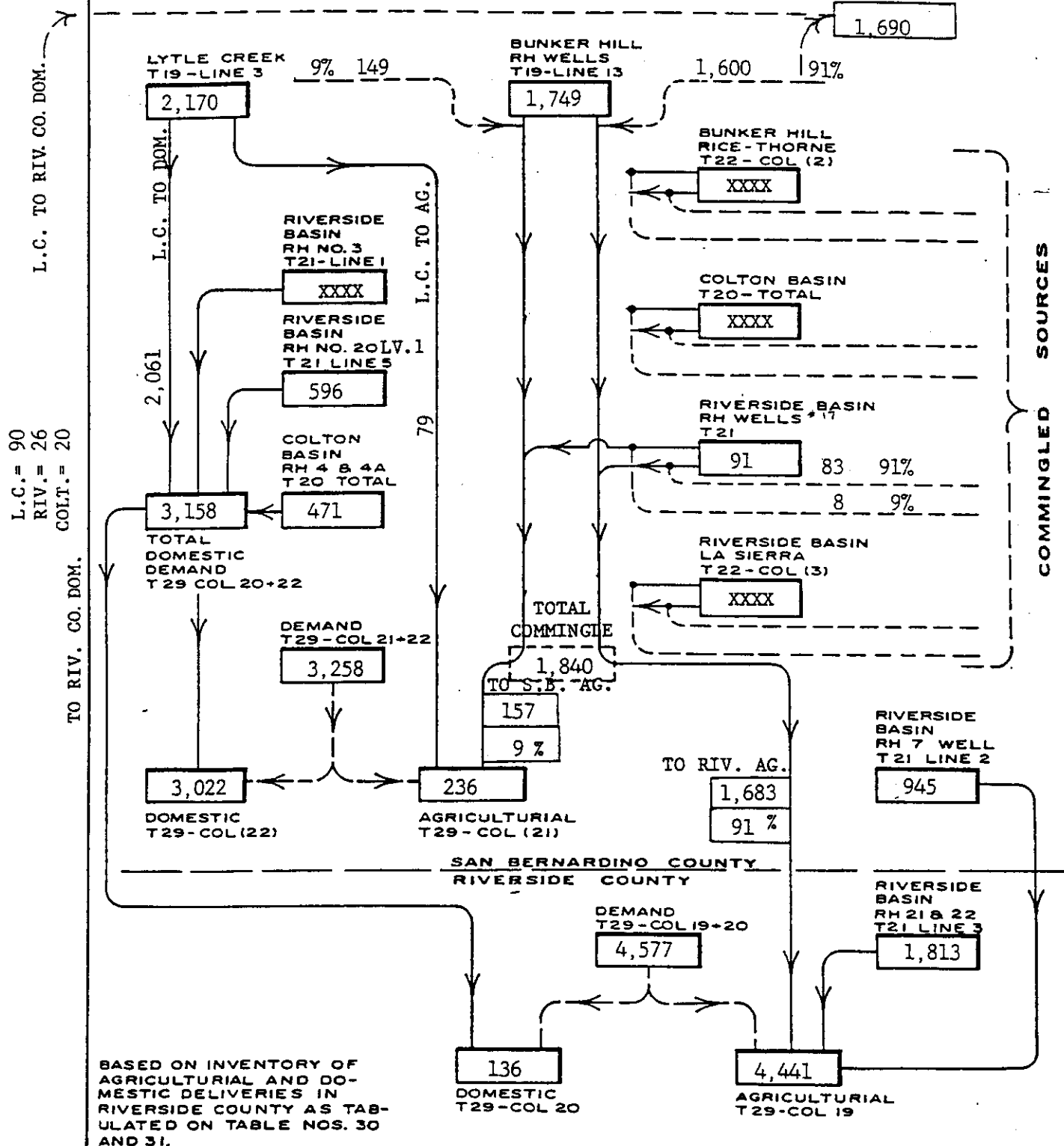


BASED ON INVENTORY OF AGRICULTURAL AND DOMESTIC DELIVERIES IN RIVERSIDE COUNTY AS TABULATED ON TABLE NOS. 30 AND 31.

**RIVERSIDE HIGHLAND WATER COMPANY
DIAGRAM ILLUSTRATING THE PRODUCTION AND DISTRIBUTION
NORTH AND SOUTH OF RIVERSIDE-SAN BERNARDINO CO. LINE**

YEAR 1987

TOTAL BUNKER HILL EXPORT
TO RIVERSIDE COUNTY

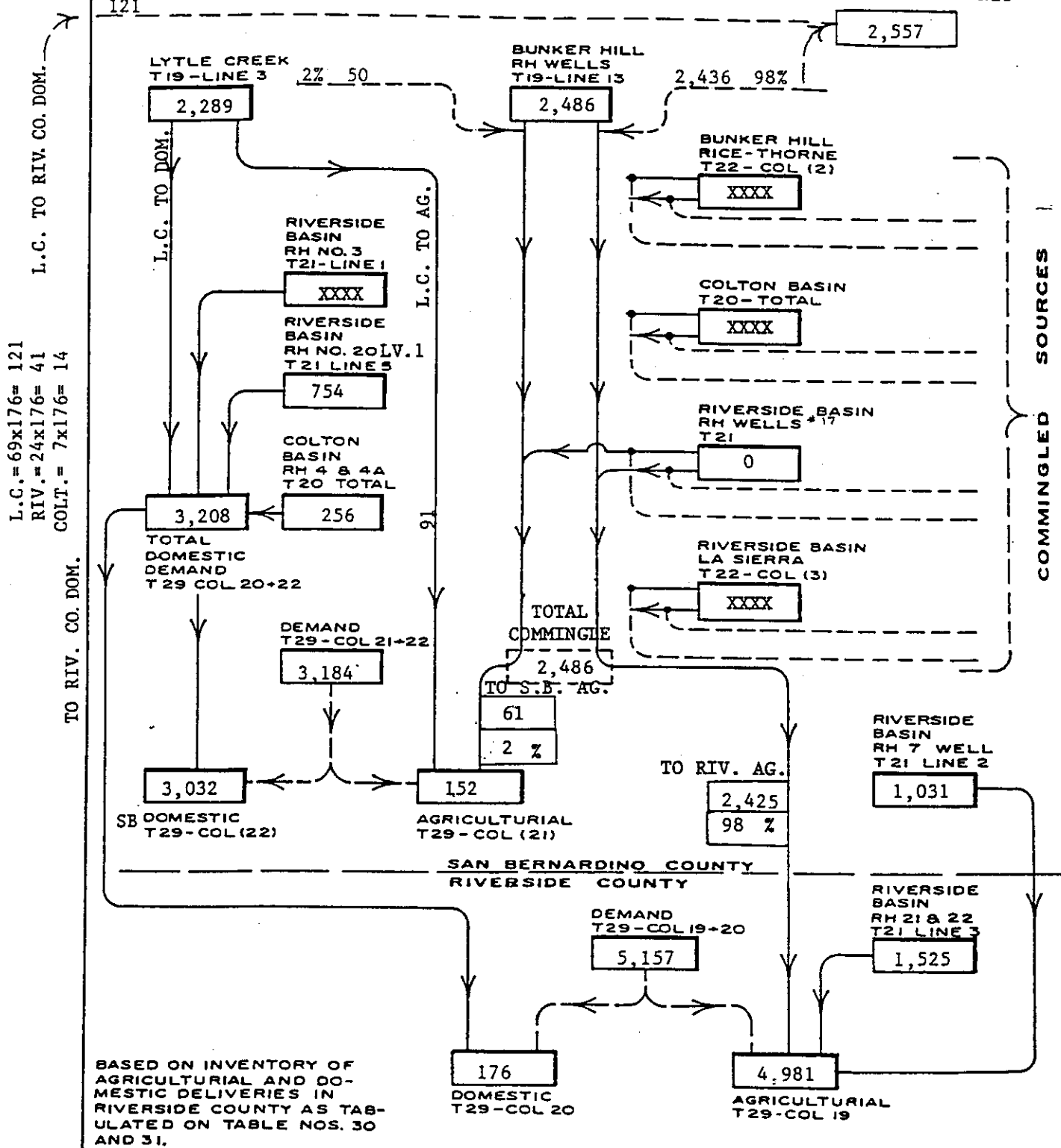


BASED ON INVENTORY OF AGRICULTURAL AND DOMESTIC DELIVERIES IN RIVERSIDE COUNTY AS TABULATED ON TABLE NOS. 30 AND 31.

**RIVERSIDE HIGHLAND WATER COMPANY
DIAGRAM ILLUSTRATING THE PRODUCTION AND DISTRIBUTION
NORTH AND SOUTH OF RIVERSIDE-SAN BERNARDINO CO. LINE**

YEAR 1988

TOTAL BUNKER HILL EXPORT
TO RIVERSIDE COUNTY



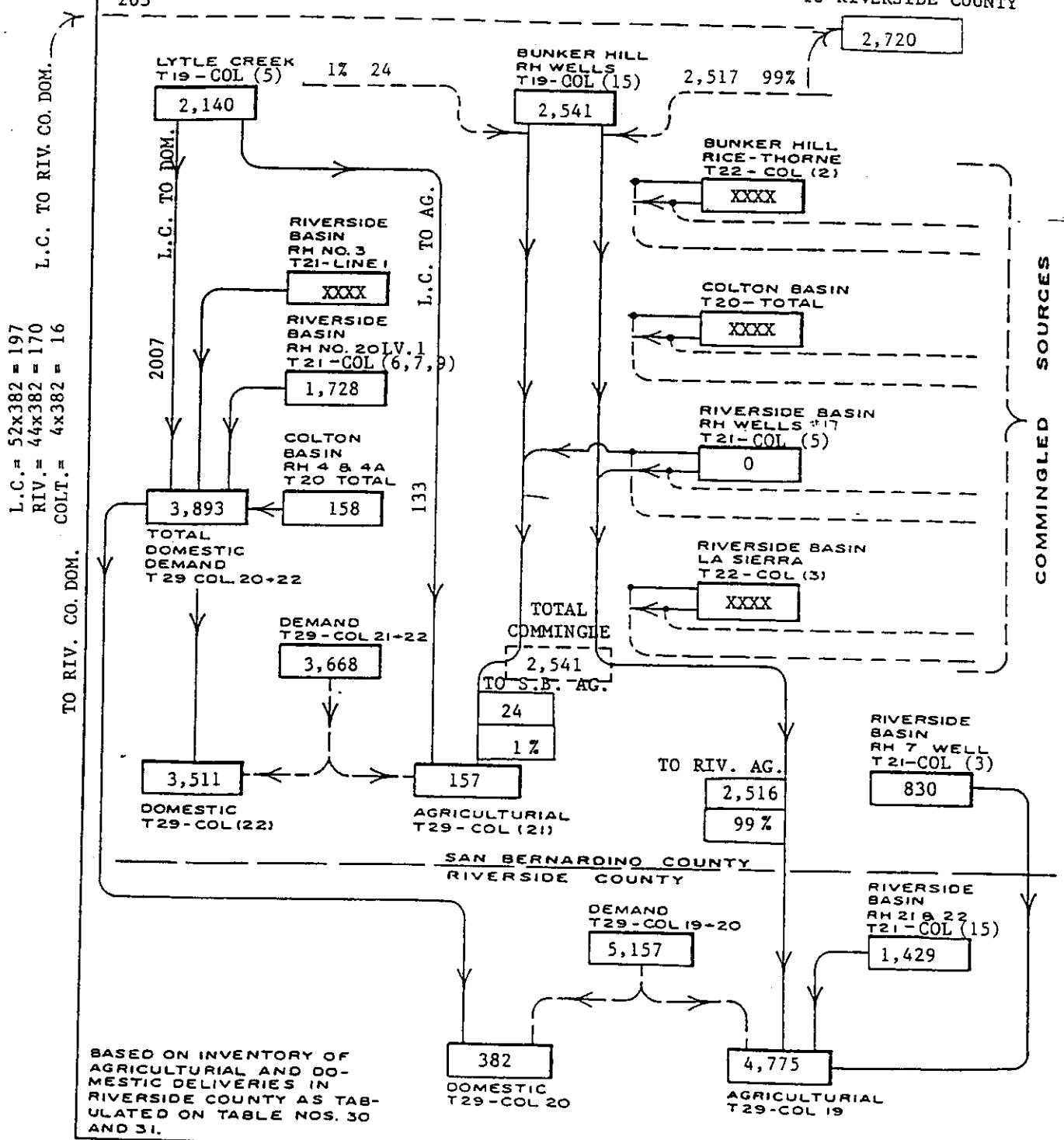
BASED ON INVENTORY OF AGRICULTURAL AND DOMESTIC DELIVERIES IN RIVERSIDE COUNTY AS TABULATED ON TABLE NOS. 30 AND 31.

L.C. = 69x176= 121
RIV. = 24x176= 41
COLT. = 7x176= 14

**RIVERSIDE HIGHLAND WATER COMPANY
DIAGRAM ILLUSTRATING THE PRODUCTION AND DISTRIBUTION
NORTH AND SOUTH OF RIVERSIDE-SAN BERNARDINO CO. LINE**

YEAR 1989

TOTAL BUNKER HILL EXPORT
TO RIVERSIDE COUNTY



XXX NOT IN USE

Riverside Highland Water Company 1990 Water Supply Distribution

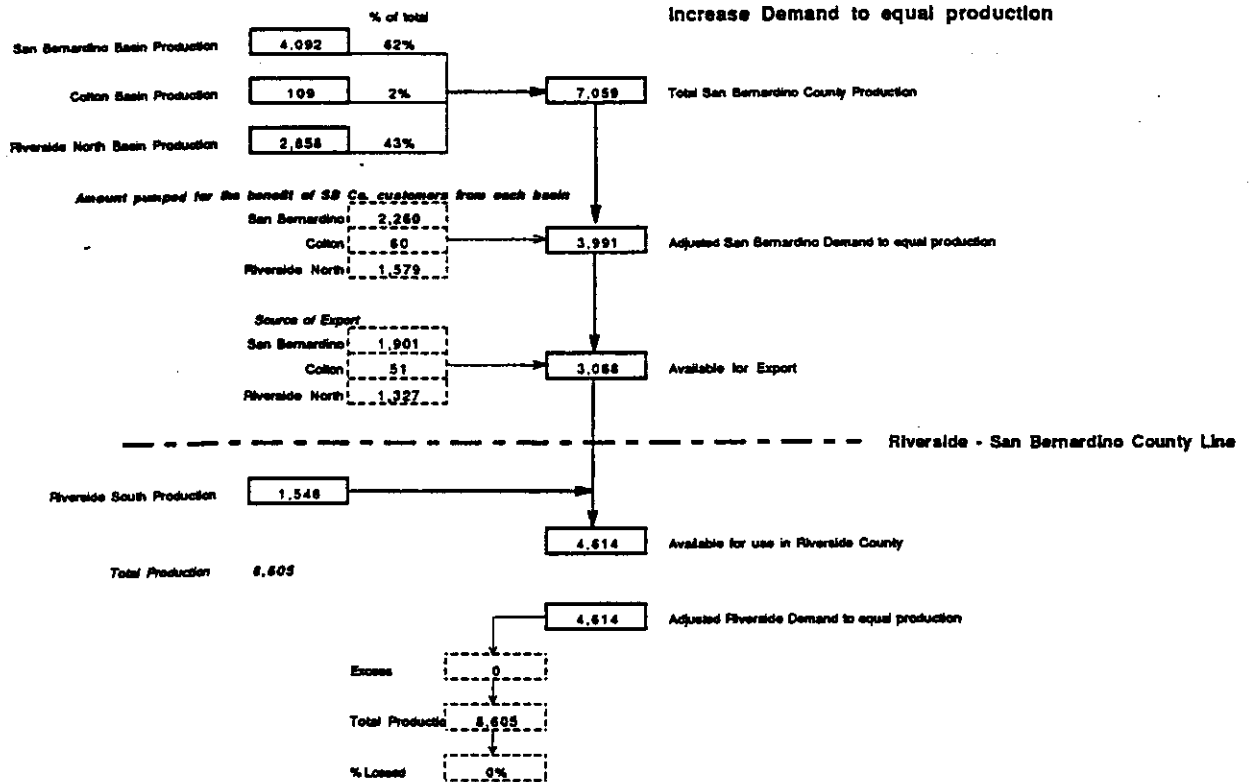
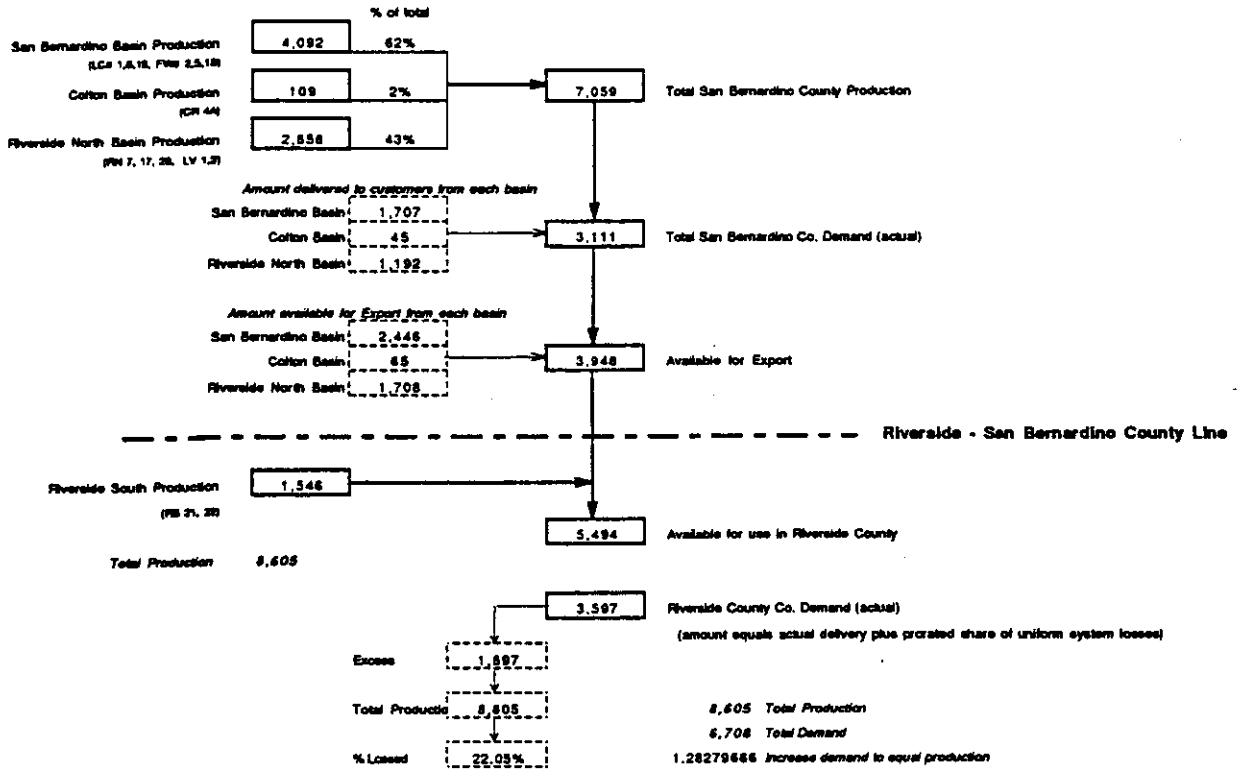


Diagram B

Riverside Highland Water Company
1991 Water Supply Distribution

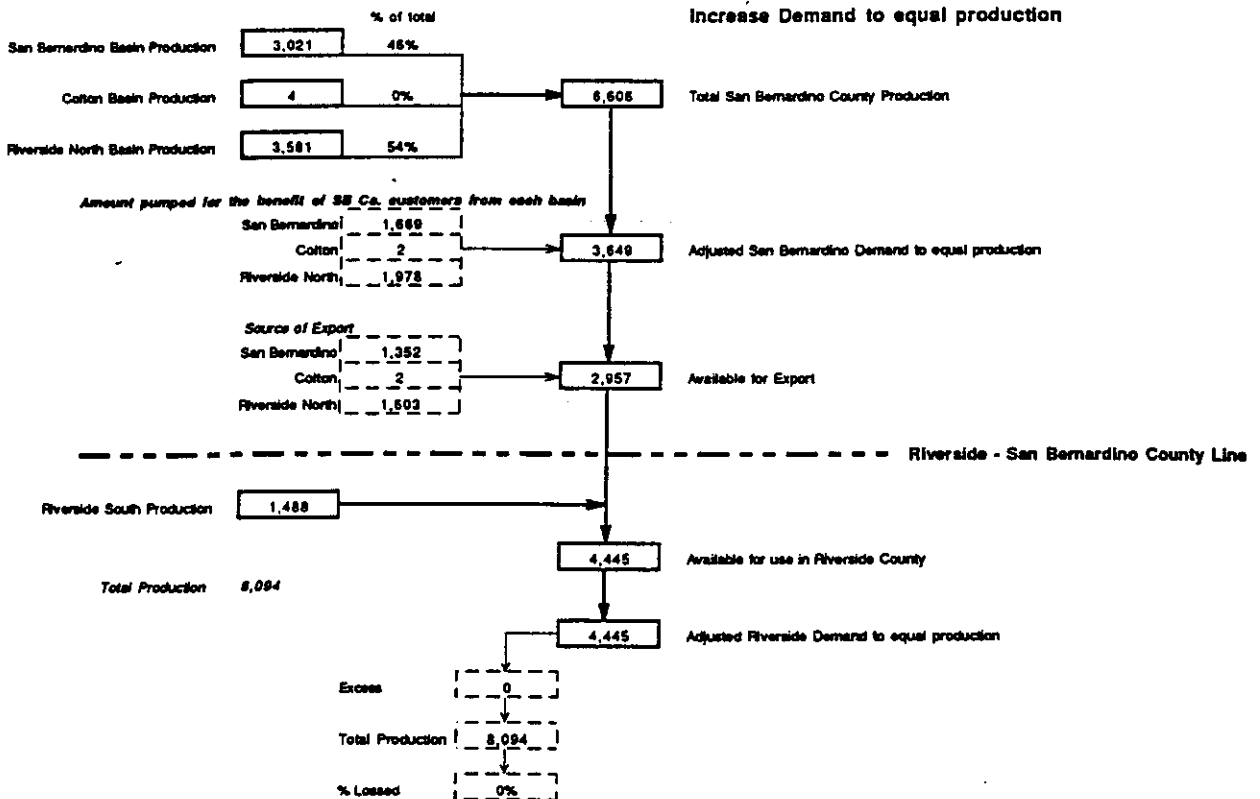
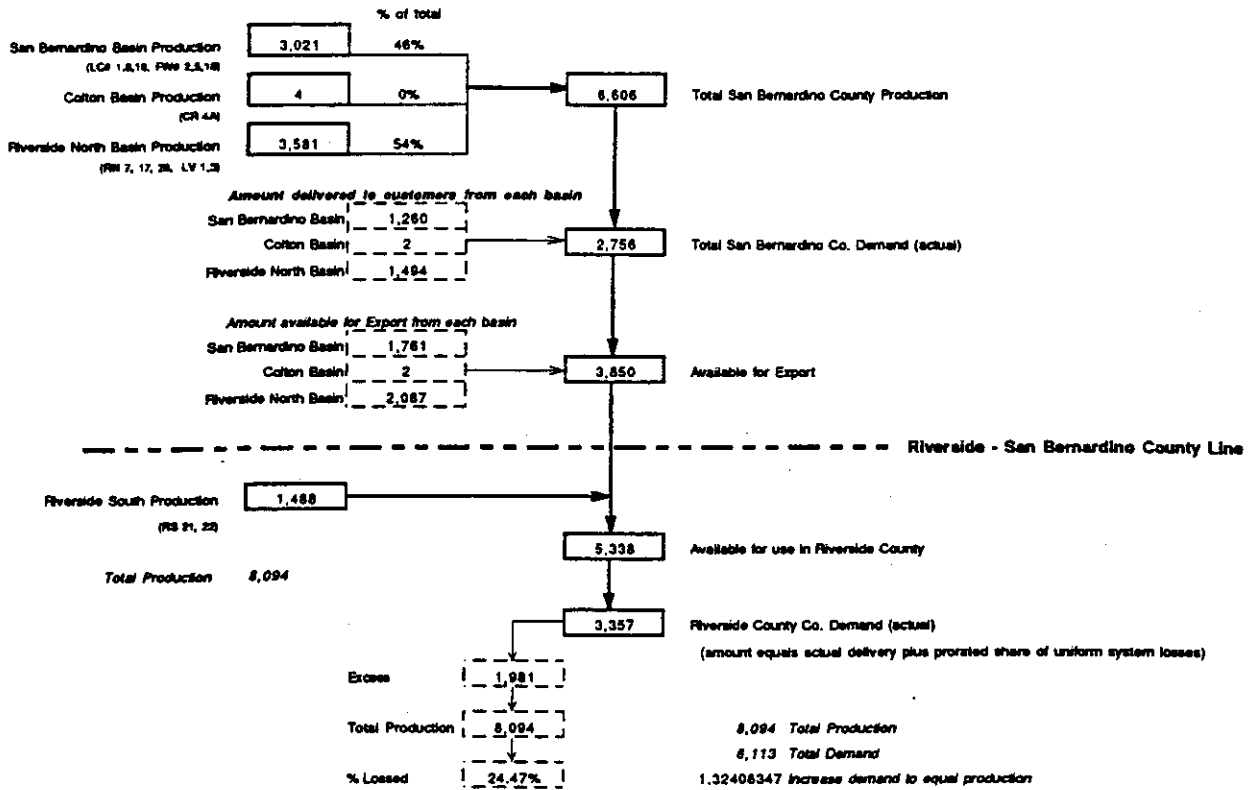


Diagram B

Riverside Highland Water Company 1992 Water Supply Distribution

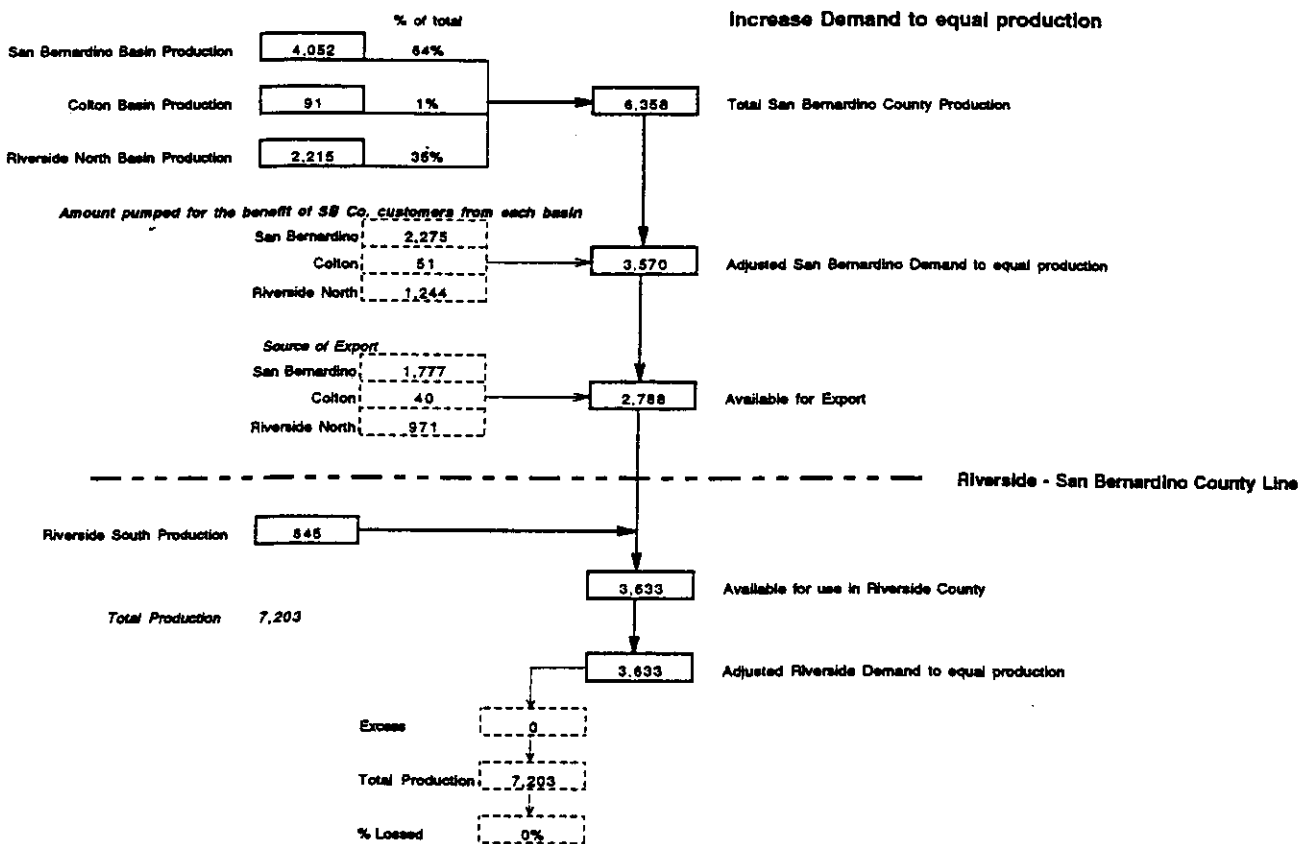
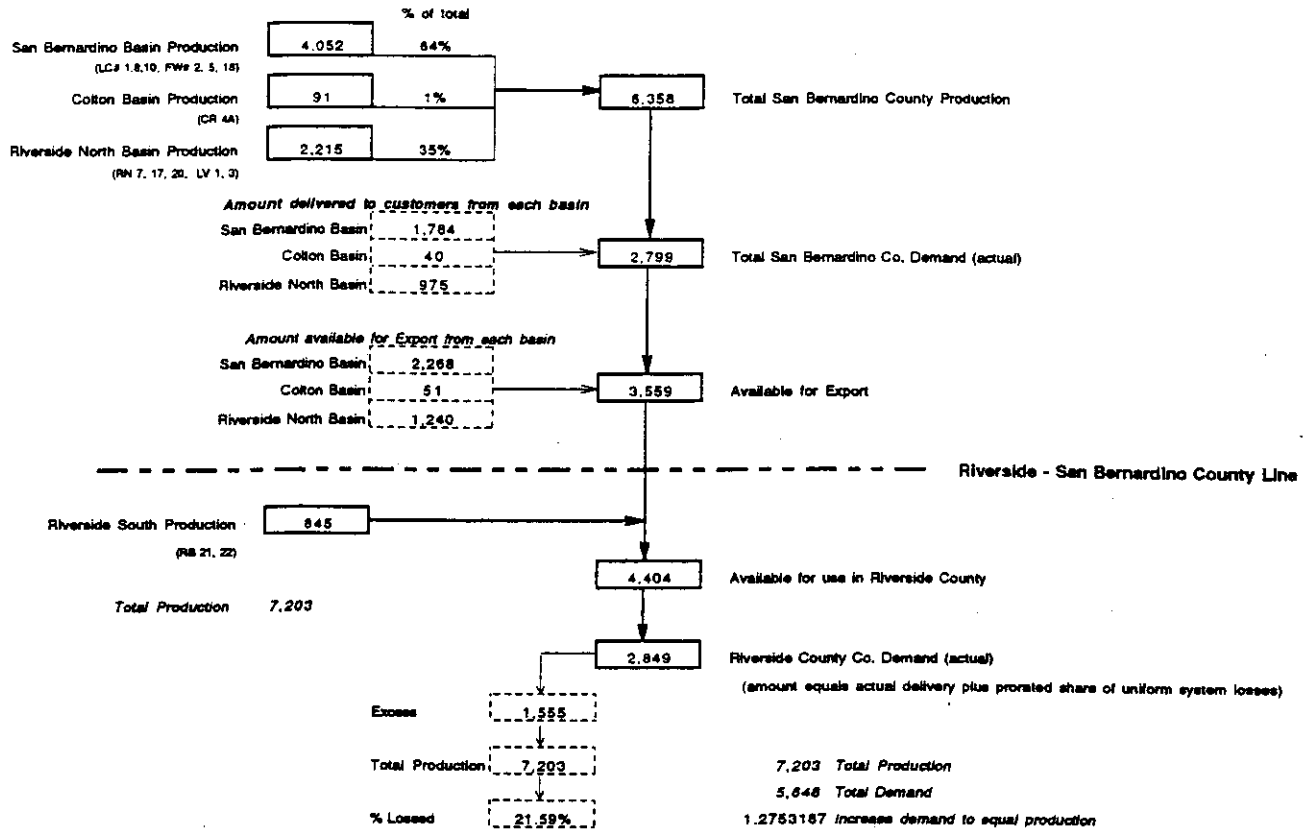
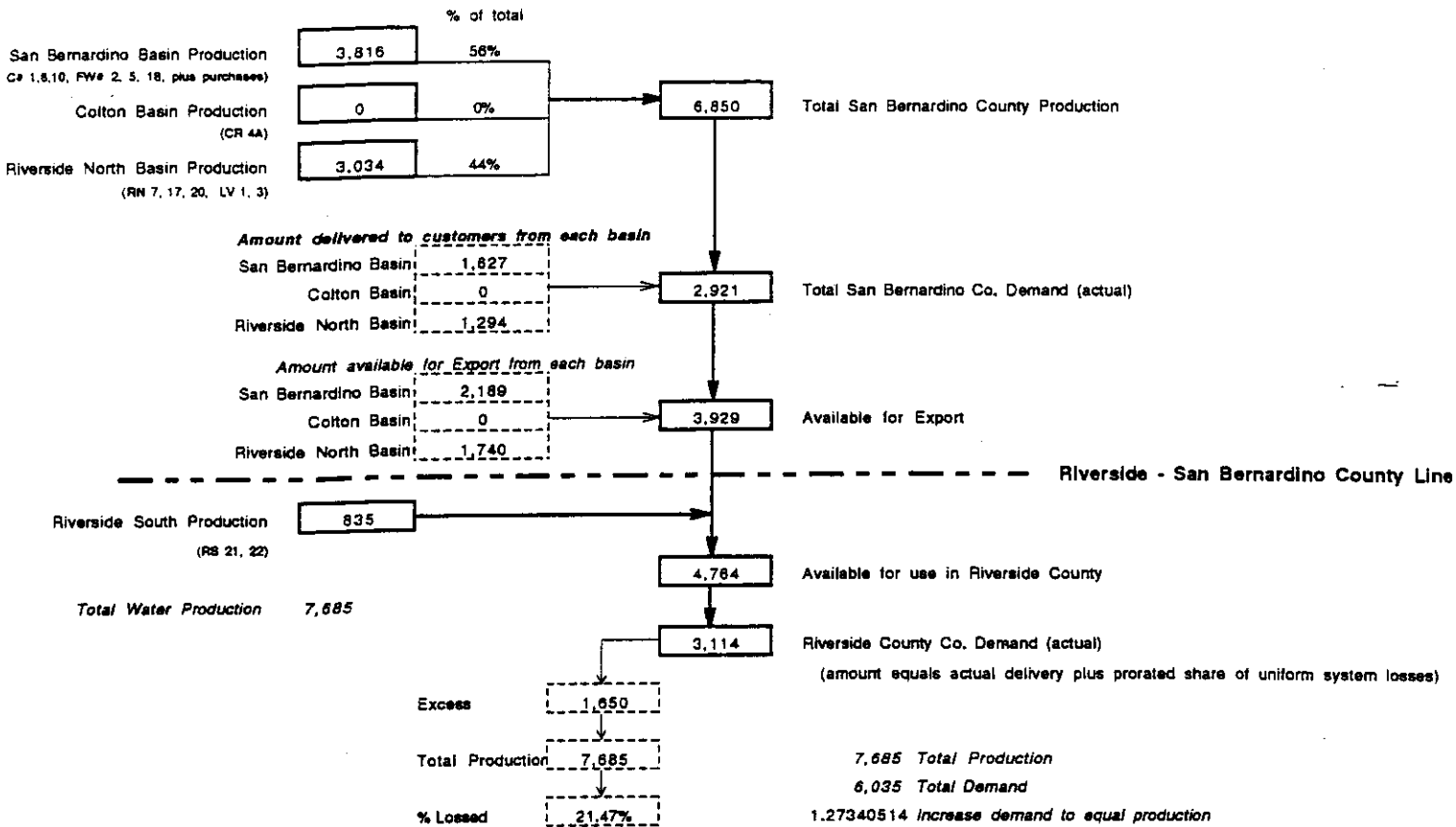


Diagram B Riverside Highland Water Company 1993 Water Supply Distribution



Increase Demand to equal production

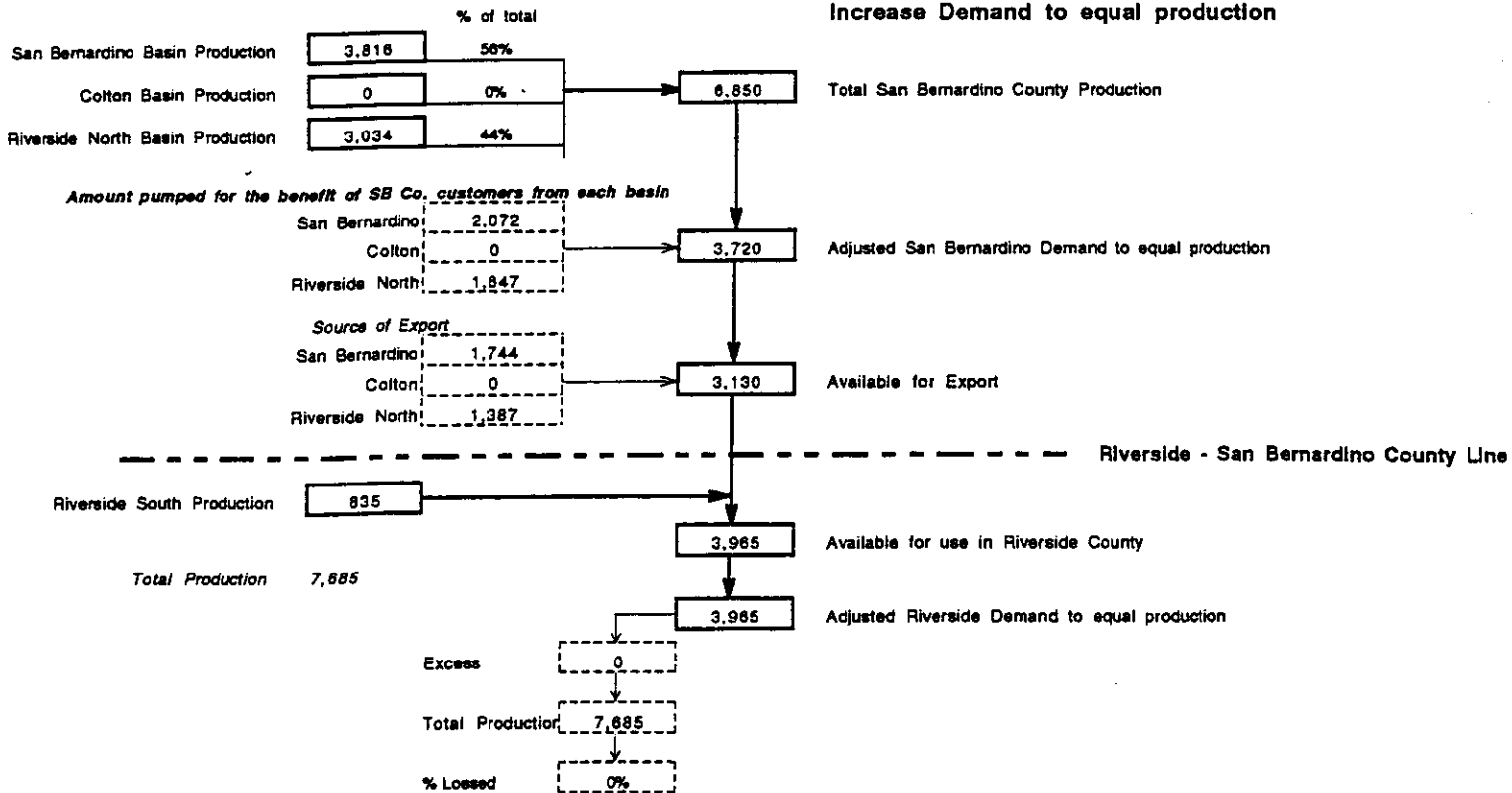


Diagram B Riverside Highland Water Company 1994 Water Supply Distribution

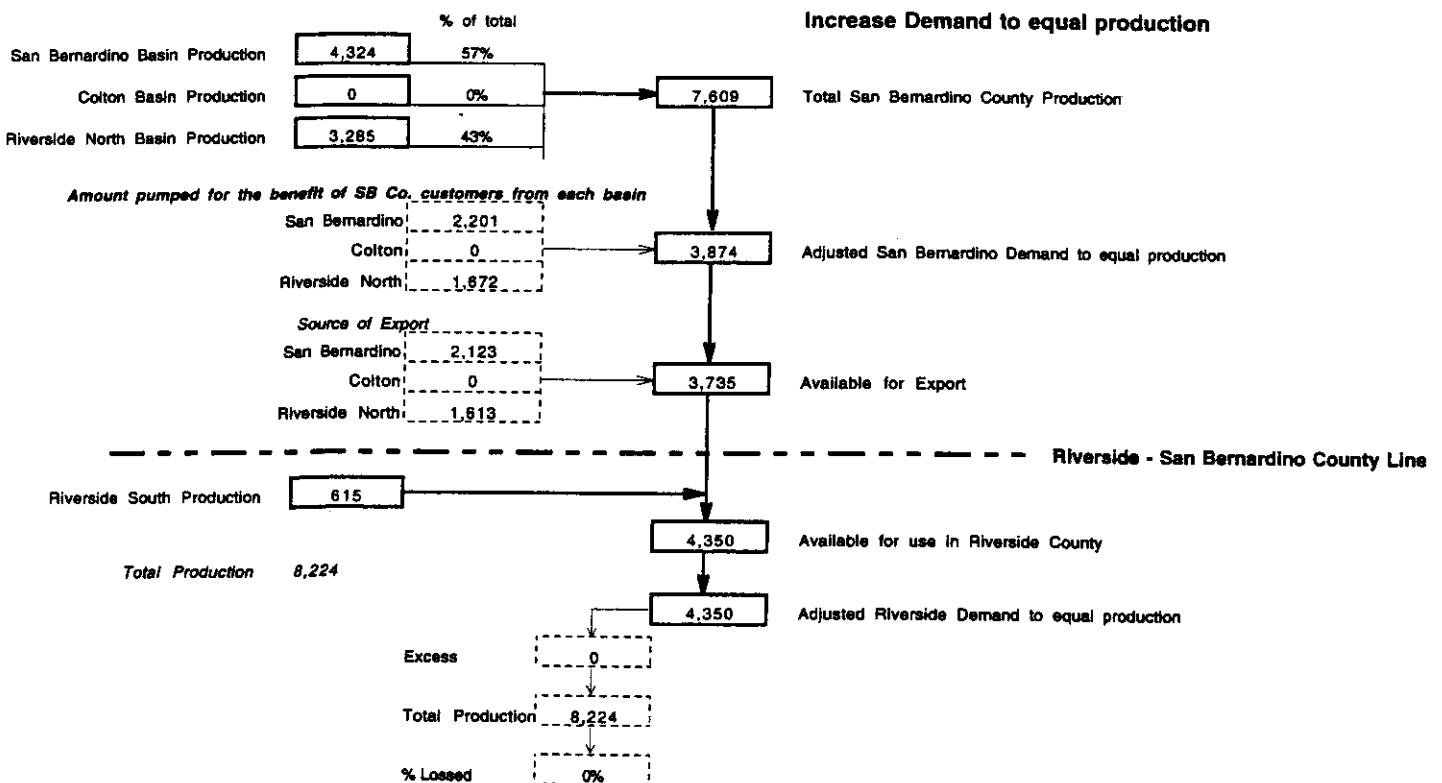
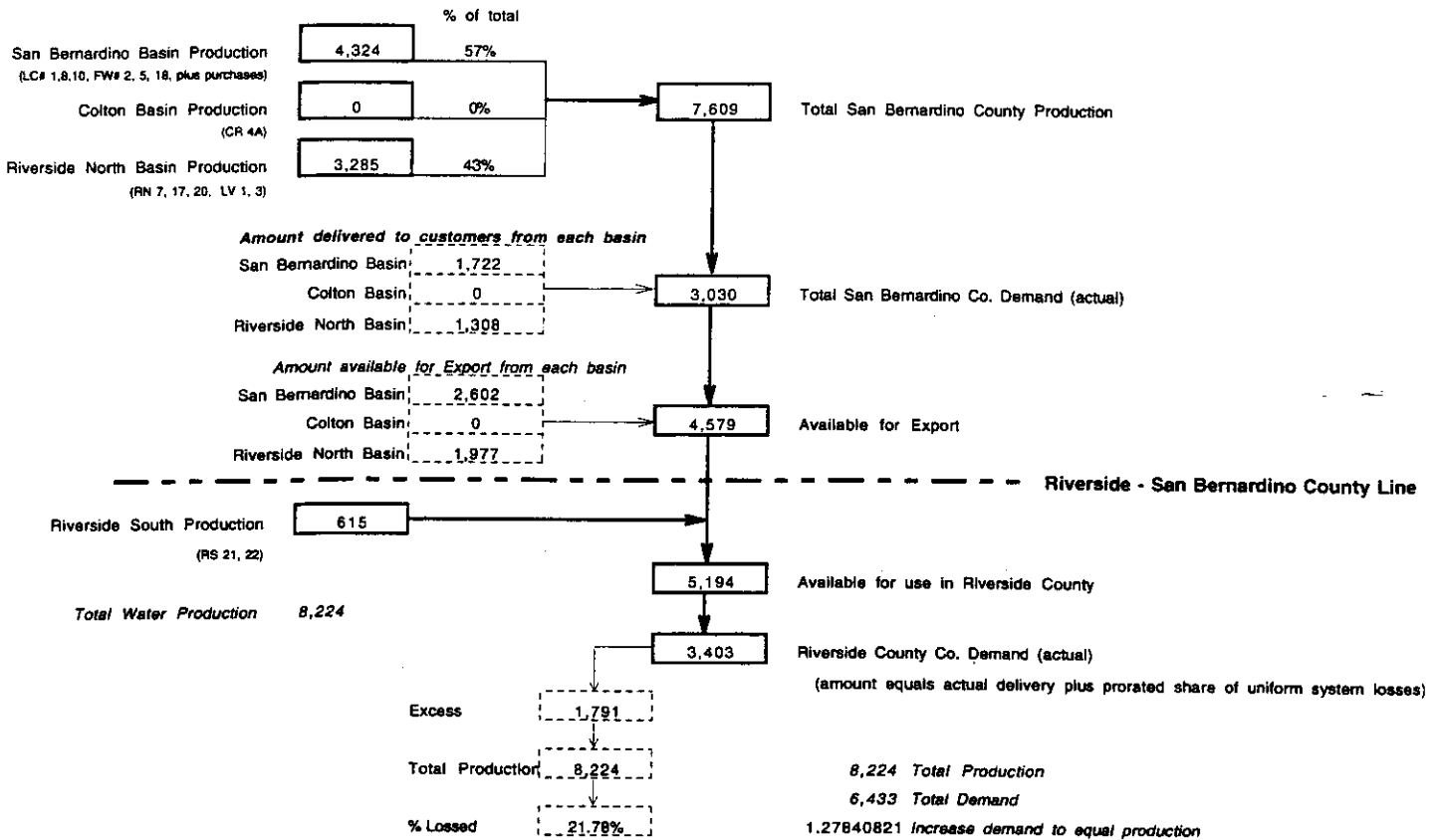


Diagram B

Riverside Highland Water Company
1995 Water Supply Distribution

(See Table 23R)

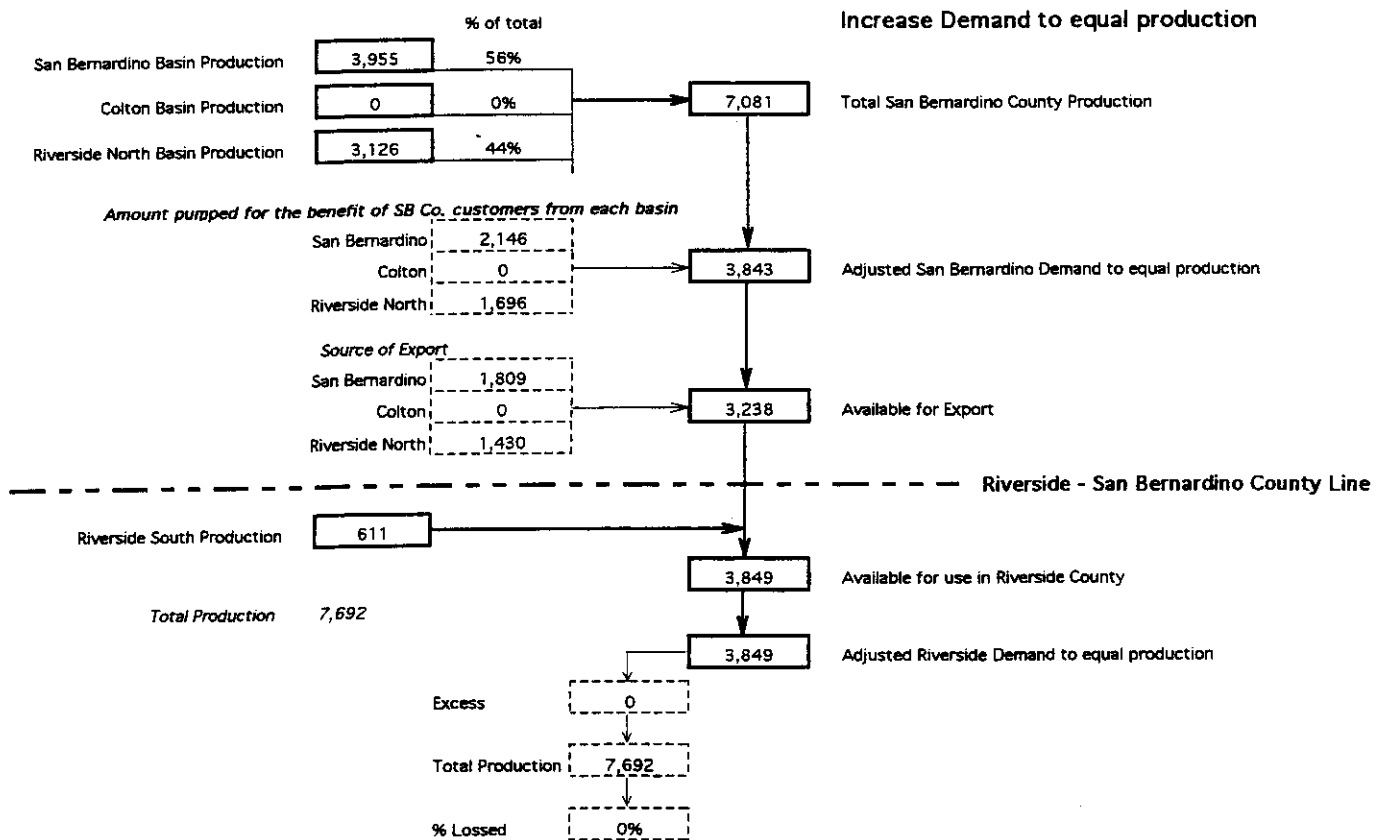
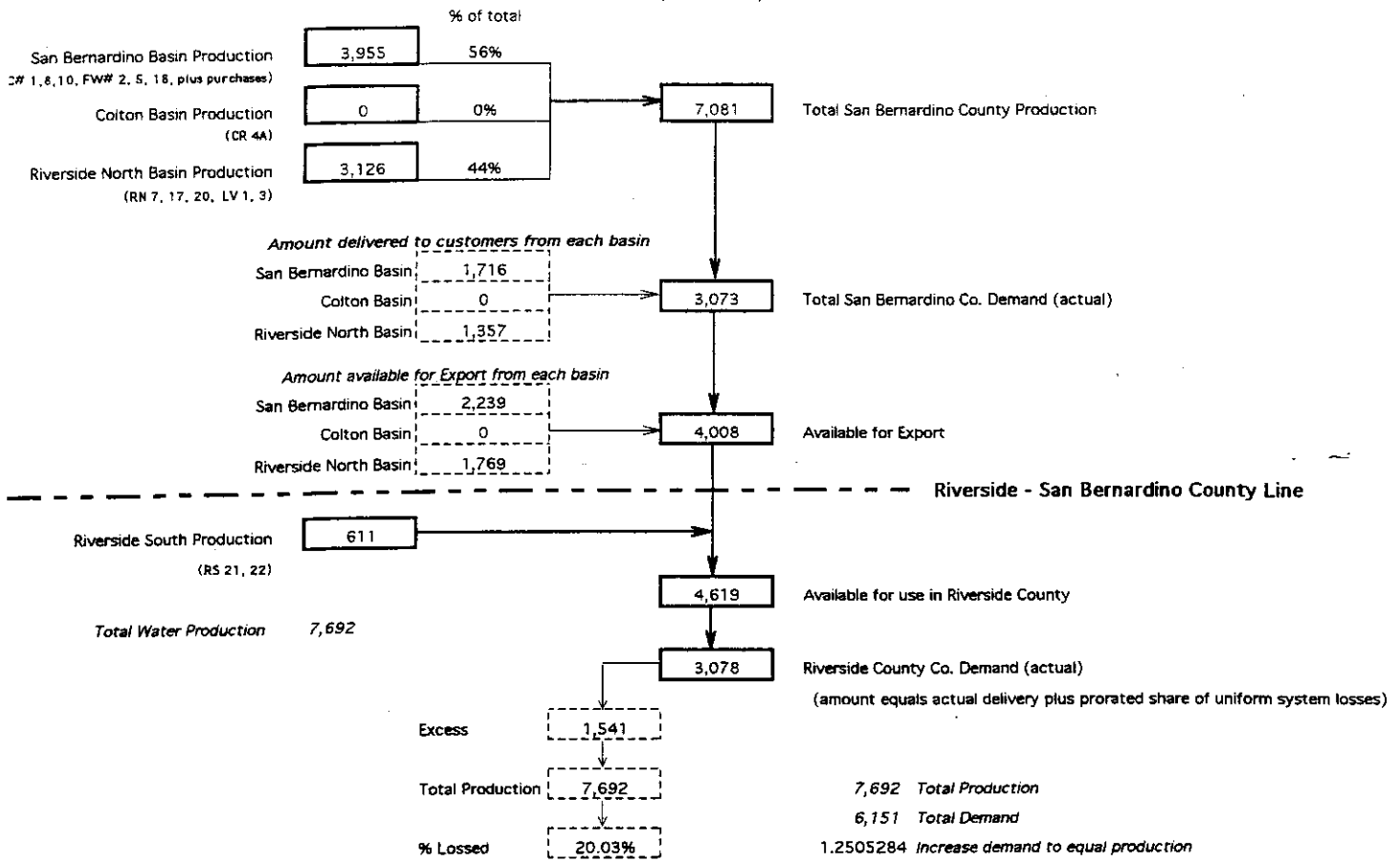
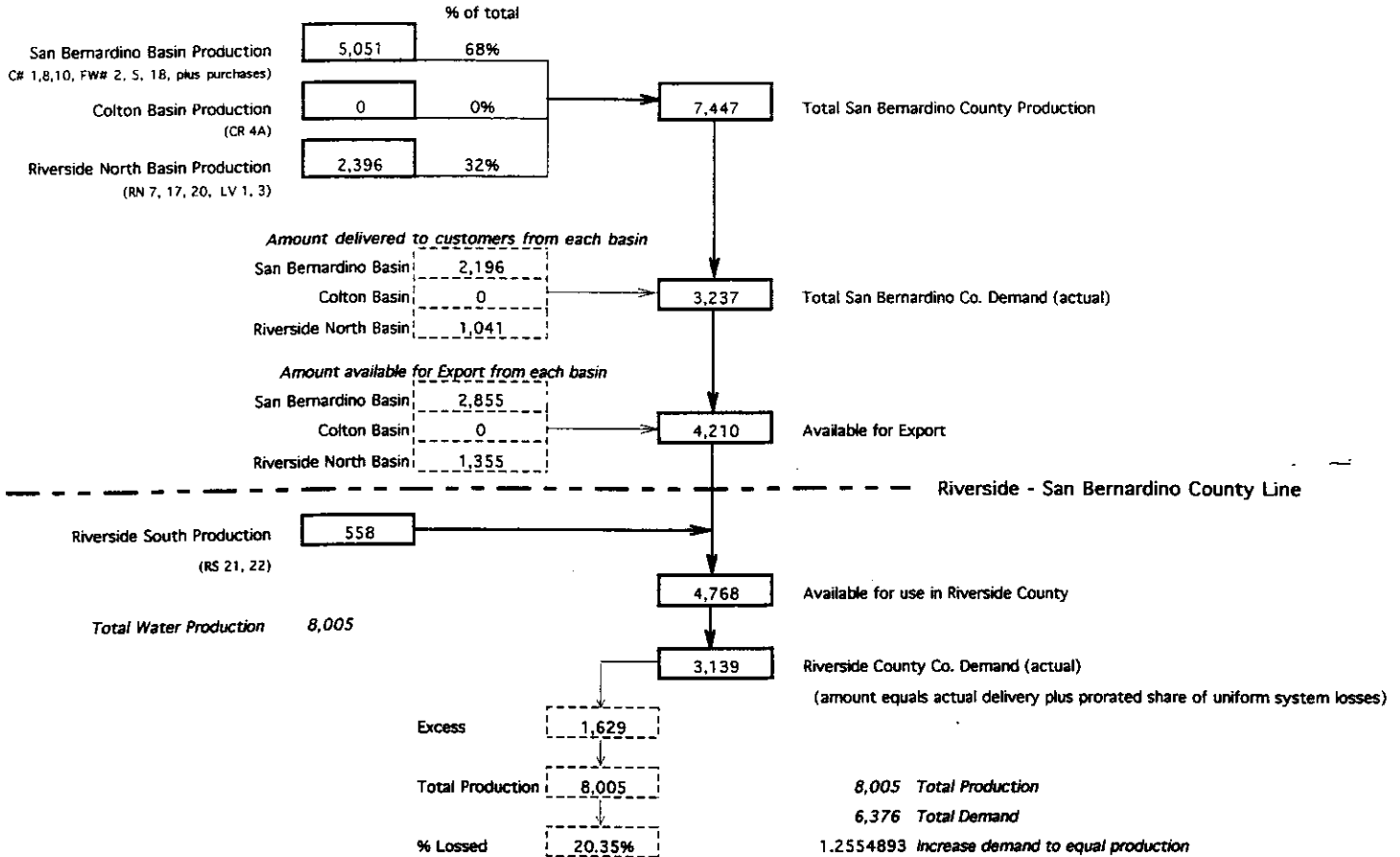


Diagram B

Riverside Highland Water Company 1996 Water Supply Distribution



Increase Demand to equal production

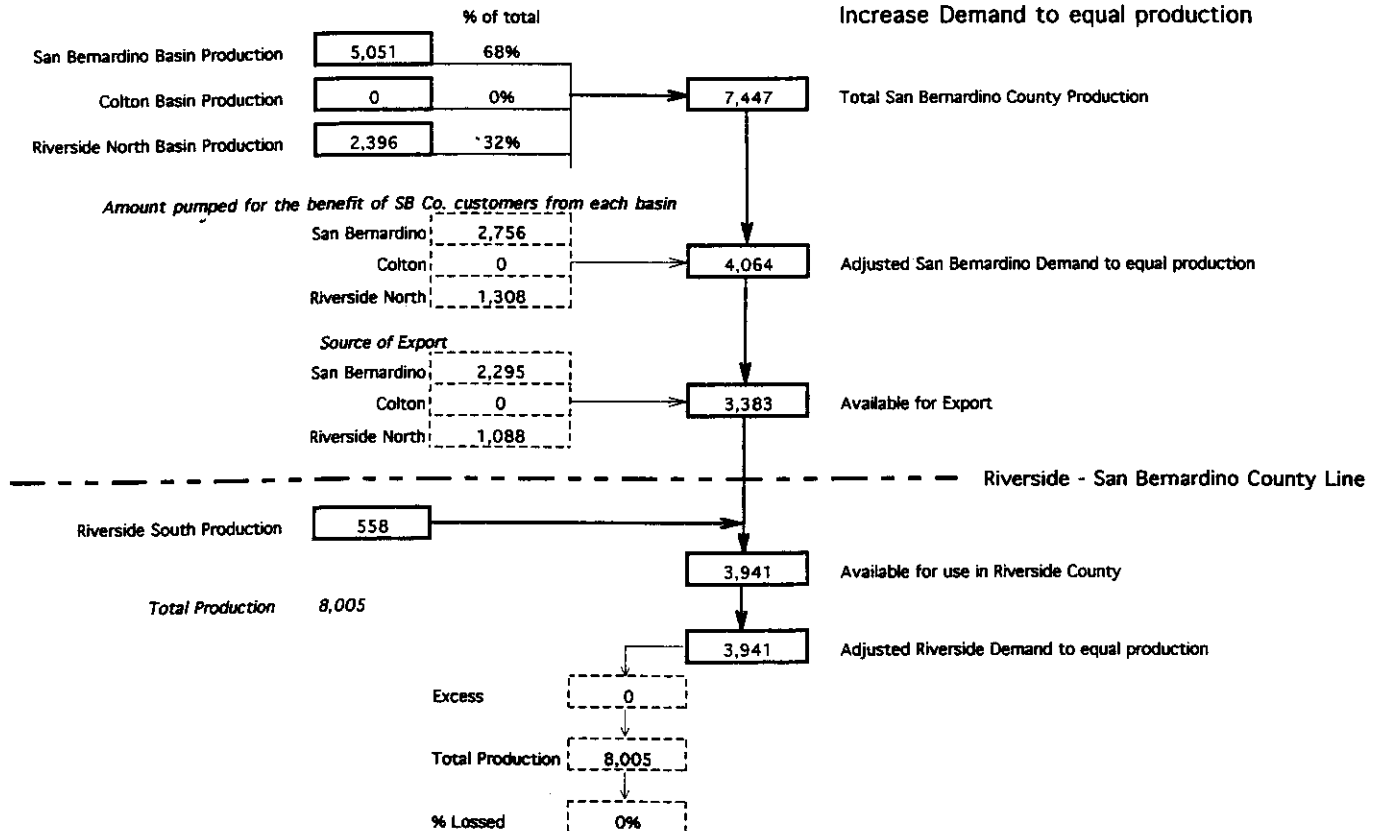
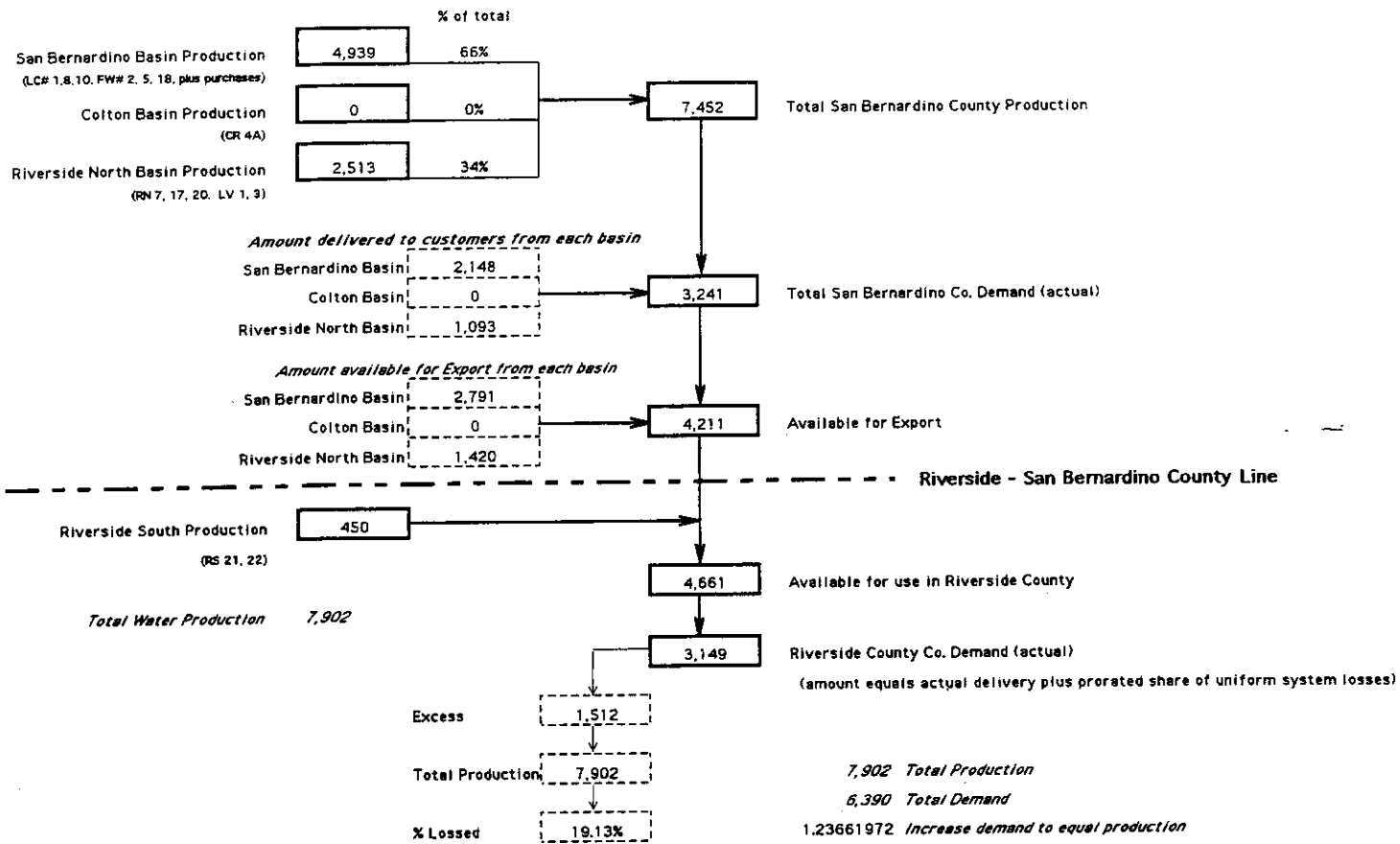
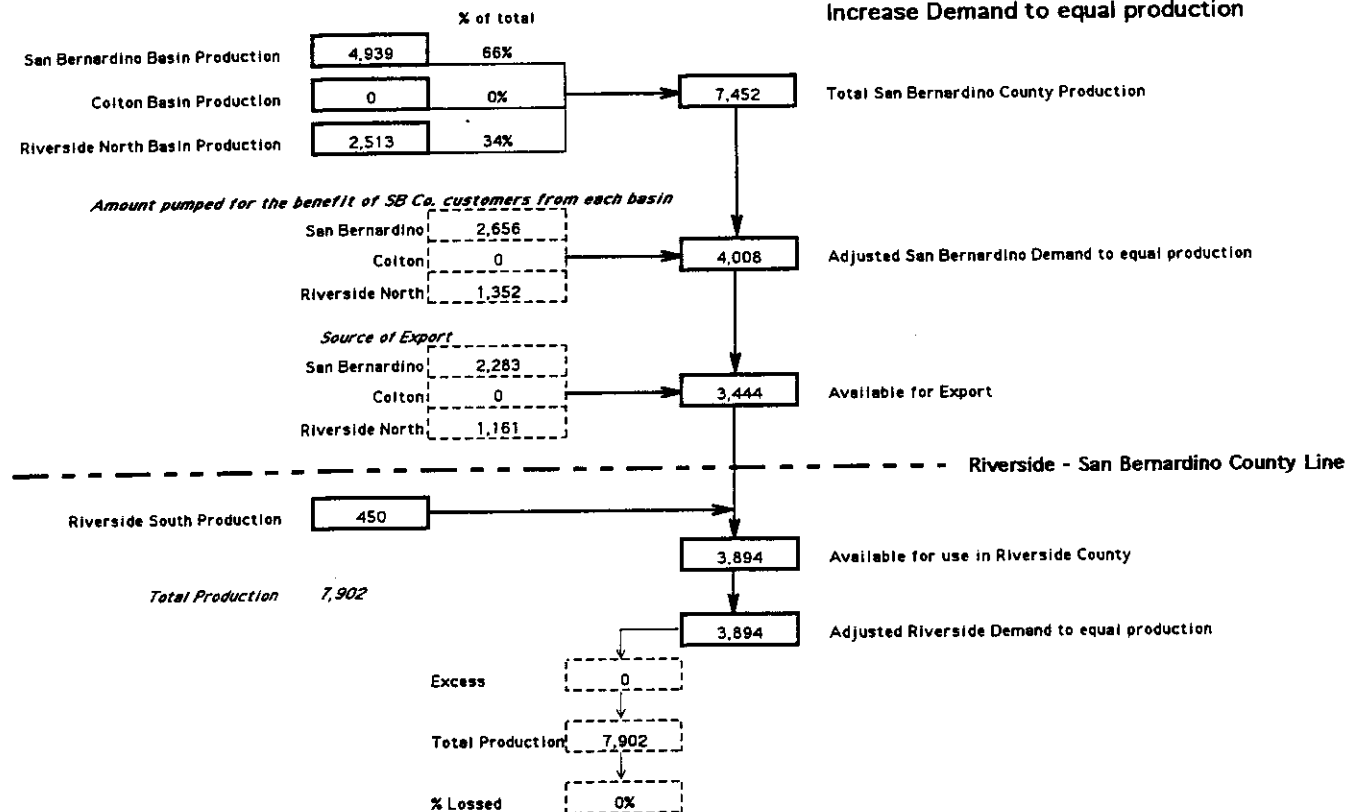


Diagram B Riverside Highland Water Company 1997 Water Supply Distribution

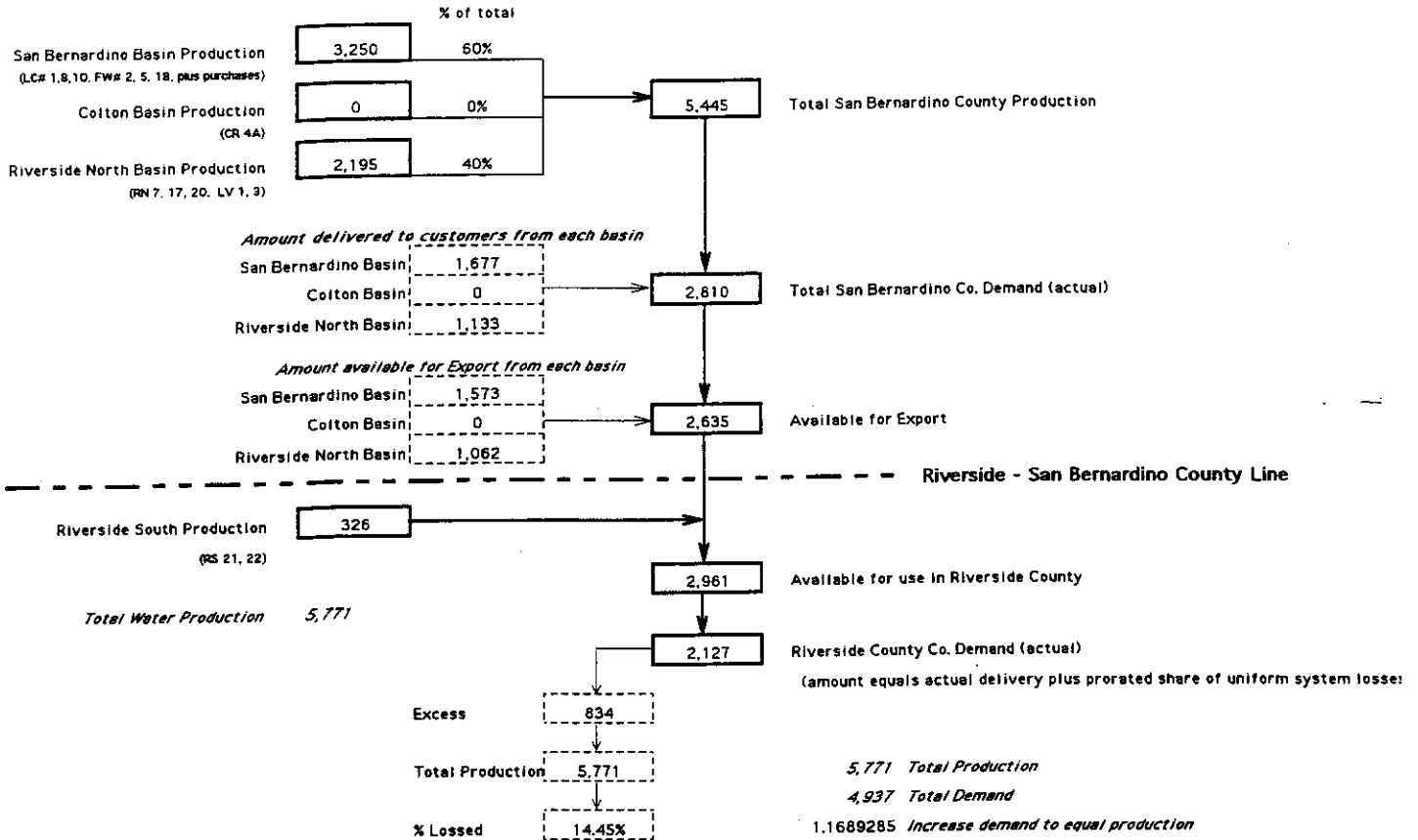


Increase Demand to equal production

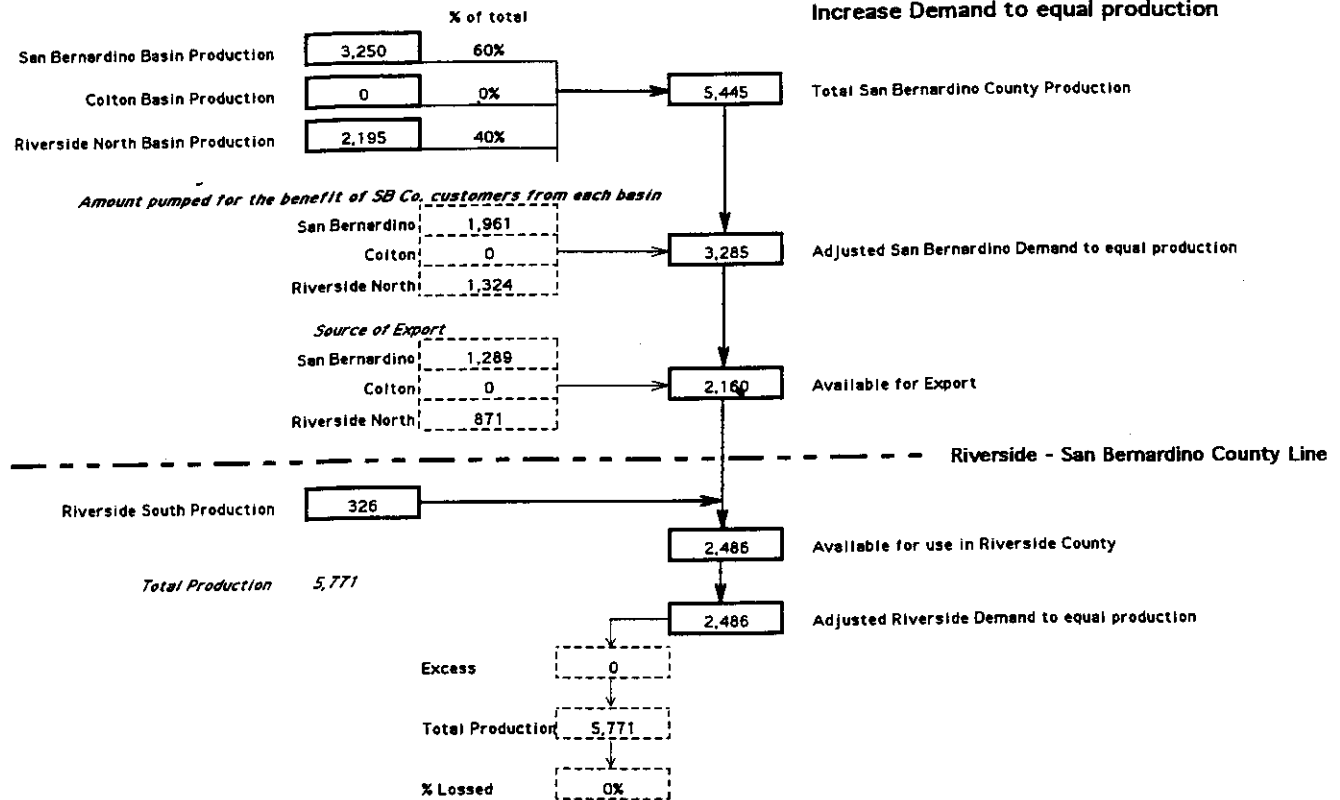


RH '98
Diagram B

Riverside Highland Water Company
1998 Water Supply Distribution



Increase Demand to equal production



VOLUME 6-1998

**WESTERN - SAN BERNARDINO WATERMASTER
FOR
WESTERN MUNICIPAL WATER DISTRICT et al.
vs.
EAST SAN BERNARDINO COUNTY WATER DISTRICT et al.
CASE NO. 78426 - COUNTY OF RIVERSIDE**

VOLUME 6 - 1998

**VERIFIED EXTRACTIONS FROM THE
SAN BERNARDINO BASIN AREA, COLTON BASIN AREA,
AND RIVERSIDE BASIN AREA FOR USE WITHIN WESTERN
ON LAND NOT TRIBUTARY
TO THE RIVERSIDE NARROWS**

**ANNUAL ACCOUNTING
1998**

August 1, 2000

**WATERMASTER
*Donald L. Harriger
Robert L. Reiter***

REPORT OF WATERMASTER

Western Municipal Water District of Riverside County, et al
Plaintiffs

vs.

East San Bernardino County Water District, et al
Defendants

Superior Court of Riverside County

Case No. 78426

Volume 6 - 1998

VERIFIED EXTRACTIONS FROM THE
SAN BERNARDINO BASIN AREA, COLTON BASIN AREA,
AND RIVERSIDE BASIN AREA FOR USE WITHIN WESTERN
ON LANDS NOT TRIBUTARY TO THE RIVERSIDE NARROWS

ANNUAL ACCOUNTING

August 1, 2000

WATERMASTER
Donald L. Harriger
Robert L. Reiter

VOLUME 6 - 1998

TABLE OF CONTENTS

	<u>Page</u>
INTRODUCTION	i
<u>TABLE A</u>	
VERIFIED EXTRactions FOR USE ON LANDS NOT TRIBUTARY TO RIVERSIDE NARROWS FOR CALENDAR YEARS 1971 TO CURRENT YEAR.	1
<u>TABLE NO. 1</u>	
CITY OF RIVERSIDE NUMBER OF ACTIVE METERS MEASURING WATER DELIVERED TO AREAS THAT ARE NOT TRIBUTARY TO THE RIVERSIDE NARROWS.	2
<u>TABLE NO. 1A</u>	
DELIVERIES MADE BY CITY OF RIVERSIDE DOMESTIC DIVISION TO AREAS WHICH ARE NOT TRIBUTARY TO THE RIVERSIDE NARROWS	3
<u>TABLE NO. 2</u>	
DELIVERIES MADE BY CITY OF RIVERSIDE IRRIGATION DIVISION FROM RIVERSIDE CANAL TO AREAS WHICH ARE NOT TRIBUTARY TO THE RIVERSIDE NARROWS.	4
<u>TABLE NO. 3</u>	
DELIVERIES MADE BY THE GAGE CANAL COMPANY TO AREAS WHICH ARE NOT TRIBUTARY TO THE RIVERSIDE NARROWS.	5
<u>TABLE NO. 4</u>	
DELIVERIES BY CITY OF RIVERSIDE IRRIGATION DIVISION FROM RIVERSIDE CANAL FOR USE ON LANDS NOT TRIBUTARY TO THE RIVERSIDE NARROWS.	6
<u>TABLE NO. 5</u>	
DELIVERIES BY GAGE CANAL COMPANY FOR USE ON LANDS NOT TRIBUTARY TO THE RIVERSIDE NARROWS.	7

TABLE NO. 6

SUMMARY OF DELIVERIES MADE BY MEEKS & DALEY WATER COMPANY, AGUA MANSA WATER COMPANY AND TEMESCAL WATER COMPANY INCLUDING WATER RECEIVED FROM CITY OF RIVERSIDE FROM THE RIVERSIDE AND GAGE CANALS TO AREAS WHICH ARE NOT TRIBUTARY TO THE RIVERSIDE NARROWS 8

TABLE NO. 7

WEST RIVERSIDE CANAL COMPANY DELIVERIES MADE TO LATERALS #3 & #2 FOR USE IN GLEN AVON & PEDLEY AREAS (FROM RECORDS OF WEST RIVERSIDE CANAL COMPANY) TO AREAS WHICH ARE NOT TRIBUTARY TO THE RIVERSIDE NARROWS 9

TABLE NO. 8

NOT REQUIRED AFTER 1968

TABLE NO. 9

DELIVERIES MADE BY JURUPA COMMUNITY SERVICES DISTRICT TO AREA NOT TRIBUTARY TO THE RIVERSIDE NARROWS 10

TABLE NO. 10

DELIVERIES MADE BY RUBIDOUX COMMUNITY SERVICES DISTRICT TO AREA NOT TRIBUTARY TO THE RIVERSIDE NARROWS 11

VOLUME 6 - 1998

VERIFIED EXTRACTIONS FROM THE
SAN BERNARDINO BASIN AREA, COLTON BASIN AREA,
AND RIVERSIDE BASIN AREA FOR USE WITHIN WESTERN
ON LANDS NOT TRIBUTARY TO THE RIVERSIDE NARROWS

INTRODUCTION

The extractions from the San Bernardino, Colton and Riverside Basin Areas for use within Western Municipal Water District on lands not tributary to the Riverside Narrows have been verified for the five-year base period ending in 1963.

The resulting five-year annual average was determined to be 42,535 acre-feet, as shown in Table No. 12 at page 37 of Chapter VII of the Annual Report of the Western-San Bernardino Watermaster for Calendar Year 1971. A detailed report on the verification for the five-year base period 1959-1963, and for ensuing years 1964-1970, is contained in the Report of Watermaster, Volume 6, dated June 1972.

The extractions from the above mentioned basin areas for the Calendar years 1980 through 1995, which were delivered within Western for use on lands not tributary to the Riverside Narrows, have been verified by the Watermaster as follows:

<u>YEAR</u>	<u>VERIFIED EXTRACTIONS</u> (Acre Feet)
1980	41,458
1981	39,358
1982	29,422
1983	28,876
1984	36,413
1985	31,604
1986	32,082
1987	30,861
1988	32,163
1989	45,841
1990	43,357 *
1991	43,394 *
1992	32,648 *

<u>YEAR</u>	<u>VERIFIED EXTRACTIONS</u> (Acre Feet)
1993	34,196 *
1994	31,147
1995	31,545
1996	31,234
1997	31,960
1998	32,071

This Volume 6 summarizes the total extractions and includes tables showing the detailed computations of the extractions by each entity. Table No. 8 was included in the original Volume 6 for the period 1959-1968, but has been omitted and will not be included in future volumes.

* Corrected during 1996 verification, July 1998

TABLE A

VERIFIED EXTRACTIONS FOR USE ON
LANDS NOT TRIBUTARY TO RIVERSIDE NARROWS
FOR CALENDAR YEARS 1971 THROUGH CURRENT YEAR

(All Quantities are in Acre Feet)

Water Extracted and Delivered by		From Column Table or No. Line #	DELIVERIES BY CALENDAR YEAR												
			1983	1984	1985	1986	1987	1988	1989	1990	1991	1992	1993	1994	1995
City of Riverside															
Domestic Division	IA	16	15,276	12,176	11,344	10,994	14,221	9,628	24,311	26,028	20,063	17,713	19,252	14,946	17,588
Irrigation Division (1)	2	7	-	-	-	-	-	-	-	-	-	-	-	-	-
Gage Canal (2)	3	5	9,208	16,339	13,353	14,117	10,223	15,038	14,727	12,866	17,461	10,574	10,925	13,609	12,228
			24,484	28,515	24,697	25,111	24,444	24,666	39,038	38,894	37,524	28,287	30,177	28,555	29,816
Meeks & Daley Water Company															
Agua Mansa Water Company & the Temescal Water Company	6	3	3,299	5,895	4,738	5,417	5,500	5,412	5,307	3,057	4,723	3,495	3,249	1,870	1,028
including water received from C of R															
Extractions delivered by the (3)															
West Riverside Canal received from Twin Buttes Water Co., La Sierra Water Co., Agua Mansa Water Co., Salazar Water Co., West Riverside 350" Water Co., and Jurupa Water Co.	7	8	817	1,160	945	681	671	1,817	833	881	691	382	236	236	185
Jurupa Community Services District	9	6	0	527	900	545	0	1	397	277	203	242	278	236	266
Rubidoux Community Services District	10	7	276	316	324	328	246	267	266	248	253	242	256	250	250
TOTALS			28,876	36,413	31,604	32,082	30,861	32,163	45,841	43,357	43,394	32,648	34,196	31,147	31,545

NOTES:

- (1) City Irrigation Division includes the former Riverside Water Company
- (2) Deliveries to Gage Canal Shareholders
- (3) Deliveries made from Laterals 3 & 2 of West Riverside Canal Company

TABLE A

VERIFIED EXTRACTIONS FOR USE ON
LANDS NOT TRIBUTARY TO RIVERSIDE NARROWS
FOR CALENDAR YEARS 1971 THROUGH CURRENT YEAR

(All Quantities are in Acre Feet)

Water Extracted and Delivered by	From Column Table or No. Line #	DELIVERIES BY CALENDAR YEAR													
		1996	1997	1998	1999	2000	2001	2002	2003	2004	2005				
City of Riverside															
Domestic Division	1A 16	16,849	17,682	20,493											
Irrigation Division (1)	2 7	-	-	-	-	-	-	-	-	-	-	-	-	-	-
Gage Canal (2)	3 5	12,921	12,969	10,852											
		29,770	30,651	31,345											
Meeks & Daley Water Company															
Agua Mansa Water Company & the Temescal Water Company															
including water received from C of R	6 3	978	1,022	476											
Extractions delivered by the (3)															
West Riverside Canal received from Twin Buttes Water Co., La Sierra Water Co., Agua Mansa Water Co., Salazar Water Co., West Riverside 350" Water Co., and Jurupa Water Co.	7 8	0	0	0											
Jurupa Community Services District	9 6	236	37	0											
Rubidoux Community Services District	10 7	250	250	250											
TOTALS		31,234	31,960	32,071											

NOTES:
 (1) City Irrigation Division includes the former Riverside Water Company
 (2) Deliveries to Gage Canal Shareholders
 (3) Deliveries made from Laterals 3 & 2 of West Riverside Canal Company

TABLE NO. 1

**CITY OF RIVERSIDE
NUMBER OF ACTIVE METERS
MEASURING WATER DELIVERED TO AREAS
THAT ARE NOT TRIBUTARY TO THE RIVERSIDE NARROWS**

Meter Book Area Column	Number of Active Meters									
	1 (1)	13 (2)	14 (3)	15 (4)	16 (5)	17 (6)	18 (7)	19 (8)	22 (9)	
	Total Meters									
Calendar Year										
1971	203	1,677	2,151		2,389			871	64	
1972	239	1,776	2,243		2,407			913	89	
1973	229	1,765	2,760		2,330			966	88	
1974	197	1,795	2,804		2,325			971	88	
1975	428	1,980	4,045	3,027	2,357	509	562	1,149	106	
1976	659	2,166	5,287	3,220	2,378	509	562	1,328	124	
1977	877	2,242	5,185	5,799	2,465			1,607	129	
1978	22,189	2,367	5,535	8,680	2,686			1,833	171	
1979	22,441	2,377	5,740	8,879	2,608			1,965	163	
1980	23,302	491	2,857	5,791	2,645			2,011	163	
1981	23,302	491	2,857	5,791	2,645			2,011	163	
1982	20,421	584	2,195	3,259	2,394			2,073	117	
1983**	20,766									
1984	21,336									
1985	21,669									
1986	22,658									
1987	23,107									
1988	23,688									
1989	24,311									
1990	24,782									
1991	25,147	*								
1992	25,197	*								
1993	25,244	*								
1994	25,263									
1995	25,286									
1996	25,239									
1997	25,177									
1998	25,186									
1999										
2000										

Data from City of Riverside Records
 Column (4) - Starting July 1, 1973, the City of Riverside took over operation of the Southwest Water Company (Meter Book area 15).
 At the time water used in that area was reported directly in Acre Feet [See Table 1A, Column (4)].
 In 1975 Meter Book Areas 17 and 18 were split off of Meter Book 15 and all three areas are now reported by number of active meters.
 In 1977 Meter Book Areas 17 and 18 were recombined with Meter Book 15.
 In 1977 Meter Book Areas 17 and 18 were recombined with Meter Book 15.
 ** Starting in 1983, the City is able to generate an annual tabulation of water use in areas not tributary to the Riverside Narrows.

TABLE NO. 1A
DELIVERIES MADE BY CITY OF RIVERSIDE
DOMESTIC DIVISION TO AREAS WHICH ARE NOT TRIBUTARY TO THE RIVERSIDE NARROWS

Meter Book Area Column	Deliveries in Acre Feet										Arlington Basin Production			Total			
	13 (1)	14 (2)	15 (3)	16 (4)	17 (5)	18 (6)	19 (7)	20 (8)	21 (9)	22 (10)	Subtotal La Granada Wells (11)	Total Treated Arlington Wells (12)	W.M.W.D. Used in Arlington Wells (13)	Southwest Water Co. Extractions From SBBA (14)	Additional Extractions From Upper Basin Not Tributary (15)	Total (16)	
Calendar Year																	
1971	168	1,389	2,968	2,308	2,308	2,308	841	139	7,813	68	13	9	9			7,736	
1972	178	1,321	2,781	2,089	2,089	2,089	793	132	7,294	1	13	9	9			7,284	
1973	147	1,130	2,926	2,941	1,729	1,729	714	112	9,699	29	18	12	12	1,359		8,299	
1974	131	1,195	3,112	3,945	1,807	1,807	754	117	11,061	69	49	33	33	1,651		9,308	
1975	277	1,283	4,369	1,962	1,782	330	869	137	11,373	0	904	602	83			10,688	
1976	439	1,443	5,869	2,145	1,855	361	398	165	13,707	31	7	11	13			13,652	
1977	535	1,368	5,288	3,855	1,750		1,441	157	14,094	143	17	14	11	198		13,742	
1978	614	1,586	6,144	5,012	2,095		1,430	227	17,108	739	0	0	0			16,369	
1979	503	1,688	6,831	5,930	2,165		1,631	233	18,981	633	4	3	3			18,345	
1980	314	1,828	6,138	6,268	1,957		1,488	207	18,200	127	161	108	0			17,965	
1981	329	1,914	6,428	6,818	2,063		1,569	217	19,338	280	0	0	29	1,148		17,881	
1982	356	1,339	3,324	6,290	1,699		1,472	117	14,597	0	0	0	0	0		14,597	
1983									15,352	0	0	0	0	76		15,276	
1984									19,088	0	0	0	0	6,912		12,176	
1985									19,095	0	0	0	0	7,751		11,344	
1986									20,994	0	11	0	0	10,000		10,994	
1987									22,199	0	20	13	0	7,965		14,221	
1988									23,829	0	1	0	0	14,201		9,628	
1989									24,311	0	0	0	0	0		24,311	
1990									26,028	0	0	0	0	0		26,028	
1991									23,275	0	0	0	0	3,212		20,063	
1992									24,890	0	0	0	0	7,177		17,713	
1993									21,932	0	0	0	0	2,680		19,252	
1994									24,053	0	0	0	0	9,107		14,946	
1995									23,339	0	0	0	0	5,751		17,588	
1996									25,239	0	0	0	0	8,390		16,849	
1997									25,177	0	0	0	0	7,495		17,682	
1998									25,186	0	0	0	0	4,693		20,493	
1999																	
2000																	

Columns (1) through (9) were estimated as follows: Using the factor Acre Feet per connection, obtained for the year 1965 for each Meter Book Area said duty use factors were adjusted for subsequent and preceding years to compensate for consumptive variances, due to temperature and rainfall, by a ratio based on the ratio of total Annual System Production to Annual System Population for each year as compared to the same ration for the year 1965.

Column (4) - Starting on July 1 1973, the City of Riverside took over operation of the Southwest Water Company (Meter Book Area 15).

At the time water use in that area was reported directly in acre feet.

Columns (6) and (7) - In 1975, Meter Book areas 17 and 18 were split off of Meter Book 15 and all three areas are now reported by number of active meters.

Column (10) - Total of Columns (1) through (9).

Column (12) - Total treated W.M.W.D. CRA water via WR-10 to the City of Riverside Filter Plant.

Column (13) - Column (12) x 2/3.

Column (14) - Total production from former Southwest Water Company Wells.

Column (15) - Pursuant to agreement regarding additional extractions dated Dec. 22 1981, Feb 25 1985 and Aug. 21 1985; additional extractions made thereunder are to be treated in the same manner as water produced from wells in the nontributary area. In 1985, excludes 5,721 acre feet of additional water delivered to Orange County Water District pursuant to the February 25 1985 and August 21 1985 agreements. Excludes 8,012 af in 1991 and 1,383 af in 1992 of water delivered to OCPD. See Table 10 of the Annual Report.

In 1993 excludes 1,150 af of Riverside overextraction and 1,530 af of water produced for WMPD under sixth Admenment. 1994 & 1995 valves from Annual Report, Table 10.

Column (16) - Column (10) minus Columns (11) (13) (14) and (15).

See notes on Table 1 about Meter Book number changes.

TABLE NO. 2

DELIVERIES MADE BY CITY OF RIVERSIDE IRRIGATION DIVISION
FROM THE RIVERSIDE CANAL TO AREAS
WHICH ARE NOT TRIBUTARY TO THE RIVERSIDE NARROWS

(All Quantities are in Acre Feet)

Line Number	DELIVERY LOCATION	1983	1984	1985	1986	1987	1988	1989	1990	1991	1992	1993	1994	1995
1	Delivery to Lower Canal Section	-	-	-	-	-	-	-	-	-	-	-	-	-
2	Less Adjustment for Temescal Delivery	-	-	-	-	-	-	-	-	-	-	-	-	-
3	Total Delivery from Lower Canal Section	-	-	-	-	-	-	-	-	-	-	-	-	-
Lower canal section abandoned, Table no longer needed														
4	Less Deliveries to Temescal Water Co. from Lower Canal Section	-	-	-	-	-	-	-	-	-	-	-	-	-
5	Deliveries to Riverside Water Co. Stock & contract water from Lower Canal Section	-	-	-	-	-	-	-	-	-	-	-	-	-
6	Plus Deliveries from Upper Canal Section below Riverside Narrows	-	-	-	-	-	-	-	-	-	-	-	-	-
7	Total Deliveries by City of Riverside Irrigation Division not Tributary to the Riverside Narrows	-	-	-	-	-	-	-	-	-	-	-	-	-

Note: Lines #1 & #2 from City Records.
Line #4 from Table No. 4, Column (4).
Line #6 from City Records.
Quantities in parentheses (-) are negative values.

TABLE NO. 3

**DELIVERIES MADE BY THE GAGE CANAL COMPANY
TO AREAS WHICH ARE NOT TRIBUTARY
TO THE RIVERSIDE NARROWS**

(All quantities are in acre feet)

Calendar Year	Deliveries to Gage Stockholders (1)	Losses in Arlington Basin (2) +	Net into Mockingbird Lake (3)	Total Gage Delivery (5)
1971	17,113	(42)	(57)	17,014
1972	15,328	(16)	1,317	16,629
1973	13,144	(298)	(11)	12,835
1974	14,233	(330)	234	14,137
1975	14,370	1,007	372	15,749
1976	14,553	793	277	15,623
1977	14,533	(104)	181	14,610
1978	11,572	(102)	89	11,559
1979	12,560	(63)	(172)	12,325
1980	14,191	351	(278)	14,264
1981	11,347	239	237	11,823
1982	8,616	288	(127)	8,777
1983	8,731	549	(72)	9,208
1984	15,439	912	(12)	16,339
1985	12,326	981	46	13,353
1986	13,314	937	(134)	14,117
1987	9,388	842	(7)	10,223
1988	13,856	1,275	(93)	15,038
1989	13,216	1,806	(295)	14,727
1990	10,620	2,136	110	12,866
1991	15,734	1,579	148	17,461
1992	8,791	1,308	475	10,574
1993	9,776	792	357	10,925
1994	11,787	1,761	61	13,609
1995	10,771	1,270	187	12,228
1996	11,186	1,539	196	12,921
1997	12,094	641	234	12,969
1998	9,897	916	39	10,852
1999				
2000				

Column (5) = Column (1) + (2) + (3).

Quantities in parentheses are negative values, net gain to the Canal.

Deliveries shown in Column (1) above are those made to the lands of shareholders in areas which are not tributary to the Riverside Narrows. Since the canal was converted to a pipeline from the headworks to about Weir No. 2 in 1973, the canal losses in the Arlington Basin are assumed to equal 2/3 of the total loss. Previous to 1973, the losses were assumed to occur equally along the entire canal,

half above Weir No. 2 and half below. It was further assumed that 2/3 of the lower canal losses occurred in the Arlington Basin.

Data is from the Gage Canal Company Records.

Export from the basin is the deliveries to the stockholder plus net increase storage in Mockingbird (lake is export) plus the losses that are also outside the basin.

TABLE NO. 4

DELIVERIES BY CITY OF RIVERSIDE IRRIGATION DIVISION
FROM THE RIVERSIDE CANAL FOR USE ON LANDS
NOT TRIBUTARY TO THE RIVERSIDE NARROWS

(All Quantities are in Acre Feet)

Calendar Year	Inch Rate Contract Water Delivery to Temescal Wtr.	Carrying Rights (Mt. Vernon) Meter Delivered to Temescal	Carrying Right for Delivery to Temescal	Total Delivery to Temescal by Riverside Irrigation Div.
	(1)	(2)	(3)	(4)
1971	3,566	1,652	1,266	6,484
1972	3,183	1,459	1,204	5,846
1973	-	-	-	-
1974	-	-	-	-
1975	-	-	-	-
1976	-	-	-	-
1977	-	-	-	-
1978	-	-	-	-
1979	-	-	-	-
1980	-	-	-	-
1981	-	-	-	-
1982	-	-	-	-
1983	-	-	-	-
1984	-	-	-	-
1985	-	-	-	-
1986	-	-	-	-
1987	-	-	-	-
1988	-	-	-	-
1989	-	-	-	-
1990	-	-	-	-

Lower canal section abandoned, Table no longer needed

Notes: Columns (1), (2), and (3) are from City of Riverside Records. Temescal Water Company discontinued receiving their irrigation water delivery from the Riverside Canal in calendar year 1973, and began taking all their water delivery from the Gage Canal.

TABLE NO. 5

DELIVERIES BY GAGE CANAL COMPANY
FOR USE ON LANDS NOT TRIBUTARY
TO THE RIVERSIDE NARROWS

(All Quantities are in Acre Feet)

Calendar Year	Gage Canal	Gage Canal	Total Delivery
	Delivery to Alta Mesa	Delivery to Temescal Wtr. Co.	to Alta Mesa & Temescal by Gage Canal Co.
1971	278	1,433	1,711
1972	143	2,581	2,724
1973	65	4,226	4,291
1974	38	4,629	4,667
1975	45	4,666	4,711
1976	20	6,828	6,848
1977	16	3,986	4,002
1978	16	3,996	4,012
1979	21	5,549	5,570
1980	21	6,189	6,210
1981	18	5,956	5,974
1982	13	4,677	4,690
1983	11	3,288	3,299
1984	18	5,877	5,895
1985	14	4,724	4,738
1986	14	5,403	5,417
1987	13	5,487	5,500
1988	17	5,395	5,412
1989	18	5,289	5,307
1990	16	3,041	3,057
1991	17	4,706	4,723
1992	14	3,481	3,495
1993	15	3,234	3,249
1994	17	1,853	1,870
1995	16	1,012	1,028
1996	16	962	978
1997	18	1,004	1,022
1998	17	459	476
1999			
2000			

Notes: Data from Gage Canal Company Records

TABLE NO. 6

**SUMMARY OF DELIVERIES MADE BY
MEEKS & DALEY WATER COMPANY, AGUA MANSA WATER COMPANY AND TEMESCAL WATER COMPANY
INCLUDING WATER RECEIVED FROM CITY OF RIVERSIDE
FROM THE RIVERSIDE AND GAGE CANALS
TO AREAS WHICH ARE NOT TRIBUTARY TO THE RIVERSIDE NARROWS**

(All Quantities are in Acre Feet)

Calendar Year	(1)		(2)		Total Delivery by City of Riverside Irrigation Division to Lands Not Tributary to the Riverside Narrows	(3)
	Total Delivery to Temescal by City of Riverside Irrigation Division	Total Delivery to Alta Mesa & Temescal by Gage Canal Co.	Total Delivery by City of Riverside Irrigation Division & Gage Canal	Total Delivery by City of Riverside Irrigation Division to Lands Not Tributary to the Riverside Narrows		
1971	6,484	1,711	8,195			
1972	5,846	2,724	8,570			
1973	- *	4,291	4,291			
1974	-	4,667	4,667			
1975	-	4,711	4,711			
1976	-	6,848	6,848			
1977	-	4,002	4,002			
1978	-	4,012	4,012			
1979	-	5,570	5,570			
1980	-	6,210	6,210			
1981	-	5,974	5,974			
1982	-	4,690	4,690			
1983	-	3,299	3,299			
1984	-	5,895	5,895			
1985	-	4,738	4,738			
1986	-	3,417	3,417			
1987	-	5,500	5,500			
1988	-	5,412	5,412			
1989	-	5,307	5,307			
1990	-	3,057	3,057			
1991	-	4,723	4,723			
1992	-	3,495	3,495			
1993	-	3,249	3,249			
1994	-	1,870	1,870			
1995	-	1,028	1,028			
1996	-	978	978			
1997	-	1,022	1,022			
1998	-	476	476			
1999	-	-	-			
2000	-	-	-			

Notes: Column (1) from City of Riverside Records and Column (2) from Table 5.

* Temescal Water Company discontinued receiving their irrigation water delivery from the Riverside Canal in calendar year 1973, and began taking all of the water delivery from the Gage Canal.

TABLE NO. 7

**WEST RIVERSIDE CANAL COMPANY
DELIVERIES MADE TO LATERALS #3 & #2
FOR USE IN GLEN AVON & PEDLEY AREAS
ON AREAS NOT TRIBUTARY TO THE RIVERSIDE NARROWS**
(All Quantities are in Acre Feet)

Calendar Year (1)	Water Delivered to Lateral #3 & #2							Total Deliveries (8)
	La Sierra Water Co. (2)	Agua Mansa Water Co. (3)	Salazar Water Co. (4)	350 Inch Water Co. (5)	Jurupa Water Co.* (6)	Twin Buttes Water Co. (7)		
1971	2,619	485	23	771	1,220	834	5,952	
1972	3,396	249	25	682	1,032	72	5,456	
1973	2,162	201	21	541	785	0	3,710	
1974	2,673	359	0	825	1,012	0	4,869	
1975	1,823	384	-	845	905	917	4,875	
1976	1,770	318	-	778	1,004	759	4,629	
1977	1,281	242	-	742	957	0	3,222	
1978	850	125	-	223	783	0	1,981	
1979	993	155	-	376	1,183	0	2,707	
1980	1,001	135	-	420	950	0	2,506	
1981	949	220	-	1,395	582	0	3,146	
1982	175	62	-	220	649	0	1,106	
1983	121	42	-	134	520	0	817	
1984	200	81	-	203	676	0	1,160	
1985	144	36	-	162	603	0	945	
1986	129	31	-	139	382	0	681	
1987	131	26	-	83	419	12	671	
1988	224	36	-	80	278	1,199	1,817	
1989	93	30	-	55	248	407	833	
1990	41 **	23	-	70	392	355	861	
1991	0	0	-	45	646	0	691	
1992	0	0	-	25	357	0	382	
1993	0	0	-	0	236	0	236	
1994	0	0	-	0	236	0	236	
1995	0	0	-	0	185	0	185	
1996	0	0	-	0	0	0	0	
1997			-					
1998			-					
1999			-					
2000			-					

Canal no longer in service

* Jurupa Community Services District purchased the Jurupa Water Company and uses JGSD Sunnyslope Wells 3 & 5 to make JWC deliveries after Nov. 1 1988.
** La Sierra Water Company went out of the water delivery business on June 1, 1990.

Columns (2), (3), & (5) are from West Riverside Canal Company Records.

Columns (6) are from Recordation Filing, 3600535- for Jurupa Water Company #3.

Columns (7) from Recordation Filing, 3600898- for Twin Buttes Water Co. (C of R Twin Buttes #6).

Conversion factor used is 0.03967 af/mid.

TABLE NO. 2

DELIVERIES MADE BY
JURUPA COMMUNITY SERVICES DISTRICT
TO AREAS WHICH ARE NOT TRIBUTARY TO THE
RIVERSIDE NARROWS

(All Quantities are in Acre Feet)

Year	Sunnyslope #3 #3301362 2S5W08G04S	Sunnyslope #5 #3301501 2S5W08G01S	Sunnyslope #6 #3301502 2S5W08K02S	Sunnyslope #7 #3301625 2S5W08K03S	Deliveries in the Riverside Basin	Total Export from the Riverside Basin Area
	(1)	(2)	(3)	(4)	(5)	(6)
1971	223	517	54	0		794
1972	288	516	3	0		807
1973	201	339	5	0		545
1974	223	322	21	0		566
1975	229	411	0	0		640
1976	268	597	0	0		865
1977	231	542	0	0		773
1978	199	411	0	0		610
1979	184	366	0	0		550
1980	0	3	0	0		3
1981	0	0	-	-		0
1982	0	0	-	-		0
1983	0	0	-	-		0
1984	52	475	-	-		527
1985	266	634	-	-		900
1986	70	475	-	-		545
1987	0	0	-	-		0
1988	1	0	-	-		1
1989	397	0	-	-		397
1990	310	0	-	-	33	277
1991	203	0	-	-	0	203
1992	242	0	-	-	0	242
1993	278	0	-	-	0	278
1994	236	0	-	-	0	236
1995	266	0	-	-	0	266
1996	236	0	-	-	0	236
1997	0	37	-	-	0	37
1998	0	28	-	-	28	0
1999			-	-		
2000			-	-		

Prior to 1968, these wells were owned by Rubidoux Community Services District.
Sunnyslope #6 & #7 were abandoned in 1981.

Beginning in 1988, the Sunnyslope Wells were being used to deliver water for the Jurupa Water Company Shareholders.

TABLE NO. 10

**DELIVERIES MADE BY RUBIDOUX COMMUNITY SERVICES DISTRICT *
TO AREAS WHICH ARE NOT TRIBUTARY TO THE RIVERSIDE NARROWS**

(All Quantities are in Acre Feet)

Calendar Year	Total Number of Meter Connections (1)	Annual Water Productions Per Meter (A.F./Meter) (2)	Total Water Production Delivered (3)	Delivery to Boise Cascade Mobile Home Park (4)	Total Water Delivered to Chino Basin (5)	Flow returned to sewer (40% of Total Delivery) (6)	Total Export from Riverside Basin Area (7)
1971	89	1	76	16	92	37	55
1972	89	1	76	32	108	43	65
1973	111	1	94	44	138	55	83
1974	127	1	108	35	143	57	86
1975	130	1	111	45	156	62	93
1976	181	1	154	53	207	83	124
1977	232	1	197	62	259	104	156
1978	322	1	274	81	355	142	213
1979	407	1	346	60	406	162	244
1980	407	1	346	78	424	170	254
1981	407	1	346	88	434	174	260
1982	407	1	346	74	420	168	252
1983	407	1	346	114	460	184	276
1984	407	1	346	180	526	210	316
1985	407	1	346	194	540	216	324
1986	407	1	346	200 1)	546	218	328
1987	407	1	346	64 2)	410	164	246
1988	407	1	346	99	445	178	267
1989	407	1	346	98	444	178	266
1990	407	1	346	67	413	165	248
1991	407	1	346	76	422	169	253
1992	407	1	346	57	403	161	242
1993	407	1	346	81	427	171	256
1994	407	1	346	70 3)	416	166	250
1995	407	1	346	70 3)	416	166	250
1996	407	1	346	70 3)	416	166	250
1997	407	1	346	70 3)	416	166	250
1998	407	1	346	70 3)	416	166	250
1999							
2000							

Notes:

Column (3) = Column (1) x Column (2)

Column (5) = Column (3) + Column (4)

Column (6) = Column (5) x 40%

Column (7) = Column (5) - Column (6)

* Area was served by Jurupa Hills Water Company prior to 1968.

1) In 1986 individual meters were installed, flow estimated.

2) Mobile Home Park now on individual meters.

3) Mobile Home Park uses estimated at 0.22 af/du * 319 units

VOLUME 7-1998

**WESTERN - SAN BERNARDINO WATERMASTER
FOR**

WESTERN MUNICIPAL WATER DISTRICT et al.

vs.

EAST SAN BERNARDINO COUNTY WATER DISTRICT et al.

CASE NO. 78426 - COUNTY OF RIVERSIDE

VOLUME 7 - 1998

**VERIFICATION OF EXTRACTIONS FROM THE
SAN BERNARDINO BASIN AREA
AND COLTON BASIN AREA WITHIN
THE SAN BERNARDINO VALLEY
MUNICIPAL WATER DISTRICT
FOR USE ON LANDS NOT WITHIN WESTERN
NOR TRIBUTARY TO THE RIVERSIDE NARROWS**

**ANNUAL ACCOUNTING
1998**

August 1, 2000

WATERMASTER

*Donald L. Harriger
Robert L. Reiter*

REPORT OF WATERMASTER

Western Municipal Water District of Riverside County et al.
Plaintiffs

vs.

East San Bernardino County Water District et al.
Defendants

Superior Court of Riverside County

Case No. 78426

VOLUME 7-1998

VERIFICATION OF EXTRACTIONS FROM THE
SAN BERNARDINO BASIN AREA
AND COLTON BASIN AREA WITHIN
THE SAN BERNARDINO VALLEY
MUNICIPAL WATER DISTRICT
FOR USE ON LANDS NOT WITHIN WESTERN
NOR TRIBUTARY TO THE RIVERSIDE NARROWS

ANNUAL ACCOUNTING

1998

AUGUST 1, 2000

WATERMASTER

Donald L. Harriger
Robert L. Reiter

VOLUME 7-1998

TABLE OF CONTENTS

	<u>Page</u>
INTRODUCTION.....	i
 <u>TABLE A</u>	
VERIFIED EXTRACTIONS FROM THE SAN BERNARDINO BASIN AREA AND COLTON BASIN AREA WITHIN THE SAN BERNARDINO VALLEY MUNICIPAL WATER DISTRICT FOR USE ON LANDS NOT WITHIN WESTERN NOR TRIBUTARY TO THE RIVERSIDE NARROWS (1959- 1963)	1
 <u>TABLE B</u>	
VERIFIED EXTRACTIONS FROM THE SAN BERNARDINO BASIN AREA AND COLTON BASIN AREA WITHIN THE SAN BERNARDINO VALLEY MUNICIPAL WATER DISTRICT FOR USE ON LANDS NOT WITHIN WESTERN NOR TRIBUTARY TO THE RIVERSIDE NARROWS (1994- 1998)	2
 <u>CHAPTER I</u>	
DELIVERIES TO CHINO BASIN	3
FONTANA UNION WATER COMPANY	4
 <u>TABLE NO.1</u>	
VERIFICATION OF EXTRACTIONS FROM THE SAN BERNARDINO BASIN AREA AND COLTON BASIN AREA WITHIN THE SAN BERNARDINO VALLEY MUNICIPAL WATER DISTRICT FOR USE ON LANDS NOT WITHIN WESTERN NOR TRIBUTARY TO THE RIVERSIDE NARROWS - FONTANA UNION WATER COMPANY	6
WEST SAN BERNARDINO COUNTY WATER DISTRICT.....	7

TABLE NO. 2

VERIFICATION OF EXTRACTIONS FROM THE SAN BERNARDINO
 BASIN AREA AND COLTON BASIN AREA WITHIN THE SAN
 BERNARDINO VALLEY MUNICIPAL WATER DISTRICT FOR USE ON
 LANDS NOT WITHIN WESTERN NOR TRIBUTARY TO THE RIVERSIDE
 NARROWS - WEST SAN BERNARDINO COUNTY WATER DISTRICT..... 8

CITY OF RIALTO..... 9

TABLE No. 3

VERIFICATION OF EXTRACTIONS FROM THE SAN BERNARDINO
 BASIN AREA AND COLTON BASIN AREA WITHIN THE SAN
 BERNARDINO VALLEY MUNICIPAL WATER DISTRICT FOR USE ON
 LANDS NOT WITHIN WESTERN NOR TRIBUTARY TO THE RIVERSIDE
 NARROWS - CITY OF RIALTO..... 11

CHAPTER II

DELIVERIES TO AREAS OTHER THAN CHINO BASIN 12

TABLE NO. 4

VERIFICATION OF EXTRACTIONS FROM THE SAN BERNARDINO
 BASIN AREA AND COLTON BASIN AREA WITHIN THE SAN
 BERNARDINO VALLEY MUNICIPAL WATER DISTRICT FOR USE ON
 LANDS NOT WITHIN WESTERN NOR TRIBUTARY TO THE RIVERSIDE
 NARROWS - SAN BERNARDINO VALLEY MUNICIPAL WATER
 DISTRICT 13

MAP NO. 1

FONTANA UNION WATER COMPANY LANDS RECEIVING WATER
 EXTRACTED FROM THE SAN BERNARDINO BASIN AREA AND
 COLTON BASIN AREA WITHIN THE SAN BERNARDINO VALLEY
 MUNICIPAL WATER DISTRICT FOR USE ON LANDS NOT WITHIN
 WESTERN NOR TRIBUTARY TO THE RIVERSIDE NARROWS..... 14

MAP NO. 2

WEST SAN BERNARDINO COUNTY WATER DISTRICT LANDS
 RECEIVING WATER EXTRACTED FROM THE SAN BERNARDINO
 BASIN AREA AND COLTON BASIN AREA WITHIN THE SAN
 BERNARDINO VALLEY MUNICIPAL WATER DISTRICT FOR USE ON
 LANDS NOT WITHIN WESTERN NOR TRIBUTARY TO THE RIVERSIDE
 NARROWS..... 15

MAP NO. 3

CITY OF RIALTO AND LANDS THEREIN RECEIVING WATER
EXTRACTED FROM THE SAN BERNARDINO BASIN AREA AND
COLTON BASIN ARE WITHIN THE SAN BERNARDINO VALLEY
MUNICIPAL WATER DISTRICT FOR USE ON LANDS NOT WITHIN
WESTERN NOR TRIBUTARY TO THE RIVERSIDE NARROWS..... 16

MAP NO. 4

SAN BERNARDINO VALLEY MUNICIPAL WATER DISTRICT'S MILL
CREEK PIPELINE AND LANDS WITHIN YUCAIPA BASIN WHICH
RECEIVE WATER DIVERTED FROM THE SAN BERNARDINO BASIN
AREA..... 17

VOLUME 7-1998

VERIFICATION OF EXTRACTIONS FROM THE
SAN BERNARDINO BASIN AREA AND COLTON BASIN AREA
WITHIN THE SAN BERNARDINO VALLEY MUNICIPAL WATER
DISTRICT FOR USE ON LANDS NOT WITHIN
WESTERN NOR TRIBUTARY TO THE RIVERSIDE NARROWS

INTRODUCTION

The settlement of the case of the Orange County Water District, Plaintiff, vs. City of Chino, et al., Defendants, being Case No. 117628 in the Superior Court of the State of California in and for the County of Orange, necessitated a settlement of the case of Western Municipal Water District, which was settled by Stipulated Judgment in Case No. 78426, entered in the Superior Court of the State of California in and for the County of Riverside, on April 17, 1969.

Paragraph X of the Judgment, entitled, "Replenishment to Offset New Exports of Water Not Tributary to the Riverside Narrows" recites as follows:

"Certain average annual amounts of water extracted from the San Bernardino Basin Area and the area downstream therefrom to Riverside Narrows during the five year period ending in 1963 have been exported for use outside the area tributary to Riverside Narrows...."

"San Bernardino Valley shall be obligated to provide replenishment for any increase over the exports from San Bernardino Valley for use in any area not within Western nor tributary to Riverside Narrows as set forth in Table C-2 of Appendix "C", such amounts being subject to correction by the Watermaster...."

Pursuant to the foregoing instructions, the Watermaster conducted an investigation of water produced within the San Bernardino and Colton Basin Areas and delivered to lands not within Western nor tributary to the Riverside Narrows. The results of this investigation which included the five-year base period 1959-1963 as well as the verified production for the Calendar Years 1970 and 1971 were embodied in Report of Watermaster, Volume 7-Base Period 1959-1963 and 1970-1971, dated February, 1973.

During the verification of the extractions from the San Bernardino and Colton Basin Areas for the Calendar Year 1973, the amounts previously verified for the base period 1959-1963 were revised. The revised verified amounts for the base period 1959-1963 are shown on Table A of this report. The verified amounts for 1994-1998 are shown on Table B.

Procedures and basic data used in preparation of Tables A and B are contained in the succeeding chapters of this report.

TABLE A

VERIFIED EXTRACTIONS FROM THE
SAN BERNARDINO BASIN AREA AND COLTON BASIN AREA
WITHIN THE SAN BERNARDINO VALLEY MUNICIPAL WATER
DISTRICT FOR USE ON LANDS NOT WITHIN
WESTERN NOR TRIBUTARY TO THE RIVERSIDE NARROWS

<u>Deliveries To</u>	<u>Source In This Volume</u>	<u>1959-63 Ave. Annual Amt.</u>
<u>Areas Within Chino Basin</u>		
	<u>Chapter I</u>	
Fontana Union Water Company	Table No. 1, Column No. 12	10,170 *
West San Bernardino County Water District	Table No. 2, Column No. 7	1,806
City of Rialto	Table No. 3, Column No. 14	551 **
<u>Areas Other Than Chino Basin</u>		
	<u>Chapter II</u>	
Yucaipa		0
San Timoteo		0
Oak Glen		0
Beaumont		<u>0</u>
Total		12,527

* Original Verification of 10,903 acre-feet revised to 10,170 acre-feet during 1973 verification.

** Original Verification of 781 acre-feet revised to 551 acre-feet during 1973 verification.

TABLE B

VERIFIED EXTRACTIONS FROM THE
 SAN BERNARDINO BASIN AREA AND COLTON BASIN AREA
 WITHIN THE SAN BERNARDINO VALLEY MUNICIPAL WATER
 DISTRICT FOR USE ON LANDS NOT WITHIN
 WESTERN NOR TRIBUTARY TO THE RIVERSIDE NARROWS

Deliveries to	Table No.	Refer to Col. No.	Deliveries By Calendar Years					5 yr. Total	1994-98 Average
			1994	1995	1996	1997	1998		
<u>Areas Within Chino Basin</u>									
Fontana Union Water Company	1	12	21,878	20,293	19,327	19,715	21,987	103,200	20,640
West San Bernardino County Water District	2	7	5,830	5,981	7,022	6,615	6,800	32,248	6,450
City of Rialto	3	14	1,530	1,784	1,469	1,365	1,711	7,859	1,572
<u>Areas Other Than Chino Basin</u>									
Yucaipa	4	2	2,531	1,236	1,169	200	1,277	6,413	1,283
San Timoteo	-	-	0	0	0	0	0	0	0
Oak Glen	-	-	0	0	0	0	0	0	0
Beaumont	-	-	0	0	0	0	0	0	0
Total			31,769	29,294	28,987	27,895	31,775	149,720	29,945

VOLUME 7-1998

CHAPTER I

DELIVERIES TO CHINO BASIN

The verified amounts set forth in this Chapter pertain solely to those extractions from the San Bernardino and Colton Basin Areas within the San Bernardino Valley Municipal Water District for use on lands situated within the Chino Basin.

The entities delivering water to this area include Fontana Union Water Company, West San Bernardino County Water District and the City of Rialto. Maps Nos. 1, 2 and 3 appended hereto delineate the boundaries of the three agencies respectively, and also show the lands within each agency which are not within Western nor tributary to the Riverside Narrows. For purposes of this determination such lands are considered as lying northerly of the groundwater divide separating the Riverside and Chino Basins and westerly of the Rialto-Colton Fault.

Deliveries to these areas within each agency have been determined as follows:

arrangements with other agencies diverting from the Fontana Powerhouse afterbay. For these reasons the amounts used by the Watermaster are for purposes of this report only (i.e. deliveries to Chino Basin) and are not to be construed as a Watermaster verification of the total production by Fontana Union Water Company from either San Bernardino Basin Area or Colton Basin Area.

In order to determine the net deliveries to the nontributary area (Chino Basin) the total was adjusted for deliveries to tributary areas as follows:

1. Deliveries to the City of San Bernardino from Fontana Union Water Company Well No. 1, reported by Fontana Union Water Company as total production of this well.
2. Water delivered to the Owl Service Rock Company and its successor Sunwest located within the San Bernardino Basin Area as reported by Fontana Union Water Company.
3. Water delivered for use on citrus groves situated within the Colton Basin Area as reported by Fontana Union Water Company.
4. Water delivered to City of Rialto through West San Bernardino County Water District diversion facilities at Fontana Powerhouse afterbay.

The components of production and delivery by the Fontana Union Water Company for the five calendar years ending with 1963 and the years 1994 through 1998, together with the indicated deliveries to Chino Basin, are summarized in Table No. 1.

WEST SAN BERNARDINO COUNTY WATER DISTRICT

The lands served by the West San Bernardino County Water District which are not within Western nor tributary to the Riverside Narrows are delineated on Map No. 2. Water delivered to said area was obtained from wells located within the San Bernardino Basin and Colton Basin Areas and surface diversions from Lytle Creek. In addition these lands also received water extracted from three wells within the Chino Basin.

The total deliveries to the nontributary area (Chino Basin) were based on the actual metered deliveries obtained from the records of the West San Bernardino County Water District. Since a portion of this water was supplied by wells located within the nontributary area, the total deliveries were reduced by the amount supplied by said wells. West San Bernardino County Water District reports that the production from these wells is used wholly within the Chino Basin. Subsequent to the 1959-1963 base period, the District records also include the Domestic and Commercial deliveries as determined from the meter books covering the nontributary area. These metered areas are also shown on Map No. 2.

The annual deliveries to nontributary areas by the West San Bernardino County Water District for the five calendar years ending with 1963 and the years 1994 through 1998 are summarized in Table No. 2.

TABLE NO. 2

VERIFICATION OF EXTRACTIONS FROM THE
SAN BERNARDINO BASIN AREA AND COLTON BASIN AREA
WITHIN THE SAN BERNARDINO VALLEY MUNICIPAL WATER
DISTRICT FOR USE ON LANDS NOT WITHIN
WESTERN NOR TRIBUTARY TO THE RIVERSIDE NARROWS

WEST SAN BERNARDINO COUNTY WATER DISTRICT
(Quantities in Acre Feet)

Year	Deliveries in Chino Basin	Production From Chino Basin Wells			Total	Export To Chino Basin In San Bernardino Co. Nontributary
		3600379 (3)	3600380 (4)	3601005 (5)		
(1)	(2)	(3)	(4)	(5)	(6)	(7)
1959	3,103	133	498	233	864	2,239
1960	2,424	140	520	38	698	1,726
1961	3,046	158	559	297	1,014	2,032
1962	2,576	137	536	262	935	1,641
1963	2,225	100	509	227	836	1,389
5-Yr. Avg.	2,675	134	524	211	869	1,805
1994	5,830	0	0	0	0	5,830
1995	5,981	0	0	0	0	5,981
1996	7,022	0	0	0	0	7,022
1997	6,615	0	0	0	0	6,615
1998	6,800	0	0	0	0	6,800
5-Yr. Avg.	6,450	0	0	0	0	6,450

Column explanation:

- (2) Company records. Amount includes production of Wells Rec. Nos. 3600379, 3600380 & 3601005.
- (3) So. Calif. Water Co. Well Rec. No. 3600379 purchased by W.S.B.C.W.D. in 1970.
- (4) So. Calif. Water Co. Well Rec. No. 3600380 purchased by W.S.B.C.W.D. in 1970.
- (5) Former Citizens Land & Water Co. merged in 1962 to form W.S.B.C.W.D.
- (6) Column (3) + (4) + (5).
- (7) Column (2) minus (6). Deliveries in Chino Basin from production in San Bernardino Basin and Colton Basin Area.
- (8) 1995 data corrected during 1996 verification.

CITY OF RIALTO

The lands served by the City of Rialto which are not within Western nor tributary to the Riverside Narrows are delineated on Map No. 3. Water delivered to the City was produced from wells within the San Bernardino and Colton Basin Areas and surface diversions from Lytle Creek. In addition the City also receives water extracted from a well within the Chino Basin.

The production records and records of water purchased together with records of metered customer deliveries are furnished by the City of Rialto.

The total water production delivered into the City's system has been determined as follows:

1. Production from City of Rialto wells situated within the San Bernardino and Colton Basin Areas as reported in Recordation Filings to the State Water Resources Control Board and verified from records furnished by the City.
2. Surface water diverted at Fontana Powerhouse afterbay and delivered to City of Rialto determined from City Records.
3. Water purchased by City of Rialto as determined from City Records.
4. Water produced in Chino Basin and delivered into City's system from Recordation Filing to the State Water Resources Control Board and City of Rialto records. Such water is produced from Well Recordation No. 3602270 and during the 1959-1963 base period was used solely for agricultural purposes in the Chino Basin. From 1966 to date this well delivered water into the City's domestic system and is considered to be used wholly within the Chino Basin.

Based on metered deliveries it was determined that the percentage of total production delivered to Chino Basin was about 18 percent as compared to the 28 percent used during the initial verification. The total production delivered to Chino Basin during the 1959-1963 base period was revised accordingly, and beginning in 1971 the actual metered deliveries were used. The amount delivered to the Chino Basin was reduced by the total verified production within Chino Basin as set forth in Item (4) above, assuming that such production was used entirely within the Chino Basin as reported by the City.

The remaining amount was considered representative of the total production from the San Bernardino and Colton Basin Areas exported to the Chino Basin by the City of Rialto.

Since the sewage effluent from the City Sewage Treatment Plant accrues to the Santa Ana River above the Riverside Narrows, the total exports were adjusted to reflect this return flow. Such adjustment was based on a percentage estimated at 32 percent for the year 1959 and increasing on a straight line basis to 40 percent in 1963. This assumption was predicated on the date of construction of the treatment plant and the gradual conversion of individual septic tanks and cesspools to the sewage system.

Analysis of the production and sewage plant effluent discharge data indicates an average effluent discharge from water exported to Chino Basin of about 39 percent for the calendar year 1998. This amount is weighted to account for the domestic, agricultural and industrial deliveries through the City's domestic system and the difference in sewage return flow accruing from such uses.

The annual deliveries to nontributary areas for the five calendar years ending with 1963 and the years 1994 through 1998 are summarized in Table No. 3.

TABLE NO. 3

VERIFICATION OF EXTRACTIONS FROM THE
SAN BERNARDINO BASIN AREA AND COLTON BASIN AREA
WITHIN THE SAN BERNARDINO VALLEY MUNICIPAL WATER
DISTRICT FOR USE ON LANDS NOT WITHIN
WESTERN NOR TRIBUTARY TO THE RIVERSIDE NARROWS

Year	CITY OF RIALTO										Return Flow to Sewer Plant	Percent Return Flow to Sewer Plant	Return Flow to Sewer Plant	Total Export From San B'dno. & Colton Basins
	(Quantities in Acre Feet)													
(1)	(2)	(3)	(4)	(5)	(6)	(7)	(8)	(9)	(10)	(11)	(12)	(13)	(14)	
San Bernardino Basin City of Rialto Wells	City of Rialto Wells	Surface Water	Colton Basin City of Rialto Wells	Purchased Water	Total Subject to Export	Chino Basin Well	Total Prod.	Water Required In Chino Basin	Chino Basin Well	San B'dno. & Colton Basins Export To Chino Basin	Return Flow to Sewer Plant	Return Flow to Sewer Plant	Export From San B'dno. & Colton Basins	
1959	1,035	415	987	2,258	4,695	0	4,695	845	0	845	32%	270	575	
1960	169	625	808	3,052	4,654	0	4,654	838	0	838	34%	285	553	
1961	334	572	1,372	2,538	4,816	0	4,816	867	0	867	36%	312	555	
1962	481	587	1,477	2,398	4,943	0	4,943	890	0	890	38%	338	552	
1963	773	384	1,594	2,051	4,802	0	4,802	864	0	864	40%	346	518	
5-Yr. Avg.	558	517	1,248	2,459	4,782	0	4,782	861	0	861	-	310	551	
1994	5,579	844	2,706	2,197	11,326	514	11,840	3,023	514	2,509	39%	979	1,530	
1995	3,866	44	4,547	2,742	11,199	502	11,701	3,427	502	2,925	39%	1,141	1,784	
1996	3,619	1,099	4,498	2,290	11,506	1,029	12,535	3,438	1,029	2,409	39%	940	1,469	
1997	3,331	1,350	5,208	2,627	12,516	1,190	13,706	3,428	1,190	2,238	39%	873	1,365	
1998	3,757	896	4,326	1,529	10,508	595	11,103	3,400	595	2,805	39%	1,094	1,711	
5-Yr. Avg.	4,030	847	4,257	2,277	11,411	766	12,177	3,343	766	2,577	-	1,005	1,572	

Column explanation:

- (2) Verified extractions, Volume 1, Report of Watermaster. Excludes Lytle Creek Diversion Recordation No. 3601718. Includes Well Recordation No. 3601085 after acquisition by City of Rialto.
 - (3) 1985 verified amount corrected during verification of the 1986 extraction. Metered inflow to City of Rialto Filter Plant City of Rialto Records. Includes water delivered under stock entitlement City of Rialto owns in West San Bernardino County Water District and purchases from Fontana Union Water Co.
 - (4) Verified extractions, Volume 2, Report of Watermaster. Includes production of Wells Recordation Nos. 3602269 & 3602271 after acquisition by City of Rialto.
 - (5) City of Rialto Records of Purchases. Purchases from SBVWD Baseline Feeder commencing 1990.
 - (6) Sum Columns (2) + (3) + (4) + (5).
 - (7) 1985 verified amount corrected during verification of the 1986 extraction. Well Recordation files, Department of Water Resources and City of Rialto Production Records. Well Recordation No. 3602270 acquired by City of Rialto in 1966.
 - (8) Sum Columns (6) + (7).
 - (9) Metered deliveries in Chino Basin from City of Rialto Billing Records beginning 1971. Base period years revised during 1973 verification to reflect 18% average distribution of metered deliveries by City of Rialto records for years 1971 through 1974.
 - (10) Same as Column (7).
 - (11) Difference Column (9) minus Column (10).
 - (12) Assumed for Base Period. 1971 to date estimated weighted average return flow percentage based on: 1) metered agricultural and park deliveries with no return flow, 2) metered residential deliveries at 40 percent return flow, and 3) metered industrial deliveries (Phototron Company) at 90 percent return flow.
 - (13) Product Column (11) times Column (12).
 - (14) Difference Column (11) minus Column (13) net export of water produced in San Bernardino & Colton Basin Areas to Chino Basin.
- Note: Table No. 3 revised during the 1973 verification. 1995 data corrected during 1996 verification.

VOLUME 7-1998

CHAPTER II

DELIVERIES TO AREAS OTHER THAN CHINO BASIN

Paragraph X of the Judgment also provides for replenishment by San Bernardino Valley to the extent exports are made from the San Bernardino Basin Area for use in the Yucaipa, San Timoteo, Oak Glen and Beaumont Basins.

The results of the initial verification of production from the San Bernardino Basin Area indicated that such exports were not made during the five year base period 1959 through 1963 nor prior to the calendar year 1979.

During 1987 San Bernardino Valley Municipal Water District completed construction of the "Yucaipa Pipeline" which conveys Mill Creek waters from the San Bernardino Basin Area to the Yucaipa Basin. Yucaipa Regional Park receives Mill Creek water which is used for maintenance of the reservoir levels, irrigation of the Park and limited spreading for recharge of the Yucaipa Groundwater Basin. Mill Creek water is also delivered into Wilson Creek Spreading Basins for recharge into Yucaipa Groundwater Basins. The location of the Yucaipa Pipeline, Yucaipa Regional Park, and Wilson Creek Spreading Basins are shown on Map No. 4 which is appended hereto.

Annual delivery amounts by San Bernardino Valley Municipal Water District to the Yucaipa Basin are shown on Table No. 4.

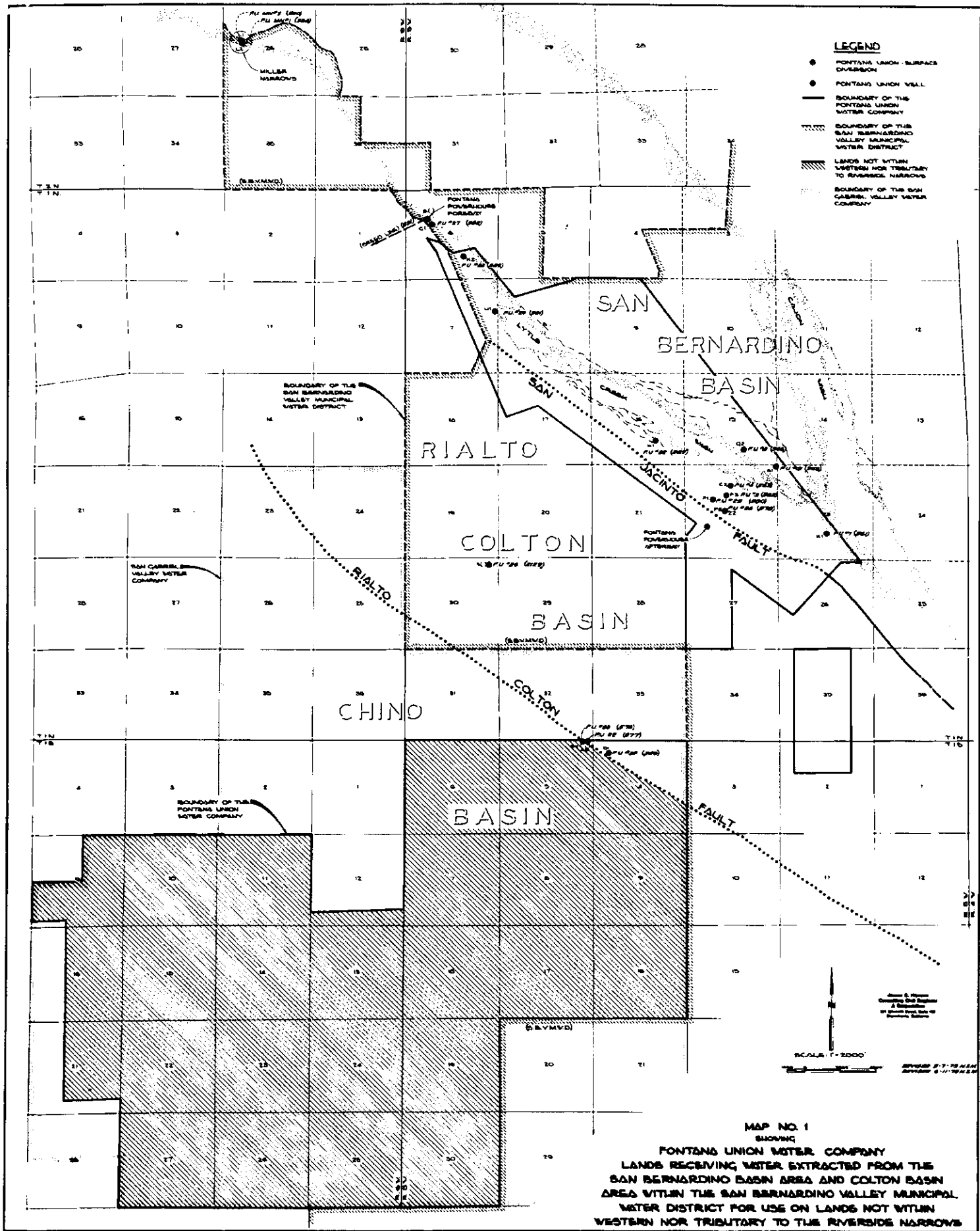
During the calendar year 1998, San Bernardino Valley Municipal Water District delivered 1,277 acre-feet of water to the Yucaipa Basin.

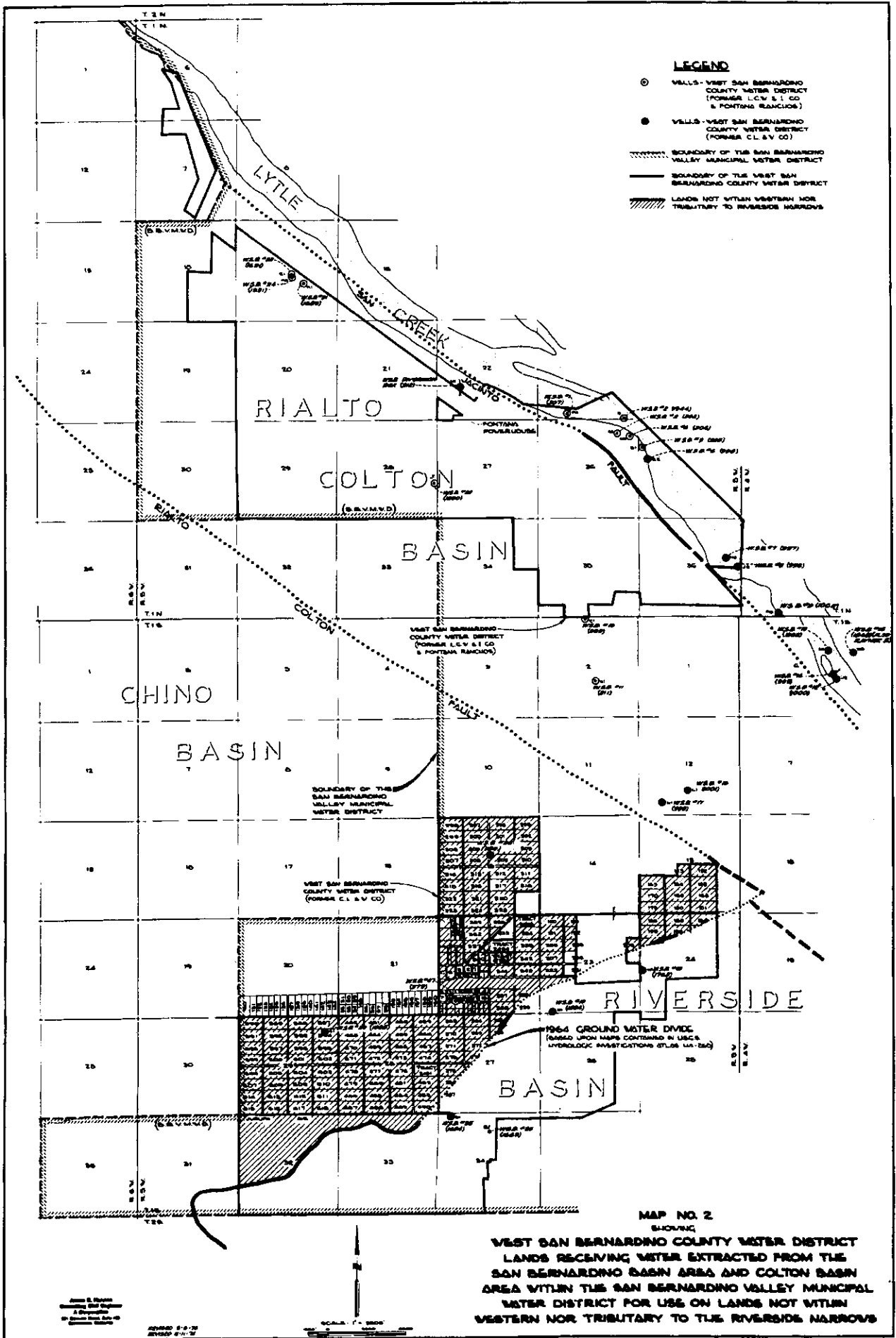
TABLE NO. 4

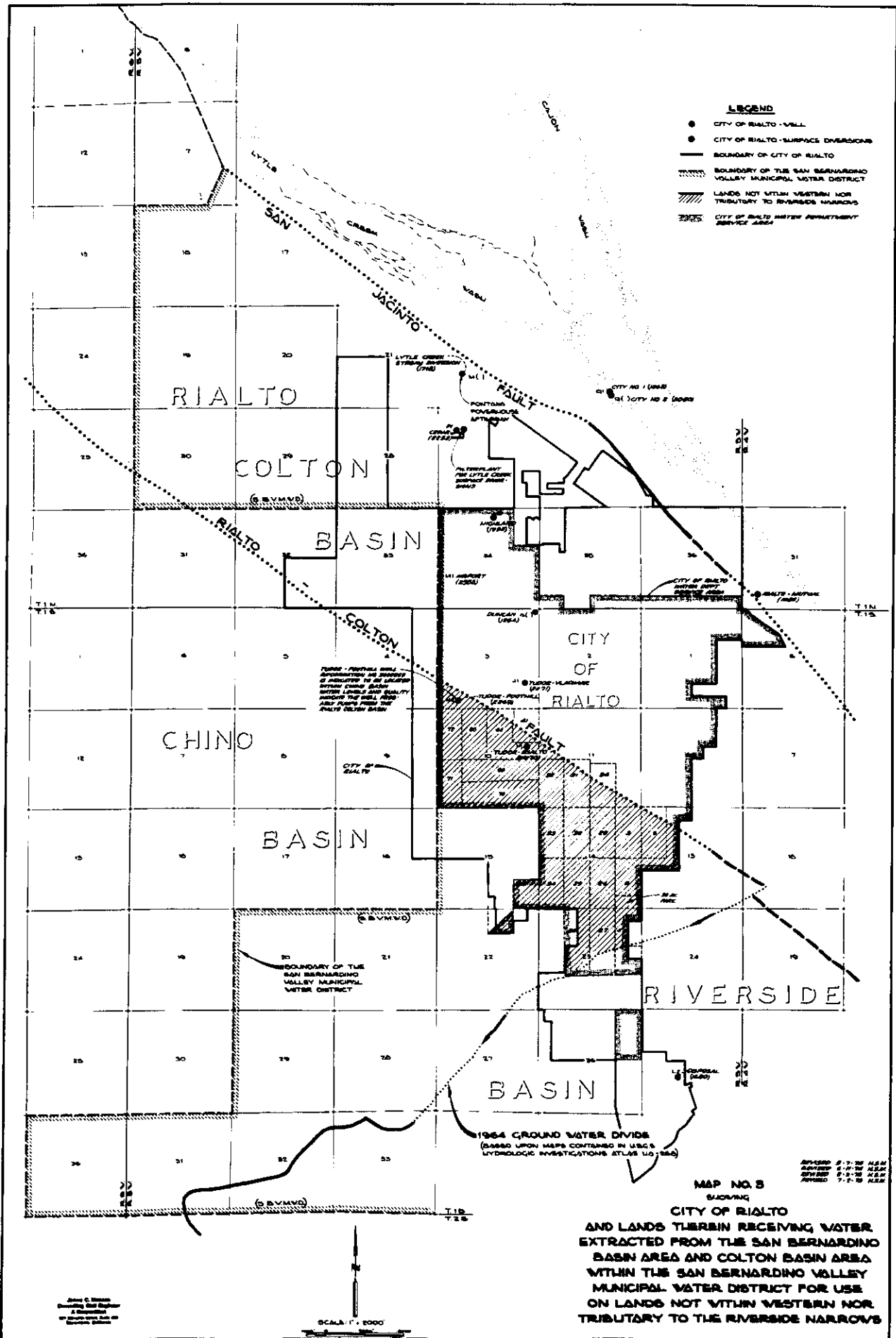
VERIFICATION OF EXTRACTIONS FROM THE
SAN BERNARDINO BASIN AREA AND COLTON BASIN AREA
WITHIN THE SAN BERNARDINO VALLEY MUNICIPAL WATER
DISTRICT FOR USE ON LANDS NOT WITHIN
WESTERN NOR TRIBUTARY TO THE RIVERSIDE NARROWS

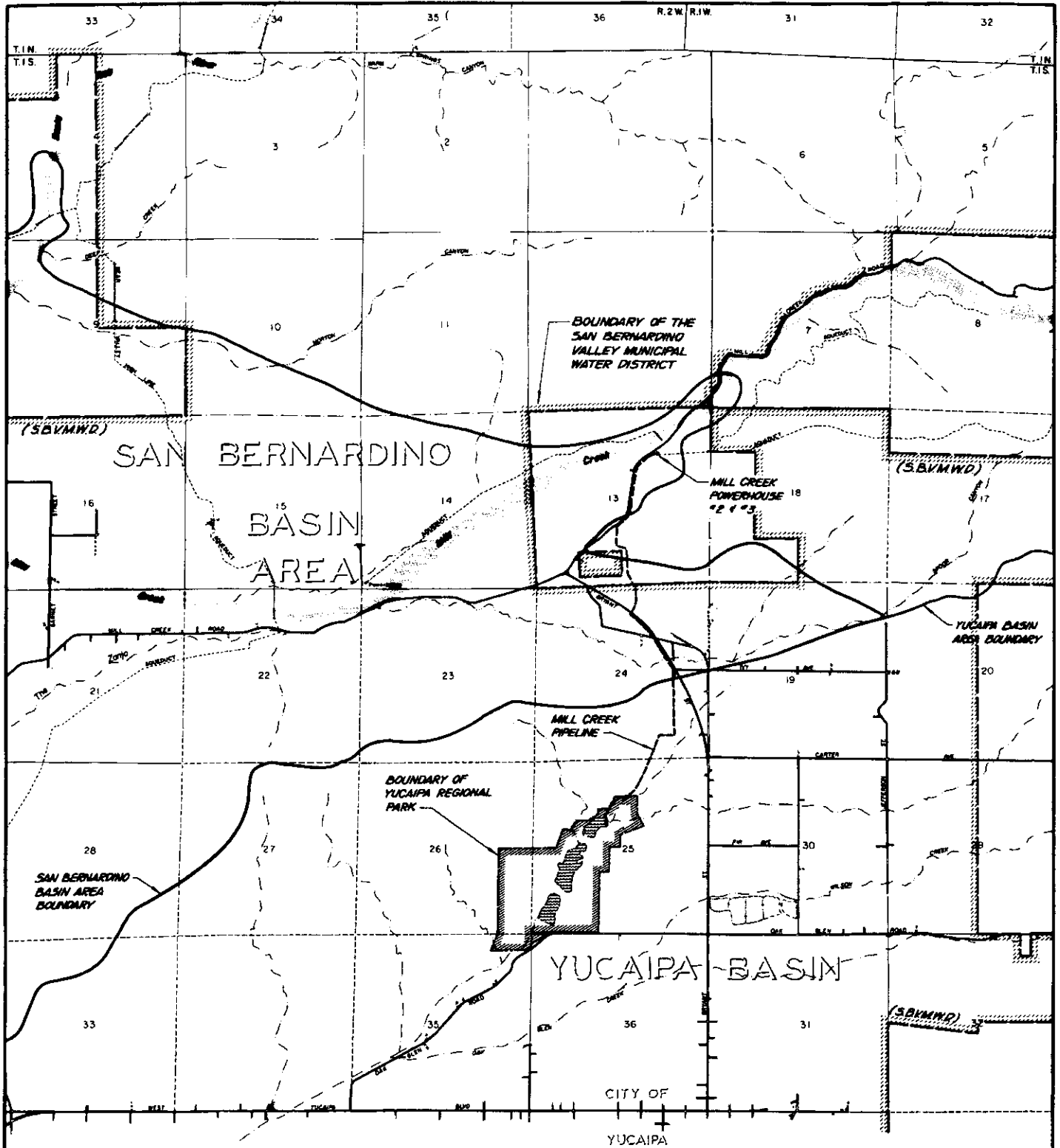
SAN BERNARDINO VALLEY MUNICIPAL WATER DISTRICT
(Quantities in Acre-Feet)

<u>Year</u> (1)	<u>Amount Delivered</u> (2)
1979	119
1980	8
1981	178
1982	625
1983	1,554
1984	321
1985	1,063
1986	486
1987	1,527
1988	1,800
1989	1,048
1990	117
1991	1,166
1992	336
1993	844
1994	2,531
1995	1,236
1996	1,169
1997	200
1998	1,277

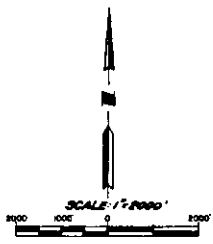








- LEGEND**
- BASIN BOUNDARY
 - BOUNDARY OF THE SAN BERNARDINO VALLEY MUNICIPAL WATER DISTRICT
 - YUCAIPA REGIONAL PARK
 - MILL CREEK PIPELINE



MAP NO. 4
SHOWING
SAN BERNARDINO VALLEY MUNICIPAL WATER DISTRICT'S MILL CREEK PIPELINE AND LANDS WITHIN YUCAIPA BASIN WHICH RECEIVE WATER DIVERTED FROM THE SAN BERNARDINO BASIN AREA

James C. Hanson
 Consulting Civil Engineer
 A Corporation
 921 Eleventh Street, Suite 400
 Sacramento, California

VOLUME 8-1998

**WESTERN - SAN BERNARDINO WATERMASTER
FOR**

WESTERN MUNICIPAL WATER DISTRICT et al.

vs.

EAST SAN BERNARDINO COUNTY WATER DISTRICT et al.

CASE NO. 78426 - COUNTY OF RIVERSIDE

VOLUME 8 - 1998

**GROUND WATER SURFACE ELEVATIONS
OF WELLS NUMBERED 1S/4W-21Q3,
1S/4W-29H1 AND 1S/4W-29Q1 LOCATED WITHIN
THE COLTON BASIN AREA AND
RIVERSIDE BASIN AREA IN SAN BERNARDINO COUNTY
THROUGH DECEMBER 1999**

**ANNUAL ACCOUNTING
1998**

August 1, 2000

**WATERMASTER
*Donald L. Harriger
Robert L. Reiter***

REPORT OF WATERMASTER

Western Municipal Water District of Riverside County, et al
Plaintiffs

vs.

East San Bernardino County Water District, et al
Defendants

Superior Court of Riverside County

Case No. 78426

Volume 8 - 1998

GROUNDWATER SURFACE ELEVATIONS
OF WELLS NUMBERED 1S/4W-21Q3
1S/4W-29H1 AND 1S/4W-29Q1 LOCATED WITHIN
THE COLTON BASIN AREA AND
RIVERSIDE BASIN AREA IN SAN BERNARDINO COUNTY
THROUGH DECEMBER 1999

ANNUAL ACCOUNTING

August 1, 2000

WATERMASTER
Donald L. Harriger
Robert L. Reiter

VOLUME 8-1998

TABLE OF CONTENTS

	<u>Page</u>
INTRODUCTION	i
<u>MAP NO. 1</u>	
SHOWING LOCATION OF WELLS	1
<u>FIGURE NO. 1</u>	
1999 GROUNDWATER SURFACE ELEVATIONS (JOHNSON NO. 1)	2
<u>FIGURE NO. 1A</u>	
ANNUAL LOWEST FALL STATIC GROUNDWATER ELEVATIONS, 1936-1999, 1S/4W-21Q03S (JOHNSON NO. 1)	3
<u>FIGURE NO. 2</u>	
1999 GROUNDWATER SURFACE ELEVATIONS, (FLUME NO. 2)	4
<u>FIGURE NO. 2A</u>	
ANNUAL LOWEST FALL STATIC GROUNDWATER ELEVATIONS, 1936-1999, 1S/4W-29H01S (FLUME NO. 2)	5
<u>FIGURE NO. 3</u>	
1999 GROUNDWATER SURFACE ELEVATIONS (FLUME NO. 5)	6
<u>FIGURE NO. 3A</u>	
ANNUAL LOWEST FALL STATIC GROUNDWATER ELEVATIONS, 1931-1999, 1S/4W-29Q01S (FLUME NO. 5)	7
<u>TABLE NO. 1</u>	
LOWEST STATIC WATER ELEVATIONS, 1963 AND 1981-1998	8
WELL MEASUREMENT RECORD, JOHNSON NO. 1, STATE WELL NUMBER 1S/4W-21Q03S	9
WELL MEASUREMENT RECORD, FLUME NO. 2, STATE WELL NUMBER 1S/4W-29H01S	13
WELL MEASUREMENT RECORD, FLUME NO. 5, STATE WELL NUMBER 1S/4W029Q01S	17

VOLUME 8-1998

GROUNDWATER SURFACE ELEVATIONS
OF WELLS NUMBERED 1S/4W-21Q03S,
1S/4W-29H01S AND 1S/4W-29Q01S LOCATED WITHIN
THE COLTON BASIN AREA AND
RIVERSIDE BASIN AREA IN SAN BERNARDINO COUNTY

INTRODUCTION

The settlement of the case of the Orange County Water District, Plaintiff, vs. City of Chino, et al, Defendants, being Case No. 117628 in the Superior Court of the State of California in and for the County of Orange, made necessary a settlement of the case of Western Municipal Water District of Riverside County, et al, vs. East San Bernardino County Water District, which was settled by Stipulated Judgment in Case No. 78426, entered in the Superior Court of the State of California in and for the County of Riverside, on April 17, 1969.

Paragraph VIII of the judgment entitled "Extractions from Colton Basin Area and Riverside Basin Area in San Bernardino County" in subparagraph (d) recites as follows:

VII "Extractions from the Colton Basin Area and that portion of the Riverside Basin Area within San Bernardino County, for use within San Bernardino Valley, shall not be limited. However, except for any required replenishment by Western, San Bernardino Valley shall provide the water to maintain the static water levels in the area, as determined by wells numbered 1S/4W-21Q3, 1S/4W-29H1, and 1S/4W-29Q1 at an average level no lower than that which existed in the Fall season of 1963. Such 1963 average water level is hereby determined to be 822.04 feet above sea level. In future years, the level shall be computed by averaging the lowest static water levels in each of the three wells occurring at or about the same time of the year, provided that no measurements will be used which reflect the undue influence of pumping in nearby wells, or in the three wells, or pumping from the Riverside Basin in Riverside in the three wells, or pumping from Riverside Basin in Riverside County in excess of that determined pursuant to Paragraph IX(a) hereof."

Pursuant to the foregoing, the Watermaster has compiled all available records and data pertinent to the water surface elevation in the three key wells named in the Judgment and shown on Map No. 1. These data, including elevations through December 1971, are presented in "Report of Watermaster, Volume 8" dated June, 1972.

Groundwater elevations of the key wells for calendar years 1972 through 1999 are presented in "Report of Watermaster", Volume 8-1971 through Volume 8-1998. This report includes the detail data for calendar year 1999 along with graphical summaries of historic water level elevations.

Figures 1, 2, and 3 graphically display the specific static water elevations for each key well that were used to select the lowest elevation for calendar year 1999. Figures 1A, 2A and 3A show the lowest fall static water elevation recorded each year for each of the three wells since about 1935.

Table No. 1 presents the lowest static water surface elevation for each well and the average low elevation for the three wells for calendar year 1963 and calendar years 1981 through 1999.

The basic data compiled in tabular form at the end of this report is based on measurements of depth to water by the City of Riverside, the United States Geological Survey (US Geological Survey), San Bernardino Valley Municipal Water District (SBVMWD) and Western Municipal Water District (Western MWD).

The City of Riverside established a new measurement point for the Flume No. 5 well in May 1982. The elevation of this new reference point has been established as 916.53 feet above sea level. Therefore, there are now three reference points available for use on the Flume 5 well. The well record tables included in this report indicate which reference point was used for each measurement since 1976.

Monthly measurements of the key wells by the USGS began in October of 1972 under a cooperative agreement with SBVMWD. In July 1974, the USGS agreement was terminated. The USGS does measure Flume #2 as part of a different contract with SBVMWD and the data is include in the volume.

Using the City of Riverside, USGS, San Bernardino Valley Municipal Water District and Western Municipal Water District data, the average of the lowest static level in each well has been determined to be at elevation 900.85 feet for 1999. This elevation is 78.81 feet higher than the 1963 minimum (822.04) required by the Judgment and 2.45 feet lower than 1998.

Since 1979, flow in the Santa Ana River caused channel erosion of about 8 feet in the vicinity of the Flume No. 5 well and the river was flowing immediately adjacent to the well most of the year. However, as a result of the channel erosion, the elevation of the water table since 1981 is about 10 feet less than in prior years when a similar saturated condition existed. In 1990, the stream relocated approximately 150 east of the well and the data from Flume 5 are beginning to better reflect the regional groundwater conditions. During the second week of April 1996, SAWPA's RIX project came on line and dry season flow below the E Street gage ceased.

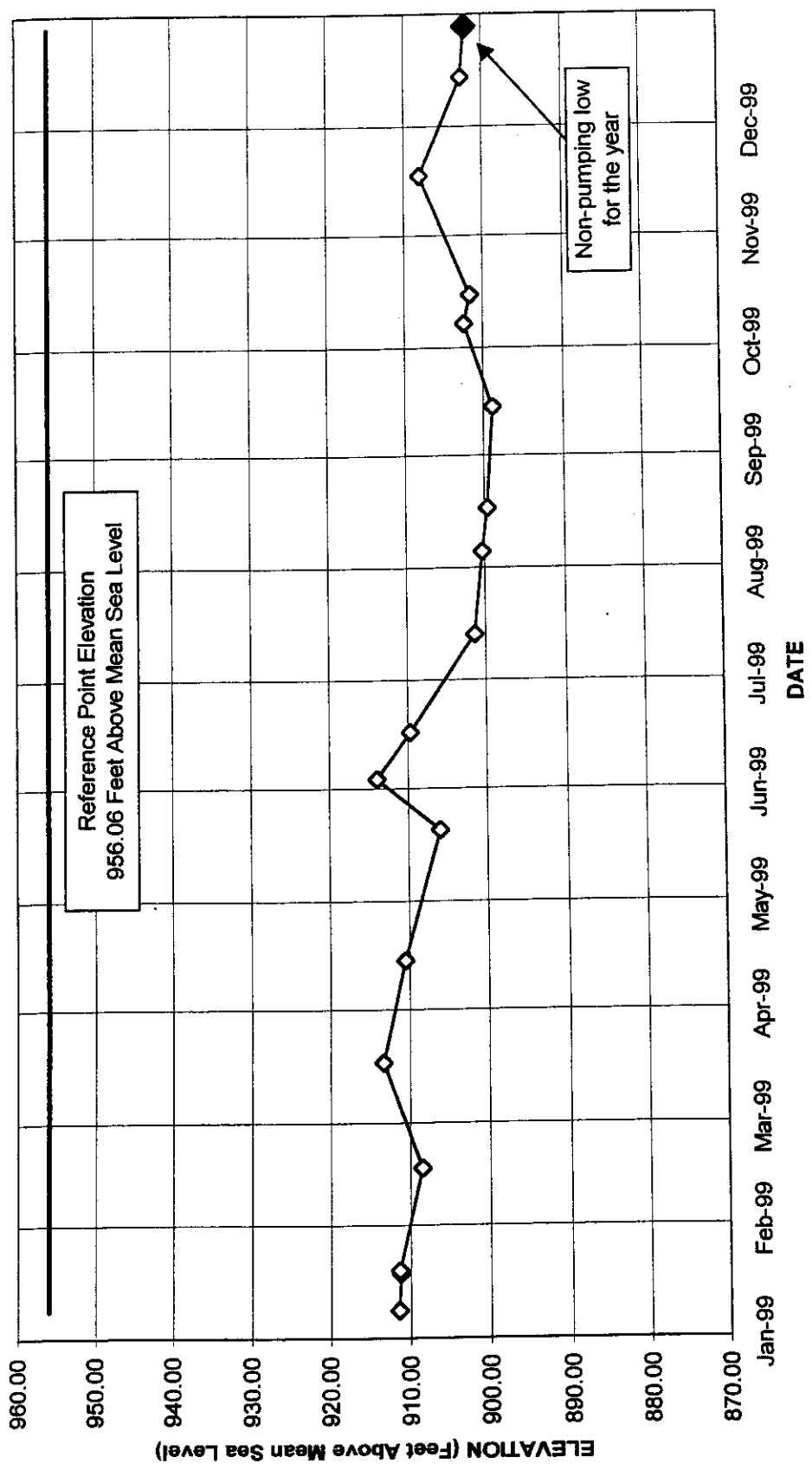
In 1991 the City of Colton started operation of a new well, their "Well #23". This well is approximately 100 yards to the northeast of Johnson #1 and is believed to be effecting the annual low water level readings.

City of Riverside's Flume #2 and #6 wells are being pumped as part of the Orange County Exchange Water Program. This coupled with the start of the RIX Project accounts for the large drop in water level of Flume #2 and #5 in 1997.

In 1998, the El Nino storm events raised the water levels in all three key wells. Also extensive pumping interference made selection of 1998 lows very difficult. The High Groundwater Mitigation Program was in effect during 1999 and continued to make selection of an annual low difficult.

State Well Number: 1S4W21Q03S
Recordation Number: 3601480
Basin: Colton
Owner: City of Riverside

FIGURE 1
GROUNDWATER SURFACE ELEVATION
JOHNSON NO. 1 WELL
1999



LOWEST FALL STATIC
GROUNDWATER ELEVATION
JOHNSON NO. 1 WELL

STATE WELL NUMBER 18/4W-21Q3
 RECORDATION NUMBER 36-01480
 BASIN COLTON
 OWNER CITY OF RIVERSIDE

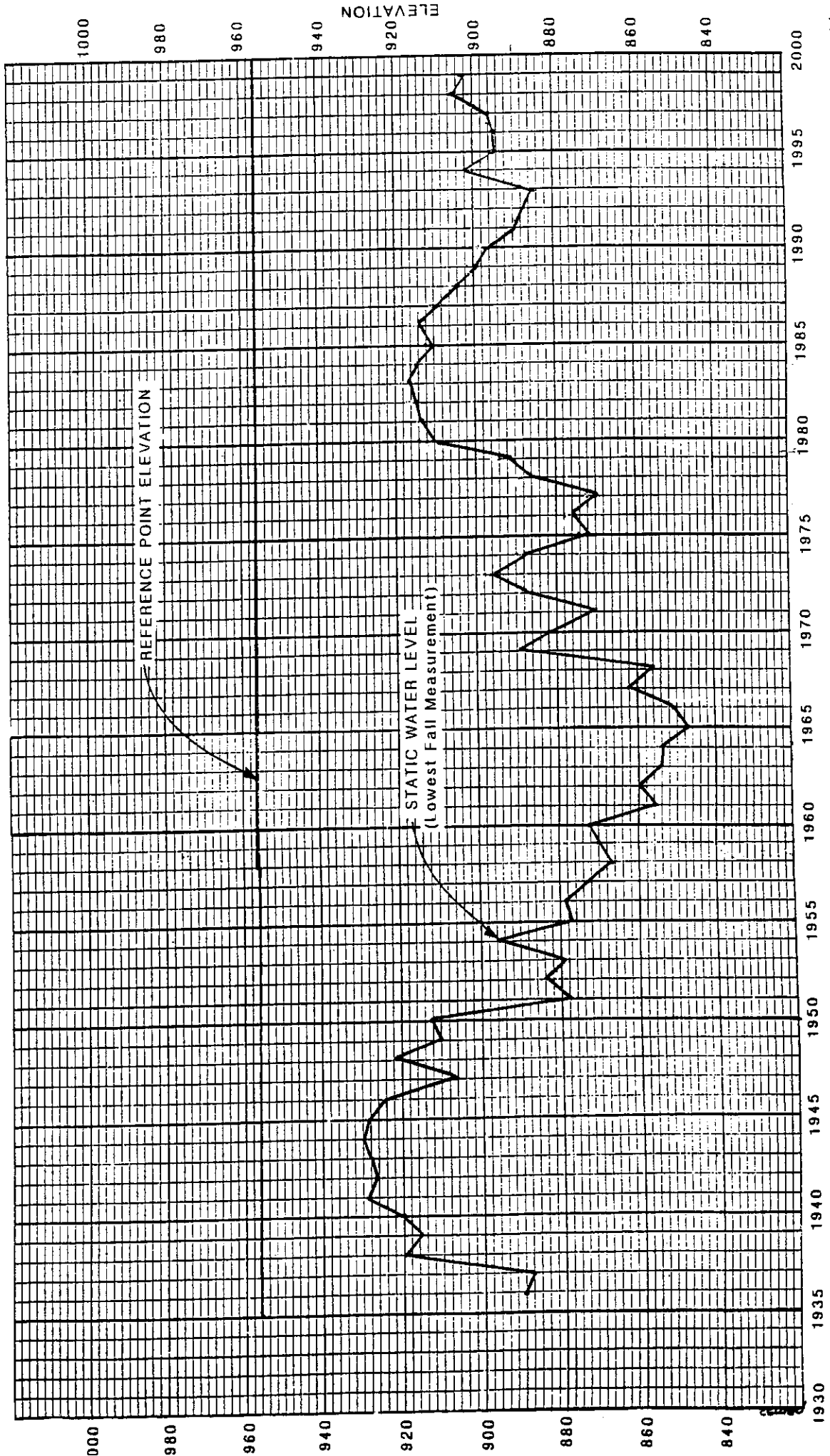
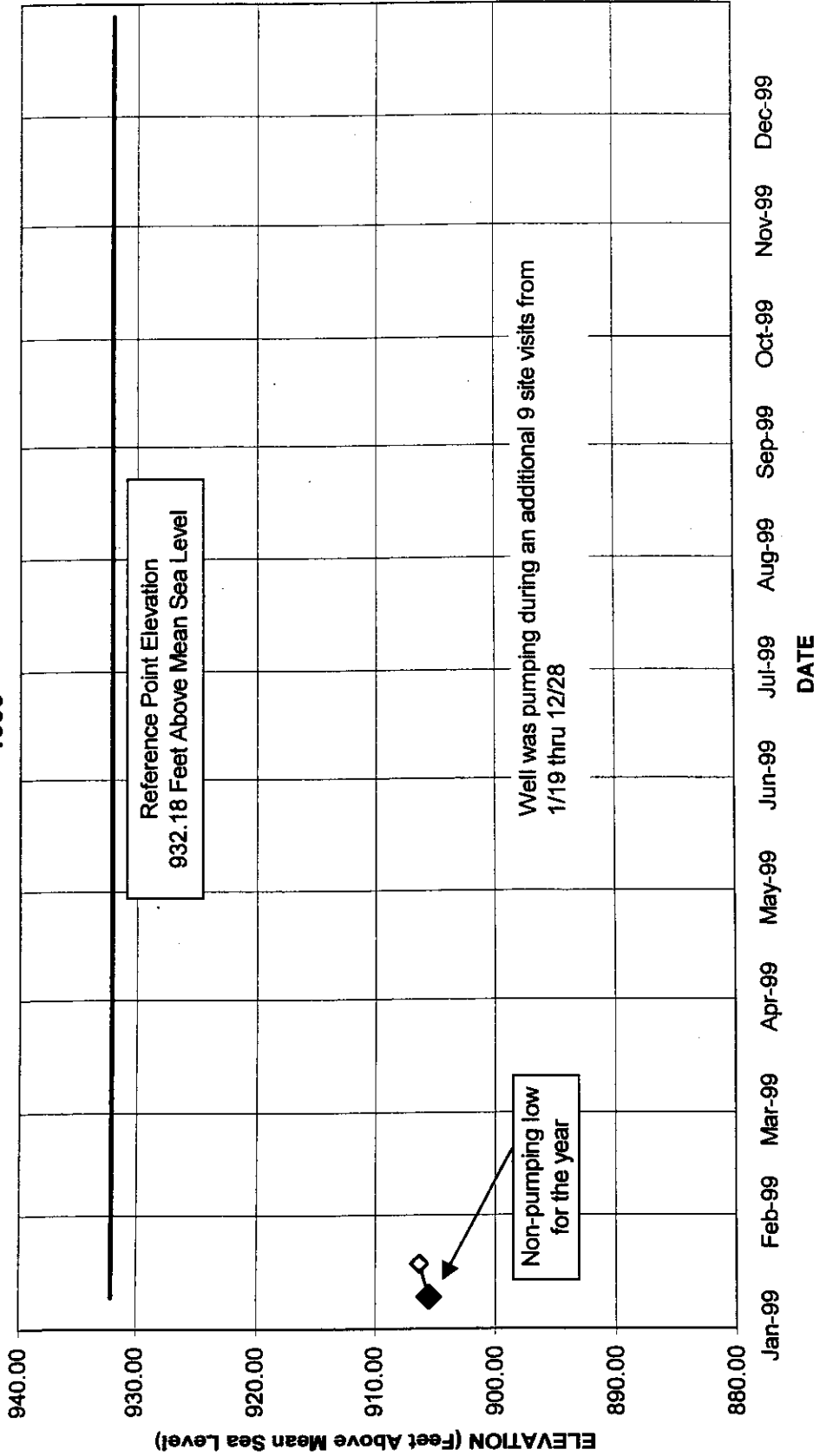


Figure 1A

State Well Number: 1S4W29H01S
Recordation Number: 3601484
Basin: Riverside North
Owner: City of Riverside

FIGURE 2
GROUNDWATER SURFACE ELEVATION
FLUME NO. 2 WELL
1999



LOWEST FALL STATIC
GROUNDWATER ELEVATION
FLUME NO. 2 WELL

STATE WELL NUMBER 1S/4W-29H1
 RECORDATION NUMBER 36-01484
 BASIN RIVERSIDE
 OWNER CITY OF RIVERSIDE

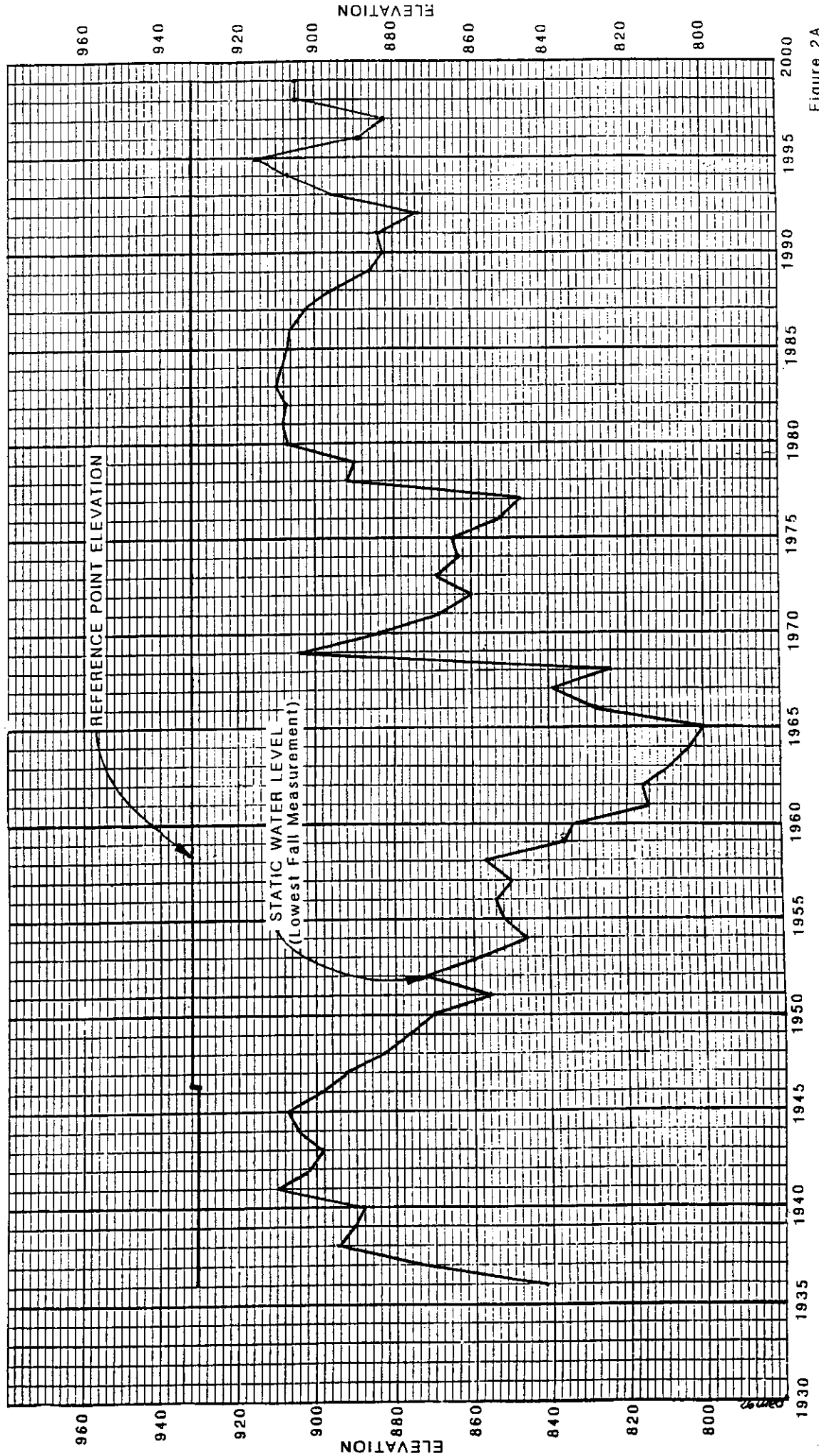
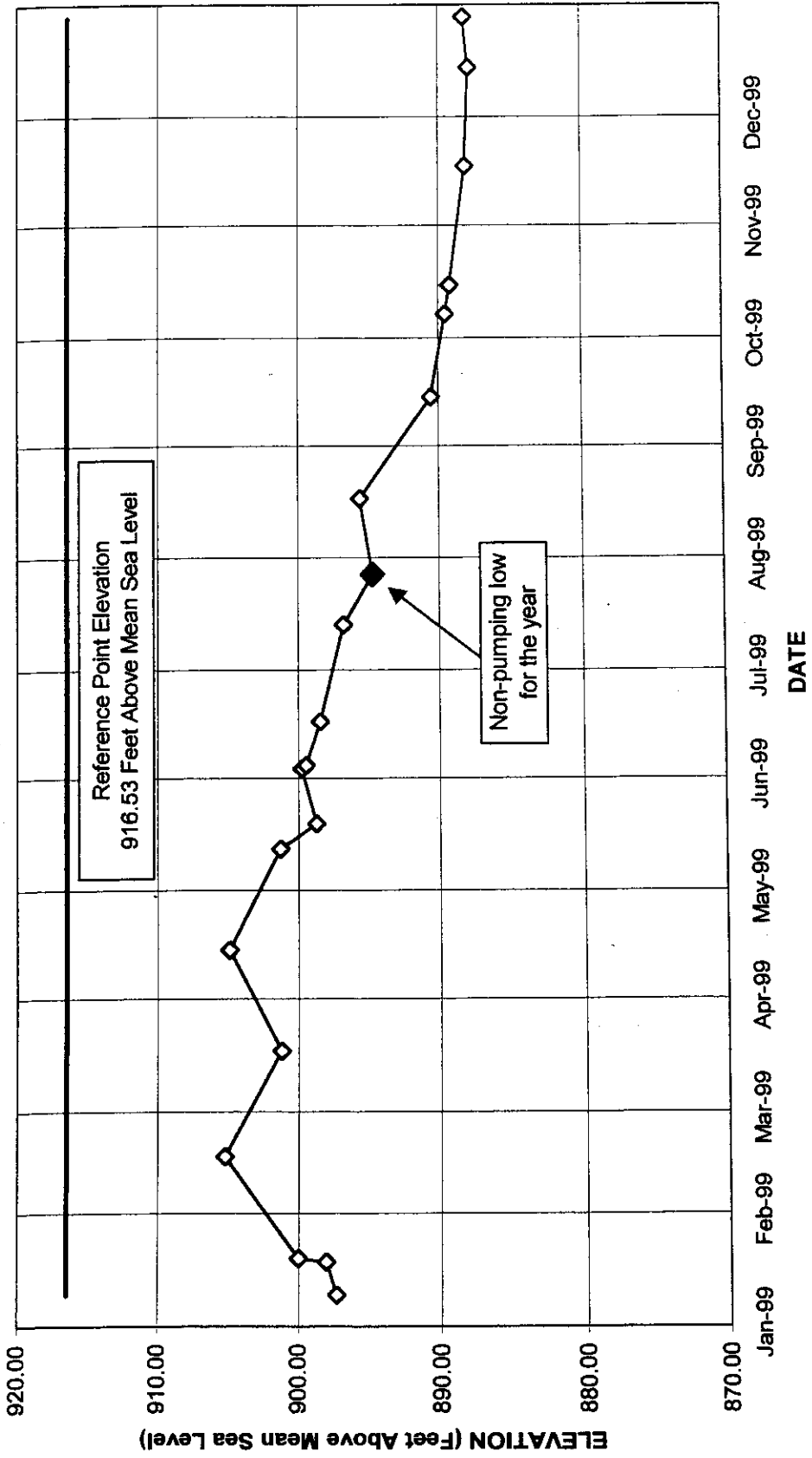


Figure 2A

State Well Number: 1S4W29Q01S
Recordation Number: 3601487
Basin: Riverside North
Owner: City of Riverside

FIGURE 3
GROUNDWATER SURFACE ELEVATION
FLUME NO. 5 WELL
1999



LOWEST FALL STATIC
GROUNDWATER ELEVATION
FLUME NO. 5 WELL

STATE WELL NUMBER
IS/4W-29Q1
RECORDATION NUMBER
36-01487
BASIN
RIVERSIDE
OWNER
CITY OF RIVERSIDE

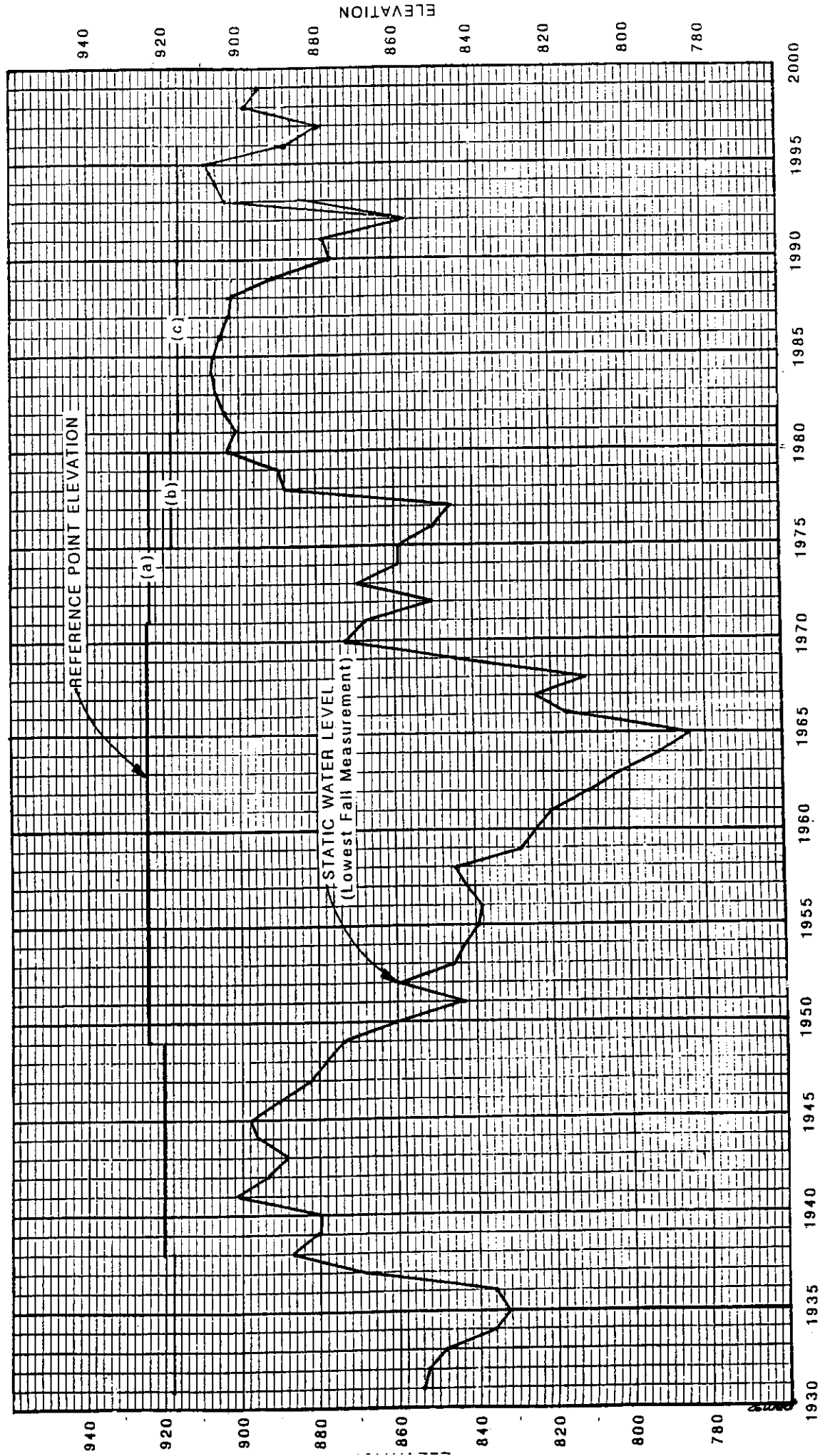
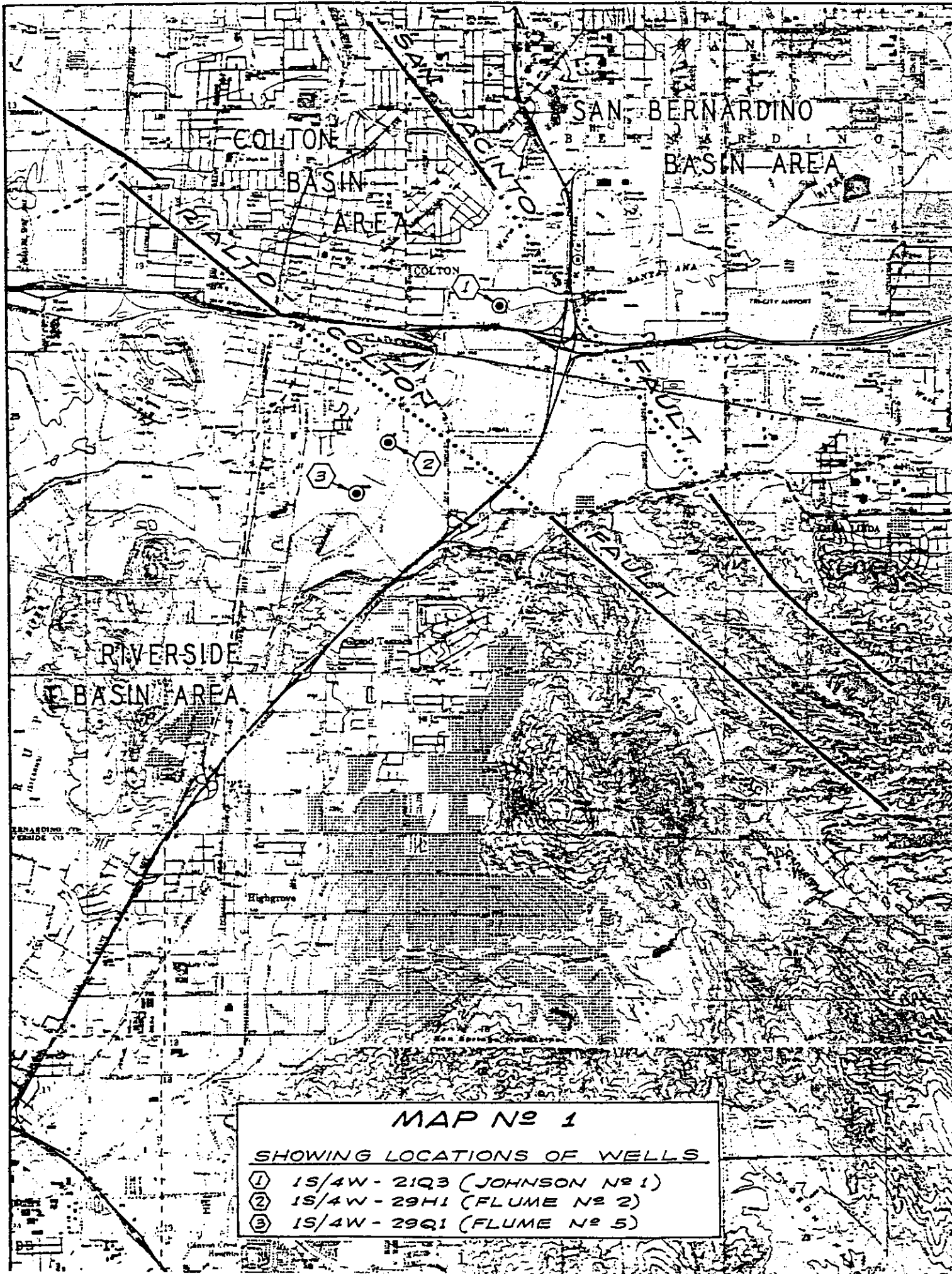


Figure 3A



MAP No 1
SHOWING LOCATIONS OF WELLS

①	1S/4W - 21Q3 (JOHNSON No 1)
②	1S/4W - 29H1 (FLUME No 2)
③	1S/4W - 29Q1 (FLUME No 5)

TABLE NO. 1

LOWEST STATIC WATER LEVEL ELEVATION IN WELLS NUMBERED
1S/4W-21Q03S, 1S/4W-29H01S & 1S/4W-29Q01S
FOR YEARS 1963 AND 1981 THROUGH PRESENT

STATIC WATER LEVEL ELEVATION

Calendar Year	Well #1S/4W-21Q03S Johnson No. 1		Well #1S/4W-29H01S Flume No. 2		Well #1S/4W-29Q01S Flume No. 5		Total of three wells	Average three wells	Feet above Minimum Requirement
	Lowest Static W.S. Elev.	Date Recorded	Lowest Static W.S. Elev.	Date Recorded	Lowest Static W.S. Elev.	Date Recorded			
1963	854.56	Aug. 1	809.28	Sept. 20	802.27	Sept. 19	2466.11	*822.04	
1981	913.06	Aug. 13	908.28	Sept. 02	901.92	Aug. 18	2,723.26	907.75	85.71
1982	914.56	Aug. 06	907.48	Aug. 25	904.03	Aug. 25	2,726.07	908.69	86.65
1983	916.56	Jan. 04	909.98	Jan. 18	906.63	Jan. 18	2,733.17	911.06	89.02
1984	914.76	Oct. 02	908.08	Dec. 01	907.23	Oct. 02	2,730.07	910.02	87.98
1985	909.66	Dec. 01	906.68	Sept. 01	907.23	**	2,723.57	907.86	85.82
1986	913.86	Sept. 23	906.58	Nov. 19	905.03	Oct. 24	2,725.47	908.49	86.45
1987	909.36	Aug. 16	902.98	Aug. 25	903.03	Aug. 20	2,715.37	905.12	83.08
1988	903.26	Sept. 01	895.78	Aug. 01	902.53	Apr. 14	2,701.57	900.52	78.48
1989	899.06	Dec. 01	886.28	Dec. 31	891.53	Jun. 12	2,676.87	892.29	70.25
1990	896.86	Dec. 01	882.18	Dec. 02	876.73	Dec. 12	2,655.77	885.26	63.22
1991	890.06	Oct. 10	884.28	May 31	878.78	May. 31	2,653.12	884.37	62.33
1992	888.56	Nov. 27	873.18	Dec. 15	857.53	Dec. 15	2,619.27	873.09	51.05
1993	885.86	May 18	897.18	May 04	904.03	Oct. 26	2,687.07	895.69	73.65
1994	902.56	Dec. 06	909.88	Dec. 06	906.43	Dec. 06	2,718.87	906.29	84.25
1995	895.06	Dec. 05	915.58	May 24	910.53	May 24	2,721.17	907.06	85.02
1996	894.90	Sept. 30	889.18	July 19	887.63	Dec. 17	2,671.71	890.57	68.53
1997	896.50	Nov. 18	883.38	Dec. 16	879.58	Dec. 29	2,659.46	886.49	64.45
1998	905.80	Dec. 18	905.58	Jan 9 '99	898.53	Dec. 18	2,709.91	903.30	81.26
1999	902.23	Dec. 28	905.58	Jan 9 '99	894.73	Jul. 27	2,702.54	900.85	78.81
2000									

* Minimum Average Water Level as provided for in the Section VIII (d) of the Judgment.

** Unable to measure during 1985, assume same low as previous year.

**Western San Bernardino Watermaster
Well Measurement Record for**

Johnson #1

State Well Number 1S/4W21Q03S

Basin: Colton-Rialto

Reference Point Elevation: 956.06

R Elevation #2, top of MP: 960

Date	Obtained from	Reference Point to Water	Water Surface Elevation	Remarks
1991				
01/15/91	City of Riverside	55.50	900.56	
01/28/91	City of Riverside	55.00	901.06	
03/04/91	City of Riverside	55.40	900.66	
03/30/91	City of Riverside	54.90	901.16	
04/16/91	City of Riverside	53.60	902.46	
04/29/91	City of Riverside	55.80	900.26	
05/13/91	City of Riverside	60.10	895.96	
05/31/91	Western MWD	59.05	897.01	
08/23/91	City of Riverside	66.00	890.06	
10/10/91	City of Riverside	66.00	890.06	Low for the year
1992				
01/16/92	Western MWD	59.26	896.80	
02/03/92	City of Riverside	49.80	906.26	
02/23/92	City of Riverside	60.10	895.96	
03/11/92	City of Riverside	57.00	899.06	
04/07/92	City of Riverside	58.60	897.46	
11/27/92	City of Riverside	67.50	888.56	Low for the year
12/16/92	City of Riverside	83.00	884.16	Colton Pumping (?)
1993				
01/23/93	City of Riverside	67.10	888.96	
01/25/93	Western MWD	71.90	884.16	Colton Pumping
03/15/93	City of Riverside	67.00	889.06	
04/21/93	City of Riverside	67.20	888.86	
05/18/93	City of Riverside	70.20	885.86	Low for the year
06/09/93	City of Riverside	70.00	886.06	
08/30/93	City of Riverside	67.00	889.06	
09/07/94	City of Riverside	67.30	888.76	
10/25/93	City of Riverside	65.00	891.06	
12/28/93	City of Riverside	63.20	892.86	
1994				
01/03/94	Western MWD	48.25	907.81	
02/23/94	City of Riverside	58.20	897.86	
05/25/94	City of Riverside	48.10	907.96	
05/31/94	Western MWD	43.60	912.46	

**Western San Bernardino Watermaster
Well Measurement Record for**

Johnson #1

State Well Number 1S/4W21Q03S

Basin: Colton-Rialto

Reference Point Elevation: 956.06

R Elevation #2, top of MP: 960

Date	Obtained from	Reference Point to Water	Water Surface Elevation	Remarks
11/23/94	City of Riverside	53.50	902.56	
12/06/94	Western MWD	53.50	902.56	Low for the year
12/21/94	City of Riverside	57.20	898.86	
<u>1995</u>				
05/08/95	City of Riverside	40.40	915.66	
05/24/95	Western MWD	41.40	914.66	
09/29/95	City of Riverside	56.00	900.06	
12/05/96	City of Riverside	61.00	895.06	Low for the year
<u>1996</u>				
02/03/96	City of Riverside	53.00	907.00	
02/23/96	City of Riverside	61.00	895.06	
03/07/96	Western MWD	45.20	910.86	
04/12/96	Western MWD/SBVMWD	57.75	902.25	
04/30/96	City of Riverside	58.00	902.00	
05/10/96	Western MWD	59.70	900.30	#23 pumping
05/14/96	SBVMWD	58.90	901.10	#23 pumping
05/30/96	City of Riverside	65.00	895.00	
06/14/96	SBVMWD	63.10	896.90	#23 pumping
07/01/96	City of Riverside	66.70	893.30	
07/05/96	Western MWD	66.42	893.58	#23 & #36 pumping
07/19/96	SBVMWD	67.40	892.60	#23 & #36 pumping
08/06/96	Western MWD	64.75	895.25	#23 pumping
08/20/96	SBVMWD	65.20	894.80	#23 pumping
09/30/96	City of Riverside	65.10	894.90	Low for the year
10/16/96	SBVMWD	72.40	887.60	#23 pumping
11/04/96	Western MWD	74.33	885.67	#23 & #36 pumping
11/18/96	SBVMWD	70.70	889.30	#23 pumping
12/09/96	Western MWD	70.05	889.95	#23 pumping
12/17/96	SBVMWD	69.20	890.80	#23 pumping
<u>1997</u>				
01/03/97	City of Riverside	61.70	898.30	?
01/16/97	SBVMWD	68.90	891.10	#23 pumping
02/19/97	SBVMWD	65.70	894.30	#23 pumping
03/18/97	SBVMWD	63.60	896.40	#23 pumping
03/30/97	City of Riverside	54.90	905.10	?

**Western San Bernardino Watermaster
Well Measurement Record for**

Johnson #1

State Well Number 1S/4W21Q03S

Basin: Colton-Rialto

Reference Point Elevation: 956.06

R Elevation #2, top of MP: 960

Date	Obtained from	Reference Point to Water	Water Surface Elevation	Remarks
04/18/97	SBVMWD	64.40	895.60	#23 pumping
05/05/97	Western MWD	65.80	894.20	#23 pumping
05/20/97	SBVMWD	65.25	894.75	#23 pumping
06/17/97	SBVMWD	65.80	894.20	#23 pumping
07/16/97	SBVMWD	67.00	893.00	#23 pumping
09/16/97	SBVMWD	67.50	892.50	#36 pumping
10/16/97	SBVMWD	69.80	890.20	#23 pumping
11/18/97	SBVMWD	63.50	896.50	Low for the year
12/16/97	SBVMWD	60.80	899.20	
12/29/97	Western MWD	70.10	889.90	#23 pumping

1998

01/10/98	City of Riverside	71.50	888.50	
02/19/98	SBVMWD	59.40	900.60	
02/21/98	City of Riverside	59.30	900.70	
04/08/98	City of Riverside	56.00	904.00	
04/20/98	SBVMWD	58.00	902.00	#23 pumping
06/01/98	Western MWD	60.20	899.80	#23 pumping
06/18/98	SBVMWD	58.70	901.30	#23 pumping
07/14/98	SBVMWD	56.70	903.30	#23 pumping
08/05/98	City of Riverside	56.80	903.20	
08/17/98	SBVMWD	55.50	904.50	#23 pumping
09/17/98	SBVMWD	55.40	904.60	#23 pumping
11/10/98	SBVMWD	54.50	905.50	#23 pumping
12/18/98	SBVMWD	54.20	905.80	#23 pumping/low for year

1999

01/08/99	City of Riverside	48.50	911.50	
01/18/99	Western MWD	48.70	911.30	
01/19/99	SBVMWD	48.60	911.40	
02/16/99	SBVMWD	51.50	908.50	#23 pumping
03/17/99	SBVMWD	46.60	913.40	
04/14/99	SBVMWD	49.40	910.60	#23 off, #36 on
05/20/99	City of Riverside	54.00	906.00	
06/03/99	Western MWD	46.00	914.00	#36 pumping
06/16/99	SBVMWD	50.30	909.70	#23 off, #36 on
07/13/99	SBVMWD	58.60	901.40	#23 on, #36 on
08/05/99	City of Riverside	59.60	900.40	

**Western San Bernardino Watermaster
Well Measurement Record for**

Johnson #1

State Well Number 1S/4W21Q03S

Basin: Colton-Rialto

Reference Point Elevation: 956.06

R Elevation #2, top of MP: 960

Date	Obtained from	Reference Point to Water	Water Surface Elevation	Remarks
08/17/99	SBVMWD	60.30	899.70	#23 on, #36 on
09/14/99	SBVMWD	61.10	898.90	#23 on, #36 on
10/07/99	City of Riverside	57.60	902.40	
10/15/99	SBVMWD	58.36	901.64	#23 on, #36 off
11/17/99	SBVMWD	51.94	908.06	#23 off, #36 off
12/14/99	SBVMWD	57.32	902.68	#23 off, #36 on
12/28/99	Western MWD	57.77	902.23	#23 off, #36 off/low
<u>2000</u>				
01/14/00	SBVMWD	58.38	901.62	#23 off, #36 on
02/14/00	SBVMWD	59.10	900.90	#23 off, #36 off
03/13/00	SBVMWD	52.42	907.58	#23 off, #36 off
03/21/00	City of Riverside	52.40	907.60	
04/12/00	SBVMWD	51.46	908.54	#23 off/#36 not equipped
05/09/00	Western MWD	58.63	901.37	#23 off/#36 not equipped
05/12/00	SBVMWD	58.00	902.00	#23 on/#36 not equipped
06/13/00	SBVMWD	59.10	900.90	#23 on/#36 not equipped

**Western San Bernardino Watermaster
Well Measurement Record for**

Flume #2

State Well Number 1S/4W29H01S

Basin: Riverside North

Reference Point Elevation: 932.18

Date	Obtained from	Reference Point to Water	Water Surface Elevation	Remarks
<u>1991</u>				
01/15/91	City of Riverside	47.20	884.98	
01/28/91	City of Riverside	49.00	883.18	
03/04/91	City of Riverside	44.00	888.18	
03/21/91	City of Riverside	43.30	888.88	
04/16/91	City of Riverside	48.00	884.18	
04/29/91	City of Riverside	43.10	889.08	
05/13/91	City of Riverside	47.00	885.18	
05/31/91	Western MWD	47.90	884.28	Low for the year
08/23/91	City of Riverside	86.50	845.68	Pumping
10/10/91	City of Riverside	87.00	845.18	Pumping
<u>1992</u>				
01/16/92	Western MWD	59.35	872.83	
02/03/92	City of Riverside	53.10	879.08	Pumping
02/22/92	City of Riverside	57.80	874.38	Static ?
03/11/92	City of Riverside	55.80	876.38	
04/07/92	City of Riverside	49.50	882.68	
11/24/92	City of Riverside	63.00	869.18	Flume #3 pumping
12/15/93	City of Riverside	59.00	873.18	Low for the year
<u>1993</u>				
01/23/93	City of Riverside	35.30	896.88	
03/15/93	City of Riverside	35.00	897.18	
04/15/93	City of Riverside	35.00	897.18	
05/04/93	City of Riverside	35.00	897.18	Low for the year
06/08/93	City of Riverside	35.00	897.18	
08/30/93	City of Riverside	58.00	874.18	Pumping
09/07/93	City of Riverside	58.80	873.38	Pumping
10/23/93	US Geological Survey	19.67	912.51	
10/26/93	City of Riverside	20.00	912.18	
12/28/93	City of Riverside	18.60	913.58	
<u>1994</u>				
01/05/94	Western MWD	19.80	912.38	
02/22/94	City of Riverside	20.00	912.18	
05/25/94	City of Riverside	20.00	912.18	
05/31/94	Western MWD	20.00	912.18	

**Western San Bernardino Watermaster
Well Measurement Record for**

Flume #2

State Well Number 1S/4W29H01S

Basin: Riverside North

Reference Point Elevation: 932.18

Date	Obtained from	Reference Point to Water	Water Surface Elevation	Remarks
10/24/94	US Geological Survey	21.29	910.89	
11/24/94	City of Riverside	21.80	910.38	
12/06/94	City of Riverside	22.30	909.88	Low for the year
<u>1995</u>				
05/04/95	City of Riverside	17.10	915.08	
05/24/95	Western MWD	16.60	915.58	Low for the year
<u>1996</u>				
02/03/96	City of Riverside	16.80	915.38	
02/23/96	City of Riverside	16.50	915.68	
03/04/96	Western MWD	17.30	914.88	
04/12/96	Western MWD/SBVMWD	22.60	909.58	Rix startup
04/23/97	US Geological Survey	25.40	906.78	
05/10/96	Western MWD	-	-	Pumping
05/14/96	SBVMWD	-	-	Pumping
05/22/96	City of Riverside	66.00	866.18	Pumping
06/14/96	SBVMWD	-	-	Pumping
07/05/96	Western MWD	-	-	Pumping
07/19/96	SBVMWD	43.00	889.18	Low for the year
08/06/96	Western MWD	-	-	Pumping
08/20/96	SBVMWD	-	-	Pumping
10/08/97	US Geological Survey	-	-	Pumping
10/16/96	SBVMWD	-	-	Pumping
11/04/96	Western MWD	-	-	Pumping
11/18/96	SBVMWD	-	-	Pumping
12/09/96	Western MWD	-	-	Pumping
12/17/96	SBVMWD	-	-	Pumping
<u>1997</u>				
01/16/97	SBVMWD	25.40	906.78	River flowing
02/19/97	SBVMWD	26.00	906.18	
03/18/97	SBVMWD	29.90	902.28	
03/31/97	City of Riverside	43.30	888.88	?
04/18/97	SBVMWD	-	-	Pumping
04/30/97	City of Riverside	25.40	906.78	
05/05/97	Western MWD	75.30	-	Pumping
05/20/97	SBVMWD	-	-	Pumping

**Western San Bernardino Watermaster
Well Measurement Record for**

Flume #2

State Well Number 1S/4W29H01S

Basin: Riverside North

Reference Point Elevation: 932.18

Date	Obtained from	Reference Point to Water	Water Surface Elevation	Remarks
06/17/97	SBVMWD	-	-	Pumping
07/16/97	SBVMWD	-	-	Pumping
09/16/97	SBVMWD	Below 32'	-	
10/16/97	SBVMWD	Below 32'	-	
11/18/97	SBVMWD	Below 32'	-	Pumping
12/16/97	SBVMWD	48.80	883.38	Low for the year
12/29/97	Western MWD	48.00	884.18	
<u>1998</u>				
01/10/98	City of Riverside	47.00	885.18	
02/19/98	SBVMWD	-	-	Tape stuck
02/21/98	City of Riverside	28.20	903.98	
04/08/98	City of Riverside	22.30	909.88	
04/20/98	SBVMWD	-	-	Tape stuck
06/01/98	Western MWD	18.50	913.68	
06/18/98	SBVMWD	11.00	921.18	
07/14/98	SBVMWD	-	-	
08/05/98	City of Riverside	53.50	878.68	Pumping
08/17/98	SBVMWD	-	-	
09/17/98	SBVMWD	-	-	
11/10/98	SBVMWD	-	-	Pumping
12/18/98	SBVMWD	-	-	
<u>1999</u>				
01/09/99	City of Riverside	26.60	905.58	Low for "98" year
01/18/99	Western MWD	25.80	906.38	
01/19/99	SBVMWD	-	-	
02/16/99	SBVMWD	-	-	
03/17/99	SBVMWD	-	-	
04/14/99	SBVMWD	-	-	
05/19/99	City of Riverside	57.10	-	Pumping
06/03/99	Western MWD	-	-	Pumping
07/27/99	City of Riverside	13.8 ?	-	Pumping
10/07/99	City of Riverside	65.00	-	Pumping
12/28/99	Western MWD	-	-	Pumping

**Western San Bernardino Watermaster
Well Measurement Record for**

Flume #2

State Well Number 1S/4W29H01S

Basin: Riverside North

Reference Point Elevation: 932.18

Date	Obtained from	Reference Point to Water	Water Surface Elevation	Remarks
<u>2000</u>				
03/21/00	City of Riverside	27.80	904.38	
05/09/00	Western MWD	-	-	Pumping

**Western San Bernardino Watermaster
Well Measurement Record for**

Flume #5

State Well Number 1S/4W29Q01S

Basin: Riverside North

Reference Point Elevation: 916.53

Date	Obtained from	Reference Point to Water	Water Surface Elevation	Remarks
<u>1991</u>				
01/15/91	City of Riverside	39.50	877.03	
01/28/91	City of Riverside	39.50	877.03	
05/31/91	Western MWD	37.75	878.78	Low for the year
<u>1992</u>				
01/16/92	Western MWD	49.70	866.83	
02/05/92	City of Riverside	44.30	872.23	
11/25/92	City of Riverside	52.50	864.03	
12/15/92	City of Riverside	59.00	857.53	Low for the year
<u>1993</u>				
01/25/93	City of Riverside	20.30	896.23	
10/26/93	City of Riverside	12.50	904.03	Low for the year
12/28/93	City of Riverside	10.00	906.53	
<u>1994</u>				
01/03/94	Western MWD	9.25	907.28	
05/31/94	Western MWD	8.10	908.43	
11/24/94	City of Riverside	10.10	906.43	
12/06/94	Western MWD	10.10	906.43	Low for the year
12/21/94	City of Riverside	25.00	891.53	?
<u>1995</u>				
05/24/95	Western MWD	6.00	910.53	Low for the year
<u>1996</u>				
03/04/96	Western MWD	6.40	910.13	
04/12/96	Western MWD/SBVMWD	12.60	903.93	Rix startup
04/30/96	City of Riverside	16.00	900.53	#6 pumping
05/10/96	Western MWD	18.65	897.88	#2 & #6 pumping
05/14/96	SBVMWD	19.45	897.08	#2 & #6 pumping
05/28/96	City of Riverside	16.00	900.53	#6 pumping
06/14/96	SBVMWD	25.15	891.38	#2 & #6 pumping
07/05/96	Western MWD	27.70	888.83	#2 & #6 pumping
07/19/96	SBVMWD	29.40	887.13	#6 pumping
08/06/96	Western MWD	31.50	885.03	#2 & #6 pumping
08/20/96	SBVMWD	32.50	884.03	#2 & #6 pumping
10/16/96	SBVMWD	36.10	880.43	#2 pumping
11/04/96	Western MWD	36.60	879.93	#2 & #6 pumping
11/18/96	SBVMWD	38.90	877.63	#2 & #6 pumping

**Western San Bernardino Watermaster
Well Measurement Record for**

Flume #5

State Well Number 1S/4W29Q01S

Basin: Riverside North

Reference Point Elevation: 916.53

Date	Obtained from	Reference Point to Water	Water Surface Elevation	Remarks
12/09/96	Western MWD	36.00	880.53	#2 & #6 pumping
12/17/96	SBVMWD	28.90	887.63	Low for the year
<u>1997</u>				
01/16/97	SBVMWD	-	-	River flowing
01/16/97	SBVMWD	-	-	River flowing
02/19/97	SBVMWD	16.90	899.63	
03/18/97	SBVMWD	20.50	896.03	
04/18/97	SBVMWD	27.30	889.23	#2 & #6 pumping
05/05/97	Western MWD	29.80	886.73	#2 & #6 pumping
05/20/97	SBVMWD	28.60	887.93	#2 & #6 pumping
06/17/97	SBVMWD	35.40	881.13	#2 & #6 pumping
07/16/97	SBVMWD	38.50	878.03	#2 & #6 pumping
09/16/97	SBVMWD	43.40	873.13	#6 pumping
10/16/97	SBVMWD	43.10	873.43	#6 pumping
11/18/97	SBVMWD	41.60	874.93	#2 pumping
12/16/97	SBVMWD	34.75	881.78	
12/29/97	Western MWD	36.95	879.58	Low for the year
<u>1998</u>				
02/19/98	SBVMWD	11.90	904.63	
04/20/98	SBVMWD	7.95	908.58	
06/01/98	Western MWD	6.55	909.98	River just to east
06/18/98	SBVMWD	7.25	909.28	
07/14/98	SBVMWD	8.65	907.88	
08/05/98	City of Riverside	13.30	903.23	#2 & #6 pumping
08/17/98	SBVMWD	7.60	908.93	
09/17/98	SBVMWD	8.40	908.13	
11/10/98	SBVMWD	16.40	900.13	
12/18/98	SBVMWD	18.00	898.53	Low for the year
<u>1999</u>				
01/09/99	City of Riverside	19.20	897.33	#2 on, #6 on
01/18/99	Western MWD	18.50	898.03	
01/19/99	SBVMWD	16.50	900.03	#2 off, #6 off
02/16/99	SBVMWD	11.30	905.23	#2 off, #6 off
03/17/99	SBVMWD	15.30	901.23	#2 off, #6 off
04/14/99	SBVMWD	11.60	904.93	#2 off, #6 off
05/12/99	SBVMWD	15.24	901.29	#2 on, #6 on
05/19/99	City of Riverside	17.80	898.73	#2 on, #6 on
06/03/99	Western MWD	16.75	899.78	#2 on, #6 on
06/04/99	SBVMWD	17.06	899.47	#2 on, #6 on

**Western San Bernardino Watermaster
Well Measurement Record for**

Flume #5

State Well Number 1S/4W29Q01S

Basin: Riverside North

Reference Point Elevation: 916.53

Date	Obtained from	Reference Point to Water	Water Surface Elevation	Remarks
06/16/99	SBVMWD	18.10	898.43	#2 on, #6 on
07/13/99	SBVMWD	19.74	896.79	#2 on, #6 off
07/27/99	City of Riverside	21.80	894.73	#2 off, #6 off/low
08/17/99	SBVMWD	20.90	895.63	#2 off, #6 on
09/14/99	SBVMWD	26.00	890.53	#2 on, #6 on
10/07/99	City of Riverside	27.00	889.53	#2 on, #6 on
10/15/99	SBVMWD	27.30	889.23	#2 on, #6 on
11/17/99	SBVMWD	28.40	888.13	#2 on, #6 on
12/14/99	SBVMWD	28.62	887.91	#2 on, #6 on
12/28/99	Western MWD	28.30	888.23	#2 on, #6 on
 <u>2000</u>				
01/14/00	SBVMWD	27.82	888.71	#2 on, #6 on
02/14/00	SBVMWD	21.00	895.53	#2 off, #6 off
03/13/00	SBVMWD	12.90	903.63	#2 off, #6 off
03/21/00	City of Riverside	16.40	900.13	
04/12/00	SBVMWD	23.80	892.73	#2 on, #6 on
05/09/00	Western MWD	25.33	891.20	#2 on, #6 on
05/12/00	SBVMWD	25.40	891.13	#2 on, #6 on
06/13/00	SBVMWD	29.00	887.53	#2 on, #6 on