

REPORT OF WATERMASTER

Western Municipal Water District of Riverside County, et al

Plaintiffs

vs.

East San Bernardino County Water District, et al

Defendants

Superior Court of Riverside County

Case No. 78426

VOLUME 1 – 1989

VERIFIED EXTRACTIONS FROM THE

SAN BERNARDINO BASIN AREA

FOR

CALENDAR YEARS 1959–1963 & 1985–1989

By Non–Plaintiffs For Use Within San Bernardino County

ANNUAL ACCOUNTING
FOR INDIVIDUAL WELLS

AUGUST 1, 1991

WATERMASTER

Donald L. Harriger
Robert L. Reiter

REPORT OF WATERMASTER

Western Municipal Water District of Riverside County, et al.
Plaintiffs

vs.

East San Bernardino County Water District, et al.
Defendants

Superior Court of Riverside County

Case No. 78426

Volume 1-1989

VERIFIED EXTRACTIONS FROM

SAN BERNARDINO BASIN AREA

By Non-Plaintiffs For Use Within San Bernardino County

FOR

CALENDAR YEARS 1959-1963 & 1985-1989

ANNUAL ACCOUNTING

FOR INDIVIDUAL WELLS

August 1, 1991

WATERMASTER

Donald L. Harriger
Robert L. Reiter

VOLUME 1 - 1989

TABLE OF CONTENTS

	Page
INTRODUCTION	i
SAN BERNARDINO BASIN AREA, CROSS INDEX BY OWNER	1
SAN BERNARDINO BASIN AREA, CROSS INDEX BY RECORDATION NUMBER.	33
SAN BERNARDINO BASIN AREA, CROSS INDEX BY STATE WELL NUMBER	65
CHANGE IN OWNERSHIP FROM BASE PERIOD	97
<u>TABLE NO. 1</u>	
EXTRACTIONS BY OWNERS (NON-PLAINTIFFS) WHICH HAVE RECORDATION FILINGS WITH THE STATE WATER RESOURCES CONTROL BOARD	105
<u>TABLE NO. 2</u>	
EXTRACTIONS BY OWNERS (NON-PLAINTIFFS) WHICH HAVE NOT FILED WITH THE STATE WATER RESOURCES CONTROL BOARD	152
<u>TABLE NO. 3</u>	
SUMMARY OF EXTRACTIONS (FILED AND NON-FILED) FROM SAN BERNARDINO BASIN AREA BY NON-PLAINTIFFS FOR USE WITHIN SAN BERNARDINO COUNTY.	169
<u>TABLE NO. 4</u>	
LYTLE CREEK VERIFICATION OF EXTRACTIONS FOR CALENDAR YEARS 1959-1963 & 1985-1989.	195
<u>TABLE NO. 5</u>	
MILL CREEK VERIFICATION OF EXTRACTIONS FOR CALENDAR YEARS 1985-1989.	205

TABLE NO. 6

SANTA ANA RIVER VERIFICATION OF EXTRACTIONS
FOR CALENDAR YEARS 1985-1989. 210

TABLE NO. 7

SUMMARY OF REPORTED EXTRACTIONS FROM LYTLE
CREEK, MILL CREEK, AND SANTA ANA RIVER. 215

TABLE NO. 8

SUMMARY OF PRODUCTION FROM SAN BERNARDINO
BASIN AREA AND CORRECTION FOR VERIFIED
DIVERSIONS OF MAJOR STREAMFLOWS 216

PLATE NO. 1

SCHEMATIC DIAGRAM OF LYTLE CREEK DIVERSION
FACILITIES AND CONDUITS 217

PLATE NO. 1A

LOCATION MAP, LYTLE CREEK DIVERSIONS. 218

PLATE NO. 2

SCHEMATIC DIAGRAM OF MILL CREEK DIVERSION
FACILITIES AND CONDUITS 219

PLATE NO. 3

SCHEMATIC DIAGRAM OF SANTA ANA RIVER
DIVERSION FACILITIES AND CONDUITS 220

PLATE NO. 3A

LOCATION MAP, SANTA ANA RIVER AND
MILL CREEK DIVERSIONS 221

VOLUME 1-1989

VERIFIED EXTRACTIONS
FROM THE SAN BERNARDINO BASIN AREA
BY NON-PLAINTIFFS FOR USE WITHIN
SAN BERNARDINO COUNTY FOR CALENDAR YEARS
1959-1963 & 1985-1989

INTRODUCTION

The provisions of Paragraphs V(b) and VI(c) of the Judgment in Case No. 78426 entered April 17, 1969, entitled "San Bernardino Valley Replenishment," provide as follows:

- V(b) "The total actual average annual extractions from the San Bernardino Basin Area by entities other than Plaintiffs for use within San Bernardino County for the five-year period ending with 1963 are assumed to be 165,407 acre-feet; the correct figure shall be determined by the Watermaster as herein provided."
- VI(c) "San Bernardino Valley shall provide imported water for replenishment of the San Bernardino Basin Area at least equal to the amount by which extractions therefrom for use within San Bernardino County exceed during any five-year period the sum of: (a) five times the total average annual extractions determined under Paragraph V(b) hereof, adjusted as may be required by the natural safe yield of the San Bernardino Basin Area; and (b) any new conservation to which users within San Bernardino Valley are entitled. Such replenishment shall be supplied in the year following any five-year period; provided that during the first five-year period, San Bernardino Valley shall supply annual amounts on account of its obligations hereunder, and such amounts shall be not less than fifty percent of the gross amount of excess extractions in the previous year."

Compliance with these provisions of the Judgment requires an annual accounting of the total actual extractions of surface and groundwater within the San Bernardino Basin Area. Included in this Volume 1-1989 is the verified accounting of such production

by non-plaintiff owners for the calendar year 1989. The verified production for the five-year base period ending with 1963 and the verified production for calendar years 1985, 1986, 1987 and 1988 are also included.

Three indexes are included which provide a cross index by owner's name, State Water Resources Control Board Well Recordation Number, and State Well Number. In addition and where known, each index shows the local designation of each well and the groundwater basin in which the well is located.

Tables No. 1 and No. 2 in this report list the individual wells by the owner for each year in the five-year base period ending in 1963, the five-year base period average, the extractions for the years 1985 through 1989, the five-year average for that period and the owner's total annual verified extractions. Table No. 1 lists the wells upon which filings have been made with the State Water Resources Control Board, and Table No. 2 lists the wells upon which no filings have been made. Table No. 3 is a summary of the verified extractions, by owner, as presented in Tables No. 1 and No. 2.

Table No. 4 contains the total verified Lytle Creek stream diversions by Fontana Union Water Company, West San Bernardino County Water District, City of Rialto, City of San Bernardino and Mount Vernon Water Company. The total verified Lytle Creek stream diversion takes into account, and excludes, the return flow to Lytle Creek from the Fontana Power House afterbay.

Table No. 5 of this report contains the verification of the Mill Creek stream diversions by month and Table No. 6 contains the verification of the Santa Ana River stream diversions by month.

Table No. 7 shows the reported diversions by entity from the major streams in San Bernardino Basin Area, namely, Lytle Creek, Mill Creek and Santa Ana River. Schematic diagrams of the diversion works on each of these three major streams are shown on Plates 1, 2, and 3.

The total Verified Production of ground and surface water within the San Bernardino Basin Area is shown on Table 8.

The total of the verified extractions of water from the San Bernardino Basin Area by non-plaintiff owners for the calendar year 1989 is 174,329 acre-feet.

SAN BERNARDINO BASIN AREA,

CROSS INDEX BY OWNER

SAN BERNARDINO BASIN AREA
CROSS INDEX BY OWNER

OWNER NAME	RECORDATION NUMBER	STATE WELL NUMBER	LOCAL DESIGNATION	BASIN NAME
AHMANSON RANCH	0000002	1S4W27H		BNK HILL
ANDERSON, W.D.	0000003	1N4W25R		BNK HILL
ARMSTRONG, DOUGLAS	3600076	1S3W17	2	BNK HILL
ARNOLD RANCH	0000004	1N3W34H		BNK HILL
ARROWHEAD COUNTRY CLUB	3601925	1N4W23E	1	BNK HILL
ARROYO VERDE MUTUAL WATER CO.	3602068	1S4W01A02S	1	BNK HILL
ARROYO VERDE MUTUAL WATER CO.	3602069	1S4W01A	2	BNK HILL
ATCHISON, TOPEKA & SANTA FE RAILWAY CO.	3600178	1S4W08F02S	3	BNK HILL
ATCHISON, TOPEKA & SANTA FE RAILWAY CO.	3600179	1S4W08F	4	BNK HILL
B M I FUNDS	3600107	1S3W21P01	COLTON 1	BNK HILL
BALCOM	0000005	1S4W11M		BNK HILL
BALDWIN	0000006	1N3W34K		BNK HILL
BARNO, JOHN	3602079	1S3W03F	1	BNK HILL
BARRIER	0000007	1S4W22B		BNK HILL
BASE LINE WELL COMPANY	3600456	1N3W33R02S	1	BNK HILL
BASELINE GARDENS MUTUAL WATER COMPANY	3600457	1N4W35J02S	PAC&BARL	BNK HILL
BASELINE GARDENS MUTUAL WATER COMPANY	3600458	1N4W36M01S	PS & B 2	BNK HILL
BASELINE GARDENS MUTUAL WATER COMPANY	3602528	1N4W35R01	3	BNK HILL
BASELINE LAUNDRY	0000008	1N3W31Q		BNK HILL
BASELINE LAUNDRY	0000082	1N3W31		BNK HILL
BACHELOR	0000009	1N4W14R		DEVIL CAN
BACHELOR	0000010	1N4W14R		DEVIL CAN

SAN BERNARDINO BASIN AREA
 RECORDATION CROSS INDEX BY OWNER

OWNER NAME	RECORDATION NUMBER	STATE WELL NUMBER	LOCAL DESIGNATION	BASIN NAME
BEAR VALLEY MUTUAL WATER COMPANY	3600021	1N2W26H	SANTA ANA 1	SANTA ANA
BEAR VALLEY MUTUAL WATER COMPANY	3600022	1N2W34	SANTA ANA 2	SANTA ANA
BEAR VALLEY MUTUAL WATER COMPANY	3600023	1S3W24C	JUDSON 1	BNK HILL
BEAR VALLEY MUTUAL WATER COMPANY	3600024	1S2W19D	WABASH 2	BNK HILL
BEAR VALLEY MUTUAL WATER COMPANY	3600025	1N3W29R01S	PALM AV3	BNK HILL
BEAR VALLEY MUTUAL WATER COMPANY	3600027	1N2W10N	ALDER CR	SANTA ANA
BEAR VALLEY MUTUAL WATER COMPANY	3600028	1S2W04N		BNK HILL
BELL, H. EUGENE	3600449	1S3W20	BELL WELL	BNK HILL
BERMAN, JERRY	0000011	1S4W02K	OLD WELL	BNK HILL
BERMAN, JERRY	0000012	1S4W02J		BNK HILL
BERMAN, JERRY & SONS	3602007	1S4W02	2	BNK HILL
BIG BEAR MUNICIPAL WATER DISTRICT	3603116	1S3W13R01S		BNK HILL
BLISS	0000013	1S2W22E		BNK HILL
BLUE BANNER CO.	3602531	1S2W09L03S	TUNNEL DIV.	BNK HILL
BLUE GOOSE GROWERS INC	3602529	1S2W09P02	NO. 6	BNK HILL
BLUE GOOSE GROWERS INC	3602530	1S2W09L02S	NO. 11	BNK HILL
BOUCHER	0000014	1N4W14J		DEVIL CAN
BREAK, ALLEN, ESTATE	0000015	1S3W31A		BNK HILL
BRISTOL RANCH	3601631	1N3W34C02S	1	BNK HILL
BROOKSIDE DAIRY, INC	3600036	1S3W33D	1	BNK HILL
BROOKSIDE PLAZA	3602917	1S3W03D01S		BNK HILL
BRYN MAWR MUTUAL WATER COMPANY	3600053	1S3W31A	1	BNK HILL

SAN BERNARDINO BASIN AREA
CROSS INDEX BY OWNER

OWNER NAME	RECORDATION NUMBER	STATE WELL NUMBER	LOCAL DESIGNATION	BASIN NAME
BRYN MAWR MUTUAL WATER COMPANY	3600054	1S3W31A	2	BNK HILL
BRYN MAWR MUTUAL WATER COMPANY	3600055	1S3W31A	3	BNK HILL
BRYN MAWR MUTUAL WATER COMPANY	3602109	1S3W31B00S	4	BNK HILL
BUOYE WELL	3602062	1S2W29N	1	BNK HILL
CALIFORNIA, STATE OF PATTON HOSPITAL	3600923	1N3W32C01S	PATTON 1	BNK HILL
CALIFORNIA, STATE OF PATTON HOSPITAL	3600924	1N3W29M01S	PATTON 2	BNK HILL
CALIFORNIA, STATE OF PATTON HOSPITAL	3600924-	1N3W29M	2A	BNK HILL
CALIFORNIA, STATE OF PATTON HOSPITAL	3600929	1N3W31K02S	PATTON 8	BNK HILL
CALIFORNIA, STATE OF PATTON HOSPITAL	3600931	1N3W29N01S	PATTON 10	BNK HILL
CALIFORNIA, STATE OF PATTON HOSPITAL	3601930	1N3W32C02S	PATTON 11	BNK HILL
CALIFORNIA, STATE OF PATTON HOSPITAL	3602381	1N3W29M	14	BNK HILL
CAMPUS CRUSADE FOR CHRIST	0000155	1N4W14C	W TWIN CRK	DEVIL CAN
CAMPUS CRUSADE FOR CHRIST	3601810	1N4W23E	PRKSD 2	BNK HILL
CAMPUS CRUSADE FOR CHRIST	3601811	1N4W14	EAST TWIN	DEVIL CAN
CAMPUS CRUSADE FOR CHRIST	3601979	1N4W14A	EAST TWIN	DEVIL CAN
CANYON KNOLLS RANCH	3601632	2S3W05A2	MARCUM WELL	BNK HILL
CANYON RANCH	3600523	1S3W32G03S	HNTSCHKE	BNK HILL
CARDIFF FARMS MUTUAL WATER COMPANY	3600973	1S4W12D	1	BNK HILL
CARDIFF FARMS MUTUAL WATER COMPANY	3601619	1S4W12D	2	BNK HILL
CARPENTER	0000016	1S4W22B		BNK HILL
CHARLES, J. J.	3600815	1S3W06		BNK HILL
CHRISTINA WATER COMPANY	3601751	1S3W21E	ALABAMA	BNK HILL

SAN BERNARDINO BASIN AREA
CROSS INDEX BY OWNER

OWNER NAME	RECORDATION NUMBER	STATE WELL NUMBER	LOCAL DESIGNATION	BASIN NAME
CLIFFSIDE RANCH	0000017	1S3W03F		BNK HILL
COGBILL, CLINTON L.	3601628	1S2W09Q	2	BNK HILL
COLTON, CITY OF	3601250	1S4W08R	4	BNK HILL
COLTON, CITY OF	3601251	1S4W08R	5	BNK HILL
COLTON, CITY OF	3601252	1S4W05R	6	BNK HILL
COLTON, CITY OF	3601253	1S4W08R	7	BNK HILL
COLTON, CITY OF	3601254	1S4W08F	8	BNK HILL
COLTON, CITY OF	3601256	1S4W09N	PLUNGE 12	BNK HILL
COLTON, CITY OF	3601257	1S4W08F	13	BNK HILL
COLTON, CITY OF	3601258	1S4W08R	14	BNK HILL
COLTON, CITY OF	3601260	1S4W08F01S	16	BNK HILL
COLTON, CITY OF	3601262	1S4W08C02S	BARNHL 18	BNK HILL
COLTON, CITY OF	3602405	1S4W08C	19	BNK HILL
COLTON, CITY OF	3602498	1S4W08R07	6B	BNK HILL
COLTON, CITY OF	3602793	1S4W08F01		
CONejo RANCHOS MUTUAL WATER COMPANY	3601186	1N4W36F03S	1	BNK HILL
COOK CANYON	0000018	1N3W27R		BNK HILL
CRAFTON WATER COMPANY	3600272	1S2W29N	5TH AVE 1	BNK HILL
CRAFTON WATER COMPANY	3602186	1S2W21L02	2	BNK HILL
CRAM PATTERSON WELL	3600188	1S2W16	CRAMPAT 2	BNK HILL
CRAM RANCH ASSOCIATES	3600241	1S3W03Q		BNK HILL
CRIM, W. ROSCOE	3601171	1S3W20F	1	BNK HILL

SAN BERNARDINO BASIN AREA
CROSS INDEX BY OWNER

OWNER NAME	RECORDATION NUMBER	STATE WELL NUMBER	LOCAL DESIGNATION	BASIN NAME
CRYSTAL SPRINGS	0000020	2S2W06D		BNK HILL
DANGLO DAIRY	0000021	1S4W11F		BNK HILL
DANIELS AND BEST RANCH	3602549	1S3W19J	CALIF STREET	BNK HILL
DANIELS AND BEST RANCH	3602550	1S3W17R	ALABAMA ST	BNK HILL
DANIELS, DON	0000175	1S3W19J		BNK HILL
DANIELS, HAROLD	0000022	1S3W17R	RANCH	BNK HILL
DANIELS, HAROLD	0000023	1S3W17C	DOMEST. WELL	BNK HILL
DEL ROSA MUTUAL WATER COMPANY	3601809	1N4W26	GOLDNAV 1	BNK HILL
DEVORE WATER CO.	3602382	2N5W28D	1	L CAJON
DEVORE WATER CO.	3602383	2N5W28C	2	L CAJON
DEVORE WATER CO.	3602384	2N5W28C	3	L CAJON
DEVORE WATER CO.	3602385	2N5W20H	MEDLIN CR.	L CAJON
DEVORE WATER CO.	3602386	2N5W21E	LETHIN SP.	L CAJON
DEVORE WATER CO.	3602387	2N5W22E	E. KIMBARK	L CAJON
DEVORE WATER CO.	3602388	2N5W21G	KIMBARK	L CAJON
DEVORE WATER CO.	3602389	2N5W22N	HOPPER	L CAJON
DEVORE WATER CO.	3602390	2N5W28B	SANTA FE	L CAJON
DEVORE WATER CO.	3602391	2N5W28D	CASADY	L CAJON
DEVORE WATER CO.	3602428	2N5W33H	4	L CAJON
DILLSON MUT. WTR. CO.	0000025	1N4W13P	DILLSON AVE	DEVIL CAN
DILLSON MUT. WTR. CO.	0000026	1N4W13P	HARRISON CYN	DEVIL CAN
DILLSON MUT. WTR. CO.	0000173	1N4W13P	CISCO WELL	DEVIL CAN

SAN BERNARDINO BASIN AREA
CROSS INDEX BY OWNER

OWNER NAME	RECORDATION NUMBER	STATE WELL NUMBER	LOCAL DESIGNATION	BASIN NAME
DUDA, WALTER AND BETTY	3601839	1S3W10D01S	1	BNK HILL
EADINGTON FRUIT CO. COOK RANCH	3600527	1S3W16	HOME	BNK HILL
EAST BARTON WATER COMPANY	3600608	1S3W28B01S	BARTON	BNK HILL
EAST HIGHLANDS ORANGE COMPANY	0000029	1N3W35B	BOX SPRING	BNK HILL
EAST HIGHLANDS RANCH, INC.	3600598	1S3W02	LOCAL 1	BNK HILL
EAST HIGHLANDS RANCH, INC.	3600604	1S2W07B	RANNEY	BNK HILL
EAST HIGHLANDS RANCH, INC.	3600605	1N3W36	PLUNGE CK DI	PLUNGE
EAST HIGHLANDS RANCH, INC.	3600606	1N3W35	ELDER GULCH	BNK HILL
EAST HIGHLANDS RANCH, INC.	3600607	1S3W02	SMALL	BNK HILL
EAST HIGHLANDS RANCH, INC.	3600607 -	1S3W02	SMALL	BNK HILL
EAST HIGHLANDS RANCH, INC.	3601639	1S3W03R01	STORE WELL	BNK HILL
EAST HIGHLANDS RANCH, INC.	3602474	1N3W25Q		PLUNGE
EAST LUGONIA MUTUAL WATER CO.	3600005	1S3W35H08S	LUETCKE	BNK HILL
EAST LUGONIA MUTUAL WATER CO.	3600006	1S2W19G01S	BERYL ST	BNK HILL
EAST LUGONIA MUTUAL WATER CO.	3600038	1S2W17		BNK HILL
EAST PIONEER MUTUAL WELL COMPANY	3602224	1S3W13P		BNK HILL
EAST VALLEY WATER DISTRICT	0000030	1N3W30C	NO. 36	BNK HILL
EAST VALLEY WATER DISTRICT	0000032	1S3W04P	NO. 43	BNK HILL
EAST VALLEY WATER DISTRICT	0000033	1N3W30C	NO. 44	BNK HILL
EAST VALLEY WATER DISTRICT	0000034	1N3W31A	NO. 45	BNK HILL
EAST VALLEY WATER DISTRICT	0000035	1S3W05Q	NO. 46	BNK HILL
EAST VALLEY WATER DISTRICT	0000036	1N4W36H	NO. 52	BNK HILL

SAN BERNARDINO BASIN AREA
CROSS INDEX BY OWNER

OWNER NAME	RECORDATION NUMBER	STATE WELL NUMBER	LOCAL DESIGNATION	BASIN NAME
EAST VALLEY WATER DISTRICT	0000037	1S3W06	NO. 69	BNK HILL
EAST VALLEY WATER DISTRICT	0000038	1N3W31D	NO. 70	BNK HILL
EAST VALLEY WATER DISTRICT	0000039	1S3W06E	NO. 71	BNK HILL
EAST VALLEY WATER DISTRICT	0000040	1S3W06B	NO. 72	BNK HILL
EAST VALLEY WATER DISTRICT	0000041	1S3W06C	NO. 74	BNK HILL
EAST VALLEY WATER DISTRICT	0000042	1S4W02L	NO. 75	BNK HILL
EAST VALLEY WATER DISTRICT	0000043	1S3W06P	NO. 78	BNK HILL
EAST VALLEY WATER DISTRICT	0000044	1S3W05Q	NO. 80	BNK HILL
EAST VALLEY WATER DISTRICT	0000045	1S3W06M	NO. 81	BNK HILL
EAST VALLEY WATER DISTRICT	0000046	1S3W06Q	NO. 83	BNK HILL
EAST VALLEY WATER DISTRICT	0000047	1S3W03N	NO. 84	BNK HILL
EAST VALLEY WATER DISTRICT	0000048	1N4W25D	NO. 85	BNK HILL
EAST VALLEY WATER DISTRICT	0000049	1S3W03N	NO. 93	BNK HILL
EAST VALLEY WATER DISTRICT	0000050	1S3W05J	NO. 95	BNK HILL
EAST VALLEY WATER DISTRICT	0000051	1S4W01D	NO. 96	BNK HILL
EAST VALLEY WATER DISTRICT	0000052	1S3W06N	NO. 97	BNK HILL
EAST VALLEY WATER DISTRICT	0000059	1S3W04Q	NO. 106	BNK HILL
EAST VALLEY WATER DISTRICT	3600026	1S3W04J	NO. 102	BNK HILL
EAST VALLEY WATER DISTRICT	3600058	1S3W03F	NO. 53	BNK HILL
EAST VALLEY WATER DISTRICT	3600183	1S4W02	NO. 60	BNK HILL
EAST VALLEY WATER DISTRICT	3600221	1N3W30	NO. 63	BNK HILL
EAST VALLEY WATER DISTRICT	3600269	1N3W31L	NO. 68	BNK HILL

**SAN BERNARDINO BASIN AREA
CROSS INDEX BY OWNER**

OWNER NAME	RECORDATION NUMBER	STATE WELL NUMBER	LOCAL DESIGNATION	BASIN NAME
EAST VALLEY WATER DISTRICT	3600275	1N3W32	NO. 64	BNK HILL
EAST VALLEY WATER DISTRICT	3600374	1N3W33M01S	PALMHI 1	BNK HILL
EAST VALLEY WATER DISTRICT	3600375	1S3W05	CULHLND 1	BNK HILL
EAST VALLEY WATER DISTRICT	3600376	1S3W05	CULHLND 2	BNK HILL
EAST VALLEY WATER DISTRICT	3600377	1N3W27N08S	CCH 1	BNK HILL
EAST VALLEY WATER DISTRICT	3600378	1N3W27N02S	CCH 3	BNK HILL
EAST VALLEY WATER DISTRICT	3600444	1N3W30H01S	NO. 98	BNK HILL
EAST VALLEY WATER DISTRICT	3600466	1S3W04	NO. 48	BNK HILL
EAST VALLEY WATER DISTRICT	3600545	1N3W30	NUTW-DS	BNK HILL
EAST VALLEY WATER DISTRICT	3600643	1N4W25K01	NO. 66	BNK HILL
EAST VALLEY WATER DISTRICT	3600680	1S3W02	NF CRAM3	BNK HILL
EAST VALLEY WATER DISTRICT	3600855	1N3W28P01S	SEAVEY 1	BNK HILL
EAST VALLEY WATER DISTRICT	3600864	1N3W19	NO. 79	BNK HILL
EAST VALLEY WATER DISTRICT	3600925	1S4W01Q01	NO. 100	BNK HILL
EAST VALLEY WATER DISTRICT	3600926	1S4W01F02S	PATTON 4	BNK HILL
EAST VALLEY WATER DISTRICT	3600927	1N3W31B01	PATTON 6	BNK HILL
EAST VALLEY WATER DISTRICT	3600928	1N3W31L02S	PATTON 7	BNK HILL
EAST VALLEY WATER DISTRICT	3600930	1N3W31L03S	PATTON 9	BNK HILL
EAST VALLEY WATER DISTRICT	3600970	1N3W19	LSC 1	BNK HILL
EAST VALLEY WATER DISTRICT	3600971	1N3W19F	L. SAND CR.	BNK HILL
EAST VALLEY WATER DISTRICT	3601069	1N3W33M02S	1	BNK HILL
EAST VALLEY WATER DISTRICT	3601184	1N3W33F01S	NO. 94	BNK HILL

SAN BERNARDINO BASIN AREA
CROSS INDEX BY OWNER

OWNER NAME	RECORDATION NUMBER	STATE WELL NUMBER	LOCAL DESIGNATION	BASIN NAME
EAST VALLEY WATER DISTRICT	3601582	1S4W02R		BNK HILL
EAST VALLEY WATER DISTRICT	3601584	1N3W33H01S	NO. 47	BNK HILL
EAST VALLEY WATER DISTRICT	3601643	1S3W03Q	4	BNK HILL
EAST VALLEY WATER DISTRICT	3601653	1N4W36K04S	NO. 1	BNK HILL
EAST VALLEY WATER DISTRICT	3601654	1N4W36	NO. 1A	BNK HILL
EAST VALLEY WATER DISTRICT	3601655	1N4W36K05S	NO. 2	BNK HILL
EAST VALLEY WATER DISTRICT	3601656	1N4W36Q01S	NO. 6	BNK HILL
EAST VALLEY WATER DISTRICT	3601657	1S4W01B04S	NO. 7	BNK HILL
EAST VALLEY WATER DISTRICT	3601658	1N4W36R01S		BNK HILL
EAST VALLEY WATER DISTRICT	3601659	1S3W06H01S	NO. 9	BNK HILL
EAST VALLEY WATER DISTRICT	3601660	1S3W06H04S	NO. 9A	BNK HILL
EAST VALLEY WATER DISTRICT	3601661	1S4W01J08S	NO. 10	BNK HILL
EAST VALLEY WATER DISTRICT	3601662	1S4W02Q05S	11	BNK HILL
EAST VALLEY WATER DISTRICT	3601663	1S4W02Q04S	12	BNK HILL
EAST VALLEY WATER DISTRICT	3601664	1S4W02N01S	13	BNK HILL
EAST VALLEY WATER DISTRICT	3601665	1S4W01K04S	14	BNK HILL
EAST VALLEY WATER DISTRICT	3601666	1N4W36F08S	16	BNK HILL
EAST VALLEY WATER DISTRICT	3601667	1S3W06A05S	21	BNK HILL
EAST VALLEY WATER DISTRICT	3601668	1S4W01E02S	22	BNK HILL
EAST VALLEY WATER DISTRICT	3601669	1N4W36H06S	23	BNK HILL
EAST VALLEY WATER DISTRICT	3601670	1N4W26A01S	24	BNK HILL
EAST VALLEY WATER DISTRICT	3601671	1N4W26A02S	24A	BNK HILL

SAN BERNARDINO BASIN AREA
CROSS INDEX BY OWNER

OWNER NAME	RECORDATION NUMBER	STATE WELL NUMBER	LOCAL DESIGNATION	BASIN NAME
EAST VALLEY WATER DISTRICT	3601672	1N4W25B	25	BNK HILL
EAST VALLEY WATER DISTRICT	3601673	1N4W25C02S	25A	BNK HILL
EAST VALLEY WATER DISTRICT	3601674	1N4W25G01S	26	BNK HILL
EAST VALLEY WATER DISTRICT	3601675	1N4W25A01S	27	BNK HILL
EAST VALLEY WATER DISTRICT	3601676	1S4W12B05S	28	BNK HILL
EAST VALLEY WATER DISTRICT	3601677	1S3W05A02S	31	BNK HILL
EAST VALLEY WATER DISTRICT	3601678	1S3W05B04S	32	BNK HILL
EAST VALLEY WATER DISTRICT	3601679	1S3W05N05S	38	BNK HILL
EAST VALLEY WATER DISTRICT	3601781	1S3W06K01S	35	BNK HILL
EAST VALLEY WATER DISTRICT	3601884	1N3W31C02S	30	BNK HILL
EAST VALLEY WATER DISTRICT	3601978	1S3W04N	40	BNK HILL
EAST VALLEY WATER DISTRICT	3601987	1S3W04G	HIGHLD 1	BNK HILL
EAST VALLEY WATER DISTRICT	3602034	1S4W01Q	12A	BNK HILL
EAST VALLEY WATER DISTRICT	3602113	1N3W30N	41	BNK HILL
EAST VALLEY WATER DISTRICT	3602174	1S4W02		BNK HILL
EAST VALLEY WATER DISTRICT	3602260	1S3W05D06	CULL 3	BNK HILL
EAST VALLEY WATER DISTRICT	3602274	1N3W30J	39	BNK HILL
EAST VALLEY WATER DISTRICT	3602337	1N4W26A	24 B	BNK HILL
EAST VALLEY WATER DISTRICT	3602338	1S3W04N	40A	BNK HILL
EAST VALLEY WATER DISTRICT	3602370	1N4W25F	4A	BNK HILL
EAST VALLEY WATER DISTRICT	3602417	1S3W05D	4	BNK HILL
EAST VALLEY WATER DISTRICT	3602560	1S3W04G	DUNKIRK 2	BNK HILL

SAN BERNARDINO BASIN AREA
CROSS INDEX BY OWNER

OWNER NAME	RECORDATION NUMBER	STATE WELL NUMBER	LOCAL DESIGNATION	BASIN NAME
EAST VALLEY WATER DISTRICT	3602563	1S4W02Q	11A	BNK HILL
EAST VALLEY WATER DISTRICT	3602564	1S4W12B	28A	BNK HILL
EAST VALLEY WATER DISTRICT	3602571	1S3W03F		BNK HILL
EAST VALLEY WATER DISTRICT	3602799	1S2W07H01		
EASTWOOD FARMS COMMUNITY WATER USERS	3602130	1S4W01P01S	1	BNK HILL
EASTWOOD FARMS COMMUNITY WATER USERS	3602131	1S4W01P02S	2	BNK HILL
ELLENA, JOHN B.	0000054	1N4W08N		DEVIL CAN
ELLG00D	0000055	1S2W24C		BNK HILL
ELTINGE & GRAZIADIO	3600766	1S3W29A01	COLTAMA	BNK HILL
F. A. R. WELL	3602020	1S2W20K		BNK HILL
FAIRVIEW WATER COMPANY	3600554	1S3W17	FAIRVM 1	BNK HILL
FARROW	0000056	1S2W22E		BNK HILL
FINCH	0000057	1S2W29		BNK HILL
FONTANA UNION WATER COMPANY	3600561	1N5W23K01S	FU 1	LYTLE
FONTANA UNION WATER COMPANY	3600562	1N5W22F02S	FU 3	LYTLE
FONTANA UNION WATER COMPANY	3600563	1N5W22C02S	FU 4	LYTLE
FONTANA UNION WATER COMPANY	3600569	1N5W22A01S	FU 13	LYTLE
FONTANA UNION WATER COMPANY	3600579	1N5W22F03S	FU 24	LYTLE
FONTANA UNION WATER COMPANY	3600580	1N5W22F01S	FU 25	LYTLE
FONTANA UNION WATER COMPANY	3600581	1N5W07H01S	FU 26	LYTLE
FONTANA UNION WATER COMPANY	3600582	1N5W06G01S	FU 27	LYTLE
FONTANA UNION WATER COMPANY	3600585	1N5W16K01S	FU 32	LYTLE

SAN BERNARDINO BASIN AREA
CROSS INDEX BY OWNER

OWNER NAME	RECORDATION NUMBER	STATE WELL NUMBER	LOCAL DESIGNATION	BASIN NAME
FONTANA UNION WATER COMPANY	3600586	1N5W06K02S	FU 33	LYTLE
FONTANA UNION WATER COMPANY	3600588	2N6W26L2	MN 1	LYTLE
FONTANA UNION WATER COMPANY	3600590	2N6W26L1	MN 2	LYTLE
FONTANA UNION WATER COMPANY	3600591	1N5W06E		LYTLE
FONTANA UNION WATER COMPANY	3602727	1N5W15Q02S	FU 8	LYTLE
FRIEDEMANN, ERNEST C.	3600747	1N3W31P02S	WELL 1	BNK HILL
FRINK RANCH	3601131	1S3W30		BNK HILL
GAY, PHILIP L.	3601126	1S2W30H	1	BNK HILL
GENERAL AMERICAN LIFE INS. CO.	3601352	1S3W19N		BNK HILL
GLADYSTA WELL & WATER COMPANY	3600182	1S3W20H01	1	BNK HILL
GLADYSTA WELL & WATER COMPANY	3600182 -	1S3W20H02		BNK HILL
GOLCONDA WATER CO.	0000058	1S4W13E		BNK HILL
GOLDEN BEAR FOREST PRODUCTS	3602127	1S3W15A01		BNK HILL
GRANT WATER COMPANY	3600075	1S3W28C01	GRANT	BNK HILL
GREENSPOT MUTUAL WATER CO TUNNEL	0000166	1S2W22		BNK HILL
GREENSPOT MUTUAL WELL CO.	3600266	1S2W16C01	GRNSPTMU	BNK HILL
GUERTH, WILLIAM H.	3600856	1N3W27M	CITY CREEK	BNK HILL
HAGAR	0000060	1S2W16L		BNK HILL
HAPPE MUTUAL WELL COMPANY	3600238	1S2W29M01	1	BNK HILL
HARDISON	0000061	1N4W13Q		DEVIL CAN
HARRISON	0000062	1S3W04J		BNK HILL
HARRISON CANYON	0000063	1N4W13P		DEVIL CAN

SAN BERNARDINO BASIN AREA
CROSS INDEX BY OWNER

OWNER NAME	RECORDATION NUMBER	STATE WELL NUMBER	LOCAL DESIGNATION	BASIN NAME
HARRISON CANYON	0000064	1N4W13P		DEVIL CAN
HAZAS	0000065	1S4W11G		BNK HILL
HEAD, JOE T.	3600226	1S2W21L01	1	BNK HILL
HELIPORT	0000066	1S4W15G		BNK HILL
HIGHLAND ACRES RANCH	3600323	1S2W06M	ELEC 1	BNK HILL
HIGHLAND WELL COMPANY	3600184	1N3W28N01	APLIN WELL	BNK HILL
HILL	0000067	1S2W31B		BNK HILL
HINCKLEY, HORACE P.	3600240	1S2W30	SOUTH WELL	BNK HILL
HINCKLEY, HORACE P.	3601645	1S2W30B	1	BNK HILL
HOBBS WELL PARTNERSHIP	3600049	1S3W25M	MORRISON	BNK HILL
HOBBS WELL PARTNERSHIP	3600049-	1S3W25M	HOBBS WELL	BNK HILL
HOLDEN MUT. WTR. CO.	0000068	1S4W14E		BNK HILL
HOLDEN MUT. WTR. CO.	0000069	1S4W14F	HOLDEN AVE.	BNK HILL
HOLMES ICE & COLD STORAGE CO. INC.	3600644	1S4W09B03S	2	BNK HILL
HOLMES ICE & COLD STORAGE CO. INC.	3600645	1S4W09B01S		BNK HILL
HORTON	0000070	1S3W32J		BNK HILL
HUNTER	0000071	1S3W03D		BNK HILL
INTER CITY MUTUAL WATER CO	0000072	1S4W23P		BNK HILL
IOWA STREET WELL	3601932	1S3W29B01		BNK HILL
J. G. GOLFING ENTERPRISES, INC.	3602499	1S4W22A01		BNK HILL
J. G. GOLFING ENTERPRISES, INC.	3602846	1S4W22A		BNK HILL
JEWEL WATER COMPANY, THE	3600091	1S3W20	1	BNK HILL

SAN BERNARDINO BASIN AREA
 CROSS INDEX BY OWNER

OWNER NAME	RECORDATION NUMBER	STATE WELL NUMBER	LOCAL DESIGNATION	BASIN NAME
JUDSON MUTUAL WATER COMPANY	3601647	1S3W23A03	1	BNK HILL
K INV./TRUTANIC/Y UN WELL	3601172	1S3W20C		BNK HILL
KANSAS STREET MUTUAL WATER CO.	3601092	1S3W28D01		BNK HILL
KARAHALOIS	0000139	1S2W17	PEPPER HOUSE	BNK HILL
KING	0000073	1N4W14R		DEVIL CAN
KING STREET MUTUAL WELL COMPANY	3600530	1S2W30G01	1	BNK HILL
KING STREET MUTUAL WELL COMPANY	3600530-	1S2W30G02	2	BNK HILL
KOCH	0000074	1S2W32B		BNK HILL
KOCH, GEORGE J.	3601451	1S2W32G01	1	BNK HILL
KRANTZ DAIRY	0000075	1S4W11F		BNK HILL
KUHN, RICHARD J	0000178	1S3W32G		BNK HILL
L.P.R. ICE COMPANY	3602525	1S3W13C		BNK HILL
L.P.R. RANCH	0000080	1S3W13C		BNK HILL
LA BONTE, JIM	3600865	1N4W24	MULTOWN2	BNK HILL
LA ROSSE, CHARLES H.	3600708	1S3W29	GOODWIN	BNK HILL
LA TOURETTE	0000078	1S2W28M		BNK HILL
LAKESIDE AVENUE MUTUAL WELL COMPANY	3602119	1S3W33C01S		BNK HILL
LANGFORD RANCHES	3600524	1S3W17L01S	NEVADA ST	BNK HILL
LANGFORD RANCHES	3600525	1S3W17H01S	ALABAMA	BNK HILL
LANGFORD RANCHES	3600526	1S3W21G01S	LUGONIA	BNK HILL
LANGSTON-NEWBY DEVELOPMENT CO.	3600218	1N4W24	1	DEVIL CAN
LANKERSHIM MUT. WTR. CO.	0000076	1S3W06L	LANKERSHIM A	BNK HILL

SAN BERNARDINO BASIN AREA
CROSS INDEX BY OWNER

OWNER NAME	RECORDATION NUMBER	STATE WELL NUMBER	LOCAL DESIGNATION	BASIN NAME
LANKERSHIM MUT. WTR. CO.	0000077	1S3W06F	MCKINLEY ST.	BNK HILL
LARANNI GUNTER WELL	3600160	1S3W32G01	GUNTER WELL	BNK HILL
LIVINGSTON-GRAHAM	3601420	1S3W09E	ALABAMA 2	BNK HILL
LOMA LINDA UNIVERSITY	3601910	1S3W30L	PUFFER	BNK HILL
LOMA LINDA UNIVERSITY	3602008	1S4W26A	1	BNK HILL
LOMA LINDA UNIVERSITY	3602009	1S4W25G01S	3	BNK HILL
LOMA LINDA UNIVERSITY	3602012	1S4W25C01S	6	BNK HILL
LOMA LINDA UNIVERSITY	3602013	1S4W24N	7	BNK HILL
LOMA LINDA UNIVERSITY	3602014	1S4W26J01S	8	BNK HILL
LOMA LINDA UNIVERSITY	3602017	1S4W25E01S	2	BNK HILL
LOMA LINDA UNIVERSITY	3602249	1S4W25D05	ANDERSON	BNK HILL
LOMA LINDA UNIVERSITY	3602781	1S4W25D		
LOMA LINDA UNIVERSITY	3602855	1S4W25D07		
LOMA LINDA, CITY OF	3601130	1S3W32D	NICKS WELL	BNK HILL
LOMA LINDA, CITY OF	3601384	1S4W25	1	BNK HILL
LOMA LINDA, CITY OF	3601388	1S4W25	2	BNK HILL
LOMA LINDA, CITY OF	3601989	1S4W24R01S	1	BNK HILL
LOMA LINDA, CITY OF	3602010	1S4W25H02S	LLU 4	BNK HILL
LOMA LINDA, CITY OF	3602011	1S4W25B02S	LLU 5	BNK HILL
LOMA LINDA, CITY OF	3602015	1S4W25B	LLU 9	BNK HILL
LOMA LINDA, CITY OF	3602016	1S4W25G	ROBINSON	BNK HILL
LOMA LINDA, CITY OF	3602057	1S4W25C	MITTLEID	BNK HILL

SAN BERNARDINO BASIN AREA
CROSS INDEX BY OWNER

OWNER NAME	RECORDATION NUMBER	STATE WELL NUMBER	LOCAL DESIGNATION	BASIN NAME
LOMA LINDA, CITY OF	3602058	1S4W25F	CROOKS	BNK HILL
LOMA LINDA, CITY OF	3602596	1S4W24R	NEW GOLCONDA	BNK HILL
LOMA LINDA, CITY OF	3602759	1S4W24A		BNK HILL
LOMA LINDA, CITY OF	3602760	1S4W24C		
LOMA LINDA, CITY OF	3603057	1S4W23		
LOMA LINDA, CITY OF	3603058	1S4W23		
LORD	0000079	1S2W28M	SPRING DIV.	BNK HILL
LUGO WATER COMPANY	3600510	1S3W21K01	1	BNK HILL
LULY, DR. LUCIAN L.	3601376	1N4W14	WATERMAN	DEVIL CAN
LULY, DR. LUCIAN L.	3601377	1N4W14	WATERMAN	DEVIL CAN
LULY, DR. LUCIAN L.	3601378	1N4W14	WATERMAN	DEVIL CAN
MARIGOLD FARMS COMPANY	3600418	1S3W19	BRAGA WELL	BNK HILL
MARIGOLD FARMS COMPANY	3600757	1S3W19L	2	BNK HILL
MARIGOLD FARMS COMPANY	3601748	1S3W18H01	CALIF	BNK HILL
MARIGOLD FARMS COMPANY	3601748-	1S3W19A01	CALIF	BNK HILL
MARIGOLD FARMS COMPANY	3601749	1S3W19B01	JAP	BNK HILL
MARIGOLD FARMS COMPANY	3601750	1S3W18L	ACQUIL	BNK HILL
MARSHBURN	0000081	1S3W17G		BNK HILL
MASCART WATER COMPANY	3601102	1S3W21E	2	BNK HILL
MAYBELL, N. O.	3600291	1S4W12		BNK HILL
MCCALLA BROS	0000164	1S3W20		BNK HILL
MEADOWBROOK DAIRY	3600030	1S4W23D	IRRIG 2	BNK HILL

SAN BERNARDINO BASIN AREA
CROSS INDEX BY OWNER

OWNER NAME	RECORDATION NUMBER	STATE WELL NUMBER	LOCAL DESIGNATION	BASIN NAME
MEADOWBROOK DAIRY	3600037	1S4W23D	DOMESTIC 1	BNK HILL
MENTONE ACRES MUTUAL WELL CO.	3600748	1S3W24A01	OLD WELL 1	BNK HILL
MENTONE CITRUS GROVES	3600139	1S2W18R01S		BNK HILL
MENTONE CITRUS GROVES	3602280	1S2W18Q		BNK HILL
MENTONE DOMESTIC WTR. CO.	0000083	1S2W19J		BNK HILL
MENTONE DOMESTIC WTR. CO.	0000176	1S2W19J	3 1971	BNK HILL
MEYER, CHARLES R.	3600760	1N5W01R	1	DEVIL CAN
MILLER MUTUAL WELL CO.	3600630	1N3W32		BNK HILL
MILLER MUTUAL WELL CO.	3600630-	1N3W32D		BNK HILL
MONTECITO MUTUAL WATER COMPANY	3600119	1S4W26F01	1	BNK HILL
MOORE, R. H.	0000084	1S4W24K		BNK HILL
MOUNT VERNON WATER COMPANY	3600319	1N4W31A01S	1	BNK HILL
MOUNT VERNON WATER COMPANY	3600320	1N5W22M		LYTLE
MT. HARRISON MUTUAL WATER CO.	3600220	1S3W01H	1	BNK HILL
MT. VIEW CEMETERY OF SAN BERNARDINO	3600742	1N4W26	1	BNK HILL
MT. VIEW CEMETERY OF SAN BERNARDINO	3600742-	1N4W26	3	BNK HILL
MT. VIEW CEMETERY OF SAN BERNARDINO	3600743	1N4W26	2	BNK HILL
MT. VIEW CHILD CARE CENTER	0000145	1S4W24J		BNK HILL
MULLINS, JAMES C., JR., EXECUTOR	3602074	1N3W34B02	IRRIG. 1	BNK HILL
MULLINS, JAMES C., JR., EXECUTOR	3602075	1N3W34B01	DOM. 2	BNK HILL
MUSCOY MUTUAL WATER COMPANY, NO. 1	3601497	1N5W23H01S	MUSCOY 1	LYTLE
MUSCOY MUTUAL WATER COMPANY, NO. 1	3601498	1N5W24D01S	NO. 4	LYTLE

SAN BERNARDINO BASIN AREA
CROSS INDEX BY OWNER

OWNER NAME	RECORDATION NUMBER	STATE WELL NUMBER	LOCAL DESIGNATION	BASIN NAME
MUSCOY MUTUAL WATER COMPANY, NO. 1	3601499	1N5W23A01S	MUSCOY 2	LYTLE
MUSCOY MUTUAL WATER COMPANY, NO. 1	3601500	1N5W23A02S	MUSCOY 3	LYTLE
MUSCOY MUTUAL WATER COMPANY, NO. 1	3602345	1N5W24E	WELL NO 4	LYTLE
NATIONAL ORANGE SHOW	3601924	1S4W15D		BNK HILL
NEALEY MUTUAL WATER COMPANY	3601381	1N5W07C		LYTLE
NEW ENGLAND WATER CO.	3602320	1S3W16		BNK HILL
NICKERSON WATER COMPANY	3600123	1S3W20R01	ALABAMA NO 1	BNK HILL
NICKERSON WATER COMPANY	3600124	1S3W21M01	LUGONIA NO 2	BNK HILL
NO NAME WELL	0000085	1N3W32M		BNK HILL
NORTH FORK WATER COMPANY	3600678	1S2W08C01S	NO. 1	BNK HILL
NORTH FORK WATER COMPANY	3600679	1S2W08C02S	NO. 2	BNK HILL
NORTH FORK WATER COMPANY	3600681	1N3W27	CITY CREEK	BNK HILL
NORTH FORK WATER COMPANY	3600765	1N3W33C01	RODDICK WELL	BNK HILL
NORTH FORK WATER COMPANY	3601644	1S3W01A	PLUNGE CR	BNK HILL
NORTHBRAE WATER COMPANY	3600296	1S3W15R01	1	BNK HILL
NORTHSIDE WATER COMPANY	3600933	1S3W23F	1	BNK HILL
NORTON AIR FORCE BASE	0000086	1S4W12B	LOCAL NO. 2	BNK HILL
NORTON AIR FORCE BASE	0000087	1S4W12C	LOCAL NO. 3	BNK HILL
NORTON AIR FORCE BASE	0000088	1S4W12D	LOCAL NO. 4	BNK HILL
NORTON AIR FORCE BASE	0000089	1S4W12F	LOCAL NO. 5	BNK HILL
NORTON AIR FORCE BASE	0000090	1S3W08A	LOCAL NO. 11	BNK HILL
NORTON AIR FORCE BASE	0000091	1S4W12Q	NO NO. WELL	BNK HILL

SAN BERNARDINO BASIN AREA
CROSS INDEX BY OWNER

OWNER NAME	RECORDATION NUMBER	STATE WELL NUMBER	LOCAL DESIGNATION	BASIN NAME
NORTON AIR FORCE BASE	0000092	1S4W12G	LOCAL NO. 44	BNK HILL
NORTON AIR FORCE BASE	0000093	1S3W08E	LOCAL NO.347	BNK HILL
NORTON AIR FORCE BASE	0000094	1S3W08M	LOCAL NO.865	BNK HILL
NORWOOD	0000095	1N3W34F		BNK HILL
NYE, WILLIAM H.	3600313	1S2W29N01S	NYE	BNK HILL
OLD TOWN WELL CO.	3600493	1S3W29	1	BNK HILL
OLD TOWN WELL CO.	3600494	1S3W29	2	BNK HILL
PACIFIC HIGH SCHOOL	0000096	1N4W35H		BNK HILL
PAINE, ROBERT T., TRUSTEE	3601641	1S2W30C01S	OPAL ST	BNK HILL
PAINE, ROBERT T., TRUSTEE	3601642	1S2W30B02S	KING ST	BNK HILL
PATTERSON, ROY H.	0000163	1N3W34		BNK HILL
PAXTON, R. H.	3600468	1S3W30	BAHR 1	BNK HILL
PENN WELL COMPANY	3601099	1S3W22F	1	BNK HILL
PENN WELL COMPANY	3601405	1S3W22	2	BNK HILL
PHAROAH POWELL WATER CO.	3600415	1S3W29J01		BNK HILL
PIERSON	0000097	1N4W35N		BNK HILL
PIONEER MUTUAL WATER CO.	3600642	1S3W14P01	SBDNO 1	BNK HILL
QUALITY FARMS	0000053	1S3W04R	NO. 102	BNK HILL
RAMIREZ BROTHERS	3601728	1S3W30	1	BNK HILL
RAMIREZ, CARLOS	3601649	1S3W28M	HOOVER	BNK HILL
RAMIREZ, CARLOS	3601649-	1S3W28M	HOOVER	BNK HILL
RAMIREZ, J.J.	3600484	1S3W16	BUCKEYE 2	BNK HILL

SAN BERNARDINO BASIN AREA
CROSS INDEX BY OWNER

OWNER NAME	RECORDATION NUMBER	STATE WELL NUMBER	LOCAL DESIGNATION	BASIN NAME
RAMSEY	0000098	1S2W22F	SPRING DIV	BNK HILL
RANCHO CITRUS AMIGOS	3601753	1S3W29	PARK AVE 1	BNK HILL
RANCHO LADERA	3602188	1S2W29L	ROLADERA	BNK HILL
RAUGHT MUTUAL WELL COMPANY	3602193	1S3W14R01	RAUGHT	BNK HILL
REDLANDS ASSOCIATES	0000099	1S2W17B	NO. 0	BNK HILL
REDLANDS ASSOCIATES	0000100	1S2W09P	BLOCK NO. 6	BNK HILL
REDLANDS ASSOCIATES	0000101	1S2W09L	BLOCK NO. 11	BNK HILL
REDLANDS ASSOCIATES	0000102	1S2W09L	TUNNEL DIV.	BNK HILL
REDLANDS TRAP/SKEET	3600628	1S3W15G		BNK HILL
REDLANDS WTR. CO.	0000104	1S2W08	TUNNEL DIV.	BNK HILL
REDLANDS, CITY OF	0000103	1S2W13B	MILL CR. DIV	BNK HILL
REDLANDS, CITY OF	3600019	1S3W23	GR REES 1	BNK HILL
REDLANDS, CITY OF	3600085	1S3W28J01	NY ST 1	BNK HILL
REDLANDS, CITY OF	3600749	1S3W13	NEW 2	BNK HILL
REDLANDS, CITY OF	3600756	1S3W19H	1	BNK HILL
REDLANDS, CITY OF	3600918	2S3W01E	1	BNK HILL
REDLANDS, CITY OF	3601281	1S2W21M01S	MAGUET 1	BNK HILL
REDLANDS, CITY OF	3601282	1S1W08G1	MC 1	MILL CRK
REDLANDS, CITY OF	3601283	1S2W22C02S	E LUG 2	BNK HILL
REDLANDS, CITY OF	3601284	1S2W21E01S	MAGUET 2	BNK HILL
REDLANDS, CITY OF	3601285	1S1W10L1	MC 2	MILL CRK
REDLANDS, CITY OF	3601286	1S2W21E02S	MAGUET 3	BNK HILL

SAN BERNARDINO BASIN AREA
CROSS INDEX BY OWNER

OWNER NAME	RECORDATION NUMBER	STATE WELL NUMBER	LOCAL DESIGNATION	BASIN NAME
REDLANDS, CITY OF	3601287	1S2W21C	ELUGNA3	BNK HILL
REDLANDS, CITY OF	3601288	1S1W11Q1	MC 4	MILL CRK
REDLANDS, CITY OF	3601289	1S3W35E	4R	BNK HILL
REDLANDS, CITY OF	3601290	1S2W21D01S	ELUGNA6	BNK HILL
REDLANDS, CITY OF	3601291	1S3W35G08S	10	BNK HILL
REDLANDS, CITY OF	3601292	1S3W35G07S	11	BNK HILL
REDLANDS, CITY OF	3601293	1S3W35H02S	12	BNK HILL
REDLANDS, CITY OF	3601294	1S3W35G09S	13	BNK HILL
REDLANDS, CITY OF	3601295	1S3W35H04S	14	BNK HILL
REDLANDS, CITY OF	3601296	1S3W35H03S	16	BNK HILL
REDLANDS, CITY OF	3601297	1S3W35G11S	17	BNK HILL
REDLANDS, CITY OF	3601298	1S3W21H01S	32	BNK HILL
REDLANDS, CITY OF	3601299	1S4W24K01S	34	BNK HILL
REDLANDS, CITY OF	3601300	1S3W27E02S	40	BNK HILL
REDLANDS, CITY OF	3601301	1S3W28H01S	41	BNK HILL
REDLANDS, CITY OF	3601302	1S2W14N	MILL CR.	BNK HILL
REDLANDS, CITY OF	3601308	1S2W19K01S	TENCH	BNK HILL
REDLANDS, CITY OF	3601585	1S3W23A03S	SBDNO AV 1	BNK HILL
REDLANDS, CITY OF	3601586	1S3W15F02S	ORANGE 5	BNK HILL
REDLANDS, CITY OF	3601636	1S4W24	LANGFORD	BNK HILL
REDLANDS, CITY OF	3601637	1S3W30	PTRSON WELL	BNK HILL
REDLANDS, CITY OF	3602031	1S3W21H	30A	BNK HILL

SAN BERNARDINO BASIN AREA
CROSS INDEX BY OWNER

OWNER NAME	RECORDATION NUMBER	STATE WELL NUMBER	LOCAL DESIGNATION	BASIN NAME
REDLANDS, CITY OF	3602032	1S3W22A	35	BNK HILL
REDLANDS, CITY OF	3602036	1S3W21H	31A	BNK HILL
REDLANDS, CITY OF	3602082	2S3W03K		BNK HILL
REDLANDS, CITY OF	3602106	1S3W22A01S		BNK HILL
REDLANDS, CITY OF	3602211	1S3W26C	37SYLVN	BNK HILL
REDLANDS, CITY OF	3602346	1S3W28J02	1	BNK HILL
REDLANDS, CITY OF	3602351	1S2W13A	MC 0-A	BNK HILL
REDLANDS, CITY OF	3602653	1S2W19J		BNK HILL
REDLANDS, CITY OF	3602654	1S2W19J		BNK HILL
REDLANDS, CITY OF	3602732	1S3W32J02S	DOC. LEE	BNK HILL
REDLANDS, CITY OF	3602791	1S2W20B01		
REDLANDS, CITY OF	3602792	1S2W19A01		
REDLANDS, CITY OF	3602895	1S3W13H		
REDLANDS, CITY OF	3602896	1S2W20A		
REES & PERRICONE RANCH	3602171	1S2W18M	1	BNK HILL
REGINA GRAPE PRODUCTS	0000105	1N5W04M	WELL NO. 1	LYTLE
REGINA GRAPE PRODUCTS	0000106	1N5W04N	WELL NO. 2	LYTLE
REGINA GRAPE PRODUCTS	0000107	1N5W04N	WELL NO. 3	LYTLE
REGINA GRAPE PRODUCTS	0000108	1N5W05B	SPRING DIV.	LYTLE
REGINA GRAPE PRODUCTS	0000109	1N5W05R	WELL NO. 4	LYTLE
REGINA GRAPE PRODUCTS	0000110	1N5W04N	WELL NO. 5	LYTLE
REGINA GRAPE PRODUCTS	0000111	1N5W04N	WELL NO. 6	LYTLE

SAN BERNARDINO BASIN AREA
CROSS INDEX BY OWNER

OWNER NAME	RECORDATION NUMBER	STATE WELL NUMBER	LOCAL DESIGNATION	BASIN NAME
REGINA GRAPE PRODUCTS	0000112	1N5W04N	WELL NO. 7	LYTLE
REYNOLDS, BILL	3600981	1S2W21H01		BNK HILL
RIALTO, CITY OF	3601085	1N4W31N	RIALTO MUT	LYTLE
RIALTO, CITY OF	3601263	1N5W23Q01S	CITY WELL	LYTLE
RIALTO, CITY OF	3601718	1N5W22M		LYTLE
RIALTO, CITY OF	3601929	1S4W06C04S	NEW RAYN 3	BNK HILL
RIALTO, CITY OF	3602080	1N5W23Q	CITY 2	LYTLE
RIALTO, CITY OF	3602848	1N5W36N01		LYTLE
RIALTO, CITY OF	3603030	1S4W06B01S		
RIEDMAN, FRED M.	3601629	1S3W03P00S	1	BNK HILL
RIVAS	0000113	1S4W24J		BNK HILL
RIVAS, RAMON	3600016	1S4W24J	REES 4	BNK HILL
ROBBINS, H. W.	3602170	1S2W31M		BNK HILL
RULE	0000114	1N3W34K	SPRING	BNK HILL
SAN BERNARDINO AVENUE WATER COMPANY	3600125	1S3W14	1	BNK HILL
SAN BERNARDINO, CITY OF	0000115	1S4W21A	SEWER PLNT 1	BNK HILL
SAN BERNARDINO, CITY OF	0000116	1S4W22C	SEWER PLNT 2	BNK HILL
SAN BERNARDINO, CITY OF	3600034	1S4W16H	SMITH 1	BNK HILL
SAN BERNARDINO, CITY OF	3600035	1S4W15M01		BNK HILL
SAN BERNARDINO, CITY OF	3600222	1S4W11Q01S		BNK HILL
SAN BERNARDINO, CITY OF	3600709	2N5W19Q01	VINCENT	L CAJON
SAN BERNARDINO, CITY OF	3600710	2N5W19	CAJON	L CAJON

SAN BERNARDINO BASIN AREA
CROSS INDEX BY OWNER

OWNER NAME	RECORDATION NUMBER	STATE WELL NUMBER	LOCAL DESIGNATION	BASIN NAME
SAN BERNARDINO, CITY OF	3600711	1N4W07F01S	DEVCCYN 2	DEVIL CAN
SAN BERNARDINO, CITY OF	3600712	1N4W08M01S	DEVCCYN 1	DEVIL CAN
SAN BERNARDINO, CITY OF	3600713	1N5W36R01S	LYTLE CR 3	LYTLE
SAN BERNARDINO, CITY OF	3600714	1N4W16E01S	NEWMRK 1	DEVIL CAN
SAN BERNARDINO, CITY OF	3600715	1N4W16E	NEWMRK 2	DEVIL CAN
SAN BERNARDINO, CITY OF	3600716	1N4W16E03S	NEWMRK 3	DEVIL CAN
SAN BERNARDINO, CITY OF	3600717	1N4W32D03S	19TH STL	BNK HILL
SAN BERNARDINO, CITY OF	3600718	1N4W32D04S	19ST. 2	BNK HILL
SAN BERNARDINO, CITY OF	3600719	1N4W27G01S	MARSHALL	BNK HILL
SAN BERNARDINO, CITY OF	3600720	1N4W27M02S	27TH ST	BNK HILL
SAN BERNARDINO, CITY OF	3600721	1N4W27M01S	NO E ST	BNK HILL
SAN BERNARDINO, CITY OF	3600722	1S4W03D01S	ACACIA	BNK HILL
SAN BERNARDINO, CITY OF	3600723	1S4W10F01S	HANFORD 1	BNK HILL
SAN BERNARDINO, CITY OF	3600724	1S4W10F05S	HANFORD 2	BNK HILL
SAN BERNARDINO, CITY OF	3600725	1N4W34G01S	17 ST SW	BNK HILL
SAN BERNARDINO, CITY OF	3600726	1N4W34G03S	16TH ST	BNK HILL
SAN BERNARDINO, CITY OF	3600727	1N4W26G	LYNWOOD	BNK HILL
SAN BERNARDINO, CITY OF	3600728	1N4W27A01S	WTRMN AV	BNK HILL
SAN BERNARDINO, CITY OF	3600729	1N4W35M03S	GILBERTST	BNK HILL
SAN BERNARDINO, CITY OF	3600730	1S4W02K01S	ANTIL 3	BNK HILL
SAN BERNARDINO, CITY OF	3600731	1S4W02K02S	ANTIL 5	BNK HILL
SAN BERNARDINO, CITY OF	3600732	1S4W02K05S	ANTIL 2	BNK HILL

SAN BERNARDINO BASIN AREA
CROSS INDEX BY OWNER

OWNER NAME	RECORDATION NUMBER	STATE WELL NUMBER	LOCAL DESIGNATION	BASIN NAME
SAN BERNARDINO, CITY OF	3600733	1S4W02K04S	ANTIL 1	BNK HILL
SAN BERNARDINO, CITY OF	3600734	1S4W02K03S	ANTIL 4	BNK HILL
SAN BERNARDINO, CITY OF	3600735	1S4W09P01S	BIRCH ST	BNK HILL
SAN BERNARDINO, CITY OF	3600736	1S4W09J01S	SO G ST	BNK HILL
SAN BERNARDINO, CITY OF	3600737	1S4W10N06S	MILL & D	BNK HILL
SAN BERNARDINO, CITY OF	3600738	1N4W06	D.C. DIV.	DEVIL CAN
SAN BERNARDINO, CITY OF	3600739	1N5W06	L.C. DIV.	LYTLE
SAN BERNARDINO, CITY OF	3601114	1N4W35C01S	PRRSHLL 2	BNK HILL
SAN BERNARDINO, CITY OF	3601115	1N4W26P03S	PERRISH 5	BNK HILL
SAN BERNARDINO, CITY OF	3601116	1N4W35C02S	PRRSHLL 3	BNK HILL
SAN BERNARDINO, CITY OF	3601117	1N4W35C03S	PRRSHLL 4	BNK HILL
SAN BERNARDINO, CITY OF	3601316	1S4W23N	1	BNK HILL
SAN BERNARDINO, CITY OF	3601588	1N4W31H	BERDOO 1	BNK HILL
SAN BERNARDINO, CITY OF	3601626	1S4W10	CITYLOTS	BNK HILL
SAN BERNARDINO, CITY OF	3601843	1N5W03H01S	1	L CAJON
SAN BERNARDINO, CITY OF	3601844	1N5W03	2	L CAJON
SAN BERNARDINO, CITY OF	3601845	1N4W30L	3	LYTLE
SAN BERNARDINO, CITY OF	3601878	1N4W29E01S	DARBY	BNK HILL
SAN BERNARDINO, CITY OF	3601879	1N4W29	GARDENA	BNK HILL
SAN BERNARDINO, CITY OF	3601880	1N4W29F01S	COLIMA	BNK HILL
SAN BERNARDINO, CITY OF	3602081	1N4W27B	31 ST	BNK HILL
SAN BERNARDINO, CITY OF	3602128	1S4W14A	1	BNK HILL

SAN BERNARDINO BASIN AREA
CROSS INDEX BY OWNER

OWNER NAME	RECORDATION NUMBER	STATE WELL NUMBER	LOCAL DESIGNATION	BASIN NAME
SAN BERNARDINO, CITY OF	3602205	1N4W06H01S	DEVIL 4	DEVIL CAN
SAN BERNARDINO, CITY OF	3602206	1N4W06H02S	DEVIL 3	DEVIL CAN
SAN BERNARDINO, CITY OF	3602252	1S4W14B	2	BNK HILL
SAN BERNARDINO, CITY OF	3602264	1N4W27N01S	23RD ST.	BNK HILL
SAN BERNARDINO, CITY OF	3602265	1S4W03J	7TH ST.	BNK HILL
SAN BERNARDINO, CITY OF	3602285	1S4W15D05	15D5	BNK HILL
SAN BERNARDINO, CITY OF	3602399	1N4W16E	NEWMARK 4	BNK HILL
SAN BERNARDINO, CITY OF	3602400	1N4W32N	BASE LINE	BNK HILL
SAN BERNARDINO, CITY OF	3602401	1N4W27A	LERoy	BNK HILL
SAN BERNARDINO, CITY OF	3602422	1S4W02K08S	ANTIL 6	BNK HILL
SAN BERNARDINO, CITY OF	3602426	2N5W19K	C.C. DIV.	L CAJON
SAN BERNARDINO, CITY OF	3602521	1S4W23N04	2	BNK HILL
SAN BERNARDINO, CITY OF	3602712	1N4W08N		DEVIL CAN
SAN BERNARDINO, CITY OF	3602821	1N5W03A02		DEVIL CAN
SAN BERNARDINO, CITY OF	3602844	1N4W08M02		DEVIL CAN
SAN BERNARDINO, CITY OF	3603027	1N5W36J01S		DEVIL CAN
SAN BERNARDINO, COUNTY OF	0000001	1S4W14A	AEROSPACE	BNK HILL
SAN BERNARDINO, COUNTY OF	0000019	1N4W35F	COUNTY HOSP	BNK HILL
SAN BERNARDINO, COUNTY OF	0000117	2N5W33F	GLEN HELEN 3	L CAJON
SAN BERNARDINO, COUNTY OF	0000118	2N5W33G	GLEN HELEN 4	L CAJON
SAN BERNARDINO, COUNTY OF	0000177	2N5W33Q02	GLEN HELEN 2	L CAJON
SAN MANUAL INDIAN RESERV.	0000119	1N3W20N		BNK HILL

SAN BERNARDINO BASIN AREA
CROSS INDEX BY OWNER

OWNER NAME	RECORDATION NUMBER	STATE WELL NUMBER	LOCAL DESIGNATION	BASIN NAME
SANDYS RESTAURANT	0000165	1S3W21M2		BNK HILL
SANTINI	0000120	1S4W14A		BNK HILL
SARATOGA DEVELOPMENT CO	0000028	1S2W06	TUNNEL DIV.	BNK HILL
SATOSKI, DOCTOR	0000121	1N4W14J		DEVIL CAN
SECHREST, RALPH F.	3600483	1S2W31	GPHRRCH 1	BNK HILL
SELBY, DR. & MRS. ARTHUR	3600017	1S2W29	GRREES 3	BNK HILL
SELBY, DR. & MRS. ARTHUR	3600018	1S2W29	GRREES 2	BNK HILL
SELEY	0000122	1N3W19Q	TUNNEL DIV.	BNK HILL
SIX HOUSES	0000123	1S4W22A		BNK HILL
SMITH	0000124	1N4W14J		DEVIL CAN
SMITH MEAT PACKING PLANT	0000126	1S4W22M		BNK HILL
SMITH TRACT WELL COMPANY	3600001	1S3W21R	11	BNK HILL
SMITH TRACT WELL COMPANY	3600001-	1S3W21R		BNK HILL
SMITH,	0000125	1S3W02J		BNK HILL
SO. SAN BERNARDINO COUNTY WATER DIST.	3602060	1S4W24P	BENNETT WELL	BNK HILL
SO. SAN BERNARDINO COUNTY WATER DIST.	3602122	1S4W23R03S	ROSEWOOD	BNK HILL
SO. SAN BERNARDINO COUNTY WATER DIST.	3602123	1S4W14J	NORMAN	BNK HILL
SO. SAN BERNARDINO COUNTY WATER DIST.	3602124	1S4W14J	CENTRAL	BNK HILL
SO. SAN BERNARDINO COUNTY WATER DIST.	3602125	1S4W24F04S	OLDGOULD	BNK HILL
SO. SAN BERNARDINO COUNTY WATER DIST.	3602126	1S4W24F	NEWGOULD	BNK HILL
SOJKA, DONALD R	3601173	1S3W32K		BNK HILL
SOLANO WELL NO. 1	3600187	1S2W09	1	BNK HILL

SAN BERNARDINO BASIN AREA
CROSS INDEX BY OWNER

OWNER NAME	RECORDATION NUMBER	STATE WELL NUMBER	LOCAL DESIGNATION	BASIN NAME
SOLANO WELL NO. 3	3602003	1S2W16C	3	BNK HILL
SOMERS, R.	3601093	1N4W24	SPRING	BNK HILL
SOUTHERN CALIFORNIA EDISON COMPANY	3600651	1S3W28		BNK HILL
SOUTHERN CALIFORNIA EDISON COMPANY	3601012	1S4W08R	STM PL 1	BNK HILL
SOUTHERN CALIFORNIA EDISON COMPANY	3601013	1S4W08R	STM PL 2	BNK HILL
SOUTHERN CALIFORNIA EDISON COMPANY	3601014	1S3W18	SB STMP 1	BNK HILL
SOUTHERN CALIFORNIA EDISON COMPANY	3601015	1S3W18	SB STMP 2	BNK HILL
SOUTHERN CALIFORNIA EDISON COMPANY	3601016	1S4W22G01S	THORN 1	BNK HILL
SOUTHERN CALIFORNIA EDISON COMPANY	3609723	1S4W10F01S	HANFORD 1	BNK HILL
SOUZA, JOHN	3601084	1S2W20K		BNK HILL
STANLEY, SILAS	0000127	1S2W24H		BNK HILL
STEWART, WILLARD	0000128	1S3W31D		BNK HILL
STORKSON, WILLIAM F.	3600083	1N5W06	1	LYTLE
STORKSON, WILLIAM F.	3602664	1N5W06		LYTLE
STOWE WATER COMPANY	3601046	1S3W21A	1	BNK HILL
STRAWBERRY PATCH	0000129	1S3W03N		BNK HILL
STRAWBERRY PATCH	0000130	1S3W03N		BNK HILL
SUNRISE RANCH PART C/O LIFE DEVELOPMENT	3600599	1S2W13		BNK HILL
SUNRISE RANCH PART C/O LIFE DEVELOPMENT	3600600	1S2W13	SUNRISE 2	BNK HILL
SUNRISE RANCH PART C/O LIFE DEVELOPMENT	3600601	1S2W14	SUNRISE 3A	BNK HILL
SUNRISE RANCH PART C/O LIFE DEVELOPMENT	3600602	1S2W15P	SUNRISE 4	BNK HILL
SUNRISE RANCH PART C/O LIFE DEVELOPMENT	3600603	1S2W15G	SUNRISE 5	BNK HILL

SAN BERNARDINO BASIN AREA
CROSS INDEX BY OWNER

OWNER NAME	RECORDATION NUMBER	STATE WELL NUMBER	LOCAL DESIGNATION	BASIN NAME
SUNRISE RANCH PART C/O LIFE DEVELOPMENT	3601640	1S2W14		BNK HILL
SUNRISE RANCH PART C/O LIFE DEVELOPMENT	3601969	1S2W14L	SUNRISE 7	BNK HILL
SUPERIOR ORCHARDS	0000131	1N3W29B	TUNNEL DIV.	BNK HILL
SYCAMORE HEIGHTS WATER COMPANY, INC.	3601837	1N3W34B	HERCULES	BNK HILL
SYCAMORE HEIGHTS WATER COMPANY, INC.	3601838	1N3W34A	WALKISHA	BNK HILL
TENNESSEE MUTUAL WELL COMPANY	3601161	1S3W16L	PIONEER 1	BNK HILL
TENNESSEE WATER CO.	3600474	1S3W16L	1	BNK HILL
TERRACE WATER COMPANY	3601684	1S4W08F06S	LARGE 1	BNK HILL
TERRACE WATER COMPANY	3601684-	1S4W08F	4	BNK HILL
TERRACE WATER COMPANY	3601685	1S4W08F	SMALL 2	BNK HILL
TERRACE WATER COMPANY	3601686	1S4W08F	3	BNK HILL
TEXACO GAS STATION	0000027	1S4W24J		BNK HILL
THOMPSON RANDALL	0000132	1N3W28A	SPRING DIV.	
TRI CITY CONCRETE	3600935	1N4W31N		LYTLE
TRI CITY CONCRETE	3601309	1S4W05M	PLANT	BNK HILL
TRI CITY MUTUAL WATER COMPANY	0000133	1S4W23N		BNK HILL
TRI CITY MUTUAL WATER COMPANY	3601823	1S4W23K		BNK HILL
TRIPLE FALLS MUT. WTR. CO.	0000134	1S1W19G		BNK HILL
TRIPLE FALLS MUT. WTR. CO.	0000135	1S1W20D		MILL CRK
TRIPLE FALLS MUT. WTR. CO.	0000136	1S1W20D		MILL CRK
TROJAN GROVES	3600451	1S3W15		BNK HILL
U.S. FOREST SERVICE	0000137	1N4W13Q	MAINT. YARD	DEVIL CAN

SAN BERNARDINO BASIN AREA
CROSS INDEX BY OWNER

OWNER NAME	RECORDATION NUMBER	STATE WELL NUMBER	LOCAL DESIGNATION	BASIN NAME
U.S. FOREST SERVICE	0000138	1S2W13P	MILL CREEK	MILL CRK
UNGER, V.E.	3601168	1S4W26F		BNK HILL
VALDEPENA ACRES	3602241	1S3W20F03	ALMOND	BNK HILL
VALENCIA AVE. MUT. WTR. CO.	0000140	1N4W23K	WATERMAN AVE	BNK HILL
VALLEY FARMS MUT. WTR. CO.	0000141	1S4W15R	NO 1 WASHTN	BNK HILL
VALLEY FARMS MUT. WTR. CO.	0000142	1S4W15Q	NO 2 WELL	BNK HILL
VAN LOON MUTUAL WATER COMPANY	3602066	1S4W02B	1	BNK HILL
VAN LOON MUTUAL WATER COMPANY	3602067	1N4W35K	2	BNK HILL
VAN MEETER	0000146	1S3W02P	OLD WELL	BNK HILL
VAN MEETER	0000147	1S3W02P	NEW WELL	BNK HILL
VANLEUVEN, CLARENCE	0000143	1S4W24J		BNK HILL
VICTORIA FARMS MUTUAL WATER CO.	3602112	1S4W13R01S		BNK HILL
VICTORIA FARMS MUTUAL WATER CO.	3602247	1S4W13R03	2	BNK HILL
VICTORIA FARMS MUTUAL WATER CO.	3602574	1S4W13R	#3 WELL	BNK HILL
VICTORIA FARMS MUTUAL WATER CO.	3602714	1S4W13R	1	BNK HILL
VICTORIA GUERNSEY	3600399	1S4W02	1	BNK HILL
VICTORIA SEVENTH DAY ADVENTIST	0000144	1S4W24J		BNK HILL
WALLACE	0000148	1N4W14J		DEVIL CAN
WARD, FLOYD	0000149	1S1W18N	WELL NO. 1	BNK HILL
WARD, FLOYD	0000150	1S1W18P	WELL NO. 2	BNK HILL
WARD, FLOYD	0000151	1S1W18P	WELL NO. 3	BNK HILL
WARD, FLOYD	0000152	1S1W18N	WELL NO. 4	BNK HILL

SAN BERNARDINO BASIN AREA
CROSS INDEX BY OWNER

OWNER NAME	RECORDATION NUMBER	STATE WELL NUMBER	LOCAL DESIGNATION	BASIN NAME
WARD, FLOYD	0000153	1S1W18M	WELL NO. 6	MILL CRK
WARD, FLOYD	0000154	1S1W18P	LATERAL SPRG	BNK HILL
WARMINGTON, ROBERT P.	3600270	1S3W20P	ORANGEDALE	BNK HILL
WEATHERMAX, W. G.	3600652	1S3W15N01S	REDLANDS	BNK HILL
WEST SAN BDNO. COUNTY WATER DIST.	3600302	1N5W26A01S	LOWER 2	LYTLE
WEST SAN BDNO. COUNTY WATER DIST.	3600303	1N5W26B01S	LOWER 4	LYTLE
WEST SAN BDNO. COUNTY WATER DIST.	3600304	1N5W26A03S	L5	LYTLE
WEST SAN BDNO. COUNTY WATER DIST.	3600305	1N5W25E01S	LOWER 6	LYTLE
WEST SAN BDNO. COUNTY WATER DIST.	3600306	1N5W23P02S	UPPER 2	LYTLE
WEST SAN BDNO. COUNTY WATER DIST.	3600307	1N5W23P04S	UPPER 4	LYTLE
WEST SAN BDNO. COUNTY WATER DIST.	3600312	1N5W22M		LYTLE
WEST SAN BDNO. COUNTY WATER DIST.	3600996	1N5W36J03S	NO 8	LYTLE
WEST SAN BDNO. COUNTY WATER DIST.	3600997	1N5W36H04S	LORD 7	LYTLE
WEST SAN BDNO. COUNTY WATER DIST.	3600998	1N5W25E02S	FERG 1	LYTLE
WEST SAN BDNO. COUNTY WATER DIST.	3600999	1S4W06J01S	DIXON 1	BNK HILL
WEST SAN BDNO. COUNTY WATER DIST.	3601000	1S4W06J02S	DIXON 2	BNK HILL
WEST SAN BDNO. COUNTY WATER DIST.	3601002	1N4W31P03S	RAYNOR 1	LYTLE
WEST SAN BDNO. COUNTY WATER DIST.	3601003	1S4W06H01S	RAYNOR 4	BNK HILL
WEST SAN BDNO. COUNTY WATER DIST.	3601725	1N5W25E00S		LYTLE
WEST SAN BDNO. COUNTY WATER DIST.	3601848	1S4W05E05S	RAYNOR 5	BNK HILL
WEST SAN BDNO. COUNTY WATER DIST.	3601944	1N5W23Q00S	LOWER 7	LYTLE
WEST SAN BDNO. COUNTY WATER DIST.	3602766	1S4W06H02		

SAN BERNARDINO BASIN AREA
CROSS INDEX BY OWNER

OWNER NAME	RECORDATION NUMBER	STATE WELL NUMBER	LOCAL DESIGNATION	BASIN NAME
WEST SAN BDNO. COUNTY WATER DIST.	3602897	1N5W23		
WEST SAN BDNO. COUNTY WATER DIST.	3603054	1N5W35E01S		
WEST SAN BDNO. COUNTY WATER DIST.	3603055	1N5W36J03S		
WESTERN FRUIT GROWERS	0000156	1S3W24Q		BNK HILL
WIDEMEYER	0000157	1N3W29H	SPRING DIV.	BNK HILL
WIDEMEYER	0000158	1N3W29H		BNK HILL
WILEY, RUTH NORWOOD	3600052	1S4W36J	1	BNK HILL
WILLIAMS DAIRY	0000159	1S4W11G		BNK HILL
WILLIAMS WELL CORPORATION, LTD.	3600828	1S3W16J		BNK HILL
WOEHR MUTUAL WATER COMPANY	3600817	1S3W29H		BNK HILL
YAHIKU, PAUL	3601280	1S3W29D	SOUTH 1	BNK HILL
YORK	0000160	1N3W19R	DOMESTIC	BNK HILL
YORK	0000161	1N3W19R		BNK HILL
YORK	0000162	1N3W19R	SAND CYN TUN	BNK HILL
YUCAIPA VALLEY WATER DISTRICT	3602657	1S1W20D		MILL CRK
YUCAIPA VALLEY WATER DISTRICT	3602658	1S1W20D		MILL CRK
YUCAIPA VALLEY WATER DISTRICT	3602659	1S1W19G		BNK HILL
'7TH AVE. WELL	3601121	1S2W31	1	BNK HILL

SAN BERNARDINO BASIN AREA.
CROSS INDEX BY RECORDATION NUMBER

SAN BERNARDINO BASIN AREA
 INDEX BY RECORDATION NUMBER
 CROSS INDEX BY RECORDATION NUMBER

RECORDATION NUMBER	OWNER NAME	STATE WELL NUMBER	LOCAL DESIGNATION	BASIN NAME
0000002	AHMANSON RANCH	1S4W27H		BNK HILL
0000003	ANDERSON, W.D.	1N4W25R		BNK HILL
0000004	ARNOLD RANCH	1N3W34H		BNK HILL
0000005	BALCOM	1S4W11M		BNK HILL
0000006	BALDWIN	1N3W34K		BNK HILL
0000007	BARRIER	1S4W22B		BNK HILL
0000008	BASELINE LAUNDRY	1N3W31Q		BNK HILL
0000082	BASELINE LAUNDRY	1N3W31		BNK HILL
0000009	BATCHELOR	1N4W14R		DEVIL CAN
0000010	BATCHELOR	1N4W14R		DEVIL CAN
0000011	BERMAN, JERRY	1S4W02K	OLD WELL	BNK HILL
0000012	BERMAN, JERRY	1S4W02J		BNK HILL
0000013	BLISS	1S2W22E		BNK HILL
0000014	BOUCHER	1N4W14J		DEVIL CAN
0000015	BREAK, ALLEN, ESTATE	1S3W31A		BNK HILL
0000155	CAMPUS CRUSADE FOR CHRIST	1N4W14C	W TWIN CRK	DEVIL CAN
0000016	CARPENTER	1S4W22B		BNK HILL
0000017	CLIFFSIDE RANCH	1S3W03F		BNK HILL
0000018	COOK CANYON	1N3W27R		BNK HILL
0000020	CRYSTAL SPRINGS	2S2W06D		BNK HILL
0000021	DANGLO DAIRY	1S4W11F		BNK HILL
0000175	DANIELS, DON	1S3W19J		BNK HILL

SAN BERNARDINO BASIN AREA
INDEX BY RECORDATION NUMBER
CROSS INDEX BY RECORDATION NUMBER

RECORDATION NUMBER	OWNER NAME	STATE WELL NUMBER	LOCAL DESIGNATION	BASIN NAME
0000022	DANIELS, HAROLD	1S3W17R	RANCH	BNK HILL
0000023	DANIELS, HAROLD	1S3W17C	DOMEST. WELL	BNK HILL
0000025	DILLSON MUT. WTR. CO.	1N4W13P	DILLSON AVE	DEVIL CAN
0000026	DILLSON MUT. WTR. CO.	1N4W13P	HARRISON CYN	DEVIL CAN
0000173	DILLSON MUT. WTR. CO.	1N4W13P	CISCO WELL	DEVIL CAN
0000029	EAST HIGHLANDS ORANGE COMPANY	1N3W35B	BOX SPRING	BNK HILL
0000030	EAST VALLEY WATER DISTRICT	1N3W30C	NO. 36	BNK HILL
0000032	EAST VALLEY WATER DISTRICT	1S3W04P	NO. 43	BNK HILL
0000033	EAST VALLEY WATER DISTRICT	1N3W30C	NO. 44	BNK HILL
0000034	EAST VALLEY WATER DISTRICT	1N3W31A	NO. 45	BNK HILL
0000035	EAST VALLEY WATER DISTRICT	1S3W05Q	NO. 46	BNK HILL
0000036	EAST VALLEY WATER DISTRICT	1N4W36H	NO. 52	BNK HILL
0000037	EAST VALLEY WATER DISTRICT	1S3W06	NO. 69	BNK HILL
0000038	EAST VALLEY WATER DISTRICT	1N3W31D	NO. 70	BNK HILL
0000039	EAST VALLEY WATER DISTRICT	1S3W06E	NO. 71	BNK HILL
0000040	EAST VALLEY WATER DISTRICT	1S3W06B	NO. 72	BNK HILL
0000041	EAST VALLEY WATER DISTRICT	1S3W06C	NO. 74	BNK HILL
0000042	EAST VALLEY WATER DISTRICT	1S4W02L	NO. 75	BNK HILL
0000043	EAST VALLEY WATER DISTRICT	1S3W06P	NO. 78	BNK HILL
0000044	EAST VALLEY WATER DISTRICT	1S3W05Q	NO. 80	BNK HILL
0000045	EAST VALLEY WATER DISTRICT	1S3W06M	NO. 81	BNK HILL
0000046	EAST VALLEY WATER DISTRICT	1S3W06Q	NO. 83	BNK HILL

SAN BERNARDINO BASIN AREA
CROSS INDEX BY RECORDATION NUMBER

RECORDATION NUMBER	OWNER NAME	STATE WELL NUMBER	LOCAL DESIGNATION	BASIN NAME
0000047	EAST VALLEY WATER DISTRICT	1S3W03N	NO. 84	BNK HILL
0000048	EAST VALLEY WATER DISTRICT	1N4W25D	NO. 85	BNK HILL
0000049	EAST VALLEY WATER DISTRICT	1S3W03N	NO. 93	BNK HILL
0000050	EAST VALLEY WATER DISTRICT	1S3W05J	NO. 95	BNK HILL
0000051	EAST VALLEY WATER DISTRICT	1S4W01D	NO. 96	BNK HILL
0000052	EAST VALLEY WATER DISTRICT	1S3W06N	NO. 97	BNK HILL
0000059	EAST VALLEY WATER DISTRICT	1S3W04Q	NO. 106	BNK HILL
0000054	ELLENA, JOHN B.	1N4W08N		DEVIL CAN
0000055	ELLGOOD	1S2W24C		BNK HILL
0000056	FARROW	1S2W22E		BNK HILL
0000057	FINCH	1S2W29		BNK HILL
0000058	GOLCONDA WATER CO.	1S4W13E		BNK HILL
0000166	GREENSPOT MUTUAL WATER CO TUNNEL	1S2W22		BNK HILL
0000060	HAGAR	1S2W16L		BNK HILL
0000061	HARDISON	1N4W13Q		DEVIL CAN
0000062	HARRISON	1S3W04J		BNK HILL
0000063	HARRISON CANYON	1N4W13P		DEVIL CAN
0000064	HARRISON CANYON	1N4W13P		DEVIL CAN
0000065	HAZAS	1S4W11G		BNK HILL
0000066	HELIPORT	1S4W15G		BNK HILL
0000067	HILL	1S2W31B		BNK HILL
0000068	HOLDEN MUT. WTR. CO.	1S4W14E		BNK HILL

SAN BERNARDINO BASIN AREA
CROSS INDEX BY RECORDATION NUMBER

RECORDATION NUMBER	OWNER NAME	STATE WELL NUMBER	LOCAL DESIGNATION	BASIN NAME
0000069	HOLDEN MUT. WTR. CO.	1S4W14F	HOLDEN AVE.	BNK HILL
0000070	HORTON	1S3W32J		BNK HILL
0000071	HUNTER	1S3W03D		BNK HILL
0000072	INTER CITY MUTUAL WATER CO	1S4W23P		BNK HILL
0000139	KARHALOIS	1S2W17	PEPPER HOUSE	BNK HILL
0000073	KING	1N4W14R		DEVIL CAN
0000074	KOCH	1S2W32B		BNK HILL
0000075	KRANTZ DAIRY	1S4W11F		BNK HILL
0000178	KUHN, RICHARD J	1S3W32G		BNK HILL
0000080	L.P.R. RANCH	1S3W13C		BNK HILL
0000078	LA TOURETTE	1S2W28M		BNK HILL
0000076	LANKERSHIM MUT. WTR. CO.	1S3W06L	LANKERSHIM A	BNK HILL
0000077	LANKERSHIM MUT. WTR. CO.	1S3W06F	MCKINLEY ST.	BNK HILL
0000079	LORD	1S2W28M	SPRING DIV.	BNK HILL
0000081	MARSHBURN	1S3W17G		BNK HILL
0000164	MCCALLA BROS	1S3W20		BNK HILL
0000083	MENTONE DOMESTIC WTR. CO.	1S2W19J		BNK HILL
0000176	MENTONE DOMESTIC WTR. CO.	1S2W19J	3 1971	BNK HILL
0000084	MOORE, R. H.	1S4W24K		BNK HILL
0000145	MT. VIEW CHILD CARE CENTER	1S4W24J		BNK HILL
0000085	NO NAME WELL	1N3W32M		BNK HILL
0000086	NORTON AIR FORCE BASE	1S4W12B	LOCAL NO. 2	BNK HILL

SAN BERNARDINO BASIN AREA
CROSS INDEX BY RECORDATION NUMBER

RECORDATION NUMBER	OWNER NAME	STATE WELL NUMBER	LOCAL DESIGNATION	BASIN NAME
0000087	NORTON AIR FORCE BASE	1S4W12C	LOCAL NO. 3	BNK HILL
0000088	NORTON AIR FORCE BASE	1S4W12D	LOCAL NO. 4	BNK HILL
0000089	NORTON AIR FORCE BASE	1S4W12F	LOCAL NO. 5	BNK HILL
0000090	NORTON AIR FORCE BASE	1S3W08A	LOCAL NO. 11	BNK HILL
0000091	NORTON AIR FORCE BASE	1S4W12Q	NO NO. WELL	BNK HILL
0000092	NORTON AIR FORCE BASE	1S4W12G	LOCAL NO. 44	BNK HILL
0000093	NORTON AIR FORCE BASE	1S3W08E	LOCAL NO. 347	BNK HILL
0000094	NORTON AIR FORCE BASE	1S3W08M	LOCAL NO. 865	BNK HILL
0000095	NORWOOD	1N3W34F		BNK HILL
0000096	PACIFIC HIGH SCHOOL	1N4W35H		BNK HILL
0000163	PATTERSON, ROY H.	1N3W34		BNK HILL
0000097	PIERSON	1N4W35N		BNK HILL
0000053	QUALITY FARMS	1S3W04R	NO. 102	BNK HILL
0000098	RAMSEY	1S2W22F	SPRING DIV	BNK HILL
0000099	REDLANDS ASSOCIATES	1S2W17B	NO. 0	BNK HILL
0000100	REDLANDS ASSOCIATES	1S2W09P	BLOCK NO. 6	BNK HILL
0000101	REDLANDS ASSOCIATES	1S2W09L	BLOCK NO. 11	BNK HILL
0000102	REDLANDS ASSOCIATES	1S2W09L	TUNNEL DIV.	BNK HILL
0000104	REDLANDS WTR. CO.	1S2W08	TUNNEL DIV.	BNK HILL
0000103	REDLANDS, CITY OF	1S2W13B	MILL CR. DIV	BNK HILL
0000105	REGINA GRAPE PRODUCTS	1N5W04M	WELL NO. 1	LYTLE
0000106	REGINA GRAPE PRODUCTS	1N5W04N	WELL NO. 2	LYTLE

SAN BERNARDINO BASIN AREA
CROSS INDEX BY RECORDATION NUMBER

RECORDATION NUMBER	OWNER NAME	STATE WELL NUMBER	LOCAL DESIGNATION	BASIN NAME
0000107	REGINA GRAPE PRODUCTS	1N5W04N	WELL NO. 3	LYTLE
0000108	REGINA GRAPE PRODUCTS	1N5W05B	SPRING DIV.	LYTLE
0000109	REGINA GRAPE PRODUCTS	1N5W05R	WELL NO. 4	LYTLE
0000110	REGINA GRAPE PRODUCTS	1N5W04N	WELL NO. 5	LYTLE
0000111	REGINA GRAPE PRODUCTS	1N5W04N	WELL NO. 6	LYTLE
0000112	REGINA GRAPE PRODUCTS	1N5W04N	WELL NO. 7	LYTLE
0000113	RIVAS	1S4W24J		BNK HILL
0000114	RULE	1N3W34K	SPRING	BNK HILL
0000115	SAN BERNARDINO, CITY OF	1S4W21A	SEWER PLNT 1	BNK HILL
0000116	SAN BERNARDINO, CITY OF	1S4W22C	SEWER PLNT 2	BNK HILL
0000001	SAN BERNARDINO, COUNTY OF	1S4W14A	AEROSPACE	BNK HILL
0000019	SAN BERNARDINO, COUNTY OF	1N4W35F	COUNTY HOSP	BNK HILL
0000117	SAN BERNARDINO, COUNTY OF	2N5W33F	GLEN HELEN 3	L CAJON
0000118	SAN BERNARDINO, COUNTY OF	2N5W33G	GLEN HELEN 4	L CAJON
0000177	SAN BERNARDINO, COUNTY OF	2N5W33Q02	GLEN HELEN 2	L CAJON
0000119	SAN MANUAL INDIAN RESERV.	1N3W20N		BNK HILL
0000165	SANDYS RESTAURANT	1S3W21M2		
0000120	SANTINI	1S4W14A		BNK HILL
0000028	SARATOGA DEVELOPMENT CO	1S2W06	TUNNEL DIV.	BNK HILL
0000121	SATOSKI, DOCTOR	1N4W14J		DEVIL CAN
0000122	SELEY	1N3W19Q	TUNNEL DIV.	BNK HILL
0000123	SIX HOUSES	1S4W22A		BNK HILL

SAN BERNARDINO BASIN AREA
 CROSS INDEX BY RECORDATION NUMBER

RECORDATION NUMBER	OWNER NAME	STATE WELL NUMBER	LOCAL DESIGNATION	BASIN NAME
0000124	SMITH	1N4W14J		DEVIL CAN
0000126	SMITH MEAT PACKING PLANT	1S4W22M		BNK HILL
0000125	SMITH,	1S3W02J		BNK HILL
0000127	STANLEY, SILAS	1S2W24H		BNK HILL
0000128	STEWART, WILLARD	1S3W31D		BNK HILL
0000129	STRAWBERRY PATCH	1S3W03N		BNK HILL
0000130	STRAWBERRY PATCH	1S3W03N		BNK HILL
0000131	SUPERIOR ORCHARDS	1N3W29B	TUNNEL DIV.	BNK HILL
0000027	TEXACO GAS STATION	1S4W24J		BNK HILL
0000132	THOMPSON RANDALL	1N3W28A	SPRING DIV.	
0000133	TRI CITY MUTUAL WATER COMPANY	1S4W23N		BNK HILL
0000134	TRIPLE FALLS MUT. WTR. CO.	1S1W19G		BNK HILL
0000135	TRIPLE FALLS MUT. WTR. CO.	1S1W20D		MILL CRK
0000136	TRIPLE FALLS MUT. WTR. CO.	1S1W20D		MILL CRK
0000137	U.S. FOREST SERVICE	1N4W13Q	MAINT. YARD	DEVIL CAN
0000138	U.S. FOREST SERVICE	1S2W13P	MILL CREEK	MILL CRK
0000140	VALENCIA AVE. MUT. WTR. CO.	1N4W23K	WATERMAN AVE	BNK HILL
0000141	VALLEY FARMS MUT. WTR. CO.	1S4W15R	NO 1 WASHTN	BNK HILL
0000142	VALLEY FARMS MUT. WTR. CO.	1S4W15Q	NO 2 WELL	BNK HILL
0000146	VAN MEETER	1S3W02P	OLD WELL	BNK HILL
0000147	VAN MEETER	1S3W02P	NEW WELL	BNK HILL
0000143	VANLEUVEN, CLARENCE	1S4W24J		BNK HILL

SAN BERNARDINO BASIN AREA
CROSS INDEX BY RECORDATION NUMBER

RECORDATION NUMBER	OWNER NAME	STATE WELL NUMBER	LOCAL DESIGNATION	BASIN NAME
0000144	VICTORIA SEVENTH DAY ADVENTIST	1S4W24J		BNK HILL
0000148	WALLACE	1N4W14J		DEVIL CAN
0000149	WARD, FLOYD	1S1W18N	WELL NO. 1	BNK HILL
0000150	WARD, FLOYD	1S1W18P	WELL NO. 2	BNK HILL
0000151	WARD, FLOYD	1S1W18P	WELL NO. 3	BNK HILL
0000152	WARD, FLOYD	1S1W18N	WELL NO. 4	BNK HILL
0000153	WARD, FLOYD	1S1W18M	WELL NO. 6	MILL CRK
0000154	WARD, FLOYD	1S1W18P	LATERAL SPRG	BNK HILL
0000156	WESTERN FRUIT GROWERS	1S3W24Q		BNK HILL
0000157	WIDEMEYER	1N3W29H	SPRING DIV.	BNK HILL
0000158	WIDEMEYER	1N3W29H		BNK HILL
0000159	WILLIAMS DAIRY	1S4W11G		BNK HILL
0000160	YORK	1N3W19R	DOMESTIC	BNK HILL
0000161	YORK	1N3W19R		BNK HILL
0000162	YORK	1N3W19R	SAND CYN TUN	BNK HILL
3600001	SMITH TRACT WELL COMPANY	1S3W21R	11	BNK HILL
3600001-	SMITH TRACT WELL COMPANY	1S3W21R		BNK HILL
3600005	EAST LUGONIA MUTUAL WATER CO.	1S3W35H08S	LUETCKE	BNK HILL
3600006	EAST LUGONIA MUTUAL WATER CO.	1S2W19G01S	BERYL ST	BNK HILL
3600016	RIVAS, RAMON	1S4W24J	REES 4	BNK HILL
3600017	SELBY, DR. & MRS. ARTHUR	1S2W29	GRREES 3	BNK HILL
3600018	SELBY, DR. & MRS. ARTHUR	1S2W29	GRREES 2	BNK HILL

SAN BERNARDINO BASIN AREA
CROSS INDEX BY RECORDATION NUMBER

RECORDATION NUMBER	OWNER NAME	STATE WELL NUMBER	LOCAL DESIGNATION	BASIN NAME
3600019	REDLANDS, CITY OF	1S3W23	GR REES 1	BNK HILL
3600021	BEAR VALLEY MUTUAL WATER COMPANY	1N2W26H	SANTA ANA 1	SANTA ANA
3600022	BEAR VALLEY MUTUAL WATER COMPANY	1N2W34	SANTA ANA 2	SANTA ANA
3600023	BEAR VALLEY MUTUAL WATER COMPANY	1S3W24C	JUDSON 1	BNK HILL
3600024	BEAR VALLEY MUTUAL WATER COMPANY	1S2W19D	WABASH 2	BNK HILL
3600025	BEAR VALLEY MUTUAL WATER COMPANY	1N3W29R01S	PALM AV3	BNK HILL
3600026	EAST VALLEY WATER DISTRICT	1S3W04J	NO. 102	BNK HILL
3600027	BEAR VALLEY MUTUAL WATER COMPANY	1N2W10N	ALDER CR	SANTA ANA
3600028	BEAR VALLEY MUTUAL WATER COMPANY	1S2W04N		BNK HILL
3600030	MEADOWBROOK DAIRY	1S4W23D	IRRIG 2	BNK HILL
3600034	SAN BERNARDINO, CITY OF	1S4W16H	SMITH 1	BNK HILL
3600035	SAN BERNARDINO, CITY OF	1S4W15M01		BNK HILL
3600036	BROOKSIDE DAIRY, INC	1S3W33D	1	BNK HILL
3600037	MEADOWBROOK DAIRY	1S4W23D	DOMESTC 1	BNK HILL
3600038	EAST LUGONIA MUTUAL WATER CO.	1S2W17		BNK HILL
3600049	HOBBS WELL PARTNERSHIP	1S3W25M	MORRISON	BNK HILL
3600049-	HOBBS WELL PARTNERSHIP	1S3W25M	HOBBS WELL	BNK HILL
3600052	WILEY, RUTH NORWOOD	1S4W36J	1	BNK HILL
3600053	BRYN MAWR MUTUAL WATER COMPANY	1S3W31A	1	BNK HILL
3600054	BRYN MAWR MUTUAL WATER COMPANY	1S3W31A	2	BNK HILL
3600055	BRYN MAWR MUTUAL WATER COMPANY	1S3W31A	3	BNK HILL
3600058	EAST VALLEY WATER DISTRICT	1S3W03F	NO. 53	BNK HILL

SAN BERNARDINO BASIN AREA
CROSS INDEX BY RECORDATION NUMBER

RECORDATION NUMBER	OWNER NAME	STATE WELL NUMBER	LOCAL DESIGNATION	BASIN NAME
3600075	GRANT WATER COMPANY	1S3W28C01	GRANT	BNK HILL
3600076	ARMSTRONG, DOUGLAS	1S3W17	2	BNK HILL
3600083	STORKSON, WILLIAM F.	1N5W06	1	LYTLE
3600085	REDLANDS, CITY OF	1S3W28J01	NY ST 1	BNK HILL
3600091	JEWEL WATER COMPANY, THE	1S3W20	1	BNK HILL
3600107	B M I FUNDS	1S3W21P01	COLTON 1	BNK HILL
3600119	MONTECITO MUTUAL WATER COMPANY	1S4W26F01	1	BNK HILL
3600123	NICKERSON WATER COMPANY	1S3W20R01	ALABAMA NO 1	BNK HILL
3600124	NICKERSON WATER COMPANY	1S3W21M01	LUGONIA NO 2	BNK HILL
3600125	SAN BERNARDINO AVENUE WATER COMPANY	1S3W14	1	BNK HILL
3600139	MENTONE CITRUS GROVES	1S2W18R01S		BNK HILL
3600160	LARANNA GUNTER WELL	1S3W32G01	GUNTER WELL	BNK HILL
3600178	ATCHISON, TOPEKA & SANTA FE RAILWAY CO.	1S4W08F02S	3	BNK HILL
3600179	ATCHISON, TOPEKA & SANTA FE RAILWAY CO.	1S4W08F	4	BNK HILL
3600182	GLADYSTA WELL & WATER COMPANY	1S3W20H01	1	BNK HILL
3600182-	GLADYSTA WELL & WATER COMPANY	1S3W20H02		BNK HILL
3600183	EAST VALLEY WATER DISTRICT	1S4W02	NO. 60	BNK HILL
3600184	HIGHLAND WELL COMPANY	1N3W28N01	APLIN WELL	BNK HILL
3600187	SOLANO WELL NO. 1	1S2W09	1	BNK HILL
3600188	CRAM PATTERSON WELL	1S2W16	CRAMPAT 2	BNK HILL
3600218	LANGSTON-NEWBY DEVELOPMENT CO.	1N4W24	1	DEVIL CAN
3600220	MT. HARRISON MUTUAL WATER CO.	1S3W01H	1	BNK HILL

SAN BERNARDINO BASIN AREA
CROSS INDEX BY RECORDATION NUMBER

RECORDATION NUMBER	OWNER NAME	STATE WELL NUMBER	LOCAL DESIGNATION	BASIN NAME
3600221	EAST VALLEY WATER DISTRICT	1N3W30	NO. 63	BNK HILL
3600222	SAN BERNARDINO, CITY OF	1S4W11Q01S		BNK HILL
3600226	HEAD, JOE T.	1S2W21L01	1	BNK HILL
3600238	HAPPE MUTUAL WELL COMPANY	1S2W29M01	1	BNK HILL
3600240	HINCKLEY, HORACE P.	1S2W30	SOUTH WELL	BNK HILL
3600241	CRAM RANCH ASSOCIATES	1S3W03Q		BNK HILL
3600266	GREENSPOT MUTUAL WELL CO.	1S2W16C01	GRNSPTMU	BNK HILL
3600269	EAST VALLEY WATER DISTRICT	1N3W31L	NO. 68	BNK HILL
3600270	WARMINGTON, ROBERT P.	1S3W20P	ORANGEDALE	BNK HILL
3600272	CRAFTON WATER COMPANY	1S2W29N	5TH AVE 1	BNK HILL
3600275	EAST VALLEY WATER DISTRICT	1N3W32	NO. 64	BNK HILL
3600291	MAYBELL, N. O.	1S4W12		BNK HILL
3600296	NORTHBRAE WATER COMPANY	1S3W15R01	1	BNK HILL
3600302	WEST SAN BDNO. COUNTY WATER DIST.	1N5W26A01S	LOWER 2	LYTLE
3600303	WEST SAN BDNO. COUNTY WATER DIST.	1N5W26B01S	LOWER 4	LYTLE
3600304	WEST SAN BDNO. COUNTY WATER DIST.	1N5W26A03S	L5	LYTLE
3600305	WEST SAN BDNO. COUNTY WATER DIST.	1N5W25E01S	LOWER 6	LYTLE
3600306	WEST SAN BDNO. COUNTY WATER DIST.	1N5W23P02S	UPPER 2	LYTLE
3600307	WEST SAN BDNO. COUNTY WATER DIST.	1N5W23P04S	UPPER 4	LYTLE
3600312	WEST SAN BDNO. COUNTY WATER DIST.	1N5W22M		LYTLE
3600313	NYE, WILLIAM H.	1S2W29N01S	NYE	BNK HILL
3600319	MOUNT VERNON WATER COMPANY	1N4W31A01S	1	BNK HILL

SAN BERNARDINO BASIN AREA
CROSS INDEX BY RECORDATION NUMBER

RECORDATION NUMBER	OWNER NAME	STATE WELL NUMBER	LOCAL DESIGNATION	BASIN NAME
3600320	MOUNT VERNON WATER COMPANY	1N5W22M		LYTLE
3600323	HIGHLAND ACRES RANCH	1S2W06M	ELEC 1	BNK HILL
3600374	EAST VALLEY WATER DISTRICT	1N3W33M01S	PALMHI 1	BNK HILL
3600375	EAST VALLEY WATER DISTRICT	1S3W05	CULHLND 1	BNK HILL
3600376	EAST VALLEY WATER DISTRICT	1S3W05	CULHLND 2	BNK HILL
3600377	EAST VALLEY WATER DISTRICT	1N3W27N08S	CCH 1	BNK HILL
3600378	EAST VALLEY WATER DISTRICT	1N3W27N02S	CCH 3	BNK HILL
3600399	VICTORIA GUERNSEY	1S4W02	1	BNK HILL
3600415	PHAROAH POWELL WATER CO.	1S3W29J01		BNK HILL
3600418	MARIGOLD FARMS COMPANY	1S3W19	BRAGA WELL	BNK HILL
3600444	EAST VALLEY WATER DISTRICT	1N3W30H01S	NO. 98	BNK HILL
3600449	BELL, H. EUGENE	1S3W20	BELL WELL	BNK HILL
3600451	TROJAN GROVES	1S3W15		BNK HILL
3600456	BASE LINE WELL COMPANY	1N3W33R02S	1	BNK HILL
3600457	BASELINE GARDENS MUTUAL WATER COMPANY	1N4W35J02S	PAC&BARL	BNK HILL
3600458	BASELINE GARDENS MUTUAL WATER COMPANY	1N4W36M01S	PS & B 2	BNK HILL
3600466	EAST VALLEY WATER DISTRICT	1S3W04	NO. 48	BNK HILL
3600468	PAXTON, R. H.	1S3W30	BAHR 1	BNK HILL
3600474	TENNESSEE WATER CO.	1S3W16L	1	BNK HILL
3600483	SECHREST, RALPH F.	1S2W31	GPHRRCH 1	BNK HILL
3600484	RAMIREZ, J.J.	1S3W16	BUCKEYE 2	BNK HILL
3600493	OLD TOWN WELL CO.	1S3W29	1	BNK HILL

SAN BERNARDINO BASIN AREA
CROSS INDEX BY RECORDATION NUMBER

RECORDATION NUMBER	OWNER NAME	STATE WELL NUMBER	LOCAL DESIGNATION	BASIN NAME
3600494	OLD TOWN WELL CO.	1S3W29	2	BNK HILL
3600510	LUGO WATER COMPANY	1S3W21K01	1	BNK HILL
3600523	CANYON RANCH	1S3W32G03S	HNTSCHKE	BNK HILL
3600524	LANGFORD RANCHES	1S3W17L01S	NEVADA ST	BNK HILL
3600525	LANGFORD RANCHES	1S3W17H01S	ALABAMA	BNK HILL
3600526	LANGFORD RANCHES	1S3W21G01S	LUGONIA	BNK HILL
3600527	EADINGTON FRUIT CO. COOK RANCH	1S3W16	HOME	BNK HILL
3600530	KING STREET MUTUAL WELL COMPANY	1S2W30G01	1	BNK HILL
3600530-	KING STREET MUTUAL WELL COMPANY	1S2W30G02	2	BNK HILL
3600545	EAST VALLEY WATER DISTRICT	1N3W30	NUTW-DS	BNK HILL
3600554	FAIRVIEW WATER COMPANY	1S3W17	FAIRVW 1	BNK HILL
3600561	FONTANA UNION WATER COMPANY	1N5W23K01S	FU 1	LYTLE
3600562	FONTANA UNION WATER COMPANY	1N5W22F02S	FU 3	LYTLE
3600563	FONTANA UNION WATER COMPANY	1N5W22C02S	FU 4	LYTLE
3600569	FONTANA UNION WATER COMPANY	1N5W22A01S	FU 13	LYTLE
3600579	FONTANA UNION WATER COMPANY	1N5W22F03S	FU 24	LYTLE
3600580	FONTANA UNION WATER COMPANY	1N5W22F01S	FU 25	LYTLE
3600581	FONTANA UNION WATER COMPANY	1N5W07H01S	FU 26	LYTLE
3600582	FONTANA UNION WATER COMPANY	1N5W06G01S	FU 27	LYTLE
3600585	FONTANA UNION WATER COMPANY	1N5W16K01S	FU 32	LYTLE
3600586	FONTANA UNION WATER COMPANY	1N5W06K02S	FU 33	LYTLE
3600588	FONTANA UNION WATER COMPANY	2N6W26L2	MN 1	LYTLE

SAN BERNARDINO BASIN AREA
CROSS INDEX BY RECORDATION NUMBER

RECORDATION NUMBER	OWNER NAME	STATE WELL NUMBER	LOCAL DESIGNATION	BASIN NAME
3600590	FONTANA UNION WATER COMPANY	2N6W26L1	MN 2	LYTLE
3600591	FONTANA UNION WATER COMPANY	1N5W06E		LYTLE
3600598	EAST HIGHLANDS RANCH, INC.	1S3W02	LOCAL 1	BNK HILL
3600599	SUNRISE RANCH PART C/O LIFE DEVELOPMENT	1S2W13		BNK HILL
3600600	SUNRISE RANCH PART C/O LIFE DEVELOPMENT	1S2W13	SUNRISE 2	BNK HILL
3600601	SUNRISE RANCH PART C/O LIFE DEVELOPMENT	1S2W14	SUNRISE 3A	BNK HILL
3600602	SUNRISE RANCH PART C/O LIFE DEVELOPMENT	1S2W15P	SUNRISE 4	BNK HILL
3600603	SUNRISE RANCH PART C/O LIFE DEVELOPMENT	1S2W15G	SUNRISE 5	BNK HILL
3600604	EAST HIGHLANDS RANCH, INC.	1S2W07B	RANNEY	BNK HILL
3600605	EAST HIGHLANDS RANCH, INC.	1N3W36	PLUNGE CK DI	PLUNGE
3600606	EAST HIGHLANDS RANCH, INC.	1N3W35	ELDER GULCH	BNK HILL
3600607	EAST HIGHLANDS RANCH, INC.	1S3W02	SMALL	BNK HILL
3600607 -	EAST HIGHLANDS RANCH, INC.	1S3W02	SMALL	BNK HILL
3600608	EAST BARTON WATER COMPANY	1S3W28B01S	BARTON	BNK HILL
3600628	REDLANDS TRAP/SKEET	1S3W15G		BNK HILL
3600630	MILLER MUTUAL WELL CO.	1N3W32		BNK HILL
3600630 -	MILLER MUTUAL WELL CO.	1N3W32D		BNK HILL
3600642	PIONEER MUTUAL WATER CO.	1S3W14P01	SBDNO 1	BNK HILL
3600643	EAST VALLEY WATER DISTRICT	1N4W25K01	NO. 66	BNK HILL
3600644	HOLMES ICE & COLD STORAGE CO. INC.	1S4W09B03S	2	BNK HILL
3600645	HOLMES ICE & COLD STORAGE CO. INC.	1S4W09B01S		BNK HILL
3600651	SOUTHERN CALIFORNIA EDISON COMPANY	1S3W28		BNK HILL

SAN BERNARDINO BASIN AREA
CROSS INDEX BY RECORDATION NUMBER

RECORDATION NUMBER	OWNER NAME	STATE WELL NUMBER	LOCAL DESIGNATION	BASIN NAME
3600652	WEATHERWAX, W. G.	1S3W15N01S	REDLANDS	BNK HILL
3600678	NORTH FORK WATER COMPANY	1S2W08C01S	NO. 1	BNK HILL
3600679	NORTH FORK WATER COMPANY	1S2W08C02S	NO. 2	BNK HILL
3600680	EAST VALLEY WATER DISTRICT	1S3W02	NF CRAM3	BNK HILL
3600681	NORTH FORK WATER COMPANY	1N3W27	CITY CREEK	BNK HILL
3600708	LA ROSSE, CHARLES H.	1S3W29	GOODWIN	BNK HILL
3600709	SAN BERNARDINO, CITY OF	2N5W19Q01	VINCENT	L CAJON
3600710	SAN BERNARDINO, CITY OF	2N5W19	CAJON	L CAJON
3600711	SAN BERNARDINO, CITY OF	1N4W07F01S	DEVCCYN 2	DEVIL CAN
3600712	SAN BERNARDINO, CITY OF	1N4W08M01S	DEVCCYN 1	DEVIL CAN
3600713	SAN BERNARDINO, CITY OF	1N5W36R01S	LYTLE CR 3	LYTLE
3600714	SAN BERNARDINO, CITY OF	1N4W16E01S	NEWMRK 1	DEVIL CAN
3600715	SAN BERNARDINO, CITY OF	1N4W16E	NEWMRK 2	DEVIL CAN
3600716	SAN BERNARDINO, CITY OF	1N4W16E03S	NEWMRK 3	DEVIL CAN
3600717	SAN BERNARDINO, CITY OF	1N4W32D03S	19TH STL	BNK HILL
3600718	SAN BERNARDINO, CITY OF	1N4W32D04S	19ST. 2	BNK HILL
3600719	SAN BERNARDINO, CITY OF	1N4W27G01S	MARSHALL	BNK HILL
3600720	SAN BERNARDINO, CITY OF	1N4W27M02S	27TH ST	BNK HILL
3600721	SAN BERNARDINO, CITY OF	1N4W27M01S	NO E ST	BNK HILL
3600722	SAN BERNARDINO, CITY OF	1S4W03D01S	ACACIA	BNK HILL
3600723	SAN BERNARDINO, CITY OF	1S4W10F01S	HANFORD 1	BNK HILL
3600724	SAN BERNARDINO, CITY OF	1S4W10F05S	HANFORD 2	BNK HILL

SAN BERNARDINO BASIN AREA
CROSS INDEX BY RECORDATION NUMBER

RECORDATION NUMBER	OWNER NAME	STATE WELL NUMBER	LOCAL DESIGNATION	BASIN NAME
3600725	SAN BERNARDINO, CITY OF	1N4W34G01S	17 ST SW	BNK HILL
3600726	SAN BERNARDINO, CITY OF	1N4W34G03S	16TH ST	BNK HILL
3600727	SAN BERNARDINO, CITY OF	1N4W26G	LYNWOOD	BNK HILL
3600728	SAN BERNARDINO, CITY OF	1N4W27A01S	WTRMN AV	BNK HILL
3600729	SAN BERNARDINO, CITY OF	1N4W35M03S	GILBRTST	BNK HILL
3600730	SAN BERNARDINO, CITY OF	1S4W02K01S	ANTIL 3	BNK HILL
3600731	SAN BERNARDINO, CITY OF	1S4W02K02S	ANTIL 5	BNK HILL
3600732	SAN BERNARDINO, CITY OF	1S4W02K05S	ANTIL 2	BNK HILL
3600733	SAN BERNARDINO, CITY OF	1S4W02K04S	ANTIL 1	BNK HILL
3600734	SAN BERNARDINO, CITY OF	1S4W02K03S	ANTIL 4	BNK HILL
3600735	SAN BERNARDINO, CITY OF	1S4W09P01S	BIRCH ST	BNK HILL
3600736	SAN BERNARDINO, CITY OF	1S4W09J01S	SO G ST	BNK HILL
3600737	SAN BERNARDINO, CITY OF	1S4W10N06S	MILL & D	BNK HILL
3600738	SAN BERNARDINO, CITY OF	1N4W06	D.C. DIV.	DEVIL CAN
3600739	SAN BERNARDINO, CITY OF	1N5W06	L.C. DIV.	LYTLE
3600742	MT. VIEW CEMETERY OF SAN BERNARDINO	1N4W26	1	BNK HILL
3600742-	MT. VIEW CEMETERY OF SAN BERNARDINO	1N4W26	3	BNK HILL
3600743	MT. VIEW CEMETERY OF SAN BERNARDINO	1N4W26	2	BNK HILL
3600747	FRIEDEMANN, ERNEST C.	1N3W31P02S	WELL 1	BNK HILL
3600748	MENTONE ACRES MUTUAL WELL CO.	1S3W24A01	OLD WELL 1	BNK HILL
3600749	REDLANDS, CITY OF	1S3W13	NEW 2	BNK HILL
3600756	REDLANDS, CITY OF	1S3W19H	1	BNK HILL

SAN BERNARDINO BASIN AREA
CROSS INDEX BY RECORDATION NUMBER

RECORDATION NUMBER	OWNER NAME	STATE WELL NUMBER	LOCAL DESIGNATION	BASIN NAME
3600757	MARIGOLD FARMS COMPANY	1S3W19L	2	BNK HILL
3600760	MEYER, CHARLES R.	1N5W01R	1	DEVIL CAN
3600765	NORTH FORK WATER COMPANY	1N3W33C01	RODDICK WELL	BNK HILL
3600766	ELTINGE & GRAZIADIO	1S3W29A01	COLTAMA	BNK HILL
3600815	CHARLES, J. J.	1S3W06		BNK HILL
3600817	WOEHR MUTUAL WATER COMPANY	1S3W29H		BNK HILL
3600828	WILLIAMS WELL CORPORATION, LTD.	1S3W16J		BNK HILL
3600855	EAST VALLEY WATER DISTRICT	1N3W28P01S	SEAVEY 1	BNK HILL
3600856	GUERTH, WILLIAM H.	1N3W27M	CITY CREEK	BNK HILL
3600864	EAST VALLEY WATER DISTRICT	1N3W19	NO. 79	BNK HILL
3600865	LA BONTE, JIM	1N4W24	MULTOWN2	BNK HILL
3600918	REDLANDS, CITY OF	2S3W01E	1	BNK HILL
3600923	CALIFORNIA, STATE OF PATTON HOSPITAL	1N3W32C01S	PATTON 1	BNK HILL
3600924	CALIFORNIA, STATE OF PATTON HOSPITAL	1N3W29M01S	PATTON 2	BNK HILL
3600924-	CALIFORNIA, STATE OF PATTON HOSPITAL	1N3W29M	2A	BNK HILL
3600925	EAST VALLEY WATER DISTRICT	1S4W01Q01	NO. 100	BNK HILL
3600926	EAST VALLEY WATER DISTRICT	1S4W01F02S	PATTON 4	BNK HILL
3600927	EAST VALLEY WATER DISTRICT	1N3W31B01	PATTON 6	BNK HILL
3600928	EAST VALLEY WATER DISTRICT	1N3W31L02S	PATTON 7	BNK HILL
3600929	CALIFORNIA, STATE OF PATTON HOSPITAL	1N3W31K02S	PATTON 8	BNK HILL
3600930	EAST VALLEY WATER DISTRICT	1N3W31L03S	PATTON 9	BNK HILL
3600931	CALIFORNIA, STATE OF PATTON HOSPITAL	1N3W29N01S	PATTON 10	BNK HILL

SAN BERNARDINO BASIN AREA
CROSS INDEX BY RECORDATION NUMBER

RECORDATION NUMBER	OWNER NAME	STATE WELL NUMBER	LOCAL DESIGNATION	BASIN NAME
3600933	NORTHSIDE WATER COMPANY	1S3W23F	1	BNK HILL
3600935	TRI CITY CONCRETE	1N4W31N		LYTLE
3600970	EAST VALLEY WATER DISTRICT	1N3W19	LSC 1	BNK HILL
3600971	EAST VALLEY WATER DISTRICT	1N3W19F	L. SAND CR.	BNK HILL
3600973	CARDIFF FARMS MUTUAL WATER COMPANY	1S4W12D	1	BNK HILL
3600981	REYNOLDS, BILL	1S2W21H01		BNK HILL
3600996	WEST SAN BDNO. COUNTY WATER DIST.	1N5W36J03S	NO 8	LYTLE
3600997	WEST SAN BDNO. COUNTY WATER DIST.	1N5W36H04S	LORD 7	LYTLE
3600998	WEST SAN BDNO. COUNTY WATER DIST.	1N5W25E02S	FERG 1	LYTLE
3600999	WEST SAN BDNO. COUNTY WATER DIST.	1S4W06J01S	DIXON 1	BNK HILL
3601000	WEST SAN BDNO. COUNTY WATER DIST.	1S4W06J02S	DIXON 2	BNK HILL
3601002	WEST SAN BDNO. COUNTY WATER DIST.	1N4W31P03S	RAYNOR 1	LYTLE
3601003	WEST SAN BDNO. COUNTY WATER DIST.	1S4W06H01S	RAYNOR 4	BNK HILL
3601012	SOUTHERN CALIFORNIA EDISON COMPANY	1S4W08R	STM PL 1	BNK HILL
3601013	SOUTHERN CALIFORNIA EDISON COMPANY	1S4W08R	STM PL 2	BNK HILL
3601014	SOUTHERN CALIFORNIA EDISON COMPANY	1S3W18	SB STMP 1	BNK HILL
3601015	SOUTHERN CALIFORNIA EDISON COMPANY	1S3W18	SB STMP 2	BNK HILL
3601016	SOUTHERN CALIFORNIA EDISON COMPANY	1S4W22G01S	THORN 1	BNK HILL
3601046	STOME WATER COMPANY	1S3W21A	1	BNK HILL
3601069	EAST VALLEY WATER DISTRICT	1N3W33M02S	1	BNK HILL
3601084	SOUZA, JOHN	1S2W20K		BNK HILL
3601085	RIALTO, CITY OF	1N4W31N	RIALTO MUT	LYTLE

SAN BERNARDINO BASIN AREA
INDEX BY RECORDATION NUMBER

RECORDATION NUMBER	OWNER NAME	STATE WELL NUMBER	LOCAL DESIGNATION	BASIN NAME
3601092	KANSAS STREET MUTUAL WATER CO.	1S3W28D01		BNK HILL
3601093	SOMERS, R.	1N4W24	SPRING	BNK HILL
3601099	PENN WELL COMPANY	1S3W22F	1	BNK HILL
3601102	MASCART WATER COMPANY	1S3W21E	2	BNK HILL
3601114	SAN BERNARDINO, CITY OF	1N4W35C01S	PRRSHLL 2	BNK HILL
3601115	SAN BERNARDINO, CITY OF	1N4W26P03S	PERRISH 5	BNK HILL
3601116	SAN BERNARDINO, CITY OF	1N4W35C02S	PRRSHLL 3	BNK HILL
3601117	SAN BERNARDINO, CITY OF	1N4W35C03S	PRRSHLL 4	BNK HILL
3601121	'7TH AVE. WELL	1S2W31	1	BNK HILL
3601126	GAY, PHILIP L.	1S2W30H	1	BNK HILL
3601130	LOMA LINDA, CITY OF	1S3W32D	NICKS WELL	BNK HILL
3601131	FRINK RANCH	1S3W30		BNK HILL
3601161	TENNESSEE MUTUAL WELL COMPANY	1S3W16L	PIONEER 1	BNK HILL
3601168	UNGER, V.E.	1S4W26F		BNK HILL
3601171	CRIM, W. ROSCOE	1S3W20F	1	BNK HILL
3601172	K INV./TRUTANIC/Y UN WELL	1S3W20C		BNK HILL
3601173	SOJKA, DONALD R	1S3W32K		BNK HILL
3601184	EAST VALLEY WATER DISTRICT	1N3W33F01S	NO. 94	BNK HILL
3601186	CONEJO RANCHOS MUTUAL WATER COMPANY	1N4W36F03S	1	BNK HILL
3601250	COLTON, CITY OF	1S4W08R	4	BNK HILL
3601251	COLTON, CITY OF	1S4W08R	5	BNK HILL
3601252	COLTON, CITY OF	1S4W05R	6	BNK HILL

SAN BERNARDINO BASIN AREA
CROSS INDEX BY RECORDATION NUMBER

RECORDATION NUMBER	OWNER NAME	STATE WELL NUMBER	LOCAL DESIGNATION	BASIN NAME
3601253	COLTON, CITY OF	1S4W08R	7	BNK HILL
3601254	COLTON, CITY OF	1S4W08F	8	BNK HILL
3601256	COLTON, CITY OF	1S4W09N	PLUNGE 12	BNK HILL
3601257	COLTON, CITY OF	1S4W08F	13	BNK HILL
3601258	COLTON, CITY OF	1S4W08R	14	BNK HILL
3601260	COLTON, CITY OF	1S4W08F01S	16	BNK HILL
3601262	COLTON, CITY OF	1S4W08C02S	BARNHL 18	BNK HILL
3601263	RIALTO, CITY OF	1N5W23Q01S	CITY WELL	LYTLE
3601280	YAHIKU, PAUL	1S3W29D	SOUTH 1	BNK HILL
3601281	REDLANDS, CITY OF	1S2W21M01S	MAGUET 1	BNK HILL
3601282	REDLANDS, CITY OF	1S1W08G1	MC 1	MILL CRK
3601283	REDLANDS, CITY OF	1S2W22C02S	E LUG 2	BNK HILL
3601284	REDLANDS, CITY OF	1S2W21E01S	MAGUET 2	BNK HILL
3601285	REDLANDS, CITY OF	1S1W10L1	MC 2	MILL CRK
3601286	REDLANDS, CITY OF	1S2W21E02S	MAGUET 3	BNK HILL
3601287	REDLANDS, CITY OF	1S2W21C	ELUGNA3	BNK HILL
3601288	REDLANDS, CITY OF	1S1W11Q1	MC 4	MILL CRK
3601289	REDLANDS, CITY OF	1S3W35E	4R	BNK HILL
3601290	REDLANDS, CITY OF	1S2W21D01S	ELUGNA6	BNK HILL
3601291	REDLANDS, CITY OF	1S3W35G08S	10	BNK HILL
3601292	REDLANDS, CITY OF	1S3W35G07S	11	BNK HILL
3601293	REDLANDS, CITY OF	1S3W35H02S	12	BNK HILL

SAN BERNARDINO BASIN AREA
CROSS INDEX BY RECORDATION NUMBER

RECORDATION NUMBER	OWNER NAME	STATE WELL NUMBER	LOCAL DESIGNATION	BASIN NAME
3601294	REDLANDS, CITY OF	1S3W35G09S	13	BNK HILL
3601295	REDLANDS, CITY OF	1S3W35H04S	14	BNK HILL
3601296	REDLANDS, CITY OF	1S3W35H03S	16	BNK HILL
3601297	REDLANDS, CITY OF	1S3W35G11S	17	BNK HILL
3601298	REDLANDS, CITY OF	1S3W21H01S	32	BNK HILL
3601299	REDLANDS, CITY OF	1S4W24K01S	34	BNK HILL
3601300	REDLANDS, CITY OF	1S3W27E02S	40	BNK HILL
3601301	REDLANDS, CITY OF	1S3W28H01S	41	BNK HILL
3601302	REDLANDS, CITY OF	1S2W14N	MILL CR.	BNK HILL
3601308	REDLANDS, CITY OF	1S2W19K01S	TENCH	BNK HILL
3601309	TRI CITY CONCRETE	1S4W05M	PLANT	BNK HILL
3601316	SAN BERNARDINO, CITY OF	1S4W23N	1	BNK HILL
3601352	GENERAL AMERICAN LIFE INS. CO.	1S3W19N		BNK HILL
3601376	LULY, DR. LUCIAN L.	1N4W14	WATERMAN	DEVIL CAN
3601377	LULY, DR. LUCIAN L.	1N4W14	WATERMAN	DEVIL CAN
3601378	LULY, DR. LUCIAN L.	1N4W14	WATERMAN	DEVIL CAN
3601381	NEALEY MUTUAL WATER COMPANY	1N5W07C		LYTLE
3601384	LOMA LINDA, CITY OF	1S4W25	1	BNK HILL
3601388	LOMA LINDA, CITY OF	1S4W25	2	BNK HILL
3601405	PENN WELL COMPANY	1S3W22	2	BNK HILL
3601420	LIVINGSTON-GRAHAM	1S3W09E	ALABAMA 2	BNK HILL
3601451	KOCH, GEORGE J.	1S2W32G01	1	BNK HILL

SAN BERNARDINO BASIN AREA
CROSS INDEX BY RECORDATION NUMBER

RECORDATION NUMBER	OWNER NAME	STATE WELL NUMBER	LOCAL DESIGNATION	BASIN NAME
3601497	MUSCOY MUTUAL WATER COMPANY, NO. 1	1N5W23H01S	MUSCOY 1	LYTLE
3601498	MUSCOY MUTUAL WATER COMPANY, NO. 1	1N5W24D01S	NO. 4	LYTLE
3601499	MUSCOY MUTUAL WATER COMPANY, NO. 1	1N5W23A01S	MUSCOY 2	LYTLE
3601500	MUSCOY MUTUAL WATER COMPANY, NO. 1	1N5W23A02S	MUSCOY 3	LYTLE
3601582	EAST VALLEY WATER DISTRICT	1S4W02R		BNK HILL
3601584	EAST VALLEY WATER DISTRICT	1N3W33H01S	NO. 47	BNK HILL
3601585	REDLANDS, CITY OF	1S3W23A03S	SBDNO AV 1	BNK HILL
3601586	REDLANDS, CITY OF	1S3W15F02S	ORANGE 5	BNK HILL
3601588	SAN BERNARDINO, CITY OF	1N4W31H	BERD00 1	BNK HILL
3601619	CARDIFF FARMS MUTUAL WATER COMPANY	1S4W12D	2	BNK HILL
3601626	SAN BERNARDINO, CITY OF	1S4W10	CITYLOTS	BNK HILL
3601628	COGBILL, CLINTON L.	1S2W09Q	2	BNK HILL
3601629	RIEDMAN, FRED M.	1S3W03P00S	1	BNK HILL
3601631	BRISTOL RANCH	1N3W34C02S	1	BNK HILL
3601632	CANYON KNOLLS RANCH	2S3W05A2	MARCUM WELL	BNK HILL
3601636	REDLANDS, CITY OF	1S4W24	LANGFORD	BNK HILL
3601637	REDLANDS, CITY OF	1S3W30	PTRSON WELL	BNK HILL
3601639	EAST HIGHLANDS RANCH, INC.	1S3W03R01	STORE WELL	BNK HILL
3601640	SUNRISE RANCH PART C/O LIFE DEVELOPMENT	1S2W14		BNK HILL
3601641	PAINE, ROBERT T., TRUSTEE	1S2W30C01S	OPAL ST	BNK HILL
3601642	PAINE, ROBERT T., TRUSTEE	1S2W30B02S	KING ST	BNK HILL
3601643	EAST VALLEY WATER DISTRICT	1S3W03Q	4	BNK HILL

SAN BERNARDINO BASIN AREA
CROSS INDEX BY RECORDATION NUMBER

RECORDATION NUMBER	OWNER NAME	STATE WELL NUMBER	LOCAL DESIGNATION	BASIN NAME
3601644	NORTH FORK WATER COMPANY	1S3W01A	PLUNGE CR	BNK HILL
3601645	HINCKLEY, HORACE P.	1S2W30B	1	BNK HILL
3601647	JUDSON MUTUAL WATER COMPANY	1S3W23A03	1	BNK HILL
3601649	RAMIREZ, CARLOS	1S3W28M	HOOVER	BNK HILL
3601649-	RAMIREZ, CARLOS	1S3W28M	HOOVER	BNK HILL
3601653	EAST VALLEY WATER DISTRICT	1N4W36K04S	NO. 1	BNK HILL
3601654	EAST VALLEY WATER DISTRICT	1N4W36	NO. 1A	BNK HILL
3601655	EAST VALLEY WATER DISTRICT	1N4W36K05S	NO. 2	BNK HILL
3601656	EAST VALLEY WATER DISTRICT	1N4W36Q01S	NO. 6	BNK HILL
3601657	EAST VALLEY WATER DISTRICT	1S4W01B04S	NO. 7	BNK HILL
3601658	EAST VALLEY WATER DISTRICT	1N4W36R01S		BNK HILL
3601659	EAST VALLEY WATER DISTRICT	1S3W06H01S	NO. 9	BNK HILL
3601660	EAST VALLEY WATER DISTRICT	1S3W06H04S	NO. 9A	BNK HILL
3601661	EAST VALLEY WATER DISTRICT	1S4W01J08S	NO. 10	BNK HILL
3601662	EAST VALLEY WATER DISTRICT	1S4W02Q05S	11	BNK HILL
3601663	EAST VALLEY WATER DISTRICT	1S4W02Q04S	12	BNK HILL
3601664	EAST VALLEY WATER DISTRICT	1S4W02N01S	13	BNK HILL
3601665	EAST VALLEY WATER DISTRICT	1S4W01K04S	14	BNK HILL
3601666	EAST VALLEY WATER DISTRICT	1N4W36F08S	16	BNK HILL
3601667	EAST VALLEY WATER DISTRICT	1S3W06A05S	21	BNK HILL
3601668	EAST VALLEY WATER DISTRICT	1S4W01E02S	22	BNK HILL
3601669	EAST VALLEY WATER DISTRICT	1N4W36H06S	23	BNK HILL

SAN BERNARDINO BASIN AREA
 RECORDATION INDEX BY RECORDATION NUMBER

RECORDATION NUMBER	OWNER NAME	STATE WELL NUMBER	LOCAL DESIGNATION	BASIN NAME
3601670	EAST VALLEY WATER DISTRICT	1N4W26A01S	24	BNK HILL
3601671	EAST VALLEY WATER DISTRICT	1N4W26A02S	24A	BNK HILL
3601672	EAST VALLEY WATER DISTRICT	1N4W25B	25	BNK HILL
3601673	EAST VALLEY WATER DISTRICT	1N4W25C02S	25A	BNK HILL
3601674	EAST VALLEY WATER DISTRICT	1N4W25G01S	26	BNK HILL
3601675	EAST VALLEY WATER DISTRICT	1N4W25A01S	27	BNK HILL
3601676	EAST VALLEY WATER DISTRICT	1S4W12B05S	28	BNK HILL
3601677	EAST VALLEY WATER DISTRICT	1S3W05A02S	31	BNK HILL
3601678	EAST VALLEY WATER DISTRICT	1S3W05B04S	32	BNK HILL
3601679	EAST VALLEY WATER DISTRICT	1S3W05N05S	38	BNK HILL
3601684	TERRACE WATER COMPANY	1S4W08F06S	LARGE 1	BNK HILL
3601684-	TERRACE WATER COMPANY	1S4W08F	4	BNK HILL
3601685	TERRACE WATER COMPANY	1S4W08F	SMALL 2	BNK HILL
3601686	TERRACE WATER COMPANY	1S4W08F	3	BNK HILL
3601718	RIALTO, CITY OF	1N5W22M		LYTLE
3601725	WEST SAN BDNO. COUNTY WATER DIST.	1N5W25E00S		LYTLE
3601728	RAMIREZ BROTHERS	1S3W30	1	BNK HILL
3601748	MARIGOLD FARMS COMPANY	1S3W18H01	CALIF	BNK HILL
3601748-	MARIGOLD FARMS COMPANY	1S3W19A01	CALIF	BNK HILL
3601749	MARIGOLD FARMS COMPANY	1S3W19B01	JAP	BNK HILL
3601750	MARIGOLD FARMS COMPANY	1S3W18L	ACQUIL	BNK HILL
3601751	CHRISTINA WATER COMPANY	1S3W21E	ALABAMA	BNK HILL

SAN BERNARDINO BASIN AREA
CROSS INDEX BY RECORDATION NUMBER

RECORDATION NUMBER	OWNER NAME	STATE WELL NUMBER	LOCAL DESIGNATION	BASIN NAME
3601753	RANCHO CITRUS AMIGOS	1S3W29	PARK AVE 1	BNK HILL
3601781	EAST VALLEY WATER DISTRICT	1S3W06K01S	35	BNK HILL
3601809	DEL ROSA MUTUAL WATER COMPANY	1N4W26	GOLDNAV 1	BNK HILL
3601810	CAMPUS CRUSADE FOR CHRIST	1N4W23E	PRKSDE 2	BNK HILL
3601811	CAMPUS CRUSADE FOR CHRIST	1N4W14	EAST TWIN	DEVIL CAN
3601823	TRI CITY MUTUAL WATER COMPANY	1S4W23K		BNK HILL
3601837	SYCAMORE HEIGHTS WATER COMPANY, INC.	1N3W34B	HERCULES	BNK HILL
3601838	SYCAMORE HEIGHTS WATER COMPANY, INC.	1N3W34A	WALKISHA	BNK HILL
3601839	DUDA, WALTER AND BETTY	1S3W10D01S	1	BNK HILL
3601843	SAN BERNARDINO, CITY OF	1N5W03H01S	1	L CAJON
3601844	SAN BERNARDINO, CITY OF	1N5W03	2	L CAJON
3601845	SAN BERNARDINO, CITY OF	1N4W30L	3	LYTLE
3601848	WEST SAN BDNO. COUNTY WATER DIST.	1S4W05E05S	RAYNOR 5	BNK HILL
3601878	SAN BERNARDINO, CITY OF	1N4W29E01S	DARBY	BNK HILL
3601879	SAN BERNARDINO, CITY OF	1N4W29	GARDENA	BNK HILL
3601880	SAN BERNARDINO, CITY OF	1N4W29F01S	COLIMA	BNK HILL
3601884	EAST VALLEY WATER DISTRICT	1N3W31C02S	30	BNK HILL
3601910	LOMA LINDA UNIVERSITY	1S3W30L	PUFFER	BNK HILL
3601924	NATIONAL ORANGE SHOW	1S4W15D		BNK HILL
3601925	ARROWHEAD COUNTRY CLUB	1N4W23E	1	BNK HILL
3601929	RIALTO, CITY OF	1S4W06C04S	NEW RAYN 3	BNK HILL
3601930	CALIFORNIA, STATE OF PATTON HOSPITAL	1N3W32C02S	PATTON 11	BNK HILL

SAN BERNARDINO BASIN AREA
KEY BY RECORDATION NUMBER
CROSS INDEX BY RECORDATION NUMBER

RECORDATION NUMBER	OWNER NAME	STATE WELL NUMBER	LOCAL DESIGNATION	BASIN NAME
3601932	IOWA STREET WELL	1S3W29B01		BNK HILL
3601944	WEST SAN BDNO. COUNTY WATER DIST.	1N5W23Q00S	LOWER 7	LYTLE
3601969	SUNRISE RANCH PART C/O LIFE DEVELOPMENT	1S2W14L	SUNRISE 7	BNK HILL
3601978	EAST VALLEY WATER DISTRICT	1S3W04N	40	BNK HILL
3601979	CAMPUS CRUSADE FOR CHRIST	1N4W14A	EAST TWIN	DEVIL CAN
3601987	EAST VALLEY WATER DISTRICT	1S3W04G	HIGHLD 1	BNK HILL
3601989	LOMA LINDA, CITY OF	1S4W24R01S	1	BNK HILL
3602003	SOLANO WELL NO. 3	1S2W16C	3	BNK HILL
3602007	BERMAN, JERRY & SONS	1S4W02	2	BNK HILL
3602008	LOMA LINDA UNIVERSITY	1S4W26A	1	BNK HILL
3602009	LOMA LINDA UNIVERSITY	1S4W25G01S	3	BNK HILL
3602010	LOMA LINDA, CITY OF	1S4W25H02S	LLU 4	BNK HILL
3602011	LOMA LINDA, CITY OF	1S4W25B02S	LLU 5	BNK HILL
3602012	LOMA LINDA UNIVERSITY	1S4W25C01S	6	BNK HILL
3602013	LOMA LINDA UNIVERSITY	1S4W24N	7	BNK HILL
3602014	LOMA LINDA UNIVERSITY	1S4W26J01S	8	BNK HILL
3602015	LOMA LINDA, CITY OF	1S4W25B	LLU 9	BNK HILL
3602016	LOMA LINDA, CITY OF	1S4W25G	ROBINSON	BNK HILL
3602017	LOMA LINDA UNIVERSITY	1S4W25E01S	2	BNK HILL
3602020	F. A. R. WELL	1S2W20K		BNK HILL
3602031	REDLANDS, CITY OF	1S3W21H	30A	BNK HILL
3602032	REDLANDS, CITY OF	1S3W22A	35	BNK HILL

SAN BERNARDINO BASIN AREA
CROSS INDEX BY RECORDATION NUMBER

RECORDATION NUMBER	OWNER NAME	STATE WELL NUMBER	LOCAL DESIGNATION	BASIN NAME
3602034	EAST VALLEY WATER DISTRICT	1S4W01Q	12A	BNK HILL
3602036	REDLANDS, CITY OF	1S3W21H	31A	BNK HILL
3602057	LOMA LINDA, CITY OF	1S4W25C	MITTLEID	BNK HILL
3602058	LOMA LINDA, CITY OF	1S4W25F	CROOKS	BNK HILL
3602060	SO. SAN BERNARDINO COUNTY WATER DIST.	1S4W24P	BENNETT WELL	BNK HILL
3602062	BUOYE WELL	1S2W29N	1	BNK HILL
3602066	VAN LOON MUTUAL WATER COMPANY	1S4W02B	1	BNK HILL
3602067	VAN LOON MUTUAL WATER COMPANY	1N4W35K	2	BNK HILL
3602068	ARROYO VERDE MUTUAL WATER CO.	1S4W01A02S	1	BNK HILL
3602069	ARROYO VERDE MUTUAL WATER CO.	1S4W01A	2	BNK HILL
3602074	MULLINS, JAMES C., JR., EXECUTOR	1N3W34B02	IRRIG. 1	BNK HILL
3602075	MULLINS, JAMES C., JR., EXECUTOR	1N3W34B01	DOM. 2	BNK HILL
3602079	BARNO, JOHN	1S3W03F	1	BNK HILL
3602080	RIALTO, CITY OF	1N5W23Q	CITY 2	LYTLE
3602081	SAN BERNARDINO, CITY OF	1N4W27B	31 ST	BNK HILL
3602082	REDLANDS, CITY OF	2S3W03K		BNK HILL
3602106	REDLANDS, CITY OF	1S3W22A01S		BNK HILL
3602109	BRYN MAWR MUTUAL WATER COMPANY	1S3W31B00S	4	BNK HILL
3602112	VICTORIA FARMS MUTUAL WATER CO.	1S4W13R01S		BNK HILL
3602113	EAST VALLEY WATER DISTRICT	1N3W30N	41	BNK HILL
3602119	LAKESIDE AVENUE MUTUAL WELL COMPANY	1S3W33C01S		BNK HILL
3602122	SO. SAN BERNARDINO COUNTY WATER DIST.	1S4W23R03S	ROSEWOOD	BNK HILL

SAN BERNARDINO BASIN AREA
CROSS INDEX BY RECORDATION NUMBER

RECORDATION NUMBER	OWNER NAME	STATE WELL NUMBER	LOCAL DESIGNATION	BASIN NAME
3602123	SO. SAN BERNARDINO COUNTY WATER DIST.	1S4W14J	NORMAN	BNK HILL
3602124	SO. SAN BERNARDINO COUNTY WATER DIST.	1S4W14J	CENTRAL	BNK HILL
3602125	SO. SAN BERNARDINO COUNTY WATER DIST.	1S4W24F04S	OLDGOULD	BNK HILL
3602126	SO. SAN BERNARDINO COUNTY WATER DIST.	1S4W24F	NEWGOULD	BNK HILL
3602127	GOLDEN BEAR FOREST PRODUCTS	1S3W15A01		BNK HILL
3602128	SAN BERNARDINO, CITY OF	1S4W14A	1	BNK HILL
3602130	EASTWOOD FARMS COMMUNITY WATER USERS	1S4W01P01S	1	BNK HILL
3602131	EASTWOOD FARMS COMMUNITY WATER USERS	1S4W01P02S	2	BNK HILL
3602170	ROBBINS, H. W.	1S2W3IM		BNK HILL
3602171	REES & PERRICONE RANCH	1S2W18M	1	BNK HILL
3602174	EAST VALLEY WATER DISTRICT	1S4W02		BNK HILL
3602186	CRAFTON WATER COMPANY	1S2W21L02	2	BNK HILL
3602188	RANCHO LADERA	1S2W29L	ROLADERA	BNK HILL
3602193	RAUGHT MUTUAL WELL COMPANY	1S3W14R01	RAUGHT	BNK HILL
3602205	SAN BERNARDINO, CITY OF	1N4W06H01S	DEVIL 4	DEVIL CAN
3602206	SAN BERNARDINO, CITY OF	1N4W06H02S	DEVIL 3	DEVIL CAN
3602211	REDLANDS, CITY OF	1S3W26C	37SYLVN	BNK HILL
3602224	EAST PIONEER MUTUAL WELL COMPANY	1S3W13P		BNK HILL
3602241	VALDEPENA ACRES	1S3W20F03	ALMOND	BNK HILL
3602247	VICTORIA FARMS MUTUAL WATER CO.	1S4W13R03	2	BNK HILL
3602249	LOMA LINDA UNIVERSITY	1S4W25D05	ANDERSON	BNK HILL
3602252	SAN BERNARDINO, CITY OF	1S4W14B	2	BNK HILL

SAN BERNARDINO BASIN AREA
CROSS INDEX BY RECORDATION NUMBER

RECORDATION NUMBER	OWNER NAME	STATE WELL NUMBER	LOCAL DESIGNATION	BASIN NAME
3602260	EAST VALLEY WATER DISTRICT	1S3W05D06	CULL 3	BNK HILL
3602264	SAN BERNARDINO, CITY OF	1N4W27N01S	23RD ST.	BNK HILL
3602265	SAN BERNARDINO, CITY OF	1S4W03J	7TH ST.	BNK HILL
3602274	EAST VALLEY WATER DISTRICT	1N3W30J	39	BNK HILL
3602280	MENTONE CITRUS GROVES	1S2W18Q		BNK HILL
3602285	SAN BERNARDINO, CITY OF	1S4W15D05	15D5	BNK HILL
3602320	NEW ENGLAND WATER CO.	1S3W16		BNK HILL
3602337	EAST VALLEY WATER DISTRICT	1N4W26A	24 B	BNK HILL
3602338	EAST VALLEY WATER DISTRICT	1S3W04N	40A	BNK HILL
3602345	MUSCOY MUTUAL WATER COMPANY, NO. 1	1N5W24E	WELL NO 4	LYTLE
3602346	REDLANDS, CITY OF	1S3W28J02	1	BNK HILL
3602351	REDLANDS, CITY OF	1S2W13A	MC 0-A	BNK HILL
3602370	EAST VALLEY WATER DISTRICT	1N4W25F	4A	BNK HILL
3602381	CALIFORNIA, STATE OF PATTON HOSPITAL	1N3W29M	14	BNK HILL
3602382	DEVORE WATER CO.	2N5W28D	1	L CAJON
3602383	DEVORE WATER CO.	2N5W28C	2	L CAJON
3602384	DEVORE WATER CO.	2N5W28C	3	L CAJON
3602385	DEVORE WATER CO.	2N5W20H	MEDLIN CR.	L CAJON
3602386	DEVORE WATER CO.	2N5W21E	LETHIN SP.	L CAJON
3602387	DEVORE WATER CO.	2N5W22E	E. KIMBARK	L CAJON
3602388	DEVORE WATER CO.	2N5W21G	KIMBARK	L CAJON
3602389	DEVORE WATER CO.	2N5W22N	HOPPER	L CAJON

SAN BERNARDINO BASIN AREA
CROSS INDEX BY RECORDATION NUMBER

RECORDATION NUMBER	OWNER NAME	STATE WELL NUMBER	LOCAL DESIGNATION	BASIN NAME
3602390	DEVORE WATER CO.	2N5W28B	SANTA FE	L CAJON
3602391	DEVORE WATER CO.	2N5W28D	CASADY	L CAJON
3602399	SAN BERNARDINO, CITY OF	1N4W16E	NEWMARK 4	BNK HILL
3602400	SAN BERNARDINO, CITY OF	1N4W32N	BASE LINE	BNK HILL
3602401	SAN BERNARDINO, CITY OF	1N4W27A	LERDY	BNK HILL
3602405	COLTON, CITY OF	1S4W08C	19	BNK HILL
3602417	EAST VALLEY WATER DISTRICT	1S3W05D	4	BNK HILL
3602422	SAN BERNARDINO, CITY OF	1S4W02K08S	ANTIL 6	BNK HILL
3602426	SAN BERNARDINO, CITY OF	2N5W19K	C.C. DIV.	L CAJON
3602428	DEVORE WATER CO.	2N5W33H	4	L CAJON
3602474	EAST HIGHLANDS RANCH, INC.	1N3W25Q		PLUNGE
3602498	COLTON, CITY OF	1S4W08R07	6B	BNK HILL
3602499	J. G. GOLFING ENTERPRISES, INC.	1S4W22A01		BNK HILL
3602521	SAN BERNARDINO, CITY OF	1S4W23N04	2	BNK HILL
3602525	L.P.R. ICE COMPANY	1S3W13C		BNK HILL
3602528	BASELINE GARDENS MUTUAL WATER COMPANY	1N4W35R01	3	BNK HILL
3602529	BLUE GOOSE GROWERS INC	1S2W09P02	NO. 6	BNK HILL
3602530	BLUE GOOSE GROWERS INC	1S2W09L02S	NO. 11	BNK HILL
3602531	BLUE BANNER CO.	1S2W09L03S	TUNNEL DIV.	BNK HILL
3602549	DANIELS AND BEST RANCH	1S3W19J	CALIF STREET	BNK HILL
3602550	DANIELS AND BEST RANCH	1S3W17R	ALABAMA ST	BNK HILL
3602560	EAST VALLEY WATER DISTRICT	1S3W04G	DUNKIRK 2	BNK HILL

SAN BERNARDINO BASIN AREA
CROSS INDEX BY RECORDATION NUMBER

RECORDATION NUMBER	OWNER NAME	STATE WELL NUMBER	LOCAL DESIGNATION	BASIN NAME
3602563	EAST VALLEY WATER DISTRICT	1S4W02Q	11A	BNK HILL
3602564	EAST VALLEY WATER DISTRICT	1S4W12B	28A	BNK HILL
3602571	EAST VALLEY WATER DISTRICT	1S3W03F		BNK HILL
3602574	VICTORIA FARMS MUTUAL WATER CO.	1S4W13R	#3 WELL	BNK HILL
3602596	LOMA LINDA, CITY OF	1S4W24R	NEW GOLCONDA	BNK HILL
3602653	REDLANDS, CITY OF	1S2W19J		BNK HILL
3602654	REDLANDS, CITY OF	1S2W19J		BNK HILL
3602657	YUCAIPA VALLEY WATER DISTRICT	1S1W20D		MILL CRK
3602658	YUCAIPA VALLEY WATER DISTRICT	1S1W20D		MILL CRK
3602659	YUCAIPA VALLEY WATER DISTRICT	1S1W19G		BNK HILL
3602664	STORKSON, WILLIAM F.	1N5W06		LYTLE
3602712	SAN BERNARDINO, CITY OF	1N4W08N		DEVIL CAN
3602714	VICTORIA FARMS MUTUAL WATER CO.	1S4W13R	1	BNK HILL
3602727	FONTANA UNION WATER COMPANY	1N5W15Q02S	FU 8	LYTLE
3602732	REDLANDS, CITY OF	1S3W32J02S	DOC. LEE	BNK HILL
3602759	LOMA LINDA, CITY OF	1S4W24A		BNK HILL
3602760	LOMA LINDA, CITY OF	1S4W24C		
3602766	WEST SAN BDNO. COUNTY WATER DIST.	1S4W06H02		
3602781	LOMA LINDA UNIVERSITY	1S4W25D		
3602791	REDLANDS, CITY OF	1S2W20B01		
3602792	REDLANDS, CITY OF	1S2W19A01		
3602793	COLTON, CITY OF	1S4W08F01		

SAN BERNARDINO BASIN AREA
CROSS INDEX BY RECORDATION NUMBER

RECORDATION NUMBER	OWNER NAME	STATE WELL NUMBER	LOCAL DESIGNATION	BASIN NAME
3602799	EAST VALLEY WATER DISTRICT	1S2W07H01		
3602821	SAN BERNARDINO, CITY OF	1N5W03A02		DEVIL CAN
3602844	SAN BERNARDINO, CITY OF	1N4W08M02		DEVIL CAN
3602846	J. G. GOLFING ENTERPRISES, INC.	1S4W22A		BNK HILL
3602848	RIALTO, CITY OF	1N5W36N01		LYTLE
3602855	LOMA LINDA UNIVERSITY	1S4W25D07		
3602895	REDLANDS, CITY OF	1S3W13H		
3602896	REDLANDS, CITY OF	1S2W20A		
3602897	WEST SAN BDN. COUNTY WATER DIST.	1N5W23		
3602917	BROOKSIDE PLAZA	1S3W03D01S		BNK HILL
3603027	SAN BERNARDINO, CITY OF	1N5W36J01S		DEVIL CAN
3603030	RIALTO, CITY OF	1S4W06B01S		
3603054	WEST SAN BDN. COUNTY WATER DIST.	1N5W35E01S		
3603055	WEST SAN BDN. COUNTY WATER DIST.	1N5W36J03S		
3603057	LOMA LINDA, CITY OF	1S4W23		
3603058	LOMA LINDA, CITY OF	1S4W23		
3603116	BIG BEAR MUNICIPAL WATER DISTRICT	1S3W13R01S		BNK HILL
3609723	SOUTHERN CALIFORNIA EDISON COMPANY	1S4W10F01S	HANFORD 1	BNK HILL

SAN BERNARDINO BASIN AREA.
CROSS INDEX BY STATE WELL NUMBER

SAN BERNARDINO BASIN AREA
CROSS INDEX BY STATE WELL NUMBER

STATE WELL NUMBER	OWNER NAME	RECORDATION NUMBER	LOCAL DESIGNATION	BASIN NAME
1N2W10N	BEAR VALLEY MUTUAL WATER COMPANY	3600027	ALDER CR	SANTA ANA
1N2W26H	BEAR VALLEY MUTUAL WATER COMPANY	3600021	SANTA ANA 1	SANTA ANA
1N2W34	BEAR VALLEY MUTUAL WATER COMPANY	3600022	SANTA ANA 2	SANTA ANA
1N3W19	EAST VALLEY WATER DISTRICT	3600864	NO. 79	BNK HILL
1N3W19	EAST VALLEY WATER DISTRICT	3600970	LSC 1	BNK HILL
1N3W19F	EAST VALLEY WATER DISTRICT	3600971	L. SAND CR.	BNK HILL
1N3W19Q	SELEY	0000122	TUNNEL DIV.	BNK HILL
1N3W19R	YORK	0000160	DOMESTIC	BNK HILL
1N3W19R	YORK	0000161		BNK HILL
1N3W19R	YORK	0000162	SAND CYN TUN	BNK HILL
1N3W20N	SAN MANUAL INDIAN RESERV.	0000119		BNK HILL
1N3W25Q	EAST HIGHLANDS RANCH, INC.	3602474		PLUNGE
1N3W27	NORTH FORK WATER COMPANY	3600681	CITY CREEK	BNK HILL
1N3W27M	GUERTH, WILLIAM H.	3600856	CITY CREEK	BNK HILL
1N3W27N02S	EAST VALLEY WATER DISTRICT	3600378	CCH 3	BNK HILL
1N3W27N08S	EAST VALLEY WATER DISTRICT	3600377	CCH 1	BNK HILL
1N3W27R	COOK CANYON	0000018		BNK HILL
1N3W28A	THOMPSON RANDALL	0000132	SPRING DIV.	
1N3W28N01	HIGHLAND WELL COMPANY	3600184	APLIN WELL	BNK HILL
1N3W28P01S	EAST VALLEY WATER DISTRICT	3600855	SEAVEY 1	BNK HILL
1N3W29B	SUPERIOR ORCHARDS	0000131	TUNNEL DIV.	BNK HILL
1N3W29H	WIDEMEYER	0000157	SPRING DIV.	BNK HILL

SAN BERNARDINO BASIN AREA
CROSS INDEX BY STATE WELL NUMBER

STATE WELL NUMBER	OWNER NAME	RECORDATION NUMBER	LOCAL DESIGNATION	BASIN NAME
IN3W29H	WIDEMEYER	0000158		BNK HILL
IN3W29M	CALIFORNIA, STATE OF	3600924-	2A	BNK HILL
IN3W29M	CALIFORNIA, STATE OF	3602381	14	BNK HILL
IN3W29M01S	CALIFORNIA, STATE OF	3600924	PATTON 2	BNK HILL
IN3W29N01S	CALIFORNIA, STATE OF	3600931	PATTON 10	BNK HILL
IN3W29R01S	BEAR VALLEY MUTUAL WATER COMPANY	3600025	PALM AV3	BNK HILL
IN3W30	EAST VALLEY WATER DISTRICT	3600221	NO. 63	BNK HILL
IN3W30	EAST VALLEY WATER DISTRICT	3600545	NUTW-DS	BNK HILL
IN3W30C	EAST VALLEY WATER DISTRICT	0000030	NO. 36	BNK HILL
IN3W30C	EAST VALLEY WATER DISTRICT	0000033	NO. 44	BNK HILL
IN3W30H01S	EAST VALLEY WATER DISTRICT	3600444	NO. 98	BNK HILL
IN3W30J	EAST VALLEY WATER DISTRICT	3602274	39	BNK HILL
IN3W30N	EAST VALLEY WATER DISTRICT	3602113	41	BNK HILL
IN3W31	BASELINE LAUNDRY	0000082		BNK HILL
IN3W31A	EAST VALLEY WATER DISTRICT	0000034	NO. 45	BNK HILL
IN3W31B01	EAST VALLEY WATER DISTRICT	3600927	PATTON 6	BNK HILL
IN3W31C02S	EAST VALLEY WATER DISTRICT	3601884	30	BNK HILL
IN3W31D	EAST VALLEY WATER DISTRICT	0000038	NO. 70	BNK HILL
IN3W31K02S	CALIFORNIA, STATE OF	3600929	PATTON 8	BNK HILL
IN3W31L	EAST VALLEY WATER DISTRICT	3600269	NO. 68	BNK HILL
IN3W31L02S	EAST VALLEY WATER DISTRICT	3600928	PATTON 7	BNK HILL
IN3W31L03S	EAST VALLEY WATER DISTRICT	3600930	PATTON 9	BNK HILL

SAN BERNARDINO BASIN AREA
CROSS INDEX BY STATE WELL NUMBER

STATE WELL NUMBER	OWNER NAME	RECORDATION NUMBER	LOCAL DESIGNATION	BASIN NAME
IN3W31P02S	FRIEDEMANN, ERNEST C.	3600747	WELL 1	BNK HILL
IN3W31Q	BASELINE LAUNDRY	0000008		BNK HILL
IN3W32	EAST VALLEY WATER DISTRICT	3600275	NO. 64	BNK HILL
IN3W32	MILLER MUTUAL WELL CO.	3600630		BNK HILL
IN3W32C01S	CALIFORNIA, STATE OF PATTON HOSPITAL	3600923	PATTON 1	BNK HILL
IN3W32C02S	CALIFORNIA, STATE OF PATTON HOSPITAL	3601930	PATTON 11	BNK HILL
IN3W32D	MILLER MUTUAL WELL CO.	3600630-		BNK HILL
IN3W32M	NO NAME WELL	0000085		BNK HILL
IN3W33C01	NORTH FORK WATER COMPANY	3600765	RODDICK WELL	BNK HILL
IN3W33F01S	EAST VALLEY WATER DISTRICT	3601184	NO. 94	BNK HILL
IN3W33H01S	EAST VALLEY WATER DISTRICT	3601584	NO. 47	BNK HILL
IN3W33M01S	EAST VALLEY WATER DISTRICT	3600374	PALMHI 1	BNK HILL
IN3W33M02S	EAST VALLEY WATER DISTRICT	3601069	1	BNK HILL
IN3W33R02S	BASE LINE WELL COMPANY	3600456	1	BNK HILL
IN3W34	PATTERSON, ROY H.	0000163		BNK HILL
IN3W34A	SYCAMORE HEIGHTS WATER COMPANY, INC.	3601838	WALKISHA	BNK HILL
IN3W34B	SYCAMORE HEIGHTS WATER COMPANY, INC.	3601837	HERCULES	BNK HILL
IN3W34B01	MULLINS, JAMES C., JR., EXECUTOR	3602075	DOM. 2	BNK HILL
IN3W34B02	MULLINS, JAMES C., JR., EXECUTOR	3602074	IRRIG. 1	BNK HILL
IN3W34C02S	BRISTOL RANCH	3601631	1	BNK HILL
IN3W34F	NORWOOD	0000095		BNK HILL
IN3W34H	ARNOLD RANCH	0000004		BNK HILL

SAN BERNARDINO BASIN AREA
CROSS INDEX BY STATE WELL NUMBER

STATE WELL NUMBER	OWNER NAME	RECORDATION NUMBER	LOCAL DESIGNATION	BASIN NAME
1N3W34K	BALDWIN	0000006		BNK HILL
1N3W34K	RULE	0000114	SPRING	BNK HILL
1N3W35	EAST HIGHLANDS RANCH, INC.	3600606	ELDER GULCH	BNK HILL
1N3W35B	EAST HIGHLANDS ORANGE COMPANY	0000029	BOX SPRING	BNK HILL
1N3W36	EAST HIGHLANDS RANCH, INC.	3600605	PLUNGE CK DI	PLUNGE
1N4W06	SAN BERNARDINO, CITY OF	3600738	D.C. DIV.	DEVIL CAN
1N4W06H01S	SAN BERNARDINO, CITY OF	3602205	DEVIL 4	DEVIL CAN
1N4W06H02S	SAN BERNARDINO, CITY OF	3602206	DEVIL 3	DEVIL CAN
1N4W07F01S	SAN BERNARDINO, CITY OF	3600711	DEVICYN 2	DEVIL CAN
1N4W08M01S	SAN BERNARDINO, CITY OF	3600712	DEVICYN 1	DEVIL CAN
1N4W08M02	SAN BERNARDINO, CITY OF	3602844		DEVIL CAN
1N4W08N	ELLENA, JOHN B.	0000054		DEVIL CAN
1N4W08N	SAN BERNARDINO, CITY OF	3602712		DEVIL CAN
1N4W13P	DILLSON MUT. WTR. CO.	0000025	DILLSON AVE	DEVIL CAN
1N4W13P	DILLSON MUT. WTR. CO.	0000026	HARRISON CYN	DEVIL CAN
1N4W13P	DILLSON MUT. WTR. CO.	0000173	CISCO WELL	DEVIL CAN
1N4W13P	HARRISON CANYON	0000063		DEVIL CAN
1N4W13P	HARRISON CANYON	0000064		DEVIL CAN
1N4W13Q	HARDISON	0000061		DEVIL CAN
1N4W13Q	U.S. FOREST SERVICE	0000137	MAINT. YARD	DEVIL CAN
1N4W14	CAMPUS CRUSADE FOR CHRIST	3601811	EAST TWIN	DEVIL CAN
1N4W14	LULY, DR. LUCIAN L.	3601376	WATERMAN	DEVIL CAN

SAN BERNARDINO BASIN AREA
CROSS INDEX BY STATE WELL NUMBER

STATE WELL NUMBER	OWNER NAME	RECORDATION NUMBER	LOCAL DESIGNATION	BASIN NAME
1N4W14	LULY, DR. LUCIAN L.	3601377	WATERMAN	DEVIL CAN
1N4W14	LULY, DR. LUCIAN L.	3601378	WATERMAN	DEVIL CAN
1N4W14A	CAMPUS CRUSADE FOR CHRIST	3601979	EAST TWIN	DEVIL CAN
1N4W14C	CAMPUS CRUSADE FOR CHRIST	0000155	W TWIN CRK	DEVIL CAN
1N4W14J	BOUCHER	0000014		DEVIL CAN
1N4W14J	SATOSKI, DOCTOR	0000121		DEVIL CAN
1N4W14J	SMITH	0000124		DEVIL CAN
1N4W14J	WALLACE	0000148		DEVIL CAN
1N4W14R	BATCHELOR	0000009		DEVIL CAN
1N4W14R	BATCHELOR	0000010		DEVIL CAN
1N4W14R	KING	0000073		DEVIL CAN
1N4W16E	SAN BERNARDINO, CITY OF	3600715	NEWMRK 2	DEVIL CAN
1N4W16E	SAN BERNARDINO, CITY OF	3602399	NEWMARK 4	BNK HILL
1N4W16E01S	SAN BERNARDINO, CITY OF	3600714	NEWMRK 1	DEVIL CAN
1N4W16E03S	SAN BERNARDINO, CITY OF	3600716	NEWMRK 3	DEVIL CAN
1N4W23E	ARROWHEAD COUNTRY CLUB	3601925	1	BNK HILL
1N4W23E	CAMPUS CRUSADE FOR CHRIST	3601810	PRKSDE 2	BNK HILL
1N4W23K	VALENCIA AVE. MUT. WTR. CO.	0000140	WATERMAN AVE	BNK HILL
1N4W24	LA BONTE, JIM	3600865	MULTOWN2	BNK HILL
1N4W24	LANGSTON-NEWBY DEVELOPMENT CO.	3600218	1	DEVIL CAN
1N4W24	SOMERS, R.	3601093	SPRING	BNK HILL
1N4W25A01S	EAST VALLEY WATER DISTRICT	3601675	27	BNK HILL

SAN BERNARDINO BASIN AREA
CROSS INDEX BY STATE WELL NUMBER

STATE WELL NUMBER	OWNER NAME	RECORDATION NUMBER	LOCAL DESIGNATION	BASIN NAME
1N4W25B	EAST VALLEY WATER DISTRICT	3601672	25	BNK HILL
1N4W25C02S	EAST VALLEY WATER DISTRICT	3601673	25A	BNK HILL
1N4W25D	EAST VALLEY WATER DISTRICT	0000048	NO. 85	BNK HILL
1N4W25F	EAST VALLEY WATER DISTRICT	3602370	4A	BNK HILL
1N4W25G01S	EAST VALLEY WATER DISTRICT	3601674	26	BNK HILL
1N4W25K01	EAST VALLEY WATER DISTRICT	3600643	NO. 66	BNK HILL
1N4W25R	ANDERSON, W.D.	0000003		BNK HILL
1N4W26	DEL ROSA MUTUAL WATER COMPANY	3601809	GOLDNAV 1	BNK HILL
1N4W26	MT. VIEW CEMETERY OF SAN BERNARDINO	3600742	1	BNK HILL
1N4W26	MT. VIEW CEMETERY OF SAN BERNARDINO	3600742-	3	BNK HILL
1N4W26	MT. VIEW CEMETERY OF SAN BERNARDINO	3600743	2	BNK HILL
1N4W26A	EAST VALLEY WATER DISTRICT	3602337	24 B	BNK HILL
1N4W26A01S	EAST VALLEY WATER DISTRICT	3601670	24	BNK HILL
1N4W26A02S	EAST VALLEY WATER DISTRICT	3601671	24A	BNK HILL
1N4W26G	SAN BERNARDINO, CITY OF	3600727	LYNWOOD	BNK HILL
1N4W26P03S	SAN BERNARDINO, CITY OF	3601115	PERRISH 5	BNK HILL
1N4W27A	SAN BERNARDINO, CITY OF	3602401	LERoy	BNK HILL
1N4W27A01S	SAN BERNARDINO, CITY OF	3600728	WTRMN AV	BNK HILL
1N4W27B	SAN BERNARDINO, CITY OF	3602081	31 ST	BNK HILL
1N4W27G01S	SAN BERNARDINO, CITY OF	3600719	MARSHALL	BNK HILL
1N4W27M01S	SAN BERNARDINO, CITY OF	3600721	NO E ST	BNK HILL
1N4W27M02S	SAN BERNARDINO, CITY OF	3600720	27TH ST	BNK HILL

SAN BERNARDINO BASIN AREA
CROSS INDEX BY STATE WELL NUMBER

STATE WELL NUMBER	OWNER NAME	RECORDATION NUMBER	LOCAL DESIGNATION	BASIN NAME
1N4W27N01S	SAN BERNARDINO, CITY OF	3602264	23RD ST.	BNK HILL
1N4W29	SAN BERNARDINO, CITY OF	3601879	GARDENA	BNK HILL
1N4W29E01S	SAN BERNARDINO, CITY OF	3601878	DARBY	BNK HILL
1N4W29F01S	SAN BERNARDINO, CITY OF	3601880	COLIMA	BNK HILL
1N4W30L	SAN BERNARDINO, CITY OF	3601845	3	LYTLE
1N4W31A01S	MOUNT VERNON WATER COMPANY	3600319	1	BNK HILL
1N4W31H	SAN BERNARDINO, CITY OF	3601588	BERD00 1	BNK HILL
1N4W31N	RIALTO, CITY OF	3601085	RIALTO MUT	LYTLE
1N4W31N	TRI CITY CONCRETE	3600935		LYTLE
1N4W31P03S	WEST SAN BDNO. COUNTY WATER DIST.	3601002	RAYNOR 1	LYTLE
1N4W32D03S	SAN BERNARDINO, CITY OF	3600717	19TH STL	BNK HILL
1N4W32D04S	SAN BERNARDINO, CITY OF	3600718	19ST. 2	BNK HILL
1N4W32N	SAN BERNARDINO, CITY OF	3602400	BASE LINE	BNK HILL
1N4W34G01S	SAN BERNARDINO, CITY OF	3600725	17 ST SW	BNK HILL
1N4W34G03S	SAN BERNARDINO, CITY OF	3600726	16TH ST	BNK HILL
1N4W35C01S	SAN BERNARDINO, CITY OF	3601114	PRRSHLL 2	BNK HILL
1N4W35C02S	SAN BERNARDINO, CITY OF	3601116	PRRSHLL 3	BNK HILL
1N4W35C03S	SAN BERNARDINO, CITY OF	3601117	PRRSHLL 4	BNK HILL
1N4W35F	SAN BERNARDINO, COUNTY OF	0000019	COUNTY HOSP	BNK HILL
1N4W35H	PACIFIC HIGH SCHOOL	0000096		BNK HILL
1N4W35J02S	BASELINE GARDENS MUTUAL WATER COMPANY	3600457	PAC&BARL	BNK HILL
1N4W35K	VAN LOON MUTUAL WATER COMPANY	3602067	2	BNK HILL

SAN BERNARDINO BASIN AREA
CROSS INDEX BY STATE WELL NUMBER

STATE WELL NUMBER	OWNER NAME	RECORDATION NUMBER	LOCAL DESIGNATION	BASIN NAME
1N4W35M03S	SAN BERNARDINO, CITY OF	3600729	GILBRTST	BNK HILL
1N4W35N	PIERSON	0000097		BNK HILL
1N4W35R01	BASELINE GARDENS MUTUAL WATER COMPANY	3602528	3	BNK HILL
1N4W36	EAST VALLEY WATER DISTRICT	3601654	NO. 1A	BNK HILL
1N4W36F03S	CONEJO RANCHOS MUTUAL WATER COMPANY	3601186	1	BNK HILL
1N4W36F08S	EAST VALLEY WATER DISTRICT	3601666	16	BNK HILL
1N4W36H	EAST VALLEY WATER DISTRICT	0000036	NO. 52	BNK HILL
1N4W36H06S	EAST VALLEY WATER DISTRICT	3601669	23	BNK HILL
1N4W36K04S	EAST VALLEY WATER DISTRICT	3601653	NO. 1	BNK HILL
1N4W36K05S	EAST VALLEY WATER DISTRICT	3601655	NO. 2	BNK HILL
1N4W36M01S	BASELINE GARDENS MUTUAL WATER COMPANY	3600458	PS & B 2	BNK HILL
1N4W36Q01S	EAST VALLEY WATER DISTRICT	3601656	NO. 6	BNK HILL
1N4W36R01S	EAST VALLEY WATER DISTRICT	3601658		BNK HILL
1N5W01R	MEYER, CHARLES R.	3600760	1	DEVIL CAN
1N5W03	SAN BERNARDINO, CITY OF	3601844	2	L CAJON
1N5W03A02	SAN BERNARDINO, CITY OF	3602821		DEVIL CAN
1N5W03H01S	SAN BERNARDINO, CITY OF	3601843	1	L CAJON
1N5W04M	REGINA GRAPE PRODUCTS	0000105	WELL NO. 1	LYTLE
1N5W04N	REGINA GRAPE PRODUCTS	0000106	WELL NO. 2	LYTLE
1N5W04N	REGINA GRAPE PRODUCTS	0000107	WELL NO. 3	LYTLE
1N5W04N	REGINA GRAPE PRODUCTS	0000110	WELL NO. 5	LYTLE
1N5W04N	REGINA GRAPE PRODUCTS	0000111	WELL NO. 6	LYTLE

SAN BERNARDINO BASIN AREA
CROSS INDEX BY STATE WELL NUMBER

STATE WELL NUMBER	OWNER NAME	RECORDATION NUMBER	LOCAL DESIGNATION	BASIN NAME
1N5W04N	REGINA GRAPE PRODUCTS	0000112	WELL NO. 7	LYTLE
1N5W05B	REGINA GRAPE PRODUCTS	0000108	SPRING DIV.	LYTLE
1N5W05R	REGINA GRAPE PRODUCTS	0000109	WELL NO. 4	LYTLE
1N5W06	SAN BERNARDINO, CITY OF	3600739	L.C. DIV.	LYTLE
1N5W06	STORKSON, WILLIAM F.	3600083	1	LYTLE
1N5W06	STORKSON, WILLIAM F.	3602664		LYTLE
1N5W06E	FONTANA UNION WATER COMPANY	3600591		LYTLE
1N5W06G01S	FONTANA UNION WATER COMPANY	3600582	FU 27	LYTLE
1N5W06K02S	FONTANA UNION WATER COMPANY	3600586	FU 33	LYTLE
1N5W07C	NEALEY MUTUAL WATER COMPANY	3601381		LYTLE
1N5W07H01S	FONTANA UNION WATER COMPANY	3600581	FU 26	LYTLE
1N5W15002S	FONTANA UNION WATER COMPANY	3602727	FU 8	LYTLE
1N5W16K01S	FONTANA UNION WATER COMPANY	3600585	FU 32	LYTLE
1N5W22A01S	FONTANA UNION WATER COMPANY	3600569	FU 13	LYTLE
1N5W22C02S	FONTANA UNION WATER COMPANY	3600563	FU 4	LYTLE
1N5W22F01S	FONTANA UNION WATER COMPANY	3600580	FU 25	LYTLE
1N5W22F02S	FONTANA UNION WATER COMPANY	3600562	FU 3	LYTLE
1N5W22F03S	FONTANA UNION WATER COMPANY	3600579	FU 24	LYTLE
1N5W22M	MOUNT VERNON WATER COMPANY	3600320		LYTLE
1N5W22M	RIALTO, CITY OF	3601718		LYTLE
1N5W22M	WEST SAN BDNO. COUNTY WATER DIST.	3600312		LYTLE
1N5W23	WEST SAN BDNO. COUNTY WATER DIST.	3602897		LYTLE

SAN BERNARDINO BASIN AREA
CROSS INDEX BY STATE WELL NUMBER

STATE WELL NUMBER	OWNER NAME	RECORDATION NUMBER	LOCAL DESIGNATION	BASIN NAME
1N5W23A01S	MUSCOY MUTUAL WATER COMPANY, NO. 1	3601499	MUSCOY 2	LYTLE
1N5W23A02S	MUSCOY MUTUAL WATER COMPANY, NO. 1	3601500	MUSCOY 3	LYTLE
1N5W23H01S	MUSCOY MUTUAL WATER COMPANY, NO. 1	3601497	MUSCOY 1	LYTLE
1N5W23K01S	FONTANA UNION WATER COMPANY	3600561	FU 1	LYTLE
1N5W23P02S	WEST SAN BDNO. COUNTY WATER DIST.	3600306	UPPER 2	LYTLE
1N5W23P04S	WEST SAN BDNO. COUNTY WATER DIST.	3600307	UPPER 4	LYTLE
1N5W23Q	RIALTO, CITY OF	3602080	CITY 2	LYTLE
1N5W23Q00S	WEST SAN BDNO. COUNTY WATER DIST.	3601944	LOWER 7	LYTLE
1N5W23Q01S	RIALTO, CITY OF	3601263	CITY WELL	LYTLE
1N5W24D01S	MUSCOY MUTUAL WATER COMPANY, NO. 1	3601498	NO. 4	LYTLE
1N5W24E	MUSCOY MUTUAL WATER COMPANY, NO. 1	3602345	WELL NO 4	LYTLE
1N5W25E00S	WEST SAN BDNO. COUNTY WATER DIST.	3601725	LYTLE	LYTLE
1N5W25E01S	WEST SAN BDNO. COUNTY WATER DIST.	3600305	LOWER 6	LYTLE
1N5W25E02S	WEST SAN BDNO. COUNTY WATER DIST.	3600998	FERG 1	LYTLE
1N5W26A01S	WEST SAN BDNO. COUNTY WATER DIST.	3600302	LOWER 2	LYTLE
1N5W26A03S	WEST SAN BDNO. COUNTY WATER DIST.	3600304	L5	LYTLE
1N5W26B01S	WEST SAN BDNO. COUNTY WATER DIST.	3600303	LOWER 4	LYTLE
1N5W35E01S	WEST SAN BDNO. COUNTY WATER DIST.	3603054		
1N5W36H04S	WEST SAN BDNO. COUNTY WATER DIST.	3600997	LORD 7	LYTLE
1N5W36J01S	SAN BERNARDINO, CITY OF	3603027		DEVIL CAN
1N5W36J03S	WEST SAN BDNO. COUNTY WATER DIST.	3600996	NO 8	LYTLE
1N5W36J03S	WEST SAN BDNO. COUNTY WATER DIST.	3603055		

SAN BERNARDINO BASIN AREA
CROSS INDEX BY STATE WELL NUMBER

STATE WELL NUMBER	OWNER NAME	RECORDATION NUMBER	LOCAL DESIGNATION	BASIN NAME
1N5W36N01	RIALTO, CITY OF	3602848		LYTLE
1N5W36R01S	SAN BERNARDINO, CITY OF	3600713	LYTLE CR 3	LYTLE
1S1W08G1	REDLANDS, CITY OF	3601282	MC 1	MILL CRK
1S1W10L1	REDLANDS, CITY OF	3601285	MC 2	MILL CRK
1S1W11Q1	REDLANDS, CITY OF	3601288	MC 4	MILL CRK
1S1W18M	WARD, FLOYD	0000153	WELL NO. 6	MILL CRK
1S1W18N	WARD, FLOYD	0000149	WELL NO. 1	BNK HILL
1S1W18N	WARD, FLOYD	0000152	WELL NO. 4	BNK HILL
1S1W18P	WARD, FLOYD	0000150	WELL NO. 2	BNK HILL
1S1W18P	WARD, FLOYD	0000151	WELL NO. 3	BNK HILL
1S1W18P	WARD, FLOYD	0000154	LATERAL SPRG	BNK HILL
1S1W19G	TRIPLE FALLS MUT. WTR. CO.	0000134		BNK HILL
1S1W19G	YUCAIPA VALLEY WATER DISTRICT	3602659		BNK HILL
1S1W20D	TRIPLE FALLS MUT. WTR. CO.	0000135		MILL CRK
1S1W20D	TRIPLE FALLS MUT. WTR. CO.	0000136		MILL CRK
1S1W20D	YUCAIPA VALLEY WATER DISTRICT	3602657		MILL CRK
1S1W20D	YUCAIPA VALLEY WATER DISTRICT	3602658		MILL CRK
1S2W04N	BEAR VALLEY MUTUAL WATER COMPANY	3600028		BNK HILL
1S2W06	SARATOGA DEVELOPMENT CO	0000028	TUNNEL DIV.	BNK HILL
1S2W06M	HIGHLAND ACRES RANCH	3600323	ELEC 1	BNK HILL
1S2W07B	EAST HIGHLANDS RANCH, INC.	3600604	RANNEY	BNK HILL
1S2W07H01	EAST VALLEY WATER DISTRICT	3602799		BNK HILL

SAN BERNARDINO BASIN AREA
CROSS INDEX BY STATE WELL NUMBER

STATE WELL NUMBER	OWNER NAME	RECORDATION NUMBER	LOCAL DESIGNATION	BASIN NAME
1S2W08	REDLANDS WTR. CO.	0000104	TUNNEL DIV.	BNK HILL
1S2W08C01S	NORTH FORK WATER COMPANY	3600678	NO. 1	BNK HILL
1S2W08C02S	NORTH FORK WATER COMPANY	3600679	NO. 2	BNK HILL
1S2W09	SOLANO WELL NO. 1	3600187	1	BNK HILL
1S2W09L	REDLANDS ASSOCIATES	0000101	BLOCK NO. 11	BNK HILL
1S2W09L	REDLANDS ASSOCIATES	0000102	TUNNEL DIV.	BNK HILL
1S2W09L02S	BLUE GOOSE GROWERS INC	3602530	NO. 11	BNK HILL
1S2W09L03S	BLUE BANNER CO.	3602531	TUNNEL DIV.	BNK HILL
1S2W09P	REDLANDS ASSOCIATES	0000100	BLOCK NO. 6	BNK HILL
1S2W09P02	BLUE GOOSE GROWERS INC	3602529	NO. 6	BNK HILL
1S2W09Q	COGBILL, CLINTON L.	3601628	2	BNK HILL
1S2W13	SUNRISE RANCH PART C/O LIFE DEVELOPMENT	3600599		BNK HILL
1S2W13	SUNRISE RANCH PART C/O LIFE DEVELOPMENT	3600600	SUNRISE 2	BNK HILL
1S2W13A	REDLANDS, CITY OF	3602351	MC 0-A	BNK HILL
1S2W13B	REDLANDS, CITY OF	0000103	MILL CR. DIV	BNK HILL
1S2W13P	U.S. FOREST SERVICE	0000138	MILL CREEK	MILL CRK
1S2W14	SUNRISE RANCH PART C/O LIFE DEVELOPMENT	3600601	SUNRISE 3A	BNK HILL
1S2W14	SUNRISE RANCH PART C/O LIFE DEVELOPMENT	3601640		BNK HILL
1S2W14L	SUNRISE RANCH PART C/O LIFE DEVELOPMENT	3601969	SUNRISE 7	BNK HILL
1S2W14N	REDLANDS, CITY OF	3601302	MILL CR.	BNK HILL
1S2W15G	SUNRISE RANCH PART C/O LIFE DEVELOPMENT	3600603	SUNRISE 5	BNK HILL
1S2W15P	SUNRISE RANCH PART C/O LIFE DEVELOPMENT	3600602	SUNRISE 4	BNK HILL

SAN BERNARDINO BASIN AREA
CROSS INDEX BY STATE WELL NUMBER

STATE WELL NUMBER	OWNER NAME	RECORDATION NUMBER	LOCAL DESIGNATION	BASIN NAME
1S2W16	CRAM PATTERSON WELL	3600188	CRAMPAT 2	BNK HILL
1S2W16C	SOLANO WELL NO. 3	3602003	3	BNK HILL
1S2W16C01	GREENSPOT MUTUAL WELL CO.	3600266	GRNSPTMU	BNK HILL
1S2W16L	HAGAR	0000060		BNK HILL
1S2W17	EAST LUGONIA MUTUAL WATER CO.	3600038		BNK HILL
1S2W17	KARAHALOIS	0000139	PEPPER HOUSE	BNK HILL
1S2W17B	REDLANDS ASSOCIATES	0000099	NO. 0	BNK HILL
1S2W18M	REES & PERRICONE RANCH	3602171	1	BNK HILL
1S2W18Q	MENTONE CITRUS GROVES	3602280		BNK HILL
1S2W18R01S	MENTONE CITRUS GROVES	3600139		BNK HILL
1S2W19A01	REDLANDS, CITY OF	3602792		
1S2W19D	BEAR VALLEY MUTUAL WATER COMPANY	3600024	WABASH 2	BNK HILL
1S2W19G01S	EAST LUGONIA MUTUAL WATER CO.	3600006	BERYL ST	BNK HILL
1S2W19J	MENTONE DOMESTIC WTR. CO.	0000083		BNK HILL
1S2W19J	MENTONE DOMESTIC WTR. CO.	0000176	3 1971	BNK HILL
1S2W19J	REDLANDS, CITY OF	3602653		BNK HILL
1S2W19J	REDLANDS, CITY OF	3602654		BNK HILL
1S2W19K01S	REDLANDS, CITY OF	3601308	TENCH	BNK HILL
1S2W20A	REDLANDS, CITY OF	3602896		
1S2W20B01	REDLANDS, CITY OF	3602791		
1S2W20K	F. A. R. WELL	3602020		BNK HILL
1S2W20K	SOUZA, JOHN	3601084		BNK HILL

SAN BERNARDINO BASIN AREA
CROSS INDEX BY STATE WELL NUMBER

STATE WELL NUMBER	OWNER NAME	RECORDATION NUMBER	LOCAL DESIGNATION	BASIN NAME
1S2W21C	REDLANDS, CITY OF	3601287	ELUGNA3	BNK HILL
1S2W21D01S	REDLANDS, CITY OF	3601290	ELUGNA6	BNK HILL
1S2W21E01S	REDLANDS, CITY OF	3601284	MAGUET 2	BNK HILL
1S2W21E02S	REDLANDS, CITY OF	3601286	MAGUET 3	BNK HILL
1S2W21H01	REYNOLDS, BILL	3600981		BNK HILL
1S2W21L01	HEAD, JOE T.	3600226	1	BNK HILL
1S2W21L02	CRAFTON WATER COMPANY	3602186	2	BNK HILL
1S2W21M01S	REDLANDS, CITY OF	3601281	MAGUET 1	BNK HILL
1S2W22	GREENSPOT MUTUAL WATER CO TUNNEL	0000166		BNK HILL
1S2W22C02S	REDLANDS, CITY OF	3601283	E LUG 2	BNK HILL
1S2W22E	BLISS	0000013		BNK HILL
1S2W22E	FARROW	0000056		BNK HILL
1S2W22F	RAMSEY	0000098	SPRING DIV	BNK HILL
1S2W24C	ELLG00D	0000055		BNK HILL
1S2W24H	STANLEY, SILAS	0000127		BNK HILL
1S2W28M	LA TOURETTE	0000078		BNK HILL
1S2W28M	LORD	0000079	SPRING DIV.	BNK HILL
1S2W29	FINCH	0000057		BNK HILL
1S2W29	SELBY, DR. & MRS. ARTHUR	3600017	GRREES 3	BNK HILL
1S2W29	SELBY, DR. & MRS. ARTHUR	3600018	GRREES 2	BNK HILL
1S2W29L	RANCHO LADERA	3602188	ROLADERA	BNK HILL
1S2W29M01	HAPPE MUTUAL WELL COMPANY	3600238	1	BNK HILL

SAN BERNARDINO BASIN AREA
CROSS INDEX BY STATE WELL NUMBER

STATE WELL NUMBER	OWNER NAME	RECORDATION NUMBER	LOCAL DESIGNATION	BASIN NAME
1S2W29N	BUOYE WELL	3602062	1	BNK HILL
1S2W29N	CRAFTON WATER COMPANY	3600272	5TH AVE 1	BNK HILL
1S2W29N01S	NYE, WILLIAM H.	3600313	NYE	BNK HILL
1S2W30	HINCKLEY, HORACE P.	3600240	SOUTH WELL	BNK HILL
1S2W30B	HINCKLEY, HORACE P.	3601645	1	BNK HILL
1S2W30B02S	PAINE, ROBERT T., TRUSTEE	3601642	KING ST	BNK HILL
1S2W30C01S	PAINE, ROBERT T., TRUSTEE	3601641	OPAL ST	BNK HILL
1S2W30G01	KING STREET MUTUAL WELL COMPANY	3600530	1	BNK HILL
1S2W30G02	KING STREET MUTUAL WELL COMPANY	3600530-	2	BNK HILL
1S2W30H	GAY, PHILIP L.	3601126	1	BNK HILL
1S2W31	SECHREST, RALPH F.	3600483	GPHRRCH 1	BNK HILL
1S2W31	'7TH AVE. WELL	3601121	1	BNK HILL
1S2W31B	HILL	0000067		BNK HILL
1S2W31M	ROBBINS, H. W.	3602170		BNK HILL
1S2W32B	KOCH	0000074		BNK HILL
1S2W32G01	KOCH, GEORGE J.	3601451	1	BNK HILL
1S3W01A	NORTH FORK WATER COMPANY	3601644	PLUNGE CR	BNK HILL
1S3W01H	MT. HARRISON MUTUAL WATER CO.	3600220	1	BNK HILL
1S3W02	EAST HIGHLANDS RANCH, INC.	3600598	LOCAL 1	BNK HILL
1S3W02	EAST HIGHLANDS RANCH, INC.	3600607	SMALL	BNK HILL
1S3W02	EAST HIGHLANDS RANCH, INC.	3600607-	SMALL	BNK HILL
1S3W02	EAST VALLEY WATER DISTRICT	3600680	NF CRAM3	BNK HILL

SAN BERNARDINO BASIN AREA
CROSS INDEX BY STATE WELL NUMBER

STATE WELL NUMBER	OWNER NAME	RECORDATION NUMBER	LOCAL DESIGNATION	BASIN NAME
1S3W02J	SMITH,	0000125		BNK HILL
1S3W02P	VAN MEETER	0000146	OLD WELL	BNK HILL
1S3W02P	VAN MEETER	0000147	NEW WELL	BNK HILL
1S3W03D	HUNTER	0000071		BNK HILL
1S3W03D01S	BROOKSIDE PLAZA	3602917		BNK HILL
1S3W03F	BARNO, JOHN	3602079	1	BNK HILL
1S3W03F	CLIFFSIDE RANCH	0000017		BNK HILL
1S3W03F	EAST VALLEY WATER DISTRICT	3600058	NO. 53	BNK HILL
1S3W03F	EAST VALLEY WATER DISTRICT	3602571		BNK HILL
1S3W03N	EAST VALLEY WATER DISTRICT	0000047	NO. 84	BNK HILL
1S3W03N	EAST VALLEY WATER DISTRICT	0000049	NO. 93	BNK HILL
1S3W03N	STRAWBERRY PATCH	0000129		BNK HILL
1S3W03N	STRAWBERRY PATCH	0000130		BNK HILL
1S3W03P00S	RIEDMAN, FRED M.	3601629	1	BNK HILL
1S3W03Q	GRAM RANCH ASSOCIATES	3600241		BNK HILL
1S3W03Q	EAST VALLEY WATER DISTRICT	3601643	4	BNK HILL
1S3W03R01	EAST HIGHLANDS RANCH, INC.	3601639	STORE WELL	BNK HILL
1S3W04	EAST VALLEY WATER DISTRICT	3600466	NO. 48	BNK HILL
1S3W04G	EAST VALLEY WATER DISTRICT	3601987	HIGHLD 1	BNK HILL
1S3W04G	EAST VALLEY WATER DISTRICT	3602560	DUNKIRK 2	BNK HILL
1S3W04J	EAST VALLEY WATER DISTRICT	3600026	NO. 102	BNK HILL
1S3W04J	HARRISON	0000062		BNK HILL

SAN BERNARDINO BASIN AREA
CROSS INDEX BY STATE WELL NUMBER

STATE WELL NUMBER	OWNER NAME	RECORDATION NUMBER	LOCAL DESIGNATION	BASIN NAME
IS3W04N	EAST VALLEY WATER DISTRICT	3601978	40	BNK HILL
IS3W04N	EAST VALLEY WATER DISTRICT	3602338	40A	BNK HILL
IS3W04P	EAST VALLEY WATER DISTRICT	0000032	NO. 43	BNK HILL
IS3W04Q	EAST VALLEY WATER DISTRICT	0000059	NO. 106	BNK HILL
IS3W04R	QUALITY FARMS	0000053	NO. 102	BNK HILL
IS3W05	EAST VALLEY WATER DISTRICT	3600375	CULHLND 1	BNK HILL
IS3W05	EAST VALLEY WATER DISTRICT	3600376	CULHLND 2	BNK HILL
IS3W05A02S	EAST VALLEY WATER DISTRICT	3601677	31	BNK HILL
IS3W05B04S	EAST VALLEY WATER DISTRICT	3601678	32	BNK HILL
IS3W05D	EAST VALLEY WATER DISTRICT	3602417	4	BNK HILL
IS3W05D06	EAST VALLEY WATER DISTRICT	3602260	CULL 3	BNK HILL
IS3W05J	EAST VALLEY WATER DISTRICT	0000050	NO. 95	BNK HILL
IS3W05N05S	EAST VALLEY WATER DISTRICT	3601679	38	BNK HILL
IS3W05Q	EAST VALLEY WATER DISTRICT	0000035	NO. 46	BNK HILL
IS3W05Q	EAST VALLEY WATER DISTRICT	0000044	NO. 80	BNK HILL
IS3W06	CHARLES, J. J.	3600815		BNK HILL
IS3W06	EAST VALLEY WATER DISTRICT	0000037	NO. 69	BNK HILL
IS3W06A05S	EAST VALLEY WATER DISTRICT	3601667	21	BNK HILL
IS3W06B	EAST VALLEY WATER DISTRICT	0000040	NO. 72	BNK HILL
IS3W06C	EAST VALLEY WATER DISTRICT	0000041	NO. 74	BNK HILL
IS3W06E	EAST VALLEY WATER DISTRICT	0000039	NO. 71	BNK HILL
IS3W06F	LANKERSHIM MUT. WTR. CO.	0000077	MCKINLEY ST.	BNK HILL

SAN BERNARDINO BASIN AREA
CROSS INDEX BY STATE WELL NUMBER

STATE WELL NUMBER	OWNER NAME	RECORDATION NUMBER	LOCAL DESIGNATION	BASIN NAME
1S3W06H01S	EAST VALLEY WATER DISTRICT	3601659	NO. 9	BNK HILL
1S3W06H04S	EAST VALLEY WATER DISTRICT	3601660	NO. 9A	BNK HILL
1S3W06K01S	EAST VALLEY WATER DISTRICT	3601781	35	BNK HILL
1S3W06L	LANKERSHIM MUT. WTR. CO.	0000076	LANKERSHIM A	BNK HILL
1S3W06M	EAST VALLEY WATER DISTRICT	0000045	NO. 81	BNK HILL
1S3W06N	EAST VALLEY WATER DISTRICT	0000052	NO. 97	BNK HILL
1S3W06P	EAST VALLEY WATER DISTRICT	0000043	NO. 78	BNK HILL
1S3W06Q	EAST VALLEY WATER DISTRICT	0000046	NO. 83	BNK HILL
1S3W08A	NORTON AIR FORCE BASE	0000090	LOCAL NO. 11	BNK HILL
1S3W08E	NORTON AIR FORCE BASE	0000093	LOCAL NO.347	BNK HILL
1S3W08M	NORTON AIR FORCE BASE	0000094	LOCAL NO.865	BNK HILL
1S3W09E	LIVINGSTON-GRAHAM	3601420	ALABAMA 2	BNK HILL
1S3W10D01S	DUDA, WALTER AND BETTY	3601839	1	BNK HILL
1S3W13	REDLANDS, CITY OF	3600749	NEW 2	BNK HILL
1S3W13C	L.P.R. ICE COMPANY	3602525		BNK HILL
1S3W13C	L.P.R. RANCH	0000080		BNK HILL
1S3W13H	REDLANDS, CITY OF	3602895		
1S3W13P	EAST PIONEER MUTUAL WELL COMPANY	3602224		BNK HILL
1S3W13R01S	BIG BEAR MUNICIPAL WATER DISTRICT	3603116		BNK HILL
1S3W14	SAN BERNARDINO AVENUE WATER COMPANY	3600125	1	BNK HILL
1S3W14P01	PIONEER MUTUAL WATER CO.	3600642	SBDNO 1	BNK HILL
1S3W14R01	RAUGHT MUTUAL WELL COMPANY	3602193	RAUGHT	BNK HILL

SAN BERNARDINO BASIN AREA
CROSS INDEX BY STATE WELL NUMBER

STATE WELL NUMBER	OWNER NAME	RECORDATION NUMBER	LOCAL DESIGNATION	BASIN NAME
1S3W15	TROJAN GROVES	3600451		BNK HILL
1S3W15A01	GOLDEN BEAR FOREST PRODUCTS	3602127		BNK HILL
1S3W15F02S	REDLANDS, CITY OF	3601586	ORANGE 5	BNK HILL
1S3W15G	REDLANDS TRAP/SKEET	3600628		BNK HILL
1S3W15N01S	WEATHERWAX, W. G.	3600652	REDLANDS	BNK HILL
1S3W15R01	NORTHBRAE WATER COMPANY	3600296	1	BNK HILL
1S3W16	EADINGTON FRUIT CO. COOK RANCH	3600527	HOME	BNK HILL
1S3W16	NEW ENGLAND WATER CO.	3602320		BNK HILL
1S3W16	RAMIREZ, J.J.	3600484	BUCKEYE 2	BNK HILL
1S3W16J	WILLIAMS WELL CORPORATION, LTD.	3600828		BNK HILL
1S3W16L	TENNESSEE MUTUAL WELL COMPANY	3601161	PIONEER 1	BNK HILL
1S3W16L	TENNESSEE WATER CO.	3600474	1	BNK HILL
1S3W17	ARMSTRONG, DOUGLAS	3600076	2	BNK HILL
1S3W17	FAIRVIEW WATER COMPANY	3600554	FAIRVW 1	BNK HILL
1S3W17C	DANIELS, HAROLD	0000023	DOMEST. WELL	BNK HILL
1S3W17G	MARSHBURN	0000081		BNK HILL
1S3W17H01S	LANGFORD RANCHES	3600525	ALABAMA	BNK HILL
1S3W17L01S	LANGFORD RANCHES	3600524	NEVADA ST	BNK HILL
1S3W17R	DANIELS AND BEST RANCH	3602550	ALABAMA ST	BNK HILL
1S3W17R	DANIELS, HAROLD	0000022	RANCH	BNK HILL
1S3W18	SOUTHERN CALIFORNIA EDISON COMPANY	3601014	SB STMP 1	BNK HILL
1S3W18	SOUTHERN CALIFORNIA EDISON COMPANY	3601015	SB STMP 2	BNK HILL

SAN BERNARDINO BASIN AREA
CROSS INDEX BY STATE WELL NUMBER

STATE WELL NUMBER	OWNER NAME	RECORDATION NUMBER	LOCAL DESIGNATION	BASIN NAME
1S3W18H01	MARIGOLD FARMS COMPANY	3601748	CALIF	BNK HILL
1S3W18L	MARIGOLD FARMS COMPANY	3601750	ACQUIL	BNK HILL
1S3W19	MARIGOLD FARMS COMPANY	3600418	BRAGA WELL	BNK HILL
1S3W19A01	MARIGOLD FARMS COMPANY	3601748-	CALIF	BNK HILL
1S3W19B01	MARIGOLD FARMS COMPANY	3601749	JAP	BNK HILL
1S3W19H	REDLANDS, CITY OF	3600756	1	BNK HILL
1S3W19J	DANIELS AND BEST RANCH	3602549	CALIF STREET	BNK HILL
1S3W19J	DANIELS, DON	0000175		BNK HILL
1S3W19L	MARIGOLD FARMS COMPANY	3600757	2	BNK HILL
1S3W19N	GENERAL AMERICAN LIFE INS. CO.	3601352		BNK HILL
1S3W20	BELL, H. EUGENE	3600449	BELL WELL	BNK HILL
1S3W20	JEWEL WATER COMPANY, THE	3600091	1	BNK HILL
1S3W20	MCCALLA BROS	0000164		BNK HILL
1S3W20C	K INV./TRUTANIC/Y UN WELL	3601172		BNK HILL
1S3W20F	CRIM, W. ROSCOE	3601171	1	BNK HILL
1S3W20F03	VALDEPENA ACRES	3602241	ALMOND	BNK HILL
1S3W20H01	GLADYSTA WELL & WATER COMPANY	3600182	1	BNK HILL
1S3W20H02	GLADYSTA WELL & WATER COMPANY	3600182-		BNK HILL
1S3W20P	WARMINGTON, ROBERT P.	3600270	ORANGEDALE	BNK HILL
1S3W20R01	NICKERSON WATER COMPANY	3600123	ALABAMA NO 1	BNK HILL
1S3W21A	STOWE WATER COMPANY	3601046	1	BNK HILL
1S3W21E	CHRISTINA WATER COMPANY	3601751	ALABAMA	BNK HILL

SAN BERNARDINO BASIN AREA
INDEX BY STATE WELL NUMBER
CROSS INDEX BY STATE WELL NUMBER

STATE WELL NUMBER	OWNER NAME	RECORDATION NUMBER	LOCAL DESIGNATION	BASIN NAME
1S3W21E	MASCART WATER COMPANY	3601102	2	BNK HILL
1S3W21G01S	LANGFORD RANCHES	3600526	LUGONIA	BNK HILL
1S3W21H	REDLANDS, CITY OF	3602031	30A	BNK HILL
1S3W21H	REDLANDS, CITY OF	3602036	31A	BNK HILL
1S3W21H01S	REDLANDS, CITY OF	3601298	32	BNK HILL
1S3W21K01	LUGO WATER COMPANY	3600510	1	BNK HILL
1S3W21M01	NICKERSON WATER COMPANY	3600124	LUGONIA NO 2	BNK HILL
1S3W21M2	SANDYS RESTAURANT	0000165		
1S3W21P01	B M I FUNDS	3600107	COLTON 1	BNK HILL
1S3W21R	SMITH TRACT WELL COMPANY	3600001	11	BNK HILL
1S3W21R	SMITH TRACT WELL COMPANY	3600001-		BNK HILL
1S3W22	PENN WELL COMPANY	3601405	2	BNK HILL
1S3W22A	REDLANDS, CITY OF	3602032	35	BNK HILL
1S3W22A01S	REDLANDS, CITY OF	3602106		BNK HILL
1S3W22F	PENN WELL COMPANY	3601099	1	BNK HILL
1S3W23	REDLANDS, CITY OF	3600019	GR REES 1	BNK HILL
1S3W23A03	JUDSON MUTUAL WATER COMPANY	3601647	1	BNK HILL
1S3W23A03S	REDLANDS, CITY OF	3601585	SBDNO AV 1	BNK HILL
1S3W23F	NORTHSIDE WATER COMPANY	3600933	1	BNK HILL
1S3W24A01	MENTONE ACRES MUTUAL WELL CO.	3600748	OLD WELL 1	BNK HILL
1S3W24C	BEAR VALLEY MUTUAL WATER COMPANY	3600023	JUDSON 1	BNK HILL
1S3W24Q	WESTERN FRUIT GROWERS	0000156		BNK HILL

SAN BERNARDINO BASIN AREA
CROSS INDEX BY STATE WELL NUMBER

STATE WELL NUMBER	OWNER NAME	RECORDATION NUMBER	LOCAL DESIGNATION	BASIN NAME
1S3W25M	HOBBS WELL PARTNERSHIP	3600049	MORRISON	BNK HILL
1S3W25M	HOBBS WELL PARTNERSHIP	3600049-	HOBBS WELL	BNK HILL
1S3W26C	REDLANDS, CITY OF	3602211	37SYLVN	BNK HILL
1S3W27E02S	REDLANDS, CITY OF	3601300	40	BNK HILL
1S3W28	SOUTHERN CALIFORNIA EDISON COMPANY	3600651		BNK HILL
1S3W28B01S	EAST BARTON WATER COMPANY	3600608	BARTON	BNK HILL
1S3W28C01	GRANT WATER COMPANY	3600075	GRANT	BNK HILL
1S3W28D01	KANSAS STREET MUTUAL WATER CO.	3601092		BNK HILL
1S3W28H01S	REDLANDS, CITY OF	3601301	41	BNK HILL
1S3W28J01	REDLANDS, CITY OF	3600085	NY ST 1	BNK HILL
1S3W28J02	REDLANDS, CITY OF	3602346	1	BNK HILL
1S3W28M	RAMIREZ, CARLOS	3601649	HOOVER	BNK HILL
1S3W28M	RAMIREZ, CARLOS	3601649-	HOOVER	BNK HILL
1S3W29	LA ROSSE, CHARLES H.	3600708	GOODWIN	BNK HILL
1S3W29	OLD TOWN WELL CO.	3600493	1	BNK HILL
1S3W29	OLD TOWN WELL CO.	3600494	2	BNK HILL
1S3W29	RANCHO CITRUS AMIGOS	3601753	PARK AVE 1	BNK HILL
1S3W29A01	ELTINGE & GRAZIADIO	3600766	COLTAMA	BNK HILL
1S3W29B01	IOWA STREET WELL	3601932		BNK HILL
1S3W29D	YAHIKU, PAUL	3601280	SOUTH 1	BNK HILL
1S3W29H	WOEHR MUTUAL WATER COMPANY	3600817		BNK HILL
1S3W29J01	PHAROAH POWELL WATER CO.	3600415		BNK HILL

SAN BERNARDINO BASIN AREA
CROSS INDEX BY STATE WELL NUMBER

STATE WELL NUMBER	OWNER NAME	RECORDATION NUMBER	LOCAL DESIGNATION	BASIN NAME
1S3W30	FRINK RANCH	3601131		BNK HILL
1S3W30	PAXTON, R. H.	3600468	BAHR 1	BNK HILL
1S3W30	RAMIREZ BROTHERS	3601728	1	BNK HILL
1S3W30	REDLANDS, CITY OF	3601637	PTRSON WELL	BNK HILL
1S3W30L	LOMA LINDA UNIVERSITY	3601910	PUFFER	BNK HILL
1S3W31A	BREAK, ALLEN, ESTATE	0000015		BNK HILL
1S3W31A	BRYN MAWR MUTUAL WATER COMPANY	3600053	1	BNK HILL
1S3W31A	BRYN MAWR MUTUAL WATER COMPANY	3600054	2	BNK HILL
1S3W31A	BRYN MAWR MUTUAL WATER COMPANY	3600055	3	BNK HILL
1S3W31B00S	BRYN MAWR MUTUAL WATER COMPANY	3602109	4	BNK HILL
1S3W31D	STEWART, WILLARD	0000128		BNK HILL
1S3W32D	LOMA LINDA, CITY OF	3601130	NICKS WELL	BNK HILL
1S3W32G	KUHN, RICHARD J	0000178		BNK HILL
1S3W32G01	LARAMMI GUNTER WELL	3600160	GUNTER WELL	BNK HILL
1S3W32G03S	CANYON RANCH	3600523	HNTSCHKE	BNK HILL
1S3W32J	HORTON	0000070		BNK HILL
1S3W32J02S	REDLANDS, CITY OF	3602732	DOC. LEE	BNK HILL
1S3W32K	SOJKA, DONALD R	3601173		BNK HILL
1S3W33C01S	LAKESIDE AVENUE MUTUAL WELL COMPANY	3602119		BNK HILL
1S3W33D	BROOKSIDE DAIRY, INC	3600036	1	BNK HILL
1S3W35E	REDLANDS, CITY OF	3601289	4R	BNK HILL
1S3W35G07S	REDLANDS, CITY OF	3601292	11	BNK HILL

SAN BERNARDINO BASIN AREA
CROSS INDEX BY STATE WELL NUMBER

STATE WELL NUMBER	OWNER NAME	RECORDATION NUMBER	LOCAL DESIGNATION	BASIN NAME
1S3W35G08S	REDLANDS, CITY OF	3601291	10	BNK HILL
1S3W35G09S	REDLANDS, CITY OF	3601294	13	BNK HILL
1S3W35G11S	REDLANDS, CITY OF	3601297	17	BNK HILL
1S3W35H02S	REDLANDS, CITY OF	3601293	12	BNK HILL
1S3W35H03S	REDLANDS, CITY OF	3601296	16	BNK HILL
1S3W35H04S	REDLANDS, CITY OF	3601295	14	BNK HILL
1S3W35H08S	EAST LUGONIA MUTUAL WATER CO.	3600005	LUETCKE	BNK HILL
1S4W01A	ARROYO VERDE MUTUAL WATER CO.	3602069	2	BNK HILL
1S4W01A02S	ARROYO VERDE MUTUAL WATER CO.	3602068	1	BNK HILL
1S4W01B04S	EAST VALLEY WATER DISTRICT	3601657	NO. 7	BNK HILL
1S4W01D	EAST VALLEY WATER DISTRICT	0000051	NO. 96	BNK HILL
1S4W01E02S	EAST VALLEY WATER DISTRICT	3601668	22	BNK HILL
1S4W01F02S	EAST VALLEY WATER DISTRICT	3600926	PATTON 4	BNK HILL
1S4W01J08S	EAST VALLEY WATER DISTRICT	3601661	NO. 10	BNK HILL
1S4W01K04S	EAST VALLEY WATER DISTRICT	3601665	14	BNK HILL
1S4W01P01S	EASTWOOD FARMS COMMUNITY WATER USERS	3602130	1	BNK HILL
1S4W01P02S	EASTWOOD FARMS COMMUNITY WATER USERS	3602131	2	BNK HILL
1S4W01Q	EAST VALLEY WATER DISTRICT	3602034	12A	BNK HILL
1S4W01Q01	EAST VALLEY WATER DISTRICT	3600925	NO. 100	BNK HILL
1S4W02	BERMAN, JERRY & SONS	3602007	2	BNK HILL
1S4W02	EAST VALLEY WATER DISTRICT	3600183	NO. 60	BNK HILL
1S4W02	EAST VALLEY WATER DISTRICT	3602174		BNK HILL

SAN BERNARDINO BASIN AREA
CROSS INDEX BY STATE WELL NUMBER

STATE WELL NUMBER	OWNER NAME	RECORDATION NUMBER	LOCAL DESIGNATION	BASIN NAME
1S4W02	VICTORIA GUERNSEY	3600399	1	BNK HILL
1S4W02B	VAN LOON MUTUAL WATER COMPANY	3602066	1	BNK HILL
1S4W02J	BERMAN, JERRY	0000012		BNK HILL
1S4W02K	BERMAN, JERRY	0000011	OLD WELL	BNK HILL
1S4W02K01S	SAN BERNARDINO, CITY OF	3600730	ANTIL 3	BNK HILL
1S4W02K02S	SAN BERNARDINO, CITY OF	3600731	ANTIL 5	BNK HILL
1S4W02K03S	SAN BERNARDINO, CITY OF	3600734	ANTIL 4	BNK HILL
1S4W02K04S	SAN BERNARDINO, CITY OF	3600733	ANTIL 1	BNK HILL
1S4W02K05S	SAN BERNARDINO, CITY OF	3600732	ANTIL 2	BNK HILL
1S4W02K08S	SAN BERNARDINO, CITY OF	3602422	ANTIL 6	BNK HILL
1S4W02L	EAST VALLEY WATER DISTRICT	0000042	NO. 75	BNK HILL
1S4W02N01S	EAST VALLEY WATER DISTRICT	3601664	13	BNK HILL
1S4W02Q	EAST VALLEY WATER DISTRICT	3602563	11A	BNK HILL
1S4W02Q04S	EAST VALLEY WATER DISTRICT	3601663	12	BNK HILL
1S4W02Q05S	EAST VALLEY WATER DISTRICT	3601662	11	BNK HILL
1S4W02R	EAST VALLEY WATER DISTRICT	3601582		BNK HILL
1S4W03D01S	SAN BERNARDINO, CITY OF	3600722	ACACIA	BNK HILL
1S4W03J	SAN BERNARDINO, CITY OF	3602265	7TH ST.	BNK HILL
1S4W05E05S	WEST SAN BDNO. COUNTY WATER DIST.	3601848	RAYNOR 5	BNK HILL
1S4W05M	TRI CITY CONCRETE	3601309	PLANT	BNK HILL
1S4W05R	COLTON, CITY OF	3601252	6	BNK HILL
1S4W06B01S	RIALTO, CITY OF	3603030		BNK HILL

SAN BERNARDINO BASIN AREA
INDEX BY STATE WELL NUMBER

STATE WELL NUMBER	OWNER NAME	RECORDATION NUMBER	LOCAL DESIGNATION	BASIN NAME
1S4W06C04S	RIALTO, CITY OF	3601929	NEW RAYN 3	BNK HILL
1S4W06H01S	WEST SAN BDNO. COUNTY WATER DIST.	3601003	RAYNOR 4	BNK HILL
1S4W06H02	WEST SAN BDNO. COUNTY WATER DIST.	3602766		
1S4W06J01S	WEST SAN BDNO. COUNTY WATER DIST.	3600999	DIXON 1	BNK HILL
1S4W06J02S	WEST SAN BDNO. COUNTY WATER DIST.	3601000	DIXON 2	BNK HILL
1S4W08C	COLTON, CITY OF	3602405	19	BNK HILL
1S4W08C02S	COLTON, CITY OF	3601262	BARNHL 18	BNK HILL
1S4W08F	ATCHISON, TOPEKA & SANTA FE RAILWAY CO.	3600179	4	BNK HILL
1S4W08F	COLTON, CITY OF	3601254	8	BNK HILL
1S4W08F	COLTON, CITY OF	3601257	13	BNK HILL
1S4W08F	TERRACE WATER COMPANY	3601684-	4	BNK HILL
1S4W08F	TERRACE WATER COMPANY	3601685	SMALL 2	BNK HILL
1S4W08F	TERRACE WATER COMPANY	3601686	3	BNK HILL
1S4W08F01	COLTON, CITY OF	3602793		
1S4W08F01S	COLTON, CITY OF	3601260	16	BNK HILL
1S4W08F02S	ATCHISON, TOPEKA & SANTA FE RAILWAY CO.	3600178	3	BNK HILL
1S4W08F06S	TERRACE WATER COMPANY	3601684	LARGE 1	BNK HILL
1S4W08R	COLTON, CITY OF	3601250	4	BNK HILL
1S4W08R	COLTON, CITY OF	3601251	5	BNK HILL
1S4W08R	COLTON, CITY OF	3601253	7	BNK HILL
1S4W08R	COLTON, CITY OF	3601258	14	BNK HILL
1S4W08R	SOUTHERN CALIFORNIA EDISON COMPANY	3601012	STM PL 1	BNK HILL

SAN BERNARDINO BASIN AREA
CROSS INDEX BY STATE WELL NUMBER

STATE WELL NUMBER	OWNER NAME	RECORDATION NUMBER	LOCAL DESIGNATION	BASIN NAME
1S4W08R	SOUTHERN CALIFORNIA EDISON COMPANY	3601013	STM PL 2	BNK HILL
1S4W08R07	COLTON, CITY OF	3602498	6B	BNK HILL
1S4W09B01S	HOLMES ICE & COLD STORAGE CO. INC.	3600645		BNK HILL
1S4W09B03S	HOLMES ICE & COLD STORAGE CO. INC.	3600644	2	BNK HILL
1S4W09J01S	SAN BERNARDINO, CITY OF	3600736	SO G ST	BNK HILL
1S4W09N	COLTON, CITY OF	3601256	PLUNGE 12	BNK HILL
1S4W09P01S	SAN BERNARDINO, CITY OF	3600735	BIRCH ST	BNK HILL
1S4W10	SAN BERNARDINO, CITY OF	3601626	CITYLOTS	BNK HILL
1S4W10F01S	SAN BERNARDINO, CITY OF	3600723	HANFORD 1	BNK HILL
1S4W10F01S	SOUTHERN CALIFORNIA EDISON COMPANY	3609723	HANFORD 1	BNK HILL
1S4W10F05S	SAN BERNARDINO, CITY OF	3600724	HANFORD 2	BNK HILL
1S4W10N06S	SAN BERNARDINO, CITY OF	3600737	MILL & D	BNK HILL
1S4W11F	DANGLO DAIRY	0000021		BNK HILL
1S4W11F	KRANTZ DAIRY	0000075		BNK HILL
1S4W11G	HAZAS	0000065		BNK HILL
1S4W11G	WILLIAMS DAIRY	0000159		BNK HILL
1S4W11M	BALCOM	0000005		BNK HILL
1S4W11Q01S	SAN BERNARDINO, CITY OF	3600222		BNK HILL
1S4W12	MAYBELL, N. O.	3600291		BNK HILL
1S4W12B	EAST VALLEY WATER DISTRICT	3602564	28A	BNK HILL
1S4W12B	NORTON AIR FORCE BASE	0000086	LOCAL NO. 2	BNK HILL
1S4W12B05S	EAST VALLEY WATER DISTRICT	3601676	28	BNK HILL

SAN BERNARDINO BASIN AREA
CROSS INDEX BY STATE WELL NUMBER

STATE WELL NUMBER	OWNER NAME	RECORDATION NUMBER	LOCAL DESIGNATION	BASIN NAME
1S4W12C	NORTON AIR FORCE BASE	0000087	LOCAL NO. 3	BNK HILL
1S4W12D	CARDIFF FARMS MUTUAL WATER COMPANY	3600973	1	BNK HILL
1S4W12D	CARDIFF FARMS MUTUAL WATER COMPANY	3601619	2	BNK HILL
1S4W12D	NORTON AIR FORCE BASE	0000088	LOCAL NO. 4	BNK HILL
1S4W12F	NORTON AIR FORCE BASE	0000089	LOCAL NO. 5	BNK HILL
1S4W12G	NORTON AIR FORCE BASE	0000092	LOCAL NO. 44	BNK HILL
1S4W12Q	NORTON AIR FORCE BASE	0000091	NO NO. WELL	BNK HILL
1S4W13E	GOLCONDA WATER CO.	0000058		BNK HILL
1S4W13R	VICTORIA FARMS MUTUAL WATER CO.	3602574	#3 WELL	BNK HILL
1S4W13R	VICTORIA FARMS MUTUAL WATER CO.	3602714	1	BNK HILL
1S4W13R01S	VICTORIA FARMS MUTUAL WATER CO.	3602112		BNK HILL
1S4W13R03	VICTORIA FARMS MUTUAL WATER CO.	3602247	2	BNK HILL
1S4W14A	SAN BERNARDINO, CITY OF	3602128	1	BNK HILL
1S4W14A	SAN BERNARDINO, COUNTY OF	0000001	AEROSPACE	BNK HILL
1S4W14A	SANTINI	0000120		BNK HILL
1S4W14B	SAN BERNARDINO, CITY OF	3602252	2	BNK HILL
1S4W14E	HOLDEN MUT. WTR. CO.	0000068		BNK HILL
1S4W14F	HOLDEN MUT. WTR. CO.	0000069	HOLDEN AVE.	BNK HILL
1S4W14J	SO. SAN BERNARDINO COUNTY WATER DIST.	3602123	NORMAN	BNK HILL
1S4W14J	SO. SAN BERNARDINO COUNTY WATER DIST.	3602124	CENTRAL	BNK HILL
1S4W15D	NATIONAL ORANGE SHOW	3601924		BNK HILL
1S4W15D05	SAN BERNARDINO, CITY OF	3602285	15D5	BNK HILL

SAN BERNARDINO BASIN AREA
CROSS INDEX BY STATE WELL NUMBER

STATE WELL NUMBER	OWNER NAME	RECORDATION NUMBER	LOCAL DESIGNATION	BASIN NAME
1S4W15G	HELIPORT	0000066		BNK HILL
1S4W15M01	SAN BERNARDINO, CITY OF	3600035		BNK HILL
1S4W15Q	VALLEY FARMS MUT. WTR. CO.	0000142	NO 2 WELL	BNK HILL
1S4W15R	VALLEY FARMS MUT. WTR. CO.	0000141	NO 1 WASHTN	BNK HILL
1S4W16H	SAN BERNARDINO, CITY OF	3600034	SMITH 1	BNK HILL
1S4W21A	SAN BERNARDINO, CITY OF	0000115	SEWER PLNT 1	BNK HILL
1S4W22A	J. G. GOLFING ENTERPRISES, INC.	3602846		BNK HILL
1S4W22A	SIX HOUSES	0000123		BNK HILL
1S4W22A01	J. G. GOLFING ENTERPRISES, INC.	3602499		BNK HILL
1S4W22B	BARRIER	0000007		BNK HILL
1S4W22B	CARPENTER	0000016		BNK HILL
1S4W22C	SAN BERNARDINO, CITY OF	0000116	SEWER PLNT 2	BNK HILL
1S4W22G01S	SOUTHERN CALIFORNIA EDISON COMPANY	3601016	THORN 1	BNK HILL
1S4W22M	SMITH MEAT PACKING PLANT	0000126		BNK HILL
1S4W23	LOMA LINDA, CITY OF	3603057		
1S4W23	LOMA LINDA, CITY OF	3603058		
1S4W23D	MEADOWBROOK DAIRY	3600030	IRRIG 2	BNK HILL
1S4W23D	MEADOWBROOK DAIRY	3600037	DOMESTC 1	BNK HILL
1S4W23K	TRI CITY MUTUAL WATER COMPANY	3601823		BNK HILL
1S4W23N	SAN BERNARDINO, CITY OF	3601316	1	BNK HILL
1S4W23N	TRI CITY MUTUAL WATER COMPANY	0000133		BNK HILL
1S4W23N04	SAN BERNARDINO, CITY OF	3602521	2	BNK HILL

SAN BERNARDINO BASIN AREA
CROSS INDEX BY STATE WELL NUMBER

STATE WELL NUMBER	OWNER NAME	RECORDATION NUMBER	LOCAL DESIGNATION	BASIN NAME
1S4W23P	INTER CITY MUTUAL WATER CO	0000072		BNK HILL
1S4W23R03S	SO. SAN BERNARDINO COUNTY WATER DIST.	3602122	ROSEWOOD	BNK HILL
1S4W24	REDLANDS, CITY OF	3601636	LANGFORD	BNK HILL
1S4W24A	LOMA LINDA, CITY OF	3602759		BNK HILL
1S4W24C	LOMA LINDA, CITY OF	3602760		
1S4W24F	SO. SAN BERNARDINO COUNTY WATER DIST.	3602126	NEWGOULD	BNK HILL
1S4W24F04S	SO. SAN BERNARDINO COUNTY WATER DIST.	3602125	OLDGOULD	BNK HILL
1S4W24J	MT. VIEW CHILD CARE CENTER	0000145		BNK HILL
1S4W24J	RIVAS	0000113		BNK HILL
1S4W24J	RIVAS, RAMON	3600016	REES 4	BNK HILL
1S4W24J	TEXACO GAS STATION	0000027		BNK HILL
1S4W24J	VANLEUVEN, CLARENCE	0000143		BNK HILL
1S4W24J	VICTORIA SEVENTH DAY ADVENTIST	0000144		BNK HILL
1S4W24K	MOORE, R. H.	0000084		BNK HILL
1S4W24K01S	REDLANDS, CITY OF	3601299	34	BNK HILL
1S4W24N	LOMA LINDA UNIVERSITY	3602013	7	BNK HILL
1S4W24P	SO. SAN BERNARDINO COUNTY WATER DIST.	3602060	BENNETT WELL	BNK HILL
1S4W24R	LOMA LINDA, CITY OF	3602596	NEW GOLCONDA	BNK HILL
1S4W24R01S	LOMA LINDA, CITY OF	3601989	1	BNK HILL
1S4W25	LOMA LINDA, CITY OF	3601384	1	BNK HILL
1S4W25	LOMA LINDA, CITY OF	3601388	2	BNK HILL
1S4W25B	LOMA LINDA, CITY OF	3602015	LLU 9	BNK HILL

SAN BERNARDINO BASIN AREA
CROSS INDEX BY STATE WELL NUMBER

STATE WELL NUMBER	OWNER NAME	RECORDATION NUMBER	LOCAL DESIGNATION	BASIN NAME
1S4W25B02S	LOMA LINDA, CITY OF	3602011	LLU 5	BNK HILL
1S4W25C	LOMA LINDA, CITY OF	3602057	MITTLEID	BNK HILL
1S4W25C01S	LOMA LINDA UNIVERSITY	3602012	6	BNK HILL
1S4W25D	LOMA LINDA UNIVERSITY	3602781		
1S4W25D05	LOMA LINDA UNIVERSITY	3602249	ANDERSON	BNK HILL
1S4W25D07	LOMA LINDA UNIVERSITY	3602855		
1S4W25E01S	LOMA LINDA UNIVERSITY	3602017	2	BNK HILL
1S4W25F	LOMA LINDA, CITY OF	3602058	CROOKS	BNK HILL
1S4W25G	LOMA LINDA, CITY OF	3602016	ROBINSON	BNK HILL
1S4W25G01S	LOMA LINDA UNIVERSITY	3602009	3	BNK HILL
1S4W25H02S	LOMA LINDA, CITY OF	3602010	LLU 4	BNK HILL
1S4W26A	LOMA LINDA UNIVERSITY	3602008	1	BNK HILL
1S4W26F	UNGER, V.E.	3601168		BNK HILL
1S4W26F01	MONTECITO MUTUAL WATER COMPANY	3600119	1	BNK HILL
1S4W26J01S	LOMA LINDA UNIVERSITY	3602014	8	BNK HILL
1S4W27H	AHMANSON RANCH	0000002		BNK HILL
1S4W36J	WILEY, RUTH NORWOOD	3600052	1	BNK HILL
2N5W19	SAN BERNARDINO, CITY OF	3600710	CAJON	L CAJON
2N5W19K	SAN BERNARDINO, CITY OF	3602426	C.C. DIV.	L CAJON
2N5W19Q01	SAN BERNARDINO, CITY OF	3600709	VINCENT	L CAJON
2N5W20H	DEVORE WATER CO.	3602385	MEDLIN CR.	L CAJON
2N5W21E	DEVORE WATER CO.	3602386	LETHIN SP.	L CAJON

SAN BERNARDINO BASIN AREA
CROSS INDEX BY STATE WELL NUMBER

STATE WELL NUMBER	OWNER NAME	RECORDATION NUMBER	LOCAL DESIGNATION	BASIN NAME
2N5W21G	DEVORE WATER CO.	3602388	KIMBARK	L CAJON
2N5W22E	DEVORE WATER CO.	3602387	E. KIMBARK	L CAJON
2N5W22N	DEVORE WATER CO.	3602389	HOPPER	L CAJON
2N5W28B	DEVORE WATER CO.	3602390	SANTA FE	L CAJON
2N5W28C	DEVORE WATER CO.	3602383	2	L CAJON
2N5W28C	DEVORE WATER CO.	3602384	3	L CAJON
2N5W28D	DEVORE WATER CO.	3602382	1	L CAJON
2N5W28D	DEVORE WATER CO.	3602391	CASADY	L CAJON
2N5W33F	SAN BERNARDINO, COUNTY OF	0000117	GLEN HELEN 3	L CAJON
2N5W33G	SAN BERNARDINO, COUNTY OF	0000118	GLEN HELEN 4	L CAJON
2N5W33H	DEVORE WATER CO.	3602428	4	L CAJON
2N5W33Q02	SAN BERNARDINO, COUNTY OF	0000177	GLEN HELEN 2	L CAJON
2N6W26L1	FONTANA UNION WATER COMPANY	3600590	MN 2	LYTLE
2N6W26L2	FONTANA UNION WATER COMPANY	3600588	MN 1	LYTLE
2S2W06D	CRYSTAL SPRINGS	0000020		BNK HILL
2S3W01E	REDLANDS, CITY OF	3600918	1	BNK HILL
2S3W03K	REDLANDS, CITY OF	3602082		BNK HILL
2S3W05A2	CANYON KNOLLS RANCH	3601632	MARCUM WELL	BNK HILL

CHANGE IN OWNERSHIP FROM BASE PERIOD

CHANGE IN OWNERSHIP FROM BASE PERIOD

FORMER OWNER	PRESENT OWNER	RECORDATION NUMBER	STATE WELL NUMBER	YEAR CHANGE SHOWN IN VOLUME 1
AEROSPACE	SAN BERNARDINO, COUNTY OF	NF	1S4W14A	1973
ANDERSON MUTUAL WELL COMPANY, INC	EAST SAN BDNO. COUNTY WATER DIST.	3600275	1N3W32	1970
BASELINE & LAPRAIX WELL	EAST VALLEY WATER DISTRICT	3600275	1N3W32	1982
BEAR VALLEY MUTUAL WATER COMPANY	EAST SAN BDNO. COUNTY WATER DIST.	3600466	1N3W04	1973
	EAST VALLEY WATER DISTRICT	3600466	1N3W04	1982
	EAST SAN BDNO. COUNTY WATER DIST.	3600026	1S3W4J	1971
	EAST VALLEY WATER DISTRICT	3600026	1S3W4J	1982
BEELER, RAYMOND A.	REDLANDS, CITY OF	3601586	1S3W15F02S	1987
BEVERLY ASSOCIATES REC 3602065	TROJAN GROVES	3600451	1S3W15	1989
BIG BEAR TIMBER COMPANY	REDLANDS, CITY OF REC 3602732	3602732	1S3W32J2	1978
	GOLDEN STATE BLDG. PRODUCTS	3602127	1S3W15A1	1973
	GOLDEN BEAR FOREST PROD.	3602127	1S3W15A1	1980
CALAGONIA GROVES	CRIM, W. ROSCOE	3601171	1S3W20F	1974
CALIFORNIA, STATE OF	EAST SAN BDNO. COUNTY WATER DIST.	3600926	1S4W01F2	1973
	EAST VALLEY WATER DISTRICT	3600926	1N4W01F2	1982
	EAST SAN BDNO. COUNTY WATER DIST.	3600928	1N3W31L2	1973
	EAST VALLEY WATER DISTRICT	3600928	1N3W31L2	1982
	EAST SAN BDNO. COUNTY WATER DIST.	3600930	1N3W31L3	1973
	EAST VALLEY WATER DISTRICT	3600930	1N3W31L3	1982
CALIFORNIA, STATE OF	SAN BERNARDINO, CITY OF	3600927	1N3W31B1	1973
	EAST SAN BDNO. COUNTY WATER DIST.	3600927	1N3W31B1	1980
	EAST VALLEY WATER DISTRICT	3600927	1N3W31B1	1982
CAMERON RANCHO MUTUAL WATER COMPANY	EAST SAN BDNO. COUNTY WATER DIST.	3600643	1N4W25K1	1973
	EAST VALLEY WATER DISTRICT	3600643	1N4W25K1	1982
CANYON KNOLLS RANCH	LOMA LINDA HEIGHTS RANCHO	3601632	2S3W05A2	1979
	CANYON KNOLLS RANCH	3601632	2S3W05A2	1982
CARL'S RANCH C/O REDLANDS FARMING CO.	ATELLO RANCH C/O CRIM GROVE CARE 1970-71	3601172	1S3W20C	1970
	CRIM WELL C/O REDLANDS FARMING CO. 1972-75	3601172	1S3W20C	1972
	HUNTER/CRIM/ZARUBICA WELL 1975-	3601172	1S3W20C	1975
	K INV./TRUTANIC/Y UN WELL	3601172	1S3W20C	1981
CHURCH STREET MUTUAL WELL CO	REDLANDS, CITY OF	3602106	1S3W22A1	1970
CITRUS PROPERTY MANAGEMENT CO.	BELL, H. EUGENE	3600449	1S3W20	1974
CLIFFSIDE RANCH	TEAGLE, M., ESTATE	3602571	1S3W03F	1974
	EAST SAN BER. CO. WATER DIST.	3602571	1S3W3F	1978
	EAST VALLEY WATER DISTRICT	3602571	1S3W3F	1982

CHANGE IN OWNERSHIP FROM BASE PERIOD

FORMER OWNER	PRESENT OWNER	RECORDATION NUMBER	STATE WELL NUMBER	YEAR CHANGE SHOWN IN VOLUME 1
COLTON AVENUE WATER COMPANY	REDLANDS, CITY OF	3600085	1S3W28J1	1973
COOK ORCHARDS CO.	EADINGTON FRUIT CO. COOK RANCH	3602346	1S3W28J2	1973
CORWIN WELL COMPANY	EAST SAN BDNO. COUNTY WATER DIST.	3600527	1S3W16	1975
COUNTY HOSPITAL	EAST VALLEY WATER DISTRICT	3601184	1N3W33F1	1973
COURT STREET WATER COMPANY	SAN BERNARDINO, COUNTY OF	3601184	1N3W33F1	1982
	LOMA LINDA, CITY OF	NF	1N4W35F	1971
		3601384	1S4W25	1971
		3601388	1S4W25	1971
CRAM, FRANCES L.	COGBILL, CLINTON L.	3601628	1S2W09Q	1979
DANIELS, DON	DANIELS AND BEST RANCH	3602549	1S3W19J	1973
DANIELS, HAROLD	DANIELS AND BEST RANCH	3602550	1S3W17R	1973
DEL ROSA MUTUAL WATER CO.	EAST SAN BDNO. COUNTY WATER DIST.	3602370	1N4W25F	1976
	EAST VALLEY WATER DISTRICT	3602370	1N4W25F	1982
DEL ROSA MUTUAL WATER CO.	HODGDON WARNER	3601810	1N4W23E	1976
	CAMPUS CRUSADE FOR CHRIST	3601810	1N4W23E	1987
	HODGDON, WARNER	3601811	1N4W14	1976
	CAMPUS CRUSADE FOR CHRIST	3601811	1N4214	1987
DOUGLAS GAS STATION	CAMPUS CRUSADE FOR CHRIST	3601649	1S4W24J	1973
E R DUNLOP	TEXACO GAS STATION	3601649	1S3W28M	1973
	HOOVER WELL	3601649	1S3W28M	1980
	RAMIREZ, CARLOS	3601649	1S3W28M	1973
	HOOVER WELL	3601649	1S3W28M	1973
	RAMIREZ, CARLOS	3601649	1S3W28M	1980
EAST COLTON AVENUE WATER COMPANY	HINCKLEY, HORACE P.	3600240	1S2W30D	1982
		3601645	1S2W30B	1982
EAST HIGHLANDS DOMESTIC WATER CO	SARATOGA DEVELOPMENT CO.	3600607	1S3W02	1973
	EAST HIGHLANDS RANCH INC.	3600607	1S3W02	1980
	SARATOGA DEVELOPMENT CO.	3600607	1S3W02	1973
	EAST HIGHLANDS RANCH INC.	3600607	1S3W02	1973
	SARATOGA DEVELOPMENT CO.	3600607	1S3W02	1980
		NF	1S2W06	1977
EAST HIGHLANDS ORANGE COMPANY	EAST HIGHLANDS RANCH INC.	3600598	1S3W02	1973
	SARATOGA DEVELOPMENT CO.	3600598	1S3W02	1980
	EAST HIGHLANDS RANCH INC.	3600604	1S2W07B	1973
	SARATOGA DEVELOPMENT CO.	3600604	1S2W07B	1980
	EAST HIGHLANDS RANCH INC.	3600605	1N3W36	1973
		3600605	1N3W36	1980

CHANGE IN OWNERSHIP FROM BASE PERIOD

FORMER OWNER	PRESENT OWNER	RECORDATION NUMBER	STATE WELL NUMBER	YEAR CHANGE SHOWN IN VOLUME 1
EAST HIGHLANDS ORANGE COMPANY	SARATOGA DEVELOPMENT CO.	3600606	1N3W35	1973
	EAST HIGHLANDS RANCH INC.	3600606	1N3W35	1980
	SARATOGA DEVELOPMENT CO.	3601639	1S3W03R1	1973
	EAST HIGHLANDS RANCH INC.	3601639	1S3W03R1	1980
	SARATOGA DEVELOPMENT CO.	3602474	1N3W25Q	1973
	EAST HIGHLANDS RANCH INC.	3602474	1N3W25Q	1980
	SUNRISE RANCH PART. C/O LIFE DEVEL. CO.	3600599	1S2W13	1973
		3600600	1S2W13	1973
		3600601	1S2W14	1973
		3600602	1S2W15P	1973
		3600603	1S2W15G	1973
		3601640	1S2W14	1973
		3601969	1S2W14L	1973
EAST SAN BDNO. COUNTY WATER DISTRICT	EAST VALLEY WATER DISTRICT	NF	1N3W30C	1982
		NF	1S3W04P	1982
		NF	1N3W30C	1982
		NF	1N3W31A	1982
		NF	1S3W05Q	1982
		NF	1N4W36H	1982
		NF	1S3W06	1982
		NF	1N3W31D	1982
		NF	1S3W06E	1982
		NF	1S3W06B	1982
		NF	1S3W06C	1982
		NF	1S4W02L	1982
		NF	1S3W06P	1982
		NF	1S3W05Q	1982
		NF	1S3W06M	1982
		NF	1S3W06Q	1982
		NF	1S3W03N	1982
		NF	1N4W25D	1982
		NF	1S3W03N	1982
		NF	1S3W05J	1982
		NF	1S4W01D	1982
		NF	1S3W06N	1982
		NF	1S3W03F	1982
		3600058		

CHANGE IN OWNERSHIP FROM BASE PERIOD

FORMER OWNER	PRESENT OWNER	RECORDATION NUMBER	STATE WELL NUMBER	YEAR CHANGE SHOWN IN VOLUME 1
EAST SAN BDNO. COUNTY WATER DISTRICT	EAST VALLEY WATER DISTRICT	3600183	1S4W02	1982
		3600269	1N3W31L	1982
		3600444	1N3W30H01S	1982
		3600855	1N3W28P01S	1982
		3600864	1N3W19	1982
		3600970	1N3W19	1982
		3600971	1N3W19F	1982
		3601584	1N3W33H01S	1982
		3601653	1N4W36K04S	1982
		3601654	1N4W36	1982
		3601655	1N4W36K05S	1982
		3601656	1N4W36Q01S	1982
		3601657	1S4W01B04S	1982
		3601658	1N4W36R01S	1982
		3601659	1S3W06H01S	1982
		3601660	1D3W06H04S	1982
		3601661	1S4W01J08S	1982
		3601662	1S4W02Q05S	1982
		3601663	1S4W02Q04S	1982
		3601664	1S4W02N01S	1982
		3601665	1S4W01K04S	1982
		3601666	1N4W36F08S	1982
		3601667	1S3W06A05S	1982
		3601668	1S4W01E02S	1982
		3601669	1N4W36H06S	1982
		3601670	1N4W26A01S	1982
		3601671	1N4W26A02S	1982
		3601672	1N4W25B	1982
		3601673	1N4W25C02S	1982
		3601674	1N4W25G01S	1982
		3601675	1N4W25A01S	1982
		3601676	1S4W12B05S	1982
		3601677	1S3W05A02S	1982
		3601678	1S3W05B04S	1982
		3601679	1S3W05N05S	1982
		3601781	1S3W06K01S	1982

CHANGE IN OWNERSHIP FROM BASE PERIOD

FORMER OWNER	PRESENT OWNER	RECORDATION NUMBER	STATE WELL NUMBER	YEAR CHANGE SHOWN IN VOLUME 1
EAST SAN BDNO. COUNTY WATER DISTRICT	EAST VALLEY WATER DISTRICT	3601884	IN3W31C02S	1982
EAST SAN BDNO. COUNTY WATER DISTRICT	HODGDON, WARNER	3601978	IS3W04N	1982
	CAMPUS CRUSADE FOR CHRIST	3601979	IN4W14A	1976
	EAST VALLEY WATER DISTRICT	3602034	IN4W14A	1987
		3602113	IS4W01Q	1982
		3602274	IN3W30N	1982
		3602337	IN3W30J	1982
		3602338	IN4W26A	1982
		3602563	IS3W04N	1982
		3602564	IS4W02Q	1982
		3602799	IS4W12B	1982
ELLENA, JOHN B.	SAN BERNARDINO, CITY OF	3602712	IS2W07H01	1982
FONTANA UNION WATER COMPANY 3600566	FONTANA UNION WATER COMPANY 3602727	3602727	IN4W08N	1977
FRINK RANCH RECORDATION NO 3601131	RAMIREZ BROTHERS REC. NO. 3601728	3601728	IN5W15Q02S	1977
GIFFORD PARK MUTUAL WATER CO.	SAN BERNARDINO, CITY OF	3602128	IS3W30	1970
		3602252	IS4W14A	1987
HACIENDA TRAILER PARK	EAST SAN BDNO. COUNTY WATER DIST.	NF	IS4W14B	1987
HICKS, JOHN/LOUISE	EAST VALLEY WATER DISTRICT	NF	IS3W04Q	1970
HOLIDAY ROCK CO.	REYNOLDS, BILL	3600981	IS3W04Q	1982
HOMART DEVELOPMENT CO	REDLANDS' TRAP/SKEET	3600628	IS2W21H01	1978
	SAN BERNARDINO, CITY OF	3600034	IS3W15G	1974
		3600035	IS4W16H	1970
		3602285	IS4W15M1	1970
ICE PRODUCTS INC.	HOLMES ICE & COLD STORAGE CO., INC.	3600644	IS4W15D5	1970
INDUST. ACRES C/O CITRUS INVESTMENT	MENTONE CITRUS GROVES	3600645	IS4W09B03S	1983
INLAND FARMING CO.	RIEDMAN, FRED M.	3600139	IS4W09B01S	1983
INTER CITY MUTUAL WATER CO.	BARNO, JOHN	3602280	IS2W18R01S	1975
	SAN BERNARDINO, CITY OF	3602079	IS2W18Q	1975
JACINTO, FRANK JR	F. A. R. WELL	3602079	IS3W03F	1974
JACINTO FARMING, INC	MCCLINTOCK, W.L. 1970-1972	3601316	IS3W03F	1977
	YAHIKU, PAUL 1973-	3602521	IS4W23N	1977
		3602020	IS4W23N4	1977
		3601280	IS2W20K	1973
		3601280	IS3W29D	1970
		3601280	IS3W29D	1973

CHANGE IN OWNERSHIP FROM BASE PERIOD

FORMER OWNER	PRESENT OWNER	RECORDATION NUMBER	STATE WELL NUMBER	YEAR CHANGE SHOWN IN VOLUME 1
JOHANSSON, RUINE	BENNETT 1976-1978	3602060	1S4W24P	1976
LAND CAPITOL CORP & DONALD SOJKA	SO. SAN BERNARDINO COUNTY WATER DIST. 1979-	3602060	1S4W24P	1979
LANGFORD RANCHES REC 3600523	SOJKA, DONALD R.	3601173	1S3W32K	1975
LARSEN, ERNEST R.	CANYON RANCH	3600523	1S3W32G3	1973
LEONARD, WILLIAM E.	LARANNI GUNTER WELL	3600160	1S3W32G1	1974
LONG ACRES MUTUAL WATER CO	SAN BERNARDINO INVESTORS	3602499	1S4W22A01	1979
L.P.R. RANCH	J. G. GOLFING ENTERPRISES, INC.	3602499	1S4W22A01	1981
LUGONIA WATER COMPANY	STORKSON, WILLIAM F.	3600083	1N5W6	1970
MEEKS & DALEY (1N3W31)	L.P.R. ICE COMPANY	3602525	1S3W13C	1971
MENTONE ACRES MUTUAL WELL CO.	REDLANDS, CITY OF	3600018	1S2W29	1976
MENTONE DOMESTIC WATER CO.	BASELINE LAUNDRY	3601585	1S3W23A03S	1987
MEYER, ERNEST	REDLANDS, CITY OF	NF	1N3W31	1973
MISSION MUTUAL WATER COMPANY	REDLANDS, CITY OF	3600749	1S3W13	1983
MUTUAL WELL CO. (OF HIGHLAND)	REDLANDS, CITY OF	3601308	1S2W19K1	1978
NAMTHAS, M.D. IVAN/SHIRLEY	REDLANDS, CITY OF	3602653	1S2W19J	1978
NICKERSON, E. D.	EAST SAN BDNO. COUNTY WATER DIST.	3602654	1S2W19J	1978
NORTH FORK WATER COMPANY	MEYER, ERNEST	3602174	1S4W02	1974
NORTH FORK WATER COMPANY	EAST SAN BDNO. COUNTY WATER DIST.	3602174	1S4W02	1975
NORTH FORK WATER COMPANY	EAST VALLEY WATER DISTRICT	3602174	1S4W02	1980
NORTH FORK WATER COMPANY	EAST VALLEY WATER DISTRICT	3602174	1S4W02	1982
NORTH FORK WATER COMPANY	REDLANDS, CITY OF	3600756	1S3W19H	1987
NORTH FORK WATER COMPANY	MARIGOLD FARMS COMPANY	3600757	1S3W19L	1987
NORTH FORK WATER COMPANY	NORTH FORK WATER	3600765	1N3W33C01	1981
NORTH FORK WATER COMPANY	SOUZA, JOHN	3601084	1S2W20K	1980
NORTH FORK WATER COMPANY	WARMINGTON, ROBT. P.	3600270	1S3W20P	1982
NORTH FORK WATER COMPANY	EAST SAN BDNO. COUNTY WATER DIST.	3600680	1S3W02	1982
NORTH FORK WATER COMPANY	EAST VALLEY WATER DISTRICT	3600680	1S3W02	1982
NORTH FORK WATER COMPANY	EAST SAN BDNO. COUNTY WATER DIST.	3601643	1S3W03Q	1982
NORTH FORK WATER COMPANY	EAST VALLEY WATER DISTRICT	3601643	1S3W03Q	1982
NORTH FORK WATER COMPANY	EAST SAN BDNO. COUNTY WATER DIST.	3600925	1S4W01Q1	1973
NORTH FORK WATER COMPANY	EAST VALLEY WATER DISTRICT	3600925	1S4W01Q1	1982
NORTH FORK WATER COMPANY	CRAM RANCH ASSOCIATES	3600241	1S3W03Q	1980
NORTH FORK WATER COMPANY	SOMERS, R.	3601093	1N4W24	1977
NORTH FORK WATER COMPANY	LA BONTE, JIM	3600865	1N4W24	1978
NORTH FORK WATER COMPANY	RIALTO, CITY OF	3601929	1S4W06C04S	1987

CHANGE IN OWNERSHIP FROM BASE PERIOD

FORMER OWNER	PRESENT OWNER	RECORDATION NUMBER	STATE WELL NUMBER	YEAR CHANGE SHOWN IN VOLUME 1
REDLANDS ASSOCIATES	BLUE GOOSE GROWERS INC.	3602529	1S2W09P2	1971
		3602530	1S2W09L2	1971
		3602531	1S2W09L3	1971
REDLANDS HEIGHTS WATER COMPANY	BLUE BANNER CO.	3602531	1S2W09L3	1980
REES-REES RANCHES, INC.	REDLANDS, CITY OF	3600918	2S3W01E	1983
	SELBY, DR. & MRS. ARTHUR	3600017	1S2W29	1976
		3600018	1S2W29	1976
	REDLANDS, CITY OF	3600019	1S3W23	1978
RIALTO MUTUAL LAND AND WATER COMPANY	RIALTO, CITY OF	3601085	1N4W31N	1973
RIVERSIDE, CITY OF 3601478	J. G. GOLFING ENTERPRISES, INC. 3602846	3602846	1S4W22A	1985
ROBERTS, DR. G.	PATTERSON, ROY H.	NF	1N3W34Q	1977
ROZEMA CHICKEN RANCH	QUALITY FARMS	NF	1S3W04R	1975
SAN BERNARDINO COUNTY SERVICE AREA 2	LOMA LINDA, CITY OF	3601989	1S4W24R1	1970
		3602010	1S4W25H2	1970
		3602011	1S4W25B2	1970
		3602015	1S4W25B	1970
		3602016	1S4W25G	1970
		3602057	1S4W25C	1970
		3602058	1S4W25F	1970
SAN BERNARDINO WATER UTILITIES	SAN BERNARDINO, CITY OF	3601843	1N5W03H01S	1987
		3601844	1N5W03	1987
		3601845	1N4W30L	1987
SECHREST, RALPH F.	RAMIREZ, J.J.	3600484	1S3W16	1978
SELEY WELL CO	EAST SAN BDN. COUNTY WATER DIST.	3600545	1N3W30	1970
	EAST VALLEY WATER DISTRICT	3600545	1N3W30	1982
SMITH, LEONA BERNICE	PAXTON, R. H.	3600468	1S3W30	1971
SOUTHERN CALIFORNIA WATER COMPANY	EAST VALLEY WATER DISTRICT	3600374	1N3W33M01S	1987
		3600375	1S3W05	1987
		3600376	1S3W05	1987
		3600377	1N3W27N08S	1987
		3600378	1N3W27N02S	1987
		3601069	1N3W33M02S	1987

CHANGE IN OWNERSHIP FROM BASE PERIOD

FORMER OWNER	PRESENT OWNER	RECORDATION NUMBER	STATE WELL NUMBER	YEAR CHANGE SHOWN IN VOLUME 1
SOUTHERN CALIFORNIA WATER COMPANY	SAN BERNARDINO, CITY OF	3601588	1N4W31H	1987
		3601878	1N4W29E01S	1987
		3601879	1N4W29	1987
		3601880	1N4W29F01S	1987
	EAST VALLEY WATER DISTRICT	3601987	1S3W04G	1987
		3602260	1S3W05D06	1987
		3602417	1S3W05D	1987
		3602560	1S3W04G	1987
		3601352	1S3W19N	1980
		3601352	1S3W19N	1981
		3601352	1S3W19N	1987
		3601352	1S3W19N	1988
STANLEY BROWN CO.	LEWIS DEVELOPMENT CO.	3600451	1S3W15	1970
	CHRISTENSEN, JACK. O.	3601582	1S4W02R	1975
STUCKER RANCH	EAST SAN BDNO. COUNTY WATER DIST.	3601582	1S4W02R	1982
SUNNYSIDE MUTUAL WATER COMPANY	EAST VALLEY WATER DISTRICT	3600935	1N4W31N	1973
	TRI CITY CONCRETE	3601420	1S3W09E	1970
	TRI CITY CONCRETE	3601420	1S3W09E	1980
TRIPLE FALLS MUT. WTR. CO.	LIVINGSTON-GRAHAM	3602657	1S1W20D	1975
	YUCAIPA VALLEY COUNTY WATER DISTRICT	3602657	1S1W20D	1987
	YUCAIPA VALLEY WATER DISTRICT	3602658	1S1W20D	1975
	YUCAIPA VALLEY COUNTY WATER DISTRICT	3602658	1S1W20D	1987
	YUCAIPA VALLEY WATER DISTRICT	3602659	1S1W19G	1975
	YUCAIPA VALLEY COUNTY WATER DISTRICT	3602659	1S1W19G	1987
	YUCAIPA VALLEY WATER DISTRICT	NF	1S2W17	1975
UNIVERSITY OF REDLANDS	KARAHALOIS	3601130	1S3W32D	1973
VALLE VISTA RANCH CO.	LOMA LINDA, CITY OF	3600218	1N4W24	1977
VAN CAMP, GILBERT C.	CALLISON, ROY A. 1977-1978	3600218	1N4W24	1979
	LANGSTON-NEWBY DEVELOPMENT CO. 1979-	NF	1S4W24J	1978
	MT. VIEW CHILD CARE CENTER	NF	1S4W24J	1978
VANLEUVEN NURSING HOME	VICTORIA SEVENTH DAY ADVENTIST	3600221	1N3W30	1970
VANLEUVEN, ED	EAST SAN BDNO. COUNTY WATER DIST.	3600221	1N3W30	1982
WEST HIGHLAND WELL COMPANY	EAST VALLEY WATER DISTRICT	NF	1N4W14C	1976
WEST TWIN CREEK WATER COMPANY	HODGDON, WARNER	NF	1N4W14C	1987
	CAMPUS CRUSADE FOR CHRIST	NF		

TABLE NO. 1

EXTRACTIONS BY OWNERS (NON-PLAINTIFFS) WHICH
HAVE RECORDATION FILINGS WITH THE STATE
WATER RESOURCES CONTROL BOARD

TABLE NO. 1
 VERIFIED EXTRACTIONS BY OWNERS (NON-PLAINTIFFS) WHICH HAVE RECORDATION FILINGS
 WITH THE STATE WATER RESOURCES CONTROL BOARD

OWNER	1959	1960	1961	1962	1963	1959-63 AVERAGE	1985	1986	1987	1988	1989	1985-89 AVERAGE
ARMSTRONG, DOUGLAS												
3600076 1S3W17 W	286	342	-	-	-	126	-	-	-	-	-	0
ARROWHEAD COUNTRY CLUB												
3601925 1N4W23E W	600	607	650	650	650	631	398	450	344	437	404	407
ARROYO VERDE MUTUAL WATER CO.												
3602068 1S4W01A02S W	166	186	162	168	141	165	79	100	100	120	120	104
3602069 1S4W01A W	-	-	-	-	-	0	46	1	29	20	20	23
OWNER TOTAL	166*	186*	162*	168*	141*	165*	125*	101*	129*	140*	140*	127*
ATCHISON, TOPEKA & SANTA FE RAILWAY CO.												
3600178 1S4W08F02S W	158	127	113	110	69	115	-	-	-	-	-	0
3600179 1S4W08F W	158	127	113	110	69	115	-	-	-	-	-	0
OWNER TOTAL	316*	254*	226*	220*	138*	231*	0*	0*	0*	0*	0*	0*
B M I FUNDS												
3600107 1S3W21P01 W	343	323	165	165	-	199	-	-	-	-	-	0
BARNO, JOHN												
3602079 1S3W03F W ¹	-	-	-	-	34	7	0	0	0	0	0	0
BASE LINE WELL COMPANY												
3600456 1N3W33R02S W	0	0	0	0	0	0	-	-	-	-	-	0
BASELINE GARDENS MUTUAL WATER COMPANY												
3600457 1N4W35J02S W	28	28	28	28	28	28	0	0	0	0	0	0

1 FORMERLY INLAND FARMING CO.

TABLE NO. 1
 VERIFIED EXTRACTATIONS BY OWNERS (NON-PLAINTIFFS) WHICH HAVE RECORDATION FILINGS
 WITH THE STATE WATER RESOURCES CONTROL BOARD

OWNER	1959	1960	1961	1962	1963	1959-63 AVERAGE	1985	1986	1987	1988	1989	1985-89 AVERAGE
BASELINE GARDENS MUTUAL WATER COMPANY (CONTINUED)												
3600458 1N4W36M01S W	275	275	275	275	275	275	85	100	0	0	0	37
3602528 1N4W35R01 W	-	-	-	-	-	0	413	400	440	450	513	443
OWNER TOTAL	303*	303*	303*	303*	303*	303*	498*	500*	440*	450*	513*	480*
BEAR VALLEY MUTUAL WATER COMPANY												
3600021 1N2W26H W	687	556	465	555	532	559	433	370	262	146	475	337
3600022 1N2W34 W ¹	531	522	351	472	458	467	439	524	685	466	324	488
3600023 1S3W24C W ¹	1780	1845	2434	1726	1444	1846	0	0	0	838	1229	413
3600024 1S2W19D W	0	219	163	32	8	84	0	0	0	0	0	0
3600025 1N3W29R01S W	0	0	170	0	0	34	-	-	-	-	-	0
3600027 1N2W10N W ²	266	170	196	180	106	184	-	-	-	-	-	0
3600028 1S2W04N D	19622	15927	11418	13528	10836	14266	19837	23160	16373	14170	14785	17665
OWNER TOTAL	22886*	19239*	15197*	16493*	13384*	17440*	20709*	24054*	17320*	15620*	16813*	18903*
BELL, H. EUGENE												
3600449 1S3W20 W ³	115	88	30	85	167	97	0	0	0	0	0	0
BERMAN, JERRY & SONS												
3602007 1S4W02 W	-	-	-	28	32	12	26	16	12	15	10	16

1 WELL RENOVATED 1988, 1988 VERIFIED AMOUNT CORRECTED DURING THE 1989 VERIFICATION

2 COMMENCING 1974 INCLUDES GROSS SANTA ANA RIVER DIVERSIONS--SEE TABLE NO. 6 FOR VERIFIED DIVERSIONS

3 FORMERLY CITRUS PROPERTY MANAGEMENT CO.

TABLE NO. 1
 VERIFIED EXTRACTIIONS BY OWNERS (NON-PLAINTIFFS) WHICH HAVE RECORDATION FILINGS
 WITH THE STATE WATER RESOURCES CONTROL BOARD

OWNER	1959	1960	1961	1962	1963	1959-63 AVERAGE	1985	1986	1987	1988	1989	1985-89 AVERAGE
BIG BEAR MUNICIPAL WATER DISTRICT												
3603116 IS3W13R01S W ¹	-	-	-	-	-	0	-	-	-	-	1593	319
BLUE BANNER CO.												
3602531 IS2W09L03S D ²	-	-	-	-	-	0	100	100	100	100	100	100
BLUE GOOSE GROWERS INC												
3602529 IS2W09P02 W ²	-	-	-	-	-	0	0	0	0	0	0	0
3602530 IS2W09L02S W ²	-	-	-	-	-	0	0	0	0	0	0	0
OWNER TOTAL	0*	0*	0*	0*	0*	0*	0*	0*	0*	0*	0*	0*
BRISTOL RANCH												
3601631 IN3W34C02S W	90	100	160	108	108	113	0	0	0	0	0	0
BROOKSIDE DAIRY, INC												
3600036 IS3W33D W	302	302	312	312	313	308	0	0	0	0	0	0
BROOKSIDE PLAZA												
3602917 IS3W03D01S W ³	-	-	-	-	-	0	-	-	-	-	2	0
BRYN MAWR MUTUAL WATER COMPANY												
3600053 IS3W31A W	585	470	583	296	249	437	357	386	322	271	186	304
3600054 IS3W31A W	306	330	375	295	0	261	-	-	-	-	-	0

1 WELL DRILLED 1989

2 PRIOR TO 1972 SEE NON-FILED EXTRACTIIONS TABLE NO. 2 REDLANDS ASSOCIATES

3 WELL DRILLED 1988

TABLE NO. 1
 VERIFIED EXTRACTATIONS BY OWNERS (NON-PLAINTIFFS) WHICH HAVE RECORDATION FILINGS
 WITH THE STATE WATER RESOURCES CONTROL BOARD

OWNER	1959	1960	1961	1962	1963	1959-63 AVERAGE	1985	1986	1987	1988	1989	1985-89 AVERAGE
BRYN MAWR MUTUAL WATER COMPANY (CONTINUED)												
3600055 1S3W31A W	306	330	375	0	249	252	0	0	0	0	0	0
3602109 1S3W31B00S W	0	0	0	708	554	252	147	40	25	25	0	47
OWNER TOTAL	1197*	1130*	1333*	1299*	1052*	1202*	504*	426*	347*	296*	186*	352*
BUOYE WELL												
3602062 1S2W29N W	0	0	146	160	177	97	0	0	0	0	0	0
CALIFORNIA, STATE OF PATTON HOSPITAL												
3600923 1N3W32C01S W	211	286	257	218	212	237	-	-	-	-	-	0
3600924 1N3W29M01S W	175	223	146	156	143	169	-	-	-	-	-	0
3600924- 1N3W29M W	-	-	-	-	-	0	150	92	185	0	255	136
3600929 1N3W31K02S W	41	-	-	-	0	8	-	-	-	-	-	0
3600931 1N3W29N01S W	520	227	282	303	307	328	130	203	190	132	0	131
3601930 1N3W32C02S W	-	340	400	326	295	272	0	17	0	0	0	3
3602381 1N3W29M W	-	-	-	-	-	0	338	248	329	253	211	276
OWNER TOTAL	947*	1076*	1085*	1003*	957*	1014*	618*	560*	704*	385*	466*	547*
CAMPUS CRUSADE FOR CHRIST												
3601810 1N4W23E W ¹	231	200	9	0	0	88	0	0	0	0	0	0
3601811 1N4W14 D ¹	400	300	302	272	211	297	150	150	100	100	100	120
3601979 1N4W14A D ²	146	146	146	146	146	146	0	0	0	0	0	0

1 FORMERLY DEL ROSA MUTUAL WATER COMPANY; FORMERLY HODGDON, WARNER

2 FORMERLY EAST SAN BDNO. COUNTY WATER DIST.; FORMERLY HODGDON, WARNER

TABLE NO. 1
 VERIFIED EXTRACTIONS BY OWNERS (NON-PLAINTIFFS) WHICH HAVE RECORDATION FILINGS
 WITH THE STATE WATER RESOURCES CONTROL BOARD

OWNER	1959	1960	1961	1962	1963	1959-63 AVERAGE	1985	1986	1987	1988	1989	1985-89 AVERAGE
OWNER TOTAL	777*	646*	457*	418*	357*	531*	150*	150*	100*	100*	100*	120*
CANYON KNOLLS RANCH												
3601632 2S3W05A2 W	104	85	105	88	87	94	74	77	103	120	172	109
CANYON RANCH												
3600523 1S3W32G03S W ¹	298	222	101	109	103	167	0	0	0	0	0	0
CARDIFF FARMS MUTUAL WATER COMPANY												
3600973 1S4W12D W	445	391	432	339	384	398	200	200	150	150	300	200
3601619 1S4W12D W	73	64	70	64	62	67	240	250	150	150	0	158
OWNER TOTAL	518*	455*	502*	403*	446*	465*	440*	450*	300*	300*	300*	358*
CHARLES, J. J.												
3600815 1S3W06 W	-	-	-	-	-	0	-	-	-	-	-	0
CHRISTINA WATER COMPANY												
3601751 1S3W21E W	1302	1403	700	865	793	1013	236	135	200	135	151	171
COGBILL, CLINTON L.												
3601628 1S2W09Q W ²	312	296	325	181	91	241	1	30	50	50	50	36
COLTON, CITY OF												
3601250 1S4W08R W	326	132	102	133	121	163	FC	-	0	0	0	0
3601251 1S4W08R W	0	101	233	578	227	228	52	11	10	513	420	201
1 FORMERLY LANGFORD RANCHES												
2 FORMERLY CRAM, FRANCES L.												

TABLE NO. 1
 VERIFIED EXTRACTATIONS BY OWNERS (NON-PLAINTIFFS) WHICH HAVE RECORDATION FILINGS
 WITH THE STATE WATER RESOURCES CONTROL BOARD

OWNER	1959	1960	1961	1962	1963	1959-63 AVERAGE	1985	1986	1987	1988	1989	1985-89 AVERAGE
(CONTINUED)												
COLTON, CITY OF												
3601252 1S4W05R W	463	733	129	154	62	308	-	-	-	-	-	0
3601253 1S4W08R W	376	526	364	339	189	359	746	892	207	716	1044	721
3601254 1S4W08F W	111	172	257	378	651	314	841	496	666	450	833	657
3601256 1S4W09N W	114	79	77	13	11	59	FC	-	-	-	-	0
3601257 1S4W08F W	786	519	726	861	919	762	1360	767	1509	1125	1256	1203
3601258 1S4W08R W	10	4	163	228	210	123	463	352	153	0	395	273
3601260 1S4W08F01S W	628	1066	967	689	595	789	1022	813	816	650	782	817
3601262 1S4W08C02S W	0	274	287	370	282	243	FC	-	-	-	-	0
3602405 1S4W08C W ¹	-	-	-	-	-	0	202	561	924	1155	1143	797
3602498 1S4W08R07 W ¹	-	-	-	-	-	0	0	0	0	0	177	35
3602793 1S4W08F01 W ²	-	-	-	-	-	0	2516	3011	2287	2102	2196	2422
OWNER TOTAL	2814*	3606*	3305*	3743*	3267*	3347*	7202*	6903*	6572*	6711*	8246*	7127*
CONEJO RANCHOS MUTUAL WATER COMPANY												
3601186 1N4W36F03S W	-	-	-	-	-	0	-	-	-	-	-	0
CRAFTON WATER COMPANY												
3600272 1S2W29N W	623	750	854	483	477	637	1	1	198	29	489	144
3602186 1S2W21L02 W	-	-	57	262	181	100	9	0	21	8	115	31
1 WELL DRILLED 1972												
2 WELL DRILLED 1981												

TABLE NO. 1
 VERIFIED EXTRACTIONS BY OWNERS (NON-PLAINTIFFS) WHICH HAVE RECORDATION FILINGS
 WITH THE STATE WATER RESOURCES CONTROL BOARD

OWNER	1959	1960	1961	1962	1963	1959-63 AVERAGE	1985	1986	1987	1988	1989	1985-89 AVERAGE
OWNER TOTAL	623*	750*	911*	745*	658*	737*	10*	1*	219*	37*	604*	174*
CRAM PATTERSON WELL												
3600188 1S2W16 W	413	257	361	277	294	320	334	423	319	162	400	328
CRAM RANCH ASSOCIATES												
3600241 1S3W03Q W ¹	220	194	179	190	224	201	0	2	18	18	18	11
CRIM, W. ROSCOE												
3601171 1S3W20F W ²	389	343	435	413	396	395	441	542	300	133	468	377
DANIELS AND BEST RANCH												
3602549 1S3W19J W ³	-	-	-	-	-	0	72	108	100	110	99	98
3602550 1S3W17R W ⁴	-	-	-	-	-	0	125	100	100	190	238	151
OWNER TOTAL	0*	0*	0*	0*	0*	0*	197*	208*	200*	300*	337*	248*
DEL ROSA MUTUAL WATER COMPANY												
3601809 1N4W26 W	94	100	561	529	284	314	-	-	-	-	-	0
DEVORE WATER CO.												
3602382 2N5W28D W	-	-	-	-	-	0	-	-	-	-	-	0
3602383 2N5W28C W	35	57	80	15	32	44	90	65	94	109	107	93

1 FORMERLY ORANGE ST. RANCH

2 FORMERLY CALAGONIA GROVES

3 PRIOR TO 1973 SEE NON-FILED EXTRACTIONS TABLE NO. 2 DANIELS, DON

4 PRIOR TO 1973 SEE NON-FILED EXTRACTIONS TABLE NO. 2 DANIELS, HAROLD

TABLE NO. 1
 VERIFIED EXTRACTONS BY OWNERS (NON-PLAINTIFFS) WHICH HAVE RECORDATION FILINGS
 WITH THE STATE WATER RESOURCES CONTROL BOARD

OWNER	1959	1960	1961	1962	1963	1959-63 AVERAGE	1985	1986	1987	1988	1989	1985-89 AVERAGE
DEVORE WATER CO.												
3602384	W	-	-	5	17	4	76	56	81	92	92	79
3602385	D	2	2	3	3	2	7	8	6	6	6	7
3602386	D	9	7	11	9	8	23	27	19	19	20	22
3602387	D	35	27	22	42	31	86	99	71	72	76	81
3602388	D	45	36	30	56	42	117	133	96	97	102	109
3602389	D	0	0	0	0	0	-	-	-	-	-	0
3602390	D	0	0	0	0	0	-	-	-	-	-	0
3602391	D	0	0	0	0	0	-	-	-	-	-	0
3602428	W	-	-	-	-	0	24	0	41	51	74	38
OWNER TOTAL		126*	129*	140*	132*	136*	423*	388*	408*	446*	477*	428*
DUDA, WALTER AND BETTY												
3601839	1S3W10D01S W	5	13	37	21	22	52	63	55	62	59	58
EADINGTON FRUIT CO. COOK RANCH												
3600527	1S3W16 W ¹	133	133	133	133	133	139	150	242	201	166	180
EAST BARTON WATER COMPANY												
3600608	1S3W28B01S W	168	127	135	274	145	-	-	-	-	-	0
EAST HIGHLANDS RANCH, INC.												
3600598	1S3W02 W ²	1116	1071	1166	1111	1071	0	0	0	0	0	0

1 FORMERLY COOK ORCHARDS COMPANY

2 FORMERLY EAST HIGHLANDS ORANGE COMPANY; FORMERLY SARATOGA DEVELOPMENT COMPANY

TABLE NO. 1

VERIFIED EXTRACTIIONS BY OWNERS (NON-PLAINTIFFS) WHICH HAVE RECORDATION FILINGS WITH THE STATE WATER RESOURCES CONTROL BOARD

OWNER	1959	1960	1961	1962	1963	1959-63 AVERAGE	1985	1986	1987	1988	1989	1985-89 AVERAGE
(CONTINUED)												
EAST HIGHLANDS RANCH, INC.												
3600604 1S2W07B W ¹	315	325	0	67	0	141	0	0	0	0	0	0
3600605 1N3W36 D ¹	757	430	399	828	662	615	981	864	709	650	576	756
3600606 1N3W35 W ¹	135	135	135	135	135	135	10	10	0	0	0	4
3600607 1S3W02 W ²	955	900	990	945	875	933	-	-	-	0	-	0
3600607- 1S3W02 W ²	-	-	-	-	-	0	0	0	0	0	0	0
3601639 1S3W03R01 W ³	841	944	1116	1095	1111	1021	404	404	454	454	300	403
3602474 1N3W25Q D ⁴	-	-	-	-	-	0	100	100	70	80	80	86
OWNER TOTAL	4119*	3805*	3806*	4181*	3854*	3953*	1495*	1378*	1233*	1184*	956*	1249*
EAST LUGONIA MUTUAL WATER CO.												
3600005 1S3W35H08S W	741	493	543	448	391	523	0	0	0	0	0	0
3600006 1S2W19G01S W	261	131	94	12	0	100	0	0	93	44	0	27
3600038 1S2W17 D	-	-	-	-	-	0	0	0	0	0	0	0
OWNER TOTAL	1002*	624*	637*	460*	391*	623*	0*	0*	93*	44*	0*	27*
EAST PIONEER MUTUAL WELL COMPANY												
3602224 1S3W13P W	776	692	876	403	431	636	141	158	181	176	34	138
1 FORMERLY EAST HIGHLANDS ORANGE COMPANY; FORMERLY SARATOGA DEVELOPMENT COMPANY												
2 FORMERLY EAST HIGHLANDS DOMESTIC WATER COMPANY; FORMERLY SARATOGA DEVELOPMENT COMPANY												
3 FORMERLY EAST HIGHLANDS ORANGE COMPANY; FORMERLY SARATOGA DEVELOPMENT COMPANY												
4 FORMERLY E.H.O.C.; PRIOR TO 1972 SEE NON-FILED EXTRACTIIONS TABLE NO. 2 EAST HIGHLANDS ORANGE CO.; FORM. SARATOGA DEV. CO.												

TABLE NO. 1
 VERIFIED EXTRACTATIONS BY OWNERS (NON-PLAINTIFFS) WHICH HAVE RECORDATION FILINGS
 WITH THE STATE WATER RESOURCES CONTROL BOARD

OWNER	1959	1960	1961	1962	1963	1959-63 AVERAGE	1985	1986	1987	1988	1989	1985-89 AVERAGE
EAST VALLEY WATER DISTRICT												
3600026 1S3W04J W ¹	1711	1467	2031	1017	760	1397	0	0	0	0	0	0
3600058 1S3W03F W ²	178	160	130	124	28	124	0	0	0	0	0	0
3600183 1S4W02 W ²	75	70	69	28	28	54	0	0	0	0	0	0
3600221 1N3W30 W ³	413	339	339	415	498	401	0	0	0	0	0	0
3600269 1N3W31L W ⁴	40	33	62	53	4	38	0	0	0	0	0	0
3600275 1N3W32 W ⁵	126	126	159	170	0	116	0	0	0	0	0	0
3600374 1N3W33M01S W ⁶	81	105	186	45	102	104	0	0	0	0	0	0
3600375 1S3W05 W ⁶	170	198	234	155	195	190	0	0	0	0	0	0
3600376 1S3W05 W ⁶	238	174	240	379	281	262	123	410	409	764	858	513
3600377 1N3W27N08S W ⁶	103	11	0	1	0	23	1	0	0	0	0	0
3600378 1N3W27N02S W ⁶	278	330	201	196	136	228	377	80	116	281	367	244
3600444 1N3W30H01S W ⁷	115	174	302	383	204	236	0	0	0	0	0	0

- 1 FORMERLY BEAR VALLEY MUTUAL WATER COMPANY; FORMERLY EAST SAN BDNO. COUNTY WATER DIST.
- 2 FORMERLY EAST SAN BDNO. COUNTY WATER DIST.
- 3 FORMERLY WEST HIGHLAND WELL COMPANY; FORMERLY EAST SAN BDNO. COUNTY WATER DIST.
- 4 FORMERLY EAST SAN BDNO. COUNTY WATER DIST.
- 5 FORMERLY ANDERSON MUTUAL WELL COMPANY INC.; FORMERLY EAST SAN BDNO. COUNTY WATER DIST.
- 6 FORMERLY SOUTHERN CALIFORNIA WATER COMPANY
- 7 FORMERLY EAST SAN BDNO. COUNTY WATER DIST.

TABLE NO. 1

VERIFIED EXTRACTATIONS BY OWNERS (NON-PLAINTIFFS) WHICH HAVE RECORDATION FILINGS
WITH THE STATE WATER RESOURCES CONTROL BOARD

OWNER	1959	1960	1961	1962	1963	1959-63 AVERAGE	1985	1986	1987	1988	1989	1985-89 AVERAGE
(CONTINUED)												
EAST VALLEY WATER DISTRICT												
3600466 1S3W04 W ¹	318	248	316	225	244	270	0	0	0	0	0	0
3600545 1N3W30 W ²	208	174	141	174	3	140	0	0	0	0	0	0
3600643 1N4W25K01 W ³	-	21	14	12	10	11	0	0	0	0	0	0
3600680 1S3W02 W ⁴	789	573	715	533	593	641	0	0	0	0	0	0
3600855 1N3W28P01S W ⁵	-	-	-	-	-	0	0	0	0	0	0	0
3600864 1N3W19 W ⁵	1	-	-	-	-	0	0	0	0	0	0	0
3600925 1S4W01Q01 W ⁶	384	258	244	292	151	266	0	0	0	0	0	0
3600926 1S4W01F02S W ⁷	368	441	512	441	490	450	0	0	0	0	0	0
3600927 1N3W31801 W ⁸	399	401	259	301	242	320	0	0	0	0	0	0
3600928 1N3W31L02S W ⁹	0	114	229	200	152	139	0	0	0	0	0	0

1 FORMERLY BASELINE & LAPRAIX WELL; FORMERLY EAST SAN BDNO. COUNTY WATER DIST.

2 FORMERLY SELEY WELL COMPANY; FORMERLY EAST SAN BDNO. COUNTY WATER DIST.

3 FORMERLY CAMERON RANCHO MUTUAL WATER COMPANY; WELL FILLED AND CAPPED 1969; FORMERLY EAST SAN BDNO. COUNTY WATER DIST.

4 FORMERLY NORTH FORK WATER COMPANY; FORMERLY EAST SAN BDNO. COUNTY WATER DIST.

5 FORMERLY EAST SAN BDNO. COUNTY WATER DIST.

6 FORMERLY NORTON VILLAGE, LTD.; FORMERLY EAST SAN BDNO. COUNTY WATER DIST.

7 FORMERLY CALIFORNIA, STATE OF PATTON HOSPITAL; FORMERLY EAST SAN BDNO. COUNTY WATER DIST.

8 FORMERLY CALIFORNIA, STATE OF PATTON HOSPITAL; FORMERLY SAN BERNARDINO, CITY OF; FORM. EAST SAN BDNO. COUNTY WATER DIST

9 FORMERLY CALIFORNIA, STATE OF PATTON HOSPITAL; FORMERLY EAST SAN BDNO. COUNTY WATER DIST.

TABLE NO. 1
 VERIFIED EXTRACTATIONS BY OWNERS (NON-PLAINTIFFS) WHICH HAVE RECORDATION FILINGS
 WITH THE STATE WATER RESOURCES CONTROL BOARD

OWNER	1959	1960	1961	1962	1963	1959-63 AVERAGE	1985	1986	1987	1988	1989	1985-89 AVERAGE
(CONTINUED)												
EAST VALLEY WATER DISTRICT												
3600930 IN3W31L03S W ¹	206	133	114	214	110	155	0	0	0	0	0	0
3600970 IN3W19 W ²	20	20	15	10	10	15	0	0	0	0	0	0
3600971 IN3W19F D ²	49	49	49	49	49	49	0	0	0	0	0	0
3601069 IN3W33M02S W ³	86	28	61	148	144	93	95	0	0	0	0	19
3601184 IN3W33F01S W ⁴	229	485	573	575	497	472	0	0	0	0	0	0
3601582 1S4W02R W ⁵	209	161	154	153	153	166	0	0	0	0	0	0
3601584 IN3W33H01S W ⁶	84	77	75	54	44	67	0	0	0	0	0	0
3601643 1S3W03Q W ⁷	0	0	1411	1286	1064	752	0	0	0	923	1754	535
3601653 1N4W36K04S W ⁸	0	0	0	0	0	0	0	0	0	0	0	0
3601654 1N4W36 W ⁸	10	0	0	0	0	2	0	0	0	0	0	0
3601655 1N4W36K05S W ⁸	0	0	0	0	0	0	0	0	0	0	0	0

- 1 FORMERLY CALIFORNIA, STATE OF PATTON HOSPITAL; FORMERLY EAST SAN BDNO. COUNTY WATER DIST.
- 2 FORMERLY EAST SAN BDNO. COUNTY WATER DIST.
- 3 FORMERLY SOUTHERN CALIFORNIA WATER COMPANY
- 4 FORMERLY CORWIN WELL COMPANY; FORMERLY EAST SAN BDNO. COUNTY WATER DIST.
- 5 FORMERLY SUNNYSIDE MUTUAL WATER COMPANY; FORMERLY EAST SAN BDNO. COUNTY WATER DIST.
- 6 FORMERLY EAST SAN BDNO. COUNTY WATER DIST.
- 7 FORMERLY NORTH FORK WATER COMPANY; FORMERLY EAST SAN BDNO. COUNTY WATER DIST.
- 8 FORMERLY EAST SAN BDNO. COUNTY WATER DIST.

TABLE NO. 1
 VERIFIED EXTRACTIONS BY OWNERS (NON-PLAINTIFFS) WHICH HAVE RECORDATION FILINGS
 WITH THE STATE WATER RESOURCES CONTROL BOARD

OWNER	1959	1960	1961	1962	1963	1959-63 AVERAGE	1985	1986	1987	1988	1989	1985-89 AVERAGE
(CONTINUED)												
EAST VALLEY WATER DISTRICT												
3601656 1N4W36Q01S W I	0	0	2	28	0	6	0	0	0	0	0	0
3601657 1S4W01B04S W I	0	60	21	17	67	33	0	0	0	0	0	0
3601658 1N4W36R01S W I	0	0	0	0	0	0	0	0	0	0	0	0
3601659 1S3W06H01S W I	0	0	0	0	0	0	0	0	0	0	0	0
3601660 1S3W06H04S W I	260	572	803	543	771	590	1207	1624	1774	1670	2204	1696
3601661 1S4W01J08S W I	-	-	0	0	0	0	0	0	0	0	0	0
3601662 1S4W02Q05S W I	739	556	541	407	487	546	0	0	0	0	0	0
3601663 1S4W02Q04S W I	257	284	279	265	204	258	0	0	0	0	0	0
3601664 1S4W02N01S W I	0	0	0	0	0	0	0	0	0	0	0	0
3601665 1S4W01K04S W I	254	423	382	153	33	249	0	0	0	0	0	0
3601666 1N4W36F08S W I	0	0	0	0	0	0	0	0	0	0	0	0
3601667 1S3W06A05S W I	0	0	0	0	0	0	0	0	0	0	0	0
3601668 1S4W01E02S W I	68	92	82	104	217	113	0	0	0	0	0	0
3601669 1N4W36H06S W I	-	-	-	-	-	0	0	0	0	0	0	0
3601670 1N4W26A01S W I	252	261	264	332	168	255	0	0	0	0	0	0
3601671 1N4W26A02S W I	671	830	833	1042	817	839	1115	627	697	940	1078	891
3601672 1N4W25B W I	0	0	0	0	0	0	0	0	0	0	0	0
3601673 1N4W25C02S W I	656	602	920	865	1059	820	1521	99	3	20	39	336

I FORMERLY EAST SAN BDN0. COUNTY WATER DIST.

TABLE NO. 1
 VERIFIED EXTRACTATIONS BY OWNERS (NON-PLAINTIFFS) WHICH HAVE RECORDATION FILINGS
 WITH THE STATE WATER RESOURCES CONTROL BOARD

OWNER	1959	1960	1961	1962	1963	1959-63 AVERAGE	1985	1986	1987	1988	1989	1985-89 AVERAGE
(CONTINUED)												
EAST VALLEY WATER DISTRICT												
3601674 IN4W25G01S W ¹	0	0	0	0	0	0	0	0	0	0	0	0
3601675 IN4W25A01S W ¹	913	824	809	538	456	708	581	453	53	48	12	229
3601676 IS4W12B05S W ¹	125	145	174	238	264	189	0	0	0	0	0	0
3601677 IS3W05A02S W ¹	0	-	-	-	-	0	0	0	0	0	0	0
3601678 IS3W05B04S W ²	-	-	-	-	-	0	0	0	0	0	0	0
3601679 IS3W05N05S W ³	0	0	0	0	0	0	0	0	0	0	0	0
3601781 IS3W06K01S W ³	0	0	0	0	0	0	0	0	0	0	0	0
3601884 IN3W31C02S W ³	116	116	116	116	90	111	0	0	0	0	0	0
3601978 IS3W04N W ⁴	1	3	6	6	5	4	0	0	0	0	0	0
3601987 IS3W04G W ⁵	16	115	200	204	332	173	0	0	0	0	0	0
3602034 IS4W01Q W ⁵	-	-	-	252	1021	255	2434	2662	2408	2465	1506	2295
3602113 IN3W30N W ⁵	273	216	254	159	241	229	612	117	264	935	1283	642
3602174 IS4W02 W ⁶	172	172	172	172	172	172	0	0	0	0	0	0

1 FORMERLY EAST SAN BDNO. COUNTY WATER DIST.

2 WELL DESTROYED PRIOR TO BASE PERIOD; FORMERLY EAST SAN BDNO. COUNTY WATER DIST.

3 FORMERLY EAST SAN BDNO. COUNTY WATER DIST.

4 FORMERLY SOUTHERN CALIFORNIA WATER COMPANY

5 FORMERLY EAST SAN BDNO. COUNTY WATER DIST.

6 FORMERLY MEYER, ERNEST; FORMERLY EAST SAN BDNO. COUNTY WATER DIST.

TABLE NO. 1
 VERIFIED EXTRACTIONS BY OWNERS (NON-PLAINTIFFS) WHICH HAVE RECORDATION FILINGS
 WITH THE STATE WATER RESOURCES CONTROL BOARD

OWNER	1959	1960	1961	1962	1963	1959-63 AVERAGE	1985	1986	1987	1988	1989	1985-89 AVERAGE
(CONTINUED)												
EAST VALLEY WATER DISTRICT												
3602260 1S3W05D06 W ¹	-	-	-	-	-	0	711	790	897	356	417	634
3602274 1N3W30J W ²	-	-	-	-	-	0	496	281	419	589	208	399
3602337 1N4W26A W ²	-	-	-	-	-	0	16	2347	3714	2503	3083	2333
3602338 1S3W04N W ²	-	-	-	-	-	0	0	0	0	0	0	0
3602370 1N4W25F W ³	-	-	-	-	-	0	2523	2503	2096	1875	1190	2037
3602417 1S3W05D W ⁴	-	-	-	-	-	0	213	230	210	344	226	245
3602560 1S3W04G W ⁵	-	-	-	-	-	0	0	0	0	0	0	0
3602563 1S4W02Q W ⁶	-	-	-	-	-	0	2540	0	1510	2279	1145	1495
3602564 1S4W12B W ⁷	-	-	-	-	-	0	38	165	221	50	693	233
3602571 1S3W03F W ⁸	-	-	-	-	-	0	72	1	0	0	0	15
3602799 1S2W07H01 W ⁹	-	-	-	-	-	0	715	1297	789	1005	1241	1009

1 FORMERLY SOUTHERN CALIFORNIA WATER COMPANY

2 FORMERLY EAST SAN BDNO. COUNTY WATER DIST.

3 FORMERLY DEL ROSA MUTUAL WATER COMPANY; FORMERLY EAST SAN BDNO. COUNTY WATER DIST.

4 FORMERLY SOUTHERN CALIFORNIA WATER COMPANY

5 FORMERLY SOUTHERN CALIFORNIA WATER COMPANY; WELL DRILLED 1973 EXTRACTIONS VERIFIED DURING THE 1974 VERIFICATION

6 WELL DRILLED 1972 EXTRACTIONS VERIFIED DURING THE 1974 VERIFICATION; FORMERLY E.S.B.C.W.D.

7 FORMERLY EAST SAN BDNO. COUNTY WATER DIST.

8 FORMERLY CLIFFSIDE RANCH; PRIOR TO 1974 SEE NON-FILED EXTRACTIONS TABLE NO. 2 CLIFFSIDE RANCH; FORMERLY E.S.B.C.W.D.

9 WELL DRILLED 1981; FORMERLY EAST SAN BDNO. COUNTY WATER DIST.

TABLE NO. 1
 VERIFIED EXTRACTATIONS BY OWNERS (NON-PLAINTIFFS) WHICH HAVE RECORDATION FILINGS
 WITH THE STATE WATER RESOURCES CONTROL BOARD

OWNER	1959	1960	1961	1962	1963	1959-63 AVERAGE	1985	1986	1987	1988	1989	1985-89 AVERAGE
OWNER TOTAL	11661*	11641*	14693*	13074*	12596*	12733*	15390*	13686*	15580*	17047*	17304*	15801*
EASTWOOD FARMS COMMUNITY WATER USERS												
3602130 1S4W01P01S W	99	115	165	105	125	122	17	20	20	20	20	19
3602131 1S4W01P02S W	101	115	165	105	125	122	70	80	80	80	80	78
OWNER TOTAL	200*	230*	330*	210*	250*	244*	87*	100*	100*	100*	100*	97*
ELTINGE & GRAZIADIO												
3600766 1S3W29A01 W	122	81	64	49	32	70	0	0	0	0	0	0
F. A. R. WELL												
3602020 1S2W20K W ¹	-	-	-	272	264	107	132	129	54	32	62	82
FAIRVIEW WATER COMPANY												
3600554 1S3W17 W	1395	875	825	780	575	890	548	529	603	604	326	522
FONTANA UNION WATER COMPANY												
3600561 1N5W23K01S W	1393	1396	1765	746	726	1205	0	0	0	0	0	0
3600562 1N5W22F02S W	1095	880	994	588	714	854	1083	995	2367	2064	1255	1553
3600563 1N5W22C02S W	938	625	371	231	195	472	1185	800	1046	660	663	871
3600569 1N5W22A01S W	1783	1876	1539	272	47	1103	1045	1696	1561	921	9	1046
3600579 1N5W22F03S W	0	0	0	0	0	0	497	168	260	307	363	319
3600580 1N5W22F01S W	1631	1329	942	855	881	1128	1649	1095	1423	1002	250	1084
3600581 1N5W07H01S W	319	0	0	105	0	85	92	0	3	0	199	59

1 FORMERLY JACINTO, FRANK JR

TABLE NO. 1
 VERIFIED EXTRACTIONS BY OWNERS (NON-PLAINTIFFS) WHICH HAVE RECORDATION FILINGS
 WITH THE STATE WATER RESOURCES CONTROL BOARD

OWNER	1959	1960	1961	1962	1963	1959-63 AVERAGE	1965	1966	1967	1968	1969	1985-89 AVERAGE
FONTANA UNION WATER COMPANY (CONTINUED)												
3600582 1N5W06G01S W	652	204	58	306	42	252	269	5	2	0	91	73
3600585 1N5W16K01S W	1051	6	0	0	0	211	1143	288	1361	918	750	892
3600586 1N5W06K02S W	307	355	299	418	174	311	8	1	1044	867	381	460
3600588 2N6W26L2 W	0	0	0	0	0	0	0	0	0	0	0	0
3600590 2N6W26L1 W ¹	2185	3145	3006	2421	3162	2784	0	0	0	0	0	0
3600591 1N5W06E D ¹	8487	5833	4321	8732	6145	6704	2743	1798	2725	2991	2245	2500
3602727 1N5W15Q02S W ²	-	-	-	FC	-	0	1396	383	1843	1544	1070	1247
OWNER TOTAL	19841*	15649*	13295*	14674*	12086*	15109*	11110*	7229*	13635*	11274*	7276*	10105*
FRIEDEMANN, ERNEST C.												
3600747 1N3W31P02S W	90	85	75	50	50	70	-	-	-	-	-	0
FRINK RANCH												
3601131 1S3W30 W ³	-	-	-	-	-	0	-	-	-	-	-	0
GAY, PHILIP L.												
3601126 1S2W30H W	200	200	260	250	200	222	79	72	47	62	82	68
GENERAL AMERICAN LIFE INS. CO.												
3601352 1S3W19N W ⁴	507	493	300	285	280	373	121	105	10	30	30	59

1 INCLUDES GROSS LYTLE CREEK DIVERSIONS--SEE TABLE NO. 4 FOR VERIFIED DIVERSIONS FROM LYTLE CREEK
 2 FORMERLY FONTANA UNION WATER COMPANY RECORDATION NO. 3600566; WELL RENOVATED 1977
 3 NOW RAMIREZ BROTHERS RECORDATION NO. 3601728

4 AFTER 1968 INCLUDES WATER PUMPED BY CITY OF REDLANDS FROM THIS WELL; FORMERLY STANLEY BROWN CO.; FORM. CHRISTENSEN, JACK
 PAGE 121

TABLE NO. 1
 VERIFIED EXTRACTIONS BY OWNERS (NON-PLAINTIFFS) WHICH HAVE RECORDATION FILINGS
 WITH THE STATE WATER RESOURCES CONTROL BOARD

OWNER	1959	1960	1961	1962	1963	1959-63 AVERAGE	1985	1986	1987	1988	1989	1985-89 AVERAGE
GLADYSTA WELL & WATER COMPANY												
3600182 1S3W20H01 W	527	486	FC	-	-	203	-	-	-	-	-	0
3600182- 1S3W20H02 W	-	-	609	517	507	327	416	439	405	316	320	379
OWNER TOTAL	527*	486*	609*	517*	507*	529*	416*	439*	405*	316*	320*	379*
GOLDEN BEAR FOREST PRODUCTS												
3602127 1S3W15A01 W ¹	30	30	33	33	33	32	0	0	0	0	0	0
GRANT WATER COMPANY												
3600075 1S3W28C01 W	429	424	483	436	363	427	0	0	0	0	0	0
GREENSPOT MUTUAL WELL CO.												
3600266 1S2W16C01 W	142	149	121	105	76	119	269	258	257	328	409	304
GUERTH, WILLIAM H.												
3600856 1N3W27M D	1585	695	922	1230	860	1058	170	170	150	100	0	118
HAPPE MUTUAL WELL COMPANY												
3600238 1S2W29M01 W	526	592	649	358	500	525	8	0	0	0	489	99
HEAD, JOE T.												
3600226 1S2W21L01 W	FC	-	-	-	-	0	-	-	-	-	-	0
HIGHLAND ACRES RANCH												
3600323 1S2W06M W	250	160	350	400	400	312	0	0	0	0	0	0
HIGHLAND WELL COMPANY												
3600184 1N3W28N01 W	278	263	265	232	184	244	0	0	0	0	0	0

1 FORMERLY BIG BEAR TIMBER COMPANY

TABLE NO. 1
 VERIFIED EXTRACTIONS BY OWNERS (NON-PLAINTIFFS) WHICH HAVE RECORDATION FILINGS
 WITH THE STATE WATER RESOURCES CONTROL BOARD

OWNER	1959	1960	1961	1962	1963	1959-63 AVERAGE	1985	1986	1987	1988	1989	1985-89 AVERAGE
HINCKLEY, HORACE P.												
3600240 1S2W30 W ¹	401	325	337	230	176	294	-	-	-	0	-	0
3601645 1S2W30B W ¹	417	310	275	232	215	290	-	-	-	0	-	0
OWNER TOTAL	818*	635*	612*	462*	391*	584*	0*	0*	0*	0*	0*	0*
HOBBS WELL PARTNERSHIP												
3600049 1S3W25M W	174	96	FC	-	-	54	-	-	-	-	-	0
3600049- 1S3W25M W	-	-	696	692	532	384	106	29	30	37	30	46
OWNER TOTAL	174*	96*	696*	692*	532*	438*	106*	29*	30*	37*	30*	46*
HOLMES ICE & COLD STORAGE CO. INC.												
3600644 1S4W09B03S W ²	591	405	410	345	344	419	6	6	5	6	5	6
3600645 1S4W09B01S W ²	-	-	-	-	-	0	-	-	-	-	-	0
OWNER TOTAL	591*	405*	410*	345*	344*	419*	6*	6*	5*	6*	5*	6*
IOWA STREET WELL												
3601932 1S3W29B01 W	62	62	21	10	7	32	0	0	0	0	0	0
J. G. GOLFING ENTERPRISES, INC.												
3602499 1S4W22A01 W ³	-	-	-	-	-	0	128	136	247	246	160	183
3602846 1S4W22A W ⁴	-	-	-	-	-	0	148	74	71	64	120	95
1 FORMERLY EAST COLTON AVENUE WATER COMPANY												
2 FORMERLY ICE PRODUCTS INC.												
3 FORMERLY LEONARD, WILLIAM E.; FORMERLY SAN BERNARDINO INVESTORS												
4 FORMERLY CITY OF RIVERSIDE RECORDATION NO. 3601478; 1985 EXTRACTIONS VERIFIED DURING THE 1986 VERIFICATION												

TABLE NO. 1
 VERIFIED EXTRACTIIONS BY OWNERS (NON-PLAINTIFFS) WHICH HAVE RECORDATION FILINGS
 WITH THE STATE WATER RESOURCES CONTROL BOARD

OWNER	1959	1960	1961	1962	1963	1959-63 AVERAGE	1985	1986	1987	1988	1989	1985-89 AVERAGE
OWNER TOTAL	0*	0*	0*	0*	0*	0*	276*	210*	318*	310*	280*	279*
JEWEL WATER COMPANY, THE												
3600091 1S3W20 W	504	408	356	293	258	364	-	-	-	-	-	0
JUDSON MUTUAL WATER COMPANY												
3601647 1S3W23A03 W	403	356	348	367	363	367	0	0	0	0	0	0
K INV./TRUTANIC/Y UN WELL												
3601172 1S3W20C W ¹	380	350	415	362	358	373	218	217	233	269	234	234
KANSAS STREET MUTUAL WATER CO.												
3601092 1S3W28D01 W	376	327	378	328	353	352	301	296	278	335	212	284
KING STREET MUTUAL WELL COMPANY												
3600530 1S2W30G01 W	408	371	358	281	FC	284	-	-	-	-	-	0
3600530- 1S2W30G02 W	-	-	-	-	372	74	25	0	2	16	92	27
OWNER TOTAL	408*	371*	358*	281*	372*	358*	25*	0*	2*	16*	92*	27*
KOCH, GEORGE J.												
3601451 1S2W32G01 W	FC	-	-	-	-	0	-	-	-	-	-	0
L.P.R. ICE COMPANY												
3602525 1S3W13C W ²	-	-	-	-	-	0	776	636	549	579	681	644
LA BONTE, JIM												
3600865 1N4W24 W ³	5	5	5	5	5	5	5	4	4	4	4	4

1 FORMERLY CARL'S RANCH; FORMERLY AIELLO RANCH; FORMERLY CRIM WELL; FORMERLY HUNTER/CRIM/ZARUBICA
 2 PRIOR TO 1972 SEE NON-FILED EXTRACTIIONS TABLE NO. 2 L.P.R. RANCH
 3 FORMERLY PEYTON, MRS. A.L.

TABLE NO. 1
 VERIFIED EXTRACTIONS BY OWNERS (NON-PLAINTIFFS) WHICH HAVE RECORDATION FILINGS
 WITH THE STATE WATER RESOURCES CONTROL BOARD

OWNER	1959	1960	1961	1962	1963	1959-63 AVERAGE	1985	1986	1987	1988	1989	1985-89 AVERAGE
LA ROSSE, CHARLES H.												
3600708 IS3W29 W	38	21	35	18	14	25	0	0	0	0	0	0
LAKESIDE AVENUE MUTUAL WELL COMPANY												
3602119 IS3W33C01S W	79	48	58	51	20	51	-	-	-	0	0	0
LANGFORD RANCHES												
3600524 IS3W17L01S W	991	876	572	429	772	728	816	693	637	666	746	712
3600525 IS3W17H01S W	214	263	231	369	336	283	495	514	377	318	189	379
3600526 IS3W21G01S W	475	425	343	326	360	386	-	-	-	-	-	0
OWNER TOTAL	1680*	1564*	1146*	1124*	1468*	1396*	1311*	1207*	1014*	984*	935*	1090*
LANGSTON-NEWBY DEVELOPMENT CO.												
3600218 1N4W24 W ¹	50	50	50	50	50	50	0	0	0	0	0	0
LARANNI GUNTER WELL												
3600160 IS3W32G01 W ²	200	200	200	200	200	200	245	246	250	242	272	251
LIVINGSTON-GRAHAM												
3601420 IS3W09E W ³	221	225	220	293	295	251	271	100	100	100	100	134
LOMA LINDA UNIVERSITY												
3601910 IS3W30L W	112	129	129	97	87	111	0	0	0	0	FC	0

1 FORMERLY VAN CAMP, GILBERT C.; FORMERLY CALLISON, ROY A.

2 FORMERLY LARSEN, ERNEST R.

3 FORMERLY TRI CITY ROCK; FORMERLY TRI CITY CONCRETE

TABLE NO. 1
 VERIFIED EXTRACTATIONS BY OWNERS (NON-PLAINTIFFS) WHICH HAVE RECORDATION FILINGS
 WITH THE STATE WATER RESOURCES CONTROL BOARD

OWNER	1959	1960	1961	1962	1963	1959-63 AVERAGE	1985	1986	1987	1988	1989	1985-89 AVERAGE
(CONTINUED)												
LOMA LINDA UNIVERSITY												
3602008 IS4W26A W	146	98	177	203	209	167	FC	-	-	-	-	0
3602009 IS4W25G01S W	195	364	407	304	78	270	-	-	-	-	-	0
3602012 IS4W25C01S W	323	369	376	463	347	376	0	FC	-	-	-	0
3602013 IS4W24N W	149	70	27	13	69	66	-	-	-	-	-	0
3602014 IS4W26J01S W	86	86	86	86	111	91	0	0	0	-	-	0
3602017 IS4W25E01S W	-	-	-	-	0	0	-	-	-	-	-	0
3602249 IS4W25D05 W ¹	-	-	-	-	-	0	FC	-	-	-	-	0
3602781 IS4W25D W ²	-	-	-	-	-	0	668	490	320	277	421	435
3602855 IS4W25D07 W	-	-	-	-	-	0	222	465	785*	927*	562	380
OWNER TOTAL	1011*	1116*	1202*	1166*	901*	1079*	668*	712*	785*	927*	983*	815*
LOMA LINDA, CITY OF												
3601130 IS3W32D W ³	389	401	501	464	290	409	288	277	31	2	11	122
3601384 IS4W25 W ⁴	0	0	0	20	73	19	-	-	-	-	-	0
3601388 IS4W25 W ⁴	111	114	147	140	98	122	1	1	0	0	0	0
3601989 IS4W24R01S W ⁵	44	40	37	32	42	39	-	-	-	0	-	0

1 WELL DRILLED 1980

2 WELL DRILLED 1986

3 FORMERLY VALLE VISTA RANCH CO.

4 FORMERLY COURT STREET WATER COMPANY

5 FORMERLY SAN BERNARDINO COUNTY SERVICE AREA NO. 2

TABLE NO. 1
 VERIFIED EXTRACTIONS BY OWNERS (NON-PLAINTIFFS) WHICH HAVE RECORDATION FILINGS
 WITH THE STATE WATER RESOURCES CONTROL BOARD

OWNER	1959	1960	1961	1962	1963	1959-63 AVERAGE	1985	1986	1987	1988	1989	1985-89 AVERAGE
(CONTINUED)												
LOMA LINDA, CITY OF												
3602010 1S4W25H02S W ¹	123	160	100	105	131	124	0	0	0	0	0	0
3602011 1S4W25B02S W ¹	61	150	166	232	219	166	6	13	0	0	0	4
3602015 1S4W25B W ¹	1077	772	760	615	627	770	25	5	21	20	0	14
3602016 1S4W25G W ¹	57	161	228	157	59	132	-	-	-	-	-	0
3602057 1S4W25C W ¹	335	420	524	400	16	339	0	0	0	0	0	0
3602058 1S4W25F W ¹	19	23	29	28	25	25	0	0	0	0	0	0
3602596 1S4W24R W ²	-	-	-	-	-	0	-	-	-	-	-	0
3602759 1S4W24A W ³	-	-	-	-	-	0	966	305	509	854	771	681
3602760 1S4W24C W ⁴	-	-	-	-	-	0	1673	2092	1294	1153	1363	1515
3603057 1S4W23 W ⁵	-	-	-	-	-	0	-	-	-	552	243	159
3603058 1S4W23 W ⁵	-	-	-	-	-	0	-	-	-	1232	1454	537
OWNER TOTAL	2216*	2241*	2492*	2193*	1580*	2144*	2959*	2693*	1855*	3813*	3842*	3032*
LUGO WATER COMPANY												
3600510 1S3W21K01 W	414	346	324	300	239	325	0	0	0	0	200	40

1 FORMERLY SAN BERNARDINO COUNTY SERVICE AREA NO. 2

2 WELL DRILLED 1974

3 WELL DRILLED 1979

4 WELL DRILLED 1980

5 WELL DRILLED 1988

TABLE NO. 1
 VERIFIED EXTRACTATIONS BY OWNERS (NON-PLAINTIFFS) WHICH HAVE RECORDATION FILINGS
 WITH THE STATE WATER RESOURCES CONTROL BOARD

OWNER	1959	1960	1961	1962	1963	1959-63 AVERAGE	1985	1986	1987	1988	1989	1985-89 AVERAGE
LULY, DR. LUCIAN L.												
3601376 1N4W14 D	-	-	-	-	-	0	-	-	-	-	-	0
3601377 1N4W14 D	-	-	-	-	-	0	-	-	-	-	-	0
3601378 1N4W14 D	-	-	-	-	-	0	-	-	-	-	-	0
OWNER TOTAL	0*	0*	0*	0*	0*	0*	0*	0*	0*	0*	0*	0*
MARIGOLD FARMS COMPANY												
3600418 1S3W19 W ¹	182	173	116	66	57	119	753	858	832	965	1198	921
3600757 1S3W19L W ¹	374	272	367	433	322	354	200	325	308	240	250	265
3601748 1S3W18H01 W	1133	1622	1145	300	475	935	-	-	-	-	-	0
3601748- 1S3W19A01 W	-	-	-	-	-	0	793	781	581	914	999	814
3601749 1S3W19B01 W	91	364	180	600	64	260	-	-	-	-	-	0
3601750 1S3W18L W	390	1072	610	930	1392	879	1632	1860	1798	2247	1963	1900
OWNER TOTAL	2170*	3503*	2418*	2329*	2310*	2546*	3378*	3824*	3519*	4366*	4410*	3899*
MASCART WATER COMPANY												
3601102 1S3W21E W	395	302	468	381	367	383	0	249	374	387	371	276
MAYBELL, N. O.												
3600291 1S4W12 W	26	26	12	12	12	18	-	-	-	-	-	0
MEADOWBROOK DAIRY												
3600030 1S4W23D W	443	343	295	288	421	358	376	384	375	175	342	330

¹ FORMERLY MISSION MUTUAL WATER COMPANY; FORMERLY REDLANDS, CITY OF

TABLE NO. 1
 VERIFIED EXTRACTATIONS BY OWNERS (NON-PLAINTIFFS) WHICH HAVE RECORDATION FILINGS
 WITH THE STATE WATER RESOURCES CONTROL BOARD

OWNER	1959	1960	1961	1962	1963	1959-63 AVERAGE	1985	1986	1987	1988	1989	1985-89 AVERAGE
(CONTINUED)												
MEADOWBROOK DAIRY												
3600037 1S4W23D W	49	45	45	43	41	45	125	118	133	140	158	135
OWNER TOTAL	492*	388*	340*	331*	462*	403*	501*	502*	508*	315*	500*	465*
MENTONE ACRES MUTUAL WELL CO.												
3600748 1S3W24A01 W	455	495	505	475	121	410	0	0	0	0	0	0
MENTONE CITRUS GROVES												
3600139 1S2W18R01S W ¹	714	873	637	409	306	588	0	0	0	0	225	45
3602280 1S2W18Q W ¹	-	-	-	-	-	0	475	145	131	895	250	379
OWNER TOTAL	714*	873*	637*	409*	306*	588*	475*	145*	131*	895*	475*	424*
MEYER, CHARLES R.												
3600760 1N5W01R W	42	42	55	51	53	49	0	0	0	0	0	0
MILLER MUTUAL WELL CO.												
3600630 1N3W32 W	20	8	-	-	-	6	-	0	-	-	-	0
3600630- 1N3W32D W	-	-	41	58	53	30	34	30	30	30	30	31
OWNER TOTAL	20*	8*	41*	58*	53*	36*	34*	30*	30*	30*	30*	31*
MONTECITO MUTUAL WATER COMPANY												
3600119 1S4W26F01 W	104	109	110	77	71	94	170	170	185	175	175	175
MOUNT VERNON WATER COMPANY												
3600319 1N4W31A01S W	1020	748	1030	624	508	786	84	0	278	425	732	304

¹ FORMERLY INDUST. ACRES C/O CITRUS INVESTMENT

TABLE NO. 1
 VERIFIED EXTRACTATIONS BY OWNERS (NON-PLAINTIFFS) WHICH HAVE RECORDATION FILINGS
 WITH THE STATE WATER RESOURCES CONTROL BOARD

OWNER	1959	1960	1961	1962	1963	1959-63 AVERAGE	1985	1986	1987	1988	1989	1985-89 AVERAGE
MOUNT VERNON WATER COMPANY (CONTINUED)												
3600320 1N5W22M D ¹	730	730	730	730	730	730	724	724	724	724	724	724
OWNER TOTAL	1750*	1478*	1760*	1354*	1238*	1516*	808*	724*	1002*	1149*	1456*	1028*
MT. HARRISON MUTUAL WATER CO. 2												
3600220 1S3W01H W	753	874	303	371	310	522	187	14	5	25	35	53
MT. VIEW CEMETERY OF SAN BERNARDINO												
3600742 1N4W26 W	17	15	12	13	4	12	-	-	-	-	-	0
3600742- 1N4W26 W	-	-	-	-	-	0	140	142	145	150	138	143
3600743 1N4W26 W	211	170	133	237	137	178	80	101	102	100	96	96
OWNER TOTAL	228*	185*	145*	250*	141*	190*	220*	243*	247*	250*	234*	239*
MULLINS, JAMES C., JR., EXECUTOR												
3602074 1N3W34B02 W	112	112	112	112	112	112	21	25	33	33	37	30
3602075 1N3W34B01 W	36	36	36	36	36	36	0	0	0	0	0	0
OWNER TOTAL	148*	148*	148*	148*	148*	148*	21*	25*	33*	33*	37*	30*
MUSCOY MUTUAL WATER COMPANY, NO. 1												
3601497 1N5W23H01S W	648	624	676	621	562	626	189	220	726	665	622	484
3601498 1N5W24D01S W ³	0	FC	-	-	-	0	7	10	13	5	5	8

1 INCLUDES GROSS LYTLE CREEK DIVERSIONS--SEE TABLE NO. 4 FOR VERIFIED DIVERSIONS FROM LYTLE CREEK

2 1988 AMOUNT CORRECTED DURING THE 1989 VERIFICATION

3 WELL RENOVATED 1979

TABLE NO. 1
 VERIFIED EXTRACTATIONS BY OWNERS (NON-PLAINTIFFS) WHICH HAVE RECORDATION FILINGS
 WITH THE STATE WATER RESOURCES CONTROL BOARD

OWNER	1959	1960	1961	1962	1963	1959-63 AVERAGE	1985	1986	1987	1988	1989	1985-89 AVERAGE
MUSCOY MUTUAL WATER COMPANY, NO. 1 (CONTINUED)												
3601499 1N5W23A01S W	648	623	676	621	561	626	781	660	310	689	340	556
3601500 1N5W23A02S W	647	623	676	621	561	626	1051	999	705	908	1182	969
3602345 1N5W24E W	-	-	-	-	-	0	52	149	184	192	219	159
OWNER TOTAL	1943*	1870*	2028*	1863*	1684*	1878*	2080*	2038*	1938*	2459*	2368*	2177*
NATIONAL ORANGE SHOW												
3601924 1S4W15D W	135	135	135	135	135	135	58	58	58	58	58	58
NEALEY MUTUAL WATER COMPANY												
3601381 1N5W07C D	-	-	-	-	-	0	-	-	-	0	-	0
NEW ENGLAND WATER CO.												
3602320 1S3W16 W	946	892	1023	836	880	915	408	418	371	381	426	401
NICKERSON WATER COMPANY												
3600123 1S3W20R01 W	212	220	348	297	250	265	25	0	0	0	0	5
3600124 1S3W21M01 W	466	331	490	424	290	400	0	0	0	0	0	0
OWNER TOTAL	678*	551*	838*	721*	540*	666*	25*	0*	0*	0*	0*	5*
NORTH FORK WATER COMPANY												
3600678 1S2W08C01S W	310	291	285	266	277	286	0	0	0	0	0	0
3600679 1S2W08C02S W	163	142	131	136	119	138	0	0	0	0	0	0
3600681 1N3W27 D ¹	123	51	7	64	30	55	0	0	0	0	247	49
3600765 1N3W33C01 W ¹	252	243	353	250	244	268	0	0	0	0	0	0

1 FORMERLY MUTUAL WELL COMPANY (OF HIGHLAND)

TABLE NO. 1
 VERIFIED EXTRACTATIONS BY OWNERS (NON-PLAINTIFFS) WHICH HAVE RECORDATION FILINGS
 WITH THE STATE WATER RESOURCES CONTROL BOARD

OWNER	1959	1960	1961	1962	1963	1959-63 AVERAGE	1985	1986	1987	1988	1989	1985-89 AVERAGE
(CONTINUED)												
NORTH FORK WATER COMPANY												
3601644 1S3W01A D	3	10	0	62	0	15	0	0	0	0	0	0
OWNER TOTAL	851*	737*	776*	778*	670*	762*	0*	0*	0*	0*	247*	49*
NORTHBRAE WATER COMPANY												
3600296 1S3W15R01 W	394	530	608	395	466	479	-	-	-	-	-	0
NORTHSIDE WATER COMPANY												
3600933 1S3W23F W	398	402	491	385	333	402	0	0	0	0	0	0
NYE, WILLIAM H.												
3600313 1S2W29N01S W	164	199	294	156	167	196	0	0	0	0	0	0
OLD TOWN WELL CO.												
3600493 1S3W29 W	205	225	250	220	247	229	246	298	10	247	243	209
3600494 1S3W29 W	283	309	322	305	268	297	0	0	0	0	0	0
OWNER TOTAL	488*	534*	572*	525*	515*	527*	246*	298*	10*	247*	243*	209*
PAXTON, ROBERT T., TRUSTEE												
3601641 1S2W30C01S W	470	462	484	410	470	459	85	71	70	70	70	73
3601642 1S2W30B02S W	133	147	180	120	116	139	10	0	0	0	0	2
OWNER TOTAL	603*	609*	664*	530*	586*	598*	95*	71*	70*	70*	70*	75*
PAXTON, R. H.												
3600468 1S3W30 W ¹	511	245	243	378	179	311	-	-	-	-	-	0
I FORMERLY SMITH, LEONA BERNICE												

TABLE NO. 1
 VERIFIED EXTRACTIIONS BY OWNERS (NON-PLAINTIFFS) WHICH HAVE RECORDATION FILINGS
 WITH THE STATE WATER RESOURCES CONTROL BOARD

OWNER	1959	1960	1961	1962	1963	1959-63 AVERAGE	1985	1986	1987	1988	1989	1985-89 AVERAGE
PENN WELL COMPANY												
3601099 1S3W22F W	-	-	-	-	-	0	-	-	-	-	-	0
3601405 1S3W22 W	539	447	504	550	440	496	0	0	0	0	0	0
OWNER TOTAL	539*	447*	504*	550*	440*	496*	0*	0*	0*	0*	0*	0*
PHAROAH POWELL WATER CO.												
3600415 1S3W29J01 W	326	350	365	371	322	347	292	319	285	357	380	327
PIONEER MUTUAL WATER CO.												
3600642 1S3W14P01 W	314	222	288	316	275	283	65	62	62	92	113	79
RAMIREZ BROTHERS												
3601728 1S3W30 W ¹	61	61	65	62	64	63	20	24	71	71	31	43
RAMIREZ, CARLOS												
3601649 1S3W28M W ²	100	100	100	FC	-	60	-	-	-	-	-	0
3601649- 1S3W28M W ²	-	-	-	25	85	22	64	86	83	99	130	92
OWNER TOTAL	100*	100*	100*	25*	85*	82*	64*	86*	83*	99*	130*	92*
RAMIREZ, J.J.												
3600484 1S3W16 W ³	246	220	352	224	259	260	114	125	120	120	120	120
RANCHO CITRUS AMIGOS												
3601753 1S3W29 W	80	80	80	80	80	80	0	0	0	0	0	0

1 FORMERLY FRINK RANCH RECORDATION NO. 3601131
 2 FORMERLY E. R. DUNLOP; FORMERLY HOOVER WELL
 3 FORMERLY SECHREST, RALPH F.

TABLE NO. 1
 VERIFIED EXTRACTIONS BY OWNERS (NON-PLAINTIFFS) WHICH HAVE RECORDATION FILINGS
 WITH THE STATE WATER RESOURCES CONTROL BOARD

OWNER	1959	1960	1961	1962	1963	1959-63 AVERAGE	1985	1986	1987	1988	1989	1985-89 AVERAGE
RANCHO LADERA												
3602188 1S2W29L W	162	148	331	206	313	232	484	460	388	13	10	271
RAUGHT MUTUAL WELL COMPANY												
3602193 1S3W14R01 W	504	550	552	506	520	526	454	439	299	438	461	418
REDLANDS TRAP/SKEET												
3600628 1S3W15G W ¹	145	235	235	2	2	124	15	15	10	15	15	14
REDLANDS, CITY OF												
3600019 1S3W23 W ²	531	288	342	320	461	388	211	406	1016	536	111	456
3600085 1S3W28J01 W ³	190	186	180	180	180	183	-	-	-	-	-	0
3600749 1S3W13 W ⁴	885	960	975	940	917	935	920	1136	747	1308	950	1012
3600756 1S3W19H W ⁵	715	510	675	660	560	624	489	1644	1133	1452	1526	1249
3600918 2S3W01E W ⁶	604	567	554	459	480	533	422	421	406	358	416	405
3601281 1S2W21M01S W	133	123	195	75	61	117	0	0	0	0	0	0
3601282 1S1W08G1 W	1296	916	839	955	1132	1028	678	382	316	516	927	564

1 FORMERLY HOLIDAY ROCK CO.
 2 FORMERLY REES REES RANCHES, INC.
 3 FORMERLY COLTON AVENUE WATER COMPANY
 4 FORMERLY MENTONE ACRES MUTUAL WELL CO.
 5 FORMERLY MISSION MUTUAL WATER COMPANY
 6 FORMERLY REDLANDS HEIGHTS WATER COMPANY

TABLE NO. 1
 VERIFIED EXTRACTATIONS BY OWNERS (NON-PLAINTIFFS) WHICH HAVE RECORDATION FILINGS
 WITH THE STATE WATER RESOURCES CONTROL BOARD

OWNER	1959	1960	1961	1962	1963	1959-63 AVERAGE	1985	1986	1987	1988	1989	1985-89 AVERAGE
REDLANDS, CITY OF												
(CONTINUED)												
3601283 1S2W22C02S W	225	186	114	41	7	115	0	0	0	0	0	0
3601284 1S2W21E01S W	162	83	157	67	77	109	67	48	58	175	216	113
3601285 1S1W10L1 W	1548	939	814	1123	1076	1100	2137	1890	1554	1495	1103	1636
3601286 1S2W21E02S W	0	3	0	0	0	1	0	0	0	0	0	0
3601287 1S2W21C W	319	333	293	358	267	314	0	0	0	0	0	0
3601288 1S1W11Q1 W	855	817	903	671	745	798	666	651	534	1146	852	770
3601289 1S3W35E W	0	0	0	0	0	0	0	0	0	0	0	0
3601290 1S2W21D01S W	243	209	169	141	138	180	0	0	0	0	0	0
3601291 1S3W35G08S W	196	487	664	131	101	316	1079	786	240	300	30	487
3601292 1S3W35G07S W	772	1077	737	117	103	561	384	258	434	523	2	320
3601293 1S3W35H02S W	2	0	0	0	0	0	0	0	0	0	0	0
3601294 1S3W35G09S W	189	646	682	362	453	466	0	267	799	1105	922	619
3601295 1S3W35H04S W	915	1128	871	184	83	636	0	0	0	0	0	0
3601296 1S3W35H03S W	545	343	587	491	1686	730	388	540	1434	1270	890	904
3601297 1S3W35G11S W	249	434	507	171	0	272	0	0	0	0	0	0
3601298 1S3W21H01S W	322	557	1136	800	1095	782	0	0	0	0	0	0
3601299 1S4W24K01S W	246	124	1607	853	133	593	1178	1210	875	831	1100	1039
3601300 1S3W27E02S W	1278	902	1113	1446	1099	1168	1386	1266	1191	0	0	769
3601301 1S3W28H01S W	1443	1623	1808	1226	1063	1433	867	841	847	432	594	716

TABLE NO. 1
 VERIFIED EXTRACTIONS BY OWNERS (NON-PLAINTIFFS) WHICH HAVE RECORDATION FILINGS
 WITH THE STATE WATER RESOURCES CONTROL BOARD

OWNER	1959	1960	1961	1962	1963	1959-63 AVERAGE	1985	1986	1987	1988	1989	1985-89 AVERAGE
REDLANDS, CITY OF												
3601302 1S2W14N D ¹	7047	6913	3615	8973	4451	6200	12932	11636	11178	7731	8285	10352
3601308 1S2W19K01S W ²	772	750	738	487	470	643	277	251	78	64	24	139
3601585 1S3W23A03S W ³	0	0	1012	974	882	574	0	0	0	53	76	26
3601586 1S3W15F02S W ⁴	0	0	2177	1354	1488	1004	0	932	729	683	1602	789
3601636 1S4W24 W ⁵	216	230	65	58	51	124	-	-	-	-	-	0
3601637 1S3W30 W	0	0	0	0	0	0	-	-	-	-	-	0
3602031 1S3W21H W	506	1181	1429	699	492	861	0	0	0	0	0	0
3602032 1S3W22A W	-	-	50	273	140	93	0	0	0	0	0	0
3602036 1S3W21H W	-	-	-	676	1244	384	1785	0	0	0	0	357
3602082 2S3W03K W	-	-	-	-	215	43	0	0	0	0	0	0
3602106 1S3W22A01S W ⁶	323	292	-	-	-	123	-	-	-	-	-	0
3602211 1S3W26C W ⁷	-	-	-	-	-	0	54	0	0	0	0	11
3602346 1S3W28J02 W	-	-	-	-	-	0	8	7	197	1547	1745	701

1 COMMENCING 1974 INCLUDES GROSS MILL CREEK DIVERSIONS--SEE TABLE NO. 5 FOR VERIFIED DIVERSIONS

2 FORMERLY MENTONE DOMESTIC WATER COMPANY, INC.

3 FORMERLY LUGONIA WATER COMPANY; 1988 VERIFIED AMOUNT CORRECTED DURING THE 1989 VERIFICATION

4 FORMERLY BEAR VALLEY MUTUAL WATER COMPANY

5 PRODUCTION INCLUDED IN AMOUNT REPORTED BY STANLEY BROWN COMPANY RECORDATION NO. 3601352 SUBSEQUENT TO 1968

6 FORMERLY CHURCH STREET MUTUAL WELL COMPANY

7 FORMERLY COLTON AVENUE WATER COMPANY

TABLE NO. 1
 VERIFIED EXTRACTIIONS BY OWNERS (NON-PLAINTIFFS) WHICH HAVE RECORDATION FILINGS
 WITH THE STATE WATER RESOURCES CONTROL BOARD

OWNER	1959	1960	1961	1962	1963	1959-63 AVERAGE	1985	1986	1987	1988	1989	1985-89 AVERAGE
REDLANDS, CITY OF (CONTINUED)												
3602351 1S2W13A W ₁	-	-	-	-	-	0	0	0	0	0	0	0
3602653 1S2W19J W ₁	-	-	-	-	-	0	-	-	-	-	-	0
3602654 1S2W19J W ₂	-	-	-	-	-	0	936	570	949	402	684	708
3602732 1S3W32J02S W ₃	114	97	114	88	80	99	552	550	440	595	468	521
3602791 1S2W20B01 W ₄	-	-	-	-	-	0	15	31	12	16	0	15
3602792 1S2W19A01 W ₅	-	-	-	-	-	0	1625	1058	726	160	1525	1019
3602895 1S3W13H W ₅	-	-	-	-	-	0	-	605	1383	1368	1839	1039
3602896 1S2W20A W ₅	-	-	-	-	-	0	-	95	989	1496	1345	785
OWNER TOTAL	22841*	22904*	25122*	25353*	21430*	23530*	29056*	27481*	28265*	25562*	27232*	27519*

REES & PERRICONE RANCH

3602171 1S2W18M W	-	-	-	-	-	0	0	0	0	0	0	0
REYNOLDS, BILL												
3600981 1S2W21H01 W ₆	3	3	3	3	3	3	3	3	3	5	5	4

1 FORMERLY MENTONE DOMESTIC WATER COMPANY, INC.; PRIOR TO 1975 SEE NON-FILED EXTRACTIIONS TABLE NO. 2
 2 FORMERLY BEVERLY ASSOCIATES RECORDATION NO. 3602065

- 3 WELL DRILLED 1980
- 4 WELL DRILLED 1981
- 5 WELL DRILLED 1986
- 6 FORMERLY HICKS, JOHN/LOUISE

TABLE NO. 1
 VERIFIED EXTRACTIONS BY OWNERS (NON-PLAINTIFFS) WHICH HAVE RECORDATION FILINGS
 WITH THE STATE WATER RESOURCES CONTROL BOARD

OWNER	1959	1960	1961	1962	1963	1959-63 AVERAGE	1985	1986	1987	1988	1989	1985-89 AVERAGE
RIALTO, CITY OF												
3601085 1N4W31N W ¹	585	775	875	575	470	656	47	0	138	27	2	43
3601263 1N5W23Q01S W ²	1035	169	334	481	0	404	1714	1455	1476	1197	704	1309
3601718 1N5W22M D ²	624	626	625	587	624	617	1075	1325	539	1111	1005	1011
3601929 1S4W06C04S W ³	374	52	0	458	0	177	-	-	38	1008	1003	410
3602080 1N5W23Q W ⁴	-	-	-	-	773	155	1832	1414	1449	1372	1284	1470
3602848 1N5W36N01 W ⁴	-	-	-	-	-	0	1386	1894	1358	1973	1473	1617
3603030 1S4W06B01S W ⁵	-	-	-	-	-	0	-	-	-	-	575	115
OWNER TOTAL	2618*	1622*	1834*	2101*	1867*	2008*	6054*	6088*	4998*	6688*	6046*	5975*
RIEDMAN, FRED M.	230	230	230	230	15	187	-	-	-	-	-	0
RIVAS, RAMON	30	43	0	0	0	15	0	0	0	0	0	0
ROBBINS, H. W.	-	-	-	-	18	4	0	0	0	0	0	0

1 FORMERLY RIALTO MUTUAL LAND AND WATER COMPANY

2 INCLUDES GROSS LYTLE CREEK DIVERSIONS--SEE TABLE NO. 4 FOR VERIFIED DIVERSIONS FROM LYTLE CREEK

3 FORMERLY RANCHERIA WATER CO. TOBIN; WELL REHABILITATED 1985

4 WELL DRILLED 1985

5 WELL DRILLED 1986, EXTRACTIONS COMMENCED 1989

TABLE NO. 1
 VERIFIED EXTRACTATIONS BY OWNERS (NON-PLAINTIFFS) WHICH HAVE RECORDATION FILINGS
 WITH THE STATE WATER RESOURCES CONTROL BOARD

OWNER	1959	1960	1961	1962	1963	1959-63 AVERAGE	1985	1986	1987	1988	1989	1985-89 AVERAGE
SAN BERNARDINO AVENUE WATER COMPANY												
3600125 1S3W14 W	371	303	394	352	298	344	81	105	127	127	105	109
SAN BERNARDINO, CITY OF												
3600034 1S4W16H W ¹	90	85	76	79	-	66	0	0	0	0	0	0
3600035 1S4W15M01 W ¹	85	80	82	12	-	52	0	0	0	0	0	0
3600222 1S4W11Q01S W	195	210	-	-	-	81	0	0	0	0	0	0
3600709 2N5W19Q01 W	0	0	0	0	0	0	-	-	-	-	-	0
3600710 2N5W19 W	0	0	0	0	0	0	-	1987	1526	1990	1585	1418
3600711 1N4W07F01S W	867	726	705	617	295	642	623	511	656	956	881	725
3600712 1N4W08M01S W	141	1	0	0	0	28	1049	702	452	94	584	576
3600713 1N5W36R01S W	378	85	314	199	360	267	2367	2144	2308	1573	901	1859
3600714 1N4W16E01S W	163	643	624	531	571	506	0	0	0	105	491	119
3600715 1N4W16E W	0	205	233	1188	623	450	0	0	0	1140	865	401
3600716 1N4W16E03S W	964	919	1093	576	839	878	0	0	0	1037	783	364
3600717 1N4W32D03S W	146	221	30	46	163	121	1285	1109	899	1639	226	1032
3600718 1N4W32D04S W	365	40	96	0	0	100	1394	1202	983	850	264	939
3600719 1N4W27G01S W	1173	1086	922	998	1005	1037	293	0	0	0	367	132
3600720 1N4W27M02S W	0	134	481	293	212	224	718	319	367	599	989	598
3600721 1N4W27M01S W	0	194	407	313	395	262	289	78	60	268	527	244

I FORMERLY HOMART DEVELOPMENT COMPANY

TABLE NO. 1
 VERIFIED EXTRACTATIONS BY OWNERS (NON-PLAINTIFFS) WHICH HAVE RECORDATION FILINGS
 WITH THE STATE WATER RESOURCES CONTROL BOARD

OWNER	1959	1960	1961	1962	1963	1959-63 AVERAGE	1985	1986	1987	1988	1989	1985-89 AVERAGE
(CONTINUED)												
SAN BERNARDINO, CITY OF												
3600722	0	0	0	0	0	0	-	-	-	-	-	0
3600723	146	489	345	0	0	196	-	-	-	-	-	0
3600724	0	0	0	0	0	0	-	-	-	-	-	0
3600725	1102	1155	1245	405	538	889	473	716	1254	847	1111	880
3600726	354	305	91	12	29	158	1926	1926	1812	2426	2282	2074
3600727	1238	927	1475	1365	1180	1237	679	1246	1699	1730	1744	1420
3600728	1265	1724	2214	1404	1122	1546	680	0	0	0	420	220
3600729	1348	940	1573	2522	2574	1791	3320	2878	2668	2952	2272	2818
3600730	0	0	0	0	0	0	0	0	0	0	0	0
3600731	750	684	1295	642	750	824	3676	2950	3602	3313	2839	3276
3600732	0	0	0	0	0	0	-	-	-	-	-	0
3600733	0	0	0	0	0	0	0	0	0	0	0	0
3600734	1052	458	411	478	367	553	1571	1821	2371	2318	1940	2004
3600735	0	0	0	0	0	0	0	0	0	0	0	0
3600736	127	83	103	254	153	144	0	0	0	0	0	0
3600737	66	143	271	32	158	134	0	228	493	578	626	385
3600738	1117	768	549	836	592	772	1604	1475	1292	1176	920	1293
3600739	1069	994	1286	1403	1279	1206	1448	1448	1448	1448	1448	1448

1 INCLUDES GROSS LYTLE CREEK DIVERSIONS--SEE TABLE NO. 4 FOR VERIFIED DIVERSIONS FROM LYTLE CREEK

TABLE NO. 1
 VERIFIED EXTRACTATIONS BY OWNERS (NON-PLAINTIFFS) WHICH HAVE RECORDATION FILINGS
 WITH THE STATE WATER RESOURCES CONTROL BOARD

OWNER	1959	1960	1961	1962	1963	1959-63 AVERAGE	1985	1986	1987	1988	1989	1985-89 AVERAGE
(CONTINUED)												
SAN BERNARDINO, CITY OF												
3601114 1N4W35C01S W	12	358	353	0	0	145	0	0	0	0	0	0
3601115 1N4W26P03S W	33	342	519	899	832	525	831	919	618	938	616	784
3601116 1N4W35C02S W	0	0	0	0	0	0	0	373	195	47	48	133
3601117 1N4W35C03S W ¹	1559	1464	811	386	408	926	204	1034	1222	1032	771	853
3601316 1S4W23N W ²	238	238	238	238	238	238	0	0	0	0	0	0
3601588 1N4W31H W	68	75	74	64	72	71	156	201	19	0	0	75
3601626 1S4W10 W ³	26	23	28	27	24	26	-	-	-	-	-	0
3601843 1N5W03H01S W ³	179	13	8	19	6	45	598	0	454	790	621	493
3601844 1N5W03 W ³	856	807	630	748	742	757	1472	2033	1677	1007	1241	1486
3601845 1N4W30L W ⁴	5	19	28	33	33	24	53	118	118	125	186	120
3601878 1N4W29E01S W ⁴	181	123	86	17	146	111	132	2	0	0	0	27
3601879 1N4W29 W ⁴	205	182	182	136	103	162	5	12	0	0	0	3
3601880 1N4W29F01S W ⁴	227	141	193	221	118	180	3	2	0	0	0	1
3602081 1N4W27B W ⁵	-	-	-	-	1019	204	239	0	0	0	397	127
3602128 1S4W14A W	50	50	50	50	51	50	-	-	0	0	0	0

1 FORMERLY INTER CITY MUTUAL WATER CO.

2 FORMERLY SOUTHERN CALIFORNIA WATER COMPANY

3 FORMERLY SAN BERNARDINO WATER UTILITIES COR

4 FORMERLY SOUTHERN CALIFORNIA WATER COMPANY

5 FORMERLY GIFFORD PARK MUTUAL WATER CO.

TABLE NO. 1
 VERIFIED EXTRACTIIONS BY OWNERS (NON-PLAINTIFFS) WHICH HAVE RECORDATION FILINGS
 WITH THE STATE WATER RESOURCES CONTROL BOARD

OWNER	1959	1960	1961	1962	1963	1959-63 AVERAGE	1985	1986	1987	1988	1989	1985-89 AVERAGE
SAN BERNARDINO, CITY OF (CONTINUED)												
3602205 1N4W06H01S W	-	-	-	-	-	0	28	26	31	33	39	31
3602206 1N4W06H02S W	-	-	-	-	-	0	17	29	18	16	17	19
3602252 1S4W14B W ¹	-	-	-	-	-	0	-	-	0	0	0	0
3602264 1N4W27N01S W	-	-	-	-	-	0	245	8	108	202	323	177
3602265 1S4W03J W ²	-	-	-	-	-	0	3255	3839	4141	3892	3532	3732
3602285 1S4W15D05 W ²	8	8	8	8	1	7	0	0	0	0	0	0
3602399 1N4W16E W	-	-	-	-	-	0	0	0	0	1064	843	381
3602400 1N4W32N W	-	-	-	-	-	0	404	616	219	0	0	248
3602401 1N4W27A W	-	-	-	-	-	0	0	0	0	0	1209	242
3602422 1S4W02K08S W	-	-	-	-	-	0	2972	4236	4367	3968	3481	3805
3602426 2N5W19K D ³	1604	770	966	2141	960	1288	4822	2771	2308	2382	1794	2815
3602521 1S4W23N04 W ⁴	-	-	-	-	-	0	0	0	0	0	0	0
3602712 1N4W08N W ⁴	-	-	-	-	-	0	1254	1070	1130	957	371	956
3602821 1N5W03A02 W ⁵	-	-	-	-	-	0	1650	1193	1189	581	496	1022

1 FORMERLY GIFFORD PARK MUTUAL WATER CO.

2 FORMERLY HOMART DEVELOPMENT COMPANY

3 FORMERLY INTER CITY MUTUAL WATER CO.; PRIOR TO 1972 SEE NON-FILED EXTRACTIIONS TABLE NO. 2 INTER CITY MUTUAL WATER CO.

4 FORMERLY ELLENA, JOHN B.; PRIOR TO 1977 SEE NON-FILED EXTRACTIIONS TABLE NO. 2 ELLENA, JOHN B.; 1982 AMOUNT CORRECTED IN 15

5 WELL DRILLED 1983, EXTRACTIIONS VERIFIED DURING THE 1986 VERIFICATION

TABLE NO. 1
 VERIFIED EXTRACTONS BY OWNERS (NON-PLAINTIFFS) WHICH HAVE RECORDATION FILINGS
 WITH THE STATE WATER RESOURCES CONTROL BOARD

OWNER	1959	1960	1961	1962	1963	1959-63 AVERAGE	1985	1986	1987	1988	1989	1985-89 AVERAGE
SAN BERNARDINO, CITY OF ¹												
3602844 1N4W08M02 W ²	-	-	-	-	-	0	66	196	153	88	625	226
3603027 1N5W36J01S W ²	-	-	-	-	-	0	-	-	-	-	1350	270
OWNER TOTAL	19452*	17912*	20095*	19192*	17958*	18922*	41801*	41418*	41857*	44161*	42025*	42252*
SECHREST, RALPH F.												
3600483 1S2W31 W	87	71	192	906	141	279	0	0	0	0	0	0
SELBY, DR. & MRS. ARTHUR ³												
3600017 1S2W29 W ³	137	64	278	171	76	145	0	0	0	0	0	0
3600018 1S2W29 W ³	10	163	452	88	330	209	0	0	0	0	0	0
OWNER TOTAL	147*	227*	730*	259*	406*	354*	0*	0*	0*	0*	0*	0*
SMITH TRACT WELL COMPANY												
3600001 1S3W21R W	270	177	56	0	FC	101	-	-	-	-	-	0
3600001- 1S3W21R W	-	-	-	-	127	25	0	0	0	0	0	0
OWNER TOTAL	270*	177*	56*	0*	127*	126*	0*	0*	0*	0*	0*	0*
SO. SAN BERNARDINO COUNTY WATER DIST. ⁴												
3602060 1S4W24P W	111	71	125	60	79	89	0	0	0	0	0	0

1 WELL DRILLED 1985, EXTRACTONS VERIFIED DURING THE 1986 VERIFICATION
 2 WELL DRILLED 1989
 3 FORMERLY REES REES RANCHES, INC.
 4 FORMERLY JOHANSSON, RUNE; FORMERLY BENNETT

TABLE NO. 1
 VERIFIED EXTRACTIONS BY OWNERS (NON-PLAINTIFFS) WHICH HAVE RECORDATION FILINGS
 WITH THE STATE WATER RESOURCES CONTROL BOARD

OWNER	1959	1960	1961	1962	1963	1959-63 AVERAGE	1985	1986	1987	1988	1989	1985-89 AVERAGE
SO. SAN BERNARDINO COUNTY WATER DIST. (CONTINUED)												
3602122 1S4W23R03S W	111	154	114	2	0	76	-	-	-	-	-	0
3602123 1S4W14J W	485	443	526	50	58	312	3	6	106	0	94	42
3602124 1S4W14J W	179	159	158	151	80	145	0	0	0	0	0	0
3602125 1S4W24F04S W	150	167	226	144	91	156	143	106	46	110	254	132
3602126 1S4W24F W	-	-	0	105	84	38	2	55	24	0	48	26
OWNER TOTAL	1036*	994*	1149*	512*	392*	817*	148*	167*	176*	110*	396*	199*
SOJKA, DONALD R												
3601173 1S3W32K W ¹	91	82	99	86	84	88	0	0	0	0	0	0
SOLANO WELL NO. 1												
3600187 1S2W09 W	212	143	147	88	43	127	0	0	0	0	0	0
SOLANO WELL NO. 3												
3602003 1S2W16C W	-	-	-	202	179	76	0	20	0	0	99	24
SOMERS, R.												
3601093 1N4W24 D ²	1	1	1	1	1	1	1	0	0	0	0	0
SOUTHERN CALIFORNIA EDISON COMPANY												
3600651 1S3W28 W	58	35	64	47	49	51	-	-	-	-	-	0
3601012 1S4W08R W	2	2	2	2	2	2	0	0	0	0	0	0

1 FORMERLY LAND CAPITOL CORP & DONALD SOJKA

2 FORMERLY PEYTON, A.L. OR IRENE A.

TABLE NO. 1
 VERIFIED EXTRACTATIONS BY OWNERS (NON-PLAINTIFFS) WHICH HAVE RECORDATION FILINGS
 WITH THE STATE WATER RESOURCES CONTROL BOARD

OWNER	1959	1960	1961	1962	1963	1959-63 AVERAGE	1985	1986	1987	1988	1989	1985-89 AVERAGE
SOUTHERN CALIFORNIA EDISON COMPANY (CONTINUED)												
3601013 1S4W08R W	0	0	0	0	0	0	0	0	0	0	0	0
3601014 1S3W18 W	266	182	312	307	110	235	32	57	10	23	19	28
3601015 1S3W18 W	266	239	362	368	583	364	240	440	241	37	44	200
3601016 1S4W22G01S W	818	761	685	2	0	453	0	0	0	0	0	0
3609723 1S4W10F01S W	-	-	-	883	883	353	0	0	0	0	0	0
OWNER TOTAL	1410*	1219*	1425*	1609*	1627*	1458*	272*	497*	251*	60*	63*	229*
SOUZA, JOHN												
3601084 1S2W20K W ¹	7	7	9	10	9	8	0	0	0	0	0	0
STORKSON, WILLIAM F.												
3600083 1N5W06 W ²	35	30	20	40	35	32	15	20	18	24	29	21
3602664 1N5W06 W ³	-	-	-	-	-	0	41	30	41	30	41	37
OWNER TOTAL	35*	30*	20*	40*	35*	32*	56*	50*	59*	54*	70*	58*
STOWE WATER COMPANY												
3601046 1S3W21A W	630	598	622	560	667	615	369	386	303	207	191	291
SUNRISE RANCH PART C/O LIFE DEVELOPMENT												
3600599 1S2W13 W ⁴	444	397	452	381	381	411	389	402	413	400	400	401

1 FORMERLY NAMIHAS, M.D., IVAN/SHIRLEY

2 FORMERLY LONG ACRES MUTUAL WATER COMPANY

3 ORIGINAL VERIFICATION DONE DURING THE 1975 VERIFICATION

4 FORMERLY EAST HIGHLANDS ORANGE COMPANY

TABLE NO. 1
 VERIFIED EXTRACTATIONS BY OWNERS (NON-PLAINTIFFS) WHICH HAVE RECORDATION FILINGS
 WITH THE STATE WATER RESOURCES CONTROL BOARD

OWNER	1959	1960	1961	1962	1963	1959-63 AVERAGE	1985	1986	1987	1988	1989	1985-89 AVERAGE
SUNRISE RANCH PART C/O LIFE DEVELOPMENT (CONTINUED)												
3600600 1S2W13	240	226	253	238	159	223	0	0	0	0	0	0
3600601 1S2W14	321	317	313	301	230	296	0	0	0	0	0	0
3600602 1S2W15P	294	230	234	254	238	250	0	0	0	0	0	0
3600603 1S2W15G	238	214	230	222	206	222	98	102	109	100	100	102
3601640 1S2W14	320	309	294	317	381	324	67	71	79	80	80	75
3601969 1S2W14L	-	-	343	324	397	213	54	56	61	60	60	58
OWNER TOTAL	1857*	1693*	2119*	2037*	1992*	1940*	608*	631*	662*	640*	640*	636*
SYCAMORE HEIGHTS WATER COMPANY, INC.												
3601837 1N3W34B	210	-	-	FC	-	42	-	-	-	-	-	0
3601838 1N3W34A	210	52	52	52	52	84	0	0	0	0	0	0
OWNER TOTAL	420*	52*	52*	52*	52*	126*	0*	0*	0*	0*	0*	0*
TENNESSEE MUTUAL WELL COMPANY												
3601161 1S3W16L	537	501	622	516	476	530	404	423	388	348	319	376
TENNESSEE WATER CO.												
3600474 1S3W16L	530	530	540	540	550	538	562	639	570	610	657	608
TERRACE WATER COMPANY												
3601684 1S4W08F06S	0	191	263	280	FC	147	-	0	-	-	-	0

1 FORMERLY EAST HIGHLANDS ORANGE COMPANY

2 1986 VERIFIED AMOUNT CORRECTED DURING THE 1988 VERIFICATION

TABLE NO. 1
 VERIFIED EXTRACTATIONS BY OWNERS (NON-PLAINTIFFS) WHICH HAVE RECORDATION FILINGS
 WITH THE STATE WATER RESOURCES CONTROL BOARD

OWNER	1959	1960	1961	1962	1963	1959-63 AVERAGE	1985	1986	1987	1988	1989	1985-89 AVERAGE
(CONTINUED)												
TERRACE WATER COMPANY												
3601684- 1S4W08F W	-	-	-	-	455	91	865	860	680	661	680	749
3601685 1S4W08F W	66	0	0	0	0	13	-	-	-	-	-	0
3601686 1S4W08F W	1252	730	814	732	444	794	245	240	193	283	193	231
OWNER TOTAL	1318*	921*	1077*	1012*	899*	1045*	1110*	1100*	873*	944*	873*	980*
TRI CITY CONCRETE												
3600935 1N4W31N W ¹	10	10	10	10	10	10	-	-	-	-	-	0
3601309 1S4W05M W	125	125	125	125	126	125	0	-	-	-	-	0
OWNER TOTAL	135*	135*	135*	135*	136*	135*	0*	0*	0*	0*	0*	0*
TRI CITY MUTUAL WATER COMPANY												
3601823 1S4W23K W	53	20	0	0	0	15	-	-	-	-	-	0
TROJAN GROVES												
3600451 1S3W15 W ²	962	700	940	784	816	840	768	840	905	735	615	773
UNGER, V.E.												
3601168 1S4W26F W	-	-	-	-	-	0	-	-	-	-	-	0
VALDEPENA ACRES												
3602241 1S3W20F03 W	25	25	25	27	8	22	30	32	35	0	40	27
VAN LOON MUTUAL WATER COMPANY												
3602066 1S4W02B W	33	49	25	26	25	32	0	0	0	0	3	1

1 FORMERLY TRI CITY BASELINE

2 FORMERLY STUCKER RANCH; FORMERLY BEELER, RAYMOND A.

TABLE NO. 1
 VERIFIED EXTRACTATIONS BY OWNERS (NON-PLAINTIFFS) WHICH HAVE RECORDATION FILINGS
 WITH THE STATE WATER RESOURCES CONTROL BOARD

OWNER	1959	1960	1961	1962	1963	1959-63 AVERAGE	1985	1986	1987	1988	1989	1985-89 AVERAGE
VAN LOON MUTUAL WATER COMPANY (CONTINUED)												
3602067 1N4W35K W	120	110	74	177	164	129	141	140	163	157	85	137
OWNER TOTAL	153*	159*	99*	203*	189*	161*	141*	140*	163*	157*	88*	138*
VICTORIA FARMS MUTUAL WATER CO.												
3602112 1S4W13R01S W	335	288	320	275	266	297	-	-	-	-	-	0
3602247 1S4W13R03 W ¹	-	-	-	-	-	0	0	0	0	0	0	0
3602574 1S4W13R W ¹	-	-	-	-	-	0	10	10	10	10	10	10
3602714 1S4W13R W	-	-	-	-	-	0	21	28	42	36	23	30
OWNER TOTAL	335*	288*	320*	275*	266*	297*	31*	38*	52*	46*	33*	40*
VICTORIA GUERNSEY												
3600399 1S4W02 W	163	248	200	160	223	199	-	-	-	-	-	0
WARMINGTON, ROBERT P. ²												
3600270 1S3W20P W ²	300	248	288	153	139	226	0	43	16	16	0	15
WEATHERWAX, W. G.												
3600652 1S3W15N01S W	-	-	-	-	-	0	-	-	-	-	-	0
WEST SAN BDNO. COUNTY WATER DIST.												
3600302 1N5W26A01S W	158	259	160	0	0	115	-	-	-	-	-	0
3600303 1N5W26B01S W FC	-	-	-	-	-	0	-	-	-	-	-	0

1 WELL DRILLED 1972 STATE WELL NUMBER CORRECTED DURING 1983 VERIFICATION

2 FORMERLY NICKERSON, E.D.

TABLE NO. 1
 VERIFIED EXTRACTATIONS BY OWNERS (NON-PLAINTIFFS) WHICH HAVE RECORDATION FILINGS
 WITH THE STATE WATER RESOURCES CONTROL BOARD

OWNER	1959	1960	1961	1962	1963	1959-63 AVERAGE	1985	1986	1987	1988	1989	1985-89 AVERAGE
WEST SAN BDNO. COUNTY WATER DIST. (CONTINUED)												
3600304	1N5W26A03S W	816	671	611	540	804	688	1187	724	964	1635	1071
3600305	1N5W25E01S W	922	990	1124	471	573	816	1332	706	1237	836	962
3600306	1N5W23P02S W	-	-	-	-	-	0	-	-	-	-	0
3600307	1N5W23P04S W ¹	1057	1152	399	72	435	623	1067	1773	1342	1158	1231
3600312	1N5W22M D	4258	2709	2424	4392	4097	3576	3340	3686	3686	3696	3621
3600996	1N5W36J03S W	839	1355	1048	1552	1366	1232	1054	1047	1231	1030	964
3600997	1N5W36H04S W	230	85	0	0	-	63	1816	536	1138	694	1009
3600998	1N5W25E02S W	1228	639	356	8	-	446	-	-	-	-	0
3600999	1S4W06J01S W	531	70	435	70	9	223	-	-	-	-	0
3601000	1S4W06J02S W	312	0	0	0	0	62	-	-	-	-	0
3601002	1N4W31P03S W	338	540	554	221	148	360	-	-	-	-	0
3601003	1S4W06H01S W	1283	929	1264	794	1434	1141	0	-	-	-	0
3601725	1N5W25E00S W	-	-	-	-	-	0	0	-	-	-	0
3601848	1S4W05E05S W	1612	2655	3145	1951	1965	2266	1486	2067	1946	1531	1645
3601944	1N5W23Q00S W ²	0	36	2067	1260	1006	874	431	1031	904	1745	1299
3602766	1S4W06H02 W ²	-	-	-	-	-	0	942	1244	935	986	1135
3602897	1N5W23 W ³	-	-	-	-	-	0	-	-	392	624	370

1 INCLUDES GROSS LYTLE CREEK DIVERSIONS--SEE TABLE NO. 4 FOR VERIFIED DIVERSIONS FROM LYTLE CREEK

2 WELL DRILLED 1979

3 WELL DRILLED 1987

TABLE NO. 1

VERIFIED EXTRACTIIONS BY OWNERS (NON-PLAINTIFFS) WHICH HAVE RECORDATION FILINGS
WITH THE STATE WATER RESOURCES CONTROL BOARD

OWNER	1959	1960	1961	1962	1963	1959-63 AVERAGE	1985	1986	1987	1988	1989	1985-89 AVERAGE
WEST SAN BDNO. COUNTY WATER DIST. (CONTINUED)												
3603054 1N5W35E01S W ¹	-	-	-	-	-	0	-	-	-	-	63	13
3603055 1N5W36J03S W ¹	-	-	-	-	-	0	-	-	-	-	1022	204
OWNER TOTAL	13584*	12090*	13587*	11331*	11837*	12486*	12655*	12814*	13775*	13935*	14439*	13524*
WILEY, RUTH NORWOOD												
3600052 1S4W36J W	-	-	-	-	52	10	1	0	0	0	0	0
WILLIAMS WELL CORPORATION, LTD.												
3600828 1S3W16J W	721	684	765	706	595	694	512	529	469	570	583	533
WOEHR MUTUAL WATER COMPANY												
3600817 1S3W29H W	374	465	625	488	423	475	0	0	0	0	0	0
YAHIKU, PAUL												
3601280 1S3W29D W ²	50	95	51	51	51	60	-	-	-	-	-	0
YUCAIPA VALLEY WATER DISTRICT												
3602657 1S1W20D W ³	-	-	-	-	-	0	0	0	0	0	0	0
3602658 1S1W20D W ³	-	-	-	-	-	0	0	0	0	0	0	0
3602659 1S1W19G W ³	-	-	-	-	-	0	72	71	69	0	22	47
OWNER TOTAL	0*	0*	0*	0*	0*	0*	72*	71*	69*	0*	22*	47*

1 WELL DRILLED 1988

2 FORMERLY JACINTO FARMING INC.

3 FORMERLY Y.V.C.M.D.; FORMERLY TRIPLE FALLS MUT. WTR. CO.; PRIOR TO 1975 SEE NON-FILED EXTRACTIIONS TABLE 2 TRIPLE FALLS M.W.

TABLE NO. 1
 VERIFIED EXTRACTIONS BY OWNERS (NON-PLAINTIFFS) WHICH HAVE RECORDATION FILINGS
 WITH THE STATE WATER RESOURCES CONTROL BOARD

OWNER	1959	1960	1961	1962	1963	1959-63 AVERAGE	1985	1986	1987	1988	1989	1985-89 AVERAGE
'7TH AVE. WELL												
3601121 1S2W31	230	342	514	161	271	304	0	0	0	0	0	0
TOTAL VERIFIED												
PRODUCTION ALL												
FACILITIES	177260*	162019*	167648*	161479*	144956*	162672*	174759*	170192*	170068*	172157*	173969*	172229*
TOTAL VERIFIED												
PRODUCTION ALL												
FACILITIES 25												
ACRE- FEET PER												
YEAR OR LARGER	176785*	161737*	167451*	161123*	144498*	162319*	174668*	170087*	169973*	172049*	173878*	172131*

TABLE NO. 2

EXTRACTIONS BY OWNERS (NON-PLAINTIFFS) WHICH
HAVE NOT FILED WITH THE STATE WATER RESOURCES
CONTROL BOARD

TABLE NO. 2

VERIFIED EXTRACTIIONS BY OWNERS (NON-PLAINTIFFS) WHICH HAVE NOT FILED
WITH THE STATE WATER RESOURCES CONTROL BOARD

OWNER	1959	1960	1961	1962	1963	1959-63 AVERAGE	1985	1986	1987	1988	1989	1985-89 AVERAGE
AHMANSON RANCH												
0000002 1S4W27H W	200	200	200	200	200	200	0	0	0	0	0	0
ANDERSON, W.D.												
0000003 1N4W25R W	0	0	0	0	0	0	-	-	-	-	-	0
ARNOLD RANCH												
0000004 1N3W34H W	230	230	230	230	230	230	0	0	0	0	0	0
BALCOM												
0000005 1S4W11M W	1	1	1	1	1	1	-	-	-	-	-	0
BALDWIN												
0000006 1N3W34K W	1	1	1	1	1	1	0	0	0	0	0	0
BARRIER												
0000007 1S4W22B W	3	3	3	3	3	3	0	0	0	0	0	0
BASELINE LAUNDRY												
0000008 1N3W31Q W ¹	50	50	50	50	50	50	30	19	16	20	15	20
0000082 1N3W31 W ¹	-	-	-	-	-	0	0	0	0	0	0	0
OWNER TOTAL	50*	50*	50*	50*	50*	50*	30*	19*	16*	20*	15*	20*
BATCHELOR												
0000009 1N4W14R W	1	1	1	1	1	1	1	1	1	1	1	1
0000010 1N4W14R D	1	1	1	1	1	1	1	1	1	1	1	1

1 FORMERLY MEEKS & DALEY

TABLE NO. 2
 VERIFIED EXTRACTATIONS BY OWNERS (NON-PLAINTIFFS) WHICH HAVE NOT FILED
 WITH THE STATE WATER RESOURCES CONTROL BOARD

OWNER	1959	1960	1961	1962	1963	1959-63 AVERAGE	1985	1986	1987	1988	1989	1985-89 AVERAGE
OWNER TOTAL	2*	2*	2*	2*	2*	2*	2*	2*	2*	2*	2*	2*
BERMAN, JERRY												
0000011 1S4W02K W	120	110	130	-	-	72	0	0	0	0	0	0
0000012 1S4W02J W	84	84	84	84	84	84	0	0	0	0	0	0
OWNER TOTAL	204*	194*	214*	84*	84*	156*	0*	0*	0*	0*	0*	0*
BLISS												
0000013 1S2W22E W	2	2	2	2	2	2	0	0	0	0	0	0
BOUCHER												
0000014 1N4W14J W	1	1	1	1	1	1	1	1	1	1	1	1
BREAK, ALLEN, ESTATE												
0000015 1S3W31A W	760	608	760	608	608	669	0	0	0	0	0	0
CAMPUS CRUSADE FOR CHRIST												
0000155 1N4W14C D ¹	200	200	150	150	50	150	150	150	100	50	50	100
CARPENTER												
0000016 1S4W22B W	4	4	4	4	4	4	0	0	0	0	0	0
CLIFFSIDE RANCH												
0000017 1S3W03F W ²	171	174	181	150	186	172	-	-	-	-	-	0
COOK CANYON												
0000018 1N3W27R D	35	35	35	35	35	35	1	0	0	0	0	0

1 FORMERLY WEST TWIN CREEK WATER COMPANY; FORMERLY HODGDON, WARNER

2 FILED BY E.V.W.D. RECORDATION NO. 3602571 COMMENCING 1978 SEE TABLE NO.1

TABLE NO. 2
 VERIFIED EXTRACTATIONS BY OWNERS (NON-PLAINTIFFS) WHICH HAVE NOT FILED
 WITH THE STATE WATER RESOURCES CONTROL BOARD

OWNER	1959	1960	1961	1962	1963	1959-63 AVERAGE	1985	1986	1987	1988	1989	1985-89 AVERAGE
CRYSTAL SPRINGS												
0000020 2S2W06D	1	1	1	1	1	1	1	1	1	1	1	1
DANGLO DAIRY												
0000021 1S4W11F	35	35	35	35	35	35	-	-	-	-	-	0
DANIELS, DON												
0000175 1S3W19J	-	-	-	-	-	0	-	-	-	-	-	0
DANIELS, HAROLD												
0000022 1S3W17R	-	-	-	-	500	100	-	-	-	-	-	0
0000023 1S3W17C	2	2	2	2	2	2	1	1	1	1	1	1
OWNER TOTAL	2*	2*	2*	2*	502*	102*	1*	1*	1*	1*	1*	1*
DILLSON MUT. WTR. CO.												
0000025 1N4W13P	18	18	18	18	18	18	-	-	-	-	-	0
0000026 1N4W13P	18	18	18	18	18	18	0	0	0	0	0	0
0000173 1N4W13P	-	-	-	-	-	0	0	0	0	0	0	0
OWNER TOTAL	36*	36*	36*	36*	36*	36*	0*	0*	0*	0*	0*	0*
EAST HIGHLANDS ORANGE COMPANY												
0000029 1N3W35B	53	28	40	47	46	43	-	-	-	-	-	0

1 FILED BY DANIELS AND BEST RANCH RECORDATION NUMBER 3602549 COMMENCING 1973 SEE TABLE NO. 1

2 FILED BY DANIELS AND BEST RANCH RECORDATION NUMBER 3602550 COMMENCING 1973 SEE TABLE NO. 1

3 FILED BY EAST HIGHLANDS RANCH INC. RECORDATION NO. 3602474 COMMENCING 1980 SEE TABLE NO. 1

TABLE NO. 2

VERIFIED EXTRACTATIONS BY OWNERS (NON-PLAINTIFFS) WHICH HAVE NOT FILED
WITH THE STATE WATER RESOURCES CONTROL BOARD

OWNER	1959	1960	1961	1962	1963	1959-63 AVERAGE	1985	1986	1987	1988	1989	1985-89 AVERAGE
EAST VALLEY WATER DISTRICT												
0000030 1N3W30C	-	-	-	-	-	0	0	0	0	0	0	0
0000032 1S3W04P	24	24	29	30	20	25	0	0	0	0	0	0
0000033 1N3W30C	50	51	56	38	34	46	0	0	0	0	0	0
0000034 1N3W31A	216	110	75	0	0	80	0	0	0	0	0	0
0000035 1S3W05Q	11	9	12	6	3	8	0	0	0	0	0	0
0000036 1N4W36H	35	1	0	0	0	7	0	0	0	0	0	0
0000037 1S3W06	0	0	0	0	0	0	0	0	0	0	0	0
0000038 1N3W31D	39	55	2	2	0	20	0	0	0	0	0	0
0000039 1S3W06E	35	35	35	0	0	21	0	0	0	0	0	0
0000040 1S3W06B	10	10	10	10	10	10	0	0	0	0	0	0
0000041 1S3W06C	-	-	-	-	-	0	0	0	0	0	0	0
0000042 1S4W02L	20	20	20	20	20	20	0	0	0	0	0	0
0000043 1S3W06P	4	4	4	4	-	3	0	0	0	0	0	0
0000044 1S3W05Q	1	1	1	1	1	1	0	0	0	0	0	0
0000045 1S3W06M	572	690	848	560	668	668	0	0	0	0	0	0
0000046 1S3W06Q	27	21	23	25	27	25	0	0	0	0	0	0
0000047 1S3W03N	10	10	10	10	10	10	10	0	0	0	0	2
0000048 1N4W25D	11	11	11	11	11	11	0	0	0	0	0	0

1 FORMERLY EAST SAN BDN0. COUNTY WATER DIST.

TABLE NO. 2
 VERIFIED EXTRACTATIONS BY OWNERS (NON-PLAINTIFFS) WHICH HAVE NOT FILED
 WITH THE STATE WATER RESOURCES CONTROL BOARD

OWNER	1959	1960	1961	1962	1963	1959-63 AVERAGE	1985	1986	1987	1988	1989	1985-89 AVERAGE
EAST VALLEY WATER DISTRICT												
0000049 1S3W03N W ¹	5	5	5	-	-	3	0	0	0	0	0	0
0000050 1S3W05J W ¹	2	2	-	-	-	1	0	0	0	0	0	0
0000051 1S4W01D W ¹	20	20	20	20	20	20	0	0	0	0	0	0
0000052 1S3W06N W ¹	150	99	137	373	190	190	0	0	0	0	0	0
0000059 1S3W04Q W ²	20	20	20	20	20	20	0	0	0	0	0	0
OWNER TOTAL	1262*	1198*	1318*	1130*	1034*	1188*	10*	0*	0*	0*	0*	2*
ELLENA, JOHN B.												
0000054 1N4W08N W ³	585	585	585	585	585	585	-	-	-	-	-	0
ELLG00D												
0000055 1S2W24C W	5	5	5	5	5	5	40	40	5	5	5	19
FARROW												
0000056 1S2W22E W	6	5	28	5	5	10	5	5	5	5	5	5
FINCH												
0000057 1S2W29 W	-	-	-	-	-	0	0	0	0	0	0	0
GOLCONDA WATER CO.												
0000058 1S4W13E W	96	96	96	96	96	96	-	-	-	-	-	0

1 FORMERLY EAST SAN BDNO. COUNTY WATER DIST.

2 FORMERLY HACIENDA TRAILER PARK; FORMERLY EAST SAN BDNO. COUNTY WATER DIST.

3 FILED BY NEW OWNER SAN BERNARDINO, CITY OF RECORDATION NO. 3602712 COMMENCING 1977 SEE TABLE NO. 1

TABLE NO. 2
 VERIFIED EXTRACTATIONS BY OWNERS (NON-PLAINTIFFS) WHICH HAVE NOT FILED
 WITH THE STATE WATER RESOURCES CONTROL BOARD

OWNER	1959	1960	1961	1962	1963	1959-63 AVERAGE	1985	1986	1987	1988	1989	1985-89 AVERAGE
GREENSPOT MUTUAL WATER CO TUNNEL												
0000166 1S2W22 D	-	-	-	-	-	0	520	320	120	0	0	192
HAGAR												
0000060 1S2W16L W	1	1	1	1	1	1	0	0	0	0	0	0
HARDISON												
0000061 1N4W13Q W	1	1	1	1	1	1	1	1	1	1	1	1
HARRISON												
0000062 1S3W04J W	1	1	1	1	1	1	0	0	0	0	0	0
HARRISON CANYON												
0000063 1N4W13P W	1	1	1	1	1	1	0	0	0	0	0	0
0000064 1N4W13P W	1	1	1	1	1	1	0	0	0	0	0	0
OWNER TOTAL	2*	2*	2*	2*	2*	2*	0*	0*	0*	0*	0*	0*
HAZAS												
0000065 1S4W11G W	8	8	8	8	8	8	-	-	-	-	-	0
HELIPORT												
0000066 1S4W15G W	1	1	1	1	1	1	0	0	0	0	0	0
HILL												
0000067 1S2W31B W	-	-	-	-	-	0	0	0	0	0	0	0
HOLDEN MUT. WTR. CO.												
0000068 1S4W14E W	2	2	2	2	2	2	-	-	-	-	-	0

TABLE NO. 2

VERIFIED EXTRACTATIONS BY OWNERS (NON-PLAINTIFFS) WHICH HAVE NOT FILED WITH THE STATE WATER RESOURCES CONTROL BOARD

OWNER	1959	1960	1961	1962	1963	1959-63 AVERAGE	1985	1986	1987	1988	1989	1985-89 AVERAGE
(CONTINUED)												
HOLDEN MUT. WTR. CO.												
0000069 1S4W14F W	12	12	12	12	12	12	-	-	-	-	-	0
OWNER TOTAL	14*	14*	14*	14*	14*	14*	0*	0*	0*	0*	0*	0*
HORTON												
0000070 1S3W32J W	385	300	420	364	357	365	320	264	272	307	299	292
HUNTER												
0000071 1S3W03D W	3	3	3	3	3	3	0	0	0	0	0	0
INTER CITY MUTUAL WATER CO												
0000072 1S4W23P W ¹	-	-	-	-	-	0	-	-	-	-	-	0
KARAHALOIS												
0000139 1S2W17 W ²	-	-	-	-	-	0	1	1	1	1	1	1
KING												
0000073 1N4W14R W	1	1	1	1	1	1	1	1	1	1	1	1
KOCH												
0000074 1S2W32B W	-	-	-	-	-	0	0	0	0	0	0	0
KRANTZ DAIRY												
0000075 1S4W11F W	100	100	100	100	100	100	0	0	0	0	0	0
KUHN, RICHARD J												
0000178 1S3W32G W ³	-	-	-	-	-	0	60	60	40	40	40	48

1 FILED BY SAN BERNARDINO, CITY OF RECORDATION NO. 3602521 COMMENCING 1977 SEE TABLE NO. 1

2 FORMERLY UNIVERSITY OF REDLANDS

3 WELL DRILLED 1976

TABLE NO. 2

VERIFIED EXTRACTATIONS BY OWNERS (NON-PLAINTIFFS) WHICH HAVE NOT FILED
WITH THE STATE WATER RESOURCES CONTROL BOARD

OWNER	1959	1960	1961	1962	1963	1959-63 AVERAGE	1985	1986	1987	1988	1989	1985-89 AVERAGE
L.P.R. RANCH												
0000080 1S3W13C W ¹	-	-	485	660	610	351	-	-	-	-	-	0
LA TOURETTE												
0000078 1S2W28M W	30	30	30	30	30	30	3	3	3	3	2	3
LANKERSHIM MUT. WTR. CO.												
0000076 1S3W06L W	100	100	100	100	100	100	60	70	130	130	0	78
0000077 1S3W06F W	50	50	50	50	50	50	60	50	20	20	0	30
OWNER TOTAL	150*	150*	150*	150*	150*	150*	120*	120*	150*	150*	0*	108*
LORD												
0000079 1S2W28M D	1	1	1	1	1	1	1	1	1	1	1	1
MARSHBURN												
0000081 1S3W17G W	-	-	380	300	290	194	100	100	100	100	100	100
MCCALLA BROS												
0000164 1S3W20 W	-	-	1	1	1	1	0	0	0	0	0	0
MENTONE DOMESTIC WTR. CO.												
0000083 1S2W19J W ²	-	-	25	-	-	5	-	-	-	-	-	0
0000176 1S2W19J W ³	-	-	-	-	-	0	-	-	-	-	-	0

1 FILED BY L.P.R. ICE COMPANY RECORDATION NO. 3602525 COMMENCING 1972 SEE TABLE NO. 1

2 FILED BY REDLANDS, CITY OF COMMENCING 1978 SEE TABLE NO. 1

3 FILED BY REDLANDS, CITY OF COMMENCING 1975 SEE TABLE NO. 1

TABLE NO. 2
 VERIFIED EXTRACTATIONS BY OWNERS (NON-PLAINTIFFS) WHICH HAVE NOT FILED
 WITH THE STATE WATER RESOURCES CONTROL BOARD

OWNER	1959	1960	1961	1962	1963	1959-63 AVERAGE	1985	1986	1987	1988	1989	1985-89 AVERAGE
OWNER TOTAL	0*	0*	25*	0*	0*	5*	0*	0*	0*	0*	0*	0*
MOORE, R. H.												
0000084 1S4W24K W	46	42	89	78	77	66	6	40	0	0	0	9
MT. VIEW CHILD CARE CENTER												
0000145 1S4W24J W ¹	2	2	2	2	2	2	1	1	1	1	1	1
NO NAME WELL												
0000085 1N3W32M W	30	27	32	28	28	29	0	0	0	0	0	0
NORTON AIR FORCE BASE												
0000086 1S4W12B W	688	619	640	699	623	654	568	311	492	535	536	488
0000087 1S4W12C W	473	425	440	480	429	449	0	5	55	5	137	40
0000088 1S4W12D W	860	773	800	874	780	817	0	0	0	0	0	0
0000089 1S4W12F W	1721	1546	1599	1747	1559	1634	839	1086	948	1188	1227	1058
0000090 1S3W08A W	946	850	879	961	857	899	753	843	790	872	855	823
0000091 1S4W12Q W	0	0	0	0	0	0	0	0	0	0	0	0
0000092 1S4W12G W	860	773	800	874	780	817	0	0	0	0	0	0
0000093 1S3W08E W	0	0	0	0	0	0	0	0	0	0	0	0
0000094 1S3W08M W	344	309	320	350	312	327	0	0	0	0	0	0
OWNER TOTAL	5892*	5295*	5478*	5985*	5340*	5598*	2160*	2245*	2285*	2600*	2755*	2409*
NORWOOD												
0000095 1N3W34F W	1	1	1	1	1	1	0	0	0	0	0	0
1 FORMERLY VANLEUVEN NURSING HOME												

TABLE NO. 2
 VERIFIED EXTRACTIONS BY OWNERS (NON-PLAINTIFFS) WHICH HAVE NOT FILED
 WITH THE STATE WATER RESOURCES CONTROL BOARD

OWNER	1959	1960	1961	1962	1963	1959-63 AVERAGE	1985	1986	1987	1988	1989	1985-89 AVERAGE
PACIFIC HIGH SCHOOL												
0000096 1N4W35H W	75	75	75	75	75	75	0	0	0	0	0	0
PATTERSON, ROY H.												
0000163 1N3W34 W ¹	-	-	-	-	-	0	1	1	1	1	1	1
PIERSON												
0000097 1N4W35N W ²	80	80	80	80	-	64	-	-	-	-	-	0
QUALITY FARMS												
0000053 1S3W04R W ³	123	123	123	123	123	123	125	125	100	80	80	102
RAMSEY												
0000098 1S2W22F D	1	1	1	1	1	1	1	1	1	1	1	1
REDLANDS ASSOCIATES												
0000099 1S2W17B W ⁴	-	-	-	-	13	3	0	0	0	0	0	0
0000100 1S2W09P W ⁴	200	162	200	169	166	179	-	-	-	-	-	0
0000101 1S2W09L W ⁵	145	119	146	123	122	131	-	-	-	-	-	0
0000102 1S2W09L D	144	97	92	122	110	113	-	-	-	-	-	0

1 FORMERLY ROBERTS, DR. G.

2 WELL DESTROYED

3 FORMERLY ROZEMA CHICKEN RANCH

4 FILED BY NEW OWNER BLUE GOOSE GROWERS INC. COMMENCING 1972 SEE TABLE NO. 1

5 FILED BY NEW OWNER BLUE BANNER CO. COMMENCING 1980 SEE TABLE NO. 1

TABLE NO. 2
 VERIFIED EXTRACTIONS BY OWNERS (NON-PLAINTIFFS) WHICH HAVE NOT FILED
 WITH THE STATE WATER RESOURCES CONTROL BOARD

OWNER	1959	1960	1961	1962	1963	1959-63 AVERAGE	1985	1986	1987	1988	1989	1985-89 AVERAGE
OWNER TOTAL	489*	378*	438*	414*	411*	426*	0*	0*	0*	0*	0*	0*
REDLANDS WTR. CO.												
0000104 1S2W08 D ¹	544	599	301	754	581	556	1118	1122	961	963	890	1011
REDLANDS, CITY OF												
0000103 1S2W13B D ²	10	10	10	10	10	10	0	0	0	0	0	0
REGINA GRAPE PRODUCTS												
0000105 1N5W04M W	60	60	60	60	60	60	0	0	0	0	0	0
0000106 1N5W04N W	24	24	24	24	24	24	0	0	0	0	0	0
0000107 1N5W04N W	27	27	27	27	27	27	0	0	0	0	0	0
0000108 1N5W05B D	29	29	29	29	29	29	0	0	0	0	0	0
0000109 1N5W05R W	33	33	33	33	33	33	0	0	0	0	0	0
0000110 1N5W04N W	24	24	24	24	24	24	0	0	0	0	0	0
0000111 1N5W04N W	33	33	33	33	33	33	0	0	0	0	0	0
0000112 1N5W04N W	20	20	20	20	20	20	0	0	0	0	0	0
OWNER TOTAL	250*	250*	250*	250*	250*	250*	0*	0*	0*	0*	0*	0*
RIVAS												
0000113 1S4W24J W	1	1	1	1	1	1	1	1	0	0	0	0
RULE												
0000114 1N3W34K W	1	1	1	1	1	1	0	0	0	0	0	0

1 COMMENCING 1974 SEE TABLE NO. 6 SANTA ANA RIVER VERIFICATION OF EXTRACTIONS

2 COMMENCING 1974 SEE TABLE NO. 5 MILL CREEK VERIFICATION OF EXTRACTIONS MILL CREEK RANGER STATION TERMINATED MAY 1979

TABLE NO. 2
 VERIFIED EXTRACTIONS BY OWNERS (NON-PLAINTIFFS) WHICH HAVE NOT FILED
 WITH THE STATE WATER RESOURCES CONTROL BOARD

OWNER	1959	1960	1961	1962	1963	1959-63 AVERAGE	1985	1986	1987	1988	1989	1985-89 AVERAGE
SAN BERNARDINO, CITY OF												
0000115 1S4W21A W	3	3	3	3	3	3	0	0	0	0	0	0
0000116 1S4W22C W	5	5	5	5	5	5	0	0	0	0	0	0
OWNER TOTAL	8*	8*	8*	8*	8*	8*	0*	0*	0*	0*	0*	0*
SAN BERNARDINO, COUNTY OF												
0000001 1S4W14A W ¹	145	145	145	80	80	119	0	0	0	0	0	0
0000019 1N4W35F W ²	200	200	200	200	200	200	338	340	350	350	350	346
0000117 2N5W33F W	428	330	410	308	207	337	243	278	80	236	622	292
0000118 2N5W33G W ³	208	285	399	256	179	265	348	476	524	612	478	488
0000177 2N5W33Q02 W	-	-	-	-	-	0	133	112	4	0	0	50
OWNER TOTAL	981*	960*	1154*	844*	666*	921*	1062*	1206*	958*	1198*	1450*	1175*
SAN MANUAL INDIAN RESERV.												
0000119 1N3W20N W	6	6	6	6	6	6	0	0	0	0	0	0
SANDYS RESTAURANT												
0000165 1S3W21M2 W	-	-	-	-	-	0	0	0	0	0	0	0
SANTINI												
0000120 1S4W14A W	90	90	90	90	90	90	0	0	0	0	0	0

1 FORMERLY AEROSPACE

2 FORMERLY COUNTY HOSPITAL

3 ORIGINAL VERIFICATION DONE DURING THE 1973 VERIFICATION

TABLE NO. 2

VERIFIED EXTRACTIONS BY OWNERS (NON-PLAINTIFFS) WHICH HAVE NOT FILED WITH THE STATE WATER RESOURCES CONTROL BOARD

OWNER	1959	1960	1961	1962	1963	1959-63 AVERAGE	1985	1986	1987	1988	1989	1985-89 AVERAGE
SARATOGA DEVELOPMENT CO ¹												
0000028 1S2W06 D	1	1	1	1	1	1	1	1	1	1	1	1
SATOSKI, DOCTOR												
0000121 1N4W14J W	1	1	1	1	1	1	1	1	1	1	1	1
SELEY												
0000122 1N3W19Q D	1	1	1	1	1	1	1	1	1	1	1	1
SIX HOUSES												
0000123 1S4W22A W	6	6	6	6	6	6	0	0	0	0	0	0
SMITH												
0000124 1N4W14J W	1	1	1	1	1	1	1	1	1	1	1	1
SMITH MEAT PACKING PLANT ²												
0000126 1S4W22M W	3	3	3	3	3	3	-	-	-	-	-	0
SMITH,												
0000125 1S3W02J W	10	10	10	10	10	10	10	10	10	10	10	10
STANLEY, SILAS ³												
0000127 1S2W24H W	2	2	2	2	2	2	3	3	3	3	3	3
STEWART, WILLARD												
0000128 1S3W31D W	53	53	53	53	53	53	0	0	0	0	0	0

1 FORMERLY EAST HIGHLANDS ORANGE COMPANY

2 WELL DESTROYED

3 1982 VERIFIED AMOUNT CORRECTED DURING 1983 VERIFICATION

TABLE NO. 2

VERIFIED EXTRACTIONS BY OWNERS (NON-PLAINTIFFS) WHICH HAVE NOT FILED
WITH THE STATE WATER RESOURCES CONTROL BOARD

OWNER	1959	1960	1961	1962	1963	1959-63 AVERAGE	1985	1986	1987	1988	1989	1985-89 AVERAGE
STRAWBERRY PATCH												
0000129 1S3W03N W	-	-	-	-	-	0	30	30	30	30	30	30
0000130 1S3W03N W	1	1	1	1	1	1	0	0	0	0	0	0
OWNER TOTAL	1*	1*	1*	1*	1*	1*	30*	30*	30*	30*	30*	30*
SUPERIOR ORCHARDS												
0000131 1N3W29B D	1	1	1	1	1	1	0	0	0	0	0	0
TEXACO GAS STATION												
0000027 1S4W24J W ¹	-	-	-	-	-	0	1	1	1	1	1	1
THOMPSON RANDALL												
0000132 1N3W28A D	3	3	3	3	3	3	0	0	0	0	0	0
TRI CITY MUTUAL WATER COMPANY												
0000133 1S4W23N W	0	0	0	0	0	0	0	0	0	0	0	0
TRIPLE FALLS MUT. WTR. CO.												
0000134 1S1W19G W ²	-	-	-	-	-	0	-	-	-	-	-	0
0000135 1S1W20D W ²	5	5	4	5	5	5	-	-	-	-	-	0
0000136 1S1W20D W ²	10	7	6	10	13	9	-	-	-	-	-	0
OWNER TOTAL	15*	12*	10*	15*	18*	14*	0*	0*	0*	0*	0*	0*
U.S. FOREST SERVICE												
0000137 1N4W13Q W	9	9	9	9	9	9	0	0	0	0	0	0

1 FORMERLY DOUGLAS GAS STATION

2 FILED BY NEW OWNER YUCAIPA VALLEY COUNTY WATER DISTRICT COMMENCING 1975 SEE TABLE NO. 1

TABLE NO. 2
 VERIFIED EXTRACTATIONS BY OWNERS (NON-PLAINTIFFS) WHICH HAVE NOT FILED
 WITH THE STATE WATER RESOURCES CONTROL BOARD

OWNER	1959	1960	1961	1962	1963	1959-63 AVERAGE	1985	1986	1987	1988	1989	1985-89 AVERAGE
(CONTINUED)												
U.S. FOREST SERVICE												
0000138 1S2W13P W	-	-	-	-	-	0	0	0	0	0	0	0
OWNER TOTAL	9*	9*	9*	9*	9*	9*	0*	0*	0*	0*	0*	0*
VALENCIA AVE. MUT. WTR. CO.												
0000140 1N4W23K W	30	30	30	30	30	30	0	0	0	0	0	0
VALLEY FARMS MUT. WTR. CO.												
0000141 1S4W15R W	90	90	90	90	90	90	206	192	174	100	100	154
0000142 1S4W15Q W	29	29	29	29	29	29	10	0	1	0	0	2
OWNER TOTAL	119*	119*	119*	119*	119*	119*	216*	192*	175*	100*	100*	157*
VAN MEETER												
0000146 1S3W02P W	3	3	0	0	0	1	0	0	0	0	0	0
0000147 1S3W02P W	-	-	-	-	-	0	3	3	3	3	3	3
OWNER TOTAL	3*	3*	0*	0*	0*	1*	3*	3*	3*	3*	3*	3*
VANLEUVEN, CLARENCE												
0000143 1S4W24J W	26	26	26	26	26	26	0	0	0	0	0	0
VICTORIA SEVENTH DAY ADVENTIST												
0000144 1S4W24J W ¹	15	15	15	15	15	15	0	0	0	10	10	4
WALLACE												
0000148 1N4W14J W	1	1	1	1	1	1	1	1	1	1	1	1
1 FORMERLY VANLEUVEN, ED												

TABLE NO. 2
 VERIFIED EXTRACTIIONS BY OWNERS (NON-PLAINTIFFS) WHICH HAVE NOT FILED
 WITH THE STATE WATER RESOURCES CONTROL BOARD

OWNER	1959	1960	1961	1962	1963	1959-63 AVERAGE	1985	1986	1987	1988	1989	1985-89 AVERAGE
WARD, FLOYD												
0000149 1S1W18N	-	-	-	16	16	6	0	0	0	0	0	0
0000150 1S1W18P	-	-	-	17	17	7	0	0	0	0	0	0
0000151 1S1W18P	1	1	1	1	1	1	1	1	1	1	1	1
0000152 1S1W18N	-	-	-	16	16	6	0	0	0	0	0	0
0000153 1S1W18M	-	-	-	52	52	21	0	0	0	0	0	0
0000154 1S1W18P	-	-	-	1	1	0	2	2	2	0	0	1
OWNER TOTAL	1*	1*	1*	103*	103*	42*	3*	3*	3*	1*	1*	2*
WESTERN FRUIT GROWERS												
0000156 1S3W24Q	147	220	177	0	0	109	0	0	0	0	0	0
WIDEMEYER												
0000157 1N3W29H	1	1	1	1	1	1	0	0	0	0	0	0
0000158 1N3W29H	5	5	5	5	5	5	0	0	0	0	0	0
OWNER TOTAL	6*	6*	6*	6*	6*	6*	0*	0*	0*	0*	0*	0*
WILLIAMS DAIRY												
0000159 1S4W11G	142	142	142	142	142	142	0	0	0	0	0	0
YORK												
0000160 1N3W19R	1	1	1	1	1	1	1	1	1	1	1	1
0000161 1N3W19R	28	28	28	28	28	28	15	15	15	15	15	15
0000162 1N3W19R	30	26	20	30	28	27	0	0	0	0	0	0

TABLE NO. 2
 VERIFIED EXTRACTIONS BY OWNERS (NON-PLAINTIFFS) WHICH HAVE NOT FILED
 WITH THE STATE WATER RESOURCES CONTROL BOARD

OWNER	1959	1960	1961	1962	1963	1959-63 AVERAGE	1985	1986	1987	1988	1989	1985-89 AVERAGE
OWNER TOTAL	59*	55*	49*	59*	57*	56*	16*	16*	16*	16*	16*	16*
TOTAL VERIFIED PRODUCTION ALL FACILITIES	13929*	12980*	14412*	14460*	13653*	13887*	6130*	6095*	5373*	5712*	5882*	5838*
TOTAL VERIFIED PRODUCTION ALL FACILITIES 25 ACRE-FEET PER YEAR OR LARGER	13430*	12505*	13946*	13981*	13167*	13406*	6061*	6014*	5291*	5618*	5794*	5756*

TABLE NO. 3

SUMMARY OF EXTRACTIONS (FILED AND NON-FILED)
FROM SAN BERNARDINO BASIN AREA BY NON-PLAINTIFFS
FOR USE WITHIN SAN BERNARDINO COUNTY

TABLE NO. 3

SUMMARY OF VERIFIED EXTRACTIONS (FILED & NON-FILED) FROM SAN BERNARDINO BASIN AREA
 BY NON-PLAINTIFFS FOR USE WITHIN SAN BERNARDINO COUNTY

OWNER	1959	1960	1961	1962	1963	1959-63 AVERAGE	1985	1986	1987	1988	1989	1985-89 AVERAGE
AHMANSON RANCH												
OWNER TOTAL	200*	200*	200*	200*	200*	200*	0*	0*	0*	0*	0*	0*
ANDERSON, W.D.												
OWNER TOTAL	0*	0*	0*	0*	0*	0*	0*	0*	0*	0*	0*	0*
ARMSTRONG, DOUGLAS												
OWNER TOTAL	286*	342*	0*	0*	0*	126*	0*	0*	0*	0*	0*	0*
ARNOLD RANCH												
OWNER TOTAL	230*	230*	230*	230*	230*	230*	0*	0*	0*	0*	0*	0*
ARROWHEAD COUNTRY CLUB												
OWNER TOTAL	600*	607*	650*	650*	650*	631*	398*	450*	344*	437*	404*	407*
ARROYO VERDE MUTUAL WATER CO.												
OWNER TOTAL	166*	186*	162*	168*	141*	165*	125*	101*	129*	140*	140*	127*
ATCHISON, TOPEKA & SANTA FE RAILWAY CO.												
OWNER TOTAL	316*	254*	226*	220*	138*	231*	0*	0*	0*	0*	0*	0*
B M I FUNDS												
OWNER TOTAL	343*	323*	165*	165*	0*	199*	0*	0*	0*	0*	0*	0*
BALCOM												
OWNER TOTAL	1*	1*	1*	1*	1*	1*	0*	0*	0*	0*	0*	0*
BALDWIN												
OWNER TOTAL	1*	1*	1*	1*	1*	1*	0*	0*	0*	0*	0*	0*

TABLE NO. 3
 SUMMARY OF VERIFIED EXTRACTIIONS (FILED & NON-FILED) FROM SAN BERNARDINO BASIN AREA
 BY NON-PLAINTIFFS FOR USE WITHIN SAN BERNARDINO COUNTY

OWNER	1959	1960	1961	1962	1963	1959-63 AVERAGE	1985	1986	1987	1988	1989	1985-89 AVERAGE
BARNO, JOHN												
OWNER TOTAL	0*	0*	0*	0*	34*	7*	0*	0*	0*	0*	0*	0*
BARRIER												
OWNER TOTAL	3*	3*	3*	3*	3*	3*	0*	0*	0*	0*	0*	0*
BASE LINE WELL COMPANY												
OWNER TOTAL	0*	0*	0*	0*	0*	0*	0*	0*	0*	0*	0*	0*
BASELINE GARDENS MUTUAL WATER COMPANY												
OWNER TOTAL	303*	303*	303*	303*	303*	303*	498*	500*	440*	450*	513*	480*
BASELINE LAUNDRY												
OWNER TOTAL	50*	50*	50*	50*	50*	50*	30*	19*	16*	20*	15*	20*
BATCHELOR												
OWNER TOTAL	2*	2*	2*	2*	2*	2*	2*	2*	2*	2*	2*	2*
BEAR VALLEY MUTUAL WATER COMPANY												
OWNER TOTAL	22886*	19239*	15197*	16493*	13384*	17440*	20709*	24054*	17320*	15620*	16813*	18903*
BELL, H. EUGENE												
OWNER TOTAL	115*	88*	30*	85*	167*	97*	0*	0*	0*	0*	0*	0*
BERMAN, JERRY												
OWNER TOTAL	204*	194*	214*	84*	84*	156*	0*	0*	0*	0*	0*	0*
BERMAN, JERRY & SONS												
OWNER TOTAL	0*	0*	0*	28*	32*	12*	26*	16*	12*	15*	10*	16*

TABLE NO. 3
 SUMMARY OF VERIFIED EXTRACTIONS (FILED & NON-FILED) FROM SAN BERNARDINO BASIN AREA
 BY NON-PLAINTIFFS FOR USE WITHIN SAN BERNARDINO COUNTY

OWNER	1959	1960	1961	1962	1963	1959-63 AVERAGE	1985	1986	1987	1988	1989	1985-89 AVERAGE
BIG BEAR MUNICIPAL WATER DISTRICT												
OWNER TOTAL	0*	0*	0*	0*	0*	0*	0*	0*	0*	0*	1593*	319*
BLISS												
OWNER TOTAL	2*	2*	2*	2*	2*	2*	0*	0*	0*	0*	0*	0*
BLUE BANNER CO.												
OWNER TOTAL	0*	0*	0*	0*	0*	0*	100*	100*	100*	100*	100*	100*
BLUE GOOSE GROWERS INC												
OWNER TOTAL	0*	0*	0*	0*	0*	0*	0*	0*	0*	0*	0*	0*
BOUCHER												
OWNER TOTAL	1*	1*	1*	1*	1*	1*	1*	1*	1*	1*	1*	1*
BREAK, ALLEN, ESTATE												
OWNER TOTAL	760*	608*	760*	608*	608*	669*	0*	0*	0*	0*	0*	0*
BRISTOL RANCH												
OWNER TOTAL	90*	100*	160*	108*	108*	113*	0*	0*	0*	0*	0*	0*
BROOKSIDE DAIRY, INC												
OWNER TOTAL	302*	302*	312*	312*	313*	308*	0*	0*	0*	0*	0*	0*
BROOKSIDE PLAZA												
OWNER TOTAL	0*	0*	0*	0*	0*	0*	0*	0*	0*	0*	2*	0*
BRYN MAWR MUTUAL WATER COMPANY												
OWNER TOTAL	1197*	1130*	1333*	1299*	1052*	1202*	504*	426*	347*	296*	186*	352*

TABLE NO. 3
 SUMMARY OF VERIFIED EXTRACTIIONS (FILED & NON-FILED) FROM SAN BERNARDINO BASIN AREA
 BY NON-PLAINTIFFS FOR USE WITHIN SAN BERNARDINO COUNTY

OWNER	1959	1960	1961	1962	1963	1959-63 AVERAGE	1985	1986	1987	1988	1989	1985-89 AVERAGE
BUOYE WELL												
OWNER TOTAL	0*	0*	146*	160*	177*	97*	0*	0*	0*	0*	0*	0*
CALIFORNIA, STATE OF PATTON HOSPITAL												
OWNER TOTAL	947*	1076*	1085*	1003*	957*	1014*	618*	560*	704*	385*	466*	547*
CAMPUS CRUSADE FOR CHRIST												
OWNER TOTAL	977*	846*	607*	568*	407*	681*	300*	300*	200*	150*	150*	220*
CANYON KNOLLS RANCH												
OWNER TOTAL	104*	85*	105*	88*	87*	94*	74*	77*	103*	120*	172*	109*
CANYON RANCH												
OWNER TOTAL	298*	222*	101*	109*	103*	167*	0*	0*	0*	0*	0*	0*
CARDIFF FARMS MUTUAL WATER COMPANY												
OWNER TOTAL	518*	455*	502*	403*	446*	465*	440*	450*	300*	300*	300*	358*
CARPENTER												
OWNER TOTAL	4*	4*	4*	4*	4*	4*	0*	0*	0*	0*	0*	0*
CHARLES, J. J.												
OWNER TOTAL	0*	0*	0*	0*	0*	0*	0*	0*	0*	0*	0*	0*
CHRISTINA WATER COMPANY												
OWNER TOTAL	1302*	1403*	700*	865*	793*	1013*	236*	135*	200*	135*	151*	171*
CLIFFSIDE RANCH												
OWNER TOTAL	171*	174*	181*	150*	186*	172*	0*	0*	0*	0*	0*	0*

TABLE NO. 3

SUMMARY OF VERIFIED EXTRACTIONS (FILED & NON-FILED) FROM SAN BERNARDINO BASIN AREA
 BY NON-PLAINTIFFS FOR USE WITHIN SAN BERNARDINO COUNTY

OWNER	1959	1960	1961	1962	1963	1959-63 AVERAGE	1985	1986	1987	1988	1989	1985-89 AVERAGE
COGBILL, CLINTON L.												
OWNER TOTAL	312*	296*	325*	181*	91*	241*	1*	30*	50*	50*	50*	36*
COLTON, CITY OF												
OWNER TOTAL	2814*	3606*	3305*	3743*	3267*	3347*	7202*	6903*	6572*	6711*	8246*	7127*
CONEJO RANCHOS MUTUAL WATER COMPANY												
OWNER TOTAL	0*	0*	0*	0*	0*	0*	0*	0*	0*	0*	0*	0*
COOK CANYON												
OWNER TOTAL	35*	35*	35*	35*	35*	35*	1*	0*	0*	0*	0*	0*
CRAFTON WATER COMPANY												
OWNER TOTAL	623*	750*	911*	745*	658*	737*	10*	1*	219*	37*	604*	174*
CRAM PATTERSON WELL												
OWNER TOTAL	413*	257*	361*	277*	294*	320*	334*	423*	319*	162*	400*	328*
CRAM RANCH ASSOCIATES												
OWNER TOTAL	220*	194*	179*	190*	224*	201*	0*	2*	18*	18*	18*	11*
CRIM, W. ROSCOE												
OWNER TOTAL	389*	343*	435*	413*	396*	395*	441*	542*	300*	133*	468*	377*
CRYSTAL SPRINGS												
OWNER TOTAL	1*	1*	1*	1*	1*	1*	1*	1*	1*	1*	1*	1*
DANGLO DAIRY												
OWNER TOTAL	35*	35*	35*	35*	35*	35*	0*	0*	0*	0*	0*	0*

TABLE NO. 3
 SUMMARY OF VERIFIED EXTRACTIIONS (FILED & NON-FILED) FROM SAN BERNARDINO BASIN AREA
 BY NON-PLAINTIFFS FOR USE WITHIN SAN BERNARDINO COUNTY

OWNER	1959	1960	1961	1962	1963	1959-63 AVERAGE	1985	1986	1987	1988	1989	1985-89 AVERAGE
DANIELS AND BEST RANCH												
OWNER TOTAL	0*	0*	0*	0*	0*	0*	197*	208*	200*	300*	337*	248*
DANIELS, DON												
OWNER TOTAL	0*	0*	0*	0*	0*	0*	0*	0*	0*	0*	0*	0*
DANIELS, HAROLD												
OWNER TOTAL	2*	2*	2*	2*	502*	102*	1*	1*	1*	1*	1*	1*
DEL ROSA MUTUAL WATER COMPANY												
OWNER TOTAL	94*	100*	561*	529*	284*	314*	0*	0*	0*	0*	0*	0*
DEVORE WATER CO.												
OWNER TOTAL	126*	129*	140*	132*	136*	133*	423*	388*	408*	446*	477*	428*
DILLSON MUT. WTR. CO.												
OWNER TOTAL	36*	36*	36*	36*	36*	36*	0*	0*	0*	0*	0*	0*
DUDA, WALTER AND BETTY												
OWNER TOTAL	5*	13*	37*	21*	22*	20*	52*	63*	55*	62*	59*	58*
EADINGTON FRUIT CO. COOK RANCH												
OWNER TOTAL	133*	133*	133*	133*	133*	133*	139*	150*	242*	201*	166*	180*
EAST BARTON WATER COMPANY												
OWNER TOTAL	168*	127*	135*	274*	145*	170*	0*	0*	0*	0*	0*	0*
EAST HIGHLANDS ORANGE COMPANY												
OWNER TOTAL	53*	28*	40*	47*	46*	43*	0*	0*	0*	0*	0*	0*

TABLE NO. 3
SUMMARY OF VERIFIED EXTRACTIIONS (FILED & NON-FILED) FROM SAN BERNARDINO BASIN AREA
BY NON-PLAINTIFFS FOR USE WITHIN SAN BERNARDINO COUNTY

OWNER	1959	1960	1961	1962	1963	1959-63 AVERAGE	1985	1986	1987	1988	1989	1985-89 AVERAGE
EAST HIGHLANDS RANCH, INC.												
OWNER TOTAL	4119*	3805*	3806*	4181*	3854*	3953*	1495*	1378*	1233*	1184*	956*	1249*
EAST LUGONIA MUTUAL WATER CO.												
OWNER TOTAL	1002*	624*	637*	460*	391*	623*	0*	0*	93*	44*	0*	27*
EAST PIONEER MUTUAL WELL COMPANY												
OWNER TOTAL	776*	692*	876*	403*	431*	636*	141*	158*	181*	176*	34*	138*
EAST VALLEY WATER DISTRICT												
OWNER TOTAL	12923*	12839*	16011*	14204*	13630*	13921*	15400*	13686*	15580*	17047*	17304*	15803*
EASTWOOD FARMS COMMUNITY WATER USERS												
OWNER TOTAL	200*	230*	330*	210*	250*	244*	87*	100*	100*	100*	100*	97*
ELLENA, JOHN B.												
OWNER TOTAL	585*	585*	585*	585*	585*	585*	0*	0*	0*	0*	0*	0*
ELLGOOD												
OWNER TOTAL	5*	5*	5*	5*	5*	5*	40*	40*	5*	5*	5*	19*
ELTINGE & GRAZIADIO												
OWNER TOTAL	122*	81*	64*	49*	32*	70*	0*	0*	0*	0*	0*	0*
F. A. R. WELL												
OWNER TOTAL	0*	0*	0*	272*	264*	107*	132*	129*	54*	32*	62*	82*
FAIRVIEW WATER COMPANY												
OWNER TOTAL	1395*	875*	825*	780*	575*	890*	548*	529*	603*	604*	326*	522*

TABLE NO. 3

SUMMARY OF VERIFIED EXTRACTIONS (FILED & NON-FILED) FROM SAN BERNARDINO BASIN AREA
 BY NON-PLAINTIFFS FOR USE WITHIN SAN BERNARDINO COUNTY

OWNER	1959	1960	1961	1962	1963	1959-63 AVERAGE	1985	1986	1987	1988	1989	1985-89 AVERAGE
FARROW												
OWNER TOTAL	6*	5*	28*	5*	5*	10*	5*	5*	5*	5*	5*	5*
FINCH												
OWNER TOTAL	0*	0*	0*	0*	0*	0*	0*	0*	0*	0*	0*	0*
FONTANA UNION WATER COMPANY												
OWNER TOTAL	19841*	15649*	13295*	14674*	12086*	15109*	11110*	7229*	13635*	11274*	7276*	10105*
FRIEDEMANN, ERNEST C.												
OWNER TOTAL	90*	85*	75*	50*	50*	70*	0*	0*	0*	0*	0*	0*
FRINK RANCH												
OWNER TOTAL	0*	0*	0*	0*	0*	0*	0*	0*	0*	0*	0*	0*
GAY, PHILIP L.												
OWNER TOTAL	200*	200*	260*	250*	200*	222*	79*	72*	47*	62*	82*	68*
GENERAL AMERICAN LIFE INS. CO.												
OWNER TOTAL	507*	493*	300*	285*	280*	373*	121*	105*	10*	30*	30*	59*
GLADYSTA WELL & WATER COMPANY												
OWNER TOTAL	527*	486*	609*	517*	507*	529*	416*	439*	405*	316*	320*	379*
GOLCONDA WATER CO.												
OWNER TOTAL	96*	96*	96*	96*	96*	96*	0*	0*	0*	0*	0*	0*
GOLDEN BEAR FOREST PRODUCTS												
OWNER TOTAL	30*	30*	33*	33*	33*	32*	0*	0*	0*	0*	0*	0*

TABLE NO. 3

SUMMARY OF VERIFIED EXTRACTIONS (FILED & NON-FILED) FROM SAN BERNARDINO BASIN AREA
 BY NON-PLAINTIFFS FOR USE WITHIN SAN BERNARDINO COUNTY

OWNER	1959	1960	1961	1962	1963	1959-63 AVERAGE	1985	1986	1987	1988	1989	1985-89 AVERAGE
GRANT WATER COMPANY												
OWNER TOTAL	429*	424*	483*	436*	363*	427*	0*	0*	0*	0*	0*	0*
GREENSPOT MUTUAL WATER CO TUNNEL												
OWNER TOTAL	0*	0*	0*	0*	0*	0*	520*	320*	120*	0*	0*	192*
GREENSPOT MUTUAL WELL CO.												
OWNER TOTAL	142*	149*	121*	105*	76*	119*	269*	258*	257*	328*	409*	304*
GUERTH, WILLIAM H.												
OWNER TOTAL	1585*	695*	922*	1230*	860*	1058*	170*	170*	150*	100*	0*	118*
HAGAR												
OWNER TOTAL	1*	1*	1*	1*	1*	1*	0*	0*	0*	0*	0*	0*
HAPPE MUTUAL WELL COMPANY												
OWNER TOTAL	526*	592*	649*	358*	500*	525*	8*	0*	0*	0*	489*	99*
HARDISON												
OWNER TOTAL	1*	1*	1*	1*	1*	1*	1*	1*	1*	1*	1*	1*
HARRISON												
OWNER TOTAL	1*	1*	1*	1*	1*	1*	0*	0*	0*	0*	0*	0*
HARRISON CANYON												
OWNER TOTAL	2*	2*	2*	2*	2*	2*	0*	0*	0*	0*	0*	0*
HAZAS												
OWNER TOTAL	8*	8*	8*	8*	8*	8*	0*	0*	0*	0*	0*	0*

TABLE NO. 3

SUMMARY OF VERIFIED EXTRACTIIONS (FILED & NON-FILED) FROM SAN BERNARDINO BASIN AREA
 BY NON-PLAINTIFFS FOR USE WITHIN SAN BERNARDINO COUNTY

OWNER	1959	1960	1961	1962	1963	1959-63 AVERAGE	1985	1986	1987	1988	1989	1985-89 AVERAGE
HEAD, JOE T.	0*	0*	0*	0*	0*	0*	0*	0*	0*	0*	0*	0*
OWNER TOTAL	0*	0*	0*	0*	0*	0*	0*	0*	0*	0*	0*	0*
HELIPORT	1*	1*	1*	1*	1*	1*	0*	0*	0*	0*	0*	0*
OWNER TOTAL	1*	1*	1*	1*	1*	1*	0*	0*	0*	0*	0*	0*
HIGHLAND ACRES RANCH	250*	160*	350*	400*	400*	312*	0*	0*	0*	0*	0*	0*
OWNER TOTAL	250*	160*	350*	400*	400*	312*	0*	0*	0*	0*	0*	0*
HIGHLAND WELL COMPANY	278*	263*	265*	232*	184*	244*	0*	0*	0*	0*	0*	0*
OWNER TOTAL	278*	263*	265*	232*	184*	244*	0*	0*	0*	0*	0*	0*
HILL	0*	0*	0*	0*	0*	0*	0*	0*	0*	0*	0*	0*
OWNER TOTAL	0*	0*	0*	0*	0*	0*	0*	0*	0*	0*	0*	0*
HINCKLEY, HORACE P.	818*	635*	612*	462*	391*	584*	0*	0*	0*	0*	0*	0*
OWNER TOTAL	818*	635*	612*	462*	391*	584*	0*	0*	0*	0*	0*	0*
HOBBS WELL PARTNERSHIP	174*	96*	696*	692*	532*	438*	106*	29*	30*	37*	30*	46*
OWNER TOTAL	174*	96*	696*	692*	532*	438*	106*	29*	30*	37*	30*	46*
HOLDEN MUT. WTR. CO.	14*	14*	14*	14*	14*	14*	0*	0*	0*	0*	0*	0*
OWNER TOTAL	14*	14*	14*	14*	14*	14*	0*	0*	0*	0*	0*	0*
HOLMES ICE & COLD STORAGE CO. INC.	591*	405*	410*	345*	344*	419*	6*	6*	5*	6*	5*	6*
OWNER TOTAL	591*	405*	410*	345*	344*	419*	6*	6*	5*	6*	5*	6*
HORTON	385*	300*	420*	364*	357*	365*	320*	264*	272*	307*	299*	292*
OWNER TOTAL	385*	300*	420*	364*	357*	365*	320*	264*	272*	307*	299*	292*

TABLE NO. 3

SUMMARY OF VERIFIED EXTRACTIIONS (FILED & NON-FILED) FROM SAN BERNARDINO BASIN AREA
 BY NON-PLAINTIFFS FOR USE WITHIN SAN BERNARDINO COUNTY

OWNER	1959	1960	1961	1962	1963	1959-63 AVERAGE	1985	1986	1987	1988	1989	1985-89 AVERAGE
HUNTER												
OWNER TOTAL	3*	3*	3*	3*	3*	3*	0*	0*	0*	0*	0*	0*
INTER CITY MUTUAL WATER CO												
OWNER TOTAL	0*	0*	0*	0*	0*	0*	0*	0*	0*	0*	0*	0*
IOWA STREET WELL												
OWNER TOTAL	62*	62*	21*	10*	7*	32*	0*	0*	0*	0*	0*	0*
J. G. GOLFING ENTERPRISES, INC.												
OWNER TOTAL	0*	0*	0*	0*	0*	0*	276*	210*	318*	310*	280*	279*
JEWEL WATER COMPANY, THE												
OWNER TOTAL	504*	408*	356*	293*	258*	364*	0*	0*	0*	0*	0*	0*
JUDSON MUTUAL WATER COMPANY												
OWNER TOTAL	403*	356*	348*	367*	363*	367*	0*	0*	0*	0*	0*	0*
K INV./TRUTANIC/Y UN WELL												
OWNER TOTAL	380*	350*	415*	362*	358*	373*	218*	217*	233*	269*	234*	234*
KANSAS STREET MUTUAL WATER CO.												
OWNER TOTAL	376*	327*	378*	328*	353*	352*	301*	296*	278*	335*	212*	284*
KARAHALOIS												
OWNER TOTAL	0*	0*	0*	0*	0*	0*	1*	1*	1*	1*	1*	1*
KING												
OWNER TOTAL	1*	1*	1*	1*	1*	1*	1*	1*	1*	1*	1*	1*

TABLE NO. 3

SUMMARY OF VERIFIED EXTRACTIIONS (FILED & NON-FILED) FROM SAN BERNARDINO BASIN AREA
 BY NON-PLAINTIFFS FOR USE WITHIN SAN BERNARDINO COUNTY

OWNER	1959	1960	1961	1962	1963	1959-63 AVERAGE	1985	1986	1987	1988	1989	1985-89 AVERAGE
KING STREET MUTUAL WELL COMPANY	408*	371*	358*	281*	372*	358*	25*	0*	2*	16*	92*	27*
OWNER TOTAL	408*	371*	358*	281*	372*	358*	25*	0*	2*	16*	92*	27*
KOCH	0*	0*	0*	0*	0*	0*	0*	0*	0*	0*	0*	0*
OWNER TOTAL	0*	0*	0*	0*	0*	0*	0*	0*	0*	0*	0*	0*
KOCH, GEORGE J.	0*	0*	0*	0*	0*	0*	0*	0*	0*	0*	0*	0*
OWNER TOTAL	0*	0*	0*	0*	0*	0*	0*	0*	0*	0*	0*	0*
KRANTZ DAIRY	100*	100*	100*	100*	100*	100*	0*	0*	0*	0*	0*	0*
OWNER TOTAL	100*	100*	100*	100*	100*	100*	0*	0*	0*	0*	0*	0*
KUHN, RICHARD J	0*	0*	0*	0*	0*	0*	60*	60*	40*	40*	40*	48*
OWNER TOTAL	0*	0*	0*	0*	0*	0*	60*	60*	40*	40*	40*	48*
L.P.R. ICE COMPANY	0*	0*	0*	0*	0*	0*	776*	636*	549*	579*	681*	644*
OWNER TOTAL	0*	0*	0*	0*	0*	0*	776*	636*	549*	579*	681*	644*
L.P.R. RANCH	0*	0*	485*	660*	610*	351*	0*	0*	0*	0*	0*	0*
OWNER TOTAL	0*	0*	485*	660*	610*	351*	0*	0*	0*	0*	0*	0*
LA BONTE, JIM	5*	5*	5*	5*	5*	5*	5*	4*	4*	4*	4*	4*
OWNER TOTAL	5*	5*	5*	5*	5*	5*	5*	4*	4*	4*	4*	4*
LA ROSSE, CHARLES H.	38*	21*	35*	18*	14*	25*	0*	0*	0*	0*	0*	0*
OWNER TOTAL	38*	21*	35*	18*	14*	25*	0*	0*	0*	0*	0*	0*
LA TOURETTE	30*	30*	30*	30*	30*	30*	3*	3*	3*	3*	2*	3*
OWNER TOTAL	30*	30*	30*	30*	30*	30*	3*	3*	3*	3*	2*	3*

TABLE NO. 3
 SUMMARY OF VERIFIED EXTRACTIIONS (FILED & NON-FILED) FROM SAN BERNARDINO BASIN AREA
 BY NON-PLAINTIFFS FOR USE WITHIN SAN BERNARDINO COUNTY

OWNER	1959	1960	1961	1962	1963	1959-63 AVERAGE	1965	1966	1967	1968	1969	1985-89 AVERAGE
LAKESIDE AVENUE MUTUAL WELL COMPANY	79*	48*	58*	51*	20*	51*	0*	0*	0*	0*	0*	0*
OWNER TOTAL												
LANGFORD RANCHES	1680*	1564*	1146*	1124*	1468*	1396*	1311*	1207*	1014*	984*	935*	1090*
OWNER TOTAL												
LANGSTON-NEWBY DEVELOPMENT CO.	50*	50*	50*	50*	50*	50*	0*	0*	0*	0*	0*	0*
OWNER TOTAL												
LANKERSHIM MUT. WTR. CO.	150*	150*	150*	150*	150*	150*	120*	120*	150*	150*	0*	108*
OWNER TOTAL												
LARANNI GUNTER WELL	200*	200*	200*	200*	200*	200*	245*	246*	250*	242*	272*	251*
OWNER TOTAL												
LIVINGSTON-GRAHAM	221*	225*	220*	293*	295*	251*	271*	100*	100*	100*	100*	134*
OWNER TOTAL												
LOMA LINDA UNIVERSITY	1011*	1116*	1202*	1166*	901*	1079*	668*	712*	785*	927*	983*	815*
OWNER TOTAL												
LOMA LINDA, CITY OF	2216*	2241*	2492*	2193*	1580*	2144*	2959*	2693*	1855*	3813*	3842*	3032*
OWNER TOTAL												
LORD	1*	1*	1*	1*	1*	1*	1*	1*	1*	1*	1*	1*
OWNER TOTAL												
LUGO WATER COMPANY	414*	346*	324*	300*	239*	325*	0*	0*	0*	0*	200*	40*
OWNER TOTAL												

TABLE NO. 3
 SUMMARY OF VERIFIED EXTRACTIIONS (FILED & NON-FILED) FROM SAN BERNARDINO BASIN AREA
 BY NON-PLAINTIFFS FOR USE WITHIN SAN BERNARDINO COUNTY

OWNER	1959	1960	1961	1962	1963	1959-63 AVERAGE	1985	1986	1987	1988	1989	1985-89 AVERAGE
LULY, DR. LUCIAN L.	0*	0*	0*	0*	0*	0*	0*	0*	0*	0*	0*	0*
OWNER TOTAL	0*	0*	0*	0*	0*	0*	0*	0*	0*	0*	0*	0*
MARIGOLD FARMS COMPANY	2170*	3503*	2418*	2329*	2310*	2546*	3378*	3824*	3519*	4366*	4410*	3899*
OWNER TOTAL	2170*	3503*	2418*	2329*	2310*	2546*	3378*	3824*	3519*	4366*	4410*	3899*
MARSHBURN	0*	0*	380*	300*	290*	194*	100*	100*	100*	100*	100*	100*
OWNER TOTAL	0*	0*	380*	300*	290*	194*	100*	100*	100*	100*	100*	100*
MASCART WATER COMPANY	395*	302*	468*	381*	367*	383*	0*	249*	374*	387*	371*	276*
OWNER TOTAL	395*	302*	468*	381*	367*	383*	0*	249*	374*	387*	371*	276*
MAYBELL, N. O.	26*	26*	12*	12*	12*	18*	0*	0*	0*	0*	0*	0*
OWNER TOTAL	26*	26*	12*	12*	12*	18*	0*	0*	0*	0*	0*	0*
MCCALLA BROS	0*	0*	1*	1*	1*	1*	0*	0*	0*	0*	0*	0*
OWNER TOTAL	0*	0*	1*	1*	1*	1*	0*	0*	0*	0*	0*	0*
MEADOWBROOK DAIRY	492*	388*	340*	331*	462*	403*	501*	502*	508*	315*	500*	465*
OWNER TOTAL	492*	388*	340*	331*	462*	403*	501*	502*	508*	315*	500*	465*
MENTONE ACRES MUTUAL WELL CO.	455*	495*	505*	475*	121*	410*	0*	0*	0*	0*	0*	0*
OWNER TOTAL	455*	495*	505*	475*	121*	410*	0*	0*	0*	0*	0*	0*
MENTONE CITRUS GROVES	714*	873*	637*	409*	306*	588*	475*	145*	131*	895*	475*	424*
OWNER TOTAL	714*	873*	637*	409*	306*	588*	475*	145*	131*	895*	475*	424*
MENTONE DOMESTIC WTR. CO.	0*	0*	25*	0*	0*	5*	0*	0*	0*	0*	0*	0*
OWNER TOTAL	0*	0*	25*	0*	0*	5*	0*	0*	0*	0*	0*	0*

TABLE NO. 3

SUMMARY OF VERIFIED EXTRACTIONS (FILED & NON-FILED) FROM SAN BERNARDINO BASIN AREA
BY NON-PLAINTIFFS FOR USE WITHIN SAN BERNARDINO COUNTY

OWNER	1959	1960	1961	1962	1963	1959-63 AVERAGE	1985	1986	1987	1988	1989	1985-89 AVERAGE
MEYER, CHARLES R.	42*	42*	55*	51*	53*	49*	0*	0*	0*	0*	0*	0*
OWNER TOTAL	42*	42*	55*	51*	53*	49*	0*	0*	0*	0*	0*	0*
MILLER MUTUAL WELL CO.	20*	8*	41*	58*	53*	36*	34*	30*	30*	30*	30*	31*
OWNER TOTAL	20*	8*	41*	58*	53*	36*	34*	30*	30*	30*	30*	31*
MONTECITO MUTUAL WATER COMPANY	104*	109*	110*	77*	71*	94*	170*	170*	185*	175*	175*	175*
OWNER TOTAL	104*	109*	110*	77*	71*	94*	170*	170*	185*	175*	175*	175*
MOORE, R. H.	46*	42*	89*	78*	77*	66*	6*	40*	0*	0*	0*	9*
OWNER TOTAL	46*	42*	89*	78*	77*	66*	6*	40*	0*	0*	0*	9*
MOUNT VERNON WATER COMPANY	1750*	1478*	1760*	1354*	1238*	1516*	808*	724*	1002*	1149*	1456*	1028*
OWNER TOTAL	1750*	1478*	1760*	1354*	1238*	1516*	808*	724*	1002*	1149*	1456*	1028*
MT. HARRISON MUTUAL WATER CO.	753*	874*	303*	371*	310*	522*	187*	14*	5*	25*	35*	53*
OWNER TOTAL	753*	874*	303*	371*	310*	522*	187*	14*	5*	25*	35*	53*
MT. VIEW CEMETERY OF SAN BERNARDINO	228*	185*	145*	250*	141*	190*	220*	243*	247*	250*	234*	239*
OWNER TOTAL	228*	185*	145*	250*	141*	190*	220*	243*	247*	250*	234*	239*
MT. VIEW CHILD CARE CENTER	2*	2*	2*	2*	2*	2*	1*	1*	1*	1*	1*	1*
OWNER TOTAL	2*	2*	2*	2*	2*	2*	1*	1*	1*	1*	1*	1*
MULLINS, JAMES C., JR., EXECUTOR	148*	148*	148*	148*	148*	148*	21*	25*	33*	33*	37*	30*
OWNER TOTAL	148*	148*	148*	148*	148*	148*	21*	25*	33*	33*	37*	30*
MUSCOY MUTUAL WATER COMPANY, NO. 1	1943*	1870*	2028*	1863*	1684*	1878*	2080*	2038*	1938*	2459*	2368*	2177*
OWNER TOTAL	1943*	1870*	2028*	1863*	1684*	1878*	2080*	2038*	1938*	2459*	2368*	2177*

TABLE NO. 3

SUMMARY OF VERIFIED EXTRACTONS (FILED & NON-FILED) FROM SAN BERNARDINO BASIN AREA
 BY NON-PLAINTIFFS FOR USE WITHIN SAN BERNARDINO COUNTY

OWNER	1959	1960	1961	1962	1963	1959-63 AVERAGE	1985	1986	1987	1988	1989	1985-89 AVERAGE
NATIONAL ORANGE SHOW												
OWNER TOTAL	135*	135*	135*	135*	135*	135*	58*	58*	58*	58*	58*	58*
NEALEY MUTUAL WATER COMPANY												
OWNER TOTAL	0*	0*	0*	0*	0*	0*	0*	0*	0*	0*	0*	0*
NEW ENGLAND WATER CO.												
OWNER TOTAL	946*	892*	1023*	836*	880*	915*	408*	418*	371*	381*	426*	401*
NICKERSON WATER COMPANY												
OWNER TOTAL	678*	551*	838*	721*	540*	666*	25*	0*	0*	0*	0*	5*
NO NAME WELL												
OWNER TOTAL	30*	27*	32*	28*	28*	29*	0*	0*	0*	0*	0*	0*
NORTH FORK WATER COMPANY												
OWNER TOTAL	851*	737*	776*	778*	670*	762*	0*	0*	0*	0*	247*	49*
NORTHBRAE WATER COMPANY												
OWNER TOTAL	394*	530*	608*	395*	466*	479*	0*	0*	0*	0*	0*	0*
NORTHSIDE WATER COMPANY												
OWNER TOTAL	398*	402*	491*	385*	333*	402*	0*	0*	0*	0*	0*	0*
NORTON AIR FORCE BASE												
OWNER TOTAL	5892*	5295*	5478*	5985*	5340*	5598*	2160*	2245*	2285*	2600*	2755*	2409*
NORWOOD												
OWNER TOTAL	1*	1*	1*	1*	1*	1*	0*	0*	0*	0*	0*	0*

TABLE NO. 3

SUMMARY OF VERIFIED EXTRACTIONS (FILED & NON-FILED) FROM SAN BERNARDINO BASIN AREA
 BY NON-PLAINTIFFS FOR USE WITHIN SAN BERNARDINO COUNTY

OWNER	1959	1960	1961	1962	1963	1959-63 AVERAGE	1985	1986	1987	1988	1989	1985-89 AVERAGE
NYE, WILLIAM H.	164*	199*	294*	156*	167*	196*	0*	0*	0*	0*	0*	0*
OWNER TOTAL												
OLD TOWN WELL CO.	488*	534*	572*	525*	515*	527*	246*	298*	10*	247*	243*	209*
OWNER TOTAL												
PACIFIC HIGH SCHOOL	75*	75*	75*	75*	75*	75*	0*	0*	0*	0*	0*	0*
OWNER TOTAL												
PAIN, ROBERT T., TRUSTEE	603*	609*	664*	530*	586*	598*	95*	71*	70*	70*	70*	75*
OWNER TOTAL												
PATTERSON, ROY H.	0*	0*	0*	0*	0*	0*	1*	1*	1*	1*	1*	1*
OWNER TOTAL												
PAXTON, R. H.	511*	245*	243*	378*	179*	311*	0*	0*	0*	0*	0*	0*
OWNER TOTAL												
PENN WELL COMPANY	539*	447*	504*	550*	440*	496*	0*	0*	0*	0*	0*	0*
OWNER TOTAL												
PHAROAH POWELL WATER CO.	326*	350*	365*	371*	322*	347*	292*	319*	285*	357*	380*	327*
OWNER TOTAL												
PIERSON	80*	80*	80*	80*	0*	64*	0*	0*	0*	0*	0*	0*
OWNER TOTAL												
PIONEER MUTUAL WATER CO.	314*	222*	288*	316*	275*	283*	65*	62*	62*	92*	113*	79*
OWNER TOTAL												

TABLE NO. 3

SUMMARY OF VERIFIED EXTRACTIONS (FILED & NON-FILED) FROM SAN BERNARDINO BASIN AREA
 BY NON-PLAINTIFFS FOR USE WITHIN SAN BERNARDINO COUNTY

OWNER	1959	1960	1961	1962	1963	1959-63 AVERAGE	1985	1986	1987	1988	1989	1985-89 AVERAGE
QUALITY FARMS												
OWNER TOTAL	123*	123*	123*	123*	123*	123*	125*	125*	100*	80*	80*	102*
RAMIREZ BROTHERS												
OWNER TOTAL	61*	61*	65*	62*	64*	63*	20*	24*	71*	71*	31*	43*
RAMIREZ, CARLOS												
OWNER TOTAL	100*	100*	100*	25*	85*	82*	64*	86*	83*	99*	130*	92*
RAMIREZ, J.J.												
OWNER TOTAL	246*	220*	352*	224*	259*	260*	114*	125*	120*	120*	120*	120*
RAMSEY												
OWNER TOTAL	1*	1*	1*	1*	1*	1*	1*	1*	1*	1*	1*	1*
RANCHO CITRUS AMIGOS												
OWNER TOTAL	80*	80*	80*	80*	80*	80*	0*	0*	0*	0*	0*	0*
RANCHO LADERA												
OWNER TOTAL	162*	148*	331*	206*	313*	232*	484*	460*	388*	13*	10*	271*
RAUGHT MUTUAL WELL COMPANY												
OWNER TOTAL	504*	550*	552*	506*	520*	526*	454*	439*	299*	438*	461*	418*
REDLANDS ASSOCIATES												
OWNER TOTAL	489*	378*	438*	414*	411*	426*	0*	0*	0*	0*	0*	0*
REDLANDS TRAP/SKEET												
OWNER TOTAL	145*	235*	235*	2*	2*	124*	15*	15*	10*	15*	15*	14*

TABLE NO. 3

SUMMARY OF VERIFIED EXTRACTIIONS (FILED & NON-FILED) FROM SAN BERNARDINO BASIN AREA
 BY NON-PLAINTIFFS FOR USE WITHIN SAN BERNARDINO COUNTY

OWNER	1959	1960	1961	1962	1963	1959-63 AVERAGE	1966	1967	1968	1969	1985-89 AVERAGE
REDLANDS WTR. CO.											
OWNER TOTAL	544*	599*	301*	754*	581*	556*	1122*	961*	963*	890*	1011*
REDLANDS, CITY OF											
OWNER TOTAL	22851*	22914*	25132*	25363*	21440*	23540*	27481*	28265*	25562*	27232*	27519*
REES & PERRICONE RANCH											
OWNER TOTAL	0*	0*	0*	0*	0*	0*	0*	0*	0*	0*	0*
REGINA GRAPE PRODUCTS											
OWNER TOTAL	250*	250*	250*	250*	250*	250*	0*	0*	0*	0*	0*
REYNOLDS, BILL											
OWNER TOTAL	3*	3*	3*	3*	3*	3*	3*	3*	5*	5*	4*
RIALTO, CITY OF											
OWNER TOTAL	2618*	1622*	1834*	2101*	1867*	2008*	6088*	4998*	6688*	6046*	5975*
RIEDMAN, FRED M.											
OWNER TOTAL	230*	230*	230*	230*	15*	187*	0*	0*	0*	0*	0*
RIVAS											
OWNER TOTAL	1*	1*	1*	1*	1*	1*	1*	0*	0*	0*	0*
RIVAS, RAMON											
OWNER TOTAL	30*	43*	0*	0*	0*	15*	0*	0*	0*	0*	0*
ROBBINS, H. W.											
OWNER TOTAL	0*	0*	0*	0*	18*	4*	0*	0*	0*	0*	0*

TABLE NO. 3
 SUMMARY OF VERIFIED EXTRactions (FILED & NON-FILED) FROM SAN BERNARDINO BASIN AREA
 BY NON-PLAINTIFFS FOR USE WITHIN SAN BERNARDINO COUNTY

OWNER	1959	1960	1961	1962	1963	1959-63 AVERAGE	1965	1966	1967	1968	1969	1985-89 AVERAGE
RULE												
OWNER TOTAL	1*	1*	1*	1*	1*	1*	0*	0*	0*	0*	0*	0*
SAN BERNARDINO AVENUE WATER COMPANY												
OWNER TOTAL	371*	303*	394*	352*	298*	344*	81*	105*	127*	127*	105*	109*
SAN BERNARDINO, CITY OF												
OWNER TOTAL	19460*	17920*	20103*	19200*	17966*	18930*	41801*	41418*	41857*	44161*	42025*	42252*
SAN BERNARDINO, COUNTY OF												
OWNER TOTAL	981*	960*	1154*	844*	666*	921*	1062*	1206*	958*	1198*	1450*	1175*
SAN MANUAL INDIAN RESERV.												
OWNER TOTAL	6*	6*	6*	6*	6*	6*	0*	0*	0*	0*	0*	0*
SANDYS RESTAURANT												
OWNER TOTAL	0*	0*	0*	0*	0*	0*	0*	0*	0*	0*	0*	0*
SANTINI												
OWNER TOTAL	90*	90*	90*	90*	90*	90*	0*	0*	0*	0*	0*	0*
SARATOGA DEVELOPMENT CO												
OWNER TOTAL	1*	1*	1*	1*	1*	1*	1*	1*	1*	1*	1*	1*
SATOSKI, DOCTOR												
OWNER TOTAL	1*	1*	1*	1*	1*	1*	1*	1*	1*	1*	1*	1*
SECHREST, RALPH F.												
OWNER TOTAL	87*	71*	192*	906*	141*	279*	0*	0*	0*	0*	0*	0*

TABLE NO. 3
 SUMMARY OF VERIFIED EXTRACTIONS (FILED & NON-FILED) FROM SAN BERNARDINO BASIN AREA
 BY NON-PLAINTIFFS FOR USE WITHIN SAN BERNARDINO COUNTY

OWNER	1959	1960	1961	1962	1963	1959-63 AVERAGE	1985	1986	1987	1988	1989	1985-89 AVERAGE
SELBY, DR. & MRS. ARTHUR												
OWNER TOTAL	147*	227*	730*	259*	406*	354*	0*	0*	0*	0*	0*	0*
SELEY												
OWNER TOTAL	1*	1*	1*	1*	1*	1*	1*	1*	1*	1*	1*	1*
SIX HOUSES												
OWNER TOTAL	6*	6*	6*	6*	6*	6*	0*	0*	0*	0*	0*	0*
SMITH												
OWNER TOTAL	1*	1*	1*	1*	1*	1*	1*	1*	1*	1*	1*	1*
SMITH MEAT PACKING PLANT												
OWNER TOTAL	3*	3*	3*	3*	3*	3*	0*	0*	0*	0*	0*	0*
SMITH TRACT WELL COMPANY												
OWNER TOTAL	270*	177*	56*	0*	127*	126*	0*	0*	0*	0*	0*	0*
SMITH,												
OWNER TOTAL	10*	10*	10*	10*	10*	10*	10*	10*	10*	10*	10*	10*
SO. SAN BERNARDINO COUNTY WATER DIST.												
OWNER TOTAL	1036*	994*	1149*	512*	392*	817*	148*	167*	176*	110*	396*	199*
SOJKA, DONALD R												
OWNER TOTAL	91*	82*	99*	86*	84*	88*	0*	0*	0*	0*	0*	0*
SOLANO WELL NO. 1												
OWNER TOTAL	212*	143*	147*	88*	43*	127*	0*	0*	0*	0*	0*	0*

TABLE NO. 3
 SUMMARY OF VERIFIED EXTRACTATIONS (FILED & NON-FILED) FROM SAN BERNARDINO BASIN AREA
 BY NON-PLAINTIFFS FOR USE WITHIN SAN BERNARDINO COUNTY

OWNER	1959	1960	1961	1962	1963	1959-63 AVERAGE	1985	1986	1987	1988	1989	1985-89 AVERAGE
SOLANO WELL NO. 3												
OWNER TOTAL	0*	0*	0*	202*	179*	76*	0*	20*	0*	0*	99*	24*
SOMERS, R.												
OWNER TOTAL	1*	1*	1*	1*	1*	1*	1*	0*	0*	0*	0*	0*
SOUTHERN CALIFORNIA EDISON COMPANY												
OWNER TOTAL	1410*	1219*	1425*	1609*	1627*	1458*	272*	497*	251*	60*	63*	229*
SOUZA, JOHN												
OWNER TOTAL	7*	7*	9*	10*	9*	8*	0*	0*	0*	0*	0*	0*
STANLEY, SILAS												
OWNER TOTAL	2*	2*	2*	2*	2*	2*	3*	3*	3*	3*	3*	3*
STEWART, WILLARD												
OWNER TOTAL	53*	53*	53*	53*	53*	53*	0*	0*	0*	0*	0*	0*
STORKSON, WILLIAM F.												
OWNER TOTAL	35*	30*	20*	40*	35*	32*	56*	50*	59*	54*	70*	58*
STOWE WATER COMPANY												
OWNER TOTAL	630*	598*	622*	560*	667*	615*	369*	386*	303*	207*	191*	291*
STRAWBERRY PATCH												
OWNER TOTAL	1*	1*	1*	1*	1*	1*	30*	30*	30*	30*	30*	30*
SUNRISE RANCH PART C/O LIFE DEVELOPMENT												
OWNER TOTAL	1857*	1693*	2119*	2037*	1992*	1940*	608*	631*	662*	640*	640*	636*

TABLE NO. 3
SUMMARY OF VERIFIED EXTRACTIONS (FILED & NON-FILED) FROM SAN BERNARDINO BASIN AREA
BY NON-PLAINTIFFS FOR USE WITHIN SAN BERNARDINO COUNTY

OWNER	1959	1960	1961	1962	1963	1959-63 AVERAGE	1985	1986	1987	1988	1989	1985-89 AVERAGE
SUPERIOR ORCHARDS												
OWNER TOTAL	1*	1*	1*	1*	1*	1*	0*	0*	0*	0*	0*	0*
SYCAMORE HEIGHTS WATER COMPANY, INC.												
OWNER TOTAL	420*	52*	52*	52*	52*	126*	0*	0*	0*	0*	0*	0*
TENNESSEE MUTUAL WELL COMPANY												
OWNER TOTAL	537*	501*	622*	516*	476*	530*	404*	423*	388*	348*	319*	376*
TENNESSEE WATER CO.												
OWNER TOTAL	530*	530*	540*	540*	550*	538*	562*	639*	570*	610*	657*	608*
TERRACE WATER COMPANY												
OWNER TOTAL	1318*	921*	1077*	1012*	899*	1045*	1110*	1100*	873*	944*	873*	980*
TEXACO GAS STATION												
OWNER TOTAL	0*	0*	0*	0*	0*	0*	1*	1*	1*	1*	1*	1*
THOMPSON RANDALL												
OWNER TOTAL	3*	3*	3*	3*	3*	3*	0*	0*	0*	0*	0*	0*
TRI CITY CONCRETE												
OWNER TOTAL	135*	135*	135*	135*	136*	135*	0*	0*	0*	0*	0*	0*
TRI CITY MUTUAL WATER COMPANY												
OWNER TOTAL	53*	20*	0*	0*	0*	15*	0*	0*	0*	0*	0*	0*
TRIPLE FALLS MUT. WTR. CO.												
OWNER TOTAL	15*	12*	10*	15*	18*	14*	0*	0*	0*	0*	0*	0*

TABLE NO. 3

SUMMARY OF VERIFIED EXTRACTIONS (FILED & NON-FILED) FROM SAN BERNARDINO BASIN AREA
 BY NON-PLAINTIFFS FOR USE WITHIN SAN BERNARDINO COUNTY

OWNER	1959	1960	1961	1962	1963	1959-63 AVERAGE	1985	1986	1987	1988	1989	1985-89 AVERAGE
TROJAN GROVES												
OWNER TOTAL	962*	700*	940*	784*	816*	840*	768*	840*	905*	735*	615*	773*
U.S. FOREST SERVICE												
OWNER TOTAL	9*	9*	9*	9*	9*	9*	0*	0*	0*	0*	0*	0*
UNGER, V.E.												
OWNER TOTAL	0*	0*	0*	0*	0*	0*	0*	0*	0*	0*	0*	0*
VALDEPENA ACRES												
OWNER TOTAL	25*	25*	25*	27*	8*	22*	30*	32*	35*	0*	40*	27*
VALENCIA AVE. MUT. WTR. CO.												
OWNER TOTAL	30*	30*	30*	30*	30*	30*	0*	0*	0*	0*	0*	0*
VALLEY FARMS MUT. WTR. CO.												
OWNER TOTAL	119*	119*	119*	119*	119*	119*	216*	192*	175*	100*	100*	157*
VAN LOON MUTUAL WATER COMPANY												
OWNER TOTAL	153*	159*	99*	203*	189*	161*	141*	140*	163*	157*	88*	138*
VAN MEETER												
OWNER TOTAL	3*	3*	0*	0*	0*	1*	3*	3*	3*	3*	3*	3*
VANLEUVEN, CLARENCE												
OWNER TOTAL	26*	26*	26*	26*	26*	26*	0*	0*	0*	0*	0*	0*
VICTORIA FARMS MUTUAL WATER CO.												
OWNER TOTAL	335*	288*	320*	275*	266*	297*	31*	38*	52*	46*	33*	40*

TABLE NO. 3
 SUMMARY OF VERIFIED EXTRACTIONS (FILED & NON-FILED) FROM SAN BERNARDINO BASIN AREA
 BY NON-PLAINTIFFS FOR USE WITHIN SAN BERNARDINO COUNTY

OWNER	1959	1960	1961	1962	1963	1959-63 AVERAGE	1985	1986	1987	1988	1989	1985-89 AVERAGE
VICTORIA GUERNSEY												
OWNER TOTAL	163*	248*	200*	160*	223*	199*	0*	0*	0*	0*	0*	0*
VICTORIA SEVENTH DAY ADVENTIST												
OWNER TOTAL	15*	15*	15*	15*	15*	15*	0*	0*	0*	10*	10*	4*
WALLACE												
OWNER TOTAL	1*	1*	1*	1*	1*	1*	1*	1*	1*	1*	1*	1*
WARD, FLOYD												
OWNER TOTAL	1*	1*	1*	103*	103*	42*	3*	3*	3*	1*	1*	2*
WARMINGTON, ROBERT P.												
OWNER TOTAL	300*	248*	288*	153*	139*	226*	0*	43*	16*	16*	0*	15*
WEATHERMAX, W. G.												
OWNER TOTAL	0*	0*	0*	0*	0*	0*	0*	0*	0*	0*	0*	0*
WEST SAN BDNO. COUNTY WATER DIST.												
OWNER TOTAL	13584*	12090*	13587*	11331*	11837*	12486*	12655*	12814*	13775*	13935*	14439*	13524*
WESTERN FRUIT GROWERS												
OWNER TOTAL	147*	220*	177*	0*	0*	109*	0*	0*	0*	0*	0*	0*
WIDEMEYER												
OWNER TOTAL	6*	6*	6*	6*	6*	6*	0*	0*	0*	0*	0*	0*
WILEY, RUTH NORWOOD												
OWNER TOTAL	0*	0*	0*	0*	52*	10*	1*	0*	0*	0*	0*	0*

TABLE NO. 3
 SUMMARY OF VERIFIED EXTRACTIIONS (FILED & NON-FILED) FROM SAN BERNARDINO BASIN AREA
 BY NON-PLAINTIFFS FOR USE WITHIN SAN BERNARDINO COUNTY

OWNER	1959	1960	1961	1962	1963	1959-63 AVERAGE	1964	1965	1966	1967	1968	1969	1985-89 AVERAGE
WILLIAMS DAIRY													
OWNER TOTAL	142*	142*	142*	142*	142*	142*	0*	0*	0*	0*	0*	0*	0*
WILLIAMS WELL CORPORATION, LTD.													
OWNER TOTAL	721*	684*	765*	706*	595*	694*	512*	529*	469*	570*	583*	533*	
WOEHR MUTUAL WATER COMPANY													
OWNER TOTAL	374*	465*	625*	488*	423*	475*	0*	0*	0*	0*	0*	0*	0*
YAHIKU, PAUL													
OWNER TOTAL	50*	95*	51*	51*	51*	60*	0*	0*	0*	0*	0*	0*	0*
YORK													
OWNER TOTAL	59*	55*	49*	59*	57*	56*	16*	16*	16*	16*	16*	16*	16*
YUCAIPA VALLEY WATER DISTRICT													
OWNER TOTAL	0*	0*	0*	0*	0*	0*	72*	71*	69*	69*	22*	47*	
'7TH AVE. WELL													
OWNER TOTAL	230*	342*	514*	161*	271*	304*	0*	0*	0*	0*	0*	0*	0*
TOTAL VERIFIED													
PRODUCTION ALL													
FACILITIES	191189*	174999*	182060*	175939*	158609*	176559*	180889*	176287*	175441*	177869*	179851*	178067*	
TOTAL VERIFIED													
PRODUCTION ALL													
FACILITIES 25													
ACRE-FEET PER													
YEAR OR LARGER	190215*	174242*	181397*	175104*	157665*	175725*	180729*	176101*	175264*	177667*	179672*	177887*	

TABLE NO. 4

LYTLE CREEK VERIFICATION OF EXTRACTIONS FOR
CALENDAR YEARS 1959-1963 & 1985-1989

TABLE NO. 4

LYTLE CREEK
VERIFICATIONS OF EXTRACTIONS
FOR CALENDAR YEAR 1959

LINE NO	LOCATION OF MEASUREMENT	JAN	FEB	MAR	APR	MAY	JUN	JUL	AUG	SEP	OCT	NOV	DEC	TOTAL	REMARKS
1	WEIR NO. 1	1,337	1,043	1,406	1,085	1,026	948	797	732	875	910	847	873	11,879	SEE NOTE 1
2	WEIR NO. 2	0	0	0	0	0	0	0	0	0	0	0	0	0	SEE NOTE 2
3	WEIR NO. 3	292	235	575	323	307	241	200	188	150	182	137	123	2,953	SEE NOTE 3
4	TOTAL OF WEIRS NO. 1, 2, & 3	1,629	1,278	1,981	1,408	1,333	1,189	997	920	1,025	1,092	984	996	14,832	LINES 1 + 2 + 3
5	DEDUCT STREAM RETURN OVER 20' WEIR	8	3	0	0	0	0	0	0	0	0	0	0	11	SEE NOTE 4
6	TOTAL CALCULATED FLOW TO LOWER POWERHOUSE LINE 8 - LINE 6	1,621	1,275	1,981	1,408	1,333	1,189	997	920	1,025	1,092	984	996	14,821	LINE 4 - 5
7	ANNUAL % DIFFERENCE													-1.2%	SEE NOTE 5
8	MEASURED FLOW TO LOWER POWERHOUSE LINE 8	1,623	1,253	1,955	1,374	1,342	1,174	991	906	1,028	1,069	954	978	14,647	SEE NOTE 6
DEDUCT MILLER NARROWS WELLS															
9	WELL NO. 1 SDNR RECORDATION NO. 3600588	0	0	0	0	0	0	0	0	0	0	0	0	0	SEE NOTE 7
10	WELL NO. 2 SDNR RECORDATION NO. 3600590	0	0	0	0	141	333	341	340	268	266	259	237	2,185	SEE NOTE 7
11	TOTAL PUMPED WATER	0	0	0	0	141	333	341	340	268	266	259	237	2,185	LINE 9 + 10
12	STREAM FLOW DIVERTED FROM LYTLE CREEK	1,623	1,253	1,955	1,374	1,201	841	650	566	760	803	695	741	12,462	LINE 8 - 11
13	DEDUCT FLOW RETURNED TO STREAM BELOW LOWER POWERHOUSE	400	411	326	19	0	0	0	0	172	35	6	95	1,464	SEE NOTE 8
14	TOTAL STREAM DIVERSION AT LOWER POWERHOUSE	1,223	842	1,629	1,355	1,201	841	650	566	588	768	689	646	10,998	LINE 12 - 13
BREED LINE CALCULATION															
15	WEIR NO. 4	80	141	91	112	112	101	102	95	79	83	84	73	1,153	SEE NOTE 9
16	LESS WATER PUMPED FONTANA UNION WELL NO. 27 SDNR RECORDATION NO. 3600582	39	19	65	81	84	75	69	62	46	46	41	25	652	SEE NOTE 10
17	TOTAL STREAM DIVERSION AT FONTANA UNION INTAKE TO BREED LINE	41	122	26	31	28	26	33	33	33	37	43	48	501	LINE 15 - 16
18	TOTAL LYTLE CREEK STREAM DIVERSION AS VERIFIED	1,264	964	1,655	1,386	1,229	867	683	599	621	805	732	694	11,499	LINE 14 + 17

NOTES

1. WEIR NO. 1 MEASURES SOUTHERN CALIFORNIA EDISON CONDUIT NEAR FONTANA (USGS).
2. WEIR NO. 2 MEASURES INFILTRATION LINE WATER TO FONTANA UNION INTAKE (USGS).
3. WEIR NO. 3 MEASURES EITHER STREAM DIVERSION OR INFILTRATION WATER (USGS).
4. 20 FOOT WEIR MEASURES FLOW RETURNED TO STREAM AT INTAKE (FONTANA UNION).
5. ANNUAL PERCENTAGE OF DIFFERENCE BETWEEN MEASURED & CALCULATED FLOW AT LOWER POWERHOUSE.
6. MEASURED FLOW AT LOWER POWERHOUSE (USGS) ASSUMED TO BE CORRECT.
7. WATER EXTRACTED BY FONTANA UNION WATER COMPANY MILLER NARROWS WELLS AND DISCHARGED TO EDISON CONDUIT. (FONTANA UNION).
8. WATER RETURNED TO STREAM FROM AFTERBAY AT LOWER POWERHOUSE (FONTANA UNION).
9. WEIR NO. 4 MEASURES FLOW TO BREED LINE AT INTAKE (USGS).
10. FONTANA UNION WATER COMPANY WELL #27 PUMPS INTERMITTENTLY TO BREED LINE (FONTANA UNION)

TABLE NO. 4

LYTLE CREEK
VERIFICATIONS OF EXTRACTIONS
FOR CALENDAR YEAR 1960

LINE NO	LOCATION OF MEASUREMENT	JAN	FEB	MAR	APR	MAY	JUN	JUL	AUG	SEP	OCT	NOV	DEC	TOTAL	REMARKS
1	WEIR NO. 1	989	1,007	956	772	855	591	497	456	432	520	666	704	8,445	SEE NOTE 1
2	WEIR NO. 2	0	0	0	0	0	0	0	0	0	0	0	0	0	SEE NOTE 2
3	WEIR NO. 3	118	125	141	113	136	146	152	135	125	112	78	145	1,526	SEE NOTE 3
4	TOTAL OF WEIRS NO. 1, 2, & 3	1,107	1,132	1,097	885	991	737	649	591	557	632	744	849	9,971	LINES 1 + 2 + 3
5	DEDUCT STREAM RETURN OVER 20' WEIR	0	0	1	0	0	0	0	0	0	0	1	0	2	SEE NOTE 4
6	TOTAL CALCULATED FLOW TO LOWER POWERHOUSE LINE 8 - LINE 6	1,107	1,137	1,096	885	991	737	649	591	557	632	743	849	9,969	LINE 4 - 5
7	ANNUAL % DIFFERENCE													+1.2%	SEE NOTE 5
8	MEASURED FLOW TO LOWER POWERHOUSE LINE 8	1,106	1,127	1,119	910	1,000	738	649	602	566	647	760	869	10,093	SEE NOTE 6
	DEDUCT MILLER NARROWS WELLS														
9	WELL NO. 1 SDMR RECORDATION NO. 3600588	0	0	0	0	0	0	0	0	0	0	0	0	0	SEE NOTE 7
10	WELL NO. 2 SDMR RECORDATION NO. 3600590	186	213	280	244	302	293	302	299	291	302	159	274	3,145	SEE NOTE 7
11	TOTAL PUMPED WATER	186	213	280	244	302	293	302	299	291	302	159	274	3,145	LINE 9 + 10
12	STREAM FLOW DIVERTED FROM LYTLE CREEK	920	914	839	666	698	445	347	303	275	345	601	595	6,948	LINE 8 - 11
13	DEDUCT FLOW RETURNED TO STREAM BELOW LOWER POWERHOUSE	144	160	45	63	0	0	0	0	0	36	304	9	761	SEE NOTE 8
14	TOTAL STREAM DIVERSION AT LOWER POWERHOUSE	776	754	794	603	698	445	347	303	275	309	297	586	6,187	LINE 12 - 13
	BREED LINE CALCULATION														
15	WEIR NO. 4	82	76	37	61	36	62	75	52	47	54	101	42	725	SEE NOTE 9
16	LESS WATER PUMPED FONTANA UNION WELL NO. 27 SDMR RECORDATION NO. 3600582	33	19	0	0	0	30	41	22	16	16	13	14	204	SEE NOTE 10
17	TOTAL STREAM DIVERSION AT FONTANA UNION INTAKE TO BREED LINE	49	57	37	61	36	32	34	30	31	38	88	28	521	LINE 15 - 16
18	TOTAL LYTLE CREEK STREAM DIVERSION AS VERIFIED	825	811	831	664	734	477	381	333	306	347	385	614	6,708	LINE 14 + 17

NOTES

1. WEIR NO. 1 MEASURES SOUTHERN CALIFORNIA EDISON CONDUIT NEAR FONTANA (USGS).
2. WEIR NO. 2 MEASURES INFILTRATION LINE WATER TO FONTANA UNION INTAKE (USGS).
3. WEIR NO. 3 MEASURES EITHER STREAM DIVERSION OR INFILTRATION WATER (USGS).
4. 20 FOOT WEIR MEASURES FLOW RETURNED TO STREAM AT INTAKE (FONTANA UNION).
5. ANNUAL PERCENTAGE OF DIFFERENCE BETWEEN MEASURED & CALCULATED FLOW AT LOWER POWERHOUSE.
6. MEASURED FLOW AT LOWER POWERHOUSE (USGS) ASSUMED TO BE CORRECT.
7. WATER EXTRACTED BY FONTANA UNION WATER COMPANY MILLER NARROWS WELLS AND DISCHARGED TO EDISON CONDUIT. (FONTANA UNION).
8. WATER RETURNED TO STREAM FROM AFTERBAY AT LOWER POWERHOUSE (FONTANA UNION).
9. WEIR NO. 4 MEASURES FLOW TO BREED LINE AT INTAKE (USGS).
10. FONTANA UNION WATER COMPANY WELL #27 PUMPS INTERMITTENTLY TO BREED LINE (FONTANA UNION)

TABLE NO. 4

LYTLE CREEK
VERIFICATIONS OF EXTRACTIONS
FOR CALENDAR YEAR 1961

LINE NO	LOCATION OF MEASUREMENT	JAN	FEB	MAR	APR	MAY	JUN	JUL	AUG	SEP	OCT	NOV	DEC	TOTAL	REMARKS
1	WEIR NO. 1	634	624	658	551	505	442	378	372	366	362	418	626	5,936	SEE NOTE 1
2	WEIR NO. 2	0	0	0	0	0	0	0	0	0	0	0	0	0	SEE NOTE 2
3	WEIR NO. 3	117	115	130	114	117	108	109	93	86	70	48	110	1,217	SEE NOTE 3
4	TOTAL OF WEIRS NO. 1, 2, & 3	751	739	788	665	622	550	487	465	452	432	466	736	7,153	LINES 1 + 2 + 3
5	DEDUCT STREAM RETURN OVER 20' WEIR	2	0	0	0	0	0	0	0	0	0	0	3	5	SEE NOTE 4
6	TOTAL CALCULATED FLOW TO LOWER POWERHOUSE LINE 8 - LINE 6	749	739	788	665	622	550	487	465	452	432	466	733	7,148	LINE 4 - 5
7	ANNUAL % DIFFERENCE													+2.5%	SEE NOTE 5
8	MEASURED FLOW TO LOWER POWERHOUSE LINE 8	752	762	813	700	637	544	488	480	472	431	469	785	7,333	SEE NOTE 6
DEDUCT MILLER NARROWS WELLS															
9	WELL NO. 1 SDWR RECORDATION NO. 3600588	0	0	0	0	0	0	0	0	0	0	0	0	0	SEE NOTE 7
10	WELL NO. 2 SDWR RECORDATION NO. 3600590	220	231	265	253	262	253	262	259	250	261	233	257	3,006	SEE NOTE 7
11	TOTAL PUMPED WATER	220	231	265	253	262	253	262	259	250	261	233	257	3,006	LINE 9 + 10
12	STREAM FLOW DIVERTED FROM LYTLE CREEK	532	531	548	447	375	291	226	221	222	170	236	528	4,327	LINE 8 - 11
13	DEDUCT FLOW RETURNED TO STREAM BELOW LOWER POWERHOUSE	89	32	22	6	3	0	0	0	0	0	78	82	312	SEE NOTE 8
14	TOTAL STREAM DIVERSION AT LOWER POWERHOUSE	443	499	526	441	372	291	226	221	221	170	158	446	4,015	LINE 12 - 13
BREED LINE CALCULATION															
15	WEIR NO. 4	65	35	31	32	35	32	32	33	31	32	45	68	471	SEE NOTE 9
16	LESS WATER PUMPED FONTANA UNION WELL NO. 27 SDWR RECORDATION NO. 3600582	13	1	1	3	4	6	8	6	3	4	3	6	58	SEE NOTE 10
17	TOTAL STREAM DIVERSION AT FONTANA UNION INTAKE TO BREED LINE	52	34	30	29	31	26	24	27	28	28	42	62	413	LINE 15 - 16
18	TOTAL LYTLE CREEK STREAM DIVERSION AS VERIFIED	495	533	556	470	403	317	250	248	250	198	200	508	4,428	LINE 14 + 17

NOTES

1. WEIR NO. 1 MEASURES SOUTHERN CALIFORNIA EDISON CONDUIT NEAR FONTANA (USGS).
2. WEIR NO. 2 MEASURES INFILTRATION LINE WATER TO FONTANA UNION INTAKE (USGS).
3. WEIR NO. 3 MEASURES EITHER STREAM DIVERSION OR INFILTRATION WATER (USGS).
4. 20 FOOT WEIR MEASURES FLOW RETURNED TO STREAM AT INTAKE (FONTANA UNION).
5. ANNUAL PERCENTAGE OF DIFFERENCE BETWEEN MEASURED & CALCULATED FLOW AT LOWER POWERHOUSE.
6. MEASURED FLOW AT LOWER POWERHOUSE (USGS) ASSUMED TO BE CORRECT.
7. WATER EXTRACTED BY FONTANA UNION WATER COMPANY MILLER NARROWS WELLS AND DISCHARGED TO EDISON CONDUIT. (FONTANA UNION).
8. WATER RETURNED TO STREAM FROM AFTERBAY AT LOWER POWERHOUSE (FONTANA UNION).
9. WEIR NO. 4 MEASURES FLOW TO BREED LINE AT INTAKE (USGS).
10. FONTANA UNION WATER COMPANY WELL #27 PUMPS INTERMITTENTLY TO BREED LINE (FONTANA UNION)

TABLE NO. 4

LYTLE CREEK
VERIFICATIONS OF EXTRACTIONS
FOR CALENDAR YEAR 1962

LINE NO	LOCATION OF MEASUREMENT	JAN	FEB	MAR	APR	MAY	JUN	JUL	AUG	SEP	OCT	NOV	DEC	TOTAL	REMARKS
1	WEIR NO. 1	698	721	1,448	1,359	966	847	738	636	738	1,289	1,327	1,254	12,021	SEE NOTE 1
2	WEIR NO. 2	0	196	403	0	0	0	0	0	0	0	0	0	599	SEE NOTE 2
3	WEIR NO. 3	177	335	526	477	327	290	238	230	208	196	183	174	3,411	SEE NOTE 3
4	TOTAL OF WEIRS NO. 1, 2, & 3	875	1,252	2,427	1,836	1,293	1,137	976	866	946	1,485	1,510	1,428	16,031	LINES 1 + 2 + 3
5	DEDUCT STREAM RETURN OVER 20' WEIR	0	69	72	0	0	0	0	0	0	0	0	0	141	SEE NOTE 4
6	TOTAL CALCULATED FLOW TO LOWER POWERHOUSE LINE 8 - LINE 6	875	1,183	2,355	1,836	1,293	1,137	976	866	946	1,485	1,510	1,428	15,890	LINE 4 - 5
7	ANNUAL % DIFFERENCE													-1.3%	SEE NOTE 5
8	MEASURED FLOW TO LOWER POWERHOUSE	894	1,187	2,386	1,827	1,291	1,113	978	845	904	1,450	1,454	1,361	15,690	SEE NOTE 6
DEDUCT MILLER NARROWS WELLS															
9	WELL NO. 1 SDMR RECORDATION NO. 3600588	0	0	0	0	0	0	0	0	0	0	0	0	0	SEE NOTE 7
10	WELL NO. 2 SDMR RECORDATION NO. 3600590	293	81	0	0	0	232	308	310	299	303	294	301	2,421	SEE NOTE 7
11	TOTAL PUMPED WATER	293	81	0	0	0	232	308	310	299	303	294	301	2,421	LINE 9 + 10
12	STREAM FLOW DIVERTED FROM LYTLE CREEK	601	1,106	2,386	1,827	1,291	881	670	535	605	1,147	1,160	1,060	13,269	LINE 8 - 11
13	DEDUCT FLOW RETURNED TO STREAM BELOW LOWER POWERHOUSE	49	515	809	616	20	0	0	0	0	31	0	0	2,040	SEE NOTE 8
14	TOTAL STREAM DIVERSION AT LOWER POWERHOUSE	552	591	1,577	1,211	1,271	881	670	535	605	1,116	1,160	1,060	11,229	LINE 12 - 13
BREED LINE CALCULATION															
15	WEIR NO. 4	41	143	40	101	81	77	77	73	65	59	43	32	832	SEE NOTE 9
16	LESS WATER PUMPED FONTANA UNION WELL NO. 27 SDMR RECORDATION NO. 3600582	2	8	3	59	42	40	38	34	28	33	18	1	306	SEE NOTE 10
17	TOTAL STREAM DIVERSION AT FONTANA UNION INTAKE TO BREED LINE	39	135	37	42	39	37	39	39	37	26	25	31	526	LINE 15 - 16
18	TOTAL LYTLE CREEK STREAM DIVERSION AS VERIFIED	591	726	1,614	1,253	1,310	918	709	574	642	1,142	1,185	1,091	11,755	LINE 14 + 17

NOTES

1. WEIR NO. 1 MEASURES SOUTHERN CALIFORNIA EDISON CONDUIT NEAR FONTANA (USGS).
2. WEIR NO. 2 MEASURES INFILTRATION LINE WATER TO FONTANA UNION INTAKE (USGS).
3. WEIR NO. 3 MEASURES EITHER STREAM DIVERSION OR INFILTRATION WATER (USGS).
4. 20 FOOT WEIR MEASURES FLOW RETURNED TO STREAM AT INTAKE (FONTANA UNION).
5. ANNUAL PERCENTAGE OF DIFFERENCE BETWEEN MEASURED & CALCULATED FLOW AT LOWER POWERHOUSE.
6. MEASURED FLOW AT LOWER POWERHOUSE (USGS) ASSUMED TO BE CORRECT.
7. WATER EXTRACTED BY FONTANA UNION WATER COMPANY MILLER NARROWS WELLS AND DISCHARGED TO EDISON CONDUIT. (FONTANA UNION).
8. WATER RETURNED TO STREAM FROM AFTERBAY AT LOWER POWERHOUSE (FONTANA UNION).
9. WEIR NO. 4 MEASURES FLOW TO BREED LINE AT INTAKE (USGS).
10. FONTANA UNION WATER COMPANY WELL #27 PUMPS INTERMITTENTLY TO BREED LINE (FONTANA UNION)

TABLE NO. 4

LYTLE CREEK
VERIFICATIONS OF EXTRACTIONS
FOR CALENDAR YEAR 1963

LINE NO	LOCATION OF MEASUREMENT	JAN	FEB	MAR	APR	MAY	JUN	JUL	AUG	SEP	OCT	NOV	DEC	TOTAL	REMARKS
1	WEIR NO. 1	1,174	947	1,095	944	918	718	574	528	521	660	616	726	9,421	SEE NOTE 1
2	WEIR NO. 2	0	0	0	0	0	0	0	0	0	0	0	0	0	SEE NOTE 2
3	WEIR NO. 3	155	145	223	194	196	154	154	139	75	73	68	74	1,650	SEE NOTE 3
4	TOTAL OF WEIRS NO. 1, 2, & 3	1,329	1,092	1,318	1,138	1,114	872	728	667	596	733	684	800	11,071	LINES 1 + 2 + 3
5	DEDUCT STREAM RETURN OVER 20' WEIR	0	0	0	0	0	0	0	0	0	0	0	0	0	SEE NOTE 4
6	TOTAL CALCULATED FLOW TO LOWER POWERHOUSE LINE 8 - LINE 6	1,329	1,092	1,318	1,138	1,114	872	728	667	596	733	680	800	11,067	LINE 4 - 5
7	ANNUAL % DIFFERENCE													+0.5%	SEE NOTE 5
8	MEASURED FLOW TO LOWER POWERHOUSE LINE 8	1,246	1,038	1,273	1,121	1,109	881	742	688	615	803	725	881	11,122	SEE NOTE 6
	DEDUCT MILLER NARROWS WELLS														
9	WELL NO. 1 SDMR RECORDATION NO. 3600588	0	0	0	0	0	0	0	0	0	0	0	0	0	SEE NOTE 7
10	WELL NO. 2 SDMR RECORDATION NO. 3600590	296	172	253	283	299	289	294	303	201	277	183	312	3,162	SEE NOTE 7
11	TOTAL PUMPED WATER	296	172	253	283	299	289	294	303	201	277	183	312	3,162	LINE 9 + 10
12	STREAM FLOW DIVERTED FROM LYTLE CREEK	950	866	1,020	838	810	592	448	385	414	526	542	569	7,960	LINE 8 - 11
13	DEDUCT FLOW RETURNED TO STREAM BELOW LOWER POWERHOUSE	11	100	51	64	10	0	16	0	219	36	112	2	621	SEE NOTE 8
14	TOTAL STREAM DIVERSION AT LOWER POWERHOUSE	939	766	969	774	800	592	432	385	195	490	430	567	7,339	LINE 12 - 13
	BREED LINE CALCULATION														
15	WEIR NO. 4	32	64	42	41	31	29	37	42	85	51	68	42	564	SEE NOTE 9
16	LESS WATER PUMPED FONTANA UNION WELL NO. 27 SDMR RECORDATION NO. 3600582	0	0	0	2	0	0	10	17	7	0	0	6	42	SEE NOTE 10
17	TOTAL STREAM DIVERSION AT FONTANA UNION INTAKE TO BREED LINE	32	64	42	39	31	29	27	25	78	51	68	36	522	LINE 15 - 16
18	TOTAL LYTLE CREEK STREAM DIVERSION AS VERIFIED	971	830	1,011	813	831	621	459	410	273	541	498	603	7,861	LINE 14 + 17

NOTES

1. WEIR NO. 1 MEASURES SOUTHERN CALIFORNIA EDISON CONDUIT NEAR FONTANA (USGS).
2. WEIR NO. 2 MEASURES INFILTRATION LINE WATER TO FONTANA UNION INTAKE (USGS).
3. WEIR NO. 3 MEASURES EITHER STREAM DIVERSION OR INFILTRATION WATER (USGS).
4. 20 FOOT WEIR MEASURES FLOW RETURNED TO STREAM AT INTAKE (FONTANA UNION).
5. ANNUAL PERCENTAGE OF DIFFERENCE BETWEEN MEASURED & CALCULATED FLOW AT LOWER POWERHOUSE.
6. MEASURED FLOW AT LOWER POWERHOUSE (USGS) ASSUMED TO BE CORRECT.
7. WATER EXTRACTED BY FONTANA UNION WATER COMPANY MILLER NARROWS WELLS AND DISCHARGED TO EDISON CONDUIT. (FONTANA UNION).
8. WATER RETURNED TO STREAM FROM AFTERBAY AT LOWER POWERHOUSE (FONTANA UNION).
9. WEIR NO. 4 MEASURES FLOW TO BREED LINE AT INTAKE (USGS).
10. FONTANA UNION WATER COMPANY WELL #27 PUMPS INTERMITTENTLY TO BREED LINE (FONTANA UNION)

TABLE NO. 4

LYTLE CREEK
VERIFICATIONS OF EXTRACTIONS
FOR CALENDAR YEAR 1985

LINE NO.	LOCATION OF MEASUREMENT	JAN	FEB	MAR	APR	MAY	JUN	JUL	AUG	SEP	OCT	NOV	DEC	TOTAL	REMARKS
1	WEIR NO. 1	1,196	1,093	1,170	970	916	795	692	780	752	788	914	1,162	11,228	SEE NOTE 1
2	WEIR NO. 2	207	79	56	64	8	0	0	1	0	0	13	58	486	SEE NOTE 2
3	WEIR NO. 3	203	90	70	73	12	0	0	2	0	0	15	60	525	SEE NOTE 3
4	TOTAL OF WEIRS NOS. 1, 2 & 3	1,606	1,262	1,296	1,107	936	795	692	783	752	788	942	1,280	12,239	LINE 1+2+3
5	DEDUCT STREAM RETURN OVER 20' WEIR	0	3	0	0	0	1	0	0	0	0	8	0	12	SEE NOTE 4
6	TOTAL CALCULATED FLOW TO LOWER POWERHOUSE	1,606	1,259	1,296	1,107	936	794	692	783	752	788	934	1,280	12,227	LINE 4 - 5
7	ANNUAL PERCENT DIFFERENCE														-9.64% SEE NOTE 5
8	MEASURED FLOW TO LOWER POWERHOUSE	1,426	1,061	1,099	1,002	870	734	628	720	692	780	898	1,242	11,152	SEE NOTE 6
	DEDUCT MILLER NARROWS WELLS														
9	WELL NO. 1 RECORDATION NO. 3600588	0	0	0	0	0	0	0	0	0	0	0	0	0	SEE NOTE 7
10	WELL NO. 2 RECORDATION NO. 3600590	0	0	0	0	0	0	0	0	0	0	0	0	0	SEE NOTE 7
11	TOTAL PUMPED WATER	0	0	0	0	0	0	0	0	0	0	0	0	0	LINE 9 + 10
12	STREAM FLOW DIVERTED FROM LYTLE CREEK TO LWR PURHISE	1,426	1,061	1,099	1,002	870	734	628	720	692	780	898	1,242	11,152	LINE 8 - 11
	DEDUCT FLOW RETURNED TO STREAM BELOW LOWER POWERHSE														
13	RETURN FLOW FROM AFTERBAY	382	96	9	10	2	7	0	0	0	0	106	194	806	SEE NOTE 8
14	RETURN FLOW FROM WSBOW DIVISION BOX	46	16	53	73	103	72	67	70	72	74	62	66	774	SEE NOTE 11
15	TOTAL RETURN FLOW BELOW LOWER POWERHOUSE	428	112	62	83	105	79	67	70	72	74	168	260	1,580	LINE 13 + 14
16	NET STREAM FLOW DIVERSION AT LOWER POWERHOUSE	998	949	1,037	919	765	655	561	650	620	706	730	982	9,572	LINE 12 - 15
	BREED LINE CALCULATION														
17	WEIR NO. 4	268	282	297	287	295	284	324	264	232	265	247	330	3,375	SEE NOTE 9
18	LESS WATER PUMPED BY FONTANA UNION WELL NO. 27	0	0	0	0	0	11	79	49	41	79	10	0	269	SEE NOTE 10
	RECORDATION NO. 3600582														
19	NET LYTLE CREEK STREAM FLOW AT FONTANA UNION INTAKE TO BREED LINE	268	282	297	287	295	273	245	215	191	186	237	330	3,106	LINE 17 - 18
20	TOTAL LYTLE CREEK STREAM FLOW DIVERSION AS VERIFIED	1,266	1,231	1,334	1,206	1,060	928	806	865	811	892	967	1,312	12,678	LINE 16 + 19

- NOTES
1. WEIR NO. 1 MEASURES SOUTHERN CALIFORNIA EDISON CONDUIT NEAR FONTANA (USGS)
 2. WEIR NO. 2 MEASURES INFILTRATION LINE WATER TO FONTANA UNION INTAKE (USGS)
 3. WEIR NO. 3 MEASURES EITHER STREAM DIVERSION OR INFILTRATION WATER (USGS)
 4. 20 FOOT WEIR MEASURES FLOW RETURNED TO STREAM AT INTAKE (USGS)
 5. ANNUAL PERCENTAGE OF DIFFERENCE BETWEEN MEASURED & CALCULATED FLOW AT LOWER POWERHOUSE
 6. MEASURED FLOW AT LOWER POWERHOUSE (USGS) ASSUMED TO BE CORRECT
 7. WATER EXTRACTED BY FONTANA UNION WATER COMPANY MILLER NARROWS WELLS AND DISCHARGED TO EDISON CONDUIT (FONTANA UNION)
 8. WATER RETURNED TO STREAM FROM AFTERBAY AT LOWER POWERHOUSE FONTANA UNION (USGS)
 9. WEIR NO. 4 MEASURES FLOW TO BREED LINE AT INTAKE (USGS).
 10. FONTANA UNION WATER COMPANY WELL TO BREED LINE (FONTANA UNION)
 11. WATER RETURNED TO STREAM FROM WEST SAN BERNARDINO COUNTY WATER DISTRICT DIVISION BOX (WEST SAN BERNARDINO COUNTY WD)

TABLE NO. 4

LYTLE CREEK
VERIFICATIONS OF EXTRACTIONS
FOR CALENDAR YEAR 1986

LINE NO.	LOCATION OF MEASUREMENT	JAN	FEB	MAR	APR	MAY	JUN	JUL	AUG	SEP	OCT	NOV	DEC	TOTAL	REMARKS
1	WEIR NO. 1	1,019	470	973	1,077	1,117	1,031	1,093	1,101	1,015	1,107	1,025	1,107	12,135	SEE NOTE 1
2	WEIR NO. 2	9	214	668	752	423	238	370	404	341	256	211	153	4,039	SEE NOTE 2
3	WEIR NO. 3	8	291	702	681	364	203	319	352	284	214	168	117	3,703	SEE NOTE 3
4	TOTAL OF WEIRS NOS. 1, 2 & 3	1,036	975	2,343	2,510	1,904	1,472	1,782	1,857	1,640	1,577	1,404	1,377	19,877	LINE 1+2+3
5	DEDUCT STREAM RETURN OVER 20' WEIR	8	154	345	226	0	0	0	0	7	0	13	0	753	SEE NOTE 4
6	TOTAL CALCULATED FLOW TO LOWER POWERHOUSE	1,028	821	1,998	2,284	1,904	1,472	1,782	1,857	1,633	1,577	1,391	1,377	19,124	LINE 4 - 5
7	ANNUAL PERCENT DIFFERENCE													-5.85%	SEE NOTE 5
8	MEASURED FLOW TO LOWER POWERHOUSE	962	778	1,870	2,192	1,805	1,434	1,668	1,734	1,559	1,499	1,293	1,273	18,067	SEE NOTE 6
DEDUCT MILLER NARROWS WELLS															
9	WELL NO. 1 RECORDATION NO. 3600588	0	0	0	0	0	0	0	0	0	0	0	0	0	SEE NOTE 7
10	WELL NO. 2 RECORDATION NO. 3600590	0	0	0	0	0	0	0	0	0	0	0	0	0	SEE NOTE 7
11	TOTAL PUMPED WATER	0	0	0	0	0	0	0	0	0	0	0	0	0	LINE 9 + 10
12	STREAM FLOW DIVERTED FROM LYTLE CREEK TO LWR PWRHSE	962	778	1,870	2,192	1,805	1,434	1,668	1,734	1,559	1,499	1,293	1,273	18,067	LINE 8 - 11
DEDUCT FLOW RETURNED TO STREAM BELOW LOWER POWERHOUSE															
13	RETURN FLOW FROM AFTERBAY	4	269	605	576	29	58	12	8	54	0	118	38	1,771	SEE NOTE 8
14	RETURN FLOW FROM WSBWD DIVISION BOX	0	0	0	0	0	0	0	0	0	0	0	0	0	SEE NOTE 11
15	TOTAL RETURN FLOW BELOW LOWER POWERHOUSE	4	269	605	576	29	58	12	8	54	0	118	38	1,771	LINE 13 + 14
16	NET STREAM FLOW DIVERSION AT LOWER POWERHOUSE	958	509	1,265	1,616	1,776	1,376	1,656	1,726	1,505	1,499	1,175	1,235	16,296	LINE 12 - 15
BREED LINE CALCULATION															
17	WEIR NO. 4	253	179	278	271	307	293	295	192	277	289	271	264	3,169	SEE NOTE 9
18	LESS WATER PUMPED BY FONTANA UNION WELL NO. 27	5	0	0	0	0	0	0	0	0	0	0	0	5	SEE NOTE 10
RECORDATION NO. 3600582															
19	NET LYTLE CREEK STREAM FLOW AT FONTANA UNION INTAKE TO BREED LINE	248	179	278	271	307	293	295	192	277	289	271	264	3,164	LINE 17 - 18
20	TOTAL LYTLE CREEK STREAM FLOW DIVERSION AS VERIFIED	1,206	688	1,543	1,887	2,083	1,669	1,951	1,918	1,782	1,788	1,446	1,499	19,460	LINE 16 + 19

NOTES

1. WEIR NO. 1 MEASURES SOUTHERN CALIFORNIA EDISON CONDUIT NEAR FONTANA (USGS)
2. WEIR NO. 2 MEASURES INFILTRATION LINE WATER TO FONTANA UNION INTAKE (USGS)
3. WEIR NO. 3 MEASURES EITHER STREAM DIVERSION OR INFILTRATION WATER (USGS)
4. 20 FOOT WEIR MEASURES FLOW RETURNED TO STREAM AT INTAKE (USGS)
5. ANNUAL PERCENTAGE OF DIFFERENCE BETWEEN MEASURED & CALCULATED FLOW AT LOWER POWERHOUSE
6. MEASURED FLOW AT LOWER POWERHOUSE (USGS) ASSUMED TO BE CORRECT

NOTES

7. WATER EXTRACTED BY FONTANA UNION WATER COMPANY MILLER NARROWS WELLS AND DISCHARGED TO EDISON CONDUIT (FONTANA UNION).
8. WATER RETURNED TO STREAM FROM AFTERBAY AT LOWER POWERHOUSE FONTANA UNION (USGS)
9. WEIR NO. 4 MEASURES FLOW TO BREED LINE AT INTAKE (USGS).
10. FONTANA UNION WATER COMPANY WELL TO BREED LINE (FONTANA UNION)
11. WATER RETURNED TO STREAM FROM WEST SAN BERNARDINO COUNTY WATER DISTRICT DIVISION BOX (WEST SAN BERNARDINO COUNTY WD)

TABLE NO. 4

LYTLE CREEK
VERIFICATIONS OF EXTRACTIONS
FOR CALENDAR YEAR 1987

LINE NO.	LOCATION OF MEASUREMENT	JAN	FEB	MAR	APR	MAY	JUN	JUL	AUG	SEP	OCT	NOV	DEC	TOTAL	REMARKS
1	WEIR NO. 1	1,021	944	983	875	744	581	533	466	444	454	709	856	8,610	SEE NOTE 1
2	WEIR NO. 2	114	8	81	26	22	10	1	0	0	0	99	70	431	SEE NOTE 2
3	WEIR NO. 3	146	20	104	36	40	26	2	0	0	0	109	88	571	SEE NOTE 3
4	TOTAL OF WEIRS NOS. 1, 2 & 3	1,281	972	1,168	937	806	617	536	466	444	454	917	1,014	9,612	LINE 1+2+3
5	DEDUCT STREAM RETURN OVER 20' WEIR	10	0	4	5	0	3	0	0	0	10	6	31	69	SEE NOTE 4
6	TOTAL CALCULATED FLOW TO LOWER POWERHOUSE	1,271	972	1,164	932	806	614	536	466	444	444	911	983	9,543	LINE 4-5
7	ANNUAL PERCENT DIFFERENCE													-1.67%	SEE NOTE 5
8	MEASURED FLOW TO LOWER POWERHOUSE	1,216	972	1,127	923	772	608	543	453	435	488	887	962	9,386	SEE NOTE 6
	DEDUCT MILLER NARROWS WELLS														
9	WELL NO. 1 RECORDATION NO. 3600588	0	0	0	0	0	0	0	0	0	0	0	0	0	SEE NOTE 7
10	WELL NO. 2 RECORDATION NO. 3600590	0	0	0	0	0	0	0	0	0	0	0	0	0	SEE NOTE 7
11	TOTAL PUMPED WATER	0	0	0	0	0	0	0	0	0	0	0	0	0	LINE 9+10
12	STREAM FLOW DIVERTED FROM LYTLE CREEK TO LWR PWRHSE	1,216	972	1,127	923	772	608	543	453	435	488	887	962	9,386	LINE 8-11
	DEDUCT FLOW RETURNED TO STREAM BELOW LOWER POWERHSE														
13	RETURN FLOW FROM AFTERBAY	89	9	146	11	4	3	0	0	1	90	142	105	600	SEE NOTE 8
14	RETURN FLOW FROM WSBOW DIVISION BOX	0	0	0	0	0	0	0	170	50	0	0	0	220	SEE NOTE 11
15	TOTAL RETURN FLOW BELOW LOWER POWERHOUSE	89	9	146	11	4	3	0	170	51	90	142	105	820	LINE 13+14
16	NET STREAM FLOW DIVERSION AT LOWER POWERHOUSE	1,127	963	981	912	768	605	543	283	384	398	745	857	8,566	LINE 12-15
	BREED LINE CALCULATION														
17	WEIR NO. 4	262	224	277	201	169	166	178	166	155	173	168	206	2,345	SEE NOTE 9
18	LESS WATER PUMPED BY FONTANA UNION WELL NO. 27	0	0	0	0	0	0	0	0	0	0	2	0	2	SEE NOTE 10
	RECORDATION NO. 3600582														
19	NET LYTLE CREEK STREAM FLOW AT FONTANA UNION INTAKE TO BREED LINE	262	224	277	201	169	166	178	166	155	173	166	206	2,343	LINE 17-18
20	TOTAL LYTLE CREEK STREAM FLOW DIVERSION AS VERIFIED	1,389	1,187	1,258	1,113	937	771	721	449	539	571	911	1,063	10,909	LINE 16+19

NOTES

1. WEIR NO. 1 MEASURES SOUTHERN CALIFORNIA EDISON CONDUIT NEAR FONTANA (USGS)
2. WEIR NO. 2 MEASURES INFILTRATION LINE WATER TO FONTANA UNION INTAKE (USGS)
3. WEIR NO. 3 MEASURES EITHER STREAM DIVERSION OR INFILTRATION WATER (USGS)
4. 20 FOOT WEIR MEASURES FLOW RETURNED TO STREAM AT INTAKE (USGS)
5. ANNUAL PERCENTAGE OF DIFFERENCE BETWEEN MEASURED & CALCULATED FLOW AT LOWER POWERHOUSE
6. MEASURED FLOW AT LOWER POWERHOUSE (USGS) ASSUMED TO BE CORRECT
7. WATER EXTRACTED BY FONTANA UNION WATER COMPANY MILLER NARROWS WELLS AND DISCHARGED TO EDISON CONDUIT (FONTANA UNION).
8. WATER RETURNED TO STREAM FROM AFTERBAY AT LOWER POWERHOUSE FONTANA UNION (USGS)
9. WEIR NO. 4 MEASURES FLOW TO BREED LINE AT INTAKE (USGS).
10. FONTANA UNION WATER COMPANY WELL TO BREED LINE (FONTANA UNION)
11. WATER RETURNED TO STREAM FROM WEST SAN BERNARDINO COUNTY WATER DISTRICT DIVISION BOX (WEST SAN BERNARDINO COUNTY WD)

TABLE NO. 4

LYTLE CREEK
VERIFICATIONS OF EXTRACTIONS
FOR CALENDAR YEAR 1988

LINE NO.	LOCATION OF MEASUREMENT	JAN	FEB	MAR	APR	MAY	JUN	JUL	AUG	SEP	OCT	NOV	DEC	TOTAL	REMARKS
1	WEIR NO. 1	988	970	997	885	984	926	782	742	670	726	847	888	10,405	SEE NOTE 1
2	WEIR NO. 2	133	74	126	173	141	54	54	26	17	0	0	102	900	SEE NOTE 2
3	WEIR NO. 3	147	102	159	192	169	63	62	34	16	0	0	123	1,067	SEE NOTE 3
4	TOTAL OF WEIRS NOS. 1, 2 & 3	1,268	1,146	1,282	1,250	1,294	1,043	898	802	703	726	847	1,113	12,372	LINE 1+2+3
5	DEDUCT STREAM RETURN OVER 20' WEIR	16	4	0	13	0	0	0	0	0	0	0	26	59	SEE NOTE 4
6	TOTAL CALCULATED FLOW TO LOWER POWERHOUSE	1,252	1,142	1,282	1,237	1,294	1,043	898	802	703	726	847	1,087	12,313	LINE 4-5
7	ANNUAL PERCENT DIFFERENCE													-1.48%	SEE NOTE 5
8	MEASURED FLOW TO LOWER POWERHOUSE	1,217	1,115	1,268	1,221	1,297	1,026	887	817	706	716	835	1,029	12,134	SEE NOTE 6
	DEDUCT MILLER NARROWS WELLS														
9	WELL NO. 1 RECORDATION NO. 3600588	0	0	0	0	0	0	0	0	0	0	0	0	0	SEE NOTE 7
10	WELL NO. 2 RECORDATION NO. 3600590	0	0	0	0	0	0	0	0	0	0	0	0	0	SEE NOTE 7
11	TOTAL PUMPED WATER	0	0	0	0	0	0	0	0	0	0	0	0	0	LINE 9+10
12	STREAM FLOW DIVERTED FROM LYTLE CREEK TO LWR PWRHSE	1,217	1,115	1,268	1,221	1,297	1,026	887	817	706	716	835	1,029	12,134	LINE 8-11
	DEDUCT FLOW RETURNED TO STREAM BELOW LOWER POWERHOUSE														
13	RETURN FLOW FROM AFTERBAY	140	89	161	171	8	1	0	3	0	6	7	184	770	SEE NOTE 8
14	RETURN FLOW FROM WSBOWD DIVISION BOX	140	89	161	171	8	1	0	3	0	6	7	184	770	SEE NOTE 11
15	TOTAL RETURN FLOW BELOW LOWER POWERHOUSE	1,077	1,026	1,107	1,050	1,289	1,025	887	814	706	710	828	845	11,364	LINE 13+14
16	NET STREAM FLOW DIVERSION AT LOWER POWERHOUSE														LINE 12-15
	BREED LINE CALCULATION														
17	WEIR NO. 4	234	271	285	226	312	168	101	135	150	194	194	233	2,503	SEE NOTE 9
18	LESS WATER PUMPED BY FONTANA UNION WELL NO. 27	0	0	0	0	0	0	0	0	0	0	0	0	0	SEE NOTE 10
	RECORDATION NO. 3600582														
19	NET LYTLE CREEK STREAM FLOW AT FONTANA UNION INTAKE TO BREED LINE	234	271	285	226	312	168	101	135	150	194	194	233	2,503	LINE 17-18
20	TOTAL LYTLE CREEK STREAM FLOW DIVERSION AS VERIFIED	1,311	1,297	1,392	1,276	1,601	1,193	988	949	856	904	1,022	1,078	13,867	LINE 16+19

NOTES

1. WEIR NO. 1 MEASURES SOUTHERN CALIFORNIA EDISON CONDUIT NEAR FONTANA (USGS)
2. WEIR NO. 2 MEASURES INFILTRATION LINE WATER TO FONTANA UNION INTAKE (USGS)
3. WEIR NO. 3 MEASURES EITHER STREAM DIVERSION OR INFILTRATION WATER (USGS)
4. 20 FOOT WEIR MEASURES FLOW RETURNED TO STREAM AT INTAKE (USGS)
5. ANNUAL PERCENTAGE OF DIFFERENCE BETWEEN MEASURED & CALCULATED FLOW AT LOWER POWERHOUSE
6. MEASURED FLOW AT LOWER POWERHOUSE (USGS) ASSUMED TO BE CORRECT
7. WATER EXTRACTED BY FONTANA UNION WATER COMPANY MILLER NARROWS WELLS AND DISCHARGED TO EDISON CONDUIT (FONTANA UNION).
8. WATER RETURNED TO STREAM FROM AFTERBAY AT LOWER POWERHOUSE FONTANA UNION (USGS)
9. WEIR NO. 4 MEASURES FLOW TO BREED LINE AT INTAKE (USGS)
10. FONTANA UNION WATER COMPANY WELL TO BREED LINE (FONTANA UNION)
11. WATER RETURNED TO STREAM FROM WEST SAN BERNARDINO COUNTY WATER DISTRICT DIVISION BOX (WEST SAN BERNARDINO COUNTY WD)

TABLE NO. 4

LYTLE CREEK
VERIFICATIONS OF EXTRACTIONS
FOR CALENDAR YEAR 1989

LINE NO.	LOCATION OF MEASUREMENT	JAN	FEB	MAR	APR	MAY	JUN	JUL	AUG	SEP	OCT	NOV	DEC	TOTAL	REMARKS
1	WEIR NO. 1	1,093	918	1,045	976	803	641	485	451	459	490	455	406	8,222	SEE NOTE 1
2	WEIR NO. 2	40	109	60	1	0	25	64	69	28	0	1	40	437	SEE NOTE 2
3	WEIR NO. 3	54	137	85	4	0	31	76	83	34	0	2	51	557	SEE NOTE 3
4	TOTAL OF WEIRS NOS. 1, 2 & 3	1,187	1,164	1,190	981	803	697	625	603	521	490	458	497	9,216	LINE 1+2+3
5	DEDUCT STREAM RETURN OVER 20' WEIR	0	1	0	0	0	0	0	0	0	0	0	4	5	SEE NOTE 4
6	TOTAL CALCULATED FLOW TO LOWER POWERHOUSE	1,187	1,163	1,190	981	803	697	625	603	521	490	458	493	9,211	LINE 4-5
7	ANNUAL PERCENT DIFFERENCE													-3.59%	SEE NOTE 5
8	MEASURED FLOW TO LOWER POWERHOUSE	1,140	1,160	1,123	898	742	628	619	605	525	498	456	498	8,892	SEE NOTE 6
	DEDUCT MILLER NARROWS WELLS														
9	WELL NO. 1 RECORDATION NO. 3600588	0	0	0	0	0	0	0	0	0	0	0	0	0	SEE NOTE 7
10	WELL NO. 2 RECORDATION NO. 3600590	0	0	0	0	0	0	0	0	0	0	0	0	0	SEE NOTE 7
11	TOTAL PUMPED WATER	0	0	0	0	0	0	0	0	0	0	0	0	0	LINE 9+10
12	STREAM FLOW DIVERTED FROM LYTLE CREEK TO LWR PWRHSE	1,140	1,160	1,123	898	742	628	619	605	525	498	456	498	8,892	LINE 8-11
	DEDUCT FLOW RETURNED TO STREAM BELOW LOWER POWERHSE														
13	RETURN FLOW FROM AFTERBAY	17	79	29	0	2	2	0	0	4	4	2	8	147	SEE NOTE 8
14	RETURN FLOW FROM WSBCMD DIVISION BOX	328	311	242	56	61	0	0	0	44	94	50	68	1,254	SEE NOTE 11
15	TOTAL RETURN FLOW BELOW LOWER POWERHOUSE	345	390	271	56	63	2	0	0	48	98	52	76	1,401	LINE 13+14
16	NET STREAM FLOW DIVERSION AT LOWER POWERHOUSE	795	770	852	842	679	626	619	605	477	400	404	422	7,491	LINE 12-15
	BREED LINE CALCULATION														
17	WEIR NO. 4	300	231	276	261	214	131	30	69	124	152	149	165	2,102	SEE NOTE 9
18	LESS WATER PUMPED BY FONTANA UNION WELL NO. 27	0	0	0	0	0	0	0	60	31	0	0	0	91	SEE NOTE 10
	RECORDATION NO. 3600582														
19	NET LYTLE CREEK STREAM FLOW AT FONTANA UNION INTAKE TO BREED LINE	300	231	276	261	214	131	30	9	93	152	149	165	2,011	LINE 17-18
20	TOTAL LYTLE CREEK STREAM FLOW DIVERSION AS VERIFIED	1,095	1,001	1,128	1,103	893	757	649	614	570	552	553	587	9,502	LINE 16+19

NOTES

- WEIR NO. 1 MEASURES SOUTHERN CALIFORNIA EDISON CONDUIT NEAR FONTANA (USGS)
- WEIR NO. 2 MEASURES INFILTRATION LINE WATER TO FONTANA UNION INTAKE (USGS)
- WEIR NO. 3 MEASURES EITHER STREAM DIVERSION OR INFILTRATION WATER (USGS)
- 20 FOOT WEIR MEASURES FLOW RETURNED TO STREAM AT INTAKE (USGS)
- ANNUAL PERCENTAGE OF DIFFERENCE BETWEEN MEASURED & CALCULATED FLOW AT LOWER POWERHOUSE
- MEASURED FLOW AT LOWER POWERHOUSE (USGS) ASSUMED TO BE CORRECT
- WATER EXTRACTED BY FONTANA UNION WATER COMPANY MILLER NARROWS WELLS AND DISCHARGED TO EDISON CONDUIT (FONTANA UNION).
- WATER RETURNED TO STREAM FROM AFTERBAY AT LOWER POWERHOUSE FONTANA UNION (USGS)
- WEIR NO. 4 MEASURES FLOW TO BREED LINE AT INTAKE (USGS).
- FONTANA UNION WATER COMPANY WELL TO BREED LINE (FONTANA UNION)
- WATER RETURNED TO STREAM FROM WEST SAN BERNARDINO COUNTY WATER DISTRICT DIVISION BOX (WEST SAN BERNARDINO COUNTY WD)

TABLE NO. 5

MILL CREEK VERIFICATION OF EXTRACTIONS FOR
CALENDAR YEARS 1985-1989

TABLE NO. 5

MILL CREEK
VERIFICATIONS OF EXTRACTIONS
FOR CALENDAR YEAR 1985

LINE NO.	LOCATION OF MEASUREMENT	JAN	FEB	MAR	APR	MAY	JUN	JUL	AUG	SEP	OCT	NOV	DEC	TOTAL	REMARKS
1	MILL CREEK NEAR YUCAIPA STREAMFLOW	106	64	277	43	210	7	475	119	4	3	321	436	2,065	SEE NOTE 1
2	MILL CREEK NEAR YUCAIPA POWER CANALS	1,365	1,313	1,367	1,692	1,674	1,444	1,107	1,081	988	1,066	964	917	14,978	SEE NOTE 1
3	MILL CREEK NEAR YUCAIPA COMBINED FLOW	1,462	1,370	1,640	1,732	1,876	1,444	1,577	1,196	990	1,069	1,285	1,353	16,994	SEE NOTE 1
4	TOTAL FLOW AVAILABLE FOR DIVERSION	1,462	1,370	1,640	1,732	1,876	1,444	1,577	1,196	990	1,069	1,285	1,353	16,994	LINE 3
DIVERSTIONS															
5	MILL CREEK NO. 2 & 3 POWERHOUSE AFTERBAY	200	115	207	235	124	97	0	0	0	0	1	84	1,063	SEE NOTE 2
CITY OF REDLANDS TATE FILTER PLANT															
6	INFLOW TO TATE FILTER PLANT	792	667	780	964	996	1,013	1,017	1,050	950	927	718	564	10,438	SEE NOTE 3
7	LESS FILTER BACK & SURF WASH WATER RETURNED TO ZANJA	9	12	20	23	23	30	17	13	17	11	8	5	188	SEE NOTE 3
8	LESS GROUNDWATER RECHARGE IN CITY WELLS 10, 11 & 12	0	0	0	0	0	0	0	0	0	0	0	0	0	SEE NOTE 4
9	NET DIVERSION FROM AVAILABLE FLOW TO TATE	783	655	760	941	973	983	1,000	1,037	933	916	710	559	10,250	LINE 6-7-8
BOULLIOUN BOX															
10	TRANSFER OF MILL CREEK WATER TO BEAR VALLEY HIGHLINE	0	0	0	0	0	0	0	0	0	0	0	0	0	SEE NOTE 5
11	TRANSFER OF SANTA ANA RIVER WATER TO ZANJA	12	30	27	2	115	287	512	556	521	524	143	0	2,729	SEE NOTE 5
CRAFTON WATER COMPANY CANAL															
12	INFLOW TO CRAFTON CANAL FROM ZANJA	71	60	180	381	568	559	596	496	509	499	143	103	4,165	SEE NOTE 6
13	LESS GROUNDWATER RECHARGE HILL WELL & KING ST. SHAFT	0	0	0	0	0	0	0	0	0	0	0	0	0	SEE NOTE 7
14	NET DIVERSION FROM AVAILABLE FLOW TO CRAFTON	71	60	180	381	568	559	596	496	509	499	143	103	4,165	LINE 12-13
15	TOTAL FLOW DIVERTED INCLUDING UPPER MILL CREEK WELLS	1,042	800	1,120	1,555	1,550	1,352	1,084	977	921	891	711	746	12,749	LINE 5+9+10 -11+14
DEDUCT UPPER MILL CREEK WELLS															
16	CITY OF REDLANDS MILL CREEK NO. 1 REC. NO. 3601282	0	0	0	0	0	21	109	117	123	92	117	99	678	SEE NOTE 8
17	CITY OF REDLANDS MILL CREEK NO. 2 REC. NO. 3601285	190	180	157	41	218	232	216	220	228	206	178	71	2,137	SEE NOTE 8
18	CITY OF REDLANDS MILL CREEK NO. 4 REC. NO. 3601288	17	0	0	8	113	111	111	101	92	92	70	62	666	SEE NOTE 8
19	CITY OF REDLANDS MILL CREEK NO. 0-A REC. NO. 3602351	0	0	0	0	0	0	0	0	0	0	0	0	0	SEE NOTE 8
20	TOTAL UPPER MILL CREEK WELL PRODUCTION	207	180	157	41	226	366	436	438	443	390	365	232	3,481	LINE 16+17 +18+19
21	TOTAL MILL CREEK STREAM DIVERSION AS VERIFIED	835	620	963	1,514	1,324	986	648	539	478	501	346	514	9,268	LINE 15-20

NOTES

1. U.S.G.S. RECORDS OF MILL CREEK FLOWS
2. MILL CREEK PIPELINE TO YUCAIPA OPERATIONS RECORDS (SAN BERNARDINO VALLEY MUNICIPAL WATER DISTRICT)
3. TATE FILTER PLANT OPERATIONS RECORDS (CITY OF REDLANDS)
4. METERED RECHARGE IN WELLS NUMBER 10, 11 AND 12 (RECORDATION NUMBERS 3601291, 3601292 & 3601293 RESPECTIVELY, CITY OF REDLANDS)
5. BOULLIOUN BOX CONNECTS BEAR VALLEY HIGHLINE AND THE ZANJA (SAN BERNARDINO VALLEY MWD & BEAR VALLEY MUTUAL WATER COMPANY)
6. CRAFTON CANAL DIVERTS FROM THE ZANJA (SAN BERNARDINO VALLEY WATER CONSERVATION DISTRICT)
7. GROUNDWATER RECHARGE IN HILL WELL AND KING STREET SHAFT (CRAFTON WATER COMPANY)
8. METERED PRODUCTION FROM WELLS IN UPPER MILL CREEK. WELLS PUMP DIRECTLY INTO POWER CANALS. DIVERSIONS OF STREAM FLOW AND WELL EXTRACTIONS ARE COMMINGLED (CITY OF REDLANDS)

TABLE NO. 5

MILL CREEK
VERIFICATIONS OF EXTRACTIONS
FOR CALENDAR YEAR 1986

LINE NO.	LOCATION OF MEASUREMENT	JAN	FEB	MAR	APR	MAY	JUN	JUL	AUG	SEP	OCT	NOV	DEC	TOTAL	REMARKS
1	MILL CREEK NEAR YUCAIPA STREAMFLOW	402	1,353	1,150	669	92	11	48	190	116	1,492	1,167	1,307	4,031	SEE NOTE 1
2	MILL CREEK NEAR YUCAIPA POWER CANALS	921	846	1,412	2,176	2,350	1,678	1,620	1,684	1,591	1,492	1,167	1,307	18,244	SEE NOTE 1
3	MILL CREEK NEAR YUCAIPA COMBINED FLOW	1,323	2,202	2,561	2,846	2,434	1,680	1,664	1,864	1,706	1,492	1,167	1,307	18,280	SEE NOTE 1
4	TOTAL FLOW AVAILABLE FOR DIVERSION	1,323	2,202	2,561	2,846	2,434	1,680	1,664	1,706	1,706	1,492	1,167	1,307	22,088	LINE 3
DIVERSIONS															
5	MILL CREEK NO. 2 & 3 POWERHOUSE AFTERBAY	12	0	187	132	98	32	20	5	0	0	0	0	486	SEE NOTE 2
CITY OF REDLANDS TATE FILTER PLANT															
6	INFLOW TO TATE FILTER PLANT	748	377	884	1,107	1,157	1,181	1,185	1,118	1,001	1,138	900	1,002	11,798	SEE NOTE 3
7	LESS FILTER BACK & SURF WASH WATER RETURNED TO ZANJA	8	5	11	16	24	23	13	12	13	14	10	13	162	SEE NOTE 3
8	LESS GROUNDWATER RECHARGE IN CITY WELLS 10, 11 & 12	0	0	0	0	0	0	0	0	0	0	0	0	0	SEE NOTE 4
9	NET DIVERSION FROM AVAILABLE FLOW TO TATE	740	372	873	1,091	1,133	1,158	1,172	1,106	988	1,124	890	989	11,636	LINE 6-7-8
BOULLIQUIN BOX															
10	TRANSFER OF MILL CREEK WATER TO BEAR VALLEY HIGHLINE	0	0	0	0	0	0	0	0	0	0	0	0	0	SEE NOTE 5
11	TRANSFER OF SANTA ANA RIVER WATER TO ZANJA	81	0	0	0	0	255	209	232	112	163	267	41	1,360	SEE NOTE 5
CRAFTON WATER COMPANY CANAL															
12	INFLOW TO CRAFTON CANAL FROM ZANJA	276	107	145	437	732	631	581	657	577	435	501	242	5,321	SEE NOTE 6
13	LESS GROUNDWATER RECHARGE HILL WELL & KING ST. SHAFT	0	0	0	0	0	0	0	0	0	0	0	0	0	SEE NOTE 7
14	NET DIVERSION FROM AVAILABLE FLOW TO CRAFTON	276	107	145	437	732	631	581	657	577	435	501	242	5,321	LINE 12-13
15	TOTAL FLOW DIVERTED INCLUDING UPPER MILL CREEK WELLS	947	479	1,205	1,660	1,963	1,566	1,564	1,536	1,453	1,396	1,124	1,190	16,083	LINE 5-9+10 -11+14
DEDUCT UPPER MILL CREEK WELLS															
16	CITY OF REDLANDS MILL CREEK NO. 1 REC. NO. 3601282	132	122	109	0	19	0	0	0	0	0	0	0	382	SEE NOTE 8
17	CITY OF REDLANDS MILL CREEK NO. 2 REC. NO. 3601285	84	77	93	65	0	75	261	273	254	257	234	216	1,889	SEE NOTE 8
18	CITY OF REDLANDS MILL CREEK NO. 4 REC. NO. 3601288	93	12	0	0	0	0	0	120	107	114	98	106	650	SEE NOTE 8
19	CITY OF REDLANDS MILL CREEK NO. 0-A REC. NO. 3602351	0	0	0	0	0	0	0	0	0	0	0	0	0	SEE NOTE 8
20	TOTAL UPPER MILL CREEK WELL PRODUCTION	309	211	202	65	19	75	261	393	361	371	332	322	2,921	LINE 16+17 +18-19
21	TOTAL MILL CREEK STREAM DIVERSION AS VERIFIED	638	268	1,003	1,595	1,944	1,491	1,303	1,143	1,092	1,025	792	868	13,162	LINE 15-20

NOTES

1. U.S.G.S. RECORDS OF MILL CREEK FLOWS
2. MILL CREEK PIPELINE TO YUCAIPA OPERATIONS RECORDS (SAN BERNARDINO VALLEY MUNICIPAL WATER DISTRICT)
3. TATE FILTER PLANT OPERATIONS RECORDS (CITY OF REDLANDS)
4. METERED RECHARGE IN WELLS NUMBER 10, 11 AND 12 (RECORDATION NUMBERS 3601291, 3601292 & 3601293 RESPECTIVELY, CITY OF REDLANDS)
5. BOULLIQUIN BOX CONNECTS BEAR VALLEY HIGHLINE AND THE ZANJA (SAN BERNARDINO VALLEY MWD & BEAR VALLEY MUTUAL WATER COMPANY)
6. CRAFTON CANAL DIVERTS FROM THE ZANJA (SAN BERNARDINO VALLEY WATER CONSERVATION DISTRICT)
7. GROUNDWATER RECHARGE IN HILL WELL AND KING STREET SHAFT (CRAFTON WATER COMPANY)
8. METERED PRODUCTION FROM WELLS IN UPPER MILL CREEK. WELLS PUMP DIRECTLY INTO POWER CANALS. DIVERSIONS OF STREAM FLOW AND WELL EXTRACTIONS ARE COMINGLED (CITY OF REDLANDS)

TABLE NO. 5

MILL CREEK
VERIFICATIONS OF EXTRACTIIONS
FOR CALENDAR YEAR 1987

LINE NO.	LOCATION OF MEASUREMENT	JAN	FEB	MAR	APR	MAY	JUN	JUL	AUG	SEP	OCT	NOV	DEC	TOTAL	REMARKS
1	MILL CREEK NEAR YUCAIPA STREAMFLOW	1,154	982	1,302	1,391	1,317	1,206	1,018	1,046	978	721	935	1,000	13,050	SEE NOTE 1
2	MILL CREEK NEAR YUCAIPA POWER CANALS														SEE NOTE 1
3	MILL CREEK NEAR YUCAIPA COMBINED FLOW														SEE NOTE 1
4	TOTAL FLOW AVAILABLE FOR DIVERSION	1,154	982	1,302	1,391	1,317	1,206	1,018	1,046	978	721	935	1,000	13,050	LINE 3
DIVERSIONS															
5	MILL CREEK NO. 2 & 3 POWERHOUSE AFTERBAY	4	0	155	442	378	62	11	15	0	0	129	331	1,527	SEE NOTE 2
CITY OF REDLANDS TATE FILTER PLANT															
6	INFLOW TO TATE FILTER PLANT	805	749	826	865	974	1,031	901	855	812	544	596	697	9,655	SEE NOTE 3
7	LESS FILTER BACK & SURF WASH WATER RETURNED TO ZANJA	11	8	12	14	19	13	10	14	12	8	7	0	128	SEE NOTE 3
8	LESS GROUNDWATER RECHARGE IN CITY WELLS 10, 11 & 12	0	0	0	0	0	0	0	0	0	0	0	0	0	SEE NOTE 4
9	NET DIVERSION FROM AVAILABLE FLOW TO TATE	794	741	814	851	955	1,018	891	841	800	536	589	697	9,527	LINE 6-7-8
BOULLIQUIN BOX															
10	TRANSFER OF MILL CREEK WATER TO BEAR VALLEY HIGHLINE	0	0	0	0	1	2	0	5	8	0	0	0	16	SEE NOTE 5
11	TRANSFER OF SANTA ANA RIVER WATER TO ZANJA	0	0	4	46	0	0	11	4	0	0	0	0	65	SEE NOTE 5
12	SAN BERN VALLEY MWD TATE PUMP STATION	0	0	137	154	305	102	72	39	0	0	29	141	979	SEE NOTE 6
13	SAN BERN VALLEY MWD UNGER LANE TURNOUT	127	102	2	263	600	519	480	459	545	278	6	67	3,448	SEE NOTE 6
CRAFTON WATER COMPANY CANAL															
14	INFLOW TO CRAFTON CANAL FROM ZANJA	361	300	98	402	754	674	647	626	647	343	11	241	5,104	SEE NOTE 7
15	LESS GROUNDWATER RECHARGE HILL WELL & KING ST. SHAFT	0	0	0	0	0	0	0	0	0	0	0	0	0	SEE NOTE 8
16	NET DIVERSION FROM AVAILABLE FLOW TO CRAFTON	361	300	98	402	754	674	647	626	647	343	11	241	5,104	LINE 14-15
17	TOTAL FLOW DIVERTED INCLUDING UPPER MILL CREEK WELLS	1,032	939	924	1,232	1,183	1,135	986	985	910	601	694	1,061	11,682	LINE 5+9+10 -11-12 -13+14
DEDUCT UPPER MILL CREEK WELLS															
18	CITY OF REDLANDS MILL CREEK NO. 1 REC. NO. 3601282	0	0	0	0	0	0	0	33	147	136	0	0	316	SEE NOTE 9
19	CITY OF REDLANDS MILL CREEK NO. 2 REC. NO. 3601285	188	52	0	0	0	193	215	198	183	181	171	173	1,554	SEE NOTE 9
20	CITY OF REDLANDS MILL CREEK NO. 4 REC. NO. 3601288	55	27	4	0	0	0	0	44	106	105	98	95	534	SEE NOTE 9
21	CITY OF REDLANDS MILL CREEK NO.0-A REC. NO. 3602351	0	0	0	0	0	0	0	0	0	0	0	0	0	SEE NOTE 9
22	TOTAL UPPER MILL CREEK WELL PRODUCTION	243	79	4	0	0	193	215	275	436	422	269	268	2,404	LINE 18-19 +20+21
23	TOTAL MILL CREEK STREAM DIVERSION AS VERIFIED	789	860	920	1,232	1,183	942	771	710	474	179	425	793	9,278	LINE 17-22

NOTES

1. U.S.G.S. UNPUBLISHED RECORDS OF MILL CREEK FLOWS
2. YUCAIPA PIPELINE TO YUCAIPA OPERATIONS RECORDS (SAN BERNARDINO VALLEY MUNICIPAL WATER DISTRICT)
3. TATE FILTER PLANT OPERATIONS RECORDS (CITY OF REDLANDS)
4. METERED RECHARGE IN WELLS NUMBER 10, 11 AND 12 (REGORDATION NUMBERS 3601291, 3601292 & 3601293 RESPECTIVELY, CITY OF REDLANDS)
5. BOULLIQUIN BOX CONNECTS BEAR VALLEY HIGHLINE AND THE ZANJA (SAN BERNARDINO VALLEY MWD & BEAR VALLEY MUTUAL WATER COMPANY)
6. SAN BERNARDINO VALLEY MUNICIPAL WATER DISTRICT COMPLETED THE TATE PUMP STATION. STATE WATER PROJECT OR SANTA ANA RIVER WATER CAN BE DELIVERED TO MILL CREEK FACILITIES.
7. CRAFTON CANAL DIVERTS FROM THE ZANJA (SAN BERNARDINO VALLEY WATER CONSERVATION DISTRICT)
8. GROUNDWATER RECHARGE IN HILL WELL AND KING STREET SHAFT (CRAFTON WATER COMPANY)
9. METERED PRODUCTION FROM WELLS IN UPPER MILL CREEK. WELLS PUMP DIRECTLY INTO POWER CANALS. SURFACE DIVERSIONS AND WELL EXTRACTIIONS ARE COMINGLED (CITY OF REDLANDS)

TABLE NO. 5

MILL CREEK
VERIFICATIONS OF EXTRACTIONS
FOR CALENDAR YEAR 1988

LINE NO.	LOCATION OF MEASUREMENT	JAN	FEB	MAR	APR	MAY	JUN	JUL	AUG	SEP	OCT	NOV	DEC	TOTAL	REMARKS
1	MILL CREEK NEAR YUCAIPA STREAMFLOW	1,059	1,085	1,203	1,283	1,393	1,066	873	819	660	761	655	751	11,608	SEE NOTE 1
2	MILL CREEK NEAR YUCAIPA POWER CANALS	Station Discontinued													SEE NOTE 1
3	MILL CREEK NEAR YUCAIPA COMBINED FLOW	1,059	1,085	1,203	1,283	1,393	1,066	873	819	660	761	655	751	11,608	SEE NOTE 1
4	TOTAL FLOW AVAILABLE FOR DIVERSION														LINE 3
DIVERSIONS															
MILL CREEK NO. 2 & 3 POWERHOUSE AFTERBAY															
5	DIVERSION TO YUCAIPA; REGIONAL PARK & WILSON CREEK	414	454	210	348	240	16	9	27	19	9	25	29	1,800	SEE NOTE 2
CITY OF REDLANDS TATE FILTER PLANT															
6	INFLOW TO TATE FILTER PLANT	595	625	760	710	918	785	699	545	484	616	496	498	7,731	SEE NOTE 3
7	LESS FILTER BACK & SURF WASH WATER RETURNED TO ZANJA	0	0	0	0	0	0	0	0	0	0	0	0	0	SEE NOTE 3
8	LESS GROUNDWATER RECHARGE IN CITY WELLS 10, 11 & 12	0	0	0	0	0	0	0	0	0	0	0	0	0	SEE NOTE 4
9	NET DIVERSION FROM AVAILABLE FLOW TO TATE	595	625	760	710	918	785	699	545	484	616	496	498	7,731	LINE 6-7-8
BOULLIQUON BOX															
10	TRANSFER OF MILL CREEK WATER TO BEAR VALLEY HIGHLINE	0	0	0	0	0	0	0	0	0	0	0	0	0	SEE NOTE 5
11	TRANSFER OF SANTA ANA RIVER WATER TO ZANJA	0	0	0	0	0	0	0	0	0	0	0	0	0	SEE NOTE 5
12	SAN BERN VALLEY MWD TATE PUMP STATION	23	0	35	76	0	8	9	0	0	0	2	0	153	SEE NOTE 6
13	SAN BERN VALLEY MWD UNGER LANE TURNOUT	0	52	251	316	372	311	490	379	311	376	193	213	3,264	SEE NOTE 6
CRAFTON WATER COMPANY CANAL															
14	INFLOW TO CRAFTON CANAL FROM ZANJA	37	58	499	465	525	555	602	558	468	512	324	404	5,007	SEE NOTE 7
15	LESS GROUNDWATER RECHARGE MILL WELL & KING ST. SHAFT	0	0	0	0	0	0	0	0	0	0	0	0	0	SEE NOTE 8
16	NET DIVERSION FROM AVAILABLE FLOW TO CRAFTON	37	58	499	465	525	555	602	558	468	512	324	404	5,007	LINE 14-15
17	TOTAL FLOW DIVERTED INCLUDING UPPER MILL CREEK WELLS	1,023	1,085	1,183	1,131	1,311	1,037	811	751	660	761	650	718	11,121	LINE 5+9+10-1 -12-13+14
DEDUCT UPPER MILL CREEK WELLS															
18	CITY OF REDLANDS MILL CREEK NO. 1 REC. NO. 3601282	0	0	0	0	0	0	78	36	110	110	70	112	516	SEE NOTE 9
19	CITY OF REDLANDS MILL CREEK NO. 2 REC. NO. 3601285	164	140	152	134	131	123	122	115	106	107	100	101	1,495	SEE NOTE 9
20	CITY OF REDLANDS MILL CREEK NO. 4 REC. NO. 3601288	96	95	110	106	110	106	110	110	106	82	61	54	1,146	SEE NOTE 9
21	CITY OF REDLANDS MILL CREEK NO.0-A REC. NO. 3602351	0	0	0	0	0	0	0	0	0	0	0	0	0	SEE NOTE 9
22	TOTAL UPPER MILL CREEK WELL PRODUCTION	260	235	262	240	241	229	310	261	322	299	231	267	3,157	LINE 18+19 +20+21
23	TOTAL MILL CREEK STREAM DIVERSION AS VERIFIED	763	850	921	891	1,070	808	501	490	338	462	419	451	7,964	LINE 17-22

NOTES

1. U.S.G.S. UNPUBLISHED RECORDS OF MILL CREEK FLOWS
2. YUCAIPA PIPELINE TO YUCAIPA OPERATIONS RECORDS (SAN BERNARDINO VALLEY MUNICIPAL WATER DISTRICT)
3. TATE FILTER PLANT OPERATIONS RECORDS (CITY OF REDLANDS)
4. METERED RECHARGE IN WELLS NUMBER 10, 11 AND 12 (RECORDATION NUMBERS 3601291, 3601292 & 3601293 RESPECTIVELY, CITY OF REDLANDS)
5. BOULLIQUON BOX CONNECTS BEAR VALLEY HIGHLINE AND THE ZANJA (SAN BERNARDINO VALLEY MWD & BEAR VALLEY MUTUAL WATER COMPANY)
6. SAN BERNARDINO VALLEY MUNICIPAL WATER DISTRICT COMPLETED THE TATE PUMP STATION. STATE WATER PROJECT OR SANTA ANA RIVER WATER CAN BE DELIVERED TO MILL CREEK FACILITIES. CRAFTON CANAL DIVERTS FROM THE ZANJA (SAN BERNARDINO VALLEY WATER CONSERVATION DISTRICT)
7. GROUNDWATER RECHARGE IN HILL WELL AND KING STREET SHAFT (CRAFTON WATER COMPANY)
8. METERED PRODUCTION FROM WELLS IN UPPER MILL CREEK. WELLS PUMP DIRECTLY INTO POWER CANALS. SURFACE DIVERSIONS AND WELL EXTRACTIONS ARE COMINGLED (CITY OF REDLANDS)

TABLE NO. 5

MILL CREEK
VERIFICATIONS OF EXTRACTIONS
FOR CALENDAR YEAR 1989

LINE NO.	LOCATION OF MEASUREMENT	JAN	FEB	MAR	APR	MAY	JUN	JUL	AUG	SEP	OCT	NOV	DEC	TOTAL	REMARKS
1	MILL CREEK NEAR YUCAIPA STREAMFLOW														SEE NOTE 1
2	MILL CREEK NEAR YUCAIPA POWER CANALS														SEE NOTE 1
3	MILL CREEK NEAR YUCAIPA COMBINED FLOW														SEE NOTE 1
4	TOTAL FLOW AVAILABLE FOR DIVERSION														LINE 3
DIVERSIONS															
5	MILL CREEK NO. 2 & 3 POWERHOUSE AFTERBAY														
5	DIVERSION TO YUCAIPA; REGIONAL PARK & WILSON CREEK	190	258	293	101	66	38	51	24	25	2	0	0	1,048	SEE NOTE 2
CITY OF REDLANDS TATE FILTER PLANT															
6	INFLOW TO TATE FILTER PLANT	711	426	560	715	739	545	542	458	387	197	426	404	6,110	SEE NOTE 3
7	LESS FILTER BACK & SURF WASH WATER RETURNED TO ZANJA	0	0	0	0	0	0	0	0	0	0	0	0	0	SEE NOTE 3
8	LESS GROUNDWATER RECHARGE IN CITY WELLS 10, 11 & 12	0	0	0	0	0	0	0	0	0	0	0	0	0	SEE NOTE 4
9	NET DIVERSION FROM AVAILABLE FLOW TO TATE	711	426	560	715	739	545	542	458	387	197	426	404	6,110	LINE 6-7-8
BOULLIQUON BOX															
10	TRANSFER OF MILL CREEK WATER TO BEAR VALLEY HIGHLINE	0	0	0	0	0	0	0	0	0	0	0	0	0	SEE NOTE 5
11	TRANSFER OF SANTA ANA RIVER WATER TO ZANJA	4	10	0	0	0	0	0	0	0	0	0	0	14	SEE NOTE 5
12	SAN BERN VALLEY MWD TATE PUMP STATION	96	18	5	0	25	0	0	34	0	0	0	0	178	SEE NOTE 6
13	SAN BERN VALLEY MWD UNGER LANE TURNOUT	25	8	0	234	335	268	205	195	146	108	98	93	1,715	SEE NOTE 6
CRAFTON WATER COMPANY CANAL															
14	INFLOW TO CRAFTON CANAL FROM ZANJA	68	143	234	491	428	393	272	282	287	254	265	208	3,325	SEE NOTE 7
15	LESS GROUNDWATER RECHARGE HILL WELL & KING ST. SHAFT	0	0	0	0	0	0	0	0	0	0	0	0	0	SEE NOTE 8
16	NET DIVERSION FROM AVAILABLE FLOW TO CRAFTON	68	143	234	491	428	393	272	282	287	254	265	208	3,325	LINE 14-15
17	TOTAL FLOW DIVERTED INCLUDING UPPER MILL CREEK WELLS	844	791	1,082	1,073	873	708	660	535	553	345	593	519	8,576	LINE 5+9+10-1 -12-13+14
DEDUCT UPPER MILL CREEK WELLS															
18	CITY OF REDLANDS MILL CREEK NO. 1 REC. NO. 3601282	112	28	75	77	77	109	91	79	75	44	79	81	927	SEE NOTE 9
19	CITY OF REDLANDS MILL CREEK NO. 2 REC. NO. 3601285	98	85	94	92	76	109	94	93	90	92	89	91	1,103	SEE NOTE 9
20	CITY OF REDLANDS MILL CREEK NO. 4 REC. NO. 3601288	82	74	83	79	56	0	104	86	82	46	81	79	852	SEE NOTE 9
21	CITY OF REDLANDS MILL CREEK NO. 0-A REC. NO. 3602351	0	0	0	0	0	0	0	0	0	0	0	0	0	SEE NOTE 9
22	TOTAL UPPER MILL CREEK WELL PRODUCTION	292	187	252	248	209	218	289	258	247	182	249	251	2,882	LINE 18+19 +20+21
23	TOTAL MILL CREEK STREAM DIVERSION AS VERIFIED	552	604	830	825	664	490	371	277	306	163	344	268	5,694	LINE 17-22

NOTES

1. U.S.G.S. UNPUBLISHED RECORDS OF MILL CREEK FLOWS
2. YUCAIPA PIPELINE TO YUCAIPA OPERATIONS RECORDS (SAN BERNARDINO VALLEY MUNICIPAL WATER DISTRICT)
3. TATE FILTER PLANT OPERATIONS RECORDS (CITY OF REDLANDS)
4. METERED RECHARGE IN WELLS NUMBER 10, 11 AND 12 (RECORDATION NUMBERS 3601291, 3601292 & 3601293 RESPECTIVELY, CITY OF REDLANDS)
5. BOULLIQUON BOX CONNECTS BEAR VALLEY HIGHLINE AND THE ZANJA (SAN BERNARDINO VALLEY MWD & BEAR VALLEY MUTUAL WATER COMPANY)
6. SAN BERNARDINO VALLEY MUNICIPAL WATER DISTRICT COMPLETED THE TATE PUMP STATION. STATE WATER PROJECT OR SANTA ANA RIVER WATER CAN BE DELIVERED TO MILL CREEK FACILITIES. CRAFTON CANAL DIVERTS FROM THE ZANJA (SAN BERNARDINO VALLEY WATER CONSERVATION DISTRICT)
7. GROUNDWATER RECHARGE IN HILL WELL AND KING STREET SHAFT (CRAFTON WATER COMPANY)
8. METERED PRODUCTION FROM WELLS IN UPPER MILL CREEK. WELLS PUMP DIRECTLY INTO POWER CANALS. SURFACE DIVERSIONS AND WELL EXTRACTIONS ARE COMINGLED (CITY OF REDLANDS)

TABLE NO. 6

SANTA ANA RIVER VERIFICATION OF EXTRACTIONS
FOR CALENDAR YEARS 1985-1989

TABLE NO. 6

SANTA ANA RIVER
VERIFICATIONS OF EXTRACTIONS
FOR CALENDAR YEAR 1985

LINE NO.	LOCATION OF MEASUREMENT	JAN	FEB	MAR	APR	MAY	JUN	JUL	AUG	SEP	OCT	NOV	DEC	TOTAL	REMARKS
1	SANTA ANA RIVER NEAR MENTONE STREAMFLOW	1,797	331	413	245	68	14	11	6	0	0	544	531	3,960	SEE NOTE 1
2	SANTA ANA RIVER NEAR MENTONE POWER CANALS	1,458	2,497	2,882	3,050	2,294	2,241	1,465	1,430	1,749	3,001	2,342	2,202	26,611	SEE NOTE 1
3	SANTA ANA RIVER NEAR MENTONE COMBINED FLOW	3,255	2,828	5,295	3,295	2,362	2,255	1,476	1,436	1,749	3,001	2,886	2,753	30,571	SEE NOTE 1
4	REDLANDS WATER COMPANY REDLANDS TUNNEL OUTFLOW	127	111	118	109	98	85	86	83	72	65	69	95	1,118	SEE NOTE 2
5	TOTAL FLOW AVAILABLE FOR DIVERSION	3,382	2,939	3,413	3,404	2,460	2,340	1,562	1,519	1,821	3,066	2,955	2,828	31,689	LINE 3 + 4
DIVERSIONS															
EAST HIGHLAND CANAL															
6	EAST HIGHLAND WEIR	0	15	9	34	107	117	122	142	131	159	94	10	940	SEE NOTE 3
7	LESS SPREADING	0	0	0	0	0	0	0	0	0	0	0	0	0	SEE NOTE 3
8	NET EAST HIGHLAND CANAL DIVERSIONS	0	15	9	34	107	117	122	142	131	159	94	10	940	LINE 6 + 7
NORTH FORK DIVERSION															
9	NORTH FORK WEIR	59	144	303	419	461	420	9	12	151	549	369	54	2,950	SEE NOTE 3
10	LESS SPREADING FROM CANAL AT CITY CR. & SAND CYN.	0	65	67	13	5	0	0	0	0	0	0	0	150	SEE NOTE 3
11	NET NORTH FORK DIVERSION	59	79	236	406	456	420	9	12	151	549	369	54	2,800	LINE 9 + 10
REDLANDS CANAL															
12	ZANJERO RESIDENCE & SO. CAL. EDISON CO. USE	0	0	1	0	0	1	0	0	1	0	0	1	4	SEE NOTE 4
13	SBVMD DIVERSIONS AT MORTON CANYON CONNECTION	0	0	737	420	0	0	0	0	0	0	0	0	1,157	SEE NOTE 4
14	REDLANDS CANAL WEIR AT SANDBOX	289	376	824	986	1,127	906	267	206	521	1,134	842	528	8,004	SEE NOTE 5
15	LESS SPREADING MENTONE RES. JUDSON ST. & MOUND CITY	58	154	136	50	0	0	0	0	0	0	0	166	564	SEE NOTE 5
16	NET REDLANDS CANAL DIVERSION	231	220	1,426	1,356	1,127	907	267	206	522	1,134	842	363	8,601	LINE 12 + 12A + 13 + 14
BEAR VALLEY HIGHLIGHT --- SBVMD GREENSPOT HIGHLIGHT															
17	GREENSPOT WEIR ON HIGHLIGHT	294	445	534	500	603	775	1,014	1,045	970	1,011	459	123	7,773	SEE NOTE 6
18	LESS SPREADING AT MILL CREEK AND REES PONDS	237	267	199	18	0	0	0	0	0	0	60	0	781	SEE NOTE 6
19	NET BEAR VALLEY HIGHLIGHT DIVERSION	57	178	335	482	603	775	1,014	1,045	970	1,011	399	123	6,992	LINE 16 + 17
20	TOTAL NET DIVERSION FROM AVAILABLE FLOW	347	492	2,006	2,278	2,293	2,219	1,412	1,405	1,774	2,853	1,704	550	19,333	LINE 8 + 11 + 15 + 18
DEDUCT SANTA ANA WELLS															
21	SANTA ANA WELL NO. 1 RECORDATION NO. 3600021	0	1	0	0	50	66	12	120	119	57	8	0	433	SEE NOTE 7
22	SANTA ANA WELL NO. 2 RECORDATION NO. 3600022	0	1	0	0	82	63	1	99	78	54	26	35	439	SEE NOTE 7
23	TOTAL PUMPED WATER	0	2	0	0	132	129	13	219	197	111	34	35	872	LINE 20 + 21
24	TOTAL SANTA ANA RIVER STREAM DIVERSION AS VERIFIED	347	490	2,006	2,278	2,161	2,090	1,399	1,186	1,577	2,742	1,670	515	18,461	LINE 19 + 22

NOTES

- U.S.G.S. RECORDS OF SANTA ANA RIVER FLOWS
- REDLANDS WATER COMPANY TUNNEL IS AN INFILTRATION GALLERY WHICH INTERCEPTS SANTA ANA RIVER UNDERFLOW. DATA FROM BEAR VALLEY MUTUAL WATER COMPANY RECORDS. FLOW SHOWN INCLUDES LINE NO. 14, OF THIS TABLE.
- EAST HIGHLAND CANAL AND NORTH FORK CANAL DIVERT WATER TO AGRICULTURAL USE AND LIMITED SPREADING. DATA FROM BEAR VALLEY MUTUAL WATER COMPANY RECORDS.
- BEAR VALLEY MUTUAL WATER COMPANY'S ZANJERO AND SOUTHERN CALIFORNIA EDISON COMPANY DIVERT WATER FROM REDLANDS TUNNEL UPSTREAM OF THE TUNNELS CONFLUENCE WITH REDLANDS CANAL WHICH IS UPSTREAM OF THE REDLANDS CANAL WEIR. DATA FROM BEAR VALLEY MUTUAL WATER COMPANY RECORDS.
- DATA FROM BEAR VALLEY MUTUAL WATER COMPANY RECORDS OF OPERATIONS OF REDLANDS CANAL WEIR AND REDLANDS CANAL.
- DATA FROM BEAR VALLEY MUTUAL WATER COMPANY RECORDS OF OPERATIONS OF BEAR VALLEY HIGHLIGHT. SAN BERNARDINO VALLEY MUNICIPAL WATER DISTRICT COMPLETED ITS GREENSPOT HIGHLIGHT PIPELINE IN 1985. DATA FROM SBVMD AND BVMDC.
- SANTA ANA NO. 1 AND NO. 2 WELLS ARE LOCATED IN UPPER SANTA ANA CANYON AND PUMPED DIRECTLY TO POWER CANALS. DIVERSION OF STREAMFLOW AND WELL EXTRACTIONS ARE COMMINGLED. DATA FROM BEAR VALLEY MUTUAL WATER COMPANY RECORDS.

TABLE NO. 6

SANTA ANA RIVER
VERIFICATIONS OF EXTRACTIONS
FOR CALENDAR YEAR 1986

LINE NO.	LOCATION OF MEASUREMENT	JAN	FEB	MAR	APR	MAY	JUN	JUL	AUG	SEP	OCT	NOV	DEC	TOTAL	REMARKS
1	SANTA ANA RIVER NEAR MENTONE STREAMFLOW	292	4,855	5,261	479	129	67	9	17	222	3	196	86	11,596	SEE NOTE 1
2	SANTA ANA RIVER NEAR MENTONE POWER CANALS	2,156	2,287	2,929	4,069	3,279	2,793	2,770	2,111	1,930	2,552	2,367	2,254	31,497	SEE NOTE 1
3	SANTA ANA RIVER NEAR MENTONE COMBINED FLOW	2,448	7,142	8,170	4,548	3,408	2,860	2,779	2,128	2,152	2,555	2,563	2,340	43,093	SEE NOTE 1
4	REDLANDS WATER COMPANY REDLANDS TUNNEL OUTFLOW	81	96	121	115	114	117	92	78	76	79	68	85	1,122	SEE NOTE 2
5	TOTAL FLOW AVAILABLE FOR DIVERSION	2,529	7,238	8,291	4,663	3,522	2,977	2,871	2,206	2,228	2,634	2,631	2,425	44,215	LINE 3 + 4
DIVERSIONS															
EAST HIGHLAND CANAL															
6	EAST HIGHLAND WEIR	62	0	0	31	81	145	148	148	122	137	112	91	1,077	SEE NOTE 3
7	LESS SPREADING	0	0	0	0	0	0	0	0	0	0	0	0	0	SEE NOTE 3
8	NET EAST HIGHLAND CANAL DIVERSIONS	62	0	0	31	81	145	148	148	122	137	112	91	1,077	LINE 6 - 7
NORTH FORK DIVERSION															
9	NORTH FORK WEIR	338	24	12	279	496	477	560	396	421	503	420	253	4,179	SEE NOTE 3
10	LESS SPREADING FROM CANAL AT CITY CR. & SAND CYN.	17	0	0	3	0	0	0	0	0	0	1	22	43	SEE NOTE 3
11	NET NORTH FORK DIVERSION	321	24	12	276	496	477	560	396	421	503	419	231	4,136	LINE 9 - 10
REDLANDS CANAL															
12	ZANJERO RESIDENCE & SO. CAL. EDISON CO. USE	0	0	1	0	0	1	0	0	1	0	0	1	4	SEE NOTE 4
12A	SBYMD DIVERSIONS AT MORTON CANYON CONNECTION	0	0	0	0	0	0	0	0	0	0	0	0	0	
13	REDLANDS CANAL WEIR AT SANDBOX	782	474	371	984	1,447	1,240	1,165	728	744	1,162	1,027	817	10,941	SEE NOTE 5
14	LESS SPREADING MENTONE RES. JUDSON ST. & MOUND CITY	0	0	0	0	0	0	0	0	0	0	0	0	0	SEE NOTE 5
15	NET REDLANDS CANAL DIVERSION	782	474	372	984	1,447	1,241	1,165	728	745	1,162	1,027	818	10,945	LINE 12 + 12A + 13 - 14
BEAR VALLEY HIGHLINE --- SBYMD GREENSPOT HIGHLINE															
16	GREENSPOT WEIR ON HIGHLINE	672	337	307	1,316	703	705	708	736	594	659	698	569	8,004	SEE NOTE 6
17	LESS SPREADING AT MILL CREEK AND REES PONDS	242	298	285	987	247	0	0	1	0	0	0	298	2,358	SEE NOTE 6
18	NET BEAR VALLEY HIGHLINE DIVERSION	430	39	22	329	456	705	708	735	594	659	698	271	5,646	LINE 16 - 17
19	TOTAL NET DIVERSION FROM AVAILABLE FLOW	1,595	537	406	1,620	2,480	2,568	2,581	2,007	1,882	2,461	2,256	1,411	21,804	LINE 8 + 11 + 15 + 18
DEDUCT SANTA ANA WELLS															
20	SANTA ANA WELL NO. 1 RECORDATION NO. 3600021	3	0	0	0	0	46	85	80	73	65	0	18	370	SEE NOTE 7
21	SANTA ANA WELL NO. 2 RECORDATION NO. 3600022	28	0	0	0	0	47	84	117	89	78	50	31	524	SEE NOTE 7
22	TOTAL PUMPED WATER	31	0	0	0	0	93	169	197	162	143	50	49	894	LINE 20 + 21
23	TOTAL SANTA ANA RIVER STREAM DIVERSION AS VERIFIED	1,564	537	406	1,620	2,480	2,475	2,412	1,810	1,720	2,318	2,206	1,362	20,910	LINE 19 - 22

NOTES

- U.S.G.S. RECORDS OF SANTA ANA RIVER FLOWS
- REDLANDS WATER COMPANY TUNNEL IS AN INFILTRATION GALLERY WHICH INTERCEPTS SANTA ANA RIVER UNDERFLOW. DATA FROM BEAR VALLEY MUTUAL WATER COMPANY RECORDS. FLOW SHOWN INCLUDES LINE NO. 14. OF THIS TABLE.
- EAST HIGHLAND CANAL AND NORTH FORK CANAL DIVERT WATER TO AGRICULTURAL USE AND LIMITED SPREADING. DATA FROM BEAR VALLEY MUTUAL WATER COMPANY RECORDS
- BEAR VALLEY MUTUAL WATER COMPANY'S ZANJERO AND SOUTHERN CALIFORNIA EDISON COMPANY DIVERT WATER FROM REDLANDS TUNNEL UPSTREAM OF THE TUNNELS CONFLUENCE WITH REDLANDS CANAL WHICH IS UPSTREAM OF THE REDLANDS CANAL WEIR. DATA FROM BEAR VALLEY MUTUAL WATER COMPANY RECORDS.
- DATA FROM BEAR VALLEY MUTUAL WATER COMPANY RECORDS OF OPERATIONS OF REDLANDS CANAL WEIR AND REDLANDS CANAL.
- DATA FROM BEAR VALLEY MUTUAL WATER COMPANY RECORDS OF OPERATIONS OF BEAR VALLEY HIGHLINE. SAN BERNARDINO VALLEY MUNICIPAL WATER DISTRICT COMPLETED ITS GREENSPOT HIGHLINE PIPELINE IN 1985. DATA FROM SBYMD AND BYMMC.
- SANTA ANA NO. 1 AND NO. 2 WELLS ARE LOCATED IN UPPER SANTA ANA CANYON AND PUMPED DIRECTLY TO POWER CANALS. DIVERSION OF STREAMFLOW AND WELL EXTRACTIONS ARE COMINGLED. DATA FROM BEAR VALLEY MUTUAL WATER COMPANY RECORDS.

TABLE NO. 6

SANTA ANA RIVER
VERIFICATIONS OF EXTRACTIONS
FOR CALENDAR YEAR 1987

LINE NO.	LOCATION OF MEASUREMENT	JAN	FEB	MAR	APR	MAY	JUN	JUL	AUG	SEP	OCT	NOV	DEC	TOTAL	REMARKS
1	SANTA ANA RIVER NEAR MENTONE STREAMFLOW	312	65	623	136	17	0	0	0	0	214	287	23	1,677	SEE NOTE 1
2	SANTA ANA RIVER NEAR MENTONE POWER CANALS	2,258	1,964	2,876	2,861	2,310	1,462	1,228	1,174	1,129	1,284	1,956	1,857	22,339	SEE NOTE 1
3	SANTA ANA RIVER NEAR MENTONE COMBINED FLOW	2,570	2,029	3,499	2,997	2,327	1,462	1,228	1,174	1,129	1,498	2,223	1,880	24,016	SEE NOTE 1
4	REDLANDS WATER COMPANY REDLANDS TUNNEL OUTFLOW	92	93	114	108	91	63	64	57	50	51	90	88	1,961	SEE NOTE 2
5	TOTAL FLOW AVAILABLE FOR DIVERSION	2,662	2,122	3,613	3,105	2,418	1,525	1,292	1,231	1,179	1,549	2,313	1,968	24,977	LINE 3+4
DIVERSIONS															
EAST HIGHLAND CANAL															
6	EAST HIGHLAND WEIR	12	69	3	49	121	124	136	137	123	40	35	18	867	SEE NOTE 3
7	LESS SPREADING	0	0	0	0	0	0	0	0	0	0	0	0	0	SEE NOTE 3
8	NET EAST HIGHLAND CANAL DIVERSIONS	12	69	3	49	121	124	136	137	123	40	35	18	867	LINE 6-7
NORTH FORK DIVERSION															
9	NORTH FORK WEIR	152	233	40	304	297	15	5	10	1	32	5	76	1,170	SEE NOTE 3
10	LESS SPREADING FROM CANAL AT CITY CR. & SAND CYN.	0	0	0	0	0	0	0	0	0	0	0	0	0	SEE NOTE 3
11	NET NORTH FORK DIVERSION	152	233	40	304	297	15	5	10	1	32	5	76	1,170	LINE 9-10
REDLANDS CANAL															
12	ZANJERO RESIDENCE & SO. CAL. EDISON CO. USE	0	0	1	0	0	1	0	0	1	0	0	1	4	SEE NOTE 4
12A	SBVMD DIVERSIONS AT MORTON CANYON CONNECTION	0	0	0	324	0	0	0	0	0	0	0	0	324	SEE NOTE 4
13	REDLANDS CANAL WEIR AT SANDBOX	1,071	763	224	783	479	249	134	183	105	334	581	706	5,612	SEE NOTE 5
14	LESS SPREADING MENTONE RES. JUDSON ST. & MOUND CITY	0	0	0	0	0	0	0	0	0	0	0	0	0	SEE NOTE 5
15	NET REDLANDS CANAL DIVERSION	1,071	763	225	1,107	479	250	134	183	106	334	581	707	5,940	LINE 12+12A +13-14
BEAR VALLEY HIGHLIGHT --- SBVMD GREENSPOT HIGHLIGHT															
16	GREENSPOT WEIR ON HIGHLIGHT	611	807	706	844	1,266	1,063	904	853	925	691	536	462	9,668	SEE NOTE 6
17	LESS SPREADING AT MILL CREEK AND REES PONDS	312	432	468	159	15	0	0	0	0	73	480	75	2,014	SEE NOTE 6
18	NET BEAR VALLEY HIGHLIGHT DIVERSION	299	375	238	685	1,251	1,063	904	853	925	618	56	387	7,654	LINE 16-17
19	TOTAL NET DIVERSION FROM AVAILABLE FLOW	1,534	1,440	506	2,145	2,148	1,452	1,179	1,183	1,155	1,024	677	1,188	15,631	LINE 8+11 +15+18
DEDUCT SANTA ANA WELLS															
20	SANTA ANA WELL NO. 1 RECORDATION NO. 3600021	8	2	0	18	23	38	0	0	139	34	0	0	262	SEE NOTE 7
21	SANTA ANA WELL NO. 2 RECORDATION NO. 3600022	24	15	5	44	123	75	69	80	92	72	23	63	685	SEE NOTE 7
22	TOTAL PUMPED WATER	32	17	5	62	146	113	69	80	231	106	23	63	947	LINE 20+21
23	TOTAL SANTA ANA RIVER STREAM DIVERSION AS VERIFIED	1,502	1,423	501	2,083	2,002	1,339	1,110	1,103	924	918	654	1,125	14,684	LINE 19-22

NOTES

- U.S.G.S. RECORDS OF SANTA ANA RIVER FLOWS
- REDLANDS WATER COMPANY TUNNEL IS AN INFILTRATION GALLERY WHICH INTERCEPTS SANTA ANA RIVER UNDERFLOW. DATA FROM BEAR VALLEY MUTUAL WATER COMPANY RECORDS. FLOW SHOWN INCLUDES LINE NO. 14, OF THIS TABLE.
- EAST HIGHLAND CANAL AND NORTH FORK CANAL DIVERT WATER TO AGRICULTURAL USE AND LIMITED SPREADING. DATA FROM BEAR VALLEY MUTUAL WATER COMPANY RECORDS
- BEAR VALLEY MUTUAL WATER COMPANY'S ZANJERO AND SOUTHERN CALIFORNIA EDISON COMPANY DIVERT WATER FROM REDLANDS TUNNEL UPSTREAM OF THE TUNNELS CONFLUENCE WITH REDLANDS CANAL WHICH IS UPSTREAM OF THE REDLANDS CANAL WEIR. DATA FROM BEAR VALLEY MUTUAL WATER COMPANY RECORDS.
- DATA FROM BEAR VALLEY MUTUAL WATER COMPANY RECORDS OF OPERATIONS OF REDLANDS CANAL WEIR AND REDLANDS CANAL.
- DATA FROM BEAR VALLEY MUTUAL WATER COMPANY RECORDS OF OPERATIONS OF BEAR VALLEY HIGHLIGHT. SAN BERNARDINO VALLEY MUNICIPAL WATER DISTRICT COMPLETED ITS GREENSPOT HIGHLIGHT PIPELINE IN 1985. DATA FROM SBVMD AND BVMWC.
- SANTA ANA NO. 1 AND NO. 2 WELLS ARE LOCATED IN UPPER SANTA ANA CANYON AND PUMPED DIRECTLY TO POWER CANALS. DIVERSION OF STREAMFLOW AND WELL EXTRACTIONS ARE COMINGLED. DATA FROM BEAR VALLEY MUTUAL WATER COMPANY RECORDS.

TABLE NO. 8

SANTA ANA RIVER
VERIFICATIONS OF EXTRACTIONS
FOR CALENDAR YEAR 1988

LINE NO.	LOCATION OF MEASUREMENT	JAN	FEB	MAR	APR	MAY	JUN	JUL	AUG	SEP	OCT	NOV	DEC	TOTAL	REMARKS
1	SANTA ANA RIVER NEAR MENTONE STREAMFLOW	406	73	68	388	59	16	1	0	0	0	0	887	1,898	SEE NOTE 1
2	SANTA ANA RIVER NEAR MENTONE POWER CANALS	2,111	2,030	2,052	2,151	2,212	1,537	1,074	1,180	1,200	1,117	1,313	1,346	19,323	SEE NOTE 1
3	SANTA ANA RIVER NEAR MENTONE COMBINED FLOW	2,517	2,103	2,120	2,539	2,271	1,553	1,075	1,180	1,200	1,117	1,313	2,253	21,221	SEE NOTE 1
4	REDLANDS WATER COMPANY REDLANDS TUNNEL OUTFLOW	99	94	99	96	96	88	74	72	69	56	56	64	963	SEE NOTE 2
5	TOTAL FLOW AVAILABLE FOR DIVERSION	2,616	2,197	2,219	2,635	2,367	1,641	1,149	1,252	1,269	1,173	1,369	2,297	22,184	LINE 3+4
DIVERSIONS															
EAST HIGHLAND CANAL															
6	EAST HIGHLAND WEIR	2	19	33	78	18	106	16	0	31	93	93	4	493	SEE NOTE 3
7	LESS SPREADING	0	0	0	0	0	0	0	0	0	0	0	0	0	SEE NOTE 3
8	NET EAST HIGHLAND CANAL DIVERSIONS	2	19	33	78	18	106	16	0	31	93	93	4	493	LINE 6-7
NORTH FORK DIVERSION															
9	NORTH FORK WEIR	10	166	381	150	445	275	2	0	0	0	184	292	1,905	SEE NOTE 3
10	LESS SPREADING FROM CANAL AT CITY CR. & SAND CYN.	0	0	0	0	0	0	0	0	0	0	0	0	0	SEE NOTE 3
11	NET NORTH FORK DIVERSION	10	166	381	150	445	275	2	0	0	0	184	292	1,905	LINE 9-10
REDLANDS CANAL															
12	ZANJERO RESIDENCE & SO. CAL. EDISON CO. USE	0	1	0	0	1	0	0	1	0	0	1	0	4	SEE NOTE 4
12A	SBVMD DIVERSIONS AT MORTON CANYON CONNECTION	0	0	0	0	0	0	0	0	0	0	0	0	0	0
13	REDLANDS CANAL WEIR AT SANDBOX	808	1,082	718	550	742	384	136	298	394	251	567	370	6,300	SEE NOTE 5
14	LESS SPREADING MENTONE RES. JUDSON ST. & MOUND CITY	300	300	0	0	0	0	0	0	0	0	0	0	600	SEE NOTE 5
15	NET REDLANDS CANAL DIVERSION	508	783	718	550	743	384	136	299	394	251	568	370	5,704	LINE 12+12A +13-14
BEAR VALLEY HIGHLINE --- SBVMD GREENSPOT HIGHLINE															
16	GREENSPOT WEIR ON HIGHLINE	424	450	634	802	827	762	994	867	779	792	421	405	8,157	SEE NOTE 6
17	LESS SPREADING AT MILL CREEK AND REES PONDS	305	229	0	170	59	32	0	0	0	0	0	23	818	SEE NOTE 6
18	NET BEAR VALLEY HIGHLINE DIVERSION	119	221	634	632	768	730	994	867	779	792	421	382	7,339	LINE 16-17
19	TOTAL NET DIVERSION FROM AVAILABLE FLOW	639	1,189	1,766	1,410	1,974	1,495	1,148	1,166	1,204	1,136	1,266	1,048	15,441	LINE 8+11 +15+18
DEDUCT SANTA ANA WELLS															
20	SANTA ANA WELL NO. 1 RECORDATION NO. 3600021	0	10	0	0	1	15	0	9	31	47	33	0	146	SEE NOTE 7
21	SANTA ANA WELL NO. 2 RECORDATION NO. 3600022	0	25	158	0	2	35	14	20	105	83	0	24	466	SEE NOTE 7
22	TOTAL PUMPED WATER	0	35	158	0	3	50	14	29	136	130	33	24	612	LINE 20+21
23	TOTAL SANTA ANA RIVER STREAM DIVERSION AS VERIFIED	639	1,154	1,608	1,410	1,971	1,445	1,134	1,137	1,068	1,006	1,233	1,024	14,829	LINE 19-22

NOTES

- U.S.G.S. RECORDS OF SANTA ANA RIVER FLOWS
- REDLANDS WATER COMPANY TUNNEL IS AN INFILTRATION GALLERY WHICH INTERCEPTS SANTA ANA RIVER UNDERFLOW. DATA FROM BEAR VALLEY MUTUAL WATER COMPANY RECORDS. FLOW SHOWN INCLUDES LINE NO. 14, OF THIS TABLE.
- EAST HIGHLAND CANAL AND NORTH FORK CANAL DIVERT WATER TO AGRICULTURAL USE AND LIMITED SPREADING. DATA FROM BEAR VALLEY MUTUAL WATER COMPANY RECORDS.
- BEAR VALLEY MUTUAL WATER COMPANY'S ZANJERO AND SOUTHERN CALIFORNIA EDISON COMPANY DIVERT WATER FROM REDLANDS TUNNEL UPSTREAM OF THE TUNNELS CONFLUENCE WITH REDLANDS CANAL WHICH IS UPSTREAM OF THE REDLANDS CANAL WEIR. DATA FROM BEAR VALLEY MUTUAL WATER COMPANY RECORDS.
- DATA FROM BEAR VALLEY MUTUAL WATER COMPANY RECORDS OF OPERATIONS OF REDLANDS CANAL WEIR AND REDLANDS CANAL.
- DATA FROM BEAR VALLEY MUTUAL WATER COMPANY RECORDS OF OPERATIONS OF BEAR VALLEY HIGHLINE. SAN BERNARDINO VALLEY MUNICIPAL WATER DISTRICT COMPLETED ITS GREENSPOT HIGHLINE PIPELINE IN 1985. DATA FROM SBVMD AND BYVMC.
- SANTA ANA NO.1 AND NO. 2 WELLS ARE LOCATED IN UPPER SANTA ANA CANYON AND PUMPED DIRECTLY TO POWER CANALS. DIVERSION OF STREAMFLOW AND WELL EXTRACTIONS ARE COMINGLED. DATA FROM BEAR VALLEY MUTUAL WATER COMPANY RECORDS.

TABLE NO. 6

SANTA ANA RIVER
VERIFICATIONS OF EXTRACTIONS
FOR CALENDAR YEAR 1989

LINE NO.	LOCATION OF MEASUREMENT	JAN	FEB	MAR	APR	MAY	JUN	JUL	AUG	SEP	OCT	NOV	DEC	TOTAL	REMARKS
1	SANTA ANA RIVER NEAR MENTONE STREAMFLOW	192	1,702	192	52	23	18	7	2	0	0	0	0	2,188	SEE NOTE 1
2	SANTA ANA RIVER NEAR MENTONE POWER CANALS	1,948	1,862	2,494	1,836	1,352	878	653	787	756	893	948	1,087	15,494	SEE NOTE 1
3	SANTA ANA RIVER NEAR MENTONE COMBINED FLOW	2,140	3,564	2,686	1,888	1,375	896	660	789	756	893	948	1,087	17,682	SEE NOTE 1
4	REDLANDS WATER COMPANY REDLANDS TUNNEL	81	85	102	84	94	68	90	18	92	92	57	27	890	SEE NOTE 2
5	TOTAL FLOW AVAILABLE FOR DIVERSION	2,221	3,649	2,788	1,972	1,469	964	750	807	848	985	1,005	1,114	18,572	LINE 3+4
DIVERSIONS															
EAST HIGHLAND CANAL															
6	EAST HIGHLAND WEIR	7	9	8	59	110	32	0	0	0	131	119	40	515	SEE NOTE 3
7	LESS SPREADING	0	0	0	0	0	0	0	0	0	0	0	0	0	SEE NOTE 3
8	NET EAST HIGHLAND CANAL DIVERSIONS	7	9	8	59	110	32	0	0	0	131	119	40	515	LINE 6-7
NORTH FORK DIVERSION															
9	NORTH FORK WEIR	158	85	289	249	36	0	0	0	0	0	27	295	1,139	SEE NOTE 3
10	LESS SPREADING FROM CANAL AT CITY CR. & SAND CYN.	0	0	0	0	0	0	0	0	0	0	0	0	0	SEE NOTE 3
11	NET NORTH FORK DIVERSION	158	85	289	249	36	0	0	0	0	0	27	295	1,139	LINE 9-10
REDLANDS CANAL															
12	ZANJERO RESIDENCE & SO. CAL. EDISON CO. USE	0	1	0	0	1	0	0	1	0	0	1	0	4	SEE NOTE 4
12A	SBVMHD DIVERSIONS AT MORTON CANYON CONNECTION	0	0	0	0	0	0	0	0	0	0	0	0	0	
13	REDLANDS CANAL WEIR AT SANDBOX	783	642	1,251	703	475	250	110	231	232	343	429	341	5,790	SEE NOTE 5
14	LESS SPREADING MENTONE RES. JUDSON ST. & MOUND CITY	300	300	650	0	0	0	0	0	0	0	0	0	1,250	SEE NOTE 5
15	NET REDLANDS CANAL DIVERSION	483	343	601	703	476	250	110	232	232	343	430	341	4,544	LINE 12+12A +13-14
BEAR VALLEY HIGHLIGHT --- SBVMHD GREENSPOT HIGHLIGHT															
16	GREENSPOT WEIR ON HIGHLIGHT	575	413	486	658	806	723	692	720	584	543	510	459	7,169	SEE NOTE 6
17	LESS SPREADING AT MILL CREEK AND REES PONDS	295	324	207	0	0	0	0	0	0	2	0	0	828	SEE NOTE 6
18	NET BEAR VALLEY HIGHLIGHT DIVERSION	280	89	279	658	806	723	692	720	584	541	510	459	6,341	LINE 16-17
19	TOTAL NET DIVERSION FROM AVAILABLE FLOW	928	526	1,177	1,669	1,428	1,005	802	952	816	1,015	1,086	1,135	12,539	LINE 8+11 +15+18
DEDUCT SANTA ANA WELLS															
20	SANTA ANA WELL NO. 1 RECORDATION NO. 3600021	0	0	0	8	39	0	0	106	74	78	76	94	475	SEE NOTE 7
21	SANTA ANA WELL NO. 2 RECORDATION NO. 3600022	0	0	0	0	0	0	23	111	83	24	0	83	324	SEE NOTE 7
22	TOTAL PUMPED WATER	0	0	0	8	39	0	23	217	157	102	76	177	799	LINE 20+21
23	TOTAL SANTA ANA RIVER STREAM DIVERSION AS VERIFIED	928	526	1,177	1,661	1,389	1,005	779	735	659	913	1,010	958	11,740	LINE 19-22

NOTES

- U.S.G.S. RECORDS OF SANTA ANA RIVER FLOWS
- REDLANDS WATER COMPANY TUNNEL IS AN INFILTRATION GALLERY WHICH INTERCEPTS SANTA ANA RIVER UNDERFLOW. DATA FROM BEAR VALLEY MUTUAL WATER COMPANY RECORDS. FLOW SHOWN INCLUDES LINE NO. 14. OF THIS TABLE.
- EAST HIGHLAND CANAL AND NORTH FORK CANAL DIVERT WATER TO AGRICULTURAL USE AND LIMITED SPREADING. DATA FROM BEAR VALLEY MUTUAL WATER COMPANY RECORDS
- BEAR VALLEY MUTUAL WATER COMPANY'S ZANJERO AND SOUTHERN CALIFORNIA EDISON COMPANY DIVERT WATER FROM REDLANDS TUNNEL UPSTREAM OF THE TUNNELS CONFLUENCE WITH REDLANDS CANAL WHICH IS UPSTREAM OF THE REDLANDS CANAL WEIR. DATA FROM BEAR VALLEY MUTUAL WATER COMPANY RECORDS.
- DATA FROM BEAR VALLEY MUTUAL WATER COMPANY RECORDS OF OPERATIONS OF REDLANDS CANAL WEIR AND REDLANDS CANAL.
- DATA FROM BEAR VALLEY MUTUAL WATER COMPANY RECORDS OF OPERATIONS OF BEAR VALLEY HIGHLIGHT. SAN BERNARDINO VALLEY MUNICIPAL WATER DISTRICT COMPLETED ITS GREENSPOT HIGHLIGHT PIPELINE IN 1985. DATA FROM SBVMHD AND BVMHC.
- SANTA ANA NO.1 AND NO. 2 WELLS ARE LOCATED IN UPPER SANTA ANA CANYON AND PUMPED DIRECTLY TO POWER CANALS. DIVERSION OF STREAMFLOW AND WELL EXTRACTIONS ARE COMINGLED. DATA FROM BEAR VALLEY MUTUAL WATER COMPANY RECORDS.

TABLE NO. 7

SUMMARY OF REPORTED EXTRACTIONS FROM LYTLE
CREEK, MILL CREEK, AND SANTA ANA RIVER

TABLE NO. 7

SUMMARY OF REPORTED EXTRACTIIONS FROM
LYTLE CREEK, MILL CREEK AND
SANTA ANA RIVER

	1959	1960	1961	1962	1963 AVERAGE	1959-63 AVERAGE	1985	1986	1987	1988	1989 AVERAGE	1985-89 AVERAGE
FILED LYTLE CREEK DIVERSIONS												
FONTANA UNION WATER COMPANY RECORDATION NO. 3600591	8,487	5,833	4,321	8,732	6,145	6,704	2,743	1,798	2,725	2,991	2,245	2,500
MOUNT VERNON WATER COMPANY RECORDATION NO. 3600320	730	730	730	730	730	730	724	724	724	724	724	724
RIALTO, CITY OF RECORDATION NO. 3601718	624	626	625	587	624	617	1,075	1,325	539	1,111	1,005	1,011
SAN BERNARDINO, CITY OF RECORDATION NO. 3600739	1,069	994	1,286	1,403	1,279	1,206	1,448	1,448	1,448	1,448	1,448	1,448
WEST SAN BERNARDINO COUNTY WATER DIST RECORDATION NO. 3600312	4,258	2,709	2,424	4,392	4,097	3,576	3,340	3,686	3,686	3,696	3,696	3,621
TOTAL REPORTED DIVERSIONS	15,168	10,892	9,386	15,844	12,875	12,833	9,330	8,981	9,122	9,970	9,118	9,304

FILED AND NON-FILED MILL CREEK DIVERSIONS

REDLANDS, CITY OF RECORDATION NO. 3601302	12,932	11,636	11,178	7,731	8,285	10,352
NON-FILED 152W138	0	0	0	0	0	0
TOTAL REPORTED DIVERSIONS	12,932	11,636	11,178	7,731	8,285	10,352

FILED AND NON-FILED SANTA ANA RIVER DIVERSIONS

BEAR VALLEY MUTUAL WATER COMPANY RECORDATION NO. 3600028	19,837	23,160	16,373	14,170	14,785	17,665
REDLANDS WATER COMPANY NON-FILED 152W8	1,118	1,122	961	963	890	1,011
TOTAL REPORTED DIVERSIONS	20,955	24,282	17,334	15,133	15,675	18,676

NOTES

.....

1. PRIOR TO 1974 VERIFICATION, THE VERIFIED NET DIVERSIONS FROM MILL CREEK WERE SHOWN ON TABLES 1 AND 2 FOR FILERS AND NON-FILERS RESPECTIVELY SEE TABLE 5 1974 TO DATE.
2. PRIOR TO 1974 VERIFICATION, THE VERIFIED NET DIVERSIONS FROM SANTA ANA RIVER WERE SHOWN ON TABLES 1 AND 2 FOR FILERS AND NON-FILERS RESPECTIVELY SEE TABLE 6 1974 TO DATE.

3. PRIOR TO 1974 VERIFICATION, THE VERIFIED PRODUCTION OF REDLANDS WATER COMPANY'S REDLANDS TUNNEL WAS SHOWN IN TABLE 2 SEE TABLE 6 1974 TO DATE.

TABLE NO. 8

SUMMARY OF PRODUCTION FROM SAN BERNARDINO
BASIN AREA AND CORRECTION FOR VERIFIED
DIVERSIONS OF MAJOR STREAMFLOWS

TABLE NO. 8

SUMMARY OF PRODUCTION FROM
SAN BERNARDINO BASIN AREA AND
CORRECTION FOR VERIFIED DIVERSIONS
OF MAJOR STREAMFLOWS

	1959	1960	1961	1962	1963	1959-63 AVERAGE	1985	1986	1987	1988	1989	1985-89 AVERAGE
BASIN TOTAL PRODUCTION ¹ FILED AND NON-FILED	191,189	174,999	182,060	175,939	158,609	176,559	180,889	176,287	175,441	177,869	179,851	141,890
TOTAL RECORDED STREAMFLOW DIVERSIONS												
LYTLE CREEK ²	15,168	10,892	9,386	15,844	12,875	12,833	9,330	8,981	9,122	9,970	9,118	9,304
MILL CREEK ²	--	--	--	--	--	--	12,932	11,636	11,178	7,731	8,285	10,352
SANTA ANA RIVER ²	--	--	--	--	--	--	20,955	24,282	17,334	15,133	15,675	18,676

BASIN TOTAL PRODUCTION LESS MAJOR STREAM DIVERSIONS	176,021	164,107	172,674	160,095	145,734	163,726	137,672	131,388	137,807	145,035	146,773	139,735
VERIFIED STREAMFLOW DIVERSIONS												
LYTLE CREEK ³	11,499	6,708	4,428	11,755	7,861	8,450	12,678	19,460	10,909	13,799	9,502	13,270
MILL CREEK ⁴	--	--	--	--	--	--	9,268	13,162	9,278	7,964	5,694	9,073
SANTA ANA RIVER ⁵	--	--	--	--	--	--	18,461	20,910	14,684	14,829	12,539	16,285

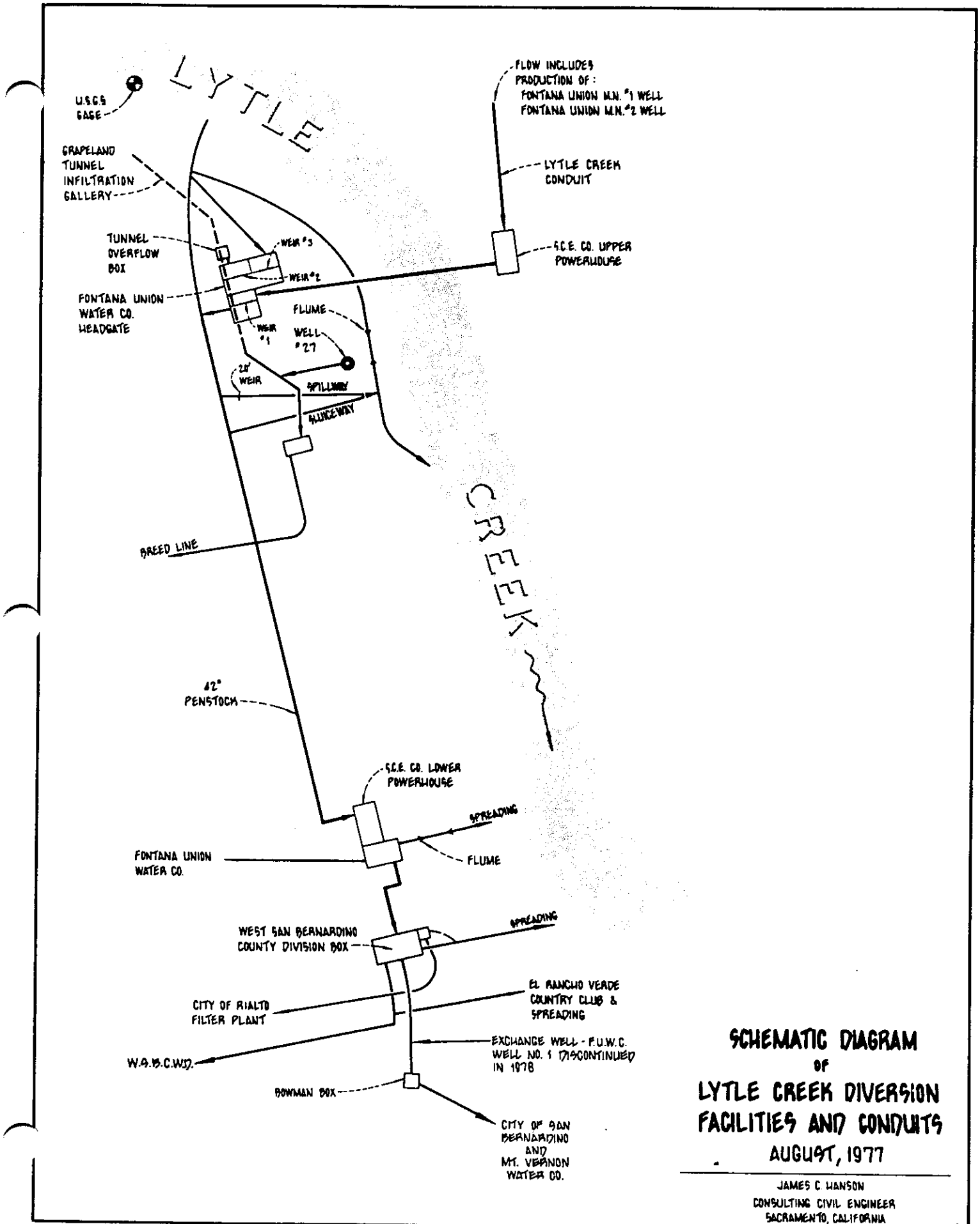
BASIN TOTAL VERIFIED PRODUCTION FROM SAN BERNARDINO BASIN AREA	187,520	170,815	177,102	171,850	153,595	172,176	178,079	184,920	172,678	181,627	174,508	178,362
TOTAL VERIFIED PRODUCTION FROM SAN BERNARDINO BASIN AREA EXCLUDING MINOR PRODUCTION	186,546	170,058	176,439	171,015	152,651	171,342	177,919	184,734	172,501	181,425	174,329	178,182

NOTES

- TOTAL FILED AND NON-FILED PRODUCTION BY NON-PLAINTIFFS FROM SAN BERNARDINO BASIN AREA FROM TABLE NO. 3.
 - FROM TABLE NO. 7 SUMMARY OF REPORTED EXTRACTIONS FROM LYTLE CREEK, MILL CREEK AND SANTA ANA RIVER.
 - FROM TABLE NO. 4 LYTLE CREEK VERIFICATIONS OF EXTRACTIONS.
 - FROM TABLE NO. 5 MILL CREEK VERIFICATIONS OF EXTRACTIONS.
 - FROM TABLE NO. 6 SANTA ANA RIVER VERIFICATIONS OF EXTRACTIONS (INCLUDES REDLANDS WATER COMPANY'S, REDLANDS TUNNEL)
- NOTES
- EXCLUDES THOSE EXTRACTIONS FOR WHICH THE 1959-63 AVERAGE WAS LESS THAN 25 ACRE-FEET.
 - TOTAL BASIN PRODUCTION FROM SAN BERNARDINO BASIN AREA. SEE TABLE NO. 3 "TOTAL PRODUCTION FROM SAN BERNARDINO BASIN AREA"
 - EXCLUDES THOSE EXTRACTIONS FOR WHICH THE ANNUAL OWNER TOTAL PRODUCTION WAS LESS THAN 25 ACRE-FEET. SEE TABLE NO. 3 "TOTAL PRODUCTION FROM SAN BERNARDINO BASIN EXCLUDING THOSE AMOUNTS FOR WHICH THE OWNER TOTAL PRODUCTION WAS LESS THAN 25 ACRE-FEET" THE AMOUNT IS ADJUSTED AS SHOWN ABOVE FOR VERIFIED STREAM DIVERSIONS.

PLATE NO. 1

SCHEMATIC DIAGRAM OF LYTLE CREEK DIVERSION
FACILITIES AND CONDUITS



**SCHEMATIC DIAGRAM
OF
LYTLE CREEK DIVERSION
FACILITIES AND CONDUITS
AUGUST, 1977**

JAMES C. HANSON
CONSULTING CIVIL ENGINEER
SACRAMENTO, CALIFORNIA

PLATE NO. 1A

LOCATION MAP, LYTLE CREEK DIVERSIONS

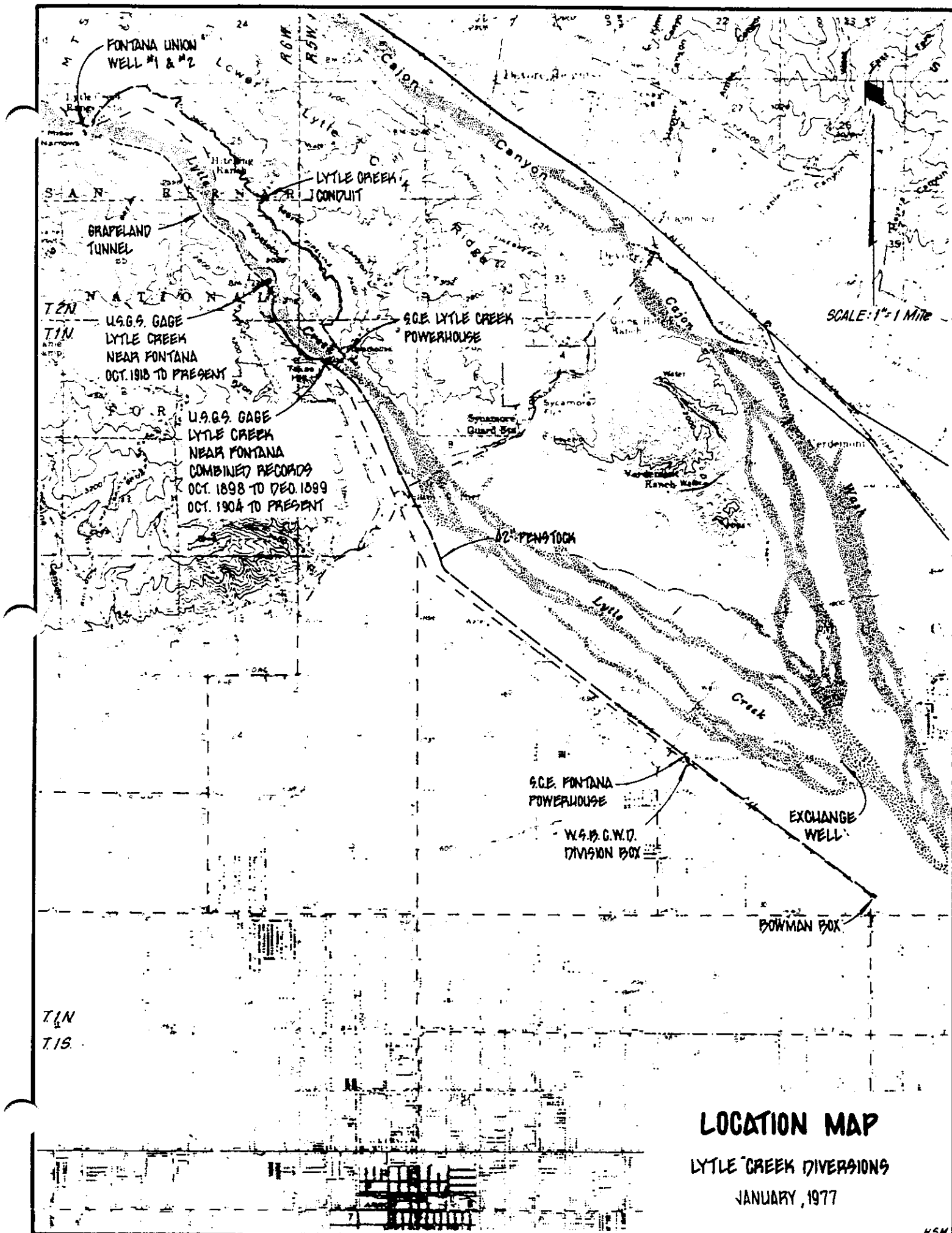
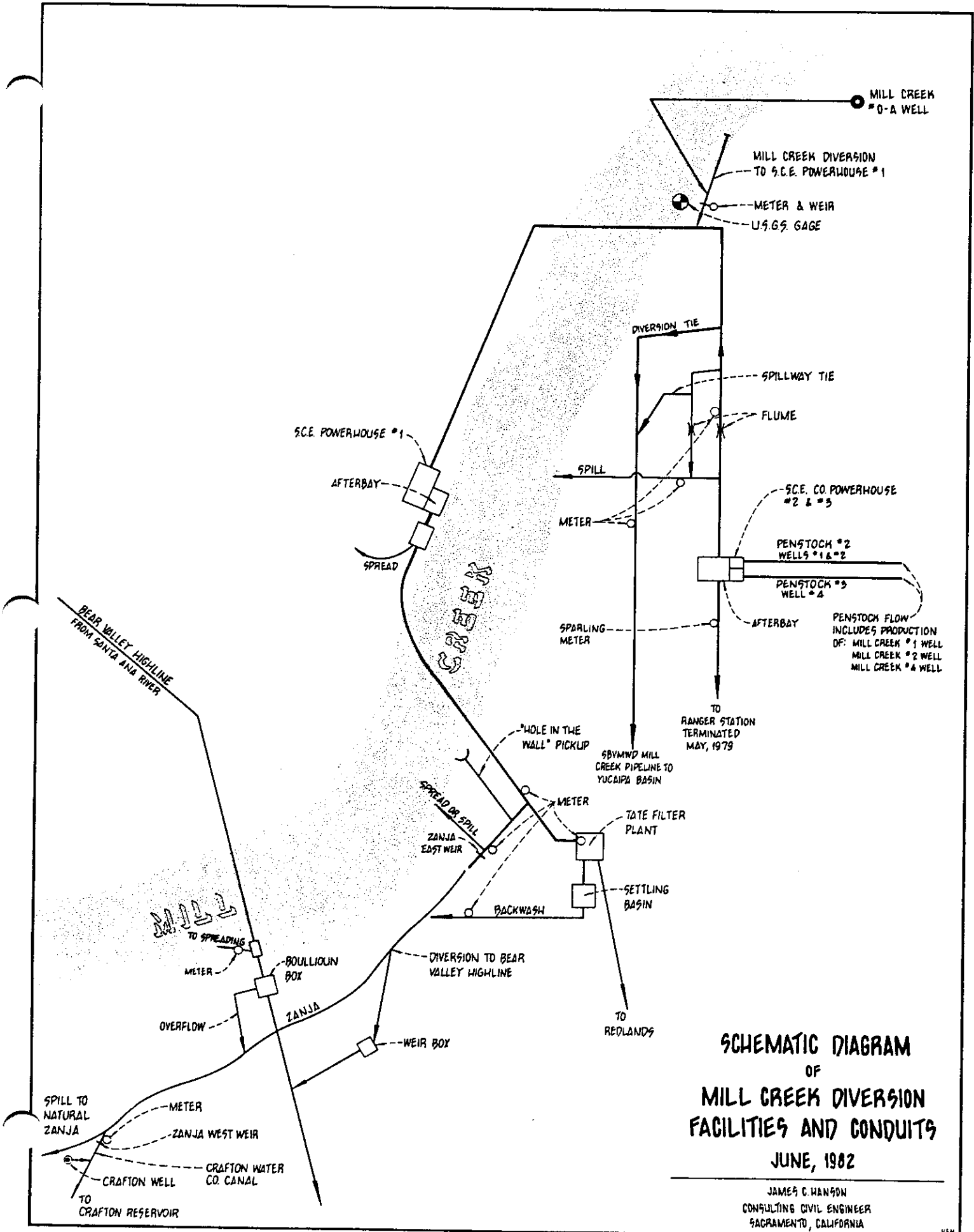


PLATE NO. 2

SCHEMATIC DIAGRAM OF MILL CREEK DIVERSION
FACILITIES AND CONDUITS

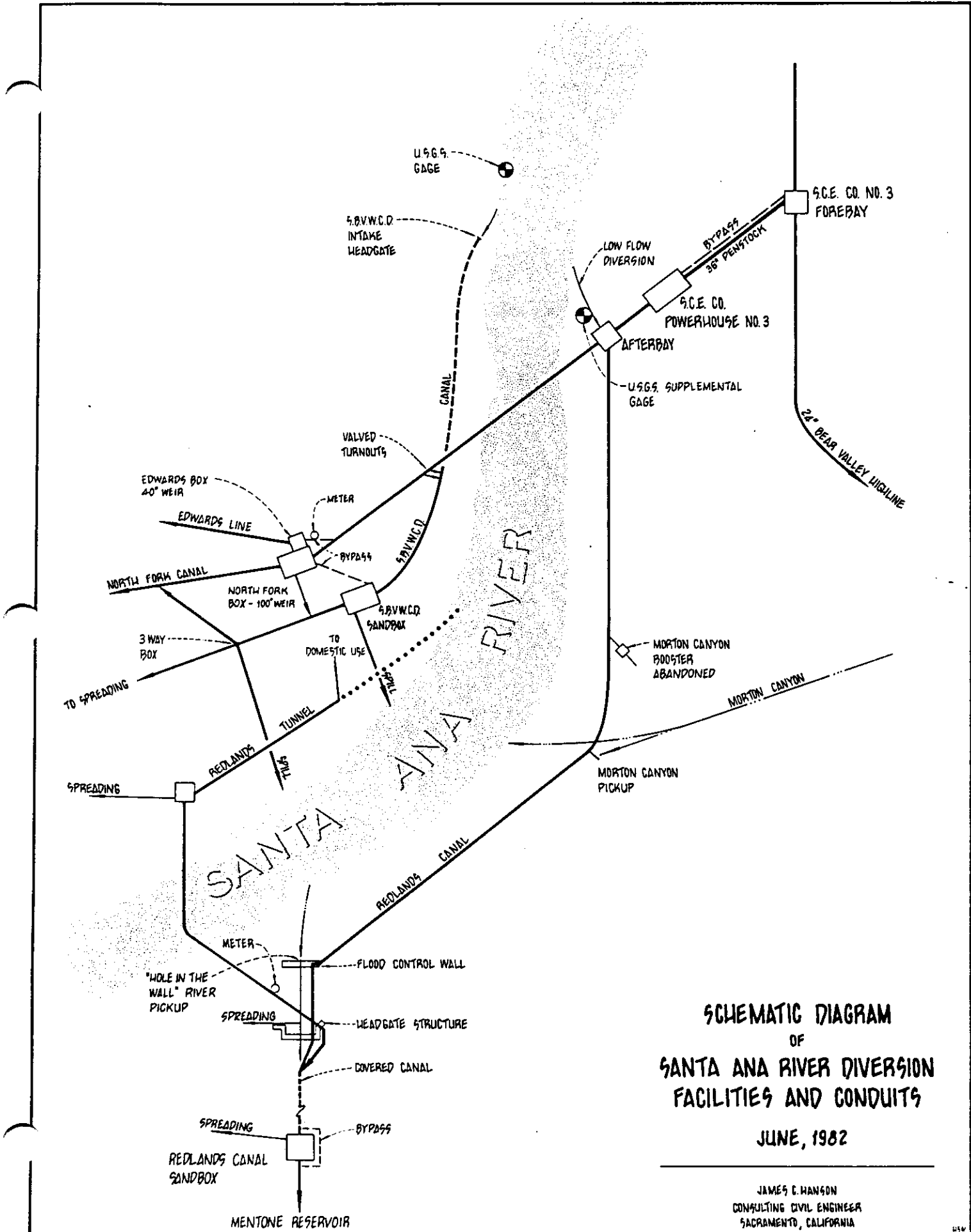


SCHEMATIC DIAGRAM
 OF
 MILL CREEK DIVERSION
 FACILITIES AND CONDUITS
 JUNE, 1982

JAMES C. HANSON
 CONSULTING CIVIL ENGINEER
 SACRAMENTO, CALIFORNIA

PLATE NO. 3

SCHEMATIC DIAGRAM OF SANTA ANA RIVER
DIVERSION FACILITIES AND CONDUITS



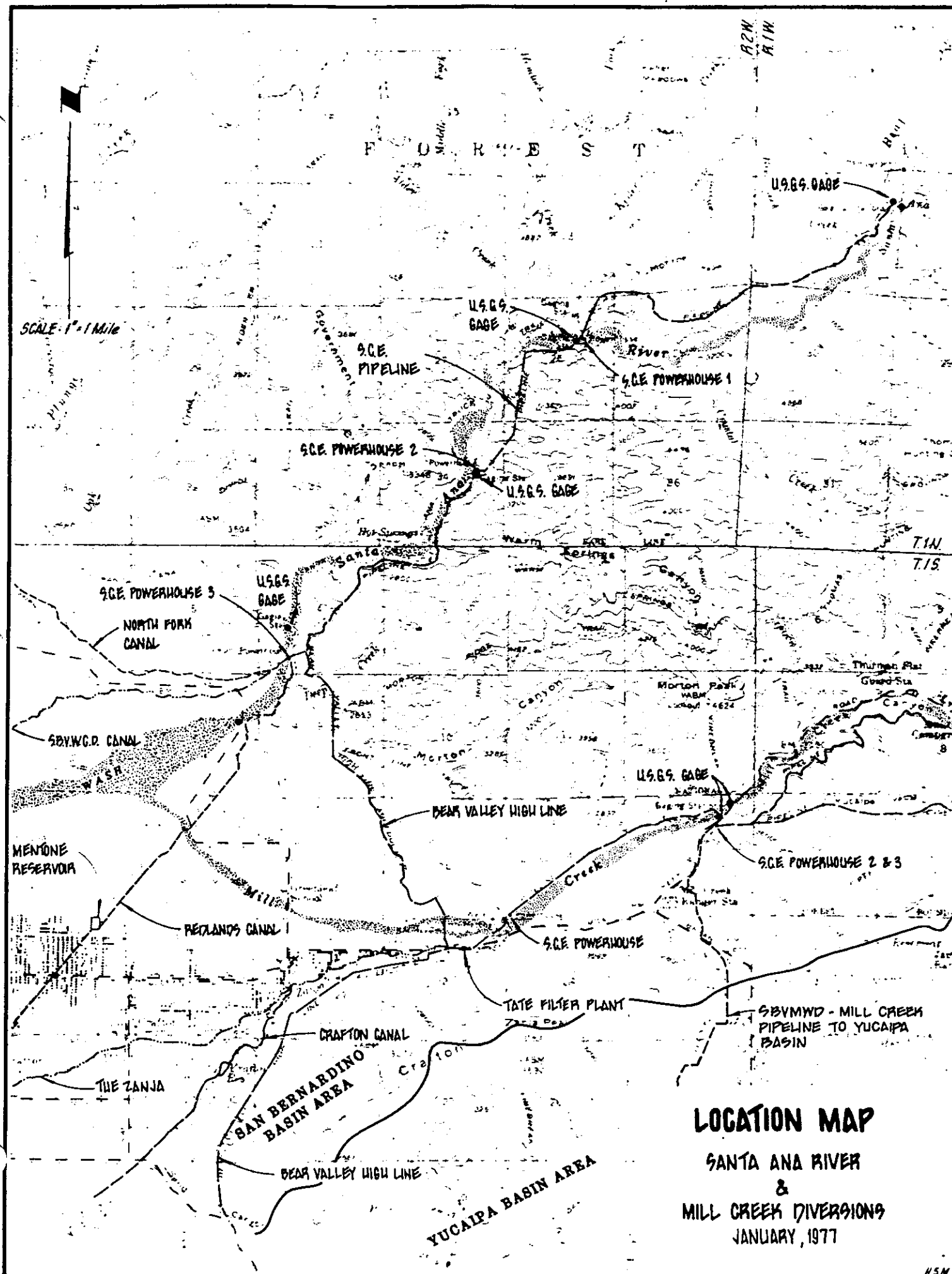
**SCHEMATIC DIAGRAM
OF
SANTA ANA RIVER DIVERSION
FACILITIES AND CONDUITS**

JUNE, 1982

**JAMES C. HANSON
CONSULTING CIVIL ENGINEER
SACRAMENTO, CALIFORNIA**

PLATE NO. 3A

LOCATION MAP, SANTA ANA RIVER AND MILL CREEK DIVERSIONS



LOCATION MAP

SANTA ANA RIVER
 &
 MILL CREEK DIVERSIONS
 JANUARY, 1977

HSM

VOLUME 1A - 1989

REPORT OF WATERMASTER

Western Municipal Water District of Riverside County, et al

Plaintiffs

vs.

East San Bernardino County Water District, et al

Defendants

Superior Court of Riverside County

Case No. 78426

VOLUME 1A – 1989

**VERIFIED EXTRACTIONS FROM THE
SAN BERNARDINO BASIN AREA
FOR
CALENDAR YEARS 1959–1963 & 1985–1989**

**By Plaintiffs – City of Riverside, The Gage Canal Co.,
Meeks & Daley Water Co., Agua Mansa Water Co.,
Riverside Highland Water Co.,
and Regents of University of California**

**ANNUAL ACCOUNTING
FOR INDIVIDUAL WELLS**

AUGUST 1, 1991

WATERMASTER

*Donald L. Harriger
Robert L. Reiter*

REPORT OF WATERMASTER

Western Municipal Water District of Riverside County, et al
Plaintiffs

vs.

East San Bernardino County Water District, et al
Defendants

Superior Court of Riverside County

Case No. 78426

VOLUME 1A - 1989

VERIFIED EXTRACTIONS FROM

SAN BERNARDINO BASIN AREA

FOR

CALENDAR YEARS 1959-1963 AND 1985-1989

By Plaintiffs - City of Riverside, The Gage Canal Company,
Meeks & Daley Water Company, Agua Mansa Water Company,
Riverside Highland Water Company,
and Regents of University of California

ANNUAL ACCOUNTING
FOR INDIVIDUAL WELLS

AUGUST 1, 1991

WATERMASTER

Donald L. Harriger
Robert L. Reiter

VOLUME 1A-1989

TABLE OF CONTENTS

<u>CHAPTER I</u>	<u>PAGE</u>
PLAINTIFFS EXTRACTIONS FROM THE SAN BERNARDINO BASIN AREA FOR CALENDAR YEARS 1959-1963 AND 1985-1989 . . .	i
<u>CHAPTER II</u>	
PLAINTIFFS EXTRACTIONS FROM THE SAN BERNARDINO BASIN AREA FOR CALENDAR YEARS 1959 THROUGH 1963 AND 1985 THROUGH 1989 AND DISTRIBUTION BY SERVICE AREA . . .	iii
SAN BERNARDINO BASIN AREA, CROSS INDEX BY OWNER-PLAINTIFFS	1
SAN BERNARDINO BASIN AREA, CROSS INDEX BY RECORDATION NUMBER-PLAINTIFFS	3
SAN BERNARDINO BASIN AREA, CROSS INDEX BY STATE WELL NUMBER-PLAINTIFFS	5
<u>TABLE NO. 1</u>	
EXTRACTIONS BY OWNERS (PLAINTIFFS) FROM THE SAN BERNARDINO BASIN AREA	7
<u>TABLE NO. 2</u>	
SUMMARY OF EXTRACTIONS BY ALL PLAINTIFFS FROM THE SAN BERNARDINO BASIN AREA	10
<u>TABLE NO. 3</u>	
EXTRACTIONS BY PLAINTIFFS FROM THE SAN BERNARDINO BASIN AREA FOR AVERAGE OF FIVE-YEAR PERIOD ENDING WITH 1963 AND CALENDAR YEARS 1976 THROUGH CURRENT YEAR CLASSIFIED ACCORDING TO SERVICE AREA	11
<u>TABLE NO. 4</u>	
TOTAL EXTRACTIONS BY PLAINTIFFS FROM SAN BERNARDINO BASIN AREA	15
<u>TABLE NO. 5</u>	
EXTRACTIONS BY PLAINTIFFS FROM THE SAN BERNARDINO BASIN AREA FOR DELIVERIES IN SAN BERNARDINO BASIN AREA . . .	16

TABLE NO. 6

EXTRACTIONS BY PLAINTIFFS FROM THE SAN BERNARDINO
BASIN AREA FOR DELIVERIES IN COLTON AND RIVERSIDE
BASINS IN SAN BERNARDINO COUNTY 17

TABLE NO. 7

EXTRACTIONS BY PLAINTIFFS FROM THE SAN BERNARDINO
BASIN AREA FOR DELIVERIES OUTSIDE SAN BERNARDINO
VALLEY 18

VOLUME 1A-1989

CHAPTER I

PLAINTIFFS EXTRACTIONS FROM THE
SAN BERNARDINO BASIN AREA FOR
CALENDAR YEARS 1959-1963 AND 1985-1989

The provisions of Paragraph IV (B,3) of the Judgment in Case No. 78426 entered April 17, 1969, entitled "San Bernardino Basin Area Rights and Replenishment (Annual Adjusted Rights of Plaintiffs)" provides as follows:

VI(B,3) "In any five-year period, each Plaintiff shall have the right to extract from the San Bernardino Basin area for use in each service area designated in Table B-1 an amount of water equal to five times its adjusted right for such service area; provided, however, that extractions by each Plaintiff in any year in any service area shall not exceed such Plaintiff's adjusted right for that service area by more than 30 percent."

Compliance with this provision of the Judgment requires that an accounting of the total actual extractions of surface and groundwater by the Plaintiffs-City of Riverside, The Gage Canal Co., Meeks & Daley Water Co., Agua Mansa Water Co., Riverside Highland Water Co., and the Regents of the University of California-from the San Bernardino Basin Area be made annually. Included in this Volume 1A-1989 is the verified accounting of such extractions by the Plaintiffs for the Calendar years 1985 through 1989. The extractions for the five-year base period ending with 1963 are also included for comparison.

Three indexes are included which provide a cross index by owner's name, State Water Resources Control Board Well Recordation Number, and State Well Number. Each index shows, in addition, the local designation of each well, if the State has closed the file, which year that occurred and the last 5 years verified extractions.

The individual wells of each owner are listed in Table No. 1, showing the extractions from each well for each year in the five-year base period ending in 1963, the base period average, and the extraction for the years 1985 through 1989 and the 1985-1989 annual average.

Table No. 2 on page 21 summarizes, by owner, the total annual extractions for the base period and base period average, together with the annual extractions for the years 1985 through 1989. The total annual extractions for 1989 are 74,432 acre feet.

CHAPTER II

PLAINTIFFS EXTRACTIONS FROM THE SAN BERNARDINO BASIN AREA FOR CALENDAR YEARS 1959 THROUGH 1963 AND 1985 THROUGH 1989 AND DISTRIBUTION BY SERVICE AREA

Paragraph XVI of the Judgment states:

"The provisions of Paragraph 3 and 5 through 12 of this Judgment shall be in effect from and after January 1, 1971; and remaining provisions are in effect immediately."

Thus the annual accounting provisions which relate to extractions from the San Bernardino Basin Area by Plaintiffs were not effective until January 1, 1971.

Table No. 1 of Chapter I shows the extractions from individual wells owned by each Plaintiff for the five calendar year period ending with 1963, the annual average for said five-year period, and the extractions for the calendar years 1985 through 1989 and the annual average for that period. Table No. 2 described in Chapter I summarizes the total annual extractions for each Plaintiff during the five-year period 1959 through 1963, the annual average for the five-year period, and the 1985 through 1989 extractions and the annual average.

Table No. 3 shows total annual extractions and its distribution.

To facilitate the comparison of the total annual extractions as well as the portions thereof delivered within the San Bernardino Basin Area, the Colton Basin and Riverside Basin within San Bernardino County, and to areas outside San Bernardino Valley, four additional tables have been prepared which summarize the total annual extractions from the San Bernardino Basin Area for the period 1959 through 1963 and 1971 through the current year for each Plaintiff, as well as the portions thereof delivered to various service areas described above.

Table No. 4 lists the Total Extractions from the San Bernardino Basin Area for each Plaintiff annually for the period 1959 through 1963 and the five-year average and calendar years 1971 through the current year.

Similar listings were made for the same period which show the deliveries within the San Bernardino Basin Area, the deliveries to Colton and Riverside Basins within San Bernardino County, and the deliveries to areas outside San Bernardino Valley. These listings are shown on Tables No. 5, 6, and 7 respectively.

SAN BERNARDINO BASIN AREA

CROSS INDEX BY OWNER

PLAINTIFFS

VERIFIED WELL MASTER FILE LISTING FOR BASIN SAN BERNARDINO BY OWNER NAME

mm:vxr

RUN DATE: 12 JUN 1991

OWNER.....	T	RECORD	DTN	STATE	WELL	LOCAL	YEAR	--- CALENDAR YEAR EXTRACTIIONS ---				
								P	NUMBER	NUMBER	DESIGNATION	CLSD
MEEKS & DALEY WATER CO	W	3600000	1S4W16R04S	STATION 69	1981	0	0	0	0	0		
MEEKS & DALEY WATER CO	W	3601511	1S4W15M02S	E STREET	1974	0	0	0	0	0		
MEEKS & DALEY WATER CO	W	3601512	1S4W15N05S	51	1967	0	0	0	0	0		
MEEKS & DALEY WATER CO	W	3601513	1S4W16R03S	54	1974	0	0	0	0	0		
MEEKS & DALEY WATER CO	D	3601514	1S4W16Q	WARM CRK	1974	0	0	0	0	0		
MEEKS & DALEY WATER CO	D	3601515	1S4W16Q	WORKMAN	1974	0	0	0	0	0		
MEEKS & DALEY WATER CO	W	3601737	1S4W16J09S	COBURN		165	274	161	355	524		
MEEKS & DALEY WATER CO	W	3601887	1S4W15L03S	59		2815	1990	2400	2251	2853		
MEEKS & DALEY WATER CO	W	3602169	1S4W15M10S	NEW E ST		2405	2600	2353	2360	1477		
MEEKS & DALEY WATER CO	W	3602329	1S4W15E	STA 66	1974	0	0	0	0	0		
MEEKS & DALEY WATER CO	W	3602863	1S4W22H02S	WARREN #4		0	38	0	0	399		
MEEKS & DALEY WATER CO	W	3602864	1S4W14N10S	RAUB 6		0	668	0	0	139		
RIVERSIDE CITY OF	W	3601218	1S4W14P02S	RAUB 1	1977	0	0	0	0	0		
RIVERSIDE CITY OF	W	3601219	1S4W23C02S	RAUB 2		96	0	37	250	169		
RIVERSIDE CITY OF	W	3601220	1S4W02P04S	COOLEY E	1977	0	0	0	0	0		
RIVERSIDE CITY OF	W	3601224	1S4W02P03S	COOLEY C	1977	0	0	0	0	0		
RIVERSIDE CITY OF	W	3601225	1S4W02P02S	COOLEY D	1977	0	0	0	0	0		
RIVERSIDE CITY OF	W	3601226	1S4W02L02S	COOLEY F	1977	0	0	0	0	0		
RIVERSIDE CITY OF	W	3601227	1S4W02N02S	COOLEY G	1977	0	0	0	0	0		
RIVERSIDE CITY OF	W	3601228	1S4W11D02S	COOLEY H		1489	1160	633	933	820		
RIVERSIDE CITY OF	W	3601229	1S4W11D03S	COOLEY I		3680	2264	2239	2505	1891		
RIVERSIDE CITY OF	W	3601230	1S4W22H03S	WARREN 3		276	72	17	201	44		
RIVERSIDE CITY OF	W	3601231	1S4W22H01S	WARREN 2		1185	725	842	801	717		
RIVERSIDE CITY OF	W	3601232	1S4W11D04S	COOLEY A	1977	0	0	0	0	0		
RIVERSIDE CITY OF	W	3601233	1S4W27A13S	STEWRT 21	1977	0	0	0	0	0		
RIVERSIDE CITY OF	W	3601234	1S4W27A19S	STEWRT 19	1977	0	0	0	0	0		
RIVERSIDE CITY OF	W	3601237	1S4W22B02S	BYRNE 1	1977	0	0	0	0	0		
RIVERSIDE CITY OF	W	3601238	1S4W23C03S	RAUB 4		2201	1425	1957	1096	1005		
RIVERSIDE CITY OF	W	3601239	1S4W14P06S	RAUB 3		236	460	89	340	321		
RIVERSIDE CITY OF	W	3601240	1S4W22H04S	WARREN 1		467	749	1105	1175	996		
RIVERSIDE CITY OF	W	3601241	1S4W27A07S	HUNT 8	1977	0	0	0	0	0		
RIVERSIDE CITY OF	W	3601242	1S4W27A08S	HUNT 9	1977	0	0	0	0	0		
RIVERSIDE CITY OF	W	3601243	1S4W22H02S	WARREN 4		2844	2526	3077	2374	1586		
RIVERSIDE CITY OF	W	3601431	1S4W27H01S	STEWRT 20		1	3	1	1	1		
RIVERSIDE CITY OF	W	3601432	1S4W11D01S	COOLEY B	1977	0	0	0	0	0		
RIVERSIDE CITY OF	W	3601457	1S4W01B03S	MCCRARY 1	1977	0	0	0	0	0		
RIVERSIDE CITY OF	W	3601458	1S4W01B02S	MCCRARY 2	1977	0	0	0	0	0		
RIVERSIDE CITY OF	W	3601459	1S4W01B	MCCRARY 3	1977	0	0	0	0	0		
RIVERSIDE CITY OF	W	3601460	1S4W01B	MCCRARY 4	1977	0	0	0	0	0		
RIVERSIDE CITY OF	W	3601461	1S4W01B	MCCRARY 5	1977	0	0	0	0	0		
RIVERSIDE CITY OF	W	3601462	1S4W01E01S	POOLE		0	0	0	0	0		
RIVERSIDE CITY OF	W	3601463	1S4W02A03S	STILES		2105	1899	1452	1363	1270		
RIVERSIDE CITY OF	W	3601464	1S4W02P06S	GARNER 1		595	808	836	867	594		
RIVERSIDE CITY OF	W	3601465	1S4W02Q03S	GARNER 2		419	341	416	536	524		
RIVERSIDE CITY OF	W	3601466	1S4W02Q07S	GARNER 3	1977	0	0	0	0	0		
RIVERSIDE CITY OF	W	3601467	1S4W02Q06S	GARNER 4		895	668	744	842	644		
RIVERSIDE CITY OF	W	3601468	1S4W02P01S	GARNER 5		1292	1942	1805	2224	2027		
RIVERSIDE CITY OF	W	3601469	1S4W22A01S	PAINEHOT	1977	0	0	0	0	0		
RIVERSIDE CITY OF	W	3601470	1S4W22G15S	THORN 2	1974	0	0	0	0	0		
RIVERSIDE CITY OF	W	3601470-	1S4W22B07S	THORN 12		515	1552	1593	1277	1112		

VERIFIED WELL MASTER FILE LISTING FOR BASIN SAN BERNARDINO BY OWNER NAME

WM:VXR

RUN DATE: 12 JUN 1991

OWNER.....	T	RECORD	DTM	STATE	WELL	LOCAL	YEAR	--- CALENDAR YEAR EXTRACTIONS ---					
								P	NUMBER	NUMBER	DESIGNATION	CLSD	1985
RIVERSIDE CITY OF	W	3601471	1S4W22G14S	THORN	3			1103	12	0	0	0	0
RIVERSIDE CITY OF	W	3601472	1S4W22G11S	THORN	4		1977	0	0	0	0	0	0
RIVERSIDE CITY OF	W	3601473	1S4W22G16S	THORN	5			525	6	0	0	0	0
RIVERSIDE CITY OF	W	3601474	1S4W22G18S	THORN	6			311	2	0	0	0	0
RIVERSIDE CITY OF	W	3601475	1S4W22G17S	THORN	7			322	2	0	0	0	0
RIVERSIDE CITY OF	W	3601476	1S4W22G19S	THORN	8			0	0	0	0	0	0
RIVERSIDE CITY OF	W	3601477	1S4W22B01S	THORN	9		1977	0	0	0	0	0	0
RIVERSIDE CITY OF	W	3601478	1S4W22B03S	THORN	10			0	0	0	46	476	
RIVERSIDE CITY OF	W	3601479	1S4W22B05S	THORN	11			0	0	0	0	0	0
RIVERSIDE CITY OF	W	3601489	1S4W02L01S	SCHEUER				436	655	76	451	231	
RIVERSIDE CITY OF	W	3602484	1S4W14N09S	RAUB NO 5				3351	4223	3327	3182	3093	
RIVERSIDE CITY OF	W	3602771	1S4W27A11S	HUNT	6			866	661	454	642	496	
RIVERSIDE CITY OF	W	3602772	1S4W27A09S	HUNT	10			1170	726	912	782	694	
RIVERSIDE CITY OF	W	3602773	1S4W27A10S	HUNT	11			782	477	434	634	608	
RIVERSIDE CITY OF	W	3602778	1S4W14N10S	RAUB	6			4655	2638	3482	3968	2258	
RIVERSIDE CITY OF-GAGE CANAL	W	3600784	1S4W13L01S	6			1969	0	0	0	0	0	0
RIVERSIDE CITY OF-GAGE CANAL	W	3600785	1S4W14R	17			1966	0	0	0	0	0	0
RIVERSIDE CITY OF-GAGE CANAL	W	3600786	1S4W13L02S	GAGE	21			985	1213	1097	1560	919	
RIVERSIDE CITY OF-GAGE CANAL	W	3600787	1S4W23A02S	26-1				2021	1645	2121	3074	2428	
RIVERSIDE CITY OF-GAGE CANAL	W	3600788	1S4W23H01S	27-1				2013	1940	2061	3047	1773	
RIVERSIDE CITY OF-GAGE CANAL	W	3600789	1S4W23K01S	27-2				2332	1866	2561	3537	2521	
RIVERSIDE CITY OF-GAGE CANAL	W	3600790	1S4W23K02S	29-1				2003	1962	1778	2847	1792	
RIVERSIDE CITY OF-GAGE CANAL	W	3600791	1S4W13N01S	29-2				3498	4582	3583	4497	3394	
RIVERSIDE CITY OF-GAGE CANAL	W	3600792	1S4W13N02S	29-3				3152	3396	4427	3912	3410	
RIVERSIDE CITY OF-GAGE CANAL	W	3600793	1S4W13M02S	30-1				1118	1233	871	688	1046	
RIVERSIDE CITY OF-GAGE CANAL	W	3600794	1S4W13F02S	31-1				2192	2119	1225	1010	1347	
RIVERSIDE CITY OF-GAGE CANAL	W	3600795	1S4W13G02S	46-1				5050	5071	4589	4839	3819	
RIVERSIDE CITY OF-GAGE CANAL	W	3600796	1S4W23A05S	51-1				969	1434	1428	1671	975	
RIVERSIDE CITY OF-GAGE CANAL	W	3600797	1S4W13G03S	56-1				2251	3751	3249	3762	3220	
RIVERSIDE CITY OF-GAGE CANAL	W	3600798	1S4W23G01S	COMLANE			1966	0	0	0	0	0	0
RIVERSIDE CITY OF-GAGE CANAL	W	3602331	1S4W23G03S	66-1				3607	3714	3261	3526	2975	
RIVERSIDE CITY OF-GAGE CANAL	W	3602423	1S4W13P	6				65	57	62	52	36	
RIVERSIDE HIGHLAND WATER COMPANY	W	3601522	1S4W22M07S	1			1985	0	0	0	0	0	0
RIVERSIDE HIGHLAND WATER COMPANY	W	3601523	1S4W22L	2				809	1058	730	1058	1201	
RIVERSIDE HIGHLAND WATER COMPANY	W	3601527	1S4W22P	8			1962	0	0	0	0	0	0
RIVERSIDE HIGHLAND WATER COMPANY	W	3601528	1S4W22N	10			1962	0	0	0	0	0	0
RIVERSIDE HIGHLAND WATER COMPANY	W	3601529	1S4W22P	11			1962	0	0	0	0	0	0
RIVERSIDE HIGHLAND WATER COMPANY	W	3601530	1S4W22L08S	12				122	1	0	0	0	0
RIVERSIDE HIGHLAND WATER COMPANY	W	3601533	1S4W22L05S	18				501	1547	1019	1428	1340	
RIVERSIDE HIGHLAND WATER COMPANY	W	3601535	1N4W31E01S	LC 1				0	199	1680	1354	1072	
RIVERSIDE HIGHLAND WATER COMPANY	W	3601536	1N4W31E02S	LC 2			1962	0	0	0	0	0	0
RIVERSIDE HIGHLAND WATER COMPANY	W	3601537	1S4W22N	FLOWING			1963	0	0	0	0	0	0
RIVERSIDE HIGHLAND WATER COMPANY	W	3602254	1S4W22P05S	24			1985	0	0	0	0	0	0
RIVERSIDE HIGHLAND WATER COMPANY	W	3602840	1N4W31F01S	LC #8				1880	1939	490	935	1068	
UNIVERSITY OF CALIFORNIA REGENTS OF	W	3601222	1S4W27A11S	HUNT	6			0	13	51	58	12	
UNIVERSITY OF CALIFORNIA REGENTS OF	W	3601244	1S4W27A09S	HUNT	10			0	25	99	55	25	
UNIVERSITY OF CALIFORNIA REGENTS OF	W	3601245	1S4W27A10S	HUNT	11			0	10	45	66	25	
UNIVERSITY OF CALIFORNIA REGENTS OF	W	3691241	1S4W27A07S	HUNT	8		1976	0	0	0	0	0	0
UNIVERSITY OF CALIFORNIA REGENTS OF	W	3691242	1S4W27A08S	HUNT	9		1976	0	0	0	0	0	0

END OF SAN BERNARDINO BASIN

71770 70341 66869 74432 61367

SAN BERNARDINO BASIN AREA
CROSS INDEX BY RECORDATION NUMBER
PLAINTIFFS

VERIFIED WELL MASTER FILE LISTING FOR BASIN SAN BERNARDINO BY RECORDATION NUMBER

WM:VXR

RUN DATE: 12 JUN 1991

RECORDTN NUMBER	STATE NUMBER	WELL NUMBER	OWNER.....	T LOCAL P DESIGNATION	YEAR CLSD	---CALENDAR YEAR EXTRACTIONS---				
						1985	1986	1987	1988	1989
3600000	1S4W16R04S		MEEKS & DALEY WATER CO	W STATION 69	1981	0	0	0	0	0
3600784	1S4W13L01S		RIVERSIDE CITY OF-GAGE CANAL	W 6	1969	0	0	0	0	0
3600785	1S4W14R		RIVERSIDE CITY OF-GAGE CANAL	W 17	1966	0	0	0	0	0
3600786	1S4W13L02S		RIVERSIDE CITY OF-GAGE CANAL	W GAGE 21		985	1213	1097	1560	919
3600787	1S4W23A02S		RIVERSIDE CITY OF-GAGE CANAL	W 26-1		2021	1645	2121	3074	2428
3600788	1S4W23H01S		RIVERSIDE CITY OF-GAGE CANAL	W 27-1		2013	1940	2061	3047	1773
3600789	1S4W23K01S		RIVERSIDE CITY OF-GAGE CANAL	W 27-2		2332	1866	2561	3537	2521
3600790	1S4W23K02S		RIVERSIDE CITY OF-GAGE CANAL	W 29-1		2003	1962	1778	2847	1792
3600791	1S4W13N01S		RIVERSIDE CITY OF-GAGE CANAL	W 29-2		3498	4582	3583	4497	3394
3600792	1S4W13N02S		RIVERSIDE CITY OF-GAGE CANAL	W 29-3		3152	3396	4427	3912	3410
3600793	1S4W13M02S		RIVERSIDE CITY OF-GAGE CANAL	W 30-1		1118	1233	871	688	1046
3600794	1S4W13F02S		RIVERSIDE CITY OF-GAGE CANAL	W 31-1		2192	2119	1225	1010	1347
3600795	1S4W13G02S		RIVERSIDE CITY OF-GAGE CANAL	W 46-1		5050	5071	4589	4839	3819
3600796	1S4W23A05S		RIVERSIDE CITY OF-GAGE CANAL	W 51-1		969	1434	1428	1671	975
3600797	1S4W13G03S		RIVERSIDE CITY OF-GAGE CANAL	W 56-1		2251	3751	3249	3762	3220
3600798	1S4W23G01S		RIVERSIDE CITY OF-GAGE CANAL	W COWLANE	1966	0	0	0	0	0
3601218	1S4W14P02S		RIVERSIDE CITY OF	W RAUB 1	1977	0	0	0	0	0
3601219	1S4W23C02S		RIVERSIDE CITY OF	W RAUB 2		96	0	37	250	169
3601220	1S4W02P04S		RIVERSIDE CITY OF	W COOLEY E	1977	0	0	0	0	0
3601222	1S4W27A11S		UNIVERSITY OF CALIFORNIA REGENTS OF	W HUNT 6		0	13	51	58	12
3601224	1S4W02P03S		RIVERSIDE CITY OF	W COOLEY C	1977	0	0	0	0	0
3601225	1S4W02P02S		RIVERSIDE CITY OF	W COOLEY D	1977	0	0	0	0	0
3601226	1S4W02L02S		RIVERSIDE CITY OF	W COOLEY F	1977	0	0	0	0	0
3601227	1S4W02N02S		RIVERSIDE CITY OF	W COOLEY G	1977	0	0	0	0	0
3601228	1S4W11D02S		RIVERSIDE CITY OF	W COOLEY H		1489	1160	633	933	820
3601229	1S4W11D03S		RIVERSIDE CITY OF	W COOLEY I		3680	2264	2239	2505	1891
3601230	1S4W22H03S		RIVERSIDE CITY OF	W WARREN 3		276	72	17	201	44
3601231	1S4W22H01S		RIVERSIDE CITY OF	W WARREN 2		1185	725	842	801	717
3601232	1S4W11D04S		RIVERSIDE CITY OF	W COOLEY A	1977	0	0	0	0	0
3601233	1S4W27A13S		RIVERSIDE CITY OF	W STEWRT 21	1977	0	0	0	0	0
3601234	1S4W27A19S		RIVERSIDE CITY OF	W STEWRT 19	1977	0	0	0	0	0
3601237	1S4W22B02S		RIVERSIDE CITY OF	W BYRNE 1	1977	0	0	0	0	0
3601238	1S4W23C03S		RIVERSIDE CITY OF	W RAUB 4		2201	1425	1957	1096	1005
3601239	1S4W14P06S		RIVERSIDE CITY OF	W RAUB 3		236	460	89	340	321
3601240	1S4W22H04S		RIVERSIDE CITY OF	W WARREN 1		467	749	1105	1175	996
3601241	1S4W27A07S		RIVERSIDE CITY OF	W HUNT 8	1977	0	0	0	0	0
3601242	1S4W27A08S		RIVERSIDE CITY OF	W HUNT 9	1977	0	0	0	0	0
3601243	1S4W22H02S		RIVERSIDE CITY OF	W WARREN 4		2844	2526	3077	2374	1586
3601244	1S4W27A09S		UNIVERSITY OF CALIFORNIA REGENTS OF	W HUNT 10		0	25	99	55	25
3601245	1S4W27A10S		UNIVERSITY OF CALIFORNIA REGENTS OF	W HUNT 11		0	10	45	66	25
3601431	1S4W27H01S		RIVERSIDE CITY OF	W STEWRT 20		1	3	1	1	1
3601432	1S4W11D01S		RIVERSIDE CITY OF	W COOLEY B	1977	0	0	0	0	0
3601457	1S4W01B03S		RIVERSIDE CITY OF	W MCCRARY 1	1977	0	0	0	0	0
3601458	1S4W01B02S		RIVERSIDE CITY OF	W MCCRARY 2	1977	0	0	0	0	0
3601459	1S4W01B		RIVERSIDE CITY OF	W MCCRARY 3	1977	0	0	0	0	0
3601460	1S4W01B		RIVERSIDE CITY OF	W MCCRARY 4	1977	0	0	0	0	0
3601461	1S4W01B		RIVERSIDE CITY OF	W MCCRARY 5	1977	0	0	0	0	0
3601462	1S4W01E01S		RIVERSIDE CITY OF	W POOLE		0	0	0	0	0
3601463	1S4W02A03S		RIVERSIDE CITY OF	W STILES		2105	1899	1452	1363	1270
3601464	1S4W02P06S		RIVERSIDE CITY OF	W GARNER 1		595	808	836	867	594

VERIFIED WELL MASTER FILE LISTING FOR BASIN SAN BERNARDINO BY RECORDATION NUMBER

WM:VXR

RUN DATE: 12 JUN 1991

RECORDTN NUMBER	STATE NUMBER	WELL OWNER.....	T LOCAL P DESIGNATION	YEAR CLSD	---CALENDAR YEAR EXTRACTIONS----				
					1985	1986	1987	1988	1989
3601465	1S4W02Q03S	RIVERSIDE CITY OF	W GARNER 2		419	341	416	536	524
3601466	1S4W02Q07S	RIVERSIDE CITY OF	W GARNER 3	1977	0	0	0	0	0
3601467	1S4W02Q06S	RIVERSIDE CITY OF	W GARNER 4		895	668	744	842	644
3601468	1S4W02P01S	RIVERSIDE CITY OF	W GARNER 5		1292	1942	1805	2224	2027
3601469	1S4W22A01S	RIVERSIDE CITY OF	W PAINEHOT	1977	0	0	0	0	0
3601470	1S4W22G15S	RIVERSIDE CITY OF	W THORN 2	1974	0	0	0	0	0
3601470-	1S4W22B07S	RIVERSIDE CITY OF	W THORN 12		515	1552	1593	1277	1112
3601471	1S4W22G14S	RIVERSIDE CITY OF	W THORN 3		1103	12	0	0	0
3601472	1S4W22G11S	RIVERSIDE CITY OF	W THORN 4	1977	0	0	0	0	0
3601473	1S4W22G16S	RIVERSIDE CITY OF	W THORN 5		525	6	0	0	0
3601474	1S4W22G18S	RIVERSIDE CITY OF	W THORN 6		311	2	0	0	0
3601475	1S4W22G17S	RIVERSIDE CITY OF	W THORN 7		322	2	0	0	0
3601476	1S4W22G19S	RIVERSIDE CITY OF	W THORN 8		0	0	0	0	0
3601477	1S4W22B01S	RIVERSIDE CITY OF	W THORN 9	1977	0	0	0	0	0
3601478	1S4W22B03S	RIVERSIDE CITY OF	W THORN 10		0	0	0	46	476
3601479	1S4W22B05S	RIVERSIDE CITY OF	W THORN 11		0	0	0	0	0
3601489	1S4W02L01S	RIVERSIDE CITY OF	W SCHEUER		436	655	76	451	231
3601511	1S4W15M02S	MEEKS & DALEY WATER CO	W E STREET	1974	0	0	0	0	0
3601512	1S4W15N05S	MEEKS & DALEY WATER CO	W 51	1967	0	0	0	0	0
3601513	1S4W16R03S	MEEKS & DALEY WATER CO	W 54	1974	0	0	0	0	0
3601514	1S4W16Q	MEEKS & DALEY WATER CO	D WARM CRK	1974	0	0	0	0	0
3601515	1S4W16Q	MEEKS & DALEY WATER CO	D WORKMAN	1974	0	0	0	0	0
3601522	1S4W22M07S	RIVERSIDE HIGHLAND WATER COMPANY	W 1	1985	0	0	0	0	0
3601523	1S4W22L	RIVERSIDE HIGHLAND WATER COMPANY	W 2		809	1058	730	1058	1201
3601527	1S4W22P	RIVERSIDE HIGHLAND WATER COMPANY	W 8	1962	0	0	0	0	0
3601528	1S4W22N	RIVERSIDE HIGHLAND WATER COMPANY	W 10	1962	0	0	0	0	0
3601529	1S4W22P	RIVERSIDE HIGHLAND WATER COMPANY	W 11	1962	0	0	0	0	0
3601530	1S4W22L08S	RIVERSIDE HIGHLAND WATER COMPANY	W 12		122	1	0	0	0
3601533	1S4W22L05S	RIVERSIDE HIGHLAND WATER COMPANY	W 18		501	1547	1019	1428	1340
3601535	1N4W31E01S	RIVERSIDE HIGHLAND WATER COMPANY	W L C 1		0	199	1680	1354	1072
3601536	1N4W31E02S	RIVERSIDE HIGHLAND WATER COMPANY	W LC 2	1962	0	0	0	0	0
3601537	1S4W22N	RIVERSIDE HIGHLAND WATER COMPANY	W FLOWING	1963	0	0	0	0	0
3601737	1S4W16J09S	MEEKS & DALEY WATER CO	W COBURN		165	274	161	355	524
3601887	1S4W15L03S	MEEKS & DALEY WATER CO	W 59		2815	1990	2400	2251	2853
3602169	1S4W15M10S	MEEKS & DALEY WATER CO	W NEW E ST		2405	2600	2353	2360	1477
3602254	1S4W22P05S	RIVERSIDE HIGHLAND WATER COMPANY	W 24	1985	0	0	0	0	0
3602329	1S4W15E	MEEKS & DALEY WATER CO	W STA 66	1974	0	0	0	0	0
3602331	1S4W23G03S	RIVERSIDE CITY OF-GAGE CANAL	W 66-1		3607	3714	3261	3526	2975
3602423	1S4W13P	RIVERSIDE CITY OF-GAGE CANAL	W 6		65	57	62	52	36
3602484	1S4W14N09S	RIVERSIDE CITY OF	W RAUB NO 5		3351	4223	3327	3182	3093
3602771	1S4W27A11S	RIVERSIDE CITY OF	W HUNT 6		866	661	454	642	496
3602772	1S4W27A09S	RIVERSIDE CITY OF	W HUNT 10		1170	726	912	782	694
3602773	1S4W27A10S	RIVERSIDE CITY OF	W HUNT 11		782	477	434	634	608
3602778	1S4W14N10S	RIVERSIDE CITY OF	W RAUB 6		4655	2638	3482	3968	2258
3602840	1N4W31F01S	RIVERSIDE HIGHLAND WATER COMPANY	W LC #8		1880	1939	490	935	1068
3602863	1S4W22H02S	MEEKS & DALEY WATER CO	W WARREN #4		0	38	0	0	399
3602864	1S4W14N10S	MEEKS & DALEY WATER CO	W RAUB 6		0	668	0	0	139
3691241	1S4W27A07S	UNIVERSITY OF CALIFORNIA REGENTS OF	W HUNT 8	1976	0	0	0	0	0
3691242	1S4W27A08S	UNIVERSITY OF CALIFORNIA REGENTS OF	W HUNT 9	1976	0	0	0	0	0

END OF SAN BERNARDINO BASIN

71770 70341 66869 74432 61367

SAN BERNARDINO BASIN AREA
CROSS INDEX BY STATE WELL NUMBER
PLAINTIFFS

VERIFIED WELL MASTER FILE LISTING FOR BASIN SAN BERNARDINO BY STATE WELL #

WM:VXR

RUN DATE: 12 JUN 1991

STATE WELL NUMBER	RECORDTN NUMBER	OWNER.....	T LOCAL P DESIGNATION	YEAR CLSD	---CALENDAR YEAR EXTRACTIONS---				
					1985	1986	1987	1988	1989
1N4W31E01S	3601535	RIVERSIDE HIGHLAND WATER COMPANY	W L C 1		0	199	1680	1354	1072
1N4W31E02S	3601536	RIVERSIDE HIGHLAND WATER COMPANY	W LC 2	1962	0	0	0	0	0
1N4W31F01S	3602840	RIVERSIDE HIGHLAND WATER COMPANY	W LC #8		1880	1939	490	935	1068
1S4W01B	3601459	RIVERSIDE CITY OF	W MCCRARY 3	1977	0	0	0	0	0
1S4W01B	3601460	RIVERSIDE CITY OF	W MCCRARY 4	1977	0	0	0	0	0
1S4W01B	3601461	RIVERSIDE CITY OF	W MCCRARY 5	1977	0	0	0	0	0
1S4W01B02S	3601458	RIVERSIDE CITY OF	W MCCRARY 2	1977	0	0	0	0	0
1S4W01B03S	3601457	RIVERSIDE CITY OF	W MCCRARY 1	1977	0	0	0	0	0
1S4W01E01S	3601462	RIVERSIDE CITY OF	W POOLE		0	0	0	0	0
1S4W02A03S	3601463	RIVERSIDE CITY OF	W STILES		2105	1899	1452	1363	1270
1S4W02L01S	3601489	RIVERSIDE CITY OF	W SCHEUER		436	655	76	451	231
1S4W02L02S	3601226	RIVERSIDE CITY OF	W COOLEY F	1977	0	0	0	0	0
1S4W02N02S	3601227	RIVERSIDE CITY OF	W COOLEY G	1977	0	0	0	0	0
1S4W02P01S	3601468	RIVERSIDE CITY OF	W GARNER 5		1292	1942	1805	2224	2027
1S4W02P02S	3601225	RIVERSIDE CITY OF	W COOLEY D	1977	0	0	0	0	0
1S4W02P03S	3601224	RIVERSIDE CITY OF	W COOLEY C	1977	0	0	0	0	0
1S4W02P04S	3601220	RIVERSIDE CITY OF	W COOLEY E	1977	0	0	0	0	0
1S4W02P06S	3601464	RIVERSIDE CITY OF	W GARNER 1		595	808	836	867	594
1S4W02Q03S	3601465	RIVERSIDE CITY OF	W GARNER 2		419	341	416	536	524
1S4W02Q06S	3601467	RIVERSIDE CITY OF	W GARNER 4		895	668	744	842	644
1S4W02Q07S	3601466	RIVERSIDE CITY OF	W GARNER 3	1977	0	0	0	0	0
1S4W11D01S	3601432	RIVERSIDE CITY OF	W COOLEY B	1977	0	0	0	0	0
1S4W11D02S	3601228	RIVERSIDE CITY OF	W COOLEY H		1489	1160	633	933	820
1S4W11D03S	3601229	RIVERSIDE CITY OF	W COOLEY I		3680	2264	2239	2505	1891
1S4W11D04S	3601232	RIVERSIDE CITY OF	W COOLEY A	1977	0	0	0	0	0
1S4W13F02S	3600794	RIVERSIDE CITY OF-GAGE CANAL	W 31-1		2192	2119	1225	1010	1347
1S4W13G02S	3600795	RIVERSIDE CITY OF-GAGE CANAL	W 46-1		5050	5071	4589	4839	3819
1S4W13G03S	3600797	RIVERSIDE CITY OF-GAGE CANAL	W 56-1		2251	3751	3249	3762	3220
1S4W13L01S	3600784	RIVERSIDE CITY OF-GAGE CANAL	W 6	1969	0	0	0	0	0
1S4W13L02S	3600786	RIVERSIDE CITY OF-GAGE CANAL	W GAGE 21		985	1213	1097	1560	919
1S4W13M02S	3600793	RIVERSIDE CITY OF-GAGE CANAL	W 30-1		1118	1233	871	688	1046
1S4W13N01S	3600791	RIVERSIDE CITY OF-GAGE CANAL	W 29-2		3498	4582	3583	4497	3394
1S4W13N02S	3600792	RIVERSIDE CITY OF-GAGE CANAL	W 29-3		3152	3396	4427	3912	3410
1S4W13P	3602423	RIVERSIDE CITY OF-GAGE CANAL	W 6		65	57	62	52	36
1S4W14N09S	3602484	RIVERSIDE CITY OF	W RAUB NO 5		3351	4223	3327	3182	3093
1S4W14N10S	3602778	RIVERSIDE CITY OF	W RAUB 6		4655	2638	3482	3968	2258
1S4W14N10S	3602864	MEEKS & DALEY WATER CO	W RAUB 6		0	668	0	0	139
1S4W14P02S	3601218	RIVERSIDE CITY OF	W RAUB 1	1977	0	0	0	0	0
1S4W14P06S	3601239	RIVERSIDE CITY OF	W RAUB 3		236	460	89	340	321
1S4W14R	3600785	RIVERSIDE CITY OF-GAGE CANAL	W 17	1966	0	0	0	0	0
1S4W15E	3602329	MEEKS & DALEY WATER CO	W STA 66	1974	0	0	0	0	0
1S4W15L03S	3601887	MEEKS & DALEY WATER CO	W 59		2815	1990	2400	2251	2853
1S4W15M02S	3601511	MEEKS & DALEY WATER CO	W E STREET	1974	0	0	0	0	0
1S4W15M10S	3602169	MEEKS & DALEY WATER CO	W NEW E ST		2405	2600	2353	2360	1477
1S4W15N05S	3601512	MEEKS & DALEY WATER CO	W 51	1967	0	0	0	0	0
1S4W16J09S	3601737	MEEKS & DALEY WATER CO	W COBURN		165	274	161	355	524
1S4W16Q	3601514	MEEKS & DALEY WATER CO	D WARM CRK	1974	0	0	0	0	0
1S4W16Q	3601515	MEEKS & DALEY WATER CO	D WORKMAN	1974	0	0	0	0	0
1S4W16R03S	3601513	MEEKS & DALEY WATER CO	W 54	1974	0	0	0	0	0
1S4W16R04S	3600000	MEEKS & DALEY WATER CO	W STATION 69	1981	0	0	0	0	0

VERIFIED WELL MASTER FILE LISTING FOR BASIN SAN BERNARDINO BY STATE WELL #

WR:VXR

RUN DATE: 12 JUN 1991

STATE WELL NUMBER	RECORDTN NUMBER	OWNER.....	T LOCAL P DESIGNATION	YEAR CLSD	---CALENDAR YEAR EXTRACTIONS---				
					1985	1986	1987	1988	1989
1S4W22A01S	3601469	RIVERSIDE CITY OF	W PAINEHOT	1977	0	0	0	0	0
1S4W22B01S	3601477	RIVERSIDE CITY OF	W THORN 9	1977	0	0	0	0	0
1S4W22B02S	3601237	RIVERSIDE CITY OF	W BYRNE 1	1977	0	0	0	0	0
1S4W22B03S	3601478	RIVERSIDE CITY OF	W THORN 10		0	0	0	46	476
1S4W22B05S	3601479	RIVERSIDE CITY OF	W THORN 11		0	0	0	0	0
1S4W22B07S	3601470-	RIVERSIDE CITY OF	W THORN 12		515	1552	1593	1277	1112
1S4W22G11S	3601472	RIVERSIDE CITY OF	W THORN 4	1977	0	0	0	0	0
1S4W22G14S	3601471	RIVERSIDE CITY OF	W THORN 3		1103	12	0	0	0
1S4W22G15S	3601470	RIVERSIDE CITY OF	W THORN 2	1974	0	0	0	0	0
1S4W22G16S	3601473	RIVERSIDE CITY OF	W THORN 5		525	6	0	0	0
1S4W22G17S	3601475	RIVERSIDE CITY OF	W THORN 7		322	2	0	0	0
1S4W22G18S	3601474	RIVERSIDE CITY OF	W THORN 6		311	2	0	0	0
1S4W22G19S	3601476	RIVERSIDE CITY OF	W THORN 8		0	0	0	0	0
1S4W22H01S	3601231	RIVERSIDE CITY OF	W WARREN 2		1185	725	842	801	717
1S4W22H02S	3601243	RIVERSIDE CITY OF	W WARREN 4		2844	2526	3077	2374	1586
1S4W22H02S	3602863	MEEKS & DALEY WATER CO	W WARREN #4		0	38	0	0	399
1S4W22H03S	3601230	RIVERSIDE CITY OF	W WARREN 3		276	72	17	201	44
1S4W22H04S	3601240	RIVERSIDE CITY OF	W WARREN 1		467	749	1105	1175	996
1S4W22L	3601523	RIVERSIDE HIGHLAND WATER COMPANY	W 2		809	1058	730	1058	1201
1S4W22L05S	3601533	RIVERSIDE HIGHLAND WATER COMPANY	W 18		501	1547	1019	1428	1340
1S4W22L08S	3601530	RIVERSIDE HIGHLAND WATER COMPANY	W 12		122	1	0	0	0
1S4W22M07S	3601522	RIVERSIDE HIGHLAND WATER COMPANY	W 1	1985	0	0	0	0	0
1S4W22N	3601528	RIVERSIDE HIGHLAND WATER COMPANY	W 10	1962	0	0	0	0	0
1S4W22N	3601537	RIVERSIDE HIGHLAND WATER COMPANY	W FLOWING	1963	0	0	0	0	0
1S4W22P	3601527	RIVERSIDE HIGHLAND WATER COMPANY	W 8	1962	0	0	0	0	0
1S4W22P	3601529	RIVERSIDE HIGHLAND WATER COMPANY	W 11	1962	0	0	0	0	0
1S4W22P05S	3602254	RIVERSIDE HIGHLAND WATER COMPANY	W 24	1985	0	0	0	0	0
1S4W23A02S	3600787	RIVERSIDE CITY OF-GAGE CANAL	W 26-1		2021	1645	2121	3074	2428
1S4W23A05S	3600796	RIVERSIDE CITY OF-GAGE CANAL	W 51-1		969	1434	1428	1671	975
1S4W23C02S	3601219	RIVERSIDE CITY OF	W RAUB 2		96	0	37	250	169
1S4W23C03S	3601238	RIVERSIDE CITY OF	W RAUB 4		2201	1425	1957	1096	1005
1S4W23G01S	3600798	RIVERSIDE CITY OF-GAGE CANAL	W COWLANE	1966	0	0	0	0	0
1S4W23G03S	3602331	RIVERSIDE CITY OF-GAGE CANAL	W 66-1		3607	3714	3261	3526	2975
1S4W23H01S	3600788	RIVERSIDE CITY OF-GAGE CANAL	W 27-1		2013	1940	2061	3047	1773
1S4W23K01S	3600789	RIVERSIDE CITY OF-GAGE CANAL	W 27-2		2332	1866	2561	3537	2521
1S4W23K02S	3600790	RIVERSIDE CITY OF-GAGE CANAL	W 29-1		2003	1962	1778	2847	1792
1S4W27A07S	3601241	RIVERSIDE CITY OF	W HUNT 8	1977	0	0	0	0	0
1S4W27A07S	3691241	UNIVERSITY OF CALIFORNIA REGENTS OF	W HUNT 8	1976	0	0	0	0	0
1S4W27A08S	3601242	RIVERSIDE CITY OF	W HUNT 9	1977	0	0	0	0	0
1S4W27A08S	3691242	UNIVERSITY OF CALIFORNIA REGENTS OF	W HUNT 9	1976	0	0	0	0	0
1S4W27A09S	3601244	UNIVERSITY OF CALIFORNIA REGENTS OF	W HUNT 10		0	25	99	55	25
1S4W27A09S	3602772	RIVERSIDE CITY OF	W HUNT 10		1170	726	912	782	694
1S4W27A10S	3601245	UNIVERSITY OF CALIFORNIA REGENTS OF	W HUNT 11		0	10	45	66	25
1S4W27A10S	3602773	RIVERSIDE CITY OF	W HUNT 11		782	477	434	634	608
1S4W27A11S	3601222	UNIVERSITY OF CALIFORNIA REGENTS OF	W HUNT 6		0	13	51	58	12
1S4W27A11S	3602771	RIVERSIDE CITY OF	W HUNT 6		866	661	454	642	496
1S4W27A13S	3601233	RIVERSIDE CITY OF	W STEWRT 21	1977	0	0	0	0	0
1S4W27A19S	3601234	RIVERSIDE CITY OF	W STEWRT 19	1977	0	0	0	0	0
1S4W27H01S	3601431	RIVERSIDE CITY OF	W STEWRT 20		1	3	1	1	1
END OF SAN BERNARDINO BASIN					71770	70341	66869	74432	61367

TABLE NO. 1
EXTRACTIONS BY OWNERS (PLAINTIFFS) FROM
THE SAN BERNARDINO BASIN AREA

TABLE NO. 1
 VERIFIED EXTRACTIIONS BY OWNERS WHICH HAVE FILINGS WITH THE STATE WATER RESOURCES CONTROL BOARD
 FOR SAN BERNARDINO BASIN

08:26:15 12 JUN 1991

RECORDTN NUMBER	STATE WELL NUMBER	WELL TYPE	-----BASE YEARS-----					-----CURRENT YEARS-----					1989	1985-89 AVERAGE
			1959	1960	1961	1962	1963	1959-63 AVERAGE	1985	1986	1987	1988		
3602864	1S4W14N10S	W						0	0	668	0	0	139	161
3602329	1S4W15E	W	0	0	0	0	0	0	0	0	0	0	0	0
3601887	1S4W15L03S	W	1276	3813	4560	3350	3073	3214	2815	1990	2400	2251	2853	2462
3601511	1S4W15M02S	W	1711	488	672	1213	1126	1042	0	0	0	0	0	0
3602169	1S4W15M10S	W	0	0	0	0	0	0	2405	2600	2353	2360	1477	2239
3601512	1S4W15N05S	W	2157	2230	2201	1788	2256	2126	0	0	0	0	0	0
3601737	1S4W16J09S	W	600	314	447	299	280	388	165	274	161	355	524	296
3601514	1S4W16Q	D	18	2	0	0	0	4	0	0	0	0	0	0
3601515	1S4W16Q	D	2	0	0	0	0	0	0	0	0	0	0	0
3601513	1S4W16R03S	W	1518	1190	1519	910	1119	1251	0	0	0	0	0	0
3600000	1S4W16R04S	W	0	0	0	0	0	0	0	0	0	0	0	0
3602863	1S4W22H02S	W						0	0	38	0	0	399	87
MEEKS & DALEY WATER CO			7282	8037	9399	7560	7854	8025	5385	5570	4914	4966	5392	5245
3601459	1S4W01B	W	0	0	0	0	0	0	0	0	0	0	0	0
3601460	1S4W01B	W	0	0	0	0	0	0	0	0	0	0	0	0
3601461	1S4W01B	W	0	0	0	0	0	0	0	0	0	0	0	0
3601458	1S4W01B02S	W	0	0	0	0	0	0	0	0	0	0	0	0
3601457	1S4W01B03S	W	0	0	0	0	0	0	0	0	0	0	0	0
3601462	1S4W01E01S	W	887	1043	1428	1088	1004	1090	0	0	0	0	0	0
3601463	1S4W02A03S	W	1808	1070	1686	1354	1220	1428	2105	1899	1452	1363	1270	1618
3601489	1S4W02L01S	W	0	410	830	758	789	557	436	655	76	451	231	370
3601226	1S4W02L02S	W	0	0	0	0	0	0	0	0	0	0	0	0
3601227	1S4W02N02S	W	0	0	0	0	0	0	0	0	0	0	0	0
3601468	1S4W02P01S	W	1822	1853	1523	978	912	1418	1292	1942	1805	2224	2027	1858
3601225	1S4W02P02S	W	0	0	0	0	0	0	0	0	0	0	0	0
3601224	1S4W02P03S	W	0	0	0	0	0	0	0	0	0	0	0	0
3601220	1S4W02P04S	W	0	0	0	0	0	0	0	0	0	0	0	0
3601464	1S4W02P06S	W	613	1379	1190	988	989	1032	595	808	836	867	594	740
3601465	1S4W02Q03S	W	512	527	884	811	546	656	419	341	416	536	524	447
3601467	1S4W02Q06S	W	373	595	967	957	986	776	895	668	744	842	644	759
3601466	1S4W02Q07S	W	0	0	0	0	0	0	0	0	0	0	0	0
3601432	1S4W11D01S	W	0	0	0	0	0	0	0	0	0	0	0	0
3601228	1S4W11D02S	W	957	572	224	793	1110	731	1489	1160	633	933	820	1007
3601229	1S4W11D03S	W	3062	1465	1770	2307	2669	2255	3680	2264	2239	2505	1891	2516
3601232	1S4W11D04S	W	0	0	0	0	0	0	0	0	0	0	0	0
3602484	1S4W14N09S	W	0	0	0	0	0	0	3351	4223	3327	3182	3093	3435
3602778	1S4W14N10S	W						0	4655	2638	3482	3968	2258	3400
3601218	1S4W14P02S	W	0	0	0	0	0	0	0	0	0	0	0	0
3601239	1S4W14P06S	W	390	444	356	524	318	406	236	460	89	340	321	289
3601469	1S4W22A01S	W	0	0	0	0	0	0	0	0	0	0	0	0
3601477	1S4W22B01S	W	543	332	392	398	298	393	0	0	0	0	0	0
3601237	1S4W22B02S	W	440	551	330	371	309	400	0	0	0	0	0	0
3601478	1S4W22B03S	W	597	367	412	392	322	418	0	0	0	46	476	104
3601479	1S4W22B05S	W	487	317	334	355	259	350	0	0	0	0	0	0
3601470-	1S4W22B07S	W	0	476	1345	1244	1471	907	515	1552	1593	1277	1112	1210
3601472	1S4W22G11S	W	198	98	48	60	0	81	0	0	0	0	0	0
3601471	1S4W22G14S	W	1264	980	1225	820	545	967	1103	12	0	0	0	223
3601470	1S4W22G15S	W	0	0	0	0	0	0	0	0	0	0	0	0

TABLE NO. 1
 VERIFIED EXTRACTATIONS BY OWNERS WHICH HAVE FILINGS WITH THE STATE WATER RESOURCES CONTROL BOARD
 FOR SAN BERNARDINO BASIN

08:26:21 12 JUN 1991

RECORDTN NUMBER	STATE NUMBER	WELL TYPE	-----BASE YEARS-----					-----CURRENT YEARS-----						
			1959	1960	1961	1962	1963	1959-63 AVERAGE	1985	1986	1987	1988	1989	1985-89 AVERAGE
3601473	1S4W22G16S	W	691	584	343	443	364	485	525	6	0	0	0	106
3601475	1S4W22G17S	W	509	422	316	377	323	389	322	2	0	0	0	65
3601474	1S4W22G18S	W	552	392	326	289	348	381	311	2	0	0	0	63
3601476	1S4W22G19S	W	443	277	236	481	270	341	0	0	0	0	0	0
3601231	1S4W22H01S	W	709	869	844	568	550	708	1185	725	842	801	717	854
3601243	1S4W22H02S	W	3222	2840	2834	2839	2444	2836	2844	2526	3077	2374	1586	2481
3601230	1S4W22H03S	W	346	408	368	323	177	324	276	72	17	201	44	122
3601240	1S4W22H04S	W	2445	2170	1894	1440	1651	1920	467	749	1105	1175	996	898
3601219	1S4W23C02S	W	537	484	637	712	682	610	96	0	37	250	169	110
3601238	1S4W23C03S	W	826	557	815	857	591	729	2201	1425	1957	1096	1005	1537
3601241	1S4W27A07S	W	0	0	0	0	0	0	0	0	0	0	0	0
3601242	1S4W27A08S	W	0	0	0	0	0	0	0	0	0	0	0	0
3602772	1S4W27A09S	W	1202	1086	961	1294	891	1087	1170	726	912	782	694	857
3602773	1S4W27A10S	W	472	217	54	354	200	259	782	477	434	634	608	587
3602771	1S4W27A11S	W	70	234	105	212	136	151	866	661	454	642	496	624
3601233	1S4W27A13S	W	0	0	0	0	0	0	0	0	0	0	0	0
3601234	1S4W27A19S	W	0	0	0	0	0	0	0	0	0	0	0	0
3601431	1S4W27H01S	W	6	5	5	4	5	5	1	3	1	1	1	1
RIVERSIDE	CITY OF		25983	23024	24682	24391	22379	24090	31817	25996	25528	26490	21577	26281
3600794	1S4W13F02S	W	3219	2141	2353	2057	1372	2228	2192	2119	1225	1010	1347	1579
3600795	1S4W13G02S	W	3640	2828	2909	2820	2765	2992	5050	5071	4589	4839	3819	4674
3600797	1S4W13G03S	W	3379	3148	3243	3434	3299	3301	2251	3751	3249	3762	3220	3247
3600784	1S4W13L01S	W	10	44	68	36	12	34	0	0	0	0	0	0
3600786	1S4W13L02S	W	0	0	0	0	0	0	985	1213	1097	1560	919	1155
3600793	1S4W13M02S	W	1582	1768	1495	2145	1719	1742	1118	1233	871	688	1046	991
3600791	1S4W13N01S	W	3633	3693	4680	3387	3475	3774	3498	4582	3583	4497	3394	3911
3600792	1S4W13N02S	W	3537	4709	5071	4094	3750	4232	3152	3396	4427	3912	3410	3659
3602423	1S4W13P	W	0	0	0	0	0	0	65	57	62	52	36	54
3600785	1S4W14R	W	0	0	0	0	0	0	0	0	0	0	0	0
3600787	1S4W23A02S	W	2950	2805	2762	2535	2773	2765	2021	1645	2121	3074	2428	2258
3600796	1S4W23A05S	W	1314	1183	946	642	736	964	969	1434	1428	1671	975	1295
3600798	1S4W23G01S	W	0	0	0	0	0	0	0	0	0	0	0	0
3602331	1S4W23G03S	W	0	0	0	0	0	0	3607	3714	3261	3526	2975	3417
3600788	1S4W23H01S	W	2840	1566	2163	2207	2465	2248	2013	1940	2061	3047	1773	2167
3600789	1S4W23K01S	W	3466	2409	2076	2928	2239	2624	2332	1866	2561	3537	2521	2563
3600790	1S4W23K02S	W	2235	2725	2904	2155	2394	2483	2003	1962	1778	2847	1792	2076
RIVERSIDE	CITY OF-GAGE	CAN31805	29019	30670	28440	26999	29387	31256	33983	32313	38022	29655	33046	
3601535	1N4W31E01S	W	1397	1226	1358	1141	852	1195	0	199	1680	1354	1072	861
3601536	1N4W31E02S	W	0	0	0	0	0	0	0	0	0	0	0	0
3602840	1N4W31F01S	W						0	1880	1939	490	935	1068	1262
3601523	1S4W22L	W	802	576	995	796	634	761	809	1058	730	1058	1201	971
3601533	1S4W22L05S	W	1551	1482	1749	1125	1062	1394	501	1547	1019	1428	1340	1167
3601530	1S4W22L08S	W	255	200	546	346	379	345	122	1	0	0	0	25
3601522	1S4W22M07S	W	740	757	887	739	399	704	0	0	0	0	0	0
3601528	1S4W22N	W	0	0	0	0	0	0	0	0	0	0	0	0
3601537	1S4W22N	W	0	0	0	0	0	0	0	0	0	0	0	0
3601527	1S4W22P	W	0	0	0	0	0	0	0	0	0	0	0	0

TABLE NO. 1
 VERIFIED EXTRACTIONS BY OWNERS WHICH HAVE FILINGS WITH THE STATE WATER RESOURCES CONTROL BOARD
 FOR SAN BERNARDINO BASIN

08:26:26 12 JUN 1991

RECORDTN NUMBER	STATE WELL NUMBER	WELL TYPE	-----BASE YEARS-----					-----CURRENT YEARS-----						
			1959	1960	1961	1962	1963	1959-63 AVERAGE	1985	1986	1987	1988	1989	1985-89 AVERAGE
3601529	1S4W22P	W	0	0	0	0	0	0	0	0	0	0	0	0
3602254	1S4W22P05S	W	0	0	0	0	0	0	0	0	0	0	0	0
RIVERSIDE	HIGHLAND WATER	COM4745	4241	5535	4147	3326	4399	3312	4744	3919	4775	4681	4286	
3691241	1S4W27A07S	W	0	0	0	0	0	0	0	0	0	0	0	
3691242	1S4W27A08S	W	0	0	0	0	0	0	0	0	0	0	0	
3601244	1S4W27A09S	W	385	386	564	392	309	407	0	25	99	55	25	41
3601245	1S4W27A10S	W	151	77	32	107	69	87	0	10	45	66	25	29
3601222	1S4W27A11S	W	22	83	62	65	47	56	0	13	51	58	12	27
UNIVERSITY OF CALIFORNIA	REG558		546	658	564	425	550	0	48	195	179	62	97	
TTL SAN BERNARDINO BASIN	70373		64867	70944	65102	60983	66451	71770	70341	66869	74432	61367	68955	

TABLE NO. 2

SUMMARY OF EXTRACTIONS BY ALL PLAINTIFFS
FROM THE SAN BERNARDINO BASIN AREA

TABLE NO. 2
 SUMMARY OF VERIFIED EXTRACTIONS (FILED AND NON-FILED) FOR SAN BERNARDINO

08:27:25 12 JUN 1991

(mm:vc)

	-----BASE YEARS-----						-----CURRENT YEARS-----					
	1959	1960	1961	1962	1963	1959-63 AVERAGE	1985	1986	1987	1988	1989	1985-89 AVERAGE
MEEKS & DALEY WATER CO	7282	8037	9399	7560	7854	8025	5385	5570	4914	4966	5392	5245
RIVERSIDE CITY OF	25983	23024	24682	24391	22379	24090	31817	25996	25528	26490	21577	26281
RIVERSIDE CITY OF-GAGE CANAL	31805	29019	30670	28440	26999	29387	31256	33983	32313	38022	29655	33046
RIVERSIDE HIGHLAND WATER COMPA	4745	4241	5535	4147	3326	4399	3312	4744	3919	4775	4681	4286
UNIVERSITY OF CALIFORNIA REGE	558	546	658	564	425	550	0	48	195	179	62	97
TTL SAN BERNARDINO BASIN	70373	64867	70944	65102	60983	66451	71770	70341	66869	74432	61367	68955

TABLE NO. 3

EXTRACTIONS BY PLAINTIFFS FROM THE
SAN BERNARDINO BASIN AREA FOR AVERAGE OF
FIVE-YEAR PERIOD ENDING WITH 1963
AND CALENDAR YEARS 1976 THROUGH CURRENT YEAR
CLASSIFIED ACCORDING TO SERVICE AREA

TABLE NO. 3

EXTRACTIONS BY PLAINTIFF
FROM THE SAN BERNARDINO BASIN AREA
FOR AVERAGE OF THE FIVE-YEAR PERIOD ENDING WITH 1963
AND CALENDAR YEARS 1976 THROUGH THE CURRENT YEAR

CLASSIFIED ACCORDING TO SERVICE AREA
(all values in Acre Feet)

EXTRACTIONS FROM SAN BERNARDINO BASIN AREA FOR USE WITHIN AND EXPORT THEREFROM

PLAINTIFFS	1959			1960			1961			1962			1963			FIVE YEAR AVERAGE						
	Total Extract	Del. S.B. Basin & Riv N SBVWMD	Del. Colton Outside Basin & Riv N SBVWMD	Total Extract	Del. S.B. Basin & Riv N SBVWMD	Del. Colton Outside Basin & Riv N SBVWMD	Total Extract	Del. S.B. Basin & Riv N SBVWMD	Del. Colton Outside Basin & Riv N SBVWMD	Total Extract	Del. S.B. Basin & Riv N SBVWMD	Del. Colton Outside Basin & Riv N SBVWMD	Total Extract	Del. S.B. Basin & Riv N SBVWMD	Del. Colton Outside Basin & Riv N SBVWMD	Total Extract	Del. S.B. Basin & Riv N SBVWMD	Del. Colton Outside Basin & Riv N SBVWMD				
CITY OF RIVERSIDE City & Riverside Wtr Co.	25,983	2,369	382	23,024	2,006	356	24,682	0	338	24,344	24,391	0	345	24,046	22,379	0	435	21,944	24,092	875	371	22,846
CITY OF RIVERSIDE Sage Canal Co.	31,805	501	1,001	29,019	539	892	30,670	461	1,010	29,199	29,440	751	783	26,906	26,999	683	758	25,558	29,387	587	889	27,911
SUB TOTAL - C of R	57,788	2,870	1,383	52,043	2,545	1,248	55,352	461	1,348	53,543	52,831	751	1,128	50,952	49,378	683	1,193	47,502	53,478	1,462	1,260	50,756
RIVERSIDE HIGHLAND WATER CO	4,745	0	2,561	4,241	0	2,352	5,535	0	3,026	2,509	4,147	0	2,569	1,578	3,326	0	2,037	1,289	4,399	0	2,509	1,890
PECKS & DALY WATER CO. AGUA MANSA WATER CO.	7,282	0	295	8,037	0	312	9,399	0	363	9,036	7,560	0	363	7,197	7,854	0	297	7,557	8,026	0	326	7,700
UNIVERSITY OF CALIFORNIA	558	0	0	546	0	0	658	0	0	658	564	0	0	564	425	0	0	425	550	0	0	550
TOTALS	70,373	2,870	4,239	64,867	2,545	3,912	70,944	461	4,737	65,746	65,102	751	4,060	60,291	60,983	683	3,527	56,773	66,454	1,333	4,095	60,897

Total Extract -- TOTAL EXTRACTIONS

Del S.B. Basin -- DELIVERIES IN SAN BERNARDINO BASIN AREA

Del. Colton & Riv. N. -- DELIVERIES IN COLTON & RIVERSIDE BASIN IN SAN BERNARDINO COUNTY

Del. Outside SBVWMD -- DELIVERIES OUTSIDE SAN BERNARDINO VALLEY MUNICIPAL WATER DISTRICT

See Report of the Watermaster, Volume 5, Distribution of Extractions, Chapter I, Table No. 36-A

**EXTRACTIONS BY PLAINTIFF
FROM THE SAN BERNARDINO BASIN AREA
FOR AVERAGE OF THE FIVE-YEAR PERIOD ENDING WITH 1963
AND CALENDAR YEARS 1976 THROUGH THE CURRENT YEAR**

**CLASSIFIED ACCORDING TO SERVICE AREA
(all values in Acre Feet)**

EXTRACTIONS FROM SAN BERNARDINO BASIN AREA FOR USE WITHIN AND EXPORT THEREFROM

PLAINTIFF	1976			1977			1978			1979			1980		
	Total Extract	Del. S.B. Basin & Riv N	Del. Colton & Riv N SBVMD	Total Extract	Del. S.B. Basin & Riv N	Del. Colton & Riv N SBVMD	Total Extract	Del. S.B. Basin & Riv N	Del. Colton & Riv N SBVMD	Total Extract	Del. S.B. Basin & Riv N	Del. Colton & Riv N SBVMD	Total Extract	Del. S.B. Basin & Riv N	Del. Colton & Riv N SBVMD
CITY OF RIVERSIDE City & Riverside Wtr Co.	22,085	0	22,085	18,900	0	18,900	19,055	0	19,055	21,561	0	21,561	18,875	0	18,875
CITY OF RIVERSIDE Gage Canal Co.	29,289	0	29,289	32,099	0	32,099	26,329	646	31,753	30,816	0	30,816	31,881	383	31,498
SUB TOTAL - C of R	51,374	0	51,374	50,999	0	50,999	45,384	646	44,437	52,377	0	52,377	50,756	383	50,373
RIVERSIDE HIGHLAND WATER CO	4,519	0	2,469	3,583	0	1,820	1,350	0	1,051	3,368	0	1,781	3,877	0	2,080
MEEKS & DALEY WATER CO. AGUA MANSÁ WATER CO.	5,383	0	5,211	4,220	0	146	2,254	0	181	2,093	0	270	2,333	0	2,010
UNIVERSITY OF CALIFORNIA	245	0	245	87	0	87	183	0	0	83	0	0	7	0	7
TOTALS	61,531	0	58,776	58,889	0	2,312	49,171	846	1,513	47,012	0	2,466	56,773	383	54,007

Total Extract -- TOTAL EXTRACTIONS

Del S.B. Basin -- DELIVERIES IN SAN BERNARDINO BASIN AREA

Del. Colton & Riv. N. -- DELIVERIES IN COLTON & RIVERSIDE BASIN IN SAN BERNARDINO COUNTY

Del. Outside SBVMD -- DELIVERIES OUTSIDE SAN BERNARDINO VALLEY MUNICIPAL WATER DISTRICT

See Report of the Watermaster, Volume 5, Distribution of Extractions, Chapter I, Table No. 36-A

TABLE NO. 3

EXTRACTIONS BY PLAINTIFF
 FROM THE SAN BERNARDINO BASIN AREA
 FOR AVERAGE OF THE FIVE-YEAR PERIOD ENDING WITH 1963
 AND CALENDAR YEARS 1976 THROUGH THE CURRENT YEAR

CLASSIFIED ACCORDING TO SERVICE AREA
 (all values in Acre feet)

EXTRACTIONS FROM SAN BERNARDINO BASIN AREA FOR USE WITHIN AND EXPORT THEREFROM

	1981			1982			1983			1984			1985						
	Total Extract	Del. S.B. Basin & Riv N SBVMWD	Del. Colton & Riv N SBVMWD	Total Extract	Del. S.B. Basin & Riv N SBVMWD	Del. Colton Outside SBVMWD	Total Extract	Del. S.B. Basin & Riv N SBVMWD	Del. Colton Outside SBVMWD	Total Extract	Del. S.B. Basin & Riv N SBVMWD	Del. Colton Outside SBVMWD	Total Extract	Del. S.B. Basin & Riv N SBVMWD	Del. Colton Outside SBVMWD				
PLAINTIFFS																			
CITY OF RIVERSIDE City & Riverside Wtr Co.	20,363	0	0	20,363	146	0	19,376	144	0	25,537	0	0	25,031	0	0	31,817	0	0	31,817
CITY OF RIVERSIDE Gage Canal Co.	31,794	724	0	31,070	16	0	30,061	191	0	20,192	0	0	33,876	32	0	31,256	59	0	31,197
SUB TOTAL - C of R	52,157	724	0	51,433	162	0	49,437	335	0	45,729	0	0	58,906	32	0	83,073	59	0	63,014
RIVERSIDE HIGHLAND WATER CO	3,604	0	2,151	1,453	0	1,775	1,020	0	2,318	843	0	0	4,759	0	2,671	3,312	0	1,978	1,334
MEERS & DALEY WATER CO. AGUA MANSA WATER CO.	3,092	0	358	2,734	0	169	3,547	0	245	2,408	0	0	5,165	0	233	5,385	0	210	5,175
UNIVERSITY OF CALIFORNIA	143	0	0	143	48	0	48	0	0	0	0	0	0	0	0	0	0	0	0
TOTALS	58,986	724	2,509	55,763	182	1,944	54,052	335	2,583	48,978	32	2,904	68,830	32	2,904	71,770	59	2,188	69,523

Total Extract -- TOTAL EXTRACTIONS
 Del S.B. Basin -- DELIVERIES IN SAN BERNARDINO BASIN AREA
 Del. Colton & Riv. N. -- DELIVERIES IN COLTON & RIVERSIDE BASIN IN SAN BERNARDINO COUNTY
 Del. Outside SBVMWD -- DELIVERIES OUTSIDE SAN BERNARDINO VALLEY MUNICIPAL WATER DISTRICT

See Report of the Watermaster, Volume 5, Distribution of Extractions, Chapter I, Table No. 36-A

TABLE NO. 3

EXTRACTIONS BY PLAINTIFF
 FROM THE SAN BERNARDINO BASIN AREA
 FOR AVERAGE OF THE FIVE-YEAR PERIOD ENDING WITH 1963
 AND CALENDAR YEARS 1976 THROUGH THE CURRENT YEAR

CLASSIFIED ACCORDING TO SERVICE AREA
 (all values in Acre Feet)

EXTRACTIONS FROM SAN BERNARDINO BASIN AREA FOR USE WITHIN AND EXPORT THEREFROM

	1986			1987			1988			1989			1990		
	Total Extract	Del. S.B. Basin & Riv N	Del. Colton & Riv N SBVMWD	Total Extract	Del. S.B. Basin & Riv N	Del. Colton & Riv N SBVMWD	Total Extract	Del. S.B. Basin & Riv N	Del. Colton & Riv N SBVMWD	Total Extract	Del. S.B. Basin & Riv N	Del. Colton & Riv N SBVMWD	Total Extract	Del. S.B. Basin & Riv N	Del. Colton & Riv N SBVMWD
PLAINTIFFS															
CITY OF RIVERSIDE City & Riverside Wtr Co.	25,996	292	0	25,704	319	0	25,209	26,490	815	0	25,875	21,129	28	0	21,101
CITY OF RIVERSIDE Gage Canal Co.	33,983	145	0	33,838	15	0	32,298	38,022	0	0	38,022	29,655	0	0	29,655
SUB TOTAL - C of R	59,979	437	0	59,542	334	0	57,507	64,512	815	0	63,897	50,784	28	0	50,756
RIVERSIDE HIGHLAND WATER CO	4,744	0	2,130	2,614	0	2,229	1,890	4,775	0	2,229	2,546	4,681	0	1,968	2,713
MEEKS & DALEY WATER CO. AGUA MANSA WATER CO.	5,570	0	234	5,336	0	193	4,721	4,966	0	233	4,733	5,392	0	240	5,152
UNIVERSITY OF CALIFORNIA	48	0	0	48	0	0	195	179	0	0	179	62	0	0	62
TOTALS	70,341	437	2,364	67,540	334	2,422	64,113	74,492	815	2,462	71,155	60,919	28	2,208	58,683

Total Extract -- TOTAL EXTRACTIONS
 Del S.B. Basin -- DELIVERIES IN SAN BERNARDINO BASIN AREA
 Del. Colton & Riv. N. -- DELIVERIES IN COLTON & RIVERSIDE BASIN IN SAN BERNARDINO COUNTY
 Del. Outside SBVMWD -- DELIVERIES OUTSIDE SAN BERNARDINO VALLEY MUNICIPAL WATER DISTRICT

See Report of the Watermaster, Volume 5, Distribution of Extractions, Chapter I, Table No. 36-A

TABLE NO. 4
TOTAL EXTRACTIONS BY
PLAINTIFFS FROM SAN BERNARDINO BASIN AREA

TABLE NO. 4

TOTAL EXTRACTIONS BY PLAINTIFFS FROM
SAN BERNARDINO BASIN AREA

EXTRACTING PLAINTIFF

<u>Year</u>	<u>City of Riverside</u>	<u>Gage Canal</u>	<u>Riverside Highland</u>	<u>Meeks & Daley</u>	<u>Univ. of Calif.</u>	<u>Total</u>
1959	25,983	31,805	4,745	7,282	558	70,373
1960	23,024	29,019	4,241	8,037	546	64,867
1961	24,682	30,670	5,535	9,399	658	70,944
1962	24,391	28,440	4,147	7,560	564	65,102
1963	22,379	26,999	3,326	7,854	425	60,983
Total	120,459	146,933	21,994	40,132	2,751	332,269
5-Yr. Av.	24,092	29,387	4,399	8,026	550	66,454
1971	24,939	28,943	4,012	2,902	219	61,015
1972	20,474	25,220	4,532	3,527	230	53,992
1973	21,493	21,529	3,512	2,979	239	49,752
1974	27,420	15,947	4,088	4,504	267	52,226
1975	25,248	22,714	4,709	3,950	179	56,800
1976	22,085	29,289	4,519	5,393	245	61,531
1977	18,900	32,099	3,583	4,220	87	58,889
1978	19,055	26,329	1,350	2,254	183	49,171
1979	21,561	30,816	3,369	3,930	83	59,759
1980	18,875	31,881	3,677	2,333	7	56,773
1981	20,363	31,794	3,604	3,092	143	58,996
1982	19,522	30,077	2,795	3,716	48	56,158
1983	25,681	20,383	3,161	2,651	0	51,876
1984	25,031	33,875	4,759	5,165	0	68,830
1985	31,817	31,256	3,312	5,385	0	71,770
1986	25,996	33,983	4,744	5,570	48	70,341
1987	25,528	32,313	2,919	4,914	195	66,869
1988	26,490	38,022	4,775	4,966	179	74,432
1989	21,129	29,655	4,681	5,392	62	60,919
1990						
1991						
1992						
1993						
1994						
1995						

From Table No. 3, Same as Table 36-B, Vol. 5)
Word;W-SB Wm;Vol 1a-8;Vol 1a

TABLE NO.5

EXTRACTIONS BY PLAINTIFFS FROM
THE SAN BERNARDINO BASIN AREA
FOR DELIVERIES IN SAN BERNARDINO BASIN AREA

TABLE NO. 5

EXTRACTIONS BY PLAINTIFFS FROM
THE SAN BERNARDINO BASIN AREA FOR DELIVERIES IN
SAN BERNARDINO BASIN AREA
(Quantities in Acre Feet)

EXTRACTING PLAINTIFF						
<u>Year</u>	<u>City of Riverside</u>	<u>Gage Canal</u>	<u>Riverside Highland</u>	<u>Meeks & Daley</u>	<u>Univ. of Calif.</u>	<u>Total</u>
1959	2,369	501	0	0	0	2,870
1960	2,006	539	0	0	0	2,545
1961	0	461	0	0	0	461
1962	0	751	0	0	0	751
1963	0	683	0	0	0	683
TOTAL	4,375	2,935	0	0	0	7,310
5-Yr. Av.	875	587	0	0	0	1,462
1971	0	98	0	0	0	98
1972	0	85	0	0	0	85
1973	0	156	0	0	0	156
1974	0	0	0	0	0	0
1975	0	0	0	0	0	0
1976	0	0	0	0	0	0
1977	0	0	0	0	0	0
1978	0	646	0	0	0	646
1979	0	0	0	0	0	0
1980	0	383	0	0	0	383
1981	0	724	0	0	0	724
1982	146	16	0	0	0	*162
1983	144	191	0	0	0	335
1984	0	32	0	0	0	32
1985	0	59	0	0	0	59
1986	292	145	0	0	0	437
1987	319	15	0	0	0	334
1988	815	0	0	0	0	815
1989	28	0	0	0	0	28
1990						
1991						
1992						
1993						
1994						
1995						

From Table No. 3 (Same as Table 36-C, Vol. 5)

* Corrected during 1983 verification

Word;W-SB Wm;Vol 1a-8;Vol 1a

TABLE NO. 6

EXTRACTIONS BY PLAINTIFFS FROM
THE SAN BERNARDINO BASIN AREA
FOR DELIVERIES IN COLTON AND
RIVERSIDE BASINS IN SAN BERNARDINO COUNTY

TABLE NO. 6

EXTRACTIONS BY PLAINTIFFS FROM
THE SAN BERNARDINO BASIN AREA FOR DELIVERIES IN
COLTON & RIVERSIDE BASINS IN SAN BERNARDINO COUNTY
 (Quantities in Acre Feet)

EXTRACTING PLAINTIFF

Year	City of Riverside	Gage Canal	Riverside Highland	Meeks & Daley	Univ. of Calif.	Total
1959	382	1,001	2,561	295	0	4,239
1960	356	892	2,352	312	0	3,912
1961	338	1,010	3,026	363	0	4,737
1962	345	783	2,569	363	0	4,060
1963	435	758	2,037	297	0	3,527
Total	1,856	4,444	12,545	1,630	0	20,475
5-Yr. Av.	371	889	2,509	326	0	4,095
1971	0	669	2,388	383	0	3,440
1972	0	547	2,239	377	0	3,163
1973	0	512	1,751	250	0	2,513
1974	65	485	1,985	246	0	2,781
1975	0	498	2,002	168	0	2,668
1976	0	523	2,050	182	0	2,755
1977	0	346	1,820	146	0	2,312
1978	0	301	1,051	161	0	1,513
1979	0	415	1,781	*166	0	2,362
1980	0	0	2,060	323	0	2,383
1981	0	0	2,151	358	0	2,509
1982	0	0	1,775	169	0	1,944
1983	0	0	2,318	245	0	2,563
1984	0	0	2,671	233	0	2,904
1985	0	0	1,978	210	0	2,188
1986	0	0	2,130	234	0	2,364
1987	0	0	2,229	193	0	2,422
1988	0	0	2,229	233	0	2,462
1989	0	0	1,968	240	0	2,208
1990						
1991						
1992						
1993						
1994						
1995						

From Table 3; Same as Table 36-D, Volume 5

* Corrected in 1981

Word;W-SB Wm;Vol 1a-8;Vol 1a

TABLE NO. 7
EXTRACTIONS BY PLAINTIFFS FROM
THE SAN BERNARDINO BASIN AREA FOR
DELIVERIES OUTSIDE SAN BERNARDINO VALLEY

TABLE NO. 7

EXTRACTIONS BY PLAINTIFFS FROM
THE SAN BERNARDINO BASIN AREA FOR DELIVERIES
OUTSIDE SAN BERANRDINO VALLEY
 (Quantities in Acre Feet)

<u>Year</u>	<u>City of Riverside</u>	<u>Gage Canal</u>	<u>Riverside Highland</u>	<u>Meeks & Daley</u>	<u>Univ. of Calif.</u>	<u>Total</u>
1959	23,232	30,303	2,184	6,987	558	63,264
1960	20,662	27,588	1,889	7,725	546	58,410
1961	24,344	29,199	2,509	9,036	658	65,746
1962	24,046	26,906	1,578	7,197	564	60,291
1963	21,944	25,558	1,289	7,557	425	56,773
Total	114,228	139,554	9,449	38,502	2,751	304,484
5-Yr Av.	22,846	27,911	1,890	7,700	550	60,897
1971	24,939	28,176	1,624	2,519	219	57,477
1972	20,474	24,588	2,293	3,150	239	50,744
1973	21,493	20,861	1,761	2,729	239	47,083
1974	27,355	14,462	2,103	4,258	267	49,445
1975	25,248	22,216	2,707	3,782	179	54,132
1976	22,085	28,766	2,469	5,211	245	58,776
1977	18,900	31,753	1,763	4,074	87	56,577
1978	19,055	25,382	299	2,093	183	47,012
1979	21,561	30,401	1,588	*3,764	83	57,397
1980	18,875	31,498	1,617	2,010	7	54,007
1981	20,363	31,070	1,453	2,734	143	55,763
1982	19,376	30,061	1,020	3,547	48	54,052
1983	25,537	20,192	843	2,406	0	48,978
1984	25,031	33,843	2,088	4,932	0	65,894
1985	31,817	31,197	1,334	5,175	0	69,523
1986	**25,704	33,838	2,614	**5,336	48	67,540
1987	25,209	32,298	1,690	4,721	195	64,113
1988	25,675	38,022	2,546	4,733	179	71,155
1989	21,101	29,655	2,713	5,152	62	58,683
1990						
1991						
1992						
1993						
1994						
1995						

From Table No. 3 (Same as Table 36-E, Vol.5)

* Corrected during 1983 verification

** Corrected during 1987 verification

Word;W-SB Wm;Vol 1a-8;Vol 1a

VOLUME 2 - 1989

REPORT OF WATERMASTER

Western Municipal Water District of Riverside County, et al

Plaintiffs

vs.

East San Bernardino County Water District, et al

Defendants

Superior Court of Riverside County

Case No. 78426

VOLUME 2 – 1989

**VERIFIED EXTRACTIONS FROM THE
COLTON BASIN AREA
FOR
CALENDAR YEARS 1959–1963 & 1985–1989**

**ANNUAL ACCOUNTING
FOR INDIVIDUAL WELLS**

AUGUST 1, 1991

WATERMASTER

Donald L. Harriger

Robert L. Reiter

REPORT OF WATERMASTER

Western Municipal Water District of Riverside County, et al
Plaintiffs

vs.

East San Bernardino County Water District, et al
Defendants

Superior Court of Riverside County

Case No. 78426

Volume 2 - 1989

VERIFIED EXTRACTIONS FROM

COLTON BASIN AREA

for

CALENDAR YEARS 1959-1963 & 1985-1989

ANNUAL ACCOUNTING

FOR INDIVIDUAL WELLS

AUGUST 1, 1991

WATERMASTER

Donald L. Harriger
Robert L. Reiter

VOLUME 2-1989

TABLE OF CONTENTS

	<u>Page</u>
INTRODUCTION	i
COLTON BASIN AREA, CROSS INDEX BY OWNER	1
COLTON BASIN AREA, CROSS INDEX BY RECORDATION NUMBER	2
COLTON BASIN AREA, CROSS INDEX BY STATE WELL NUMBER	3
 <u>TABLE NO. 1</u>	
VERIFIED EXTRACTIONS BY OWNERS WHICH HAVE RECORDATION FILINGS WITH THE STATE WATER RESOURCES CONTROL BOARD	4
 <u>TABLE NO. 2</u>	
VERIFIED EXTRACTIONS BY OWNERS WHICH HAVE NOT FILED WITH THE STATE WATER RESOURCES CONTROL BOARD	6
 <u>TABLE NO. 3</u>	
SUMMARY OF VERIFIED EXTRACTIONS (FILED AND NON-FILED) FROM COLTON BASIN AREA	7
 <u>TABLE NO. 4</u>	
GROUND WATER EXTRACTIONS BY RIVERSIDE COUNTY ENTITIES FROM COLTON BASIN AREA FOR USE IN RIVERSIDE & SAN BERNARDINO COUNTIES DURING THE 5-YEAR BASE PERIOD 1959 THROUGH 1963 AND CALENDAR YEARS 1975 THROUGH THE CURRENT YEAR	8
 <u>TABLE NO. 5</u>	
GROUNDWATER EXTRACTIONS FROM COLTON BASIN AREA BY SAN BERNARDINO COUNTY ENTITIES FOR USE IN SAN BERNARDINO COUNTY DURING THE 5-YEAR BASE PERIOD 1959 THROUGH 1963 AND CALENDAR YEARS 1971 THROUGH THE CURRENT YEAR	12

VOLUME 2-1989

VERIFIED EXTRACTIONS FROM
THE COLTON BASIN AREA FOR
CALENDAR YEARS 1959-1963 & 1985-1989

INTRODUCTION

The provisions of Paragraph VIII(a) and VIII(b) of the Judgement in Case No. 78426 entered April 17, 1969, entitled "Extractions from Colton Basin Area and Riverside Basin Area in San Bernardino County" provide as follows:

VIII(a) "The average annual extractions from the Colton Basin Area and that portion of the Riverside Basin Area within San Bernardino County for use outside San Bernardino Valley for the five-year period ending with 1963 are assumed to be 3,349 acre-feet and 20,191 acre-feet , respectively, the correct figures shall be determined by the Watermaster as therein provided."

VIII(b) "Over any five-year period, there may be extracted from each such Basin Area for use outside San Bernardino Valley, without replenishment obligation, and amount equal to five times such annual average for the Basin Area; provided, however, that if extractions in any year exceed such average by more than 20 percent, Western shall provide replenishment in the following year equal to the excess extractions over such 20 percent peaking allowance."

Compliance with these provisions of the Judgement requires that an accounting of the total actual extractions of surface and groundwater within the Colton Basin Area and the Riverside Basin Area within San Bernardino County be made annually. Included in this Volume 2-1989 is the verified account of the production from the Colton Basin Area by owners for the calendar years 1985 through 1989. The verified production for the five-year period ending with 1963 and the five-year average is also included for

comparison. The five-year average production from the Colton Basin Area ending in 1963 was verified to be 11,731* acre-feet. Three indexes are included which provide a cross index by owner's name, State Water Resources Control Board Well Recordation Number, and State Well Number. Each index shows, in addition, the local designation of each well, if the State has closed the file, which year that occurred and the last 5 years of verified extractions.

Tables No. 1 and No. 2 in this report list the individual wells by the owner for each year in the five-year base period ending in 1963, the five-year base period average, the extractions for the years 1985 through 1989, the five-year average for that period and the owner's total annual verified extractions. Table No. 1 lists the wells upon which filings have been made with the State Water Resources Control Board, and Table No. 2 lists the wells upon which no filings have been made. Table No. 3 is a summary of the verified extractions, by owner, as presented in Tables No. 1 and 2.

Paragraph VIII(a) of the Judgment requires that only those extractions from the Colton Basin Area which are used outside San Bernardino Valley be verified for the five calendar years ending with 1963 and accounted for annually from and after January 1, 1971. Accordingly, those extractions from the Colton Basin Area by Riverside County entities for the five calendar years ending with 1963 have been determined and are set forth in Table No. 4. Such extractions averaged 3,496 acre-feet for said five-year period, of which 3,381 acre-feet were delivered outside San Bernardino Valley.

Table No. 4 also shows the extractions from the Colton Basin Area for the 1959-63 base period and 1975 through the current year.

*Verified extractions corrected during the 1972 & 1973 verifications.

The verified extractions from the Colton Basin Area are as follows:

<u>Year</u>	<u>Verified Extractions</u>
1975	11,083 A.F.
1976	11,558 A.F.
1977	8,777 A.F.
1978	7,663 A.F.
1979	7,194 A.F.
1980	5,681 A.F.
1981	6,348 A.F.
1982	6,499 A.F.
1983	4,735 A.F.
1984	8,987 A.F.
1985	10,149 A.F.
1986	10,035 A.F.
1987	13,175 A.F.
1988	13,552 A.F.
1989	13,979 A.F.

The verified extractions by Riverside entities for 1989 have been determined to be 2,304 acre-feet of which 2,005 acre-feet were delivered outside San Bernardino Valley as shown on Table No. 4, page 11.

Table No. 5 shows the verified extractions from the Colton Basin Area by San Bernardino County entities during the five-year base period 1959 through 1963 and the calendar years 1971 through the current year.

COLTON BASIN AREA
CROSS INDEX BY OWNER

VERIFIED WELL MASTER FILE LISTING FOR BASIN RIALTO COLTON BY OWNER NAME

wm:vxr

RUN DATE: 12 JUN 1991

OWNER.....	T P	RECORDTN NUMBER	STATE NUMBER	WELL DESIGNATION	LOCAL CLSD	YEAR	---CALENDAR YEAR EXTRACTIIONS---				
							1985	1986	1987	1988	1989
COLTON CITY OF	W	3601255	1S4W18B	9		1982	0	0	0	0	0
COLTON CITY OF	W	3601259	1S4W18G	15			306	668	1018	1286	968
COLTON CITY OF	W	3601261	1S4W18F	17			725	507	1088	1448	667
COLTON CITY OF	W	3602881	1S4W27M01S	22			467	661	620	778	599
FONTANA UNION WATER COMPANY	W	3600577	1S5W05A03S	22			1219	460	1060	1227	1083
FONTANA UNION WATER COMPANY	W	3600578	1S5W05A02S	23		1980	0	0	0	0	0
FONTANA UNION WATER COMPANY	W	3600589	1S5W04D01S	35		1989	85	29	1	12	0
FONTANA UNION WATER COMPANY	W	3602129	1N5W30A	36		1980	0	0	0	0	0
HAYES GEO G	W	3601141	1S4W18K01S	1		1970	0	0	0	0	0
JAMES SULLIVAN MUTUAL WATER COMPANY	W	3602356	1S4W34H	5731			15	15	0	0	0
KATZ-HOFFMAN-POLVERINI	W	3602255	1S4W27L01S			1975	0	0	0	0	0
LA SIERRA WATER CO	W	3602227	1S4W18G	15			150	347	201	200	242
LA SIERRA WATER CO	W	3602228	1S4W18F	17			340	103	317	278	242
LEDIG ALFRED H	D	3601383	1N5W18D			1959	0	0	0	0	0
MEEKS & DALEY WATER CO	W	3601510	1S4W21N01S	36			1554	1575	1560	1754	1538
PATTERSON JOHN A	W	3600634	1S4W17M01S	PATTERSN		1980	0	0	0	0	0
PERRY AND SONS	W	0000004	1N5W29P				0	0	0	0	0
RECHE CANYON MUTUAL WATER CO	W	3302054	2S4W11A02S	BIG WELL			75	78	82	79	65
RECHE CANYON MUTUAL WATER CO	W	3302055	2S4W11A01S	SMALL WELL			3	5	3	5	19
RECHE CANYON MUTUAL WATER CO	W	3302326	2S4W11A03S	7200			5	5	5	5	5
RIALTO CITY OF	W	3601264	1S5W03A	DUNCAN			226	659	1186	1080	1500
RIALTO CITY OF	W	3601993	1N5W34B	HIGHLAND			1130	713	1626	996	1477
RIALTO CITY OF	W	3602253	1N5W27D01S	CEDAR			489	800	925	1314	1648
RIALTO CITY OF	W	3602269	1S5W03N02S	FTHILL TUDOR			11	762	1182	348	467
RIALTO CITY OF	W	3602271	1S5W03J01S	TUDOR		1966	0	0	0	0	0
RIALTO CITY OF	W	3602558	1N5W34M01S	AIRPORT WELL			13	97	148	94	98
RIVERSIDE CITY OF	W	3601480	1S4W21Q03S	JOHNSON 1			0	0	0	0	0
RIVERSIDE CITY OF	W	3601481	1S4W21L01S	VAUGHN 1			695	0	0	0	0
RIVERSIDE CITY OF	W	3601482	1S4W28C01S	MEEKS 1			0	0	0	0	0
RIVERSIDE CITY OF	W	3601494	1S4W21P01S	JOHNSON 2		1977	0	0	0	0	0
RIVERSIDE CITY OF	W	3601495	1S4W21Q01S	JOHNSON 3		1977	0	0	0	0	0
RIVERSIDE CITY OF	D	3601496	1S4W21P	WARM CR		1974	0	0	0	0	0
RIVERSIDE CITY OF	W	3602208	1S4W28D01S	MILL			0	0	0	0	519
RIVERSIDE HIGHLAND WATER COMPANY	W	3601525	1S4W28K01S	4		1980	0	0	0	0	0
RIVERSIDE HIGHLAND WATER COMPANY	W	3602182	1S4W28K02S	4-A			675	721	471	256	158
SEQUOIA COUNTRY CLUB	W	0000003	1S4W07C01S	EDMUNDS			0	0	0	0	0
SOUTHERN CALIFORNIA EDISON COMPANY	W	3601008	1S5W12A	1 AC #58			200	200	200	200	18
SOUTHERN CALIFORNIA EDISON COMPANY	W	3601010	1S5W12A	2		1977	0	0	0	0	0
SOUTHERN CALIFORNIA EDISON COMPANY	W	3602218	1S4W29H03S	COLTON		1981	0	0	0	0	0
TAYLOR JOHN S	W	3600867	1N5W07P	TAYLOR 1		1974	0	0	0	0	0
TAYLOR JOHN S	D	3600868	1N5W07P			1974	0	0	0	0	0
VILLELLI ENTERPRISES	W	0000001	1S4W28G	4			0	0	0	0	0
VILLELLI ENTERPRISES	W	0000002	1S4W28G	#5 DOMESTIC			0	0	0	0	0
VILLELLI ENTERPRISES	W	3601548	1S4W28G01S	1		1981	0	0	0	0	0
VILLELLI ENTERPRISES	W	3601550	1S4W28A05S	3		1981	0	0	0	0	0
WEST SAN BDNO COUNTY WATER DIST	W	3600309	1S5W02C01S	PLANT NO 10		1982	0	0	0	0	0
WEST SAN BDNO COUNTY WATER DIST	W	3600311	1S5W02K01S	PLANT NO 11			0	0	0	597	716
WEST SAN BDNO COUNTY WATER DIST	W	3600995	1S5W12N01S	PLANT NO 17			1015	339	0	0	0
WEST SAN BDNO COUNTY WATER DIST	W	3601001	1S5W12L01S	PLANT NO 16			374	941	1120	1055	1162
WEST SAN BDNO COUNTY WATER DIST	W	3601689	1N5W17K01S	PLANT 21		1976	0	0	0	0	0
WEST SAN BDNO COUNTY WATER DIST	W	3601690	1N5W28J01S	PLANT 22			3	0	26	76	324
WEST SAN BDNO COUNTY WATER DIST	W	3601691	1N5W17G01S	PLANT NO 23		1982	0	0	0	0	0
WEST SAN BDNO COUNTY WATER DIST	W	3601931	1N5W17K02S	PLANT NO 24			374	350	336	464	464
END OF RIALTO COLTON BASIN							10149	10035	13175	13552	13979

COLTON BASIN AREA

CROSS INDEX BY RECORDATION NUMBER

VERIFIED WELL MASTER FILE LISTING FOR BASIN RIALTO COLTON BY RECORDATION NUMBER

mm:vxr

RUN DATE: 12 JUN 1991

RECORDTN NUMBER	STATE NUMBER	WELL NUMBER	OWNER.....	T LOCAL P DESIGNATION	YEAR CLSD	---CALENDAR YEAR EXTRACTIONS---				
						1985	1986	1987	1988	1989
0000001	1S4W28G	VILLELLI ENTERPRISES		W 4		0	0	0	0	0
0000002	1S4W28G	VILLELLI ENTERPRISES		W #5 DOMESTIC		0	0	0	0	0
0000003	1S4W07C01S	SEQUOIA COUNTRY CLUB		W EDMUNDS		0	0	0	0	0
0000004	1N5W29P	PERRY AND SONS		W		0	0	0	0	0
3302054	2S4W11A02S	RECHE CANYON MUTUAL WATER CO		W BIG WELL		75	78	82	79	65
3302055	2S4W11A01S	RECHE CANYON MUTUAL WATER CO		W SMALL WELL		3	5	3	5	19
3302326	2S4W11A03S	RECHE CANYON MUTUAL WATER CO		W 7200		5	5	5	5	5
3600309	1S5W02C01S	WEST SAN BDNO COUNTY WATER DIST		W PLANT NO 10	1982	0	0	0	0	0
3600311	1S5W02K01S	WEST SAN BDNO COUNTY WATER DIST		W PLANT NO 11		0	0	0	597	716
3600577	1S5W05A03S	FONTANA UNION WATER COMPANY		W 22		1219	460	1060	1227	1083
3600578	1S5W05A02S	FONTANA UNION WATER COMPANY		W 23	1980	0	0	0	0	0
3600589	1S5W04D01S	FONTANA UNION WATER COMPANY		W 35	1989	85	29	1	12	0
3600634	1S4W17M01S	PATTERSON JOHN A		W PATTERSN	1980	0	0	0	0	0
3600867	1N5W07P	TAYLOR JOHN S		W TAYLOR 1	1974	0	0	0	0	0
3600868	1N5W07P	TAYLOR JOHN S		D	1974	0	0	0	0	0
3600995	1S5W12N01S	WEST SAN BDNO COUNTY WATER DIST		W PLANT NO 17		1015	339	0	0	0
3601001	1S5W12L01S	WEST SAN BDNO COUNTY WATER DIST		W PLANT NO 16		374	941	1120	1055	1162
3601008	1S5W12A	SOUTHERN CALIFORNIA EDISON COMPANY		W 1 AC #58		200	200	200	200	18
3601010	1S5W12A	SOUTHERN CALIFORNIA EDISON COMPANY		W 2	1977	0	0	0	0	0
3601141	1S4W18K01S	HAYES GEO G		W 1	1970	0	0	0	0	0
3601255	1S4W18B	COLTON CITY OF		W 9	1982	0	0	0	0	0
3601259	1S4W18G	COLTON CITY OF		W 15		306	668	1018	1286	968
3601261	1S4W18F	COLTON CITY OF		W 17		725	507	1088	1448	667
3601264	1S5W03A	RIALTO CITY OF		W DUNCAN		226	659	1186	1080	1500
3601383	1N5W18D	LEDIG ALFRED H		D	1959	0	0	0	0	0
3601480	1S4W21Q03S	RIVERSIDE CITY OF		W JOHNSON 1		0	0	0	0	0
3601481	1S4W21L01S	RIVERSIDE CITY OF		W VAUGHN 1		695	0	0	0	0
3601482	1S4W28C01S	RIVERSIDE CITY OF		W MEEKS 1		0	0	0	0	0
3601494	1S4W21P01S	RIVERSIDE CITY OF		W JOHNSON 2	1977	0	0	0	0	0
3601495	1S4W21Q01S	RIVERSIDE CITY OF		W JOHNSON 3	1977	0	0	0	0	0
3601496	1S4W21P	RIVERSIDE CITY OF		D WARM CR	1974	0	0	0	0	0
3601510	1S4W21N01S	MEEKS & DALEY WATER CO		W 36		1554	1575	1560	1754	1538
3601525	1S4W28K01S	RIVERSIDE HIGHLAND WATER COMPANY		W 4	1980	0	0	0	0	0
3601548	1S4W28G01S	VILLELLI ENTERPRISES		W 1	1981	0	0	0	0	0
3601550	1S4W28A05S	VILLELLI ENTERPRISES		W 3	1981	0	0	0	0	0
3601689	1N5W17K01S	WEST SAN BDNO COUNTY WATER DIST		W PLANT 21	1976	0	0	0	0	0
3601690	1N5W28J01S	WEST SAN BDNO COUNTY WATER DIST		W PLANT 22		3	0	26	76	324
3601691	1N5W17G01S	WEST SAN BDNO COUNTY WATER DIST		W PLANT NO 23	1982	0	0	0	0	0
3601931	1N5W17K02S	WEST SAN BDNO COUNTY WATER DIST		W PLANT NO 24		374	350	336	464	464
3601993	1N5W34B	RIALTO CITY OF		W HIGHLAND		1130	713	1626	996	1477
3602129	1N5W30A	FONTANA UNION WATER COMPANY		W 36	1980	0	0	0	0	0
3602182	1S4W28K02S	RIVERSIDE HIGHLAND WATER COMPANY		W 4-A		675	721	471	256	158
3602208	1S4W28D01S	RIVERSIDE CITY OF		W MILL		0	0	0	0	519
3602218	1S4W29H03S	SOUTHERN CALIFORNIA EDISON COMPANY		W COLTON	1981	0	0	0	0	0
3602227	1S4W18G	LA SIERRA WATER CO		W 15		150	347	201	200	242
3602228	1S4W18F	LA SIERRA WATER CO		W 17		340	103	317	278	242
3602253	1N5W27D01S	RIALTO CITY OF		W CEDAR		489	800	925	1314	1648
3602255	1S4W27L01S	KATZ-HOFFMAN-POLVERINI		W	1975	0	0	0	0	0
3602269	1S5W03N02S	RIALTO CITY OF		W FTHILL TUDOR		11	762	1182	348	467
3602271	1S5W03J01S	RIALTO CITY OF		W TUDOR	1966	0	0	0	0	0
3602356	1S4W34H	JAMES SULLIVAN MUTUAL WATER COMPANY		W 5731		15	15	0	0	0
3602558	1N5W34M01S	RIALTO CITY OF		W AIRPORT WELL		13	97	148	94	98
3602881	1S4W27M01S	COLTON CITY OF		W 22		467	661	620	778	599

END OF RIALTO COLTON BASIN

10149 10035 13175 13552 13979

COLTON BASIN AREA

CROSS INDEX BY STATE WELL NUMBER

VERIFIED WELL MASTER FILE LISTING FOR BASIN RIALTO COLTON BY STATE WELL #

WM:VXR

RUN DATE: 12 JUN 1991

STATE WELL NUMBER	RECORDTN NUMBER	OWNER.....	T LOCAL P DESIGNATION	YEAR CLSD	---CALENDAR YEAR EXTRACTIIONS---				
					1985	1986	1987	1988	1989
1N5W07P	3600867	TAYLOR JOHN S	W TAYLOR 1	1974	0	0	0	0	0
1N5W07P	3600868	TAYLOR JOHN S	D	1974	0	0	0	0	0
1N5W17G01S	3601691	WEST SAN BDNO COUNTY WATER DIST	W PLANT NO 23	1982	0	0	0	0	0
1N5W17K01S	3601689	WEST SAN BDNO COUNTY WATER DIST	W PLANT 21	1976	0	0	0	0	0
1N5W17K02S	3601931	WEST SAN BDNO COUNTY WATER DIST	W PLANT NO 24		374	350	336	464	464
1N5W18D	3601383	LEDIG ALFRED H	D	1959	0	0	0	0	0
1N5W27D01S	3602253	RIALTO CITY OF	W CEDAR		489	800	925	1314	1648
1N5W28J01S	3601690	WEST SAN BDNO COUNTY WATER DIST	W PLANT 22		3	0	26	76	324
1N5W29P	0000004	PERRY AND SONS	W		0	0	0	0	0
1N5W30A	3602129	FONTANA UNION WATER COMPANY	W 36	1980	0	0	0	0	0
1N5W34B	3601993	RIALTO CITY OF	W HIGHLAND		1130	713	1626	996	1477
1N5W34M01S	3602558	RIALTO CITY OF	W AIRPORT WELL		13	97	148	94	98
1S4W07C01S	0000003	SEQUOIA COUNTRY CLUB	W EDMUNDS		0	0	0	0	0
1S4W17M01S	3600634	PATTERSON JOHN A	W PATTERSN	1980	0	0	0	0	0
1S4W18B	3601255	COLTON CITY OF	W 9	1982	0	0	0	0	0
1S4W18F	3601261	COLTON CITY OF	W 17		725	507	1088	1448	667
1S4W18F	3602228	LA SIERRA WATER CO	W 17		340	103	317	278	242
1S4W18G	3601259	COLTON CITY OF	W 15		306	668	1018	1286	968
1S4W18G	3602227	LA SIERRA WATER CO	W 15		150	347	201	200	242
1S4W18K01S	3601141	HAYES GEO G	W 1	1970	0	0	0	0	0
1S4W21L01S	3601481	RIVERSIDE CITY OF	W VAUGHN 1		695	0	0	0	0
1S4W21N01S	3601510	MEEKS & DALEY WATER CO	W 36		1554	1575	1560	1754	1538
1S4W21P	3601496	RIVERSIDE CITY OF	D WARM CR	1974	0	0	0	0	0
1S4W21P01S	3601494	RIVERSIDE CITY OF	W JOHNSON 2	1977	0	0	0	0	0
1S4W21Q01S	3601495	RIVERSIDE CITY OF	W JOHNSON 3	1977	0	0	0	0	0
1S4W21Q03S	3601480	RIVERSIDE CITY OF	W JOHNSON 1		0	0	0	0	0
1S4W27L01S	3602255	KATZ-HOFFMAN-POLVERINI	W	1975	0	0	0	0	0
1S4W27M01S	3602881	COLTON CITY OF	W 22		467	661	620	778	599
1S4W28A05S	3601550	VILLELLI ENTERPRISES	W 3	1981	0	0	0	0	0
1S4W28C01S	3601482	RIVERSIDE CITY OF	W MEEKS 1		0	0	0	0	0
1S4W28D01S	3602208	RIVERSIDE CITY OF	W MILL		0	0	0	0	519
1S4W28G	0000001	VILLELLI ENTERPRISES	W 4		0	0	0	0	0
1S4W28G	0000002	VILLELLI ENTERPRISES	W #5 DOMESTIC		0	0	0	0	0
1S4W28G01S	3601548	VILLELLI ENTERPRISES	W 1	1981	0	0	0	0	0
1S4W28K01S	3601525	RIVERSIDE HIGHLAND WATER COMPANY	W 4	1980	0	0	0	0	0
1S4W28K02S	3602182	RIVERSIDE HIGHLAND WATER COMPANY	W 4-A		675	721	471	256	158
1S4W29H03S	3602218	SOUTHERN CALIFORNIA EDISON COMPANY	W COLTON	1981	0	0	0	0	0
1S4W34H	3602356	JAMES SULLIVAN MUTUAL WATER COMPANY	W 5731		15	15	0	0	0
1S5W02C01S	3600309	WEST SAN BDNO COUNTY WATER DIST	W PLANT NO 10	1982	0	0	0	0	0
1S5W02K01S	3600311	WEST SAN BDNO COUNTY WATER DIST	W PLANT NO 11		0	0	0	597	716
1S5W03A	3601264	RIALTO CITY OF	W DUNCAN		226	659	1186	1080	1500
1S5W03J01S	3602271	RIALTO CITY OF	W TUDOR	1966	0	0	0	0	0
1S5W03N02S	3602269	RIALTO CITY OF	W FTHILL TUDOR		11	762	1182	348	467
1S5W04D01S	3600589	FONTANA UNION WATER COMPANY	W 35	1989	85	29	1	12	0
1S5W05A02S	3600578	FONTANA UNION WATER COMPANY	W 23	1980	0	0	0	0	0
1S5W05A03S	3600577	FONTANA UNION WATER COMPANY	W 22		1219	460	1060	1227	1083
1S5W12A	3601008	SOUTHERN CALIFORNIA EDISON COMPANY	W 1 AC #58		200	200	200	200	18
1S5W12A	3601010	SOUTHERN CALIFORNIA EDISON COMPANY	W 2	1977	0	0	0	0	0
1S5W12L01S	3601001	WEST SAN BDNO COUNTY WATER DIST	W PLANT NO 16		374	941	1120	1055	1162
1S5W12N01S	3600995	WEST SAN BDNO COUNTY WATER DIST	W PLANT NO 17		1015	339	0	0	0
2S4W11A01S	3302055	RECHE CANYON MUTUAL WATER CO	W SMALL WELL		3	5	3	5	19
2S4W11A02S	3302054	RECHE CANYON MUTUAL WATER CO	W BIG WELL		75	78	82	79	65
2S4W11A03S	3302326	RECHE CANYON MUTUAL WATER CO	W 7200		5	5	5	5	5

END OF RIALTO COLTON BASIN

10149 10035 13175 13552 13979

TABLE NO. 1

VERIFIED EXTRACTIONS BY OWNERS
WHICH HAVE RECORDATION FILINGS WITH
THE STATE WATER RESOURCES CONTROL BOARD

TABLE NO. 1
 VERIFIED EXTRACTIONS BY OWNERS WHICH HAVE FILINGS WITH THE STATE WATER RESOURCES CONTROL BOARD
 FOR RIALTO COLTON BASIN

08:25:47 12 JUN 1991

RECORDTN NUMBER	STATE WELL NUMBER	WELL TYPE	-----BASE YEARS-----					-----CURRENT YEARS-----							
			1959	1960	1961	1962	1963	1959-63 AVERAGE	1985	1986	1987	1988	1989	1985-89 AVERAGE	
	3601255	1S4W18B	W	101	101	106	135	103	109	0	0	0	0	0	0
	3601261	1S4W18F	W	761	880	752	394	474	652	725	507	1088	1448	667	887
	3601259	1S4W18G	W	1064	781	787	377	455	693	306	668	1018	1286	968	849
	3602881	1S4W27M01S	W						0	467	661	620	778	599	625
	COLTON	CITY OF		1926	1762	1645	906	1032	1454	1498	1836	2726	3512	2234	2361
	3602129	1N5W30A	W	31	31	31	31	31	31	0	0	0	0	0	0
	3600589	1S5W04D01S	W	437	621	227	407	449	428	85	29	1	12	0	25
	3600578	1S5W05A02S	W	0	0	429	0	0	86	0	0	0	0	0	0
	3600577	1S5W05A03S	W	0	132	546	0	400	216	1219	460	1060	1227	1083	1010
	FONTANA	UNION WATER COMPANY		468	784	1233	438	880	761	1304	489	1061	1239	1083	1035
	3601141	1S4W18K01S	W	0	0	0	0	0	0	0	0	0	0	0	0
	HAYES	GEO G		0	0	0	0	0	0	0	0	0	0	0	0
	3602356	1S4W34H	W	22	24	12	13	14	17	15	15	0	0	0	6
	JAMES	SULLIVAN MUTUAL WATER CO		22	24	12	13	14	17	15	15	0	0	0	6
	3602255	1S4W27L01S	W	283	283	283	283	0	226	0	0	0	0	0	0
	KATZ-HOFFMAN-POLVERINI			283	283	283	283	0	226	0	0	0	0	0	0
	3602228	1S4W18F	W	0	0	0	0	0	0	340	103	317	278	242	256
	3602227	1S4W18G	W	0	0	0	0	0	0	150	347	201	200	242	228
	LA SIERRA	WATER CO		0	0	0	0	0	0	490	450	518	478	484	484
	3601383	1N5W18D	D	0	0	0	0	0	0	0	0	0	0	0	0
	LEDIG	ALFRED H		0	0	0	0	0	0	0	0	0	0	0	0
	3601510	1S4W21N01S	W	2168	23	465	1185	339	836	1554	1575	1560	1754	1538	1596
	MEEKS & DALEY	WATER CO		2168	23	465	1185	339	836	1554	1575	1560	1754	1538	1596
	3600634	1S4W17M01S	W	137	0	0	0	0	27	0	0	0	0	0	0
	PATTERSON	JOHN A		137	0	0	0	0	27	0	0	0	0	0	0
	3302055	2S4W11A01S	W						0	3	5	3	5	19	7
	3302054	2S4W11A02S	W						0	75	78	82	79	65	76
	3302326	2S4W11A03S	W						0	5	5	5	5	5	5
	RECHE	CANYON MUTUAL WATER CO		0	0	0	0	0	0	83	88	90	89	89	88
	3602253	1N5W27D01S	W	0	0	0	0	0	0	489	800	925	1314	1648	1035
	3601993	1N5W34B	W	0	0	0	723	600	265	1130	713	1626	996	1477	1188
	3602558	1N5W34M01S	W						0	13	97	148	94	98	90
	3601264	1S5W03A	W	987	808	1372	754	994	983	226	659	1186	1080	1500	930
	3602271	1S5W03J01S	W	160	160	160	160	160	160	0	0	0	0	0	0
	3602269	1S5W03N02S	W	0	275	342	236	385	248	11	762	1182	348	467	554
	RIALTO	CITY OF		1147	1243	1874	1873	2139	1656	1869	3031	5067	3832	5190	3797
	3601481	1S4W21L01S	W	39	135	1378	498	593	529	695	0	0	0	0	139
	3601496	1S4W21P	D	0	0	0	0	0	0	0	0	0	0	0	0

TABLE NO. 1
 VERIFIED EXTRACTATIONS BY OWNERS WHICH HAVE FILINGS WITH THE STATE WATER RESOURCES CONTROL BOARD
 FOR RIALTO COLTON BASIN

08:25:50 12 JUN 1991

RECORDTN NUMBER	STATE WELL NUMBER	WELL TYPE	-----BASE YEARS-----					-----CURRENT YEARS-----						
			1959	1960	1961	1962	1963	1959-63 AVERAGE	1985	1986	1987	1988	1989	1985-89 AVERAGE
	3601494	1S4W21P01S W	0	0	0	0	0	0	0	0	0	0	0	0
	3601495	1S4W21Q01S W	0	0	0	0	0	0	0	0	0	0	0	0
	3601480	1S4W21Q03S W	2183	1569	1569	963	789	1415	0	0	0	0	0	0
	3601482	1S4W28C01S W	649	461	539	374	425	490	0	0	0	0	0	0
	3602208	1S4W28D01S W	0	0	0	0	0	0	0	0	0	0	519	104
	RIVERSIDE	CITY OF	2871	2165	3486	1835	1807	2434	695	0	0	0	519	243
	3601525	1S4W28K01S W	211	126	357	280	163	227	0	0	0	0	0	0
	3602182	1S4W28K02S W	0	0	0	0	0	0	675	721	471	256	158	456
	RIVERSIDE	HIGHLAND WATER COMP211	126	357	280	163	227	675	721	471	256	158	456	
	3602218	1S4W29H03S W	8	8	7	8	8	8	0	0	0	0	0	0
	3601008	1S5W12A W	199	200	215	200	200	203	200	200	200	200	18	164
	3601010	1S5W12A W	0	0	0	0	0	0	0	0	0	0	0	0
	SOUTHERN CALIFORNIA	EDISON CO207	208	222	208	208	211	200	200	200	200	18	164	
	3600867	1N5W07P W	0	0	0	0	0	0	0	0	0	0	0	0
	3600868	1N5W07P D	0	0	0	0	0	0	0	0	0	0	0	0
	TAYLOR	JOHN S	0	0	0	0	0	0	0	0	0	0	0	0
	3601550	1S4W28A05S W	193	147	172	75	2	118	0	0	0	0	0	0
	3601548	1S4W28G01S W	246	171	209	105	41	154	0	0	0	0	0	0
	VILLELLI ENTERPRISES		439	318	381	180	43	272	0	0	0	0	0	0
	3601691	1N5W17G01S W	116	43	15	54	15	49	0	0	0	0	0	0
	3601689	1N5W17K01S W	3	0	0	1	0	1	0	0	0	0	0	0
	3601931	1N5W17K02S W	0	84	115	95	132	85	374	350	336	464	464	398
	3601690	1N5W28J01S W	0	0	0	0	0	0	3	0	26	76	324	86
	3600309	1S5W02C01S W	1222	1032	837	763	825	936	0	0	0	0	0	0
	3600311	1S5W02K01S W	0	1096	1123	563	1042	765	0	0	0	597	716	263
	3601001	1S5W12L01S W	1418	1145	1453	1089	627	1146	374	941	1120	1055	1162	930
	3600995	1S5W12N01S W	476	795	630	475	128	501	1015	339	0	0	0	271
	WEST SAN BONO	COUNTY WATER	3235	4195	4173	3040	2769	3483	1766	1630	1482	2192	2666	1948
	TTL RIALTO COLTON BASIN		13114	11131	14131	10241	9394	11604	10149	10035	13175	13552	13979	12178

TABLE NO. 2

VERIFIED EXTRACTIONS BY OWNERS
WHICH HAVE NOT FILED
WITH THE STATE RESOURCES CONTROL BOARD

TABLE NO. 2
 VERIFIED EXTRACTIONS BY OWNERS WHICH HAVE NOT FILED WITH THE STATE WATER RESOURCES CONTROL BOARD
 FOR RIALTO COLTON BASIN

08:26:39 12 JUN 1991

RECORDTN NUMBER	STATE NUMBER	WELL TYPE	-----BASE YEARS-----					-----CURRENT YEARS-----						
			1959	1960	1961	1962	1963	1959-63 AVERAGE	1985	1986	1987	1988	1989	1985-89 AVERAGE
0000004	1N5W29P	W						0	0	0	0	0	0	0
PERRY AND SONS			0	0	0	0	0	0	0	0	0	0	0	0
0000003	1S4W07C01S	W			215	215	215	129	0	0	0	0	0	0
SEQUOIA COUNTRY CLUB			0	0	215	215	215	129	0	0	0	0	0	0
0000001	1S4W28G	W			0	0	0	0	0	0	0	0	0	0
0000002	1S4W28G	W						0	0	0	0	0	0	0
VILLELLI ENTERPRISES			0	0	0	0	0	0	0	0	0	0	0	0
TTL RIALTO COLTON BASIN			0	0	215	215	215	129	0	0	0	0	0	0

TABLE NO. 3
SUMMARY OF VERIFIED EXTRACTIONS
(FILED AND NON-FILED)
FROM COLTON BASIN AREA

TABLE NO. 3
SUMMARY OF VERIFIED EXTRACTIONS (FILED AND NON-FILED) FOR RIALTO COLTON

08:26:54 12 JUN 1991

	-----BASE YEARS-----						-----CURRENT YEARS-----					
	1959	1960	1961	1962	1963	1959-63 AVERAGE	1985	1986	1987	1988	1989	1985-89 AVERAGE
COLTON CITY OF	1926	1762	1645	906	1032	1454	1498	1836	2726	3512	2234	2361
FONTANA UNION WATER COMPANY	468	784	1233	438	880	761	1304	489	1061	1239	1083	1035
HAYES GEO G	0	0	0	0	0	0	0	0	0	0	0	0
JAMES SULLIVAN MUTUAL WATER CO	22	24	12	13	14	17	15	15	0	0	0	6
KATZ-HOFFMAN-POLVERINI	283	283	283	283	0	226	0	0	0	0	0	0
LA SIERRA WATER CO	0	0	0	0	0	0	490	450	518	478	484	484
LEDIG ALFRED H	0	0	0	0	0	0	0	0	0	0	0	0
MEEKS & DALEY WATER CO	2168	23	465	1185	339	836	1554	1575	1560	1754	1538	1596
PATTERSON JOHN A	137	0	0	0	0	27	0	0	0	0	0	0
PERRY AND SONS	0	0	0	0	0	0	0	0	0	0	0	0
RECHE CANYON MUTUAL WATER CO	0	0	0	0	0	0	83	88	90	89	89	88
RIALTO CITY OF	1147	1243	1874	1873	2139	1656	1869	3031	5067	3832	5190	3797
RIVERSIDE CITY OF	2871	2165	3486	1835	1807	2434	695	0	0	0	519	243
RIVERSIDE HIGHLAND WATER COMPA	211	126	357	280	163	227	675	721	471	256	158	456
SEQUOIA COUNTRY CLUB	0	0	215	215	215	129	0	0	0	0	0	0
SOUTHERN CALIFORNIA EDISON COM	207	208	222	208	208	211	200	200	200	200	18	164
TAYLOR JOHN S	0	0	0	0	0	0	0	0	0	0	0	0
VILLELLI ENTERPRISES	439	318	381	180	43	272	0	0	0	0	0	0
WEST SAN BDNO COUNTY WATER DI	3235	4195	4173	3040	2769	3483	1766	1630	1482	2192	2666	1948
TTL RIALTO COLTON BASIN	13114	11131	14346	10456	9609	11733	10149	10035	13175	13552	13979	12178

TABLE NO. 4

GROUNDWATER EXTRACTIONS BY RIVERSIDE COUNTY ENTITIES
FROM COLTON BASIN AREA
FOR USE IN RIVERSIDE & SAN BERNARDINO COUNTIES
DURING THE 5-YEAR BASE PERIOD 1959 THROUGH 1963
AND CALENDAR YEARS 1975 THROUGH THE CURRENT YEAR

TABLE NO. 4

GROUNDWATER EXTRACTIONS BY RIVERSIDE COUNTY ENTITIES FROM COLTON BASIN AREA FOR USE IN RIVERSIDE
AND SAN BERNARDINO COUNTIES DURING THE
FIVE-YEAR PERIOD 1959 THROUGH 1963
AND CALENDAR YEARS 1976 THROUGH THE CURRENT YEAR

CLASSIFIED ACCORDING TO SERVICE AREA
(all values in Acre Feet)

EXTRACTIONS FROM THE COLTON BASIN AREA FOR USE WITHIN AND EXPORT THEREFROM

PLAINTIFFS	1959		1960		1961		1962		1963		5-Year Average						
	Total Del. in S.B. Co. Riv. Co. Extract	Del. in Riv. Co. Extract	Total Del. in S.B. Co. Riv. Co. Extract	Del. in Riv. Co. Extract	Total Del. in S.B. Co. Riv. Co. Extract	Del. in Riv. Co. Extract	Total Del. in S.B. Co. Riv. Co. Extract	Del. in Riv. Co. Extract	Total Del. in S.B. Co. Riv. Co. Extract	Del. in Riv. Co. Extract	Total Del. in S.B. Co. Riv. Co. Extract	Del. in Riv. Co. Extract					
CITY OF RIVERSIDE Dom & Irrig.	2,871	41	2,830	28	2,137	3,486	0	3,486	1,835	0	1,835	1,807	7	1,800	2,433	15	2,418
MEEKS & DALEY WATER CO	2,168	88	2,080	23	1	465	18	447	1,185	57	1,128	339	13	326	836	35	801
RIVERSIDE HIGHLAND WATER CO.	211	50	161	126	27	357	107	250	280	96	184	163	47	116	227	65	162
TOTALS	5,250	179	5,071	2,314	56	4,308	125	4,183	3,300	153	3,147	2,309	67	2,242	3,496	115	3,381

Total Extract -- TOTAL EXTRACTIONS
Del in S.B. Co. -- DELIVERY WITHIN SAN BERNARDINO COUNTY
Del. in Riv. Co. -- DELIVERY WITHIN RIVERSIDE COUNTY

See Report of the Watermaster, Volume 5, Distribution of Extractions, Chapter I, Table No. 37
Same as Table 39-A, Volume 5

Excel:w-sb wn/vol 1a-8/vol 2 table 4 base period

TABLE NO. 4

GROUNDWATER EXTRACTIONS BY RIVERSIDE COUNTY ENTITIES FROM COLTON BASIN AREA FOR USE IN RIVERSIDE AND SAN BERNARDINO COUNTIES DURING THE FIVE-YEAR PERIOD 1959 THROUGH 1963 AND CALENDAR YEARS 1976 THROUGH THE CURRENT YEAR

CLASSIFIED ACCORDING TO SERVICE AREA
(all values in Acre Feet)

EXTRACTIONS FROM COLTON BASIN AREA FOR USE WITHIN AND EXPORT THEREFROM

PLAINTIFFS	1976		1977		1978		1979		1980	
	Total Extract	Del. in S.B. Co. Riv. Co.	Total Extract	Del. in S.B. Co. Riv. Co.	Total Extract	Del. in S.B. Co. Riv. Co.	Total Extract	Del. in S.B. Co. Riv. Co.	Total Extract	Del. in S.B. Co. Riv. Co.
CITY OF RIVERSIDE Dom & Irrig.	853	0	295	0	464	0	5	0	0	0
MEEKS & DALEY WATER CO.	1,860	105	2,018	125	422	78	1,698	104	0	0
RIVERSIDE HIGHLAND WATER CO.	170	165	332	322	270	260	191	184	0	0
RECHE CANYON MUTUAL WATER CO.	70	0	71	0	77	0	76	0	71	0
TOTALS	2,853	270	2,716	447	1,233	338	1,970	288	71	0

Total Extract -- TOTAL EXTRACTIONS
Del in S.B. Co. -- DELIVERY WITHIN SAN BERNARDINO COUNTY
Del. in Riv. Co. -- DELIVERY WITHIN RIVERSIDE COUNTY

See Report of the Watermaster, Volume 5, Distribution of Extractions, Chapter I, Table No. 37
Same as Table 39A, Volume 5

Excel:rs-sb wmt.vol 1a-8/vol 2 table 4

TABLE NO. 4

GROUNDWATER EXTRACTIONS BY RIVERSIDE COUNTY ENTITIES FROM COLTON BASIN AREA FOR USE IN RIVERSIDE AND SAN BERNARDINO COUNTIES DURING THE FIVE-YEAR PERIOD 1959 THROUGH 1963 AND CALENDAR YEARS 1976 THROUGH THE CURRENT YEAR

CLASSIFIED ACCORDING TO SERVICE AREA
(all values in Acre Feet)

EXTRACTIONS FROM COLTON BASIN AREA FOR USE WITHIN AND EXPORT THEREFROM

PLAINTIFFS	1981		1982		1983		1984		1985					
	Total Extract S.B. Co.	Del. in Riv. Co.	Total Extract S.B. Co.	Del. in Riv. Co.	Total Extract S.B. Co.	Del. in Riv. Co.	Total Extract S.B. Co.	Del. in Riv. Co.	Total Extract S.B. Co.	Del. in Riv. Co.				
CITY OF RIVERSIDE Dom & Irrig.	77	0	77	0	57	0	57	0	0	0	695	0	695	
MEEKS & DALEY WATER CO.	0	0	0	68	842	50	37	13	1,383	126	1,257	1,554	112	1,442
RIVERSIDE HIGHLAND WATER CO.	0	0	0	0	0	0	0	0	83	80	3	675	651	24
RECHE CANYON MUTUAL WATER CO.	96	0	96	0	82	82	0	82	80	0	80	83	0	83
TOTALS	173	0	173	68	981	132	37	95	1,546	206	1,340	3,007	763	2,244

Total Extract -- TOTAL EXTRACTIONS
Del in S.B. Co. -- DELIVERY WITHIN SAN BERNARDINO COUNTY
Del. in Riv. Co. -- DELIVERY WITHIN RIVERSIDE COUNTY

See Report of the Watermaster, Volume 5, Distribution of Extractions, Chapter I, Table No. 37
Same as Table 39A, Volume 5

Excel:\rwb\mnu\vol 1a-8\vol 2 table 4

TABLE NO. 4

GROUNDWATER EXTRactions BY RIVERSIDE COUNTY ENTITIES FROM COLTON BASIN AREA FOR USE IN RIVERSIDE AND SAN BERNARDINO COUNTIES DURING THE FIVE-YEAR PERIOD 1989 THROUGH 1993 AND CALENDAR YEARS 1976 THROUGH THE CURRENT YEAR

CLASSIFIED ACCORDING TO SERVICE AREA
(all values in Acre Feet)

EXTRactions FROM COLTON BASIN AREA FOR USE WITHIN AND EXPORT THEREFROM

PLAINTIFFS	1986			1987			1988			1989			1990		
	Total Extract	Del. in S.B. Co.	Del. in Riv. Co.	Total Extract	Del. in S.B. Co.	Del. in Riv. Co.	Total Extract	Del. in S.B. Co.	Del. in Riv. Co.	Total Extract	Del. in S.B. Co.	Del. in Riv. Co.	Total Extract	Del. in S.B. Co.	Del. in Riv. Co.
CITY OF RIVERSIDE Dom & Irrig.	0	0	0	0	0	0	0	0	0	519	0	519			
MEEKS & DALEY WATER CO	1,575	93	1,482	1,560	113	1,447	1,754	150	1,604	1,538	157	1,381			
RIVERSIDE HIGHLAND WATER CO.	721	691	30	471	451	20	256	242	14	158	142	16			
RECHE CANYON MUTUAL WATER CO.	88	0	88	90	0	90	89	0	89	89	0	89			
TOTALS	2,384	784	1,600	2,121	564	1,557	2,099	392	1,707	2,304	299	2,005			

Total Extract -- TOTAL EXTRactions
Del in S.B. Co. -- DELIVERY WITHIN SAN BERNARDINO COUNTY
Del. in Riv. Co. -- DELIVERY WITHIN RIVERSIDE COUNTY

See Report of the Watermaster, Volume 5, Distribution of Extractions, Chapter I, Table No. 37
Same as Table 39A, Volume 5

Excel:\w-sb wmi\vol 1a-8\vol 2 table 4

TABLE NO. 5

GROUNDWATER EXTRACTIONS FROM COLTON BASIN AREA
BY SAN BERNARDINO COUNTY ENTITIES
FOR USE IN SAN BERNARDINO COUNTY
DURING THE 5-YEAR BASE PERIOD 1959 THROUGH 1963
AND CALENDAR YEARS 1971 THROUGH THE CURRENT YEAR

TABLE NO. 5

GROUNDWATER EXTRACTIONS FROM COLTON BASIN AREA
BY SAN BERNARDINO COUNTY ENTITIES FOR USE IN SAN BERNARDINO COUNTY
DURING THE 5-YEAR BASE PERIOD 1959 THROUGH 1963
AND CALENDAR YEARS 1971 THROUGH THE CURRENT YEAR
 (All Quantities in Acre Feet)

Verified Extractions from Colton Basin Area

Calendar Year	Total from Basin	by Riverside County Entities	by San Bernardino County Entities
	(1)	(2)	(3) = (1) - (2)
1959	13,114	5,250	7,864
1960	11,131	2,314	8,817
1961	14,346	4,308	10,038
1962	10,456	3,300	7,156
1963	9,609	2,309	7,300
Total	58,656	17,481	41,175
5-Year Avg.	11,731	3,496	8,235
1971	11,388	3,025	8,363
1972	10,414	2,882	7,532
1973	7,844	862	6,982
1974	8,906	1,737	7,169
1975	11,083	4,262	6,821
1976	11,558	2,953	8,605
1977	8,777	2,716	6,061
1978	7,663	1,233	6,430
1979	7,194	1,970	5,224
1980	5,681	71	5,610
1981	6,348	173	6,175
1982	6,499	1,049	5,450
1983	*4,735	132	*4,603
1984	8,987	1,546	7,441
1985	10,149	3,007	7,142
1986	10,035	2,384	7,651
1987	13,175	2,121	11,054
1989	13,552	2,099	11,453
1989	13,979	2,304	11,675
1990			
1991			
1992			
1993			
1994			
1995			

From Table 39, Vol. 5

Data for Column 1 is from Table 3; Column 2 is from Total Extractions Table 4

* Corrected during 1984 Verification

VOLUME 3 - 1989

REPORT OF WATERMASTER

Western Municipal Water District of Riverside County, et al

Plaintiffs

vs.

East San Bernardino County Water District, et al

Defendants

Superior Court of Riverside County

Case No. 78426

VOLUME 3 – 1989

**VERIFIED EXTRACTIONS FROM THE
RIVERSIDE BASIN AREA WITHIN
SAN BERNARDINO COUNTY
FOR
CALENDAR YEARS 1959–1963 & 1985–1989**

**ANNUAL ACCOUNTING
FOR INDIVIDUAL WELLS**

AUGUST 1, 1991

WATERMASTER

*Donald L. Harriger
Robert L. Reiter*

REPORT OF WATERMASTER

Western Municipal Water District of Riverside County, et al
Plaintiffs

vs.

East San Bernardino County Water District, et al
Defendants

Superior Court of Riverside County

Case No. 78426

Volume 3 - 1989

VERIFIED EXTRACTIONS FROM
RIVERSIDE BASIN AREA WITHIN
SAN BERNARDINO COUNTY
FOR
CALENDAR YEARS 1959-1963 AND 1985-1989

ANNUAL ACCOUNTING
FOR INDIVIDUAL WELLS

AUGUST 1, 1991

WATERMASTER
Donald L. Harriger
Robert L. Reiter

VOLUME 3 - 1989

TABLE OF CONTENTS

	<u>Page</u>
INTRODUCTION	i
RIVERSIDE BASIN AREA IN SAN BERNARDINO COUNTY CROSS INDEX BY OWNER	1
RIVERSIDE BASIN AREA IN SAN BERNARDINO COUNTY CROSS INDEX BY RECORDATION NUMBER	4
RIVERSIDE BASIN AREA IN SAN BERNARDINO COUNTY CROSS INDEX BY STATE WELL NUMBER	7
<u>TABLE NO. 1</u>	
VERIFIED EXTRACTIONS BY OWNERS WHICH HAVE RECORDATION FILINGS WITH THE STATE WATER RESOURCES CONTROL BOARD	10
<u>TABLE NO. 2</u>	
VERIFIED EXTRACTIONS BY OWNERS WHICH HAVE NOT FILED WITH THE STATE WATER RESOURCES CONTROL BOARD	14
<u>TABLE NO. 3</u>	
SUMMARY OF VERIFIED EXTRACTIONS (FILED AND NON-FILED) FROM RIVERSIDE BASIN AREA WITHIN SAN BERNARDINO COUNTY	15
<u>TABLE NO. 4</u>	
GROUNDWATER PRODUCTION FROM THAT PART OF THE RIVERSIDE GROUNDWATER BASIN SITUATED WITHIN SAN BERNARDINO COUNTY BY RIVERSIDE COUNTY ENTITIES, A PART OF WHICH IS USED IN SAN BERNARDINO COUNTY AND THE REMAINDER EXPORTED TO RIVERSIDE COUNTY DURING THE 5-YEAR BASE PERIOD ENDING IN 1963 AND FOR FOLLOWING CALENDAR YEARS 1976 THROUGH THE CURRENT YEAR	16
<u>TABLE NO. 5</u>	
GROUNDWATER PRODUCTION FROM THAT PART OF THE RIVERSIDE GROUNDWATER BASIN SITUATED WITHIN SAN BERNARDINO COUNTY BY SAN BERNARDINO COUNTY ENTITIES FOR USE IN SAN BERNARDINO COUNTY DURING THE 5-YEAR BASE PERIOD ENDING IN 1963 AND FOR FOLLOWING CALENDAR YEARS 1971 THROUGH THE CURRENT YEAR	20

VOLUME 3 - 1989

VERIFIED EXTRACTIONS FROM
THE RIVERSIDE BASIN AREA
WITHIN SAN BERNARDINO COUNTY FOR
CALENDAR YEAR 1959-1963 & 1985-1989

INTRODUCTION

The provisions of Paragraphs VIII(a) and VIII(b) of the judgment in Case No. 78426 entered April 17, 1969, entitled "Extractions from Colton Basin Area and Riverside Basin Area in San Bernardino County" provide as follows:

- VIII(a) "The average annual extractions from the Colton Basin and that portion of the Riverside Basin Area within San Bernardino County, for use outside San Bernardino Valley, for the five-year period ending with 1963 are assumed to be 3,349 acre-feet and 20,191 acre-feet, respectively; the correct figures shall be determined by the Watermaster as herein provided".
- VIII(b) "Over any five-year period, there may be extracted from over such Basin Area and for use outside San Bernardino Valley, without replenishment obligation, an amount equal to five times such annual average for the Basin Area; provided, however, that if extractions in any year exceed such average by more than 20 percent, Western shall provide replenishment in the following year equal to the excess extractions over such 20 percent peaking allowance."

Compliance with these provisions of the Judgment requires that an accounting of the total actual extractions of surface and groundwater from the Colton Basin Area and the Riverside Basin Area within San Bernardino County be made annually. Included in this Volume 3-1989 is the verified accounting of the production from the Riverside Basin Area in San Bernardino County by owners for the calendar years 1985 through 1989 and the five-year average for that period.

The verified production for the five-year period ending with 1963 and the five-year average is also included for

comparison. The five-year average production from the Riverside Basin Area within San Bernardino County ending in 1963 was verified to be 33,729 acre-feet.

Three indexes are included which provide a cross index by owner's name, State Water Resources Control Board Well Recordation number, and State Well Number. Each index shows, in addition, the local designation of each well, if the State has closed the file, which year that occurred and the last 5 years verified extractions.

Tables No. 1 and No. 2 in this report list the individual wells by the owner for each year in the five year base period ending in 1963, the five year base period average, the extractions for the years 1985 through 1989, the five year average for that period and the owner's total annual verified extractions. Table No. 1 lists the wells upon which filings have been made with the State Water Resources Control Board, and Table No. 2 lists the wells upon which no filings have been made. Table No. 3 is a summary of the verified extractions, by owner, as presented in Tables No. 1 and No. 2.

Paragraph VIII(a) of the Judgment requires that only those extractions from the Riverside Basin Area in San Bernardino Valley, be verified for the five calendar years ending with 1963 and accounted for annually from and after January 1, 1971. Accordingly, those extractions from the Riverside Basin Area in San Bernardino County by Riverside County entities for the five calendar years ending with 1963 have been determined and are set forth in Table No. 4. Such extractions averaged 24,120 acre-feet for said five year period, of which 21,085 acre-feet were delivered outside San Bernardino Valley.

Table No. 4 also shows the extractions from the Riverside Basin Area in San Bernardino County by the Riverside County

entities for the years 1975 through the current year.

The verified extractions from the Riverside Basin Area in San Bernardino County for calendar years 1975 through the present year have been determined to be as follows:

<u>Year</u>	<u>Verified Extractions</u>
1975	22,701 A.F.
1976	24,705 A.F.
1977	23,506 A.F.
1978	17,216 A.F.
1979	20,024 A.F.
1980	18,533 A.F.
1981	23,611 A.F.
1982	17,349 A.F. *
1983	11,904 A.F. *
1984	17,161 A.F.
1985	19,392 A.F. **
1986	17,337 A.F.
1987	15,803 A.F. ***
1988	16,933 A.F. ****
1989	25,557 A.F.

The verified extractions by Riverside entities for 1989 have been determined to be 17,776 acre-feet, of which 16,157 acre-feet were delivered outside San Bernardino County as shown in Table No.4, Page 19.

Table No. 5 shows the verified extractions from the Riverside Basin Area in San Bernardino County by the San Bernardino County entities during the five year period 1959 through 1963 and the calendar years 1971 through the current year.

- * Corrected during 1984 verification (Pelliser)
- ** Corrected during 1986 verification (Green Acres, Pelliser)
- *** Corrected during 1988 verification (Holiday Sand & Gravel)
- **** Corrected during 1989 verification (Owl Service Rock)

ERRATA

Volume 3, Riverside North Basin

During the 1989 verification (June 1991) the following changes and corrections were made to the report.

Backfiled late correction for Owl Service Rock (3600910).
Corrected from 5 af to 56 af (net 51 af increase). Well has
been re-equipped. Table No. 4 for 1988 figure for C of R has
been corrected.

During the 1988 verification (June 1990) the following changes and corrections were made to the report.

Ward Duck Company (0000012) is now known as Woodland Farms

City of Colton has taken over James Sullivan Mutual Water Co.
I did not get an official name change for 3602357.

Inter-County Water was taken over by West San Bernardino
County Water District in March of 1987 and a system intertie
was installed. They will abandoned the well shortly.
Presently this makes WSBCWD an exporter from the upper basin.

Lopez bought the Seinturier Well (3602028) from California
Portland Cement Co.

Minter, Beverly bought Elmer Dunn Ranch (0000008).

Holiday Sand and Gravel (3600627) back filing on 40 AF for CY
1987.

RIVERSIDE BASIN AREA
IN SAN BERNARDINO COUNTY
CROSS INDEX BY OWNER

VERIFIED WELL MASTER FILE LISTING FOR BASIN RIVERSIDE NORTH BY OWNER NAME

WM:VXR

RUN DATE: 12 JUN 1991

OWNER.....	T	RECORD	DTN	STATE	WELL	LOCAL	YEAR	---CALENDAR YEAR EXTRACTIIONS----						
								P	NUMBER	NUMBER	DESIGNATION	CLSD	1985	1986
ALLEE RANCH	W	3601891	1S5W36F				1977		0	0	0	0	0	0
ALLEE RANCH	W	3601892	1S5W36F				1980		260	260	0	0	0	260
BRADFORD IVAN	W	3602697	2S5W01P03S				1978		0	0	0	0	0	0
BRADVICA LOUIS A	W	3600972	2S5W02Q	RNCH 1			1974		0	0	0	0	0	0
CALIFORNIA PORTLAND CEMENT COMPANY	W	0000006	1S5W25P	MILLER HONEY					0	0	0	0	0	0
CALIFORNIA PORTLAND CEMENT COMPANY	W	3601425	1S5W25A03S	NO 6					627	963	949	1087	866	
CALIFORNIA PORTLAND CEMENT COMPANY	W	3601426	1S4W30D06S	5					1256	1338	1693	1379	1904	
CALIFORNIA PORTLAND CEMENT COMPANY	W	3601427	1S5W25A02S	7					887	1351	1544	1192	1279	
CANALE CATERING	W	3602233	1S5W35J				1964		0	0	0	0	0	0
CARSON, K	W	0000007	1S5W35B	-					0	0	0	0	0	0
COLTON CITY OF	W	3602358	1S4W34L	7418					75	75	75	75	1	
COUNTRY CLUB STORAGE	W	3602326	1S4W30R				1981		0	0	0	0	0	0
DAGGETT FOREST N	W	3601100	1S4W31C	BARN 1			1972		0	0	0	0	0	0
DAGGETT FOREST N	W	3601101	1S4W31C	RIVER 2			1972		0	0	0	0	0	0
DR. MASON	W	0000005	2S5W02R	MASON					0	0	0	0	0	0
EL RIVINO COUNTRY CLUB	W	3601707	1S5W34J01S	CACTUS					393	503	575	680	777	
FIRESTONE GROUP LTD	W	3600413	1S5W34B01S				1981		0	0	0	0	0	0
FRANZMAN	W	3601717	1S5W35R	DOUBLE H					74	92	116	79	79	
GENERAL AMERICAN TRANSPORTATION CORP	W	3601124	1S5W24R01S	1 SOUTH					34	35	35	35	35	
GREEN ACRES MEMORIAL PARK ASS'N	W	3600873	1S5W34K02S	NO 57					103	103	105	103	103	
GREEN ACRES MEMORIAL PARK ASS'N	W	3601706	1S5W34L02S	8TH ST					83	149	86	83	120	
GREEN ACRES MEMORIAL PARK ASS'N	W	3601721	1S5W34K	56					168	153	76	167	148	
HAMADA BROS	W	3600507	1S5W35D01S	1					127	279	161	71	0	
HOLLIDAY TRUCKING	W	3600627	1S5W25M	1 Colton					60	60	40	34	23	
HOLTER RANCH	W	0000009	1S5W36N	HENDRICKS					0	0	0	0	0	0
HOPKINS ARUA	W	0000010	1S5W36F	RANCH					60	62	42	55	61	
HOWELL, ORUS	W	3600097	2S5W01Q						43	26	42	28	41	
HUNGERFORD FRANK B	W	3601345	2S4W05E	JOHNSON			1960		0	0	0	0	0	0
INTER COUNTY WATER COMPANY	W	3301347	2S5W02C	1			1981		196	189	78	0	0	
JAMES SULLIVAN MUTUAL WATER COMPANY	W	3602357	1S4W34L	6610					1	1	1	0	0	
JOHNSON DOROTHY	W	3600820	2S4W05P	1			1965		0	0	0	0	0	0
JUMAL WATER COMPANY	W	3600537	2S4W05F02S				1985		0	0	0	0	0	0
JURUPA WATER COMPANY	W	3600535	1S5W36C09S	NO 1			1978		0	0	0	0	0	0
JURUPA WATER COMPANY	W	3600535-	1S5W36C11S	3					1217	1372	1083	26	248	
JURUPA WATER COMPANY	W	3600536	1S5W36C10S	1 AND HALF			1974		0	0	0	0	0	0
KLECKLER, DON	W	0000019	1S4W36N	15 HP						45	45	45	45	
LA SIERRA WATER CO	W	3601539	1S4W32E01S	1			1962		0	0	0	0	0	0
LA SIERRA WATER CO	W	3601540	1S4W32E03S	2			1974		0	0	0	0	0	0
LA SIERRA WATER CO	W	3601541	1S4W32E06S	4			1974		0	0	0	0	0	0
LA SIERRA WATER CO	W	3601542	1S4W32E05S	5			1974		0	0	0	0	0	0
LA SIERRA WATER CO	W	3601543	1S4W32E02S	6			1974		0	0	0	0	0	0
LA SIERRA WATER CO	W	3601544	1S4W32E07S	7					0	0	0	0	0	0
LA SIERRA WATER CO	W	3601545	1S4W32E11S	8					0	0	0	0	0	0
LA SIERRA WATER CO	W	3601546	1S4W32E09S	10					0	0	0	0	0	0
LA SIERRA WATER CO	W	3601547	1S4W32E10S	9			1974		0	0	0	0	0	0
LA SIERRA WATER CO	W	3691486	1S4W29Q03S	FLUME 4			1984		0	0	0	0	0	0
LA SIERRA WATER CO	W	3692486	1S4W29Q04S	FLUME 6			1982		0	0	0	0	0	0
LOPEZ, M & R	W	3602028	1S5W25B02S	SEINTURIER			1988		212	188	149	149	278	
MAAS HARRY ET AL	W	3601110	1S5W34A	1					60	92	61	66	58	
MADISON, ERIN	W	3601722	2S5W02A	58-1			1989		0	0	0	-	FC	

VERIFIED WELL MASTER FILE LISTING FOR BASIN RIVERSIDE NORTH BY OWNER NAME

WM:VXR

RUN DATE: 12 JUN 1991

OWNER.....	T P	RECORD#	DTM	STATE	WELL NUMBER	LOCAL DESIGNATION	YEAR CLSD	---CALENDAR YEAR EXTRACTIIONS---				
								1985	1986	1987	1988	1989
MADISON, ERIN	W	3602114		2S5W02G	63-1		1989	0	0	0	-	FC
MERRYFIELD WATER COMPANY	W	3600962		2S4W06A01S	1			126	130	122	121	118
MINTER, BEVERLY	W	0000008		1S5W36B	-			13	0	34	67	58
McDANIEL & SON DAIRY	W	0000011		1S4W30P01S	DAIRY			13	0	5	5	5
RANCHO DE SANTA FE	W	3601088		1S5W33A01S	1		1974	0	0	0	0	0
RANCHO DE SANTA FE	W	3602222		1S5W33A02S	2		1989	0	0	0	0	10
RIALTO CITY OF	W	3601680		1S5W25L02S	DISPOSAL		1989	24	14	24	45	18
RIVERSIDE CITY OF	D	3301088		1S5W36Q	PELISIER			0	0	0	0	0
RIVERSIDE CITY OF	W	3302553		2S4W05E02S	VAN BUREN #2							3984
RIVERSIDE CITY OF	W	3302554		2S4W05E01S	VAN BUREN #1							3592
RIVERSIDE CITY OF	W	3600898		1S5W25R02S	NO 6		1978	0	0	0	0	0
RIVERSIDE CITY OF	W	3600898-		1S5W25R04S	TW BT 6			0	0	12	1199	407
RIVERSIDE CITY OF	W	3601221		2S5W01J03S	DOMESTIC			33	24	22	21	20
RIVERSIDE CITY OF	W	3601223		2S5W01G02S	MAIN			652	0	0	16	12
RIVERSIDE CITY OF	W	3601235		2S5W01G01S	LA LOMA		1974	0	0	0	0	0
RIVERSIDE CITY OF	W	3601236		1S5W36L01S	AGUA MNSA			29	93	65	21	27
RIVERSIDE CITY OF	W	3601271		2S4W06Q03S	MARCY		1973	0	0	0	0	0
RIVERSIDE CITY OF	W	3601483		1S4W29H02S	FLUME 1		1977	0	0	0	0	0
RIVERSIDE CITY OF	W	3601484		1S4W29H01S	FLUME 2			4	6	11	29	11
RIVERSIDE CITY OF	W	3601485		1S4W29R01S	FLUME 3			29	50	21	4	18
RIVERSIDE CITY OF	W	3601486		1S4W29Q03S	FLUME 4			28	127	0	0	15
RIVERSIDE CITY OF	W	3601487		1S4W29Q01S	FLUME 5		1977	0	0	0	0	0
RIVERSIDE CITY OF	W	3601488		2S5W01Q01S	WILLIAMS		1974	0	0	0	0	0
RIVERSIDE CITY OF	W	3601490		2S5W02R	JURUPA 1		1980	0	0	0	0	0
RIVERSIDE CITY OF	W	3601491		2S5W02R03S	JURUPA 3		1980	0	0	0	0	0
RIVERSIDE CITY OF	W	3601492		2S5W02R02S	JURUPA 4		1980	0	0	0	0	0
RIVERSIDE CITY OF	W	3601493		2S5W02R01S	JURUPA 5		1980	0	0	0	0	0
RIVERSIDE CITY OF	W	3602234		2S5W02Q07S	JURUPA 6			0	0	0	0	0
RIVERSIDE CITY OF	W	3602486		1S4W29Q04S	FLUME 6			18	10	17	35	20
RIVERSIDE CITY OF	W	3602748		2S5W02Q08S	JURUPA 7			2400	2032	1614	1990	2088
RIVERSIDE CITY OF-GAGE CANAL	W	3600783		2S4W05C01S	DEBERRY			1861	1893	1996	2189	1965
RIVERSIDE CEMENT CO	W	3600874		2S5W02A	58-1		1974	0	0	0	0	0
RIVERSIDE CEMENT CO	W	3600883		2S5W02G02S	WRIGHT		1962	0	0	0	0	0
RIVERSIDE CEMENT CO	W	3601782		2S5W02L02S			1964	0	0	0	0	0
RIVERSIDE HIGHLAND WATER COMPANY	W	0000015		1S4W32M04S	LV #3							865
RIVERSIDE HIGHLAND WATER COMPANY	W	3601524		1S4W28L01S	3		1964	0	0	0	0	0
RIVERSIDE HIGHLAND WATER COMPANY	W	3601526		2S4W06R01S	7			1174	875	945	1031	830
RIVERSIDE HIGHLAND WATER COMPANY	W	3601531		1S4W33B05S	16		1964	0	0	0	0	0
RIVERSIDE HIGHLAND WATER COMPANY	W	3601532		1S4W28N05S	17			2198	175	91	0	0
RIVERSIDE HIGHLAND WATER COMPANY	W	3601534		1S4W28L02S	20			816	890	565	624	768
RIVERSIDE HIGHLAND WATER COMPANY	W	3601789		1S4W32M01S	LV 1			287	149	31	130	95
RIVERSIDE HIGHLAND WATER COMPANY	W	3601790		1S4W32M	LV 2			0	0	0	0	0
ROQUET HARRY V	W	3601422		2S4W06Q	1 HOUSE			0	-	-	-	-
ROQUET HARRY V	W	3601423		2S4W06N	2 WEST			0	-	-	-	-
ROQUET HARRY V	D	3601424		2S4W06P				0	-	-	-	-
ROSEDALE WATER COMPANY	W	3600915		1S4W31J01S	NEW WELL		1968	0	0	0	0	0
SERVICE ROCK CO	W	3600910		1S5W35G02S	1		1974	0	0	5	56	50
SERVICE ROCK CO	W	3600911		1S5W35J	2		1974	0	0	0	0	0
SOUTHERN CALIFORNIA EDISON COMPANY	W	3601009		2S4W06J01S	KELLY 1			2	9	13	11	5
SOUTHERN CALIFORNIA EDISON COMPANY	W	3601011		2S4W06R04S	DAHL 2			75	68	56	50	66

VERIFIED WELL MASTER FILE LISTING FOR BASIN RIVERSIDE NORTH BY OWNER NAME

WM:VXR

RUN DATE: 12 JUN 1991

OWNER.....	T P	RECORD NUMBER	DTM NUMBER	STATE NUMBER	WELL DESIGNATION	LOCAL CLSD	YEAR	---CALENDAR YEAR EXTRACTIONS----				
								1985	1986	1987	1988	1989
SOUTHERN CALIFORNIA EDISON COMPANY	W	3601020	2S4W06R05S	WELL 3				35	27	10	2	4
SOUTHERN CALIFORNIA EDISON COMPANY	W	3601023	2S4W06R06S	4				35	27	10	2	4
SOUTHERN CALIFORNIA EDISON COMPANY	W	3601970	2S4W05M01S	PICO #64				66	66	39	150	135
STAPAKIS WILLIAM	W	3601488-	2S5W01Q01S	WILLIAMS		1974		0	0	0	0	0
TEMESCAL WATER COMPANY	W	3601509	2S4W06A03S	PALM AVE				1817	2051	1878	2360	2790
VILLELLI ENTERPRISES	W	3601549	1S4W28M01S	2		1981		0	0	0	0	0
WAGONER JOHN J	W	3600899	2S4W05F	DOM 1		1972		0	0	0	0	0
WEST COAST FARMS	W	3601996	2S5W02J	SND RIV 1		1988		360	360	360	360	360
WEST RIVERSIDE 350 WATER CO	W	3600829	1S4W32G02S	1		1974		0	0	0	0	0
WEST RIVERSIDE 350 WATER CO	W	3600830	1S4W32G04S	2		1974		0	0	0	0	0
WEST RIVERSIDE 350 WATER CO	W	3600831	1S4W32H01S	4		1974		0	0	0	0	0
WEST RIVERSIDE 350 WATER CO	W	3600832	1S4W32B01S	5				155	0	0	0	0
WEST RIVERSIDE 350 WATER CO	W	3600833	1S4W32G01S	6		1974		0	0	0	0	0
WEST RIVERSIDE 350 WATER CO	W	3601953	1S4W32B02S	7				430	0	0	0	0
WEST SAN BDNO COUNTY WATER DIST	W	3600074	1S5W23Q01S	PLANT NO 29				246	488	501	525	447
WEST SAN BDNO COUNTY WATER DIST	W	3601004	1S5W23N01S	PLANT NO 19		1973		0	0	0	0	0
WEST SAN BDNO COUNTY WATER DIST	W	3601434	1S5W34D01S	PLANT NO 25		1981		0	0	0	0	0
WEST SAN BDNO COUNTY WATER DIST	W	3601683	1S5W34B02S	PLANT NO 26		1981		0	0	0	0	0
WEST SAN BDNO COUNTY WATER DIST	W	3601763	1S5W24M01S	PLANT NO 18		1981		0	0	0	0	0
WOODLAND FARMS	W	0000012	1S5W25R					530	437	400	536	444
YEAGER CONSTRUCTION CO	W	3601961	1S5W25P	AMRCH 1		1974		0	0	0	0	0
END OF RIVERSIDE NORTH BASIN								19392	17337	15803	16933	25557

RIVERSIDE BASIN AREA
IN SAN BERNARDINO COUNTY
CROSS INDEX BY RECORDATION NUMBER

VERIFIED WELL MASTER FILE LISTING FOR BASIN RIVERSIDE NORTH BY RECORDATION NUMBER

wm:vxr

RUN DATE: 12 JUN 1991

RECORDTN NUMBER	STATE NUMBER	WELL OWNER.....	T P	LOCAL DESIGNATION	YEAR CLSD	---CALENDAR YEAR EXTRACTIIONS----				
						1985	1986	1987	1988	1989
0000005	2S5W02R	DR. MASON	W	MASON		0	0	0	0	0
0000006	1S5W25P	CALIFORNIA PORTLAND CEMENT COMPANY	W	MILLER HONEY		0	0	0	0	0
0000007	1S5W35B	CARSON, K	W	-		0	0	0	0	0
0000008	1S5W36B	MINTER, BEVERLY	W	-		13	0	34	67	58
0000009	1S5W36N	HOLTER RANCH	W	HENDRICKS		0	0	0	0	0
0000010	1S5W36F	HOPKINS ARUA	W	RANCH		60	62	42	55	61
0000011	1S4W30P01S	McDANIEL & SON DAIRY	W	DAIRY		13	0	5	5	5
0000012	1S5W25R	WOODLAND FARMS	W			530	437	400	536	444
0000015	1S4W32M04S	RIVERSIDE HIGHLAND WATER COMPANY	W	LV #3						865
0000019	1S4W36N	KLECKLER, DON	W	15 HP			45	45	45	45
3301088	1S5W36Q	RIVERSIDE CITY OF	D	PELISIER		0	0	0	0	0
3301347	2S5W02C	INTER COUNTY WATER COMPANY	W	1	1981	196	189	78	0	0
3302553	2S4W05E02S	RIVERSIDE CITY OF	W	VAN BUREN #2						3984
3302554	2S4W05E01S	RIVERSIDE CITY OF	W	VAN BUREN #1						3592
3600074	1S5W23Q01S	WEST SAN BDNO COUNTY WATER DIST	W	PLANT NO 29		246	488	501	525	447
3600097	2S5W01Q	HOWELL, ORUS	W			43	26	42	28	41
3600413	1S5W34B01S	FIRESTONE GROUP LTD	W		1981	0	0	0	0	0
3600507	1S5W35D01S	HAMADA BROS	W	1		127	279	161	71	0
3600535	1S5W36C09S	JURUPA WATER COMPANY	W	NO 1	1978	0	0	0	0	0
3600535-	1S5W36C11S	JURUPA WATER COMPANY	W	3		1217	1372	1083	26	248
3600536	1S5W36C10S	JURUPA WATER COMPANY	W	1 AND HALF	1974	0	0	0	0	0
3600537	2S4W05F02S	JUMAL WATER COMPANY	W		1985	0	0	0	0	0
3600627	1S5W25M	HOLLIDAY TRUCKING	W	1 Colton		60	60	40	34	23
3600783	2S4W05C01S	RIVERSIDE CITY OF-GAGE CANAL	W	DEBERRY		1861	1893	1996	2189	1965
3600820	2S4W05P	JOHNSON DOROTHY	W	1	1965	0	0	0	0	0
3600829	1S4W32G02S	WEST RIVERSIDE 350 WATER CO	W	1	1974	0	0	0	0	0
3600830	1S4W32G04S	WEST RIVERSIDE 350 WATER CO	W	2	1974	0	0	0	0	0
3600831	1S4W32H01S	WEST RIVERSIDE 350 WATER CO	W	4	1974	0	0	0	0	0
3600832	1S4W32B01S	WEST RIVERSIDE 350 WATER CO	W	5		155	0	0	0	0
3600833	1S4W32G01S	WEST RIVERSIDE 350 WATER CO	W	6	1974	0	0	0	0	0
3600873	1S5W34K02S	GREEN ACRES MEMORIAL PARK ASS'N	W	NO 57		103	103	105	103	103
3600874	2S5W02A	RIVERSIDE CEMENT CO	W	58-1	1974	0	0	0	0	0
3600883	2S5W02G02S	RIVERSIDE CEMENT CO	W	WRIGHT	1962	0	0	0	0	0
3600898	1S5W25R02S	RIVERSIDE CITY OF	W	NO 6	1978	0	0	0	0	0
3600898-	1S5W25R04S	RIVERSIDE CITY OF	W	TW BT 6		0	0	12	1199	407
3600899	2S4W05F	WAGONER JOHN J	W	DOM 1	1972	0	0	0	0	0
3600910	1S5W35G02S	SERVICE ROCK CO	W	1	1974	0	0	5	56	50
3600911	1S5W35J	SERVICE ROCK CO	W	2	1974	0	0	0	0	0
3600915	1S4W31J01S	ROSEDALE WATER COMPANY	W	NEW WELL	1968	0	0	0	0	0
3600962	2S4W06A01S	MERRYFIELD WATER COMPANY	W	1		126	130	122	121	118
3600972	2S5W02Q	BRADVICA LOUIS A	W	RNCH 1	1974	0	0	0	0	0
3601004	1S5W23N01S	WEST SAN BDNO COUNTY WATER DIST	W	PLANT NO 19	1973	0	0	0	0	0
3601009	2S4W06J01S	SOUTHERN CALIFORNIA EDISON COMPANY	W	KELLY 1		2	9	13	11	5
3601011	2S4W06R04S	SOUTHERN CALIFORNIA EDISON COMPANY	W	DAHL 2		75	68	56	50	66
3601020	2S4W06R05S	SOUTHERN CALIFORNIA EDISON COMPANY	W	WELL 3		35	27	10	2	4
3601023	2S4W06R06S	SOUTHERN CALIFORNIA EDISON COMPANY	W	4		35	27	10	2	4
3601088	1S5W33A01S	RANCHO DE SANTA FE	W	1	1974	0	0	0	0	0
3601100	1S4W31C	DAGGETT FOREST N	W	BARN 1	1972	0	0	0	0	0
3601101	1S4W31C	DAGGETT FOREST N	W	RIVER 2	1972	0	0	0	0	0
3601110	1S5W34A	MAAS HARRY ET AL	W	1		60	92	61	66	58

VERIFIED WELL MASTER FILE LISTING FOR BASIN RIVERSIDE NORTH BY RECORDATION NUMBER

WM:VXR

RUN DATE: 12 JUN 1991

RECORDTN NUMBER	STATE NUMBER	WELL NUMBER	OWNER.....	T LOCAL P DESIGNATION	YEAR CLSD	---CALENDAR YEAR EXTRACTIONS---				
						1985	1986	1987	1988	1989
3601124	1S5W24R01S	GENERAL AMERICAN TRANSPORTATION CORP	W 1 SOUTH			34	35	35	35	35
3601221	2S5W01J03S	RIVERSIDE CITY OF	W DOMESTIC			33	24	22	21	20
3601223	2S5W01G02S	RIVERSIDE CITY OF	W MAIN			652	0	0	16	12
3601235	2S5W01G01S	RIVERSIDE CITY OF	W LA LOMA		1974	0	0	0	0	0
3601236	1S5W36L01S	RIVERSIDE CITY OF	W AGUA MNSA			29	93	65	21	27
3601271	2S4W06Q03S	RIVERSIDE CITY OF	W MARCY		1973	0	0	0	0	0
3601345	2S4W05E	HUNGERFORD FRANK B	W JOHNSON		1960	0	0	0	0	0
3601422	2S4W06Q	ROQUET HARRY V	W 1 HOUSE			0	-	-	-	-
3601423	2S4W06N	ROQUET HARRY V	W 2 WEST			0	-	-	-	-
3601424	2S4W06P	ROQUET HARRY V	D			0	-	-	-	-
3601425	1S5W25A03S	CALIFORNIA PORTLAND CEMENT COMPANY	W NO 6			627	963	949	1087	866
3601426	1S4W30D06S	CALIFORNIA PORTLAND CEMENT COMPANY	W 5			1256	1338	1693	1379	1904
3601427	1S5W25A02S	CALIFORNIA PORTLAND CEMENT COMPANY	W 7			887	1351	1544	1192	1279
3601434	1S5W34D01S	WEST SAN BDNO COUNTY WATER DIST	W PLANT NO 25		1981	0	0	0	0	0
3601483	1S4W29H02S	RIVERSIDE CITY OF	W FLUME 1		1977	0	0	0	0	0
3601484	1S4W29H01S	RIVERSIDE CITY OF	W FLUME 2			4	6	11	29	11
3601485	1S4W29R01S	RIVERSIDE CITY OF	W FLUME 3			29	50	21	4	18
3601486	1S4W29Q03S	RIVERSIDE CITY OF	W FLUME 4			28	127	0	0	15
3601487	1S4W29Q01S	RIVERSIDE CITY OF	W FLUME 5		1977	0	0	0	0	0
3601488	2S5W01Q01S	RIVERSIDE CITY OF	W WILLIAMS		1974	0	0	0	0	0
3601488-	2S5W01Q01S	STAPAKIS WILLIAM	W WILLIAMS		1974	0	0	0	0	0
3601490	2S5W02R	RIVERSIDE CITY OF	W JURUPA 1		1980	0	0	0	0	0
3601491	2S5W02R03S	RIVERSIDE CITY OF	W JURUPA 3		1980	0	0	0	0	0
3601492	2S5W02R02S	RIVERSIDE CITY OF	W JURUPA 4		1980	0	0	0	0	0
3601493	2S5W02R01S	RIVERSIDE CITY OF	W JURUPA 5		1980	0	0	0	0	0
3601509	2S4W06A03S	TEMESCAL WATER COMPANY	W PALM AVE			1817	2051	1878	2360	2790
3601524	1S4W28L01S	RIVERSIDE HIGHLAND WATER COMPANY	W 3		1964	0	0	0	0	0
3601526	2S4W06R01S	RIVERSIDE HIGHLAND WATER COMPANY	W 7			1174	875	945	1031	830
3601531	1S4W33B05S	RIVERSIDE HIGHLAND WATER COMPANY	W 16		1964	0	0	0	0	0
3601532	1S4W28N05S	RIVERSIDE HIGHLAND WATER COMPANY	W 17			2198	175	91	0	0
3601534	1S4W28L02S	RIVERSIDE HIGHLAND WATER COMPANY	W 20			816	890	565	624	768
3601539	1S4W32E01S	LA SIERRA WATER CO	W 1		1962	0	0	0	0	0
3601540	1S4W32E03S	LA SIERRA WATER CO	W 2		1974	0	0	0	0	0
3601541	1S4W32E06S	LA SIERRA WATER CO	W 4		1974	0	0	0	0	0
3601542	1S4W32E05S	LA SIERRA WATER CO	W 5		1974	0	0	0	0	0
3601543	1S4W32E02S	LA SIERRA WATER CO	W 6		1974	0	0	0	0	0
3601544	1S4W32E07S	LA SIERRA WATER CO	W 7			0	0	0	0	0
3601545	1S4W32E11S	LA SIERRA WATER CO	W 8			0	0	0	0	0
3601546	1S4W32E09S	LA SIERRA WATER CO	W 10			0	0	0	0	0
3601547	1S4W32E10S	LA SIERRA WATER CO	W 9		1974	0	0	0	0	0
3601549	1S4W28M01S	VILLELLI ENTERPRISES	W 2		1981	0	0	0	0	0
3601680	1S5W25L02S	RIALTO CITY OF	W DISPOSAL		1989	24	14	24	45	18
3601683	1S5W34B02S	WEST SAN BDNO COUNTY WATER DIST	W PLANT NO 26		1981	0	0	0	0	0
3601706	1S5W34L02S	GREEN ACRES MEMORIAL PARK ASS'N	W 8TH ST			83	149	86	83	120
3601707	1S5W34J01S	EL RIVINO COUNTRY CLUB	W CACTUS			393	503	575	680	777
3601717	1S5W35R	FRANZMAN	W DOUBLE H			74	92	116	79	79
3601721	1S5W34K	GREEN ACRES MEMORIAL PARK ASS'N	W 56			168	153	76	167	148
3601722	2S5W02A	MADISON, ERIN	W 58-1		1989	0	0	0	-	FC
3601763	1S5W24M01S	WEST SAN BDNO COUNTY WATER DIST	W PLANT NO 18		1981	0	0	0	0	0
3601782	2S5W02L02S	RIVERSIDE CEMENT CO	W		1964	0	0	0	0	0

VERIFIED WELL MASTER FILE LISTING FOR BASIN RIVERSIDE NORTH BY RECORDATION NUMBER

wm:vxr

RUN DATE: 12 JUN 1991

RECORDTN NUMBER	STATE NUMBER	WELL NUMBER	OWNER.....	T P	LOCAL DESIGNATION	YEAR CLSD	---CALENDAR YEAR EXTRACTIIONS---				
							1985	1986	1987	1988	1989
3601789	1S4W32M01S	RIVERSIDE HIGHLAND WATER COMPANY		W	LV 1		287	149	31	130	95
3601790	1S4W32M	RIVERSIDE HIGHLAND WATER COMPANY		W	LV 2		0	0	0	0	0
3601891	1S5W36F	ALLEE RANCH		W		1977	0	0	0	0	0
3601892	1S5W36F	ALLEE RANCH		W		1980	260	260	0	0	260
3601953	1S4W32B02S	WEST RIVERSIDE 350 WATER CO		W	7		430	0	0	0	0
3601961	1S5W25P	YEAGER CONSTRUCTION CO		W	AMRCH 1	1974	0	0	0	0	0
3601970	2S4W05M01S	SOUTHERN CALIFORNIA EDISON COMPANY		W	PICO #64		66	66	39	150	135
3601996	2S5W02J	WEST COAST FARMS		W	SND RIV 1	1988	360	360	360	360	360
3602028	1S5W25B02S	LOPEZ, M & R		W	SEINTURIER	1988	212	188	149	149	278
3602114	2S5W02G	MADISON, ERIN		W	63-1	1989	0	0	0	-	FC
3602222	1S5W33A02S	RANCHO DE SANTA FE		W	2	1989	0	0	0	0	10
3602233	1S5W35J	CANALE CATERING		W		1964	0	0	0	0	0
3602234	2S5W02Q07S	RIVERSIDE CITY OF		W	JURUPA 6		0	0	0	0	0
3602326	1S4W30R	COUNTRY CLUB STORAGE		W		1981	0	0	0	0	0
3602357	1S4W34L	JAMES SULLIVAN MUTUAL WATER COMPANY		W	6610		1	1	1	0	0
3602358	1S4W34L	COLTON CITY OF		W	7418		75	75	75	75	1
3602486	1S4W29Q04S	RIVERSIDE CITY OF		W	FLUME 6		18	10	17	35	20
3602697	2S5W01P03S	BRADFORD IVAN		W		1978	0	0	0	0	0
3602748	2S5W02Q08S	RIVERSIDE CITY OF		W	JURUPA 7		2400	2032	1614	1990	2088
3691486	1S4W29Q03S	LA SIERRA WATER CO		W	FLUME 4	1984	0	0	0	0	0
3692486	1S4W29Q04S	LA SIERRA WATER CO		W	FLUME 6	1982	0	0	0	0	0
END OF RIVERSIDE NORTH BASIN							19392	17337	15803	16933	25557

RIVERSIDE BASIN AREA
IN SAN BERNARDINO COUNTY
CROSS INDEX BY STATE WELL NUMBER

VERIFIED WELL MASTER FILE LISTING FOR BASIN RIVERSIDE NORTH BY STATE WELL #

WM:VXR

RUN DATE: 12 JUN 1991

STATE WELL NUMBER	RECORDTN NUMBER	OWNER.....	T LOCAL P DESIGNATION	YEAR CLSD	---CALENDAR YEAR EXTRACTIONS---				
					1985	1986	1987	1988	1989
1S4W28L01S	3601524	RIVERSIDE HIGHLAND WATER COMPANY	W 3	1964	0	0	0	0	0
1S4W28L02S	3601534	RIVERSIDE HIGHLAND WATER COMPANY	W 20		816	890	565	624	768
1S4W28M01S	3601549	VILLELLI ENTERPRISES	W 2	1981	0	0	0	0	0
1S4W28N05S	3601532	RIVERSIDE HIGHLAND WATER COMPANY	W 17		2198	175	91	0	0
1S4W29H01S	3601484	RIVERSIDE CITY OF	W FLUME 2		4	6	11	29	11
1S4W29H02S	3601483	RIVERSIDE CITY OF	W FLUME 1	1977	0	0	0	0	0
1S4W29Q01S	3601487	RIVERSIDE CITY OF	W FLUME 5	1977	0	0	0	0	0
1S4W29Q03S	3601486	RIVERSIDE CITY OF	W FLUME 4		28	127	0	0	15
1S4W29Q03S	3691486	LA SIERRA WATER CO	W FLUME 4	1984	0	0	0	0	0
1S4W29Q04S	3602486	RIVERSIDE CITY OF	W FLUME 6		18	10	17	35	20
1S4W29Q04S	3692486	LA SIERRA WATER CO	W FLUME 6	1982	0	0	0	0	0
1S4W29R01S	3601485	RIVERSIDE CITY OF	W FLUME 3		29	50	21	4	18
1S4W30D06S	3601426	CALIFORNIA PORTLAND CEMENT COMPANY	W 5		1256	1338	1693	1379	1904
1S4W30P01S	0000011	McDANIEL & SON DAIRY	W DAIRY		13	0	5	5	5
1S4W30R	3602326	COUNTRY CLUB STORAGE	W	1981	0	0	0	0	0
1S4W31C	3601100	DAGGETT FOREST N	W BARN 1	1972	0	0	0	0	0
1S4W31C	3601101	DAGGETT FOREST N	W RIVER 2	1972	0	0	0	0	0
1S4W31J01S	3600915	ROSEDALE WATER COMPANY	W NEW WELL	1968	0	0	0	0	0
1S4W32B01S	3600832	WEST RIVERSIDE 350 WATER CO	W 5		155	0	0	0	0
1S4W32B02S	3601953	WEST RIVERSIDE 350 WATER CO	W 7		430	0	0	0	0
1S4W32E01S	3601539	LA SIERRA WATER CO	W 1	1962	0	0	0	0	0
1S4W32E02S	3601543	LA SIERRA WATER CO	W 6	1974	0	0	0	0	0
1S4W32E03S	3601540	LA SIERRA WATER CO	W 2	1974	0	0	0	0	0
1S4W32E05S	3601542	LA SIERRA WATER CO	W 5	1974	0	0	0	0	0
1S4W32E06S	3601541	LA SIERRA WATER CO	W 4	1974	0	0	0	0	0
1S4W32E07S	3601544	LA SIERRA WATER CO	W 7		0	0	0	0	0
1S4W32E09S	3601546	LA SIERRA WATER CO	W 10		0	0	0	0	0
1S4W32E10S	3601547	LA SIERRA WATER CO	W 9	1974	0	0	0	0	0
1S4W32E11S	3601545	LA SIERRA WATER CO	W 8		0	0	0	0	0
1S4W32G01S	3600833	WEST RIVERSIDE 350 WATER CO	W 6	1974	0	0	0	0	0
1S4W32G02S	3600829	WEST RIVERSIDE 350 WATER CO	W 1	1974	0	0	0	0	0
1S4W32G04S	3600830	WEST RIVERSIDE 350 WATER CO	W 2	1974	0	0	0	0	0
1S4W32H01S	3600831	WEST RIVERSIDE 350 WATER CO	W 4	1974	0	0	0	0	0
1S4W32M	3601790	RIVERSIDE HIGHLAND WATER COMPANY	W LV 2		0	0	0	0	0
1S4W32M01S	3601789	RIVERSIDE HIGHLAND WATER COMPANY	W LV 1		287	149	31	130	95
1S4W32M04S	0000015	RIVERSIDE HIGHLAND WATER COMPANY	W LV #3						865
1S4W33B05S	3601531	RIVERSIDE HIGHLAND WATER COMPANY	W 16	1964	0	0	0	0	0
1S4W34L	3602357	JAMES SULLIVAN MUTUAL WATER COMPANY	W 6610		1	1	1	0	0
1S4W34L	3602358	COLTON CITY OF	W 7418		75	75	75	75	1
1S4W36N	0000019	KLECKLER, DON	W 15 HP			45	45	45	45
1S5W23N01S	3601004	WEST SAN BDNO COUNTY WATER DIST	W PLANT NO 19	1973	0	0	0	0	0
1S5W23Q01S	3600074	WEST SAN BDNO COUNTY WATER DIST	W PLANT NO 29		246	488	501	525	447
1S5W24M01S	3601763	WEST SAN BDNO COUNTY WATER DIST	W PLANT NO 18	1981	0	0	0	0	0
1S5W24R01S	3601124	GENERAL AMERICAN TRANSPORTATION CORP	W 1 SOUTH		34	35	35	35	35
1S5W25A02S	3601427	CALIFORNIA PORTLAND CEMENT COMPANY	W 7		887	1351	1544	1192	1279
1S5W25A03S	3601425	CALIFORNIA PORTLAND CEMENT COMPANY	W NO 6		627	963	949	1087	866
1S5W25B02S	3602028	LOPEZ, M & R	W SEINTURIER	1988	212	188	149	149	278
1S5W25L02S	3601680	RIALTO CITY OF	W DISPOSAL	1989	24	14	24	45	18
1S5W25M	3600627	HOLLIDAY TRUCKING	W 1 Colton		60	60	40	34	23
1S5W25P	0000006	CALIFORNIA PORTLAND CEMENT COMPANY	W MILLER HONEY		0	0	0	0	0

VERIFIED WELL MASTER FILE LISTING FOR BASIN RIVERSIDE NORTH BY STATE WELL #

mm:vxr

RUN DATE: 12 JUN 1991

STATE WELL NUMBER	RECORDTN NUMBER	OWNER.....	T LOCAL P DESIGNATION	YEAR CLSD	---CALENDAR YEAR EXTRACTIIONS---				
					1985	1986	1987	1988	1989
1S5W25P	3601961	YEAGER CONSTRUCTION CO	W AMRCH 1	1974	0	0	0	0	0
1S5W25R	0000012	WOODLAND FARMS	W		530	437	400	536	444
1S5W25R02S	3600898	RIVERSIDE CITY OF	W NO 6	1978	0	0	0	0	0
1S5W25R04S	3600898-	RIVERSIDE CITY OF	W TW BT 6		0	0	12	1199	407
1S5W33A01S	3601088	RANCHO DE SANTA FE	W 1	1974	0	0	0	0	0
1S5W33A02S	3602222	RANCHO DE SANTA FE	W 2	1989	0	0	0	0	10
1S5W34A	3601110	MAAS HARRY ET AL	W 1		60	92	61	66	58
1S5W34B01S	3600413	FIRESTONE GROUP LTD	W	1981	0	0	0	0	0
1S5W34B02S	3601683	WEST SAN BDNO COUNTY WATER DIST	W PLANT NO 26	1981	0	0	0	0	0
1S5W34D01S	3601434	WEST SAN BDNO COUNTY WATER DIST	W PLANT NO 25	1981	0	0	0	0	0
1S5W34J01S	3601707	EL RIVINO COUNTRY CLUB	W CACTUS		393	503	575	680	777
1S5W34K	3601721	GREEN ACRES MEMORIAL PARK ASS'N	W 56		168	153	76	167	148
1S5W34K02S	3600873	GREEN ACRES MEMORIAL PARK ASS'N	W NO 57		103	103	105	103	103
1S5W34L02S	3601706	GREEN ACRES MEMORIAL PARK ASS'N	W 8TH ST		83	149	86	83	120
1S5W35B	0000007	CARSON, K	W -		0	0	0	0	0
1S5W35D01S	3600507	HAMADA BROS	W 1		127	279	161	71	0
1S5W35G02S	3600910	SERVICE ROCK CO	W 1	1974	0	0	5	56	50
1S5W35J	3600911	SERVICE ROCK CO	W 2	1974	0	0	0	0	0
1S5W35J	3602233	CANALE CATERING	W	1964	0	0	0	0	0
1S5W35R	3601717	FRANZMAN	W DOUBLE H		74	92	116	79	79
1S5W36B	0000008	MINTER, BEVERLY	W -		13	0	34	67	58
1S5W36C09S	3600535	JURUPA WATER COMPANY	W NO 1	1978	0	0	0	0	0
1S5W36C10S	3600536	JURUPA WATER COMPANY	W 1 AND HALF	1974	0	0	0	0	0
1S5W36C11S	3600535-	JURUPA WATER COMPANY	W 3		1217	1372	1083	26	248
1S5W36F	0000010	HOPKINS ARUA	W RANCH		60	62	42	55	61
1S5W36F	3601891	ALLEE RANCH	W	1977	0	0	0	0	0
1S5W36F	3601892	ALLEE RANCH	W	1980	260	260	0	0	260
1S5W36L01S	3601236	RIVERSIDE CITY OF	W AGUA MNSA		29	93	65	21	27
1S5W36N	0000009	HOLTER RANCH	W HENDRICKS		0	0	0	0	0
1S5W36Q	3301088	RIVERSIDE CITY OF	D PELISIER		0	0	0	0	0
2S4W05C01S	3600783	RIVERSIDE CITY OF-GAGE CANAL	W DEBERRY		1861	1893	1996	2189	1965
2S4W05E	3601345	HUNGERFORD FRANK B	W JOHNSON	1960	0	0	0	0	0
2S4W05E01S	3302554	RIVERSIDE CITY OF	W VAN BUREN #1						3592
2S4W05E02S	3302553	RIVERSIDE CITY OF	W VAN BUREN #2						3984
2S4W05F	3600899	WAGONER JOHN J	W DOM 1	1972	0	0	0	0	0
2S4W05F02S	3600537	JUMAL WATER COMPANY	W	1985	0	0	0	0	0
2S4W05M01S	3601970	SOUTHERN CALIFORNIA EDISON COMPANY	W PICO #64		66	66	39	150	135
2S4W05P	3600820	JOHNSON DOROTHY	W 1	1965	0	0	0	0	0
2S4W06A01S	3600962	MERRYFIELD WATER COMPANY	W 1		126	130	122	121	118
2S4W06A03S	3601509	TEMESCAL WATER COMPANY	W PALM AVE		1817	2051	1878	2360	2790
2S4W06J01S	3601009	SOUTHERN CALIFORNIA EDISON COMPANY	W KELLY 1		2	9	13	11	5
2S4W06N	3601423	ROQUET HARRY V	W 2 WEST		0	-	-	-	-
2S4W06P	3601424	ROQUET HARRY V	D		0	-	-	-	-
2S4W06Q	3601422	ROQUET HARRY V	W 1 HOUSE		0	-	-	-	-
2S4W06Q03S	3601271	RIVERSIDE CITY OF	W MARCY	1973	0	0	0	0	0
2S4W06R01S	3601526	RIVERSIDE HIGHLAND WATER COMPANY	W 7		1174	875	945	1031	830
2S4W06R04S	3601011	SOUTHERN CALIFORNIA EDISON COMPANY	W DAHL 2		75	68	56	50	66
2S4W06R05S	3601020	SOUTHERN CALIFORNIA EDISON COMPANY	W WELL 3		35	27	10	2	4
2S4W06R06S	3601023	SOUTHERN CALIFORNIA EDISON COMPANY	W 4		35	27	10	2	4
2S5W01G01S	3601235	RIVERSIDE CITY OF	W LA LOMA	1974	0	0	0	0	0

VERIFIED WELL MASTER FILE LISTING FOR BASIN RIVERSIDE NORTH BY STATE WELL #

WM:VXF

RUN DATE: 12 JUN 1991

STATE WELL NUMBER	RECORDTN NUMBER	OWNER.....	T LOCAL P DESIGNATION	YEAR CLSD	--- CALENDAR YEAR EXTRACTIONS ---				
					1985	1986	1987	1988	1989
2S5W01G02S	3601223	RIVERSIDE CITY OF	W MAIN		652	0	0	16	12
2S5W01J03S	3601221	RIVERSIDE CITY OF	W DOMESTIC		33	24	22	21	20
2S5W01P03S	3602697	BRADFORD IVAN	W	1978	0	0	0	0	0
2S5W01Q	3600097	HOWELL, ORUS	W		43	26	42	28	41
2S5W01Q01S	3601488	RIVERSIDE CITY OF	W WILLIAMS	1974	0	0	0	0	0
2S5W01Q01S	3601488-	STAPAKIS WILLIAM	W WILLIAMS	1974	0	0	0	0	0
2S5W02A	3600874	RIVERSIDE CEMENT CO	W 58-1	1974	0	0	0	0	0
2S5W02A	3601722	MADISON, ERIN	W 58-1	1989	0	0	0	-	FC
2S5W02C	3301347	INTER COUNTY WATER COMPANY	W 1	1981	196	189	78	0	0
2S5W02G	3602114	MADISON, ERIN	W 63-1	1989	0	0	0	-	FC
2S5W02G02S	3600883	RIVERSIDE CEMENT CO	W WRIGHT	1962	0	0	0	0	0
2S5W02J	3601996	WEST COAST FARMS	W SND RIV 1	1988	360	360	360	360	360
2S5W02L02S	3601782	RIVERSIDE CEMENT CO	W	1964	0	0	0	0	0
2S5W02Q	3600972	BRADVICA LOUIS A	W RNCH 1	1974	0	0	0	0	0
2S5W02Q07S	3602234	RIVERSIDE CITY OF	W JURUPA 6		0	0	0	0	0
2S5W02Q08S	3602748	RIVERSIDE CITY OF	W JURUPA 7		2400	2032	1614	1990	2088
2S5W02R	0000005	DR. MASON	W MASON		0	0	0	0	0
2S5W02R	3601490	RIVERSIDE CITY OF	W JURUPA 1	1980	0	0	0	0	0
2S5W02R01S	3601493	RIVERSIDE CITY OF	W JURUPA 5	1980	0	0	0	0	0
2S5W02R02S	3601492	RIVERSIDE CITY OF	W JURUPA 4	1980	0	0	0	0	0
2S5W02R03S	3601491	RIVERSIDE CITY OF	W JURUPA 3	1980	0	0	0	0	0
END OF RIVERSIDE NORTH BASIN					19392	17337	15803	16933	25557

TABLE NO. 1

VERIFIED EXTRACTIONS BY OWNERS WHICH HAVE
RECORDATION FILINGS WITH THE STATE WATER
RESOURCES CONTROL BOARD

TABLE NO. 1
 VERIFIED EXTRACTIONS BY OWNERS WHICH HAVE FILINGS WITH THE STATE WATER RESOURCES CONTROL BOARD
 FOR RIVERSIDE NORTH BASIN

08:25:52 12 JUN 1991

RECORDTN NUMBER	STATE NUMBER	WELL TYPE	-----BASE YEARS-----					-----CURRENT YEARS-----					1985-89 AVERAGE	
			1959	1960	1961	1962	1963	1959-63 AVERAGE	1985	1986	1987	1988		1989
3601891	1S5W36F	W	0	1	1	0	0	0	0	0	0	0	0	0
3601892	1S5W36F	W	150	150	165	200	200	173	260	260	0	0	260	156
ALLEE RANCH			150	151	166	200	200	173	260	260	0	0	260	156
3602697	2S5W01P03S	W						0	0	0	0	0	0	0
BRADFORD IVAN			0	0	0	0	0	0	0	0	0	0	0	0
3600972	2S5W02Q	W	105	123	83	78	61	90	0	0	0	0	0	0
BRADVICA LOUIS A			105	123	83	78	61	90	0	0	0	0	0	0
3601426	1S4W30D06S	W	1363	515	347	545	698	694	1256	1338	1693	1379	1904	1514
3601427	1S5W25A02S	W	4	1328	1090	178	322	584	887	1351	1544	1192	1279	1251
3601425	1S5W25A03S	W	749	7	45	86	84	194	627	963	949	1087	866	898
CALIFORNIA PORTLAND CEMENT C2116			1850	1482	809	1104	1472	2770	3652	4186	3658	4049	3663	
3602233	1S5W35J	W	9	9	9	9	9	9	0	0	0	0	0	0
CANALE CATERING			9	9	9	9	9	9	0	0	0	0	0	0
3602358	1S4W34L	W	0	0	0	0	0	0	75	75	75	75	1	60
COLTON CITY OF			0	0	0	0	0	0	75	75	75	75	1	60
3602326	1S4W30R	W	55	58	61	68	71	63	0	0	0	0	0	0
COUNTRY CLUB STORAGE			55	58	61	68	71	63	0	0	0	0	0	0
3601100	1S4W31C	W	227	169	174	181	0	150	0	0	0	0	0	0
3601101	1S4W31C	W	198	178	159	167	0	140	0	0	0	0	0	0
DAGGETT FOREST N			425	347	333	348	0	290	0	0	0	0	0	0
3601707	1S5W34J01S	W	733	733	733	733	733	733	393	503	575	680	777	586
EL RIVINO COUNTRY CLUB			733	733	733	733	733	733	393	503	575	680	777	586
3600413	1S5W34B01S	W	285	240	379	338	205	289	0	0	0	0	0	0
FIRESTONE GROUP LTD			285	240	379	338	205	289	0	0	0	0	0	0
3601717	1S5W35R	W	112	118	123	123	125	120	74	92	116	79	79	88
FRANZMAN			112	118	123	123	125	120	74	92	116	79	79	88
3601124	1S5W24R01S	W	30	30	28	31	34	31	34	35	35	35	35	35
GENERAL AMERICAN TRANSPORTATIO30			30	30	28	31	34	31	34	35	35	35	35	35
3601721	1S5W34K	W	1087	915	314	543	520	676	168	153	76	167	148	142
3600873	1S5W34K02S	W	726	544	0	0	130	280	103	103	105	103	103	103
3601706	1S5W34L02S	W	105	110	112	115	124	113	83	149	86	83	120	104
GREEN ACRES MEMORIAL PARK AS1918			1569	426	658	774	1069	354	405	267	353	371	349	
3600507	1S5W35D01S	W	323	325	348	390	346	346	127	279	161	71	0	128
HAMADA BROS			323	325	348	390	346	346	127	279	161	71	0	128
3600627	1S5W25M	W	158	155	151	148	149	152	60	60	40	34	23	43
HOLLIDAY TRUCKING			158	155	151	148	149	152	60	60	40	34	23	43

TABLE NO. 1
 VERIFIED EXTRACTIONS BY OWNERS WHICH HAVE FILINGS WITH THE STATE WATER RESOURCES CONTROL BOARD
 FOR RIVERSIDE NORTH BASIN

08:25:54 12 JUN 1991

RECORDTN NUMBER	STATE NUMBER	WELL TYPE	-----BASE YEARS-----					-----CURRENT YEARS-----					1985-89 AVERAGE	
			1959	1960	1961	1962	1963	1959-63 AVERAGE	1985	1986	1987	1988		1989
3600097	2S5W01Q	W	50	50	50	50	50	50	43	26	42	28	41	36
HOWELL, ORUS			50	50	50	50	50	50	43	26	42	28	41	36
3601345	2S4W05E	W	0	0	0	0	0	0	0	0	0	0	0	0
HUNGERFORD FRANK B			0	0	0	0	0	0	0	0	0	0	0	0
3301347	2S5W02C	W	145	141	133	117	131	133	196	189	78	0	0	93
INTER COUNTY WATER COMPANY			145	141	133	117	131	133	196	189	78	0	0	93
3602357	1S4W34L	W	0	0	11	11	11	7	1	1	1	0	0	1
JAMES SULLIVAN MUTUAL WATER CO			0	0	11	11	11	7	1	1	1	0	0	1
3600820	2S4W05P	W	0	0	0	0	0	0	0	0	0	0	0	0
JOHNSON DOROTHY			0	0	0	0	0	0	0	0	0	0	0	0
3600537	2S4W05F02S	W	322	272	257	210	141	240	0	0	0	0	0	0
JUMAL WATER COMPANY			322	272	257	210	141	240	0	0	0	0	0	0
3600535	1S5W36C09S	W	58	67	73	73	29	60	0	0	0	0	0	0
3600536	1S5W36C10S	W	753	695	1041	672	304	693	0	0	0	0	0	0
3600535-	1S5W36C11S	W	0	0	0	0	0	0	1217	1372	1083	26	248	789
JURUPA WATER COMPANY			811	762	1114	745	333	753	1217	1372	1083	26	248	789
3691486	1S4W29Q03S	W						0	0	0	0	0	0	0
3692486	1S4W29Q04S	W						0	0	0	0	0	0	0
3601539	1S4W32E01S	W	0	0	0	0	0	0	0	0	0	0	0	0
3601543	1S4W32E02S	W	188	191	132	59	5	115	0	0	0	0	0	0
3601540	1S4W32E03S	W	0	0	0	0	0	0	0	0	0	0	0	0
3601542	1S4W32E05S	W	0	0	0	0	0	0	0	0	0	0	0	0
3601541	1S4W32E06S	W	0	0	0	0	0	0	0	0	0	0	0	0
3601544	1S4W32E07S	W	1083	981	1254	646	108	814	0	0	0	0	0	0
3601546	1S4W32E09S	W	614	610	428	278	274	441	0	0	0	0	0	0
3601547	1S4W32E10S	W	474	403	568	31	0	295	0	0	0	0	0	0
3601545	1S4W32E11S	W	1104	1005	1005	847	577	908	0	0	0	0	0	0
LA SIERRA WATER CO			3463	3190	3387	1861	964	2573	0	0	0	0	0	0
3602028	1S5W25B02S	W	61	140	238	68	135	128	212	188	149	149	278	195
LOPEZ, M & R			61	140	238	68	135	128	212	188	149	149	278	195
3601110	1S5W34A	W	161	156	182	115	97	142	60	92	61	66	58	67
MAAS HARRY ET AL			161	156	182	115	97	142	60	92	61	66	58	67
3601722	2S5W02A	W	606	612	726	404	271	470	0	0	0	-	FC	0
3602114	2S5W02G	W	0	0	0	0	27	0	0	0	0	-	FC	0
MADISON, ERIN			606	612	726	404	298	470	0	0	0	0	0	0
3600962	2S4W06A01S	W	490	310	444	252	242	348	126	130	122	121	118	123
MERRYFIELD WATER COMPANY			490	310	444	252	242	348	126	130	122	121	118	123

TABLE NO. 1
 VERIFIED EXTRACTIONS BY OWNERS WHICH HAVE FILINGS WITH THE STATE WATER RESOURCES CONTROL BOARD
 FOR RIVERSIDE NORTH BASIN

08:25:57 12 JUN 1991

RECORDTN NUMBER	STATE WELL NUMBER	WELL TYPE	-----BASE YEARS-----					-----CURRENT YEARS-----						
			1959	1960	1961	1962	1963	1959-63 AVERAGE	1985	1986	1987	1988	1989	1985-89 AVERAGE
	3601088	1S5W33A01S W	378	335	518	448	377	411	0	0	0	0	0	0
	3602222	1S5W33A02S W	0	0	0	0	0	0	0	0	0	0	10	2
RANCHO DE SANTA FE			378	335	518	448	377	411	0	0	0	0	10	2
	3601680	1S5W25L02S W	130	130	130	130	180	140	24	14	24	45	18	25
RIALTO CITY OF			130	130	130	130	180	140	24	14	24	45	18	25
	3601484	1S4W29H01S W	1257	968	1237	854	642	992	4	6	11	29	11	12
	3601483	1S4W29H02S W	576	481	140	0	0	239	0	0	0	0	0	0
	3601487	1S4W29Q01S W	1665	1198	981	657	636	1027	0	0	0	0	0	0
	3601486	1S4W29Q03S W	2218	1501	1663	1316	1503	1640	28	127	0	0	15	34
	3602486	1S4W29Q04S W	0	0	0	0	0	0	18	10	17	35	20	20
	3601485	1S4W29R01S W	1497	979	1862	1458	1165	1392	29	50	21	4	18	24
	3600898	1S5W25R02S W	1196	1042	869	0	0	621	0	0	0	0	0	0
	3600898-	1S5W25R04S W	0	0	0	1082	1127	442	0	0	12	1199	407	324
	3601236	1S5W36L01S W	0	0	402	0	0	80	29	93	65	21	27	47
	3301088	1S5W36Q D	67	0	0	0	0	13	0	0	0	0	0	0
	3302554	2S4W05E01S W						0					3592	718
	3302553	2S4W05E02S W						0					3984	797
	3601271	2S4W06Q03S W	61	20	25	47	42	39	0	0	0	0	0	0
	3601235	2S5W01G01S W	0	0	0	0	0	0	0	0	0	0	0	0
	3601223	2S5W01G02S W	1070	518	392	0	0	396	652	0	0	16	12	136
	3601221	2S5W01J03S W	38	13	20	26	5	20	33	24	22	21	20	24
	3601488	2S5W01Q01S W	562	493	634	251	265	441	0	0	0	0	0	0
	3602234	2S5W02Q07S W	0	0	0	0	0	0	0	0	0	0	0	0
	3602748	2S5W02Q08S W						0	2400	2032	1614	1990	2088	2025
	3601490	2S5W02R W	310	65	582	694	582	447	0	0	0	0	0	0
	3601493	2S5W02R01S W	1500	1301	1590	1345	1200	1387	0	0	0	0	0	0
	3601492	2S5W02R02S W	237	0	141	123	296	159	0	0	0	0	0	0
	3601491	2S5W02R03S W	720	1060	1141	862	796	916	0	0	0	0	0	0
RIVERSIDE CITY OF			12974	9639	11679	8715	8259	10251	3193	2342	1762	3315	10194	4161
	3600783	2S4W05C01S W	1504	1474	1639	1231	1169	1403	1861	1893	1996	2189	1965	1981
RIVERSIDE CITY OF-GAGE CANA1504			1504	1474	1639	1231	1169	1403	1861	1893	1996	2189	1965	1981
	3600874	2S5W02A W	2	2	1	1	0	1	0	0	0	0	0	0
	3600883	2S5W02G02S W	0	0	0	0	0	0	0	0	0	0	0	0
	3601782	2S5W02L02S W	105	105	105	105	0	84	0	0	0	0	0	0
RIVERSIDE CEMENT CO			107	107	106	106	0	85	0	0	0	0	0	0
	3601524	1S4W28L01S W	43	150	13	0	0	41	0	0	0	0	0	0
	3601534	1S4W28L02S W	973	428	460	560	795	643	816	890	565	624	768	733
	3601532	1S4W28N05S W	944	1164	1129	820	1029	1017	2198	175	91	0	0	493
	3601790	1S4W32M W	0	0	0	0	69	14	0	0	0	0	0	0
	3601789	1S4W32M01S W	461	409	664	621	572	545	287	149	31	130	95	138
	3601531	1S4W33B05S W	42	2	4	30	4	16	0	0	0	0	0	0
	3601526	2S4W06R01S W	1338	1226	1834	1549	1429	1475	1174	875	945	1031	830	971
RIVERSIDE HIGHLAND WATER COM3801			3379	4104	3580	3898	3751	4475	2089	1632	1785	1693	2335	

TABLE NO. 1
 VERIFIED EXTRACTIONS BY OWNERS WHICH HAVE FILINGS WITH THE STATE WATER RESOURCES CONTROL BOARD
 FOR RIVERSIDE NORTH BASIN

08:26:00 12 JUN 1991

RECORDTN NUMBER	STATE NUMBER	WELL TYPE	-----BASE YEARS-----					-----CURRENT YEARS-----					1985-89 AVERAGE
			1959	1960	1961	1962	1963	1959-63 AVERAGE	1985	1986	1987	1988	
3601423	2S4W06N	W	0	0	0	0	0	0	-	-	-	-	0
3601424	2S4W06P	D	67	67	67	67	67	0	-	-	-	-	0
3601422	2S4W06Q	W	23	23	23	23	23	0	-	-	-	-	0
ROQUET	HARRY V		90	90	90	90	90	0	0	0	0	0	0
3600915	1S4W31J01S	W	45	45	25	25	25	33	0	0	0	0	0
ROSEDALE	WATER COMPANY		45	45	25	25	25	33	0	0	0	0	0
3600910	1S5W35G02S	W	133	124	125	115	118	123	0	0	5	56	50
3600911	1S5W35J	W	123	104	46	7	8	58	0	0	0	0	0
SERVICE	ROCK CO		256	228	171	122	126	181	0	0	5	56	50
3601970	2S4W05M01S	W	0	0	139	211	244	119	66	66	39	150	135
3601009	2S4W06J01S	W	25	35	38	51	53	40	2	9	13	11	5
3601011	2S4W06R04S	W	26	25	52	52	59	43	75	68	56	50	66
3601020	2S4W06R05S	W	292	482	526	494	701	499	35	27	10	2	4
3601023	2S4W06R06S	W	282	406	508	507	540	449	35	27	10	2	4
SOUTHERN CALIFORNIA	EDISON CO625		948	1263	1315	1597	1150	213	197	128	215	214	194
3601488-	2S5W01Q01S	W	0	0	0	0	0	0	0	0	0	0	0
STAPAKIS	WILLIAM		0	0	0	0	0	0	0	0	0	0	0
3601509	2S4W06A03S	W	1203	1319	1363	1163	1265	1263	1817	2051	1878	2360	2790
TEMESCAL	WATER COMPANY		1203	1319	1363	1163	1265	1263	1817	2051	1878	2360	2790
3601549	1S4W28M01S	W	600	680	820	680	580	672	0	0	0	0	0
VILLELLI	ENTERPRISES		600	680	820	680	580	672	0	0	0	0	0
3600899	2S4W05F	W	0	0	0	0	0	0	0	0	0	0	0
WAGONER	JOHN J		0	0	0	0	0	0	0	0	0	0	0
3601996	2S5W02J	W	0	0	18	67	161	49	360	360	360	360	360
WEST COAST	FARMS		0	0	18	67	161	49	360	360	360	360	360
3600832	1S4W32B01S	W	723	784	571	0	180	452	155	0	0	0	0
3601953	1S4W32B02S	W	0	0	640	2989	2512	1228	430	0	0	0	0
3600833	1S4W32G01S	W	1178	896	542	0	0	523	0	0	0	0	0
3600829	1S4W32G02S	W	26	10	0	0	0	7	0	0	0	0	0
3600830	1S4W32G04S	W	310	252	245	0	0	161	0	0	0	0	0
3600831	1S4W32H01S	W	58	30	150	0	0	48	0	0	0	0	0
WEST RIVERSIDE	350 WATER CO		2295	1972	2148	2989	2692	2419	585	0	0	0	117
3601004	1S5W23N01S	W	824	904	831	808	622	798	0	0	0	0	0
3600074	1S5W23Q01S	W	150	150	150	150	150	150	246	488	501	525	447
3601763	1S5W24M01S	W	35	40	46	35	35	38	0	0	0	0	0
3601683	1S5W34B02S	W	146	170	193	118	117	149	0	0	0	0	0
3601434	1S5W34D01S	W	204	211	212	203	201	206	0	0	0	0	0
WEST SAN BDNO	COUNTY WATER		1359	1475	1432	1314	1125	1341	246	488	501	525	447
3601961	1S5W25P	W	20	18	149	141	107	87	0	0	0	0	0
YEAGER	CONSTRUCTION CO		20	18	149	141	107	87	0	0	0	0	0
TTL RIVERSIDE NORTH BASIN	37915		33180	36519	29882	27864	33007	18776	16793	15277	16225	24079	18229

TABLE NO. 2

VERIFIED EXTRACTIONS BY OWNERS WHICH
HAVE NOT FILED WITH THE STATE WATER
RESOURCES CONTROL BOARD

TABLE NO. 2
 VERIFIED EXTRACTIONS BY OWNERS WHICH HAVE NOT FILED WITH THE STATE WATER RESOURCES CONTROL BOARD
 FOR RIVERSIDE NORTH BASIN

08:26:39 12 JUN 1991

(wm:vc)

RECORD NUMBER	DTN STATE NUMBER	WELL TYPE	-----BASE YEARS-----					-----CURRENT YEARS-----						
			1959	1960	1961	1962	1963	1959-63 AVERAGE	1985	1986	1987	1988	1989	1985-89 AVERAGE
0000006	1S5W25P	W	0	0	0	0	0	0	0	0	0	0	0	0
CALIFORNIA	PORTLAND CEMENT	COM	0	0	0	0	0	0	0	0	0	0	0	0
0000007	1S5W35B	W	50	50	50	50	50	50	0	0	0	0	0	0
CARSON, K			50	50	50	50	50	50	0	0	0	0	0	0
0000005	2S5W02R	W	0	0	0	0	0	0	0	0	0	0	0	0
DR. MASON			0	0	0	0	0	0	0	0	0	0	0	0
0000009	1S5W36N	W	38	38	38	38	38	38	0	0	0	0	0	0
HOLTER RANCH			38	38	38	38	38	38	0	0	0	0	0	0
0000010	1S5W36F	W						0	60	62	42	55	61	56
HOPKINS ARUA			0	0	0	0	0	0	60	62	42	55	61	56
0000019	1S4W36N	W						0		45	45	45	45	36
KLECKLER, DON			0	0	0	0	0	0	0	45	45	45	45	36
0000008	1S5W36B	W						0	13	0	34	67	58	34
MINTER, BEVERLY			0	0	0	0	0	0	13	0	34	67	58	34
0000011	1S4W30P01S	W	13	13	13	13	13	13	13	0	5	5	5	6
McDANIEL & SON DAIRY			13	13	13	13	13	13	13	0	5	5	5	6
0000015	1S4W32M04S	W						0					865	173
RIVERSIDE HIGHLAND WATER COMPA			0	0	0	0	0	0	0	0	0	0	865	173
0000012	1S5W25R	W	556	556	556	556	556	556	530	437	400	536	444	469
WOODLAND FARMS			556	556	556	556	556	556	530	437	400	536	444	469
TTL RIVERSIDE NORTH BASIN			657	657	657	657	657	657	616	544	526	708	1478	774

TABLE NO. 3

SUMMARY OF VERIFIED EXTRACTIONS
(FILED AND NON-FILED)

FROM RIVERSIDE BASIN AREA WITHIN SAN BERNARDINO COUNTY

TABLE NO. 3
SUMMARY OF VERIFIED EXTRACTIIONS (FILED AND NON-FILED) FOR RIVERSIDE NORTH

08:27:00 12 JUN 1991

(mm:vc)

	-----BASE YEARS-----						-----CURRENT YEARS-----					
	1959	1960	1961	1962	1963	1959-63 AVERAGE	1985	1986	1987	1988	1989	1985-89 AVERAGE
ALLEE RANCH	150	151	166	200	200	173	260	260	0	0	260	156
BRADFORD IVAN	0	0	0	0	0	0	0	0	0	0	0	0
BRADVICA LOUIS A	105	123	83	78	61	90	0	0	0	0	0	0
CALIFORNIA PORTLAND CEMENT COM	2116	1850	1482	809	1104	1472	2770	3652	4186	3658	4049	3663
CANALE CATERING	9	9	9	9	9	9	0	0	0	0	0	0
CARSON, K	50	50	50	50	50	50	0	0	0	0	0	0
COLTON CITY OF	0	0	0	0	0	0	75	75	75	75	1	60
COUNTRY CLUB STORAGE	55	58	61	68	71	63	0	0	0	0	0	0
DAGGETT FOREST N	425	347	333	348	0	290	0	0	0	0	0	0
DR. MASON	0	0	0	0	0	0	0	0	0	0	0	0
EL RIVINO COUNTRY CLUB	733	733	733	733	733	733	393	503	575	680	777	586
FIRESTONE GROUP LTD	285	240	379	338	205	289	0	0	0	0	0	0
FRANZMAN	112	118	123	123	125	120	74	92	116	79	79	88
GENERAL AMERICAN TRANSPORTATIO	30	30	28	31	34	31	34	35	35	35	35	35
GREEN ACRES MEMORIAL PARK ASS'	1918	1569	426	658	774	1069	354	405	267	353	371	349
HAMADA BROS	323	325	348	390	346	346	127	279	161	71	0	128
HOLLIDAY TRUCKING	158	155	151	148	149	152	60	60	40	34	23	43
HOLTER RANCH	38	38	38	38	38	38	0	0	0	0	0	0
HOPKINS ARUA	0	0	0	0	0	0	60	62	42	55	61	56
HOWELL, ORUS	50	50	50	50	50	50	43	26	42	28	41	36
HUNGERFORD FRANK B	0	0	0	0	0	0	0	0	0	0	0	0
INTER COUNTY WATER COMPANY	145	141	133	117	131	133	196	189	78	0	0	93
JAMES SULLIVAN MUTUAL WATER CO	0	0	11	11	11	7	1	1	1	0	0	1
JOHNSON DOROTHY	0	0	0	0	0	0	0	0	0	0	0	0
JUMAL WATER COMPANY	322	272	257	210	141	240	0	0	0	0	0	0
JURUPA WATER COMPANY	811	762	1114	745	333	753	1217	1372	1083	26	248	789
KLECKLER, DON	0	0	0	0	0	0	0	45	45	45	45	36
LA SIERRA WATER CO	3463	3190	3387	1861	964	2573	0	0	0	0	0	0
LOPEZ, M & R	61	140	238	68	135	128	212	188	149	149	278	195
MAAS HARRY ET AL	161	156	182	115	97	142	60	92	61	66	58	67
MADISON, ERIN	606	612	726	404	298	470	0	0	0	0	0	0
MERRYFIELD WATER COMPANY	490	310	444	252	242	348	126	130	122	121	118	123
MINTER, BEVERLY	0	0	0	0	0	0	13	0	34	67	58	34
McDANIEL & SON DAIRY	13	13	13	13	13	13	13	0	5	5	5	6
RANCHO DE SANTA FE	378	335	518	448	377	411	0	0	0	0	10	2
RIALTO CITY OF	130	130	130	130	180	140	24	14	24	45	18	25
RIVERSIDE CITY OF	12974	9639	11679	8715	8259	10251	3193	2342	1762	3315	10194	4161
RIVERSIDE CITY OF-GAGE CANAL	1504	1474	1639	1231	1169	1403	1861	1893	1996	2189	1965	1981
RIVERSIDE CEMENT CO	107	107	106	106	0	85	0	0	0	0	0	0
RIVERSIDE HIGHLAND WATER COMPA	3801	3379	4104	3580	3898	3751	4475	2089	1632	1785	2558	2508
ROQUET HARRY V	90	90	90	90	90	90	0	0	0	0	0	0
ROSEDALE WATER COMPANY	45	45	25	25	25	33	0	0	0	0	0	0
SERVICE ROCK CO	256	228	171	122	126	181	0	0	5	56	50	22
SOUTHERN CALIFORNIA EDISON COM	625	948	1263	1315	1597	1150	213	197	128	215	214	194
STAPAKIS WILLIAM	0	0	0	0	0	0	0	0	0	0	0	0
TEMESCAL WATER COMPANY	1203	1319	1363	1163	1265	1263	1817	2051	1878	2360	2790	2179
VILLELLI ENTERPRISES	600	680	820	680	580	672	0	0	0	0	0	0
WAGONER JOHN J	0	0	0	0	0	0	0	0	0	0	0	0
WEST COAST FARMS	0	0	18	67	161	49	360	360	360	360	360	360
WEST RIVERSIDE 350 WATER CO	2295	1972	2148	2989	2692	2419	585	0	0	0	0	117
WEST SAN BDNO COUNTY WATER DI	1359	1475	1432	1314	1125	1341	246	488	501	525	447	441
WOODLAND FARMS	556	556	556	556	556	556	530	437	400	536	444	469
YEAGER CONSTRUCTION CO	20	18	149	141	107	87	0	0	0	0	0	0
TTL RIVERSIDE NORTH BASIN	38572	33837	37176	30539	28521	33664	19392	17337	15803	16933	25557	19003

TABLE NO. 4

GROUNDWATER PRODUCTION FROM THAT PART OF THE RIVERSIDE
GROUNDWATER BASIN SITUATED WITHIN SAN BERNARDINO COUNTY
BY RIVERSIDE COUNTY ENTITIES, A PART OF WHICH IS USED IN
SAN BERNARDINO COUNTY AND THE REMAINDER EXPORTED TO
RIVERSIDE COUNTY DURING THE 5-YEAR BASE PERIOD
ENDING IN 1963 AND FOR FOLLOWING CALENDAR
YEARS 1975 THROUGH THE CURRENT YEAR

TABLE NO. 4

GROUNDWATER PRODUCTION FROM THAT PART OF THE RIVERSIDE GROUNDWATER BASIN SITUATED WITHIN SAN BERNARDINO COUNTY BY RIVERSIDE COUNTY ENTITIES, A PART OF WHICH IS USED IN SAN BERNARDINO COUNTY AND THE REMAINDER EXPORTED TO RIVERSIDE COUNTY DURING THE 5-YEAR BASE PERIOD ENDING IN 1963 AND FOR THE FOLLOWING CALENDAR YEARS 1975 THROUGH THE CURRENT YEAR

CLASSIFIED ACCORDING TO SERVICE AREA
(all values in Acre Feet)

EXTRACTIONS FROM THE COLTON BASIN AREA FOR USE WITHIN AND EXPORT THEREFROM

PLAINTIFFS	1959		1960		1961		1962		1963		5-Year Average							
	Total Del. in Riv. Co. Extract	Del. in Riv. Co.	Total Del. in Riv. Co. Extract	Del. in Riv. Co.	Total Del. in Riv. Co. Extract	Del. in Riv. Co.	Total Del. in Riv. Co. Extract	Del. in Riv. Co.	Total Del. in Riv. Co. Extract	Del. in Riv. Co.	Total Del. in Riv. Co. Extract	Del. in Riv. Co.						
American Cement Co.	2,526	713	1,813	2,178	719	1,459	1,146	832	314	1,053	510	543	948	298	650	1,570	614	956
City of Riverside Domestic & irrigation	12,974	1,561	11,393	9,639	852	8,787	11,679	1,171	10,508	8,715	81	8,634	8,259	84	8,175	10,253	754	9,499
City of Riverside Gage Canal Company	1,504	0	1,504	1,474	0	1,474	1,639	0	1,639	1,231	0	1,231	1,169	0	1,169	1,403	0	1,403
Inter County Water Co. WSBCWD after 1988	145	57	88	141	55	86	133	52	81	117	46	71	131	51	80	133	52	81
Jurupa Water Company JCSD after 1988	811	0	811	762	0	762	1,114	0	1,114	745	0	745	333	0	333	753	0	753
La Sierra Water Company	3,463	725	2,738	3,190	698	2,492	3,387	598	2,789	1,861	289	1,572	964	274	690	2,573	517	2,056
Riverside Highland Water Company	3,801	1,317	2,484	3,379	890	2,489	4,104	994	3,110	3,580	1,043	2,537	3,898	1,246	2,652	3,752	1,098	2,654
Temescal Water Company	1,203	0	1,203	1,319	0	1,319	1,363	0	1,363	1,163	0	1,163	1,265	0	1,265	1,263	0	1,263
West Riverside 350" Water Company	2,295	0	2,295	1,972	0	1,972	2,148	0	2,148	2,989	0	2,989	2,692	0	2,692	2,419	0	2,419
TOTALS	28,722	4,393	24,329	24,054	3,214	20,840	26,713	3,647	23,066	21,454	1,969	19,485	19,659	1,953	17,706	24,120	3,035	21,085

Total Extract -- TOTAL EXTRACTIONS
Del in S.B. Co. -- DELIVERY WITHIN SAN BERNARDINO COUNTY
Del. in Riv. Co. -- DELIVERY WITHIN RIVERSIDE COUNTY

See Report of the Watermaster, Volume 5, Distribution of Extractions, Chapter I, Table No. 52-A
Same as Table 52-A, Volume 5

TABLE NO. 4.

GROUNDWATER PRODUCTION FROM THAT PART OF THE RIVERSIDE GROUNDWATER BASIN SITUATED WITHIN SAN BERNARDINO COUNTY BY RIVERSIDE COUNTY ENTITIES, A PART OF WHICH IS USED IN SAN BERNARDINO COUNTY AND THE REMAINDER EXPORTED TO RIVERSIDE COUNTY DURING THE 5-YEAR BASE PERIOD ENDING IN 1963 AND FOR THE FOLLOWING CALENDAR YEARS 1976 THROUGH THE CURRENT YEAR

CLASSIFIED ACCORDING TO SERVICE AREA
(all values in Acre Feet)

EXTRACTIONS FROM RIVERSIDE BASIN AREA WITHIN SAN BERNARDINO COUNTY FOR USE WITHIN AND EXPORT THEREFROM

PLAINTIFFS	1976		1977		1978		1979		1980	
	Total Extract	Del. in S.B. Co. Riv. Co.	Total Extract	Del. in S.B. Co. Riv. Co.	Total Extract	Del. in S.B. Co. Riv. Co.	Total Extract	Del. in S.B. Co. Riv. Co.	Total Extract	Del. in S.B. Co. Riv. Co.
American Cement Co.	218	218	446	446	227	227	436	436	218	218
City of Riverside Domestic & irrigation	6,345	126	4,112	279	1,364	271	2,836	587	1,706	1,591
City of Riverside Gage Canal Company	440	82	389	6	734	4	413	4	2,032	4
Inter County Water Co. WSBCWD after 1988	230	152	207	137	145	96	225	149	228	150
Jurupa Water Company JCSD after 1988	637	0	756	0	1,116	0	421	0	478	0
La Sierra Water Company	2,682	0	2,862	0	1,500	0	1,736	0	1,102	0
Riverside Highland Water Company	3,592	1,108	4,699	1,117	3,923	1,302	3,876	1,194	4,284	1,447
Temescal Water Company	2,682	0	2,363	0	1,528	0	2,130	0	1,968	0
West Riverside 350" Water Company	981	0	583	0	416	0	889	0	585	0
TOTALS	17,807	1,866	16,417	1,985	10,955	1,900	12,962	2,370	12,601	3,410
		16,141		14,432		9,056		10,592		9,191

Total Extract -- TOTAL EXTRACTIONS
Del in S.B. Co. -- DELIVERY WITHIN SAN BERNARDINO COUNTY
Del. in Riv. Co. -- DELIVERY WITHIN RIVERSIDE COUNTY

See Report of the Watermaster, Volume 5, Distribution of Extractions, Chapter I, Table No. 52-A
Same as Table 52-A, Volume 5

TABLE NO. 4

GROUNDWATER PRODUCTION FROM THAT PART OF THE RIVERSIDE GROUNDWATER BASIN SITUATED WITHIN SAN BERNARDINO COUNTY BY RIVERSIDE COUNTY ENTITIES, A PART OF WHICH IS USED IN SAN BERNARDINO COUNTY AND THE REMAINDER EXPORTED TO RIVERSIDE COUNTY DURING THE 5-YEAR BASE PERIOD ENDING IN 1981 AND FOR THE FOLLOWING CALENDAR YEARS 1976 THROUGH THE CURRENT YEAR

CLASSIFIED ACCORDING TO SERVICE AREA
(all values in Acre Feet)

EXTRACTIONS FROM RIVERSIDE BASIN AREA WITHIN SAN BERNARDINO COUNTY FOR USE WITHIN AND EXPORT THEREFROM

PLAINTIFFS	1981			1982			1983			1984			1985		
	Total Extract	Del. in S.B. Co.	Del. in Riv. Co.	Total Extract	Del. in S.B. Co.	Del. in Riv. Co.	Total Extract	Del. in S.B. Co.	Del. in Riv. Co.	Total Extract	Del. in S.B. Co.	Del. in Riv. Co.	Total Extract	Del. in S.B. Co.	Del. in Riv. Co.
Riverside Cement Co.*	413	413	0	0	0	0	0	0	0	0	0	0	0	0	0
City of Riverside Domestic & irrigation	2,894	1,528	1,368	3,615	2,102	1,513	2,581	1,933	648	2,891	448	2,443	3,193	714	2,479
City of Riverside Gage Canal Company	2,467	3	2,464	1,645	1	1,644	1,019	1	1,018	2,046	2	2,044	1,861	1	1,860
Inter County Water Co. WSBCWD after 1988	175	115	60	200	132	68	154	102	52	207	136	71	196	129	67
Jurupa Water Company JCSD after 1988	62	0	62	793	0	793	351	0	351	634	0	634	1,217	0	1,217
La Sierra Water Company	2,233	0	2,233	29	0	29	14	0	14	0	0	0	0	0	0
Riverside Highland Water Company	4,965	1,676	3,289	3,330	1,248	2,082	2,535	889	1,646	4,545	1,367	3,178	4,475	1,299	3,176
Temescal Water Company	2,196	0	2,196	1,423	0	1,423	0	0	0	1,190	0	1,190	1,817	0	1,817
West Riverside 350" Water Company	1,395	0	1,395	905	0	905	46	0	46	0	0	0	585	0	585
TOTALS	16,800	3,733	13,067	11,940	3,483	8,457	6,700	2,925	3,775	11,513	1,953	9,560	13,344	2,143	11,201

Total Extract -- TOTAL EXTRACTIONS
Del in S.B. Co. -- DELIVERY WITHIN SAN BERNARDINO COUNTY
Del. in Riv. Co. -- DELIVERY WITHIN RIVERSIDE COUNTY

* Name change from American Cement (Amcord) in 1981
See Report of the Watermaster, Volume 5, Distribution of Extractions, Chapter I, Table No. 52-A
Same as Table 52-A, Volume 5

GROUNDWATER PRODUCTION FROM THAT PART OF THE RIVERSIDE GROUNDWATER BASIN SITUATED WITHIN SAN BERNARDINO COUNTY BY RIVERSIDE COUNTY ENTITIES, A PART OF WHICH IS USED IN SAN BERNARDINO COUNTY AND THE REMAINDER EXPORTED TO RIVERSIDE COUNTY DURING THE 5-YEAR BASE PERIOD ENDING IN 1983 AND FOR THE FOLLOWING CALENDAR YEARS 1976 THROUGH THE CURRENT YEAR

CLASSIFIED ACCORDING TO SERVICE AREA
(all values in Acre Feet)

EXTRACTIONS FROM RIVERSIDE BASIN AREA WITHIN SAN BERNARDINO COUNTY FOR USE WITHIN AND EXPORT THEREFROM

PLAINTIFFS	1986			1987			1988			1989			1990		
	Total Extract	Del. in S.B. Co.	Del. in Riv. Co.	Total Extract	Del. in S.B. Co.	Del. in Riv. Co.	Total Extract	Del. in S.B. Co.	Del. in Riv. Co.	Total Extract	Del. in S.B. Co.	Del. in Riv. Co.	Total Extract	Del. in S.B. Co.	Del. in Riv. Co.
Riverside Cement Co.*	0	0	0	0	0	0	0	0	0	0	0	0	0	0	0
City of Riverside Domestic & irrigation	2,342	117	2,225	1,762	87	1,675	3,315	58	3,257	10,194	59	10,135			
City of Riverside Gage Canal Company	1,893	2	1,891	1,996	1	1,995	2,191	2	2,189	1,965	2	1,963			
Inter County Water Co. WBCWD after 1988	189	125	64	78	51	27	21	0	21	21	0	21			
Jurupa Water Company JCSD after 1988	1,372	0	1,372	1,083	0	1,083	26	0	26	248	0	248			
La Sierra Water Company	0	0	0	0	0	0	0	0	0	0	0	0			
Riverside Highland Water Company	2,069	1,001	1,068	1,632	578	1,054	1,785	713	1,072	2,558	1,558	1,000			
Temescal Water Company	2,051	0	2,051	1,878	0	1,878	2,360	0	2,360	2,790	0	2,790			
West Riverside 350" Water Company	0	0	0	0	0	0	0	0	0	0	0	0			
TOTALS	9,936	1,245	8,691	8,429	717	7,712	9,698	773	8,925	17,776	1,619	16,157			

Total Extract -- TOTAL EXTRACTIONS
Del. in S.B. Co. -- DELIVERY WITHIN SAN BERNARDINO COUNTY
Del. in Riv. Co. -- DELIVERY WITHIN RIVERSIDE COUNTY

* Name change from American Cement (Amcord) in 1981
See Report of the Watermaster, Volume 5, Distribution of Extractions, Chapter I, Table No. 52-A
Same as Table 52-A, Volume 5

TABLE NO. 5

GROUNDWATER PRODUCTION FROM THAT PART OF THE
RIVERSIDE GROUNDWATER BASIN SITUATED WITHIN SAN BERNARDINO COUNTY
BY SAN BERNARDINO COUNTY ENTITIES
FOR USE IN SAN BERNARDINO COUNTY
DURING THE 5-YEAR BASE PERIOD ENDING IN 1963
AND FOR FOLLOWING CALENDAR YEARS 1971 THROUGH THE CURRENT YEAR

TABLE NO. 5

GROUNDWATER PRODUCTION FROM THAT PART OF THE
RIVERSIDE GROUNDWATER BASIN SITUATED WITHIN SAN BERNARDINO COUNTY
BY SAN BERNARDINO COUNTY ENTITIES FOR USE IN SAN BERNARDINO COUNTY
DURING THE 5-YEAR BASE PERIOD ENDING IN 1963
AND FOR FOLLOWING CALENDAR YEARS 1971 THROUGH THE CURRENT YEAR

(All Quantities in Acre Feet)

Verified Extractions from
Riverside Basin Area Within San Bernardino Co.

Calendar Year	Total Basin (1)	by Riverside County Entities (2)	by San Bernardino County Entities (3) = (1 - 2)
1959	38,572	28,722	9,850
1960	33,837	24,054	9,783
1961	37,176	26,713	10,463
1962	30,539	21,454	9,085
1963	28,521	19,659	8,862
Total			
5-year Avg	33,729	24,120	9,609
1971	29,070	20,322	8,748
1972	28,148	20,185	7,963
1973	21,809	15,319	6,490
1974	21,881	14,982	6,899
1975	22,701	16,188	6,513
1976	24,705	17,807	6,898
1977	23,506	16,417	7,089
1978	17,216	10,955	6,261
1979	20,024	12,962	7,062
1980	18,533	12,601	5,932
1981	23,611	16,800	6,811
1982	17,349	11,940	5,409
1983	11,904	6,700	5,204
1984	17,161	11,513	5,648
1985	*19,392	13,344	6,048
1986	17,337	**9,936	7,401
1987	***15,803	8,429	7,374
1988	****16,933	9,698	7,235
1989	25,557	17,776	7,781
1990			
1991			
1992			
1993			
1994			
1995			

Column (1), Table 3 total verified production all facilities

Column (2), Table 4 total extractions

Same as Vol. 5, Table 53;

* Corrected during 1986 verification ** Corrected during 1987 verification

*** Corrected during 1988 verification **** Corrected during 1989 verification

VOLUME 4 - 1989

REPORT OF WATERMASTER

Western Municipal Water District of Riverside County, et al
Plaintiffs

vs.

East San Bernardino County Water District, et al
Defendants

Superior Court of Riverside County
Case No. 78426

VOLUME 4 – 1989

VERIFIED EXTRACTIONS FROM THE
RIVERSIDE BASIN AREA WITHIN
RIVERSIDE COUNTY
FOR
CALENDAR YEARS 1959–1963 & 1985–1989

ANNUAL ACCOUNTING
FOR INDIVIDUAL WELLS

AUGUST 1, 1991

WATERMASTER
Donald L. Harriger
Robert L. Reiter

REPORT OF WATERMASTER

Western Municipal Water District of Riverside County, et al
Plaintiffs

vs.

East San Bernardino County Water District, et al
Defendants

Superior Court of Riverside County

Case No. 78426

VOLUME 4 - 1989

VERIFIED EXTRACTIONS FROM THE

RIVERSIDE BASIN AREA WITHIN

RIVERSIDE COUNTY

FOR

CALENDAR YEARS 1959-1963 & 1985-1989

ANNUAL ACCOUNTING

FOR INDIVIDUAL WELLS

AUGUST 1, 1991

WATERMASTER

Donald L. Harriger
Robert L. Reiter

VOLUME 4-1989

TABLE OF CONTENTS

	<u>Page</u>
INTRODUCTION	i
RIVERSIDE BASIN AREA IN RIVERSIDE COUNTY CROSS INDEX BY OWNER	1
RIVERSIDE BASIN AREA IN RIVERSIDE COUNTY CROSS INDEX BY RECORDATION NUMBER	4
RIVERSIDE BASIN AREA IN RIVERSIDE COUNTY CROSS INDEX BY STATE WELL NUMBER	7
<u>TABLE NO. 1</u>	
VERIFIED EXTRACTIONS BY OWNERS WHICH HAVE RECORDATION FILINGS WITH THE STATE WATER RESOURCES CONTROL BOARD	10
<u>TABLE NO. 2</u>	
VERIFIED EXTRACTIONS BY OWNERS WHICH HAVE NOT FILED WITH THE STATE WATER RESOURCES CONTROL BOARD	15
<u>TABLE NO. 3</u>	
SUMMARY OF VERIFIED EXTRACTIONS (FILED AND NON-FILED) FROM RIVERSIDE BASIN AREA WITHIN RIVERSIDE COUNTY	16
<u>TABLE NO. 4</u>	
TOTAL VERIFIED EXTRACTIONS FROM THE RIVERSIDE BASIN AREA WITHIN RIVERSIDE COUNTY FOR USE WITHIN RIVERSIDE COUNTY DURING THE 5-YEAR PERIOD ENDING IN 1963 AND FOR CALENDAR YEARS 1971 THROUGH THE CURRENT YEAR	17

VOLUME 4-1989

VERIFIED EXTRACTIONS FROM
THE RIVERSIDE BASIN AREA
WITHIN RIVERSIDE COUNTY FOR
CALENDAR YEARS 1959-1963 & 1985-1989

INTRODUCTION

The provisions of Paragraph IX(a) and IX(b) of the Judgment Case No. 78426 entered April 17, 1969, entitled "Extractions from the Portion of Riverside Basin Area in Riverside County which is Tributary to Riverside Narrows" provide as follows:

- IX(a) "The average annual extractions from the portion of the Riverside Basin Area in Riverside County which is tributary to Riverside Narrows, for use in Riverside County, for the five-year period ending with 1963 are assumed to be 30,044 acre-feet; the correct figures shall be determined by the Watermaster as herein provided."
- IX(b) "Over any five-year period, there may be extracted from such Basin Area, without replenishment obligation, an amount equal to five times such annual average for the Basin Area; provided, however, that if extractions in any year exceed such average by more than 20 percent, Western shall provide replenishment in the following year equal to the excess extractions over such 20 percent peaking allowance."

Paragraph IX(a) of the Judgment requires only that extractions from that part of the Riverside Basin in Riverside County which is tributary to the Riverside Narrows and used in Riverside County, be verified for the five calendar year base period ending in 1963. Accordingly, a verification of these extractions has been made, the results of which are shown in Table No. 3 on page 16 and averaged 29,634 acre-feet annually for each year during the base period.

Three indexes are included which provide a cross index by owner's name, State Water Resources Control Board Recordation Number, and State Well Number. Each index shows in addition, the local designation of each well, if the State Board has closed the file, which year that occurred, and the last five years verified extractions.

Tables No. 1 and 2 in this report list the individual wells by the owner, and the owner totals for each year in the five year base period ending in 1963, the five year period average, the extractions for the years of 1985 through 1989 and the five year average for that period. Table No. 1 lists the wells upon which filings have been made with the State Water Resources Control Board, and Table 2 lists the wells upon which no filings have been made. Table No. 3 is a summary of the verified extractions, by owner, as presented in Tables No. 1 and No. 2.

The judgment further provides in Paragraph XVI that the accounting is effective from and after January 1, 1971. The recent verified extractions from the Riverside Basin Area in Riverside County for calendar years 1975 through the current year have been determined to be as follows:

<u>Year</u>	<u>Verified Extractions</u>
1975	28,285 A.F.
1976	31,565 A.F.
1977	28,226 A.F.
1978	24,878 A.F.
1979	25,512 A.F.
1980	30,206 A.F.
1981	30,243 A.F.
1982	20,365 A.F. ¹⁾
1983	22,991 A.F. ¹⁾
1984	32,466 A.F. ²⁾
1985	23,970 A.F. ³⁾
1986	24,549 A.F. ⁴⁾
1987	24,885 A.F. ⁵⁾
1988	25,220 A.F. ⁶⁾
1989	35,865 A.F.

Table No.4 shows the total verified extractions from the Riverside Basin Area in Riverside County for use in Riverside County during the five year period ending in 1963 and for calendar years 1971 through the current year.

- 1) Corrected during 1984 verification (Victoria C.C.)
- 2) Corrected during 1985 verification (Hunter Engineering)
- 3) Corrected during 1986 verification (Hunter Engineering)
- 4) Corrected during 1987 verification (Michael C)
- 5) Corrected during 1988 verification (Cyn Crest C.C., Hunter Engineering, Garner C.)
- 6) Corrected during 1989 verification (Michael C)

ERRATA

During the 1989 verification (June 1991) the following changes and corrections were made to the report.

The Erin Madison Group purchased land and wells from the Riverside Cement Company (3301203, 3301473, 3301626-). The wells are now listed under Madison, including the past production figures.

Corrected 1988 data for Michael C., -508 af. Non-verified figures used in error.

During the 1988 verification (June 1990) the following changes and corrections were made to the report.

Canyon Crest County Club (3302052) 1987 production was verified in the amount of 9 A.F.

Hunter Engineering (3600609) 1987 production of 36 A.F. was not included on the 1987 verified printout.

City of Riverside Garner C (3302472) 1987 production of 1769 A.F. was mis-located and during 1987 verification was placed in the Riverside North Basin.

Net corrections $9+36+1769 = 1,814$ A.F. increase from the 1987 verified amount of 23,071 A.F. to yield the 1988 verified figure of 24,885 A.F.

Riverside Cement Companies Falco well (3300371) was sold to Walter and Barbara Taylor.

RIVERSIDE BASIN AREA
IN RIVERSIDE COUNTY
CROSS INDEX BY OWNER

VERIFIED WELL MASTER FILE LISTING FOR BASIN RIVERSIDE SOUTH BY OWNER NAME

wm:vxr

RUN DATE: 12 JUN 1991

OWNER.....	T P	RECORD NUMBER	DTN NUMBER	STATE NUMBER	WELL DESIGNATION	LOCAL CLSD	YEAR	---CALENDAR YEAR EXTRACTIIONS---				
								1985	1986	1987	1988	1989
ALAMO WATER COMPANY	W	3301768	2S5W11J					538	497	447	413	412
BANK OF AMERICA N.T.&S.A.	W	3301605	2S4W19P01S	WOODILL		1967	0	0	0	0	0	0
BOX SPRINGS MUTUAL WATER COMPANY	W	3300272	3S4W10A			1978	0	0	0	0	0	0
BOX SPRINGS MUTUAL WATER COMPANY	W	3300272-	3S4W10A	14		1964	0	0	0	0	0	0
BOX SPRINGS MUTUAL WATER COMPANY	W	3300273	3S4W10G	13A		1978	0	0	0	0	0	0
BOX SPRINGS MUTUAL WATER COMPANY	W	3300273-	3S4W10G	15		1964	0	0	0	0	0	0
BOX SPRINGS MUTUAL WATER COMPANY	W	3300274	3S4W10B	15A		1978	0	0	0	0	0	0
BOX SPRINGS MUTUAL WATER COMPANY	W	3300274-	3S4W10B	16			10	9	8	4	FC	
BOX SPRINGS MUTUAL WATER COMPANY	W	3300275	3S4W10A	17			440	395	386	403	385	
BURNS F L AND LAURA	W	3300439	2S4W07N	CIT ST 2		1971	0	0	0	0	0	0
CALIF DEPT OF TRANSPORTATION DIST	BR W	3301915	2S5W23Q03S	FREEWAY		1989	33	856	687	564	0	0
CANYON CREST COUNTRY CLUB	W	3302052	2S4W31R01S	NO 1		1989	7	9	9	9	9	9
CARPENTER COMPANY	W	3301036	3S5W09A01S	CBLNCA 1			10	10	10	10	0	0
CERTAIN-TEED PRODUCTS	W	3302233	2S5W10C04S	1			16	16	16	16	16	16
CERTAIN-TEED PRODUCTS	W	3302234	2S5W10C03S	2			16	16	16	16	16	16
CERTAIN-TEED PRODUCTS	W	3302235	2S5W10C01S	3			16	16	16	16	16	16
CITIZENS NATIONAL COMPANY	W	3300375	2S5W23L01S	AIR COND		1971	0	0	0	0	0	0
CRESTMORE HEIGHTS MUTUAL WATER CO	W	3301372	2S5W03B02S	2			23	20	24	24	25	25
CRESTMORE HEIGHTS MUTUAL WATER CO	W	3301659	2S5W03B	3			60	51	63	86	65	65
EASTERN MUNICIPAL WATER DISTRICT	W	3300981	3S4W03Q	RECHE CN		1974	0	0	0	0	0	0
EASTERN MUNICIPAL WATER DISTRICT	W	3300982	3S4W03R	DICKNSON		1974	0	0	0	0	0	0
FORT FREMONT MUTUAL WATER CO	W	3301296	2S5W16J	1			110	171	145	136	32	
FORT FREMONT MUTUAL WATER CO	W	3301297	2S5W16J	2			84	30	48	50	163	
GROSS DALE P	W	3300748	2S5W12E	1		1971	0	0	0	0	0	0
GRUBBS V W	W	3300076	2S4W07P			1968	0	0	0	0	0	0
HUNTER ENGINEERING COMPANY	W	3300607	2S4W18E01S	SMITH 1		1974	0	0	0	0	0	0
HUNTER ENGINEERING COMPANY	W	3300608	2S4W18F	2		1974	0	0	0	0	0	0
HUNTER ENGINEERING COMPANY	W	3300609	2S4W18C	3		1974	50	40	36	43	44	
JOHNSON TRUMAN	W	0000014	2S5W14E	1			0	0	0	0	0	0
JOHNSON TRUMAN	W	3300160	2S5W14E	1		1981	0	0	0	0	0	0
JURUPA COMM SERVICES DIST	W	3301362	2S5W08G04S	3			266	70	0	1	397	
JURUPA COMM SERVICES DIST	W	3301501	2S5W08G01S	5			634	475	0	0	0	0
JURUPA COMM SERVICES DIST	W	3301502	2S5W08K02S	6		1981	0	0	0	0	0	0
JURUPA COMM SERVICES DIST	W	3301578	2S5W05R	PERSON MUT		1980	0	0	0	0	0	0
JURUPA COMM SERVICES DIST	W	3301625	2S5W08K03S	7		1981	0	0	0	0	0	0
LA CASA CONTENTA MOTEL	W	3300573	2S4W19P	ADLINE		1967	0	0	0	0	0	0
MADISON, ERIN	W	3301203	2S5W02F	1 VALENCIA		1989	371	378	106	205	205	
MADISON, ERIN	W	3301473	2S5W02F	CHINO NO 3		1989	274	0	0	0	FC	
MADISON, ERIN	W	3301626-	2S5W02L	64-1		1989	251	0	554	205	205	
MARTIN KENNETH ALLAN	W	3300554	2S5W32B01S	RR 1		1968	0	0	0	0	0	0
MICHAEL C	W	3300595	2S5W22C01S	OLD A		1978	0	0	0	0	0	0
MICHAEL C	W	3300595-	2S5W22D	A			276	296	270	232	538	
MICHAEL C	W	3300597	2S5W22C02S	C			0	0	0	0	0	0
MICHAEL C	W	3300599	2S5W21B01S	E			327	398	381	297	326	
MICHAEL C	W	3300600	2S5W21A01S	F			0	0	0	0	0	0
MICHAEL C	W	3300601	2S5W22D01S	G			46	49	54	27	1	
MIPO CORP DBA MISSION	W	3300000	2S5W23G02S	6TH ST		1975	0	0	0	0	0	0
MUTUAL WATER CO OF W RIVERSIDE	W	3302008	2S5W10K06S	NO 1			276	272	258	296	273	
PROPERTY ACQUISITION CO	W	3301422	2S5W05R02S	PATA 66		1974	0	0	0	0	0	0
RIO RANCHO MUTUAL WATER COMPANY	W	3300022	2S5W16R	1		1978	0	0	0	0	0	0

VERIFIED WELL MASTER FILE LISTING FOR BASIN RIVERSIDE SOUTH BY OWNER NAME

WM:VXR

RUN DATE: 12 JUN 1991

OWNER.....	T P	RECORD NUMBER	DTM NUMBER	STATE NUMBER	WELL DESIGNATION	LOCAL CLSD	YEAR	---CALENDAR YEAR EXTRACTIIONS----				
								1985	1986	1987	1988	1989
RIO RANCHO MUTUAL WATER COMPANY	W	3300022-	2S5W16R01S	1				86	82	71	77	59
RIVERSIDE CITY OF	W	3300417	2S5W25F01S	CLEARWTR				0	0	0	0	0
RIVERSIDE CITY OF	W	3300686	2S4W19J01S	LEMONA 1		1974		0	0	0	0	0
RIVERSIDE CITY OF	W	3301073	2S5W12K02S	TWIN 1&2				1676	2184	1900	960	1648
RIVERSIDE CITY OF	W	3301074	2S5W23J01S	MULBERRY				0	0	0	0	0
RIVERSIDE CITY OF	W	3301075	2S5W12B01S	GARNER				168	6	11	15	13
RIVERSIDE CITY OF	W	3301076	2S5W12P01S	MREGRIF 1				221	855	61	28	0
RIVERSIDE CITY OF	W	3301077	2S5W12P02S	BRUNTON				0	381	137	179	160
RIVERSIDE CITY OF	W	3301078	2S5W28A01S	SANITARY		1977		0	0	0	0	0
RIVERSIDE CITY OF	W	3301079	2S5W28C01S	DAVIS		1977		0	0	0	0	0
RIVERSIDE CITY OF	W	3301082	2S5W14G02S	FAIRMT 1				415	33	165	135	141
RIVERSIDE CITY OF	W	3301084	2S5W12A01S	RUSSELL		1972		0	0	0	0	0
RIVERSIDE CITY OF	D	3301086	2S5W14K	SPBROOK		1966		0	0	0	0	0
RIVERSIDE CITY OF	D	3301087	2S5W29G	JENSEN		1977		0	0	0	0	0
RIVERSIDE CITY OF	W	3301284	2S5W24D01S	1ST ST				22	35	8	438	254
RIVERSIDE CITY OF	W	3301285	2S5W13Q01S	CUNHAM 1		1978		0	0	0	0	0
RIVERSIDE CITY OF	W	3301285-	2S5W13Q02S	CUNHAM 2				0	0	0	0	0
RIVERSIDE CITY OF	W	3301286	2S4W07N01S	PALMYR 1		1978		0	0	0	0	0
RIVERSIDE CITY OF	W	3301286-	2S4W07N03S	PALMYR 2				16	0	3	0	1
RIVERSIDE CITY OF	W	3301287	2S4W07L01S	ELECTRIC ST				2216	2673	3251	2983	4072
RIVERSIDE CITY OF	W	3301288	2S5W23R01S	FILL				119	8	12	335	393
RIVERSIDE CITY OF	W	3301289	2S5W23Q01S	11TH ST				63	0	0	0	57
RIVERSIDE CITY OF	W	3301358	2S4W08E01S	HIGHGRV 1				0	0	0	0	0
RIVERSIDE CITY OF	W	3301359	2S4W08D03S	HIGHGRV 2		1978		0	0	0	0	0
RIVERSIDE CITY OF	W	3301359-	2S4W08D04S	HIGHGRV 3				0	0	0	0	0
RIVERSIDE CITY OF	W	3301635	2S5W14G03S	MORI 2				403	77	216	155	161
RIVERSIDE CITY OF	W	3301814	3S5W03F01S	ORNG ACRE		1982		0	0	0	0	0
RIVERSIDE CITY OF	W	3301851	2S5W14E01S	FAIRMT 2				39	49	30	39	36
RIVERSIDE CITY OF	W	3301940	3S5W09E01S	LINC HTS		1981		0	0	0	0	0
RIVERSIDE CITY OF	W	3301959	2S5W12B04S	GARNER B				810	1004	1508	1387	3104
RIVERSIDE CITY OF	W	3302472	2S5W12C03S	GARNER C						1769	2495	3782
RIVERSIDE CITY OF	W	3302531	2S5W12A03S	RUSSELL B				1061	1653	1467	1277	2356
RIVERSIDE CITY OF-GAGE CANAL	W	3300366	2S5W26F01S	OLVEWOD 1				535	680	521	463	1677
RIVERSIDE CITY OF-GAGE CANAL	W	3300367	2S5W26E02S	OLVEWOD 2				968	1091	910	1045	1954
RIVERSIDE CITY OF-GAGE CANAL	W	3300368	2S5W26M01S	OLVEWOD 3				487	485	336	576	1239
RIVERSIDE COUNTY OF	W	3300596	2S5W21K01S	Hq				24	24	24	24	24
RIVERSIDE COUNTY OF	W	3300598	2S5W21K	Edmunds "D"				374	374	683	750	910
RIVERSIDE COUNTY OF	W	3302205	2S5W21M01S	PIC LAK 12				0	0	0	0	0
RIVERSIDE COUNTY OF	W	3302206	2S5W21M04S	PIC LAK 14				155	155	155	100	100
RIVERSIDE CEMENT CO	W	0000021	2S5W03	88-1								1061
RIVERSIDE CEMENT CO	W	3300369	2S5W02E	CHINO NO 2		1960		0	0	0	0	0
RIVERSIDE CEMENT CO	W	3300370	2S5W03J	CRESTMOR		1988		2503	0	0	0	0
RIVERSIDE CEMENT CO	W	3300372	2S5W03G02S	49		1960		0	0	0	0	0
RIVERSIDE CEMENT CO	W	3301610	2S5W03A	60-1				238	1321	1453	1106	1061
RIVERSIDE CEMENT CO	W	3301626	2S5W02L	53-2		1978		0	0	0	0	0
RIVERSIDE CEMENT COMPANY	W	0000016	2S5W03	88-1								889
RIVERSIDE HIGHLAND WATER COMPANY	W	3301655	2S4W08M01S	21				1120	1175	996	775	1072
RIVERSIDE HIGHLAND WATER COMPANY	W	3301656	2S4W08M02S	22				797	842	817	750	357
RIVERSIDE INDUSTRIAL PARK	W	3300330	2S5W11C01S	8		1974		0	0	0	0	0
RIVERSIDE THOROUGHBRED FARM	W	3301834	2S5W15B10S	1				977	670	330	236	509

VERIFIED WELL MASTER FILE LISTING FOR BASIN RIVERSIDE SOUTH BY OWNER NAME

RUN DATE: 12 JUN 1991

WM:VXF

OWNER.....	T P	RECORD NUMBER	DTM NUMBER	STATE NUMBER	WELL DESIGNATION	LOCAL DESIGNATION	YEAR CLSD	---CALENDAR YEAR EXTRACTIIONS----				
								1985	1986	1987	1988	1989
RIVERSIDE THOROUGHBRED FARM	W	3301835	2S5W15B11S				1986	71	0	70	89	0
RIVINO WATER COMPANY	W	3301346	2S5W02L01S	1			1980	0	0	0	0	0
ROCKY R RANCH	W	3300768	3S5W14E		GURNEY 1		1974	0	0	0	0	0
ROOS CHARLES E	W	3301257	2S4W31E01S	1			1970	0	0	0	0	0
ROSS SAM	W	3301194	2S5W12R01S	1	WEST		1959	0	0	0	0	0
RUBIDOUX COMMUNITY SERVICES DISTRICT	W	0000013	2S5W20R01S		SEWER PLANT			0	0	0	0	0
RUBIDOUX COMMUNITY SERVICES DISTRICT	W	3301153	2S5W15M02S	#7	36&DALEY			369	375	300	263	187
RUBIDOUX COMMUNITY SERVICES DISTRICT	W	3301154	2S5W15L09S		NO 8		1989	0	0	0	0	0
RUBIDOUX COMMUNITY SERVICES DISTRICT	W	3301363	2S5W16E06S		OLD #4		1988	0	0	0	0	0
RUBIDOUX COMMUNITY SERVICES DISTRICT	W	3301423	2S5W16G04S		NO 1		1987	0	0	0	0	0
RUBIDOUX COMMUNITY SERVICES DISTRICT	W	3301424	2S5W15M01S		NO 9		1988	0	0	0	0	0
RUBIDOUX COMMUNITY SERVICES DISTRICT	W	3301524	2S5W19J		J H NO 9		1979	0	0	0	0	0
RUBIDOUX COMMUNITY SERVICES DISTRICT	W	3301524-	2S5W20J02S	#16	HUNTER			108	133	137	175	172
RUBIDOUX COMMUNITY SERVICES DISTRICT	W	3301694	2S5W20H04S	#13	HUNTER 6			390	355	93	366	258
RUBIDOUX COMMUNITY SERVICES DISTRICT	W	3301887	2S5W10P01S	#3	28TH ST			37	100	439	310	1
RUBIDOUX COMMUNITY SERVICES DISTRICT	W	3301892	2S5W17R03S	#4	CLEMENTS			750	474	348	431	274
RUBIDOUX COMMUNITY SERVICES DISTRICT	W	3302007	2S5W16H06S		NO 2, TROYER			370	273	74	264	1187
RUBIDOUX COMMUNITY SERVICES DISTRICT	W	3302538	2S5W20A01S		46 ST, #14			159	435	451	827	702
RUBIDOUX COMMUNITY SERVICES DISTRICT	W	3302539	2S5W21C01S		12-AIRPORT			742	831	763	876	865
RUBIDOUX COMMUNITY SERVICES DISTRICT	W	3302540	2S5W15M		#5 NEW 36ST						271	792
RUBIDOUX COMMUNITY SERVICES DISTRICT	W	3302541	2S5W11C02S		SKOTTY #4			769	809	842	799	8
RUBIDOUX COMMUNITY SERVICES DISTRICT	W	3302542	2S5W15L01S		#1-CRESTMORE			265	520	391	489	618
SCHWAB A M	W	3300230	2S4W08N02S		PLMYRTA		1981	0	0	0	0	0
SCOPE CORPORATION	W	3300003	2S4W19J02S		COOK 2		1972	0	0	0	0	0
SCOPE CORPORATION	W	3300004	2S4W19R01S		HALL 1		1972	0	0	0	0	0
STOKER GEORGE	W	3300798	2S5W12A				1971	0	0	0	0	0
TAYLOR, WALTER & BARBARA	W	3300371	2S5W05K		FALCO			0	0	0	0	0
TRI-CITY LINEN SUPPLY COMPANY	W	3301384	2S5W22R01S		RIV LDY			48	48	49	47	80
UNIVERSITY OF CALIFORNIA REGENTS OF	W	3300040	2S4W08D02S		HIGHGROV			0	0	300	366	237
VICTORIA COUNTRY CLUB	W	3300417-	2S5W25F01S		CLEARWTR			265	265	260	266	266
VON KANEL ALFRED	W	3300068	2S5W32A01S				1979	0	0	0	0	0
WATERMAN ALLEN H	W	3300812	2S5W11P		WTRMN 1		1962	0	0	0	0	0
WHITE SULPHUR SPRINGS POOL	W	3300754	2S5W13E		WHSLPHR 1		1971	0	0	0	0	0
WIGHT MRS CHARLES H	W	3300277	2S5W11K				1972	0	0	0	0	0
YEAGER CONSTRUCTION CO	W	3301081	2S5W14B		ANZA		1975	0	0	0	0	0
YEAGER CONSTRUCTION CO	W	3301927	2S5W03R03S	2			1974	0	0	0	0	0
ZINKE VERA	W	3300811	2S5W32K01S		WAYMAN		1975	0	0	0	0	0
END OF RIVERSIDE SOUTH BASIN								23970	24549	24885	25220	35865

RIVERSIDE BASIN AREA

IN RIVERSIDE COUNTY

CROSS INDEX BY RECORDATION NUMBER

VERIFIED WELL MASTER FILE LISTING FOR BASIN RIVERSIDE SOUTH BY RECORDATION NUMBER

WM:VXR

RUN DATE: 12 JUN 1991

RECORDTN NUMBER	STATE NUMBER	WELL NUMBER	OWNER.....	T LOCAL P DESIGNATION	YEAR CLSD	---CALENDAR YEAR EXTRACTIONS----				
						1985	1986	1987	1988	1989
000013	2S5W20R01S		RUBIDOUX COMMUNITY SERVICES DISTRICT	W SEWER PLANT		0	0	0	0	0
000014	2S5W14E		JOHNSON TRUMAN	W 1		0	0	0	0	0
000016	2S5W03		RIVERSIDE CEMENT COMPANY	W 88-1						889
000021	2S5W03		RIVERSIDE CEMENT CO	W 88-1						1061
3300000	2S5W23G02S		MIPO CORP DBA MISSION	W 6TH ST	1975	0	0	0	0	0
3300003	2S4W19J02S		SCOPE CORPORATION	W COOK 2	1972	0	0	0	0	0
3300004	2S4W19R01S		SCOPE CORPORATION	W HALL 1	1972	0	0	0	0	0
3300022	2S5W16R		RIO RANCHO MUTUAL WATER COMPANY	W 1	1978	0	0	0	0	0
3300022-	2S5W16R01S		RIO RANCHO MUTUAL WATER COMPANY	W 1		86	82	71	77	59
3300040	2S4W08D02S		UNIVERSITY OF CALIFORNIA REGENTS OF	W HIGHGROV		0	0	300	366	237
3300068	2S5W32A01S		VON KANEL ALFRED	W	1979	0	0	0	0	0
3300076	2S4W07P		GRUBBS V W	W	1968	0	0	0	0	0
3300160	2S5W14E		JOHNSON TRUMAN	W 1	1981	0	0	0	0	0
3300230	2S4W08N02S		SCHWAB A M	W PLMYRTA	1981	0	0	0	0	0
3300272	3S4W10A		BOX SPRINGS MUTUAL WATER COMPANY	W	1978	0	0	0	0	0
3300272-	3S4W10A		BOX SPRINGS MUTUAL WATER COMPANY	W 14	1964	0	0	0	0	0
3300273	3S4W10G		BOX SPRINGS MUTUAL WATER COMPANY	W 13A	1978	0	0	0	0	0
3300273-	3S4W10G		BOX SPRINGS MUTUAL WATER COMPANY	W 15	1964	0	0	0	0	0
3300274	3S4W10B		BOX SPRINGS MUTUAL WATER COMPANY	W 15A	1978	0	0	0	0	0
3300274-	3S4W10B		BOX SPRINGS MUTUAL WATER COMPANY	W 16		10	9	8	4	FC
3300275	3S4W10A		BOX SPRINGS MUTUAL WATER COMPANY	W 17		440	395	386	403	385
3300277	2S5W11K		WIGHT MRS CHARLES H	W	1972	0	0	0	0	0
3300330	2S5W11C01S		RIVERSIDE INDUSTRIAL PARK	W 8	1974	0	0	0	0	0
3300366	2S5W26F01S		RIVERSIDE CITY OF-GAGE CANAL	W OLVEWOD 1		535	680	521	463	1677
3300367	2S5W26E02S		RIVERSIDE CITY OF-GAGE CANAL	W OLVEWOD 2		968	1091	910	1045	1954
3300368	2S5W26M01S		RIVERSIDE CITY OF-GAGE CANAL	W OLVEWOD 3		487	485	336	576	1239
3300369	2S5W02E		RIVERSIDE CEMENT CO	W CHINO NO 2	1960	0	0	0	0	0
3300370	2S5W03J		RIVERSIDE CEMENT CO	W CRESTMOR	1988	2503	0	0	0	0
3300371	2S5W05K		TAYLOR, WALTER & BARBARA	W FALCO		0	0	0	0	0
3300372	2S5W03G02S		RIVERSIDE CEMENT CO	W 49	1960	0	0	0	0	0
3300375	2S5W23L01S		CITIZENS NATIONAL COMPANY	W AIR COND	1971	0	0	0	0	0
3300417	2S5W25F01S		RIVERSIDE CITY OF	W CLEARWTR		0	0	0	0	0
3300417-	2S5W25F01S		VICTORIA COUNTRY CLUB	W CLEARWTR		265	265	260	266	266
3300439	2S4W07N		BURNS F L AND LAURA	W CIT ST 2	1971	0	0	0	0	0
3300554	2S5W32B01S		MARTIN KENNETH ALLAN	W RR 1	1968	0	0	0	0	0
3300573	2S4W19P		LA CASA CONTENTA MOTEL	W ADLINE	1967	0	0	0	0	0
3300595	2S5W22C01S		MICHAEL C	W OLD A	1978	0	0	0	0	0
3300595-	2S5W22D		MICHAEL C	W A		276	296	270	232	538
3300596	2S5W21K01S		RIVERSIDE COUNTY OF	W HQ		24	24	24	24	24
3300597	2S5W22C02S		MICHAEL C	W C		0	0	0	0	0
3300598	2S5W21K		RIVERSIDE COUNTY OF	W Edmunds "D"		374	374	683	750	910
3300599	2S5W21B01S		MICHAEL C	W E		327	398	381	297	326
3300600	2S5W21A01S		MICHAEL C	W F		0	0	0	0	0
3300601	2S5W22D01S		MICHAEL C	W G		46	49	54	27	1
3300607	2S4W18E01S		HUNTER ENGINEERING COMPANY	W SMITH 1	1974	0	0	0	0	0
3300608	2S4W18F		HUNTER ENGINEERING COMPANY	W 2	1974	0	0	0	0	0
3300609	2S4W18C		HUNTER ENGINEERING COMPANY	W 3	1974	50	40	36	43	44
3300686	2S4W19J01S		RIVERSIDE CITY OF	W LEMONA 1	1974	0	0	0	0	0
3300748	2S5W12E		GROSS DALE P	W 1	1971	0	0	0	0	0
3300754	2S5W13E		WHITE SULPHUR SPRINGS POOL	W WHSLPHR 1	1971	0	0	0	0	0

VERIFIED WELL MASTER FILE LISTING FOR BASIN RIVERSIDE SOUTH BY RECORDATION NUMBER

WM:VXR

RUN DATE: 12 JUN 1991

RECORDTN NUMBER	STATE NUMBER	WELL NUMBER	OWNER.....	T LOCAL P DESIGNATION	YEAR CLSD	---CALENDAR YEAR EXTRACTIIONS----				
						1985	1986	1987	1988	1989
3300768	3S5W14E	ROCKY R RANCH		W GURNEY 1	1974	0	0	0	0	0
3300798	2S5W12A	STOKER GEORGE		W	1971	0	0	0	0	0
3300811	2S5W32K01S	ZINKE VERA		W WAYMAN	1975	0	0	0	0	0
3300812	2S5W11P	WATERMAN ALLEN H		W WTRMN 1	1962	0	0	0	0	0
3300981	3S4W03Q	EASTERN MUNICIPAL WATER DISTRICT		W RECHE CN	1974	0	0	0	0	0
3300982	3S4W03R	EASTERN MUNICIPAL WATER DISTRICT		W DICKNSON	1974	0	0	0	0	0
3301036	3S5W09A01S	CARPENTER COMPANY		W CBLNCA 1		10	10	10	10	0
3301073	2S5W12K02S	RIVERSIDE CITY OF		W TWIN 1&2		1676	2184	1900	960	1648
3301074	2S5W23J01S	RIVERSIDE CITY OF		W MULBERRY		0	0	0	0	0
3301075	2S5W12B01S	RIVERSIDE CITY OF		W GARNER		168	6	11	15	13
3301076	2S5W12P01S	RIVERSIDE CITY OF		W MREGRIF 1		221	855	61	28	0
3301077	2S5W12P02S	RIVERSIDE CITY OF		W BRUNTON		0	381	137	179	160
3301078	2S5W28A01S	RIVERSIDE CITY OF		W SANITARY	1977	0	0	0	0	0
3301079	2S5W28C01S	RIVERSIDE CITY OF		W DAVIS	1977	0	0	0	0	0
3301081	2S5W14B	YEAGER CONSTRUCTION CO		W ANZA	1975	0	0	0	0	0
3301082	2S5W14G02S	RIVERSIDE CITY OF		W FAIRMT 1		415	33	165	135	141
3301084	2S5W12A01S	RIVERSIDE CITY OF		W RUSSELL	1972	0	0	0	0	0
3301086	2S5W14K	RIVERSIDE CITY OF		D SPBROOK	1966	0	0	0	0	0
3301087	2S5W29G	RIVERSIDE CITY OF		D JENSEN	1977	0	0	0	0	0
3301153	2S5W15M02S	RUBIDOUX COMMUNITY SERVICES DISTRICT		W #7 36&DALEY		369	375	300	263	187
3301154	2S5W15L09S	RUBIDOUX COMMUNITY SERVICES DISTRICT		W NO 8	1989	0	0	0	0	0
3301194	2S5W12R01S	ROSS SAM		W 1 WEST	1959	0	0	0	0	0
3301203	2S5W02F	MADISON, ERIN		W 1 VALENCIA	1989	371	378	106	205	205
3301257	2S4W31E01S	ROOS CHARLES E		W 1	1970	0	0	0	0	0
3301284	2S5W24D01S	RIVERSIDE CITY OF		W 1ST ST		22	35	8	438	254
3301285	2S5W13Q01S	RIVERSIDE CITY OF		W CUNHAM 1	1978	0	0	0	0	0
3301285-	2S5W13Q02S	RIVERSIDE CITY OF		W CUNHAM 2		0	0	0	0	0
3301286	2S4W07N01S	RIVERSIDE CITY OF		W PALMYR 1	1978	0	0	0	0	0
3301286-	2S4W07N03S	RIVERSIDE CITY OF		W PALMYR 2		16	0	3	0	1
3301287	2S4W07L01S	RIVERSIDE CITY OF		W ELECTRIC ST		2216	2673	3251	2983	4072
3301288	2S5W23R01S	RIVERSIDE CITY OF		W FILL		119	8	12	335	393
3301289	2S5W23Q01S	RIVERSIDE CITY OF		W 11TH ST		63	0	0	0	57
3301296	2S5W16J	FORT FREMONT MUTUAL WATER CO		W 1		110	171	145	136	32
3301297	2S5W16J	FORT FREMONT MUTUAL WATER CO		W 2		84	30	48	50	163
3301346	2S5W02L01S	RIVINO WATER COMPANY		W 1	1980	0	0	0	0	0
3301358	2S4W08E01S	RIVERSIDE CITY OF		W HIGHGRV 1		0	0	0	0	0
3301359	2S4W08D03S	RIVERSIDE CITY OF		W HIGHGRV 2	1978	0	0	0	0	0
3301359-	2S4W08D04S	RIVERSIDE CITY OF		W HIGHGRV 3		0	0	0	0	0
3301362	2S5W08G04S	JURUPA COMM SERVICES DIST		W 3		266	70	0	1	397
3301363	2S5W16E06S	RUBIDOUX COMMUNITY SERVICES DISTRICT		W OLD #4	1988	0	0	0	0	0
3301372	2S5W03B02S	CRESTMORE HEIGHTS MUTUAL WATER CO		W 2		23	20	24	24	25
3301384	2S5W22R01S	TRI-CITY LINEN SUPPLY COMPANY		W RIV LDY		48	48	49	47	80
3301422	2S5W05R02S	PROPERTY ACQUISITION CO		W PATA 66	1974	0	0	0	0	0
3301423	2S5W16G04S	RUBIDOUX COMMUNITY SERVICES DISTRICT		W NO 1	1987	0	0	0	0	0
3301424	2S5W15M01S	RUBIDOUX COMMUNITY SERVICES DISTRICT		W NO 9	1988	0	0	0	0	0
3301473	2S5W02F	MADISON, ERIN		W CHINO NO 3	1989	274	0	0	0	FC
3301501	2S5W08G01S	JURUPA COMM SERVICES DIST		W 5		634	475	0	0	0
3301502	2S5W08K02S	JURUPA COMM SERVICES DIST		W 6	1981	0	0	0	0	0
3301524	2S5W19J	RUBIDOUX COMMUNITY SERVICES DISTRICT		W J H NO 9	1979	0	0	0	0	0
3301524-	2S5W20J02S	RUBIDOUX COMMUNITY SERVICES DISTRICT		W #16 HUNTER		108	133	137	175	172

VERIFIED WELL MASTER FILE LISTING FOR BASIN RIVERSIDE SOUTH BY RECORDATION NUMBER

WM:VXR

RUN DATE: 12 JUN 1991

RECORDTN NUMBER	STATE NUMBER	WELL NUMBER	OWNER.....	T LOCAL P DESIGNATION	YEAR CLSD	---CALENDAR YEAR EXTRACTATIONS---				
						1985	1986	1987	1988	1989
3301578	2S5W05R		JURUPA COMM SERVICES DIST	W PERSON MUT	1980	0	0	0	0	0
3301605	2S4W19P01S		BANK OF AMERICA N.T.&S.A.	W WOODILL	1967	0	0	0	0	0
3301610	2S5W03A		RIVERSIDE CEMENT CO	W 60-1		238	1321	1453	1106	1061
3301625	2S5W08K03S		JURUPA COMM SERVICES DIST	W 7	1981	0	0	0	0	0
3301626	2S5W02L		RIVERSIDE CEMENT CO	W 53-2	1978	0	0	0	0	0
3301626-	2S5W02L		MADISON, ERIN	W 64-1	1989	251	0	554	205	205
3301635	2S5W14G03S		RIVERSIDE CITY OF	W MORI 2		403	77	216	155	161
3301655	2S4W08M01S		RIVERSIDE HIGHLAND WATER COMPANY	W 21		1120	1175	996	775	1072
3301656	2S4W08M02S		RIVERSIDE HIGHLAND WATER COMPANY	W 22		797	842	817	750	357
3301659	2S5W03B		CRESTMORE HEIGHTS MUTUAL WATER CO	W 3		60	51	63	86	65
3301694	2S5W20H04S		RUBIDOUX COMMUNITY SERVICES DISTRICT	W #13 HUNTER 6		390	355	93	366	258
3301768	2S5W11J		ALAMO WATER COMPANY	W		538	497	447	413	412
3301814	3S5W03F01S		RIVERSIDE CITY OF	W ORNG ACRE	1982	0	0	0	0	0
3301834	2S5W15B10S		RIVERSIDE THOROUGHbred FARM	W 1		977	670	330	236	509
3301835	2S5W15B11S		RIVERSIDE THOROUGHbred FARM	W	1986	71	0	70	89	0
3301851	2S5W14E01S		RIVERSIDE CITY OF	W FAIRMT 2		39	49	30	39	36
3301887	2S5W10P01S		RUBIDOUX COMMUNITY SERVICES DISTRICT	W #3 28TH ST		37	100	439	310	1
3301892	2S5W17R03S		RUBIDOUX COMMUNITY SERVICES DISTRICT	W #4 CLEMENTS		750	474	348	431	274
3301915	2S5W23Q03S		CALIF DEPT OF TRANSPORTATION DIST 8R	W FREEWAY	1989	33	856	687	564	0
3301927	2S5W03R03S		YEAGER CONSTRUCTION CO	W 2	1974	0	0	0	0	0
3301940	3S5W09E01S		RIVERSIDE CITY OF	W LINC HTS	1981	0	0	0	0	0
3301959	2S5W12B04S		RIVERSIDE CITY OF	W GARNER B		810	1004	1508	1387	3104
3302007	2S5W16H06S		RUBIDOUX COMMUNITY SERVICES DISTRICT	W NO 2, TROYER		370	273	74	264	1187
3302008	2S5W10K06S		MUTUAL WATER CO OF W RIVERSIDE	W NO 1		276	272	258	296	273
3302052	2S4W31R01S		CANYON CREST COUNTRY CLUB	W NO 1	1989	7	9	9	9	9
3302205	2S5W21M01S		RIVERSIDE COUNTY OF	W PIC LAK 12		0	0	0	0	0
3302206	2S5W21M04S		RIVERSIDE COUNTY OF	W PIC LAK 14		155	155	155	100	100
3302233	2S5W10C04S		CERTAIN-TEED PRODUCTS	W 1		16	16	16	16	16
3302234	2S5W10C03S		CERTAIN-TEED PRODUCTS	W 2		16	16	16	16	16
3302235	2S5W10C01S		CERTAIN-TEED PRODUCTS	W 3		16	16	16	16	16
3302472	2S5W12C03S		RIVERSIDE CITY OF	W GARNER C				1769	2495	3782
3302531	2S5W12A03S		RIVERSIDE CITY OF	W RUSSELL B		1061	1653	1467	1277	2356
3302538	2S5W20A01S		RUBIDOUX COMMUNITY SERVICES DISTRICT	W 46 ST,#14		159	435	451	827	702
3302539	2S5W21C01S		RUBIDOUX COMMUNITY SERVICES DISTRICT	W 12-AIRPORT		742	831	763	876	865
3302540	2S5W15M		RUBIDOUX COMMUNITY SERVICES DISTRICT	W #5 NEW 36ST					271	792
3302541	2S5W11C02S		RUBIDOUX COMMUNITY SERVICES DISTRICT	W SKOTTY #4		769	809	842	799	8
3302542	2S5W15L01S		RUBIDOUX COMMUNITY SERVICES DISTRICT	W #1-CRESTMORE		265	520	391	489	618
END OF RIVERSIDE SOUTH BASIN						23970	24549	24885	25220	35865

RIVERSIDE BASIN AREA
IN RIVERSIDE COUNTY
CROSS INDEX BY STATE WELL NUMBER

VERIFIED WELL MASTER FILE LISTING FOR BASIN RIVERSIDE SOUTH BY STATE WELL #

WM:VXR

RUN DATE: 12 JUN 1991

STATE WELL NUMBER	RECORDTN NUMBER	OWNER.....	T LOCAL P DESIGNATION	YEAR CLSD	---CALENDAR YEAR EXTRACTIIONS----				
					1985	1986	1987	1988	1989
2S4W07L01S	3301287	RIVERSIDE CITY OF	W ELECTRIC ST		2216	2673	3251	2983	4072
2S4W07N	3300439	BURNS F L AND LAURA	W CIT ST 2	1971	0	0	0	0	0
2S4W07N01S	3301286	RIVERSIDE CITY OF	W PALMYR 1	1978	0	0	0	0	0
2S4W07N03S	3301286-	RIVERSIDE CITY OF	W PALMYR 2		16	0	3	0	1
2S4W07P	3300076	GRUBBS V W	W	1968	0	0	0	0	0
2S4W08D02S	3300040	UNIVERSITY OF CALIFORNIA REGENTS OF	W HIGHGROV		0	0	300	366	237
2S4W08D03S	3301359	RIVERSIDE CITY OF	W HIGHGRV 2	1978	0	0	0	0	0
2S4W08D04S	3301359-	RIVERSIDE CITY OF	W HIGHGRV 3		0	0	0	0	0
2S4W08E01S	3301358	RIVERSIDE CITY OF	W HIGHGRV 1		0	0	0	0	0
2S4W08M01S	3301655	RIVERSIDE HIGHLAND WATER COMPANY	W 21		1120	1175	996	775	1072
2S4W08M02S	3301656	RIVERSIDE HIGHLAND WATER COMPANY	W 22		797	842	817	750	357
2S4W08N02S	3300230	SCHWAB A M	W PLMYRTA	1981	0	0	0	0	0
2S4W18C	3300609	HUNTER ENGINEERING COMPANY	W 3	1974	50	40	36	43	44
2S4W18E01S	3300607	HUNTER ENGINEERING COMPANY	W SMITH 1	1974	0	0	0	0	0
2S4W18F	3300608	HUNTER ENGINEERING COMPANY	W 2	1974	0	0	0	0	0
2S4W19J01S	3300686	RIVERSIDE CITY OF	W LEMONA 1	1974	0	0	0	0	0
2S4W19J02S	3300003	SCOPE CORPORATION	W COOK 2	1972	0	0	0	0	0
2S4W19P	3300573	LA CASA CONTENTA MOTEL	W ADLINE	1967	0	0	0	0	0
2S4W19P01S	3301605	BANK OF AMERICA N.T.&S.A.	W WOODILL	1967	0	0	0	0	0
2S4W19R01S	3300004	SCOPE CORPORATION	W HALL 1	1972	0	0	0	0	0
2S4W31E01S	3301257	ROOS CHARLES E	W 1	1970	0	0	0	0	0
2S4W31R01S	3302052	CANYON CREST COUNTRY CLUB	W NO 1	1989	7	9	9	9	9
2S5W02E	3300369	RIVERSIDE CEMENT CO	W CHINO NO 2	1960	0	0	0	0	0
2S5W02F	3301203	MADISON, ERIN	W 1 VALENCIA	1989	371	378	106	205	205
2S5W02F	3301473	MADISON, ERIN	W CHINO NO 3	1989	274	0	0	0	FC
2S5W02L	3301626	RIVERSIDE CEMENT CO	W 53-2	1978	0	0	0	0	0
2S5W02L	3301626-	MADISON, ERIN	W 64-1	1989	251	0	554	205	205
2S5W02L01S	3301346	RIVINO WATER COMPANY	W 1	1980	0	0	0	0	0
2S5W03	0000016	RIVERSIDE CEMENT COMPANY	W 88-1						889
2S5W03	0000021	RIVERSIDE CEMENT CO	W 88-1						1061
2S5W03A	3301610	RIVERSIDE CEMENT CO	W 60-1		238	1321	1453	1106	1061
2S5W03B	3301659	CRESTMORE HEIGHTS MUTUAL WATER CO	W 3		60	51	63	86	65
2S5W03B02S	3301372	CRESTMORE HEIGHTS MUTUAL WATER CO	W 2		23	20	24	24	25
2S5W03G02S	3300372	RIVERSIDE CEMENT CO	W 49	1960	0	0	0	0	0
2S5W03J	3300370	RIVERSIDE CEMENT CO	W CRESTNOR	1988	2503	0	0	0	0
2S5W03R03S	3301927	YEAGER CONSTRUCTION CO	W 2	1974	0	0	0	0	0
2S5W05K	3300371	TAYLOR, WALTER & BARBARA	W FALCO		0	0	0	0	0
2S5W05R	3301578	JURUPA COMM SERVICES DIST	W PERSON MUT	1980	0	0	0	0	0
2S5W05R02S	3301422	PROPERTY ACQUISITION CO	W PATA 66	1974	0	0	0	0	0
2S5W08G01S	3301501	JURUPA COMM SERVICES DIST	W 5		634	475	0	0	0
2S5W08G04S	3301362	JURUPA COMM SERVICES DIST	W 3		266	70	0	1	397
2S5W08K02S	3301502	JURUPA COMM SERVICES DIST	W 6	1981	0	0	0	0	0
2S5W08K03S	3301625	JURUPA COMM SERVICES DIST	W 7	1981	0	0	0	0	0
2S5W10C01S	3302235	CERTAIN-TEED PRODUCTS	W 3		16	16	16	16	16
2S5W10C03S	3302234	CERTAIN-TEED PRODUCTS	W 2		16	16	16	16	16
2S5W10C04S	3302233	CERTAIN-TEED PRODUCTS	W 1		16	16	16	16	16
2S5W10K06S	3302008	MUTUAL WATER CO OF W RIVERSIDE	W NO 1		276	272	258	296	273
2S5W10P01S	3301887	RUBIDOUX COMMUNITY SERVICES DISTRICT	W #3 28TH ST		37	100	439	310	1
2S5W11C01S	3300330	RIVERSIDE INDUSTRIAL PARK	W 8	1974	0	0	0	0	0
2S5W11C02S	3302541	RUBIDOUX COMMUNITY SERVICES DISTRICT	W SKOTTY #4		769	809	842	799	8

VERIFIED WELL MASTER FILE LISTING FOR BASIN RIVERSIDE SOUTH BY STATE WELL #

mm:vxr

RUN DATE: 12 JUN 1991

STATE WELL NUMBER	RECORDTN NUMBER	OWNER.....	T LOCAL P DESIGNATION	YEAR CLSD	---CALENDAR YEAR EXTRACTIIONS---				
					1985	1986	1987	1988	1989
2S5W11J	3301768	ALAMO WATER COMPANY	W		538	497	447	413	412
2S5W11K	3300277	WIGHT MRS CHARLES H	W	1972	0	0	0	0	0
2S5W11P	3300812	WATERMAN ALLEN H	W WTRMN 1	1962	0	0	0	0	0
2S5W12A	3300798	STOKER GEORGE	W	1971	0	0	0	0	0
2S5W12A01S	3301084	RIVERSIDE CITY OF	W RUSSELL	1972	0	0	0	0	0
2S5W12A03S	3302531	RIVERSIDE CITY OF	W RUSSELL B		1061	1653	1467	1277	2356
2S5W12B01S	3301075	RIVERSIDE CITY OF	W GARNER		168	6	11	15	13
2S5W12B04S	3301959	RIVERSIDE CITY OF	W GARNER B		810	1004	1508	1387	3104
2S5W12C03S	3302472	RIVERSIDE CITY OF	W GARNER C				1769	2495	3782
2S5W12E	3300748	GROSS DALE P	W 1	1971	0	0	0	0	0
2S5W12K02S	3301073	RIVERSIDE CITY OF	W TWIN 1&2		1676	2184	1900	960	1648
2S5W12P01S	3301076	RIVERSIDE CITY OF	W MREGRIF 1		221	855	61	28	0
2S5W12P02S	3301077	RIVERSIDE CITY OF	W BRUNTON		0	381	137	179	160
2S5W12R01S	3301194	ROSS SAM	W 1 WEST	1959	0	0	0	0	0
2S5W13E	3300754	WHITE SULPHUR SPRINGS POOL	W WHSLPHR 1	1971	0	0	0	0	0
2S5W13Q01S	3301285	RIVERSIDE CITY OF	W CUNHAM 1	1978	0	0	0	0	0
2S5W13Q02S	3301285-	RIVERSIDE CITY OF	W CUNHAM 2		0	0	0	0	0
2S5W14B	3301081	YEAGER CONSTRUCTION CO	W ANZA	1975	0	0	0	0	0
2S5W14E	0000014	JOHNSON TRUMAN	W 1		0	0	0	0	0
2S5W14E	3300160	JOHNSON TRUMAN	W 1	1981	0	0	0	0	0
2S5W14E01S	3301851	RIVERSIDE CITY OF	W FAIRMT 2		39	49	30	39	36
2S5W14G02S	3301082	RIVERSIDE CITY OF	W FAIRMT 1		415	33	165	135	141
2S5W14G03S	3301635	RIVERSIDE CITY OF	W MORI 2		403	77	216	155	161
2S5W14K	3301086	RIVERSIDE CITY OF	D SPBROOK	1966	0	0	0	0	0
2S5W15B10S	3301834	RIVERSIDE THOROUGHbred FARM	W 1		977	670	330	236	509
2S5W15B11S	3301835	RIVERSIDE THOROUGHbred FARM	W	1986	71	0	70	89	0
2S5W15L01S	3302542	RUBIDOUX COMMUNITY SERVICES DISTRICT	W #1-CRESTMORE		265	520	391	489	618
2S5W15L09S	3301154	RUBIDOUX COMMUNITY SERVICES DISTRICT	W NO 8	1989	0	0	0	0	0
2S5W15M	3302540	RUBIDOUX COMMUNITY SERVICES DISTRICT	W #5 NEW 36ST					271	792
2S5W15M01S	3301424	RUBIDOUX COMMUNITY SERVICES DISTRICT	W NO 9	1988	0	0	0	0	0
2S5W15M02S	3301153	RUBIDOUX COMMUNITY SERVICES DISTRICT	W #7 36&DALEY		369	375	300	263	187
2S5W16E06S	3301363	RUBIDOUX COMMUNITY SERVICES DISTRICT	W OLD #4	1988	0	0	0	0	0
2S5W16G04S	3301423	RUBIDOUX COMMUNITY SERVICES DISTRICT	W NO 1	1987	0	0	0	0	0
2S5W16H06S	3302007	RUBIDOUX COMMUNITY SERVICES DISTRICT	W NO 2, TROYER		370	273	74	264	1187
2S5W16J	3301296	FORT FRENONT MUTUAL WATER CO	W 1		110	171	145	136	32
2S5W16J	3301297	FORT FRENONT MUTUAL WATER CO	W 2		84	30	48	50	163
2S5W16R	3300022	RIO RANCHO MUTUAL WATER COMPANY	W 1	1978	0	0	0	0	0
2S5W16R01S	3300022-	RIO RANCHO MUTUAL WATER COMPANY	W 1		86	82	71	77	59
2S5W17R03S	3301892	RUBIDOUX COMMUNITY SERVICES DISTRICT	W #4 CLEMENTS		750	474	348	431	274
2S5W19J	3301524	RUBIDOUX COMMUNITY SERVICES DISTRICT	W J H NO 9	1979	0	0	0	0	0
2S5W20A01S	3302538	RUBIDOUX COMMUNITY SERVICES DISTRICT	W 46 ST,#14		159	435	451	827	702
2S5W20H04S	3301694	RUBIDOUX COMMUNITY SERVICES DISTRICT	W #13 HUNTER 6		390	355	93	366	258
2S5W20J02S	3301524-	RUBIDOUX COMMUNITY SERVICES DISTRICT	W #16 HUNTER		108	133	137	175	172
2S5W20R01S	0000013	RUBIDOUX COMMUNITY SERVICES DISTRICT	W SEWER PLANT		0	0	0	0	0
2S5W21A01S	3300600	MICHAEL C	W F		0	0	0	0	0
2S5W21B01S	3300599	MICHAEL C	W E		327	398	381	297	326
2S5W21C01S	3302539	RUBIDOUX COMMUNITY SERVICES DISTRICT	W 12-AIRPORT		742	831	763	876	865
2S5W21K	3300598	RIVERSIDE COUNTY OF	W Edmunds "D"		374	374	683	750	910
2S5W21K01S	3300596	RIVERSIDE COUNTY OF	W HQ		24	24	24	24	24
2S5W21M01S	3302205	RIVERSIDE COUNTY OF	W PIC LAK 12		0	0	0	0	0

VERIFIED WELL MASTER FILE LISTING FOR BASIN RIVERSIDE SOUTH BY STATE WELL #

wm:vxr

RUN DATE: 12 JUN 1991

STATE WELL NUMBER	RECORDTN NUMBER	OWNER.....	T LOCAL P DESIGNATION	YEAR CLSD	---CALENDAR YEAR EXTRACTIONS---				
					1985	1986	1987	1988	1989
2S5W21M04S	3302206	RIVERSIDE COUNTY OF	W PIC LAK 14		155	155	155	100	100
2S5W22C01S	3300595	MICHAEL C	W OLD A	1978	0	0	0	0	0
2S5W22C02S	3300597	MICHAEL C	W C		0	0	0	0	0
2S5W22D	3300595-	MICHAEL C	W A		276	296	270	232	538
2S5W22D01S	3300601	MICHAEL C	W G		46	49	54	27	1
2S5W22R01S	3301384	TRI-CITY LINEN SUPPLY COMPANY	W RIV LDYR		48	48	49	47	80
2S5W23G02S	3300000	MIPO CORP DBA MISSION	W 6TH ST	1975	0	0	0	0	0
2S5W23J01S	3301074	RIVERSIDE CITY OF	W MULBERRY		0	0	0	0	0
2S5W23L01S	3300375	CITIZENS NATIONAL COMPANY	W AIR COND	1971	0	0	0	0	0
2S5W23Q01S	3301289	RIVERSIDE CITY OF	W 11TH ST		63	0	0	0	57
2S5W23Q03S	3301915	CALIF DEPT OF TRANSPORTATION DIST BR	W FREEWAY	1989	33	856	687	564	0
2S5W23R01S	3301288	RIVERSIDE CITY OF	W FILL		119	8	12	335	393
2S5W24D01S	3301284	RIVERSIDE CITY OF	W 1ST ST		22	35	8	438	254
2S5W25F01S	3300417	RIVERSIDE CITY OF	W CLEARWTR		0	0	0	0	0
2S5W25F01S	3300417-	VICTORIA COUNTRY CLUB	W CLEARWTR		265	265	260	266	266
2S5W26E02S	3300367	RIVERSIDE CITY OF-GAGE CANAL	W OLVEWOD 2		968	1091	910	1045	1954
2S5W26F01S	3300366	RIVERSIDE CITY OF-GAGE CANAL	W OLVEWOD 1		535	680	521	463	1677
2S5W26M01S	3300368	RIVERSIDE CITY OF-GAGE CANAL	W OLVEWOD 3		487	485	336	576	1239
2S5W28A01S	3301078	RIVERSIDE CITY OF	W SANITARY	1977	0	0	0	0	0
2S5W28C01S	3301079	RIVERSIDE CITY OF	W DAVIS	1977	0	0	0	0	0
2S5W29G	3301087	RIVERSIDE CITY OF	D JENSEN	1977	0	0	0	0	0
2S5W32A01S	3300068	VON KANEL ALFRED	W	1979	0	0	0	0	0
2S5W32B01S	3300554	MARTIN KENNETH ALLAN	W RR 1	1968	0	0	0	0	0
2S5W32K01S	3300811	ZINKE VERA	W WAYMAN	1975	0	0	0	0	0
3S4W03Q	3300981	EASTERN MUNICIPAL WATER DISTRICT	W RECHE CN	1974	0	0	0	0	0
3S4W03R	3300982	EASTERN MUNICIPAL WATER DISTRICT	W DICKNSON	1974	0	0	0	0	0
3S4W10A	3300272	BOX SPRINGS MUTUAL WATER COMPANY	W	1978	0	0	0	0	0
3S4W10A	3300272-	BOX SPRINGS MUTUAL WATER COMPANY	W 14	1964	0	0	0	0	0
3S4W10A	3300275	BOX SPRINGS MUTUAL WATER COMPANY	W 17		440	395	386	403	385
3S4W10B	3300274	BOX SPRINGS MUTUAL WATER COMPANY	W 15A	1978	0	0	0	0	0
3S4W10B	3300274-	BOX SPRINGS MUTUAL WATER COMPANY	W 16		10	9	8	4	FC
3S4W10G	3300273	BOX SPRINGS MUTUAL WATER COMPANY	W 13A	1978	0	0	0	0	0
3S4W10G	3300273-	BOX SPRINGS MUTUAL WATER COMPANY	W 15	1964	0	0	0	0	0
3S5W03F01S	3301814	RIVERSIDE CITY OF	W ORNG ACRE	1982	0	0	0	0	0
3S5W09A01S	3301036	CARPENTER COMPANY	W CBLNCA 1		10	10	10	10	0
3S5W09E01S	3301940	RIVERSIDE CITY OF	W LINC HTS	1981	0	0	0	0	0
3S5W14E	3300768	ROCKY R RANCH	W GURNEY 1	1974	0	0	0	0	0

END OF RIVERSIDE SOUTH BASIN

23970 24549 24885 25220 35865

TABLE NO. 1

VERIFIED EXTRACTIONS BY OWNERS WHICH HAVE
RECORDATION FILINGS WITH THE STATE WATER
RESOURCES CONTROL BOARD

TABLE NO. 1
 VERIFIED EXTRACTIONS BY OWNERS WHICH HAVE FILINGS WITH THE STATE WATER RESOURCES CONTROL BOARD
 FOR RIVERSIDE SOUTH BASIN

08:26:03 12 JUN 1991

RECORDTN NUMBER	STATE WELL NUMBER	WELL TYPE	-----BASE YEARS-----					-----CURRENT YEARS-----						
			1959	1960	1961	1962	1963	1959-63 AVERAGE	1985	1986	1987	1988	1989	1985-89 AVERAGE
3301768	2S5W11J	W	79	100	132	163	149	125	538	497	447	413	412	461
ALAMO WATER COMPANY			79	100	132	163	149	125	538	497	447	413	412	461
3301605	2S4W19P01S	W	90	90	90	90	94	91	0	0	0	0	0	0
BANK OF AMERICA N.T.&S.A.			90	90	90	90	94	91	0	0	0	0	0	0
3300272	3S4W10A	W	0	0	0	0	0	0	0	0	0	0	0	0
3300272-	3S4W10A	W	0	0	0	0	0	0	0	0	0	0	0	0
3300275	3S4W10A	W	473	453	492	442	428	458	440	395	386	403	385	402
3300274	3S4W10B	W	0	0	0	0	0	0	0	0	0	0	0	0
3300274-	3S4W10B	W	53	50	55	55	42	43	10	9	8	4	FC	6
3300273	3S4W10G	W	0	0	0	0	0	0	0	0	0	0	0	0
3300273-	3S4W10G	W	0	0	0	0	0	0	0	0	0	0	0	0
BOX SPRINGS MUTUAL WATER COMPS26			503	503	547	497	470	501	450	404	394	407	385	408
3300439	2S4W07N	W	0	0	0	0	0	0	0	0	0	0	0	0
BURNS F L AND LAURA			0	0	0	0	0	0	0	0	0	0	0	0
3301915	2S5W23Q03S	W	0	0	0	0	0	0	33	856	687	564	0	428
CALIF DEPT OF TRANSPORTATION D 0			0	0	0	0	0	0	33	856	687	564	0	428
3302052	2S4W31R01S	W	0	0	0	0	0	0	7	9	9	9	9	9
CANYON CREST COUNTRY CLUB			0	0	0	0	0	0	7	9	9	9	9	9
3301036	3S5W09A01S	W	118	247	420	300	300	277	10	10	10	10	0	8
CARPENTER COMPANY			118	247	420	300	300	277	10	10	10	10	0	8
3302235	2S5W10C01S	W						0	16	16	16	16	16	16
3302234	2S5W10C03S	W						0	16	16	16	16	16	16
3302233	2S5W10C04S	W						0	16	16	16	16	16	16
CERTAIN-TEED PRODUCTS			0	0	0	0	0	0	48	48	48	48	48	48
3300375	2S5W23L01S	W	0	33	33	33	33	26	0	0	0	0	0	0
CITIZENS NATIONAL COMPANY			0	33	33	33	33	26	0	0	0	0	0	0
3301659	2S5W03B	W	0	0	13	44	42	20	60	51	63	86	65	65
3301372	2S5W03B02S	W	67	63	52	17	16	43	23	20	24	24	25	23
CRESTMORE HEIGHTS MUTUAL WATER67			67	63	65	61	58	63	83	71	87	110	90	88
3300981	3S4W03Q	W	0	0	0	0	0	0	0	0	0	0	0	0
3300982	3S4W03R	W	3	1	0	0	0	1	0	0	0	0	0	0
EASTERN MUNICIPAL WATER DISTRI 3			3	1	0	0	0	1	0	0	0	0	0	0
3301296	2S5W16J	W	70	27	27	18	45	37	110	171	145	136	32	119
3301297	2S5W16J	W	136	182	188	184	144	167	84	30	48	50	163	75
FORT FREMONT MUTUAL WATER CO 206			206	209	215	202	189	204	194	201	193	186	195	194
3300748	2S5W12E	W	0	0	0	0	0	0	0	0	0	0	0	0
GROSS DALE P			0	0	0	0	0	0	0	0	0	0	0	0

TABLE NO. 1
 VERIFIED EXTRACTIONS BY OWNERS WHICH HAVE FILINGS WITH THE STATE WATER RESOURCES CONTROL BOARD
 FOR RIVERSIDE SOUTH BASIN

08:26:05 12 JUN 1991

RECORD#	STATE	WELL	WELL	-----BASE YEARS-----					-----CURRENT YEARS-----						
				1959	1960	1961	1962	1963	1959-63	1985	1986	1987	1988	1989	1985-89
NUMBER	NUMBER	TYPE					AVERAGE						AVERAGE		
3300076	2S4W07P	W		45	40	51	38	39	43	0	0	0	0	0	0
GRUBBS V	W			45	40	51	38	39	43	0	0	0	0	0	0
3300609	2S4W18C	W		0	0	0	31	188	44	50	40	36	43	44	43
3300607	2S4W18E01S	W		0	0	0	0	0	0	0	0	0	0	0	0
3300608	2S4W18F	W		0	0	0	0	0	0	0	0	0	0	0	0
HUNTER ENGINEERING COMPANY				0	0	0	31	188	44	50	40	36	43	44	43
3300160	2S5W14E	W		270	214	248	187	250	234	0	0	0	0	0	0
JOHNSON TRUMAN				270	214	248	187	250	234	0	0	0	0	0	0
3301578	2S5W05R	W		9	6	6	6	78	21	0	0	0	0	0	0
3301501	2S5W08G01S	W		624	180	422	275	552	411	634	475	0	0	0	222
3301362	2S5W08G04S	W		12	180	422	275	552	288	266	70	0	1	397	147
3301502	2S5W08K02S	W		308	351	103	295	116	235	0	0	0	0	0	0
3301625	2S5W08K03S	W		50	351	103	295	116	183	0	0	0	0	0	0
JURUPA COMM SERVICES DIST				1003	1068	1056	1146	1414	1138	900	545	0	1	397	369
3300573	2S4W19P	W		0	0	0	0	0	0	0	0	0	0	0	0
LA CASA CONTENTA MOTEL				0	0	0	0	0	0	0	0	0	0	0	0
3301203	2S5W02F	W		564	704	731	476	912	677	371	378	106	205	205	253
3301473	2S5W02F	W		603	781	465	515	531	473	274	0	0	0	FC	55
3301626-	2S5W02L	W		0	0	0	0	0	0	251	0	554	205	205	243
MADISON, ERIN				1167	1485	1196	991	1443	1150	896	378	660	410	410	551
3300554	2S5W32B01S	W		0	0	0	0	0	0	0	0	0	0	0	0
MARTIN KENNETH ALLAN				0	0	0	0	0	0	0	0	0	0	0	0
3300600	2S5W21A01S	W		564	564	564	564	564	564	0	0	0	0	0	0
3300599	2S5W21B01S	W		422	422	422	422	422	422	327	398	381	297	326	346
3300595	2S5W22C01S	W		0	0	0	0	0	0	0	0	0	0	0	0
3300597	2S5W22C02S	W		1	1	1	1	1	1	0	0	0	0	0	0
3300595-	2S5W22D	W		354	354	354	354	354	354	276	296	270	232	538	322
3300601	2S5W22D01S	W		5	5	5	5	5	5	46	49	54	27	1	35
MICHAEL C				1346	1346	1346	1346	1346	1346	649	743	705	556	865	703
3300000	2S5W23G02S	W		73	73	73	73	73	73	0	0	0	0	0	0
MIPO CORP DBA MISSION				73	73	73	73	73	73	0	0	0	0	0	0
3302008	2S5W10K06S	W		178	178	178	178	178	178	276	272	258	296	273	275
MUTUAL WATER CO OF W RIVERSID				178	178	178	178	178	178	276	272	258	296	273	275
3301422	2S5W05R02S	W		140	136	143	139	141	140	0	0	0	0	0	0
PROPERTY ACQUISITION CO				140	136	143	139	141	140	0	0	0	0	0	0
3300022	2S5W16R	W		0	0	0	0	0	0	0	0	0	0	0	0
3300022-	2S5W16R01S	W		84	86	98	76	103	89	86	82	71	77	59	75
RIO RANCHO MUTUAL WATER COMPAN				84	86	98	76	103	89	86	82	71	77	59	75

TABLE NO. 1
 VERIFIED EXTRACTIONS BY OWNERS WHICH HAVE FILINGS WITH THE STATE WATER RESOURCES CONTROL BOARD
 FOR RIVERSIDE SOUTH BASIN

08:26:08 12 JUN 1991

RECORDTN NUMBER	STATE WELL NUMBER	WELL TYPE	-----BASE YEARS-----					-----CURRENT YEARS-----						
			1959	1960	1961	1962	1963	1959-63 AVERAGE	1985	1986	1987	1988	1989	1985-89 AVERAGE
3301287	2S4W07L01S	W	2731	1776	507	167	258	1088	2216	2673	3251	2983	4072	3039
3301286	2S4W07N01S	W	553	0	0	0	0	111	0	0	0	0	0	0
3301286-	2S4W07N03S	W	0	1069	811	620	599	620	16	0	3	0	1	4
3301359	2S4W08D03S	W	147	357	375	254	0	227	0	0	0	0	0	0
3301359-	2S4W08D04S	W	0	0	0	0	0	0	0	0	0	0	0	0
3301358	2S4W08E01S	W	220	198	210	250	439	263	0	0	0	0	0	0
3300686	2S4W19J01S	W	384	319	378	203	274	312	0	0	0	0	0	0
3301084	2S5W12A01S	W	483	740	445	778	510	591	0	0	0	0	0	0
3302531	2S5W12A03S	W	0	0	0	0	0	0	1061	1653	1467	1277	2356	1563
3301075	2S5W12B01S	W	264	383	250	534	285	343	168	6	11	15	13	43
3301959	2S5W12B04S	W	0	0	0	0	0	0	810	1004	1508	1387	3104	1563
3302472	2S5W12C03S	W						0			1769	2495	3782	1609
3301073	2S5W12K02S	W	672	1034	2232	1593	1026	1311	1676	2184	1900	960	1648	1674
3301076	2S5W12P01S	W	458	589	685	690	771	639	221	855	61	28	0	233
3301077	2S5W12P02S	W	259	299	152	482	409	320	0	381	137	179	160	171
3301285	2S5W13Q01S	W	0	0	0	0	0	0	0	0	0	0	0	0
3301285-	2S5W13Q02S	W	0	0	2075	1325	1547	989	0	0	0	0	0	0
3301851	2S5W14E01S	W	0	0	0	0	0	0	39	49	30	39	36	39
3301082	2S5W14G02S	W	1166	1187	1096	1045	675	1034	415	33	165	135	141	178
3301635	2S5W14G03S	W	0	365	1829	1684	1536	1083	403	77	216	155	161	202
3301086	2S5W14K	D	0	0	0	0	0	0	0	0	0	0	0	0
3301074	2S5W23J01S	W	12	46	24	108	40	46	0	0	0	0	0	0
3301289	2S5W23Q01S	W	543	760	895	573	311	616	63	0	0	0	57	24
3301288	2S5W23R01S	W	651	1103	629	369	374	625	119	8	12	335	393	173
3301284	2S5W24D01S	W	766	2360	1246	1012	581	1193	22	35	8	438	254	151
3300417	2S5W25F01S	W	528	631	805	23	126	423	0	0	0	0	0	0
3301078	2S5W28A01S	W	4	3	3	3	3	3	0	0	0	0	0	0
3301079	2S5W28C01S	W	0	0	0	0	0	0	0	0	0	0	0	0
3301087	2S5W29G	D	2613	2475	1628	1467	1467	1930	0	0	0	0	0	0
3301814	3S5W03F01S	W	24	19	18	14	12	17	0	0	0	0	0	0
3301940	3S5W09E01S	W	438	464	448	358	300	402	0	0	0	0	0	0
RIVERSIDE	CITY OF		12916	16177	16741	13552	11543	14186	7229	8958	10538	10426	16178	10666
3300367	2S5W26E02S	W	1752	1595	1633	985	1165	1426	968	1091	910	1045	1954	1194
3300366	2S5W26F01S	W	856	931	1044	727	688	849	535	680	521	463	1677	775
3300368	2S5W26M01S	W	449	461	559	305	318	418	487	485	336	576	1239	625
RIVERSIDE	CITY OF-GAGE	CANA3057	2987	3236	2017	2171	2693	1990	2256	1767	2084	4870	2594	
3300598	2S5W21K	W	1220	1220	1220	1220	1220	1220	374	374	683	750	910	618
3300596	2S5W21K01S	W	1	1	1	1	1	1	24	24	24	24	24	24
3302205	2S5W21M01S	W	515	515	515	515	515	515	0	0	0	0	0	0
3302206	2S5W21M04S	W	504	504	504	504	504	504	155	155	155	100	100	133
RIVERSIDE	COUNTY OF		2240	2240	2240	2240	2240	2240	553	553	862	874	1034	775
3300369	2S5W02E	W	398	0	0	0	0	80	0	0	0	0	0	0
3301626	2S5W02L	W	350	350	0	132	110	188	0	0	0	0	0	0
3301610	2S5W03A	W	0	488	2420	2020	1563	1298	238	1321	1453	1106	1061	1036
3300372	2S5W03G02S	W	37	0	0	0	0	7	0	0	0	0	0	0
3300370	2S5W03J	W	282	242	282	282	532	324	2503	0	0	0	0	501
RIVERSIDE	CEMENT CO		1067	1080	2702	2434	2205	1897	2741	1321	1453	1106	1061	1537

TABLE NO. 1
 VERIFIED EXTRACTIONS BY OWNERS WHICH HAVE FILINGS WITH THE STATE WATER RESOURCES CONTROL BOARD
 FOR RIVERSIDE SOUTH BASIN

08:26:11 12 JUN 1991

RECORDTN NUMBER	STATE WELL NUMBER	WELL TYPE	-----BASE YEARS-----					-----CURRENT YEARS-----					1985	1986	1987	1988	1989	1985-89 AVERAGE
			1959	1960	1961	1962	1963	1959-63 AVERAGE	1985	1986	1987	1988						
	3301655	2S4W08M01S W	0	0	0	1393	1381	555	1120	1175	996	775	1072	1028				
	3301656	2S4W08M02S W	0	0	0	0	0	0	797	842	817	750	357	713				
	RIVERSIDE HIGHLAND WATER COMPA		0	0	0	1393	1381	555	1917	2017	1813	1525	1429	1741				
	3300330	2S5W11C01S W	315	315	224	209	174	247	0	0	0	0	0	0				
	RIVERSIDE INDUSTRIAL PARK		315	315	224	209	174	247	0	0	0	0	0	0				
	3301834	2S5W15B10S W	0	0	0	0	30	6	977	670	330	236	509	544				
	3301835	2S5W15B11S W	0	0	0	0	60	12	71	0	70	89	0	46				
	RIVERSIDE THOROUGHBRED FARM		0	0	0	0	90	18	1048	670	400	325	509	590				
	3301346	2S5W02L01S W	297	211	187	477	372	309	0	0	0	0	0	0				
	RIVINO WATER COMPANY		297	211	187	477	372	309	0	0	0	0	0	0				
	3300768	3S5W14E W	45	24	6	6	5	17	0	0	0	0	0	0				
	ROCKY R RANCH		45	24	6	6	5	17	0	0	0	0	0	0				
	3301257	2S4W31E01S W	0	200	0	0	0	40	0	0	0	0	0	0				
	ROOS CHARLES E		0	200	0	0	0	40	0	0	0	0	0	0				
	3301194	2S5W12R01S W	0	0	0	0	0	0	0	0	0	0	0	0				
	ROSS SAM		0	0	0	0	0	0	0	0	0	0	0	0				
	3301887	2S5W10P01S W	0	0	0	0	0	0	37	100	439	310	1	177				
	3302541	2S5W11C02S W						0	769	809	842	799	8	645				
	3302542	2S5W15L01S W						0	265	520	391	489	618	457				
	3301154	2S5W15L09S W	50	51	62	32	28	45	0	0	0	0	0	0				
	3302540	2S5W15M W						0				271	792	213				
	3301424	2S5W15M01S W	136	195	190	140	117	156	0	0	0	0	0	0				
	3301153	2S5W15M02S W	101	126	123	75	117	108	369	375	300	263	187	299				
	3301363	2S5W16E06S W	59	90	190	130	108	115	0	0	0	0	0	0				
	3301423	2S5W16G04S W	167	136	129	126	141	140	0	0	0	0	0	0				
	3302007	2S5W16H06S W	0	0	0	0	0	0	370	273	74	264	1187	434				
	3301892	2S5W17R03S W	0	0	0	0	0	0	750	474	348	431	274	455				
	3301524	2S5W19J W	22	3	0	0	0	5	0	0	0	0	0	0				
	3302538	2S5W20A01S W						0	159	435	451	827	702	515				
	3301694	2S5W20H04S W	0	0	76	100	94	54	390	355	93	366	258	292				
	3301524-	2S5W20J02S W	0	35	125	117	141	84	108	133	137	175	172	145				
	3302539	2S5W21C01S W						0	742	831	763	876	865	815				
	RUBIDOUX COMMUNITY SERVICES	D535	636	636	895	720	746	707	3959	4305	3838	5071	5064	4447				
	3300230	2S4W08N02S W	110	88	42	11	12	53	0	0	0	0	0	0				
	SCHWAB A M		110	88	42	11	12	53	0	0	0	0	0	0				
	3300003	2S4W19J02S W	99	67	85	101	5	71	0	0	0	0	0	0				
	3300004	2S4W19R01S W	17	23	50	98	95	57	0	0	0	0	0	0				
	SCOPE CORPORATION		116	90	135	199	100	128	0	0	0	0	0	0				
	3300798	2S5W12A W	158	165	159	165	134	156	0	0	0	0	0	0				
	STOKER GEORGE		158	165	159	165	134	156	0	0	0	0	0	0				

TABLE NO. 1
 VERIFIED EXTRACTIONS BY OWNERS WHICH HAVE FILINGS WITH THE STATE WATER RESOURCES CONTROL BOARD
 FOR RIVERSIDE SOUTH BASIN

08:26:14 12 JUN 1991

RECORD NUMBER	STATE NUMBER	WELL TYPE	-----BASE YEARS-----					-----CURRENT YEARS-----					1989	1985-89 AVERAGE
			1959	1960	1961	1962	1963	1959-63 AVERAGE	1985	1986	1987	1988		
3300371	2S5W05K	W	0	0	0	30	15	9	0	0	0	0	0	0
TAYLOR, WALTER & BARBARA			0	0	0	30	15	9	0	0	0	0	0	0
3301384	2S5W22R01S	W	30	34	38	35	31	34	48	48	49	47	80	54
TRI-CITY LINEN SUPPLY COMPANY			30	34	38	35	31	34	48	48	49	47	80	54
3300040	2S4W08D02S	W	131	283	370	94	227	221	0	0	300	366	237	181
UNIVERSITY OF CALIFORNIA REG131			131	283	370	94	227	221	0	0	300	366	237	181
3300417-	2S5W25F01S	W	0	0	0	0	0	0	265	265	260	266	266	264
VICTORIA COUNTRY CLUB			0	0	0	0	0	0	265	265	260	266	266	264
3300068	2S5W32A01S	W	83	87	94	94	78	87	0	0	0	0	0	0
VON KANEL ALFRED			83	87	94	94	78	87	0	0	0	0	0	0
3300812	2S5W11P	W	25	33	16	0	0	15	0	0	0	0	0	0
WATERMAN ALLEN H			25	33	16	0	0	15	0	0	0	0	0	0
3300754	2S5W13E	W	49	53	54	44	40	48	0	0	0	0	0	0
WHITE SULPHUR SPRINGS POOL			49	53	54	44	40	48	0	0	0	0	0	0
3300277	2S5W11K	W	76	0	0	0	0	15	0	0	0	0	0	0
WIGHT MRS CHARLES H			76	0	0	0	0	15	0	0	0	0	0	0
3301927	2S5W03R03S	W	0	0	0	0	0	0	0	0	0	0	0	0
3301081	2S5W14B	W	121	151	134	0	0	81	0	0	0	0	0	0
YEAGER CONSTRUCTION CO			121	151	134	0	0	81	0	0	0	0	0	0
3300811	2S5W32K01S	W	53	37	47	20	18	35	0	0	0	0	0	0
ZINKE VERA			53	37	47	20	18	35	0	0	0	0	0	0
TTL RIVERSIDE SOUTH BASIN			26819	30763	33211	29291	28050	29514	23970	24549	24885	25220	33915	26509

TABLE NO. 2

VERIFIED EXTRACTIONS BY OWNERS WHICH
HAVE NOT FILED WITH THE STATE WATER
RESOURCES CONTROL BOARD

TABLE NO. 2
 VERIFIED EXTRACTIONS BY OWNERS WHICH HAVE NOT FILED WITH THE STATE WATER RESOURCES CONTROL BOARD
 FOR RIVERSIDE SOUTH BASIN

(mm:vc)

08:26:41 12 JUN 1991

RECORDTN NUMBER	STATE NUMBER	WELL TYPE	-----BASE YEARS-----					-----CURRENT YEARS-----					1989	1985-89 AVERAGE
			1959	1960	1961	1962	1963	1959-63 AVERAGE	1985	1986	1987	1988		
0000014	2S5W14E	W	4	4	4	4	4	4	0	0	0	0	0	0
JOHNSON	TRUMAN		4	4	4	4	4	4	0	0	0	0	0	0
0000021	2S5W03	W											1061	212
RIVERSIDE	CEMENT CO		0	0	0	0	0	0	0	0	0	0	1061	212
0000016	2S5W03	W											889	178
RIVERSIDE	CEMENT COMPANY		0	0	0	0	0	0	0	0	0	0	889	178
0000013	2S5W20R01S	W	3	3	3	3	3	3	0	0	0	0	0	0
RUBIDOUX	COMMUNITY SERVICES DI	3	3	3	3	3	3	3	0	0	0	0	0	0
TTL RIVERSIDE SOUTH BASIN			7	7	7	7	7	7	0	0	0	0	1950	390
			664	664	879	879	879	793	616	544	526	708	3428	1164

TABLE NO. 3
SUMMARY OF VERIFIED EXTRACTIONS
(FILED AND NON-FILED)
FROM RIVERSIDE BASIN AREA WITHIN RIVERSIDE COUNTY

TTL RIVERSIDE SOUTH BASIN	26826	30770	33218	29298	28057	29521	23970	24549	24885	25220	35865	26899
---------------------------	-------	-------	-------	-------	-------	-------	-------	-------	-------	-------	-------	-------

TABLE NO. 3
SUMMARY OF VERIFIED EXTRACTIONS (FILED AND NON-FILED) FOR RIVERSIDE SOUTH

08:27:11 12 JUN 1991

	-----BASE YEARS-----						-----CURRENT YEARS-----					
	1959	1960	1961	1962	1963	1959-63	1985	1986	1987	1988	1989	1985-89
	AVERAGE						AVERAGE					
ALAMO WATER COMPANY	79	100	132	163	149	125	538	497	447	413	412	461
BANK OF AMERICA N.T.&S.A.	90	90	90	90	94	91	0	0	0	0	0	0
BOX SPRINGS MUTUAL WATER COMPA	526	503	547	497	470	501	450	404	394	407	385	408
BURNS F L AND LAURA	0	0	0	0	0	0	0	0	0	0	0	0
CALIF DEPT OF TRANSPORTATION D	0	0	0	0	0	0	33	856	687	564	0	428
CANYON CREST COUNTRY CLUB	0	0	0	0	0	0	7	9	9	9	9	9
CARPENTER COMPANY	118	247	420	300	300	277	10	10	10	10	0	8
CERTAIN-TEED PRODUCTS	0	0	0	0	0	0	48	48	48	48	48	48
CITIZENS NATIONAL COMPANY	0	33	33	33	33	26	0	0	0	0	0	0
CRESTMORE HEIGHTS MUTUAL WATER	67	63	65	61	58	63	83	71	87	110	90	88
EASTERN MUNICIPAL WATER DISTRI	3	1	0	0	0	1	0	0	0	0	0	0
FORT FREMONT MUTUAL WATER CO	206	209	215	202	189	204	194	201	193	186	195	194
GROSS DALE P	0	0	0	0	0	0	0	0	0	0	0	0
GRUBBS V W	45	40	51	38	39	43	0	0	0	0	0	0
HUNTER ENGINEERING COMPANY	0	0	0	31	188	44	50	40	36	43	44	43
JOHNSON TRUMAN	274	218	252	191	254	238	0	0	0	0	0	0
JURUPA COMM SERVICES DIST	1003	1068	1056	1146	1414	1138	900	545	0	1	397	369
LA CASA CONTENTA MOTEL	0	0	0	0	0	0	0	0	0	0	0	0
MADISON, ERIN	1167	1485	1196	991	1443	1150	896	378	660	410	410	551
MARTIN KENNETH ALLAN	0	0	0	0	0	0	0	0	0	0	0	0
MICHAEL C	1346	1346	1346	1346	1346	1346	649	743	705	556	865	703
MIPO CORP DBA MISSION	73	73	73	73	73	73	0	0	0	0	0	0
MUTUAL WATER CO OF W RIVERSIDE	178	178	178	178	178	178	276	272	258	296	273	275
PROPERTY ACQUISITION CO	140	136	143	139	141	140	0	0	0	0	0	0
RIO RANCHO MUTUAL WATER COMPAN	84	86	98	76	103	89	86	82	71	77	59	75
RIVERSIDE CITY OF	12916	16177	16741	13552	11543	14186	7229	8958	10538	10426	16178	10666
RIVERSIDE CITY OF-GAGE CANAL	3057	2987	3236	2017	2171	2693	1990	2256	1767	2084	4870	2594
RIVERSIDE COUNTY OF	2240	2240	2240	2240	2240	2240	553	553	862	874	1034	775
RIVERSIDE CEMENT CO	1067	1080	2702	2434	2205	1897	2741	1321	1453	1106	2122	1749
RIVERSIDE CEMENT COMPANY	0	0	0	0	0	0	0	0	0	0	889	178
RIVERSIDE HIGHLAND WATER COMPA	0	0	0	1393	1381	555	1917	2017	1813	1525	1429	1741
RIVERSIDE INDUSTRIAL PARK	315	315	224	209	174	247	0	0	0	0	0	0
RIVERSIDE THOROUGHbred FARM	0	0	0	0	90	18	1048	670	400	325	509	590
RIVINO WATER COMPANY	297	211	187	477	372	309	0	0	0	0	0	0
ROCKY R RANCH	45	24	6	6	5	17	0	0	0	0	0	0
ROOS CHARLES E	0	200	0	0	0	40	0	0	0	0	0	0
ROSS SAM	0	0	0	0	0	0	0	0	0	0	0	0
RUBIDOUX COMMUNITY SERVICES DI	538	639	898	723	749	710	3959	4305	3838	5071	5064	4447
SCHWAB A M	110	88	42	11	12	53	0	0	0	0	0	0
SCOPE CORPORATION	116	90	135	199	100	128	0	0	0	0	0	0
STOKER GEORGE	158	165	159	165	134	156	0	0	0	0	0	0
TAYLOR, WALTER & BARBARA	0	0	0	30	15	9	0	0	0	0	0	0
TRI-CITY LINEN SUPPLY COMPANY	30	34	38	35	31	34	48	48	49	47	80	54
UNIVERSITY OF CALIFORNIA REGE	131	283	370	94	227	221	0	0	300	366	237	181
VICTORIA COUNTRY CLUB	0	0	0	0	0	0	265	265	260	266	266	264
VON KANEL ALFRED	83	87	94	94	78	87	0	0	0	0	0	0
WATERMAN ALLEN H	25	33	16	0	0	15	0	0	0	0	0	0
WHITE SULPHUR SPRINGS POOL	49	53	54	44	40	48	0	0	0	0	0	0
WIGHT MRS CHARLES H	76	0	0	0	0	15	0	0	0	0	0	0
YEAGER CONSTRUCTION CO	121	151	134	0	0	81	0	0	0	0	0	0
ZINKE VERA	53	37	47	20	18	35	0	0	0	0	0	0

TABLE NO. 4

TOTAL VERIFIED EXTRACTIONS FROM THE
RIVERSIDE BASIN AREA WITHIN RIVERSIDE COUNTY
FOR USE WITHIN RIVERSIDE COUNTY
DURING THE 5-YEAR PERIOD ENDING IN 1963
AND FOR CALENDAR YEARS 1971 THROUGH THE CURRENT YEAR

TABLE NO. 4

TOTAL VERIFIED EXTRACTIONS FROM THE
RIVERSIDE BASIN AREA WITHIN RIVERSIDE COUNTY
FOR USE WITHIN RIVERSIDE COUNTY
DURING THE 5-YEAR PERIOD ENDING IN 1963
AND FOR CALENDAR YEARS 1971 THROUGH THE CURRENT YEAR

<u>Year</u>	<u>Extractions in Acre Feet</u>
1959	26,826
1960	30,770
1961	33,218
1962	29,298
1963	28,057
Total	148,169
5-Yr. Avg.	29,634
1971	30,942
1972	37,804
1973	33,094
1974	38,304
1975	28,285
1976	31,565
1977	28,226
1978	24,878
1979	25,512
1980	30,206
1981	30,243
1982	20,365 1)
1983	22,991 1)
1984	32,466 2)
1985	23,970 3)
1986	24,549 4)
1987	24,885 5)
1988	25,220 6)
1989	35,865
1990	
1991	
1992	
1993	
1994	
1995	

Same as Table 56, Volume 5

- 1) Corrected during 1984 verification (Victoria CC)
- 2) Corrected during 1985 verification (Hunter Engineering)
- 3) Corrected during 1986 verification (Hunter Engineering)
- 4) Corrected during 1987 verification (Michael C.)
- 5) Corrected during 1988 verification (Cyn Crest, Hunter Engineering, Garner C)
- 6) Corrected during 1989 verification (Michael C.)

VOLUME 5 - 1989

REPORT OF WATERMASTER

Western Municipal Water District of Riverside County, et al

Plaintiffs

vs.

East San Bernardino County Water District, et al

Defendants

Superior Court of Riverside County

Case No. 78426

VOLUME 5 – 1989

DISTRIBUTION OF EXTRACTIONS

1. EXTRACTIONS BY PLAINTIFFS FROM SAN BERNARDINO BASIN AREA.
2. EXTRACTIONS BY SAN BERNARDINO AND RIVERSIDE COUNTY ENTITIES FROM COLTON BASIN AREA FOR USE WITHIN EACH COUNTY.
3. EXTRACTIONS BY SAN BERNARDINO AND RIVERSIDE COUNTY ENTITIES FROM RIVERSIDE BASIN AREA IN SAN BERNARDINO COUNTY FOR USE WITHIN EACH COUNTY.
4. EXTRACTIONS BY RIVERSIDE COUNTY ENTITIES FROM RIVERSIDE BASIN IN RIVERSIDE COUNTY.
5. SUMMARY OF EXTRACTIONS FROM SAN BERNARDINO BASIN AREA, COLTON BASIN AREA, RIVERSIDE BASIN IN SAN BERNARDINO COUNTY, AND RIVERSIDE BASIN IN RIVERSIDE COUNTY FOR USE IN RIVERSIDE COUNTY.

ANNUAL ACCOUNTING

1989

AUGUST 1, 1991

WATERMASTER

*Donald L. Harriger
Robert L. Reiter*

REPORT OF WATERMASTER

Western Municipal Water District of Riverside County, et al
Plaintiffs

vs.

East San Bernardino County Water District, et al
Defendants

Superior Court of Riverside County

Case No. 78426

VOLUME 5-1989

Distribution of Extractions

1. EXTRACTIONS BY PLAINTIFFS FROM SAN BERNARDINO BASIN AREA
2. EXTRACTIONS BY SAN BERNARDINO AND RIVERSIDE COUNTY ENTITIES FROM COLTON BASIN AREA FOR USE WITHIN EACH COUNTY.
3. EXTRACTIONS BY SAN BERNARDINO AND RIVERSIDE COUNTY ENTITIES FROM RIVERSIDE BASIN AREA IN SAN BERNARDINO COUNTY FOR USE WITHIN EACH COUNTY
4. EXTRACTIONS BY RIVERSIDE COUNTY ENTITIES FROM RIVERSIDE BASIN IN RIVERSIDE COUNTY.
5. SUMMARY OF EXTRACTIONS FROM SAN BERNARDINO BASIN AREA, COLTON BASIN AREA, RIVERSIDE BASIN IN SAN BERNARDINO COUNTY, AND RIVERSIDE BASIN IN RIVERSIDE COUNTY FOR USE IN RIVERSIDE COUNTY.

ANNUAL ACCOUNTING

1989

August 1, 1991

WATERMASTER
Donald L. Harriger
Robert L. Reiter

VOLUME 5-1989

DISTRIBUTION OF EXTRACTIONS

The distribution of the verified extractions by the Plaintiffs and Riverside County entities from the San Bernardino Basin Area, Colton Basin Area, and Riverside Basin Area for the five calendar years ending with 1963 and the ensuing years 1964 through 1970 was presented in the Report of Watermaster, Volume 5, dated June 1972. That volume also included the distribution of extractions from the Colton Basin Area and that portion of the Riverside Basin Area within San Bernardino County made by San Bernardino county entities for the five calendar years ending with 1963 and the year of 1970.

The distribution of extractions in calendar years 1971, 1972, and 1973 was presented in separate reports as updates to the original Volume 5 dated June 1972. Changes in the distribution systems of the various water entities during the period 1971 through 1973, necessitated several revisions of the original Volume 5. Therefore, Volume 5 for calendar year 1974 was completely revised and updated to reflect these changes. As a result Volume 5 dated August 1976 now represents the most recent complete report on distribution of extractions including descriptions of each water system.

This report, Volume 5-1989 shows the distribution of extractions for calendar years 1971 through 1989 and is supplementary to the Volume 5 dated August 1976. Detailed computations and tables are used to show the distribution of extractions from Colton and Riverside Basin Areas by both Riverside and San Bernardino County entities and the Plaintiffs' extractions from the San Bernardino Basin Area.

The following Table of Contents lists the tables used to show the distribution of extractions. Tables 5 through 7 and 23 through 27 did not require updating and therefore they are not included in this volume. These tables are presented in Volume 5 - 1974.

Tables 5 through 7 do not require updating because Ownership changes within the service area of the Trujillo Water Company have occurred and since 1965 the entire service area of the Trujillo Water Company is within Riverside County and is served by water extracted from the Garner Well, situated in Riverside County and owned by the City of Riverside.

Tables 9, 10, 11, 14 & 16 also are no longer require updating due to changes in method of operations of the various water suppliers.

Tables 23 through 27 do not require updating because they contain data for years prior to 1963. These tables show the distribution of the Riverside Highland Water Company production from the San Bernardino Basin based on the assumption that 50 percent of the delivery was made in each county. This assumption results in the distribution shown on Table No. 27 and is identical with Table B-1, Appendix "B" of the Judgment. Following the settlement of the suit and the filing of the Judgment, the actual water deliveries in Riverside County were provided by the Riverside Highland Water Company. This information has been used by the Watermaster for the period 1964 through the current year, and results in the data shown in Table No. 31-A.

TABLE OF CONTENTS

TABLE NO. 1

CITY OF RIVERSIDE WATER PRODUCTION BUNKER HILL BASIN,
DOMESTIC & IRRIGATION DIVISIONS INCLUDING FORMER
RIVERSIDE WATER CO. IN SAN BERNARDINO BASIN AREA 1

TABLE NO. 2

CITY OF RIVERSIDE WATER PRODUCTION COLTON BASIN & RIVERSIDE
BASIN IN SAN BERNARDINO CO., DOMESTIC & IRRIGATION DIVISIONS
INCLUDING FORMER RIVERSIDE WATER CO. 3

TABLE NO. 3

CITY OF RIVERSIDE DOMESTIC & IRRIGATION DIVISIONS,
DELIVERIES MADE FROM WATER PRODUCED FROM THE BUNKER
HILL, COLTON AND RIVERSIDE GROUND WATER BASINS
SITUATED IN SAN BERNARDINO CO. 5

TABLE NO. 4

CITY OF RIVERSIDE WATER DELIVERIES TO TRUJILLO WATER CO.
IN SAN BERNARDINO AND RIVERSIDE COUNTIES 6

TABLES NO. 5, 6 & 7 - See Volume 5-1974 for data

TABLE NO. 8

CITY OF RIVERSIDE JURUPA DITCH CO. WATER PRODUCTION FROM
RIVERSIDE BASIN IN SAN BERNARDINO COUNTY FOR USE IN
SAN BERNARDINO CO. AND EXPORT TO RIVERSIDE CO. 7

TABLE NO. 9

CITY OF RIVERSIDE IRRIGATION DIVISION, PRODUCTION DELIVERED
TO FORMER RIVERSIDE WATER COMPANY CANAL AND DISTRIBUTION OF
PRODUCTION DELIVERED TO SALAZAR WATER CO. 8

TABLE NO. 10

CITY OF RIVERSIDE IRRIGATION DIVISION, PRODUCTION DELIVERED
TO FORMER RIVERSIDE WATER COMPANY CANAL AND DISTRIBUTION OF
PRODUCTION DELIVERED TO SO. CALIF. EDISON CO. HIGHGROVE
POWER PLANT 9

TABLE NO. 11

CITY OF RIVERSIDE DOMESTIC & IRRIGATION DIVISIONS, WATER
PRODUCTION & DELIVERIES FROM COLTON BASIN-WATER PRODUCTION FROM
COLTON GROUND WATER BASIN IN SAN BERNARDINO COUNTY AND DELIVERIES
OF PRODUCTION MADE NORTH OF THE COUNTY LINE IN SAN BERNARDINO
COUNTY AND SOUTH OF THE COUNTY LINE IN RIVERSIDE 10

CITY OF RIVERSIDE DOMESTIC & IRRIGATION DIVISIONS, WATER PRODUCTION & DELIVERIES FROM THAT PORTION RIVERSIDE BASIN- WATER PRODUCTION FROM THAT PORTION OF THE RIVERSIDE GROUND WATER BASIN SITUATED NORTH OF THE COUNTY LINE IN SAN BERNARDINO COUNTY AND DELIVERIES OF PRODUCTION MADE NORTH OF THE COUNTY LINE IN SAN BERNARDINO COUNTY AND SOUTH OF THE COUNTY LINE IN RIVERSIDE COUNTY. 11

TABLE NO. 13

CITY OF RIVERSIDE WATER PRODUCTION FROM SAN BERNARDINO BASIN AREA AND DELIVERIES WITHIN SAN BERNARDINO COUNTY AND EXPORT TO RIVERSIDE COUNTY 12

TABLE NO. 14

CITY OF RIVERSIDE AND UNIVERSITY OF CALIFORNIA EXTRACTIONS FROM BUNKER HILL BASIN IN SAN BERNARDINO BASIN AREA 13

TABLE NO. 15

THE GAGE CANAL COMPANY WATER PRODUCTION FROM BUNKER HILL BASIN, RIVERSIDE BASIN IN SAN BERNARDINO COUNTY AND RIVERSIDE BASIN IN RIVERSIDE COUNTY 14

TABLE NO. 16

THE GAGE CANAL COMPANY WATER PRODUCTION FROM BUNKER HILL BASIN DELIVERED IN SAN BERNARDINO COUNTY & RIVERSIDE COUNTY TO EAST RIVERSIDE WATER COMPANY 15

TABLE NO. 17

THE GAGE CANAL COMPANY WATER PRODUCTION FROM BUNKER HILL AND RIVERSIDE BASINS SITUATED IN SAN BERNARDINO COUNTY WITH DELIVERIES MADE IN SAN BERNARDINO COUNTY & EXPORTS TO RIVERSIDE COUNTY 16

TABLE NO. 18

GAGE CANAL WATER PRODUCTION FROM SAN BERNARDINO BASIN AREA AND DELIVERIES WITHIN SAN BERNARDINO COUNTY AND EXPORTS TO RIVERSIDE COUNTY FOR BASE PERIOD 1959-1963 AND SUBSEQUENT YEARS 17

TABLE NO. 19

RIVERSIDE HIGHLAND WATER COMPANY WATER PRODUCTION FROM LYTLE AND BUNKER HILL BASINS IN SAN BERNARDINO BASIN AREA 18

TABLE NO. 20

RIVERSIDE HIGHLAND WATER CO. WATER PRODUCTION FROM COLTON BASIN 19

<u>TABLE NO. 21</u>	<u>Page</u>
RIVERSIDE HIGHLAND WATER CO. WATER PRODUCTION FROM RIVERSIDE BASIN IN SAN BERNARDINO AND RIVERSIDE COUNTIES	20
 <u>TABLE NO. 22</u>	
RIVERSIDE HIGHLAND WATER COMPANY WATER SUPPLY FROM OTHER COMPANIES AND RIVERSIDE HIGHLAND CO. PRODUCTION	21
 <u>TABLE NO. 23, 24, 25, 26 & 27</u> - See Volume 5-1974 for data	
 <u>TABLE NO. 28</u>	
RIVERSIDE HIGHLAND WATER COMPANY IRRIGATION AND DOMESTIC DELIVERIES AND PRODUCTION REQUIRED IN RIVERSIDE & SAN BERNARDINO COUNTIES	22
 <u>TABLE NO. 29</u>	
RIVERSIDE HIGHLAND WATER COMPANY WATER PRODUCTION SHOWN ON RECORDATION FILING DELIVERED FOR IRRIGATION & DOMESTIC USES WITHIN BOTH RIVERSIDE AND SAN BERNARDINO COUNTIES	23
 <u>TABLE NO. 30</u>	
RIVERSIDE HIGHLAND WATER COMPANY WATER PRODUCTION FROM LYTLE, BUNKER HILL, COLTON & RIVERSIDE BASINS IN SAN BERNARDINO AND RIVERSIDE COUNTIES AND THE DELIVERY OF THE PRODUCTION IN SAN BERNARDINO AND RIVERSIDE COUNTIES	24
 <u>TABLE NO. 31</u>	
RIVERSIDE HIGHLAND WATER COMPANY WATER PRODUCTION FROM LYTLE, BUNKER HILL, COLTON & RIVERSIDE BASINS IN SAN BERNARDINO AND RIVERSIDE COUNTIES AND THE DELIVERY OF THE PRODUCTION IN SAN BERNARDINO & RIVERSIDE COUNTIES	27
 <u>TABLE NO. 31-A</u>	
TOTAL PRODUCTION BY RIVESIDE HIGHLAND WATER COMPANY FROM THE SAN BERNARDINO BASIN AREA (INCLUDES LYTLE AND BUNKER HILL BASINS) AS DELIVERED IN SAN BERNARDINO AND RIVERSIDE COUNTIES	28
 <u>TABLE NO. 31-B</u> - Not required for updating after 1970	
 <u>TABLE NO. 32</u>	
MEEKS & DALEY WATER COMPANY AND AGUA MANSA WATER COMPANY WATER PRODUCTION FROM THE SAN BERNARDINO BASIN AREA AND THE COLTON BASIN AREA	29
 <u>TABLE NO. 33</u>	
MEEKS & DALEY WATER COMPANY AND AGUA MANSA WATER COMPANY WATER PRODUCTION FROM THE SAN BERNARDINO BASIN AREA AND THE COLTON BASIN AREA DELIVERED IN SAN BERNARDINO COUNTY AND EXPORTED TO RIVERSIDE COUNTY	30

MEEKS & DALEY WATER COMPANY WATER PRODUCTION FROM SAN BERNARDINO BASIN AREA AND DELIVERIES WITHIN SAN BERNARDINO COUNTY AND EXPORT TO RIVERSIDE COUNTY 31

TABLE NO. 35

UNIVERSITY OF CALIFORNIA WATER PRODUCTION FROM BUNKER HILL BASIN IN THE SAN BERNARDINO BASIN AREA AND EXPORT TO RIVERSIDE COUNTY 32

TABLE NO. 36

UNIVERSITY OF CALIFORNIA WATER PRODUCTION FROM SAN BERNARDINO BASIN AREA AND EXPORT TO RIVERSIDE COUNTY 33

TABLE NO. 36-A

EXTRACTIONS BY PLAINTIFFS FROM THE SAN BERNARDINO BASIN AREA THROUGH THE CURRENT YEAR 34

TABLE NO. 36-B

TOTAL PLAINTIFF EXTRACTIONS FROM SAN BERNARDINO BASIN AREA 36

TABLE NO. 36-C

PLAINTIFF EXTRACTIONS FROM SAN BERNARDINO BASIN AREA DELIVERIES IN SAN BERNARDINO BASIN AREA 37

TABLE NO. 36-D

PLAINTIFF EXTRACTIONS FROM SAN BERNARDINO BASIN AREA DELIVERIES IN COLTON & RIVERSIDE BASINS IN SAN BERNARDINO COUNTY 38

TABLE NO. 36-E

PLAINTIFF EXTRACTIONS FROM SAN BERNARDINO BASIN AREA DELIVERIES OUTSIDE SAN BERNARDINO VALLEY 39

TABLE NO. 37

RIVERSIDE ENTITIES PRODUCTION AND DELIVERY FROM COLTON BASIN AREA FOR USE WITHIN SAN BERNARDINO COUNTY AND RIVERSIDE COUNTY 40

TABLE NO. 38

SAN BERNARDINO ENTITIES PRODUCTION FROM COLTON BASIN AREA FOR USE WITHIN SAN BERNARDINO COUNTY 42

TABLE NO. 38-A

COLTON BASIN EXTRACTIONS BY RIVERSIDE ENTITIES AND PLACE OF USE 43

VERIFIED EXTRACTIONS FROM COLTON BASIN AREA BY
SAN BERNARDINO AND RIVERSIDE COUNTY ENTITIES FOR USE
WITHIN EACH COUNTY 44

TABLE NO. 39-A

GROUND WATER EXTRACTIONS BY RIVERSIDE ENTITIES FROM COLTON
BASIN AREA FOR USE IN RIVERSIDE & SAN BERNARDINO COUNTIES
FROM 1976 THROUGH CURRENT YEAR 46

TABLE NO. 40

RIVERSIDE CEMENT COMPANY,
WATER PRODUCTION FROM RIVERSIDE GROUND WATER BASIN
SITUATED WITHIN SAN BERNARDINO COUNTY 48

TABLE NO. 41

RIVERSIDE CEMENT COMPANY, WATER PRODUCTION FROM RIVERSIDE
GROUND WATER BASIN WITHIN SAN BERNARDINO COUNTY FOR PERIOD 1971
THROUGH CURRENT YEAR AND PRODUCTION DELIVERED IN RIVERSIDE
AND SAN BERNARDINO COUNTIES 49

TABLE NO. 42

CITY OF RIVERSIDE IRRIGATION & DOMESTIC DIVISIONS WATER
PRODUCTION FROM RIVERSIDE GROUND WATER BASIN WITHIN SAN
BERNARDINO COUNTY FOR PERIOD 1971 THROUGH CURRENT YEAR AND
PRODUCTION DELIVERED IN RIVERSIDE AND SAN BERNARDINO COUNTIES. . .50

TABLE NO. 43

CITY OF RIVERSIDE IRRIGATION & DOMESTIC DIVISIONS, GAGE
CANAL COMPANY, WATER PRODUCTION FROM RIVERSIDE GROUND WATER
BASIN WITHIN SAN BERNARDINO COUNTY FOR PERIOD 1971 THROUGH
CURRENT YEAR, AND PRODUCTION DELIVERED IN RIVERSIDE AND SAN
BERNARDINO COUNTIES 51

TABLE NO. 44

INTER COUNTY WATER COMPANY WATER PRODUCTION FROM
RIVERSIDE GROUND WATER BASIN WITHIN SAN BERNARDINO
COUNTY FOR PERIOD 1971 THROUGH CURRENT YEAR AND PRODUCTION
DELIVERED IN RIVERSIDE AND SAN BERNARDINO COUNTIES 52

TABLE NO. 45

JURUPA WATER COMPANY WATER PRODUCTION FROM RIVERSIDE
GROUND WATER BASIN WITHIN SAN BERNARDINO COUNTY FOR
PERIOD 1971 THROUGH CURRENT YEAR AND PRODUCTION DELIVERED
IN RIVERSIDE AND SAN BERNARDINO COUNTIES 53

TABLE NO. 46-A & 46-B

LA SIERRA WATER COMPANY WATER PRODUCTION FROM COLTON
BASIN AND THAT PART OF RIVERSIDE BASIN LOCATED WITHIN
SAN BERNARDINO COUNTY 54A-54B

LA SIERRA WATER COMPANY WATER PRODUCTION FROM COLTON AND RIVERSIDE BASIN SITUATED WITHIN SAN BERNARDINO COUNTY WITH DELIVERIES IN SAN BERNARDINO COUNTY AND EXPORTS TO RIVERSIDE COUNTY 55

TABLE NO. 48

LA SIERRA WATER CO. WATER PRODUCTION FROM RIVERSIDE GROUND WATER BASIN WITHIN SAN BERNARDINO COUNTY FOR PERIOD 1971 THROUGH CURRENT YEAR AND PRODUCTION DELIVERED IN RIVERSIDE AND SAN BERNARDINO COUNTIES 56

TABLE NO. 49

RIVERSIDE HIGHLAND WATER COMPANY WATER PRODUCTION FROM RIVERSIDE GROUND WATER BASIN WITHIN SAN BERNARDINO COUNTY FOR PERIOD 1971 THROUGH CURRENT YEAR AND PRODUCTION DELIVERED IN RIVERSIDE AND SAN BERNARDINO COUNTIES 57

TABLE NO. 50

TEMESCAL WATER CO. WATER PRODUCTION FROM RIVERSIDE GROUND WATER BASIN WITHIN SAN BERNARDINO COUNTY FOR PERIOD 1971 THROUGH CURRENT YEAR AND PRODUCTION DELIVERED IN RIVERSIDE AND SAN BERNARDINO COUNTIES 58

TABLE NO. 51

WEST RIVERSIDE 350 INCH WATER COMPANY WATER PRODUCTION FROM RIVERSIDE GROUND WATER BASIN WITHIN SAN BERNARDINO COUNTY FOR PERIOD 1971 THROUGH CURRENT YEAR 59

TABLE NO. 52

GROUND WATER PRODUCTION FROM THAT PART OF THE RIVERSIDE GROUND WATER BASIN SITUATED WITHIN SAN BERNARDINO COUNTY, A PART IS USED IN SAN BERNARDINO COUNTY AND THE REMAINDER EXPORTED TO RIVERSIDE COUNTY DURING CALENDAR YEARS 1971 THROUGH CURRENT YEAR 60

TABLE NO. 52-A

GROUND WATER PRODUCTION FROM THAT PART OF RIVERSIDE GROUND WATER BASIN SITUATED WITHIN SAN BERNARDINO COUNTY, A PART OF WHICH IS USED IN SAN BERNARDINO COUNTY AND THE REMAINDER EXPORTED TO RIVERSIDE COUNTY DURING THE CALENDAR YEARS 1971 THROUGH CURRENT YEAR 62

TABLE NO. 53

SAN BERNARDINO ENTITIES PRODUCTION FROM RIVERSIDE BASIN AREA WITHIN SAN BERNARDINO COUNTY FOR THE PERIOD 1971 THROUGH CURRENT YEAR FOR USE WITHIN SAN BERNARDINO COUNTY 64

TOTAL VERIFIED EXTRACTIONS FROM THAT PORTION OF THE RIVERSIDE
 BASIN SITUATED IN SAN BERNARDINO COUNTY FOR THE PERIOD 1971
 THROUGH CURRENT YEAR BY SAN BERNARDINO AND RIVERSIDE COUNTY
 ENTITIES FOR USE WITHIN EACH COUNTY 65

TABLE NO. 55 - This table has not been updated after 1970.

TABLE NO. 56

TOTAL VERIFIED EXTRACTIONS BY RIVERSIDE ENTITIES FROM THE
 RIVERSIDE BASIN AREA WITHIN RIVERSIDE COUNTY FOR USE WITHIN
 RIVERSIDE COUNTY 67

TABLE NO. 57

SUMMARY OF EXTRACTIONS FROM SAN BERNARDINO BASIN AREA,
 COLTON BASIN AREA, RIVERSIDE BASIN AREA IN SAN BERNARDINO
 COUNTY, AND RIVERSIDE BASIN AREA IN RIVERSIDE COUNTY FOR
 USE IN RIVERSIDE COUNTY 68

DIAGRAM B

RIVERSIDE HIGHLAND WATER COMPANY DIAGRAM ILLUSTRATING
 THE PRODUCTION AND DISTRIBUTION NORTH AND SOUTH OF
 RIVERSIDE-SAN BERNARDINO CO. LINE, YEARS 1971 THROUGH
 CURRENT YEAR 69

TABLE NO. 1

CITY OF RIVERSIDE WATER PRODUCTION
BUNKER HILL BASIN
DOMESTIC & IRRIGATION DIVISIONS INCLUDING FORMER RIVERSIDE WATER CO.
IN SAN BERNARDINO BASIN AREA
(Quantities in Acre Feet by Calendar Year)

Line No.	From	Local Designation	State Well Number	Recordation Number	1971	1972	1973	1974	1975	1976	1977	1978	1979	1980	1981	1982
1	Rec. filing	*McCrary #1	1S-4W-1B3	3601457	0	0	0	0	0	0	0	0	0	0	0	0
2		*McCrary #2	1S-4W-1B2	3601458	0	0	0	0	0	0	0	0	0	0	0	0
3		*McCrary #3	1S-4W-1B	3601459	0	0	0	0	0	0	0	0	0	0	0	0
4		*McCrary #4	1S-4W-1B	3601460	0	0	0	0	0	0	0	0	0	0	0	0
5		*McCrary #5	1S-4W-1B	3601461	0	0	0	0	0	0	0	0	0	0	0	0
6		Poole	1S-4W-1B1	3601462	1,927	1,498	0	0	0	0	0	0	0	0	0	0
7		Stiles	1S-4W-2A3	3601463	1,870	1,401	1,349	1,665	1,938	1,911	1,520	1,367	1,702	1,578	1,739	1,517
8		Scheuer	1S-4W-2L1	3601489	568	525	83	527	560	406	633	442	658	570	366	183
9		Garner #1	1S-4W-2P6	3601464	755	566	392	958	1,029	598	448	546	654	602	753	742
10		Garner #2	1S-4W-2O3	3601465	669	506	419	359	527	602	302	373	582	470	238	507
11		*Garner #3	1S-4W-2Q7	3601466	0	0	0	0	0	0	0	0	0	0	0	0
12		Garner #4	1S-4W-2Q6	3601467	771	460	525	749	881	874	669	951	1,275	865	365	894
13		Garner #5	1S-4W-2P1	3601468	2,100	2,206	2,411	1,438	2,422	2,237	1,599	1,806	1,904	1,598	1,485	1,565
14		*Paine Hot	1S-4W-22A1	3601469	0	0	0	0	0	0	0	0	0	0	0	0
15		Thorn #1 *	1S-4W-22G1	3601016	-	-	-	-	-	-	-	-	-	-	-	-
16		*Thorn #2 **	1S-4W-22G15	3601470	-	-	-	-	-	-	-	-	-	-	-	-
17		Thorn #3	1S-4W-22G14	3601471	502	94	0	0	1,077	31	0	0	0	0	0	266
18		*Thorn #4	1S-4W-22G11	3601472	0	0	0	0	0	0	0	0	0	0	0	0
19		Thorn #5	1S-4W-22G16	3601473	359	0	0	0	494	0	0	0	0	0	0	16
20		Thorn #6	1S-4W-22G18	3601474	0	0	0	0	0	0	0	0	0	0	0	2
21		Thorn #7	1S-4W-22G17	3601475	0	0	0	0	0	0	0	0	0	0	0	7
22		Thorn #8	1S-4W-22G19	3601476	134	121	0	323	140	0	0	0	0	0	0	0
23		*Thorn #9	1S-4W-22B01	3601477	0	0	0	0	0	0	0	0	0	0	0	0
24		Thorn #10	1S-4W-22B3	3601478	0	40	27	47	5	37	12	0	0	0	0	146
25		Thorn #11	1S-4W-22B5	3601479	0	0	0	0	0	0	0	0	0	0	0	0
26		Thorn #12 **	1S-4W-22B7	3601470	1,162	1,054	502	1,345	976	909	743	776	582	578	64+	708
27		Warm Creek Rising Water	1S-4W-21P	3601496	0	0	0	0	0	-	0	0	0	0	0	0
28																
29																
29a																
29b																
29c																
30	Sub Total				10,817	8,471	5,708	7,411	10,049	7,605	5,926	6,261	7,357	6,261	5,044	6,553

*Thorn No. 1 well sold to C.E.P. Co., no production by C. of R. Irrig. Division after 1958. (So. Calif. Edison)

**Thorn #12 replacement well for Thorn #2.

FOR YEARS PRECEDING 1971: Refer to Volume 5, August 1976, Page I-9

* Abandoned &/or File Closed

+26AF added to 1981 production as a correction to 1980 extraction

CITY OF RIVERSIDE WATER PRODUCTION
BUNKER HILL BASIN
DOMESTIC & IRRIGATION DIVISIONS INCLUDING FORMER RIVERSIDE WATER CO.
IN SAN BERNARDINO BASIN AREA

Quantities in Acre Feet by Calendar Year

Line #	Local Designation	State Well #	Recordation #	1983	1984	1985	1986	1987	1988	1989	1990	1991	1992	1993	1994	1995
1	o McCrary # 1	1S/4W01B03S	3601457	0	0	0	0	0	0	0	0	0	0	0	0	0
2	o McCrary # 2	1S/4W01B02S	3601458	0	0	0	0	0	0	0	0	0	0	0	0	0
3	o McCrary # 3	1S/4W01B	3601459	0	0	0	0	0	0	0	0	0	0	0	0	0
4	o McCrary # 4	1S/4W01B	3601460	0	0	0	0	0	0	0	0	0	0	0	0	0
5	o McCrary # 5	1S/4W01B	3601461	0	0	0	0	0	0	0	0	0	0	0	0	0
6	o Poole	1S/4W01B01S	3601462	0	0	0	0	0	0	0	0	0	0	0	0	0
7	o Stiles	1S/4W02A03S	3601463	1,779	1,848	2,105	1,899	1,452	1,363	1,270						
8	o Scheurer	1S/4W02I01S	3601489	37	159	436	655	76	451	231						
9	o Garner # 1	1S/4W02P06S	3601464	376	1,026	595	808	836	867	594						
10	o Garner # 2	1S/4W02Q03S	3601465	196	54	419	341	416	536	524						
11	o Garner # 3	1S/4W02Q07S	3601466	0	0	0	0	0	0	0	0	0	0	0	0	0
12	o Garner # 4	1S/4W02Q06S	3601467	74	185	895	668	744	842	644						
13	o Garner # 5	1S/4W02P01S	3601468	1,602	1,639	1,292	1,942	1,805	2,224	2,027						
14	o Paine Hot	1S/4W22A01S	3601469	0	0	0	0	0	0	0	0	0	0	0	0	0
15	o Thorn # 1 *	1S/4W22G01S	3601016	-	-	-	-	-	-	-	-	-	-	-	-	-
16	o Thorn # 2 **	1S/4W22G15S	3601470	-	-	-	-	-	-	-	-	-	-	-	-	-
17	o Thorn # 3	1S/4W22G14S	3601471	0	0	1,103	12	0	0	0	0	0	0	0	0	0
18	o Thorn # 4	1S/4W22G11S	3601472	0	0	0	0	0	0	0	0	0	0	0	0	0
19	o Thorn # 5	1S/4W22G16S	3601473	0	0	525	6	0	0	0	0	0	0	0	0	0
20	o Thorn # 6	1S/4W22G18S	3601474	0	0	311	2	0	0	0	0	0	0	0	0	0
21	o Thorn # 7	1S/4W22G17S	3601475	0	0	322	2	0	0	0	0	0	0	0	0	0
22	o Thorn # 8	1S/4W22G19S	3601476	0	0	0	0	0	0	0	0	0	0	0	0	0
23	o Thorn # 9	1S/4W22B01S	3601477	0	0	0	0	0	0	0	0	0	0	0	0	0
24	o Thorn # 10	1S/4W22B03S	3601478	144	0	0	0	0	46	28						
25	o Thorn # 11	1S/4W22B05S	3601479	0	0	0	0	0	0	0	0	0	0	0	0	0
26	o Thorn # 12 **	1S/4W22B07S	3601470	1,345	0	515	1,552	1,593	1,277	1,112						
27	o Warm Ck Rising Wtr. 1S/4W21P		3601496	-	-	-	-	-	-	-	-	-	-	-	-	-
28																
29																
30	Sub Total	(Line 1 - 30)		5,553	4,911	8,518	7,887	6,922	7,606	6,430						

o Abandoned &/or File Closed
* Thorn No. 1 sold to C.E.P. (So Calif. Edison), in City production after 1958
** Thorn # 12 replacement well for Thorn #2
o Located in Colton Basin, see Volume 2

**CITY OF RIVERSIDE WATER PRODUCTION
BUNKER HILL BASIN
DOMESTIC & IRRIGATION DIVISIONS INCLUDING FORMER RIVERSIDE WATER CO.
IN SAN BERNARDINO BASIN AREA
(Quantities in Acre Feet by Calendar Year)**

Line No.	From	Local Designation	State Well Number	Recordation Number	1971	1972	1973	1974	1975	1976	1977	1978	1979	1980	1981	1982
31	Rec. filling	*Cooley #E	IS-4W-2P4	3601220	0	0	0	0	0	0	0	0	0	0	0	0
32		*Cooley #C	IS-4W-2P3	3601224	0	0	0	0	0	0	0	0	0	0	0	0
33		*Cooley #D	IS-4W-2P2	3601225	0	0	0	0	0	0	0	0	0	0	0	0
34		*Cooley #F	IS-4W-2L2	3601226	0	0	0	0	0	0	0	0	0	0	0	0
35		*Cooley #G	IS-4W-2N2	3601227	0	0	0	0	0	0	0	0	0	0	0	0
36		Cooley #H	IS-4W-11D2	3601228	1,420	1,053	494	725	1,045	923	1,065	1,116	1,209	1,092	1,125	643
37		Cooley #I	IS-4W-11D3	3601229	3,580	2,606	4,089	3,743	3,328	5,367	2,756	2,318	2,884	2,513	3,086	2,017
38		*Cooley #A	IS-4W-11D4	3601232	0	0	0	0	0	0	0	0	0	0	0	0
39		*Cooley #B	IS-4W-11D1	3601432	0	0	0	0	0	0	0	0	0	0	0	0
40		Raub #1	IS-4W-14P2	3601218	0	0	0	0	0	0	0	0	0	0	0	0
41		Raub #2	IS-4W-23C2	3601219	904	724	772	939	812	542	699	431	466	572	189	495
42		Raub #4	IS-4W-23C3	3601238	1,267	1,074	2,024	2,024	1,333	1,747	1,221	1,328	1,632	971	1,374	1,306
43		Raub #3	IS-4W-14P6	3601239	342	216	294	605	748	444	502	97	603	661	199	562
43a		Raub #5	IS-4W-14N9	3602484	0	1,353	2,465	3,731	1,544	2,966	2,277	2,697	3,335	2,306	1,861	2,249
44		*Byrne	IS-4W-22B2	3601237	0	0	0	0	0	0	0	0	0	0	0	0
45		Warren #3	IS-4W-22H3	3601230	484	180	222	408	21	222	221	275	173	105	60	137
46		Warren #2	IS-4W-22H1	3601231	784	357	603	1,124	830	666	473	783	344	790	711	299
47		Warren #1	IS-4W-22H4	3601240	1,921	1,614	1,809	1,700	1,785	1,496	573	1,030	902	939	468	485
48		Warren #4	IS-4W-22H2	3601243	2,737	2,012	1,822	2,875	2,479	1,450	1,258	1,678	1,517	2,022	2,096	1,772
49		Hunt #6 *	IS-4W-27A11	3601222 2771	225	209	249	547	241	22	542	393	397	1	1	77
50		Hunt #8 *	IS-4W-27A7	3601241	0	0	0	0	0	0	0	0	0	0	0	0
51		Hunt #9 *	IS-4W-27A8	3601242	0	0	0	0	0	0	0	0	0	0	0	0
52		Hunt #10 *	IS-4W-27A9	3601244 2772	446	600	933	1,577	1,010	600	899	645	738	6	510	25
53		Hunt #11 *	IS-4W-27A10	3601245 2773	0	0	0	0	10	31	462	0	0	0	0	86
54		Stewart #21	IS-4W-27A13	3601233	0	0	0	0	0	0	0	0	0	0	0	0
55		*Stewart #19	IS-4W-27A19	3601234	0	0	0	0	0	0	0	0	0	0	0	0
56		Stewart #20	IS-4W-27H1	3601431	12	5	32	11	13	4	26	3	4	3	4	1
56a		Raub #6	IS-4W-14N10S	3602778	0	0	0	0	0	0	0	0	0	0	0	0
56b																
56c																
57	Lines 31 thru 56	Sub Total			14,122	12,003	15,785	20,009	15,199	14,480	12,974	12,794	14,204	12,614	15,319	12,969
58																
59		Sub Total	Sheet No. 1	Line 30	10,817	8,471	5,708	7,411	10,049	7,605	5,926	6,261	7,357	6,261	5,044	6,553
60		Sub Total	Sheet No. 2	Line 57	14,122	12,003	15,785	20,009	15,199	14,480	12,974	12,794	14,204	12,614	15,319	12,969
61		Total Production Bunker Hill			24,939	20,474	21,493	27,420	25,248	22,085	18,900	19,055	21,561	18,875	20,363	19,522
62																
63		Meeks & Daley	Sta. 59	3601887	0	0	0	275	1,649	1,895	1,848	1,385	1,231	1,650	2,496	1,471
64		Gage Canal Co.	30-1 & Gage Stewart		2,854	1,900	2,446	2,095	1,577	0**	0	0**	0**	0**	0**	0**
65		Total Lines	61 - 63 & 64		27,793	22,374	23,939	29,790	28,474	23,980	20,748	20,440	22,792	20,525	22,859	20,993

SUMMARY BUNKER HILL PRODUCTION

ADDITIONAL DELIVERIES FROM OTHER COMPANIES

** 30-1 & Gage Stewart removed after covering of the canal in 1975
*Extractions from Hunt #6, 8, 9, 10 & 11 by City of Riverside only - University of California production from these wells reported under the Regents of the University
FOR YEARS PRECEDING 1971: Refer to Volume 5, August 1976, Page 1-12
* Abandoned &/or File Closed

**CITY OF RIVERSIDE WATER PRODUCTION
BUNKER HILL BASIN
DOMESTIC & IRRIGATION DIVISIONS INCLUDING FORMER RIVERSIDE WATER CO.
IN SAN BERNARDINO BASIN AREA**

Quantities in Acre Feet by Calendar Year

Line #	Local Designation	State Well #	Recordation #	1983	1984	1985	1986	1987	1988	1989	1990	1991	1992	1993	1994	1995
31	• Cooley E	1S/4W02P04S	3601220	0	0	0	0	0	0	0	0	0	0	0	0	0
32	• Cooley C	1S/4W02P03S	3601224	0	0	0	0	0	0	0	0	0	0	0	0	0
33	• Cooley D	1S/4W02P02S	3601225	0	0	0	0	0	0	0	0	0	0	0	0	0
34	• Cooley F	1S/4W02L02S	3601226	0	0	0	0	0	0	0	0	0	0	0	0	0
35	• Cooley G	1S/4W02N02S	3601227	0	0	0	0	0	0	0	0	0	0	0	0	0
36	• Cooley H	1S/4W1D02S	3601228	1,138	907	1,489	1,160	633	933	820						
37	• Cooley I	1S/4W1D03S	3601229	3,242	3,221	3,680	2,264	2,239	2,505	1,891						
38	• Cooley A	1S/4W1D04S	3601232	0	0	0	0	0	0	0	0	0	0	0	0	0
39	• Cooley B	1S/4W1D01S	3601432	0	0	0	0	0	0	0	0	0	0	0	0	0
40	• Raub # 1	1S/4W14P02S	3601218	0	0	0	0	0	0	0	0	0	0	0	0	0
41	• Raub # 2	1S/4W23C02S	3601219	222	3	96	0	37	250	169						
42	• Raub # 4	1S/4W23C03S	3601238	1,649	1,775	2,201	1,425	1,957	1,096	1,005						
43	• Raub # 3	1S/4W14P06S	3601239	221	43	236	460	89	340	321						
44	• Raub # 5	1S/4W14N09S	3602484	3,359	3,747	3,351	4,223	3,327	3,182	3,093						
45	• Byrne	1S/4W22B02S	3601237	0	0	0	0	0	0	0	0	0	0	0	0	0
46	• Warren # 3	1S/4W22H03S	3601230	2	0	276	72	17	201	44						
47	• Warren # 2	1S/4W22H01S	3601231	517	1,111	1,185	725	842	801	717						
48	• Warren # 1	1S/4W22H04S	3601240	1,014	490	467	749	1,105	1,175	996						
49	• Warren # 4	1S/4W22H02S	3601243	1,559	2,592	2,844	2,526	3,077	2,374	1,586						
50	• Hunt # 6 *	1S/4W27A11S	3602771	568	224	866	661	454	642	496						
51	• Hunt # 8 *	1S/4W27A07S	3601241	0	0	0	0	0	0	0	0	0	0	0	0	0
52	• Hunt # 9 *	1S/4W27A08S	3601242	0	0	0	0	0	0	0	0	0	0	0	0	0
53	• Hunt # 10 *	1S/4W27A09S	3602772	1,547	1,307	1,170	726	912	782	694						
54	• Hunt # 11 *	1S/4W27A10S	3602773	850	537	782	477	434	634	608						
55	• Stewart # 21	1S/4W27A13S	3601233	0	0	0	0	0	0	0	0	0	0	0	0	0
56	• Stewart # 19	1S/4W27A19S	3601234	0	0	0	0	0	0	0	0	0	0	0	0	0
57	• Stewart # 20	1S/4W27H01S	3601431	1	1	1	3	1	1	1	1	1	1	1	1	1
58	• Raub # 6	1S/4W14N10S	3602778	4,239	4,162	4,655	2,638	3,482	3,968	2,258						
59																
60	Sub Total	(Lines 31 - 60)		20,128	20,120	23,299	18,109	18,606	18,884	14,699						
61																
62	Sub Total	(Lines 1 - 30)		5,553	4,911	8,518	7,887	6,922	7,606	6,430						
63																
64	TOTAL PRODUCTION FROM BUNKER HILLS BASIN			25,681	25,031	31,817	25,996	25,528	26,490	21,129						
65																
66	ADDITIONAL DELIVERIES FROM OTHER COMPANIES															
67	• MECKS & DALEY Station 59	3601887		2,317	2,567	2,492	2,660	2,274	1,482	3,043						
68	• MECKS & DALEY Warren # 4	3602863							2,251	2,505						
69	• MECKS & DALEY Raub # 6	3602864							0	399						
70	NET WATER EXCHANGE WITH CITY OF SAN BERNARDINO								0	139						
71									-769	0						
72	TOTAL WATER FOR DISTRIBUTION	(Line 64+66)		27,998	27,598	34,309	28,656	27,802	27,972	24,172						
73																

o Abandoned &/or File Closed
* Figures shown for Hunts wells are for C of R use only, University of California reports it own usage
** Gage 30-1 & Gage Stewart removed after converging of the Canal in 1975.

**CITY OF RIVERSIDE WATER PRODUCTION
COLTON BASIN & RIVERSIDE BASIN IN SAN BERNARDINO CO.
DOMESTIC & IRRIGATION DIVISIONS INCLUDING FORMER RIVERSIDE WATER CO.**

Quantities in Acre Feet by Calendar Year

Line #	Local Designation	State Well #	Recordation #	1983	1984	1985	1986	1987	1988	1989	1990	1991	1992	1993	1994	1995
1	Johnson #1	1S/4W21Q03S	3601480	0	0	0	0	0	0	0	0	0	0	0	0	0
2	Johnson #2	1S/4W21P01S	3601494	0	0	0	0	0	0	0	0	0	0	0	0	0
3	Johnson #3	1S/4W21Q01S	3601495	0	0	0	0	0	0	0	0	0	0	0	0	0
4	Johnson #4															
5	Johnson #5															
6	Vaughn #1	1S/4W21L01S	3601481	0	0	695	0	0	0	0	0	0	0	0	0	0
7	Meek #1	1S/4W28C01S	3601482	0	0	0	0	0	0	0	0	0	0	0	0	0
8	Mills	1S/4W28D01S	3602208	0	0	0	0	0	0	0	0	0	0	0	0	519
9	Total Production			0	0	695	0	0	0	0	0	0	0	0	0	519
10																
11																
12	Flume #1	1S/4W29H02S	3601483	0	0	0	0	0	0	0	0	0	0	0	0	0
13	Flume #2	1S/4W29H01S	3601484	18	6	4	6	11	29	11	11	11	11	11	11	11
14	Flume #3	1S/4W29R01S	3601485	2	0	29	50	21	4	18	4	18	4	18	4	18
15	Flume #4	1S/4W29Q03S	3601486	25	0	28	127	0	0	15	0	15	0	15	0	15
16	Flume #5	1S/4W29Q01S	3601487	0	0	0	0	0	0	0	0	0	0	0	0	0
17	Flume #6	1S/4W29Q04S	3602486	12	3	18	10	17	35	20	17	35	20	17	35	20
18	Sub Total *			57	9	79	193	49	68	64	64	64	64	64	64	64
19																
20	Twin Buttes # 6	1S/5W25R04S	3600898	0	0	0	0	12	1,199	407	0	0	0	0	0	0
21	Pelissier River	1S/5W36Q	3301088	0	0	0	0	0	0	0	0	0	0	0	0	0
22	Pelissier Agua Mans	1S/5W36L01S	3601236	26	58	29	93	65	21	27	27	27	27	27	27	27
23	Pelissier La Loma	2S/5W01G01S	3601235	0	0	0	0	0	0	0	0	0	0	0	0	0
24	Pelissier Main	2S/5W01G02S	3601223	1,866	387	652	0	0	16	12	12	12	12	12	12	12
25	Pelissier Domestic	2S/5W01J03S	3601221	41	3	33	24	22	21	20	20	20	20	20	20	20
26	Sub Total Lines 21-25			1,933	448	714	117	99	1,257	466	466	466	466	466	466	466
27																
28	Marcy C.E.	Prescriptive Rights Only		-	-	-	-	-	-	-	-	-	-	-	-	-
29	Rutnam L.L.	2S/4W06Q03S	3601271	-	-	-	-	-	-	-	-	-	-	-	-	-
30	Williams	2S/5W01Q01S	3601488	0	0	0	0	0	0	0	0	0	0	0	0	0
31	Jurupa #1	2S/5W02R	3601490	0	0	0	0	0	0	0	0	0	0	0	0	0
32	Jurupa #3	2S/5W02R03S	3601491	0	0	0	0	0	0	0	0	0	0	0	0	0
33	Jurupa #4	2S/5W02R02S	3601492	0	0	0	0	0	0	0	0	0	0	0	0	0
34	Jurupa #5	2S/5W02R01S	3601493	0	0	0	0	0	0	0	0	0	0	0	0	0
35	Jurupa #6	2S/5W02Q07S	3602234	0	0	0	0	0	0	0	0	0	0	0	0	0
36	Jurupa #7	2S/5W02Q08S	3602748	591	2,434	2,400	2,032	1,614	1,990	2,088	2,088	2,088	2,088	2,088	2,088	2,088
37	Mason	2S/5W02Q		0	0	0	0	0	0	0	0	0	0	0	0	0
38	Van Buren #1	2S/4W05E01S	3302554													3,592
39	Van Buren #2	2S/4W05E02S	3302553													3,984
40	Sub Total Lines 28-39			591	2,434	2,400	2,032	1,614	1,990	2,088	2,088	2,088	2,088	2,088	2,088	9,664
41																
42																
43	Total Production			2,581	2,891	3,193	2,342	1,762	3,315	10,194	10,194	10,194	10,194	10,194	10,194	10,194
44	Abandoned t/or File Closed															
45	A portion of the flows from Flume 4 & 6 can be leased to the La Sierra Water Co., portion show is Riverside's production only															

TABLE NO. 2

**CITY OF RIVERSIDE WATER PRODUCTION
COLTON BASIN & RIVERSIDE BASIN IN SAN BERNARDINO CO.
DOMESTIC & IRRIGATION DIVISIONS INCLUDING FORMER RIVERSIDE WATER CO.**
(Quantities in Acre Feet by Calendar Year)

Line No.	From	Local Designation	State Well Number	Recordation Number	1971	1972	1973	1974	1975	1976	1977	1978	1979	1980	1981	1982
1	Rec. filling	Johnson #1	1S-4W-21Q3	3601480	851	954	1	526	1,162	479	241	0	1	0	23	15
2	"	*Johnson #2	1S-4W-21P1	3601494	0	0	0	0	0	0	0	0	0	0	0	0
3	"	*Johnson #3	1S-4W-21Q1	3601495	0	0	0	0	0	0	0	0	0	0	0	0
4	"	Vaughn #1	1S-4W-21L1	3601481	1,193	956	0	378	816	67	0	456	3	0	31	22
5	"	Meeks #1	1S-4W-28C1	3601482	443	383	31	315	397	299	25	0	1	0	11	11
6	"	Mill	1S-4W-28D1	3602208	209	228	69	167	170	8	29	8	0	0	12	9
6a																
6b																
7	Lines 1 thru 6b	Total Production			2,696	2,521	101	1,386	2,545	853	295	464	5	0	77	57
RIVERSIDE BASIN - IN SAN BERNARDINO COUNTY																
8	Rec. filling	*Flume #1	1S-4W-29H2	3601483	0	0	0	0	0	0	0	0	0	0	0	0
9	"	Flume #2	1S-4W-29H1	3601484	855	1,856	1,778	547	530	2	401	7	15	1	6	0
10	"	Flume #3	1S-4W-29R1	3601485	161	496	486	364	103	3	192	1	0	0	15	8
11	"	Flume #4	1S-4W-29Q3	3601486	8	404	144	533	1,030	1,615	561**	0	0	8	0	12
12	"	*Flume #5	1S-4W-29Q1	3601487	0	0	0	0	0	0	0	0	0	0	0	0
12a	"	Flume #6	1S-4W-29Q4	3602486	0	0	0	144	408	832	45**	0	0	2	0	2
12b																
13	Lines 8 thru 12b	Sub Total			1,024	2,756	2,408	1,588	2,071	2,452	1,199	8	15	11	21	24
14																
15	Rec. filling	Ivin Buttes #6	1S-5W-25R2	3600898	406	173	0	1,539	807	426	69	0	0	0	0	0
16		Pellissier River	1S-5W-36Q	3601088	0	0	0	0	0	0	0	0	0	0	0	0
17		Pellissier														
17		*Pellissier	1S-5W-36L1	3601236	157	55	0	3	12	2	7	7	19	25	23	25
18		Agua Mansa														
18		*Pellissier	2S-5W-1G1	3601235	0	0	0	0	0	0	0	0	0	0	0	0
19		La-Loma	2S-5W-1G2	3601223	13	47	40	103	77	117	265	258	558	1,551	1,489	2,063
19		Pellissier														
20	Lines 15 thru 19	Domestic	2S-5W-1J3	3601221	4	5	5	5	5	7	7	6	10	15	14	14*
20		Sub Total			174	107	45	111	94	126	279	271	587	1,591	1,526	2,102*
21																
Prescriptive Rights only																
22	Rec. filling	Putnam L.L.	2S-4W-6Q3	3601271	*	*	*	*	*	*	*	*	*	*	*	*
23	Rec. filling	Williams	2S-5W-1Q1	3601488	*	*	*	*	*	*	*	*	*	*	*	*
24	Rec. filling	Jurupa #1	2S-5W-2R	3601490	381	321	277	3	322	649	359	0	0	0	0	0
25	Rec. filling	Jurupa #3	2S-5W-2R3	3601491	902	942	563	910	852	936	787	0	0	0	0	0
26	Rec. filling	Jurupa #4	2S-5W-2R2	3601492	136	138	307	466	281	192	102	0	0	0	0	0
27	Rec. filling	Jurupa #5	2S-5W-2R1	3601493	1,452	1,453	1,273	1,504	1,411	1,564	1,317	0	0	0	0	0
27	Rec. filling	Jurupa #6	2S-5W-2Q7	3602234	62	30	113	2	0	0	0	0	0	0	0	0
27a		Mason	2S-5W-2													
27b	Rec. filling	Jurupa #7	2S-5W-2Q	3602748								1,085	2,234	95	0	0
28	Lines 23 thru 27b	Sub Total**			2,933	2,884	2,533	2,885	2,866	3,341	2,565	1,085	2,234	104	1,347	1,489
29	Total Lines															
30	Total Lines	Total Production			4,131	5,747	4,986	4,584	5,031	5,919	4,043	1,384	2,836	1,706	2,894	3,615*
29+14+21					4,537	5,920	4,986	6,123	5,838	6,345	4,112	1,364	2,836	1,706	2,894	3,615*

**Change of Owner, to Stapakis, William S., in calendar year 1974.
FOR YEARS PRECEDING 1971: Refer to Volume 5, August 1976, Page I-15
* Amended Star Files 1984
** A portion of the flow from flume 4 & 6 is leased to LaSierra Water Co.
Amount shown here is Riverside's production only.
* Corrected during 1984 verification

TABLE NO. 2

CITY OF RIVERSIDE WATER PRODUCTION
 FROM RIVERSIDE BASIN IN RIVERSIDE COUNTY
 DOMESTIC & IRRIGATION DIVISIONS INCLUDING FORMER RIVERSIDE WATER CO.
 (Quantities in Acre Feet by Calendar Year)

Line No.	From	Local Designation	State Well Number	Recordation Number	1971	1972	1973	1974	1975	1976	1977	1978	1979	1980	1981	1982
RIVERSIDE BASIN - IN RIVERSIDE COUNTY																
31	Rec. Filings	(Highgrove) Electric	2S-4W-7L1	3301287	329	898	1,313	1,612	1,344	225	1,119	162	424	2,435	2,541	131
32	Rec. Filings	*Palmyra	2S-4W-7N1	3301286	-	-	-	-	-	-	-	-	-	-	-	-
33	Rec. Filings	Palmyra #2	2S-4W-7N3	3301286-	415	783	562	1,829	1,275	345	605	840	1,564	2,056	320	0
34	Rec. Filings	*Cunningham	2S-5W-13Q1	3301285	-	-	-	-	-	-	-	-	-	-	-	-
35	Rec. Filings	Cunningham #2	2S-5W-13Q2	3301285-	163	129	28	542	113	2,405	2,588	1,838	833	2,809	3,633	426
35a	Rec. Filings	First St.	2S-5W-24D1	3301284	480	673	406	692	670	748	920	545	708	1,179	1,016	866
36	Rec. Filings	Fill	2S-5W-23R1	3301288	625	1,262	1,039	1,105	766	469	207	420	1,276	478	674	230
38	Rec. Filings	Eleventh	2S-5W-23Q1	3301289	1,393	1,589	1,228	1,679	211	477	97	198	1,380	565	793	132
39	Rec. Filings	Highgrove No. 1	2S-4W-8E1	3301358	0	0	0	0	0	0	0	0	0	0	0	0
40	Rec. Filings	Highgrove No. 2	2S-4W-8D3	3301359	0	0	0	0	0	0	0	0	0	0	0	0
40a	Rec. Filings	Highgrove No. 3	2S-4W-8D4	3301359-	0	0	0	0	0	0	0	0	0	0	0	0
41	Rec. Filings	*Lemona	2S-4W-19J1	3300686	0	0	0	0	0	0	0	0	0	0	0	0
42	Rec. Filings	Garner	2S-5W-12B1	3301075	300	275	253	251	220	248	257	177	265	328	243	198
44	Rec. Filings	*Russell	2S-5W-12A1	3301084	0	0	0	0	0	0	0	0	0	0	0	0
45	Rec. Filings	Twin Springs	2S-5W-12K2	3301073	3,119	3,736	2,841	3,111	2,526	3,504	2,435	1,978	2,434	2,968	2,674	864
45a	Rec. Filings	Russell B	2S-5W-12A	3302485	727	2,010	1,984	1,972	1,561	2,323	1,359	1,528	1,822	1,966	1,830	1,364
46	Rec. Filings	Mulberry	2S-5W-12P1	3301076	642	891	801	1,476	1,606	1,363	1,395	718	1,157	1,217	1,754	681
47	Rec. Filings	*Springbrook Diver.	2S-5W-23J1	3301074	363	406	125	773	471	557	5	0	24	0	94	0
48	Rec. Filings	Garner B	2S-5W-12B	3301959	1,049	1,548	1,350	992	581	1,528	1,552	1,875	1,033	1,156	1,332	1,411
48a	Rec. Filings	Sub Total			9,605	14,200	11,640	16,034	11,344	14,192	12,539	10,273	12,464	16,623	17,198	8,113
49	Lines 31 thru 48	Clearwater	2S-5W-25F1	3300417	*	*	*	*	*	*	*	*	*	*	*	*
50	Rec. Filings	Brunton	2S-5W-12P2	3301077	357	361	281	244	326	289	282	270	199	313	119	87
51	Rec. Filings	Fairmount Park #1	2S-5W-14G2	3301082	691	471	868	864	525	0	440	692	7	1,503	169	298
52	Rec. Filings	Fairmount Park #2	2S-5W-14E1	3301851	687	2,381	2,441	2,065	287	873	117	0	34	0	112	77
53	Rec. Filings	Mori No. 2	2S-5W-14G3	3301635	1,442	1,537	1,161	1,517	287	122	134	452	596	307	2	472
54	Rec. Filings	*Springbrook Diver.	2S-5W-14K	3301086	-	-	0	0	0	0	0	0	0	0	0	0
55a	Rec. Filings	*Sanitary Fill	2S-5W-28A1	3301078	0	0	0	0	0	0	0	0	0	0	0	0
56	Rec. Filings	*Sanitary Fill Davis	2S-5W-28C1	3301079	0	0	0	0	0	0	0	0	0	0	0	0
57	Rec. Filings	*Jensen Slough	2S-5W-29C	3301087	1,089	**	**	**	**	**	**	**	**	**	**	**
58	Rec. Filings	Orange Acres														
59	Rec. Filings	Mutual Water Co.	3S-5W-3E1	3301814	57	90	63	67	69	6	0	0	0	0	0	0
59a	Rec. Filings	Lincoln Heights														
60	Rec. Filings	Water Co.	3S-5W-9E1	3301940	170	208	274	201	298	148	72	0	0	0	0	0
61	Lines 52 thru 61	Sub Total			4,493	5,048	5,088	4,958	1,505	1,438	1,045	1,414	836	2,132	402	934
62	Total Lines 49-50-62				14,098	19,248	16,728	20,992	12,849	15,630	13,584	11,687	13,300	18,744	17,600	9,047

All quantities in above table were obtained from Verification of Extractions, Volume 4, for the appropriate year.

**Jensen Slough sold to Riverside County Parks Department in 1972. Water rights Quit-deeded back to City in 1975.

*"Change of Owner" to Victoria Club Year 1968 City used 25 Ac. Ft. and Victoria Club used 97 Ac. Ft; Total = 122 Ac. Ft.

FOR YEARS PRECEDING 1971: Refer to Volume 5, August 1976, Page I-18

*Abandoned 6/07 File Closed

CITY OF RIVERSIDE WATER PRODUCTION
RIVERSIDE BASIN IN SAN BERNARDINO CO.
DOMESTIC & IRRIGATION DIVISIONS INCLUDING FORMER RIVERSIDE WATER CO.

Line #	Local Designation	State Well #	Recordation #	Quantities in Acre Feet by Calendar Year														
				1983	1984	1985	1986	1987	1988	1989	1990	1991	1992	1993	1994	1995		
				Riverside Basin in Riverside County														
46	Highgrove Electric	2S/4W07L01S	3301287	614	2,742	2,216	2,673	3,251	2,983	4,072								
47	Palmyrita	2S/4W07N01S	3301286	0	0	0	0	0	0	0	0	0	0	0	0	0	0	0
48	Palmyrita #2	2S/4W07N03S	3301286-	0	0	16	0	3	0	0	0	0	0	0	0	0	0	0
49	Cunningham	2S/5W13Q01S	3301285	0	0	0	0	0	0	0	0	0	0	0	0	0	0	0
50	Cunningham #2	2S/5W13Q02S	3301285-	1,166	341	0	0	0	0	0	0	0	0	0	0	0	0	0
51																		
52	First Street	2S/5W24D01S	3301284	769	1,083	22	35	8	438	781								
53	Fill	2S/5W23R01S	3301288	1,795	808	119	8	12	335	393								
54	Eleventh	2S/5W23Q01S	3301289	956	396	63	0	0	0	57								
55	Highgrove # 1	2S/4W08E01S	3301358	0	0	0	0	0	0	0	0	0	0	0	0	0	0	0
56	Highgrove #2	2S/4W08D03S	3301359	0	0	0	0	0	0	0	0	0	0	0	0	0	0	0
57	Highgrove #3	2S/4W08D04S	3301359	0	0	0	0	0	0	0	0	0	0	0	0	0	0	0
58	Lemona	2S/4W19J01S	3300686	0	0	0	0	0	0	0	0	0	0	0	0	0	0	0
59	Garner	2S/5W12B01S	3301075	158	220	168	6	11	15	9								
60	Russell	2S/5W12A01S	3301084	0	0	0	0	0	0	0	0	0	0	0	0	0	0	0
61	Twin Springs	2S/5W12K02S	3301073	1,865	2,951	1,676	2,184	1,900	960	1,648								
62	Russell B	2S/5W12A03S	3302485	913	1,615	1,061	1,653	1,467	1,277	2,356								
63	Moore Griffith	2S/5W12F01S	3301076	763	1,069	221	855	61	28	0								
64	Mulberry	2S/5W23J01S	3301074	1	1	0	0	0	0	0	0	0	0	0	0	0	0	0
65	Garner B	2S/5W12B04S	3301959	699	1,411	810	1,004	1,508	1,387	3,104								
66	Garner C	2S/5W12C03S	3302472					1,769	2,495	3,782								
67																		
68																		
69	Sub Total Lines 46-69			9,699	12,637	6,372	8,418	9,990	9,918	16,202								
70																		
71	Clearwater *	2S/5W25F01S	3300417	-	-	-	-	-	-	-								
72																		
73	Brunton	2S/5W12P02S	3301077	265	394	0	381	137	179	160								
74	Fairmount Park #1	2S/5W14G02S	3301082	461	207	415	33	165	135	141								
75	Fairmount Park #2	2S/5W14E01S	3301851	434	298	39	49	30	39	36								
76	Mori No. 2	2S/5W14G03S	3301635	540	571	403	77	216	155	161								
77	Springbrook Diversi	2S/5W14K	3301086	0	0	0	0	0	0	0	0	0	0	0	0	0	0	0
78	Sanitary Fill	2S/5W28C01S	3301078	0	0	0	0	0	0	0	0	0	0	0	0	0	0	0
79	Sanitary Fill, Davi	2S/5W28A01S	3301079	0	0	0	0	0	0	0	0	0	0	0	0	0	0	0
80	Jensen Slough **	2S/5W29G	3301087	0	0	0	0	0	0	0	0	0	0	0	0	0	0	0
81	Orange Acres Mutual	2S/5W02Q08S	3301814	0	0	0	0	0	0	0	0	0	0	0	0	0	0	0
82	Lincoln Heights Wtr	2S/5W02Q	3301940	0	0	0	0	0	0	0	0	0	0	0	0	0	0	0
84																		
85	Sub Total Lines 73-84			1,700	1,470	857	540	548	508	498								
86	Total Lines 69+71+85			11,399	14,107	7,229	8,958	10,538	10,426	16,700								
87																		
88	o	Abandoned t/or File Closed																
89	*	Now owned by Victoria County Club																

** Jensen Slough sold to Riverside County Parks Dept in 1972, Water rights Quit-Deeded back to the City in 1975.

TABLE NO. 3

**CITY OF RIVERSIDE
DOMESTIC AND IRRIGATION DIVISIONS
DELIVERIES MADE FROM WATER PRODUCED FROM THE
BUNKER HILL, COLTON, AND RIVERSIDE GROUND WATER BASINS SITUATED IN SAN BERNARDINO CO.**

Year	Identification of Deliveries and Amounts Delivered in Ac. Ft.										COL.
	Riverside Highland Water Co.	Salazar Water Co.	Trujillo Water Co.	Jurupa Ditch Co.	Highgrove Power Plant Co.	Pellissier Ranch	Williams Ranch	City of San Bernardino	Overlying Land Use all Deliveries	Total	
(1)	(2)	(3)	(4)	(5)	(6)	(7)	(8)	(9)	(10)	(11)	(12)
1971	0	0	300(c)	2,933	0	174	0	0	3,407	(1)	
1972	0	0	175(c)	2,884	0	107	0	0	3,166	(2)	
1973	0	0	77(c)	2,533	0	45	0	0	2,655	(3)	
1974	279	0	73(c)	2,885	0	111	0	0	3,348	(4)	
1975	0	0	72(c)	2,866	0	94	0	0	3,032	(5)	
1976	0	0	80(c)	3,341	0	126	0	0	3,567	(6)	
1977	0	0	76(c)	2,565	0	279	0	0	2,920	(7)	
1978	0	0	174(c)	1,085	0	271	0	0	1,530	(8)	
1979	0	0	264(c)	2,234	0	587	0	0	3,085	(9)	
1980	0	0	328(c)	104	0	1,591	0	0	2,023	(10)	
1981	0	0	243(c)	1,347	0	1,526	0	0	3,116	(11)	
1982	0	0	185(c)	1,489	0	2,102*	0	146	3,922*	(12)	
1983	0	0	158(c)	591	0	1,933*	0	144	2,826*	(13)	

(1) From City Records
 (2) From City Records
 (3) From City Records
 (4) From Table No. 2, Line 28, Sht. 1
 (5) From City Records
 (6) From Table No. 2, Line 20, Sht. 1
 (7) From City Records
 (8) From City Records
 (9) Golf Course Irrigation, Thorn 10
 (10) Total Col. (1) through Col. (8)
 (11) Delivery made from Canal
 (12) Delivery made from Williams Well
 (13) Delivery made from Garner Wells (T & G) in Riverside County
 * Corrected during 1984 verification

FOR YEARS PRECEDING 1971: Refer to Volume 5, August 1976, Page I-21

Riverside Highlands delivery made from water produced in Bunker Hill Basin. Water is commingled with production from other basins by Riverside Highland Water Company and delivered by this company. See Riverside Highland tabulation for basin allocation of water production.

Salazar Water Company delivery made in San Bernardino County from the canal of the Riverside Water Company, which contains commingled water produced from Bunker Hill, Colton, and Riverside Basins, all within San Bernardino County. Delivery is made directly to the West Riverside Canal and transported by this canal directly to Riverside County southerly of the County Line.

Trujillo Water Company. For the period 1947 through a portion of 1952, deliveries were made to the Trujillo Water Company at a point in San Bernardino County from the canal of the Riverside Water Company, which contained a commingled water supply produced from the Bunker Hill, Colton, and Riverside Ground Water Basins, all within San Bernardino County. For the period a portion of 1952 through 1985, deliveries to the Trujillo Water Company were made from the Williams Well, producing water from that portion of the Riverside Ground Water Basin lying within San Bernardino County. The service area of the Trujillo Water Company lies astride the Riverside-San Bernardino County line, and during both of the periods described above, water was delivered both in San Bernardino County and in Riverside County to shareholders entitled to receive this water by ownership of Trujillo Water Company stock. In addition, deliveries were also made from the Williams Well for overlying use on the Williams Ranch, situated within San Bernardino County. Tabulations of this production and the inter-county deliveries are shown in detail on Tables No. 4, 5, 6, and 7.

Deliveries to the Jurupa Ditch Company are made directly from the production from the Jurupa Wells, situated within San Bernardino County in the Riverside Ground Water Basin and exported across the County Line to Riverside County. Deliveries for overlying use in San Bernardino County are also made from these wells for use on the Jurupa Ranch in San Bernardino County. A tabulation of overlying use from the Jurupa Wells within San Bernardino County and exported to Riverside County is shown in Table No. 8. No other breakdown is required.

Water delivered to the Southern California Edison Company Highgrove Power Plant was delivered from 1952 through 1963 from a commingled water supply in the Riverside Water Company Canal, which was produced entirely within San Bernardino County from the Bunker Hill, Colton, and Riverside Ground Water Basins. An allocation of this production, by basins, is shown in Table No. 10.

The Pellissier Ranch, which is owned by the City of Riverside, overlies that portion of the Riverside Ground Water Basin situated within San Bernardino County, and water is produced from wells located thereon for overlying use within San Bernardino County. The production from these wells is shown in Table No. 2, Line 20.

Change of owner to Stapakis, William S., in calendar year 1974.

The delivery to the City of San Bernardino was made during the years of 1959 and 1960 from water produced in the Bunker Hill Basin from the Garner Wells.

TABLE NO. 3

CITY OF RIVERSIDE
DOMESTIC AND IRRIGATION DIVISIONS
DELIVERIES MADE FROM WATER PRODUCED FROM THE BUNKER HILL
COLTON AND RIVERSIDE GROUNDWATER BASINS SITUATED IN SAN BERNARDINO CO.

Identification of Deliveries and Amounts Delivered in Acre Feet
 S.C.E. CO.

Calendar Year	Riverside Highland Water Company (1)	Salazar Water Company (2)	Trujillo Water Company (3) a	Jurupa Ditch Company (4)	Highgrove Power Plant (5)	Pellissier Ranch (6)	Williams Ranch (7)	City of San Bernardino (8)	Overlying Land Use (9)	Total of all Deliveries (10)
1984	0	0	220	2,434	0	448	0	9	0	3,111
1985	0	0	168	2,400	0	714	0	0	0	3,282
1986	0	0	6	2,032	0	117	0	292	0	2,447
1987	0	0	11	1,614	0	87	0	319	0	2,031
1988	0	0	15	1,990	0	58	0	769	46	2,878
1989	0	0	7	2,088	0	59	0	0	28	2,182
1990										
1991										
1992										
1993										
1994										
1995										
1996										
1997										
1998										
1999										
2000										
2001										
2002										
2003										
2004										
2005										

- (1) From City of Riverside Records
- (2) From City of Riverside Records
- (3) From City of Riverside Printout
- (4) From Table No. 2, Sheet 2, Line 35 + 36
- (5) From City of Riverside Records
- (6) From Table No. 2, Sheet 2, Lines 21 thru 25
- (7) From City of Riverside Records
- (8) From City of Riverside Records
- (9) Golf Course irrigation, Thorn 10
- (10) Total of Column (1) through column (8)
- (a) Delivery made from Garner Wells T & G (City Source #'s 1203,1204) in Riverside County

TABLE NO. 4

CITY OF RIVERSIDE
WATER DELIVERIES TO TRUJILLO WATER CO.
IN SAN BERNARDINO AND RIVERSIDE COUNTIES

Trujillo Water Company Delivery	DELIVERED IN SAN BERNARDINO COUNTY						Delivered in Riverside County
	Individual			Total			
Year	Ac.Ft.	Russell	Pellissier	Proportion	Percent	Ac. Ft.	Ac. Ft.
	(1) (c)	(2)	(3)	(4)	(5)	(6)	(7)
1971	300	-	-	-	-	-	300
1972	175	-	-	-	-	-	175
1973	77	-	-	-	-	-	77
1974	73	-	-	-	-	-	73
1975	72	-	-	-	-	-	72
1976	80	-	-	-	-	-	80
1977	76	-	-	-	-	-	76
1978	174	-	-	-	-	-	174
1979	264	-	-	-	-	-	264
1980	328	-	-	-	-	-	328
1981	243	-	-	-	-	-	243
1982	185	-	-	-	-	-	185
1983	158	-	-	-	-	-	158
1984	220	-	-	-	-	-	220
1985	168	-	-	-	-	-	168
1986	6	-	-	-	-	-	6
1987	11	-	-	-	-	-	11
1988	15	-	-	-	-	-	15
1989	7	-	-	-	-	-	7
1990		-	-	-	-	-	
1991		-	-	-	-	-	
1992		-	-	-	-	-	
1993		-	-	-	-	-	
1994		-	-	-	-	-	
1995		-	-	-	-	-	
1996		-	-	-	-	-	
1997		-	-	-	-	-	
1998		-	-	-	-	-	
1999		-	-	-	-	-	
2000		-	-	-	-	-	

(1) = From Table No. 3 (5) = Computed (a) = Delivered from Canal
(2) = Historical Entitlement (6) = (1) x (5) (b) = Delivered from Williams Well
(3) = Historical Entitlement (7) = (1) - (6) (c) = Delivered from Garner T & G Well in Riverside
(4) = (2) + (3)

For Years Preceding 1971: Refer to Volume 5, August 1976, Page I-23

TABLE NO. 8

CITY OF RIVERSIDE
JURUPA DITCH CO.
WATER PRODUCTION FROM RIVERSIDE BASIN IN SAN BERNARDINO COUNTY
FOR USE IN SAN BERNARDINO CO.
AND EXPORT TO RIVERSIDE CO.

Jurupa Ditch Co. Water Production & Distribution

<u>Year</u> (1)	<u>Total</u> <u>Production</u> <u>Jurupa</u> <u>Wells</u> (2)	<u>Overlying</u> <u>Use in</u> <u>S.B. Co.</u> (3)	<u>Export</u> <u>to Riverside</u> <u>County</u> (4)
1971	2,933	0	2,933
1972	2,884	0	2,884
1973	2,533	0	2,533
1974	2,885	0	2,885
1975	2,866	0	2,866
1976	3,341	0	3,341
1977	2,565	0	2,565
1978	*1,085	0	1,085
1979	*2,234	0	2,234
1980	**104	0	104
1981	1,347	0	1,347
1982	1,489	0	1,489
1983	591	0	591
1984	2,434	0	2,434
1985	2,400	0	2,400
1984	2,434	0	2,434
1985	2,400	0	2,400

Explanation

Note: Jurupa 1,3,4,5 destroyed by flooding
(2) From Table No. 3, Col. 4; or Table No. 2, Line 28
(3) From City of Riverside Records
(4) Col. 2 - Col 3

FOR YEARS PRECEDING 1971: Refer to Volume 5, August 1976, Page I-28

* Production From Mason Well
** Includes Mason Well, Jurupa 7 Online

WORD;W-SB WM

7/9/91
16:02

TABLE NO. 8

CITY OF RIVERSIDE
JURUPA DITCH CO.
WATER PRODUCTION FROM RIVERSIDE BASIN IN SAN BERNARDINO COUNTY
FOR USE IN SAN BERNARDINO CO.
AND EXPORT TO RIVERSIDE CO.

Jurupa Ditch Co. Water Production & Distribution

Year	Total Production Jurupa Wells	Distribution	
		Overlying Use in S.B. Co.	Export to Riverside County
(1)	(2)*	(3)	(4)
1986	2,032	0	2,032
1987	1,614	0	1,614
1988	1,990	0	1,990
1989	2,088	0	2,088
1990			
1991			
1992			
1993			
1994			
1995			
1996			
1997			
1998			
1999			
2000			
2001			
2002			
2003			
2004			
2005			

* All production from Jurupa #7

Note: Jurupa 1,3,4,5 destroyed by flooding

(2) From Table No. 3, Col. 4; or Table No. 2, Line 28

(3) From City of Riverside Records

(4) Col. 2-Col. 3

FOR YEARS PRECEDING 1971: Refer to Volume 5, August 1976, Page I-28

TABLE NO. 9

CITY OF RIVERSIDE
 IRRIGATION DIVISION
 PRODUCTION DELIVERED TO FORMER RIVERSIDE WATER COMPANY CANAL
 AND DISTRIBUTION OF PRODUCTION DELIVERED TO SALAZAR WATER CO.
 (Quantities in Acre Feet)

SUB-ROUTINE TO ASCERTAIN COMPONENTS OF COMINGLED WATER APPURTENANT TO SALAZAR DELIVERY AND EXPORTED TO RIVERSIDE COUNTY

Calendar Year	BUNKER HILL BASIN										RIVERSIDE TOTAL				Percent of Water Prod. in Canal, from Ground Water Basins		Total Production Delivered to Salazar Water Co. exported to Riverside County							
	Less Deliveries in Basin		Water to Domestic		Water to Riverside		Colton Basin		Basin Flume Wells		Total Prod. to Canal		from Bunker Hill		from Colton		Total Delivery							
	Riverside	Highland Water Co.	City of Domestic System	City of San Bernardino	Sub Total Deliveries Above Bunker Hill Dike	Canal	Warren No. 1 Well to Canal	Hill Basin to Canal	Bunker Hill Basin to Canal	Total	Johnson Vaughn Meeks Hill	To and	Colton	1-2-3-4-5	10a	10b	11	12	13	14	15	16	17	18
1971	0	9,822	0	9,822	0	995	0	995	2,596	276	748	4,439	22.42	60.73	16.85	0	0	0	0	0	0	0	0	0
1972	0	8,216	0	8,216	0	255	0	255	2,521	1,576	1,180	3,956	6.45	63.73	29.82	0	0	0	0	0	0	0	0	0
1973	0	5,681	0	5,681	0	27	0	27	101	1,864	544	672	4.02	15.03	80.95	0	0	0	0	0	0	0	0	0
1974	279	7,041	0	7,320	0	91	0	91	1,386	0	1,588	3,065	2.97	45.22	51.81	0	0	0	0	0	0	0	0	0
1975	0	8,333	0	8,333	0	1,716	0	1,716	2,545	0	2,071	6,332	27.10	40.19	32.71	0	0	0	0	0	0	0	0	0
1976	0	7,537	0	7,537	0	68	0	68	853	0	2,452	3,373	2.02	25.29	72.69	0	0	0	0	0	0	0	0	0
1977	0	5,914	0	5,914	0	12	0	12	295	0	1,199	1,506	0.80	19.59	79.61	0	0	0	0	0	0	0	0	0
1978	0	6,261	0	6,261	0	0	0	0	464	0	8	472	0.00	98.31	1.69	0	0	0	0	0	0	0	0	0
1979	0	7,357	0	7,357	0	0	0	0	5	0	97	102	0.00	4.90	95.10	0	0	0	0	0	0	0	0	0
1980	0	6,261	0	6,261	0	0	0	0	0	0	11	11	0.00	0.00	100.00	0	0	0	0	0	0	0	0	0
1981	0	5,010	0	5,010	0	34	0	34	77	0	21	132	25.75	58.33	15.92	0	0	0	0	0	0	0	0	0
-	Table Not Required, Water No Longer Delivered																							

*Grand Avenue Booster Start Operating October 1966 # Domestic Division Total (Table 1, Set 1, line 30), Less Thorn 2 thru 11 (irrigation use)

Prod. - Production

(1) From Table No. 1, Sub Total Sheet 1

(2) From Table No. 3, Column (1)

(3) Col. 1 - (Production from Thorn 1-11)

(4) From Table No. 3, Column (8)

(5) Columns (2) + (3) + (4)

(6) Column (1) - Column (5)

(7) From City of Riverside records

(8) Column (6) + Column (7)

(9) From Table No. 2, Sheet 1, Line 7

(10) From Table No. 2, Sheet 1, Line 13 less Grand Ave. Booster to Domestic

(11) Columns (8) + (9) + (10)

(12) Column (8) + Column (11)

(13) Column (9) + Column (11)

(14) Column (10) + Column (11)

(15) From Table No. 3, Column (2)

(16) Column (15) x Column (12)

(17) Column (15) x Column (13)

(18) Column (15) x Column (14)

TABLE NO. 10

CITY OF RIVERSIDE
IRRIGATION DIVISION
PRODUCTION DELIVERED TO FORMER RIVERSIDE WATER COMPANY CANAL
AND DISTRIBUTION OF PRODUCTION DELIVERED TO SOUTHERN CALIFORNIA EDISON CO.
HIGHGROVE POWER PLANT
(Quantities in Acre Feet)

SUB-ROUTINE TO ASCERTAIN COMPONENTS OF COMINGLED WATER APPURTENANT TO S.C.E. CO. HIGHGROVE POWER PLANT DELIVERY

Calendar Year	BUNKER HILL BASIN										Riverside Total			Percent of Water Prod. in Canal, from Ground Water Basins			Southern California Edison Co. Highgrove Power Plant Deliveries																					
	Less Deliveries in Basin					Water to Domestic					Colton Basin Johnson 1-2-3-4-5	Bunker Hill Colton and Rivers side	Prod. to Canal Bunker Hill Colton Rivers side	From Bunker Hill Colton Rivers side	From Bunker Hill Colton Rivers side	Total Delivery Basin	from Bunker Hill Colton Rivers side	from Bunker Hill Colton Rivers side	from Bunker Hill Colton Rivers side																			
	Riverside Highland Water Co. (2)	City of Domestic System (3)	City of San Bernardino (4)	Sub Total Deliveries Above Bunker Hill Dike (5)	Canal from Bunker Hill Basin (6)	Warren No. 1 Well to Canal (7)	Total Bunker Hill Basin to Canal (8)	Colton Basin Johnson 1-2-3-4-5 (9)	To and from Rivers side (10a)	Dom. Canal (10)										Prod. to Canal Bunker Hill Colton Rivers side (11)	From Bunker Hill Colton Rivers side (12)	From Bunker Hill Colton Rivers side (13)	From Bunker Hill Colton Rivers side (14)	Total Delivery Basin (15)	from Bunker Hill Colton Rivers side (16)	from Bunker Hill Colton Rivers side (17)	from Bunker Hill Colton Rivers side (18)											
1971	10,817	0	9,822	0	9,822	995	0	995	0	995	2,696	276	748	4,439	22.42	60.73	16.85	0	0	0	0	0	0	0	0	0	0	0	0	0	0	0						
1972	8,471	0	8,216	0	8,216	255	0	255	0	255	2,821	1,576	1,180	3,956	6.45	63.73	29.82	0	0	0	0	0	0	0	0	0	0	0	0	0	0	0						
1973	5,708	0	5,681	0	5,681	27	0	27	0	27	101	1,864	544	672	4.02	15.03	80.95	0	0	0	0	0	0	0	0	0	0	0	0	0	0	0	0					
1974	7,411	279	7,041	0	7,320	91	0	91	0	91	1,386	0	1,588	3,065	2.97	45.22	51.81	0	0	0	0	0	0	0	0	0	0	0	0	0	0	0	0	0				
1975	10,949	0	8,333	0	8,333	1,716	0	1,716	0	1,716	2,545	0	2,070	6,332	27.10	40.19	32.71	0	0	0	0	0	0	0	0	0	0	0	0	0	0	0	0	0	0			
1976	7,605	0	7,537	0	7,537	68	0	68	0	68	853	0	2,452	3,373	2.02	25.29	72.69	0	0	0	0	0	0	0	0	0	0	0	0	0	0	0	0	0	0			
1977	5,926	0	5,914	0	5,914	12	0	12	0	12	295	0	1,199	1,506	0.80	19.59	79.61	0	0	0	0	0	0	0	0	0	0	0	0	0	0	0	0	0	0	0		
1978	6,261	0	6,261	0	6,261	0	0	0	0	0	464	0	8	472	0.00	98.31	1.69	0	0	0	0	0	0	0	0	0	0	0	0	0	0	0	0	0	0	0		
1979	7,357	0	7,357	0	7,357	0	0	0	0	0	5	0	97	102	0.00	4.90	95.10	0	0	0	0	0	0	0	0	0	0	0	0	0	0	0	0	0	0	0	0	
1980	6,261	0	6,261	0	6,261	0	0	0	0	0	0	0	11	11	0.00	0.00	100.00	0	0	0	0	0	0	0	0	0	0	0	0	0	0	0	0	0	0	0	0	0
1981	5,044	0	5,010	0	5,010	34	0	34	0	34	77	0	21	132	25.75	58.33	15.92	0	0	0	0	0	0	0	0	0	0	0	0	0	0	0	0	0	0	0	0	0

Table Not Required, Water No Longer Delivered

*Grand Avenue Booster Start Operating October 1966
Prod. = Production

- (1) From Table No. 1, Sub Total Sheet 1
- (2) From Table No. 3, Column (1)
- (3) Col. (1) - (Production from Thorn 1-11)
- (4) From Table No. 3, Column (8)
- (5) Columns (2) + (3) + (4)
- (6) Column (1) - Column (5)
- (7) From City of Riverside records
- (8) Column (6) + Column (7)
- (9) From Table No. 2, Sheet 1, Line 7
- (10) From Table No. 2, Sheet 1, Line 13
- (11) Less Grand Ave. Booster to Domestic
- (12) Columns (8) + (9) + (10)
- (13) Column (8) + Column (11)
- (14) Column (9) + (11)
- (15) From Table No. 3, Column (11)
- (16) Column (15) x Column (5)
- (17) Column (15) x Column (13)
- (18) Column (15) x Column (14)

TABLE NO. 11

CITY OF RIVERSIDE
DOMESTIC & IRRIGATION DIVISIONS
WATER PRODUCTION & DELIVERIES
FROM
COLTON BASIN

WATER PRODUCTION FROM COLTON GROUND WATER BASIN IN
 SAN BERNARDINO COUNTY AND DELIVERIES OF PRODUCTION
 MADE NORTH OF THE COUNTY LINE IN SAN BERNARDINO COUNTY
 AND SOUTH OF THE COUNTY LINE IN RIVERSIDE COUNTY

Acre Feet

COLTON BASIN PRODUCTION
Delivered in San Bernardino County

<u>Calendar</u> <u>Year</u> (1)	<u>Total.</u> <u>Prod.</u> <u>From</u> <u>Colton</u> <u>Basin</u> (2)	<u>Trujillo</u> <u>Water</u> <u>Co.</u> (3)	<u>S.C.E. Co.</u> <u>Power</u> <u>Plant</u> <u>Highgrove</u> (4)	<u>Total</u> <u>Deliveries</u> (5)	<u>Total</u> <u>Deliveries</u> <u>Exported</u> <u>to</u> <u>Riverside</u> <u>County</u> (6)
1971	2,696	0	0	0	2,696
1972	2,521	0	0	0	2,521
1973	101	0	0	0	101
1974	1,386	0	0	0	1,386
1975	2,545	0	0	0	2,545
1976	853	0	0	0	853
1977	295	0	0	0	295
1978	464	0	0	0	464
1979	5	0	0	0	5
1980	0	0	0	0	0
1981	77	0	0	0	77

Table not Required, Deliveries No Longer Made

FOR YEARS PRECEDING 1971: Refer to Volume 5, August 1976, Page I-34

- (2) From Table No. 2, Sheet 1, Line 7
- (3) From Table No. 4, See Note (C) thereon
- (4) From Table No. 10, Column (17)
- (5) Column (3) + Column (4)
- (6) Column (2) - Column (5)

CITY OF RIVERSIDE
DOMESTIC & IRRIGATION DIVISIONS
WATER PRODUCTION & DELIVERIES
 FROM
PORTION RIVERSIDE BASIN

WATER PRODUCTION FROM THAT PORTION OF THE RIVERSIDE GROUND WATER
 BASIN SITUATED NORTH OF THE COUNTY LINE IN SAN BERNARDINO COUNTY
 AND DELIVERIES OF PRODUCTION MADE NORTH OF THE COUNTY LINE IN
 SAN BERNARDINO COUNTY AND SOUTH OF THE COUNTY LINE IN RIVERSIDE CO.

Calendar Year (1)	Total Riverside Basin (2)	Trujillo Water Co. (3)		S.C.E. Co. (4)		Riverside Basin Production in San Bernardino County; Delivered in San Bernardino County				Total Deliveries (9)	Total Deliveries Exported to Riverside County (10)
		Highgrove (4)	Power Plant (4)	Pellissier Ranch (5)	Overlying Land Use Williams Ranch (6)	Jurupa Ranch (7)	Total Deliveries (8)				
1971	4,537	0	0	174	0	0	0	0	174	174	4,363
1972	5,920	0	0	107	0	0	0	0	107	107	5,813
1973	4,986	0	0	45	0	0	0	0	45	45	4,941
1974	6,123	0	0	111	0	0	0	0	111	111	6,012
1975	5,838	0	0	94	0	0	0	0	94	94	5,744
1976	6,345	0	0	126	0	0	0	0	126	126	6,219
1977	4,112	0	0	279	0	0	0	0	279	279	3,833
1978	1,364	0	0	271	0	0	0	0	271	271	1,093
1979	2,836	0	0	587	0	0	0	0	587	587	2,249
1980	1,706	0	0	1,591	0	0	0	0	1,591	1,591	115
1981	2,894	0	0	1,526	0	0	0	0	1,526	1,526	1,368
1982	3,615*	0	0	2,102*	0	0	0	0	2,102*	2,102*	1,513

(2) From Table No. 2, Sheet 1, Line 30
 (3) From Table No. 4, See Note (C)
 (4) From Table No. 10, Column (18)
 (4a) Space reserved for future
 (5) From Table No. 2, Sheet 1, Line 20

(6) From Table No. 6, Column (7)
 (7) From Table No. 8, Column (3)
 (8) Space reserved for future
 (9) (3)+(4)+(5)+(6)+(7)
 (10) (2) - (9)

FOR YEARS PRECEDING 1971: Refer to Volume 5, August 1976, Page I-36
 Ranch and well sold to others
 * Corrected during 1984 verification.

CITY OF RIVERSIDE
DOMESTIC & IRRIGATION DIVISIONS
WATER PRODUCTION & DELIVERIES
FROM

THE RIVERSIDE BASIN

WATER PRODUCTION FROM THAT PORTION OF THE RIVERSIDE GROUND WATER BASIN SITUATED
NORTH OF THE COUNTY LINE IN SAN BERNARDINO COUNTY AND DELIVERIES OF PRODUCTION MADE
NORTH OF THE COUNTY LINE IN SAN BERNARDINO COUNTY AND SOUTH OF THE RIVERSIDE COUNTY LINE
Quantities in Acre Feet

Riverside Basin production in San Bernardino County
Delivered in San Bernardino County

Year	Total Production from Riverside North Basin	Trujillo Water Company	S.C.E. Co. Highgrove Power Plant	Overlying Land Use			Total Deliveries	Total Deliveries Exported to Riverside County
				Pellissier Ranch	Williams Ranch	Jurupa Ranch		
(2)	(3)	(4)	(5)	(6)	(7)	(8)	(9)	
1983	2,581	-	-	1,933	-	-	1,933	648
1984	2,891	-	-	448	-	-	448	2,443
1985	3,193	-	-	714	-	-	714	2,479
1986	2,342	-	-	117	-	-	117	2,225
1987	1,762	-	-	87	-	-	87	1,675
1988	3,315	-	-	58	-	-	58	3,257
1989	10,194	-	-	59	-	-	59	10,135
1990		-	-	-	-	-	-	
1991		-	-	-	-	-	-	
1992		-	-	-	-	-	-	
1993		-	-	-	-	-	-	
1994		-	-	-	-	-	-	
1995		-	-	-	-	-	-	

(2) From Table No. 2, Sheet 2, Line 43 (6 & 7) Property sold, Williams rights retained

(3) From Table 4, See Note (c) (8) Columns (3)+(4)+(5)+(6)+(7)

(4) From Table No. 10, Column (18) (9) Columns (2) - (9)

(5) From Table No. 2, Sheet 2, Line 26

CITY OF RIVERSIDE
WATER PRODUCTION FROM SAN BERNARDINO BASIN AREA
AND DELIVERIES WITHIN SAN BERNARDINO COUNTY AND EXPORT TO RIVERSIDE COUNTY
 (all Quantities in Acre Feet)

Year	CITY PRODUCTION & DELIVERY IN SAN BERNARDINO BASIN AREA		CITY DELIVERIES IN COLTON & RIVERSIDE BASINS IN SAN BERNARDINO COUNTY				Total	Total Water From San Bernardino Basin Area Exported to Riverside County (8)
	City Wells Deliveries in San Bernardino Basin Area	Total City Production available for Export	Prior Right Delivered to Riverside Highland Water Company	Trujillo Water Company	Edison Power Plant			
	(1)	(2)	(3)	(4)	(5)	(6)	(7)	(8)
1971	24,939	0	24,939	0	-	-	0	24,939
1972	20,474	0	20,474	0	-	-	0	20,474
1973	21,493	0	21,493	0	-	-	0	21,493
1974	27,420	0	27,420	65	-	-	65	27,355
1975	25,248	0	25,248	0	-	-	0	25,248
1976	22,085	0	22,085	0	-	-	0	22,085
1977	18,900	0	18,900	0	-	-	0	18,900
1978	19,055	0	19,055	0	-	-	0	19,055
1979	21,561	0	21,561	0	-	-	0	21,561
1980	18,875	0	18,875	0	-	-	0	18,875
1981	20,363	0	20,363	0	-	-	0	20,363
1982	19,522	146	19,376	0	-	-	0	19,376
1983	25,681	144	25,537	0	-	-	0	25,537
1984	25,031	9	25,022	0	-	-	0	25,022
1985	31,817	0	31,817	0	-	-	0	31,817
1986	25,996	292	25,704	0	-	-	0	25,704
1987	25,528	319	25,209	0	-	-	0	25,209
1988	26,490	815	25,675	0	-	-	0	25,675
1989	21,129	28	21,101	0	-	-	0	21,101
1990								
1991								
1992								
1993								
1994								
1995								

(1) From Table No. 1, Sheet 2, Line 64, C of R (4) Table No. 31, Column (4), Riv. High. (7) Columns (4) + (5) + (6)

(2) From Table No. 3, Columns (8) + (9) (5) Table No. 4, Column (1), Note "C" (8) Column (3) - (7)

(3) Column (1) - Column (2) (6) Table No. 10, Column (16)

FOR YEARS PRECEDING 1971: Refer to Volume 5, August 1976, Page I-28

TABLE NO. 14

CITY OF RIVERSIDE AND
UNIVERSITY OF CALIFORNIA
EXTRACTIONS FROM BUNKER HILL BASIN
IN SAN BERNARDINO BASIN AREA

Year	City of Riverside Extractions From Bunker Hill Basin		University of California Extractions From Bunker Hill Basin		Total City and Univ Extractions From Bunker Basin	
	Amended Filings Ac. Ft.	Original Filings Ac. Ft.	Amended Filings Ac. Ft.	Original Filings Ac. Ft.	Amended Filings Ac. Ft.	Original Filings Ac. Ft.
(1)	(2)	(3)	(4)	(5)	(6)	(7)
1971	24,939	24,939	219	219	25,158	25,158
1972	20,474	20,474	239	239	20,713	20,713
1973	21,493	21,493	239	239	21,732	21,732
1974	27,420	27,420	267	267	27,687	27,687
1975	25,248	25,248	179	179	25,427	25,427
1976	22,085	22,085	245	245	22,330	22,330
1977	18,900	18,900	87	87	18,987	18,987
1978	19,055	20,099	183	183	19,238	20,282
1979	21,561	21,561	83	83	21,644	21,644
1980	18,875	18,875	7	7	18,882	18,882
1981	20,363	20,363	143	143	20,506	20,506
1982	19,522	19,522	48	48	19,570	19,570

Table Not Needed

(1959-1963)

(Average) 24,092 24,061 *550 581 *24,642 24,642

- * = Amended Recordation Filings
- (2) = City of Riverside Table No. 1, Line 61
- (3) = City of Riverside Original Recordation Filings
- (4) = University of California Table No. 35, Col. 6
- (5) = University of California Table No. 35, Col. 7
- (6) = Col. 2 + Col. 4
- (7) = Col. 3 + Col. 5

FOR YEARS PRECEDING 1971: Refer to Volume 5, August 1976, Page I-40

RD;W-SB WM

TABLE NO. 15

THE GAGE CANAL COMPANY WATER PRODUCTION
FROM BUNKER HILL BASIN
RIVERSIDE BASIN IN SAN BERNARDINO COUNTY
AND RIVERSIDE BASIN IN RIVERSIDE COUNTY

Line No.	Reference	Local Designation	State Well Number	Recordation Number	Quantities in Acre Feet by Calendar Year													
					1971	1972	1973	1974	1975	1976	1977	1978	1979	1980	1981	1982		
BUNKER HILL BASIN IN SAN BERNARDINO BASIN AREA																		
1	Rec. Filling	*No. 6	IS-4W-13L1	3600784	-	-	-	-	-	-	-	-	-	-	-	-	-	-
2		*No. 17	IS-4W-14R	3600785	-	-	-	-	-	-	-	-	-	-	-	-	-	-
3		No. 21	IS-4W-13L2	3600786	612	662	710	983	1,117	1,527	2,046	1,286	-	-	-	-	-	-
4		No. 26-1	IS-4W-23A2	3600787	1,597	1,241	1,703	1,165	1,358	2,608	2,659	1,538	732	970	1,421	1,341	1,421	1,341
5		No. 27-1	IS-4W-23H1	3600788	2,010	1,921	1,844	1,152	1,317	2,608	2,659	1,538	1,819	1,483	1,679	1,578	1,679	1,578
6		No. 27-2	IS-4W-23K1	3600789	1,201	1,224	967	1,325	1,278	1,731	2,021	1,556	2,381	1,780	1,901	1,606	1,901	1,606
7		No. 29-1	IS-4W-23K2	3600790	2,052	1,742	1,567	1,296	951	2,081	2,145	1,255	2,476	1,640	1,140	1,347	1,140	1,347
8		No. 29-2	IS-4W-13N1	3600791	4,365	3,645	3,604	64	3,816	4,432	4,432	3,029	3,282	3,308	4,464	3,517	4,464	3,517
9		No. 29-3	IS-4W-13N2	3600792	3,864	3,220	378	1,241	3,343	3,943	3,843	2,750	3,282	3,308	4,464	3,517	4,464	3,517
10		No. 30-1	IS-4W-13M2	3600793	1,778	1,323	1,499	1,352	1,577	891	1,204	1,594	2,750	3,282	3,308	4,464	3,517	4,464
11		No. 31-1	IS-4W-13F2	3600794	1,266	721	787	1,266	1,154	1,837	289	937	1,603	1,204	1,754	1,430	1,754	1,430
12		No. 46-1	IS-4W-13G2	3600795	3,906	3,431	2,915	2,232	2,508	3,420	3,981	4,774	4,801	5,372	5,010	4,782	5,010	4,782
13		No. 51-1	IS-4W-23A5	3600796	673	616	624	121	4	452	875	775	1,358	967	1,380	1,245	1,380	1,245
14		No. 56-1	IS-4W-13G3	3600797	2,513	2,973	2,436	1,870	2,132	2,923	3,170	2,537	3,389	4,015	3,130	3,896	4,015	3,130
15		*CowLane	IS-4W-23G1	3600798	-	-	-	-	-	-	-	-	-	-	-	-	-	-
16		No. 66-1	IS-4W-23G	3602331	2,980	2,394	2,415	1,748	2,077	2,855	3,113	2,581	2,558	4,853	4,372	3,425	4,853	4,372
17		No. 6-Dom.	IS-4W-13P	3602423	126	107	80	132	82	96	113	97	27	63	54	49	63	54
18																		
19																		
20																		
21	Lines 1 thru 17	Total Production	Bunker Hill Basin		28,943	25,220	21,529	15,947	22,714	29,289	32,099	26,329	30,816	31,881	31,794	30,077	31,881	31,794
22																		
23																		
24	Rec. Filling	DeBerry	2S-4W-05C1	3600783	567	778	222	472	645	440	389	734	413	2,032	2,467	1,645	2,032	2,467
25																		
26																		
27																		
28	Rec. Filling	Olliveood 1	2S-5W-26F1	3300366	392	674	550	539	413	253	89	131	352	557	247	172	557	247
29		Olliveood 2	2S-5W-26E2	3300367	1,026	1,140	908	1,182	789	273	653	614	978	929	399	528	929	399
30		Olliveood 3	2S-5W-26M1	3300368	127	396	404	715	249	52	60	72	64	343	35	180	343	35
31																		
32		Total Production	Riverside Basin in Riverside Co.		1,545	2,210	1,862	2,436	1,451	578	802	817	1,394	1,829	681	880*	1,829	681
33																		
34																		
35																		
ADDITIONAL DELIVERIES FROM OTHER COMPANIES																		
36	Cage Records	Riverside Water Co. Booster for Gage R.W. Co. Stock			-	-	-	-	-	-	-	-	-	-	-	-	-	-
37	Cage Records	City of Riverside - Clearwater Well (Sold to Victoria Club)			-	-	-	-	-	-	-	-	-	-	-	-	-	-

Line (36) not required because of revision of method for determining quantity of water "not tributary" to Riverside Narrows (see Vol. 6).

FOR YEARS PRECEDING 1971: Refer to Volume 5, August 1976, Page I-44

* Abandoned &/or File Closed
* Correction made during 1983 verification

TABLE NO. 15

THE GAGE CANAL COMPANY WATER PRODUCTION
 FROM BUNKER HILL BASIN
 RIVERSIDE BASIN IN SAN BERNARDINO COUNTY
 AND RIVERSIDE BASIN IN RIVERSIDE COUNTY

Quantities in Acre Feet by Calendar Year

Line #	Local Designation	State Well #	Recordation #	1983	1984	1985	1986	1987	1988	1989	1990	1991	1992	1993	1994	1995
1	o No. 6	1S/4W13L01S	3600784	0	0	0	0	0	0	0	0	0	0	0	0	0
2	o No. 17	1S/4W14R	3600785	0	0	0	0	0	0	0	0	0	0	0	0	0
3	No. 21	1S/4W13L02S	3600786	621	742	985	1,213	1,097	1,560	919						
4	No. 26-1	1S/4W23A02S	3600787	1,147	2,208	2,021	1,645	2,121	3,074	2,428						
5	No. 27-1	1S/4W23H01S	3600788	1,417	2,544	2,013	1,940	2,061	3,047	1,773						
6	No. 27-2	1S/4W23K01S	3600789	872	2,127	2,332	1,866	2,561	3,537	2,521						
7	No. 29-1	1S/4W23K02S	3600790	1,017	2,265	2,003	1,962	1,778	2,847	1,792						
8	No. 29-2	1S/4W13N01S	3600791	2,621	3,630	3,498	4,582	3,583	4,497	3,394						
9	No. 29-3	1S/4W13N02S	3600792	2,384	4,044	3,152	3,396	4,427	3,912	3,410						
10	No. 30-1	1S/4W13M02S	3600793	588	970	1,118	1,233	871	688	1,046						
11	No. 31-1	1S/4W13F02S	3600794	1,035	1,444	2,192	2,119	1,225	1,010	1,347						
12	No. 46-1	1S/4W13G02S	3600795	3,250	5,407	5,050	5,071	4,589	4,839	3,819						
13	No. 51-1	1S/4W23A05S	3600796	372	1,138	969	1,434	1,428	1,671	975						
14	No. 56-1	1S/4W13G03S	3600797	2,385	3,525	2,251	3,751	3,249	3,762	3,220						
15	o CowLane	1S/4W23G01S	3600798	0	0	0	0	0	0	0						
16	No. 66-1	1S/4W23G	3602331	2,630	3,759	3,607	3,714	3,261	3,526	2,975						
17	No. 6-Domestic	1S/4W13P	3602423	44	72	65	57	62	52	36						
18																
19																
20	Total Production	Bunker Hill Basin		20,383	33,875	31,256	33,983	32,313	38,022	29,855						
21																
22																
23																
24	DeBery	2S4W05C01S	3600783	1,019	2,046	1,861	1,893	1,996	2,189	1,965						
25																
26																
27																
28	Olliveood #1	2S/5W26F01S	3300366	80	787	535	680	521	463	1,677						
29	Olliveood #2	2S/5W26E02S	3300367	301	1,306	968	1,091	910	1,045	1,954						
30	Olliveood #3	22/5W26M01S	3300368	44	694	487	485	336	576	1,239						
31																
32	Total Production	Riverside Basin in Riverside Co.		425	2,787	1,990	2,256	1,767	2,084	4,870						
33																
34																
35																
36																
37																

TABLE NO. 16

THE GAGE CANAL COMPANY
WATER PRODUCTION FROM BUNKER HILL BASIN
DELIVERED IN SAN BERNARDINO COUNTY & RIVERSIDE COUNTY
TO EAST RIVERSIDE WATER COMPANY

Calendar Years	Irrigation Season In Days	Total Delivered to East Riverside Water Company Ac. Ft.	Average Ac. Ft. per day Of Irrig. Season Ac. Ft.	Delivered San Bernardino County		Riverside County
				Estimated Ac. Ft.	Measured Ac. Ft.	Ac. Ft.
(1)	(2)	(3)	(4)	(5)	(6)	(7)
1971					108	
1972					90	
1973					82	
1974					**0	
1975					**0	
1976					**0	
1977					**0	
1978					**0	
1979					**0	
1980					**0	
1981					**0	
1982					**0	

See **, Table No Longer Needed

(2) (3) Gage Records

(4) $632 \text{ Ac. Ft.} / 326 \text{ days} = 1.94$ for Years 1947 through 1952 = Col. (6)/Col. (2)

(5) (4) x (2)

(6) Gage Canal Records

(7) Co. (3) - Col. (5) or Col. (3) - Col. (6)

* From 1968 to 1973, the Gage Canal has provided the Watermaster with just that portion of water delivered to East Riverside Water Co. that was used within San Bernardino County.

** Beginning in 1974 all water delivered to East Riverside Co. within San Bernardino Co. was produced by the DeBerry Well which is located in the Riverside Basin within San Bernardino County.

FOR YEARS PRECEDING 1971: Refer to Volume 5, August 1976, Page I-47

TABLE NO. 17

THE GAGE CANAL COMPANY
 WATER PRODUCTION FROM BUNKER HILL AND RIVERSIDE BASINS SITUATED
 IN SAN BERNARDINO COUNTY WITH DELIVERIES MADE IN SAN BERNARDINO
 COUNTY & EXPORTS TO RIVERSIDE COUNTY
 (Quantities in Acre Feet by Calendar Year)

Year (1)	Production In Bunker Hill Basin (2)		Delivery in Bunker Hill Basin To Southern California Edison Co. Power Plant Return To Net Delivery (3a) (4)*		Bunker Hill Export From Basin (5)		Delivery in Colton Basin Cooley Ranch Water Right (6) (7)		Total Delivery (8)		Bunker Hill Export To Riverside Basin In San Bernardino County (9)		Bunker Hill Water Delivered To Riverside Basin North of County Line East Water (10) (11)		Bunker Hill Export To Riverside County (12)		DeBerry Basin Water Well Total (13) (14a)		Production In Riverside Basin Within San Bernardino County Delivered To East Riverside Water Company (14a) (15)	
	(1)	(2)	(3a)	(4)*	(5)	(6)	(7)	(8)	(9)	(10)	(11)	(12)	(13)	(14a)	(14a)	(15)	(14a)	(15)		
1971	28,943	698	600**	98(a)	28,845	526***	35	561	28,284	108	108	28,176	567	0	567	0	567	0	567	
1972	25,220	708	623**	85	25,135	422	35	457	24,678	90	90	24,588	778	0	778	0	778	0	778	
1973	21,529	671	515**	156	21,373	331	99	430	20,943	82	82	20,861	222	0	222	0	222	0	222	
1974	15,947	761	1,004**	0	15,947	381	104	485	15,462	0	0	15,462	472	0	472	0	472	0	472	
1975	22,714	644	1,099**	0	22,714	342	156	498	22,216	0	0	22,216	645	0	645	0	645	0	645	
1976	29,289	1,085	1,137**	0	29,289	305	218	523	28,766	0	0	28,766	440	0	440	0	440	0	440	
1977	32,099	1,212	1,338**	0	32,099	263	83	346	31,753	0	0	31,753	389	0	389	0	389	0	389	
1978†	26,329	781	135**	646	25,683	213	88	301	25,382	0	0	25,382	734	0	734	0	734	0	734	
1979†	30,816	814	1,057**	0	30,816	273	142	415	30,401	0	0	30,401	413	0	413	0	413	0	413	
1980	31,881	631	248**	383	31,498	0	0	0	31,498	0	0	31,498	2,032	0	2,032	0	2,032	0	2,032	
1981	31,794	724	0	724	31,070	0	0	0	31,070	0	0	31,070	2,467	0	2,467	0	2,467	0	2,467	
1982	30,077	451	435	16	30,061	0	0	0	30,061	0	0	30,061	1,645	0	1,645	0	1,645	0	1,645	
1983	20,383	191	0	191	20,192	0	0	0	20,192	0	0	20,192	1,019	0	1,019	0	1,019	0	1,019	

(2) From recordation filings, Table 15, Line 20
 (3) From Gage Canal Records
 (3a) From S.C.E. Co. Reports to CRWQCB
 (4) Column (3) - Column (3a)
 (5) Column (2) - Column (4)
 (6) From Gage Canal Records
 (7) From Gage Canal Records
 (8) In 1981 44AF of wtr was delivered to Riverside Highland in lieu of Rice-Thorn.
 (9) Revised delivery to S.C.E. Power Plant beginning in 1967 during 1972 verification.
 (10) From Table 16, Column (8)
 (11) Same as Column (10)
 (12) Column (9) - Column (11)
 (13) From Table 15, Line 24
 (14) Same as Column (13)
 (14a) Commencing in the Year 1974, water supplied by DeBerry Well (from Table 16, Column (6))
 (15) Column (14) - Column (14a)
 ** Returned to former Riverside Water Co. Canal
 * After 1974, Water cannot be returned to Gage Canal
 ***Includes deliveries to City of Colton as follows:
 1966 = 8 Acre Feet
 1967 = 15 Acre Feet
 1968 = 24 Acre Feet
 1969 = 23 Acre Feet
 1970 = 29 Acre Feet
 1971 = 2 Acre Feet
 ****Beginning in 1974 all deliveries in San Bernardino Co. to East Riverside Water Co. supplied by the DeBerry Well

NOTE: DE BERRY WELL WAS FINANCED AND CONSTRUCTED BY THE GAGE CANAL COMPANY STOCKHOLDERS, FOR THE SOLE USE OF GAGE STOCKHOLDERS, AND DOES NOT SERVE EAST RIVERSIDE WATER CO. PRIOR TO 1974.
 CRWQCB = California Regional Water Quality Control Board
 FOR YEARS PRECEDING 1971: Refer to Volume 5, August 1976, Page I-49
 † Corrections made during 1980 Verification

THE GAGE CANAL COMPANY
WATER PRODUCTION FROM BUNKER HILL AND RIVERSIDE BASINS SITUATED IN SAN BERNARDINO COUNTY
WITH DELIVERIES MADE IN SAN BERNARDINO COUNTY & EXPORTED TO RIVERSIDE COUNTY
(Quantities in Acre Feet by Calendar Year)

Year	Delivery in Bunker Hill Basin			Delivery in Colton Basin			Production in Riverside Basin within San Bernardino County							
	(2)	(3)	(4)	(5)	(6)	(7)	(8)	(9)	(10)	(11)	(12)	(13)	(14)	(15)
Production in Bunker Hill Basin	Total Delivery	Southern California Edison Power Plant Return to Canals	Net Delivery	Export from Basin	Bunker Hill Export	Cooley Ranch Water Rights	Riverside Basin in San Bernardino County	Bunker Hill Export to Riverside Basin	Wtr Delivered to Riverside Basin North of County Line	Bunker Hill Water Exported to Riverside County	Bunker Hill Water Exported to Riverside County	Deberry Well	East Riverside Water Company	Export to Riverside County
1984	33,875	32	0	33,843	33,843	-	33,843	-	-	33,843	33,843	2,046	2	2,044
1985	31,256	59	0	31,197	31,197	-	31,197	-	-	31,197	31,197	1,861	1	1,860
1986	33,983	145	0	33,838	33,838	-	33,838	-	-	33,838	33,838	1,893	2	1,891
1987	32,313	15	0	32,298	32,298	-	32,298	-	-	32,298	32,298	1,996	1	1,995
1988	38,022	10	15	38,022	38,022	-	38,022	-	-	38,022	38,022	2,189	2	2,187
1989	29,655	0	-	29,655	29,655	-	29,655	-	-	29,655	29,655	1,965	2	1,963
1990														
1991														
1992														
1993														
1994														
1995														
1996														
1997														
1998														
1999														
2000														
2001														
2002														
2003														
2004														
2005														

(2) From Recordation Filings, Table 15, Line 20
(3) From Gage Records
(3a) From S.C.E. Co Report to CRWQB
(4) Column (3) - Column (3a)
(5) Column (2) - Column (4)
(6) From Gage Records
(7) From Gage Records
(8) Column (6) + Column (7)
(9) Column (5) - Column (8)
(10) From Table 16, Column (6)
(11) Same as Column (10)
(12) Column (9) - Column (11)
(13) From Table 15, Line 24
(14) Same as Column (13)
(14a) From Gage Canal records
(15) Column (14) - Column (14a)
* All deliveries in San Bernardino Co. from Deberry Well
CRWQCS = California Regional Water Quality Control Board

GAGE CANAL
WATER PRODUCTION FROM SAN BERNARDINO BASIN AREA
AND DELIVERIES WITHIN SAN BERNARDINO COUNTY
AND EXPORTS TO RIVERSIDE COUNTY

(Quantities in Acre Feet by Calendar Year)

Year	GAGE CANAL WATER COMPANY PRODUCTION AND DELIVERY IN SAN BERNARDINO BASIN AREA			GAGE DELIVERIES IN COLTON & RIVERSIDE BASINS IN SAN BERNARDINO COUNTY			Total Water From San Bernardino Basin Area Exported to Riverside County (7)
	Production from Gage Wells (1)	Delivery to Power Plant (2)	Total Available for Export (3)	Cooley Stock & Prior Rights (4)	East Riverside Water Company (5)	Total Delivery (6)	
1971	28,943	98	28,845	561	108	669	28,176
1972	25,220	85	25,135	457	90	547	24,588
1973	21,529	156	21,373	430	82	512	20,861
1974	15,947	0	15,947	485	-	485	15,462
1975	22,714	0	22,714	498	-	498	22,216
1976	29,289	0	29,289	523	-	523	28,766
1977	32,099	0	32,099	346	-	346	31,753
1978	26,329	646	25,683	301	-	301	25,382
1979	30,816	0	30,816	415	-	415	30,401
1980	31,881	383	31,498	-	-	-	31,498
1981	31,794	724	31,070	-	-	-	31,070
1982	30,077	16	30,061	-	-	-	30,061
1983	20,383	191	20,192	-	-	-	20,192
1984	33,875	32	33,843	-	-	-	33,843
1985	31,256	59	31,197	-	-	-	31,197
1986	33,983	145	33,838	-	-	-	33,838
1987	32,313	15	32,298	-	-	-	32,298
1988	38,022	0	38,022	-	-	-	38,022
1989	29,655	0	29,655	-	-	-	29,655
1990	-	-	-	-	-	-	-
1991	-	-	-	-	-	-	-
1992	-	-	-	-	-	-	-
1993	-	-	-	-	-	-	-
1994	-	-	-	-	-	-	-
1995	-	-	-	-	-	-	-
1996	-	-	-	-	-	-	-
1997	-	-	-	-	-	-	-
1998	-	-	-	-	-	-	-
1999	-	-	-	-	-	-	-
2000	-	-	-	-	-	-	-
2001	-	-	-	-	-	-	-
2002	-	-	-	-	-	-	-
2003	-	-	-	-	-	-	-
2004	-	-	-	-	-	-	-
2005	-	-	-	-	-	-	-

- (1) From Table No. 15, Line 20, Gage Canal
(2) From Table No. 17, Column (4), Gage Canal
(3) Column (1) - (2)
(4) Table No. 17, Column (8), Gage Canal
(5) Table No. 17, Column (11), Gage Canal
(6) Column (4) + (5)
(7) Column (3) - (6)

FOR YEARS PRECEDING 1971: Refer to Volume 5, August 1976, Page I-51

6/17/91 10:16

TABLE NO. 19

RIVERSIDE HIGHLAND WATER COMPANY WATER PRODUCTION
 FROM LYLE & BUNKER HILL BASINS
 IN SAN BERNARDINO BASIN AREA

Year	L C #1 IN4W31E01S	L C #2 IN4W31E02S	L C #8 IN4W31F01S	Lyle Creek Basin	"R.H. #1 154W22M07S	R.H. #2 154W22L	"R.H. #8 154W22P	"FLOWING 154W22N	"R.H. #10 154W22M	"R.H. #11 154W22P	R.H. #12 154W22L00S	R.H. #18 154W22L05S	R.H. # 24 154W22P05S	Bunker Hill Basin	Sub-Total	TOTAL
(1)	(2)	(3)	(4)	(5)	(6)	(7)	(8)	(9)	(10)	(11)	(12)	(13)	(14)	(15)	(16)	(17)
1971	1,669	-	-	1,669	177	313	-	-	-	-	761	1,092	0	2,343	4,012	
1972	1,468	-	-	1,468	0	113	-	-	-	-	804	1,178	969	3,064	4,532	
1973	1,282	-	-	1,282	259	155	-	-	-	-	772	1,044	0	2,230	3,512	
1974	1,374	-	-	1,374	68	146	-	-	-	-	656	830	1,014	2,714	4,088	
1975	1,302	-	-	1,302	14	236	-	-	-	-	697	1,137	1,323	3,407	4,709	
1976	1,468	-	-	1,468	0	28	-	-	-	-	936	703	1,385	3,052	4,520	
1977	1,406	-	-	1,406	0	59	-	-	-	-	378	983	757	2,177	3,583	
1978	964	-	-	964	0	100	-	-	-	-	142	144	0	386	1,350	
1979	1,352	-	-	1,352	0	457	-	-	-	-	368	351	841	2,017	3,369	
1980	1,600	-	-	1,600	0	649	-	-	-	-	669	37	722	2,077	3,677	
1981	1,806	-	-	1,806	0	650	-	-	-	-	86	915	147	1,798	3,604	
1982	1,538	-	-	1,538	0	392	-	-	-	-	439	227	199	1,257	2,795	
1983	2,248	-	-	2,248	0	578	-	-	-	-	255	81	0	914	3,162	
1984	0	-	2,300 *	2,300	0	1,293	-	-	-	-	85	1,081	0	2,459	4,759	
1985	0	-	1,880 **	1,880	-	809	-	-	-	-	122	501	0	1,432	3,312	
1986	199	-	1,939	2,138	-	1,058	-	-	-	-	1	1,547	0	2,606	4,744	
1987	1,680	-	490	2,170	-	730	-	-	-	-	0	1,019	0	1,749	3,919	
1988	1,354	-	935	2,289	-	1,058	-	-	-	-	0	1,428	0	2,486	4,775	
1989	1,072	-	1,068	2,140	-	1,201	-	-	-	-	0	1,340	0	2,541	4,681	
1990	-	-	-	-	-	-	-	-	-	-	-	-	-	-	-	
1991	-	-	-	-	-	-	-	-	-	-	-	-	-	-	-	
1992	-	-	-	-	-	-	-	-	-	-	-	-	-	-	-	
1993	-	-	-	-	-	-	-	-	-	-	-	-	-	-	-	
1994	-	-	-	-	-	-	-	-	-	-	-	-	-	-	-	
1995	-	-	-	-	-	-	-	-	-	-	-	-	-	-	-	
1996	-	-	-	-	-	-	-	-	-	-	-	-	-	-	-	
1997	-	-	-	-	-	-	-	-	-	-	-	-	-	-	-	
1998	-	-	-	-	-	-	-	-	-	-	-	-	-	-	-	
1999	-	-	-	-	-	-	-	-	-	-	-	-	-	-	-	
2000	-	-	-	-	-	-	-	-	-	-	-	-	-	-	-	
2001	-	-	-	-	-	-	-	-	-	-	-	-	-	-	-	
2002	-	-	-	-	-	-	-	-	-	-	-	-	-	-	-	
2003	-	-	-	-	-	-	-	-	-	-	-	-	-	-	-	
2004	-	-	-	-	-	-	-	-	-	-	-	-	-	-	-	
2005	-	-	-	-	-	-	-	-	-	-	-	-	-	-	-	

FOR YEARS PRECEDING 1971: Refer to Volume 5, August 1976, Page I-58

* Abandoned &/or Filled Closed

(5) Column (2) + (3) + (4)

(15) Sum of Columns (6) thru (14)

(16) Column (5) + (15)

* L.C. flowed artesian during the year, RH filed on pumped total of 1,891 af. Watermaster calculated 2300 af as reasonable.

** Filled 2,748. Large known loss near well site of 868 af.

RIVERSIDE HIGHLAND WATER COMPANY WATER PRODUCTION
FROM COLTON BASIN

Year	R H # 4 1S4W28K01S 360152S (2)	R H # 4A 1S4W28K02S 3602182 (3)	Total Production in Colton Basin (4)
1971	240	16	256
1972	261	24	285
1973	212	0	212
1974	220	62	282
1975	260	40	300
1976	130	40	170
1977	175	157	332
1978	265	5	270
1979	139	52	191
1980	0	0	0
1981	0	0	0
1982	0	0	0
1983	0	0	0
1984	0	83	83
1985	0	675	675
1986	0	721	721
1987	0	471	471
1988	0	256	256
1989	0	158	158
1990			
1991			
1992			
1993			
1994			
1995			
1996			
1997			
1998			
1999			
2000			
2001			
2002			
2003			
2004			
2005			

Column (4) = (2) + (3)

FOR YEARS PRECEDING 1971: Refer to Volume 5, August 1976, Page I-60

6/25/91 10:55

TABLE NO. 21

RIVERSIDE HIGHLAND WATER COMPANY WATER PRODUCTION
FROM RIVERSIDE BASIN IN SAN BERNARDINO & RIVERSIDE COUNTIES

Year	Riverside North Basin										Riverside South Basin		Total Water Production in Riverside Basin in Riverside County
	R H #3	R H #7	R H #16	R H #17	R H #20	L V #1	L V #2	L V #3	Total Water Production in Riverside Basin in San Bernardino County		R H #21	R.H. #22	
	1S4W28L01S 3601524	2S4W06R01S 3601526	1S4W33B05S 3601531	1S4W28M05S 3601532	1S4W28L02S 3601534	1S4W32M 3601790	1S4W23M02S 0000015	1S4W32M 3601790	1S4W23M02S 0000015	(10)	(11)	(12)	
1971	-	1,901	-	2,734	669	0	0	0	0	5,304	642	1,456	2,098
1972	-	1,572	-	1,868	789	0	0	0	0	4,229	272	1,096	1,368
1973	-	1,339	-	1,903	832	0	0	0	0	4,074	236	1,034	1,270
1974	-	1,255	-	1,283	833	0	0	0	0	3,371	480	1,053	1,533
1975	-	1,340	-	871	805	0	0	0	0	3,016	94	1,133	1,227
1976	-	1,284	-	1,469	839	0	0	0	0	3,592	137	1,183	1,320
1977	-	1,693	-	2,343	663	0	0	0	0	4,699	219	869	1,088
1978	-	1,460	-	1,629	834	0	0	0	0	3,923	683	613	1,296
1979	-	1,513	-	1,488	875	0	0	0	0	3,876	172	803	975
1980	-	1,356	-	1,926	732	270	0	0	0	4,284	590	410	1,000
1981	-	1,543	-	2,200	789	411	22	0	0	4,965	607	665	1,272
1982	-	760	-	1,679	485	364	42	0	0	3,330	700	453	1,153
1983	-	539	-	1,299	604	94	0	0	0	2,536	1,031	2	1,033
1984	-	1,101	-	2,498	897	49	0	0	0	4,545	1,910	682	2,592
1985	-	1,174	-	2,198	816	287	0	0	0	4,475	1,120	797	1,917
1986	-	875	-	175	890	149	0	0	0	2,089	1,175	842	2,017
1987	-	945	-	91	565	31	0	0	0	1,632	996	817	1,813
1988	-	1,031	-	0	624	130	0	0	0	1,785	775	750	1,525
1989	-	830	-	0	768	95	0	0	0	2,558	1,072	357	1,429
1990	-	-	-	-	-	-	-	-	-	-	-	-	-
1991	-	-	-	-	-	-	-	-	-	-	-	-	-
1992	-	-	-	-	-	-	-	-	-	-	-	-	-
1993	-	-	-	-	-	-	-	-	-	-	-	-	-
1994	-	-	-	-	-	-	-	-	-	-	-	-	-
1995	-	-	-	-	-	-	-	-	-	-	-	-	-
1996	-	-	-	-	-	-	-	-	-	-	-	-	-
1997	-	-	-	-	-	-	-	-	-	-	-	-	-
1998	-	-	-	-	-	-	-	-	-	-	-	-	-
1999	-	-	-	-	-	-	-	-	-	-	-	-	-
2000	-	-	-	-	-	-	-	-	-	-	-	-	-
2001	-	-	-	-	-	-	-	-	-	-	-	-	-
2002	-	-	-	-	-	-	-	-	-	-	-	-	-
2003	-	-	-	-	-	-	-	-	-	-	-	-	-
2004	-	-	-	-	-	-	-	-	-	-	-	-	-
2005	-	-	-	-	-	-	-	-	-	-	-	-	-

FOR YEARS PRECEDING 1971: Refer to Volume 5, August 1976, Page I-62

° Abandoned &/or Filled Closed

(10) Sum of Columns (2) thru (9)

(15) Column (11) + (12)

TABLE NO. 22

**RIVERSIDE HIGHLAND WATER COMPANY
WATER SUPPLY FROM OTHER COMPANIES
AND RIVERSIDE HIGHLAND CO. PRODUCTION**
(Quantities in Acre Feet)

Year	Companies Supplying Additional Water			Colton Basin	Riverside Basin		Grand Total		
	City of Riverside (2)	La Sierra Water Company (3)	Total Supply (4)		San Bernardino Basin (5)	San Bernardino County (6)		Riverside County (7)	Production (9)
1971	0	0	0	4,012	256	5,304	2,098	11,670	11,670
1972	0	0	0	4,532	285	4,229	1,368	10,414	10,414
1973	0	0	0	3,512	212	4,074	1,270	9,068	9,068
1974	279	0	279	4,088	282	3,371	1,533	9,274	9,553
1975	0	0	0	4,709	300	3,016	1,227	9,252	9,252
1976	0	0	0	4,520	170	3,592	1,320	9,602	9,602
1977	0	0	0	3,583	332	4,699	1,088	9,702	9,702
1978	0	0	0	1,350	270	3,923	1,296	6,839	6,839
1979	0	0	0	3,369	191	3,876	975	8,411	8,411
1980	0	0	0	3,677	0	4,284	1,000	8,961	8,961
1981	44	0	44	3,604	0	4,965	1,272	9,841	9,841
1982	0	0	0	2,795	0	3,330	1,153	7,278	7,278
1983	0	0	0	3,162	0	2,536	1,033	6,731	6,731
1984	0	0	0	4,759	83	4,545	2,592	11,979	11,979
1985	0	0	0	3,312	675	4,475	2,017	10,379	10,379
1986	0	0	0	4,744	721	2,089	2,017	9,571	9,571
1987	0	0	0	3,919	471	1,632	1,813	7,835	7,835
1988	0	0	0	4,775	256	1,785	1,525	8,341	8,341
1989	0	0	0	4,681	158	2,558	1,429	8,826	8,826
1990									
1991									
1992									
1993									
1994									
1995									
1996									
1997									
1998									
1999									
2000									
2001									
2002									
2003									
2004									
2005									

(2) From City of Riverside Table No. 3, Column (1) (5) From Table 19, Column (16) (8) From Table 21, Column (15)

(3) From Riverside Highland Company Records (6) From Table No. 20, Column (4) (9) = Columns (5) + (6) + (7) + (8)

(4) = Column (2) + (3) (7) From Table 21, Column (10) (10) = Column (4) + (9)

TABLE NO. 28

**RIVERSIDE HIGHLAND WATER COMPANY
IRRIGATION AND DOMESTIC DELIVERIES AND PRODUCTION
REQUIRED IN RIVERSIDE & SAN BERNARDINO COUNTIES**
(all Quantities in Acre Feet)

Year	Deliveries in M.I.D.		Production in Riverside Co. Historic Delivery & Required Production		San Bernardino Required Production											
	Total	Domestic Irrigation Total	Domestic	Prod.	Del.	Prod.	Del.	Irrigation	Domestic	Total						
(1)	(2)	(3)	(4)	(5)	(6)	(7)	(8)	(9)	(10)	(11)	(12)	(13)	(14)	(15)	(16)	(17)
1976	241,910	43,263	170,027	213,290	28,620	11.83%	192,842	49,068	138,206	156,749	1,241	1,407	158,156	36,091	47,661	83,752
1977	244,510	41,580	175,362	216,942	27,568	11.27%	197,646	46,864	142,848	160,992	1,237	1,394	162,386	36,644	45,467	82,111
1978	172,318	44,491	110,302	154,793	17,525	10.17%	122,790	49,528	94,077	104,728	1,600	1,781	106,509	18,062	47,747	65,809
1979	211,969	49,024	128,539	177,563	34,406	16.23%	153,446	58,523	109,106	130,247	1,745	2,083	132,330	23,199	56,440	79,639
1980	225,892	51,948	130,037	181,985	43,907	19.44%	161,411	64,481	108,677	134,897	2,089	2,593	137,490	26,514	61,888	88,402
1981	249,099	57,199	142,376	199,575	49,524	19.88%	177,706	71,393	119,741	149,454	2,254	2,938	152,392	28,252	68,455	96,707
1982	183,419	54,277	96,872	151,149	32,270	17.59%	123,715	59,704	82,196	104,972	2,024	2,226	107,198	18,742	57,478	76,220
1983	169,623	67,702	60,009	127,711	41,912	24.71%	95,151	74,472	54,155	85,874	2,440	2,684	88,558	9,277	71,788	81,065
1984	301,971	75,971	112,549	188,520	113,451	37.57%	218,304	83,667	100,795	195,513	2,409	2,650	198,163	22,791	81,017	103,808
1985	261,587	69,508	93,043	162,551	99,036	37.86%	178,178	83,409	83,352	159,612	2,486	2,983	162,595	18,566	80,426	98,992
1986	241,156	72,147	85,598	157,745	83,411	34.59%	150,972	90,184	80,048	141,189	2,943	3,679	144,868	9,783	86,505	96,288
1987	197,512	69,232	74,309	143,541	53,971	27.33%	117,895	79,617	70,566	111,957	2,980	3,427	115,384	5,938	76,190	82,128
1988	210,259	70,318	85,115	155,433	54,826	26.08%	129,393	80,866	82,600	125,570	3,860	4,439	130,009	3,823	76,427	80,250
1989	222,442	79,141	84,048	163,189	59,253	26.64%	124,307	98,135	81,365	120,339	7,764	9,627	129,966	3,968	88,507	92,475
1991																
1992																
1993																
1994																
1995																
1996																
1997																
1998																
1999																
2000																
2001																
2002																
2003																
2004																
2005																

Columns (2), (3), (4), (5), (6), (10), (12) are from Company Records, "Condensed Water Summary"

(2) Includes water delivered by other companies

(7) (8) (9) See Notes

Columns (11), (13), (15), (16) See Worksheets

(14) = Column (11) + (13)

(17) = Column (15) + (16)

FOR YEARS PRECEDING 1971: Refer to Volume 5, August 1976, Page I-73

- * Assumed domestic loss at 15% with Column (7) as total system loss.
- ** Assumed domestic loss at 20% with Column (7) as total system loss, known loss in L.C. Line of 868 af.
- ° Assumed domestic loss at 25% with Column (7) as total system loss.
- ∞ Assumed domestic loss at 24% with Column (7) as total system loss.

RIVERSIDE HIGHLAND WATER COMPANY
WATER PRODUCTION SHOWN ON RECORDATION FILINGS
DELIVERED FOR IRRIGATION AND DOMESTIC USES WITHIN BOTH RIVERSIDE AND SAN BERNARDINO COUNTIES

WATER PRODUCTION FOR
RIVERSIDE & SAN BERNARDINO CO.

REQUIRED PRODUCTION FOR DELIVERIES MADE IN SAN BERNARDINO & RIVERSIDE COUNTIES

YEAR	Production Required for Deliveries		Total Filed Extractions	Ratio of Filed to Production Required	Irrigation		Domestic		Irrigation		Domestic		Irrigation		Domestic		Irrigation		TOTAL PRODUCTION IN RIVERSIDE & SAN BERNARDINO COUNTIES (23)				
	M.I.D.	M.I.D.			M.I.D.	M.I.D.	M.I.D.	M.I.D.	M.I.D.	M.I.D.	M.I.D.	M.I.D.	M.I.D.	M.I.D.	M.I.D.	M.I.D.	M.I.D.	M.I.D.		M.I.D.			
(1)	(2)	(3)	(4)	(5)	(6)	(7)	(8)	(9)	(10)	(11)	(12)	(13)	(14)	(15)	(16)	(17)	(18)	(19)	(20)	(21)	(22)		
1976	192,842	49,068	241,910	9,596	100.0%	156,749	6,218	64,804	1,407	56	0.58%	36,091	1,432	14,924	47,661	1,890	19,704	6,222	56	1,433	1,892	9,602	
1977	197,646	46,864	244,510	9,700	100.0%	160,992	6,386	65,844	1,394	55	0.57%	36,644	1,454	14,994	45,467	1,803	18,594	6,308	55	1,454	1,804	9,701	
1978	122,790	49,528	172,318	6,836	100.0%	104,728	4,154	60,784	1,781	71	1.03%	18,062	717	10,484	47,747	1,894	27,704	4,156	71	717	1,895	6,839	
1979	153,446	58,523	211,969	8,409	100.0%	130,247	5,167	61,454	2,083	83	0.98%	23,199	920	10,944	56,440	2,239	26,624	5,168	83	921	2,239	8,411	
1980	161,411	64,481	225,892	8,961	100.0%	134,897	5,351	59,724	2,593	103	1.15%	26,514	1,052	11,744	61,088	2,455	27,394	5,351	103	1,052	2,455	8,961	
1981	177,706	71,393	249,099	9,882	100.0%	149,454	5,929	60,004	2,938	117	1.18%	28,252	1,121	11,344	68,455	2,715	27,484	5,931	117	1,121	2,716	9,885	
1982	123,715	59,704	183,419	7,276	100.0%	104,972	4,164	57,234	2,226	88	1.21%	18,742	743	10,224	57,478	2,280	31,334	4,165	88	744	2,280	7,278	
1983	95,151	74,472	169,623	6,729	100.0%	85,874	3,407	50,634	2,684	106	1.58%	9,277	368	5,474	71,788	2,847	42,324	3,408	107	368	2,848	6,731	
1984	218,304	83,667	301,971	11,979	100.0%	195,513	7,756	64,754	2,650	105	0.88%	22,791	904	7,554	81,017	3,213	26,834	7,756	105	904	3,213	11,979	
1985	178,178	83,409	261,587	10,377	100.0%	159,612	6,332	61,024	2,983	118	1.14%	18,566	737	7,104	80,426	3,190	30,744	6,333	118	737	3,191	10,379	
1986	150,972	90,184	241,156	9,567	100.0%	141,189	5,601	58,554	3,679	146	1.53%	9,783	388	4,064	86,505	3,431	35,874	5,604	146	388	3,433	9,571	
1987	117,895	79,617	197,512	7,835	100.0%	111,957	4,441	56,684	4,427	136	1.74%	5,936	236	3,014	76,190	3,022	38,574	4,441	136	236	3,022	7,835	
1988	129,393	80,866	210,259	8,341	100.0%	125,570	4,981	59,724	3,429	176	2.11%	3,823	152	1,824	76,427	3,031	36,344	4,981	176	152	3,031	8,341	
1989	124,307	98,135	222,442	8,824	100.0%	120,339	4,774	54,104	9,627	382	4.33%	3,968	157	1,784	88,507	3,511	39,784	4,775	382	157	3,511	8,825	
1991																							
1992																							
1993																							
1994																							
1995																							
1996																							
1997																							
1998																							
1999																							
2000																							
2001																							
2002																							
2003																							
2004																							
2005																							

(1) From Column (8), Table No. 28
(2) From Column (9), Table No. 28
(3) From Column (2), Table No. 28
(4) Column (3) * 0.0396694
(5) From Column (10), Table No. 2
(6) From Column (5) + Column (4)
(7) From Column (11), Table No. 2
(8) Column (7) * 0.0396694
(9) Column (8) + Column (4)
(10) From Column (13), Table No. 28
(11) Column (10) * 0.0396694
(12) Column (11) + Column (4)
(13) From Column (15), Table No. 28
(14) Column (13) * 0.0396694
(15) Column (14) + Column (4)
(16) From Column (16), Table No. 28
(17) Column (16) * 0.0396694
(18) Column (17) + Column (4)
(19) Column (5) * Column (9)
(20) Column (5) * Column (12)
(21) Column (5) * Column (15)
(22) Column (5) * Column (18)
(23) Sum of Columns (19), (20), (21), (22)
Same as column (5); same as Table 22, Column (10)

**WATER PRODUCTION FROM LYTLE, BUNKER HILL, COLTON AND RIVERSIDE BASINS IN SAN BERNARDINO AND RIVERSIDE COUNTIES
AND THE DELIVERY OF THE PRODUCTION IN SAN BERNARDINO AND RIVERSIDE COUNTIES**
(Quantities in Acre Feet)

Year	PRODUCTION IN SAN BERNARDINO COUNTY											RH 21 & 22 RH 7, 21, 22 (13)	
	Domestic Supply				Commingled Sources				Riverside Basins Well		Production Agri. Supply in Riverside for portion County for of Riverside		
	LC #1 & #8 (1)	Well RH 4a (2)	Riverside Basin Wells RH 20 LV #1 & #3 (3)	Bunker Hill Basin RH 2, 12 18, 24 (4)	Colton Basin RH 17 Water Co. (5)	Riverside Basin Water Co. (6)	La Sierra RH 17 Water Co. (7)	Water Co. (8)	Total Sources (9)	Basins Well RH 7 (10)	Uses Therein RH 21 & 22 RH 7, 21, 22 (11)		Co. Demand RH 7, 21, 22 (12)
1976	1,468	170	839	3,052	0	1,469	0	4,521	1,284	1,320	2,604	9,602	
1977	1,406	332	663	2,177	0	2,343	0	4,520	1,693	1,088	2,781	9,702	
1978	964	270	834	386	0	1,629	0	2,015	1,460	1,296	2,756	6,839	
1979	1,352	191	875	2,017	0	1,488	0	3,505	1,513	975	2,488	8,411	
1980	1,600	0	1,002	2,077	0	1,926	0	4,003	1,356	1,000	2,356	8,961	
1981	1,806	0	1,222	1,798	44	2,200	0	4,042	1,543	1,272	2,815	9,885	
1982	1,538	0	891	1,257	0	1,679	0	2,936	760	1,153	1,913	7,278	
1983	2,248	0	698	914	0	1,299	0	2,213	539	1,033	1,572	6,731	
1984	2,300	83	946	2,459	0	2,498	0	4,957	1,101	2,592	3,693	11,979	
1985	1,880	675	1,103	1,432	0	2,198	0	3,630	1,174	1,917	3,091	10,379	
1986	2,138	721	1,039	2,606	0	175	0	2,781	875	2,017	2,892	9,571	
1987	2,170	471	596	1,749	0	91	0	1,840	945	1,813	2,758	7,835	
1988	2,289	256	754	2,486	0	0	0	2,486	1,031	1,525	2,556	8,341	
1989	2,140	158	1,728	2,541	0	0	0	2,541	830	1,429	2,259	8,826	
1990													
1991													
1992													
1993													
1994													
1995													
1996													
1997													
1998													
1999													
2000													
2001													
2002													
2003													
2004													
2005													

(1) = Table No. 19, Column (5)
 (2) = Table No. 20, Column (4)
 (3) = Table No. 21, Columns (6)+(7)+(8)+(9)
 (4) = Table No. 19, Column (15)
 (5) = Table No. 22, Column (2)
 (6) = N/A after 1966
 (7) = Table No. 21, Column (5)
 (8) = Table No. 22, Column (3)
 (9) = Columns (4)+(5)+(7)+(8)
 (10) = Table No. 21, Column (3)
 (11) = Table No. 21, Column (15)
 (12) = Column (10) + (11)
 (13) = Columns (1)+(2)+(3)+(4)+(5)+(7)+(8)+(10)+(11)+(12)

**WATER PRODUCTION FROM LYTLE, BUNKER HILL, COLTON AND RIVERSIDE BASINS IN SAN BERNARDINO AND RIVERSIDE COUNTIES
AND THE DELIVERY OF THE PRODUCTION IN SAN BERNARDINO AND RIVERSIDE COUNTIES**
(Quantities in Acre Feet)

Year	DOMESTIC SYSTEM														LYTLE CREEK AREA					
	Domestic Demand				Production for Domestic Demand				Domestic Export				Dom Export				Residual Production Production Available for Irr. Used in S.B.			
	San Bernardino County (1)	Riv. County (2)	Total (3)	(4)*	Colton Basin RH 4s4A (5)	Riverside North RH 3, RH 20 LV 1, 2, 3 (6)	% of Production Lytle Creek (7)	Lytle Creek North (8)	Colton Riv. North (9)	Lytle Creek North (10)	From Colton Riv. North (11)	From Lytle Creek North (12)	From Colton Riv. North (13)	From Lytle Creek North (14)	Total Production (15)	San Bernardino County (16)	CO. FOR IRRIG. & DOMESTIC (17)	(18)		
1976	1,892	56	1,947	938	170	839	48.20%	8.73%	43.08%	27	5	24	911	165	815	1,468	530	-	1,441	
1977	1,804	55	1,859	864	332	663	46.51%	17.86%	35.56%	26	10	20	838	322	643	1,406	542	-	1,380	
1978	1,895	71	1,965	861	270	834	43.87%	13.74%	42.43%	31	10	30	830	260	804	964	103	-	933	
1979	2,239	83	2,322	1,256	191	875	54.09%	8.23%	37.68%	45	7	31	1,211	184	844	1,352	96	-	1,307	
1980	2,455	103	2,558	1,556	0	1,002	60.83%	0.00%	39.18%	63	0	40	1,493	0	962	1,600	44	-	1,537	
1981	2,716	117	2,833	1,611	0	1,222	56.87%	0.00%	43.14%	66	0	50	1,544	0	1,172	1,806	195	-	1,740	
1982	2,280	88	2,369	1,478	0	891	62.37%	0.00%	37.62%	55	0	33	1,423	0	858	1,538	60	-	1,483	
1983	2,848	107	2,955	2,257	0	698	76.39%	0.00%	23.62%	81	0	25	2,175	0	673	2,248	0	-	2,167	
1984	3,213	105	3,319	2,290	83	946	69.00%	2.50%	28.51%	73	2	30	2,217	81	916	2,300	10	-	2,227	
1985	3,191	118	3,309	1,531	675	1,103	46.27%	20.40%	33.33%	55	24	39	1,476	651	1,064	1,880	349	-	1,825	
1986	3,433	146	3,579	1,819	721	1,039	50.82%	20.15%	29.03%	74	30	42	1,745	691	997	2,138	319	-	2,064	
1987	3,022	136	3,158	2,091	471	596	66.22%	14.92%	18.87%	90	20	26	2,001	451	570	2,170	79	-	2,080	
1988	3,031	176	3,208	2,198	256	754	68.52%	7.98%	23.51%	121	14	41	2,077	242	713	2,289	91	-	2,168	
1989	3,511	382	3,893	2,007	158	1,728	51.56%	4.06%	44.38%	197	16	170	1,810	142	1,558	2,140	133	-	1,943	
1990																				
1991																				
1992																				
1993																				
1994																				
1995																				
1996																				
1997																				
1998																				
1999																				
2000																				
2001																				
2002																				
2003																				
2004																				
2005																				

(1) - Table No. 29, Column (22)
 (2) - Table No. 29, Column (20)
 (3) - Column (1) + Column (2)
 (4) - Column (3) - [Column (6) + Column (5)]
 (5) - Table No. 30, Column (2)
 (6) - Table No. 30, Sheet 1, Column (3)
 (7) - Column (4) + Column (3)
 (8) - Column (5) + Column (3)
 (9) - Column (6) + Column (3)
 (10) - Column (2) x Column (7)
 (11) - Column (2) x Column (8)
 (12) - Column (2) x Column (9)
 (13) - Column (4) - Column (16)
 (14) - Column (5) - Column (11)
 (15) - Column (6) - Column (12)
 (16) - Table 19, Column (15)
 (17) - Column (16) - Column (4)
 (18) - Company method of operation
 (19) - Column (16) - Column (10)

* Production cannot exceed Table 19, Column 5

**WATER PRODUCTION FROM LYTLE, BUNKER HILL, COLTON AND RIVERSIDE BASINS IN SAN BERNARDINO AND RIVERSIDE COUNTIES
AND THE DELIVERY OF THE PRODUCTION IN SAN BERNARDINO AND RIVERSIDE COUNTIES**
(Quantities in Acre Feet)

TABLE NO. 30

Year	Irrigation Demand		San Bernardino County		Riverside County		Total Commingled		Irrigation Deliveries in San Bernardino from commingled Water Sources		Irrigation Deliveries in Riverside from commingled Water Sources								
	San Bernardino County	Lytle Creek Area Wtr. for Irrig.	Irrig. from R.H. 7	Area Wtr. for Irrig.	from R.H. 21	Commingled for Irrigation S.B. Co.	Used in R.H. Wells	Commingled Water	La Sierra Water Co.	Bunker Hill Colton	R.H. Wells	Bunker Hill Colton							
(1)	(2)	(3)	(4)	(5)	(6)	(7)	(8)	(9)	(10)	(11)	(12)	(13)	(14)	(15)	(16)	(17)	(18)	(19)	(20)
1976	7,654	1,433	6,222	903	2,604	3,618	4,521	19,974	80,034	610	0	0	293	0	2,442	0	-	1,176	0
1977	7,842	1,454	6,388	912	2,781	3,697	4,519	20,184	79,824	439	0	0	473	0	1,738	0	-	1,870	0
1978	4,873	717	4,156	614	2,756	1,400	2,015	30,498	69,514	118	0	0	497	0	268	0	-	1,132	0
1979	6,089	921	5,168	824	2,488	2,680	3,505	23,524	76,484	474	0	0	350	0	1,543	0	-	1,138	0
1980	6,403	1,052	5,351	44	1,007	2,356	4,003	25,174	74,834	523	0	0	485	0	1,554	0	-	1,441	0
1981	7,052	1,121	5,931	195	2,815	3,116	4,042	22,914	77,094	412	10	0	504	0	1,386	34	-	1,596	0
1982	4,909	744	4,165	60	1,913	2,252	2,936	23,284	76,724	293	0	0	391	0	964	0	-	1,288	0
1983	3,776	368	3,408	0	1,572	1,836	2,204	16,704	83,304	153	0	0	217	0	761	0	-	1,082	0
1984	8,660	904	7,756	10	3,693	4,063	4,957	18,034	81,974	443	0	0	450	0	2,016	0	-	2,048	0
1985	7,070	737	6,333	349	3,091	3,242	3,630	10,684	89,324	153	0	0	235	0	1,279	0	-	1,963	0
1986	5,992	388	5,604	69	2,892	2,712	2,781	2,484	97,524	65	0	0	4	0	2,541	0	-	171	0
1987	4,677	236	4,441	79	2,758	1,683	1,840	8,504	91,504	149	0	0	8	0	1,600	0	-	83	0
1988	5,133	152	4,981	91	2,556	2,425	2,486	2,424	97,584	60	0	0	0	0	2,426	0	-	0	0
1989	4,932	157	4,775	133	2,259	2,516	2,540	0,974	99,034	25	0	0	0	0	2,516	0	-	0	0
1990																			
1991																			
1992																			
1993																			
1994																			
1995																			
1996																			
1997																			
1998																			
1999																			
2000																			
2001																			
2002																			
2003																			
2004																			
2005																			

(1) - Columns (2) + (3)
 (2) - Table No. 29, Column (21)
 (3) - Table No. 29, Column (19)
 (4) - Table No. 30, Sheet 2, Column (17)
 (5) - Column (2) - Column (4)
 (6) - Table No. 30, Sheet 1, Column (12)
 (7) - Column (3) - Column (6)
 (8) - Column (5) + Column (7)
 (9) - Column (5) + Column (8)
 (10) - Column (7) + Column (8)
 (11) - Table 30, Sheet 1, Column (4) x Column (9) this page
 (12) - Table 30, Sheet 1, Column (5) x Column (9) this page
 (13) - Table 30, Sheet 1, Column (6) x Column (9) this page
 (14) - Table 30, Sheet 1, Column (9) x Column (9) this page
 (15) - Table 30, Sheet 1, Column (8) x Column (9) this page
 (16) - Table 30, Sheet 1, Column (4) x Column (10) this page
 (17) - Table 30, Sheet 1, Column (5) x Column (10) this page
 (18) - Table 30, Sheet 1, Column (6) x Column (10) this page
 (19) - Table 30, Sheet 1, Column (7) x Column (10) this page
 (20) - Table 30, Sheet 1, Column (8) x Column (10) this page

TABLE NO. 31

**RIVERSIDE HIGHLAND WATER COMPANY
WATER PRODUCTION FROM LYTLE, BUNKER HILL, COLTON & RIVERSIDE BASINS
IN SAN BERNARDINO AND RIVERSIDE COUNTIES AND THE DELIVERY OF THE PRODUCTION IN
SAN BERNARDINO AND RIVERSIDE COUNTIES**

(Quantities in Acre Feet)

Year (1)	PRODUCTION DELIVERED NORTH OF COUNTY LINE IN SAN BERNARDINO COUNTY					PRODUCTION DELIVERED SOUTH OF COUNTY LINE IN RIVERSIDE COUNTY					TOTAL PRODUCTION OF THE COUNTY LINE (20)	TOTAL PRODUCTION OF THE COUNTY LINE (21)	TOTAL PRODUCTION (22)							
	Bunker Hill		Colton		Total (5)	Lytle		Colton		Total (14)				Riverside		Total (18)				
	R.H. Wells (3)	R.H. Wards (4)	R.H. Wells (6)	R.H. Wards (5)		R.H. Wells (11)	R.H. Wards (12)	R.H. Wells (13)	R.H. Wards (14)					R.H. Wells (15)	R.H. Wards (16)		La Sierra Wells (17)	La Sierra Wells (18)		
1976	1,441	610	165	1,108	0	1,108	3,324	27	2,442	0	2,442	5	2,484	0	2,484	4,958	8,282	1,320	9,602	
1977	1,380	439	322	1,116	0	1,116	3,258	26	1,738	0	1,738	10	3,583	0	3,583	5,356	8,614	1,088	9,702	
1978	933	118	260	1,301	0	1,301	2,612	31	268	0	268	10	2,622	0	2,622	2,931	5,543	1,296	6,839	
1979	1,307	474	184	1,194	0	1,194	3,160	45	1,543	0	1,543	7	2,682	0	2,682	4,276	7,436	975	8,411	
1980	1,537	523	0	1,446	0	1,446	3,507	63	1,554	0	1,554	0	2,838	0	2,838	4,454	7,961	1,000	8,961	
1981	1,740	412	10	1,676	0	1,676	3,837	66	1,386	34	1,420	0	3,289	0	3,289	4,776	8,613	1,272	9,885	
1982	1,483	293	0	1,249	0	1,249	3,024	55	964	0	964	0	2,081	0	2,081	3,101	6,125	1,153	7,278	
1983	2,167	153	0	890	0	890	3,209	81	761	0	761	0	1,646	0	1,646	2,489	5,698	1,033	6,731	
1984	2,227	443	81	1,366	0	1,366	4,118	73	2,016	0	2,016	2	3,179	0	3,179	5,269	9,387	2,592	11,979	
1985	1,825	153	651	1,298	0	1,298	3,927	55	1,279	0	1,279	24	3,177	0	3,177	4,535	8,462	1,917	10,379	
1986	2,064	65	65	1,001	0	1,001	3,820	74	2,541	0	2,541	30	1,088	0	1,088	3,734	7,554	2,017	9,571	
1987	2,080	149	451	578	0	578	3,258	90	1,600	0	1,600	20	1,054	0	1,054	2,764	6,022	1,813	7,835	
1988	2,168	60	242	713	0	713	3,183	121	2,426	0	2,426	14	1,072	0	1,072	3,633	6,816	1,525	8,341	
1989	1,943	25	142	1,558	0	1,558	3,669	197	2,516	0	2,516	16	1,000	0	1,000	3,728	7,397	1,429	8,826	
1990																				
1991																				
1992																				
1993																				
1994																				
1995																				
1996																				
1997																				
1998																				
1999																				
2000																				
2001																				
2002																				
2003																				
2004																				
2005																				

(2) - Table No. 30, Sheet No. 2, Column (19)

(3) - Table No. 30, Sheet No. 3, Column (11)

(4) - Table No. 30, Sheet No. 3, Column (12)

(5) - Column (3) + Column (4)

(6) - Table No. 30, Sheet No. 2, Column (14)

(7) - Table No. 30, Sheet No. 2, Column (15) + Sheet No. 3, Column (14)

(8) - Table No. 30, Sheet No. 3, Column (15)

(9) - Column (7) + Column (8)

(10) - Column (2) + (5) + (6) + (9)

(11) - Table No. 30, Sheet No. 2, Column (10)

(12) - Table No. 30, Sheet No. 3, Column (17)

(13) - Table No. 30, Sheet No. 3, Column (17)

(14) - Column (12) + Column (13)

(15) - Table No. 30, Sheet No. 2, Column (11)

(16) - Table No. 30, Sheet No. 1, Column (10) + Sheet No. 2, Column (12) + Sheet No. 3, Column (19)

(17) - Table No. 30, Sheet No. 3, Column (20)

(18) - Column (16) + Column (17)

(19) - Column (11) + (14) + (15) + (18)

(20) - Column (10) + Column (19)

(21) - Table No. 30, Sheet No. 1, Column (11)

(22) - Column (20) + Column (21)

Same as Table 22, Column (10)

TOTAL PRODUCTION BY RIVERSIDE HIGHLAND WATER COMPANY
FROM THE SAN BERNARDINO BASIN AREA
(INCLUDES LYTLE AND BUNKER HILL BASINS)
AS DELIVERED IN SAN BERNARDINO AND RIVERSIDE COUNTIES
 (All Quantities in Acre Feet)

Calendar Year	Total Deliveries in San Bernardino County	Total Deliveries Riverside County	Total Production From San Bernardino Basin Area
(1)	(2)	(3)	(4)
1971	2,388	1,624	4,012
1972	2,239	2,293	4,532
1973	1,751	1,761	3,512
1974	1,985	2,103	4,088
1975	2,002	2,707	4,709
1976	2,051	2,469	4,520
1977	1,820	1,763	3,583
1978	1,051	299	1,350
1979	1,782	1,587	3,369
1980	2,060	1,617	3,677
1981	2,152	1,452	3,604
1982	1,776	1,019	2,795
1983	2,319	843	3,162
1984	2,671	2,088	4,759
1985	1,978	1,334	3,312
1986	2,128	2,616	4,744
1987	2,229	1,690	3,919
1988	2,229	2,546	4,775
1989	1,968	2,713	4,681
1990			
1991			
1992			
1993			
1994			
1995			
1996			
1997			
1998			
1999			
2000			
2001			
2002			
2003			
2004			
2005			

Note: Excludes City of Riverside production (Ward & Warren) in Bunker Hill Basin which is delivered to Riverside Highland Water Company.

(2) = Table No. 31, Column (2) + (3)

(3) = Table No. 31, Column (11) + (12)

(4) = Column (2) + (3), Same as Table 22, Col. (5)

FOR YEARS PRECEDING 1971: Refer to Volume 5, August 1976, Page 1-85

TABLE 232

MEEKS & DALEY WATER COMPANY &
AGUA MANSA WATER COMPANY
WATER PRODUCTION FROM THE SAN BERNARDINO BASIN AREA
AND THE COLTON BASIN AREA

(Quantities in Acre Feet)

Year	San Bernardino Basin Area Production										TOTAL PRODUCTION IN IN SAN BERNARDINO BASIN AREA (14)	Delivery to C of R (15)	Net Production for (16)	Colton Basin Production (17)
	51° 1S4W15N02S 3601512 (3)	54° 1S4W16R03S 3601513 (4)	59° 1S4W15N03S 3601737 (5)	66° 1S4W15N08 3602169 (6)	69° 1S4W16R 3602329 (7)	69° 1S4W16R 3601515 (8)	69° 1S4W16R 3602863 (9)	*Warren #4 1S4W22N01S 3602864 (10)	*Warren #4 1S4W22N01S 3602864 (11)	*Warren #4 1S4W14N10S 3602864 (12)				
1971	0	0	178	0	2,502	0	0	0	0	222	2,902	0	2,902	0
1972	0	0	265	1,503	1,678	0	0	0	0	81	3,527	0	3,527	0
1973	0	0	117	1,246	1,412	0	0	0	0	204	2,979	0	2,979	484
1974	-	-	354	2,606	1,379	-	-	-	-	165	4,504	275	4,229	0
1975	-	-	276	1,649	2,025	-	-	-	-	0	3,950	1,649	2,301	1,350
1976	-	-	329	2,305	2,759	-	-	-	-	0	5,393	2,178	3,215	1,860
1977	-	-	4	1,848	2,368	-	-	-	-	0	4,220	1,848	2,372	2,018
1978	-	-	162	1,518	574	-	-	-	-	0	2,254	1,385	869	422
1979	-	-	207	1,549	2,174	-	-	-	-	0	3,930	1,231	2,699	1,698
1980	-	-	155	2,102	76	-	-	-	-	0	2,333	1,658	675	0
1981	-	-	8	3,084	0	-	-	-	-	0	3,092	2,496	596	0
1982	-	-	127	1,845	1,744	-	-	-	-	0	3,716	1,471	2,245	910
1983	-	-	0	2,583	68	-	-	-	-	0	2,651	2,317	334	50
1984	-	-	249	2,947	1,969	-	-	-	-	0	5,165	2,613	2,552	1,383
1985	-	-	165	2,815	2,405	-	-	-	-	0	5,385	2,487	2,898	1,554
1986	-	-	274	1,990	2,600	-	-	-	-	0	5,570	2,660	2,910	1,575
1987	-	-	161	2,400	2,353	-	-	-	-	38	4,914	2,253	2,661	1,560
1988	-	-	355	2,251	2,360	-	-	-	-	0	4,966	2,251	2,715	1,754
1989	-	-	524	2,853	1,477	-	-	-	-	399	5,392	3,043	2,349	1,538
1990	-	-	-	-	-	-	-	-	-	-	-	-	-	-
1991	-	-	-	-	-	-	-	-	-	-	-	-	-	-
1992	-	-	-	-	-	-	-	-	-	-	-	-	-	-
1993	-	-	-	-	-	-	-	-	-	-	-	-	-	-
1994	-	-	-	-	-	-	-	-	-	-	-	-	-	-
1995	-	-	-	-	-	-	-	-	-	-	-	-	-	-
1996	-	-	-	-	-	-	-	-	-	-	-	-	-	-
1997	-	-	-	-	-	-	-	-	-	-	-	-	-	-
1998	-	-	-	-	-	-	-	-	-	-	-	-	-	-
1999	-	-	-	-	-	-	-	-	-	-	-	-	-	-
2000	-	-	-	-	-	-	-	-	-	-	-	-	-	-
2001	-	-	-	-	-	-	-	-	-	-	-	-	-	-
2002	-	-	-	-	-	-	-	-	-	-	-	-	-	-
2003	-	-	-	-	-	-	-	-	-	-	-	-	-	-
2004	-	-	-	-	-	-	-	-	-	-	-	-	-	-
2005	-	-	-	-	-	-	-	-	-	-	-	-	-	-

Note: No production from the Riverside Basin Area
Data from Temescal, Meeks & Daley records unless otherwise noted
* Abandoned &/or file closed

* Warren #4 & Raub #6 are owned by the C of R and are being pumped by M & D into Riverside's system to meet stock rights
(12) - same as Table No. 1, Sheet 2, Line 68
(13) - same as Table No. 1, Sheet 2, Line 69
(15) - Water delivered to C of R from M&D #59 and Warren #4/Raub #6 production: Table 1, Sheet 2, Line 67, 68, 69

MEEKS & DALEY WATER COMPANY AND AGUA MANSANA WATER COMPANY
 WATER PRODUCTION FROM THE SAN BERNARDINO BASIN AREA
 AND THE COLTON BASIN AREA DELIVERED IN SAN BERNARDINO COUNTY AND EXPORTED TO RIVERSIDE COUNTY
 (Quantities in Acre Feet)

Year	San Bernardino Basin Area Net Production		Composition of Production		Delivery in		Delivery in		Production Exported to Riverside County		Total
	(1)	(2)	San Bernardino Basin Area	Colton Basin Area	S.B. County	S.B. Basin	San Bernardino County	Colton Basin	San Bernardino Basin	Colton Basin	
	(1)	(2)	(4)	(5)	(6)	(7)	(8)	(9)	(10)	(11)	(12)
1971	2,902	0	100.00%	0.00%	383	383	0	2,519	0	-	2,519
1972	3,527	0	100.00%	0.00%	377	377	0	3,150	0	-	3,150
1973	2,979	484	86.02%	13.98%	291	250	41	2,729	443	-	3,172
1974	4,229	0	100.00%	0.00%	246	246	0	3,983	0	-	3,983
1975	2,301	1,350	63.02%	36.98%	266	168	98	2,133	1,252	-	3,385
1976	3,215	1,860	63.35%	36.65%	287	182	105	3,033	1,755	-	4,788
1977	2,372	2,018	54.03%	45.97%	271	146	125	2,226	1,893	-	4,119
1978	869	422	67.31%	32.69%	239	161	78	708	344	-	1,052
1979	2,699	1,698	61.38%	38.62%	270	166	104	2,533	1,594	-	4,127
1980	675	0	100.00%	0.00%	323	323	0	352	0	-	352
1981	596	0	100.00%	0.00%	358	358	0	238	0	-	238
1982	2,245	910	71.16%	28.84%	237	169	68	2,076	842	-	2,918
1983	334	50	86.98%	13.02%	282	245	37	89	13	-	102
1984	2,552	1,383	64.85%	35.15%	359	233	126	2,319	1,257	-	3,576
1985	2,898	1,554	65.09%	34.91%	322	210	112	2,688	1,442	-	4,130
1986	2,910	1,575	64.88%	35.12%	327	212	115	2,698	1,460	-	4,158
1987	2,661	1,560	63.04%	36.96%	306	193	113	2,468	1,447	-	3,915
1988	2,715	1,754	60.75%	39.25%	383	233	150	2,482	1,604	-	4,086
1989	2,349	1,538	60.43%	39.57%	397	240	157	2,109	1,381	-	3,490
1990											
1991											
1992											
1993											
1994											
1995											
1996											
1997											
1998											
1999											
2000											
2001											
2002											
2003											
2004											
2005											

(1) = Table No. 32, Column (16)
 (2) = Table No. 32, Column (17)
 (3) = Column (1) + (2)
 (4) = Column (1) + (3)
 (5) = Column (2) + (3)
 (6) = From M & D records, "Deliveries in vicinity of Colton"
 (7) = Column (6) x (4)
 (8) = Column (6) x (5)
 (9) = Column (1) - (7)
 (10) = Column (2) - (8)
 (11) = No Production in Riverside Basin
 (12) = Column (9) + (10) + (11)
 + Quantity shown is portion exported via canals and excludes Well No. 59. See Table 34 for total exported from San Bernardino Basin Area which includes Well No. 59

MEEKS & DALEY WATER COMPANY
WATER PRODUCTION FROM SAN BERNARDINO BASIN AREA
AND DELIVERIES WITHIN SAN BERNARDINO COUNTY
AND EXPORT TO RIVERSIDE COUNTY

Year	Production in the San Bernardino Basin Area	Deliveries within Colton & Riverside Basins in San Bernardino County	San Bernardino Basin Production Exported to Riverside County
	(1)	(2)	(3)
1971	2,902	383	2,519
1972	3,527	377	3,150
1973	2,979	250	2,729
1974	4,504	246	4,258
1975	3,950	168	3,782
1976	5,393	182	5,211
1977	4,220	146	4,074
1978	2,254	161	2,093
1979	3,930	166	3,764
1980	2,333	323	2,010
1981	3,092	358	2,734
1982	3,716	169	3,547
1983	2,651	245	2,406
1984	5,165	233	4,932
1985	5,385	210	5,175
1986	5,570	212	5,358
1987	4,914	193	4,721
1988	4,966	233	4,733
1989	5,392	240	5,152
1990			
1991			
1992			
1993			
1994			
1995			
1996			
1997			
1998			
1999			
2000			
2001			
2002			
2003			
2004			
2005			

(1) From Table No. 32, Column (14)

(2) From Table No. 33, Col. 7

(3) Col. (1) - Col. (2)

Export of water from Well No. 59 and others by C of R,
 (Table No. 32, Column 15) is credited to M & D who
 produced said water and is excluded from C of R
 production (Table 1, Line 64)

FOR YEARS PRECEDING 1971: Refer to Volume 5, August 1976, Page 1-96

UNIVERSITY OF CALIFORNIA
WATER PRODUCTION FROM BUNKER HILL BASIN IN THE SAN BERNARDINO BASIN AREA
AND EXPORTED TO RIVERSIDE COUNTY
(Quantities in Acre Feet)

Year	Hunt 6	Hunt 8	Hunt 9	Hunt 10	Hunt 11	Total	Export
	1S4W27A11S 3601222	1S4W27A07S 3691241	1S4W27A08S 3691242	1S4W27A09S 3601244	1S4W27A10S 3601245	Production in Bunker Hill Basin Area	to Riverside County
	(1)	(2) ^o	(3) ^o	(4)	(5)	(6)	(7)
1971	73	0	0	146	0	219	219
1972	62	0	0	177	0	239	239
1973	50	0	0	189	0	239	239
1974	69	0	0	198	0	267	267
1975	34	0	0	143	2	179	179
1976	8	-	-	225	12	245	245
1977	25	-	-	41	21	87	87
1978	69	-	-	114	0	183	183
1979	29	-	-	54	0	83	83
1980	1	-	-	6	0	7	7
1981	0	-	-	143	0	143	143
1982	20	-	-	6	22	48	48
1983	0	-	-	0	0	0	0
1984	0	-	-	0	0	0	0
1985	0	-	-	0	0	0	0
1986	13	-	-	25	10	48	48
1987	51	-	-	99	45	195	195
1988	58	-	-	55	66	179	179
1989	12	-	-	25	25	62	62
1990	-	-	-	-	-	-	-
1991	-	-	-	-	-	-	-
1992	-	-	-	-	-	-	-
1993	-	-	-	-	-	-	-
1994	-	-	-	-	-	-	-
1995	-	-	-	-	-	-	-
1996	-	-	-	-	-	-	-
1997	-	-	-	-	-	-	-
1998	-	-	-	-	-	-	-
1999	-	-	-	-	-	-	-
2000	-	-	-	-	-	-	-
2001	-	-	-	-	-	-	-
2002	-	-	-	-	-	-	-
2003	-	-	-	-	-	-	-
2004	-	-	-	-	-	-	-
2005	-	-	-	-	-	-	-

Note: No deliveries in Bunker Hill Basin or Riverside North Basin

No production or deliveries in Colton Basin

Revised Recordation Numbers issued in 1981

^o Abandoned &/or Filed Closed

FOR YEARS PRECEDING 1971: Refer to Volume 5, August 1976, Page I-100

UNIVERSITY OF CALIFORNIA
WATER PRODUCTION FROM BUNKER HILL BASIN IN THE SAN BERNARDINO BASIN AREA
AND EXPORTED TO RIVERSIDE COUNTY
(Quantities in Acre Feet)

Year	Production in San Bernardino Basin Area (1)	Delivery within San Bernardino Co. (2)	S. B. Basin Production Exported to Riverside Co. (3)
1971	219	-	219
1972	239	-	239
1973	239	-	239
1974	267	-	267
1975	179	-	179
1976	245	-	245
1977	87	-	87
1978	183	-	183
1979	83	-	83
1980	7	-	7
1981	143	-	143
1982	48	-	48
1983	0	-	0
1984	0	-	0
1985	0	-	0
1986	48	-	48
1987	195	-	195
1988	179	-	179
1989	62	-	62
1990		-	
1991		-	
1992		-	
1993		-	
1994		-	
1995		-	
1996		-	
1997		-	
1998		-	
1999		-	
2000		-	
2001		-	
2002		-	
2003		-	
2004		-	
2005		-	

(1) - Table No. 35, Column (6)

(2) - no water delivered in San Bernardino County

(3) - Column (1) - (2)

FOR YEARS PRECEDING 1971: Refer to Volume 5, August 1976, Page I-102

TABLE NO. 36-A

EXTRACTIONS BY PLAINTIFF
FROM THE SAN BERNARDINO BASIN AREA
THROUGH THE CURRENT YEAR

CLASSIFIED ACCORDING TO SERVICE AREA
(Quantities in Acre Feet)

EXTRACTIONS FROM SAN BERNARDINO BASIN AREA FOR USE WITHIN AND EXPORT THEREFROM

PLAINTIFFS	1976				1977				1978				1979				1980			
	Total Extract	Del. S.B. Basin	Del. Colton & Riv N	Del. Outside SBVMD	Total Extract	Del. S.B. Basin	Del. Colton & Riv N	Del. Outside SBVMD	Total Extract	Del. S.B. Basin	Del. Colton & Riv N	Del. Outside SBVMD	Total Extract	Del. S.B. Basin	Del. Colton & Riv N	Del. Outside SBVMD	Total Extract	Del. S.B. Basin	Del. Colton & Riv N	Del. Outside SBVMD
	CITY OF RIVERSIDE (a) City & Riverside Wtr Co.	22,085	0	0	22,085	18,900	0	0	18,900	19,055	0	0	19,055	21,561	0	0	21,561	18,875	0	0
CITY OF RIVERSIDE (b) Gage Canal Co.	29,289	0	523	28,766	32,099	0	346	31,753	26,329	646	301	25,382	30,816	0	415	30,401	31,861	383	0	31,498
SUB TOTAL - C of R	51,374	0	523	50,851	50,999	0	346	50,653	45,384	646	301	44,437	52,377	0	415	51,962	50,756	383	0	50,373
RIVERSIDE HIGHLAND (c) WATER CO	4,519	0	2,050	2,469	3,583	0	1,820	1,763	1,350	0	1,051	299	3,369	0	1,781	1,588	3,677	0	2,060	1,617
MEEKS & DALEY WATER CO. AGUA MANSA WATER CO. (d)	5,393	0	182	5,211	4,220	0	146	4,074	2,254	0	161	2,093	3,930	0	270	3,660	2,333	0	323	2,010
UNIVERSITY OF CALIFORNIA (e)	245	0	0	245	87	0	0	87	183	0	0	183	83	0	0	83	7	0	0	7
TOTALS	61,531	0	2,755	58,776	58,889	0	2,312	56,577	49,171	646	1,513	47,012	59,759	0	2,466	57,293	56,773	383	2,383	54,007

Total Extract -- TOTAL EXTRACTIONS
Del S. B. Basin -- DELIVERIES IN SAN BERNARDINO BASIN AREA
Del. Colton & Riv. N. -- DELIVERIES IN COLTON & RIVERSIDE BASIN IN SAN BERNARDINO COUNTY
Del. Outside SBVMD -- DELIVERIES OUTSIDE SAN BERNARDINO VALLEY MUNICIPAL WATER DISTRICT

- (a) Table 13 - Columns 1, 2, 7, 8; Volume
- (b) Table 18 - Columns 1, 2, 6, 7; Volume
- (c) Table 31A - Columns 4, 1, 2, 3; Volume 5
- (d) Table 34 - Columns 1, 2, 3; Volume 5
- (e) Table 36 - Columns 1, 2, 3; Volume 5

See Report of the Watermaster, Same as Table No. 3, Volume 1a. For Years Preceding 1976; Refer to Volume 5-1975, August 1977, Page 34

TABLE NO. 36-A

EXTRACTIONS BY PLAINTIFF
FROM THE SAN BERNARDINO BASIN AREA
THROUGH THE CURRENT YEAR

CLASSIFIED ACCORDING TO SERVICE AREA
(all values in Acre Feet)

EXTRACTIONS FROM SAN BERNARDINO BASIN AREA FOR USE WITHIN AND EXPORT THEREFROM

PLAINTIFFS	1981			1982			1983			1984			1985		
	Total Extract	Del. S.B. Basin & Riv N SBVWMD	Del. Outside SBVWMD	Total Extract	Del. S.B. Basin & Riv N SBVWMD	Del. Outside SBVWMD	Total Extract	Del. S.B. Basin & Riv N SBVWMD	Del. Outside SBVWMD	Total Extract	Del. S.B. Basin & Riv N SBVWMD	Del. Outside SBVWMD	Total Extract	Del. S.B. Basin & Riv N SBVWMD	Del. Outside SBVWMD
CITY OF RIVERSIDE (a) City & Riverside Wtr Co.	20,363	0	0 20,363	19,522	146	0 19,376	25,681	144	0 25,537	25,031	0	0 25,031	31,817	0	0 31,817
CITY OF RIVERSIDE (b) Gage Canal Co.	31,794	724	0 31,070	30,077	16	0 30,061	20,383	191	0 20,192	33,875	32	0 33,843	31,256	59	0 31,197
SUB TOTAL - C of R	52,157	724	0 51,433	49,599	162	0 49,437	46,064	335	0 45,729	58,906	32	0 58,874	63,073	59	0 63,014
RIVERSIDE HIGHLAND (c) WATER CO	3,604	0	2,151 1,453	2,795	0	1,775 1,020	3,161	0	2,318 843	4,759	0	2,671 2,088	3,312	0	1,978 1,334
MEEKS & DALEY WATER CO. AGUA MANSA WATER CO. (d)	3,092	0	358 2,734	3,716	0	169 3,547	2,651	0	245 2,406	5,165	0	233 4,932	5,385	0	210 5,175
UNIVERSITY OF CALIFORNIA (e)	143	0	0 143	48	0	0 48	0	0	0 0	0	0	0 0	0	0	0 0
TOTALS	58,996	724	2,509 55,763	56,158	162	1,944 54,052	51,876	335	2,563 48,978	68,830	32	2,904 65,894	71,770	59	2,188 69,523

Total Extract -- TOTAL EXTRACTIONS
Del S.B. Basin -- DELIVERIES IN SAN BERNARDINO BASIN AREA
Del. Colton & Riv. N. -- DELIVERIES IN COLTON & RIVERSIDE BASIN IN SAN BERNARDINO COUNTY
Del. Outside SBVWMD -- DELIVERIES OUTSIDE SAN BERNARDINO VALLEY MUNICIPAL WATER DISTRICT

- (a) Table 13 - Columns 1, 2, 7, 8; Volume
- (b) Table 18 - Columns 1, 2, 6, 7; Volume
- (c) Table 31A - Columns 4, 1, 2, 3; Volume 5
- (d) Table 34 - Columns 1, 2, 3; Volume 5
- (e) Table 36 - Columns 1, 2, 3; Volume 5

See Report of the Watermaster, Same as Table No. 3, Volume 1a. For Years Preceding 1976: Refer to Volume 5-1975, August 1977, Page 34

TABLE NO. 36-A

EXTRACTIONS BY PLAINTEEF
FROM THE SAN BERNARDINO BASIN AREA
THROUGH THE CURRENT YEAR

CLASSIFIED ACCORDING TO SERVICE AREA
(Quantities in Acre Feet)

EXTRACTIONS FROM SAN BERNARDINO BASIN AREA FOR USE WITHIN AND EXPORT THEREFROM

	1986			1987			1988			1989			1990		
	Total Extract	Del. S.B. Basin & Riv N SBVMD	Del. Outside SBVMD	Total Extract	Del. S.B. Basin & Riv N SBVMD	Del. Outside SBVMD	Total Extract	Del. S.B. Basin & Riv N SBVMD	Del. Outside SBVMD	Total Extract	Del. S.B. Basin & Riv N SBVMD	Del. Outside SBVMD	Total Extract	Del. S.B. Basin & Riv N SBVMD	Del. Outside SBVMD
PLAINTEEF															
CITY OF RIVERSIDE (a)	25,996	292	0 25,704	25,528	319	0 25,209	26,490	815	0 25,675	21,129	28	0 21,101			
City & Riverside Wtr Co.															
CITY OF RIVERSIDE (b)	33,983	145	0 33,838	32,313	15	0 32,298	38,022	0	0 38,022	29,655	0	0 29,655			
Gage Canal Co.															
SUB TOTAL - C of R	59,979	437	0 59,542	57,841	334	0 57,507	64,512	815	0 63,697	50,784	28	0 50,756			
RIVERSIDE HIGHLAND (c)	4,744	0	2,130 2,614	3,919	0	2,229 1,690	4,775	0	2,229 2,546	4,681	0	1,968 2,713			
WATER CO															
MEEKS & DALEY WATER CO.	5,570	0	234 5,336	4,914	0	193 4,721	4,966	0	233 4,733	5,392	0	240 5,152			
AGUA MANSA WATER CO. (d)															
UNIVERSITY OF CALIFORNIA (e)	48	0	0 48	195	0	0 195	179	0	0 179	62	0	0 62			
TOTALS	70,341	437	2,364 67,540	66,869	334	2,422 64,113	74,432	815	2,462 71,155	60,919	28	2,208 58,683			

Total Extract -- TOTAL EXTRACTIONS
Del S.B. Basin -- DELIVERIES IN SAN BERNARDINO BASIN AREA
Del. Colton & Riv. N. -- DELIVERIES IN COLTON & RIVERSIDE BASIN IN SAN BERNARDINO COUNTY
Del. Outside SBVMD -- DELIVERIES OUTSIDE SAN BERNARDINO VALLEY MUNICIPAL WATER DISTRICT

- (a) Table 13 - Columns 1, 2, 7, 8; Volume
- (b) Table 18 - Columns 1, 2, 6, 7; Volume
- (c) Table 31A - Columns 4, 0, 2, 3; Volume 5
- (d) Table 34 - Columns 1, 0, 2, 3; Volume
- (e) Table 36 - Columns 1, 2, 2, 3; Volume

See Report of the Watermaster, Same as Table No. 3, Volume 1a. For Years Preceding 1976: Refer to Volume 5-1975, August 1977, Page 34

TABLE NO. 36-B

TOTAL PLAINTIFF EXTRACTIONS FROM
SAN BERNARDINO BASIN AREA
 (Quantities in Acre Feet)

EXTRACTING PLAINTIFF

Year	City of Riverside (1)	Gage Canal (2)	Riverside Highland (3)	Meeks & Daley (4)	Univ. of California (5)	Total (6)
1971	24,939	28,943	4,012	2,902	219	61,015
1972	20,474	25,220	4,532	3,527	239	53,992
1973	21,493	21,529	3,512	2,979	239	49,752
1974	27,420	15,947	4,088	4,504	267	52,226
1975	25,248	22,714	4,709	3,950	179	56,800
1976	22,085	29,289	4,519	5,393	245	61,531
1977	18,900	32,099	3,583	4,220	87	58,888
1978	19,055	26,329	1,350	2,254	183	49,181
1979	21,561	30,816	3,369	3,930	83	59,759
1980	18,875	31,881	3,677	2,333	7	56,773
1981	20,363	31,794	3,604	3,092	143	58,996
1982	19,522	30,077	2,795	3,716	48	56,158
1983	25,681	20,383	3,161	2,651	0	51,876
1984	25,031	33,875	4,759	5,165	0	68,830
1985	31,817	31,256	3,312	5,385	0	71,770
1986	25,996	33,983	4,744	5,570	48	79,341
1987	25,528	32,313	3,919	4,914	195	66,869
1988	26,490	38,022	4,775	4,966	179	74,432
1989	21,129	29,655	4,681	5,392	62	60,919
1990						
1991						
1992						
1993						
1994						
1995						
1996						
1997						
1998						
1999						
2000						
2001						
2002						
2003						
2004						
2005						

From Table No. 36-A Column 1.

(Same as Table 4, Vol. 1a)

FOR YEARS PRECEDING 1971: Refer to Volume 5, August 1976, Page 1-109

TOTAL PLAINTIFF EXTRACTIONS FROM
SAN BERNARDINO BASIN AREA
DELIVERIES IN SAN BERNARDINO BASIN AREA
(Quantities in Acre Feet)

EXTRACTING PLAINTIFF

Year	City of Riverside (1)	Gage Canal (2)	Riverside Highland (3)	Meeks & Daley (4)	Univ. of California (5)	Total (6)
1971	0	98	0	0	0	98
1972	0	85	0	0	0	85
1973	0	156	0	0	0	156
1974	0	0	0	0	0	0
1975	0	0	0	0	0	0
1976	0	0	0	0	0	0
1977	0	0	0	0	0	0
1978	0	646	0	0	0	646
1979	0	0	0	0	0	0
1980	0	383	0	0	0	383
1981	0	724	0	0	0	724
1982	146	16	0	0	0	162
1983	144	191	0	0	0	335
1984	0	32	0	0	0	32
1985	0	59	0	0	0	59
1986	292	145	0	0	0	437
1987	319	15	0	0	0	334
1988	815	0	0	0	0	815
1989	28	0	0	0	0	28
1990						
1991						
1992						
1993						
1994						
1995						
1996						
1997						
1998						
1999						
2000						
2001						
2002						
2003						
2004						
2005						

From Table No. 36-A Column 2

(Same as Table 5, Vol. 1a)

FOR YEARS PRECEDING 1971: Refer to Volume 5, August 1976, Page 1-112

TABLE NO. 36-D

TOTAL PLAINTIFF EXTRACTIONS FROM
SAN BERNARDINO BASIN AREA
DELIVERIES IN COLTON & RIVERSIDE BASINS IN SAN BERNARDINO COUNTY
(Quantities in Acre Feet)

EXTRACTING PLAINTIFF

Year	City of Riverside (1)	Gage Canal (2)	Riverside Highland (3)	Meeks & Daley (4)	Univ. of California (5)	Total (6)
1971	0	669	2,388	383	0	3,440
1972	0	547	2,239	377	0	3,163
1973	0	512	1,751	250	0	2,513
1974	65	485	1,985	246	0	2,781
1975	0	575	2,002	168	0	2,745
1976	0	523	2,050	182	0	2,755
1977	0	346	1,820	146	0	2,312
1978	0	301	1,051	161	0	1,513
1979	0	415	1,781	166	0	2,362
1980	0	0	2,060	323	0	2,383
1981	0	0	2,151	358	0	2,509
1982	0	0	1,775	169	0	1,944
1983	0	0	2,318	245	0	2,563
1984	0	0	2,671	233	0	2,904
1985	0	0	1,978	210	0	2,188
1986	0	0	2,130	234	0	2,364
1987	0	0	2,229	193	0	2,422
1988	0	0	2,229	233	0	2,462
1989	0	0	1,968	240	0	2,208
1990						
1991						
1992						
1993						
1994						
1995						
1996						
1997						
1998						
1999						
2000						
2001						
2002						
2003						
2004						
2005						

From Table No. 36-A Column 3

(Same as Table 5, Vol. 1a)

FOR YEARS PRECEDING 1971: Refer to Volume 5, August 1976, Page 1-113

TABLE NO. 36-E

TOTAL PLAINTIFF EXTRACTIONS FROM
SAN BERNARDINO BASIN AREA
DELIVERIES OUTSIDE SAN BERNARDINO VALLEY
(Quantities in Acre Feet)

EXTRACTING PLAINTIFF

Year	City of Riverside (1)	Gage Canal (2)	Riverside Highland (3)	Meeks & Daley (4)	Univ. of California (5)	Total (6)
1971	24,939	28,176	1,624	2,519	219	57,477
1972	20,474	24,588	2,293	3,150	239	50,744
1973	21,493	20,861	1,761	2,729	239	47,083
1974	27,355	15,462	2,103	4,258	267	49,445
1975	25,248	22,139	2,707	3,783	179	54,056
1976	22,085	28,766	2,469	5,211	245	58,776
1977	18,900	31,753	1,763	4,074	87	56,577
1978	19,055	25,382	299	2,093	183	47,012
1979	21,561	30,401	1,588	3,764	83	57,397
1980	18,875	31,498	1,617	2,010	7	54,007
1981	20,363	31,070	1,453	2,734	143	55,763
1982	19,376	30,061	1,020	3,547	48	54,052
1983	25,537	20,192	843	2,406	0	48,978
1984	25,031	33,843	2,088	4,932	0	65,894
1985	31,817	31,197	1,334	5,175	0	69,523
1986	25,704	33,838	2,614	5,336	48	67,540
1987	25,209	32,298	1,690	4,721	195	64,113
1988	25,721	38,022	2,546	4,733	179	71,201
1989	21,101	29,655	2,713	5,152	62	58,683
1990						
1991						
1992						
1993						
1994						
1995						
1996						
1997						
1998						
1999						
2000						
2001						
2002						
2003						
2004						
2005						

From Table No. 36-A Column 4

(Same as Table 5, Vol. 1a)

FOR YEARS PRECEDING 1971: Refer to Volume 5, August 1976, Page 1-115

TABLE NO. 37

RIVERSIDE ENTITIES
PRODUCTION AND DELIVERY FROM COLTON BASIN AREA
FOR USE WITHIN SAN BERNARDINO COUNTY
AND RIVERSIDE COUNTY
(Quantities in Acre Feet)

LINE NO.	1976	1977	1978	1979	1980	1981	1982	1983	1984	1985	
1	<u>RIVERSIDE ENTITIES</u>										
	<u>City of Riverside Irrigation & Domestic</u>										
2	853	295	464	5	0	77	57	0	0	695	Table No. 2, Line 7
3	0	0	0	0	0	0	0	0	0	0	Table No. 10, Col. 17
4	853	295	464	5	0	77	57	0	0	695	Table No. 11, Col. 6
5											
6	<u>Meeks & Daley Water Company</u>										
7	1,860	2,018	422	1,698	0	0	910	50	1,383	1,554	Table No. 32, Line 21
8	105	125	78	104	0	0	68	37	126	112	Table No. 33, Col 8
9	1,755	1,893	344	1,594	0	0	842	13	1,237	1,442	Table No. 33, Col. 10
10											
11	<u>Riverside Highland Water Company</u>										
12	170	332	270	191	0	0	0	0	83	675	Table No. 20, Total Prod.
13	165	322	260	184	0	0	0	0	80	651	Table No. 31, Col. 6
14	5	10	10	7	0	0	0	0	3	24	Table No. 31, Col. 15
15											
16	<u>Reche Canyon Mutual Water Company</u>										
17	70	71	77	76	71	96	82	82	80	83	See Vol. 2 Reche Canyon Mutual Wtr. Co., Table 3
18	0	0	0	0	0	0	0	0	0	0	Prod. & use Riv. Co. only
19	70	71	77	76	71	96	82	82	80	83	Prod. & use RIV. Co. only
20	0	0	0	0	0	0	0	0	0	0	
21	105	125	78	104	0	0	68	37	126	112	
22	165	322	260	184	0	0	0	0	80	651	
23	0	0	0	0	0	0	0	0	0	0	
24	270	447	338	288	0	0	68	37	206	763	
	<u>Summary of Colton Basin Water Used in San Bernardino Co.</u>										
25	853	295	464	5	0	77	57	0	0	695	
26	1,755	1,893	344	1,594	0	0	842	13	1,237	1,442	
27	5	10	10	7	0	0	0	0	3	24	
28	70	71	77	76	71	96	82	82	80	83	
29	2,683	2,269	895	1,682	71	173	981	95	1,340	2,244	
30	2,953	2,716	1,233	1,970	71	173	1,049	132	1,546	3,007	
	<u>Summary of Colton Basin Water Exported to Riverside Co.</u>										
25	853	295	464	5	0	77	57	0	0	695	
26	1,755	1,893	344	1,594	0	0	842	13	1,237	1,442	
27	5	10	10	7	0	0	0	0	3	24	
28	70	71	77	76	71	96	82	82	80	83	
29	2,683	2,269	895	1,682	71	173	981	95	1,340	2,244	
30	2,953	2,716	1,233	1,970	71	173	1,049	132	1,546	3,007	

TABLE NO. 37

RIVERSIDE ENTITIES
PRODUCTION AND DELIVERY FROM COLTON BASIN AREA
FOR USE WITHIN SAN BERNARDINO COUNTY & RIVERSIDE COUNTY
 (Quantities in Acre Feet)

Line #	1986	1987	1988	1989	1990	1991	1992	1993	1994	1995	
1	0	0	0	519							Table No. 2, Line 9
2	-	-	-	-	-	-	-	-	-	-	Table No. 10, Column (17)
3	0	0	0	519							Table No. 11, Column (6)
4											
5											
6	1,575	1,560	1,754	1,538							Table No. 32, Column (17)
7	115	113	150	157							Table No. 33, Column (8)
8	1,460	1,447	1,604	1,381							Table No. 33, Column (10)
9											
10											
11	721	471	256	158							Table No. 20, Column (4)
12	691	451	242	142							Table No. 31, Column (6)
13	30	20	14	16							Table No. 31, Column (15)
14											
15											
16	88	90	89	89							See Vol. 2, Reche Cyn M.W.C.
17	-	-	-	-							Table No. 3
18	88	90	89	89							Production & used only in Riv Co.
19											Production & used only in Riv Co.

Summary of Colton Basin Water Used in San Bernardino County

20	Line 3	-	-	-	-	-	-	-	-	-	
21	City of Riverside	115	113	150	157						
22	Meek & Daley	691	451	242	142						
23	Riverside Highlands	-	-	-	-						
24	Reche Canyon Mutual Water Company	806	564	392	299						
25	Total										
<u>Summary of Colton Basin Water Exported to Riverside County</u>											
26	Line 4	0	0	0	519						
27	City of Riverside	1,460	1,447	1,604	1,381						
28	Meek & Daley	30	20	14	16						
29	Riverside Highlands	88	90	89	89						
30	Reche Canyon Mutual Water Company	1,578	1,557	1,707	2,005						
31	Total										
32	30 Total Prod. by Riverside Entities, Lns 24 + 29	2,384	2,121	2,099	2,304						

SAN BERNARDINO ENTITIES PRODUCTION FROM COLTON BASIN AREA
FOR USE WITHIN SAN BERNARDINO COUNTY
 (Quantities in Acre Feet)

RIVERSIDE ENTITIES

Year	Total Verified Extraction From Colton Basin Area	Production Used in San Bernardino County	Production Used in Riverside County	Total Production	Total Production by San Bernardino Entities used in San Bernardino Co.
	(1)	(2)	(3)	(4)	(5)
1971	11,388	248	2,777	3,025	8,363
1972	10,414	271	2,611	2,882	7,532
1973	7,844	247	615	862	6,982
1974	8,906	273	1,464	1,737	7,169
1975	11,083	389	3,873	4,262	6,821
1976	11,558	270	2,683	2,953	8,605
1977	8,777	447	2,269	2,716	6,061
1978	7,663	338	895	1,233	6,430
1979	7,194	288	1,682	1,970	5,224
1980	5,681	0	71	71	5,610
1981	6,348	0	173	173	6,175
1982	6,499	68	981	1,049	5,450
1983	4,735	37	95	132	4,603
1984	8,987	206	1,340	1,546	7,441
1985	10,149	763	2,244	3,007	7,142
1986	10,035	806	1,600	2,406	7,629
1987	13,175	564	1,557	2,121	11,054
1988	13,552	392	1,707	2,099	11,453
1989	13,979	299	2,005	2,304	11,675
1990					
1991					
1992					
1993					
1994					
1995					
1996					
1997					
1998					
1999					
2000					
2001					
2002					
2003					
2004					
2005					

(1) Total Extractions as verified in Volume 2 for the appropriate year entitled Verified Extractions From Colton Basin Area
 (2) From Table No. 37, Line 24
 (3) From Table No. 37, Line 29
 (4) Col. (2) + Col. (3) **BOLD** figures were corrected during 1989 verification
 (5) Col. (1) - Col. (4)

FOR YEARS PRECEDING 1971: Refer to Volume 5, August 1976, Page II-7

COLTON BASIN EXTRACTIONS
BY RIVERSIDE ENTITIES
AND PLACE OF USE
(Quantities in Acre Feet)

Year	Total Extractions (1)	Place of Use	
		San Bernardino County (2)	Riverside County (3)
1971	3,025	248	2,777
1972	2,882	271	2,611
1973	862	247	615
1974	1,737	273	1,464
1975	4,262	389	3,873
1976	2,953	270	2,683
1977	2,716	447	2,269
1978	1,233	338	895
1979	1,970	288	1,682
1980	71	0	71
1981	173	0	173
1982	1,049	68	981
1983	132	37	95
1984	1,546	206	1,340
1985	3,007	763	2,244
1986	2,406	806	1,600
1987	2,121	564	1,557
1988	2,099	392	1,707
1989	2,304	299	2,005
1990			
1991			
1992			
1993			
1994			
1995			
1996			
1997			
1998			
1999			
2000			
2001			
2002			
2003			
2004			
2005			

(1) From Table No. 38, Column (4)

(2) From Table No. 38, Column (2)

(3) From Table No. 38, Column (3). Col. (1)-Col.(2)=Col.(3)

FOR YEARS PRECEDING 1971: Refer to Volume 5, August 1976, Page II-9

TABLE NO 39

VERIFIED EXTRACTIONS FROM COLTON BASIN AREA
BY SAN BERNARDINO AND RIVERSIDE COUNTY ENTITIES
FOR USE WITHIN EACH COUNTY
 (Quantities in Acre Feet)

Line No.	Calendar Year	Producer	Place of Use		Total Production in A.F.
			San Bernardino County	Riverside County	
1	*1976	San Bernardino Co. Wtr. Interests	8,605	0	8,605
2		Riverside Co. Wtr. Interests	<u>270</u>	<u>2,683</u>	<u>2,953</u>
		TOTAL	8,335	2,683	11,558
1	1977	San Bernardino Co. Wtr. Interests	6,061	0	6,061
2		Riverside Co. Wtr. Interests	<u>447</u>	<u>2,269</u>	<u>2,716</u>
		TOTAL	6,508	2,269	8,777
1	1978	San Bernardino Co. Wtr. Interests	6,430	0	6,430
2		Riverside Co. Wtr. Interests	<u>338</u>	<u>895</u>	<u>1,233</u>
		TOTAL	6,768	895	7,663
1	1979	San Bernardino Co. Wtr. Interests	5,224	0	5,224
2		Riverside Co. Wtr. Interests	<u>288</u>	<u>1,682</u>	<u>1,970</u>
		TOTAL	5,512	1,682	7,194
1	1980	San Bernardino Co. Wtr. Interests	5,610	0	5,610
2		Riverside Co. Wtr. Interests	<u>0</u>	<u>71</u>	<u>71</u>
		TOTAL	5,610	71	5,681

* Backfilling corrected for in 1977

Note: Line 1 from Table No. 38, Col. (5)
 Line 2 from Table No. 38, Cols. (2), (3) & (4)

FOR YEARS PRECEDING 1976: Refer to Volume 5, August 1977, Page II-11

WORD;W-SB WM

TABLE NO 39

VERIFIED EXTRACTIONS FROM COLTON BASIN AREA
BY SAN BERNARDINO AND RIVERSIDE COUNTY ENTITIES
FOR USE WITHIN EACH COUNTY
(Quantities in Acre Feet)

Line No.	Calendar Year	Producer	Place of Use		Total Production in A.F.
			San Bernardino County	Riverside County	
1	1981	San Bernardino Co. Wtr. Interests	6,175	0	6,175
2		Riverside Co. Wtr. Interests	0	173	173
		TOTAL	6,175	173	6,348
1	1982	San Bernardino Co. Wtr. Interests	5,450	0	5,450
2		Riverside Co. Wtr. Interests	68	981	1,049
3		TOTAL	5,518	981	6,499
1	1983	San Bernardino Co. Wtr. Interests	*4,603	0	*4,603
2		Riverside Co. Wtr. Interests	37	95	132
3		TOTAL	4,555	95	*4,735
1	1984	San Bernardino Co. Wtr. Interests	7,441	0	7,441
2		Riverside Co. Wtr. Interests	206	1,340	1,546
3		TOTAL	7,647	1,340	8,987
1	1985	San Bernardino Co. Wtr. Interests	7,142	0	7,142
2		Riverside Co. Wtr. Interests	763	2,244	3,007
3		TOTAL	7,905	2,244	10,149

* Corrected from Previous year
See Table 5, Vol. 2
Line 1: Table 38, Column (5)
Line 2: Table 38A, Column (2), (3), (1)
Line 3: Table 38-, (3), (1)

WORD;W-SB WM

TABLE NO 39

VERIFIED EXTRACTIONS FROM COLTON BASIN AREA
BY SAN BERNARDINO AND RIVERSIDE COUNTY ENTITIES
FOR USE WITHIN EACH COUNTY
(Quantities in Acre Feet)

Line No.	Calendar Year	Producer	Place of Use		Total Production in A.F.
			San Bernardino County	Riverside County	
1	1986	San Bernardino Co. Wtr. Interests	7,651	0	7,651
2		Riverside Co. Wtr. Interests	<u>784</u>	<u>1,600</u>	<u>2,384</u>
3		TOTAL	8,435	1,600	10,035
1	1987	San Bernardino Wtr. Interests	11,054	0	11,054
2		Riverside Co. Wtr. Interests	<u>564</u>	<u>1,557</u>	<u>2,121</u>
3		TOTAL	11,618	1,557	13,175
1	1988	San Bernardino Wtr. Interests	11,453	0	11,453
2		Riverside Co. Wtr. Interests	<u>392</u>	<u>1,707</u>	<u>2,099</u>
3		TOTAL	11,845	1,707	13,552
1	1989	San Bernardino Wtr. Interests	11,675	0	11,675
2		Riverside Co. Wtr. Interests	<u>299</u>	<u>2,005</u>	<u>2,304</u>
3		TOTAL	11,974	2,005	13,979
1	1990	San Bernardino Wtr. Interests			
2		Riverside Co. Wtr. Interests			
3		TOTAL			

See Table 5, Vol. 2
line 1: Table 38, Column (5)
line 2: Table 38A, Column (2), (3), (1)
line 3: Table 38 -, (3), (1)

WORD;W-SB WM

GROUNDWATER EXTRACTIONS BY RIVERSIDE ENTITIES FROM
COLTON BASIN AREA FOR USE IN RIVERSIDE AND SAN BERNARDINO COUNTIES
FROM 1976 THROUGH CURRENT YEAR

CLASSIFIED ACCORDING TO SERVICE AREA
(all values in Acre Feet)

EXTRACTIONS FROM COLTON BASIN AREA FOR USE WITHIN AND EXPORT THEREFROM

PLAINTIFFS	1976		1977		1978		1979		1980	
	Total Extract	Del. in S.B. Co. Riv. Co.	Total Extract	Del. in S.B. Co. Riv. Co.	Total Extract	Del. in S.B. Co. Riv. Co.	Total Extract	Del. in S.B. Co. Riv. Co.	Total Extract	Del. in S.B. Co. Riv. Co.
CITY OF RIVERSIDE Dom & Irrig.	853	0	295	0	464	0	5	0	0	0
MEEKS & DALEY WATER CO	1,860	105	2,018	125	422	78	1,698	104	1,594	0
RIVERSIDE HIGHLAND WATER CO.	170	165	332	322	270	260	191	184	0	0
RECHE CANYON MUTUAL WATER CO.	70	0	71	0	77	0	76	0	71	0
TOTALS	2,953	270	2,716	447	1,233	338	1,970	288	1,682	71

Total Extract -- TOTAL EXTRACTIONS
Del in S.B. Co. -- DELIVERY WITHIN SAN BERNARDINO COUNTY
Del. in Riv. Co. -- DELIVERY WITHIN RIVERSIDE COUNTY

See Table 37 for figures
FOR YEARS PRECEDING 1976: Refer to Volume 5-1974, August 1976, Page II-13
Same as Table 4, Volume 2

Excel.V-eb sm.vol 1a-8:vol 5 table 39A

GROUNDWATER EXTRACTIONS BY RIVERSIDE ENTITIES FROM
COLTON BASIN AREA FOR USE IN RIVERSIDE AND SAN BERNARDINO COUNTIES
FROM 1976 THROUGH CURRENT YEAR

CLASSIFIED ACCORDING TO SERVICE AREA
(all values in Acre Feet)

EXTRACTIONS FROM COLTON BASIN AREA FOR USE WITHIN AND EXPORT THEREFROM

PLAINTIFFS	1981		1982		1983		1984		1985					
	Total Extract	Del. in S.B. Co. Riv. Co.	Total Extract	Del. in S.B. Co. Riv. Co.	Total Extract	Del. in S.B. Co. Riv. Co.	Total Extract	Del. in S.B. Co. Riv. Co.	Total Extract	Del. in S.B. Co. Riv. Co.				
CITY OF RIVERSIDE Dom & Irrig.	77	0	77	0	57	0	57	0	0	0	695	0	695	
MEEKS & DALEY WATER CO.	0	0	0	68	910	68	842	13	1,383	126	1,257	112	1,442	
RIVERSIDE HIGHLAND WATER CO.	0	0	0	0	0	0	0	0	83	80	3	651	24	
RECHE CANYON MUTUAL WATER CO.	96	0	96	0	82	0	82	82	80	0	80	83	0	83
TOTALS	173	0	173	68	1,049	68	981	95	1,546	206	1,340	763	2,244	

Total Extract -- TOTAL EXTRACTIONS
Del in S.B. Co. -- DELIVERY WITHIN SAN BERNARDINO COUNTY
Del. in Riv. Co. -- DELIVERY WITHIN RIVERSIDE COUNTY

See Table 37 for figures
FOR YEARS PRECEDING 1976: Refer to Volume 5-1974, August 1976, Page II-13
Same as Table 4, Volume 2

Excel:\v-eb vml\vol 1a-8\vol 5 table 39A

**GROUNDWATER EXTRACTIONS BY RIVERSIDE ENTITIES FROM
COLTON BASIN AREA FOR USE IN RIVERSIDE AND SAN BERNARDINO COUNTIES
FROM 1976 THROUGH CURRENT YEAR**

**CLASSIFIED ACCORDING TO SERVICE AREA
(all values in Acre Feet)**

EXTRACTIONS FROM COLTON BASIN AREA FOR USE WITHIN AND EXPORT THEREFROM

PLAINTIFFS	1986		1987		1988		1989		1990	
	Total Extract	Del. in S.B. Co. Riv. Co.	Total Extract	Del. in S.B. Co. Riv. Co.	Total Extract	Del. in S.B. Co. Riv. Co.	Total Extract	Del. in S.B. Co. Riv. Co.	Total Extract	Del. in S.B. Co. Riv. Co.
CITY OF RIVERSIDE Dom & Irrig.	0	0	0	0	0	0	519	0	519	0
MEEKS & DALEY WATER CO	1,575	93	1,482	113	1,447	150	1,538	157	1,381	16
RIVERSIDE HIGHLAND WATER CO.	721	691	30	451	20	256	242	142	158	89
RECHE CANYON MUTUAL WATER CO.	88	0	88	90	90	89	89	0	89	0
TOTALS	2,384	784	1,600	2,121	564	392	2,099	299	2,304	2,005

Total Extract -- TOTAL EXTRACTIONS
Del in S.B. Co. -- DELIVERY WITHIN SAN BERNARDINO COUNTY
Del. in Riv. Co. -- DELIVERY WITHIN RIVERSIDE COUNTY

See Table 37 for figures
FOR YEARS PRECEDING 1976: Refer to Volume 5-1974, August 1976, Page II-13
Same as Table 4, Volume 2

Excel/v-ab vnuvol 1a-8/vol 5 table 39A

TABLE NO. 40

RIVERSIDE CEMENT COMPANY*
 DIVISION, AMERICAN CEMENT CORP.
 WATER PRODUCTION
 FROM RIVERSIDE GROUND WATER BASIN
 SITUATED WITHIN SAN BERNARDINO COUNTY
 (All Quantities in Acre Feet)

Production from Recordation Filings (Volume 3, Table No. 1)

State Well No. Rec. No. Local Desig. Basin	1S/5W-34K 3601721 E. Cresmore #56 Riverside (1)	1S/5W-34K2 3600873 W. Cresmore #57 Riverside (2)	2S/5W-02A 3600874 White Well Riverside (4)	2S/5W-02G2 3600883 Wright Riverside (5)	2S/5W-02R 3601722 New White 58-1 Riverside (6)	2S/5W-2L2 3601782 None Riverside (7)	2S/5W-02G 3602114 63-1 Riverside (8)	Production Used In San Bernardino County (9)	Total Production In San Bernardino County (10)	
Year	(1)	(2)	(3)	(4)	(5)	(6)	(7)	(8)	(9)	(10)
1971	130	219	349	0	0	0	0	482	482	831
1972	353	20	373	0	0	0	0	204	204	577
1973	531	6	537	0	0	0	0	0	0	537
1974	133	0(a)	133	0	0	0	0	0	0	133
1975	0(b)	0(a)	0(b)	0	0	0	0	0	0	0(a)(b)
1976	0(b)	0(a)	0(b)	0	0	0	0	218	218	218
1977	0(b)	0(a)	0(b)	0	0	0	0	446	446	446
1978	0(b)	0(a)	0(b)	0	0	0	0	227	227	227
1979	0(b)	0(a)	0(b)	0	0	0	0	436	436	436
1980	0(b)	0(a)	0(b)	0	0	0	0	218	218	218
1981	0(b)	0(a)	0	0	0	0	0	413	413	413
1982	0(b)	0(a)	0	0	0	0	0	0	0	0
1983	-	-	0	0	0	0	0	0	0	0
1984	-	-	0	0	0	0	0	0	0	0
1985	-	-	0	0	0	0	0	0	0	0
1986	-	-	0	0	0	0	0	0	0	0
1987	-	-	0	0	0	0	0	0	0	0
1988	-	-	0	0	0	0	0	0	0	0
1989	-	-	0	0	0	0	0	0	0	0
1990	-	-	0	0	0	0	0	0	0	0

All wells sold or abandoned

(a) 3600873 sold to Green Acres Mem. Park Ass'n. 1974 (b) 3601721 sold to Green Acres Mem. Park Ass'n. 1975 *Abandoned or File closed
 (3) Col. (2) + Col. (1) (10) Col. (3) + Col. (9)
 (9) Cols. (4) + (5) + (6) + (7) + (8) F.C. File Closed
 FOR YEARS PRECEDING 1971: Refer to Volume 5, August 1976, Page III-7
 *Name changed to Amcord, Inc. 1973 & recurred in 1981
 (c) Sold to Erin Madison in 1988

TABLE NO. 41

RIVERSIDE CEMENT COMPANY

WATER PRODUCTION FROM RIVERSIDE GROUND WATER BASIN
WITHIN SAN BERNARDINO COUNTY FOR PERIOD 1971 THROUGH CURRENT YEAR
AND PRODUCTION DELIVERED IN RIVERSIDE AND SAN BERNARDINO COUNTIES
 (Quantities in Acre Feet)

<u>Year</u>	<u>Production</u> <u>Exported to</u> <u>Riverside</u> <u>County</u> (1)	<u>Production</u> <u>Used In</u> <u>San Bernardino</u> <u>County</u> (2)	<u>Total</u> <u>Production</u> (3)
1971	349	482	831
1972	373	204	577
1973	537	0	537
1974	133	0	133
1975	0	0	0
1976	0	218	218
1977	0	446	446
1978	0	227	227
1979	0	436	436
1980	0	218	218
1981	0	413	413
1982	0	0	0
1983	0	0	0
1984	0	0	0
1985	0	0	0
1986	0	0	0
1987	0	0	0
1988	0	0	0
1989	All wells sold or abandoned		
1990			
1991			
1992			
1993			
1994			
1995			

Col. (1) from Table No. 40, Col. (3)
 Col. (2) from Table No. 40, Col. (9)
 Col. (3) from Table No. 40, Col. (10)

FOR YEARS PRECEDING 1971: Refer to Volume 5, August 1976, Page III-9

TABLE NO. 42

CITY OF RIVERSIDE
IRRIGATION AND DOMESTIC DIVISIONS
WATER PRODUCTION FROM RIVERSIDE GROUND WATER BASIN
WITHIN SAN BERNARDINO COUNTY FOR PERIOD 1971 THROUGH CURRENT YEAR
AND PRODUCTION DELIVERED IN RIVERSIDE AND SAN BERNARDINO COUNTIES
(Quantities in Acre Feet)

<u>Year</u>	<u>Production</u> <u>Exported to</u> <u>Riverside</u> <u>County</u> (1)	<u>Production</u> <u>Used In</u> <u>San Bernardino</u> <u>County</u> (2)	<u>Total</u> <u>Production</u> (3)
1971	4,363	174	4,537
1972	5,813	107	5,920
1973	4,941	45	4,986
1974	6,012	111	6,123
1975	5,744	94	5,838
1976	6,219	126	6,345
1977	3,833	279	4,112
1978	1,093	271	1,364
1979	2,249	587	2,836
1980	115	1,591	1,706
1981	1,368	1,526	2,894
1982	1,513	*2,102	*3,615
1983	648	*1,933	*2,581
1984	2,443	448	2,891
1985	2,479	714	3,193
1986	2,225	117	2,342
1987	1,675	87	1,762
1988	3,257	58	3,315
1989	10,135	59	10,194
1990			
1991			
1992			
1993			
1994			
1995			

Col. (1) = Table No. 12, Col. (9)

Col. (2) = Table No. 12, Col. (8)

Col. (3) = Table No. 2, Sht. 2, Line No. 43 or Table 12 Col. 2

FOR YEARS PRECEDING 1971: Refer to Volume 5, August 1976, Page III-11

* Corrected during 1984 verification

WORD;W-SB WM

TABLE NO. 43

CITY OF RIVERSIDE
IRRIGATION & DOMESTIC DIVISIONS
GAGE CANAL COMPANY
WATER PRODUCTION FROM RIVERSIDE GROUND WATER BASIN
WITHIN SAN BERNARDINO COUNTY FOR PERIOD 1971 THROUGH CURRENT YEAR
AND PRODUCTION DELIVERED IN RIVERSIDE AND SAN BERNARDINO COUNTIES

(Quantities in Acre Feet)

<u>Year</u>	<u>Production</u> <u>Exported to</u> <u>Riverside</u> <u>County</u> (1)	<u>Production</u> <u>Used In</u> <u>San Bernardino</u> <u>County</u> (2)	<u>Total</u> <u>Production</u> (3)
1971	567	0	567
1972	778	0	778
1973	222	0	222
1974	374	98	472
1975	568	77	645
1976	378	62	440
1977	383	6	389
1978	730	4	734
1979	409	4	413
1980	2,028	4	2,032
1981	2,464	3	2,467
1982	1,644	1	1,645
1983	1,018	1	1,019
1984	2,044	2	2,046
1985	1,860	1	1,861
1986	1,891	2	1,893
1987	1,995	1	1,996
1988	2,187	2	2,189
1989	1,963	2	1,965
1990			
1991			
1992			
1993			
1994			
1995			
1996			
1997			
1998			
1999			
2000			

Col. (1) From Chapter I, Gage Canal, Table No. 17, Col. (15)

Col. (2) From Chapter I, Gage Canal, Table No. 17, Col. (14a)

Col. (3) From Chapter I, Gage Canal, Table No. 15, Line 24

FOR YEARS PRECEDING 1971: Refer to Volume 5, August 1976, Page III-13

TABLE NO. 44

INTER COUNTY WATER COMPANY
WATER PRODUCTION FROM RIVERSIDE GROUND WATER BASIN
WITHIN SAN BERNARDINO COUNTY FOR PERIOD 1971 THROUGH CURRENT YEAR
AND PRODUCTION DELIVERED IN RIVERSIDE AND SAN BERNARDINO COUNTIES

(Quantities in Acre Feet)

Year	Total Production 2S5W2C Recordation <u>3301347</u> (1)	Production		Delivered by WSBCWD to Riverside Co. County (4)
		Exported To Riverside County (2)	Used In San Bernardino County (3)	
1971	83	51	32	
1972	95	58	37	
1973*	157	96	61	
1974	206	125	81	
1975	225	137	88	
1976	230	78	152	
1977	207	70	137	
1978	145	49	96	
1979	225	76	149	
1980	228	78	150	
1981	175	60	115	
1982	200	68	132	
1983	154	52	102	
1984	207	71	136	
1985	196	67	129	
1986	189	64	125	
1987**	78	27	51	
1988	0	21	0	21
1989	0	21	0	21
1990				
1991				
1992				
1993				
1994				
1995				
1996				
1997				
1998				
1999				
2000				

*Used Southern California Edison record since 1973 to determine water production. This well is shown by the State Water Rights Board as being located in Riverside County as evidenced by 33 for the first two numbers on the recordation number. The well is actually located in San Bernardino county and the first two numbers should be 36. The State Board has been notified but has taken no action.

Note: Information on 9/8/66 from Company officials shows that the Company has 87 customers of which 34 are in San Bernardino County and 53 in Riverside County and the number of meters has not changed since 1980. Therefore, the delivery split between the two counties is based on meter ratio. 6/7/77 71 meters total 47 (66%) in San Bernardino County and 24 (34%) in Riverside County.

** Intercounty acquired by West San Bernardino County Water District. In 1988 WSBCWD had 17 accounts in Riverside County. Assume 1.25 A.F. per account.

Note: Col. (1) from Volume 3, Table No. 1
 FOR YEARS PRECEDING 1971: Refer to Volume 5, August 1976, Page III-15
 WORD;W-SB WM

TABLE NO. 45

JURUPA WATER COMPANY

WATER PRODUCTION FROM RIVERSIDE GROUND WATER BASIN
WITHIN SAN BERNARDINO COUNTY FOR PERIOD 1971 THROUGH CURRENT YEAR
AND PRODUCTION DELIVERED IN RIVERSIDE AND SAN BERNARDINO COUNTIES

(Quantities in Acre Feet)

Description State Well No. Rec. No. Local Desig. Year	Production		Total Production See Note (3)
	1S5W36C11 3600535- No. 3 (1)	1S5W36C10 3600536 No. 1-1/2* (2)	
1971	94	0	94
1972	376	0	376
1973	200	0	200
1974	402	-	402
1975	592	-	592
1976	637	-	637
1977	756	-	756
1978	1,118	-	1,118
1979	421	-	421
1980	478	-	478
1981	62	-	62
1982	793	-	793
1983	351	-	351
1984	634	-	634
1985	1,217	-	1,217
1986	1,372	-	1,372
1987	1,083	-	1,083
1988	26	-	26
1989	248	-	248
1990			
1991			
1992			
1993			
1994			
1995			
1996			
1997			
1998			
1999			
2000			

Note: Total Production shown in Col. (3) is all exported to Riverside county via West Riverside Canal. Deliveries to San Bernardino County are zero.

FOR YEARS PRECEDING 1971: Refer to Volume 5, August 1976, Page III-17
*Abandoned and/or file closed.

WORD;W-SB WM

7/10/91 13:21

TABLE NO. 46A

LA SIERRA WATER COMPANY
WATER PRODUCTION FROM COLTON BASIN AND
THAT PART OF RIVERSIDE BASIN LOCATED WITHIN SAN BERNARDINO COUNTY
 (Quantities in Acre Feet by Calendar Year)

Year	Colton Basin Production						TOTAL PRODUCTION	
	1S4W18G		1S4W18F		3602228	3602228	La Sierra	Total
	Colton # 15	La Sierra # 15	Colton # 17	La Sierra # 17				
3601259	3602227	3601261	3602228	(4)	(5)	(6)	(7)	
1971	137	267	116	860	253	1,127	1,380	
1972	106	364	245	693	351	1,057	1,408	
1973	158	466	369	440	527	906	1,433	
1974	329	348	545	312	874	660	1,534	
1975	292	69	194	559	486	628	1,114	
1976	259	349	467	304	726	653	1,379	
1977	314	202	452	304	766	506	1,272	
1978	273	202	572	304	845	506	1,351	
1979	612	184	1,184	351	1,796	535	2,331	
1980	698	275	728	267	1,426	542	1,968	
1981	447	229	763	312	1,210	541	1,751	
1982	586	0	1,030	582	1,616	562	2,198	
1983	537	236	909	316	1,446	552	1,998	
1984	667	216	811	287	1,478	503	1,981	
1985	306	150	725	340	1,031	490	1,521	
1986	668	347	507	103	1,175	450	1,625	
1987	1,018	201	1,088	317	2,106	518	2,624	
1988	1,286	200	1,448	278	2,734	478	3,212	
1989	968	242	667	242	1,635	484	2,119	
1990								
1991								
1992								
1993								
1994								
1995								
1996								
1997								
1998								
1999								
2000								
2001								
2002								
2003								
2004								
2005								

(1) Table No. 1, Volume 2
 (2) Table No. 1, Volume 2
 (3) Table No. 1, Volume 2
 (4) Table No. 1, Volume 2

Note: Well 1S/4W-18g and 1S/4W-18F beginning in 1964 were used by both La Sierra Water Company and City of Colton under the different Recordation Numbers shown for the same wells.

FOR YEARS PRECEDING 1971: Refer to Volume 5, August 1976, Page III-19

LA SIERRA WATER COMPANY
 WATER PRODUCTION FROM COLTON BASIN AND
 THAT PART OF RIVERSIDE BASIN LOCATED WITHIN SAN BERNARDINO COUNTY

State Well #	1S4W32E01S	1S4W32E03S	1S4W32E06S	1S4W32E05S	1S4W32E02S	1S4W32E07S	1S4W32E11S	1S4W32E09S	1S4W32E10S	1S4W29Q03S	1S4W29Q04S	La Sierra
Recordation #	3601539	3601540	3601541	3601542	3601543	3601544	3601545	3601546	3601547	3691496	3692486	Production
Local Desiq.	LS #1°	LS #2°	LS #4°	LS #5°	LS #6°	LS #7°	LS #8°	LS #10	LS #9°	Flume 4°	Flume 6°	Riverside Bas.
Year	(1)	(2)	(3)	(4)	(5)	(6)	(7)	(8)	(9)	(10)	(11)	(12)
1971	-	-	-	-	-	1,218	2,106	1,415	-	-	-	4,739
1972	-	-	-	-	-	1,330	2,178	1,201	-	-	-	4,709
1973	-	-	-	-	-	664	1,980	0	-	-	-	2,644
1974	-	-	-	-	-	0	1,932	1	-	-	-	1,933
1975	-	-	-	-	-	0	2,309	2	-	-	-	2,311
1976	-	-	-	-	-	0	2,682	0	-	-	-	2,682
1977	-	-	-	-	-	0	2,396	0	-	431	35	2,862
1978	-	-	-	-	-	0	1,496	0	-	3	1	1,500
1979	-	-	-	-	-	0	1,654	0	-	53	29	1,736
1980	-	-	-	-	-	98	1,004	0	-	0	0	1,102
1981	-	-	-	-	-	276	0	1,957	-	-	-	2,233
1982	-	-	-	-	-	0	0	29	-	-	-	29
1983	-	-	-	-	-	0	0	14	-	-	-	14
1984	-	-	-	-	-	0	0	0	-	-	-	0
1985	-	-	-	-	-	0	0	0	-	-	-	0
1986	-	-	-	-	-	0	0	0	-	-	-	0
1987	-	-	-	-	-	0	0	0	-	-	-	0
1988	-	-	-	-	-	0	0	0	-	-	-	0
1989	-	-	-	-	-	0	0	0	-	-	-	0
1990	-	-	-	-	-	0	0	0	-	-	-	0
1991	-	-	-	-	-	0	0	0	-	-	-	0
1992	-	-	-	-	-	0	0	0	-	-	-	0
1993	-	-	-	-	-	0	0	0	-	-	-	0
1994	-	-	-	-	-	0	0	0	-	-	-	0
1995	-	-	-	-	-	0	0	0	-	-	-	0
1996	-	-	-	-	-	0	0	0	-	-	-	0
1997	-	-	-	-	-	0	0	0	-	-	-	0
1998	-	-	-	-	-	0	0	0	-	-	-	0
1999	-	-	-	-	-	0	0	0	-	-	-	0
2000	-	-	-	-	-	0	0	0	-	-	-	0
2001	-	-	-	-	-	0	0	0	-	-	-	0
2002	-	-	-	-	-	0	0	0	-	-	-	0
2003	-	-	-	-	-	0	0	0	-	-	-	0
2004	-	-	-	-	-	0	0	0	-	-	-	0
2005	-	-	-	-	-	0	0	0	-	-	-	0

(8) = LS #10 assigned to Southern Calif. Edison Co. Highgrove Steam Plant

(10) & (11) Starting in 1976 part of the flow from the Flume Wells are leased from the City of Riverside.

The amounts shown are La Sierra production only. Riverside production is shown under 3601886 & 3602486.

(12) = Total of Column (1) thru (11)

° Abandoned &/or Filled Closed

TABLE NO. 47

LA SIERRA WATER COMPANY
WATER PRODUCTION FROM COLTON AND RIVERSIDE BASIN SITUATED WITHIN SAN BERNARDINO COUNTY
WITH DELIVERIES IN SAN BERNARDINO COUNTY AND EXPORTS TO RIVERSIDE COUNTY
 (Quantities in Acre Feet by Calendar Year)

Year (2)	La Sierra Production in Colton and Riverside North Basins			Deliveries Made in San Bernardino County				Deliveries Made in Riverside County				
	Colton Basin (3)	Riverside Basin (4)	Total Production (5)	So. California Edison Steam Plant (6)	Highland Water Co. (7)	City of Colton (8)	Total in San Bernardino County (9)	West Riverside Canal (10)	Highland Water Co. (11)	Tennascal Water Company (12)	City of Riverside (13)	Total Deliveries in Riverside County (14)
1971	1,127	4,739	5,866	-	0	1,127	1,127	3,324	0	1,415	0	4,739
1972	1,057	4,709	5,766	-	0	1,057	1,057	3,508	0	1,201	0	4,709
1973	906	2,644	3,550	-	0	906	906	2,644	0	0	0	2,644
1974	660	1,933	2,593	-	0	660	628	1,932	0	1	2	1,933
1975	628	2,311	2,939	-	0	628	628	2,309	0	0	0	2,311
1976	653	2,682	3,335	-	0	653	653	2,682	0	0	0	2,682
1977	506	2,862	3,368	-	0	506	506	2,396	0	0	466	2,862
1978	506	1,500	2,006	-	0	506	506	1,496	0	0	4	1,500
1979	535	1,736	2,271	-	0	535	535	1,654	0	0	92	1,736
1980	542	1,102	1,644	-	0	542	542	1,102	0	0	0	1,102
1981	541	2,233	2,774	-	0	541	541	276	0	1,957	0	2,233
1982	582	29	611	-	0	582	582	0	0	29	0	29
1983	552	14	566	-	0	552	552	0	0	14	0	14
1984	503	0	503	-	0	503	503	0	0	0	0	0
1985	490	0	490	-	0	490	490	0	0	0	0	0
1986	450	0	450	-	0	450	450	0	0	0	0	0
1987	518	0	518	-	0	518	518	0	0	0	0	0
1988	478	0	478	-	0	478	478	0	0	0	0	0
1989	484	0	484	-	0	484	484	0	0	0	0	0
1990												
1991												
1992												
1993												
1994												
1995												
1996												
1997												
1998												
1999												
2000												
2001												
2002												
2003												
2004												
2005												

(3) From Table No. 46B Col. (6)
 (4) From Table No. 46B Col. (12)
 (5) Col. (3) + (4)
 (6) See General Note (c)
 (7) From Chapter I, Table No. 31, Col. (8), Riverside Highland Wtr. Co.
 (8) Identical to this Table No. 47, Col. (3)
 (9) Total of Cols. (5), (6), & (7)
 (10) 1964 and after: Col. (5) - (Col. (6) + (7) + (8) + (12) + (13))
 (11) From Chapter I, Table No. 31, Col. (17), Riverside Highland Wtr. Co.
 (12) 1964 and after, see Tennascal File
 (13) From Table No. 46B, Cols. (10) + (11)
 (14) Total of Cols. (10), (11), (12), & (13)

General Notes:
 (a) Production shown is from Well 18/4W-18G. This well is owned by City of Colton and no production from this well was made by La Sierra Water Co. prior to 1964. Beginning in 1964, production by Colton recorded under 3601259 and by La Sierra under 3602227.
 (b) Production shown includes water from 18/4W-18F. This well is owned by the City of Colton and no production from this well was made by La Sierra prior to 1964. Beginning in 1964, production by Colton recorded under 3601261 and by La Sierra under 3602228.
 (c) La Sierra Well No. 10 delivered directly to Edison steam plant in Highgrove 1959-63. Beginning in 1964, Tennascal Water Co. in Riverside County purchased the flow of Sierra No. 10 well from Southern California Edison Company.

FOR YEARS PRECEDING 1971: Refer to Volume 5, August 1976, Page III-21.

TABLE NO. 48

LA SIERRA WATER COMPANY

WATER PRODUCTION FROM RIVERSIDE GROUND WATER BASIN
WITHIN SAN BERNARDINO COUNTY FOR PERIOD 1971 THROUGH CURRENT YEAR
AND PRODUCTION DELIVERED IN RIVERSIDE AND SAN BERNARDINO COUNTIES

(All Quantities in Acre Feet)

<u>Year</u>	<u>Total Production</u> (1)	<u>Used in San Bernardino County</u> (2)	<u>Exported To Riverside County</u> (3)
1971	4,739	0	4,739
1972	4,709	0	4,709
1973	2,644	0	2,644
1974	1,933	0	1,933
1975	2,311	0	2,311
1976	2,682	0	2,682
1977	2,862	0	2,862
1978	1,500	0	1,500
1979	1,736	0	1,736
1980	1,102	0	1,102
1981	2,233	0	2,233
1982	29	0	29
1983	14	0	14
1984	0	0	0
1985	0	0	0
1986	0	0	0
1987	0	0	0
1988	0	0	0
1989	0	0	0
1990			
1991			
1992			
1993			
1994			
1995			

(1) From Col. (4) Table No. 47

(2) Col. (4) -(Cols. (10 + (11) + (13))), Table No. 47

(3) From Col. (14), Table No. 47

FOR YEARS PRECEDING 1971: Refer to Volume 5, August 1976, Page III-23

WORD;W-SB WM

TABLE NO. 49

RIVERSIDE HIGHLAND WATER COMPANY
WATER PRODUCTION FROM RIVERSIDE GROUND WATER BASIN
WITHIN SAN BERNARDINO COUNTY FOR PERIOD 1971 THROUGH CURRENT YEAR
AND PRODUCTION DELIVERED IN RIVERSIDE AND SAN BERNARDINO COUNTIES
 (All Quantities in Acre Feet)

<u>Year</u>	<u>Total Production</u> (1)	<u>Export to Riverside County</u> (2)	<u>Used In San Bernardino County</u> (3)
1971	5,304	3,778	1,526
1972	4,229	2,980	1,249
1973	4,074	2,847	1,227
1974	3,371	2,262	1,109
1975	3,016	2,050	966
1976	3,592	2,484	1,108
1977	4,699	3,582	1,117
1978	3,923	2,621	1,302
1979	3,876	2,682	1,194
1980	4,284	2,837	1,447
1981	4,965	3,289	1,676
1982	3,330	2,082	1,248
1983	2,536	1,646	889
1984	4,545	3,178	1,367
1985	4,475	3,176	1,299
1986	2,089	1,088	1,001
1987	1,632	1,054	578
1988	1,785	1,072	713
1989	2,558	1,000	1,558
1990			
1991			
1992			
1993			
1994			
1995			

(1) From Table No. 21, Col. (10)

(2) From Table No. 31, Col. (16)

(3) From Table No. 31, Col. (7)

FOR YEARS PRECEDING 1971: Refer to Volume 5, 1976, Page III-25

WORD;W-SB WM

TABLE NO. 50

TEMESCAL WATER COMPANY

WATER PRODUCTION FROM RIVERSIDE GROUND WATER BASIN
WITHIN SAN BERNARDINO COUNTY FOR PERIOD 1971 THROUGH CURRENT YEAR
AND PRODUCTION DELIVERED IN RIVERSIDE AND SAN BERNARDINO COUNTIES

(All Quantities in Acre Feet)

Description State Well No. Rec. No. <u>Local Desig.</u>	Production 2S4W06A03S 3601509 <u>Palm Ave. Well</u> (1)
<u>Year</u>	
1971	1,948
1972	1,368
1973	1,614
1974	821
1975	2,035
1976	2,682
1977	2,363
1978	1,528
1979	2,130
1980	1,968
1981	2,196
1982	1,423
1983	0
1984	1,190
1985	1,817
1986	2,015
1987	1,878
1988	2,360
1989	2,790
1990	
1991	
1992	
1993	
1994	
1995	

Note: Total production shown in column (1) is all exported to Riverside Canals via Gage or Riverside Canals. Deliveries in San Bernardino County are zero. No deliveries made via Gage since conversion to domestic pipeline in 1975. FOR YEARS PRECEDING 1971: Refer to Volume 5, August 1976, Page III-27

WORD;W-SB WM

TABLE NO. 51

WEST RIVERSIDE 350 INCH WATER COMPANY
WATER PRODUCTION FROM RIVERSIDE GROUND WATER BASIN
WITHIN SAN BERNARDINO COUNTY FOR PERIOD 1971 THROUGH CURRENT YEAR
 (All Quantities in Acre Feet)

State Well # Rec. No. <u>Local Desig.</u> Year	<u>1S4W32B1</u> 3600832 <u>No.5</u> (1)	<u>1S4W32B2</u> 3601953 <u>No.7</u> (2)	Total Production (3)
1971	470	1,749	2,219
1972	225	1,908	2,133
1973	197	688	885
1974	218	1,240	1,521
1975	228	1,298	1,526
1976	84	897	981
1977	262	321	583
1978	233	183	416
1979	139	750	889
1980	454	131	585
1981	611	784	1,395
1982	641	264	905
1983	6	40	46
1984	0	0	0
1985	155	430	585
1986	0	0	0
1987	0	0	0
1988	0	0	0
1989			
1990			
1991			
1992			
1993			
1994			
1995			

Col (1) & (2) From Table No. 1, Volume 3

Col. (3) = Cols. (1) + (2)

Note: Total production shown in Col. (3) is all exported to Riverside County via West Riverside Canal. Deliveries in San Bernardino County are zero. Wells 1, 2, 4, 6 are abandoned.

FOR YEARS PRECEDING 1971: Refer to Volume 5, August 1976, Page III-29

WORD;W-SB WM

TABLE NO. 52

GROUND WATER PRODUCTION FROM THAT PART OF THE RIVERSIDE GROUND WATER BASIN
SITUATED WITHIN SAN BERNARDINO COUNTY A PART OF WHICH IS USED IN
SAN BERNARDINO COUNTY AND THE REMAINDER EXPORTED TO
RIVERSIDE COUNTY DURING CALENDAR YEARS 1971-1975
(All Quantities in Acre Feet)

Line No.	PRODUCING AGENCY	WATER PRODUCTION USED IN SAN BERNARDINO COUNTY					Five Year Average	References
		1971	1972	1973	1974	1975		
1	American Cement Company (Crestmore)	482	204	0	0	0	686	From Table No. 41, Col. (2)
2	City of Riverside Irrigation and Domestic	174	107	45	111	94	531	From Table No. 42, Col. (2)
3	City of Riverside "The Gage Canal"	0	0	0	98	77	175	From Table No. 43, Col. (2)
4	Inter County Water Company	32	37	61	81	88	299	From Table No. 44, Col. (3)
5	Jurupa Water Company	0	0	0	0	0	0	From Table No. 45, See Footnote
6	La Sierra Water Company	0	0	0	0	0	0	From Table No. 48, Col. (2)
7	Riverside Highland Water Company	1,526	1,249	1,227	1,109	966	6,077	From Table No. 49, Col. (3)
8	Temescal Water Company	0	0	0	0	0	0	From Table No. 50, See Footnote
9	West Riverside 350 Inch Water Company	0	0	0	0	0	0	From Table No. 51, See Footnote
10	TOTAL LINES 1 THROUGH 9	2,214	1,597	1,333	1,399	1,225	7,768	

WATER PRODUCTION EXPORTED TO RIVERSIDE COUNTY

15	American Cement Company (Crestmore)	349	373	537	133	0	1,392	278	From Table No. 41, Col. (1)
16	City of Riverside Irrigation and Domestic	4,363	5,813	4,941	6,012	5,744	26,873	5,375	From Table No. 42, Col. (1)
17	City of Riverside "The Gage Canal"	567	778	222	374	568	2,509	502	From Table No. 43, Col. (1)
18	Inter County Water Company	51	58	96	125	137	467	93	From Table No. 44, Col. (2)
19	Jurupa Water Company	94	376	200	402	592	1,664	333	From Table No. 45, Col. (3)
20	La Sierra Water Company	4,739	4,709	2,644	1,933	2,311	16,336	3,267	From Table No. 48, Col. (3)
21	Riverside Highland Water Company	3,778	2,980	2,847	2,262	2,050	13,917	2,783	From Table No. 49, Col. (2)
22	Temescal Water Company	1,948	1,368	1,614	821	2,035	7,786	1,557	From Table No. 50, Col. (1)
23	West Riverside 350 Inch Water Company	2,219	2,133	885	1,521	1,526	8,284	1,657	From Table No. 51, Col. (7)
24	TOTAL LINES 15 THROUGH 23	18,108	18,588	13,986	13,583	14,963	79,228	15,845	
25	TOTAL LINES 10 PLUS 24	20,322	20,185	15,319	14,982	16,188	86,996	17,399	

TABLE NO. 52
GROUNDWATER PRODUCTION FROM THAT PART OF THE RIVERSIDE GROUNDWATER BASIN SITUATED WITHIN SAN BERNARDINO COUNTY A PART OF WHICH IS USED IN SAN BERNARDINO COUNTY AND THE REMAINDER EXPORTED TO RIVERSIDE COUNTY DURING CALENDAR YEARS 1976 THROUGH CURRENT YEAR
 (All Quantities in Acre Feet)

WATER PRODUCTION USED IN SAN BERNARDINO COUNTY											
Line No.	1976	1977	1978	1979	1980	1981	1982	1983	1984	1985	References
1	Riverside Cement Co. +	218	446-	227	436	413	0	0	0	0	From Table No. 41, Col. (2)
2	City of Riverside Domestic & Irrigation	126	279	271	587	1,591	2,102**	1,933**	448	714	From Table No. 42, Col. (2)
3	City of Riverside "The Gage Canal"	62	6	4	4	3	1	1	2	1	From Table No. 43, Col. (2)
4	Inter County Water Company	152	137	96	149	115	132	102	136	129	From Table No. 44, Col. (3)
5	Jurupa Water Company	-	-	-	-	-	-	-	-	-	Table No. 45, See Footnote
6	La Sierra Water Company	0	0	0	0	0	0	0	0	0	From Table No. 48, Col. (2)
7	Riverside Highland Water Company	1,108	1,117	1,302	1,194	1,447	1,248	889	1,367	1,299	From Table No. 49, Col. (3)
8	Temescal Water Company	-	-	-	-	-	-	-	-	-	Table No. 50, See Footnote
9	West Riverside 350" Water Company	-	-	-	-	-	-	-	-	-	Table No. 51, See Footnote
10	TOTAL LINES 1 THROUGH 9	1,666	1,985	1,900	2,370	3,410	3,483**	2,925 **	1,953	2,143	
WATER PRODUCTION EXPORTED TO RIVERSIDE COUNTY											
15	Riverside Cement Co. +	0	0	0	0	0	0	0	0	0	From Table No. 41, Col. (1)
16	City of Riverside Domestic & Irrigation	6,219	3,833	1,093	2,249	1,368	1,513	648	2,443	2,479	From Table No. 42, Col. (1)
17	City of Riverside "The Gage Canal"	378	383	730	409	2,028	1,644	1,018	2,044	1,860	From Table No. 43, Col. (1)
18	Inter County Water Company	78	70	49	76	60	68	52	71	67	From Table No. 44, Col. (2)
19	Jurupa Water Company	637	756	1,118	421	478	793	351	634	1,217	From Table No. 45, Col. (3)
20	La Sierra Water Company	2,682	2,862	1,500	1,736	1,102	29	14	0	0	From Table No. 48, Col. (3)
21	Riverside Highland Water Company	2,484	3,582	2,621	2,682	3,289	2,082	1,646	3,178	3,176	From Table No. 49, Col. (2)
22	Temescal Water Company	2,682	2,363	1,528	2,130	1,968	1,423	0	1,190	1,817	From Table No. 50, Col. (1)
23	West Riverside 350" Water Company	981	583	416	889	1,395	905	46	0	585	From Table No. 51, Col. (3)
24	TOTAL LINES 15 THROUGH 23	16,141	14,432	9,055	10,592	13,067	8,457	3,775	9,560	11,201	
25	TOTAL LINES 10 PLUS 24	17,807	16,417	10,955	12,962	16,800	11,940**	6,700**	11,513	13,344	

FOR YEARS PRECEDING 1976: Refer to Volume 5-1975, August 1977, Page 56

+ Name change in 1981 from Amcord

* Corrected in 1981

** Corrected in 1984

7/5/91 11:39

TABLE NO. 52

GROUNDWATER PRODUCTION FROM THAT PART OF THE RIVERSIDE GROUNDWATER BASIN SITUATED WITHIN SAN BERNARDINO COUNTY
A PART OF WHICH IS USED IN SAN BERNARDINO COUNTY AND THE REMAINDER EXPORTED TO
RIVERSIDE COUNTY DURING CALENDAR YEARS 1976 THROUGH CURRENT YEAR

(All Quantities in Acre Feet)

Line #		Water Production used in San Bernardino County													
		1986	1987	1988	1989	1990	1991	1992		1993	1994	1995			
1	Riverside Cement Company	0	0	0	0	0	0	0	0	0	0	0	0	0	From Table No. 41, Column (2)
2	City of Riverside, Domestic & Irrigation	117	87	58	59										From Table No. 42, Column (2)
3	City of Riverside, "The Gage Canal"	2	1	2	2										From Table No. 43, Column (2)
4	Inter-County Water (W.S.B.C.W.D.)	125	51	0	0										From Table No. 44, Column (3)
5	Jurupa Water Company	-	-	-	-	-	-	-	-	-	-	-	-	-	From Table No. 45, See footnote
6	La Sierra Water Company	0	0	0	0										From Table No. 48, Column (2)
7	Riverside Highland Water Company	1,001	578	713	1,558										From Table No. 49, Column (3)
8	Temescal Water Company	-	-	-	-	-	-	-	-	-	-	-	-	-	From Table No. 50, See footnote
9	West Riverside 350" Water Company	-	-	-	-	-	-	-	-	-	-	-	-	-	From Table No. 51, See footnote
10	TOTAL LINES 1 THROUGH 9	1,245	717	773	1,619										
11															
12															
13															
14															
15	Riverside Cement Company	0	0	0	0										From Table No. 41, Column (1)
16	City of Riverside, Domestic & Irrigation	2,225	1,675	3,257	10,135										From Table No. 42, Column (1)
17	City of Riverside, "The Gage Canal"	1,891	1,995	2,187	1,963										From Table No. 43, Column (1)
18	Inter-County Water (W.S.B.C.W.D.)	64	27	21	21										From Table No. 44, Column (2)
19	Jurupa Water Company	1,372	1,083	26	248										From Table No. 45, Column (3)
20	La Sierra Water Company	0	0	0	0										From Table No. 48, Column (3)
21	Riverside Highland Water Company	1,088	1,054	1,072	1,000										From Table No. 49, Column (2)
22	Temescal Water Company	2,015	1,878	2,360	2,790										From Table No. 50, Column (1)
23	West Riverside 350" Water Company	0	0	0	0										From Table No. 51, Column (3)
24	TOTAL LINES 15 THROUGH 23	8,655	7,712	8,923	16,157										
25	TOTAL LINES 10 plus 24	9,900	8,429	9,696	17,776										

FOR YEARS PRECEDING 1976: Refer to Volume 5-1975, August 1977, Page 56.
Inter-County Water Company was taken over in 1988 by West San Bernardino County Water District.

TABLE NO. 52-A

GROUNDWATER PRODUCTION FROM THAT PART OF THE RIVERSIDE GROUNDWATER BASIN SITUATED WITHIN SAN BERNARDINO COUNTY, A PART OF WHICH IS USED IN SAN BERNARDINO COUNTY AND THE REMAINDER EXPORTED TO RIVERSIDE COUNTY DURING CALENDAR YEARS 1976 THROUGH THE CURRENT YEAR

CLASSIFIED ACCORDING TO SERVICE AREA
(All Values in Acre Feet)

EXTRACTIONS FROM RIVERSIDE BASIN AREA WITHIN SAN BERNARDINO COUNTY FOR USE WITHIN AND EXPORT THEREFROM

PLAINTIFFS	1976			1977			1978			1979			1980		
	Total Extract	Del. in S.B. Co.	Del. in Riv. Co.	Total Extract	Del. in S.B. Co.	Del. in Riv. Co.	Total Extract	Del. in S.B. Co.	Del. in Riv. Co.	Total Extract	Del. in S.B. Co.	Del. in Riv. Co.	Total Extract	Del. in S.B. Co.	Del. in Riv. Co.
American Cement Co.	218	218	0	446	446	0	227	227	0	436	436	0	218	218	0
City of Riverside Domestic & Irrigation	6,345	126	6,219	4,112	279	3,833	1,364	271	1,093	2,836	587	2,249	1,706	1,591	115
City of Riverside Gage Canal Company	440	62	378	389	6	383	734	4	730	413	4	409	2,032	4	2,028
Inter County Water Co.	230	152	78	207	137	70	145	96	49	225	149	76	228	150	78
Jurupa Water Company	637	0	637	756	0	756	1,118	0	1,118	421	0	421	478	0	478
La Sierra Water Company	2,682	0	2,682	2,862	0	2,862	1,500	0	1,500	1,736	0	1,736	1,102	0	1,102
Riverside Highland Water Company	3,592	1,108	2,484	4,699	1,117	3,582	3,923	1,302	2,621	3,876	1,194	2,682	4,284	1,447	2,837
Temescal Water Company	2,682	0	2,682	2,363	0	2,363	1,528	0	1,528	2,130	0	2,130	1,968	0	1,968
West Riverside 350" Water Company	981	0	981	583	0	583	416	0	416	889	0	889	585	0	585
TOTALS	17,807	1,666	16,141	16,417	1,985	14,432	10,955	1,900	9,055	12,962	2,370	10,592	12,601	3,410	9,191

Total Extract -- TOTAL EXTRACTIONS
Del in S.B. Co. -- DELIVERY WITHIN SAN BERNARDINO COUNTY
Del. in Riv. Co. -- DELIVERY WITHIN RIVERSIDE COUNTY

FOR YEARS PRECEDING 1976: Refer to Volume 5-1975, August 1976, Page 5
From 52, Same as Table 4, Volume 3

TABLE NO. 52-A

GROUNDWATER PRODUCTION FROM THAT PART OF THE RIVERSIDE GROUNDWATER BASIN SITUATED WITHIN SAN BERNARDINO COUNTY, A PART OF WHICH IS USED IN SAN BERNARDINO COUNTY AND THE REMAINDER EXPORTED TO RIVERSIDE COUNTY DURING CALENDAR YEARS 1976 THROUGH THE CURRENT YEAR

CLASSIFIED ACCORDING TO SERVICE AREA
(All Values in Acre Feet)

EXTRACTIONS FROM RIVERSIDE BASIN AREA WITHIN SAN BERNARDINO COUNTY FOR USE WITHIN AND EXPORT THEREFROM

PLAINTIFFS	1981			1982			1983			1984			1985		
	Total Extract	Del. in S.B. Co.	Del. in Riv. Co.	Total Extract	Del. in S.B. Co.	Del. in Riv. Co.	Total Extract	Del. in S.B. Co.	Del. in Riv. Co.	Total Extract	Del. in S.B. Co.	Del. in Riv. Co.	Total Extract	Del. in S.B. Co.	Del. in Riv. Co.
Riverside Cement Co.*	413	413	0	0	0	0	0	0	0	0	0	0	0	0	0
City of Riverside Domestic & Irrigation	2,894	1,526	1,368	3,615	2,102	1,513	2,581	1,933	648	2,891	448	2,443	3,193	714	2,479
City of Riverside Gage Canal Company	2,467	3	2,464	1,645	1	1,644	1,019	1	1,018	2,046	2	2,044	1,861	1	1,860
Inter County Water Co.	175	115	60	200	132	68	154	102	52	207	136	71	196	129	67
Jurupa Water Company	62	0	62	793	0	793	351	0	351	634	0	634	1,217	0	1,217
La Sierra Water Company	2,233	0	2,233	29	0	29	14	0	14	0	0	0	0	0	0
Riverside Highland Water Company	4,965	1,676	3,289	3,330	1,248	2,082	2,535	889	1,646	4,545	1,367	3,178	4,475	1,299	3,176
Tenescal Water Company	2,196	0	2,196	1,423	0	1,423	0	0	0	1,190	0	1,190	1,817	0	1,817
West Riverside 350" Water Company	1,395	0	1,395	905	0	905	46	0	46	0	0	0	585	0	585
TOTALS	16,800	3,733	13,067	11,940	3,483	8,457	6,700	2,925	3,775	11,513	1,953	9,560	13,344	2,143	11,201

Total Extract -- TOTAL EXTRACTIONS
Del in S.B. Co. -- DELIVERY WITHIN SAN BERNARDINO COUNTY
Del. in Riv. Co. -- DELIVERY WITHIN RIVERSIDE COUNTY

From Table No. 52, Same as Table 4, Volume 3

* Name change from American Cement (Acord) to Riverside Cement in 1981 FOR YEARS PRECEDING 1976; Refer to Volume 5-1975, August 1976, Page 57

TABLE NO. 52-A

GROUNDWATER PRODUCTION FROM THAT PART OF THE RIVERSIDE GROUNDWATER BASIN SITUATED WITHIN SAN BERNARDINO COUNTY, A PART OF WHICH IS USED IN SAN BERNARDINO COUNTY AND THE REMAINDER EXPORTED TO RIVERSIDE COUNTY DURING CALENDAR YEARS 1976 THROUGH THE CURRENT YEAR

CLASSIFIED ACCORDING TO SERVICE AREA
(All Values in Acre Feet)

EXTRACTIONS FROM RIVERSIDE BASIN AREA WITHIN SAN BERNARDINO COUNTY FOR USE WITHIN AND EXPORT THEREFROM

PLAINTIFFS	1986			1987			1988			1989			1990		
	Total Extract	Del. in S.B. Co.	Del. in Riv. Co.	Total Extract	Del. in S.B. Co.	Del. in Riv. Co.	Total Extract	Del. in S.B. Co.	Del. in Riv. Co.	Total Extract	Del. in S.B. Co.	Del. in Riv. Co.	Total Extract	Del. in S.B. Co.	Del. in Riv. Co.
Riverside Cement Co.*	0	0	0	0	0	0	0	0	0	0	0	0	0	0	0
City of Riverside Domestic & Irrigation	2,342	117	2,225	1,762	87	1,675	3,315	56	3,257	10,194	59	10,135			
City of Riverside Gage Canal Company	1,893	2	1,891	1,996	1	1,995	2,191	2	2,189	1,965	2	1,963			
Inter County Water Co. WNBCWD after 1988	189	125	64	78	51	27	21	0	21	21	0	21			
Jurupa Water Company JCSD after 1988	1,372	0	1,372	1,083	0	1,083	26	0	26	248	0	248			
La Sierra Water Company	0	0	0	0	0	0	0	0	0	0	0	0			
Riverside Highland Water Company	2,089	1,001	1,088	1,632	578	1,054	1,745	713	1,072	2,558	1,558	1,000			
Temescal Water Company	2,051	0	2,051	1,878	0	1,878	2,360	0	2,360	2,790	0	2,790			
West Riverside 350" Water Company	0	0	0	0	0	0	0	0	0	0	0	0			
TOTALS	9,936	1,245	8,691	8,429	717	7,712	9,698	773	8,925	17,776	1,619	16,157			

Total Extract -- TOTAL EXTRACTIONS
Del in S.B. Co. -- DELIVERY WITHIN SAN BERNARDINO COUNTY
Del. in Riv. Co. -- DELIVERY WITHIN RIVERSIDE COUNTY

From Table No. 52, Same as Table 4, Volume 3
* Name change from American Cement (Acord) to Riverside Cement in 1981
FOR YEARS PRECEDING 1976; Refer to Volume 5-1975, August 1976, Page 57

TABLE NO. 53

SAN BERNARDINO ENTITIES PRODUCTION
FROM RIVERSIDE BASIN AREA WITHIN SAN BERNARDINO COUNTY
FOR THE PERIOD 1971 THROUGH THE CURRENT YEAR
FOR USE WITHIN SAN BERNARDINO COUNTY

(All Quantities in Acre Feet)

CALENDAR YEAR	TOTAL VERIFIED EXTRACTIONS FROM RIVERSIDE BASIN AREA WITHIN SAN BERNARDINO COUNTY (1)	TOTAL PRODUCTION BY RIVERSIDE ENTITIES (2)	TOTAL PRODUCTION BY SAN BERNARDINO ENTITIES (3)
1971	29,070	20,322	8,748
1972	28,148	20,185	7,963
1973	21,809	15,319	6,490
1974	21,881	14,982	6,899
1975	22,701	16,188	6,513
1976	24,705	17,807	6,898
1977	23,506	16,417	7,089
1978	17,216	10,955	6,261
1979	20,024	12,962	7,062
1980	18,533	12,601	5,932
1981	23,611	16,800	6,811
1982	17,349	11,940	5,409
1983	11,904	6,700	5,204
1984	17,161	11,513	5,648
1985	19,392	13,344	6,048
1986	17,337	9,900	*7,437
1987	**15,803	8,429	7,374
1988	***16,933	9,698	7,235
1989	25,557	17,776	7,781
1990			

(1) Total Extractions as verified in Volume 3 for appropriate year, entitled Verified Extractions from the Riverside Basin Area Within San Bernardino County

(2) From Table No. 52

(3) Col. (1) - Col. (2)

FOR YEARS PRECEDING 1971: Refer to Volume 5, August 1976, Page III-39
 Same as Vol. 3, Table 5

* corrected during 1987 (Green Acres #56)

** corrected during 1988 (Holiday S & G)

***corrected during 1989 (Owl Rock)

TABLE NO. 54

TOTAL VERIFIED EXTRACTIONS FROM THAT PORTION
OF THE RIVERSIDE BASIN SITUATED
IN SAN BERNARDINO COUNTY FOR THE
PERIOD 1971 THROUGH CURRENT YEAR
BY SAN BERNARDINO AND RIVERSIDE COUNTY ENTITIES
FOR USE WITHIN EACH COUNTY

(Quantities in Acre Feet by Calendar Year)

Line No.	Calendar Year	Producer	Place of Use		Total Production
			San Bernardino County	Riverside County	
1	1976	San Bernardino Co. Wtr. Interests	6,898	0	6,898
2		Riverside Co. Water. Interests	<u>1,666</u>	<u>16,141</u>	<u>17,807</u>
3		TOTAL	8,564	16,141	24,705
1	1977	San Bernardino Co. Wtr. Interests	7,089	0	7,089
2		Riverside Co. Water. Interests	<u>1,985</u>	<u>14,432</u>	<u>16,417</u>
3		TOTAL	9,074	14,432	23,506
1	1978	San Bernardino Co. Wtr. Interests	6,261	0	6,261
2		Riverside Co. Wtr. Interests	<u>1,900</u>	<u>9,055</u>	<u>10,955</u>
3		TOTAL	8,161	9,055	17,216
1	1979	San Bernardino Co. Wtr. Interests	7,062	0	7,062
2		Riverside Co. Wtr. Interests	<u>2,370</u>	<u>10,592</u>	<u>12,962</u>
3		TOTAL	9,432	10,592	20,024
1	1980*	San Bernardino Co. Wtr. Interests	5,932	0	5,932
2		Riverside Co. Wtr. Interests	<u>3,410</u>	<u>9,191</u>	<u>12,601</u>
3		TOTAL	9,342	9,191	18,533

* Corrected during 1981

Note: Line 1 From Table No. 53, Column (3)

Line 2 from Table No. 52, Lines 10, 24 and 25

FOR YEARS PRECEDING 1976: Refer to Volume 5-1975, August 1977, Page 59

WORD;W-SB WM

TABLE NO. 54

TOTAL VERIFIED EXTRACTIONS FROM THAT PORTION
OF THE RIVERSIDE BASIN SITUATED
IN SAN BERNARDINO COUNTY FOR THE
PERIOD 1971 THROUGH CURRENT YEAR
BY SAN BERNARDINO AND RIVERSIDE COUNTY ENTITIES
FOR USE WITHIN EACH COUNTY

(Quantities in Acre Feet by Calendar Year)

Line No.	Calendar Year	Producer	Place of Use		Total Production
			San Bernardino County	Riverside County	
1	1976	San Bernardino Co. Wtr. Interests	6,898	0	6,898
2		Riverside Co. Water. Interests	<u>1,666</u>	<u>16,141</u>	<u>17,807</u>
3		TOTAL	8,564	16,141	24,705
1	1977	San Bernardino Co. Wtr. Interests	7,089	0	7,089
2		Riverside Co. Water. Interests	<u>1,985</u>	<u>14,432</u>	<u>16,417</u>
3		TOTAL	9,074	14,432	23,506
1	1978	San Bernardino Co. Wtr. Interests	6,261	0	6,261
2		Riverside Co. Wtr. Interests	<u>1,900</u>	<u>9,055</u>	<u>10,955</u>
3		TOTAL	8,161	9,055	17,216
1	1979	San Bernardino Co. Wtr. Interests	7,062	0	7,062
2		Riverside Co. Wtr. Interests	<u>2,370</u>	<u>10,592</u>	<u>12,962</u>
3		TOTAL	9,432	10,592	20,024
1	1980*	San Bernardino Co. Wtr. Interests	5,932	0	5,932
2		Riverside Co. Wtr. Interests	<u>3,410</u>	<u>9,191</u>	<u>12,601</u>
3		TOTAL	9,342	9,191	18,533

* Corrected during 1981

Note: Line 1 From Table No. 53, Column (3)

Line 2 from Table No. 52, Lines 10, 24 and 25

FOR YEARS PRECEDING 1976: Refer to Volume 5-1975, August 1977, Page 59

WORD;W-SB WM

TABLE NO 54

TOTAL VERIFIED EXTRACTIONS FROM THAT PORTION
OF THE RIVERSIDE BASIN SITUATED IN SAN BERNARDINO COUNTY FOR THE
PERIOD 1976 THROUGH CURRENT YEAR
BY SAN BERNARDINO AND RIVERSIDE COUNTY ENTITIES
FOR USE WITHIN EACH COUNTY

(Quantities in Acre Feet by Calendar Year)

Line No.	Calendar Year	Producer	Place of Use		Total Production
			San Bernardino County	Riverside County	
1	1981	San Bernardino Co. Water. Interests	6,811	0	6,811
2		Riverside Co. Water Interests	<u>3,733</u>	<u>13,067</u>	<u>16,800</u>
3		TOTAL	10,544	13,067	23,611
1	1982	San Bernardino Co. Water Interests	5,409	0	5,409
2		Riverside Co. Water Interests	<u>3,483</u>	<u>8,457</u>	<u>11,940</u>
3		TOTAL	8,892	8,457	17,349
1	1983	San Bernardino Co. Wtr. Interests	5,204	0	5,204
2		Riverside Co. Water Interests	<u>2,925</u>	<u>3,775</u>	<u>6,700</u>
3		TOTAL	8,129	3,775	11,904
1	1984	San Bernardino Co. Wtr. Interests	5,648	0	5,648
2		Riverside Co. Water Interests	<u>1,953</u>	<u>9,560</u>	<u>11,513</u>
3		TOTAL	7,601	9,560	17,161
1	1985	San Bernardino Co. Wtr. Interests	6,048	0	6,048
2		Riverside Co. Water Interests	<u>2,143</u>	<u>11,201</u>	<u>13,344</u>
3		TOTAL	8,191	11,201	19,392
1	1986	San Bernardino Co. Wtr. Interests	7,401	0	7,401
2		Riverside Co. Water Interests	<u>1,245</u>	<u>8,691</u>	<u>9,936</u>
3		TOTAL	8,646	8,691	17,337

Line 1: Table 53, Column (3)

Line 2: Table 52A, Columns (2), (3), (1)

WORD;W-SB WM

TABLE NO. 56

TOTAL VERIFIED EXTRACTIONS BY RIVERSIDE ENTITIES
FROM THE RIVERSIDE BASIN AREA WITHIN RIVERSIDE COUNTY
FOR USE WITHIN RIVERSIDE COUNTY

<u>Year</u>	<u>Extractions Acre Feet*</u>
1971	30,942
1972	37,804
1973	33,094
1974	38,304
1975	28,285
1976	31,565
1977	28,226
1978	24,878
1979	25,512
1980	30,206
1981	30,243
1982	20,365
1983	22,991
1984	32,466
1985	23,970 1)
1986	24,549 2)
1987	24,885 3)
1988	25,220 4)
1989	35,865
1990	
1991	
1992	
1993	
1994	
1995	

*See Table No. 4, Report of Watermaster, Volume 4, for appropriate year.

The verified extractions for the five-year base period ending in 1963 are 29,634 acre feet annually, as compared with 30,044 acre feet annually assumed in the Judgement.

- 1) Corrected during 1986 verification (Hunter Park)
- 2) Corrected during 1987 verification (Michael C) (Hunter)
- 3) Corrected during 1988 verification (Holiday S&G)
- 4) Corrected during 1989 verification (Michael C)

WORD;W-SB WM

TABLE NO. 57

SUMMARY OF EXTRactions FROM SAN BERNARDINO
BASIN AREA, COLTON BASIN AREA, RIVERSIDE BASIN AREA
IN SAN BERNARDINO COUNTY, AND RIVERSIDE BASIN AREA
IN RIVERSIDE COUNTY FOR USE IN RIVERSIDE COUNTY
(Quantities in Acre Feet)

Basin Extractions for Use in Riverside County

Calendar Year	San Bernardino Basin Area from Table No. 36-A	Colton Basin Area from Table No. 39-A	Riverside North Basin from Table No. 52-A	Riverside South Basin from Table No. 56	Total
1971	57,477	2,777	18,108	30,942	109,304
1972	50,744	2,611	18,588	37,804	109,747
1973	47,083	615	13,986	33,094	94,778
1974	49,445	1,464	13,583	38,304	102,796
1975	54,132	3,873	14,963	28,285	101,253
1976	58,776	2,683	16,141	31,565	109,165
1977	56,577	2,269	14,432	28,226	101,504
1978	47,012	895	9,055	24,878	81,840
1979	57,397	1,682	10,592	25,512	95,183
1980	54,007	71	9,191	30,206	93,475
1981	55,763	173	13,067	30,243	99,246
1982	54,052	981	8,457	20,365	+84,855
1983	48,978	95	3,775	22,991	+75,839
1984	65,894	1,340	9,560	32,466	109,260
1985	69,523	2,244	11,201	23,970	106,938
1986	67,540	1,600	8,691	24,549	102,380
1987	64,113	1,557	7,712	*24,885	98,267
1988	71,201	1,707	**8,925	**25,220	107,053
1989	58,683	2,005	16,157	35,865	112,710
1990					
1991					
1992					
1993					
1994					
1995					

FOR YEARS PRECEDING 1971: Refer to Volume 5, August 1976, Page IV-11

* Corrected during 1988 Verification

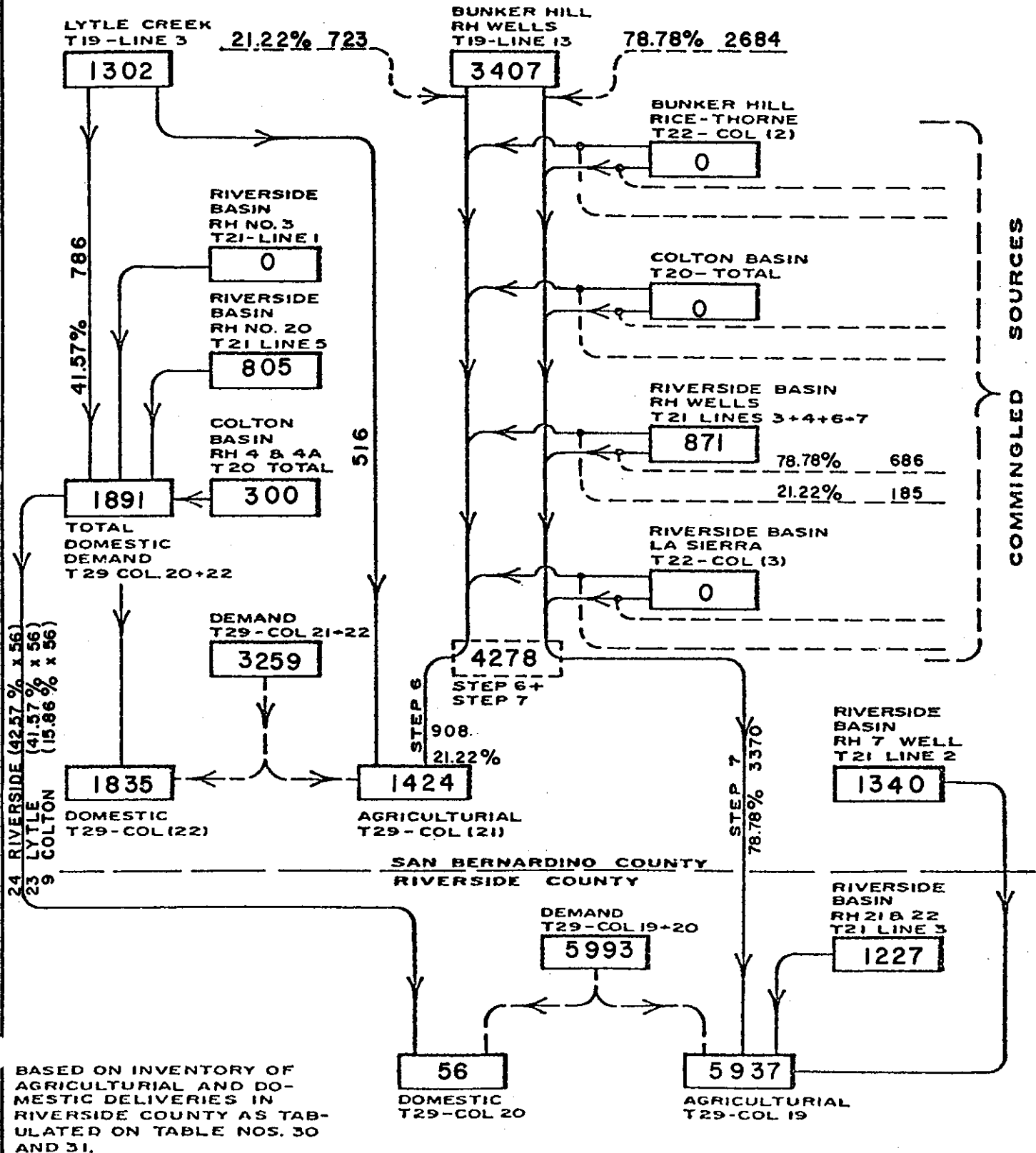
** Corrected during 1989 Verification

WORD;W-SB WM

DIAGRAM B

RIVERSIDE HIGHLAND WATER COMPANY
 DIAGRAM ILLUSTRATING THE PRODUCTION AND DISTRIBUTION
 NORTH AND SOUTH OF RIVERSIDE-SAN BERNARDINO CO. LINE

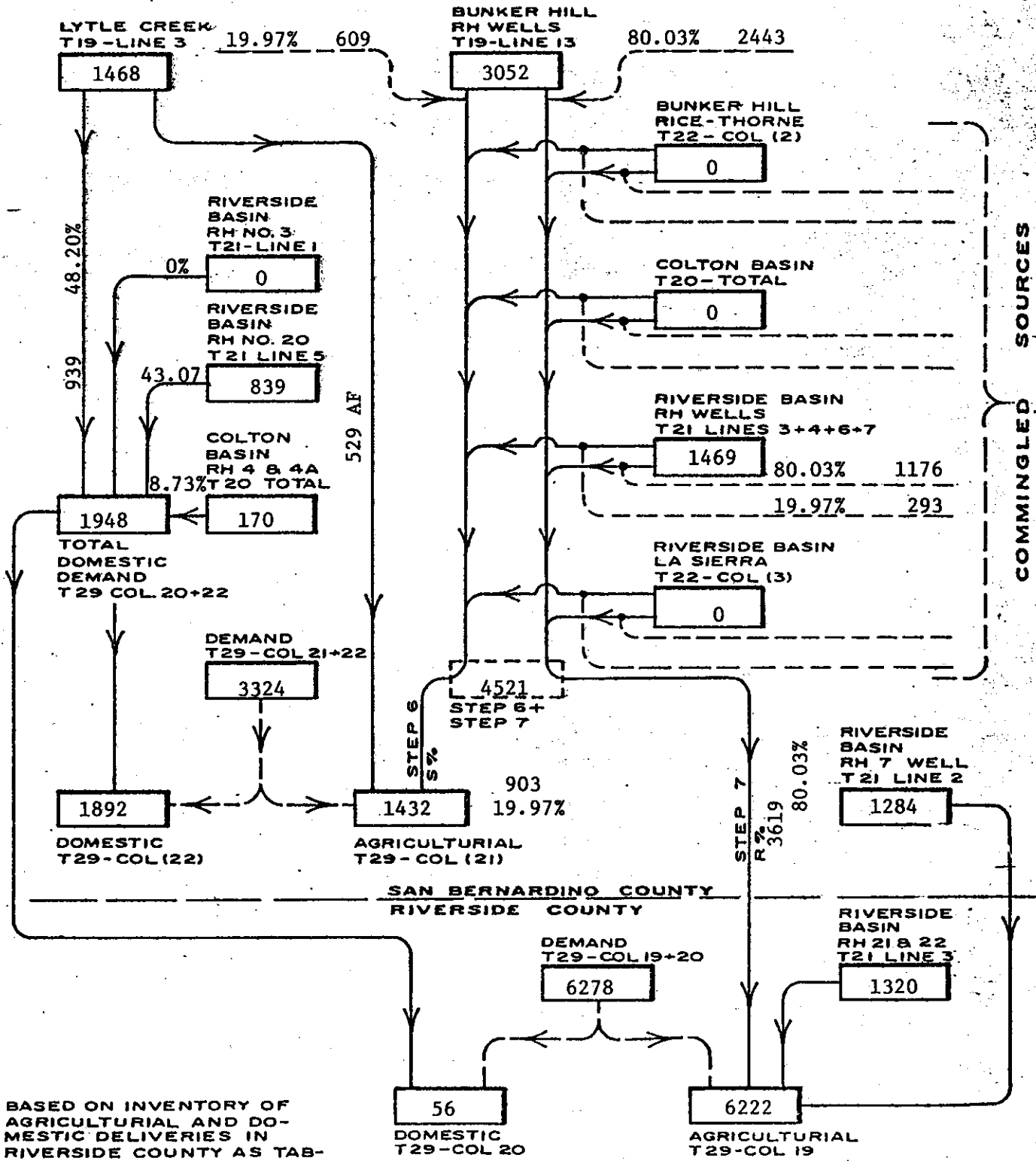
YEAR 1975



BASED ON INVENTORY OF AGRICULTURAL AND DOMESTIC DELIVERIES IN RIVERSIDE COUNTY AS TABULATED ON TABLE NOS. 30 AND 31.

RIVERSIDE HIGHLAND WATER COMPANY
DIAGRAM ILLUSTRATING THE PRODUCTION AND DISTRIBUTION
NORTH AND SOUTH OF RIVERSIDE-SAN BERNARDINO CO. LINE

YEAR 1976

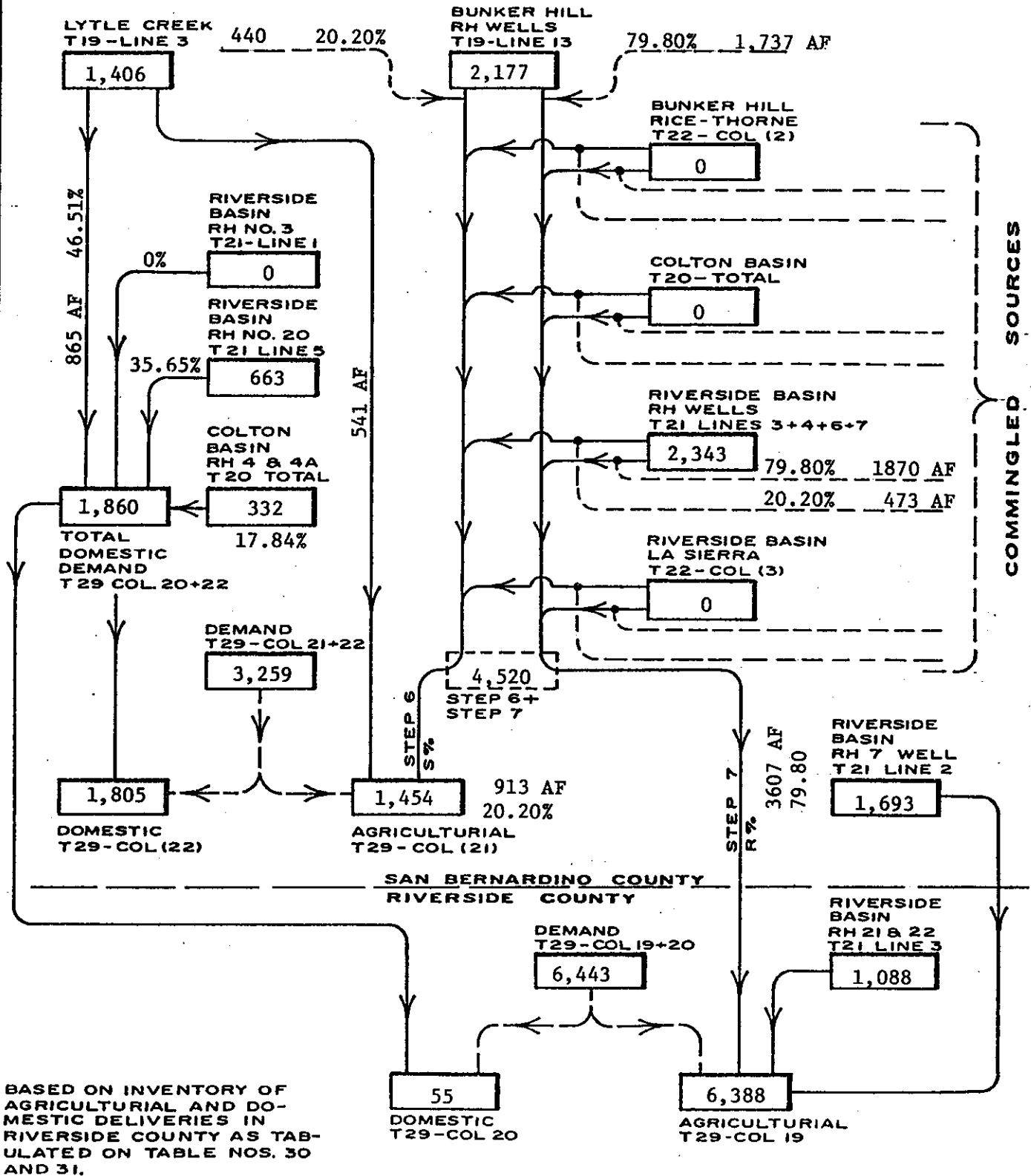


L.C. = 56 x 48.20 = 27
 Riv = 56 x 43.07 = 24
 Colton = 56 x 8.73 = 5

BASED ON INVENTORY OF AGRICULTURAL AND DOMESTIC DELIVERIES IN RIVERSIDE COUNTY AS TABULATED ON TABLE NOS. 30 AND 31.

**RIVERSIDE HIGHLAND WATER COMPANY
 DIAGRAM ILLUSTRATING THE PRODUCTION AND DISTRIBUTION
 NORTH AND SOUTH OF RIVERSIDE-SAN BERNARDINO CO. LINE**

YEAR 1977



L.C. = 46.51% x 55 AF = 26 AF
 Riv = 35.64% x 55 AF = 19 AF
 Colton = 17.85% x 55 AF = 10 AF

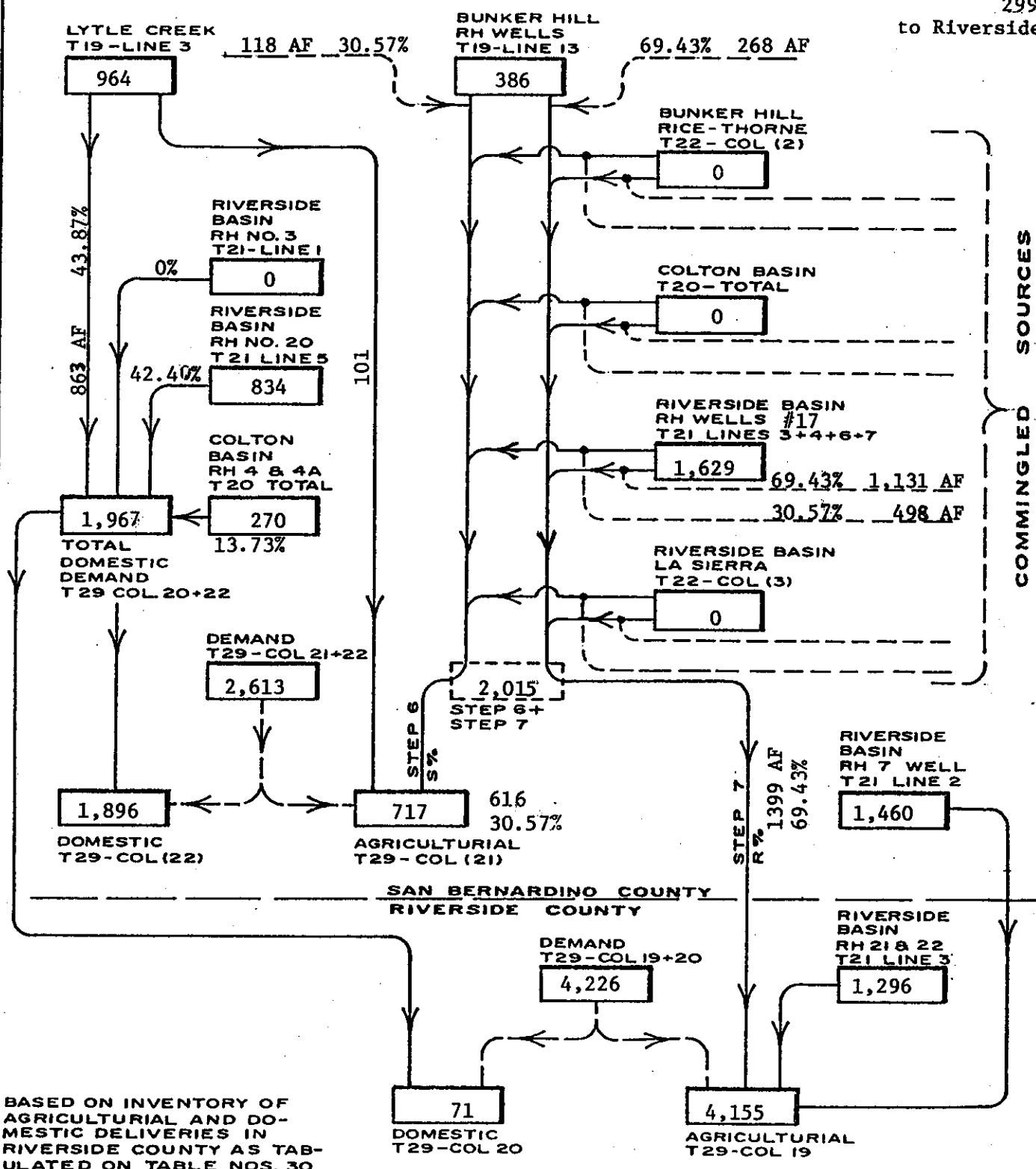
BASED ON INVENTORY OF AGRICULTURAL AND DOMESTIC DELIVERIES IN RIVERSIDE COUNTY AS TABULATED ON TABLE NOS. 30 AND 31.

**RIVERSIDE HIGHLAND WATER COMPANY
DIAGRAM ILLUSTRATING THE PRODUCTION AND DISTRIBUTION
NORTH AND SOUTH OF RIVERSIDE-SAN BERNARDINO CO. LINE**

YEAR 1978

Bunker Hill
Flow wells 268
L.C. wells 31
299AF
to Riverside

L.C. = X 43.85% = 31 AF
Riv = X 42.42% = 30 AF
Colt. = 71 X 13.73% = 10 AF



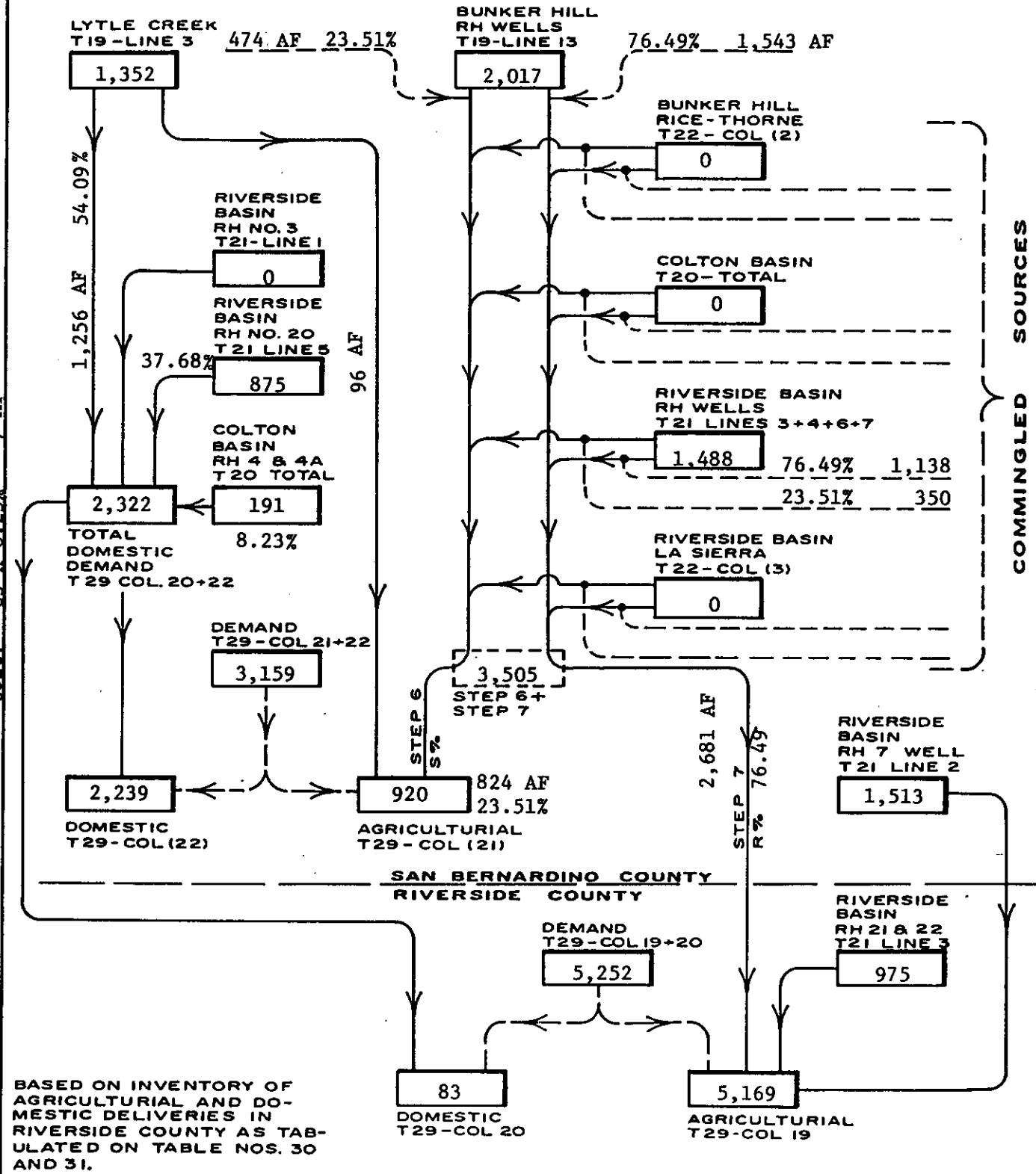
BASED ON INVENTORY OF AGRICULTURAL AND DOMESTIC DELIVERIES IN RIVERSIDE COUNTY AS TABULATED ON TABLE NOS. 30 AND 31.

**RIVERSIDE HIGHLAND WATER COMPANY
DIAGRAM ILLUSTRATING THE PRODUCTION AND DISTRIBUTION
NORTH AND SOUTH OF RIVERSIDE-SAN BERNARDINO CO. LINE**

YEAR 1979

BH Export 1,543
45
1,588

L.C. = 71 X 43.83% = 45 AF
Riv = 83 X 37.68% = 31 AF
Colt. = 83 X 8.23% = 7 AF

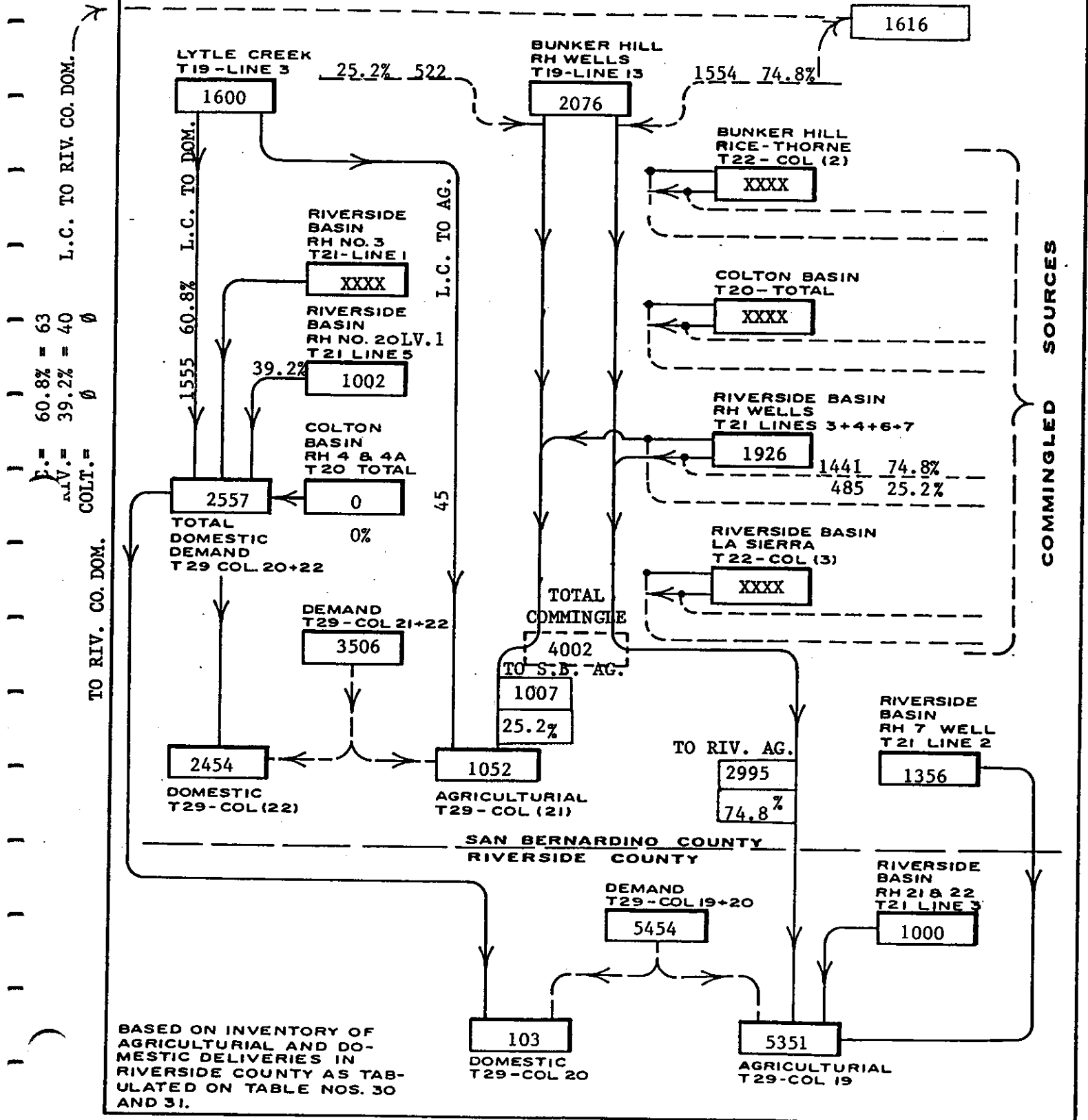


BASED ON INVENTORY OF AGRICULTURAL AND DOMESTIC DELIVERIES IN RIVERSIDE COUNTY AS TABULATED ON TABLE NOS. 30 AND 31.

**RIVERSIDE HIGHLAND WATER COMPANY
DIAGRAM ILLUSTRATING THE PRODUCTION AND DISTRIBUTION
NORTH AND SOUTH OF RIVERSIDE-SAN BERNARDINO CO. LINE**

YEAR 1980

TOTAL BUNKER HILL EXPORT
TO RIVERSIDE COUNTY



BASED ON INVENTORY OF AGRICULTURAL AND DOMESTIC DELIVERIES IN RIVERSIDE COUNTY AS TABULATED ON TABLE NOS. 30 AND 31.

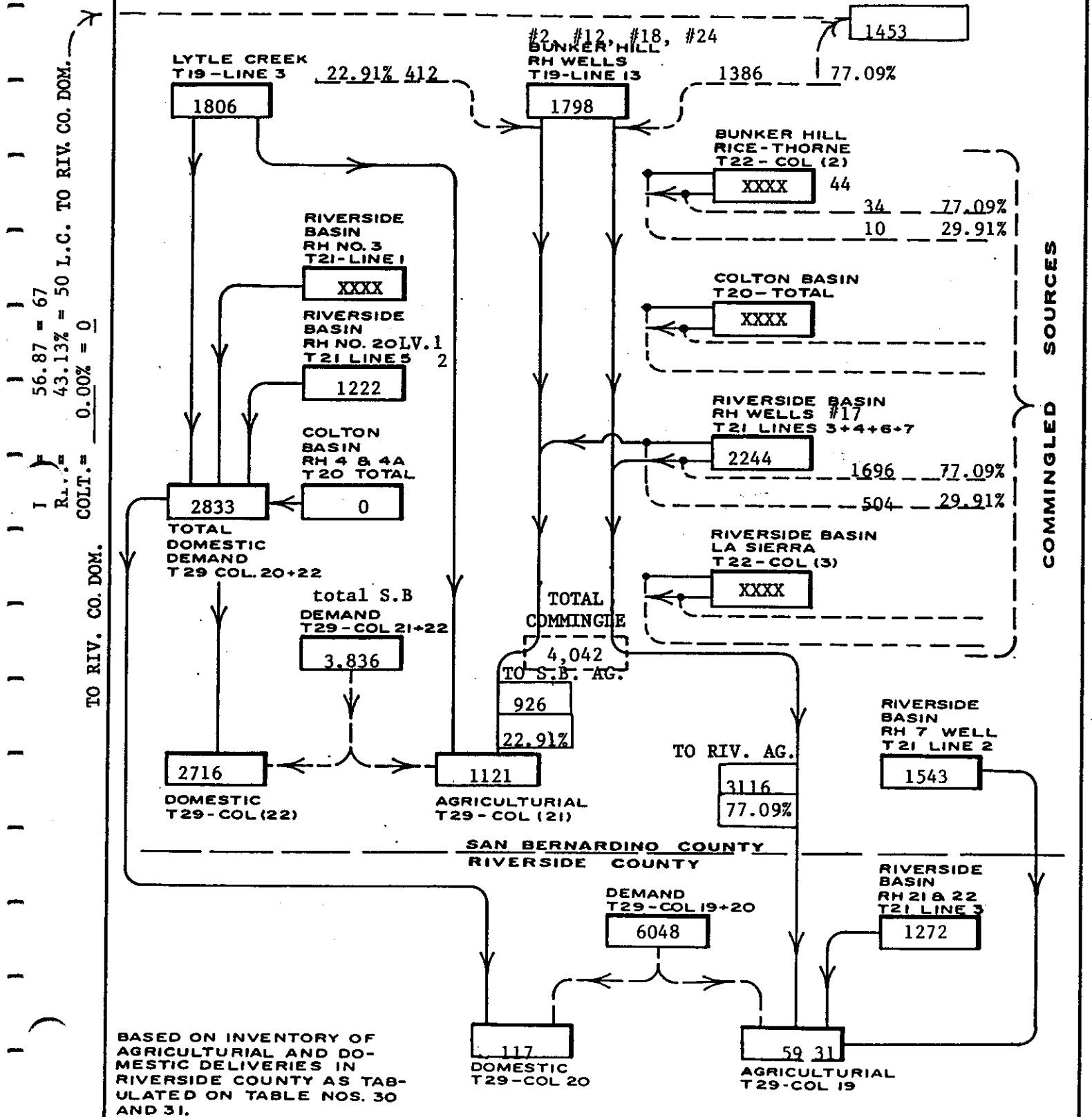
XXX NOT IN USE

RIVERSIDE HIGHLAND WATER COMPANY

DIAGRAM ILLUSTRATING THE PRODUCTION AND DISTRIBUTION NORTH AND SOUTH OF RIVERSIDE-SAN BERNARDINO CO. LINE

YEAR 1981

TOTAL BUNKER HILL EXPORT
TO RIVERSIDE COUNTY



56.87 = 67
 43.13% = 50 L.C. TO RIV. CO. DOM.
 COLT. = 0.00% = 0
 TO RIV. CO. DOM.

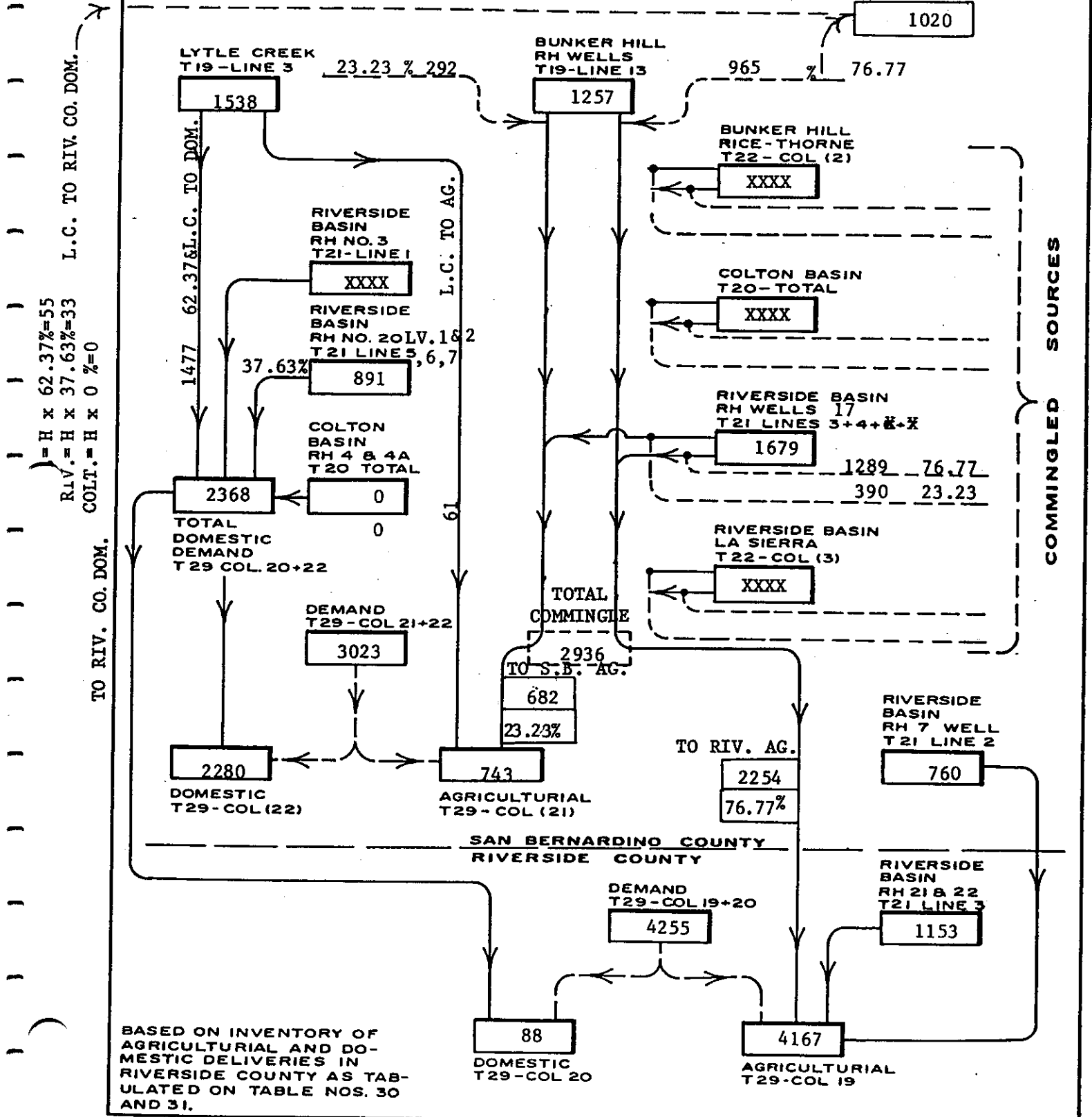
COMMINGLED SOURCES

BASED ON INVENTORY OF AGRICULTURAL AND DOMESTIC DELIVERIES IN RIVERSIDE COUNTY AS TABULATED ON TABLE NOS. 30 AND 31.

RIVERSIDE HIGHLAND WATER COMPANY DIAGRAM ILLUSTRATING THE PRODUCTION AND DISTRIBUTION NORTH AND SOUTH OF RIVERSIDE-SAN BERNARDINO CO. LINE

YEAR 1982

TOTAL BUNKER HILL EXPORT
TO RIVERSIDE COUNTY

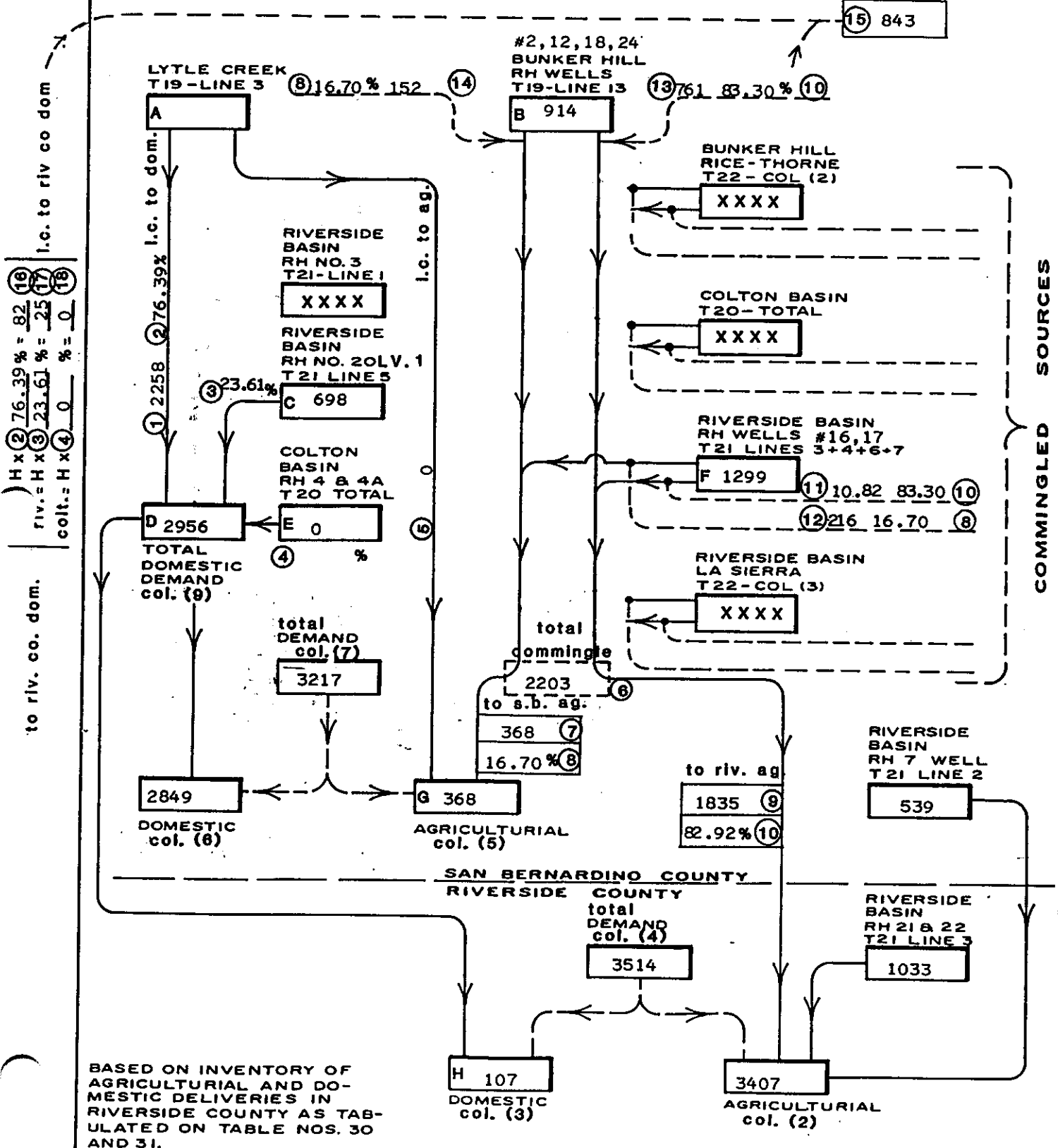


BASED ON INVENTORY OF AGRICULTURAL AND DOMESTIC DELIVERIES IN RIVERSIDE COUNTY AS TABULATED ON TABLE NOS. 30 AND 31.

RIVERSIDE HIGHLAND WATER COMPANY DIAGRAM ILLUSTRATING THE PRODUCTION AND DISTRIBUTION NORTH AND SOUTH OF RIVERSIDE-SAN BERNARDINO CO. LINE

YEAR 1983

total bunker hill export
to riverside county



H x 2 76.39% = 82 (16)
 riv. = H x 3 23.61% = 25 (17)
 colt. = H x 4 0 % = 0 (18)

to riv. co. dom.

i.c. to riv co dom

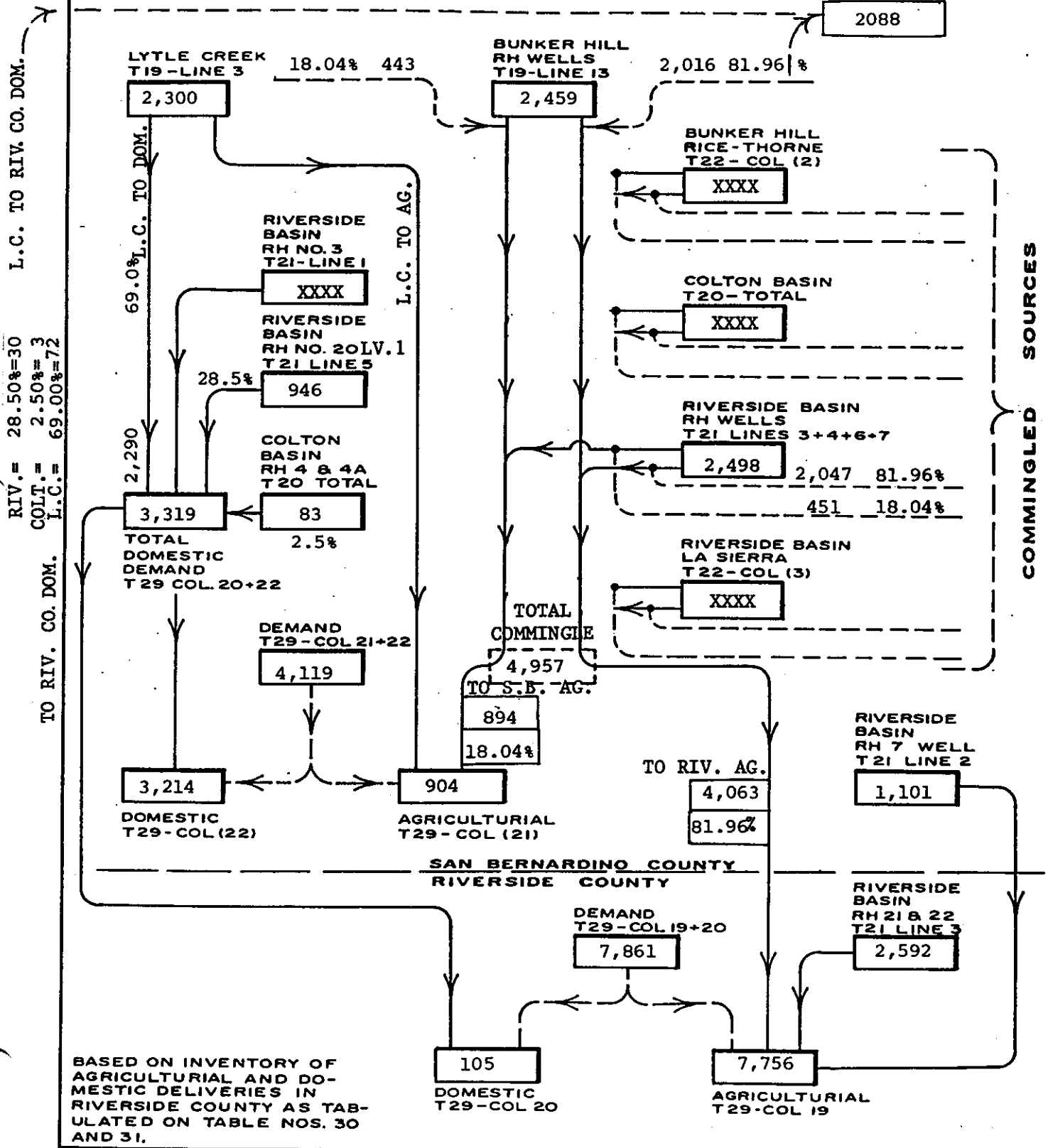
i.c. to ag

XXX NOT IN USE column notations are from condensed water summary report

RIVERSIDE HIGHLAND WATER COMPANY DIAGRAM ILLUSTRATING THE PRODUCTION AND DISTRIBUTION NORTH AND SOUTH OF RIVERSIDE-SAN BERNARDINO CO. LINE

YEAR 1984

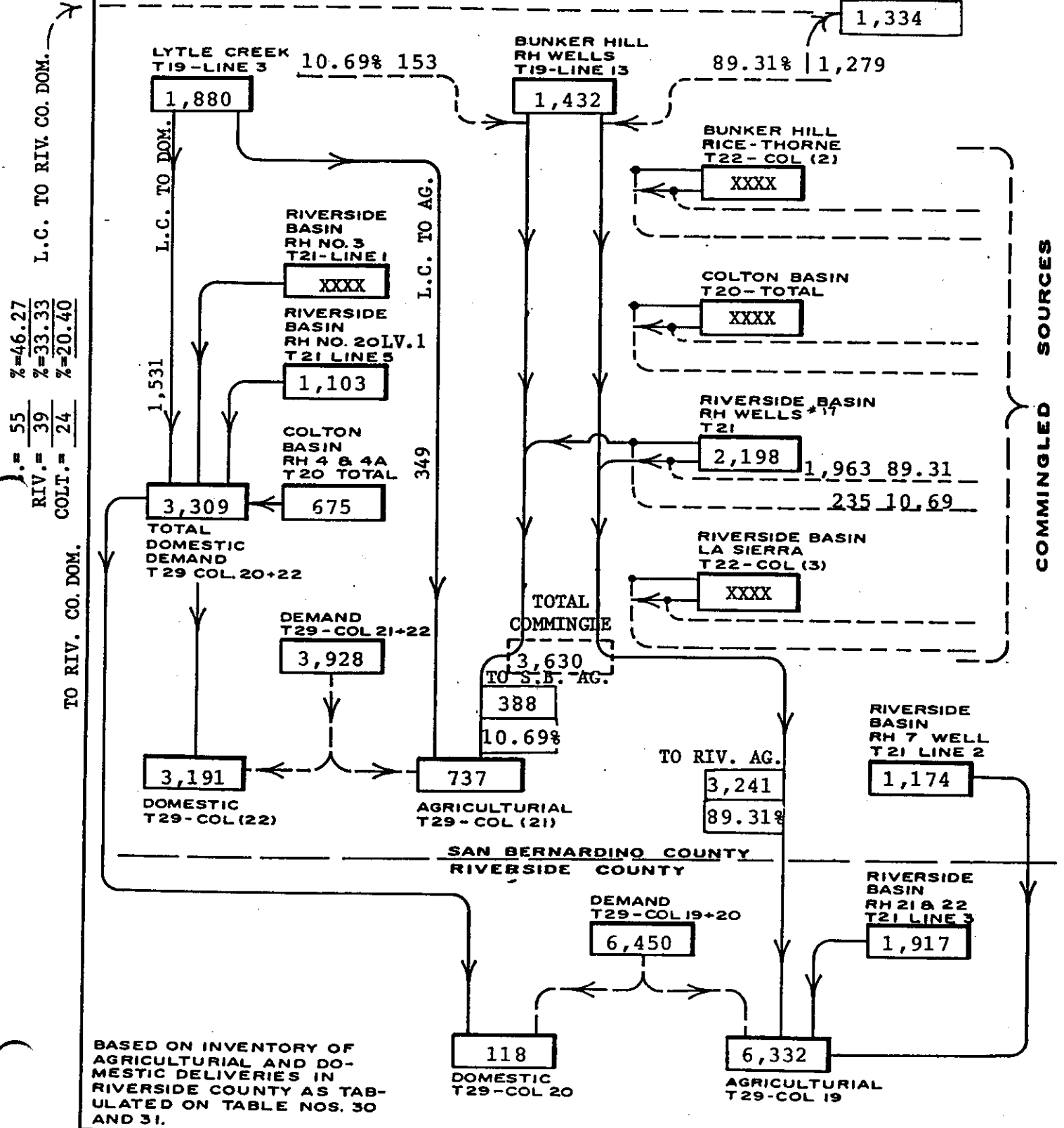
TOTAL BUNKER HILL EXPORT
TO RIVERSIDE COUNTY



**RIVERSIDE HIGHLAND WATER COMPANY
DIAGRAM ILLUSTRATING THE PRODUCTION AND DISTRIBUTION
NORTH AND SOUTH OF RIVERSIDE-SAN BERNARDINO CO. LINE**

YEAR 1985

TOTAL BUNKER HILL EXPORT
TO RIVERSIDE COUNTY



RIV. = $\frac{55}{39}$ % = 46.27
 COLT. = $\frac{24}{33}$ % = 33.33
 TO RIV. CO. DOM. = $\frac{24}{40}$ % = 20.40

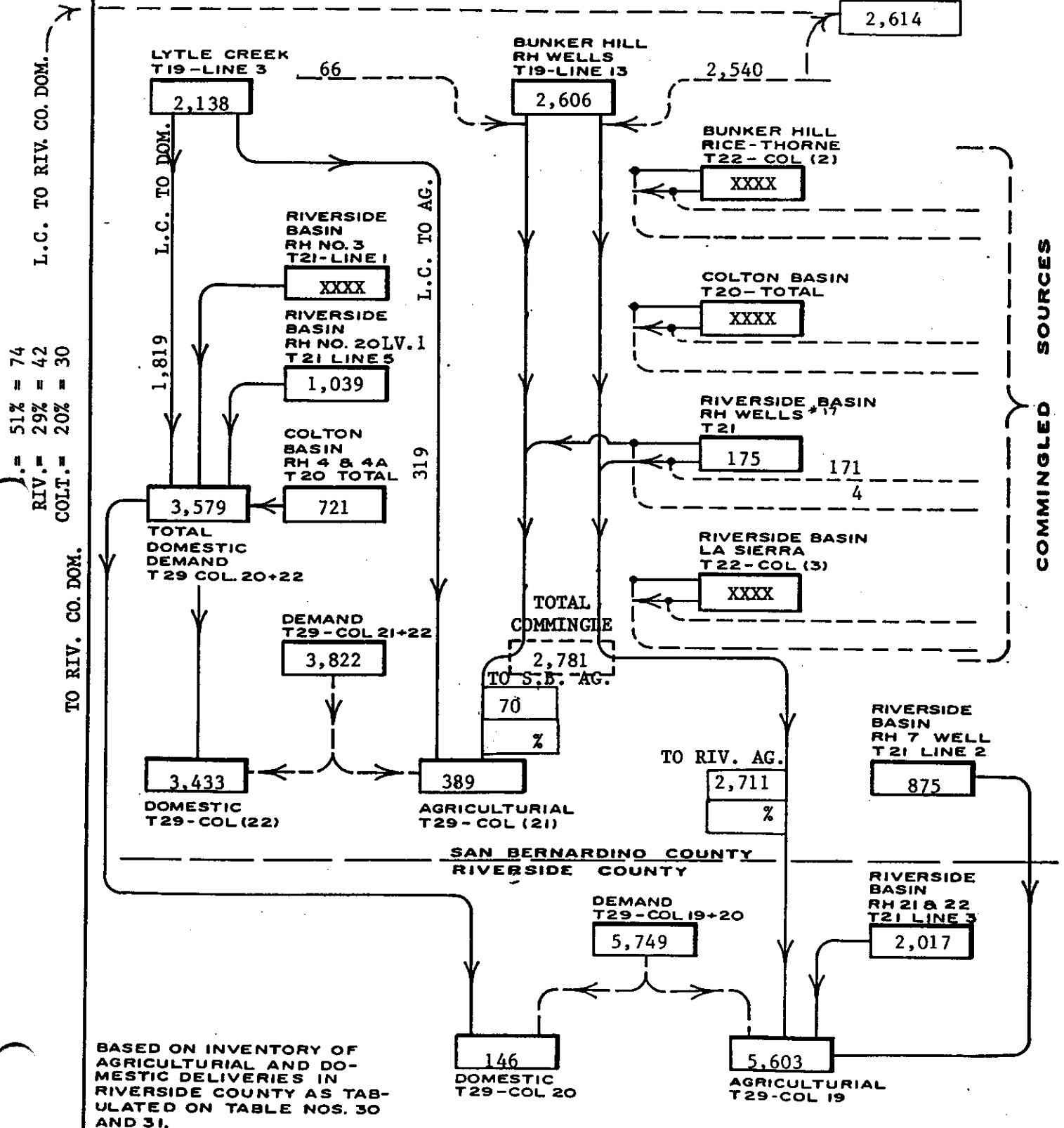
BASED ON INVENTORY OF AGRICULTURAL AND DOMESTIC DELIVERIES IN RIVERSIDE COUNTY AS TABULATED ON TABLE NOS. 30 AND 31.

XXX NOT IN USE

**RIVERSIDE HIGHLAND WATER COMPANY
DIAGRAM ILLUSTRATING THE PRODUCTION AND DISTRIBUTION
NORTH AND SOUTH OF RIVERSIDE-SAN BERNARDINO CO. LINE**

YEAR 1986

TOTAL BUNKER HILL EXPORT
TO RIVERSIDE COUNTY

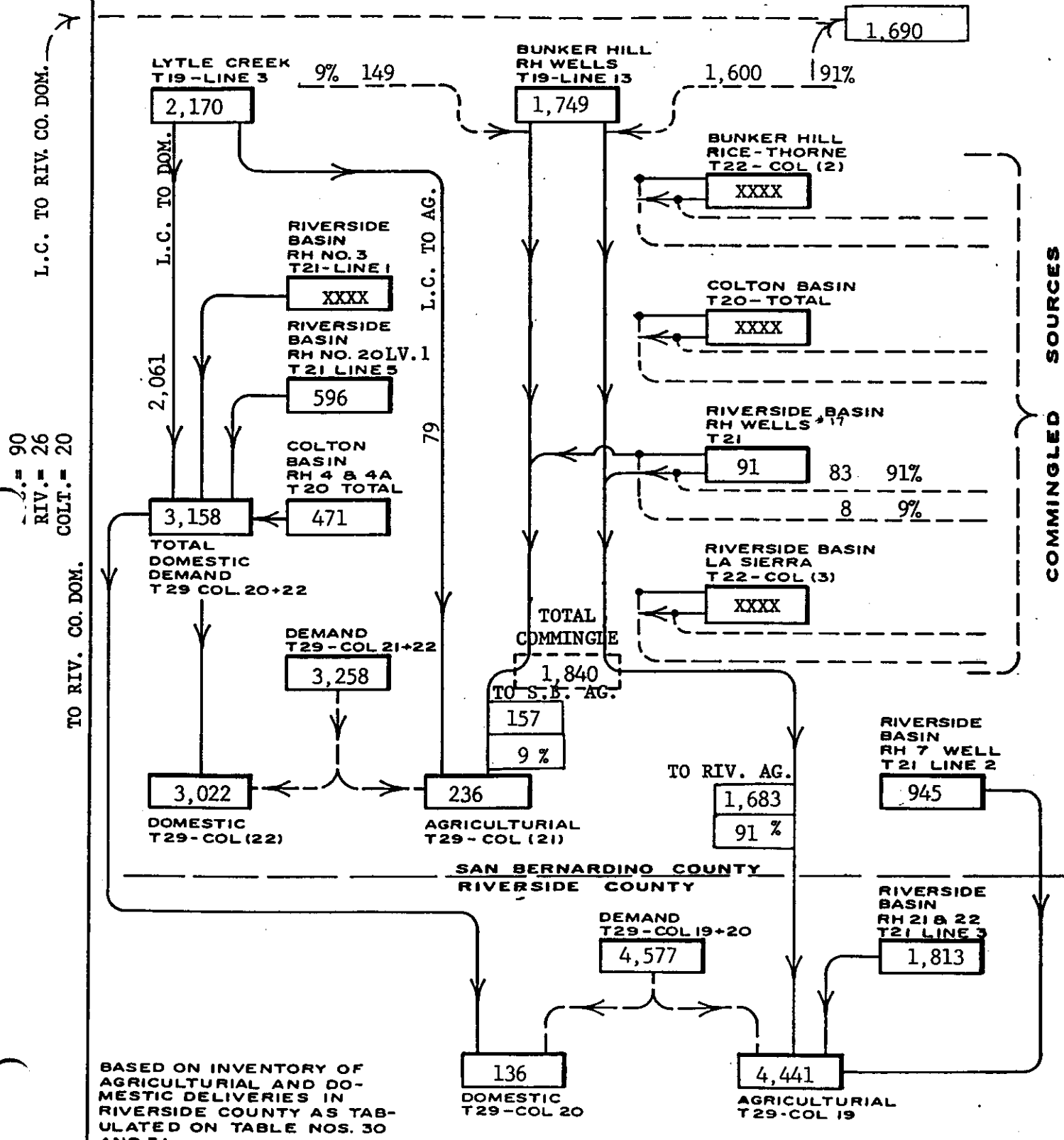


BASED ON INVENTORY OF AGRICULTURAL AND DOMESTIC DELIVERIES IN RIVERSIDE COUNTY AS TABULATED ON TABLE NOS. 30 AND 31.

**RIVERSIDE HIGHLAND WATER COMPANY
DIAGRAM ILLUSTRATING THE PRODUCTION AND DISTRIBUTION
NORTH AND SOUTH OF RIVERSIDE-SAN BERNARDINO CO. LINE**

YEAR 1987

TOTAL BUNKER HILL EXPORT
TO RIVERSIDE COUNTY



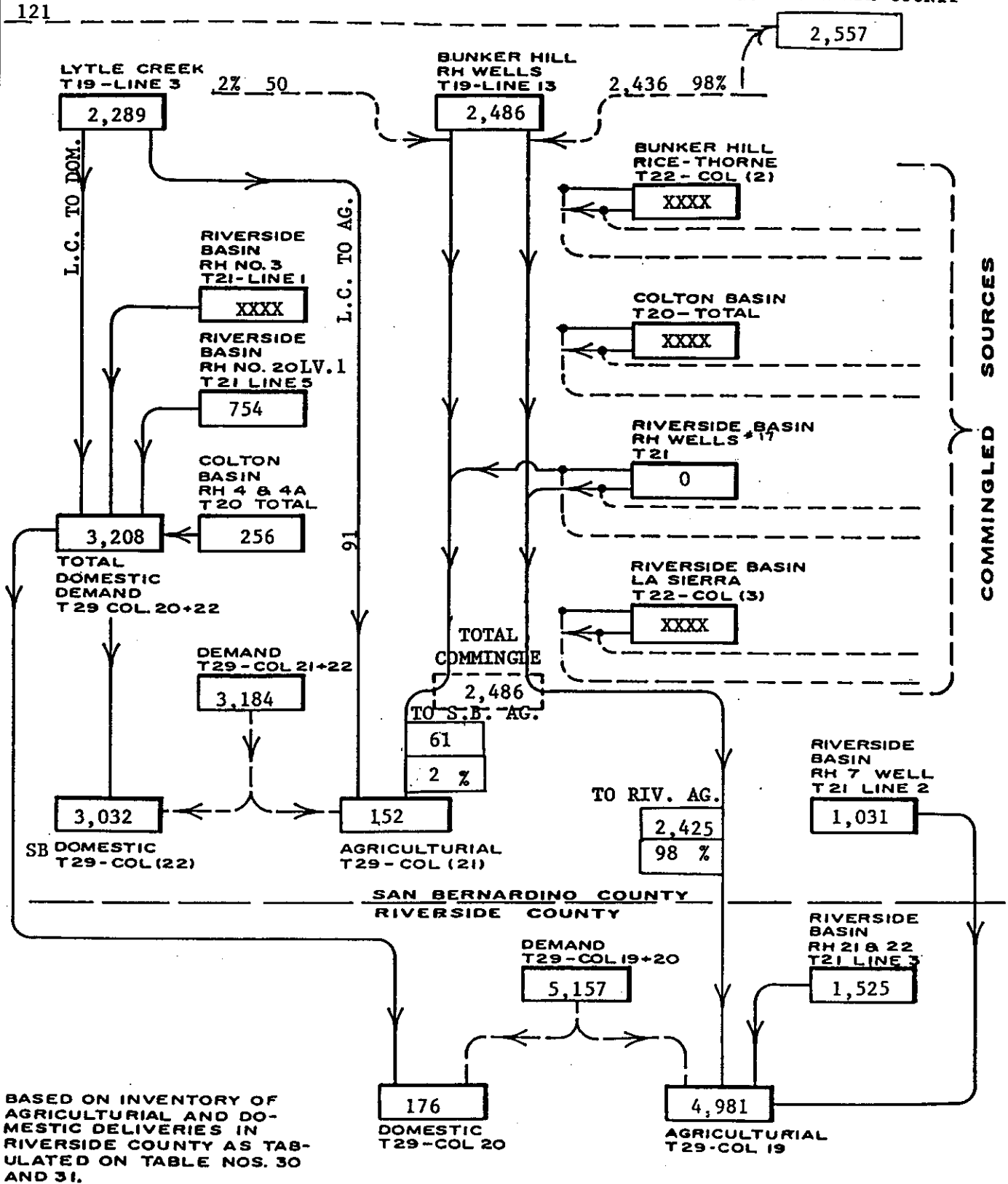
BASED ON INVENTORY OF AGRICULTURAL AND DOMESTIC DELIVERIES IN RIVERSIDE COUNTY AS TABULATED ON TABLE NOS. 30 AND 31.

XXX NOT IN USE

RIVERSIDE HIGHLAND WATER COMPANY DIAGRAM ILLUSTRATING THE PRODUCTION AND DISTRIBUTION NORTH AND SOUTH OF RIVERSIDE-SAN BERNARDINO CO. LINE

YEAR 1988

TOTAL BUNKER HILL EXPORT
TO RIVERSIDE COUNTY

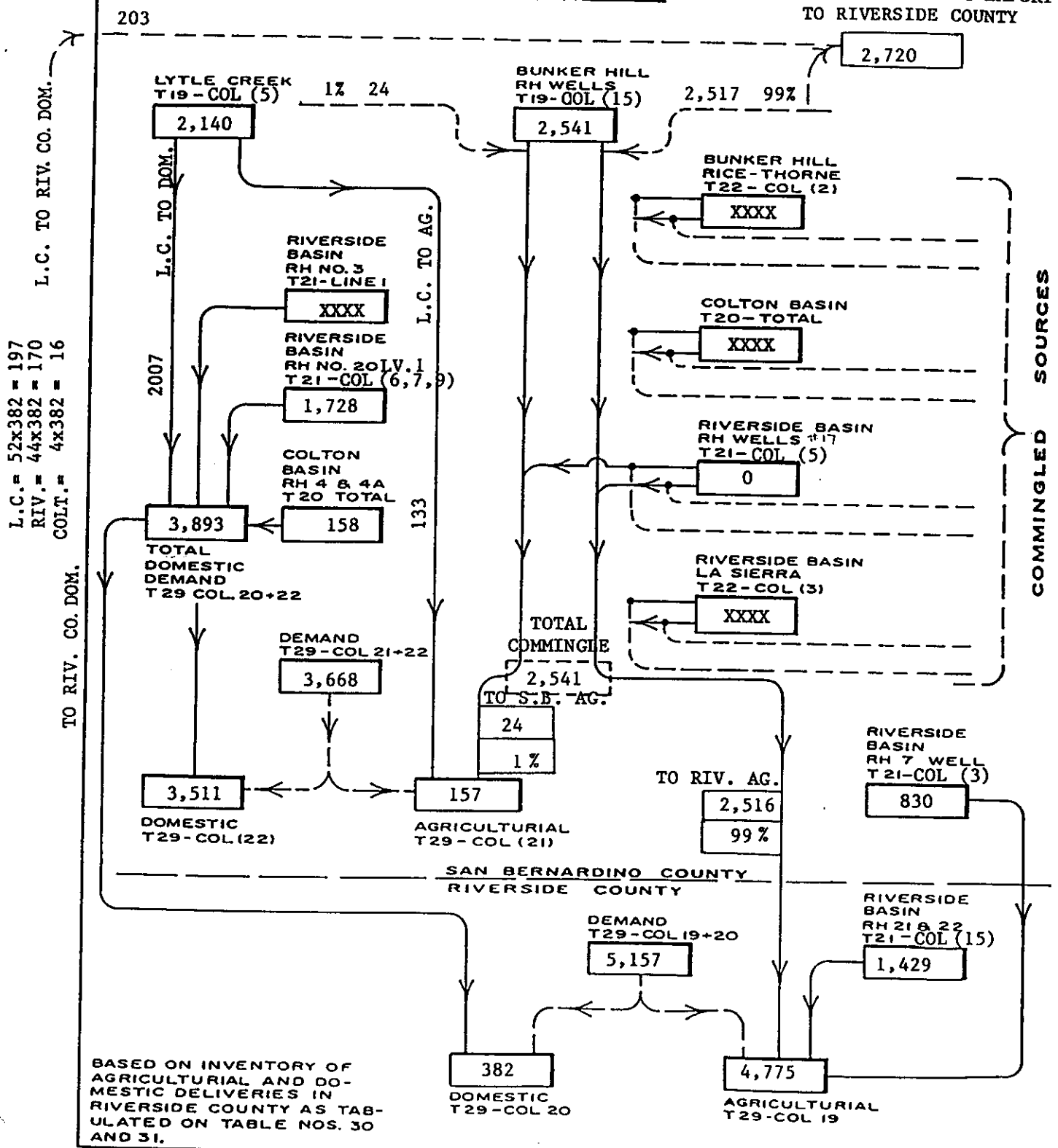


BASED ON INVENTORY OF AGRICULTURAL AND DOMESTIC DELIVERIES IN RIVERSIDE COUNTY AS TABULATED ON TABLE NOS. 30 AND 31.

**RIVERSIDE HIGHLAND WATER COMPANY
DIAGRAM ILLUSTRATING THE PRODUCTION AND DISTRIBUTION
NORTH AND SOUTH OF RIVERSIDE-SAN BERNARDINO CO. LINE**

YEAR 1989

TOTAL BUNKER HILL EXPORT
TO RIVERSIDE COUNTY



BASED ON INVENTORY OF AGRICULTURAL AND DOMESTIC DELIVERIES IN RIVERSIDE COUNTY AS TABULATED ON TABLE NOS. 30 AND 31.

L.C. = 52x382 = 197
RIV. = 44x382 = 170
COLT. = 4x382 = 16

VOLUME 6 - 1989

REPORT OF WATERMASTER

Western Municipal Water District of Riverside County, et al

Plaintiffs

vs.

East San Bernardino County Water District, et al

Defendants

Superior Court of Riverside County

Case No. 78426

VOLUME 6 – 1989

**VERIFIED EXTRACTIONS FROM THE
SAN BERNARDINO BASIN AREA, COLTON BASIN AREA,
AND RIVERSIDE BASIN AREA FOR USE WITHIN WESTERN
ON LANDS NOT TRIBUTARY
TO THE RIVERSIDE NARROWS**

ANNUAL ACCOUNTING

1989

AUGUST 1, 1991

WATERMASTER

*Donald L. Harriger
Robert L. Reiter*

REPORT OF WATERMASTER

Western Municipal Water District of Riverside County, et al
Plaintiffs

vs.

East San Bernardino County Water District, et al
Defendants

Superior Court of Riverside County

Case No. 78426

Volume 6 - 1989

VERIFIED EXTRACTIONS FROM THE
SAN BERNARDINO BASIN AREA, COLTON BASIN AREA,
AND RIVERSIDE BASIN AREA FOR USE WITHIN WESTERN
ON LANDS NOT TRIBUTARY TO THE RIVERSIDE NARROWS

ANNUAL ACCOUNTING

August 1, 1991

WATERMASTER
Donald L. Harriger
Robert L. Reiter

VOLUME 6 - 1989

TABLE OF CONTENTS

	<u>Page</u>
INTRODUCTION	i
<u>TABLE A</u>	
VERIFIED EXTRACTIONS FOR USE ON LANDS NOT TRIBUTARY TO RIVERSIDE NARROWS FOR CALENDAR YEARS 1971 TO CURRENT YEAR.	1
<u>TABLE NO. 1</u>	
CITY OF RIVERSIDE NUMBER OF ACTIVE METERS MEASURING WATER DELIVERED TO AREAS THAT ARE NOT TRIBUTARY TO THE RIVERSIDE NARROWS.	2
<u>TABLE NO. 1A</u>	
DELIVERIES MADE BY CITY OF RIVERSIDE DOMESTIC DIVISION TO AREAS WHICH ARE NOT TRIBUTARY TO THE RIVERSIDE NARROWS	3
<u>TABLE NO. 2</u>	
DELIVERIES MADE BY CITY OF RIVERSIDE IRRIGATION DIVISION FROM RIVERSIDE CANAL TO AREAS WHICH ARE NOT TRIBUTARY TO THE RIVERSIDE NARROWS.	4
<u>TABLE NO. 3</u>	
DELIVERIES MADE BY THE GAGE CANAL COMPANY TO AREAS WHICH ARE NOT TRIBUTARY TO THE RIVERSIDE NARROWS.	5
<u>TABLE NO. 4</u>	
DELIVERIES BY CITY OF RIVERSIDE IRRIGATION DIVISION FROM RIVERSIDE CANAL FOR USE ON LANDS NOT TRIBUTARY TO THE RIVERSIDE NARROWS.	6
<u>TABLE NO. 5</u>	
DELIVERIES BY GAGE CANAL COMPANY FOR USE ON LANDS NOT TRIBUTARY TO THE RIVERSIDE NARROWS.	7
<u>TABLE NO. 6</u>	
SUMMARY OF DELIVERIES MADE BY MEEKS & DALEY WATER COMPANY, AGUA MANSA WATER COMPANY AND TEMESCAL WATER COMPANY INCLUDING WATER RECEIVED FROM CITY OF RIVERSIDE FROM THE RIVERSIDE AND GAGE CANALS TO AREAS WHICH ARE NOT TRIBUTARY TO THE RIVERSIDE NARROWS	8

TABLE NO. 7

WEST RIVERSIDE CANAL COMPANY DELIVERIES MADE TO
LATERALS #3 & #2 FOR USE IN GLEN AVON & PEDLEY AREAS
(FROM RECORDS OF WEST RIVERSIDE CANAL COMPANY) 9

TABLE NO. 8

NOT REQUIRED AFTER 1968

TABLE NO. 9

DELIVERIES MADE BY JURUPA COMMUNITY SERVICES
DISTRICT TO AREA NOT TRIBUTARY TO THE
RIVERSIDE NARROWS 10

TABLE NO. 10

DELIVERIES MADE BY RUBIDOUX COMMUNITY SERVICES
DISTRICT TO AREA NOT TRIBUTARY TO THE
RIVERSIDE NARROWS 11

VOLUME 6 - 1989

VERIFIED EXTRACTATIONS FROM THE
SAN BERNARDINO BASIN AREA, COLTON BASIN AREA,
AND RIVERSIDE BASIN AREA FOR USE WITHIN WESTERN
ON LANDS NOT TRIBUTARY TO THE RIVERSIDE NARROWS

INTRODUCTION

The extractions from the San Bernardino, Colton and Riverside Basin Areas for use within Western Municipal Water District on lands not tributary to the Riverside Narrows have been verified for the five-year base period ending in 1963.

The resulting five-year annual average was determined to be 42,535 acre-feet, as shown in Table No. 12 at page 37 of Chapter VII of the Annual Report of the Western-San Bernardino Watermaster for Calendar Year 1971. A detailed report on the verification for the five-year base period 1959-1963, and for ensuing years 1964-1970, is contained in the Report of Watermaster, Volume 6, dated June 1972.

The extractions from the above mentioned basin areas for the Calendar years 1975 through 1989, which were delivered within the Western District for use on lands not tributary to the Riverside Narrows, have been verified by the Watermaster as follows:

<u>YEAR</u>	<u>VERIFIED EXTRACTATIONS</u> (Acre Feet)
1975	38,737
1976	42,927
1977	37,113
1978	34,988
1979	39,963
1980	41,458
1981	39,358
1982	29,422
1983	28,876
1984	36,413
1985	31,604 *
1986	32,082 **
1987	30,861 **
1988	32,163 **
1989	43,591

This Volume 6 summarizes the total extractions and includes tables showing the detailed computations of the extractions by each entity. Table No. 8 was included in the original Volume 6 for the period 1959-1968, but has been omitted and will not be included in future volumes.

* Corrected during 1986 verification

** Corrected during 1989 verification

TABLE A

**VERIFIED EXTRACTIONS FOR USE ON
LANDS NOT TRIBUTARY TO RIVERSIDE NARROWS
FOR CALENDAR YEARS 1971 THROUGH CURRENT YEAR**

(All Quantities are in Acre Feet)

Water Extracted and Delivered by	From Column Table or No. Line #	DELIVERIES BY CALENDAR YEAR																			
		1971	1972	1973	1974	1975	1976	1977	1978	1979	1980	1981	1982								
City of Riverside																					
Domestic Division	1A	16	7,736	7,284	8,299	9,308	10,688	13,742	16,369	18,345	17,965	17,881	14,597								
Irrigation Division (1)	2	7	1,866	1,503	1,370	1,387	1,981	1,181	609	244	222	255	273	0							
Gage Canal (2)	3	5	17,014	16,629	12,835	14,137	15,749	14,610	11,559	12,325	14,265	11,823	8,777								
			26,616	25,416	22,504	24,832	28,418	30,462	28,961	30,892	32,485	29,977	23,374								
Meeks & Daley Water Company																					
Agua Mansa Water Company & the Temescal Water Company	6	3	8,195	8,570	4,291	4,667	4,711	6,848	4,002	5,570	6,210	5,974	4,690								
including water received from C of R																					
Extractions delivered by the (3)																					
West Riverside Canal received from Twin Buttes Water Co., La Sierra Water Co., Agua Mansa Water Co., Salazar Water Co., West Riverside 350" Water Co., and Jurupa Water Co.	7	8	5,952	5,456	3,710	4,869	4,874	4,628	3,222	2,707	2,506	3,146	1,106								
Jurupa Community Services District (4)	9	7	794	807	545	566	640	865	773	550	3	0	0								
Rubidoux Community Service District (5)	10	7	55	65	83	86	94	124	155	244	254	261	252								
TOTALS			41,612	40,314	31,133	35,020	38,737	42,927	37,113	34,988	41,458	39,358	29,422								

NOTES:

- (1) City Irrigation Division includes the former Riverside Water Compa
- (2) Deliveries to Gage Canal Shareholders
- (3) Deliveries made from Laterals 2 & 3 of West Riverside Canal Compa
- (4) Deliveries made by Rubidoux Community Services District prior to 1968
- (5) Deliveries made by Jurupa Hills Water Company before its purchase by Rubidoux Community Services District in 1968

TABLE A

VERIFIED EXTRACTIONS FOR USE ON
LANDS NOT TRIBUTARY TO RIVERSIDE NARROWS
FOR CALENDAR YEARS 1971 THROUGH CURRENT YEAR

(All Quantities are in Acre Feet)

Water Extracted and Delivered by	From Column Table or No. Line #	DELIVERIES BY CALENDAR YEAR																		
		1983	1984	1985	1986	1987	1988	1989	1990	1991	1992	1993	1994	1995						
City of Riverside																				
Domestic Division	1A	16	15,276	12,176	11,344	10,994	14,221	9,628	24,311											
Irrigation Division (1)	2	7	0	0	0	0	0	0	0											
Gage Canal (2)	3	5	9,208	16,339	13,353	14,117	10,223	15,038	14,727											
			24,484	28,515	24,697	25,111	24,444	24,666	39,038											
Meeks & Daley Water Company																				
Agua Mansa Water Company & the Temescal Water Company	6	3	3,299	5,895	4,738	5,417	5,500	5,412	3,057											
including water received from C of R																				
Extractions delivered by the (3)																				
West Riverside Canal received from Twin Buttes Water Co., La Sierra Water Co., Agua Mansa Water Co., Salazar Water Co., West Riverside 350* Water Co., and Jurupa Water Co.	7	8	817	1,160	945	681	671	1,817	833											
Jurupa Community Services District	9	5	0	527	900	545	0	1	397											
Rubidoux Community Service District	10	7	276	316	324	328	246	267	266											
TOTALS			28,876	36,413	31,604	32,082	30,861	32,163	43,591											

NOTES:

- (1) City Irrigation Division includes the former Riverside Water Compa
 - (2) Deliveries to Gage Canal Shareholders
 - (3) Deliveries made from laterals 2 & 3 of West Riverside Canal Compa
- Bold figures corrected during 1989 verification

TABLE NO. 1

CITY OF RIVERSIDE
NUMBER OF ACTIVE METERS
MEASURING WATER DELIVERED TO AREAS
THAT ARE NOT TRIBUTARY TO THE RIVERSIDE NARROWS

Meter Book Area Column	Number of Active Meters											
	1 (1)	13 (2)	14 (3)	15 (4)	16 (5)	17 (6)	18 (7)	19 (8)	22 (9)			
Calendar Year	Total Meters											
1971	203	1,677	2,151		2,389			871		84		
1972	239	1,776	2,243		2,407			913		89		
1973	229	1,765	2,760		2,330			966		88		
1974	197	1,795	2,804		2,325			971		88		
1975	428	1,980	4,045	3,027	2,357	509	562	1,149		106		
1976	659	2,166	5,287	3,220	2,378	509	562	1,328		124		
1977	877	2,242	5,185	5,799	2,465			1,607		129		
1978	917	2,367	5,535	8,680	2,686			1,833		171		
1979	709	2,377	5,740	8,879	2,608			1,965		163		
1980	491	2,857	5,791	9,344	2,645			2,011		163		
1981	491	2,857	5,791	9,344	2,645			2,011		163		
1982	584	2,195	3,259	9,799	2,394			2,073		117		
1983 **												
1984												
1985												
1986												
1987												
1988												
1989												
1990												
1991												
1992												
1993												
1994												
1995												

Data from City of Riverside Records

Column (4) - Starting July 1, 1973, the City of Riverside took over operation of the Southwest Water Company (Meter Book area 15).
 At the time water used in that area was reported directly in Acre Feet [See Table 1A, Column (4)].

In 1975 Meter Book Areas 17 and 18 were split off of Meter Book 15 and all three areas are now reported by number of active meters.
 In 1977 Meter Book Areas 17 and 18 were recombined with Meter Book 15.

** Starting in 1983, the City is able to generate an annual tabulation of water use in areas not tributary to the Riverside Narrows

TABLE NO. 1A

DELIVERIES MADE BY CITY OF RIVERSIDE
DOMESTIC DIVISION TO AREAS WHICH ARE NOT TRIBUTARY TO THE RIVERSIDE NARROWS

Meter Book Area Column	D e l i v e r i e s i n A c r e F e e t										Arlington Basin Production				Total	
	13	14	15	16	17	18	19	22	Subtotal La Granade Wells		W.M.W.D. Used in Water Co. Wells		Additional From Upper Basin Not	From SBBA Tributary	(16)	
	(2)	(3)	(4)	(5)	(6)	(7)	(8)	(9)	(10)	(11)	(12)	(13)	(14)	(15)		
168	1,389	2,968	2,308	841	139	7,813	68	13	9	7,736					7,736	
178	1,321	2,781	2,089	793	132	7,294	1	13	9	7,284					7,284	
147	1,130	2,926	2,941	1,729	714	9,699	29	18	12	1,359					8,299	
131	1,195	3,112	3,945	1,807	754	11,061	69	49	33	1,651					9,308	
277	1,283	4,369	1,962	1,782	330	364	869	137	11,373	0	904	602	83		10,688	
439	1,443	5,869	2,145	1,855	361	398	1,032	165	13,707	7	13	11	13		13,652	
535	1,368	5,288	3,855	1,750	1,141	157	1,430	143	17	198					13,742	
614	1,586	6,144	5,012	2,095	1,430	227	17,108	739	0	0					16,369	
503	1,688	6,831	5,930	2,165	633	4	18,981	3	633	0					18,345	
314	1,828	6,138	6,268	1,957	1,488	207	18,200	127	161	108					17,965	
329	1,914	6,428	6,818	2,063	1,569	217	19,338	280	0	29				1,148	17,881	
356	1,339	3,324	6,290	1,699	1,472	117	14,597	0	0	0				0	14,597	
							15,352	0	0	0				76	15,276	
							19,088	0	0	0				6,912	12,176	
							19,095	0	0	0				7,751	11,344	
							20,994	0	11	0				10,000	10,994	
							22,199	0	20	13				7,965	14,221	
							23,829	0	1	0				14,201	9,628	
							24,311	0	0	0				0	24,311	

Column (1) through (9) were estimated as follows: Using the factor Acre Feet per connection, obtained for the year 1965 for each Meter Book Area said duty use factors were adjusted for subsequent and preceding years to compensate for consumptive variances, due to temperature and rainfall, by a ratio based on the ratio of total Annual System Production to Annual System Population for each year as compared to the same ration for the year 1965.

Column (4) - Starting on July 1 1973, the City of Riverside took over operation of the Southwest Water Company (Meter Book Area 15).

At the time water use in that area was reported directly in acre feet.

Columns (6) and (7) - In 1975, Meter Book areas 17 and 18 were split off of Meter Book 15 and all three areas are now reported by number of active meters

Column (10) = Total of Columns (1) through (9).

Column (12) = Total treated W.M.W.D. CRA water via WR-10 to the City of Riverside Filter Plant.

Column (13) = Column (12) x 2/3.

Column (14) = Total production from former Southwest Water Company Wells.

Column (15) = Pursuant to agreement regarding additional extractions dated Dec. 22 1981, Feb 25 1985 and Aug. 21 1985; additional extractions made thereunder are to be treated in the same manner as water produced from wells in the nontributary area. In 1985, excludes 5,721 acre feet of additional water delivered to Orange County Water District pursuant to the February 25 1985 and August 21 1985 agreements. See Table 10 of the Annual Report.

Column (16) = Column (10) minus Columns (11) (13) (14) (15).

See notes on Table 1 about Meter Book number changes.

TABLE NO. 2

DELIVERIES MADE BY CITY OF RIVERSIDE IRRIGATION DIVISION
FROM THE RIVERSIDE CANAL TO AREAS
WHICH ARE NOT TRIBUTARY TO THE RIVERSIDE NARROWS

(All Quantities are in Acre Feet)

Line Number	DELIVERY LOCATION	1983	1984	1985	1986	1987	1988	1989	1990	1991	1992	1993	1994	1995
1	Delivery to Lower Canal Section	0	0	0	0	0	0	0	0	0	0	0	0	0
2	Less Adjustment for Temescal Delivery	0	0	0	0	0	0	0	0	0	0	0	0	0
3	Total Delivery from Lower Canal Section	0	0	0	0	0	0	0	0	0	0	0	0	0
4	Less Deliveries to Temescal Water Co. from Lower Canal Section	0	0	0	0	0	0	0	0	0	0	0	0	0
5	Deliveries to Riverside Water Co. Stock & contract water from Lower Canal Section	0	0	0	0	0	0	0	0	0	0	0	0	0
6	Plus Deliveries from Upper Canal Section below Riverside Narrows	0	0	0	0	0	0	0	0	0	0	0	0	0
7	Total Deliveries by City of Riverside Irrigation Division not Tributary to the Riverside Narrows	0	0	0	0	0	0	0	0	0	0	0	0	0

Note: Lines #1 & #2 from City Records

Lines #4 from Table No. , Col. (4)

Lines #6 from City Records

Quantities in parenthesis (-) are negative values

7/29/1994

TABLE NO. 3

**DELIVERIES MADE BY THE GAGE CANAL COMPANY
TO AREAS WHICH ARE NOT TRIBUTARY
TO THE RIVERSIDE NARROWS**

Calendar Year	Deliveries to Gage Stockholders (1)	Losses in Arlington Basin (2) *	Net into Mockingbird Lake (3)	2/3 Difference of Weir No. 2 Chart & Calculated Flow (4)		Total Gage Delivery (5)
				(All Quantities are in Acre Feet)		
1971	17,113	(42)	(57)	-	-	17,014
1972	15,328	(16)	1,317	-	-	16,629
1973	13,144	(298)	(11)	-	-	12,835
1974	14,233	(330)	234	-	-	14,137
1975	14,370	1,007	372	-	-	15,749
1976	14,553	793	277	-	-	15,623
1977	14,533	(104)	181	-	-	14,610
1978	11,572	(102)	89	-	-	11,559
1979	12,560	(63)	(172)	-	-	12,325
1980	14,191	351	(278)	-	-	14,264
1981	11,347	239	237	-	-	11,823
1982	8,616	288	(127)	-	-	8,777
1983	8,731	549	(72)	-	-	9,208
1984	15,439	912	(12)	-	-	16,339
1985	12,326	981	46	-	-	13,353
1986	13,314	937	(134)	-	-	14,117
1987	9,388	842	(7)	-	-	10,223
1988	13,856	1,275	(93)	-	-	15,038
1989	13,216	1,806	(295)	-	-	14,727
1990				-	-	
1991				-	-	
1992				-	-	
1993				-	-	
1994				-	-	
1995				-	-	

Column (5) = Column (1) + (2) + (3) + (4)

Quantities in parenthesis are negative values, net gain to the Canal.

Deliveries shown in Column (1) above are those made to the lands of shareholders in areas which are not tributary to the Riverside Narrows.

* Since the canal was converted to a pipeline from the headworks to about Weir No. 2 in 1975, the canal losses in the Arlington Basin are assumed to equal 2/3 of the total loss. Previous to 1975, the losses were assumed to occur equally along the entire canal.

half above Weir No. 2 and half below. It was further assumed that 2/3 of the lower canal losses occurred in the Arlington Basin. Data is from the Gage Canal Company Records.

TABLE NO. 4

DELIVERIES BY CITY OF RIVERSIDE IRRIGATION DIVISION
FROM THE RIVERSIDE CANAL FOR USE ON LANDS
NOT TRIBUTARY TO THE RIVERSIDE NARROWS

(All Quantities are in Acre Feet)

Calendar Year	Inch Rate Contract Water Delivery to Temescal Wtr.	Carrying Rights		Total Delivery to Temescal by Riverside Irrigation Div.
		(Mt. Vernon) Meter Delivered to Temescal	Carrying Right S.C.E. Co. for Delivery to Temescal	
	(1)	(2)	(3)	(4)
1971	3,566	1,652	1,266	6,484
1972	3,183	1,459	1,204	5,846
1973	0	0	0	0
1974	0	0	0	0
1975	0	0	0	0
1976	0	0	0	0
1977	0	0	0	0
1978	0	0	0	0
1979	0	0	0	0
1980	0	0	0	0
1981	0	0	0	0
1982	0	0	0	0
1983	0	0	0	0
1984	0	0	0	0
1985	0	0	0	0
1986	0	0	0	0
1987	0	0	0	0
1988	0	0	0	0
1989	0	0	0	0
1990	0	0	0	0
1991	0	0	0	0
1992	0	0	0	0
1993	0	0	0	0
1994	0	0	0	0
1995	0	0	0	0

Notes: Columns (1), (2), and (3) are from City of Riverside Records
 Temescal Water Company discontinued receiving their irrigation water delivery from the Riverside Canal
 in calendar year 1973, and began taking all their water delivery from the Gage Canal.

TABLE NO. 5

**DELIVERIES BY GAGE CANAL COMPANY
FOR USE ON LANDS NOT TRIBUTARY
TO THE RIVERSIDE NARROWS**

(All Quantities are in Acre Feet)

Calendar Year	Gage Canal Delivery to		Total Delivery to Alta Mesa & Temescal by Gage Canal Co.
	Alta Mesa	Temescal Wtr. Co.	
1971	278	1,433	1,711
1972	143	2,581	2,724
1973	65	4,226	4,291
1974	38	4,629	4,667
1975	45	4,666	4,711
1976	20	6,828	6,848
1977	16	3,986	4,002
1978	16	3,996	4,012
1979	21	5,549	5,570
1980	21	6,189	6,210
1981	18	5,956	5,974
1982	13	4,677	4,690
1983	11	3,288	3,299
1984	18	5,877	5,895
1985	14	4,724	4,738 1)
1986	14	5,403	5,417
1987	13	5,487	5,500
1988	17	5,395	5,412
1989	16	3,041	3,057
1990			
1991			
1992			
1993			
1994			
1995			

Notes: Data from Gage Canal Company Records

1) Corrected during 1986 verification.

TABLE NO. 6

SUMMARY OF DELIVERIES MADE BY
MEEKS & DALEY WATER COMPANY, AGUA MANSA WATER COMPANY AND TEMESCAL WATER COMPANY
INCLUDING WATER RECEIVED FROM CITY OF RIVERSIDE
FROM THE RIVERSIDE AND GAGE CANALS
TO AREAS WHICH ARE NOT TRIBUTARY TO THE RIVERSIDE NARROWS.

Calendar Year	(All Quantities are in Acre Feet			Total Delivery by City of Riverside Irrigation Division & Gage Canal to Lands Not Tributary to the Riverside Narrows
	Total Delivery to Temescal by City of Riverside Irrigation Division		Total Delivery to Alta Mesa & Temescal by Gage Canal Co.	
	(1)	(2)		
1971	6,484	1,711	8,195	
1972	5,846	2,724	8,570	
1973	-	4,291	4,291	
1974	-	4,667	4,667	
1975	-	4,711	4,711	
1976	-	6,848	6,848	
1977	-	4,002	4,002	
1978	-	4,012	4,012	
1979	-	5,570	5,570	
1980	-	6,210	6,210	
1981	-	5,974	5,974	
1982	-	4,690	4,690	
1983	-	3,299	3,299	
1984	-	5,895	5,895	
1985	-	4,738 **	4,738	
1986	-	5,417	5,417	
1987	-	5,500	5,500	
1988	-	5,412	5,412	
1989	-	3,057	3,057	
1990	-	-	-	
1991	-	-	-	
1992	-	-	-	
1993	-	-	-	
1994	-	-	-	
1995	-	-	-	

Notes: Column (1) from City of Riverside Records and Column (2) from Table 5

* Temescal Water Company discontinued receiving their irrigation water delivery from the Riverside Canal in calendar year 1973, and began taking all of the water delivery from the Gage Canal.

** Corrected during the 1986 verification

TABLE NO. 7

**WEST RIVERSIDE CANAL COMPANY
DELIVERIES MADE TO LATERALS #3 & #2
FOR USE IN GLEN AVON & PEDLEY AREAS**

(All Quantities are in Acre Feet)

Calendar Year	La Sierra Water Co.	Water Delivered to Lateral #2 & #3			Jurupa Water Co.	Twin Buttes Water Co. *	Total Deliveries
		Agua Mansa Water Co.	Salazar Water Co.	350 Inch Water Co.			
(1)	(2)	(3)	(4)	(5)	(6)	(7)	(8)
1971	2,619	485	23	771	1,220	834	5,952
1972	3,396	249	25	682	1,032	72	5,456
1973	2,162	201	21	541	785	0	3,710
1974	2,673	359	0	825	1,012	0	4,869
1975	1,823	384	0	845	906	917	4,875
1976	1,770	318	0	778	1,004	759	4,629
1977	1,281	242	0	742	957	0	3,222
1978	850	125	0	223	783	0	1,981
1979	993	155	0	376	1,183	0	2,707
1980	1,001	135	0	420	950	0	2,506
1981	949	220	0	1,395	582	0	3,146
1982	175	62	0	220	649	0	1,106
1983	121	42	0	134	520	0	817
1984	200	81	0	203	676	0	1,160
1985	144	36	0	162	603	0	945
1986	129	31	0	139	382	0	681
1987	131	26	0	83	419	12 ***	671
1988	224	36	0	80	278 **	1,199 ***	1,817
1989	93	30	0	55	248	407	833
1990							
1991							
1992							
1993							
1994							
1995							

* Twin Buttes Water Company now owned by the City of Riverside

** Jurupa Community Services District purchased the Jurupa Water Company and uses JCSD Sunnyslope Wells 3 & 5 to make JWC deliveries

*** Corrected during 1989 verification

Notes: Data from West Riverside Canal Company Records.

Conversion factor used is 0.03967 af/mid

TABLE NO. 9

DELIVERIES MADE BY
JURUPA COMMUNITY SERVICES DISTRICT
TO AREAS WHICH ARE NOT TRIBUTARY TO THE
RIVERSIDE NARROWS.

(All Quantities are in Acre Feet)

State Well #	2S5W08G04S	2S5W08G01S	2S5W08K02S	2S5W08K03S	Total Export to
Local Designation	Sunnyslope #3	Sunnyslope #5	Sunnyslope #6	Sunnyslope #7	Riverside Basin Area
Year	(1)	(2)	(3)	(4)	(5)
1971	223	517	54	0	794
1972	288	516	3	0	807
1973	201	339	5	0	545
1974	223	322	21	0	566
1975	229	411	0	0	640
1976	268	597	0	0	865
1977	231	542	0	0	773
1978	199	411	0	0	610
1979	184	366	0	0	550
1980	0	3	0	0	3
1981	0	0	-	-	0
1982	0	0	-	-	0
1983	0	0	-	-	0
1984	52	475	-	-	527
1985	266	634	-	-	900
1986	70	475	-	-	545
1987	0	0	-	-	0
1988	1	0	-	-	1
1989	397	0	-	-	397
1990					
1991					
1992					
1993					
1994					
1995					

Prior to 1968, these wells were owned by Rubidoux Community Services District
 Sunnyslope #6 & #7 were abandoned in 1981

**DELIVERIES MADE BY RUBIDOUX COMMUNITY SERVICES DISTRICT *
TO AREAS WHICH ARE NOT TRIBUTARY TO THE RIVERSIDE NARROWS**

(All Quantities are in Acre Feet)

Calendar Year	Total Number of Meter Connections (1)	Annual Water Productions Per Meter (A.F. / Meter) (2)	Total Water Production Delivered (3)	Delivery to Boise Cascade Mobile Park (4)	Total Water Delivered to Chino Basin (5)	Flow returned to sewer (40% of Total Delivery) (6)	Total Export from Riverside Basin Area (7)
1971	89	0.85	76	16	92	37	55
1972	89	0.85	76	32	108	43	65
1973	111	0.85	94	44	138	55	83
1974	127	0.85	108	35	143	57	86
1975	130	0.85	111	45	156	62	93
1976	181	0.85	154	53	207	83	124
1977	232	0.85	197	62	259	104	156
1978	322	0.85	274	81	355	142	213
1979	407	0.85	346	60	406	162	244
1980	407	0.85	346	78	424	170	254
1981	407	0.85	346	88	434	174	260
1982	407	0.85	346	74	420	168	252
1983	407	0.85	346	114	460	184	276
1984	407	0.85	346	180	526	210	316
1985	407	0.85	346	194	540	216	324
1986	407	0.85	346	200 1)	546	218	328
1987	407	0.85	346	64 2)	410	164	246
1988	407	0.85	346	99	445	178	267
1989	407	0.85	346	98	444	178	266
1990		0.85					
1991		0.85					
1992		0.85					
1993		0.85					
1994		0.85					
1995		0.85					

Notes: Column (3) = Column (1) x Column (2)
 Column (5) = Column (3) + Column (4)
 Column (6) = Column (5) x 40%
 Column (7) = Column (5) - Column (6)

* Area was served by Jurupa Hills Water Company prior to 1968

1) In 1986 individual meters were installed, flow estimated

2) Mobile Home Park now on individual meters.

VOLUME 7 - 1989

REPORT OF WATERMASTER

Western Municipal Water District of Riverside County, et al

Plaintiffs

vs.

East San Bernardino County Water District, et al

Defendants

Superior Court of Riverside County

Case No. 78426

VOLUME 7 – 1989

**VERIFICATION OF EXTRACTIONS FROM THE
SAN BERNARDINO BASIN AREA
AND COLTON BASIN AREA WITHIN
THE SAN BERNARDINO VALLEY
MUNICIPAL WATER DISTRICT
FOR USE ON LANDS NOT WITHIN WESTERN
NOR TRIBUTARY TO THE RIVERSIDE NARROWS**

ANNUAL ACCOUNTING

1989

AUGUST 1, 1991

WATERMASTER

Donald L. Harriger

Robert L. Reiter

REPORT OF WATERMASTER

Western Municipal Water District of Riverside County, et al
Plaintiffs

vs.

East San Bernardino County Water District, et al
Defendants

Superior Court of Riverside County

Case No. 78426

VOLUME 7-1989

VERIFICATION OF EXTRACTIONS FROM THE
SAN BERNARDINO BASIN AREA
AND COLTON BASIN AREA WITHIN
THE SAN BERNARDINO VALLEY
MUNICIPAL WATER DISTRICT
FOR USE ON LANDS NOT WITHIN WESTERN
NOR TRIBUTARY TO THE RIVERSIDE NARROWS

ANNUAL ACCOUNTING

1989

AUGUST 1, 1991

WATERMASTER

Donald L. Harriger
Robert L. Reiter

VOLUME 7-1989

TABLE OF CONTENTS

	<u>Page</u>
INTRODUCTION.....	i
<u>TABLE A</u>	
VERIFIED EXTRACTIONS FROM THE SAN BERNARDINO BASIN AREA AND COLTON BASIN AREA WITHIN THE SAN BERNARDINO VALLEY MUNICIPAL WATER DISTRICT FOR USE ON LANDS NOT WITHIN WESTERN NOR TRIBUTARY TO THE RIVERSIDE NARROWS (1959-1963).....	1
<u>TABLE B</u>	
VERIFIED EXTRACTIONS FROM THE SAN BERNARDINO BASIN AREA AND COLTON BASIN AREA WITHIN THE SAN BERNARDINO VALLEY MUNICIPAL WATER DISTRICT FOR USE ON LANDS NOT WITHIN WESTERN NOR TRIBUTARY TO THE RIVERSIDE NARROWS (1985-1989).....	2
<u>CHAPTER I</u>	
DELIVERIES TO CHINO BASIN.....	3
FONTANA UNION WATER COMPANY.....	4
<u>TABLE NO.1</u>	
VERIFICATION OF EXTRACTIONS FROM THE SAN BERNARDINO BASIN AREA AND COLTON BASIN AREA WITHIN THE SAN BERNARDINO VALLEY MUNICIPAL WATER DISTRICT FOR USE ON LANDS NOT WITHIN WESTERN NOR TRIBUTARY TO THE RIVERSIDE NARROWS - FONTANA UNION WATER COMPANY.....	6
WEST SAN BERNARDINO COUNTY WATER DISTRICT.....	7
<u>TABLE NO. 2</u>	
VERIFICATION OF EXTRACTIONS FROM THE SAN BERNARDINO BASIN AREA AND COLTON BASIN AREA WITHIN THE SAN BERNARDINO VALLEY MUNICIPAL WATER DISTRICT FOR USE ON LANDS NOT WITHIN WESTERN NOR TRIBUTARY TO THE RIVERSIDE NARROWS - WEST SAN BERNARDINO COUNTY WATER DISTRICT.....	8
CITY OF RIALTO.....	9

TABLE No. 3

VERIFICATION OF EXTRactions FROM THE SAN BERNARDINO BASIN AREA AND COLTON BASIN AREA WITHIN THE SAN BERNARDINO VALLEY MUNICIPAL WATER DISTRICT FOR USE ON LANDS NOT WITHIN WESTERN NOR TRIBUTARY TO THE RIVERSIDE NARROWS - CITY OF RIALTO.....	11
---	----

CHAPTER II

DELIVERIES TO AREAS OTHER THAN CHINO BASIN.....	12
---	----

TABLE NO. 4

VERIFICATION OF EXTRactions FROM THE SAN BERNARDINO BASIN AREA AND COLTON BASIN AREA WITHIN THE SAN BERNARDINO VALLEY MUNICIPAL WATER DISTRICT FOR USE ON LANDS NOT WITHIN WESTERN NOR TRIBUTARY TO THE RIVERSIDE NARROWS - SAN BERNARDINO VALLEY MUNICIPAL WATER DISTRICT.....	13
---	----

MAP NO. 1

FONTANA UNION WATER COMPANY LANDS RECEIVING WATER EXTRACTED FROM THE SAN BERNARDINO BASIN AREA AND COLTON BASIN AREA WITHIN THE SAN BERNARDINO VALLEY MUNICIPAL WATER DISTRICT FOR USE ON LANDS NOT WITHIN WESTERN NOR TRIBUTARY TO THE RIVERSIDE NARROWS.....	14
---	----

MAP NO. 2

WEST SAN BERNARDINO COUNTY WATER DISTRICT LANDS RECEIVING WATER EXTRACTED FROM THE SAN BERNARDINO BASIN AREA AND COLTON BASIN AREA WITHIN THE SAN BERNARDINO VALLEY MUNICIPAL WATER DISTRICT FOR USE ON LANDS NOT WITHIN WESTERN NOR TRIBUTARY TO THE RIVERSIDE NARROWS.....	15
--	----

MAP NO. 3

CITY OF RIALTO AND LANDS THEREIN RECEIVING WATER EXTRACTED FROM THE SAN BERNARDINO BASIN AREA AND COLTON BASIN ARE WITHIN THE SAN BERNARDINO VALLEY MUNICIPAL WATER DISTRICT FOR USE ON LANDS NOT WITHIN WESTERN NOR TRIBUTARY TO THE RIVERSIDE NARROWS.....	16
--	----

MAP NO. 4

SAN BERNARDINO VALLEY MUNICIPAL WATER DISTRICT'S MILL CREEK PIPELINE AND LANDS WITHIN YUCAIPA BASIN WHICH RECEIVE WATER DIVERTED FROM THE SAN BERNARDINO BASIN AREA.....	17
--	----

VOLUME 7-1989

VERIFICATION OF EXTRACTIONS FROM THE
SAN BERNARDINO BASIN AREA AND COLTON BASIN AREA
WITHIN THE SAN BERNARDINO VALLEY MUNICIPAL WATER
DISTRICT FOR USE ON LANDS NOT WITHIN
WESTERN NOR TRIBUTARY TO THE RIVERSIDE NARROWS

INTRODUCTION

The settlement of the case of the Orange County Water District, Plaintiff, vs. City of Chino, et al, Defendants, being Case No. 117628 in the Superior Court of the State of California in and for the County of Orange, necessitated a settlement of the case of Western Municipal Water District, which was settled by Stipulated Judgment in Case No. 78426, entered in the Superior Court of the State of California in and for the County of Riverside, on April 17, 1969.

Paragraph X of the Judgment, entitled, "Replenishment to Offset New Exports of Water Not Tributary to the Riverside Narrows" recites as follows:

"Certain average annual amounts of water extracted from the San Bernardino Basin Area and the area downstream therefrom to Riverside Narrows during the five year period ending in 1963 have been exported for use outside the area tributary to Riverside Narrows...."

"San Bernardino Valley shall be obligated to provide replenishment for any increase over the exports from San Bernardino Valley for use in any area not within Western nor tributary to Riverside Narrows as set forth in Table C-2 of Appendix "C", such amounts being subject to correction by the Watermaster...."

Pursuant to the foregoing instructions, the Watermaster conducted an investigation of water produced within the San Bernardino and Colton Basin Areas and delivered to lands not within Western nor tributary to the Riverside Narrows. The results of this investigation which included the

five-year base period 1959-1963 as well as the verified production for the Calendar Years 1970 and 1971 were embodied in Report of Watermaster, Volume 7-Base Period 1959-1963 and 1970-1971, dated February, 1973.

During the verification of the extractions from the San Bernardino and Colton Basin Areas for the Calendar Year 1973, the amounts previously verified for the base period 1959-1963 were revised. The revised verified amounts for the base period 1959-1963 are shown on Table A of this report. The verified amounts for 1985-1989 are shown on Table B.

Procedures and basic data used in preparation of Tables A and B are contained in the succeeding chapters of this report.

TABLE A

VERIFIED EXTRACTIONS FROM THE
SAN BERNARDINO BASIN AREA AND COLTON BASIN AREA
WITHIN THE SAN BERNARDINO VALLEY MUNICIPAL WATER
DISTRICT FOR USE ON LANDS NOT WITHIN
WESTERN NOR TRIBUTARY TO THE RIVERSIDE NARROWS

<u>Deliveries To Areas Within Chino Basin</u>	<u>Source In This Volume Chapter I</u>	<u>1959-63 Ave. Annual</u>
Fontana Union Water Company	Table No. 1, Column No. 12	10,170*
West San Bernardino County Water District	Table No. 2, Column No. 7	1,806
City of Rialto	Table No. 3, Column No. 14	551**
<u>Areas Other Than Chino Basin</u>	<u>Chapter II</u>	
Yucaipa		0
San Timoteo		0
Oak Glen		0
Beaumont		<u>0</u>
Total		12,527

* Original Verification of 10,903 acre-feet revised to 10,170 acre-feet during 1973 verification.

** Original Verification of 781 acre-feet revised to 551 acre-feet during 1973 verification.

TABLE B

VERIFIED EXTRACTIONS FROM THE
SAN BERNARDINO BASIN AREA AND COLTON BASIN AREA
WITHIN THE SAN BERNARDINO VALLEY MUNICIPAL WATER
DISTRICT FOR USE ON LANDS NOT WITHIN
WESTERN NOR TRIBUTARY TO THE RIVERSIDE NARROWS

<u>Deliveries to</u>	<u>Table No.</u>	<u>Refer to Col. No.</u>	<u>Deliveries By Calendar Years</u>					<u>5 Yr. Total</u>	<u>1985-89 Average</u>
			<u>1985</u>	<u>1986</u>	<u>1987</u>	<u>1988</u>	<u>1989</u>		
<u>Areas Within Chino Basin</u>									
Fontana Union Water Company	1	12	18,623	21,832	19,907	19,684	12,531	92,577	18,515
West San Bernardino County Water District	2	7	3,606	3,252	4,828 ^{√1}	5,742	6,079	23,507	4,701
City of Rialto	3	14	731	1,014	1,370	1,204	1,146	5,465	1,093
<u>Areas Other Than Chino Basin</u>									
Yucaipa	4	2	1,063	486	1,527	1,800	1,048	5,924	1,185
San Timoteo	-	-	0	0	0	0	0	0	0
Oak Glen	-	-	0	0	0	0	0	0	0
Beaumont	-	-	0	0	0	0	0	0	0
<u>Total</u>			<u>24,023</u>	<u>26,584</u>	<u>27,632</u> ^{√1}	<u>28,430</u>	<u>20,804</u>	<u>127,473</u>	<u>25,494</u>

^{√1} Amount corrected during verification of 1988 extractions.

VOLUME 7-1989

CHAPTER I

DELIVERIES TO CHINO BASIN

The verified amounts set forth in this Chapter pertain solely to those extractions from the San Bernardino and Colton Basin Areas within the San Bernardino Valley Municipal Water District for use on lands situated within the Chino Basin.

The entities delivering water to this area include Fontana Union Water Company, West San Bernardino County Water District and the City of Rialto. Maps Nos. 1, 2 and 3 appended hereto delineate the boundaries of the three agencies respectively, and also show the lands within each agency which are not within Western nor tributary to the Riverside Narrows. For purposes of this determination such lands are considered as lying northerly of the groundwater divide separating the Riverside and Chino Basins and westerly of the Rialto-Colton Fault.

Deliveries to these areas within each agency have been determined as follows:

FONTANA UNION WATER COMPANY

The lands served by the Fontana Union Water Company which include the San Gabriel Valley Water Company and which are not within Western nor tributary to the Riverside Narrows are shown on Map No. 1. The location of wells and surface diversion facilities which produce water delivered to said lands are also shown.

The total production from the San Bernardino and Colton Basin Areas available for use on the nontributary lands have been determined by the sum of the following:

1. Production from Fontana Union Water Company wells situated within the San Bernardino and Colton Basin Areas and being within the San Bernardino Valley Municipal Water District as reported in Recordation Filings to the State Water Resources Control Board and verified by the Watermaster with the exception that two wells situated on the Lytle Creek stream channel at Miller Narrows deliver water into the Lytle Creek powerhouse penstock. This water has been commingled with surface diversions and was excluded from the total well production.
2. Deliveries to Fontana Union Water Company's "Breedline" measured at the Fontana Powerhouse forebay Weir No. 4 and adjusted for deliveries to the Breedline from Fontana Union Water Company Well No. 27.
3. Deliveries to the Fontana Union Water Company measured at their 20 foot weir diverting from the Fontana Powerhouse afterbay plus diversions from the afterbay for delivery to City of Rialto and Owl Service Rock Company.

The Item 3 deliveries to Fontana Union Water Company reckoned at the Fontana Powerhouse 20' Weir were measured by Fontana Union Water Company and the United States Geological Survey. Since United States Geological Survey measurements were based on data obtained by continuous stage recorder as opposed to instantaneous measurements by Fontana Union Water Company two to three times daily, the United States Geological Survey data were used for purposes of the determinations contained in this report. In addition to surface diversions from Lytle Creek, the United States Geological Survey

data also include an undetermined amount of water produced by the Miller Narrows Wells and may from time to time also include water obtained by temporary arrangements with other agencies diverting from the Fontana Powerhouse afterbay. For these reasons the amounts used by the Watermaster are for purposes of this report only (i.e. deliveries to Chino Basin) and are not to be construed as a Watermaster verification of the total production by Fontana Union Water Company from either San Bernardino Basin Area or Colton Basin Area.

In order to determine the net deliveries to the nontributary area (Chino Basin) the total was adjusted for deliveries to tributary areas as follows:

1. Deliveries to the City of San Bernardino from Fontana Union Water Company Well No. 1, reported by Fontana Union Water Company as total production of this well.
2. Water delivered to the Owl Service Rock Company located within the San Bernardino Basin Area as reported by Fontana Union Water Company.
3. Water delivered for use on citrus groves situated within the Colton Basin Area as reported by Fontana Union Water Company.
4. Water delivered to City of Rialto through West San Bernardino County Water District diversion facilities at Fontana Powerhouse afterbay.

The components of production and delivery by the Fontana Union Water Company for the five calendar years ending with 1963 and the years 1985 through 1989, together with the indicated deliveries to Chino Basin, are summarized in Table No. 1.

TABLE NO. 1

VERIFICATION OF EXTRACTIONS FROM THE
 SAN BERNARDINO BASIN AREA AND COLTON BASIN AREA
 WITHIN THE SAN BERNARDINO VALLEY MUNICIPAL WATER
 DISTRICT FOR USE ON LANDS NOT WITHIN
 WESTERN NOR TRIBUTARY TO THE RIVERSIDE NARROWS

FONTANA UNION WATER COMPANY
 (Quantities in Acre Feet)

Year	PRODUCTION			Colton Basin Area Wells	Total Prod.	DELIVERIES TO AREAS TRIBUTARY TO RIVERSIDE NARROWS				City of Rialto	Total	Export to Chino Basin in San Bernardino Co Nontributary
	San B'dno. Wells	Surface Water	Breed Line			Owl Service Rock Co.	City of San B'dno.	Citrus	City of Rialto			
(1)	(2)	(3)	(4)	(5)	(6)	(7)	(8)	(9)	(10)	(11)	(12)	
1959	9,169	7,964	501	31	17,665	323	1,393	700	0	2,416	15,249	
1960	6,671	5,344	521	31	12,567	491	1,396	600	0	2,487	10,080	
1961	5,968	3,864	413	31	10,276	417	1,765	600	0	2,782	7,494	
1962	3,521	8,225	526	31	12,303	481	746	500	0	1,727	10,576	
1963	2,779	5,692	522	31	9,024	446	726	400	0	1,572	7,452	
5-Yr. Avg.					12,367					2,197	10,170	
1985	8,367	8,186	3,106	0	19,659	1,036	0	0	0	1,036	18,623	
1986	5,431	14,560	3,164	0	23,155	1,323	0	0	0	1,323	21,832	
1987	10,910	7,706	2,343	0	20,959	1,052	0	0	0	1,052	19,907	
1988	8,283	9,719	2,503	0	20,505	821	0	0	0	821	19,684	
1989	5,031	5,958	2,011	0	13,000	469	0	0	0	469	12,531	
5-Yr. Avg.					19,455					940	18,515	

Column Explanation:

- (2) Table No. 1 of Volume No. 1 of the Watermaster Report (excluding Miller Narrows Wells Recordation No.'s 3600588 and 3600590 and Lytle Creek Diversion Recordation No. 3600591).
- (3) United States Geological Survey and Fontana Union Water Company records of diversions from Fontana Powerhouse Afterbay including deliveries to Owl Service Rock Company and City of Rialto.
- (4) Line No. 17, for 1959-63 and Line No. 19 for 1971 to date on Table No. 4 of Volume No. 1 of the Watermaster Report (excludes production of Fontana Union Well No. 27, Recordation No. 3600582).
- (5) Table No. 1 of Volume No. 2 of the Watermaster Report (excluding Wells Recordation No.'s 3600577, 3600578 and 3600589 which are not within S.B.V.M.W.D.).
- (6) Sum of Columns (2) + (3) + (4) + (5).
- (7) Fontana Union Water Company Records.
- (8) Fontana Union Water Company Records Total Production of Fontana Union Well No. 1, Recordation No. 3600561.
- (9) Fontana Union Water Company Records.
- (10) Fontana Union Water Company Records.
- (11) Sum of Columns (7) + (8) + (9) + (10).
- (12) Difference of Column (6) minus Column (11).

Note: Table No. 1 revised during the 1973 verification.

WEST SAN BERNARDINO COUNTY WATER DISTRICT

The lands served by the West San Bernardino County Water District which are not within Western nor tributary to the Riverside Narrows are delineated on Map No. 2. Water delivered to said area was obtained from wells located within the San Bernardino Basin and Colton Basin Areas and surface diversions from Lytle Creek. In addition these lands also received water extracted from three wells within the Chino Basin.

The total deliveries to the nontributary area (Chino Basin) were based on the actual metered deliveries obtained from the records of the West San Bernardino County Water District. Since a portion of this water was supplied by wells located within the nontributary area, the total deliveries were reduced by the amount supplied by said wells. West San Bernardino County Water District reports that the production from these wells is used wholly within the Chino Basin. Subsequent to the 1959-1963 base period, the District records also include the Domestic and Commercial deliveries as determined from the meter books covering the nontributary area. These metered areas are also shown on Map No. 2.

The annual deliveries to nontributary areas by the West San Bernardino County Water District for the five calendar years ending with 1963 and the years 1985 through 1989 are summarized in Table No. 2.

TABLE NO. 2

VERIFICATION OF EXTRACTIONS FROM THE
 SAN BERNARDINO BASIN AREA AND COLTON BASIN AREA
 WITHIN THE SAN BERNARDINO VALLEY MUNICIPAL WATER
 DISTRICT FOR USE ON LANDS NOT WITHIN
 WESTERN NOR TRIBUTARY TO THE RIVERSIDE NARROWS

WEST SAN BERNARDINO COUNTY WATER DISTRICT
 (Quantities in Acre Feet)

Year	Deliveries in Chino Basin	Production From Chino Basin Wells Recordation No.				Total	Export To Chino Basin In San Bernardino Co. Nontributary
		3600379	3600380	3601005	(7)		
(1)	(2)	(3)	(4)	(5)	(6)	(7)	
1959	3,103	133	498	233	864	2,239	
1960	2,424	140	520	38	698	1,726	
1961	3,046	158	559	297	1,014	2,032	
1962	2,576	137	536	262	935	1,641	
1963	2,225	100	509	227	836	1,389	
5-Yr. Avg.	2,675				869	1,806	
1985	3,606	0	0	0	0	3,606	
1986	3,252	0	0	0	0	3,252	
1987	4,828 ✓	0	0	0	0	4,828 ✓	
1988	5,742	0	0	0	0	5,742	
1989	6,079	0	0	0	0	6,079	
5-Yr. Avg.	4,701	0	0	0	0	4,701	

Column explanation:

- (2) Company records. Amount includes production of Wells Rec. Nos. 3600379, 3600380 & 3601005.
- (3) So. Calif. Water Co. Well Rec. No. 3600379 purchased by W.S.B.C.W.D. in 1970.
- (4) So. Calif. Water Co. Well Rec. No. 3600380 purchased by W.S.B.C.W.D. in 1970.
- (5) Former Citizens Land & Water Co. merged in 1962 to form W.S.B.C.W.D.
- (6) Column (3) + (4) + (5).
- (7) Column (2) minus (6). Deliveries in Chino Basin from production in San Bernardino Basin and Colton Basin Area.

✓ Amount corrected during verification of 1988 extractions.

CITY OF RIALTO

The lands served by the City of Rialto which are not within Western nor tributary to the Riverside Narrows are delineated on Map No. 3. Water delivered to the City was produced from wells within the San Bernardino and Colton Basin Areas and surface diversions from Lytle Creek. In addition the City also receives water extracted from a well within the Chino Basin.

The production records and records of water purchased together with records of metered customer deliveries are furnished by the City of Rialto. The total water production delivered into the City's system has been determined as follows:

1. Production from City of Rialto wells situated within the San Bernardino and Colton Basin Areas as reported in Recordation Filings to the State Water Resources Control Board and verified from records furnished by the City.
2. Surface water diverted at Fontana Powerhouse afterbay and delivered to City of Rialto determined from City Records.
3. Water purchased by City of Rialto as determined from City Records.
4. Water produced in Chino Basin and delivered into City's system from Recordation Filing to the State Water Resources Control Board and City of Rialto records. Such water is produced from Well Recordation No. 3602270 and during the 1959-1963 base period was used solely for agricultural purposes in the Chino Basin. From 1966 to date this well delivered water into the City's domestic system and is considered to be used wholly within the Chino Basin.

Based on metered deliveries it was determined that the percentage of total production delivered to Chino Basin was about 18 percent as compared to the 28 percent used during the initial verification. The total production delivered to Chino Basin during the 1959-1963 base period was revised accordingly, and beginning in 1971 the actual metered deliveries were used. The amount delivered to the Chino Basin was reduced by the total verified production within Chino Basin as set forth in Item (4) above,

assuming that such production was used entirely within the Chino Basin as reported by the City. The remaining amount was considered representative of the total production from the San Bernardino and Colton Basin Areas exported to the Chino Basin by the City of Rialto.

Since the sewage effluent from the City Sewage Treatment Plant accrues to the Santa Ana River above the Riverside Narrows, the total exports were adjusted to reflect this return flow. Such adjustment was based on a percentage estimated at 32 percent for the year 1959 and increasing on a straight line basis to 40 percent in 1963. This assumption was predicated on the date of construction of the treatment plant and the gradual conversion of individual septic tanks and cesspools to the sewage system. Analysis of the production and sewage plant effluent discharge data indicates an average effluent discharge from water exported to Chino Basin of about 41 percent for the calendar year 1989. This amount is weighted to account for the domestic, agricultural and industrial deliveries through the City's domestic system and the difference in sewage return flow accruing from such uses.

The annual deliveries to nontributary areas for the five calendar years ending with 1963 and the years 1985 through 1989 are summarized in Table No. 3.

TABLE NO. 3

VERIFICATION OF EXTRACTIONS FROM THE
SAN BERNARDINO BASIN AREA AND COLTON BASIN AREA
WITHIN THE SAN BERNARDINO VALLEY MUNICIPAL WATER
DISTRICT FOR USE ON LANDS NOT WITHIN
WESTERN NOR TRIBUTARY TO THE RIVERSIDE NARROWS

Year	San Bernardino Basin		Colton Basin		Total Prod.	CITY OF RIALTO (Quantities in Acre Feet)				San B'dno. & Colton Basins Export To Chino Basin	Percent Return Flow to Sewer Plant	Return Flow to Sewer Plant	Total Export From San B'dno. & Colton Basins Nontributary
	City of Rialto Wells	Surface Water	City of Rialto Wells	City of Rialto Wells		Purchased Water	Subject to Export	Chino Basin Well	Total Prod.				
(1)	(2)	(3)	(4)	(5)	(6)	(7)	(8)	(9)	(10)	(11)	(12)	(13)	(14)
1959	1,035	415	987	2,258	4,695	0	4,695	845	0	845	32%	270	575
1960	169	625	808	3,052	4,654	0	4,654	838	0	838	34%	285	553
1961	334	572	1,372	2,538	4,816	0	4,816	867	0	867	36%	312	555
1962	481	587	1,477	2,398	4,943	0	4,943	890	0	890	38%	338	552
1963	773	384	1,594	2,051	4,802	0	4,802	864	0	864	40%	346	518
5-Yr. Avg.	558	517	1,248	2,459	4,782	0	4,782	861	0	861	-	310	551
1985	4,979	1,075	1,869	0	7,923	1,066	8,989	2,326	1,066	1,260	42%	529	731
1986	4,763	1,325	3,031	0	9,119	996	10,115	2,714	996	1,718	41%	704	1,014
1987	4,459	539	5,067	0	10,065	501	10,566	2,747	501	2,246	39%	876	1,370
1988	5,577	1,111	3,832	0	10,520	771	11,291	2,744	771	1,973	39%	769	1,204
1989	5,041	1,005	5,190	0	11,236	970	12,206	2,912	970	1,942	41%	796	1,146
5-Yr. Avg.					9,772	861	10,633	2,689	861	1,828		735	1,093

Column explanation:

- (2) Verified extractions, Volume 1, Report of Watermaster. Excludes Lytle Creek Diversion Recordation No. 3601718. Includes Well Recordation No. 3601085 after acquisition by City of Rialto.
- (3) 1985 verified amount corrected during verification of the 1986 extraction.
Metered inflow to City of Rialto Filter Plant City of Rialto Records. Includes water delivered under stock entitlement City of Rialto owns in West San Bernardino County Water District and purchases from Fontana Union Water Co.
- (4) Verified extractions, Volume 2, Report of Watermaster. Includes production of Wells Recordation Nos. 3602269 & 3602271 after acquisition by City of Rialto.
- (5) City of Rialto Records of Purchases.
- (6) Sum Columns (2) + (3) + (4) + (5).
- (7) 1985 verified amount corrected during verification of the 1986 extraction.
Well Recordation files, Department of Water Resources and City of Rialto Production Records. Well Recordation No. 3602270 acquired by City of Rialto in 1966.
- (8) Sum Columns (6) + (7).
- (9) 1985 verified amount corrected during verification of the 1986 extraction.
Metered deliveries in Chino Basin from City of Rialto Billing Records beginning 1971. Base period years revised during 1973 verification to reflect 18% average distribution of metered deliveries by City of Rialto records for years 1971 through 1974.
- (10) Same as Column (7).
- (11) Difference Column (9) minus Column (10).
- (12) Assumed for Base Period. 1971 to date estimated weighted average return flow percentage based on: 1) metered agricultural and park deliveries with no return flow, 2) metered residential deliveries at 40 percent return flow, and 3) metered industrial deliveries (Phototron Company) at 90 percent return flow.
- (13) Product Column (11) times Column (12).
- (14) Difference Column (11) minus Column (13) net export of water produced in San Bernardino & Colton Basin Areas to Chino Basin.

Note: Table No. 3 revised during the 1973 verification.

VOLUME 7-1989

CHAPTER II

DELIVERIES TO AREAS OTHER THAN CHINO BASIN

Paragraph X of the Judgment also provides for replenishment by San Bernardino Valley to the extent exports are made from the San Bernardino Basin Area for use in the Yucaipa, San Timoteo, Oak Glen and Beaumont Basins.

The results of the initial verification of production from the San Bernardino Basin Area indicated that such exports were not made during the five year base period 1959 through 1963 nor prior to the calendar year 1979.

During 1987 San Bernardino Valley Municipal Water District completed construction of the "Yucaipa Pipeline" which conveys Mill Creek waters from the San Bernardino Basin Area to the Yucaipa Basin. Yucaipa Regional Park receives Mill Creek water which is used for maintenance of the reservoir levels, irrigation of the Park and limited spreading for recharge of the Yucaipa Groundwater Basin. Mill Creek water is also delivered into Wilson Creek Spreading Basins for recharge into Yucaipa Groundwater Basins. The location of the Yucaipa Pipeline, Yucaipa Regional Park, and Wilson Creek Spreading Basins are shown on Map No. 4 which is appended hereto.

Annual delivery amounts by San Bernardino Valley Municipal Water District to the Yucaipa Basin are shown on Table No. 4.

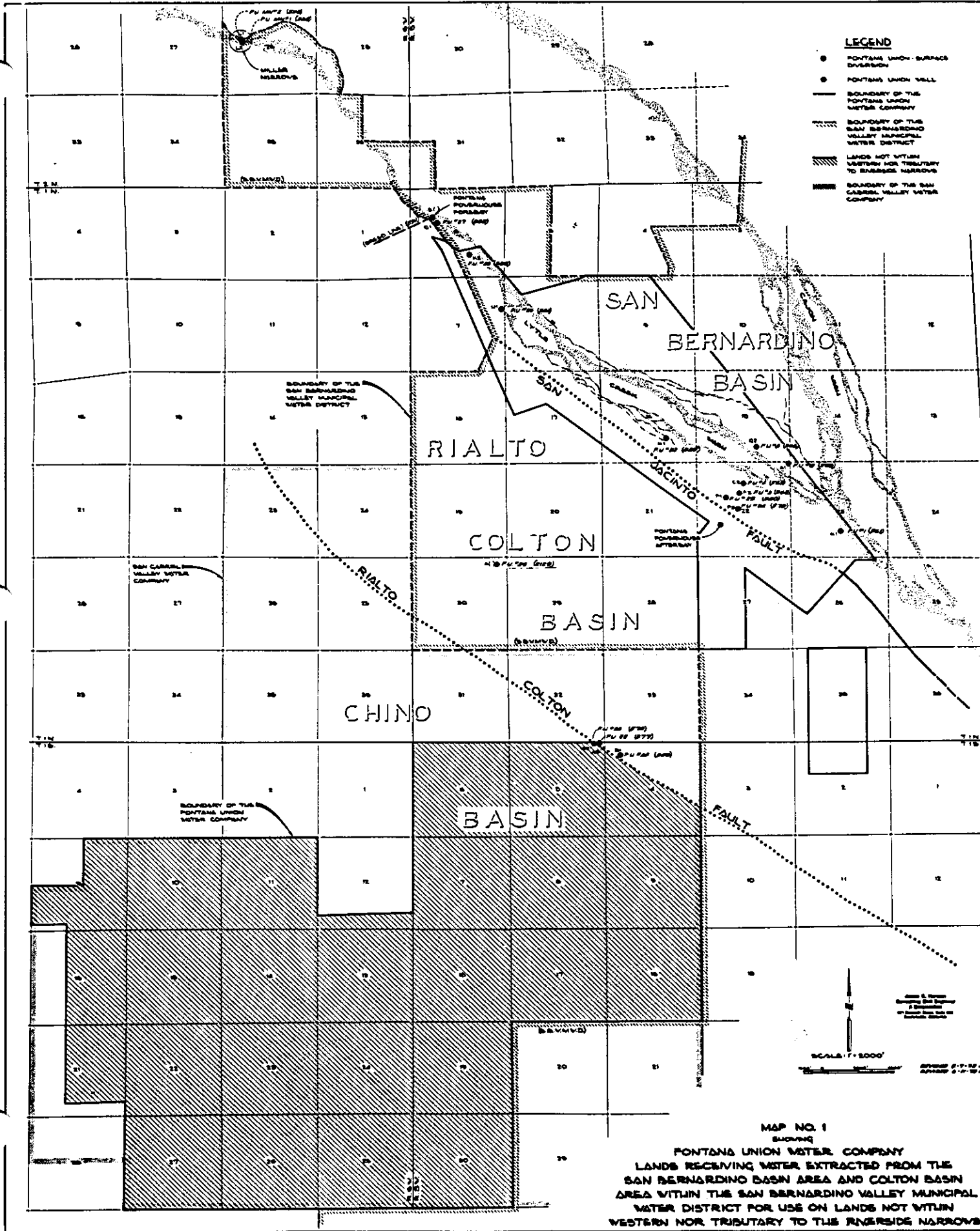
During the calendar year 1989, San Bernardino Valley Municipal Water District delivered 1,048 acre-feet of water to the Yucaipa Basin.

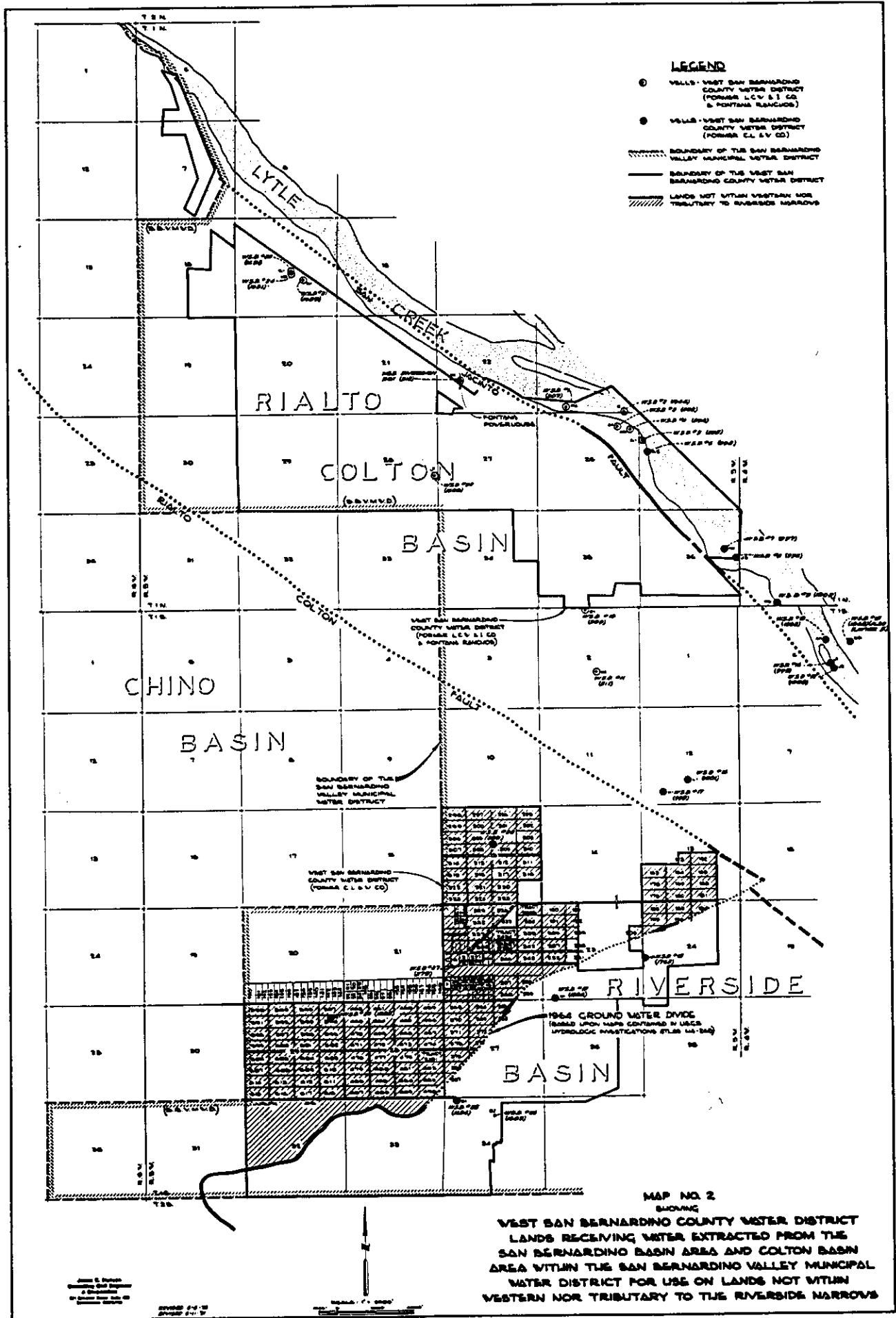
TABLE NO. 4

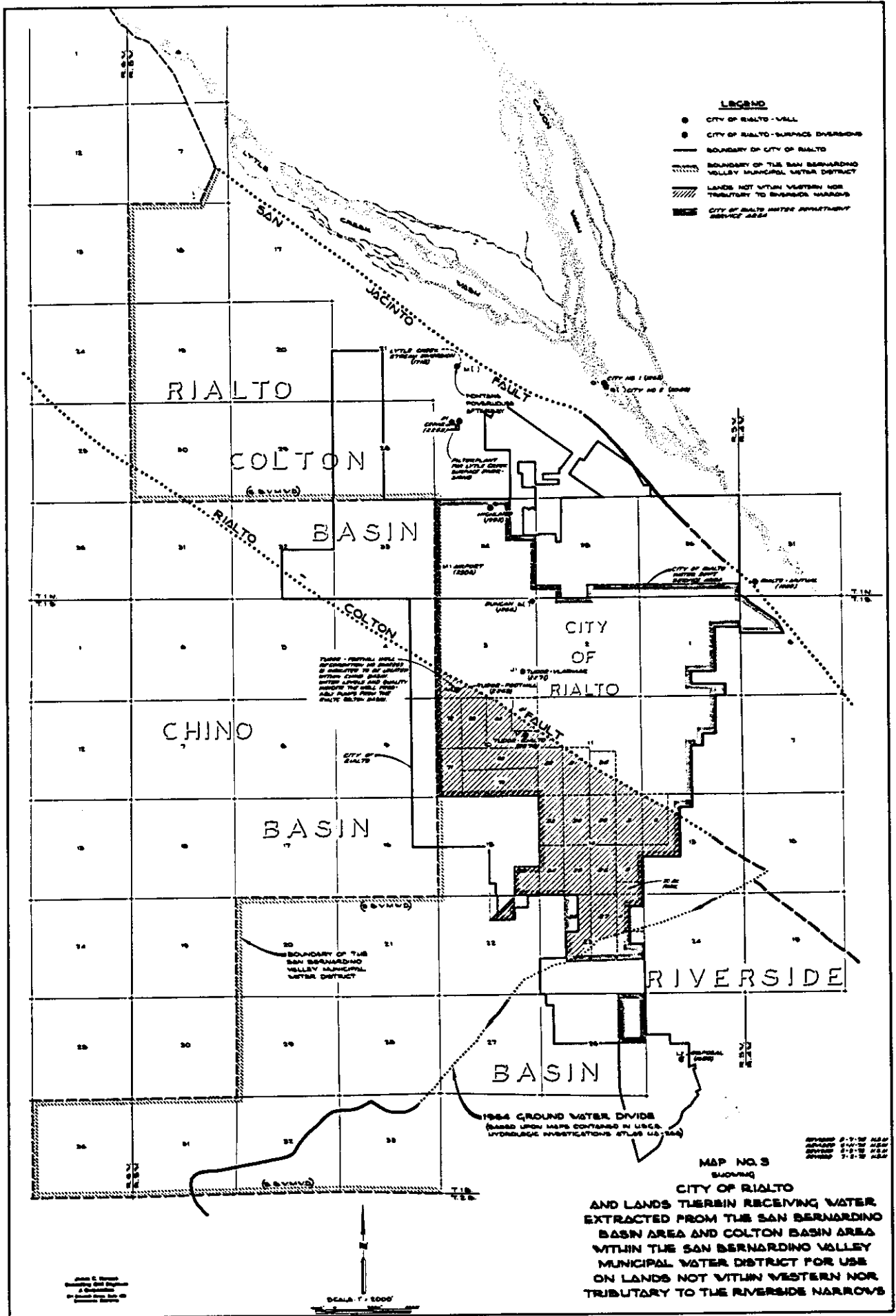
VERIFICATION OF EXTRactions FROM THE
SAN BERNARDINO BASIN AREA AND COLTON BASIN AREA
WITHIN THE SAN BERNARDINO VALLEY MUNICIPAL WATER
DISTRICT FOR USE ON LANDS NOT WITHIN
WESTERN NOR TRIBUTARY TO THE RIVERSIDE NARROWS

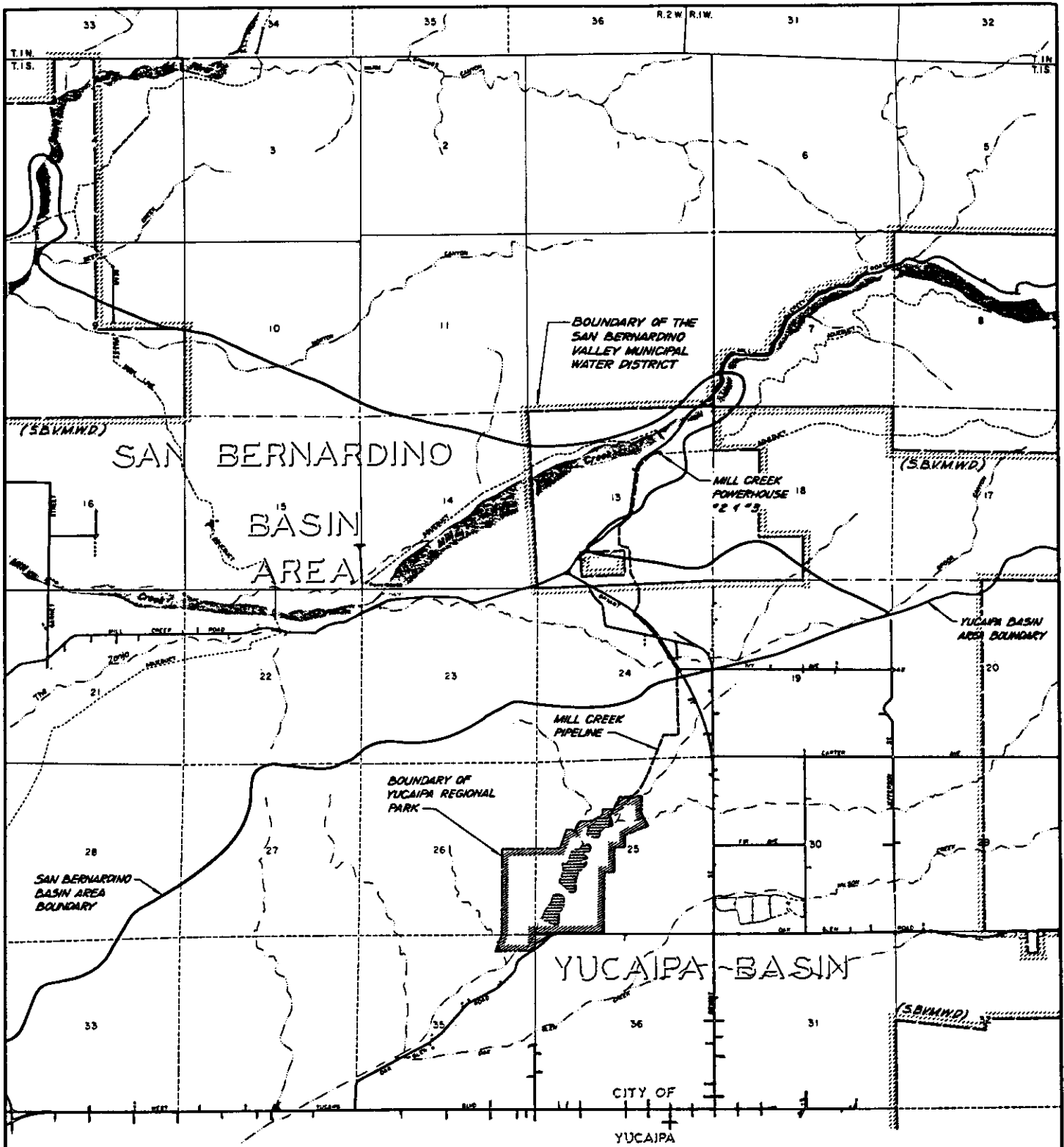
SAN BERNARDINO VALLEY MUNICIPAL WATER DISTRICT
(Quantities in Acre-Feet)

<u>Year</u> (1)	<u>Amount Delivered</u> (2)
1979	119
1980	8
1981	178
1982	625
1983	1,524
1984	321
1985	1,063
1986	486
1987	1,527
1988	1,800
1989	1,048

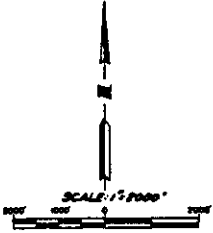








- LEGEND**
- BASIN BOUNDARY
 - BOUNDARY OF THE SAN BERNARDINO VALLEY MUNICIPAL WATER DISTRICT
 - ||||| YUCAIPA REGIONAL PARK
 - MILL CREEK PIPELINE



MAP NO. 4
SHOWING
SAN BERNARDINO VALLEY MUNICIPAL WATER DISTRICT'S MILL CREEK PIPELINE AND LANDS WITHIN YUCAIPA BASIN WHICH RECEIVE WATER DIVERTED FROM THE SAN BERNARDINO BASIN AREA

James C. Hanson
 Consulting Civil Engineer
 A Corporation
 921 Eleventh Street, Suite 400
 Sacramento, California