

**WESTERN - SAN BERNARDINO WATERMASTER
FOR**

WESTERN MUNICIPAL WATER DISTRICT et al.

vs.

EAST SAN BERNARDINO COUNTY WATER DISTRICT et al.

CASE NO. 78426 - COUNTY OF RIVERSIDE

VOLUME 1 - 2002

**VERIFIED EXTRACTIONS FROM THE
SAN BERNARDINO BASIN AREA**

FOR

CALENDAR YEARS 1959-1963 & 1998-2002

By Non-Plaintiffs For Use Within San Bernardino County

**ANNUAL ACCOUNTING
FOR INDIVIDUAL WELLS**

August 1, 2004

WATERMASTER

*Donald L. Harriger
Robert L. Reiter*

REPORT OF WATERMASTER

Western Municipal Water District of Riverside County et al.
Plaintiffs

vs.

East San Bernardino County Water District et al.
Defendants

Superior Court of Riverside County

Case No. 78426

Volume 1-2002

VERIFIED EXTRACTIONS FROM THE
SAN BERNARDINO BASIN AREA

By Non-Plaintiffs For Use Within San Bernardino County

FOR

CALENDAR YEARS 1959-1963 & 1998-2002

ANNUAL ACCOUNTING

FOR INDIVIDUAL WELLS

AUGUST 1, 2004

WATERMASTER

Donald L. Harriger
Robert L. Reiter

VOLUME 1 – 2002

TABLE OF CONTENTS

	Page
INTRODUCTION.....	i
SAN BERNARDINO BASIN AREA, CROSS INDEX BY OWNER.....	1
SAN BERNARDINO BASIN AREA, CROSS INDEX BY RECORDATION NUMBER.....	35
SAN BERNARDINO BASIN AREA, CROSS INDEX BY STATE WELL NUMBER.....	69
CHANGE IN OWNERSHIP FROM BASE PERIOD	103
<u>TABLE NO. 1</u>	
EXTRACTIONS BY OWNERS (NON-PLAINTIFFS) WHICH HAVE RECORDATION FILINGS WITH THE STATE WATER RESOURCES CONTROL BOARD	113
<u>TABLE NO. 2</u>	
EXTRACTIONS BY OWNERS (NON-PLAINTIFFS) WHICH HAVE NOT FILED WITH THE STATE WATER RESOURCES CONTROL BOARD	164
<u>TABLE NO. 3</u>	
SUMMARY OF EXTRACTIONS (FILED AND NON-FILED) FROM SAN BERNARDINO BASIN AREA BY NON-PLAINTIFFS FOR USE WITHIN SAN BERNARDINO COUNTY	181
<u>TABLE NO. 4</u>	
LYTLE CREEK VERIFICATION OF EXTRACTIONS FOR CALENDAR YEARS 1959-1963 & 1998-2002	207
<u>TABLE NO. 5</u>	
MILL CREEK VERIFICATION OF EXTRACTIONS FOR CALENDAR YEARS 1998-2002	217

	Page
<u>TABLE NO. 6</u>	
SANTA ANA RIVER VERIFICATION OF EXTRACTIONS FOR CALENDAR YEARS 1998-2002	222
<u>TABLE NO. 7</u>	
SUMMARY OF REPORTED EXTRACTIONS FROM LYTLE CREEK, MILL CREEK, AND SANTA ANA RIVER.....	227
<u>TABLE NO. 8</u>	
SUMMARY OF PRODUCTION FROM SAN BERNARDINO BASIN AREA AND CORRECTION FOR VERIFIED DIVERSIONS OF MAJOR STREAMFLOWS	228
<u>PLATE NO. 1</u>	
SCHEMATIC DIAGRAM OF LYTLE CREEK DIVERSION FACILITIES AND CONDUITS	229
<u>PLATE NO. 1A</u>	
LOCATION MAP, LYTLE CREEK DIVERSIONS	230
<u>PLATE NO. 2</u>	
SCHEMATIC DIAGRAM OF MILL CREEK DIVERSION FACILITIES AND CONDUITS	231
<u>PLATE NO. 3</u>	
SCHEMATIC DIAGRAM OF SANTA ANA RIVER DIVERSION FACILITIES AND CONDUITS	232
<u>PLATE NO. 3A</u>	
LOCATION MAP, SANTA ANA RIVER AND MILL CREEK DIVERSIONS	233

VOLUME 1-2002

VERIFIED EXTRACTIONS
FROM THE SAN BERNARDINO BASIN AREA
BY NON-PLAINTIFFS FOR USE WITHIN
SAN BERNARDINO COUNTY FOR CALENDAR YEARS
1959-1963 & 1998-2002

INTRODUCTION

The provisions of Paragraphs V(b) and VI(c) of the Judgment in Case No. 78426 entered April 17, 1969, entitled "San Bernardino Valley Replenishment," provide as follows:

- V(b) "The total actual average annual extractions from the San Bernardino Basin Area by entities other than Plaintiffs for use within San Bernardino County for the five-year period ending with 1963 are assumed to be 165,407 acre-feet; the correct figure shall be determined by the Watermaster as herein provided."
- VI(c) "San Bernardino Valley shall provide imported water for replenishment of the San Bernardino Basin Area at least equal to the amount by which extractions therefrom for use within San Bernardino County exceed during any five-year period the sum of: (a) five times the total average annual extractions determined under Paragraph V(b) hereof, adjusted as may be required by the natural safe yield of the San Bernardino Basin Area; and (b) any new conservation to which users within San Bernardino Valley are entitled. Such replenishment shall be supplied in the year following any five-year period; provided that during the first five-year period, San Bernardino Valley shall supply annual amounts on account of its obligations hereunder, and such amounts shall be not less than fifty percent of the gross amount of excess extractions in the previous year."

Compliance with these provisions of the Judgment requires an annual accounting of the total actual extractions of surface and groundwater within the San Bernardino Basin Area. Included in this Volume 1-2002 is the verified accounting of such production by non-plaintiff owners for the calendar year 2002. The verified production for the five-year base period ending with 1963 and the verified production for calendar years 1998, 1999, 2000, and 2001 are also included.

Three indexes are included which provide a cross index by owner's name, State Water Resources Control Board Well Recordation Number, and State Well Number. In addition and where known, each index shows the local designation of each well and the groundwater basin in which the well is located.

Tables No. 1 and No. 2 in this report list the individual wells by the owner for each year in the five-year base period ending in 1963, the five-year base period average, the extractions for the years 1998 through 2002, the five-year average for that period and the owner's total annual verified extractions. Table No. 1 lists the wells upon which filings have been made with the State Water Resources Control Board, and Table No. 2 lists the wells upon which no filings have been made.

Table No. 3 is a summary of the verified extractions, by owner, as presented in Tables No. 1 and No. 2.

Table No. 4 contains the total verified Lytle Creek stream diversions by Fontana Union Water Company, West San Bernardino County Water District, City of Rialto, City of San Bernardino and Mount Vernon Water Company. The total verified Lytle Creek stream diversion takes into account, and excludes, the return flow to Lytle Creek from the Fontana Power House afterbay.

Table No. 5 of this report contains the verification of the Mill Creek stream diversions by month and Table No. 6 contains the verification of the Santa Ana River stream diversions by month.

Table No. 7 shows the reported diversions by entity from the major streams in San Bernardino Basin Area, namely, Lytle Creek, Mill Creek and Santa Ana River. Schematic diagrams of the diversion works on each of these three major streams are shown on Plates 1, 2, and 3.

The total Verified Production of ground and surface water within the San Bernardino Basin Area is shown on Table 8.

The total of the verified extractions of water from the San Bernardino Basin Area by non-plaintiff owners for the calendar year 2002 is 175,317 acre-feet.

SAN BERNARDINO BASIN AREA.

CROSS INDEX BY OWNER

SAN BERNARDINO BASIN AREA
CROSS INDEX BY OWNER

OWNER NAME	RECORDATION NUMBER	STATE WELL NUMBER	LOCAL DESIGNATION	BASIN NAME
AHMANSON RANCH	2	1S4W27H		BNK HILL
ANDERSON, W.D.	3	1N4W25R		BNK HILL
ARMSTRONG, DOUGLAS	3600076	1S3W17G	2	BNK HILL
ARNOLD RANCH	4	1N3W34H		BNK HILL
ARROWHEAD COUNTRY CLUB	3601925	1N4W23E	NO 1	BNK HILL
ARROYO VERDE MUTUAL WATER COMPANY	3602068	1S4W01A02S	1	BNK HILL
ARROYO VERDE MUTUAL WATER COMPANY	3602069	1S4W01A	2	BNK HILL
ATCHISON, TOPEKA & SANTA FE RAILWAY CO.	3600178	1S4W08F02S	WELL 3	BNK HILL
ATCHISON, TOPEKA & SANTA FE RAILWAY CO.	3600179	1S4W08F	4	BNK HILL
B M I FUNDS	3600107	1S3W21P01	COLTON 1	BNK HILL
BALCOM	5	1S4W11M		BNK HILL
BALDWIN	6	1N3W34K		BNK HILL
BARNO, JOHN	3602079	1S3W03F	1	BNK HILL
BARRIER	7	1S4W22B		BNK HILL
BARTON DEVELOPMENT	3600418	1S3W19G	BRAGA WELL	BNK HILL
BARTON DEVELOPMENT	3601748	1S3W18H01	CALIF	BNK HILL
BARTON DEVELOPMENT	3601748-	1S3W19A01	CALIF	BNK HILL
BARTON DEVELOPMENT	3603554	1S3W19A01S	CALIFORNIA S	BNK HILL
BASE LINE WELL COMPANY	3600456	1N3W33R02S	1	BNK HILL
BASELINE GARDENS MUTUAL WATER COMPANY	3600457	1N4W35J02S	PAC&BARL	BNK HILL
BASELINE GARDENS MUTUAL WATER COMPANY	3600458	1N4W36M01S	PS & B 2	BNK HILL
BASELINE GARDENS MUTUAL WATER COMPANY	3602528	1N4W35R01	3	BNK HILL

SAN BERNARDINO BASIN AREA
CROSS INDEX BY OWNER

OWNER NAME	RECORDATION NUMBER	STATE WELL NUMBER	LOCAL DESIGNATION	BASIN NAME
BASELINE LAUNDRY	8	1N3W31Q		BNK HILL
BASELINE LAUNDRY	82	1N3W31Q		BNK HILL
BATCHELOR	9	1N4W14R		DEVIL CAN
BATCHELOR	10	1N4W14R		DEVIL CAN
BEAR VALLEY MUTUAL WATER COMPANY	3600021	1N2W26G01	SANTA ANA 1	SANTA ANA
BEAR VALLEY MUTUAL WATER COMPANY	3600022	1N2W34G	SANTA ANA 2	SANTA ANA
BEAR VALLEY MUTUAL WATER COMPANY	3600023	1S3W24C	JUDSON 1	BNK HILL
BEAR VALLEY MUTUAL WATER COMPANY	3600024	1S2W19D	WABASH 2	BNK HILL
BEAR VALLEY MUTUAL WATER COMPANY	3600025	1N3W29R01S	PALM AV3	BNK HILL
BEAR VALLEY MUTUAL WATER COMPANY	3600027	1N2W26E	ALDER CR	SANTA ANA
BEAR VALLEY MUTUAL WATER COMPANY	3600028	1S2W04P	SANTA ANA RI	BNK HILL
BEAR VALLEY MUTUAL WATER COMPANY	3601585	1S3W23A03S	SAN BERNARDI	BNK HILL
BELL, H. EUGENE	3600449	1S3W20A	BELL WELL	BNK HILL
BERMAN, JERRY & SONS	11	1S4W02K	OLD WELL	BNK HILL
BERMAN, JERRY & SONS	12	1S4W02J		BNK HILL
BERMAN, JERRY & SONS	3602007	1S4W02K	2	BNK HILL
BLISS	13	1S2W22E		BNK HILL
BLUE BANNER COMPANY	3602531	1S2W09L03S	TUNNEL DIV.	BNK HILL
BLUE GOOSE GROWERS INC	3602529	1S2W09P02	NO. 6	BNK HILL
BLUE GOOSE GROWERS INC	3602530	1S2W09L02S	NO. 11	BNK HILL
BOUCHER	14	1N4W14J		DEVIL CAN
BREAK, ALLEN, ESTATE	15	1S3W31A		BNK HILL

SAN BERNARDINO BASIN AREA
CROSS INDEX BY OWNER

OWNER NAME	RECORDATION NUMBER	STATE WELL NUMBER	LOCAL DESIGNATION	BASIN NAME
BRISTOL RANCH	3601631	1N3W34C02S	1	BNK HILL
BROOKSIDE DAIRY, INC	3600036	1S3W33D	1	BNK HILL
BROOKSIDE PLAZA	3602917	1S3W03D01S		BNK HILL
BRYN MAWR MUTUAL WATER COMPANY	3600053	1S3W31A	1	BNK HILL
BRYN MAWR MUTUAL WATER COMPANY	3600054	1S3W31A	2	BNK HILL
BRYN MAWR MUTUAL WATER COMPANY	3600055	1S3W31A	3	BNK HILL
BRYN MAWR MUTUAL WATER COMPANY	3602109	1S3W31B00S	4	BNK HILL
BUOYE WELL	3602062	1S2W29N	1	BNK HILL
CAL MAT COMPANY	3603695	1N5W25Q	HIGHLAND PLA	LYTLE
CAL MAT COMPANY	3603696	1N5W02N	CAJON CREEK	BNK HILL
CAL MAT COMPANY	3603697	1N5W14A	CAJON CREEK	BNK HILL
CALIFORNIA, STATE OF PATTON HOSPITAL	3600923	1N3W32C01S	PATTON 1	BNK HILL
CALIFORNIA, STATE OF PATTON HOSPITAL	3600924	1N3W29M01S	PATTON 2	BNK HILL
CALIFORNIA, STATE OF PATTON HOSPITAL	3600924-	1N3W29M	2A	BNK HILL
CALIFORNIA, STATE OF PATTON HOSPITAL	3600929	1N3W31K02S	PATTON 8	BNK HILL
CALIFORNIA, STATE OF PATTON HOSPITAL	3600931	1N3W29N01S	PATTON 10	BNK HILL
CALIFORNIA, STATE OF PATTON HOSPITAL	3601930	1N3W32C02S	PATTON 11	BNK HILL
CALIFORNIA, STATE OF PATTON HOSPITAL	3602381	1N3W29M	14	BNK HILL
CAMPUS CRUSADE FOR CHRIST	155	1N4W14C	W TWIN CRK	DEVIL CAN
CAMPUS CRUSADE FOR CHRIST	3601810	1N4W23E	PRKSDE 2	BNK HILL
CAMPUS CRUSADE FOR CHRIST	3601811	1N4W14A	EAST TWIN	DEVIL CAN
CAMPUS CRUSADE FOR CHRIST	3601979	1N4W14A	EAST TWIN	DEVIL CAN

SAN BERNARDINO BASIN AREA
CROSS INDEX BY OWNER

OWNER NAME	RECORDATION NUMBER	STATE WELL NUMBER	LOCAL DESIGNATION	BASIN NAME
CANYON KNOLLS RANCH	3601632	2S3W05A2	MARCUM WELL	BNK HILL
CANYON RANCH	3600523	1S3W32F	HNTSCHKE	BNK HILL
CARDIFF FARMS MUTUAL WATER COMPANY	3600973	1S4W12D	1	BNK HILL
CARDIFF FARMS MUTUAL WATER COMPANY	3601619	1S4W12D	2	BNK HILL
CARPENTER	16	1S4W22B		BNK HILL
CARTER, JAMES E., M.D.	3602241	1S3W20F03	ALMOND	BNK HILL
CEMEX CONSTRUCTION MATERIALS, INC.	3601420	1S3W09E	NO 2 - ALABA	BNK HILL
CEMEX CONSTRUCTION MATERIALS, INC.	3603653	1S3W10J	ORANGE STREE	BNK HILL
CHARLES, J. J.	3600815	1S3W06L		BNK HILL
CHRISTINA WATER COMPANY	3601751	1S3W21E	ALABAMA	BNK HILL
CLIFFSIDE RANCH	17	1S3W03F		BNK HILL
COGBILL, CLINTON L.	3601628	1S2W09Q	2	BNK HILL
COLTON, CITY OF	3601250	1S4W08R	4	BNK HILL
COLTON, CITY OF	3601251	1S4W08R	5	BNK HILL
COLTON, CITY OF	3601252	1S4W08R	6	BNK HILL
COLTON, CITY OF	3601253	1S4W08R	7	BNK HILL
COLTON, CITY OF	3601254	1S4W08F	8	BNK HILL
COLTON, CITY OF	3601256	1S4W09N	PLUNGE 12	BNK HILL
COLTON, CITY OF	3601257	1S4W08F	13	BNK HILL
COLTON, CITY OF	3601258	1S4W08R	14	BNK HILL
COLTON, CITY OF	3601260	1S4W08F01S	16	BNK HILL
COLTON, CITY OF	3601262	1S4W08C02S	BARNHL 18	BNK HILL

SAN BERNARDINO BASIN AREA
CROSS INDEX BY OWNER

OWNER NAME	RECORDATION NUMBER	STATE WELL NUMBER	LOCAL DESIGNATION	BASIN NAME
COLTON, CITY OF	3602405	1S4W08C	19	BNK HILL
COLTON, CITY OF	3602498	1S4W08R07	NO 6B	BNK HILL
COLTON, CITY OF	3602793	1S4W08F01	NO 21	BNK HILL
COLTON, CITY OF	3603704	1S4W08R	26	BNK HILL
CONEJO RANCHOS MUTUAL WATER COMPANY	3601186	1N4W36F03S	1	BNK HILL
COOK CANYON	18	1N3W27R		BNK HILL
CRAFTON WATER COMPANY	3600272	1S2W29N	5TH AVE 1	BNK HILL
CRAFTON WATER COMPANY	3602186	1S2W21L02	2	BNK HILL
CRAM PATTERSON WELL	3600188	1S2W16C	CRAMPAT 2	BNK HILL
CRAM RANCH ASSOCIATES	3600241	1S3W03Q		BNK HILL
CRYSTAL SPRINGS	20	2S2W06D		BNK HILL
DANIELS AND BEST RANCH	3602550	1S3W17R	ALABAMA ST	BNK HILL
DANIELS, DON	175	1S3W19J		BNK HILL
DANIELS, HAROLD	22	1S3W17R	RANCH	BNK HILL
DANIELS, HAROLD	23	1S3W17C	DOMEST. WELL	BNK HILL
DEL ROSA MUTUAL WATER COMPANY	3601809	1N4W26H	GOLDNAV 1	BNK HILL
DEVORE WATER COMPANY	3602382	2N5W28D	1	L CAJON
DEVORE WATER COMPANY	3602383	2N5W28C	2	L CAJON
DEVORE WATER COMPANY	3602384	2N5W28C	3	L CAJON
DEVORE WATER COMPANY	3602385	2N5W20H	MEDLIN CR.	L CAJON
DEVORE WATER COMPANY	3602386	2N5W21E	LETHIN SP.	L CAJON
DEVORE WATER COMPANY	3602387	2N5W22E	E. KIMBARK	L CAJON

SAN BERNARDINO BASIN AREA
CROSS INDEX BY OWNER

OWNER NAME	RECORDATION NUMBER	STATE WELL NUMBER	LOCAL DESIGNATION	BASIN NAME
DEVORE WATER COMPANY	3602388	2N5W21G	KIMBARK	L CAJON
DEVORE WATER COMPANY	3602389	2N5W22N	HOPPER	L CAJON
DEVORE WATER COMPANY	3602390	2N5W28B	SANTA FE	L CAJON
DEVORE WATER COMPANY	3602391	2N5W28D	CASADY	L CAJON
DEVORE WATER COMPANY	3602428	2N5W33H	NO 4	L CAJON
DILLSON MUTUAL WATER COMPANY	25	1N4W24C	DILLSON AVE	DEVIL CAN
DILLSON MUTUAL WATER COMPANY	26	1N4W13P	HARRISON CYN	DEVIL CAN
DILLSON MUTUAL WATER COMPANY	173	1N4W24C	CISCO WELL	DEVIL CAN
DONGLO DAIRY	21	1S4W11F		BNK HILL
EAST BARTON WATER COMPANY	3600608	1S3W28B01S	BARTON	BNK HILL
EAST HIGHLANDS ORANGE COMPANY	29	1N3W35B	BOX SPRING	PLUNGE
EAST HIGHLANDS RANCH, INC.	3600598	1S3W02L	LOCAL 1	BNK HILL
EAST HIGHLANDS RANCH, INC.	3600604	1S2W07B	RANNEY	BNK HILL
EAST HIGHLANDS RANCH, INC.	3600605	1N3W35G	PLUNGE CREEK	PLUNGE
EAST HIGHLANDS RANCH, INC.	3600606	1N3W35K	ELDER GULCH	BNK HILL
EAST HIGHLANDS RANCH, INC.	3600607	1S3W02L	SMALL	BNK HILL
EAST HIGHLANDS RANCH, INC.	3600607-	1S3W02L	SMALL	BNK HILL
EAST HIGHLANDS RANCH, INC.	3602474	1N3W26R	BOX SPRING	PLUNGE
EAST PIONEER MUTUAL WELL COMPANY	3602224	1S3W13P		BNK HILL
EAST VALLEY WATER DISTRICT	30	1N3W30C	PLANT NO 36	BNK HILL
EAST VALLEY WATER DISTRICT	32	1S3W04P	PLANT NO 43	BNK HILL
EAST VALLEY WATER DISTRICT	33	1S3W05R	PLANT NO 44	BNK HILL

SAN BERNARDINO BASIN AREA
CROSS INDEX BY OWNER

OWNER NAME	RECORDATION NUMBER	STATE WELL NUMBER	LOCAL DESIGNATION	BASIN NAME
EAST VALLEY WATER DISTRICT	34	1N3W31A	PLANT NO 45	BNK HILL
EAST VALLEY WATER DISTRICT	35	1S3W05Q	PLANT NO 46	BNK HILL
EAST VALLEY WATER DISTRICT	36	1N4W36H	PLANT NO 52	BNK HILL
EAST VALLEY WATER DISTRICT	37	1S3W06Q	PLANT NO 69	BNK HILL
EAST VALLEY WATER DISTRICT	38	1N3W31D	PLANT NO 70	BNK HILL
EAST VALLEY WATER DISTRICT	39	1S3W06E	PLANT NO 71	BNK HILL
EAST VALLEY WATER DISTRICT	40	1S3W06B	PLANT NO 72	BNK HILL
EAST VALLEY WATER DISTRICT	41	1S3W06C	PLANT NO 74	BNK HILL
EAST VALLEY WATER DISTRICT	42	1S4W02L	PLANT NO 75	BNK HILL
EAST VALLEY WATER DISTRICT	43	1S3W06P	PLANT NO 78	BNK HILL
EAST VALLEY WATER DISTRICT	44	1S3W05Q	PLANT NO 80	BNK HILL
EAST VALLEY WATER DISTRICT	45	1S3W06M	PLANT NO 81	BNK HILL
EAST VALLEY WATER DISTRICT	46	1S3W06Q	PLANT NO 83	BNK HILL
EAST VALLEY WATER DISTRICT	47	1S3W03N	PLANT NO 84	BNK HILL
EAST VALLEY WATER DISTRICT	48	1N4W25D	PLANT NO 85	BNK HILL
EAST VALLEY WATER DISTRICT	49	1S3W03N	PLANT NO 93	BNK HILL
EAST VALLEY WATER DISTRICT	50	1S3W05J	PLANT NO 95	BNK HILL
EAST VALLEY WATER DISTRICT	51	1S4W01D	PLANT NO 96	BNK HILL
EAST VALLEY WATER DISTRICT	52	1S3W06N	PLANT NO 97	BNK HILL
EAST VALLEY WATER DISTRICT	59	1S3W04Q	PLANT NO 106	BNK HILL
EAST VALLEY WATER DISTRICT	76	1S3W06L	LANKERSHIM A	BNK HILL
EAST VALLEY WATER DISTRICT	77	1S3W06F	MCKINLEY ST.	BNK HILL

SAN BERNARDINO BASIN AREA
CROSS INDEX BY OWNER

OWNER NAME	RECORDATION NUMBER	STATE WELL NUMBER	LOCAL DESIGNATION	BASIN NAME
EAST VALLEY WATER DISTRICT	3600026	1S3W04J	PLANT NO 102	BNK HILL
EAST VALLEY WATER DISTRICT	3600058	1S3W03F	PLANT NO 53	BNK HILL
EAST VALLEY WATER DISTRICT	3600183	1S4W02A	PLANT NO 60	BNK HILL
EAST VALLEY WATER DISTRICT	3600220	1S3W01H	PLANT NO 142	BNK HILL
EAST VALLEY WATER DISTRICT	3600221	1N3W30K	PLANT NO 63	BNK HILL
EAST VALLEY WATER DISTRICT	3600269	1N3W31L01S	PLANT NO 68	BNK HILL
EAST VALLEY WATER DISTRICT	3600275	1N3W32B	PLANT NO 64	BNK HILL
EAST VALLEY WATER DISTRICT	3600374	1N3W33M01S	PLANT 138	BNK HILL
EAST VALLEY WATER DISTRICT	3600375	1S3W05D	PLANT 132 CU	BNK HILL
EAST VALLEY WATER DISTRICT	3600376	1S3W05D	PLANT 132 CU	BNK HILL
EAST VALLEY WATER DISTRICT	3600377	1N3W27N08S	PLANT 134 CI	BNK HILL
EAST VALLEY WATER DISTRICT	3600378	1N3W27N02S	PLANT 134 CI	BNK HILL
EAST VALLEY WATER DISTRICT	3600444	1N3W30H01S	PLANT NO 98	BNK HILL
EAST VALLEY WATER DISTRICT	3600466	1S3W04C	PLANT NO 48	BNK HILL
EAST VALLEY WATER DISTRICT	3600545	1N3W30J	PLANT NO 62	BNK HILL
EAST VALLEY WATER DISTRICT	3600643	1N4W25K01	PLANT NO 66	BNK HILL
EAST VALLEY WATER DISTRICT	3600680	1S3W02J	PLANT NO 120	BNK HILL
EAST VALLEY WATER DISTRICT	3600855	1N3W28P01S	PLANT NO 54	BNK HILL
EAST VALLEY WATER DISTRICT	3600864	1N3W19F	PLANT NO 79	BNK HILL
EAST VALLEY WATER DISTRICT	3600925	1S4W01Q01	PLANT NO 100	BNK HILL
EAST VALLEY WATER DISTRICT	3600926	1S4W01F02S	PLANT NO 115	BNK HILL
EAST VALLEY WATER DISTRICT	3600927	1N3W31B01	PLANT NO 116	BNK HILL

SAN BERNARDINO BASIN AREA
CROSS INDEX BY OWNER

OWNER NAME	RECORDATION NUMBER	STATE WELL NUMBER	LOCAL DESIGNATION	BASIN NAME
EAST VALLEY WATER DISTRICT	3600928	1N3W31L02S	PLANT NO 117	BNK HILL
EAST VALLEY WATER DISTRICT	3600930	1N3W31L03S	PLANT NO 118	BNK HILL
EAST VALLEY WATER DISTRICT	3600970	1N3W19G	PLANT NO 57	BNK HILL
EAST VALLEY WATER DISTRICT	3600971	1N3W18R	PLANT NO 58	BNK HILL
EAST VALLEY WATER DISTRICT	3601069	1N3W33M02S	CHURCH	BNK HILL
EAST VALLEY WATER DISTRICT	3601184	1N3W33F01S	PLANT NO 94	BNK HILL
EAST VALLEY WATER DISTRICT	3601582	1S4W02R	PLANT NO 119	BNK HILL
EAST VALLEY WATER DISTRICT	3601584	1N3W33H01S	PLANT NO 47	BNK HILL
EAST VALLEY WATER DISTRICT	3601639	1S3W03R01	PLANT NO 146	BNK HILL
EAST VALLEY WATER DISTRICT	3601643	1S3W03Q	PLANT NO 121	BNK HILL
EAST VALLEY WATER DISTRICT	3601653	1N4W36K04S	PLANT NO 1	BNK HILL
EAST VALLEY WATER DISTRICT	3601654	1N4W36K	PLANT NO 1A	BNK HILL
EAST VALLEY WATER DISTRICT	3601655	1N4W36K05S	PLANT NO 2	BNK HILL
EAST VALLEY WATER DISTRICT	3601656	1N4W36Q01S	PLANT NO 6	BNK HILL
EAST VALLEY WATER DISTRICT	3601657	1S4W01B04S	PLANT NO 7	BNK HILL
EAST VALLEY WATER DISTRICT	3601658	1N4W36R01S	PLANT NO 8	BNK HILL
EAST VALLEY WATER DISTRICT	3601659	1S3W06H01S	PLANT NO 9	BNK HILL
EAST VALLEY WATER DISTRICT	3601660	1S3W06H04S	PLANT NO 9A	BNK HILL
EAST VALLEY WATER DISTRICT	3601661	1S4W01J08S	PLANT NO 10	BNK HILL
EAST VALLEY WATER DISTRICT	3601662	1S4W02Q05S	PLANT NO 11	BNK HILL
EAST VALLEY WATER DISTRICT	3601663	1S4W02Q04S	PLANT NO 12	BNK HILL
EAST VALLEY WATER DISTRICT	3601664	1S4W02N01S	PLANT NO 13	BNK HILL

SAN BERNARDINO BASIN AREA
CROSS INDEX BY OWNER

OWNER NAME	RECORDATION NUMBER	STATE WELL NUMBER	LOCAL DESIGNATION	BASIN NAME
EAST VALLEY WATER DISTRICT	3601665	1S4W01K04S	PLANT NO 14	BNK HILL
EAST VALLEY WATER DISTRICT	3601666	1N4W36F08S	PLANT NO 16	BNK HILL
EAST VALLEY WATER DISTRICT	3601667	1S3W06A05S	PLANT NO 21	BNK HILL
EAST VALLEY WATER DISTRICT	3601668	1S4W01E02S	PLANT NO 22	BNK HILL
EAST VALLEY WATER DISTRICT	3601669	1N4W36H06S	PLANT NO 23	BNK HILL
EAST VALLEY WATER DISTRICT	3601670	1N4W26A01S	PLANT NO 24	BNK HILL
EAST VALLEY WATER DISTRICT	3601671	1N4W26A02S	PLANT NO 24A	BNK HILL
EAST VALLEY WATER DISTRICT	3601672	1N4W25C	PLANT NO 25	BNK HILL
EAST VALLEY WATER DISTRICT	3601673	1N4W25C02S	PLANT NO 25A	BNK HILL
EAST VALLEY WATER DISTRICT	3601674	1N4W25G01S	PLANT NO 26	BNK HILL
EAST VALLEY WATER DISTRICT	3601675	1N4W25A01S	PLANT NO 27	BNK HILL
EAST VALLEY WATER DISTRICT	3601676	1S4W12B05S	PLANT NO 28	BNK HILL
EAST VALLEY WATER DISTRICT	3601677	1S3W05A02S	PLANT NO 31	BNK HILL
EAST VALLEY WATER DISTRICT	3601678	1S3W05B04S	PLANT NO 32	BNK HILL
EAST VALLEY WATER DISTRICT	3601679	1S3W05N05S	PLANT NO 38	BNK HILL
EAST VALLEY WATER DISTRICT	3601781	1S3W06K01S	PLANT NO 35	BNK HILL
EAST VALLEY WATER DISTRICT	3601884	1N3W31C02S	PLANT NO 30	BNK HILL
EAST VALLEY WATER DISTRICT	3601978	1S3W04N	PLANT NO 40	BNK HILL
EAST VALLEY WATER DISTRICT	3601987	1S3W04B	PLANT NO 136	BNK HILL
EAST VALLEY WATER DISTRICT	3602034	1S4W02Q	PLANT NO 12A	BNK HILL
EAST VALLEY WATER DISTRICT	3602113	1N3W30N	PLANT NO 41	BNK HILL
EAST VALLEY WATER DISTRICT	3602174	1S4W02A	PLANT NO 105	BNK HILL

SAN BERNARDINO BASIN AREA
CROSS INDEX BY OWNER

OWNER NAME	RECORDATION NUMBER	STATE WELL NUMBER	LOCAL DESIGNATION	BASIN NAME
EAST VALLEY WATER DISTRICT	3602260	1S3W05D06	PLANT NO 132	BNK HILL
EAST VALLEY WATER DISTRICT	3602274	1N3W30J	PLANT NO 39	BNK HILL
EAST VALLEY WATER DISTRICT	3602337	1N4W26A	PLANT NO 24B	BNK HILL
EAST VALLEY WATER DISTRICT	3602338	1S3W04N	PLANT NO 40A	BNK HILL
EAST VALLEY WATER DISTRICT	3602370	1N4W25F	PLANT NO 107	BNK HILL
EAST VALLEY WATER DISTRICT	3602417	1S3W05D	PLANT NO 132	BNK HILL
EAST VALLEY WATER DISTRICT	3602560	1S3W04G	PLANT NO 136	BNK HILL
EAST VALLEY WATER DISTRICT	3602563	1S4W02Q	PLANT NO 11A	BNK HILL
EAST VALLEY WATER DISTRICT	3602564	1S4W12B	PLANT NO 28A	BNK HILL
EAST VALLEY WATER DISTRICT	3602571	1S3W03F	PLANT NO 122	BNK HILL
EAST VALLEY WATER DISTRICT	3602799	1S2W07F	PLANT NO 125	BNK HILL
EAST VALLEY WATER DISTRICT	3603247	1S3W06P18S	PLANT NO 141	BNK HILL
EAST VALLEY WATER DISTRICT	3603583	1S3W02N02	PLANT NO 143	BNK HILL
EAST VALLEY WATER DISTRICT	3603734	1S3W02P065	PLANT NO 147	BNK HILL
EASTWOOD FARMS COMMUNITY WATER USERS	3602130	1S4W01P01S	1	BNK HILL
EASTWOOD FARMS COMMUNITY WATER USERS	3602131	1S4W01P02S	2	BNK HILL
ELLENA, JOHN B.	54	1N4W08N		DEVIL CAN
ELLGOOD	55	1S2W24C		BNK HILL
ELTINGE & GRAZIADIO	3600766	1S3W29A01	COLTAMA	BNK HILL
ESRI	3602188	1S2W29L	ROLADERA	BNK HILL
F. A. G714R. WELL	3602020	1S2W20K	NO 1 FAR WEL	BNK HILL
FAIRVIEW WATER COMPANY	3600554	1S3W17R	FAIRVIEW WEL	BNK HILL

SAN BERNARDINO BASIN AREA
CROSS INDEX BY OWNER

OWNER NAME	RECORDATION NUMBER	STATE WELL NUMBER	LOCAL DESIGNATION	BASIN NAME
FARROW	56	1S2W22E		BNK HILL
FINCH	57	1S2W29C	FINCH	BNK HILL
FONTANA UNION WATER COMPANY	3600561	1N5W23K01S	FU 1	LYTLE
FONTANA UNION WATER COMPANY	3600562	1N5W22F02S	FU 3	LYTLE
FONTANA UNION WATER COMPANY	3600563	1N5W22C02S	FU 4	LYTLE
FONTANA UNION WATER COMPANY	3600569	1N5W22A01S	FU 13	LYTLE
FONTANA UNION WATER COMPANY	3600579	1N5W22F03S	FU 24	LYTLE
FONTANA UNION WATER COMPANY	3600580	1N5W22F01S	FU 25	LYTLE
FONTANA UNION WATER COMPANY	3600581	1N5W07H01S	FU 26	LYTLE
FONTANA UNION WATER COMPANY	3600582	1N5W06G01S	FU 27	LYTLE
FONTANA UNION WATER COMPANY	3600585	1N5W16K01S	FU 32	LYTLE
FONTANA UNION WATER COMPANY	3600586	1N5W06K02S	FU 33	LYTLE
FONTANA UNION WATER COMPANY	3600588	2N6W26L2	MN 1	
FONTANA UNION WATER COMPANY	3600590	2N6W26L1	MN 2	
FONTANA UNION WATER COMPANY	3600591	1N5W06E		LYTLE
FONTANA UNION WATER COMPANY	3602727	1N5W15Q02S	FU 8	LYTLE
FRIEDEMANN, ERNEST C.	3600747	1N3W31P02S	WELL 1	BNK HILL
FRINK RANCH	3601131	1S3W30K		BNK HILL
GENERAL AMERICAN LIFE INS. COMPANY	3601352	1S3W19N	LANGFORD WEL	BNK HILL
GLADYSTA WELL & WATER COMPANY	3600182	1S3W20H01	1	BNK HILL
GLADYSTA WELL & WATER COMPANY	3600182-	1S3W20H02	1	BNK HILL
GOLCONDA WATER COMPANY	58	1S4W13E		BNK HILL

SAN BERNARDINO BASIN AREA
CROSS INDEX BY OWNER

OWNER NAME	RECORDATION NUMBER	STATE WELL NUMBER	LOCAL DESIGNATION	BASIN NAME
GOLDEN BEAR FOREST PRODUCTS	3602127	1S3W15A01		BNK HILL
GRANT WATER COMPANY	3600075	1S3W28C01	GRANT	BNK HILL
GREENSPOT MUTUAL WATER CO TUNNEL	166	1S2W22C		BNK HILL
GREENSPOT MUTUAL WELL COMPANY	3600266	1S2W16C01	GRNSPTMU	BNK HILL
GUERTH, WILLIAM H.	3600856	1N3W27E	CITY CREEK	BNK HILL
HAGAR	60	1S2W16L		BNK HILL
HAPPE MUTUAL WELL COMPANY	3600238	1S2W29M01	1	BNK HILL
HARDISON	61	1N4W13Q		DEVIL CAN
HARRISON	62	1S3W04J		BNK HILL
HARRISON CANYON	63	1N4W13N		DEVIL CAN
HARRISON CANYON	64	1N4W13N		DEVIL CAN
HAZAS	65	1S4W11G		BNK HILL
HEAD, JOE T.	3600226	1S2W21L01	1	BNK HILL
HELIPORT	66	1S4W15G		BNK HILL
HIGHLAND ACRES RANCH	3600323	1S2W06M	ELEC 1	BNK HILL
HIGHLAND WELL COMPANY	3600184	1N3W27N01	APLIN WELL	BNK HILL
HILL	67	1S2W31B		BNK HILL
HINCKLEY, HORACE P.	3600240	1S2W30B	SOUTH WELL	BNK HILL
HINCKLEY, HORACE P.	3601645	1S2W30B	1	BNK HILL
HOLDEN MUTUAL WATER COMPANY	68	1S4W14E		BNK HILL
HOLDEN MUTUAL WATER COMPANY	69	1S4W14F	HOLDEN AVE.	BNK HILL
HOLLIDAY TRUCKING	3603262	1N4W31M03S	SB # 1	LYTLE

SAN BERNARDINO BASIN AREA
CROSS INDEX BY OWNER

OWNER NAME	RECORDATION NUMBER	STATE WELL NUMBER	LOCAL DESIGNATION	BASIN NAME
HOLMES ICE & COLD STORAGE CO. INC.	3600644	1S4W09B03S	2	BNK HILL
HOLMES ICE & COLD STORAGE CO. INC.	3600645	1S4W09B01S		BNK HILL
HORTON	70	1S3W32J		BNK HILL
HUNTER	71	1S3W03D		BNK HILL
INLAND VALLEY DEVELOPMENT AGENCY	86	1S4W07D	LOCAL NO. 2	BNK HILL
INLAND VALLEY DEVELOPMENT AGENCY	87	1S4W12C	LOCAL NO. 3	BNK HILL
INLAND VALLEY DEVELOPMENT AGENCY	88	1S4W12D	LOCAL NO. 4	BNK HILL
INLAND VALLEY DEVELOPMENT AGENCY	89	1S4W12F	LOCAL NO. 5	BNK HILL
INLAND VALLEY DEVELOPMENT AGENCY	90	1S3W07A	LOCAL NO.11	BNK HILL
INLAND VALLEY DEVELOPMENT AGENCY	91	1S4W12Q	NO NO. WELL	BNK HILL
INLAND VALLEY DEVELOPMENT AGENCY	92	1S4W12G	LOCAL NO. 44	BNK HILL
INLAND VALLEY DEVELOPMENT AGENCY	93	1S3W08E	LOCAL NO.347	BNK HILL
INLAND VALLEY DEVELOPMENT AGENCY	94	1S3W08M	LOCAL NO.865	BNK HILL
INLAND VALLEY DEVELOPMENT AGENCY	3603646	1S4W07D	NORTON 2	BNK HILL
INLAND VALLEY DEVELOPMENT AGENCY	3603647	1S4W12C	NORTON 3	BNK HILL
INLAND VALLEY DEVELOPMENT AGENCY	3603648	1S4W12F	NORTON 5	BNK HILL
INLAND VALLEY DEVELOPMENT AGENCY	3603649	1S3W07A	NORTON 11	BNK HILL
INLAND VALLEY DEVELOPMENT AGENCY	3603650	1S3W18C	GOLF COURSE	BNK HILL
INTER CITY MUTUAL WATER COMPANY	72	1S4W23P		BNK HILL
IOWA STREET WELL	3601932	1S3W29B01		BNK HILL
J. G. GOLFING ENTERPRISES, INC.	3602499	1S4W22A01	PAYNE HOT WE	BNK HILL
J. G. GOLFING ENTERPRISES, INC.	3602846	1S4W22A	KLINE WELL	BNK HILL

SAN BERNARDINO BASIN AREA
CROSS INDEX BY OWNER

OWNER NAME	RECORDATION NUMBER	STATE WELL NUMBER	LOCAL DESIGNATION	BASIN NAME
JACINTO	3601126	1S2W30H	GAY GROVE 4	BNK HILL
JEWEL WATER COMPANY, THE	3600091	1S3W20R	1	BNK HILL
JUDSON MUTUAL WATER COMPANY	3601647	1S3W23A03	1	BNK HILL
K INV./TRUTANIC/Y UN WELL	3601172	1S3W20C	K INV/TRUTAN	BNK HILL
KANSAS STREET MUTUAL WATER COMPANY	3601092	1S3W28E		BNK HILL
KING	73	1N4W14R		DEVIL CAN
KING STREET MUTUAL WELL COMPANY	3600530	1S2W30G01	1	BNK HILL
KING STREET MUTUAL WELL COMPANY	3600530-	1S2W30G02	2	BNK HILL
KOCH	74	1S2W32B		BNK HILL
KOCH, GEORGE J.	3601451	1S2W32G01	1	BNK HILL
KRANTZ DAIRY	75	1S4W11F		BNK HILL
KUHN, RICHARD J	178	1S3W32G		BNK HILL
L.P.R. ICE COMPANY	3602525	1S3W13L		BNK HILL
L.P.R. RANCH	80	1S3W13C		BNK HILL
LA BONTE, JIM	3600865	1N4W24H	MULTOWN2	BNK HILL
LA ROSSE, CHARLES H.	3600708	1S3W29B	GOODWIN	BNK HILL
LA TOURETTE	78	1S2W28M		BNK HILL
LAKESIDE AVENUE MUTUAL WELL COMPANY	3602119	1S3W33C01S	1	BNK HILL
LANGFORD RANCHES	3600524	1S3W17L01S	NEVADA ST	BNK HILL
LANGFORD RANCHES	3600525	1S3W17H01S	ALABAMA	BNK HILL
LANGFORD RANCHES	3600526	1S3W21G01S	LUGONIA	BNK HILL
LANGSTON-NEWBY DEVELOPMENT CO.	3600218	1N4W24A	1	DEVIL CAN

SAN BERNARDINO BASIN AREA
CROSS INDEX BY OWNER

OWNER NAME	RECORDATION NUMBER	STATE WELL NUMBER	LOCAL DESIGNATION	BASIN NAME
LARANNI GUNTER WELL	3600160	1S3W32G01	GUNTER WELL	BNK HILL
LOMA LINDA UNIVERSITY	3601910	1S3W30L	PUFFER	BNK HILL
LOMA LINDA UNIVERSITY	3602008	1S4W26A	1	BNK HILL
LOMA LINDA UNIVERSITY	3602009	1S4W25G01S	3	BNK HILL
LOMA LINDA UNIVERSITY	3602012	1S4W25C01S	6	BNK HILL
LOMA LINDA UNIVERSITY	3602013	1S4W24P	7	BNK HILL
LOMA LINDA UNIVERSITY	3602014	1S4W26J01S	8	BNK HILL
LOMA LINDA UNIVERSITY	3602017	1S4W25E01S	2	BNK HILL
LOMA LINDA UNIVERSITY	3602249	1S4W25D05	ANDERSON	BNK HILL
LOMA LINDA UNIVERSITY	3602781	1S4W25D	ANDERSON II	BNK HILL
LOMA LINDA UNIVERSITY	3602855	1S4W25D07S	ANDERSON III	BNK HILL
LOMA LINDA, CITY OF	3601130	1S3W32D	NICKS WELL	BNK HILL
LOMA LINDA, CITY OF	3601384	1S4W25C	1	BNK HILL
LOMA LINDA, CITY OF	3601388	1S4W25C	COURT ST	BNK HILL
LOMA LINDA, CITY OF	3601989	1S4W24R01S	GOLCONDA WEL	BNK HILL
LOMA LINDA, CITY OF	3602010	1S4W25H02S	LLU 4	BNK HILL
LOMA LINDA, CITY OF	3602011	1S4W25B02S	LLU 5	BNK HILL
LOMA LINDA, CITY OF	3602015	1S4W25B	LLU 9	BNK HILL
LOMA LINDA, CITY OF	3602016	1S4W25G	ROBINSON	BNK HILL
LOMA LINDA, CITY OF	3602057	1S4W25C	MITTLEIDER W	BNK HILL
LOMA LINDA, CITY OF	3602058	1S4W25B	JANZEN CREEK	BNK HILL
LOMA LINDA, CITY OF	3602596	1S4W24R	NEW GOLCONDA	BNK HILL

SAN BERNARDINO BASIN AREA
CROSS INDEX BY OWNER

OWNER NAME	RECORDATION NUMBER	STATE WELL NUMBER	LOCAL DESIGNATION	BASIN NAME
LOMA LINDA, CITY OF	3602759	1S4W24A	MOUNTAIN VIE	BNK HILL
LOMA LINDA, CITY OF	3602760	1S4W24B	MOUNTAIN VIE	BNK HILL
LOMA LINDA, CITY OF	3603057	1S4W24B	RICHARDSON W	BNK HILL
LOMA LINDA, CITY OF	3603058	1S4W24B	RICHARDSON W	BNK HILL
LOMA LINDA, CITY OF	3603523	1S4W24P04S	SOUTH RICHA	BNK HILL
LOMA LINDA, CITY OF	3603719	1S4W24A05S	MTN. VIEW #3	BNK HILL
LOMA LINDA, CITY OF	3603720	1S4W24F	RICHARDSON N	BNK HILL
LOMA LINDA, CITY OF	3603721	1S4W24R08	MTN. VIEW #4	BNK HILL
LORD	79	1S2W28M	SPRING DIV.	BNK HILL
LULY, DR. LUCIAN L.	3601376	1N4W14C	WATERMAN	DEVIL CAN
LULY, DR. LUCIAN L.	3601377	1N4W14C	WATERMAN	DEVIL CAN
LULY, DR. LUCIAN L.	3601378	1N4W14C	WATERMAN	DEVIL CAN
MAJESTIC MANAGEMENT	3601102	1S3W21E	2	BNK HILL
MARIGOLD FARMS COMPANY	3600757	1S3W19H	2	BNK HILL
MARIGOLD FARMS COMPANY	3601749	1S3W19B01	JAP	BNK HILL
MARIGOLD FARMS COMPANY	3601750	1S3W18L	ACQUILLIAN	BNK HILL
MARSHBURN	81	1S3W17G		BNK HILL
MAYBELL, N. O.	3600291	1S4W13E		BNK HILL
MCCALLA BROS	164	1S3W20Q		BNK HILL
MCCALLA, ROBERT	3601839	1S3W10D01S	NO 1	BNK HILL
MEADOWBROOK DAIRY	3600030	1S4W23D	IRRIG 2	BNK HILL
MEADOWBROOK DAIRY	3600037	1S4W23D	DOMESTC 1	BNK HILL

SAN BERNARDINO BASIN AREA
CROSS INDEX BY OWNER

OWNER NAME	RECORDATION NUMBER	STATE WELL NUMBER	LOCAL DESIGNATION	BASIN NAME
MENTONE CITRUS GROVES	3600139	1S2W18R01S	PRH RANCH	BNK HILL
MENTONE CITRUS GROVES	3602280	1S2W18Q		BNK HILL
MENTONE DOMESTIC WATER COMPANY	83	1S2W19J		BNK HILL
MENTONE DOMESTIC WATER COMPANY	176	1S2W19J	3 1971	BNK HILL
MEYER, CHARLES R.	3600760	1N5W01R	1	DEVIL CAN
MILLER MUTUAL WELL COMPANY	3600630	1N3W32D		BNK HILL
MILLER MUTUAL WELL COMPANY	3600630-	1N3W32D		BNK HILL
MOORE, R. H.	84	1S4W24K		BNK HILL
MOUNT VERNON WATER COMPANY	3600319	1N4W31A01S	MT VERNON WE	BNK HILL
MOUNTAIN VIEW POWER COMPANY	3601014	1S3W18N	MOUNTAIN VIE	BNK HILL
MOUNTAIN VIEW POWER COMPANY	3601015	1S3W18N	MOUNTAIN VIE	BNK HILL
MT. VIEW CEMETERY OF SAN BERNARDINO	3600119	1S4W26E	1	BNK HILL
MT. VIEW CEMETERY OF SAN BERNARDINO	3600742	1N4W26N	1	BNK HILL
MT. VIEW CEMETERY OF SAN BERNARDINO	3600742-	1N4W26N	3	BNK HILL
MT. VIEW CEMETERY OF SAN BERNARDINO	3600743	1N4W26M	2	BNK HILL
MT. VIEW CHILD CARE CENTER	145	1S4W24J		BNK HILL
MUSCOY MUTUAL WATER COMPANY, NO. 1	3601497	1N5W23H01S	MUSCOY 1	LYTLE
MUSCOY MUTUAL WATER COMPANY, NO. 1	3601498	1N5W24D01S	NO. 4	LYTLE
MUSCOY MUTUAL WATER COMPANY, NO. 1	3601499	1N5W23A01S	MUSCOY 2	LYTLE
MUSCOY MUTUAL WATER COMPANY, NO. 1	3601500	1N5W23A02S	MUSCOY 3	LYTLE
MUSCOY MUTUAL WATER COMPANY, NO. 1	3602345	1N5W24E	WELL NO 4	LYTLE
NATIONAL ORANGE SHOW	3601924	1S4W15D		BNK HILL

SAN BERNARDINO BASIN AREA
CROSS INDEX BY OWNER

OWNER NAME	RECORDATION NUMBER	STATE WELL NUMBER	LOCAL DESIGNATION	BASIN NAME
NEALEY MUTUAL WATER COMPANY	3601381	1N5W07J		LYTLE
NEW ENGLAND WATER COMPANY	3602320-	1S3W16L		BNK HILL
NICKERSON WATER COMPANY	3600123	1S3W20R01	ALABAMA NO 1	BNK HILL
NICKERSON WATER COMPANY	3600124	1S3W21M01	LUGONIA NO 2	BNK HILL
NO NAME WELL	85	1N3W32M		BNK HILL
NORTH FORK WATER COMPANY	3600678	1S2W08C01S	NO. 1	BNK HILL
NORTH FORK WATER COMPANY	3600679	1S2W08C02S	NO. 2	BNK HILL
NORTH FORK WATER COMPANY	3600681	1N3W27M	CITY CREEK	BNK HILL
NORTH FORK WATER COMPANY	3600765	1N3W33C01	RODDICK WELL	BNK HILL
NORTH FORK WATER COMPANY	3601644	1S3W01A	PLUNGE CR	BNK HILL
NORTHBRAE WATER COMPANY	3600296	1S3W15R01	1	BNK HILL
NORTHSIDE WATER COMPANY	3600933	1S3W23F	1	BNK HILL
NORWOOD	95	1N3W34F		BNK HILL
NYE, WILLIAM H.	3600313	1S2W29N01S	NYE	BNK HILL
OLD TOWN WELL COMPANY	3600493	1S3W29K	NEW WELL 2	BNK HILL
OLD TOWN WELL COMPANY	3600494	1S3W29K	OLD WELL 1	BNK HILL
PACIFIC HIGH SCHOOL	96	1N4W35H		BNK HILL
PAINE, ROBERT T., TRUSTEE	3601642	1S2W30B02S	KING ST	BNK HILL
PATTERSON, ROY H.	163	1N3W34Q		BNK HILL
PAXTON, R. H.	3600468	1S3W30Q	BAHR 1	BNK HILL
PAYNE, LARRY	3603698	2N5W27L01	OWNER'S #1	L CAJON
PAYNE, LARRY	3603699	2N5W27L02	OWNER'S #2	L CAJON

SAN BERNARDINO BASIN AREA
CROSS INDEX BY OWNER

OWNER NAME	RECORDATION NUMBER	STATE WELL NUMBER	LOCAL DESIGNATION	BASIN NAME
PAYNE, LARRY	3603700	2N5W27L03	OWNER'S #3	L CAJON
PENN WELL COMPANY	3601099	1S3W22F	1	BNK HILL
PENN WELL COMPANY	3601405	1S3W22F	2	BNK HILL
PHARAOH POWELL WATER COMPANY	3600415	1S3W29J01		BNK HILL
PHARAOHS LOST KINGDOM	3602549	1S3W19J	CALIF STREET	BNK HILL
PIERSON	97	1N4W35N		BNK HILL
PIONEER MUTUAL WATER COMPANY	3600642	1S3W14P01	SBDNO 1	BNK HILL
QUALITY FARMS	53	1S3W04R	NO. 102	BNK HILL
RAMIREZ BROTHERS	3601728	1S3W30K	FRINK	BNK HILL
RAMIREZ, CARLOS	3601649	1S3W28M	HOOVER	BNK HILL
RAMIREZ, CARLOS	3601649-	1S3W28M	HOOVER	BNK HILL
RAMIREZ, J. J.	3600484	1S3W16F	BUCKEYE 2	BNK HILL
RAMIREZ, J. J.	3600527	1S3W16A	MIDAS	BNK HILL
RAMIREZ, J. J.	3601046	1S3W21A	OLD	BNK HILL
RAMIREZ, J. J.	3601046-	1S3W21A	1/NEW	BNK HILL
RAMIREZ, J. J.	3601171	1S3W20F	1	BNK HILL
RAMSEY	98	1S2W22F	SPRING DIV	BNK HILL
RANCHO CITRUS AMIGOS	3601753	1S3W29D	PARK AVE 1	BNK HILL
RAUGHT MUTUAL WELL COMPANY	3602193	1S3W14R01	RAUGHT	BNK HILL
REDLANDS ASSOCIATES	99	1S2W17B	#0	BNK HILL
REDLANDS ASSOCIATES	100	1S2W09P	BLOCK NO. 6	BNK HILL
REDLANDS ASSOCIATES	101	1S2W09L	BLOCK NO. 11	BNK HILL

SAN BERNARDINO BASIN AREA
CROSS INDEX BY OWNER

OWNER NAME	RECORDATION NUMBER	STATE WELL NUMBER	LOCAL DESIGNATION	BASIN NAME
REDLANDS ASSOCIATES	102	1S2W09L	TUNNEL DIV.	BNK HILL
REDLANDS COUNTRY CLUB	3600049	1S3W25N	MORRISON WEL	BNK HILL
REDLANDS COUNTRY CLUB	3600049-	1S3W25N	HOBBS WELL	BNK HILL
REDLANDS TRAP/SKEET	3600628	1S3W15G	1	BNK HILL
REDLANDS UNIFIED SCHOOL DISTRICT	3601641	1S2W30C01S	OPAL ST	BNK HILL
REDLANDS WATER COMPANY	104	1S2W08A	REDLANDS WAT	BNK HILL
REDLANDS, CITY OF	103	1S2W13B	MILL CREEK D	BNK HILL
REDLANDS, CITY OF	3600005	1S3W35H08S	LUETCKE	BNK HILL
REDLANDS, CITY OF	3600006	1S2W19G01S	EAST LUGONIA	BNK HILL
REDLANDS, CITY OF	3600019	1S3W23A	GR REES NO 1	BNK HILL
REDLANDS, CITY OF	3600038	1S2W17N	DRY CREEK DI	BNK HILL
REDLANDS, CITY OF	3600085	1S3W28J01	NY ST 1	BNK HILL
REDLANDS, CITY OF	3600510	1S3W21K01	1	BNK HILL
REDLANDS, CITY OF	3600748	1S3W24A01	OLD WELL 1	BNK HILL
REDLANDS, CITY OF	3600749	1S3W13Q	MENTONE ACRE	BNK HILL
REDLANDS, CITY OF	3600756	1S3W19L	MISSION #1	BNK HILL
REDLANDS, CITY OF	3600918	2S3W01D	REDLANDS HEI	BNK HILL
REDLANDS, CITY OF	3601281	1S2W21M01S	MAGUET 1	BNK HILL
REDLANDS, CITY OF	3601282	1S1W08G01	1 - MILL CRE	MILL CRK
REDLANDS, CITY OF	3601283	1S2W22C02S	EAST LUGONIA	BNK HILL
REDLANDS, CITY OF	3601284	1S2W21E01S	MAGUET 2	BNK HILL
REDLANDS, CITY OF	3601285	1S1W10L1	2 MILL CREEK	MILL CRK

SAN BERNARDINO BASIN AREA
CROSS INDEX BY OWNER

OWNER NAME	RECORDATION NUMBER	STATE WELL NUMBER	LOCAL DESIGNATION	BASIN NAME
REDLANDS, CITY OF	3601286	1S2W21D	MAGUET 3	BNK HILL
REDLANDS, CITY OF	3601287	1S2W21B	EAST LUGONIA	BNK HILL
REDLANDS, CITY OF	3601288	1S1W11Q1	4 MILL CREEK	MILL CRK
REDLANDS, CITY OF	3601289	1S3W35E	4R	BNK HILL
REDLANDS, CITY OF	3601290	1S2W21D01S	EAST LUGONIA	BNK HILL
REDLANDS, CITY OF	3601291	1S3W35G08S	10	BNK HILL
REDLANDS, CITY OF	3601292	1S3W35G07S	11	BNK HILL
REDLANDS, CITY OF	3601293	1S3W35H02S	12	BNK HILL
REDLANDS, CITY OF	3601294	1S3W35G09S	13	BNK HILL
REDLANDS, CITY OF	3601295	1S3W35H04S	14	BNK HILL
REDLANDS, CITY OF	3601296	1S3W35H03S	16	BNK HILL
REDLANDS, CITY OF	3601297	1S3W35G11S	17	BNK HILL
REDLANDS, CITY OF	3601298	1S3W21H01S	32	BNK HILL
REDLANDS, CITY OF	3601299	1S4W24K01S	34	BNK HILL
REDLANDS, CITY OF	3601300	1S3W27E02S	40	BNK HILL
REDLANDS, CITY OF	3601301	1S3W28H01S	41	BNK HILL
REDLANDS, CITY OF	3601302	1S2W14N	MILL CREEK D	BNK HILL
REDLANDS, CITY OF	3601308	1S2W19K01S	AGATE WELL N	BNK HILL
REDLANDS, CITY OF	3601586	1S3W15F02S	ORANGE 5	BNK HILL
REDLANDS, CITY OF	3601636	1S3W19N	LANGFORD	BNK HILL
REDLANDS, CITY OF	3601637	1S3W30D	PTRSON WELL	BNK HILL
REDLANDS, CITY OF	3602031	1S3W21H	WELL 30A	BNK HILL

SAN BERNARDINO BASIN AREA
CROSS INDEX BY OWNER

OWNER NAME	RECORDATION NUMBER	STATE WELL NUMBER	LOCAL DESIGNATION	BASIN NAME
REDLANDS, CITY OF	3602032	1S3W22A	WELL NO 35	BNK HILL
REDLANDS, CITY OF	3602036	1S3W21H	31-A	BNK HILL
REDLANDS, CITY OF	3602065	1S3W32J02S	LEE WELL	BNK HILL
REDLANDS, CITY OF	3602082	2S3W03K	WELL NO 36	BNK HILL
REDLANDS, CITY OF	3602106	1S3W22A01S		BNK HILL
REDLANDS, CITY OF	3602211	1S3W26C	NO 37 SYLVAN	BNK HILL
REDLANDS, CITY OF	3602346	1S3W28J02	NEW YORK ST	BNK HILL
REDLANDS, CITY OF	3602351	1S2W13A	O - A MILL C	BNK HILL
REDLANDS, CITY OF	3602653	1S2W19J	KNARR WELL	BNK HILL
REDLANDS, CITY OF	3602654	1S2W19J	CRAFTON AVE	BNK HILL
REDLANDS, CITY OF	3602791	1S2W20B01	EAST LUGONIA	BNK HILL
REDLANDS, CITY OF	3602792	1S2W19A01	AGATE NO 2	BNK HILL
REDLANDS, CITY OF	3602895	1S3W13H	AIRPORT WELL	BNK HILL
REDLANDS, CITY OF	3602896	1S2W20D	MADEIRA WELL	BNK HILL
REDLANDS, CITY OF	3603045	1S1W09J01	MILL CREEK N	MILL CRK
REDLANDS, CITY OF	3603655	1S3W29Q01S	38	BNK HILL
REDLANDS, CITY OF	3603656	1S3W14E01S	CHURCH STREE	BNK HILL
REDLANDS, CITY OF	3603760	1S3W29Q02S	39	BNK HILL
REES & PERRICONE RANCH	3602171	1S2W18M	1	BNK HILL
REGINA GRAPE PRODUCTS	105	1N5W04M	WELL NO. 1	LYTLE
REGINA GRAPE PRODUCTS	106	1N5W04N	WELL NO. 2	LYTLE
REGINA GRAPE PRODUCTS	107	1N5W04N	WELL NO. 3	LYTLE

SAN BERNARDINO BASIN AREA
CROSS INDEX BY OWNER

OWNER NAME	RECORDATION NUMBER	STATE WELL NUMBER	LOCAL DESIGNATION	BASIN NAME
REGINA GRAPE PRODUCTS	108	1N5W05C	SPRING DIV.	LYTLE
REGINA GRAPE PRODUCTS	109	1N5W05R	WELL NO. 4	LYTLE
REGINA GRAPE PRODUCTS	110	1N5W04N	WELL NO. 5	LYTLE
REGINA GRAPE PRODUCTS	111	1N5W04N	WELL NO. 6	LYTLE
REGINA GRAPE PRODUCTS	112	1N5W04N	WELL NO. 7	LYTLE
REYNOLDS, BILL	3600981	1S2W21H01		BNK HILL
RIALTO, CITY OF	3601085	1N4W31N	CITY NO 4	LYTLE
RIALTO, CITY OF	3601263	1N5W23Q01S	CITY NO 1	LYTLE
RIALTO, CITY OF	3601718	1N5W22M	LYTLE CREEK	LYTLE
RIALTO, CITY OF	3601929	1S4W06C04S	CITY #6	BNK HILL
RIALTO, CITY OF	3602080	1N5W23Q	CITY NO 2	LYTLE
RIALTO, CITY OF	3602848	1N5W36B01S	CITY NO 3	LYTLE
RIALTO, CITY OF	3603030	1S4W06B01S	CITY # 5	BNK HILL
RIALTO, CITY OF	3603538	1S4W06H	CITY #4	BNK HILL
RIEDMAN, FRED M.	3601629	1S3W03P00S	1	BNK HILL
RIVAS	113	1S4W24J		BNK HILL
RIVAS, RAMON	3600016	1S4W24J	REES 4	BNK HILL
ROBBINS, H. W.	3602170	1S2W31M		BNK HILL
RULE	114	1N3W34K	SPRING	BNK HILL
SAN BERNARDINO AVENUE WATER COMPANY	3600125	1S3W14P	1	BNK HILL
SAN BERNARDINO VALLEY MWD	3603116	1S3W13R01S	SAN BERNARDI	BNK HILL
SAN BERNARDINO VALLEY MWD	3603141	1S4W04E	9TH STREET W	BNK HILL

SAN BERNARDINO BASIN AREA
CROSS INDEX BY OWNER

OWNER NAME	RECORDATION NUMBER	STATE WELL NUMBER	LOCAL DESIGNATION	BASIN NAME
SAN BERNARDINO VALLEY MWD	3603174	1S4W04F02	PERRIS STREE	BNK HILL
SAN BERNARDINO, CITY OF	115	1S4W21A	SEWER PLANT	BNK HILL
SAN BERNARDINO, CITY OF	116	1S4W22C	SEWER PLANT	BNK HILL
SAN BERNARDINO, CITY OF	3600034	1S4W16H	SMITH 1	BNK HILL
SAN BERNARDINO, CITY OF	3600035	1S4W15M03		BNK HILL
SAN BERNARDINO, CITY OF	3600222	1S4W11Q01S	MACFARLAND J	BNK HILL
SAN BERNARDINO, CITY OF	3600320	1N5W22M	MOUNT VERNON	LYTLE
SAN BERNARDINO, CITY OF	3600709	2N5W19Q01	VINCENT	L CAJON
SAN BERNARDINO, CITY OF	3600710	2N5W19K01	CAJON CANYON	L CAJON
SAN BERNARDINO, CITY OF	3600711	1N4W07F01S	DEVIL CANYON	DEVIL CAN
SAN BERNARDINO, CITY OF	3600712	1N4W08M01S	DEVIL CANYON	DEVIL CAN
SAN BERNARDINO, CITY OF	3600713	1N5W36R01S	LYTLE CREEK	LYTLE
SAN BERNARDINO, CITY OF	3600714	1N4W16E01S	NEWMARK NO 1	DEVIL CAN
SAN BERNARDINO, CITY OF	3600715	1N4W16E	NEWMARK NO 2	DEVIL CAN
SAN BERNARDINO, CITY OF	3600716	1N4W16E03S	NEWMARK NO 3	DEVIL CAN
SAN BERNARDINO, CITY OF	3600717	1N4W32D03S	19TH STREET	BNK HILL
SAN BERNARDINO, CITY OF	3600718	1N4W32D04S	19TH STREET	BNK HILL
SAN BERNARDINO, CITY OF	3600719	1N4W27G01S	30TH STREET	BNK HILL
SAN BERNARDINO, CITY OF	3600720	1N4W27M02S	27TH STREET	BNK HILL
SAN BERNARDINO, CITY OF	3600721	1N4W27M01S	NORTH E STRE	BNK HILL
SAN BERNARDINO, CITY OF	3600722	1S4W03D01S	ACACIA	BNK HILL
SAN BERNARDINO, CITY OF	3600723	1S4W10F01S	HANFORD 1	BNK HILL

SAN BERNARDINO BASIN AREA
CROSS INDEX BY OWNER

OWNER NAME	RECORDATION NUMBER	STATE WELL NUMBER	LOCAL DESIGNATION	BASIN NAME
SAN BERNARDINO, CITY OF	3600724	1S4W10F05S	HANFORD NO 2	BNK HILL
SAN BERNARDINO, CITY OF	3600725	1N4W34G01S	17TH STREET	BNK HILL
SAN BERNARDINO, CITY OF	3600726	1N4W34G03S	16TH STREET	BNK HILL
SAN BERNARDINO, CITY OF	3600727	1N4W26G	LYNWOOD	BNK HILL
SAN BERNARDINO, CITY OF	3600728	1N4W27A01S	WATERMAN AVE	BNK HILL
SAN BERNARDINO, CITY OF	3600729	1N4W35M03S	GILBERT STRE	BNK HILL
SAN BERNARDINO, CITY OF	3600730	1S4W02K01S	ANTIL WELL N	BNK HILL
SAN BERNARDINO, CITY OF	3600731	1S4W02K02S	ANTIL WELL N	BNK HILL
SAN BERNARDINO, CITY OF	3600732	1S4W02K05S	ANTIL 2	BNK HILL
SAN BERNARDINO, CITY OF	3600733	1S4W02K04S	ANTIL 1	BNK HILL
SAN BERNARDINO, CITY OF	3600734	1S4W02K03S	ANTIL 4	BNK HILL
SAN BERNARDINO, CITY OF	3600735	1S4W09P01S	BIRCH ST	BNK HILL
SAN BERNARDINO, CITY OF	3600736	1S4W09J01S	SO G ST	BNK HILL
SAN BERNARDINO, CITY OF	3600737	1S4W10N06S	MILL & D	BNK HILL
SAN BERNARDINO, CITY OF	3600738	1N4W06J	D C DIVERSIO	DEVIL CAN
SAN BERNARDINO, CITY OF	3600739	1N5W06E	LYTLE CREEK	LYTLE
SAN BERNARDINO, CITY OF	3601114	1N4W35C01S	PERRIS HILL	BNK HILL
SAN BERNARDINO, CITY OF	3601115	1N4W26P03S	PERRIS HILL	BNK HILL
SAN BERNARDINO, CITY OF	3601116	1N4W35C02S	PERRIS HILL	BNK HILL
SAN BERNARDINO, CITY OF	3601117	1N4W35C03S	PERRIS HILL	BNK HILL
SAN BERNARDINO, CITY OF	3601316	1S4W23N	1	BNK HILL
SAN BERNARDINO, CITY OF	3601588	1N4W31H	WELL NO 1 ST	BNK HILL

SAN BERNARDINO BASIN AREA
CROSS INDEX BY OWNER

OWNER NAME	RECORDATION NUMBER	STATE WELL NUMBER	LOCAL DESIGNATION	BASIN NAME
SAN BERNARDINO, CITY OF	3601626	1S4W10D01	CITYLOTS	BNK HILL
SAN BERNARDINO, CITY OF	3601843	1N5W03H01S	CAJON NO 1	L CAJON
SAN BERNARDINO, CITY OF	3601844	1N5W03A02	CAJON NO 2	L CAJON
SAN BERNARDINO, CITY OF	3601845	1N4W30M	MALLORY	LYTLE
SAN BERNARDINO, CITY OF	3601878	1N4W29E01S	DARBY	BNK HILL
SAN BERNARDINO, CITY OF	3601879	1N4W29N	GARDENA	BNK HILL
SAN BERNARDINO, CITY OF	3601880	1N4W29F01S	COLIMA	BNK HILL
SAN BERNARDINO, CITY OF	3602060	1S4W24L	BENNETT WELL	BNK HILL
SAN BERNARDINO, CITY OF	3602066	1S4W02B	1	BNK HILL
SAN BERNARDINO, CITY OF	3602067	1N4W35K	2-GILBERT/CA	BNK HILL
SAN BERNARDINO, CITY OF	3602081	1N4W27B	31 ST	BNK HILL
SAN BERNARDINO, CITY OF	3602122	1S4W23R03S	ROSEWOOD	BNK HILL
SAN BERNARDINO, CITY OF	3602123	1S4W14J	NORMAN ROAD	BNK HILL
SAN BERNARDINO, CITY OF	3602124	1S4W14J	CENTRAL	BNK HILL
SAN BERNARDINO, CITY OF	3602125	1S4W24F04S	GOULD STREET	BNK HILL
SAN BERNARDINO, CITY OF	3602126	1S4W24F	GOULD STREET	BNK HILL
SAN BERNARDINO, CITY OF	3602128	1S4W14A	GIFFORD PARK	BNK HILL
SAN BERNARDINO, CITY OF	3602205	1N4W06H01S	DEVIL 4	DEVIL CAN
SAN BERNARDINO, CITY OF	3602206	1N4W06H02S	DEVIL 3	DEVIL CAN
SAN BERNARDINO, CITY OF	3602252	1S4W14B	2	BNK HILL
SAN BERNARDINO, CITY OF	3602264	1N4W27N01S	23RD STREET	BNK HILL
SAN BERNARDINO, CITY OF	3602265	1S4W03J	7TH STREET	BNK HILL

SAN BERNARDINO BASIN AREA
CROSS INDEX BY OWNER

OWNER NAME	RECORDATION NUMBER	STATE WELL NUMBER	LOCAL DESIGNATION	BASIN NAME
SAN BERNARDINO, CITY OF	3602285	1S4W15D05	15D5	BNK HILL
SAN BERNARDINO, CITY OF	3602399	1N4W16E	NEWMARK 4	DEVIL CAN
SAN BERNARDINO, CITY OF	3602400	1N4W32N	E-6W BASELIN	BNK HILL
SAN BERNARDINO, CITY OF	3602401	1N4W27A	LEROY	BNK HILL
SAN BERNARDINO, CITY OF	3602422	1S4W02K08S	ANTIL 6	BNK HILL
SAN BERNARDINO, CITY OF	3602426	2N5W19K	C.C. DIV.	L CAJON
SAN BERNARDINO, CITY OF	3602521	1S4W23P	WELL NO 2	BNK HILL
SAN BERNARDINO, CITY OF	3602712	1N4W08P	ELLENA BROS	DEVIL CAN
SAN BERNARDINO, CITY OF	3602821	1N5W03A02	CAJON # 3/ST	L CAJON
SAN BERNARDINO, CITY OF	3602844	1N4W08M02	DEVIL CANYON	DEVIL CAN
SAN BERNARDINO, CITY OF	3603027	1N5W36J01S	LYTLE CREEK	LYTLE
SAN BERNARDINO, CITY OF	3603206	1S4W04D02	OLIVE/GARNER	BNK HILL
SAN BERNARDINO, CITY OF	3603207	1S4W04C	10TH & J STR	BNK HILL
SAN BERNARDINO, CITY OF	3603208	1N4W34G04	17TH & SIERR	BNK HILL
SAN BERNARDINO, CITY OF	3603471	2N5W19R	KENWOOD	L CAJON
SAN BERNARDINO, CITY OF	3603472	1N4W14P01S	40TH & VALEN	DEVIL CAN
SAN BERNARDINO, CITY OF	3603579	1N4W05D	DEVIL CANYON	DEVIL CAN
SAN BERNARDINO, CITY OF	3603580	1N4W05D	DEVIL CANYON	DEVIL CAN
SAN BERNARDINO, CITY OF	3603581	1S4W22C05	CENTURY	BNK HILL
SAN BERNARDINO, CITY OF	3603582	1S4W15P05	CHANDLER	BNK HILL
SAN BERNARDINO, CITY OF	3603688	1S4W03D04S	EPA 1	BNK HILL
SAN BERNARDINO, CITY OF	3603689	1S4W03C03S	EPA 2	BNK HILL

SAN BERNARDINO BASIN AREA
CROSS INDEX BY OWNER

OWNER NAME	RECORDATION NUMBER	STATE WELL NUMBER	LOCAL DESIGNATION	BASIN NAME
SAN BERNARDINO, CITY OF	3603690	1S4W03C04S	EPA 3	BNK HILL
SAN BERNARDINO, CITY OF	3603691	1S4W03B03S	EPA 4	BNK HILL
SAN BERNARDINO, CITY OF	3603692	1S4W03A04S	EPA 5	BNK HILL
SAN BERNARDINO, CITY OF	3603693	1S4W16M03S	EPA 6	BNK HILL
SAN BERNARDINO, CITY OF	3603694	1S4W16M04S	EPA 7	BNK HILL
SAN BERNARDINO, COUNTY OF	1	1S4W14A	AEROSPACE	BNK HILL
SAN BERNARDINO, COUNTY OF	19	1N4W35F	COUNTY HOSP	BNK HILL
SAN BERNARDINO, COUNTY OF	117	2N5W33F	GLEN HELEN 3	L CAJON
SAN BERNARDINO, COUNTY OF	118	2N5W33G	GLEN HELEN 4	L CAJON
SAN BERNARDINO, COUNTY OF	177	1N5W04B	GLEN HELEN 2	L CAJON
SAN MANUEL INDIAN RESERVATION	119	1N3W20N		BNK HILL
SAN MANUEL INDIAN RESERVATION	160	1N3W19R	DOMESTIC	BNK HILL
SAN MANUEL INDIAN RESERVATION	161	1N3W19R		BNK HILL
SAN MANUEL INDIAN RESERVATION	162	1N3W19R	YORK TUNNEL	BNK HILL
SANDYS RESTAURANT	165	1S3W21M2		
SANTINI	120	1S4W14A		BNK HILL
SARATOGA DEVELOPMENT COMPANY	28	1S2W06Q	TUNNEL DIVER	BNK HILL
SATOSKI, DOCTOR	121	1N4W14J		DEVIL CAN
SECHREST, RALPH F.	3600483	1S2W31F	GPHRRCH 1	BNK HILL
SELBY, DR. & MRS. ARTHUR	3600017	1S2W29P	GR REES 3	BNK HILL
SELBY, DR. & MRS. ARTHUR	3600018	1S2W29P	GR REES 2	BNK HILL
SELEY	122	1N3W19Q	TUNNEL DIV.	BNK HILL

SAN BERNARDINO BASIN AREA
CROSS INDEX BY OWNER

OWNER NAME	RECORDATION NUMBER	STATE WELL NUMBER	LOCAL DESIGNATION	BASIN NAME
SIX HOUSES	123	1S4W22A		BNK HILL
SMITH	124	1N4W14J		DEVIL CAN
SMITH MEAT PACKING PLANT	126	1S4W22M01		BNK HILL
SMITH TRACT WELL COMPANY	3600001	1S3W21R	11	BNK HILL
SMITH TRACT WELL COMPANY	3600001-	1S3W21R		BNK HILL
SMITH,	125	1S3W02J		BNK HILL
SOJKA, DONALD R	3601173	1S3W32K		BNK HILL
SOLANO WELL NO. 1	3600187	1S2W09Q	SOLANO # 1	BNK HILL
SOLANO WELL NO. 3	3602003	1S2W16C	3	BNK HILL
SOMERS, R.	3601093	1N4W24H	SPRING	BNK HILL
SOUTHERN CALIFORNIA EDISON COMPANY	3600651	1S3W28L		BNK HILL
SOUTHERN CALIFORNIA EDISON COMPANY	3601012	1S4W08R	STM PL 1	BNK HILL
SOUTHERN CALIFORNIA EDISON COMPANY	3601013	1S4W08R	STM PL 2	BNK HILL
SOUTHERN CALIFORNIA EDISON COMPANY	3601016	1S4W22G01S	THORN 1	BNK HILL
SOUTHERN CALIFORNIA EDISON COMPANY	3690723	1S4W10F01S	HANFORD 1	BNK HILL
SOUZA, JOHN	3601084	1S2W20K		BNK HILL
STANLEY, SILAS	127	1S2W24H		BNK HILL
STEWART, WILLARD	128	1S3W31D		BNK HILL
STORKSON, WILLIAM F.	3600083	1N5W06P	1 LONGACRES	LYTLE
STORKSON, WILLIAM F.	3602664	1N5W06M01S	SPRING NO 1	LYTLE
STRAWBERRY PATCH	129	1S3W03N		BNK HILL
STRAWBERRY PATCH	130	1S3W03N		BNK HILL

SAN BERNARDINO BASIN AREA
CROSS INDEX BY OWNER

OWNER NAME	RECORDATION NUMBER	STATE WELL NUMBER	LOCAL DESIGNATION	BASIN NAME
SUNRISE RANCH PART C/O LIFE DEVELOPMENT	3600599	1S2W13C	SUNRISE WELL	BNK HILL
SUNRISE RANCH PART C/O LIFE DEVELOPMENT	3600600	1S2W14L	SUNRISE 2	BNK HILL
SUNRISE RANCH PART C/O LIFE DEVELOPMENT	3600601	1S2W14F	SUNRISE 3A	BNK HILL
SUNRISE RANCH PART C/O LIFE DEVELOPMENT	3600602	1S2W15P	SUNRISE 4	BNK HILL
SUNRISE RANCH PART C/O LIFE DEVELOPMENT	3600603	1S2W15G	SUNRISE 5	BNK HILL
SUNRISE RANCH PART C/O LIFE DEVELOPMENT	3601640	1S2W14N	SUNRISE WELL	BNK HILL
SUNRISE RANCH PART C/O LIFE DEVELOPMENT	3601969	1S2W14L	SUNRISE 7	BNK HILL
SUPERIOR ORCHARDS	131	1N3W29B	TUNNEL DIV.	BNK HILL
SYCAMORE HEIGHTS WATER COMPANY, INC.	3601837	1N3W34C	HERCULES	BNK HILL
SYCAMORE HEIGHTS WATER COMPANY, INC.	3601838	1N3W34C	WALKISHA	BNK HILL
TENNESSEE MUTUAL WELL COMPANY	3601161	1S3W16K	PIONEER 1	BNK HILL
TENNESSEE WATER COMPANY	3600474	1S3W16L	WELL NO 1	BNK HILL
TERRACE WATER COMPANY	3601684	1S4W08F06S	LARGE 1	BNK HILL
TERRACE WATER COMPANY	3601684-	1S4W08F	WELL NO 1 -	BNK HILL
TERRACE WATER COMPANY	3601685	1S4W08F	SMALL 2	BNK HILL
TERRACE WATER COMPANY	3601686	1S4W08F	WELL NO 2 -	BNK HILL
TEXACO GAS STATION	27	1S4W24J		BNK HILL
THOMPSON RANDALL	132	1N3W28A	SPRING DIV.	
TILDEN, M. WILLIAM	3602074	1N3W34B02	IRRIG. 1	BNK HILL
TILDEN, M. WILLIAM	3602075	1N3W34B01	DOM. 2	BNK HILL
TRI CITY CONCRETE	3600935	1N4W31N		LYTLE
TRI CITY CONCRETE	3601309	1S4W05M	PLANT	BNK HILL

SAN BERNARDINO BASIN AREA
CROSS INDEX BY OWNER

OWNER NAME	RECORDATION NUMBER	STATE WELL NUMBER	LOCAL DESIGNATION	BASIN NAME
TRI CITY MUTUAL WATER COMPANY	133	1S4W23N		BNK HILL
TRI CITY MUTUAL WATER COMPANY	3601823	1S4W23N		BNK HILL
TRIPLE FALLS MUTUAL WATER COMPANY	134	1S1W19G		BNK HILL
TRIPLE FALLS MUTUAL WATER COMPANY	135	1S1W20D		MILL CRK
TRIPLE FALLS MUTUAL WATER COMPANY	136	1S1W20D		MILL CRK
TROJAN GROVES	3600451	1S3W15M		BNK HILL
U.S. FOREST SERVICE	137	1N4W13Q	MAINT. YARD	DEVIL CAN
U.S. FOREST SERVICE	138	1S2W13P	MILL CREEK	BNK HILL
UNGER, V.E.	3601168	1S4W26F		BNK HILL
UNIVERSITY OF REDLANDS	139	1S2W17A	PEPPER HOUSE	BNK HILL
VALENCIA AVE. MUTUAL WATER COMPANY	140	1N4W23K	WATERMAN AVE	BNK HILL
VALLEY FARMS MUTUAL WATER COMPANY	141	1S4W15R	NO 1 WASHTN	BNK HILL
VALLEY FARMS MUTUAL WATER COMPANY	142	1S4W15Q	NO 2 WELL	BNK HILL
VAN MEETER	146	1S3W02P	OLD WELL	BNK HILL
VAN MEETER	147	1S3W02P	NEW WELL	BNK HILL
VANLEUVEN, CLARENCE	143	1S4W24J		BNK HILL
VICTORIA FARMS MUTUAL WATER COMPANY	3602112	1S4W13R01S		BNK HILL
VICTORIA FARMS MUTUAL WATER COMPANY	3602247	1S4W13R03	2	BNK HILL
VICTORIA FARMS MUTUAL WATER COMPANY	3602574	1S4W13R	#3 WELL	BNK HILL
VICTORIA FARMS MUTUAL WATER COMPANY	3602714	1S4W13R	1	BNK HILL
VICTORIA GUERNSEY	3600399	1S4W02D	1	BNK HILL
VICTORIA SEVENTH DAY ADVENTIST	144	1S4W24J		BNK HILL

SAN BERNARDINO BASIN AREA
CROSS INDEX BY OWNER

OWNER NAME	RECORDATION NUMBER	STATE WELL NUMBER	LOCAL DESIGNATION	BASIN NAME
WALLACE	148	1N4W14J		DEVIL CAN
WARD, FLOYD	149	1S1W18N	WELL NO. 1	BNK HILL
WARD, FLOYD	150	1S1W18P	WELL NO. 2	BNK HILL
WARD, FLOYD	151	1S1W18P	WELL NO. 3	BNK HILL
WARD, FLOYD	152	1S1W18N	WELL NO. 4	BNK HILL
WARD, FLOYD	153	1S1W18M	WELL NO. 6	MILL CRK
WARD, FLOYD	154	1S1W18P	LATERAL SPR	BNK HILL
WARMINGTON, ROBERT P.	3600270	1S3W20P	ORANGEDALE	BNK HILL
WEATHERWAX, W. G.	3600652	1S3W15N01S	REDLANDS	BNK HILL
WEST SAN BDNO. COUNTY WATER DIST.	3600302	1N5W26A01S	WELL NO 3	LYTLE
WEST SAN BDNO. COUNTY WATER DIST.	3600303	1N5W26B01S	LOWER 4	LYTLE
WEST SAN BDNO. COUNTY WATER DIST.	3600304	1N5W26A03S	WELL NO 4	LYTLE
WEST SAN BDNO. COUNTY WATER DIST.	3600305	1N5W25E01S	WELL NO 5	LYTLE
WEST SAN BDNO. COUNTY WATER DIST.	3600306	1N5W23P02S	UPPER 2	LYTLE
WEST SAN BDNO. COUNTY WATER DIST.	3600307	1N5W23P04S	WELL NO 1	LYTLE
WEST SAN BDNO. COUNTY WATER DIST.	3600312	1N5W22M	LYTLE CREEK	LYTLE
WEST SAN BDNO. COUNTY WATER DIST.	3600996	1N5W36J03S	NO 8	LYTLE
WEST SAN BDNO. COUNTY WATER DIST.	3600997	1N5W36H04S	WELL NO 7	LYTLE
WEST SAN BDNO. COUNTY WATER DIST.	3600998	1N5W25E02S	FERG 1	LYTLE
WEST SAN BDNO. COUNTY WATER DIST.	3600999	1S4W06J01S	WELL NO 14	BNK HILL
WEST SAN BDNO. COUNTY WATER DIST.	3601000	1S4W06J02S	WELL NO 12	BNK HILL
WEST SAN BDNO. COUNTY WATER DIST.	3601002	1N4W31P03S	WELL NO 9	LYTLE

SAN BERNARDINO BASIN AREA
CROSS INDEX BY OWNER

OWNER NAME	RECORDATION NUMBER	STATE WELL NUMBER	LOCAL DESIGNATION	BASIN NAME
WEST SAN BDNO. COUNTY WATER DIST.	3601003	1S4W06H01S	WELL NO 13	BNK HILL
WEST SAN BDNO. COUNTY WATER DIST.	3601725	1N5W25E00S	LYTLE BASIN	LYTLE
WEST SAN BDNO. COUNTY WATER DIST.	3601848	1S4W05E05S	WELL NO 15	BNK HILL
WEST SAN BDNO. COUNTY WATER DIST.	3601944	1N5W23Q00S	WELL NO 2	LYTLE
WEST SAN BDNO. COUNTY WATER DIST.	3602766	1S4W06H02	WELL NO 30	BNK HILL
WEST SAN BDNO. COUNTY WATER DIST.	3602897	1N5W23P	WELL NO 34	LYTLE
WEST SAN BDNO. COUNTY WATER DIST.	3603054	1N5W25E	WELL NO 35	LYTLE
WEST SAN BDNO. COUNTY WATER DIST.	3603055	1N5W36H05	WELL NO 36	LYTLE
WEST SAN BDNO. COUNTY WATER DIST.	3605001	1N5W25E01S	WELL NO 5A	LYTLE
WESTERN FRUIT GROWERS	156	1S3W24Q		BNK HILL
WIDEMEYER	157	1N3W29H	SPRING DIV.	BNK HILL
WIDEMEYER	158	1N3W29H		BNK HILL
WILEY, RUTH NORWOOD	3600052	1S4W36J	1	BNK HILL
WILLIAMS DAIRY	159	1S4W11G		BNK HILL
WILLIAMS WELL CORPORATION, LTD.	3600828	1S3W16J		BNK HILL
WOEHR MUTUAL WATER COMPANY	3600817	1S3W29H		BNK HILL
YAHIKU, PAUL	3601280	1S3W29D	SOUTH 1	BNK HILL
YUCAIPA VALLEY WATER DISTRICT	3602657	1S1W20D	WELL NO 31	MILL CRK
YUCAIPA VALLEY WATER DISTRICT	3602658	1S1W20D	WELL NO 32	MILL CRK
YUCAIPA VALLEY WATER DISTRICT	3602659	1S1W19G	WELL NO 33	BNK HILL
YUCAIPA VALLEY WATER DISTRICT	3603539	1S2W24C	YVWD 51	BNK HILL
'7TH AVE. WELL	3601121	1S2W31F	1	BNK HILL

SAN BERNARDINO BASIN AREA,
CROSS INDEX BY RECORDATION NUMBER

SAN BERNARDINO BASIN AREA
CROSS INDEX BY RECORDATION NUMBER

RECORDATION NUMBER	OWNER NAME	STATE WELL NUMBER	LOCAL DESIGNATION	BASIN NAME
1	SAN BERNARDINO, COUNTY OF	1S4W14A	AEROSPACE	BNK HILL
2	AHMANSON RANCH	1S4W27H		BNK HILL
3	ANDERSON, W.D.	1N4W25R		BNK HILL
4	ARNOLD RANCH	1N3W34H		BNK HILL
5	BALCOM	1S4W11M		BNK HILL
6	BALDWIN	1N3W34K		BNK HILL
7	BARRIER	1S4W22B		BNK HILL
8	BASELINE LAUNDRY	1N3W31Q		BNK HILL
9	BATCHELOR	1N4W14R		DEVIL CAN
10	BATCHELOR	1N4W14R		DEVIL CAN
11	BERMAN, JERRY & SONS	1S4W02K	OLD WELL	BNK HILL
12	BERMAN, JERRY & SONS	1S4W02J		BNK HILL
13	BLISS	1S2W22E		BNK HILL
14	BOUCHER	1N4W14J		DEVIL CAN
15	BREAK, ALLEN, ESTATE	1S3W31A		BNK HILL
16	CARPENTER	1S4W22B		BNK HILL
17	CLIFFSIDE RANCH	1S3W03F		BNK HILL
18	COOK CANYON	1N3W27R		BNK HILL
19	SAN BERNARDINO, COUNTY OF	1N4W35F	COUNTY HOSP	BNK HILL
20	CRYSTAL SPRINGS	2S2W06D		BNK HILL
21	DONGLO DAIRY	1S4W11F		BNK HILL
22	DANIELS, HAROLD	1S3W17R	RANCH	BNK HILL

SAN BERNARDINO BASIN AREA
CROSS INDEX BY RECORDATION NUMBER

RECORDATION NUMBER	OWNER NAME	STATE WELL NUMBER	LOCAL DESIGNATION	BASIN NAME
23	DANIELS, HAROLD	1S3W17C	DOMEST. WELL	BNK HILL
25	DILLSON MUTUAL WATER COMPANY	1N4W24C	DILLSON AVE	DEVIL CAN
26	DILLSON MUTUAL WATER COMPANY	1N4W13P	HARRISON CYN	DEVIL CAN
27	TEXACO GAS STATION	1S4W24J		BNK HILL
28	SARATOGA DEVELOPMENT COMPANY	1S2W06Q	TUNNEL DIVER	BNK HILL
29	EAST HIGHLANDS ORANGE COMPANY	1N3W35B	BOX SPRING	PLUNGE
30	EAST VALLEY WATER DISTRICT	1N3W30C	PLANT NO 36	BNK HILL
32	EAST VALLEY WATER DISTRICT	1S3W04P	PLANT NO 43	BNK HILL
33	EAST VALLEY WATER DISTRICT	1S3W05R	PLANT NO 44	BNK HILL
34	EAST VALLEY WATER DISTRICT	1N3W31A	PLANT NO 45	BNK HILL
35	EAST VALLEY WATER DISTRICT	1S3W05Q	PLANT NO 46	BNK HILL
36	EAST VALLEY WATER DISTRICT	1N4W36H	PLANT NO 52	BNK HILL
37	EAST VALLEY WATER DISTRICT	1S3W06Q	PLANT NO 69	BNK HILL
38	EAST VALLEY WATER DISTRICT	1N3W31D	PLANT NO 70	BNK HILL
39	EAST VALLEY WATER DISTRICT	1S3W06E	PLANT NO 71	BNK HILL
40	EAST VALLEY WATER DISTRICT	1S3W06B	PLANT NO 72	BNK HILL
41	EAST VALLEY WATER DISTRICT	1S3W06C	PLANT NO 74	BNK HILL
42	EAST VALLEY WATER DISTRICT	1S4W02L	PLANT NO 75	BNK HILL
43	EAST VALLEY WATER DISTRICT	1S3W06P	PLANT NO 78	BNK HILL
44	EAST VALLEY WATER DISTRICT	1S3W05Q	PLANT NO 80	BNK HILL
45	EAST VALLEY WATER DISTRICT	1S3W06M	PLANT NO 81	BNK HILL
46	EAST VALLEY WATER DISTRICT	1S3W06Q	PLANT NO 83	BNK HILL

SAN BERNARDINO BASIN AREA
 CROSS INDEX BY RECORDATION NUMBER

RECORDATION NUMBER	OWNER NAME	STATE WELL NUMBER	LOCAL DESIGNATION	BASIN NAME
47	EAST VALLEY WATER DISTRICT	1S3W03N	PLANT NO 84	BNK HILL
48	EAST VALLEY WATER DISTRICT	1N4W25D	PLANT NO 85	BNK HILL
49	EAST VALLEY WATER DISTRICT	1S3W03N	PLANT NO 93	BNK HILL
50	EAST VALLEY WATER DISTRICT	1S3W05J	PLANT NO 95	BNK HILL
51	EAST VALLEY WATER DISTRICT	1S4W01D	PLANT NO 96	BNK HILL
52	EAST VALLEY WATER DISTRICT	1S3W06N	PLANT NO 97	BNK HILL
53	QUALITY FARMS	1S3W04R	NO. 102	BNK HILL
54	ELLENA, JOHN B.	1N4W08N		DEVIL CAN
55	ELLGOOD	1S2W24C		BNK HILL
56	FARROW	1S2W22E		BNK HILL
57	FINCH	1S2W29C	FINCH	BNK HILL
58	GOLCONDA WATER COMPANY	1S4W13E		BNK HILL
59	EAST VALLEY WATER DISTRICT	1S3W04Q	PLANT NO 106	BNK HILL
60	HAGAR	1S2W16L		BNK HILL
61	HARDISON	1N4W13Q		DEVIL CAN
62	HARRISON	1S3W04J		BNK HILL
63	HARRISON CANYON	1N4W13N		DEVIL CAN
64	HARRISON CANYON	1N4W13N		DEVIL CAN
65	HAZAS	1S4W11G		BNK HILL
66	HELIPORT	1S4W15G		BNK HILL
67	HILL	1S2W31B		BNK HILL
68	HOLDEN MUTUAL WATER COMPANY	1S4W14E		BNK HILL

SAN BERNARDINO BASIN AREA
CROSS INDEX BY RECORDATION NUMBER

RECORDATION NUMBER	OWNER NAME	STATE WELL NUMBER	LOCAL DESIGNATION	BASIN NAME
69	HOLDEN MUTUAL WATER COMPANY	1S4W14F	HOLDEN AVE.	BNK HILL
70	HORTON	1S3W32J		BNK HILL
71	HUNTER	1S3W03D		BNK HILL
72	INTER CITY MUTUAL WATER COMPANY	1S4W23P		BNK HILL
73	KING	1N4W14R		DEVIL CAN
74	KOCH	1S2W32B		BNK HILL
75	KRANTZ DAIRY	1S4W11F		BNK HILL
76	EAST VALLEY WATER DISTRICT	1S3W06L	LANKERSHIM A	BNK HILL
77	EAST VALLEY WATER DISTRICT	1S3W06F	MCKINLEY ST.	BNK HILL
78	LA TOURETTE	1S2W28M		BNK HILL
79	LORD	1S2W28M	SPRING DIV.	BNK HILL
80	L.P.R. RANCH	1S3W13C		BNK HILL
81	MARSHBURN	1S3W17G		BNK HILL
82	BASELINE LAUNDRY	1N3W31Q		BNK HILL
83	MENTONE DOMESTIC WATER COMPANY	1S2W19J		BNK HILL
84	MOORE, R. H.	1S4W24K		BNK HILL
85	NO NAME WELL	1N3W32M		BNK HILL
86	INLAND VALLEY DEVELOPMENT AGENCY	1S4W07D	LOCAL NO. 2	BNK HILL
87	INLAND VALLEY DEVELOPMENT AGENCY	1S4W12C	LOCAL NO. 3	BNK HILL
88	INLAND VALLEY DEVELOPMENT AGENCY	1S4W12D	LOCAL NO. 4	BNK HILL
89	INLAND VALLEY DEVELOPMENT AGENCY	1S4W12F	LOCAL NO. 5	BNK HILL
90	INLAND VALLEY DEVELOPMENT AGENCY	1S3W07A	LOCAL NO.11	BNK HILL

SAN BERNARDINO BASIN AREA
 CROSS INDEX BY RECORDATION NUMBER

RECORDATION NUMBER	OWNER NAME	STATE WELL NUMBER	LOCAL DESIGNATION	BASIN NAME
91	INLAND VALLEY DEVELOPMENT AGENCY	1S4W12Q	NO NO. WELL	BNK HILL
92	INLAND VALLEY DEVELOPMENT AGENCY	1S4W12G	LOCAL NO. 44	BNK HILL
93	INLAND VALLEY DEVELOPMENT AGENCY	1S3W08E	LOCAL NO.347	BNK HILL
94	INLAND VALLEY DEVELOPMENT AGENCY	1S3W08M	LOCAL NO.865	BNK HILL
95	NORWOOD	1N3W34F		BNK HILL
96	PACIFIC HIGH SCHOOL	1N4W35H		BNK HILL
97	PIERSON	1N4W35N		BNK HILL
98	RAMSEY	1S2W22F	SPRING DIV	BNK HILL
99	REDLANDS ASSOCIATES	1S2W17B	#0	BNK HILL
100	REDLANDS ASSOCIATES	1S2W09P	BLOCK NO. 6	BNK HILL
101	REDLANDS ASSOCIATES	1S2W09L	BLOCK NO. 11	BNK HILL
102	REDLANDS ASSOCIATES	1S2W09L	TUNNEL DIV.	BNK HILL
103	REDLANDS, CITY OF	1S2W13B	MILL CREEK D	BNK HILL
104	REDLANDS WATER COMPANY	1S2W08A	REDLANDS WAT	BNK HILL
105	REGINA GRAPE PRODUCTS	1N5W04M	WELL NO. 1	LYTLE
106	REGINA GRAPE PRODUCTS	1N5W04N	WELL NO. 2	LYTLE
107	REGINA GRAPE PRODUCTS	1N5W04N	WELL NO. 3	LYTLE
108	REGINA GRAPE PRODUCTS	1N5W05C	SPRING DIV.	LYTLE
109	REGINA GRAPE PRODUCTS	1N5W05R	WELL NO. 4	LYTLE
110	REGINA GRAPE PRODUCTS	1N5W04N	WELL NO. 5	LYTLE
111	REGINA GRAPE PRODUCTS	1N5W04N	WELL NO. 6	LYTLE
112	REGINA GRAPE PRODUCTS	1N5W04N	WELL NO. 7	LYTLE

SAN BERNARDINO BASIN AREA
 CROSS INDEX BY RECORDATION NUMBER

RECORDATION NUMBER	OWNER NAME	STATE WELL NUMBER	LOCAL DESIGNATION	BASIN NAME
113	RIVAS	1S4W24J		BNK HILL
114	RULE	1N3W34K	SPRING	BNK HILL
115	SAN BERNARDINO, CITY OF	1S4W21A	SEWER PLANT	BNK HILL
116	SAN BERNARDINO, CITY OF	1S4W22C	SEWER PLANT	BNK HILL
117	SAN BERNARDINO, COUNTY OF	2N5W33F	GLEN HELEN 3	L CAJON
118	SAN BERNARDINO, COUNTY OF	2N5W33G	GLEN HELEN 4	L CAJON
119	SAN MANUEL INDIAN RESERVATION	1N3W20N		BNK HILL
120	SANTINI	1S4W14A		BNK HILL
121	SATOSKI, DOCTOR	1N4W14J		DEVIL CAN
122	SELEY	1N3W19Q	TUNNEL DIV.	BNK HILL
123	SIX HOUSES	1S4W22A		BNK HILL
124	SMITH	1N4W14J		DEVIL CAN
125	SMITH,	1S3W02J		BNK HILL
126	SMITH MEAT PACKING PLANT	1S4W22M01		BNK HILL
127	STANLEY, SILAS	1S2W24H		BNK HILL
128	STEWART, WILLARD	1S3W31D		BNK HILL
129	STRAWBERRY PATCH	1S3W03N		BNK HILL
130	STRAWBERRY PATCH	1S3W03N		BNK HILL
131	SUPERIOR ORCHARDS	1N3W29B	TUNNEL DIV.	BNK HILL
132	THOMPSON RANDALL	1N3W28A	SPRING DIV.	
133	TRI CITY MUTUAL WATER COMPANY	1S4W23N		BNK HILL
134	TRIPLE FALLS MUTUAL WATER COMPANY	1S1W19G		BNK HILL

SAN BERNARDINO BASIN AREA
CROSS INDEX BY RECORDATION NUMBER

RECORDATION NUMBER	OWNER NAME	STATE WELL NUMBER	LOCAL DESIGNATION	BASIN NAME
135	TRIPLE FALLS MUTUAL WATER COMPANY	1S1W20D		MILL CRK
136	TRIPLE FALLS MUTUAL WATER COMPANY	1S1W20D		MILL CRK
137	U.S. FOREST SERVICE	1N4W13Q	MAINT. YARD	DEVIL CAN
138	U.S. FOREST SERVICE	1S2W13P	MILL CREEK	BNK HILL
139	UNIVERSITY OF REDLANDS	1S2W17A	PEPPER HOUSE	BNK HILL
140	VALENCIA AVE. MUTUAL WATER COMPANY	1N4W23K	WATERMAN AVE	BNK HILL
141	VALLEY FARMS MUTUAL WATER COMPANY	1S4W15R	NO 1 WASHTN	BNK HILL
142	VALLEY FARMS MUTUAL WATER COMPANY	1S4W15Q	NO 2 WELL	BNK HILL
143	VANLEUVEN, CLARENCE	1S4W24J		BNK HILL
144	VICTORIA SEVENTH DAY ADVENTIST	1S4W24J		BNK HILL
145	MT. VIEW CHILD CARE CENTER	1S4W24J		BNK HILL
146	VAN MEETER	1S3W02P	OLD WELL	BNK HILL
147	VAN MEETER	1S3W02P	NEW WELL	BNK HILL
148	WALLACE	1N4W14J		DEVIL CAN
149	WARD, FLOYD	1S1W18N	WELL NO. 1	BNK HILL
150	WARD, FLOYD	1S1W18P	WELL NO. 2	BNK HILL
151	WARD, FLOYD	1S1W18P	WELL NO. 3	BNK HILL
152	WARD, FLOYD	1S1W18N	WELL NO. 4	BNK HILL
153	WARD, FLOYD	1S1W18M	WELL NO. 6	MILL CRK
154	WARD, FLOYD	1S1W18P	LATERAL SPR	BNK HILL
155	CAMPUS CRUSADE FOR CHRIST	1N4W14C	W TWIN CRK	DEVIL CAN
156	WESTERN FRUIT GROWERS	1S3W24Q		BNK HILL

SAN BERNARDINO BASIN AREA
CROSS INDEX BY RECORDATION NUMBER

RECORDATION NUMBER	OWNER NAME	STATE WELL NUMBER	LOCAL DESIGNATION	BASIN NAME
157	WIDEMEYER	1N3W29H	SPRING DIV.	BNK HILL
158	WIDEMEYER	1N3W29H		BNK HILL
159	WILLIAMS DAIRY	1S4W11G		BNK HILL
160	SAN MANUEL INDIAN RESERVATION	1N3W19R	DOMESTIC	BNK HILL
161	SAN MANUEL INDIAN RESERVATION	1N3W19R		BNK HILL
162	SAN MANUEL INDIAN RESERVATION	1N3W19R	YORK TUNNEL	BNK HILL
163	PATTERSON, ROY H.	1N3W34Q		BNK HILL
164	MCCALLA BROS	1S3W20Q		BNK HILL
165	SANDYS RESTAURANT	1S3W21M2		
166	GREENSPOT MUTUAL WATER CO TUNNEL	1S2W22C		BNK HILL
173	DILLSON MUTUAL WATER COMPANY	1N4W24C	CISCO WELL	DEVIL CAN
175	DANIELS, DON	1S3W19J		BNK HILL
176	MENTONE DOMESTIC WATER COMPANY	1S2W19J	3 1971	BNK HILL
177	SAN BERNARDINO, COUNTY OF	1N5W04B	GLEN HELEN 2	L CAJON
178	KUHN, RICHARD J	1S3W32G		BNK HILL
3600001	SMITH TRACT WELL COMPANY	1S3W21R	11	BNK HILL
3600001-	SMITH TRACT WELL COMPANY	1S3W21R		BNK HILL
3600005	REDLANDS, CITY OF	1S3W35H08S	LUETCKE	BNK HILL
3600006	REDLANDS, CITY OF	1S2W19G01S	EAST LUGONIA	BNK HILL
3600016	RIVAS, RAMON	1S4W24J	REES 4	BNK HILL
3600017	SELBY, DR. & MRS. ARTHUR	1S2W29P	GR REES 3	BNK HILL
3600018	SELBY, DR. & MRS. ARTHUR	1S2W29P	GR REES 2	BNK HILL

SAN BERNARDINO BASIN AREA
CROSS INDEX BY RECORDATION NUMBER

RECORDATION NUMBER	OWNER NAME	STATE WELL NUMBER	LOCAL DESIGNATION	BASIN NAME
3600019	REDLANDS, CITY OF	1S3W23A	GR REES NO 1	BNK HILL
3600021	BEAR VALLEY MUTUAL WATER COMPANY	1N2W26G01	SANTA ANA 1	SANTA ANA
3600022	BEAR VALLEY MUTUAL WATER COMPANY	1N2W34G	SANTA ANA 2	SANTA ANA
3600023	BEAR VALLEY MUTUAL WATER COMPANY	1S3W24C	JUDSON 1	BNK HILL
3600024	BEAR VALLEY MUTUAL WATER COMPANY	1S2W19D	WABASH 2	BNK HILL
3600025	BEAR VALLEY MUTUAL WATER COMPANY	1N3W29R01S	PALM AV3	BNK HILL
3600026	EAST VALLEY WATER DISTRICT	1S3W04J	PLANT NO 102	BNK HILL
3600027	BEAR VALLEY MUTUAL WATER COMPANY	1N2W26E	ALDER CR	SANTA ANA
3600028	BEAR VALLEY MUTUAL WATER COMPANY	1S2W04P	SANTA ANA RI	BNK HILL
3600030	MEADOWBROOK DAIRY	1S4W23D	IRRIG 2	BNK HILL
3600034	SAN BERNARDINO, CITY OF	1S4W16H	SMITH 1	BNK HILL
3600035	SAN BERNARDINO, CITY OF	1S4W15M03		BNK HILL
3600036	BROOKSIDE DAIRY, INC	1S3W33D	1	BNK HILL
3600037	MEADOWBROOK DAIRY	1S4W23D	DOMESTC 1	BNK HILL
3600038	REDLANDS, CITY OF	1S2W17N	DRY CREEK DI	BNK HILL
3600049	REDLANDS COUNTRY CLUB	1S3W25N	MORRISON WEL	BNK HILL
3600049-	REDLANDS COUNTRY CLUB	1S3W25N	HOBBS WELL	BNK HILL
3600052	WILEY, RUTH NORWOOD	1S4W36J	1	BNK HILL
3600053	BRYN MAWR MUTUAL WATER COMPANY	1S3W31A	1	BNK HILL
3600054	BRYN MAWR MUTUAL WATER COMPANY	1S3W31A	2	BNK HILL
3600055	BRYN MAWR MUTUAL WATER COMPANY	1S3W31A	3	BNK HILL
3600058	EAST VALLEY WATER DISTRICT	1S3W03F	PLANT NO 53	BNK HILL

SAN BERNARDINO BASIN AREA
CROSS INDEX BY RECORDATION NUMBER

RECORDATION NUMBER	OWNER NAME	STATE WELL NUMBER	LOCAL DESIGNATION	BASIN NAME
3600075	GRANT WATER COMPANY	1S3W28C01	GRANT	BNK HILL
3600076	ARMSTRONG, DOUGLAS	1S3W17G	2	BNK HILL
3600083	STORKSON, WILLIAM F.	1N5W06P	1 LONGACRES	LYTLE
3600085	REDLANDS, CITY OF	1S3W28J01	NY ST 1	BNK HILL
3600091	JEWEL WATER COMPANY, THE	1S3W20R	1	BNK HILL
3600107	B M I FUNDS	1S3W21P01	COLTON 1	BNK HILL
3600119	MT. VIEW CEMETERY OF SAN BERNARDINO	1S4W26E	1	BNK HILL
3600123	NICKERSON WATER COMPANY	1S3W20R01	ALABAMA NO 1	BNK HILL
3600124	NICKERSON WATER COMPANY	1S3W21M01	LUGONIA NO 2	BNK HILL
3600125	SAN BERNARDINO AVENUE WATER COMPANY	1S3W14P	1	BNK HILL
3600139	MENTONE CITRUS GROVES	1S2W18R01S	PRH RANCH	BNK HILL
3600160	LARANNI GUNTER WELL	1S3W32G01	GUNTER WELL	BNK HILL
3600178	ATCHISON, TOPEKA & SANTA FE RAILWAY CO.	1S4W08F02S	WELL 3	BNK HILL
3600179	ATCHISON, TOPEKA & SANTA FE RAILWAY CO.	1S4W08F	4	BNK HILL
3600182	GLADYSTA WELL & WATER COMPANY	1S3W20H01	1	BNK HILL
3600182-	GLADYSTA WELL & WATER COMPANY	1S3W20H02	1	BNK HILL
3600183	EAST VALLEY WATER DISTRICT	1S4W02A	PLANT NO 60	BNK HILL
3600184	HIGHLAND WELL COMPANY	1N3W27N01	APLIN WELL	BNK HILL
3600187	SOLANO WELL NO. 1	1S2W09Q	SOLANO # 1	BNK HILL
3600188	CRAM PATTERSON WELL	1S2W16C	CRAMPAT 2	BNK HILL
3600218	LANGSTON-NEWBY DEVELOPMENT CO.	1N4W24A	1	DEVIL CAN
3600220	EAST VALLEY WATER DISTRICT	1S3W01H	PLANT NO 142	BNK HILL

SAN BERNARDINO BASIN AREA
CROSS INDEX BY RECORDATION NUMBER

RECORDATION NUMBER	OWNER NAME	STATE WELL NUMBER	LOCAL DESIGNATION	BASIN NAME
3600221	EAST VALLEY WATER DISTRICT	1N3W30K	PLANT NO 63	BNK HILL
3600222	SAN BERNARDINO, CITY OF	1S4W11Q01S	MACFARLAND J	BNK HILL
3600226	HEAD, JOE T.	1S2W21L01	1	BNK HILL
3600238	HAPPE MUTUAL WELL COMPANY	1S2W29M01	1	BNK HILL
3600240	HINCKLEY, HORACE P.	1S2W30B	SOUTH WELL	BNK HILL
3600241	CRAM RANCH ASSOCIATES	1S3W03Q		BNK HILL
3600266	GREENSPOT MUTUAL WELL COMPANY	1S2W16C01	GRNSPTMU	BNK HILL
3600269	EAST VALLEY WATER DISTRICT	1N3W31L01S	PLANT NO 68	BNK HILL
3600270	WARMINGTON, ROBERT P.	1S3W20P	ORANGEDALE	BNK HILL
3600272	CRAFTON WATER COMPANY	1S2W29N	5TH AVE 1	BNK HILL
3600275	EAST VALLEY WATER DISTRICT	1N3W32B	PLANT NO 64	BNK HILL
3600291	MAYBELL, N. O.	1S4W13E		BNK HILL
3600296	NORTHBRAE WATER COMPANY	1S3W15R01	1	BNK HILL
3600302	WEST SAN BDNO. COUNTY WATER DIST.	1N5W26A01S	WELL NO 3	LYTLE
3600303	WEST SAN BDNO. COUNTY WATER DIST.	1N5W26B01S	LOWER 4	LYTLE
3600304	WEST SAN BDNO. COUNTY WATER DIST.	1N5W26A03S	WELL NO 4	LYTLE
3600305	WEST SAN BDNO. COUNTY WATER DIST.	1N5W25E01S	WELL NO 5	LYTLE
3600306	WEST SAN BDNO. COUNTY WATER DIST.	1N5W23P02S	UPPER 2	LYTLE
3600307	WEST SAN BDNO. COUNTY WATER DIST.	1N5W23P04S	WELL NO 1	LYTLE
3600312	WEST SAN BDNO. COUNTY WATER DIST.	1N5W22M	LYTLE CREEK	LYTLE
3600313	NYE, WILLIAM H.	1S2W29N01S	NYE	BNK HILL
3600319	MOUNT VERNON WATER COMPANY	1N4W31A01S	MT VERNON WE	BNK HILL

SAN BERNARDINO BASIN AREA
CROSS INDEX BY RECORDATION NUMBER

RECORDATION NUMBER	OWNER NAME	STATE WELL NUMBER	LOCAL DESIGNATION	BASIN NAME
3600320	SAN BERNARDINO, CITY OF	1N5W22M	MOUNT VERNON	LYTLE
3600323	HIGHLAND ACRES RANCH	1S2W06M	ELEC 1	BNK HILL
3600374	EAST VALLEY WATER DISTRICT	1N3W33M01S	PLANT 138	BNK HILL
3600375	EAST VALLEY WATER DISTRICT	1S3W05D	PLANT 132 CU	BNK HILL
3600376	EAST VALLEY WATER DISTRICT	1S3W05D	PLANT 132 CU	BNK HILL
3600377	EAST VALLEY WATER DISTRICT	1N3W27N08S	PLANT 134 CI	BNK HILL
3600378	EAST VALLEY WATER DISTRICT	1N3W27N02S	PLANT 134 CI	BNK HILL
3600399	VICTORIA GUERNSEY	1S4W02D	1	BNK HILL
3600415	PHARAOH POWELL WATER COMPANY	1S3W29J01		BNK HILL
3600418	BARTON DEVELOPMENT	1S3W19G	BRAGA WELL	BNK HILL
3600444	EAST VALLEY WATER DISTRICT	1N3W30H01S	PLANT NO 98	BNK HILL
3600449	BELL, H. EUGENE	1S3W20A	BELL WELL	BNK HILL
3600451	TROJAN GROVES	1S3W15M		BNK HILL
3600456	BASE LINE WELL COMPANY	1N3W33R02S	1	BNK HILL
3600457	BASELINE GARDENS MUTUAL WATER COMPANY	1N4W35J02S	PAC&BARL	BNK HILL
3600458	BASELINE GARDENS MUTUAL WATER COMPANY	1N4W36M01S	PS & B 2	BNK HILL
3600466	EAST VALLEY WATER DISTRICT	1S3W04C	PLANT NO 48	BNK HILL
3600468	PAXTON, R. H.	1S3W30Q	BAHR 1	BNK HILL
3600474	TENNESSEE WATER COMPANY	1S3W16L	WELL NO 1	BNK HILL
3600483	SECHREST, RALPH F.	1S2W31F	GPHRRCH 1	BNK HILL
3600484	RAMIREZ, J.J.	1S3W16F	BUCKEYE 2	BNK HILL
3600493	OLD TOWN WELL COMPANY	1S3W29K	NEW WELL 2	BNK HILL

SAN BERNARDINO BASIN AREA
 CROSS INDEX BY RECORDATION NUMBER

RECORDATION NUMBER	OWNER NAME	STATE WELL NUMBER	LOCAL DESIGNATION	BASIN NAME
3600494	OLD TOWN WELL COMPANY	1S3W29K	OLD WELL 1	BNK HILL
3600510	REDLANDS, CITY OF	1S3W21K01	1	BNK HILL
3600523	CANYON RANCH	1S3W32F	HNTSCHKE	BNK HILL
3600524	LANGFORD RANCHES	1S3W17L01S	NEVADA ST	BNK HILL
3600525	LANGFORD RANCHES	1S3W17H01S	ALABAMA	BNK HILL
3600526	LANGFORD RANCHES	1S3W21G01S	LUGONIA	BNK HILL
3600527	RAMIREZ, J.J.	1S3W16A	MIDAS	BNK HILL
3600530	KING STREET MUTUAL WELL COMPANY	1S2W30G01	1	BNK HILL
3600530-	KING STREET MUTUAL WELL COMPANY	1S2W30G02	2	BNK HILL
3600545	EAST VALLEY WATER DISTRICT	1N3W30J	PLANT NO 62	BNK HILL
3600554	FAIRVIEW WATER COMPANY	1S3W17R	FAIRVIEW WEL	BNK HILL
3600561	FONTANA UNION WATER COMPANY	1N5W23K01S	FU 1	LYTLE
3600562	FONTANA UNION WATER COMPANY	1N5W22F02S	FU 3	LYTLE
3600563	FONTANA UNION WATER COMPANY	1N5W22C02S	FU 4	LYTLE
3600569	FONTANA UNION WATER COMPANY	1N5W22A01S	FU 13	LYTLE
3600579	FONTANA UNION WATER COMPANY	1N5W22F03S	FU 24	LYTLE
3600580	FONTANA UNION WATER COMPANY	1N5W22F01S	FU 25	LYTLE
3600581	FONTANA UNION WATER COMPANY	1N5W07H01S	FU 26	LYTLE
3600582	FONTANA UNION WATER COMPANY	1N5W06G01S	FU 27	LYTLE
3600585	FONTANA UNION WATER COMPANY	1N5W16K01S	FU 32	LYTLE
3600586	FONTANA UNION WATER COMPANY	1N5W06K02S	FU 33	LYTLE
3600588	FONTANA UNION WATER COMPANY	2N6W26L2	MN 1	

SAN BERNARDINO BASIN AREA
CROSS INDEX BY RECORDATION NUMBER

RECORDATION NUMBER	OWNER NAME	STATE WELL NUMBER	LOCAL DESIGNATION	BASIN NAME
3600590	FONTANA UNION WATER COMPANY	2N6W26L1	MN 2	
3600591	FONTANA UNION WATER COMPANY	1N5W06E		LYTLE
3600598	EAST HIGHLANDS RANCH, INC.	1S3W02L	LOCAL 1	BNK HILL
3600599	SUNRISE RANCH PART C/O LIFE DEVELOPMENT	1S2W13C	SUNRISE WELL	BNK HILL
3600600	SUNRISE RANCH PART C/O LIFE DEVELOPMENT	1S2W14L	SUNRISE 2	BNK HILL
3600601	SUNRISE RANCH PART C/O LIFE DEVELOPMENT	1S2W14F	SUNRISE 3A	BNK HILL
3600602	SUNRISE RANCH PART C/O LIFE DEVELOPMENT	1S2W15P	SUNRISE 4	BNK HILL
3600603	SUNRISE RANCH PART C/O LIFE DEVELOPMENT	1S2W15G	SUNRISE 5	BNK HILL
3600604	EAST HIGHLANDS RANCH, INC.	1S2W07B	RANNEY	BNK HILL
3600605	EAST HIGHLANDS RANCH, INC.	1N3W35G	PLUNGE CREEK	PLUNGE
3600606	EAST HIGHLANDS RANCH, INC.	1N3W35K	ELDER GULCH	BNK HILL
3600607	EAST HIGHLANDS RANCH, INC.	1S3W02L	SMALL	BNK HILL
3600607-	EAST HIGHLANDS RANCH, INC.	1S3W02L	SMALL	BNK HILL
3600608	EAST BARTON WATER COMPANY	1S3W28B01S	BARTON	BNK HILL
3600628	REDLANDS TRAP/SKEET	1S3W15G	1	BNK HILL
3600630	MILLER MUTUAL WELL COMPANY	1N3W32D		BNK HILL
3600630-	MILLER MUTUAL WELL COMPANY	1N3W32D		BNK HILL
3600642	PIONEER MUTUAL WATER COMPANY	1S3W14P01	SBDNO 1	BNK HILL
3600643	EAST VALLEY WATER DISTRICT	1N4W25K01	PLANT NO 66	BNK HILL
3600644	HOLMES ICE & COLD STORAGE CO. INC.	1S4W09B03S	2	BNK HILL
3600645	HOLMES ICE & COLD STORAGE CO. INC.	1S4W09B01S		BNK HILL
3600651	SOUTHERN CALIFORNIA EDISON COMPANY	1S3W28L		BNK HILL

SAN BERNARDINO BASIN AREA
CROSS INDEX BY RECORDATION NUMBER

RECORDATION NUMBER	OWNER NAME	STATE WELL NUMBER	LOCAL DESIGNATION	BASIN NAME
3600652	WEATHERWAX, W. G.	1S3W15N01S	REDLANDS	BNK HILL
3600678	NORTH FORK WATER COMPANY	1S2W08C01S	NO. 1	BNK HILL
3600679	NORTH FORK WATER COMPANY	1S2W08C02S	NO. 2	BNK HILL
3600680	EAST VALLEY WATER DISTRICT	1S3W02J	PLANT NO 120	BNK HILL
3600681	NORTH FORK WATER COMPANY	1N3W27M	CITY CREEK	BNK HILL
3600708	LA ROSSE, CHARLES H.	1S3W29B	GOODWIN	BNK HILL
3600709	SAN BERNARDINO, CITY OF	2N5W19Q01	VINCENT	L CAJON
3600710	SAN BERNARDINO, CITY OF	2N5W19K01	CAJON CANYON	L CAJON
3600711	SAN BERNARDINO, CITY OF	1N4W07F01S	DEVIL CANYON	DEVIL CAN
3600712	SAN BERNARDINO, CITY OF	1N4W08M01S	DEVIL CANYON	DEVIL CAN
3600713	SAN BERNARDINO, CITY OF	1N5W36R01S	LYTLE CREEK	LYTLE
3600714	SAN BERNARDINO, CITY OF	1N4W16E01S	NEWMARK NO 1	DEVIL CAN
3600715	SAN BERNARDINO, CITY OF	1N4W16E	NEWMARK NO 2	DEVIL CAN
3600716	SAN BERNARDINO, CITY OF	1N4W16E03S	NEWMARK NO 3	DEVIL CAN
3600717	SAN BERNARDINO, CITY OF	1N4W32D03S	19TH STREET	BNK HILL
3600718	SAN BERNARDINO, CITY OF	1N4W32D04S	19TH STREET	BNK HILL
3600719	SAN BERNARDINO, CITY OF	1N4W27G01S	30TH STREET	BNK HILL
3600720	SAN BERNARDINO, CITY OF	1N4W27M02S	27TH STREET	BNK HILL
3600721	SAN BERNARDINO, CITY OF	1N4W27M01S	NORTH E STRE	BNK HILL
3600722	SAN BERNARDINO, CITY OF	1S4W03D01S	ACACIA	BNK HILL
3600723	SAN BERNARDINO, CITY OF	1S4W10F01S	HANFORD 1	BNK HILL
3600724	SAN BERNARDINO, CITY OF	1S4W10F05S	HANFORD NO 2	BNK HILL

SAN BERNARDINO BASIN AREA
CROSS INDEX BY RECORDATION NUMBER

RECORDATION NUMBER	OWNER NAME	STATE WELL NUMBER	LOCAL DESIGNATION	BASIN NAME
3600725	SAN BERNARDINO, CITY OF	1N4W34G01S	17TH STREET	BNK HILL
3600726	SAN BERNARDINO, CITY OF	1N4W34G03S	16TH STREET	BNK HILL
3600727	SAN BERNARDINO, CITY OF	1N4W26G	LYNWOOD	BNK HILL
3600728	SAN BERNARDINO, CITY OF	1N4W27A01S	WATERMAN AVE	BNK HILL
3600729	SAN BERNARDINO, CITY OF	1N4W35M03S	GILBERT STRE	BNK HILL
3600730	SAN BERNARDINO, CITY OF	1S4W02K01S	ANTIL WELL N	BNK HILL
3600731	SAN BERNARDINO, CITY OF	1S4W02K02S	ANTIL WELL N	BNK HILL
3600732	SAN BERNARDINO, CITY OF	1S4W02K05S	ANTIL 2	BNK HILL
3600733	SAN BERNARDINO, CITY OF	1S4W02K04S	ANTIL 1	BNK HILL
3600734	SAN BERNARDINO, CITY OF	1S4W02K03S	ANTIL 4	BNK HILL
3600735	SAN BERNARDINO, CITY OF	1S4W09P01S	BIRCH ST	BNK HILL
3600736	SAN BERNARDINO, CITY OF	1S4W09J01S	SO G ST	BNK HILL
3600737	SAN BERNARDINO, CITY OF	1S4W10N06S	MILL & D	BNK HILL
3600738	SAN BERNARDINO, CITY OF	1N4W06J	D C DIVERSIO	DEVIL CAN
3600739	SAN BERNARDINO, CITY OF	1N5W06E	LYTLE CREEK	LYTLE
3600742	MT. VIEW CEMETERY OF SAN BERNARDINO	1N4W26N	1	BNK HILL
3600742-	MT. VIEW CEMETERY OF SAN BERNARDINO	1N4W26N	3	BNK HILL
3600743	MT. VIEW CEMETERY OF SAN BERNARDINO	1N4W26M	2	BNK HILL
3600747	FRIEDEMANN, ERNEST C.	1N3W31P02S	WELL 1	BNK HILL
3600748	REDLANDS, CITY OF	1S3W24A01	OLD WELL 1	BNK HILL
3600749	REDLANDS, CITY OF	1S3W13Q	MENTONE ACRE	BNK HILL
3600756	REDLANDS, CITY OF	1S3W19L	MISSION #1	BNK HILL

SAN BERNARDINO BASIN AREA
CROSS INDEX BY RECORDATION NUMBER

RECORDATION NUMBER	OWNER NAME	STATE WELL NUMBER	LOCAL DESIGNATION	BASIN NAME
3600757	MARIGOLD FARMS COMPANY	1S3W19H	2	BNK HILL
3600760	MEYER, CHARLES R.	1N5W01R	1	DEVIL CAN
3600765	NORTH FORK WATER COMPANY	1N3W33C01	RODDICK WELL	BNK HILL
3600766	ELTINGE & GRAZIADIO	1S3W29A01	COLTAMA	BNK HILL
3600815	CHARLES, J. J.	1S3W06L		BNK HILL
3600817	WOEHR MUTUAL WATER COMPANY	1S3W29H		BNK HILL
3600828	WILLIAMS WELL CORPORATION, LTD.	1S3W16J		BNK HILL
3600855	EAST VALLEY WATER DISTRICT	1N3W28P01S	PLANT NO 54	BNK HILL
3600856	GUERTH, WILLIAM H.	1N3W27E	CITY CREEK	BNK HILL
3600864	EAST VALLEY WATER DISTRICT	1N3W19F	PLANT NO 79	BNK HILL
3600865	LA BONTE, JIM	1N4W24H	MULTOWN2	BNK HILL
3600918	REDLANDS, CITY OF	2S3W01D	REDLANDS HEI	BNK HILL
3600923	CALIFORNIA, STATE OF PATTON HOSPITAL	1N3W32C01S	PATTON 1	BNK HILL
3600924	CALIFORNIA, STATE OF PATTON HOSPITAL	1N3W29M01S	PATTON 2	BNK HILL
3600924-	CALIFORNIA, STATE OF PATTON HOSPITAL	1N3W29M	2A	BNK HILL
3600925	EAST VALLEY WATER DISTRICT	1S4W01Q01	PLANT NO 100	BNK HILL
3600926	EAST VALLEY WATER DISTRICT	1S4W01F02S	PLANT NO 115	BNK HILL
3600927	EAST VALLEY WATER DISTRICT	1N3W31B01	PLANT NO 116	BNK HILL
3600928	EAST VALLEY WATER DISTRICT	1N3W31L02S	PLANT NO 117	BNK HILL
3600929	CALIFORNIA, STATE OF PATTON HOSPITAL	1N3W31K02S	PATTON 8	BNK HILL
3600930	EAST VALLEY WATER DISTRICT	1N3W31L03S	PLANT NO 118	BNK HILL
3600931	CALIFORNIA, STATE OF PATTON HOSPITAL	1N3W29N01S	PATTON 10	BNK HILL

SAN BERNARDINO BASIN AREA
CROSS INDEX BY RECORDATION NUMBER

RECORDATION NUMBER	OWNER NAME	STATE WELL NUMBER	LOCAL DESIGNATION	BASIN NAME
3600933	NORTHSIDE WATER COMPANY	1S3W23F	1	BNK HILL
3600935	TRI CITY CONCRETE	1N4W31N		LYTLE
3600970	EAST VALLEY WATER DISTRICT	1N3W19G	PLANT NO 57	BNK HILL
3600971	EAST VALLEY WATER DISTRICT	1N3W18R	PLANT NO 58	BNK HILL
3600973	CARDIFF FARMS MUTUAL WATER COMPANY	1S4W12D	1	BNK HILL
3600981	REYNOLDS, BILL	1S2W21H01		BNK HILL
3600996	WEST SAN BDNO. COUNTY WATER DIST.	1N5W36J03S	NO 8	LYTLE
3600997	WEST SAN BDNO. COUNTY WATER DIST.	1N5W36H04S	WELL NO 7	LYTLE
3600998	WEST SAN BDNO. COUNTY WATER DIST.	1N5W25E02S	FERG 1	LYTLE
3600999	WEST SAN BDNO. COUNTY WATER DIST.	1S4W06J01S	WELL NO 14	BNK HILL
3601000	WEST SAN BDNO. COUNTY WATER DIST.	1S4W06J02S	WELL NO 12	BNK HILL
3601002	WEST SAN BDNO. COUNTY WATER DIST.	1N4W31P03S	WELL NO 9	LYTLE
3601003	WEST SAN BDNO. COUNTY WATER DIST.	1S4W06H01S	WELL NO 13	BNK HILL
3601012	SOUTHERN CALIFORNIA EDISON COMPANY	1S4W08R	STM PL 1	BNK HILL
3601013	SOUTHERN CALIFORNIA EDISON COMPANY	1S4W08R	STM PL 2	BNK HILL
3601014	MOUNTAIN VIEW POWER COMPANY	1S3W18N	MOUNTAIN VIE	BNK HILL
3601015	MOUNTAIN VIEW POWER COMPANY	1S3W18N	MOUNTAIN VIE	BNK HILL
3601016	SOUTHERN CALIFORNIA EDISON COMPANY	1S4W22G01S	THORN 1	BNK HILL
3601046	RAMIREZ, J.J.	1S3W21A	OLD	BNK HILL
3601046-	RAMIREZ, J.J.	1S3W21A	1/NEW	BNK HILL
3601069	EAST VALLEY WATER DISTRICT	1N3W33M02S	CHURCH	BNK HILL
3601084	SOUZA, JOHN	1S2W20K		BNK HILL

SAN BERNARDINO BASIN AREA
CROSS INDEX BY RECORDATION NUMBER

RECORDATION NUMBER	OWNER NAME	STATE WELL NUMBER	LOCAL DESIGNATION	BASIN NAME
3601085	RIALTO, CITY OF	1N4W31N	CITY NO 4	LYTLE
3601092	KANSAS STREET MUTUAL WATER COMPANY	1S3W28E		BNK HILL
3601093	SOMERS, R.	1N4W24H	SPRING	BNK HILL
3601099	PENN WELL COMPANY	1S3W22F	1	BNK HILL
3601102	MAJESTIC MANAGEMENT	1S3W21E	2	BNK HILL
3601114	SAN BERNARDINO, CITY OF	1N4W35C01S	PERRIS HILL	BNK HILL
3601115	SAN BERNARDINO, CITY OF	1N4W26P03S	PERRIS HILL	BNK HILL
3601116	SAN BERNARDINO, CITY OF	1N4W35C02S	PERRIS HILL	BNK HILL
3601117	SAN BERNARDINO, CITY OF	1N4W35C03S	PERRIS HILL	BNK HILL
3601121	'7TH AVE. WELL	1S2W31F	1	BNK HILL
3601126	JACINTO	1S2W30H	GAY GROVE 4	BNK HILL
3601130	LOMA LINDA, CITY OF	1S3W32D	NICKS WELL	BNK HILL
3601131	FRINK RANCH	1S3W30K		BNK HILL
3601161	TENNESSEE MUTUAL WELL COMPANY	1S3W16K	PIONEER 1	BNK HILL
3601168	UNGER, V.E.	1S4W26F		BNK HILL
3601171	RAMIREZ, J.J.	1S3W20F	1	BNK HILL
3601172	K INV./TRUTANIC/Y UN WELL	1S3W20C	K INV/TRUTAN	BNK HILL
3601173	SOJKA, DONALD R	1S3W32K		BNK HILL
3601184	EAST VALLEY WATER DISTRICT	1N3W33F01S	PLANT NO 94	BNK HILL
3601186	CONEJO RANCHOS MUTUAL WATER COMPANY	1N4W36F03S	1	BNK HILL
3601250	COLTON, CITY OF	1S4W08R	4	BNK HILL
3601251	COLTON, CITY OF	1S4W08R	5	BNK HILL

SAN BERNARDINO BASIN AREA
 CROSS INDEX BY RECORDATION NUMBER

RECORDATION NUMBER	OWNER NAME	STATE WELL NUMBER	LOCAL DESIGNATION	BASIN NAME
3601252	COLTON, CITY OF	1S4W08R	6	BNK HILL
3601253	COLTON, CITY OF	1S4W08R	7	BNK HILL
3601254	COLTON, CITY OF	1S4W08F	8	BNK HILL
3601256	COLTON, CITY OF	1S4W09N	PLUNGE 12	BNK HILL
3601257	COLTON, CITY OF	1S4W08F	13	BNK HILL
3601258	COLTON, CITY OF	1S4W08R	14	BNK HILL
3601260	COLTON, CITY OF	1S4W08F01S	16	BNK HILL
3601262	COLTON, CITY OF	1S4W08C02S	BARNHL 18	BNK HILL
3601263	RIALTO, CITY OF	1N5W23Q01S	CITY NO 1	LYTLE
3601280	YAHIKU, PAUL	1S3W29D	SOUTH 1	BNK HILL
3601281	REDLANDS, CITY OF	1S2W21M01S	MAGUET 1	BNK HILL
3601282	REDLANDS, CITY OF	1S1W08G01	1 - MILL CRE	MILL CRK
3601283	REDLANDS, CITY OF	1S2W22C02S	EAST LUGONIA	BNK HILL
3601284	REDLANDS, CITY OF	1S2W21E01S	MAGUET 2	BNK HILL
3601285	REDLANDS, CITY OF	1S1W10L1	2 MILL CREEK	MILL CRK
3601286	REDLANDS, CITY OF	1S2W21D	MAGUET 3	BNK HILL
3601287	REDLANDS, CITY OF	1S2W21B	EAST LUGONIA	BNK HILL
3601288	REDLANDS, CITY OF	1S1W11Q1	4 MILL CREEK	MILL CRK
3601289	REDLANDS, CITY OF	1S3W35E	4R	BNK HILL
3601290	REDLANDS, CITY OF	1S2W21D01S	EAST LUGONIA	BNK HILL
3601291	REDLANDS, CITY OF	1S3W35G08S	10	BNK HILL
3601292	REDLANDS, CITY OF	1S3W35G07S	11	BNK HILL

SAN BERNARDINO BASIN AREA
CROSS INDEX BY RECORDATION NUMBER

RECORDATION NUMBER	OWNER NAME	STATE WELL NUMBER	LOCAL DESIGNATION	BASIN NAME
3601293	REDLANDS, CITY OF	1S3W35H02S	12	BNK HILL
3601294	REDLANDS, CITY OF	1S3W35G09S	13	BNK HILL
3601295	REDLANDS, CITY OF	1S3W35H04S	14	BNK HILL
3601296	REDLANDS, CITY OF	1S3W35H03S	16	BNK HILL
3601297	REDLANDS, CITY OF	1S3W35G11S	17	BNK HILL
3601298	REDLANDS, CITY OF	1S3W21H01S	32	BNK HILL
3601299	REDLANDS, CITY OF	1S4W24K01S	34	BNK HILL
3601300	REDLANDS, CITY OF	1S3W27E02S	40	BNK HILL
3601301	REDLANDS, CITY OF	1S3W28H01S	41	BNK HILL
3601302	REDLANDS, CITY OF	1S2W14N	MILL CREEK D	BNK HILL
3601308	REDLANDS, CITY OF	1S2W19K01S	AGATE WELL N	BNK HILL
3601309	TRI CITY CONCRETE	1S4W05M	PLANT	BNK HILL
3601316	SAN BERNARDINO, CITY OF	1S4W23N	1	BNK HILL
3601352	GENERAL AMERICAN LIFE INS. COMPANY	1S3W19N	LANGFORD WEL	BNK HILL
3601376	LULY, DR. LUCIAN L.	1N4W14C	WATERMAN	DEVIL CAN
3601377	LULY, DR. LUCIAN L.	1N4W14C	WATERMAN	DEVIL CAN
3601378	LULY, DR. LUCIAN L.	1N4W14C	WATERMAN	DEVIL CAN
3601381	NEALEY MUTUAL WATER COMPANY	1N5W07J		LYTLE
3601384	LOMA LINDA, CITY OF	1S4W25C	1	BNK HILL
3601388	LOMA LINDA, CITY OF	1S4W25C	COURT ST	BNK HILL
3601405	PENN WELL COMPANY	1S3W22F	2	BNK HILL
3601420	CEMEX CONSTRUCTION MATERIALS, INC.	1S3W09E	NO 2 - ALABA	BNK HILL

SAN BERNARDINO BASIN AREA
CROSS INDEX BY RECORDATION NUMBER

RECORDATION NUMBER	OWNER NAME	STATE WELL NUMBER	LOCAL DESIGNATION	BASIN NAME
3601451	KOCH, GEORGE J.	1S2W32G01	1	BNK HILL
3601497	MUSCOY MUTUAL WATER COMPANY, NO. 1	1N5W23H01S	MUSCOY 1	LYTLE
3601498	MUSCOY MUTUAL WATER COMPANY, NO. 1	1N5W24D01S	NO. 4	LYTLE
3601499	MUSCOY MUTUAL WATER COMPANY, NO. 1	1N5W23A01S	MUSCOY 2	LYTLE
3601500	MUSCOY MUTUAL WATER COMPANY, NO. 1	1N5W23A02S	MUSCOY 3	LYTLE
3601582	EAST VALLEY WATER DISTRICT	1S4W02R	PLANT NO 119	BNK HILL
3601584	EAST VALLEY WATER DISTRICT	1N3W33H01S	PLANT NO 47	BNK HILL
3601585	BEAR VALLEY MUTUAL WATER COMPANY	1S3W23A03S	SAN BERNARDI	BNK HILL
3601586	REDLANDS, CITY OF	1S3W15F02S	ORANGE 5	BNK HILL
3601588	SAN BERNARDINO, CITY OF	1N4W31H	WELL NO 1 ST	BNK HILL
3601619	CARDIFF FARMS MUTUAL WATER COMPANY	1S4W12D	2	BNK HILL
3601626	SAN BERNARDINO, CITY OF	1S4W10D01	CITYLOTS	BNK HILL
3601628	COGBILL, CLINTON L.	1S2W09Q	2	BNK HILL
3601629	RIEDMAN, FRED M.	1S3W03P00S	1	BNK HILL
3601631	BRISTOL RANCH	1N3W34C02S	1	BNK HILL
3601632	CANYON KNOLLS RANCH	2S3W05A2	MARCUM WELL	BNK HILL
3601636	REDLANDS, CITY OF	1S3W19N	LANGFORD	BNK HILL
3601637	REDLANDS, CITY OF	1S3W30D	PTRSON WELL	BNK HILL
3601639	EAST VALLEY WATER DISTRICT	1S3W03R01	PLANT NO 146	BNK HILL
3601640	SUNRISE RANCH PART C/O LIFE DEVELOPMENT	1S2W14N	SUNRISE WELL	BNK HILL
3601641	REDLANDS UNIFIED SCHOOL DISTRICT	1S2W30C01S	OPAL ST	BNK HILL
3601642	PAINE, ROBERT T., TRUSTEE	1S2W30B02S	KING ST	BNK HILL

SAN BERNARDINO BASIN AREA
CROSS INDEX BY RECORDATION NUMBER

RECORDATION NUMBER	OWNER NAME	STATE WELL NUMBER	LOCAL DESIGNATION	BASIN NAME
3601643	EAST VALLEY WATER DISTRICT	1S3W03Q	PLANT NO 121	BNK HILL
3601644	NORTH FORK WATER COMPANY	1S3W01A	PLUNGE CR	BNK HILL
3601645	HINCKLEY, HORACE P.	1S2W30B	1	BNK HILL
3601647	JUDSON MUTUAL WATER COMPANY	1S3W23A03	1	BNK HILL
3601649	RAMIREZ, CARLOS	1S3W28M	HOOVER	BNK HILL
3601649-	RAMIREZ, CARLOS	1S3W28M	HOOVER	BNK HILL
3601653	EAST VALLEY WATER DISTRICT	1N4W36K04S	PLANT NO 1	BNK HILL
3601654	EAST VALLEY WATER DISTRICT	1N4W36K	PLANT NO 1A	BNK HILL
3601655	EAST VALLEY WATER DISTRICT	1N4W36K05S	PLANT NO 2	BNK HILL
3601656	EAST VALLEY WATER DISTRICT	1N4W36Q01S	PLANT NO 6	BNK HILL
3601657	EAST VALLEY WATER DISTRICT	1S4W01B04S	PLANT NO 7	BNK HILL
3601658	EAST VALLEY WATER DISTRICT	1N4W36R01S	PLANT NO 8	BNK HILL
3601659	EAST VALLEY WATER DISTRICT	1S3W06H01S	PLANT NO 9	BNK HILL
3601660	EAST VALLEY WATER DISTRICT	1S3W06H04S	PLANT NO 9A	BNK HILL
3601661	EAST VALLEY WATER DISTRICT	1S4W01J08S	PLANT NO 10	BNK HILL
3601662	EAST VALLEY WATER DISTRICT	1S4W02Q05S	PLANT NO 11	BNK HILL
3601663	EAST VALLEY WATER DISTRICT	1S4W02Q04S	PLANT NO 12	BNK HILL
3601664	EAST VALLEY WATER DISTRICT	1S4W02N01S	PLANT NO 13	BNK HILL
3601665	EAST VALLEY WATER DISTRICT	1S4W01K04S	PLANT NO 14	BNK HILL
3601666	EAST VALLEY WATER DISTRICT	1N4W36F08S	PLANT NO 16	BNK HILL
3601667	EAST VALLEY WATER DISTRICT	1S3W06A05S	PLANT NO 21	BNK HILL
3601668	EAST VALLEY WATER DISTRICT	1S4W01E02S	PLANT NO 22	BNK HILL

SAN BERNARDINO BASIN AREA
CROSS INDEX BY RECORDATION NUMBER

RECORDATION NUMBER	OWNER NAME	STATE WELL NUMBER	LOCAL DESIGNATION	BASIN NAME
3601669	EAST VALLEY WATER DISTRICT	1N4W36H06S	PLANT NO 23	BNK HILL
3601670	EAST VALLEY WATER DISTRICT	1N4W26A01S	PLANT NO 24	BNK HILL
3601671	EAST VALLEY WATER DISTRICT	1N4W26A02S	PLANT NO 24A	BNK HILL
3601672	EAST VALLEY WATER DISTRICT	1N4W25C	PLANT NO 25	BNK HILL
3601673	EAST VALLEY WATER DISTRICT	1N4W25C02S	PLANT NO 25A	BNK HILL
3601674	EAST VALLEY WATER DISTRICT	1N4W25G01S	PLANT NO 26	BNK HILL
3601675	EAST VALLEY WATER DISTRICT	1N4W25A01S	PLANT NO 27	BNK HILL
3601676	EAST VALLEY WATER DISTRICT	1S4W12B05S	PLANT NO 28	BNK HILL
3601677	EAST VALLEY WATER DISTRICT	1S3W05A02S	PLANT NO 31	BNK HILL
3601678	EAST VALLEY WATER DISTRICT	1S3W05B04S	PLANT NO 32	BNK HILL
3601679	EAST VALLEY WATER DISTRICT	1S3W05N05S	PLANT NO 38	BNK HILL
3601684	TERRACE WATER COMPANY	1S4W08F06S	LARGE 1	BNK HILL
3601684-	TERRACE WATER COMPANY	1S4W08F	WELL NO 1 -	BNK HILL
3601685	TERRACE WATER COMPANY	1S4W08F	SMALL 2	BNK HILL
3601686	TERRACE WATER COMPANY	1S4W08F	WELL NO 2 -	BNK HILL
3601718	RIALTO, CITY OF	1N5W22M	LYTLE CREEK	LYTLE
3601725	WEST SAN BDNO. COUNTY WATER DIST.	1N5W25E00S	LYTLE BASIN	LYTLE
3601728	RAMIREZ BROTHERS	1S3W30K	FRINK	BNK HILL
3601748	BARTON DEVELOPMENT	1S3W18H01	CALIF	BNK HILL
3601748-	BARTON DEVELOPMENT	1S3W19A01	CALIF	BNK HILL
3601749	MARIGOLD FARMS COMPANY	1S3W19B01	JAP	BNK HILL
3601750	MARIGOLD FARMS COMPANY	1S3W18L	ACQUILLIAN	BNK HILL

SAN BERNARDINO BASIN AREA
CROSS INDEX BY RECORDATION NUMBER

RECORDATION NUMBER	OWNER NAME	STATE WELL NUMBER	LOCAL DESIGNATION	BASIN NAME
3601751	CHRISTINA WATER COMPANY	1S3W21E	ALABAMA	BNK HILL
3601753	RANCHO CITRUS AMIGOS	1S3W29D	PARK AVE 1	BNK HILL
3601781	EAST VALLEY WATER DISTRICT	1S3W06K01S	PLANT NO 35	BNK HILL
3601809	DEL ROSA MUTUAL WATER COMPANY	1N4W26H	GOLDNAV 1	BNK HILL
3601810	CAMPUS CRUSADE FOR CHRIST	1N4W23E	PRKSDE 2	BNK HILL
3601811	CAMPUS CRUSADE FOR CHRIST	1N4W14A	EAST TWIN	DEVIL CAN
3601823	TRI CITY MUTUAL WATER COMPANY	1S4W23N		BNK HILL
3601837	SYCAMORE HEIGHTS WATER COMPANY, INC.	1N3W34C	HERCULES	BNK HILL
3601838	SYCAMORE HEIGHTS WATER COMPANY, INC.	1N3W34C	WALKISHA	BNK HILL
3601839	MCCALLA, ROBERT	1S3W10D01S	NO 1	BNK HILL
3601843	SAN BERNARDINO, CITY OF	1N5W03H01S	CAJON NO 1	L CAJON
3601844	SAN BERNARDINO, CITY OF	1N5W03A02	CAJON NO 2	L CAJON
3601845	SAN BERNARDINO, CITY OF	1N4W30M	MALLORY	LYTLE
3601848	WEST SAN BDNO. COUNTY WATER DIST.	1S4W05E05S	WELL NO 15	BNK HILL
3601878	SAN BERNARDINO, CITY OF	1N4W29E01S	DARBY	BNK HILL
3601879	SAN BERNARDINO, CITY OF	1N4W29N	GARDENA	BNK HILL
3601880	SAN BERNARDINO, CITY OF	1N4W29F01S	COLIMA	BNK HILL
3601884	EAST VALLEY WATER DISTRICT	1N3W31C02S	PLANT NO 30	BNK HILL
3601910	LOMA LINDA UNIVERSITY	1S3W30L	PUFFER	BNK HILL
3601924	NATIONAL ORANGE SHOW	1S4W15D		BNK HILL
3601925	ARROWHEAD COUNTRY CLUB	1N4W23E	NO 1	BNK HILL
3601929	RIALTO, CITY OF	1S4W06C04S	CITY #6	BNK HILL

SAN BERNARDINO BASIN AREA
CROSS INDEX BY RECORDATION NUMBER

RECORDATION NUMBER	OWNER NAME	STATE WELL NUMBER	LOCAL DESIGNATION	BASIN NAME
3601930	CALIFORNIA, STATE OF PATTON HOSPITAL	1N3W32C02S	PATTON 11	BNK HILL
3601932	IOWA STREET WELL	1S3W29B01		BNK HILL
3601944	WEST SAN BDNO. COUNTY WATER DIST.	1N5W23Q00S	WELL NO 2	LYTLE
3601969	SUNRISE RANCH PART C/O LIFE DEVELOPMENT	1S2W14L	SUNRISE 7	BNK HILL
3601978	EAST VALLEY WATER DISTRICT	1S3W04N	PLANT NO 40	BNK HILL
3601979	CAMPUS CRUSADE FOR CHRIST	1N4W14A	EAST TWIN	DEVIL CAN
3601987	EAST VALLEY WATER DISTRICT	1S3W04B	PLANT NO 136	BNK HILL
3601989	LOMA LINDA, CITY OF	1S4W24R01S	GOLCONDA WEL	BNK HILL
3602003	SOLANO WELL NO. 3	1S2W16C	3	BNK HILL
3602007	BERMAN, JERRY & SONS	1S4W02K	2	BNK HILL
3602008	LOMA LINDA UNIVERSITY	1S4W26A	1	BNK HILL
3602009	LOMA LINDA UNIVERSITY	1S4W25G01S	3	BNK HILL
3602010	LOMA LINDA, CITY OF	1S4W25H02S	LLU 4	BNK HILL
3602011	LOMA LINDA, CITY OF	1S4W25B02S	LLU 5	BNK HILL
3602012	LOMA LINDA UNIVERSITY	1S4W25C01S	6	BNK HILL
3602013	LOMA LINDA UNIVERSITY	1S4W24P	7	BNK HILL
3602014	LOMA LINDA UNIVERSITY	1S4W26J01S	8	BNK HILL
3602015	LOMA LINDA, CITY OF	1S4W25B	LLU 9	BNK HILL
3602016	LOMA LINDA, CITY OF	1S4W25G	ROBINSON	BNK HILL
3602017	LOMA LINDA UNIVERSITY	1S4W25E01S	2	BNK HILL
3602020	F. A. G714R. WELL	1S2W20K	NO 1 FAR WEL	BNK HILL
3602031	REDLANDS, CITY OF	1S3W21H	WELL 30A	BNK HILL

SAN BERNARDINO BASIN AREA
CROSS INDEX BY RECORDATION NUMBER

RECORDATION NUMBER	OWNER NAME	STATE WELL NUMBER	LOCAL DESIGNATION	BASIN NAME
3602032	REDLANDS, CITY OF	1S3W22A	WELL NO 35	BNK HILL
3602034	EAST VALLEY WATER DISTRICT	1S4W02Q	PLANT NO 12A	BNK HILL
3602036	REDLANDS, CITY OF	1S3W21H	31-A	BNK HILL
3602057	LOMA LINDA, CITY OF	1S4W25C	MITTLEIDER W	BNK HILL
3602058	LOMA LINDA, CITY OF	1S4W25B	JANZEN CREEK	BNK HILL
3602060	SAN BERNARDINO, CITY OF	1S4W24L	BENNETT WELL	BNK HILL
3602062	BUOYE WELL	1S2W29N	1	BNK HILL
3602065	REDLANDS, CITY OF	1S3W32J02S	LEE WELL	BNK HILL
3602066	SAN BERNARDINO, CITY OF	1S4W02B	1	BNK HILL
3602067	SAN BERNARDINO, CITY OF	1N4W35K	2-GILBERT/CA	BNK HILL
3602068	ARROYO VERDE MUTUAL WATER COMPANY	1S4W01A02S	1	BNK HILL
3602069	ARROYO VERDE MUTUAL WATER COMPANY	1S4W01A	2	BNK HILL
3602074	TILDEN, M. WILLIAM	1N3W34B02	IRRIG. 1	BNK HILL
3602075	TILDEN, M. WILLIAM	1N3W34B01	DOM. 2	BNK HILL
3602079	BARNO, JOHN	1S3W03F	1	BNK HILL
3602080	RIALTO, CITY OF	1N5W23Q	CITY NO 2	LYTLE
3602081	SAN BERNARDINO, CITY OF	1N4W27B	31 ST	BNK HILL
3602082	REDLANDS, CITY OF	2S3W03K	WELL NO 36	BNK HILL
3602106	REDLANDS, CITY OF	1S3W22A01S		BNK HILL
3602109	BRYN MAWR MUTUAL WATER COMPANY	1S3W31B00S	4	BNK HILL
3602112	VICTORIA FARMS MUTUAL WATER COMPANY	1S4W13R01S		BNK HILL
3602113	EAST VALLEY WATER DISTRICT	1N3W30N	PLANT NO 41	BNK HILL

SAN BERNARDINO BASIN AREA
CROSS INDEX BY RECORDATION NUMBER

RECORDATION NUMBER	OWNER NAME	STATE WELL NUMBER	LOCAL DESIGNATION	BASIN NAME
3602119	LAKESIDE AVENUE MUTUAL WELL COMPANY	1S3W33C01S	1	BNK HILL
3602122	SAN BERNARDINO, CITY OF	1S4W23R03S	ROSEWOOD	BNK HILL
3602123	SAN BERNARDINO, CITY OF	1S4W14J	NORMAN ROAD	BNK HILL
3602124	SAN BERNARDINO, CITY OF	1S4W14J	CENTRAL	BNK HILL
3602125	SAN BERNARDINO, CITY OF	1S4W24F04S	GOULD STREET	BNK HILL
3602126	SAN BERNARDINO, CITY OF	1S4W24F	GOULD STREET	BNK HILL
3602127	GOLDEN BEAR FOREST PRODUCTS	1S3W15A01		BNK HILL
3602128	SAN BERNARDINO, CITY OF	1S4W14A	GIFFORD PARK	BNK HILL
3602130	EASTWOOD FARMS COMMUNITY WATER USERS	1S4W01P01S	1	BNK HILL
3602131	EASTWOOD FARMS COMMUNITY WATER USERS	1S4W01P02S	2	BNK HILL
3602170	ROBBINS, H. W.	1S2W31M		BNK HILL
3602171	REES & PERRICONE RANCH	1S2W18M	1	BNK HILL
3602174	EAST VALLEY WATER DISTRICT	1S4W02A	PLANT NO 105	BNK HILL
3602186	CRAFTON WATER COMPANY	1S2W21L02	2	BNK HILL
3602188	ESRI	1S2W29L	ROLADERA	BNK HILL
3602193	RAUGHT MUTUAL WELL COMPANY	1S3W14R01	RAUGHT	BNK HILL
3602205	SAN BERNARDINO, CITY OF	1N4W06H01S	DEVIL 4	DEVIL CAN
3602206	SAN BERNARDINO, CITY OF	1N4W06H02S	DEVIL 3	DEVIL CAN
3602211	REDLANDS, CITY OF	1S3W26C	NO 37 SYLVAN	BNK HILL
3602224	EAST PIONEER MUTUAL WELL COMPANY	1S3W13P		BNK HILL
3602241	CARTER, JAMES E., M.D.	1S3W20F03	ALMOND	BNK HILL
3602247	VICTORIA FARMS MUTUAL WATER COMPANY	1S4W13R03	2	BNK HILL

SAN BERNARDINO BASIN AREA
CROSS INDEX BY RECORDATION NUMBER

RECORDATION NUMBER	OWNER NAME	STATE WELL NUMBER	LOCAL DESIGNATION	BASIN NAME
3602249	LOMA LINDA UNIVERSITY	1S4W25D05	ANDERSON	BNK HILL
3602252	SAN BERNARDINO, CITY OF	1S4W14B	2	BNK HILL
3602260	EAST VALLEY WATER DISTRICT	1S3W05D06	PLANT NO 132	BNK HILL
3602264	SAN BERNARDINO, CITY OF	1N4W27N01S	23RD STREET	BNK HILL
3602265	SAN BERNARDINO, CITY OF	1S4W03J	7TH STREET	BNK HILL
3602274	EAST VALLEY WATER DISTRICT	1N3W30J	PLANT NO 39	BNK HILL
3602280	MENTONE CITRUS GROVES	1S2W18Q		BNK HILL
3602285	SAN BERNARDINO, CITY OF	1S4W15D05	15D5	BNK HILL
3602320-	NEW ENGLAND WATER COMPANY	1S3W16L		BNK HILL
3602337	EAST VALLEY WATER DISTRICT	1N4W26A	PLANT NO 24B	BNK HILL
3602338	EAST VALLEY WATER DISTRICT	1S3W04N	PLANT NO 40A	BNK HILL
3602345	MUSCOY MUTUAL WATER COMPANY, NO. 1	1N5W24E	WELL NO 4	LYTLE
3602346	REDLANDS, CITY OF	1S3W28J02	NEW YORK ST	BNK HILL
3602351	REDLANDS, CITY OF	1S2W13A	0 - A MILL C	BNK HILL
3602370	EAST VALLEY WATER DISTRICT	1N4W25F	PLANT NO 107	BNK HILL
3602381	CALIFORNIA, STATE OF PATTON HOSPITAL	1N3W29M	14	BNK HILL
3602382	DEVORE WATER COMPANY	2N5W28D	1	L CAJON
3602383	DEVORE WATER COMPANY	2N5W28C	2	L CAJON
3602384	DEVORE WATER COMPANY	2N5W28C	3	L CAJON
3602385	DEVORE WATER COMPANY	2N5W20H	MEDLIN CR.	L CAJON
3602386	DEVORE WATER COMPANY	2N5W21E	LETHIN SP.	L CAJON
3602387	DEVORE WATER COMPANY	2N5W22E	E. KIMBARK	L CAJON

SAN BERNARDINO BASIN AREA
CROSS INDEX BY RECORDATION NUMBER

RECORDATION NUMBER	OWNER NAME	STATE WELL NUMBER	LOCAL DESIGNATION	BASIN NAME
3602388	DEVORE WATER COMPANY	2N5W21G	KIMBARK	L CAJON
3602389	DEVORE WATER COMPANY	2N5W22N	HOPPER	L CAJON
3602390	DEVORE WATER COMPANY	2N5W28B	SANTA FE	L CAJON
3602391	DEVORE WATER COMPANY	2N5W28D	CASADY	L CAJON
3602399	SAN BERNARDINO, CITY OF	1N4W16E	NEWMARK 4	DEVIL CAN
3602400	SAN BERNARDINO, CITY OF	1N4W32N	E-6W BASELIN	BNK HILL
3602401	SAN BERNARDINO, CITY OF	1N4W27A	LEROY	BNK HILL
3602405	COLTON, CITY OF	1S4W08C	19	BNK HILL
3602417	EAST VALLEY WATER DISTRICT	1S3W05D	PLANT NO 132	BNK HILL
3602422	SAN BERNARDINO, CITY OF	1S4W02K08S	ANTIL 6	BNK HILL
3602426	SAN BERNARDINO, CITY OF	2N5W19K	C.C. DIV.	L CAJON
3602428	DEVORE WATER COMPANY	2N5W33H	NO 4	L CAJON
3602474	EAST HIGHLANDS RANCH, INC.	1N3W26R	BOX SPRING	PLUNGE
3602498	COLTON, CITY OF	1S4W08R07	NO 6B	BNK HILL
3602499	J. G. GOLFING ENTERPRISES, INC.	1S4W22A01	PAYNE HOT WE	BNK HILL
3602521	SAN BERNARDINO, CITY OF	1S4W23P	WELL NO 2	BNK HILL
3602525	L.P.R. ICE COMPANY	1S3W13L		BNK HILL
3602528	BASELINE GARDENS MUTUAL WATER COMPANY	1N4W35R01	3	BNK HILL
3602529	BLUE GOOSE GROWERS INC	1S2W09P02	NO. 6	BNK HILL
3602530	BLUE GOOSE GROWERS INC	1S2W09L02S	NO. 11	BNK HILL
3602531	BLUE BANNER COMPANY	1S2W09L03S	TUNNEL DIV.	BNK HILL
3602549	PHARAOHS LOST KINGDOM	1S3W19J	CALIF STREET	BNK HILL

SAN BERNARDINO BASIN AREA
CROSS INDEX BY RECORDATION NUMBER

RECORDATION NUMBER	OWNER NAME	STATE WELL NUMBER	LOCAL DESIGNATION	BASIN NAME
3602550	DANIELS AND BEST RANCH	1S3W17R	ALABAMA ST	BNK HILL
3602560	EAST VALLEY WATER DISTRICT	1S3W04G	PLANT NO 136	BNK HILL
3602563	EAST VALLEY WATER DISTRICT	1S4W02Q	PLANT NO 11A	BNK HILL
3602564	EAST VALLEY WATER DISTRICT	1S4W12B	PLANT NO 28A	BNK HILL
3602571	EAST VALLEY WATER DISTRICT	1S3W03F	PLANT NO 122	BNK HILL
3602574	VICTORIA FARMS MUTUAL WATER COMPANY	1S4W13R	#3 WELL	BNK HILL
3602596	LOMA LINDA, CITY OF	1S4W24R	NEW GOLCONDA	BNK HILL
3602653	REDLANDS, CITY OF	1S2W19J	KNARR WELL	BNK HILL
3602654	REDLANDS, CITY OF	1S2W19J	CRAFTON AVE	BNK HILL
3602657	YUCAIPA VALLEY WATER DISTRICT	1S1W20D	WELL NO 31	MILL CRK
3602658	YUCAIPA VALLEY WATER DISTRICT	1S1W20D	WELL NO 32	MILL CRK
3602659	YUCAIPA VALLEY WATER DISTRICT	1S1W19G	WELL NO 33	BNK HILL
3602664	STORKSON, WILLIAM F.	1N5W06M01S	SPRING NO 1	LYTLE
3602712	SAN BERNARDINO, CITY OF	1N4W08P	ELLENA BROS	DEVIL CAN
3602714	VICTORIA FARMS MUTUAL WATER COMPANY	1S4W13R	1	BNK HILL
3602727	FONTANA UNION WATER COMPANY	1N5W15Q02S	FU 8	LYTLE
3602759	LOMA LINDA, CITY OF	1S4W24A	MOUNTAIN VIE	BNK HILL
3602760	LOMA LINDA, CITY OF	1S4W24B	MOUNTAIN VIE	BNK HILL
3602766	WEST SAN BDNO. COUNTY WATER DIST.	1S4W06H02	WELL NO 30	BNK HILL
3602781	LOMA LINDA UNIVERSITY	1S4W25D	ANDERSON II	BNK HILL
3602791	REDLANDS, CITY OF	1S2W20B01	EAST LUGONIA	BNK HILL
3602792	REDLANDS, CITY OF	1S2W19A01	AGATE NO 2	BNK HILL

SAN BERNARDINO BASIN AREA
CROSS INDEX BY RECORDATION NUMBER

RECORDATION NUMBER	OWNER NAME	STATE WELL NUMBER	LOCAL DESIGNATION	BASIN NAME
3602793	COLTON, CITY OF	1S4W08F01	NO 21	BNK HILL
3602799	EAST VALLEY WATER DISTRICT	1S2W07F	PLANT NO 125	BNK HILL
3602821	SAN BERNARDINO, CITY OF	1N5W03A02	CAJON # 3/ST	L CAJON
3602844	SAN BERNARDINO, CITY OF	1N4W08M02	DEVIL CANYON	DEVIL CAN
3602846	J. G. GOLFING ENTERPRISES, INC.	1S4W22A	KLINE WELL	BNK HILL
3602848	RIALTO, CITY OF	1N5W36B01S	CITY NO 3	LYTLE
3602855	LOMA LINDA UNIVERSITY	1S4W25D07S	ANDERSON III	BNK HILL
3602895	REDLANDS, CITY OF	1S3W13H	AIRPORT WELL	BNK HILL
3602896	REDLANDS, CITY OF	1S2W20D	MADEIRA WELL	BNK HILL
3602897	WEST SAN BDNO. COUNTY WATER DIST.	1N5W23P	WELL NO 34	LYTLE
3602917	BROOKSIDE PLAZA	1S3W03D01S		BNK HILL
3603027	SAN BERNARDINO, CITY OF	1N5W36J01S	LYTLE CREEK	LYTLE
3603030	RIALTO, CITY OF	1S4W06B01S	CITY # 5	BNK HILL
3603045	REDLANDS, CITY OF	1S1W09J01	MILL CREEK N	MILL CRK
3603054	WEST SAN BDNO. COUNTY WATER DIST.	1N5W25E	WELL NO 35	LYTLE
3603055	WEST SAN BDNO. COUNTY WATER DIST.	1N5W36H05	WELL NO 36	LYTLE
3603057	LOMA LINDA, CITY OF	1S4W24B	RICHARDSON W	BNK HILL
3603058	LOMA LINDA, CITY OF	1S4W24B	RICHARDSON W	BNK HILL
3603116	SAN BERNARDINO VALLEY MWD	1S3W13R01S	SAN BERNARDI	BNK HILL
3603141	SAN BERNARDINO VALLEY MWD	1S4W04E	9TH STREET W	BNK HILL
3603174	SAN BERNARDINO VALLEY MWD	1S4W04F02	PERRIS STREE	BNK HILL
3603206	SAN BERNARDINO, CITY OF	1S4W04D02	OLIVE/GARNER	BNK HILL

SAN BERNARDINO BASIN AREA
CROSS INDEX BY RECORDATION NUMBER

RECORDATION NUMBER	OWNER NAME	STATE WELL NUMBER	LOCAL DESIGNATION	BASIN NAME
3603207	SAN BERNARDINO, CITY OF	1S4W04C	10TH & J STR	BNK HILL
3603208	SAN BERNARDINO, CITY OF	1N4W34G04	17TH & SIERR	BNK HILL
3603247	EAST VALLEY WATER DISTRICT	1S3W06P18S	PLANT NO 141	BNK HILL
3603262	HOLLIDAY TRUCKING	1N4W31M03S	SB # 1	LYTLE
3603471	SAN BERNARDINO, CITY OF	2N5W19R	KENWOOD	L CAJON
3603472	SAN BERNARDINO, CITY OF	1N4W14P01S	40TH & VALEN	DEVIL CAN
3603523	LOMA LINDA, CITY OF	1S4W24P04S	SOUTH RICHA	BNK HILL
3603538	RIALTO, CITY OF	1S4W06H	CITY #4	BNK HILL
3603539	YUCAIPA VALLEY WATER DISTRICT	1S2W24C	YVWD 51	BNK HILL
3603554	BARTON DEVELOPMENT	1S3W19A01S	CALIFORNIA S	BNK HILL
3603579	SAN BERNARDINO, CITY OF	1N4W05D	DEVIL CANYON	DEVIL CAN
3603580	SAN BERNARDINO, CITY OF	1N4W05D	DEVIL CANYON	DEVIL CAN
3603581	SAN BERNARDINO, CITY OF	1S4W22C05	CENTURY	BNK HILL
3603582	SAN BERNARDINO, CITY OF	1S4W15P05	CHANDLER	BNK HILL
3603583	EAST VALLEY WATER DISTRICT	1S3W02N02	PLANT NO 143	BNK HILL
3603646	INLAND VALLEY DEVELOPMENT AGENCY	1S4W07D	NORTON 2	BNK HILL
3603647	INLAND VALLEY DEVELOPMENT AGENCY	1S4W12C	NORTON 3	BNK HILL
3603648	INLAND VALLEY DEVELOPMENT AGENCY	1S4W12F	NORTON 5	BNK HILL
3603649	INLAND VALLEY DEVELOPMENT AGENCY	1S3W07A	NORTON 11	BNK HILL
3603650	INLAND VALLEY DEVELOPMENT AGENCY	1S3W18C	GOLF COURSE	BNK HILL
3603653	CEMEX CONSTRUCTION MATERIALS, INC.	1S3W10J	ORANGE STREE	BNK HILL
3603655	REDLANDS, CITY OF	1S3W29Q01S	38	BNK HILL

SAN BERNARDINO BASIN AREA
CROSS INDEX BY RECORDATION NUMBER

RECORDATION NUMBER	OWNER NAME	STATE WELL NUMBER	LOCAL DESIGNATION	BASIN NAME
3603656	REDLANDS, CITY OF	1S3W14E01S	CHURCH STREE	BNK HILL
3603688	SAN BERNARDINO, CITY OF	1S4W03D04S	EPA 1	BNK HILL
3603689	SAN BERNARDINO, CITY OF	1S4W03C03S	EPA 2	BNK HILL
3603690	SAN BERNARDINO, CITY OF	1S4W03C04S	EPA 3	BNK HILL
3603691	SAN BERNARDINO, CITY OF	1S4W03B03S	EPA 4	BNK HILL
3603692	SAN BERNARDINO, CITY OF	1S4W03A04S	EPA 5	BNK HILL
3603693	SAN BERNARDINO, CITY OF	1S4W16M03S	EPA 6	BNK HILL
3603694	SAN BERNARDINO, CITY OF	1S4W16M04S	EPA 7	BNK HILL
3603734	EAST VALLEY WATER DISTRICT	1S3W02P065	PLANT NO 147	BNK HILL
3603760	REDLANDS, CITY OF	1S3W29Q02S	39	BNK HILL
3605001	WEST SAN BDNO. COUNTY WATER DIST.	1N5W25E01S	WELL NO 5A	LYTLE
3690723	SOUTHERN CALIFORNIA EDISON COMPANY	1S4W10F01S	HANFORD 1	BNK HILL
3603695	CAL MAT COMPANY	1N5W25Q	HIGHLAND PLA	LYTLE
3603696	CAL MAT COMPANY	1N5W02N	CAJON CREEK	BNK HILL
3603697	CAL MAT COMPANY	1N5W14A	CAJON CREEK	BNK HILL
3603698	PAYNE, LARRY	2N5W27L01	OWNER'S #1	L CAJON
3603699	PAYNE, LARRY	2N5W27L02	OWNER'S #2	L CAJON
3603700	PAYNE, LARRY	2N5W27L03	OWNER'S #3	L CAJON
3603704	COLTON, CITY OF	1S4W08R	26	BNK HILL
3603719	LOMA LINDA, CITY OF	1S4W24A05S	MTN. VIEW #3	BNK HILL
3603720	LOMA LINDA, CITY OF	1S4W24F	RICHARDSON N	BNK HILL
3603721	LOMA LINDA, CITY OF	1S4W24R08	MTN. VIEW #4	BNK HILL

SAN BERNARDINO BASIN AREA.

CROSS INDEX BY STATE WELL NUMBER

SAN BERNARDINO BASIN AREA
CROSS INDEX BY STATE WELL NUMBER

STATE WELL NUMBER	OWNER NAME	RECORDATION NUMBER	LOCAL DESIGNATION	BASIN NAME
1N2W26E	BEAR VALLEY MUTUAL WATER COMPANY	3600027	ALDER CR	SANTA ANA
1N2W26G01	BEAR VALLEY MUTUAL WATER COMPANY	3600021	SANTA ANA 1	SANTA ANA
1N2W34G	BEAR VALLEY MUTUAL WATER COMPANY	3600022	SANTA ANA 2	SANTA ANA
1N3W18R	EAST VALLEY WATER DISTRICT	3600971	PLANT NO 58	BNK HILL
1N3W19F	EAST VALLEY WATER DISTRICT	3600864	PLANT NO 79	BNK HILL
1N3W19G	EAST VALLEY WATER DISTRICT	3600970	PLANT NO 57	BNK HILL
1N3W19Q	SELEY	122	TUNNEL DIV.	BNK HILL
1N3W19R	SAN MANUEL INDIAN RESERVATION	160	DOMESTIC	BNK HILL
1N3W19R	SAN MANUEL INDIAN RESERVATION	161		BNK HILL
1N3W19R	SAN MANUEL INDIAN RESERVATION	162	YORK TUNNEL	BNK HILL
1N3W20N	SAN MANUEL INDIAN RESERVATION	119		BNK HILL
1N3W26R	EAST HIGHLANDS RANCH, INC.	3602474	BOX SPRING	PLUNGE
1N3W27E	GUERTH, WILLIAM H.	3600856	CITY CREEK	BNK HILL
1N3W27M	NORTH FORK WATER COMPANY	3600681	CITY CREEK	BNK HILL
1N3W27N01	HIGHLAND WELL COMPANY	3600184	APLIN WELL	BNK HILL
1N3W27N02S	EAST VALLEY WATER DISTRICT	3600378	PLANT 134 CI	BNK HILL
1N3W27N08S	EAST VALLEY WATER DISTRICT	3600377	PLANT 134 CI	BNK HILL
1N3W27R	COOK CANYON	18		BNK HILL
1N3W28A	THOMPSON RANDALL	132	SPRING DIV.	
1N3W28P01S	EAST VALLEY WATER DISTRICT	3600855	PLANT NO 54	BNK HILL
1N3W29B	SUPERIOR ORCHARDS	131	TUNNEL DIV.	BNK HILL
1N3W29H	WIDEMEYER	157	SPRING DIV.	BNK HILL

SAN BERNARDINO BASIN AREA
CROSS INDEX BY STATE WELL NUMBER

STATE WELL NUMBER	OWNER NAME	RECORDATION NUMBER	LOCAL DESIGNATION	BASIN NAME
1N3W29H	WIDEMEYER	158		BNK HILL
1N3W29M	CALIFORNIA, STATE OF PATTON HOSPITAL	3600924-	2A	BNK HILL
1N3W29M	CALIFORNIA, STATE OF PATTON HOSPITAL	3602381	14	BNK HILL
1N3W29M01S	CALIFORNIA, STATE OF PATTON HOSPITAL	3600924	PATTON 2	BNK HILL
1N3W29N01S	CALIFORNIA, STATE OF PATTON HOSPITAL	3600931	PATTON 10	BNK HILL
1N3W29R01S	BEAR VALLEY MUTUAL WATER COMPANY	3600025	PALM AV3	BNK HILL
1N3W30C	EAST VALLEY WATER DISTRICT	30	PLANT NO 36	BNK HILL
1N3W30H01S	EAST VALLEY WATER DISTRICT	3600444	PLANT NO 98	BNK HILL
1N3W30J	EAST VALLEY WATER DISTRICT	3600545	PLANT NO 62	BNK HILL
1N3W30J	EAST VALLEY WATER DISTRICT	3602274	PLANT NO 39	BNK HILL
1N3W30K	EAST VALLEY WATER DISTRICT	3600221	PLANT NO 63	BNK HILL
1N3W30N	EAST VALLEY WATER DISTRICT	3602113	PLANT NO 41	BNK HILL
1N3W31A	EAST VALLEY WATER DISTRICT	34	PLANT NO 45	BNK HILL
1N3W31B01	EAST VALLEY WATER DISTRICT	3600927	PLANT NO 116	BNK HILL
1N3W31C02S	EAST VALLEY WATER DISTRICT	3601884	PLANT NO 30	BNK HILL
1N3W31D	EAST VALLEY WATER DISTRICT	38	PLANT NO 70	BNK HILL
1N3W31K02S	CALIFORNIA, STATE OF PATTON HOSPITAL	3600929	PATTON 8	BNK HILL
1N3W31L01S	EAST VALLEY WATER DISTRICT	3600269	PLANT NO 68	BNK HILL
1N3W31L02S	EAST VALLEY WATER DISTRICT	3600928	PLANT NO 117	BNK HILL
1N3W31L03S	EAST VALLEY WATER DISTRICT	3600930	PLANT NO 118	BNK HILL
1N3W31P02S	FRIEDEMANN, ERNEST C.	3600747	WELL 1	BNK HILL
1N3W31Q	BASELINE LAUNDRY	8		BNK HILL

SAN BERNARDINO BASIN AREA
CROSS INDEX BY STATE WELL NUMBER

STATE WELL NUMBER	OWNER NAME	RECORDATION NUMBER	LOCAL DESIGNATION	BASIN NAME
1N3W31Q	BASELINE LAUNDRY	82		BNK HILL
1N3W32B	EAST VALLEY WATER DISTRICT	3600275	PLANT NO 64	BNK HILL
1N3W32C01S	CALIFORNIA, STATE OF PATTON HOSPITAL	3600923	PATTON 1	BNK HILL
1N3W32C02S	CALIFORNIA, STATE OF PATTON HOSPITAL	3601930	PATTON 11	BNK HILL
1N3W32D	MILLER MUTUAL WELL COMPANY	3600630		BNK HILL
1N3W32D	MILLER MUTUAL WELL COMPANY	3600630-		BNK HILL
1N3W32M	NO NAME WELL	85		BNK HILL
1N3W33C01	NORTH FORK WATER COMPANY	3600765	RODDICK WELL	BNK HILL
1N3W33F01S	EAST VALLEY WATER DISTRICT	3601184	PLANT NO 94	BNK HILL
1N3W33H01S	EAST VALLEY WATER DISTRICT	3601584	PLANT NO 47	BNK HILL
1N3W33M01S	EAST VALLEY WATER DISTRICT	3600374	PLANT 138	BNK HILL
1N3W33M02S	EAST VALLEY WATER DISTRICT	3601069	CHURCH	BNK HILL
1N3W33R02S	BASE LINE WELL COMPANY	3600456	1	BNK HILL
1N3W34B01	TILDEN, M. WILLIAM	3602075	DOM. 2	BNK HILL
1N3W34B02	TILDEN, M. WILLIAM	3602074	IRRIG. 1	BNK HILL
1N3W34C	SYCAMORE HEIGHTS WATER COMPANY, INC.	3601837	HERCULES	BNK HILL
1N3W34C	SYCAMORE HEIGHTS WATER COMPANY, INC.	3601838	WALKISHA	BNK HILL
1N3W34C02S	BRISTOL RANCH	3601631	1	BNK HILL
1N3W34F	NORWOOD	95		BNK HILL
1N3W34H	ARNOLD RANCH	4		BNK HILL
1N3W34K	BALDWIN	6		BNK HILL
1N3W34K	RULE	114	SPRING	BNK HILL

SAN BERNARDINO BASIN AREA
CROSS INDEX BY STATE WELL NUMBER

STATE WELL NUMBER	OWNER NAME	RECORDATION NUMBER	LOCAL DESIGNATION	BASIN NAME
1N3W34Q	PATTERSON, ROY H.	163		BNK HILL
1N3W35B	EAST HIGHLANDS ORANGE COMPANY	29	BOX SPRING	PLUNGE
1N3W35G	EAST HIGHLANDS RANCH, INC.	3600605	PLUNGE CREEK	PLUNGE
1N3W35K	EAST HIGHLANDS RANCH, INC.	3600606	ELDER GULCH	BNK HILL
1N4W05D	SAN BERNARDINO, CITY OF	3603579	DEVIL CANYON	DEVIL CAN
1N4W05D	SAN BERNARDINO, CITY OF	3603580	DEVIL CANYON	DEVIL CAN
1N4W06H01S	SAN BERNARDINO, CITY OF	3602205	DEVIL 4	DEVIL CAN
1N4W06H02S	SAN BERNARDINO, CITY OF	3602206	DEVIL 3	DEVIL CAN
1N4W06J	SAN BERNARDINO, CITY OF	3600738	D C DIVERSIO	DEVIL CAN
1N4W07F01S	SAN BERNARDINO, CITY OF	3600711	DEVIL CANYON	DEVIL CAN
1N4W08M01S	SAN BERNARDINO, CITY OF	3600712	DEVIL CANYON	DEVIL CAN
1N4W08M02	SAN BERNARDINO, CITY OF	3602844	DEVIL CANYON	DEVIL CAN
1N4W08N	ELLENA, JOHN B.	54		DEVIL CAN
1N4W08P	SAN BERNARDINO, CITY OF	3602712	ELLENA BROS	DEVIL CAN
1N4W13N	HARRISON CANYON	63		DEVIL CAN
1N4W13N	HARRISON CANYON	64		DEVIL CAN
1N4W13P	DILLSON MUTUAL WATER COMPANY	26	HARRISON CYN	DEVIL CAN
1N4W13Q	HARDISON	61		DEVIL CAN
1N4W13Q	U.S. FOREST SERVICE	137	MAINT. YARD	DEVIL CAN
1N4W14A	CAMPUS CRUSADE FOR CHRIST	3601811	EAST TWIN	DEVIL CAN
1N4W14A	CAMPUS CRUSADE FOR CHRIST	3601979	EAST TWIN	DEVIL CAN
1N4W14C	CAMPUS CRUSADE FOR CHRIST	155	W TWIN CRK	DEVIL CAN

SAN BERNARDINO BASIN AREA
CROSS INDEX BY STATE WELL NUMBER

STATE WELL NUMBER	OWNER NAME	RECORDATION NUMBER	LOCAL DESIGNATION	BASIN NAME
1N4W14C	LULY, DR. LUCIAN L.	3601376	WATERMAN	DEVIL CAN
1N4W14C	LULY, DR. LUCIAN L.	3601377	WATERMAN	DEVIL CAN
1N4W14C	LULY, DR. LUCIAN L.	3601378	WATERMAN	DEVIL CAN
1N4W14J	BOUCHER	14		DEVIL CAN
1N4W14J	SATOSKI, DOCTOR	121		DEVIL CAN
1N4W14J	SMITH	124		DEVIL CAN
1N4W14J	WALLACE	148		DEVIL CAN
1N4W14P01S	SAN BERNARDINO, CITY OF	3603472	40TH & VALEN	DEVIL CAN
1N4W14R	BATCHELOR	9		DEVIL CAN
1N4W14R	BATCHELOR	10		DEVIL CAN
1N4W14R	KING	73		DEVIL CAN
1N4W16E	SAN BERNARDINO, CITY OF	3600715	NEWMARK NO 2	DEVIL CAN
1N4W16E	SAN BERNARDINO, CITY OF	3602399	NEWMARK 4	DEVIL CAN
1N4W16E01S	SAN BERNARDINO, CITY OF	3600714	NEWMARK NO 1	DEVIL CAN
1N4W16E03S	SAN BERNARDINO, CITY OF	3600716	NEWMARK NO 3	DEVIL CAN
1N4W23E	CAMPUS CRUSADE FOR CHRIST	3601810	PRKSDE 2	BNK HILL
1N4W23E	ARROWHEAD COUNTRY CLUB	3601925	NO 1	BNK HILL
1N4W23K	VALENCIA AVE. MUTUAL WATER COMPANY	140	WATERMAN AVE	BNK HILL
1N4W24A	LANGSTON-NEWBY DEVELOPMENT CO.	3600218	1	DEVIL CAN
1N4W24C	DILLSON MUTUAL WATER COMPANY	25	DILLSON AVE	DEVIL CAN
1N4W24C	DILLSON MUTUAL WATER COMPANY	173	CISCO WELL	DEVIL CAN
1N4W24H	LA BONTE, JIM	3600865	MULTOWN2	BNK HILL

SAN BERNARDINO BASIN AREA
CROSS INDEX BY STATE WELL NUMBER

STATE WELL NUMBER	OWNER NAME	RECORDATION NUMBER	LOCAL DESIGNATION	BASIN NAME
1N4W24H	SOMERS, R.	3601093	SPRING	BNK HILL
1N4W25A01S	EAST VALLEY WATER DISTRICT	3601675	PLANT NO 27	BNK HILL
1N4W25C	EAST VALLEY WATER DISTRICT	3601672	PLANT NO 25	BNK HILL
1N4W25C02S	EAST VALLEY WATER DISTRICT	3601673	PLANT NO 25A	BNK HILL
1N4W25D	EAST VALLEY WATER DISTRICT	48	PLANT NO 85	BNK HILL
1N4W25F	EAST VALLEY WATER DISTRICT	3602370	PLANT NO 107	BNK HILL
1N4W25G01S	EAST VALLEY WATER DISTRICT	3601674	PLANT NO 26	BNK HILL
1N4W25K01	EAST VALLEY WATER DISTRICT	3600643	PLANT NO 66	BNK HILL
1N4W25R	ANDERSON, W.D.	3		BNK HILL
1N4W26A	EAST VALLEY WATER DISTRICT	3602337	PLANT NO 24B	BNK HILL
1N4W26A01S	EAST VALLEY WATER DISTRICT	3601670	PLANT NO 24	BNK HILL
1N4W26A02S	EAST VALLEY WATER DISTRICT	3601671	PLANT NO 24A	BNK HILL
1N4W26G	SAN BERNARDINO, CITY OF	3600727	LYNWOOD	BNK HILL
1N4W26H	DEL ROSA MUTUAL WATER COMPANY	3601809	GOLDNAV 1	BNK HILL
1N4W26M	MT. VIEW CEMETERY OF SAN BERNARDINO	3600743	2	BNK HILL
1N4W26N	MT. VIEW CEMETERY OF SAN BERNARDINO	3600742	1	BNK HILL
1N4W26N	MT. VIEW CEMETERY OF SAN BERNARDINO	3600742-	3	BNK HILL
1N4W26P03S	SAN BERNARDINO, CITY OF	3601115	PERRIS HILL	BNK HILL
1N4W27A	SAN BERNARDINO, CITY OF	3602401	LEROY	BNK HILL
1N4W27A01S	SAN BERNARDINO, CITY OF	3600728	WATERMAN AVE	BNK HILL
1N4W27B	SAN BERNARDINO, CITY OF	3602081	31 ST	BNK HILL
1N4W27G01S	SAN BERNARDINO, CITY OF	3600719	30TH STREET	BNK HILL

SAN BERNARDINO BASIN AREA
CROSS INDEX BY STATE WELL NUMBER

STATE WELL NUMBER	OWNER NAME	RECORDATION NUMBER	LOCAL DESIGNATION	BASIN NAME
1N4W27M01S	SAN BERNARDINO, CITY OF	3600721	NORTH E STRE	BNK HILL
1N4W27M02S	SAN BERNARDINO, CITY OF	3600720	27TH STREET	BNK HILL
1N4W27N01S	SAN BERNARDINO, CITY OF	3602264	23RD STREET	BNK HILL
1N4W29E01S	SAN BERNARDINO, CITY OF	3601878	DARBY	BNK HILL
1N4W29F01S	SAN BERNARDINO, CITY OF	3601880	COLIMA	BNK HILL
1N4W29N	SAN BERNARDINO, CITY OF	3601879	GARDENA	BNK HILL
1N4W30M	SAN BERNARDINO, CITY OF	3601845	MALLORY	LYTLE
1N4W31A01S	MOUNT VERNON WATER COMPANY	3600319	MT VERNON WE	BNK HILL
1N4W31H	SAN BERNARDINO, CITY OF	3601588	WELL NO 1 ST	BNK HILL
1N4W31M03S	HOLLIDAY TRUCKING	3603262	SB # 1	LYTLE
1N4W31N	TRI CITY CONCRETE	3600935		LYTLE
1N4W31N	RIALTO, CITY OF	3601085	CITY NO 4	LYTLE
1N4W31P03S	WEST SAN BDNO. COUNTY WATER DIST.	3601002	WELL NO 9	LYTLE
1N4W32D03S	SAN BERNARDINO, CITY OF	3600717	19TH STREET	BNK HILL
1N4W32D04S	SAN BERNARDINO, CITY OF	3600718	19TH STREET	BNK HILL
1N4W32N	SAN BERNARDINO, CITY OF	3602400	E-6W BASELIN	BNK HILL
1N4W34G01S	SAN BERNARDINO, CITY OF	3600725	17TH STREET	BNK HILL
1N4W34G03S	SAN BERNARDINO, CITY OF	3600726	16TH STREET	BNK HILL
1N4W34G04	SAN BERNARDINO, CITY OF	3603208	17TH & SIERR	BNK HILL
1N4W35C01S	SAN BERNARDINO, CITY OF	3601114	PERRIS HILL	BNK HILL
1N4W35C02S	SAN BERNARDINO, CITY OF	3601116	PERRIS HILL	BNK HILL
1N4W35C03S	SAN BERNARDINO, CITY OF	3601117	PERRIS HILL	BNK HILL

SAN BERNARDINO BASIN AREA
CROSS INDEX BY STATE WELL NUMBER

STATE WELL NUMBER	OWNER NAME	RECORDATION NUMBER	LOCAL DESIGNATION	BASIN NAME
1N4W35F	SAN BERNARDINO, COUNTY OF	19	COUNTY HOSP	BNK HILL
1N4W35H	PACIFIC HIGH SCHOOL	96		BNK HILL
1N4W35J02S	BASELINE GARDENS MUTUAL WATER COMPANY	3600457	PAC&BARL	BNK HILL
1N4W35K	SAN BERNARDINO, CITY OF	3602067	2-GILBERT/CA	BNK HILL
1N4W35M03S	SAN BERNARDINO, CITY OF	3600729	GILBERT STRE	BNK HILL
1N4W35N	PIERSON	97		BNK HILL
1N4W35R01	BASELINE GARDENS MUTUAL WATER COMPANY	3602528	3	BNK HILL
1N4W36F03S	CONEJO RANCHOS MUTUAL WATER COMPANY	3601186	1	BNK HILL
1N4W36F08S	EAST VALLEY WATER DISTRICT	3601666	PLANT NO 16	BNK HILL
1N4W36H	EAST VALLEY WATER DISTRICT	36	PLANT NO 52	BNK HILL
1N4W36H06S	EAST VALLEY WATER DISTRICT	3601669	PLANT NO 23	BNK HILL
1N4W36K	EAST VALLEY WATER DISTRICT	3601654	PLANT NO 1A	BNK HILL
1N4W36K04S	EAST VALLEY WATER DISTRICT	3601653	PLANT NO 1	BNK HILL
1N4W36K05S	EAST VALLEY WATER DISTRICT	3601655	PLANT NO 2	BNK HILL
1N4W36M01S	BASELINE GARDENS MUTUAL WATER COMPANY	3600458	PS & B 2	BNK HILL
1N4W36Q01S	EAST VALLEY WATER DISTRICT	3601656	PLANT NO 6	BNK HILL
1N4W36R01S	EAST VALLEY WATER DISTRICT	3601658	PLANT NO 8	BNK HILL
1N5W01R	MEYER, CHARLES R.	3600760	1	DEVIL CAN
1N5W02N	CAL MAT COMPANY	3603696	CAJON CREEK	BNK HILL
1N5W03A02	SAN BERNARDINO, CITY OF	3601844	CAJON NO 2	L CAJON
1N5W03A02	SAN BERNARDINO, CITY OF	3602821	CAJON # 3/ST	L CAJON
1N5W03H01S	SAN BERNARDINO, CITY OF	3601843	CAJON NO 1	L CAJON

SAN BERNARDINO BASIN AREA
CROSS INDEX BY STATE WELL NUMBER

STATE WELL NUMBER	OWNER NAME	RECORDATION NUMBER	LOCAL DESIGNATION	BASIN NAME
1N5W04B	SAN BERNARDINO, COUNTY OF	177	GLEN HELEN 2	L CAJON
1N5W04M	REGINA GRAPE PRODUCTS	105	WELL NO. 1	LYTLE
1N5W04N	REGINA GRAPE PRODUCTS	106	WELL NO. 2	LYTLE
1N5W04N	REGINA GRAPE PRODUCTS	107	WELL NO. 3	LYTLE
1N5W04N	REGINA GRAPE PRODUCTS	110	WELL NO. 5	LYTLE
1N5W04N	REGINA GRAPE PRODUCTS	111	WELL NO. 6	LYTLE
1N5W04N	REGINA GRAPE PRODUCTS	112	WELL NO. 7	LYTLE
1N5W05C	REGINA GRAPE PRODUCTS	108	SPRING DIV.	LYTLE
1N5W05R	REGINA GRAPE PRODUCTS	109	WELL NO. 4	LYTLE
1N5W06E	FONTANA UNION WATER COMPANY	3600591		LYTLE
1N5W06E	SAN BERNARDINO, CITY OF	3600739	LYTLE CREEK	LYTLE
1N5W06G01S	FONTANA UNION WATER COMPANY	3600582	FU 27	LYTLE
1N5W06K02S	FONTANA UNION WATER COMPANY	3600586	FU 33	LYTLE
1N5W06M01S	STORKSON, WILLIAM F.	3602664	SPRING NO 1	LYTLE
1N5W06P	STORKSON, WILLIAM F.	3600083	1 LONGACRES	LYTLE
1N5W07H01S	FONTANA UNION WATER COMPANY	3600581	FU 26	LYTLE
1N5W07J	NEALEY MUTUAL WATER COMPANY	3601381		LYTLE
1N5W14A	CAL MAT COMPANY	3603697	CAJON CREEK	BNK HILL
1N5W15Q02S	FONTANA UNION WATER COMPANY	3602727	FU 8	LYTLE
1N5W16K01S	FONTANA UNION WATER COMPANY	3600585	FU 32	LYTLE
1N5W22A01S	FONTANA UNION WATER COMPANY	3600569	FU 13	LYTLE
1N5W22C02S	FONTANA UNION WATER COMPANY	3600563	FU 4	LYTLE

SAN BERNARDINO BASIN AREA
CROSS INDEX BY STATE WELL NUMBER

STATE WELL NUMBER	OWNER NAME	RECORDATION NUMBER	LOCAL DESIGNATION	BASIN NAME
1N5W22F01S	FONTANA UNION WATER COMPANY	3600580	FU 25	LYTLE
1N5W22F02S	FONTANA UNION WATER COMPANY	3600562	FU 3	LYTLE
1N5W22F03S	FONTANA UNION WATER COMPANY	3600579	FU 24	LYTLE
1N5W22M	WEST SAN BDNO. COUNTY WATER DIST.	3600312	LYTLE CREEK	LYTLE
1N5W22M	SAN BERNARDINO, CITY OF	3600320	MOUNT VERNON	LYTLE
1N5W22M	RIALTO, CITY OF	3601718	LYTLE CREEK	LYTLE
1N5W23A01S	MUSCOY MUTUAL WATER COMPANY, NO. 1	3601499	MUSCOY 2	LYTLE
1N5W23A02S	MUSCOY MUTUAL WATER COMPANY, NO. 1	3601500	MUSCOY 3	LYTLE
1N5W23H01S	MUSCOY MUTUAL WATER COMPANY, NO. 1	3601497	MUSCOY 1	LYTLE
1N5W23K01S	FONTANA UNION WATER COMPANY	3600561	FU 1	LYTLE
1N5W23P	WEST SAN BDNO. COUNTY WATER DIST.	3602897	WELL NO 34	LYTLE
1N5W23P02S	WEST SAN BDNO. COUNTY WATER DIST.	3600306	UPPER 2	LYTLE
1N5W23P04S	WEST SAN BDNO. COUNTY WATER DIST.	3600307	WELL NO 1	LYTLE
1N5W23Q	RIALTO, CITY OF	3602080	CITY NO 2	LYTLE
1N5W23Q00S	WEST SAN BDNO. COUNTY WATER DIST.	3601944	WELL NO 2	LYTLE
1N5W23Q01S	RIALTO, CITY OF	3601263	CITY NO 1	LYTLE
1N5W24D01S	MUSCOY MUTUAL WATER COMPANY, NO. 1	3601498	NO. 4	LYTLE
1N5W24E	MUSCOY MUTUAL WATER COMPANY, NO. 1	3602345	WELL NO 4	LYTLE
1N5W25E	WEST SAN BDNO. COUNTY WATER DIST.	3603054	WELL NO 35	LYTLE
1N5W25E00S	WEST SAN BDNO. COUNTY WATER DIST.	3601725	LYTLE BASIN	LYTLE
1N5W25E01S	WEST SAN BDNO. COUNTY WATER DIST.	3600305	WELL NO 5	LYTLE
1N5W25E01S	WEST SAN BDNO. COUNTY WATER DIST.	3605001	WELL NO 5A	LYTLE

SAN BERNARDINO BASIN AREA
CROSS INDEX BY STATE WELL NUMBER

STATE WELL NUMBER	OWNER NAME	RECORDATION NUMBER	LOCAL DESIGNATION	BASIN NAME
1N5W25E02S	WEST SAN BDNO. COUNTY WATER DIST.	3600998	FERG 1	LYTLE
1N5W25Q	CAL MAT COMPANY	3603695	HIGHLAND PLA	LYTLE
1N5W26A01S	WEST SAN BDNO. COUNTY WATER DIST.	3600302	WELL NO 3	LYTLE
1N5W26A03S	WEST SAN BDNO. COUNTY WATER DIST.	3600304	WELL NO 4	LYTLE
1N5W26B01S	WEST SAN BDNO. COUNTY WATER DIST.	3600303	LOWER 4	LYTLE
1N5W36B01S	RIALTO, CITY OF	3602848	CITY NO 3	LYTLE
1N5W36H04S	WEST SAN BDNO. COUNTY WATER DIST.	3600997	WELL NO 7	LYTLE
1N5W36H05	WEST SAN BDNO. COUNTY WATER DIST.	3603055	WELL NO 36	LYTLE
1N5W36J01S	SAN BERNARDINO, CITY OF	3603027	LYTLE CREEK	LYTLE
1N5W36J03S	WEST SAN BDNO. COUNTY WATER DIST.	3600996	NO 8	LYTLE
1N5W36R01S	SAN BERNARDINO, CITY OF	3600713	LYTLE CREEK	LYTLE
1S1W08G01	REDLANDS, CITY OF	3601282	1 - MILL CRE	MILL CRK
1S1W09J01	REDLANDS, CITY OF	3603045	MILL CREEK N	MILL CRK
1S1W10L1	REDLANDS, CITY OF	3601285	2 MILL CREEK	MILL CRK
1S1W11Q1	REDLANDS, CITY OF	3601288	4 MILL CREEK	MILL CRK
1S1W18M	WARD, FLOYD	153	WELL NO. 6	MILL CRK
1S1W18N	WARD, FLOYD	149	WELL NO. 1	BNK HILL
1S1W18N	WARD, FLOYD	152	WELL NO. 4	BNK HILL
1S1W18P	WARD, FLOYD	150	WELL NO. 2	BNK HILL
1S1W18P	WARD, FLOYD	151	WELL NO. 3	BNK HILL
1S1W18P	WARD, FLOYD	154	LATERAL SPR	BNK HILL
1S1W19G	TRIPLE FALLS MUTUAL WATER COMPANY	134		BNK HILL

SAN BERNARDINO BASIN AREA
CROSS INDEX BY STATE WELL NUMBER

STATE WELL NUMBER	OWNER NAME	RECORDATION NUMBER	LOCAL DESIGNATION	BASIN NAME
1S1W19G	YUCAIPA VALLEY WATER DISTRICT	3602659	WELL NO 33	BNK HILL
1S1W20D	TRIPLE FALLS MUTUAL WATER COMPANY	135		MILL CRK
1S1W20D	TRIPLE FALLS MUTUAL WATER COMPANY	136		MILL CRK
1S1W20D	YUCAIPA VALLEY WATER DISTRICT	3602657	WELL NO 31	MILL CRK
1S1W20D	YUCAIPA VALLEY WATER DISTRICT	3602658	WELL NO 32	MILL CRK
1S2W04P	BEAR VALLEY MUTUAL WATER COMPANY	3600028	SANTA ANA RI	BNK HILL
1S2W06M	HIGHLAND ACRES RANCH	3600323	ELEC 1	BNK HILL
1S2W06Q	SARATOGA DEVELOPMENT COMPANY	28	TUNNEL DIVER	BNK HILL
1S2W07B	EAST HIGHLANDS RANCH, INC.	3600604	RANNEY	BNK HILL
1S2W07F	EAST VALLEY WATER DISTRICT	3602799	PLANT NO 125	BNK HILL
1S2W08A	REDLANDS WATER COMPANY	104	REDLANDS WAT	BNK HILL
1S2W08C01S	NORTH FORK WATER COMPANY	3600678	NO. 1	BNK HILL
1S2W08C02S	NORTH FORK WATER COMPANY	3600679	NO. 2	BNK HILL
1S2W09L	REDLANDS ASSOCIATES	101	BLOCK NO. 11	BNK HILL
1S2W09L	REDLANDS ASSOCIATES	102	TUNNEL DIV.	BNK HILL
1S2W09L02S	BLUE GOOSE GROWERS INC	3602530	NO. 11	BNK HILL
1S2W09L03S	BLUE BANNER COMPANY	3602531	TUNNEL DIV.	BNK HILL
1S2W09P	REDLANDS ASSOCIATES	100	BLOCK NO. 6	BNK HILL
1S2W09P02	BLUE GOOSE GROWERS INC	3602529	NO. 6	BNK HILL
1S2W09Q	SOLANO WELL NO. 1	3600187	SOLANO # 1	BNK HILL
1S2W09Q	COGBILL, CLINTON L.	3601628	2	BNK HILL
1S2W13A	REDLANDS, CITY OF	3602351	0 - A MILL C	BNK HILL

SAN BERNARDINO BASIN AREA
CROSS INDEX BY STATE WELL NUMBER

STATE WELL NUMBER	OWNER NAME	RECORDATION NUMBER	LOCAL DESIGNATION	BASIN NAME
1S2W13B	REDLANDS, CITY OF	103	MILL CREEK D	BNK HILL
1S2W13C	SUNRISE RANCH PART C/O LIFE DEVELOPMENT	3600599	SUNRISE WELL	BNK HILL
1S2W13P	U.S. FOREST SERVICE	138	MILL CREEK	BNK HILL
1S2W14F	SUNRISE RANCH PART C/O LIFE DEVELOPMENT	3600601	SUNRISE 3A	BNK HILL
1S2W14L	SUNRISE RANCH PART C/O LIFE DEVELOPMENT	3600600	SUNRISE 2	BNK HILL
1S2W14L	SUNRISE RANCH PART C/O LIFE DEVELOPMENT	3601969	SUNRISE 7	BNK HILL
1S2W14N	REDLANDS, CITY OF	3601302	MILL CREEK D	BNK HILL
1S2W14N	SUNRISE RANCH PART C/O LIFE DEVELOPMENT	3601640	SUNRISE WELL	BNK HILL
1S2W15G	SUNRISE RANCH PART C/O LIFE DEVELOPMENT	3600603	SUNRISE 5	BNK HILL
1S2W15P	SUNRISE RANCH PART C/O LIFE DEVELOPMENT	3600602	SUNRISE 4	BNK HILL
1S2W16C	CRAM PATTERSON WELL	3600188	CRAMPAT 2	BNK HILL
1S2W16C	SOLANO WELL NO. 3	3602003	3	BNK HILL
1S2W16C01	GREENSPOT MUTUAL WELL COMPANY	3600266	GRNSPTMU	BNK HILL
1S2W16L	HAGAR	60		BNK HILL
1S2W17A	UNIVERSITY OF REDLANDS	139	PEPPER HOUSE	BNK HILL
1S2W17B	REDLANDS ASSOCIATES	99	#0	BNK HILL
1S2W17N	REDLANDS, CITY OF	3600038	DRY CREEK DI	BNK HILL
1S2W18M	REES & PERRICONE RANCH	3602171	1	BNK HILL
1S2W18Q	MENTONE CITRUS GROVES	3602280		BNK HILL
1S2W18R01S	MENTONE CITRUS GROVES	3600139	PRH RANCH	BNK HILL
1S2W19A01	REDLANDS, CITY OF	3602792	AGATE NO 2	BNK HILL
1S2W19D	BEAR VALLEY MUTUAL WATER COMPANY	3600024	WABASH 2	BNK HILL

SAN BERNARDINO BASIN AREA
CROSS INDEX BY STATE WELL NUMBER

STATE WELL NUMBER	OWNER NAME	RECORDATION NUMBER	LOCAL DESIGNATION	BASIN NAME
1S2W19G01S	REDLANDS, CITY OF	3600006	EAST LUGONIA	BNK HILL
1S2W19J	MENTONE DOMESTIC WATER COMPANY	83		BNK HILL
1S2W19J	MENTONE DOMESTIC WATER COMPANY	176	3 1971	BNK HILL
1S2W19J	REDLANDS, CITY OF	3602653	KNARR WELL	BNK HILL
1S2W19J	REDLANDS, CITY OF	3602654	CRAFTON AVE	BNK HILL
1S2W19K01S	REDLANDS, CITY OF	3601308	AGATE WELL N	BNK HILL
1S2W20B01	REDLANDS, CITY OF	3602791	EAST LUGONIA	BNK HILL
1S2W20D	REDLANDS, CITY OF	3602896	MADEIRA WELL	BNK HILL
1S2W20K	SOUZA, JOHN	3601084		BNK HILL
1S2W20K	F. A. G714R. WELL	3602020	NO 1 FAR WEL	BNK HILL
1S2W21B	REDLANDS, CITY OF	3601287	EAST LUGONIA	BNK HILL
1S2W21D	REDLANDS, CITY OF	3601286	MAGUET 3	BNK HILL
1S2W21D01S	REDLANDS, CITY OF	3601290	EAST LUGONIA	BNK HILL
1S2W21E01S	REDLANDS, CITY OF	3601284	MAGUET 2	BNK HILL
1S2W21H01	REYNOLDS, BILL	3600981		BNK HILL
1S2W21L01	HEAD, JOE T.	3600226	1	BNK HILL
1S2W21L02	CRAFTON WATER COMPANY	3602186	2	BNK HILL
1S2W21M01S	REDLANDS, CITY OF	3601281	MAGUET 1	BNK HILL
1S2W22C	GREENSPOT MUTUAL WATER CO TUNNEL	166		BNK HILL
1S2W22C02S	REDLANDS, CITY OF	3601283	EAST LUGONIA	BNK HILL
1S2W22E	BLISS	13		BNK HILL
1S2W22E	FARROW	56		BNK HILL

SAN BERNARDINO BASIN AREA
CROSS INDEX BY STATE WELL NUMBER

STATE WELL NUMBER	OWNER NAME	RECORDATION NUMBER	LOCAL DESIGNATION	BASIN NAME
1S2W22F	RAMSEY	98	SPRING DIV	BNK HILL
1S2W24C	ELLGOOD	55		BNK HILL
1S2W24C	YUCAIPA VALLEY WATER DISTRICT	3603539	YVWD 51	BNK HILL
1S2W24H	STANLEY, SILAS	127		BNK HILL
1S2W28M	LA TOURETTE	78		BNK HILL
1S2W28M	LORD	79	SPRING DIV.	BNK HILL
1S2W29C	FINCH	57	FINCH	BNK HILL
1S2W29L	ESRI	3602188	ROLADERA	BNK HILL
1S2W29M01	HAPPE MUTUAL WELL COMPANY	3600238	1	BNK HILL
1S2W29N	CRAFTON WATER COMPANY	3600272	5TH AVE 1	BNK HILL
1S2W29N	BUOYE WELL	3602062	1	BNK HILL
1S2W29N01S	NYE, WILLIAM H.	3600313	NYE	BNK HILL
1S2W29P	SELBY, DR. & MRS. ARTHUR	3600017	GR REES 3	BNK HILL
1S2W29P	SELBY, DR. & MRS. ARTHUR	3600018	GR REES 2	BNK HILL
1S2W30B	HINCKLEY, HORACE P.	3600240	SOUTH WELL	BNK HILL
1S2W30B	HINCKLEY, HORACE P.	3601645	1	BNK HILL
1S2W30B02S	PAINE, ROBERT T., TRUSTEE	3601642	KING ST	BNK HILL
1S2W30C01S	REDLANDS UNIFIED SCHOOL DISTRICT	3601641	OPAL ST	BNK HILL
1S2W30G01	KING STREET MUTUAL WELL COMPANY	3600530	1	BNK HILL
1S2W30G02	KING STREET MUTUAL WELL COMPANY	3600530-	2	BNK HILL
1S2W30H	JACINTO	3601126	GAY GROVE 4	BNK HILL
1S2W31B	HILL	67		BNK HILL

SAN BERNARDINO BASIN AREA
CROSS INDEX BY STATE WELL NUMBER

STATE WELL NUMBER	OWNER NAME	RECORDATION NUMBER	LOCAL DESIGNATION	BASIN NAME
1S2W31F	SECHREST, RALPH F.	3600483	GPHRRCH 1	BNK HILL
1S2W31F	'7TH AVE. WELL	3601121	1	BNK HILL
1S2W31M	ROBBINS, H. W.	3602170		BNK HILL
1S2W32B	KOCH	74		BNK HILL
1S2W32G01	KOCH, GEORGE J.	3601451	1	BNK HILL
1S3W01A	NORTH FORK WATER COMPANY	3601644	PLUNGE CR	BNK HILL
1S3W01H	EAST VALLEY WATER DISTRICT	3600220	PLANT NO 142	BNK HILL
1S3W02J	SMITH,	125		BNK HILL
1S3W02J	EAST VALLEY WATER DISTRICT	3600680	PLANT NO 120	BNK HILL
1S3W02L	EAST HIGHLANDS RANCH, INC.	3600598	LOCAL 1	BNK HILL
1S3W02L	EAST HIGHLANDS RANCH, INC.	3600607	SMALL	BNK HILL
1S3W02L	EAST HIGHLANDS RANCH, INC.	3600607-	SMALL	BNK HILL
1S3W02N02	EAST VALLEY WATER DISTRICT	3603583	PLANT NO 143	BNK HILL
1S3W02P	VAN MEETER	146	OLD WELL	BNK HILL
1S3W02P	VAN MEETER	147	NEW WELL	BNK HILL
1S3W02P065	EAST VALLEY WATER DISTRICT	3603734	PLANT NO 147	BNK HILL
1S3W03D	HUNTER	71		BNK HILL
1S3W03D01S	BROOKSIDE PLAZA	3602917		BNK HILL
1S3W03F	CLIFFSIDE RANCH	17		BNK HILL
1S3W03F	EAST VALLEY WATER DISTRICT	3600058	PLANT NO 53	BNK HILL
1S3W03F	BARNO, JOHN	3602079	1	BNK HILL
1S3W03F	EAST VALLEY WATER DISTRICT	3602571	PLANT NO 122	BNK HILL

SAN BERNARDINO BASIN AREA
CROSS INDEX BY STATE WELL NUMBER

STATE WELL NUMBER	OWNER NAME	RECORDATION NUMBER	LOCAL DESIGNATION	BASIN NAME
1S3W03N	EAST VALLEY WATER DISTRICT	47	PLANT NO 84	BNK HILL
1S3W03N	EAST VALLEY WATER DISTRICT	49	PLANT NO 93	BNK HILL
1S3W03N	STRAWBERRY PATCH	129		BNK HILL
1S3W03N	STRAWBERRY PATCH	130		BNK HILL
1S3W03P00S	RIEDMAN, FRED M.	3601629	1	BNK HILL
1S3W03Q	CRAM RANCH ASSOCIATES	3600241		BNK HILL
1S3W03Q	EAST VALLEY WATER DISTRICT	3601643	PLANT NO 121	BNK HILL
1S3W03R01	EAST VALLEY WATER DISTRICT	3601639	PLANT NO 146	BNK HILL
1S3W04B	EAST VALLEY WATER DISTRICT	3601987	PLANT NO 136	BNK HILL
1S3W04C	EAST VALLEY WATER DISTRICT	3600466	PLANT NO 48	BNK HILL
1S3W04G	EAST VALLEY WATER DISTRICT	3602560	PLANT NO 136	BNK HILL
1S3W04J	HARRISON	62		BNK HILL
1S3W04J	EAST VALLEY WATER DISTRICT	3600026	PLANT NO 102	BNK HILL
1S3W04N	EAST VALLEY WATER DISTRICT	3601978	PLANT NO 40	BNK HILL
1S3W04N	EAST VALLEY WATER DISTRICT	3602338	PLANT NO 40A	BNK HILL
1S3W04P	EAST VALLEY WATER DISTRICT	32	PLANT NO 43	BNK HILL
1S3W04Q	EAST VALLEY WATER DISTRICT	59	PLANT NO 106	BNK HILL
1S3W04R	QUALITY FARMS	53	NO. 102	BNK HILL
1S3W05A02S	EAST VALLEY WATER DISTRICT	3601677	PLANT NO 31	BNK HILL
1S3W05B04S	EAST VALLEY WATER DISTRICT	3601678	PLANT NO 32	BNK HILL
1S3W05D	EAST VALLEY WATER DISTRICT	3600375	PLANT 132 CU	BNK HILL
1S3W05D	EAST VALLEY WATER DISTRICT	3600376	PLANT 132 CU	BNK HILL

SAN BERNARDINO BASIN AREA
CROSS INDEX BY STATE WELL NUMBER

STATE WELL NUMBER	OWNER NAME	RECORDATION NUMBER	LOCAL DESIGNATION	BASIN NAME
1S3W05D	EAST VALLEY WATER DISTRICT	3602417	PLANT NO 132	BNK HILL
1S3W05D06	EAST VALLEY WATER DISTRICT	3602260	PLANT NO 132	BNK HILL
1S3W05J	EAST VALLEY WATER DISTRICT	50	PLANT NO 95	BNK HILL
1S3W05N05S	EAST VALLEY WATER DISTRICT	3601679	PLANT NO 38	BNK HILL
1S3W05Q	EAST VALLEY WATER DISTRICT	35	PLANT NO 46	BNK HILL
1S3W05Q	EAST VALLEY WATER DISTRICT	44	PLANT NO 80	BNK HILL
1S3W05R	EAST VALLEY WATER DISTRICT	33	PLANT NO 44	BNK HILL
1S3W06A05S	EAST VALLEY WATER DISTRICT	3601667	PLANT NO 21	BNK HILL
1S3W06B	EAST VALLEY WATER DISTRICT	40	PLANT NO 72	BNK HILL
1S3W06C	EAST VALLEY WATER DISTRICT	41	PLANT NO 74	BNK HILL
1S3W06E	EAST VALLEY WATER DISTRICT	39	PLANT NO 71	BNK HILL
1S3W06F	EAST VALLEY WATER DISTRICT	77	MCKINLEY ST.	BNK HILL
1S3W06H01S	EAST VALLEY WATER DISTRICT	3601659	PLANT NO 9	BNK HILL
1S3W06H04S	EAST VALLEY WATER DISTRICT	3601660	PLANT NO 9A	BNK HILL
1S3W06K01S	EAST VALLEY WATER DISTRICT	3601781	PLANT NO 35	BNK HILL
1S3W06L	EAST VALLEY WATER DISTRICT	76	LANKERSHIM A	BNK HILL
1S3W06L	CHARLES, J. J.	3600815		BNK HILL
1S3W06M	EAST VALLEY WATER DISTRICT	45	PLANT NO 81	BNK HILL
1S3W06N	EAST VALLEY WATER DISTRICT	52	PLANT NO 97	BNK HILL
1S3W06P	EAST VALLEY WATER DISTRICT	43	PLANT NO 78	BNK HILL
1S3W06P18S	EAST VALLEY WATER DISTRICT	3603247	PLANT NO 141	BNK HILL
1S3W06Q	EAST VALLEY WATER DISTRICT	37	PLANT NO 69	BNK HILL

SAN BERNARDINO BASIN AREA
CROSS INDEX BY STATE WELL NUMBER

STATE WELL NUMBER	OWNER NAME	RECORDATION NUMBER	LOCAL DESIGNATION	BASIN NAME
1S3W06Q	EAST VALLEY WATER DISTRICT	46	PLANT NO 83	BNK HILL
1S3W07A	INLAND VALLEY DEVELOPMENT AGENCY	90	LOCAL NO.11	BNK HILL
1S3W07A	INLAND VALLEY DEVELOPMENT AGENCY	3603649	NORTON 11	BNK HILL
1S3W08E	INLAND VALLEY DEVELOPMENT AGENCY	93	LOCAL NO.347	BNK HILL
1S3W08M	INLAND VALLEY DEVELOPMENT AGENCY	94	LOCAL NO.865	BNK HILL
1S3W09E	CEMEX CONSTRUCTION MATERIALS, INC.	3601420	NO 2 - ALABA	BNK HILL
1S3W10D01S	MCCALLA, ROBERT	3601839	NO 1	BNK HILL
1S3W10J	CEMEX CONSTRUCTION MATERIALS, INC.	3603653	ORANGE STREE	BNK HILL
1S3W13C	L.P.R. RANCH	80		BNK HILL
1S3W13H	REDLANDS, CITY OF	3602895	AIRPORT WELL	BNK HILL
1S3W13L	L.P.R. ICE COMPANY	3602525		BNK HILL
1S3W13P	EAST PIONEER MUTUAL WELL COMPANY	3602224		BNK HILL
1S3W13Q	REDLANDS, CITY OF	3600749	MENTONE ACRE	BNK HILL
1S3W13R01S	SAN BERNARDINO VALLEY MWD	3603116	SAN BERNARDI	BNK HILL
1S3W14E01S	REDLANDS, CITY OF	3603656	CHURCH STREE	BNK HILL
1S3W14P	SAN BERNARDINO AVENUE WATER COMPANY	3600125	1	BNK HILL
1S3W14P01	PIONEER MUTUAL WATER COMPANY	3600642	SBDNO 1	BNK HILL
1S3W14R01	RAUGHT MUTUAL WELL COMPANY	3602193	RAUGHT	BNK HILL
1S3W15A01	GOLDEN BEAR FOREST PRODUCTS	3602127		BNK HILL
1S3W15F02S	REDLANDS, CITY OF	3601586	ORANGE 5	BNK HILL
1S3W15G	REDLANDS TRAP/SKEET	3600628	1	BNK HILL
1S3W15M	TROJAN GROVES	3600451		BNK HILL

SAN BERNARDINO BASIN AREA
CROSS INDEX BY STATE WELL NUMBER

STATE WELL NUMBER	OWNER NAME	RECORDATION NUMBER	LOCAL DESIGNATION	BASIN NAME
1S3W15N01S	WEATHERWAX, W. G.	3600652	REDLANDS	BNK HILL
1S3W15R01	NORTHBRAE WATER COMPANY	3600296	1	BNK HILL
1S3W16A	RAMIREZ, J.J.	3600527	MIDAS	BNK HILL
1S3W16F	RAMIREZ, J.J.	3600484	BUCKEYE 2	BNK HILL
1S3W16J	WILLIAMS WELL CORPORATION, LTD.	3600828		BNK HILL
1S3W16K	TENNESSEE MUTUAL WELL COMPANY	3601161	PIONEER 1	BNK HILL
1S3W16L	TENNESSEE WATER COMPANY	3600474	WELL NO 1	BNK HILL
1S3W16L	NEW ENGLAND WATER COMPANY	3602320-		BNK HILL
1S3W17C	DANIELS, HAROLD	23	DOMEST. WELL	BNK HILL
1S3W17G	MARSHBURN	81		BNK HILL
1S3W17G	ARMSTRONG, DOUGLAS	3600076	2	BNK HILL
1S3W17H01S	LANGFORD RANCHES	3600525	ALABAMA	BNK HILL
1S3W17L01S	LANGFORD RANCHES	3600524	NEVADA ST	BNK HILL
1S3W17R	DANIELS, HAROLD	22	RANCH	BNK HILL
1S3W17R	FAIRVIEW WATER COMPANY	3600554	FAIRVIEW WEL	BNK HILL
1S3W17R	DANIELS AND BEST RANCH	3602550	ALABAMA ST	BNK HILL
1S3W18C	INLAND VALLEY DEVELOPMENT AGENCY	3603650	GOLF COURSE	BNK HILL
1S3W18H01	BARTON DEVELOPMENT	3601748	CALIF	BNK HILL
1S3W18L	MARIGOLD FARMS COMPANY	3601750	ACQUILLIAN	BNK HILL
1S3W18N	MOUNTAIN VIEW POWER COMPANY	3601014	MOUNTAIN VIE	BNK HILL
1S3W18N	MOUNTAIN VIEW POWER COMPANY	3601015	MOUNTAIN VIE	BNK HILL
1S3W19A01	BARTON DEVELOPMENT	3601748-	CALIF	BNK HILL

SAN BERNARDINO BASIN AREA
CROSS INDEX BY STATE WELL NUMBER

STATE WELL NUMBER	OWNER NAME	RECORDATION NUMBER	LOCAL DESIGNATION	BASIN NAME
1S3W19A01S	BARTON DEVELOPMENT	3603554	CALIFORNIA S	BNK HILL
1S3W19B01	MARIGOLD FARMS COMPANY	3601749	JAP	BNK HILL
1S3W19G	BARTON DEVELOPMENT	3600418	BRAGA WELL	BNK HILL
1S3W19H	MARIGOLD FARMS COMPANY	3600757	2	BNK HILL
1S3W19J	DANIELS, DON	175		BNK HILL
1S3W19J	PHARAOHS LOST KINGDOM	3602549	CALIF STREET	BNK HILL
1S3W19L	REDLANDS, CITY OF	3600756	MISSION #1	BNK HILL
1S3W19N	GENERAL AMERICAN LIFE INS. COMPANY	3601352	LANGFORD WEL	BNK HILL
1S3W19N	REDLANDS, CITY OF	3601636	LANGFORD	BNK HILL
1S3W20A	BELL, H. EUGENE	3600449	BELL WELL	BNK HILL
1S3W20C	K INV./TRUTANIC/Y UN WELL	3601172	K INV/TRUTAN	BNK HILL
1S3W20F	RAMIREZ, J.J.	3601171	1	BNK HILL
1S3W20F03	CARTER, JAMES E., M.D.	3602241	ALMOND	BNK HILL
1S3W20H01	GLADYSTA WELL & WATER COMPANY	3600182	1	BNK HILL
1S3W20H02	GLADYSTA WELL & WATER COMPANY	3600182-	1	BNK HILL
1S3W20P	WARMINGTON, ROBERT P.	3600270	ORANGEDALE	BNK HILL
1S3W20Q	MCCALLA BROS	164		BNK HILL
1S3W20R	JEWEL WATER COMPANY, THE	3600091	1	BNK HILL
1S3W20R01	NICKERSON WATER COMPANY	3600123	ALABAMA NO 1	BNK HILL
1S3W21A	RAMIREZ, J.J.	3601046	OLD	BNK HILL
1S3W21A	RAMIREZ, J.J.	3601046-	1/NEW	BNK HILL
1S3W21E	MAJESTIC MANAGEMENT	3601102	2	BNK HILL

SAN BERNARDINO BASIN AREA
CROSS INDEX BY STATE WELL NUMBER

STATE WELL NUMBER	OWNER NAME	RECORDATION NUMBER	LOCAL DESIGNATION	BASIN NAME
1S3W21E	CHRISTINA WATER COMPANY	3601751	ALABAMA	BNK HILL
1S3W21G01S	LANGFORD RANCHES	3600526	LUGONIA	BNK HILL
1S3W21H	REDLANDS, CITY OF	3602031	WELL 30A	BNK HILL
1S3W21H	REDLANDS, CITY OF	3602036	31-A	BNK HILL
1S3W21H01S	REDLANDS, CITY OF	3601298	32	BNK HILL
1S3W21K01	REDLANDS, CITY OF	3600510	1	BNK HILL
1S3W21M01	NICKERSON WATER COMPANY	3600124	LUGONIA NO 2	BNK HILL
1S3W21M2	SANDYS RESTAURANT	165		
1S3W21P01	B M I FUNDS	3600107	COLTON 1	BNK HILL
1S3W21R	SMITH TRACT WELL COMPANY	3600001	11	BNK HILL
1S3W21R	SMITH TRACT WELL COMPANY	3600001-		BNK HILL
1S3W22A	REDLANDS, CITY OF	3602032	WELL NO 35	BNK HILL
1S3W22A01S	REDLANDS, CITY OF	3602106		BNK HILL
1S3W22F	PENN WELL COMPANY	3601099	1	BNK HILL
1S3W22F	PENN WELL COMPANY	3601405	2	BNK HILL
1S3W23A	REDLANDS, CITY OF	3600019	GR REES NO 1	BNK HILL
1S3W23A03	JUDSON MUTUAL WATER COMPANY	3601647	1	BNK HILL
1S3W23A03S	BEAR VALLEY MUTUAL WATER COMPANY	3601585	SAN BERNARDI	BNK HILL
1S3W23F	NORTHSIDE WATER COMPANY	3600933	1	BNK HILL
1S3W24A01	REDLANDS, CITY OF	3600748	OLD WELL 1	BNK HILL
1S3W24C	BEAR VALLEY MUTUAL WATER COMPANY	3600023	JUDSON 1	BNK HILL
1S3W24Q	WESTERN FRUIT GROWERS	156		BNK HILL

SAN BERNARDINO BASIN AREA
CROSS INDEX BY STATE WELL NUMBER

STATE WELL NUMBER	OWNER NAME	RECORDATION NUMBER	LOCAL DESIGNATION	BASIN NAME
1S3W25N	REDLANDS COUNTRY CLUB	3600049	MORRISON WEL	BNK HILL
1S3W25N	REDLANDS COUNTRY CLUB	3600049-	HOBBS WELL	BNK HILL
1S3W26C	REDLANDS, CITY OF	3602211	NO 37 SYLVAN	BNK HILL
1S3W27E02S	REDLANDS, CITY OF	3601300	40	BNK HILL
1S3W28B01S	EAST BARTON WATER COMPANY	3600608	BARTON	BNK HILL
1S3W28C01	GRANT WATER COMPANY	3600075	GRANT	BNK HILL
1S3W28E	KANSAS STREET MUTUAL WATER COMPANY	3601092		BNK HILL
1S3W28H01S	REDLANDS, CITY OF	3601301	41	BNK HILL
1S3W28J01	REDLANDS, CITY OF	3600085	NY ST 1	BNK HILL
1S3W28J02	REDLANDS, CITY OF	3602346	NEW YORK ST	BNK HILL
1S3W28L	SOUTHERN CALIFORNIA EDISON COMPANY	3600651		BNK HILL
1S3W28M	RAMIREZ, CARLOS	3601649	HOOVER	BNK HILL
1S3W28M	RAMIREZ, CARLOS	3601649-	HOOVER	BNK HILL
1S3W29A01	ELTINGE & GRAZIADIO	3600766	COLTAMA	BNK HILL
1S3W29B	LA ROSSE, CHARLES H.	3600708	GOODWIN	BNK HILL
1S3W29B01	IOWA STREET WELL	3601932		BNK HILL
1S3W29D	YAHIKU, PAUL	3601280	SOUTH 1	BNK HILL
1S3W29D	RANCHO CITRUS AMIGOS	3601753	PARK AVE 1	BNK HILL
1S3W29H	WOEHR MUTUAL WATER COMPANY	3600817		BNK HILL
1S3W29J01	PHARAOH POWELL WATER COMPANY	3600415		BNK HILL
1S3W29K	OLD TOWN WELL COMPANY	3600493	NEW WELL 2	BNK HILL
1S3W29K	OLD TOWN WELL COMPANY	3600494	OLD WELL 1	BNK HILL

SAN BERNARDINO BASIN AREA
CROSS INDEX BY STATE WELL NUMBER

STATE WELL NUMBER	OWNER NAME	RECORDATION NUMBER	LOCAL DESIGNATION	BASIN NAME
1S3W29Q01S	REDLANDS, CITY OF	3603655	38	BNK HILL
1S3W29Q02S	REDLANDS, CITY OF	3603760	39	BNK HILL
1S3W30D	REDLANDS, CITY OF	3601637	PTRSON WELL	BNK HILL
1S3W30K	FRINK RANCH	3601131		BNK HILL
1S3W30K	RAMIREZ BROTHERS	3601728	FRINK	BNK HILL
1S3W30L	LOMA LINDA UNIVERSITY	3601910	PUFFER	BNK HILL
1S3W30Q	PAXTON, R. H.	3600468	BAHR 1	BNK HILL
1S3W31A	BREAK, ALLEN, ESTATE	15		BNK HILL
1S3W31A	BRYN MAWR MUTUAL WATER COMPANY	3600053	1	BNK HILL
1S3W31A	BRYN MAWR MUTUAL WATER COMPANY	3600054	2	BNK HILL
1S3W31A	BRYN MAWR MUTUAL WATER COMPANY	3600055	3	BNK HILL
1S3W31B00S	BRYN MAWR MUTUAL WATER COMPANY	3602109	4	BNK HILL
1S3W31D	STEWART, WILLARD	128		BNK HILL
1S3W32D	LOMA LINDA, CITY OF	3601130	NICKS WELL	BNK HILL
1S3W32F	CANYON RANCH	3600523	HNTSCHKE	BNK HILL
1S3W32G	KUHN, RICHARD J	178		BNK HILL
1S3W32G01	LARANNI GUNTER WELL	3600160	GUNTER WELL	BNK HILL
1S3W32J	HORTON	70		BNK HILL
1S3W32J02S	REDLANDS, CITY OF	3602065	LEE WELL	BNK HILL
1S3W32K	SOJKA, DONALD R	3601173		BNK HILL
1S3W33C01S	LAKESIDE AVENUE MUTUAL WELL COMPANY	3602119	1	BNK HILL
1S3W33D	BROOKSIDE DAIRY, INC	3600036	1	BNK HILL

SAN BERNARDINO BASIN AREA
CROSS INDEX BY STATE WELL NUMBER

STATE WELL NUMBER	OWNER NAME	RECORDATION NUMBER	LOCAL DESIGNATION	BASIN NAME
1S3W35E	REDLANDS, CITY OF	3601289	4R	BNK HILL
1S3W35G07S	REDLANDS, CITY OF	3601292	11	BNK HILL
1S3W35G08S	REDLANDS, CITY OF	3601291	10	BNK HILL
1S3W35G09S	REDLANDS, CITY OF	3601294	13	BNK HILL
1S3W35G11S	REDLANDS, CITY OF	3601297	17	BNK HILL
1S3W35H02S	REDLANDS, CITY OF	3601293	12	BNK HILL
1S3W35H03S	REDLANDS, CITY OF	3601296	16	BNK HILL
1S3W35H04S	REDLANDS, CITY OF	3601295	14	BNK HILL
1S3W35H08S	REDLANDS, CITY OF	3600005	LUETCKE	BNK HILL
1S4W01A	ARROYO VERDE MUTUAL WATER COMPANY	3602069	2	BNK HILL
1S4W01A02S	ARROYO VERDE MUTUAL WATER COMPANY	3602068	1	BNK HILL
1S4W01B04S	EAST VALLEY WATER DISTRICT	3601657	PLANT NO 7	BNK HILL
1S4W01D	EAST VALLEY WATER DISTRICT	51	PLANT NO 96	BNK HILL
1S4W01E02S	EAST VALLEY WATER DISTRICT	3601668	PLANT NO 22	BNK HILL
1S4W01F02S	EAST VALLEY WATER DISTRICT	3600926	PLANT NO 115	BNK HILL
1S4W01J08S	EAST VALLEY WATER DISTRICT	3601661	PLANT NO 10	BNK HILL
1S4W01K04S	EAST VALLEY WATER DISTRICT	3601665	PLANT NO 14	BNK HILL
1S4W01P01S	EASTWOOD FARMS COMMUNITY WATER USERS	3602130	1	BNK HILL
1S4W01P02S	EASTWOOD FARMS COMMUNITY WATER USERS	3602131	2	BNK HILL
1S4W01Q01	EAST VALLEY WATER DISTRICT	3600925	PLANT NO 100	BNK HILL
1S4W02A	EAST VALLEY WATER DISTRICT	3600183	PLANT NO 60	BNK HILL
1S4W02A	EAST VALLEY WATER DISTRICT	3602174	PLANT NO 105	BNK HILL

SAN BERNARDINO BASIN AREA
CROSS INDEX BY STATE WELL NUMBER

STATE WELL NUMBER	OWNER NAME	RECORDATION NUMBER	LOCAL DESIGNATION	BASIN NAME
1S4W02B	SAN BERNARDINO, CITY OF	3602066	1	BNK HILL
1S4W02D	VICTORIA GUERNSEY	3600399	1	BNK HILL
1S4W02J	BERMAN, JERRY & SONS	12		BNK HILL
1S4W02K	BERMAN, JERRY & SONS	11	OLD WELL	BNK HILL
1S4W02K	BERMAN, JERRY & SONS	3602007	2	BNK HILL
1S4W02K01S	SAN BERNARDINO, CITY OF	3600730	ANTIL WELL N	BNK HILL
1S4W02K02S	SAN BERNARDINO, CITY OF	3600731	ANTIL WELL N	BNK HILL
1S4W02K03S	SAN BERNARDINO, CITY OF	3600734	ANTIL 4	BNK HILL
1S4W02K04S	SAN BERNARDINO, CITY OF	3600733	ANTIL 1	BNK HILL
1S4W02K05S	SAN BERNARDINO, CITY OF	3600732	ANTIL 2	BNK HILL
1S4W02K08S	SAN BERNARDINO, CITY OF	3602422	ANTIL 6	BNK HILL
1S4W02L	EAST VALLEY WATER DISTRICT	42	PLANT NO 75	BNK HILL
1S4W02N01S	EAST VALLEY WATER DISTRICT	3601664	PLANT NO 13	BNK HILL
1S4W02Q	EAST VALLEY WATER DISTRICT	3602034	PLANT NO 12A	BNK HILL
1S4W02Q	EAST VALLEY WATER DISTRICT	3602563	PLANT NO 11A	BNK HILL
1S4W02Q04S	EAST VALLEY WATER DISTRICT	3601663	PLANT NO 12	BNK HILL
1S4W02Q05S	EAST VALLEY WATER DISTRICT	3601662	PLANT NO 11	BNK HILL
1S4W02R	EAST VALLEY WATER DISTRICT	3601582	PLANT NO 119	BNK HILL
1S4W03A04S	SAN BERNARDINO, CITY OF	3603692	EPA 5	BNK HILL
1S4W03B03S	SAN BERNARDINO, CITY OF	3603691	EPA 4	BNK HILL
1S4W03C03S	SAN BERNARDINO, CITY OF	3603689	EPA 2	BNK HILL
1S4W03C04S	SAN BERNARDINO, CITY OF	3603690	EPA 3	BNK HILL

SAN BERNARDINO BASIN AREA
CROSS INDEX BY STATE WELL NUMBER

STATE WELL NUMBER	OWNER NAME	RECORDATION NUMBER	LOCAL DESIGNATION	BASIN NAME
1S4W03D01S	SAN BERNARDINO, CITY OF	3600722	ACACIA	BNK HILL
1S4W03D04S	SAN BERNARDINO, CITY OF	3603688	EPA 1	BNK HILL
1S4W03J	SAN BERNARDINO, CITY OF	3602265	7TH STREET	BNK HILL
1S4W04C	SAN BERNARDINO, CITY OF	3603207	10TH & J STR	BNK HILL
1S4W04D02	SAN BERNARDINO, CITY OF	3603206	OLIVE/GARNER	BNK HILL
1S4W04E	SAN BERNARDINO VALLEY MWD	3603141	9TH STREET W	BNK HILL
1S4W04F02	SAN BERNARDINO VALLEY MWD	3603174	PERRIS STREE	BNK HILL
1S4W05E05S	WEST SAN BDNO. COUNTY WATER DIST.	3601848	WELL NO 15	BNK HILL
1S4W05M	TRI CITY CONCRETE	3601309	PLANT	BNK HILL
1S4W06B01S	RIALTO, CITY OF	3603030	CITY # 5	BNK HILL
1S4W06C04S	RIALTO, CITY OF	3601929	CITY #6	BNK HILL
1S4W06H	RIALTO, CITY OF	3603538	CITY #4	BNK HILL
1S4W06H01S	WEST SAN BDNO. COUNTY WATER DIST.	3601003	WELL NO 13	BNK HILL
1S4W06H02	WEST SAN BDNO. COUNTY WATER DIST.	3602766	WELL NO 30	BNK HILL
1S4W06J01S	WEST SAN BDNO. COUNTY WATER DIST.	3600999	WELL NO 14	BNK HILL
1S4W06J02S	WEST SAN BDNO. COUNTY WATER DIST.	3601000	WELL NO 12	BNK HILL
1S4W07D	INLAND VALLEY DEVELOPMENT AGENCY	86	LOCAL NO. 2	BNK HILL
1S4W07D	INLAND VALLEY DEVELOPMENT AGENCY	3603646	NORTON 2	BNK HILL
1S4W08C	COLTON, CITY OF	3602405	19	BNK HILL
1S4W08C02S	COLTON, CITY OF	3601262	BARNHL 18	BNK HILL
1S4W08F	ATCHISON, TOPEKA & SANTA FE RAILWAY CO.	3600179	4	BNK HILL
1S4W08F	COLTON, CITY OF	3601254	8	BNK HILL

SAN BERNARDINO BASIN AREA
CROSS INDEX BY STATE WELL NUMBER

STATE WELL NUMBER	OWNER NAME	RECORDATION NUMBER	LOCAL DESIGNATION	BASIN NAME
1S4W08F	COLTON, CITY OF	3601257	13	BNK HILL
1S4W08F	TERRACE WATER COMPANY	3601684-	WELL NO 1 -	BNK HILL
1S4W08F	TERRACE WATER COMPANY	3601685	SMALL 2	BNK HILL
1S4W08F	TERRACE WATER COMPANY	3601686	WELL NO 2 -	BNK HILL
1S4W08F01	COLTON, CITY OF	3602793	NO 21	BNK HILL
1S4W08F01S	COLTON, CITY OF	3601260	16	BNK HILL
1S4W08F02S	ATCHISON, TOPEKA & SANTA FE RAILWAY CO.	3600178	WELL 3	BNK HILL
1S4W08F06S	TERRACE WATER COMPANY	3601684	LARGE 1	BNK HILL
1S4W08R	SOUTHERN CALIFORNIA EDISON COMPANY	3601012	STM PL 1	BNK HILL
1S4W08R	SOUTHERN CALIFORNIA EDISON COMPANY	3601013	STM PL 2	BNK HILL
1S4W08R	COLTON, CITY OF	3601250	4	BNK HILL
1S4W08R	COLTON, CITY OF	3601251	5	BNK HILL
1S4W08R	COLTON, CITY OF	3601252	6	BNK HILL
1S4W08R	COLTON, CITY OF	3601253	7	BNK HILL
1S4W08R	COLTON, CITY OF	3601258	14	BNK HILL
1S4W08R	COLTON, CITY OF	3603704	26	BNK HILL
1S4W08R07	COLTON, CITY OF	3602498	NO 6B	BNK HILL
1S4W09B01S	HOLMES ICE & COLD STORAGE CO. INC.	3600645		BNK HILL
1S4W09B03S	HOLMES ICE & COLD STORAGE CO. INC.	3600644	2	BNK HILL
1S4W09J01S	SAN BERNARDINO, CITY OF	3600736	SO G ST	BNK HILL
1S4W09N	COLTON, CITY OF	3601256	PLUNGE 12	BNK HILL
1S4W09P01S	SAN BERNARDINO, CITY OF	3600735	BIRCH ST	BNK HILL

SAN BERNARDINO BASIN AREA
CROSS INDEX BY STATE WELL NUMBER

STATE WELL NUMBER	OWNER NAME	RECORDATION NUMBER	LOCAL DESIGNATION	BASIN NAME
1S4W10D01	SAN BERNARDINO, CITY OF	3601626	CITYLOTS	BNK HILL
1S4W10F01S	SAN BERNARDINO, CITY OF	3600723	HANFORD 1	BNK HILL
1S4W10F01S	SOUTHERN CALIFORNIA EDISON COMPANY	3690723	HANFORD 1	BNK HILL
1S4W10F05S	SAN BERNARDINO, CITY OF	3600724	HANFORD NO 2	BNK HILL
1S4W10N06S	SAN BERNARDINO, CITY OF	3600737	MILL & D	BNK HILL
1S4W11F	DONGLO DAIRY	21		BNK HILL
1S4W11F	KRANTZ DAIRY	75		BNK HILL
1S4W11G	HAZAS	65		BNK HILL
1S4W11G	WILLIAMS DAIRY	159		BNK HILL
1S4W11M	BALCOM	5		BNK HILL
1S4W11Q01S	SAN BERNARDINO, CITY OF	3600222	MACFARLAND J	BNK HILL
1S4W12B	EAST VALLEY WATER DISTRICT	3602564	PLANT NO 28A	BNK HILL
1S4W12B05S	EAST VALLEY WATER DISTRICT	3601676	PLANT NO 28	BNK HILL
1S4W12C	INLAND VALLEY DEVELOPMENT AGENCY	87	LOCAL NO. 3	BNK HILL
1S4W12C	INLAND VALLEY DEVELOPMENT AGENCY	3603647	NORTON 3	BNK HILL
1S4W12D	INLAND VALLEY DEVELOPMENT AGENCY	88	LOCAL NO. 4	BNK HILL
1S4W12D	CARDIFF FARMS MUTUAL WATER COMPANY	3600973	1	BNK HILL
1S4W12D	CARDIFF FARMS MUTUAL WATER COMPANY	3601619	2	BNK HILL
1S4W12F	INLAND VALLEY DEVELOPMENT AGENCY	89	LOCAL NO. 5	BNK HILL
1S4W12F	INLAND VALLEY DEVELOPMENT AGENCY	3603648	NORTON 5	BNK HILL
1S4W12G	INLAND VALLEY DEVELOPMENT AGENCY	92	LOCAL NO. 44	BNK HILL
1S4W12Q	INLAND VALLEY DEVELOPMENT AGENCY	91	NO NO. WELL	BNK HILL

SAN BERNARDINO BASIN AREA
CROSS INDEX BY STATE WELL NUMBER

STATE WELL NUMBER	OWNER NAME	RECORDATION NUMBER	LOCAL DESIGNATION	BASIN NAME
1S4W13E	GOLCONDA WATER COMPANY	58		BNK HILL
1S4W13E	MAYBELL, N. O.	3600291		BNK HILL
1S4W13R	VICTORIA FARMS MUTUAL WATER COMPANY	3602574	#3 WELL	BNK HILL
1S4W13R	VICTORIA FARMS MUTUAL WATER COMPANY	3602714	1	BNK HILL
1S4W13R01S	VICTORIA FARMS MUTUAL WATER COMPANY	3602112		BNK HILL
1S4W13R03	VICTORIA FARMS MUTUAL WATER COMPANY	3602247	2	BNK HILL
1S4W14A	SAN BERNARDINO, COUNTY OF	1	AEROSPACE	BNK HILL
1S4W14A	SANTINI	120		BNK HILL
1S4W14A	SAN BERNARDINO, CITY OF	3602128	GIFFORD PARK	BNK HILL
1S4W14B	SAN BERNARDINO, CITY OF	3602252	2	BNK HILL
1S4W14E	HOLDEN MUTUAL WATER COMPANY	68		BNK HILL
1S4W14F	HOLDEN MUTUAL WATER COMPANY	69	HOLDEN AVE.	BNK HILL
1S4W14J	SAN BERNARDINO, CITY OF	3602123	NORMAN ROAD	BNK HILL
1S4W14J	SAN BERNARDINO, CITY OF	3602124	CENTRAL	BNK HILL
1S4W15D	NATIONAL ORANGE SHOW	3601924		BNK HILL
1S4W15D05	SAN BERNARDINO, CITY OF	3602285	15D5	BNK HILL
1S4W15G	HELIPORT	66		BNK HILL
1S4W15M03	SAN BERNARDINO, CITY OF	3600035		BNK HILL
1S4W15P05	SAN BERNARDINO, CITY OF	3603582	CHANDLER	BNK HILL
1S4W15Q	VALLEY FARMS MUTUAL WATER COMPANY	142	NO 2 WELL	BNK HILL
1S4W15R	VALLEY FARMS MUTUAL WATER COMPANY	141	NO 1 WASHTN	BNK HILL
1S4W16H	SAN BERNARDINO, CITY OF	3600034	SMITH 1	BNK HILL

SAN BERNARDINO BASIN AREA
CROSS INDEX BY STATE WELL NUMBER

STATE WELL NUMBER	OWNER NAME	RECORDATION NUMBER	LOCAL DESIGNATION	BASIN NAME
1S4W16M03S	SAN BERNARDINO, CITY OF	3603693	EPA 6	BNK HILL
1S4W16M04S	SAN BERNARDINO, CITY OF	3603694	EPA 7	BNK HILL
1S4W21A	SAN BERNARDINO, CITY OF	115	SEWER PLANT	BNK HILL
1S4W22A	SIX HOUSES	123		BNK HILL
1S4W22A	J. G. GOLFING ENTERPRISES, INC.	3602846	KLING WELLS	BNK HILL
1S4W22A01	J. G. GOLFING ENTERPRISES, INC.	3602499	PAYNE HOT WE	BNK HILL
1S4W22B	BARRIER	7		BNK HILL
1S4W22B	CARPENTER	16		BNK HILL
1S4W22C	SAN BERNARDINO, CITY OF	116	SEWER PLANT	BNK HILL
1S4W22C05	SAN BERNARDINO, CITY OF	3603581	CENTURY	BNK HILL
1S4W22G01S	SOUTHERN CALIFORNIA EDISON COMPANY	3601016	THORN 1	BNK HILL
1S4W22M01	SMITH MEAT PACKING PLANT	126		BNK HILL
1S4W23D	MEADOWBROOK DAIRY	3600030	IRRIG 2	BNK HILL
1S4W23D	MEADOWBROOK DAIRY	3600037	DOMESTIC 1	BNK HILL
1S4W23N	TRI CITY MUTUAL WATER COMPANY	133		BNK HILL
1S4W23N	SAN BERNARDINO, CITY OF	3601316	1	BNK HILL
1S4W23N	TRI CITY MUTUAL WATER COMPANY	3601823		BNK HILL
1S4W23P	INTER CITY MUTUAL WATER COMPANY	72		BNK HILL
1S4W23P	SAN BERNARDINO, CITY OF	3602521	WELL NO 2	BNK HILL
1S4W23R03S	SAN BERNARDINO, CITY OF	3602122	ROSEWOOD	BNK HILL
1S4W24A	LOMA LINDA, CITY OF	3602759	MOUNTAIN VIE	BNK HILL
1S4W24A05S	LOMA LINDA, CITY OF	3603719	MTN. VIEW #3	BNK HILL

SAN BERNARDINO BASIN AREA
CROSS INDEX BY STATE WELL NUMBER

STATE WELL NUMBER	OWNER NAME	RECORDATION NUMBER	LOCAL DESIGNATION	BASIN NAME
1S4W24B	LOMA LINDA, CITY OF	3602760	MOUNTAIN VIE	BNK HILL
1S4W24B	LOMA LINDA, CITY OF	3603057	RICHARDSON W	BNK HILL
1S4W24B	LOMA LINDA, CITY OF	3603058	RICHARDSON W	BNK HILL
1S4W24F	SAN BERNARDINO, CITY OF	3602126	GOULD STREET	BNK HILL
1S4W24F	LOMA LINDA, CITY OF	3603720	RICHARDSON N	BNK HILL
1S4W24F04S	SAN BERNARDINO, CITY OF	3602125	GOULD STREET	BNK HILL
1S4W24J	TEXACO GAS STATION	27		BNK HILL
1S4W24J	RIVAS	113		BNK HILL
1S4W24J	VANLEUVEN, CLARENCE	143		BNK HILL
1S4W24J	VICTORIA SEVENTH DAY ADVENTIST	144		BNK HILL
1S4W24J	MT. VIEW CHILD CARE CENTER	145		BNK HILL
1S4W24J	RIVAS, RAMON	3600016	REES 4	BNK HILL
1S4W24K	MOORE, R. H.	84		BNK HILL
1S4W24K01S	REDLANDS, CITY OF	3601299	34	BNK HILL
1S4W24L	SAN BERNARDINO, CITY OF	3602060	BENNETT WELL	BNK HILL
1S4W24P	LOMA LINDA UNIVERSITY	3602013	7	BNK HILL
1S4W24P04S	LOMA LINDA, CITY OF	3603523	SOUTH RICHA	BNK HILL
1S4W24R	LOMA LINDA, CITY OF	3602596	NEW GOLCONDA	BNK HILL
1S4W24R01S	LOMA LINDA, CITY OF	3601989	GOLCONDA WEL	BNK HILL
1S4W24R08	LOMA LINDA, CITY OF	3603721	MTN. VIEW #4	BNK HILL
1S4W25B	LOMA LINDA, CITY OF	3602015	LLU 9	BNK HILL
1S4W25B	LOMA LINDA, CITY OF	3602058	JANZEN CREEK	BNK HILL

SAN BERNARDINO BASIN AREA
 CROSS INDEX BY STATE WELL NUMBER

STATE WELL NUMBER	OWNER NAME	RECORDATION NUMBER	LOCAL DESIGNATION	BASIN NAME
1S4W25B02S	LOMA LINDA, CITY OF	3602011	LLU 5	BNK HILL
1S4W25C	LOMA LINDA, CITY OF	3601384	1	BNK HILL
1S4W25C	LOMA LINDA, CITY OF	3601388	COURT ST	BNK HILL
1S4W25C	LOMA LINDA, CITY OF	3602057	MITTLEIDER W	BNK HILL
1S4W25C01S	LOMA LINDA UNIVERSITY	3602012	6	BNK HILL
1S4W25D	LOMA LINDA UNIVERSITY	3602781	ANDERSON II	BNK HILL
1S4W25D05	LOMA LINDA UNIVERSITY	3602249	ANDERSON	BNK HILL
1S4W25D07S	LOMA LINDA UNIVERSITY	3602855	ANDERSON III	BNK HILL
1S4W25E01S	LOMA LINDA UNIVERSITY	3602017	2	BNK HILL
1S4W25G	LOMA LINDA, CITY OF	3602016	ROBINSON	BNK HILL
1S4W25G01S	LOMA LINDA UNIVERSITY	3602009	3	BNK HILL
1S4W25H02S	LOMA LINDA, CITY OF	3602010	LLU 4	BNK HILL
1S4W26A	LOMA LINDA UNIVERSITY	3602008	1	BNK HILL
1S4W26E	MT. VIEW CEMETERY OF SAN BERNARDINO	3600119	1	BNK HILL
1S4W26F	UNGER, V.E.	3601168		BNK HILL
1S4W26J01S	LOMA LINDA UNIVERSITY	3602014	8	BNK HILL
1S4W27H	AHMANSON RANCH	2		BNK HILL
1S4W36J	WILEY, RUTH NORWOOD	3600052	1	BNK HILL
2N5W19K	SAN BERNARDINO, CITY OF	3602426	C.C. DIV.	L CAJON
2N5W19K01	SAN BERNARDINO, CITY OF	3600710	CAJON CANYON	L CAJON
2N5W19Q01	SAN BERNARDINO, CITY OF	3600709	VINCENT	L CAJON
2N5W19R	SAN BERNARDINO, CITY OF	3603471	KENWOOD	L CAJON

SAN BERNARDINO BASIN AREA
CROSS INDEX BY STATE WELL NUMBER

STATE WELL NUMBER	OWNER NAME	RECORDATION NUMBER	LOCAL DESIGNATION	BASIN NAME
2N5W20H	DEVORE WATER COMPANY	3602385	MEDLIN CR.	L CAJON
2N5W21E	DEVORE WATER COMPANY	3602386	LETHIN SP.	L CAJON
2N5W21G	DEVORE WATER COMPANY	3602388	KIMBARK	L CAJON
2N5W22E	DEVORE WATER COMPANY	3602387	E. KIMBARK	L CAJON
2N5W22N	DEVORE WATER COMPANY	3602389	HOPPER	L CAJON
2N5W27L01	PAYNE, LARRY	3603698	OWNER'S #1	L CAJON
2N5W27L02	PAYNE, LARRY	3603699	OWNER'S #2	L CAJON
2N5W27L03	PAYNE, LARRY	3603700	OWNER'S #3	L CAJON
2N5W28B	DEVORE WATER COMPANY	3602390	SANTA FE	L CAJON
2N5W28C	DEVORE WATER COMPANY	3602383	2	L CAJON
2N5W28C	DEVORE WATER COMPANY	3602384	3	L CAJON
2N5W28D	DEVORE WATER COMPANY	3602382	1	L CAJON
2N5W28D	DEVORE WATER COMPANY	3602391	CASADY	L CAJON
2N5W33F	SAN BERNARDINO, COUNTY OF	117	GLEN HELEN 3	L CAJON
2N5W33G	SAN BERNARDINO, COUNTY OF	118	GLEN HELEN 4	L CAJON
2N5W33H	DEVORE WATER COMPANY	3602428	NO 4	L CAJON
2N6W26L1	FONTANA UNION WATER COMPANY	3600590	MN 2	
2N6W26L2	FONTANA UNION WATER COMPANY	3600588	MN 1	
2S2W06D	CRYSTAL SPRINGS	20		BNK HILL
2S3W01D	REDLANDS, CITY OF	3600918	REDLANDS HEI	BNK HILL
2S3W03K	REDLANDS, CITY OF	3602082	WELL NO 36	BNK HILL
2S3W05A2	CANYON KNOLLS RANCH	3601632	MARCUM WELL	BNK HILL

CHANGE IN OWNERSHIP FROM BASE PERIOD

CHANGE IN OWNERSHIP FROM BASE PERIOD

FORMER OWNER	PRESENT OWNER	RECORDATION NUMBER	STATE WELL NUMBER	YEAR CHANGE SHOWN IN VOLUME 1
AEROSPACE	SAN BERNARDINO, COUNTY OF	NF	1S4W14A	1973
ANDERSON MUTUAL WELL COMPANY, INC	EAST SAN BDNO. COUNTY WATER DIST.	3600275	1N3W32	1970
	EAST VALLEY WATER DISTRICT	3600275	1N3W32	1982
BASELINE & LAPRAIX WELL	EAST SAN BDNO. COUNTY WATER DIST.	3600466	1N3W04	1973
	EAST VALLEY WATER DISTRICT	3600466	1N3W04	1982
BEAR VALLEY MUTUAL WATER COMPANY	EAST SAN BDNO. COUNTY WATER DIST.	3600026	1S3W4J	1971
	EAST VALLEY WATER DISTRICT	3600026	1S3W4J	1982
	REDLANDS, CITY OF	3601586	1S3W15F02S	1987
BEELER, RAYMOND A.	TROJAN GROVES	3600451	1S3W15	1989
BEVERLY ASSOCIATES REC 3602065	REDLANDS, CITY OF REC 3602732	3602732	1S3W32J2	1978
BIG BEAR MUNICIPAL WATER DISTRICT	SAN BERNARDINO VALLEY MWD	3603116	1S3W13R01S	1996
BIG BEAR TIMBER COMPANY	GOLDEN STATE BLDG. PRODUCTS	3602127	1S3W15A1	1973
	GOLDEN BEAR FOREST PROD.	3602127	1S3W15A1	1980
C. L. PHARRIS	SUNWEST	3603653	1S3W10J2	1997
	C. L. PHARRIS	3603653	1S4W10J2	1998
	CEMEX CONSTRUCTION MATERIALS, INC.	3603653	1S2W10J2	2000
CALAGONIA GROVES	CRIM, W. ROSCOE	3601171	1S3W20F	1974
CALIFORNIA, STATE OF PATTON HOSPITAL	EAST SAN BDNO. COUNTY WATER DIST.	3600926	1S4W01F2	1973
	EAST VALLEY WATER DISTRICT	3600926	1N4W01F2	1982
	EAST SAN BDNO. COUNTY WATER DIST.	3600928	1N3W31L2	1973
	EAST VALLEY WATER DISTRICT	3600928	1N3W31L2	1982
	EAST SAN BDNO. COUNTY WATER DIST.	3600930	1N3W31L3	1973
	EAST VALLEY WATER DISTRICT	3600930	1N3W31L3	1982
CALIFORNIA, STATE OF PATTON HOSPITAL	SAN BERNARDINO, CITY OF	3600927	1N3W31B1	1973
	EAST SAN BDNO. COUNTY WATER DIST.	3600927	1N3W31B1	1980
	EAST VALLEY WATER DISTRICT	3600927	1N3W31B1	1982
CAMERON RANCHO MUTUAL WATER COMPANY	EAST SAN BDNO. COUNTY WATER DIST.	3600643	1N4W25K1	1973
	EAST VALLEY WATER DISTRICT	3600643	1N4W25K1	1982
CANYON KNOLLS RANCH	LOMA LINDA HEIGHTS RANCHO	3601632	2S3W05A2	1979
	CANYON KNOLLS RANCH	3601632	2S3W05A2	1982
CARL'S RANCH C/O REDLANDS FARMING CO.	AIELLO RANCH C/O CRIM GROVE CARE 1970-71	3601172	1S3W20C	1970
	CRIM WELL C/O REDLANDS FARMING CO. 1972-75	3601172	1S3W20C	1972
	HUNTER/CRIM/ZARUBICA WELL 1975-	3601172	1S3W20C	1975
	K INV./TRUTANIC/Y UN WELL	3601172	1S3W20C	1981
CHURCH STREET MUTUAL WELL CO	REDLANDS, CITY OF	3602106	1S3W22A1	1970
CITRUS PROPERTY MANAGEMENT CO.	BELL, H. EUGENE	3600449	1S3W20	1974

CHANGE IN OWNERSHIP FROM BASE PERIOD

FORMER OWNER	PRESENT OWNER	RECORDATION NUMBER	STATE WELL NUMBER	YEAR CHANGE SHOWN IN VOLUME 1
CLIFFSIDE RANCH	TEAGLE, M., ESTATE	3602571	1S3W03F	1974
	EAST SAN BER. CO. WATER DIST.	3602571	1S3W3F	1978
	EAST VALLEY WATER DISTRICT	3602571	1S3W3F	1982
COLTON AVENUE WATER COMPANY	REDLANDS, CITY OF	3600085	1S3W28J1	1973
		3602346	1S3W28J2	1973
COOK ORCHARDS CO.	EADINGTON FRUIT CO. COOK RANCH	3600527	1S3W16	1975
CORWIN WELL COMPANY	EAST SAN BDNO. COUNTY WATER DIST.	3601184	1N3W33F1	1973
	EAST VALLEY WATER DISTRICT	3601184	1N3W33F1	1982
COUNTY HOSPITAL	SAN BERNARDINO, COUNTY OF	NF	1N4W35F	1971
COURT STREET WATER COMPANY	LOMA LINDA, CITY OF	3601384	1S4W25	1971
		3601388	1S4W25	1971
CRAM, FRANCES L.	COGBILL, CLINTON L.	3601628	1S2W09Q	1979
CRIM, W. ROSCOE	RAMIREZ, J.J.	3601171	1S3W20F	1996
DANIELS, DON	DANIELS AND BEST RANCH	3602549	1S3W19J	1973
	PHAROAH'S LOST KINGDOM			1996
DANIELS, HAROLD	DANIELS AND BEST RANCH	3602550	1S3W17R	1973
DEL ROSA MUTUAL WATER CO.	EAST SAN BDNO. COUNTY WATER DIST.	3602370	1N4W25F	1976
	EAST VALLEY WATER DISTRICT	3602370	1N4W25F	1982
DEL ROSA MUTUAL WATER CO.	HODGDON, WARNER	3601810	1N4W23E	1976
	CAMPUS CRUSADE FOR CHRIST	3601810	1N4W23E	1987
	HODGDON, WARNER	3601811	1N4W14	1976
	CAMPUS CRUSADE FOR CHRIST	3601811	1N4214	1987
DOUGLAS GAS STATION	TEXACO GAS STATION	NF	1S4W24J	1973
DUDA, WALTER AND BETTY	MCCALLA, ROBERT	3601839	1S3210D01S	1992
E R DUNLOP	HOOVER WELL	3601649	1S3W28M	1973
	RAMIREZ, CARLOS	3601649	1S3W28M	1980
	HOOVER WELL	3601649-	1S3W28M	1973
	RAMIREZ, CARLOS	3601649-	1S3W28M	1980
EADINGTON FRUIT CO. COOK RANCH	RAMIREZ, J.J.	3600527	1S3216	1996
EAST COLTON AVENUE WATER COMPANY	HINCKLEY, HORACE P.	3600240	1S2W30D	1982
		3601645	1S2W30B	1982
EAST HIGHLANDS DOMESTIC WATER CO	SARATOGA DEVELOPMENT CO.	3600607	1S3W02	1973
	EAST HIGHLANDS RANCH INC.	3600607	1S3W02	1980
	SARATOGA DEVELOPMENT CO.	3600607-	1S3W02	1973
	EAST HIGHLANDS RANCH INC.	3600607-	1S3W02	1980

CHANGE IN OWNERSHIP FROM BASE PERIOD

FORMER OWNER	PRESENT OWNER	RECORDATION NUMBER	STATE WELL NUMBER	YEAR CHANGE SHOWN IN VOLUME 1
EAST HIGHLANDS ORANGE COMPANY	SARATOGA DEVELOPMENT CO.	NF	1S2W06	1977
		3600598	1S3W02	1973
	EAST HIGHLANDS RANCH INC.	3600598	1S3W02	1980
	SARATOGA DEVELOPMENT CO.	3600604	1S2W07B	1973
	EAST HIGHLANDS RANCH INC.	3600604	1S2W07B	1980
	SARATOGA DEVELOPMENT CO.	3600605	1N3W36	1973
	EAST HIGHLANDS RANCH INC.	3600605	1N3W36	1980
	SARATOGA DEVELOPMENT CO.	3600606	1N3W35	1973
	EAST HIGHLANDS RANCH INC.	3600606	1N3W35	1980
	SARATOGA DEVELOPMENT CO.	3601639	1S3W03R1	1973
	EAST HIGHLANDS RANCH INC.	3601639	1S3W03R1	1980
	EAST VALLEY WATER DISTRICT	3601639	1S3W03R1	1995
	SARATOGA DEVELOPMENT CO.	3602474	1N3W25Q	1973
	EAST HIGHLANDS RANCH INC.	3602474	1N3W25Q	1980
	SUNRISE RANCH PART. C/O LIFE DEVEL. CO.	3600599	1S2W13	1973
		3600600	1S2W13	1973
		3600601	1S2W14	1973
	3600602	1S2W15P	1973	
	3600603	1S2W15G	1973	
	3601640	1S2W14	1973	
EAST HIGHLANDS ORANGE COMPANY	SUNRISE RANCH PART. C/O LIFE DEVEL. CO.	3601969	1S2W14L	1973
EAST LUGONIA MUTUAL WATER CO.	REDLANDS, CITY OF	3600005	1S3W35H08S	1996
		3600006	1S2W19G01S	1996
		3600038	1S2W17	1996
EAST SAN BDNO. COUNTY WATER DISTRICT	EAST VALLEY WATER DISTRICT	NF	1N3W30C	1982
		NF	1S3W04P	1982
		NF	1N3W30C	1982
		NF	1N3W31A	1982
		NF	1S3W05Q	1982
		NF	1N4W36H	1982
		NF	1S3W06	1982
		NF	1N3W31D	1982
		NF	1S3W06E	1982
		NF	1S3W06B	1982
		NF	1S3W06C	1982
		NF	1S4W02L	1982

CHANGE IN OWNERSHIP FROM BASE PERIOD

FORMER OWNER	PRESENT OWNER	RECORDATION NUMBER	STATE WELL NUMBER	YEAR CHANGE SHOWN IN VOLUME 1
EAST SAN BDNO. COUNTY WATER DISTRICT	EAST VALLEY WATER DISTRICT	NF	1S3W06P	1982
		NF	1S3W05Q	1982
		NF	1S3W06M	1982
		NF	1S3W06Q	1982
		NF	1S3W03N	1982
		NF	1N4W25D	1982
		NF	1S3W03N	1982
		NF	1S3W05J	1982
		NF	1S4W01D	1982
		NF	1S3W06N	1982
EAST SAN BDNO. COUNTY WATER DISTRICT	EAST VALLEY WATER DISTRICT	3600058	1S3W03F	1982
		3600183	1S4W02	1982
		3600269	1N3W31L	1982
		3600444	1N3W30H01S	1982
		3600855	1N3W28P01S	1982
		3600864	1N3W19	1982
		3600970	1N3W19	1982
		3600971	1N3W19F	1982
		3601584	1N3W33H01S	1982
		3601653	1N4W36K04S	1982
		3601654	1N4W36	1982
		3601655	1N4W36K05S	1982
		3601656	1N4W36Q01S	1982
		3601657	1S4W01B04S	1982
		3601658	1N4W36R01S	1982
		3601659	1S3W06H01S	1982
		3601660	1D3W06H04S	1982
		3601661	1S4W01J08S	1982
		3601662	1S4W02Q05S	1982
		3601663	1S4W02Q04S	1982
3601664	1S4W02N01S	1982		
3601665	1S4W01K04S	1982		
3601666	1N4W36F08S	1982		
3601667	1S3W06A05S	1982		
3601668	1S4W01E02S	1982		
3601669	1N4W36H06S	1982		

CHANGE IN OWNERSHIP FROM BASE PERIOD

FORMER OWNER	PRESENT OWNER	RECORDATION NUMBER	STATE WELL NUMBER	YEAR CHANGE SHOWN IN VOLUME 1		
EAST SAN BDNO. COUNTY WATER DISTRICT	EAST VALLEY WATER DISTRICT	3601670	1N4W26A01S	1982		
		3601671	1N4W26A02S	1982		
		3601672	1N4W25B	1982		
		3601673	1N4W25C02S	1982		
		3601674	1N4W25G01S	1982		
		3601675	1N4W25A01S	1982		
		3601676	1S4W12B05S	1982		
		3601677	1S3W05A02S	1982		
		3601678	1S3W05B04S	1982		
		3601679	1S3W05N05S	1982		
		3601781	1S3W06K01S	1982		
		3601884	1N3W31C02S	1982		
		3601978	1S3W04N	1982		
		HODGDON, WARNER		3601979	1N4W14A	1976
		CAMPUS CRUSADE FOR CHRIST		3601979	1N4W14A	1987
		EAST VALLEY WATER DISTRICT		3602034	1S4W01Q	1982
				3602113	1N3W30N	1982
				3602274	1N3W30J	1982
				3602337	1N4W26A	1982
				3602338	1S3W04N	1982
	3602563		1S4W02Q	1982		
	3602564		1S4W12B	1982		
	3602799		1S2W07H01	1982		
ELLENA, JOHN B.	SAN BERNARDINO, CITY OF		3602712	1N4W08N	1977	
FONTANA UNION WATER COMPANY 3600566	FONTANA UNION WATER COMPANY 3602727		3602727	1N5W15Q02S	1977	
FRINK RANCH RECORDATION NO 3601131	RAMIREZ BROTHERS REC. NO. 3601728	3601728	1S3W30	1970		
GIFFORD PARK MUTUAL WATER CO.	SAN BERNARDINO, CITY OF	3602128	1S4W14A	1987		
		3602252	1S4W14B	1987		
HACIENDA TRAILER PARK	EAST SAN BDNO. COUNTY WATER DIST.	NF	1S3W04Q	1970		
	EAST VALLEY WATER DISTRICT	NF	1S3W04Q	1982		
HICKS, JOHN/LOUISE	REYNOLDS, BILL	3600981	1S2W21H01	1978		
HOBBS WELL PARTNERSHIP	REDLANDS COUNTRY CLUB	3600049	1S3W25M	1994		
		3600049-	1S3W25M	1994		
HOLIDAY ROCK CO.	REDLANDS TRAP/SKEET	3600628	1S3W15G	1974		
HOMART DEVELOPMENT CO	SAN BERNARDINO, CITY OF	3600034	1S4W16H	1970		

CHANGE IN OWNERSHIP FROM BASE PERIOD

FORMER OWNER	PRESENT OWNER	RECORDATION NUMBER	STATE WELL NUMBER	YEAR CHANGE SHOWN IN VOLUME 1
HOMART DEVELOPMENT CO	SAN BERNARDINO, CITY OF	3600035	1S4W15M1	1970
		3602285	1S4W15D5	1970
ICE PRODUCTS INC.	HOLMES ICE & COLD STORAGE CO., INC.	3600644	1S4W09B03S	1983
		3600645	1S4W09B01S	1983
INDUST. ACRES C/O CITRUS INVESTMENT	MENTONE CITRUS GROVES	3600139	1S2W18R01S	1975
		3602280	1S2W18Q	1975
INLAND FARMING CO.	RIEDMAN, FRED M.	3602079	1S3W03F	1974
	BARNO, JOHN	3602079	1S3W03F	1977
INTER CITY MUTUAL WATER CO.	SAN BERNARDINO, CITY OF	3601316	1S4W23N	1977
		3602521	1S4W23N4	1977
JACINTO, FRANK JR	F. A. R. WELL	3602020	1S2W20K	1973
JACINTO FARMING, INC	MCCLINTOCK, W.L. 1970-1972	3601280	1S3W29D	1970
	YAHIKU, PAUL 1973-	3601280	1S3W29D	1973
JOHANSSON, RUNE	BENNETT 1976-1978	3602060	1S4W24P	1976
	SO. SAN BERNARDINO COUNTY WATER DIST. 1979-	3602060	1S4W24P	1979
	SAN BERNARDINO, CITY OF	3602060	1S4W24P	1990
LAND CAPITOL CORP & DONALD SOJKA	SOJKA, DONALD R.	3601173	1S3W32K	1975
LANGFORD RANCHES REC 3600523	CANYON RANCH	3600523	1S3W32G3	1973
LANKERSHIM MUT. WTR. CO.	EAST VALLEY WATE DISTRICT	0000076	1S3W06L	1990
	EAST VALLEY WATE DISTRICT	0000077	1S3W06F	1990
LARSEN, ERNEST R.	LARANNI GUNTER WELL	3600160	1S3W32G1	1974
LEONARD, WILLIAM E.	SAN BERNARDINO INVESTORS	3602499	1S4W22A01	1979
	J. G. GOLFING ENTERPRISES, INC.	3602499	1S4W22A01	1981
LONG ACRES MUTUAL WATER CO	STORKSON, WILLIAM F.	3600083	1N5W6	1970
L.P.R. RANCH	L.P.R. ICE COMPANY	3602525	1S3W13C	1971
		3600018	1S2W29	1976
LUGO WATER COMPANY	REDLANDS, CITY OF	3600510	1S3W21K01S	2001
LUGONIA WATER COMPANY	REDLANDS, CITY OF	3601585	1S3W23A03S	1987
	BEAR VALLEY MUTUAL WATER COMPANY	3601585	1S3W23A03S	1990
MARIGOLD FARMS COMPANY	BARTON DEVELOPMENT	3600418	1S4W19	1994
		3601748	1S3W18H01	1994
		3601748-	1S3W19A01	1994
MASCART WATER COMPANY	MAJESTIC MANAGEMENT	3601102	1S3W21E	2001
MEEKS & DALEY (1N3W31)	BASELINE LAUNDRY	NF	1N3W31	1973
MENTONE ACRES MUTUAL WELL CO.	REDLANDS, CITY OF	3600749	1S3W13	1983
		3600748	1S3W24A1	1999

CHANGE IN OWNERSHIP FROM BASE PERIOD

FORMER OWNER	PRESENT OWNER	RECORDATION NUMBER	STATE WELL NUMBER	YEAR CHANGE SHOWN IN VOLUME 1
MENTONE DOMESTIC WATER CO.	REDLANDS, CITY OF	3601308	1S2W19K1	1978
		3602653	1S2W19J	1978
MEYER, ERNEST	EAST SAN BDNO. COUNTY WATER DIST. MEYER, ERNEST	3602654	1S2W19J	1978
		3602174	1S4W02	1974
		3602174	1S4W02	1975
		3602174	1S4W02	1980
MISSION MUTUAL WATER COMPANY	EAST SAN BDNO. COUNTY WATER DIST. EAST VALLEY WATER DISTRICT	3602174	1S4W02	1982
		3600756	1S3W19H	1987
		3600757	1S3W19L	1987
MONTECITO MUTUAL WATER COMPANY	MT. VIEW CEMETERY OF SAN BERNARDINO	3600119	1S4W26F01	1995
MT. HARRISON MUTUAL WATER CO.	EAST VALLEY WATER DISTRICT	3600220	1S3W01H	1994
MOUNT VERNON WATER COMPANY	SAN BERNARDINO, CITY OF	3600320	1N5W22M	1997
MULLINS, JAMES C., JR., EXECUTOR	TILDEN, M. WILLIAM	3602074	1N3W34B02	1991
		3602075	1N3W34B01	1991
		3600765	1N3W33C01	1981
MUTUAL WELL CO. (OF HIGHLAND)	NORTH FORK WATER	3600765	1N3W33C01	1981
NAMIHAS, M.D. IVAN/SHIRLEY	SOUZA, JOHN	3601084	1S2W20K	1980
NICKERSON, E. D.	WARMINGTON, ROBT. P.	3600270	1S3W20P	1982
NORTH FORK WATER COMPANY	EAST SAN BDNO. COUNTY WATER DIST. EAST VALLEY WATER DISTRICT	3600680	1S3W02	1982
		3600680	1S3W02	1982
		3601643	1S3W03Q	1982
		3601643	1S3W03Q	1982
		0000086	1S4W12B	1997
NORTON AIR FORCE BASE	INLAND VALLEY DEVELOPMENT AGENCY 0000086 BECOMES FILER	0000086	1S4W12B	1997
		3600645	1S4W07D	1998
		0000087	1S4W12C	1997
		3603647		1998
		0000088	1S4W12D	1997
		0000089	1S3W07A	1997
		3603649	1S3W07A	1998
NORTON VILLAGE, LTD.	0000089 BECOMES FILER	0000090	1S3218C	1997
		3603650		1998
		3600925	1S4W01Q1	1973
		3600925	1S4W01Q1	1982
ORANGE ST. RANCH	CRAM RANCH ASSOCIATES	3600241	1S3W03Q	1980
PAINE, ROBERT T. TRUSTEE	REDLANDS UNIFIED SCHOOL DISTRICT	3601641	1S2W30C01S	1996
PEYTON, A.L. OR IRENE A.	SOMERS, R.	3601093	1N4W24	1977
PEYTON, MRS. A.L.	LA BONTE, JIM	3600865	1N4W24	1978

CHANGE IN OWNERSHIP FROM BASE PERIOD

FORMER OWNER	PRESENT OWNER	RECORDATION NUMBER	STATE WELL NUMBER	YEAR CHANGE SHOWN IN VOLUME 1
RANCHERIA WATER CO. TOBIN	RIALTO, CITY OF	3601929	1S4W06C04S	1987
RANCHO LADERA	ESRI	3602188	1S2W29L	2002
REDLANDS ASSOCIATES	BLUE GOOSE GROWERS INC.	3602529	1S2W09P2	1971
		3602530	1S2W09L2	1971
		3602531	1S2W09L3	1971
	BLUE BANNER CO.	3602531	1S2W09L3	1980
REDLANDS HEIGHTS WATER COMPANY	REDLANDS, CITY OF	3600918	2S3W01E	1983
REES-REES RANCHES, INC.	SELBY, DR. & MRS. ARTHUR	3600017	1S2W29	1976
		3600018	1S2W29	1976
	REDLANDS, CITY OF	3600019	1S3W23	1978
RIALTO MUTUAL LAND AND WATER COMPANY	RIALTO, CITY OF	3601085	1N4W31N	1973
RIVERSIDE, CITY OF 3601478	J. G. GOLFING ENTERPRISES, INC. 3602846	3602846	1S4W22A	1985
ROBERTS, DR. G.	PATTERSON, ROY H.	NF	1N3W34Q	1977
ROZEMA CHICKEN RANCH	QUALITY FARMS	NF	1S3W04R	1975
SAN BERNARDINO COUNTY SERVICE AREA 2	LOMA LINDA, CITY OF	3601989	1S4W24R1	1970
		3602010	1S4W25H2	1970
		3602011	1S4W25B2	1970
		3602015	1S4W25B	1970
SAN BERNARDINO WATER UTILITIES	SAN BERNARDINO, CITY OF	3602016	1S4W25G	1970
		3602057	1S4W25C	1970
		3602058	1S4W25F	1970
		3601843	1N5W03H01S	1987
		3601844	1N5W03	1987
		3601845	1N4W30L	1987
SECHREST, RALPH F.	RAMIREZ, J.J.	3600484	1S3W16	1978
SELEY WELL CO	EAST SAN BDNO. COUNTY WATER DIST.	3600545	1N3W30	1970
	EAST VALLEY WATER DISTRICT	3600545	1N3W30	1982
SMITH, LEONA BERNICE	PAXTON, R. H.	3600468	1S3W30	1971
		3600378	1N3W27N02S	1987
		3601069	1N3W33M02S	1987
SO. SAN BERNARDINO COUNTY WATER DIST.	SAN BERNARDINO, CITY OF	3602122	1S4W23R03S	1990
		3602123	1S4W14J	1990
SO. SAN BERNARDINO COUNTY WATER DIST.	SAN BERNARDINO, CITY OF	3602124	1S4W14J	1990
		3602125	1S4W24F04S	1990
		3602126	1S4W24F	1990

CHANGE IN OWNERSHIP FROM BASE PERIOD

FORMER OWNER	PRESENT OWNER	RECORDATION NUMBER	STATE WELL NUMBER	YEAR CHANGE SHOWN IN VOLUME 1	
SOUTHERN CALIFORNIA EDISON	THERMO ECOTEK CORPORATION	3601014	1S3W18N	1998	
	MOUNTAINVIEW POWER COMPANY	3601014	1S3W18N	1999	
	THERMO ECOTEK CORPORATION	3601015	1S3W18N	1998	
	MOUNTAINVIEW POWER COMPANY	3601015	1S3W18N	1999	
	SOUTHERN CALIFORNIA WATER COMPANY	EAST VALLEY WATER DISTRICT	3600374	1N3W33M01S	1987
		3600375	1S3W05	1987	
		3600376	1S3W05	1987	
		3600377	1N3W27N08S	1987	
SAN BERNARDINO, CITY OF		3601588	1N4W31H	1987	
		3601878	1N4W29E01S	1987	
		3601879	1N4W29	1987	
		3601880	1N4W29F01S	1987	
EAST VALLEY WATER DISTRICT		3601987	1S3W04G	1987	
		3602260	1S3W05D06	1987	
		3602417	1S3W05D	1987	
		3602560	1S3W04G	1987	
STANLEY BROWN CO.		LEWIS DEVELOPMENT CO.	3601352	1S3W19N	1980
		CHRISTENSEN, JACK. O.	3601352	1S3W19N	1981
		AMERICAN GENERAL LIFE INS. CO.	3601352	1S3W19N	1987
	GENERAL AMERICAN LIFE INS. CO.	3601352	1S3W19N	1988	
	STOWE WATER COMPANY	RAMIREZ, J. J.	3601046	1S3W21A	2000
STUCKER RANCH		BEELER, RAYMOND A.	3600451	1S3W15	1970
SUNNYSIDE MUTUAL WATER COMPANY		EAST SAN BDNO. COUNTY WATER DIST.	3601582	1S4W02R	1975
	EAST VALLEY WATER DISTRICT	3601582	1S4W02R	1982	
TRI CITY BASELINE	TRI CITY CONCRETE	3600935	1N4W31N	1973	
TRI CITY ROCK	TRI CITY CONCRETE	3601420	1S3W09E	1970	
	LIVINGSTON-GRAHAM	3601420	1S3W09E	1980	
	C. L. PHARRIS SAND & GRAVEL	3601420	1S3W09E	1992	
	SUNWEST	3601420	1S3W09E	1997	
	C. L. PHARRIS SAND & GRAVEL	3601420	1S3W09E	1998	
	CEMEX CONSTRUCTION MATERIALS, INC.	3601420	1S3W09E	2000	
	TRIPLE FALLS MUT. WTR. CO.	YUCAIPA VALLEY COUNTY WATER DISTRICT	3602657	1S1W20D	1975
		YUCAIPA VALLEY WATER DISTRICT	3602657	1S1W20D	1987
YUCAIPA VALLEY COUNTY WATER DISTRICT		3602658	1S1W20D	1975	
YUCAIPA VALLEY WATER DISTRICT		3602658	1S1W20D	1987	

CHANGE IN OWNERSHIP FROM BASE PERIOD

FORMER OWNER	PRESENT OWNER	RECORDATION NUMBER	STATE WELL NUMBER	YEAR CHANGE SHOWN IN VOLUME 1
TRIPLE FALLS MUT. WTR. CO.	YUCAIPA VALLEY COUNTY WATER DISTRICT	3602659	1S1W19G	1975
	YUCAIPA VALLEY WATER DISTRICT	3602659	1S1W19G	1987
UNIVERSITY OF REDLANDS	KARAHALOIS	NF	1S2W17	1975
VALDEPENAS ACRES	CARTER, DR. JAMES E.	3602241	1S3W20F03	1997
VALLE VISTA RANCH CO.	LOMA LINDA, CITY OF	3601130	1S3W32D	1973
VAN CAMP, GILBERT C.	CALLISON, ROY A. 1977-1978	3600218	1N4W24	1977
	LANGSTON-NEWBY DEVELOPMENT CO. 1979-	3600218	1N4W24	1979
VAN LEUVEN NURSING HOME	MT. VIEW CHILD CARE CENTER	NF	1S4W24J	1978
VAN LEUVEN, ED	VICTORIA SEVENTH DAY ADVENTIST	NF	1S4W24J	1978
VAN LOON MUTUAL WATER COMPANY	SAN BERNARDINO, CITY OF	3602066	1S4W02B	1990
WEST HIGHLAND WELL COMPANY	EAST SAN BDNO. COUNTY WATER DIST.	3600221	1N3W30	1970
	EAST VALLEY WATER DISTRICT	3600221	1N3W30	1982
WEST TWIN CREEK WATER COMPANY	HODGDON, WARNER	NF	1N4W14C	1976
	CAMPUS CRUSADE FOR CHRIST	NF	1N4W14C	1987
YORK	SAN MANUEL INDIAN RESERVATION	0000160	1N3W19R	1999
		0000161	1N3W19R	1999
		0000162	1N3W19R	1999

TABLE NO. 1

EXTRACTIONS BY OWNERS (NON-PLAINTIFFS) WHICH
HAVE RECORDATION FILINGS WITH THE STATE
WATER RESOURCES CONTROL BOARD

TABLE NO. 1
 VERIFIED EXTRACTATIONS BY OWNERS (NON-PLAINTIFFS) WHICH HAVE RECORDATION FILINGS
 WITH THE STATE WATER RESOURCES CONTROL BOARD

OWNER	1959	1960	1961	1962	1963	1959-63 AVERAGE	1998	1999	2000	2001	2002	1998-02 AVERAGE
ARMSTRONG, DOUGLAS												
3600076 1S3W17G W	286	342	-	-	-	126	-	-	-	-	-	0
ARROWHEAD COUNTRY CLUB												
3601925 1N4W23E W	600	607	650	650	650	631	482	531	566	436	487	500
ARROYO VERDE MUTUAL WATER COMPANY												
3602068 1S4W01A02S W	166	186	162	168	141	165	70	0	0	0	0	14
3602069 1S4W01A W	-	-	-	-	-	0	70	0	0	0	0	14
OWNER TOTAL	166*	186*	162*	168*	141*	165*	140*	0*	0*	0*	0*	28*
ATCHISON, TOPEKA & SANTA FE RAILWAY CO.												
3600178 1S4W08F02S W	158	127	113	110	69	115	-	-	-	-	-	0
3600179 1S4W08F W	158	127	113	110	69	115	-	-	-	-	-	0
OWNER TOTAL	316*	254*	226*	220*	138*	231*	0*	0*	0*	0*	0*	0*
B M I FUNDS												
3600107 1S3W21P01 W	343	323	165	165	-	199	-	-	-	-	-	0
BARNO, JOHN												
3602079 1S3W03F W ¹	-	-	-	-	34	7	0	0	0	0	0	0
BARTON DEVELOPMENT												
3600418 1S3W19G W ²	182	173	116	66	57	119	603	926	788	814	863	799

1 FORMERLY INLAND FARMING CO.

2 FORMERLY MARIGOLD FARMS COMPANY

TABLE NO. 1
 VERIFIED EXTRACTIONS BY OWNERS (NON-PLAINTIFFS) WHICH HAVE RECORDATION FILINGS
 WITH THE STATE WATER RESOURCES CONTROL BOARD

OWNER	1959	1960	1961	1962	1963	1959-63 AVERAGE	1998	1999	2000	2001	2002	1998-02 AVERAGE
(CONTINUED)												
BARTON DEVELOPMENT												
3601748 1S3W18H01 W ¹	1133	1622	1145	300	475	935	-	-	-	-	-	0
3601748- 1S3W19A01 W ¹	-	-	-	-	-	0	-	-	-	-	-	0
3603554 1S3W19A01S W ²	-	-	-	-	-	0	670	600	800	808	806	737
OWNER TOTAL	1315*	1795*	1261*	366*	532*	1054*	1273*	1526*	1588*	1622*	1669*	1536*
BASE LINE WELL COMPANY												
3600456 1N3W33R02S W	0	0	0	0	0	0	-	-	-	-	-	0
BASELINE GARDENS MUTUAL WATER COMPANY												
3600457 1N4W35J02S W	28	28	28	28	28	28	0	0	0	0	0	0
3600458 1N4W36M01S W	275	275	275	275	275	275	0	0	0	0	0	0
3602528 1N4W35R01 W	-	-	-	-	-	0	367	430	561	449	448	451
OWNER TOTAL	303*	303*	303*	303*	303*	303*	367*	430*	561*	449*	448*	451*
BEAR VALLEY MUTUAL WATER COMPANY												
3600021 1N2W26G01 W	687	556	465	555	532	559	105	484	322	140	58	222
3600022 1N2W34G W	531	522	351	472	458	467	0	0	0	0	-	0
3600023 1S3W24C W ³	1780	1845	2434	1726	1444	1846	0	0	0	0	0	0
3600024 1S2W19D W	0	219	163	32	8	84	0	0	0	0	-	0

1 FORMERLY MARIGOLD FARMS COMPANY

2 WELL 3601748- WAS ASSIGNED RECORDATION NO. 3603554 IN 1993

3 WELL RENOVATED 1988

TABLE NO. 1
 VERIFIED EXTRACTIONS BY OWNERS (NON-PLAINTIFFS) WHICH HAVE RECORDATION FILINGS
 WITH THE STATE WATER RESOURCES CONTROL BOARD

OWNER	1959	1960	1961	1962	1963	1959-63 AVERAGE	1998	1999	2000	2001	2002	1998-02 AVERAGE
BEAR VALLEY MUTUAL WATER COMPANY	(CONTINUED)											
3600025 1N3W29R01S W	0	0	170	0	0	34	-	-	-	-	-	0
3600027 1N2W26E D ¹	266	170	196	180	106	184	-	-	-	-	-	0
3600028 1S2W04P D ¹	19622	15927	11418	13528	10836	14266	36632	30245	29498	26301	23458	29227
3601585 1S3W23A03S W ²	0	0	1012	974	882	574	0	0	0	0	0	0
OWNER TOTAL	22886*	19239*	16209*	17467*	14266*	18013*	36737*	30729*	29820*	26441*	23516*	29449*
BELL, H. EUGENE												
3600449 1S3W20A W ³	115	88	30	85	167	97	20	20	20	20	30	22
BERMAN, JERRY & SONS												
3602007 1S4W02K W	-	-	-	28	32	12	4	4	4	4	5	4
BLUE BANNER COMPANY												
3602531 1S2W09L03S D ⁴	-	-	-	-	-	0	100	100	100	100	100	100
BLUE GOOSE GROWERS INC												
3602529 1S2W09P02 W ⁵	-	-	-	-	-	0	0	0	0	0	0	0
3602530 1S2W09L02S W ⁶	-	-	-	-	-	0	0	0	0	0	0	0

1 COMMENCING 1974 INCLUDES GROSS SANTA ANA RIVER DIVERSIONS--SEE TABLE NO. 6 FOR VERIFIED DIVERSIONS

2 FORMERLY LUGONIA WATER COMPANY; FORMERLY REDLANDS, CITY OF

3 FORMERLY CITRUS PROPERTY MANAGEMENT CO.

4 FORMERLY REDLANDS ASSOCIATES NON-FILED NO. 102 PRIOR TO 1972

5 FORMERLY REDLANDS ASSOCIATES NON-FILED NO. 100 PRIOR TO 1972

6 FORMERLY REDLANDS ASSOCIATES NON-FILED NO. 101 PRIOR TO 1972

TABLE NO. 1
 VERIFIED EXTRACTIONS BY OWNERS (NON-PLAINTIFFS) WHICH HAVE RECORDATION FILINGS
 WITH THE STATE WATER RESOURCES CONTROL BOARD

OWNER	1959	1960	1961	1962	1963	1959-63 AVERAGE	1998	1999	2000	2001	2002	1998-02 AVERAGE
OWNER TOTAL	0*	0*	0*	0*	0*	0*	0*	0*	0*	0*	0*	0*
BRISTOL RANCH												
3601631 1N3W34C02S W	90	100	160	108	108	113	0	0	0	0	-	0
BROOKSIDE DAIRY, INC												
3600036 1S3W33D W	302	302	312	312	313	308	0	0	0	0	0	0
BROOKSIDE PLAZA												
3602917 1S3W03D01S W ¹	-	-	-	-	-	0	10	10	10	10	13	11
BRYN MAWR MUTUAL WATER COMPANY												
3600053 1S3W31A W	585	470	583	296	249	437	0	0	0	0	0	0
3600054 1S3W31A W	306	330	375	295	0	261	-	-	-	-	-	0
3600055 1S3W31A W	306	330	375	0	249	252	0	0	0	0	0	0
3602109 1S3W31B00S W	0	0	0	708	554	252	0	0	0	0	0	0
OWNER TOTAL	1197*	1130*	1333*	1299*	1052*	1202*	0*	0*	0*	0*	0*	0*
BUOYE WELL												
3602062 1S2W29N W	0	0	146	160	177	97	0	0	0	0	0	0
CAL MAT COMPANY												
3603695 1N5W25Q W ²	-	-	-	-	-	0	330	1548	500	1445	1571	1079
3603696 1N5W02N W ²	-	-	-	-	-	0	28	28	30	28	28	28

1 WELL DRILLED 1988

2 EXTRACTIONS FIRST VERIFIED 1999

TABLE NO. 1
 VERIFIED EXTRACTIONS BY OWNERS (NON-PLAINTIFFS) WHICH HAVE RECORDATION FILINGS
 WITH THE STATE WATER RESOURCES CONTROL BOARD

OWNER	1959	1960	1961	1962	1963	1959-63 AVERAGE	1998	1999	2000	2001	2002	1998-02 AVERAGE
(CONTINUED)												
CAL MAT COMPANY												
3603697 1N5W14A W ¹	-	-	-	-	-	0	18	138	140	130	140	113
OWNER TOTAL	0*	0*	0*	0*	0*	0*	376*	1714*	670*	1603*	1739*	1220*
CALIFORNIA, STATE OF PATTON HOSPITAL												
3600923 1N3W32C01S W	211	286	257	218	212	237	-	-	-	-	-	0
3600924 1N3W29M01S W	175	223	146	156	143	169	-	-	-	-	-	0
3600924- 1N3W29M W	-	-	-	-	-	0	371	446	200	381	478	375
3600929 1N3W31K02S W	41	-	-	-	0	8	-	-	-	-	-	0
3600931 1N3W29N01S W	520	227	282	303	307	328	20	0	0	0	42	12
3601930 1N3W32C02S W	-	340	400	326	295	272	-	-	-	0	0	0
3602381 1N3W29M W	-	-	-	-	-	0	266	119	159	172	185	180
OWNER TOTAL	947*	1076*	1085*	1003*	957*	1014*	657*	565*	359*	553*	705*	568*
CAMPUS CRUSADE FOR CHRIST												
3601810 1N4W23E W ²	231	200	9	0	0	88	0	0	0	0	0	0
3601811 1N4W14A D ²	400	300	302	272	211	297	100	100	100	100	100	100
3601979 1N4W14A D ³	146	146	146	146	146	146	0	0	0	0	0	0
OWNER TOTAL	777*	646*	457*	418*	357*	531*	100*	100*	100*	100*	100*	100*

1 EXTRACTIONS FIRST VERIFIED 1999

2 FORMERLY DEL ROSA MUTUAL WATER COMPANY; FORMERLY HODGDON, WARNER

3 FORMERLY EAST SAN BDNO. COUNTY WATER DIST.; FORMERLY HODGDON, WARNER

TABLE NO. 1
 VERIFIED EXTRACTIONS BY OWNERS (NON-PLAINTIFFS) WHICH HAVE RECORDATION FILINGS
 WITH THE STATE WATER RESOURCES CONTROL BOARD

OWNER	1959	1960	1961	1962	1963	1959-63 AVERAGE	1998	1999	2000	2001	2002	1998-02 AVERAGE
CANYON KNOLLS RANCH												
3601632 2S3W05A2 W	104	85	105	88	87	94	168	193	0	0	0	72
CANYON RANCH												
3600523 1S3W32F W ¹	298	222	101	109	103	167	0	0	0	0	0	0
CARDIFF FARMS MUTUAL WATER COMPANY												
3600973 1S4W12D W	445	391	432	339	384	398	0	0	0	0	0	0
3601619 1S4W12D W	73	64	70	64	62	67	0	0	0	0	0	0
OWNER TOTAL	518*	455*	502*	403*	446*	465*	0*	0*	0*	0*	0*	0*
CARTER, JAMES E., M.D.												
3602241 1S3W20F03 W ²	25	25	25	27	8	22	30	60	60	60	60	54
CEMEX CONSTRUCTION MATERIALS, INC.												
3601420 1S3W09E W ³	221	225	220	293	295	251	176	175	173	180	174	176
3603653 1S3W10J W ⁴	-	-	-	-	-	0	1309	500	500	1115	1081	901
OWNER TOTAL	221*	225*	220*	293*	295*	251*	1485*	675*	673*	1295*	1255*	1077*
CHARLES, J. J.												
3600815 1S3W06L W	-	-	-	-	-	0	-	-	-	-	-	0

1 FORMERLY LANGFORD RANCHES

2 FORMERLY VALEPENA ACRES

3 FORMERLY TRI CITY ROCK; TRI CITY CONCRETE; LIVINGSTON-GRAHAM; CL PHARRIS SAND & GRAVEL; SUNWEST MATERIALS; CL PHARRIS S & G

4 WELL DRILLED 1987; 1ST VERIFIED IN '96 VERIFICATION; FORMERLY CL PHARRIS SAND & GRAVEL; SUNWEST MATERIALS; CL PHARRIS S & G

TABLE NO. 1
 VERIFIED EXTRACTIONS BY OWNERS (NON-PLAINTIFFS) WHICH HAVE RECORDATION FILINGS
 WITH THE STATE WATER RESOURCES CONTROL BOARD

OWNER	1959	1960	1961	1962	1963	1959-63 AVERAGE	1998	1999	2000	2001	2002	1998-02 AVERAGE
CHRISTINA WATER COMPANY												
3601751 1S3W21E W	1302	1403	700	865	793	1013	0	0	0	0	0	0
COGBILL, CLINTON L.												
3601628 1S2W09Q W ¹	312	296	325	181	91	241	50	50	50	50	50	50
COLTON, CITY OF												
3601250 1S4W08R W	326	132	102	133	121	163	0	0	0	0	0	0
3601251 1S4W08R W	0	101	233	578	227	228	267	317	16	0	0	120
3601252 1S4W08R W	463	733	129	154	62	308	-	-	-	-	-	0
3601253 1S4W08R W	376	526	364	339	189	359	750	1084	997	783	446	812
3601254 1S4W08F W	111	172	257	378	651	314	173	287	348	137	385	266
3601256 1S4W09N W	114	79	77	13	11	59	-	-	-	-	-	0
3601257 1S4W08F W	786	519	726	861	919	762	528	710	728	434	1095	699
3601258 1S4W08R W	10	4	163	228	210	123	212	203	266	363	0	209
3601260 1S4W08F01S W	628	1066	967	689	595	789	630	382	405	260	727	481
3601262 1S4W08C02S W	0	274	287	370	282	243	-	-	-	-	-	0
3602405 1S4W08C W	-	-	-	-	-	0	942	762	822	995	851	874
3602498 1S4W08R07 W ²	-	-	-	-	-	0	0	0	0	0	-	0
3602793 1S4W08F01 W ³	-	-	-	-	-	0	2204	2601	1798	1340	1918	1972

1 FORMERLY CRAM, FRANCES L.

2 WELL DRILLED 1972

3 WELL DRILLED 1981

TABLE NO. 1
 VERIFIED EXTRACTIONS BY OWNERS (NON-PLAINTIFFS) WHICH HAVE RECORDATION FILINGS
 WITH THE STATE WATER RESOURCES CONTROL BOARD

OWNER	1959	1960	1961	1962	1963	1959-63 AVERAGE	1998	1999	2000	2001	2002	1998-02 AVERAGE
(CONTINUED)												
COLTON, CITY OF												
3603704 1S4W08R W	-	-	-	-	-	0	-	0	-	1027	1995	604
OWNER TOTAL	2814*	3606*	3305*	3743*	3267*	3347*	5706*	6346*	5380*	5339*	7417*	6038*
CONEJO RANCHOS MUTUAL WATER COMPANY												
3601186 1N4W36F03S W	-	-	-	-	-	0	-	-	-	-	-	0
CRAFTON WATER COMPANY												
3600272 1S2W29N W	623	750	854	483	477	637	105	277	224	167	620	279
3602186 1S2W21L02 W	-	-	57	262	181	100	3	0	0	38	23	13
OWNER TOTAL	623*	750*	911*	745*	658*	737*	108*	277*	224*	205*	643*	291*
CRAM PATTERSON WELL												
3600188 1S2W16C W	413	257	361	277	294	320	255	391	377	338	520	376
CRAM RANCH ASSOCIATES												
3600241 1S3W03Q W ¹	220	194	179	190	224	201	20	20	20	20	20	20
DANIELS AND BEST RANCH												
3602550 1S3W17R W ²	-	-	-	-	-	0	200	200	150	150	150	170
DEL ROSA MUTUAL WATER COMPANY												
3601809 1N4W26H W	94	100	561	529	284	314	-	-	-	-	-	0
DEVORE WATER COMPANY												
3602382 2N5W28D W	-	-	-	-	-	0	-	-	-	-	-	0

1 FORMERLY ORANGE ST. RANCH

2 PRIOR TO 1973 SEE NON-FILED EXTRACTIONS TABLE NO. 2 DANIELS, HAROLD

TABLE NO. 1
 VERIFIED EXTRACTIONS BY OWNERS (NON-PLAINTIFFS) WHICH HAVE RECORDATION FILINGS
 WITH THE STATE WATER RESOURCES CONTROL BOARD

OWNER	1959	1960	1961	1962	1963	1959-63 AVERAGE	1998	1999	2000	2001	2002	1998-02 AVERAGE
(CONTINUED)												
DEVORE WATER COMPANY												
3602383 2N5W28C W	35	57	80	15	32	44	104	204	225	226	286	209
3602384 2N5W28C W	-	-	-	5	17	4	9	104	56	31	38	48
3602385 2N5W20H D	2	2	2	3	3	2	6	4	11	11	10	8
3602386 2N5W21E D	9	7	6	11	9	8	47	44	34	29	17	34
3602387 2N5W22E D	35	27	22	42	31	31	78	36	37	36	26	43
3602388 2N5W21G D	45	36	30	56	44	42	282	165	151	226	82	181
3602389 2N5W22N D	0	0	0	0	0	0	-	-	-	-	-	0
3602390 2N5W28B D	0	0	0	0	0	0	-	-	-	-	-	0
3602391 2N5W28D D	0	0	0	0	0	0	-	-	-	-	-	0
3602428 2N5W33H W	-	-	-	-	-	0	1	1	56	58	58	35
OWNER TOTAL	126*	129*	140*	132*	136*	133*	527*	558*	570*	617*	517*	558*
EAST BARTON WATER COMPANY												
3600608 1S3W28B01S W	168	127	135	274	145	170	-	-	-	-	-	0
EAST HIGHLANDS RANCH, INC.												
3600598 1S3W02L W ¹	1116	1071	1166	1111	1071	1107	0	0	0	0	-	0
3600604 1S2W07B W ¹	315	325	0	67	0	141	0	0	0	0	-	0
3600605 1N3W35G D ¹	757	430	399	828	662	615	860	835	412	0	0	421
3600606 1N3W35K W ¹	135	135	135	135	135	135	0	0	0	0	-	0

1 FORMERLY EAST HIGHLANDS ORANGE COMPANY; FORMERLY SARATOGA DEVELOPMENT COMPANY

TABLE NO. 1
 VERIFIED EXTRACTIONS BY OWNERS (NON-PLAINTIFFS) WHICH HAVE RECORDATION FILINGS
 WITH THE STATE WATER RESOURCES CONTROL BOARD

OWNER		1959	1960	1961	1962	1963	1959-63 AVERAGE	1998	1999	2000	2001	2002	1998-02 AVERAGE	
(CONTINUED)														
EAST HIGHLANDS RANCH, INC.														
3600607	1S3W02L	W ¹	955	900	990	945	875	933	-	-	-	-	0	
3600607-	1S3W02L	W ¹	-	-	-	-	-	0	0	0	0	0	0	
3602474	1N3W26R	D ²	-	-	-	-	-	0	100	100	80	80	88	
OWNER TOTAL			3278*	2861*	2690*	3086*	2743*	2932*	960*	935*	492*	80*	80*	509*
EAST PIONEER MUTUAL WELL COMPANY														
3602224	1S3W13P	W	776	692	876	403	431	636	0	0	0	0	0	
EAST VALLEY WATER DISTRICT														
3600026	1S3W04J	W ³	1711	1467	2031	1017	760	1397	0	0	0	0	0	
3600058	1S3W03F	W ⁴	178	160	130	124	28	124	0	0	FC	0	0	
3600183	1S4W02A	W ⁴	75	70	69	28	28	54	0	0	0	0	0	
3600220	1S3W01H	W ⁵	753	874	303	371	310	522	1	0	0	0	292	59
3600221	1N3W30K	W ⁶	413	339	339	415	498	401	0	0	0	FC	-	0
3600269	1N3W31L01S	W ⁷	40	33	62	53	4	38	0	0	0	0	0	

1 FORMERLY EAST HIGHLANDS DOMESTIC WATER COMPANY; FORMERLY SARATOGA DEVELOPMENT COMPANY

2 FORMERLY EAST HIGHLANDS ORANGE COMPANY NON-FILED NO. 29 PRIOR TO 1972; FORMERLY SARATOGA DEVELOPMENT COMPANY

3 FORMERLY BEAR VALLEY MUTUAL WATER COMPANY; FORMERLY EAST SAN BDNO. COUNTY WATER DIST.

4 FORMERLY EAST SAN BDNO. COUNTY WATER DIST.

5 FORMERLY MT. HARRISON MUTUAL WATER CO.

6 FORMERLY WEST HIGHLAND WELL COMPANY; FORMERLY EAST SAN BDNO. COUNTY WATER DIST.

7 FORMERLY EAST SAN BDNO. COUNTY WATER DIST.

TABLE NO. 1
 VERIFIED EXTRACTIONS BY OWNERS (NON-PLAINTIFFS) WHICH HAVE RECORDATION FILINGS
 WITH THE STATE WATER RESOURCES CONTROL BOARD

OWNER	1959	1960	1961	1962	1963	1959-63 AVERAGE	1998	1999	2000	2001	2002	1998-02 AVERAGE
EAST VALLEY WATER DISTRICT	(CONTINUED)											
3600275 1N3W32B W ¹	126	126	159	170	0	116	0	0	0	0	0	0
3600374 1N3W33M01S W ²	81	105	186	45	102	104	0	0	FC	0	-	0
3600375 1S3W05D W ²	170	198	234	155	195	190	0	0	FC	0	-	0
3600376 1S3W05D W ²	238	174	240	379	281	262	3	1	0	1	1	1
3600377 1N3W27N08S W ²	103	11	0	1	0	23	0	0	0	0	0	0
3600378 1N3W27N02S W ²	278	330	201	196	136	228	0	0	0	0	0	0
3600444 1N3W30H01S W ³	115	174	302	383	204	236	0	0	0	0	0	0
3600466 1S3W04C W ⁴	318	248	316	225	244	270	0	0	FC	-	-	0
3600545 1N3W30J W ⁵	208	174	141	174	3	140	0	0	0	0	0	0
3600643 1N4W25K01 W ⁶	-	21	14	12	10	11	0	0	0	0	0	0
3600680 1S3W02J W ⁷	789	573	715	533	593	641	656	1100	1319	1025	914	1003
3600855 1N3W28P01S W ⁸	-	-	-	-	-	0	0	0	0	0	0	0

1 FORMERLY ANDERSON MUTUAL WELL COMPANY INC.; FORMERLY EAST SAN BDNO. COUNTY WATER DIST.

2 FORMERLY SOUTHERN CALIFORNIA WATER COMPANY

3 FORMERLY EAST SAN BDNO. COUNTY WATER DIST.

4 FORMERLY BASELINE & LAPRAIX WELL; FORMERLY EAST SAN BDNO. COUNTY WATER DIST.

5 FORMERLY SELEY WELL COMPANY; FORMERLY EAST SAN BDNO. COUNTY WATER DIST.

6 FORMERLY CAMERON RANCHO MUTUAL WATER COMPANY; WELL FILLED AND CAPPED 1969; FORMERLY EAST SAN BDNO. COUNTY WATER DIST.

7 FORMERLY NORTH FORK WATER COMPANY; FORMERLY EAST SAN BDNO. COUNTY WATER DIST.

8 FORMERLY EAST SAN BDNO. COUNTY WATER DIST.

TABLE NO. 1
 VERIFIED EXTRACTIONS BY OWNERS (NON-PLAINTIFFS) WHICH HAVE RECORDATION FILINGS
 WITH THE STATE WATER RESOURCES CONTROL BOARD

OWNER	1959	1960	1961	1962	1963	1959-63 AVERAGE	1998	1999	2000	2001	2002	1998-02 AVERAGE
EAST VALLEY WATER DISTRICT	(CONTINUED)											
3600864 1N3W19F W ¹	1	-	-	-	-	0	0	0	0	0	0	0
3600925 1S4W01Q01 W ²	384	258	244	292	151	266	0	0	0	0	0	0
3600926 1S4W01F02S W ³	368	441	512	441	490	450	0	0	0	0	0	0
3600927 1N3W31B01 W ⁴	399	401	259	301	242	320	0	0	0	0	0	0
3600928 1N3W31L02S W ⁵	0	114	229	200	152	139	0	0	0	0	0	0
3600930 1N3W31L03S W ⁵	206	133	114	214	110	155	0	0	0	0	0	0
3600970 1N3W19G W ⁶	20	20	15	10	10	15	0	0	FC	0	-	0
3600971 1N3W18R D ⁶	49	49	49	49	49	49	0	0	FC	0	-	0
3601069 1N3W33M02S W ⁷	86	28	61	148	144	93	0	0	0	0	-	0
3601184 1N3W33F01S W ⁸	229	485	573	575	497	472	0	0	0	0	0	0
3601582 1S4W02R W ⁹	209	161	154	153	153	166	0	0	0	0	0	0

1 FORMERLY EAST SAN BDNO. COUNTY WATER DIST.

2 FORMERLY NORTON VILLAGE, LTD.; FORMERLY EAST SAN BDNO. COUNTY WATER DIST.

3 FORMERLY CALIFORNIA, STATE OF PATTON HOSPITAL; FORMERLY EAST SAN BDNO. COUNTY WATER DIST.

4 FORMERLY CALIFORNIA, STATE OF PATTON HOSPITAL; SAN BERNARDINO, CITY OF; ESBCWD; INCLUDES 3690927 PRODUCTION

5 FORMERLY CALIFORNIA, STATE OF PATTON HOSPITAL; FORMERLY EAST SAN BDNO. COUNTY WATER DIST.

6 FORMERLY EAST SAN BDNO. COUNTY WATER DIST.

7 FORMERLY SOUTHERN CALIFORNIA WATER COMPANY

8 FORMERLY CORWIN WELL COMPANY; FORMERLY EAST SAN BDNO. COUNTY WATER DIST.

9 FORMERLY SUNNYSIDE MUTUAL WATER COMPANY; FORMERLY EAST SAN BDNO. COUNTY WATER DIST.

TABLE NO. 1
 VERIFIED EXTRACTIONS BY OWNERS (NON-PLAINTIFFS) WHICH HAVE RECORDATION FILINGS
 WITH THE STATE WATER RESOURCES CONTROL BOARD

OWNER	1959	1960	1961	1962	1963	1959-63 AVERAGE	1998	1999	2000	2001	2002	1998-02 AVERAGE
EAST VALLEY WATER DISTRICT	(CONTINUED)											
3601584 1N3W33H01S W ¹	84	77	75	54	44	67	0	0	0	0	0	0
3601639 1S3W03R01 W ²	841	944	1116	1095	1111	1021	1170	1403	946	990	1157	1133
3601643 1S3W03Q W ³	0	0	1411	1286	1064	752	1489	1649	1569	1644	16	1273
3601653 1N4W36K04S W ⁴	0	0	0	0	0	0	0	0	FC	0	-	0
3601654 1N4W36K W ⁴	10	0	0	0	0	2	0	0	FC	0	-	0
3601655 1N4W36K05S W ⁴	0	0	0	0	0	0	0	0	FC	0	-	0
3601656 1N4W36Q01S W ⁴	0	0	2	28	0	6	0	0	0	0	0	0
3601657 1S4W01B04S W ⁴	0	60	21	17	67	33	0	0	FC	0	-	0
3601658 1N4W36R01S W ⁴	0	0	0	0	0	0	0	0	0	0	0	0
3601659 1S3W06H01S W ⁴	0	0	0	0	0	0	0	0	FC	0	-	0
3601660 1S3W06H04S W ⁴	260	572	803	543	771	590	1	1	1	1	979	197
3601661 1S4W01J08S W ⁴	0	0	0	0	0	0	0	0	0	0	0	0
3601662 1S4W02Q05S W ⁴	739	556	541	407	487	546	0	0	0	0	0	0
3601663 1S4W02Q04S W ⁴	257	284	279	265	204	258	0	0	0	0	0	0
3601664 1S4W02N01S W ⁴	0	0	0	0	0	0	0	0	0	0	0	0

1 FORMERLY EAST SAN BDNO. COUNTY WATER DIST.

2 FORMERLY EAST HIGHLANDS RANCH; FORMERLY EAST HIGHLANDS ORANGE COMPANY; FORMERLY SARATOGA DEVELOPMENT COMPANY

3 FORMERLY NORTH FORK WATER COMPANY; FORMERLY EAST SAN BDNO. COUNTY WATER DIST.

4 FORMERLY EAST SAN BDNO. COUNTY WATER DIST.

TABLE NO. 1
 VERIFIED EXTRACTIONS BY OWNERS (NON-PLAINTIFFS) WHICH HAVE RECORDATION FILINGS
 WITH THE STATE WATER RESOURCES CONTROL BOARD

OWNER	1959	1960	1961	1962	1963	1959-63 AVERAGE	1998	1999	2000	2001	2002	1998-02 AVERAGE
EAST VALLEY WATER DISTRICT	(CONTINUED)											
3601665 1S4W01K04S W ¹	254	423	382	153	33	249	0	0	0	0	0	0
3601666 1N4W36F08S W ¹	0	0	0	0	0	0	0	0	0	0	0	0
3601667 1S3W06A05S W ¹	0	0	0	0	0	0	0	0	FC	0	-	0
3601668 1S4W01E02S W ¹	68	92	82	104	217	113	0	0	FC	0	-	0
3601669 1N4W36H06S W ¹	-	-	-	-	-	0	0	0	FC	0	-	0
3601670 1N4W26A01S W ¹	252	261	264	332	168	255	0	0	FC	0	-	0
3601671 1N4W26A02S W ¹	671	830	833	1042	817	839	480	492	530	596	425	505
3601672 1N4W25C W ¹	0	0	0	0	0	0	0	0	FC	0	-	0
3601673 1N4W25C02S W ¹	656	602	920	865	1059	820	635	750	626	628	556	639
3601674 1N4W25G01S W ¹	0	0	0	0	0	0	0	0	0	0	0	0
3601675 1N4W25A01S W ¹	913	824	809	538	456	708	1	1	2	1	1	1
3601676 1S4W12B05S W ¹	125	145	174	238	264	189	0	0	FC	0	-	0
3601677 1S3W05A02S W ²	0	-	-	-	-	0	0	0	FC	0	-	0
3601678 1S3W05B04S W ²	-	-	-	-	-	0	0	0	FC	0	-	0
3601679 1S3W05N05S W ³	0	0	0	0	0	0	0	0	0	0	0	0
3601781 1S3W06K01S W ³	0	0	0	0	0	0	0	0	0	0	0	0

1 FORMERLY EAST SAN BDNO. COUNTY WATER DIST.

2 WELL DESTROYED PRIOR TO BASE PERIOD; FORMERLY EAST SAN BDNO. COUNTY WATER DIST.

3 FORMERLY EAST SAN BDNO. COUNTY WATER DIST.

TABLE NO. 1
 VERIFIED EXTRACTIONS BY OWNERS (NON-PLAINTIFFS) WHICH HAVE RECORDATION FILINGS
 WITH THE STATE WATER RESOURCES CONTROL BOARD

OWNER	1959	1960	1961	1962	1963	1959-63 AVERAGE	1998	1999	2000	2001	2002	1998-02 AVERAGE
EAST VALLEY WATER DISTRICT	(CONTINUED)											
3601884 1N3W31C02S W ¹	116	116	116	116	90	111	0	0	FC	0	-	0
3601978 1S3W04N W ¹	1	3	6	6	5	4	0	0	0	0	0	0
3601987 1S3W04B W ²	16	115	200	204	332	173	0	0	0	0	0	0
3602034 1S4W02Q W ³	-	-	-	252	1021	255	1457	2184	1775	1514	1462	1678
3602113 1N3W30N W ³	273	216	254	159	241	229	1	1	0	1	0	1
3602174 1S4W02A W ⁴	172	172	172	172	172	172	0	0	FC	0	-	0
3602260 1S3W05D06 W ⁵	-	-	-	-	-	0	0	0	1	3	1	1
3602274 1N3W30J W ⁶	-	-	-	-	-	0	325	103	69	5	4	101
3602337 1N4W26A W ⁶	-	-	-	-	-	0	1499	1405	1537	1625	1455	1504
3602338 1S3W04N W ⁶	-	-	-	-	-	0	2442	2802	2826	2215	2010	2459
3602370 1N4W25F W ⁷	-	-	-	-	-	0	573	363	643	613	573	553
3602417 1S3W05D W ⁸	-	-	-	-	-	0	1	0	1	63	2	13

1 FORMERLY EAST SAN BDNO. COUNTY WATER DIST.

2 FORMERLY SOUTHERN CALIFORNIA WATER COMPANY

3 FORMERLY EAST SAN BDNO. COUNTY WATER DIST.

4 FORMERLY MEYER, ERNEST; FORMERLY EAST SAN BDNO. COUNTY WATER DIST.; INCLUDES 3692174 PRODUCTION

5 FORMERLY SOUTHERN CALIFORNIA WATER COMPANY

6 FORMERLY EAST SAN BDNO. COUNTY WATER DIST.

7 FORMERLY DEL ROSA MUTUAL WATER COMPANY; FORMERLY EAST SAN BDNO. COUNTY WATER DIST.

8 FORMERLY SOUTHERN CALIFORNIA WATER COMPANY

TABLE NO. 1
 VERIFIED EXTRACTATIONS BY OWNERS (NON-PLAINTIFFS) WHICH HAVE RECORDATION FILINGS
 WITH THE STATE WATER RESOURCES CONTROL BOARD

OWNER	1959	1960	1961	1962	1963	1959-63 AVERAGE	1998	1999	2000	2001	2002	1998-02 AVERAGE
(CONTINUED)												
EAST VALLEY WATER DISTRICT												
3602560 1S3W04G W ¹	-	-	-	-	-	0	0	0	0	0	0	0
3602563 1S4W02Q W ²	-	-	-	-	-	0	2591	1898	2033	2411	1756	2138
3602564 1S4W12B W ³	-	-	-	-	-	0	704	1215	2704	3352	3133	2222
3602571 1S3W03F W ⁴	-	-	-	-	-	0	0	0	FC	0	-	0
3602799 1S2W07F W ⁵	-	-	-	-	-	0	1595	877	750	660	730	922
3603247 1S3W06P18S W ⁶	-	-	-	-	-	0	1802	2082	2062	1744	1785	1895
3603583 1S3W02N02 W ⁷	-	-	-	-	-	0	980	1221	1136	744	1126	1041
3603734 1S3W02P065 W	0	0	0	0	0	0	0	0	0	417	2087	501
OWNER TOTAL	13255*	13459*	16112*	14540*	14017*	14277*	18406*	19548*	20530*	20253*	20465*	19840*

EASTWOOD FARMS COMMUNITY WATER USERS

3602130 1S4W01P01S W	99	115	165	105	125	122	0	0	0	0	-	0
3602131 1S4W01P02S W	101	115	165	105	125	122	0	0	0	0	-	0

1 FORMERLY SOUTHERN CALIFORNIA WATER COMPANY; WELL DRILLED 1973 EXTRACTATIONS VERIFIED DURING THE 1974 VERIFICATION

2 WELL DRILLED 1972 EXTRACTATIONS VERIFIED DURING THE 1974 VERIFICATION; FORMERLY E.S.B.C.W.D.

3 FORMERLY EAST SAN BDNO. COUNTY WATER DIST.

4 FORMERLY CLIFFSIDE RANCH; PRIOR TO 1974 SEE NON-FILED EXTRACTATIONS TABLE NO. 2 CLIFFSIDE RANCH; FORMERLY E.S.B.C.W.D.

5 WELL DRILLED 1981; FORMERLY EAST SAN BDNO. COUNTY WATER DIST.

6 WELL DRILLED 1991

7 WELL DRILLED 1994

TABLE NO. 1
 VERIFIED EXTRACTIONS BY OWNERS (NON-PLAINTIFFS) WHICH HAVE RECORDATION FILINGS
 WITH THE STATE WATER RESOURCES CONTROL BOARD

OWNER	1959	1960	1961	1962	1963	1959-63 AVERAGE	1998	1999	2000	2001	2002	1998-02 AVERAGE
OWNER TOTAL	200*	230*	330*	210*	250*	244*	0*	0*	0*	0*	0*	0*
ELTINGE & GRAZIADIO												
3600766 1S3W29A01 W	122	81	64	49	32	70	0	0	0	0	0	0
ESRI												
3602188 1S2W29L W ¹	162	148	331	206	313	232	0	0	0	0	0	0
F. A. G714R. WELL												
3602020 1S2W20K W ²	-	-	-	272	264	107	86	52	83	82	82	77
FAIRVIEW WATER COMPANY												
3600554 1S3W17R W	1395	875	825	780	575	890	211	469	431	341	401	371
FONTANA UNION WATER COMPANY												
3600561 1N5W23K01S W	1393	1396	1765	746	726	1205	0	0	0	0	-	0
3600562 1N5W22F02S W	1095	880	994	588	714	854	3483	2585	2197	1047	1185	2099
3600563 1N5W22C02S W	938	625	371	231	195	472	974	2016	1471	765	487	1143
3600569 1N5W22A01S W	1783	1876	1539	272	47	1103	2279	3588	3306	2663	2228	2813
3600579 1N5W22F03S W	0	0	0	0	0	0	246	1454	823	299	221	609
3600580 1N5W22F01S W	1631	1329	942	855	881	1128	383	88	892	741	847	590
3600581 1N5W07H01S W	319	0	0	105	0	85	0	134	330	353	666	297
3600582 1N5W06G01S W	652	204	58	306	42	252	0	210	1	15	1	45

1 FORMERLY RANCHO LADERA

2 FORMERLY JACINTO, FRANK JR

TABLE NO. 1
 VERIFIED EXTRACTIONS BY OWNERS (NON-PLAINTIFFS) WHICH HAVE RECORDATION FILINGS
 WITH THE STATE WATER RESOURCES CONTROL BOARD

OWNER	1959	1960	1961	1962	1963	1959-63 AVERAGE	1998	1999	2000	2001	2002	1998-02 AVERAGE
FONTANA UNION WATER COMPANY (CONTINUED)												
3600585 1N5W16K01S W	1051	6	0	0	0	211	373	1104	930	668	655	746
3600586 1N5W06K02S W	307	355	299	418	174	311	738	2062	1721	1497	1229	1449
3600588 2N6W26L2 W	0	0	0	0	0	0	0	0	0	0	-	0
3600590 2N6W26L1 W	2185	3145	3006	2421	3162	2784	0	0	0	0	-	0
3600591 1N5W06E D ¹	8487	5833	4321	8732	6145	6704	-	-	-	-	-	0
3602727 1N5W15Q02S W ²	-	-	-	FC	-	0	1253	2298	1566	821	1	1188
OWNER TOTAL	19841*	15649*	13295*	14674*	12086*	15109*	9729*	15539*	13237*	8869*	7520*	10979*
FRIEDEMANN, ERNEST C.												
3600747 1N3W31P02S W	90	85	75	50	50	70	-	-	-	-	-	0
FRINK RANCH												
3601131 1S3W30K W ³	-	-	-	-	-	0	-	-	-	-	-	0
GENERAL AMERICAN LIFE INS. COMPANY												
3601352 1S3W19N W ⁴	507	493	300	285	280	373	91	140	141	30	30	86
GLADYSTA WELL & WATER COMPANY												
3600182 1S3W20H01 W	527	486	FC	-	-	203	-	-	-	-	-	0

1 INCLUDES GROSS LYTLE CREEK DIVERSIONS--SEE TABLE NO. 4 FOR VERIFIED DIVERSIONS FROM LYTLE CREEK

2 FORMERLY FONTANA UNION WATER COMPANY RECORDATION NO. 3600566; WELL RENOVATED 1977

3 NOW RAMIREZ BROTHERS RECORDATION NO. 3601728

4 AFTER 1968 INCLUDES WATER PUMPED BY CITY OF REDLANDS FROM THIS WELL; FORMERLY STANLEY BROWN CO.; FORM. CHRISTENSEN, JACK O.

TABLE NO. 1
 VERIFIED EXTRACTIONS BY OWNERS (NON-PLAINTIFFS) WHICH HAVE RECORDATION FILINGS
 WITH THE STATE WATER RESOURCES CONTROL BOARD

OWNER	1959	1960	1961	1962	1963	1959-63 AVERAGE	1998	1999	2000	2001	2002	1998-02 AVERAGE
GLADYSTA WELL & WATER COMPANY												
3600182- 1S3W20H02 W	-	-	609	517	507	327	309	348	322	273	313	313
OWNER TOTAL	527*	486*	609*	517*	507*	529*	309*	348*	322*	273*	313*	313*
GOLDEN BEAR FOREST PRODUCTS												
3602127 1S3W15A01 W ¹	30	30	33	33	33	32	0	0	0	0	-	0
GRANT WATER COMPANY												
3600075 1S3W28C01 W	429	424	483	436	363	427	0	0	0	0	-	0
GREENSPOT MUTUAL WELL COMPANY												
3600266 1S2W16C01 W	142	149	121	105	76	119	128	166	195	192	287	194
GUERTH, WILLIAM H.												
3600856 1N3W27E D	1585	695	922	1230	860	1058	0	0	0	0	0	0
HAPPE MUTUAL WELL COMPANY												
3600238 1S2W29M01 W	526	592	649	358	500	525	0	0	0	0	0	0
HEAD, JOE T.												
3600226 1S2W21L01 W	FC	-	-	-	-	0	-	-	-	-	-	0
HIGHLAND ACRES RANCH												
3600323 1S2W06M W	250	160	350	400	400	312	0	0	0	0	-	0
HIGHLAND WELL COMPANY												
3600184 1N3W27N01 W	278	263	265	232	184	244	0	0	0	0	0	0
1 FORMERLY BIG BEAR TIMBER COMPANY												

TABLE NO. 1
 VERIFIED EXTRACTIONS BY OWNERS (NON-PLAINTIFFS) WHICH HAVE RECORDATION FILINGS
 WITH THE STATE WATER RESOURCES CONTROL BOARD

OWNER		1959	1960	1961	1962	1963	1959-63 AVERAGE	1998	1999	2000	2001	2002	1998-02 AVERAGE
HINCKLEY, HORACE P.													
3600240	1S2W30B W ¹	401	325	337	230	176	294	-	-	-	-	-	0
3601645	1S2W30B W ¹	417	310	275	232	215	290	-	-	-	-	-	0
	OWNER TOTAL	818*	635*	612*	462*	391*	584*	0*	0*	0*	0*	0*	0*
HOLLIDAY TRUCKING													
3603262	1N4W31M03S W ²	-	-	-	-	-	0	214	235	212	209	62	186
HOLMES ICE & COLD STORAGE CO. INC.													
3600644	1S4W09B03S W ³	591	405	410	345	344	419	23	0	0	0	0	5
3600645	1S4W09B01S W ³	-	-	-	-	-	0	-	-	-	-	-	0
	OWNER TOTAL	591*	405*	410*	345*	344*	419*	23*	0*	0*	0*	0*	5*
INLAND VALLEY DEVELOPMENT AGENCY													
3603646	1S4W07D W ⁴	-	-	-	-	-	0	0	0	0	0	0	0
3603647	1S4W12C W ⁵	-	-	-	-	-	0	74	14	89	20	8	41
3603648	1S4W12F W ⁶	-	-	-	-	-	0	446	564	349	409	404	434

1 FORMERLY EAST COLTON AVENUE WATER COMPANY

2 WELL DRILLED 1991

3 FORMERLY ICE PRODUCTS INC.

4 FORMERLY NORTON AIR FORCE BASE; INLAND VALLEY DEVELOPMENT AGENCY NON-FILED 0000086 PRIOR TO 1997

5 FORMERLY NORTON AIR FORCE BASE; INLAND VALLEY DEVELOPMENT AGENCY NON-FILED 0000087 PRIOR TO 1997

6 FORMERLY NORTON AIR FORCE BASE; INLAND VALLEY DEVELOPMENT AGENCY NON-FILED 0000089 PRIOR TO 1997

TABLE NO. 1
 VERIFIED EXTRACTIONS BY OWNERS (NON-PLAINTIFFS) WHICH HAVE RECORDATION FILINGS
 WITH THE STATE WATER RESOURCES CONTROL BOARD

OWNER	1959	1960	1961	1962	1963	1959-63 AVERAGE	1998	1999	2000	2001	2002	1998-02 AVERAGE
INLAND VALLEY DEVELOPMENT AGENCY	(CONTINUED)											
3603649 1S3W07A W ¹	-	-	-	-	-	0	3	19	123	120	177	88
3603650 1S3W18C W ²	-	-	-	-	-	0	275	462	505	483	522	449
OWNER TOTAL	0*	0*	0*	0*	0*	0*	798*	1059*	1066*	1032*	1111*	1013*
IOWA STREET WELL												
3601932 1S3W29B01 W	62	62	21	10	7	32	0	FC	0	0	0	0
J. G. GOLFING ENTERPRISES, INC.												
3602499 1S4W22A01 W ³	-	-	-	-	-	0	99	115	99	133	221	133
3602846 1S4W22A W ⁴	-	-	-	-	-	0	232	251	219	297	295	259
OWNER TOTAL	0*	0*	0*	0*	0*	0*	331*	366*	318*	430*	516*	392*
JACINTO												
3601126 1S2W30H W	200	200	260	250	200	222	80	78	83	86	86	83
JEWEL WATER COMPANY, THE												
3600091 1S3W20R W	504	408	356	293	258	364	-	-	-	-	-	0
JUDSON MUTUAL WATER COMPANY												
3601647 1S3W23A03 W	403	356	348	367	363	367	0	0	0	0	0	0

1 FORMERLY NORTON AIR FORCE BASE; INLAND VALLEY DEVELOPMENT AGENCY NON-FILED 0000090 PRIOR TO 1997

2 WELL DRILLED 1997

3 FORMERLY LEONARD, WILLIAM E.; FORMERLY SAN BERNARDINO INVESTORS

4 FORMERLY CITY OF RIVERSIDE RECORDATION NO. 3601478

TABLE NO. 1
 VERIFIED EXTRACTIONS BY OWNERS (NON-PLAINTIFFS) WHICH HAVE RECORDATION FILINGS
 WITH THE STATE WATER RESOURCES CONTROL BOARD

OWNER	1959	1960	1961	1962	1963	1959-63 AVERAGE	1998	1999	2000	2001	2002	1998-02 AVERAGE
K INV./TRUTANIC/Y UN WELL												
3601172 1S3W20C W ¹	380	350	415	362	358	373	292	438	487	449	615	456
KANSAS STREET MUTUAL WATER COMPANY												
3601092 1S3W28E W	376	327	378	328	353	352	90	112	98	81	88	94
KING STREET MUTUAL WELL COMPANY												
3600530 1S2W30G01 W	408	371	358	281	FC	284	-	-	-	-	-	0
3600530- 1S2W30G02 W	-	-	-	-	372	74	0	0	0	17	206	45
OWNER TOTAL	408*	371*	358*	281*	372*	358*	0*	0*	0*	17*	206*	45*
KOCH, GEORGE J.												
3601451 1S2W32G01 W	FC	-	-	-	-	0	-	-	-	0	-	0
L.P.R. ICE COMPANY												
3602525 1S3W13L W ²	-	-	-	-	-	0	0	0	0	0	0	0
LA BONTE, JIM												
3600865 1N4W24H W ³	5	5	5	5	5	5	4	4	4	4	4	4
LA ROSSE, CHARLES H.												
3600708 1S3W29B W	38	21	35	18	14	25	0	0	0	0	0	0
LAKESIDE AVENUE MUTUAL WELL COMPANY												
3602119 1S3W33C01S W	79	48	58	51	20	51	0	0	0	0	0	0

1 FORMERLY CARL'S RANCH; FORMERLY AIELLO RANCH; FORMERLY CRIM WELL; FORMERLY HUNTER/CRIM/ZARUBICA

2 FORMERLY L.P.R. RANCH NON-FILED NO. 80 PRIOR TO 1972

3 FORMERLY PEYTON, MRS. A.L.

TABLE NO. 1
 VERIFIED EXTRACTIONS BY OWNERS (NON-PLAINTIFFS) WHICH HAVE RECORDATION FILINGS
 WITH THE STATE WATER RESOURCES CONTROL BOARD

OWNER	1959	1960	1961	1962	1963	1959-63 AVERAGE	1998	1999	2000	2001	2002	1998-02 AVERAGE
LANGFORD RANCHES												
3600524 1S3W17L01S W	991	876	572	429	772	728	656	616	678	547	698	639
3600525 1S3W17H01S W	214	263	231	369	336	283	209	336	335	219	214	263
3600526 1S3W21G01S W	475	425	343	326	360	386	0	0	0	0	0	0
OWNER TOTAL	1680*	1564*	1146*	1124*	1468*	1396*	865*	952*	1013*	766*	912*	902*
LANGSTON-NEWBY DEVELOPMENT CO.												
3600218 1N4W24A W ¹	50	50	50	50	50	50	0	0	0	0	0	0
LARANNI GUNTER WELL												
3600160 1S3W32G01 W ²	200	200	200	200	200	200	228	371	494	331	200	325
LOMA LINDA UNIVERSITY												
3601910 1S3W30L W	112	129	129	97	87	111	-	-	-	-	-	0
3602008 1S4W26A W	146	98	177	203	209	167	-	-	-	-	-	0
3602009 1S4W25G01S W	195	364	407	304	78	270	-	-	-	-	-	0
3602012 1S4W25C01S W	323	369	376	463	347	376	-	-	-	-	-	0
3602013 1S4W24P W	149	70	27	13	69	66	-	-	-	-	-	0
3602014 1S4W26J01S W	86	86	86	86	111	91	-	-	-	-	-	0
3602017 1S4W25E01S W	-	-	-	-	0	0	-	-	-	-	-	0
3602249 1S4W25D05 W	-	-	-	-	-	0	-	-	-	-	-	0

1 FORMERLY VAN CAMP, GILBERT C.; FORMERLY CALLISON, ROY A.

2 FORMERLY LARSEN, ERNEST R.

TABLE NO. 1
 VERIFIED EXTRACTIONS BY OWNERS (NON-PLAINTIFFS) WHICH HAVE RECORDATION FILINGS
 WITH THE STATE WATER RESOURCES CONTROL BOARD

OWNER	1959	1960	1961	1962	1963	1959-63 AVERAGE	1998	1999	2000	2001	2002	1998-02 AVERAGE
LOMA LINDA UNIVERSITY	(CONTINUED)											
3602781 1S4W25D W ¹	-	-	-	-	-	0	470	709	661	653	816	662
3602855 1S4W25D07S W ²	-	-	-	-	-	0	465	655	658	621	499	580
OWNER TOTAL	1011*	1116*	1202*	1166*	901*	1079*	935*	1364*	1319*	1274*	1315*	1241*
LOMA LINDA, CITY OF												
3601130 1S3W32D W ³	389	401	501	464	290	409	64	0	0	0	0	13
3601384 1S4W25C W ⁴	0	0	0	20	73	19	-	-	-	-	-	0
3601388 1S4W25C W ⁴	111	114	147	140	98	122	0	0	0	0	-	0
3601989 1S4W24R01S W ⁵	44	40	37	32	42	39	-	-	-	-	-	0
3602010 1S4W25H02S W ⁵	123	160	100	105	131	124	0	0	0	0	-	0
3602011 1S4W25B02S W ⁵	61	150	166	232	219	166	-	-	-	-	-	0
3602015 1S4W25B W ⁵	1077	772	760	615	627	770	-	-	-	-	-	0
3602016 1S4W25G W ⁵	57	161	228	157	59	132	-	-	-	-	-	0
3602057 1S4W25C W ⁵	335	420	524	400	16	339	-	-	-	-	-	0
3602058 1S4W25B W ⁵	19	23	29	28	25	25	-	-	-	-	-	0

1 WELL DRILLED 1980

2 WELL DRILLED 1986

3 FORMERLY VALLE VISTA RANCH CO.

4 FORMERLY COURT STREET WATER COMPANY

5 FORMERLY SAN BERNARDINO COUNTY SERVICE AREA NO. 2

TABLE NO. 1
 VERIFIED EXTRACTIONS BY OWNERS (NON-PLAINTIFFS) WHICH HAVE RECORDATION FILINGS
 WITH THE STATE WATER RESOURCES CONTROL BOARD

OWNER	1959	1960	1961	1962	1963	1959-63 AVERAGE	1998	1999	2000	2001	2002	1998-02 AVERAGE
(CONTINUED)												
LOMA LINDA, CITY OF												
3602596 1S4W24R W ¹	-	-	-	-	-	0	-	-	-	-	-	0
3602759 1S4W24A W ²	-	-	-	-	-	0	117	0	0	0	0	23
3602760 1S4W24B W ³	-	-	-	-	-	0	1193	1170	4	0	0	473
3603057 1S4W24B W ⁴	-	-	-	-	-	0	1166	1096	0	442	623	665
3603058 1S4W24B W ⁴	-	-	-	-	-	0	1389	1207	0	FC	-	519
3603523 1S4W24P04S W ⁵	-	-	-	-	-	0	0	1128	2234	929	2330	1324
3603719 1S4W24A05S W ⁶	-	-	-	-	-	0	0	79	1607	1244	1048	796
3603720 1S4W24F W ⁷	-	-	-	-	-	0	-	-	967	929	1400	659
3603721 1S4W24R08 W ⁷	-	-	-	-	-	0	-	-	69	24	1	19
OWNER TOTAL	2216*	2241*	2492*	2193*	1580*	2144*	3929*	4680*	4881*	3568*	5402*	4492*
LULY, DR. LUCIAN L.												
3601376 1N4W14C D	-	-	-	-	-	0	-	-	-	-	-	0
1 WELL DRILLED 1974												
2 WELL DRILLED 1979												
3 WELL DRILLED 1980												
4 WELL DRILLED 1988												
5 WELL DRILLED 1992												
6 EXTRACTIONS FIRST VERIFIED 1999												
7 EXTRACTIONS FIRST VERIFIED 2000												

TABLE NO. 1
 VERIFIED EXTRACTIONS BY OWNERS (NON-PLAINTIFFS) WHICH HAVE RECORDATION FILINGS
 WITH THE STATE WATER RESOURCES CONTROL BOARD

OWNER			1959	1960	1961	1962	1963	1959-63 AVERAGE	1998	1999	2000	2001	2002	1998-02 AVERAGE
(CONTINUED)														
LULY, DR. LUCIAN L.														
3601377	1N4W14C	D	-	-	-	-	-	0	-	-	-	-	-	0
3601378	1N4W14C	D	-	-	-	-	-	0	-	-	-	-	-	0
OWNER TOTAL			0*	0*	0*	0*	0*	0*	0*	0*	0*	0*	0*	0*
MAJESTIC MANAGEMENT														
3601102	1S3W21E	W ¹	395	302	468	381	367	383	3	0	0	0	89	18
MARIGOLD FARMS COMPANY														
3600757	1S3W19H	W ²	374	272	367	433	322	354	202	911	491	253	280	427
3601749	1S3W19B01	W	91	364	180	600	64	260	-	-	-	-	-	0
3601750	1S3W18L	W	390	1072	610	930	1392	879	988	624	877	811	580	776
OWNER TOTAL			855*	1708*	1157*	1963*	1778*	1492*	1190*	1535*	1368*	1064*	860*	1203*
MAYBELL, N. O.														
3600291	1S4W13E	W	26	26	12	12	12	18	-	-	-	-	-	0
MCCALLA, ROBERT														
3601839	1S3W10D01S	W ³	5	13	37	21	22	20	150	150	150	150	150	150
MEADOWBROOK DAIRY														
3600030	1S4W23D	W	443	343	295	288	421	358	0	0	0	0	0	0

1 FORMERLY MASCART WATER COMPANY

2 FORMERLY MISSION MUTUAL WATER COMPANY; FORMERLY REDLANDS, CITY OF

3 FORMERLY DUDA, WALTER AND BETTY

TABLE NO. 1
 VERIFIED EXTRACTIONS BY OWNERS (NON-PLAINTIFFS) WHICH HAVE RECORDATION FILINGS
 WITH THE STATE WATER RESOURCES CONTROL BOARD

OWNER	1959	1960	1961	1962	1963	1959-63 AVERAGE	1998	1999	2000	2001	2002	1998-02 AVERAGE	
MEADOWBROOK DAIRY	(CONTINUED)												
3600037 1S4W23D W	49	45	45	43	41	45	87	91	62	66	72	76	
OWNER TOTAL	492*	388*	340*	331*	462*	403*	87*	91*	62*	66*	72*	76*	
MENTONE CITRUS GROVES													
3600139 1S2W18R01S W ¹	714	873	637	409	306	588	74	1	1	1	0	15	
3602280 1S2W18Q W ¹	-	-	-	-	-	0	0	200	200	200	260	172	
OWNER TOTAL	714*	873*	637*	409*	306*	588*	74*	201*	201*	201*	260*	187*	
MEYER, CHARLES R.													
3600760 1N5W01R W	42	42	55	51	53	49	0	0	0	0	0	0	
MILLER MUTUAL WELL COMPANY													
3600630 1N3W32D W	20	8	-	-	-	6	-	-	-	-	-	0	
3600630- 1N3W32D W	-	-	41	58	53	30	30	0	0	0	0	6	
OWNER TOTAL	20*	8*	41*	58*	53*	36*	30*	0*	0*	0*	0*	6*	
MOUNT VERNON WATER COMPANY													
3600319 1N4W31A01S W	1020	748	1030	624	508	786	0	312	786	778	975	570	
MOUNTAIN VIEW POWER COMPANY													
3601014 1S3W18N W ²	266	182	312	307	110	235	0	8	338	180	75	120	
3601015 1S3W18N W ³	266	239	362	368	583	364	29	99	42	1	0	34	

1 FORMERLY INDUST. ACRES C/O CITRUS INVESTMENT

2 FORMERLY SOUTHERN CALIFORNIA EDISON; FORMERLY THERMO ECOTEK CORPORATION

3 FORMERLY SOUTHERN CALIFORNIA EDISON; 1997 AMOUNT CORRECTED DURING 1998 VERIFICATION; FORMERLY THERMO ECOTEK CORPORATION

TABLE NO. 1
 VERIFIED EXTRACTIONS BY OWNERS (NON-PLAINTIFFS) WHICH HAVE RECORDATION FILINGS
 WITH THE STATE WATER RESOURCES CONTROL BOARD

OWNER	1959	1960	1961	1962	1963	1959-63 AVERAGE	1998	1999	2000	2001	2002	1998-02 AVERAGE
OWNER TOTAL	532*	421*	674*	675*	693*	599*	29*	107*	380*	181*	75*	154*
MT. VIEW CEMETERY OF SAN BERNARDINO												
3600119 1S4W26E W ¹	104	109	110	77	71	94	150	166	166	166	169	163
3600742 1N4W26N W	17	15	12	13	4	12	-	-	-	-	-	0
3600742- 1N4W26N W	-	-	-	-	-	0	128	87	89	148	149	120
3600743 1N4W26M W	211	170	133	237	137	178	130	124	118	135	137	129
OWNER TOTAL	332*	294*	255*	327*	212*	284*	408*	377*	373*	449*	455*	412*
MUSCOY MUTUAL WATER COMPANY, NO. 1												
3601497 1N5W23H01S W ²	648	624	676	621	562	626	0	0	591	1067	410	414
3601498 1N5W24D01S W ²	0	FC	-	-	-	0	1	0	0	0	7	2
3601499 1N5W23A01S W	648	623	676	621	561	626	1516	1492	991	632	541	1034
3601500 1N5W23A02S W	647	623	676	621	561	626	394	355	304	187	982	444
3602345 1N5W24E W	-	-	-	-	-	0	207	257	259	104	213	208
OWNER TOTAL	1943*	1870*	2028*	1863*	1684*	1878*	2118*	2104*	2145*	1990*	2153*	2102*
NATIONAL ORANGE SHOW												
3601924 1S4W15D W	135	135	135	135	135	135	30	30	60	30	30	36
NEALEY MUTUAL WATER COMPANY												
3601381 1N5W07J D	-	-	-	-	-	0	-	-	-	-	-	0

1 FORMERLY MONTECITO MUTUAL WATER COMPANY

2 WELL RENOVATED 1979

TABLE NO. 1
 VERIFIED EXTRACTIONS BY OWNERS (NON-PLAINTIFFS) WHICH HAVE RECORDATION FILINGS
 WITH THE STATE WATER RESOURCES CONTROL BOARD

OWNER	1959	1960	1961	1962	1963	1959-63 AVERAGE	1998	1999	2000	2001	2002	1998-02 AVERAGE
NEW ENGLAND WATER COMPANY												
3602320- 1S3W16L W	946	892	1023	836	880	915	289	619	532	472	559	494
NICKERSON WATER COMPANY												
3600123 1S3W20R01 W	212	220	348	297	250	265	0	0	0	0	0	0
3600124 1S3W21M01 W	466	331	490	424	290	400	0	0	0	0	0	0
OWNER TOTAL	678*	551*	838*	721*	540*	666*	0*	0*	0*	0*	0*	0*
NORTH FORK WATER COMPANY												
3600678 1S2W08C01S W	310	291	285	266	277	286	0	0	0	FC	0	0
3600679 1S2W08C02S W ₁	163	142	131	136	119	138	0	0	0	FC	0	0
3600681 1N3W27M D ₂	123	51	7	64	30	55	0	0	FC	0	0	0
3600765 1N3W33C01 W	252	243	353	250	244	268	0	0	0	0	0	0
3601644 1S3W01A D	3	10	0	62	0	15	0	0	FC	0	0	0
OWNER TOTAL	851*	737*	776*	778*	670*	762*	0*	0*	0*	0*	0*	0*
NORTHBRAE WATER COMPANY												
3600296 1S3W15R01 W	394	530	608	395	466	479	-	-	-	-	-	0
NORTHSIDE WATER COMPANY												
3600933 1S3W23F W	398	402	491	385	333	402	0	0	0	0	0	0
NYE, WILLIAM H.												
3600313 1S2W29N01S W	164	199	294	156	167	196	0	0	0	0	0	0

1 1996 VERIFIED AMOUNT CORRECTED DURING 1998 VERIFICATION

2 FORMERLY MUTUAL WELL COMPANY (OF HIGHLAND)

TABLE NO. 1
 VERIFIED EXTRACTIONS BY OWNERS (NON-PLAINTIFFS) WHICH HAVE RECORDATION FILINGS
 WITH THE STATE WATER RESOURCES CONTROL BOARD

OWNER	1959	1960	1961	1962	1963	1959-63 AVERAGE	1998	1999	2000	2001	2002	1998-02 AVERAGE
OLD TOWN WELL COMPANY												
3600493 1S3W29K W	205	225	250	220	247	229	88	123	113	59	76	92
3600494 1S3W29K W	283	309	322	305	268	297	0	0	0	0	0	0
OWNER TOTAL	488*	534*	572*	525*	515*	527*	88*	123*	113*	59*	76*	92*
PAINE, ROBERT T., TRUSTEE												
3601642 1S2W30B02S W	133	147	180	120	116	139	0	24	2	31	14	14
PAXTON, R. H.												
3600468 1S3W30Q W ¹	511	245	243	378	179	311	-	-	-	-	-	0
PAYNE, LARRY												
3603698 2N5W27L01 W	-	-	-	-	-	0	-	69	69	69	40	49
3603699 2N5W27L02 W	-	-	-	-	-	0	-	48	48	48	27	34
3603700 2N5W27L03 W	-	-	-	-	-	0	-	32	32	32	0	19
OWNER TOTAL	0*	0*	0*	0*	0*	0*	0*	149*	149*	149*	67*	103*
PENN WELL COMPANY												
3601099 1S3W22F W	-	-	-	-	-	0	-	-	-	-	-	0
3601405 1S3W22F W	539	447	504	550	440	496	0	0	0	-	-	0
OWNER TOTAL	539*	447*	504*	550*	440*	496*	0*	0*	0*	0*	0*	0*
PHARAOH POWELL WATER COMPANY												
3600415 1S3W29J01 W	326	350	365	371	322	347	194	303	285	227	298	261

1 FORMERLY SMITH, LEONA BERNICE

TABLE NO. 1
 VERIFIED EXTRACTIONS BY OWNERS (NON-PLAINTIFFS) WHICH HAVE RECORDATION FILINGS
 WITH THE STATE WATER RESOURCES CONTROL BOARD

OWNER		1959	1960	1961	1962	1963	1959-63 AVERAGE	1998	1999	2000	2001	2002	1998-02 AVERAGE
PHARAOHS LOST KINGDOM													
3602549 1S3W19J	W ¹	-	-	-	-	-	0	100	50	50	50	50	60
PIONEER MUTUAL WATER COMPANY													
3600642 1S3W14P01	W	314	222	288	316	275	283	94	122	103	86	47	90
RAMIREZ BROTHERS													
3601728 1S3W30K	W ²	61	61	65	62	64	63	0	0	0	0	0	0
RAMIREZ, CARLOS													
3601649 1S3W28M	W ³	100	100	100	FC	-	60	-	-	-	-	-	0
3601649- 1S3W28M	W ³	-	-	-	25	85	22	54	161	98	63	107	97
OWNER TOTAL		100*	100*	100*	25*	85*	82*	54*	161*	98*	63*	107*	97*
RAMIREZ, J.J.													
3600484 1S3W16F	W ⁴	246	220	352	224	259	260	64	99	80	65	67	75
3600527 1S3W16A	W ⁵	133	133	133	133	133	133	124	160	158	73	190	141
3601046 1S3W21A	W ⁶	-	-	-	-	-	0	-	-	-	-	-	0

1 PRIOR TO 1973 SEE NON-FILED EXTRACTIONS TABLE NO. 2 DANIELS, DON; FORMERLY DANIELS AND BEST RANCH

2 FORMERLY FRINK RANCH RECORDATION NO. 3601131

3 FORMERLY E. R. DUNLOP; FORMERLY HOOVER WELL

4 FORMERLY SECHREST, RALPH F.

5 FORMERLY COOK ORCHARDS COMPANY; FORMERLY EADINGTON FRUIT CO. COOK RANCH

6 FORMERLY STOWE WATER COMPANY

TABLE NO. 1
 VERIFIED EXTRACTIONS BY OWNERS (NON-PLAINTIFFS) WHICH HAVE RECORDATION FILINGS
 WITH THE STATE WATER RESOURCES CONTROL BOARD

OWNER		1959	1960	1961	1962	1963	1959-63 AVERAGE	1998	1999	2000	2001	2002	1998-02 AVERAGE
(CONTINUED)													
RAMIREZ, J.J.													
3601046- 1S3W21A	W ¹	630	598	622	560	667	615	80	162	156	115	135	130
3601171 1S3W20F	W ²	389	343	435	413	396	395	238	321	250	197	132	228
OWNER TOTAL		1398*	1294*	1542*	1330*	1455*	1404*	506*	742*	644*	450*	524*	573*
RANCHO CITRUS AMIGOS													
3601753 1S3W29D	W	80	80	80	80	80	80	0	0	0	0	0	0
RAUGHT MUTUAL WELL COMPANY													
3602193 1S3W14R01	W	504	550	552	506	520	526	172	281	245	160	196	211
REDLANDS COUNTRY CLUB													
3600049 1S3W25N	W ³	174	96	FC	-	-	54	-	-	-	-	-	0
3600049- 1S3W25N	W ³	-	-	696	692	532	384	35	35	69	0	0	28
OWNER TOTAL		174*	96*	696*	692*	532*	438*	35*	35*	69*	0*	0*	28*
REDLANDS TRAP/SKEET													
3600628 1S3W15G	W ⁴	145	235	235	2	2	124	0	15	15	15	15	12
REDLANDS UNIFIED SCHOOL DISTRICT													
3601641 1S2W30C01S	W ⁵	470	462	484	410	470	459	107	158	98	98	98	112

1 FORMERLY STOWE WATER COMPANY

2 FORMERLY CALAGONIA GROVES; FORMERLY CRIM, W. ROSCOE

3 FORMERLY HOBBS WELL PARTNERSHIP

4 FORMERLY HOLIDAY ROCK CO.

5 FORMERLY PAINE, ROBERT T., TRUSTEE

TABLE NO. 1
 VERIFIED EXTRACTIONS BY OWNERS (NON-PLAINTIFFS) WHICH HAVE RECORDATION FILINGS
 WITH THE STATE WATER RESOURCES CONTROL BOARD

OWNER	1959	1960	1961	1962	1963	1959-63 AVERAGE	1998	1999	2000	2001	2002	1998-02 AVERAGE
REDLANDS, CITY OF												
3600005 1S3W35H08S W ¹	741	493	543	448	391	523	0	0	0	0	0	0
3600006 1S2W19G01S W ¹	261	131	94	12	0	100	0	0	0	0	0	0
3600019 1S3W23A W ²	531	288	342	320	461	388	945	2292	1867	1774	1360	1648
3600038 1S2W17N W ³	-	-	-	-	-	0	0	0	0	0	0	0
3600085 1S3W28J01 W ⁴	190	186	180	180	180	183	-	-	-	-	-	0
3600510 1S3W21K01 W ⁵	414	346	324	300	239	325	400	0	0	0	0	80
3600748 1S3W24A01 W ⁶	455	495	505	475	121	410	141	124	125	125	125	128
3600749 1S3W13Q W ⁷	885	960	975	940	917	935	413	578	1260	877	1609	947
3600756 1S3W19L W ⁸	715	510	675	660	560	624	0	0	0	0	0	0
3600918 2S3W01D W ⁹	604	567	554	459	480	533	21	0	0	0	0	4

1 FORMERLY EAST LUGONIA MUTUAL WATER CO.

2 FORMERLY REES REES RANCHES, INC.

3 FORMERLY EAST LUGONIA MUTUAL WATER CO.

4 FORMERLY COLTON AVENUE WATER COMPANY

5 FORMERLY LUGO WATER COMPANY

6 WELL REHABILITATED 1994; FORMERLY MENTONE ACRES MUTUAL WATER COMPANY

7 FORMERLY MENTONE ACRES MUTUAL WELL CO.

8 FORMERLY MISSION MUTUAL WATER COMPANY

9 FORMERLY REDLANDS HEIGHTS WATER COMPANY

TABLE NO. 1
 VERIFIED EXTRACTIONS BY OWNERS (NON-PLAINTIFFS) WHICH HAVE RECORDATION FILINGS
 WITH THE STATE WATER RESOURCES CONTROL BOARD

OWNER	1959	1960	1961	1962	1963	1959-63 AVERAGE	1998	1999	2000	2001	2002	1998-02 AVERAGE	
REDLANDS, CITY OF	(CONTINUED)												
3601281 1S2W21M01S W	133	123	195	75	61	117	0	0	0	0	0	0	
3601282 1S1W08G01 W	1296	916	839	955	1132	1028	0	322	358	784	1261	545	
3601283 1S2W22C02S W	225	186	114	41	7	115	0	0	0	0	0	0	
3601284 1S2W21E01S W	162	83	157	67	77	109	344	120	183	137	316	220	
3601285 1S1W10L1 W	1548	939	814	1123	1076	1100	2131	1737	1604	1421	824	1543	
3601286 1S2W21D W	0	3	0	0	0	1	0	0	0	0	0	0	
3601287 1S2W21B W	319	333	293	358	267	314	27	99	161	100	370	151	
3601288 1S1W11Q1 W	855	817	903	671	745	798	0	0	736	657	601	399	
3601289 1S3W35E W	0	0	0	0	0	0	0	0	0	0	0	0	
3601290 1S2W21D01S W	243	209	169	141	138	180	150	46	44	12	0	50	
3601291 1S3W35G08S W	196	487	664	131	101	316	0	0	0	0	0	0	
3601292 1S3W35G07S W	772	1077	737	117	103	561	0	3	101	74	87	53	
3601293 1S3W35H02S W	2	0	0	0	0	0	0	0	0	0	0	0	
3601294 1S3W35G09S W	189	646	682	362	453	466	280	140	71	43	0	107	
3601295 1S3W35H04S W	915	1128	871	184	83	636	0	0	0	0	0	0	
3601296 1S3W35H03S W	545	343	587	491	1686	730	99	0	274	74	1462	382	
3601297 1S3W35G11S W	249	434	507	171	0	272	0	0	0	0	0	0	
3601298 1S3W21H01S W	322	557	1136	800	1095	782	0	0	0	0	0	0	
3601299 1S4W24K01S W	246	124	1607	853	133	593	0	0	1895	55	0	390	

TABLE NO. 1
 VERIFIED EXTRACTIONS BY OWNERS (NON-PLAINTIFFS) WHICH HAVE RECORDATION FILINGS
 WITH THE STATE WATER RESOURCES CONTROL BOARD

OWNER		1959	1960	1961	1962	1963	1959-63 AVERAGE	1998	1999	2000	2001	2002	1998-02 AVERAGE
REDLANDS, CITY OF	(CONTINUED)												
3601300	1S3W27E02S W	1278	902	1113	1446	1099	1168	0	0	0	0	-	0
3601301	1S3W28H01S W	1443	1623	1808	1226	1063	1433	857	1131	1057	917	1074	1007
3601302	1S2W14N D ¹	7047	6913	3615	8973	4451	6200	11224	11951	8852	9496	5867	9478
3601308	1S2W19K01S W ²	772	750	738	487	470	643	0	0	0	36	13	10
3601586	1S3W15F02S W ³	0	0	2177	1354	1488	1004	1671	1061	1260	877	1071	1188
3601636	1S3W19N W ⁴	216	230	65	58	51	124	-	-	-	-	-	0
3601637	1S3W30D W	0	0	0	0	0	0	-	-	-	-	-	0
3602031	1S3W21H W	506	1181	1429	699	492	861	1	0	10	29	79	24
3602032	1S3W22A W	-	-	50	273	140	93	0	0	0	0	0	0
3602036	1S3W21H W ⁵	-	-	-	676	1244	384	0	0	0	0	302	60
3602065	1S3W32J02S W ⁵	114	97	114	88	80	99	0	2	0	0	0	0
3602082	2S3W03K W	-	-	-	-	215	43	0	0	0	0	0	0
3602106	1S3W22A01S W ⁶	323	292	-	-	-	123	-	-	-	-	-	0

1 COMMENCING 1974 INCLUDES GROSS MILL CREEK DIVERSIONS--SEE TABLE NO. 5 FOR VERIFIED DIVERSIONS

2 FORMERLY MENTONE DOMESTIC WATER COMPANY, INC.

3 FORMERLY BEAR VALLEY MUTUAL WATER COMPANY

4 PRODUCTION INCLUDED IN AMOUNT REPORTED BY STANLEY BROWN COMPANY RECORDATION NO. 3601352 SUBSEQUENT TO 1968

5 FORMERLY BEVERLY ASSOCIATES RECORDATION NO. 3602732

6 FORMERLY CHURCH STREET MUTUAL WELL COMPANY

TABLE NO. 1
 VERIFIED EXTRACTIONS BY OWNERS (NON-PLAINTIFFS) WHICH HAVE RECORDATION FILINGS
 WITH THE STATE WATER RESOURCES CONTROL BOARD

OWNER	1959	1960	1961	1962	1963	1959-63 AVERAGE	1998	1999	2000	2001	2002	1998-02 AVERAGE	
REDLANDS, CITY OF	(CONTINUED)												
3602211 1S3W26C W ₁	-	-	-	-	-	0	0	0	0	0	182	36	
3602346 1S3W28J02 W ₁	-	-	-	-	-	0	767	1783	1610	1296	1870	1465	
3602351 1S2W13A W ₂	-	-	-	-	-	0	13	253	569	620	275	346	
3602653 1S2W19J W ₂	-	-	-	-	-	0	-	-	-	-	-	0	
3602654 1S2W19J W ₂	-	-	-	-	-	0	64	0	473	93	835	293	
3602791 1S2W20B01 W ₃	-	-	-	-	-	0	93	15	0	0	0	22	
3602792 1S2W19A01 W ₄	-	-	-	-	-	0	2608	2382	2297	1788	2218	2259	
3602895 1S3W13H W ₅	-	-	-	-	-	0	1203	584	813	918	1293	962	
3602896 1S2W20D W ₅	-	-	-	-	-	0	1723	1131	698	900	872	1065	
3603045 1S1W09J01 W ₆	-	-	-	-	-	0	1118	951	260	378	711	684	
3603655 1S3W29Q01S W ₇	-	-	-	-	-	0	1979	2091	2077	1510	1533	1838	
3603656 1S3W14E01S W ₇	-	-	-	-	-	0	1431	1388	1425	1025	1568	1367	

1 FORMERLY COLTON AVENUE WATER COMPANY

2 FORMERLY MENTONE DOMESTIC WATER COMPANY, INC.; PRIOR TO 1975 SEE NON-FILED EXTRACTIONS TABLE NO. 2

3 WELL DRILLED 1980

4 WELL DRILLED 1981

5 WELL DRILLED 1986

6 WELL DRILLED 1989

7 WELL DRILLED 1996

TABLE NO. 1
 VERIFIED EXTRACTIONS BY OWNERS (NON-PLAINTIFFS) WHICH HAVE RECORDATION FILINGS
 WITH THE STATE WATER RESOURCES CONTROL BOARD

OWNER	1959	1960	1961	1962	1963	1959-63 AVERAGE	1998	1999	2000	2001	2002	1998-02 AVERAGE
(CONTINUED)												
REDLANDS, CITY OF												
3603760 1S3W29Q02S W	0	0	0	0	0	0	0	0	0	0	1241	248
OWNER TOTAL	24712*	24369*	25576*	25614*	21299*	24314*	29703*	30184*	30080*	26016*	29019*	29000*
REES & PERRICONE RANCH												
3602171 1S2W18M W	-	-	-	-	0	0	0	0	0	0	0	0
REYNOLDS, BILL												
3600981 1S2W21H01 W ¹	3	3	3	3	3	3	5	5	5	5	5	5
RIALTO, CITY OF												
3601085 1N4W31N W ²	585	775	875	575	470	656	0	0	0	0	0	0
3601263 1N5W23Q01S W	1035	169	334	481	0	404	726	1112	804	1	0	529
3601718 1N5W22M D ³	624	626	625	587	624	617	896	1461	1619	1305	1143	1285
3601929 1S4W06C04S W ⁴	374	52	0	458	0	177	2	5	1	7	3	4
3602080 1N5W23Q W ⁵	-	-	-	-	773	155	2352	2520	2874	2525	2721	2598
3602848 1N5W36B01S W ⁵	-	-	-	-	-	0	1	2	2	3	4	2
3603030 1S4W06B01S W ⁶	-	-	-	-	-	0	3	4	2	3	0	2

1 FORMERLY HICKS, JOHN/LOUISE

2 FORMERLY RIALTO MUTUAL LAND AND WATER COMPANY

3 INCLUDES GROSS LYTLE CREEK DIVERSIONS--SEE TABLE NO. 4 FOR VERIFIED DIVERSIONS FROM LYTLE CREEK

4 FORMERLY RANCHERIA WATER CO. TOBIN; WELL REHABILITATED 1985

5 WELL DRILLED 1985

6 WELL DRILLED 1986. EXTRACTIONS COMMENCED 1989

TABLE NO. 1
 VERIFIED EXTRACTIONS BY OWNERS (NON-PLAINTIFFS) WHICH HAVE RECORDATION FILINGS
 WITH THE STATE WATER RESOURCES CONTROL BOARD

OWNER	1959	1960	1961	1962	1963	1959-63 AVERAGE	1998	1999	2000	2001	2002	1998-02 AVERAGE
(CONTINUED)												
RIALTO, CITY OF												
3603538 1S4W06H W ¹	-	-	-	-	-	0	673	153	974	1486	773	812
OWNER TOTAL	2618*	1622*	1834*	2101*	1867*	2008*	4653*	5257*	6276*	5330*	4644*	5232*
RIEDMAN, FRED M.												
3601629 1S3W03P00S W	230	230	230	230	15	187	-	-	-	-	-	0
RIVAS, RAMON												
3600016 1S4W24J W	30	43	0	0	0	15	0	0	0	0	0	0
ROBBINS, H. W.												
3602170 1S2W31M W	0	0	0	0	18	4	0	0	0	0	0	0
SAN BERNARDINO AVENUE WATER COMPANY												
3600125 1S3W14P W	371	303	394	352	298	344	32	31	32	27	45	33
SAN BERNARDINO VALLEY MWD												
3603116 1S3W13R01S W ²	-	-	-	-	-	0	0	0	0	48	1205	251
3603141 1S4W04E W ³	-	-	-	-	-	0	2243	2120	2503	2713	2016	2319
3603174 1S4W04F02 W ³	-	-	-	-	-	0	1891	2437	2795	2620	1289	2206
OWNER TOTAL	0*	0*	0*	0*	0*	0*	4134*	4557*	5298*	5381*	4510*	4776*
SAN BERNARDINO, CITY OF												
3600034 1S4W16H W ⁴	90	85	76	79	-	66	0	0	0	0	0	0

1 WELL DRILLED 1993

2 WELL DRILLED 1989, FORMERLY BIG BEAR MUNICIPAL WATER DISTRICT

3 WELL DRILLED 1990

4 FORMERLY HOMART DEVELOPMENT COMPANY

TABLE NO. 1
 VERIFIED EXTRACTIONS BY OWNERS (NON-PLAINTIFFS) WHICH HAVE RECORDATION FILINGS
 WITH THE STATE WATER RESOURCES CONTROL BOARD

OWNER	1959	1960	1961	1962	1963	1959-63 AVERAGE	1998	1999	2000	2001	2002	1998-02 AVERAGE
(CONTINUED)												
SAN BERNARDINO, CITY OF												
3600035 1S4W15M03 W ¹	85	80	82	12	-	52	0	0	0	0	0	0
3600222 1S4W11Q01S W	195	210	-	-	-	81	0	0	0	0	0	0
3600320 1N5W22M D ²	730	730	730	730	730	730	719	0	0	0	0	144
3600709 2N5W19Q01 W	0	0	0	0	0	0	-	-	-	-	-	0
3600710 2N5W19K01 W	0	0	0	0	0	0	2104	850	1236	1392	467	1210
3600711 1N4W07F01S W	867	726	705	617	295	642	720	1062	1169	769	956	935
3600712 1N4W08M01S W	141	1	0	0	0	28	1024	783	925	1044	934	942
3600713 1N5W36R01S W	378	85	314	199	360	267	1190	478	185	203	82	428
3600714 1N4W16E01S W	163	643	624	531	571	506	642	315	565	761	572	571
3600715 1N4W16E W	0	205	233	1188	623	450	901	137	620	642	672	594
3600716 1N4W16E03S W	964	919	1093	576	839	878	1123	2205	950	1324	1372	1395
3600717 1N4W32D03S W	146	221	30	46	163	121	961	753	1218	1411	1390	1147
3600718 1N4W32D04S W	365	40	96	0	0	100	1259	1067	1761	1247	1631	1393
3600719 1N4W27G01S W	1173	1086	922	998	1005	1037	397	1732	1594	1365	2266	1471
3600720 1N4W27M02S W	0	134	481	293	212	224	126	2	224	306	340	200
3600721 1N4W27M01S W	0	194	407	313	395	262	0	0	0	0	0	0
3600722 1S4W03D01S W	0	0	0	0	0	0	-	-	-	-	-	0

1 FORMERLY HOMART DEVELOPMENT COMPANY

2 INCLUDES GROSS LYTLE CRK DIVERSIONS--SEE TBL 4 FOR VERIFIED DIVERSIONS FROM LYTLE CREEK; FORMERLY MT. VERNON WATER CO

TABLE NO. 1
 VERIFIED EXTRACTIONS BY OWNERS (NON-PLAINTIFFS) WHICH HAVE RECORDATION FILINGS
 WITH THE STATE WATER RESOURCES CONTROL BOARD

OWNER	1959	1960	1961	1962	1963	1959-63 AVERAGE	1998	1999	2000	2001	2002	1998-02 AVERAGE
(CONTINUED)												
SAN BERNARDINO, CITY OF												
3600723 1S4W10F01S W ¹	146	489	345	0	0	196	-	-	-	-	-	0
3600724 1S4W10F05S W	0	0	0	0	0	0	-	-	-	-	-	0
3600725 1N4W34G01S W	1102	1155	1245	405	538	889	0	0	0	0	0	0
3600726 1N4W34G03S W	354	305	91	12	29	158	1672	3	3	2	2	336
3600727 1N4W26G W	1238	927	1475	1365	1180	1237	1748	1094	1308	1999	2371	1704
3600728 1N4W27A01S W	1265	1724	2214	1404	1122	1546	1057	1590	2488	1445	1837	1683
3600729 1N4W35M03S W	1348	940	1573	2522	2574	1791	473	5	8	554	1002	408
3600730 1S4W02K01S W	0	0	0	0	0	0	0	0	0	0	0	0
3600731 1S4W02K02S W	750	684	1295	642	750	824	0	0	0	0	0	0
3600732 1S4W02K05S W	0	0	0	0	0	0	0	0	0	0	0	0
3600733 1S4W02K04S W	0	0	0	0	0	0	0	0	0	0	0	0
3600734 1S4W02K03S W	1052	458	411	478	367	553	0	0	0	0	0	0
3600735 1S4W09P01S W	0	0	0	0	0	0	0	0	0	0	0	0
3600736 1S4W09J01S W	127	83	103	254	153	144	0	0	0	0	0	0
3600737 1S4W10N06S W	66	143	271	32	158	134	458	561	485	415	386	461
3600738 1N4W06J D ₂	1117	768	549	836	592	772	0	0	0	0	0	0
3600739 1N5W06E D ₂	1069	994	1286	1403	1279	1206	0	0	0	0	0	0

1 SEE ALSO SOUTHERN CALIFORNIA EDISON COMPANY 3690723

2 INCLUDES GROSS LYTLE CREEK DIVERSIONS--SEE TABLE NO. 4 FOR VERIFIED DIVERSIONS FROM LYTLE CREEK

TABLE NO. 1
 VERIFIED EXTRACTIONS BY OWNERS (NON-PLAINTIFFS) WHICH HAVE RECORDATION FILINGS
 WITH THE STATE WATER RESOURCES CONTROL BOARD

OWNER	1959	1960	1961	1962	1963	1959-63 AVERAGE	1998	1999	2000	2001	2002	1998-02 AVERAGE
(CONTINUED)												
SAN BERNARDINO, CITY OF												
3601114 1N4W35C01S W	12	358	353	0	0	145	0	0	0	0	0	0
3601115 1N4W26P03S W	33	342	519	899	832	525	199	0	0	113	99	82
3601116 1N4W35C02S W	0	0	0	0	0	0	0	0	0	0	0	0
3601117 1N4W35C03S W ¹	1559	1464	811	386	408	926	10	0	0	114	105	46
3601316 1S4W23N W ²	238	238	238	238	238	238	0	0	11	19	0	6
3601588 1N4W31H W ²	68	75	74	64	72	71	0	0	0	0	0	0
3601626 1S4W10D01 W ³	26	23	28	27	24	26	-	-	-	-	-	0
3601843 1N5W03H01S W ³	179	13	8	19	6	45	0	0	0	0	0	0
3601844 1N5W03A02 W ³	856	807	630	748	742	757	2418	2342	1842	1669	1614	1977
3601845 1N4W30M W ³	5	19	28	33	33	24	599	624	419	349	289	456
3601878 1N4W29E01S W ⁴	181	123	86	17	146	111	0	0	0	0	0	0
3601879 1N4W29N W ⁴	205	182	182	136	103	162	0	0	0	0	0	0
3601880 1N4W29F01S W ⁴	227	141	193	221	118	180	0	0	0	0	0	0
3602060 1S4W24L W ⁵	111	71	125	60	79	89	0	0	0	0	0	0

1 FORMERLY INTER CITY MUTUAL WATER CO.

2 FORMERLY SOUTHERN CALIFORNIA WATER COMPANY

3 FORMERLY SAN BERNARDINO WATER UTILITIES COR

4 FORMERLY SOUTHERN CALIFORNIA WATER COMPANY

5 FORMERLY JOHANSSON, RUNE; FORMERLY BENNETT; FORMERLY SOUTH SAN BERNARDINO COUNTY WATER DISTRICT

TABLE NO. 1
 VERIFIED EXTRACTIONS BY OWNERS (NON-PLAINTIFFS) WHICH HAVE RECORDATION FILINGS
 WITH THE STATE WATER RESOURCES CONTROL BOARD

OWNER		1959	1960	1961	1962	1963	1959-63 AVERAGE	1998	1999	2000	2001	2002	1998-02 AVERAGE
(CONTINUED)													
SAN BERNARDINO, CITY OF													
3602066	1S4W02B W ¹	33	49	25	26	25	32	0	0	0	0	0	0
3602067	1N4W35K W ¹	120	110	74	177	164	129	0	0	0	0	0	0
3602081	1N4W27B W	-	-	-	-	1019	204	29	260	131	63	669	230
3602122	1S4W23R03S W ²	111	154	114	2	0	76	-	-	-	-	-	0
3602123	1S4W14J W ²	485	443	526	50	58	312	0	0	0	0	0	0
3602124	1S4W14J W ²	179	159	158	151	80	145	0	0	0	0	0	0
3602125	1S4W24F04S W ²	150	167	226	144	91	156	0	0	0	0	0	0
3602126	1S4W24F W ²	-	-	0	105	84	38	0	0	0	0	0	0
3602128	1S4W14A W ³	50	50	50	50	51	50	0	0	0	0	0	0
3602205	1N4W06H01S W	-	-	-	-	-	0	5	4	3	5	4	4
3602206	1N4W06H02S W	-	-	-	-	-	0	41	35	19	13	23	26
3602252	1S4W14B W ³	-	-	-	-	-	0	0	0	0	0	0	0
3602264	1N4W27N01S W	-	-	-	-	-	0	0	0	0	0	0	0
3602265	1S4W03J W	-	-	-	-	-	0	1814	9	36	120	140	424
3602285	1S4W15D05 W ⁴	8	8	8	8	1	7	0	0	0	0	0	0

1 FORMERLY VAN LOON MUTUAL WATER COMPANY

2 FORMERLY SOUTH SAN BERNARDINO COUNTY WATER DISTRICT

3 FORMERLY GIFFORD PARK MUTUAL WATER CO.

4 FORMERLY HOMART DEVELOPMENT COMPANY

TABLE NO. 1
 VERIFIED EXTRACTIONS BY OWNERS (NON-PLAINTIFFS) WHICH HAVE RECORDATION FILINGS
 WITH THE STATE WATER RESOURCES CONTROL BOARD

OWNER			1959	1960	1961	1962	1963	1959-63 AVERAGE	1998	1999	2000	2001	2002	1998-02 AVERAGE
SAN BERNARDINO, CITY OF			(CONTINUED)											
3602399	1N4W16E	W	-	-	-	-	-	0	820	630	1087	1197	1071	961
3602400	1N4W32N	W	-	-	-	-	-	0	560	799	480	492	438	554
3602401	1N4W27A	W	-	-	-	-	-	0	1072	371	585	590	1574	838
3602422	1S4W02K08S	W	-	-	-	-	-	0	2364	2269	2533	1250	1771	2037
3602426	2N5W19K	D	1604	770	966	2141	960	1288	590	1268	637	925	897	863
3602521	1S4W23P	W ¹	-	-	-	-	-	0	0	0	0	0	0	0
3602712	1N4W08P	W ²	-	-	-	-	-	0	0	0	0	0	0	0
3602821	1N5W03A02	W ³	-	-	-	-	-	0	1034	1614	1280	934	675	1107
3602844	1N4W08M02	W ⁴	-	-	-	-	-	0	314	219	68	70	136	161
3603027	1N5W36J01S	W ⁵	-	-	-	-	-	0	2177	2388	2095	1427	1089	1835
3603206	1S4W04D02	W ⁶	-	-	-	-	-	0	1565	2414	1764	1672	2487	1980
3603207	1S4W04C	W ⁶	-	-	-	-	-	0	995	1816	3081	2932	3149	2395
3603208	1N4W34G04	W ⁶	-	-	-	-	-	0	0	4	2	2	2	2

1 FORMERLY INTER CITY MUTUAL WATER CO. NON-FILED NO. 72 PRIOR TO 1972

2 FORMERLY ELLENA, JOHN B.; PRIOR TO 1977 SEE NON-FILED EXTRACTIONS TABLE NO. 2 ELLENA, JOHN B.

3 WELL DRILLED 1983, EXTRACTIONS VERIFIED DURING THE 1986 VERIFICATION

4 WELL DRILLED 1985, EXTRACTIONS VERIFIED DURING THE 1986 VERIFICATION

5 WELL DRILLED 1989

6 WELL DRILLED 1991

TABLE NO. 1
 VERIFIED EXTRACTIONS BY OWNERS (NON-PLAINTIFFS) WHICH HAVE RECORDATION FILINGS
 WITH THE STATE WATER RESOURCES CONTROL BOARD

OWNER	1959	1960	1961	1962	1963	1959-63 AVERAGE	1998	1999	2000	2001	2002	1998-02 AVERAGE
(CONTINUED)												
SAN BERNARDINO, CITY OF												
3603471 2N5W19R W ¹	-	-	-	-	-	0	2814	2478	1965	2739	1826	2364
3603472 1N4W14P01S W ¹	-	-	-	-	-	0	88	155	93	51	41	86
3603579 1N4W05D W ²	-	-	-	-	-	0	164	146	79	12	25	85
3603580 1N4W05D W ²	-	-	-	-	-	0	319	295	282	280	142	264
3603581 1S4W22C05 W ²	-	-	-	-	-	0	931	1897	1540	1523	1771	1532
3603582 1S4W15P05 W ²	-	-	-	-	-	0	698	1486	502	267	880	767
3603688 1S4W03D04S W ³	-	-	-	-	-	0	3100	2021	1792	1732	2024	2134
3603689 1S4W03C03S W ³	-	-	-	-	-	0	3200	2206	1908	2432	2210	2391
3603690 1S4W03C04S W ³	-	-	-	-	-	0	3400	3139	3037	2829	2788	3039
3603691 1S4W03B03S W ³	-	-	-	-	-	0	3200	2322	2371	2665	2434	2598
3603692 1S4W03A04S W ³	-	-	-	-	-	0	3200	2346	2429	1940	2091	2401
3603693 1S4W16M03S W ³	-	-	-	-	-	0	1500	1457	1220	840	750	1153
3603694 1S4W16M04S W ³	-	-	-	-	-	0	2400	1891	1457	1328	1631	1741
OWNER TOTAL	21371*	19795*	22073*	20637*	19269*	20629*	58194*	51542*	49487*	47473*	51125*	51564*

SECHREST, RALPH F.
 3600483 1S2W31F W 87 71 192 906 141 279 0 0 0 0 0 0
 1 WELL DRILLED 1992. EXTRACTIONS VERIFIED DURING 1993 VERIFICATION
 2 WELL DRILLED 1994
 3 WELL FIRST USED 1998

TABLE NO. 1
 VERIFIED EXTRACTIONS BY OWNERS (NON-PLAINTIFFS) WHICH HAVE RECORDATION FILINGS
 WITH THE STATE WATER RESOURCES CONTROL BOARD

OWNER	1959	1960	1961	1962	1963	1959-63 AVERAGE	1998	1999	2000	2001	2002	1998-02 AVERAGE
SELBY, DR. & MRS. ARTHUR												
3600017 1S2W29P W ¹	137	64	278	171	76	145	0	0	0	0	0	0
3600018 1S2W29P W ¹	10	163	452	88	330	209	0	0	0	0	0	0
OWNER TOTAL	147*	227*	730*	259*	406*	354*	0*	0*	0*	0*	0*	0*
SMITH TRACT WELL COMPANY												
3600001 1S3W21R W	270	177	56	0	FC	101	-	-	-	-	-	0
3600001- 1S3W21R W	-	-	-	-	127	25	0	0	0	0	0	0
OWNER TOTAL	270*	177*	56*	0*	127*	126*	0*	0*	0*	0*	0*	0*
SOJKA, DONALD R												
3601173 1S3W32K W ²	91	82	99	86	84	88	0	0	0	0	0	0
SOLANO WELL NO. 1												
3600187 1S2W09Q W	212	143	147	88	43	127	0	0	0	0	0	0
SOLANO WELL NO. 3												
3602003 1S2W16C W	-	-	-	202	179	76	0	100	100	100	100	80
SOMERS, R.												
3601093 1N4W24H D ³	1	1	1	1	1	1	0	0	0	0	0	0
SOUTHERN CALIFORNIA EDISON COMPANY												
3600651 1S3W28L W	58	35	64	47	49	51	-	-	-	-	-	0

1 FORMERLY REES REES RANCHES, INC.

2 FORMERLY LAND CAPITOL CORP & DONALD SOJKA

3 FORMERLY PEYTON, A.L. OR IRENE A.

TABLE NO. 1
 VERIFIED EXTRACTIONS BY OWNERS (NON-PLAINTIFFS) WHICH HAVE RECORDATION FILINGS
 WITH THE STATE WATER RESOURCES CONTROL BOARD

OWNER		1959	1960	1961	1962	1963	1959-63 AVERAGE	1998	1999	2000	2001	2002	1998-02 AVERAGE
SOUTHERN CALIFORNIA EDISON COMPANY (CONTINUED)													
3601012	1S4W08R W	2	2	2	2	2	2	0	0	0	0	0	0
3601013	1S4W08R W	0	0	0	0	0	0	0	0	0	0	0	0
3601016	1S4W22G01S W	818	761	685	2	0	453	0	0	0	0	0	0
3690723	1S4W10F01S W ¹	-	-	-	883	883	353	0	0	0	0	0	0
OWNER TOTAL		878*	798*	751*	934*	934*	859*	0*	0*	0*	0*	0*	0*
SOUZA, JOHN													
3601084	1S2W20K W ²	7	7	9	10	9	8	0	0	0	0	0	0
STORKSON, WILLIAM F.													
3600083	1N5W06P W ³	35	30	20	40	35	32	23	20	52	52	52	40
3602664	1N5W06M01S D ⁴	-	-	-	-	-	0	31	30	18	18	30	25
OWNER TOTAL		35*	30*	20*	40*	35*	32*	54*	50*	70*	70*	82*	65*
SUNRISE RANCH PART C/O LIFE DEVELOPMENT													
3600599	1S2W13C W ⁵	444	397	452	381	381	411	0	0	0	0	0	0
3600600	1S2W14L W ⁵	240	226	253	238	159	223	0	0	0	0	0	0

1 SEE ALSO SAN BERNARDINO, CITY OF 3600723

2 FORMERLY NAMIHAS, M.D., IVAN/SHIRLEY

3 FORMERLY LONG ACRES MUTUAL WATER COMPANY

4 ORIGINAL VERIFICATION DONE DURING THE 1975 VERIFICATION

5 FORMERLY EAST HIGHLANDS ORANGE COMPANY

TABLE NO. 1
 VERIFIED EXTRACTIONS BY OWNERS (NON-PLAINTIFFS) WHICH HAVE RECORDATION FILINGS
 WITH THE STATE WATER RESOURCES CONTROL BOARD

OWNER			1959	1960	1961	1962	1963	1959-63 AVERAGE	1998	1999	2000	2001	2002	1998-02 AVERAGE
SUNRISE RANCH PART C/O LIFE DEVELOPMENT (CONTINUED)														
3600601	1S2W14F	W ¹	321	317	313	301	230	296	0	0	0	0	0	0
3600602	1S2W15P	W ¹	294	230	234	254	238	250	0	0	0	0	0	0
3600603	1S2W15G	W ¹	238	214	230	222	206	222	0	0	0	0	0	0
3601640	1S2W14N	W ¹	320	309	294	317	381	324	0	0	0	0	0	0
3601969	1S2W14L	W ¹	-	-	343	324	397	213	0	0	0	0	0	0
OWNER TOTAL			1857*	1693*	2119*	2037*	1992*	1940*	0*	0*	0*	0*	0*	0*
SYCAMORE HEIGHTS WATER COMPANY, INC.														
3601837	1N3W34C	W	210	-	-	FC	-	42	-	-	-	-	-	0
3601838	1N3W34C	W	210	52	52	52	52	84	0	0	0	0	0	0
OWNER TOTAL			420*	52*	52*	52*	52*	126*	0*	0*	0*	0*	0*	0*
TENNESSEE MUTUAL WELL COMPANY														
3601161	1S3W16K	W	537	501	622	516	476	530	382	559	517	426	543	485
TENNESSEE WATER COMPANY														
3600474	1S3W16L	W	530	530	540	540	550	538	588	1061	1074	808	1021	910
TERRACE WATER COMPANY														
3601684	1S4W08F06S	W	0	191	263	280	FC	147	-	-	-	-	-	0
3601684-	1S4W08F	W	-	-	-	-	455	91	331	176	362	264	272	281
3601685	1S4W08F	W	66	0	0	0	0	13	-	-	-	-	-	0
1 FORMERLY EAST HIGHLANDS ORANGE COMPANY														

TABLE NO. 1
 VERIFIED EXTRACTIONS BY OWNERS (NON-PLAINTIFFS) WHICH HAVE RECORDATION FILINGS
 WITH THE STATE WATER RESOURCES CONTROL BOARD

OWNER			1959	1960	1961	1962	1963	1959-63 AVERAGE	1998	1999	2000	2001	2002	1998-02 AVERAGE
(CONTINUED)														
TERRACE WATER COMPANY														
3601686	1S4W08F	W	1252	730	814	732	444	794	377	654	584	676	709	600
	OWNER TOTAL		1318*	921*	1077*	1012*	899*	1045*	708*	830*	946*	940*	981*	881*
TILDEN, M. WILLIAM														
3602074	1N3W34B02	W ¹	112	112	112	112	112	112	20	20	20	10	30	20
3602075	1N3W34B01	W ¹	36	36	36	36	36	36	0	0	0	0	0	0
	OWNER TOTAL		148*	148*	148*	148*	148*	148*	20*	20*	20*	10*	30*	20*
TRI CITY CONCRETE														
3600935	1N4W31N	W ²	10	10	10	10	10	10	-	-	-	-	-	0
3601309	1S4W05M	W	125	125	125	125	126	125	-	-	-	-	-	0
	OWNER TOTAL		135*	135*	135*	135*	136*	135*	0*	0*	0*	0*	0*	0*
TRI CITY MUTUAL WATER COMPANY														
3601823	1S4W23N	W	53	20	0	0	0	15	-	-	-	-	-	0
TROJAN GROVES														
3600451	1S3W15M	W ³	962	700	940	784	816	840	300	385	330	203	355	315
UNGER, V.E.														
3601168	1S4W26F	W	-	-	-	-	-	0	-	-	-	-	-	0

1 FORMERLY MULLINS, JAMES C., JR., EXECUTOR

2 FORMERLY TRI CITY BASELINE

3 FORMERLY STUCKER RANCH; FORMERLY BEELER, RAYMOND A.

TABLE NO. 1
 VERIFIED EXTRACTIONS BY OWNERS (NON-PLAINTIFFS) WHICH HAVE RECORDATION FILINGS
 WITH THE STATE WATER RESOURCES CONTROL BOARD

OWNER	1959	1960	1961	1962	1963	1959-63 AVERAGE	1998	1999	2000	2001	2002	1998-02 AVERAGE
VICTORIA FARMS MUTUAL WATER COMPANY												
3602112 1S4W13R01S W	335	288	320	275	266	297	-	-	-	-	-	0
3602247 1S4W13R03 W ¹	-	-	-	-	-	0	0	0	0	0	0	0
3602574 1S4W13R W ¹	-	-	-	-	-	0	0	0	0	0	0	0
3602714 1S4W13R W	-	-	-	-	-	0	0	0	0	0	0	0
OWNER TOTAL	335*	288*	320*	275*	266*	297*	0*	0*	0*	0*	0*	0*
VICTORIA GUERNSEY												
3600399 1S4W02D W	163	248	200	160	223	199	-	-	-	-	-	0
WARMINGTON, ROBERT P.												
3600270 1S3W20P W ²	300	248	288	153	139	226	0	0	0	0	0	0
WEATHERWAX, W. G.												
3600652 1S3W15N01S W	-	-	-	-	-	0	-	-	-	-	-	0
WEST SAN BDNO. COUNTY WATER DIST.												
3600302 1N5W26A01S W	158	259	160	0	0	115	-	-	-	-	-	0
3600303 1N5W26B01S W	FC	-	-	-	-	0	-	-	-	-	-	0
3600304 1N5W26A03S W	816	671	611	540	804	688	756	1262	1033	785	344	836
3600305 1N5W25E01S W	922	990	1124	471	573	816	988	642	1028	643	0	660
3600306 1N5W23P02S W	-	-	-	-	-	0	-	-	-	-	-	0

1 WELL DRILLED 1972 STATE WELL NUMBER CORRECTED DURING 1983 VERIFICATION

2 FORMERLY NICKERSON, E.D.

TABLE NO. 1
 VERIFIED EXTRACTIONS BY OWNERS (NON-PLAINTIFFS) WHICH HAVE RECORDATION FILINGS
 WITH THE STATE WATER RESOURCES CONTROL BOARD

OWNER	1959	1960	1961	1962	1963	1959-63 AVERAGE	1998	1999	2000	2001	2002	1998-02 AVERAGE
WEST SAN BDNO. COUNTY WATER DIST.	(CONTINUED)											
3600307 1N5W23P04S W ₁	1057	1152	399	72	435	623	642	723	924	1149	753	838
3600312 1N5W22M D ₁	4258	2709	2424	4392	4097	3576	3696	3408	3047	3175	2573	3180
3600996 1N5W36J03S W	839	1355	1048	1552	1366	1232	0	0	0	0	0	0
3600997 1N5W36H04S W	230	85	0	0	-	63	1879	1912	1476	1581	2098	1789
3600998 1N5W25E02S W	1228	639	356	8	-	446	-	-	-	-	-	0
3600999 1S4W06J01S W	531	70	435	70	9	223	-	-	-	-	-	0
3601000 1S4W06J02S W	312	0	0	0	0	62	-	-	-	-	-	0
3601002 1N4W31P03S W	338	540	554	221	148	360	-	-	-	-	-	0
3601003 1S4W06H01S W	1283	929	1264	794	1434	1141	-	-	-	-	-	0
3601725 1N5W25E00S W	-	-	-	-	-	0	-	-	-	-	-	0
3601848 1S4W05E05S W	1612	2655	3145	1951	1965	2266	932	661	752	625	1597	913
3601944 1N5W23Q00S W ₂	0	36	2067	1260	1006	874	2057	1329	1797	1399	2111	1739
3602766 1S4W06H02 W ₃	-	-	-	-	-	0	0	1	0	0	0	0
3602897 1N5W23P W ₃	-	-	-	-	-	0	2	1	253	131	423	162
3603054 1N5W25E W ₄	-	-	-	-	-	0	0	1	0	0	0	0

1 INCLUDES GROSS LYTLE CREEK DIVERSIONS--SEE TABLE NO. 4 FOR VERIFIED DIVERSIONS FROM LYTLE CREEK

2 WELL DRILLED 1979

3 WELL DRILLED 1987

4 WELL DRILLED 1988

TABLE NO. 1
 VERIFIED EXTRACTIONS BY OWNERS (NON-PLAINTIFFS) WHICH HAVE RECORDATION FILINGS
 WITH THE STATE WATER RESOURCES CONTROL BOARD

OWNER	1959	1960	1961	1962	1963	1959-63 AVERAGE	1998	1999	2000	2001	2002	1998-02 AVERAGE
(CONTINUED)												
WEST SAN BDNO. COUNTY WATER DIST.												
3603055 1N5W36H05 W ¹	-	-	-	-	-	0	259	253	1136	893	594	627
3605001 1N5W25E01S W	0	0	0	0	0	0	0	0	0	0	874	175
OWNER TOTAL	13584*	12090*	13587*	11331*	11837*	12486*	11211*	10193*	11446*	10381*	11367*	10920*
WILEY, RUTH NORWOOD												
3600052 1S4W36J W	-	-	-	-	52	10	0	0	0	0	0	0
WILLIAMS WELL CORPORATION, LTD.												
3600828 1S3W16J W	721	684	765	706	595	694	487	679	545	614	559	577
WOEHR MUTUAL WATER COMPANY												
3600817 1S3W29H W	374	465	625	488	423	475	0	0	0	0	0	0
YAHIKU, PAUL												
3601280 1S3W29D W ²	50	95	51	51	51	60	-	-	-	-	-	0
YUCAIPA VALLEY WATER DISTRICT												
3602657 1S1W20D W ³	-	-	-	-	-	0	0	0	0	0	0	0
3602658 1S1W20D W ⁴	-	-	-	-	-	0	0	0	0	0	0	0
3602659 1S1W19G W ⁵	-	-	-	-	-	0	0	0	0	0	0	0

1 WELL DRILLED 1988

2 FORMERLY JACINTO FARMING INC.

3 FORMERLY Y.V.C.W.D.; FORMERLY TRIPLE FALLS MUT. WTR. CO. NON-FILED NO. 136 PRIOR TO 1975

4 FORMERLY Y.V.C.W.D.; FORMERLY TRIPLE FALLS MUT. WTR. CO. NON-FILED NO. 135 PRIOR TO 1975

5 FORMERLY Y.V.C.W.D.; FORMERLY TRIPLE FALLS MUT. WTR. CO. NON-FILED NO. 134 PRIOR TO 1975

TABLE NO. 1
 VERIFIED EXTRACTIONS BY OWNERS (NON-PLAINTIFFS) WHICH HAVE RECORDATION FILINGS
 WITH THE STATE WATER RESOURCES CONTROL BOARD

OWNER	1959	1960	1961	1962	1963	1959-63 AVERAGE	1998	1999	2000	2001	2002	1998-02 AVERAGE
YUCAIPA VALLEY WATER DISTRICT (CONTINUED)												
3603539 1S2W24C W ¹	-	-	-	-	-	0	337	27	0	0	174	108
OWNER TOTAL	0*	0*	0*	0*	0*	0*	337*	27*	0*	0*	174*	108*
'7TH AVE. WELL												
3601121 1S2W31F W	230	342	514	161	271	304	0	0	0	0	0	0
TOTAL VERIFIED PRODUCTION ALL FACILITIES	177260*	162019*	167648*	161479*	144956*	162672*	203090*	204524*	200862*	182332*	190869*	196335*
TOTAL VERIFIED PRODUCTION ALL FACILITIES 25 ACRE-FEET PER YEAR OR LARGER	176785*	161737*	167451*	161123*	144498*	162319*	202981*	204402*	200762*	182227*	190793*	196233*
1 WELL DRILLED 1993												

TABLE NO. 2

EXTRACTIONS BY OWNERS (NON-PLAINTIFFS) WHICH
HAVE NOT FILED WITH THE STATE WATER RESOURCES
CONTROL BOARD

TABLE NO. 2
 VERIFIED EXTRACTIONS BY OWNERS (NON-PLAINTIFFS) WHICH HAVE NOT FILED
 WITH THE STATE WATER RESOURCES CONTROL BOARD

OWNER			1959	1960	1961	1962	1963	1959-63 AVERAGE	1998	1999	2000	2001	2002	1998-02 AVERAGE
AHMANSON RANCH														
2	1S4W27H	W	200	200	200	200	200	200	0	0	0	0	0	0
ANDERSON, W.D.														
3	1N4W25R	W	0	0	0	0	0	0	-	-	-	-	-	0
ARNOLD RANCH														
4	1N3W34H	W	230	230	230	230	230	230	0	0	0	0	0	0
BALCOM														
5	1S4W11M	W	1	1	1	1	1	1	-	-	-	-	-	0
BALDWIN														
6	1N3W34K	W	1	1	1	1	1	1	0	0	0	0	0	0
BARRIER														
7	1S4W22B	W	3	3	3	3	3	3	0	0	0	0	0	0
BASELINE LAUNDRY														
8	1N3W31Q	W	50	50	50	50	50	50	0	0	0	0	0	0
82	1N3W31Q	W ¹	-	-	-	-	-	0	0	0	0	0	-	0
OWNER TOTAL			50*	50*	50*	50*	50*	50*	0*	0*	0*	0*	0*	0*
BATCHELOR														
9	1N4W14R	W	1	1	1	1	1	1	1	1	1	1	1	1
10	1N4W14R	D	1	1	1	1	1	1	1	1	1	1	1	1

1 FORMERLY MEEKS & DALEY

TABLE NO. 2
 VERIFIED EXTRACTIONS BY OWNERS (NON-PLAINTIFFS) WHICH HAVE NOT FILED
 WITH THE STATE WATER RESOURCES CONTROL BOARD

OWNER			1959	1960	1961	1962	1963	1959-63 AVERAGE	1998	1999	2000	2001	2002	1998-02 AVERAGE
	OWNER TOTAL		2*	2*	2*	2*	2*	2*	2*	2*	2*	2*	2*	2*
BERMAN, JERRY & SONS														
11	1S4W02K	W	120	110	130	-	-	72	0	0	0	0	0	0
12	1S4W02J	W	84	84	84	84	84	84	0	0	0	0	0	0
	OWNER TOTAL		204*	194*	214*	84*	84*	156*	0*	0*	0*	0*	0*	0*
BLISS														
13	1S2W22E	W	2	2	2	2	2	2	0	0	0	0	0	0
BOUCHER														
14	1N4W14J	W	1	1	1	1	1	1	1	1	1	1	1	1
BREAK, ALLEN, ESTATE														
15	1S3W31A	W	760	608	760	608	608	669	0	0	0	0	0	0
CAMPUS CRUSADE FOR CHRIST														
155	1N4W14C	D ¹	200	200	150	150	50	150	50	50	50	50	50	50
CARPENTER														
16	1S4W22B	W	4	4	4	4	4	4	0	0	0	0	0	0
CLIFFSIDE RANCH														
17	1S3W03F	W ²	171	174	181	150	186	172	-	-	-	-	-	0
COOK CANYON														
18	1N3W27R	D	35	35	35	35	35	35	0	0	0	0	0	0

1 FORMERLY WEST TWIN CREEK WATER COMPANY; FORMERLY HODGDON, WARNER

2 FILED BY E.V.W.D. RECORDATION NO. 3602571 COMMENCING 1978 SEE TABLE NO.1

TABLE NO. 2
 VERIFIED EXTRACTIONS BY OWNERS (NON-PLAINTIFFS) WHICH HAVE NOT FILED
 WITH THE STATE WATER RESOURCES CONTROL BOARD

OWNER		1959	1960	1961	1962	1963	1959-63 AVERAGE	1998	1999	2000	2001	2002	1998-02 AVERAGE
CRYSTAL SPRINGS													
	20 2S2W06D W	1	1	1	1	1	1	1	1	1	1	1	1
DANIELS, DON													
	175 1S3W19J W ¹	-	-	-	-	-	0	-	-	-	-	-	0
DANIELS, HAROLD													
	22 1S3W17R W ²	-	-	-	-	500	100	-	-	-	-	-	0
	23 1S3W17C W	2	2	2	2	2	2	1	1	1	1	1	1
	OWNER TOTAL	2*	2*	2*	2*	502*	102*	1*	1*	1*	1*	1*	1*
DILLSON MUTUAL WATER COMPANY													
	25 1N4W24C W	18	18	18	18	18	18	-	-	-	-	-	0
	26 1N4W13P W	18	18	18	18	18	18	0	0	0	0	0	0
	173 1N4W24C W	-	-	-	-	-	0	0	0	0	0	0	0
	OWNER TOTAL	36*	36*	36*	36*	36*	36*	0*	0*	0*	0*	0*	0*
DONGLO DAIRY													
	21 1S4W11F W	35	35	35	35	35	35	-	-	-	-	-	0
EAST HIGHLANDS ORANGE COMPANY													
	29 1N3W35B D ³	53	28	40	47	46	43	-	-	-	-	-	0

1 FILED BY DANIELS AND BEST RANCH RECORDATION NUMBER 3602549 COMMENCING 1973 SEE TABLE NO. 1

2 FILED BY DANIELS AND BEST RANCH RECORDATION NUMBER 3602550 COMMENCING 1973 SEE TABLE NO. 1

3 FILED BY EAST HIGHLANDS RANCH INC. RECORDATION NO. 3602474 COMMENCING 1980 SEE TABLE NO. 1

TABLE NO. 2
 VERIFIED EXTRACTIONS BY OWNERS (NON-PLAINTIFFS) WHICH HAVE NOT FILED
 WITH THE STATE WATER RESOURCES CONTROL BOARD

OWNER		1959	1960	1961	1962	1963	1959-63 AVERAGE	1998	1999	2000	2001	2002	1998-02 AVERAGE
EAST VALLEY WATER DISTRICT													
30	1N3W30C W ¹	-	-	-	-	-	0	0	0	0	0	-	0
32	1S3W04P W ¹	24	24	29	30	20	25	0	0	0	0	-	0
33	1S3W05R W ¹	50	51	56	38	34	46	0	0	0	0	-	0
34	1N3W31A W ¹	216	110	75	0	0	80	0	0	0	0	-	0
35	1S3W05Q W ¹	11	9	12	6	3	8	0	0	0	0	-	0
36	1N4W36H W ¹	35	1	0	0	0	7	0	0	0	0	-	0
37	1S3W06Q W ¹	0	0	0	0	0	0	0	0	0	0	-	0
38	1N3W31D W ¹	39	55	2	2	0	20	0	0	0	0	-	0
39	1S3W06E W ¹	35	35	35	0	0	21	0	0	0	0	-	0
40	1S3W06B W ¹	10	10	10	10	10	10	0	0	0	0	-	0
41	1S3W06C W ¹	-	-	-	-	-	0	0	0	0	0	-	0
42	1S4W02L W ¹	20	20	20	20	20	20	0	0	0	0	-	0
43	1S3W06P W ¹	4	4	4	4	-	3	0	0	0	0	-	0
44	1S3W05Q W ¹	1	1	1	1	1	1	0	0	0	0	-	0
45	1S3W06M W ¹	572	690	848	560	668	668	0	0	0	0	-	0
46	1S3W06Q W ¹	27	21	23	25	27	25	0	0	0	0	-	0
47	1S3W03N W ¹	10	10	10	10	10	10	0	0	0	0	-	0
48	1N4W25D W ¹	11	11	11	11	11	11	0	0	0	0	-	0

1 FORMERLY EAST SAN BDNO. COUNTY WATER DIST.

TABLE NO. 2
 VERIFIED EXTRACTIONS BY OWNERS (NON-PLAINTIFFS) WHICH HAVE NOT FILED
 WITH THE STATE WATER RESOURCES CONTROL BOARD

OWNER		1959	1960	1961	1962	1963	1959-63 AVERAGE	1998	1999	2000	2001	2002	1998-02 AVERAGE
EAST VALLEY WATER DISTRICT		(CONTINUED)											
49	1S3W03N W ¹	5	5	5	-	-	3	0	0	0	0	-	0
50	1S3W05J W ¹	2	2	-	-	-	1	0	0	0	0	-	0
51	1S4W01D W ¹	20	20	20	20	20	20	0	0	0	0	-	0
52	1S3W06N W ¹	150	99	137	373	190	190	0	0	0	0	-	0
59	1S3W04Q W ²	20	20	20	20	20	20	0	0	0	0	-	0
76	1S3W06L W ³	100	100	100	100	100	100	0	0	0	0	-	0
77	1S3W06F W ³	50	50	50	50	50	50	0	0	0	0	-	0
OWNER TOTAL		1412*	1348*	1468*	1280*	1184*	1338*	0*	0*	0*	0*	0*	0*
ELLENA, JOHN B.													
54	1N4W08N W ⁴	585	585	585	585	585	585	-	-	-	-	-	0
ELLGOOD													
55	1S2W24C W	5	5	5	5	5	5	5	5	5	5	5	5
FARROW													
56	1S2W22E W	6	5	28	5	5	10	5	5	5	5	5	5
FINCH													
57	1S2W29C W	-	-	-	-	-	0	0	0	0	0	0	0

1 FORMERLY EAST SAN BDNO. COUNTY WATER DIST.

2 FORMERLY HACIENDA TRAILER PARK; FORMERLY EAST SAN BDNO. COUNTY WATER DIST.

3 FORMERLY LANKERSHIM MUT. WTR. CO.

4 FILED BY NEW OWNER SAN BERNARDINO, CITY OF RECORDATION NO. 3602712 COMMENCING 1977 SEE TABLE NO. 1

TABLE NO. 2
 VERIFIED EXTRACTIONS BY OWNERS (NON-PLAINTIFFS) WHICH HAVE NOT FILED
 WITH THE STATE WATER RESOURCES CONTROL BOARD

OWNER			1959	1960	1961	1962	1963	1959-63 AVERAGE	1998	1999	2000	2001	2002	1998-02 AVERAGE
GOLCONDA WATER COMPANY														
	58	1S4W13E	W	96	96	96	96	96	-	-	-	-	-	0
GREENSPOT MUTUAL WATER CO TUNNEL														
	166	1S2W22C	D	-	-	-	-	0	100	100	50	50	50	70
HAGAR														
	60	1S2W16L	W	1	1	1	1	1	0	0	0	0	0	0
HARDISON														
	61	1N4W13Q	W	1	1	1	1	1	1	1	1	1	1	1
HARRISON														
	62	1S3W04J	W	1	1	1	1	1	0	0	0	0	0	0
HARRISON CANYON														
	63	1N4W13N	W	1	1	1	1	1	0	0	0	0	0	0
	64	1N4W13N	W	1	1	1	1	1	0	0	0	0	0	0
	OWNER TOTAL			2*	2*	2*	2*	2*	0*	0*	0*	0*	0*	0*
HAZAS														
	65	1S4W11G	W	8	8	8	8	8	-	-	-	-	-	0
HELIPORT														
	66	1S4W15G	W	1	1	1	1	1	0	0	0	0	0	0
HILL														
	67	1S2W31B	W	-	-	-	-	0	0	0	0	0	0	0

TABLE NO. 2
 VERIFIED EXTRACTIONS BY OWNERS (NON-PLAINTIFFS) WHICH HAVE NOT FILED
 WITH THE STATE WATER RESOURCES CONTROL BOARD

OWNER			1959	1960	1961	1962	1963	1959-63 AVERAGE	1998	1999	2000	2001	2002	1998-02 AVERAGE
HOLDEN MUTUAL WATER COMPANY														
68	1S4W14E	W	2	2	2	2	2	2	-	-	-	-	-	0
69	1S4W14F	W	12	12	12	12	12	12	-	-	-	-	-	0
OWNER TOTAL			14*	14*	14*	14*	14*	14*	0*	0*	0*	0*	0*	0*
HORTON														
70	1S3W32J	W	385	300	420	364	357	365	232	395	358	341	411	347
HUNTER														
71	1S3W03D	W	3	3	3	3	3	3	0	0	0	0	0	0
INLAND VALLEY DEVELOPMENT AGENCY														
86	1S4W07D	W ¹	688	619	640	699	623	654	-	-	-	-	-	0
87	1S4W12C	W ¹	473	425	440	480	429	449	-	-	-	-	-	0
88	1S4W12D	W ²	860	773	800	874	780	817	0	0	0	0	0	0
89	1S4W12F	W ³	1721	1546	1599	1747	1559	1634	-	-	-	-	-	0
90	1S3W07A	W ³	946	850	879	961	857	899	-	-	-	-	-	0
91	1S4W12Q	W ⁴	0	0	0	0	0	0	0	0	0	0	0	0
92	1S4W12G	W ⁴	860	773	800	874	780	817	0	0	0	0	0	0

1 FORMERLY NORTON AIR FORCE BASE; FILED BY INLAND VALLEY DEVELOPMENT AGENCY - SEE TABLE 1 COMMENCING 1997

2 FORMERLY NORTON AIR FORCE BASE

3 FORMERLY NORTON AIR FORCE BASE; FILED BY INLAND VALLEY DEVELOPMENT AGENCY - SEE TABLE 1 COMMENCING 1997

4 FORMERLY NORTON AIR FORCE BASE

TABLE NO. 2
 VERIFIED EXTRACTIONS BY OWNERS (NON-PLAINTIFFS) WHICH HAVE NOT FILED
 WITH THE STATE WATER RESOURCES CONTROL BOARD

OWNER			1959	1960	1961	1962	1963	1959-63 AVERAGE	1998	1999	2000	2001	2002	1998-02 AVERAGE
(CONTINUED)														
INLAND VALLEY DEVELOPMENT AGENCY														
93	1S3W08E	W ¹	0	0	0	0	0	0	0	0	0	0	0	0
94	1S3W08M	W ¹	344	309	320	350	312	327	0	0	0	0	0	0
OWNER TOTAL			5892*	5295*	5478*	5985*	5340*	5598*	0*	0*	0*	0*	0*	0*
INTER CITY MUTUAL WATER COMPANY														
72	1S4W23P	W ²	-	-	-	-	-	0	-	-	-	-	-	0
KING														
73	1N4W14R	W	1	1	1	1	1	1	1	1	1	1	1	1
KOCH														
74	1S2W32B	W	-	-	-	-	-	0	0	0	0	0	0	0
KRANTZ DAIRY														
75	1S4W11F	W	100	100	100	100	100	100	0	0	0	0	0	0
KUHN, RICHARD J														
178	1S3W32G	W ³	-	-	-	-	-	0	0	0	0	0	0	0
L.P.R. RANCH														
80	1S3W13C	W ⁴	-	-	485	660	610	351	-	-	-	-	-	0

1 FORMERLY NORTON AIR FORCE BASE

2 FILED BY SAN BERNARDINO, CITY OF RECORDATION NO. 3602521 COMMENCING 1977 SEE TABLE NO. 1

3 WELL DRILLED 1976

4 FILED BY L.P.R. ICE COMPANY RECORDATION NO. 3602525 COMMENCING 1972 SEE TABLE NO. 1

TABLE NO. 2
 VERIFIED EXTRACTIONS BY OWNERS (NON-PLAINTIFFS) WHICH HAVE NOT FILED
 WITH THE STATE WATER RESOURCES CONTROL BOARD

OWNER			1959	1960	1961	1962	1963	1959-63 AVERAGE	1998	1999	2000	2001	2002	1998-02 AVERAGE
LA TOURETTE														
	78	1S2W28M	W	30	30	30	30	30	2	2	2	2	2	2
LORD														
	79	1S2W28M	D	1	1	1	1	1	1	1	1	1	1	1
MARSHBURN														
	81	1S3W17G	W	-	-	380	300	290	100	100	100	100	100	100
MCCALLA BROS														
	164	1S3W20Q	W	-	-	1	1	1	0	0	0	0	0	0
MENTONE DOMESTIC WATER COMPANY														
	83	1S2W19J	W ¹	-	-	25	-	5	-	-	-	-	-	0
	176	1S2W19J	W ²	-	-	-	-	0	-	-	-	-	-	0
		OWNER TOTAL		0*	0*	25*	0*	5*	0*	0*	0*	0*	0*	0*
MOORE, R. H.														
	84	1S4W24K	W	46	42	89	78	77	0	0	0	0	0	0
MT. VIEW CHILD CARE CENTER														
	145	1S4W24J	W ³	2	2	2	2	2	1	1	1	1	1	1
NO NAME WELL														
	85	1N3W32M	W	30	27	32	28	28	0	0	0	0	0	0

1 FILED BY REDLANDS, CITY OF RECORDATION NO. 3602653 COMMENCING 1978 SEE TABLE NO. 1

2 FILED BY REDLANDS, CITY OF RECORDATION NO. 3602654 COMMENCING 1975 SEE TABLE NO. 1

3 FORMERLY VANLEUVEN NURSING HOME

TABLE NO. 2
 VERIFIED EXTRACTIONS BY OWNERS (NON-PLAINTIFFS) WHICH HAVE NOT FILED
 WITH THE STATE WATER RESOURCES CONTROL BOARD

OWNER		1959	1960	1961	1962	1963	1959-63 AVERAGE	1998	1999	2000	2001	2002	1998-02 AVERAGE
NORWOOD													
95 1N3W34F	W	1	1	1	1	1	1	0	0	0	0	0	0
PACIFIC HIGH SCHOOL													
96 1N4W35H	W	75	75	75	75	75	75	0	0	0	0	0	0
PATTERSON, ROY H.													
163 1N3W34Q	W ¹	-	-	-	-	-	0	1	1	1	1	1	1
PIERSON													
97 1N4W35N	W ²	80	80	80	80	-	64	-	-	-	-	-	0
QUALITY FARMS													
53 1S3W04R	W ³	123	123	123	123	123	123	80	80	80	80	80	80
RAMSEY													
98 1S2W22F	D	1	1	1	1	1	1	1	1	1	1	1	1
REDLANDS ASSOCIATES													
99 1S2W17B	W ⁴	-	-	-	-	13	3	0	0	0	0	0	0
100 1S2W09P	W ⁵	200	162	200	169	166	179	-	-	-	-	-	0
101 1S2W09L	W ⁵	145	119	146	123	122	131	-	-	-	-	-	0

1 FORMERLY ROBERTS, DR. G.

2 WELL DESTROYED

3 FORMERLY ROZEMA CHICKEN RANCH

4 FILED BY NEW OWNER BLUE GOOSE GROWERS INC. RECORDATION NO. 3602529 COMMENCING 1972 SEE TABLE NO. 1

5 FILED BY NEW OWNER BLUE GOOSE GROWERS INC. RECORDATION NO. 3602530 COMMENCING 1972 SEE TABLE NO. 1

TABLE NO. 2
 VERIFIED EXTRACTIONS BY OWNERS (NON-PLAINTIFFS) WHICH HAVE NOT FILED
 WITH THE STATE WATER RESOURCES CONTROL BOARD

OWNER			1959	1960	1961	1962	1963	1959-63 AVERAGE	1998	1999	2000	2001	2002	1998-02 AVERAGE
REDLANDS ASSOCIATES														
		(CONTINUED)												
102	1S2W09L	D ¹	144	97	92	122	110	113	-	-	-	-	-	0
	OWNER TOTAL		489*	378*	438*	414*	411*	426*	0*	0*	0*	0*	0*	0*
REDLANDS WATER COMPANY														
104	1S2W08A	D ²	544	599	301	754	581	556	743	814	739	266	0	512
REDLANDS, CITY OF														
103	1S2W13B	D ³	10	10	10	10	10	10	0	0	0	0	0	0
REGINA GRAPE PRODUCTS														
105	1N5W04M	W	60	60	60	60	60	60	0	0	0	0	0	0
106	1N5W04N	W	24	24	24	24	24	24	0	0	0	0	0	0
107	1N5W04N	W	27	27	27	27	27	27	0	0	0	0	0	0
108	1N5W05C	D	29	29	29	29	29	29	0	0	0	0	0	0
109	1N5W05R	W	33	33	33	33	33	33	0	0	0	0	0	0
110	1N5W04N	W	24	24	24	24	24	24	0	0	0	0	0	0
111	1N5W04N	W	33	33	33	33	33	33	0	0	0	0	0	0
112	1N5W04N	W	20	20	20	20	20	20	0	0	0	0	0	0
	OWNER TOTAL		250*	250*	250*	250*	250*	250*	0*	0*	0*	0*	0*	0*

1 FILED BY NEW OWNER BLUE BANNER CO. RECORDATION NO. 3602531 COMMENCING 1980 SEE TABLE NO. 1

2 COMMENCING 1974 SEE TABLE NO. 6 SANTA ANA RIVER VERIFICATION OF EXTRACTIONS

3 COMMENCING 1974 SEE TABLE NO. 5 MILL CREEK VERIFICATION OF EXTRACTIONS MILL CREEK RANGER STATION TERMINATED MAY 1979

TABLE NO. 2
 VERIFIED EXTRACTIONS BY OWNERS (NON-PLAINTIFFS) WHICH HAVE NOT FILED
 WITH THE STATE WATER RESOURCES CONTROL BOARD

OWNER			1959	1960	1961	1962	1963	1959-63 AVERAGE	1998	1999	2000	2001	2002	1998-02 AVERAGE
RIVAS														
	113	1S4W24J	W	1	1	1	1	1	0	0	0	0	0	0
RULE														
	114	1N3W34K	W	1	1	1	1	1	0	0	0	0	0	0
SAN BERNARDINO, CITY OF														
	115	1S4W21A	W	3	3	3	3	3	0	0	0	0	0	0
	116	1S4W22C	W	5	5	5	5	5	0	0	0	0	0	0
	OWNER TOTAL			8*	8*	8*	8*	8*	0*	0*	0*	0*	0*	0*
SAN BERNARDINO, COUNTY OF														
	1	1S4W14A	W ¹	145	145	145	80	80	119	0	0	0	0	0
	19	1N4W35F	W ²	200	200	200	200	200	350	350	200	13	13	185
	117	2N5W33F	W	428	330	410	308	207	337	341	399	639	279	411
	118	2N5W33G	W ³	208	285	399	256	179	265	637	646	463	675	545
	177	1N5W04B	W ³	-	-	-	-	-	0	40	40	50	60	49
	OWNER TOTAL			981*	960*	1154*	844*	666*	921*	1368*	1435*	1352*	1027*	1018*
SAN MANUEL INDIAN RESERVATION														
	119	1N3W20N	W	6	6	6	6	6	0	0	0	0	0	0

1 FORMERLY AEROSPACE

2 FORMERLY COUNTY HOSPITAL

3 ORIGINAL VERIFICATION DONE DURING THE 1973 VERIFICATION

TABLE NO. 2
 VERIFIED EXTRACTIONS BY OWNERS (NON-PLAINTIFFS) WHICH HAVE NOT FILED
 WITH THE STATE WATER RESOURCES CONTROL BOARD

OWNER			1959	1960	1961	1962	1963	1959-63 AVERAGE	1998	1999	2000	2001	2002	1998-02 AVERAGE
SAN MANUEL INDIAN RESERVATION			(CONTINUED)											
160	1N3W19R	W ¹	1	1	1	1	1	1	1	1	1	1	1	1
161	1N3W19R	W ¹	28	28	28	28	28	28	15	15	15	5	15	13
162	1N3W19R	D ¹	30	26	20	30	28	27	0	0	0	0	0	0
OWNER TOTAL			65*	61*	55*	65*	63*	62*	16*	16*	16*	6*	16*	14*
SANDYS RESTAURANT														
165	1S3W21M2	W	-	-	-	-	-	0	0	0	0	0	0	0
SANTINI														
120	1S4W14A	W	90	90	90	90	90	90	0	0	0	0	0	0
SARATOGA DEVELOPMENT COMPANY														
28	1S2W06Q	D ²	1	1	1	1	1	1	1	1	1	1	1	1
SATOSKI, DOCTOR														
121	1N4W14J	W	1	1	1	1	1	1	1	1	1	1	1	1
SELEY														
122	1N3W19Q	D ³	1	1	1	1	1	1	1	1	1	1	1	1
SIX HOUSES														
123	1S4W22A	W	6	6	6	6	6	6	0	0	0	0	0	0

1 FORMERLY YORK

2 FORMERLY EAST HIGHLANDS ORANGE COMPANY

3 1992 VERIFIED AMOUNT CORRECTED DURING 1993 VERIFICATION

TABLE NO. 2
 VERIFIED EXTRACTIONS BY OWNERS (NON-PLAINTIFFS) WHICH HAVE NOT FILED
 WITH THE STATE WATER RESOURCES CONTROL BOARD

OWNER	1959	1960	1961	1962	1963	1959-63 AVERAGE	1998	1999	2000	2001	2002	1998-02 AVERAGE
SMITH												
124 1N4W14J W	1	1	1	1	1	1	1	1	1	1	1	1
SMITH MEAT PACKING PLANT												
126 1S4W22M01 W ¹	3	3	3	3	3	3	-	-	-	-	-	0
SMITH,												
125 1S3W02J W	10	10	10	10	10	10	10	10	10	10	10	10
STANLEY, SILAS												
127 1S2W24H W ²	2	2	2	2	2	2	3	3	3	3	3	3
STEWART, WILLARD												
128 1S3W31D W	53	53	53	53	53	53	0	0	0	0	0	0
STRAWBERRY PATCH												
129 1S3W03N W	-	-	-	-	-	0	30	30	30	30	0	24
130 1S3W03N W	1	1	1	1	1	1	0	0	0	0	0	0
OWNER TOTAL	1*	1*	1*	1*	1*	1*	30*	30*	30*	30*	0*	24*
SUPERIOR ORCHARDS												
131 1N3W29B D	1	1	1	1	1	1	0	0	0	0	0	0
TEXACO GAS STATION												
27 1S4W24J W ³	-	-	-	-	-	0	1	1	1	0	0	1

1 WELL DESTROYED

2 1982 VERIFIED AMOUNT CORRECTED DURING 1983 VERIFICATION

3 FORMERLY DOUGLAS GAS STATION

TABLE NO. 2
 VERIFIED EXTRACTIONS BY OWNERS (NON-PLAINTIFFS) WHICH HAVE NOT FILED
 WITH THE STATE WATER RESOURCES CONTROL BOARD

OWNER		1959	1960	1961	1962	1963	1959-63 AVERAGE	1998	1999	2000	2001	2002	1998-02 AVERAGE
THOMPSON RANDALL													
132	1N3W28A D	3	3	3	3	3	3	0	0	0	0	0	0
TRI CITY MUTUAL WATER COMPANY													
133	1S4W23N W	0	0	0	0	0	0	0	0	0	0	0	0
TRIPLE FALLS MUTUAL WATER COMPANY													
134	1S1W19G W ¹	-	-	-	-	-	0	-	-	-	-	-	0
135	1S1W20D W ²	5	5	4	5	5	5	-	-	-	-	-	0
136	1S1W20D W ³	10	7	6	10	13	9	-	-	-	-	-	0
OWNER TOTAL		15*	12*	10*	15*	18*	14*	0*	0*	0*	0*	0*	0*
U.S. FOREST SERVICE													
137	1N4W13Q W	9	9	9	9	9	9	0	0	0	0	0	0
138	1S2W13P W	-	-	-	-	-	0	0	0	0	0	0	0
OWNER TOTAL		9*	9*	9*	9*	9*	9*	0*	0*	0*	0*	0*	0*
UNIVERSITY OF REDLANDS													
139	1S2W17A W ⁴	-	-	-	-	-	0	1	1	1	1	1	1
VALENCIA AVE. MUTUAL WATER COMPANY													
140	1N4W23K W	30	30	30	30	30	30	20	20	20	20	20	20

1 FILED BY NEW OWNER YUCAIPA VALLEY COUNTY WATER DISTRICT RECORDATION NO. 3602659 COMMENCING 1975 SEE TABLE NO. 1

2 FILED BY NEW OWNER YUCAIPA VALLEY COUNTY WATER DISTRICT RECORDATION NO. 3602658 COMMENCING 1975 SEE TABLE NO. 1

3 FILED BY NEW OWNER YUCAIPA VALLEY COUNTY WATER DISTRICT RECORDATION NO. 3602657 COMMENCING 1975 SEE TABLE NO. 1

4 FORMERLY UNIVERSITY OF REDLANDS; FORMERLY KARAHALOIS

TABLE NO. 2
 VERIFIED EXTRACTIONS BY OWNERS (NON-PLAINTIFFS) WHICH HAVE NOT FILED
 WITH THE STATE WATER RESOURCES CONTROL BOARD

OWNER			1959	1960	1961	1962	1963	1959-63 AVERAGE	1998	1999	2000	2001	2002	1998-02 AVERAGE
VALLEY FARMS MUTUAL WATER COMPANY														
	141	1S4W15R	W	90	90	90	90	90	0	0	0	0	0	0
	142	1S4W15Q	W	29	29	29	29	29	0	0	0	0	0	0
	OWNER TOTAL			119*	119*	119*	119*	119*	0*	0*	0*	0*	0*	0*
VAN MEETER														
	146	1S3W02P	W	3	3	0	0	0	1	0	0	0	0	0
	147	1S3W02P	W	-	-	-	-	0	3	3	3	3	3	3
	OWNER TOTAL			3*	3*	0*	0*	1*	3*	3*	3*	3*	3*	3*
VANLEUVEN, CLARENCE														
	143	1S4W24J	W	26	26	26	26	26	0	0	0	0	0	0
VICTORIA SEVENTH DAY ADVENTIST														
	144	1S4W24J	W ¹	15	15	15	15	15	10	10	10	10	10	10
WALLACE														
	148	1N4W14J	W	1	1	1	1	1	1	1	1	1	1	1
WARD, FLOYD														
	149	1S1W18N	W	-	-	-	16	16	6	0	0	0	0	0
	150	1S1W18P	W	-	-	-	17	17	7	0	0	0	0	0
	151	1S1W18P	W	1	1	1	1	1	1	1	1	1	1	1
	152	1S1W18N	W	-	-	-	16	16	6	0	0	0	0	0

1 FORMERLY VANLEUVEN, ED

TABLE NO. 2
 VERIFIED EXTRACTIONS BY OWNERS (NON-PLAINTIFFS) WHICH HAVE NOT FILED
 WITH THE STATE WATER RESOURCES CONTROL BOARD

OWNER	1959	1960	1961	1962	1963	1959-63 AVERAGE	1998	1999	2000	2001	2002	1998-02 AVERAGE
(CONTINUED)												
WARD, FLOYD												
153 1S1W18M W	-	-	-	52	52	21	0	0	0	0	0	0
154 1S1W18P D	-	-	-	1	1	0	0	0	0	0	0	0
OWNER TOTAL	1*	1*	1*	103*	103*	42*	1*	1*	1*	1*	1*	1*
WESTERN FRUIT GROWERS												
156 1S3W24Q W	147	220	177	0	0	109	0	0	0	0	0	0
WIDEMEYER												
157 1N3W29H D	1	1	1	1	1	1	0	0	0	0	0	0
158 1N3W29H W	5	5	5	5	5	5	0	0	0	0	0	0
OWNER TOTAL	6*	6*	6*	6*	6*	6*	0*	0*	0*	0*	0*	0*
WILLIAMS DAIRY												
159 1S4W11G W	142	142	142	142	142	142	0	0	0	0	0	0
TOTAL VERIFIED PRODUCTION ALL FACILITIES	13929*	12980*	14412*	14460*	13653*	13887*	2796*	3097*	2852*	2026*	1801*	2514*
TOTAL VERIFIED PRODUCTION ALL FACILITIES 25 ACRE-FEET PER YEAR OR LARGER	13430*	12505*	13946*	13981*	13167*	13406*	2703*	3004*	2759*	1944*	1709*	2424*

TABLE NO. 3

SUMMARY OF EXTRACTIONS (FILED AND NON-FILED)
FROM SAN BERNARDINO BASIN AREA BY NON-PLAINTIFFS
FOR USE WITHIN SAN BERNARDINO COUNTY

TABLE NO. 3
SUMMARY OF VERIFIED EXTRACTATIONS (FILED & NON-FILED) FROM SAN BERNARDINO BASIN AREA
BY NON-PLAINTIFFS FOR USE WITHIN SAN BERNARDINO COUNTY

OWNER	1959	1960	1961	1962	1963	1959-63 AVERAGE	1998	1999	2000	2001	2002	1998-02 AVERAGE
AHMANSON RANCH												
OWNER TOTAL	200*	200*	200*	200*	200*	200*	0*	0*	0*	0*	0*	0*
ANDERSON, W.D.												
OWNER TOTAL	0*	0*	0*	0*	0*	0*	0*	0*	0*	0*	0*	0*
ARMSTRONG, DOUGLAS												
OWNER TOTAL	286*	342*	0*	0*	0*	126*	0*	0*	0*	0*	0*	0*
ARNOLD RANCH												
OWNER TOTAL	230*	230*	230*	230*	230*	230*	0*	0*	0*	0*	0*	0*
ARROWHEAD COUNTRY CLUB												
OWNER TOTAL	600*	607*	650*	650*	650*	631*	482*	531*	566*	436*	487*	500*
ARROYO VERDE MUTUAL WATER COMPANY												
OWNER TOTAL	166*	186*	162*	168*	141*	165*	140*	0*	0*	0*	0*	28*
ATCHISON, TOPEKA & SANTA FE RAILWAY CO.												
OWNER TOTAL	316*	254*	226*	220*	138*	231*	0*	0*	0*	0*	0*	0*
B M I FUNDS												
OWNER TOTAL	343*	323*	165*	165*	0*	199*	0*	0*	0*	0*	0*	0*
BALCOM												
OWNER TOTAL	1*	1*	1*	1*	1*	1*	0*	0*	0*	0*	0*	0*
BALDWIN												
OWNER TOTAL	1*	1*	1*	1*	1*	1*	0*	0*	0*	0*	0*	0*

TABLE NO. 3
SUMMARY OF VERIFIED EXTRACTATIONS (FILED & NON-FILED) FROM SAN BERNARDINO BASIN AREA
BY NON-PLAINTIFFS FOR USE WITHIN SAN BERNARDINO COUNTY

OWNER	1959	1960	1961	1962	1963	1959-63 AVERAGE	1998	1999	2000	2001	2002	1998-02 AVERAGE
BARNO, JOHN												
OWNER TOTAL	0*	0*	0*	0*	34*	7*	0*	0*	0*	0*	0*	0*
BARRIER												
OWNER TOTAL	3*	3*	3*	3*	3*	3*	0*	0*	0*	0*	0*	0*
BARTON DEVELOPMENT												
OWNER TOTAL	1315*	1795*	1261*	366*	532*	1054*	1273*	1526*	1588*	1622*	1669*	1536*
BASE LINE WELL COMPANY												
OWNER TOTAL	0*	0*	0*	0*	0*	0*	0*	0*	0*	0*	0*	0*
BASELINE GARDENS MUTUAL WATER COMPANY												
OWNER TOTAL	303*	303*	303*	303*	303*	303*	367*	430*	561*	449*	448*	451*
BASELINE LAUNDRY												
OWNER TOTAL	50*	50*	50*	50*	50*	50*	0*	0*	0*	0*	0*	0*
BATCHELOR												
OWNER TOTAL	2*	2*	2*	2*	2*	2*	2*	2*	2*	2*	2*	2*
BEAR VALLEY MUTUAL WATER COMPANY												
OWNER TOTAL	22886*	19239*	16209*	17467*	14266*	18013*	36737*	30729*	29820*	26441*	23516*	29449*
BELL, H. EUGENE												
OWNER TOTAL	115*	88*	30*	85*	167*	97*	20*	20*	20*	20*	30*	22*
BERMAN, JERRY & SONS												
OWNER TOTAL	204*	194*	214*	112*	116*	168*	4*	4*	4*	4*	5*	4*

TABLE NO. 3
SUMMARY OF VERIFIED EXTRACTATIONS (FILED & NON-FILED) FROM SAN BERNARDINO BASIN AREA
BY NON-PLAINTIFFS FOR USE WITHIN SAN BERNARDINO COUNTY

OWNER	1959	1960	1961	1962	1963	1959-63 AVERAGE	1998	1999	2000	2001	2002	1998-02 AVERAGE
BLISS												
OWNER TOTAL	2*	2*	2*	2*	2*	2*	0*	0*	0*	0*	0*	0*
BLUE BANNER COMPANY												
OWNER TOTAL	0*	0*	0*	0*	0*	0*	100*	100*	100*	100*	100*	100*
BLUE GOOSE GROWERS INC												
OWNER TOTAL	0*	0*	0*	0*	0*	0*	0*	0*	0*	0*	0*	0*
BOUCHER												
OWNER TOTAL	1*	1*	1*	1*	1*	1*	1*	1*	1*	1*	1*	1*
BREAK, ALLEN, ESTATE												
OWNER TOTAL	760*	608*	760*	608*	608*	669*	0*	0*	0*	0*	0*	0*
BRISTOL RANCH												
OWNER TOTAL	90*	100*	160*	108*	108*	113*	0*	0*	0*	0*	0*	0*
BROOKSIDE DAIRY, INC												
OWNER TOTAL	302*	302*	312*	312*	313*	308*	0*	0*	0*	0*	0*	0*
BROOKSIDE PLAZA												
OWNER TOTAL	0*	0*	0*	0*	0*	0*	10*	10*	10*	10*	13*	11*
BRYN MAWR MUTUAL WATER COMPANY												
OWNER TOTAL	1197*	1130*	1333*	1299*	1052*	1202*	0*	0*	0*	0*	0*	0*
BUOYE WELL												
OWNER TOTAL	0*	0*	146*	160*	177*	97*	0*	0*	0*	0*	0*	0*

TABLE NO. 3
SUMMARY OF VERIFIED EXTRACTIONS (FILED & NON-FILED) FROM SAN BERNARDINO BASIN AREA
BY NON-PLAINTIFFS FOR USE WITHIN SAN BERNARDINO COUNTY

OWNER	1959	1960	1961	1962	1963	1959-63 AVERAGE	1998	1999	2000	2001	2002	1998-02 AVERAGE
CAL MAT COMPANY												
OWNER TOTAL	0*	0*	0*	0*	0*	0*	376*	1714*	670*	1603*	1739*	1220*
CALIFORNIA, STATE OF PATTON HOSPITAL												
OWNER TOTAL	947*	1076*	1085*	1003*	957*	1014*	657*	565*	359*	553*	705*	568*
CAMPUS CRUSADE FOR CHRIST												
OWNER TOTAL	977*	846*	607*	568*	407*	681*	150*	150*	150*	150*	150*	150*
CANYON KNOLLS RANCH												
OWNER TOTAL	104*	85*	105*	88*	87*	94*	168*	193*	0*	0*	0*	72*
CANYON RANCH												
OWNER TOTAL	298*	222*	101*	109*	103*	167*	0*	0*	0*	0*	0*	0*
CARDIFF FARMS MUTUAL WATER COMPANY												
OWNER TOTAL	518*	455*	502*	403*	446*	465*	0*	0*	0*	0*	0*	0*
CARPENTER												
OWNER TOTAL	4*	4*	4*	4*	4*	4*	0*	0*	0*	0*	0*	0*
CARTER, JAMES E., M.D.												
OWNER TOTAL	25*	25*	25*	27*	8*	22*	30*	60*	60*	60*	60*	54*
CEMEX CONSTRUCTION MATERIALS, INC.												
OWNER TOTAL	221*	225*	220*	293*	295*	251*	1485*	675*	673*	1295*	1255*	1077*
CHARLES, J. J.												
OWNER TOTAL	0*	0*	0*	0*	0*	0*	0*	0*	0*	0*	0*	0*

TABLE NO. 3
SUMMARY OF VERIFIED EXTRACTATIONS (FILED & NON-FILED) FROM SAN BERNARDINO BASIN AREA
BY NON-PLAINTIFFS FOR USE WITHIN SAN BERNARDINO COUNTY

OWNER	1959	1960	1961	1962	1963	1959-63 AVERAGE	1998	1999	2000	2001	2002	1998-02 AVERAGE
CHRISTINA WATER COMPANY												
OWNER TOTAL	1302*	1403*	700*	865*	793*	1013*	0*	0*	0*	0*	0*	0*
CLIFFSIDE RANCH												
OWNER TOTAL	171*	174*	181*	150*	186*	172*	0*	0*	0*	0*	0*	0*
COGBILL, CLINTON L.												
OWNER TOTAL	312*	296*	325*	181*	91*	241*	50*	50*	50*	50*	50*	50*
COLTON, CITY OF												
OWNER TOTAL	2814*	3606*	3305*	3743*	3267*	3347*	5706*	6346*	5380*	5339*	7417*	6038*
CONEJO RANCHOS MUTUAL WATER COMPANY												
OWNER TOTAL	0*	0*	0*	0*	0*	0*	0*	0*	0*	0*	0*	0*
COOK CANYON												
OWNER TOTAL	35*	35*	35*	35*	35*	35*	0*	0*	0*	0*	0*	0*
CRAFTON WATER COMPANY												
OWNER TOTAL	623*	750*	911*	745*	658*	737*	108*	277*	224*	205*	643*	291*
CRAM PATTERSON WELL												
OWNER TOTAL	413*	257*	361*	277*	294*	320*	255*	391*	377*	338*	520*	376*
CRAM RANCH ASSOCIATES												
OWNER TOTAL	220*	194*	179*	190*	224*	201*	20*	20*	20*	20*	20*	20*
CRYSTAL SPRINGS												
OWNER TOTAL	1*	1*	1*	1*	1*	1*	1*	1*	1*	1*	1*	1*

TABLE NO. 3
SUMMARY OF VERIFIED EXTRACTATIONS (FILED & NON-FILED) FROM SAN BERNARDINO BASIN AREA
BY NON-PLAINTIFFS FOR USE WITHIN SAN BERNARDINO COUNTY

OWNER	1959	1960	1961	1962	1963	1959-63 AVERAGE	1998	1999	2000	2001	2002	1998-02 AVERAGE
DANIELS AND BEST RANCH												
OWNER TOTAL	0*	0*	0*	0*	0*	0*	200*	200*	150*	150*	150*	170*
DANIELS, DON												
OWNER TOTAL	0*	0*	0*	0*	0*	0*	0*	0*	0*	0*	0*	0*
DANIELS, HAROLD												
OWNER TOTAL	2*	2*	2*	2*	502*	102*	1*	1*	1*	1*	1*	1*
DEL ROSA MUTUAL WATER COMPANY												
OWNER TOTAL	94*	100*	561*	529*	284*	314*	0*	0*	0*	0*	0*	0*
DEVORE WATER COMPANY												
OWNER TOTAL	126*	129*	140*	132*	136*	133*	527*	558*	570*	617*	517*	558*
DILLSON MUTUAL WATER COMPANY												
OWNER TOTAL	36*	36*	36*	36*	36*	36*	0*	0*	0*	0*	0*	0*
DONGLO DAIRY												
OWNER TOTAL	35*	35*	35*	35*	35*	35*	0*	0*	0*	0*	0*	0*
EAST BARTON WATER COMPANY												
OWNER TOTAL	168*	127*	135*	274*	145*	170*	0*	0*	0*	0*	0*	0*
EAST HIGHLANDS ORANGE COMPANY												
OWNER TOTAL	53*	28*	40*	47*	46*	43*	0*	0*	0*	0*	0*	0*
EAST HIGHLANDS RANCH, INC.												
OWNER TOTAL	3278*	2861*	2690*	3086*	2743*	2932*	960*	935*	492*	80*	80*	509*

TABLE NO. 3
SUMMARY OF VERIFIED EXTRACTATIONS (FILED & NON-FILED) FROM SAN BERNARDINO BASIN AREA
BY NON-PLAINTIFFS FOR USE WITHIN SAN BERNARDINO COUNTY

OWNER	1959	1960	1961	1962	1963	1959-63 AVERAGE	1998	1999	2000	2001	2002	1998-02 AVERAGE
EAST PIONEER MUTUAL WELL COMPANY												
OWNER TOTAL	776*	692*	876*	403*	431*	636*	0*	0*	0*	0*	0*	0*
EAST VALLEY WATER DISTRICT												
OWNER TOTAL	14667*	14807*	17580*	15820*	15201*	15615*	18406*	19548*	20530*	20253*	20465*	19840*
EASTWOOD FARMS COMMUNITY WATER USERS												
OWNER TOTAL	200*	230*	330*	210*	250*	244*	0*	0*	0*	0*	0*	0*
ELLENA, JOHN B.												
OWNER TOTAL	585*	585*	585*	585*	585*	585*	0*	0*	0*	0*	0*	0*
ELLGOOD												
OWNER TOTAL	5*	5*	5*	5*	5*	5*	5*	5*	5*	5*	5*	5*
ELTINGE & GRAZIADIO												
OWNER TOTAL	122*	81*	64*	49*	32*	70*	0*	0*	0*	0*	0*	0*
ESRI												
OWNER TOTAL	162*	148*	331*	206*	313*	232*	0*	0*	0*	0*	0*	0*
F. A. G714R. WELL												
OWNER TOTAL	0*	0*	0*	272*	264*	107*	86*	52*	83*	82*	82*	77*
FAIRVIEW WATER COMPANY												
OWNER TOTAL	1395*	875*	825*	780*	575*	890*	211*	469*	431*	341*	401*	371*
FARROW												
OWNER TOTAL	6*	5*	28*	5*	5*	10*	5*	5*	5*	5*	5*	5*

TABLE NO. 3
SUMMARY OF VERIFIED EXTRACTATIONS (FILED & NON-FILED) FROM SAN BERNARDINO BASIN AREA
BY NON-PLAINTIFFS FOR USE WITHIN SAN BERNARDINO COUNTY

OWNER	1959	1960	1961	1962	1963	1959-63 AVERAGE	1998	1999	2000	2001	2002	1998-02 AVERAGE
FINCH												
OWNER TOTAL	0*	0*	0*	0*	0*	0*	0*	0*	0*	0*	0*	0*
FONTANA UNION WATER COMPANY												
OWNER TOTAL	19841*	15649*	13295*	14674*	12086*	15109*	9729*	15539*	13237*	8869*	7520*	10979*
FRIEDEMANN, ERNEST C.												
OWNER TOTAL	90*	85*	75*	50*	50*	70*	0*	0*	0*	0*	0*	0*
FRINK RANCH												
OWNER TOTAL	0*	0*	0*	0*	0*	0*	0*	0*	0*	0*	0*	0*
GENERAL AMERICAN LIFE INS. COMPANY												
OWNER TOTAL	507*	493*	300*	285*	280*	373*	91*	140*	141*	30*	30*	86*
GLADYSTA WELL & WATER COMPANY												
OWNER TOTAL	527*	486*	609*	517*	507*	529*	309*	348*	322*	273*	313*	313*
GOLCONDA WATER COMPANY												
OWNER TOTAL	96*	96*	96*	96*	96*	96*	0*	0*	0*	0*	0*	0*
GOLDEN BEAR FOREST PRODUCTS												
OWNER TOTAL	30*	30*	33*	33*	33*	32*	0*	0*	0*	0*	0*	0*
GRANT WATER COMPANY												
OWNER TOTAL	429*	424*	483*	436*	363*	427*	0*	0*	0*	0*	0*	0*
GREENSPOT MUTUAL WATER CO TUNNEL												
OWNER TOTAL	0*	0*	0*	0*	0*	0*	100*	100*	50*	50*	50*	70*

TABLE NO. 3
SUMMARY OF VERIFIED EXTRactions (FILED & NON-FILED) FROM SAN BERNARDINO BASIN AREA
BY NON-PLAINTIFFS FOR USE WITHIN SAN BERNARDINO COUNTY

OWNER	1959	1960	1961	1962	1963	1959-63 AVERAGE	1998	1999	2000	2001	2002	1998-02 AVERAGE
GREENSPOT MUTUAL WELL COMPANY												
OWNER TOTAL	142*	149*	121*	105*	76*	119*	128*	166*	195*	192*	287*	194*
GUERTH, WILLIAM H.												
OWNER TOTAL	1585*	695*	922*	1230*	860*	1058*	0*	0*	0*	0*	0*	0*
HAGAR												
OWNER TOTAL	1*	1*	1*	1*	1*	1*	0*	0*	0*	0*	0*	0*
HAPPE MUTUAL WELL COMPANY												
OWNER TOTAL	526*	592*	649*	358*	500*	525*	0*	0*	0*	0*	0*	0*
HARDISON												
OWNER TOTAL	1*	1*	1*	1*	1*	1*	1*	1*	1*	1*	1*	1*
HARRISON												
OWNER TOTAL	1*	1*	1*	1*	1*	1*	0*	0*	0*	0*	0*	0*
HARRISON CANYON												
OWNER TOTAL	2*	2*	2*	2*	2*	2*	0*	0*	0*	0*	0*	0*
HAZAS												
OWNER TOTAL	8*	8*	8*	8*	8*	8*	0*	0*	0*	0*	0*	0*
HEAD, JOE T.												
OWNER TOTAL	0*	0*	0*	0*	0*	0*	0*	0*	0*	0*	0*	0*
HELIPORT												
OWNER TOTAL	1*	1*	1*	1*	1*	1*	0*	0*	0*	0*	0*	0*

TABLE NO. 3
SUMMARY OF VERIFIED EXTRACTIONS (FILED & NON-FILED) FROM SAN BERNARDINO BASIN AREA
BY NON-PLAINTIFFS FOR USE WITHIN SAN BERNARDINO COUNTY

OWNER	1959	1960	1961	1962	1963	1959-63 AVERAGE	1998	1999	2000	2001	2002	1998-02 AVERAGE
HIGHLAND ACRES RANCH												
OWNER TOTAL	250*	160*	350*	400*	400*	312*	0*	0*	0*	0*	0*	0*
HIGHLAND WELL COMPANY												
OWNER TOTAL	278*	263*	265*	232*	184*	244*	0*	0*	0*	0*	0*	0*
HILL												
OWNER TOTAL	0*	0*	0*	0*	0*	0*	0*	0*	0*	0*	0*	0*
HINCKLEY, HORACE P.												
OWNER TOTAL	818*	635*	612*	462*	391*	584*	0*	0*	0*	0*	0*	0*
HOLDEN MUTUAL WATER COMPANY												
OWNER TOTAL	14*	14*	14*	14*	14*	14*	0*	0*	0*	0*	0*	0*
HOLLIDAY TRUCKING												
OWNER TOTAL	0*	0*	0*	0*	0*	0*	214*	235*	212*	209*	62*	186*
HOLMES ICE & COLD STORAGE CO. INC.												
OWNER TOTAL	591*	405*	410*	345*	344*	419*	23*	0*	0*	0*	0*	5*
HORTON												
OWNER TOTAL	385*	300*	420*	364*	357*	365*	232*	395*	358*	341*	411*	347*
HUNTER												
OWNER TOTAL	3*	3*	3*	3*	3*	3*	0*	0*	0*	0*	0*	0*
INLAND VALLEY DEVELOPMENT AGENCY												
OWNER TOTAL	5892*	5295*	5478*	5985*	5340*	5598*	798*	1059*	1066*	1032*	1111*	1013*

TABLE NO. 3
SUMMARY OF VERIFIED EXTRACTATIONS (FILED & NON-FILED) FROM SAN BERNARDINO BASIN AREA
BY NON-PLAINTIFFS FOR USE WITHIN SAN BERNARDINO COUNTY

OWNER	1959	1960	1961	1962	1963	1959-63 AVERAGE	1998	1999	2000	2001	2002	1998-02 AVERAGE
INTER CITY MUTUAL WATER COMPANY												
OWNER TOTAL	0*	0*	0*	0*	0*	0*	0*	0*	0*	0*	0*	0*
IOWA STREET WELL												
OWNER TOTAL	62*	62*	21*	10*	7*	32*	0*	0*	0*	0*	0*	0*
J. G. GOLFING ENTERPRISES, INC.												
OWNER TOTAL	0*	0*	0*	0*	0*	0*	331*	366*	318*	430*	516*	392*
JACINTO												
OWNER TOTAL	200*	200*	260*	250*	200*	222*	80*	78*	83*	86*	86*	83*
JEWEL WATER COMPANY, THE												
OWNER TOTAL	504*	408*	356*	293*	258*	364*	0*	0*	0*	0*	0*	0*
JUDSON MUTUAL WATER COMPANY												
OWNER TOTAL	403*	356*	348*	367*	363*	367*	0*	0*	0*	0*	0*	0*
K INV./TRUTANIC/Y UN WELL												
OWNER TOTAL	380*	350*	415*	362*	358*	373*	292*	438*	487*	449*	615*	456*
KANSAS STREET MUTUAL WATER COMPANY												
OWNER TOTAL	376*	327*	378*	328*	353*	352*	90*	112*	98*	81*	88*	94*
KING												
OWNER TOTAL	1*	1*	1*	1*	1*	1*	1*	1*	1*	1*	1*	1*
KING STREET MUTUAL WELL COMPANY												
OWNER TOTAL	408*	371*	358*	281*	372*	358*	0*	0*	0*	17*	206*	45*

TABLE NO. 3
SUMMARY OF VERIFIED EXTRACTIIONS (FILED & NON-FILED) FROM SAN BERNARDINO BASIN AREA
BY NON-PLAINTIFFS FOR USE WITHIN SAN BERNARDINO COUNTY

OWNER	1959	1960	1961	1962	1963	1959-63 AVERAGE	1998	1999	2000	2001	2002	1998-02 AVERAGE
KOCH												
OWNER TOTAL	0*	0*	0*	0*	0*	0*	0*	0*	0*	0*	0*	0*
KOCH, GEORGE J.												
OWNER TOTAL	0*	0*	0*	0*	0*	0*	0*	0*	0*	0*	0*	0*
KRANTZ DAIRY												
OWNER TOTAL	100*	100*	100*	100*	100*	100*	0*	0*	0*	0*	0*	0*
KUHN, RICHARD J												
OWNER TOTAL	0*	0*	0*	0*	0*	0*	0*	0*	0*	0*	0*	0*
L.P.R. ICE COMPANY												
OWNER TOTAL	0*	0*	0*	0*	0*	0*	0*	0*	0*	0*	0*	0*
L.P.R. RANCH												
OWNER TOTAL	0*	0*	485*	660*	610*	351*	0*	0*	0*	0*	0*	0*
LA BONTE, JIM												
OWNER TOTAL	5*	5*	5*	5*	5*	5*	4*	4*	4*	4*	4*	4*
LA ROSSE, CHARLES H.												
OWNER TOTAL	38*	21*	35*	18*	14*	25*	0*	0*	0*	0*	0*	0*
LA TOURETTE												
OWNER TOTAL	30*	30*	30*	30*	30*	30*	2*	2*	2*	2*	2*	2*
LAKESIDE AVENUE MUTUAL WELL COMPANY												
OWNER TOTAL	79*	48*	58*	51*	20*	51*	0*	0*	0*	0*	0*	0*

TABLE NO. 3
SUMMARY OF VERIFIED EXTRACTATIONS (FILED & NON-FILED) FROM SAN BERNARDINO BASIN AREA
BY NON-PLAINTIFFS FOR USE WITHIN SAN BERNARDINO COUNTY

OWNER	1959	1960	1961	1962	1963	1959-63 AVERAGE	1998	1999	2000	2001	2002	1998-02 AVERAGE
LANGFORD RANCHES												
OWNER TOTAL	1680*	1564*	1146*	1124*	1468*	1396*	865*	952*	1013*	766*	912*	902*
LANGSTON-NEWBY DEVELOPMENT CO.												
OWNER TOTAL	50*	50*	50*	50*	50*	50*	0*	0*	0*	0*	0*	0*
LARANNI GUNTER WELL												
OWNER TOTAL	200*	200*	200*	200*	200*	200*	228*	371*	494*	331*	200*	325*
LOMA LINDA UNIVERSITY												
OWNER TOTAL	1011*	1116*	1202*	1166*	901*	1079*	935*	1364*	1319*	1274*	1315*	1241*
LOMA LINDA, CITY OF												
OWNER TOTAL	2216*	2241*	2492*	2193*	1580*	2144*	3929*	4680*	4881*	3568*	5402*	4492*
LORD												
OWNER TOTAL	1*	1*	1*	1*	1*	1*	1*	1*	1*	1*	1*	1*
LULY, DR. LUCIAN L.												
OWNER TOTAL	0*	0*	0*	0*	0*	0*	0*	0*	0*	0*	0*	0*
MAJESTIC MANAGEMENT												
OWNER TOTAL	395*	302*	468*	381*	367*	383*	3*	0*	0*	0*	89*	18*
MARIGOLD FARMS COMPANY												
OWNER TOTAL	855*	1708*	1157*	1963*	1778*	1492*	1190*	1535*	1368*	1064*	860*	1203*
MARSHBURN												
OWNER TOTAL	0*	0*	380*	300*	290*	194*	100*	100*	100*	100*	100*	100*

TABLE NO. 3
SUMMARY OF VERIFIED EXTRACTATIONS (FILED & NON-FILED) FROM SAN BERNARDINO BASIN AREA
BY NON-PLAINTIFFS FOR USE WITHIN SAN BERNARDINO COUNTY

OWNER	1959	1960	1961	1962	1963	1959-63 AVERAGE	1998	1999	2000	2001	2002	1998-02 AVERAGE
MAYBELL, N. O. OWNER TOTAL	26*	26*	12*	12*	12*	18*	0*	0*	0*	0*	0*	0*
MCCALLA BROS OWNER TOTAL	0*	0*	1*	1*	1*	1*	0*	0*	0*	0*	0*	0*
MCCALLA, ROBERT OWNER TOTAL	5*	13*	37*	21*	22*	20*	150*	150*	150*	150*	150*	150*
MEADOWBROOK DAIRY OWNER TOTAL	492*	388*	340*	331*	462*	403*	87*	91*	62*	66*	72*	76*
MENTONE CITRUS GROVES OWNER TOTAL	714*	873*	637*	409*	306*	588*	74*	201*	201*	201*	260*	187*
MENTONE DOMESTIC WATER COMPANY OWNER TOTAL	0*	0*	25*	0*	0*	5*	0*	0*	0*	0*	0*	0*
MEYER, CHARLES R. OWNER TOTAL	42*	42*	55*	51*	53*	49*	0*	0*	0*	0*	0*	0*
MILLER MUTUAL WELL COMPANY OWNER TOTAL	20*	8*	41*	58*	53*	36*	30*	0*	0*	0*	0*	6*
MOORE, R. H. OWNER TOTAL	46*	42*	89*	78*	77*	66*	0*	0*	0*	0*	0*	0*
MOUNT VERNON WATER COMPANY OWNER TOTAL	1020*	748*	1030*	624*	508*	786*	0*	312*	786*	778*	975*	570*

TABLE NO. 3
SUMMARY OF VERIFIED EXTRACTATIONS (FILED & NON-FILED) FROM SAN BERNARDINO BASIN AREA
BY NON-PLAINTIFFS FOR USE WITHIN SAN BERNARDINO COUNTY

OWNER	1959	1960	1961	1962	1963	1959-63 AVERAGE	1998	1999	2000	2001	2002	1998-02 AVERAGE
MOUNTAIN VIEW POWER COMPANY												
OWNER TOTAL	532*	421*	674*	675*	693*	599*	29*	107*	380*	181*	75*	154*
MT. VIEW CEMETERY OF SAN BERNARDINO												
OWNER TOTAL	332*	294*	255*	327*	212*	284*	408*	377*	373*	449*	455*	412*
MT. VIEW CHILD CARE CENTER												
OWNER TOTAL	2*	2*	2*	2*	2*	2*	1*	1*	1*	1*	1*	1*
MUSCOY MUTUAL WATER COMPANY, NO. 1												
OWNER TOTAL	1943*	1870*	2028*	1863*	1684*	1878*	2118*	2104*	2145*	1990*	2153*	2102*
NATIONAL ORANGE SHOW												
OWNER TOTAL	135*	135*	135*	135*	135*	135*	30*	30*	60*	30*	30*	36*
NEALEY MUTUAL WATER COMPANY												
OWNER TOTAL	0*	0*	0*	0*	0*	0*	0*	0*	0*	0*	0*	0*
NEW ENGLAND WATER COMPANY												
OWNER TOTAL	946*	892*	1023*	836*	880*	915*	289*	619*	532*	472*	559*	494*
NICKERSON WATER COMPANY												
OWNER TOTAL	678*	551*	838*	721*	540*	666*	0*	0*	0*	0*	0*	0*
NO NAME WELL												
OWNER TOTAL	30*	27*	32*	28*	28*	29*	0*	0*	0*	0*	0*	0*
NORTH FORK WATER COMPANY												
OWNER TOTAL	851*	737*	776*	778*	670*	762*	0*	0*	0*	0*	0*	0*

TABLE NO. 3
SUMMARY OF VERIFIED EXTRACTATIONS (FILED & NON-FILED) FROM SAN BERNARDINO BASIN AREA
BY NON-PLAINTIFFS FOR USE WITHIN SAN BERNARDINO COUNTY

OWNER	1959	1960	1961	1962	1963	1959-63 AVERAGE	1998	1999	2000	2001	2002	1998-02 AVERAGE
NORTHBRAE WATER COMPANY												
OWNER TOTAL	394*	530*	608*	395*	466*	479*	0*	0*	0*	0*	0*	0*
NORTHSIDE WATER COMPANY												
OWNER TOTAL	398*	402*	491*	385*	333*	402*	0*	0*	0*	0*	0*	0*
NORWOOD												
OWNER TOTAL	1*	1*	1*	1*	1*	1*	0*	0*	0*	0*	0*	0*
NYE, WILLIAM H.												
OWNER TOTAL	164*	199*	294*	156*	167*	196*	0*	0*	0*	0*	0*	0*
OLD TOWN WELL COMPANY												
OWNER TOTAL	488*	534*	572*	525*	515*	527*	88*	123*	113*	59*	76*	92*
PACIFIC HIGH SCHOOL												
OWNER TOTAL	75*	75*	75*	75*	75*	75*	0*	0*	0*	0*	0*	0*
PAINE, ROBERT T., TRUSTEE												
OWNER TOTAL	133*	147*	180*	120*	116*	139*	0*	24*	2*	31*	14*	14*
PATTERSON, ROY H.												
OWNER TOTAL	0*	0*	0*	0*	0*	0*	1*	1*	1*	1*	1*	1*
PAXTON, R. H.												
OWNER TOTAL	511*	245*	243*	378*	179*	311*	0*	0*	0*	0*	0*	0*
PAYNE, LARRY												
OWNER TOTAL	0*	0*	0*	0*	0*	0*	0*	149*	149*	149*	67*	103*

TABLE NO. 3
SUMMARY OF VERIFIED EXTRACTATIONS (FILED & NON-FILED) FROM SAN BERNARDINO BASIN AREA
BY NON-PLAINTIFFS FOR USE WITHIN SAN BERNARDINO COUNTY

OWNER	1959	1960	1961	1962	1963	1959-63 AVERAGE	1998	1999	2000	2001	2002	1998-02 AVERAGE
PENN WELL COMPANY												
OWNER TOTAL	539*	447*	504*	550*	440*	496*	0*	0*	0*	0*	0*	0*
PHARAOH POWELL WATER COMPANY												
OWNER TOTAL	326*	350*	365*	371*	322*	347*	194*	303*	285*	227*	298*	261*
PHARAOHS LOST KINGDOM												
OWNER TOTAL	0*	0*	0*	0*	0*	0*	100*	50*	50*	50*	50*	60*
PIERSON												
OWNER TOTAL	80*	80*	80*	80*	0*	64*	0*	0*	0*	0*	0*	0*
PIONEER MUTUAL WATER COMPANY												
OWNER TOTAL	314*	222*	288*	316*	275*	283*	94*	122*	103*	86*	47*	90*
QUALITY FARMS												
OWNER TOTAL	123*	123*	123*	123*	123*	123*	80*	80*	80*	80*	80*	80*
RAMIREZ BROTHERS												
OWNER TOTAL	61*	61*	65*	62*	64*	63*	0*	0*	0*	0*	0*	0*
RAMIREZ, CARLOS												
OWNER TOTAL	100*	100*	100*	25*	85*	82*	54*	161*	98*	63*	107*	97*
RAMIREZ, J.J.												
OWNER TOTAL	1398*	1294*	1542*	1330*	1455*	1404*	506*	742*	644*	450*	524*	573*
RAMSEY												
OWNER TOTAL	1*	1*	1*	1*	1*	1*	1*	1*	1*	1*	1*	1*

TABLE NO. 3
SUMMARY OF VERIFIED EXTRACTATIONS (FILED & NON-FILED) FROM SAN BERNARDINO BASIN AREA
BY NON-PLAINTIFFS FOR USE WITHIN SAN BERNARDINO COUNTY

OWNER	1959	1960	1961	1962	1963	1959-63 AVERAGE	1998	1999	2000	2001	2002	1998-02 AVERAGE
RANCHO CITRUS AMIGOS OWNER TOTAL	80*	80*	80*	80*	80*	80*	0*	0*	0*	0*	0*	0*
RAUGHT MUTUAL WELL COMPANY OWNER TOTAL	504*	550*	552*	506*	520*	526*	172*	281*	245*	160*	196*	211*
REDLANDS ASSOCIATES OWNER TOTAL	489*	378*	438*	414*	411*	426*	0*	0*	0*	0*	0*	0*
REDLANDS COUNTRY CLUB OWNER TOTAL	174*	96*	696*	692*	532*	438*	35*	35*	69*	0*	0*	28*
REDLANDS TRAP/SKEET OWNER TOTAL	145*	235*	235*	2*	2*	124*	0*	15*	15*	15*	15*	12*
REDLANDS UNIFIED SCHOOL DISTRICT OWNER TOTAL	470*	462*	484*	410*	470*	459*	107*	158*	98*	98*	98*	112*
REDLANDS WATER COMPANY OWNER TOTAL	544*	599*	301*	754*	581*	556*	743*	814*	739*	266*	0*	512*
REDLANDS, CITY OF OWNER TOTAL	24722*	24379*	25586*	25624*	21309*	24324*	29703*	30184*	30080*	26016*	29019*	29000*
REES & PERRICONE RANCH OWNER TOTAL	0*	0*	0*	0*	0*	0*	0*	0*	0*	0*	0*	0*
REGINA GRAPE PRODUCTS OWNER TOTAL	250*	250*	250*	250*	250*	250*	0*	0*	0*	0*	0*	0*

TABLE NO. 3
SUMMARY OF VERIFIED EXTRACTATIONS (FILED & NON-FILED) FROM SAN BERNARDINO BASIN AREA
BY NON-PLAINTIFFS FOR USE WITHIN SAN BERNARDINO COUNTY

OWNER	1959	1960	1961	1962	1963	1959-63 AVERAGE	1998	1999	2000	2001	2002	1998-02 AVERAGE
REYNOLDS, BILL												
OWNER TOTAL	3*	3*	3*	3*	3*	3*	5*	5*	5*	5*	5*	5*
RIALTO, CITY OF												
OWNER TOTAL	2618*	1622*	1834*	2101*	1867*	2008*	4653*	5257*	6276*	5330*	4644*	5232*
RIEDMAN, FRED M.												
OWNER TOTAL	230*	230*	230*	230*	15*	187*	0*	0*	0*	0*	0*	0*
RIVAS												
OWNER TOTAL	1*	1*	1*	1*	1*	1*	0*	0*	0*	0*	0*	0*
RIVAS, RAMON												
OWNER TOTAL	30*	43*	0*	0*	0*	15*	0*	0*	0*	0*	0*	0*
ROBBINS, H. W.												
OWNER TOTAL	0*	0*	0*	0*	18*	4*	0*	0*	0*	0*	0*	0*
RULE												
OWNER TOTAL	1*	1*	1*	1*	1*	1*	0*	0*	0*	0*	0*	0*
SAN BERNARDINO AVENUE WATER COMPANY												
OWNER TOTAL	371*	303*	394*	352*	298*	344*	32*	31*	32*	27*	45*	33*
SAN BERNARDINO VALLEY MWD												
OWNER TOTAL	0*	0*	0*	0*	0*	0*	4134*	4557*	5298*	5381*	4510*	4776*
SAN BERNARDINO, CITY OF												
OWNER TOTAL	21379*	19803*	22081*	20645*	19277*	20637*	58194*	51542*	49487*	47473*	51125*	51564*

TABLE NO. 3
SUMMARY OF VERIFIED EXTRACTIONS (FILED & NON-FILED) FROM SAN BERNARDINO BASIN AREA
BY NON-PLAINTIFFS FOR USE WITHIN SAN BERNARDINO COUNTY

OWNER	1959	1960	1961	1962	1963	1959-63 AVERAGE	1998	1999	2000	2001	2002	1998-02 AVERAGE
SAN BERNARDINO, COUNTY OF												
OWNER TOTAL	981*	960*	1154*	844*	666*	921*	1368*	1435*	1352*	1027*	1018*	1240*
SAN MANUEL INDIAN RESERVATION												
OWNER TOTAL	65*	61*	55*	65*	63*	62*	16*	16*	16*	6*	16*	14*
SANDYS RESTAURANT												
OWNER TOTAL	0*	0*	0*	0*	0*	0*	0*	0*	0*	0*	0*	0*
SANTINI												
OWNER TOTAL	90*	90*	90*	90*	90*	90*	0*	0*	0*	0*	0*	0*
SARATOGA DEVELOPMENT COMPANY												
OWNER TOTAL	1*	1*	1*	1*	1*	1*	1*	1*	1*	1*	1*	1*
SATOSKI, DOCTOR												
OWNER TOTAL	1*	1*	1*	1*	1*	1*	1*	1*	1*	1*	1*	1*
SECREST, RALPH F.												
OWNER TOTAL	87*	71*	192*	906*	141*	279*	0*	0*	0*	0*	0*	0*
SELBY, DR. & MRS. ARTHUR												
OWNER TOTAL	147*	227*	730*	259*	406*	354*	0*	0*	0*	0*	0*	0*
SELEY												
OWNER TOTAL	1*	1*	1*	1*	1*	1*	1*	1*	1*	1*	1*	1*
SIX HOUSES												
OWNER TOTAL	6*	6*	6*	6*	6*	6*	0*	0*	0*	0*	0*	0*

TABLE NO. 3
SUMMARY OF VERIFIED EXTRACTATIONS (FILED & NON-FILED) FROM SAN BERNARDINO BASIN AREA
BY NON-PLAINTIFFS FOR USE WITHIN SAN BERNARDINO COUNTY

OWNER	1959	1960	1961	1962	1963	1959-63 AVERAGE	1998	1999	2000	2001	2002	1998-02 AVERAGE
SMITH												
OWNER TOTAL	1*	1*	1*	1*	1*	1*	1*	1*	1*	1*	1*	1*
SMITH MEAT PACKING PLANT												
OWNER TOTAL	3*	3*	3*	3*	3*	3*	0*	0*	0*	0*	0*	0*
SMITH TRACT WELL COMPANY												
OWNER TOTAL	270*	177*	56*	0*	127*	126*	0*	0*	0*	0*	0*	0*
SMITH,												
OWNER TOTAL	10*	10*	10*	10*	10*	10*	10*	10*	10*	10*	10*	10*
SOJKA, DONALD R												
OWNER TOTAL	91*	82*	99*	86*	84*	88*	0*	0*	0*	0*	0*	0*
SOLANO WELL NO. 1												
OWNER TOTAL	212*	143*	147*	88*	43*	127*	0*	0*	0*	0*	0*	0*
SOLANO WELL NO. 3												
OWNER TOTAL	0*	0*	0*	202*	179*	76*	0*	100*	100*	100*	100*	80*
SOMERS, R.												
OWNER TOTAL	1*	1*	1*	1*	1*	1*	0*	0*	0*	0*	0*	0*
SOUTHERN CALIFORNIA EDISON COMPANY												
OWNER TOTAL	878*	798*	751*	934*	934*	859*	0*	0*	0*	0*	0*	0*
SOUZA, JOHN												
OWNER TOTAL	7*	7*	9*	10*	9*	8*	0*	0*	0*	0*	0*	0*

TABLE NO. 3
SUMMARY OF VERIFIED EXTRACTATIONS (FILED & NON-FILED) FROM SAN BERNARDINO BASIN AREA
BY NON-PLAINTIFFS FOR USE WITHIN SAN BERNARDINO COUNTY

OWNER	1959	1960	1961	1962	1963	1959-63 AVERAGE	1998	1999	2000	2001	2002	1998-02 AVERAGE
STANLEY, SILAS OWNER TOTAL	2*	2*	2*	2*	2*	2*	3*	3*	3*	3*	3*	3*
STEWART, WILLARD OWNER TOTAL	53*	53*	53*	53*	53*	53*	0*	0*	0*	0*	0*	0*
STORKSON, WILLIAM F. OWNER TOTAL	35*	30*	20*	40*	35*	32*	54*	50*	70*	70*	82*	65*
STRAWBERRY PATCH OWNER TOTAL	1*	1*	1*	1*	1*	1*	30*	30*	30*	30*	0*	24*
SUNRISE RANCH PART C/O LIFE DEVELOPMENT OWNER TOTAL	1857*	1693*	2119*	2037*	1992*	1940*	0*	0*	0*	0*	0*	0*
SUPERIOR ORCHARDS OWNER TOTAL	1*	1*	1*	1*	1*	1*	0*	0*	0*	0*	0*	0*
SYCAMORE HEIGHTS WATER COMPANY, INC. OWNER TOTAL	420*	52*	52*	52*	52*	126*	0*	0*	0*	0*	0*	0*
TENNESSEE MUTUAL WELL COMPANY OWNER TOTAL	537*	501*	622*	516*	476*	530*	382*	559*	517*	426*	543*	485*
TENNESSEE WATER COMPANY OWNER TOTAL	530*	530*	540*	540*	550*	538*	588*	1061*	1074*	808*	1021*	910*
TERRACE WATER COMPANY OWNER TOTAL	1318*	921*	1077*	1012*	899*	1045*	708*	830*	946*	940*	981*	881*

TABLE NO. 3
SUMMARY OF VERIFIED EXTRACTATIONS (FILED & NON-FILED) FROM SAN BERNARDINO BASIN AREA
BY NON-PLAINTIFFS FOR USE WITHIN SAN BERNARDINO COUNTY

OWNER	1959	1960	1961	1962	1963	1959-63 AVERAGE	1998	1999	2000	2001	2002	1998-02 AVERAGE
TEXACO GAS STATION												
OWNER TOTAL	0*	0*	0*	0*	0*	0*	1*	1*	1*	0*	0*	1*
THOMPSON RANDALL												
OWNER TOTAL	3*	3*	3*	3*	3*	3*	0*	0*	0*	0*	0*	0*
TILDEN, M. WILLIAM												
OWNER TOTAL	148*	148*	148*	148*	148*	148*	20*	20*	20*	10*	30*	20*
TRI CITY CONCRETE												
OWNER TOTAL	135*	135*	135*	135*	136*	135*	0*	0*	0*	0*	0*	0*
TRI CITY MUTUAL WATER COMPANY												
OWNER TOTAL	53*	20*	0*	0*	0*	15*	0*	0*	0*	0*	0*	0*
TRIPLE FALLS MUTUAL WATER COMPANY												
OWNER TOTAL	15*	12*	10*	15*	18*	14*	0*	0*	0*	0*	0*	0*
TROJAN GROVES												
OWNER TOTAL	962*	700*	940*	784*	816*	840*	300*	385*	330*	203*	355*	315*
U.S. FOREST SERVICE												
OWNER TOTAL	9*	9*	9*	9*	9*	9*	0*	0*	0*	0*	0*	0*
UNGER, V.E.												
OWNER TOTAL	0*	0*	0*	0*	0*	0*	0*	0*	0*	0*	0*	0*
UNIVERSITY OF REDLANDS												
OWNER TOTAL	0*	0*	0*	0*	0*	0*	1*	1*	1*	1*	1*	1*

TABLE NO. 3
SUMMARY OF VERIFIED EXTRACTATIONS (FILED & NON-FILED) FROM SAN BERNARDINO BASIN AREA
BY NON-PLAINTIFFS FOR USE WITHIN SAN BERNARDINO COUNTY

OWNER	1959	1960	1961	1962	1963	1959-63 AVERAGE	1998	1999	2000	2001	2002	1998-02 AVERAGE
VALENCIA AVE. MUTUAL WATER COMPANY												
OWNER TOTAL	30*	30*	30*	30*	30*	30*	20*	20*	20*	20*	20*	20*
VALLEY FARMS MUTUAL WATER COMPANY												
OWNER TOTAL	119*	119*	119*	119*	119*	119*	0*	0*	0*	0*	0*	0*
VAN MEETER												
OWNER TOTAL	3*	3*	0*	0*	0*	1*	3*	3*	3*	3*	3*	3*
VANLEUVEN, CLARENCE												
OWNER TOTAL	26*	26*	26*	26*	26*	26*	0*	0*	0*	0*	0*	0*
VICTORIA FARMS MUTUAL WATER COMPANY												
OWNER TOTAL	335*	288*	320*	275*	266*	297*	0*	0*	0*	0*	0*	0*
VICTORIA GUERNSEY												
OWNER TOTAL	163*	248*	200*	160*	223*	199*	0*	0*	0*	0*	0*	0*
VICTORIA SEVENTH DAY ADVENTIST												
OWNER TOTAL	15*	15*	15*	15*	15*	15*	10*	10*	10*	10*	10*	10*
WALLACE												
OWNER TOTAL	1*	1*	1*	1*	1*	1*	1*	1*	1*	1*	1*	1*
WARD, FLOYD												
OWNER TOTAL	1*	1*	1*	103*	103*	42*	1*	1*	1*	1*	1*	1*
WARMINGTON, ROBERT P.												
OWNER TOTAL	300*	248*	288*	153*	139*	226*	0*	0*	0*	0*	0*	0*

TABLE NO. 3
SUMMARY OF VERIFIED EXTRACTATIONS (FILED & NON-FILED) FROM SAN BERNARDINO BASIN AREA
BY NON-PLAINTIFFS FOR USE WITHIN SAN BERNARDINO COUNTY

OWNER	1959	1960	1961	1962	1963	1959-63 AVERAGE	1998	1999	2000	2001	2002	1998-02 AVERAGE
WEATHERWAX, W. G.												
OWNER TOTAL	0*	0*	0*	0*	0*	0*	0*	0*	0*	0*	0*	0*
WEST SAN BDNO. COUNTY WATER DIST.												
OWNER TOTAL	13584*	12090*	13587*	11331*	11837*	12486*	11211*	10193*	11446*	10381*	11367*	10920*
WESTERN FRUIT GROWERS												
OWNER TOTAL	147*	220*	177*	0*	0*	109*	0*	0*	0*	0*	0*	0*
WIDEMEYER												
OWNER TOTAL	6*	6*	6*	6*	6*	6*	0*	0*	0*	0*	0*	0*
WILEY, RUTH NORWOOD												
OWNER TOTAL	0*	0*	0*	0*	52*	10*	0*	0*	0*	0*	0*	0*
WILLIAMS DAIRY												
OWNER TOTAL	142*	142*	142*	142*	142*	142*	0*	0*	0*	0*	0*	0*
WILLIAMS WELL CORPORATION, LTD.												
OWNER TOTAL	721*	684*	765*	706*	595*	694*	487*	679*	545*	614*	559*	577*
WOEHR MUTUAL WATER COMPANY												
OWNER TOTAL	374*	465*	625*	488*	423*	475*	0*	0*	0*	0*	0*	0*
YAHIKU, PAUL												
OWNER TOTAL	50*	95*	51*	51*	51*	60*	0*	0*	0*	0*	0*	0*
YUCAIPA VALLEY WATER DISTRICT												
OWNER TOTAL	0*	0*	0*	0*	0*	0*	337*	27*	0*	0*	174*	108*

TABLE NO. 3

SUMMARY OF VERIFIED EXTRACTIONS (FILED & NON-FILED) FROM SAN BERNARDINO BASIN AREA
BY NON-PLAINTIFFS FOR USE WITHIN SAN BERNARDINO COUNTY

OWNER	1959	1960	1961	1962	1963	1959-63 AVERAGE	1998	1999	2000	2001	2002	1998-02 AVERAGE
'7TH AVE. WELL												
OWNER TOTAL	230*	342*	514*	161*	271*	304*	0*	0*	0*	0*	0*	0*
TOTAL VERIFIED PRODUCTION ALL FACILITIES	191189*	174999*	182060*	175939*	158609*	176559*	205886*	207621*	203714*	184358*	192670*	198850*
TOTAL VERIFIED PRODUCTION ALL FACILITIES 25 ACRE-FEET PER YEAR OR LARGER	190215*	174242*	181397*	175104*	157665*	175725*	205684*	207406*	203521*	184171*	192502*	198657*

TABLE NO. 4

LYTLE CREEK VERIFICATION OF EXTRACTIONS FOR
CALENDAR YEARS 1959-1963 & 1998-2002

TABLE NO. 4

LYTLE CREEK
VERIFICATIONS OF EXTRACTIIONS
FOR CALENDAR YEAR 1959

LINE NO.	LOCATION OF MEASUREMENT	JAN	FEB	MAR	APR	MAY	JUN	JUL	AUG	SEP	OCT	NOV	DEC	TOTAL	REMARKS
1	WEIR NO. 1	1,337	1,043	1,406	1,085	1,026	948	797	732	875	910	847	873 #	11,879	SEE NOTE 1
2	WEIR NO. 2	0	0	0	0	0	0	0	0	0	0	0	0	0	SEE NOTE 2
3	WEIR NO. 3	292	235	575	323	307	241	200	188	150	182	137	123	2,953	SEE NOTE 3
4	TOTAL OF WEIRS NOS. 1, 2 & 3	1,629	1,278	1,981	1,408	1,333	1,189	997	920	1,025	1,092	984	996	14,832	LINE 1 + 2 + 3
5	DEDUCT STREAM RETURN OVER 20' WEIR	8	3	0	0	0	0	0	0	0	0	0	0	0	SEE NOTE 4
6	TOTAL CALCULATED FLOW TO LOWER POWERHOUSE LINE 8 - LINE 6	1,621	1,275	1,981	1,408	1,333	1,189	997	920	1,025	1,092	984	996	14,821	LINE 4 - 5
7	ANNUAL PERCENT DIFFERENCE ----- X 100 LINE 8													-1.19 %	SEE NOTE 5
8	MEASURED FLOW TO LOWER POWERHOUSE	1,623	1,253	1,955	1,374	1,342	1,174	991	906	1,028	1,069	954	978	14,647	SEE NOTE 6
<u>DEDUCT MILLER NARROWS WELLS</u>															
9	WELL NO. 1 SDWR RECORDATION NO. 3600588	0	0	0	0	0	0	0	0	0	0	0	0	0	SEE NOTE 7
10	WELL NO. 2 SDWR RECORDATION NO. 3600590	0	0	0	0	141	333	341	340	268	266	259	237	2,185	SEE NOTE 7
11	TOTAL PUMPED WATER	0	0	0	0	141	333	341	340	268	266	259	237	2,185	LINE 9 + 10
12	STREAM FLOW DIVERTED FROM LYTLE CREEK	1,623	1,253	1,955	1,374	1,201	841	650	566	760	803	695	741	12,462	LINE 8 - 11
13	DEDUCT FLOW RETURNED TO STREAM BELOW LOWER POWERHOUSE	400	411	326	19	0	0	0	0	172	35	6	95		SEE NOTE 8
14	TOTAL STREAM DIVERSION AT LOWER POWERHOUSE	1,223	842	1,629	1,355	1,201	841	650	566	588	768	689	646	10,998	LINE 12 - 13
<u>BREED LINE CALCULATION</u>															
15	WEIR NO. 4	80	141	91	112	112	101	102	95	79	83	84	73	1,153	SEE NOTE 9
16	LESS WATER PUMPED BY FONTANA UNION WELL NO. 27 SDWR RECORDATION NO. 3600582	39	19	65	81	84	75	69	62	46	46	41	25	652	SEE NOTE 10
17	TOTAL STREAM DIVERSION AT FONTANA UNION INTAKE TO BREED LINE	41	122	26	31	28	26	33	33	33	37	43	48	501	LINE 15 - 16
18	TOTAL LYTLE CREEK STREAM DIVERSION AS VERIFIED	1,264	964	1,655	1,386	1,229	867	683	599	621	805	732	694	11,499	LINE 14 + 17

NOTES

- 1 WEIR NO. 1 MEASURES SOUTHERN CALIFORNIA EDISON CONDUIT NEAR FONTANA (USGS)
- 2 WEIR NO. 2 MEASURES INFILTRATION LINE WATER TO FONTANA UNION INTAKE (USGS)
- 3 WEIR NO. 3 MEASURES EITHER STREAM DIVERSION OR INFILTRATION WATER (USGS)
- 4 20 FOOT WEIR MEASURES FLOW RETURNED TO STREAM AT INTAKE (FONTANA UNION)
- 5 ANNUAL PERCENTAGE OF DIFFERENCE BETWEEN MEASURED & CALCULATED FLOW AT LOWER POWERHOUSE
- 6 MEASURED FLOW AT LOWER POWERHOUSE (USGS) ASSUMED TO BE CORRECT

NOTES

- 7 WATER EXTRACTED BY FONTANA UNION WATER COMPANY MILLER NARROWS WELLS AND DISCHARGED TO EDISON CONDUIT (FONTANA UNION).
- 8 WATER RETURNED TO STREAM FROM AFTERBAY AT LOWER POWERHOUSE (FONTANA UNION)
- 9 WEIR NO. 4 MEASURES FLOW TO BREED LINE AT INTAKE (USGS).
- 10 FONTANA UNION WATER COMPANY WELL TO BREED LINE (FONTANA UNION)

TABLE NO. 4

LYTLE CREEK
VERIFICATIONS OF EXTRACTIIONS
FOR CALENDAR YEAR 1960

LINE NO.	LOCATION OF MEASUREMENT	JAN	FEB	MAR	APR	MAY	JUN	JUL	AUG	SEP	OCT	NOV	DEC	TOTAL	REMARKS
1	WEIR NO. 1	989	1,007	956	772	855	591	497	456	432	520	666	704	# 8,445	SEE NOTE 1
2	WEIR NO. 2	0	0	0	0	0	0	0	0	0	0	0	0	0	SEE NOTE 2
3	WEIR NO. 3	118	125	141	113	136	146	152	135	125	112	78	145	1,526	SEE NOTE 3
4	TOTAL OF WEIRS NOS. 1, 2 & 3	1,107	1,132	1,097	885	991	737	649	591	557	632	744	849	9,971	LINE 1 + 2 + 3
5	DEDUCT STREAM RETURN OVER 20' WEIR	0	0	1	0	0	0	0	0	0	0	1	0	0	SEE NOTE 4
6	TOTAL CALCULATED FLOW TO LOWER POWERHOUSE LINE 8 - LINE 6	1,107	1,132	1,096	885	991	737	649	591	557	632	743	849	9,969	LINE 4 - 5
7	ANNUAL PERCENT DIFFERENCE ----- X 100 LINE 8													1.23 %	SEE NOTE 5
8	MEASURED FLOW TO LOWER POWERHOUSE	1,106	1,127	1,119	910	1,000	738	649	602	566	647	760	869	10,093	SEE NOTE 6
<u>DEDUCT MILLER NARROWS WELLS</u>															
9	WELL NO. 1 SDWR RECORDATION NO. 3600588	0	0	0	0	0	0	0	0	0	0	0	0	0	SEE NOTE 7
10	WELL NO. 2 SDWR RECORDATION NO. 3600590	186	213	280	244	302	293	302	299	291	302	159	274	3,145	SEE NOTE 7
11	TOTAL PUMPED WATER	186	213	280	244	302	293	302	299	291	302	159	274	3,145	LINE 9 + 10
12	STREAM FLOW DIVERTED FROM LYTLE CREEK	920	914	839	666	698	445	347	303	275	345	601	595	6,948	LINE 8 - 11
13	DEDUCT FLOW RETURNED TO STREAM BELOW LOWER POWERHOUSE	144	160	45	63	0	0	0	0	0	36	304	9		SEE NOTE 8
14	TOTAL STREAM DIVERSION AT LOWER POWERHOUSE	776	754	794	603	698	445	347	303	275	309	297	586	6,187	LINE 12 - 13
<u>BREED LINE CALCULATION</u>															
15	WEIR NO. 4	82	76	37	61	36	62	75	52	47	54	101	42	725	SEE NOTE 9
16	LESS WATER PUMPED BY FONTANA UNION WELL NO. 27 SDWR RECORDATION NO. 3600582	33	19	0	0	0	30	41	22	16	16	13	14	204	SEE NOTE 10
17	TOTAL STREAM DIVERSION AT FONTANA UNION INTAKE TO BREED LINE	49	57	37	61	36	32	34	30	31	38	88	28	521	LINE 15 - 16
18	TOTAL LYTLE CREEK STREAM DIVERSION AS VERIFIED	825	811	831	664	734	477	381	333	306	347	385	614	6,708	LINE 14 + 17

NOTES

- 1 WEIR NO. 1 MEASURES SOUTHERN CALIFORNIA EDISON CONDUIT NEAR FONTANA (USGS)
- 2 WEIR NO. 2 MEASURES INFILTRATION LINE WATER TO FONTANA UNION INTAKE (USGS)
- 3 WEIR NO. 3 MEASURES EITHER STREAM DIVERSION OR INFILTRATION WATER (USGS)
- 4 20 FOOT WEIR MEASURES FLOW RETURNED TO STREAM AT INTAKE (FONTANA UNION)
- 5 ANNUAL PERCENTAGE OF DIFFERENCE BETWEEN MEASURED & CALCULATED FLOW AT LOWER POWERHOUSE
- 6 MEASURED FLOW AT LOWER POWERHOUSE (USGS) ASSUMED TO BE CORRECT

NOTES

- 7 WATER EXTRACTED BY FONTANA UNION WATER COMPANY MILLER NARROWS WELLS AND DISCHARGED TO EDISON CONDUIT (FONTANA UNION)
- 8 WATER RETURNED TO STREAM FROM AFTERBAY AT LOWER POWERHOUSE (FONTANA UNION)
- 9 WEIR NO. 4 MEASURES FLOW TO BREED LINE AT INTAKE (USGS)
- 10 FONTANA UNION WATER COMPANY WELL TO BREED LINE (FONTANA UNION)

TABLE NO. 4

LYTLE CREEK
VERIFICATIONS OF EXTRACTIIONS
FOR CALENDAR YEAR 1961

LINE NO.	LOCATION OF MEASUREMENT	JAN	FEB	MAR	APR	MAY	JUN	JUL	AUG	SEP	OCT	NOV	DEC	TOTAL	REMARKS
1	WEIR NO. 1	634	624	658	551	505	442	378	372	366	362	418	626 #	5,936	SEE NOTE 1
2	WEIR NO. 2	0	0	0	0	0	0	0	0	0	0	0	0	0	SEE NOTE 2
3	WEIR NO. 3	117	115	130	114	117	108	109	93	86	70	48	110	1,217	SEE NOTE 3
4	TOTAL OF WEIRS NOS. 1, 2 & 3	751	739	788	665	622	550	487	465	452	432	466	736	7,153	LINE 1 + 2 + 3
5	DEDUCT STREAM RETURN OVER 20' WEIR	2	0	0	0	0	0	0	0	0	0	0	3		SEE NOTE 4
6	TOTAL CALCULATED FLOW TO LOWER POWERHOUSE LINE 8 - LINE 6	749	739	788	665	622	550	487	465	452	432	466	733	7,148	LINE 4 - 5
7	ANNUAL PERCENT DIFFERENCE ----- X 100 LINE 8													2.52 %	SEE NOTE 5
8	MEASURED FLOW TO LOWER POWERHOUSE	752	762	813	700	637	544	488	480	472	431	469	785	7,333	SEE NOTE 6
<u>DEDUCT MILLER NARROWS WELLS</u>															
9	WELL NO. 1 SDWR RECORDATION NO. 3600588	0	0	0	0	0	0	0	0	0	0	0	0	0	SEE NOTE 7
10	WELL NO. 2 SDWR RECORDATION NO. 3600590	220	231	265	253	262	253	262	259	250	261	233	257	3,006	SEE NOTE 7
11	TOTAL PUMPED WATER	220	231	265	253	262	253	262	259	250	261	233	257	3,006	LINE 9 + 10
12	STREAM FLOW DIVERTED FROM LYTLE CREEK	532	531	548	447	375	291	226	221	222	170	236	528	4,327	LINE 8 - 11
13	DEDUCT FLOW RETURNED TO STREAM BELOW LOWER POWERHOUSE	89	32	22	6	3	0	0	0	0	0	78	82		SEE NOTE 8
14	TOTAL STREAM DIVERSION AT LOWER POWERHOUSE	443	499	526	441	372	291	226	221	222	170	158	446	4,015	LINE 12 - 13
<u>BREED LINE CALCULATION</u>															
15	WEIR NO. 4	65	35	31	32	35	32	32	33	31	32	45	68	471	SEE NOTE 9
16	LESS WATER PUMPED BY FONTANA UNION WELL NO. 27 SDWR RECORDATION NO. 3600582	13	1	1	3	4	6	8	6	3	4	3	6	58	SEE NOTE 10
17	TOTAL STREAM DIVERSION AT FONTANA UNION INTAKE TO BREED LINE	52	34	30	29	31	26	24	27	28	28	42	62	413	LINE 15 - 16
18	TOTAL LYTLE CREEK STREAM DIVERSION AS VERIFIED	495	533	556	470	403	317	250	248	250	198	200	508	4,428	LINE 14 + 17

NOTES

- 1 WEIR NO. 1 MEASURES SOUTHERN CALIFORNIA EDISON CONDUIT NEAR FONTANA (USGS)
- 2 WEIR NO. 2 MEASURES INFILTRATION LINE WATER TO FONTANA UNION INTAKE (USGS)
- 3 WEIR NO. 3 MEASURES EITHER STREAM DIVERSION OR INFILTRATION WATER (USGS)
- 4 20 FOOT WEIR MEASURES FLOW RETURNED TO STREAM AT INTAKE (FONTANA UNION)
- 5 ANNUAL PERCENTAGE OF DIFFERENCE BETWEEN MEASURED & CALCULATED FLOW AT LOWER POWERHOUSE
- 6 MEASURED FLOW AT LOWER POWERHOUSE (USGS) ASSUMED TO BE CORRECT

NOTES

- 7 WATER EXTRACTED BY FONTANA UNION WATER COMPANY MILLER NARROWS WELLS AND DISCHARGED TO EDISON CONDUIT (FONTANA UNION)
- 8 WATER RETURNED TO STREAM FROM AFTERBAY AT LOWER POWERHOUSE (FONTANA UNION)
- 9 WEIR NO. 4 MEASURES FLOW TO BREED LINE AT INTAKE (USGS)
- 10 FONTANA UNION WATER COMPANY WELL TO BREED LINE (FONTANA UNION)

TABLE NO. 4
 LYTLE CREEK
 VERIFICATIONS OF EXTRACTIIONS
 FOR CALENDAR YEAR 1962

LINE NO.	LOCATION OF MEASUREMENT	JAN	FEB	MAR	APR	MAY	JUN	JUL	AUG	SEP	OCT	NOV	DEC	TOTAL	REMARKS
1	WEIR NO. 1	698	721	1,448	1,359	966	847	738	636	738	1,289	1,327	1,254	# 12,021	SEE NOTE 1
2	WEIR NO. 2	0	196	403	0	0	0	0	0	0	0	0	0	599	SEE NOTE 2
3	WEIR NO. 3	177	335	526	477	327	290	238	230	208	196	183	174	3,361	SEE NOTE 3
4	TOTAL OF WEIRS NOS. 1, 2 & 3	875	1,252	2,377	1,836	1,293	1,137	976	866	946	1,485	1,510	1,428	15,981	LINE 1 + 2 + 3
5	DEDUCT STREAM RETURN OVER 20' WEIR	0	69	72	0	0	0	0	0	0	0	0	0	0	SEE NOTE 4
6	TOTAL CALCULATED FLOW TO LOWER POWERHOUSE LINE 8 - LINE 6	875	1,183	2,305	1,836	1,293	1,137	976	866	946	1,485	1,510	1,428	15,840	LINE 4 - 5
7	ANNUAL PERCENT DIFFERENCE ----- X 100 LINE 8													-0.96 %	SEE NOTE 5
8	MEASURED FLOW TO LOWER POWERHOUSE	894	1,187	2,386	1,827	1,291	1,113	978	845	904	1,450	1,454	1,361	15,690	SEE NOTE 6
<u>DEDUCT MILLER NARROWS WELLS</u>															
9	WELL NO. 1 SDWR RECORDATION NO. 3600588	0	0	0	0	0	0	0	0	0	0	0	0	0	SEE NOTE 7
10	WELL NO. 2 SDWR RECORDATION NO. 3600590	293	81	0	0	0	232	308	310	299	303	294	301	2,421	SEE NOTE 7
11	TOTAL PUMPED WATER	293	81	0	0	0	232	308	310	299	303	294	301	2,421	LINE 9 + 10
12	STREAM FLOW DIVERTED FROM LYTLE CREEK	601	1,106	2,386	1,827	1,291	881	670	535	605	1,147	1,160	1,060	13,269	LINE 8 - 11
13	DEDUCT FLOW RETURNED TO STREAM BELOW LOWER POWERHOUSE	49	515	809	616	20	0	0	0	0	31	0	0	0	SEE NOTE 8
14	TOTAL STREAM DIVERSION AT LOWER POWERHOUSE	552	591	1,577	1,211	1,271	881	670	535	605	1,116	1,160	1,060	11,229	LINE 12 - 13
<u>BREED LINE CALCULATION</u>															
15	WEIR NO. 4	41	143	40	101	81	77	77	73	65	59	43	32	832	SEE NOTE 9
16	LESS WATER PUMPED BY FONTANA UNION WELL NO. 27 SDWR RECORDATION NO. 3600582	2	8	3	59	42	40	38	34	28	33	18	1	306	SEE NOTE 10
17	TOTAL STREAM DIVERSION AT FONTANA UNION INTAKE TO BREED LINE	39	135	37	42	39	37	39	39	37	26	25	31	526	LINE 15 - 16
18	TOTAL LYTLE CREEK STREAM DIVERSION AS VERIFIED	591	726	1,614	1,253	1,310	918	709	574	642	1,142	1,185	1,091	11,755	LINE 14 + 17

NOTES

- WEIR NO. 1 MEASURES SOUTHERN CALIFORNIA EDISON CONDUIT NEAR FONTANA (USGS)
- WEIR NO. 2 MEASURES INFILTRATION LINE WATER TO FONTANA UNION INTAKE (USGS)
- WEIR NO. 3 MEASURES EITHER STREAM DIVERSION OR INFILTRATION WATER (USGS)
- 20 FOOT WEIR MEASURES FLOW RETURNED TO STREAM AT INTAKE (FONTANA UNION)
- ANNUAL PERCENTAGE OF DIFFERENCE BETWEEN MEASURED & CALCULATED FLOW AT LOWER POWERHOUSE
- MEASURED FLOW AT LOWER POWERHOUSE (USGS) ASSUMED TO BE CORRECT

NOTES

- WATER EXTRACTED BY FONTANA UNION WATER COMPANY MILLER NARROWS WELLS AND DISCHARGED TO EDISON CONDUIT (FONTANA UNION).
- WATER RETURNED TO STREAM FROM AFTERBAY AT LOWER POWERHOUSE (FONTANA UNION)
- WEIR NO. 4 MEASURES FLOW TO BREED LINE AT INTAKE (USGS).
- FONTANA UNION WATER COMPANY WELL TO BREED LINE (FONTANA UNION)

TABLE NO. 4

LYTLE CREEK
VERIFICATIONS OF EXTRactions
FOR CALENDAR YEAR 1963

LINE NO.	LOCATION OF MEASUREMENT	JAN	FEB	MAR	APR	MAY	JUN	JUL	AUG	SEP	OCT	NOV	DEC	TOTAL	REMARKS
1	WEIR NO. 1	1,174	947	1,095	944	918	718	574	528	521	660	616	726 #	9,421	SEE NOTE 1
2	WEIR NO. 2	0	0	0	0	0	0	0	0	0	0	0	0	0	SEE NOTE 2
3	WEIR NO. 3	155	145	223	194	196	154	154	139	75	73	68	74	1,650	SEE NOTE 3
4	TOTAL OF WEIRS NOS. 1, 2 & 3	1,329	1,092	1,318	1,138	1,114	872	728	667	596	733	684	800	11,071	LINE 1 + 2 + 3
5	DEDUCT STREAM RETURN OVER 20' WEIR	0	0	0	0	0	0	0	0	0	0	4	0	0	SEE NOTE 4
6	TOTAL CALCULATED FLOW TO LOWER POWERHOUSE LINE 8 - LINE 6	1,329	1,092	1,318	1,138	1,114	872	728	667	596	733	680	800	11,067	LINE 4 - 5
7	ANNUAL PERCENT DIFFERENCE ----- X 100 LINE 8													0.49 %	SEE NOTE 5
8	MEASURED FLOW TO LOWER POWERHOUSE	1,246	1,038	1,273	1,121	1,109	881	742	688	615	803	725	881	11,122	SEE NOTE 6
<u>DEDUCT MILLER NARROWS WELLS</u>															
9	WELL NO. 1 SDWR RECORDATION NO. 3600588	0	0	0	0	0	0	0	0	0	0	0	0	0	SEE NOTE 7
10	WELL NO. 2 SDWR RECORDATION NO. 3600590	296	172	253	283	299	289	294	303	201	277	183	312	3,162	SEE NOTE 7
11	TOTAL PUMPED WATER	296	172	253	283	299	289	294	303	201	277	183	312	3,162	LINE 9 + 10
12	STREAM FLOW DIVERTED FROM LYTLE CREEK	950	866	1,020	838	810	592	448	385	414	526	542	569	7,960	LINE 8 - 11
13	DEDUCT FLOW RETURNED TO STREAM BELOW LOWER POWERHOUSE	11	100	51	64	10	0	16	0	219	36	112	2	0	SEE NOTE 8
14	TOTAL STREAM DIVERSION AT LOWER POWERHOUSE	939	766	969	774	800	592	432	385	195	490	430	567	7,339	LINE 12 - 13
<u>BREED LINE CALCULATION</u>															
15	WEIR NO. 4	32	64	42	41	31	29	37	42	85	51	68	42	564	SEE NOTE 9
16	LESS WATER PUMPED BY FONTANA UNION WELL NO. 27 SDWR RECORDATION NO. 3600582	0	0	0	2	0	0	10	17	7	0	0	6	42	SEE NOTE 10
17	TOTAL STREAM DIVERSION AT FONTANA UNION INTAKE TO BREED LINE	32	64	42	39	31	29	27	25	78	51	68	36	522	LINE 15 - 16
18	TOTAL LYTLE CREEK STREAM DIVERSION AS VERIFIED	971	830	1,011	813	831	621	459	410	273	541	498	603	7,861	LINE 14 + 17

NOTES

- 1 WEIR NO. 1 MEASURES SOUTHERN CALIFORNIA EDISON CONDUIT NEAR FONTANA (USGS)
- 2 WEIR NO. 2 MEASURES INFILTRATION LINE WATER TO FONTANA UNION INTAKE (USGS)
- 3 WEIR NO. 3 MEASURES EITHER STREAM DIVERSION OR INFILTRATION WATER (USGS)
- 4 20 FOOT WEIR MEASURES FLOW RETURNED TO STREAM AT INTAKE (FONTANA UNION)
- 5 ANNUAL PERCENTAGE OF DIFFERENCE BETWEEN MEASURED & CALCULATED FLOW AT LOWER POWERHOUSE
- 6 MEASURED FLOW AT LOWER POWERHOUSE (USGS) ASSUMED TO BE CORRECT

NOTES

- 7 WATER EXTRACTED BY FONTANA UNION WATER COMPANY MILLER NARROWS WELLS AND DISCHARGED TO EDISON CONDUIT (FONTANA UNION).
- 8 WATER RETURNED TO STREAM FROM AFTERBAY AT LOWER POWERHOUSE (FONTANA UNION)
- 9 WEIR NO. 4 MEASURES FLOW TO BREED LINE AT INTAKE (USGS).
- 10 FONTANA UNION WATER COMPANY WELL TO BREED LINE (FONTANA UNION)

TABLE NO. 4

LYTLE CREEK
VERIFICATIONS OF EXTRACTIIONS
FOR CALENDAR YEAR 1998

LINE NO.	LOCATION OF MEASUREMENT	JAN	FEB	MAR	APR	MAY	JUN	JUL	AUG	SEP	OCT	NOV	DEC	TOTAL	REMARKS	
1	WEIR NO. 1	825	227	749	1,180	943	164	333	1,228	1,137	1,168	1,115	1,129	10,198	SEE NOTE 1	
2	WEIR NO. 2 and WEIR NO. 3	62	333	1,864	2,083	1,698	913	80	394	2,168	1,866	1,272	955	13,688	SEE NOTE 2	
3	INFILTRATION LINE METER	321	301	328	14	0	0	436	633	132	101	98	101	2,465	SEE NOTE 3	
4	TOTAL OF WEIRS NOS. 1, 2 & 3 and INFILTRATION	1,208	861	2,941	3,277	2,641	1,077	849	2,255	3,437	3,135	2,485	2,185	26,351	LINE 1+2+3	
5	DEDUCT STREAM RETURN OVER 20' WEIR	79	69	554	435	356	32	49	173	588	212	6	12	2,565	SEE NOTE 4	
6	TOTAL CALCULATED FLOW TO LOWER POWERHOUSE LINE 8 - LINE 6	1,129	792	2,387	2,842	2,285	1,045	800	2,082	2,849	2,923	2,479	2,173	23,786	LINE 4-5	
7	ANNUAL PERCENT DIFFERENCE $\frac{\text{LINE 8} - \text{LINE 6}}{\text{LINE 6}} \times 100$													-7.26 %	SEE NOTE 5	
8	MEASURED FLOW TO LOWER POWERHOUSE	1,130	793	2,380	2,598	2,182	1,026	736	1,922	2,557	2,614	2,238	2,001	22,177	SEE NOTE 6	
<u>DEDUCT MILLER NARROWS WELLS</u>																
9	WELL NO. 1 RECORDATION NO. 3600588	0	0	0	0	0	0	0	0	0	0	0	0	0	SEE NOTE 7	
10	WELL NO. 2 RECORDATION NO. 3600590	0	0	0	0	0	0	0	0	0	0	0	0	0	SEE NOTE 7	
11	TOTAL PUMPED WATER	0	0	0	0	0	0	0	0	0	0	0	0	0	LINE 9+10	
12	STREAM FLOW DIVERTED FROM LYTLE CRK TO LOWER POWERHOUSE	1,130	793	2,380	2,598	2,182	1,026	736	1,922	2,557	2,614	2,238	2,001	22,177	LINE 8-11	
<u>DEDUCT FLOW RETURNED TO STREAM BELOW LOWER POWERHOUSE</u>																
13	RETURN FLOW FROM AFTERBAY	212	380	926	933	970	949	378	555	758	670	383	198	7,312	SEE NOTE 8	
14	RETURN FLOW FROM WSBCWD DIVISION BOX	0	0	0	0	0	0	0	0	0	0	0	0	0	SEE NOTE 11	
15	TOTAL RETURN FLOW BELOW LOWER POWERHOUSE	212	380	926	933	970	949	378	555	758	670	383	198	7,312	LINE 13+14	
16	NET STREAM FLOW DIVERSION AT LOWER POWERHOUSE	918	413	1,454	1,665	1,212	77	358	1,367	1,799	1,944	1,855	1,803	14,865	LINE 12-15	
<u>BREED LINE CALCULATION</u>																
17	WEIR NO. 4	Record discontinued. WEIR NO. 4 receives FUWC WELL NO. 27 production only.													0	SEE NOTE 9
18	LESS WATER PUMPED BY FONTANA UNION WELL NO. 27 RECORDATION NO. 3600582	0	0	0	0	0	0	0	0	0	0	0	0	0	SEE NOTE 10	
19	NET LYTLE CREEK STREAM FLOW AT FONTANA UNION INTAKE TO BREED LINE	0	0	0	0	0	0	0	0	0	0	0	0	0	LINE 17-18	
20	TOTAL LYTLE CREEK STREAM FLOW DIVERSION AS VERIFIED	918	413	1,454	1,665	1,212	77	358	1,367	1,799	1,944	1,855	1,803	14,865	LINE 16+19	

NOTES

- 1 WEIR NO. 1 MEASURES SOUTHERN CALIFORNIA EDISON CONDUIT NEAR FONTANA (USGS)
- 2 WEIR NO. 2 MEASURES STREAM DIVERSION (USGS)
- 3 WEIR NO. 3 MEASURES STREAM DIVERSION (USGS)
- 4 20 FOOT WEIR MEASURES FLOW RETURNED TO STREAM AT INTAKE (USGS)
- 5 ANNUAL PERCENTAGE OF DIFFERENCE BETWEEN MEASURED & CALCULATED FLOW AT LOWER POWERHOUSE
- 6 MEASURED FLOW AT LOWER POWERHOUSE (USGS) ASSUMED TO BE CORRECT

NOTES

- 7 WATER EXTRACTED BY FONTANA UNION WATER COMPANY MILLER NARROWS WELLS AND DISCHARGED TO EDISON CONDUIT (FONTANA UNION)
- 8 WATER RETURNED TO STREAM FROM AFTERBAY AT LOWER POWERHOUSE FONTANA UNION (USGS)
- 9 WEIR NO. 4 MEASURES FLOW TO BREED LINE AT INTAKE (USGS)
- 10 FONTANA UNION WATER COMPANY WELL TO BREED LINE (FONTANA UNION)
- 11 WATER RETURNED TO STREAM FROM WEST SAN BERNARDINO COUNTY WATER DISTRICT DIVISION BOX (WEST SAN BERNARDINO COUNTY WD)

TABLE NO. 4

LYTLE CREEK
VERIFICATIONS OF EXTRACTIIONS
FOR CALENDAR YEAR 1999

LINE NO.	LOCATION OF MEASUREMENT	JAN	FEB	MAR	APR	MAY	JUN	JUL	AUG	SEP	OCT	NOV	DEC	TOTAL	REMARKS	
1	WEIR NO. 1	1,107	1,000	1,107	1,071	1,021	774	583	510	471	488	560	600	9,292	SEE NOTE 1	
2	WEIR NO. 2 and WEIR NO. 3	571	456	260	406	87	0	0	0	0	0	0	2	1,782	SEE NOTE 2	
3	INFILTRATION LINE METER	101	92	101	96	217	295	282	257	231	234	233	240	2,379	SEE NOTE 3	
4	TOTAL OF WEIRS NOS. 1, 2 & 3 and INFILTRATION	1,779	1,548	1,468	1,573	1,325	1,069	865	767	702	722	793	842	13,453	LINE 1+2+3	
5	DEDUCT STREAM RETURN OVER 20' WEIR	0	38	0	0	0	0	0	0	0	0	0	40	78	SEE NOTE 4	
6	TOTAL CALCULATED FLOW TO LOWER POWERHOUSE LINE 8 - LINE 6	1,779	1,510	1,468	1,573	1,325	1,069	865	767	702	722	793	802	13,375	LINE 4-5	
7	ANNUAL PERCENT DIFFERENCE $\frac{\text{LINE 8} - \text{LINE 6}}{\text{LINE 8}} \times 100$													-7.28 %	SEE NOTE 5	
8	MEASURED FLOW TO LOWER POWERHOUSE	1,700	1,462	1,321	1,388	1,256	1,010	801	675	635	684	756	779	12,467	SEE NOTE 6	
<u>DEDUCT MILLER NARROWS WELLS</u>																
9	WELL NO. 1 RECORDATION NO. 3600588	0	0	0	0	0	0	0	0	0	0	0	0	0	SEE NOTE 7	
10	WELL NO. 2 RECORDATION NO. 3600590	0	0	0	0	0	0	0	0	0	0	0	0	0	SEE NOTE 7	
11	TOTAL PUMPED WATER	0	0	0	0	0	0	0	0	0	0	0	0	0	LINE 9+10	
12	STREAM FLOW DIVERTED FROM LYTLE CRK TO LOWER POWERHOUSE	1,700	1,462	1,321	1,388	1,256	1,010	801	675	635	684	756	779	12,467	LINE 8-11	
<u>DEDUCT FLOW RETURNED TO STREAM BELOW LOWER POWERHOUSE</u>																
13	RETURN FLOW FROM AFTERBAY	140	153	77	148	107	48	33	24	13	57	46	32	878	SEE NOTE 8	
14	RETURN FLOW FROM WSBCWD DIVISION BOX	0	0	0	0	0	0	0	0	0	0	0	0	0	SEE NOTE 11	
15	TOTAL RETURN FLOW BELOW LOWER POWERHOUSE	140	153	77	148	107	48	33	24	13	57	46	32	878	LINE 13+14	
16	NET STREAM FLOW DIVERSION AT LOWER POWERHOUSE	1,560	1,309	1,244	1,240	1,149	962	768	651	622	627	710	747	11,589	LINE 12-15	
<u>BREED LINE CALCULATION</u>																
17	WEIR NO. 4	Record discontinued. WEIR NO. 4 receives FUWC WELL NO. 27 production only.													0	SEE NOTE 9
18	LESS WATER PUMPED BY FONTANA UNION WELL NO. 27 RECORDATION NO. 3600582	0	0	0	0	0	0	0	0	0	0	0	0	0	SEE NOTE 10	
19	NET LYTLE CREEK STREAM FLOW AT FONTANA UNION INTAKE TO BREED LINE	0	0	0	0	0	0	0	0	0	0	0	0	0	LINE 17-18	
20	TOTAL LYTLE CREEK STREAM FLOW DIVERSION AS VERIFIED	1,560	1,309	1,244	1,240	1,149	962	768	651	622	627	710	747	11,589	LINE 16+19	

NOTES

- 1 WEIR NO. 1 MEASURES SOUTHERN CALIFORNIA EDISON CONDUIT NEAR FONTANA (USGS)
- 2 WEIR NO. 2 MEASURES STREAM DIVERSION (USGS)
- 3 WEIR NO. 3 MEASURES STREAM DIVERSION (USGS)
- 4 20 FOOT WEIR MEASURES FLOW RETURNED TO STREAM AT INTAKE (USGS)
- 5 ANNUAL PERCENTAGE OF DIFFERENCE BETWEEN MEASURED & CALCULATED FLOW AT LOWER POWERHOUSE
- 6 MEASURED FLOW AT LOWER POWERHOUSE (USGS) ASSUMED TO BE CORRECT

NOTES

- 7 WATER EXTRACTED BY FONTANA UNION WATER COMPANY MILLER NARROWS WELLS AND DISCHARGED TO EDISON CONDUIT (FONTANA UNION).
- 8 WATER RETURNED TO STREAM FROM AFTERBAY AT LOWER POWERHOUSE FONTANA UNION (USGS)
- 9 WEIR NO. 4 MEASURES FLOW TO BREED LINE AT INTAKE (USGS).
- 10 FONTANA UNION WATER COMPANY WELL TO BREED LINE (FONTANA UNION)
- 11 WATER RETURNED TO STREAM FROM WEST SAN BERNARDINO COUNTY WATER DISTRICT DIVISION BOX (WEST SAN BERNARDINO COUNTY WD)

TABLE NO. 4

LYTLE CREEK
VERIFICATIONS OF EXTRACTIIONS
FOR CALENDAR YEAR 2000

LINE NO.	LOCATION OF MEASUREMENT	JAN	FEB	MAR	APR	MAY	JUN	JUL	AUG	SEP	OCT	NOV	DEC	TOTAL	REMARKS	
1	WEIR NO. 1	590	385	863	835	748	452	369	298	319	426	483	429	6,197	SEE NOTE 1	
2	WEIR NO. 2 and WEIR NO. 3	0	0	0	0	0	0	0	0	0	0	0	0	0	SEE NOTE 2	
3	INFILTRATION LINE METER	234	428	789	568	480	346	316	284	268	203	216	264	4,396	SEE NOTE 3	
4	TOTAL OF WEIRS NOS. 1, 2 & 3 and INFILTRATION	824	813	1,652	1,403	1,228	798	685	582	587	629	699	693	10,593	LINE 1+2+3	
5	DEDUCT STREAM RETURN OVER 20' WEIR	8	0	4	2	2	0	2	11	0	0	0	0	29	SEE NOTE 4	
6	TOTAL CALCULATED FLOW TO LOWER POWERHOUSE LINE 8 - LINE 6	816	813	1,648	1,401	1,226	798	683	571	587	629	699	693	10,564	LINE 4-5	
7	ANNUAL PERCENT DIFFERENCE $\frac{\text{LINE 8}}{\text{LINE 6}} \times 100$													-7.70 %	SEE NOTE 5	
8	MEASURED FLOW TO LOWER POWERHOUSE	772	784	1,612	1,278	1,131	744	609	473	477	599	641	689	9,809	SEE NOTE 6	
<u>DEDUCT MILLER NARROWS WELLS</u>																
9	WELL NO. 1 RECORDATION NO. 3600588	0	0	0	0	0	0	0	0	0	0	0	0	0	SEE NOTE 7	
10	WELL NO. 2 RECORDATION NO. 3600590	0	0	0	0	0	0	0	0	0	0	0	0	0	SEE NOTE 7	
11	TOTAL PUMPED WATER	0	0	0	0	0	0	0	0	0	0	0	0	0	LINE 9+10	
12	STREAM FLOW DIVERTED FROM LYTLE CRK TO LOWER POWERHOUSE	772	784	1,612	1,278	1,131	744	609	473	477	599	641	689	9,809	LINE 8-11	
<u>DEDUCT FLOW RETURNED TO STREAM BELOW LOWER POWERHOUSE</u>																
13	RETURN FLOW FROM AFTERBAY	52	155	96	34	22	20	4	5	6	28	46	43	511	SEE NOTE 8	
14	RETURN FLOW FROM WSBCWD DIVISION BOX	0	0	0	0	0	0	0	0	0	0	0	0	0	SEE NOTE 11	
15	TOTAL RETURN FLOW BELOW LOWER POWERHOUSE	52	155	96	34	22	20	4	5	6	28	46	43	511	LINE 13+14	
16	NET STREAM FLOW DIVERSION AT LOWER POWERHOUSE	720	629	1,516	1,244	1,109	724	605	468	471	571	595	646	9,298	LINE 12-15	
<u>BREED LINE CALCULATION</u>																
17	WEIR NO. 4	Record discontinued. WEIR NO. 4 receives FUWC WELL NO. 27 production only.													0	SEE NOTE 9
18	LESS WATER PUMPED BY FONTANA UNION WELL NO. 27 RECORDATION NO. 3600582	0	0	0	0	0	0	0	0	0	0	0	0	0	SEE NOTE 10	
19	NET LYTLE CREEK STREAM FLOW AT FONTANA UNION INTAKE TO BREED LINE	0	0	0	0	0	0	0	0	0	0	0	0	0	LINE 17-18	
20	TOTAL LYTLE CREEK STREAM FLOW DIVERSION AS VERIFIED	720	629	1,516	1,244	1,109	724	605	468	471	571	595	646	9,298	LINE 16+19	

NOTES

- 1 WEIR NO. 1 MEASURES SOUTHERN CALIFORNIA EDISON CONDUIT NEAR FONTANA (USGS)
- 2 WEIR NO. 2 MEASURES STREAM DIVERSION (USGS)
- 3 WEIR NO. 3 MEASURES STREAM DIVERSION (USGS)
- 4 20 FOOT WEIR MEASURES FLOW RETURNED TO STREAM AT INTAKE (USGS)
- 5 ANNUAL PERCENTAGE OF DIFFERENCE BETWEEN MEASURED & CALCULATED FLOW AT LOWER POWERHOUSE
- 6 MEASURED FLOW AT LOWER POWERHOUSE (USGS) ASSUMED TO BE CORRECT

NOTES

- 7 WATER EXTRACTED BY FONTANA UNION WATER COMPANY MILLER NARROWS WELLS AND DISCHARGED TO EDISON CONDUIT (FONTANA UNION).
- 8 WATER RETURNED TO STREAM FROM AFTERBAY AT LOWER POWERHOUSE FONTANA UNION (USGS)
- 9 WEIR NO. 4 MEASURES FLOW TO BREED LINE AT INTAKE (USGS).
- 10 FONTANA UNION WATER COMPANY WELL TO BREED LINE (FONTANA UNION)
- 11 WATER RETURNED TO STREAM FROM WEST SAN BERNARDINO COUNTY WATER DISTRICT DIVISION BOX (WEST SAN BERNARDINO COUNTY WD)

TABLE NO. 4

LYTLE CREEK
VERIFICATIONS OF EXTRactions
FOR CALENDAR YEAR 2001

LINE NO.	LOCATION OF MEASUREMENT	JAN	FEB	MAR	APR	MAY	JUN	JUL	AUG	SEP	OCT	NOV	DEC	TOTAL	REMARKS	
1	WEIR NO. 1 [11060900]	351	246	1,110	1,100	1,020	703	518	471	453	626	781	849	8,228	SEE NOTE 1	
2	WEIR NO. 2 and WEIR NO. 3 [11062399]	0	78	202	60	0	0	0	0	0	0	0	0	340	SEE NOTE 2	
3	INFILTRATION LINE METER [11061000]	426	457	665	583	536	366	328	266	224	219	218	253	4,541	SEE NOTE 3	
4	TOTAL OF WEIRS NOS. 1, 2 & 3 and INFILTRATION	777	781	1,977	1,743	1,556	1,069	846	737	677	845	999	1,102	13,109	LINE 1+2+3	
5	DEDUCT STREAM RETURN OVER 20' WEIR [11062450]	15	220	27	14	0	0	0	0	0	0	0	0	276	SEE NOTE 4	
6	TOTAL CALCULATED FLOW TO LOWER POWERHOUSE	762	561	1,950	1,729	1,556	1,069	846	737	677	845	999	1,102	12,833	LINE 4-5	
7	ANNUAL PERCENT DIFFERENCE $\frac{\text{LINE 8} - \text{LINE 6}}{\text{LINE 6}} \times 100$													1.84 %	SEE NOTE 5	
8	MEASURED FLOW TO LOWER POWERHOUSE [11062700]	735	547	2,250	1,770	1,550	1,070	859	768	712	797	905	1,110	13,073	SEE NOTE 6	
<u>DEDUCT MILLER NARROWS WELLS</u>																
9	WELL NO. 1 RECORDATION NO. 3600588 [FC in 1981]	0	0	0	0	0	0	0	0	0	0	0	0	0	SEE NOTE 7	
10	WELL NO. 2 RECORDATION NO. 3600590 [FC in 1986]	0	0	0	0	0	0	0	0	0	0	0	0	0	SEE NOTE 7	
11	TOTAL PUMPED WATER	0	0	0	0	0	0	0	0	0	0	0	0	0	LINE 9+10	
12	STREAM FLOW DIVERTED FROM LYTLE CRK TO LOWER POWERHOUSE	735	547	2,250	1,770	1,550	1,070	859	768	712	797	905	1,110	13,073	LINE 8-11	
<u>DEDUCT FLOW RETURNED TO STREAM BELOW LOWER POWERHOUSE</u>																
13	RETURN FLOW FROM AFTERBAY [1162800]	108	206	275	189	47	12	12	8	1	9	121	178	1,166	SEE NOTE 8	
14	RETURN FLOW FROM WSBBCWD DIVISION BOX	0	0	0	0	0	0	0	0	0	0	0	0	0	SEE NOTE 11	
15	TOTAL RETURN FLOW BELOW LOWER POWERHOUSE	108	206	275	189	47	12	12	8	1	9	121	178	1,166	LINE 13+14	
16	NET STREAM FLOW DIVERSION AT LOWER POWERHOUSE	627	341	1,975	1,581	1,503	1,058	847	760	711	788	784	932	11,907	LINE 12-15	
<u>BREED LINE CALCULATION</u>																
17	WEIR NO. 4	Record discontinued. WEIR NO. 4 receives FUWC WELL NO. 27 production only.													0	SEE NOTE 9
18	LESS WATER PUMPED BY FONTANA UNION WELL NO. 27 RECORDATION NO. 3600582	0	0	0	0	0	0	0	0	0	0	0	0	0	SEE NOTE 10	
19	NET LYTLE CREEK STREAM FLOW AT FONTANA UNION INTAKE TO BREED LINE	0	0	0	0	0	0	0	0	0	0	0	0	0	LINE 17-18	
20	TOTAL LYTLE CREEK STREAM FLOW DIVERSION AS VERIFIED	627	341	1,975	1,581	1,503	1,058	847	760	711	788	784	932	11,907	LINE 16+19	

NOTES

- 1 WEIR NO. 1 MEASURES SOUTHERN CALIFORNIA EDISON CONDUIT NEAR FONTANA (USGS)
- 2 WEIR NO. 2 MEASURES STREAM DIVERSION (USGS)
- 3 WEIR NO. 3 MEASURES STREAM DIVERSION (USGS)
- 4 20 FOOT WEIR MEASURES FLOW RETURNED TO STREAM AT INTAKE (USGS)
- 5 ANNUAL PERCENTAGE OF DIFFERENCE BETWEEN MEASURED & CALCULATED FLOW AT LOWER POWERHOUSE
- 6 MEASURED FLOW AT LOWER POWERHOUSE (USGS) ASSUMED TO BE CORRECT

NOTES

- 7 WATER EXTRACTED BY FONTANA UNION WATER COMPANY MILLER NARROWS WELLS AND DISCHARGED TO EDISON CONDUIT (FONTANA UNION)
- 8 WATER RETURNED TO STREAM FROM AFTERBAY AT LOWER POWERHOUSE FONTANA UNION (USGS)
- 9 WEIR NO. 4 MEASURES FLOW TO BREED LINE AT INTAKE (USGS)
- 10 FONTANA UNION WATER COMPANY WELL TO BREED LINE (FONTANA UNION)
- 11 WATER RETURNED TO STREAM FROM WEST SAN BERNARDINO COUNTY WATER DISTRICT DIVISION BOX (WEST SAN BERNARDINO COUNTY WD)

TABLE NO. 4

LYTLE CREEK
VERIFICATIONS OF EXTRACTIONS
FOR CALENDAR YEAR 2002

LINE NO.	LOCATION OF MEASUREMENT	JAN	FEB	MAR	APR	MAY	JUN	JUL	AUG	SEP	OCT	NOV	DEC	TOTAL	REMARKS
1	WEIR NO. 1 [11060900]	821	672	632	545	472	334	258	226	197	249	309	456	5,171	SEE NOTE 1
2	WEIR NO. 2 [11062399]	3	0	0	0	0	0	0	0	0	0	0	0	3	SEE NOTE 2
2a	WEIR NO. 3 [11062400]	3	0	0	0	0	0	0	0	0	0	0	0	3	
3	INFILTRATION LINE METER [11061000]	239	232	230	207	201	180	172	163	147	150	160	166	2,247	SEE NOTE 3
4	TOTAL OF WEIRS NOS. 1, 2 & 3 and INFILTRATION	1,066	904	862	752	673	514	430	389	344	399	469	622	7,424	LINE 1+2+3
5	DEDUCT STREAM RETURN OVER 20' WEIR [11062450]	2	0	0	0	0	0	0	0	2	0	0	17	21	SEE NOTE 4
6	TOTAL CALCULATED FLOW TO LOWER POWERHOUSE LINE 8 - LINE 6	1,064	904	862	752	673	514	430	389	342	399	469	605	7,403	LINE 4-5
7	ANNUAL PERCENT DIFFERENCE ----- X 100 LINE 8													1.28 %	SEE NOTE 5
8	MEASURED FLOW TO LOWER POWERHOUSE [11062700]	1,010	930	873	754	675	518	427	401	350	403	528	630	7,499	SEE NOTE 6
<u>DEDUCT MILLER NARROWS WELLS</u>															
9	WELL NO. 1 RECORDATION NO. 3600588 [FC in 1981]														SEE NOTE 7
10	WELL NO. 2 RECORDATION NO. 3600590 [FC in 1986]														SEE NOTE 7
11	TOTAL PUMPED WATER														LINE 9+10
12	STREAM FLOW DIVERTED FROM LYTLE CRK TO LOWER POWERHOUSE	1,010	930	873	754	675	518	427	401	350	403	528	630	7,499	LINE 8-11
<u>DEDUCT FLOW RETURNED TO STREAM BELOW LOWER POWERHOUSE</u>															
13	RETURN FLOW FROM AFTERBAY [11062800]	290	58	54	41	35	40	29	4	1	7	342	458	1,359	SEE NOTE 8
14	RETURN FLOW FROM WSBCWD DIVISION BOX	0	0	0	0	0	0	0	0	0	0	0	0	0	SEE NOTE 11
15	TOTAL RETURN FLOW BELOW LOWER POWERHOUSE	290	58	54	41	35	40	29	4	1	7	342	458	1,359	LINE 13+14
16	NET STREAM FLOW DIVERSION AT LOWER POWERHOUSE	720	872	819	713	640	478	398	397	349	396	186	172	6,140	LINE 12-15
<u>BREED LINE CALCULATION</u>															
17	WEIR NO. 4														SEE NOTE 9
18	LESS WATER PUMPED BY FONTANA UNION WELL NO. 27 RECORDATION NO. 3600582														SEE NOTE 10
19	NET LYTLE CREEK STREAM FLOW AT FONTANA UNION INTAKE TO BREED LINE														LINE 17-18
20	TOTAL LYTLE CREEK STREAM FLOW DIVERSION AS VERIFIED	720	872	819	713	640	478	398	397	349	396	186	172	6,140	LINE 16+19

NOTES

- 1 WEIR NO. 1 MEASURES SOUTHERN CALIFORNIA EDISON CONDUIT NEAR FONTANA (USGS)
- 2 WEIR NO. 2 MEASURES STREAM DIVERSION (USGS)
- 3 WEIR NO. 3 MEASURES STREAM DIVERSION (USGS)
- 4 20 FOOT WEIR MEASURES FLOW RETURNED TO STREAM AT INTAKE (USGS)
- 5 ANNUAL PERCENTAGE OF DIFFERENCE BETWEEN MEASURED & CALCULATED FLOW AT LOWER POWERHOUSE
- 6 MEASURED FLOW AT LOWER POWERHOUSE (USGS) ASSUMED TO BE CORRECT

NOTES

- 7 WATER EXTRACTED BY FONTANA UNION WATER COMPANY MILLER NARROWS WELLS AND DISCHARGED TO EDISON CONDUIT (FONTANA UNION).
- 8 WATER RETURNED TO STREAM FROM AFTERBAY AT LOWER POWERHOUSE FONTANA UNION (USGS)
- 9 WEIR NO. 4 MEASURES FLOW TO BREED LINE AT INTAKE (USGS).
- 10 FONTANA UNION WATER COMPANY WELL TO BREED LINE (FONTANA UNION)
- 11 WATER RETURNED TO STREAM FROM WEST SAN BERNARDINO COUNTY WATER DISTRICT DIVISION BOX (WEST SAN BERNARDINO COUNTY WD)

TABLE NO. 5

MILL CREEK VERIFICATION OF EXTRACTIONS FOR
CALENDAR YEARS 1998-2002

TABLE NO. 5

MILL CREEK
VERIFICATIONS OF EXTRactions
FOR CALENDAR YEAR 1998

LINE NO.	LOCATION OF MEASUREMENT	JAN	FEB	MAR	APR	MAY	JUN	JUL	AUG	SEP	OCT	NOV	DEC	TOTAL	REMARKS
1	MILL CREEK NEAR YUCAIPA STREAMFLOW														
2	MILL CREEK NEAR YUCAIPA POWER CANALS	644	Station Discontinued		994	696	1,327	1,313	926	967	1,119	1,053	1,021	11,025	SEE NOTE 1
3	MILL CREEK NEAR YUCAIPA COMBINED FLOW		334	631											SEE NOTE 1
4	TOTAL FLOW AVAILABLE FOR DIVERSION		Station Discontinued												SEE NOTE 1
			Station Discontinued												LINE 3
<u>DIVERSIONS</u>															
<u>MILL CREEK NO. 2 & 3 POWERHOUSE AFTERBAY</u>															
5	DIVERSION TO YUCAIPA; REGIONAL PARK & WILSON CREEK	0	0	0	0	13	488	494	188	30	27	36	1	1,277	SEE NOTE 2
<u>CITY OF REDLANDS TATE FILTER PLANT</u>															
6	INFLOW TO TATE FILTER PLANT	559	148	264	451	0	342	864	474	535	936	841	175	5,589	SEE NOTE 3
7	LESS FILTER BACK & SURF WASH WATER RETURNED TO ZANJA	0	0	0	0	0	0	0	0	0	0	0	0	0	SEE NOTE 3
8	LESS GROUNDWATER RECHARGE IN CITY WELLS 10, 11 & 12	0	0	0	0	0	0	0	0	0	0	0	0	0	SEE NOTE 4
9	NET DIVERSION FROM AVAILABLE FLOW TO TATE	559	148	264	451	0	342	864	474	535	936	841	175	5,589	LINE 6-7-8
<u>BOULLIQUON BOX</u>															
10	TRANSFER OF SANTA ANA RIVER WATER TO BEAR VALLEY HIGHLINE	0	0	0	0	0	0	0	0	0	0	0	0	0	SEE NOTE 5
11	TRANSFER OF SANTA ANA RIVER WATER TO ZANJA	0	0	0	0	0	0	0	0	0	0	0	0	0	SEE NOTE 5
12	SAN BERN VALLEY MWD TATE PUMP STATION	0	0	0	0	0	0	0	0	0	(231)	(417)	(464)	(1,112)	SEE NOTE 6
13	SAN BERN VALLEY MWD UNGER LANE TURNOUT	5	6	0	0	0	0	0	23	119	0	0	0	153	SEE NOTE 6
<u>CRAFTON WATER COMPANY CANAL</u>															
14	INFLOW TO CRAFTON CANAL FROM ZANJA	87	77	1	0	0	479	364	430	373	403	306	303	2,823	SEE NOTE 7
15	LESS GROUNDWATER RECHARGE HILL WELL & KING ST. SHAFT	0	0	0	0	0	0	0	0	0	0	0	0	0	SEE NOTE 8
16	NET DIVERSION FROM AVAILABLE FLOW TO CRAFTON	87	77	1	0	0	479	364	430	373	403	306	303	2,823	LINE 14-15
17	TOTAL FLOW DIVERTED INCLUDING UPPER MILL CREEK WELLS	641	219	265	451	13	1,309	1,722	1,069	819	1,597	1,600	943	10,648	LINE 5+9+10-11 -12-13+16
<u>DEDUCT UPPER MILL CREEK WELLS</u>															
18	CITY OF REDLANDS MILL CREEK NO. 1 REC. NO. 3601282	0	0	0	0	0	0	0	0	0	0	0	0	0	SEE NOTE 9
19	CITY OF REDLANDS MILL CREEK NO. 2 REC. NO. 3601285	157	141	181	193	202	192	164	114	198	194	170	225	2,131	SEE NOTE 9
20	CITY OF REDLANDS MILL CREEK NO. 4 REC. NO. 3601288	0	0	0	0	0	0	0	0	0	0	0	0	0	SEE NOTE 9
21	CITY OF REDLANDS MILL CREEK NO.0-A REC. NO. 3602351	13	0	0	0	0	0	0	0	0	0	0	0	13	SEE NOTE 9
22	CITY OF REDLANDS MILL CREEK NO.2-A REC. NO. 3603045	80	89	113	98	77	113	110	93	79	85	82	99	1,118	SEE NOTE 9
23	TOTAL UPPER MILL CREEK WELL PRODUCTION	250	230	294	291	279	305	274	207	277	279	252	324	3,262	LINE 18+19 +20+21
24	TOTAL MILL CREEK STREAM DIVERSION AS VERIFIED	391	0	0	160	0	1,004	1,448	862	0	1,318	0	619	5,802	LINE 17-22

NOTES

- 1 U.S.G.S. UNPUBLISHED RECORDS OF MILL CREEK FLOWS
- 2 YUCAIPA PIPELINE TO YUCAIPA OPERATIONS RECORDS (SAN BERNARDINO VALLEY MUNICIPAL WATER DISTRICT)
- 3 TATE FILTER PLANT OPERATIONS RECORDS (CITY OF REDLANDS)
- 4 METERED RECHARGE IN WELLS NUMBER 10, 11 AND 12 (RECORDATION NUMBERS 3601291, 3601292 & 3601293 RESPECTIVELY, CITY OF REDLANDS)
- 5 BOULLIQUON BOX CONNECTS BEAR VALLEY HIGHLINE AND THE ZANJA (SAN BERNARDINO VALLEY MWD & BEAR VALLEY MUTUAL WATER COMPANY)

NOTES

- 6 SAN BERNARDINO VALLEY MUNICIPAL WATER DISTRICT COMPLETED THE TATE PUMP STATION. STATE WATER PROJECT OR SANTA ANA RIVER WATER CAN BE DELIVERED TO MILL CREEK FACILITIES.
- 7 CRAFTON CANAL DIVERTS FROM THE ZANJA (SAN BERNARDINO VALLEY MUNICIPAL WATER DISTRICT)
- 8 GROUNDWATER RECHARGE IN HILL WELL AND KING STREET SHAFT (CRAFTON WATER COMPANY)
- 9 METERED PRODUCTION FROM WELLS IN UPPER MILL CREEK. WELLS PUMP DIRECTLY INTO POWER CANALS. SURFACE DIVERSIONS AND WELL EXTRACTIIONS ARE COMMINGLED (CITY OF REDLANDS)

TABLE NO. 5

MILL CREEK
VERIFICATIONS OF EXTRactions
FOR CALENDAR YEAR 1999

LINE NO.	LOCATION OF MEASUREMENT	JAN	FEB	MAR	APR	MAY	JUN	JUL	AUG	SEP	OCT	NOV	DEC	TOTAL	REMARKS
1	MILL CREEK NEAR YUCAIPA STREAMFLOW		Station Discontinued												SEE NOTE 1
2	MILL CREEK NEAR YUCAIPA POWER CANALS	857	756	793	783	738	626	169	410	351	442	466	462	6,853	SEE NOTE 1
3	MILL CREEK NEAR YUCAIPA COMBINED FLOW		Station Discontinued												SEE NOTE 1
4	TOTAL FLOW AVAILABLE FOR DIVERSION		Station Discontinued												LINE 3
<u>DIVERSIONS</u>															
<u>MILL CREEK NO. 2 & 3 POWERHOUSE AFTERBAY</u>															
5	DIVERSION TO YUCAIPA; REGIONAL PARK & WILSON CREEK	4	0	14	0	43	19	0	0	0	23	0	6	109	SEE NOTE 2
<u>CITY OF REDLANDS TATE FILTER PLANT</u>															
6	INFLOW TO TATE FILTER PLANT	869	676	942	758	848	694	164	567	574	662	184	516	7,454	SEE NOTE 3
7	LESS FILTER BACK & SURF WASH WATER RETURNED TO ZANJA	0	0	0	0	0	0	0	0	0	0	0	0	0	SEE NOTE 3
8	LESS GROUNDWATER RECHARGE IN CITY WELLS 10, 11 & 12	0	0	0	0	0	0	0	0	0	0	0	0	0	SEE NOTE 4
9	NET DIVERSION FROM AVAILABLE FLOW TO TATE	869	676	942	758	848	694	164	567	574	662	184	516	7,454	LINE 6-7-8
<u>BOULLIQUON BOX</u>															
10	TRANSFER OF SANTA ANA RIVER WATER TO BEAR VALLEY HIGHLINE	0	0	0	0	0	0	0	0	0	0	0	0	0	SEE NOTE 5
11	TRANSFER OF SANTA ANA RIVER WATER TO ZANJA	0	0	0	0	0	0	0	0	0	0	0	0	0	SEE NOTE 5
12	SAN BERN VALLEY MWD TATE PUMP STATION (290 AF TO GREENSPOT P	(290)	0	0	0	0	0	0	0	0	8	0	0	(282)	SEE NOTE 6
13	SAN BERN VALLEY MWD UNGER LANE TURNOUT	0	0	0	0	84	203	350	411	383	326	230	152	2,139	SEE NOTE 6
<u>CRAFTON WATER COMPANY CANAL</u>															
14	INFLOW TO CRAFTON CANAL FROM ZANJA	235	121	345	177	469	489	462	514	313	372	272	350	4,119	SEE NOTE 7
15	LESS GROUNDWATER RECHARGE HILL WELL & KING ST. SHAFT	0	0	0	0	0	0	0	0	0	0	0	0	0	SEE NOTE 8
16	NET DIVERSION FROM AVAILABLE FLOW TO CRAFTON	235	121	345	177	469	489	462	514	313	372	272	350	4,119	LINE 14-15
17	TOTAL FLOW DIVERTED INCLUDING UPPER MILL CREEK WELLS	1,398	797	1,301	935	1,276	999	276	670	504	723	226	720	9,825	LINE 5+9+10-11 -12-13+16
<u>DEDUCT UPPER MILL CREEK WELLS</u>															
18	CITY OF REDLANDS MILL CREEK NO. 1 REC. NO. 3601282	0	0	0	0	0	0	0	39	115	128	40	0	322	SEE NOTE 9
19	CITY OF REDLANDS MILL CREEK NO. 2 REC. NO. 3601285	198	148	161	151	90	132	150	148	142	149	141	127	1,737	SEE NOTE 9
20	CITY OF REDLANDS MILL CREEK NO. 4 REC. NO. 3601288	0	0	0	0	0	0	0	0	0	0	0	0	0	SEE NOTE 9
21	CITY OF REDLANDS MILL CREEK NO.0-A REC. NO. 3602351	0	0	0	0	0	0	0	30	62	85	20	56	253	SEE NOTE 9
22	CITY OF REDLANDS MILL CREEK NO.2-A REC. NO. 3603045	87	77	85	79	81	78	80	81	76	78	74	75	951	SEE NOTE 9
23	TOTAL UPPER MILL CREEK WELL PRODUCTION	285	225	246	230	171	210	230	298	395	440	275	258	3,263	LINE 18+19 +20+21
24	TOTAL MILL CREEK STREAM DIVERSION AS VERIFIED	1,113	572	1,055	705	1,105	789	46	372	109	283	0	462	6,611	LINE 17-22

NOTES

- 1 U.S.G.S. UNPUBLISHED RECORDS OF MILL CREEK FLOWS
- 2 YUCAIPA PIPELINE TO YUCAIPA OPERATIONS RECORDS (SAN BERNARDINO VALLEY MUNICIPAL WATER DISTRICT)
- 3 TATE FILTER PLANT OPERATIONS RECORDS (CITY OF REDLANDS)
- 4 METERED RECHARGE IN WELLS NUMBER 10, 11 AND 12 (RECORDATION NUMBERS 3601291, 3601292 & 3601293 RESPECTIVELY, CITY OF REDLANDS)
- 5 BOULLIQUON BOX CONNECTS BEAR VALLEY HIGHLINE AND THE ZANJA (SAN BERNARDINO VALLEY MWD & BEAR VALLEY MUTUAL WATER COMPANY)

NOTES

- 6 SAN BERNARDINO VALLEY MUNICIPAL WATER DISTRICT COMPLETED THE TATE PUMP STATION. STATE WATER PROJECT OR SANTA ANA RIVER WATER CAN BE DELIVERED TO MILL CREEK FACILITIES.
- 7 CRAFTON CANAL DIVERTS FROM THE ZANJA (SAN BERNARDINO VALLEY MUNICIPAL WATER DISTRICT)
- 8 GROUNDWATER RECHARGE IN HILL WELL AND KING STREET SHAFT (CRAFTON WATER COMPANY)
- 9 METERED PRODUCTION FROM WELLS IN UPPER MILL CREEK. WELLS PUMP DIRECTLY INTO POWER CANALS. SURFACE DIVERSIONS AND WELL EXTRACTIONS ARE COMMINGLED (CITY OF REDLANDS)

TABLE NO. 5

MILL CREEK
VERIFICATIONS OF EXTRACTIONS
FOR CALENDAR YEAR 2000

LINE NO.	LOCATION OF MEASUREMENT	JAN	FEB	MAR	APR	MAY	JUN	JUL	AUG	SEP	OCT	NOV	DEC	TOTAL	REMARKS
1	MILL CREEK NEAR YUCAIPA STREAMFLOW														SEE NOTE 1
2	MILL CREEK NEAR YUCAIPA POWER CANALS										443	337	0	780	SEE NOTE 1
3	MILL CREEK NEAR YUCAIPA COMBINED FLOW														SEE NOTE 1
4	TOTAL FLOW AVAILABLE FOR DIVERSION														LINE 3
<u>DIVERSIONS</u>															
<u>MILL CREEK NO. 2 & 3 POWERHOUSE AFTERBAY</u>															
5	DIVERSION TO YUCAIPA; REGIONAL PARK & WILSON CREEK	0	0	0	0	46	26	22	29	0	9	10	42	184	SEE NOTE 2
<u>CITY OF REDLANDS TATE FILTER PLANT</u>															
6	INFLOW TO TATE FILTER PLANT	538	225	235	123	821	831	781	544	493	670	626	621	6,508	SEE NOTE 3
7	LESS FILTER BACK & SURF WASH WATER RETURNED TO ZANJA	0	0	0	0	0	0	0	0	0	0	0	0	0	SEE NOTE 3
8	LESS GROUNDWATER RECHARGE IN CITY WELLS 10, 11 & 12	0	0	0	0	0	0	0	0	0	0	0	0	0	SEE NOTE 4
9	NET DIVERSION FROM AVAILABLE FLOW TO TATE	538	225	235	123	821	831	781	544	493	670	626	621	6,508	LINE 6-7-8
<u>BOULLIQUON BOX</u>															
10	TRANSFER OF SANTA ANA RIVER WATER TO BEAR VALLEY HIGHLINE	0	0	0	0	0	0	0	0	0	0	0	0	0	SEE NOTE 5
11	TRANSFER OF SANTA ANA RIVER WATER TO ZANJA	0	0	0	0	0	0	0	0	0	0	0	0	0	SEE NOTE 5
12	SAN BERN VALLEY MWD TATE PUMP STATION	0	0	0	0	0	0	0	0	0	0	0	0	0	SEE NOTE 6
13	SAN BERN VALLEY MWD UNGER LANE TURNOUT	94	34	0	119	34	307	359	382	356	262	140	156	2,243	SEE NOTE 6
<u>CRAFTON WATER COMPANY CANAL</u>															
14	INFLOW TO CRAFTON CANAL FROM ZANJA	274	109	0	221	493	474	503	453	508	408	287	257	3,987	SEE NOTE 7
15	LESS GROUNDWATER RECHARGE HILL WELL & KING ST. SHAFT	0	0	0	0	0	0	0	0	0	0	0	0	0	SEE NOTE 8
16	NET DIVERSION FROM AVAILABLE FLOW TO CRAFTON	274	109	0	221	493	474	503	453	508	408	287	257	3,987	LINE 14-15
17	TOTAL FLOW DIVERTED INCLUDING UPPER MILL CREEK WELLS	718	300	235	225	1,326	1,024	947	644	645	825	783	764	8,436	LINE 5+9+10-11 -12-13+16
<u>DEDUCT UPPER MILL CREEK WELLS</u>															
18	CITY OF REDLANDS MILL CREEK NO. 1 REC. NO. 3601282	0	0	0	0	0	50	168	140	0	0	0	0	358	SEE NOTE 9
19	CITY OF REDLANDS MILL CREEK NO. 2 REC. NO. 3601285	143	133	119	125	127	117	152	136	124	140	137	151	1,604	SEE NOTE 9
20	CITY OF REDLANDS MILL CREEK NO. 4 REC. NO. 3601288	74	61	47	75	77	70	77	66	69	70	49	0	735	SEE NOTE 9
21	CITY OF REDLANDS MILL CREEK NO.0-A REC. NO. 3602351	4	0	0	0	0	69	123	73	98	75	65	62	569	SEE NOTE 9
22	CITY OF REDLANDS MILL CREEK NO.2-A REC. NO. 3603045	0	0	0	0	0	35	121	103	0	0	0	0	259	SEE NOTE 9
23	TOTAL UPPER MILL CREEK WELL PRODUCTION	221	194	166	200	204	341	641	518	291	285	251	213	3,525	LINE 18+19 +20+21
24	TOTAL MILL CREEK STREAM DIVERSION AS VERIFIED	497	106	69	25	1,122	683	306	126	354	540	0	551	4,379	LINE 17-22

NOTES

- 1 U.S.G.S. UNPUBLISHED RECORDS OF MILL CREEK FLOWS
- 2 YUCAIPA PIPELINE TO YUCAIPA OPERATIONS RECORDS (SAN BERNARDINO VALLEY MUNICIPAL WATER DISTRICT)
- 3 TATE FILTER PLANT OPERATIONS RECORDS (CITY OF REDLANDS)
- 4 METERED RECHARGE IN WELLS NUMBER 10, 11 AND 12 (RECORDATION NUMBERS 3601291, 3601292 & 3601293 RESPECTIVELY, CITY OF REDLANDS)
- 5 BOULLIQUON BOX CONNECTS BEAR VALLEY HIGHLINE AND THE ZANJA (SAN BERNARDINO VALLEY MWD & BEAR VALLEY MUTUAL WATER COMPANY)

NOTES

- 6 SAN BERNARDINO VALLEY MUNICIPAL WATER DISTRICT COMPLETED THE TATE PUMP STATION. STATE WATER PROJECT OR SANTA ANA RIVER WATER CAN BE DELIVERED TO MILL CREEK FACILITIES.
- 7 CRAFTON CANAL DIVERTS FROM THE ZANJA (SAN BERNARDINO VALLEY MUNICIPAL WATER DISTRICT)
- 8 GROUNDWATER RECHARGE IN HILL WELL AND KING STREET SHAFT (CRAFTON WATER COMPANY)
- 9 METERED PRODUCTION FROM WELLS IN UPPER MILL CREEK. WELLS PUMP DIRECTLY INTO POWER CANALS. SURFACE DIVERSIONS AND WELL EXTRACTIONS ARE COMMINGLED (CITY OF REDLANDS)

TABLE NO. 5

MILL CREEK
VERIFICATIONS OF EXTRACTIONS
FOR CALENDAR YEAR 2001

LINE NO.	LOCATION OF MEASUREMENT	JAN	FEB	MAR	APR	MAY	JUN	JUL	AUG	SEP	OCT	NOV	DEC	TOTAL	REMARKS	
1	MILL CREEK NEAR YUCAIPA STREAMFLOW		Station Discontinued													SEE NOTE 1
2	MILL CREEK NEAR YUCAIPA POWER CANALS [11052500]	251	407	525	460	397	582	409	418	348	370	308	379	4,854	SEE NOTE 1	
3	MILL CREEK NEAR YUCAIPA COMBINED FLOW		Station Discontinued													SEE NOTE 1
4	TOTAL FLOW AVAILABLE FOR DIVERSION	251	407	525	460	397	582	409	418	348	370	308	379	4,854	LINE 3	
<u>DIVERSIONS</u>																
<u>MILL CREEK NO. 2 & 3 POWERHOUSE AFTERBAY</u>																
5	DIVERSION TO YUCAIPA; REGIONAL PARK & WILSON CREEK	0	0	0	0	46	40	5	0	21	0	5	0	117	SEE NOTE 2	
<u>CITY OF REDLANDS TATE FILTER PLANT</u>																
6	INFLOW TO TATE FILTER PLANT	785	476	676	783	1,053	1,239	1,295	1,297	1,248	1,315	1,273	662	12,102	SEE NOTE 3	
7	LESS FILTER BACK & SURF WASH WATER RETURNED TO ZANJA	0	0	0	0	0	0	0	0	0	0	0	0	0	SEE NOTE 3	
8	LESS GROUNDWATER RECHARGE IN CITY WELLS 10, 11 & 12	0	0	0	0	0	0	0	0	0	0	0	0	0	SEE NOTE 4	
9	NET DIVERSION FROM AVAILABLE FLOW TO TATE	785	476	676	783	1,053	1,239	1,295	1,297	1,248	1,315	1,273	662	12,102	LINE 6-7-8	
<u>BOULLIQUON BOX</u>																
10	TRANSFER OF SANTA ANA RIVER WATER TO BEAR VALLEY HIGHLIN	0	0	0	0	0	0	0	0	0	0	0	0	0	SEE NOTE 5	
11	TRANSFER OF SANTA ANA RIVER WATER TO ZANJA	0	0	0	0	0	0	0	0	0	0	0	0	0	SEE NOTE 5	
12	SAN BERN VALLEY MWD TATE PUMP STATION [Delivery In 40 + 41]	0	0	0	0	0	0	0	0	0	0	0	0	0	SEE NOTE 6	
13	SAN BERN VALLEY MWD UNGER LANE TURNOUT [Delivery In 37]	34	0	0	0	60	169	163	266	353	377	22	0	1,444	SEE NOTE 6	
<u>CRAFTON WATER COMPANY CANAL</u>																
14	INFLOW TO CRAFTON CANAL FROM ZANJA [SBVMWD Zanja West]	98	8	0	86	179	134	126	234	439	487	150	52	1,993	SEE NOTE 7	
15	LESS GROUNDWATER RECHARGE HILL WELL & KING ST. SHAFT	0	0	0	0	0	0	0	0	0	0	0	0	0	SEE NOTE 8	
16	NET DIVERSION FROM AVAILABLE FLOW TO CRAFTON	98	8	0	86	179	134	126	234	439	487	150	52	1,993	LINE 14-15	
17	TOTAL FLOW DIVERTED INCLUDING UPPER MILL CREEK WELLS	849	484	676	869	1,218	1,244	1,263	1,265	1,355	1,425	1,406	714	12,768	LINE 5+9+10-11 -12-13+16	
<u>DEDUCT UPPER MILL CREEK WELLS</u>																
18	CITY OF REDLANDS MILL CREEK NO. 1 REC. NO. 3601282	0	0	0	0	0	50	163	133	130	100	126	82	784	SEE NOTE 9	
19	CITY OF REDLANDS MILL CREEK NO. 2 REC. NO. 3601285	151	133	126	124	133	122	141	125	124	110	68	64	1,421	SEE NOTE 9	
20	CITY OF REDLANDS MILL CREEK NO. 4 REC. NO. 3601288	36	61	56	47	35	60	68	60	62	59	54	59	657	SEE NOTE 9	
21	CITY OF REDLANDS MILL CREEK NO.0-A REC. NO. 3602351	59	52	49	44	33	59	60	59	55	56	48	46	620	SEE NOTE 9	
22	CITY OF REDLANDS MILL CREEK NO.2-A REC. NO. 3603045	0	0	0	0	0	0	0	45	105	96	62	70	378	SEE NOTE 9	
23	TOTAL UPPER MILL CREEK WELL PRODUCTION	246	246	231	215	201	291	432	422	476	421	358	321	3,860	LINE 18+19 +20+21	
24	TOTAL MILL CREEK STREAM DIVERSION AS VERIFIED		238	445	654	1,017	953	831	843	879	1,004	0	393	7,257	LINE 17-22	

NOTES

- U.S.G.S. UNPUBLISHED RECORDS OF MILL CREEK FLOWS
- YUCAIPA PIPELINE TO YUCAIPA OPERATIONS RECORDS (SAN BERNARDINO VALLEY MUNICIPAL WATER DISTRICT Delivery Mill Creek)
- TATE FILTER PLANT OPERATIONS RECORDS (CITY OF REDLANDS)
- METERED RECHARGE IN WELLS NUMBER 10, 11 AND 12 (RECORDATION NUMBERS 3601291, 3601292 & 3601293 RESPECTIVELY, CITY OF REDLANDS)
- BOULLIQUON BOX CONNECTS BEAR VALLEY HIGHLINE AND THE ZANJA (SAN BERNARDINO VALLEY MWD & BEAR VALLEY MUTUAL WATER COMPANY)

NOTES

- SAN BERNARDINO VALLEY MUNICIPAL WATER DISTRICT COMPLETED THE TATE PUMP STATION. STATE WATER PROJECT OR SANTA ANA RIVER WATER CAN BE DELIVERED TO MILL CREEK FACILITIES.
- CRAFTON CANAL DIVERTS FROM THE ZANJA (SAN BERNARDINO VALLEY MUNICIPAL WATER DISTRICT Weir Records for Zanja West)
- GROUNDWATER RECHARGE IN HILL WELL AND KING STREET SHAFT (CRAFTON WATER COMPANY)
- METERED PRODUCTION FROM WELLS IN UPPER MILL CREEK. WELLS PUMP DIRECTLY INTO POWER CANALS. SURFACE DIVERSIONS AND WELL EXTRACTIONS ARE COMMINGLED (CITY OF REDLANDS)

TABLE NO. 5

MILL CREEK
VERIFICATIONS OF EXTRACTIIONS
FOR CALENDAR YEAR 2002

LINE NO.	LOCATION OF MEASUREMENT	JAN	FEB	MAR	APR	MAY	JUN	JUL	AUG	SEP	OCT	NOV	DEC	TOTAL	REMARKS
1	MILL CREEK NEAR YUCAIPA STREAMFLOW							Station Discontinued							SEE NOTE 1
2	MILL CREEK NEAR YUCAIPA POWER CANALS [11052500]	366	333	368	325	309	218	237	233	231	262	240	138	3,260	SEE NOTE 1
3	MILL CREEK NEAR YUCAIPA COMBINED FLOW							Station Discontinued							SEE NOTE 1
4	TOTAL FLOW AVAILABLE FOR DIVERSION	366	333	368	325	309	218	237	233	231	262	240	138	3,260	LINE 3
<u>DIVERSIONS</u>															
<u>MILL CREEK NO. 2 & 3 POWERHOUSE AFTERBAY</u>															
5	DIVERSION TO YUCAIPA; "Total Mill Creek Water "	0	0	0	0	91	73	35	11	0	0	0	0	210	SEE NOTE 2
<u>CITY OF REDLANDS TATE FILTER PLANT</u>															
6	INFLOW TO TATE FILTER PLANT [HTWTP Effluent]	530	485	529	441	373	372	355	322	340	396	257	373	4,773	SEE NOTE 3
7	LESS FILTER BACK & SURF WASH WATER RETURNED TO ZANJA														SEE NOTE 3
8	LESS GROUNDWATER RECHARGE IN CITY WELLS 10, 11 & 12	0	0	0	0	0	0	0	0	0	0	0	0	0	SEE NOTE 4
9	NET DIVERSION FROM AVAILABLE FLOW TO TATE	530	485	529	441	373	372	355	322	340	396	257	373	4,773	LINE 6-7-8
<u>BOULLIQUON BOX</u>															
10	TRANSFER OF SAR WTR TO BEAR VALLEY HIGHLINE [Delivery Ln 39 SAR]	0	0	0	0	0	0	0	0	0	0	0	0	0	SEE NOTE 5
11	TRANSFER OF SAR WATER TO ZANJA [Delivery Ln 38 SAR]	0	0	0	0	0	0	0	0	0	0	0	0	0	SEE NOTE 5
12	SAN BERN VALLEY MWD TATE PUMP STATION [Delivery In 40 + 41]	0	0	0	0	0	0	0	0	0	0	0	0	0	SEE NOTE 6
13	SAN BERN VALLEY MWD UNGER LANE TURNOUT [Delivery In 37 SAR]	153	187	247	232	231	157	20	2	0	0	0	0	1,229	SEE NOTE 6
<u>CRAFTON WATER COMPANY CANAL</u>															
14	INFLOW TO CRAFTON CANAL FROM ZANJA [Zanja West Weir]	293	281	343	292	313	192	56	84	17	92	49	40	2,052	SEE NOTE 7
15	LESS GROUNDWATER RECHARGE HILL WELL & KING ST. SHAFT	0	0	0	0	0	0	0	0	0	0	0	0	0	SEE NOTE 8
16	NET DIVERSION FROM AVAILABLE FLOW TO CRAFTON	293	281	343	292	313	192	56	84	17	92	49	40	2,052	LINE 14-15
17	TOTAL FLOW DIVERTED INCLUDING UPPER MILL CREEK WELLS	670	579	625	501	546	480	426	415	357	488	306	413	5,806	LINE 5+9+10-11 -12-13+16
<u>DEDUCT UPPER MILL CREEK WELLS</u>															
18	CITY OF REDLANDS MILL CREEK NO. 1 REC. NO. 3601282	110	123	133	30	0	95	159	109	110	139	114	139	1,261	SEE NOTE 9
19	CITY OF REDLANDS MILL CREEK NO. 2 REC. NO. 3601285	56	30	46	48	11	88	152	94	78	93	65	63	824	SEE NOTE 9
20	CITY OF REDLANDS MILL CREEK NO. 4 REC. NO. 3601288	43	49	54	40	63	45	62	45	47	58	44	51	601	SEE NOTE 9
21	CITY OF REDLANDS MILL CREEK NO.0-A REC. NO. 3602351	33	39	39	29	44	33	50	8	0	0	0	0	275	SEE NOTE 9
22	CITY OF REDLANDS MILL CREEK NO.2-A REC. NO. 3603045	86	72	70	53	73	49	59	49	49	59	35	57	711	SEE NOTE 9
23	TOTAL UPPER MILL CREEK WELL PRODUCTION	328	313	342	200	191	310	482	305	284	349	258	310	3,672	LINE 18+19 +20+21
24	TOTAL MILL CREEK STREAM DIVERSION AS VERIFIED	342	266	283	301	355	170	0	110	73	139	0	103	2,142	LINE 17-22

NOTES

- 1 U.S.G.S. UNPUBLISHED RECORDS OF MILL CREEK FLOWS
- 2 YUCAIPA PIPELINE TO YUCAIPA OPERATIONS RECORDS (SAN BERNARDINO VALLEY MUNICIPAL WATER DISTRICT Delivery Mill Creek)
- 3 TATE FILTER PLANT OPERATIONS RECORDS (CITY OF REDLANDS)
- 4 METERED RECHARGE IN WELLS NUMBER 10, 11 AND 12 (RECORDATION NUMBERS 3601291, 3601292 & 3601293 RESPECTIVELY, CITY OF REDLANDS)
- 5 BOULLIQUON BOX CONNECTS BEAR VALLEY HIGHLINE AND THE ZANJA (SAN BERNARDINO VALLEY MWD & BEAR VALLEY MUTUAL WATER COMPANY)

NOTES

- 6 SAN BERNARDINO VALLEY MUNICIPAL WATER DISTRICT COMPLETED THE TATE PUMP STATION. STATE WATER PROJECT OR SANTA ANA RIVER WATER CAN BE DELIVERED TO MILL CREEK FACILITIES.
- 7 CRAFTON CANAL DIVERTS FROM THE ZANJA (SAN BERNARDINO VALLEY MUNICIPAL WATER DISTRICT Weir Records for Zanja West)
- 8 GROUNDWATER RECHARGE IN HILL WELL AND KING STREET SHAFT (CRAFTON WATER COMPANY)
- 9 METERED PRODUCTION FROM WELLS IN UPPER MILL CREEK. WELLS PUMP DIRECTLY INTO POWER CANALS. SURFACE DIVERSIONS AND WELL EXTRACTIIONS ARE COMMINGLED (CITY OF REDLANDS)

TABLE NO. 6

SANTA ANA RIVER VERIFICATION OF EXTRACTIONS
FOR CALENDAR YEARS 1998-2002

TABLE NO. 6

SANTA ANA RIVER
VERIFICATIONS OF EXTRACTIONS
FOR CALENDAR YEAR 1998

LINE NO.	LOCATION OF MEASUREMENT	JAN	FEB	MAR	APR	MAY	JUN	JUL	AUG	SEP	OCT	NOV	DEC	TOTAL	REMARKS	
1	SANTA ANA RIVER NEAR MENTONE STREAMFLOW	1,034	14,370	7,428	11,736	27,418	7,307	4,481	2,704	2,496	1,998	3,630	3,203	87,805	SEE NOTE 1	
2	SANTA ANA RIVER NEAR MENTONE POWER CANALS	1,846	585	3,053	4,788	1,941	4,495	4,522	3,068	2,615	1,737	0	50	28,700	SEE NOTE 1	
3	SANTA ANA RIVER NEAR MENTONE COMBINED FLOW	2,880	14,955	10,481	16,524	29,359	11,802	9,003	5,772	5,111	3,735	3,630	3,253	116,505	SEE NOTE 1	
4	REDLANDS WATER COMPANY REDLANDS TUNNEL	Redlands Tunnel Meter failed during 1992. No record is available. Flow included at Redlands Canal Weir														
5	TOTAL FLOW AVAILABLE FOR DIVERSION	2,880	14,955	10,481	16,524	29,359	11,802	9,003	5,772	5,111	3,735	3,630	3,253	116,505	LINE 3+4	
DIVERSIONS																
<u>EAST HIGHLAND CANAL</u>																
6	EAST HIGHLAND WEIR	0	0	0	7	23	41	83	109	116	101	76	72	628	SEE NOTE 3	
7	LESS SPREADING	0	0	0	0	0	0	0	0	0	0	0	0	0	SEE NOTE 3	
8	NET EAST HIGHLAND CANAL DIVERSIONS	0	0	0	7	23	41	83	109	116	101	76	72	628	LINE 6-7	
<u>NORTH FORK DIVERSION</u>																
9	NORTH FORK WEIR	98	98	174	243	461	564	652	696	537	499	543	582	5,147	SEE NOTE 3	
10	LESS SPREADING FROM CANAL AT CITY CR. & SAND CYN.	4	62	13	83	88	80	98	28	123	12	5	43	639	SEE NOTE 3	
11	NET NORTH FORK DIVERSION	94	36	161	160	373	484	554	668	414	487	538	539	4,508	LINE 9-10	
<u>REDLANDS CANAL</u>																
12	ZANJERO RESIDENCE & SO. CAL. EDISON CO. USE	0	1	0	0	0	1	0	0	0	1	0	0	3	SEE NOTE 4	
12A	SBVMWD DIVERSIONS AT MORTON CANYON CONNECTION (TOT-RECH)	0	0	0	0	0	0	0	0	0	0	0	0	0	SEE NOTE 5	
13	REDLANDS CANAL WEIR AT SANDBOX	652 #	377 #	1,217	1,879	1,113	2,020	1,935	1,769	354	1,775	1,810	1,893	18,011	SEE NOTE 5	
14	LESS SPREADING MENTONE RES. JUDSON ST. & FOOTHILL PIPELINE	0	0	0	0	0	0	0	0	0	0	0	0	0	SEE NOTE 5	
15	NET REDLANDS CANAL DIVERSION	652	378	1,217	1,879	1,113	2,021	1,935	1,769	354	1,776	1,810	1,893	16,797	LINE 12+12A +13-14	
<u>BEAR VALLEY HIGHLINE</u>																
16	BEAR VALLEY HIGHLINE	238	33	282	401	241	400	417	391	410	222	0	0	3,035	SEE NOTE 6	
17	LESS SPREADING AT MILL CREEK	0	0	0	0	0	0	0	0	0	0	0	0	0	SEE NOTE 6	
18	NET BEAR VALLEY HIGHLINE DIVERSION	238	33	282	401	241	400	417	391	410	222	0	0	3,035	LINE 16-17	
<u>SAN BERNARDINO VALLEY MWD GREENSPOT PIPELINE</u>																
19	GREENSPOT METER STATION	95	37	126	13	0	49	100	303	200	49	0	0	972	SEE NOTE 6	
20	LESS SPREADING AT MILL CREEK	90	31	126	13	0	0	0	208	0	0	0	0	468	SEE NOTE 6	
21	NET GREENSPOT PIPELINE	5	6	0	0	0	49	100	95	200	49	0	0	504	LINE 19-20	
22	TOTAL NET DIVERSION FROM AVAILABLE FLOW	989	453	1,660	2,447	1,750	2,995	3,089	3,032	1,494	2,635	2,424	2,504	25,472	LINE 8+11 +15+18+21	
<u>DEDUCT SANTA ANA WELLS</u>																
23	SANTA ANA WELL NO. 1 RECORDATION NO. 3600021	Monthly Amounts not available at time of publishing													105	SEE NOTE 7
24	SANTA ANA WELL NO. 2 RECORDATION NO. 3600022	Monthly Amounts not available at time of publishing													0	SEE NOTE 7
25	TOTAL PUMPED WATER	0	0	0	0	0	0	0	0	0	0	0	0	105	LINE 23+24	
26	TOTAL SANTA ANA RIVER STREAM DIVERSION AS VERIFIED	989	453	1,660	2,447	1,750	2,995	3,089	3,032	1,494	2,635	2,424	2,504	25,367	LINE 22-25	

NOTES

- U.S.G.S. RECORDS OF SANTA ANA RIVER FLOWS
- REDLANDS WATER COMPANY TUNNEL IS AN INFILTRATION GALLERY WHICH INTERCEPTS SANTA ANA RIVER UNDERFLOW. DATA FROM SAN BERNARDINO VALLEY WATER CONSERVATION DISTRICT. FLOW SHOWN INCLUDES LINE NO. 12. OF THIS TABLE.
- EAST HIGHLAND CANAL AND NORTH FORK CANAL DIVERT WATER TO AGRICULTURAL USE AND LIMITED SPREADING. DATA FROM SAN BERNARDINO VALLEY WATER CONSERVATION DISTRICT.
- THE CORPS OF ENGINEERS AND SOUTHERN CALIFORNIA EDISON COMPANY DIVERT WATER FROM REDLANDS TUNNEL UPSTREAM OF THE TUNNELS CONFLUENCE WITH REDLANDS CANAL WHICH IS UPSTREAM OF THE REDLANDS CANAL WEIR.

NOTES

- DATA FROM SAN BERNARDINO VALLEY MUNICIPAL WATER DISTRICT RECORDS OF OPERATIONS OF REDLANDS CANAL WEIR AND REDLANDS CANAL.
- DATA FROM SAN BERNARDINO VALLEY MUNICIPAL WATER DISTRICT RECORDS OF OPERATIONS OF BEAR VALLEY HIGHLINE. SAN BERNARDINO VALLEY MUNICIPAL WATER DISTRICT COMPLETED ITS GREENSPOT HIGHLINE PIPELINE IN 1985.
- SANTA ANA NO. 1 AND NO. 2 WELLS ARE LOCATED IN UPPER SANTA ANA CANYON AND PUMPED DIRECTLY TO POWER CANALS. DIVERSION OF STREAFLOW AND WELL EXTRACTIONS ARE COMMINGLED. DATA FROM SAN BERNARDINO VALLEY WATER CONSERVATION DISTRICT.

TABLE NO. 6

SANTA ANA RIVER
VERIFICATIONS OF EXTRACTIONS
FOR CALENDAR YEAR 1999

LINE NO.	LOCATION OF MEASUREMENT	JAN	FEB	MAR	APR	MAY	JUN	JUL	AUG	SEP	OCT	NOV	DEC	TOTAL	REMARKS
1	SANTA ANA RIVER NEAR MENTONE STREAMFLOW	2,963	2,289	1,702	1,481	1,303	625	665	213	123	63	8	380	11,815	SEE NOTE 1
2	SANTA ANA RIVER NEAR MENTONE POWER CANALS	62	557	936	1,605	1,170	879	1,035	1,074	978	1,244	1,359	1,042	11,941	SEE NOTE 1
3	SANTA ANA RIVER NEAR MENTONE COMBINED FLOW	3,025	2,846	2,638	3,086	2,473	1,504	1,700	1,287	1,101	1,307	1,367	1,422	23,756	SEE NOTE 1
4	REDLANDS WATER COMPANY REDLANDS TUNNEL	74	92	96	101	102	72	60	47	45	44	30	51	814	SEE NOTE 2
5	TOTAL FLOW AVAILABLE FOR DIVERSION	3,099	2,938	2,734	3,187	2,575	1,576	1,760	1,334	1,146	1,351	1,397	1,473	24,570	LINE 3+4
DIVERSIONS															
<u>EAST HIGHLAND CANAL</u>															
6	EAST HIGHLAND WEIR (EDWARDS)	54	58	77	99	106	105	104	156	42	0	0	0	801	SEE NOTE 3
7	LESS SPREADING	0	0	0	0	0	0	0	0	0	0	0	0	0	SEE NOTE 3
8	NET EAST HIGHLAND CANAL DIVERSIONS	54	58	77	99	106	105	104	156	42	0	0	0	801	LINE 6-7
<u>NORTH FORK DIVERSION</u>															
9	NORTH FORK WEIR	420	458	305	203	528	413	62	54	118	0	56	235	2,852	SEE NOTE 3
10	LESS SPREADING FROM CANAL AT CITY CR. & SAND CYN.	139	82	305	203	149	81	62	25	10	0	30	0	1,086	SEE NOTE 3
11	NET NORTH FORK DIVERSION	281	376	0	0	379	332	0	29	108	0	26	235	1,766	LINE 9-10
<u>REDLANDS CANAL</u>															
12	CORPS OF ENGINEERS & SO. CAL. EDISON CO. USE	0	0	1	0	0	1	0	0	1	0	0	1	4	SEE NOTE 4
12A	SBVMWD DIVERSIONS AT MORTON CANYON CONNECTION	0	0	0	0	0	0	0	0	0	0	0	0	0	SEE NOTE 5
13	REDLANDS CANAL WEIR AT SANDBOX	1,501	1,088	1,520	1,391	1,088	485	233	173	215	555	661	764	9,674	SEE NOTE 5
14	LESS SPREADING MENTONE RES. JUDSON ST. & FOOTHILL PIPELINE	68	74	119	119	0	0	0	0	0	0	0	0	380	
15	NET REDLANDS CANAL DIVERSION	1,433	1,014	1,402	1,272	1,088	486	233	173	216	555	661	765	9,298	LINE 12+12A +13-14
<u>BEAR VALLEY HIGHLINE</u>															
16	BEAR VALLEY HIGHLINE	81	178	253	231	249	290	294	350	384	341	329	257	3,237	SEE NOTE 6
17	LESS SPREADING AT MILL CREEK	0	0	0	0	0	0	0	0	0	0	0	0	0	SEE NOTE 6
18	NET BEAR VALLEY HIGHLINE DIVERSION	81	178	253	231	249	290	294	350	384	341	329	257	3,237	LINE 16-17
<u>SAN BERNARDINO VALLEY MWD GREENSPOT PIPELINE</u>															
19	GREENSPOT METER STATION	0	0	83	63	160	233	428	501	472	426	316	205	2,887	SEE NOTE 6
20	LESS SPREADING AT MILL CREEK	0	0	0	0	0	0	0	0	0	0	0	0	0	SEE NOTE 6
21	NET GREENSPOT PIPELINE	0	0	83	63	160	233	428	501	472	426	316	205	2,887	LINE 19-20
22	TOTAL NET DIVERSION FROM AVAILABLE FLOW	1,849	1,626	1,815	1,665	1,982	1,446	1,059	1,209	1,222	1,322	1,332	1,462	17,989	LINE 8+11 +15+18+21
<u>DEDUCT SANTA ANA WELLS</u>															
23	SANTA ANA WELL NO. 1 RECORDATION NO. 3600021	0	0	0	0	0	34	129	53	51	99	71	47	484	SEE NOTE 7
24	SANTA ANA WELL NO. 2 RECORDATION NO. 3600022	Santa Ana Well No. 2, Recordation No. 3600022 Destroyed as part of construction of Seven Oaks Dam													
25	TOTAL PUMPED WATER	0	0	0	0	0	34	129	53	51	99	71	47	484	LINE 23+24
26	TOTAL SANTA ANA RIVER STREAM DIVERSION AS VERIFIED	1,849	1,626	1,815	1,665	1,982	1,412	930	1,156	1,171	1,223	1,261	1,415	17,505	LINE 22-25

NOTES

- U.S.G.S. RECORDS OF SANTA ANA RIVER FLOWS
- REDLANDS WATER COMPANY TUNNEL IS AN INFILTRATION GALLERY WHICH INTERCEPTS SANTA ANA RIVER UNDERFLOW. DATA FROM SAN BERNARDINO VALLEY WATER CONSERVATION DISTRICT. FLOW SHOWN INCLUDES LINE NO. 12. OF THIS TABLE.
- EAST HIGHLAND CANAL AND NORTH FORK CANAL DIVERT WATER TO AGRICULTURAL USE MUNICIPAL USE AND LIMITED SPREADING. DATA FROM EAST VALLEY WATER DISTRICT.
- THE CORPS OF ENGINEERS AND SOUTHERN CALIFORNIA EDISON COMPANY DIVERT WATER FROM REDLANDS TUNNEL UPSTREAM OF THE TUNNELS CONFLUENCE WITH REDLANDS CANAL WHICH IS UPSTREAM OF THE REDLANDS CANAL WEIR.

NOTES

- DATA FROM SAN BERNARDINO VALLEY MUNICIPAL WATER DISTRICT RECORDS OF OPERATIONS OF REDLANDS CANAL WEIR AND REDLANDS CANAL.
- DATA FROM SAN BERNARDINO VALLEY MUNICIPAL WATER DISTRICT RECORDS OF OPERATIONS OF BEAR VALLEY HIGHLINE. SAN BERNARDINO VALLEY MUNICIPAL WATER DISTRICT COMPLETED ITS GREENSPOT HIGHLINE PIPELINE IN 1985.
- SANTA ANA NO.1 AND NO. 2 WELLS ARE LOCATED IN UPPER SANTA ANA CANYON AND PUMPED DIRECTLY TO POWER CANALS. DIVERSION OF STREAFLOW AND WELL EXTRACTIONS ARE COMMINGLED. DATA FROM SAN BERNARDINO VALLEY WATER CONSERVATION DISTRICT.

TABLE NO. 6
SANTA ANA RIVER
VERIFICATIONS OF EXTRACTIONS
FOR CALENDAR YEAR 2000

LINE NO.	LOCATION OF MEASUREMENT	JAN	FEB	MAR	APR	MAY	JUN	JUL	AUG	SEP	OCT	NOV	DEC	TOTAL	REMARKS	
1	SANTA ANA RIVER NEAR MENTONE STREAMFLOW	92	2,086	3,265	613	195	54	8	9	18	56	73	60	6,529	SEE NOTE 1	
2	SANTA ANA RIVER NEAR MENTONE POWER CANALS	1,463	731	577	2,174	2,062	1,220	926	959	1,031	1,122	1,161	1,217	14,643	SEE NOTE 1	
3	SANTA ANA RIVER NEAR MENTONE COMBINED FLOW	1,555	2,817	3,842	2,787	2,257	1,274	934	968	1,049	1,178	1,234	1,277	21,172	SEE NOTE 1	
4	REDLANDS WATER COMPANY REDLANDS TUNNEL	57	60	90	86	61	63	54	52	58	64	48	46	739	SEE NOTE 2	
5	TOTAL FLOW AVAILABLE FOR DIVERSION	1,612	2,877	3,932	2,873	2,318	1,337	988	1,020	1,107	1,242	1,282	1,323	21,911	LINE 3+4	
DIVERSIONS																
EAST HIGHLAND CANAL																
6	EAST HIGHLAND WEIR (EDWARDS)	103	45	0	62	100	75	0	0	0	32	46	33	496	SEE NOTE 3	
7	LESS SPREADING	0	0	0	0	0	0	0	0	0	0	0	0	0	SEE NOTE 3	
8	NET EAST HIGHLAND CANAL DIVERSIONS	103	45	0	62	100	75	0	0	0	32	46	33	496	LINE 6-7	
NORTH FORK DIVERSION																
9	NORTH FORK WEIR	395	165	327	484	525	393	16	0	0	0	0	0	2,305	SEE NOTE 3	
10	LESS SPREADING FROM CANAL AT CITY CR. & SAND CYN.	12	6	78	0	1	25	0	0	0	0	0	0	122	SEE NOTE 3	
11	NET NORTH FORK DIVERSION	383	159	249	484	524	368	16	0	0	0	0	0	2,183	LINE 9-10	
REDLANDS CANAL																
12	CORPS OF ENGINEERS & SO. CAL. EDISON CO. USE	0	0	1	0	0	1	0	0	1	0	0	1	4	SEE NOTE 4	
12A	SBVMWD DIVERSIONS AT MORTON CANYON CONNECTION	0	0	0	0	0	0	0	0	0	0	0	0	0	SEE NOTE 5	
13	REDLANDS CANAL WEIR AT SANDBOX	657	433	926	1,354	1,235	130	127	59	209	327	867	664	6,988	SEE NOTE 5	
14	LESS SPREADING MENTONE RES. JUDSON ST. & FOOTHILL PIPELINE	0	0	0	0	0	0	0	0	0	0	0	0	0		
15	NET REDLANDS CANAL DIVERSION	657	433	927	1,354	1,235	131	127	59	210	327	867	665	6,992	LINE 12+12A +13-14	
BEAR VALLEY HIGHLINE																
16	BEAR VALLEY HIGHLINE	342	162	277	336	282	295	333	365	350	342	378	428	3,890	SEE NOTE 6	
17	LESS SPREADING AT MILL CREEK	0	0	0	0	0	0	0	0	0	0	0	0	0	SEE NOTE 6	
18	NET BEAR VALLEY HIGHLINE DIVERSION	342	162	277	336	282	295	333	365	350	342	378	428	3,890	LINE 16-17	
SAN BERNARDINO VALLEY MWD GREENSPOT PIPELINE																
19	GREENSPOT METER STATION	179	66	0	165	129	381	447	461	437	290	170	233	2,958	SEE NOTE 6	
20	LESS SPREADING AT MILL CREEK	0	0	0	0	1	0	0	0	0	0	0	0	1	SEE NOTE 6	
21	NET GREENSPOT PIPELINE	179	66	0	165	128	381	447	461	437	290	170	233	2,957	LINE 19-20	
22	TOTAL NET DIVERSION FROM AVAILABLE FLOW	1,664	865	1,453	2,401	2,269	1,250	923	885	997	991	1,461	1,359	16,518	LINE 8+11 +15+18+21	
DEDUCT SANTA ANA WELLS																
23	SANTA ANA WELL NO. 1 RECORDATION NO. 3600021	55	53	0	7	61	76	0	36	30	0	4	0	322	SEE NOTE 7	
24	SANTA ANA WELL NO. 2 RECORDATION NO. 3600022	Santa Ana Well No. 2 Recordation No. 3600022 Destroyed as part of construction of Seven Oaks Dam													0	SEE NOTE 7
25	TOTAL PUMPED WATER	55	53	0	7	61	76	0	36	30	0	4	0	322	LINE 23+24	
26	TOTAL SANTA ANA RIVER STREAM DIVERSION AS VERIFIED	1,609	812	1,453	2,394	2,208	1,174	923	849	967	991	1,457	1,359	16,196	LINE 22-25	

NOTES

- U.S.G.S. RECORDS OF SANTA ANA RIVER FLOWS
- REDLANDS WATER COMPANY TUNNEL IS AN INFILTRATION GALLERY WHICH INTERCEPTS SANTA ANA RIVER UNDERFLOW. DATA FROM SAN BERNARDINO VALLEY WATER CONSERVATION DISTRICT. FLOW SHOWN INCLUDES LINE NO. 12. OF THIS TABLE.
- EAST HIGHLAND CANAL AND NORTH FORK CANAL DIVERT WATER TO AGRICULTURAL USE MUNICIPAL USE AND LIMITED SPREADING. DATA FROM EAST VALLEY WATER DISTRICT.
- THE CORPS OF ENGINEERS AND SOUTHERN CALIFORNIA EDISON COMPANY DIVERT WATER FROM REDLANDS TUNNEL UPSTREAM OF THE TUNNELS CONFLUENCE WITH REDLANDS CANAL WHICH IS UPSTREAM OF THE REDLANDS CANAL WEIR.

NOTES

- DATA FROM SAN BERNARDINO VALLEY MUNICIPAL WATER DISTRICT RECORDS OF OPERATIONS OF REDLANDS CANAL WEIR AND REDLANDS CANAL.
- DATA FROM SAN BERNARDINO VALLEY MUNICIPAL WATER DISTRICT RECORDS OF OPERATIONS OF BEAR VALLEY HIGHLINE. SAN BERNARDINO VALLEY MUNICIPAL WATER DISTRICT COMPLETED ITS GREENSPOT HIGHLINE PIPELINE IN 1985.
- SANTA ANA NO. 1 AND NO. 2 WELLS ARE LOCATED IN UPPER SANTA ANA CANYON AND PUMPED DIRECTLY TO POWER CANALS. DIVERSION OF STREAMFLOW AND WELL EXTRACTIONS ARE COMMINGLED. DATA FROM SAN BERNARDINO VALLEY WATER CONSERVATION DISTRICT.

TABLE NO. 6

SANTA ANA RIVER
VERIFICATIONS OF EXTRACTIONS
FOR CALENDAR YEAR 2001

LINE NO.	LOCATION OF MEASUREMENT	JAN	FEB	MAR	APR	MAY	JUN	JUL	AUG	SEP	OCT	NOV	DEC	TOTAL	REMARKS	
1	SANTA ANA RIVER NEAR MENTONE STREAMFLOW [11051500]	174	302	415	170	73	41	32	23	17	24	63	109	1,443	SEE NOTE 1	
2	SANTA ANA RIVER NEAR MENTONE POWER CANALS [11049500]	1,250	1,580	2,250	2,030	1,500	958	689	636	748	674	761	1,080	14,156	SEE NOTE 1	
3	SANTA ANA RIVER NEAR MENTONE COMBINED FLOW [11051501]	1,420	1,880	2,660	2,200	1,570	1,020	721	647	748	690	811	1,190	15,557	SEE NOTE 1	
4	REDLANDS WATER COMPANY REDLANDS TUNNEL [SBVWCD data]	52	54	79	59	23	0	0	0	0	0	0	0	267	SEE NOTE 2	
5	TOTAL FLOW AVAILABLE FOR DIVERSION	1,472	1,934	2,739	2,259	1,593	1,020	721	647	748	690	811	1,190	15,824	LINE 3+4	
DIVERSIONS																
<u>EAST HIGHLAND CANAL</u>																
6	EAST HIGHLAND WEIR [SBVWCD EDWARDS]	16	0	0	37	31	32	41	8	0	6	40	32	243	SEE NOTE 3	
7	LESS SPREADING [from EVWD]	0	0	0	0	0	0	0	0	0	0	0	0	0	SEE NOTE 3	
8	NET EAST HIGHLAND CANAL DIVERSIONS	16	0	0	37	31	32	41	8	0	6	40	32	243	LINE 6-7	
<u>NORTH FORK DIVERSION</u>																
9	NORTH FORK WEIR [SBVWCD data]	197	214	92	338	455	320	108	0	0	0	84	491	2,299	SEE NOTE 3	
10	LESS SPREADING FROM CANAL AT CITY CR. & SAND CYN. [from EVWD]													0	SEE NOTE 3	
11	NET NORTH FORK DIVERSION	197	214	92	338	455	320	108	0	0	0	84	491	2,299	LINE 9-10	
<u>REDLANDS CANAL</u>																
12	CORPS OF ENGINEERS & SO. CAL. EDISON CO. USE [estimated]	0	0	1	0	0	1	0	0	1	0	0	1	4	SEE NOTE 4	
12A	SBVMWD DIVERSIONS AT MORTON CANYON CONNECTION	0	0	0	0	0	0	0	0	0	0	0	0	0	SEE NOTE 5	
13	REDLANDS CANAL WEIR AT SANDBOX [SBVMWD Aqueduct Weir]	981	933	1,325	1,350	499	0	0	0	0	0	124	0	5,212	SEE NOTE 5	
14	LESS SPREADING MENTONE RES. JUDSON ST. & FOOTHILL PIPELINE	0	0	0	0	0	0	0	0	0	0	0	0	0		
15	NET REDLANDS CANAL DIVERSION	981	933	1,326	1,350	499	1	0	0	1	0	124	1	5,216	LINE 12+12A +13-14	
<u>BEAR VALLEY HIGHLINE</u>																
16	BEAR VALLEY HIGHLINE [SBVMWD Bear Valley High Line Propeller meter]	223	49	43	103	369	423	398	286	246	240	316	180	2,876	SEE NOTE 6	
17	LESS SPREADING AT MILL CREEK	0	0	0	0	0	0	0	0	0	0	0	0	0	SEE NOTE 6	
18	NET BEAR VALLEY HIGHLINE DIVERSION	223	49	43	103	369	423	398	286	246	240	316	180	2,876	LINE 16-17	
<u>SAN BERNARDINO VALLEY MWD GREENSPOT PIPELINE</u>																
19	GREENSPOT METER STATION	61	0	0	0	80	215	200	345	455	465	59	16	1,896	SEE NOTE 6	
20	LESS SPREADING AT MILL CREEK [SBVMWD delivery line 36]	0	0	0	0	0	0	0	0	0	0	0	0	0	SEE NOTE 6	
21	NET GREENSPOT PIPELINE	61	0	0	0	80	215	200	345	455	465	59	16	1,896	LINE 19-20	
22	TOTAL NET DIVERSION FROM AVAILABLE FLOW	1,478	1,196	1,461	1,828	1,434	991	747	639	702	711	623	720	12,530	LINE 8+11 +15+18+21	
<u>DEDUCT SANTA ANA WELLS</u>																
23	SANTA ANA WELL NO. 1 RECORDATION NO. 3600021 [SBVWCD data]	0	5	0	0	13	24	4	13	36	36	9	0	140	SEE NOTE 7	
24	SANTA ANA WELL NO. 2 RECORDATION NO. 3600022	Santa Ana Well No. 2 Recordation No. 3600022 Destroyed as part of construction of Seven Oaks Dam.													0	SEE NOTE 7
25	TOTAL PUMPED WATER	0	5	0	0	13	24	4	13	36	36	9	0	140	LINE 23+24	
26	TOTAL SANTA ANA RIVER STREAM DIVERSION AS VERIFIED	1,478	1,191	1,461	1,828	1,421	967	743	626	666	675	614	720	12,390	LINE 22-25	

NOTES

- U.S.G.S. RECORDS OF SANTA ANA RIVER FLOWS
- REDLANDS WATER COMPANY TUNNEL IS AN INFILTRATION GALLERY WHICH INTERCEPTS SANTA ANA RIVER UNDERFLOW. DATA FROM SAN BERNARDINO VALLEY WATER CONSERVATION DISTRICT. FLOW SHOWN INCLUDES LINE NO. 12 OF THIS TABLE.
- EAST HIGHLAND CANAL AND NORTH FORK CANAL DIVERT WATER TO AGRICULTURAL USE MUNICIPAL USE AND LIMITED SPREADING. DATA FROM EAST VALLEY WATER DISTRICT.
- THE CORPS OF ENGINEERS AND SOUTHERN CALIFORNIA EDISON COMPANY DIVERT WATER FROM REDLANDS TUNNEL UPSTREAM OF THE TUNNELS CONFLUENCE WITH REDLANDS CANAL WHICH IS UPSTREAM OF THE REDLANDS CANAL WEIR.

NOTES

- DATA FROM SAN BERNARDINO VALLEY MUNICIPAL WATER DISTRICT RECORDS OF OPERATIONS OF REDLANDS CANAL WEIR AND REDLANDS CANAL.
- DATA FROM SAN BERNARDINO VALLEY MUNICIPAL WATER DISTRICT RECORDS OF OPERATIONS OF BEAR VALLEY HIGHLINE. SAN BERNARDINO VALLEY MUNICIPAL WATER DISTRICT COMPLETED ITS GREENSPOT HIGHLINE PIPELINE IN 1985.
- SANTA ANA NO.1 AND NO. 2 WELLS ARE LOCATED IN UPPER SANTA ANA CANYON AND PUMPED DIRECTLY TO POWER CANALS. DIVERSION OF STREAFLOW AND WELL EXTRACTIONS ARE COMMINGLED. DATA FROM SAN BERNARDINO VALLEY WATER CONSERVATION DISTRICT.

TABLE NO. 6
SANTA ANA RIVER
VERIFICATIONS OF EXTRACTIONS
FOR CALENDAR YEAR 2002

LINE NO.	LOCATION OF MEASUREMENT	JAN	FEB	MAR	APR	MAY	JUN	JUL	AUG	SEP	OCT	NOV	DEC	TOTAL	REMARKS
1	SANTA ANA RIVER NEAR MENTONE STREAMFLOW [11051500]	92	75	75	57	48	25	20	17	14	15	1,399	423	2,260	SEE NOTE 1
2	SANTA ANA RIVER NEAR MENTONE POWER CANALS [Ln 3 - Ln 1]	1,168 #	1,075 #	1,165 #	918 #	887 #	535 #	375 #	341 #	391 #	467 #	861 #	1,177	9,360	SEE NOTE 1
3	SANTA ANA RIVER NEAR MENTONE COMBINED FLOW [11051501]	1,260	1,150	1,240	975	935	560	395	358	405	482	2,260	1,600	11,620	SEE NOTE 1
4	REDLANDS WATER COMPANY REDLANDS TUNNEL [SBVWCD data]	0	0	0	0	0	0	0	0	0	0	0	0	0	SEE NOTE 2
5	TOTAL FLOW AVAILABLE FOR DIVERSION	1,260	1,150	1,240	975	935	560	395	358	405	482	2,260	1,600	11,620	LINE 3+4
DIVERSIONS															
<u>EAST HIGHLAND CANAL</u>															
6	EAST HIGHLAND WEIR (SBVWCD EDWARDS)	26	11	56	30	30	0	0	0	0	0	24	8	185	SEE NOTE 3
7	LESS SPREADING [from EVWD]						Not in Service								SEE NOTE 3
8	NET EAST HIGHLAND CANAL DIVERSIONS	26 #	11 #	56 #	30 #	30 #	0 #	0 #	0 #	0 #	0 #	24 #	8	185	LINE 6-7
<u>NORTH FORK DIVERSION</u>															
9	NORTH FORK WEIR [SBVWCD data]	513	461	505	326	264	61	46	36	9	24	275	245	2,765	SEE NOTE 3
10	LESS SPREADING FROM CANAL AT CITY CR. & SAND-CYN. [from EVWD]	0	0	0	2	0	8	8	6	5	20	44	17	110	SEE NOTE 3
11	NET NORTH FORK DIVERSION	513	461	505	324	264	53	38	30	4	4	231	228	2,655	LINE 9-10
<u>REDLANDS CANAL</u>															
12	CORPS OF ENGINEERS & SO. CAL. EDISON CO. USE [estimated]	0	0	0	0	0	1	0	0	1	0	0	0	2	SEE NOTE 4
12A	SBVMWD DIVERSIONS AT MORTON CANYON CONNECTION	0	0	0	0	0	0	0	0	0	0	0	0	0	SEE NOTE 5
13	REDLANDS CANAL WEIR AT SANDBOX [SBVWCD Redland Aqueduct Weir]	0	0	0	0	0	0	0	0	0	0	0	0	0	SEE NOTE 5
14	LESS SPREADING MENTONE RES. JUDSON ST. & FOOTHILL PIPELINE	0	0	0	0	0	0	0	0	0	0	0	0	0	
15	NET REDLANDS CANAL DIVERSION	0	0	0	0	0	1	0	0	1	0	0	0	2	LINE 12+12A +13-14
<u>BEAR VALLEY HIGHLINE</u>															
16	BEAR VALLEY HIGHLINE [SBVMWD Bear Valley High Line Propeller meter]	198	220	266	257	261	243	281	314	386	390	250	297	3,363	SEE NOTE 6
17	LESS SPREADING AT MILL CREEK	0	0	0	0	0	0	0	0	0	0	0	0	0	SEE NOTE 6
18	NET BEAR VALLEY HIGHLINE DIVERSION	198	220	266	257	261	243	281	314	386	390	250	297	3,363	LINE 16-17
<u>SAN BERNARDINO VALLEY MWD GREENSPOT PIPELINE</u>															
19	GREENSPOT METER STATION [Delivery of Water for Calendar Year binder]	157	210	267	294	373	288	109	29	0	0	0	0	1,727	SEE NOTE 6
20	LESS SPREADING AT MILL CREEK [SBVMWD delivery line 36]	0	0	0	0	0	0	0	0	0	0	0	0	0	SEE NOTE 6
21	NET GREENSPOT PIPELINE	157	210	267	294	373	288	109	29	0	0	0	0	1,727	LINE 19-20
22	TOTAL NET DIVERSION FROM AVAILABLE FLOW	894	902	1,094	905	928	585	428	373	391	394	505	533	7,932	LINE 8+11 +15+18+21
<u>DEDUCT SANTA ANA WELLS</u>															
23	SANTA ANA WELL NO. 1 RECORDATION NO. 3600021 [SBVWCD data]	0	0	0	9	0	0	0	19	21	5	4	0	58	SEE NOTE 7
24	SANTA ANA WELL NO. 2 RECORDATION NO. 3600022	Santa Ana Well No. 2 Recordation No. 3600022 Destroyed as part of construction of Seven Oaks Dam													
25	TOTAL PUMPED WATER	0	0	0	9	0	0	0	19	21	5	4	0	58	LINE 23+24
26	TOTAL SANTA ANA RIVER STREAM DIVERSION AS VERIFIED	894	902	1,094	896	928	585	428	354	370	389	501	533	7,874	LINE 22-25

NOTES

- U.S.G.S. RECORDS OF SANTA ANA RIVER FLOWS
- REDLANDS WATER COMPANY TUNNEL IS AN INFILTRATION GALLERY WHICH INTERCEPTS SANTA ANA RIVER UNDERFLOW. DATA FROM SAN BERNARDINO VALLEY WATER CONSERVATION DISTRICT. FLOW SHOWN INCLUDES LINE NO. 12. OF THIS TABLE.
- EAST HIGHLAND CANAL AND NORTH FORK CANAL DIVERT WATER TO AGRICULTURAL USE MUNICIPAL USE AND LIMITED SPREADING. DATA FROM EAST VALLEY WATER DISTRICT.
- THE CORPS OF ENGINEERS AND SOUTHERN CALIFORNIA EDISON COMPANY DIVERT WATER FROM REDLANDS TUNNEL UPSTREAM OF THE TUNNELS CONFLUENCE WITH REDLANDS CANAL WHICH IS UPSTREAM OF THE REDLANDS CANAL WEIR.

NOTES

- DATA FROM SAN BERNARDINO VALLEY MUNICIPAL WATER DISTRICT RECORDS OF OPERATIONS OF REDLANDS CANAL WEIR AND REDLANDS CANAL.
- DATA FROM SAN BERNARDINO VALLEY MUNICIPAL WATER DISTRICT RECORDS OF OPERATIONS OF BEAR VALLEY HIGHLINE. SAN BERNARDINO VALLEY MUNICIPAL WATER DISTRICT COMPLETED ITS GREENSPOT HIGHLINE PIPELINE IN 1985.
- SANTA ANA NO.1 AND NO. 2 WELLS ARE LOCATED IN UPPER SANTA ANA CANYON AND PUMPED DIRECTLY TO POWER CANALS. DIVERSION OF STREAMFLOW AND WELL EXTRACTIONS ARE COMMINGLED. DATA FROM SAN BERNARDINO VALLEY WATER CONSERVATION DISTRICT.

TABLE NO. 7

SUMMARY OF REPORTED EXTRACTIONS FROM LYTLE
CREEK, MILL CREEK, AND SANTA ANA RIVER

TABLE NO. 7

SUMMARY OF REPORTED EXTRACTIONS FROM
LYTLE CREEK, MILL CREEK AND
SANTA ANA RIVER

	1959	1960	1961	1962	1963	1959-63 AVERAGE	1998	1999	2000	2001	2002	1998-2002 AVERAGE
<u>FILED LYTLE CREEK DIVERSIONS</u>												
FONTANA UNION WATER COMPANY RECORDATION NO. 3600591 [File Closed in 1992]	8,487	5,833	4,321	8,732	6,145	6,704						
SAN BERNARDINO, CITY OF (FORMERLY MOUNT VERNON WATER COMPANY) RECORDATION NO. 3600320	730	730	730	730	730	730	719	0	0	0	0	144
RIALTO, CITY OF RECORDATION NO. 3601718	624	626	625	587	624	617	896	1,461	1,619	1,305	1,143	1,285
SAN BERNARDINO, CITY OF RECORDATION NO. 3600739	1,069	994	1,286	1,403	1,279	1,206	0	0	0	0	0	0
WEST COUNTY WATER DIST RECORDATION NO. 3600312	<u>4,258</u>	<u>2,709</u>	<u>2,424</u>	<u>4,392</u>	<u>4,097</u>	<u>3,576</u>	<u>3,696</u>	<u>3,408</u>	<u>3,047</u>	<u>3,175</u>	<u>2,573</u>	<u>3,180</u>
TOTAL REPORTED DIVERSIONS	15,168	10,892	9,386	15,844	12,875	12,833	5,311	4,869	4,666	4,480	3,716	4,608
<u>FILED AND NON-FILED MILL CREEK DIVERSIONS</u>												
REDLANDS, CITY OF (1) RECORDATION NO. 3601302	--	--	--	--	--	--	11,224	11,951	8,852	9,496	5,867	9,478
NON-FILED 1S2W13B [Deliveries terminated in May 1979]	--	--	--	--	--	--	--	--	--	--	--	--
TOTAL REPORTED DIVERSIONS	--	--	--	--	--	--	11,224	11,951	8,852	9,496	5,867	9,478
<u>FILED AND NON-FILED SANTA ANA RIVER DIVERSIONS</u>												
BEAR VALLEY MUTUAL WATER COMPANY (2) RECORDATION NO. 3600028	--	--	--	--	--	--	36,632	30,245	29,498	26,301	23,458	29,227
REDLANDS WATER COMPANY REDLANDS TUNNEL (3) NON-FILED 1S2W8	--	--	--	--	--	--	<u>743</u>	<u>814</u>	<u>739</u>	<u>266</u>	<u>0</u>	<u>512</u>
TOTAL REPORTED DIVERSIONS	--	--	--	--	--	--	37,375	31,059	30,237	26,567	23,458	29,739

NOTES

1. PRIOR TO 1974 VERIFICATION, THE VERIFIED NET DIVERSIONS FROM MILL CREEK WERE SHOWN ON TABLES 1 AND 2 FOR FILERS AND NON-FILERS RESPECTIVELY SEE TABLE 5 1974 TO DATE.
2. PRIOR TO 1974 VERIFICATION, THE VERIFIED NET DIVERSIONS FROM SANTA ANA RIVER WERE SHOWN ON TABLES 1 AND 2 FOR FILERS AND NON-FILERS RESPECTIVELY SEE TABLE 6 1974 TO DATE.

NOTES

3. PRIOR TO 1974 VERIFICATION, THE VERIFIED PRODUCTION OF REDLANDS WATER COMPANY'S REDLANDS TUNNEL WAS SHOWN IN TABLE 2 SEE TABLE 6 1974 TO DATE.

TABLE NO. 8

SUMMARY OF PRODUCTION FROM SAN BERNARDINO
BASIN AREA AND CORRECTION FOR VERIFIED
DIVERSIONS OF MAJOR STREAMFLOWS

TABLE NO. 8
SUMMARY OF PRODUCTION FROM
SAN BERNARDINO BASIN AREA AND
CORRECTION FOR VERIFIED DIVERSIONS
OF MAJOR STREAMFLOWS

	1959	1960	1961	1962	1963	1959-63 AVERAGE	1998	1999	2000	2001	2002	98-02 AVERAGE
BASIN TOTAL PRODUCTION (1) FILED AND NON-FILED	191,189	174,999	182,060	175,939	158,609	176,559	205,886 ⁷	207,621 ⁷	203,714 ⁷	184,358 ⁷ *	192,369 ⁷	198,790
TOTAL RECORDED STREAMFLOW DIVERSIONS												
LYTLE CREEK (2)	15,168	10,892	9,386	15,844	12,875	12,833	5,311	4,869	4,666	4,480	3,716	4,608
MILL CREEK (2)	--	--	--	--	--	--	11,224	11,951	8,852	9,496	5,867	9,478
SANTA ANA RIVER (2)	--	--	--	--	--	--	37,375	31,059	30,237	26,567	23,458	29,739
BASIN TOTAL PRODUCTION LESS MAJOR STREAM DIVERSIONS	176,021	164,107	172,674	160,095	145,734	163,726	151,976	159,742	159,959	143,815	159,328	154,964
VERIFIED STREAMFLOW DIVERSIONS												
LYTLE CREEK (3)	11,499	6,708	4,428	11,755	7,861	8,450	14,865	11,589	9,298	11,907	6,140	10,760
MILL CREEK (4)	--	--	--	--	--	--	5,802	6,611	4,379	7,257	2,142	5,238
SANTA ANA RIVER (5)	--	--	--	--	--	--	25,367	17,505	16,196	12,390	7,874	15,866
BASIN TOTAL VERIFIED PRODUCTION FROM SAN BERNARDINO BASIN AREA	187,520	170,815	177,102	171,850	153,595	172,176	198,010	195,447	189,832	175,369	175,484	186,828
TOTAL VERIFIED PRODUCTION FROM SAN BERNARDINO BASIN AREA EXCLUDING MINOR PRODUCTION	6 ⁶ 186,546	6 ⁶ 170,058	6 ⁶ 176,439	6 ⁶ 171,015	6 ⁶ 152,651	171,342	8 ⁸ 197,808	8 ⁸ 195,232	8 ⁸ 189,639	8 ⁸ 175,182	8 ⁸ 175,317	8 ⁸ 186,636

NOTES

1. TOTAL FILED AND NON-FILED PRODUCTION BY NON-PLAINTIFFS FROM SAN BERNARDINO BASIN AREA FROM TABLE NO. 3.
2. FROM TABLE NO. 7 SUMMARY OF REPORTED EXTRACTIONS FROM LYTLE CREEK, MILL CREEK AND SANTA ANA RIVER.
3. FROM TABLE NO. 4 LYTLE CREEK VERIFICATIONS OF EXTRACTIONS.
4. FROM TABLE NO. 5 MILL CREEK VERIFICATIONS OF EXTRACTIONS.
5. FROM TABLE NO. 6 SANTA ANA RIVER VERIFICATIONS OF EXTRACTIONS (INCLUDES REDLANDS WATER COMPANY'S, REDLANDS TUNNEL)

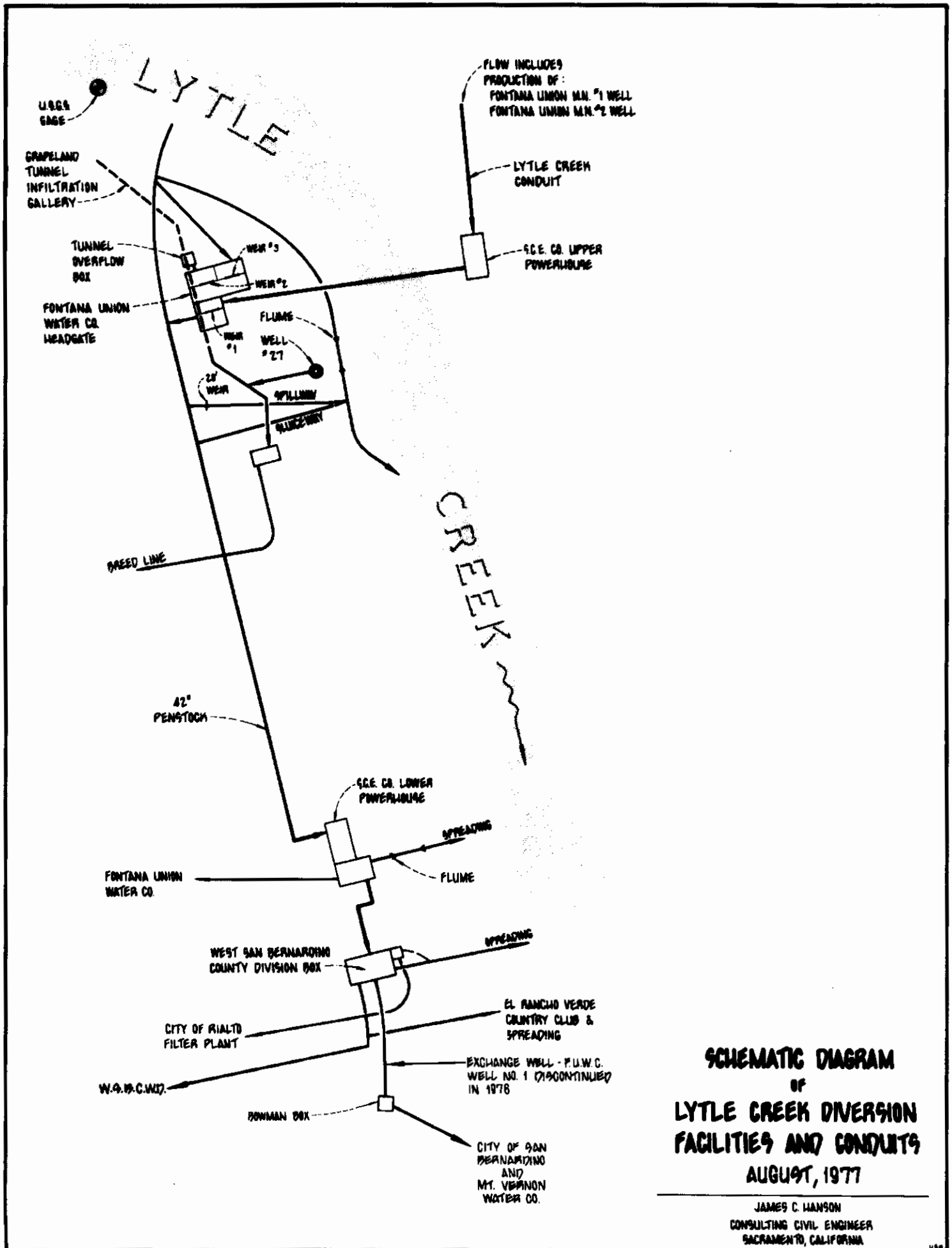
* Corrected during 2002 Verification

NOTES

6. EXCLUDES THOSE EXTRACTIONS FOR WHICH THE 1959-63 AVERAGE WAS LESS THAN 25 ACRE-FEET.
7. TOTAL BASIN PRODUCTION FROM SAN BERNARDINO BASIN AREA. SEE TABLE NO. 3 "TOTAL PRODUCTION FROM SAN BERNARDINO BASIN AREA"
8. EXCLUDES THOSE EXTRACTIONS FOR WHICH THE ANNUAL OWNER TOTAL PRODUCTION WAS LESS THAN 25 ACRE-FEET. SEE TABLE NO. 3 "TOTAL PRODUCTION FROM SAN BERNARDINO BASIN EXCLUDING THOSE AMOUNTS FOR WHICH THE OWNER TOTAL PRODUCTION WAS LESS THAN 25 ACRE-FEET" THE AMOUNT IS ADJUSTED AS SHOWN ABOVE FOR VERIFIED STREAM DIVERSIONS.

PLATE NO. 1

SCHEMATIC DIAGRAM OF LYTLE CREEK DIVERSION
FACILITIES AND CONDUITS



**SCHEMATIC DIAGRAM
OF
LYTLE CREEK DIVERSION
FACILITIES AND CONDUITS
AUGUST, 1977**

JAMES C. HANSON
CONSULTING CIVIL ENGINEER
SACRAMENTO, CALIFORNIA

PLATE NO. 1A

LOCATION MAP, LYTLE CREEK DIVERSIONS

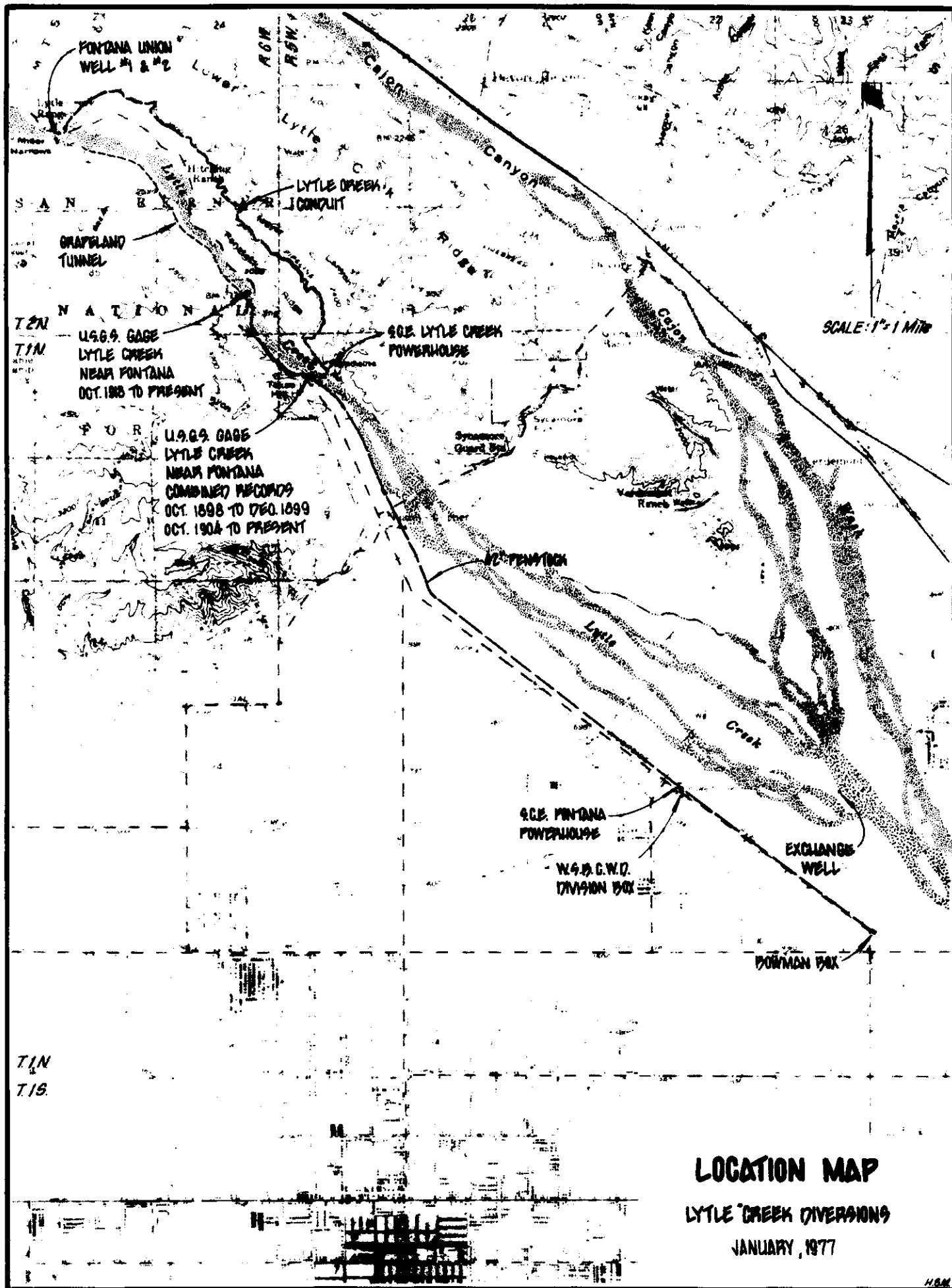
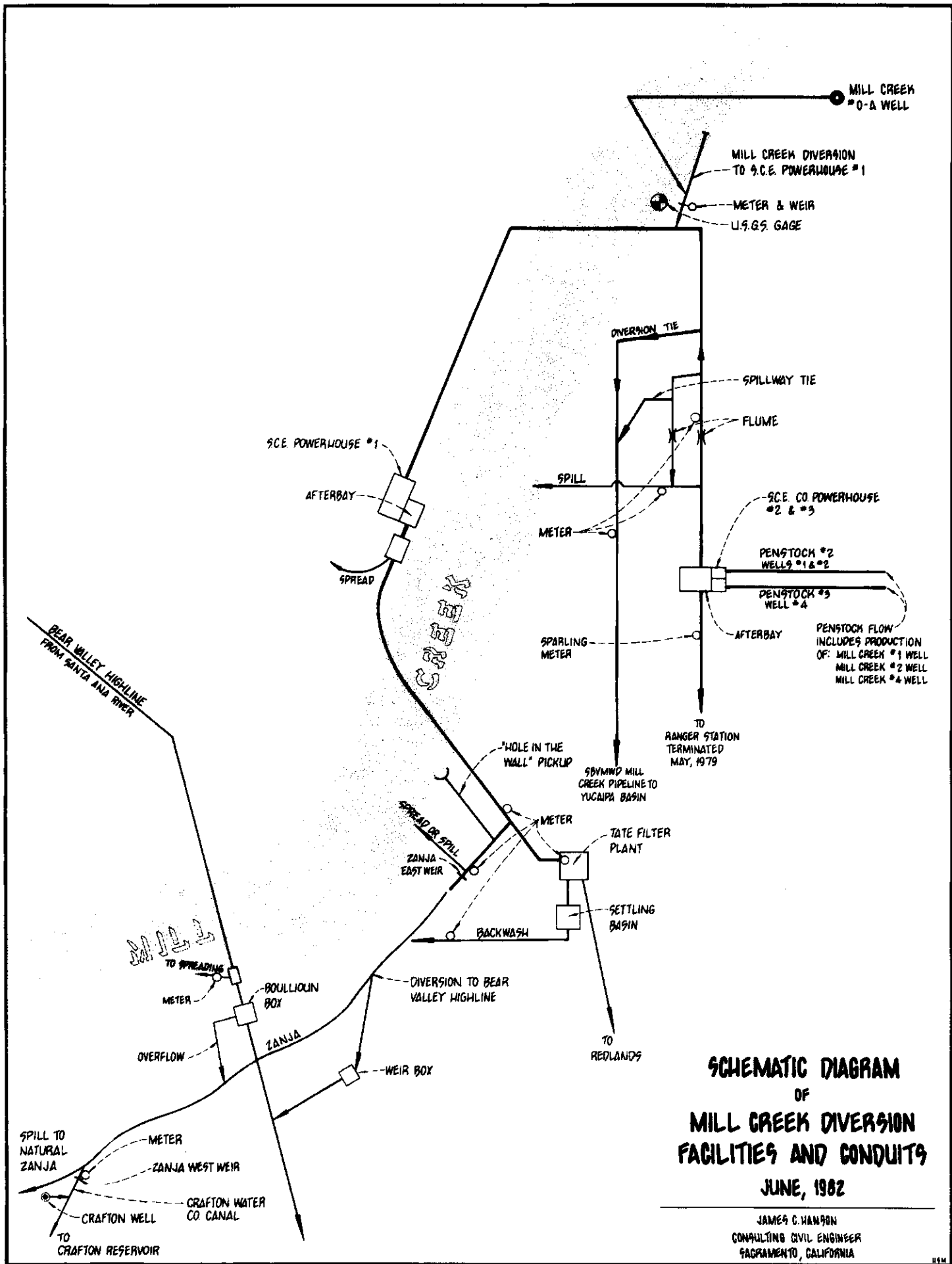


PLATE NO. 2

SCHEMATIC DIAGRAM OF MILL CREEK DIVERSION
FACILITIES AND CONDUITS

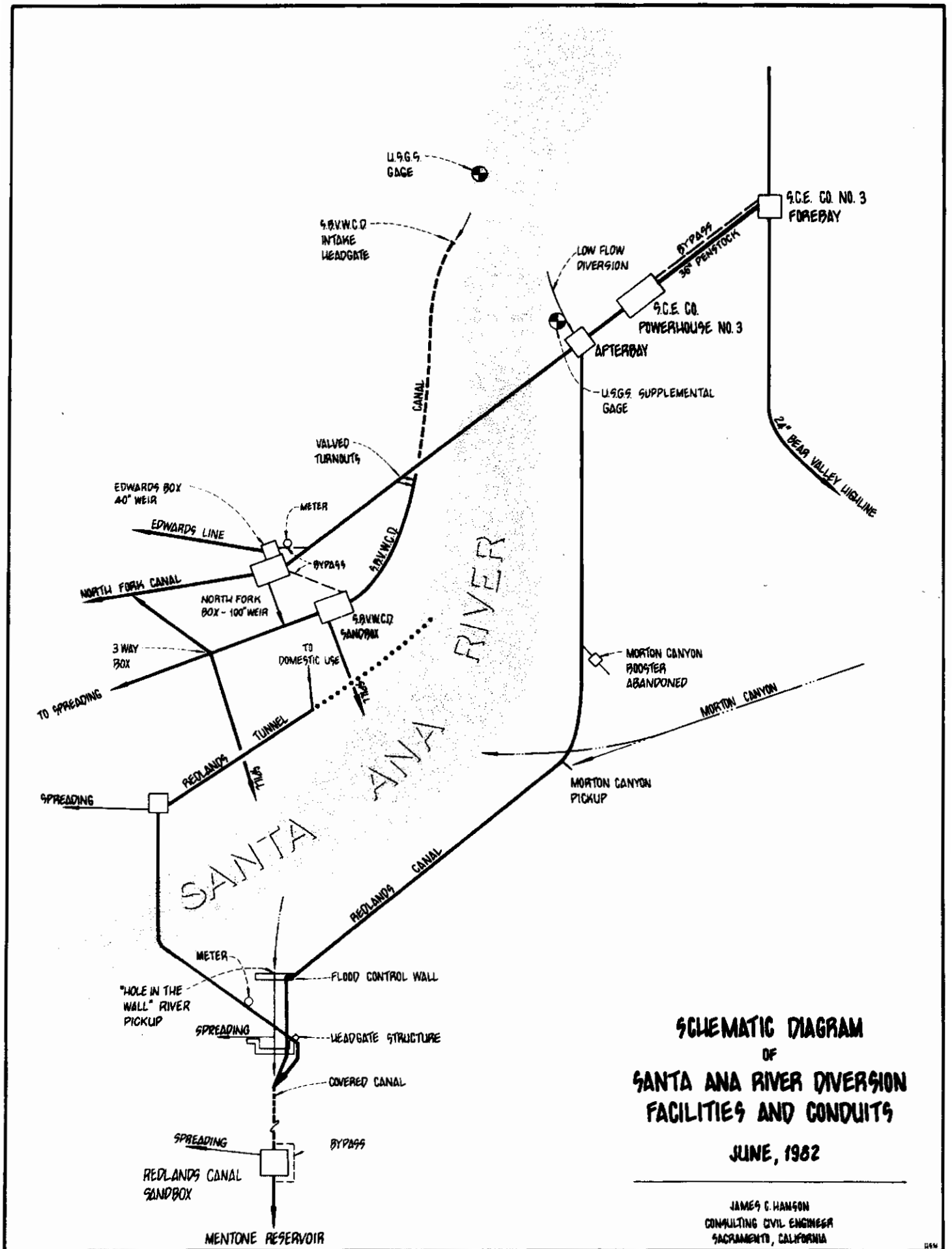


**SCHEMATIC DIAGRAM
OF
MILL CREEK DIVERSION
FACILITIES AND CONDUITS
JUNE, 1982**

JAMES C. HANSON
CONSULTING CIVIL ENGINEER
SACRAMENTO, CALIFORNIA

PLATE NO. 3

SCHEMATIC DIAGRAM OF SANTA ANA RIVER
DIVERSION FACILITIES AND CONDUITS



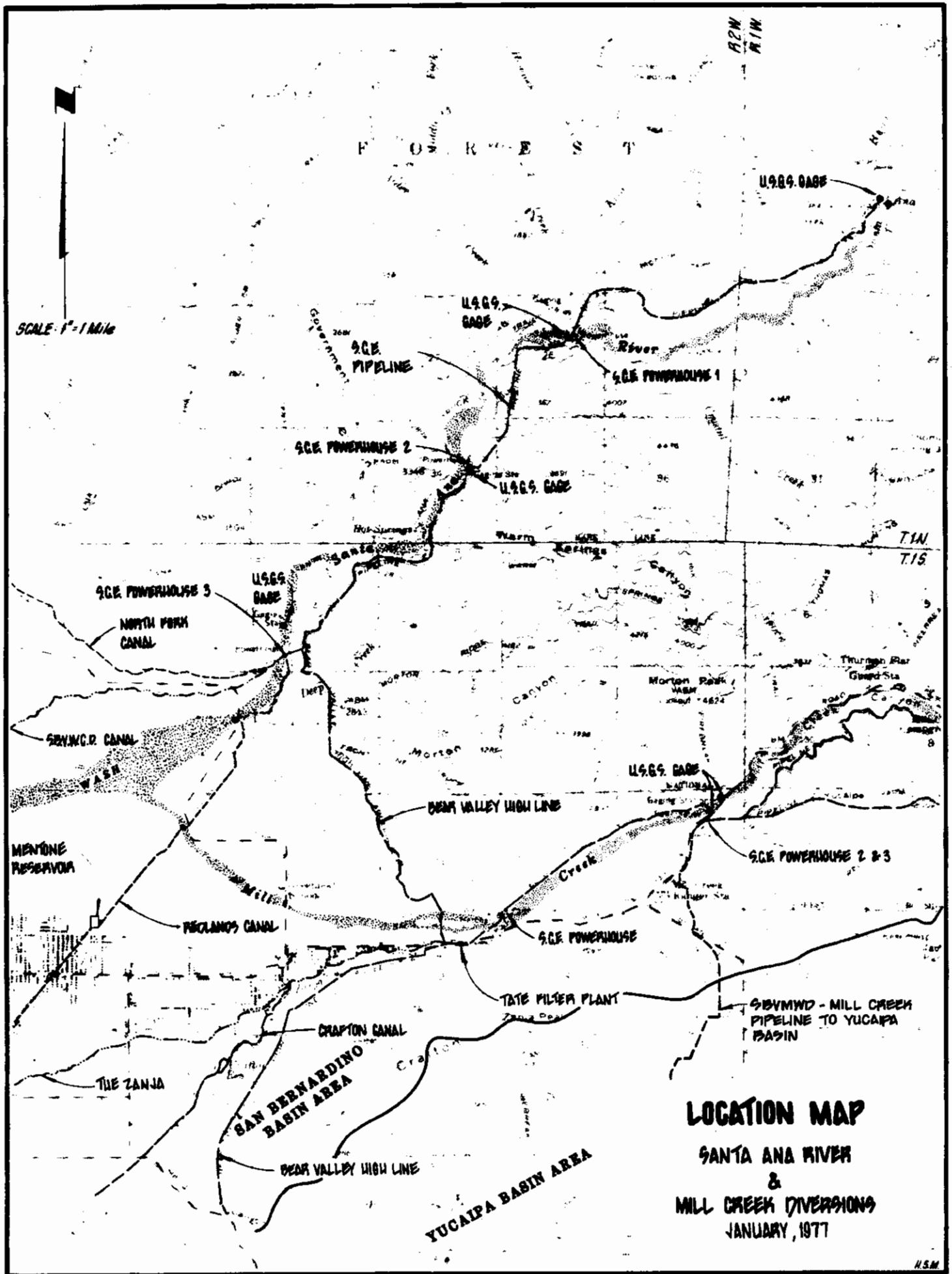
**SCHEMATIC DIAGRAM
OF
SANTA ANA RIVER DIVERSION
FACILITIES AND CONDUITS**

JUNE, 1982

JAMES C. HANSON
CONSULTING CIVIL ENGINEER
SACRAMENTO, CALIFORNIA

PLATE NO. 3A

LOCATION MAP, SANTA ANA RIVER AND MILL CREEK DIVERSIONS



LOCATION MAP

**SANTA ANA RIVER
&
MILL CREEK DIVERSIONS
JANUARY, 1977**

U.S.M.

**WESTERN - SAN BERNARDINO WATERMASTER
FOR
WESTERN MUNICIPAL WATER DISTRICT et al.
vs.
EAST SAN BERNARDINO COUNTY WATER DISTRICT et al.
CASE NO. 78426 - COUNTY OF RIVERSIDE**

VOLUME 1A - 2002

**VERIFIED EXTRACTIONS FROM THE
SAN BERNARDINO BASIN AREA
FOR
CALENDAR YEARS 1959-1963 & 1998-2002**

**By Plaintiffs - City of Riverside, The Gage Canal Co.,
Meeks & Daley Water Co., Agua Mansa Water Co.,
Riverside Highland Water Co.,
and Regents of University of California**

**ANNUAL ACCOUNTING
FOR INDIVIDUAL WELLS**

August 1, 2004

WATERMASTER

*Donald L. Harriger
Robert L. Reiter*

REPORT OF WATERMASTER

Western Municipal Water District of Riverside County, et al
Plaintiffs

vs.

East San Bernardino County Water District, et al
Defendants

Superior Court of Riverside County

Case No. 78426

VOLUME 1A - 2002

VERIFIED EXTRACTIONS FROM

SAN BERNARDINO BASIN AREA

FOR

CALENDAR YEARS 1959-1963 AND 1998-2002

By Plaintiffs - City of Riverside, The Gage Canal Company,
Meeks & Daley Water Company, Agua Mansa Water Company,
Riverside Highland Water Company,
and Regents of University of California

ANNUAL ACCOUNTING
FOR INDIVIDUAL WELLS

AUGUST 1, 2004

WATERMASTER

Donald L. Harriger
Robert L. Reiter

VOLUME 1A-2002

TABLE OF CONTENTS

<u>CHAPTER I</u>	<u>PAGE</u>
PLAINTIFFS EXTRACTIONS FROM THE SAN BERNARDINO BASIN AREA FOR CALENDAR YEARS 1959-1963 AND 1998-2002 . . .	i
<u>CHAPTER II</u>	
PLAINTIFFS EXTRACTIONS FROM THE SAN BERNARDINO BASIN AREA FOR CALENDAR YEARS 1959 THROUGH 1963 AND 1998 THROUGH 2002 AND DISTRIBUTION BY SERVICE AREA . . .	iii
SAN BERNARDINO BASIN AREA, CROSS INDEX BY OWNER-PLAINTIFFS	1
SAN BERNARDINO BASIN AREA, CROSS INDEX BY STATE WELL NUMBER-PLAINTIFFS	4
SAN BERNARDINO BASIN AREA, CROSS INDEX BY RECORDATION NUMBER-PLAINTIFFS	7
<u>TABLE NO. 1</u>	
VERIFIED EXTRACTIONS BY OWNERS (PLAINTIFFS) WHICH HAVE FILINGS WITH THE STATE WATER RESOURCES CONTROL BOARD FOR SAN BERNARDINO BASIN AREA	10
<u>TABLE NO. 2</u>	
SUMMARY OF EXTRACTIONS (FILED AND NON-FILED BY ALL PLAINTIFFS) FOR SAN BERNARDINO BASIN AREA	13
<u>TABLE NO. 3</u>	
EXTRACTIONS BY PLAINTIFFS FROM THE SAN BERNARDINO BASIN AREA FOR AVERAGE OF FIVE-YEAR PERIOD ENDING WITH 1963 AND CALENDAR YEARS 1976 THROUGH CURRENT YEAR CLASSIFIED ACCORDING TO SERVICE AREA	14
<u>TABLE NO. 4</u>	
TOTAL EXTRACTIONS BY PLAINTIFFS FROM SAN BERNARDINO BASIN AREA	19
<u>TABLE NO. 5</u>	
EXTRACTIONS BY PLAINTIFFS FROM THE SAN BERNARDINO BASIN AREA FOR DELIVERIES IN SAN BERNARDINO BASIN AREA . . .	20

TABLE NO. 6

EXTRACTIONS BY PLAINTIFFS FROM THE SAN BERNARDINO
BASIN AREA FOR DELIVERIES IN COLTON AND RIVERSIDE
BASINS IN SAN BERNARDINO COUNTY 21

TABLE NO. 7

EXTRACTIONS BY PLAINTIFFS FROM THE SAN BERNARDINO
BASIN AREA FOR DELIVERIES OUTSIDE SAN BERNARDINO
VALLEY 22

VOLUME 1A-2002

CHAPTER I

PLAINTIFFS EXTRACTIONS FROM THE
SAN BERNARDINO BASIN AREA FOR
CALENDAR YEARS 1959-1963 AND 1998-2002

The provisions of Paragraph IV (B,3) of the Judgment in Case No. 78426 entered April 17, 1969, entitled "San Bernardino Basin Area Rights and Replenishment (Annual Adjusted Rights of Plaintiffs)" provides as follows:

VI(B,3) "In any five-year period, each Plaintiff shall have the right to extract from the San Bernardino Basin area for use in each service area designated in Table B-1 an amount of water equal to five times its adjusted right for such service area; provided, however, that extractions by each Plaintiff in any year in any service area shall not exceed such Plaintiff's adjusted right for that service area by more than 30 percent."

Compliance with this provision of the Judgment requires that an accounting of the total actual extractions of surface and groundwater by the Plaintiffs-City of Riverside, The Gage Canal Co., Meeks & Daley Water Co., Agua Mansa Water Co., Riverside Highland Water Co., and the Regents of the University of California-from the San Bernardino Basin Area be made annually. Included in this Volume 1A-2002 is the verified accounting of such extractions by the Plaintiffs for the Calendar years 1998 through 2002. The extractions for the five-year base period ending with 1963 are also included for comparison.

Three indexes are included which provide a cross index by owner's name, State Water Resources Control Board Well Recordation Number, and State Well Number. Each index shows, in addition, the local designation of each well, if the State has closed the file, which year that occurred and the last 5 years verified extractions.

The individual wells of each owner are listed in Table No. 1, showing the extractions from each well for each year in the five-year base period ending in 1963, the base period average, and the extractions for the years 1998 through 2002.

Table No. 2 summarizes, by owner, the total annual extractions for the base period and base period average, together with the annual extractions for the years 1998 through 2002. The total annual extractions for 2002 are 76,190 acre feet.

Includes over pumping agreement and high groundwater mitigation production.

CHAPTER II

PLAINTIFFS EXTRACTIONS FROM THE SAN BERNARDINO
BASIN AREA FOR CALENDAR YEARS 1959 THROUGH
1963 AND 1998 through 2002 AND DISTRIBUTION
BY SERVICE AREA

Paragraph XVI of the Judgment states:

"The provisions of Paragraph 3 and 5 through 12 of this Judgment shall be in effect from and after January 1, 1971; and remaining provisions are in effect immediately."

Thus the annual accounting provisions which relate to extractions from the San Bernardino Basin Area by Plaintiffs were not effective until January 1, 1971.

Table No. 1 and 1A of Chapter I shows the extractions from individual wells owned by each Plaintiff for the five calendar year period ending with 1963, the annual average for said five-year period, and the extractions for the calendar years 1998 through 2002 and the annual average for that period. Table No. 2 described in Chapter I summarizes the total annual extractions for each Plaintiff during the five-year period 1959 through 1963, the annual average for the five-year period, and the 1998 through 2002 extractions and the annual average.

Table No. 3 shows total annual extractions and its distribution.

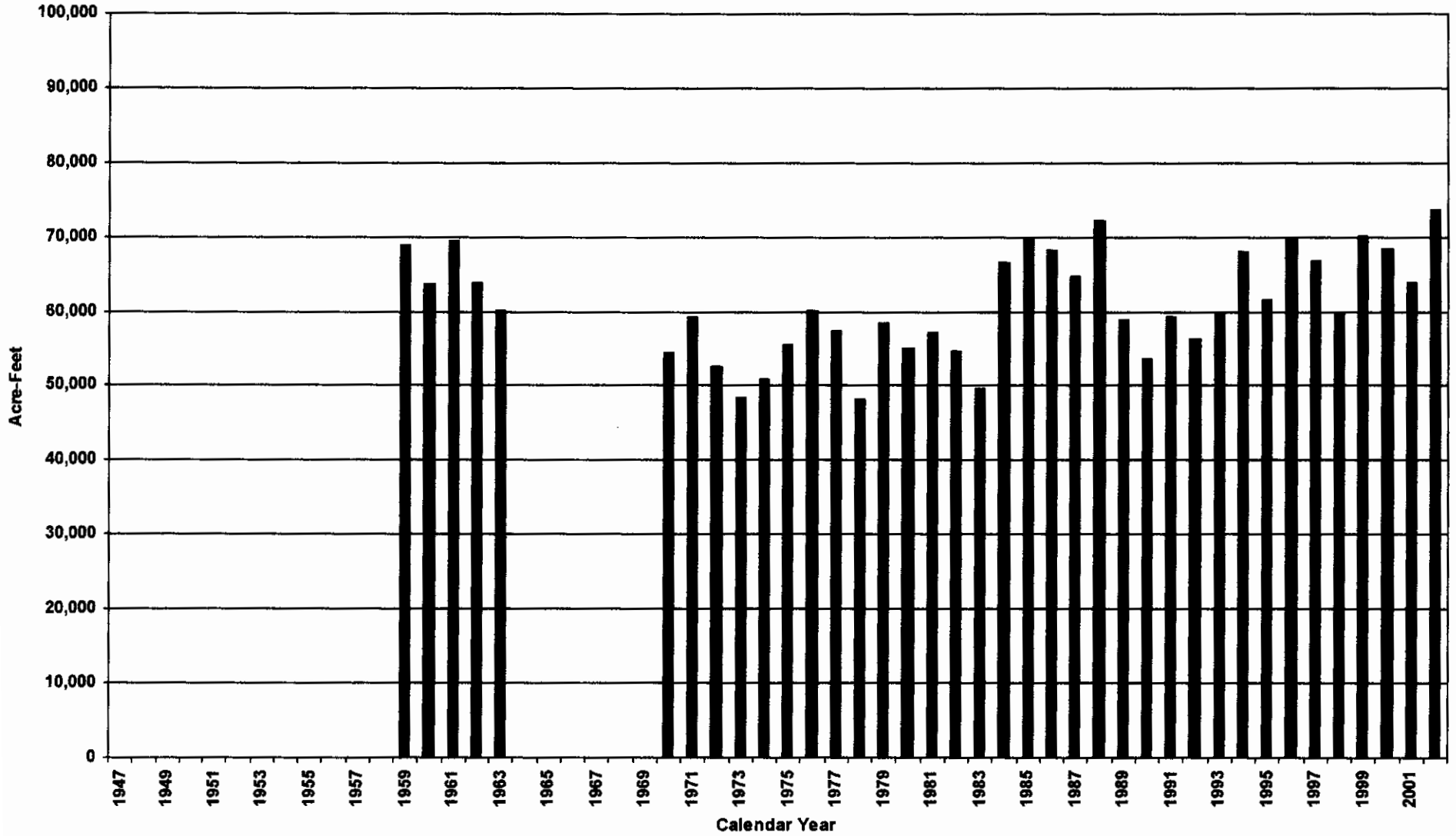
To facilitate the comparison of the total annual extractions as well as the portions thereof delivered within the San Bernardino Basin Area, the Colton Basin and Riverside Basin within San Bernardino County, and to areas outside San Bernardino Valley, four additional tables have been prepared which summarize the total annual extractions from the San Bernardino Basin Area for the period 1959 through 1963 and 1971 through the current year for each Plaintiff, as well as the portions thereof delivered to various service areas described above.

Table No. 4 lists the Total Extractions from the San Bernardino Basin Area for each Plaintiff annually for the period 1959 through 1963 and the five-year average and calendar years 1971 through the current year.

Similar listings were made for the same period which show the deliveries within the San Bernardino Basin Area, the deliveries to Colton and Riverside Basins within San Bernardino County, and the deliveries to areas outside San Bernardino Valley. These listings are shown on Tables No. 5, 6, and 7 respectively.

WESTERN - SAN BERNARDINO WATERMASTER

SAN BERNARDINO BASIN



SAN BERNARDINO BASIN AREA
CROSS INDEX BY OWNER
PLAINTIFFS

**WESTERN - SAN BERNARDINO WATERMASTER
VERIFIED PRODUCTION DATA
CROSS INDEX BY OWNER
SAN BERNARDINO BASIN**

OWNER	WELL TYPE	RECRDTN NUMBER	STATE WELL NUMBER	LOCAL DESIGNATION	YEAR CLOSED	CALENDAR YEAR EXTRACTIIONS					
						1998	1999	2000	2001	2002	AVG
MEEKS & DALEY WATER COMPANY	W	3601511	01S/04W-15M02S	E STREET	1974	0	0	0	0	0	0
MEEKS & DALEY WATER COMPANY	W	3601512	01S/04W-15N05S	51	1967	0	0	0	0	0	0
MEEKS & DALEY WATER COMPANY	W	3601513	01S/04W-16R03S	54	1974	0	0	0	0	0	0
MEEKS & DALEY WATER COMPANY	D	3601514	01S/04W-16Q	WARM CRK	1974	0	0	0	0	0	0
MEEKS & DALEY WATER COMPANY	D	3601515	01S/04W-16Q	WORKMAN	1974	0	0	0	0	0	0
MEEKS & DALEY WATER COMPANY	W	3601737	01S/04W-16J09S	COBURN		134	35	32	65	0	53
MEEKS & DALEY WATER COMPANY	W	3601887	01S/04W-15L03S	STATION 59		1,711	2,620	619	259	1,373	1,316
MEEKS & DALEY WATER COMPANY	W	3602169	01S/04W-15M10S	NEW E ST	1991	0	0	0	0	0	0
MEEKS & DALEY WATER COMPANY	W	3602329	01S/04W-15E	STATION 66	1974	0	0	0	0	0	0
MEEKS & DALEY WATER COMPANY	W	3602863	01S/04W-22H02S	WARREN #4		427	1,107	940	830	864	834
MEEKS & DALEY WATER COMPANY	W	3602864	01S/04W-14N10S	RAUB 6		1,119	2,132	1,779	2,516	2,445	1,998
MEEKS & DALEY WATER COMPANY	W	3603214	01S/04W-16R04S	STATION 69		200	23	459	0	0	136
MEEKS & DALEY WATER COMPANY	W	3603215	01S/04W-15M11S	STATION 91		237	372	3	1	1,118	346
RIVERSIDE HIGHLAND WATER COMPANY	W	3601522	01S/04W-22M07S	1	1985	0	0	0	0	0	0
RIVERSIDE HIGHLAND WATER COMPANY	W	3601523	01S/04W-22L	FW #2		1	787	188	76	424	295
RIVERSIDE HIGHLAND WATER COMPANY	W	3601527	01S/04W-22P	FW #8	1962	0	0	0	0	0	0
RIVERSIDE HIGHLAND WATER COMPANY	W	3601528	01S/04W-22N	FW #10	1962	0	0	0	0	0	0
RIVERSIDE HIGHLAND WATER COMPANY	W	3601529	01S/04W-22P	FW #11	1962	0	0	0	0	0	0
RIVERSIDE HIGHLAND WATER COMPANY	W	3601530	01S/04W-22L08S	FW #12		0	0	0	0	0	0
RIVERSIDE HIGHLAND WATER COMPANY	W	3601533	01S/04W-22L05S	FW #18		769	1,365	373	63	514	617
RIVERSIDE HIGHLAND WATER COMPANY	W	3601535	01N/04W-31D02S	LC #1		581	123	153	3	1	172
RIVERSIDE HIGHLAND WATER COMPANY	W	3601536	01N/04W-31E02S	LC #2	1962	0	0	0	0	0	0
RIVERSIDE HIGHLAND WATER COMPANY	W	3601537	01S/04W-22N	FLOWING	1963	0	0	0	0	0	0
RIVERSIDE HIGHLAND WATER COMPANY	W	3602254	01S/04W-22P05S	FW 24	1985	0	0	0	0	0	0
RIVERSIDE HIGHLAND WATER COMPANY	W	3602840	01N/04W-31F01S	LC #8		108	319	179	1	1	122
RIVERSIDE HIGHLAND WATER COMPANY	W	3603470	01N/04W-31E03S	LC #10		1,791	2,378	2,524	2,661	2,398	2,350
RIVERSIDE HIGHLAND WATER COMPANY	W	3603514	01S/04W-22L17S	FLOW #5		0	0	6	121	972	220
RIVERSIDE, CITY OF	W	3302794	01S/04W-02Q11S	GARNER 7		3,827	4,652	4,386	3,163	3,656	3,937
RIVERSIDE, CITY OF	W	3601218	01S/04W-14P02S	RAUB 1	1977	0	0	0	0	0	0
RIVERSIDE, CITY OF	W	3601219	01S/04W-23C02S	RAUB 2		130	79	41	156	135	108
RIVERSIDE, CITY OF	W	3601220	01S/04W-02P04S	COOLEY E	1977	0	0	0	0	0	0
RIVERSIDE, CITY OF	W	3601224	01S/04W-02P03S	COOLEY C	1977	0	0	0	0	0	0
RIVERSIDE, CITY OF	W	3601225	01S/04W-02P02S	COOLEY D	1977	0	0	0	0	0	0
RIVERSIDE, CITY OF	W	3601226	01S/04W-02L02S	COOLEY F	1977	0	0	0	0	0	0
RIVERSIDE, CITY OF	W	3601227	01S/04W-02N02S	COOLEY G	1977	0	0	0	0	0	0
RIVERSIDE, CITY OF	W	3601228	01S/04W-11D02S	COOLEY H		1,271	1,431	1,220	1,040	1,170	1,226
RIVERSIDE, CITY OF	W	3601229	01S/04W-11D03S	COOLEY I		2,438	3,143	2,475	2,052	2,825	2,587

**WESTERN - SAN BERNARDINO WATERMASTER
VERIFIED PRODUCTION DATA
CROSS INDEX BY OWNER
SAN BERNARDINO BASIN**

OWNER	WELL TYPE	RECRDTN NUMBER	STATE WELL NUMBER	LOCAL DESIGNATION	YEAR CLOSED	-----CALENDAR YEAR EXTRACTIONS-----					
						1998	1999	2000	2001	2002	AVG
RIVERSIDE, CITY OF	W	3601230	01S/04W-22H03S	WARREN 3		138	176	8	0	0	64
RIVERSIDE, CITY OF	W	3601231	01S/04W-22H01S	WARREN 2		347	456	50	0	0	171
RIVERSIDE, CITY OF	W	3601232	01S/04W-11D04S	COOLEY A	1977	0	0	0	0	0	0
RIVERSIDE, CITY OF	W	3601233	01S/04W-27A13S	STEWRT 21	1977	0	0	0	0	0	0
RIVERSIDE, CITY OF	W	3601234	01S/04W-27A19S	STEWRT 19	1977	0	0	0	0	0	0
RIVERSIDE, CITY OF	W	3601237	01S/04W-22B02S	BYRNE 1	1977	0	0	0	0	0	0
RIVERSIDE, CITY OF	W	3601238	01S/04W-23C03S	RAUB 4		1,015	476	789	1,356	1,287	985
RIVERSIDE, CITY OF	W	3601239	01S/04W-14P06S	RAUB 3		189	135	167	301	361	231
RIVERSIDE, CITY OF	W	3601240	01S/04W-22H04S	WARREN 1		1,132	870	1,583	1,111	1,243	1,188
RIVERSIDE, CITY OF	W	3601241	01S/04W-27A07S	HUNT 8	1977	0	0	0	0	0	0
RIVERSIDE, CITY OF	W	3601242	01S/04W-27A08S	HUNT 9	1977	0	0	0	0	0	0
RIVERSIDE, CITY OF	W	3601243	01S/04W-22H02S	WARREN 4		1,044	0	377	210	759	478
RIVERSIDE, CITY OF	W	3601431	01S/04W-27H01S	STEWART 20	1992	1	1	2	2	2	2
RIVERSIDE, CITY OF	W	3601432	01S/04W-11D01S	COOLEY B	1977	0	0	0	0	0	0
RIVERSIDE, CITY OF	W	3601457	01S/04W-01B03S	MCCRARY 1	1977	0	0	0	0	0	0
RIVERSIDE, CITY OF	W	3601458	01S/04W-01B02S	MCCRARY 2	1977	0	0	0	0	0	0
RIVERSIDE, CITY OF	W	3601459	01S/04W-01B	MCCRARY 3	1977	0	0	0	0	0	0
RIVERSIDE, CITY OF	W	3601460	01S/04W-01B	MCCRARY 4	1977	0	0	0	0	0	0
RIVERSIDE, CITY OF	W	3601461	01S/04W-01B	MCCRARY 5	1977	0	0	0	0	0	0
RIVERSIDE, CITY OF	W	3601462	01S/04W-01E01S	POOLE		0	0	0	0	0	0
RIVERSIDE, CITY OF	W	3601463	01S/04W-02A03S	STILES		813	563	368	759	467	594
RIVERSIDE, CITY OF	W	3601464	01S/04W-02P06S	GARNER 1		157	234	552	439	696	416
RIVERSIDE, CITY OF	W	3601465	01S/04W-02Q03S	GARNER 2		131	93	266	774	780	409
RIVERSIDE, CITY OF	W	3601466	01S/04W-02Q07S	GARNER 3	1977	0	0	0	0	0	0
RIVERSIDE, CITY OF	W	3601467	01S/04W-02Q06S	GARNER 4		0	0	0	0	0	0
RIVERSIDE, CITY OF	W	3601468	01S/04W-02P01S	GARNER 5		1,139	1,756	1,924	1,071	2,144	1,607
RIVERSIDE, CITY OF	W	3601469	01S/04W-22A01S	PAINEHOT	1977	0	0	0	0	0	0
RIVERSIDE, CITY OF	W	3601470	01S/04W-22G15S	THORN 2	1974	0	0	0	0	0	0
RIVERSIDE, CITY OF	W	3601470-	01S/04W-22B07S	THORN 12		300	851	1,231	833	1,098	863
RIVERSIDE, CITY OF	W	3601471	01S/04W-22G14S	THORN 3		0	0	0	0	23	5
RIVERSIDE, CITY OF	W	3601472	01S/04W-22G11S	THORN 4	1977	0	0	0	0	0	0
RIVERSIDE, CITY OF	W	3601473	01S/04W-22G16S	THORN 5		0	0	0	0	0	0
RIVERSIDE, CITY OF	W	3601474	01S/04W-22G18S	THORN 6		0	0	0	0	0	0
RIVERSIDE, CITY OF	W	3601475	01S/04W-22G17S	THORN 7		0	0	0	0	0	0
RIVERSIDE, CITY OF	W	3601476	01S/04W-22G19S	THORN 8		0	0	0	0	10	2
RIVERSIDE, CITY OF	W	3601477	01S/04W-22B01S	THORN 9	1977	0	0	0	0	0	0
RIVERSIDE, CITY OF	W	3601478	01S/04W-22B03S	THORN 10		0	0	0	22	11	7

**WESTERN - SAN BERNARDINO WATERMASTER
VERIFIED PRODUCTION DATA
CROSS INDEX BY OWNER
SAN BERNARDINO BASIN**

OWNER	WELL TYPE	RECRDTN NUMBER	STATE WELL NUMBER	LOCAL DESIGNATION	YEAR CLOSED	-----CALENDAR YEAR EXTRACTIONS-----					
						1998	1999	2000	2001	2002	AVG
RIVERSIDE, CITY OF	W	3601479	01S/04W-22B05S	THORN 11		0	0	0	186	161	69
RIVERSIDE, CITY OF	W	3601489	01S/04W-02L01S	SCHEUER		55	69	157	111	137	106
RIVERSIDE, CITY OF	W	3602484	01S/04W-14N09S	RAUB 5		3,354	3,845	3,070	2,632	2,510	3,082
RIVERSIDE, CITY OF	W	3602771	01S/04W-27A11S	HUNT 6		127	0	122	138	290	135
RIVERSIDE, CITY OF	W	3602772	01S/04W-27A09S	HUNT 10		181	0	515	433	349	296
RIVERSIDE, CITY OF	W	3602773	01S/04W-27A10S	HUNT 11		36	0	194	68	318	123
RIVERSIDE, CITY OF	W	3602778	01S/04W-14N10S	RAUB 6		0	0	1,309	340	981	526
RIVERSIDE, CITY OF	W	3603254	01S/04W-02P09S	GARNER 6		4,697	4,742	4,558	3,573	4,307	4,375
RIVERSIDE, CITY OF	W	3603555	01S/04W-14N10S	RAUB 8		1,688	1,863	2,893	2,272	2,884	2,320
RIVERSIDE, CITY OF-GAGE CANAL	W	3600784	01S/04W-13L01S	6	1969	0	0	0	0	0	0
RIVERSIDE, CITY OF-GAGE CANAL	W	3600785	01S/04W-14R	17	1966	0	0	0	0	0	0
RIVERSIDE, CITY OF-GAGE CANAL	W	3600786	01S/04W-13L02S	GAGE 21	1996	0	0	0	0	0	0
RIVERSIDE, CITY OF-GAGE CANAL	W	3600787	01S/04W-23A02S	26-1		1,133	2,332	2,685	2,506	3,001	2,331
RIVERSIDE, CITY OF-GAGE CANAL	W	3600788	01S/04W-23H01S	27-1		1,193	2,702	2,635	2,310	2,352	2,238
RIVERSIDE, CITY OF-GAGE CANAL	W	3600789	01S/04W-23K01S	27-2		2,282	2,368	1,539	1,339	2,034	1,912
RIVERSIDE, CITY OF-GAGE CANAL	W	3600790	01S/04W-23K02S	29-1		1,733	2,459	2,062	2,099	1,949	2,060
RIVERSIDE, CITY OF-GAGE CANAL	W	3600791	01S/04W-13N01S	29-2		1,558	1,652	2,323	2,281	1,354	1,834
RIVERSIDE, CITY OF-GAGE CANAL	W	3600792	01S/04W-13N02S	29-3		727	804	1,655	1,780	2,609	1,515
RIVERSIDE, CITY OF-GAGE CANAL	W	3600793	01S/04W-13M02S	30-1		1,071	1,240	691	843	1,152	999
RIVERSIDE, CITY OF-GAGE CANAL	W	3600794	01S/04W-13F02S	31-1		1,567	902	1,242	1,443	2,026	1,436
RIVERSIDE, CITY OF-GAGE CANAL	W	3600795	01S/04W-13G02S	46-1		2,945	2,829	1,758	2,096	3,411	2,608
RIVERSIDE, CITY OF-GAGE CANAL	W	3600796	01S/04W-23A05S	51-1		1,573	1,756	1,166	1,686	940	1,424
RIVERSIDE, CITY OF-GAGE CANAL	W	3600797	01S/04W-13G03S	56-1		1,710	2,034	1,791	1,485	2,131	1,830
RIVERSIDE, CITY OF-GAGE CANAL	W	3600798	01S/04W-23G01S	COWLANE	1966	0	0	0	0	0	0
RIVERSIDE, CITY OF-GAGE CANAL	W	3602331	01S/04W-23G03S	66-1		1,963	2,311	1,411	1,698	1,252	1,727
RIVERSIDE, CITY OF-GAGE CANAL	W	3602423	01S/04W-13P	6		22	33	38	25	34	30
RIVERSIDE, CITY OF-GAGE CANAL	W	3603556	01S/04W-13L08S	92-3		3,555	3,916	3,762	3,468	3,274	3,595
RIVERSIDE, CITY OF-GAGE CANAL	W	3603557	01S/04W-13L07S	92-2		3,816	3,740	3,243	3,458	3,058	3,463
RIVERSIDE, CITY OF-GAGE CANAL	W	3603558	01S/04W-13N07S	92-1		3,359	3,968	3,049	3,344	1,917	3,127
RIVERSIDE, CITY OF-GAGE CANAL	W	3603728	01S/04W-23A06S	98-1			661	4,165	4,409	4,364	2,720
UNIVERSITY OF CALIFORNIA, REGENTS OF	W	3601222	01S/04W-27A11S	HUNT 6		171	93	97	114	65	108
UNIVERSITY OF CALIFORNIA, REGENTS OF	W	3601244	01S/04W-27A09S	HUNT 10		250	310	405	284	365	323
UNIVERSITY OF CALIFORNIA, REGENTS OF	W	3601245	01S/04W-27A10S	HUNT 11		169	183	122	219	188	176
UNIVERSITY OF CALIFORNIA, REGENTS OF	W	3691241	01S/04W-27A07S	HUNT 8	1976	0	0	0	0	0	0
UNIVERSITY OF CALIFORNIA, REGENTS OF	W	3691242	01S/04W-27A08S	HUNT 9	1976	0	0	0	0	0	0
TOTALS FOR 109 WELLS						62,085	72,989	71,351	66,525	76,190	69,828

SAN BERNARDINO BASIN AREA
CROSS INDEX BY STATE WELL NUMBER
PLAINTIFFS

**WESTERN - SAN BERNARDINO WATERMASTER
 VERIFIED PRODUCTION DATA
 CROSS INDEX BY STATE WELL NUMBER
 SAN BERNARDINO BASIN**

STATE WELL NUMBER	RECRDTN NUMBER	OWNER	WELL TYPE	LOCAL DESIGNATION	YEAR CLOSED	-----CALENDAR YEAR EXTRACTIONS-----					
						1998	1999	2000	2001	2002	AVG
01N/04W-31D02S	3601535	RIVERSIDE HIGHLAND WATER COMPANY	W	LC #1		581	123	153	3	1	172
01N/04W-31E02S	3601536	RIVERSIDE HIGHLAND WATER COMPANY	W	LC #2	1962	0	0	0	0	0	0
01N/04W-31E03S	3603470	RIVERSIDE HIGHLAND WATER COMPANY	W	LC #10		1,791	2,378	2,524	2,661	2,398	2,350
01N/04W-31F01S	3602840	RIVERSIDE HIGHLAND WATER COMPANY	W	LC #8		108	319	179	1	1	122
01S/04W-01B	3601459	RIVERSIDE, CITY OF	W	MCCRARY 3	1977	0	0	0	0	0	0
01S/04W-01B	3601460	RIVERSIDE, CITY OF	W	MCCRARY 4	1977	0	0	0	0	0	0
01S/04W-01B	3601461	RIVERSIDE, CITY OF	W	MCCRARY 5	1977	0	0	0	0	0	0
01S/04W-01B02S	3601458	RIVERSIDE, CITY OF	W	MCCRARY 2	1977	0	0	0	0	0	0
01S/04W-01B03S	3601457	RIVERSIDE, CITY OF	W	MCCRARY 1	1977	0	0	0	0	0	0
01S/04W-01E01S	3601462	RIVERSIDE, CITY OF	W	POOLE		0	0	0	0	0	0
01S/04W-02A03S	3601463	RIVERSIDE, CITY OF	W	STILES		813	563	368	759	467	594
01S/04W-02L01S	3601489	RIVERSIDE, CITY OF	W	SCHEUER		55	69	157	111	137	106
01S/04W-02L02S	3601226	RIVERSIDE, CITY OF	W	COOLEY F	1977	0	0	0	0	0	0
01S/04W-02N02S	3601227	RIVERSIDE, CITY OF	W	COOLEY G	1977	0	0	0	0	0	0
01S/04W-02P01S	3601468	RIVERSIDE, CITY OF	W	GARNER 5		1,139	1,756	1,924	1,071	2,144	1,607
01S/04W-02P02S	3601225	RIVERSIDE, CITY OF	W	COOLEY D	1977	0	0	0	0	0	0
01S/04W-02P03S	3601224	RIVERSIDE, CITY OF	W	COOLEY C	1977	0	0	0	0	0	0
01S/04W-02P04S	3601220	RIVERSIDE, CITY OF	W	COOLEY E	1977	0	0	0	0	0	0
01S/04W-02P06S	3601464	RIVERSIDE, CITY OF	W	GARNER 1		157	234	552	439	696	416
01S/04W-02P09S	3603254	RIVERSIDE, CITY OF	W	GARNER 6		4,697	4,742	4,558	3,573	4,307	4,375
01S/04W-02Q03S	3601465	RIVERSIDE, CITY OF	W	GARNER 2		131	93	266	774	780	409
01S/04W-02Q06S	3601467	RIVERSIDE, CITY OF	W	GARNER 4		0	0	0	0	0	0
01S/04W-02Q07S	3601466	RIVERSIDE, CITY OF	W	GARNER 3	1977	0	0	0	0	0	0
01S/04W-02Q11S	3302794	RIVERSIDE, CITY OF	W	GARNER 7		3,827	4,652	4,386	3,163	3,656	3,937
01S/04W-11D01S	3601432	RIVERSIDE, CITY OF	W	COOLEY B	1977	0	0	0	0	0	0
01S/04W-11D02S	3601228	RIVERSIDE, CITY OF	W	COOLEY H		1,271	1,431	1,220	1,040	1,170	1,226
01S/04W-11D03S	3601229	RIVERSIDE, CITY OF	W	COOLEY I		2,438	3,143	2,475	2,052	2,825	2,587
01S/04W-11D04S	3601232	RIVERSIDE, CITY OF	W	COOLEY A	1977	0	0	0	0	0	0
01S/04W-13F02S	3600794	RIVERSIDE, CITY OF-GAGE CANAL	W	31-1		1,567	902	1,242	1,443	2,026	1,436
01S/04W-13G02S	3600795	RIVERSIDE, CITY OF-GAGE CANAL	W	46-1		2,945	2,829	1,758	2,096	3,411	2,608
01S/04W-13G03S	3600797	RIVERSIDE, CITY OF-GAGE CANAL	W	56-1		1,710	2,034	1,791	1,485	2,131	1,830
01S/04W-13L01S	3600784	RIVERSIDE, CITY OF-GAGE CANAL	W	6	1969	0	0	0	0	0	0
01S/04W-13L02S	3600786	RIVERSIDE, CITY OF-GAGE CANAL	W	GAGE 21	1996	0	0	0	0	0	0
01S/04W-13L07S	3603557	RIVERSIDE, CITY OF-GAGE CANAL	W	92-2		3,816	3,740	3,243	3,458	3,058	3,463
01S/04W-13L08S	3603556	RIVERSIDE, CITY OF-GAGE CANAL	W	92-3		3,555	3,916	3,762	3,468	3,274	3,595
01S/04W-13M02S	3600793	RIVERSIDE, CITY OF-GAGE CANAL	W	30-1		1,071	1,240	691	843	1,152	999
01S/04W-13N01S	3600791	RIVERSIDE, CITY OF-GAGE CANAL	W	29-2		1,558	1,652	2,323	2,281	1,354	1,834

**WESTERN - SAN BERNARDINO WATERMASTER
VERIFIED PRODUCTION DATA
CROSS INDEX BY STATE WELL NUMBER
SAN BERNARDINO BASIN**

STATE WELL NUMBER	RECRDTN NUMBER	OWNER	WELL TYPE	LOCAL DESIGNATION	YEAR CLOSED	-----CALENDAR YEAR EXTRACTIONS-----					
						1998	1999	2000	2001	2002	AVG
01S/04W-13N02S	3600792	RIVERSIDE, CITY OF-GAGE CANAL	W	29-3		727	804	1,655	1,780	2,609	1,515
01S/04W-13N07S	3603558	RIVERSIDE, CITY OF-GAGE CANAL	W	92-1		3,359	3,968	3,049	3,344	1,917	3,127
01S/04W-13P	3602423	RIVERSIDE, CITY OF-GAGE CANAL	W	6		22	33	38	25	34	30
01S/04W-14N09S	3602484	RIVERSIDE, CITY OF	W	RAUB 5		3,354	3,845	3,070	2,632	2,510	3,082
01S/04W-14N10S	3602778	RIVERSIDE, CITY OF	W	RAUB 6		0	0	1,309	340	981	526
01S/04W-14N10S	3602864	MEEKS & DALEY WATER COMPANY	W	RAUB 6		1,119	2,132	1,779	2,516	2,445	1,998
01S/04W-14N10S	3603555	RIVERSIDE, CITY OF	W	RAUB 8		1,688	1,863	2,893	2,272	2,884	2,320
01S/04W-14P02S	3601218	RIVERSIDE, CITY OF	W	RAUB 1	1977	0	0	0	0	0	0
01S/04W-14P06S	3601239	RIVERSIDE, CITY OF	W	RAUB 3		189	135	167	301	361	231
01S/04W-14R	3600785	RIVERSIDE, CITY OF-GAGE CANAL	W	17	1966	0	0	0	0	0	0
01S/04W-15E	3602329	MEEKS & DALEY WATER COMPANY	W	STATION 66	1974	0	0	0	0	0	0
01S/04W-15L03S	3601887	MEEKS & DALEY WATER COMPANY	W	STATION 59		1,711	2,620	619	259	1,373	1,316
01S/04W-15M02S	3601511	MEEKS & DALEY WATER COMPANY	W	E STREET	1974	0	0	0	0	0	0
01S/04W-15M10S	3602169	MEEKS & DALEY WATER COMPANY	W	NEW E ST	1991	0	0	0	0	0	0
01S/04W-15M11S	3603215	MEEKS & DALEY WATER COMPANY	W	STATION 91		237	372	3	1	1,118	346
01S/04W-15N05S	3601512	MEEKS & DALEY WATER COMPANY	W	51	1967	0	0	0	0	0	0
01S/04W-16J09S	3601737	MEEKS & DALEY WATER COMPANY	W	COBURN		134	35	32	65	0	53
01S/04W-16Q	3601514	MEEKS & DALEY WATER COMPANY	D	WARM CRK	1974	0	0	0	0	0	0
01S/04W-16Q	3601515	MEEKS & DALEY WATER COMPANY	D	WORKMAN	1974	0	0	0	0	0	0
01S/04W-16R03S	3601513	MEEKS & DALEY WATER COMPANY	W	54	1974	0	0	0	0	0	0
01S/04W-16R04S	3603214	MEEKS & DALEY WATER COMPANY	W	STATION 69		200	23	459	0	0	136
01S/04W-22A01S	3601469	RIVERSIDE, CITY OF	W	PAINEHOT	1977	0	0	0	0	0	0
01S/04W-22B01S	3601477	RIVERSIDE, CITY OF	W	THORN 9	1977	0	0	0	0	0	0
01S/04W-22B02S	3601237	RIVERSIDE, CITY OF	W	BYRNE 1	1977	0	0	0	0	0	0
01S/04W-22B03S	3601478	RIVERSIDE, CITY OF	W	THORN 10		0	0	0	22	11	7
01S/04W-22B05S	3601479	RIVERSIDE, CITY OF	W	THORN 11		0	0	0	186	161	69
01S/04W-22B07S	3601470-	RIVERSIDE, CITY OF	W	THORN 12		300	851	1,231	833	1,098	863
01S/04W-22G11S	3601472	RIVERSIDE, CITY OF	W	THORN 4	1977	0	0	0	0	0	0
01S/04W-22G14S	3601471	RIVERSIDE, CITY OF	W	THORN 3		0	0	0	0	23	5
01S/04W-22G15S	3601470	RIVERSIDE, CITY OF	W	THORN 2	1974	0	0	0	0	0	0
01S/04W-22G16S	3601473	RIVERSIDE, CITY OF	W	THORN 5		0	0	0	0	0	0
01S/04W-22G17S	3601475	RIVERSIDE, CITY OF	W	THORN 7		0	0	0	0	0	0
01S/04W-22G18S	3601474	RIVERSIDE, CITY OF	W	THORN 6		0	0	0	0	0	0
01S/04W-22G19S	3601476	RIVERSIDE, CITY OF	W	THORN 8		0	0	0	0	10	2
01S/04W-22H01S	3601231	RIVERSIDE, CITY OF	W	WARREN 2		347	456	50	0	0	171
01S/04W-22H02S	3601243	RIVERSIDE, CITY OF	W	WARREN 4		1,044	0	377	210	759	478
01S/04W-22H02S	3602863	MEEKS & DALEY WATER COMPANY	W	WARREN #4		427	1,107	940	830	864	834

**WESTERN - SAN BERNARDINO WATERMASTER
VERIFIED PRODUCTION DATA
CROSS INDEX BY STATE WELL NUMBER
SAN BERNARDINO BASIN**

STATE WELL NUMBER	RECRDTN NUMBER	OWNER	WELL TYPE	LOCAL DESIGNATION	YEAR CLOSED	-----CALENDAR YEAR EXTRACTIONS-----					
						1998	1999	2000	2001	2002	AVG
01S/04W-22H03S	3601230	RIVERSIDE, CITY OF	W	WARREN 3		138	176	8	0	0	64
01S/04W-22H04S	3601240	RIVERSIDE, CITY OF	W	WARREN 1		1,132	870	1,583	1,111	1,243	1,188
01S/04W-22L	3601523	RIVERSIDE HIGHLAND WATER COMPANY	W	FW #2		1	787	188	76	424	295
01S/04W-22L05S	3601533	RIVERSIDE HIGHLAND WATER COMPANY	W	FW #18		769	1,365	373	63	514	617
01S/04W-22L08S	3601530	RIVERSIDE HIGHLAND WATER COMPANY	W	FW #12		0	0	0	0	0	0
01S/04W-22L17S	3603514	RIVERSIDE HIGHLAND WATER COMPANY	W	FLOW #5		0	0	6	121	972	220
01S/04W-22M07S	3601522	RIVERSIDE HIGHLAND WATER COMPANY	W	1	1985	0	0	0	0	0	0
01S/04W-22N	3601528	RIVERSIDE HIGHLAND WATER COMPANY	W	FW #10	1962	0	0	0	0	0	0
01S/04W-22N	3601537	RIVERSIDE HIGHLAND WATER COMPANY	W	FLOWING	1963	0	0	0	0	0	0
01S/04W-22P	3601527	RIVERSIDE HIGHLAND WATER COMPANY	W	FW #8	1962	0	0	0	0	0	0
01S/04W-22P	3601529	RIVERSIDE HIGHLAND WATER COMPANY	W	FW #11	1962	0	0	0	0	0	0
01S/04W-22P05S	3602254	RIVERSIDE HIGHLAND WATER COMPANY	W	FW 24	1985	0	0	0	0	0	0
01S/04W-23A02S	3600787	RIVERSIDE, CITY OF-GAGE CANAL	W	26-1		1,133	2,332	2,685	2,506	3,001	2,331
01S/04W-23A05S	3600796	RIVERSIDE, CITY OF-GAGE CANAL	W	51-1		1,573	1,756	1,166	1,686	940	1,424
01S/04W-23A06S	3603728	RIVERSIDE, CITY OF-GAGE CANAL	W	98-1			661	4,165	4,409	4,364	2,720
01S/04W-23C02S	3601219	RIVERSIDE, CITY OF	W	RAUB 2		130	79	41	156	135	108
01S/04W-23C03S	3601238	RIVERSIDE, CITY OF	W	RAUB 4		1,015	476	789	1,356	1,287	985
01S/04W-23G01S	3600798	RIVERSIDE, CITY OF-GAGE CANAL	W	COWLANE	1966	0	0	0	0	0	0
01S/04W-23G03S	3602331	RIVERSIDE, CITY OF-GAGE CANAL	W	66-1		1,963	2,311	1,411	1,698	1,252	1,727
01S/04W-23H01S	3600788	RIVERSIDE, CITY OF-GAGE CANAL	W	27-1		1,193	2,702	2,635	2,310	2,352	2,238
01S/04W-23K01S	3600789	RIVERSIDE, CITY OF-GAGE CANAL	W	27-2		2,282	2,368	1,539	1,339	2,034	1,912
01S/04W-23K02S	3600790	RIVERSIDE, CITY OF-GAGE CANAL	W	29-1		1,733	2,459	2,062	2,099	1,949	2,060
01S/04W-27A07S	3601241	RIVERSIDE, CITY OF	W	HUNT 8	1977	0	0	0	0	0	0
01S/04W-27A07S	3691241	UNIVERSITY OF CALIFORNIA, REGENTS OF	W	HUNT 8	1976	0	0	0	0	0	0
01S/04W-27A08S	3601242	RIVERSIDE, CITY OF	W	HUNT 9	1977	0	0	0	0	0	0
01S/04W-27A08S	3691242	UNIVERSITY OF CALIFORNIA, REGENTS OF	W	HUNT 9	1976	0	0	0	0	0	0
01S/04W-27A09S	3601244	UNIVERSITY OF CALIFORNIA, REGENTS OF	W	HUNT 10		250	310	405	284	365	323
01S/04W-27A09S	3602772	RIVERSIDE, CITY OF	W	HUNT 10		181	0	515	433	349	296
01S/04W-27A10S	3601245	UNIVERSITY OF CALIFORNIA, REGENTS OF	W	HUNT 11		169	183	122	219	188	176
01S/04W-27A10S	3602773	RIVERSIDE, CITY OF	W	HUNT 11		36	0	194	68	318	123
01S/04W-27A11S	3601222	UNIVERSITY OF CALIFORNIA, REGENTS OF	W	HUNT 6		171	93	97	114	65	108
01S/04W-27A11S	3602771	RIVERSIDE, CITY OF	W	HUNT 6		127	0	122	138	290	135
01S/04W-27A13S	3601233	RIVERSIDE, CITY OF	W	STEWRT 21	1977	0	0	0	0	0	0
01S/04W-27A19S	3601234	RIVERSIDE, CITY OF	W	STEWRT 19	1977	0	0	0	0	0	0
01S/04W-27H01S	3601431	RIVERSIDE, CITY OF	W	STEWART 20	1992	1	1	2	2	2	2
TOTALS FOR 109 WELLS						62,085	72,989	71,351	66,525	76,190	69,828

SAN BERNARDINO BASIN AREA
CROSS INDEX BY RECORDATION NUMBER
PLAINTIFFS

**WESTERN - SAN BERNARDINO WATERMASTER
VERIFIED PRODUCTION DATA
CROSS INDEX BY RECORDATION NUMBER
SAN BERNARDINO BASIN**

RECRDTN NUMBER	STATE WELL NUMBER	OWNER	WELL TYPE	LOCAL DESIGNATION	YEAR CLOSED	-----CALENDAR YEAR EXTRACTIONS-----					
						1998	1999	2000	2001	2002	AVG
3302794	01S/04W-02Q11S	RIVERSIDE, CITY OF	W	GARNER 7		3,827	4,652	4,386	3,163	3,656	3,937
3600784	01S/04W-13L01S	RIVERSIDE, CITY OF-GAGE CANAL	W	6	1969	0	0	0	0	0	0
3600785	01S/04W-14R	RIVERSIDE, CITY OF-GAGE CANAL	W	17	1966	0	0	0	0	0	0
3600786	01S/04W-13L02S	RIVERSIDE, CITY OF-GAGE CANAL	W	GAGE 21	1996	0	0	0	0	0	0
3600787	01S/04W-23A02S	RIVERSIDE, CITY OF-GAGE CANAL	W	26-1		1,133	2,332	2,685	2,506	3,001	2,331
3600788	01S/04W-23H01S	RIVERSIDE, CITY OF-GAGE CANAL	W	27-1		1,193	2,702	2,635	2,310	2,352	2,238
3600789	01S/04W-23K01S	RIVERSIDE, CITY OF-GAGE CANAL	W	27-2		2,282	2,368	1,539	1,339	2,034	1,912
3600790	01S/04W-23K02S	RIVERSIDE, CITY OF-GAGE CANAL	W	29-1		1,733	2,459	2,062	2,099	1,949	2,060
3600791	01S/04W-13N01S	RIVERSIDE, CITY OF-GAGE CANAL	W	29-2		1,558	1,652	2,323	2,281	1,354	1,834
3600792	01S/04W-13N02S	RIVERSIDE, CITY OF-GAGE CANAL	W	29-3		727	804	1,655	1,780	2,609	1,515
3600793	01S/04W-13M02S	RIVERSIDE, CITY OF-GAGE CANAL	W	30-1		1,071	1,240	691	843	1,152	999
3600794	01S/04W-13F02S	RIVERSIDE, CITY OF-GAGE CANAL	W	31-1		1,567	902	1,242	1,443	2,026	1,436
3600795	01S/04W-13G02S	RIVERSIDE, CITY OF-GAGE CANAL	W	46-1		2,945	2,829	1,758	2,096	3,411	2,608
3600796	01S/04W-23A05S	RIVERSIDE, CITY OF-GAGE CANAL	W	51-1		1,573	1,756	1,166	1,686	940	1,424
3600797	01S/04W-13G03S	RIVERSIDE, CITY OF-GAGE CANAL	W	56-1		1,710	2,034	1,791	1,485	2,131	1,830
3600798	01S/04W-23G01S	RIVERSIDE, CITY OF-GAGE CANAL	W	COWLANE	1966	0	0	0	0	0	0
3601218	01S/04W-14P02S	RIVERSIDE, CITY OF	W	RAUB 1	1977	0	0	0	0	0	0
3601219	01S/04W-23C02S	RIVERSIDE, CITY OF	W	RAUB 2		130	79	41	156	135	108
3601220	01S/04W-02P04S	RIVERSIDE, CITY OF	W	COOLEY E	1977	0	0	0	0	0	0
3601222	01S/04W-27A11S	UNIVERSITY OF CALIFORNIA, REGENTS OF	W	HUNT 6		171	93	97	114	65	108
3601224	01S/04W-02P03S	RIVERSIDE, CITY OF	W	COOLEY C	1977	0	0	0	0	0	0
3601225	01S/04W-02P02S	RIVERSIDE, CITY OF	W	COOLEY D	1977	0	0	0	0	0	0
3601226	01S/04W-02L02S	RIVERSIDE, CITY OF	W	COOLEY F	1977	0	0	0	0	0	0
3601227	01S/04W-02N02S	RIVERSIDE, CITY OF	W	COOLEY G	1977	0	0	0	0	0	0
3601228	01S/04W-11D02S	RIVERSIDE, CITY OF	W	COOLEY H		1,271	1,431	1,220	1,040	1,170	1,226
3601229	01S/04W-11D03S	RIVERSIDE, CITY OF	W	COOLEY I		2,438	3,143	2,475	2,052	2,825	2,587
3601230	01S/04W-22H03S	RIVERSIDE, CITY OF	W	WARREN 3		138	176	8	0	0	64
3601231	01S/04W-22H01S	RIVERSIDE, CITY OF	W	WARREN 2		347	456	50	0	0	171
3601232	01S/04W-11D04S	RIVERSIDE, CITY OF	W	COOLEY A	1977	0	0	0	0	0	0
3601233	01S/04W-27A13S	RIVERSIDE, CITY OF	W	STEWRT 21	1977	0	0	0	0	0	0
3601234	01S/04W-27A19S	RIVERSIDE, CITY OF	W	STEWRT 19	1977	0	0	0	0	0	0
3601237	01S/04W-22B02S	RIVERSIDE, CITY OF	W	BYRNE 1	1977	0	0	0	0	0	0
3601238	01S/04W-23C03S	RIVERSIDE, CITY OF	W	RAUB 4		1,015	476	789	1,356	1,287	985
3601239	01S/04W-14P06S	RIVERSIDE, CITY OF	W	RAUB 3		189	135	167	301	361	231
3601240	01S/04W-22H04S	RIVERSIDE, CITY OF	W	WARREN 1		1,132	870	1,583	1,111	1,243	1,188
3601241	01S/04W-27A07S	RIVERSIDE, CITY OF	W	HUNT 8	1977	0	0	0	0	0	0
3601242	01S/04W-27A08S	RIVERSIDE, CITY OF	W	HUNT 9	1977	0	0	0	0	0	0

**WESTERN - SAN BERNARDINO WATERMASTER
VERIFIED PRODUCTION DATA
CROSS INDEX BY RECORDATION NUMBER
SAN BERNARDINO BASIN**

RECRDTN NUMBER	STATE WELL NUMBER	OWNER	WELL TYPE	LOCAL DESIGNATION	YEAR CLOSED	-----CALENDAR YEAR EXTRACTIONS-----					
						1998	1999	2000	2001	2002	AVG
3601243	01S/04W-22H02S	RIVERSIDE, CITY OF	W	WARREN 4		1,044	0	377	210	759	478
3601244	01S/04W-27A09S	UNIVERSITY OF CALIFORNIA, REGENTS OF	W	HUNT 10		250	310	405	284	365	323
3601245	01S/04W-27A10S	UNIVERSITY OF CALIFORNIA, REGENTS OF	W	HUNT 11		169	183	122	219	188	176
3601431	01S/04W-27H01S	RIVERSIDE, CITY OF	W	STEWART 20	1992	1	1	2	2	2	2
3601432	01S/04W-11D01S	RIVERSIDE, CITY OF	W	COOLEY B	1977	0	0	0	0	0	0
3601457	01S/04W-01B03S	RIVERSIDE, CITY OF	W	MCCRARY 1	1977	0	0	0	0	0	0
3601458	01S/04W-01B02S	RIVERSIDE, CITY OF	W	MCCRARY 2	1977	0	0	0	0	0	0
3601459	01S/04W-01B	RIVERSIDE, CITY OF	W	MCCRARY 3	1977	0	0	0	0	0	0
3601460	01S/04W-01B	RIVERSIDE, CITY OF	W	MCCRARY 4	1977	0	0	0	0	0	0
3601461	01S/04W-01B	RIVERSIDE, CITY OF	W	MCCRARY 5	1977	0	0	0	0	0	0
3601462	01S/04W-01E01S	RIVERSIDE, CITY OF	W	POOLE		0	0	0	0	0	0
3601463	01S/04W-02A03S	RIVERSIDE, CITY OF	W	STILES		813	563	368	759	467	594
3601464	01S/04W-02P06S	RIVERSIDE, CITY OF	W	GARNER 1		157	234	552	439	696	416
3601465	01S/04W-02Q03S	RIVERSIDE, CITY OF	W	GARNER 2		131	93	266	774	780	409
3601466	01S/04W-02Q07S	RIVERSIDE, CITY OF	W	GARNER 3	1977	0	0	0	0	0	0
3601467	01S/04W-02Q06S	RIVERSIDE, CITY OF	W	GARNER 4		0	0	0	0	0	0
3601468	01S/04W-02P01S	RIVERSIDE, CITY OF	W	GARNER 5		1,139	1,756	1,924	1,071	2,144	1,607
3601469	01S/04W-22A01S	RIVERSIDE, CITY OF	W	PAINEHOT	1977	0	0	0	0	0	0
3601470	01S/04W-22G15S	RIVERSIDE, CITY OF	W	THORN 2	1974	0	0	0	0	0	0
3601470-	01S/04W-22B07S	RIVERSIDE, CITY OF	W	THORN 12		300	851	1,231	833	1,098	863
3601471	01S/04W-22G14S	RIVERSIDE, CITY OF	W	THORN 3		0	0	0	0	23	5
3601472	01S/04W-22G11S	RIVERSIDE, CITY OF	W	THORN 4	1977	0	0	0	0	0	0
3601473	01S/04W-22G16S	RIVERSIDE, CITY OF	W	THORN 5		0	0	0	0	0	0
3601474	01S/04W-22G18S	RIVERSIDE, CITY OF	W	THORN 6		0	0	0	0	0	0
3601475	01S/04W-22G17S	RIVERSIDE, CITY OF	W	THORN 7		0	0	0	0	0	0
3601476	01S/04W-22G19S	RIVERSIDE, CITY OF	W	THORN 8		0	0	0	0	10	2
3601477	01S/04W-22B01S	RIVERSIDE, CITY OF	W	THORN 9	1977	0	0	0	0	0	0
3601478	01S/04W-22B03S	RIVERSIDE, CITY OF	W	THORN 10		0	0	0	22	11	7
3601479	01S/04W-22B05S	RIVERSIDE, CITY OF	W	THORN 11		0	0	0	186	161	69
3601489	01S/04W-02L01S	RIVERSIDE, CITY OF	W	SCHEUER		55	69	157	111	137	106
3601511	01S/04W-15M02S	MEEKS & DALEY WATER COMPANY	W	E STREET	1974	0	0	0	0	0	0
3601512	01S/04W-15N05S	MEEKS & DALEY WATER COMPANY	W	51	1967	0	0	0	0	0	0
3601513	01S/04W-16R03S	MEEKS & DALEY WATER COMPANY	W	54	1974	0	0	0	0	0	0
3601514	01S/04W-16Q	MEEKS & DALEY WATER COMPANY	D	WARM CRK	1974	0	0	0	0	0	0
3601515	01S/04W-16Q	MEEKS & DALEY WATER COMPANY	D	WORKMAN	1974	0	0	0	0	0	0
3601522	01S/04W-22M07S	RIVERSIDE HIGHLAND WATER COMPANY	W	1	1985	0	0	0	0	0	0
3601523	01S/04W-22L	RIVERSIDE HIGHLAND WATER COMPANY	W	FW #2		1	787	188	76	424	295

**WESTERN - SAN BERNARDINO WATERMASTER
VERIFIED PRODUCTION DATA
CROSS INDEX BY RECORDATION NUMBER
SAN BERNARDINO BASIN**

RECRDTN NUMBER	STATE WELL NUMBER	OWNER	WELL TYPE	LOCAL DESIGNATION	YEAR CLOSED	-----CALENDAR YEAR EXTRACTIONS-----					
						1998	1999	2000	2001	2002	AVG
3601527	01S/04W-22P	RIVERSIDE HIGHLAND WATER COMPANY	W	FW #8	1962	0	0	0	0	0	0
3601528	01S/04W-22N	RIVERSIDE HIGHLAND WATER COMPANY	W	FW #10	1962	0	0	0	0	0	0
3601529	01S/04W-22P	RIVERSIDE HIGHLAND WATER COMPANY	W	FW #11	1962	0	0	0	0	0	0
3601530	01S/04W-22L08S	RIVERSIDE HIGHLAND WATER COMPANY	W	FW #12		0	0	0	0	0	0
3601533	01S/04W-22L05S	RIVERSIDE HIGHLAND WATER COMPANY	W	FW #18		769	1,365	373	63	514	617
3601535	01N/04W-31D02S	RIVERSIDE HIGHLAND WATER COMPANY	W	LC #1		581	123	153	3	1	172
3601536	01N/04W-31E02S	RIVERSIDE HIGHLAND WATER COMPANY	W	LC #2	1962	0	0	0	0	0	0
3601537	01S/04W-22N	RIVERSIDE HIGHLAND WATER COMPANY	W	FLOWING	1963	0	0	0	0	0	0
3601737	01S/04W-16J09S	MEEKS & DALEY WATER COMPANY	W	COBURN		134	35	32	65	0	53
3601887	01S/04W-15L03S	MEEKS & DALEY WATER COMPANY	W	STATION 59		1,711	2,620	619	259	1,373	1,316
3602169	01S/04W-15M10S	MEEKS & DALEY WATER COMPANY	W	NEW E ST	1991	0	0	0	0	0	0
3602254	01S/04W-22P05S	RIVERSIDE HIGHLAND WATER COMPANY	W	FW 24	1985	0	0	0	0	0	0
3602329	01S/04W-15E	MEEKS & DALEY WATER COMPANY	W	STATION 66	1974	0	0	0	0	0	0
3602331	01S/04W-23G03S	RIVERSIDE, CITY OF-GAGE CANAL	W	66-1		1,963	2,311	1,411	1,698	1,252	1,727
3602423	01S/04W-13P	RIVERSIDE, CITY OF-GAGE CANAL	W	6		22	33	38	25	34	30
3602484	01S/04W-14N09S	RIVERSIDE, CITY OF	W	RAUB 5		3,354	3,845	3,070	2,632	2,510	3,082
3602771	01S/04W-27A11S	RIVERSIDE, CITY OF	W	HUNT 6		127	0	122	138	290	135
3602772	01S/04W-27A09S	RIVERSIDE, CITY OF	W	HUNT 10		181	0	515	433	349	296
3602773	01S/04W-27A10S	RIVERSIDE, CITY OF	W	HUNT 11		36	0	194	68	318	123
3602778	01S/04W-14N10S	RIVERSIDE, CITY OF	W	RAUB 6		0	0	1,309	340	981	526
3602840	01N/04W-31F01S	RIVERSIDE HIGHLAND WATER COMPANY	W	LC #8		108	319	179	1	1	122
3602863	01S/04W-22H02S	MEEKS & DALEY WATER COMPANY	W	WARREN #4		427	1,107	940	830	864	834
3602864	01S/04W-14N10S	MEEKS & DALEY WATER COMPANY	W	RAUB 6		1,119	2,132	1,779	2,516	2,445	1,998
3603214	01S/04W-16R04S	MEEKS & DALEY WATER COMPANY	W	STATION 69		200	23	459	0	0	136
3603215	01S/04W-15M11S	MEEKS & DALEY WATER COMPANY	W	STATION 91		237	372	3	1	1,118	346
3603254	01S/04W-02P09S	RIVERSIDE, CITY OF	W	GARNER 6		4,697	4,742	4,558	3,573	4,307	4,375
3603470	01N/04W-31E03S	RIVERSIDE HIGHLAND WATER COMPANY	W	LC #10		1,791	2,378	2,524	2,661	2,398	2,350
3603514	01S/04W-22L17S	RIVERSIDE HIGHLAND WATER COMPANY	W	FLOW #5		0	0	6	121	972	220
3603555	01S/04W-14N10S	RIVERSIDE, CITY OF	W	RAUB 8		1,688	1,863	2,893	2,272	2,884	2,320
3603556	01S/04W-13L08S	RIVERSIDE, CITY OF-GAGE CANAL	W	92-3		3,555	3,916	3,762	3,468	3,274	3,595
3603557	01S/04W-13L07S	RIVERSIDE, CITY OF-GAGE CANAL	W	92-2		3,816	3,740	3,243	3,458	3,058	3,463
3603558	01S/04W-13N07S	RIVERSIDE, CITY OF-GAGE CANAL	W	92-1		3,359	3,968	3,049	3,344	1,917	3,127
3603728	01S/04W-23A06S	RIVERSIDE, CITY OF-GAGE CANAL	W	98-1			661	4,165	4,409	4,364	2,720
3691241	01S/04W-27A07S	UNIVERSITY OF CALIFORNIA, REGENTS OF	W	HUNT 8	1976	0	0	0	0	0	0
3691242	01S/04W-27A08S	UNIVERSITY OF CALIFORNIA, REGENTS OF	W	HUNT 9	1976	0	0	0	0	0	0
TOTALS FOR 109 WELLS						62,085	72,989	71,351	66,525	76,190	69,828

TABLE NO.1

VERIFIED EXTRACTIONS BY OWNERS (PLAINTIFFS) WHICH HAVE FILINGS
WITH THE STATE WATER RESOURCES CONTROL BOARD FOR
THE SAN BERNARDINO BASIN AREA

**WESTERN - SAN BERNARDINO WATERMASTER
TABLE 1
VERIFIED EXTRACTIIONS - FILED
SAN BERNARDINO BASIN**

RECRDTN NUMBER	STATE NUMBER	WELL TYPE	LOCAL DESIGNATION	-----BASE YEARS-----						-----CALENDAR YEAR EXTRACTIIONS-----					
				1959	1960	1961	1962	1963	AVG	1998	1999	2000	2001	2002	AVG
MEEKS & DALEY WATER COMPANY															
3602864	01S/04W-14N10S	W	RAUB 6						0	1,119	2,132	1,779	2,516	2,445	1,998
3602329	01S/04W-15E	W	STATION 66						0	0	0	0	0	0	0
3601887	01S/04W-15L03S	W	STATION 59	1,276	3,813	4,560	3,350	3,073	3,214	1,711	2,620	619	259	1,373	1,316
3601511	01S/04W-15M02S	W	E STREET	1,711	488	672	1,213	1,126	1,042	0	0	0	0	0	0
3602169	01S/04W-15M10S	W	NEW E ST						0	0	0	0	0	0	0
3603215	01S/04W-15M11S	W	STATION 91						0	237	372	3	1	1,118	346
3601512	01S/04W-15N05S	W	51	2,157	2,230	2,201	1,788	2,256	2,126	0	0	0	0	0	0
3601737	01S/04W-16J09S	W	COBURN	600	314	447	299	280	388	134	35	32	65	0	53
3601514	01S/04W-16Q	D	WARM CRK	18	2	0	0	0	4	0	0	0	0	0	0
3601515	01S/04W-16Q	D	WORKMAN	2	0	0	0	0	0	0	0	0	0	0	0
3601513	01S/04W-16R03S	W	54	1,518	1,190	1,519	910	1,119	1,251	0	0	0	0	0	0
3603214	01S/04W-16R04S	W	STATION 69						0	200	23	459	0	0	136
3602863	01S/04W-22H02S	W	WARREN #4						0	427	1,107	940	830	864	834
TOTALS FOR MEEKS & DALEY WATER COMPANY				7,282	8,037	9,399	7,560	7,854	8,026	3,828	6,289	3,832	3,671	5,800	4,684
RIVERSIDE HIGHLAND WATER COMPANY															
3601535	01N/04W-31D02S	W	LC #1	1,397	1,226	1,358	1,141	852	1,195	581	123	153	3	1	172
3601536	01N/04W-31E02S	W	LC #2	0	0	0	0	0	0	0	0	0	0	0	0
3603470	01N/04W-31E03S	W	LC #10						0	1,791	2,378	2,524	2,661	2,398	2,350
3602840	01N/04W-31F01S	W	LC #8						0	108	319	179	1	1	122
3601523	01S/04W-22L	W	FW #2	802	576	995	796	634	761	1	787	188	76	424	295
3601533	01S/04W-22L05S	W	FW #18	1,551	1,482	1,749	1,125	1,062	1,394	769	1,365	373	63	514	617
3601530	01S/04W-22L08S	W	FW #12	255	200	546	346	379	345	0	0	0	0	0	0
3603514	01S/04W-22L17S	W	FLOW #5						0	0	0	6	121	972	220
3601522	01S/04W-22M07S	W	1	740	757	887	739	399	704	0	0	0	0	0	0
3601528	01S/04W-22N	W	FW #10	0	0	0	0	0	0	0	0	0	0	0	0
3601537	01S/04W-22N	W	FLOWING	0	0	0	0	0	0	0	0	0	0	0	0
3601527	01S/04W-22P	W	FW #8	0	0	0	0	0	0	0	0	0	0	0	0
3601529	01S/04W-22P	W	FW #11	0	0	0	0	0	0	0	0	0	0	0	0
3602254	01S/04W-22P05S	W	FW 24						0	0	0	0	0	0	0
TOTALS FOR RIVERSIDE HIGHLAND WATER COMPANY				4,745	4,241	5,535	4,147	3,326	4,399	3,250	4,972	3,423	2,925	4,310	3,776
RIVERSIDE, CITY OF															
3601459	01S/04W-01B	W	MCCRARY 3	0	0	0	0	0	0	0	0	0	0	0	0

WESTERN - SAN BERNARDINO WATERMASTER
TABLE 1
VERIFIED EXTRACTIONS - FILED
SAN BERNARDINO BASIN

RECRDTN NUMBER	STATE WELL NUMBER	WELL TYPE	LOCAL DESIGNATION	-----BASE YEARS-----						-----CALENDAR YEAR EXTRACTIONS-----					
				1959	1960	1961	1962	1963	AVG	1998	1999	2000	2001	2002	AVG
3601460	01S/04W-01B	W	MCCRARY 4	0	0	0	0	0	0	0	0	0	0	0	0
3601461	01S/04W-01B	W	MCCRARY 5	0	0	0	0	0	0	0	0	0	0	0	0
3601458	01S/04W-01B02S	W	MCCRARY 2	0	0	0	0	0	0	0	0	0	0	0	0
3601457	01S/04W-01B03S	W	MCCRARY 1	0	0	0	0	0	0	0	0	0	0	0	0
3601462	01S/04W-01E01S	W	POOLE	887	1,043	1,428	1,088	1,004	1,090	0	0	0	0	0	0
3601463	01S/04W-02A03S	W	STILES	1,808	1,070	1,686	1,354	1,220	1,428	813	563	368	759	467	594
3601489	01S/04W-02L01S	W	SCHEUER	0	410	830	758	789	557	55	69	157	111	137	106
3601226	01S/04W-02L02S	W	COOLEY F	0	0	0	0	0	0	0	0	0	0	0	0
3601227	01S/04W-02N02S	W	COOLEY G	0	0	0	0	0	0	0	0	0	0	0	0
3601468	01S/04W-02P01S	W	GARNER 5	1,822	1,853	1,523	978	912	1,418	1,139	1,756	1,924	1,071	2,144	1,607
3601225	01S/04W-02P02S	W	COOLEY D	0	0	0	0	0	0	0	0	0	0	0	0
3601224	01S/04W-02P03S	W	COOLEY C	0	0	0	0	0	0	0	0	0	0	0	0
3601220	01S/04W-02P04S	W	COOLEY E	0	0	0	0	0	0	0	0	0	0	0	0
3601464	01S/04W-02P06S	W	GARNER 1	613	1,379	1,190	988	989	1,032	157	234	552	439	696	416
3603254	01S/04W-02P09S	W	GARNER 6						0	4,697	4,742	4,558	3,573	4,307	4,375
3601465	01S/04W-02Q03S	W	GARNER 2	512	527	884	811	546	656	131	93	266	774	780	409
3601467	01S/04W-02Q06S	W	GARNER 4	373	595	967	957	986	776	0	0	0	0	0	0
3601466	01S/04W-02Q07S	W	GARNER 3	0	0	0	0	0	0	0	0	0	0	0	0
3302794	01S/04W-02Q11S	W	GARNER 7						0	3,827	4,652	4,386	3,163	3,656	3,937
3601432	01S/04W-11D01S	W	COOLEY B	0	0	0	0	0	0	0	0	0	0	0	0
3601228	01S/04W-11D02S	W	COOLEY H	957	572	224	793	1,110	731	1,271	1,431	1,220	1,040	1,170	1,226
3601229	01S/04W-11D03S	W	COOLEY I	3,062	1,465	1,770	2,307	2,669	2,255	2,438	3,143	2,475	2,052	2,825	2,587
3601232	01S/04W-11D04S	W	COOLEY A	0	0	0	0	0	0	0	0	0	0	0	0
3602484	01S/04W-14N09S	W	RAUB 5						0	3,354	3,845	3,070	2,632	2,510	3,082
3602778	01S/04W-14N10S	W	RAUB 6						0	0	0	1,309	340	981	526
3603555	01S/04W-14N10S	W	RAUB 8						0	1,688	1,863	2,893	2,272	2,884	2,320
3601218	01S/04W-14P02S	W	RAUB 1	0	0	0	0	0	0	0	0	0	0	0	0
3601239	01S/04W-14P06S	W	RAUB 3	390	444	356	524	318	406	189	135	167	301	361	231
3601469	01S/04W-22A01S	W	PAINEHOT	0	0	0	0	0	0	0	0	0	0	0	0
3601477	01S/04W-22B01S	W	THORN 9	543	332	392	398	298	393	0	0	0	0	0	0
3601237	01S/04W-22B02S	W	BYRNE 1	440	551	330	371	309	400	0	0	0	0	0	0
3601478	01S/04W-22B03S	W	THORN 10	597	367	412	392	322	418	0	0	0	22	11	7
3601479	01S/04W-22B05S	W	THORN 11	487	317	334	355	259	350	0	0	0	186	161	69
3601470-	01S/04W-22B07S	W	THORN 12		476	1,345	1,244	1,471	907	300	851	1,231	833	1,098	863
3601472	01S/04W-22G11S	W	THORN 4	198	98	48	60	0	81	0	0	0	0	0	0

WESTERN - SAN BERNARDINO WATERMASTER

TABLE 1

VERIFIED EXTRACTIIONS - FILED

SAN BERNARDINO BASIN

RECRDTN NUMBER	STATE WELL NUMBER	WELL TYPE	LOCAL DESIGNATION	BASE YEARS						CALENDAR YEAR EXTRACTIIONS					
				1959	1960	1961	1962	1963	AVG	1998	1999	2000	2001	2002	AVG
3601471	01S/04W-22G14S	W	THORN 3	1,264	980	1,225	820	545	967	0	0	0	0	23	5
3601470	01S/04W-22G15S	W	THORN 2	0	0	0	0	0	0	0	0	0	0	0	0
3601473	01S/04W-22G16S	W	THORN 5	691	584	343	443	364	485	0	0	0	0	0	0
3601475	01S/04W-22G17S	W	THORN 7	509	422	316	377	323	389	0	0	0	0	0	0
3601474	01S/04W-22G18S	W	THORN 6	552	392	326	289	348	381	0	0	0	0	0	0
3601476	01S/04W-22G19S	W	THORN 8	443	277	236	481	270	341	0	0	0	0	10	2
3601231	01S/04W-22H01S	W	WARREN 2	709	869	844	568	550	708	347	456	50	0	0	171
3601243	01S/04W-22H02S	W	WARREN 4	3,222	2,840	2,834	2,839	2,444	2,836	1,044	0	377	210	759	478
3601230	01S/04W-22H03S	W	WARREN 3	346	408	368	323	177	324	138	176	8	0	0	64
3601240	01S/04W-22H04S	W	WARREN 1	2,445	2,170	1,894	1,440	1,651	1,920	1,132	870	1,583	1,111	1,243	1,188
3601219	01S/04W-23C02S	W	RAUB 2	537	484	637	712	682	610	130	79	41	156	135	108
3601238	01S/04W-23C03S	W	RAUB 4	826	557	815	857	591	729	1,015	476	789	1,356	1,287	985
3601241	01S/04W-27A07S	W	HUNT 8	0	0	0	0	0	0	0	0	0	0	0	0
3601242	01S/04W-27A08S	W	HUNT 9	0	0	0	0	0	0	0	0	0	0	0	0
3602772	01S/04W-27A09S	W	HUNT 10	1,202	1,086	961	1,294	891	1,087	181	0	515	433	349	296
3602773	01S/04W-27A10S	W	HUNT 11	472	217	54	354	200	259	36	0	194	68	318	123
3602771	01S/04W-27A11S	W	HUNT 6	70	234	105	212	136	151	127	0	122	138	290	135
3601233	01S/04W-27A13S	W	STEWRT 21	0	0	0	0	0	0	0	0	0	0	0	0
3601234	01S/04W-27A19S	W	STEWRT 19	0	0	0	0	0	0	0	0	0	0	0	0
3601431	01S/04W-27H01S	W	STEWART 20	6	5	5	4	5	5	1	1	2	2	2	2
TOTALS FOR RIVERSIDE, CITY OF				25,983	23,024	24,682	24,391	22,379	24,092	24,210	25,435	28,257	23,042	28,604	25,910
RIVERSIDE, CITY OF-GAGE CANAL															
3600794	01S/04W-13F02S	W	31-1	3,219	2,141	2,353	2,057	1,372	2,228	1,567	902	1,242	1,443	2,026	1,436
3600795	01S/04W-13G02S	W	46-1	3,640	2,828	2,909	2,820	2,765	2,992	2,945	2,829	1,758	2,096	3,411	2,608
3600797	01S/04W-13G03S	W	56-1	3,379	3,148	3,243	3,434	3,299	3,301	1,710	2,034	1,791	1,485	2,131	1,830
3600784	01S/04W-13L01S	W	6	10	44	68	36	12	34	0	0	0	0	0	0
3600786	01S/04W-13L02S	W	GAGE 21	0	0	0	0	0	0	0	0	0	0	0	0
3603557	01S/04W-13L07S	W	92-2						0	3,816	3,740	3,243	3,458	3,058	3,463
3603556	01S/04W-13L08S	W	92-3						0	3,555	3,916	3,762	3,468	3,274	3,595
3600793	01S/04W-13M02S	W	30-1	1,582	1,768	1,495	2,145	1,719	1,742	1,071	1,240	691	843	1,152	999
3600791	01S/04W-13N01S	W	29-2	3,633	3,693	4,680	3,387	3,475	3,774	1,558	1,652	2,323	2,281	1,354	1,834
3600792	01S/04W-13N02S	W	29-3	3,537	4,709	5,071	4,094	3,750	4,232	727	804	1,655	1,780	2,609	1,515
3603558	01S/04W-13N07S	W	92-1						0	3,359	3,968	3,049	3,344	1,917	3,127
3602423	01S/04W-13P	W	6						0	22	33	38	25	34	30

WESTERN - SAN BERNARDINO WATERMASTER

TABLE 1

VERIFIED EXTRACTIONS - FILED

SAN BERNARDINO BASIN

RECRDTN NUMBER	STATE WELL NUMBER	WELL TYPE	LOCAL DESIGNATION	-----BASE YEARS-----						-----CALENDAR YEAR EXTRACTIONS-----						
				1959	1960	1961	1962	1963	AVG	1998	1999	2000	2001	2002	AVG	
3600785	01S/04W-14R	W	17	0	0	0	0	0	0	0	0	0	0	0	0	
3600787	01S/04W-23A02S	W	26-1	2,950	2,805	2,762	2,535	2,773	2,765	1,133	2,332	2,685	2,506	3,001	2,331	
3600796	01S/04W-23A05S	W	51-1	1,314	1,183	946	642	736	964	1,573	1,756	1,166	1,686	940	1,424	
3603728	01S/04W-23A06S	W	98-1						0		661	4,165	4,409	4,364	2,720	
3600798	01S/04W-23G01S	W	COWLANE	0	0	0	0	0	0	0	0	0	0	0	0	
3602331	01S/04W-23G03S	W	66-1						0	1,963	2,311	1,411	1,698	1,252	1,727	
3600788	01S/04W-23H01S	W	27-1	2,840	1,566	2,163	2,207	2,465	2,248	1,193	2,702	2,635	2,310	2,352	2,238	
3600789	01S/04W-23K01S	W	27-2	3,466	2,409	2,076	2,928	2,239	2,624	2,282	2,368	1,539	1,339	2,034	1,912	
3600790	01S/04W-23K02S	W	29-1	2,235	2,725	2,904	2,155	2,394	2,483	1,733	2,459	2,062	2,099	1,949	2,060	
TOTALS FOR RIVERSIDE, CITY OF-GAGE CANAL				31,805	29,019	30,670	28,440	26,999	29,387	30,207	35,707	35,215	36,270	36,858	34,851	
UNIVERSITY OF CALIFORNIA, REGENTS OF																
3691241	01S/04W-27A07S	W	HUNT 8	0	0	0	0	0	0	0	0	0	0	0	0	
3691242	01S/04W-27A08S	W	HUNT 9	0	0	0	0	0	0	0	0	0	0	0	0	
3601244	01S/04W-27A09S	W	HUNT 10	385	386	564	392	309	407	250	310	405	284	365	323	
3601245	01S/04W-27A10S	W	HUNT 11	151	77	32	107	69	87	169	183	122	219	188	176	
3601222	01S/04W-27A11S	W	HUNT 6	22	83	62	65	47	56	171	93	97	114	65	108	
TOTALS FOR UNIVERSITY OF CALIFORNIA, REGENTS OF				558	546	658	564	425	550	590	586	624	617	618	607	
TOTALS FOR 109 WELLS				70,373	64,867	70,944	65,102	60,983	66,454	62,085	72,989	71,351	66,525	76,190	69,828	

TABLE NO. 2

SUMMARY OF VERIFIED EXTRACTIONS (PLAINTIFFS)
(FILED AND NON-FILED) FOR
THE SAN BERNARDINO BASIN AREA

**WESTERN - SAN BERNARDINO WATERMASTER
TABLE 2
VERIFIED EXTRACTION, SUMMARY - FILED
SAN BERNARDINO BASIN**

	-----BASE YEARS-----						-----CALENDAR YEAR EXTRACTIONS-----					
	1959	1960	1961	1962	1963	AVG	1998	1999	2000	2001	2002	AVG
MEEKS & DALEY WATER COMPANY	7,282	8,037	9,399	7,560	7,854	8,026	3,828	6,289	3,832	3,671	5,800	4,684
RIVERSIDE HIGHLAND WATER COMPANY	4,745	4,241	5,535	4,147	3,326	4,399	3,250	4,972	3,423	2,925	4,310	3,776
RIVERSIDE, CITY OF	25,983	23,024	24,682	24,391	22,379	24,092	24,210	25,435	28,257	23,042	28,604	25,910
RIVERSIDE, CITY OF-GAGE CANAL	31,805	29,019	30,670	28,440	26,999	29,387	30,207	35,707	35,215	36,270	36,858	34,851
UNIVERSITY OF CALIFORNIA, REGENTS OF	558	546	658	564	425	550	590	586	624	617	618	607
TOTALS FOR ALL WELLS	70,373	64,867	70,944	65,102	60,983	66,454	62,085	72,989	71,351	66,525	76,190	69,828

TABLE NO. 3

EXTRACTIONS BY PLAINTIFFS FROM THE
SAN BERNARDINO BASIN AREA FOR AVERAGE OF
FIVE-YEAR PERIOD ENDING WITH 1963
AND CALENDAR YEARS 1976 THROUGH CURRENT YEAR
CLASSIFIED ACCORDING TO SERVICE AREA

TABLE NO. 3

EXTRACTIONS BY PLAINTIFF
 FROM THE SAN BERNARDINO BASIN AREA
 FOR AVERAGE OF THE FIVE-YEAR PERIOD ENDING WITH 1963
 AND CALENDAR YEARS 1976 THROUGH THE CURRENT YEAR

Sheet 1 of 7

CLASSIFIED ACCORDING TO SERVICE AREA
 (Quantities in Acre Feet)

EXTRACTIONS FROM SAN BERNARDINO BASIN AREA FOR USE WITHIN AND EXPORT THEREFROM

PLAINTIFFS	1959				1960				1961				1962				1963				Five Year Average			
	Total Extract	Del. S.B. Basin	Del. Colton & Riv N	Del. Outside SBVMWD	Total Extract	Del. S.B. Basin	Del. Colton & Riv N	Del. Outside SBVMWD	Total Extract	Del. S.B. Basin	Del. Colton & Riv N	Del. Outside SBVMWD	Total Extract	Del. S.B. Basin	Del. Colton & Riv N	Del. Outside SBVMWD	Total Extract	Del. S.B. Basin	Del. Colton & Riv N	Del. Outside SBVMWD	Total Extract	Del. S.B. Basin	Del. Colton & Riv N	Del. Outside SBVMWD
CITY OF RIVERSIDE City & Riverside Wtr Co.	25,983	2,369	382	23,232	23,024	2,006	356	20,662	24,682	0	338	24,344	24,391	0	345	24,046	22,379	0	435	21,944	24,092	875	371	22,846
CITY OF RIVERSIDE Sage Canal Co.	31,805	501	1,001	30,303	29,019	539	892	27,588	30,670	461	1,010	29,199	28,440	751	783	26,906	26,999	683	758	25,558	29,397	567	889	27,911
SUB TOTAL - C of R	57,788	2,870	1,383	53,535	52,043	2,545	1,248	48,250	55,352	461	1,348	53,543	52,831	751	1,128	50,952	49,378	683	1,193	47,502	53,478	1,462	1,260	50,756
RIVERSIDE HIGHLAND WATER CO	4,745	0	2,561	2,184	4,241	0	2,352	1,889	5,535	0	3,026	2,509	4,147	0	2,569	1,578	3,326	0	2,037	1,289	4,399	0	2,509	1,890
MEEKS & DALEY WATER CO. AGUA MANSA WATER CO.	7,282	0	295	6,987	8,037	0	312	7,725	9,399	0	363	9,036	7,560	0	363	7,197	7,854	0	297	7,557	8,026	0	326	7,700
UNIVERSITY OF CALIFORNIA	558	0	0	558	546	0	0	546	658	0	0	658	564	0	0	564	425	0	0	425	550	0	0	550
TOTALS	70,373	2,870	4,239	63,264	64,867	2,545	3,912	58,410	70,944	461	4,737	65,746	65,102	751	4,060	60,291	60,983	683	3,527	56,773	66,454	1,333	4,095	60,897

Total Extract -- TOTAL EXTRACTIONS.
 Del S.B. Basin -- DELIVERIES IN SAN BERNARDINO BASIN AREA.
 Del. Colton & Riv. N. -- DELIVERIES IN COLTON & RIVERSIDE BASIN IN SAN BERNARDINO COUNTY.
 Del. Outside SBVMWD -- DELIVERIES OUTSIDE SAN BERNARDINO VALLEY MUNICIPAL WATER DISTRICT.

See Report of the Watermaster, Volume 5, Distribution of Extractions, Chapter I, Table No. 36-A.

TABLE NO. 3

EXTRACTIONS BY PLAINTIFF
FROM THE SAN BERNARDINO BASIN AREA
FOR AVERAGE OF THE FIVE-YEAR PERIOD ENDING WITH 1963
AND CALENDAR YEARS 1976 THROUGH THE CURRENT YEAR

Sheet 2 of 7

CLASSIFIED ACCORDING TO SERVICE AREA
(Quantities in Acre Feet)

EXTRACTIONS FROM SAN BERNARDINO BASIN AREA FOR USE WITHIN AND EXPORT THEREFROM

PLAINTIFFS	1976				1977				1978				1979				1980			
	Total Extract	Del. S.B. Basin	Del. Colton & Riv N	Del. Outside SBVMWD	Total Extract	Del. S.B. Basin	Del. Colton & Riv N	Del. Outside SBVMWD	Total Extract	Del. S.B. Basin	Del. Colton & Riv N	Del. Outside SBVMWD	Total Extract	Del. S.B. Basin	Del. Colton & Riv N	Del. Outside SBVMWD	Total Extract	Del. S.B. Basin	Del. Colton & Riv N	Del. Outside SBVMWD
CITY OF RIVERSIDE City & Riverside Wtr Co.	22,085	0	0	22,085	18,900	0	0	18,900	19,055	0	0	19,055	21,561	0	0	21,561	18,875	0	0	18,875
CITY OF RIVERSIDE Gage Canal Co.	29,289	0	523	28,766	32,099	0	346	31,753	26,329	646	301	25,382	30,816	0	415	30,401	31,881	383	0	31,498
SUB TOTAL - C of R	51,374	0	523	50,851	50,999	0	346	50,653	45,384	646	301	44,437	52,377	0	415	51,962	50,756	383	0	50,373
RIVERSIDE HIGHLAND WATER CO	4,519	0	2,050	2,469	3,583	0	1,820	1,763	1,350	0	1,051	299	3,369	0	1,781	1,588	3,677	0	2,060	1,617
MEEKS & DALEY WATER CO AGUA MANSÁ WATER CO.	5,393	0	182	5,211	4,220	0	146	4,074	2,254	0	161	2,093	3,930	0	270	3,660	2,333	0	323	2,010
UNIVERSITY OF CALIFORNIA	245	0	0	245	87	0	0	87	183	0	0	183	83	0	0	83	7	0	0	7
TOTALS	61,531	0	2,755	58,776	58,889	0	2,312	56,577	49,171	646	1,513	47,012	59,759	0	2,466	57,293	56,773	383	2,383	54,007

Total Extract -- TOTAL EXTRACTIONS.

Del S.B. Basin -- DELIVERIES IN SAN BERNARDINO BASIN AREA.

Del. Colton & Riv. N. -- DELIVERIES IN COLTON & RIVERSIDE BASIN IN SAN BERNARDINO COUNTY.

Del. Outside SBVMWD -- DELIVERIES OUTSIDE SAN BERNARDINO VALLEY MUNICIPAL WATER DISTRICT.

See Report of the Watermaster, Volume 5, Distribution of Extractions, Chapter I, Table No. 36-A.

TABLE NO. 3

EXTRACTIONS BY PLAINTIFF
FROM THE SAN BERNARDINO BASIN AREA
FOR AVERAGE OF THE FIVE-YEAR PERIOD ENDING WITH 1963
AND CALENDAR YEARS 1976 THROUGH THE CURRENT YEAR

Sheet 3 of 7

CLASSIFIED ACCORDING TO SERVICE AREA
 (Quantities in Acre Feet)

EXTRACTIONS FROM SAN BERNARDINO BASIN AREA FOR USE WITHIN AND EXPORT THEREFROM

PLAINTIFFS	1981				1982				1983				1984				1985			
	Total Extract	Del. S.B. Basin	Del. Colton & Riv N	Del. Outside SBVMWD	Total Extract	Del. S.B. Basin	Del. Colton & Riv N	Del. Outside SBVMWD	Total Extract	Del. S.B. Basin	Del. Colton & Riv N	Del. Outside SBVMWD	Total Extract	Del. S.B. Basin	Del. Colton & Riv N	Del. Outside SBVMWD	Total Extract	Del. S.B. Basin	Del. Colton & Riv N	Del. Outside SBVMWD
CITY OF RIVERSIDE City & Riverside Wtr Co.	20,363	0	0	20,363	19,522	146	0	19,376	25,681	144	0	25,537	25,031	0	0	25,031	31,817	0	0	31,817
CITY OF RIVERSIDE Gage Canal Co.	31,794	724	0	31,070	30,077	16	0	30,061	20,383	191	0	20,192	33,875	32	0	33,843	31,256	59	0	31,197
SUB TOTAL - C of R	52,157	724	0	51,433	49,599	162	0	49,437	46,064	335	0	45,729	58,906	32	0	58,874	63,073	59	0	63,014
RIVERSIDE HIGHLAND WATER CO	3,604	0	2,151	1,453	2,795	0	1,775	1,020	3,161	0	2,318	843	4,759	0	2,671	2,088	3,312	0	1,978	1,334
MEEKS & DALEY WATER CO. AGUA MANSA WATER CO.	3,092	0	358	2,734	3,716	0	169	3,547	2,651	0	245	2,406	5,165	0	233	4,932	5,385	0	210	5,175
UNIVERSITY OF CALIFORNIA	143	0	0	143	48	0	0	48	0	0	0	0	0	0	0	0	0	0	0	0
TOTALS	58,996	724	2,509	55,763	56,158	162	1,944	54,052	51,876	335	2,563	48,978	68,830	32	2,904	65,894	71,770	59	2,188	69,523

Total Extract -- TOTAL EXTRACTIONS.
 Del S.B. Basin -- DELIVERIES IN SAN BERNARDINO BASIN AREA.
 Del. Colton & Riv. N. -- DELIVERIES IN COLTON & RIVERSIDE BASIN IN SAN BERNARDINO COUNTY.
 Del. Outside SBVMWD -- DELIVERIES OUTSIDE SAN BERNARDINO VALLEY MUNICIPAL WATER DISTRICT.

See Report of the Watermaster, Volume 5, Distribution of Extractions, Chapter I, Table No. 36-A.

TABLE NO. 3

EXTRactions BY PLAINTIFF
FROM THE SAN BERNARDINO BASIN AREA
FOR AVERAGE OF THE FIVE-YEAR PERIOD ENDING WITH 1963
AND CALENDAR YEARS 1976 THROUGH THE CURRENT YEAR

Sheet 4 of 7

CLASSIFIED ACCORDING TO SERVICE AREA
 (Quantities in Acre Feet)

EXTRactions FROM SAN BERNARDINO BASIN AREA FOR USE WITHIN AND EXPORT THEREFROM

PLAINTIFFS	1 9 8 6				1 9 8 7				1 9 8 8				1 9 8 9				1 9 9 0			
	Total Extract	Del. S.B. Basin	Del. Colton & Riv N	Del. Outside SBVMWD	Total Extract	Del. S.B. Basin	Del. Colton & Riv N	Del. Outside SBVMWD	Total Extract	Del. S.B. Basin	Del. Colton & Riv N	Del. Outside SBVMWD	Total Extract	Del. S.B. Basin	Del. Colton & Riv N	Del. Outside SBVMWD	Total Extract	Del. S.B. Basin	Del. Colton & Riv N	Del. Outside SBVMWD
CITY OF RIVERSIDE City & Riverside Wtr Co.	25,996	292	0	25,704	25,528	319	0	25,209	26,490	815	0	25,675	21,129	28	0	21,101	20,942	19	0	20,923
CITY OF RIVERSIDE Gage Canal Co.	33,983	145	0	33,838	32,313	15	0	32,298	38,022	0	0	38,022	29,655	0	0	29,655	26,695	0	0	26,695
SUB TOTAL - C of R	59,979	437	0	59,542	57,841	334	0	57,507	64,512	815	0	63,697	50,784	28	0	50,756	47,637	19	0	47,618
RIVERSIDE HIGHLAND WATER CO	4,744	0	2,130	2,614	3,919	0	2,229	1,690	4,775	0	2,229	2,546	4,681	0	1,968	2,713	4,092	0	2,313	1,779
MEEKS & DALEY WATER CO AGUA MANSa WATER CO.	5,570	0	234	5,336	4,914	0	193	4,721	4,966	0	233	4,733	5,392	0	240	5,152	3,851	0	83	3,768
UNIVERSITY OF CALIFORNIA	48	0	0	48	195	0	0	195	179	0	0	179	62	0	0	62	95	0	0	95
TOTALS	70,341	437	2,364	67,540	66,869	334	2,422	64,113	74,432	815	2,462	71,155	60,919	28	2,208	58,683	55,675	19	2,396	53,260

Total Extract -- TOTAL EXTRactions.
 Del S.B. Basin -- DELIVERIES IN SAN BERNARDINO BASIN AREA.
 Del. Colton & Riv. N. -- DELIVERIES IN COLTON & RIVERSIDE BASIN IN SAN BERNARDINO COUNTY.
 Del. Outside SBVMWD -- DELIVERIES OUTSIDE SAN BERNARDINO VALLEY MUNICIPAL WATER DISTRICT.

See Report of the Watermaster, Volume 5, Distribution of Extractions, Chapter I, Table No. 36-A.

TABLE NO. 3

EXTRACTIONS BY PLAINTIFF
FROM THE SAN BERNARDINO BASIN AREA
FOR AVERAGE OF THE FIVE-YEAR PERIOD ENDING WITH 1963
AND CALENDAR YEARS 1976 THROUGH THE CURRENT YEAR

Sheet 5 of 7

CLASSIFIED ACCORDING TO SERVICE AREA
(Quantities in Acre Feet)

EXTRACTIONS FROM SAN BERNARDINO BASIN AREA FOR USE WITHIN AND EXPORT THEREFROM

PLAINTIFFS	1991				1992				1993				1994				1995			
	Total	Del.	Del.	Del.	Total	Del.	Del.	Del.	Total	Del.	Del.	Del.	Total	Del.	Del.	Del.	Total	Del.	Del.	Del.
	Extract	S.B.	Colton	Outside	Extract	S.B.	Colton	Outside	Extract	S.B.	Colton	Outside	Extract	S.B.	Colton	Outside	Extract	S.B.	Colton	Outside
	Basin & Riv N	SBVMWD		Basin & Riv N	SBVMWD			Basin & Riv N	SBVMWD			Basin & Riv N	SBVMWD			Basin & Riv N	SBVMWD			
CITY OF RIVERSIDE City & Riverside Wtr C	26,133	155	0	25,978	24,783	203	0	24,580	25,675	-108	0	25,783	25,724	7	0	25,717	23,316	1	0	23,315
CITY OF RIVERSIDE Gage Canal Co.	26,776	0	0	26,776	25,456	0	0	25,456	26,439	0	0	26,439	34,723	39	0	34,684	32,076	98	0	31,978
SUB TOTAL - C of R	52,909	155	0	52,754	50,239	203	0	50,036	52,114	-108	0	52,222	60,447	46	0	60,401	55,392	99	0	55,293
RIVERSIDE HIGHLAND WATER CO	3,021	0	1,669	1,352	4,052	0	2,275	1,777	3,241	0	1,777	1,464	4,324	0	2,201	2,123	3,955	0	2,146	1,609
MEEKS & DALEY WATER CO AGUA MANSA WATER CO.	4,426	0	190	4,236	4,100	0	118	3,982	5,013	0	276	4,737	4,525	0	227	4,298	3,560	0	145	3,415
UNIVERSITY OF CALIFORNIA	23	0	0	23	32	0	0	32	0	0	0	0	0	0	0	0	0	0	0	0
TOTALS	60,379	155	1,859	58,365	58,423	203	2,393	55,827	60,368	-108	2,053	58,423	69,296	46	2,428	66,822	62,907	99	2,291	60,517

Total Extract -- TOTAL EXTRACTIONS.

Del S.B. Basin -- DELIVERIES IN SAN BERNARDINO BASIN AREA.

Del. Colton & Riv. N. -- DELIVERIES IN COLTON & RIVERSIDE BASIN IN SAN BERNARDINO COUNTY.

Del. Outside SBVMWD -- DELIVERIES OUTSIDE SAN BERNARDINO VALLEY MUNICIPAL WATER DISTRICT.

See Report of the Watermaster, Volume 5, Distribution of Extractions, Chapter I, Table No. 36-A.

TABLE NO. 3

EXTRACTIONS BY PLAINTIFF
FROM THE SAN BERNARDINO BASIN AREA
FOR AVERAGE OF THE FIVE-YEAR PERIOD ENDING WITH 1963
AND CALENDAR YEARS 1976 THROUGH THE CURRENT YEAR

Sheet 6 of 7

CLASSIFIED ACCORDING TO SERVICE AREA
(Quantities in Acre Feet)

EXTRACTIONS FROM SAN BERNARDINO BASIN AREA FOR USE WITHIN AND EXPORT THEREFROM

PLAINTIFFS	1996				1997				1998				1999				2000			
	Total Extract	Del. S.B. Basin	Del. Colton & Riv N	Del. Outside SBVMWD	Total Extract	Del. S.B. Basin	Del. Colton & Riv N	Del. Outside SBVMWD	Total Extract	Del. S.B. Basin	Del. Colton & Riv N	Del. Outside SBVMWD	Total Extract	Del. S.B. Basin	Del. Colton & Riv N	Del. Outside SBVMWD	Total Extract	Del. S.B. Basin	Del. Colton & Riv N	Del. Outside SBVMWD
CITY OF RIVERSIDE City & Riverside Wtr Co.	29,351	268	0	29,083	27,621	486	0	27,135	24,210	0	0	24,210	25,435	0	0	25,435	28,257	0	0	28,257
CITY OF RIVERSIDE Gage Canal Co.	34,031	10	0	34,021	32,317	8	0	32,309	30,207	0	0	30,207	35,707	181	0	35,526	35,215	117	0	35,098
SUB TOTAL - C of R	63,382	278	0	63,104	59,938	494	0	59,444	54,417	0	0	54,417	61,142	181	0	60,961	63,472	117	0	63,355
RIVERSIDE HIGHLAND WATER CO	5,051	0	2,756	2,295	4,939	0	2,656	2,283	3,250	0	1,961	1,289	2,931	0	2,062	849	2,856	0	2,811	45
MEEKS & DALEY WATER CO. AGUA MANSA WATER CO.	3,912	0	194	3,718	4,165	0	137	4,028	3,828	0	210	3,618	6,289	0	90	6,199	3,832	0	352	3,480
UNIVERSITY OF CALIFORNIA	445	0	0	445	505	0	0	505	590	0	0	590	586	0	0	586	624	0	0	624
TOTALS	72,790	278	2,951	69,561	69,547	494	2,794	66,259	62,085		2,170	59,915	70,948	181	2,172	68,595	70,784	117	3,164	67,503

Total Extract -- TOTAL EXTRACTIONS.

Del S.B. Basin -- DELIVERIES IN SAN BERNARDINO BASIN AREA.

Del. Colton & Riv. N. -- DELIVERIES IN COLTON & RIVERSIDE BASIN IN SAN BERNARDINO COUNTY.

Del. Outside SBVMWD -- DELIVERIES OUTSIDE SAN BERNARDINO VALLEY MUNICIPAL WATER DISTRICT.

See Report of the Watermaster, Volume 5, Distribution of Extractions, Chapter I, Table No. 36-A.

TABLE NO. 3

**EXTRACTIONS BY PLAINTIFF
FROM THE SAN BERNARDINO BASIN AREA
FOR AVERAGE OF THE FIVE-YEAR PERIOD ENDING WITH 1963
AND CALENDAR YEARS 1976 THROUGH THE CURRENT YEAR**

Sheet 7 of 7

CLASSIFIED ACCORDING TO SERVICE AREA
(Quantities in Acre Feet)

EXTRACTIONS FROM SAN BERNARDINO BASIN AREA FOR USE WITHIN AND EXPORT THEREFROM

PLAINTIFFS	2001				2002				2003				2004				2005			
	Total Extract	Del. S.B. Basin	Del. Colton & Riv N	Del. Outside SBVMWD	Total Extract	Del. S.B. Basin	Del. Colton & Riv N	Del. Outside SBVMWD	Total Extract	Del. S.B. Basin	Del. Colton & Riv N	Del. Outside SBVMWD	Total Extract	Del. S.B. Basin	Del. Colton & Riv N	Del. Outside SBVMWD	Total Extract	Del. S.B. Basin	Del. Colton & Riv N	Del. Outside SBVMWD
CITY OF RIVERSIDE City & Riverside Wtr Co.	23,042	208	0	22,834	28,604	172	0	28,432												
CITY OF RIVERSIDE Gage Canal Co.	36,270	21	0	36,249	36,858	0	0	36,858												
SUB TOTAL - C of R	59,312	229	0	59,083	65,462	172	0	65,290												
RIVERSIDE HIGHLAND WATER CO	2,665	0	2,543	122	2,400	0	2,272	128												
MEEKS & DALEY WATER CO. AGUA MANSÁ WATER CO.	3,671	0	192	3,479	5,800	0	202	5,598												
UNIVERSITY OF CALIFORNIA	617	0	0	617	618	0	0	618												
TOTALS	66,265	229	2,735	63,301	74,280	172	2,474	71,634												

Total Extract -- TOTAL EXTRACTIONS.

Del S.B. Basin -- DELIVERIES IN SAN BERNARDINO BASIN AREA.

Del. Colton & Riv. N. -- DELIVERIES IN COLTON & RIVERSIDE BASIN IN SAN BERNARDINO COUNTY.

Del. Outside SBVMWD -- DELIVERIES OUTSIDE SAN BERNARDINO VALLEY MUNICIPAL WATER DISTRICT.

See Report of the Watermaster, Volume 5, Distribution of Extractions, Chapter I, Table No. 36-A.

TABLE NO. 4

TOTAL EXTRACTIONS BY
PLAINTIFFS FROM SAN BERNARDINO BASIN AREA

TABLE NO. 4

TOTAL PLAINTIFF EXTRACTIIONS FROM
SAN BERNARDINO BASIN AREA
 (Quantities in Acre Feet)

EXTRACTING PLAINTIFF

Year	City of Riverside	Gage Canal	Riverside Highland	Meeks & Daley	Univ. of California	Total
	(1)	(2)	(3)	(4)	(5)	(6)
1959	25,983	31,805	4,745	7,282	558	70,373
1960	23,024	29,019	4,241	8,037	546	64,867
1961	24,682	30,670	5,535	9,399	658	70,944
1962	24,391	28,440	4,147	7,560	564	65,102
1963	22,379	26,999	3,326	7,854	425	60,983
5 YR AVERAGE	24,092	29,387	4,399	8,026	550	66,454
1971	24,939	28,943	4,012	2,902	219	61,015
1972	20,474	25,220	4,532	3,527	239	53,992
1973	21,493	21,529	3,512	2,979	239	49,752
1974	27,420	15,947	4,088	4,504	267	52,226
1975	25,248	22,714	4,709	3,950	179	56,800
1976	22,085	29,289	4,519	5,393	245	61,531
1977	18,900	32,099	3,583	4,220	87	58,888
1978	19,055	26,329	1,350	2,254	183	49,181
1979	21,561	30,816	3,369	3,930	83	59,759
1980	18,875	31,881	3,677	2,333	7	56,773
1981	20,363	31,794	3,604	3,092	143	58,996
1982	19,522	30,077	2,795	3,716	48	56,158
1983	25,681	20,383	3,161	2,651	0	51,876
1984	25,031	33,875	4,759	5,165	0	68,830
1985	31,817	31,256	3,312	5,385	0	71,770
1986	25,996	33,983	4,744	5,570	48	79,341
1987	25,528	32,313	3,919	4,914	195	66,869
1988	26,490	38,022	4,775	4,966	179	74,432
1989	21,129	29,655	4,681	5,392	62	60,919
1990	20,942	26,695	4,092	3,851	95	55,675
1991	26,133	26,776	3,021	4,426	23	60,379
1992	24,783	25,456	4,052	4,100	32	58,423
1993	25,675	26,439	3,241	5,013	536	60,904
1994	25,724	34,723	4,324	4,525	593	69,889
1995	23,316	32,076	3,955	3,560	588	63,495
1996	29,351	34,031	5,051	3,912	445	72,790
1997	27,621	32,317	4,939	4,165	505	69,547
1998	24,210	30,207	3,250	3,828	590	62,085
1999	25,435	35,707	2,931	6,289	586	70,948
2000	28,257	35,215	2,856	3,832	624	70,784
2001	23,042	36,270	2,665	3,671	617	66,265
2002	28,604	36,858	2,400	5,800	618	74,280
2003						
2004						
2005						
2006						
2007						
2008						

From Table No. 3; same as Table 36-B, Volume 5.

Excel; W-SB Wm; Vol 1a-8; tables 36 a-e & table 4-7, vol 1a

TABLE NO.5
EXTRACTIONS BY PLAINTIFFS FROM
THE SAN BERNARDINO BASIN AREA
FOR DELIVERIES IN SAN BERNARDINO BASIN AREA

TABLE NO. 5

EXTRACTIONS BY PLAINTIFFS FROM
THE SAN BERNARDINO BASIN AREA FOR DELIVERIES IN
SAN BERNARDINO BASIN AREA
 (Quantities in Acre Feet)

Year	City of Riverside	Gage Canal	Riverside Highland	Meeks & Daley	Univ. of California	Total
	(1)	(2)	(3)	(4)	(5)	(6)
1959	2,369	501	0	0	0	2,870
1960	2,006	539	0	0	0	2,545
1961	0	461	0	0	0	461
1962	0	751	0	0	0	751
1963	0	683	0	0	0	683
5 YR AVERAGE	875	587	0	0	0	1,462
1971	0	98	0	0	0	98
1972	0	85	0	0	0	85
1973	0	156	0	0	0	156
1974	0	0	0	0	0	0
1975	0	0	0	0	0	0
1976	0	0	0	0	0	0
1977	0	0	0	0	0	0
1978	0	646	0	0	0	646
1979	0	0	0	0	0	0
1980	0	383	0	0	0	383
1981	0	724	0	0	0	724
1982	146	16	0	0	0	162
1983	144	191	0	0	0	335
1984	0	32	0	0	0	32
1985	0	59	0	0	0	59
1986	292	145	0	0	0	437
1987	319	15	0	0	0	334
1988	815	0	0	0	0	815
1989	28	0	0	0	0	28
1990	19	0	0	0	0	19
1991	155	0	0	0	0	155
1992	203	0	0	0	0	203
1993	-108	0	0	0	0	-108
1994	7	39	0	0	0	46
1995	1	98	0	0	0	99
1996	268	10	0	0	0	278
1997	486	8	0	0	0	494
1998	0	0	0	0	0	0
1999	0	181	0	0	0	181
2000	0	117	0	0	0	117
2001	0	21	0	0	0	229
2002	172	0	0	0	0	172
2003						
2004						
2005						
2006						
2007						
2008						

From Table No. 3; same as Table 36-C, Volume 5.

Excel;W-SB Wm; Vol 1a-8; tables 36 a-e & table 4-7, vol 1a

TABLE NO.6
EXTRACTIONS BY PLAINTIFFS FROM
THE SAN BERNARDINO BASIN AREA
FOR DELIVERIES IN COLTON AND
RIVERSIDE BASINS IN SAN BERNARDINO COUNTY

TABLE NO. 6

EXTRACTIONS BY PLAINTIFFS FROM
THE SAN BERNARDINO BASIN AREA FOR DELIVERIES IN
COLTON & RIVERSIDE BASINS IN SAN BERNARDINO COUNTY
(Quantities in Acre Feet)

Year	City of Riverside	Gage Canal	Riverside Highland	Meeks & Daley	Univ. of California	Total
	(1)	(2)	(3)	(4)	(5)	(6)
1959	382	1,001	2,561	295	0	4,239
1960	356	892	2,352	312	0	3,912
1961	338	1,010	3,026	363	0	4,737
1962	345	783	2,569	363	0	4,060
1963	435	758	2,037	297	0	3,527
5 YR AVERAGE	371	889	2,509	326	0	4,095
1971	0	669	2,388	383	0	3,440
1972	0	547	2,239	377	0	3,163
1973	0	512	1,751	250	0	2,513
1974	65	485	1,985	246	0	2,781
1975	0	575	2,002	168	0	2,745
1976	0	523	2,050	182	0	2,755
1977	0	346	1,820	146	0	2,312
1978	0	301	1,051	161	0	1,513
1979	0	415	1,781	166	0	2,362
1980	0	0	2,060	323	0	2,383
1981	0	0	2,151	358	0	2,509
1982	0	0	1,775	169	0	1,944
1983	0	0	2,318	245	0	2,563
1984	0	0	2,671	233	0	2,904
1985	0	0	1,978	210	0	2,188
1986	0	0	2,130	234	0	2,364
1987	0	0	2,229	193	0	2,422
1988	0	0	2,229	233	0	2,462
1989	0	0	1,968	240	0	2,208
1990	0	0	2,313	83	0	2,396
1991	0	0	1,669	190	0	1,859
1992	0	0	2,275	118	0	2,393
1993	0	0	1,777	276	0	2,053
1994	0	0	2,201	227	0	2,428
1995	0	0	2,146	145	0	2,291
1996	0	0	2,756	194	0	2,951
1997	0	0	2,656	137	0	2,794
1998	0	0	1,961	210	0	2,170
1999	0	0	2,082	90	0	2,172
2000	0	0	2,811	352	0	3,164
2001	0	0	2,543	192	0	2,735
2002	0	0	2,272	202	0	2,474
2003						
2004						
2005						
2006						
2007						
2008						

From Table No. 3; same as Table 36-D, Volume 5.

Excel;W-SB Wm; Vol 1a-8; tables 36 a-e & table 4-7, vol 1a

TABLE NO.7
EXTRACTIONS BY PLAINTIFFS FROM
THE SAN BERNARDINO BASIN AREA FOR
DELIVERIES OUTSIDE SAN BERNARDINO VALLEY

TABLE NO. 7

EXTRACTIONS BY PLAINTIFFS FROM
THE SAN BERNARDINO BASIN AREA FOR DELIVERIES
OUTSIDE SAN BERNARDINO VALLEY
(Quantities in Acre Feet)

Year	City of Riverside	Gage Canal	Riverside Highland	Meeks & Daley	Univ. of California	Total
	(1)	(2)	(3)	(4)	(5)	(6)
1959	23,232	30,303	2,184	6,987	558	63,264
1960	20,662	27,588	1,889	7,725	546	58,410
1961	24,344	29,199	2,509	9,036	658	65,746
1962	24,046	26,906	1,578	7,197	564	60,291
1963	21,944	25,558	1,289	7,557	425	56,773
5 YR AVERAGE	22,846	27,911	1,890	7,700	550	60,897
1971	24,939	28,176	1,624	2,519	219	57,477
1972	20,474	24,588	2,293	3,150	239	50,744
1973	21,493	20,861	1,761	2,729	239	47,083
1974	27,355	15,462	2,103	4,258	267	49,445
1975	25,248	22,139	2,707	3,783	179	54,056
1976	22,085	28,766	2,469	5,211	245	58,776
1977	18,900	31,753	1,763	4,074	87	56,577
1978	19,055	25,382	299	2,093	183	47,012
1979	21,561	30,401	1,588	3,764	83	57,397
1980	18,875	31,498	1,617	2,010	7	54,007
1981	20,363	31,070	1,453	2,734	143	55,763
1982	19,376	30,061	1,020	3,547	48	54,052
1983	25,537	20,192	843	2,406	0	48,978
1984	25,031	33,843	2,088	4,932	0	65,894
1985	31,817	31,197	1,334	5,175	0	69,523
1986	25,704	33,838	2,614	5,336	48	67,540
1987	25,209	32,298	1,690	4,721	195	64,113
1988	25,675	38,022	2,546	4,733	179	71,155
1989	21,101	29,655	2,713	5,152	62	58,683
1990	20,923	26,695	1,779	3,768	95	53,260
1991	25,978	26,776	1,352	4,236	23	58,365
1992	24,580	25,456	1,777	3,982	32	55,827
1993	25,783	26,439	1,464	4,737	536	58,959
1994	25,717	34,684	2,123	4,298	593	67,415
1995	23,315	31,978	1,809	3,415	588	61,105
1996	29,083	34,021	2,295	3,718	445	69,561
1997	27,135	32,309	2,283	4,028	505	66,259
1998	24,210	30,207	1,289	3,618	590	59,915
1999	25,435	35,526	849	6,199	586	68,595
2000	28,257	35,098	45	3,480	624	67,503
2001	22,834	36,249	122	3,479	617	63,301
2002	28,432	36,858	128	5,598	618	71,634
2003						
2004						
2005						
2006						
2007						
2008						

From Table No. 3; same as Table 36-E, Volume 5.

Excel;W-SB Wm; Vol 1a-8; tables 36 a-e & table 4-7, vol 1a

**WESTERN - SAN BERNARDINO WATERMASTER
FOR**

WESTERN MUNICIPAL WATER DISTRICT et al.

vs.

EAST SAN BERNARDINO COUNTY WATER DISTRICT et al.

CASE NO. 78426 - COUNTY OF RIVERSIDE

VOLUME 2 - 2002

**VERIFIED EXTRACTIONS FROM THE
COLTON BASIN AREA**

FOR

CALENDAR YEARS 1959-1963 & 1998-2002

**ANNUAL ACCOUNTING
FOR INDIVIDUAL WELLS**

August 1, 2004

WATERMASTER

*Donald L. Harriger
Robert L. Reiter*

REPORT OF WATERMASTER

Western Municipal Water District of Riverside County, et al
Plaintiffs

vs.

East San Bernardino County Water District, et al
Defendants

Superior Court of Riverside County

Case No. 78426

Volume 2 - 2002

VERIFIED EXTRACTIONS FROM

COLTON BASIN AREA

for

CALENDAR YEARS 1959-1963 & 1998 - 2002

ANNUAL ACCOUNTING

FOR INDIVIDUAL WELLS

AUGUST 1, 2004

WATERMASTER

Donald L. Harriger
Robert L. Reiter

VOLUME 2-2002

TABLE OF CONTENTS

	<u>Page</u>
INTRODUCTION	i
COLTON BASIN AREA, CROSS INDEX BY OWNER	1
COLTON BASIN AREA, CROSS INDEX BY STATE WELL NUMBER.	3
COLTON BASIN AREA, CROSS INDEX BY RECORDATION NUMBER	5
 <u>TABLE NO. 1</u>	
VERIFIED EXTRACTIONS BY OWNERS WHICH HAVE RECORDATION FILINGS WITH THE STATE WATER RESOURCES CONTROL BOARD	7
 <u>TABLE NO. 2</u>	
VERIFIED EXTRACTIONS BY OWNERS WHICH HAVE NOT FILED WITH THE STATE WATER RESOURCES CONTROL BOARD	9
 <u>TABLE NO. 3</u>	
SUMMARY OF VERIFIED EXTRACTIONS (FILED AND NON-FILED) FROM COLTON BASIN AREA10
 <u>TABLE NO. 4</u>	
GROUNDWATER EXTRACTIONS BY RIVERSIDE COUNTY ENTITIES FROM COLTON BASIN AREA FOR USE IN RIVERSIDE & SAN BERNARDINO COUNTIES DURING THE 5-YEAR BASE PERIOD 1959 THROUGH 1963 AND CALENDAR YEARS 1976 THROUGH THE CURRENT YEAR11
 <u>TABLE NO. 5</u>	
GROUNDWATER EXTRACTIONS FROM COLTON BASIN AREA BY SAN BERNARDINO COUNTY ENTITIES FOR USE IN SAN BERNARDINO COUNTY DURING THE 5-YEAR BASE PERIOD 1959 THROUGH 1963 AND CALENDAR YEARS 1971 THROUGH THE CURRENT YEAR	16

VOLUME 2-2002

VERIFIED EXTRACTIONS FROM
THE COLTON BASIN AREA FOR
CALENDAR YEARS 1959-1963 & 1990-2002

INTRODUCTION

The provisions of Paragraph VIII(a) and VIII(b) of the Judgment in Case No. 78426 entered April 17, 1969, entitled "Extractions from Colton Basin Area and Riverside Basin Area in San Bernardino County" provide as follows:

VIII(a) "The average annual extractions from the Colton Basin Area and that portion of the Riverside Basin Area within San Bernardino County for use outside San Bernardino Valley for the five-year period ending with 1963 are assumed to be 3,349 acre-feet and 20,191 acre-feet, respectively, the correct figures shall be determined by the Watermaster as therein provided."

VIII(b) "Over any five-year period, there may be extracted from each such Basin Area for use outside San Bernardino Valley, without replenishment obligation, and amount equal to five times such annual average for the Basin Area; provided, however, that if extractions in any year exceed such average by more than 20 percent, Western shall provide replenishment in the following year equal to the excess extractions over such 20 percent peaking allowance."

Compliance with these provisions of the Judgment requires that an accounting of the total actual extractions of surface and groundwater within the Colton Basin Area and the Riverside Basin Area within San Bernardino County be made annually. Included in this Volume 2-2002 is the verified account of the production from the Colton Basin Area by owners for the calendar years 1998 through 2002. The verified production for the five-year period ending with 1963 and the five-year average is also included for

comparison. The five-year average production from the Colton Basin Area ending in 1963 was verified to be 11,731 acre-feet. Three indexes are included which provide a cross index by owner's name, State Well Number, and State Water Resources Control Board Well Recordation Number. In addition, each index shows the local designation of each well, if the State has closed the file, which year that occurred, and the last 5 years of verified extractions.

Tables No. 1 and No. 2 in this report list the individual wells by the owner for each year in the five-year base period ending in 1963, the five-year base period average, the extractions for the years 1998 through 2002, and the owner's total annual verified extractions. Table No. 1 lists the wells upon which filings have been made with the State Water Resources Control Board, and Table No. 2 lists the wells upon which no filings have been made. Table No. 3 is a summary of the verified extractions, by owner, as presented in Tables No. 1 and No. 2.

Paragraph VIII(a) of the Judgment requires that only those extractions from the Colton Basin Area which are used outside San Bernardino Valley be verified for the five calendar years ending with 1963 and accounted for annually from and after January 1, 1971. Accordingly, those extractions from the Colton Basin Area by Riverside County entities for the five calendar years ending with 1963 have been determined and are set forth in Table No. 4. Such extractions averaged 3,496 acre-feet for said five-year period, of which 3,381 acre-feet were delivered outside San Bernardino Valley.

Table No. 4 also shows the extractions from the Colton Basin Area for the 1959-63 base period and 1976 through the current year.

The verified extractions from the Colton Basin Area are as follows:

<u>Year</u>	<u>Verified Extractions</u>
1975	11,083 A.F.
1976	11,558 A.F.
1977	8,777 A.F.
1978	7,663 A.F.
1979	7,194 A.F.
1980	5,681 A.F.
1981	6,348 A.F.
1982	6,499 A.F.
1983	4,735 A.F.
1984	8,987 A.F.
1985	10,149 A.F.
1986	10,035 A.F.
1987	13,175 A.F.
1988	13,552 A.F.
1989	14,103 A.F.
1990	17,571 A.F.
1991	14,323 A.F.
1992	16,750 A.F.
1993	14,977 A.F.
1994	14,588 A.F.
1995	16,022 A.F. ¹⁾
1996	15,843 A.F.
1997	13,373 A.F. ²⁾
1998	10,319 A.F.
1999	11,295 A.F.
2000	12,509 A.F. ³⁾
2001	15,541 A.F. ⁴⁾
2002	16,785 A.F.

1) Colton Well #24 reassigned from Rialto Colton Basin to Riverside North in 1996.

2) Correction on Reche Canyon Mutual "Big Well" from 61 AF to 85 AF.

3) Corrected during 2001 verification, double counted La Sierra/Colton joint use of Wells 15 & 17

4) Corrected during 2002 verification, new San Gabriel Valley Water Company well F13B added

The verified extractions by Riverside entities for 2002 have been determined to be 1,322 acre-feet of which 1,206 acre-feet were delivered outside San Bernardino Valley as shown on Table No. 4, page 15 B.

Table No. 5 shows the verified extractions from the Colton Basin Area by San Bernardino County entities during the five-year base period 1959 through 1963 and the calendar years 1971 through the current year.

ERRATA

Volume 2, Rialto Colton Basin

During the 2002 verification, (June 2004) the following changes and corrections were made to the report,

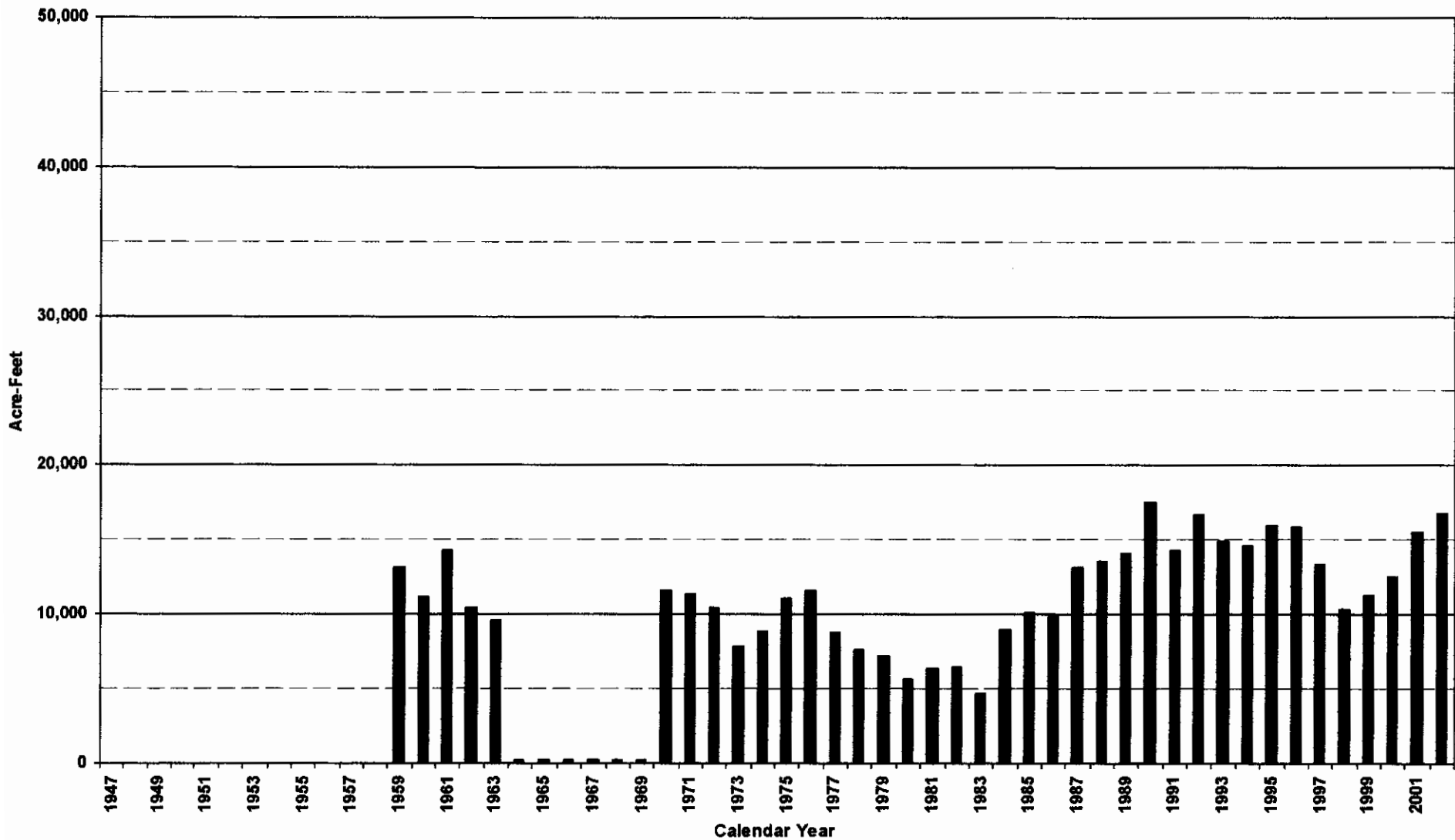
San Gabriel Valley Water Company well F138 was entered into the system and backfiled for 2001

During the 2001 verification, (May 2003) the following changes and corrections were made to the report,

La Sierra wells 15 and 17 production for 2000 was deleted. Filings of 108 and 445 A.F. respectively were changed to 0 as the water was accounted for in Colton's filed production.

WESTERN - SAN BERNARDINO WATERMASTER

RIALTO COLTON BASIN



COLTON BASIN AREA
CROSS INDEX BY OWNER

**WESTERN - SAN BERNARDINO WATERMASTER
VERIFIED PRODUCTION DATA
CROSS INDEX BY OWNER
RIALTO COLTON BASIN**

OWNER	WELL TYPE	RECRDTN NUMBER	STATE WELL NUMBER	LOCAL DESIGNATION	YEAR CLOSED	-----CALENDAR YEAR EXTRACTIIONS-----					
						1998	1999	2000	2001	2002	AVG
COLTON, CITY OF	W	3601255	01S/04W-18B	9	1982	0	0	0	0	0	0
COLTON, CITY OF	W	3601259	01S/04W-18G01S	15		746	726	632	773	91	594
COLTON, CITY OF	W	3601261	01S/04W-18F01S	17		681	1,070	971	830	180	746
COLTON, CITY OF	W	3602255	01S/04W-27L01S	KATZ/HOLLOW	1998	0	0	0	0	0	0
COLTON, CITY OF	W	3602356	01S/04W-34H	5731	1999	0	0	0	0	0	0
COLTON, CITY OF	W	3602881	01S/04W-27L03S	22		0	0	318	511	413	248
COLTON, CITY OF	W	3603367	01S/04W-21K01S	#23		1,497	1,251	1,232	1,780	2,053	1,563
FONTANA UNION WATER COMPANY	W	3600577	01S/05W-05A03S	22	2002	0	0	1,019	0	0	204
FONTANA UNION WATER COMPANY	W	3600578	01S/05W-05A02S	23	1980	0	0	0	0	0	0
FONTANA UNION WATER COMPANY	W	3600589	01S/05W-04D01S	35	1989	0	0	0	0	0	0
FONTANA UNION WATER COMPANY	W	3602129	01N/05W-30A	36	1980	0	0	0	0	0	0
FONTANA UNION WATER COMPANY	W	3603060	01N/05W-29R15S	#37		2,226	2,286	2,654	2,137	2,152	2,291
HAYES, GEO. G.	W	3601141	01S/04W-18K01S	1	1970	0	0	0	0	0	0
LA SIERRA WATER COMPANY	W	3602227	01S/04W-18G01S	15		0	0	0	0	0	0
LA SIERRA WATER COMPANY	W	3602228	01S/04W-18F	17		0	0	0	0	0	0
LEDIG, ALFRED H	D	3601383	01N/05W-18D		1959	0	0	0	0	0	0
MEEKS & DALEY WATER COMPANY	W	3601510	01S/04W-21N01S	36		88	1,106	102	285	1,322	581
PATTERSON, JOHN A	W	3600634	01S/04W-17M01S	PATTERSON	1980	0	0	0	0	0	0
PERRY AND SONS	W	0000204	01N/05W-29P		1997	0	0	0	0	0	0
RECHE CANYON MUTUAL WATER COMPANY	W	3302054	02S/04W-11A02S	BIG WELL		35	34	28	28	45	34
RECHE CANYON MUTUAL WATER COMPANY	W	3302055	02S/04W-11A01S	SMALL WELL		18	22	23	15	23	20
RECHE CANYON MUTUAL WATER COMPANY	W	3302326	02S/04W-11A03S	7200	1991	5	5	5	5	5	5
RIALTO, CITY OF	W	3601264	01S/05W-03A01S	RIALTO #4 / DUNCAN		179	481	805	1,486	994	789
RIALTO, CITY OF	W	3601993	01N/05W-34B01S	#2 HIGHLAND		0	0	0	0	0	0
RIALTO, CITY OF	W	3602253	01N/05W-27D01S	#1 CEDAR		2,152	1,473	1,882	1,658	2,416	1,916
RIALTO, CITY OF	W	3602269	01S/05W-03N02S	#7 FOOTHILL TUDOR		0	0	0	0	0	0
RIALTO, CITY OF	W	3602271	01S/05W-03J01S	TUDOR	1966	0	0	0	0	0	0
RIALTO, CITY OF	W	3602558	01N/05W-34M01	#3 AIRPORT		1,572	1,595	921	1,185	1,025	1,260
RIALTO, CITY OF	W	3603103	01S/05W-02G01S	#6 ETIWANDA		77	674	457	7	2	243
RIALTO, CITY OF	W	3603576	01S/05W-02E01S	#5 RIALTO		346	35	8	247	883	304
RIVERSIDE HIGHLAND WATER COMPANY	W	3601525	01S/04W-28K01S	CR #4	1980	0	0	0	0	0	0
RIVERSIDE HIGHLAND WATER COMPANY	W	3602182	01S/04W-28K02S	CR 4-A	2002	0	0	0	0	0	0
RIVERSIDE, CITY OF	W	3601480	01S/04W-21Q03S	JOHNSON 1		0	0	0	0	0	0
RIVERSIDE, CITY OF	W	3601481	01S/04W-21L01S	VAUGHN 1		0	0	0	0	0	0
RIVERSIDE, CITY OF	W	3601482	01S/04W-28C01S	MEEKS 1		0	0	0	0	0	0
RIVERSIDE, CITY OF	W	3601494	01S/04W-21P01S	JOHNSON 2	1977	0	0	0	0	0	0
RIVERSIDE, CITY OF	W	3601495	01S/04W-21Q01S	JOHNSON 3	1977	0	0	0	0	0	0

**WESTERN - SAN BERNARDINO WATERMASTER
VERIFIED PRODUCTION DATA
CROSS INDEX BY OWNER
RIALTO COLTON BASIN**

OWNER	WELL TYPE	RECRDTN NUMBER	STATE WELL NUMBER	LOCAL DESIGNATION	YEAR CLOSED	-----CALENDAR YEAR EXTRACTIONS-----					
						1998	1999	2000	2001	2002	AVG
RIVERSIDE, CITY OF	D	3601496	01S/04W-21P	WARM CR	1974	0	0	0	0	0	0
RIVERSIDE, CITY OF	W	3602208	01S/04W-28D01S	MILL		142	7	128	0	0	55
RIVERSIDE, CITY OF	W	3603255	01S/04W-21L04S	JOHNSON #4		0	0	0	0	0	0
SAN GABRIEL VALLEY WATER COMPANY	W	3603726	01N/06W-25A01S	F15A				898	1,391	1,385	735
SAN GABRIEL VALLEY WATER COMPANY	W	3603739	01N/05W-32A02S	F13B					2,577	3,463	1,208
SEQUOIA COUNTRY CLUB	W	0000203	01S/04W-07C01S	EDMUNDS	1997	0	0	0	0	0	0
SOUTHERN CALIFORNIA EDISON	W	3601008	01S/05W-12A	1 AC #58		2	0	0	0	0	0
TAYLOR, JOHN S	W	3600867	01N/05W-07P	TAYLOR 1	1974	0	0	0	0	0	0
TAYLOR, JOHN S	D	3600868	01N/05W-07P		1974	0	0	0	0	0	0
THERMO ECOTEK CORPORATION	W	3601010	01S/05W-12A	2	1977	0	0	0	0	0	0
THERMO ECOTEK CORPORATION	W	3602218	01S/04W-29H03S	COLTON	1981	0	0	0	0	0	0
VILLELLI ENTERPRISES	W	0000201	01S/04W-28G	4	1997	0	0	0	0	0	0
VILLELLI ENTERPRISES	W	0000202	01S/04W-28G	#5 DOMESTIC	1997	0	0	0	0	0	0
VILLELLI ENTERPRISES	W	3601548	01S/04W-28G01S	1	1981	0	0	0	0	0	0
VILLELLI ENTERPRISES	W	3601550	01S/04W-28A05S	3	1981	0	0	0	0	0	0
WEST VALLEY WATER DIST	W	3600309	01S/05W-02C01S	PLANT NO 10	1982	0	0	0	0	0	0
WEST VALLEY WATER DIST	W	3600311	01S/05W-02K01S	PLANT NO 11 / WILLOW		50	8	0	0	0	12
WEST VALLEY WATER DIST	W	3600995	01S/05W-12N01S	PLANT NO 17		0	0	0	0	0	0
WEST VALLEY WATER DIST	W	3601001	01S/05W-12L01S	PLANT NO 16 / BOYD		28	70	174	37	2	62
WEST VALLEY WATER DIST	W	3601689	01N/05W-17K01S	#21 / FONTANA RNCH 1	1976	0	0	0	0	0	0
WEST VALLEY WATER DIST	W	3601690	01N/05W-28J01S	#22 / FONTANA RNCH 2	2002	0	0	0	0	0	0
WEST VALLEY WATER DIST	W	3601691	01N/05W-17G01	#23 / FONTANA RNCH 3	1992	0	0	0	0	0	0
WEST VALLEY WATER DIST	W	3601931	01N/05W-17K02S	PL24/FONTANA RNCH 4		475	452	252	589	331	420
WEST VALLEY WATER DIST	W	3605002	01N/05W-17G01	23A						0	0
WEST VALLEY WATER DIST	W	3605003	01N/05W-27B01S	WELL NO. 22A						0	0
TOTALS FOR 62 WELLS						10,319	11,295	12,509	15,541	16,785	13,290

COLTON BASIN AREA
CROSS INDEX BY STATE WELL NUMBER

**WESTERN - SAN BERNARDINO WATERMASTER
VERIFIED PRODUCTION DATA
CROSS INDEX BY STATE WELL NUMBER
RIALTO COLTON BASIN**

STATE WELL NUMBER	RECRDTN NUMBER	OWNER	WELL TYPE	LOCAL DESIGNATION	YEAR CLOSED	-----CALENDAR YEAR EXTRACTIONS-----					
						1998	1999	2000	2001	2002	AVG
01N/05W-07P	3600867	TAYLOR, JOHN S	W	TAYLOR 1	1974	0	0	0	0	0	0
01N/05W-07P	3600868	TAYLOR, JOHN S	D		1974	0	0	0	0	0	0
01N/05W-17G01	3601691	WEST VALLEY WATER DIST	W	#23 / FONTANA RNCH 3	1992	0	0	0	0	0	0
01N/05W-17G01	3605002	WEST VALLEY WATER DIST	W	23A						0	0
01N/05W-17K01S	3601689	WEST VALLEY WATER DIST	W	#21 / FONTANA RNCH 1	1976	0	0	0	0	0	0
01N/05W-17K02S	3601931	WEST VALLEY WATER DIST	W	PL24/FONTANA RNCH 4		475	452	252	589	331	420
01N/05W-18D	3601383	LEDIG, ALFRED H	D		1959	0	0	0	0	0	0
01N/05W-27B01S	3605003	WEST VALLEY WATER DIST	W	WELL NO. 22A						0	0
01N/05W-27D01S	3602253	RIALTO, CITY OF	W	#1 CEDAR		2,152	1,473	1,882	1,658	2,416	1,916
01N/05W-28J01S	3601690	WEST VALLEY WATER DIST	W	#22 / FONTANA RNCH 2	2002	0	0	0	0	0	0
01N/05W-29P	0000204	PERRY AND SONS	W		1997	0	0	0	0	0	0
01N/05W-29R15S	3603060	FONTANA UNION WATER COMPANY	W	#37		2,226	2,286	2,654	2,137	2,152	2,291
01N/05W-30A	3602129	FONTANA UNION WATER COMPANY	W	36	1980	0	0	0	0	0	0
01N/05W-32A02S	3603739	SAN GABRIEL VALLEY WATER COMPANY	W	F13B					2,577	3,463	1,208
01N/05W-34B01S	3601993	RIALTO, CITY OF	W	#2 HIGHLAND		0	0	0	0	0	0
01N/05W-34M01	3602558	RIALTO, CITY OF	W	#3 AIRPORT		1,572	1,595	921	1,185	1,025	1,260
01N/06W-25A01S	3603726	SAN GABRIEL VALLEY WATER COMPANY	W	F15A				898	1,391	1,385	735
01S/04W-07C01S	0000203	SEQUOIA COUNTRY CLUB	W	EDMUNDS	1997	0	0	0	0	0	0
01S/04W-17M01S	3600634	PATTERSON, JOHN A	W	PATTERSON	1980	0	0	0	0	0	0
01S/04W-18B	3601255	COLTON, CITY OF	W	9	1982	0	0	0	0	0	0
01S/04W-18F	3602228	LA SIERRA WATER COMPANY	W	17		0	0	0	0	0	0
01S/04W-18F01S	3601261	COLTON, CITY OF	W	17		681	1,070	971	830	180	746
01S/04W-18G01S	3601259	COLTON, CITY OF	W	15		746	726	632	773	91	594
01S/04W-18G01S	3602227	LA SIERRA WATER COMPANY	W	15		0	0	0	0	0	0
01S/04W-18K01S	3601141	HAYES, GEO. G.	W	1	1970	0	0	0	0	0	0
01S/04W-21K01S	3603367	COLTON, CITY OF	W	#23		1,497	1,251	1,232	1,780	2,053	1,563
01S/04W-21L01S	3601481	RIVERSIDE, CITY OF	W	VAUGHN 1		0	0	0	0	0	0
01S/04W-21L04S	3603255	RIVERSIDE, CITY OF	W	JOHNSON #4		0	0	0	0	0	0
01S/04W-21N01S	3601510	MEEKS & DALEY WATER COMPANY	W	36		88	1,106	102	285	1,322	581
01S/04W-21P	3601496	RIVERSIDE, CITY OF	D	WARM CR	1974	0	0	0	0	0	0
01S/04W-21P01S	3601494	RIVERSIDE, CITY OF	W	JOHNSON 2	1977	0	0	0	0	0	0
01S/04W-21Q01S	3601495	RIVERSIDE, CITY OF	W	JOHNSON 3	1977	0	0	0	0	0	0
01S/04W-21Q03S	3601480	RIVERSIDE, CITY OF	W	JOHNSON 1		0	0	0	0	0	0
01S/04W-27L01S	3602255	COLTON, CITY OF	W	KATZ/HOLLOW	1998	0	0	0	0	0	0
01S/04W-27L03S	3602881	COLTON, CITY OF	W	22		0	0	318	511	413	248
01S/04W-28A05S	3601550	VILLELLI ENTERPRISES	W	3	1981	0	0	0	0	0	0
01S/04W-28C01S	3601482	RIVERSIDE, CITY OF	W	MEEKS 1		0	0	0	0	0	0

**WESTERN - SAN BERNARDINO WATERMASTER
VERIFIED PRODUCTION DATA
CROSS INDEX BY STATE WELL NUMBER
RIALTO COLTON BASIN**

STATE WELL NUMBER	RECRDTN NUMBER	OWNER	WELL TYPE	LOCAL DESIGNATION	YEAR CLOSED	-----CALENDAR YEAR EXTRACTIONS-----					
						1998	1999	2000	2001	2002	AVG
01S/04W-28D01S	3602208	RIVERSIDE, CITY OF	W	MILL		142	7	128	0	0	55
01S/04W-28G	0000201	VILLELLI ENTERPRISES	W	4	1997	0	0	0	0	0	0
01S/04W-28G	0000202	VILLELLI ENTERPRISES	W	#5 DOMESTIC	1997	0	0	0	0	0	0
01S/04W-28G01S	3601548	VILLELLI ENTERPRISES	W	1	1981	0	0	0	0	0	0
01S/04W-28K01S	3601525	RIVERSIDE HIGHLAND WATER COMPANY	W	CR #4	1980	0	0	0	0	0	0
01S/04W-28K02S	3602182	RIVERSIDE HIGHLAND WATER COMPANY	W	CR 4-A	2002	0	0	0	0	0	0
01S/04W-29H03S	3602218	THERMO ECOTEK CORPORATION	W	COLTON	1981	0	0	0	0	0	0
01S/04W-34H	3602356	COLTON, CITY OF	W	5731	1999	0	0	0	0	0	0
01S/05W-02C01S	3600309	WEST VALLEY WATER DIST	W	PLANT NO 10	1982	0	0	0	0	0	0
01S/05W-02E01S	3603576	RIALTO, CITY OF	W	#5 RIALTO		346	35	8	247	883	304
01S/05W-02G01S	3603103	RIALTO, CITY OF	W	#6 ETIWANDA		77	674	457	7	2	243
01S/05W-02K01S	3600311	WEST VALLEY WATER DIST	W	PLANT NO 11 / WILLOW		50	8	0	0	0	12
01S/05W-03A01S	3601264	RIALTO, CITY OF	W	RIALTO #4 / DUNCAN		179	481	805	1,486	994	789
01S/05W-03J01S	3602271	RIALTO, CITY OF	W	TUDOR	1966	0	0	0	0	0	0
01S/05W-03N02S	3602269	RIALTO, CITY OF	W	#7 FOOTHILL TUDOR		0	0	0	0	0	0
01S/05W-04D01S	3600589	FONTANA UNION WATER COMPANY	W	35	1989	0	0	0	0	0	0
01S/05W-05A02S	3600578	FONTANA UNION WATER COMPANY	W	23	1980	0	0	0	0	0	0
01S/05W-05A03S	3600577	FONTANA UNION WATER COMPANY	W	22	2002	0	0	1,019	0	0	204
01S/05W-12A	3601008	SOUTHERN CALIFORNIA EDISON	W	1 AC #58		2	0	0	0	0	0
01S/05W-12A	3601010	THERMO ECOTEK CORPORATION	W	2	1977	0	0	0	0	0	0
01S/05W-12L01S	3601001	WEST VALLEY WATER DIST	W	PLANT NO 16 / BOYD		28	70	174	37	2	62
01S/05W-12N01S	3600995	WEST VALLEY WATER DIST	W	PLANT NO 17		0	0	0	0	0	0
02S/04W-11A01S	3302055	RECHE CANYON MUTUAL WATER COMPANY	W	SMALL WELL		18	22	23	15	23	20
02S/04W-11A02S	3302054	RECHE CANYON MUTUAL WATER COMPANY	W	BIG WELL		35	34	28	28	45	34
02S/04W-11A03S	3302326	RECHE CANYON MUTUAL WATER COMPANY	W	7200	1991	5	5	5	5	5	5
TOTALS FOR 82 WELLS						10,319	11,295	12,509	15,541	16,785	13,290

COLTON BASIN AREA
CROSS INDEX BY RECORDATION NUMBER

**WESTERN - SAN BERNARDINO WATERMASTER
VERIFIED PRODUCTION DATA
CROSS INDEX BY RECORDATION NUMBER
RIALTO COLTON BASIN**

RECRDTN NUMBER	STATE WELL NUMBER	OWNER	WELL TYPE	LOCAL DESIGNATION	YEAR CLOSED	-----CALENDAR YEAR EXTRACTIONS-----					
						1998	1999	2000	2001	2002	AVG
0000201	01S/04W-28G	VILLELLI ENTERPRISES	W	4	1997	0	0	0	0	0	0
0000202	01S/04W-28G	VILLELLI ENTERPRISES	W	#5 DOMESTIC	1997	0	0	0	0	0	0
0000203	01S/04W-07C01S	SEQUOIA COUNTRY CLUB	W	EDMUNDS	1997	0	0	0	0	0	0
0000204	01N/05W-29P	PERRY AND SONS	W		1997	0	0	0	0	0	0
3302054	02S/04W-11A02S	RECHE CANYON MUTUAL WATER COMPANY	W	BIG WELL		35	34	28	28	45	34
3302055	02S/04W-11A01S	RECHE CANYON MUTUAL WATER COMPANY	W	SMALL WELL		18	22	23	15	23	20
3302326	02S/04W-11A03S	RECHE CANYON MUTUAL WATER COMPANY	W	7200	1991	5	5	5	5	5	5
3600309	01S/05W-02C01S	WEST VALLEY WATER DIST	W	PLANT NO 10	1982	0	0	0	0	0	0
3600311	01S/05W-02K01S	WEST VALLEY WATER DIST	W	PLANT NO 11 / WILLOW		50	8	0	0	0	12
3600577	01S/05W-05A03S	FONTANA UNION WATER COMPANY	W	22	2002	0	0	1,019	0	0	204
3600578	01S/05W-05A02S	FONTANA UNION WATER COMPANY	W	23	1980	0	0	0	0	0	0
3600589	01S/05W-04D01S	FONTANA UNION WATER COMPANY	W	35	1989	0	0	0	0	0	0
3600634	01S/04W-17M01S	PATTERSON, JOHN A	W	PATTERSON	1980	0	0	0	0	0	0
3600867	01N/05W-07P	TAYLOR, JOHN S	W	TAYLOR 1	1974	0	0	0	0	0	0
3600868	01N/05W-07P	TAYLOR, JOHN S	D		1974	0	0	0	0	0	0
3600995	01S/05W-12N01S	WEST VALLEY WATER DIST	W	PLANT NO 17		0	0	0	0	0	0
3601001	01S/05W-12L01S	WEST VALLEY WATER DIST	W	PLANT NO 16 / BOYD		28	70	174	37	2	62
3601008	01S/05W-12A	SOUTHERN CALIFORNIA EDISON	W	1 AC #58		2	0	0	0	0	0
3601010	01S/05W-12A	THERMO ECOTEK CORPORATION	W	2	1977	0	0	0	0	0	0
3601141	01S/04W-18K01S	HAYES, GEO. G.	W	1	1970	0	0	0	0	0	0
3601255	01S/04W-18B	COLTON, CITY OF	W	9	1982	0	0	0	0	0	0
3601259	01S/04W-18G01S	COLTON, CITY OF	W	15		746	726	632	773	91	594
3601261	01S/04W-18F01S	COLTON, CITY OF	W	17		681	1,070	971	830	180	746
3601264	01S/05W-03A01S	RIALTO, CITY OF	W	RIALTO #4 / DUNCAN		179	481	805	1,486	994	789
3601383	01N/05W-18D	LEDIG, ALFRED H	D		1959	0	0	0	0	0	0
3601480	01S/04W-21Q03S	RIVERSIDE, CITY OF	W	JOHNSON 1		0	0	0	0	0	0
3601481	01S/04W-21L01S	RIVERSIDE, CITY OF	W	VAUGHN 1		0	0	0	0	0	0
3601482	01S/04W-28C01S	RIVERSIDE, CITY OF	W	MEEKS 1		0	0	0	0	0	0
3601494	01S/04W-21P01S	RIVERSIDE, CITY OF	W	JOHNSON 2	1977	0	0	0	0	0	0
3601495	01S/04W-21Q01S	RIVERSIDE, CITY OF	W	JOHNSON 3	1977	0	0	0	0	0	0
3601496	01S/04W-21P	RIVERSIDE, CITY OF	D	WARM CR	1974	0	0	0	0	0	0
3601510	01S/04W-21N01S	MEEKS & DALEY WATER COMPANY	W	36		88	1,106	102	285	1,322	581
3601525	01S/04W-28K01S	RIVERSIDE HIGHLAND WATER COMPANY	W	CR #4	1980	0	0	0	0	0	0
3601548	01S/04W-28G01S	VILLELLI ENTERPRISES	W	1	1981	0	0	0	0	0	0
3601550	01S/04W-28A05S	VILLELLI ENTERPRISES	W	3	1981	0	0	0	0	0	0
3601689	01N/05W-17K01S	WEST VALLEY WATER DIST	W	#21 / FONTANA RNCH 1	1976	0	0	0	0	0	0
3601690	01N/05W-28J01S	WEST VALLEY WATER DIST	W	#22 / FONTANA RNCH 2	2002	0	0	0	0	0	0

**WESTERN - SAN BERNARDINO WATERMASTER
VERIFIED PRODUCTION DATA
CROSS INDEX BY RECORDATION NUMBER
RIALTO COLTON BASIN**

RECRDTN NUMBER	STATE WELL NUMBER	OWNER	WELL TYPE	LOCAL DESIGNATION	YEAR CLOSED	-----CALENDAR YEAR EXTRACTIONS-----					
						1998	1999	2000	2001	2002	AVG
3601691	01N/05W-17G01	WEST VALLEY WATER DIST	W	#23 / FONTANA RNCH 3	1992	0	0	0	0	0	0
3601931	01N/05W-17K02S	WEST VALLEY WATER DIST	W	PL24/FONTANA RNCH 4		475	452	252	589	331	420
3601993	01N/05W-34B01S	RIALTO, CITY OF	W	#2 HIGHLAND		0	0	0	0	0	0
3602129	01N/05W-30A	FONTANA UNION WATER COMPANY	W	36	1980	0	0	0	0	0	0
3602182	01S/04W-28K02S	RIVERSIDE HIGHLAND WATER COMPANY	W	CR 4-A	2002	0	0	0	0	0	0
3602208	01S/04W-28D01S	RIVERSIDE, CITY OF	W	MILL		142	7	128	0	0	55
3602218	01S/04W-29H03S	THERMO ECOTEK CORPORATION	W	COLTON	1981	0	0	0	0	0	0
3602227	01S/04W-18G01S	LA SIERRA WATER COMPANY	W	15		0	0	0	0	0	0
3602228	01S/04W-18F	LA SIERRA WATER COMPANY	W	17		0	0	0	0	0	0
3602253	01N/05W-27D01S	RIALTO, CITY OF	W	#1 CEDAR		2,152	1,473	1,882	1,658	2,416	1,916
3602255	01S/04W-27L01S	COLTON, CITY OF	W	KATZ/HOLLOW	1998	0	0	0	0	0	0
3602269	01S/05W-03N02S	RIALTO, CITY OF	W	#7 FOOTHILL TUDOR		0	0	0	0	0	0
3602271	01S/05W-03J01S	RIALTO, CITY OF	W	TUDOR	1966	0	0	0	0	0	0
3602356	01S/04W-34H	COLTON, CITY OF	W	5731	1999	0	0	0	0	0	0
3602558	01N/05W-34M01	RIALTO, CITY OF	W	#3 AIRPORT		1,572	1,595	921	1,185	1,025	1,260
3602881	01S/04W-27L03S	COLTON, CITY OF	W	22		0	0	318	511	413	248
3603060	01N/05W-29R15S	FONTANA UNION WATER COMPANY	W	#37		2,226	2,286	2,654	2,137	2,152	2,291
3603103	01S/05W-02G01S	RIALTO, CITY OF	W	#6 ETIWANDA		77	674	457	7	2	243
3603255	01S/04W-21L04S	RIVERSIDE, CITY OF	W	JOHNSON #4		0	0	0	0	0	0
3603367	01S/04W-21K01S	COLTON, CITY OF	W	#23		1,497	1,251	1,232	1,780	2,053	1,563
3603576	01S/05W-02E01S	RIALTO, CITY OF	W	#5 RIALTO		346	35	8	247	883	304
3603726	01N/06W-25A01S	SAN GABRIEL VALLEY WATER COMPANY	W	F15A				898	1,391	1,385	735
3603739	01N/05W-32A02S	SAN GABRIEL VALLEY WATER COMPANY	W	F13B					2,577	3,463	1,208
3605002	01N/05W-17G01	WEST VALLEY WATER DIST	W	23A						0	0
3605003	01N/05W-27B01S	WEST VALLEY WATER DIST	W	WELL NO. 22A						0	0
TOTALS FOR 62 WELLS						10,319	11,295	12,509	15,541	16,785	13,290

TABLE NO. 1
VERIFIED EXTRACTIONS BY OWNERS
WHICH HAVE RECORDATION FILINGS WITH
THE STATE WATER RESOURCES CONTROL BOARD

**WESTERN - SAN BERNARDINO WATERMASTER
TABLE 1
VERIFIED EXTRACTIIONS - FILED
RIALTO COLTON BASIN**

RECRDTN NUMBER	STATE NUMBER	WELL TYPE	LOCAL DESIGNATION	-----BASE YEARS-----						-----CALENDAR YEAR EXTRACTIIONS-----					
				1959	1960	1961	1962	1963	AVG	1998	1999	2000	2001	2002	AVG
COLTON, CITY OF															
3601255	01S/04W-18B	W	9	101	101	106	135	103	109	0	0	0	0	0	0
3601261	01S/04W-18F01S	W	17	761	880	752	394	474	652	681	1,070	971	830	180	746
3601259	01S/04W-18G01S	W	15	1,064	781	787	377	455	693	746	726	632	773	91	594
3603367	01S/04W-21K01S	W	#23						0	1,497	1,251	1,232	1,780	2,053	1,563
3602255	01S/04W-27L01S	W	KATZ/HOLLOW	283	283	283	283	0	226	0	0	0	0	0	0
3602881	01S/04W-27L03S	W	22						0	0	0	318	511	413	248
3602356	01S/04W-34H	W	5731	22	24	12	13	14	17	0	0	0	0	0	0
TOTALS FOR COLTON, CITY OF				2,231	2,069	1,940	1,202	1,046	1,698	2,924	3,047	3,153	3,894	2,737	3,151
FONTANA UNION WATER COMPANY															
3603060	01N/05W-29R15S	W	#37						0	2,226	2,286	2,654	2,137	2,152	2,291
3602129	01N/05W-30A	W	36	31	31	31	31	31	31	0	0	0	0	0	0
3600589	01S/05W-04D01S	W	35	437	621	227	407	449	428	0	0	0	0	0	0
3600578	01S/05W-05A02S	W	23	0	0	429	0	0	86	0	0	0	0	0	0
3600577	01S/05W-05A03S	W	22	0	132	546	0	400	216	0	0	1,019	0	0	204
TOTALS FOR FONTANA UNION WATER COMPANY				468	784	1,233	438	880	761	2,226	2,286	3,673	2,137	2,152	2,495
HAYES, GEO. G.															
3601141	01S/04W-18K01S	W	1	0	0	0	0	0	0	0	0	0	0	0	0
TOTALS FOR HAYES, GEO. G.				0	0	0	0	0	0	0	0	0	0	0	0
LA SIERRA WATER COMPANY															
3602228	01S/04W-18F	W	17						0	0	0	0	0	0	0
3602227	01S/04W-18G01S	W	15						0	0	0	0	0	0	0
TOTALS FOR LA SIERRA WATER COMPANY									0	0	0	0	0	0	0
LEDIG, ALFRED H															
3601383	01N/05W-18D	D		0	0	0	0	0	0	0	0	0	0	0	0
TOTALS FOR LEDIG, ALFRED H				0	0	0	0	0	0	0	0	0	0	0	0
MEEKS & DALEY WATER COMPANY															
3601510	01S/04W-21N01S	W	36	2,168	23	465	1,185	339	836	88	1,106	102	285	1,322	581
TOTALS FOR MEEKS & DALEY WATER COMPANY				2,168	23	465	1,185	339	836	88	1,106	102	285	1,322	581

WESTERN - SAN BERNARDINO WATERMASTER

TABLE 1

VERIFIED EXTRACTIONS - FILED

RIALTO COLTON BASIN

RECRDTN NUMBER	STATE NUMBER	WELL TYPE	LOCAL DESIGNATION	-----BASE YEARS-----						-----CALENDAR YEAR EXTRACTIONS-----					
				1959	1960	1961	1962	1963	AVG	1998	1999	2000	2001	2002	AVG
PATTERSON, JOHN A															
3600634	01S/04W-17M01S	W	PATTERSON	137	0	0	0	0	27	0	0	0	0	0	0
TOTALS FOR PATTERSON, JOHN A				137	0	0	0	0	27	0	0	0	0	0	0
RECHE CANYON MUTUAL WATER COMPANY															
3302055	02S/04W-11A01S	W	SMALL WELL						0	18	22	23	15	23	20
3302054	02S/04W-11A02S	W	BIG WELL						0	35	34	28	28	45	34
3302326	02S/04W-11A03S	W	7200						0	5	5	5	5	5	5
TOTALS FOR RECHE CANYON MUTUAL WATER COMPANY									0	58	61	56	48	73	59
RIALTO, CITY OF															
3602253	01N/05W-27D01S	W	#1 CEDAR						0	2,152	1,473	1,882	1,658	2,416	1,916
3601993	01N/05W-34B01S	W	#2 HIGHLAND				723	600	265	0	0	0	0	0	0
3602558	01N/05W-34M01	W	#3 AIRPORT						0	1,572	1,595	921	1,185	1,025	1,260
3603576	01S/05W-02E01S	W	#5 RIALTO						0	346	35	8	247	883	304
3603103	01S/05W-02G01S	W	#6 ETIWANDA						0	77	674	457	7	2	243
3601264	01S/05W-03A01S	W	RIALTO #4 / DUNCAN	987	808	1,372	754	994	983	179	481	805	1,486	994	789
3602271	01S/05W-03J01S	W	TUDOR	160	160	160	160	160	160	0	0	0	0	0	0
3602269	01S/05W-03N02S	W	#7 FOOTHILL TUDOR		275	342	236	385	248	0	0	0	0	0	0
TOTALS FOR RIALTO, CITY OF				1,147	1,243	1,874	1,873	2,139	1,655	4,326	4,258	4,073	4,583	5,320	4,512
RIVERSIDE HIGHLAND WATER COMPANY															
3601525	01S/04W-28K01S	W	CR #4	211	126	357	280	163	227	0	0	0	0	0	0
3602182	01S/04W-28K02S	W	CR 4-A						0	0	0	0	0	0	0
TOTALS FOR RIVERSIDE HIGHLAND WATER COMPANY				211	126	357	280	163	227	0	0	0	0	0	0
RIVERSIDE, CITY OF															
3601481	01S/04W-21L01S	W	VAUGHN 1	39	135	1,378	498	593	529	0	0	0	0	0	0
3603255	01S/04W-21L04S	W	JOHNSON #4						0	0	0	0	0	0	0
3601496	01S/04W-21P	D	WARM CR	0	0	0	0	0	0	0	0	0	0	0	0
3601494	01S/04W-21P01S	W	JOHNSON 2	0	0	0	0	0	0	0	0	0	0	0	0
3601495	01S/04W-21Q01S	W	JOHNSON 3	0	0	0	0	0	0	0	0	0	0	0	0
3601480	01S/04W-21Q03S	W	JOHNSON 1	2,183	1,569	1,569	963	789	1,415	0	0	0	0	0	0
3601482	01S/04W-28C01S	W	MEEKS 1	649	461	539	374	425	490	0	0	0	0	0	0
3602208	01S/04W-28D01S	W	MILL						0	142	7	128	0	0	55

WESTERN - SAN BERNARDINO WATERMASTER

TABLE 1

VERIFIED EXTRACTIONS - FILED
RIALTO COLTON BASIN

RECRDTN NUMBER	STATE NUMBER	WELL TYPE	WELL LOCAL DESIGNATION	BASE YEARS					CALENDAR YEAR EXTRACTIONS						
				1959	1960	1961	1962	1963	AVG	1998	1999	2000	2001	2002	AVG
TOTALS FOR RIVERSIDE, CITY OF				2,871	2,165	3,486	1,835	1,807	2,433	142	7	128	0	0	55
SAN GABRIEL VALLEY WATER COMPANY															
3603739	01N/05W-32A02S	W	F13B						0			2,577	3,463	1,208	
3603726	01N/06W-25A01S	W	F15A						0		898	1,391	1,385	735	
TOTALS FOR SAN GABRIEL VALLEY WATER COMPANY									0		898	3,968	4,848	1,943	
SOUTHERN CALIFORNIA EDISON															
3601008	01S/05W-12A	W	1 AC #58	199	200	215	200	200	203	2	0	0	0	0	
TOTALS FOR SOUTHERN CALIFORNIA EDISON				199	200	215	200	200	203	2	0	0	0	0	0
TAYLOR, JOHN S															
3600867	01N/05W-07P	W	TAYLOR 1	0	0	0	0	0	0	0	0	0	0	0	
3600868	01N/05W-07P	D		0	0	0	0	0	0	0	0	0	0	0	
TOTALS FOR TAYLOR, JOHN S				0	0	0	0	0	0	0	0	0	0	0	0
THERMO ECOTEK CORPORATION															
3602218	01S/04W-29H03S	W	COLTON	8	8	7	8	8	8	0	0	0	0	0	
3601010	01S/05W-12A	W	2	0	0	0	0	0	0	0	0	0	0	0	
TOTALS FOR THERMO ECOTEK CORPORATION				8	8	7	8	8	8	0	0	0	0	0	0
VILLELLI ENTERPRISES															
3601550	01S/04W-28A05S	W	3	193	147	172	75	2	118	0	0	0	0	0	
3601548	01S/04W-28G01S	W	1	246	171	209	105	41	154	0	0	0	0	0	
TOTALS FOR VILLELLI ENTERPRISES				439	318	381	180	43	272	0	0	0	0	0	0
WEST VALLEY WATER DIST															
3601691	01N/05W-17G01	W	#23 / FONTANA RNCH 3	116	43	15	54	15	49	0	0	0	0	0	
3605002	01N/05W-17G01	W	23A						0					0	
3601689	01N/05W-17K01S	W	#21 / FONTANA RNCH 1	3	0	0	1	0	1	0	0	0	0	0	
3601931	01N/05W-17K02S	W	PL24/FONTANA RNCH 4		84	115	95	132	85	475	452	252	589	331	
3605003	01N/05W-27B01S	W	WELL NO. 22A						0					0	
3601690	01N/05W-28J01S	W	#22 / FONTANA RNCH 2	0	0	0	0	0	0	0	0	0	0	0	
3600309	01S/05W-02C01S	W	PLANT NO 10	1,222	1,032	837	763	825	936	0	0	0	0	0	
3600311	01S/05W-02K01S	W	PLANT NO 11 / WILLOW	0	1,096	1,123	563	1,042	765	50	8	0	0	12	

**WESTERN - SAN BERNARDINO WATERMASTER
TABLE 1
VERIFIED EXTRACTIONS - FILED
RIALTO COLTON BASIN**

RECRDTN NUMBER	STATE WELL NUMBER	WELL TYPE	LOCAL DESIGNATION	-----BASE YEARS-----						-----CALENDAR YEAR EXTRACTIONS-----					
				1959	1960	1961	1962	1963	AVG	1998	1999	2000	2001	2002	AVG
3601001	01S/05W-12L01S	W	PLANT NO 16 / BOYD	1,418	1,145	1,453	1,089	627	1,146	28	70	174	37	2	62
3600995	01S/05W-12N01S	W	PLANT NO 17	476	795	630	475	128	501	0	0	0	0	0	0
TOTALS FOR WEST VALLEY WATER DIST				3,235	4,195	4,173	3,040	2,769	3,482	553	530	426	626	333	494
TOTALS FOR 58 WELLS				13,114	11,131	14,131	10,241	9,394	11,602	10,319	11,295	12,509	15,541	16,785	13,290

TABLE NO. 2
VERIFIED EXTRACTIONS BY OWNERS
WHICH HAVE NOT FILED
WITH THE STATE WATER RESOURCES CONTROL BOARD

**WESTERN MUNICIPAL WATER DISTRICT
TABLE 2
VERIFIED EXTRACTIONS - NON-FILED
RIALTO COLTON BASIN**

RECRDTN NUMBER	STATE NUMBER	WELL TYPE	LOCAL DESIGNATION	-----BASE YEARS-----					-----CALENDAR YEAR EXTRACTIONS-----					
				1959	1960	1961	1962	1963	AVG	1998	1999	2000	2001	2002
VILLELLI ENTERPRISES														
0000201	01S/04W-28G	W	4	0	0	0	0	0	0	0	0	0	0	0
TOTALS FOR VILLELLI ENTERPRISES				0	0	0	0	0	0	0	0	0	0	0
VILLELLI ENTERPRISES														
0000202	01S/04W-28G	W	#5 DOMESTIC	0	0	0	0	0	0	0	0	0	0	0
TOTALS FOR VILLELLI ENTERPRISES				0	0	0	0	0	0	0	0	0	0	0
SEQUOIA COUNTRY CLUB														
0000203	01S/04W-07C01S	W	EDMUNDS	0	0	215	215	215	129	0	0	0	0	0
TOTALS FOR SEQUOIA COUNTRY CLUB				0	0	215	215	215	129	0	0	0	0	0
PERRY AND SONS														
0000204	01N/05W-29P	W							0	0	0	0	0	0
TOTALS FOR PERRY AND SONS									0	0	0	0	0	0
TOTALS FOR 4 WELLS				0	0	215	215	215	129	0	0	0	0	0

TABLE NO. 3
SUMMARY OF VERIFIED EXTRACTIONS
(FILED AND NON-FILED)
FROM COLTON BASIN AREA

WESTERN - SAN BERNARDINO WATERMASTER
TABLE 3
VERIFIED EXTRACTION, SUMMARY - FILED AND NON-FILED
RIALTO COLTON BASIN

	-----BASE YEARS-----						-----CALENDAR YEAR EXTRACTIONS-----					
	1959	1960	1961	1962	1963	AVG	1998	1999	2000	2001	2002	AVG
COLTON, CITY OF	2,231	2,069	1,940	1,202	1,046	1,698	2,924	3,047	3,153	3,894	2,737	3,151
FONTANA UNION WATER COMPANY	468	784	1,233	438	880	761	2,226	2,286	3,673	2,137	2,152	2,495
HAYES, GEO. G.	0	0	0	0	0	0	0	0	0	0	0	0
LA SIERRA WATER COMPANY						0	0	0	0	0	0	0
LEDIG, ALFRED H	0	0	0	0	0	0	0	0	0	0	0	0
MEEKS & DALEY WATER COMPANY	2,168	23	465	1,185	339	836	88	1,106	102	285	1,322	581
PATTERSON, JOHN A	137	0	0	0	0	27	0	0	0	0	0	0
PERRY AND SONS						0	0	0	0	0	0	0
RECHE CANYON MUTUAL WATER COMPANY						0	58	61	56	48	73	59
RIALTO, CITY OF	1,147	1,243	1,874	1,873	2,139	1,655	4,326	4,258	4,073	4,583	5,320	4,512
RIVERSIDE HIGHLAND WATER COMPANY	211	126	357	280	163	227	0	0	0	0	0	0
RIVERSIDE, CITY OF	2,871	2,165	3,486	1,835	1,807	2,433	142	7	128	0	0	55
SAN GABRIEL VALLEY WATER COMPANY						0			898	3,968	4,848	1,943
SEQUOIA COUNTRY CLUB	0	0	215	215	215	129	0	0	0	0	0	0
SOUTHERN CALIFORNIA EDISON	199	200	215	200	200	203	2	0	0	0	0	0
TAYLOR, JOHN S	0	0	0	0	0	0	0	0	0	0	0	0
THERMO ECOTEK CORPORATION	8	8	7	8	8	8	0	0	0	0	0	0
VILLELLI ENTERPRISES	439	318	381	180	43	272	0	0	0	0	0	0
WEST VALLEY WATER DIST	3,235	4,195	4,173	3,040	2,769	3,482	553	530	426	626	333	494
TOTALS FOR ALL WELLS	13,114	11,131	14,346	10,456	9,609	11,731	10,319	11,295	12,509	15,541	16,785	13,290

TABLE NO. 4

GROUNDWATER EXTRACTIONS BY RIVERSIDE COUNTY ENTITIES
FROM COLTON BASIN AREA
FOR USE IN RIVERSIDE & SAN BERNARDINO COUNTIES
DURING THE 5-YEAR BASE PERIOD 1959 THROUGH 1963
AND CALENDAR YEARS 1976 THROUGH THE CURRENT YEAR

TABLE NO. 4

GROUNDWATER EXTRACTIONS BY RIVERSIDE COUNTY ENTITIES FROM COLTON BASIN AREA FOR USE IN RIVERSIDE
AND SAN BERNARDINO COUNTIES DURING THE
FIVE-YEAR BASE PERIOD 1959 THROUGH 1963
AND CALENDAR YEARS 1976 THROUGH THE CURRENT YEAR

Sheet 1 of 7

CLASSIFIED ACCORDING TO SERVICE AREA
(Quantities in Acre Feet)

EXTRACTIONS FROM THE COLTON BASIN AREA FOR USE WITHIN AND EXPORT THEREFROM

PLAINTIFFS	1959			1960			1961			1962			1963			5-Year Average		
	Total Extract	Del. in S.B. Co.	Del. in Riv. Co.	Total Extract	Del. in S.B. Co.	Del. in Riv. Co.	Total Extract	Del. in S.B. Co.	Del. in Riv. Co.	Total Extract	Del. in S.B. Co.	Del. in Riv. Co.	Total Extract	Del. in S.B. Co.	Del. in Riv. Co.	Total Extract	Del. in S.B. Co.	Del. in Riv. Co.
CITY OF RIVERSIDE Dom & Irrig.	2,871	41	2,830	2,165	28	2,137	3,486	0	3,486	1,835	0	1,835	1,807	7	1,800	2,433	15	2,418
MEEKS & DALEY WATER CO.	2,168	88	2,080	23	1	22	465	18	447	1,185	57	1,128	339	13	326	836	35	801
RIVERSIDE HIGHLAND WATER CO.	211	50	161	126	27	99	357	107	250	280	96	184	163	47	116	227	65	162
TOTALS	5,250	179	5,071	2,314	56	2,258	4,308	125	4,183	3,300	153	3,147	2,309	67	2,242	3,496	115	3,381

Total Extract -- TOTAL EXIRATIONS.

Del in S.B. Co. -- DELIVERY WITHIN SAN BERNARDINO COUNTY.

Del. in Riv. Co. -- DELIVERY WITHIN RIVERSIDE COUNTY.

See Report of the Watermaster, Volume 5, Distribution of Extractions, Chapter I, Table No. 37.

Same as Table 39-A, Volume 5.

TABLE NO. 4

Sheet 2 of 7

GROUNDWATER EXTRACTIONS BY RIVERSIDE COUNTY ENTITIES FROM COLTON BASIN AREA FOR USE IN RIVERSIDE
AND SAN BERNARDINO COUNTIES DURING THE
FIVE-YEAR BASE PERIOD 1959 THROUGH 1963
AND CALENDAR YEARS 1976 THROUGH THE CURRENT YEAR

CLASSIFIED ACCORDING TO SERVICE AREA
(Quantities in Acre Feet)

EXTRACTIONS FROM COLTON BASIN AREA FOR USE WITHIN AND EXPORT THEREFROM

PLAINTIFFS	1976			1977			1978			1979			1980		
	Total Extract	Del. in S.B. Co.	Del. in Riv. Co.	Total Extract	Del. in S.B. Co.	Del. in Riv. Co.	Total Extract	Del. in S.B. Co.	Del. in Riv. Co.	Total Extract	Del. in S.B. Co.	Del. in Riv. Co.	Total Extract	Del. in S.B. Co.	Del. in Riv. Co.
CITY OF RIVERSIDE Dom & Irrig.	853	0	853	295	0	295	464	0	464	5	0	5	0	0	0
MEEKS & DALEY WATER CO.	1,860	105	1,755	2,018	125	1,893	422	78	344	1,698	104	1,594	0	0	0
RIVERSIDE HIGHLAND WATER CO.	170	165	5	332	322	10	270	260	10	191	184	7	0	0	0
RECHE CANYON MUTUAL WATER CO.	70	0	70	71	0	71	77	0	77	76	0	76	71	0	71
TOTALS	2,953	270	2,683	2,716	447	2,269	1,233	338	895	1,970	288	1,682	71	0	71

Total Extract -- TOTAL EXTRACTIONS.

Del. in S.B. Co. -- DELIVERY WITHIN SAN BERNARDINO COUNTY.

Del. in Riv. Co. -- DELIVERY WITHIN RIVERSIDE COUNTY.

See Report of the Watermaster, Volume 5, Distribution of Extractions, Chapter I, Table No. 37.

Same as Table 39A, Volume 5.

TABLE NO. 4

Sheet 3 of 7

GROUNDWATER EXTRACTIONS BY RIVERSIDE COUNTY ENTITIES FROM COLTON BASIN AREA FOR USE IN RIVERSIDE
AND SAN BERNARDINO COUNTIES DURING THE
FIVE-YEAR BASE PERIOD 1959 THROUGH 1963
AND CALENDAR YEARS 1976 THROUGH THE CURRENT YEAR

CLASSIFIED ACCORDING TO SERVICE AREA
(Quantities in Acre Feet)

EXTRACTIONS FROM COLTON BASIN AREA FOR USE WITHIN AND EXPORT THEREFROM

PLAINTIFFS	1981			1982			1983			1984			1985		
	Total Extract	Del. in S.B. Co.	Del. in Riv. Co.	Total Extract	Del. in S.B. Co.	Del. in Riv. Co.	Total Extract	Del. in S.B. Co.	Del. in Riv. Co.	Total Extract	Del. in S.B. Co.	Del. in Riv. Co.	Total Extract	Del. in S.B. Co.	Del. in Riv. Co.
CITY OF RIVERSIDE Dom & Irrig.	77	0	77	57	0	57	0	0	0	0	0	0	695	0	695
MEEKS & DALEY WATER CO.	0	0	0	910	68	842	50	37	13	1,383	126	1,257	1,554	112	1,442
RIVERSIDE HIGHLAND WATER CO.	0	0	0	0	0	0	0	0	0	83	80	3	675	651	24
RECHE CANYON MUTUAL WATER CO.	96	0	96	82	0	82	82	0	82	80	0	80	83	0	83
TOTALS	173	0	173	1,049	68	981	132	37	95	1,546	206	1,340	3,007	763	2,244

Total Extract -- TOTAL EXTRACTIONS.

Del in S.B. Co. -- DELIVERY WITHIN SAN BERNARDINO COUNTY.

Del. in Riv. Co. -- DELIVERY WITHIN RIVERSIDE COUNTY.

See Report of the Watermaster, Volume 5, Distribution of Extractions, Chapter I, Table No. 37.

Same as Table 39A, Volume 5.

TABLE NO. 4

Sheet 4 of 7

GROUNDWATER EXTRACTIONS BY RIVERSIDE COUNTY ENTITIES FROM COLTON BASIN AREA FOR USE IN RIVERSIDE
AND SAN BERNARDINO COUNTIES DURING THE
FIVE-YEAR BASE PERIOD 1959 THROUGH 1963
AND CALENDAR YEARS 1976 THROUGH THE CURRENT YEAR

CLASSIFIED ACCORDING TO SERVICE AREA
(Quantities in Acre Feet)

EXTRACTIONS FROM COLTON BASIN AREA FOR USE WITHIN AND EXPORT THEREFROM

PLAINTIFFS	1986			1987			1988			1989			1990		
	Total Extract	Del. in S.B. Co.	Del. in Riv. Co.	Total Extract	Del. in S.B. Co.	Del. in Riv. Co.	Total Extract	Del. in S.B. Co.	Del. in Riv. Co.	Total Extract	Del. in S.B. Co.	Del. in Riv. Co.	Total Extract	Del. in S.B. Co.	Del. in Riv. Co.
CITY OF RIVERSIDE Dom & Irrig.	0	0	0	0	0	0	0	0	0	519	0	519	131		131
MEEKS & DALEY WATER CO.	1,575	93	1,482	1,560	113	1,447	1,754	150	1,604	1,538	157	1,381	1,691	306	1,385
RIVERSIDE HIGHLAND WATER CO.	721	691	30	471	451	20	256	242	14	158	142	16	109	62	47
RECHE CANYON MUTUAL WATER CO.	88	0	88	90	0	90	89	0	89	89	0	89	89		89
TOTALS	2,384	784	1,600	2,121	564	1,557	2,099	392	1,707	2,304	299	2,005	2,020	368	1,652

Total Extract -- TOTAL EXTRACTIONS.

Del in S.B. Co. -- DELIVERY WITHIN SAN BERNARDINO COUNTY.

Del. in Riv. Co. -- DELIVERY WITHIN RIVERSIDE COUNTY.

See Report of the Watermaster, Volume 5, Distribution of Extractions, Chapter I, Table No. 37.

Same as Table 39A, Volume 5.

TABLE NO. 4

Sheet 5 of 7

GROUNDWATER EXTRACTIONS BY RIVERSIDE COUNTY ENTITIES FROM COLTON BASIN AREA FOR USE IN RIVERSIDE
AND SAN BERNARDINO COUNTIES DURING THE
FIVE-YEAR BASE PERIOD 1959 THROUGH 1963
AND CALENDAR YEARS 1976 THROUGH THE CURRENT YEAR

CLASSIFIED ACCORDING TO SERVICE AREA
(Quantities in Acre Feet)

EXTRACTIONS FROM COLTON BASIN AREA FOR USE WITHIN AND EXPORT THEREFROM

PLAINTIFFS	1991			1992			1993			1994			1995		
	Total Extract	Del. in S.B. Co.	Del. in Riv. Co.	Total Extract	Del. in S.B. Co.	Del. in Riv. Co.	Total Extract	Del. in S.B. Co.	Del. in Riv. Co.	Total Extract	Del. in S.B. Co.	Del. in Riv. Co.	Total Extract	Del. in S.B. Co.	Del. in Riv. Co.
CITY OF RIVERSIDE Dom & Irrig.	428	0	428	307	0	307	311	0	311	466	0	466	171	0	171
MEEKS & DALEY WATER CO	1,530	204	1,326	1,209	176	1,033	0	0	0	586	95	491	344	126	218
RIVERSIDE HIGHLAND WATER CO.	4	2	2	91	51	40	0	0	0	0	0	0	0	0	0
RECHE CANYON MUTUAL WATER CO.	79	0	79	75	0	75	85	0	85	109	0	109	100	0	100
TOTALS	2,041	206	1,835	1,682	227	1,455	396	0	396	1,161	95	1,066	615	126	489

Total Extract -- TOTAL EXTRACTIONS.

Del in S.B. Co. -- DELIVERY WITHIN SAN BERNARDINO COUNTY.

Del. in Riv. Co. -- DELIVERY WITHIN RIVERSIDE COUNTY.

See Report of the Watermaster, Volume 5, Distribution of Extractions, Chapter I, Table No. 37.

Same as Table 39A, Volume 5.

TABLE NO. 4

Sheet 6 of 7

GROUNDWATER EXTRACTIONS BY RIVERSIDE COUNTY ENTITIES FROM COLTON BASIN AREA FOR USE IN RIVERSIDE
AND SAN BERNARDINO COUNTIES DURING THE
FIVE-YEAR BASE PERIOD 1959 THROUGH 1963
AND CALENDAR YEARS 1976 THROUGH THE CURRENT YEAR

CLASSIFIED ACCORDING TO SERVICE AREA
(Quantities in Acre Feet)

EXTRACTIONS FROM COLTON BASIN AREA FOR USE WITHIN AND EXPORT THEREFROM

PLAINTIFFS	1996			1997			1998			1999			2000		
	Total Extract	Del. in S.B. Co.	Del. in Riv. Co.	Total Extract	Del. in S.B. Co.	Del. in Riv. Co.	Total Extract	Del. in S.B. Co.	Del. in Riv. Co.	Total Extract	Del. in S.B. Co.	Del. in Riv. Co.	Total Extract	Del. in S.B. Co.	Del. in Riv. Co.
CITY OF RIVERSIDE Dom & Irrig.	208	0	208	633	0	633	142	0	142	7	0	7	128	0	128
MEEKS & DALEY WATER CO	362	78	284	484	81	403	88	32	56	1,066	222	844	102	73	29
RIVERSIDE HIGHLAND WATER CO.	0	0	0	0	0	0	0	0	0	0	0	0	0	0	0
RECHE CANYON MUTUAL WATER CO.	85	0	85	105	0	105	53	0	53	61	0	61	56	0	56
TOTALS	655	78	577	1,222	81	1,141	283	32	251	1,134	222	912	286	73	213

Total Extract -- TOTAL EXTRACTIONS.

Del in S.B. Co. -- DELIVERY WITHIN SAN BERNARDINO COUNTY.

Del. in Riv. Co. -- DELIVERY WITHIN RIVERSIDE COUNTY.

See Report of the Watermaster, Volume 5, Distribution of Extractions, Chapter I, Table No. 37.

Same as Table 39A, Volume 5.

TABLE NO. 4

Sheet 7 of 7

GROUNDWATER EXTRACTIONS BY RIVERSIDE COUNTY ENTITIES FROM COLTON BASIN AREA FOR USE IN RIVERSIDE
AND SAN BERNARDINO COUNTIES DURING THE
FIVE-YEAR BASE PERIOD 1959 THROUGH 1963
AND CALENDAR YEARS 1976 THROUGH THE CURRENT YEAR

CLASSIFIED ACCORDING TO SERVICE AREA
(Quantities in Acre Feet)

EXTRACTIONS FROM COLTON BASIN AREA FOR USE WITHIN AND EXPORT THEREFROM

PLAINTIFFS	2001			2002			2003			2004			2005		
	Total Extract	Del. in S.B. Co.	Del. in Riv. Co.	Total Extract	Del. in S.B. Co.	Del. in Riv. Co.	Total Extract	Del. in S.B. Co.	Del. in Riv. Co.	Total Extract	Del. in S.B. Co.	Del. in Riv. Co.	Total Extract	Del. in S.B. Co.	Del. in Riv. Co.
CITY OF RIVERSIDE Dom & Irrig.	0	0	0	0	0	0									
MEEKS & DALEY WATER CO	285	168	117	1,322	116	1,206									
RIVERSIDE HIGHLAND WATER CO.	0	0	0	0	0	0									
RECHE CANYON MUTUAL WATER CO.	48	0	48	73	0	73									
TOTALS	333	168	165	1,395	116	1,279									

Total Extract -- TOTAL EXTRACTIONS.

Del in S.B. Co. -- DELIVERY WITHIN SAN BERNARDINO COUNTY.

Del. in Riv. Co. -- DELIVERY WITHIN RIVERSIDE COUNTY.

See Report of the Watermaster, Volume 5, Distribution of Extractions, Chapter I, Table No. 37.

Same as Table 39A, Volume 5.

TABLE NO. 5

GROUNDWATER EXTRACTIONS FROM COLTON BASIN AREA
BY SAN BERNARDINO COUNTY ENTITIES
FOR USE IN SAN BERNARDINO COUNTY
DURING THE 5-YEAR BASE PERIOD 1959 THROUGH 1963
AND CALENDAR YEARS 1971 THROUGH THE CURRENT YEAR

TABLE NO. 5

GROUNDWATER EXTRACTIIONS FROM COLTON BASIN AREA
Y SAN BERNARDINO COUNTY ENTITIES FOR USE IN SAN BERNARDINO CO
DURING THE 5-YEAR BASE PERIOD 1959 THROUGH 1963
AND CALENDAR YEARS 1971 THROUGH THE CURRENT YEAR
 (All Quantities in Acre Feet)
 Verified Extractions from Colton Basin Area

Calendar Year	Total Production from the Basin	Produced by		Produced by San Bernardino Co. Entities
		Riverside Co. Entities	Accumulated Riverside Co. Entities	
	(1)	(2)		(3) = (1) - (2)
1959	13,114	5,250		7,864
1960	11,131	2,314		8,817
1961	14,346	4,308		10,038
1962	10,456	3,300		7,156
1963	9,609	2,309		7,300
Total	58,656	17,481		41,175
5-Year Avg.	11,731	3,496		8,235
1971	11,388	3,025	3,025	8,363
1972	10,414	2,882	5,907	7,532
1973	7,844	862	6,769	6,982
1974	8,906	1,737	8,506	7,169
1975	11,083	4,262	12,768	6,821
1976	11,558	2,953	15,721	8,605
1977	8,777	2,716	18,437	6,061
1978	7,663	1,233	19,670	6,430
1979	7,194	1,970	21,640	5,224
1980	5,681	71	21,711	5,610
1981	6,348	173	21,884	6,175
1982	6,499	1,049	22,933	5,450
1983	4,735	132	23,065	4,603
1984	8,987	1,546	24,611	7,441
1985	10,149	3,007	27,618	7,142
1986	10,035	2,384	30,002	7,651
1987	13,175	2,121	32,123	11,054
1988	13,552	2,099	34,222	11,453
1989	14,103	2,304	36,526	11,799
1990	17,571	2,020	38,546	15,551
1991	14,323	2,041	40,587	12,282
1992	16,750	1,682	42,269	15,068
1993	14,977	396	42,665	14,581
1994	14,588	1,161	43,826	13,427
1995	16,022 *	615	44,441	15,407 *
1996	15,843	655	45,096	15,188
1997	13,373 **	1,222	46,318	12,151
1998	10,319	283	46,601	10,036
1999	11,295	1,134	47,735	10,161
2000	12,509	158	47,893	12,351
2001	15,541 ***	333	48,226	15,208
2002	16,785	1,395	49,621	15,390
2003				
2004				
2005				

From Table 39, Volume 5, Lines 3, 2, 1.

Data for Column 1 is from Table 3; Column 2 is from Total Extractions Table 4.

* Corrected during 1996 Verification.

** Corrected during 1998 Verification.

*** Corrected during 2002 verification, back on new San Gabriel well, 3603739

**WESTERN - SAN BERNARDINO WATERMASTER
FOR
WESTERN MUNICIPAL WATER DISTRICT et al.
vs.
EAST SAN BERNARDINO COUNTY WATER DISTRICT et al.
CASE NO. 78426 - COUNTY OF RIVERSIDE**

VOLUME 3 - 2002

**VERIFIED EXTRACTIONS FROM THE
RIVERSIDE BASIN AREA WITHIN
SAN BERNARDINO COUNTY
FOR
CALENDAR YEARS 1959-1963 & 1998-2002**

**ANNUAL ACCOUNTING
FOR INDIVIDUAL WELLS**

August 1, 2004

**WATERMASTER
*Donald L. Harriger
Robert L. Reiter***

REPORT OF WATERMASTER

Western Municipal Water District of Riverside County, et al
Plaintiffs

vs.

East San Bernardino County Water District, et al
Defendants

Superior Court of Riverside County

Case No. 78426

Volume 3 - 2002

VERIFIED EXTRACTIONS FROM
RIVERSIDE BASIN AREA WITHIN
SAN BERNARDINO COUNTY
FOR
CALENDAR YEARS 1959-1963 AND 1998-2002

ANNUAL ACCOUNTING
FOR INDIVIDUAL WELLS

AUGUST 1, 2004

WATERMASTER
Donald L. Harriger
Robert L. Reiter

VOLUME 3 - 2002

TABLE OF CONTENTS

	<u>Page</u>
INTRODUCTION	i
RIVERSIDE BASIN AREA IN SAN BERNARDINO COUNTY CROSS INDEX BY OWNER	1
RIVERSIDE BASIN AREA IN SAN BERNARDINO COUNTY CROSS INDEX BY STATE WELL NUMBER	4
RIVERSIDE BASIN AREA IN SAN BERNARDINO COUNTY CROSS INDEX BY RECORDATION NUMBER	7
 <u>TABLE NO. 1</u>	
VERIFIED EXTRactions BY OWNERS WHICH HAVE RECORDATION FILINGS WITH THE STATE WATER RESOURCES CONTROL BOARD	10
 <u>TABLE NO. 2</u>	
VERIFIED EXTRactions BY OWNERS WHICH HAVE NOT FILED WITH THE STATE WATER RESOURCES CONTROL BOARD	15
 <u>TABLE NO. 3</u>	
SUMMARY OF VERIFIED EXTRactions (FILED AND NON-FILED) FROM RIVERSIDE BASIN AREA WITHIN SAN BERNARDINO COUNTY	16
 <u>TABLE NO. 4</u>	
GROUNDWATER PRODUCTION FROM THAT PART OF THE RIVERSIDE GROUNDWATER BASIN SITUATED WITHIN SAN BERNARDINO COUNTY BY RIVERSIDE COUNTY ENTITIES, A PART OF WHICH IS USED IN SAN BERNARDINO COUNTY AND THE REMAINDER EXPORTED TO RIVERSIDE COUNTY DURING THE 5-YEAR BASE PERIOD ENDING IN 1963 AND FOR FOLLOWING CALENDAR YEARS 1976 THROUGH THE CURRENT YEAR	18
 <u>TABLE NO. 5</u>	
GROUNDWATER PRODUCTION FROM THAT PART OF THE RIVERSIDE GROUNDWATER BASIN SITUATED WITHIN SAN BERNARDINO COUNTY BY SAN BERNARDINO COUNTY ENTITIES FOR USE IN SAN BERNARDINO COUNTY DURING THE 5-YEAR BASE PERIOD ENDING IN 1963 AND FOR FOLLOWING CALENDAR YEARS 1971 THROUGH THE CURRENT YEAR	23

VOLUME 3 - 2002

VERIFIED EXTRACTIONS FROM
THE RIVERSIDE BASIN AREA
WITHIN SAN BERNARDINO COUNTY FOR
CALENDAR YEAR 1959-1963 & 1998-2002

INTRODUCTION

The provisions of Paragraphs VIII(a) and VIII(b) of the judgment in Case No. 78426 entered April 17, 1969, entitled "Extractions from Colton Basin Area and Riverside Basin Area in San Bernardino County" provide as follows:

VIII(a) "The average annual extractions from the Colton Basin and that portion of the Riverside Basin Area within San Bernardino County, for use outside San Bernardino Valley, for the five-year period ending with 1963 are assumed to be 3,349 acre-feet and 20,191 acre-feet, respectively; the correct figures shall be determined by the Watermaster as herein provided".

VIII(b) "Over any five-year period, there may be extracted from over such Basin Area and for use outside San Bernardino Valley, without replenishment obligation, an amount equal to five times such annual average for the Basin Area; provided, however, that if extractions in any year exceed such average by more than 20 percent, Western shall provide replenishment in the following year equal to the excess extractions over such 20 percent peaking allowance."

Compliance with these provisions of the Judgment requires that an accounting of the total actual extractions of surface and groundwater from the Colton Basin Area and the Riverside Basin Area within San Bernardino County be made annually. Included in this Volume 3-2002 is the verified accounting of the production from the Riverside Basin Area in San Bernardino County by owners for the calendar years 1998 through 2002.

The verified production for the five-year period ending with 1963 and the five-year average is also included for comparison. The five-year average production from the Riverside Basin Area within San Bernardino County ending in 1963 was verified to be 33,729 acre-feet.

Three indexes are included which provide a cross index by owner's name, State Well Number and State Water Resources Control Board Well Recordation number. In addition, each index shows the local designation of each well, if the State has closed the file, which year that occurred, and the last 5 years verified extractions.

Tables No. 1 and No. 2 in this report list the individual wells by the owner for each year in the five year base period ending in 1963, the five year base period average, the extractions for the years 1998 through 2002, the five year average for that period and the owner's total annual verified extractions. Table No. 1 lists the wells upon which filings have been made with the State Water Resources Control Board, and Table No. 2 lists the wells upon which no filings have been made. Table No. 3 is a summary of the verified extractions, by owner, as presented in Tables No. 1 and No. 2.

Paragraph VIII(a) of the Judgment requires that only those extractions from the Riverside Basin Area in San Bernardino Valley be verified for the five calendar years ending with 1963 and accounted for annually from and after January 1, 1971. Accordingly, those extractions from the Riverside Basin Area in San Bernardino County by Riverside County entities for the five calendar years ending with 1963 have been determined and are set forth in Table No. 4. Such extractions averaged 24,120 acre-feet for said five year period, of which 21,085 acre-feet were delivered outside San Bernardino Valley.

Table No. 4 also shows the extractions from the Riverside Basin Area in San Bernardino County by the Riverside County entities for the 1959-63 base period and 1976 through the current year.

The verified extractions from the Riverside Basin Area in San Bernardino County for calendar years 1975 through the present year have been determined to be as follows:

<u>Year</u>	<u>Verified Extractions</u>
1975	22,701 A.F.
1976	24,705 A.F.
1977	23,506 A.F.
1978	17,216 A.F.
1979	20,024 A.F.
1980	18,533 A.F.
1981	23,611 A.F.
1982	17,349 A.F.
1983	11,904 A.F.
1984	17,161 A.F.
1985	19,392 A.F.
1986	17,337 A.F.
1987	15,803 A.F. 1)
1988	16,933 A.F. 2)
1989	25,557 A.F.
1990	26,371 A.F.
1991	28,011 A.F.
1992	21,959 A.F. 3)
1993	21,866 A.F.
1994	19,661 A.F.
1995	23,865 A.F. 4)
1996	26,698 A.F. 5)
1997	30,284 A.F. 5)
1998	33,116 A.F.
1999	35,367 A.F.
2000	35,799 A.F.
2001	31,098 A.F. 6)
2002	27,717 A.F.

- 1) Corrected during 1988 verification (Holiday Sand & Gravel).
- 2) Corrected during 1989 verification (Owl Service Rock).
- 3) Corrected during 1993 verification (Owl Service Rock).
- 4) Corrected during 1996 verification (Colton #24 and Kleckler).
- 5) Corrected during 1998 verification (RIX and Corridor Land Co.).
- 6) Corrected during 2002 verification (backfile on RH and Cal Portland)

The verified extractions by Riverside entities for 2001 have been determined to be 10,380 acre-feet, of which 9,146 acre-feet were delivered outside San Bernardino County as shown in Table No.4, Page 22 B.

Table No. 5 shows the verified extractions from the Riverside Basin Area in San Bernardino County by the San Bernardino County entities during the five year period 1959 through 1963 and the calendar years 1971 through the current year.

ERRATA

Volume 3, Riverside North Basin

During the 2002 verification (June 2004) the following changes or corrections were made to the report.

The following backfilings were made during the year
3603738, Riverside Highland Water Company, RN #6, 2S4W05F03S,
51 AF for 2001

3603759, California Portland Cement, Well #8, 1S4W30A, 51 AF
for 2001

Both wells where located for the first time during the 2002
data collection.

During the 2001 verification (May 2003) no changes or
corrections were made to the report.

During the 2000 verification (May 2002) no changes or
corrections were made to the report.

During the 1999 verification (June 2001) no changes or
corrections were made to the report.

During the 1998 verification (June 2000) the following changes
and corrections were made to the report.

Major corrections were made to the RIX Over-Extraction
(0000306) values. Conversion from MG to AF error was
corrected.

Corridor Land Company Well 3604004 "Riverbottom" was deleted
from our records as a duplicate filing of 3604005 "Holly".
This dummy recordation number was replace by 3603651

During the 1997 verification (June 1999) no changes or
corrections were made to the report.

During the 1996 verification (June 1998) the following changes and corrections were made to the report.

Colton Well #24 was reassigned from the Rialto Colton Basin to the Riverside North Basin. 169 AF increase for 1995

Kleckler (0000019) production was not entered into the computer during 1995 verification. Increase of 45 AF for 1995.

During the 1995 verification (June 1997) no changes or corrections were made to the report.

During the 1994 verification (June 1996) no changes or corrections were made to the report.

During the 1993 verification (May 1995) the following changes and corrections were made to the report:

Service Rock (Owl Resources, 3600910, 1S5W35G02S) production for 1992 was adjusted from 54 AF to 12 AF (-42AF) using power records and a back calculated KWH/AF.

During the 1991 verification (May 1993) the following changes and corrections were made to the report:

Holliday Trucking (3603261, 1S5W25M04S) Colton #2 well was added to the program.

During the 1990 verification (June 1992) the following changes and corrections were made to the report:

" " (blanks) and "FC" production amounts that were shown in the 1989 report were replaced by zero, "0", for Roquet (3601422, 1423, 1424) and Madison (3601722, 2114).

During the 1989 verification (June 1991) the following changes and corrections were made to the report:

Backfiled late correction for Owl Service Rock (3600910). Corrected from 5 AF to 56 AF (net 51 AF increase). Well has been re-equipped.

Table No. 4 for 1988 figure for C of R has been corrected

During the 1988 verification (June 1990) the following changes and corrections were made to the report:

Ward Duck Company (0000012) is now known as Woodland Farms.

City of Colton has taken over James Sullivan Mutual Water Co. I did not get an official name change for 3602357.

Inter-County Water was taken over by West San Bernardino County Water District in March of 1987 and a system intertie was installed. They will abandoned the well (3301347) shortly. Presently this makes WSBCWD an exporter from the upper basin.

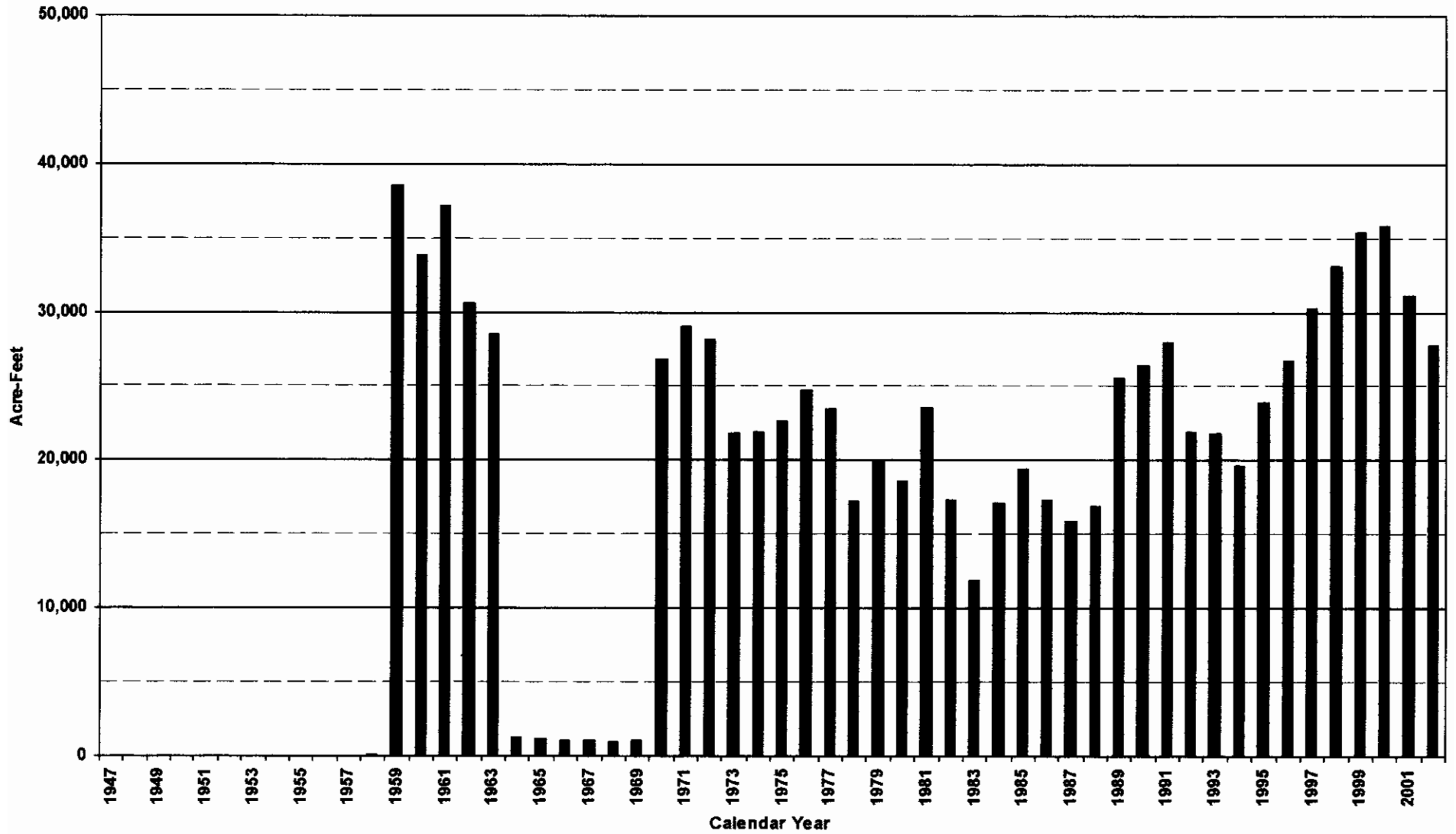
Lopez bought the Seinturier Well (3602028) from California Portland Cement Co.

Minter, Beverly bought Elmer Dunn Ranch (0000008).

Holiday Sand and Gravel (3600627) back filing on 40 AF for CY 1987.

WESTERN - SAN BERNARDINO WATERMASTER

RIVERSIDE NORTH BASIN



**RIVERSIDE BASIN AREA
IN SAN BERNARDINO COUNTY
CROSS INDEX BY OWNER**

**WESTERN - SAN BERNARDINO WATERMASTER
VERIFIED PRODUCTION DATA
CROSS INDEX BY OWNER
RIVERSIDE NORTH BASIN**

OWNER	WELL TYPE	RECRDTN NUMBER	STATE WELL NUMBER	LOCAL DESIGNATION	YEAR CLOSED	-----CALENDAR YEAR EXTRACTIONS-----					
						1998	1999	2000	2001	2002	AVG
ALLEE RANCH	W	3601891	01S/05W-36F		1977	0	0	0	0	0	0
BECKETT RANCH	W	3601892	01S/05W-36F		1980	260	250	260	260	260	258
BRADFORD, IVAN	W	3602697	02S/05W-01P03S		1978	0	0	0	0	0	0
BRADVICA, LOUIS	W	3600972	02S/05W-02Q	RNCH 1	1974	0	0	0	0	0	0
CALIFORNIA PORTLAND CEMENT COMPANY	W	0000302	01S/05W-25P	MILLER HONEY		0	0	0	0	0	0
CALIFORNIA PORTLAND CEMENT COMPANY	W	3601425	01S/05W-25A03S	CPC #6		975	531	703	614	86	582
CALIFORNIA PORTLAND CEMENT COMPANY	W	3601426	01S/04W-30D06S	CPC #5		931	946	1,061	714	104	751
CALIFORNIA PORTLAND CEMENT COMPANY	W	3601427	01S/05W-25A02S	CPC #7		508	638	789	786	70	558
CALIFORNIA PORTLAND CEMENT COMPANY	W	3603759	01S/04W-30B01S	WELL #8					51	1,289	268
CANALE CATERING	W	3602233	01S/05W-35J		1964	0	0	0	0	0	0
CARSON, K.	W	0000303	01S/05W-35B	-		0	0	0	0	0	0
COLTON, CITY OF	W	3602357	01S/04W-34L	6610	2000	0	0	0	0	0	0
COLTON, CITY OF	W	3602358	01S/04W-34L	7418	2000	0	0	0	0	0	0
COLTON, CITY OF	W	3603598	01S/04W-18N	#24		1,883	1,902	1,866	1,832	268	1,550
CORRIDOR LAND COMPANY	W	3600910	01S/05W-35G02S	1, AGUA MANSA		123	137	141	150	183	147
CORRIDOR LAND COMPANY	W	3601717	01S/05W-35R	DOUBLE D RANCH		32	49	46	47	51	45
CORRIDOR LAND COMPANY	W	3601996	02S/05W-02J	KLEIN /SAND RIVER #1		321	340	343	150	139	259
CORRIDOR LAND COMPANY	W	3603651	02S/05W-05H	SOUTH WELL, HOLLY	2000	0	0	0	0	0	0
CORRIDOR LAND COMPANY	W	3603652	02S/05W-01E	SOUTH #1, RIVERBOTTO			10	10	19	38	15
COUNTRY CLUB STORAGE	W	3602326	01S/04W-30R		1981	5	0	0	0	0	1
DAGGETT, FOREST N.	W	3601100	01S/04W-31C	BARN 1	1972	0	0	0	0	0	0
DAGGETT, FOREST N.	W	3601101	01S/04W-31C	RIVER 2	1972	0	0	0	0	0	0
EL RIVINO COUNTRY CLUB	W	3601707	01S/05W-34J01S	CACTUS		796	858	871	756	892	835
ELSINORE VALLEY M.W.D.	W	3601509	02S/04W-06A03S	PALM AVE		194	0	1,037	252	2,417	780
FIRESTONE GROUP LTD	W	3600413	01S/05W-34B01S		1981	0	0	0	0	0	0
GENERAL AMERICAN TRANSPORTATION CORP	W	3601124	01S/05W-24R01S	1 SOUTH		28	20	23	14	28	23
GREEN ACRES	W	3601110	01S/05W-34A	1		100	106	108	89	85	98
GREEN ACRES MEMORIAL PARK ASS'N	W	3600873	01S/05W-34K02S	NO 57		100	0	0	0	76	35
GREEN ACRES MEMORIAL PARK ASS'N	W	3601706	01S/05W-34L02S	8TH ST		69	61	67	170	83	90
GREEN ACRES MEMORIAL PARK ASS'N	W	3601721	01S/05W-34K	56		129	232	194	105	103	153
HAMADA BROS	W	3600507	01S/05W-35D01S	1	1991	0	0	0	0	0	0
HOLLIDAY TRUCKING	W	3600627	01S/05W-25M	1 COLTON		68	72	50	53	75	64
HOLLIDAY TRUCKING	W	3603261	01S/05W-25M04S	COLTON #2		48	53	69	72	51	59
HOLTER RANCH	W	0000305	01S/05W-36N	HENDRICKS		0	0	0	0	0	0
HOWELL, ORUS	W	3600097	02S/05W-01Q		1991	0	0	0	0	0	0
HUNGERFORD, FRANK B.	W	3601345	02S/04W-05E	JOHNSON	1960	0	0	0	0	0	0
INTER COUNTY WATER COMPANY	W	3301347	02S/05W-02C	1	1981	0	0	0	0	0	0

**WESTERN - SAN BERNARDINO WATERMASTER
VERIFIED PRODUCTION DATA
CROSS INDEX BY OWNER
RIVERSIDE NORTH BASIN**

OWNER	WELL TYPE	RECRDTN NUMBER	STATE WELL NUMBER	LOCAL DESIGNATION	YEAR CLOSED	-----CALENDAR YEAR EXTRACTIONS-----					
						1998	1999	2000	2001	2002	AVG
JOHNSON, DOROTHY	W	3600820	02S/04W-05P	1	1965	0	0	0	0	0	0
JUMAL WATER COMPANY	W	3600537	02S/04W-05F02S		1985	0	0	0	0	0	0
JURUPA WATER COMPANY	W	3600535	01S/05W-36C09S	NO 1	1978	0	0	0	0	0	0
JURUPA WATER COMPANY	W	3600536	01S/05W-36C10S	1 AND HALF	1974	0	0	0	0	0	0
KLECKLER, DON	W	0000309	01S/04W-36N	15 HP		30	30	30	30	30	30
LA SIERRA WATER COMPANY	W	3601539	01S/04W-32E01S	1	1962	0	0	0	0	0	0
LA SIERRA WATER COMPANY	W	3601540	01S/04W-32E03S	2	1974	0	0	0	0	0	0
LA SIERRA WATER COMPANY	W	3601541	01S/04W-32E06S	4	1974	0	0	0	0	0	0
LA SIERRA WATER COMPANY	W	3601542	01S/04W-32E05S	5	1974	0	0	0	0	0	0
LA SIERRA WATER COMPANY	W	3601543	01S/04W-32E02S	6	1974	0	0	0	0	0	0
LA SIERRA WATER COMPANY	W	3601544	01S/04W-32E07S	7		0	0	0	0	0	0
LA SIERRA WATER COMPANY	W	3601545	01S/04W-32E11S	8		0	0	0	0	0	0
LA SIERRA WATER COMPANY	W	3601546	01S/04W-32E09S	10	1992	0	0	0	0	0	0
LA SIERRA WATER COMPANY	W	3601547	01S/04W-32E10S	9	1974	0	0	0	0	0	0
LA SIERRA WATER COMPANY	W	3691486	01S/04W-29Q03S	FLUME 4	1984	0	0	0	0	0	0
LA SIERRA WATER COMPANY	W	3692486	01S/04W-29Q04S	FLUME 6	1982	0	0	0	0	0	0
LOPEZ, M & R	W	3602028	01S/05W-25B02S	SEINTURIER	1988	0	0	0	0	0	0
MADISON, ERIN	W	3601722	02S/05W-02A	58-1	1989	0	0	0	0	0	0
MADISON, ERIN	W	3602114	02S/05W-02G	63-1	1989	0	0	0	0	0	0
MASON,	W	0000301	02S/05W-02R	MASON	1997	0	0	0	0	0	0
MCDANIEL & SON DAIRY	W	0000307	01S/04W-30P01S	DAIRY		0	0	0	0	0	0
MERRYFIELD WATER COMPANY	W	3600962	02S/04W-06A01S	1		98	155	160	117	139	134
MINTER, BEVERLY	W	0000304	01S/05W-36B	OLD DUNN		1	0	24	24	24	15
RANCHO DE SANTA FE	W	3601088	01S/05W-33A01S	SANTA FE ELECTRIC A1	1974	0	0	0	0	0	0
RANCHO DE SANTA FE	W	3602222	01S/05W-33A02S	GAS A-2	1989	0	0	0	0	0	0
RIALTO, CITY OF	W	3601680	01S/05W-25L02S	DISPOSAL	1989	0	0	0	0	0	0
RIVERSIDE CEMENT COMPANY	W	3600874	02S/05W-02A	58-1	1974	0	0	0	0	0	0
RIVERSIDE CEMENT COMPANY	W	3600883	02S/05W-02G02S	WRIGHT	1962	0	0	0	0	0	0
RIVERSIDE CEMENT COMPANY	W	3601782	02S/05W-02L02S		1964	0	0	0	0	0	0
RIVERSIDE HIGHLAND WATER COMPANY	W	3601524	01S/04W-28L01S	3	1964	0	0	0	0	0	0
RIVERSIDE HIGHLAND WATER COMPANY	W	3601526	02S/04W-06R01S	RN #7		1,168	1,527	1,086	715	1,170	1,133
RIVERSIDE HIGHLAND WATER COMPANY	W	3601531	01S/04W-33B05S	RN #16	1964	0	0	0	0	0	0
RIVERSIDE HIGHLAND WATER COMPANY	W	3601532	01S/04W-28N05S	RN #17		248	625	598	201	16	338
RIVERSIDE HIGHLAND WATER COMPANY	W	3601534	01S/04W-28L02S	RN #20		609	354	332	309	379	397
RIVERSIDE HIGHLAND WATER COMPANY	W	3601789	01S/04W-32M01S	LV #1	1992	0	0	0	0	0	0
RIVERSIDE HIGHLAND WATER COMPANY	W	3601790	01S/04W-32M02S	LV #2	1992	0	0	0	0	0	0
RIVERSIDE HIGHLAND WATER COMPANY	W	3603139	01S/04W-32M04S	LV #3		170	121	209	60	64	125

**WESTERN - SAN BERNARDINO WATERMASTER
VERIFIED PRODUCTION DATA
CROSS INDEX BY OWNER
RIVERSIDE NORTH BASIN**

OWNER	WELL TYPE	RECRDTN NUMBER	STATE WELL NUMBER	LOCAL DESIGNATION	YEAR CLOSED	-----CALENDAR YEAR EXTRACTIONS-----					
						1998	1999	2000	2001	2002	AVG
RIVERSIDE HIGHLAND WATER COMPANY	W	3603738	02S/05W-05F03S	RN#6					51	948	200
RIVERSIDE, CITY OF	D	3301088	01S/05W-36Q	PELISIER		0	0	0	0	0	0
RIVERSIDE, CITY OF	W	3600898	01S/05W-25R02S	NO 6	1978	0	0	0	0	0	0
RIVERSIDE, CITY OF	W	3600898-	01S/05W-25R04S	TW BT 6		0	1	1	1	1	1
RIVERSIDE, CITY OF	W	3601221	02S/05W-01J03S	DOM PELLISI		0	0	0	0	0	0
RIVERSIDE, CITY OF	W	3601223	02S/05W-01G02S	MAIN PELLISI		0	0	0	0	0	0
RIVERSIDE, CITY OF	W	3601235	02S/05W-01G01S	LA LOMA	1974	0	0	0	0	0	0
RIVERSIDE, CITY OF	W	3601236	01S/05W-36L01S	AGUA MANSA		0	0	0	0	0	0
RIVERSIDE, CITY OF	W	3601271	02S/04W-06Q03S	MARCY	1973	0	0	0	0	0	0
RIVERSIDE, CITY OF	W	3601483	01S/04W-29H02S	FLUME 1	1977	0	0	0	0	0	0
RIVERSIDE, CITY OF	W	3601484	01S/04W-29H01S	FLUME 2		300	813	770	525	847	651
RIVERSIDE, CITY OF	W	3601485	01S/04W-29R01S	FLUME 3		0	0	0	0	0	0
RIVERSIDE, CITY OF	W	3601486	01S/04W-29Q03S	FLUME 4		0	0	0	0	0	0
RIVERSIDE, CITY OF	W	3601487	01S/04W-29Q01S	FLUME 5	1977	0	0	0	0	0	0
RIVERSIDE, CITY OF	W	3601488	02S/05W-01Q01S	WILLIAMS	1974	0	0	0	0	0	0
RIVERSIDE, CITY OF	W	3601490	02S/05W-11B	JURUPA 1	1980	0	0	0	0	0	0
RIVERSIDE, CITY OF	W	3601491	02S/05W-02R03S	JURUPA 3	1980	0	0	0	0	0	0
RIVERSIDE, CITY OF	W	3601492	02S/05W-02R02S	JURUPA 4	1980	0	0	0	0	0	0
RIVERSIDE, CITY OF	W	3601493	02S/05W-02R01S	JURUPA 5	1980	0	0	0	0	0	0
RIVERSIDE, CITY OF	W	3602234	02S/05W-02Q07S	JURUPA 6		0	0	0	0	0	0
RIVERSIDE, CITY OF	W	3602486	01S/04W-29Q04S	FLUME 6		590	1,265	1,901	698	984	1,088
RIVERSIDE, CITY OF	W	3602748	02S/05W-02Q08S	JURUPA 7		1,034	1,116	997	974	1,161	1,056
RIVERSIDE, CITY OF	W	3603117	02S/04W-05E01S	VAN BUREN #1		2,925	2,967	2,563	2,609	2,366	2,686
RIVERSIDE, CITY OF	W	3603118	02S/04W-05E02S	VAN BUREN #2		1,916	2,721	2,397	2,481	2,455	2,394
RIVERSIDE, CITY OF-GAGE CANAL	W	3600783	02S/04W-05C01S	DEBERRY		1,823	2,051	1,664	1,491	1,286	1,663
ROQUET, HARRY V.	W	3601422	02S/04W-06Q	1 HOUSE	1991	0	0	0	0	0	0
ROQUET, HARRY V.	W	3601423	02S/04W-06N	2 WEST	1991	0	0	0	0	0	0
ROQUET, HARRY V.	D	3601424	02S/04W-06P		1991	0	0	0	0	0	0
ROSEDALE WATER COMPANY	W	3600915	01S/04W-31J01S	NEW WELL	1968	0	0	0	0	0	0
SAN BERNARDINO, CITY OF	W	0000306	01S/05W-36F	RIX OVER EXTRACTIONS		14,062	13,121	12,902	12,283	7,332	11,940
SERVICE ROCK CO	W	3600911	01S/05W-35J	2	1974	0	0	0	0	0	0
SOUTHERN CALIFORNIA EDISON	W	3601970	02S/04W-05M01S	PICO #64		133	150	150	150	150	147
STAPAKIS, WILLIAM	W	3601488-	02S/05W-01Q01S	WILLIAMS	1974	0	0	0	0	0	0
THERMO ECOTEK CORPORATION	W	3601009	02S/04W-06J01S	RIV CANAL 60		0	5	1	1	0	1
THERMO ECOTEK CORPORATION	W	3601011	02S/04W-06R04S	RIV CANAL 61		1	46	4	23	1	15
THERMO ECOTEK CORPORATION	W	3601020	02S/04W-06R05S	RIV CANAL 62/CE #3		0	0	26	3	0	6
THERMO ECOTEK CORPORATION	W	3601023	02S/04W-06R06S	RIV CANAL 63/CE #4		0	0	26	3	0	6

**WESTERN - SAN BERNARDINO WATERMASTER
VERIFIED PRODUCTION DATA
CROSS INDEX BY OWNER
RIVERSIDE NORTH BASIN**

OWNER	WELL TYPE	RECRDTN NUMBER	STATE WELL NUMBER	LOCAL DESIGNATION	YEAR CLOSED	-----CALENDAR YEAR EXTRACTIONS-----					
						1998	1999	2000	2001	2002	AVG
VILLELLI ENTERPRISES	W	3601549	01S/04W-28M01S	2	1981	0	0	0	0	0	0
WAGONER, JOHN J	W	3600899	02S/04W-05F	DOM 1	1972	0	0	0	0	0	0
WEST RIVERSIDE 350 WATER COMPANY	W	3600829	01S/04W-32G02S	1	1974	0	0	0	0	0	0
WEST RIVERSIDE 350 WATER COMPANY	W	3600830	01S/04W-32G04S	2	1974	0	0	0	0	0	0
WEST RIVERSIDE 350 WATER COMPANY	W	3600831	01S/04W-32H01S	4	1974	0	0	0	0	0	0
WEST RIVERSIDE 350 WATER COMPANY	W	3600832	01S/04W-32B01S	350" #5	2000	0	0	0	0	0	0
WEST RIVERSIDE 350 WATER COMPANY	W	3600833	01S/04W-32G01S	6	1974	0	0	0	0	0	0
WEST RIVERSIDE 350 WATER COMPANY	W	3601953	01S/04W-32B02S	#7	2000	0	0	0	0	0	0
WEST VALLEY WATER DIST	W	3600074	01S/05W-23Q01S	PL 29 / CRAM-WRIGHT		0	0	0	0	0	0
WEST VALLEY WATER DIST	W	3601004	01S/05W-23N01S	PLANT NO 19	1973	0	0	0	0	0	0
WEST VALLEY WATER DIST	W	3601434	01S/05W-34D01S	PLANT NO 25	1981	0	0	0	0	0	0
WEST VALLEY WATER DIST	W	3601683	01S/05W-34B02S	PLANT NO 26	1981	0	0	0	0	0	0
WEST VALLEY WATER DIST	W	3601763	01S/05W-24M01S	PL 18/SLOVER MUTUAL	1981	0	0	0	0	0	0
WEST VALLEY WATER DIST	W	3603669	01S/05W-24M02S	#18A		1	735	999	946	1,806	897
WEST VALLEY WATER DIST	W	3603670	01S/05W-36E03S	#41		1,131	1,286	1,225	1,170	139	990
WOODLAND FARMS	W	0000308	01S/05W-25R	WARD DUCK		300	72	95	98	120	137
YEAGER CONSTRUCTION COMPANY	W	3600535-	01S/05W-36C11S	3		6	1	1	1	1	2
YEAGER CONSTRUCTION COMPANY	W	3601981	01S/05W-25P	AMRCH 1	1974	0	0	0	0	0	0
TOTALS FOR 129 WELLS						33,116	35,367	35,799	31,098	27,717	32,619

**RIVERSIDE BASIN AREA
IN SAN BERNARDINO COUNTY
CROSS INDEX BY STATE WELL NUMBER**

**WESTERN - SAN BERNARDINO WATERMASTER
VERIFIED PRODUCTION DATA
CROSS INDEX BY STATE WELL NUMBER
RIVERSIDE NORTH BASIN**

STATE WELL NUMBER	RECRDTN NUMBER	OWNER	WELL TYPE	LOCAL DESIGNATION	YEAR CLOSED	CALENDAR YEAR EXTRACTIIONS					
						1998	1999	2000	2001	2002	AVG
01S/04W-18N	3603598	COLTON, CITY OF	W	#24		1,883	1,902	1,866	1,832	268	1,550
01S/04W-28L01S	3601524	RIVERSIDE HIGHLAND WATER COMPANY	W	3	1964	0	0	0	0	0	0
01S/04W-28L02S	3601534	RIVERSIDE HIGHLAND WATER COMPANY	W	RN #20		609	354	332	309	379	397
01S/04W-28M01S	3601549	VILLELLI ENTERPRISES	W	2	1981	0	0	0	0	0	0
01S/04W-28N05S	3601532	RIVERSIDE HIGHLAND WATER COMPANY	W	RN #17		248	625	598	201	16	338
01S/04W-29H01S	3601484	RIVERSIDE, CITY OF	W	FLUME 2		300	813	770	525	847	651
01S/04W-29H02S	3601483	RIVERSIDE, CITY OF	W	FLUME 1	1977	0	0	0	0	0	0
01S/04W-29Q01S	3601487	RIVERSIDE, CITY OF	W	FLUME 5	1977	0	0	0	0	0	0
01S/04W-29Q03S	3601486	RIVERSIDE, CITY OF	W	FLUME 4		0	0	0	0	0	0
01S/04W-29Q03S	3691486	LA SIERRA WATER COMPANY	W	FLUME 4	1984	0	0	0	0	0	0
01S/04W-29Q04S	3602486	RIVERSIDE, CITY OF	W	FLUME 6		590	1,265	1,901	698	984	1,088
01S/04W-29Q04S	3692486	LA SIERRA WATER COMPANY	W	FLUME 6	1982	0	0	0	0	0	0
01S/04W-29R01S	3601485	RIVERSIDE, CITY OF	W	FLUME 3		0	0	0	0	0	0
01S/04W-30B01S	3603759	CALIFORNIA PORTLAND CEMENT COMPANY	W	WELL #8					51	1,289	268
01S/04W-30D06S	3601426	CALIFORNIA PORTLAND CEMENT COMPANY	W	CPC #5		931	946	1,061	714	104	751
01S/04W-30P01S	0000307	MCDANIEL & SON DAIRY	W	DAIRY		0	0	0	0	0	0
01S/04W-30R	3602326	COUNTRY CLUB STORAGE	W		1981	5	0	0	0	0	1
01S/04W-31C	3601100	DAGGETT, FOREST N.	W	BARN 1	1972	0	0	0	0	0	0
01S/04W-31C	3601101	DAGGETT, FOREST N.	W	RIVER 2	1972	0	0	0	0	0	0
01S/04W-31J01S	3600915	ROSEDALE WATER COMPANY	W	NEW WELL	1968	0	0	0	0	0	0
01S/04W-32B01S	3600832	WEST RIVERSIDE 350 WATER COMPANY	W	350" #5	2000	0	0	0	0	0	0
01S/04W-32B02S	3601953	WEST RIVERSIDE 350 WATER COMPANY	W	#7	2000	0	0	0	0	0	0
01S/04W-32E01S	3601539	LA SIERRA WATER COMPANY	W	1	1962	0	0	0	0	0	0
01S/04W-32E02S	3601543	LA SIERRA WATER COMPANY	W	6	1974	0	0	0	0	0	0
01S/04W-32E03S	3601540	LA SIERRA WATER COMPANY	W	2	1974	0	0	0	0	0	0
01S/04W-32E05S	3601542	LA SIERRA WATER COMPANY	W	5	1974	0	0	0	0	0	0
01S/04W-32E06S	3601541	LA SIERRA WATER COMPANY	W	4	1974	0	0	0	0	0	0
01S/04W-32E07S	3601544	LA SIERRA WATER COMPANY	W	7		0	0	0	0	0	0
01S/04W-32E09S	3601546	LA SIERRA WATER COMPANY	W	10	1992	0	0	0	0	0	0
01S/04W-32E10S	3601547	LA SIERRA WATER COMPANY	W	9	1974	0	0	0	0	0	0
01S/04W-32E11S	3601545	LA SIERRA WATER COMPANY	W	8		0	0	0	0	0	0
01S/04W-32G01S	3600833	WEST RIVERSIDE 350 WATER COMPANY	W	6	1974	0	0	0	0	0	0
01S/04W-32G02S	3600829	WEST RIVERSIDE 350 WATER COMPANY	W	1	1974	0	0	0	0	0	0
01S/04W-32G04S	3600830	WEST RIVERSIDE 350 WATER COMPANY	W	2	1974	0	0	0	0	0	0
01S/04W-32H01S	3600831	WEST RIVERSIDE 350 WATER COMPANY	W	4	1974	0	0	0	0	0	0
01S/04W-32M01S	3601789	RIVERSIDE HIGHLAND WATER COMPANY	W	LV #1	1992	0	0	0	0	0	0
01S/04W-32M02S	3601790	RIVERSIDE HIGHLAND WATER COMPANY	W	LV #2	1992	0	0	0	0	0	0

**WESTERN - SAN BERNARDINO WATERMASTER
VERIFIED PRODUCTION DATA
CROSS INDEX BY STATE WELL NUMBER
RIVERSIDE NORTH BASIN**

STATE WELL NUMBER	RECRDTN NUMBER	OWNER	WELL TYPE	LOCAL DESIGNATION	YEAR CLOSED	CALENDAR YEAR EXTRACTIONS					
						1998	1999	2000	2001	2002	AVG
01S/04W-32M04S	3603139	RIVERSIDE HIGHLAND WATER COMPANY	W	LV #3		170	121	209	60	64	125
01S/04W-33B05S	3601531	RIVERSIDE HIGHLAND WATER COMPANY	W	RN #16	1964	0	0	0	0	0	0
01S/04W-34L	3602357	COLTON, CITY OF	W	6610	2000	0	0	0	0	0	0
01S/04W-34L	3602358	COLTON, CITY OF	W	7418	2000	0	0	0	0	0	0
01S/04W-36N	0000309	KLECKLER, DON	W	15 HP		30	30	30	30	30	30
01S/05W-23N01S	3601004	WEST VALLEY WATER DIST	W	PLANT NO 19	1973	0	0	0	0	0	0
01S/05W-23Q01S	3600074	WEST VALLEY WATER DIST	W	PL 29 / CRAM-WRIGHT		0	0	0	0	0	0
01S/05W-24M01S	3601763	WEST VALLEY WATER DIST	W	PL 18/SLOVER MUTUAL	1981	0	0	0	0	0	0
01S/05W-24M02S	3603669	WEST VALLEY WATER DIST	W	#18A		1	735	999	946	1,806	897
01S/05W-24R01S	3601124	GENERAL AMERICAN TRANSPORTATION CORP	W	1 SOUTH		28	20	23	14	28	23
01S/05W-25A02S	3601427	CALIFORNIA PORTLAND CEMENT COMPANY	W	CPC #7		508	638	789	786	70	558
01S/05W-25A03S	3601425	CALIFORNIA PORTLAND CEMENT COMPANY	W	CPC #6		975	531	703	614	86	582
01S/05W-25B02S	3602028	LOPEZ, M & R	W	SEINTURIER	1988	0	0	0	0	0	0
01S/05W-25L02S	3601680	RIALTO, CITY OF	W	DISPOSAL	1989	0	0	0	0	0	0
01S/05W-25M	3600627	HOLLIDAY TRUCKING	W	1 COLTON		68	72	50	53	75	64
01S/05W-25M04S	3603261	HOLLIDAY TRUCKING	W	COLTON #2		48	53	69	72	51	59
01S/05W-25P	0000302	CALIFORNIA PORTLAND CEMENT COMPANY	W	MILLER HONEY		0	0	0	0	0	0
01S/05W-25P	3601961	YEAGER CONSTRUCTION COMPANY	W	AMRCH 1	1974	0	0	0	0	0	0
01S/05W-25R	0000308	WOODLAND FARMS	W	WARD DUCK		300	72	95	98	120	137
01S/05W-25R02S	3600898	RIVERSIDE, CITY OF	W	NO 6	1978	0	0	0	0	0	0
01S/05W-25R04S	3600898-	RIVERSIDE, CITY OF	W	TW BT 6		0	1	1	1	1	1
01S/05W-33A01S	3601088	RANCHO DE SANTA FE	W	SANTA FE ELECTRIC A1	1974	0	0	0	0	0	0
01S/05W-33A02S	3602222	RANCHO DE SANTA FE	W	GAS A-2	1989	0	0	0	0	0	0
01S/05W-34A	3601110	GREEN ACRES	W	1		100	106	108	89	85	98
01S/05W-34B01S	3600413	FIRESTONE GROUP LTD	W		1981	0	0	0	0	0	0
01S/05W-34B02S	3601683	WEST VALLEY WATER DIST	W	PLANT NO 26	1981	0	0	0	0	0	0
01S/05W-34D01S	3601434	WEST VALLEY WATER DIST	W	PLANT NO 25	1981	0	0	0	0	0	0
01S/05W-34J01S	3601707	EL RIVINO COUNTRY CLUB	W	CACTUS		796	858	871	756	892	835
01S/05W-34K	3601721	GREEN ACRES MEMORIAL PARK ASS'N	W	56		129	232	194	105	103	153
01S/05W-34K02S	3600873	GREEN ACRES MEMORIAL PARK ASS'N	W	NO 57		100	0	0	0	76	35
01S/05W-34L02S	3601706	GREEN ACRES MEMORIAL PARK ASS'N	W	8TH ST		69	61	67	170	83	90
01S/05W-35B	0000303	CARSON, K.	W	-		0	0	0	0	0	0
01S/05W-35D01S	3600507	HAMADA BROS	W	1	1991	0	0	0	0	0	0
01S/05W-35G02S	3600910	CORRIDOR LAND COMPANY	W	1, AGUA MANSA		123	137	141	150	183	147
01S/05W-35J	3600911	SERVICE ROCK CO	W	2	1974	0	0	0	0	0	0
01S/05W-35J	3602233	CANALE CATERING	W		1964	0	0	0	0	0	0
01S/05W-35R	3601717	CORRIDOR LAND COMPANY	W	DOUBLE D RANCH		32	49	46	47	51	45

**WESTERN - SAN BERNARDINO WATERMASTER
VERIFIED PRODUCTION DATA
CROSS INDEX BY STATE WELL NUMBER
RIVERSIDE NORTH BASIN**

STATE WELL NUMBER	RECRDTN NUMBER	OWNER	WELL TYPE	LOCAL DESIGNATION	YEAR CLOSED	-----CALENDAR YEAR EXTRACTIONS-----					
						1998	1999	2000	2001	2002	AVG
01S/05W-36B	0000304	MINTER, BEVERLY	W	OLD DUNN		1	0	24	24	24	15
01S/05W-36C09S	3600535	JURUPA WATER COMPANY	W	NO 1	1978	0	0	0	0	0	0
01S/05W-36C10S	3600536	JURUPA WATER COMPANY	W	1 AND HALF	1974	0	0	0	0	0	0
01S/05W-36C11S	3600535-	YEAGER CONSTRUCTION COMPANY	W	3		6	1	1	1	1	2
01S/05W-36E03S	3603670	WEST VALLEY WATER DIST	W	#41		1,131	1,286	1,225	1,170	139	990
01S/05W-36F	0000306	SAN BERNARDINO, CITY OF	W	RIX OVER EXTRACTIONS		14,062	13,121	12,902	12,283	7,332	11,940
01S/05W-36F	3601891	ALLEE RANCH	W		1977	0	0	0	0	0	0
01S/05W-36F	3601892	BECKETT RANCH	W		1980	260	250	260	260	260	258
01S/05W-36L01S	3601236	RIVERSIDE, CITY OF	W	AGUA MANSA		0	0	0	0	0	0
01S/05W-36N	0000305	HOLTER RANCH	W	HENDRICKS		0	0	0	0	0	0
01S/05W-36Q	3301088	RIVERSIDE, CITY OF	D	PELISIER		0	0	0	0	0	0
02S/04W-05C01S	3600783	RIVERSIDE, CITY OF-GAGE CANAL	W	DEBERRY		1,823	2,051	1,664	1,491	1,286	1,663
02S/04W-05E	3601345	HUNGERFORD, FRANK B.	W	JOHNSON	1960	0	0	0	0	0	0
02S/04W-05E01S	3603117	RIVERSIDE, CITY OF	W	VAN BUREN #1		2,925	2,967	2,563	2,609	2,366	2,686
02S/04W-05E02S	3603118	RIVERSIDE, CITY OF	W	VAN BUREN #2		1,916	2,721	2,397	2,481	2,455	2,394
02S/04W-05F	3600899	WAGONER, JOHN J	W	DOM 1	1972	0	0	0	0	0	0
02S/04W-05F02S	3600537	JUMAL WATER COMPANY	W		1985	0	0	0	0	0	0
02S/04W-05M01S	3601970	SOUTHERN CALIFORNIA EDISON	W	PICO #64		133	150	150	150	150	147
02S/04W-05P	3600820	JOHNSON, DOROTHY	W	1	1965	0	0	0	0	0	0
02S/04W-06A01S	3600962	MERRYFIELD WATER COMPANY	W	1		98	155	160	117	139	134
02S/04W-06A03S	3601509	ELSINORE VALLEY M.W.D.	W	PALM AVE		194	0	1,037	252	2,417	780
02S/04W-06J01S	3601009	THERMO ECOTEK CORPORATION	W	RIV CANAL 60		0	5	1	1	0	1
02S/04W-06N	3601423	ROQUET, HARRY V.	W	2 WEST	1991	0	0	0	0	0	0
02S/04W-06P	3601424	ROQUET, HARRY V.	D		1991	0	0	0	0	0	0
02S/04W-06Q	3601422	ROQUET, HARRY V.	W	1 HOUSE	1991	0	0	0	0	0	0
02S/04W-06Q03S	3601271	RIVERSIDE, CITY OF	W	MARCY	1973	0	0	0	0	0	0
02S/04W-06R01S	3601526	RIVERSIDE HIGHLAND WATER COMPANY	W	RN #7		1,168	1,527	1,086	715	1,170	1,133
02S/04W-06R04S	3601011	THERMO ECOTEK CORPORATION	W	RIV CANAL 61		1	46	4	23	1	15
02S/04W-06R05S	3601020	THERMO ECOTEK CORPORATION	W	RIV CANAL 62/CE #3		0	0	26	3	0	6
02S/04W-06R06S	3601023	THERMO ECOTEK CORPORATION	W	RIV CANAL 63/CE #4		0	0	26	3	0	6
02S/05W-01E	3603652	CORRIDOR LAND COMPANY	W	SOUTH #1, RIVERBOTTO			10	10	19	38	15
02S/05W-01G01S	3601235	RIVERSIDE, CITY OF	W	LA LOMA	1974	0	0	0	0	0	0
02S/05W-01G02S	3601223	RIVERSIDE, CITY OF	W	MAIN PELLISI		0	0	0	0	0	0
02S/05W-01J03S	3601221	RIVERSIDE, CITY OF	W	DOM PELLISI		0	0	0	0	0	0
02S/05W-01P03S	3602697	BRADFORD, IVAN	W		1978	0	0	0	0	0	0
02S/05W-01Q	3600097	HOWELL, ORUS	W		1991	0	0	0	0	0	0
02S/05W-01Q01S	3601488	RIVERSIDE, CITY OF	W	WILLIAMS	1974	0	0	0	0	0	0

**WESTERN - SAN BERNARDINO WATERMASTER
 VERIFIED PRODUCTION DATA
 CROSS INDEX BY STATE WELL NUMBER
 RIVERSIDE NORTH BASIN**

STATE WELL NUMBER	RECRDTN NUMBER	OWNER	WELL TYPE	LOCAL DESIGNATION	YEAR CLOSED	CALENDAR YEAR EXTRACTIONS					
						1998	1999	2000	2001	2002	AVG
02S/05W-01Q01S	3601488-	STAPAKIS, WILLIAM	W	WILLIAMS	1974	0	0	0	0	0	0
02S/05W-02A	3600874	RIVERSIDE CEMENT COMPANY	W	58-1	1974	0	0	0	0	0	0
02S/05W-02A	3601722	MADISON, ERIN	W	58-1	1989	0	0	0	0	0	0
02S/05W-02C	3301347	INTER COUNTY WATER COMPANY	W	1	1981	0	0	0	0	0	0
02S/05W-02G	3602114	MADISON, ERIN	W	63-1	1989	0	0	0	0	0	0
02S/05W-02G02S	3600883	RIVERSIDE CEMENT COMPANY	W	WRIGHT	1962	0	0	0	0	0	0
02S/05W-02J	3601996	CORRIDOR LAND COMPANY	W	KLEIN /SAND RIVER #1		321	340	343	150	139	259
02S/05W-02L02S	3601782	RIVERSIDE CEMENT COMPANY	W		1964	0	0	0	0	0	0
02S/05W-02Q	3600972	BRADVICA, LOUIS	W	RNCH 1	1974	0	0	0	0	0	0
02S/05W-02Q07S	3602234	RIVERSIDE, CITY OF	W	JURUPA 6		0	0	0	0	0	0
02S/05W-02Q08S	3602748	RIVERSIDE, CITY OF	W	JURUPA 7		1,034	1,116	997	974	1,161	1,056
02S/05W-02R	0000301	MASON,	W	MASON	1997	0	0	0	0	0	0
02S/05W-02R01S	3601493	RIVERSIDE, CITY OF	W	JURUPA 5	1980	0	0	0	0	0	0
02S/05W-02R02S	3601492	RIVERSIDE, CITY OF	W	JURUPA 4	1980	0	0	0	0	0	0
02S/05W-02R03S	3601491	RIVERSIDE, CITY OF	W	JURUPA 3	1980	0	0	0	0	0	0
02S/05W-05F03S	3603738	RIVERSIDE HIGHLAND WATER COMPANY	W	RN#6					51	948	200
02S/05W-05H	3603651	CORRIDOR LAND COMPANY	W	SOUTH WELL, HOLLY	2000	0	0	0	0	0	0
02S/05W-11B	3601490	RIVERSIDE, CITY OF	W	JURUPA 1	1980	0	0	0	0	0	0
TOTALS FOR 129 WELLS						33,116	35,367	35,799	31,098	27,717	32,619

**RIVERSIDE BASIN AREA
IN SAN BERNARDINO COUNTY
CROSS INDEX BY RECORDATION NUMBER**

**WESTERN - SAN BERNARDINO WATERMASTER
VERIFIED PRODUCTION DATA
CROSS INDEX BY RECORDATION NUMBER
RIVERSIDE NORTH BASIN**

RECRDTN NUMBER	STATE WELL NUMBER	OWNER	WELL TYPE	LOCAL DESIGNATION	YEAR CLOSED	-----CALENDAR YEAR EXTRACTIONS-----					
						1998	1999	2000	2001	2002	AVG
0000301	02S/05W-02R	MASON,	W	MASON	1997	0	0	0	0	0	0
0000302	01S/05W-25P	CALIFORNIA PORTLAND CEMENT COMPANY	W	MILLER HONEY		0	0	0	0	0	0
0000303	01S/05W-35B	CARSON, K.	W	-		0	0	0	0	0	0
0000304	01S/05W-36B	MINTER, BEVERLY	W	OLD DUNN		1	0	24	24	24	15
0000305	01S/05W-36N	HOLTER RANCH	W	HENDRICKS		0	0	0	0	0	0
0000306	01S/05W-36F	SAN BERNARDINO, CITY OF	W	RIX OVER EXTRACTIONS		14,062	13,121	12,902	12,283	7,332	11,940
0000307	01S/04W-30P01S	MCDANIEL & SON DAIRY	W	DAIRY		0	0	0	0	0	0
0000308	01S/05W-25R	WOODLAND FARMS	W	WARD DUCK		300	72	95	98	120	137
0000309	01S/04W-36N	KLECKLER, DON	W	15 HP		30	30	30	30	30	30
3301088	01S/05W-36Q	RIVERSIDE, CITY OF	D	PELISIER		0	0	0	0	0	0
3301347	02S/05W-02C	INTER COUNTY WATER COMPANY	W	1	1981	0	0	0	0	0	0
3600074	01S/05W-23Q01S	WEST VALLEY WATER DIST	W	PL 29 / CRAM-WRIGHT		0	0	0	0	0	0
3600097	02S/05W-01Q	HOWELL, ORUS	W		1991	0	0	0	0	0	0
3600413	01S/05W-34B01S	FIRESTONE GROUP LTD	W		1981	0	0	0	0	0	0
3600507	01S/05W-35D01S	HAMADA BROS	W	1	1991	0	0	0	0	0	0
3600535	01S/05W-36C09S	JURUPA WATER COMPANY	W	NO 1	1978	0	0	0	0	0	0
3600535-	01S/05W-36C11S	YEAGER CONSTRUCTION COMPANY	W	3		6	1	1	1	1	2
3600536	01S/05W-36C10S	JURUPA WATER COMPANY	W	1 AND HALF	1974	0	0	0	0	0	0
3600537	02S/04W-05F02S	JUMAL WATER COMPANY	W		1985	0	0	0	0	0	0
3600627	01S/05W-25M	HOLLIDAY TRUCKING	W	1 COLTON		68	72	50	53	75	64
3600783	02S/04W-05C01S	RIVERSIDE, CITY OF-GAGE CANAL	W	DEBERRY		1,823	2,051	1,664	1,491	1,286	1,663
3600820	02S/04W-05P	JOHNSON, DOROTHY	W	1	1965	0	0	0	0	0	0
3600829	01S/04W-32G02S	WEST RIVERSIDE 350 WATER COMPANY	W	1	1974	0	0	0	0	0	0
3600830	01S/04W-32G04S	WEST RIVERSIDE 350 WATER COMPANY	W	2	1974	0	0	0	0	0	0
3600831	01S/04W-32H01S	WEST RIVERSIDE 350 WATER COMPANY	W	4	1974	0	0	0	0	0	0
3600832	01S/04W-32B01S	WEST RIVERSIDE 350 WATER COMPANY	W	350" #5	2000	0	0	0	0	0	0
3600833	01S/04W-32G01S	WEST RIVERSIDE 350 WATER COMPANY	W	6	1974	0	0	0	0	0	0
3600873	01S/05W-34K02S	GREEN ACRES MEMORIAL PARK ASS'N	W	NO 57		100	0	0	0	76	35
3600874	02S/05W-02A	RIVERSIDE CEMENT COMPANY	W	58-1	1974	0	0	0	0	0	0
3600883	02S/05W-02G02S	RIVERSIDE CEMENT COMPANY	W	WRIGHT	1962	0	0	0	0	0	0
3600898	01S/05W-25R02S	RIVERSIDE, CITY OF	W	NO 6	1978	0	0	0	0	0	0
3600898-	01S/05W-25R04S	RIVERSIDE, CITY OF	W	TW BT 6		0	1	1	1	1	1
3600899	02S/04W-05F	WAGONER, JOHN J	W	DOM 1	1972	0	0	0	0	0	0
3600910	01S/05W-35G02S	CORRIDOR LAND COMPANY	W	1, AGUA MANSA		123	137	141	150	183	147
3600911	01S/05W-35J	SERVICE ROCK CO	W	2	1974	0	0	0	0	0	0
3600915	01S/04W-31J01S	ROSEDALE WATER COMPANY	W	NEW WELL	1968	0	0	0	0	0	0
3600962	02S/04W-06A01S	MERRYFIELD WATER COMPANY	W	1		98	155	160	117	139	134

**WESTERN - SAN BERNARDINO WATERMASTER
VERIFIED PRODUCTION DATA
CROSS INDEX BY RECORDATION NUMBER
RIVERSIDE NORTH BASIN**

RECRDTN NUMBER	STATE WELL NUMBER	OWNER	WELL TYPE	LOCAL DESIGNATION	YEAR CLOSED	-----CALENDAR YEAR EXTRACTIONS-----					
						1998	1999	2000	2001	2002	AVG
3600972	02S/05W-02Q	BRADVICA, LOUIS	W	RNCH 1	1974	0	0	0	0	0	0
3601004	01S/05W-23N01S	WEST VALLEY WATER DIST	W	PLANT NO 19	1973	0	0	0	0	0	0
3601009	02S/04W-06J01S	THERMO ECOTEK CORPORATION	W	RIV CANAL 60		0	5	1	1	0	1
3601011	02S/04W-06R04S	THERMO ECOTEK CORPORATION	W	RIV CANAL 61		1	46	4	23	1	15
3601020	02S/04W-06R05S	THERMO ECOTEK CORPORATION	W	RIV CANAL 62/CE #3		0	0	26	3	0	6
3601023	02S/04W-06R06S	THERMO ECOTEK CORPORATION	W	RIV CANAL 63/CE #4		0	0	26	3	0	6
3601088	01S/05W-33A01S	RANCHO DE SANTA FE	W	SANTA FE ELECTRIC A1	1974	0	0	0	0	0	0
3601100	01S/04W-31C	DAGGETT, FOREST N.	W	BARN 1	1972	0	0	0	0	0	0
3601101	01S/04W-31C	DAGGETT, FOREST N.	W	RIVER 2	1972	0	0	0	0	0	0
3601110	01S/05W-34A	GREEN ACRES	W	1		100	106	108	89	85	98
3601124	01S/05W-24R01S	GENERAL AMERICAN TRANSPORTATION CORP	W	1 SOUTH		28	20	23	14	28	23
3601221	02S/05W-01J03S	RIVERSIDE, CITY OF	W	DOM PELLISI		0	0	0	0	0	0
3601223	02S/05W-01G02S	RIVERSIDE, CITY OF	W	MAIN PELLISI		0	0	0	0	0	0
3601235	02S/05W-01G01S	RIVERSIDE, CITY OF	W	LA LOMA	1974	0	0	0	0	0	0
3601236	01S/05W-36L01S	RIVERSIDE, CITY OF	W	AGUA MANSA		0	0	0	0	0	0
3601271	02S/04W-06Q03S	RIVERSIDE, CITY OF	W	MARCY	1973	0	0	0	0	0	0
3601345	02S/04W-05E	HUNGERFORD, FRANK B.	W	JOHNSON	1960	0	0	0	0	0	0
3601422	02S/04W-06Q	ROQUET, HARRY V.	W	1 HOUSE	1991	0	0	0	0	0	0
3601423	02S/04W-06N	ROQUET, HARRY V.	W	2 WEST	1991	0	0	0	0	0	0
3601424	02S/04W-06P	ROQUET, HARRY V.	D		1991	0	0	0	0	0	0
3601425	01S/05W-25A03S	CALIFORNIA PORTLAND CEMENT COMPANY	W	CPC #6		975	531	703	614	86	582
3601426	01S/04W-30D06S	CALIFORNIA PORTLAND CEMENT COMPANY	W	CPC #5		931	946	1,061	714	104	751
3601427	01S/05W-25A02S	CALIFORNIA PORTLAND CEMENT COMPANY	W	CPC #7		508	638	789	786	70	558
3601434	01S/05W-34D01S	WEST VALLEY WATER DIST	W	PLANT NO 25	1981	0	0	0	0	0	0
3601483	01S/04W-29H02S	RIVERSIDE, CITY OF	W	FLUME 1	1977	0	0	0	0	0	0
3601484	01S/04W-29H01S	RIVERSIDE, CITY OF	W	FLUME 2		300	813	770	525	847	651
3601485	01S/04W-29R01S	RIVERSIDE, CITY OF	W	FLUME 3		0	0	0	0	0	0
3601486	01S/04W-29Q03S	RIVERSIDE, CITY OF	W	FLUME 4		0	0	0	0	0	0
3601487	01S/04W-29Q01S	RIVERSIDE, CITY OF	W	FLUME 5	1977	0	0	0	0	0	0
3601488	02S/05W-01Q01S	RIVERSIDE, CITY OF	W	WILLIAMS	1974	0	0	0	0	0	0
3601488-	02S/05W-01Q01S	STAPAKIS, WILLIAM	W	WILLIAMS	1974	0	0	0	0	0	0
3601490	02S/05W-11B	RIVERSIDE, CITY OF	W	JURUPA 1	1980	0	0	0	0	0	0
3601491	02S/05W-02R03S	RIVERSIDE, CITY OF	W	JURUPA 3	1980	0	0	0	0	0	0
3601492	02S/05W-02R02S	RIVERSIDE, CITY OF	W	JURUPA 4	1980	0	0	0	0	0	0
3601493	02S/05W-02R01S	RIVERSIDE, CITY OF	W	JURUPA 5	1980	0	0	0	0	0	0
3601509	02S/04W-06A03S	ELSINORE VALLEY M.W.D.	W	PALM AVE		194	0	1,037	252	2,417	780
3601524	01S/04W-28L01S	RIVERSIDE HIGHLAND WATER COMPANY	W	3	1964	0	0	0	0	0	0

**WESTERN - SAN BERNARDINO WATERMASTER
VERIFIED PRODUCTION DATA
CROSS INDEX BY RECORDATION NUMBER
RIVERSIDE NORTH BASIN**

RECRDTN NUMBER	STATE WELL NUMBER	OWNER	WELL TYPE	LOCAL DESIGNATION	YEAR CLOSED	-----CALENDAR YEAR EXTRACTIONS-----					
						1998	1999	2000	2001	2002	AVG
3601526	02S/04W-06R01S	RIVERSIDE HIGHLAND WATER COMPANY	W	RN #7		1,168	1,527	1,086	715	1,170	1,133
3601531	01S/04W-33B05S	RIVERSIDE HIGHLAND WATER COMPANY	W	RN #16	1964	0	0	0	0	0	0
3601532	01S/04W-28N05S	RIVERSIDE HIGHLAND WATER COMPANY	W	RN #17		248	625	598	201	16	338
3601534	01S/04W-28L02S	RIVERSIDE HIGHLAND WATER COMPANY	W	RN #20		609	354	332	309	379	397
3601539	01S/04W-32E01S	LA SIERRA WATER COMPANY	W	1	1962	0	0	0	0	0	0
3601540	01S/04W-32E03S	LA SIERRA WATER COMPANY	W	2	1974	0	0	0	0	0	0
3601541	01S/04W-32E06S	LA SIERRA WATER COMPANY	W	4	1974	0	0	0	0	0	0
3601542	01S/04W-32E05S	LA SIERRA WATER COMPANY	W	5	1974	0	0	0	0	0	0
3601543	01S/04W-32E02S	LA SIERRA WATER COMPANY	W	6	1974	0	0	0	0	0	0
3601544	01S/04W-32E07S	LA SIERRA WATER COMPANY	W	7		0	0	0	0	0	0
3601545	01S/04W-32E11S	LA SIERRA WATER COMPANY	W	8		0	0	0	0	0	0
3601546	01S/04W-32E09S	LA SIERRA WATER COMPANY	W	10	1992	0	0	0	0	0	0
3601547	01S/04W-32E10S	LA SIERRA WATER COMPANY	W	9	1974	0	0	0	0	0	0
3601549	01S/04W-28M01S	VILLELLI ENTERPRISES	W	2	1981	0	0	0	0	0	0
3601680	01S/05W-25L02S	RIALTO, CITY OF	W	DISPOSAL	1989	0	0	0	0	0	0
3601683	01S/05W-34B02S	WEST VALLEY WATER DIST	W	PLANT NO 26	1981	0	0	0	0	0	0
3601706	01S/05W-34L02S	GREEN ACRES MEMORIAL PARK ASS'N	W	8TH ST		69	61	67	170	83	90
3601707	01S/05W-34J01S	EL RIVINO COUNTRY CLUB	W	CACTUS		796	858	871	756	892	835
3601717	01S/05W-35R	CORRIDOR LAND COMPANY	W	DOUBLE D RANCH		32	49	46	47	51	45
3601721	01S/05W-34K	GREEN ACRES MEMORIAL PARK ASS'N	W	56		129	232	194	105	103	153
3601722	02S/05W-02A	MADISON, ERIN	W	58-1	1989	0	0	0	0	0	0
3601763	01S/05W-24M01S	WEST VALLEY WATER DIST	W	PL 18/SLOVER MUTUAL	1981	0	0	0	0	0	0
3601782	02S/05W-02L02S	RIVERSIDE CEMENT COMPANY	W		1964	0	0	0	0	0	0
3601789	01S/04W-32M01S	RIVERSIDE HIGHLAND WATER COMPANY	W	LV #1	1992	0	0	0	0	0	0
3601790	01S/04W-32M02S	RIVERSIDE HIGHLAND WATER COMPANY	W	LV #2	1992	0	0	0	0	0	0
3601891	01S/05W-36F	ALLEE RANCH	W		1977	0	0	0	0	0	0
3601892	01S/05W-36F	BECKETT RANCH	W		1980	260	250	260	260	260	258
3601953	01S/04W-32B02S	WEST RIVERSIDE 350 WATER COMPANY	W	#7	2000	0	0	0	0	0	0
3601961	01S/05W-25P	YEAGER CONSTRUCTION COMPANY	W	AMRCH 1	1974	0	0	0	0	0	0
3601970	02S/04W-05M01S	SOUTHERN CALIFORNIA EDISON	W	PICO #64		133	150	150	150	150	147
3601996	02S/05W-02J	CORRIDOR LAND COMPANY	W	KLEIN /SAND RIVER #1		321	340	343	150	139	259
3602028	01S/05W-25B02S	LOPEZ, M & R	W	SEINTURIER	1988	0	0	0	0	0	0
3602114	02S/05W-02G	MADISON, ERIN	W	63-1	1989	0	0	0	0	0	0
3602222	01S/05W-33A02S	RANCHO DE SANTA FE	W	GAS A-2	1989	0	0	0	0	0	0
3602233	01S/05W-35J	CANALE CATERING	W		1964	0	0	0	0	0	0
3602234	02S/05W-02Q07S	RIVERSIDE, CITY OF	W	JURUPA 6		0	0	0	0	0	0
3602326	01S/04W-30R	COUNTRY CLUB STORAGE	W		1981	5	0	0	0	0	1

**WESTERN - SAN BERNARDINO WATERMASTER
VERIFIED PRODUCTION DATA
CROSS INDEX BY RECORDATION NUMBER
RIVERSIDE NORTH BASIN**

RECRDTN NUMBER	STATE WELL NUMBER	OWNER	WELL TYPE	LOCAL DESIGNATION	YEAR CLOSED	-----CALENDAR YEAR EXTRACTIONS-----					
						1998	1999	2000	2001	2002	AVG
3602357	01S/04W-34L	COLTON, CITY OF	W	6610	2000	0	0	0	0	0	0
3602358	01S/04W-34L	COLTON, CITY OF	W	7418	2000	0	0	0	0	0	0
3602486	01S/04W-29Q04S	RIVERSIDE, CITY OF	W	FLUME 6		590	1,265	1,901	698	984	1,088
3602697	02S/05W-01P03S	BRADFORD, IVAN	W		1978	0	0	0	0	0	0
3602748	02S/05W-02Q08S	RIVERSIDE, CITY OF	W	JURUPA 7		1,034	1,116	997	974	1,161	1,056
3603117	02S/04W-05E01S	RIVERSIDE, CITY OF	W	VAN BUREN #1		2,925	2,967	2,563	2,609	2,366	2,686
3603118	02S/04W-05E02S	RIVERSIDE, CITY OF	W	VAN BUREN #2		1,916	2,721	2,397	2,481	2,455	2,394
3603139	01S/04W-32M04S	RIVERSIDE HIGHLAND WATER COMPANY	W	LV #3		170	121	209	60	64	125
3603261	01S/05W-25M04S	HOLLIDAY TRUCKING	W	COLTON #2		48	53	69	72	51	59
3603598	01S/04W-18N	COLTON, CITY OF	W	#24		1,883	1,902	1,866	1,832	268	1,550
3603651	02S/05W-05H	CORRIDOR LAND COMPANY	W	SOUTH WELL, HOLLY	2000	0	0	0	0	0	0
3603652	02S/05W-01E	CORRIDOR LAND COMPANY	W	SOUTH #1, RIVERBOTTO			10	10	19	38	15
3603669	01S/05W-24M02S	WEST VALLEY WATER DIST	W	#18A		1	735	999	946	1,806	897
3603670	01S/05W-36E03S	WEST VALLEY WATER DIST	W	#41		1,131	1,286	1,225	1,170	139	990
3603738	02S/05W-05F03S	RIVERSIDE HIGHLAND WATER COMPANY	W	RN#6					51	948	200
3603759	01S/04W-30B01S	CALIFORNIA PORTLAND CEMENT COMPANY	W	WELL #8					51	1,289	268
3691486	01S/04W-29Q03S	LA SIERRA WATER COMPANY	W	FLUME 4	1984	0	0	0	0	0	0
3692486	01S/04W-29Q04S	LA SIERRA WATER COMPANY	W	FLUME 6	1982	0	0	0	0	0	0
TOTALS FOR 129 WELLS						33,116	35,367	35,799	31,098	27,717	32,619

TABLE NO. 1

VERIFIED EXTRACTIONS BY OWNERS WHICH HAVE
RECORDATION FILINGS WITH THE STATE WATER
RESOURCES CONTROL BOARD

WESTERN - SAN BERNARDINO WATERMASTER
TABLE 1
VERIFIED EXTRACTIIONS - FILED
RIVERSIDE NORTH BASIN

RECRDTN NUMBER	STATE WELL NUMBER	WELL TYPE	LOCAL DESIGNATION	-----BASE YEARS-----						-----CALENDAR YEAR EXTRACTIIONS-----					
				1959	1960	1961	1962	1963	AVG	1998	1999	2000	2001	2002	AVG
ALLEE RANCH															
3601891	01S/05W-36F	W		0	1	1	0	0	0	0	0	0	0	0	
TOTALS FOR ALLEE RANCH				0	1	1	0	0	0	0	0	0	0	0	
BECKETT RANCH															
3601892	01S/05W-36F	W		150	150	165	200	200	173	260	250	260	260	260	
TOTALS FOR BECKETT RANCH				150	150	165	200	200	173	260	250	260	260	260	
BRADFORD, IVAN															
3602697	02S/05W-01P03S	W							0	0	0	0	0	0	
TOTALS FOR BRADFORD, IVAN									0	0	0	0	0	0	
BRADVICA, LOUIS															
3600972	02S/05W-02Q	W	RNCH 1	105	123	83	78	61	90	0	0	0	0	0	
TOTALS FOR BRADVICA, LOUIS				105	123	83	78	61	90	0	0	0	0	0	
CALIFORNIA PORTLAND CEMENT COMPANY															
3603759	01S/04W-30B01S	W	WELL #8						0			51	1,289	268	
3601426	01S/04W-30D06S	W	CPC #5	1,363	515	347	545	698	694	931	946	1,061	714	104	
3601427	01S/05W-25A02S	W	CPC #7	4	1,328	1,090	178	322	584	508	638	789	786	70	
3601425	01S/05W-25A03S	W	CPC #6	749	7	45	86	84	194	975	531	703	614	86	
TOTALS FOR CALIFORNIA PORTLAND CEMENT COMPANY				2,116	1,850	1,482	809	1,104	1,472	2,414	2,115	2,553	2,165	1,549	
CANALE CATERING															
3602233	01S/05W-35J	W		9	9	9	9	9	9	0	0	0	0	0	
TOTALS FOR CANALE CATERING				9	9	9	9	9	9	0	0	0	0	0	
COLTON, CITY OF															
3603598	01S/04W-18N	W	#24						0	1,883	1,902	1,866	1,832	268	
3602357	01S/04W-34L	W	6610			11	11	11	7	0	0	0	0	0	
3602358	01S/04W-34L	W	7418						0	0	0	0	0	0	
TOTALS FOR COLTON, CITY OF						11	11	11	7	1,883	1,902	1,866	1,832	268	
CORRIDOR LAND COMPANY															
3600910	01S/05W-35G02S	W	1, AGUA MANSA	133	124	125	115	118	123	123	137	141	150	183	

**WESTERN - SAN BERNARDINO WATERMASTER
TABLE 1
VERIFIED EXTRACTIONS - FILED
RIVERSIDE NORTH BASIN**

RECRDTN NUMBER	STATE WELL NUMBER	WELL TYPE	LOCAL DESIGNATION	BASE YEARS					CALENDAR YEAR EXTRACTIONS						
				1959	1960	1961	1962	1963	AVG	1998	1999	2000	2001	2002	AVG
3601717	01S/05W-35R	W	DOUBLE D RANCH	112	118	123	123	125	120	32	49	46	47	51	45
3603652	02S/05W-01E	W	SOUTH #1, RIVERBOTTO						0		10	10	19	38	15
3601996	02S/05W-02J	W	KLEIN /SAND RIVER #1		0	18	67	161	49	321	340	343	150	139	259
3603651	02S/05W-05H	W	SOUTH WELL, HOLLY						0	0	0	0	0	0	0
TOTALS FOR CORRIDOR LAND COMPANY				245	242	266	305	404	292	476	536	540	366	411	466
COUNTRY CLUB STORAGE															
3602326	01S/04W-30R	W		55	58	61	68	71	63	5	0	0	0	0	1
TOTALS FOR COUNTRY CLUB STORAGE				55	58	61	68	71	63	5	0	0	0	0	1
DAGGETT, FOREST N.															
3601100	01S/04W-31C	W	BARN 1	227	169	174	181	0	150	0	0	0	0	0	0
3601101	01S/04W-31C	W	RIVER 2	198	178	159	167	0	140	0	0	0	0	0	0
TOTALS FOR DAGGETT, FOREST N.				425	347	333	348	0	291	0	0	0	0	0	0
EL RIVINO COUNTRY CLUB															
3601707	01S/05W-34J01S	W	CACTUS	733	733	733	733	733	733	796	858	871	756	892	835
TOTALS FOR EL RIVINO COUNTRY CLUB				733	733	733	733	733	733	796	858	871	756	892	835
ELSINORE VALLEY M.W.D.															
3601509	02S/04W-06A03S	W	PALM AVE	1,203	1,319	1,363	1,163	1,265	1,263	194	0	1,037	252	2,417	780
TOTALS FOR ELSINORE VALLEY M.W.D.				1,203	1,319	1,363	1,163	1,265	1,263	194	0	1,037	252	2,417	780
FIRESTONE GROUP LTD															
3600413	01S/05W-34B01S	W		285	240	379	338	205	289	0	0	0	0	0	0
TOTALS FOR FIRESTONE GROUP LTD				285	240	379	338	205	289	0	0	0	0	0	0
GENERAL AMERICAN TRANSPORTATION CORP															
3601124	01S/05W-24R01S	W	1 SOUTH	30	30	28	31	34	31	28	20	23	14	28	23
TOTALS FOR GENERAL AMERICAN TRANSPORTATION CORP				30	30	28	31	34	31	28	20	23	14	28	23
GREEN ACRES															
3601110	01S/05W-34A	W	1	161	156	182	115	97	142	100	106	108	89	85	98
TOTALS FOR GREEN ACRES				161	156	182	115	97	142	100	106	108	89	85	98

WESTERN - SAN BERNARDINO WATERMASTER
TABLE 1
VERIFIED EXTRACTIIONS - FILED
RIVERSIDE NORTH BASIN

RECRDTN NUMBER	STATE NUMBER	WELL TYPE	LOCAL DESIGNATION	-----BASE YEARS-----						-----CALENDAR YEAR EXTRACTIIONS-----						
				1959	1960	1961	1962	1963	AVG	1998	1999	2000	2001	2002	AVG	
GREEN ACRES MEMORIAL PARK ASS'N																
3601721	01S/05W-34K	W	56	1,087	915	314	543	520	676	129	232	194	105	103	153	
3600873	01S/05W-34K02S	W	NO 57	726	544	0	0	130	280	100	0	0	0	76	35	
3601706	01S/05W-34L02S	W	8TH ST	105	110	112	115	124	113	69	61	67	170	83	90	
TOTALS FOR GREEN ACRES MEMORIAL PARK ASS'N				1,918	1,569	426	658	774	1,069	298	293	261	275	262	278	
HAMADA BROS																
3600507	01S/05W-35D01S	W	1	323	325	348	390	346	346	0	0	0	0	0	0	
TOTALS FOR HAMADA BROS				323	325	348	390	346	346	0	0	0	0	0	0	0
HOLLIDAY TRUCKING																
3600627	01S/05W-25M	W	1 COLTON	158	155	151	148	149	152	68	72	50	53	75	64	
3603261	01S/05W-25M04S	W	COLTON #2						0	48	53	69	72	51	59	
TOTALS FOR HOLLIDAY TRUCKING				158	155	151	148	149	152	116	125	119	125	126	122	
HOWELL, ORUS																
3600097	02S/05W-01Q	W		50	50	50	50	50	50	0	0	0	0	0	0	
TOTALS FOR HOWELL, ORUS				50	50	50	50	50	50	0	0	0	0	0	0	0
HUNGERFORD, FRANK B.																
3601345	02S/04W-05E	W	JOHNSON	0	0	0	0	0	0	0	0	0	0	0	0	
TOTALS FOR HUNGERFORD, FRANK B.				0	0	0	0	0	0	0	0	0	0	0	0	0
INTER COUNTY WATER COMPANY																
3301347	02S/05W-02C	W	1	145	141	133	117	131	133	0	0	0	0	0	0	
TOTALS FOR INTER COUNTY WATER COMPANY				145	141	133	117	131	133	0	0	0	0	0	0	0
JOHNSON, DOROTHY																
3600820	02S/04W-05P	W	1	0	0	0	0	0	0	0	0	0	0	0	0	
TOTALS FOR JOHNSON, DOROTHY				0	0	0	0	0	0	0	0	0	0	0	0	0
JUMAL WATER COMPANY																
3600537	02S/04W-05F02S	W		322	272	257	210	141	240	0	0	0	0	0	0	
TOTALS FOR JUMAL WATER COMPANY				322	272	257	210	141	240	0	0	0	0	0	0	0

WESTERN - SAN BERNARDINO WATERMASTER

TABLE 1

VERIFIED EXTRACTIIONS - FILED

RIVERSIDE NORTH BASIN

RECRDTN NUMBER	STATE WELL NUMBER	WELL TYPE	LOCAL DESIGNATION	-----BASE YEARS-----						-----CALENDAR YEAR EXTRACTIIONS-----					
				1959	1960	1961	1962	1963	AVG	1998	1999	2000	2001	2002	AVG
JURUPA WATER COMPANY															
3600535	01S/05W-36C09S	W	NO 1	58	67	73	73	29	60	0	0	0	0	0	0
3600536	01S/05W-36C10S	W	1 AND HALF	753	695	1,041	672	304	693	0	0	0	0	0	0
TOTALS FOR JURUPA WATER COMPANY				811	762	1,114	745	333	753	0	0	0	0	0	0
LA SIERRA WATER COMPANY															
3691486	01S/04W-29Q03S	W	FLUME 4						0	0	0	0	0	0	0
3692486	01S/04W-29Q04S	W	FLUME 6						0	0	0	0	0	0	0
3601539	01S/04W-32E01S	W	1	0	0	0	0	0	0	0	0	0	0	0	0
3601543	01S/04W-32E02S	W	6	188	191	132	59	5	115	0	0	0	0	0	0
3601540	01S/04W-32E03S	W	2	0	0	0	0	0	0	0	0	0	0	0	0
3601542	01S/04W-32E05S	W	5	0	0	0	0	0	0	0	0	0	0	0	0
3601541	01S/04W-32E06S	W	4	0	0	0	0	0	0	0	0	0	0	0	0
3601544	01S/04W-32E07S	W	7	1,083	981	1,254	646	108	814	0	0	0	0	0	0
3601546	01S/04W-32E09S	W	10	614	610	428	278	274	441	0	0	0	0	0	0
3601547	01S/04W-32E10S	W	9	474	403	568	31	0	295	0	0	0	0	0	0
3601545	01S/04W-32E11S	W	8	1,104	1,005	1,005	847	577	908	0	0	0	0	0	0
TOTALS FOR LA SIERRA WATER COMPANY				3,463	3,190	3,387	1,861	964	2,573	0	0	0	0	0	0
LOPEZ, M & R															
3602028	01S/05W-25B02S	W	SEINTURIER	61	140	238	68	135	128	0	0	0	0	0	0
TOTALS FOR LOPEZ, M & R				61	140	238	68	135	128	0	0	0	0	0	0
MADISON, ERIN															
3601722	02S/05W-02A	W	58-1	606	612	726	404	271	524	0	0	0	0	0	0
3602114	02S/05W-02G	W	63-1					27	5	0	0	0	0	0	0
TOTALS FOR MADISON, ERIN				606	612	726	404	298	529	0	0	0	0	0	0
MERRYFIELD WATER COMPANY															
3600962	02S/04W-06A01S	W	1	490	310	444	252	242	348	98	155	160	117	139	134
TOTALS FOR MERRYFIELD WATER COMPANY				490	310	444	252	242	348	98	155	160	117	139	134
RANCHO DE SANTA FE															
3601088	01S/05W-33A01S	W	SANTA FE ELECTRIC A1	378	335	518	448	377	411	0	0	0	0	0	0
3602222	01S/05W-33A02S	W	GAS A-2						0	0	0	0	0	0	0

WESTERN - SAN BERNARDINO WATERMASTER

TABLE 1

VERIFIED EXTRACTIIONS - FILED

RIVERSIDE NORTH BASIN

RECRDTN NUMBER	STATE NUMBER	WELL NUMBER	WELL TYPE	LOCAL DESIGNATION	-----BASE YEARS-----						-----CALENDAR YEAR EXTRACTIIONS-----					
					1959	1960	1961	1962	1963	AVG	1998	1999	2000	2001	2002	AVG
TOTALS FOR RANCHO DE SANTA FE					378	335	518	448	377	411	0	0	0	0	0	0
RIALTO, CITY OF																
3601680	01S/05W-25L02S	W	DISPOSAL		130	130	130	130	180	140	0	0	0	0	0	
TOTALS FOR RIALTO, CITY OF					130	130	130	130	180	140	0	0	0	0	0	
RIVERSIDE CEMENT COMPANY																
3600874	02S/05W-02A	W	58-1		2	2	1	1	0	1	0	0	0	0	0	
3600883	02S/05W-02G02S	W	WRIGHT		0	0	0	0	0	0	0	0	0	0	0	
3601782	02S/05W-02L02S	W			105	105	105	105	0	84	0	0	0	0	0	
TOTALS FOR RIVERSIDE CEMENT COMPANY					107	107	106	106	0	85	0	0	0	0	0	
RIVERSIDE HIGHLAND WATER COMPANY																
3601524	01S/04W-28L01S	W	3		43	150	13	0	0	41	0	0	0	0	0	
3601534	01S/04W-28L02S	W	RN #20		973	428	460	560	795	643	609	354	332	309	379	
3601532	01S/04W-28N05S	W	RN #17		944	1,164	1,129	820	1,029	1,017	248	625	598	201	16	
3601789	01S/04W-32M01S	W	LV #1		461	409	664	621	572	545	0	0	0	0	0	
3601790	01S/04W-32M02S	W	LV #2		0	0	0	0	69	14	0	0	0	0	0	
3603139	01S/04W-32M04S	W	LV #3							0	170	121	209	60	64	
3601531	01S/04W-33B05S	W	RN #16		42	2	4	30	4	16	0	0	0	0	0	
3601526	02S/04W-06R01S	W	RN #7		1,338	1,226	1,834	1,549	1,429	1,475	1,168	1,527	1,086	715	1,170	
3603738	02S/05W-05F03S	W	RN#6							0				51	948	
TOTALS FOR RIVERSIDE HIGHLAND WATER COMPANY					3,801	3,379	4,104	3,580	3,898	3,752	2,195	2,627	2,225	1,336	2,577	2,192
RIVERSIDE, CITY OF																
3601484	01S/04W-29H01S	W	FLUME 2		1,257	968	1,237	854	642	992	300	813	770	525	847	
3601483	01S/04W-29H02S	W	FLUME 1		576	481	140	0	0	239	0	0	0	0	0	
3601487	01S/04W-29Q01S	W	FLUME 5		1,665	1,198	981	657	636	1,027	0	0	0	0	0	
3601486	01S/04W-29Q03S	W	FLUME 4		2,218	1,501	1,663	1,316	1,503	1,640	0	0	0	0	0	
3602486	01S/04W-29Q04S	W	FLUME 6							0	590	1,265	1,901	698	984	
3601485	01S/04W-29R01S	W	FLUME 3		1,497	979	1,862	1,458	1,165	1,392	0	0	0	0	0	
3600898	01S/05W-25R02S	W	NO 6		1,196	1,042	869	0	0	621	0	0	0	0	0	
3600898-	01S/05W-25R04S	W	TW BT 6					1,082	1,127	442	0	1	1	1	1	
3601236	01S/05W-36L01S	W	AGUA MANSA		0	0	402	0	0	80	0	0	0	0	0	
3301088	01S/05W-36Q	D	PELISIER		67	0	0	0	0	13	0	0	0	0	0	

**WESTERN - SAN BERNARDINO WATERMASTER
TABLE 1
VERIFIED EXTRACTIIONS - FILED
RIVERSIDE NORTH BASIN**

RECRDTN NUMBER	STATE WELL NUMBER	WELL TYPE	LOCAL DESIGNATION	-----BASE YEARS-----					-----CALENDAR YEAR EXTRACTIIONS-----						
				1959	1960	1961	1962	1963	AVG	1998	1999	2000	2001	2002	AVG
3603117	02S/04W-05E01S	W	VAN BUREN #1						0	2,925	2,967	2,563	2,609	2,366	2,686
3603118	02S/04W-05E02S	W	VAN BUREN #2						0	1,916	2,721	2,397	2,481	2,455	2,394
3601271	02S/04W-06Q03S	W	MARCY	61	20	25	47	42	39	0	0	0	0	0	0
3601235	02S/05W-01G01S	W	LA LOMA	0	0	0	0	0	0	0	0	0	0	0	0
3601223	02S/05W-01G02S	W	MAIN PELLISI	1,070	518	392	0	0	396	0	0	0	0	0	0
3601221	02S/05W-01J03S	W	DOM PELLISI	38	13	20	26	5	20	0	0	0	0	0	0
3601488	02S/05W-01Q01S	W	WILLIAMS	562	493	634	251	265	441	0	0	0	0	0	0
3602234	02S/05W-02Q07S	W	JURUPA 6						0	0	0	0	0	0	0
3602748	02S/05W-02Q08S	W	JURUPA 7						0	1,034	1,116	997	974	1,161	1,056
3601493	02S/05W-02R01S	W	JURUPA 5	1,500	1,301	1,590	1,345	1,200	1,387	0	0	0	0	0	0
3601492	02S/05W-02R02S	W	JURUPA 4	237	0	141	123	296	159	0	0	0	0	0	0
3601491	02S/05W-02R03S	W	JURUPA 3	720	1,060	1,141	862	796	916	0	0	0	0	0	0
3601490	02S/05W-11B	W	JURUPA 1	310	65	582	694	582	447	0	0	0	0	0	0
TOTALS FOR RIVERSIDE, CITY OF				12,974	9,639	11,679	8,715	8,259	10,253	6,765	8,883	8,629	7,288	7,814	7,876
RIVERSIDE, CITY OF-GAGE CANAL															
3600783	02S/04W-05C01S	W	DEBERRY	1,504	1,474	1,639	1,231	1,169	1,403	1,823	2,051	1,664	1,491	1,286	1,663
TOTALS FOR RIVERSIDE, CITY OF-GAGE CANAL				1,504	1,474	1,639	1,231	1,169	1,403	1,823	2,051	1,664	1,491	1,286	1,663
ROQUET, HARRY V.															
3601423	02S/04W-06N	W	2 WEST	0	0	0	0	0	0	0	0	0	0	0	0
3601424	02S/04W-06P	D		67	67	67	67	67	67	0	0	0	0	0	0
3601422	02S/04W-06Q	W	1 HOUSE	23	23	23	23	23	23	0	0	0	0	0	0
TOTALS FOR ROQUET, HARRY V.				90	90	90	90	90	90	0	0	0	0	0	0
ROSEDALE WATER COMPANY															
3600915	01S/04W-31J01S	W	NEW WELL	45	45	25	25	25	33	0	0	0	0	0	0
TOTALS FOR ROSEDALE WATER COMPANY				45	45	25	25	25	33	0	0	0	0	0	0
SERVICE ROCK CO															
3600911	01S/05W-35J	W	2	123	104	46	7	8	58	0	0	0	0	0	0
TOTALS FOR SERVICE ROCK CO				123	104	46	7	8	58	0	0	0	0	0	0
SOUTHERN CALIFORNIA EDISON															
3601970	02S/04W-05M01S	W	PICO #64			139	211	244	119	133	150	150	150	150	147

WESTERN - SAN BERNARDINO WATERMASTER

TABLE 1

VERIFIED EXTRACTIONS - FILED

RIVERSIDE NORTH BASIN

RECRDTN NUMBER	STATE NUMBER	WELL TYPE	WELL LOCAL DESIGNATION	-----BASE YEARS-----						-----CALENDAR YEAR EXTRACTIONS-----						
				1959	1960	1961	1962	1963	AVG	1998	1999	2000	2001	2002	AVG	
TOTALS FOR SOUTHERN CALIFORNIA EDISON						139	211	244		119	133	150	150	150	150	147
STAPAKIS, WILLIAM																
3601488-	02S/05W-01Q01S	W	WILLIAMS			0	0	0	0	0	0	0	0	0	0	0
TOTALS FOR STAPAKIS, WILLIAM						0	0	0	0	0	0	0	0	0	0	0
THERMO ECOTEK CORPORATION																
3601009	02S/04W-06J01S	W	RIV CANAL 60	25	35	38	51	53	40	0	5	1	1	0	1	
3601011	02S/04W-06R04S	W	RIV CANAL 61	26	25	52	52	59	43	1	46	4	23	1	15	
3601020	02S/04W-06R05S	W	RIV CANAL 62/CE #3	292	482	526	494	701	499	0	0	26	3	0	6	
3601023	02S/04W-06R06S	W	RIV CANAL 63/CE #4	282	406	508	507	540	449	0	0	26	3	0	6	
TOTALS FOR THERMO ECOTEK CORPORATION				625	948	1,124	1,104	1,353	1,031	1	51	57	30	1	28	
VILLELLI ENTERPRISES																
3601549	01S/04W-28M01S	W	2	600	680	820	680	580	672	0	0	0	0	0	0	
TOTALS FOR VILLELLI ENTERPRISES				600	680	820	680	580	672	0	0	0	0	0	0	0
WAGONER, JOHN J																
3600899	02S/04W-05F	W	DOM 1	0	0	0	0	0	0	0	0	0	0	0	0	
TOTALS FOR WAGONER, JOHN J				0	0	0	0	0	0	0	0	0	0	0	0	0
WEST RIVERSIDE 350 WATER COMPANY																
3600832	01S/04W-32B01S	W	350" #5	723	784	571	0	180	452	0	0	0	0	0	0	
3601953	01S/04W-32B02S	W	#7			640	2,989	2,512	1,228	0	0	0	0	0	0	
3600833	01S/04W-32G01S	W	6	1,178	896	542	0	0	523	0	0	0	0	0	0	
3600829	01S/04W-32G02S	W	1	26	10	0	0	0	7	0	0	0	0	0	0	
3600830	01S/04W-32G04S	W	2	310	252	245	0	0	161	0	0	0	0	0	0	
3600831	01S/04W-32H01S	W	4	58	30	150	0	0	48	0	0	0	0	0	0	
TOTALS FOR WEST RIVERSIDE 350 WATER COMPANY				2,295	1,972	2,148	2,989	2,692	2,419	0	0	0	0	0	0	0
WEST VALLEY WATER DIST																
3601004	01S/05W-23N01S	W	PLANT NO 19	824	904	831	808	622	798	0	0	0	0	0	0	
3600074	01S/05W-23Q01S	W	PL 29 / CRAM-WRIGHT	150	150	150	150	150	150	0	0	0	0	0	0	
3601763	01S/05W-24M01S	W	PL 18/SLOVER MUTUAL	35	40	46	35	35	38	0	0	0	0	0	0	
3603669	01S/05W-24M02S	W	#18A						0	1	735	999	946	1,806	897	

**WESTERN - SAN BERNARDINO WATERMASTER
TABLE 1
VERIFIED EXTRACTIONS - FILED
RIVERSIDE NORTH BASIN**

RECRDTN NUMBER	STATE WELL NUMBER	WELL TYPE	LOCAL DESIGNATION	-----BASE YEARS-----						-----CALENDAR YEAR EXTRACTIONS-----					
				1959	1960	1961	1962	1963	AVG	1998	1999	2000	2001	2002	AVG
3601683	01S/05W-34B02S	W	PLANT NO 26	146	170	193	118	117	149	0	0	0	0	0	0
3601434	01S/05W-34D01S	W	PLANT NO 25	204	211	212	203	201	206	0	0	0	0	0	0
3603670	01S/05W-36E03S	W	#41						0	1,131	1,286	1,225	1,170	139	990
TOTALS FOR WEST VALLEY WATER DIST				1,359	1,475	1,432	1,314	1,125	1,341	1,132	2,021	2,224	2,116	1,945	1,888
YEAGER CONSTRUCTION COMPANY															
3601961	01S/05W-25P	W	AMRCH 1	20	18	149	141	107	87	0	0	0	0	0	0
3600535-	01S/05W-36C11S	W	3						0	6	1	1	1	1	2
TOTALS FOR YEAGER CONSTRUCTION COMPANY				20	18	149	141	107	87	6	1	1	1	1	2
TOTALS FOR 120 WELLS				37,915	33,180	36,519	29,882	27,864	33,072	18,723	22,144	22,748	18,663	20,211	20,498

TABLE NO. 2

VERIFIED EXTRACTIONS BY OWNERS WHICH
HAVE NOT FILED WITH THE STATE WATER
RESOURCES CONTROL BOARD

**WESTERN MUNICIPAL WATER DISTRICT
TABLE 2
VERIFIED EXTRACTIIONS - NON-FILED
RIVERSIDE NORTH BASIN**

RECRDTN NUMBER	STATE WELL NUMBER	WELL TYPE	LOCAL DESIGNATION	-----BASE YEARS-----						-----CALENDAR YEAR EXTRACTIIONS-----					
				1959	1960	1961	1962	1963	AVG	1998	1999	2000	2001	2002	AVG
MASON,															
0000301	02S/05W-02R	W	MASON							0	0	0	0	0	0
TOTALS FOR MASON,										0	0	0	0	0	0
CALIFORNIA PORTLAND CEMENT COMPANY															
0000302	01S/05W-25P	W	MILLER HONEY	0	0	0	0	0	0	0	0	0	0	0	0
TOTALS FOR CALIFORNIA PORTLAND CEMENT COMPANY				0	0	0	0	0	0	0	0	0	0	0	0
CARSON, K.															
0000303	01S/05W-35B	W	-		50	50	50	50	40	0	0	0	0	0	0
TOTALS FOR CARSON, K.					50	50	50	50	0	0	0	0	0	0	0
MINTER, BEVERLY															
0000304	01S/05W-36B	W	OLD DUNN						0	1	0	24	24	24	15
TOTALS FOR MINTER, BEVERLY									0	1	0	24	24	24	15
HOLTER RANCH															
0000305	01S/05W-36N	W	HENDRICKS	38	38	38	38	38	38	0	0	0	0	0	0
TOTALS FOR HOLTER RANCH				38	38	38	38	38	38	0	0	0	0	0	0
SAN BERNARDINO, CITY OF															
0000306	01S/05W-36F	W	RIX OVER EXTRACTIIONS						0	14,062	13,121	12,902	12,283	7,332	11,940
TOTALS FOR SAN BERNARDINO, CITY OF									0	14,062	13,121	12,902	12,283	7,332	11,940
MCDANIEL & SON DAIRY															
0000307	01S/04W-30P01S	W	DAIRY	13	13	13	13	13	13	0	0	0	0	0	0
TOTALS FOR MCDANIEL & SON DAIRY				13	13	13	13	13	13	0	0	0	0	0	0
WOODLAND FARMS															
0000308	01S/05W-25R	W	WARD DUCK	556	556	556	556	556	556	300	72	95	98	120	137
TOTALS FOR WOODLAND FARMS				556	556	556	556	556	556	300	72	95	98	120	137
KLECKLER, DON															
0000309	01S/04W-36N	W	15 HP						0	30	30	30	30	30	30

**WESTERN MUNICIPAL WATER DISTRICT
TABLE 2
VERIFIED EXTRACTIONS - NON-FILED
RIVERSIDE NORTH BASIN**

RECRDTN NUMBER	STATE WELL NUMBER	WELL TYPE	LOCAL DESIGNATION	-----BASE YEARS-----					-----CALENDAR YEAR EXTRACTIONS-----						
				1959	1960	1961	1962	1963	AVG	1998	1999	2000	2001	2002	AVG
TOTALS FOR KLECKLER, DON									0	30	30	30	30	30	30
TOTALS FOR 9 WELLS				607	657	657	657	657	647	14,393	13,223	13,051	12,435	7,506	12,122

TABLE NO. 3

SUMMARY OF VERIFIED EXTRACTIONS
(FILED AND NON-FILED)
FROM RIVERSIDE BASIN AREA WITHIN SAN BERNARDINO COUNTY

**WESTERN - SAN BERNARDINO WATERMASTER
TABLE 3
VERIFIED EXTRACTION, SUMMARY - FILED AND NON-FILED
RIVERSIDE NORTH BASIN**

	-----BASE YEARS-----						-----CALENDAR YEAR EXTRACTIONS-----					
	1959	1960	1961	1962	1963	AVG	1998	1999	2000	2001	2002	AVG
ALLEE RANCH	0	1	1	0	0	0	0	0	0	0	0	0
BECKETT RANCH	150	150	165	200	200	173	260	250	260	260	260	258
BRADFORD, IVAN						0	0	0	0	0	0	0
BRADVICA, LOUIS	105	123	83	78	61	90	0	0	0	0	0	0
CALIFORNIA PORTLAND CEMENT COMPANY	2,116	1,850	1,482	809	1,104	1,472	2,414	2,115	2,553	2,165	1,549	2,159
CANALE CATERING	9	9	9	9	9	9	0	0	0	0	0	0
CARSON, K.		50	50	50	50	40	0	0	0	0	0	0
COLTON, CITY OF			11	11	11	7	1,883	1,902	1,866	1,832	268	1,550
CORRIDOR LAND COMPANY	245	242	266	305	404	292	476	536	540	366	411	466
COUNTRY CLUB STORAGE	55	58	61	68	71	63	5	0	0	0	0	1
DAGGETT, FOREST N.	425	347	333	348	0	291	0	0	0	0	0	0
EL RIVINO COUNTRY CLUB	733	733	733	733	733	733	796	858	871	756	892	835
ELSINORE VALLEY M.W.D.	1,203	1,319	1,363	1,163	1,265	1,263	194	0	1,037	252	2,417	780
FIRESTONE GROUP LTD	285	240	379	338	205	289	0	0	0	0	0	0
GENERAL AMERICAN TRANSPORTATION CORP	30	30	28	31	34	31	28	20	23	14	28	23
GREEN ACRES	161	156	182	115	97	142	100	106	108	89	85	98
GREEN ACRES MEMORIAL PARK ASS'N	1,918	1,569	426	658	774	1,069	298	293	261	275	262	278
HAMADA BROS	323	325	348	390	346	346	0	0	0	0	0	0
HOLLIDAY TRUCKING	158	155	151	148	149	152	116	125	119	125	126	122
HOLTER RANCH	38	38	38	38	38	38	0	0	0	0	0	0
HOWELL, ORUS	50	50	50	50	50	50	0	0	0	0	0	0
HUNGERFORD, FRANK B.	0	0	0	0	0	0	0	0	0	0	0	0
INTER COUNTY WATER COMPANY	145	141	133	117	131	133	0	0	0	0	0	0
JOHNSON, DOROTHY	0	0	0	0	0	0	0	0	0	0	0	0
JUMAL WATER COMPANY	322	272	257	210	141	240	0	0	0	0	0	0
JURUPA WATER COMPANY	811	762	1,114	745	333	753	0	0	0	0	0	0
KLECKLER, DON						0	30	30	30	30	30	30
LA SIERRA WATER COMPANY	3,463	3,190	3,387	1,861	964	2,573	0	0	0	0	0	0
LOPEZ, M & R	61	140	238	68	135	128	0	0	0	0	0	0
MADISON, ERIN	606	612	726	404	298	529	0	0	0	0	0	0
MASON,						0	0	0	0	0	0	0
MCDANIEL & SON DAIRY	13	13	13	13	13	13	0	0	0	0	0	0
MERRYFIELD WATER COMPANY	490	310	444	252	242	348	98	155	160	117	139	134
MINTER, BEVERLY						0	1	0	24	24	24	15
RANCHO DE SANTA FE	378	335	518	448	377	411	0	0	0	0	0	0
RIALTO, CITY OF	130	130	130	130	180	140	0	0	0	0	0	0
RIVERSIDE CEMENT COMPANY	107	107	106	106	0	85	0	0	0	0	0	0

WESTERN - SAN BERNARDINO WATERMASTER
TABLE 3
VERIFIED EXTRACTION, SUMMARY - FILED AND NON-FILED
RIVERSIDE NORTH BASIN

	-----BASE YEARS-----						-----CALENDAR YEAR EXTRACTIONS-----					
	1959	1960	1961	1962	1963	AVG	1998	1999	2000	2001	2002	AVG
RIVERSIDE HIGHLAND WATER COMPANY	3,801	3,379	4,104	3,580	3,898	3,752	2,195	2,627	2,225	1,336	2,577	2,192
RIVERSIDE, CITY OF	12,974	9,639	11,679	8,715	8,259	10,253	6,765	8,883	8,629	7,288	7,814	7,876
RIVERSIDE, CITY OF-GAGE CANAL	1,504	1,474	1,639	1,231	1,169	1,403	1,823	2,051	1,664	1,491	1,286	1,663
ROQUET, HARRY V.	90	90	90	90	90	90	0	0	0	0	0	0
ROSEDALE WATER COMPANY	45	45	25	25	25	33	0	0	0	0	0	0
SAN BERNARDINO, CITY OF						0	14,062	13,121	12,902	12,283	7,332	11,940
SERVICE ROCK CO	123	104	46	7	8	58	0	0	0	0	0	0
SOUTHERN CALIFORNIA EDISON			139	211	244	119	133	150	150	150	150	147
STAPAKIS, WILLIAM			0	0	0	0	0	0	0	0	0	0
THERMO ECOTEK CORPORATION	625	948	1,124	1,104	1,353	1,031	1	51	57	30	1	28
VILLELLI ENTERPRISES	600	680	820	680	580	672	0	0	0	0	0	0
WAGONER, JOHN J	0	0	0	0	0	0	0	0	0	0	0	0
WEST RIVERSIDE 350 WATER COMPANY	2,295	1,972	2,148	2,989	2,692	2,419	0	0	0	0	0	0
WEST VALLEY WATER DIST	1,359	1,475	1,432	1,314	1,125	1,341	1,132	2,021	2,224	2,116	1,945	1,888
WOODLAND FARMS	556	556	556	556	556	556	300	72	95	98	120	137
YEAGER CONSTRUCTION COMPANY	20	18	149	141	107	87	6	1	1	1	1	2
TOTALS FOR ALL WELLS	38,522	33,837	37,176	30,539	28,521	33,719	33,116	35,367	35,799	31,098	27,717	32,619

TABLE NO. 4

GROUNDWATER PRODUCTION FROM THAT PART OF THE RIVERSIDE
GROUNDWATER BASIN SITUATED WITHIN SAN BERNARDINO COUNTY
BY RIVERSIDE COUNTY ENTITIES, A PART OF WHICH IS USED IN
SAN BERNARDINO COUNTY AND THE REMAINDER EXPORTED TO
RIVERSIDE COUNTY DURING THE 5-YEAR BASE PERIOD
ENDING IN 1963 AND FOR FOLLOWING CALENDAR
YEARS 1976 THROUGH THE CURRENT YEAR

TABLE NO. 4

Sheet 1 of 7

GROUNDWATER PRODUCTION FROM THAT PART OF THE RIVERSIDE GROUNDWATER BASIN SITUATED
WITHIN SAN BERNARDINO COUNTY BY RIVERSIDE COUNTY ENTITIES, A PART OF WHICH IS USED IN
SAN BERNARDINO COUNTY AND THE REMAINDER EXPORTED TO RIVERSIDE COUNTY DURING THE
5-YEAR BASE PERIOD ENDING IN 1963 AND FOR THE FOLLOWING CALENDAR YEARS 1975 THROUGH THE CURRENT YEAR

CLASSIFIED ACCORDING TO SERVICE AREA
(Quantities in Acre Feet)

EXTRACTIONS FROM THE COLTON BASIN AREA FOR USE WITHIN AND EXPORT THEREFROM

PLAINTIFFS	1959			1960			1961			1962			1963			5-Year Average		
	Total Del. in Extract	Del. in S.B. Co.	Del. in Riv. Co.	Total Del. in Extract	Del. in S.B. Co.	Del. in Riv. Co.	Total Del. in Extract	Del. in S.B. Co.	Del. in Riv. Co.	Total Del. in Extract	Del. in S.B. Co.	Del. in Riv. Co.	Total Del. in Extract	Del. in S.B. Co.	Del. in Riv. Co.	Total Del. in Extract	Del. in S.B. Co.	Del. in Riv. Co.
American Cement Co.	2,526	713	1,813	2,178	719	1,459	1,146	832	314	1,053	510	543	948	298	650	1,570	614	956
City of Riverside Domestic & irrigation	12,974	1,581	11,393	9,639	852	8,787	11,679	1,171	10,508	8,715	81	8,634	8,259	84	8,175	10,253	754	9,499
City of Riverside Gage Canal Company	1,504	0	1,504	1,474	0	1,474	1,639	0	1,639	1,231	0	1,231	1,169	0	1,169	1,403	0	1,403
Inter County Water Co. WSBCWD after 1988	145	57	88	141	55	86	133	52	81	117	46	71	131	51	80	133	52	81
Jurupa Water Company JCSO after 1988	811	0	811	762	0	762	1,114	0	1,114	745	0	745	333	0	333	753	0	753
La Sierra Water Company	3,463	725	2,738	3,190	698	2,492	3,387	598	2,789	1,861	289	1,572	964	274	690	2,573	517	2,056
Riverside Highland Water Company	3,801	1,317	2,484	3,379	890	2,489	4,104	994	3,110	3,580	1,043	2,537	3,898	1,246	2,652	3,752	1,098	2,654
Temescal Water Company	1,203	0	1,203	1,319	0	1,319	1,363	0	1,363	1,163	0	1,163	1,265	0	1,265	1,263	0	1,263
West Riverside 350" Water Company	2,295	0	2,295	1,972	0	1,972	2,148	0	2,148	2,989	0	2,989	2,692	0	2,692	2,419	0	2,419
TOTALS	28,722	4,393	24,329	24,054	3,214	20,840	26,713	3,647	23,066	21,454	1,969	19,485	19,659	1,953	17,706	24,120	3,035	21,085

Total Extract -- TOTAL EXTRACTIONS.

Del in S.B. Co. -- DELIVERY WITHIN SAN BERNARDINO COUNTY.

Del. in Riv. Co. -- DELIVERY WITHIN RIVERSIDE COUNTY.

See Report of the Watermaster, Volume 5, Distribution of Extractions, Chapter I, Table No. 52-A.

Same as Table 52-A, Volume 5.

TABLE NO. 4

Sheet 2 of 5

GROUNDWATER PRODUCTION FROM THAT PART OF THE RIVERSIDE GROUNDWATER BASIN SITUATED
WITHIN SAN BERNARDINO COUNTY BY RIVERSIDE COUNTY ENTITIES, A PART OF WHICH IS USED IN
SAN BERNARDINO COUNTY AND THE REMAINDER EXPORTED TO RIVERSIDE COUNTY DURING THE
5-YEAR BASE PERIOD ENDING IN 1963 AND FOR THE FOLLOWING CALENDAR YEARS 1976 THROUGH THE CURRENT YEAR

CLASSIFIED ACCORDING TO SERVICE AREA
(Quantities in Acre Feet)

EXTRACTIONS FROM RIVERSIDE BASIN AREA WITHIN SAN BERNARDINO COUNTY FOR USE WITHIN AND EXPORT THEREFROM

PLAINTIFFS	1976			1977			1978			1979			1980		
	Total Extract	Del. in S.B. Co.	Del. in Riv. Co.	Total Extract	Del. in S.B. Co.	Del. in Riv. Co.	Total Extract	Del. in S.B. Co.	Del. in Riv. Co.	Total Extract	Del. in S.B. Co.	Del. in Riv. Co.	Total Extract	Del. in S.B. Co.	Del. in Riv. Co.
American Cement Co.	218	218	0	446	446	0	227	227	0	436	436	0	218	218	0
City of Riverside Domestic & irrigation	6,345	126	6,219	4,112	279	3,833	1,364	271	1,093	2,836	587	2,249	1,706	1,591	115
City of Riverside Gage Canal Company	440	62	378	389	6	383	734	4	730	413	4	409	2,032	4	2,028
Inter County Water Co. WSBCWD after 1988	230	152	78	207	137	70	145	96	49	225	149	76	228	150	78
Jurupa Water Company JCSD after 1988	637	0	637	756	0	756	1,118	0	1,118	421	0	421	478	0	478
La Sierra Water Company	2,682	0	2,682	2,862	0	2,862	1,500	0	1,500	1,736	0	1,736	1,102	0	1,102
Riverside Highland Water Company	3,592	1,108	2,484	4,699	1,117	3,582	3,923	1,302	2,621	3,876	1,194	2,682	4,284	1,447	2,837
Temescal Water Company	2,682	0	2,682	2,363	0	2,363	1,528	0	1,528	2,130	0	2,130	1,968	0	1,968
West Riverside 350" Water Company	981	0	981	583	0	583	416	0	416	889	0	889	585	0	585
TOTALS	17,807	1,666	16,141	16,417	1,985	14,432	10,955	1,900	9,055	12,962	2,370	10,592	12,601	3,410	9,191

Total Extract -- TOTAL EXTRACTIONS.

Del in S.B. Co. -- DELIVERY WITHIN SAN BERNARDINO COUNTY.

Del. in Riv. Co. -- DELIVERY WITHIN RIVERSIDE COUNTY.

See Report of the Watermaster, Volume 5, Distribution of Extractions, Chapter I, Table No. 52-A.

Same as Table 52-A, Volume 5.

TABLE NO. 4

Sheet 3 of 7

GROUNDWATER PRODUCTION FROM THAT PART OF THE RIVERSIDE GROUNDWATER BASIN SITUATED
WITHIN SAN BERNARDINO COUNTY BY RIVERSIDE COUNTY ENTITIES, A PART OF WHICH IS USED IN
SAN BERNARDINO COUNTY AND THE REMAINDER EXPORTED TO RIVERSIDE COUNTY DURING THE
5-YEAR BASE PERIOD ENDING IN 1963 AND FOR THE FOLLOWING CALENDAR YEARS 1976 THROUGH THE CURRENT YEAR

CLASSIFIED ACCORDING TO SERVICE AREA
(Quantities in Acre Feet)

EXTRACTIONS FROM RIVERSIDE BASIN AREA WITHIN SAN BERNARDINO COUNTY FOR USE WITHIN AND EXPORT THEREFROM

PLAINTIFFS	1981			1982			1983			1984			1985		
	Total Extract	Del. in S.B. Co.	Del. in Riv. Co.	Total Extract	Del. in S.B. Co.	Del. in Riv. Co.	Total Extract	Del. in S.B. Co.	Del. in Riv. Co.	Total Extract	Del. in S.B. Co.	Del. in Riv. Co.	Total Extract	Del. in S.B. Co.	Del. in Riv. Co.
Riverside Cement Co.*	413	413	0	0	0	0	0	0	0	0	0	0	0	0	0
City of Riverside Domestic & irrigation	2,894	1,526	1,368	3,615	2,102	1,513	2,581	1,933	648	2,891	448	2,443	3,193	714	2,479
City of Riverside Gage Canal Company	2,467	3	2,464	1,645	1	1,644	1,019	1	1,018	2,046	2	2,044	1,861	1	1,860
Inter County Water Co. WSBCWD after 1988	175	115	60	200	132	68	154	102	52	207	136	71	196	129	67
Jurupa Water Company JCSD after 1988	62	0	62	793	0	793	351	0	351	634	0	634	1,217	0	1,217
La Sierra Water Company	2,233	0	2,233	29	0	29	14	0	14	0	0	0	0	0	0
Riverside Highland Water Company	4,965	1,676	3,289	3,330	1,248	2,082	2,535	889	1,646	4,545	1,367	3,178	4,475	1,299	3,176
Temescal Water Company	2,196	0	2,196	1,423	0	1,423	0	0	0	1,190	0	1,190	1,817	0	1,817
West Riverside 350" Water Company	1,395	0	1,395	905	0	905	46	0	46	0	0	0	585	0	585
TOTALS	16,800	3,733	13,067	11,940	3,483	8,457	6,700	2,925	3,775	11,513	1,953	9,560	13,344	2,143	11,201

Total Extract -- TOTAL EXTRACTIONS.

Del in S.B. Co. -- DELIVERY WITHIN SAN BERNARDINO COUNTY.

Del. in Riv. Co. -- DELIVERY WITHIN RIVERSIDE COUNTY.

* Name change from American Cement (Amcord) in 1981.

See Report of the Watermaster, Volume 5, Distribution of Extractions, Chapter I, Table No. 52-A.

Same as Table 52-A, Volume 5.

TABLE NO. 4

Sheet 4 of 7

GROUNDWATER PRODUCTION FROM THAT PART OF THE RIVERSIDE GROUNDWATER BASIN SITUATED
WITHIN SAN BERNARDINO COUNTY BY RIVERSIDE COUNTY ENTITIES, A PART OF WHICH IS USED IN
SAN BERNARDINO COUNTY AND THE REMAINDER EXPORTED TO RIVERSIDE COUNTY DURING THE
5-YEAR BASE PERIOD ENDING IN 1963 AND FOR THE FOLLOWING CALENDAR YEARS 1976 THROUGH THE CURRENT YEAR

CLASSIFIED ACCORDING TO SERVICE AREA
(Quantities in Acre Feet)

EXTRACTIONS FROM RIVERSIDE BASIN AREA WITHIN SAN BERNARDINO COUNTY FOR USE WITHIN AND EXPORT THEREFROM

PLAINTIFFS	1986			1987			1988			1989			1990		
	Total Extract	Del. in S.B. Co.	Del. in Riv. Co.	Total Extract	Del. in S.B. Co.	Del. in Riv. Co.	Total Extract	Del. in S.B. Co.	Del. in Riv. Co.	Total Extract	Del. in S.B. Co.	Del. in Riv. Co.	Total Extract	Del. in S.B. Co.	Del. in Riv. Co.
Riverside Cement Co.*	0	0	0	0	0	0	0	0	0	0	0	0	0	0	0
City of Riverside Domestic & irrigation	2,342	117	2,225	1,762	87	1,675	3,315	58	3,257	10,194	59	10,135	10,983	1,011	9,972
City of Riverside Gage Canal Company	1,893	2	1,891	1,996	1	1,995	2,191	2	2,189	1,965	2	1,963	1,962	1	1,961
Inter County Water Co. WSBCWD after 1988	189	125	64	78	51	27	21	0	21	21	0	21	21	0	21
Jurupa Water Company JCSD after 1988	1,372	0	1,372	1,083	0	1,083	26	0	26	248	0	248	392	0	392
La Sierra Water Company	0	0	0	0	0	0	0	0	0	0	0	0	0	0	0
Riverside Highland Water Company	2,089	1,001	1,088	1,632	578	1,054	1,785	713	1,072	2,558	1,558	1,000	2,858	1,616	1,242
Temescal Water Company	2,051	0	2,051	1,878	0	1,878	2,360	0	2,360	2,790	0	2,790	2,283	0	2,283
West Riverside 350" Water Company	0	0	0	0	0	0	0	0	0	0	0	0	0	0	0
TOTALS	9,936	1,245	8,691	8,429	717	7,712	9,698	773	8,925	17,776	1,619	16,157	18,499	2,628	15,871

Total Extract -- TOTAL EXTRACTIONS.

Del in S.B. Co. -- DELIVERY WITHIN SAN BERNARDINO COUNTY.

Del. in Riv. Co. -- DELIVERY WITHIN RIVERSIDE COUNTY.

* Name change from American Cement (Amcord) in 1981.

See Report of the Watermaster, Volume 5, Distribution of Extractions, Chapter I, Table No. 52-A.

Same as Table 52-A, Volume 5.

TABLE NO. 4

Sheet 5 of 7

GROUNDWATER PRODUCTION FROM THAT PART OF THE RIVERSIDE GROUNDWATER BASIN SITUATED
WITHIN SAN BERNARDINO COUNTY BY RIVERSIDE COUNTY ENTITIES, A PART OF WHICH IS USED IN
SAN BERNARDINO COUNTY AND THE REMAINDER EXPORTED TO RIVERSIDE COUNTY DURING THE
5-YEAR BASE PERIOD ENDING IN 1963 AND FOR THE FOLLOWING CALENDAR YEARS 1976 THROUGH THE CURRENT YEAR

CLASSIFIED ACCORDING TO SERVICE AREA
(Quantities in Acre Feet)

EXTRACTIONS FROM RIVERSIDE BASIN AREA WITHIN SAN BERNARDINO COUNTY FOR USE WITHIN AND EXPORT THEREFROM

PLAINTIFFS	1991			1992			1993			1994			1995		
	Total Extract	Del. in S.B. Co.	Del. in Riv. Co.	Total Extract	Del. in S.B. Co.	Del. in Riv. Co.	Total Extract	Del. in S.B. Co.	Del. in Riv. Co.	Total Extract	Del. in S.B. Co.	Del. in Riv. Co.	Total Extract	Del. in S.B. Co.	Del. in Riv. Co.
Riverside Cement Co.*	-	-	-	-	-	-	-	-	-	-	-	-	-	-	-
City of Riverside Domestic & irrigation	13,203	1,005	12,198	10,343	334	10,009	9,300	69	9,231	8,203	72	8,131	10,755	0	10,755
City of Riverside Gage Canal Company	1,734	1	1,733	1,657	1	1,656	2,023	2	2,021	2,028	2	2,026	1,664	0	1,664
Inter County Water Co. WSBCWD after 1988	21	0	21	21	0	21	21	0	21	21	0	21	21	0	21
Jurupa Water Company JCSD after 1988	646	-	646	357	-	357	362	-	362	413	-	413	1,520	-	1,520
La Sierra Water Company	0	0	0	0	0	0	0	0	0	0	0	0	0	0	0
Riverside Highland Water Company	3,581	1,978	1,603	2,215	1,244	971	3,034	1,664	1,370	3,285	1,672	1,613	3,126	1,696	1,430
Temescal Water Company	2,354	-	2,354	1,714	-	1,714	1,698	-	1,698	0	-	0	556	-	556
West Riverside 350" Water Company	0	-	0	0	-	0	0	-	0	0	-	0	-	-	-
TOTALS	21,539	2,984	18,555	16,307	1,579	14,728	16,438	1,735	14,703	13,950	1,746	12,204	17,642	1,696	15,946

Total Extract -- TOTAL EXTRACTIONS.

Del in S.B. Co. -- DELIVERY WITHIN SAN BERNARDINO COUNTY.

Del. in Riv. Co. -- DELIVERY WITHIN RIVERSIDE COUNTY.

* Name change from American Cement (Amcord) in 1981.

See Report of the Watermaster, Volume 5, Distribution of Extractions, Chapter I, Table No. 52-A.

Same as Table 52-A, Volume 5.

TABLE NO. 4

GROUNDWATER PRODUCTION FROM THAT PART OF THE RIVERSIDE GROUNDWATER BASIN SITUATED
WITHIN SAN BERNARDINO COUNTY, A PART OF WHICH IS USED IN
SAN BERNARDINO COUNTY AND THE REMAINDER EXPORTED TO RIVERSIDE COUNTY DURING THE
5-YEAR BASE PERIOD ENDING IN 1963 AND FOR THE FOLLOWING CALENDAR YEARS 1976 THROUGH THE CURRENT YEAR

Page 6 of 7

CLASSIFIED ACCORDING TO SERVICE AREA
(Quantities in Acre Feet)

EXTRACTIONS FROM RIVERSIDE BASIN AREA WITHIN SAN BERNARDINO COUNTY FOR USE WITHIN AND EXPORT THEREFROM

PLAINTIFFS	1996			1997			1998			1999			2000		
	Total Extract	Del. in S.B. Co.	Del. in Riv. Co.	Total Extract	Del. in S.B. Co.	Del. in Riv. Co.	Total Extract	Del. in S.B. Co.	Del. in Riv. Co.	Total Extract	Del. in S.B. Co.	Del. in Riv. Co.	Total Extract	Del. in S.B. Co.	Del. in Riv. Co.
Riverside Cement Co.*	-	-	-	-	-	-	-	-	-	-	-	-	-	-	-
City of Riverside Domestic & Irrigation	9,064	0	9,064	8,169	0	8,169	6,765	0	6,765	8,883	0	8,883	8,629	0	8,629
City of Riverside Gage Canal Company	1,706	0	1,706	1,591	0	1,591	1,823	0	1,823	2,051	0	2,051	1,664	0	1,664
Inter County Water Co. WSBCWD after 1988	21	-	21	21	-	21	21	-	21	21	-	21	21	-	21
Jurupa Water Company JCSD after 1988	1,500	-	1,500	-	-	-	-	-	-	-	-	-	-	-	-
La Sierra Water Company	0	0	0	0	0	0	0	0	0	0	0	0	0	0	0
Riverside Highland Water Company	2,396	1,308	1,088	2,513	1,352	1,161	2,195	1,324	871	2,627	1,866	761	1,138	1,120	18
Temescal Water Company	25	-	25	97	-	97	194	-	194	0	-	0	1,037	-	1,037
West Riverside 350" Water Company	0	-	0	0	-	0	0	-	0	0	-	0	0	-	0
TOTALS	14,712	1,308	13,404	12,391	1,352	11,039	10,998	1,324	9,674	13,582	1,866	11,716	12,489	1,120	11,369

Total Extract -- TOTAL EXTRACTIONS

Del in S.B. Co. -- DELIVERY WITHIN SAN BERNARDINO COUNTY

Del. in Riv. Co. -- DELIVERY WITHIN RIVERSIDE COUNTY

Same as Table No. 52, Volume 5

* Name change from American Cement (Amcord) to Riverside Cement in 1981

TABLE NO. 4

GROUNDWATER PRODUCTION FROM THAT PART OF THE RIVERSIDE GROUNDWATER BASIN SITUATED
WITHIN SAN BERNARDINO COUNTY, A PART OF WHICH IS USED IN
SAN BERNARDINO COUNTY AND THE REMAINDER EXPORTED TO RIVERSIDE COUNTY DURING THE
5-YEAR BASE PERIOD ENDING IN 1963 AND FOR THE FOLLOWING CALENDAR YEARS 1976 THROUGH THE CURRENT YEAR

Page 7 of 7

CLASSIFIED ACCORDING TO SERVICE AREA
(Quantities in Acre Feet)

EXTRACTIONS FROM RIVERSIDE BASIN AREA WITHIN SAN BERNARDINO COUNTY FOR USE WITHIN AND EXPORT THEREFROM

PLAINTIFFS	2001			2002			2003			2004			2005		
	Total Extract	Del. in S.B. Co.	Del. in Riv. Co.	Total Extract	Del. in S.B. Co.	Del. in Riv. Co.	Total Extract	Del. in S.B. Co.	Del. in Riv. Co.	Total Extract	Del. in S.B. Co.	Del. in Riv. Co.	Total Extract	Del. in S.B. Co.	Del. in Riv. Co.
Riverside Cement Co.*	-	-	-	-	-	-	-	-	-	-	-	-	-	-	-
City of Riverside Domestic & Irrigation	7,288	0	7,288	7,814	0	7,814									
City of Riverside Gage Canal Company	1,491	0	1,491	1,286	0	1,286									
Inter County Water Co. WSBCWD after 1988	21	-	21	21	-	21									
Jurupa Water Company JCSD after 1988	-	-	-	-	-	-	-	-	-	-	-	-	-	-	-
La Sierra Water Company	0	0	0	0	0	0									
Riverside Highland Water Company	1,341	1,280	61	2,577	2,440	137									
Temescal Water Company	252	-	252	2,417	-	2,417									
West Riverside 350" Water Company	0	-	0	0	-	0									
TOTALS	10,393	1,280	9,113	14,115	2,440	11,675									

Total Extract -- TOTAL EXTRACTIONS

Del in S.B. Co. -- DELIVERY WITHIN SAN BERNARDINO COUNTY

Del. in Riv. Co. -- DELIVERY WITHIN RIVERSIDE COUNTY

Same as Table No. 52, Volume 5

* Name change from American Cement (Amcord) to Riverside Cement in 1981

TABLE NO. 5

GROUNDWATER PRODUCTION FROM THAT PART OF THE
RIVERSIDE GROUNDWATER BASIN SITUATED WITHIN SAN BERNARDINO COUNTY
BY SAN BERNARDINO COUNTY ENTITIES
FOR USE IN SAN BERNARDINO COUNTY
DURING THE 5-YEAR BASE PERIOD ENDING IN 1963
AND FOR FOLLOWING CALENDAR YEARS 1971 THROUGH THE CURRENT YEAR

TABLE NO. 5

GROUNDWATER PRODUCTION FROM THAT PART OF THE
RIVERSIDE GROUNDWATER BASIN SITUATED WITHIN SAN BERNARDINO COUNTY
BY SAN BERNARDINO COUNTY ENTITIES FOR USE IN SAN BERNARDINO COUNTY
DURING THE 5-YEAR BASE PERIOD ENDING IN 1963

AND FOR FOLLOWING CALENDAR YEARS 1971 THROUGH THE CURRENT YEAR

(Quantities in Acre Feet)

Verified Extractions from
Riverside Basin Area Within San Bernardino County

Calendar Year	Total Basin	by Riverside Co. Entities	Riverside Accumulated	by San Bernardino Co. Entities
	(1)	(2)	(3)	(4)
1959	38,572	28,722		9,850
1960	33,837	24,054		9,783
1961	37,176	26,713		10,463
1962	30,539	21,454		9,085
1963	28,521	19,659		8,862
5-year Avg.	33,729	24,120		9,609
1971	29,070	20,322	20,322	8,748
1972	28,148	20,185	40,507	7,963
1973	21,809	15,319	55,826	6,490
1974	21,881	14,982	70,808	6,899
1975	22,701	16,188	86,996	6,513
1976	24,705	17,807	104,803	6,898
1977	23,506	16,417	121,220	7,089
1978	17,216	10,955	132,175	6,261
1979	20,024	12,962	145,137	7,062
1980	18,533	12,601	157,738	5,932
1981	23,611	16,800	174,538	6,811
1982	17,349	11,940	186,478	5,409
1983	11,904	6,700	193,178	5,204
1984	17,161	11,513	204,691	5,648
1985	19,392	13,344	218,035	6,048
1986	17,337	9,936	227,971	7,401
1987	15,803	8,429	236,400	7,374
1988	16,933	9,698	246,098	7,235
1989	25,557	17,776	263,874	7,781
1990	26,371	18,499	282,373	7,872
1991	28,011	21,539	303,912	6,472
1992	21,959 *	16,307	320,219	5,652
1993	21,866	16,438	336,657	5,428
1994	19,661	13,950	350,607	5,711
1995	23,865 **	17,642	368,249	6,223
1996	26,698 ***	14,712	382,961	11,986
1997	30,284 ***	12,391	395,352	17,893
1998	33,116	10,998	406,350	22,118
1999	35,367	13,582	419,932	21,785
2000	35,799	12,489	432,421	23,310
2001	31,098 ****	10,393	442,814	20,705
2002	27,717	14,115	456,929	13,602
2003				
2004				
2005				

Column (1), Table No. 3 total verified production all facilities.

Column (2), Table No. 4 total extractions.

Column (3), Column (1) - (2)

Same as Vol. 5, Table No. 53.

* Corrected during 1993 verification (owl rock)

** corrected during 1997 (Colton #24 reassigned to Riverside North, Kleckler

*** corrected during 1998 (RIX conversion error corrected)

**** corrected during 2002 (new Cal Mat and RH wells)

**WESTERN - SAN BERNARDINO WATERMASTER
FOR
WESTERN MUNICIPAL WATER DISTRICT et al.
vs.
EAST SAN BERNARDINO COUNTY WATER DISTRICT et al.
CASE NO. 78426 - COUNTY OF RIVERSIDE**

VOLUME 4 - 2002

**VERIFIED EXTRACTIONS FROM THE
RIVERSIDE BASIN AREA WITHIN
RIVERSIDE COUNTY
FOR
CALENDAR YEARS 1959-1963 & 1998-2002**

**ANNUAL ACCOUNTING
FOR INDIVIDUAL WELLS**

August 1, 2004

WATERMASTER

*Donald L. Harriger
Robert L. Reiter*

REPORT OF WATERMASTER

Western Municipal Water District of Riverside County, et al
Plaintiffs

vs.

East San Bernardino County Water District, et al
Defendants

Superior Court of Riverside County

Case No. 78426

VOLUME 4 - 2002

VERIFIED EXTRACTIONS FROM THE
RIVERSIDE BASIN AREA WITHIN
RIVERSIDE COUNTY
FOR
CALENDAR YEARS 1959-1963 & 1998-2002

ANNUAL ACCOUNTING
FOR INDIVIDUAL WELLS

AUGUST 1, 2004

WATERMASTER

Donald L. Harriger
Robert L. Reiter

VOLUME 4-2002

TABLE OF CONTENTS

	<u>Page</u>
INTRODUCTION	i
RIVERSIDE BASIN AREA IN RIVERSIDE COUNTY CROSS INDEX BY OWNER	1
RIVERSIDE BASIN AREA IN RIVERSIDE COUNTY CROSS INDEX BY STATE WELL NUMBER	4
RIVERSIDE BASIN AREA IN RIVERSIDE COUNTY CROSS INDEX BY RECORDATION NUMBER	7
<u>TABLE NO. 1</u>	
VERIFIED EXTRACTIONS BY OWNERS WHICH HAVE RECORDATION FILINGS WITH THE STATE WATER RESOURCES CONTROL BOARD	10
<u>TABLE NO. 2</u>	
VERIFIED EXTRACTIONS BY OWNERS WHICH HAVE NOT FILED WITH THE STATE WATER RESOURCES CONTROL BOARD	15
<u>TABLE NO. 3</u>	
SUMMARY OF VERIFIED EXTRACTIONS (FILED AND NON-FILED) FROM RIVERSIDE BASIN AREA WITHIN RIVERSIDE COUNTY	16
<u>TABLE NO. 4</u>	
TOTAL VERIFIED EXTRACTIONS FROM THE RIVERSIDE BASIN AREA WITHIN RIVERSIDE COUNTY FOR USE WITHIN RIVERSIDE COUNTY DURING THE 5-YEAR BASE PERIOD ENDING IN 1963 AND FOR CALENDAR YEARS 1971 THROUGH THE CURRENT YEAR . .	17

VOLUME 4-2002

VERIFIED EXTRACTIONS FROM
THE RIVERSIDE BASIN AREA
WITHIN RIVERSIDE COUNTY FOR
CALENDAR YEARS 1959-1963 & 1998-2002

INTRODUCTION

The provisions of Paragraph IX(a) and IX(b) of the Judgment Case No. 78426 entered April 17, 1969, entitled "Extractions from the Portion of Riverside Basin Area in Riverside County which is Tributary to Riverside Narrows" provide as follows:

- IX(a) "The average annual extractions from the portion of the Riverside Basin Area in Riverside County which is tributary to Riverside Narrows, for use in Riverside County, for the five-year period ending with 1963 are assumed to be 30,044 acre-feet; the correct figures shall be determined by the Watermaster as herein provided."
- IX(b) "Over any five-year period, there may be extracted from such Basin Area, without replenishment obligation, an amount equal to five times such annual average for the Basin Area; provided, however, that if extractions in any year exceed such average by more than 20 percent, Western shall provide replenishment in the following year equal to the excess extractions over such 20 percent peaking allowance."

Paragraph IX(a) of the Judgment requires only that extractions from that part of the Riverside Basin in Riverside County which is tributary to the Riverside Narrows and used in Riverside County, be verified for the five calendar year base period ending in 1963. Accordingly, a verification of these extractions has been made, the results of which are shown in Table No. 3 on page 16 and averaged 29,634 acre-feet annually for each year during the base period.

Three indexes are included which provide a cross index by owner's name, State Well Number, and State Water Resources Control Board Recordation Number. In addition, each index shows the local designation of each well, if the State Board has closed the file, which year that occurred, and the last five years verified extractions.

Tables No. 1 and No. 2 in this report list the individual wells by the owner, the owner totals for each year in the five year base period ending in 1963, the five year period average, and the extractions for the years of 1996 through 2001. Table No. 1 lists the wells upon which filings have been made with the State Water Resources Control Board, and Table No. 2 lists the wells upon which no filings have been made. Table No. 3 is a summary of the verified extractions, by owner, as presented in Tables No. 1 and No. 2.

The judgment further provides in Paragraph XVI that the accounting is effective from and after January 1, 1971. The recent verified extractions from the Riverside Basin Area in Riverside County for calendar years 1980 through the current year have been determined to be as follows:

<u>Year</u>	<u>Verified Extractions</u>
1980	30,206 A.F.
1981	30,243 A.F.
1982	20,365 A.F.
1983	22,991 A.F.
1984	32,466 A.F.
1985	23,970 A.F.
1986	24,549 A.F.
1987	24,202 A.F.
1988	24,470 A.F.
1989	34,417 A.F. ¹⁾ ²⁾
1990	31,760 A.F. ²⁾
1991	29,364 A.F. ³⁾
1992	29,538 A.F. ³⁾

1993	26,505 A.F.
1994	28,125 A.F.
1995	22,580 A.F.
1996	24,906 A.F.
1997	29,128 A.F.
1998	28,558 A.F.
1999	33,882 A.F.
2000	32,308 A.F.
2001	33,701 A.F.
2002	31,058 A.F.

Table No. 4 shows the total verified extractions from the Riverside Basin Area in Riverside County for use in Riverside County during the five year period ending in 1963 and for calendar years 1971 through the current year.

- 1) Corrected during 1990 verification (Riv.Cement 60-1,Cof R Garner T&G,1st St).
- 2) Corrected during 1991 verification (Riv.Co. Pk, Edmund, wrong power meter #).
- 3) Corrected during 1993 verification (Riv.Cement 88-1).

ERRATA

During the 2002 verification (June 2004) no changes or corrections were made to the report.

During the 2001 verification (May 2003) no changes or corrections were made to the report.

During the 2000 verification (May 2002) the following two wells were added to the database,
City of Riverside, 3302890, Russell C.
Jurupa Community Services District, 3304000, #21.

During the 1999 verification (June 2001) the following changes were made to the report.
Fort Fremont Mutual Water Company wells 3301296 and 3301297 were transferred to Rubidoux C.S.D., both well are now FC.

During the 1998 verification (June 2000) no changes or corrections were made to the report.

During the 1997 verification (June 1999) no changes or corrections were made to the report.

During the 1996 verification (June 1998) no changes or corrections were made to the report.

During the 1995 verification (June 1997) no changes or corrections were made to the report.

During the 1994 verification (June 1996) the following changes or corrections were made to the report.

Wells used by Fairmont Park (C of R wells 3301082, 1851, 1635, 1077) now are metered. Estimated water use is 3.5 af/ac.

During the 1993 verification (May 1995) the following changes and corrections were made to the report:

Riverside Cement backfiled on Well 88-1 (3302605) 64 AF for 1991 and 990 AF for 1992.

During the 1992 verification (November 1993) no changes or corrections were made to the report.

During the 1991 verification (November 1992) the following changes and corrections were made to the report:

The Riverside County Park "Edmund D" well (3300598) electrical meter number has been wrong since 1987. The meter actually supplies the park headquarters office complex and a small 3 hp well. Field notes from well measurements had power meter reading that were used to correct the verification.

<u>year</u>	<u>verified</u>	<u>corrected</u>	<u>difference</u>
1987	683	0	-683
1988	750	0	-750
1989	910	0	-910
1990	884	62	-822

During the 1990 verification (November 1991) the following changes and corrections were made to the report:

The Riverside Cement Company 60-1 well (3301610) was double counted as (0000021), net change of -1,061 A.F.

City of Riverside Garner T & G (3301075) was corrected to 9 A.F., net -4 A.F. The 1st Street well (3301284) was increased from 254 A.F. (was the December production figure) to 781 A.F., a net of +527 A.F.

Changes for the year total -538 A.F. (-1061 - 4 + 527).

During the 1989 verification (June 1991) the following changes and corrections were made to the report:

The Erin Madison Group purchased land and wells from the Riverside Cement Company (3301203, 3301473, 3301626-). The wells are now listed under Madison, including the past production figures.

Corrected 1988 data for Michael C., -508 A.F. Non-verified figures used in error.

During the 1988 verification (June 1990) the following changes and corrections were made to the report:

Canyon Crest County Club (3302052) 1987 production was verified in the amount of 9 A.F.

Hunter Engineering (3600609) 1987 production of 36 A.F. was not included on the 1987 verified printout.

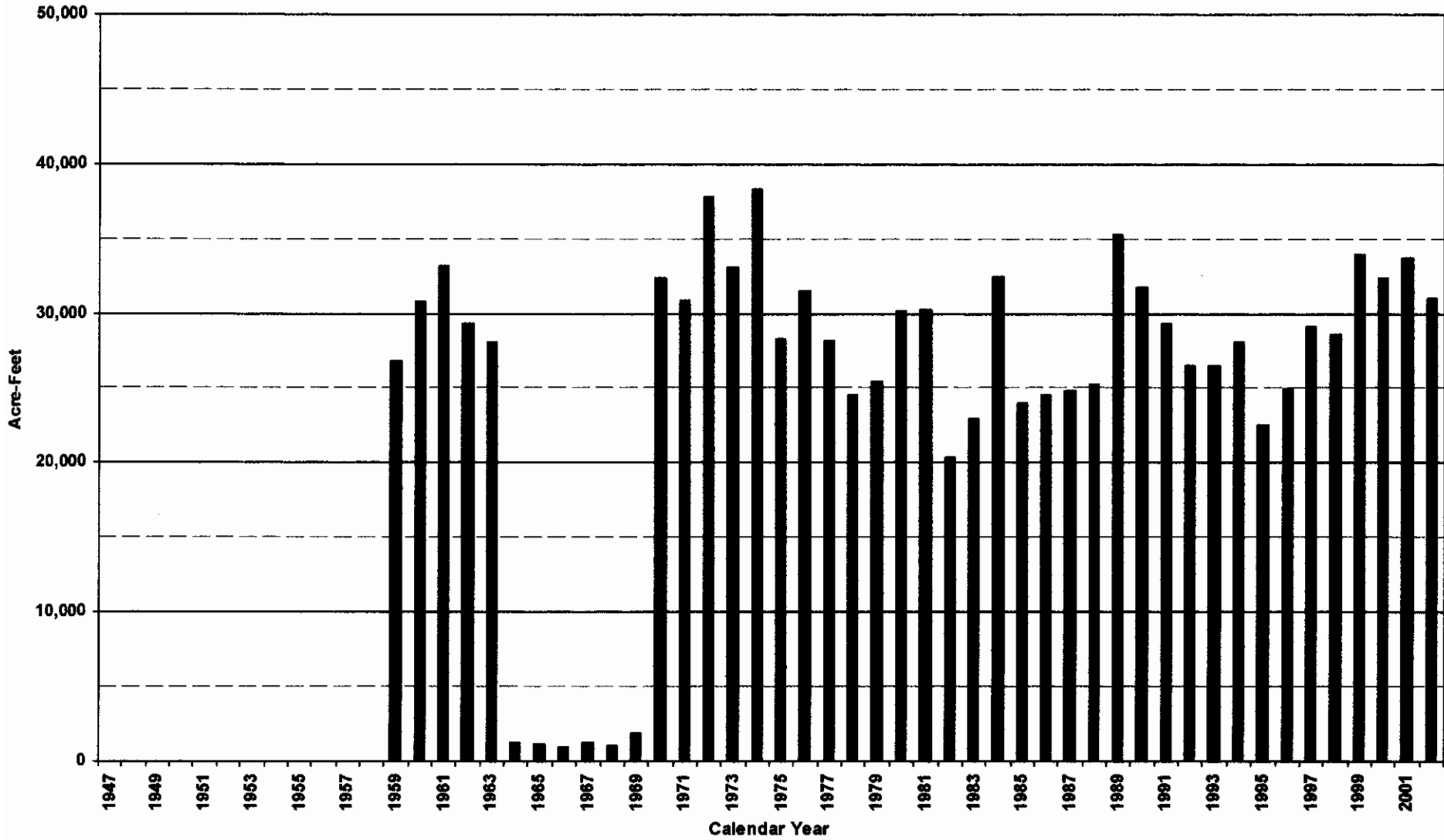
City of Riverside Garner C (3302472) 1987 production of 1,769 A.F. was mis-located and during 1987 verification was placed in the Riverside North Basin.

Net corrections $9 + 36 + 1,769 = 1,814$ A.F. increase from the 1987 verified amount of 23,071 A.F. to yield the 1988 verified figure of 24,885 A.F.

Riverside Cement Company's Falco well (3300371) was sold to Walter and Barbara Taylor.

WESTERN - SAN BERNARDINO WATERMASTER

RIVERSIDE SOUTH BASIN



RIVERSIDE BASIN AREA
IN RIVERSIDE COUNTY
CROSS INDEX BY OWNER

**WESTERN - SAN BERNARDINO WATERMASTER
VERIFIED PRODUCTION DATA
CROSS INDEX BY OWNER
RIVERSIDE SOUTH BASIN**

OWNER	WELL TYPE	RECRDTN NUMBER	STATE WELL NUMBER	LOCAL DESIGNATION	YEAR CLOSED	-----CALENDAR YEAR EXTRACTIONS-----					
						1998	1999	2000	2001	2002	AVG
ALAMO WATER COMPANY	W	3301768	02S/05W-11J			175	231	263	278	297	249
BANK OF AMERICA N.T.&S.A.	W	3301805	02S/04W-19P01S	WOODILL	1967	0	0	0	0	0	0
BOX SPRINGS MUTUAL WATER COMPANY	W	3300272	03S/04W-10A	13	1978	0	0	0	0	0	0
BOX SPRINGS MUTUAL WATER COMPANY	W	3300272-	03S/04W-10A	14	1964	0	0	0	0	0	0
BOX SPRINGS MUTUAL WATER COMPANY	W	3300273	03S/04W-10G	7	1978	0	0	0	0	0	0
BOX SPRINGS MUTUAL WATER COMPANY	W	3300273-	03S/04W-10G	15	1964	0	0	0	0	0	0
BOX SPRINGS MUTUAL WATER COMPANY	W	3300274	03S/04W-10B	8	1978	0	0	0	0	0	0
BOX SPRINGS MUTUAL WATER COMPANY	W	3300274-	03S/04W-10B	16	1989	0	0	0	0	0	0
BOX SPRINGS MUTUAL WATER COMPANY	W	3300275	03S/04W-10A	17		309	348	362	364	391	355
BURNS, F.L. & LAURA	W	3300439	02S/04W-07N	CIT ST 2	1971	0	0	0	0	0	0
CALIF BAPTIST UNIVERSITY	W	0000403	03S/05W-08B02S	IRRIGATION		50	60	60	140	140	90
CALIF DEPT OF TRANSPORTATION DIST 8R	W	3301915	02S/05W-23Q03S	FREEWAY	1989	0	0	0	0	0	0
CANYON CREST COUNTRY CLUB	W	3302052	02S/04W-31R01S	NO 1	1989	10	10	10	10	10	10
CARPENTER COMPANY	W	3301036	03S/05W-09A01S	CBLNCA 1	1991	0	0	0	0	0	0
CITIZENS NATIONAL COMPANY	W	3300375	02S/05W-23L01S	AIR COND	1971	0	0	0	0	0	0
COUNTY OF RIVERSIDE, FLOOD CONTROL	W	0000404	02S/05W-14D01S	IRRIGATION		30	10	10	10	10	14
CRESTMORE HEIGHTS MUTUAL WATER COMPAN	W	3301372	02S/05W-03B02S	2	1999	0	0	0	0	0	0
CRESTMORE HEIGHTS MUTUAL WATER COMPAN	W	3301659	02S/05W-03B	3	1999	0	0	0	0	0	0
EASTERN MUNICIPAL WATER DISTRICT	W	3300981	03S/04W-03Q	RECHE CN	1974	0	0	0	0	0	0
EASTERN MUNICIPAL WATER DISTRICT	W	3300982	03S/04W-03R	DICKNSON	1974	0	0	0	0	0	0
GROSS, DALE P.	W	3300748	02S/05W-12E	1	1971	0	0	0	0	0	0
GRUBBS, V. W.	W	3300076	02S/04W-07P		1968	0	0	0	0	0	0
HUNTER ENGINEERING COMPANY	W	3300607	02S/04W-18E01S	SMITH 1	1974	0	0	0	0	0	0
HUNTER ENGINEERING COMPANY	W	3300608	02S/04W-18F	2	1974	0	0	0	0	0	0
HUNTER ENGINEERING COMPANY	W	3300609	02S/04W-18C	3	1974	45	45	45	45	45	45
JOHNSON, TRUMAN	W	0000402	02S/05W-14E	1		0	0	0	0	0	0
JOHNSON, TRUMAN	W	3300160	02S/05W-14E	1, PALMYRITA	1981	0	0	0	0	0	0
JURUPA COMMUNITY SERVICES DISTRICT	W	3301362	02S/05W-08G04S	3	2000	0	0	0	0	0	0
JURUPA COMMUNITY SERVICES DISTRICT	W	3301501	02S/05W-08G01S	SUNNYSLOPE #5		28	33	1	0	0	12
JURUPA COMMUNITY SERVICES DISTRICT	W	3301502	02S/05W-08K02S	6	1981	0	0	0	0	0	0
JURUPA COMMUNITY SERVICES DISTRICT	W	3301578	02S/05W-05R	PEARSON MUTAL	1980	0	0	0	0	0	0
JURUPA COMMUNITY SERVICES DISTRICT	W	3301625	02S/05W-08K03S	#7	1981	0	0	0	0	0	0
JURUPA COMMUNITY SERVICES DISTRICT	W	3302911	02S/05W-08G04S	#21				25	707	703	287
LA CASA CONTENTA MOTEL	W	3300573	02S/04W-19P	ADLINE	1967	0	0	0	0	0	0
MADISON, ERIN	W	3301203	02S/05W-02F	1 VALENCIA	1989	0	0	0	0	0	0
MADISON, ERIN	W	3301473	02S/05W-02F	CHINO NO 3	1989	0	0	0	0	0	0
MADISON, ERIN	W	3301626-	02S/05W-02L	64-1	1989	0	0	0	0	0	0

**WESTERN - SAN BERNARDINO WATERMASTER
VERIFIED PRODUCTION DATA
CROSS INDEX BY OWNER
RIVERSIDE SOUTH BASIN**

OWNER	WELL TYPE	RECRDTN NUMBER	STATE WELL NUMBER	LOCAL DESIGNATION	YEAR CLOSED	-----CALENDAR YEAR EXTRACTIONS-----					
						1998	1999	2000	2001	2002	AVG
MARTIN, KENNETH ALLAN	W	3300554	02S/05W-32B01S	RR 1/NICHOLS PARK	1968	0	0	0	0	0	0
MICHAEL, C.	W	3300595	02S/05W-22C01S	OLD A	1978	0	0	0	0	0	0
MICHAEL, C.	W	3300595	02S/05W-22D	A		0	0	0	0	0	0
MICHAEL, C.	W	3300597	02S/05W-22C02S	C		0	0	0	0	0	0
MICHAEL, C.	W	3300599	02S/05W-21B01S	"E" (JONES RANCH)		91	277	293	217	161	208
MICHAEL, C.	W	3300600	02S/05W-21A01S	F	1990	0	0	0	0	0	0
MICHAEL, C.	W	3300601	02S/05W-22D01S	"G" (JONES RANCH)		0	0	0	0	0	0
MIPO CORP, DBA MISSION	W	3300000	02S/05W-23G02S	6TH ST	1975	0	0	0	0	0	0
PROPERTY ACQUISITION COMPANY	W	3301422	02S/05W-05R02S	PATA 66	1974	0	0	0	0	0	0
RIVERSIDE CEMENT COMPANY	W	3300369	02S/05W-02E	CHINO NO 2	1960	0	0	0	0	0	0
RIVERSIDE CEMENT COMPANY	W	3300370	02S/05W-03J	CRESTMOR	1988	0	0	0	0	0	0
RIVERSIDE CEMENT COMPANY	W	3300372	02S/05W-03G02S	49	1960	0	0	0	0	0	0
RIVERSIDE CEMENT COMPANY	W	3301610	02S/05W-03A03S	60-1 BLENDING PILE		309	523	362	487	574	451
RIVERSIDE CEMENT COMPANY	W	3301626	02S/05W-02L	53-2	1978	0	0	0	0	0	0
RIVERSIDE CEMENT COMPANY	W	3302605	02S/05W-03F02S	88-1		156	182	460	298	147	249
RIVERSIDE HIGHLAND WATER COMPANY	W	3301655	02S/04W-08M01S	RN #21		138	463	63	527	771	392
RIVERSIDE HIGHLAND WATER COMPANY	W	3301656	02S/04W-08M02S	RN #22		188	20	24	129	47	82
RIVERSIDE INDUSTRIAL PARK	W	3300330	02S/05W-11C01S	8	1974	0	0	0	0	0	0
RIVERSIDE THOROUGHBRED FARM	W	3301834	02S/05W-15B10S	1	1990	325	325	325	325	325	325
RIVERSIDE THOROUGHBRED FARM	W	3301835	02S/05W-15B11S	#2	1986	0	0	0	0	0	0
RIVERSIDE, CITY OF	W	3300417	02S/05W-25F01S	CLEARWTR	1995	0	0	0	0	0	0
RIVERSIDE, CITY OF	W	3300686	02S/04W-19J01S	LEMONA 1	1974	0	0	0	0	0	0
RIVERSIDE, CITY OF	W	3301073	02S/05W-12K02S	TWIN 1&2		1	0	0	6	0	1
RIVERSIDE, CITY OF	W	3301074	02S/05W-23J01S	MULBERRY		0	0	0	0	0	0
RIVERSIDE, CITY OF	W	3301075	02S/05W-12B01S	GARNER #1 (T&G)		5	6	4	2	2	4
RIVERSIDE, CITY OF	W	3301076	02S/05W-12P01S	MOORE GRIFFITH #1		1	0	0	1	0	0
RIVERSIDE, CITY OF	W	3301077	02S/05W-12P02S	BRUNTON		0	0	0	0	0	0
RIVERSIDE, CITY OF	W	3301078	02S/05W-28A01S	SANITARY	1977	0	0	0	0	0	0
RIVERSIDE, CITY OF	W	3301079	02S/05W-28C01S	DAVIS	1977	0	0	0	0	0	0
RIVERSIDE, CITY OF	W	3301082	02S/05W-14G02S	FAIRMOUNT PARK #1		1,117	921	354	818	655	773
RIVERSIDE, CITY OF	W	3301084	02S/05W-12A01S	RUSSELL	1972	0	0	0	0	0	0
RIVERSIDE, CITY OF	D	3301086	02S/05W-14K	SPRING BROOK	1966	0	0	0	0	0	0
RIVERSIDE, CITY OF	D	3301087	02S/05W-29G	JENSEN	1977	0	0	0	0	0	0
RIVERSIDE, CITY OF	W	3301284	02S/05W-24D01S	1ST ST		745	592	1,575	1,594	1,233	1,148
RIVERSIDE, CITY OF	W	3301285	02S/05W-13Q01S	CUNHAM 1	1978	0	0	0	0	0	0
RIVERSIDE, CITY OF	W	3301285	02S/05W-13Q02S	CUNHAM 2		0	0	0	0	0	0
RIVERSIDE, CITY OF	W	3301286	02S/04W-07N01S	PALMYRITA 1	1978	0	0	0	0	0	0

**WESTERN - SAN BERNARDINO WATERMASTER
VERIFIED PRODUCTION DATA
CROSS INDEX BY OWNER
RIVERSIDE SOUTH BASIN**

OWNER	WELL TYPE	RECRDTN NUMBER	STATE WELL NUMBER	LOCAL DESIGNATION	YEAR CLOSED	-----CALENDAR YEAR EXTRACTIONS-----					
						1998	1999	2000	2001	2002	AVG
RIVERSIDE, CITY OF	W	3301286-	02S/04W-07N03S	PALMYRITA #2		934	3,176	1,697	2,865	1,239	1,982
RIVERSIDE, CITY OF	W	3301287	02S/04W-07L01S	ELECTRIC ST		3,171	3,845	3,891	2,210	2,623	3,148
RIVERSIDE, CITY OF	W	3301288	02S/05W-23R01S	FILL		0	1,818	2,156	1,823	0	1,159
RIVERSIDE, CITY OF	W	3301289	02S/05W-23Q01S	11TH ST		20	833	1,726	1,643	0	844
RIVERSIDE, CITY OF	W	3301358	02S/04W-08E01S	HIGHGROVE 1		0	0	0	0	0	0
RIVERSIDE, CITY OF	W	3301359	02S/04W-08D03S	HIGHGROVE 2	1978	0	0	0	0	0	0
RIVERSIDE, CITY OF	W	3301359-	02S/04W-08D04S	HIGHGROVE 3		0	0	0	0	0	0
RIVERSIDE, CITY OF	W	3301635	02S/05W-14G03S	MORI 2		2,513	1,627	1,389	1,119	1,016	1,533
RIVERSIDE, CITY OF	W	3301814	03S/05W-03F01S	ORANGE ACRES	1982	0	0	0	0	0	0
RIVERSIDE, CITY OF	W	3301851	02S/05W-14E01S	FAIRMONT PARK 2		0	0	0	0	0	0
RIVERSIDE, CITY OF	W	3301940	03S/05W-09E01S	LINCOLN HEIGHTS	1981	0	0	0	0	0	0
RIVERSIDE, CITY OF	W	3301959	02S/05W-12B04S	GARNER B		1,972	1,763	91	181	694	940
RIVERSIDE, CITY OF	W	3302472	02S/05W-12C03S	GARNER C		3,289	3,175	3,430	3,534	2,991	3,284
RIVERSIDE, CITY OF	W	3302531	02S/05W-12A03S	RUSSELL B		1,229	15	0	0	0	249
RIVERSIDE, CITY OF	W	3302618	02S/05W-12B06S	GARNER D		2,768	2,833	2,609	2,995	2,812	2,803
RIVERSIDE, CITY OF	W	3302890	02S/05W-12B07S	RUSSELL C				878	968	2,988	967
RIVERSIDE, CITY OF-GAGE CANAL	W	3300366	02S/05W-26F01S	OLIVEWOOD 1		800	1,049	634	700	1,228	882
RIVERSIDE, CITY OF-GAGE CANAL	W	3300367	02S/05W-26E02S	OLIVEWOOD 2		1,184	1,432	1,149	952	1,669	1,277
RIVERSIDE, CITY OF-GAGE CANAL	W	3300368	02S/05W-26M01S	OLIVEWOOD 3		516	801	594	881	645	687
RIVERSIDE, COUNTY OF	W	3300596	02S/05W-21K01S	HQ		24	24	24	24	24	24
RIVERSIDE, COUNTY OF	W	3300598	02S/05W-21K	EDMUNDS "D"		393	570	479	482	520	489
RIVERSIDE, COUNTY OF	W	3302204	02S/05W-21M03S	PIC LAK 8	1990	0	0	0	0	0	0
RIVERSIDE, COUNTY OF	W	3302205	02S/05W-21M01S	PIC LAK 12	1990	0	0	0	0	0	0
RIVERSIDE, COUNTY OF	W	3302206	02S/05W-21M04S	PIC LAK 14		100	100	100	100	100	100
RIVINO WATER COMPANY	W	3301346	02S/05W-02L01S	1	1980	0	0	0	0	0	0
ROCKY R RANCH	W	3300768	03S/05W-14E	GURNEY 1	1974	0	0	0	0	0	0
ROOS, CHARLES E.	W	3301257	02S/04W-31E01S	1	1970	0	0	0	0	0	0
ROSS, SAM	W	3301194	02S/05W-12R01S	1 WEST	1959	0	0	0	0	0	0
RUBIDOUX COMMUNITY SERVICES DISTRICT	W	0000401	02S/05W-20R01S	SEWER PLANT		0	0	0	0	0	0
RUBIDOUX COMMUNITY SERVICES DISTRICT	W	3300022	02S/05W-16R	OLD #1 (RIO RANCHO)	1978	0	0	0	0	0	0
RUBIDOUX COMMUNITY SERVICES DISTRICT	W	3300022-	02S/05W-16R01S	1 (RIO RANCHO)	2000	57	36	0	0	0	19
RUBIDOUX COMMUNITY SERVICES DISTRICT	W	3301153	02S/05W-15M02S	#7, 36TH & DALY		1	1	1	1	1	1
RUBIDOUX COMMUNITY SERVICES DISTRICT	W	3301154	02S/05W-15L09S	#8, 34TH & DALY	1989	0	0	0	0	0	0
RUBIDOUX COMMUNITY SERVICES DISTRICT	W	3301296	02S/05W-16J	1, FORT FREMONT	1999	220	260	0	0	0	96
RUBIDOUX COMMUNITY SERVICES DISTRICT	W	3301297	02S/05W-16J	2, FORT FREMONT	1997	0	0	0	0	0	0
RUBIDOUX COMMUNITY SERVICES DISTRICT	W	3301363	02S/05W-16E06S	OLD #4	1988	0	0	0	0	0	0
RUBIDOUX COMMUNITY SERVICES DISTRICT	W	3301423	02S/05W-16G04S	NO 1	1987	0	0	0	0	0	0

**WESTERN - SAN BERNARDINO WATERMASTER
VERIFIED PRODUCTION DATA
CROSS INDEX BY OWNER
RIVERSIDE SOUTH BASIN**

OWNER	WELL TYPE	RECRDTN NUMBER	STATE WELL NUMBER	LOCAL DESIGNATION	YEAR CLOSED	-----CALENDAR YEAR EXTRACTIONS-----					
						1998	1999	2000	2001	2002	AVG
RUBIDOUX COMMUNITY SERVICES DISTRICT	W	3301424	02S/05W-15M01S	#9, WALLACE STREET	1988	0	0	0	0	0	0
RUBIDOUX COMMUNITY SERVICES DISTRICT	W	3301524	02S/05W-19J	J H #9	1979	0	0	0	0	0	0
RUBIDOUX COMMUNITY SERVICES DISTRICT	W	3301524	02S/05W-20J02S	#16 HUNTER	2002	0	0	0	0	0	0
RUBIDOUX COMMUNITY SERVICES DISTRICT	W	3301694	02S/05W-20H04S	#13 HUNTER 6		0	0	0	0	0	0
RUBIDOUX COMMUNITY SERVICES DISTRICT	W	3301887	02S/05W-10P01S	#3 28TH ST		12	20	18	19	7	15
RUBIDOUX COMMUNITY SERVICES DISTRICT	W	3301892	02S/05W-17R03S	#4 CLEMENTS (OLD 11)		293	365	354	332	373	343
RUBIDOUX COMMUNITY SERVICES DISTRICT	W	3302007	02S/05W-16H06S	#2, TROYER		810	944	803	1,133	1,206	979
RUBIDOUX COMMUNITY SERVICES DISTRICT	W	3302008	02S/05W-10K06S	NO 1, W RIV MUTUAL	2001	255	326	167	0	0	150
RUBIDOUX COMMUNITY SERVICES DISTRICT	W	3302538	02S/05W-20A01S	#14, 46TH ST		304	0	0	0	0	61
RUBIDOUX COMMUNITY SERVICES DISTRICT	W	3302539	02S/05W-21C01S	#12, AIRPORT	1998	0	0	0	0	0	0
RUBIDOUX COMMUNITY SERVICES DISTRICT	W	3302540	02S/05W-15M01S	#5, NEW 36TH		464	379	486	122	11	292
RUBIDOUX COMMUNITY SERVICES DISTRICT	W	3302541	02S/05W-11C02S	#4, SKOTTY		351	456	850	849	975	696
RUBIDOUX COMMUNITY SERVICES DISTRICT	W	3302542	02S/05W-15L01S	#1-CRESTMORE	2002	703	609	539	14	0	373
RUBIDOUX COMMUNITY SERVICES DISTRICT	W	3302772	02S/05W-11C	#6, NEW SKOTTY		631	142	1,009	1,792	1,160	947
RUBIDOUX COMMUNITY SERVICES DISTRICT	W	3302810	02S/05W-15L	NEW DALEY #8		1,138	2,546	2,400	2,427	2,587	2,220
SCHWAB, A. M.	W	3300230	02S/04W-08N02S	PLMYRTA	1981	0	0	0	0	0	0
SCOPE CORPORATION	W	3300003	02S/04W-19J02S	COOK 2	1972	0	0	0	0	0	0
SCOPE CORPORATION	W	3300004	02S/04W-19R01S	HALL 1	1972	0	0	0	0	0	0
STOKER, GEORGE	W	3300798	02S/05W-12A		1971	0	0	0	0	0	0
TAYLOR, WALTER & BARBARA	W	3300371	02S/05W-05K	FALCO	2000	0	0	0	0	0	0
TRI-CITY LINEN SUPPLY COMPANY	W	3301384	02S/05W-22R01S	RIV LDRY/BLUE SEAL		83	76	76	72	77	77
UNIVERSAL FOREST PRODUCTS	W	3302233	02S/05W-10C04S	1		0	0	0	15	1	3
UNIVERSAL FOREST PRODUCTS	W	3302234	02S/05W-10C03S	2		0	0	0	0	0	0
UNIVERSAL FOREST PRODUCTS	W	3302235	02S/05W-10C01S	3		0	0	0	0	0	0
UNIVERSITY OF CALIFORNIA, REGENTS OF	W	3300040	02S/04W-08D02S	HIGHGROV		150	215	172	140	0	135
VICTORIA COUNTRY CLUB	W	3300417	02S/05W-25F01S	CLEARWTR		450	400	350	350	600	430
VON KANEL, ALFRED	W	3300068	02S/05W-32A01S		1979	0	0	0	0	0	0
WATERMAN, ALLEN H	W	3300812	02S/05W-11P	WTRMN 1	1962	0	0	0	0	0	0
WHITE SULPHUR SPRINGS POOL	W	3300754	02S/05W-13E	WHSLPHR 1	1971	0	0	0	0	0	0
WIGHT, CHARLES H	W	3300277	02S/05W-11K		1972	0	0	0	0	0	0
YEAGER CONSTRUCTION COMPANY	W	3301081	02S/05W-14B	ANZA	1975	0	0	0	0	0	0
YEAGER CONSTRUCTION COMPANY	W	3301927	02S/05W-03R03S	2	1974	0	0	0	0	0	0
ZINKE VERA	W	3300811	02S/05W-32K01S	WAYMAN	1975	0	0	0	0	0	0
TOTALS FOR 144 WELLS						28,558	33,882	32,308	33,701	31,058	31,901

RIVERSIDE BASIN AREA
IN RIVERSIDE COUNTY
CROSS INDEX BY STATE WELL NUMBER

**WESTERN - SAN BERNARDINO WATERMASTER
VERIFIED PRODUCTION DATA
CROSS INDEX BY STATE WELL NUMBER
RIVERSIDE SOUTH BASIN**

STATE WELL NUMBER	RECRDTN NUMBER	OWNER	WELL TYPE	LOCAL DESIGNATION	YEAR CLOSED	-----CALENDAR YEAR EXTRACTIONS-----					
						1998	1999	2000	2001	2002	AVG
02S/04W-07L01S	3301287	RIVERSIDE, CITY OF	W	ELECTRIC ST		3,171	3,845	3,891	2,210	2,623	3,148
02S/04W-07N	3300439	BURNS, F.L. & LAURA	W	CIT ST 2	1971	0	0	0	0	0	0
02S/04W-07N01S	3301286	RIVERSIDE, CITY OF	W	PALMYRITA 1	1978	0	0	0	0	0	0
02S/04W-07N03S	3301286-	RIVERSIDE, CITY OF	W	PALMYRITA #2		934	3,176	1,697	2,865	1,239	1,982
02S/04W-07P	3300076	GRUBBS, V. W.	W		1968	0	0	0	0	0	0
02S/04W-08D02S	3300040	UNIVERSITY OF CALIFORNIA, REGENTS OF	W	HIGHGROV		150	215	172	140	0	135
02S/04W-08D03S	3301359	RIVERSIDE, CITY OF	W	HIGHGROVE 2	1978	0	0	0	0	0	0
02S/04W-08D04S	3301359-	RIVERSIDE, CITY OF	W	HIGHGROVE 3		0	0	0	0	0	0
02S/04W-08E01S	3301358	RIVERSIDE, CITY OF	W	HIGHGROVE 1		0	0	0	0	0	0
02S/04W-08M01S	3301655	RIVERSIDE HIGHLAND WATER COMPANY	W	RN #21		138	463	63	527	771	392
02S/04W-08M02S	3301656	RIVERSIDE HIGHLAND WATER COMPANY	W	RN #22		188	20	24	129	47	82
02S/04W-08N02S	3300230	SCHWAB, A. M.	W	PLMYRTA	1981	0	0	0	0	0	0
02S/04W-18C	3300609	HUNTER ENGINEERING COMPANY	W	3	1974	45	45	45	45	45	45
02S/04W-18E01S	3300607	HUNTER ENGINEERING COMPANY	W	SMITH 1	1974	0	0	0	0	0	0
02S/04W-18F	3300608	HUNTER ENGINEERING COMPANY	W	2	1974	0	0	0	0	0	0
02S/04W-19J01S	3300686	RIVERSIDE, CITY OF	W	LEMONA 1	1974	0	0	0	0	0	0
02S/04W-19J02S	3300003	SCOPE CORPORATION	W	COOK 2	1972	0	0	0	0	0	0
02S/04W-19P	3300573	LA CASA CONTENTA MOTEL	W	ADLINE	1967	0	0	0	0	0	0
02S/04W-19P01S	3301605	BANK OF AMERICA N.T.&S.A.	W	WOODILL	1967	0	0	0	0	0	0
02S/04W-19R01S	3300004	SCOPE CORPORATION	W	HALL 1	1972	0	0	0	0	0	0
02S/04W-31E01S	3301257	ROOS, CHARLES E.	W	1	1970	0	0	0	0	0	0
02S/04W-31R01S	3302052	CANYON CREST COUNTRY CLUB	W	NO 1	1989	10	10	10	10	10	10
02S/05W-02E	3300369	RIVERSIDE CEMENT COMPANY	W	CHINO NO 2	1960	0	0	0	0	0	0
02S/05W-02F	3301203	MADISON, ERIN	W	1 VALENCIA	1989	0	0	0	0	0	0
02S/05W-02F	3301473	MADISON, ERIN	W	CHINO NO 3	1989	0	0	0	0	0	0
02S/05W-02L	3301626	RIVERSIDE CEMENT COMPANY	W	53-2	1978	0	0	0	0	0	0
02S/05W-02L	3301626-	MADISON, ERIN	W	64-1	1989	0	0	0	0	0	0
02S/05W-02L01S	3301346	RIVINO WATER COMPANY	W	1	1980	0	0	0	0	0	0
02S/05W-03A03S	3301610	RIVERSIDE CEMENT COMPANY	W	60-1 BLENDING PILE		309	523	362	487	574	451
02S/05W-03B	3301659	CRESTMORE HEIGHTS MUTUAL WATER COMPAN	W	3	1999	0	0	0	0	0	0
02S/05W-03B02S	3301372	CRESTMORE HEIGHTS MUTUAL WATER COMPAN	W	2	1999	0	0	0	0	0	0
02S/05W-03F02S	3302605	RIVERSIDE CEMENT COMPANY	W	88-1		156	182	460	298	147	249
02S/05W-03G02S	3300372	RIVERSIDE CEMENT COMPANY	W	49	1960	0	0	0	0	0	0
02S/05W-03J	3300370	RIVERSIDE CEMENT COMPANY	W	CRESTMOR	1988	0	0	0	0	0	0
02S/05W-03R03S	3301927	YEAGER CONSTRUCTION COMPANY	W	2	1974	0	0	0	0	0	0
02S/05W-05K	3300371	TAYLOR, WALTER & BARBARA	W	FALCO	2000	0	0	0	0	0	0
02S/05W-05R	3301578	JURUPA COMMUNITY SERVICES DISTRICT	W	PEARSON MUTAL	1980	0	0	0	0	0	0

**WESTERN - SAN BERNARDINO WATERMASTER
VERIFIED PRODUCTION DATA
CROSS INDEX BY STATE WELL NUMBER
RIVERSIDE SOUTH BASIN**

STATE WELL NUMBER	RECRDTN NUMBER	OWNER	WELL TYPE	LOCAL DESIGNATION	YEAR CLOSED	-----CALENDAR YEAR EXTRACTIONS-----					
						1998	1999	2000	2001	2002	AVG
02S/05W-05R02S	3301422	PROPERTY ACQUISITION COMPANY	W	PATA 66	1974	0	0	0	0	0	0
02S/05W-08G01S	3301501	JURUPA COMMUNITY SERVICES DISTRICT	W	SUNNYSLOPE #5		28	33	1	0	0	12
02S/05W-08G04S	3301362	JURUPA COMMUNITY SERVICES DISTRICT	W	3	2000	0	0	0	0	0	0
02S/05W-08G04S	3302911	JURUPA COMMUNITY SERVICES DISTRICT	W	#21				25	707	703	287
02S/05W-08K02S	3301502	JURUPA COMMUNITY SERVICES DISTRICT	W	6	1981	0	0	0	0	0	0
02S/05W-08K03S	3301625	JURUPA COMMUNITY SERVICES DISTRICT	W	#7	1981	0	0	0	0	0	0
02S/05W-10C01S	3302235	UNIVERSAL FOREST PRODUCTS	W	3		0	0	0	0	0	0
02S/05W-10C03S	3302234	UNIVERSAL FOREST PRODUCTS	W	2		0	0	0	0	0	0
02S/05W-10C04S	3302233	UNIVERSAL FOREST PRODUCTS	W	1		0	0	0	15	1	3
02S/05W-10K06S	3302008	RUBIDOUX COMMUNITY SERVICES DISTRICT	W	NO 1, W RIV MUTUAL	2001	255	326	167	0	0	150
02S/05W-10P01S	3301887	RUBIDOUX COMMUNITY SERVICES DISTRICT	W	#3 28TH ST		12	20	18	19	7	15
02S/05W-11C	3302772	RUBIDOUX COMMUNITY SERVICES DISTRICT	W	#6, NEW SKOTTY		631	142	1,009	1,792	1,160	947
02S/05W-11C01S	3300330	RIVERSIDE INDUSTRIAL PARK	W	8	1974	0	0	0	0	0	0
02S/05W-11C02S	3302541	RUBIDOUX COMMUNITY SERVICES DISTRICT	W	#4, SKOTTY		351	456	850	849	975	696
02S/05W-11J	3301768	ALAMO WATER COMPANY	W			175	231	263	278	297	249
02S/05W-11K	3300277	WIGHT, CHARLES H	W		1972	0	0	0	0	0	0
02S/05W-11P	3300812	WATERMAN, ALLEN H	W	WTRMN 1	1962	0	0	0	0	0	0
02S/05W-12A	3300798	STOKER, GEORGE	W		1971	0	0	0	0	0	0
02S/05W-12A01S	3301084	RIVERSIDE, CITY OF	W	RUSSELL	1972	0	0	0	0	0	0
02S/05W-12A03S	3302531	RIVERSIDE, CITY OF	W	RUSSELL B		1,229	15	0	0	0	249
02S/05W-12B01S	3301075	RIVERSIDE, CITY OF	W	GARNER #1 (T&G)		5	6	4	2	2	4
02S/05W-12B04S	3301959	RIVERSIDE, CITY OF	W	GARNER B		1,972	1,763	91	181	694	940
02S/05W-12B06S	3302618	RIVERSIDE, CITY OF	W	GARNER D		2,768	2,833	2,609	2,995	2,812	2,803
02S/05W-12B07S	3302890	RIVERSIDE, CITY OF	W	RUSSELL C				878	968	2,988	967
02S/05W-12C03S	3302472	RIVERSIDE, CITY OF	W	GARNER C		3,289	3,175	3,430	3,534	2,991	3,284
02S/05W-12E	3300748	GROSS, DALE P.	W	1	1971	0	0	0	0	0	0
02S/05W-12K02S	3301073	RIVERSIDE, CITY OF	W	TWIN 1&2		1	0	0	6	0	1
02S/05W-12P01S	3301076	RIVERSIDE, CITY OF	W	MOORE GRIFFITH #1		1	0	0	1	0	0
02S/05W-12P02S	3301077	RIVERSIDE, CITY OF	W	BRUNTON		0	0	0	0	0	0
02S/05W-12R01S	3301194	ROSS, SAM	W	1 WEST	1959	0	0	0	0	0	0
02S/05W-13E	3300754	WHITE SULPHUR SPRINGS POOL	W	WHSPLHR 1	1971	0	0	0	0	0	0
02S/05W-13Q01S	3301285	RIVERSIDE, CITY OF	W	CUNHAM 1	1978	0	0	0	0	0	0
02S/05W-13Q02S	3301285	RIVERSIDE, CITY OF	W	CUNHAM 2		0	0	0	0	0	0
02S/05W-14B	3301081	YEAGER CONSTRUCTION COMPANY	W	ANZA	1975	0	0	0	0	0	0
02S/05W-14D01S	0000404	COUNTY OF RIVERSIDE, FLOOD CONTROL	W	IRRIGATION		30	10	10	10	10	14
02S/05W-14E	0000402	JOHNSON, TRUMAN	W	1		0	0	0	0	0	0
02S/05W-14E	3300160	JOHNSON, TRUMAN	W	1, PALMYRITA	1981	0	0	0	0	0	0

**WESTERN - SAN BERNARDINO WATERMASTER
VERIFIED PRODUCTION DATA
CROSS INDEX BY STATE WELL NUMBER
RIVERSIDE SOUTH BASIN**

STATE WELL NUMBER	RECRDTN NUMBER	OWNER	WELL TYPE	LOCAL DESIGNATION	YEAR CLOSED	CALENDAR YEAR EXTRACTIONS					
						1998	1999	2000	2001	2002	AVG
02S/05W-14E01S	3301851	RIVERSIDE, CITY OF	W	FAIRMONT PARK 2		0	0	0	0	0	0
02S/05W-14G02S	3301082	RIVERSIDE, CITY OF	W	FAIRMONT PARK #1		1,117	921	354	818	655	773
02S/05W-14G03S	3301835	RIVERSIDE, CITY OF	W	MORI 2		2,513	1,627	1,389	1,119	1,016	1,533
02S/05W-14K	3301086	RIVERSIDE, CITY OF	D	SPRING BROOK	1966	0	0	0	0	0	0
02S/05W-15B10S	3301834	RIVERSIDE THOROUGHbred FARM	W	1	1990	325	325	325	325	325	325
02S/05W-15B11S	3301835	RIVERSIDE THOROUGHbred FARM	W	#2	1986	0	0	0	0	0	0
02S/05W-15L	3302810	RUBIDOUX COMMUNITY SERVICES DISTRICT	W	NEW DALEY #8		1,138	2,546	2,400	2,427	2,587	2,220
02S/05W-15L01S	3302542	RUBIDOUX COMMUNITY SERVICES DISTRICT	W	#1-CRESTMORE	2002	703	609	539	14	0	373
02S/05W-15L09S	3301154	RUBIDOUX COMMUNITY SERVICES DISTRICT	W	#8, 34TH & DALY	1989	0	0	0	0	0	0
02S/05W-15M01S	3301424	RUBIDOUX COMMUNITY SERVICES DISTRICT	W	#9, WALLACE STREET	1988	0	0	0	0	0	0
02S/05W-15M01S	3302540	RUBIDOUX COMMUNITY SERVICES DISTRICT	W	#5, NEW 36TH		464	379	486	122	11	292
02S/05W-15M02S	3301153	RUBIDOUX COMMUNITY SERVICES DISTRICT	W	#7, 36TH & DALY		1	1	1	1	1	1
02S/05W-16E06S	3301363	RUBIDOUX COMMUNITY SERVICES DISTRICT	W	OLD #4	1988	0	0	0	0	0	0
02S/05W-16G04S	3301423	RUBIDOUX COMMUNITY SERVICES DISTRICT	W	NO 1	1987	0	0	0	0	0	0
02S/05W-16H06S	3302007	RUBIDOUX COMMUNITY SERVICES DISTRICT	W	#2, TROYER		810	944	803	1,133	1,206	979
02S/05W-16J	3301296	RUBIDOUX COMMUNITY SERVICES DISTRICT	W	1, FORT FREMONT	1999	220	260	0	0	0	96
02S/05W-16J	3301297	RUBIDOUX COMMUNITY SERVICES DISTRICT	W	2, FORT FREMONT	1997	0	0	0	0	0	0
02S/05W-16R	3300022	RUBIDOUX COMMUNITY SERVICES DISTRICT	W	OLD #1 (RIO RANCHO)	1978	0	0	0	0	0	0
02S/05W-16R01S	3300022-	RUBIDOUX COMMUNITY SERVICES DISTRICT	W	1 (RIO RANCHO)	2000	57	36	0	0	0	19
02S/05W-17R03S	3301892	RUBIDOUX COMMUNITY SERVICES DISTRICT	W	#4 CLEMENTS (OLD 11)		293	365	354	332	373	343
02S/05W-19J	3301524	RUBIDOUX COMMUNITY SERVICES DISTRICT	W	J H #9	1979	0	0	0	0	0	0
02S/05W-20A01S	3302538	RUBIDOUX COMMUNITY SERVICES DISTRICT	W	#14, 46TH ST		304	0	0	0	0	61
02S/05W-20H04S	3301694	RUBIDOUX COMMUNITY SERVICES DISTRICT	W	#13 HUNTER 6		0	0	0	0	0	0
02S/05W-20J02S	3301524-	RUBIDOUX COMMUNITY SERVICES DISTRICT	W	#16 HUNTER	2002	0	0	0	0	0	0
02S/05W-20R01S	0000401	RUBIDOUX COMMUNITY SERVICES DISTRICT	W	SEWER PLANT		0	0	0	0	0	0
02S/05W-21A01S	3300600	MICHAEL, C.	W	F	1990	0	0	0	0	0	0
02S/05W-21B01S	3300599	MICHAEL, C.	W	"E" (JONES RANCH)		91	277	293	217	161	208
02S/05W-21C01S	3302539	RUBIDOUX COMMUNITY SERVICES DISTRICT	W	#12, AIRPORT	1996	0	0	0	0	0	0
02S/05W-21K	3300598	RIVERSIDE, COUNTY OF	W	EDMUNDS "D"		393	570	479	482	520	489
02S/05W-21K01S	3300596	RIVERSIDE, COUNTY OF	W	HQ		24	24	24	24	24	24
02S/05W-21M01S	3302205	RIVERSIDE, COUNTY OF	W	PIC LAK 12	1990	0	0	0	0	0	0
02S/05W-21M03S	3302204	RIVERSIDE, COUNTY OF	W	PIC LAK 8	1990	0	0	0	0	0	0
02S/05W-21M04S	3302206	RIVERSIDE, COUNTY OF	W	PIC LAK 14		100	100	100	100	100	100
02S/05W-22C01S	3300595	MICHAEL, C.	W	OLD A	1978	0	0	0	0	0	0
02S/05W-22C02S	3300597	MICHAEL, C.	W	C		0	0	0	0	0	0
02S/05W-22D	3300595-	MICHAEL, C.	W	A		0	0	0	0	0	0
02S/05W-22D01S	3300601	MICHAEL, C.	W	"G" (JONES RANCH)		0	0	0	0	0	0

**WESTERN - SAN BERNARDINO WATERMASTER
VERIFIED PRODUCTION DATA
CROSS INDEX BY STATE WELL NUMBER
RIVERSIDE SOUTH BASIN**

STATE WELL NUMBER	RECRDTN NUMBER	OWNER	WELL TYPE	LOCAL DESIGNATION	YEAR CLOSED	CALENDAR YEAR EXTRACTATIONS					
						1998	1999	2000	2001	2002	AVG
02S/05W-22R01S	3301384	TRI-CITY LINEN SUPPLY COMPANY	W	RIV LDRY/BLUE SEAL		83	76	76	72	77	77
02S/05W-23G02S	3300000	MIPO CORP, DBA MISSION	W	6TH ST	1975	0	0	0	0	0	0
02S/05W-23J01S	3301074	RIVERSIDE, CITY OF	W	MULBERRY		0	0	0	0	0	0
02S/05W-23L01S	3300375	CITIZENS NATIONAL COMPANY	W	AIR COND	1971	0	0	0	0	0	0
02S/05W-23Q01S	3301289	RIVERSIDE, CITY OF	W	11TH ST		20	833	1,726	1,643	0	844
02S/05W-23Q03S	3301915	CALIF DEPT OF TRANSPORTATION DIST 8R	W	FREEWAY	1989	0	0	0	0	0	0
02S/05W-23R01S	3301288	RIVERSIDE, CITY OF	W	FILL		0	1,818	2,156	1,823	0	1,159
02S/05W-24D01S	3301284	RIVERSIDE, CITY OF	W	1ST ST		745	592	1,575	1,594	1,233	1,148
02S/05W-25F01S	3300417	RIVERSIDE, CITY OF	W	CLEARWTR	1995	0	0	0	0	0	0
02S/05W-25F01S	3300417-	VICTORIA COUNTRY CLUB	W	CLEARWTR		450	400	350	350	600	430
02S/05W-26E02S	3300367	RIVERSIDE, CITY OF-GAGE CANAL	W	OLIVEWOOD 2		1,184	1,432	1,149	952	1,669	1,277
02S/05W-26F01S	3300366	RIVERSIDE, CITY OF-GAGE CANAL	W	OLIVEWOOD 1		800	1,049	634	700	1,228	882
02S/05W-26M01S	3300368	RIVERSIDE, CITY OF-GAGE CANAL	W	OLIVEWOOD 3		516	801	594	881	645	687
02S/05W-28A01S	3301078	RIVERSIDE, CITY OF	W	SANITARY	1977	0	0	0	0	0	0
02S/05W-28C01S	3301079	RIVERSIDE, CITY OF	W	DAVIS	1977	0	0	0	0	0	0
02S/05W-29G	3301087	RIVERSIDE, CITY OF	D	JENSEN	1977	0	0	0	0	0	0
02S/05W-32A01S	3300068	VON KANEL, ALFRED	W		1979	0	0	0	0	0	0
02S/05W-32B01S	3300554	MARTIN, KENNETH ALLAN	W	RR 1/NICHOLS PARK	1968	0	0	0	0	0	0
02S/05W-32K01S	3300811	ZINKE VERA	W	WAYMAN	1975	0	0	0	0	0	0
03S/04W-03Q	3300981	EASTERN MUNICIPAL WATER DISTRICT	W	RECHE CN	1974	0	0	0	0	0	0
03S/04W-03R	3300982	EASTERN MUNICIPAL WATER DISTRICT	W	DICKNSON	1974	0	0	0	0	0	0
03S/04W-10A	3300272	BOX SPRINGS MUTUAL WATER COMPANY	W	13	1978	0	0	0	0	0	0
03S/04W-10A	3300272-	BOX SPRINGS MUTUAL WATER COMPANY	W	14	1964	0	0	0	0	0	0
03S/04W-10A	3300275	BOX SPRINGS MUTUAL WATER COMPANY	W	17		309	348	362	364	391	355
03S/04W-10B	3300274	BOX SPRINGS MUTUAL WATER COMPANY	W	8	1978	0	0	0	0	0	0
03S/04W-10B	3300274-	BOX SPRINGS MUTUAL WATER COMPANY	W	16	1989	0	0	0	0	0	0
03S/04W-10G	3300273	BOX SPRINGS MUTUAL WATER COMPANY	W	7	1978	0	0	0	0	0	0
03S/04W-10G	3300273-	BOX SPRINGS MUTUAL WATER COMPANY	W	15	1964	0	0	0	0	0	0
03S/05W-03F01S	3301814	RIVERSIDE, CITY OF	W	ORANGE ACRES	1982	0	0	0	0	0	0
03S/05W-08B02S	0000403	CALIF BAPTIST UNIVERSITY	W	IRRIGATION		50	60	60	140	140	90
03S/05W-09A01S	3301036	CARPENTER COMPANY	W	CBLNCA 1	1991	0	0	0	0	0	0
03S/05W-09E01S	3301940	RIVERSIDE, CITY OF	W	LINCOLN HEIGHTS	1981	0	0	0	0	0	0
03S/05W-14E	3300768	ROCKY R RANCH	W	GURNEY 1	1974	0	0	0	0	0	0
TOTALS FOR 144 WELLS						28,558	33,882	32,308	33,701	31,058	31,901

RIVERSIDE BASIN AREA
IN RIVERSIDE COUNTY
CROSS INDEX BY RECORDATION NUMBER

**WESTERN - SAN BERNARDINO WATERMASTER
VERIFIED PRODUCTION DATA
CROSS INDEX BY RECORDATION NUMBER
RIVERSIDE SOUTH BASIN**

RECRDTN NUMBER	STATE WELL NUMBER	OWNER	WELL TYPE	LOCAL DESIGNATION	YEAR CLOSED	-----CALENDAR YEAR EXTRACTIONS-----					
						1998	1999	2000	2001	2002	AVG
0000401	02S/05W-20R01S	RUBIDOUX COMMUNITY SERVICES DISTRICT	W	SEWER PLANT		0	0	0	0	0	0
0000402	02S/05W-14E	JOHNSON, TRUMAN	W	1		0	0	0	0	0	0
0000403	03S/05W-08B02S	CALIF BAPTIST UNIVERSITY	W	IRRIGATION		50	60	60	140	140	90
0000404	02S/05W-14D01S	COUNTY OF RIVERSIDE, FLOOD CONTROL	W	IRRIGATION		30	10	10	10	10	14
3300000	02S/05W-23G02S	MIPO CORP, DBA MISSION	W	6TH ST	1975	0	0	0	0	0	0
3300003	02S/04W-19J02S	SCOPE CORPORATION	W	COOK 2	1972	0	0	0	0	0	0
3300004	02S/04W-19R01S	SCOPE CORPORATION	W	HALL 1	1972	0	0	0	0	0	0
3300022	02S/05W-16R	RUBIDOUX COMMUNITY SERVICES DISTRICT	W	OLD #1 (RIO RANCHO)	1978	0	0	0	0	0	0
3300022-	02S/05W-16R01S	RUBIDOUX COMMUNITY SERVICES DISTRICT	W	1 (RIO RANCHO)	2000	57	36	0	0	0	19
3300040	02S/04W-08D02S	UNIVERSITY OF CALIFORNIA, REGENTS OF	W	HIGHGROV		150	215	172	140	0	135
3300068	02S/05W-32A01S	VON KANEL, ALFRED	W		1979	0	0	0	0	0	0
3300076	02S/04W-07P	GRUBBS, V. W.	W		1968	0	0	0	0	0	0
3300160	02S/05W-14E	JOHNSON, TRUMAN	W	1, PALMYRITA	1981	0	0	0	0	0	0
3300230	02S/04W-08N02S	SCHWAB, A. M.	W	PLMYRTA	1981	0	0	0	0	0	0
3300272	03S/04W-10A	BOX SPRINGS MUTUAL WATER COMPANY	W	13	1978	0	0	0	0	0	0
3300272-	03S/04W-10A	BOX SPRINGS MUTUAL WATER COMPANY	W	14	1964	0	0	0	0	0	0
3300273	03S/04W-10G	BOX SPRINGS MUTUAL WATER COMPANY	W	7	1978	0	0	0	0	0	0
3300273-	03S/04W-10G	BOX SPRINGS MUTUAL WATER COMPANY	W	15	1964	0	0	0	0	0	0
3300274	03S/04W-10B	BOX SPRINGS MUTUAL WATER COMPANY	W	8	1978	0	0	0	0	0	0
3300274-	03S/04W-10B	BOX SPRINGS MUTUAL WATER COMPANY	W	16	1989	0	0	0	0	0	0
3300275	03S/04W-10A	BOX SPRINGS MUTUAL WATER COMPANY	W	17		309	348	362	364	391	355
3300277	02S/05W-11K	WIGHT, CHARLES H	W		1972	0	0	0	0	0	0
3300330	02S/05W-11C01S	RIVERSIDE INDUSTRIAL PARK	W	8	1974	0	0	0	0	0	0
3300366	02S/05W-26F01S	RIVERSIDE, CITY OF-GAGE CANAL	W	OLIVEWOOD 1		800	1,049	634	700	1,228	882
3300367	02S/05W-26E02S	RIVERSIDE, CITY OF-GAGE CANAL	W	OLIVEWOOD 2		1,184	1,432	1,149	952	1,669	1,277
3300368	02S/05W-26M01S	RIVERSIDE, CITY OF-GAGE CANAL	W	OLIVEWOOD 3		516	801	594	881	645	687
3300369	02S/05W-02E	RIVERSIDE CEMENT COMPANY	W	CHINO NO 2	1960	0	0	0	0	0	0
3300370	02S/05W-03J	RIVERSIDE CEMENT COMPANY	W	CRESTMOR	1988	0	0	0	0	0	0
3300371	02S/05W-05K	TAYLOR, WALTER & BARBARA	W	FALCO	2000	0	0	0	0	0	0
3300372	02S/05W-03G02S	RIVERSIDE CEMENT COMPANY	W	49	1960	0	0	0	0	0	0
3300375	02S/05W-23L01S	CITIZENS NATIONAL COMPANY	W	AIR COND	1971	0	0	0	0	0	0
3300417	02S/05W-25F01S	RIVERSIDE, CITY OF	W	CLEARWTR	1995	0	0	0	0	0	0
3300417-	02S/05W-25F01S	VICTORIA COUNTRY CLUB	W	CLEARWTR		450	400	350	350	600	430
3300439	02S/04W-07N	BURNS, F.L. & LAURA	W	CIT ST 2	1971	0	0	0	0	0	0
3300554	02S/05W-32B01S	MARTIN, KENNETH ALLAN	W	RR 1/NICHOLS PARK	1968	0	0	0	0	0	0
3300573	02S/04W-19P	LA CASA CONTENTA MOTEL	W	ADLINE	1967	0	0	0	0	0	0
3300595	02S/05W-22C01S	MICHAEL, C.	W	OLD A	1978	0	0	0	0	0	0

**WESTERN - SAN BERNARDINO WATERMASTER
VERIFIED PRODUCTION DATA
CROSS INDEX BY RECORDATION NUMBER
RIVERSIDE SOUTH BASIN**

RECRDTN NUMBER	STATE WELL NUMBER	OWNER	WELL TYPE	LOCAL DESIGNATION	YEAR CLOSED	-----CALENDAR YEAR EXTRACTIONS-----					
						1998	1999	2000	2001	2002	AVG
3300595-	02S/05W-22D	MICHAEL, C.	W	A		0	0	0	0	0	0
3300596	02S/05W-21K01S	RIVERSIDE, COUNTY OF	W	HQ		24	24	24	24	24	24
3300597	02S/05W-22C02S	MICHAEL, C.	W	C		0	0	0	0	0	0
3300598	02S/05W-21K	RIVERSIDE, COUNTY OF	W	EDMUNDS "D"		393	570	479	482	520	489
3300599	02S/05W-21B01S	MICHAEL, C.	W	"E" (JONES RANCH)		91	277	293	217	161	208
3300600	02S/05W-21A01S	MICHAEL, C.	W	F	1990	0	0	0	0	0	0
3300601	02S/05W-22D01S	MICHAEL, C.	W	"G" (JONES RANCH)		0	0	0	0	0	0
3300607	02S/04W-18E01S	HUNTER ENGINEERING COMPANY	W	SMITH 1	1974	0	0	0	0	0	0
3300608	02S/04W-18F	HUNTER ENGINEERING COMPANY	W	2	1974	0	0	0	0	0	0
3300609	02S/04W-18C	HUNTER ENGINEERING COMPANY	W	3	1974	45	45	45	45	45	45
3300686	02S/04W-19J01S	RIVERSIDE, CITY OF	W	LEMONA 1	1974	0	0	0	0	0	0
3300748	02S/05W-12E	GROSS, DALE P.	W	1	1971	0	0	0	0	0	0
3300754	02S/05W-13E	WHITE SULPHUR SPRINGS POOL	W	WHSPLHR 1	1971	0	0	0	0	0	0
3300768	03S/05W-14E	ROCKY R RANCH	W	GURNEY 1	1974	0	0	0	0	0	0
3300798	02S/05W-12A	STOKER, GEORGE	W		1971	0	0	0	0	0	0
3300811	02S/05W-32K01S	ZINKE VERA	W	WAYMAN	1975	0	0	0	0	0	0
3300812	02S/05W-11P	WATERMAN, ALLEN H	W	WTRMN 1	1962	0	0	0	0	0	0
3300981	03S/04W-03Q	EASTERN MUNICIPAL WATER DISTRICT	W	RECHE CN	1974	0	0	0	0	0	0
3300982	03S/04W-03R	EASTERN MUNICIPAL WATER DISTRICT	W	DICKNSON	1974	0	0	0	0	0	0
3301036	03S/05W-09A01S	CARPENTER COMPANY	W	CBLNCA 1	1991	0	0	0	0	0	0
3301073	02S/05W-12K02S	RIVERSIDE, CITY OF	W	TWIN 1&2		1	0	0	6	0	1
3301074	02S/05W-23J01S	RIVERSIDE, CITY OF	W	MULBERRY		0	0	0	0	0	0
3301075	02S/05W-12B01S	RIVERSIDE, CITY OF	W	GARNER #1 (T&G)		5	6	4	2	2	4
3301076	02S/05W-12P01S	RIVERSIDE, CITY OF	W	MOORE GRIFFITH #1		1	0	0	1	0	0
3301077	02S/05W-12P02S	RIVERSIDE, CITY OF	W	BRUNTON		0	0	0	0	0	0
3301078	02S/05W-28A01S	RIVERSIDE, CITY OF	W	SANITARY	1977	0	0	0	0	0	0
3301079	02S/05W-28C01S	RIVERSIDE, CITY OF	W	DAVIS	1977	0	0	0	0	0	0
3301081	02S/05W-14B	YEAGER CONSTRUCTION COMPANY	W	ANZA	1975	0	0	0	0	0	0
3301082	02S/05W-14G02S	RIVERSIDE, CITY OF	W	FAIRMOUNT PARK #1		1,117	921	354	818	655	773
3301084	02S/05W-12A01S	RIVERSIDE, CITY OF	W	RUSSELL	1972	0	0	0	0	0	0
3301086	02S/05W-14K	RIVERSIDE, CITY OF	D	SPRING BROOK	1966	0	0	0	0	0	0
3301087	02S/05W-29G	RIVERSIDE, CITY OF	D	JENSEN	1977	0	0	0	0	0	0
3301153	02S/05W-15M02S	RUBIDOUX COMMUNITY SERVICES DISTRICT	W	#7, 36TH & DALY		1	1	1	1	1	1
3301154	02S/05W-15L09S	RUBIDOUX COMMUNITY SERVICES DISTRICT	W	#8, 34TH & DALY	1989	0	0	0	0	0	0
3301194	02S/05W-12R01S	ROSS, SAM	W	1 WEST	1959	0	0	0	0	0	0
3301203	02S/05W-02F	MADISON, ERIN	W	1 VALENCIA	1989	0	0	0	0	0	0
3301257	02S/04W-31E01S	ROOS, CHARLES E.	W	1	1970	0	0	0	0	0	0

**WESTERN - SAN BERNARDINO WATERMASTER
VERIFIED PRODUCTION DATA
CROSS INDEX BY RECORDATION NUMBER
RIVERSIDE SOUTH BASIN**

RECRDTN NUMBER	STATE WELL NUMBER	OWNER	WELL TYPE	LOCAL DESIGNATION	YEAR CLOSED	-----CALENDAR YEAR EXTRACTIONS-----					
						1998	1999	2000	2001	2002	AVG
3301284	02S/05W-24D01S	RIVERSIDE, CITY OF	W	1ST ST		745	592	1,575	1,594	1,233	1,148
3301285	02S/05W-13Q01S	RIVERSIDE, CITY OF	W	CUNHAM 1	1978	0	0	0	0	0	0
3301285-	02S/05W-13Q02S	RIVERSIDE, CITY OF	W	CUNHAM 2		0	0	0	0	0	0
3301286	02S/04W-07N01S	RIVERSIDE, CITY OF	W	PALMYRITA 1	1978	0	0	0	0	0	0
3301286-	02S/04W-07N03S	RIVERSIDE, CITY OF	W	PALMYRITA #2		934	3,176	1,697	2,865	1,239	1,982
3301287	02S/04W-07L01S	RIVERSIDE, CITY OF	W	ELECTRIC ST		3,171	3,845	3,891	2,210	2,623	3,148
3301288	02S/05W-23R01S	RIVERSIDE, CITY OF	W	FILL		0	1,818	2,156	1,823	0	1,159
3301289	02S/05W-23Q01S	RIVERSIDE, CITY OF	W	11TH ST		20	833	1,726	1,643	0	844
3301296	02S/05W-16J	RUBIDOUX COMMUNITY SERVICES DISTRICT	W	1, FORT FREMONT	1999	220	260	0	0	0	96
3301297	02S/05W-16J	RUBIDOUX COMMUNITY SERVICES DISTRICT	W	2, FORT FREMONT	1997	0	0	0	0	0	0
3301346	02S/05W-02L01S	RIVINO WATER COMPANY	W	1	1980	0	0	0	0	0	0
3301358	02S/04W-08E01S	RIVERSIDE, CITY OF	W	HIGHGROVE 1		0	0	0	0	0	0
3301359	02S/04W-08D03S	RIVERSIDE, CITY OF	W	HIGHGROVE 2	1978	0	0	0	0	0	0
3301359-	02S/04W-08D04S	RIVERSIDE, CITY OF	W	HIGHGROVE 3		0	0	0	0	0	0
3301362	02S/05W-08G04S	JURUPA COMMUNITY SERVICES DISTRICT	W	3	2000	0	0	0	0	0	0
3301363	02S/05W-16E06S	RUBIDOUX COMMUNITY SERVICES DISTRICT	W	OLD #4	1988	0	0	0	0	0	0
3301372	02S/05W-03B02S	CRESTMORE HEIGHTS MUTUAL WATER COMPAN	W	2	1999	0	0	0	0	0	0
3301384	02S/05W-22R01S	TRI-CITY LINEN SUPPLY COMPANY	W	RIV LDYR/BLUE SEAL		83	76	76	72	77	77
3301422	02S/05W-05R02S	PROPERTY ACQUISITION COMPANY	W	PATA 66	1974	0	0	0	0	0	0
3301423	02S/05W-16G04S	RUBIDOUX COMMUNITY SERVICES DISTRICT	W	NO 1	1987	0	0	0	0	0	0
3301424	02S/05W-15M01S	RUBIDOUX COMMUNITY SERVICES DISTRICT	W	#9, WALLACE STREET	1988	0	0	0	0	0	0
3301473	02S/05W-02F	MADISON, ERIN	W	CHINO NO 3	1989	0	0	0	0	0	0
3301501	02S/05W-08G01S	JURUPA COMMUNITY SERVICES DISTRICT	W	SUNNYSLOPE #5		28	33	1	0	0	12
3301502	02S/05W-08K02S	JURUPA COMMUNITY SERVICES DISTRICT	W	6	1981	0	0	0	0	0	0
3301524	02S/05W-19J	RUBIDOUX COMMUNITY SERVICES DISTRICT	W	J H #9	1979	0	0	0	0	0	0
3301524-	02S/05W-20J02S	RUBIDOUX COMMUNITY SERVICES DISTRICT	W	#16 HUNTER	2002	0	0	0	0	0	0
3301578	02S/05W-05R	JURUPA COMMUNITY SERVICES DISTRICT	W	PEARSON MUTAL	1980	0	0	0	0	0	0
3301605	02S/04W-19P01S	BANK OF AMERICA N.T.&S.A.	W	WOODILL	1967	0	0	0	0	0	0
3301610	02S/05W-03A03S	RIVERSIDE CEMENT COMPANY	W	60-1 BLENDING PILE		309	523	362	487	574	451
3301625	02S/05W-08K03S	JURUPA COMMUNITY SERVICES DISTRICT	W	#7	1981	0	0	0	0	0	0
3301626	02S/05W-02L	RIVERSIDE CEMENT COMPANY	W	53-2	1978	0	0	0	0	0	0
3301626-	02S/05W-02L	MADISON, ERIN	W	64-1	1989	0	0	0	0	0	0
3301635	02S/05W-14G03S	RIVERSIDE, CITY OF	W	MORI 2		2,513	1,627	1,389	1,119	1,016	1,533
3301655	02S/04W-08M01S	RIVERSIDE HIGHLAND WATER COMPANY	W	RN #21		138	463	63	527	771	392
3301656	02S/04W-08M02S	RIVERSIDE HIGHLAND WATER COMPANY	W	RN #22		188	20	24	129	47	82
3301659	02S/05W-03B	CRESTMORE HEIGHTS MUTUAL WATER COMPAN	W	3	1999	0	0	0	0	0	0
3301694	02S/05W-20H04S	RUBIDOUX COMMUNITY SERVICES DISTRICT	W	#13 HUNTER 6		0	0	0	0	0	0

**WESTERN - SAN BERNARDINO WATERMASTER
VERIFIED PRODUCTION DATA
CROSS INDEX BY RECORDATION NUMBER
RIVERSIDE SOUTH BASIN**

RECRDTN NUMBER	STATE WELL NUMBER	OWNER	WELL TYPE	LOCAL DESIGNATION	YEAR CLOSED	-----CALENDAR YEAR EXTRACTIIONS-----					
						1998	1999	2000	2001	2002	AVG
3301768	02S/05W-11J	ALAMO WATER COMPANY	W			175	231	263	278	297	249
3301814	03S/05W-03F01S	RIVERSIDE, CITY OF	W	ORANGE ACRES	1982	0	0	0	0	0	0
3301834	02S/05W-15B10S	RIVERSIDE THOROUGHbred FARM	W	1	1990	325	325	325	325	325	325
3301835	02S/05W-15B11S	RIVERSIDE THOROUGHbred FARM	W	#2	1986	0	0	0	0	0	0
3301851	02S/05W-14E01S	RIVERSIDE, CITY OF	W	FAIRMONT PARK 2		0	0	0	0	0	0
3301887	02S/05W-10P01S	RUBIDOUX COMMUNITY SERVICES DISTRICT	W	#3 28TH ST		12	20	18	19	7	15
3301892	02S/05W-17R03S	RUBIDOUX COMMUNITY SERVICES DISTRICT	W	#4 CLEMENTS (OLD 11)		293	365	354	332	373	343
3301915	02S/05W-23Q03S	CALIF DEPT OF TRANSPORTATION DIST 8R	W	FREEWAY	1989	0	0	0	0	0	0
3301927	02S/05W-03R03S	YEAGER CONSTRUCTION COMPANY	W	2	1974	0	0	0	0	0	0
3301940	03S/05W-09E01S	RIVERSIDE, CITY OF	W	LINCOLN HEIGHTS	1981	0	0	0	0	0	0
3301959	02S/05W-12B04S	RIVERSIDE, CITY OF	W	GARNER B		1,972	1,763	91	181	694	940
3302007	02S/05W-16H06S	RUBIDOUX COMMUNITY SERVICES DISTRICT	W	#2, TROYER		810	944	803	1,133	1,206	979
3302008	02S/05W-10K06S	RUBIDOUX COMMUNITY SERVICES DISTRICT	W	NO 1, W RIV MUTUAL	2001	255	326	167	0	0	150
3302052	02S/04W-31R01S	CANYON CREST COUNTRY CLUB	W	NO 1	1989	10	10	10	10	10	10
3302204	02S/05W-21M03S	RIVERSIDE, COUNTY OF	W	PIC LAK 8	1990	0	0	0	0	0	0
3302205	02S/05W-21M01S	RIVERSIDE, COUNTY OF	W	PIC LAK 12	1990	0	0	0	0	0	0
3302206	02S/05W-21M04S	RIVERSIDE, COUNTY OF	W	PIC LAK 14		100	100	100	100	100	100
3302233	02S/05W-10C04S	UNIVERSAL FOREST PRODUCTS	W	1		0	0	0	15	1	3
3302234	02S/05W-10C03S	UNIVERSAL FOREST PRODUCTS	W	2		0	0	0	0	0	0
3302235	02S/05W-10C01S	UNIVERSAL FOREST PRODUCTS	W	3		0	0	0	0	0	0
3302472	02S/05W-12C03S	RIVERSIDE, CITY OF	W	GARNER C		3,289	3,175	3,430	3,534	2,991	3,284
3302531	02S/05W-12A03S	RIVERSIDE, CITY OF	W	RUSSELL B		1,229	15	0	0	0	249
3302538	02S/05W-20A01S	RUBIDOUX COMMUNITY SERVICES DISTRICT	W	#14, 48TH ST		304	0	0	0	0	61
3302539	02S/05W-21C01S	RUBIDOUX COMMUNITY SERVICES DISTRICT	W	#12, AIRPORT	1998	0	0	0	0	0	0
3302540	02S/05W-15M01S	RUBIDOUX COMMUNITY SERVICES DISTRICT	W	#5, NEW 36TH		464	379	486	122	11	292
3302541	02S/05W-11C02S	RUBIDOUX COMMUNITY SERVICES DISTRICT	W	#4, SKOTTY		351	456	850	849	975	696
3302542	02S/05W-15L01S	RUBIDOUX COMMUNITY SERVICES DISTRICT	W	#1-CRESTMORE	2002	703	609	539	14	0	373
3302605	02S/05W-03F02S	RIVERSIDE CEMENT COMPANY	W	88-1		156	182	460	298	147	249
3302618	02S/05W-12B06S	RIVERSIDE, CITY OF	W	GARNER D		2,768	2,833	2,609	2,995	2,812	2,803
3302772	02S/05W-11C	RUBIDOUX COMMUNITY SERVICES DISTRICT	W	#6, NEW SKOTTY		631	142	1,009	1,792	1,160	947
3302810	02S/05W-15L	RUBIDOUX COMMUNITY SERVICES DISTRICT	W	NEW DALEY #8		1,138	2,546	2,400	2,427	2,587	2,220
3302890	02S/05W-12B07S	RIVERSIDE, CITY OF	W	RUSSELL C				878	968	2,988	967
3302911	02S/05W-08G04S	JURUPA COMMUNITY SERVICES DISTRICT	W	#21				25	707	703	287
TOTALS FOR 144 WELLS						28,558	33,882	32,308	33,701	31,058	31,901

TABLE NO. 1

VERIFIED EXTRACTIONS BY OWNERS WHICH HAVE
RECORDATION FILINGS WITH THE STATE WATER
RESOURCES CONTROL BOARD

**WESTERN - SAN BERNARDINO WATERMASTER
TABLE 1
VERIFIED EXTRACTIONS - FILED
RIVERSIDE SOUTH BASIN**

RECRDTN NUMBER	STATE NUMBER	WELL NUMBER	WELL TYPE	LOCAL DESIGNATION	-----BASE YEARS-----						-----CALENDAR YEAR EXTRACTIONS-----					
					1959	1960	1961	1962	1963	AVG	1998	1999	2000	2001	2002	AVG
ALAMO WATER COMPANY																
3301768	02S/05W-11J	W			79	100	132	163	149	125	175	231	263	278	297	249
TOTALS FOR ALAMO WATER COMPANY					79	100	132	163	149	125	175	231	263	278	297	249
BANK OF AMERICA N.T.&S.A.																
3301605	02S/04W-19P01S	W	WOODILL		90	90	90	90	94	91	0	0	0	0	0	0
TOTALS FOR BANK OF AMERICA N.T.&S.A.					90	90	90	90	94	91	0	0	0	0	0	0
BOX SPRINGS MUTUAL WATER COMPANY																
3300272	03S/04W-10A	W	13		0	0	0	0	0	0	0	0	0	0	0	0
3300272-	03S/04W-10A	W	14		0	0	0	0	0	0	0	0	0	0	0	0
3300275	03S/04W-10A	W	17		473	453	492	442	428	458	309	348	362	364	391	355
3300274	03S/04W-10B	W	8		0	0	0	0	0	0	0	0	0	0	0	0
3300274-	03S/04W-10B	W	16		53	50	55	55	42	51	0	0	0	0	0	0
3300273	03S/04W-10G	W	7		0	0	0	0	0	0	0	0	0	0	0	0
3300273-	03S/04W-10G	W	15		0	0	0	0	0	0	0	0	0	0	0	0
TOTALS FOR BOX SPRINGS MUTUAL WATER COMPANY					526	503	547	497	470	509	309	348	362	364	391	355
BURNS, F.L. & LAURA																
3300439	02S/04W-07N	W	CIT ST 2		0	0	0	0	0	0	0	0	0	0	0	0
TOTALS FOR BURNS, F.L. & LAURA					0	0	0	0	0	0	0	0	0	0	0	0
CALIF DEPT OF TRANSPORTATION DIST 8R																
3301915	02S/05W-23Q03S	W	FREEWAY							0	0	0	0	0	0	0
TOTALS FOR CALIF DEPT OF TRANSPORTATION DIST 8R										0	0	0	0	0	0	0
CANYON CREST COUNTRY CLUB																
3302052	02S/04W-31R01S	W	NO 1							0	10	10	10	10	10	10
TOTALS FOR CANYON CREST COUNTRY CLUB										0	10	10	10	10	10	10
CARPENTER COMPANY																
3301036	03S/05W-09A01S	W	CBLNCA 1		118	247	420	300	300	277	0	0	0	0	0	0
TOTALS FOR CARPENTER COMPANY					118	247	420	300	300	277	0	0	0	0	0	0

**WESTERN - SAN BERNARDINO WATERMASTER
TABLE 1
VERIFIED EXTRACTIIONS - FILED
RIVERSIDE SOUTH BASIN**

RECRDTN NUMBER	STATE NUMBER	WELL TYPE	WELL LOCAL DESIGNATION	-----BASE YEARS-----						-----CALENDAR YEAR EXTRACTIIONS-----					
				1959	1960	1961	1962	1963	AVG	1998	1999	2000	2001	2002	AVG
CITIZENS NATIONAL COMPANY															
3300375	02S/05W-23L01S	W	AIR COND	0	33	33	33	33	26	0	0	0	0	0	0
TOTALS FOR CITIZENS NATIONAL COMPANY				0	33	33	33	33	26	0	0	0	0	0	0
CRESTMORE HEIGHTS MUTUAL WATER COMPANY															
3301659	02S/05W-03B	W	3			13	44	42	20	0	0	0	0	0	0
3301372	02S/05W-03B02S	W	2	67	63	52	17	16	43	0	0	0	0	0	0
TOTALS FOR CRESTMORE HEIGHTS MUTUAL WATER COMPAN				67	63	65	61	58	63	0	0	0	0	0	0
EASTERN MUNICIPAL WATER DISTRICT															
3300981	03S/04W-03Q	W	RECHE CN	0	0	0	0	0	0	0	0	0	0	0	0
3300982	03S/04W-03R	W	DICKNSON	3	1	0	0	0	1	0	0	0	0	0	0
TOTALS FOR EASTERN MUNICIPAL WATER DISTRICT				3	1	0	0	0	1	0	0	0	0	0	0
GROSS, DALE P.															
3300748	02S/05W-12E	W	1	0	0	0	0	0	0	0	0	0	0	0	0
TOTALS FOR GROSS, DALE P.				0	0	0	0	0	0	0	0	0	0	0	0
GRUBBS, V. W.															
3300076	02S/04W-07P	W		45	40	51	38	39	43	0	0	0	0	0	0
TOTALS FOR GRUBBS, V. W.				45	40	51	38	39	43	0	0	0	0	0	0
HUNTER ENGINEERING COMPANY															
3300609	02S/04W-18C	W	3	0	0	0	31	188	44	45	45	45	45	45	45
3300607	02S/04W-18E01S	W	SMITH 1	0	0	0	0	0	0	0	0	0	0	0	0
3300608	02S/04W-18F	W	2	0	0	0	0	0	0	0	0	0	0	0	0
TOTALS FOR HUNTER ENGINEERING COMPANY				0	0	0	31	188	44	45	45	45	45	45	45
JOHNSON, TRUMAN															
3300160	02S/05W-14E	W	1, PALMYRITA	270	214	248	187	250	234	0	0	0	0	0	0
TOTALS FOR JOHNSON, TRUMAN				270	214	248	187	250	234	0	0	0	0	0	0
JURUPA COMMUNITY SERVICES DISTRICT															
3301578	02S/05W-05R	W	PEARSON MUTAL	9	6	6	6	78	21	0	0	0	0	0	0
3301501	02S/05W-08G01S	W	SUNNYSLOPE #5	624	180	422	275	552	411	28	33	1	0	0	12

**WESTERN - SAN BERNARDINO WATERMASTER
TABLE 1
VERIFIED EXTRACTATIONS - FILED
RIVERSIDE SOUTH BASIN**

RECRDTN NUMBER	STATE WELL NUMBER	WELL TYPE	LOCAL DESIGNATION	BASE YEARS						CALENDAR YEAR EXTRACTATIONS					
				1959	1960	1961	1962	1963	AVG	1998	1999	2000	2001	2002	AVG
JURUPA COMMUNITY SERVICES DISTRICT															
3301362	02S/05W-08G04S	W	3	12	180	422	275	552	288	0	0	0	0	0	0
3302911	02S/05W-08G04S	W	#21						0			25	707	703	287
3301502	02S/05W-08K02S	W	6	308	351	103	295	116	235	0	0	0	0	0	0
3301625	02S/05W-08K03S	W	#7	50	351	103	295	116	183	0	0	0	0	0	0
TOTALS FOR JURUPA COMMUNITY SERVICES DISTRICT				1,003	1,068	1,056	1,146	1,414	1,137	28	33	26	707	703	299
LA CASA CONTENTA MOTEL															
3300573	02S/04W-19P	W	ADLINE	0	0	0	0	0	0	0	0	0	0	0	0
TOTALS FOR LA CASA CONTENTA MOTEL				0	0	0	0	0	0	0	0	0	0	0	0
MADISON, ERIN															
3301203	02S/05W-02F	W	1 VALENCIA	564	704	731	476	912	677	0	0	0	0	0	0
3301473	02S/05W-02F	W	CHINO NO 3	603	781	465	515	531	579	0	0	0	0	0	0
3301626-	02S/05W-02L	W	64-1						0	0	0	0	0	0	0
TOTALS FOR MADISON, ERIN				1,167	1,485	1,196	991	1,443	1,256	0	0	0	0	0	0
MARTIN, KENNETH ALLAN															
3300554	02S/05W-32B01S	W	RR 1/NICHOLS PARK	0	0	0	0	0	0	0	0	0	0	0	0
TOTALS FOR MARTIN, KENNETH ALLAN				0	0	0	0	0	0	0	0	0	0	0	0
MICHAEL, C.															
3300600	02S/05W-21A01S	W	F	564	564	564	564	564	564	0	0	0	0	0	0
3300599	02S/05W-21B01S	W	"E" (JONES RANCH)	422	422	422	422	422	422	91	277	293	217	161	208
3300595	02S/05W-22C01S	W	OLD A	0	0	0	0	0	0	0	0	0	0	0	0
3300597	02S/05W-22C02S	W	C	1	1	1	1	1	1	0	0	0	0	0	0
3300595-	02S/05W-22D	W	A	354	354	354	354	354	354	0	0	0	0	0	0
3300601	02S/05W-22D01S	W	"G" (JONES RANCH)	5	5	5	5	5	5	0	0	0	0	0	0
TOTALS FOR MICHAEL, C.				1,346	1,346	1,346	1,346	1,346	1,346	91	277	293	217	161	208
MIPO CORP, DBA MISSION															
3300000	02S/05W-23G02S	W	6TH ST	73	73	73	73	73	73	0	0	0	0	0	0
TOTALS FOR MIPO CORP, DBA MISSION				73	73	73	73	73	73	0	0	0	0	0	0
PROPERTY ACQUISITION COMPANY															
3301422	02S/05W-05R02S	W	PATA 66	140	136	143	139	141	140	0	0	0	0	0	0

**WESTERN - SAN BERNARDINO WATERMASTER
TABLE 1
VERIFIED EXTRACTIONS - FILED
RIVERSIDE SOUTH BASIN**

RECRDTN NUMBER	STATE NUMBER	WELL TYPE	WELL LOCAL DESIGNATION	BASE YEARS						CALENDAR YEAR EXTRACTIONS					
				1959	1960	1961	1962	1963	AVG	1998	1999	2000	2001	2002	AVG
TOTALS FOR PROPERTY ACQUISITION COMPANY				140	136	143	139	141	140	0	0	0	0	0	0
RIVERSIDE CEMENT COMPANY															
3300369	02S/05W-02E	W	CHINO NO 2	398	0	0	0	0	80	0	0	0	0	0	
3301626	02S/05W-02L	W	53-2	350	350	0	132	110	188	0	0	0	0	0	
3301610	02S/05W-03A03S	W	60-1 BLENDING PILE		488	2,420	2,020	1,563	1,298	309	523	362	487	574	
3302605	02S/05W-03F02S	W	88-1						0	156	182	460	298	147	
3300372	02S/05W-03G02S	W	49	37	0	0	0	0	7	0	0	0	0	0	
3300370	02S/05W-03J	W	CRESTMOR	282	242	282	282	532	324	0	0	0	0	0	
TOTALS FOR RIVERSIDE CEMENT COMPANY				1,067	1,080	2,702	2,434	2,205	1,898	465	705	822	785	721	
RIVERSIDE HIGHLAND WATER COMPANY															
3301655	02S/04W-08M01S	W	RN #21	0	0	0	1,393	1,381	555	138	463	63	527	771	
3301656	02S/04W-08M02S	W	RN #22			0	0	0	0	188	20	24	129	47	
TOTALS FOR RIVERSIDE HIGHLAND WATER COMPANY				0	0	0	1,393	1,381	555	326	483	87	656	818	
RIVERSIDE INDUSTRIAL PARK															
3300330	02S/05W-11C01S	W	8	315	315	224	209	174	247	0	0	0	0	0	
TOTALS FOR RIVERSIDE INDUSTRIAL PARK				315	315	224	209	174	247	0	0	0	0	0	
RIVERSIDE THOROUGHBRED FARM															
3301834	02S/05W-15B10S	W	1					30	6	325	325	325	325	325	
3301835	02S/05W-15B11S	W	#2					60	12	0	0	0	0	0	
TOTALS FOR RIVERSIDE THOROUGHBRED FARM								90	18	325	325	325	325	325	
RIVERSIDE, CITY OF															
3301287	02S/04W-07L01S	W	ELECTRIC ST	2,731	1,776	507	167	258	1,088	3,171	3,845	3,891	2,210	2,623	
3301286	02S/04W-07N01S	W	PALMYRITA 1	553	0	0	0	0	111	0	0	0	0	0	
3301286-	02S/04W-07N03S	W	PALMYRITA #2		1,069	811	620	599	620	934	3,176	1,697	2,865	1,239	
3301359	02S/04W-08D03S	W	HIGHGROVE 2	147	357	375	254	0	227	0	0	0	0	0	
3301359-	02S/04W-08D04S	W	HIGHGROVE 3					0	0	0	0	0	0	0	
3301358	02S/04W-08E01S	W	HIGHGROVE 1	220	198	210	250	439	263	0	0	0	0	0	
3300686	02S/04W-19J01S	W	LEMONA 1	384	319	378	203	274	312	0	0	0	0	0	
3301084	02S/05W-12A01S	W	RUSSELL	483	740	445	778	510	591	0	0	0	0	0	
3302531	02S/05W-12A03S	W	RUSSELL B						0	1,229	15	0	0	0	

**WESTERN - SAN BERNARDINO WATERMASTER
TABLE 1
VERIFIED EXTRACTIONS - FILED
RIVERSIDE SOUTH BASIN**

RECRDTN NUMBER	STATE WELL NUMBER	WELL TYPE	LOCAL DESIGNATION	-----BASE YEARS-----						-----CALENDAR YEAR EXTRACTIONS-----					
				1959	1960	1961	1962	1963	AVG	1998	1999	2000	2001	2002	AVG
3301075	02S/05W-12B01S	W	GARNER #1 (T&G)	264	383	250	534	285	343	5	6	4	2	2	4
3301959	02S/05W-12B04S	W	GARNER B						0	1,972	1,763	91	181	694	940
3302618	02S/05W-12B06S	W	GARNER D						0	2,768	2,833	2,609	2,995	2,812	2,803
3302890	02S/05W-12B07S	W	RUSSELL C						0			878	968	2,988	967
3302472	02S/05W-12C03S	W	GARNER C						0	3,289	3,175	3,430	3,534	2,991	3,284
3301073	02S/05W-12K02S	W	TWIN 1&2	672	1,034	2,232	1,593	1,026	1,311	1	0	0	6	0	1
3301076	02S/05W-12P01S	W	MOORE GRIFFITH #1	458	589	685	690	771	639	1	0	0	1	0	0
3301077	02S/05W-12P02S	W	BRUNTON	259	299	152	482	409	320	0	0	0	0	0	0
3301285	02S/05W-13Q01S	W	CUNHAM 1	0	0	0	0	0	0	0	0	0	0	0	0
3301285-	02S/05W-13Q02S	W	CUNHAM 2	0	0	2,075	1,325	1,547	989	0	0	0	0	0	0
3301851	02S/05W-14E01S	W	FAIRMONT PARK 2						0	0	0	0	0	0	0
3301082	02S/05W-14G02S	W	FAIRMOUNT PARK #1	1,166	1,187	1,096	1,045	675	1,034	1,117	921	354	818	655	773
3301635	02S/05W-14G03S	W	MORI 2		365	1,829	1,684	1,536	1,083	2,513	1,627	1,389	1,119	1,016	1,533
3301086	02S/05W-14K	D	SPRING BROOK	0	0	0	0	0	0	0	0	0	0	0	0
3301074	02S/05W-23J01S	W	MULBERRY	12	46	24	108	40	46	0	0	0	0	0	0
3301289	02S/05W-23Q01S	W	11TH ST	543	760	895	573	311	616	20	833	1,726	1,643	0	844
3301288	02S/05W-23R01S	W	FILL	651	1,103	629	369	374	625	0	1,818	2,156	1,823	0	1,159
3301284	02S/05W-24D01S	W	1ST ST	766	2,360	1,246	1,012	581	1,193	745	592	1,575	1,594	1,233	1,148
3300417	02S/05W-25F01S	W	CLEARWTR	528	631	805	23	126	423	0	0	0	0	0	0
3301078	02S/05W-28A01S	W	SANITARY	4	3	3	3	3	3	0	0	0	0	0	0
3301079	02S/05W-28C01S	W	DAVIS	0	0	0	0	0	0	0	0	0	0	0	0
3301087	02S/05W-29G	D	JENSEN	2,613	2,475	1,628	1,467	1,467	1,930	0	0	0	0	0	0
3301814	03S/05W-03F01S	W	ORANGE ACRES	24	19	18	14	12	17	0	0	0	0	0	0
3301940	03S/05W-09E01S	W	LINCOLN HEIGHTS	438	464	448	358	300	402	0	0	0	0	0	0
TOTALS FOR RIVERSIDE, CITY OF				12,916	16,177	16,741	13,552	11,543	14,186	17,765	20,604	19,800	19,759	16,253	18,836
RIVERSIDE, CITY OF-GAGE CANAL															
3300367	02S/05W-26E02S	W	OLIVEWOOD 2	1,752	1,595	1,633	985	1,165	1,426	1,184	1,432	1,149	952	1,669	1,277
3300366	02S/05W-26F01S	W	OLIVEWOOD 1	856	931	1,044	727	688	849	800	1,049	634	700	1,228	882
3300368	02S/05W-26M01S	W	OLIVEWOOD 3	449	461	559	305	318	418	516	801	594	881	645	687
TOTALS FOR RIVERSIDE, CITY OF-GAGE CANAL				3,057	2,987	3,236	2,017	2,171	2,694	2,500	3,282	2,377	2,533	3,542	2,847
RIVERSIDE, COUNTY OF															
3300598	02S/05W-21K	W	EDMUNDS "D"	1,220	1,220	1,220	1,220	1,220	1,220	393	570	479	482	520	489
3300596	02S/05W-21K01S	W	HQ	1	1	1	1	1	1	24	24	24	24	24	24

**WESTERN - SAN BERNARDINO WATERMASTER
TABLE 1
VERIFIED EXTRACTIIONS - FILED
RIVERSIDE SOUTH BASIN**

RECRDTN NUMBER	STATE WELL NUMBER	WELL TYPE	LOCAL DESIGNATION	-----BASE YEARS-----						-----CALENDAR YEAR EXTRACTIIONS-----						
				1959	1960	1961	1962	1963	AVG	1998	1999	2000	2001	2002	AVG	
3302205	02S/05W-21M01S	W	PIC LAK 12	515	515	515	515	515	515	0	0	0	0	0	0	
3302204	02S/05W-21M03S	W	PIC LAK 8						0	0	0	0	0	0	0	
3302206	02S/05W-21M04S	W	PIC LAK 14	504	504	504	504	504	504	100	100	100	100	100	100	
TOTALS FOR RIVERSIDE, COUNTY OF				2,240	2,240	2,240	2,240	2,240	2,240	517	694	603	606	644	613	
RIVINO WATER COMPANY																
3301346	02S/05W-02L01S	W	1	297	211	187	477	372	309	0	0	0	0	0	0	
TOTALS FOR RIVINO WATER COMPANY				297	211	187	477	372	309	0	0	0	0	0	0	0
ROCKY R RANCH																
3300768	03S/05W-14E	W	GURNEY 1	45	24	6	6	5	17	0	0	0	0	0	0	
TOTALS FOR ROCKY R RANCH				45	24	6	6	5	17	0	0	0	0	0	0	0
ROOS, CHARLES E.																
3301257	02S/04W-31E01S	W	1	0	200	0	0	0	40	0	0	0	0	0	0	
TOTALS FOR ROOS, CHARLES E.				0	200	0	0	0	40	0	0	0	0	0	0	0
ROSS, SAM																
3301194	02S/05W-12R01S	W	1 WEST	0	0	0	0	0	0	0	0	0	0	0	0	
TOTALS FOR ROSS, SAM				0	0	0	0	0	0	0	0	0	0	0	0	0
RUBIDOUX COMMUNITY SERVICES DISTRICT																
3302008	02S/05W-10K06S	W	NO 1, W RIV MUTUAL	178	178	178	178	178	178	255	326	167	0	0	150	
3301887	02S/05W-10P01S	W	#3 28TH ST						0	12	20	18	19	7	15	
3302772	02S/05W-11C	W	#6, NEW SKOTTY						0	631	142	1,009	1,792	1,160	947	
3302541	02S/05W-11C02S	W	#4, SKOTTY						0	351	456	850	849	975	696	
3302810	02S/05W-15L	W	NEW DALEY #8						0	1,138	2,546	2,400	2,427	2,587	2,220	
3302542	02S/05W-15L01S	W	#1-CRESTMORE						0	703	609	539	14	0	373	
3301154	02S/05W-15L09S	W	#8, 34TH & DALY	50	51	62	32	28	45	0	0	0	0	0	0	
3301424	02S/05W-15M01S	W	#9, WALLACE STREET	136	195	190	140	117	156	0	0	0	0	0	0	
3302540	02S/05W-15M01S	W	#5, NEW 36TH						0	464	379	486	122	11	292	
3301153	02S/05W-15M02S	W	#7, 36TH & DALY	101	126	123	75	117	108	1	1	1	1	1	1	
3301363	02S/05W-16E06S	W	OLD #4	59	90	190	130	108	115	0	0	0	0	0	0	
3301423	02S/05W-16G04S	W	NO 1	167	136	129	126	141	140	0	0	0	0	0	0	
3302007	02S/05W-16H06S	W	#2, TROYER						0	810	944	803	1,133	1,206	979	

**WESTERN - SAN BERNARDINO WATERMASTER
TABLE 1
VERIFIED EXTRACTIONS - FILED
RIVERSIDE SOUTH BASIN**

RECRDTN NUMBER	STATE WELL NUMBER	WELL TYPE	LOCAL DESIGNATION	-----BASE YEARS-----						-----CALENDAR YEAR EXTRACTIONS-----						
				1959	1960	1961	1962	1963	AVG	1998	1999	2000	2001	2002	AVG	
3301296	02S/05W-16J	W	1, FORT FREMONT	70	27	27	18	45	37	220	260	0	0	0	96	
3301297	02S/05W-16J	W	2, FORT FREMONT	136	182	188	184	144	167	0	0	0	0	0	0	
3300022	02S/05W-16R	W	OLD #1 (RIO RANCHO)	0	0	0	0	0	0	0	0	0	0	0	0	
3300022-	02S/05W-16R01S	W	1 (RIO RANCHO)	84	86	98	76	103	89	57	36	0	0	0	19	
3301892	02S/05W-17R03S	W	#4 CLEMENTS (OLD 11)						0	293	365	354	332	373	343	
3301524	02S/05W-19J	W	J H #9	22	3	0	0	0	5	0	0	0	0	0	0	
3302538	02S/05W-20A01S	W	#14, 46TH ST						0	304	0	0	0	0	61	
3301694	02S/05W-20H04S	W	#13 HUNTER 6			76	100	94	54	0	0	0	0	0	0	
3301524-	02S/05W-20J02S	W	#16 HUNTER		35	125	117	141	84	0	0	0	0	0	0	
3302539	02S/05W-21C01S	W	#12, AIRPORT						0	0	0	0	0	0	0	
TOTALS FOR RUBIDOUX COMMUNITY SERVICES DISTRICT				1,003	1,109	1,386	1,176	1,216	1,178	5,239	6,084	6,627	6,689	6,320	6,192	
SCHWAB, A. M.																
3300230	02S/04W-08N02S	W	PLMYRTA	110	88	42	11	12	53	0	0	0	0	0	0	
TOTALS FOR SCHWAB, A. M.				110	88	42	11	12	53	0	0	0	0	0	0	
SCOPE CORPORATION																
3300003	02S/04W-19J02S	W	COOK 2	99	67	85	101	5	71	0	0	0	0	0	0	
3300004	02S/04W-19R01S	W	HALL 1	17	23	50	98	95	57	0	0	0	0	0	0	
TOTALS FOR SCOPE CORPORATION				116	90	135	199	100	128	0	0	0	0	0	0	
STOKER, GEORGE																
3300798	02S/05W-12A	W		158	165	159	165	134	156	0	0	0	0	0	0	
TOTALS FOR STOKER, GEORGE				158	165	159	165	134	156	0	0	0	0	0	0	0
TAYLOR, WALTER & BARBARA																
3300371	02S/05W-05K	W	FALCO	0	0	0	30	15	9	0	0	0	0	0	0	
TOTALS FOR TAYLOR, WALTER & BARBARA				0	0	0	30	15	9	0	0	0	0	0	0	
TRI-CITY LINEN SUPPLY COMPANY																
3301384	02S/05W-22R01S	W	RIV LDYR/BLUE SEAL	30	34	38	35	31	34	83	76	76	72	77	77	
TOTALS FOR TRI-CITY LINEN SUPPLY COMPANY				30	34	38	35	31	34	83	76	76	72	77	77	
UNIVERSAL FOREST PRODUCTS																
3302235	02S/05W-10C01S	W	3						0	0	0	0	0	0	0	

**WESTERN - SAN BERNARDINO WATERMASTER
TABLE 1
VERIFIED EXTRACTIIONS - FILED
RIVERSIDE SOUTH BASIN**

RECRDTN NUMBER	STATE NUMBER	WELL TYPE	WELL LOCAL DESIGNATION	-----BASE YEARS-----					-----CALENDAR YEAR EXTRACTIIONS-----												
				1959	1960	1961	1962	1963	AVG	1998	1999	2000	2001	2002	AVG						
3302234	02S/05W-10C03S	W	2							0	0	0	0	0	0	0					
3302233	02S/05W-10C04S	W	1							0	0	0	0	15	1	3					
TOTALS FOR UNIVERSAL FOREST PRODUCTS										0	0	0	0	15	1	3					
UNIVERSITY OF CALIFORNIA, REGENTS OF																					
3300040	02S/04W-08D02S	W	HIGHGROV	131	283	370	94	227	221	150	215	172	140	0	135						
TOTALS FOR UNIVERSITY OF CALIFORNIA, REGENTS OF										131	283	370	94	227	221	150	215	172	140	0	135
VICTORIA COUNTRY CLUB																					
3300417-	02S/05W-25F01S	W	CLEARWTR	0	0	0	0	0	0	450	400	350	350	600	430						
TOTALS FOR VICTORIA COUNTRY CLUB										0	0	0	0	0	0	450	400	350	350	600	430
VON KANEL, ALFRED																					
3300068	02S/05W-32A01S	W		83	87	94	94	78	87	0	0	0	0	0	0						
TOTALS FOR VON KANEL, ALFRED										83	87	94	94	78	87	0	0	0	0	0	0
WATERMAN, ALLEN H																					
3300812	02S/05W-11P	W	WTRMN 1	25	33	16	0	0	15	0	0	0	0	0	0						
TOTALS FOR WATERMAN, ALLEN H										25	33	16	0	0	15	0	0	0	0	0	0
WHITE SULPHUR SPRINGS POOL																					
3300754	02S/05W-13E	W	WHSLPHR 1	49	53	54	44	40	48	0	0	0	0	0	0						
TOTALS FOR WHITE SULPHUR SPRINGS POOL										49	53	54	44	40	48	0	0	0	0	0	0
WIGHT, CHARLES H																					
3300277	02S/05W-11K	W		76	0	0	0	0	15	0	0	0	0	0	0						
TOTALS FOR WIGHT, CHARLES H										76	0	0	0	0	15	0	0	0	0	0	0
YEAGER CONSTRUCTION COMPANY																					
3301927	02S/05W-03R03S	W	2							0	0	0	0	0	0						
3301081	02S/05W-14B	W	ANZA	121	151	134	0	0	81	0	0	0	0	0	0						
TOTALS FOR YEAGER CONSTRUCTION COMPANY										121	151	134	0	0	81	0	0	0	0	0	0
ZINKE VERA																					
3300811	02S/05W-32K01S	W	WAYMAN	53	37	47	20	18	35	0	0	0	0	0	0						

**WESTERN - SAN BERNARDINO WATERMASTER
TABLE 1
VERIFIED EXTRACTIIONS - FILED
RIVERSIDE SOUTH BASIN**

RECRDTN NUMBER	STATE WELL NUMBER	WELL TYPE	LOCAL DESIGNATION	-----BASE YEARS-----						-----CALENDAR YEAR EXTRACTIIONS-----					
				1959	1960	1961	1962	1963	AVG	1998	1999	2000	2001	2002	AVG
TOTALS FOR ZINKE VERA				53	37	47	20	18	35	0	0	0	0	0	0
TOTALS FOR 140 WELLS				26,819	30,763	33,211	29,291	28,050	29,627	28,478	33,812	32,238	33,551	30,908	31,797

TABLE NO. 2

VERIFIED EXTRACTIONS BY OWNERS WHICH
HAVE NOT FILED WITH THE STATE WATER
RESOURCES CONTROL BOARD

**WESTERN MUNICIPAL WATER DISTRICT
TABLE 2
VERIFIED EXTRACTIONS - NON-FILED
RIVERSIDE SOUTH BASIN**

RECRDTN NUMBER	STATE NUMBER	WELL TYPE	LOCAL DESIGNATION	BASE YEARS					CALENDAR YEAR EXTRACTIONS							
				1959	1960	1961	1962	1963	AVG	1998	1999	2000	2001	2002	AVG	
RUBIDOUX COMMUNITY SERVICES DISTRICT																
0000401	02S/05W-20R01S	W	SEWER PLANT	3	3	3	3	3	3	0	0	0	0	0	0	
TOTALS FOR RUBIDOUX COMMUNITY SERVICES DISTRICT				3	3	3	3	3	3	0	0	0	0	0	0	
JOHNSON, TRUMAN																
0000402	02S/05W-14E	W	1	4	4	4	4	4	4	0	0	0	0	0	0	
TOTALS FOR JOHNSON, TRUMAN				4	4	4	4	4	4	0	0	0	0	0	0	
CALIF BAPTIST UNIVERSITY																
0000403	03S/05W-08B02S	W	IRRIGATION							0	50	60	60	140	140	90
TOTALS FOR CALIF BAPTIST UNIVERSITY										0	50	60	60	140	140	90
COUNTY OF RIVERSIDE, FLOOD CONTROL																
0000404	02S/05W-14D01S	W	IRRIGATION							0	30	10	10	10	10	14
TOTALS FOR COUNTY OF RIVERSIDE, FLOOD CONTROL										0	30	10	10	10	10	14
TOTALS FOR 4 WELLS				7	7	7	7	7	7	80	70	70	150	150	104	

TABLE NO. 3
SUMMARY OF VERIFIED EXTRACTIONS
(FILED AND NON-FILED)
FROM RIVERSIDE BASIN AREA WITHIN RIVERSIDE COUNTY

WESTERN - SAN BERNARDINO WATERMASTER
TABLE 3
VERIFIED EXTRACTION, SUMMARY - FILED AND NON-FILED
RIVERSIDE SOUTH BASIN

	-----BASE YEARS-----						-----CALENDAR YEAR EXTRACTIONS-----					
	1959	1960	1961	1962	1963	AVG	1998	1999	2000	2001	2002	AVG
ALAMO WATER COMPANY	79	100	132	163	149	125	175	231	263	278	297	249
BANK OF AMERICA N.T.&S.A.	90	90	90	90	94	91	0	0	0	0	0	0
BOX SPRINGS MUTUAL WATER COMPANY	526	503	547	497	470	509	309	348	362	364	391	355
BURNS, F.L. & LAURA	0	0	0	0	0	0	0	0	0	0	0	0
CALIF BAPTIST UNIVERSITY						0	50	60	60	140	140	90
CALIF DEPT OF TRANSPORTATION DIST 8R						0	0	0	0	0	0	0
CANYON CREST COUNTRY CLUB						0	10	10	10	10	10	10
CARPENTER COMPANY	118	247	420	300	300	277	0	0	0	0	0	0
CITIZENS NATIONAL COMPANY	0	33	33	33	33	26	0	0	0	0	0	0
COUNTY OF RIVERSIDE, FLOOD CONTROL						0	30	10	10	10	10	14
CRESTMORE HEIGHTS MUTUAL WATER COMPANY	67	63	65	61	58	63	0	0	0	0	0	0
EASTERN MUNICIPAL WATER DISTRICT	3	1	0	0	0	1	0	0	0	0	0	0
GROSS, DALE P.	0	0	0	0	0	0	0	0	0	0	0	0
GRUBBS, V. W.	45	40	51	38	39	43	0	0	0	0	0	0
HUNTER ENGINEERING COMPANY	0	0	0	31	188	44	45	45	45	45	45	45
JOHNSON, TRUMAN	274	218	252	191	254	238	0	0	0	0	0	0
JURUPA COMMUNITY SERVICES DISTRICT	1,003	1,068	1,056	1,148	1,414	1,137	28	33	26	707	703	299
LA CASA CONTENTA MOTEL	0	0	0	0	0	0	0	0	0	0	0	0
MADISON, ERIN	1,167	1,485	1,196	991	1,443	1,256	0	0	0	0	0	0
MARTIN, KENNETH ALLAN	0	0	0	0	0	0	0	0	0	0	0	0
MICHAEL, C.	1,346	1,346	1,346	1,346	1,346	1,346	91	277	293	217	161	208
MIPO CORP, DBA MISSION	73	73	73	73	73	73	0	0	0	0	0	0
PROPERTY ACQUISITION COMPANY	140	136	143	139	141	140	0	0	0	0	0	0
RIVERSIDE CEMENT COMPANY	1,067	1,080	2,702	2,434	2,205	1,898	465	705	822	785	721	700
RIVERSIDE HIGHLAND WATER COMPANY	0	0	0	1,393	1,381	555	326	483	87	656	818	474
RIVERSIDE INDUSTRIAL PARK	315	315	224	209	174	247	0	0	0	0	0	0
RIVERSIDE THOROUGHbred FARM					90	18	325	325	325	325	325	325
RIVERSIDE, CITY OF	12,916	16,177	16,741	13,552	11,543	14,186	17,765	20,604	19,800	19,759	16,253	18,836
RIVERSIDE, CITY OF-GAGE CANAL	3,057	2,987	3,236	2,017	2,171	2,694	2,500	3,282	2,377	2,533	3,542	2,847
RIVERSIDE, COUNTY OF	2,240	2,240	2,240	2,240	2,240	2,240	517	694	603	606	644	613
RIVINO WATER COMPANY	297	211	187	477	372	309	0	0	0	0	0	0
ROCKY R RANCH	45	24	6	6	5	17	0	0	0	0	0	0
ROOS, CHARLES E.	0	200	0	0	0	40	0	0	0	0	0	0
ROSS, SAM	0	0	0	0	0	0	0	0	0	0	0	0
RUBIDOUX COMMUNITY SERVICES DISTRICT	1,006	1,112	1,389	1,179	1,219	1,181	5,239	6,084	6,627	6,689	6,320	6,192
SCHWAB, A. M.	110	88	42	11	12	53	0	0	0	0	0	0
SCOPE CORPORATION	116	90	135	199	100	128	0	0	0	0	0	0

**WESTERN - SAN BERNARDINO WATERMASTER
TABLE 3
VERIFIED EXTRACTION, SUMMARY - FILED AND NON-FILED
RIVERSIDE SOUTH BASIN**

	-----BASE YEARS-----						-----CALENDAR YEAR EXTRACTIONS-----					
	1959	1960	1961	1962	1963	AVG	1998	1999	2000	2001	2002	AVG
STOKER, GEORGE	158	165	159	165	134	156	0	0	0	0	0	0
TAYLOR, WALTER & BARBARA	0	0	0	30	15	9	0	0	0	0	0	0
TRI-CITY LINEN SUPPLY COMPANY	30	34	38	35	31	34	83	76	76	72	77	77
UNIVERSAL FOREST PRODUCTS						0	0	0	0	15	1	3
UNIVERSITY OF CALIFORNIA, REGENTS OF	131	283	370	94	227	221	150	215	172	140	0	135
VICTORIA COUNTRY CLUB	0	0	0	0	0	0	450	400	350	350	600	430
VON KANEL, ALFRED	83	87	94	94	78	87	0	0	0	0	0	0
WATERMAN, ALLEN H	25	33	16	0	0	15	0	0	0	0	0	0
WHITE SULPHUR SPRINGS POOL	49	53	54	44	40	48	0	0	0	0	0	0
WIGHT, CHARLES H	76	0	0	0	0	15	0	0	0	0	0	0
YEAGER CONSTRUCTION COMPANY	121	151	134	0	0	81	0	0	0	0	0	0
ZINKE VERA	53	37	47	20	18	35	0	0	0	0	0	0
TOTALS FOR ALL WELLS	26,826	30,770	33,218	29,298	28,057	29,634	28,558	33,882	32,308	33,701	31,058	31,901

TABLE NO. 4
TOTAL VERIFIED EXTRACTIONS FROM THE
RIVERSIDE BASIN AREA WITHIN RIVERSIDE COUNTY
FOR USE WITHIN RIVERSIDE COUNTY
DURING THE 5-YEAR BASE PERIOD ENDING IN 1963
AND FOR CALENDAR YEARS 1971 THROUGH THE CURRENT YEAR

TABLE NO. 4

TOTAL VERIFIED EXTRACTIONS FROM THE
RIVERSIDE BASIN AREA WITHIN RIVERSIDE COUNTY
FOR USE WITHIN RIVERSIDE COUNTY
DURING THE 5-YEAR BASE PERIOD ENDING IN 1963
AND FOR CALENDAR YEARS 1971 THROUGH THE CURRENT YEAR
(Quantities in Acre Feet)

Year	Extractions	Accumulated Extractions
1959	26,826	26,826
1960	30,770	57,596
1961	33,218	90,814
1962	29,298	120,112
1963	28,057	148,169
5-Yr. Avg.		29,634
1971	30,942	30,942
1972	37,804	68,746
1973	33,094	101,840
1974	38,304	140,144
1975	28,285	168,429
1976	31,565	199,994
1977	28,226	228,220
1978	24,878	253,098
1979	25,512	278,610
1980	30,206	308,816
1981	30,243	339,059
1982	20,365	359,424
1983	22,991	382,415
1984	32,466	414,881
1985	23,970	438,851
1986	24,549	463,400
1987	24,202	487,602
1988	24,470 1) 3)	512,072
1989	34,417 2) 3)	546,489
1990	31,760 3)	578,249
1991	29,364 4)	607,613
1992	26,538 4)	634,151
1993	26,505	660,656
1994	28,125	688,781
1995	22,580	711,361
1996	24,906	736,267
1997	29,128	765,395
1998	28,558	793,953
1999	33,882	827,835
2000	32,308	860,143
2001	33,701	893,844
2002	31,058	924,902
2003		
2004		
2005		

Same as Table 56, Volume 5.

- 1) Corrected during 1989 verification (Michael C.).
2) Corrected during 1990 verification (Riv. Cement 60-1, C of R Garner T&G, 1st S
3) Corrected during 1991 verification (Riv.Co Pk Edmund, wrong meter # for 5 yrs)
4) Corrected during 1993 verification (Riv Cement 88-1).

**WESTERN - SAN BERNARDINO WATERMASTER
FOR
WESTERN MUNICIPAL WATER DISTRICT et al.
vs.
EAST SAN BERNARDINO COUNTY WATER DISTRICT et al.
CASE NO. 78426 - COUNTY OF RIVERSIDE**

VOLUME 5 - 2002

DISTRIBUTION OF EXTRACTIONS

1. EXTRACTIONS BY PLAINTIFFS FROM SAN BERNARDINO BASIN AREA.
2. EXTRACTION BY SAN BERNARDINO AND RIVERSIDE COUNTY ENTITIES FROM COLTON BASIN AREA FOR USE WITHIN EACH COUNTY.
3. EXTRACTIONS BY SAN BERNARDINO AND RIVERSIDE COUNTY ENTITIES FROM RIVERSIDE BASIN AREA IN SAN BERNARDINO COUNTY FOR USE WITHIN EACH COUNTY.
4. EXTRACTION BY RIVERSIDE COUNTY ENTITIES FROM RIVERSIDE BASIN IN RIVERSIDE COUNTY.
5. SUMMARY OF EXTRACTIONS FROM SAN BERNARDINO BASIN AREA, COLTON BASIN AREA, RIVERSIDE BASIN AREA IN SAN BERNARDINO COUNTY, AND RIVERSIDE BASIN AREA IN RIVERSIDE COUNTY FOR USE IN RIVERSIDE COUNTY.

**ANNUAL ACCOUNTING
2002**

August 1, 2004

WATERMASTER

*Donald L. Harriger
Robert L. Reiter*

REPORT OF WATERMASTER

Western Municipal Water District of Riverside County, et al
Plaintiffs

vs.

East San Bernardino County Water District, et al
Defendants

Superior Court of Riverside County

Case No. 78426

VOLUME 5-2002

Distribution of Extractions

1. EXTRACTIONS BY PLAINTIFFS FROM SAN BERNARDINO BASIN AREA.
2. EXTRACTIONS BY SAN BERNARDINO AND RIVERSIDE COUNTY ENTITIES FROM COLTON BASIN AREA FOR USE WITHIN EACH COUNTY.
3. EXTRACTIONS BY SAN BERNARDINO AND RIVERSIDE COUNTY ENTITIES FROM RIVERSIDE BASIN AREA IN SAN BERNARDINO COUNTY FOR USE WITHIN EACH COUNTY
4. EXTRACTIONS BY RIVERSIDE COUNTY ENTITIES FROM RIVERSIDE BASIN IN RIVERSIDE COUNTY.
5. SUMMARY OF EXTRACTIONS FROM SAN BERNARDINO BASIN AREA, COLTON BASIN AREA, RIVERSIDE BASIN IN SAN BERNARDINO COUNTY, AND RIVERSIDE BASIN IN RIVERSIDE COUNTY FOR USE IN RIVERSIDE COUNTY.

ANNUAL ACCOUNTING

2002

August 1, 2004

WATERMASTER
Donald L. Harriger
Robert L. Reiter

VOLUME 5-2002

DISTRIBUTION OF EXTRACTIONS

The distribution of the verified extractions by the Plaintiffs and Riverside County entities from the San Bernardino Basin Area, Colton Basin Area, and Riverside Basin Area for the five calendar years ending with 1963 and the ensuing years 1964 through 1970 was presented in the Report of Watermaster, Volume 5, dated June 1972. That volume also included the distribution of extractions from the Colton Basin Area and that portion of the Riverside Basin Area within San Bernardino County made by San Bernardino county entities for the five calendar years ending with 1963 and the year of 1970.

The distribution of extractions in calendar years 1971, 1972, and 1973 was presented in separate reports as updates to the original Volume 5 dated June 1972. Changes in the distribution systems of the various water entities during the period 1971 through 1973, necessitated several revisions of the original Volume 5. Therefore, Volume 5 for calendar year 1974 was completely revised and updated to reflect these changes. As a result Volume 5 dated August 1976 now represents the most recent complete report on distribution of extractions including descriptions of each water system.

This report, Volume 5-2002 shows the distribution of extractions for calendar years 1971 through 2002 and is supplementary to the Volume 5 dated August 1976. Detailed computations and tables are used to show the distribution of extractions from Colton and Riverside Basin Areas by both Riverside and San Bernardino County entities and the Plaintiffs' extractions from the San Bernardino Basin Area.

The following Table of Contents lists the tables used to show the distribution of extractions. Tables No.5 through No.7 and No.23 through No.27 did not require updating and therefore they are not included in this volume. These tables are presented in Volume 5 - 1974.

Tables No.5 through No.7 do not require updating because Ownership changes within the service area of the Trujillo Water Company have occurred and since 1965 the entire service area of the Trujillo Water Company is within Riverside County and is served by water extracted from the Garner Well, situated in Riverside County and owned by the City of Riverside.

Tables No.9, No.10, No.11, No.14 & No.16 also no longer require updating due to changes in methods of operation of the various water suppliers.

Tables No.23 through No.27 do not require updating because they contain data for years prior to 1963. These tables show the distribution of the Riverside Highland Water Company production from the San Bernardino Basin based on the assumption that 50 percent of the delivery was made in each county. This assumption results in the distribution shown on Table No. 27 and is identical with Table B-1, Appendix "B" of the Judgment. Following the settlement of the suit and the filing of the Judgment, the actual water deliveries in Riverside County were provided by the Riverside Highland Water Company. This information has been used by the Watermaster for the period 1964 through the current year, and results in the data shown in Table No. 31-A. Starting with calendar year 1990, Tables No.28-31 were replaced by Table No.23R in an effort to better quantify the distribution of extractions for Riverside Highland Water Company.

VOLUME 5-2002

TABLE OF CONTENTS

Page

TABLE NO. 1

CITY OF RIVERSIDE WATER PRODUCTION BUNKER HILL BASIN,
DOMESTIC & IRRIGATION DIVISIONS INCLUDING FORMER
RIVERSIDE WATER CO. IN SAN BERNARDINO BASIN AREA 1

TABLE NO. 2

CITY OF RIVERSIDE WATER PRODUCTION COLTON BASIN & RIVERSIDE
BASIN IN SAN BERNARDINO CO., DOMESTIC & IRRIGATION DIVISIONS
INCLUDING FORMER RIVERSIDE WATER CO. 3

TABLE NO. 3

CITY OF RIVERSIDE DOMESTIC & IRRIGATION DIVISIONS,
DELIVERIES MADE FROM WATER PRODUCED FROM THE BUNKER
HILL, COLTON AND RIVERSIDE GROUND WATER BASINS
SITUATED IN SAN BERNARDINO CO. 5

TABLE NO. 4

CITY OF RIVERSIDE WATER DELIVERIES TO TRUJILLO WATER CO.
IN SAN BERNARDINO AND RIVERSIDE COUNTIES 6

TABLES NO. 5,6 & 7 - See Volume 5-1974 for data.

TABLE NO. 8

CITY OF RIVERSIDE JURUPA DITCH CO. WATER PRODUCTION FROM
RIVERSIDE BASIN IN SAN BERNARDINO COUNTY FOR USE IN
SAN BERNARDINO CO. AND EXPORT TO RIVERSIDE CO. 7

TABLE NO. 9

CITY OF RIVERSIDE IRRIGATION DIVISION, PRODUCTION DELIVERED
TO FORMER RIVERSIDE WATER COMPANY CANAL AND DISTRIBUTION OF
PRODUCTION DELIVERED TO SALAZAR WATER CO.. 8

TABLE NO. 10

CITY OF RIVERSIDE IRRIGATION DIVISION, PRODUCTION DELIVERED
TO FORMER RIVERSIDE WATER COMPANY CANAL AND DISTRIBUTION OF
PRODUCTION DELIVERED TO SO. CALIF. EDISON CO. HIGHGROVE
POWER PLANT 9

TABLE NO. 11

CITY OF RIVERSIDE DOMESTIC & IRRIGATION DIVISIONS, WATER
PRODUCTION & DELIVERIES FROM COLTON BASIN-WATER PRODUCTION FROM
COLTON GROUND WATER BASIN IN SAN BERNARDINO COUNTY AND DELIVERIES
OF PRODUCTION MADE NORTH OF THE COUNTY LINE IN SAN BERNARDINO
COUNTY AND SOUTH OF THE COUNTY LINE IN RIVERSIDE COUNTY 10

CITY OF RIVERSIDE DOMESTIC & IRRIGATION DIVISIONS, WATER PRODUCTION & DELIVERIES FROM THE RIVERSIDE BASIN- WATER PRODUCTION FROM THAT PORTION OF THE RIVERSIDE GROUND WATER BASIN SITUATED NORTH OF THE COUNTY LINE IN SAN BERNARDINO COUNTY AND DELIVERIES OF PRODUCTION MADE NORTH OF THE COUNTY LINE IN SAN BERNARDINO COUNTY AND SOUTH OF THE RIVERSIDE COUNTY.LINE. 11

TABLE NO. 13

CITY OF RIVERSIDE WATER PRODUCTION FROM SAN BERNARDINO BASIN AREA AND DELIVERIES WITHIN SAN BERNARDINO COUNTY AND EXPORT TO RIVERSIDE COUNTY 12

TABLE NO. 14

CITY OF RIVERSIDE AND UNIVERSITY OF CALIFORNIA EXTRACTIONS FROM BUNKER HILL BASIN IN SAN BERNARDINO BASIN AREA 13

TABLE NO. 15

THE GAGE CANAL COMPANY WATER PRODUCTION FROM BUNKER HILL BASIN, RIVERSIDE BASIN IN SAN BERNARDINO COUNTY AND RIVERSIDE BASIN IN RIVERSIDE COUNTY 14

TABLE NO. 16

THE GAGE CANAL COMPANY WATER PRODUCTION FROM BUNKER HILL BASIN DELIVERED IN SAN BERNARDINO COUNTY & RIVERSIDE COUNTY TO EAST RIVERSIDE WATER COMPANY 15

TABLE NO. 17

THE GAGE CANAL COMPANY WATER PRODUCTION FROM BUNKER HILL AND RIVERSIDE BASINS SITUATED IN SAN BERNARDINO COUNTY WITH DELIVERIES MADE IN SAN BERNARDINO COUNTY & EXPORTS TO RIVERSIDE COUNTY 16

TABLE NO. 18

GAGE CANAL WATER PRODUCTION FROM SAN BERNARDINO BASIN AREA AND DELIVERIES WITHIN SAN BERNARDINO COUNTY AND EXPORTS TO RIVERSIDE COUNTY FOR BASE PERIOD 1959-1963 AND SUBSEQUENT YEARS 17

TABLE NO. 19

RIVERSIDE HIGHLAND WATER COMPANY WATER PRODUCTION FROM LYTTLE AND BUNKER HILL BASINS IN SAN BERNARDINO BASIN AREA 18

TABLE NO. 20

Page

RIVERSIDE HIGHLAND WATER CO. WATER PRODUCTION FROM COLTON BASIN 19

TABLE NO. 21

RIVERSIDE HIGHLAND WATER CO. WATER PRODUCTION FROM RIVERSIDE BASIN IN SAN BERNARDINO AND RIVERSIDE COUNTIES . . . 20

TABLE NO.22

RIVERSIDE HIGHLAND WATER COMPANY WATER SUPPLY FROM OTHER COMPANIES AND RIVERSIDE HIGHLAND CO. PRODUCTION 21

TABLE NO. 23, 24, 25, 26 & 27 - See Volume 5-1974 for data

TABLE NO. 23R

RIVERSIDE HIGHLAND WATER COMPANY DISTRIBUTION OF EXTRACTIONS. . 22
Replaces Tables 28, 29, 30, 31 after 1989.

TABLE NO. 28

RIVERSIDE HIGHLAND WATER COMPANY IRRIGATION AND DOMESTIC DELIVERIES AND PRODUCTION REQUIRED IN RIVERSIDE & SAN BERNARDINO COUNTIES. 22x

TABLE NO. 29

RIVERSIDE HIGHLAND WATER COMPANY WATER PRODUCTION SHOWN ON RECORDATION FILING DELIVERED FOR IRRIGATION & DOMESTIC USES WITHIN BOTH RIVERSIDE AND SAN BERNARDINO COUNTIES. 23x

TABLE NO. 30

RIVERSIDE HIGHLAND WATER COMPANY WATER PRODUCTION FROM LYTLE, BUNKER HILL, COLTON & RIVERSIDE BASINS IN SAN BERNARDINO AND RIVERSIDE COUNTIES AND THE DELIVERY OF THE PRODUCTION IN SAN BERNARDINO AND RIVERSIDE COUNTIES. 24x

TABLE NO. 31

RIVERSIDE HIGHLAND WATER COMPANY WATER PRODUCTION FROM LYTLE, BUNKER HILL, COLTON & RIVERSIDE BASINS IN SAN BERNARDINO AND RIVERSIDE COUNTIES AND THE DELIVERY OF THE PRODUCTION IN SAN BERNARDINO & RIVERSIDE COUNTIES. 27x

TABLE NO. 31-A

TOTAL PRODUCTION BY RIVESIDE HIGHLAND WATER COMPANY FROM THE SAN BERNARDINO BASIN AREA (INCLUDES LYTLE AND BUNKER HILL BASINS) AS DELIVERED IN SAN BERNARDINO AND RIVERSIDE COUNTIES 28

TABLE NO. 31-B - Not required for updating after 1970.

TABLE NO. 32

Page

MEEKS & DALEY WATER COMPANY AND AGUA MANSA WATER COMPANY
WATER PRODUCTION FROM THE SAN BERNARDINO BASIN AREA AND
THE COLTON BASIN AREA. 29

TABLE NO. 33

MEEKS & DALEY WATER COMPANY AND AGUA MANSA WATER COMPANY
WATER PRODUCTION FROM THE SAN BERNARDINO BASIN AREA AND
THE COLTON BASIN AREA DELIVERED IN SAN BERNARDINO COUNTY
AND EXPORTED TO RIVERSIDE COUNTY 30

TABLE NO. 34

MEEKS & DALEY WATER COMPANY WATER PRODUCTION FROM SAN
BERNARDINO BASIN AREA AND DELIVERIES WITHIN SAN BERNARDINO
COUNTY AND EXPORT TO RIVERSIDE COUNTY 31

TABLE NO. 35

UNIVERSITY OF CALIFORNIA WATER PRODUCTION FROM BUNKER
HILL BASIN IN THE SAN BERNARDINO BASIN AREA AND EXPORT
TO RIVERSIDE COUNTY 32

TABLE NO. 36

UNIVERSITY OF CALIFORNIA WATER PRODUCTION FROM SAN
BERNARDINO BASIN AREA AND EXPORT TO RIVERSIDE COUNTY 33

TABLE NO. 36-A

EXTRACTIONS BY PLAINTIFFS FROM THE SAN BERNARDINO BASIN
AREA THROUGH THE CURRENT YEAR 34

TABLE NO. 36-B

TOTAL PLAINTIFF EXTRACTIONS FROM SAN BERNARDINO
BASIN AREA 36

TABLE NO. 36-C

PLAINTIFF EXTRACTIONS FROM SAN BERNARDINO BASIN AREA
DELIVERIES IN SAN BERNARDINO BASIN AREA 37

TABLE NO. 36-D

PLAINTIFF EXTRACTIONS FROM SAN BERNARDINO BASIN AREA
DELIVERIES IN COLTON & RIVERSIDE BASINS IN SAN BERNARDINO
COUNTY 38

TABLE NO. 36-E

PLAINTIFF EXTRACTIONS FROM SAN BERNARDINO BASIN AREA
DELIVERIES OUTSIDE SAN BERNARDINO VALLEY 39

TABLE NO. 37

Page

RIVERSIDE ENTITIES PRODUCTION AND DELIVERY FROM COLTON
BASIN AREA FOR USE WITHIN SAN BERNARDINO COUNTY AND
RIVERSIDE COUNTY. 40

TABLE NO. 38

SAN BERNARDINO ENTITIES PRODUCTION FROM COLTON BASIN
AREA FOR USE WITHIN SAN BERNARDINO COUNTY 42

TABLE NO. 38-A

COLTON BASIN EXTRACTIONS BY RIVERSIDE ENTITIES AND
PLACE OF USE 43

TABLE NO. 39

VERIFIED EXTRACTIONS FROM COLTON BASIN AREA BY
SAN BERNARDINO AND RIVERSIDE COUNTY ENTITIES FOR USE
WITHIN EACH COUNTY 44

TABLE NO. 39-A

GROUND WATER EXTRACTIONS BY RIVERSIDE ENTITIES FROM COLTON
BASIN AREA FOR USE IN RIVERSIDE & SAN BERNARDINO COUNTIES
FROM 1976 THROUGH CURRENT YEAR 46

TABLE NO. 40

RIVERSIDE CEMENT COMPANY,
WATER PRODUCTION FROM RIVERSIDE GROUND WATER BASIN
SITUATED WITHIN SAN BERNARDINO COUNTY 48

TABLE NO. 41

RIVERSIDE CEMENT COMPANY, WATER PRODUCTION FROM RIVERSIDE
GROUND WATER BASIN WITHIN SAN BERNARDINO COUNTY FOR PERIOD 1971
THROUGH CURRENT YEAR AND PRODUCTION DELIVERED IN RIVERSIDE
AND SAN BERNARDINO COUNTIES 49

TABLE NO. 42

CITY OF RIVERSIDE IRRIGATION & DOMESTIC DIVISIONS WATER
PRODUCTION FROM RIVERSIDE GROUND WATER BASIN WITHIN SAN
BERNARDINO COUNTY FOR PERIOD 1971 THROUGH CURRENT YEAR AND
PRODUCTION DELIVERED IN RIVERSIDE AND SAN BERNARDINO COUNTIES. .50

TABLE NO. 43

CITY OF RIVERSIDE IRRIGATION & DOMESTIC DIVISIONS, GAGE
CANAL COMPANY, WATER PRODUCTION FROM RIVERSIDE GROUND WATER
BASIN WITHIN SAN BERNARDINO COUNTY FOR PERIOD 1971 THROUGH
CURRENT YEAR, AND PRODUCTION DELIVERED IN RIVERSIDE AND SAN
BERNARDINO COUNTIES 51

INTER COUNTY WATER COMPANY WATER PRODUCTION FROM RIVERSIDE GROUND WATER BASIN WITHIN SAN BERNARDINO COUNTY FOR PERIOD 1971 THROUGH CURRENT YEAR AND PRODUCTION DELIVERED IN RIVERSIDE AND SAN BERNARDINO COUNTIES 52

TABLE NO. 45

JURUPA WATER COMPANY WATER PRODUCTION FROM RIVERSIDE GROUND WATER BASIN WITHIN SAN BERNARDINO COUNTY FOR PERIOD 1971 THROUGH CURRENT YEAR AND PRODUCTION DELIVERED IN RIVERSIDE AND SAN BERNARDINO COUNTIES 53

TABLE NO. 46-A & 46-B

LA SIERRA WATER COMPANY WATER PRODUCTION FROM COLTON BASIN AND THAT PART OF RIVERSIDE BASIN LOCATED WITHIN SAN BERNARDINO COUNTY 54

TABLE NO. 47

LA SIERRA WATER COMPANY WATER PRODUCTION FROM COLTON AND RIVERSIDE BASIN SITUATED WITHIN SAN BERNARDINO COUNTY WITH DELIVERIES IN SAN BERNARDINO COUNTY AND EXPORTS TO RIVERSIDE COUNTY 55

TABLE NO. 48

LA SIERRA WATER CO. WATER PRODUCTION FROM RIVERSIDE GROUND WATER BASIN WITHIN SAN BERNARDINO COUNTY FOR PERIOD 1971 THROUGH CURRENT YEAR AND PRODUCTION DELIVERED IN RIVERSIDE AND SAN BERNARDINO COUNTIES 56

TABLE NO. 49

RIVERSIDE HIGHLAND WATER COMPANY WATER PRODUCTION FROM RIVERSIDE GROUND WATER BASIN WITHIN SAN BERNARDINO COUNTY FOR PERIOD 1971 THROUGH CURRENT YEAR AND PRODUCTION DELIVERED IN RIVERSIDE AND SAN BERNARDINO COUNTIES 57

TABLE NO. 50

TEMESCAL WATER CO. WATER PRODUCTION FROM RIVERSIDE GROUND WATER BASIN WITHIN SAN BERNARDINO COUNTY FOR PERIOD 1971 THROUGH CURRENT YEAR AND PRODUCTION DELIVERED IN RIVERSIDE AND SAN BERNARDINO COUNTIES 58

TABLE NO. 51

WEST RIVERSIDE 350 INCH WATER COMPANY WATER PRODUCTION FROM RIVERSIDE GROUND WATER BASIN WITHIN SAN BERNARDINO COUNTY FOR PERIOD 1971 THROUGH CURRENT YEAR 59

GROUND WATER PRODUCTION FROM THAT PART OF THE RIVERSIDE GROUND WATER BASIN SITUATED WITHIN SAN BERNARDINO COUNTY, A PART IS USED IN SAN BERNARDINO COUNTY AND THE REMAINDER EXPORTED TO RIVERSIDE COUNTY DURING CALENDAR YEARS 1971 THROUGH CURRENT YEARS 60

TABLE NO. 52-A

GROUND WATER PRODUCTION FROM THAT PART OF RIVERSIDE GROUND WATER BASIN SITUATED WITHIN SAN BERNARDINO COUNTY, A PART OF WHICH IS USED IN SAN BERNARDINO COUNTY AND THE REMAINDER EXPORTED TO RIVERSIDE COUNTY DURING THE CALENDAR YEARS 1976 THROUGH CURRENT YEAR 62

TABLE NO. 53

SAN BERNARDINO ENTITIES PRODUCTION FROM RIVERSIDE BASIN AREA WITHIN SAN BERNARDINO COUNTY FOR THE PERIOD 1971 THROUGH CURRENT YEAR FOR USE WITHIN SAN BERNARDINO COUNTY . . . 64

TABLE NO. 54

TOTAL VERIFIED EXTRACTIONS FROM THAT PORTION OF THE RIVERSIDE BASIN SITUATED IN SAN BERNARDINO COUNTY FOR THE PERIOD 1976 THROUGH CURRENT YEAR BY SAN BERNARDINO AND RIVERSIDE COUNTY ENTITIES FOR USE WITHIN EACH COUNTY 65

TABLE NO. 55 - This table has not been updated after 1970.

TABLE NO. 56

TOTAL VERIFIED EXTRACTIONS BY RIVERSIDE ENTITIES FROM THE RIVERSIDE BASIN AREA WITHIN RIVERSIDE COUNTY FOR USE WITHIN RIVERSIDE COUNTY 67

TABLE NO. 57

SUMMARY OF EXTRACTIONS FROM SAN BERNARDINO BASIN AREA, COLTON BASIN AREA, RIVERSIDE BASIN AREA IN SAN BERNARDINO COUNTY, AND RIVERSIDE BASIN AREA IN RIVERSIDE COUNTY FOR USE IN RIVERSIDE COUNTY 68

DIAGRAM B

RIVERSIDE HIGHLAND WATER COMPANY DIAGRAM ILLUSTRATING THE PRODUCTION AND DISTRIBUTION NORTH AND SOUTH OF RIVERSIDE-SAN BERNARDINO CO. LINE, YEARS 1985 THROUGH CURRENT YEAR 69

TABLE NO. 1
CITY OF RIVERSIDE WATER PRODUCTION
BUNKER HILL BASIN
DOMESTIC & IRRIGATION DIVISIONS INCLUDING FORMER RIVERSIDE WATER CO.
IN SAN BERNARDINO BASIN AREA
 (Quantities in Acre Feet by Calendar Year)

Line No.	From	Local Designation	State Well Number	Recordation Number	1971	1972	1973	1974	1975	1976	1977	1978	1979	1980	1981	1982
1	Rec. filing	*McCrary #1	1S-4W-1B3	3601457	0	0	0	0	0	0	0	0	0	0	0	0
2		*McCrary #2	1S-4W-1B2	3601458	0	0	0	0	0	0	0	0	0	0	0	0
3		*McCrary #3	1S-4W-1B	3601459	0	0	0	0	0	0	0	0	0	0	0	0
4		*McCrary #4	1S-4W-1B	3601460	0	0	0	0	0	0	0	0	0	0	0	0
5		*McCrary #5	1S-4W-1B	3601461	0	0	0	0	0	0	0	0	0	0	0	0
6		Poole	1S-4W-1E1	3601462	1,927	1,498	0	0	0	0	0	0	0	0	0	0
7		Stiles	1S-4W-2A3	3601463	1,870	1,401	1,349	1,665	1,938	1,911	1,520	1,367	1,702	1,578	1,739	1,517
8		Scheuer	1S-4W-2L1	3601489	568	525	83	527	560	406	633	442	658	570	366	183
9		Garner #1	1S-4W-2P6	3601464	755	566	392	958	1,029	598	448	546	654	602	753	742
10		Garner #2	1S-4W-2Q3	3601465	669	506	419	359	527	602	302	373	582	470	238	507
11		*Garner #3	1S-4W-2Q7	3601466	0	0	0	0	0	0	0	0	0	0	0	0
12		Garner #4	1S-4W-2Q6	3601467	771	460	525	749	881	874	669	951	1,275	865	365	894
13		Garner #5	1S-4W-2P1	3601468	2,100	2,206	2,411	1,438	2,422	2,237	1,599	1,806	1,904	1,598	1,485	1,565
14		*Paine Hot	1S-4W-22A1	3601469	0	0	0	0	0	0	0	0	0	0	0	0
15		Thorn #1 *	1S-4W-22G1	3601016	-	-	-	-	-	-	-	-	-	-	-	-
16		*Thorn #2 **	1S-4W-22G15	3601470	-	-	-	-	-	-	-	-	-	-	-	-
17		Thorn #3	1S-4W-22G14	3601471	502	94	0	0	1,077	31	0	0	0	0	0	266
18		*Thorn #4	1S-4W-22G11	3601472	0	0	0	0	0	0	0	0	0	0	0	0
19		Thorn #5	1S-4W-22G16	3601473	359	0	0	0	494	0	0	0	0	0	0	16
20		Thorn #6	1S-4W-22G18	3601474	0	0	0	0	0	0	0	0	0	0	0	2
21		Thorn #7	1S-4W-22G17	3601475	0	0	0	0	0	0	0	0	0	0	0	7
22		Thorn #8	1S-4W-22G19	3601476	134	121	0	323	140	0	0	0	0	0	0	0
23		*Thorn #9	1S-4W-22B01	3601477	0	0	0	0	0	0	0	0	0	0	0	0
24		Thorn #10	1S-4W-22B3	3601478	0	40	27	47	5	37	12	0	0	0	0	146
25		Thorn #11	1S-4W-22B5	3601479	0	0	0	0	0	0	0	0	0	0	0	0
26		Thorn #12 **	1S-4W-22B7	3601470	1,162	1,054	502	1,345	976	909	743	776	582	578	64+	708
27		Warm Creek Rising Water	1S-4W-21P	3601496	0	0	0	0	0	-	0	0	0	0	0	0
28																
29																
29a																
29b																
29c																
30	Sub Total	Sheet No. 3			10,817	8,471	5,708	7,411	10,049	7,605	5,926	6,261	7,357	6,261	5,044	6,553

*Thorn No. 1 well sold to C.E.P. Co., no production by C. of R. Irrig. Division after 1958. (So. Calif. Edison)

**Thorn #12 replacement well for Thorn #2.

FOR YEARS PRECEDING 1971: Refer to Volume 5, August 1976, Page I-9

*Abandoned &/or File Closed

+26AF added to 1981 production as a correction to 1980 extraction

TABLE NO. 1

**CITY OF RIVERSIDE WATER PRODUCTION
BUNKER HILL BASIN
DOMESTIC & IRRIGATION DIVISIONS INCLUDING FORMER RIVERSIDE WATER CO.
IN SAN BERNARDINO BASIN AREA**

Sheet 2 of 6

(Quantities in Acre Feet by Calendar Year)

Line #	Local Designation	State Well #	Recordation #	1983	1984	1985	1986	1987	1988	1989	1990	1991	1992	1993	1994	1995
1	o McCrary # 1	1S/4W01B03S	3601457	0	0	0	0	0	0	0	0	0	0	0	0	0
2	o McCrary # 2	1S/4W01B02S	3601458	0	0	0	0	0	0	0	0	0	0	0	0	0
3	o McCrary # 3	1S/4W01B	3601459	0	0	0	0	0	0	0	0	0	0	0	0	0
4	o McCrary # 4	1S/4W01B	3601460	0	0	0	0	0	0	0	0	0	0	0	0	0
5	o McCrary # 5	1S/4W01B	3601461	0	0	0	0	0	0	0	0	0	0	0	0	0
6	Pooler	1S/4W01E01S	3601462	0	0	0	0	0	0	0	0	0	0	0	0	0
7	Stiles	1S/4W02A03S	3601463	1,779	1,848	2,105	1,899	1,452	1,363	1,270	1,114	717	225	679	768	1,085
8	Scheuer	1S/4W02L01S	3601489	37	159	436	655	76	451	231	131	347	553	826	220	368
9	Garner # 1	1S/4W02P06S	3601464	376	1,026	595	808	836	867	594	775	760	769	723	556	681
10	Garner # 2	1S/4W02Q03S	3601465	196	54	419	341	416	536	524	543	462	500	461	293	562
11	o Garner # 3	1S/4W02Q07S	3601466	0	0	0	0	0	0	0	0	0	0	0	0	0
12	Garner # 4	1S/4W02Q06S	3601467	74	185	895	668	744	842	644	746	0	0	0	0	0
13	Garner # 5	1S/4W02P01S	3601468	1,602	1,639	1,292	1,942	1,805	2,224	2,027	2,024	1,713	1,701	1,388	1,172	1,835
14	o Paine Hot	1S/4W22A01S	3601469	0	0	0	0	0	0	0	0	0	0	0	0	0
15	Thorn # 1 *	1S/4W22G01S	3601016	-	-	-	-	-	-	-	-	-	-	-	-	-
16	o Thorn # 2 **	1S/4W22G15S	3601470	-	-	-	-	-	-	-	-	-	-	-	-	-
17	Thorn # 3	1S/4W22G14S	3601471	0	0	1,103	12	0	0	0	0	859	111	0	0	0
18	o Thorn # 4	1S/4W22G11S	3601472	0	0	0	0	0	0	0	0	0	0	0	0	0
19	Thorn # 5	1S/4W22G16S	3601473	0	0	525	6	0	0	0	0	487	61	100	1	0
20	Thorn # 6	1S/4W22G18S	3601474	0	0	311	2	0	0	0	0	98	22	0	0	0
21	Thorn # 7	1S/4W22G17S	3601475	0	0	322	2	0	0	0	0	93	0	0	0	0
22	Thorn # 8	1S/4W22G19S	3601476	0	0	0	0	0	0	0	0	0	0	0	0	0
23	o Thorn # 9	1S/4W22B01S	3601477	0	0	0	0	0	0	0	0	0	0	0	0	0
24	Thorn # 10	1S/4W22B03S	3601478	144	0	0	0	0	46	28	19	155	203	90	7	1
25	Thorn # 11	1S/4W22B05S	3601479	0	0	0	0	0	0	0	0	0	0	0	0	608
26	Thorn # 12 **	1S/4W22B07S	3601470-	1,345	0	515	1,552	1,593	1,277	1,112	160	1,200	1,021	907	1,421	1,081
27	a Warm Ck Rising Wtr.	1S/4W21P	3601496	-	-	-	-	-	-	-	-	-	-	-	-	-
28																
29																
30	Sub Total	(Line 1 - 30)		5,553	4,911	8,518	7,887	6,922	7,606	6,430	5,512	6,891	5,166	5,174	4,438	6,221

o Abandoned &/or File Closed.

* Thorn No. 1 sold to C.E.P. (So Calif. Edison), in City production after 1958.

** Thorn # 12 replacement well for Thorn #2.

a Located in Colton Basin, see Volume 2.

TABLE NO. 1

CITY OF RIVERSIDE WATER PRODUCTION
BUNKER HILL BASIN
DOMESTIC & IRRIGATION DIVISIONS INCLUDING FORMER RIVERSIDE WATER CO.
IN SAN BERNARDINO BASIN AREA

Sheet 3 of 6

(Quantities in Acre Feet by Calendar Year)

Line #	Local Designatio	State Well #	Recordation #	1996	1997	1998	1999	2000	2001	2002	2003	2004	2005	2006	2007	2008
1	o McCrary # 1	1S/4W01B03S	3601457	0	0	0	0	0	0	0						
2	o McCrary # 2	1S/4W01B02S	3601458	0	0	0	0	0	0	0						
3	o McCrary # 3	1S/4W01B	3601459	0	0	0	0	0	0	0						
4	o McCrary # 4	1S/4W01B	3601460	0	0	0	0	0	0	0						
5	o McCrary # 5	1S/4W01B	3601461	0	0	0	0	0	0	0						
6	Poole	1S/4W01E01S	3601462	0	0	0	0	0	0	0						
7	Stiles	1S/4W02A03S	3601463	838	538	813	563	368	759	467						
8	Scheuer	1S/4W02L01S	3601489	163	36	55	69	157	111	137						
9	Garner # 1	1S/4W02P06S	3601464	328	181	157	234	552	439	696						
10	Garner # 2	1S/4W02Q03S	3601465	170	67	131	93	266	774	780						
11	o Garner # 3	1S/4W02Q07S	3601466	0	0	0	0	0	0	0						
12	Garner # 4	1S/4W02Q06S	3601467	0	0	0	0	0	0	0						
13	Garner # 5	1S/4W02P01S	3601468	146	1,456	1,139	1,756	1,924	1,071	2,144						
14	o Paine Hot	1S/4W22A01S	3601469	0	0	0	0	0	0	0						
15	Thorn # 1 *	1S/4W22G01S	3601016	-	-	-	-	-	-	-						
16	o Thorn # 2 **	1S/4W22G15S	3601470	-	-	-	-	-	-	-						
17	Thorn # 3	1S/4W22G14S	3601471	0	0	0	0	0	0	23						
18	o Thorn # 4	1S/4W22G11S	3601472	0	0	0	0	0	0	0						
19	Thorn # 5	1S/4W22G16S	3601473	0	0	0	0	0	0	0						
20	Thorn # 6	1S/4W22G18S	3601474	0	0	0	0	0	0	0						
21	Thorn # 7	1S/4W22G17S	3601475	0	0	0	0	0	0	0						
22	Thorn # 8	1S/4W22G19S	3601476	0	0	0	0	0	0	10						
23	o Thorn # 9	1S/4W22B01S	3601477	0	0	0	0	0	0	0						
24	Thorn # 10	1S/4W22B03S	3601478	0	68	0	0	0	22	11						
25	Thorn # 11	1S/4W22B05S	3601479	268	418	0	0	0	186	161						
26	Thorn # 12 **	1S/4W22B07S	3601470-	1,660	1,296	300	851	1,231	833	1,098						
27	a Warm Ck Rising	1S/4W21P	3601496	-	-	-	-	-	-	-						
28																
29																
30	Sub Total	(Line 1 - 30)		3,573	4,060	2,595	3,566	4,498	4,195	5,527						

o Abandoned &/or File Closed.

* Thorn No. 1 sold to C.E.P. (So Calif. Edison), in City production after 1958.

** Thorn # 12 replacement well for Thorn #2.

a Located in Colton Basin, see Volume 2.

TABLE NO. 1

**CITY OF RIVERSIDE WATER PRODUCTION
BUNKER HILL BASIN
DOMESTIC & IRRIGATION DIVISIONS INCLUDING FORMER RIVERSIDE WATER CO.
IN SAN BERNARDINO BASIN AREA
(Quantities in Acre Feet by Calendar Year)**

Line No.	From	Local Designation	State Well Number	Recordation Number	1971	1972	1973	1974	1975	1976	1977	1978	1979	1980	1981	1982
31	Rec. filing	*Cooley #E	1S-4W-2P4	3601220	0	0	0	0	0	0	0	0	0	0	0	0
32		*Cooley #C	1S-4W-2P3	3601224	0	0	0	0	0	0	0	0	0	0	0	0
33		*Cooley #D	1S-4W-2P2	3601225	0	0	0	0	0	0	0	0	0	0	0	0
34		*Cooley #F	1S-4W-2L2	3601226	0	0	0	0	0	0	0	0	0	0	0	0
35		*Cooley #G	1S-4W-2N2	3601227	0	0	0	0	0	0	0	0	0	0	0	0
36		Cooley #H	1S-4W-11D2	3601228	1,420	1,053	494	725	1,045	923	1,065	1,116	1,209	1,092	1,125	643
37		Cooley #I	1S-4W-11D3	3601229	3,580	2,606	4,089	3,743	3,328	5,367	2,756	2,318	2,884	2,513	3,086	2,017
38		*Cooley #A	1S-4W-11D4	3601232	0	0	0	0	0	0	0	0	0	0	0	0
39		*Cooley #B	1S-4W-11D1	3601432	0	0	0	0	0	0	0	0	0	0	0	0
40		Raub #1	1S-4W-14P2	3601218	0	0	0	0	0	0	0	0	0	0	0	0
41		Raub #2	1S-4W-23C2	3601219	904	724	772	939	812	542	699	431	466	572	189	495
42		Raub #4	1S-4W-23C3	3601238	1,267	1,074	2,001	2,024	1,333	1,747	1,221	1,328	1,632	971	1,374	1,306
43		Raub #3	1S-4W-14P6	3601239	342	216	294	605	748	444	502	97	603	661	199	562
43a		Raub #5	1S-4W-14N9	3602484	0	1,353	2,465	3,731	1,544	2,966	2,277	2,697	3,335	2,306	1,861	2,249
44		*Byrne	1S-4W-22B2	3601237	0	0	0	0	0	0	0	0	0	0	0	0
45		Warren #3	1S-4W-22H3	3601230	484	180	222	408	21	222	221	275	173	105	60	137
46		Warren #2	1S-4W-22H1	3601231	784	357	603	1,124	830	666	473	783	344	790	711	299
47		Warren #1	1S-4W-22H4	3601240	1,921	1,614	1,809	1,700	1,785	1,496	573	1,030	902	939	468	485
48		Warren #4	1S-4W-22H2	3601243	2,737	2,012	1,822	2,875	2,479	1,450	1,258	1,678	1,517	2,022	2,096	1,772
49		Hunt #6 *	1S-4W-27A11	3601222 2771	225	209	249	547	241	22	542	393	397	1	1	77
50		*Hunt #8 *	1S-4W-27A7	3601241	0	0	0	0	0	0	0	0	0	0	0	0
51		*Hunt #9 *	1S-4W-27A8	3601242	0	0	0	0	0	0	0	0	0	0	0	0
52		Hunt #10 *	1S-4W-27A9	3601244 2772	446	600	933	1,577	1,010	600	899	645	738	6	510	25
53		Hunt #11 *	1S-4W-27A10	3601245 2773	0	0	0	0	10	31	462	0	0	0	0	86
54		Stewart #21	1S-4W-27A13	3601233	0	0	0	0	0	0	0	0	0	0	0	0
55		*Stewart #19	1S-4W-27A19	3601234	0	0	0	0	0	0	0	0	0	0	0	0
56		*Stewart #20	1S-4W-27H1	3601431	12	5	32	11	13	4	26	3	4	3	4	1
56a		Raub #6	1S-4W-14N10S	3602778										633	3,635	2,815
56b																
56c																
57	Lines 31 thru 56	Sub Total			14,122	12,003	15,785	20,009	15,199	14,480	12,974	12,794	14,204	12,614	15,319	12,969
58					SUMMARY BUNKER HILL PRODUCTION											
59		Sub Total	Sheet No. 1	Line 30	10,817	8,471	5,708	7,411	10,049	7,605	5,926	6,261	7,357	6,261	5,044	6,553
60		Sub Total	Sheet No. 2	Line 57	14,122	12,003	15,785	20,009	15,199	14,480	12,974	12,794	14,204	12,614	15,319	12,969
61		Total Production Bunker Hill			24,939	20,474	21,493	27,420	25,248	22,085	18,900	19,055	21,561	18,875	20,363	19,522
62					ADDITIONAL DELIVERIES FROM OTHER COMPANIES											
63	Meeks & Daley	Sta. 59		3601887	0	0	0	275	1,649	1,895	1,848	1,385	1,231	1,650	2,496	1,471
64	Gage Canal Co.	30-1 & Gage Stewart			2,854	1,900	2,446	2,095	1,577	0**	0	0**	0**	0**	0**	0**
65	Total Lines 61 - 63 & 64	Total Water for Distribution			27,793	22,374	23,939	29,790	28,474	23,980	20,748	20,440	22,792	20,525	22,859	20,993

** 30-1 & Gage Stewart removed after covering of the canal in 1975
*Extractions from Hunt #6, 8, 9, 10 & 11 by City of Riverside only - University of California production from these wells reported under the Regents of the University of California section of this report.
FOR YEARS PRECEDING 1971: Refer to Volume 5, August 1976,

TABLE NO. 1

Sheet 5 of 6

CITY OF RIVERSIDE WATER PRODUCTION
BUNKER HILL BASIN
DOMESTIC & IRRIGATION DIVISIONS INCLUDING FORMER RIVERSIDE WATER CO.
IN SAN BERNARDINO BASIN AREA

(Quantities in Acre Feet by Calendar Year)

Line #	Local Designation	State Well #	Recordation #	1983	1984	1985	1986	1987	1988	1989	1990	1991	1992	1993	1994	1995
31	o Cooley E	1S/4W02P04S	3601220	0	0	0	0	0	0	0	0	0	0	0	0	0
32	o Cooley C	1S/4W02P03S	3601224	0	0	0	0	0	0	0	0	0	0	0	0	0
33	o Cooley D	1S/4W02P02S	3601225	0	0	0	0	0	0	0	0	0	0	0	0	0
34	o Cooley F	1S/4W02L02S	3601226	0	0	0	0	0	0	0	0	0	0	0	0	0
35	o Cooley G	1S/4W02N02S	3601227	0	0	0	0	0	0	0	0	0	0	0	0	0
36	Cooley H	1S/4W11D02S	3601228	1,138	907	1,489	1,160	633	933	820	864	1,003	1,032	1,132	898	773
37	Cooley I	1S/4W11D03S	3601229	3,242	3,221	3,680	2,264	2,239	2,505	1,891	2,291	2,332	1,886	2,716	2,197	2,321
38	o Cooley A	1S/4W11D04S	3601232	0	0	0	0	0	0	0	0	0	0	0	0	0
39	o Cooley B	1S/4W11D01S	3601432	0	0	0	0	0	0	0	0	0	0	0	0	0
40	Raub # 1	1S/4W14P02S	3601218	0	0	0	0	0	0	0	0	0	0	0	0	0
41	Raub # 2	1S/4W23C02S	3601219	222	3	96	0	37	250	169	64	99	285	254	342	411
42	Raub # 4	1S/4W23C03S	3601238	1,649	1,775	2,201	1,425	1,957	1,096	1,005	1,029	1,628	1,326	1,602	1,228	412
43	Raub # 3	1S/4W14P06S	3601239	221	43	236	460	89	340	321	205	280	342	273	343	339
44	Raub # 5	1S/4W14N09S	3602484	3,359	3,747	3,351	4,223	3,327	3,182	3,093	3,030	2,538	1,783	1,471	2,401	2,438
45	o Byrne	1S/4W22B02S	3601237	0	0	0	0	0	0	0	0	0	0	0	0	0
46	Warren # 3	1S/4W22R03S	3601230	2	0	276	72	17	201	44	103	51	116	115	177	216
47	Warren # 2	1S/4W22R01S	3601231	517	1,111	1,185	725	842	801	717	1,075	884	570	277	506	525
48	Warren # 1	1S/4W22R04S	3601240	1,014	490	467	749	1,105	1,175	996	999	2,119	1,765	1,383	1,742	1,069
49	Warren # 4	1S/4W22R02S	3601243	1,559	2,592	2,844	2,526	3,077	2,374	1,586	1,805	1,243	1,583	1,744	1,833	242
50	Hunt # 6 *	1S/4W27A11S	3602771	568	224	866	661	454	642	496	394	472	233	144	323	413
51	o Hunt # 8 *	1S/4W27A07S	3601241	0	0	0	0	0	0	0	0	0	0	0	0	0
52	o Hunt # 9 *	1S/4W27A08S	3601242	0	0	0	0	0	0	0	0	0	0	0	0	0
53	Hunt # 10 *	1S/4W27A09S	3602772	1,547	1,307	1,170	726	912	782	694	845	1,027	791	460	536	481
54	Hunt # 11 *	1S/4W27A10S	3602773	850	537	782	477	434	634	608	326	961	636	536	440	430
55	o Stewart # 21	1S/4W27A13S	3601233	0	0	0	0	0	0	0	0	0	0	0	0	0
56	o Stewart # 19	1S/4W27A19S	3601234	0	0	0	0	0	0	0	0	0	0	0	0	0
57	Stewart # 20	1S/4W27R01S	3601431	1	1	1	3	1	1	1	3	1	1	1	1	3
58	Raub # 6	1S/4W14N10S	3602778	4,239	4,162	4,655	2,638	3,482	3,968	2,258	2,397	2,516	2,131	2,250	1,974	390
59	Garner # 6	1S/4W02P09S	3603254									2,088	3,082	3,476	3,428	4,014
59a	Raub # 8	1S/4W14N	3603555									2,055	2,559	2,917	2,618	
60	Sub Total	(Lines 31 - 60)		20,128	20,120	23,299	18,109	18,606	18,884	14,699	15,430	19,242	19,617	20,393	21,286	17,095
61																
62	Sub Total	(Lines 1 - 30)		5,553	4,911	8,518	7,887	6,922	7,606	6,430	5,512	6,891	5,166	5,174	4,438	6,221
63																
64	TOTAL PRODUCTION FROM BUNKER HILL BASIN			25,681	25,031	31,817	25,996	25,528	26,490	21,129	20,942	26,133	24,783	25,567	25,724	23,316
65																
66	ADDITIONAL DELIVERIES FROM OTHER COMPANIES			2,317	2,567	2,492	2,660	2,274	1,482	3,043	3,389	2,997	3,285	2,620	3,127	3,166
67	MEEKS & DALEY	Station 59	3601887						2,251	2,505	2,079	1,597	1,888	1,597	2,141	2,322
68	MEEKS & DALEY	Warren # 4	3602863						0	399	519	1,098	447	447	347	750
69	MEEKS & DALEY	Raub # 6	3602864						0	139	791	302	950	378	639	94
70	NET WATER EXCHANGE WITH CITY OF SAN BERNARDINO							-769	0	0	0	0	0	198	0	0
71																
72	TOTAL WATER FOR DISTRIBUTION	(line 64 + 66)		27,998	27,598	34,309	28,656	27,802	27,972	24,172	24,331	29,130	28,068	28,187	28,851	26,482
73																

o Abandoned &/or File Closed.

* Figures shown for Hunt wells are for C of R use only, University of California reports its own usage.

** Gage 30-1 & Gage Stewart removed after covering of the Canal in 1975.

TABLE NO. 1

Sheet 6 of 6

CITY OF RIVERSIDE WATER PRODUCTION
BUNKER HILL BASIN
DOMESTIC & IRRIGATION DIVISIONS INCLUDING FORMER RIVERSIDE WATER CO.
IN SAN BERNARDINO BASIN AREA

(Quantities in Acre Feet by Calendar Year)

Line #	Local Designator	State Well #	Recordation #	1996	1997	1998	1999	2000	2001	2002	2003	2004	2005	2006	2007	2008
31	o Cooley E	1S/4W02P04S	3601220	0	0	0	0	0	0	0	0	0	0	0	0	0
32	o Cooley C	1S/4W02P03S	3601224	0	0	0	0	0	0	0	0	0	0	0	0	0
33	o Cooley D	1S/4W02P02S	3601225	0	0	0	0	0	0	0	0	0	0	0	0	0
34	o Cooley F	1S/4W02L02S	3601226	0	0	0	0	0	0	0	0	0	0	0	0	0
35	o Cooley G	1S/4W02N02S	3601227	0	0	0	0	0	0	0	0	0	0	0	0	0
36	Cooley H	1S/4W11D02S	3601228	1,478	1,474	1,271	1,431	1,220	1,040	1,170						
37	Cooley I	1S/4W11D03S	3601229	2,730	2,639	2,438	3,143	2,475	2,052	2,825						
38	o Cooley A	1S/4W11D04S	3601232	0	0	0	0	0	0	0	0	0	0	0	0	0
39	o Cooley B	1S/4W11D01S	3601432	0	0	0	0	0	0	0	0	0	0	0	0	0
40	Raub # 1	1S/4W14P02S	3601218	0	0	0	0	0	0	0	0	0	0	0	0	0
41	Raub # 2	1S/4W23C02S	3601219	349	383	130	79	41	156	135						
42	Raub # 4	1S/4W23C03S	3601238	1,842	1,415	1,015	476	789	1,356	1,287						
43	Raub # 3	1S/4W14P06S	3601239	473	688	189	135	167	301	361						
44	Raub # 5	1S/4W14N09S	3602484	3,157	2,301	3,354	3,845	3,070	2,632	2,510						
45	o Byrne	1S/4W22B02S	3601237	0	0	0	0	0	0	0	0	0	0	0	0	0
46	Warren # 3	1S/4W22H03S	3601230	288	265	138	176	8	0	0	0	0	0	0	0	0
47	Warren # 2	1S/4W22H01S	3601231	856	635	347	456	50	0	0	0	0	0	0	0	0
48	Warren # 1	1S/4W22H04S	3601240	2,518	2,105	1,132	870	1,583	1,111	1,243						
49	Warren # 4	1S/4W22H02S	3601243	444	806	1,044	0	377	210	759						
50	Hunt # 6 *	1S/4W27A11S	3602771	0	298	127	0	122	138	290						
51	o Hunt # 8 *	1S/4W27A07S	3601241	0	0	0	0	0	0	0	0	0	0	0	0	0
52	o Hunt # 9 *	1S/4W27A08S	3601242	0	0	0	0	0	0	0	0	0	0	0	0	0
53	Hunt # 10 *	1S/4W27A09S	3602772	0	713	181	0	515	433	349						
54	Hunt # 11 *	1S/4W27A10S	3602773	0	139	36	0	194	68	318						
55	o Stewart # 21	1S/4W27A13S	3601233	0	0	0	0	0	0	0	0	0	0	0	0	0
56	o Stewart # 19	1S/4W27A19S	3601234	0	0	0	0	0	0	0	0	0	0	0	0	0
57	Stewart # 20	1S/4W27H01S	3601431	1	1	1	1	2	2	2						
58	Raub # 6	1S/4W14N10S	3602778	0	59	0	0	1,309	340	981						
59	Garner # 6	1S/4W02P09S	3603254	4,152	4,173	4,697	4,742	4,558	3,573	4,307						
59a	Raub # 8	1S/4W14N	3603555	3,145	3,169	1,688	1,863	2,893	2,272	2,884						
59b	Garner # 7	1S/4W02Q11S	3602794	4,345	2,298	3,827	4,652	4,386	3,163	3,656						
60	Sub Total	(Lines 31 - 60)		25,778	23,561	21,615	21,869	23,759	18,847	23,077						
61																
62	Sub Total	(Lines 1 - 30)		3,573	4,060	2,595	3,566	4,498	4,195	5,527						
63																
64	TOTAL PRODUCTION FROM BUNKER HILL BASIN			29,351	27,621	24,210	25,435	28,257	23,042	28,604						
65																
66	ADDITIONAL DELIVERIES FROM OTHER COMPANIES															
67	MEEKS & DALEY	Station 59	3601887	1,291	2,094	1,711	2,620	619	0	181						
68	MEEKS & DALEY	Warren # 4	3602863	1,656	1,249	427	1,107	940	830	864						
69	MEEKS & DALEY	Raub # 6	3602864	62	0	1,119	2,132	1,779	2,516	2,445						
70	NET WATER EXCHANGE WITH CITY OF SAN BERNARDIN			0	0	0	0	0	0	0						
71	Sub Total	(Lines 67 - 70)		3,009	3,343	3,257	5,859	3,338	3,346	3,490						
72																
73	TOTAL WATER FOR DISTRIBUTION	(line 64 + 71)		32,360	30,964	27,467	31,294	31,595	26,388	32,094						

o Abandoned &/or File Closed.

* Figures shown for Hunt wells are for C of R use only, University of California reports its own usage.

** Gage 30-1 & Gage Stewart removed after covering of the Canal in 1975.

TABLE NO. 2

**CITY OF RIVERSIDE WATER PRODUCTION
COLTON BASIN & RIVERSIDE BASIN IN SAN BERNARDINO CO.
DOMESTIC & IRRIGATION DIVISIONS INCLUDING FORMER RIVERSIDE WATER CO.
(Quantities in Acre Feet by Calendar Year)**

Line No.	From	Local Designation	State Well Number	Recordation Number	1971	1972	1973	1974	1975	1976	1977	1978	1979	1980	1981	1982
COLTON BASIN																
1	Rec. filing	Johnson #1	1S-4W-21Q3	3601480	851	954	1	526	1,162	479	241	0	1	0	23	15
2	"	*Johnson #2	1S-4W-21P1	3601494	0	0	0	0	0	0	0	0	0	0	0	0
3	"	*Johnson #3	1S-4W-21Q1	3601495	0	0	0	0	0	0	0	0	0	0	0	0
4	"	Vaughn #1	1S-4W-21L1	3601481	1,193	956	0	378	816	67	0	456	3	0	31	22
5	"	Meeks #1	1S-4W-28C1	3601482	443	383	31	315	397	299	25	0	1	0	11	11
6	"	Mill	1S-4W-28D1	3602208	209	228	69	167	170	8	29	8	0	0	12	9
6a																
6b																
7	Lines 1 thru 6b	Total Production			2,696	2,521	101	1,386	2,545	853	295	464	5	0	77	57
RIVERSIDE BASIN - IN SAN BERNARDINO COUNTY																
8	Rec. filing	*Flume #1	1S-4W-29H2	3601483	0	0	0	0	0	0	0	0	0	0	0	0
9	"	Flume #2	1S-4W-29H1	3601484	855	1,856	1,778	547	530	2	401	7	15	1	6	2
10	"	Flume #3	1S-4W-29R1	3601485	161	496	486	364	103	3	192	1	0	0	15	8
11	"	Flume #4	1S-4W-29Q3	3601486	8	404	144	533	1,030	1,615	561**	0	0	8	0	12
12	"	*Flume #5	1S-4W-29Q1	3601487	0	0	0	0	0	0	0	0	0	0	0	0
12a	"	Flume #6	1S-4W-29Q4	3602486	0	0	0	144	408	832	45**	0	0	2	0	2
12b																
13	Lines 8 thru 12b	Sub Total			1,024	2,756	2,408	1,588	2,071	2,452	1,199	8	15	11	21	24
14			1S-5W-25R2													
		Twin Buttes #6	1S-5W-25R4	3600898	406	173	0	1,539	807	426	69	0	0	0	0	0
15	Rec. filing	Pellissier River	1S-5W-36Q	3601088	0	0	0	0	0	0	0	0	0	0	0	0
16		Pellissier														
		Agua Mansa	1S-5W-36L1	3601236	157	55	0	3	12	2	7	7	19	25	23	25
17		*Pellissier														
		La-Loma	2S-5W-1G1	3601235	0	0	0	0	0	0	0	0	0	0	0	0
18		Pellissier Main	2S-5W-1G2	3601223	13	47	40	103	77	117	265	258	558	1,551	1,489	2,063
19		Pellissier														
		Domestic	2S-5W-1J3	3601221	4	5	5	5	5	7	7	6	10	15	14	14*
20	Lines 15 thru 19	Sub Total			174	107	45	111	94	126	279	271	587	1,591	1,526	2,102*
21		*Marcy C.E. or Putnam L.L.	Prescriptive Rights only	3601271	-	-	-	-	-	-	-	-	-	-	-	-
22	Rec. filing	Williams	2S-5W-1Q1	3601488	*	*	*	*	*	*	*	*	*	*	*	*
23	Rec. filing	oJurupa #1	2S-5W-2R	3601490	381	321	277	3	322	649	359	0	0	0	0	0
24	Rec. filing	oJurupa #3	2S-5W-2R3	3601491	902	942	563	910	852	936	787	0	0	0	0	0
25	Rec. filing	oJurupa #4	2S-5W-2R2	3601492	136	138	307	466	281	192	102	0	0	0	0	0
26	Rec. filing	oJurupa #5	2S-5W-2R1	3601493	1,452	1,453	1,273	1,504	1,411	1,564	1,317	0	0	0	0	0
27	Rec. filing	Jurupa #6	2S-5W-2Q7	3602234	62	30	113	2	0	0	0	0	0	0	0	0
27a		Mason	2S-5W-2		-	-	-	-	-	-	-	1,085	2,234	95	0	0
27b	Rec. filing	Jurupa #7	2S-5W-2Q	3602748	-	-	-	-	-	-	-	-	0	9	1,347	1,489
28	Lines 23 thru 27b	Sub Total**			2,933	2,884	2,533	2,885	2,866	3,341	2,565	1,085	2,234	104	1,347	1,489
29	Total Lines 13+20+22+28	Total Production			4,131	5,747	4,986	4,584	5,031	5,919	4,043	1,364	2,836	1,706	2,894	3,615*
30	Total Lines 29+14+21				4,537	5,920	4,986	6,123	5,838	6,345	4,112	1,364	2,836	1,706	2,894	3,615*

*"Change of Owner", to Stapakis, William S., in calendar year 1974.
FOR YEARS PRECEDING 1971: Refer to Volume 5, August 1976, Page I-15

** A portion of the flow from Flume 4 & 6 is leased to LaSierra Water Co.
Amount shown here is Riverside's production only.

TABLE NO. 2

**CITY OF RIVERSIDE WATER PRODUCTION
COLTON BASIN & RIVERSIDE BASIN IN SAN BERNARDINO CO.
DOMESTIC & IRRIGATION DIVISIONS INCLUDING FORMER RIVERSIDE WATER CO.**

(Quantities in Acre Feet by Calendar Year)

Line #	Local Designation	State Well #	Recordation #	1983	1984	1985	1986	1987	1988	1989	1990	1991	1992	1993	1994	1995	
Colton Basin																	
1	o Johnson #1	1S/4W21Q03S	3601480	0	0	0	0	0	0	0	0	0	0	0	0	0	
2	o Johnson #2	1S/4W21P01S	3601494	0	0	0	0	0	0	0	0	0	0	0	0	0	
3	o Johnson #3	1S/4W21Q01S	3601495	0	0	0	0	0	0	0	0	0	0	0	0	0	
4	Johnson #4	1S/4W21L04S	3603255							0	0	0	0	0	0	0	
5	Johnson #5																
6	Vaughn #1	1S/4W21L01S	3601481	0	0	695	0	0	0	0	0	0	0	0	0	0	
7	Meek #1	1S/4W28C01S	3601482	0	0	0	0	0	0	0	0	0	0	0	0	0	
8	Mills	1S/4W28D01S	3602208	0	0	0	0	0	0	519	131	428	307	311	466	171	
9	Total Production			0	0	695	0	0	0	519	131	428	307	311	466	171	
10																	
11	Riverside Basin in San Bernardino County																
12	o Flume #1	1S/4W29H02S	3601483	0	0	0	0	0	0	0	0	0	0	0	0	0	
13	Flume #2	1S/4W29H01S	3601484	18	6	4	6	11	29	11	6	507	917	347	50	572	
14	Flume #3	1S/4W29R01S	3601485	2	0	29	50	21	4	18	7	1,692	344	548	131	628	
15	Flume #4	1S/4W29Q03S	3601486	25	0	28	127	0	0	15	0	0	0	0	0	0	
16	o Flume #5	1S/4W29Q01S	3601487	0	0	0	0	0	0	0	0	0	0	0	0	0	
17	Flume #6	1S/4W29Q04S	3602486	12	3	18	10	17	35	20	8	1,174	845	653	234	997	
18	Sub Total *			57	9	79	193	49	68	64	21	3,373	2,106	1,548	415	2,197	
19	Twin Buttes #6	1S/5W25R04S	3600898-	0	0	0	0	12	1,199	407	355	0	0	0	0	0	
20																	
21	Pelissier River	1S/5W36Q	3301088	0	0	0	0	0	0	0	0	0	0	0	0	0	
22	Pelissier Agua Mansa	1S/5W36L01S	3601236	26	58	29	93	65	21	27	28	28	90	69	72	0	
23	o Pelissier La Loma	2S/5W01G01S	3601235	0	0	0	0	0	0	0	0	0	0	0	0	0	
24	Pelissier Main	2S/5W01G02S	3601223	1,866	387	652	0	0	16	12	966	959	240	0	0	0	
25	Pelissier Domestic	2S/5W01J03S	3601221	41	3	33	24	22	21	20	17	18	4	0	0	0	
26	Sub Total Lines 21-25 (Pelissier Ranch)			1,933	448	714	117	87	58	59	1,011	1,005	334	69	72	0	
27																	
28	o Marcy C.E.	Prescriptive Rights Only		-	-	-	-	-	-	-	-	-	-	-	-	-	
29	Putnam L.L.	2S/4W06Q03S	3601271	-	-	-	-	-	-	-	-	-	-	-	-	-	
30	o Williams	2S/5W01Q01S	3601488	0	0	0	0	0	0	0	0	0	0	0	0	0	
31	o Jurupa #1	2S/5W02R	3601490	0	0	0	0	0	0	0	0	0	0	0	0	0	
32	o Jurupa #3	2S/5W02R03S	3601491	0	0	0	0	0	0	0	0	0	0	0	0	0	
33	o Jurupa #4	2S/5W02R02S	3601492	0	0	0	0	0	0	0	0	0	0	0	0	0	
34	o Jurupa #5	2S/5W02R01S	3601493	0	0	0	0	0	0	0	0	0	0	0	0	0	
35	Jurupa #6	2S/5W02Q07S	3602234	0	0	0	0	0	0	0	0	0	0	0	0	0	
36	Jurupa #7	2S/5W02Q08S	3602748	591	2,434	2,400	2,032	1,614	1,990	2,088	1,822	1,511	1,398	947	1,133	1,225	
37	o Mason	2S/5W02Q		0	0	0	0	0	0	0	-	-	-	-	-	-	
38	Van Buren #1	2S/4W05E01S	3603117							3,592	3,872	3,652	3,132	3,109	3,311	3,655	
39	Van Buren #2	2S/4W05E02S	3603118							3,984	3,902	3,662	3,373	3,627	3,272	3,678	
40	Sub Total Lines 28-39			591	2,434	2,400	2,032	1,614	1,990	9,664	9,596	8,825	7,903	7,683	7,716	8,558	
41																	
43	Total Production			2,581	2,891	3,193	2,342	1,762	3,315	10,194	10,983	13,203	10,343	9,300	8,203	10,755	
44	o Abandoned s/or File Closed.																
45	* A portion of the flows from Flume 4 & 6 can be leased to the La Sierra Water Co., portion shown is Riverside's production only.																

CITY OF RIVERSIDE WATER PRODUCTION
COLTON BASIN & RIVERSIDE BASIN IN SAN BERNARDINO CO.
DOMESTIC & IRRIGATION DIVISIONS INCLUDING FORMER RIVERSIDE WATER CO.

(Quantities in Acre Feet by Calendar Year)

Line #	Local Designation	State Well #	Recordation #	1996	1997	1998	1999	2000	2001	2002	2003	2004	2005	2006	2007	2008	
Colton Basin																	
1	o Johnson #1	1S/4W21Q03S	3601480	0	0	0	0	0	0	0	0	0	0	0	0	0	
2	o Johnson #2	1S/4W21P01S	3601494	0	0	0	0	0	0	0	0	0	0	0	0	0	
3	o Johnson #3	1S/4W21Q01S	3601495	0	0	0	0	0	0	0	0	0	0	0	0	0	
4	Johnson #4	1S/4W21L04S	3603255	0	0	0	0	0	0	0	0	0	0	0	0	0	
5	Johnson #5			0	0	0	0	0	0	0	0	0	0	0	0	0	
6	Vaughn #1	1S/4W21L01S	3601481	0	0	0	0	0	0	0	0	0	0	0	0	0	
7	Meek #1	1S/4W28C01S	3601482	0	0	0	0	0	0	0	0	0	0	0	0	0	
8	Mills	1S/4W28D01S	3602208	208	633	142	7	128	0	0	0	0	0	0	0	0	
9	Total Production			208	633	142	7	128	0	0							
10																	
11	Riverside Basin in San Bernardino County																
12	o Flume #1	1S/4W29H02S	3601483	0	0	0	0	0	0	0	0	0	0	0	0	0	
13	Flume #2	1S/4W29H01S	3601484	723	863	300	813	770	525	847							
14	Flume #3	1S/4W29R01S	3601485	10	0	0	0	0	0	0	0	0	0	0	0	0	
15	Flume #4	1S/4W29Q03S	3601486	0	0	0	0	0	0	0	0	0	0	0	0	0	
16	o Flume #5	1S/4W29Q01S	3601487	0	0	0	0	0	0	0	0	0	0	0	0	0	
17	Flume #6	1S/4W29Q04S	3602486	1,173	1,408	590	1,265	1,901	698	984							
18	Sub Total *			1,906	2,271	890	2,078	2,671	1,223	1,831							
19	Twin Buttes #6	1S/5W25R04S	3600898-	0	0	0	1	1	1	1							
20																	
21	Pelissier River	1S/5W36Q	3301088	0	0	0	0	0	0	0	0	0	0	0	0	0	
22	Pelissier Agua Mans:	1S/5W36L01S	3601236	0	0	0	0	0	0	0	0	0	0	0	0	0	
23	o Pelissier La Loma	2S/5W01G01S	3601235	0	0	0	0	0	0	0	0	0	0	0	0	0	
24	Pelissier Main	2S/5W01G02S	3601223	0	0	0	0	0	0	0	0	0	0	0	0	0	
25	Pelissier Domestic	2S/5W01J03S	3601221	0	0	0	0	0	0	0	0	0	0	0	0	0	
26	Sub Total Lines 21-25 (Pelissier Ranch)			0	0	0	0	0	0	0	0	0	0	0	0	0	
27																	
28	o Marcy C.E.	Prescriptive Rights Only		-	-	-	-	-	-	-	-	-	-	-	-	-	
29	Putnam L.L.	2S/4W06Q03S	3601271	-	-	-	-	-	-	-	-	-	-	-	-	-	
30	o Williams	2S/5W01Q01S	3601488	0	0	0	0	0	0	0	0	0	0	0	0	0	
31	o Jurupa #1	2S/5W02R	3601490	0	0	0	0	0	0	0	0	0	0	0	0	0	
32	o Jurupa #3	2S/5W02R03S	3601491	0	0	0	0	0	0	0	0	0	0	0	0	0	
33	o Jurupa #4	2S/5W02R02S	3601492	0	0	0	0	0	0	0	0	0	0	0	0	0	
34	o Jurupa #5	2S/5W02R01S	3601493	0	0	0	0	0	0	0	0	0	0	0	0	0	
35	Jurupa #6	2S/5W02Q07S	3602234	0	0	0	0	0	0	0	0	0	0	0	0	0	
36	Jurupa #7	2S/5W02Q08S	3602748	1,087	1,067	1,034	1,116	997	974	1,161							
37	o Mason	2S/5W02Q		-	-	-	-	-	-	-	-	-	-	-	-	-	
38	Van Buren #1	2S/4W05E01S	3603117	3,476	2,750	2,925	2,967	2,563	2,609	2,366							
39	Van Buren #2	2S/4W05E02S	3603118	2,595	2,081	1,916	2,721	2,397	2,481	2,455							
40	Sub Total Lines 28-39			7,158	5,898	5,875	6,804	5,957	6,064	5,982							
41																	
43	Total Production			9,064	8,169	6,765	8,883	8,629	7,288	7,814							
44	o Abandoned &/or File Closed.																
45	* A portion of the flows from Flume 4 & 6 can be leased to the La Sierra Water Co., portion shown is Riverside's production only.																

TABLE NO. 2
CITY OF RIVERSIDE WATER PRODUCTION
FROM RIVERSIDE BASIN IN RIVERSIDE COUNTY
DOMESTIC & IRRIGATION DIVISIONS INCLUDING FORMER RIVERSIDE WATER CO.
 (Quantities in Acre Feet by Calendar Year)

Line No.	From	Local Designation	State Well Number	Recordation Number	1971	1972	1973	1974	1975	1976	1977	1978	1979	1980	1981	1982
RIVERSIDE BASIN - IN RIVERSIDE COUNTY																
31	Rec. Filings	(Highgrove)Electric	2S-4W-7L1	3301287	329	898	1,313	1,612	1,344	225	1,119	162	424	2,435	2,541	131
32	Rec. Filings	*Palmyrita	2S-4W-7N1	3301286	-	-	-	-	-	-	-	-	-	-	-	-
33	Rec. Filings	Palmyrita #2	2S-4W-7N3	3301286-	415	783	562	1,829	1,275	345	605	840	1,564	2,056	320	0
34	Rec. Filings	*Cunningham	2S-5W-13Q1	3301285	-	-	-	-	-	-	-	-	-	-	-	-
35	Rec. Filings	Cunningham #2	2S-5W-13Q2	3301285-	163	129	28	542	113	2,405	2,588	1,838	833	2,809	3,633	426
35a																
36	Rec. Filings	First St.	2S-5W-24D1	3301284	480	673	406	692	670	748	920	545	708	1,179	1,016	866
37	Rec. Filings	Fill	2S-5W-23R1	3301288	625	1,262	1,039	1,105	766	469	207	420	1,276	478	674	230
38	Rec. Filings	Eleventh	2S-5W-23Q1	3301289	1,393	1,589	1,228	1,679	211	477	97	198	1,380	565	793	132
39	Rec. Filings	Highgrove No. 1	2S-4W-8E1	3301358	0	0	0	0	0	0	0	0	0	0	0	0
40		*Highgrove No. 2	2S-4W-8D3	3301359	0	0	0	0	0	0	0	0	0	0	0	0
40a																
41		Highgrove No. 3	2S-4W-8D4	3301359-	0	0	0	0	0	0	0	0	0	0	0	0
42		*Lemona	2S-4W-19J1	3300686	0	0	0	0	0	0	0	0	0	0	0	0
43		Garner	2S-5W-12B1	3301075	300	275	253	251	220	248	257	177	265	328	243	198
44		*Russell	2S-5W-12A1	3301084	0	0	0	0	0	0	0	0	0	0	0	0
45		Twin Springs	2S-5W-12K2	3301073	3,119	3,736	2,841	3,111	2,526	3,504	2,435	1,822	1,978	2,434	2,368	2,674
45a		Russell B	2S-5W-12A	3302485	727	2,010	1,694	1,972	1,561	2,323	1,359	1,678	1,822	1,966	1,970	1,364
46		Moore Griffith	2S-5W-12P1	3301076	642	891	801	1,476	1,606	1,363	1,395	718	1,157	1,217	1,754	681
47		Mulberry	2S-5W-23J1	3301074	363	406	125	773	471	557	5	0	24	0	94	0
48		Garner B	2S-5W-12B	3301959	1,049	1,548	1,350	992	581	1,528	1,552	1,875	1,033	1,156	1,332	1,411
48a																
49	Lines 31 thru 48	Sub Total			9,605	14,200	11,640	16,034	11,344	14,192	12,539	10,273	12,464	16,623	17,198	8,113
50		Clearwater	2S-5W-25F1	3300417	*	*	*	*	*	*	*	*	*	*	*	*
51																
52	Rec. Filings	Brunton	2S-5W-12P2	3301077	357	361	281	244	326	289	282	270	199	313	119	87
53		Fairmount Park #1	2S-5W-14G2	3301082	691	471	868	864	0	0	440	692	7	1,503	169	298
54		Fairmount Park #2	2S-5W-14E1	3301851	687	2,381	2,441	2,065	525	873	117	0	34	0	112	77
55		Mori No. 2	2S-5W-14G3	3301635	1,442	1,537	1,161	1,517	287	122	134	452	596	307	2	472
56		*Springbrook Diver.	2S-5W-14K	3301086	-	-	0	0	0	0	0	0	0	0	0	0
56a																
57		*Sanitary Fill	2S-5W-28A1	3301078	0	0	0	0	0	0	0	0	0	0	0	0
58		*Sanitary Fill Davis	2S-5W-28C1	3301079	0	0	0	0	0	0	0	0	0	0	0	0
59		*Jensen Slough	2S-5W-29G	3301087	1,089	**	**	**	**	**	**	**	**	**	**	**
59a																
60		Orange Acres Mutual Water Co.	3S-5W-3E1	3301814	57	90	63	67	69	6	0	0	0	0	0	0
61		Lincoln Heights Water Co.	3S-5W-9E1	3301940	170	208	274	201	298	148	72	0	0	0	0	0
62	Lines 52 thru 61	Sub Total			4,493	5,048	5,088	4,958	1,505	1,438	1,045	1,414	836	2,132	402	934
63	Total Lines 49+50+62				14,098	19,248	16,728	20,992	12,849	15,630	13,584	11,687	13,300	18,744	17,600	9,047

**Change of Owner" to Victoria Club
 Year 1968 City used 25 Ac. Ft. and
 Victoria Club used 97 Ac. Ft; Total = 122 Ac. Ft.

All quantities in above table were obtained
 from Verification of Extractions, Volume 4,
 for the appropriate year.

FOR YEARS PRECEDING 1971: Refer to Volume 5, August 1976, Page I-18

*Abandoned &/or File Closed

**Jensen Slough sold to Riverside County Parks Department in 1972,
 Water rights Quit-deeded back to City in 1975

TABLE NO. 2

**CITY OF RIVERSIDE WATER PRODUCTION
COLTON BASIN & RIVERSIDE BASIN IN SAN BERNARDINO CO.
DOMESTIC & IRRIGATION DIVISIONS INCLUDING FORMER RIVERSIDE WATER CO.**

(Quantities in Acre Feet by Calendar Year)

Line #	Local Designation	State Well #	Recordation #	1983	1984	1985	1986	1987	1988	1989	1990	1991	1992	1993	1994	1995
Riverside Basin in Riverside County																
46	Electric Street	2S/4W07L01S	3301287	614	2,742	2,216	2,673	3,251	2,983	4,072	3,913	3,302	3,151	4,035	3,304	2,437
47	o Palmyrita #1	2S/4W07N01S	3301286	0	0	0	0	0	0	0	0	0	0	0	0	0
48	Palmyrita #2	2S/4W07N03S	3301286-	0	0	16	0	3	0	0	90	415	0	0	0	0
49	o Cunningham #1	2S/5W13Q01S	3301285	0	0	0	0	0	0	0	0	0	0	0	0	0
50	Cunningham #2	2S/5W13Q02S	3301285-	1,166	341	0	0	0	0	0	0	0	0	0	0	0
51																
52	First Street	2S/5W24D01S	3301284	769	1,083	22	35	8	438	781	491	609	1,385	1,433	1,055	1,251
53	Fill	2S/5W23R01S	3301288	1,795	808	119	8	12	335	393	215	1,425	1,624	481	2,069	1,642
54	Eleventh	2S/5W23Q01S	3301289	956	396	63	0	0	0	57	419	479	83	825	1,102	894
55	Highgrove #1	2S/4W08E01S	3301358	0	0	0	0	0	0	0	0	0	0	0	0	0
56	o Highgrove #2	2S/4W08D03S	3301359	0	0	0	0	0	0	0	0	0	0	0	0	0
57	Highgrove #3	2S/4W08D04S	3301359-	0	0	0	0	0	0	0	0	0	0	0	0	0
58	o Lemona	2S/4W19J01S	3300686	0	0	0	0	0	0	0	0	0	0	0	0	0
59	Garner	2S/5W12B01S	3301075	158	220	168	6	11	15	9	10	8	8	8	7	12
60	o Russell	2S/5W12A01S	3301084	0	0	0	0	0	0	0	0	0	0	0	0	0
61	Twin Springs	2S/5W12K02S	3301073	1,865	2,951	1,676	2,184	1,900	960	1,648	3	0	0	0	0	0
62	Russell B	2S/5W12A03S	3302531	913	1,615	1,061	1,653	1,467	1,277	2,356	2,631	1,736	1,685	1,615	1,211	786
63	Moore Griffith	2S/5W12P01S	3301076	763	1,069	221	855	61	28	0	1	0	0	0	1	0
64	Mulberry	2S/5W23J01S	3301074	1	1	0	0	0	0	0	0	1	0	0	0	0
65	Garner B	2S/5W12B04S	3301959	699	1,411	810	1,004	1,508	1,387	3,104	2,698	2,579	784	1,755	1,851	120
66	Garner C	2S/5W12C03S	3302472					1,769	2,495	3,782	3,706	3,025	2,854	2,538	1,870	1,345
67	Garner D	2S/5W12B06S	3302618									1,090	2,316	2,099	1,373	1,127
68																
69	Sub Total Lines 46-69			9,699	12,637	6,372	8,418	9,990	9,918	16,202	14,177	14,669	13,890	14,789	13,843	9,614
70																
71	o Clearwater *	2S/5W25F01S	3300417	-	-	-	-	-	-	-	-	-	-	-	-	-
72																
73	Brunton	2S/5W12P02S	3301077	265	394	0	381	137	179	160	158	0	0	0	0	0
74	Fairmount Park #1	2S/5W14G02S	3301082	461	207	415	33	165	135	141	139	141	139	28	299	533
75	Fairmount Park #2	2S/5W14E01S	3301851	434	298	39	49	30	39	36	38	37	41	150	1,417	1,132
76	Mori No. 2	2S/5W14G03S	3301635	540	571	403	77	216	155	161	160	158	156	146	38	925
77	o Springbrook Diversion	2S/5W14K	3301086	0	0	0	0	0	0	0	0	0	0	0	0	0
78	o Sanitary Fill	2S/5W28A01S	3301078	0	0	0	0	0	0	0	0	0	0	0	0	0
79	o Sanitary Fill, Davis	2S/5W28C01S	3301079	0	0	0	0	0	0	0	0	0	0	0	0	0
80	o Jensen Slough **	2S/5W29G	3301087	0	0	0	0	0	0	0	0	0	0	0	0	0
81	o Orange Acres Mutual	3S5W03F01S	3301814	0	0	0	0	0	0	0	0	0	0	0	0	0
82	o Lincoln Heights Wtr	3S5W09E01S	3301940	0	0	0	0	0	0	0	0	0	0	0	0	0
83																
84																
85	Sub Total Lines 73-84			1,700	1,470	857	540	548	508	498	495	336	336	324	1,754	2,590
86	Total Lines 69+71+85			11,399	14,107	7,229	8,958	10,538	10,426	16,700	14,672	15,005	14,226	15,113	15,597	12,204

o Abandoned &/or File Closed.

* Now owned by Victoria County Club.

** Jensen Slough sold to Riverside County Parks Dept in 1972, Water rights Quit-Deeded back to the City in 1975.

TABLE NO. 2

CITY OF RIVERSIDE WATER PRODUCTION
COLTON BASIN & RIVERSIDE BASIN IN SAN BERNARDINO CO.
DOMESTIC & IRRIGATION DIVISIONS INCLUDING FORMER RIVERSIDE WATER CO.

(Quantities in Acre Feet by Calendar Year)

Line #	Local Designation	State Well #	Recordation #	1996	1997	1998	1999	2000	2001	2002	2003	2004	2005	2006	2007	2008
Riverside Basin in Riverside County																
46	Electric Street	2S/4W07L01S	3301287	2,866	3,890	3,171	3,845	3,891	2,210	2,623						
47	o Palmyrita #1	2S/4W07N01S	3301286	0	0	0	0	0	0	0						
48	Palmyrita #2	2S/4W07N03S	3301286-	0	0	934	3,176	1,697	2,865	1,239						
49	o Cunningham #1	2S/5W13Q01S	3301285	0	0	0	0	0	0	0						
50	Cunningham #2	2S/5W13Q02S	3301285-	0	0	0	0	0	0	0						
51																
52	First Street	2S/5W24D01S	3301284	1,534	2,312	745	592	1,575	1,594	1,233						
53	Fill	2S/5W23R01S	3301288	1,966	0	0	1,818	2,156	1,823	0						
54	Eleventh	2S/5W23Q01S	3301289	1,443	2,888	20	833	1,726	1,643	0						
55	Highgrove #1	2S/4W08E01S	3301358	0	0	0	0	0	0	0						
56	o Highgrove #2	2S/4W08D03S	3301359	0	0	0	0	0	0	0						
57	Highgrove #3	2S/4W08D04S	3301359-	0	0	0	0	0	0	0						
58	o Lemona	2S/4W19J01S	3300686	0	0	0	0	0	0	0						
59	Garner (T&G)	2S/5W12B01S	3301075	11	6	5	6	4	2	2						
60	o Russell	2S/5W12A01S	3301084	0	0	0	0	0	0	0						
61	Twin Springs	2S/5W12K02S	3301073	0	0	1	0	0	6	0						
62	Russell B	2S/5W12A03S	3302531	871	1,450	1,229	15	0	0	0						
62a	Russell C	2S/5W13B07S	3302890					878	968	2,988						
63	Moore Griffith	2S/5W12F01S	3301076	0	0	1	0	0	1	0						
64	Mulberry	2S/5W23J01S	3301074	0	0	0	0	0	0	0						
65	Garner B	2S/5W12B04S	3301959	540	1,537	1,972	1,763	91	181	694						
66	Garner C	2S/5W12C03S	3302472	1,552	3,048	3,289	3,175	3,430	3,534	2,991						
67	Garner D	2S/5W12B06S	3302618	957	2,387	2,768	2,833	2,609	2,995	2,812						
68																
69	Sub Total Lines 46-69			11,740	17,518	14,135	18,056	18,057	17,822	14,582						
70																
71	o Clearwater *	2S/5W25F01S	3300417	-	-	-	-	-	-	-						
72																
73	Brunton	2S/5W12P02S	3301077	0	0	0	0	0	0	0						
74	Fairmount Park #1	2S/5W14G02S	3301082	803	835	1,117	921	354	818	655						
75	Fairmount Park #2	2S/5W14E01S	3301851	525	0	0	0	0	0	0						
76	Mori No. 2	2S/5W14G03S	3301635	1,034	0	2,513	1,627	1,389	1,119	1,016						
77	o Springbrook Diversion	2S/5W14K	3301086	0	0	0	0	0	0	0						
78	o Sanitary Fill	2S/5W28A01S	3301078	0	0	0	0	0	0	0						
79	o Sanitary Fill, Davis	2S/5W28C01S	3301079	0	0	0	0	0	0	0						
80	o Jensen Slough **	2S/5W29G	3301087	0	0	0	0	0	0	0						
81	o Orange Acres Mutual	3S/5W03F01S	3301814	0	0	0	0	0	0	0						
82	o Lincoln Heights Wtr	3S/5W09E01S	3301940	0	0	0	0	0	0	0						
83																
84																
85	Sub Total Lines 73-84			2,362	835	3,630	2,548	1,743	1,937	1,671						
86	Total Lines 69+71+85			14,102	18,353	17,765	20,604	19,800	19,759	16,253						

o Abandoned &/or File Closed.

* Now owned by Victoria County Club.

** Jensen Slough sold to Riverside County Parks Dept in 1972, Water rights Quit-Deeded back to the City in 1975.

TABLE NO. 3

**CITY OF RIVERSIDE
DOMESTIC AND IRRIGATION DIVISIONS
DELIVERIES MADE FROM WATER PRODUCED FROM THE
BUNKER HILL, COLTON, AND RIVERSIDE GROUND WATER BASINS SITUATED IN SAN BERNARDINO CO.**

Year	Identification of Deliveries and Amounts Delivered in Ac. Ft.										Total of all Deliveries
	Riverside Highland Water Co. (1)	Salazar Water Co. (2)	Trujillo Water Co. (3)	Jurupa Ditch Co. (4)	S.C.E. Co. Highgrove Power Plant (5)	Pellissier Ranch (6)	Williams Ranch (7)	City of San Bernardino (8)	Overlying Land Use (9)		
1971	0	0	300(c)	2,933	0	174	0	0			3,407
1972	0	0	175(c)	2,884	0	107	0	0			3,166
1973	0	0	77(c)	2,533	0	45	0	0			2,655
1974	279	0	73(c)	2,885	0	111	0	0			3,348
1975	0	0	72(c)	2,866	0	94	0	0			3,032
1976	0	0	80(c)	3,341	0	126	0	0			3,547
1977	0	0	76(c)	2,565	0	279	0	0			2,920
1978	0	0	174(c)	1,085	0	271	0	0			1,530
1979	0	0	264(c)	2,234	0	587	0	0			3,085
1980	0	0	328(c)	104	0	1,591	0	0			2,023
1981	0	0	243(c)	1,347	0	1,526	0	0			3,116
1982	0	0	185(c)	1,489	0	2,102*	0	146			3,922*
1983	0	0	158(c)	591	0	1,933*	0	144			2,826*

- (1) From City Records
 - (2) From City Records
 - (3) From City Records
 - (4) From Table No. 2, Line 28, Sht. 1
 - (5) From City Records
 - (6) From Table No. 2, Line 20, Sht. 1
 - (7) From City Records
 - (8) From City Records
 - (9) Golf Course Irrigation, Thorn 10
 - (10) Total Col. (1) through Col. (8)
- (a) Delivery made from Canal
 - (b) Delivery made from Williams Well
 - (c) Delivery made from Garner Wells (T-5-G) in Riverside County
- * Corrected during 1984 verification

FOR YEARS PRECEDING 1971: Refer to Volume 5, August 1976, Page I-21

COL.

- (1) Riverside Highlands delivery made from water produced in Bunker Hill Basin. Water is commingled with production from other basins by Riverside Highland Water Company and delivered by this company. See Riverside Highland tabulation for basin allocation of water production.
- (2) Salazar Water Company delivery made in San Bernardino County from the canal of the Riverside Water Company, which contains commingled water produced from Bunker Hill, Colton, and Riverside Basins, all within San Bernardino County. Delivery is made directly to the West Riverside Canal and transported by this canal directly to Riverside County southerly of the County Line.
- (3) Trujillo Water Company. For the period 1947 through a portion of 1952, deliveries were made to the Trujillo Water Company at a point in San Bernardino County from the canal of the Riverside Water Company, which contained a commingled water supply produced from the Bunker Hill, Colton, and Riverside Ground Water Basins, all within San Bernardino County. For the period a portion of 1952 through 1965, deliveries to the Trujillo Water Company were made from the Williams Well, producing water from that portion of the Riverside Ground Water Basin lying within San Bernardino County. The service area of the Trujillo Water Company lies astride the Riverside-San Bernardino County line, and during both of the periods described above, water was delivered both in San Bernardino County and in Riverside County to shareholders entitled to receive this water by ownership of Trujillo Water Company stock. In addition, deliveries were also made from the Williams Well for overlying use on the Williams Ranch, situated within San Bernardino County. Tabulations of this production and the inter-county deliveries are shown in detail on Tables No. 4, 5, 6, and 7.
- (4) Deliveries to the Jurupa Ditch Company are made directly from the production from the Jurupa Wells, situated within San Bernardino County in the Riverside Ground Water Basin and exported across the County Line to Riverside County. Deliveries for overlying use in San Bernardino County are also made from these wells for use on the Jurupa Ranch in San Bernardino County. A tabulation of overlying use from the Jurupa Wells within San Bernardino County and exported to Riverside County is shown in Table No. 8. No other breakdown is required.
- (5) Water delivered to the Southern California Edison Company Highgrove Power Plant was delivered from 1952 through 1963 from a commingled water supply in the Riverside Water Company Canal, which was produced entirely within San Bernardino County from the Bunker Hill, Colton, and Riverside Ground Water Basins. An allocation of this production, by basins, is shown in Table No. 10.
- (6) The Pellissier Ranch, which is owned by the City of Riverside, overlies that portion of the Riverside Ground Water Basin situated within San Bernardino County, and water is produced from wells located thereon for overlying use within San Bernardino County. The production from these wells is shown in Table No. 2, Line 20.
- (7) Change of owner to Stapakis, William S., in calendar year 1974.
- (8) The delivery to the City of San Bernardino was made during the years of 1959 and 1960 from water produced in the Bunker Hill Basin from the Garner Wells.

TABLE NO. 3

CITY OF RIVERSIDE
DOMESTIC AND IRRIGATION DIVISIONS
DELIVERIES MADE FROM WATER PRODUCED FROM THE BUNKER HILL,
COLTON AND RIVERSIDE GROUNDWATER BASINS SITUATED IN SAN BERNARDINO CO.

(IdentifIcatIon of DelIverIes and Amounts DelIvered In Acre Feet)

Calendar Year	Riverside Water Company	Highland Water Company	Salazar Water Company	Trujillo Water Company	Jurupa Ditch Company	S.C.E. CO. Highgrove Power Plant	Pellissier Ranch	Williams Ranch	Net City of San Bernardino	Overlying Land Use	Total of all Deliveries
	(1)	(2)	(3)	(4)	(5)	(6)	(7)	(8)	(9)	(10)	
1984	0	-	220	2,434	-	448	-	9	0	3,111	
1985	0	-	168	2,400	-	714	-	0	0	3,282	
1986	0	-	6	2,032	-	87	-	292	0	2,417	
1987	0	-	11	1,614	-	87	-	319	0	2,031	
1988	0	-	15	1,990	-	58	-	769	46	2,878	
1989	0	-	7	2,088	-	59	-	0	28	2,182	
1990	0	-	10	1,822	-	1,011	-	0	19	2,862	
1991	0	-	8	1,511	-	1,005	-	0	155	2,679	
1992	0	-	8	1,398	-	334	-	0	203	1,943	
1993	0	-	8	947	-	69	-	-198	90	916	
1994	0	-	7	1,133	-	72	-	0	7	1,219	
1995	0	-	12	1,225	-	0	-	0	1	1,238	
1996	0	-	11	1,087	-	0	-	0	268	1,366	
1997	0	-	6	1,067	-	0	-	0	486	1,559	
1998	0	-	5	1,034	-	0	-	0	0	1,039	
1999	0	-	6	1,116	-	0	-	0	0	1,122	
2000	0	-	4	997	-	0	-	0	0	1,001	
2001	0	-	2	974	-	0	-	0	208	1,184	
2002	0	-	2	1,161	-	0	-	0	172	1,335	
2003		-			-		-				
2004		-			-		-				
2005		-			-		-				
2006		-			-		-				
2007		-			-		-				
2008		-			-		-				

(1) From City of Riverside Records.

(2) No longer in use.

(3) From City of Riverside Printout, Garner T & G (City source #'s 1203 & 1204) in Riverside C

(4) From Table No. 2, Sheet 2, Line 35 + 36. Sheet 3 after 1995

(5) No longer in use.

(6) From Table No. 2, Sheet 2, Lines 21 thru 25. Sheet

(7) No longer in use.

(8) From City of Riverside Records.

(9) Golf Course irrigation, Thorn 10 and 11.

(10) Total of Column (1) through Column (9).

TABLE NO. 4

CITY OF RIVERSIDE
WATER DELIVERIES TO TRUJILLO WATER CO.
IN SAN BERNARDINO AND RIVERSIDE COUNTIES
(Quantities in Acre Feet)

Trujillo Water Company Delivery	DELIVERED IN SAN BERNARDINO COUNTY						Delivered in Riverside County
	Individual			Total			
Year	Ac.Ft.	Russell	Pellissier	Proportion	Percent	Ac. Ft.	Ac. Ft.
	(1) (c)	(2)	(3)	(4)	(5)	(6)	(7)
1971	300	-	-	-	-	-	300
1972	175	-	-	-	-	-	175
1973	77	-	-	-	-	-	77
1974	73	-	-	-	-	-	73
1975	72	-	-	-	-	-	72
1976	80	-	-	-	-	-	80
1977	76	-	-	-	-	-	76
1978	174	-	-	-	-	-	174
1979	264	-	-	-	-	-	264
1980	328	-	-	-	-	-	328
1981	243	-	-	-	-	-	243
1982	185	-	-	-	-	-	185
1983	158	-	-	-	-	-	158
1984	220	-	-	-	-	-	220
1985	168	-	-	-	-	-	168
1986	6	-	-	-	-	-	6
1987	11	-	-	-	-	-	11
1988	15	-	-	-	-	-	15
1989	7	-	-	-	-	-	7
1990	10	-	-	-	-	-	10
1991	8	-	-	-	-	-	8
1992	8	-	-	-	-	-	8
1993	8	-	-	-	-	-	8
1994	7	-	-	-	-	-	7
1995	12	-	-	-	-	-	12
1996	11	-	-	-	-	-	11
1997	6	-	-	-	-	-	6
1998	5	-	-	-	-	-	5
1999	6	-	-	-	-	-	6
2000	4	-	-	-	-	-	4
2001	2	-	-	-	-	-	2
2002	2	-	-	-	-	-	2
2003		-	-	-	-	-	
2004		-	-	-	-	-	
2005		-	-	-	-	-	
2006		-	-	-	-	-	
2007		-	-	-	-	-	
2008		-	-	-	-	-	

(1) = From Table No. 3.

(2) (3) (4) (5) (6) are no longer needed.

(c) = Delivered from Garner T & G Well in Riverside Co.

For Years Preceding 1971: Refer to Volume 5, August 1976, Page I-23.

6/17/93

TABLE NO. 8

14:40

CITY OF RIVERSIDE
JURUPA DITCH CO.
WATER PRODUCTION FROM RIVERSIDE BASIN IN SAN BERNARDINO COUNTY
FOR USE IN SAN BERNARDINO CO. AND EXPORTED TO RIVERSIDE CO.

Jurupa Ditch Co. Water Production & Distribution
(Quantities in Acre Feet by Calendar Year)

Year	Total Production Jurupa Wells	Distribution	
		Overlying Use in S.B. Co.	Export to Riverside County
(1)	(2)*	(3)	(4)
1971	2,933	0	2,933
1972	2,884	0	2,884
1973	2,533	0	2,533
1974	2,885	0	2,885
1975	2,866	0	2,866
1976	3,341	0	3,341
1977	2,565	0	2,565
1978	* 1,085	0	1,085
1979	* 2,234	0	2,234
1980	** 104	0	104
1981	1,347	0	1,347
1982	1,489	0	1,489
1983	591	0	591
1984	2,434	0	2,434
1985	2,400	0	2,400

Note: Jurupa 1,3,4,5 destroyed by flooding.

(2) From Table No. 3, Col. 4; or Table No. 2, Line 28.

(3) From City of Riverside Records - all water exported to Riverside County.

(4) Col. 2-Col. 3.

* Production from Mason Well.

** Includes Mason Well, Jurupa #7 online.

FOR YEARS PRECEDING 1971: Refer to Volume 5, August 1976, Page I-28.

TABLE NO. 8

CITY OF RIVERSIDE
JURUPA DITCH CO.
WATER PRODUCTION FROM RIVERSIDE BASIN IN SAN BERNARDINO COUNTY
FOR USE IN SAN BERNARDINO CO. AND EXPORTED TO RIVERSIDE CO.

Jurupa Ditch Co. Water Production & Distribution
 (Quantities in Acre Feet)

Year	Total Production Jurupa Wells	Distribution	
		Overlying Use in S.B. Co.	Export to Riverside County
(1)	(2)*	(3)	(4)
1986	2,032	-	2,032
1987	1,614	-	1,614
1988	1,990	-	1,990
1989	2,088	-	2,088
1990	1,822	-	1,822
1991	1,511	-	1,511
1992	1,398	-	1,398
1993	947	-	947
1994	1,133	-	1,133
1995	1,225	-	1,225
1996	1,087	-	1,087
1997	1,067	-	1,067
1998	1,034	-	1,034
1999	1,116	-	1,116
2000	997	-	997
2001	974	-	974
2002	1,161	-	1,161
2003		-	
2004		-	
2005		-	
2006		-	
2007		-	
2008		-	

* All production from Jurupa #7 (3602748).

Note: Jurupa 1,3,4,5 destroyed by flooding.

(2) From Table No. 3, Col. 4; or Table No. 2, Line 28.

(3) From City of Riverside Records - all water exported to Riverside

(4) Col. 2-Col. 3.

FOR YEARS PRECEDING 1971: Refer to Volume 5, August 1976, Page I-28.

TABLE NO. 9

CITY OF RIVERSIDE
IRRIGATION DIVISION
PRODUCTION DELIVERED TO FORMER RIVERSIDE WATER COMPANY CANAL
AND DISTRIBUTION OF PRODUCTION DELIVERED TO SALAZAR WATER CO.
(Quantities in Acre Feet)

SUB-ROUTINE TO ASCERTAIN COMPONENTS OF COMMINGLED WATER APPURTENANT TO SALAZAR DELIVERY AND EXPORTED TO RIVERSIDE COUNTY

Calendar Year	BUNKER HILL BASIN								Riverside Basin			Total Prod. to Canal			Percent of Water Prod. in Canal, from Ground Water Basins			Total Production Delivered to Salazar Water Co. exported to Riverside County			
	Total Irrig. Division	Less Deliveries in Basin				Water to Bunker Hill Basin	Domestic Warren No. 1 Well to Canal	Total Bunker Hill Basin	Colton Basin Johnson Vaughn Meeks Mill	Flume Wells 1-2-3-4-5	Total Bunker Hill and Riverside	from Bunker Hill Basin	from Colton Basin	from Riverside Basin	Total Delivery	from Bunker Hill Basin	from Colton Basin	from Riverside Basin	Total Delivery		
		Riverside Water Co.	City of Riverside Domestic System	City of San Bernardino	Sub Total Deliveries Above Bunker Hill Dike															*Dom.	To Canal
(1)	(2)	(3)	(4)	(5)	(6)	(7)	(8)	(9)	(10a)	(10)	(11)	(12)	(13)	(14)	(15)	(16)	(17)	(18)			
1971	10,817	0	9,822	0	9,822	995	0	995	2,696	276	748	4,439	22.42	60.73	16.85	0	0	0	0		
1972	8,471	0	8,216	0	8,216	255	0	255	2,521	1,576	1,180	3,956	6.45	63.73	29.82	0	0	0	0		
1973	5,708	0	5,681	0	5,681	27	0	27	101	1,864	544	672	4.02	15.03	80.95	0	0	0	0		
1974	7,411	279	7,041	0	7,320	91	0	91	1,386	0	1,588	3,065	2.97	45.22	51.81	0	0	0	0		
1975	10,049	0	8,333	0	8,333	1,716	0	1,716	2,545	0	2,071	6,332	27.10	40.19	32.71	0	0	0	0		
1976	7,605	0	7,537	0	7,537	68	0	68	853	0	2,452	3,373	2.02	25.29	72.69	0	0	0	0		
1977	5,926	0	5,914	0	5,914	12	0	12	295	0	1,199	1,506	0.80	19.59	79.61	0	0	0	0		
1978	6,261	0	6,261	0	6,261	0	0	0	464	0	8	472	0.00	98.31	1.69	0	0	0	0		
1979	7,357	0	7,357	0	7,357	0	0	0	5	0	97	102	0.00	4.90	95.10	0	0	0	0		
1980	6,261	0	6,261	0	6,261	0	0	0	0	0	11	11	0.00	0.00	100.00	0	0	0	0		
1981	5,044	0	5,010	0	5,010	34	0	34	77	0	21	132	25.75	58.33	15.92	0	0	0	0		
-	Table Not Required, Water No Longer Delivered																				

*Grand Avenue Booster Start Operating October 1966

Domestic Division Total (Table 1, Set 1, line 30), less Thorn 2 thru 11 (irrigation use)

Prod. - Production

(1) From Table No. 1, Sub Total Sheet 1

(2) From Table No. 3, Column (1)

(3) Col. 1 - (Production from Thorn 1-11)

(4) From Table No. 3, Column (8)

(5) Columns (2) + (3) + (4)

(6) Column (1) - Column (5)

(7) From City of Riverside records

(8) Column (6) + Column (7)

(9) From Table No. 2, Sheet 1, Line 7

(10) From Table No. 2, Sheet 1, Line 13 less Grand Ave. Booster to Domestic

(11) Columns (8) + (9) + (10)

(12) Column (8) + Column (11)

(13) Column (9) + Column (11)

(14) Column (10) + Column (11)

(15) From Table No. 3, Column (2)

(16) Column (15) x Column (12)

(17) Column (15) x Column (13)

(18) Column (15) x Column (14)

TABLE NO. 10

CITY OF RIVERSIDE
IRRIGATION DIVISION
PRODUCTION DELIVERED TO FORMER RIVERSIDE WATER COMPANY CANAL
AND DISTRIBUTION OF PRODUCTION DELIVERED TO SOUTHERN CALIFORNIA EDISON CO.
HIGHGROVE POWER PLANT
 (Quantities in Acre Feet)

SUB-ROUTINE TO ASCERTAIN COMPONENTS OF COMMINGLED WATER APPURTENANT TO S.C.E. CO. HIGHGROVE POWER PLANT DELIVERY

Calendar Year	BUNKER HILL BASIN								Riverside Basin				Percent of Water Prod. in Canal, from Ground Water Basins			Southern California Edison Co. Highgrove Power Plant Deliveries			
	Total Prod. Irrig. Division	Less Deliveries in Basin			Sub Total Deliveries Above Bunker Hill Dike	Water to Domestic Canal from Bunker Hill Basin		Total Bunker Hill to Canal	Riverside Basin Flume Wells 1-2-3-4-5			Total Prod. to Canal Bunker Hill Colton and Riverside	from			Total Delivery	from		
		Riverside Highland Water Co.	City of Riverside Domestic System	City of San Bernardino		Canal	Warren No. 1 Well to Canal		Colton Basin Johnson Vaughn Meeks Mill	To *Dom.	To Canal		Colton Basin	from Bunker Hill Basin	from Colton Basin		from Riverside Basin	Bunker Hill Basin	Colton Basin
(1)	(2)	(3)	(4)	(5)	(6)	(7)	(8)	(9)	(10a)	(10)	(11)	(12)	(13)	(14)	(15)	(16)	(17)	(18)	
1971	10,817	0	9,822	0	9,822	995	0	995	2,696	276	748	4,439	22.42	60.73	16.85	0	0	0	0
1972	8,471	0	8,216	0	8,216	255	0	255	2,521	1,576	1,180	3,956	6.45	63.73	29.82	0	0	0	0
1973	5,708	0	5,681	0	5,681	27	0	27	104	1,864	544	672	4.02	15.03	80.95	0	0	0	0
1974	7,411	279	7,041	0	7,320	91	0	91	1,386	0	1,588	3,065	2.97	45.22	51.81	0	0	0	0
1975	10,949	0	8,333	0	8,333	1,716	0	1,716	2,545	0	2,070	6,332	27.10	40.19	32.71	0	0	0	0
1976	7,605	0	7,537	0	7,537	68	0	68	853	0	2,452	3,373	2.02	25.29	72.69	0	0	0	0
1977	5,926	0	5,914	0	5,914	12	0	12	295	0	1,199	1,506	0.80	19.59	79.61	0	0	0	0
1978	6,261	0	6,261	0	6,261	0	0	0	464	0	8	472	0.00	98.31	1.69	0	0	0	0
1979	7,357	0	7,357	0	7,357	0	0	0	5	0	97	102	0.00	4.90	95.10	0	0	0	0
1980	6,261	0	6,261	0	6,261	0	0	0	0	0	11	11	0.00	0.00	100.00	0	0	0	0
1981	5,044	0	5,010	0	5,010	34	0	34	77	0	21	132	25.75	58.33	15.92	0	0	0	0
Table Not Required, Water No Longer Delivered																			

*Grand Avenue Booster Start Operating October 1966
 Prod. = Production

- | | | |
|---------------------------------------------|-----------------------------------------|-----------------------------------|
| (1) From Table No. 1, Sub Total Sheet 1 | (7) From City of Riverside records | (13) Column (9) + (11) |
| (2) From Table No. 3, Column (1) | (8) Column (6) + Column (7) | (14) Column (10) + Column (11) |
| (3) Col. (1) - (Production from Thorn 1-11) | (9) From Table No. 2, Sheet 1, Line 7 | (15) From Table No. 3, Column (5) |
| (4) From Table No. 3, Column (8) | (10) From Table No. 2, Sheet 1, Line 13 | (16) Column (15) x Column (12) |
| (5) Columns (2) + (3) + (4) | Less Grand Ave. Booster to Domestic | (17) Column (15) x Column (13) |
| (6) Column (1) - Column (5) | (11) Columns (8) + (9) + (10) | (18) Column (15) x Column (14) |
| | (12) Column (8) + Column (11) | |

FOR YEARS PRECEDING 1971: Refer to Volume 5, August 1976, Page I-32

TABLE NO. 11

CITY OF RIVERSIDE
DOMESTIC & IRRIGATION DIVISIONS
WATER PRODUCTION & DELIVERIES
FROM
COLTON BASIN

WATER PRODUCTION FROM COLTON GROUND WATER BASIN IN
 SAN BERNARDINO COUNTY AND DELIVERIES OF PRODUCTION
 MADE NORTH OF THE COUNTY LINE IN SAN BERNARDINO COUNTY
 AND SOUTH OF THE COUNTY LINE IN RIVERSIDE COUNTY

Acre Feet

COLTON BASIN PRODUCTION
Delivered in San Bernardino County

Calendar Year	Total. Prod. From Colton Basin	Trujillo Water Co.	S.C.E. Co. Power Plant Highgrove	Total Deliveries	Total Deliveries Exported to Riverside County
(1)	(2)	(3)	(4)	(5)	(6)
1971	2,696	0	0	0	2,696
1972	2,521	0	0	0	2,521
1973	101	0	0	0	101
1974	1,386	0	0	0	1,386
1975	2,545	0	0	0	2,545
1976	853	0	0	0	853
1977	295	0	0	0	295
1978	464	0	0	0	464
1979	5	0	0	0	5
1980	0	0	0	0	0
1981	77	0	0	0	77

Table not Required, Deliveries No Longer Made

FOR YEARS PRECEDING 1971: Refer to Volume 5, August 1976, Page I-34

- (2) From Table No. 2, Sheet 1, Line 7.
- (3) From Table No. 4, See Note (C) thereon.
- (4) From Table No. 10, Column (17).
- (5) Column (3) + Column (4).
- (6) Column (2) - Column (5).

TABLE NO. 12

CITY OF RIVERSIDE
DOMESTIC & IRRIGATION DIVISIONS
WATER PRODUCTION & DELIVERIES
FROM
THE RIVERSIDE BASIN

WATER PRODUCTION FROM THAT PORTION OF THE RIVERSIDE GROUND WATER BASIN SITUATED
 NORTH OF THE COUNTY LINE IN SAN BERNARDINO COUNTY AND DELIVERIES OF PRODUCTION MADE
 NORTH OF THE COUNTY LINE IN SAN BERNARDINO COUNTY AND SOUTH OF THE RIVERSIDE COUNTY LINE
 (Quantities in Acre Feet)

Riverside Basin production in San Bernardino County
 Delivered in San Bernardino County

Year	Riverside Basin production in San Bernardino County Delivered in San Bernardino County						Total Deliveries Exported to Riverside County	
	Total Production from Riverside North Basin (2)	Trujillo Water Company (3)	S.C.E. Co. Highgrove Power Plant (4)	Overlying Land Use				Total Deliveries (8)
				Pellissier Ranch (5)	Williams Ranch (6)	Jurupa Ranch (7)		
1971	4,537	0	0	174	0	0	174	4,363
1972	5,920	0	0	107	0	0	107	5,813
1973	4,986	0	0	45	0	0	45	4,941
1974	6,123	0	0	111	0	0	111	6,012
1975	5,838	0	0	94	0	0	94	5,744
1976	6,345	0	0	126	0	0	126	6,219
1977	4,112	0	0	279	0	0	279	3,833
1978	1,364	0	0	271	0	0	271	1,093
1979	2,836	0	0	587	0	0	587	2,249
1980	1,706	0	0	1,591	0	0	1,591	115
1981	2,894	0	0	1,526	0	0	1,526	1,368
1982	3,615	0	0	2,102	0	0	2,102	1,513

Column (2) From Table No. 2, Sheet 1, Line 30.

Column (3) From Table 4, See Note (c).

Column (4) From Table No. 10, Column (18).

Column (5) From Table No. 2, Sheet 1, Line 20.

Column (6) From Table No. 6, Column (7) Ranch & Well sold to others

Column (7) From Table No. 8, Column (3)

Column (9) = Columns (3) + (4) + (5) + (6) + (7).

Column (10) = Columns (2) - (9).

FOR YEARS PRECEDING 1971: Refer to Volume 5, August 1976, Page I-36

CITY OF RIVERSIDE
DOMESTIC & IRRIGATION DIVISIONS
WATER PRODUCTION & DELIVERIES
FROM
THE RIVERSIDE BASIN

WATER PRODUCTION FROM THAT PORTION OF THE RIVERSIDE GROUND WATER BASIN SITUATED
 NORTH OF THE COUNTY LINE IN SAN BERNARDINO COUNTY AND DELIVERIES OF PRODUCTION MADE
 NORTH OF THE COUNTY LINE IN SAN BERNARDINO COUNTY AND SOUTH OF THE RIVERSIDE COUNTY LINE
 (Quantities in Acre Feet)

Riverside Basin production in San Bernardino County
 Delivered in San Bernardino County

Year	Total Production from Riverside North Basin	Trujillo Water Company	S.C.E. Co. Highgrove Power Plant	Overlying Land Use			Total Deliveries	Total Deliveries Exported to Riverside County
	(2)	(3)	(4)	Pellissier Ranch	Williams Ranch	Jurupa Ranch	(8)	(9)
1983	2,581	-	-	1,933	-	-	1,933	648
1984	2,891	-	-	448	-	-	448	2,443
1985	3,193	-	-	714	-	-	714	2,479
1986	2,342	-	-	117	-	-	117	2,225
1987	1,762	-	-	87	-	-	87	1,675
1988	3,315	-	-	58	-	-	58	3,257
1989	10,194	-	-	59	-	-	59	10,135
1990	10,983	-	-	1,011	-	-	1,011	9,972
1991	13,203	-	-	1,005	-	-	1,005	12,198
1992	10,343	-	-	334	-	-	334	10,009
1993	9,300	-	-	69	-	-	69	9,231
1994	8,203	-	-	72	-	-	72	8,131
1995	10,755	-	-	0	-	-	0	10,755
1996	9,064	-	-	0	-	-	0	9,064
1997	8,169	-	-	0	-	-	0	8,169
1998	6,765	-	-	0	-	-	0	6,765
1999	8,883	-	-	0	-	-	0	8,883
2000	8,629	-	-	0	-	-	0	8,629
2001	7,288	-	-	0	-	-	0	7,288
2002	7,814	-	-	0	-	-	0	7,814
2003	-	-	-	-	-	-	-	-
2004	-	-	-	-	-	-	-	-
2005	-	-	-	-	-	-	-	-
2006	-	-	-	-	-	-	-	-
2007	-	-	-	-	-	-	-	-
2008	-	-	-	-	-	-	-	-

Column (2) From Table No. 2, Sheet 2, Line 43.

Column (3) From Table 4, See Note (c).

Column (4) From Table No. 10, Column (18).

Column (5) From Table No. 2, Sheet 2, Line 26.

Columns (6) & (7): Property sold, Williams rights retained.

Column (8) = Columns (3) + (4) + (5) + (6) + (7).

Column (9) = Columns (2) - (8).

TABLE NO. 13

CITY OF RIVERSIDE
WATER PRODUCTION FROM SAN BERNARDINO BASIN AREA
AND DELIVERIES WITHIN SAN BERNARDINO COUNTY AND EXPORT TO RIVERSIDE COUNTY
(Quantities in Acre Feet)

Year	CITY PRODUCTION & DELIVERY IN SAN BERNARDINO BASIN AREA			CITY DELIVERIES IN COLTON & RIVERSIDE BASINS IN SAN BERNARDINO COUNTY				Total Water From San Bernardino Basin Area Exported to Riverside County
	City Wells	Deliveries in San Bernardino Basin Area	Total City Production Available for Export	Prior Right Delivered to Riverside Highland Water Company	Trujillo Water Company	Edison Power Plant	Total	
	(1)	(2)	(3)	(4)	(5)	(6)	(7)	(8)
1971	24,939	0	24,939	0	-	-	0	24,939
1972	20,474	0	20,474	0	-	-	0	20,474
1973	21,493	0	21,493	0	-	-	0	21,493
1974	27,420	0	27,420	65	-	-	65	27,355
1975	25,248	0	25,248	0	-	-	0	25,248
1976	22,085	0	22,085	0	-	-	0	22,085
1977	18,900	0	18,900	0	-	-	0	18,900
1978	19,055	0	19,055	0	-	-	0	19,055
1979	21,561	0	21,561	0	-	-	0	21,561
1980	18,875	0	18,875	0	-	-	0	18,875
1981	20,363	0	20,363	0	-	-	0	20,363
1982	19,522	146	19,376	0	-	-	0	19,376
1983	25,681	144	25,537	0	-	-	0	25,537
1984	25,031	9	25,022	0	-	-	0	25,022
1985	31,817	0	31,817	0	-	-	0	31,817
1986	25,996	292	25,704	0	-	-	0	25,704
1987	25,528	319	25,209	0	-	-	0	25,209
1988	26,490	815	25,675	0	-	-	0	25,675
1989	21,129	28	21,101	0	-	-	0	21,101
1990	20,942	19	20,923	0	-	-	0	20,923
1991	26,133	155	25,978	0	-	-	0	25,978
1992	24,783	203	24,580	0	-	-	0	24,580
1993	25,567	-108	25,675	0	-	-	0	25,675
1994	25,724	7	25,717	0	-	-	0	25,717
1995	23,316	1	23,315	0	-	-	0	23,315

Column (1) = From Table No. 1, Sheet 2, Line 64, C of R.

Column (4) = Table No. 22, Column (2).

Column (7) = Columns (4) + (5) + (6).

Column (2) = From Table No. 3, Columns (8) + (9).

Column (5) = Table No. 4, Column (1), Note "C".

Column (8) = Column (3) - (7).

Column (3) = Column (1) - Column (2).

Column (6) = Table No. 10, Column (16).

FOR YEARS PRECEDING 1971: Refer to Volume 5, August 1976, Page I-28.

TABLE NO. 13

CITY OF RIVERSIDE
WATER PRODUCTION FROM SAN BERNARDINO BASIN AREA
AND DELIVERIES WITHIN SAN BERNARDINO COUNTY AND EXPORT TO RIVERSIDE COUNTY
(Quantities in Acre Feet)

Year	CITY PRODUCTION & DELIVERY IN SAN BERNARDINO BASIN AREA			CITY DELIVERIES IN COLTON & RIVERSIDE BASINS IN SAN BERNARDINO COUNTY				Total Water From San Bernardino Basin Area Exported to Riverside County
	City Wells	Deliveries in San Bernardino Basin Area	Total City Production Available for Export	Prior Right Delivered to Riverside Highland Water Company	Trujillo Water Company	Edison Power Plant	Total	
	(1)	(2)	(3)	(4)	(5)	(6)	(7)	(8)
1996	29,351	268	29,083	0	-	-	0	29,083
1997	27,621	486	27,135	0	-	-	0	27,135
1998	24,210	0	24,210	0	-	-	0	24,210
1999	25,435	0	25,435	0	-	-	0	25,435
2000	28,257	0	28,257	0	-	-	0	28,257
2001	23,042	208	22,834	0	-	-	0	22,834
2002	28,604	172	28,432	0	-	-	0	28,432
2003					-	-		
2004					-	-		
2005					-	-		
2006					-	-		
2007					-	-		
2008					-	-		
2009					-	-		
2010					-	-		
2011					-	-		
2012					-	-		
2013					-	-		
2014					-	-		
2015					-	-		
2016					-	-		
2017					-	-		
2018					-	-		
2019					-	-		
2020					-	-		

Column (1) = From Table No. 1, Sheet 2, Line 64, C of R production
Column (4) = Table No. 22, Column (2).
Column (7) = Columns (4) + (5) + (6)

Column (2) = From Table No. 3, Columns (8) + (9).

Column (5) = Table No. 4, Column (1), Note "Column (8) = Column (3) - (7).

Column (3) = Column (1) - Column (2).

Column (6) = Table No. 10, Column (16).

FOR YEARS PRECEDING 1971: Refer to Volume 5, August 1976, Page I-28.

TABLE NO. 14

CITY OF RIVERSIDE AND
UNIVERSITY OF CALIFORNIA
EXTRACTIONS FROM BUNKER HILL BASIN
IN SAN BERNARDINO BASIN AREA

Year	City of Riverside Extractions From <u>Bunker Hill Basin</u>		University of California Extractions From <u>Bunker Hill Basin</u>		Total City & Univ Extractions From <u>Bunker Basin</u>	
	Amended Filings Ac. Ft.	Original Filings Ac. Ft.	Amended Filings Ac. Ft.	Original Filings Ac. Ft.	Amended Filings Ac. Ft.	Original Filings Ac. Ft.
(1)	(2)	(3)	(4)	(5)	(6)	(7)
1971	24,939	24,939	219	219	25,158	25,158
1972	20,474	20,474	239	239	20,713	20,713
1973	21,493	21,493	239	239	21,732	21,732
1974	27,420	27,420	267	267	27,687	27,687
1975	25,248	25,248	179	179	25,427	25,427
1976	22,085	22,085	245	245	22,330	22,330
1977	18,900	18,900	87	87	18,987	18,987
1978	19,055	20,099	183	183	19,238	20,282
1979	21,561	21,561	83	83	21,644	21,644
1980	18,875	18,875	7	7	18,882	18,882
1981	20,363	20,363	143	143	20,506	20,506
1982	19,522	19,522	48	48	19,570	19,570

Table Not Needed

(1959-1963 Average)

24,092	24,061	*550	581	*24,642	24,642
--------	--------	------	-----	---------	--------

* = Amended Recordation Filings

(2) = City of Riverside Table No. 1, Line 61

(3) = City of Riverside Original Recordation Filings

(4) = University of California Table No. 35, Col. 6

(5) = University of California Table No. 35, Col. 7

(6) = Col. 2 + Col. 4

(7) = Col. 3 + Col. 5

FOR YEARS PRECEDING 1971: Refer to Volume 5, August 1976, Page I-40

TABLE NO. 15

THE GAGE CANAL COMPANY WATER PRODUCTION
FROM BUNKER HILL BASIN
RIVERSIDE BASIN IN SAN BERNARDINO COUNTY
AND RIVERSIDE BASIN IN RIVERSIDE COUNTY

Line No.	Reference	Local Designation	State Well Number	Recordation Number	Quantities in Acre Feet by Calendar Year											
					1971	1972	1973	1974	1975	1976	1977	1978	1979	1980	1981	1982
<u>BUNKER HILL BASIN IN SAN BERNARDINO BASIN AREA</u>																
1	Rec. Filing	*No. 6	1S-4W-13L1	3600784	-	-	-	-	-	-	-	-	-	-	-	
2		*No. 17	1S-4W-14R	3600785	-	-	-	-	-	-	-	-	-	-	-	
3		No. 21	1S-4W-13L2	3600786	612	662	710	983	1,117	1,527	2,046	1,286	732	970	1,421	1,341
4		No. 26-1	1S-4W-23A2	3600787	1,597	1,241	1,703	1,165	1,358	2,608	2,659	1,538	1,819	1,483	1,679	1,576
5		No. 27-1	1S-4W-23H1	3600788	2,010	1,921	1,844	1,152	1,317	225	2,208	1,521	2,381	1,780	1,901	1,606
6		No. 27-2	1S-4W-23K1	3600789	1,201	1,224	967	1,325	1,278	1,731	2,021	1,556	2,476	1,440	1,140	1,347
7		No. 29-1	1S-4W-23K2	3600790	2,052	1,742	1,567	1,296	951	2,061	2,145	1,255	1,891	1,924	1,444	1,356
8		No. 29-2	1S-4W-13N1	3600791	4,365	3,645	3,604	64	3,816	4,720	4,432	3,029	3,282	3,308	4,464	3,517
9		No. 29-3	1S-4W-13N2	3600792	3,864	3,220	378	1,241	3,343	3,943	3,843	2,849	2,750	3,299	2,832	3,263
10		No. 30-1	1S-4W-13M2	3600793	1,778	1,323	1,499	1,352	1,577	891	1,204	1,594	1,603	1,204	1,754	1,430
11		No. 31-1	1S-4W-13F2	3600794	1,266	721	787	1,266	1,154	1,837	289	937	1,749	1,203	1,213	1,244
12		No. 46-1	1S-4W-13G2	3600795	3,906	3,431	2,915	2,232	2,508	3,420	3,981	4,774	4,801	5,372	5,010	4,782
13		No. 51-1	1S-4W-23A5	3600796	673	616	624	121	4	452	875	775	1,358	967	1,380	1,245
14		No. 56-1	1S-4W-13G3	3600797	2,513	2,973	2,436	1,870	2,132	2,923	3,170	2,537	3,389	4,015	3,130	3,896
15		*Cowlane	1S-4W-23G1	3600798	-	-	-	-	-	-	-	-	-	-	-	-
16		No. 66-1	1S-4W-23G	3602331	2,980	2,394	2,415	1,748	2,077	2,855	3,113	2,581	2,558	4,853	4,372	3,425
17		No. 6-Dom.	1S-4W-13P	3602423	126	107	80	132	82	96	113	97	27	63	54	49
18																
19																
20	Lines 1 thru 17	Total Production	Bunker Hill Basin		28,943	25,220	21,529	15,947	22,714	29,289	32,099	26,329	30,816	31,881	31,794	30,077
21																
22																
23																
24	Rec. Filing	DeBerry	2S-4W-05C1	3600783	567	778	222	472	645	440	389	734	413	2,032	2,467	1,645
25																
26																
27																
28	Rec. Filing	Olivewood 1	2S-5W-26F1	3300366	392	674	550	539	413	253	89	131	352	557	247	172
29		Olivewood 2	2S-5W-26E2	3300367	1,026	1,140	908	1,182	789	273	653	614	978	929	399	528
30		Olivewood 3	2S-5W-26M1	3300368	127	396	404	715	249	52	60	72	64	343	35	180
31																
32		Total Production	Riverside Basin in Riverside Co.		1,545	2,210	1,862	2,436	1,451	578	802	817	1,394	1,829	681	880*
33																
34																
35																
36	Gage Records	Riverside Water Co. Booster for Gage R.W. Co. Stock			-	-	-	-	-	-	-	-	-	-	-	-
37	Gage Records	City of Riverside - Clearwater Well (Sold to Victoria Club)			-	-	-	-	-	-	-	-	-	-	-	-

Line (36) not required because of revision of method for determining quantity of water "not tributary" to Riverside Narrows (see Vol. 6).

FOR YEARS PRECEDING 1971: Refer to Volume 5, August 1976, Page I-44

*Abandoned &/or File Closed

* Correction made during 1983 verification

TABLE NO. 15

THE GAGE CANAL COMPANY WATER PRODUCTION
FROM BUNKER HILL BASIN
RIVERSIDE BASIN IN SAN BERNARDINO COUNTY
AND RIVERSIDE BASIN IN RIVERSIDE COUNTY

(Quantities in Acre Feet)

Line #	Local Designation	State Well #	Recordation #	1983	1984	1985	1986	1987	1988	1989	1990	1991	1992	1993	1994	1995	
<u>BUNKER HILL BASIN IN SAN BERNARDINO BASIN AREA</u>																	
1	o No. 6	1S/4W13L01S	3600784	0	0	0	0	0	0	0	0	0	0	0	0	0	
2	o No. 17	1S/4W14R	3600785	0	0	0	0	0	0	0	0	0	0	0	0	0	
3	No. 21	1S/4W13L02S	3600786	621	742	985	1,213	1,097	1,560	919	678	588	679	630	880	0	
4	No. 26-1	1S/4W23A02S	3600787	1,147	2,208	2,021	1,645	2,121	3,074	2,428	1,815	2,106	2,311	1,937	1,095	1,476	
5	No. 27-1	1S/4W23H01S	3600788	1,417	2,544	2,013	1,940	2,061	3,047	1,773	1,723	1,878	1,590	1,551	1,528	1,990	
6	No. 27-2	1S/4W23K01S	3600789	872	2,127	2,332	1,866	2,561	3,537	2,521	2,468	2,023	2,418	2,377	2,565	2,555	
7	No. 29-1	1S/4W23K02S	3600790	1,017	2,265	2,003	1,962	1,778	2,847	1,792	1,564	1,789	1,901	2,208	689	2,355	
8	No. 29-2	1S/4W13N01S	3600791	2,621	3,630	3,498	4,582	3,583	4,497	3,394	3,747	3,177	2,698	2,226	2,306	1,456	
9	No. 29-3	1S/4W13N02S	3600792	2,384	4,044	3,152	3,396	4,427	3,912	3,410	2,739	2,921	2,335	2,320	1,681	15	
10	No. 30-1	1S/4W13M02S	3600793	588	970	1,118	1,233	871	688	1,046	1,884	1,447	1,916	1,611	1,206	787	
11	No. 31-1	1S/4W13F02S	3600794	1,035	1,444	2,192	2,119	1,225	1,010	1,347	1,251	1,729	2,395	1,987	2,308	1,967	
12	No. 46-1	1S/4W13G02S	3600795	3,250	5,407	5,050	5,071	4,589	4,839	3,819	3,287	3,558	2,943	2,918	3,039	3,277	
13	No. 51-1	1S/4W23A05S	3600796	372	1,138	969	1,434	1,428	1,671	975	754	1,003	595	1,274	1,123	0	
14	No. 56-1	1S/4W13G03S	3600797	2,385	3,525	2,251	3,751	3,249	3,762	3,220	2,225	2,080	1,490	1,892	1,777	13	
15	o Cowlane	1S/4W23G01S	3600798	0	0	0	0	0	0	0	0	0	0	0	0	0	
16	No. 66-1	1S/4W23G	3602331	2,630	3,759	3,607	3,714	3,261	3,526	2,975	2,521	2,439	2,117	2,194	2,354	2,196	
17	No. 6-Domestic	1S/4W13P	3602423	44	72	65	57	62	52	36	39	38	68	76	70	60	
18	No. 92-3	1S/4W13L08S	3603556											1,005	3,705	4,437	
19	No. 92-2	1S/4W13L07S	3603557											233	4,023	4,489	
20	No. 92-1	1S/4W13N07S	3603558											0	4,374	5,003	
21																	
22																	
23																	
24																	
25	Total Production	Bunker Hill Basin		20,383	33,875	31,256	33,983	32,313	38,022	29,655	26,695	26,776	25,456	26,439	34,723	32,076	
26																	
27	<u>RIVERSIDE BASIN IN SAN BERNARDINO COUNTY</u>																
28																	
29	DeBerry	2S4W05C01S	3600783	1,019	2,046	1,861	1,893	1,996	2,189	1,965	1,962	1,734	1,657	2,023	2,028	1,664	
30																	
31	Total Production	Riverside Basin in S. B. Co.		1,019	2,046	1,861	1,893	1,996	2,189	1,965	1,962	1,734	1,657	2,023	2,028	1,664	
32																	
33	<u>RIVERSIDE BASIN IN RIVERSIDE COUNTY</u>																
34																	
35	Olivewood #1	2S/5W26F01S	3300366	80	787	535	680	521	463	1,677	1,869	1,446	666	435	855	555	
36	Olivewood #2	2S/5W26E02S	3300367	301	1,306	968	1,091	910	1,045	1,954	2,136	1,773	795	802	1402	930	
37	Olivewood #3	22/5W26M01S	3300368	44	694	487	485	336	576	1,239	1,300	940	324	265	531	354	
38																	
39	Total Production	Riverside Basin in Riverside Co.		425	2,787	1,990	2,256	1,767	2,084	4,870	5,305	4,159	1,785	1,502	2,788	1,839	
40																	
41	Gage Total Production			21,827	38,708	35,107	38,132	36,076	42,295	36,490	33,962	32,669	28,898	29,964	39,539	35,579	

o Abandoned &/or File Closed.

Data from C of R Recordation Filings cross checked with Gage's Year End Report.

Wm;vol 1a-8;vol 5

TABLE NO. 15

THE GAGE CANAL COMPANY WATER PRODUCTION
FROM BUNKER HILL BASIN
RIVERSIDE BASIN IN SAN BERNARDINO COUNTY
AND RIVERSIDE BASIN IN RIVERSIDE COUNTY

(Quantities in Acre Feet)

Line #	Local Designation	State Well #	Recordation #	1996	1997	1998	1999	2000	2001	2002	2003	2004	2005	2006	2007	2008	
<u>BUNKER HILL BASIN IN SAN BERNARDINO BASIN AREA</u>																	
1	o No. 6	1S/4W13L01S	3600784	0	0	0	0	0	0	0	0						
2	o No. 17	1S/4W14R	3600785	0	0	0	0	0	0	0	0						
3	o No. 21	1S/4W13L02S	3600786	0	0	0	0	0	0	0	0						
4	No. 26-1	1S/4W23A02S	3600787	1,895	1,996	1,133	2,332	2,685	2,506	3,001							
5	No. 27-1	1S/4W23H01S	3600788	2,237	1,825	1,193	2,702	2,635	2,310	2,352							
6	No. 27-2	1S/4W23K01S	3600789	2,454	2,575	2,282	2,368	1,539	1,339	2,034							
7	No. 29-1	1S/4W23K02S	3600790	1,495	2,224	1,733	2,459	2,062	2,099	1,949							
8	No. 29-2	1S/4W13N01S	3600791	1,767	1,400	1,558	1,652	2,323	2,281	1,354							
9	No. 29-3	1S/4W13N02S	3600792	1	311	727	804	1,655	1,780	2,609							
10	No. 30-1	1S/4W13M02S	3600793	1,321	1,030	1,071	1,240	691	843	1,152							
11	No. 31-1	1S/4W13F02S	3600794	1,980	1,933	1,567	902	1,242	1,443	2,026							
12	No. 46-1	1S/4W13G02S	3600795	3,249	2,329	2,945	2,829	1,758	2,096	3,411							
13	No. 51-1	1S/4W23A05S	3600796	1,429	1,681	1,573	1,756	1,166	1,686	940							
14	No. 56-1	1S/4W13G03S	3600797	2,346	1,728	1,710	2,034	1,791	1,485	2,131							
15	o CowLane	1S/4W23G01S	3600798	0	0	0	0	0	0	0							
16	No. 66-1	1S/4W23G	3602331	2,136	2,264	1,963	2,311	1,411	1,698	1,252							
17	No. 6-Domestic	1S/4W13P	3602423	36	37	22	33	38	25	34							
18	No. 92-3	1S/4W13L08S	3603556	4,028	3,804	3,555	3,916	3,762	3,468	3,274							
19	No. 92-2	1S/4W13L07S	3603557	3,951	3,497	3,816	3,740	3,243	3,458	3,058							
20	No. 92-1	1S/4W13N07S	3603558	3,706	3,683	3,359	3,968	3,049	3,344	1,917							
21	No. 98-1	1S/4W23A06S	3603728				661	4,165	4,409	4,364							
22																	
23																	
24																	
25	Total Production Bunker Hill Basin			34,031	32,317	30,207	35,707	35,215	36,270	36,858							
26																	
27	<u>RIVERSIDE BASIN IN SAN BERNARDINO COUNTY</u>																
28																	
29	DeBerry	2S4W05C01S	3600783	1,706	1,591	1,823	2,051	1,664	1,491	1,286							
30																	
31	Total Production Riverside Basin in S. B. Co.			1,706	1,591	1,823	2,051	1,664	1,491	1,286							
32																	
33	<u>RIVERSIDE BASIN IN RIVERSIDE COUNTY</u>																
34																	
35	Olivewood #1	2S/5W26F01S	3300366	695	595	800	1,049	634	700	1,228							
36	Olivewood #2	2S/5W26E02S	3300367	912	667	1,184	1,432	1,149	952	1,669							
37	Olivewood #3	22/5W26M01S	3300368	416	407	516	801	594	881	645							
38																	
39	Total Production Riverside Basin in Riverside Co.			2,023	1,669	2,500	3,282	2,377	2,533	3,542							
40																	
41	Gage Total Production			37,760	35,577	34,530	41,040	39,256	40,294	41,686							

o Abandoned &/or File Closed.

Data from C of R Recordation Filings cross checked with Gage's Year End Report.

TABLE NO. 16

THE GAGE CANAL COMPANY
WATER PRODUCTION FROM BUNKER HILL BASIN
DELIVERED IN SAN BERNARDINO COUNTY & RIVERSIDE COUNTY
TO EAST RIVERSIDE WATER COMPANY

Calendar Year	Irrigation Season In Days	Total Delivered to East Riverside Water Company Ac. Ft.	Average Ac. Ft. per day Of Irrig. Season Ac. Ft.	Delivered		Riverside County Ac. Ft.
				San Bernardino County Estimated	Deliveries Measured	
(1)	(2)	(3)	(4)	Ac. Ft. (5)	Ac. FT. (6)	(7)
1971						108
1972						90
1973						82
1974						**0
1975						**0
1976						**0
1977						**0
1978						**0
1979						**0
1980						**0
1981						**0
1982						**0

See **, Table No Longer Needed

(2) (3) Gage Records

(4) $632 \text{ Ac. Ft.} / 326 \text{ days} = 1.94$ for Years 1947 through 1952 = Col. (6)/Col. (2)

(5) (4) x (2)

(6) Gage Canal Records

(7) Co. (3) - Col. (5) or Col. (3) - Col. (6)

* From 1968 to 1973, the Gage Canal has provided the Watermaster with just that portion of water delivered to East Riverside Water Co. that was used within San Bernardino County.

** Beginning in 1974 all water delivered to East Riverside Co. within San Bernardino Co. was produced by the DeBerry Well which is located in the Riverside Basin within San Bernardino County.

FOR YEARS PRECEDING 1971: Refer to Volume 5, August 1976, Page I-47

TABLE NO. 17

THE GAGE CANAL COMPANY
WATER PRODUCTION FROM BUNKER HILL AND RIVERSIDE BASINS SITUATED
IN SAN BERNARDINO COUNTY WITH DELIVERIES MADE IN SAN BERNARDINO
COUNTY & EXPORTS TO RIVERSIDE COUNTY
 (Quantities in Acre Feet by Calendar Year)

Year (1)	Production In Bunker Hill Basin (2)	Delivery in Bunker Hill Basin To Southern California Edison Co. Power Plant			Bunker Hill Export From Basin (5)	Delivery in Colton Basin			Bunker Hill Export To Riverside Basin In San Bernardino County (9)	Bunker Hill Water Delivered To Riverside Basin North of County Line East		Bunker Hill Water Export To Riverside County (12)	Production In Riverside Basin Within San Bernardino County Delivered To East Riverside Water Company Export To Riverside County (15)			
		Total Delivery (3)	Return To Canals (3a)	Net Delivery (4)*		Cooley Ranch Water Right (6)	Gage Stock (7)	Total Delivery (8)		Riverside Water Company (10)	Total Delivery (11)		DeBerry Well (13)	Basin Total (14)	Riverside Water Company (14a)	Export To Riverside County (15)
1971	28,943	698	600**	98(a)	28,845	526***	35	561	28,284	108	108	28,176	567	567	0	567
1972	25,220	708	623**	85	25,135	422	35	457	24,678	90	90	24,588	778	778	0	778
1973	21,529	671	515**	156	21,373	331	99	430	20,943	82	82	20,861	222	222	0	222
1974	15,947	761	1,004**	0	15,947	381	104	485	15,462	0****	0	15,462	472	472	98****	374
1975	22,714	644	1,099**	0	22,714	342	156	498	22,216	0	0	22,216	645	645	77	568
1976	29,289	1,085	1,137**	0	29,289	305	218	523	28,766	0	0	28,766	440	440	62	378
1977	32,099	1,212	1,338**	0	32,099	263	83	346	31,753	0	0	31,753	389	389	6	383
1978 ⁺	26,329	781	135**	646	25,683	213	88	301	25,382	0	0	25,382	734	734	4	730
1979 ⁺	30,816	814	1,057**	0	30,816	273	142	415	30,401	0	0	30,401	413	413	4	409
1980	31,881	631	248**	383	31,498	0	0	0	31,498	0	0	31,498	2,032	2,032	4	2,028
1981	31,794	724	0①	724	31,070	0	0	0	31,070	0	0	31,070	2,467	2,467	3	2,464
1982	30,077	451	435	16	30,061	0	0	0	30,061	0	0	30,061	1,645	1,645	1	1,644
1983	20,383	191	0	191	20,192	0	0	0	20,192	0	0	20,192	1,019	1,019	1	1,018

(2) From Recordation filings, Table 15, Line 20

(3) From Gage Canal Records

(3a) From S.C.E. Co. Reports to CRWQCB

(4) Column (3) - Column (3a)

(5) Column (2) - Column (4)

(6) From Gage Canal Records

(7) From Gage Canal Records

① In 1981 44AF of wtr was delivered to Riverside Highland in lieu of Rice-Thorn.

(a) Revised delivery to S.C.E. Power Plant beginning in 1967 during 1972 verification.

(8) Column (6) + Column (7)

(9) Column (5) - Column (8)

(10) From Table 16, Column (6)

(11) Same as Column (10)

(12) Column (9) - Column (11)

(13) From Table 15, Line 24

(14) Same as Column (13)

(14a) Commencing in the Year 1974, water supplied by DeBerry Well (from Table 16, Column (6))

(15) Column (14) - Column (14a)

** Returned to former Riverside

* Water Co. Canal

After 1974, Water cannot be returned to Gage Canal

***Includes deliveries to City of Colton as follows:

1966 = 8 Acre Feet

1967 = 15 Acre Feet

1968 = 24 Acre Feet

1969 = 23 Acre Feet

1970 = 29 Acre Feet

1971 = 2 Acre Feet

****Beginning in 1974 all deliveries in San Bernardino Co. to East Riverside Water Co. supplied by the DeBerry Well

NOTE: DE BERRY WELL WAS FINANCED AND CONSTRUCTED BY THE GAGE CANAL COMPANY STOCKHOLDERS, FOR THE SOLE USE OF GAGE STOCKHOLDERS, AND DOES NOT SERVE EAST RIVERSIDE WATER CO. PRIOR TO 1974.

CRWQCB = California Regional Water Quality Control Board

FOR YEARS PRECEDING 1971: Refer to Volume 5, August 1976, Page I-49

TABLE NO. 17

THE GAGE CANAL COMPANY
WATER PRODUCTION FROM BUNKER HILL AND RIVERSIDE BASINS SITUATED IN SAN BERNARDINO COUNTY
WITH DELIVERIES MADE IN SAN BERNARDINO COUNTY & EXPORTED TO RIVERSIDE COUNTY

(Quantities in Acre Feet)

Year	Delivery in Bunker Hill Basin				Delivery in Colton Basin			Production in Riverside Basin within San Bernardino County					
	Production in Bunker Hill Basin	Southern California Edison Power Plant		Bunker Hill Export from Basin	Cooley Ranch Water Rights Gage/Total	Bunker Hill Export to Riverside Basin in San Bernardino County	Bunker Hill Wtr Delivered to Riverside Basin North of County Line	Bunker Hill Water Exported to Riverside County	DeBerry Well	Delivered to East Riverside Water Company	Export to Riverside County		
(1)	(2)	(3)	(3a)	(4)	(5)	(6)	(7) (8)	(9)	(10) (11) *	(12)	(13) (14)	(14a)	(15)
1984	33,875	32	0	32	33,843	-	-	33,843	-	33,843	2,046	2	2,044
1985	31,256	59	0	59	31,197	-	-	31,197	-	31,197	1,861	1	1,860
1986	33,983	145	0	145	33,838	-	-	33,838	-	33,838	1,893	2	1,891
1987	32,313	15	0	15	32,298	-	-	32,298	-	32,298	1,996	1	1,995
1988	38,022	10	15	0	38,022	-	-	38,022	-	38,022	2,189	2	2,187
1989	29,655	0	-	0	29,655	-	-	29,655	-	29,655	1,965	2	1,963
1990	26,695	4	-	0	26,695	-	-	26,695	-	26,695	1,962	1	1,961
1991	26,776	6	-	0	26,776	-	-	26,776	-	26,776	1,734	1	1,733
1992	25,456	0	-	0	25,456	-	-	25,456	-	25,456	1,657	1	1,656
1993	26,439	0	-	0	26,439	-	-	26,439	-	26,439	2,023	2	2,021
1994	34,723	39	-	39	34,684	-	-	34,684	-	34,684	2,028	2	2,026
1995	32,076	98	-	98	31,978	-	-	31,978	-	31,978	1,664	0	1,664
1996	34,031	10	-	10	34,021	-	-	34,021	-	34,021	1,706	0	1,706
1997	32,317	8	-	8	32,309	-	-	32,309	-	32,309	1,591	0	1,591
1998	30,207	0	-	0	30,207	-	-	30,207	-	30,207	1,823	0	1,823
1999	35,707	181	-	181	35,526	-	-	35,526	-	35,526	2,051	0	2,051
2000	35,215	117	-	117	35,098	-	-	35,098	-	35,098	1,664	0	1,664
2001	36,270	21	-	21	36,249	-	-	36,249	-	36,249	1,491	0	1,491
2002	36,858	0	-	0	36,858	-	-	36,858	-	36,858	1,286	0	1,286
2003	-	-	-	-	-	-	-	-	-	-	-	-	-
2004	-	-	-	-	-	-	-	-	-	-	-	-	-
2005	-	-	-	-	-	-	-	-	-	-	-	-	-
2006	-	-	-	-	-	-	-	-	-	-	-	-	-
2007	-	-	-	-	-	-	-	-	-	-	-	-	-
2008	-	-	-	-	-	-	-	-	-	-	-	-	-

Column (2) = From Recordation Filings, Table 15, Line 2
 Column (3) = From Gage Records.
 Column (3a) = From S.C.E. Co Report to CRWQB.
 Column (4) = Column (3) - Column (3a).
 Column (5) = Column (2) - Column (4).
 Column (6) = From Gage Records.
 Column (7) = From Gage Records.

Column (8) = Column (6) + Column (7).
 Column (9) = Column (5) - Column (8).
 Column (10) = From Table 16, Column (6).
 Column (11) = Same as Column (10).
 Column (12) = Column (9) - Column (11).
 Column (13) = From Table 15, Line 24.
 Column (14) = Same as Column (13).

Column (14a) = From Gage Canal records. (Outlets 1,3,5,6,8)
 Column (15) = Column (14) - Column (14a).

* All deliveries in San Bernardino Co. from DeBerry Well.
 CRWQCB = California Regional Water Quality Control Board.
 SCE sold Power Plant to Mt. View Power Company in 1999

6/01 corrected Power Plant deliveries for 1996, 97, 98, had recorded

TABLE NO. 18

GAGE CANAL
WATER PRODUCTION FROM SAN BERNARDINO BASIN AREA
AND DELIVERIES WITHIN SAN BERNARDINO COUNTY
AND EXPORTS TO RIVERSIDE COUNTY

(Quantities in Acre Feet)

Year	GAGE CANAL WATER COMPANY PRODUCTION AND DELIVERY IN SAN BERNARDINO BASIN AREA			GAGE DELIVERIES IN COLTON & RIVERSIDE BASINS IN SAN BERNARDINO COUNTY			Total Water From San Bernardino Basin Area Exported to Riverside County
	Production from Gage Wells (1)	Delivery to Power Plant (2)	Total Available for Export (3)	Cooley Stock & Prior Rights (4)	East Riverside Water Company (5)	Total Delivery (6)	
1971	28,943	98	28,845	561	108	669	28,176
1972	25,220	85	25,135	457	90	547	24,588
1973	21,529	156	21,373	430	82	512	20,861
1974	15,947	0	15,947	485	-	485	15,462
1975	22,714	0	22,714	498	-	498	22,216
1976	29,289	0	29,289	523	-	523	28,766
1977	32,099	0	32,099	346	-	346	31,753
1978	26,329	646	25,683	301	-	301	25,382
1979	30,816	0	30,816	415	-	415	30,401
1980	31,881	383	31,498	-	-	-	31,498
1981	31,794	724	31,070	-	-	-	31,070
1982	30,077	16	30,061	-	-	-	30,061
1983	33,875	191	33,684	-	-	-	33,684
1984	33,875	32	33,843	-	-	-	33,843
1985	31,256	59	31,197	-	-	-	31,197
1986	33,983	145	33,838	-	-	-	33,838
1987	32,313	15	32,298	-	-	-	32,298
1988	38,022	10	38,012	-	-	-	38,012
1989	29,655	0	29,655	-	-	-	29,655
1990	26,695	4	26,691	-	-	-	26,691
1991	26,776	6	26,770	-	-	-	26,770
1992	25,456	0	25,456	-	-	-	25,456
1993	26,439	0	26,439	-	-	-	26,439
1994	34,723	39	34,684	-	-	-	34,684
1995	32,076	98	31,978	-	-	-	31,978
1996 *	34,031	10	34,021	-	-	-	34,021
1997 *	32,317	8	32,309	-	-	-	32,309
1998 *	30,207	0	30,207	-	-	-	30,207
1999	35,707	181	35,526	-	-	-	35,526
2000	35,215	117	35,098	-	-	-	35,098
2001	36,270	21	36,249	-	-	-	36,249
2002	36,858	0	36,858	-	-	-	36,858
2003	-	-	-	-	-	-	-
2004	-	-	-	-	-	-	-
2005	-	-	-	-	-	-	-
2006	-	-	-	-	-	-	-
2007	-	-	-	-	-	-	-
2008	-	-	-	-	-	-	-

Column (1) = From Table No. 15, Line 20, Gage Canal.

Column (5) = Table No. 17, Column (11), Gage Canal, after 1974, all East Riverside Water from DeB

Column (2) = From Table No. 17, Column (4), Gage Canal.

Column (6) = Column (4) + Column (5).

Column (3) = Column (1) - Column (2).

Column (4) = Table No. 17, Column (8), Gage Canal, Cooley Ranch last took Column (7) = Column (3) - Column (6).

FOR YEARS PRECEDING 1971: Refer to Volume 5, August 1976, Page I-51.

* Corrected during 1999 verification

TABLE NO. 19

RIVERSIDE HIGHLAND WATER COMPANY WATER PRODUCTION
FROM LYTLE & BUNKER HILL BASINS
IN SAN BERNARDINO BASIN AREA
 (Quantities in Acre Feet)

Year	L.C. #1	L.C. #8	L.C. #10	Lyle Creek	R.H. #1	R.H. #2	R.H. FW#5	R.H. #12	R.H. #18	R.H. #24	Bunker Hill	TOTAL			
	1N4W31E01S	1N4W31F01S	1N4W31E03S	Basin	1S4W22M07S	1S4W22L	1S4W22L17S	1S4W22L08S	1S4W22L05S	1S4W22P05S	Basin	WATER PRODUCTION			
	3601535	3602840	3603470	Sub-Total	3601522	3601523	3603514	3601530	3601533	3602254	Sub-Total	SAN BERNARDINO			
(1)	(2)	(3)	(4)	(5)	(6)	(7)	(8)	(9)	(10)	(11)	(12)	(13)	(14)	(15)	(16)
1971	1,669			1,669	177	313		761	1,092	0	2,343	4,012			
1972	1,468			1,468	0	113		804	1,178	969	3,064	4,532			
1973	1,282			1,282	259	155		772	1,044	0	2,230	3,512			
1974	1,374			1,374	68	146		656	830	1,014	2,714	4,088			
1975	1,302			1,302	14	236		697	1,137	1,323	3,407	4,709			
1976	1,468			1,468	0	28		936	703	1,385	3,052	4,520			
1977	1,406			1,406	0	59		378	983	757	2,177	3,583			
1978	964			964	0	100		142	144	0	386	1,350			
1979	1,352			1,352	0	457		368	351	841	2,017	3,369			
1980	1,600			1,600	0	649		669	37	722	2,077	3,677			
1981	1,806			1,806	0	650		86	915	147	1,798	3,604			
1982	1,538			1,538	0	392		439	227	199	1,257	2,795			
1983	2,248			2,248	0	578		255	81	0	914	3,162			
1984	0	2,300	*	2,300	0	1,293		85	1,081	0	2,459	4,759			
1985	0	1,880	**	1,880	-	809		122	501	0	1,432	3,312			
1986	199	1,939		2,138	-	1,058		1	1,547	0	2,606	4,744			
1987	1,680	490		2,170	-	730		0	1,019	0	1,749	3,919			
1988	1,354	935		2,289	-	1,058		0	1,428	0	2,486	4,775			
1989	1,372	1,068		2,440	-	1,201		0	1,340	0	2,541	4,681			
1990	905	1,084		1,989	-	25	2,047	0	31	0	2,103	4,092			
1991	188	526	473	1,187	-	46	1,736	0	52	0	1,834	3,021			
1992	14	125	2,018	2,157	-	37	1,771	0	87	0	1,895	4,052			
1993	20	933	227	1,180	-	28	1,998	0	35	0	2,061	3,241			
1994	917	960	0	1,877	-	324	1,689	0	434	0	2,447	4,324			
1995	1,164	183	523	1,870	-	33	2,010	0	42	0	2,085	3,955			
1996	996	507	1,379	2,882	-	524	929	0	716	0	2,169	5,051			
1997	520	636	1,675	2,831	-	781	200	0	1,127	0	2,108	4,939			
1998	581	108	1,791	2,480	-	1	0	0	769	0	770	3,250			
1999	123	319	2,378	2,820	-	787	0	0	1,365	0	2,152	4,972			
2000	153	179	2,524	2,856	-	188	6	0	373	0	567	3,423			
2001	3	1	2,661	2,665	-	76	121	0	63	0	260	2,925			
2002	1	1	2,398	2,399	-	424	972	0	514	0	1,910	4,309			
2003					-										
2004					-										
2005					-										
2006					-										
2007					-										
2008					-										

FOR YEARS PRECEDING 1971: Refer to Volume 5, August 1976, Page I-58.

L.C. #2, R.H. #8, Flowing, #10, #11 were abandoned &/or Filed Closed before 1971.

* Abandoned &/or Filed Closed.

* 1984 L.C. flowed artesian during the year, RH filed on pumped total of 1,891 af. Watermaster calculated 2300 af as reason.

** 1985 Filed 2,748. Large known loss near well site of 868 af.

Column (5) = Column (2) + (3) + (4).

Column (15) = Sum of Columns (6) thru Column (14).

Column (16) = Column (5) - Column (15).

TABLE NO. 20

RIVERSIDE HIGHLAND WATER COMPANY WATER PRODUCTION
FROM COLTON BASIN
(Quantities in Acre Feet)

Year	R H # 4 1S4W28K01S 3601525	R H # 4A 1S4W28K02S 3602182	Total Production in Colton Basin
(1)	(2)	(3)	(4)
1971	240	16	256
1972	261	24	285
1973	212	0	212
1974	220	62	282
1975	260	40	300
1976	130	40	170
1977	175	157	332
1978	265	5	270
1979	139	52	191
1980	0	0	0
1981	0	0	0
1982	0	0	0
1983	0	0	0
1984	0	83	83
1985	0	675	675
1986	0	721	721
1987	0	471	471
1988	0	256	256
1989	0	158	158
1990	0	109	109
1991	0	4	4
1992	0	91	91
1993	0	0	0
1994	0	0	0
1995	0	0	0
1996	0	0	0
1997	0	0	0
1998	0	0	0
1999	0	0	0
2000	0	0	0
2001	0	0	0
2002	0	0	0
2003			
2004			
2005			
2006			
2007			
2008			

Column (4) = Column (2) + Column (3).

FOR YEARS PRECEDING 1971: Refer to Volume 5, August 1976, Page I-60.

TABLE NO. 21

**RIVERSIDE HIGHLAND WATER COMPANY WATER PRODUCTION
FROM RIVERSIDE BASIN IN SAN BERNARDINO & RIVERSIDE COUNTIES**

(Quantities in Acre Feet)

Year	Riverside North Basin										Reassigned Production from RN to RS	Total Water Production in Riverside Basin in San Bernardino County	Riverside South Basin		Total Water Production in Riverside Basin in Riverside County
	°R N #3	R N #6	R N #6	R N #7	°R N #16	R N #17	R N #20	L V #1	L V #2	L V #3			R H #21	R.H. #22	
(1)	(2)	(2a)	(2b)	(3)	(4)	(5)	(6)	(7)	(8)	(9)	(10)	(11)	(12)	(15)	
1971	-			1,901	-	2,734	669	0	0		5,304	642	1,456	2,098	
1972	-			1,572	-	1,868	789	0	0		4,229	272	1,096	1,368	
1973	-			1,339	-	1,903	832	0	0		4,074	236	1,034	1,270	
1974	-			1,255	-	1,283	833	0	0		3,371	480	1,053	1,533	
1975	-			1,340	-	871	805	0	0		3,016	94	1,133	1,227	
1976	-			1,284	-	1,469	839	0	0		3,592	137	1,183	1,320	
1977	-			1,693	-	2,343	663	0	0		4,699	219	869	1,088	
1978	-			1,460	-	1,629	834	0	0		3,923	683	613	1,296	
1979	-			1,513	-	1,488	875	0	0		3,876	172	803	975	
1980	-			1,356	-	1,926	732	270	0		4,284	590	410	1,000	
1981	-			1,543	-	2,200	789	411	22		4,965	607	665	1,272	
1982	-			760	-	1,679	485	364	42		3,330	700	453	1,153	
1983	-			539	-	1,299	604	94	0		2,536	1,031	2	1,033	
1984	-			1,101	-	2,498	897	49	0		4,545	1,910	682	2,592	
1985	-			1,174	-	2,198	816	287	0		4,475	1,120	797	1,917	
1986	-			875	-	175	890	149	0		2,089	1,175	842	2,017	
1987	-			945	-	91	565	31	0		1,632	996	817	1,813	
1988	-			1,031	-	0	624	130	0		1,785	775	750	1,525	
1989	-			830	-	0	768	95	0	865	2,558	1,072	357	1,429	
1990	-			757	-	1	728	55	0	1,317	2,858	1,138	408	1,546	
1991	-			1,011	-	2	784	80	0	1,704	3,581	1,023	465	1,488	
1992	-			1,116	-	65	767	0	0	267	2,215	460	385	845	
1993	-			1,237	-	616	619	0	0	562	3,034	585	250	835	
1994	-			1,466	-	1,643	110	0	0	66	3,285	372	243	615	
1995	-			1,376	-	780	311	0	0	659	3,126	262	349	611	
1996	-			1,434	-	232	528	0	0	202	2,396	280	278	558	
1997	-			1,431	-	430	471	0	0	181	2,513	126	324	450	
1998	-			1,168	-	248	609	0	0	170	2,195	138	188	326	
1999	-			1,527	-	625	354	0	0	121	2,627	463	20	483	
2000	-			1,086	-	598	332	0	0	209	1,138	1)	63	1,174	
2001	-		51	757	-	201	309	0	0	60	1,341	2)	527	693	
2002	-		948	1,170	-	16	379	0	0	64	2,577	771	47	818	
2003	-				-										
2004	-				-										
2005	-				-										
2006	-				-										
2007	-				-										
2008	-				-										

FOR YEARS PRECEDING 1971: Refer to Volume 5, August 1976, Page I-62.

* Abandoned &/or Filed Closed.

Column (10) = Sum of Columns (2) thru Column (9).

Column (15) = Column (11) + Column (12).

1) For 2000, 1,087 AF of Riverside North production assigned to Riverside South Basin to accommodate changes in operations to bypass "commingling" calculation to better represent actual deliveries.

2) For 2001, 37 AF of Riverside North production assigned to Riverside South Basin to accommodate changes in operations to bypass "commingling" calculation to better represent actual deliveries.

TABLE NO. 22

RIVERSIDE HIGHLAND WATER COMPANY
WATER SUPPLY FROM OTHER COMPANIES
AND RIVERSIDE HIGHLAND CO. PRODUCTION
 (Quantities in Acre Feet)

Year	Companies Supplying Additional Water			San Bernardino			Riverside Basin		Total Production	Grand Total Water Supply
	City of Riverside	Net water from others	Total Supply	San Bernardino Basin	Basin less HGMP	Colton Basin	San Bernardino County	Riverside County		
(1)	(2)	(3)	(4)	(5)	(5a)	(6)	(7)	(8)	(9)	(10)
1971	0	0	0	4,012		256	5,304	2,098	11,670	11,670
1972	0	0	0	4,532		285	4,229	1,368	10,414	10,414
1973	0	0	0	3,512		212	4,074	1,270	9,068	9,068
1974	279	0	279	4,088		282	3,371	1,533	9,274	9,553
1975	0	0	0	4,709		300	3,016	1,227	9,252	9,252
1976	0	0	0	4,520		170	3,592	1,320	9,602	9,602
1977	0	0	0	3,583		332	4,699	1,088	9,702	9,702
1978	0	0	0	1,350		270	3,923	1,296	6,839	6,839
1979	0	0	0	3,369		191	3,876	975	8,411	8,411
1980	0	0	0	3,677		0	4,284	1,000	8,961	8,961
1981	44	0	44	3,604		0	4,965	1,272	9,841	9,885
1982	0	0	0	2,795		0	3,330	1,153	7,278	7,278
1983	0	0	0	3,162		0	2,536	1,033	6,731	6,731
1984	0	0	0	4,759		83	4,545	2,592	11,979	11,979
1985	0	0	0	3,312		675	4,475	1,917	10,379	10,379
1986	0	0	0	4,744		721	2,089	2,017	9,571	9,571
1987	0	0	0	3,919		471	1,632	1,813	7,835	7,835
1988	0	0	0	4,775		256	1,785	1,525	8,341	8,341
1989	0	0	0	4,681		158	2,558	1,429	8,826	8,826
1990	0	0	0	4,092		109	2,858	1,546	8,605	8,605
1991	0	0	0	3,021		4	3,581	1,488	8,094	8,094
1992	0	72	72	4,052		91	2,215	845	7,203	7,275
1993	0	575	575	3,241		0	3,034	835	7,110	7,685
1994	0	0	0	4,324		0	3,285	615	8,224	8,224
1995	0	0	0	3,955		0	3,126	611	7,692	7,692
1996	0	0	0	5,051		0	2,396	558	8,005	8,005
1997	0	0	0	4,939		0	2,513	450	7,902	7,902
1998	0	0	0	3,250		0	2,195	326	5,771	5,771
1999	0	-2,041	-2,041	4,972	2,931	0	2,627	483	8,082	6,041
2000	0	-567	-567	3,423	2,856	0	1,138	1,174	5,735	5,168
2001	0	-260	-260	2,925	2,665	0	1,341	693	4,959	4,699
2002	0	-1,909	-1,909	4,309	2,400	0	2,577	818	7,704	5,795
2003										
2004										
2005										
2006										
2007										
2008										

Column (2) = From City of Riverside Table 3, Column (1).

Column (3) = From Riverside Highland Co. Records.

Column (4) = Column (2) + Column (3).

Column (5) = From Table 19, Column (16).

Column (6) = From Table 20, Column (4).

Column (7) = From Table 21, Column (10).

Column (8) = From Table 21, Column (15).

Column (9) = Columns (5) + (6) + (7) + (8).

Column (10) = Column (4) + Column (9).

1999 2,041 AF was pumped for SBVMND Pilot Dewatering Program (HGMP)

2000 567 AF was pumped for SBVMND Pilot Dewatering Program (HGMP)

2001 260 AF was pumped for SBVMND Pilot Dewatering Program (HGMP) from PW #1, #5 & #18

2002 1,909 AF was pumped for SBVMND Pilot Dewatering Program (HGMP) from PW #1, #5 & #18

FOR YEARS PRECEDING 1971: Refer to Volume 5, August 1976, Page I-64.

TABLE NO. 23R

RIVERSIDE HIGHLAND WATER COMPANY
DISTRIBUTION OF EXTRACTION
 (Quantities in Acre Feet)

Year	San Bernardino Basin Area	Colton Basin	Riverside North Basin	Total S.B. Co. Production	Riverside South Basin	Total Production	Distribution of Production			Water Delivered		
	Production	Production	Production	Production	Production	Production	% S.B. Basin Area	% Colton Basin	% Riverside North Basin	in S.B. Co.	in Riv. Co.	Total Delivered
(1)	(2)	(3)	(4)	(5)	(6)	(7)	(8)	(9)	(10)	(11)	(12)	(13)
1985	3,312	675	4,475	8,462	1,917	10,379	39%	8%	53%	3,043	3,405	6,448
1986	4,744	721	2,089	7,554	2,017	9,571	63%	10%	28%	2,965	3,292	6,257
1987	3,919	471	1,632	6,022	1,813	7,835	65%	8%	27%	2,777	2,918	5,695
1988	4,775	256	1,785	6,816	1,525	8,341	70%	4%	26%	2,736	3,430	6,166
1989	4,681	158	2,558	7,397	1,429	8,826	63%	2%	35%	2,938	3,536	6,474
1990	4,092	109	2,858	7,059	1,546	8,605	58%	2%	40%	3,111	3,597	6,708
1991	3,021	4	3,581	6,606	1,488	8,094	46%	0%	54%	2,756	3,357	6,113
1992	4,052	91	2,215	6,358	845	7,203	64%	1%	35%	2,799	2,849	5,648
1993	3,241	0	3,034	6,275	835	7,110	52%	0%	48%	2,921	3,114	6,035
1994	4,324	0	3,285	7,609	615	8,224	57%	0%	43%	3,030	3,403	6,433
1995	3,955	0	3,126	7,081	611	7,692	56%	0%	44%	3,073	3,078	6,151
1996	5,051	0	2,396	7,447	558	8,005	68%	0%	32%	3,237	3,139	6,376
1997	4,939	0	2,513	7,452	450	7,902	66%	0%	34%	3,241	3,149	6,390
1998	3,250	0	2,195	5,445	326	5,771	60%	0%	40%	2,810	2,127	4,937
1999	2,931	0	2,627	5,558	483	6,041	53%	0%	47%	3,375	1,789	5,164
2000	2,856	0	1,138	3,994	1,174	5,168	72%	0%	28%	3,492	1,098	4,590
2001	2,665	0	1,341	4,006	693	4,699	67%	0%	33%	3,362	770	4,132
2002	2,400	0	2,577	4,977	818	5,795	48%	0%	52%	4,340	998	5,338
2003												
2004												
2005												
2006												
2007												
2008												

Columns (2) (3) (4) (6) from Table No. 22.

Column (8) = Column (2) ÷ Column (5).

Columns (11) & (12) from RH Co. records.

Column (5) = Column (2) + (3) + (4).

Column (9) = Column (3) ÷ Column (5).

Column (13) = Columns (11) + Column (12).

Column (7) = Columns (5) + Column (6).

Column (10) = Column (4) ÷ Column (5).

1985-1989 shown for information only, new format starts with 1990 report.

Replaces Tables 28 thru 31 starting with 1990.

Column (2) excludes High Groundwater Mitigation production

TABLE NO. 23R

RIVERSIDE HIGHLAND WATER COMPANY
DISTRIBUTION OF EXTRACTION
 (Quantities in Acre Feet)

Year	Production ÷ Delivered	Adjusted Demand			Adjusted Demand			Adjusted Demand			
		S. B. Co. Delivery	Riv. Co. Delivery	Total Production	San Bernardino Basin Area Production	Colton Basin	Riverside North Basin				
(1)	(2)	(3)	(4)	(5)	(6)	(7)	(8)	(9)	(10)	(11)	
1985	1.6096	4,898	5,481	10,379	-	1,917	1,395	391	284	2,590	1,885
1986	1.5296	4,535	5,036	9,571	-	2,848	1,896	433	288	1,254	835
1987	1.3758	3,821	4,014	7,835	-	2,486	1,433	299	172	1,035	597
1988	1.3527	3,701	4,640	8,341	-	2,593	2,182	139	117	969	816
1989	1.3633	4,005	4,821	8,826	-	2,535	2,146	86	72	1,385	1,173
1990	1.2828	3,991	4,614	8,605	-	2,313	1,779	62	47	1,616	1,242
1991	1.3241	3,649	4,445	8,094	-	1,669	1,352	2	2	1,978	1,603
1992	1.2753	3,570	3,633	7,203	-	2,275	1,777	51	40	1,244	971
1993	1.1781	3,441	3,669	7,110	-	1,777	1,464	0	0	1,664	1,370
1994	1.2784	3,874	4,350	8,224	-	2,201	2,123	0	0	1,672	1,613
1995	1.2505	3,843	3,849	7,692	-	2,146	1,809	0	0	1,696	1,430
1996	1.2555	4,064	3,941	8,005	-	2,756	2,295	0	0	1,308	1,088
1997	1.2366	4,008	3,894	7,902	-	2,656	2,283	0	0	1,352	1,161
1998	1.1689	3,285	2,486	5,771	-	1,961	1,289	0	0	1,324	871
1999	1.1698	3,948	2,093	6,041	-	2,082	849	0	0	1,866	761
2000	1.1259	3,932	1,236	5,168	-	2,811	45	0	0	1,120	18
2001	1.1372	3,823	876	4,699	-	2,543	122	0	0	1,280	61
2002	1.0856	4,712	1,083	5,795	-	2,272	128	0	0	2,440	137
2003					-						
2004					-						
2005					-						
2006					-						
2007					-						
2008					-						

Column (2) = Column (7) ÷ Column (13) on previous page. Column (7) = Column (2) previous page - [Column (3) x Column (8) from previous page].
 Column (3) = Column (11) on previous page x Column (2). Column (8) = Column (3) previous page - Column (9).
 Column (4) = Column (12) on previous page x Column (2). Column (9) = Column (3) previous page - [Column (3) x Column (9) from previous page].
 Column (5) = Company method of operation. Column (10) = Column (4) previous page - Column (11).
 Column (6) = Column (2) previous page - Column (7). Column (11) = Column (4) previous page - [Column (3) x Column (10) from previous page].

1985-1989 shown for information only, new format starts with 1990 report.

Replaces Tables 28 thru 31 starting with 1990.

6/2/92
16:53

TABLE NO. 28

RIVERSIDE HIGHLAND WATER COMPANY
IRRIGATION AND DOMESTIC DELIVERIES AND PRODUCTION
REQUIRED IN RIVERSIDE & SAN BERNARDINO COUNTIES

Year	Total Water Produced in MID	Deliveries in M.I.D.					Production in Required in M.I.D.		Riverside Co. Historic Delivery & Required Production				San Bernardino Required Production			
		Domestic Irrigation	Total Dom & Irr	Unaccounted for Total	%	Irrigation	Domestic	Del.	Prod.	Del.	Prod.	Total Production	Irrigation	Domestic	Total	
(1)	(2)	(3)	(4)	(5)	(6)	(7)	(8)	(9)	(10)	(11)	(12)	(13)	(14)	(15)	(16)	(17)
1976	241,910	43,263	170,027	213,290	28,620	11.83%	192,842	49,068	138,206	156,749	1,241	1,407	158,156	36,091	47,661	83,752
1977	244,510	41,580	175,362	216,942	27,568	11.27%	197,646	46,864	142,848	160,992	1,237	1,394	162,386	36,644	45,467	82,111
1978	172,318	44,491	110,302	154,793	17,525	10.17%	122,790	49,528	94,077	104,728	1,600	1,781	106,509	18,062	47,747	65,809
1979	211,969	49,024	128,539	177,563	34,406	16.23%	153,446	58,523	109,106	130,247	1,745	2,083	132,330	23,199	56,440	79,639
1980	225,892	51,948	130,037	181,985	43,907	19.44%	161,411	64,481	108,677	134,897	2,089	2,593	137,490	26,514	61,888	88,402
1981	249,099	57,199	142,376	199,575	49,524	19.88%	177,706	71,393	119,741	149,454	2,254	2,938	152,392	28,252	68,455	96,707
1982	183,419	54,277	96,872	151,149	32,270	17.59% *	123,715	59,704	82,196	104,972	2,024	2,226	107,198	18,742	57,478	76,220
1983	169,623	67,702	60,009	127,711	41,912	24.71% *	95,151	74,472	54,155	85,874	2,440	2,684	88,558	9,277	71,788	81,065
1984	301,971	75,971	112,549	188,520	113,451	37.57% *	218,304	83,667	100,795	195,513	2,409	2,650	198,163	22,791	81,017	103,808
1985	261,587	69,508	93,043	162,551	99,036	37.86% **	178,178	83,409	83,352	159,612	2,486	2,983	162,595	18,566	80,426	98,992
1986	241,156	72,147	85,598	157,745	83,411	34.59% °	150,972	90,184	80,048	141,189	2,943	3,679	144,868	9,783	86,505	96,288
1987	197,512	69,232	74,309	143,541	53,971	27.33% *	117,895	79,617	70,566	111,957	2,980	3,427	115,384	5,938	76,190	82,128
1988	210,259	70,318	85,115	155,433	54,826	26.08% *	129,393	80,866	82,600	125,570	3,860	4,439	130,009	3,823	76,427	80,250
1989	222,442	79,141	84,048	163,189	59,253	26.64% °°	124,307	98,135	81,365	120,339	7,764	9,627	129,966	3,968	88,507	92,475
1990																
1991																
1992																
1993																
1994																
1995																
1996																
1997																
1998																
1999																
2000																
2001																

Replaced by Table 23R starting with 1990.

Columns (2), (3), (4), (5), (6), (10) & (12) are from Company Records, "Condensed Water Summary".

Column (2) Includes water delivered by other companies.

Columns (7) (8) (9) See Notes.

Columns (11), (13), (15), (16) See Worksheets.

Column (14) = Column (11) + Column (13).

Column (17) = Column (15) + Column (16).

* Assumed domestic loss at 15% with Column (7) as total system loss.

** Assumed domestic loss at 20% with Column (7) as total system loss, known loss in L.C. Line of 868 af.

° Assumed domestic loss at 25% with Column (7) as total system loss.

°° Assumed domestic loss at 24% with Column (7) as total system loss.

6/1/92
17:38

TABLE NO. 29

RIVERSIDE HIGHLAND WATER COMPANY
WATER PRODUCTION SHOWN ON RECORDATION FILINGS
DELIVERED FOR IRRIGATION AND DOMESTIC USES WITHIN BOTH RIVERSIDE AND SAN BERNARDINO COUNTIES

WATER PRODUCTION FOR
RIVERSIDE & SAN BERNARDINO CO.

REQUIRED PRODUCTION FOR DELIVERIES MADE IN SAN BERNARDINO & RIVERSIDE COUNTIES

YEAR	Production Required for Deliveries				Total Filed Extractions A.F. (5)	Ratio of Filed to Production Required (6)	Riverside County				San Bernardino County				TOTAL PRODUCTION IN RIVERSIDE & SAN BERNARDINO COUNTIES									
	Irrig.		Dom.				Irrigation		Domestic		Irrigation		Domestic		Riverside Co.		San Bernardino		A.F. (23)					
	M.I.D.	M.I.D.	M.I.D.	A.F.			M.I.D.	A.F.	M.I.D.	A.F.	M.I.D.	A.F.	M.I.D.	A.F.	M.I.D.	A.F.	M.I.D.	A.F.						
	(1)	(2)	(3)	(4)			(7)	(8)	(9)	(10)	(11)	(12)	(13)	(14)	(15)	(16)	(17)	(18)		(19)	(20)	(21)	(22)	
1976	192,842	49,068	241,910	9,596	9,602	100.06%	156,749	6,218	64.80%	1,407	56	0.58%	36,091	1,432	14.92%	47,661	1,890	19.70%	6,222	56	1,433	1,892	9,602	
1977	197,646	46,864	244,510	9,700	9,702	100.03%	160,992	6,386	65.84%	1,394	55	0.57%	36,644	1,454	14.99%	45,467	1,803	18.59%	6,388	55	1,454	1,804	9,701	
1978	122,790	49,528	172,318	6,836	6,839	100.05%	104,728	4,154	60.78%	1,781	71	1.03%	18,062	717	10.44%	47,747	1,894	27.70%	4,156	71	717	1,895	6,839	
1979	153,446	58,523	211,969	8,409	8,411	100.03%	130,247	5,167	61.45%	2,083	83	0.98%	23,199	920	10.94%	56,440	2,239	26.62%	5,168	83	921	2,239	8,411	
1980	161,411	64,481	225,892	8,961	8,961	100.00%	134,897	5,351	59.72%	2,593	103	1.15%	26,514	1,052	11.74%	61,088	2,455	27.39%	5,351	103	1,052	2,455	8,961	
1981	177,706	71,393	249,099	9,882	9,885	100.03%	149,454	5,929	60.00%	2,938	117	1.18%	28,252	1,121	11.34%	68,455	2,715	27.48%	5,931	117	1,121	2,716	9,885	
1982	123,715	59,704	183,419	7,276	7,278	100.03%	104,972	4,164	57.23%	2,226	88	1.21%	18,742	743	10.22%	57,478	2,280	31.33%	4,165	88	744	2,280	7,278	
1983	95,151	74,472	169,623	6,729	6,731	100.03%	85,874	3,407	58.63%	2,684	106	1.58%	9,277	368	5.47%	71,788	2,847	42.32%	3,408	107	368	2,848	6,731	
1984	218,304	83,667	301,971	11,979	11,979	100.00%	195,513	7,756	64.75%	2,650	105	0.88%	22,791	904	7.55%	81,017	3,213	26.83%	7,756	105	904	3,213	11,979	
1985	178,178	83,409	261,587	10,377	10,379	100.02%	159,612	6,332	61.02%	2,983	118	1.14%	18,566	737	7.10%	80,426	3,190	30.74%	6,333	118	737	3,191	10,379	
1986	150,972	90,184	241,156	9,567	9,571	100.05%	141,189	5,601	58.55%	3,679	146	1.53%	9,783	388	4.06%	86,505	3,431	35.87%	5,604	146	388	3,433	9,571	
1987	117,895	79,617	197,512	7,835	7,835	100.00%	111,957	4,441	56.68%	3,427	136	1.74%	5,938	236	3.01%	76,190	3,022	38.57%	4,441	136	236	3,022	7,835	
1988	129,393	80,866	210,259	8,341	8,341	100.00%	125,570	4,981	59.72%	4,439	176	2.11%	3,823	152	1.82%	76,427	3,031	36.34%	4,981	176	152	3,031	8,341	
1989	124,307	98,135	222,442	8,824	8,826	100.02%	120,339	4,774	54.10%	9,627	382	4.33%	3,968	157	1.78%	88,507	3,511	39.78%	4,775	382	157	3,511	8,825	
1990																								
1991																								
1992																								
1993																								
1994																								
1995																								
1996																								
1997																								
1998																								
1999																								
2000																								
2001																								
2002																								
2003																								
2004																								
2005																								

Replaced by Table 23R starting with 1990.

Column (1) = From Column (8), Table No. 28.
Column (2) = From Column (9), Table No. 28.
Column (3) = From Column (2), Table No. 28.
Column (4) = Column (3) * 0.0396694.
Column (5) = From Column (10), Table No. 22.
Column (6) = From Column (5) + Column (4).
Column (7) = From Column (11), Table No. 28.

Column (8) = Column (7) * 0.0396694.
Column (9) = Column (8) + Column (4).
Column (10) = From Column (13), Table No. 28.
Column (11) = Column (10) * 0.0396694.
Column (12) = Column (11) + Column (4).
Column (13) = From Column (15), Table No. 28.
Column (14) = Column (13) * 0.0396694.

Column (15) = Column (14) + Column (4).
Column (16) = From Column (16), Table No. 28.
Column (17) = Column (16) * 0.0396694.
Column (18) = Column (17) + Column (4).
Column (19) = Column (5) x Column (9).
Column (20) = Column (5) x Column (12).
Column (21) = Column (5) x Column (15).
Column (22) = Column (5) x Column (18).
Column (23) = Sum of Columns (19), (20), (21), (22).
Same as column (5); same as Table 22, Column (10).

6/2/92
16:54

TABLE NO. 30

SHEET 1 OF 3

RIVERSIDE HIGHLAND WATER COMPANY
WATER PRODUCTION FROM LYTLE, BUNKER HILL, COLTON AND RIVERSIDE BASINS IN SAN BERNARDINO AND RIVERSIDE COUNTIES
AND THE DELIVERY OF THE PRODUCTION IN SAN BERNARDINO AND RIVERSIDE COUNTIES
(Quantities in Acre Feet)

PRODUCTION IN SAN BERNARDINO COUNTY

Year	Domestic Supply			Commingled Sources						Riverside	Production Agri. Supply in Riverside for portion County for of Riverside		TOTAL PRODUCTION
	Lytle Creek Wells	Colton Basin Well	Riverside Basin Wells	Bunker Hill Basin		Colton Basin	Riverside Basin		Basins Well	Uses Therein	Co. Demand		
	LC #1 & #8	RH 4a	LV #1 & #3	RH 2, 12 18, 24	Rice Thorn Ward Warren		RH 17	La Sierra Water Co.	Total Commingled Sources	RH 7	RH 21 & 22	RH 7, 21, 22	
	(1)	(2)	(3)	(4)	(5)	(6)	(7)	(8)	(9)	(10)	(11)	(12)	(13)
1976	1,468	170	839	3,052	0	-	1,469	0	4,521	1,284	1,320	2,604	9,602
1977	1,406	332	663	2,177	0	-	2,343	0	4,520	1,693	1,088	2,781	9,702
1978	964	270	834	386	0	-	1,629	0	2,015	1,460	1,296	2,756	6,839
1979	1,352	191	875	2,017	0	-	1,488	0	3,505	1,513	975	2,488	8,411
1980	1,600	0	1,002	2,077	0	-	1,926	0	4,003	1,356	1,000	2,356	8,961
1981	1,806	0	1,222	1,798	44	-	2,200	0	4,042	1,543	1,272	2,815	9,885
1982	1,538	0	891	1,257	0	-	1,679	0	2,936	760	1,153	1,913	7,278
1983	2,248	0	698	914	0	-	1,299	0	2,213	539	1,033	1,572	6,731
1984	2,300	83	946	2,459	0	-	2,498	0	4,957	1,101	2,592	3,693	11,979
1985	1,880	675	1,103	1,432	0	-	2,198	0	3,630	1,174	1,917	3,091	10,379
1986	2,138	721	1,039	2,606	0	-	175	0	2,781	875	2,017	2,892	9,571
1987	2,170	471	596	1,749	0	-	91	0	1,840	945	1,813	2,758	7,835
1988	2,289	256	754	2,486	0	-	0	0	2,486	1,031	1,525	2,556	8,341
1989	2,140	158	1,728	2,541	0	-	0	0	2,541	830	1,429	2,259	8,826
1990													
1991													
1992													
1993													
1994													
1995													
1996													
1997													
1998													
1999													
2000													
2001													
2002													
2003													
2004													
2005													

Replaced by Table 23R starting with 1990.

(1) = Table No. 19, Column (5). (5) = Table No. 22, Column (2). (8) = Table No. 22, Column (3). (11) = Table No. 21, Column (15).
 (2) = Table No. 20, Column (4). (6) = N/A after 1966. (9) = Columns (4)+(5)+(7)+(8). (12) = Column (10) + (11).
 (3) = Table No. 21, Columns (6)+(7)+(8)+(9). (7) = Table No. 21, Column (5). (10) = Table No. 21, Column (3). (13) = Columns (1)+(2)+(3)+(4)+(5)+(7)+(8)+(10)+(11).
 (4) = Table No. 19, Column (15).

RIVERSIDE HIGHLAND WATER COMPANY
WATER PRODUCTION FROM LYTLE, BUNKER HILL, COLTON AND RIVERSIDE BASINS IN SAN BERNARDINO AND RIVERSIDE COUNTIES
AND THE DELIVERY OF THE PRODUCTION IN SAN BERNARDINO AND RIVERSIDE COUNTIES
 (Quantities in Acre Feet)

Year	DOMESTIC SYSTEM											LYTLE CREEK AREA								
	Domestic Demand			Production for Domestic Demand						Domestic Export to Riverside County			Dom Export to San Bernardino Co.			Residual Production Available for Irrig. USED IN S.B.				
	San Bernardino County	Riv. County	Total	Lytle Creek	Colton Basin RH 444A	Riverside North			From Lytle Creek	From Colton	From Riv. North	From Lytle Creek	From Colton	From Riv. North	Total Production	San Bernardino County	Riv. Co.	CO. FOR IRRIG. & DOMESTIC		
	(1)	(2)	(3)	(4)*	(5)	RH 3, RH 20	% of Production	(6)	(7)	(8)	(9)	(10)	(11)	(12)	(13)	(14)	(15)	(16)	(17)	(18)
1976	1,892	56	1,947	938	170	839	48.20%	8.73%	43.08%	27	5	24	911	165	815	1,468	530	-	1,441	
1977	1,804	55	1,859	864	332	663	46.51%	17.86%	35.66%	26	10	20	838	322	643	1,406	542	-	1,380	
1978	1,895	71	1,965	861	270	834	43.87%	13.74%	42.43%	31	10	30	830	260	804	964	103	-	933	
1979	2,239	83	2,322	1,256	191	875	54.09%	8.23%	37.68%	45	7	31	1,211	184	844	1,352	96	-	1,307	
1980	2,455	103	2,558	1,556	0	1,002	60.83%	0.00%	39.18%	63	0	40	1,493	0	962	1,600	44	-	1,537	
1981	2,716	117	2,833	1,611	0	1,222	56.87%	0.00%	43.14%	66	0	50	1,544	0	1,172	1,806	195	-	1,740	
1982	2,280	88	2,369	1,478	0	891	62.37%	0.00%	37.62%	55	0	33	1,423	0	858	1,538	60	-	1,483	
1983	2,848	107	2,955	2,257	0	698	76.39%	0.00%	23.62%	81	0	25	2,175	0	673	2,248	0	-	2,167	
1984	3,213	105	3,319	2,290	83	946	69.00%	2.50%	28.51%	73	2	30	2,217	81	916	2,300	10	-	2,227	
1985	3,191	118	3,309	1,531	675	1103	46.27%	20.40%	33.33%	55	24	39	1,476	651	1,064	1,880	349	-	1,825	
1986	3,433	146	3,579	1,819	721	1,039	50.82%	20.15%	29.03%	74	30	42	1,745	691	997	2,138	319	-	2,064	
1987	3,022	136	3,158	2,091	471	596	66.22%	14.92%	18.87%	90	20	26	2,001	451	570	2,170	79	-	2,080	
1988	3,031	176	3,208	2,198	256	754	68.52%	7.98%	23.51%	121	14	41	2,077	242	713	2,289	91	-	2,168	
1989	3,511	382	3,893	2,007	158	1,728	51.56%	4.06%	44.38%	197	16	170	1,810	142	1,558	2,140	133	-	1,943	
1990																				
1991																				
1992																				
1993																				
1994																				
1995																				
1996																				
1997																				
1998																				
1999																				
2000																				
2001																				
2002																				
2003																				
2004																				

Replaced by Table 23R starting with 1990.

(1) = Table No. 29, Column (22).
 (2) = Table No. 29, Column (20).
 (3) = Column (1) + Column (2).
 (4) = Column (3) - [Column (6) + Column (5)].
 (5) = Table No. 30, Column (2).

(6) = Table No. 30, Sheet 1, Column (3).
 (7) = Column (4) + Column (3).
 (8) = Column (5) + Column (3).
 (9) = Column (6) + Column (3).
 (10) = Column (2) x Column (7).

(11) = Column (2) x Column (8).
 (12) = Column (2) x Column (9).
 (13) = Column (4) - Column (10).
 (14) = Column (5) - Column (11).
 (15) = Column (6) - Column (12).

(16) = Table 19, Column (15).
 (17) = Column (16) - Column (4).
 (18) = Company method of operation.
 (19) = Column (16) - Column (10).

* Production cannot exceed Table 19, Column 5.
 FOR YEARS PRECEDING 1971: Refer to Volume 5, August 1976, Page I-79.

RIVERSIDE HIGHLAND WATER COMPANY
WATER PRODUCTION FROM LYTLE, BUNKER HILL, COLTON AND RIVERSIDE BASINS IN SAN BERNARDINO AND RIVERSIDE COUNTIES
AND THE DELIVERY OF THE PRODUCTION IN SAN BERNARDINO AND RIVERSIDE COUNTIES
 (Quantities in Acre Feet)

Year	Irrigation Demand			San Bernardino County				Riverside County			Total & Commingled Water		Irrigation Deliveries in San Bernardino Co. from commingled Water Sources				Irrigation Deliveries in Riverside Co. from commingled Water Sources			
	Total	San Bernardino County	Riverside County	Lytle Creek Area for Irrig.	Irrig. from Mtr. supply	Irri from R.H. 7	R.H. 21	Commingled	Water for Irrigation	Used in S.B. Co.	Used in Riv. Co.	R.H. Wells	Rice Thorn	R.H. Wells	La Sierra Water Co.	R.H. Wells	Rice Thorn	R.H. Wells	La Sierra Water Co.	
	(1)	(2)	(3)	(4)	(5)	(6)	(7)	(8)	(9)	(10)	(11)	(12)	(13)	(14)	(15)	(16)	(17)	(18)	(19)	(20)
1976	7,654	1,433	6,222	530	903	2,604	3,618	4,521	19.97%	80.03%	610	0	-	293	0	2,442	0	-	1,176	0
1977	7,842	1,454	6,388	542	912	2,781	3,607	4,519	20.18%	79.82%	439	0	-	473	0	1,738	0	-	1,070	0
1978	4,873	717	4,156	103	614	2,756	1,400	2,015	30.49%	69.51%	118	0	-	497	0	268	0	-	1,132	0
1979	6,089	921	5,168	96	824	2,488	2,680	3,505	23.52%	76.48%	474	0	-	350	0	1,543	0	-	1,138	0
1980	6,403	1,052	5,351	44	1,007	2,354	2,995	4,003	25.17%	74.83%	523	0	-	485	0	1,554	0	-	1,441	0
1981	7,052	1,121	5,931	195	926	2,815	3,116	4,042	22.91%	77.09%	412	10	-	504	0	1,386	34	-	1,696	0
1982	4,909	744	4,165	60	683	1,913	2,252	2,936	23.28%	76.72%	293	0	-	391	0	964	0	-	1,288	0
1983	3,776	368	3,408	0	368	1,572	1,836	2,204	16.70%	83.30%	153	0	-	217	0	761	0	-	1,082	0
1984	8,660	904	7,756	10	894	3,693	4,063	4,957	18.03%	81.97%	443	0	-	450	0	2,016	0	-	2,048	0
1985	7,070	737	6,333	349	388	3,091	3,242	3,630	10.68%	89.32%	153	0	-	235	0	1,279	0	-	1,963	0
1986	5,992	388	5,604	319	69	2,892	2,712	2,781	2.48%	97.52%	65	0	-	4	0	2,541	0	-	171	0
1987	4,677	236	4,441	79	156	2,758	1,683	1,840	8.50%	91.50%	149	0	-	8	0	1,600	0	-	83	0
1988	5,133	152	4,981	91	60	2,556	2,425	2,486	2.42%	97.58%	60	0	-	0	0	2,426	0	-	0	0
1989	4,932	157	4,775	133	25	2,259	2,516	2,540	0.97%	99.03%	25	0	-	0	0	2,516	0	-	0	0
1990																				
1991																				
1992																				
1993																				
1994																				
1995																				
1996																				
1997																				
1998																				
1999																				
2000																				
2001																				
2002																				
2003																				
2004																				
2005																				

Replaced by Table 23R starting with 1990.

(1) = Column (2) + (3).

(2) = Table No. 29, Column (21).

(3) = Table No. 29, Column (19).

(4) = Table No. 30, Sheet 2, Column (17).

(5) = Column (2) - Column (4).

(6) = Table No. 30, Sheet 1, Column (12).

(7) = Column (3) - Column (6).

(8) = Column (5) + Column (7).

(9) = Column (5) + Column (8).

(10) = Column (7) + Column (8).

(11) = Table 30, Sheet 1, Column (4) x Column (9) this page.

(12) = Table 30, Sheet 1, Column (5) x Column (9) this page.

(13) = Table 30, Sheet 1, Column (6) x Column (9) this page.

(14) = Table 30, Sheet 1, Column (9) x Column (9) this page.

(15) = Table 30, Sheet 1, Column (8) x Column (9) this page.

(16) = Table 30, Sheet 1, Column (4) x Column (10) this page.

(17) = Table 30, Sheet 1, Column (5) x Column (10) this page.

(18) = Table 30, Sheet 1, Column (6) x Column (10) this page.

(19) = Table 30, Sheet 1, Column (7) x Column (10) this page.

(20) = Table 30, Sheet 1, Column (8) x Column (10) this page.

TABLE NO. 31

RIVERSIDE HIGHLAND WATER COMPANY
WATER PRODUCTION FROM LYTLE, BUNKER HILL, COLTON & RIVERSIDE BASINS
IN SAN BERNARDINO AND RIVERSIDE COUNTIES AND THE DELIVERY OF THE PRODUCTION IN
SAN BERNARDINO AND RIVERSIDE COUNTIES

(Quantities in Acre Feet)

Year	PRODUCTION DELIVERED NORTH OF COUNTY LINE IN SAN BERNARDINO COUNTY									PRODUCTION DELIVERED SOUTH OF COUNTY LINE IN RIVERSIDE COUNTY									TOTAL PRODUCTION NORTH OF THE COUNTY LINE	TOTAL PRODUCTION SOUTH OF THE COUNTY LINE	TOTAL PRODUCTION						
	Lytle			Bunker Hill			Colton			Riverside			Lytle			Bunker Hill						Colton			Riverside		
	R.H. Wells	R.H. Wells	Ward Hill	Total	R.H. Wells	R.H. Wells	Sierra Wells	Total	TOTAL PRODUCTION DELIVERED	R.H. Wells	R.H. Wells	Ward Hill	Total	R.H. Wells	R.H. Wells	Sierra Wells	Total	TOTAL PRODUCTION DELIVERED				LINE	LINE	TOTAL PRODUCTION			
(1)	(2)	(3)	(4)	(5)	(6)	(7)	(8)	(9)	(10)	(11)	(12)	(13)	(14)	(15)	(16)	(17)	(18)	(19)	(20)	(21)	(22)						
1976	1,441	610	0	610	165	1,108	0	1,108	3,324	27	2,442	0	2,442	5	2,484	0	2,484	4,958	8,282	1,320	9,602						
1977	1,380	439	0	439	322	1,116	0	1,116	3,258	26	1,738	0	1,738	10	3,583	0	3,583	5,356	8,614	1,088	9,702						
1978	933	118	0	118	260	1,301	0	1,301	2,612	31	268	0	268	10	2,622	0	2,622	2,931	5,543	1,296	6,839						
1979	1,307	474	0	474	184	1,194	0	1,194	3,160	45	1,543	0	1,543	7	2,682	0	2,682	4,276	7,436	975	8,411						
1980	1,537	523	0	523	0	1,446	0	1,446	3,507	63	1,554	0	1,554	0	2,838	0	2,838	4,454	7,961	1,000	8,961						
1981	1,740	412	10	422	0	1,676	0	1,676	3,837	66	1,386	34	1,420	0	3,289	0	3,289	4,776	8,613	1,272	9,885						
1982	1,483	293	0	293	0	1,249	0	1,249	3,024	55	964	0	964	0	2,081	0	2,081	3,101	6,125	1,153	7,278						
1983	2,167	153	0	153	0	890	0	890	3,209	81	761	0	761	0	1,646	0	1,646	2,489	5,698	1,033	6,731						
1984	2,227	443	0	443	81	1,366	0	1,366	4,118	73	2,016	0	2,016	2	3,179	0	3,179	5,269	9,387	2,592	11,979						
1985	1,825	153	0	153	651	1,298	0	1,298	3,927	55	1,279	0	1,279	24	3,177	0	3,177	4,535	8,462	1,917	10,379						
1986	2,064	65	0	65	691	1,001	0	1,001	3,820	74	2,541	0	2,541	30	1,088	0	1,088	3,734	7,554	2,017	9,571						
1987	2,080	149	0	149	451	578	0	578	3,258	90	1,600	0	1,600	20	1,054	0	1,054	2,764	6,022	1,813	7,835						
1988	2,168	60	0	60	242	713	0	713	3,183	121	2,426	0	2,426	14	1,072	0	1,072	3,633	6,816	1,525	8,341						
1989	1,943	25	0	25	142	1,558	0	1,558	3,669	197	2,516	0	2,516	16	1,000	0	1,000	3,728	7,397	1,429	8,826						
1990																											
1991																											
1992																											
1993																											
1994																											
1995																											
1996																											
1997																											
1998																											
1999																											
2000																											
2001																											
2002																											
2003																											
2004																											
2005																											

Replaced by Table 23R starting with 1990.

(2) = Table No. 30, Sheet No. 2, Column (19).

(3) = Table No. 30, Sheet No. 3, Column (11).

(4) = Table No. 30, Sheet No. 3, Column (12).

(5) = Column (3) + Column (4).

(6) = Table No. 30, Sheet No. 2, Column (14).

(7) = Table No. 30, Sheet No. 2, Column (15) + Sheet No. 3, Column (14).

(8) = Table No. 30, Sheet No. 3, Column (15).

(9) = Column (7) + Column (8).

(10) = Column (2) + (5) + (6) + (9).

(11) = Table No. 30, Sheet No. 2, Column (10).

(12) = Table No. 30, Sheet No. 3, Column (17).

(13) = Table No. 30, Sheet No. 3, Column (17).

(14) = Column (12) + Column (13).

(15) = Table No. 30, Sheet No. 2, Column (11).

(16) = Table No. 30, Sheet No. 1, Column (10) + Sheet No. 2, Column (12) + Sheet No. 3, Column (19).

(17) = Table No. 30, Sheet No. 3, Column (20).

(18) = Column (16) + Column (17).

(19) = Column (11) + (14) + (15) + (18).

(20) = Column (10) + Column (19).

(21) = Table No. 30, Sheet No. 1, Column (11).

(22) = Column (20) + Column (21).

Same as Table 22, Column (10).

TABLE NO. 31-A

TOTAL PRODUCTION BY RIVERSIDE HIGHLAND WATER COMPANY
FROM THE SAN BERNARDINO BASIN AREA
(INCLUDES LYTLE AND BUNKER HILL BASINS)
AS DELIVERED IN SAN BERNARDINO AND RIVERSIDE COUNTIES
(Quantities in Acre Feet)

Calendar Year	Total Deliveries in San Bernardino County	Total Deliveries in Riverside County	Total Production From San Bernardino Basin Area	
(1)	(2)	(3)	(4)	
1971	2,388	1,624	4,012	
1972	2,239	2,293	4,532	
1973	1,751	1,761	3,512	
1974	1,985	2,103	4,088	
1975	2,002	2,707	4,709	
1976	2,051	2,469	4,520	
1977	1,820	1,763	3,583	
1978	1,051	299	1,350	
1979	1,782	1,587	3,369	
1980	2,060	1,617	3,677	
1981	2,152	1,452	3,604	
1982	1,776	1,019	2,795	
1983	2,319	843	3,162	
1984	2,671	2,088	4,759	
1985	1,978	1,334	3,312	
1986	2,128	2,616	4,744	
1987	2,229	1,690	3,919	
1988	2,229	2,546	4,775	
1989	1,968	2,713	4,681	
1990	2,313	1,779	4,092	
1991	1,669	1,352	3,021	
1992	2,275	1,777	4,052	
1993	1,777	1,464	3,241	
1994	2,201	2,123	4,324	
1995	2,146	1,809	3,955	
1996	2,756	2,295	5,051	
1997	2,656	2,283	4,939	
1998	1,961	1,289	3,250	
1999	2,082	849	2,931	*
2000	2,811	45	2,856	*
2001	2,543	122	2,665	*
2002	2,274	126	2,400	*
2003				
2004				
2005				
2006				
2007				
2008				

Note: Excludes City of Riverside production (Ward Warren) in Bunker Hill Basin which is delivered to Riverside Highland Water Company.

(2) = Table No. 31, Column (2) + (3); beginning with 1990, Table 23R, page 2, Column
(3) = Table No. 31, Column (11) + (12); beginning with 1990, Table 23R, page 2, Column
(4) = Column (2) + (3), Same as Table 22, Col. (5).

* Excludes High Groundwater Mitigation Program production

FOR YEARS PRECEDING 1971: Refer to Volume 5, August 1976, Page 1-85.

TABLE NO. 32

MEEKS & DALEY WATER COMPANY &
 AGUA MANSA WATER COMPANY
 WATER PRODUCTION FROM THE SAN BERNARDINO BASIN AREA
 AND THE COLTON BASIN AREA

(Quantities in Acre Feet)

Colton Basin
 Production

San Bernardino Basin Area Production

Year	Workman													TOTAL	Net		Colton Basin
	E St.°	#51°	#54°	Coburn	#59	New E St.	#66°	Warm Creek°	Ditch°	#69	#91	*Warren #4	*Raub #6	PRODUCTION IN	Delivery to	Production	#36
	1S4W15M02S	1S4W15N05S	1S4W16R03S	1S4W16J09S	1S4W15L03S	1S4W15M10S	1S4W15E	1S4W16Q	1S4W16Q	1S4W16R04S	1S4W15M11S	1S4W22H02S	1S4W14N10S	SAN BERNARDINO	C of R	for	1S4W21N01S
	3601511	3601512	3601513	3601737	3601887	3602169	3602329	3601514	3601515	3603214	3603215	3602863	3602864	BASIN AREA		Delivery	3601510
(1)	(2)	(3)	(4)	(5)	(6)	(7)	(8)	(9)	(10)	(11)	(11a)	(12)	(13)	(14)	(15)	(16)	(17)
1971	0	-	0	178	0	2,502	0	0	0	222				2,902	0	2,902	0
1972	0	-	0	265	1,503	1,678	0	0	0	81				3,527	0	3,527	0
1973	0	-	0	117	1,246	1,412	0	0	0	204				2,979	0	2,979	484
1974	-	-	-	354	2,606	1,379	-	-	-	165				4,504	275	4,229	0
1975	-	-	-	276	1,649	2,025	-	-	-	0				3,950	1,649	2,301	1,350
1976	-	-	-	329	2,305	2,759	-	-	-	0				5,393	2,178	3,215	1,860
1977	-	-	-	4	1,848	2,368	-	-	-	0				4,220	1,848	2,372	2,018
1978	-	-	-	162	1,518	574	-	-	-	0				2,254	1,385	869	422
1979	-	-	-	207	1,549	2,174	-	-	-	0				3,930	1,231	2,699	1,698
1980	-	-	-	155	2,102	76	-	-	-	0				2,333	1,658	675	0
1981	-	-	-	8	3,084	0	-	-	-	-				3,092	2,496	596	0
1982	-	-	-	127	1,845	1,744	-	-	-	-				3,716	1,471	2,245	910
1983	-	-	-	0	2,583	68	-	-	-	-				2,651	2,317	334	50
1984	-	-	-	249	2,947	1,969	-	-	-	-				5,165	2,613	2,552	1,383
1985	-	-	-	165	2,815	2,405	-	-	-	-				5,385	2,487	2,898	1,554
1986	-	-	-	274	1,990	2,600	-	-	-	-		38	668	5,570	2,660	2,910	1,575
1987	-	-	-	161	2,400	2,353	-	-	-	-		0	0	4,914	2,253	2,661	1,560
1988	-	-	-	355	2,251	2,360	-	-	-	-		0	0	4,966	2,251	2,715	1,754
1989	-	-	-	524	2,853	1,477	-	-	-	-		399	139	5,392	3,043	2,349	1,538
1990	-	-	-	352	2,189	0	-	-	-	-		519	791	3,851	3,389	462	1,691
1991	-	-	-	401	2,625	0	-	-	-	C		1,098	302	4,426	2,997	1,429	1,530
1992	-	-	-	224	1,946	0	-	-	-	224	309	447	950	4,100	3,285	815	1,209
1993	-	-	-	438	2,181	0	-	-	-	182	1,387	447	378	5,013	2,422	2,591	0
1994	-	-	-	401	2,154	0	-	-	-	89	895	347	639	4,525	3,127	1,398	586
1995	-	-	-	343	2,322	0	-	-	-	50	1	750	94	3,560	3,166	394	344
1996	-	-	-	160	1,291	0	-	-	-	130	613	1,656	62	3,912	3,009	903	362
1997	-	-	-	134	2,094	0	-	-	-	224	464	1,249	0	4,165	3,343	822	484
1998	-	-	-	134	1,711	0	-	-	-	200	237	427	1,119	3,828	3,257	571	88
1999	-	-	-	35	2,620	0	-	-	-	23	372	1,107	2,132	6,289	5,859	430	1,066
2000	-	-	-	32	619	0	-	-	-	459	3	940	1,779	3,832	3,338	494	102
2001	-	-	-	65	259	0	-	-	-	0	1	830	2,516	3,671	3,346	325	285
2002	-	-	-	0	1,373	0	-	-	-	0	1,118	864	2,445	5,800	3,490	2,310	1,322
2003	-	-	-	-	-	-	-	-	-	-	-	-	-	-	-	-	-
2004	-	-	-	-	-	-	-	-	-	-	-	-	-	-	-	-	-
2005	-	-	-	-	-	-	-	-	-	-	-	-	-	-	-	-	-
2006	-	-	-	-	-	-	-	-	-	-	-	-	-	-	-	-	-
2007	-	-	-	-	-	-	-	-	-	-	-	-	-	-	-	-	-
2008	-	-	-	-	-	-	-	-	-	-	-	-	-	-	-	-	-

Note: No production from the Riverside Basin Area.

Data from Temescal, Meeks & Daley records unless otherwise noted.

° Abandoned &/or file closed.

FOR YEARS PRECEDING 1971: Refer to Volume 5, August 1976, Page I-92.

* Warren #4 & Raub #6 are owned by the C of R and are being pumped by M & D into Riverside's system to meet stock rights.

Column (12) = same as Table No. 1, Sheet 2, Line 68.

Column (13) = same as Table No. 1, Sheet 2, Line 69.

Column (15) = Water delivered to C of R from M&D #59 and Warren #4/Raub #6 production: Table 1, Sheet 2, Line (67+ 68+ 69).

TABLE NO. 33

**MEEKS & DALEY WATER COMPANY AND AGUA MANSA WATER COMPANY
WATER PRODUCTION FROM THE SAN BERNARDINO BASIN AREA
AND THE COLTON BASIN AREA DELIVERED IN SAN BERNARDINO COUNTY AND EXPORTED TO RIVERSIDE COUNTY**
(Quantities in Acre Feet by Calendar Year)

Year	San Bernardino Basin Area Net Production (1)	Colton Basin Area Production (2)	Total (3)	Composition of Production		Delivery in S.B. County (6)	Delivery in San Bernardino County		Production Exported to Riverside County			Total (12)
				% San Bdrno Basin Area (4)	% Colton Basin Area (5)		S.B. Basin Production (7)	Colton Production (8)	From San Bdrno Basin (9)	From Colton Basin (10)	From Riverside Basin (11)	
1971	2,902	0	2,902	100.00%	0.00%	383	383	0	2,519	0	-	2,519
1972	3,527	0	3,527	100.00%	0.00%	377	377	0	3,150	0	-	3,150
1973	2,979	484	3,463	86.02%	13.98%	291	250	41	2,729	443	-	3,172
1974	4,229	0	4,229	100.00%	0.00%	246	246	0	3,983	0	-	3,983
1975	2,301	1,350	3,651	63.02%	36.98%	266	168	98	2,133	1,252	-	3,385
1976	3,215	1,860	5,075	63.35%	36.65%	287	182	105	3,033	1,755	-	4,788
1977	2,372	2,018	4,390	54.03%	45.97%	271	146	125	2,226	1,893	-	4,119
1978	869	422	1,291	67.31%	32.69%	239	161	78	708	344	-	1,052
1979	2,699	1,698	4,397	61.38%	38.62%	270	166	104	2,533	1,594	-	4,127
1980	675	0	675	100.00%	0.00%	323	323	0	352	0	-	352
1981	596	0	596	100.00%	0.00%	358	358	0	238	0	-	238
1982	2,245	910	3,155	71.16%	28.84%	237	169	68	2,076	842	-	2,918
1983	334	50	384	86.98%	13.02%	282	245	37	89	13	-	102
1984	2,552	1,383	3,935	64.85%	35.15%	359	233	126	2,319	1,257	-	3,576
1985	2,898	1,554	4,452	65.09%	34.91%	322	210	112	2,688	1,442	-	4,130
1986	2,910	1,575	4,485	64.88%	35.12%	327	212	115	2,698	1,460	-	4,158
1987	2,661	1,560	4,221	63.04%	36.96%	306	193	113	2,468	1,447	-	3,915
1988	2,715	1,754	4,469	60.75%	39.25%	383	233	150	2,482	1,604	-	4,086
1989	2,349	1,538	3,887	60.43%	39.57%	397	240	157	2,109	1,381	-	3,490
1990	462	1,691	2,153	21.46%	78.54%	389	83	306	379	1,385	-	1,764
1991	1,429	1,530	2,959	48.29%	51.71%	394	190	204	1,239	1,326	-	2,565
1992	815	1,209	2,024	40.27%	59.73%	294	118	176	697	1,033	-	1,730
1993	2,591	0	2,591	100.00%	0.00%	276	276	0	2,315	0	-	2,315
1994	1,398	586	1,984	70.46%	29.54%	322	227	95	1,171	491	-	1,662
1995	394	344	738	53.39%	46.61%	271	145	126	249	218	-	467
1996	903	362	1,265	71.38%	28.62%	272	194	78	709	284	-	993
1997	822	484	1,306	62.94%	37.06%	218	137	81	685	403	-	1,088
1998	571	88	659	86.65%	13.35%	242	210	32	361	56	-	417
1999	430	1,066	1,496	28.74%	71.26%	312	90	222	340	844	-	1,184
2000	494	102	596	82.89%	17.11%	425	352	73	142	29	-	171
2001	325	285	610	53.28%	46.72%	360	192	168	133	117	-	250
2002	2,310	1,322	3,632	63.60%	36.40%	318	202	116	2,108	1,206	-	3,314
2003											-	
2004											-	
2005											-	
2006											-	
2007											-	
2008											-	

(1) = Table No. 32, Column (16). (7) = Column (6) x (4). (11) No Production in Riverside Basin + Quantity shown is portion exported via canals and excludes Well No. 59. See Table 34 for total exported from San Bernardino Basin Area which includes Well No. 59.
 (2) = Table No. 32, Column (17). (8) = Column (6) x (5). (12) = Column (9) + (10) + (11).
 (3) = Column (1) + (2). (9) = Column (1) - (7).
 (4) = Column (1) + (3). (10) = Column (2) - (8).
 (5) = Column (2) ÷ (3).
 (6) = From M & D records, "Deliveries in vicinity of Colton". * Corrected during 1989 verification.
 FOR YEARS PRECEDING 1971: Refer to Volume 5, August 1976, Page I-94.

TABLE NO. 34

MEEKS & DALEY WATER COMPANY
WATER PRODUCTION FROM SAN BERNARDINO BASIN AREA
AND DELIVERIES WITHIN SAN BERNARDINO COUNTY
AND EXPORT TO RIVERSIDE COUNTY
(Quantities in Acre Feet)

Year	Production in the San Bernardino Basin Area	Deliveries within Colton & Riverside Basins in San Bernardino County	San Bernardino Basin Production Exported to Riverside County
	(1)	(2)	(3)
1971	2,902	383	2,519
1972	3,527	377	3,150
1973	2,979	250	2,729
1974	4,504	246	4,258
1975	3,950	168	3,782
1976	5,393	182	5,211
1977	4,220	146	4,074
1978	2,254	161	2,093
1979	3,930	166	3,764
1980	2,333	323	2,010
1981	3,092	358	2,734
1982	3,716	169	3,547
1983	2,651	245	2,406
1984	5,165	233	4,932
1985	5,385	210	5,175
1986	5,570	212	5,358
1987	4,914	193	4,721
1988	4,966	233	4,733
1989	5,392	240	5,152
1990	3,851	83	3,768
1991	4,426	190	4,236
1992	4,100	118	3,982
1993	5,013	276	4,737
1994	4,525	227	4,298
1995	3,560	145	3,415
1996	3,912	194	3,718
1997	4,165	137	4,028
1998	3,828	210	3,618
1999	6,289	90	6,199
2000	3,832	352	3,480
2001	3,671	192	3,479
2002	5,800	202	5,598
2003			
2004			
2005			
2006			
2007			
2008			

Column (1) = From Table No. 32, Column (14).
Column (2) = From Table No. 33, Col. 7.
Column (3) = Col. (1) - Col. (2)

Export of water from Well No. 59 and others by C of R,
(Table No. 32, Column 15) is credited to M & D who
produced said water and is excluded from C of R
production (Table 1, Line 64).

FOR YEARS PRECEDING 1971: Refer to Volume 5, August 1976, Page 1-96.

TABLE NO. 35

UNIVERSITY OF CALIFORNIA
WATER PRODUCTION FROM BUNKER HILL BASIN IN THE SAN BERNARDINO BASIN AREA
AND EXPORTED TO RIVERSIDE COUNTY

(Quantities in Acre Feet)

Year	Hunt 6	Hunt 8	Hunt 9	Hunt 10	Hunt 11	Total	Export
	1S4W27A11S 3601222 (1)	1S4W27A07S 3691241 (2) ^o	1S4W27A08S 3691242 (3) ^o	1S4W27A09S 3601244 (4)	1S4W27A10S 3601245 (5)	Production in Bunker Hill Basin Area (6)	to Riverside County (7)
1971	73	0	0	146	0	219	219
1972	62	0	0	177	0	239	239
1973	50	0	0	189	0	239	239
1974	69	0	0	198	0	267	267
1975	34	0	0	143	2	179	179
1976	8	-	-	225	12	245	245
1977	25	-	-	41	21	87	87
1978	69	-	-	114	0	183	183
1979	29	-	-	54	0	83	83
1980	1	-	-	6	0	7	7
1981	0	-	-	143	0	143	143
1982	20	-	-	6	22	48	48
1983	0	-	-	0	0	0	0
1984	0	-	-	0	0	0	0
1985	0	-	-	0	0	0	0
1986	13	-	-	25	10	48	48
1987	51	-	-	99	45	195	195
1988	58	-	-	55	66	179	179
1989	12	-	-	25	25	62	62
1990	17	-	-	59	19	95	95
1991	5	-	-	12	6	23	23
1992	32	-	-	0	0	32	32
1993	70	-	-	214	252	536	536
1994	147	-	-	245	201	593	593
1995	181	-	-	210	197	588	588
1996	181	-	-	0	264	445	445
1997	113	-	-	207	185	505	505
1998	171	-	-	250	169	590	590
1999	93	-	-	310	183	586	586
2000	97	-	-	405	122	624	624
2001	114	-	-	284	219	617	617
2002	65	-	-	365	188	618	618
2003	-	-	-	-	-	-	-
2004	-	-	-	-	-	-	-
2005	-	-	-	-	-	-	-
2006	-	-	-	-	-	-	-
2007	-	-	-	-	-	-	-
2008	-	-	-	-	-	-	-

Note: No deliveries in Bunker Hill Basin or Riverside North Basin.

No production or deliveries in Colton Basin.

Revised Recordation Numbers issued in 1981.

^o Abandoned &/or Filed Closed.

FOR YEARS PRECEDING 1971: Refer to Volume 5, August 1976, Page I-100.

TABLE NO. 36

UNIVERSITY OF CALIFORNIA
WATER PRODUCTION FROM BUNKER HILL BASIN IN THE SAN BERNARDINO BASIN AREA
AND EXPORTED TO RIVERSIDE COUNTY
(Quantities in Acre Feet)

Year	Production in San Bernardino Basin Area	Delivery within San Bernardino Co.	S. B. Basin Production Exported to Riverside Co.
	(1)	(2)	(3)
1971	219	-	219
1972	239	-	239
1973	239	-	239
1974	267	-	267
1975	179	-	179
1976	245	-	245
1977	87	-	87
1978	183	-	183
1979	83	-	83
1980	7	-	7
1981	143	-	143
1982	48	-	48
1983	0	-	0
1984	0	-	0
1985	0	-	0
1986	48	-	48
1987	195	-	195
1988	179	-	179
1989	62	-	62
1990	95	-	95
1991	23	-	23
1992	32	-	32
1993	536	-	536
1994	593	-	593
1995	588	-	588
1996	445	-	445
1997	505	-	505
1998	590	-	590
1999	586	-	586
2000	624	-	624
2001	617	-	617
2002	618	-	618
2003		-	
2004		-	
2005		-	
2006		-	
2007		-	
2008		-	

Column (1) = Table No. 35, Column (6).

Column (2) = No water delivered in San Bernardino County.

Column (3) = Column (1) - Column (2).

FOR YEARS PRECEDING 1971: Refer to Volume 5, August 1976, Page I-102.

6/16/2003 10:34

TABLE NO. 36-A

Sheet 1 of 6

EXTRACTIONS BY PLAINTIFF
FROM THE SAN BERNARDINO BASIN AREA
THROUGH THE CURRENT YEAR

CLASSIFIED ACCORDING TO SERVICE AREA
(Quantities in Acre Feet)

EXTRACTIONS FROM SAN BERNARDINO BASIN AREA FOR USE WITHIN AND EXPORT THEREFROM

PLAINTIFFS	1976				1977				1978				1979				1980			
	Total Extract	Del. S.B. Basin	Del. Colton & Riv N	Del. Outside SBVMWD	Total Extract	Del. S.B. Basin	Del. Colton & Riv N	Del. Outside SBVMWD	Total Extract	Del. S.B. Basin	Del. Colton & Riv N	Del. Outside SBVMWD	Total Extract	Del. S.B. Basin	Del. Colton & Riv N	Del. Outside SBVMWD	Total Extract	Del. S.B. Basin	Del. Colton & Riv N	Del. Outside SBVMWD
CITY OF RIVERSIDE (a) City & Riverside Wtr Co.	22,085	0	0	22,085	18,900	0	0	18,900	19,055	0	0	19,055	21,561	0	0	21,561	18,875	0	0	18,875
CITY OF RIVERSIDE (b) Gage Canal Co.	29,289	0	523	28,766	32,099	0	346	31,753	26,329	646	301	25,382	30,816	0	415	30,401	31,881	383	0	31,498
SUB TOTAL - C of R	51,374	0	523	50,851	50,999	0	346	50,653	45,384	646	301	44,437	52,377	0	415	51,962	50,756	383	0	50,373
RIVERSIDE HIGHLAND (c) WATER CO	4,519	0	2,050	2,469	3,583	0	1,820	1,763	1,350	0	1,051	299	3,369	0	1,781	1,588	3,677	0	2,060	1,617
MEEKS & DALEY WATER CO. AGUA MANSÁ WATER CO. (d)	5,393	0	182	5,211	4,220	0	146	4,074	2,254	0	161	2,093	3,930	0	270	3,660	2,333	0	323	2,010
UNIVERSITY OF CALIFORNIA (e)	245	0	0	245	87	0	0	87	183	0	0	183	83	0	0	83	7	0	0	7
TOTALS	61,531	0	2,755	58,776	58,889	0	2,312	56,577	49,171	646	1,513	47,012	59,759	0	2,466	57,293	56,773	383	2,383	54,007

Total Extract -- TOTAL EXTRACTIONS.

Del S.B. Basin -- DELIVERIES IN SAN BERNARDINO BASIN AREA.

Del. Colton & Riv. N. -- DELIVERIES IN COLTON & RIVERSIDE BASIN IN SAN BERNARDINO COUNTY.

Del. Outside SBVMWD -- DELIVERIES OUTSIDE SAN BERNARDINO VALLEY MUNICIPAL WATER DISTRICT.

- (a) Table 13 - Columns 1, 2, 7, 8.
 (b) Table 18 - Columns 1, 2, 6, 7.
 (c) Table 31A - Columns 4, 1, 2, 3.
 (d) Table 34 - Columns 1, 2, 3.
 (e) Table 36 - Columns 1, 2, 3.

See Report of the Watermaster, Same as Table No. 3, Volume 1a. For Years Preceding 1976: Refer to Volume 5-1975, August 1977, Page 34.

6/16/2003 10:14

TABLE NO. 36-A

Sheet 2 of 6

EXTRACTIONS BY PLAINTIFF
FROM THE SAN BERNARDINO BASIN AREA
THROUGH THE CURRENT YEAR

CLASSIFIED ACCORDING TO SERVICE AREA
(Quantities in Acre Feet)

EXTRACTIONS FROM SAN BERNARDINO BASIN AREA FOR USE WITHIN AND EXPORT THEREFROM

PLAINTIFFS	1981				1982				1983				1984				1985			
	Total Extract	Del. S.B. Basin	Del. Colton & Riv N	Del. Outside SBVMWD	Total Extract	Del. S.B. Basin	Del. Colton & Riv N	Del. Outside SBVMWD	Total Extract	Del. S.B. Basin	Del. Colton & Riv N	Del. Outside SBVMWD	Total Extract	Del. S.B. Basin	Del. Colton & Riv N	Del. Outside SBVMWD	Total Extract	Del. S.B. Basin	Del. Colton & Riv N	Del. Outside SBVMWD
CITY OF RIVERSIDE (a) City & Riverside Wtr Co.	20,363	0	0	20,363	19,522	146	0	19,376	25,681	144	0	25,537	25,031	0	0	25,031	31,817	0	0	31,817
CITY OF RIVERSIDE (b) Gage Canal Co.	31,794	724	0	31,070	30,077	16	0	30,061	20,383	191	0	20,192	33,875	32	0	33,843	31,256	59	0	31,197
SUB TOTAL - C of R	52,157	724	0	51,433	49,599	162	0	49,437	46,064	335	0	45,729	58,906	32	0	58,874	63,073	59	0	63,014
RIVERSIDE HIGHLAND (c) WATER CO	3,604	0	2,151	1,453	2,795	0	1,775	1,020	3,161	0	2,318	843	4,759	0	2,671	2,088	3,312	0	1,978	1,334
MEEKS & DALEY WATER CO. AGUA MANSA WATER CO. (d)	3,092	0	358	2,734	3,716	0	169	3,547	2,651	0	245	2,406	5,165	0	233	4,932	5,385	0	210	5,175
UNIVERSITY OF CALIFORNIA (e)	143	0	0	143	48	0	0	48	0	0	0	0	0	0	0	0	0	0	0	0
TOTALS	58,996	724	2,509	55,763	56,158	162	1,944	54,052	51,876	335	2,563	48,978	68,830	32	2,904	65,894	71,770	59	2,188	69,523

Total Extract -- TOTAL EXTRACTIONS.
Del S.B. Basin -- DELIVERIES IN SAN BERNARDINO BASIN AREA.
Del. Colton & Riv. N. -- DELIVERIES IN COLTON & RIVERSIDE BASIN IN SAN BERNARDINO COUNTY.
Del. Outside SBVMWD -- DELIVERIES OUTSIDE SAN BERNARDINO VALLEY MUNICIPAL WATER DISTRICT.

- (a) Table 13 - Columns 1, 2, 7, 8.
- (b) Table 18 - Columns 1, 2, 6, 7.
- (c) Table 31A - Columns 4, 0, 2, 3.
- (d) Table 34 - Columns 1, 0, 2, 3.
- (e) Table 36 - Columns 1, 0, 0, 3.

See Report of the Watermaster, Same as Table No. 3, Volume 1a. For Years Preceding 1976: Refer to Volume 5-1975, August 1977, Page 34.

6/16/2003 10:14

TABLE NO. 36-A

Sheet 3 of 6

EXTRACTIONS BY PLAINTIFF
FROM THE SAN BERNARDINO BASIN AREA
THROUGH THE CURRENT YEAR

CLASSIFIED ACCORDING TO SERVICE AREA
(Quantities in Acre Feet)

EXTRACTIONS FROM SAN BERNARDINO BASIN AREA FOR USE WITHIN AND EXPORT THEREFROM

PLAINTIFFS	1986				1987				1988				1989				1990			
	Total	Del.	Del.	Del.	Total	Del.	Del.	Del.	Total	Del.	Del.	Del.	Total	Del.	Del.	Del.	Total	Del.	Del.	Del.
	Extract	S.B.	Colton	Outside	Extract	S.B.	Colton	Outside	Extract	S.B.	Colton	Outside	Extract	S.B.	Colton	Outside	Extract	S.B.	Colton	Outside
	Basin	& Riv N	SBVMWD		Basin	& Riv N	SBVMWD		Basin	& Riv N	SBVMWD		Basin	& Riv N	SBVMWD		Basin	& Riv N	SBVMWD	
CITY OF RIVERSIDE (a) City & Riverside Wtr Co.	25,996	292	0	25,704	25,528	319	0	25,209	26,490	815	0	25,675	21,129	28	0	21,101	20,942	19	0	20,923
CITY OF RIVERSIDE (b) Gage Canal Co.	33,983	145	0	33,838	32,313	15	0	32,298	38,022	0	0	38,022	29,655	0	0	29,655	26,695	0	0	26,695
SUB TOTAL - C of R	59,979	437	0	59,542	57,841	334	0	57,507	64,512	815	0	63,697	50,784	28	0	50,756	47,637	19	0	47,618
RIVERSIDE HIGHLAND (c) WATER CO	4,744	0	2,130	2,614	3,919	0	2,229	1,690	4,775	0	2,229	2,546	4,681	0	1,966	2,713	4,092	0	2,313	1,779
MEEKS & DALEY WATER CO. AGUA MANSA WATER CO. (d)	5,570	0	234	5,336	4,914	0	193	4,721	4,966	0	233	4,733	5,392	0	240	5,152	3,851	0	83	3,768
UNIVERSITY OF CALIFORNIA (e)	48	0	0	48	195	0	0	195	179	0	0	179	62	0	0	62	95	0	0	95
TOTALS	70,341	437	2,364	67,540	66,869	334	2,422	64,113	74,432	815	2,462	71,155	60,919	28	2,208	58,683	55,675	19	2,396	53,260

Total Extract -- TOTAL EXTRACTIONS.

Del S.B. Basin -- DELIVERIES IN SAN BERNARDINO BASIN AREA.

Del. Colton & Riv. N. -- DELIVERIES IN COLTON & RIVERSIDE BASIN IN SAN BERNARDINO COUNTY.

Del. Outside SBVMWD -- DELIVERIES OUTSIDE SAN BERNARDINO VALLEY MUNICIPAL WATER DISTRICT.

(a) Table 13 - Columns 1, 2, 7, 8.

(b) Table 18 - Columns 1, 2, 6, 7.

(c) Table 31A - Columns 4, 0, 2, 3.

(d) Table 34 - Columns 1, 0, 2, 3.

(e) Table 36 - Columns 1, 0, 0, 3.

See Report of the Watermaster, Same as Table No. 3, Volume 1a. For Years Preceding 1976: Refer to Volume 5-1975, August 1977, Page 34.

TABLE NO. 36-A

Sheet 4 of 6

EXTRACTIONS BY PLAINTIFF
FROM THE SAN BERNARDINO BASIN AREA
THROUGH THE CURRENT YEAR

CLASSIFIED ACCORDING TO SERVICE AREA
(Quantities in Acre Feet)

EXTRACTIONS FROM SAN BERNARDINO BASIN AREA FOR USE WITHIN AND EXPORT THEREFROM

PLAINTIFFS	1991				1992				1993				1994				1995				
	Total	Del.	Del.	Del.	Total	Del.	Del.	Del.	Total	Del.	Del.	Del.	Total	Del.	Del.	Del.	Total	Del.	Del.	Del.	
	Extract	S.B.	Colton	Outside	Extract	S.B.	Colton	Outside	Extract	S.B.	Colton	Outside	Extract	S.B.	Colton	Outside	Extract	S.B.	Colton	Outside	
	Basin	& Riv N	SBVMWD	Basin	& Riv N	SBVMWD	Basin	& Riv N	SBVMWD	Basin	& Riv N	SBVMWD	Basin	& Riv N	SBVMWD	Basin	& Riv N	SBVMWD	Basin	& Riv N	SBVMWD
CITY OF RIVERSIDE (a) City & Riverside Wtr Co.	26,133	155	0	25,978	24,783	203	0	24,580	25,675	-108	0	25,783	25,724	7	0	25,717	23,316	1	0	23,315	
CITY OF RIVERSIDE (b) Gage Canal Co.	26,776	0	0	26,776	25,456	0	0	25,456	26,439	0	0	26,439	34,723	39	0	34,684	32,076	98	0	31,978	
SUB TOTAL - C of R	52,909	155	0	52,754	50,239	203	0	50,036	52,114	-108	0	52,222	60,447	46	0	60,401	55,392	99	0	55,293	
RIVERSIDE HIGHLAND (c) WATER CO	3,021	0	1,669	1,352	4,052	0	2,275	1,777	3,241	0	1,777	1,464	4,324	0	2,201	2,123	3,955	0	2,146	1,809	
MEEKS & DALEY WATER CO. AGUA MANSÁ WATER CO. (d)	4,426	0	190	4,236	4,100	0	118	3,982	5,013	0	276	4,737	4,525	0	227	4,298	3,560	0	145	3,415	
UNIVERSITY OF CALIFORNIA (e)	23	0	0	23	32	0	0	32	536	0	0	536	593	0	0	593	588	0	0	588	
TOTALS	60,379	155	1,859	58,365	58,423	203	2,393	55,827	60,904	-108	2,053	58,959	69,889	46	2,428	67,415	63,495	99	2,291	61,105	

Total Extract -- TOTAL EXTRACTIONS.

Del S.B. Basin -- DELIVERIES IN SAN BERNARDINO BASIN AREA.

Del. Colton & Riv. N. -- DELIVERIES IN COLTON & RIVERSIDE BASIN IN SAN BERNARDINO COUNTY.

Del. Outside SBVMWD -- DELIVERIES OUTSIDE SAN BERNARDINO VALLEY MUNICIPAL WATER DISTRICT.

(a) Table 13 - Columns 1, 2, 7, 8.

(b) Table 18 - Columns 1, 2, 6, 7.

(c) Table 31A - Columns 4, 8, 2, 3.

(d) Table 34 - Columns 1, 8, 2, 3.

(e) Table 36 - Columns 1, 8, 2, 3.

See Report of the Watermaster, Same as Table No. 3, Volume 1a. For Years Preceding 1976: Refer to Volume 5-1975, August 1977, Page 34.

TABLE NO. 36-A

EXTRACTIONS BY PLAINTIFF
FROM THE SAN BERNARDINO BASIN AREA
THROUGH THE CURRENT YEAR

CLASSIFIED ACCORDING TO SERVICE AREA
(Quantities in Acre Feet)

EXTRACTIONS FROM SAN BERNARDINO BASIN AREA FOR USE WITHIN AND EXPORT THEREFROM

PLAINTIFFS	1996				1997				1998				1999				2000			
	Total	Del.	Del.	Del.	Total	Del.	Del.	Del.	Total	Del.	Del.	Del.	Total	Del.	Del.	Del.	Total	Del.	Del.	Del.
	Extract	S.B.	Colton	Outside	Extract	S.B.	Colton	Outside	Extract	S.B.	Colton	Outside	Extract	S.B.	Colton	Outside	Extract	S.B.	Colton	Outside
	Basin	& Riv	N	SBVMWD	Basin	& Riv	N	SBVMWD	Basin	& Riv	N	SBVMWD	Basin	& Riv	N	SBVMWD	Basin	& Riv	N	SBVMWD
CITY OF RIVERSIDE (a) City & Riverside Wtr Co.	29,351	268	0	29,083	27,621	486	0	27,135	24,210	0	0	24,210	25,435	0	0	25,435	28,257	0	0	28,257
CITY OF RIVERSIDE (b) Gage Canal Co.	34,031	10	0	34,021	32,317	8	0	32,309	30,207	0	0	30,207	35,707	181	0	35,526	35,215	117	0	35,098
SUB TOTAL - C of R	63,382	278	0	63,104	59,938	494	0	59,444	54,417	0	0	54,417	61,142	181	0	60,961	63,472	117	0	63,355
RIVERSIDE HIGHLAND (c) WATER CO	5,051	0	2,756	2,295	4,939	0	2,656	2,283	3,250	0	1,961	1,289	2,931	0	2,082	849	2,856	0	2,210	646
MEEKS & DALEY WATER CO. AGUA MANSÁ WATER CO. (d)	3,912	0	194	3,718	4,165	0	137	4,028	3,828	0	210	3,618	6,289	0	90	6,199	3,832	0	352	3,480
UNIVERSITY OF CALIFORNIA (e)	445	0	0	445	505	0	0	505	590	0	0	590	586	0	0	586	624	0	0	624
TOTALS	72,790	278	2,951	69,561	69,547	494	2,794	66,259	62,085	0	2,170	59,915	70,948	181	2,172	68,595	70,784	117	2,562	68,105

Total Extract -- TOTAL EXTRACTIONS.
Del S.B. Basin -- DELIVERIES IN SAN BERNARDINO BASIN AREA.
Del. Colton & Riv. N. -- DELIVERIES IN COLTON & RIVERSIDE BASIN IN SAN BERNARDINO COUNTY.
Del. Outside SBVMWD -- DELIVERIES OUTSIDE SAN BERNARDINO VALLEY MUNICIPAL WATER DISTRICT.

- (a) Table 13 - Columns 1, 2, 7, 8.
- (b) Table 18 - Columns 1, 2, 6, 7.
- (c) Table 31A - Columns 4, 2, 3. Excludes High Groundwater Mitigation Project flows in CY 1999 and 2000
- (d) Table 34 - Columns 1, 2, 3.
- (e) Table 36 - Columns 1, 2, 3.

See Report of the Watermaster, Same as Table No. 3, Volume 1a. For Years Preceding 1976: Refer to Volume 5-1975, August 1977, Page 34.

TABLE NO. 36-A

Sheet 6 of 6

EXTRACTIONS BY PLAINTIFF
FROM THE SAN BERNARDINO BASIN AREA
THROUGH THE CURRENT YEAR

CLASSIFIED ACCORDING TO SERVICE AREA
(Quantities in Acre Feet)

EXTRACTIONS FROM SAN BERNARDINO BASIN AREA FOR USE WITHIN AND EXPORT THEREFROM

PLAINTIFFS	2001				2002				2003				2004				2005			
	Total Extract	Del. S.B. Basin	Del. Colton & Riv N	Del. Outside SBVMWD	Total Extract	Del. S.B. Basin	Del. Colton & Riv N	Del. Outside SBVMWD	Total Extract	Del. S.B. Basin	Del. Colton & Riv N	Del. Outside SBVMWD	Total Extract	Del. S.B. Basin	Del. Colton & Riv N	Del. Outside SBVMWD	Total Extract	Del. S.B. Basin	Del. Colton & Riv N	Del. Outside SBVMWD
CITY OF RIVERSIDE (a) City & Riverside Wtr Co.	23,042	208	0	22,834	28,604	172	0	28,432												
CITY OF RIVERSIDE (b) Gage Canal Co.	36,270	21	0	36,249	36,858	0	0	36,858												
SUB TOTAL - C of R	59,312	229	0	59,083	65,462	172	0	65,290												
RIVERSIDE HIGHLAND (c) WATER CO	2,665	0	2,543	122	2,400	0	2,272	128												
MEEKS & DALEY WATER CO. AGUA MANSÁ WATER CO. (d)	3,671	0	192	3,479	5,800	0	202	5,598												
UNIVERSITY OF CALIFORNIA (e)	617	0	0	617	618	0	0	618												
TOTALS	66,265	229	2,735	63,301	74,280	172	2,474	71,634												

Total Extract -- TOTAL EXTRACTIONS.

Del S.B. Basin -- DELIVERIES IN SAN BERNARDINO BASIN AREA.

Del. Colton & Riv. N. -- DELIVERIES IN COLTON & RIVERSIDE BASIN IN SAN BERNARDINO COUNTY.

Del. Outside SBVMWD -- DELIVERIES OUTSIDE SAN BERNARDINO VALLEY MUNICIPAL WATER DISTRICT.

- (a) Table 13 - Columns 1, 2, 7, 8.
 (b) Table 18 - Columns 1, 2, 6, 7.
 (c) Table 31A - Columns 4, 0, 2, 3. Excludes High Groundwater Mitigation Project flows in CY 2001
 (d) Table 34 - Columns 1, 0, 2, 3.
 (e) Table 36 - Columns 1, 0, 2, 3.

See Report of the Watermaster, Same as Table No. 3, Volume 1a. For Years Preceding 1976: Refer to Volume 5-1975, August 1977, Page 34.

TABLE NO. 36-B

TOTAL PLAINTIFF EXTRACTIONS FROM
SAN BERNARDINO BASIN AREA
 (Quantities in Acre Feet)

EXTRACTING PLAINTIFF

Year	City of Riverside (1)	Gage Canal (2)	Riverside Highland (3)	Meeks & Daley (4)	Univ. of California (5)	Total (6)
1971	24,939	28,943	4,012	2,902	219	61,015
1972	20,474	25,220	4,532	3,527	239	53,992
1973	21,493	21,529	3,512	2,979	239	49,752
1974	27,420	15,947	4,088	4,504	267	52,226
1975	25,248	22,714	4,709	3,950	179	56,800
1976	22,085	29,289	4,519	5,393	245	61,531
1977	18,900	32,099	3,583	4,220	87	58,888
1978	19,055	26,329	1,350	2,254	183	49,181
1979	21,561	30,816	3,369	3,930	83	59,759
1980	18,875	31,881	3,677	2,333	7	56,773
1981	20,363	31,794	3,604	3,092	143	58,996
1982	19,522	30,077	2,795	3,716	48	56,158
1983	25,681	20,383	3,161	2,651	0	51,876
1984	25,031	33,875	4,759	5,165	0	68,830
1985	31,817	31,256	3,312	5,385	0	71,770
1986	25,996	33,983	4,744	5,570	48	79,341
1987	25,528	32,313	3,919	4,914	195	66,869
1988	26,490	38,022	4,775	4,966	179	74,432
1989	21,129	29,655	4,681	5,392	62	60,919
1990	20,942	26,695	4,092	3,851	95	55,675
1991	26,133	26,776	3,021	4,426	23	60,379
1992	24,783	25,456	4,052	4,100	32	58,423
1993	25,675	26,439	3,241	5,013	536	60,904
1994	25,724	34,723	4,324	4,525	593	69,889
1995	23,316	32,076	3,955	3,560	588	63,495
1996	29,351	34,031	5,051	3,912	445	72,790
1997	27,621	32,317	4,939	4,165	505	69,547
1998	24,210	30,207	3,250	3,828	590	62,085
1999	25,435	35,707	2,931	6,289	586	70,948 *
2000	28,257	35,215	2,856	3,832	624	70,784 *
2001	23,042	36,270	2,665	3,671	617	66,265 *
2002	28,604	36,858	2,400	5,800	618	74,280 *
2003						
2004						
2005						
2006						
2007						
2008						

From Table No. 36-A Column 1. (Same as Table 4, Vol. 1a.)

* Excludes High Groundwater Mitigation Project Flows

FOR YEARS PRECEDING 1971: Refer to Volume 5, August 1976, Page 1-109.

TABLE NO. 36-C

TOTAL PLAINTIFF EXTRACTIONS FROM
SAN BERNARDINO BASIN AREA
DELIVERIES IN SAN BERNARDINO BASIN AREA
(Quantities in Acre Feet)

EXTRACTING PLAINTIFF

Year	City of Riverside	Gage Canal	Riverside Highland	Meeks & Daley	Univ. of California	Total
	(1)	(2)	(3)	(4)	(5)	(6)
1971	0	98	0	0	0	98
1972	0	85	0	0	0	85
1973	0	156	0	0	0	156
1974	0	0	0	0	0	0
1975	0	0	0	0	0	0
1976	0	0	0	0	0	0
1977	0	0	0	0	0	0
1978	0	646	0	0	0	646
1979	0	0	0	0	0	0
1980	0	383	0	0	0	383
1981	0	724	0	0	0	724
1982	146	16	0	0	0	162
1983	144	191	0	0	0	335
1984	0	32	0	0	0	32
1985	0	59	0	0	0	59
1986	292	145	0	0	0	437
1987	319	15	0	0	0	334
1988	815	0	0	0	0	815
1989	28	0	0	0	0	28
1990	19	0	0	0	0	19
1991	155	0	0	0	0	155
1992	203	0	0	0	0	203
1993	-108	0	0	0	0	-108
1994	7	39	0	0	0	46
1995	1	98	0	0	0	99
1996	268	10	0	0	0	278
1997	486	8	0	0	0	494
1998	0	0	0	0	0	0
1999	0	181	0	0	0	181
2000	0	117	0	0	0	117
2001	208	21	0	0	0	229
2002	172	0	0	0	0	172
2003						
2004						
2005						
2006						
2007						
2008						

From Table No. 36-A Column 2.

(Same as Table 5, Vol. 1a.)

FOR YEARS PRECEDING 1971: Refer to Volume 5, August 1976, Page 1-112.

TABLE NO. 36-D

TOTAL PLAINTIFF EXTRACTIONS FROM
SAN BERNARDINO BASIN AREA
DELIVERIES IN COLTON & RIVERSIDE BASINS IN SAN BERNARDINO COUNTY
(Quantities in Acre Feet)

EXTRACTING PLAINTIFF

Year	City of Riverside	Gage Canal	Riverside Highland	Meeks & Daley	Univ. of California	Total
	(1)	(2)	(3)	(4)	(5)	(6)
1971	0	669	2,388	383	0	3,440
1972	0	547	2,239	377	0	3,163
1973	0	512	1,751	250	0	2,513
1974	65	485	1,985	246	0	2,781
1975	0	575	2,002	168	0	2,745
1976	0	523	2,050	182	0	2,755
1977	0	346	1,820	146	0	2,312
1978	0	301	1,051	161	0	1,513
1979	0	415	1,781	166	0	2,362
1980	0	0	2,060	323	0	2,383
1981	0	0	2,151	358	0	2,509
1982	0	0	1,775	169	0	1,944
1983	0	0	2,318	245	0	2,563
1984	0	0	2,671	233	0	2,904
1985	0	0	1,978	210	0	2,188
1986	0	0	2,130	234	0	2,364
1987	0	0	2,229	193	0	2,422
1988	0	0	2,229	233	0	2,462
1989	0	0	1,968	240	0	2,208
1990	0	0	2,313	83	0	2,396
1991	0	0	1,669	190	0	1,859
1992	0	0	2,275	118	0	2,393
1993	0	0	1,777	276	0	2,053
1994	0	0	2,201	227	0	2,428
1995	0	0	2,146	145	0	2,291
1996	0	0	2,756	194	0	2,951
1997	0	0	2,656	137	0	2,794
1998	0	0	1,961	210	0	2,170
1999	0	0	2,082	90	0	2,172
2000	0	0	2,811	352	0	3,164
2001	0	0	2,543	192	0	2,735
2002	0	0	2,272	202	0	2,474
2003						
2004						
2005						
2006						
2007						
2008						

From Table No. 36-A Column 3.

(Same as Table 6, Vol. 1a.)

FOR YEARS PRECEDING 1971: Refer to Volume 5, August 1976, Page 1-113.

TABLE NO. 36-E

TOTAL PLAINTIFF EXTRACTIONS FROM
SAN BERNARDINO BASIN AREA
DELIVERIES OUTSIDE SAN BERNARDINO VALLEY
(Quantities in Acre Feet)

EXTRACTING PLAINTIFF

Year	City of Riverside	Gage Canal	Riverside Highland	Meeks & Daley	Univ. of California	Total
	(1)	(2)	(3)	(4)	(5)	(6)
1971	24,939	28,176	1,624	2,519	219	57,477
1972	20,474	24,588	2,293	3,150	239	50,744
1973	21,493	20,861	1,761	2,729	239	47,083
1974	27,355	15,462	2,103	4,258	267	49,445
1975	25,248	22,139	2,707	3,783	179	54,056
1976	22,085	28,766	2,469	5,211	245	58,776
1977	18,900	31,753	1,763	4,074	87	56,577
1978	19,055	25,382	299	2,093	183	47,012
1979	21,561	30,401	1,588	3,764	83	57,397
1980	18,875	31,498	1,617	2,010	7	54,007
1981	20,363	31,070	1,453	2,734	143	55,763
1982	19,376	30,061	1,020	3,547	48	54,052
1983	25,537	20,192	843	2,406	0	48,978
1984	25,031	33,843	2,088	4,932	0	65,894
1985	31,817	31,197	1,334	5,175	0	69,523
1986	25,704	33,838	2,614	5,336	48	67,540
1987	25,209	32,298	1,690	4,721	195	64,113
1988	25,675	38,022	2,546	4,733	179	71,155
1989	21,101	29,655	2,713	5,152	62	58,683
1990	20,923	26,695	1,779	3,768	95	53,260
1991	25,978	26,776	1,352	4,236	23	58,365
1992	24,580	25,456	1,777	3,982	32	55,827
1993	25,783	26,439	1,464	4,737	536	58,959
1994	25,717	34,684	2,123	4,298	593	67,415
1995	23,315	31,978	1,809	3,415	588	61,105
1996	29,083	34,021	2,295	3,718	445	69,561
1997	27,135	32,309	2,283	4,028	505	66,259
1998	24,210	30,207	1,289	3,618	590	59,915
1999	25,435	35,526	849	6,199	586	68,595
2000	28,257	35,098	45	3,480	624	67,503
2001	22,834	36,249	122	3,479	617	63,301
2002	28,432	36,858	128	5,598	618	71,634
2003						
2004						
2005						
2006						
2007						
2008						

From Table No. 36-A Column 4.

(Same as Table 7, Vol. 1a.)

FOR YEARS PRECEDING 1971: Refer to Volume 5, August 1976, Page 1-115.

TABLE NO. 37

RIVERSIDE ENTITIES
PRODUCTION AND DELIVERY FROM COLTON BASIN AREA
FOR USE WITHIN SAN BERNARDINO COUNTY
AND RIVERSIDE COUNTY
 (Quantities in Acre Feet)

LINE NO.	RIVERSIDE ENTITIES	1976	1977	1978	1979	1980	1981	1982	1983	1984	1985	
1	<u>City of Riverside Irrigation & Domestic</u>											
2	Colton Basin Area Production	853	295	464	5	0	77	57	0	0	695	Table No. 2, Line 7
3	Delivery to S.C. Edison Highgrove Steam Plant	0	0	0	0	0	0	0	0	0	0	Table No. 10, Col. 17
4	Colton Production exported to Riverside County	853	295	464	5	0	77	57	0	0	695	Table No. 11, Col. 6
5												
6	<u>Meeks & Daley Water Company</u>											
7	Colton Basin Area Production	1,860	2,018	422	1,698	0	0	910	50	1,383	1,554	Table No. 32, Line 21
8	Delivery (Vicinity of Colton)	105	125	78	104	0	0	68	37	126	112	Table No. 33, Col 8
9	Colton Production exported to Riverside County	1,755	1,893	344	1,594	0	0	842	13	1,257	1,442	Table No. 33, Col. 10
10												
11	<u>Riverside Highland Water Company</u>											
12	Colton Basin Production	170	332	270	191	0	0	0	0	83	675	Table No. 20, Total Prod.
13	Delivery North of County Line	165	322	260	184	0	0	0	0	80	651	Table No. 31, Col. 6
14	Colton Production Exported to Riverside County	5	10	10	7	0	0	0	0	3	24	Table No. 31, Col. 15
15												
16	<u>Reche Canyon Mutual Water Company</u>											
17	Colton Basin Production	70	71	77	76	71	96	82	82	80	83	See Vol. 2 Reche Canyon Mutual Wtr. Co., Table 3
18	Delivery North of County Line	0	0	0	0	0	0	0	0	0	0	Prod. & use Riv. Co. only
19	Colton Production exported to Riverside County	70	71	77	76	71	96	82	82	80	83	Prod. & use Riv. Co. only
		<u>Summary of Colton Basin Water Used in San Bernardino Co.</u>										
20	City of Riverside	Line 3	0	0	0	0	0	0	0	0	0	0
21	Meeks & Daley	Line 8	105	125	78	104	0	0	68	37	126	112
22	Riverside Highland Water Company	Line 13	165	322	260	184	0	0	0	0	80	651
23	Reche Canyon Mutual Water Co.	Line 18	0	0	0	0	0	0	0	0	0	0
24	Total Lines 3 + 8 + 13 + 18		270	447	338	288	0	0	68	37	206	763
		<u>Summary of Colton Basin Water Exported to Riverside Co.</u>										
25	City of Riverside	Line 4	853	295	464	5	0	77	57	0	0	695
26	Meeks & Daley	Line 9	1,755	1,893	344	1,594	0	0	842	13	1,257	1,442
27	Riverside Highland Water Company	Line 14	5	10	10	7	0	0	0	0	3	24
28	Reche Canyon Mutual Water Company	Line 19	70	71	77	76	71	96	82	82	80	83
29	Total Lines 4 + 9 + 14 + 19		2,683	2,269	895	1,682	71	173	981	95	1,340	2,244
30	Total Production by Riverside Entities - Line 24 & 29		2,953	2,716	1,233	1,970	71	173	1,049	132	1,546	3,007

TABLE NO. 37

Sheet 2 of 3

RIVERSIDE ENTITIES
PRODUCTION AND DELIVERY FROM COLTON BASIN AREA
FOR USE WITHIN SAN BERNARDINO COUNTY & RIVERSIDE COUNTY

(Quantities in Acre Feet)

Line #	RIVERSIDE ENTITIES	1986	1987	1988	1989	1990	1991	1992	1993	1994	1995	
1	<u>City of Riverside, Irrigation & Domestic</u>											
2	Colton Basin Area Production	0	0	0	519	131	428	307	311	466	171	Table No. 2, Line 9
3	Delivery to Edison Highgrove Stream Plant	-	-	-	-	-	-	-	-	-	-	Table No. 10, Column (17)
4	Colton Production Exported to Riverside Co.	0	0	0	519	131	428	307	311	466	171	Ln 2 - Ln 3
5												
6	<u>Meeks & Daley Water Company</u>											
7	Colton Basin Area Production	1,575	1,560	1,754	1,538	1,691	1,530	1,209	0	586	344	Table No. 32, Column (17)
8	Delivery in the Vicinity of Colton	115	113	150	157	306	204	176	0	95	126	Table No. 33, Column (8)
9	Colton Production Exported to Riverside Co.	1,460	1,447	1,604	1,381	1,385	1,326	1,033	0	491	218	Table No. 33, Column (10)
10												
11	<u>Riverside Highland Water Company</u>											
12	Colton Basin Area Production	721	471	256	158	109	4	91	0	0	0	Table No. 20, Column (4)
13	Delivery North of the County Line	691	451	242	142	62	2	51	0	0	0	T.No.31, Col(6): after 1989 T 23R, pg 2, Col(
14	Colton Production Exported to Riverside Co.	30	20	14	16	47	2	40	0	0	0	T.No.31, Col(15): after 1989 T 23R, pg 2, Col(
15												
16	<u>Reche Canyon Mutual Water Company</u>											See Vol. 2, Reche Cyn M.W.C.
17	Colton Basin Area Production	88	90	89	89	89	79	75	85	109	100	Table No. 3
18	Delivery North of the County Line	-	-	-	-	-	-	-	-	-	-	Production & use only in Riv Co.
19	Colton Production Exported to Riverside Co.	88	90	89	89	89	79	75	85	109	100	Production & use only in Riv Co.

Summary of Colton Basin Water Used in San Bernardino County

20	City of Riverside	Line 3	-	-	-	-	-	-	-	-	-	-
21	Meek & Daley	Line 8	115	113	150	157	306	204	176	0	95	126
22	Riverside Highlands	Line 13	691	451	242	142	62	2	51	0	0	0
23	Reche Canyon Mutual Water Company	Line 18	-	-	-	-	-	-	-	-	-	-
24	Total		806	564	392	299	368	206	227	0	95	126

Summary of Colton Basin Water Exported to Riverside County

25	City of Riverside	Line 4	0	0	0	519	131	428	307	311	466	171
26	Meek & Daley	Line 9	1,460	1,447	1,604	1,381	1,385	1,326	1,033	0	491	218
27	Riverside Highlands	Line 14	30	20	14	16	47	2	40	0	0	0
28	Reche Canyon Mutual Water Company	Line 19	88	90	89	89	89	79	75	85	109	100
29	Total		1,578	1,557	1,707	2,005	1,652	1,835	1,455	396	1,066	489
30	Total Prod. by Riverside Entities, Lns 24 + 29		2,384	2,121	2,099	2,304	2,020	2,041	1,682	396	1,161	615

TABLE NO. 37

RIVERSIDE ENTITIES
PRODUCTION AND DELIVERY FROM COLTON BASIN AREA
FOR USE WITHIN SAN BERNARDINO COUNTY & RIVERSIDE COUNTY
 (Quantities in Acre Feet)

Line #	RIVERSIDE ENTITIES	1996	1997	1998	1999	2000	2001	2002	2003	2004	2005	
1	<u>City of Riverside, Irrigation & Domestic</u>											
2	Colton Basin Area Production	208	633	142	7	0	0	0				Table No. 2, Line 9
3	Delivery to Edison Highgrove Stream Plant	-	-	-	-	-	-	-	-	-	-	Table No. 10, Column (17)
4	Colton Production Exported to Riverside Co.	208	633	142	7	0	0	0				Ln 2 - Ln 3
5												
6	<u>Meeks & Daley Water Company</u>											
7	Colton Basin Area Production	362	484	88	1,066	102	285	1,322				Table No. 32, Column (17)
8	Delivery in the Vicinity of Colton	78	81	32	222	73	168	116				Table No. 33, Column (8)
9	Colton Production Exported to Riverside Co.	284	403	56	844	29	117	1,206				Table No. 33, Column (10)
10												
11	<u>Riverside Highland Water Company</u>											
12	Colton Basin Area Production	0	0	0	0	0	0	0				Table No. 20, Column (4)
13	Delivery North of the County Line	0	0	0	0	0	0	0				T.No.31, Col(6): after 1989 T 23R, pg 2
14	Colton Production Exported to Riverside Co.	0	0	0	0	0	0	0				T.No.31, Col(15): after 1989 T 23R, pg
15												
16	<u>Reche Canyon Mutual Water Company</u>											
17	Colton Basin Area Production	85	105	53	61	56	48	73				See Vol. 2, Reche Cyn M.W.C. Table No. 3
18	Delivery North of the County Line	-	-	-	-	-	-	-	-	-	-	Production & use only in Riv Co.
19	Colton Production Exported to Riverside Co.	85	105	53	61	56	48	73				Production & use only in Riv Co.

Summary of Colton Basin Water Used in San Bernardino County

20	City of Riverside	Line 3	-	-	-	-	-	-	-	-	-	-
21	Meek & Daley	Line 8	78	81	32	222	73	168	116			
22	Riverside Highlands	Line 13	0	0	0	0	0	0	0			
23	Reche Canyon Mutual Water Company	Line 18	-	-	-	-	-	-	-	-	-	-
24	Total		78	81	32	222	73	168	116			

Summary of Colton Basin Water Exported to Riverside County

25	City of Riverside	Line 4	208	633	142	7	0	0	0			
26	Meek & Daley	Line 9	284	403	56	844	29	117	1,206			
27	Riverside Highlands	Line 14	0	0	0	0	0	0	0			
28	Reche Canyon Mutual Water Company	Line 19	85	105	53	61	56	48	73			
29	Total		577	1,141	251	912	85	165	1,279			
30	Total Prod. by Riverside Entities, Lns 24 + 29		655	1,222	283	1,134	158	333	1,395			

TABLE NO. 38

SAN BERNARDINO ENTITIES PRODUCTION FROM COLTON BASIN AREA
FOR USE WITHIN SAN BERNARDINO COUNTY
 (Quantities in Acre Feet)

Year	RIVERSIDE ENTITIES				Total Production by San Bernardino Entities used in San Bernardino Co.
	Total Verified Extraction From Colton Basin Area	Production Used in San Bernardino County	Production Used in Riverside County	Total Production	
	(1)	(2)	(3)	(4)	(5)
1971	11,388	248	2,777	3,025	8,363
1972	10,414	271	2,611	2,882	7,532
1973	7,844	247	615	862	6,982
1974	8,906	273	1,464	1,737	7,169
1975	11,083	389	3,873	4,262	6,821
1976	11,558	270	2,683	2,953	8,605
1977	8,777	447	2,269	2,716	6,061
1978	7,663	338	895	1,233	6,430
1979	7,194	288	1,682	1,970	5,224
1980	5,681	0	71	71	5,610
1981	6,348	0	173	173	6,175
1982	6,499	68	981	1,049	5,450
1983	4,735	37	95	132	4,603
1984	8,987	206	1,340	1,546	7,441
1985	10,149	763	2,244	3,007	7,142
1986	10,035	806	1,600	2,406	7,629
1987	13,175	564	1,557	2,121	11,054
1988	13,552	329	1,707	2,036	11,516
1989	14,103	299	2,005	2,304	11,799
1990	17,571	368	1,652	2,020	15,551
1991	14,323	206	1,835	2,041	12,282
1992	16,750	227	1,455	1,682	15,068
1993	14,977	0	396	396	14,581
1994	14,588	95	1,066	1,161	13,427
1995	16,022	126	489	615	15,407
1996	15,843	78	577	655	15,188
1997	13,373	*	81	1,222	12,151
1998	10,319		32	251	10,036
1999	11,295		222	912	10,161
2000	12,509		73	85	12,351
2001	15,541		168	165	15,208
2002	16,785		116	1,279	15,390
2003					
2004					
2005					
2006					
2007					
2008					

Column (1) = Total Extractions as verified in Volume 2 for the appropriate year entitled Verified Extractions From Colton Basin Area.

Column (2) = From Table No. 37, Line 24.

Column (3) = From Table No. 37, Line 29.

Column (4) = Column (2) + Column (3).

Column (5) = Column (1) - Column (4).

FOR YEARS PRECEDING 1971: Refer to Volume 5, August 1976, Page II-7.

* Corrected during 1998 verification

TABLE NO. 38-A

COLTON BASIN EXTRACTIONS
BY RIVERSIDE ENTITIES
AND PLACE OF USE
(Quantities in Acre Feet)

Year	Total Extractions (1)	Place of Use	
		San Bernardino County (2)	Riverside County (3)
1971	3,025	248	2,777
1972	2,882	271	2,611
1973	862	247	615
1974	1,737	273	1,464
1975	4,262	389	3,873
1976	2,953	270	2,683
1977	2,716	447	2,269
1978	1,233	338	895
1979	1,970	288	1,682
1980	71	0	71
1981	173	0	173
1982	1,049	68	981
1983	132	37	95
1984	1,546	206	1,340
1985	3,007	763	2,244
1986	2,406	806	1,600
1987	2,121	564	1,557
1988	2,036	329	1,707
1989	2,304	299	2,005
1990	2,020	368	1,652
1991	2,041	206	1,835
1992	1,682	227	1,455
1993	396	0	396
1994	1,161	95	1,066
1995	615	126	489
1996	655	78	577
1997	1,222	81	1,141
1998	283	32	251
1999	1,134	222	912
2000	158	73	85
2001	333	168	165
2002	1,395	116	1,279
2003			
2004			
2005			

(1) From Table No. 38, Column (4).

(2) From Table No. 38, Column (2).

(3) From Table No. 38, Column (3); Column (1) - Column (2) = Column (3).

FOR YEARS PRECEDING 1971: Refer to Volume 5, August 1976, Page II-9.

TABLE NO. 39

VERIFIED EXTRACTIONS FROM COLTON BASIN AREA
BY SAN BERNARDINO AND RIVERSIDE COUNTY ENTITIES
FOR USE WITHIN EACH COUNTY
(Quantities in Acre Feet)

Line No.	Calendar Year	Producer	Place of Use		Total Production in A.F.
			San Bernardino County	Riverside County	
1	*1976	San Bernardino Co. Wtr. Interests	8,605	0	8,605
2		Riverside Co. Wtr. Interests	<u>270</u>	<u>2,683</u>	<u>2,953</u>
		TOTAL	8,335	2,683	11,558
1	1977	San Bernardino Co. Wtr. Interests	6,061	0	6,061
2		Riverside Co. Wtr. Interests	<u>447</u>	<u>2,269</u>	<u>2,716</u>
		TOTAL	6,508	2,269	8,777
1	1978	San Bernardino Co. Wtr. Interests	6,430	0	6,430
2		Riverside Co. Wtr. Interests	<u>338</u>	<u>895</u>	<u>1,233</u>
		TOTAL	6,768	895	7,663
1	1979	San Bernardino Co. Wtr. Interests	5,224	0	5,224
2		Riverside Co. Wtr. Interests	<u>288</u>	<u>1,682</u>	<u>1,970</u>
		TOTAL	5,512	1,682	7,194
1	1980	San Bernardino Co. Wtr. Interests	5,610	0	5,610
2		Riverside Co. Wtr. Interests	<u>0</u>	<u>71</u>	<u>71</u>
		TOTAL	5,610	71	5,681

* Backfiling corrected for in 1977.

Note: Line 1 from Table No. 38, Col. (5).

Line 2 from Table No. 38, Cols. (2), (3) & (4).

FOR YEARS PRECEDING 1976: Refer to Volume 5, August 1977, Page II-11.

TABLE NO. 39

VERIFIED EXTRACTATIONS FROM COLTON BASIN AREA
BY SAN BERNARDINO AND RIVERSIDE COUNTY ENTITIES
FOR USE WITHIN EACH COUNTY
(Quantities in Acre Feet)

Line No.	Calendar Year	Producer	Place of Use		Total Production in A.F.
			San Bernardino County	Riverside County	
1	1981	San Bernardino Co. Wtr. Interests	6,175	0	6,175
2		Riverside Co. Wtr. Interests	<u>0</u>	<u>173</u>	<u>173</u>
		TOTAL	6,175	173	6,348
1	1982	San Bernardino Co. Wtr. Interests	5,450	0	5,450
2		Riverside Co. Wtr. Interests	<u>68</u>	<u>981</u>	<u>1,049</u>
3		TOTAL	5,518	981	6,499
1	1983	San Bernardino Co. Wtr. Interests	*4,603	0	*4,603
2		Riverside Co. Wtr. Interests	<u>37</u>	<u>95</u>	<u>132</u>
3		TOTAL	4,555	95	*4,735
1	1984	San Bernardino Co. Wtr. Interests	7,441	0	7,441
2		Riverside Co. Wtr. Interests	<u>206</u>	<u>1,340</u>	<u>1,546</u>
3		TOTAL	7,647	1,340	8,987
1	1985	San Bernardino Co. Wtr. Interests	7,142	0	7,142
2		Riverside Co. Wtr. Interests	<u>763</u>	<u>2,244</u>	<u>3,007</u>
3		TOTAL	7,905	2,244	10,149

* Corrected from Previous year.
See Volume 2, Table 5.
Line 1: Table 38, Column (5).
Line 2: Table 38A, Column (2), (3), (1).
Line 3: Table 38-, (3), (1).

TABLE NO 39

VERIFIED EXTRACTIONS FROM COLTON BASIN AREA
BY SAN BERNARDINO AND RIVERSIDE COUNTY ENTITIES
FOR USE WITHIN EACH COUNTY

(Quantities in Acre Feet)

Ln. #	Calendar Year	Producer	Place of Use		Total Production in A.F.
			San Bernardino County	Riverside County	
1	1986	San Bernardino Co. Wtr. Interests	7,651	0	7,651
2		Riverside Co. Wtr. Interests	784	1,600	2,384
3		TOTAL	8,435	1,600	10,035
1	1987	San Bernardino Co. Wtr. Interests	11,054	0	11,054
2		Riverside Co. Wtr. Interests	564	1,557	2,121
3		TOTAL	11,618	1,557	13,175
1	1988	San Bernardino Co. Wtr. Interests	11,453	0	11,453
2		Riverside Co. Wtr. Interests	392	1,707	2,099
3		TOTAL	11,845	1,707	13,552
1	1989	San Bernardino Co. Wtr. Interests	11,799	0	11,799
2		Riverside Co. Wtr. Interests	299	2,005	2,304
3		TOTAL	12,098	2,005	14,103
1	1990	San Bernardino Co. Wtr. Interests	15,551	0	15,551
2		Riverside Co. Wtr. Interests	368	1,652	2,020
3		TOTAL	15,919	1,652	17,571

See Volume 2, Table 5.

Line 1: Table 38, Column (5).

Line 2: Table 38A, Column (2), (3), (1).

Bold values corrected during 1992 verification.

TABLE NO. 39

VERIFIED EXTRACTIONS FROM COLTON BASIN AREA
BY SAN BERNARDINO AND RIVERSIDE COUNTY ENTITIES
FOR USE WITHIN EACH COUNTY

(Quantities in Acre Feet)

Ln. #	Calendar Year	Producer	Place of Use		Total Production in A.F.
			San Bernardino County	Riverside County	
1	1991	San Bernardino Co. Wtr. Interests	12,282	0	12,282
2		Riverside Co. Wtr. Interests	206	1,835	2,041
3		TOTAL	12,488	1,835	14,323
1	1992	San Bernardino Co. Wtr. Interests	15,068	0	15,068
2		Riverside Co. Wtr. Interests	227	1,455	1,682
3		TOTAL	15,295	1,455	16,750
1	1993	San Bernardino Co. Wtr. Interests	14,581	0	14,581
2		Riverside Co. Wtr. Interests	0	396	396
3		TOTAL	14,581	396	14,977
1	1994	San Bernardino Co. Wtr. Interests	13,427	0	13,427
2		Riverside Co. Wtr. Interests	95	1,066	1,161
3		TOTAL	13,522	1,066	14,588
1	1995	San Bernardino Co. Wtr. Interests	15,407	0	15,407
2		Riverside Co. Wtr. Interests	126	489	615
3		TOTAL	15,533	489	16,022

See Table 5, Vol. 2

line 1: Table 38, Column (5)

line 2: Table 38A, Column (2),(3),(1)

Bold value are corrected values during 1996 verification

TABLE NO. 39

VERIFIED EXTRACTIONS FROM COLTON BASIN AREA
BY SAN BERNARDINO AND RIVERSIDE COUNTY ENTITIES
FOR USE WITHIN EACH COUNTY

(Quantities in Acre Feet)

Ln. Calendar #	Year	Producer	Place of Use		Total Production in A.F.
			San Bernardino County	Riverside County	
1	1996	San Bernardino Co. Wtr. Interests	15,188	0	15,188
2		Riverside Co. Wtr. Interests	78	577	655
3		TOTAL	15,266	577	15,843
1	1997	San Bernardino Co. Wtr. Interests	12,151	0	12,151
2		Riverside Co. Wtr. Interests	81	1,141	1,222
3		TOTAL	12,232	1,141	13,373
1	1998	San Bernardino Co. Wtr. Interests	10,036	0	10,036
2		Riverside Co. Wtr. Interests	32	251	283
3		TOTAL	10,068	251	10,319
1	1999	San Bernardino Co. Wtr. Interests	10,161	0	10,161
2		Riverside Co. Wtr. Interests	222	912	1,134
3		TOTAL	10,383	912	11,295
1	2000	San Bernardino Co. Wtr. Interests	12,223	0	12,223
2		Riverside Co. Wtr. Interests	73	213	286
3		TOTAL	12,296	213	12,509

See Table 5, Vol. 2

line 1: Table 38, Column (5)

line 2: Table 38A, Column (2), (3), (1)

TABLE NO. 39

VERIFIED EXTRACTIONS FROM COLTON BASIN AREA
BY SAN BERNARDINO AND RIVERSIDE COUNTY ENTITIES
FOR USE WITHIN EACH COUNTY

(Quantities in Acre Feet)

Ln.	Calendar # Year	Producer	Place of Use		Total Production in A.F.
			San Bernardino County	Riverside County	
1	2001	San Bernardino Co. Wtr. Interests	15,208 *	0	15,208
2		Riverside Co. Wtr. Interests	168	165	333
3		TOTAL	15,376	165	15,541
1	2002	San Bernardino Co. Wtr. Interests	15,390	0	15,390
2		Riverside Co. Wtr. Interests	116	1,279	1,395
3		TOTAL	15,506	1,279	16,785
1	2003	San Bernardino Co. Wtr. Interests		0	0
2		Riverside Co. Wtr. Interests			0
3		TOTAL	0	0	0
1	2004	San Bernardino Co. Wtr. Interests		0	0
2		Riverside Co. Wtr. Interests			0
3		TOTAL	0	0	0
1	2005	San Bernardino Co. Wtr. Interests		0	0
2		Riverside Co. Wtr. Interests			0
3		TOTAL	0	0	0

See Table 5, Vol. 2

line 1: Table 38, Column (5)

line 2: Table 38A, Column (2), (3), (1)

* Corrected during 2002 verification, backfile on new San Gabriel well 3603739

GROUNDWATER EXTRACTIONS BY RIVERSIDE ENTITIES FROM
COLTON BASIN AREA FOR USE IN RIVERSIDE AND SAN BERNARDINO COUNTIES
FROM 1976 THROUGH CURRENT YEAR

CLASSIFIED ACCORDING TO SERVICE AREA
(Quantities in Acre Feet)

EXTRACTIONS FROM COLTON BASIN AREA FOR USE WITHIN AND EXPORT THEREFROM

PLAINTIFFS	1976			1977			1978			1979			1980		
	Total Extract	Del. in S.B. Co.	Del. in Riv. Co.	Total Extract	Del. in S.B. Co.	Del. in Riv. Co.	Total Extract	Del. in S.B. Co.	Del. in Riv. Co.	Total Extract	Del. in S.B. Co.	Del. in Riv. Co.	Total Extract	Del. in S.B. Co.	Del. in Riv. Co.
CITY OF RIVERSIDE Dom & Irrig.	853	0	853	295	0	295	464	0	464	5	0	5	0	0	0
MEEKS & DALEY WATER CO	1,860	105	1,755	2,018	125	1,893	422	78	344	1,698	104	1,594	0	0	0
RIVERSIDE HIGHLAND WATER CO.	170	165	5	332	322	10	270	260	10	191	184	7	0	0	0
RECHE CANYON MUTUAL WATER CO.	70	0	70	71	0	71	77	0	77	76	0	76	71	0	71
TOTALS	2,953	270	2,683	2,716	447	2,269	1,233	338	895	1,970	288	1,682	71	0	71

Total Extract -- TOTAL EXTRACTIONS.

Del in S.B. Co. -- DELIVERY WITHIN SAN BERNARDINO COUNTY.

Del. in Riv. Co. -- DELIVERY WITHIN RIVERSIDE COUNTY.

See Table 37 for figures.

FOR YEARS PRECEDING 1976: Refer to Volume 5-1974, August 1976, Page II-13.

Same as Table 4, Volume 2.

Excel;w-sb wm;vol 1a-8;vol 5 table 39A.

GROUNDWATER EXTRACTIONS BY RIVERSIDE ENTITIES FROM
COLTON BASIN AREA FOR USE IN RIVERSIDE AND SAN BERNARDINO COUNTIES
FROM 1976 THROUGH CURRENT YEAR

CLASSIFIED ACCORDING TO SERVICE AREA
(Quantities in Acre Feet)

EXTRACTIONS FROM COLTON BASIN AREA FOR USE WITHIN AND EXPORT THEREFROM

PLAINTIFFS	1981			1982			1983			1984			1985		
	Total Extract	Del. in S.B. Co.	Del. in Riv. Co.	Total Extract	Del. in S.B. Co.	Del. in Riv. Co.	Total Extract	Del. in S.B. Co.	Del. in Riv. Co.	Total Extract	Del. in S.B. Co.	Del. in Riv. Co.	Total Extract	Del. in S.B. Co.	Del. in Riv. Co.
CITY OF RIVERSIDE Dom & Irrig.	77	0	77	57	0	57	0	0	0	0	0	0	695	0	695
MEEKS & DALEY WATER CO	0	0	0	910	68	842	50	37	13	1,383	126	1,257	1,554	112	1,442
RIVERSIDE HIGHLAND WATER CO.	0	0	0	0	0	0	0	0	0	83	80	3	675	651	24
RECHE CANYON MUTUAL WATER CO.	96	0	96	82	0	82	82	0	82	80	0	80	83	0	83
TOTALS	173	0	173	1,049	68	981	132	37	95	1,546	206	1,340	3,007	763	2,244

Total Extract -- TOTAL EXTRACTIONS.

Del in S.B. Co. -- DELIVERY WITHIN SAN BERNARDINO COUNTY.

Del. in Riv. Co. -- DELIVERY WITHIN RIVERSIDE COUNTY.

See Table 37 for figures.

FOR YEARS PRECEDING 1976: Refer to Volume 5-1974, August 1976, Page II-13.

Same as Table 4, Volume 2.

Excel;w-sb wa;vol 1a-8;vol 5 table 39A.

GROUNDWATER EXTRACTIONS BY RIVERSIDE ENTITIES FROM
COLTON BASIN AREA FOR USE IN RIVERSIDE AND SAN BERNARDINO COUNTIES
FROM 1976 THROUGH CURRENT YEAR

CLASSIFIED ACCORDING TO SERVICE AREA
(Quantities in Acre Feet)

EXTRACTIONS FROM COLTON BASIN AREA FOR USE WITHIN AND EXPORT THEREFROM

PLAINTIFFS	1986			1987			1988			1989			1990		
	Total Extract	Del. in S.B. Co.	Del. in Riv. Co.	Total Extract	Del. in S.B. Co.	Del. in Riv. Co.	Total Extract	Del. in S.B. Co.	Del. in Riv. Co.	Total Extract	Del. in S.B. Co.	Del. in Riv. Co.	Total Extract	Del. in S.B. Co.	Del. in Riv. Co.
CITY OF RIVERSIDE Dom & Irrig.	0	0	0	0	0	0	0	0	0	519	0	519	131	0	131
MEEKS & DALEY WATER CO	1,575	93	1,482	1,560	113	1,447	1,754	150	1,604	1,538	157	1,381	1,691	306	1,385
RIVERSIDE HIGHLAND WATER CO.	721	691	30	471	451	20	256	242	14	158	142	16	109	62	47
RECHE CANYON MUTUAL WATER CO.	88	0	88	90	0	90	89	0	89	89	0	89	89	0	89
TOTALS	2,384	784	1,600	2,121	564	1,557	2,099	392	1,707	2,304	299	2,005	2,020	368	1,652

Total Extract -- TOTAL EXTRACTIONS.

Del in S.B. Co. -- DELIVERY WITHIN SAN BERNARDINO COUNTY.

Del. in Riv. Co. -- DELIVERY WITHIN RIVERSIDE COUNTY.

See Table 37 for figures.

FOR YEARS PRECEDING 1976: Refer to Volume 5-1974, August 1976, Page II-13.

Same as Table 4, Volume 2.

Excel;w-sb wmv\vol 1a-8\vol 5 table 39A.

TABLE NO. 39-A

GROUNDWATER EXTRACTIONS BY RIVERSIDE ENTITIES FROM
COLTON BASIN AREA FOR USE IN RIVERSIDE AND SAN BERNARDINO COUNTIES
FROM 1976 THROUGH CURRENT YEAR

CLASSIFIED ACCORDING TO SERVICE AREA
(all values in Acre Feet)

EXTRACTIONS FROM COLTON BASIN AREA FOR USE WITHIN AND EXPORT THEREFROM

PLAINTIFFS	1991			1992			1993			1994			1995		
	Total Extract	Del. in S.B. Co.	Del. in Riv. Co.	Total Extract	Del. in S.B. Co.	Del. in Riv. Co.	Total Extract	Del. in S.B. Co.	Del. in Riv. Co.	Total Extract	Del. in S.B. Co.	Del. in Riv. Co.	Total Extract	Del. in S.B. Co.	Del. in Riv. Co.
CITY OF RIVERSIDE Dom & Irrig.	428	0	428	307	0	307	311	0	311	466	0	466	171	0	171
MEEKS & DALEY WATER CO.	1,530	204	1,326	1,209	176	1,033	0	0	0	586	95	491	344	126	218
RIVERSIDE HIGHLAND WATER CO.	4	2	2	91	51	40	0	0	0	0	0	0	0	0	0
RECHE CANYON MUTUAL WATER CO.	79	0	79	75	0	75	85	0	85	109	0	109	100	0	100
TOTALS	2,041	206	1,835	1,682	227	1,455	396	0	396	1,161	95	1,066	615	126	489

Total Extract -- TOTAL EXTRACTIONS

Del in S.B. Co. -- DELIVERY WITHIN SAN BERNARDINO COUNTY

Del. in Riv. Co. -- DELIVERY WITHIN RIVERSIDE COUNTY

See Table 37 for figures

FOR YEARS PRECEDING 1976: Refer to Volume 5-1974, August 1976, Page II-13

Same as Table 4, Volume 2

TABLE NO. 39-A

GROUNDWATER EXTRACTIONS BY RIVERSIDE ENTITIES FROM
COLTON BASIN AREA FOR USE IN RIVERSIDE AND SAN BERNARDINO COUNTIES
FROM 1976 THROUGH CURRENT YEAR

CLASSIFIED ACCORDING TO SERVICE AREA
(all values in Acre Feet)

EXTRACTIONS FROM COLTON BASIN AREA FOR USE WITHIN AND EXPORT THEREFROM

PLAINTIFFS	1996			1997			1998			1999			2000		
	Total Extract	Del. in S.B. Co.	Del. in Riv. Co.	Total Extract	Del. in S.B. Co.	Del. in Riv. Co.	Total Extract	Del. in S.B. Co.	Del. in Riv. Co.	Total Extract	Del. in S.B. Co.	Del. in Riv. Co.	Total Extract	Del. in S.B. Co.	Del. in Riv. Co.
CITY OF RIVERSIDE Dom & Irrig.	208	0	208	633	0	633	142	0	142	7	0	7	128	0	128
MEEKS & DALEY WATER CO.	362	78	284	484	81	403	88	32	56	1,066	222	844	102	73	29
RIVERSIDE HIGHLAND WATER CO.	0	0	0	0	0	0	0	0	0	0	0	0	0	0	0
RECHE CANYON MUTUAL WATER CO.	85	0	85	105	0	105	53	0	53	61	0	61	56	0	56
TOTALS	655	78	577	1,222	81	1,141	283	32	251	1,134	222	912	286	73	213

Total Extract -- TOTAL EXTRACTIONS

Del in S.B. Co. -- DELIVERY WITHIN SAN BERNARDINO COUNTY

Del. in Riv. Co. -- DELIVERY WITHIN RIVERSIDE COUNTY

See Table 37 for figures

FOR YEARS PRECEDING 1976: Refer to Volume 5-1974, August 1976, Page II-13

Same as Table 4, Volume 2

TABLE NO. 39-A

GROUNDWATER EXTRACTIONS BY RIVERSIDE ENTITIES FROM
COLTON BASIN AREA FOR USE IN RIVERSIDE AND SAN BERNARDINO COUNTIES
FROM 1976 THROUGH CURRENT YEAR

CLASSIFIED ACCORDING TO SERVICE AREA
(all values in Acre Feet)

EXTRACTIONS FROM COLTON BASIN AREA FOR USE WITHIN AND EXPORT THEREFROM

PLAINTIFFS	2001			2002			2003			2004			2005		
	Total Extract	Del. in S.B. Co.	Del. in Riv. Co.	Total Extract	Del. in S.B. Co.	Del. in Riv. Co.	Total Extract	Del. in S.B. Co.	Del. in Riv. Co.	Total Extract	Del. in S.B. Co.	Del. in Riv. Co.	Total Extract	Del. in S.B. Co.	Del. in Riv. Co.
CITY OF RIVERSIDE Dom & Irrig.	0	0	0	0	0	0									
MEEKS & DALEY WATER CO.	285	168	117	1,322	116	1,206									
RIVERSIDE HIGHLAND WATER CO.	0	0	0	0	0	0									
RECHE CANYON MUTUAL WATER CO.	48	0	48	73	0	73									
TOTALS	333	168	165	1,395	116	1,279									

Total Extract -- TOTAL EXTRACTIONS

Del in S.B. Co. -- DELIVERY WITHIN SAN BERNARDINO COUNTY

Del. in Riv. Co. -- DELIVERY WITHIN RIVERSIDE COUNTY

See Table 37 for figures

FOR YEARS PRECEDING 1976: Refer to Volume 5-1974, August 1976, Page II-13

Same as Table 4, Volume 2

TABLE NO. 40

RIVERSIDE CEMENT COMPANY*
DIVISION, AMERICAN CEMENT CORP.
WATER PRODUCTION
FROM RIVERSIDE GROUND WATER BASIN
SITUATED WITHIN SAN BERNARDINO COUNTY
(All Quantities in Acre Feet)

Production from Recordation Filings (Volume 3, Table No. 1)

State Well No. Rec. No. Local Desig. Basin	1S/5W-34K 3601721 E.Crestmore #56 Riverside	1S/5W-34K2 3600873 W.Crestmore #57 Riverside	(2a)	Production Exported To Riverside County Riverside	2S/5W-02A 3600874 White Well* Riverside	2S/5W-02G2 3600883 Wright* Riverside	2S/5W-02R 3601722 New White 58-1 Riverside	2S/5W-2L2 3601782 None* Riverside	2S/5W-02G 3602114 63-1 Riverside	(8a)	Production Used In San Bernardino County	Total Production In San Bernardino County
Year	(1)	(2)	(2a)	(3)	(4)	(5)	(6)	(7)	(8)	(8a)	(9)	(10)
1971	130	219	-	349	0	0	0	-	482	-	482	831
1972	353	20	-	373	0	0	0	-	204	-	204	577
1973	531	6	-	537	0	0	0	-	0	-	0	537
1974	133	0(a)	-	133	0	0	0	-	0	-	0	133
1975	0(b)	0(a)	-	0(a)(b)	0	0	0	-	0	-	0	0(a)(b)
1976	0(b)	0(a)	-	0(a)(b)	0	0	0	-	218	-	218	218
1977	0(b)	0(a)	-	0(a)(b)	0	0	0	0	446	-	446	446
1978	0(b)	0(a)	-	0(a)(b)	0	0	0	0	227	-	227	227
1979	0(b)	0(a)	-	0(a)(b)	0	0	0	0	436	-	436	436
1980	0(b)	0(a)	-	0(a)(b)	0	0	0	0	218	-	218	218
1981	0(b)	0(a)	-	0	0	0	0	0	413	-	413	413
1982	0(b)	0(a)	-	0	0	0	0	0	0	-	0	0
1983	-	-	-	0	0	0	0	0	0	-	0	0
1984	-	-	-	0	0	0	0	0	0	-	0	0
1985	-	-	-	0	0	0	0	0	0	-	0	0
1986	-	-	-	0	0	0	0	0	0	-	0	0
1987	-	-	-	0	0	0	0	0	0	-	0	0
1988	-	-	-	0	0	0	0 (c)	0	0 (c)	-	0	0
1989	-	-	-	0	0	0	0	0	0	-	0	0
1990	-	-	-	0	0	0	0	0	0	-	0	0

----- All wells sold or abandoned -----

(a) 3600873 sold to Green Acres Mem. Park Ass'n. 1974

(b) 3601721 sold to Green Acres Mem. Park Ass'n. 1975

*Abandoned or File closed

(3) Col. (2) + Col. (1)

(10) Col. (3) + Col. (9)

(c) Sold to Erin Madison in 1988

(9) Cols. (4) + (5) + (6) + (7) + (8)

F.C. File Closed

*Name changed to Amcord, Inc. 1973 & recurred in 1981

FOR YEARS PRECEDING 1971: Refer to Volume 5, August 1976, Page III-7

TABLE NO. 41

RIVERSIDE CEMENT COMPANY

WATER PRODUCTION FROM RIVERSIDE GROUND WATER BASIN
WITHIN SAN BERNARDINO COUNTY FOR PERIOD 1971 THROUGH CURRENT YEAR
AND PRODUCTION DELIVERED IN RIVERSIDE AND SAN BERNARDINO COUNTIES
(Quantities in Acre Feet)

<u>Year</u>	<u>Production</u> <u>Exported to</u> <u>Riverside</u> <u>County</u>	<u>Production</u> <u>Used In</u> <u>San Bernardino</u> <u>County</u>	<u>Total</u> <u>Production</u>
	(1)	(2)	(3)
1971	349	482	831
1972	373	204	577
1973	537	0	537
1974	133	0	133
1975	0	0	0
1976	0	218	218
1977	0	446	446
1978	0	227	227
1979	0	436	436
1980	0	218	218
1981	0	413	413
1982	0	0	0
1983	0	0	0
1984	0	0	0
1985	0	0	0
1986	0	0	0
1987	0	0	0
1988	0	0	0
1989			
1990	All wells sold or abandoned.		

Col. (1) from Table No. 40, Col. (3).

Col. (2) from Table No. 40, Col. (9).

Col. (3) from Table No. 40, Col. (10).

FOR YEARS PRECEDING 1971: Refer to Volume 5, August 1976, Page III-9.

TABLE NO. 42

CITY OF RIVERSIDE
IRRIGATION AND DOMESTIC DIVISION
WATER PRODUCTION FROM RIVERSIDE GROUNDWATER BASIN
WITHIN SAN BERNARDINO COUNTY FOR THE PERIOD 1971 THROUGH CURRENT YEAR
AND PRODUCTION DELIVERED IN RIVERSIDE AND SAN BERNARDINO COUNTIES

(Quantities in Acre Feet)

Year	Production Exported to Riverside County (1)	Production Used In San Bernardino County (2)	Total Production (3)
1971	4,363	174	4,537
1972	5,813	107	5,920
1973	4,941	45	4,986
1974	6,012	111	6,123
1975	5,744	94	5,838
1976	6,219	126	6,345
1977	3,833	279	4,112
1978	1,093	271	1,364
1979	2,249	587	2,836
1980	115	1,591	1,706
1981	1,368	1,526	2,894
1982	1,513	2,102	3,615
1983	648	1,933	2,581
1984	2,443	448	2,891
1985	2,479	714	3,193
1986	2,225	117	2,342
1987	1,675	87	1,762
1988	3,257	58	3,315
1989	10,135	59	10,194
1990	9,972	1,011	10,983
1991	12,198	1,005	13,203
1992	10,009	334	10,343
1993	9,231	69	9,300
1994	8,131	72	8,203
1995	10,755	0	10,755

Column (1) = Table No. 12, Column (9).

Column (2) = Table No. 12, Column (8).

Column (2) = Table No. 2, sht 1, Ln.43 or Table No. 12, Column (2).

TABLE NO. 42

CITY OF RIVERSIDE
IRRIGATION AND DOMESTIC DIVISION
WATER PRODUCTION FROM RIVERSIDE GROUNDWATER BASIN
IN SAN BERNARDINO COUNTY FOR THE PERIOD 1971 THROUGH CURRENT YEAR
D PRODUCTION DELIVERED IN RIVERSIDE AND SAN BERNARDINO COUNTIES

(Quantities in Acre Feet)

Year	Production Exported to Riverside County (1)	Production Used In San Bernardino County (2)	Total Production (3)
1996	9,064	0	9,064
1997	8,169	0	8,169
1998	6,765	0	6,765
1999	8,883	0	8,883
2000	8,629	0	8,629
2001	7,288	0	7,288
2002	7,814	0	7,814
2003			
2004			
2005			
2006			
2007			
2008			
2009			
2010			
2011			
2012			
2013			
2014			
2015			
2016			
2017			
2018			
2019			
2020			

Column (1) = Table No. 12, Column (9).

Column (2) = Table No. 12, Column (8).

Column (2) = Table No. 2, sht 1, Ln.43 or Table No. 12, Column (2).

TABLE NO. 43

CITY OF RIVERSIDE
IRRIGATION & DOMESTIC DIVISION
GAGE CANAL COMPANY
WATER PRODUCTION FROM RIVERSIDE GROUNDWATER BASIN
HIN SAN BERNARDINO COUNTY FOR THE PERIOD 1971 THROUGH CURRENT Y
ND PRODUCTION DELIVERED IN RIVERSIDE AND SAN BERNARDINO COUNTIE

(Quantities in Acre Feet)

Year	Production Exported to Riverside County (1)	Production Used in San Bernardino County (2)	Total Production (3)
1971	567	0	567
1972	778	0	778
1973	222	0	222
1974	374	98	472
1975	568	77	645
1976	378	62	440
1977	383	6	389
1978	730	4	734
1979	409	4	413
1980	2,028	4	2,032
1981	2,464	3	2,467
1982	1,644	1	1,645
1983	1,018	1	1,019
1984	2,044	2	2,046
1985	1,860	1	1,861
1986	1,891	2	1,893
1987	1,995	1	1,996
1988	2,187	2	2,189
1989	1,963	2	1,965
1990	1,961	1	1,962
1991	1,733	1	1,734
1992	1,656	1	1,657
1993	2,021	2	2,023
1994	2,026	2	2,028
1995	1,664	0	1,664
1996	1,706	0	1,706
1997	1,591	0	1,591
1998	1,823	0	1,823
1999	2,051	0	2,051
2000	1,664	0	1,664
2001	1,491	0	1,491
2002	1,286	0	1,286
2003			
2004			
2005			
2006			
2007			
2008			

Column (1) = Table No. 17, Column (15).

Column (2) = Table No. 17, Column (14a).

Column (3) = Table No. 15, Line 24.

TABLE NO. 44

INTER COUNTY WATER COMPANY
WATER PRODUCTION FROM RIVERSIDE GROUND WATER BASIN
WITHIN SAN BERNARDINO COUNTY FOR PERIOD 1971 THROUGH CURRENT YEAR
AND PRODUCTION DELIVERED IN RIVERSIDE AND SAN BERNARDINO COUNTIES
(Quantities in Acre Feet)

Year	Total Production 2S5W02C 3301347	Production		Delivered by WSBCWD to Riverside Co.
		Exported To Riverside Co.	Used In San Bernardino Co.	
	(1)	(2)	(3)	(4)
1971	83	51	32	
1972	95	58	37	
*1973	157	96	61	
1974	206	125	81	
1975	225	137	88	
1976	230	78	152	
1977	207	70	137	
1978	145	49	96	
1979	225	76	149	
1980	228	78	150	
1981	175	60	115	
1982	200	68	132	
1983	154	52	102	
1984	207	71	136	
1985	196	67	129	
1986	189	64	125	
**1987	78	27	51	
1988	0	21	0	21
1989	0	21	0	21
1990	0	0	0	21
1991	0	0	0	21
1992	0	0	0	21
1993	0	0	0	21
1994	0	0	0	21
1995	0	0	0	21
1996	0	0	0	21
1997	0	0	0	21
1998	0	0	0	21
1999	0	0	0	21
2000	0	0	0	21
2001	0	0	0	21
2002	0	0	0	21
2003				
2004				
2005				

** Intercounty acquired by West San Bernardino County Water District, in 1988 WSBCWD had 17 accounts in Riverside County. Assume 1.25 A.F. per account.

Note: Col. (1) from Volume 3, Table No. 1.

FOR YEARS PRECEDING 1971: Refer to Volume 5, August 1976, Page III-15.

TABLE NO. 45

JURUPA WATER COMPANY **

WATER PRODUCTION FROM RIVERSIDE GROUND WATER BASIN
(THIN SAN BERNARDINO COUNTY FOR PERIOD 1971 THROUGH CURRENT YEAR)
AND PRODUCTION DELIVERED IN RIVERSIDE AND SAN BERNARDINO COUNTIES

(Quantities in Acre Feet)

Year	Production		Total Production See note
	1S5W36C11S 3600535- Well #3	1S5W36C10S 3600536 Well # 1 1/2	
1971	94	0	94
1972	376	0	376
1973	200	0	200
1974	402	-	402
1975	592	-	592
1976	637	-	637
1977	756	-	756
1978	1,118	-	1,118
1979	421	-	421
1980	478	-	478
1981	62	-	62
1982	793	-	793
1983	351	-	351
1984	634	-	634
1985	1,217	-	1,217
1986	1,372	-	1,372
1987	1,083	-	1,083
1988	26	-	26
1989	248	-	248
1990	392	-	392
1991	646	-	646
1992	357	-	357
1993	362	-	362
1994	413	-	413
1995	1,520	-	1,520
1996	1,500	-	1,500
1997	-	Overlying Land use only after 1997	-
1998	-	-	-
1999	-	-	-
2000	-	-	-
2001	-	-	-
2002	-	-	-
2003	-	-	-
2004	-	-	-
2005	-	-	-

Note: Total Production shown in Col. (3) is all exported to Riverside county via West Riverside Canal. Deliveries to San Bernardino County are zero.

FOR YEARS PRECEDING 1971: Refer to Volume 5, August 1976, Page III-17.

*Abandoned and/or file closed.

Canal was removed at the Agua Mansa Landfill in 1997, water truck only used.

** Sold to Yeager Construction Company in 1997

TABLE NO. 46A

LA SIERRA WATER COMPANY
WATER PRODUCTION FROM COLTON BASIN AND
THAT PART OF RIVERSIDE BASIN LOCATED WITHIN SAN BERNARDINO COUNTY
(Quantities in Acre Feet)

Year	Colton Basin Production				TOTAL PRODUCTION		
	1S4W18G		1S4W18F		Colton	La Sierra	Total
	Colton # 15 3601259	La Sierra # 15 3602227	Colton # 17 3601261	La Sierra # 17 3602228			
(1)	(2)	(3)	(4)	(5)	(6)	(7)	
1971	137	267	116	860	253	1,127	1,380
1972	106	364	245	693	351	1,057	1,408
1973	158	466	369	440	527	906	1,433
1974	329	348	545	312	874	660	1,534
1975	292	69	194	559	486	628	1,114
1976	259	349	467	304	726	653	1,379
1977	314	202	452	304	766	506	1,272
1978	273	202	572	304	845	506	1,351
1979	612	184	1,184	351	1,796	535	2,331
1980	698	275	728	267	1,426	542	1,968
1981	447	229	763	312	1,210	541	1,751
1982	586	0	1,030	582	1,616	582	2,198
1983	537	236	909	316	1,446	552	1,998
1984	667	216	811	287	1,478	503	1,981
1985	306	150	725	340	1,031	490	1,521
1986	668	347	507	103	1,175	450	1,625
1987	1,018	201	1,088	317	2,106	518	2,624
1988	1,286	200	1,448	278	2,734	478	3,212
1989	968	242	667	242	1,635	484	2,119
1990	1,014	174	795	352	1,809	526	2,335
1991	1,143	286	888	222	2,031	508	2,539
1992	1,149	390	1,030	156	2,179	546	2,725
1993	990	377	846	313	1,836	690	2,526
1994	1,074	316	1,159	392	2,233	708	2,941
1995	994	715	992	822	1,986	1,537	3,523
1996	981	343	978	199	1,959	542	2,501
1997	739	0	1,311	0	2,050	0	2,050
1998	746	0	681	0	1,427	0	1,427
1999	726	0	1,070	0	1,796	0	1,796
2000	632	0	971	0	1,603	0	1,603
2001	773	0	830	0	1,603	0	1,603
2002	91	0	180	0	271	0	271
2003							
2004							
2005							

(1) Table No. 1, Volume 2. Note: Wells 1S/4W-18G and 1S/4W-18F beginning in 1964 were used by both La Sierra
(2) Table No. 1, Volume 2. Water Company and City of Colton under the different Recordation Numbers
(3) Table No. 1, Volume 2. shown for the same wells.
(4) Table No. 1, Volume 2.

FOR YEARS PRECEDING 1971: Refer to Volume 5, August 1976, Page III-19.

TABLE NO. 46B

LA SIERRA WATER COMPANY
WATER PRODUCTION FROM COLTON BASIN AND
THAT PART OF RIVERSIDE BASIN LOCATED WITHIN SAN BERNARDINO COUNTY
 (Quantities in Acre Feet)

State Well #	1S4W32E01S	1S4W32E03S	1S4W32E06S	1S4W32E05S	1S4W32E02S	1S4W32E07S	1S4W32E11S	1S4W32E09S	1S4W32E10S	1S4W29Q03S	1S4W29Q04S	La Sierra
Recordation #	3601539	360154C	3601541	3601542	3601543	3601544	3601545	3601546	3601547	3691486	3692486	Production
Local Desig.	LS #1	LS #2	LS #4	LS #5	LS #6	LS #7	LS #8	LS #10	LS #9	Flume 4	Flume 6	Riverside Basin
Year	(1)	(2)	(3)	(4)	(5)	(6)	(7)	(8)	(9)	(10)	(11)	(12)
1971	-	-	-	-	-	1,218	2,106	1,415	-	-	-	4,739
1972	-	-	-	-	-	1,330	2,178	1,201	-	-	-	4,709
1973	-	-	-	-	-	664	1,980	0	-	-	-	2,644
1974	-	-	-	-	-	0	1,932	1	-	-	-	1,933
1975	-	-	-	-	-	0	2,309	2	-	-	-	2,311
1976	-	-	-	-	-	0	2,682	0	-	-	-	2,682
1977	-	-	-	-	-	0	2,396	0	-	431	35	2,862
1978	-	-	-	-	-	0	1,496	0	-	3	1	1,500
1979	-	-	-	-	-	0	1,654	0	-	53	29	1,736
1980	-	-	-	-	-	98	1,004	0	-	0	0	1,102
1981	-	-	-	-	-	276	0	1,957	-	-	-	2,233
1982	-	-	-	-	-	0	0	29	-	-	-	29
1983	-	-	-	-	-	0	0	14	-	-	-	14
1984	-	-	-	-	-	0	0	0	-	-	-	0
1985	-	-	-	-	-	0	0	0	-	-	-	0
1986	-	-	-	-	-	0	0	0	-	-	-	0
1987	-	-	-	-	-	0	0	0	-	-	-	0
1988	-	-	-	-	-	0	0	0	-	-	-	0
1989	-	-	-	-	-	0	0	0	-	-	-	0
1990	-	-	-	-	-	0	0	0	-	-	-	0
1991	-	-	-	-	-	0	0	0	-	-	-	0
1992	-	-	-	-	-	0	0	-	-	-	-	0
1993	-	-	-	-	-	0	0	-	-	-	-	0
1994	-	-	-	-	-	0	0	-	-	-	-	0
1995	-	-	-	-	-	0	0	-	-	-	-	0
1996	-	-	-	-	-	0	0	-	-	-	-	0
1997	-	-	-	-	-	0	0	-	-	-	-	0
1998	-	-	-	-	-	0	0	-	-	-	-	0
1999	-	-	-	-	-	0	0	-	-	-	-	0
2000	-	-	-	-	-	0	0	-	-	-	-	0
2001	-	-	-	-	-	0	0	-	-	-	-	0
2002	-	-	-	-	-	0	0	-	-	-	-	0
2003	-	-	-	-	-	-	-	-	-	-	-	-
2004	-	-	-	-	-	-	-	-	-	-	-	-
2005	-	-	-	-	-	-	-	-	-	-	-	-

Column (8) = LS #10 assigned to Southern Calif. Edison Co. Highgrove Steam Plant.

Columns (10) & (11) = Starting in 1976 part of the flow from the Flume Wells is leased from the City of Riverside.

The amounts shown are La Sierra production only. Riverside production is shown under 3601886 & 3602486.

(12) = Total of Column (1) thru (11).

Abandoned #/or Filed Closed.

FOR YEARS PRECEDING 1971: Refer to Volume 5, August 1976, Page III-20.

TABLE NO. 47

LA SIERRA WATER COMPANY
WATER PRODUCTION FROM COLTON AND RIVERSIDE BASIN SITUATED WITHIN SAN BERNARDINO COUNTY
WITH DELIVERIES IN SAN BERNARDINO COUNTY AND EXPORTS TO RIVERSIDE COUNTY
(Quantities in Acre Feet)

Year	La Sierra Production in Colton and Riverside North Basins			DELIVERIES OF LA SIERRA WATER COMPANY WATER PRODUCTION								
	Colton Basin	Riverside Basin	Total Production	Deliveries Made in San Bernardino County				Deliveries Made in Riverside County				
				So. Californi Edison Steam Plant	Riverside Highland Water Co.	City of Colton	Total in San Bernardino County	West Riverside Canal	Riverside Highland Water Co.	Temescal Water Company	City of Riverside	Total Deliveries in Riverside County
(2)	(3)	(4)	(5)	(6)	(7)	(8)	(9)	(10)	(11)	(12)	(13)	(14)
	(a) & (b)			(c)		(a) & (b)				(c)		
1971	1,127	4,739	5,866	-	0	1,127	1,127	3,324	0	1,415		4,739
1972	1,057	4,709	5,766	-	0	1,057	1,057	3,508	0	1,201		4,709
1973	906	2,644	3,550	-	0	906	906	2,644	0	0		2,644
1974	660	1,933	2,593	-	0	660	660	1,932	0	1		1,933
1975	628	2,311	2,939	-	0	628	628	2,309	0	2		2,311
1976	653	2,682	3,335	-	0	653	653	2,682	0	0		2,682
1977	506	2,862	3,368	-	0	506	506	2,396	0	0	466	2,396
1978	506	1,500	2,006	-	0	506	506	1,496	0	0	4	1,496
1979	535	1,736	2,271	-	0	535	535	1,654	0	0	82	1,654
1980	542	1,102	1,644	-	0	542	542	1,102	0	0	0	1,102
1981	541	2,233	2,774	-	0	541	541	276	0	1,957	0	2,233
1982	582	29	611	-	0	582	582	0	0	29	0	29
1983	552	14	566	-	0	552	552	0	0	14	0	14
1984	503	0	503	-	0	503	503	0	0	0	0	0
1985	490	0	490	-	0	490	490	0	0	0	0	0
1986	450	0	450	-	0	450	450	0	0	0	0	0
1987	518	0	518	-	0	518	518	0	0	0	0	0
1988	478	0	478	-	0	478	478	0	0	0	0	0
1989	484	0	484	-	0	484	484	0	0	0	0	0
1990	526	0	526	-	0	526	526	0	0	0	0	0
1991	508	0	508	-	0	508	508	0	0	0	0	0
1992	546	0	546	-	0	546	546	0	0	0	0	0
1993	690	0	690	-	0	690	690	0	0	0	0	0
1994	708	0	708	-	0	708	708	0	0	0	0	0
1995	1,537	0	1,537	-	0	1,537	1,537	0	0	0	0	0
1996	542	0	542	-	0	542	542	0	0	0	0	0
1997	0	0	0	-	0	0	0	0	0	0	0	0
1998	0	0	0	-	0	0	0	0	0	0	0	0
1999	0	0	0	-	0	0	0	0	0	0	0	0
2000	0	0	0	-	0	0	0	0	0	0	0	0
2001	0	0	0	-	0	0	0	0	0	0	0	0
2002	0	0	0	-	0	0	0	0	0	0	0	0
2003	-	-	-	-	-	-	-	-	-	-	-	-
2004	-	-	-	-	-	-	-	-	-	-	-	-
2005	-	-	-	-	-	-	-	-	-	-	-	-

Column (3) = From Table No. 46A Col. (6).

Column (4) = From Table No. 46B Col. (12).

Column (5) = Col. (3) + (4).

Column (6) = See General Note (c).

Column (7) = Table No. 31, Col. (8), Riverside Highland Wtr. Co.

Column (8) = Identical to this Table No. 47, Col. (3).

Column (9) = Total of Columns (5), (6), & (7).

Column (10) = 1964 and after: Col. (5) - {Col. (6) + (7) + (8) + (12) + (13)}.

Column (11) = Table No. 31, Col. (17), Riverside Highland Wtr. Co.

Column (12) = 1964 and after, see Temescal File.

Column (13) = From Table No. 46B, Cols. (10) + (11).

Column (14) = Total of Cols. (10), (11), (12), & (13).

General Notes:

(a) Production shown is from Well 1S/4W-18G. This well is owned by City of Colton and no production from this well was made by La Sierra Water Co. prior to 1964. Beginning in 1964, production by Colton recorded under 3601259 and by La Sierra under 3602227.

(b) Production shown includes water from 1S/4W-18F. This well is owned by the City of Colton and no production from this well was made by La Sierra prior to 1964. Beginning in 1964, production by Colton recorded under 3601261 and by La Sierra under 3602228.

(c) La Sierra Well No. 10 delivered directly to Edison steam plant in Highgrove 1959-63. Beginning in 1964, Temescal Water Co. in Riverside County purchased the flow of La Sierra No. 10 Well from Southern California Edison Company.

FOR YEARS PRECEDING 1971: Refer to Volume 5, August 1976, Page III-21.

TABLE NO. 48

LA SIERRA WATER COMPANY

WATER PRODUCTION FROM RIVERSIDE GROUND WATER BASIN
SAN BERNARDINO COUNTY FOR PERIOD 1971 THROUGH CURREN
DUCTION DELIVERED IN RIVERSIDE AND SAN BERNARDINO CC
 (Quantities in Acre Feet)

Year	Total Production (1)	Used in San Bernardino County (2)	Exported to Riverside County (3)
1971	4,739	0	4,739
1972	4,709	0	4,709
1973	2,644	0	2,644
1974	1,933	0	1,933
1975	2,311	0	2,311
1976	2,682	0	2,682
1977	2,862	0	2,396
1978	1,500	0	1,496
1979	1,736	0	1,654
1980	1,102	0	1,102
1981	2,233	0	2,233
1982	29	0	29
1983	14	0	14
1984	0	0	0
1985	0	0	0
1986	0	0	0
1987	0	0	0
1988	0	0	0
1989	0	0	0
1990	0	0	0
1991	0	0	0
1992	0	0	0
1993	0	0	0
1994	0	0	0
1995	0	0	0
1996	0	0	0
1997	0	0	0
1998	0	0	0
1999	0	0	0
2000	0	0	0
2001	0	0	0
2002	0	0	0
2003			
2004			
2005			

Column (1) = From Col. (4) Table No. 47.

Column (2) = Col. (4) - [Cols. (10) + (11) + (12) + (13)], Tab

Column (3) = From Col. (14), Table No. 47.

FOR YEARS PRECEDING 1971: Refer to Volume 5, August 1976, Pag

TABLE NO. 49

RIVERSIDE HIGHLAND WATER COMPANY
WATER PRODUCTION FROM RIVERSIDE GROUND WATER BASIN
WITHIN SAN BERNARDINO COUNTY FOR PERIOD 1971 THROUGH CURRENT YEAR
AND PRODUCTION DELIVERED IN RIVERSIDE AND SAN BERNARDINO COUNTIES
(Quantities in Acre Feet)

Year	Total Production (1)	Export to Riverside County (2)	Used in San Bernardino County (3)
1971	5,304	3,778	1,526
1972	4,229	2,980	1,249
1973	4,074	2,847	1,227
1974	3,371	2,262	1,109
1975	3,016	2,050	966
1976	3,592	2,484	1,108
1977	4,699	3,582	1,117
1978	3,923	2,621	1,302
1979	3,876	2,682	1,194
1980	4,284	2,837	1,447
1981	4,965	3,289	1,676
1982	3,330	2,089	1,248
1983	2,536	1,646	889
1984	4,545	3,178	1,367
1985	4,475	3,176	1,299
1986	2,089	1,088	1,001
1987	1,632	1,054	578
1988	1,785	1,072	713
1989	2,558	1,000	1,558
1990	2,858	1,242	1,616
1991	3,581	1,603	1,978
1992	2,215	971	1,244
1993	3,034	1,370	1,664
1994	3,285	1,613	1,672
1995	3,126	1,430	1,696
1996	2,396	1,088	1,308
1997	2,513	1,161	1,352
1998	2,195	871	1,324
1999	2,627	761	1,866
2000	1,138	18	1,120
2001	1,341 *	61	1,280
2002	2,577	137	2,440
2003			
2004			
2005			
2006			
2007			
2008			

Column (1) = From Table No. 21, Col. (10).

Column (2) = T 31, Col. (16); after 1989, Table 23R, Sheet 2, Column (11).

Column (3) = T 31, Col. (7); after 1989, Table 23R, Sheet 2, Column (10).

* New RH well RN #7 backfiled for 2001

FOR YEARS PRECEDING 1971: Refer to Volume 5, 1976, Page III-25

TABLE NO. 50TEMESCAL WATER COMPANY
(Elsinore Valley M.W.D. after 1995)WATER PRODUCTION FROM RIVERSIDE GROUNDWATER BASIN
WITHIN SAN BERNARDINO COUNTY FOR PERIOD 1971 THROUGH CURRENT YEAR
AND PRODUCTION DELIVERED IN RIVERSIDE AND SAN BERNARDINO COUNTIES

(Quantities in Acre Feet)

Palm Ave. Well
State Well# 2S4W06A03S
Recordation # 3601509

<u>Year</u>	<u>Production (1)</u>
1971	1,948
1972	1,368
1973	1,614
1974	821
1975	2,035
1976	2,682
1977	2,363
1978	1,528
1979	2,130
1980	1,968
1981	2,196
1982	1,423
1983	0
1984	1,190
1985	1,817
1986	2,015
1987	1,878
1988	2,360
1989	2,790
1990	2,283
1991	2,354
1992	1,714
1993	1,698
1994	0
1995	556
1996	25
1997	97
1998	194
1999	0
2000	1,037
2001	252
2002	2,417
2003	
2004	
2005	

Note: Total production shown in column (1) is all exported to Riverside County via Gage or Riverside Canals. Deliveries in San Bernardino County are zero.

No deliveries made via Gage since conversion to domestic pipeline in 1975.
FOR YEARS PRECEDING 1971: Refer to Volume 5, August 1976, Page III-27.

TABLE NO. 51

WEST RIVERSIDE 350 INCH WATER COMPANY
WATER PRODUCTION FROM RIVERSIDE GROUND WATER BASIN
WITHIN SAN BERNARDINO COUNTY FOR PERIOD 1971 THROUGH CURRENT YEAR
(Quantities in Acre Feet)

Year	1S4W32B01S 3600832 Well # 5	1S4W32B02S 3601953 Well # 7	Total Production
1971	470	1,749	2,219
1972	225	1,908	2,133
1973	197	688	885
1974	218	1,240	1,521
1975	228	1,298	1,526
1976	84	897	981
1977	262	321	583
1978	233	183	416
1979	139	750	889
1980	454	131	585
1981	611	784	1,395
1982	641	264	905
1983	6	40	46
1984	0	0	0
1985	155	430	585
1986	0	0	0
1987	0	0	0
1988	0	0	0
1989	0	0	0
1990	0	0	0
1991	0	0	0
1992	0	0	0
*1993	1	1	0
*1994	1	1	0
1995	0	0	0
1996	0	0	0
1997	0	0	0
1998	0	0	0
1999	0	0	0
2000	0	0	0
2001	0	0	0
2002	0	0	0
2003			
2004			
2005			

Col (1) & (2) From Table No. 1, Volume 3.

Col. (3) = Cols. (1) + (2).

Note: Total production shown in Col. (3) is all exported to Riverside County West Riverside Canal. Deliveries in San Bernardino County are zero.

Wells 1, 2, 4, 6 are abandoned.

FOR YEARS PRECEDING 1971: Refer to Volume 5, August 1976, Page III-29.

* Wells pump tested, no water exported

TABLE NO. 52

GROUND WATER PRODUCTION FROM THAT PART OF THE RIVERSIDE GROUND WATER BASIN
SITUATED WITHIN SAN BERNARDINO COUNTY A PART OF WHICH IS USED IN
SAN BERNARDINO COUNTY AND THE REMAINDER EXPORTED TO
RIVERSIDE COUNTY DURING CALENDAR YEARS 1971-1975
(All Quantities in Acre Feet)

WATER PRODUCTION USED IN SAN BERNARDINO COUNTY

Line No.	PRODUCING AGENCY	1971	1972	1973	1974	1975	Total	Five Year Average	References
1	American Cement Company (Crestmore)	482	204	0	0	0	686	137	From Table No. 41, Col. (2)
2	City of Riverside Irrigation and Domestic	174	107	45	111	94	531	106	From Table No. 42, Col. (2)
3	City of Riverside "The Gage Canal"	0	0	0	98	77	175	35	From Table No. 43, Col. (2)
4	Inter County Water Company	32	37	61	81	88	299	60	From Table No. 44, Col. (3)
5	Jurupa Water Company	0	0	0	0	0	0	0	From Table No. 45, See Footnote
6	La Sierra Water Company	0	0	0	0	0	0	0	From Table No. 48, Col. (2)
7	Riverside Highland Water Company	1,526	1,249	1,227	1,109	966	6,077	1,216	From Table No. 49, Col. (3)
8	Temescal Water Company	0	0	0	0	0	0	0	From Table No. 50, See Footnote
9	West Riverside 350 Inch Water Company	0	0	0	0	0	0	0	From Table No. 51, See Footnote
10	TOTAL LINES 1 THROUGH 9	2,214	1,597	1,333	1,399	1,225	7,768	1,554	
11									
12									
13									
14									
15	American Cement Company (Crestmore)	349	373	537	133	0	1,392	278	From Table No. 41, Col. (1)
16	City of Riverside Irrigation and Domestic	4,363	5,813	4,941	6,012	5,744	26,873	5,375	From Table No. 42, Col. (1)
17	City of Riverside "The Gage Canal"	567	778	222	374	568	2,509	502	From Table No. 43, Col. (1)
18	Inter County Water Company	51	58	96	125	137	467	93	From Table No. 44, Col. (2)
19	Jurupa Water Company	94	376	200	402	592	1,664	333	From Table No. 45, Col. (3)
20	La Sierra Water Company	4,739	4,709	2,644	1,933	2,311	16,336	3,267	From Table No. 48, Col. (3)
21	Riverside Highland Water Company	3,778	2,980	2,847	2,262	2,050	13,917	2,783	From Table No. 49, Col. (2)
22	Temescal Water Company	1,948	1,368	1,614	821	2,035	7,786	1,557	From Table No. 50, Col. (1)
23	West Riverside 350 Inch Water Company	2,219	2,133	885	1,521	1,526	8,284	1,657	From Table No. 51, Col. (7)
24	TOTAL LINES 15 THROUGH 23	18,108	18,588	13,986	13,583	14,963	79,228	15,845	
25	TOTAL LINES 10 PLUS 24	20,322	20,185	15,319	14,982	16,188	86,996	17,399	

FOR YEARS PRECEDING 1971: Refer to Volume 5, August 1976, Page III-32

TABLE NO. 52
GROUNDWATER PRODUCTION FROM THAT PART OF THE RIVERSIDE GROUNDWATER BASIN
SITUATED WITHIN SAN BERNARDINO COUNTY A PART OF WHICH IS USED IN
SAN BERNARDINO COUNTY AND THE REMAINDER EXPORTED TO
RIVERSIDE COUNTY DURING CALENDAR YEARS 1976 THROUGH CURRENT YEAR
 (All Quantities in Acre Feet)

<u>WATER PRODUCTION USED IN SAN BERNARDINO COUNTY</u>												
Line No.		1976	1977	1978	1979	1980	1981	1982	1983	1984	1985	References
1	Riverside Cement Co. +	218	446--	227	436	218	413	0	0	1984	1985	
2	City of Riverside Domestic & Irrigation	126	279	271	587	1,591	1,526	2,102**	1,933**	0	0	From Table No. 41, Col. (
3	City of Riverside "The Gage Canal"	62	6	4	4	4	3	1	1	2	1	From Table No. 42, Col. (
4	Inter County Water Company	152	137	96	149	150	115	132	102	136	129	From Table No. 43, Col. (
5	Jurupa Water Company	-	-	-	-	-	-	-	-	-	-	From Table No. 44, Col. (
6	La Sierra Water Company	0	0	0	0	0	0	0	0	0	0	Table No. 45, See Footnote
7	Riverside Highland Water Company	1,108	1,117	1,302	1,194	1,447	1,676	1,248	889	1,367	1,299	From Table No. 48, Col. (
8	Temescal Water Company	-	-	-	-	-	-	-	-	-	-	From Table No. 49, Col. (
9	West Riverside 350" Water Company	-	-	-	-	-	-	-	-	-	-	Table No. 50, See Footnote
10	TOTAL LINES 1 THROUGH 9	1,666	1,985	1,900	2,370	3,410	3,733	3,483**	2,925 **	1,953	2,143	Table No. 51, See Footnote
11												
12												
13												
14												
<u>WATER PRODUCTION EXPORTED TO RIVERSIDE COUNTY</u>												
15	Riverside Cement Co. +	0	0	0	0	0	0	0	0	0	0	
16	City of Riverside Domestic & Irrigation	6,219	3,833	1,093	2,249	115	1,368	1,513	648	2,443	2,479	From Table No. 41, Col. (1
17	City fo Riverside "The Gage Canal"	378	383	730	409	2,028	2,464	1,644	1,018	2,044	1,860	From Table No. 42, Col. (1
18	Inter County Water Company	78	70	49	76	78	60	68	52	71	67	From Table No. 43, Col. (1
19	Jurupa Water Company	637	756	1,118	421	478	62	793	351	634	1,217	From Table No. 44, Col. (2)
20	La Sierra Water Company	2,682	2,862	1,500	1,736	1,102	2,233	29	14	0	0	From Table No. 45, Col. (3)
21	Riverside Highland Water Company	2,484	3,582	2,621	2,682	2,837	3,289	2,082	1,646	3,178	3,176	From Table No. 48, Col. (3)
22	Temescal Water Company	2,682	2,363	1,528	2,130	1,968	2,196	1,423	0	1,190	1,817	From Table No. 49, Col. (2)
23	West Riverside 350" Water Company	981	583	416	889	585	1,395	905	46	0	585	From Table No. 50, Col. (1)
24	TOTAL LINES 15 THROUGH 23	16,141	14,432	9,055	10,592	9,191	13,067	8,457	3,775	9,560	11,201	From Table No. 51, Col. (3)
25	TOTAL LINES 10 PLUS 24	17,807	16,417	10,955	12,962	12,601	16,800	11,940**	6,700**	11,513	13,344	

FOR YEARS PRECEDING 1976: Refer to Volume 5-1975, August 1977, Page 56

+ Name change in 1981 from Amcord

* Corrected in 1981

** Corrected in 1984

TABLE NO. 52

GROUNDWATER PRODUCTION FROM THAT PART OF THE RIVERSIDE GROUNDWATER BASIN SITUATED WITHIN SAN BERNARDINO COUNTY
A PART OF WHICH IS USED IN SAN BERNARDINO COUNTY AND THE REMAINDER EXPORTED TO
RIVERSIDE COUNTY DURING CALENDAR YEARS 1976 THROUGH CURRENT YEAR

(Quantities in Acre Feet)

	Water Production used in San Bernardino County										
	1986	1987	1988	1989	1990	1991	1992	1993	1994	1995	
Riverside Cement Company	0	0	0	-	-	-	-	-	-	-	From Table No. 41, Column (2).
City of Riverside, Domestic & Irrigation	117	87	58	59	1,011	1,005	334	69	72	0	From Table No. 42, Column (2).
City of Riverside, "The Gage Canal"	2	1	2	2	1	1	1	2	2	0	From Table No. 43, Column (2).
Inter-County Water (W.S.B.C.W.D.)	125	51	0	0	0	0	0	0	0	0	From Table No. 44, Column (3).
Jurupa Water Company	-	-	-	-	-	-	-	-	-	-	From Table No. 45, See footnote.
La Sierra Water Company	0	0	0	0	0	0	0	0	0	0	From Table No. 48, Column (2).
Riverside Highland Water Company	1,001	578	713	1,558	1,616	1,978	1,244	1,664	1,672	1,696	From Table No. 49, Column (3).
Temescal Water Company	-	-	-	-	-	-	-	-	-	-	From Table No. 50, See footnote.
West Riverside 350" Water Company	-	-	-	-	-	-	-	-	-	-	From Table No. 51, See footnote.
TOTAL LINES 1 THROUGH 9	1,245	717	773	1,619	2,628	2,984	1,579	1,735	1,746	1,696	
	Water Production Export to Riverside County										
Riverside Cement Company	0	0	0	-	-	-	-	-	-	-	From Table No. 41, Column (1).
City of Riverside, Domestic & Irrigation	2,225	1,675	3,257	10,135	9,972	12,198	10,009	9,231	8,131	10,755	From Table No. 42, Column (1).
City of Riverside, "The Gage Canal"	1,891	1,995	2,187	1,963	1,961	1,733	1,656	2,021	2,026	1,664	From Table No. 43, Column (1).
Inter-County Water (W.S.B.C.W.D.)	64	27	21	21	21	21	21	21	21	21	From Table No. 44, Col (2); Col (4) after 1988.
Jurupa Water Company	1,372	1,083	26	248	392	646	357	362	413	1,520	From Table No. 45, Column (3).
La Sierra Water Company	0	0	0	0	0	0	0	0	0	0	From Table No. 48, Column (3).
Riverside Highland Water Company	1,088	1,054	1,072	1,000	1,242	1,603	971	1,370	1,613	1,430	From Table No. 49, Column (2).
Temescal Water Company	2,015	1,878	2,360	2,790	2,283	2,354	1,714	1,698	0	556	From Table No. 50, Column (1).
West Riverside 350" Water Company	0	0	0	0	0	0	0	0	0	0	From Table No. 51, Column (3).
TOTAL LINES 15 THROUGH 23	8,655	7,712	8,923	16,157	15,871	18,555	14,728	14,703	12,204	15,946	
TOTAL LINES 10 plus 24	9,900	8,429	9,696	17,776	18,499	21,539	16,307	16,438	13,950	17,642	

FOR YEARS PRECEDING 1976: Refer to Volume 5-1975, August 1977, Page 56.

Inter-County Water Company was taken over in 1988 by West San Bernardino County Water District.

TABLE NO. 52

Page 4 of 4

GROUNDWATER PRODUCTION FROM THAT PART OF THE RIVERSIDE GROUNDWATER BASIN SITUATED WITHIN SAN BERNARDINO COUNTY
A PART OF WHICH IS USED IN SAN BERNARDINO COUNTY AND THE REMAINDER EXPORTED TO
RIVERSIDE COUNTY DURING CALENDAR YEARS 1976 THROUGH CURRENT YEAR

(Quantities in Acre Feet)

Line #	Water Production used in San Bernardino County											
	1996	1997	1998	1999	2000	2001	2002	2003	2004	2005		
1	-	-	-	-	-	-	-	-	-	-	From Table No. 41, Column (2).	
2	0	0	0	0	0	0	0				From Table No. 42, Column (2).	
3	0	0	0	0	0	0	0				From Table No. 43, Column (2).	
4	-	-	-	-	-	-	-	-	-	-	From Table No. 44, Column (3).	
5	-	-	-	-	-	-	-	-	-	-	From Table No. 45, See footnot	
6	0	0	0	0	0	0	0				From Table No. 48, Column (2).	
7	1,308	1,352	1,324	1,866	1,120	1,280	2,440				From Table No. 49, Column (3).	
8	-	-	-	-	-	-	-	-	-	-	From Table No. 50, See footnot	
9	-	-	-	-	-	-	-	-	-	-	From Table No. 51, See footnot	
10	1,308	1,352	1,324	1,866	1,120	1,280	2,440					
11												
12												
13												
14												
		Water Production Export to Riverside County										
15	-	-	-	-	-	-	-	-	-	-	From Table No. 41, Column (1).	
16	9,064	8,169	6,765	8,883	8,629	7,288	7,814				From Table No. 42, Column (1).	
17	1,706	1,591	1,823	2,051	1,664	1,491	1,286				From Table No. 43, Column (1).	
18	21	21	21	21	21	21	21				From Table No. 44, Col (4)	
19	1,500	-	-	-	-	-	-	-	-	-	From Table No. 45, Column (3).	
20	0	0	0	0	0	0	0				From Table No. 48, Column (3).	
21	1,088	1,161	871	761	18	61	137				From Table No. 49, Column (2).	
22	25	97	194	0	1,037	252	2,417				From Table No. 50, Column (1).	
23	0	0	0	0	0	0	0				From Table No. 51, Column (3).	
24	13,404	11,039	9,674	11,716	11,369	9,113	11,675					
25	14,712	12,391	10,998	13,582	12,489	10,393	14,115					

FOR YEARS PRECEDING 1976: Refer to Volume 5-1975, August 1977, Page 56.

Inter-County Water Company was taken over in 1988 by West San Bernardino County Water District.

6/20/2003 14:44

TABLE NO. 52-A

GROUNDWATER PRODUCTION FROM THAT PART OF THE RIVERSIDE GROUNDWATER BASIN SITUATED
WITHIN SAN BERNARDINO COUNTY, A PART OF WHICH IS USED IN
SAN BERNARDINO COUNTY AND THE REMAINDER EXPORTED TO RIVERSIDE COUNTY DURING
CALENDAR YEARS 1976 THROUGH THE CURRENT YEAR

Page 1 of 6

CLASSIFIED ACCORDING TO SERVICE AREA
(All Values in Acre Feet)

EXTRACTIONS FROM RIVERSIDE BASIN AREA WITHIN SAN BERNARDINO COUNTY FOR USE WITHIN AND EXPORT THEREFROM

PLAINTIFFS	1976			1977			1978			1979			1980		
	Total Extract	Del. in S.B. Co.	Del. in Riv. Co.	Total Extract	Del. in S.B. Co.	Del. in Riv. Co.	Total Extract	Del. in S.B. Co.	Del. in Riv. Co.	Total Extract	Del. in S.B. Co.	Del. in Riv. Co.	Total Extract	Del. in S.B. Co.	Del. in Riv. Co.
American Cement Co.	218	218	0	446	446	0	227	227	0	436	436	0	218	218	0
City of Riverside Domestic & irrigation	6,345	126	6,219	4,112	279	3,833	1,364	271	1,093	2,836	587	2,249	1,706	1,591	115
City of Riverside Gage Canal Company	440	62	378	389	6	383	734	4	730	413	4	409	2,032	4	2,028
Inter County Water Co.	230	152	78	207	137	70	145	96	49	225	149	76	228	150	78
Jurupa Water Company	637	0	637	756	0	756	1,118	0	1,118	421	0	421	478	0	478
La Sierra Water Company	2,682	0	2,682	2,862	0	2,862	1,500	0	1,500	1,736	0	1,736	1,102	0	1,102
Riverside Highland Water Company	3,592	1,108	2,484	4,699	1,117	3,582	3,923	1,302	2,621	3,876	1,194	2,682	4,284	1,447	2,837
Temescal Water Company	2,682	0	2,682	2,363	0	2,363	1,528	0	1,528	2,130	0	2,130	1,968	0	1,968
West Riverside 350" Water Company	981	0	981	583	0	583	416	0	416	889	0	889	585	0	585
TOTALS	17,807	1,666	16,141	16,417	1,985	14,432	10,955	1,900	9,055	12,962	2,370	10,592	12,601	3,410	9,191

Total Extract -- TOTAL EXTRACTIONS
Del in S.B. Co. -- DELIVERY WITHIN SAN BERNARDINO COUNTY
Del. in Riv. Co. -- DELIVERY WITHIN RIVERSIDE COUNTY

FOR YEARS PRECEDING 1976: Refer to Volume 5-1975, August 1976, Page 57
From 52, Same as Table 4, Volume 3

6/20/2003 14:43

TABLE NO. 52-A

GROUNDWATER PRODUCTION FROM THAT PART OF THE RIVERSIDE GROUNDWATER BASIN SITUATED
WITHIN SAN BERNARDINO COUNTY, A PART OF WHICH IS USED IN
SAN BERNARDINO COUNTY AND THE REMAINDER EXPORTED TO RIVERSIDE COUNTY DURING
CALENDAR YEARS 1976 THROUGH THE CURRENT YEAR

Page 2 of 6

CLASSIFIED ACCORDING TO SERVICE AREA
(All Values in Acre Feet)

EXTRACTIONS FROM RIVERSIDE BASIN AREA WITHIN SAN BERNARDINO COUNTY FOR USE WITHIN AND EXPORT THEREFROM

PLAINTIFFS	1981			1982			1983			1984			1985		
	Total Extract	Del. in S.B. Co.	Del. in Riv. Co.	Total Extract	Del. in S.B. Co.	Del. in Riv. Co.	Total Extract	Del. in S.B. Co.	Del. in Riv. Co.	Total Extract	Del. in S.B. Co.	Del. in Riv. Co.	Total Extract	Del. in S.B. Co.	Del. in Riv. Co.
Riverside Cement Co.*	413	413	0	0	0	0	0	0	0	0	0	0	0	0	0
City of Riverside Domestic & irrigation	2,894	1,526	1,368	3,615	2,102	1,513	2,581	1,933	648	2,891	448	2,443	3,193	714	2,479
City of Riverside Gage Canal Company	2,467	3	2,464	1,645	1	1,644	1,019	1	1,018	2,046	2	2,044	1,861	1	1,860
Inter County Water Co.	175	115	60	200	132	68	154	102	52	207	136	71	196	129	67
Jurupa Water Company	62	0	62	793	0	793	351	0	351	634	0	634	1,217	0	1,217
La Sierra Water Company	2,233	0	2,233	29	0	29	14	0	14	0	0	0	0	0	0
Riverside Highland Water Company	4,965	1,676	3,289	3,330	1,248	2,082	2,535	889	1,646	4,545	1,367	3,178	4,475	1,299	3,176
Temescal Water Company	2,196	0	2,196	1,423	0	1,423	0	0	0	1,190	0	1,190	1,817	0	1,817
West Riverside 350" Water Company	1,395	0	1,395	905	0	905	46	0	46	0	0	0	585	0	585
TOTALS	16,800	3,733	13,067	11,940	3,483	8,457	6,700	2,925	3,775	11,513	1,953	9,560	13,344	2,143	11,201

Total Extract -- TOTAL EXTRACTIONS
Del in S.B. Co. -- DELIVERY WITHIN SAN BERNARDINO COUNTY
Del. in Riv. Co. -- DELIVERY WITHIN RIVERSIDE COUNTY

TABLE NO. 52-A

GROUNDWATER PRODUCTION FROM THAT PART OF THE RIVERSIDE GROUNDWATER BASIN SITUATED
WITHIN SAN BERNARDINO COUNTY, A PART OF WHICH IS USED IN
SAN BERNARDINO COUNTY AND THE REMAINDER EXPORTED TO RIVERSIDE COUNTY DURING
CALENDAR YEARS 1976 THROUGH THE CURRENT YEAR

Page 3 of 6

CLASSIFIED ACCORDING TO SERVICE AREA
(Quantities in Acre Feet)

EXTRACTIONS FROM RIVERSIDE BASIN AREA WITHIN SAN BERNARDINO COUNTY FOR USE WITHIN AND EXPORT THEREFROM

PLAINTIFFS	1986			1987			1988			1989			1990		
	Total Extract	Del. in S.B. Co.	Del. in Riv. Co.	Total Extract	Del. in S.B. Co.	Del. in Riv. Co.	Total Extract	Del. in S.B. Co.	Del. in Riv. Co.	Total Extract	Del. in S.B. Co.	Del. in Riv. Co.	Total Extract	Del. in S.B. Co.	Del. in Riv. Co.
Riverside Cement Co.*	0	0	0	0	0	0	0	0	0	0	0	0	0	0	0
City of Riverside Domestic & Irrigation	2,342	117	2,225	1,762	87	1,675	3,315	58	3,257	10,194	59	10,135	10,983	1,011	9,972
City of Riverside Gage Canal Company	1,893	2	1,891	1,996	1	1,995	2,191	2	2,189	1,965	2	1,963	1,962	1	1,961
Inter County Water Co. WSBCWD after 1988	189	125	64	78	51	27	21	0	21	21	0	21	21	0	21
Jurupa Water Company JCSD after 1988	1,372	0	1,372	1,083	0	1,083	26	0	26	248	0	248	392	0	392
La Sierra Water Company	0	0	0	0	0	0	0	0	0	0	0	0	0	0	0
Riverside Highland Water Company	2,089	1,001	1,088	1,632	578	1,054	1,785	713	1,072	2,558	1,558	1,000	2,858	1,616	1,242
Temescal Water Company	2,051	0	2,051	1,878	0	1,878	2,360	0	2,360	2,790	0	2,790	2,283	0	2,283
West Riverside 350" Water Company	0	0	0	0	0	0	0	0	0	0	0	0	0	0	0
TOTALS	9,936	1,245	8,691	8,429	717	7,712	9,698	773	8,925	17,776	1,619	16,157	18,499	2,628	15,871

Total Extract -- TOTAL EXTRACTIONS

Del in S.B. Co. -- DELIVERY WITHIN SAN BERNARDINO COUNTY

Del. in Riv. Co. -- DELIVERY WITHIN RIVERSIDE COUNTY

Bold Corrected during 1991 verification, numbers had been reversed.

From Table No. 52, Same as Table 4, Volume 3

* Name change from American Cement (Acord) to Riverside Cement in 1981

FOR YEARS PRECEDING 1976: Refer to Volume 5-1975, August 1976, Page 57

TABLE NO. 52-A

GROUNDWATER PRODUCTION FROM THAT PART OF THE RIVERSIDE GROUNDWATER BASIN SITUATED
WITHIN SAN BERNARDINO COUNTY, A PART OF WHICH IS USED IN
SAN BERNARDINO COUNTY AND THE REMAINDER EXPORTED TO RIVERSIDE COUNTY DURING
CALENDAR YEARS 1976 THROUGH THE CURRENT YEAR

Page 4 of 6

CLASSIFIED ACCORDING TO SERVICE AREA
(Quantities in Acre Feet)

EXTRACTIONS FROM RIVERSIDE BASIN AREA WITHIN SAN BERNARDINO COUNTY FOR USE WITHIN AND EXPORT THEREFROM

PLAINTIFFS	1991			1992			1993			1994			1995		
	Total Extract	Del. in S.B. Co.	Del. in Riv. Co.	Total Extract	Del. in S.B. Co.	Del. in Riv. Co.	Total Extract	Del. in S.B. Co.	Del. in Riv. Co.	Total Extract	Del. in S.B. Co.	Del. in Riv. Co.	Total Extract	Del. in S.B. Co.	Del. in Riv. Co.
Riverside Cement Co.*	-	-	-	-	-	-	-	-	-	-	-	-	-	-	-
City of Riverside Domestic & Irrigation	13,203	1,005	12,198	10,343	334	10,009	9,300	69	9,231	8,203	72	8,131	10,755	0	10,755
City of Riverside Gage Canal Company	1,734	1	1,733	1,657	1	1,656	2,023	2	2,021	2,028	2	2,026	1,664	0	1,664
Inter County Water Co. WSBCWD after 1988	21	0	21	21	0	21	21	0	21	21	0	21	21	0	21
Jurupa Water Company JCSD after 1988	646	-	646	357	-	357	362	-	362	413	-	413	1,520	-	1,520
La Sierra Water Company	0	0	0	0	0	0	0	0	0	0	0	0	0	0	0
Riverside Highland Water Company	3,581	1,978	1,603	2,215	1,244	971	3,034	1,664	1,370	3,285	1,672	1,613	3,126	1,696	1,430
Temescal Water Company	2,354	-	2,354	1,714	-	1,714	1,698	-	1,698	0	-	0	556	-	556
West Riverside 350" Water Company	0	-	0	0	-	0	0	-	0	0	-	0	0	-	0
TOTALS	21,539	2,984	18,555	16,307	1,579	14,728	16,438	1,735	14,703	13,950	1,746	12,204	17,642	1,696	15,946

Total Extract -- TOTAL EXTRACTIONS
Del in S.B. Co. -- DELIVERY WITHIN SAN BERNARDINO COUNTY
Del. in Riv. Co. -- DELIVERY WITHIN RIVERSIDE COUNTY

From Table No. 52, Same as Table 4, Volume 3

* Name change from American Cement (Acord) to Riverside Cement in 1981
FOR YEARS PRECEDING 1976: Refer to Volume 5-1975, August 1976, Page 57

TABLE NO. 52-A

GROUNDWATER PRODUCTION FROM THAT PART OF THE RIVERSIDE GROUNDWATER BASIN SITUATED WITHIN SAN BERNARDINO COUNTY, A PART OF WHICH IS USED IN SAN BERNARDINO COUNTY AND THE REMAINDER EXPORTED TO RIVERSIDE COUNTY DURING CALENDAR YEARS 1976 THROUGH THE CURRENT YEAR

CLASSIFIED ACCORDING TO SERVICE AREA
(Quantities in Acre Feet)

EXTRACTIONS FROM RIVERSIDE BASIN AREA WITHIN SAN BERNARDINO COUNTY FOR USE WITHIN AND EXPORT THEREFROM

PLAINTIFFS	1996			1997			1998			1999			2000		
	Total Extract	Del. in S.B. Co.	Del. in Riv. Co.	Total Extract	Del. in S.B. Co.	Del. in Riv. Co.	Total Extract	Del. in S.B. Co.	Del. in Riv. Co.	Total Extract	Del. in S.B. Co.	Del. in Riv. Co.	Total Extract	Del. in S.B. Co.	Del. in Riv. Co.
Riverside Cement Co.*	-	-	-	-	-	-	-	-	-	-	-	-	-	-	-
City of Riverside Domestic & Irrigation	9,064	0	9,064	8,169	0	8,169	6,765	0	6,765	8,883	0	8,883	8,629	0	8,629
City of Riverside Gage Canal Company	1,706	0	1,706	1,591	0	1,591	1,823	0	1,823	2,051	0	2,051	1,664	0	1,664
Inter County Water Co. WSB/CWD after 1988	21	-	21	21	-	21	21	-	21	21	-	21	21	-	21
Jurupa Water Company JCSD after 1988	1,500	-	1,500	-	-	-	-	-	-	-	-	-	-	-	-
La Sierra Water Company	0	0	0	0	0	0	0	0	0	0	0	0	0	0	0
Riverside Highland Water Company	2,396	1,308	1,088	2,513	1,352	1,161	2,195	1,324	871	2,627	1,866	761	1,138	1,120	18
Temescal Water Company	25	-	25	97	-	97	194	-	194	0	-	0	1,037	-	1,037
West Riverside 350" Water Company	0	-	0	0	-	0	0	-	0	0	-	0	0	-	0
TOTALS	14,712	1,308	13,404	12,391	1,352	11,039	10,998	1,324	9,674	13,582	1,866	11,716	12,489	1,120	11,369

Total Extract -- TOTAL EXTRACTIONS
Del in S.B. Co. -- DELIVERY WITHIN SAN BERNARDINO COUNTY
Del. in Riv. Co. -- DELIVERY WITHIN RIVERSIDE COUNTY

From Table No. 52, Same as Table 4, Volume 3
* Name change from American Cement (Acord) to Riverside Cement in 1981
FOR YEARS PRECEDING 1976: Refer to Volume 5-1975, August 1976, Page 57

TABLE NO. 52-A

GROUNDWATER PRODUCTION FROM THAT PART OF THE RIVERSIDE GROUNDWATER BASIN SITUATED
WITHIN SAN BERNARDINO COUNTY, A PART OF WHICH IS USED IN
SAN BERNARDINO COUNTY AND THE REMAINDER EXPORTED TO RIVERSIDE COUNTY DURING
CALENDAR YEARS 1976 THROUGH THE CURRENT YEAR

CLASSIFIED ACCORDING TO SERVICE AREA
(Quantities in Acre Feet)

EXTRACTIONS FROM RIVERSIDE BASIN AREA WITHIN SAN BERNARDINO COUNTY FOR USE WITHIN AND EXPORT THEREFROM

PLAINTIFFS	2001			2002			2003			2004			2005		
	Total Extract	Del. in S.B. Co.	Del. in Riv. Co.	Total Extract	Del. in S.B. Co.	Del. in Riv. Co.	Total Extract	Del. in S.B. Co.	Del. in Riv. Co.	Total Extract	Del. in S.B. Co.	Del. in Riv. Co.	Total Extract	Del. in S.B. Co.	Del. in Riv. Co.
Riverside Cement Co.*	-	-	-	-	-	-	-	-	-	-	-	-	-	-	-
City of Riverside Domestic & Irrigation	7,288	0	7,288	7,814	0	7,814									
City of Riverside Gage Canal Company	1,491	0	1,491	1,286	0	1,286									
Inter County Water Co. WSBCWD after 1988	21	-	21	21	-	21									
Jurupa Water Company JCSD after 1988	-	-	-	-	-	-	-	-	-	-	-	-	-	-	-
La Sierra Water Company	0	0	0	0	0	0									
Riverside Highland Water Company	1,341	1,280	61	2,577	2,440	137									
Temescal Water Company	252	-	252	2,417	-	2,417									
West Riverside 350" Water Company	0	-	0	0	-	0									
TOTALS	10,393	1,280	9,113	14,115	2,440	11,675									

Total Extract -- TOTAL EXTRACTIONS
Del in S.B. Co. -- DELIVERY WITHIN SAN BERNARDINO COUNTY
Del. in Riv. Co. -- DELIVERY WITHIN RIVERSIDE COUNTY

From Table No. 52, Same as Table 4, Volume 3
* Name change from American Cement (Acord) to Riverside Cement in 1981
FOR YEARS PRECEDING 1976: Refer to Volume 5-1975, August 1976, Page 57

TABLE NO. 53

SAN BERNARDINO ENTITIES PRODUCTION
FROM RIVERSIDE BASIN AREA WITHIN SAN BERNARDINO COUNTY
FOR THE PERIOD 1971 THROUGH THE CURRENT YEAR
FOR USE WITHIN SAN BERNARDINO COUNTY

(Quantities in Acre Feet)

Year	Total Verified Extractions from Riverside Basin within San Bernardino County	Total Production by Riverside Entities	Total Production by San Bernardino Entities
	(1)	(2)	(3)
1971	29,070	20,322	8,748
1972	28,148	20,185	7,963
1973	21,809	15,319	6,490
1974	21,881	14,982	6,899
1975	22,701	16,188	6,513
1976	24,705	17,807	6,898
1977	23,506	16,417	7,089
1978	17,216	10,955	6,261
1979	20,024	12,962	7,062
1980	18,533	12,601	5,932
1981	23,611	16,800	6,811
1982	17,349	11,940	5,409
1983	11,904	6,700	5,204
1984	17,161	11,513	5,648
1985	19,392	13,344	6,048
1986	17,337	9,900	7,437
1987	15,803	8,429	7,374
1988	16,933	9,698	7,235
1989	25,557	17,776	7,781
1990	26,371	18,499	7,872
1991	28,011	21,539	6,472
1992	* 21,959	16,307	5,652
1993	21,866	16,438	5,428
1994	19,661	13,950	5,711
1995	** 23,865	17,642	6,223
1996	*** 26,698	14,712	11,986
1997	*** 30,284	12,391	17,893
1998	33,116	10,998	22,118
1999	35,367	13,582	21,785
2000	35,799	12,489	23,310
2001	**** 31,098	10,393	20,705
2002	27,717	14,115	13,602
2003			
2004			
2005			

(1) Total Extractions as verified in Volume 3, Table No. 3, for appropriate year, entitled Summary of Verified Extractions from the Riverside Basin Area Within San Bernardino County.

(2) From Table No. 52, Line 25.

(3) Column (1) - Column (2).

Same as Volume 3, Table 5.

FOR YEARS PRECEDING 1971: Refer to Volume 5, August 1976, Page III-39.

* corrected during 1994 (Owl Rock).

** corrected during 1997 (Colton #24 reassigned to Riverside North, Kleckler corrected)

*** corrected during 1998 (RIX conversion error)

**** corrected during 2002 (new Cal Mat and RH wells)

TABLE NO. 54

TOTAL VERIFIED EXTRACTIONS FROM THAT PORTION
OF THE RIVERSIDE BASIN SITUATED
IN SAN BERNARDINO COUNTY FOR THE
PERIOD 1971 THROUGH CURRENT YEAR
BY SAN BERNARDINO AND RIVERSIDE COUNTY ENTITIES
FOR USE WITHIN EACH COUNTY

(Quantities in Acre Feet)

Line No.	Calendar Year	Producer	Place of Use		Total Production
			San Bernardino County	Riverside County	
1	1976	San Bernardino Co. Wtr. Interests	6,898	0	6,898
2		Riverside Co. Water. Interests	<u>1,666</u>	<u>16,141</u>	<u>17,807</u>
3		TOTAL	8,564	16,141	24,705
1	1977	San Bernardino Co. Wtr. Interests	7,089	0	7,089
2		Riverside Co. Water. Interests	<u>1,985</u>	<u>14,432</u>	<u>16,417</u>
3		TOTAL	9,074	14,432	23,506
1	1978	San Bernardino Co. Wtr. Interests	6,261	0	6,261
2		Riverside Co. Wtr. Interests	<u>1,900</u>	<u>9,055</u>	<u>10,955</u>
3		TOTAL	8,161	9,055	17,216
1	1979	San Bernardino Co. Wtr. Interests	7,062	0	7,062
2		Riverside Co. Wtr. Interests	<u>2,370</u>	<u>10,592</u>	<u>12,962</u>
3		TOTAL	9,432	10,592	20,024
1	1980*	San Bernardino Co. Wtr. Interests	5,932	0	5,932
2		Riverside Co. Wtr. Interests	<u>3,410</u>	<u>9,191</u>	<u>12,601</u>
3		TOTAL	9,342	9,191	18,533

* Corrected during 1981.

Note: Line 1 from Table No. 53, Column (3).

Line 2 from Table No. 52, Lines 10, 24 and 25.

FOR YEARS PRECEDING 1976: Refer to Volume 5, August 1977, Page 59.

TABLE NO 54

TOTAL VERIFIED EXTRACTIONS FROM THAT PORTION
OF THE RIVERSIDE BASIN SITUATED IN SAN BERNARDINO COUNTY FOR THE
PERIOD 1976 THROUGH CURRENT YEAR
BY SAN BERNARDINO AND RIVERSIDE COUNTY ENTITIES
FOR USE WITHIN EACH COUNTY

(Quantities in Acre Feet)

Line No.	Calendar Year	Producer	Place of Use		Total Production
			San Bernardino County	Riverside County	
1	1981	San Bernardino Co. Water Interests	6,811	0	6,811
2		Riverside Co. Water Interests	<u>3,733</u>	<u>13,067</u>	<u>16,800</u>
3		TOTAL	10,544	13,067	23,611
1	1982	San Bernardino Co. Water Interests	5,409	0	5,409
2		Riverside Co. Water Interests	<u>3,483</u>	<u>8,457</u>	<u>11,940</u>
3		TOTAL	8,892	8,457	17,349
1	1983	San Bernardino Co. Wtr. Interests	5,204	0	5,204
2		Riverside Co. Water Interests	<u>2,925</u>	<u>3,775</u>	<u>6,700</u>
3		TOTAL	8,129	3,775	11,904
1	1984	San Bernardino Co. Wtr. Interests	5,648	0	5,648
2		Riverside Co. Water Interests	<u>1,953</u>	<u>9,560</u>	<u>11,513</u>
3		TOTAL	7,601	9,560	17,161
1	1985	San Bernardino Co. Wtr. Interests	6,048	0	6,048
2		Riverside Co. Water Interests	<u>2,143</u>	<u>11,201</u>	<u>13,344</u>
3		TOTAL	8,191	11,201	19,392
1	1986	San Bernardino Co. Wtr. Interests	7,401	0	7,401
2		Riverside Co. Water Interests	<u>1,245</u>	<u>8,691</u>	<u>9,936</u>
3		TOTAL	8,646	8,691	17,337

Line 1: Table 53, Column (3).

Line 2: Table 52A, Columns (2), (3), (1).

TABLE NO 54

TOTAL VERIFIED EXTRACTIONS FROM THAT PORTION
OF THE RIVERSIDE BASIN SITUATED IN SAN BERNARDINO COUNTY FOR THE
PERIOD 1976 THROUGH CURRENT YEAR
BY SAN BERNARDINO AND RIVERSIDE COUNTY ENTITIES
FOR USE WITHIN EACH COUNTY

(Quantities in Acre Feet)

Line No.	Calendar Year	Producer	Place of Use		Total Production
			San Bernardino County	Riverside County	
1	1987	San Bernardino Co. Wtr. Interests	7,374	0	7,374
2		Riverside Co. Water Interests	<u>717</u>	<u>7,712</u>	<u>8,429</u>
3		TOTAL	8,091	7,712	15,803
1	1988	San Bernardino Co. Wtr. Interests	7,126	0	7,126
2		Riverside Co. Water Interests	<u>773</u>	<u>8,925</u>	<u>9,698</u>
3		TOTAL	7,899	8,925	16,824
1	1989	San Bernardino Co. Wtr. Interests	7,781	0	7,781
2		Riverside Co. Water Interests	<u>1,619</u>	<u>16,157</u>	<u>17,776</u>
3		TOTAL	9,400	16,157	25,557
1	1990	San Bernardino Co. Wtr. Interests	7,872	0	7,872
2		Riverside Co. Water Interests	<u>2,628</u>	<u>15,871</u>	<u>18,499</u>
3		TOTAL	10,500	15,871	26,371
1	1991	San Bernardino Co. Wtr. Interests	6,472	0	6,472
2		Riverside Co. Water Interests	<u>2,984</u>	<u>18,555</u>	<u>21,539</u>
3		TOTAL	9,456	18,555	28,011
1	1992	San Bernardino Co. Wtr. Interests	5,652	0	* 5,652
2		Riverside Co. Water Interests	<u>1,579</u>	<u>14,728</u>	<u>16,307</u>
3		TOTAL	7,231	14,728	21,959

Line 1: Table 53, Column (3).

Line 2: Table 52A, Columns (2), (3), (1).

* corrected during 1993 verification (owl rock)

TABLE NO 54

TOTAL VERIFIED EXTRACTATIONS FROM THAT PORTION
OF THE RIVERSIDE BASIN SITUATED IN SAN BERNARDINO COUNTY FOR THE
PERIOD 1976 THROUGH CURRENT YEAR
BY SAN BERNARDINO AND RIVERSIDE COUNTY ENTITIES
FOR USE WITHIN EACH COUNTY

(Quantities in Acre Feet)

Line No.	Calendar Year	Producer	Place of Use		Total Production
			San Bernardino County	Riverside County	
1	1993	San Bernardino Co. Wtr. Interests	5,428	0	5,428
2		Riverside Co. Water Interests	<u>1,735</u>	<u>14,703</u>	<u>16,438</u>
3		TOTAL	7,163	14,703	21,866
1	1994	San Bernardino Co. Wtr. Interests	5,711	0	5,711
2		Riverside Co. Water Interests	<u>1,746</u>	<u>12,204</u>	<u>13,950</u>
3		TOTAL	7,457	12,204	19,661
1	1995	San Bernardino Co. Wtr. Interests	6,223	0	6,223*
2		Riverside Co. Water Interests	<u>1,696</u>	<u>15,946</u>	<u>17,642</u>
3		TOTAL	7,919	15,946	23,865
1	1996	San Bernardino Co. Wtr. Interests	11,986	0	**11,986
2		Riverside Co. Water Interests	<u>1,307</u>	<u>13,405</u>	<u>14,712</u>
3		TOTAL	13,293	13,405	26,698
1	1997	San Bernardino Co. Wtr. Interests	17,887	0	**17,887
2		Riverside Co. Water Interests	<u>1,352</u>	<u>11,045</u>	<u>12,397</u>
3		TOTAL	19,239	11,045	30,284
1	1998	San Bernardino Co. Wtr. Interests	22,112	0	22,112
2		Riverside Co. Water Interests	<u>1,324</u>	<u>9,680</u>	<u>11,004</u>
3		TOTAL	23,436	9,680	33,116

Line 1: Table 53, Column (3).

Line 2: Table 52A, Columns (2), (3), (1).

* Corrected during 1996 Verification.

** Corrected during 1998 Verification.

TABLE NO. 54
TOTAL VERIFIED EXTRACTIONS FROM THAT PORTION
OF THE RIVERSIDE BASIN SITUATED IN SAN BERNARDINO COUNTY FOR THE
PERIOD 1976 THROUGH CURRENT YEAR
BY SAN BERNARDINO AND RIVERSIDE COUNTY ENTITIES
FOR USE WITHIN EACH COUNTY

(Quantities in Acre Feet)

Ln. #	Calendar Year	Producer	Place of Use		Total Production in A.F.
			San Bernardino County	Riverside County	
1	1999	San Bernardino Co. Wtr. Interests	21,785	0	21,785
2		Riverside Co. Wtr. Interests	1,866	11,716	13,582
3		TOTAL	23,651	11,716	35,367
1	2000	San Bernardino Co. Wtr. Interests	23,310	0	23,310
2		Riverside Co. Wtr. Interests	1,120	11,369	12,489
3		TOTAL	24,430	11,369	35,799
1	2001	San Bernardino Co. Wtr. Interests	20,603	0	20,603
2		Riverside Co. Wtr. Interests	1,280	9,113	10,393
3		TOTAL	21,883	9,113	30,996
1	2002	San Bernardino Co. Wtr. Interests	13,602	0	13,602
2		Riverside Co. Wtr. Interests	2,440	11,675	14,115
3		TOTAL	16,042	11,675	27,717
1	2003	San Bernardino Co. Wtr. Interests		0	0
2		Riverside Co. Wtr. Interests			0
3		TOTAL	0	0	0
1	2004	San Bernardino Co. Wtr. Interests		0	0
2		Riverside Co. Wtr. Interests			0
3		TOTAL	0	0	0
1	2005	San Bernardino Co. Wtr. Interests		0	0
2		Riverside Co. Wtr. Interests			0
3		TOTAL	0	0	0

line 1: Table 53, Column (3)

line 2: Table 52A, Column (2), (3), (1)

TABLE NO. 56

TOTAL VERIFIED EXTRACTIONS BY RIVERSIDE ENTITIES
FROM THE RIVERSIDE BASIN ARE WITHIN RIVERSIDE COUNTY
FOR USE WITHIN RIVERSIDE COUNTY

(Quantities in Acre Feet)

Year	Extractions	Accumulated Extractions
1971	30,942	30,942
1972	37,804	68,746
1973	33,094	101,840
1974	38,304	140,144
1975	28,285	168,429
1976	31,565	199,994
1977	28,226	228,220
1978	24,878	253,098
1979	25,512	278,610
1980	30,206	308,816
1981	30,243	339,059
1982	20,365	359,424
1983	22,991	382,415
1984	32,466	414,881
1985	23,970	438,851
1986	24,549	463,400
1987	24,202	487,602
1988	24,470 1) 3)	512,072
1989	34,417 2) 3)	546,489
1990	31,760 3)	578,249
1991	29,364 4)	607,613
1992	26,538 4)	634,151
1993	26,505	660,656
1994	28,125	688,781
1995	22,580	711,361
1996	24,906	736,267
1997	29,128	765,395
1998	28,558	793,953
1999	33,882	827,835
2000	32,308	860,143
2001	33,701	893,844
2002	31,058	924,902
2003		
2004		
2005		

Same Table No.4, Volume 4.

The verified extraction for the five-year base period ending in 1963 are 29,634 acre feet annually, as compared with 30,044 acre feet annually assumed in the Judgement.

- 1) Corrected during 1989 verification (Michael C.).
- 2) Corrected during 1990 verification (Riv. Cement 60-1, C of R Garner)
- 3) Corrected during 1991 verification (Riv.Co Pk Edmund, wrong meter #)
- 4) Corrected during 1993 verification (Riv Cement 88-1).

TABLE NO. 57

SUMMARY OF EXTRACTIONS FROM SAN BERNARDINO
BASIN AREA, COLTON BASIN AREA, RIVERSIDE BASIN AREA
IN SAN BERNARDINO COUNTY, AND RIVERSIDE BASIN AREA
IN RIVERSIDE COUNTY FOR USE IN RIVERSIDE COUNTY
(Quantities in Acre Feet)

Basin Extractions for Use in Riverside County

Calendar Year	San Bernardino Basin Area From Table 36-E	Colton Basin Area From Table 38	Riverside North Basin From Table 52	RiversideSouth Basin From Table 56	Total
1971	57,477	2,777	18,108	30,942	109,304
1972	50,744	2,611	18,588	37,804	109,747
1973	47,083	615	13,986	33,094	94,778
1974	49,445	1,464	13,583	38,304	102,796
1975	54,132	3,873	14,963	28,285	101,253
1976	58,776	2,683	16,141	31,565	109,165
1977	56,577	2,269	14,432	28,226	101,504
1978	47,012	895	9,055	24,878	81,840
1979	57,397	1,682	10,592	25,512	95,183
1980	54,007	71	9,191	30,206	93,475
1981	55,763	173	13,067	30,243	99,246
1982	54,052	981	8,457	20,365	83,855
1983	48,978	95	3,775	22,991	75,839
1984	65,894	1,340	9,560	32,466	109,260
1985	69,523	2,244	11,201	23,970	106,938
1986	67,540	1,600	8,691	24,549	102,380
1987	64,113	1,557	7,712	24,202	97,584
1988	71,155	1,707	8,925	24,470	106,257 ¹⁾
1989	58,683	2,005	16,157	34,417	111,262 ²⁾
1990	53,260	1,652	15,871	31,760	102,543 ³⁾
1991	58,365	1,835	18,555	29,364	108,119 ⁴⁾
1992	55,827	1,455	14,728	26,538	98,548 ⁴⁾
1993	58,959	396	14,703	26,505	100,563
1994	67,415	1,066	12,204	28,125	108,810
1995	61,105	489	15,946	22,580	100,120
1996	69,561	577	13,404	24,906	108,449
1997	66,259	1,141	11,039	29,128	107,568
1998	59,915	251	9,674	28,558	98,397
1999	68,595	912 ⁵⁾	11,716	33,882	115,105
2000	67,503	85	11,369	32,308	111,265
2001	63,301	165	9,113	33,701	106,280
2002	71,892	1,279	11,769	31,058	115,999
2003					
2004					
2005					

FOR YEARS PRECEDING 1971: Refer to Volume 5, August 1976, Page IV-11.

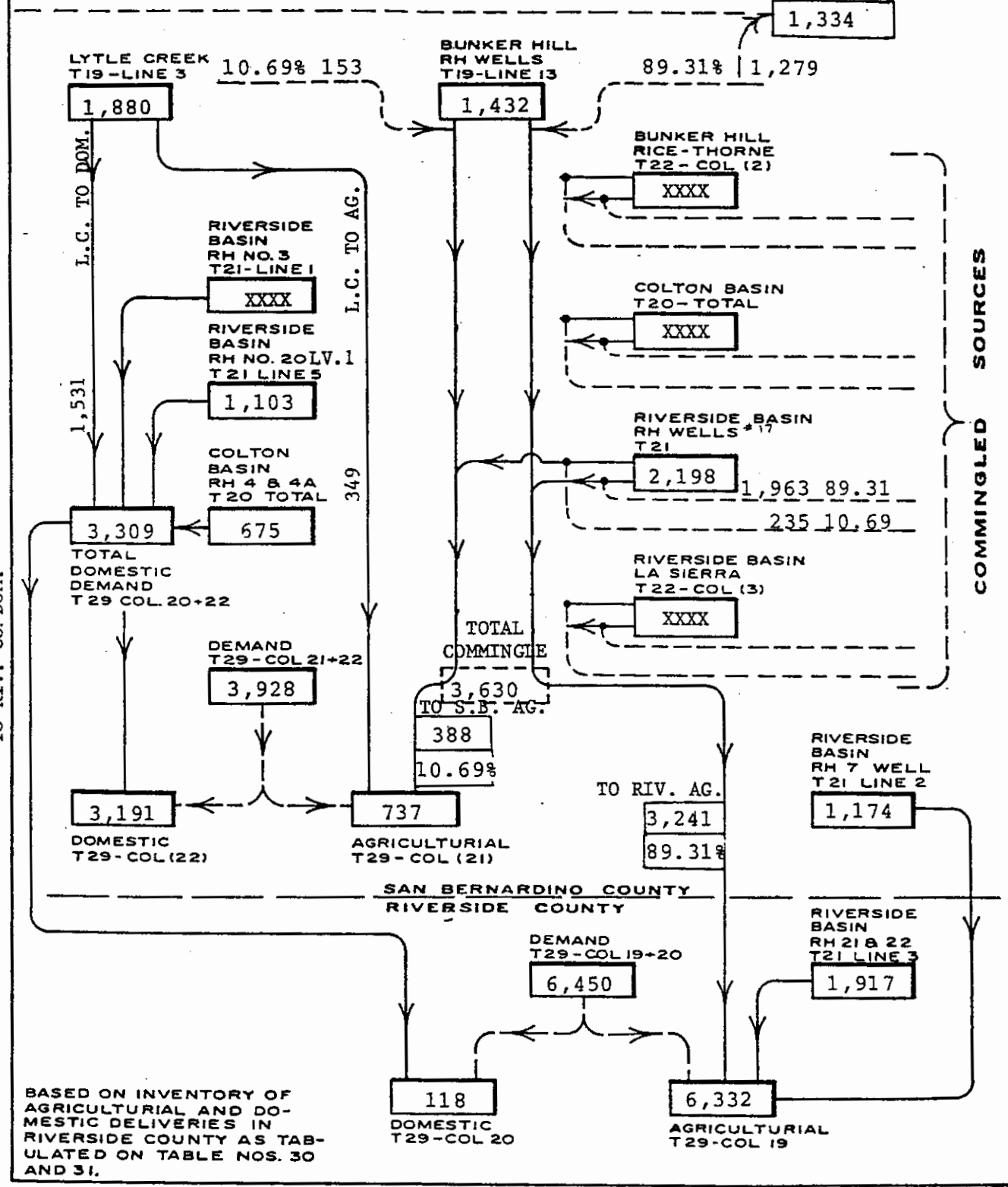
- 1) Corrected during 1989 Verification.
- 2) Corrected during 1990 Verification.
- 3) Corrected during 1991 Verification.
- 4) Corrected during 1993 Verification.
- 5) Corrected during 2000 Verification.

RIVERSIDE HIGHLAND WATER COMPANY DIAGRAM ILLUSTRATING THE PRODUCTION AND DISTRIBUTION NORTH AND SOUTH OF RIVERSIDE-SAN BERNARDINO CO. LINE

YEAR 1985

TOTAL BUNKER HILL EXPORT
TO RIVERSIDE COUNTY

L.C. = 55 % = 46.27
RIV. = 39 % = 33.33
COLT. = 24 % = 20.40

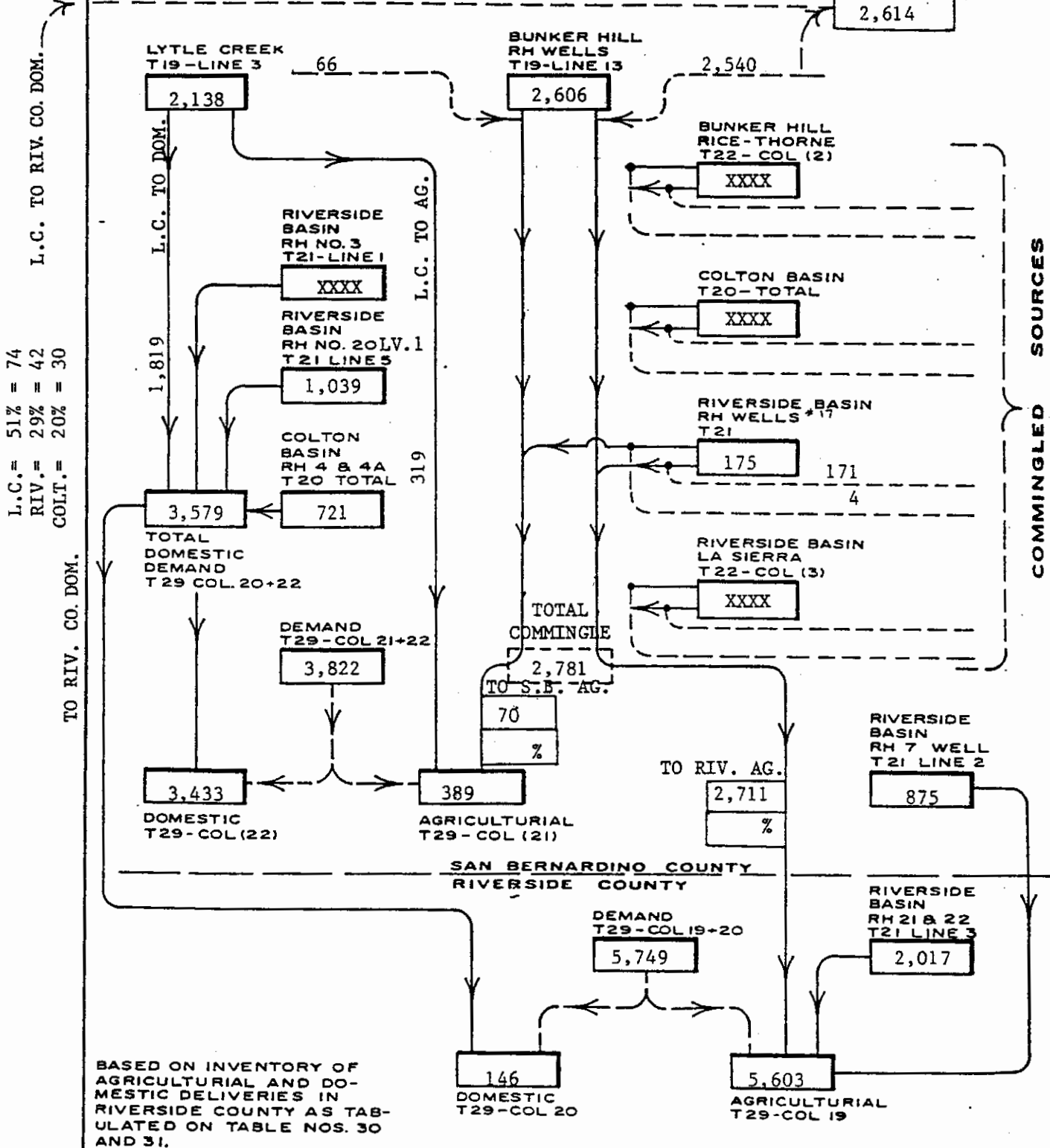


XXX NOT IN USE

**RIVERSIDE HIGHLAND WATER COMPANY
DIAGRAM ILLUSTRATING THE PRODUCTION AND DISTRIBUTION
NORTH AND SOUTH OF RIVERSIDE-SAN BERNARDINO CO. LINE**

YEAR 1986

TOTAL BUNKER HILL EXPORT
TO RIVERSIDE COUNTY

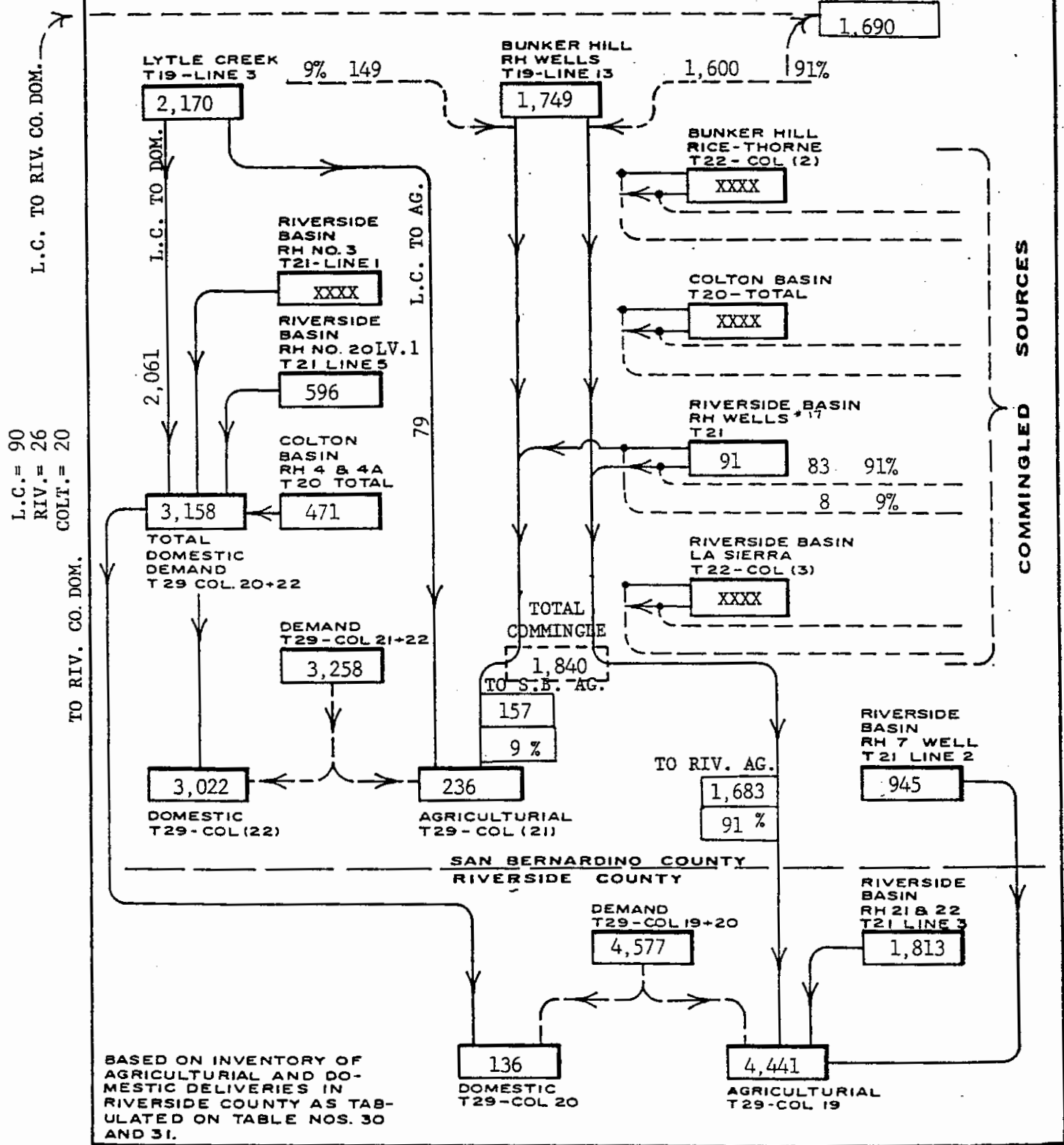


BASED ON INVENTORY OF AGRICULTURAL AND DOMESTIC DELIVERIES IN RIVERSIDE COUNTY AS TABULATED ON TABLE NOS. 30 AND 31.

**RIVERSIDE HIGHLAND WATER COMPANY
DIAGRAM ILLUSTRATING THE PRODUCTION AND DISTRIBUTION
NORTH AND SOUTH OF RIVERSIDE-SAN BERNARDINO CO. LINE**

YEAR 1987

TOTAL BUNKER HILL EXPORT
TO RIVERSIDE COUNTY

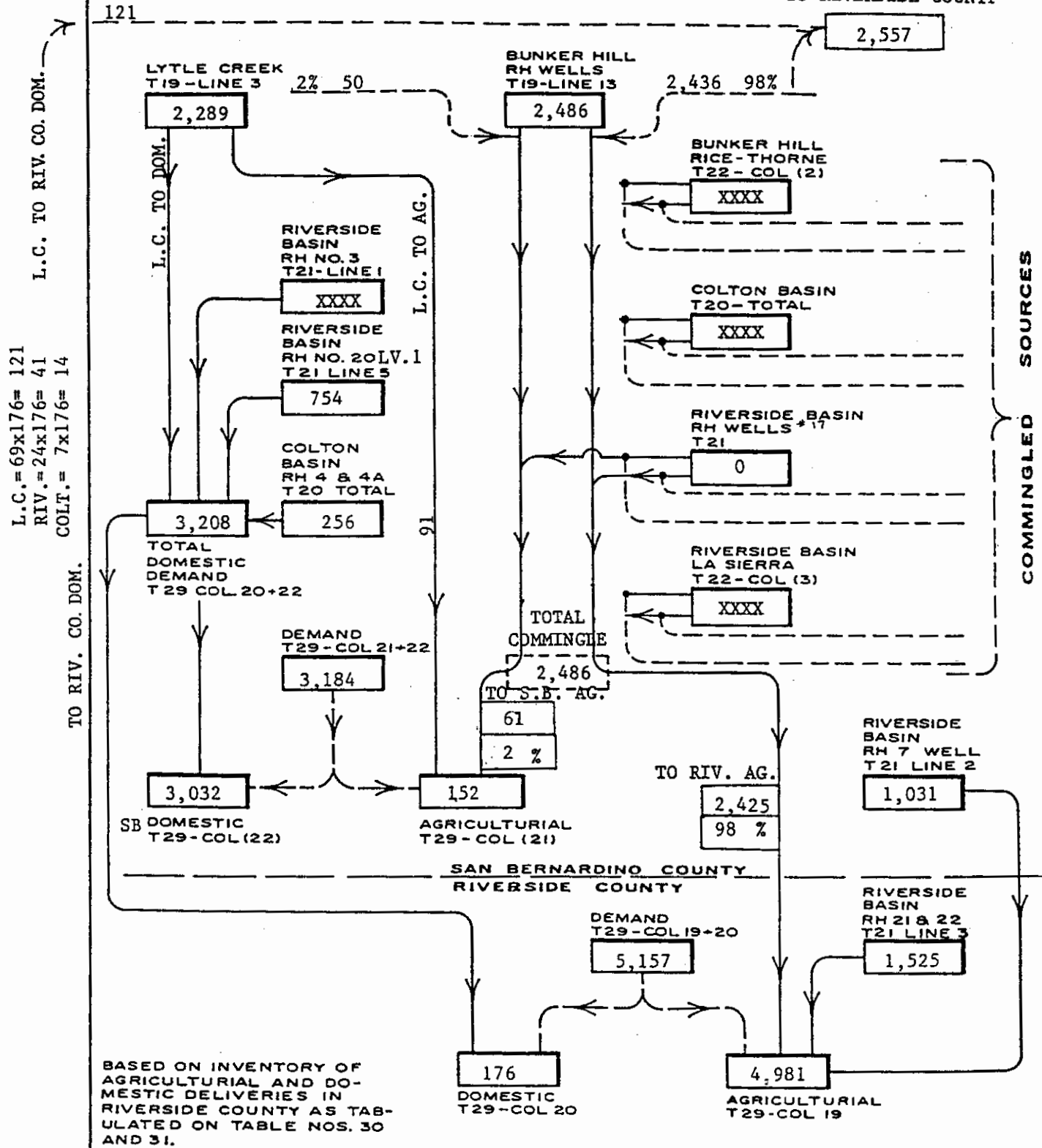


BASED ON INVENTORY OF AGRICULTURAL AND DOMESTIC DELIVERIES IN RIVERSIDE COUNTY AS TABULATED ON TABLE NOS. 30 AND 31.

**RIVERSIDE HIGHLAND WATER COMPANY
DIAGRAM ILLUSTRATING THE PRODUCTION AND DISTRIBUTION
NORTH AND SOUTH OF RIVERSIDE-SAN BERNARDINO CO. LINE**

YEAR 1988

TOTAL BUNKER HILL EXPORT
TO RIVERSIDE COUNTY

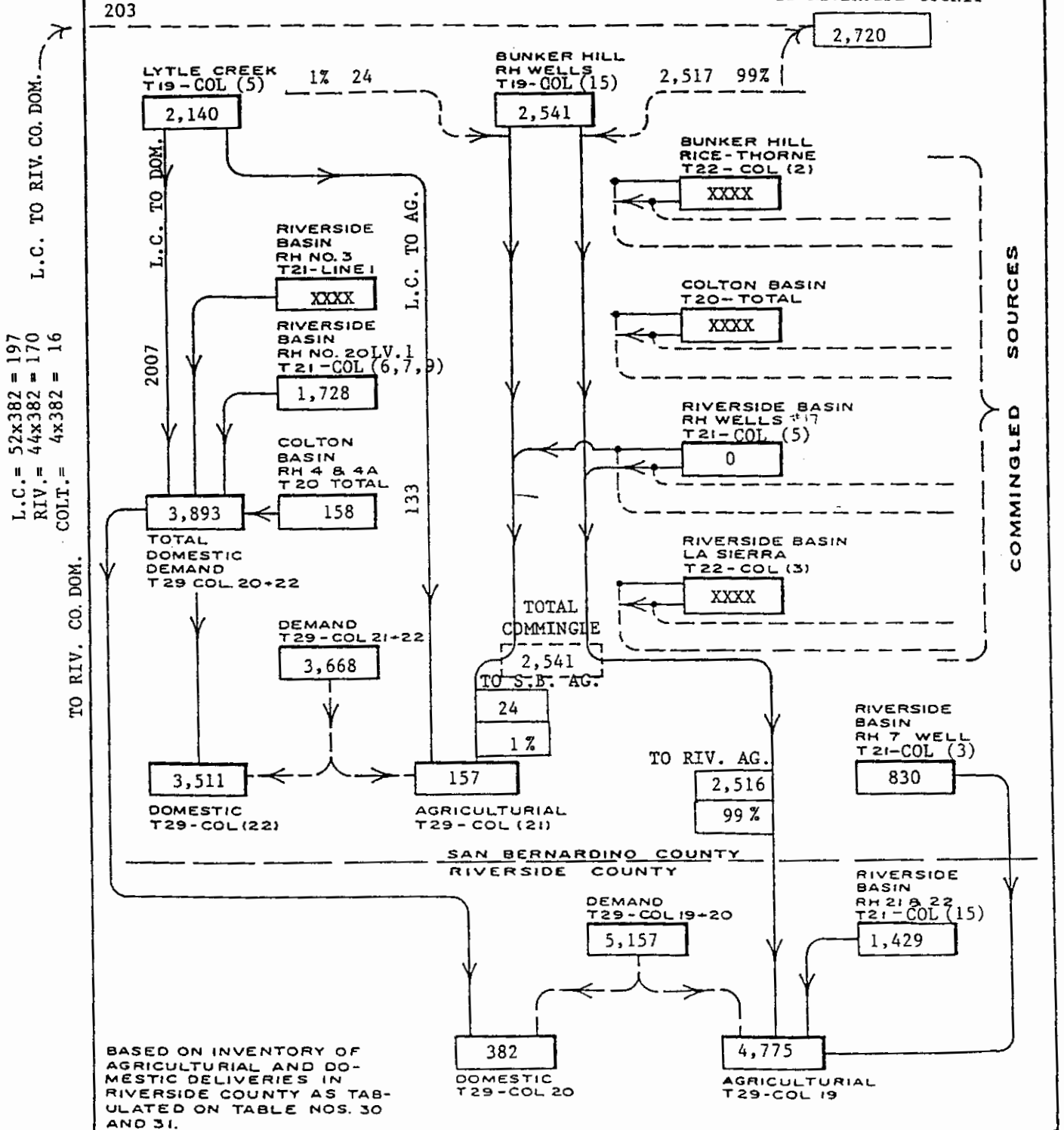


XXX NOT IN USE

**RIVERSIDE HIGHLAND WATER COMPANY
DIAGRAM ILLUSTRATING THE PRODUCTION AND DISTRIBUTION
NORTH AND SOUTH OF RIVERSIDE-SAN BERNARDINO CO. LINE**

YEAR 1989

TOTAL BUNKER HILL EXPORT
TO RIVERSIDE COUNTY



L.C. = 52x382 = 197
RIV. = 44x382 = 170
COLT. = 4x382 = 16

BASED ON INVENTORY OF AGRICULTURAL AND DOMESTIC DELIVERIES IN RIVERSIDE COUNTY AS TABULATED ON TABLE NOS. 30 AND 31.

XXX NOT IN USE

Riverside Highland Water Company 1990 Water Supply Distribution

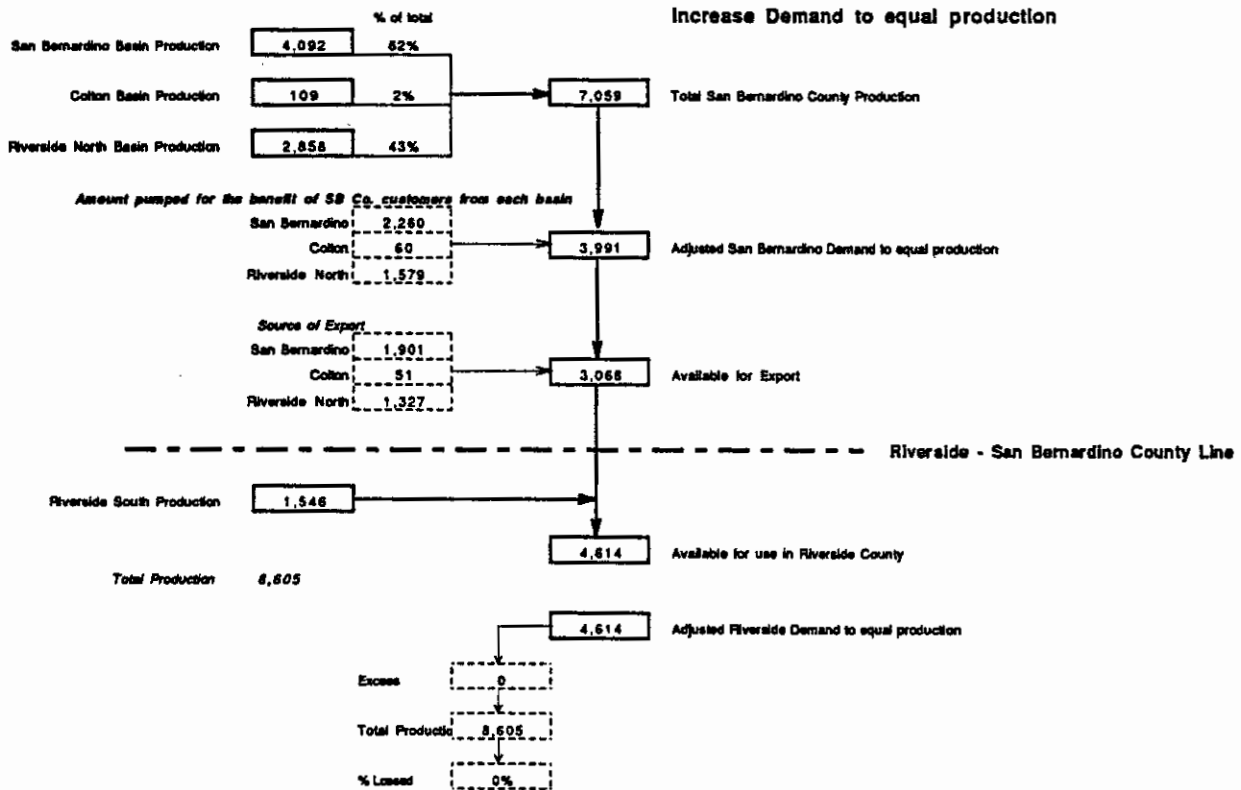
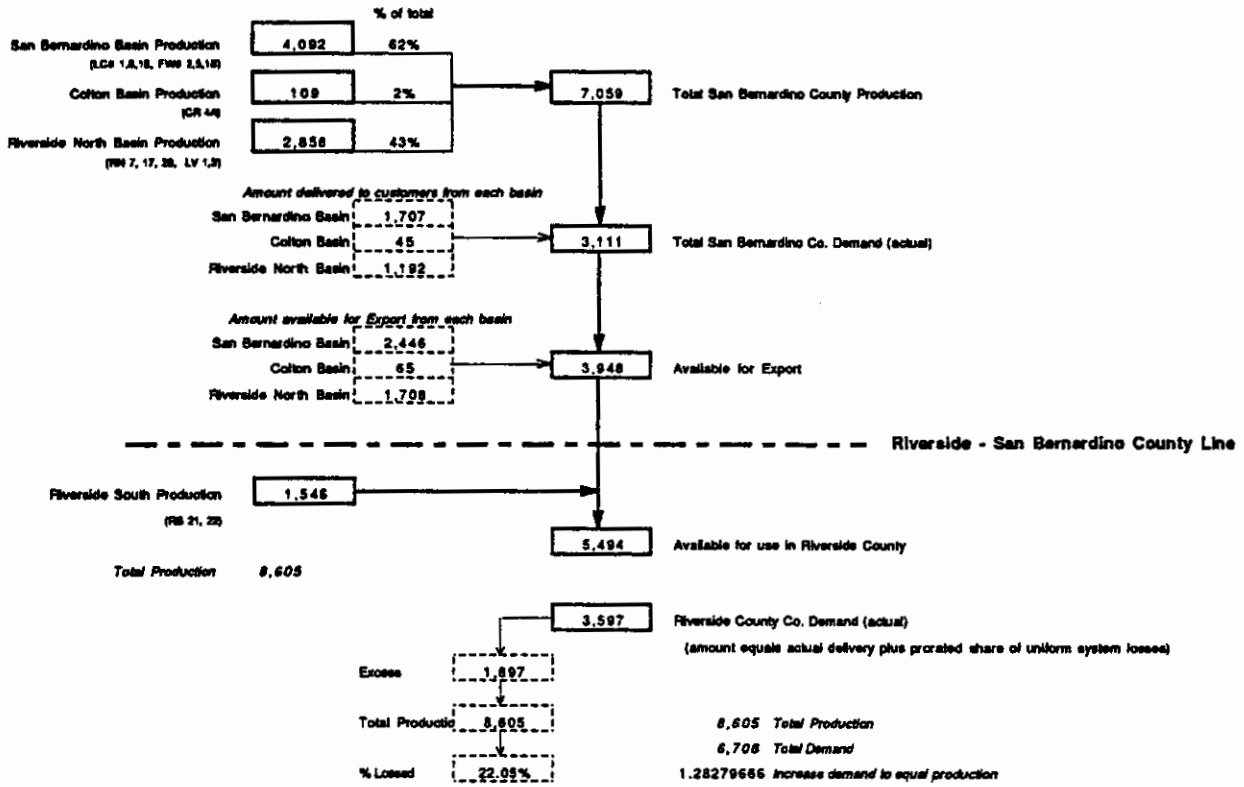
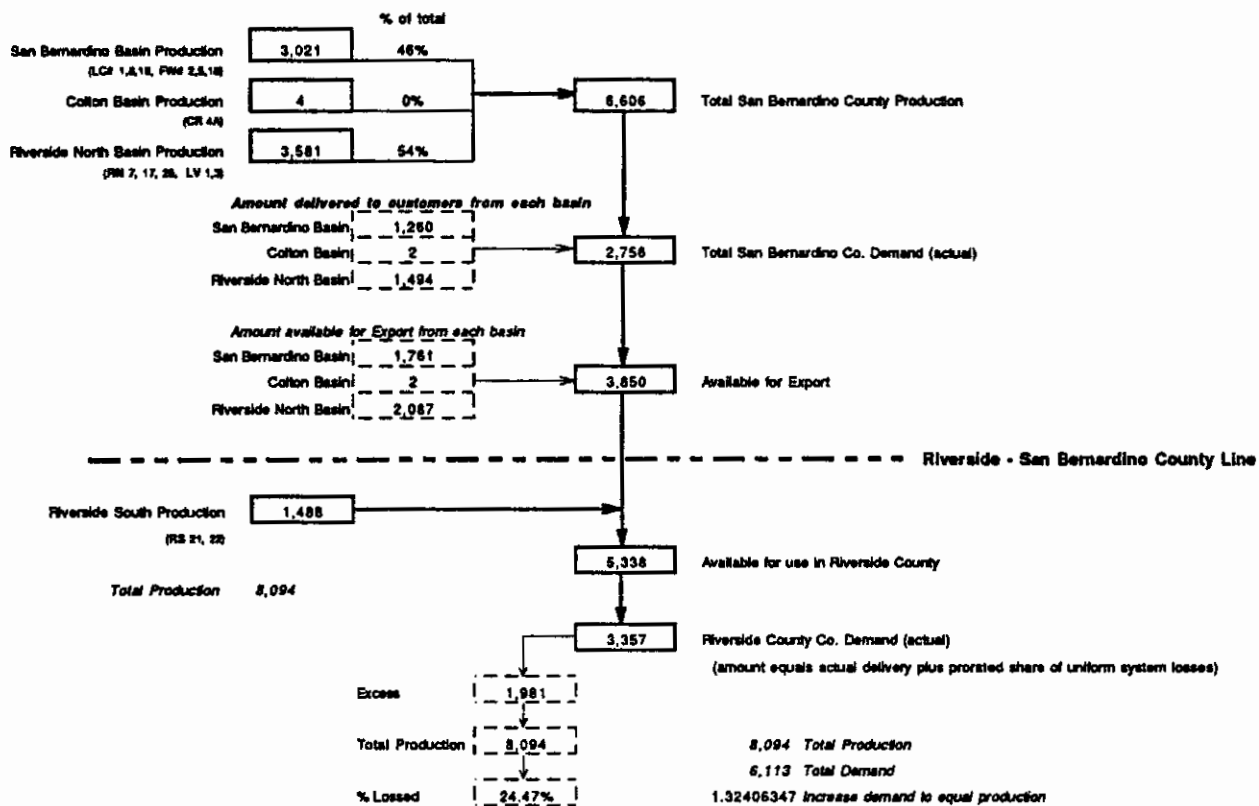


Diagram B

Riverside Highland Water Company
1991 Water Supply Distribution



Increase Demand to equal production

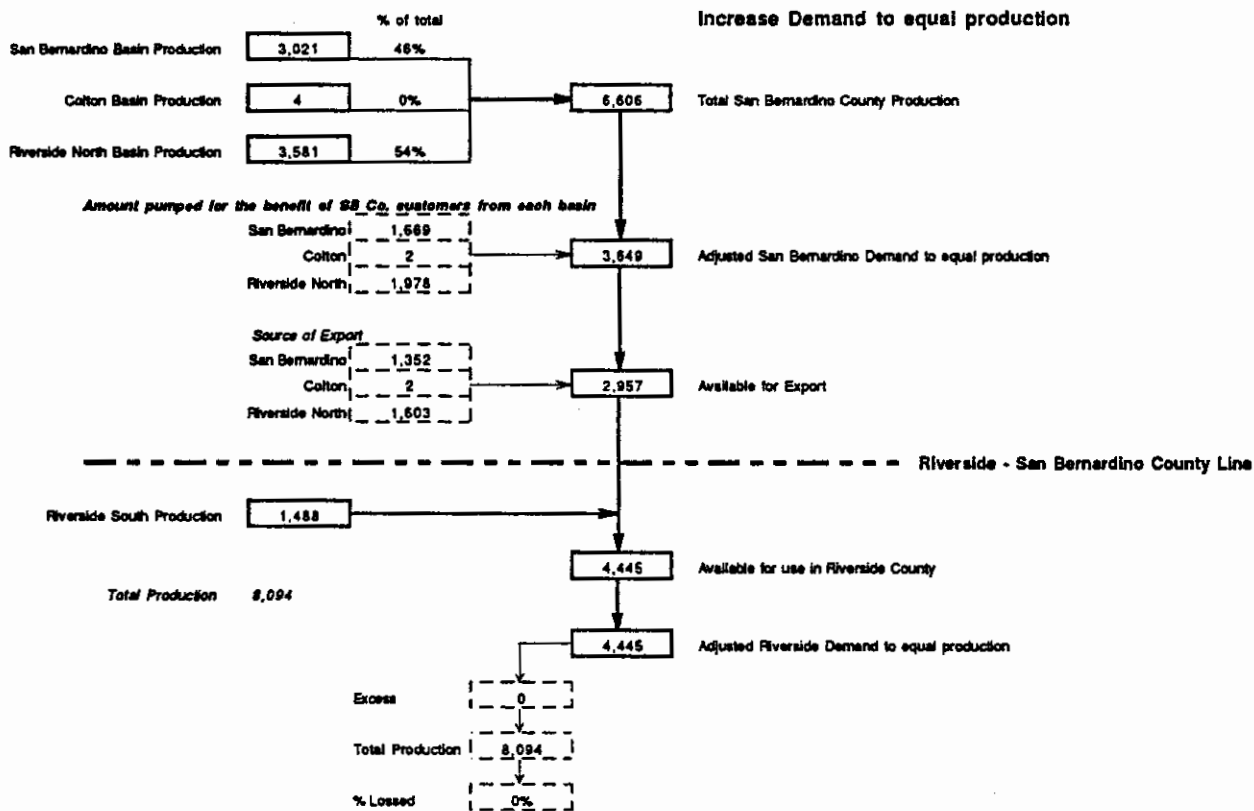


Diagram B

Riverside Highland Water Company 1992 Water Supply Distribution

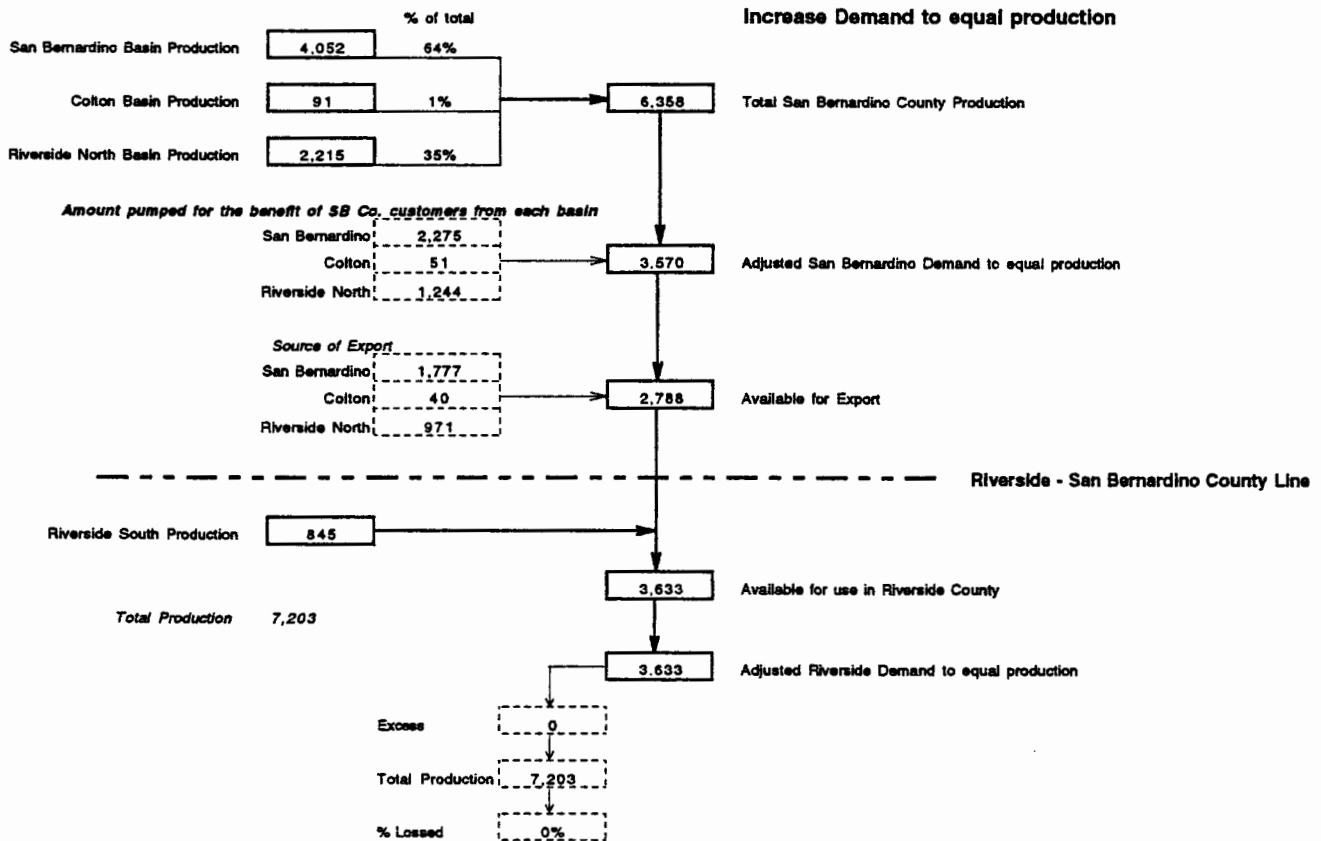
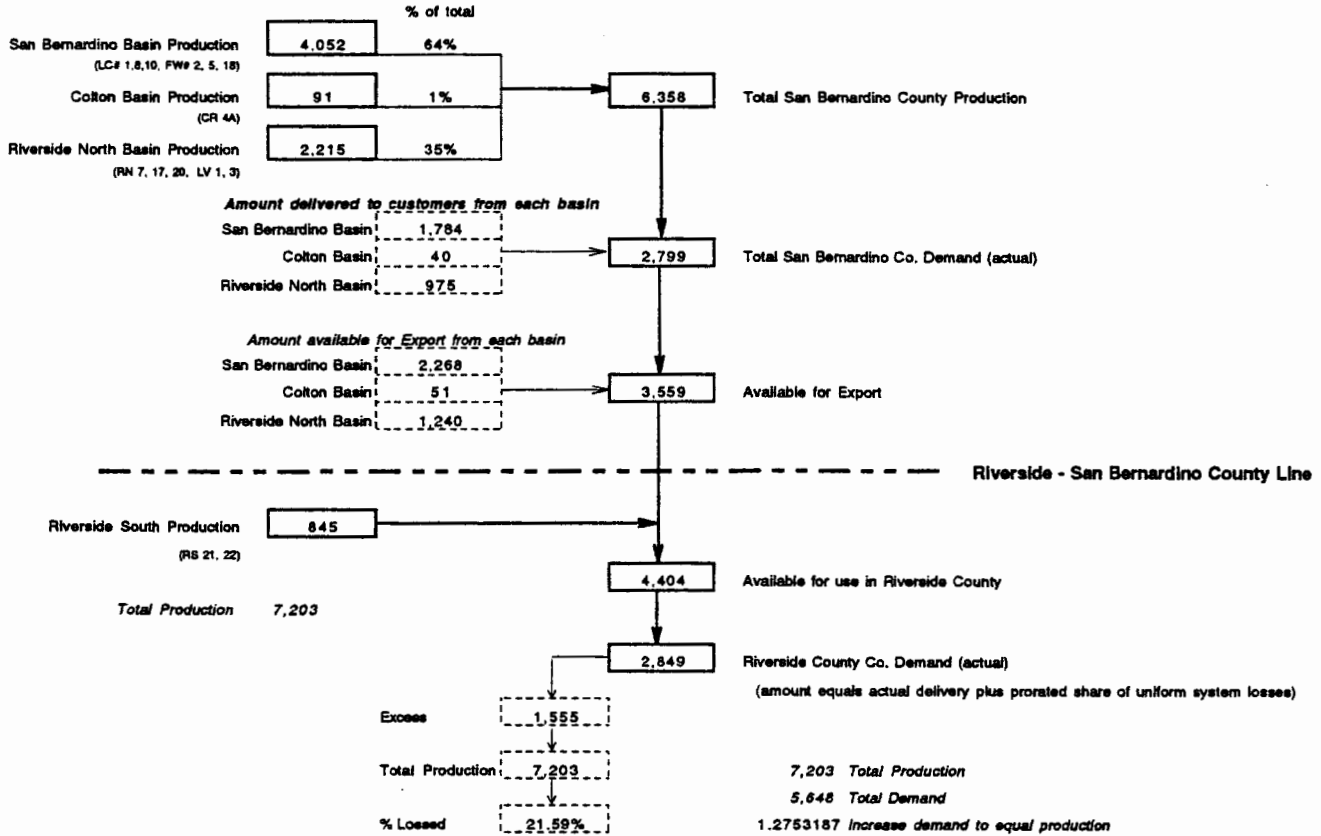
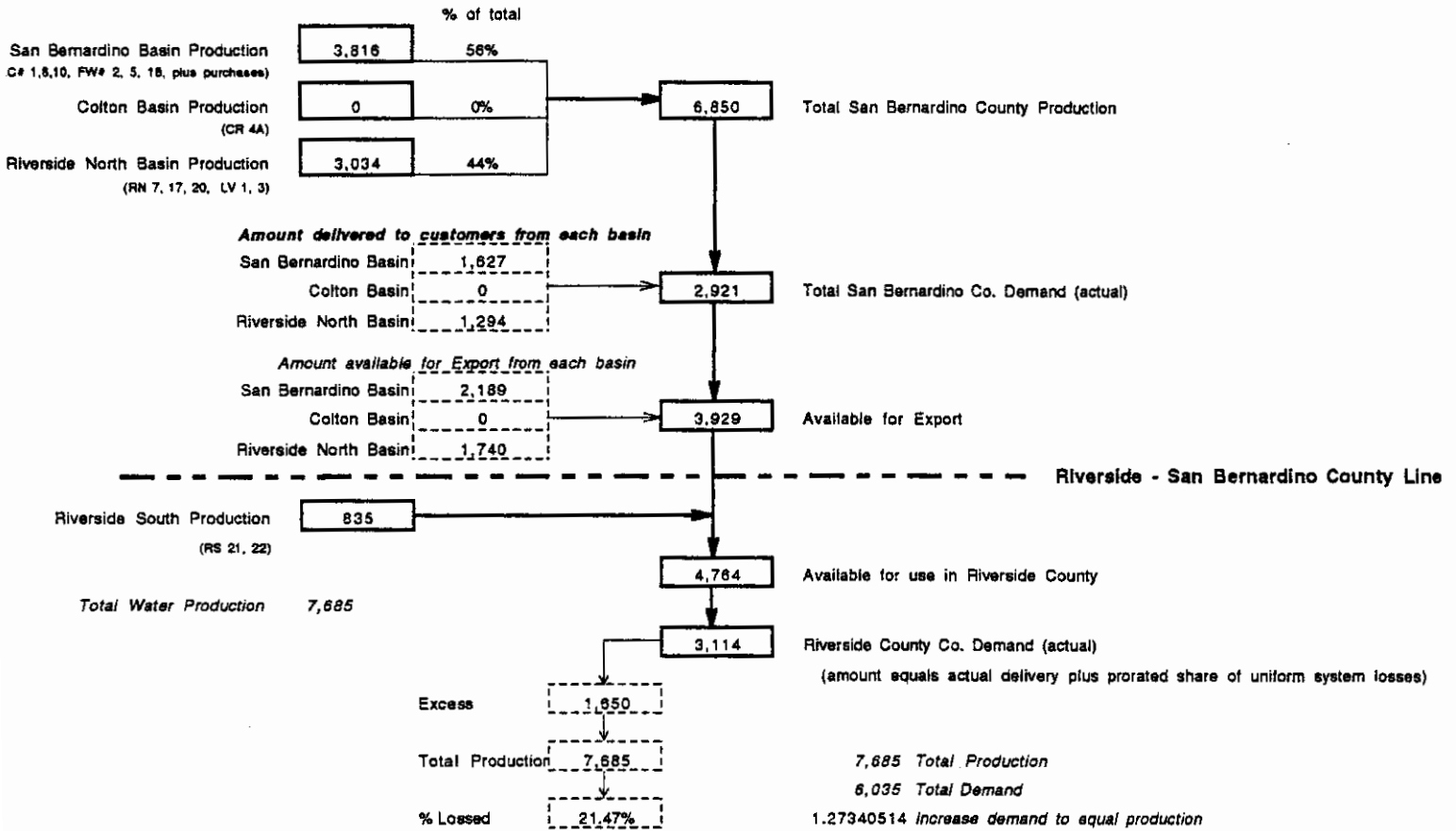


Diagram B

Riverside Highland Water Company 1993 Water Supply Distribution



Increase Demand to equal production

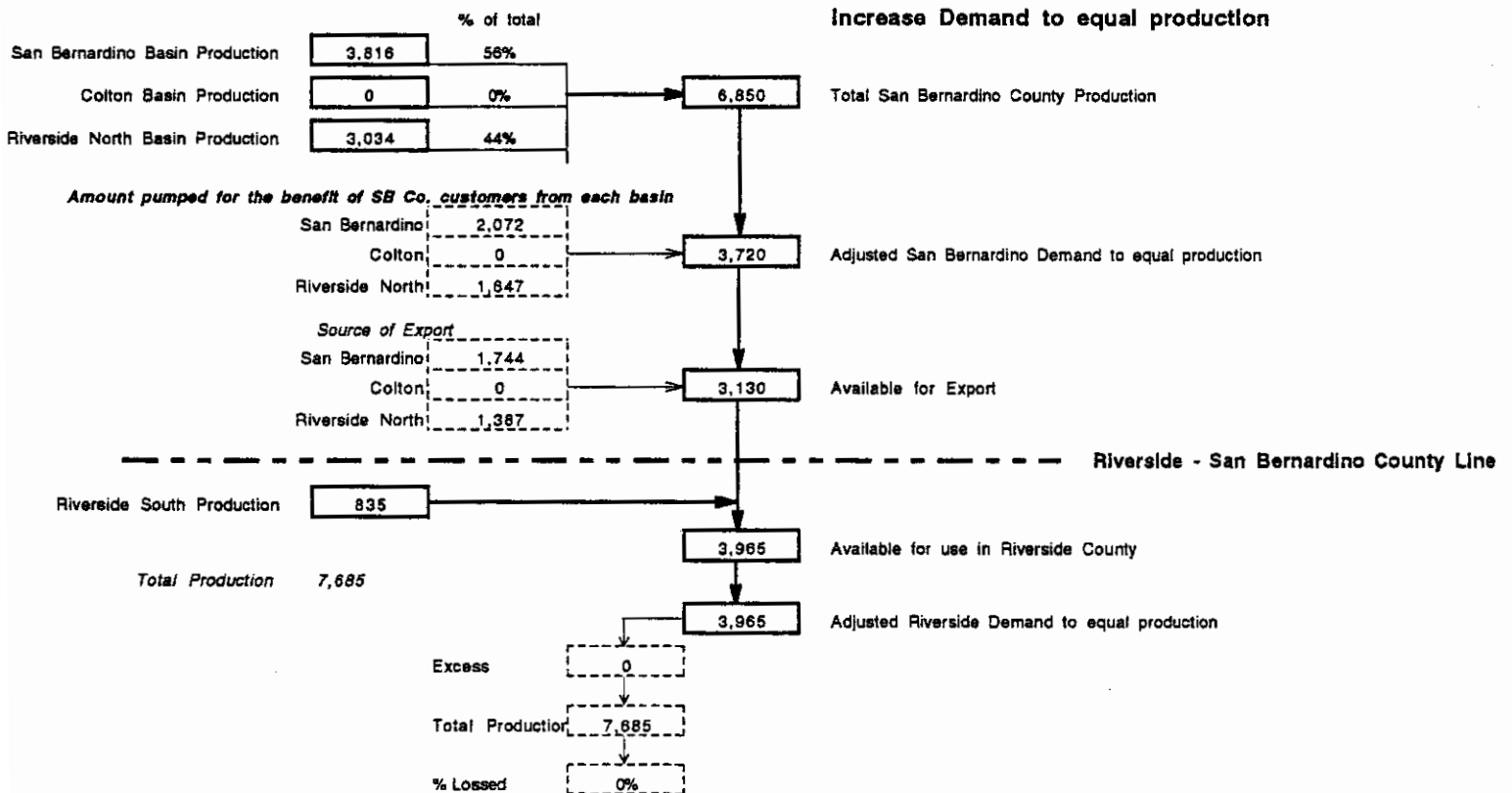
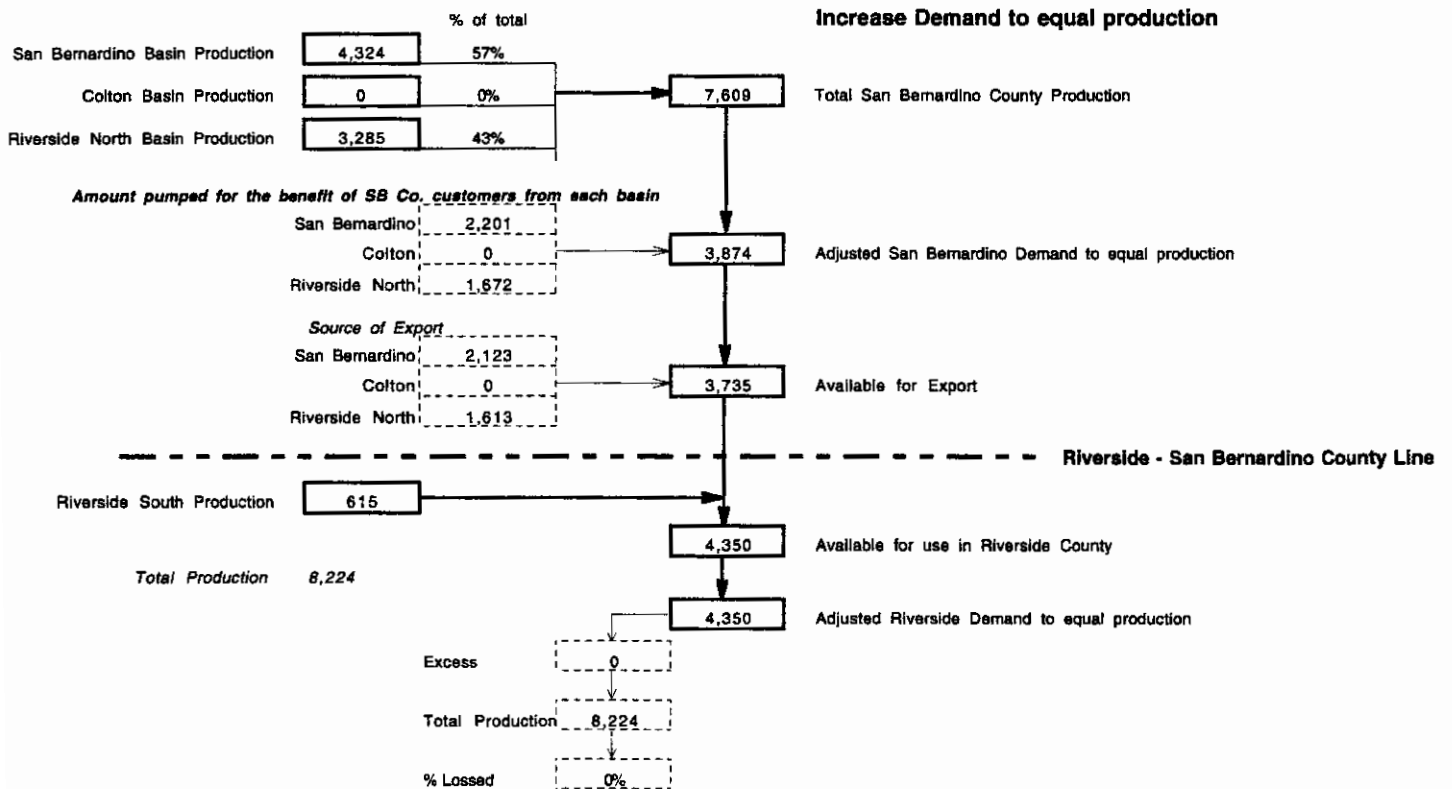
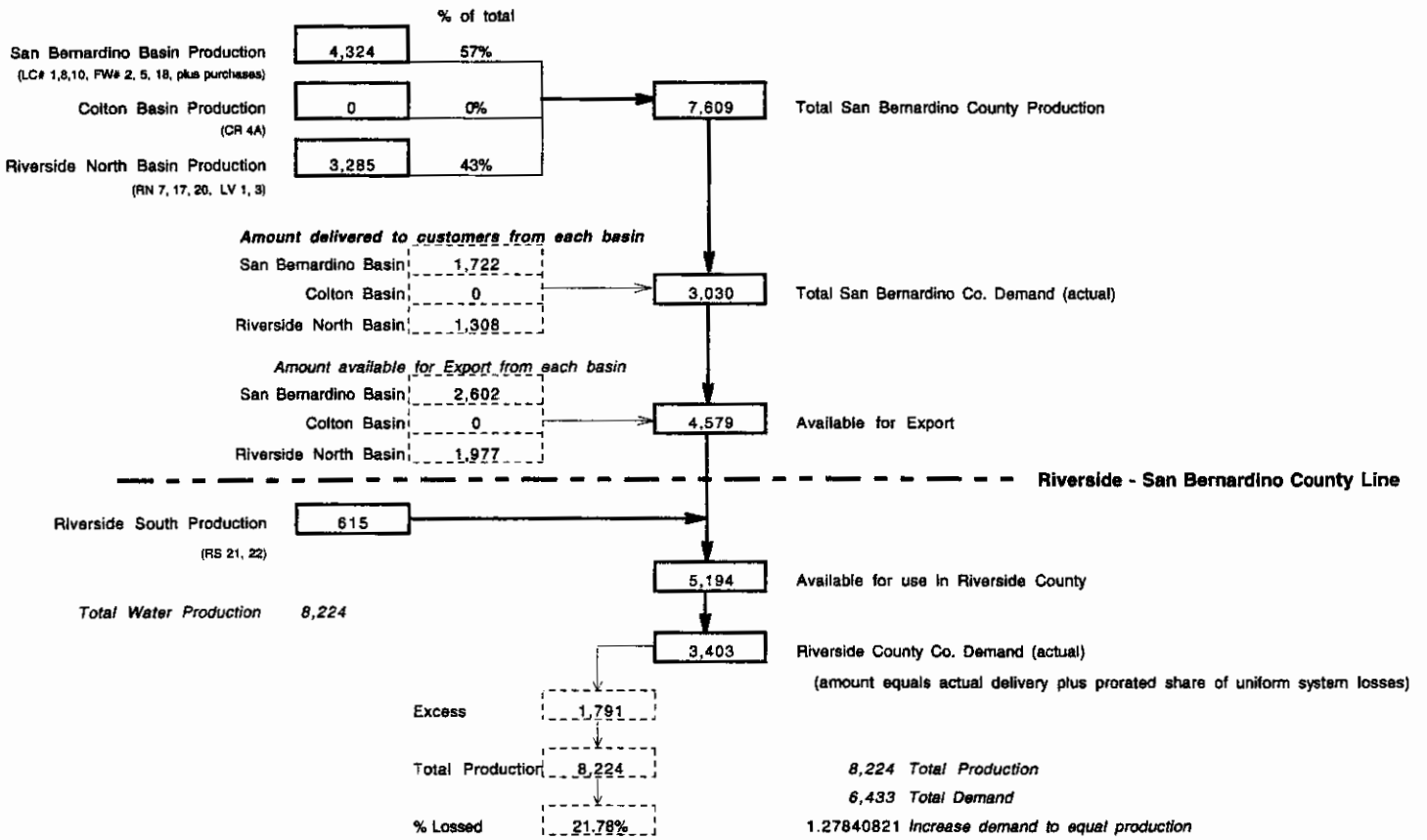
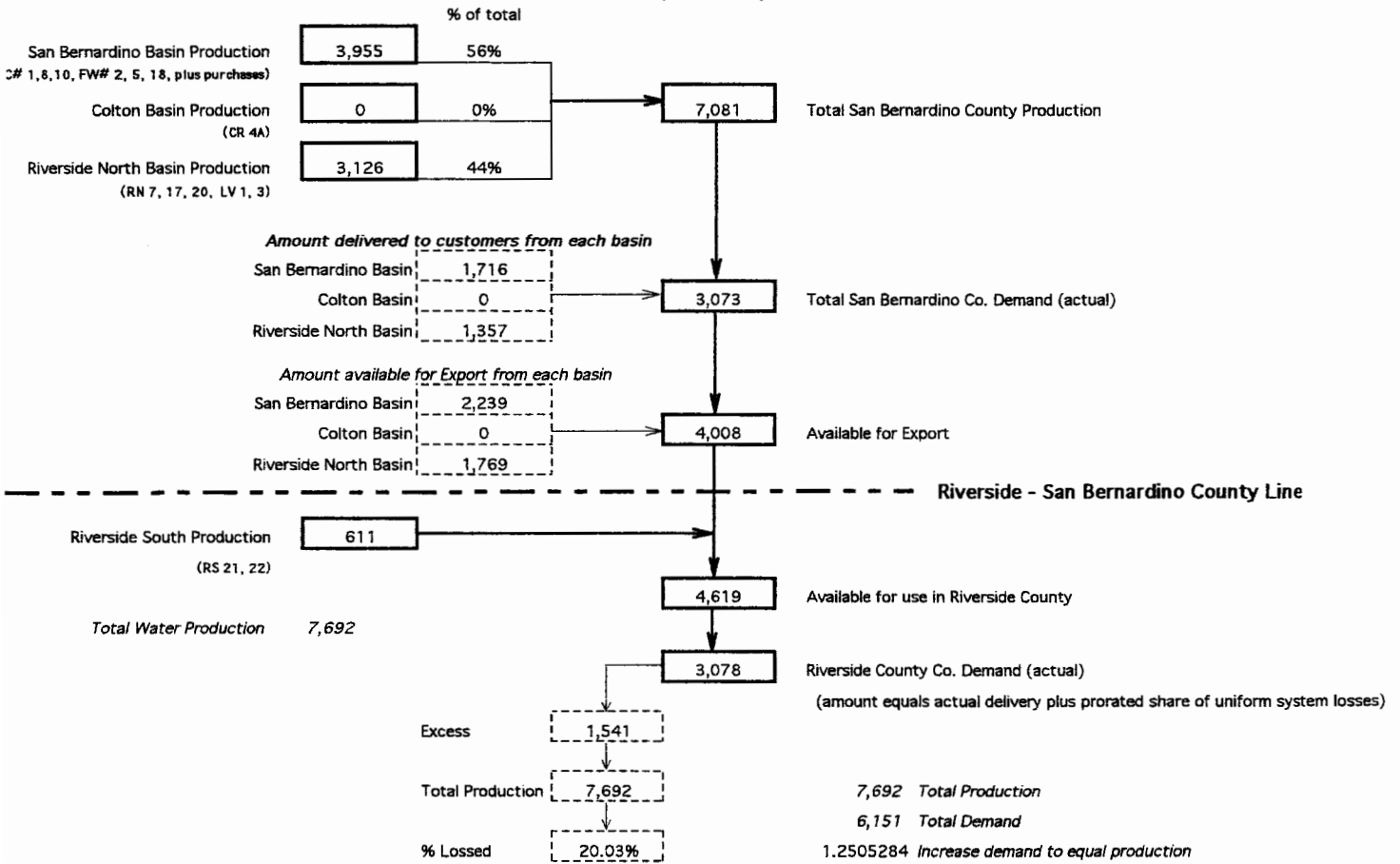


Diagram B Riverside Highland Water Company 1994 Water Supply Distribution

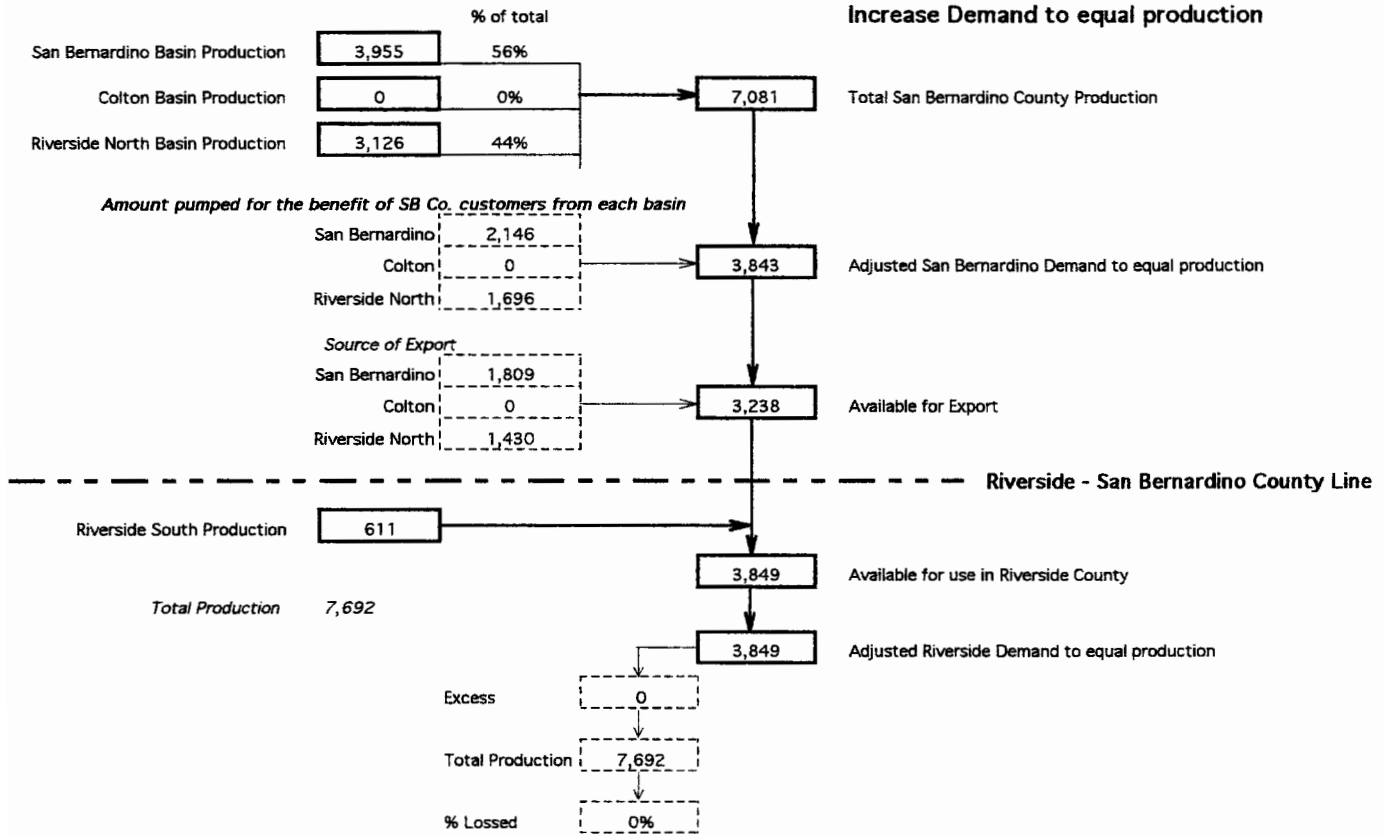


Riverside Highland Water Company 1995 Water Supply Distribution

(See Table 23R)



Increase Demand to equal production



Riverside Highland Water Company 1996 Water Supply Distribution

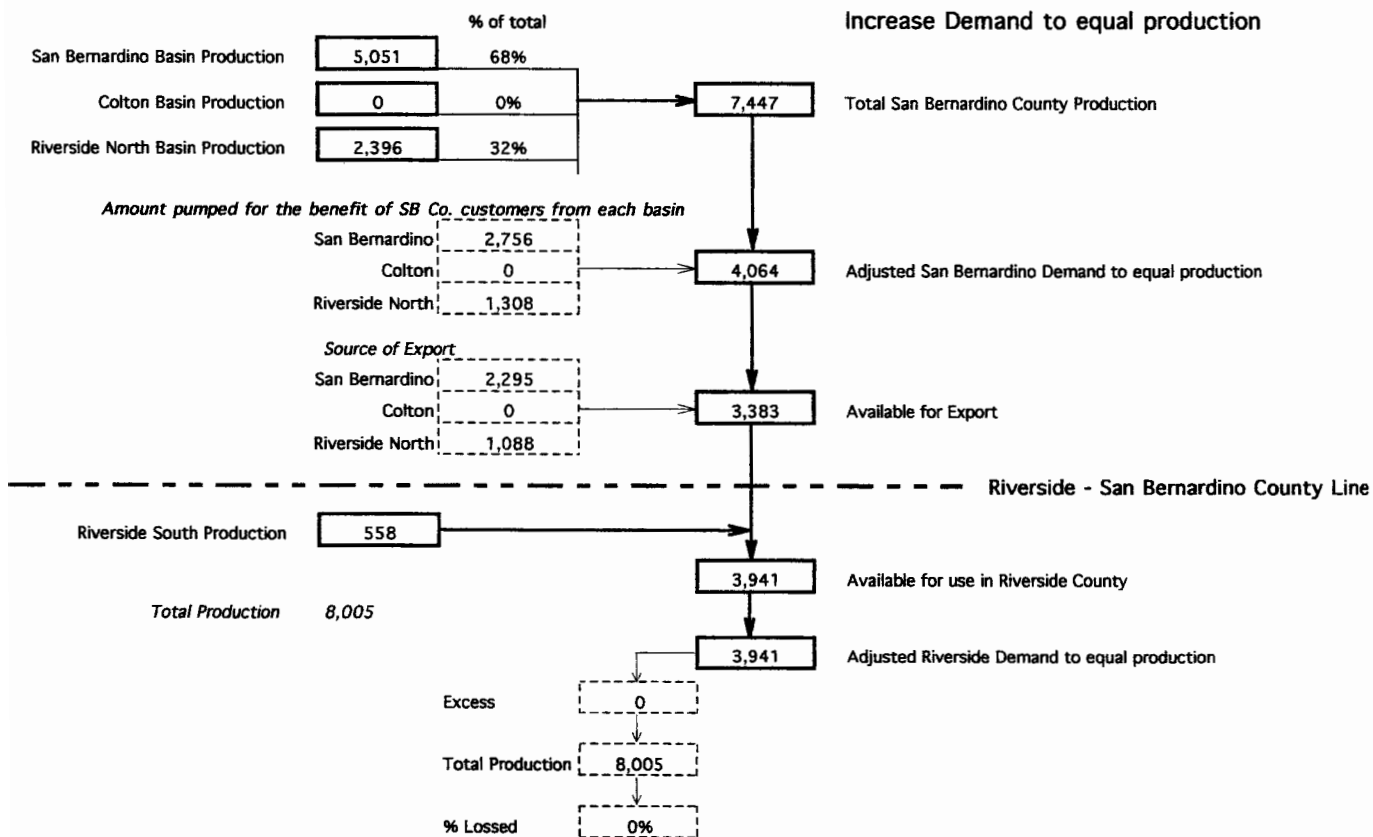
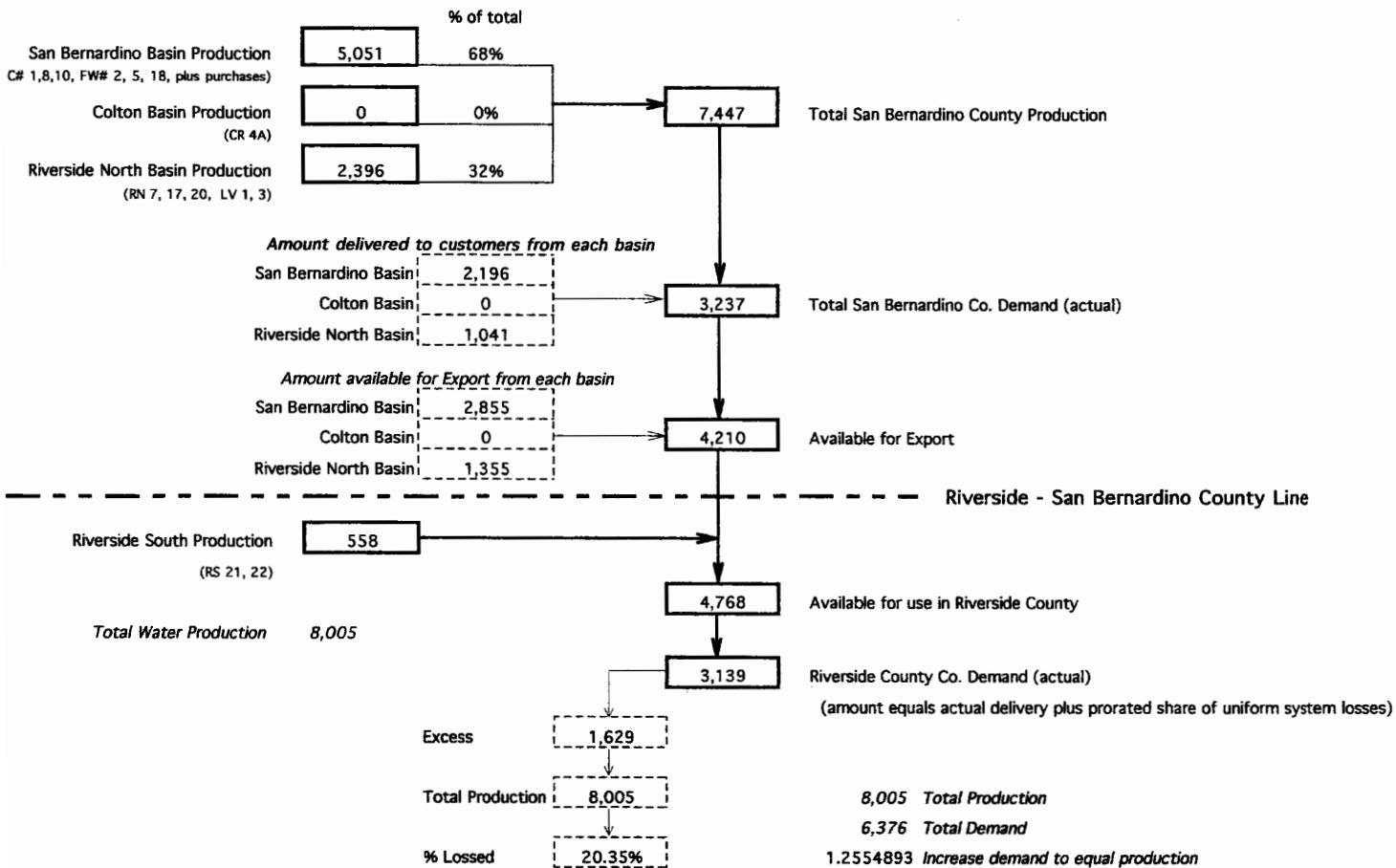
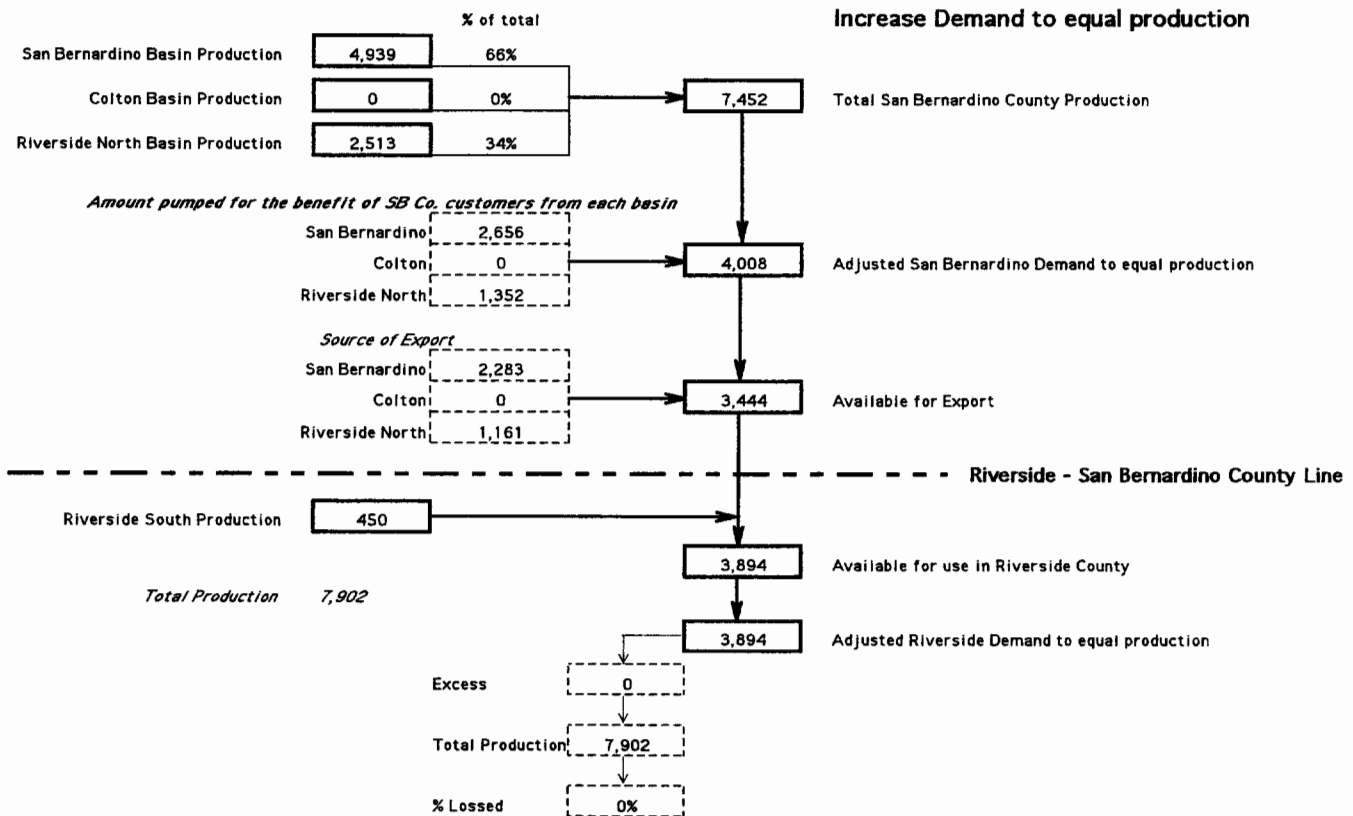
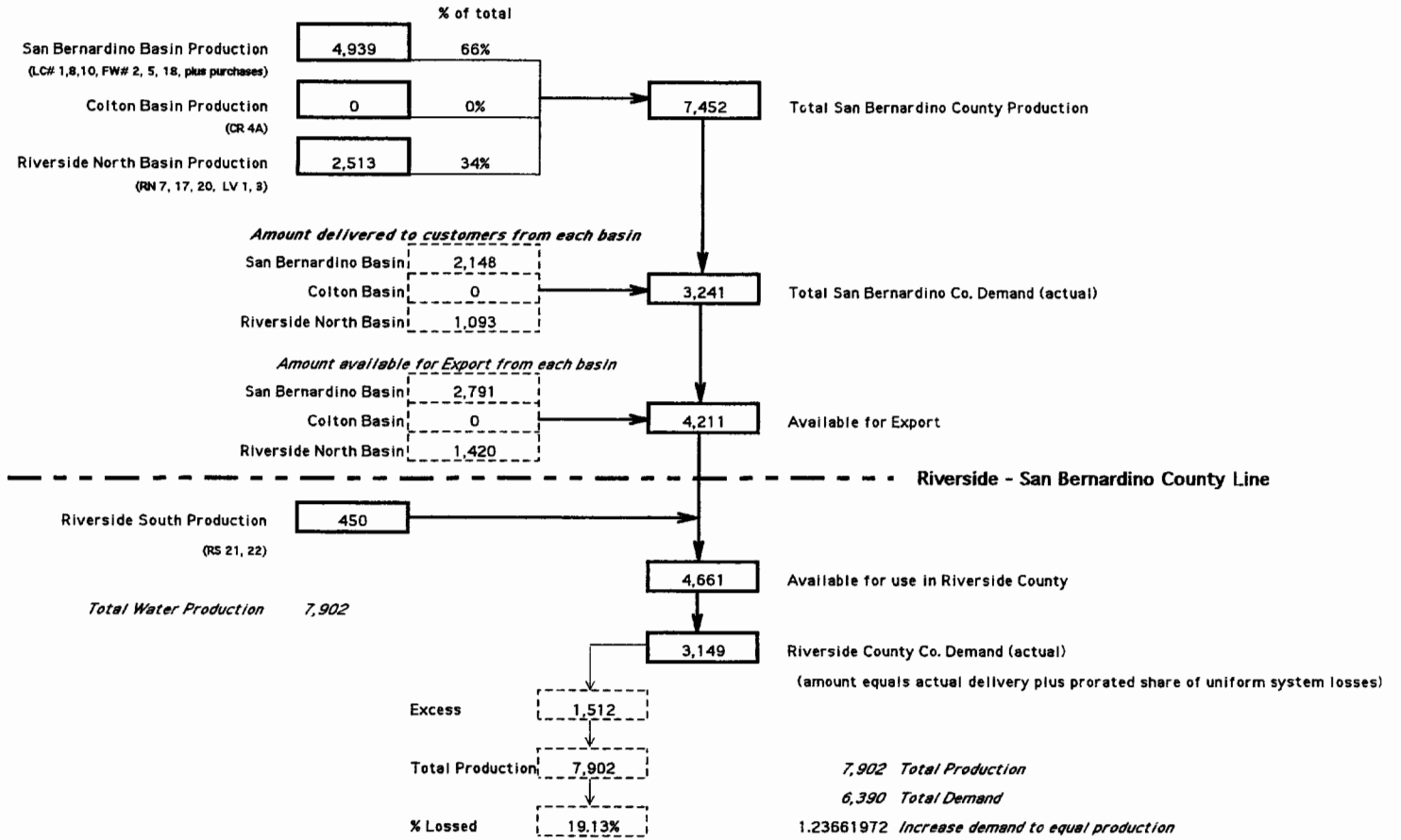


Diagram B

Riverside Highland Water Company 1997 Water Supply Distribution



RH '98
Diagram B

Riverside Highland Water Company
1998 Water Supply Distribution

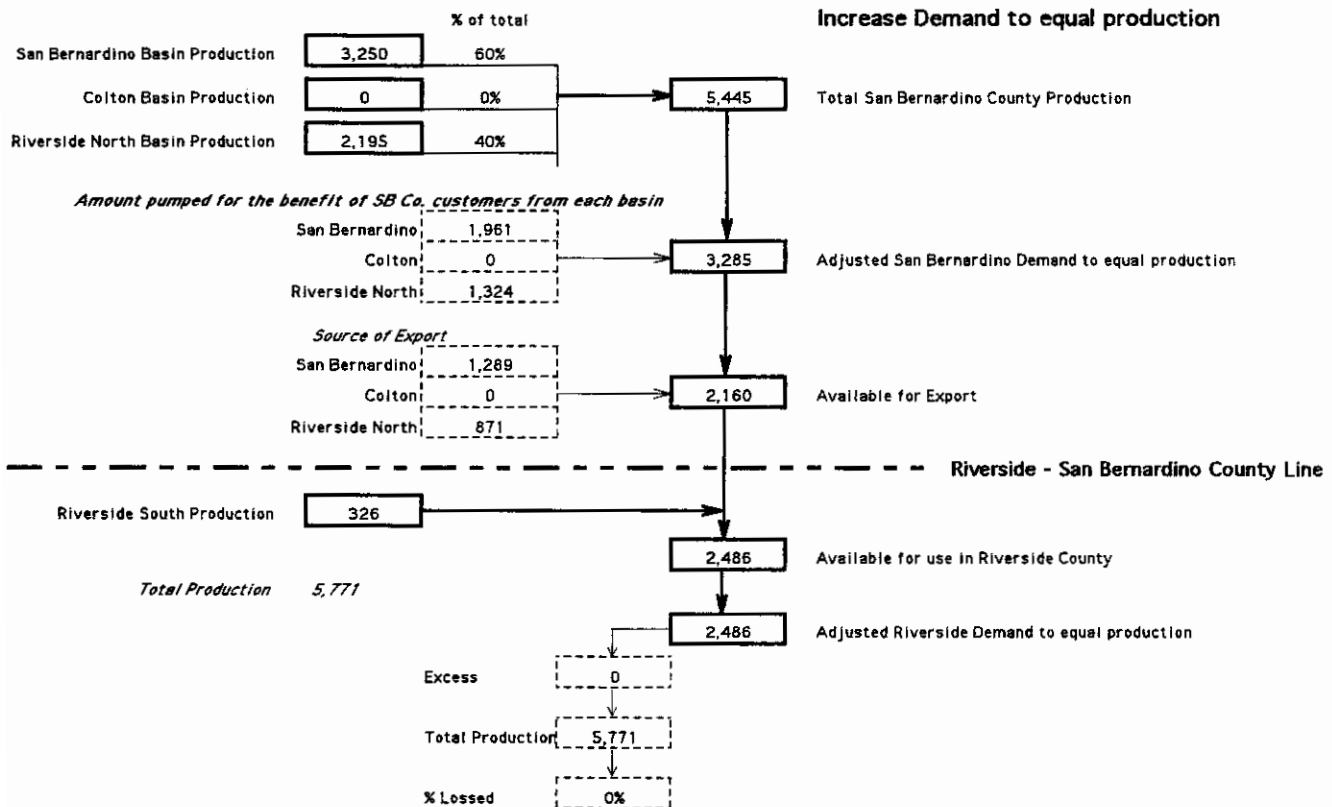
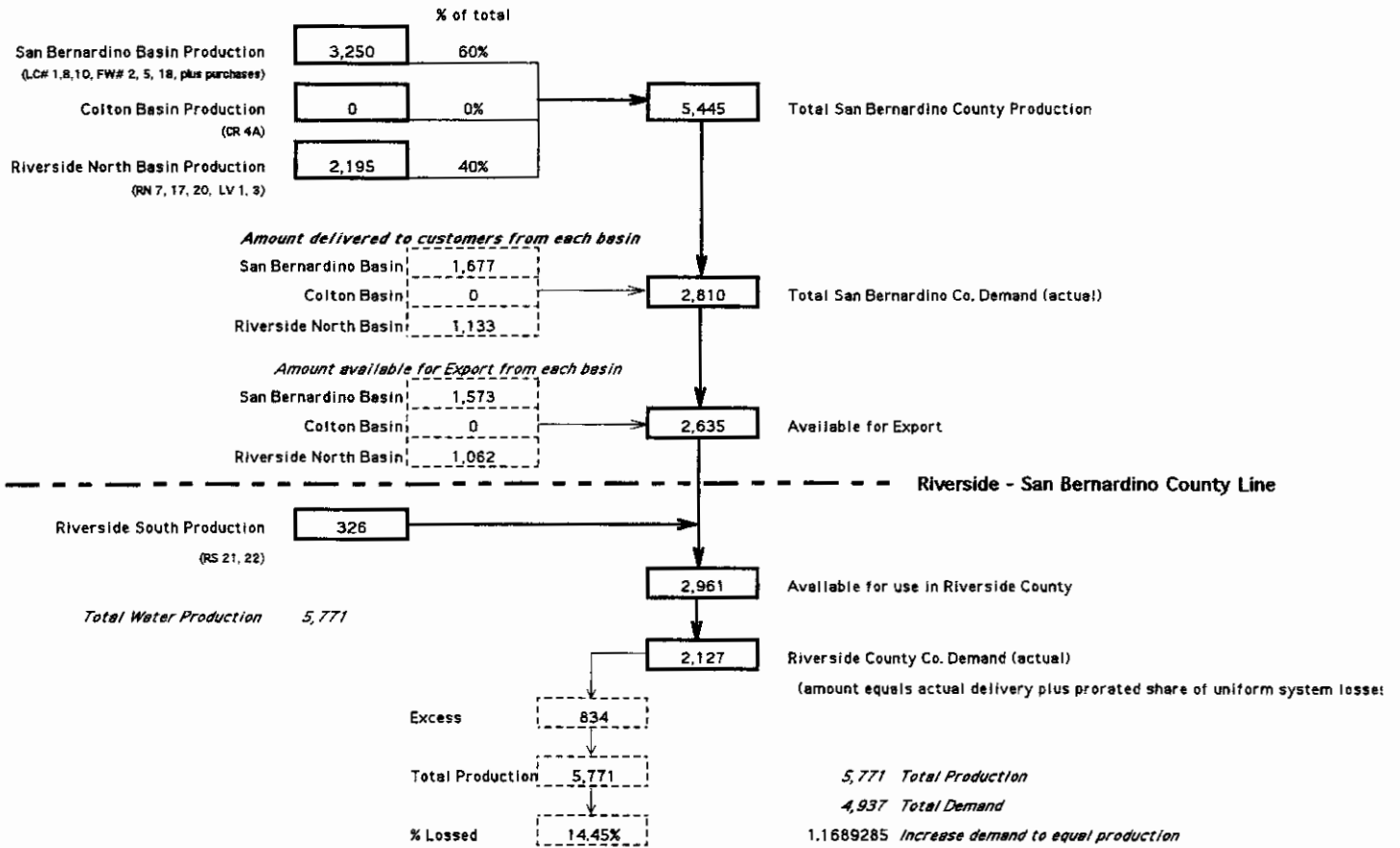
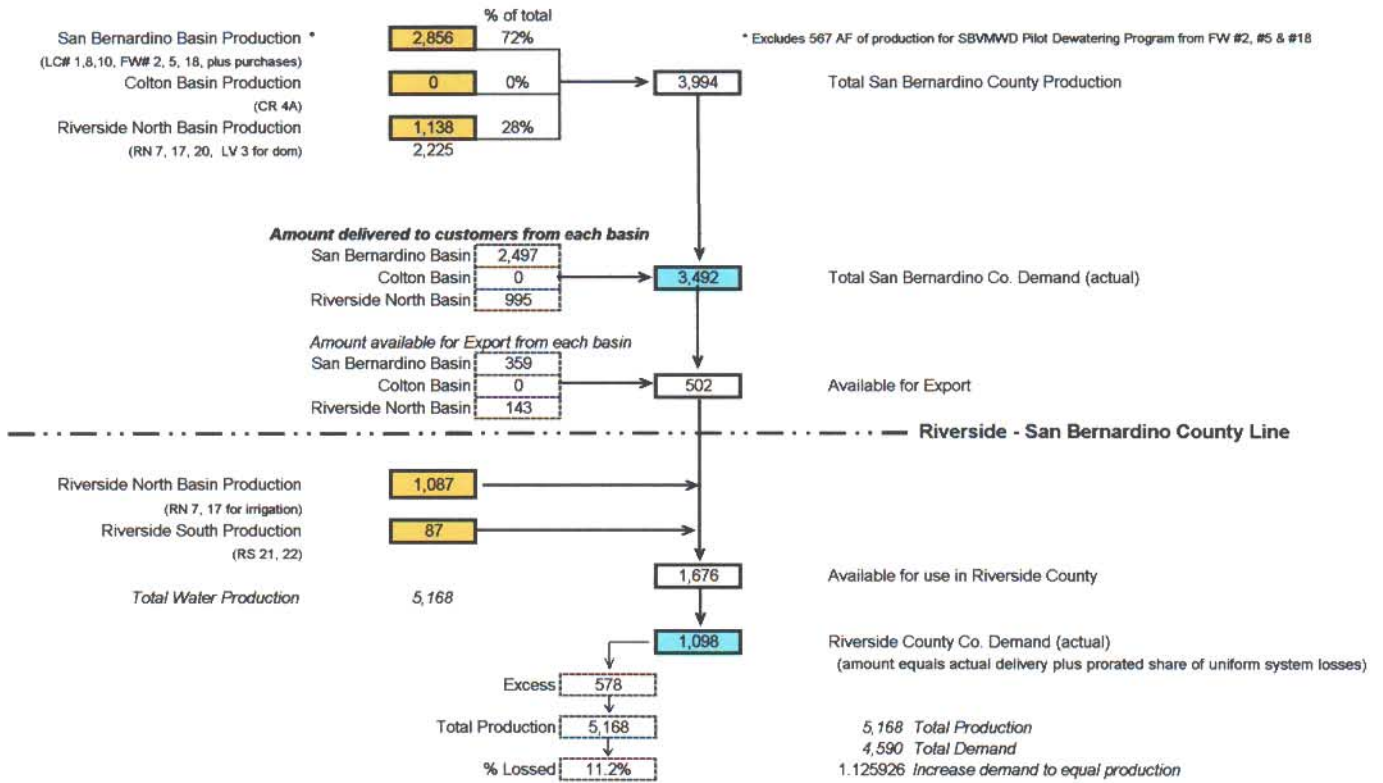
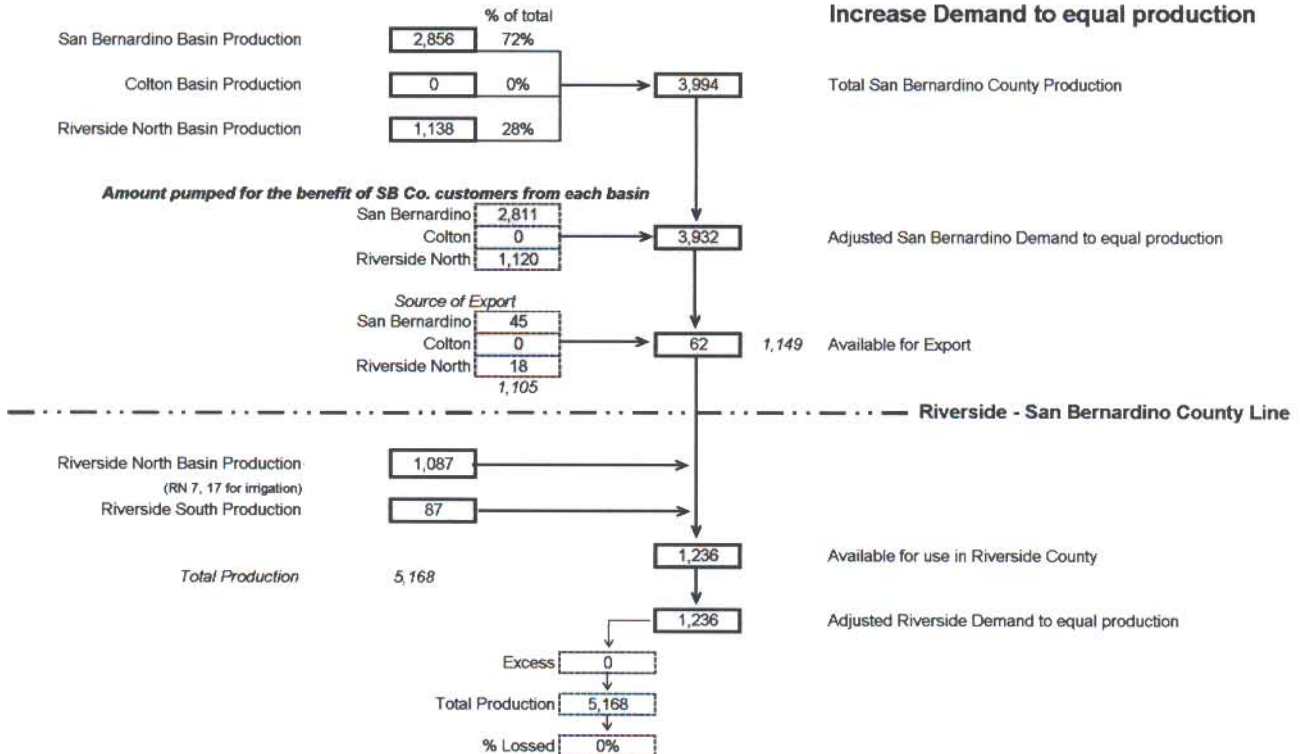


Diagram B

Riverside Highland Water Company 2000 Water Supply Distribution (revised 6/03)



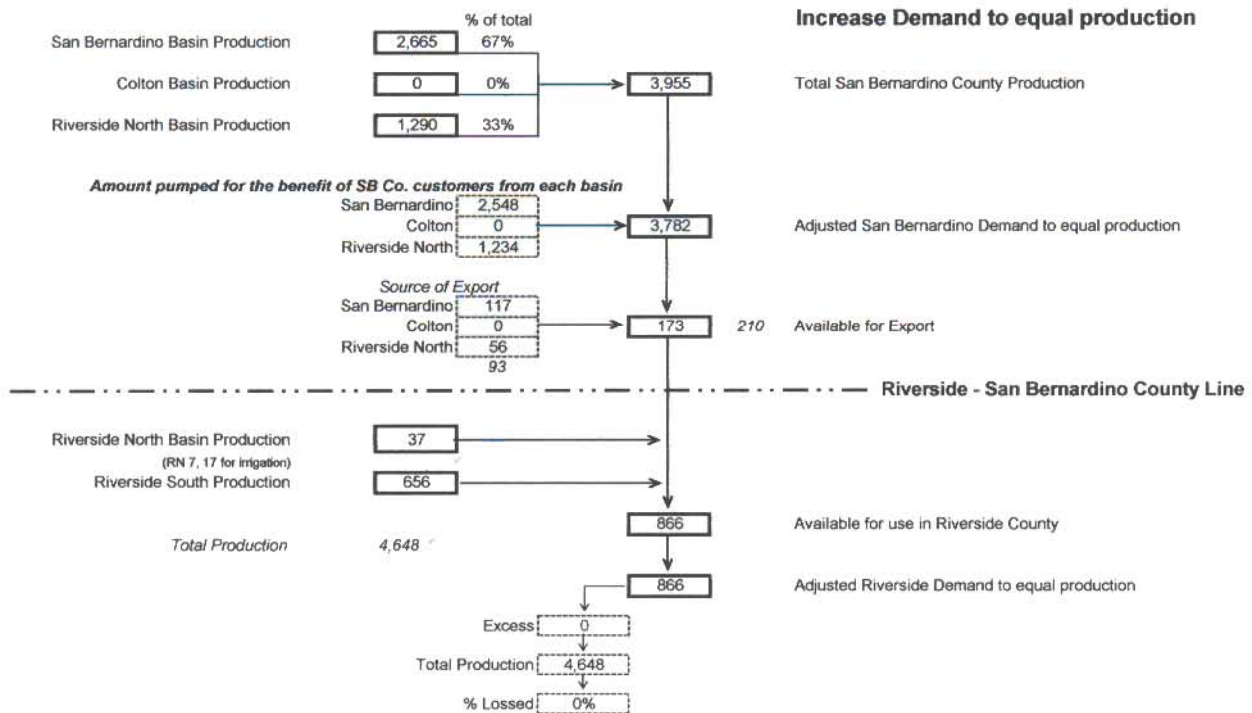
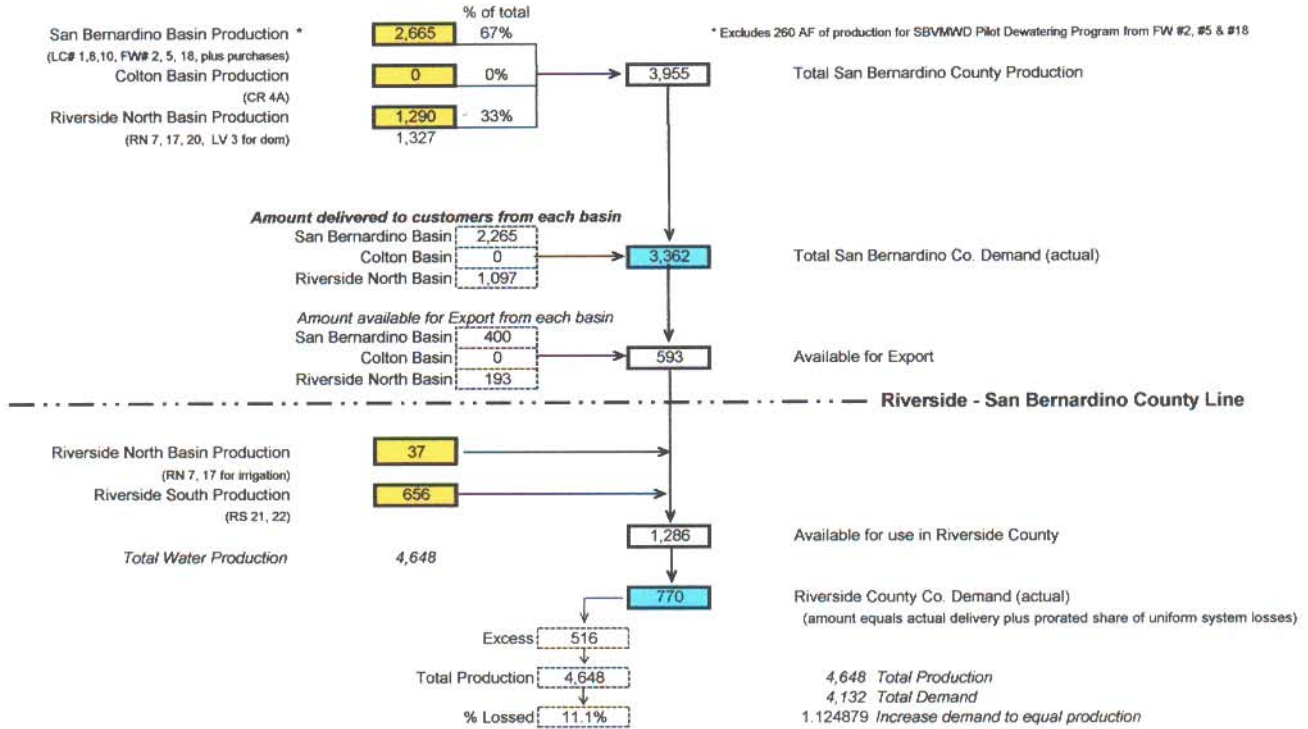
Increase Demand to equal production



Data from Watermaster Tables
 Data from Condensed Water Summary Report
 Values to check against calculated tables

Diagram B

Riverside Highland Water Company 2001 Water Supply Distribution



Data from Watermaster Tables
 Data from Condensed Water Summary Report
 Values to check against calculated tables

Diagram B

Riverside Highland Water Company 2002 Water Supply Distribution

4340

San Bernardino Basin Production *
(LC# 1,8,10, FW# 2, 5, 18, plus purchases)
Colton Basin Production
(CR 4A)
Riverside North Basin Production
(RN 6, 7, 17, 20, LV 3 for dom)

	Amount	% of total
San Bernardino Basin Production *	2,400	48%
Colton Basin Production	0	0%
Riverside North Basin Production	2,577	52%

* Excludes 1,909 AF of production for SBVMWD Pilot Dewatering Program from FW #2, #5 & #18

4,977

Total San Bernardino County Production

Amount delivered to customers from each basin

San Bernardino Basin	2,093
Colton Basin	0
Riverside North Basin	2,247

4,340

Total San Bernardino Co. Demand (actual)

Amount available for Export from each basin

San Bernardino Basin	307
Colton Basin	0
Riverside North Basin	330

637

Available for Export

Riverside - San Bernardino County Line

Riverside North Basin Production
(RN 7, 17 for irrigation)
Riverside South Production
(RS 21, 22)

Riverside North Basin Production	0
Riverside South Production	818

1,455

Available for use in Riverside County

Total Water Production

5,795

998

Riverside County Co. Demand (actual)

(amount equals actual delivery plus prorated share of uniform system losses)

Excess 457

Total Production 5,795

% Lost 7.9%

5,795 Total Production

5,338 Total Demand

1.085613 Increase demand to equal production

San Bernardino Basin Production
Colton Basin Production
Riverside North Basin Production

	Amount	% of total
San Bernardino Basin Production	2,400	48%
Colton Basin Production	0	0%
Riverside North Basin Production	2,577	52%

4,977

Total San Bernardino County Production

Amount pumped for the benefit of SB Co. customers from each basin

San Bernardino	2,272
Colton	0
Riverside North	2,440

4,712

Adjusted San Bernardino Demand to equal production

Source of Export	
San Bernardino	128
Colton	0
Riverside North	137

265

Available for Export

Riverside - San Bernardino County Line

Riverside North Basin Production
(RN 7, 17 for irrigation)
Riverside South Production

Riverside North Basin Production	0
Riverside South Production	818

1,083

Available for use in Riverside County

Total Production

5,795

1,083

Adjusted Riverside Demand to equal production

Excess 0

Total Production 5,795

% Lost 0%

Data from Watermaster Tables

Data from Condensed Water Summary Report

Values to check against calculated tables

**WESTERN - SAN BERNARDINO WATERMASTER
FOR
WESTERN MUNICIPAL WATER DISTRICT et al.
vs.
EAST SAN BERNARDINO COUNTY WATER DISTRICT et al.
CASE NO. 78426 - COUNTY OF RIVERSIDE**

VOLUME 6 - 2002

**VERIFIED EXTRACTIONS FROM THE
SAN BERNARDINO BASIN AREA, COLTON BASIN AREA,
AND RIVERSIDE BASIN AREA FOR USE WITHIN WESTERN
ON LAND NOT TRIBUTARY
TO THE RIVERSIDE NARROWS**

**ANNUAL ACCOUNTING
2002**

August 1, 2004

**WATERMASTER
*Donald L. Harriger
Robert L. Reiter***

REPORT OF WATERMASTER

Western Municipal Water District of Riverside County, et al
Plaintiffs

vs.

East San Bernardino County Water District, et al
Defendants

Superior Court of Riverside County

Case No. 78426

Volume 6 - 2002

VERIFIED EXTRACTIONS FROM THE
SAN BERNARDINO BASIN AREA, COLTON BASIN AREA,
AND RIVERSIDE BASIN AREA FOR USE WITHIN WESTERN
ON LANDS NOT TRIBUTARY TO THE RIVERSIDE NARROWS

ANNUAL ACCOUNTING

August 1, 2004

WATERMASTER
Donald L. Harriger
Robert L. Reiter

VOLUME 6 - 2002

TABLE OF CONTENTS

	<u>Page</u>
INTRODUCTION	i
<u>TABLE A</u>	
VERIFIED EXTRACTIONS FOR USE ON LANDS NOT TRIBUTARY TO RIVERSIDE NARROWS FOR CALENDAR YEARS 1971 TO CURRENT YEAR.	1
<u>TABLE NO. 1</u>	
CITY OF RIVERSIDE NUMBER OF ACTIVE METERS MEASURING WATER DELIVERED TO AREAS THAT ARE NOT TRIBUTARY TO THE RIVERSIDE NARROWS.	2
<u>TABLE NO. 1A</u>	
DELIVERIES MADE BY CITY OF RIVERSIDE DOMESTIC DIVISION TO AREAS WHICH ARE NOT TRIBUTARY TO THE RIVERSIDE NARROWS	3
<u>TABLE NO. 2</u>	
DELIVERIES MADE BY CITY OF RIVERSIDE IRRIGATION DIVISION FROM RIVERSIDE CANAL TO AREAS WHICH ARE NOT TRIBUTARY TO THE RIVERSIDE NARROWS.	4
<u>TABLE NO. 3</u>	
DELIVERIES MADE BY THE GAGE CANAL COMPANY TO AREAS WHICH ARE NOT TRIBUTARY TO THE RIVERSIDE NARROWS.	5
<u>TABLE NO. 4</u>	
DELIVERIES BY CITY OF RIVERSIDE IRRIGATION DIVISION FROM RIVERSIDE CANAL FOR USE ON LANDS NOT TRIBUTARY TO THE RIVERSIDE NARROWS.	6
<u>TABLE NO. 5</u>	
DELIVERIES BY GAGE CANAL COMPANY FOR USE ON LANDS NOT TRIBUTARY TO THE RIVERSIDE NARROWS.	7

TABLE NO. 6

SUMMARY OF DELIVERIES MADE BY MEEKS & DALEY WATER COMPANY, AGUA MANSA WATER COMPANY AND TEMESCAL WATER COMPANY INCLUDING WATER RECEIVED FROM CITY OF RIVERSIDE FROM THE RIVERSIDE AND GAGE CANALS TO AREAS WHICH ARE NOT TRIBUTARY TO THE RIVERSIDE NARROWS 8

TABLE NO. 7

WEST RIVERSIDE CANAL COMPANY DELIVERIES MADE TO LATERALS #3 & #2 FOR USE IN GLEN AVON & PEDLEY AREAS (FROM RECORDS OF WEST RIVERSIDE CANAL COMPANY) TO AREAS WHICH ARE NOT TRIBUTARY TO THE RIVERSIDE NARROWS 9

TABLE NO. 8

NOT REQUIRED AFTER 1968

TABLE NO. 9

DELIVERIES MADE BY JURUPA COMMUNITY SERVICES DISTRICT TO AREA NOT TRIBUTARY TO THE RIVERSIDE NARROWS 10

TABLE NO. 10

DELIVERIES MADE BY RUBIDOUX COMMUNITY SERVICES DISTRICT TO AREA NOT TRIBUTARY TO THE RIVERSIDE NARROWS 11

VOLUME 6 - 2002

VERIFIED EXTRACTIONS FROM THE
SAN BERNARDINO BASIN AREA, COLTON BASIN AREA,
AND RIVERSIDE BASIN AREA FOR USE WITHIN WESTERN
ON LANDS NOT TRIBUTARY TO THE RIVERSIDE NARROWS

INTRODUCTION

The extractions from the San Bernardino, Colton and Riverside Basin Areas for use within Western Municipal Water District on lands not tributary to the Riverside Narrows have been verified for the five-year base period ending in 1963.

The resulting five-year annual average was determined to be 42,535 acre-feet, as shown in Table No. 12 at page 37 of Chapter VII of the Annual Report of the Western-San Bernardino Watermaster for Calendar Year 1971. A detailed report on the verification for the five-year base period 1959-1963, and for ensuing years 1964-1970, is contained in the Report of Watermaster, Volume 6, dated June 1972.

The extractions from the above mentioned basin areas for the Calendar years 1980 through 2002, which were delivered within Western for use on lands not tributary to the Riverside Narrows, have been verified by the Watermaster as follows:

<u>YEAR</u>	<u>VERIFIED EXTRACTIONS</u> (Acre Feet)
1980	41,458
1981	39,358
1982	29,422
1983	28,876
1984	36,413
1985	31,604
1986	32,082
1987	30,861
1988	32,163
1989	45,841
1990	43,357
1991	43,394
1992	32,648

<u>YEAR</u>	<u>VERIFIED EXTRACTIONS</u> (Acre Feet)
1993	34,196 ¹⁾
1994	31,147
1995	31,545
1996	31,234
1997	31,960
1998	32,093 ²⁾
1999	31,062 ³⁾
2000	28,757 ³⁾
2001	30,453
2002	24,682

This Volume 6 summarizes the total extractions and includes tables showing the detailed computations of the extractions by each entity. Table No. 8 was included in the original Volume 6 for the period 1959-1968, but has been omitted and will not be included in future volumes.

¹⁾ Corrected during 1996 verification, July 1998

²⁾ Corrected during 1999 verification, June 2001

³⁾ Corrected during 2001 verification, July 2003 (to match Vol. 6, Table A)

TABLE A

VERIFIED EXTRACTIIONS FOR USE ON
LANDS NOT TRIBUTARY TO RIVERSIDE NARROWS
FOR CALENDAR YEARS 1971 THROUGH CURRENT YEAR

(All Quantities are in Acre Feet)

Water Extracted and Delivered by	From/Column		DELIVERIES BY CALENDAR YEAR												
	Table	No. Line	1983	1984	1985	1986	1987	1988	1989	1990	1991	1992	1993	1994	1995
City of Riverside															
Domestic Division	1A	16	15,276	12,176	11,344	10,994	14,221	9,628	24,311	26,028	20,063	17,713	19,252	14,946	17,540
Irrigation Division (1)	2	7	-	-	-	-	-	-	-	-	-	-	-	-	-
Gage Canal (2)	3	5	<u>9,208</u>	<u>16,339</u>	<u>13,353</u>	<u>14,117</u>	<u>10,223</u>	<u>15,038</u>	<u>14,727</u>	<u>12,866</u>	<u>17,461</u>	<u>10,574</u>	<u>10,925</u>	<u>13,609</u>	<u>12,228</u>
			24,484	28,515	24,697	25,111	24,444	24,666	39,038	38,894	37,524	28,287	30,177	28,555	29,768
Meeks & Daley Water Company															
Agua Mansa Water Company & the Temescal Water Company including water received from C	6	3	3,299	5,895	4,738	5,417	5,500	5,412	5,307	3,057	4,723	3,495	3,249	1,870	1,028
Extractions delivered by the (3)															
West Riverside Canal received from Twin Buttes Water Co., La Sierra Water Co., Agua Mansa Water Co., Salazar Water Co., West Riverside 350" Water Co., and Jurupa Water Co.	7	8	817	1,160	945	681	671	1,817	833	881	691	382	236	236	185
Jurupa Community Services Distr	9	6	0	527	900	545	0	1	397	277	203	242	278	236	266
Rubidoux Community Services Dis	10	7	<u>276</u>	<u>316</u>	<u>324</u>	<u>328</u>	<u>246</u>	<u>267</u>	<u>266</u>	<u>248</u>	<u>253</u>	<u>242</u>	<u>256</u>	<u>250</u>	<u>250</u>
TOTALS			28,876	36,413	31,604	32,082	30,861	32,163	45,841	43,357	43,394	32,648	34,196	31,147	31,497

NOTES:

- (1) City Irrigation Divison includes the former Riverside Water Company
- (2) Deliveries to Gage Canal Shareholders
- (3) Deliveries made from Laterals 3 & 2 of West Riverside Canal Company

TABLE A

VERIFIED EXTRACTIONS FOR USE ON
LANDS NOT TRIBUTARY TO RIVERSIDE NARROWS
FOR CALENDAR YEARS 1971 THROUGH CURRENT YEAR

(All Quantities are in Acre Feet)

Water Extracted and Delivered by	From Column		DELIVERIES BY CALENDAR YEAR												
	Table No.	or Line #	1996	1997	1998	1999	2000	2001	2002	2003	2004	2005	2006	2007	2008
City of Riverside															
Domestic Division	1A	16	16,849	17,682	18,515	14,743	13,710	18,008	12,143						
Irrigation Division (1)	2	7	-	-	-	-	-	-	-	-	-	-	-	-	-
Gage Canal (2)	3	5	<u>12,921</u>	<u>12,969</u>	<u>10,852</u>	<u>15,080</u>	<u>13,675</u>	<u>11,839</u>	<u>12,195</u>						
			29,770	30,651	29,367	29,823	27,385	29,847	24,338						
Meeks & Daley Water Company															
Agua Mansa Water Company & the Temescal Water Company including water received from C of	6	3	978	1,022	476	989	1,122	356	94	104					
Extractions delivered by the (3)															
West Riverside Canal received from Twin Buttes Water Co., La Sierra Water Co., Agua Mansa Water Co., Salazar Water Co., West Riverside 350" Water Co., and Jurupa Water Co.	7	8	0	0	-	-	-	-	-	-	-	-	-	-	-
Jurupa Community Services Distric	9	6	236	37	0	0	0	0	0						
Rubidoux Community Services Distr	10	7	250	250	250	250	250	250	250						
TOTALS			31,234	31,960	30,093	31,062	28,757	30,453	24,682						

NOTES:

- (1) City Irrigation Divison includes the former Riverside Water Company
- (2) Deliveries to Gage Canal Shareholders
- (3) Deliveries made from Laterals 3 & 2 of West Riverside Canal Company

TABLE NO. 1
CITY OF RIVERSIDE
NUMBER OF ACTIVE METERS
MEASURING WATER DELIVERED TO AREAS
THAT ARE NOT TRIBUTARY TO THE RIVERSIDE NARROWS

Meter Book Area Column	Number of Active Meters									
	1 (1)	13 (2)	14 (3)	15 (4)	16 (5)	17 (6)	18 (7)	19 (8)	22 (9)	
Calendar Year	Total Meters									
1971	7,375	203	1,677	2,151		2,389			871	84
1972	7,667	239	1,776	2,243		2,407			913	89
1973	8,138	229	1,765	2,760		2,330			966	88
1974	8,180	197	1,795	2,804		2,325			971	88
1975	14,163	428	1,980	4,045	3,027	2,357	509	562	1,149	106
1976	16,233	659	2,166	5,287	3,220	2,378	509	562	1,328	124
1977	18,304	877	2,242	5,185	5,799	2,465			1,607	129
1978	22,189	917	2,367	5,535	8,680	2,686			1,833	171
1979	22,441	709	2,377	5,740	8,879	2,608			1,965	163
1980	23,302	491	2,857	5,791	9,344	2,645			2,011	163
1981	23,302	491	2,857	5,791	9,344	2,645			2,011	163
1982	20,421	584	2,195	3,259	9,799	2,394			2,073	117
1983**	20,766									
1984	21,336									
1985	21,669									
1986	22,658									
1987	23,107									
1988	23,688									
1989	24,311									
1990	24,782									
1991	25,147	*								
1992	25,197	*								
1993	25,244	*								
1994	25,263									
1995	25,286									
1996	25,239									
1997	25,177									
1998	25,186									
1999	23,686									
2000	24,983									
2001	25,121									
2002	25,406									
2003										
2004										
2005										

Data From City of Riverside Records

Column (4) - Starting July 1, 1973, the City of Riverside took over operation of the Southwest Water Company (Meter Book area 15).

At the time water used in that area was reported directly in Acre Feet [See Table 1A, Column (4)].

In 1975 Meter Book Areas 17 and 18 were split off of Meter Book 15 and all three areas are now reported by number of active meters

In 1977 Meter Book Areas 17 and 18 were recombined with Meter Book 15.

In 1977 Meter Book Areas 17 and 18 were recombined with Meter Book 15.

* Corrected values

** Starting in 1983, the City is able to generate an annual tabulation of water use in areas not tributary to the Riverside Narrows

TABLE NO. 1A

**DELIVERIES MADE BY CITY OF RIVERSIDE
DOMESTIC DIVISION TO AREAS WHICH ARE NOT TRIBUTARY TO THE RIVERSIDE NARROWS**

Meter Book Area Column	Deliveries in Acre Feet									Subtotal (10)	Arlington Basin Production			Additional From SBBA (15)	Total from Upper Basin Not Tributary (16)	
	1	13	14	15	16	17	18	19	22		Wells (11)	W.M.W.D.				Southwest Wells (14)
	(1)	(2)	(3)	(4)	(5)	(6)	(7)	(8)	(9)			Treated (12)	Used in Water Co. (13)			
1971	168	1,389	2,968		2,308			841	139	7,813	68	13	9		7,736	
1972	178	1,321	2,781		2,089			793	132	7,294	1	13	9		7,284	
1973	147	1,130	2,926	2,941	1,729			714	112	9,699	29	18	12	1,359	8,299	
1974	131	1,195	3,112	3,945	1,807			754	117	11,061	69	49	33	1,651	9,308	
1975	277	1,283	4,369	1,962	1,782	330	364	869	137	11,373	0	904	602	83	10,688	
1976	439	1,443	5,869	2,145	1,855	361	398	1,032	165	13,707	31	7	11	13	13,652	
1977	535	1,368	5,288	3,855	1,750			1,141	157	14,094	143	17	11	198	13,742	
1978	614	1,586	6,144	5,012	2,095			1,430	227	17,108	739	0	0	0	16,369	
1979	503	1,688	6,831	5,930	2,165			1,631	233	18,981	633	4	3	0	18,345	
1980	314	1,828	6,138	6,268	1,957			1,488	207	18,200	127	161	108	0	17,965	
1981	329	1,914	6,428	6,818	2,063			1,569	217	19,338	280	0	0	29	17,881	
1982	356	1,339	3,324	6,290	1,699			1,472	117	14,597	0	0	0	0	14,597	
1983										15,352	0	0	0	0	15,352	
1984										19,088	0	0	0	0	19,088	
1985										19,095	0	0	0	0	19,095	
1986										20,994	0	11	0	0	20,994	
1987										22,199	0	20	13	0	22,199	
1988										23,829	0	1	0	0	23,829	
1989										24,311	0	0	0	0	24,311	
1990										26,028	0	0	0	0	26,028	
1991										23,275	0	0	0	0	23,275	
1992										24,890	0	0	0	0	24,890	
1993										21,932	0	0	0	0	21,932	
1994										24,053	0	0	0	0	24,053	
1995										23,339	0	0	0	0	23,339	
1996										25,239	0	0	0	0	25,239	
1997										25,177	0	0	0	0	25,177	
1998										25,186	0	0	0	0	25,186	
1999										23,686	0	0	0	0	23,686	
2000										24,983	0	0	0	0	24,983	
2001										25,121	0	0	0	0	25,121	
2002										25,406	0	0	0	0	25,406	
2003																
2004																
2005																

Columns (1) through (9) were estimated as follows: Using the factor Acre Feet per connection, obtained for the year 1965 for each Meter Book Area said duty use factors were adjusted for subsequent and preceding years to compensate for consumptive variances, due to temperature and rainfall, by a ratio based on the ratio of total Annual System Production to Annual System Population for each year as compared to the same ratio for the year 1965.

Column (4) - Starting on July 1 1973, the City of Riverside took over operation of the Southwest Water Company (Meter Book Area 15).

At the time water use in that area was reported directly in acre feet.

Columns (6) and (7) - In 1975, Meter Book areas 17 and 18 were split off of Meter Book 15 and all three areas are now reported by number of active meters.

Column (10) = Total of Columns (1) through (9).

Column (12) = Total treated W.M.W.D. CRA water via WR-10 to the City of Riverside Filter Plant.

Column (13) = Column (12) x 2/3.

Column (14) = Total production from former Southwest Water Company Wells.

Column (15) = Pursuant to agreement regarding additional extractions dated Dec. 22 1981, Feb 25 1985 and Aug. 21 1985; additional extractions made thereunder are to be treated in the same manner as water produced from wells in the nontributary area. In 1985, excludes 5,721 acre feet of additional water delivered to Orange County Water District pursuant to the February 25 1985 and August 21 1985 agreements. Excludes 8,012 af in 1991 and 1,383 af in 1992 of water delivered to OCWD. See Table 10 of the Annual Report.

In 1993 excludes 1,150 af of Riverside overextraction and 1,530 af of water produced for MWWD under Sixth Admin 1994 & 1995 valves from Annual Report, Table 10.

Column (16) = Column (10) minus Columns (11) (13) (14) and (15).

See notes on Table 1 about Meter Book number changes.

TABLE NO. 2

DELIVERIES MADE BY CITY OF RIVERSIDE IRRIGATION DIVISION
FROM THE RIVERSIDE CANAL TO AREAS
WHICH ARE NOT TRIBUTARY TO THE RIVERSIDE NARROWS

(All Quantities are in Acre Feet)

Line #	DELIVERY LOCATION	1983	1984	1985	1986	1987	1988	1989	1990	1991	1992	1993	1994	1995
1	Delivery to Lower Canal Section	-	-	-	-	-	-	-	-	-	-	-	-	-
2	Less Adjustment for Temescal Delivery	-	-	-	-	-	-	-	-	-	-	-	-	-
3	Total Delivery from Lower Canal Section	-	-	-	-	-	-	-	-	-	-	-	-	-
Lower canal section abandoned, Table no longer needed														
4	Less Deliveries to Temescal Water Co. from Lower Canal Section	-	-	-	-	-	-	-	-	-	-	-	-	-
5	Deliveries to Riverside Water Co. Stock & contract water from Lower Canal Section	-	-	-	-	-	-	-	-	-	-	-	-	-
6	Plus Deliveries from Upper Canal Section below Riverside Narrows	-	-	-	-	-	-	-	-	-	-	-	-	-
7	Total Deliveries by City of Riverside Irrigation Division not Tributary to the Riverside Narrows	-	-	-	-	-	-	-	-	-	-	-	-	-

Note: Lines #1 & #2 from City Records.

Line #4 from Table Table No. 4, Column (4).

Line #6 from City Records.

Quantities in parentheses (-) are negative values.

TABLE NO. 3

DELIVERIES MADE BY THE GAGE CANAL COMPANY
TO AREAS WHICH ARE NOT TRIBUTARY
TO THE RIVERSIDE NARROWS

Calendar Year	Deliveries to Gage Stockholders (1)	Losses in Arlington Basin (2)*	Net into Mockingbird Lake (3)	Total Gage Delivery (5)
1971	17,113	(42)	(57)	17,014
1972	15,328	(16)	1,317	16,629
1973	13,144	(298)	(11)	12,835
1974	14,233	(330)	234	14,137
1975	14,370	1,007	372	15,749
1976	14,553	793	277	15,623
1977	14,533	(104)	181	14,610
1978	11,572	(102)	89	11,559
1979	12,560	(63)	(172)	12,325
1980	14,191	351	(278)	14,264
1981	11,347	239	237	11,823
1982	8,616	288	(127)	8,777
1983	8,731	549	(72)	9,208
1984	15,439	912	(12)	16,339
1985	12,326	981	46	13,353
1986	13,314	937	(134)	14,117
1987	9,388	842	(7)	10,223
1988	13,856	1,275	(93)	15,038
1989	13,216	1,806	(295)	14,727
1990	10,620	2,136	110	12,866
1991	15,734	1,579	148	17,461
1992	8,791	1,308	475	10,574
1993	9,776	792	357	10,925
1994	11,787	1,761	61	13,609
1995	10,771	1,270	187	12,228
1996	11,186	1,539	196	12,921
1997	12,094	641	234	12,969
1998	9,897	916	39	10,852
1999	13,727	1,346	7	15,080
2000	11,691	1,981	3	13,675
2001	10,022	1,780	37	11,839
2002	10,192	1,990	13	12,195
2003				
2004				
2005				

Column (5) = Column (1) + (2) + (3).

Quantities in parentheses are negative values, net gain to the Canal.

Deliveries shown in Column (1) above are those made to the lands of shareholders in areas which are not tributary to the Riverside Narrows.

* Since the canal was converted to a pipeline from the headworks to about Weir No. 2 in 1975, the canal losses in the Arlington Basin are assumed to equal 2/3 of the total loss. Previous to 1975, the losses were assumed to occur equally along the entire canal, half above Weir No. 2 and half below. It was further assumed that 2/3 of the lower canal losses occurred in the Arlington Basin.

Data is from the Gage Canal Company Records.

Export from the basin is the deliveries to the stockholder plus net increase storage in Mockingbird (lake is export) plus the losses that are also outside the basin.

TABLE NO. 4

DELIVERIES BY CITY OF RIVERSIDE IRRIGATION DIVISION
FROM THE RIVERSIDE CANAL FOR USE ON LANDS
NOT TRIBUTARY TO THE RIVERSIDE NARROWS

(All Quantities are in Acre Feet)

Calendar Year	Inch Rate Contract Water Delivery to Temescal Wtr. (1)	Carrying Rights (Mt. Vernon) Meter Delivered to Temescal (2)	Carrying Right S.C.E. Co. for Delivery to Temescal (3)	Total Delivery to Temescal by Riverside Irrigation Div. (4)
1971	3,566	1,652	1,266	6,484
1972	3,183	1,459	1,204	5,846
1973	-	-	-	-
1974	-	-	-	-
1975	-	-	-	-
1976	-	-	-	-
1977	-	-	-	-
1978	-	-	-	-
1979	-	-	-	-
1980	-	-	-	-
1981	-	-	-	-
1982	-	-	-	-
1983	-	-	-	-
1984	Lower canal section abandoned, Table no longer needed			
1985	-	-	-	-
1986	-	-	-	-
1987	-	-	-	-
1988	-	-	-	-
1989	-	-	-	-
1990	-	-	-	-

Notes: Columns (1), (2), and (3) are from City of Riverside Records.

Temescal Water Company discontinued receiving their irrigation water delivery from the Riverside C in calendar year 1973, and began taking all their water delivery from the Gage Canal.

TABLE NO. 5

DELIVERIES BY GAGE CANAL COMPANY
FOR USE ON LANDS NOT TRIBUTARY
TO THE RIVERSIDE NARROWS

(All Quantities are in Acre Feet)

Calendar Year	Gage Canal Delivery to Alta Mesa	Gage Canal Delivery to Temescal Wtr. Co.	Total Delivery to Alta Mesa & Temescal by Gage Canal Co.
1971	278	1,433	1,711
1972	143	2,581	2,724
1973	65	4,226	4,291
1974	38	4,629	4,667
1975	45	4,666	4,711
1976	20	6,828	6,848
1977	16	3,986	4,002
1978	16	3,996	4,012
1979	21	5,549	5,570
1980	21	6,189	6,210
1981	18	5,956	5,974
1982	13	4,677	4,690
1983	11	3,288	3,299
1984	18	5,877	5,895
1985	14	4,724	4,738
1986	14	5,403	5,417
1987	13	5,487	5,500
1988	17	5,395	5,412
1989	18	5,289	5,307
1990	16	3,041	3,057
1991	17	4,706	4,723
1992	14	3,481	3,495
1993	15	3,234	3,249
1994	17	1,853	1,870
1995	16	1,012	1,028
1996	16	962	978
1997	18	1,004	1,022
1998	17	459	476
1999	23	966	989
2000	21	1,101	1,122
2001	20	336	356
2002	24	70	94
2003	19	85	104
2004			
2005			

Notes: Data from Gage Canal Company Records

TABLE NO. 6

SUMMARY OF DELIVERIES MADE BY
MEEKS & DALEY WATER COMPANY, AGUA MANSA WATER COMPANY
AND TEMESCAL WATER COMPANY
INCLUDING WATER RECEIVED FROM CITY OF RIVERSIDE
FROM THE RIVERSIDE AND GAGE CANALS
TO AREAS WHICH ARE NOT TRIBUTARY TO THE RIVERSIDE NARROWS
 (All Quantities are in Acre Feet)

Calendar Year	Total Delivery to Temescal by City of Riverside Irrigation Division	Total Delivery to Alta Mesa & Temescal by Gage Canal Co.	Total Delivery by City of Riverside Irrigation Division & Gage Canal to Lands Not Tributary to the Riverside Narrows
	(1)	(2)	(3)
1971	6,484	1,711	8,195
1972	5,846	2,724	8,570
1973	- *	4,291	4,291
1974	-	4,667	4,667
1975	-	4,711	4,711
1976	-	6,848	6,848
1977	-	4,002	4,002
1978	-	4,012	4,012
1979	-	5,570	5,570
1980	-	6,210	6,210
1981	-	5,974	5,974
1982	-	4,690	4,690
1983	-	3,299	3,299
1984	-	5,895	5,895
1985	-	4,738	4,738
1986	-	5,417	5,417
1987	-	5,500	5,500
1988	-	5,412	5,412
1989	-	5,307	5,307
1990	-	3,057	3,057
1991	-	4,723	4,723
1992	-	3,495	3,495
1993	-	3,249	3,249
1994	-	1,870	1,870
1995	-	1,028	1,028
1996	-	978	978
1997	-	1,022	1,022
1998	-	476	476
1999	-	989	989
2000	-	1,122	1,122
2001	-	356	356
2002	-	94	94
2003	-		
2004	-		
2005	-		

Notes: Column (1) from City of Riverside Records and Column (2) from Table 5.

* Temescal Water Company discontinued receiving their irrigation water delivery from the Riverside Can in calendar year 1973, and began taking all of the water delivery from the Gage Canal.

TABLE NO. 7
WEST RIVERSIDE CANAL COMPANY
DELIVERIES MADE TO LATERALS #3 & #2
FOR USE IN GLEN AVON & PEDLEY AREAS
ON AREAS NOT TRIBUTARY TO THE RIVERSIDE NARROWS
 (All Quantities are in Acre Feet)

Calendar year	Water Delivered to Lateral #3 & #2						
	La Sierra Water Co.	Agua Mansa Water Co.	Salazar Water Co.	350 Inch Water Co.	Jurupa Water Co.*	Twin Buttes Water Co.	Total Deliveries
(1)	(2)	(3)	(4)	(5)	(6)	(7)	(8)
1971	2,619	485	23	771	1,220	834	5,952
1972	3,396	249	25	682	1,032	72	5,456
1973	2,162	201	21	541	785	0	3,710
1974	2,673	359	0	825	1,012	0	4,869
1975	1,823	384	-	845	906	917	4,875
1976	1,770	318	-	778	1,004	759	4,629
1977	1,281	242	-	742	957	0	3,222
1978	850	125	-	223	783	0	1,981
1979	993	155	-	376	1,183	0	2,707
1980	1,001	135	-	420	950	0	2,506
1981	949	220	-	1,395	582	0	3,146
1982	175	62	-	220	649	0	1,106
1983	121	42	-	134	520	0	817
1984	200	81	-	203	676	0	1,160
1985	144	36	-	162	603	0	945
1986	129	31	-	139	382	0	681
1987	131	26	-	83	419	12	671
1988	224	36	-	80	278	1,199	1,817
1989	93	30	-	55	248	407	833
1990	41 **	23	-	70	392	355	881
1991	-	0	-	45	646	0	691
1992	-	0	-	25	357	0	382
1993	-	0	-	0	236	0	236
1994	-	0	-	0	236	0	236
1995	-	0	-	0	185	0	185
1996	-	0	-	0	0	0	0
1997	-	0	-	0	0	0	0
1998	-	-	Canal no longer in service		-	-	-
1999	-	-	-	-	-	-	-
2000	-	-	-	-	-	-	-
2001	-	-	-	-	-	-	-
2002	-	-	-	-	-	-	-
2003	-	-	-	-	-	-	-
2004	-	-	-	-	-	-	-
2005	-	-	-	-	-	-	-

* Jurupa Community Services District purchased the Jurupa Water Company and uses JCSD Sunnyslope Wells 3 & 5 to make JWC deliveries.

** La Sierra Water Company went out of the water delivery business on June 1, 1990.

Columns (2), (3), & (5) are from West Riverside Canal Company Records.

Columns (6) are from Recordation Filing, 3600535- for Jurupa Water Company #3.

Columns (7) from Recordation Filing, 3600898- for Twin Buttes Water Co. (C of R Twin Buttes #6).

Conversion factor used is 0.03967 af/mid.

TABLE NO. 9
DELIVERIES MADE BY
JURUPA COMMUNITY SERVICES DISTRICT
TO AREAS WHICH ARE NOT TRIBUTARY TO THE
RIVERSIDE NARROWS

(All Quantities are in Acre Feet)

State Well # Local Designation	Sunnyslope #3 #3301362 2S5W08G04S	Sunnyslope #5 #3301501 2S5W08G01S	Sunnyslope #6 #3301502 2S5W08K02S	Sunnyslope #7 #3301625 2S5W08K03S	Well #21 #3302911 2S5W08G05S	Deliveries in the Riverside Basin	Total Export from the Riverside Basin Area
Year	(1)	(2)	(3)	(4)	(4a)	(5)	(6)
1971	223	517	54	0			794
1972	288	516	3	0			807
1973	201	339	5	0			545
1974	223	322	21	0			566
1975	229	411	0	0			640
1976	268	597	0	0			865
1977	231	542	0	0			773
1978	199	411	0	0			610
1979	184	366	0	0			550
1980	0	3	0	0			3
1981	0	0	-	-			0
1982	0	0	-	-			0
1983	0	0	-	-			0
1984	52	475	-	-			527
1985	266	634	-	-			900
1986	70	475	-	-			545
1987	0	0	-	-			0
1988	1	0	-	-			1
1989	397	0	-	-			397
1990	310	0	-	-		33	277
1991	203	0	-	-		0	203
1992	242	0	-	-		0	242
1993	278	0	-	-		0	278
1994	236	0	-	-		0	236
1995	266	0	-	-		0	266
1996	236	0	-	-		0	236
1997	0	37	-	-		0	37
1998	0	28	-	-		28	0
1999	0	203	-	-		203	0
2000	-	1	-	-	571	572	0
2001	-	0	-	-	707	707	0
2002	-	0	-	-	703	703	0
2003	-	-	-	-			
2004	-	-	-	-			
2005	-	-	-	-			

Prior to 1968, these wells were owned by Rubidoux Community Services District.

Sunnyslope #6 & #7 were abandoned in 1981. Sunnyslope #3 casing collapsed & well abandoned in 2000.

Beginning in 1988, the Sunnyslope Wells were being used to deliver water for the Jurupa Water Company Shareholders.

In 1999, JCSJ started making non-potable deliveries to the Quarry Hills Golf Course

TABLE NO. 10

DELIVERIES MADE BY RUBIDOUX COMMUNITY SERVICES DISTRICT *
TO AREAS WHICH ARE NOT TRIBUTARY TO THE RIVERSIDE NARROWS

(All Quantities are in Acre Feet)

Calendar Year	Total Number of Meter Connections	Annual Water Productions Per Meter (A.F./Meter)	Total Water Production Delivered	Delivery to Boise Cascade Mobile Home Park	Total Water Delivered to Chino Basin	Flow returned to sewer (40% of Total Delivery)	Total Export from Riverside Basin Area
	(1)	(2)	(3)	(4)	(5)	(6)	(7)
1971	89	1	76	16	92	37	55
1972	89	1	76	32	108	43	65
1973	111	1	94	44	138	55	83
1974	127	1	108	35	143	57	86
1975	130	1	111	45	156	62	93
1976	181	1	154	53	207	83	124
1977	232	1	197	62	259	104	156
1978	322	1	274	81	355	142	213
1979	407	1	346	60	406	162	244
1980	407	1	346	78	424	170	254
1981	407	1	346	88	434	174	260
1982	407	1	346	74	420	168	252
1983	407	1	346	114	460	184	276
1984	407	1	346	180	526	210	316
1985	407	1	346	194	540	216	324
1986	407	1	346	200 1)	546	218	328
1987	407	1	346	64 2)	410	164	246
1988	407	1	346	99	445	178	267
1989	407	1	346	98	444	178	266
1990	407	1	346	67	413	165	248
1991	407	1	346	76	422	169	253
1992	407	1	346	57	403	161	242
1993	407	1	346	81	427	171	256
1994	407	1	346	70 3)	416	166	250
1995	407	1	346	70 3)	416	166	250
1996	407	1	346	70 3)	416	166	250
1997	407	1	346	70 3)	416	166	250
1998	407	1	346	70 3)	416	166	250
1999	407	1	346	70 3)	416	166	250
2000	407	1	346	70 3)	416	166	250
2001	407	1	346	70 3)	416	166	250
2002	407	1	346	70 3)	416	166	250
2003							
2004							
2005							

Notes: Column (3) = Column (1) x Column (2)
Column (5) = Column (3) + Column (4)
Column (6) = Column (5) x 40%
Column (7) = Column (5) - Column (6)

* Area was served by Jurupa Hills Water Company prior to 1968.
1) In 1986 individual meters were installed, flow estimated.
2) Mobile Home Park now on individual meters.
3) Mobile Home Park uses estimated at 0.22 af/du * 319 units

**WESTERN - SAN BERNARDINO WATERMASTER
FOR
WESTERN MUNICIPAL WATER DISTRICT et al.
vs.
EAST SAN BERNARDINO COUNTY WATER DISTRICT et al.
CASE NO. 78426 - COUNTY OF RIVERSIDE**

VOLUME 7 - 2002

**VERIFICATION OF EXTRACTIONS FROM THE
SAN BERNARDINO BASIN AREA
AND COLTON BASIN AREA WITHIN
THE SAN BERNARDINO VALLEY
MUNICIPAL WATER DISTRICT
FOR USE ON LANDS NOT WITHIN WESTERN
NOR TRIBUTARY TO THE RIVERSIDE NARROWS**

**ANNUAL ACCOUNTING
2002**

August 1, 2004

WATERMASTER

*Donald L. Harriger
Robert L. Reiter*

REPORT OF WATERMASTER

Western Municipal Water District of Riverside County et al.
Plaintiffs

vs.

East San Bernardino County Water District et al.
Defendants

Superior Court of Riverside County

Case No. 78426

VOLUME 7-2002

VERIFICATION OF EXTRACTIONS FROM THE
SAN BERNARDINO BASIN AREA
AND COLTON BASIN AREA WITHIN
THE SAN BERNARDINO VALLEY
MUNICIPAL WATER DISTRICT
FOR USE ON LANDS NOT WITHIN WESTERN
NOR TRIBUTARY TO THE RIVERSIDE NARROWS

ANNUAL ACCOUNTING

2002

AUGUST 1, 2004

WATERMASTER

Donald L. Harriger
Robert L. Reiter

VOLUME 7-2002

TABLE OF CONTENTS

	<u>Page</u>
INTRODUCTION.....	i
 <u>TABLE A</u>	
VERIFIED EXTRACTIONS FROM THE SAN BERNARDINO BASIN AREA AND COLTON BASIN AREA WITHIN THE SAN BERNARDINO VALLEY MUNICIPAL WATER DISTRICT FOR USE ON LANDS NOT WITHIN WESTERN NOR TRIBUTARY TO THE RIVERSIDE NARROWS (1959-1963).....	1
 <u>TABLE B</u>	
VERIFIED EXTRACTIONS FROM THE SAN BERNARDINO BASIN AREA AND COLTON BASIN AREA WITHIN THE SAN BERNARDINO VALLEY MUNICIPAL WATER DISTRICT FOR USE ON LANDS NOT WITHIN WESTERN NOR TRIBUTARY TO THE RIVERSIDE NARROWS (1998-2002).....	2
 <u>CHAPTER I</u>	
DELIVERIES TO CHINO BASIN	3
FONTANA UNION WATER COMPANY	4
 <u>TABLE NO.1</u>	
VERIFICATION OF EXTRACTIONS FROM THE SAN BERNARDINO BASIN AREA AND COLTON BASIN AREA WITHIN THE SAN BERNARDINO VALLEY MUNICIPAL WATER DISTRICT FOR USE ON LANDS NOT WITHIN WESTERN NOR TRIBUTARY TO THE RIVERSIDE NARROWS - FONTANA UNION WATER COMPANY	6
WEST SAN BERNARDINO COUNTY WATER DISTRICT	7

TABLE NO. 2

VERIFICATION OF EXTRACTIONS FROM THE SAN BERNARDINO
 BASIN AREA AND COLTON BASIN AREA WITHIN THE SAN
 BERNARDINO VALLEY MUNICIPAL WATER DISTRICT FOR USE ON
 LANDS NOT WITHIN WESTERN NOR TRIBUTARY TO THE RIVERSIDE
 NARROWS - WEST SAN BERNARDINO COUNTY WATER DISTRICT 8

CITY OF RIALTO.....9

TABLE NO. 3

VERIFICATION OF EXTRACTIONS FROM THE SAN BERNARDINO
 BASIN AREA AND COLTON BASIN AREA WITHIN THE SAN
 BERNARDINO VALLEY MUNICIPAL WATER DISTRICT FOR USE ON
 LANDS NOT WITHIN WESTERN NOR TRIBUTARY TO THE RIVERSIDE
 NARROWS - CITY OF RIALTO..... 11

CHAPTER II

DELIVERIES TO AREAS OTHER THAN CHINO BASIN 12

TABLE NO. 4

VERIFICATION OF EXTRACTIONS FROM THE SAN BERNARDINO
 BASIN AREA AND COLTON BASIN AREA WITHIN THE SAN
 BERNARDINO VALLEY MUNICIPAL WATER DISTRICT FOR USE ON
 LANDS NOT WITHIN WESTERN NOR TRIBUTARY TO THE RIVERSIDE
 NARROWS - SAN BERNARDINO VALLEY MUNICIPAL WATER
 DISTRICT 13

MAP NO. 1

FONTANA UNION WATER COMPANY LANDS RECEIVING WATER
 EXTRACTED FROM THE SAN BERNARDINO BASIN AREA AND
 COLTON BASIN AREA WITHIN THE SAN BERNARDINO VALLEY
 MUNICIPAL WATER DISTRICT FOR USE ON LANDS NOT WITHIN
 WESTERN NOR TRIBUTARY TO THE RIVERSIDE NARROWS 14

MAP NO. 2

WEST SAN BERNARDINO COUNTY WATER DISTRICT LANDS
 RECEIVING WATER EXTRACTED FROM THE SAN BERNARDINO
 BASIN AREA AND COLTON BASIN AREA WITHIN THE SAN
 BERNARDINO VALLEY MUNICIPAL WATER DISTRICT FOR USE ON
 LANDS NOT WITHIN WESTERN NOR TRIBUTARY TO THE RIVERSIDE
 NARROWS 15

MAP NO. 3

CITY OF RIALTO AND LANDS THEREIN RECEIVING WATER
EXTRACTED FROM THE SAN BERNARDINO BASIN AREA AND
COLTON BASIN ARE WITHIN THE SAN BERNARDINO VALLEY
MUNICIPAL WATER DISTRICT FOR USE ON LANDS NOT WITHIN
WESTERN NOR TRIBUTARY TO THE RIVERSIDE NARROWS 16

MAP NO. 4

SAN BERNARDINO VALLEY MUNICIPAL WATER DISTRICT'S MILL
CREEK PIPELINE AND LANDS WITHIN YUCAIPA BASIN WHICH
RECEIVE WATER DIVERTED FROM THE SAN BERNARDINO BASIN
AREA 17

VOLUME 7-2002

VERIFICATION OF EXTRACTIONS FROM THE
SAN BERNARDINO BASIN AREA AND COLTON BASIN AREA
WITHIN THE SAN BERNARDINO VALLEY MUNICIPAL WATER
DISTRICT FOR USE ON LANDS NOT WITHIN
WESTERN NOR TRIBUTARY TO THE RIVERSIDE NARROWS

INTRODUCTION

The settlement of the case of the Orange County Water District, Plaintiff, vs. City of Chino, et al., Defendants, being Case No. 117628 in the Superior Court of the State of California in and for the County of Orange, necessitated a settlement of the case of Western Municipal Water District, which was settled by Stipulated Judgment in Case No. 78426, entered in the Superior Court of the State of California in and for the County of Riverside, on April 17, 1969.

Paragraph X of the Judgment, entitled, "Replenishment to Offset New Exports of Water Not Tributary to the Riverside Narrows" recites as follows:

"Certain average annual amounts of water extracted from the San Bernardino Basin Area and the area downstream therefrom to Riverside Narrows during the five year period ending in 1963 have been exported for use outside the area tributary to Riverside Narrows...."

"San Bernardino Valley shall be obligated to provide replenishment for any increase over the exports from San Bernardino Valley for use in any area not within Western nor tributary to Riverside Narrows as set forth in Table C-2 of Appendix "C", such amounts being subject to correction by the Watermaster...."

Pursuant to the foregoing instructions, the Watermaster conducted an investigation of water produced within the San Bernardino and Colton Basin Areas and delivered to lands not within Western nor tributary to the Riverside Narrows. The results of this investigation which included the five-year base period 1959-1963 as well as the verified production for the Calendar Years 1970 and 1971 were embodied in Report of Watermaster, Volume 7-Base Period 1959-1963 and 1970-1971, dated February, 1973.

During the verification of the extractions from the San Bernardino and Colton Basin Areas for the Calendar Year 1973, the amounts previously verified for the base period 1959-1963 were revised. The revised verified amounts for the base period 1959-1963 are shown on Table A of this report. The verified amounts for 1998-2002 are shown on Table B.

Procedures and basic data used in preparation of Tables A and B are contained in the succeeding chapters of this report.

TABLE A

VERIFIED EXTRACTIONS FROM THE
SAN BERNARDINO BASIN AREA AND COLTON BASIN AREA
WITHIN THE SAN BERNARDINO VALLEY MUNICIPAL WATER
DISTRICT FOR USE ON LANDS NOT WITHIN
WESTERN NOR TRIBUTARY TO THE RIVERSIDE NARROWS

<u>Deliveries To</u>	<u>Source In This Volume</u>	<u>1959-63 Ave. Annual Amt.</u>
<u>Areas Within Chino Basin</u>		<u>Chapter I</u>
Fontana Union Water Company	Table No. 1, Column No. 12	10,170 *
West San Bernardino County Water District	Table No. 2, Column No. 7	1,806
City of Rialto	Table No. 3, Column No. 14	551 **
<u>Areas Other Than Chino Basin</u>		<u>Chapter II</u>
Yucaipa		0
San Timoteo		0
Oak Glen		0
Beaumont		<u>0</u>
Total		12,527

* Original Verification of 10,903 acre-feet revised to 10,170 acre-feet during 1973 verification.

** Original Verification of 781 acre-feet revised to 551 acre-feet during 1973 verification.

TABLE B

VERIFIED EXTRACTIONS FROM THE
SAN BERNARDINO BASIN AREA AND COLTON BASIN AREA
 WITHIN THE SAN BERNARDINO VALLEY MUNICIPAL WATER
 DISTRICT FOR USE ON LANDS NOT WITHIN
WESTERN NOR TRIBUTARY TO THE RIVERSIDE NARROWS

	Refer to		Deliveries By Calendar Years					5 yr. Total	1998-02 Average
	Table No.	Col. No.	1998	1999	2000	2001	2002		
<u>Areas Within Chino Basin</u>									
Fontana Union Water Company	1	12	21,987	21,800	17,906	15,208	12,992	76,901	17,979
West San Bernardino County Water District	2	7	5,070	6,498	6,566	6,600	6,600	31,334	6,267
City of Rialto	3	14	1,711	1,451	1,574	1,424	1,534	6,160	1,538
<u>Areas Other Than Chino Basin</u>									
Yucaipa	4	2	1,277	109	184	117	210	1,687	337
San Timoteo	-	-	0	0	0	0	0	0	0
Oak Glen	-	-	0	0	0	0	0	0	0
Beaumont	-	-	0	0	0	0	0	0	0
Total			30,045	29,858	26,230	23,349	21,336	116,082	26,121

VOLUME 7-2002

CHAPTER I

DELIVERIES TO CHINO BASIN

The verified amounts set forth in this Chapter pertain solely to those extractions from the San Bernardino and Colton Basin Areas within the San Bernardino Valley Municipal Water District for use on lands situated within the Chino Basin.

The entities delivering water to this area include Fontana Union Water Company, West San Bernardino County Water District and the City of Rialto. Maps Nos. 1, 2 and 3 appended hereto delineate the boundaries of the three agencies respectively, and also show the lands within each agency which are not within Western nor tributary to the Riverside Narrows. For purposes of this determination such lands are considered as lying northerly of the groundwater divide separating the Riverside and Chino Basins and westerly of the Rialto-Colton Fault.

Deliveries to these areas within each agency have been determined as follows:

FONTANA UNION WATER COMPANY

The lands served by the Fontana Union Water Company which include the San Gabriel Valley Water Company and which are not within Western nor tributary to the Riverside Narrows are shown on Map No. 1. The location of wells and surface diversion facilities which produce water delivered to said lands are also shown.

The total production from the San Bernardino and Colton Basin Areas available for use on the nontributary lands have been determined by the sum of the following:

1. Production from Fontana Union Water Company wells situated within the San Bernardino and Colton Basin Areas and being within the San Bernardino Valley Municipal Water District as reported in Recordation Filings to the State Water Resources Control Board and verified by the Watermaster with the exception that two wells situated on the Lytle Creek stream channel at Miller Narrows deliver water into the Lytle Creek powerhouse penstock. This water has been commingled with surface diversions and was excluded from the total well production.
2. Deliveries to Fontana Union Water Company's "Breedline" measured at the Fontana Powerhouse forebay Weir No. 4 and adjusted for deliveries to the Breedline from Fontana Union Water Company Well No. 27.
3. Deliveries to the Fontana Union Water Company measured at their 20 foot weir diverting from the Fontana Powerhouse afterbay plus diversions from the afterbay for delivery to City of Rialto and Owl Service Rock Company.

The Item 3 deliveries to Fontana Union Water Company reckoned at the Fontana Powerhouse 20' Weir were measured by Fontana Union Water Company and the United States Geological Survey. Since United States Geological Survey measurements were based on data obtained by continuous stage recorder as opposed to instantaneous measurements by Fontana Union Water Company two to three times daily, the United States Geological Survey data were used for purposes of the determinations contained in this report. In addition to surface diversions from Lytle Creek, the United States Geological Survey data also include an undetermined amount of water produced by the Miller Narrows Wells and may from time to time also include water obtained by temporary arrangements with other agencies diverting from the Fontana Powerhouse afterbay. For

these reasons the amounts used by the Watermaster are for purposes of this report only (i.e. deliveries to Chino Basin) and are not to be construed as a Watermaster verification of the total production by Fontana Union Water Company from either San Bernardino Basin Area or Colton Basin Area.

In order to determine the net deliveries to the nontributary area (Chino Basin) the total was adjusted for deliveries to tributary areas as follows:

1. Deliveries to the City of San Bernardino from Fontana Union Water Company Well No. 1, reported by Fontana Union Water Company as total production of this well.
2. Water delivered to the Owl Service Rock Company and its successor Sunwest located within the San Bernardino Basin Area as reported by Fontana Union Water Company.
3. Water delivered for use on citrus groves situated within the Colton Basin Area as reported by Fontana Union Water Company.
4. Water delivered to City of Rialto through West San Bernardino County Water District diversion facilities at Fontana Powerhouse afterbay.

The components of production and delivery by the Fontana Union Water Company for the five calendar years ending with 1963 and the years 1998 through 2002, together with the indicated deliveries to Chino Basin, are summarized in Table No. 1.

TABLE NO. 1

VERIFICATION OF EXTRACTIONS FROM THE
 SAN BERNARDINO BASIN AREA AND COLTON BASIN AREA
 WITHIN THE SAN BERNARDINO VALLEY MUNICIPAL WATER
 DISTRICT FOR USE ON LANDS NOT WITHIN
 WESTERN NOR TRIBUTARY TO THE RIVERSIDE NARROWS

FONTANA UNION WATER COMPANY
 (Quantities in Acre Feet)

Year	PRODUCTION				DELIVERIES TO AREAS TRIBUTARY TO RIVERSIDE NARROWS						Export to Chino Basin in San Bernardino Co Nontributary...
	San Bernardino Basin Area		Breed Line	Colton Basin Area Wells	Total Prod.	Sunwest	City of San B'dno.	Citrus	City of Rialto	Total	
(1)	(2)	(3)	(4)	(5)	(6)	(7)	(8)	(9)	(10)	(11)	(12)
1959	9,169	7,964	501	31	17,665	323	1,393	700	0	2,416	15,249
1960	6,671	5,344	521	31	12,567	491	1,396	600	0	2,487	10,080
1961	5,968	3,864	413	31	10,276	417	1,765	600	0	2,782	7,494
1962	3,521	8,225	526	31	12,303	481	746	500	0	1,727	10,576
1963	2,779	5,692	522	31	9,024	446	726	400	0	1,572	7,452
5-Yr.	Avg.				12,367					2,197	10,170
1998	9,729	12,758	0	0	22,487	500	0	0	0	500	21,987
1999	15,539	6,761	0	0	22,300	500	0	0	0	500	21,800
2000	13,237	5,169	0	0	18,406	500	0	0	0	500	17,906
2001	8,869	6,839	0	0	15,708	500	0	0	0	500	15,208
2002	7,520	5,972	0	0	13,492	500	0	0	0	500	12,992
5-Yr.	Avg.				18,479					500	17,979

Column Explanation:

- (2) Table No. 1 of Volume No. 1 of the Watermaster Report (excluding Miller Narrows Wells Recordation No.'s 3600588 and 3600590 and Lytle Creek Diversion Recordation No. 3600591).
- (3) United States Geological Survey and Fontana Union Water Company records of diversions from Fontana Powerhouse Afterbay including deliveries to Owl Service Rock Company and City of Rialto.
- (4) Line No.17, for 1959-63 and Line No.19 for 1971 to date on Table No.4 of Volume No.1 of the Watermaster Report (excludes production of Fontana Union Well No. 27, Recordation No. 3600582).
- (5) Table No.1 of Volume No.2 of the Watermaster Report (excluding Wells Recordation No.'s 3600577, 3600578, 3600589, and 3603060 which are not within S.B.V.M.W.D.).
- (6) Sum of Columns (2) + (3) + (4) + (5).
- (7) Fontana Union Water Company Records. Estimated in recent years. Now Sunwest Materials.
- (8) Fontana Union Water Company Records Total Production of Fontana Union Well No. 1, Recordation No. 3600561.
- (9) Fontana Union Water Company Records.
- (10) Fontana Union Water Company Records.
- (11) Sum of Columns (7) + (8) + (9) + (10).
- (12) Difference of Column (6) minus Column (11).

Note: Table No. 1 revised during the 1973 verification.

WEST SAN BERNARDINO COUNTY WATER DISTRICT

The lands served by the West San Bernardino County Water District which are not within Western nor tributary to the Riverside Narrows are delineated on Map No. 2. Water delivered to said area was obtained from wells located within the San Bernardino Basin and Colton Basin Areas and surface diversions from Lytle Creek. In addition these lands also received water extracted from three wells within the Chino Basin.

The total deliveries to the nontributary area (Chino Basin) were based on the actual metered deliveries obtained from the records of the West San Bernardino County Water District. Since a portion of this water was supplied by wells located within the nontributary area, the total deliveries were reduced by the amount supplied by said wells. West San Bernardino County Water District reports that the production from these wells is used wholly within the Chino Basin. Subsequent to the 1959-1963 base period, the District records also include the Domestic and Commercial deliveries as determined from the meter books covering the nontributary area. These metered areas are also shown on Map No. 2.

The annual deliveries to nontributary areas by the West San Bernardino County Water District for the five calendar years ending with 1963 and the years 1998 through 2002 are summarized in Table No. 2.

TABLE NO. 2

VERIFICATION OF EXTRACTIONS FROM THE
SAN BERNARDINO BASIN AREA AND COLTON BASIN AREA
WITHIN THE SAN BERNARDINO VALLEY MUNICIPAL WATER
DISTRICT FOR USE ON LANDS NOT WITHIN
WESTERN NOR TRIBUTARY TO THE RIVERSIDE NARROWS

WEST SAN BERNARDINO COUNTY WATER DISTRICT
(Quantities in Acre Feet)

Year	Deliveries in Chino Basin	Production From Chino Basin Wells Recordation No.				Total	Export To Chino Basin In San Bernardino Co. Nontributary
		3600379	3600380	3601005			
(1)	(2)	(3)	(4)	(5)	(6)	(7)	
1959	3,103	133	498	233	864	2,239	
1960	2,424	140	520	38	698	1,726	
1961	3,046	158	559	297	1,014	2,032	
1962	2,576	137	536	262	935	1,641	
1963	2,225	100	509	227	836	1,389	
5-Yr. Avg.	2,675	134	524	211	869	1,805	
1998	5,070	(8)	0	0	0	5,070	
1999	6,498		0	0	0	6,498	
2000	6,566		0	0	0	6,566	
2001	6,600		0	0	0	6,600	
2002	6,600		0	0	0	6,600	
5-Yr. Avg.	6,267		0	0	0	6,267	

Column explanation:

- (2) Company records. Amount includes production of Wells Rec. Nos. 3600379, 3600380 & 3601005.
- (3) So. Calif. Water Co. Well Rec. No. 3600379 purchased by W.S.B.C.W.D. in 1970.
- (4) So. Calif. Water Co. Well Rec. No. 3600380 purchased by W.S.B.C.W.D. in 1970.
- (5) Former Citizens Land & Water Co. merged in 1962 to form W.S.B.C.W.D.
- (6) Column (3) + (4) + (5).
- (7) Column (2) minus (6). Deliveries in Chino Basin from production in San Bernardino Basin and Colton Basin Area.
- (8) 1998 data corrected during 1999 verification.

CITY OF RIALTO

The lands served by the City of Rialto which are not within Western nor tributary to the Riverside Narrows are delineated on Map No. 3. Water delivered to the City was produced from wells within the San Bernardino and Colton Basin Areas and surface diversions from Lytle Creek. In addition the City also receives water extracted from a well within the Chino Basin.

The production records and records of water purchased together with records of metered customer deliveries are furnished by the City of Rialto.

The total water production delivered into the City's system has been determined as follows:

1. Production from City of Rialto wells situated within the San Bernardino and Colton Basin Areas as reported in Recordation Filings to the State Water Resources Control Board and verified from records furnished by the City.
2. Surface water diverted at Fontana Powerhouse afterbay and delivered to City of Rialto determined from City Records.
3. Water purchased by City of Rialto as determined from City Records.
4. Water produced in Chino Basin and delivered into City's system from Recordation Filing to the State Water Resources Control Board and City of Rialto records. Such water is produced from Well Recordation No. 3602270 and during the 1959-1963 base period was used solely for agricultural purposes in the Chino Basin. From 1966 to date this well delivered water into the City's domestic system and is considered to be used wholly within the Chino Basin.

Based on metered deliveries it was determined that the percentage of total production delivered to Chino Basin was about 18 percent as compared to the 28 percent used during the initial verification. The total production delivered to Chino Basin during the 1959-1963 base period was revised accordingly, and beginning in 1971 the actual metered deliveries were used. The amount delivered to the Chino Basin was reduced by the total verified production within Chino Basin as set forth in Item (4) above, assuming that such production was used entirely within the Chino Basin as reported by the City. The

remaining amount was considered representative of the total production from the San Bernardino and Colton Basin Areas exported to the Chino Basin by the City of Rialto.

Since the sewage effluent from the City Sewage Treatment Plant accrues to the Santa Ana River above the Riverside Narrows, the total exports were adjusted to reflect this return flow. Such adjustment was based on a percentage estimated at 32 percent for the year 1959 and increasing on a straight line basis to 40 percent in 1963. This assumption was predicated on the date of construction of the treatment plant and the gradual conversion of individual septic tanks and cesspools to the sewage system.

Analysis of the production and sewage plant effluent discharge data indicates an average effluent discharge from water exported to Chino Basin of about 39 percent for the calendar year 2001. This amount is weighted to account for the domestic, agricultural and industrial deliveries through the City's domestic system and the difference in sewage return flow accruing from such uses.

The annual deliveries to nontributary areas for the five calendar years ending with 1963 and the years 1998 through 2002 are summarized in Table No. 3.

TABLE NO. 3

VERIFICATION OF EXTRACTIONS FROM THE
SAN BERNARDINO BASIN AREA AND COLTON BASIN AREA
WITHIN THE SAN BERNARDINO VALLEY MUNICIPAL WATER
DISTRICT FOR USE ON LANDS NOT WITHIN
WESTERN NOR TRIBUTARY TO THE RIVERSIDE NARROWS

CITY OF RIALTO
(Quantities in Acre Feet)

Year	San Bernardino Basin City of Rialto Wells	Surface Water	Colton Basin City of Rialto Wells	Purchased Water	Total Prod. to Export	Chino Basin Well	Total Prod.	Water Required In Chino Basin	Chino Basin Well	San B'dno. & Colton Basins Export To Chino Basin	Percent Return Flow to Sewer Plant	Return Flow to Sewer Plant	Total Export From San B'dno. & Colton Basins Nontributary
(1)	(2)	(3)	(4)	(5)	(6)	(7)	(8)	(9)	(10)	(11)	(12)	(13)	(14)
1959	1,035	415	987	2,258	4,695	0	4,695	845	0	845	32%	270	575
1960	169	625	808	3,052	4,654	0	4,654	838	0	838	34%	285	553
1961	334	572	1,372	2,538	4,816	0	4,816	867	0	867	36%	312	555
1962	481	587	1,477	2,398	4,943	0	4,943	890	0	890	38%	338	552
1963	773	384	1,594	2,051	4,802	0	4,802	864	0	864	40%	346	518
5-Yr.Avg.	558	517	1,248	2,459	4,782	0	4,782	861	0	861	-	310	551
1998	3,757	896	4,326	1,529	10,508	595	11,103	3,400	595	2,805	39%	1,094	1,711
1999	3,796	1,461	4,258	2,459	11,974	1,021	12,995	3,400	1,021	2,379	39%	928	1,451
2000	4,657	1,619	4,073	3,217	13,566	820	14,386	3,400	820	2,580	39%	1,006	1,574
2001	4,025	1,305	4,583	3,750	13,663	1,066	14,729	3,400	1,066	2,334	39%	910	1,424
2002	3,501	1,619	5,320	3,217	13,657	886	14,543	3,400	886	2,514	39%	980	1,534
5-Yr.Avg.	3,947	1,380	4,512	2,834	12,673	878	13,551	3,400	878	2,522	-	984	1,538

Column explanation:

- (2) Verified extractions, Volume 1, Report of Watermaster. Excludes Lytle Creek Diversion Recordation No. 3601718. Includes Well Recordation No. 3601085 after acquisition by City of Rialto.
- (3) Metered inflow to City of Rialto Filter Plant City of Rialto Records. Includes water delivered under stock entitlement City of Rialto owns in West San Bernardino County Water District and purchases from Fontana Union Water Co.
- (4) Verified extractions, Volume 2, Report of Watermaster. Includes production of Wells Recordation Nos. 3602269 & 3602271 after acquisition by City of Rialto.
- (5) City of Rialto Records of Purchases. Purchases from SBVMWD Baseline Feeder commencing 1990.
- (6) Sum Columns (2) + (3) + (4) + (5).
- (7) Well Recordation No. 3602270 acquired by City of Rialto in 1966 and a well constructed by City of Rialto.
- (8) Sum Columns (6) + (7).
- (9) Metered deliveries in Chino Basin from City of Rialto Billing Records beginning 1971. Base period years revised during 1973 verification to reflect 18% average distribution of metered deliveries by City of Rialto records for years 1971 through 1974.
- (10) Same as Column (7).
- (11) Difference Column (9) minus Column (10).
- (12) Assumed for Base Period. 1971 to date estimated weighted average return flow percentage based on: 1) metered agricultural and park deliveries with no return flow, 2) metered residential deliveries at 40 percent return flow, and 3) metered industrial deliveries (Phototron Company) at 90 percent return flow.
- (13) Product Column (11) times Column (12).
- (14) Difference Column (11) minus Column (13) net export of water produced in San Bernardino & Colton Basin Areas to Chino Basin.

Note: Table No. 3 revised during the 1973 verification.

VOLUME 7-2002

CHAPTER II

DELIVERIES TO AREAS OTHER THAN CHINO BASIN

Paragraph X of the Judgment also provides for replenishment by San Bernardino Valley to the extent exports are made from the San Bernardino Basin Area for use in the Yucaipa, San Timoteo, Oak Glen and Beaumont Basins.

The results of the initial verification of production from the San Bernardino Basin Area indicated that such exports were not made during the five year base period 1959 through 1963 nor prior to the calendar year 1979.

During 1987 San Bernardino Valley Municipal Water District completed construction of the "Yucaipa Pipeline" which conveys Mill Creek waters from the San Bernardino Basin Area to the Yucaipa Basin. Yucaipa Regional Park receives Mill Creek water which is used for maintenance of the reservoir levels, irrigation of the Park and limited spreading for recharge of the Yucaipa Groundwater Basin. Mill Creek water is also delivered into Wilson Creek Spreading Basins for recharge into Yucaipa Groundwater Basins. The location of the Yucaipa Pipeline, Yucaipa Regional Park, and Wilson Creek Spreading Basins are shown on Map No. 4 which is appended hereto.

Annual delivery amounts by San Bernardino Valley Municipal Water District to the Yucaipa Basin are shown on Table No. 4.

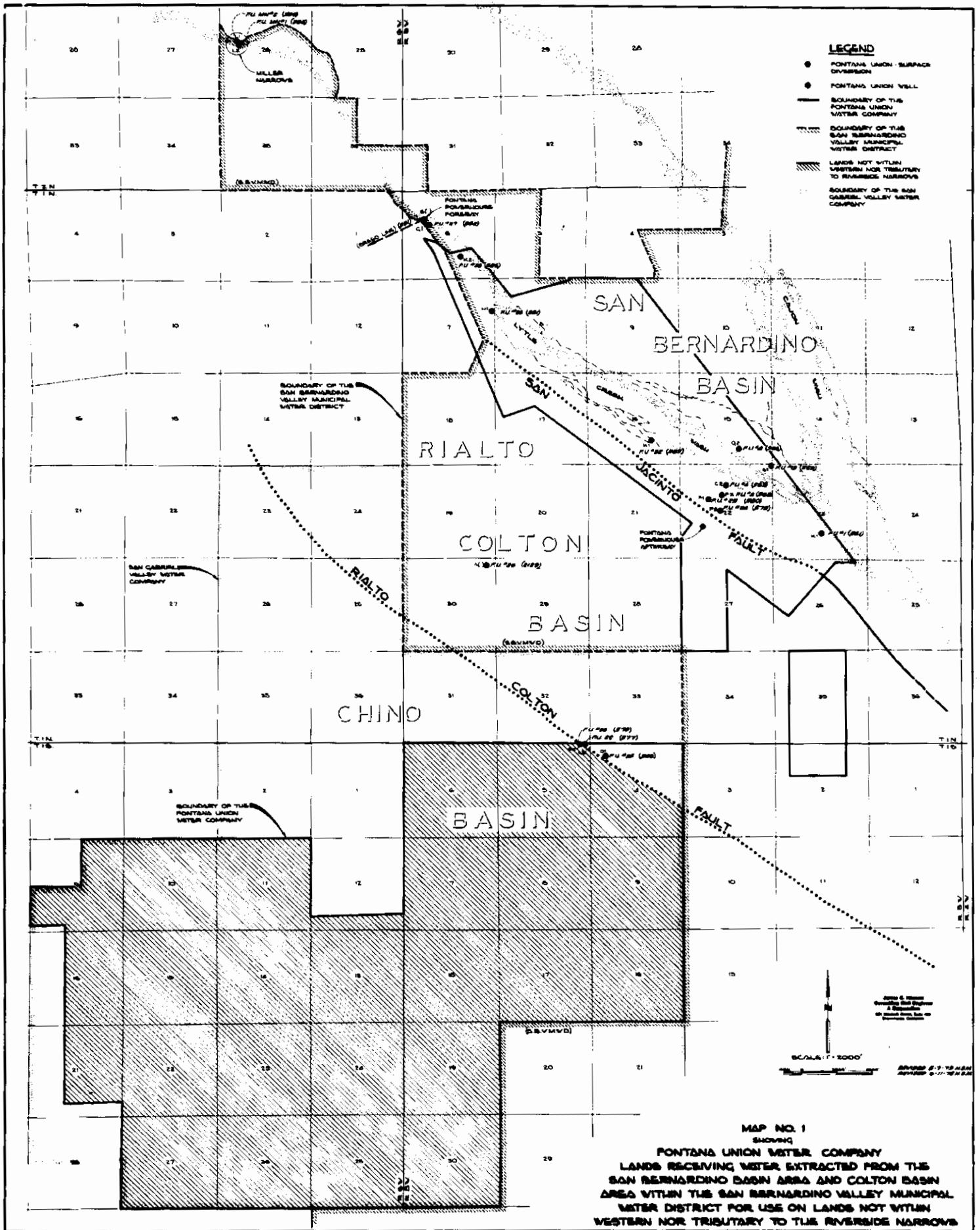
During the calendar year 2002, San Bernardino Valley Municipal Water District delivered 210 acre-feet of water to the Yucaipa Basin.

TABLE NO. 4

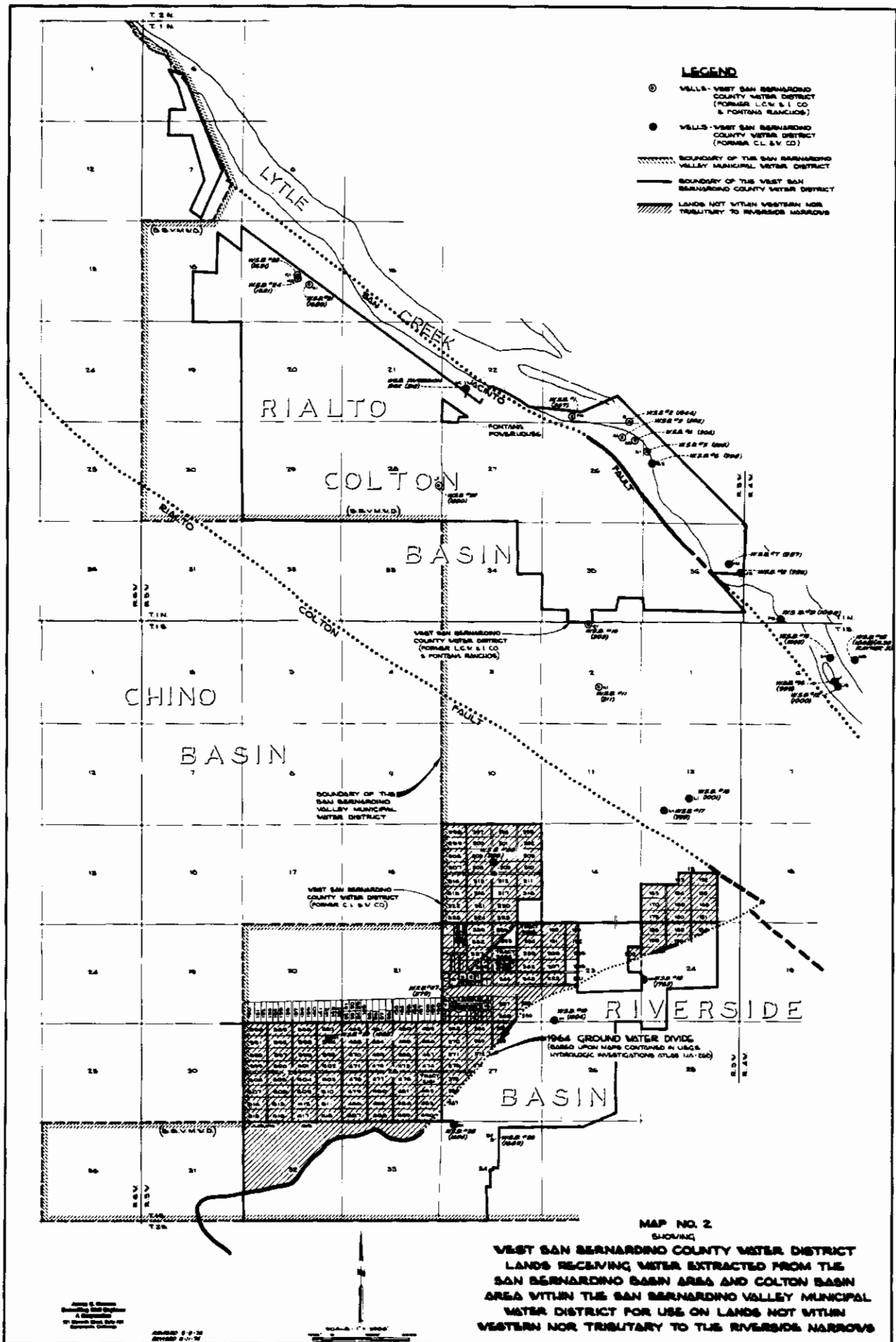
VERIFICATION OF EXTRACTIONS FROM THE
SAN BERNARDINO BASIN AREA AND COLTON BASIN AREA
WITHIN THE SAN BERNARDINO VALLEY MUNICIPAL WATER
DISTRICT FOR USE ON LANDS NOT WITHIN
WESTERN NOR TRIBUTARY TO THE RIVERSIDE NARROWS

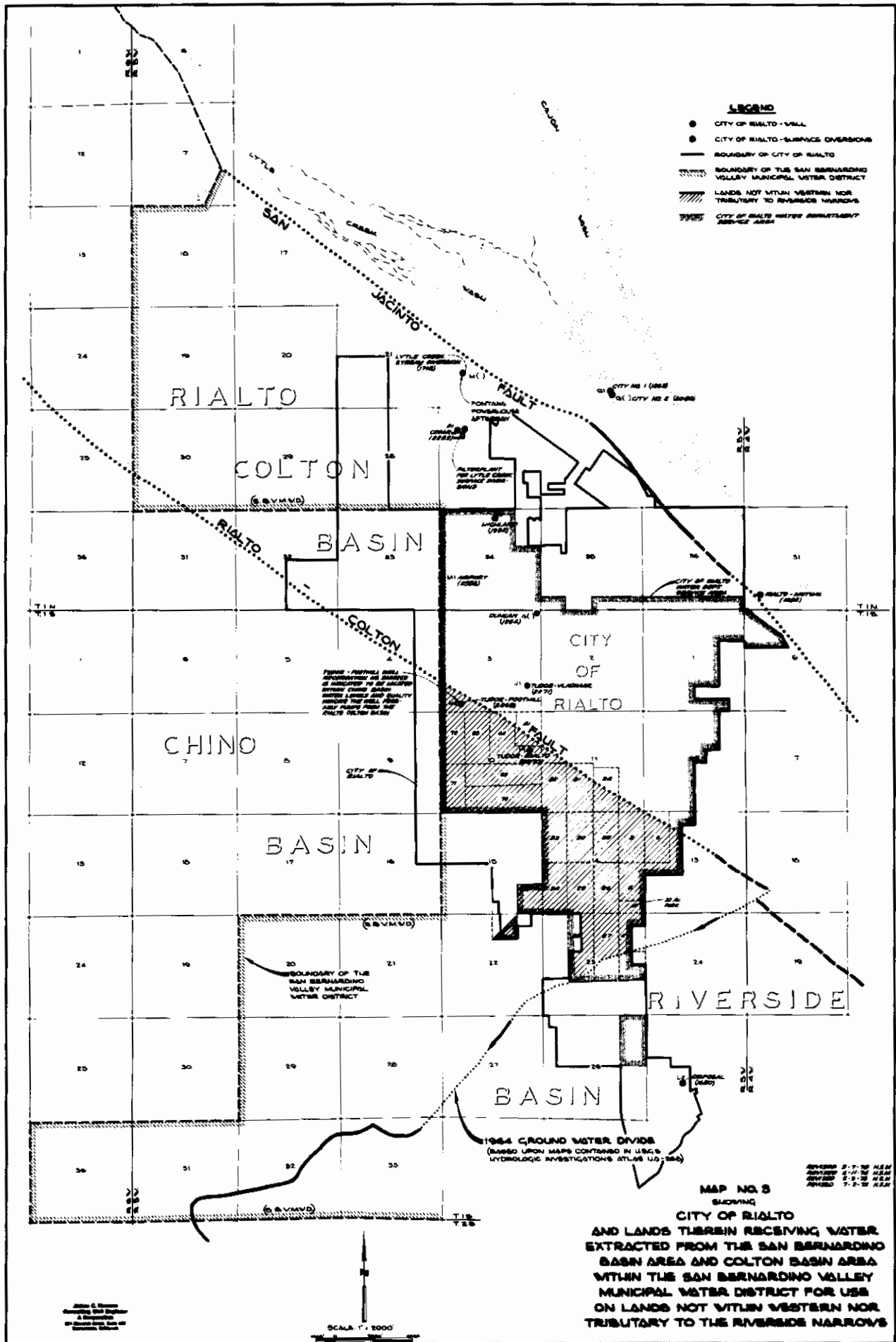
SAN BERNARDINO VALLEY MUNICIPAL WATER DISTRICT
(Quantities in Acre-Feet)

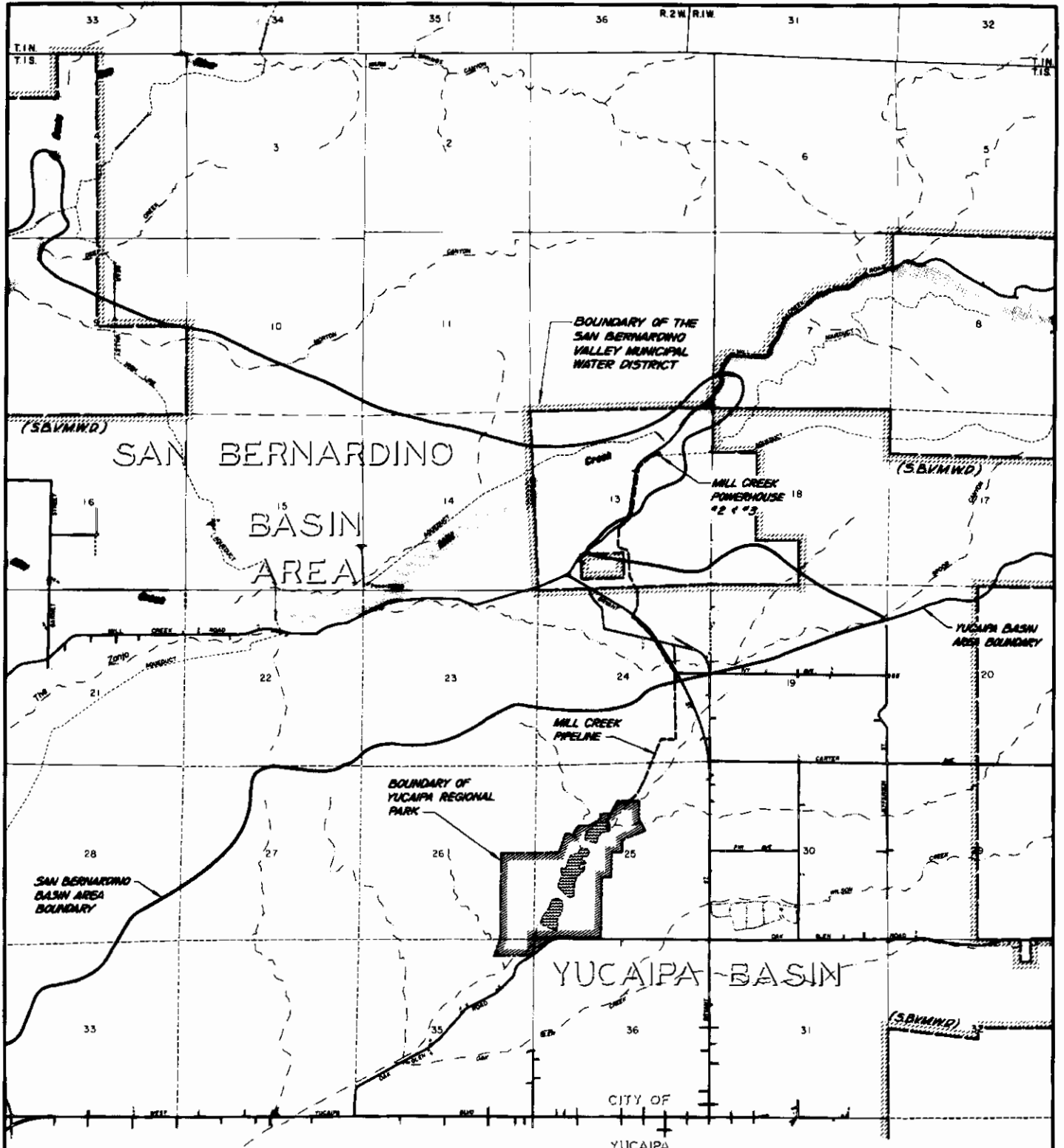
<u>Year</u> (1)	<u>Amount Delivered</u> (2)
1979	119
1980	8
1981	178
1982	625
1983	1,554
1984	321
1985	1,063
1986	486
1987	1,527
1988	1,800
1989	1,048
1990	117
1991	1,166
1992	336
1993	844
1994	2,531
1995	1,236
1996	1,169
1997	200
1998	1,277
1999	109
2000	184
2001	117
2002	210



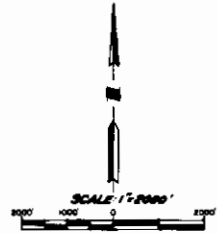
MAP NO. 1
 SHOWING
 FONTANA UNION WATER COMPANY
 LANDS RECEIVING WATER EXTRACTED FROM THE
 SAN BERNARDINO BASIN AREA AND COLTON BASIN
 AREA WITHIN THE SAN BERNARDINO VALLEY MUNICIPAL
 WATER DISTRICT FOR USE ON LANDS NOT WITHIN
 WESTERN NOR TRIBUTARY TO THE RIVERSIDE NARROWS







- LEGEND**
- BASIN BOUNDARY
 - BOUNDARY OF THE SAN BERNARDINO VALLEY MUNICIPAL WATER DISTRICT
 - ||||| YUCAIPA REGIONAL PARK
 - MILL CREEK PIPELINE



MAP NO. 4
SHOWING
SAN BERNARDINO VALLEY MUNICIPAL WATER DISTRICT'S MILL CREEK PIPELINE AND LANDS WITHIN YUCAIPA BASIN WHICH RECEIVE WATER DIVERTED FROM THE SAN BERNARDINO BASIN AREA

James C. Hanson
 Consulting Civil Engineer
 A Corporation
 921 Eleventh Street, Suite 400
 Sacramento, California

**WESTERN - SAN BERNARDINO WATERMASTER
FOR**

WESTERN MUNICIPAL WATER DISTRICT et al.

vs.

EAST SAN BERNARDINO COUNTY WATER DISTRICT et al.

CASE NO. 78426 - COUNTY OF RIVERSIDE

VOLUME 8 - 2002

**GROUND WATER SURFACE ELEVATIONS
OF WELLS NUMBERED 1S/4W-21Q3,
1S/4W-29H1 AND 1S/4W-29Q1 LOCATED WITHIN
THE COLTON BASIN AREA AND
RIVERSIDE BASIN AREA IN SAN BERNARDINO COUNTY
THROUGH DECEMBER 2003**

**ANNUAL ACCOUNTING
2002**

August 1, 2004

WATERMASTER

*Donald L. Harriger
Robert L. Reiter*

REPORT OF WATERMASTER

Western Municipal Water District of Riverside County, et al
Plaintiffs

vs.

East San Bernardino County Water District, et al
Defendants

Superior Court of Riverside County

Case No. 78426

Volume 8 - 2002

GROUNDWATER SURFACE ELEVATIONS
OF WELLS NUMBERED 1S/4W-21Q3
1S/4W-29H1 AND 1S/4W-29Q1 LOCATED WITHIN
THE COLTON BASIN AREA AND
RIVERSIDE BASIN AREA IN SAN BERNARDINO COUNTY
THROUGH DECEMBER 2003

ANNUAL ACCOUNTING

August 1, 2004

WATERMASTER
Donald L. Harriger
Robert L. Reiter

VOLUME 8-2002

TABLE OF CONTENTS

Page
INTRODUCTION i

MAP NO. 1
SHOWING LOCATION OF WELLS 1

FIGURE NO. 1
2003 GROUNDWATER SURFACE ELEVATIONS (JOHNSON NO. 1) . . . 2

FIGURE NO. 1A
ANNUAL LOWEST FALL STATIC GROUNDWATER ELEVATIONS,
1936-2003, 1S/4W-21Q03S (JOHNSON NO. 1) 3

FIGURE NO. 2
2003 GROUNDWATER SURFACE ELEVATIONS, (FLUME NO. 2) . . . 4

FIGURE NO. 2A
ANNUAL LOWEST FALL STATIC GROUNDWATER ELEVATIONS,
1936-2003, 1S/4W-29H01S (FLUME NO. 2) 5

FIGURE NO. 3
2003 GROUNDWATER SURFACE ELEVATIONS (FLUME NO. 5) 6

FIGURE NO. 3A
ANNUAL LOWEST FALL STATIC GROUNDWATER ELEVATIONS,
1931-2003, 1S/4W-29Q01S (FLUME NO. 5) 7

TABLE NO. 1
LOWEST STATIC WATER ELEVATIONS, 1963 AND 1981-2003 8

WELL MEASUREMENT RECORD, JOHNSON NO. 1,
STATE WELL NUMBER 1S/4W-21Q03S 9

WELL MEASUREMENT RECORD, FLUME NO. 2,
STATE WELL NUMBER 1S/4W-29H01S 13

WELL MEASUREMENT RECORD, FLUME NO. 5,
STATE WELL NUMBER 1S/4W029Q01S 17

VOLUME 8-2002

GROUNDWATER SURFACE ELEVATIONS
OF WELLS NUMBERED 1S/4W-21Q03S,
1S/4W-29H01S AND 1S/4W-29Q01S LOCATED WITHIN
THE COLTON BASIN AREA AND
RIVERSIDE BASIN AREA IN SAN BERNARDINO COUNTY

INTRODUCTION

The settlement of the case of the Orange County Water District, Plaintiff, vs. City of Chino, et al, Defendants, being Case No. 117628 in the Superior Court of the State of California in and for the County of Orange, made necessary a settlement of the case of Western Municipal Water District of Riverside County, et al, vs. East San Bernardino County Water District, which was settled by Stipulated Judgment in Case No. 78426, entered in the Superior Court of the State of California in and for the County of Riverside, on April 17, 1969.

Paragraph VIII of the judgment entitled "Extractions from Colton Basin Area and Riverside Basin Area in San Bernardino County" in subparagraph (d) recites as follows:

VII "Extractions from the Colton Basin Area and that portion of the Riverside Basin Area within San Bernardino County, for use within San Bernardino Valley, shall not be limited. However, except for any required replenishment by Western, San Bernardino Valley shall provide the water to maintain the static water levels in the area, as determined by wells numbered 1S/4W-21Q3, 1S/4W-29H1, and 1S/4W-29Q1 at an average level no lower than that which existed in the Fall season of 1963. Such 1963 average water level is hereby determined to be 822.04 feet above sea level. In future years, the level shall be computed by averaging the lowest static water levels in each of the three wells occurring at or about the same time of the year, provided that no measurements will be used which reflect the undue influence of pumping in nearby wells, or in the three wells, or pumping from the Riverside Basin in Riverside in the three wells, or pumping from Riverside Basin in Riverside County in excess of that determined pursuant to Paragraph IX(a) hereof."

Pursuant to the foregoing, the Watermaster has compiled all available records and data pertinent to the water surface elevation in the three key wells named in the Judgment and shown on Map No. 1. These data, including elevations through December 1971, are presented in "Report of Watermaster, Volume 8" dated June, 1972.

Groundwater elevations of the key wells for calendar years 1972 through 2003 are presented in "Report of Watermaster", Volume 8-1971 through Volume 8-2002. The current report includes the detail data for calendar year 2003 along with graphical summaries of historic water level elevations.

Figures 1, 2, and 3 graphically display the specific static water elevations for each key well that were used to select the lowest elevation for calendar year 2003. Figures 1A, 2A and 3A show the lowest fall static water elevation recorded each year for each of the three wells since about 1935.

Table No. 1 presents the lowest static water surface elevation for each well and the average low elevation for the three wells for calendar year 1963 and calendar years 1981 through 2003.

The basic data compiled in tabular form at the end of this report is based on measurements of depth to water by the City of Riverside, the United States Geological Survey (US Geological Survey), San Bernardino Valley Municipal Water District (SBVMWD) and Western Municipal Water District (Western MWD).

The City of Riverside established a new measurement point for the Flume No. 5 well in May 1982. The elevation of this new reference point has been established as 916.53 feet above sea level. Therefore, there are now three reference points available for use on the Flume 5 well. The well record tables included in this report indicate which reference point was used for each measurement since 1976.

Monthly measurements of the key wells by the USGS began in October of 1972 under a cooperative agreement with SBVMWD. In July 1974, the USGS agreement was terminated. The USGS does measure Flume #2 as part of a different contract with SBVMWD and the data are included in the volume.

Using the City of Riverside, USGS, San Bernardino Valley Municipal Water District and Western Municipal Water District data, the average of the lowest static level in each well has been determined to be at elevation 862.80 feet for 2003. This elevation is 40.76 feet higher than the 1963 minimum (822.04) required by the Judgment and 4.84 feet lower than 2002.

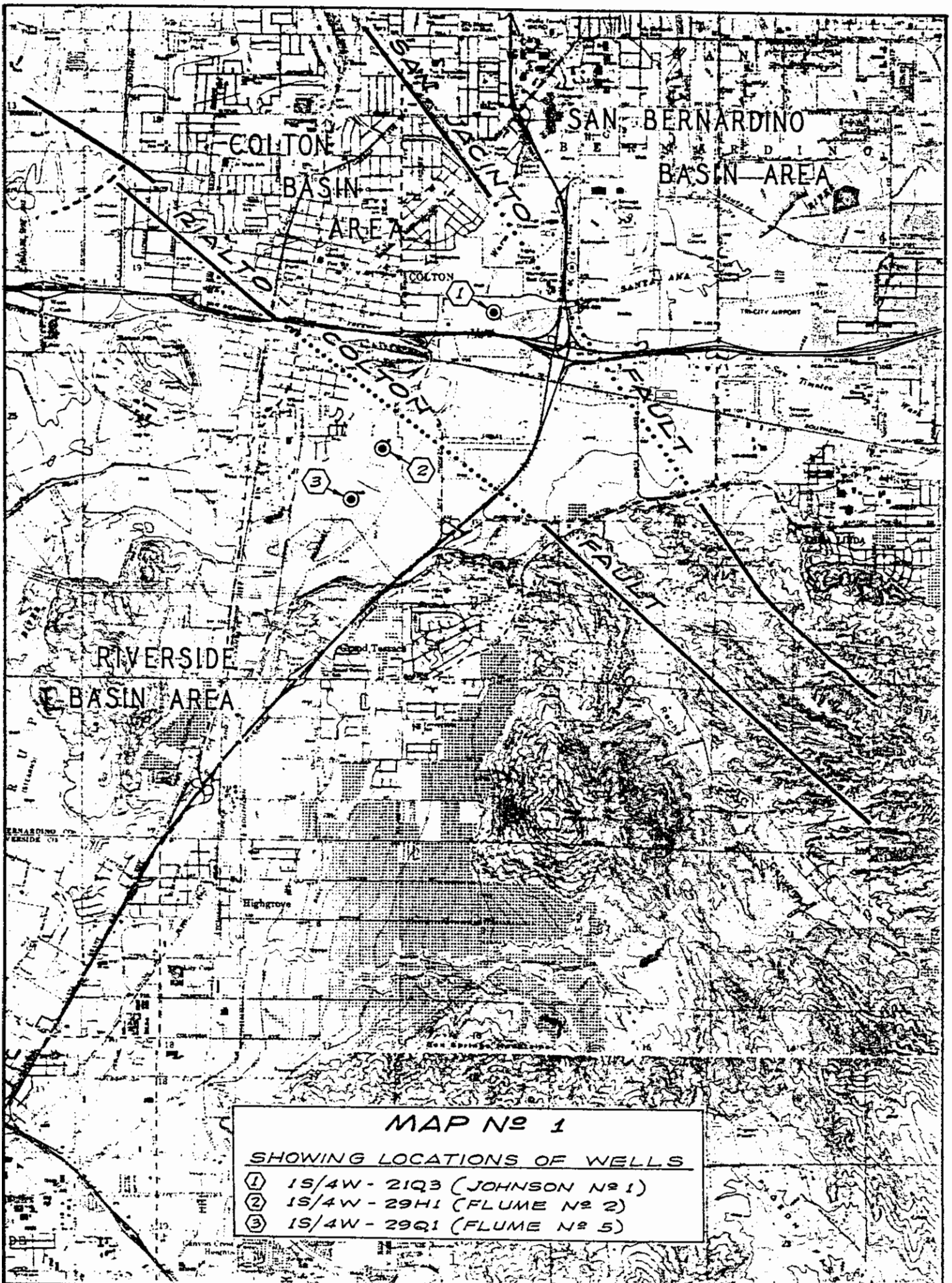
Since 1979, flow in the Santa Ana River caused channel erosion of about 8 feet in the vicinity of the Flume No. 5 well and the river was flowing immediately adjacent to the well most of the year. However, as a result of the channel erosion, the elevation of the water table since 1981 is about 10 feet less than in prior years when a similar saturated condition existed. In 1990, the stream relocated approximately 150 east of the well and the data from Flume 5 are beginning to better reflect the regional groundwater conditions. During the second week of April 1996, SAWPA's RIX project came on line and dry season flow below the E Street gage ceased.

In 1991 the City of Colton started operation of a new well, Colton "Well #23". This well is approximately 100 yards to the northeast of Johnson #1 and is believed to be affecting the annual low water level readings.

City of Riverside's Flume #2 and #6 wells are being pumped as part of the Orange County Exchange Water Program. This coupled with the start of the RIX Project accounts for the large drop in water level of Flume #2 and #5 in 1997.

In 1998, the El Nino storm events raised the water levels in all three key wells.

Extensive pumping interference made selection of 1999 and 2000 lows very difficult. The High Groundwater Mitigation Program was in effect during 2001 and 2002 which also made selection of an annual low difficult.



MAP No 1
SHOWING LOCATIONS OF WELLS

①	1S/4W - 21Q3 (JOHNSON No 1)
②	1S/4W - 29H1 (FLUME No 2)
③	1S/4W - 29Q1 (FLUME No 5)

FIGURE 1
GROUNDWATER SURFACE ELEVATION
JOHNSON NO. 1 WELL
2003

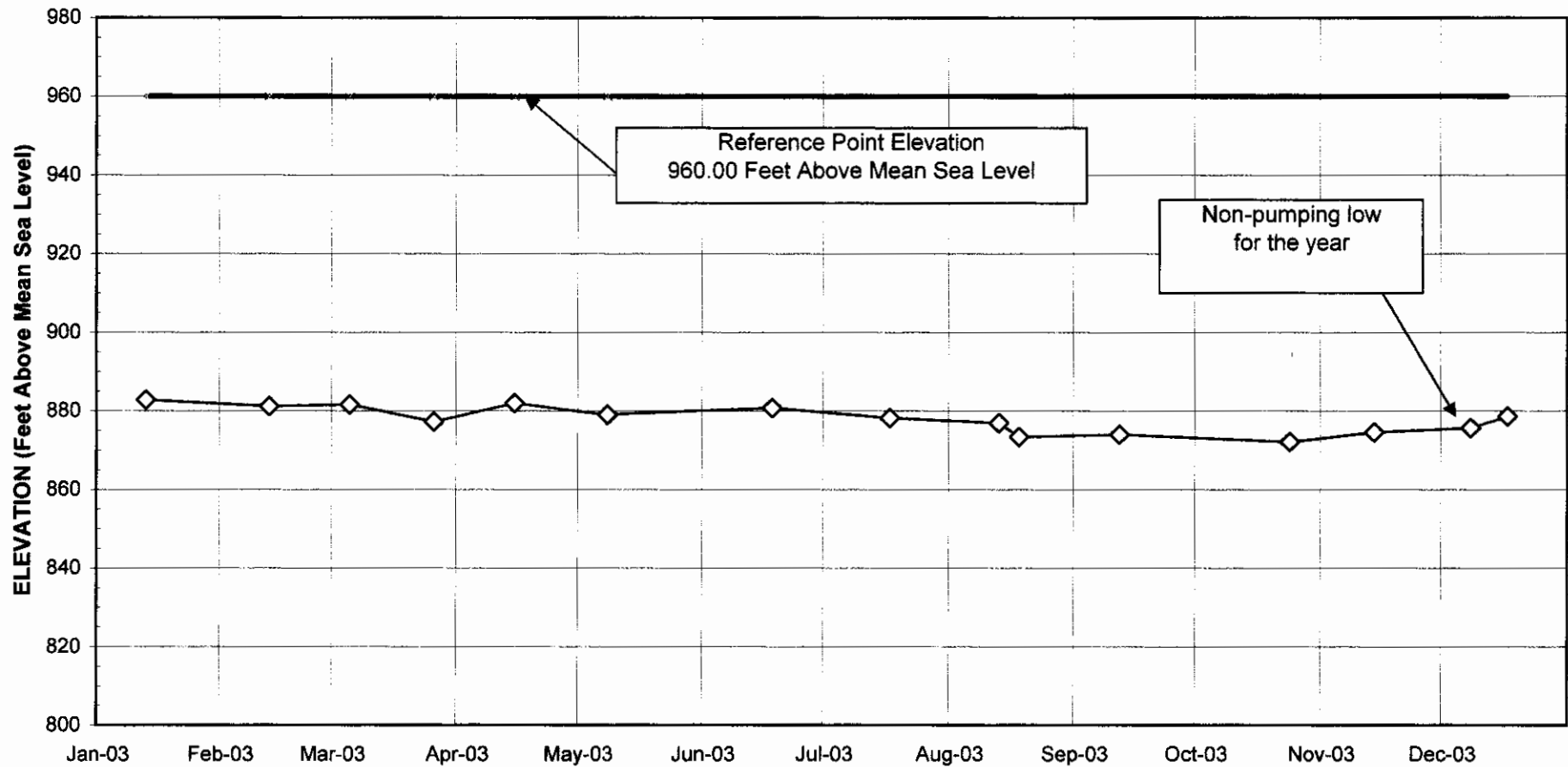
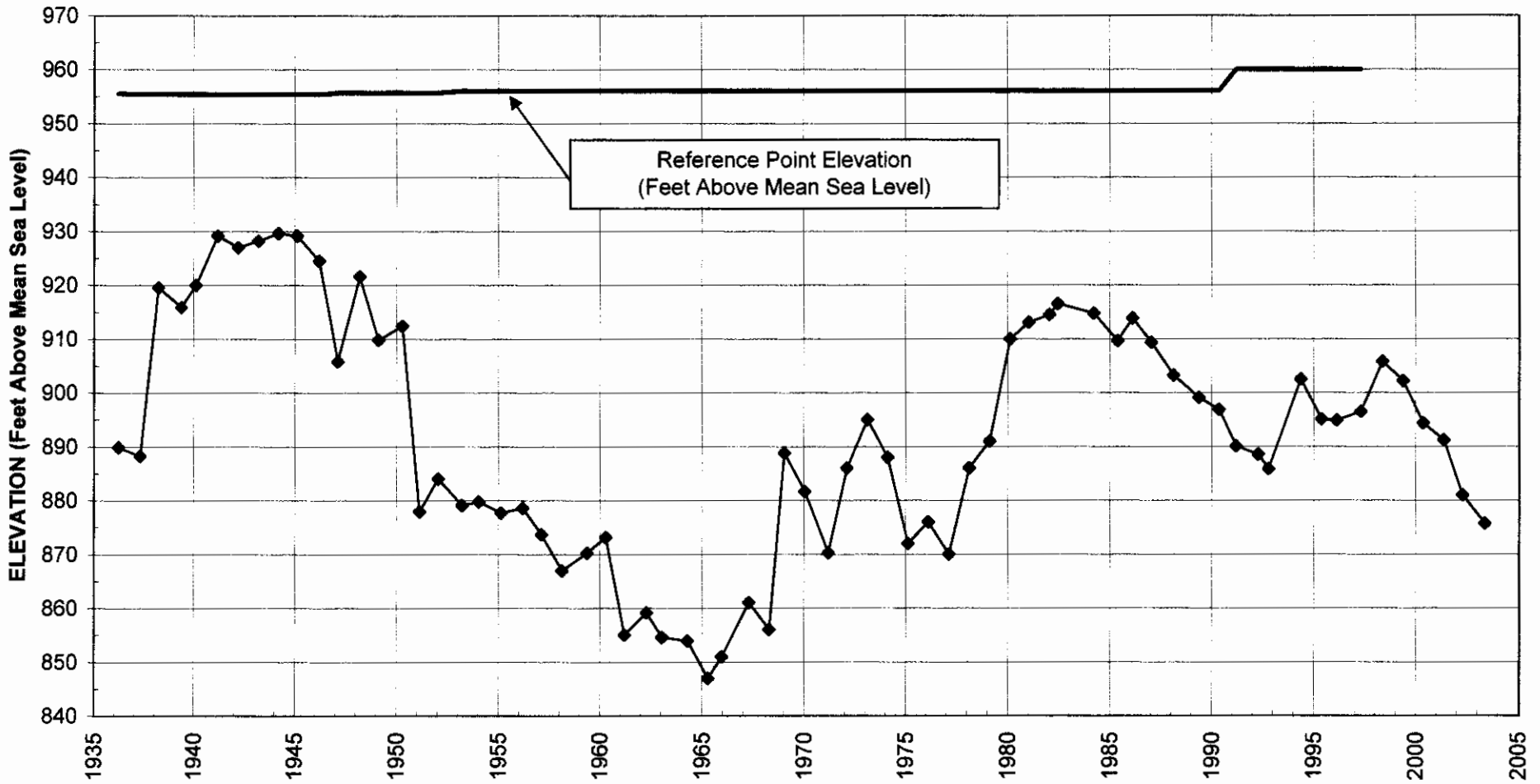


FIGURE 1A
ANNUAL LOWEST FALL STATIC
GROUNDWATER ELEVATIONS
JOHNSON NO. 1 WELL



**FIGURE 2
GROUNDWATER SURFACE ELEVATION
FLUME NO. 2 WELL
2003**

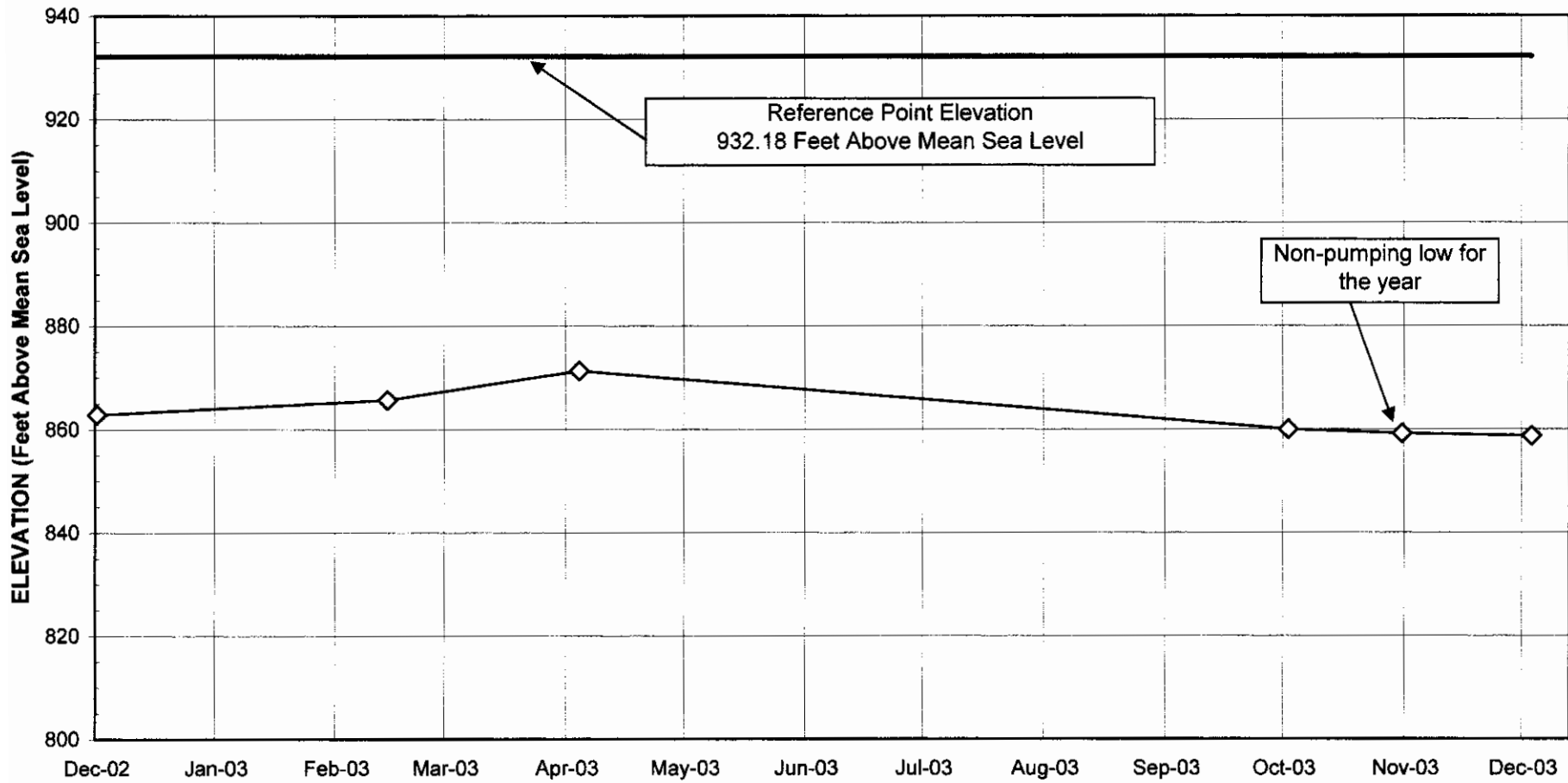
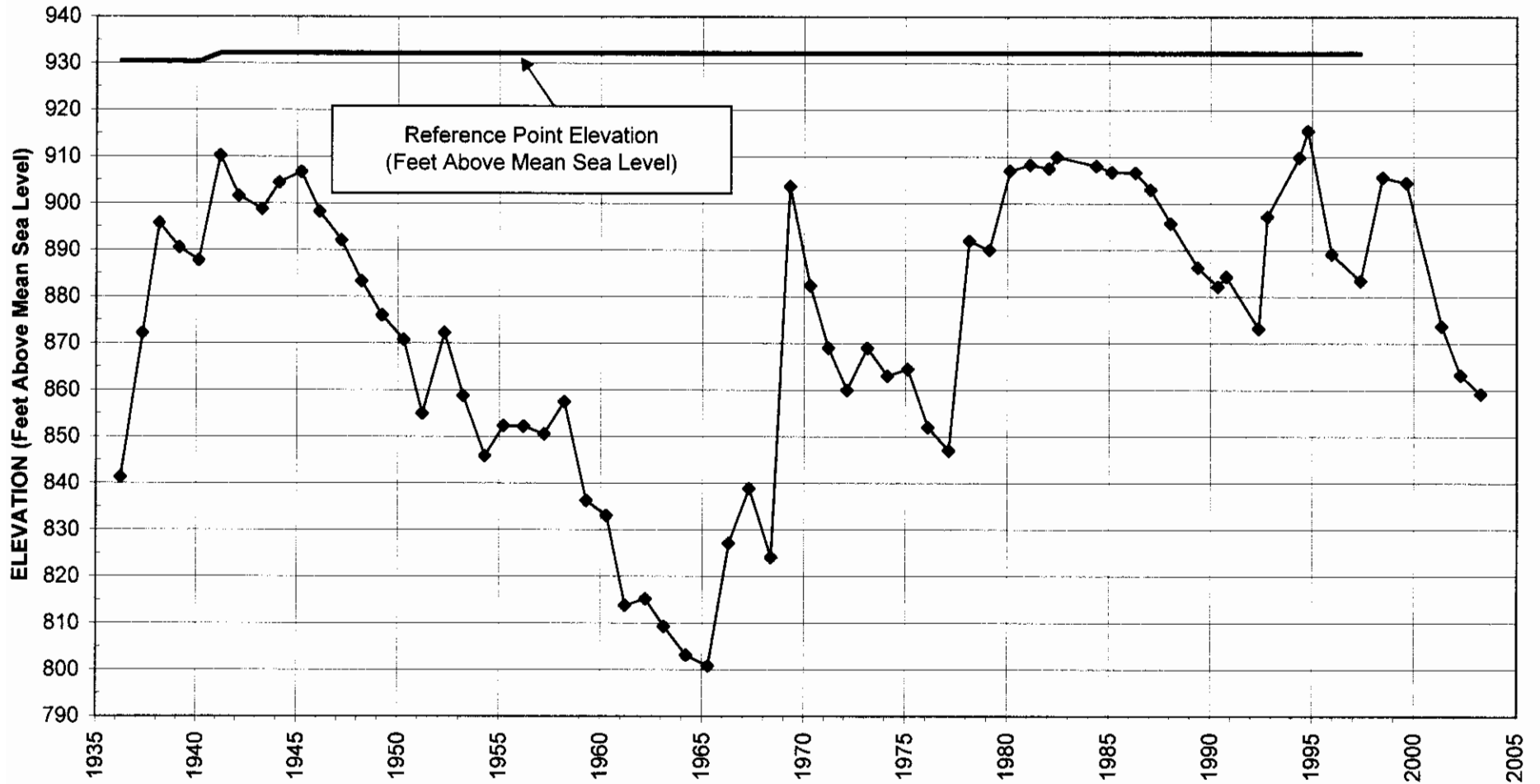


FIGURE 2A
ANNUAL LOWEST FALL STATIC
GROUNDWATER ELEVATIONS
FLUME NO. 2 WELL



**FIGURE 3
GROUNDWATER SURFACE ELEVATION
FLUME NO. 5 WELL
2003**

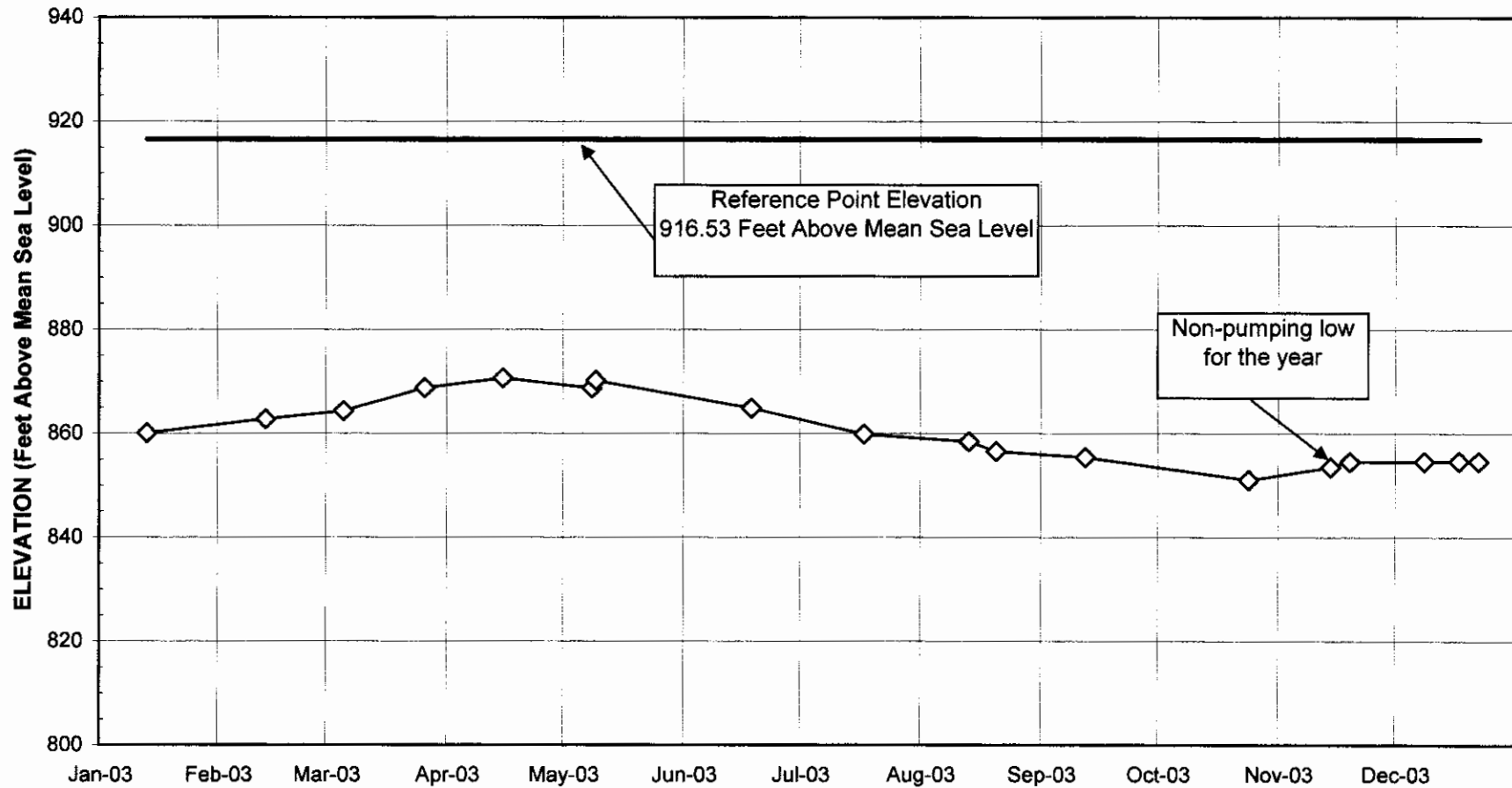


FIGURE 3A
ANNUAL LOW FALL STATIC
GROUNDWATER ELEVATIONS
FLUME NO. 5 WELL

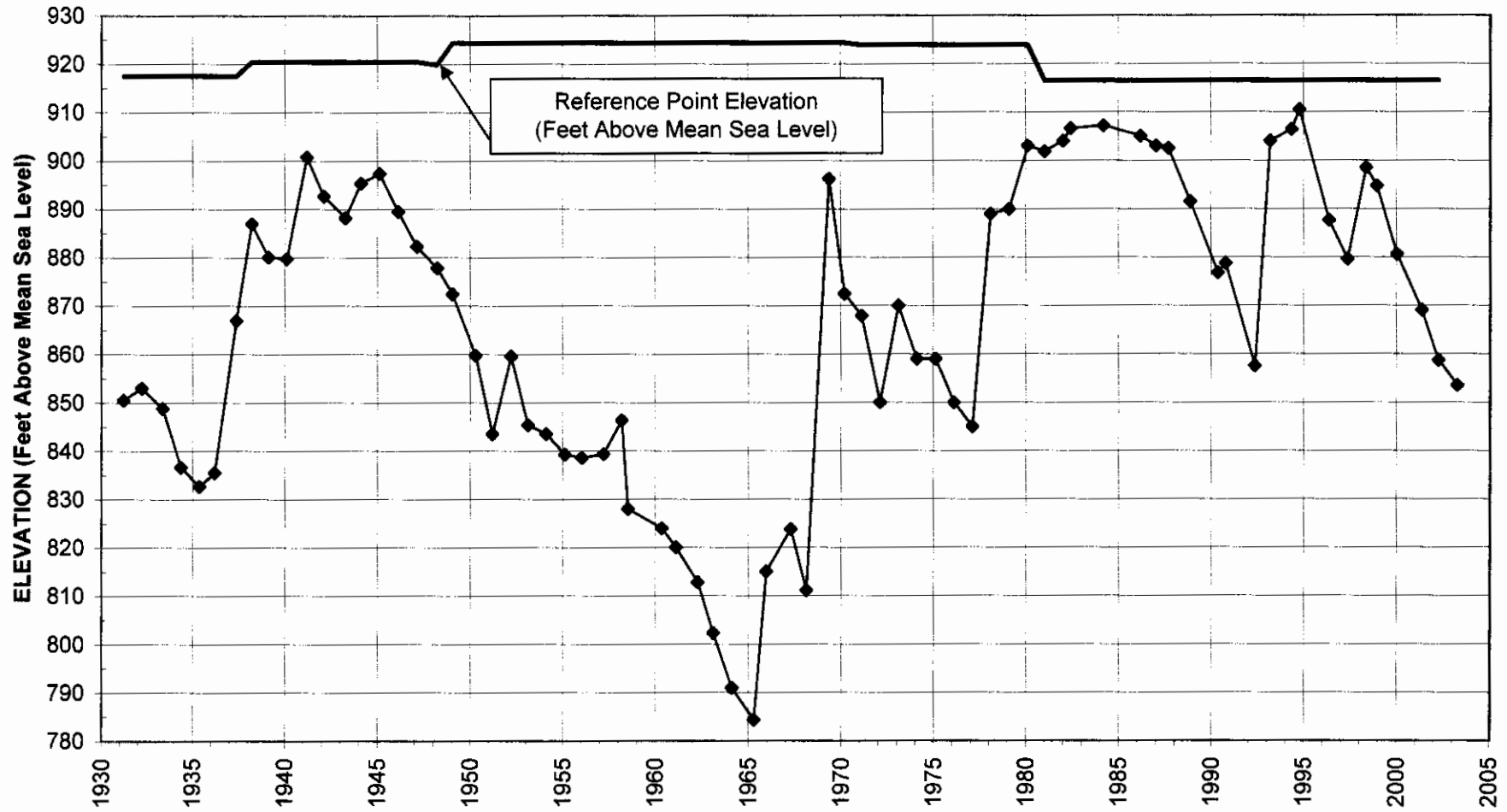


TABLE NO. 1

LOWEST STATIC WATER LEVEL ELEVATION IN WELLS NUMBERED
1S/4W-21Q03S, 1S/4W-29H01S & 1S/4W-29Q01S
FOR YEARS 1963 AND 1981 THROUGH PRESENT

STATIC WATER LEVEL ELEVATION

Calendar Year	Well #1S/4W-21Q03S Johnson No. 1		Well #1S/4W-29H01S Flume No. 2		Well #1S/4W-29Q01S Flume No. 5		Total of three wells	Average three wells	Feet above Minimum Requirement
	Lowest Static W.S.Elev.	Date Recorded	Lowest Static W.S.Elev.	Date Recorded	Lowest Static W.S.Elev.	Date Recorded			
1963	854.56	Aug. 1	809.28	Sept. 20	802.27	Sept. 19	2466.11	*822.04	
1981	913.06	Aug. 13	908.28	Sept. 02	901.92	Aug. 18	2,723.26	907.75	85.71
1982	914.56	Aug. 06	907.48	Aug. 25	904.03	Aug. 25	2,726.07	908.69	86.65
1983	916.56	Jan. 04	909.98	Jan. 18	906.63	Jan. 18	2,733.17	911.06	89.02
1984	914.76	Oct. 02	908.08	Dec. 01	907.23	Oct. 02	2,730.07	910.02	87.98
1985	909.66	Dec. 01	906.68	Sept. 01	907.23	**	2,723.57	907.86	85.82
1986	913.86	Sept. 23	906.58	Nov. 19	905.03	Oct. 24	2,725.47	908.49	86.45
1987	909.36	Aug. 16	902.98	Aug. 25	903.03	Aug. 20	2,715.37	905.12	83.08
1988	903.26	Sept. 01	895.78	Aug. 01	902.53	Apr. 14	2,701.57	900.52	78.48
1989	899.06	Dec. 01	886.28	Dec. 31	891.53	Jun. 12	2,676.87	892.29	70.25
1990	896.86	Dec. 01	882.18	Dec. 02	876.73	Dec. 12	2,655.77	885.26	63.22
1991	890.06	Oct. 10	884.28	May 31	878.78	May. 31	2,653.12	884.37	62.33
1992	888.56	Nov. 27	873.18	Dec. 15	857.53	Dec. 15	2,619.27	873.09	51.05
1993	885.86	May 18	897.18	May 04	904.03	Oct. 26	2,687.07	895.69	73.65
1994	902.56	Dec. 06	909.88	Dec. 06	906.43	Dec. 06	2,718.87	906.29	84.25
1995	895.06	Dec. 05	915.58	May 24	910.53	May 24	2,721.17	907.06	85.02
1996	894.90	Sept. 30	889.18	July 19	887.63	Dec. 17	2,671.71	890.57	68.53
1997	896.50	Nov. 18	883.38	Dec. 16	879.58	Dec. 29	2,659.46	886.49	64.45
1998	905.80	Dec. 18	905.58	Jan 9 '99	898.53	Dec. 18	2,709.91	903.30	81.26
1999	902.23	Dec. 28	905.58	Jan 9 '99	894.73	Jul. 27	2,702.54	900.85	78.81
2000	899.20	Sept. 18	904.38	Mar. 21	880.61	Sept.14	2,684.19	894.73	72.69
2001	891.20	Dec. 04	873.68	Dec. 04	869.03	Dec. 04	2,633.91	877.97	55.93
2002	881.00	Nov. 12	863.18	Nov. 18	858.73	Nov. 22	2,602.91	867.64	45.60
2003	875.68	Dec. 08	859.18	Nov. 19	853.53	Nov. 14	2,588.39	862.80	40.76
2004									
2005									

* Minimum Average Water Level as provided for in the Section VIII (d) of the Judgment.

** Unable to measure during 1985, assume same low as previous year.

**Western San Bernardino Watermaster
Well Measurement Record for**

Johnson #1

State Well Number 1S/4W21Q03S

Basin: Colton-Rialto

Reference Point Elevation: 956.06

R Elevation #2, top of MP: 960

Date	Obtained from	Ref. Pt. to Water	Water Surface Elevation	Remarks
1993				
01/23/93	City of Riverside	67.10	888.96	
01/25/93	Western MWD	71.90	884.16	Colton Pumping
03/15/93	City of Riverside	67.00	889.06	
04/21/93	City of Riverside	67.20	888.86	
05/18/93	City of Riverside	70.20	885.86	Low for the year
06/09/93	City of Riverside	70.00	886.06	
08/30/93	City of Riverside	67.00	889.06	
09/07/94	City of Riverside	67.30	888.76	
10/25/93	City of Riverside	65.00	891.06	
12/28/93	City of Riverside	63.20	892.86	
1994				
01/03/94	Western MWD	48.25	907.81	
02/23/94	City of Riverside	58.20	897.86	
05/25/94	City of Riverside	48.10	907.96	
05/31/94	Western MWD	43.60	912.46	
11/23/94	City of Riverside	53.50	902.56	
12/06/94	Western MWD	53.50	902.56	Low for the year
12/21/94	City of Riverside	57.20	898.86	
1995				
05/08/95	City of Riverside	40.40	915.66	
05/24/95	Western MWD	41.40	914.66	
09/29/95	City of Riverside	56.00	900.06	
12/05/96	City of Riverside	61.00	895.06	Low for the year
1996				
02/03/96	City of Riverside	53.00	907.00	
02/23/96	City of Riverside	61.00	895.06	
03/07/96	Western MWD	45.20	910.86	
04/12/96	Western MWD/SBVMWD	57.75	902.25	
04/30/96	City of Riverside	58.00	902.00	
05/10/96	Western MWD	59.70	900.30	#23 pumping
05/14/96	SBVMWD	58.90	901.10	#23 pumping
05/30/96	City of Riverside	65.00	895.00	
06/14/96	SBVMWD	63.10	896.90	#23 pumping
07/01/96	City of Riverside	66.70	893.30	
07/05/96	Western MWD	66.42	893.58	#23 & #36 pumping
07/19/96	SBVMWD	67.40	892.60	#23 & #36 pumping
08/06/96	Western MWD	64.75	895.25	#23 pumping
08/20/96	SBVMWD	65.20	894.80	#23 pumping

**Western San Bernardino Watermaster
Well Measurement Record for**

Johnson #1

State Well Number 1S/4W21Q03S

Basin: Colton-Rialto

Reference Point Elevation: 956.06

R Elevation #2, top of MP: 960

Date	Obtained from	Ref. Pt. to Water	Water Surface Elevation	Remarks
09/30/96	City of Riverside	65.10	894.90	Low for the year
10/16/96	SBVMWD	72.40	887.60	#23 pumping
11/04/96	Western MWD	74.33	885.67	#23 & #36 pumping
11/18/96	SBVMWD	70.70	889.30	#23 pumping
12/09/96	Western MWD	70.05	889.95	#23 pumping
12/17/96	SBVMWD	69.20	890.80	#23 pumping
1997				
01/03/97	City of Riverside	61.70	898.30	?
01/16/97	SBVMWD	68.90	891.10	#23 pumping
02/19/97	SBVMWD	65.70	894.30	#23 pumping
03/18/97	SBVMWD	63.60	896.40	#23 pumping
03/30/97	City of Riverside	54.90	905.10	?
04/18/97	SBVMWD	64.40	895.60	#23 pumping
05/05/97	Western MWD	65.80	894.20	#23 pumping
05/20/97	SBVMWD	65.25	894.75	#23 pumping
06/17/97	SBVMWD	65.80	894.20	#23 pumping
07/16/97	SBVMWD	67.00	893.00	#23 pumping
09/16/97	SBVMWD	67.50	892.50	#36 pumping
10/16/97	SBVMWD	69.80	890.20	#23 pumping
11/18/97	SBVMWD	63.50	896.50	Low for the year
12/16/97	SBVMWD	60.80	899.20	
12/29/97	Western MWD	70.10	889.90	#23 pumping
1998				
01/10/98	City of Riverside	71.50	888.50	
02/19/98	SBVMWD	59.40	900.60	
02/21/98	City of Riverside	59.30	900.70	
04/08/98	City of Riverside	56.00	904.00	
04/20/98	SBVMWD	58.00	902.00	#23 pumping
06/01/98	Western MWD	60.20	899.80	#23 pumping
06/18/98	SBVMWD	58.70	901.30	#23 pumping
07/14/98	SBVMWD	56.70	903.30	#23 pumping
08/05/98	City of Riverside	56.80	903.20	
08/17/98	SBVMWD	55.50	904.50	#23 pumping
09/17/98	SBVMWD	55.40	904.60	#23 pumping
11/10/98	SBVMWD	54.50	905.50	#23 pumping
12/18/98	SBVMWD	54.20	905.80	#23 pumping/low for y
1999				
01/08/99	City of Riverside	48.50	911.50	
01/18/99	Western MWD	48.70	911.30	

**Western San Bernardino Watermaster
Well Measurement Record for**

Johnson #1

State Well Number 1S/4W21Q03S

Basin: Colton-Rialto

Reference Point Elevation: 956.06

R Elevation #2, top of MP: 960

Date	Obtained from	Ref. Pt. to Water	Water Surface Elevation	Remarks
01/19/99	SBVMWD	48.60	911.40	
02/16/99	SBVMWD	51.50	908.50	#23 pumping
03/17/99	SBVMWD	46.60	913.40	
04/14/99	SBVMWD	49.40	910.60	#23 off, #36 on
05/20/99	City of Riverside	54.00	906.00	
06/03/99	Western MWD	46.00	914.00	#36 pumping
06/16/99	SBVMWD	50.30	909.70	#23 off, #36 on
07/13/99	SBVMWD	58.60	901.40	#23 on, #36 on
08/05/99	City of Riverside	59.60	900.40	
08/17/99	SBVMWD	60.30	899.70	#23 on, #36 on
09/14/99	SBVMWD	61.10	898.90	#23 on, #36 on
10/07/99	City of Riverside	57.60	902.40	
10/15/99	SBVMWD	58.36	901.64	#23 on, #36 off
11/17/99	SBVMWD	51.94	908.06	#23 off, #36 off
12/14/99	SBVMWD	57.32	902.68	#23 off, #36 on
12/28/99	Western MWD	57.77	902.23	#23 off, #36 off/low
2000				
01/14/00	SBVMWD	58.38	901.62	#23 off, #36 on
01/18/00	City of Riverside	53.90	906.10	
02/14/00	SBVMWD	59.10	900.90	#23 off, #36 off
03/13/00	SBVMWD	52.42	907.58	#23 off, #36 off
03/21/00	City of Riverside	52.40	907.60	
04/12/00	SBVMWD	51.46	908.54	#23 off/#36 not equip
05/09/00	Western MWD	58.63	901.37	#23 on/#36 not equip
05/12/00	SBVMWD	58.00	902.00	#23 on/#36 not equip
06/13/00	SBVMWD	59.10	900.90	#23 on/#36 not equip
07/13/00	SBVMWD	59.42	900.58	#23 on/#36 off
08/14/00	SBVMWD	59.60	900.40	#23 on/#36 off
09/15/00	SBVMWD	61.48	898.52	#23 on/#36 off
09/18/00	City of Riverside	60.80	899.20	low for year
10/16/00	SBVMWD	55.46	904.54	#23 off, #36 off
11/16/00	SBVMWD	64.30	895.70	#23 on/#36 off
12/04/00	City of Riverside			Cannot measure
12/18/00	SBVMWD	65.64	894.36	#23 on/#36 off
2001				
01/17/01	SBVMWD	61.58	898.42	#23 off/#36 off
01/19/01	City of Riverside	61.40	898.60	
02/16/01	City of Riverside	60.50	899.50	
02/16/01	SBVMWD	60.96	899.04	#23 off/#36 off
03/09/01	Western MWD	59.80	900.20	#23 on/#36 off

**Western San Bernardino Watermaster
Well Measurement Record for**

Johnson #1

State Well Number 1S/4W21Q03S

Basin: Colton-Rialto

Reference Point Elevation: 956.06

R Elevation #2, top of MP: 960

Date	Obtained from	Ref. Pt. to Water	Water Surface Elevation	Remarks
03/16/01	SBVMWD	64.84	895.16	#23 on/#36 off
04/18/01	SBVMWD	64.00	896.00	#23 on/#36 off
04/23/01	City of Riverside	64.60	895.40	
05/18/01	SBVMWD	63.70	896.30	#23 on/#36 off
06/08/01	Western MWD	63.73	896.27	#23 on/#36 off
06/18/01	SBVMWD	64.00	896.00	#23 on/#36 off
07/18/01	SBVMWD	63.74	896.26	#23 on/#36 off
08/20/01	SBVMWD	66.40	893.60	#23 on/#36 on
09/24/01	SBVMWD	67.80	892.20	#23 on/#36 on
10/16/01	SBVMWD	68.30	891.70	#23 on/#36 on
11/14/01	SBVMWD	67.90	892.10	#23 on/#36 on
11/16/01	Western MWD	69.78	890.22	#23 on/#36 on
12/04/01	City of Riverside	68.80	891.20	LOW
12/17/01	SBVMWD	67.76	892.24	#23 on/#36 off

2002

01/12/02	City of Riverside	68.40	891.60	
01/17/02	SBVMWD	67.74	892.26	#23 on/#36 off
02/14/02	City of Riverside	68.70	891.30	
02/15/02	SBVMWD	68.40	891.60	#23 on/#36 off
03/18/02	SBVMWD	69.70	890.30	#23 on/#36 on
03/28/02	City of Riverside	71.10	888.90	
04/15/02	SBVMWD	71.32	888.68	#23 on/#36 on
05/01/02	Western MWD	71.96	888.04	#23 on/#36 on
05/03/02	City of Riverside	73.00	887.00	Static
05/16/02	SBVMWD	72.20	887.80	#23 on/#36 on
06/14/02	SBVMWD	73.60	886.40	#23 on/#36 on
07/10/02	SBVMWD	76.00	884.00	#23 on/#36 on
07/31/02	City of Riverside	77.00	883.00	Static
08/14/02	SBVMWD	77.10	882.90	#23 on/#36 on
09/11/02	City of Riverside	80.00	880.00	Static
09/13/02	SBVMWD	79.70	880.30	#23 on/#36 off
10/16/02	SBVMWD	83.34	876.66	#23 on/#36 on
11/12/02	City of Riverside	79.00	881.00	Static, LOW
11/16/02	Western MWD	69.78	890.22	#23 on/#36 on ?
11/22/02	SBVMWD	84.40	875.60	#23 on/#36 on
12/11/02	Western MWD	84.76	875.24	#23 on/#36 on
12/18/02	SBVMWD	76.50	883.50	#23 off/#36 off
12/25/02	City of Riverside	81.30	878.70	Static

**Western San Bernardino Watermaster
Well Measurement Record for**

Johnson #1

State Well Number 1S/4W21Q03S

Basin: Colton-Rialto

Reference Point Elevation: 956.06

R Elevation #2, top of MP: 960

Date	Obtained from	Ref. Pt. to Water	Water Surface Elevation	Remarks
2003				
01/13/03	SBVMWD	77.20	882.80	#23 off/#36 off
02/13/03	SBVMWD	78.80	881.20	#23 on/#36 off
03/05/03	City of Riverside	78.40	881.60	
03/26/03	SBVMWD	82.80	877.20	#23 on/#36 off
04/15/03	SBVMWD	78.00	882.00	#23 on, #36 off
05/08/03	SBVMWD	81.00	879.00	#23 on, #36 off
05/08/03	WMWD	80.88	879.12	
06/18/03	SBVMWD	79.20	880.80	#23 on, #36 on
07/17/03	SBVMWD	81.82	878.18	#23 on, #36 off
08/13/03	SBVMWD	83.05	876.95	#23 on, #36 off
08/18/04	City of Riverside	86.60	873.40	
09/12/03	SBVMWD	86.00	874.00	#23 on, #36 on
10/24/03	SBVMWD	87.90	872.10	#23 on, #36 on
11/14/03	SBVMWD	85.40	874.60	#23 on, #36 on
12/08/03	WMWD	84.32	875.68	#23 off, #36 on / LOW
12/17/03	SBVMWD	81.40	878.60	#23 off, #36 off
2004				
01/21/04	SBVMWD	84.70	875.30	#23 on, #36 off
02/23/04	SBVMWD	80.60	879.40	#23 off, #36 off
03/09/04	City of Riverside	79.90	880.10	
03/25/04	SBVMWD	81.40	878.60	#23 off, #36 off
04/07/04	City of Riverside	83.00	877.00	
04/16/04	SBVMWD	81.37	878.63	#23 on, #36 off
05/03/04	WMWD	85.56	874.44	#23 on, #36 off

**Western San Bernardino Watermaster
Well Measurement Record for**

Flume #2

State Well Number 1S/4W29H01S

Basin: Riverside North

Reference Point Elevation: 932.18

Date	Obtained from	Ref. Pt. to Water	Water Surface Elevation	Remarks
<u>1993</u>				
01/23/93	City of Riverside	35.30	896.88	
03/15/93	City of Riverside	35.00	897.18	
04/15/93	City of Riverside	35.00	897.18	
05/04/93	City of Riverside	35.00	897.18	Low for the year
06/08/93	City of Riverside	35.00	897.18	
08/30/93	City of Riverside	58.00	874.18	Pumping
09/07/93	City of Riverside	58.80	873.38	Pumping
10/23/93	US Geological Survey	19.67	912.51	
10/26/93	City of Riverside	20.00	912.18	
12/28/93	City of Riverside	18.60	913.58	
<u>1994</u>				
01/05/94	Western MWD	19.80	912.38	
02/22/94	City of Riverside	20.00	912.18	
05/25/94	City of Riverside	20.00	912.18	
05/31/94	Western MWD	20.00	912.18	
10/24/94	US Geological Survey	21.29	910.89	
11/24/94	City of Riverside	21.80	910.38	
12/06/94	City of Riverside	22.30	909.88	Low for the year
<u>1995</u>				
05/04/95	City of Riverside	17.10	915.08	
05/24/95	Western MWD	16.60	915.58	Low for the year
<u>1996</u>				
02/03/96	City of Riverside	16.80	915.38	
02/23/96	City of Riverside	16.50	915.68	
03/04/96	Western MWD	17.30	914.88	
04/12/96	Western MWD/SBVMWD	22.60	909.58	Rix startup
04/23/97	US Geological Survey	25.40	906.78	
05/10/96	Western MWD	-	-	Pumping
05/14/96	SBVMWD	-	-	Pumping
05/22/96	City of Riverside	66.00	866.18	Pumping
06/14/96	SBVMWD	-	-	Pumping
07/05/96	Western MWD	-	-	Pumping
07/19/96	SBVMWD	43.00	889.18	Low for the year
08/06/96	Western MWD	-	-	Pumping
08/20/96	SBVMWD	-	-	Pumping
10/08/97	US Geological Survey	-	-	Pumping
10/16/96	SBVMWD	-	-	Pumping
11/04/96	Western MWD	-	-	Pumping

**Western San Bernardino Watermaster
Well Measurement Record for**

Flume #2

State Well Number 1S/4W29H01S

Basin: Riverside North

Reference Point Elevation: 932.18

Date	Obtained from	Ref. Pt. to Water	Water Surface Elevation	Remarks
11/18/96	SBVMWD	-	-	Pumping
12/09/96	Western MWD	-	-	Pumping
12/17/96	SBVMWD	-	-	Pumping
<u>1997</u>				
01/16/97	SBVMWD	25.40	906.78	River flowing
02/19/97	SBVMWD	26.00	906.18	
03/18/97	SBVMWD	29.90	902.28	
03/31/97	City of Riverside	43.30	888.88	?
04/18/97	SBVMWD	-	-	Pumping
04/30/97	City of Riverside	25.40	906.78	
05/05/97	Western MWD	75.30	-	Pumping
05/20/97	SBVMWD	-	-	Pumping
06/17/97	SBVMWD	-	-	Pumping
07/16/97	SBVMWD	-	-	Pumping
09/16/97	SBVMWD	Below 32'	-	
10/16/97	SBVMWD	Below 32'	-	
11/18/97	SBVMWD	Below 32'	-	Pumping
12/16/97	SBVMWD	48.80	883.38	Low for the year
12/29/97	Western MWD	48.00	884.18	
<u>1998</u>				
01/10/98	City of Riverside	47.00	885.18	
02/19/98	SBVMWD	-	-	Tape stuck
02/21/98	City of Riverside	28.20	903.98	
04/08/98	City of Riverside	22.30	909.88	
04/20/98	SBVMWD	-	-	Tape stuck
06/01/98	Western MWD	18.50	913.68	
06/18/98	SBVMWD	11.00	921.18	
07/14/98	SBVMWD	-	-	
08/05/98	City of Riverside	53.50	878.68	Pumping
08/17/98	SBVMWD	-	-	
09/17/98	SBVMWD	-	-	
11/10/98	SBVMWD	-	-	Pumping
12/18/98	SBVMWD	-	-	
<u>1999</u>				
01/09/99	City of Riverside	26.60	905.58	Low for "98" year
01/18/99	Western MWD	25.80	906.38	
01/19/99	SBVMWD	-	-	
02/16/99	SBVMWD	-	-	
03/17/99	SBVMWD	-	-	

**Western San Bernardino Watermaster
Well Measurement Record for**

Flume #2

State Well Number 1S/4W29H01S

Basin: Riverside North

Reference Point Elevation: 932.18

Date	Obtained from	Ref. Pt. to Water	Water Surface Elevation	Remarks
04/14/99	SBVMWD	-	-	
05/19/99	City of Riverside	57.10	-	Pumping
06/03/99	Western MWD	-	-	Pumping
07/27/99	City of Riverside	13.8 ?	-	Pumping
10/07/99	City of Riverside	65.00	-	Pumping
12/28/99	Western MWD	-	-	Pumping
<u>2000</u>				
01/05/00	City of Riverside	68.8	-	Pumping
03/21/00	City of Riverside	27.80	904.38	Low for year
05/09/00	Western MWD	-	-	Pumping
09/18/00	City of Riverside	-	-	Cannot measure
12/04/00	City of Riverside	80.60	851.58	#2 on, #6 on
<u>2001</u>				
01/20/01	City of Riverside	52.10	880.08	
02/16/01	City of Riverside	29.20	902.98	#2 off, #6 off
03/09/01	Western MWD	45.35	886.83	
03/09/01	Western MWD	42.35	889.83	
04/23/01	City of Riverside	-	-	Cannot measure
06/08/01	Western MWD	46.31	885.87	
11/16/01	Western MWD	83.80	848.38	Pumping
11/28/01	Western MWD	60.90	871.28	Pumping
12/04/01	City of Riverside	58.50	873.68	idle/LOW
<u>2002</u>				
01/12/02	City of Riverside	59.00	873.18	Idle
02/14/02	City of Riverside	--	--	Cannot measure
03/28/02	City of Riverside	--	--	Cannot measure
05/01/02	Western MWD	59.80	872.38	Idle
05/03/02	City of Riverside	--	--	Cannot measure
06/11/02	City of Riverside	62.80	869.38	Static
09/19/02	City of Riverside	114.30	817.88	Pumping
11/18/02	City of Riverside	69.00	863.18	Static, LOW
11/28/02	Western MWD	--	--	Pumping
12/11/02	Western MWD	--	--	Cannot measure
12/20/02	City of Riverside	69.30	862.88	Static
<u>2003</u>				
03/05/03	City of Riverside	66.50	865.68	
04/23/03	USGS	60.87	871.31	
05/09/03	WMWD	-	-	Tape hangs up

**Western San Bernardino Watermaster
Well Measurement Record for**

Flume #2

State Well Number 1S/4W29H01S

Basin: Riverside North Reference Point Elevation: 932.18

Date	Obtained from	Ref. Pt. to Water	Water Surface Elevation	Remarks
10/21/03	USGS	72.21	859.97	
11/19/03	City of Riverside	73.00	859.18	Static / LOW
12/08/03	WMWD	-	-	Tape hangs up
12/22/03	City of Riverside	73.50	858.68	
2004				
03/11/04	City of Riverside	72.90	859.28	
05/01/04	City of Riverside	71.80	860.38	
05/04/04	WMWD	-	-	Tape hangs up @ 36'

**Western San Bernardino Watermaster
Well Measurement Record for**

Flume #5

State Well Number 1S/4W29Q01S

Basin: Riverside North Reference Point Elevation: 916.53

Date	Obtained from	Ref. Pt to Water	Water Surface Elevation	Remarks
<u>1993</u>				
01/25/93	City of Riverside	20.30	896.23	
10/26/93	City of Riverside	12.50	904.03	Low for the year
12/28/93	City of Riverside	10.00	906.53	
<u>1994</u>				
01/03/94	Western MWD	9.25	907.28	
05/31/94	Western MWD	8.10	908.43	
11/24/94	City of Riverside	10.10	906.43	
12/06/94	Western MWD	10.10	906.43	Low for the year
12/21/94	City of Riverside	25.00	891.53	?
<u>1995</u>				
05/24/95	Western MWD	6.00	910.53	Low for the year
<u>1996</u>				
03/04/96	Western MWD	6.40	910.13	
04/12/96	Western MWD/SBVMWD	12.60	903.93	Rix startup
04/30/96	City of Riverside	16.00	900.53	#6 pumping
05/10/96	Western MWD	18.65	897.88	#2 & #6 pumping
05/14/96	SBVMWD	19.45	897.08	#2 & #6 pumping
05/28/96	City of Riverside	16.00	900.53	#6 pumping
06/14/96	SBVMWD	25.15	891.38	#2 & #6 pumping
07/05/96	Western MWD	27.70	888.83	#2 & #6 pumping
07/19/96	SBVMWD	29.40	887.13	#6 pumping
08/06/96	Western MWD	31.50	885.03	#2 & #6 pumping
08/20/96	SBVMWD	32.50	884.03	#2 & #6 pumping
10/16/96	SBVMWD	36.10	880.43	#2 pumping
11/04/96	Western MWD	36.60	879.93	#2 & #6 pumping
11/18/96	SBVMWD	38.90	877.63	#2 & #6 pumping
12/09/96	Western MWD	36.00	880.53	#2 & #6 pumping
12/17/96	SBVMWD	28.90	887.63	Low for the year
<u>1997</u>				
01/16/97	SBVMWD	-	-	River flowing
01/16/97	SBVMWD	-	-	River flowing
02/19/97	SBVMWD	16.90	899.63	
03/18/97	SBVMWD	20.50	896.03	
04/18/97	SBVMWD	27.30	889.23	#2 & #6 pumping
05/05/97	Western MWD	29.80	886.73	#2 & #6 pumping

**Western San Bernardino Watermaster
Well Measurement Record for**

Flume #5

State Well Number 1S/4W29Q01S

Basin: Riverside North Reference Point Elevation: 916.53

Date	Obtained from	Ref. Pt to Water	Water Surface Elevation	Remarks
05/20/97	SBVMWD	28.60	887.93	#2 & #6 pumping
06/17/97	SBVMWD	35.40	881.13	#2 & #6 pumping
07/16/97	SBVMWD	38.50	878.03	#2 & #6 pumping
09/16/97	SBVMWD	43.40	873.13	#6 pumping
10/16/97	SBVMWD	43.10	873.43	#6 pumping
11/18/97	SBVMWD	41.60	874.93	#2 pumping
12/16/97	SBVMWD	34.75	881.78	
12/29/97	Western MWD	36.95	879.58	Low for the year
<u>1998</u>				
02/19/98	SBVMWD	11.90	904.63	
04/20/98	SBVMWD	7.95	908.58	
06/01/98	Western MWD	6.55	909.98	River just to east
06/18/98	SBVMWD	7.25	909.28	
07/14/98	SBVMWD	8.65	907.88	
08/05/98	City of Riverside	13.30	903.23	#2 & #6 pumping
08/17/98	SBVMWD	7.60	908.93	
09/17/98	SBVMWD	8.40	908.13	
11/10/98	SBVMWD	16.40	900.13	
12/18/98	SBVMWD	18.00	898.53	Low for the year
<u>1999</u>				
01/09/99	City of Riverside	19.20	897.33	#2 on, #6 on
01/18/99	Western MWD	18.50	898.03	
01/19/99	SBVMWD	16.50	900.03	#2 off, #6 off
02/16/99	SBVMWD	11.30	905.23	#2 off, #6 off
03/17/99	SBVMWD	15.30	901.23	#2 off, #6 off
04/14/99	SBVMWD	11.60	904.93	#2 off, #6 off
05/12/99	SBVMWD	15.24	901.29	#2 on, #6 on
05/19/99	City of Riverside	17.80	898.73	#2 on, #6 on
06/03/99	Western MWD	16.75	899.78	#2 on, #6 on
06/04/99	SBVMWD	17.06	899.47	#2 on, #6 on
06/16/99	SBVMWD	18.10	898.43	#2 on, #6 on
07/13/99	SBVMWD	19.74	896.79	#2 on, #6 off
07/27/99	City of Riverside	21.80	894.73	#2 off, #6 off/low
08/17/99	SBVMWD	20.90	895.63	#2 off, #6 on
09/14/99	SBVMWD	26.00	890.53	#2 on, #6 on
10/07/99	City of Riverside	27.00	889.53	#2 on, #6 on
10/15/99	SBVMWD	27.30	889.23	#2 on, #6 on
11/17/99	SBVMWD	28.40	888.13	#2 on, #6 on

**Western San Bernardino Watermaster
Well Measurement Record for**

Flume #5

State Well Number 1S/4W29Q01S

Basin: Riverside North Reference Point Elevation: 916.53

Date	Obtained from	Ref. Pt to Water	Water Surface Elevation	Remarks
12/14/99	SBVMWD	28.62	887.91	#2 on, #6 on
12/28/99	Western MWD	28.30	888.23	#2 on, #6 on
2000				
01/14/00	City of Riverside	26.8	889.73	#2 on, #6 on
01/14/00	SBVMWD	27.82	888.71	#2 on, #6 on
02/14/00	SBVMWD	21.00	895.53	#2 off, #6 off
03/13/00	SBVMWD	12.90	903.63	#2 off, #6 off
03/21/00	City of Riverside	16.40	900.13	
04/12/00	SBVMWD	23.80	892.73	#2 on, #6 on
05/09/00	Western MWD	25.33	891.20	#2 on, #6 on
05/12/00	SBVMWD	25.40	891.13	#2 on, #6 on
06/13/00	SBVMWD	29.00	887.53	#2 on, #6 on
07/13/00	SBVMWD	34.06	882.47	#2 on, #6 on
08/14/00	SBVMWD	35.92	880.61	#2 off, #6 off/low
09/15/00	SBVMWD	39.88	876.65	#2 on, #6 on
09/18/00	City of Riverside	38.50	878.03	#6 on
10/16/00	SBVMWD	41.70	874.83	#2 on, #6 on
11/16/00	SBVMWD	42.30	874.23	#2 on, #6 on
12/04/00	City of Riverside	43.70	872.83	#2 on, #6 on
12/18/00	SBVMWD	44.36	872.17	#2 on, #6 on
2001				
01/17/01	SBVMWD	34.66	881.87	#2 off, #6 off
01/19/01	City of Riverside	41.40	875.13	#2 off, #6 off
02/16/01	SBVMWD	30.30	886.23	#2 off, #6 off
02/19/01	City of Riverside	34.50	882.03	#2 off, #6 off
03/09/01	Western MWD	29.96	886.57	
03/16/01	SBVMWD	33.10	883.43	#2 off, #6 off
04/18/01	SBVMWD	34.94	881.59	#2 off, #6 off
04/23/01	City of Riverside	32.30	884.23	#2 off, #6 off
05/18/01	SBVMWD	36.90	879.63	#2 off, #6 off
06/08/01	Western MWD	36.45	880.08	
06/18/01	SBVMWD	39.90	876.63	#2 off, #6 off
06/18/01	SBVMWD	36.90	879.63	#2 off, #6 off
07/18/01	SBVMWD	38.86	877.67	#2 off, #6 off
08/20/01	SBVMWD	41.48	875.05	#2 off, #6 off
09/24/01	SBVMWD	46.60	869.93	#2 off, #6 off
10/16/01	SBVMWD	48.90	867.63	#2 off, #6 off

**Western San Bernardino Watermaster
Well Measurement Record for**

Flume #5

State Well Number 1S/4W29Q01S

Basin: Riverside North Reference Point Elevation: 916.53

Date	Obtained from	Ref. Pt to Water	Water Surface Elevation	Remarks
11/14/01	SBVMWD	49.50	867.03	#2 off, #6 off
11/16/01	Western MWD	50.80	865.73	#2 on, #6 off
12/04/01	City of Riverside	47.50	869.03	#2 off, #6 off/LOW
12/17/01	SBVMWD	46.34	870.19	#2 off, #6 off
2002				
01/12/02	City of Riverside	48.10	868.43	#2 off, #6 off
01/17/02	SBVMWD	47.10	869.43	#2 off, #6 off
02/14/02	City of Riverside	47.60	868.93	#6 off
02/15/02	SBVMWD	47.80	868.73	#2 off, #6 off
03/18/02	SBVMWD	47.10	869.43	#2 off, #6 off
03/28/02	City of Riverside	60.70	855.83	#2 off, #6 off, ?
04/15/02	SBVMWD	48.54	867.99	#2 off, #6 off
05/01/02	Western MWD	49.90	866.63	
05/03/02	City of Riverside	62.40	854.13	#2 off, #6 off
05/16/02	SBVMWD	49.70	866.83	#2 off, #6 off
06/11/02	City of Riverside	52.50	864.03	Static
06/14/02	SBVMWD	51.64	864.89	#2 off, #6 off
07/10/02	SBVMWD	55.82	860.71	#2 off, #6 on
08/14/02	SBVMWD	58.50	858.03	#2 off, #6 on
09/13/02	SBVMWD	61.00	855.53	#2 off, #6 on
09/19/02	City of Riverside	71.40	845.13	#2 on, #6 on
10/16/02	SBVMWD	63.14	853.39	#2 on, #6 on
11/14/02	City of Riverside	57.00	859.53	#2 off, #6 off
11/16/02	Western MWD	--	--	#2 pumping
11/22/02	SBVMWD	57.80	858.73	#2 off, #6 off, LOW
12/11/02	Western MWD	56.55	859.98	
12/18/02	SBVMWD	55.60	860.93	#2 off, #6 off
12/20/02	City of Riverside	57.30	859.23	#2 off, #6 off
2003				
01/13/03	SBVMWD	56.50	860.03	#2 off, #6 off
02/13/03	SBVMWD	53.80	862.73	#2 off, #6 off
03/05/03	City of Riverside	52.20	864.33	
03/26/03	SBVMWD	47.80	868.73	#2 off, #6 off
04/15/03	SBVMWD	45.90	870.63	#2 off, #6 off
05/08/03	SBVMWD	47.85	868.68	#2 on, #6 off
05/09/03	WMWD	46.38	870.15	#2 on, #6 off
06/18/03	SBVMWD	51.65	864.88	#2 off, #6 off

**Western San Bernardino Watermaster
Well Measurement Record for**

Flume #5

State Well Number 1S/4W29Q01S

Basin: Riverside North Reference Point Elevation: 916.53

Date	Obtained from	Ref. Pt to Water	Water Surface Elevation	Remarks
07/17/03	SBVMWD	56.70	859.83	#2 off, #6 on
08/13/03	SBVMWD	58.10	858.43	#2 off, #6 on
08/20/03	City of Riverside	60.00	856.53	
09/12/03	SBVMWD	61.10	855.43	#2 off, #6 on
10/24/03	SBVMWD	65.50	851.03	#2 off, #6 on
11/14/03	SBVMWD	63.00	853.53	#2 off, #6 off / LOW
11/19/03	City of Riverside	62.00	854.53	#2 off, #6 off
12/08/03	WMWD	61.93	854.60	#2 off, #6 off
12/17/03	SBVMWD	61.90	854.63	#2 off, #6 off
12/22/03	City of Riverside	61.90	854.63	
2004				
01/21/04	SBVMWD	62.20	854.33	#2 off, #6 off
02/23/04	SBVMWD	61.00	855.53	#2 off, #6 off
03/11/04	City of Riverside	60.10	856.43	
03/25/04	SBVMWD	60.25	856.28	#2 off, #6 off
04/16/04	SBVMWD	60.25	856.28	#2 off, #6 off
05/01/04	City of Riverside	62.50	854.03	
05/04/04	WMWD	60.30	856.23	#2 off, #6 off